

# HP Compaq 6820s Notebook PC

## Maintenance and Service Guide

© Copyright 2007 Hewlett-Packard  
Development Company, L.P.

AMD, the AMD Arrow logo, and combinations thereof, are trademarks of Advanced Micro Devices, Inc. Bluetooth is a trademark owned by its proprietor and used by Hewlett-Packard Company under license. Intel, Core, Celeron, and Pentium are trademarks or registered trademarks of Intel Corporation or its subsidiaries in the U.S. and other countries. Java is a trademark of Sun Microsystems, Inc. Microsoft, Windows, and Windows Vista are either trademarks or registered trademarks of Microsoft Corporation in the United States and/or other countries. SD Logo is a trademark of its proprietor.

The information contained herein is subject to change without notice. The only warranties for HP products and services are set forth in the express warranty statements accompanying such products and services. Nothing herein should be construed as constituting an additional warranty. HP shall not be liable for technical or editorial errors or omissions contained herein.

Second Edition: December 2007

First Edition: September 2007

Document Part Number: 456943-002

## MSG revision history

Revision	Publication date	Description
A	February 2010	The top cover, part number 457616-001, does not include the TouchPad board and cable or the TouchPad button board and cable. This information has been updated in the following locations: <a href="#">Computer major components on page 12</a> , <a href="#">Sequential part number listing on page 22</a> , and <a href="#">Top cover on page 55</a> . The TouchPad board and cable are available using part number 457617-001. The TouchPad button board and cable is available using part number 456601-001.



## Safety warning notice

- 
- ⚠ **WARNING!** To reduce the possibility of heat-related injuries or of overheating the computer, do not place the computer directly on your lap or obstruct the computer air vents. Use the computer only on a hard, flat surface. Do not allow another hard surface, such as an adjoining optional printer, or a soft surface, such as pillows or rugs or clothing, to block airflow. Also, do not allow the AC adapter to contact the skin or a soft surface, such as pillows or rugs or clothing, during operation. The computer and the AC adapter comply with the user-accessible surface temperature limits defined by the International Standard for Safety of Information Technology Equipment (IEC 60950).
-



---

# Table of contents

## 1 Product description

## 2 External component identification

Top components .....	5
TouchPad .....	5
Buttons, lights, and speaker .....	6
Keys .....	7
Front components .....	8
Right-side components .....	8
Left-side components .....	9
Bottom components .....	10

## 3 Illustrated parts catalog

Serial number location .....	11
Computer major components .....	12
Plastics Kit .....	18
Cable Kit .....	19
Mass storage devices .....	20
Miscellaneous parts .....	21
Sequential part number listing .....	22

## 4 Removal and replacement procedures

Preliminary replacement requirements .....	27
Tools required .....	27
Service considerations .....	27
Plastic parts .....	27
Cables and connectors .....	28
Drive handling .....	28
Grounding guidelines .....	29
Electrostatic discharge damage .....	29
Packaging and transporting guidelines .....	30
Workstation guidelines .....	30
Equipment guidelines .....	31

Unknown user password .....	32
Component replacement procedures .....	33
Serial number .....	33
Computer feet .....	34
Battery .....	35
Hard drive .....	36
WLAN module .....	38
Memory module .....	41
Optical drive .....	42
Switch cover and keyboard .....	45
Speaker .....	49
Display lid switch module .....	50
Display assembly .....	51
Top cover .....	55
TouchPad board and TouchPad button board .....	58
Bluetooth module .....	60
System board .....	61
Fan .....	65
Heat sink .....	67
Processor .....	69
Modem module .....	71
RTC battery .....	73

## 5 Computer Setup

Starting Computer Setup .....	75
Using Computer Setup .....	76
Navigating and selecting in Computer Setup .....	76
Restoring factory settings in Computer Setup .....	76
Computer Setup menus .....	77
File menu .....	77
Security menu .....	78
Diagnostics menu .....	78
System Configuration menu .....	79

## 6 Specifications

Computer specifications .....	80
17.0-inch, WXGA display specifications .....	81
Hard drive specifications .....	82
DVD±RW and CD-RW Double-Layer Combo Drive specifications .....	83
DVD/CD-RW Combo Drive specifications .....	84
System DMA specifications .....	85
System interrupt specifications .....	86
System I/O address specifications .....	87



System memory map specifications .....	89
--	----

## 7 Screw listing

Phillips PM2.0×5.0 captive screw .....	91
Phillips PM2.5×13.0 captive screw .....	92
Phillips PM3.0×4.0 screw .....	93
Phillips PM2.5×4.0 screw .....	94
Torx T8M2.5×7.0 screw .....	95
Phillips PM2.0×4.0 screw .....	97
Torx T8M2.5×9.0 screw .....	99
Torx T8M2.5×3.0 broad-head screw .....	100
Torx T8M2.5×4.0 screw .....	101
Torx T8M2.5×6.0 screw .....	103
Phillips PM2.0×2.0 broad-head screw .....	105
Phillips PM2.0×6.0 screw .....	106
Phillips PM2.5×7.0 screw .....	107
Phillips PM2.5×7.0 captive screw .....	108
Phillips PM2.5×10.0 captive screw .....	109

## 8 Backup and recovery

Creating recovery discs in Windows Vista .....	110
Backing up your information in Windows Vista .....	111
When to back up .....	111
Backup suggestions .....	111
Backing up specific files or folders .....	112
Backing up the entire hard drive .....	112
Creating recovery points .....	113
Scheduling backups .....	113
Performing a recovery in Windows Vista .....	114
Performing a recovery from the recovery discs .....	114
Performing a recovery from the hard drive .....	114
Initiating a recovery in Windows .....	115
Initiating a recovery from the hard drive recovery partition .....	115
Creating recovery discs in Windows XP .....	116
Backing up your information in Windows XP .....	117
When to back up .....	117
Backup suggestions .....	117
Backing up specific files or folders .....	118
Backing up the entire hard drive .....	118
Creating recovery points .....	119
Scheduling backups .....	119
Performing a recovery in Windows XP .....	120
Performing a recovery from the recovery discs .....	120

Performing a recovery from the hard drive .....	120
Initiating a recovery in Windows .....	121
Initiating a recovery from the hard drive recovery partition .....	122

## **9 Connector pin assignments**

Audio-out (headphone) .....	123
Audio-in (microphone) .....	123
External monitor .....	124
RJ-11 (modem) .....	125
RJ-45 (network) .....	125
Universal Serial Bus .....	126

## **10 Power cord set requirements**

Requirements for all countries and regions .....	127
Requirements for specific countries and regions .....	128

## **11 Recycling**

Battery .....	129
Display .....	129

<b>Index .....</b>	<b>135</b>
--------------------	------------

# 1 Product description

Category	Description
<b>Product Name</b>	HP Compaq 6820s Notebook PC
<b>Processors</b>	Intel® Core™ 2 Duo processors <ul style="list-style-type: none"><li>• T9300 2.50-GHz processor, 6-MB L2 cache, 800-MHz FSB</li><li>• T8300 2.40-GHz processor, 3-MB L2 cache, 800-MHz FSB</li><li>• T8100 2.10-GHz processor, 3-MB L2 cache, 800-MHz FSB</li><li>• T7800 2.60-GHz processor, 4-MB L2 cache, 800-MHz FSB</li><li>• T7700 2.40-GHz processor, 4-MB L2 cache, 800-MHz FSB</li><li>• T7500 2.20-GHz processor, 4-MB L2 cache, 800-MHz FSB</li><li>• T7300 2.00-GHz processor, 4-MB L2 cache, 800-MHz FSB</li><li>• T7250 2.00-GHz processor, 2-MB L2 cache, 800-MHz FSB</li><li>• T7100 1.80-GHz processor, 2-MB L2 cache, 800-MHz FSB</li><li>• T5550 1.83-GHz processor, 2-MB L2 cache, 800-MHz FSB</li><li>• T5470 1.60-GHz processor, 2-MB L2 cache, 800-MHz FSB</li><li>• T5270 1.40-GHz processor, 2-MB L2 cache, 800-MHz FSB)</li></ul> <b>Intel Pentium® Dual Core processor:</b> <ul style="list-style-type: none"><li>• T2310 1.83-GHz processor, 1-MB L2 cache, 533-MHz FSB</li></ul> Intel Celeron® M processors <ul style="list-style-type: none"><li>• 550 2.00-GHz processor, 1-MB L2 cache, 533-MHz FSB</li><li>• 540 1.86-GHz processor, 1-MB L2 cache, 533-MHz FSB</li><li>• 530 1.73-GHz processor, 1-MB L2 cache, 533-MHz FSB</li></ul>
<b>Chipset</b>	Northbridge: Intel PM965 with up to 800-MHz FSB Southbridge: Intel ICH-8M
<b>Graphics</b>	ATI Mobility Radeon X1350 ATI-M62s graphics subsystem with up to 128-MB DDR1 or 128-MB DDR2 discrete graphics subsystem memory
<b>Panel</b>	All display assemblies include 2 wireless local area network (WLAN) antennae <ul style="list-style-type: none"><li>• 17.0-inch WXGA BrightView</li><li>• 17.0-inch WXGA AntiGlare</li></ul>

Category	Description
<b>Memory</b>	2 customer-accessible/upgradable memory module slots
	Support for dual-channel memory
	Support for up to 4 GB of system RAM
	PC2-5300, 667-MHz, DDR2
	Support for the following configurations:
	<ul style="list-style-type: none"> <li>4096-MB total system memory (2048 × 2, dual-channel)</li> <li>3072-MB total system memory (2048 + 1024)</li> <li>2560-MB total system memory (2048 + 512)</li> <li>2048-MB total system memory (1024 × 2, dual-channel)</li> <li>2048-MB total system memory (2048 × 1)</li> <li>1536-MB total system memory (1024 + 512)</li> <li>1024-MB total system memory (512 × 2, dual-channel)</li> <li>1024-MB total system memory (1024 × 1)</li> <li>512-MB total system memory (512 × 1)</li> </ul>
<b>Hard drives</b>	Support for 9.5-mm, 2.5-inch hard drives
	Customer-accessible
	Serial ATA
	Support for the following drives:
	<ul style="list-style-type: none"> <li>250-GB, 5400-rpm</li> <li>160-GB, 5400-rpm</li> <li>120-GB, 5400-rpm</li> <li>80-GB, 5400-rpm</li> </ul>
	HP 3D DriveGuard
<b>Optical drives</b>	Fixed (removal of 1 screw required)
	Customer-accessible
	Parallel ATA
	12.7-mm tray load
	Support for the following drives:
	<ul style="list-style-type: none"> <li>DVD±RW and CD-RW Super Multi Double-Layer Combo Drive with LightScribe</li> <li>DVD±RW and CD-RW Super Multi Double-Layer Combo Drive</li> <li>Blu-ray Disc ROM and SuperMulti DVD±R/RW Double-Layer Drive</li> <li>DVD/CD-RW Combo Drive</li> </ul>
<b>Diskette drive</b>	Supports external USB diskette drive only
	Supports boot from external USB diskette drive

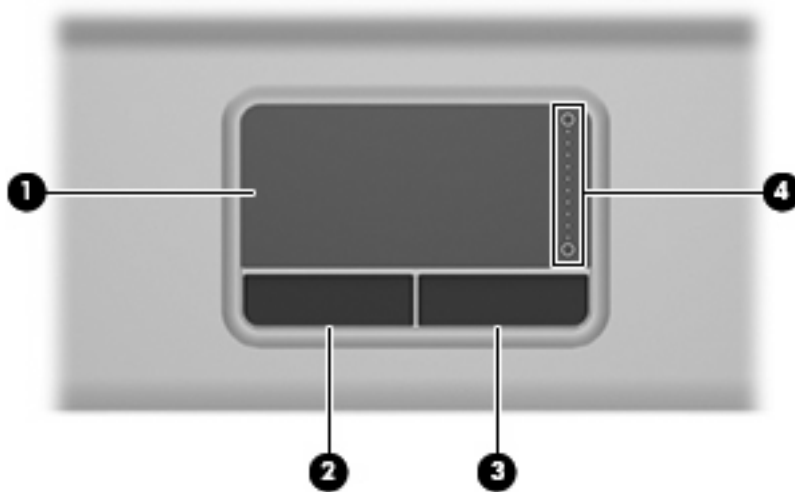
Category	Description
	Supports 3-mode diskette drive
<b>Audio</b>	HD audio - ADI1981
	Single speaker
<b>Modem</b>	56K V.92 1.5-inch data/fax modem with digital line guard
	Modem cable included in the Czech Republic, Europe, France, Greece, Hungary, Israel, Poland, Russia, Saudi Arabia, Slovakia, Slovenia, South Africa, Turkey, and the United Kingdom
<b>Ethernet</b>	Intel 82562GT
	S3/S4/S5 wake-on-LAN: DC - no
	S3/S4/S5 wake-on-LAN: AC - yes
<b>Wireless</b>	<b>Integrated WLAN options by way of wireless module:</b>
	2 WLAN antennae built into display assembly
	Support for no-WLAN option
	Support for the following WLAN formats:
	<ul style="list-style-type: none"> <li>• Intel 802.11a/b/g/n without iAMT</li> <li>• Broadcom 802.11a/b/g</li> <li>• Intel 802.11a/b/g without iAMT</li> <li>• Intel 802.11a/b/g (not available on computer models equipped with Intel Celeron M processors)</li> <li>• Broadcom 802.11b/g</li> <li>• Intel 802.11b/g (not available on computer models equipped with Intel Celeron M processors)</li> </ul>
	<b>Integrated personal area network (PAN) options by way of Bluetooth® module:</b>
	Support for no-WPAN option
	Broadcom Bluetooth 2.0+EDR
<b>External media card</b>	One ExpressCard/54 slot
	SD/MMC Card Reader supporting Secure Digital (SD) Memory Card and MultiMediaCard (MMC)
<b>Ports</b>	Audio-in (mono microphone)
	Audio-out (stereo headphone)
	RJ-11 (modem)
	RJ-45 (Ethernet, includes link and activity lights)
	USB (3)
	VGA (Dsub 15-pin) supporting 1600 × 1200 external resolution at 75-GHz (hot plug/unplug with auto-detect)
	2-pin AC power
<b>Keyboard/pointing devices</b>	14.45-inch keyboard with separate numeric keypad

<b>Category</b>	<b>Description</b>
	TouchPad only, with 2 TouchPad buttons and vertical scrolling (taps enabled as default)
<b>Power requirements</b>	90-W AC adapter with localized cable plug support (2-wire plug with ground pin, supports 2-pin DC connector)
	6-cell, 55-Wh Li-ion battery
<b>Security</b>	Supports Kensington security lock
<b>Operating system</b>	<b>Preinstalled:</b>
	Windows Vista® Basic 32 with Office Ready
	Windows Vista Home Premium with Office Ready
	Windows Vista Business 32 with Office Ready
	Windows® XP Professional
	FreeDOS
	<b>Restore media:</b>
	Windows Vista Basic 32
	Windows Vista Home Premium
	Windows Vista Business 32
	Windows XP Professional
	DRDVD Vista
	<b>Certified:</b> Microsoft® WHQL
<b>Serviceability</b>	<b>End-user replaceable parts:</b>
	AC adapter
	Battery (system)
	Hard drive
	Memory module
	Optical drive
	WLAN module

## 2 External component identification

### Top components

#### TouchPad



Item	Component	Function
(1)	TouchPad*	Moves the pointer and selects or activates items on the screen.
(2)	Left TouchPad button*	Functions like the left button on an external mouse.
(3)	Right TouchPad button*	Functions like the right button on an external mouse.
(4)	TouchPad scroll zone	Scrolls up or down.

\*This table describes factory settings. View or change pointing device preferences as follows:

- In Windows Vista, select **Start > Control Panel > Hardware and Sound > Mouse**.
- In Windows XP, select **Start > Control Panel > Printers and Other Hardware > Mouse**.

## Buttons, lights, and speaker



Item	Component	Function
(1)	Wireless button	<p>Turns the wireless feature on or off, but does not establish a wireless connection.</p> <p><b>NOTE:</b> A wireless network must be set up in order to establish a wireless connection.</p>
(2)	Wireless light	<ul style="list-style-type: none"><li>• On: An integrated wireless device, such as a wireless local area network (WLAN) device, the HP Broadband Wireless Module, and/or a Bluetooth® device, is on.</li><li>• Off: All wireless devices are off.</li></ul>
(3)	Power button	<ul style="list-style-type: none"><li>• When the computer is off, press the button to turn on the computer.</li><li>• When the computer is on, press the button to initiate Hibernation.</li><li>• When the computer is in the Sleep state (Windows Vista) or in Standby (Windows XP), press the button briefly to exit the Sleep state or Standby.</li><li>• When the computer is in Hibernation, press the button briefly to exit Hibernation.</li></ul> <p>If the computer has stopped responding and Windows® shutdown procedures are ineffective, press and hold the power button for at least 5 seconds to turn off the computer.</p> <p>To learn more about your power settings, follow these steps:</p> <ul style="list-style-type: none"><li>• In Windows Vista, select <b>Start &gt; Control Panel &gt; System and Maintenance &gt; Power Options</b>.</li><li>• In Windows XP, select <b>Start &gt; Control Panel &gt; Performance and Maintenance &gt; Power Options</b>.</li></ul>



Item	Component	Function
(4)	Power light	<ul style="list-style-type: none"> <li>On: The computer is on.</li> <li>Blinking: The computer is in the Sleep state (Windows Vista) or Standby (Windows XP).</li> <li>Off: The computer is off or in Hibernation.</li> </ul>
(5)	Speaker	Produces sound.

## Keys



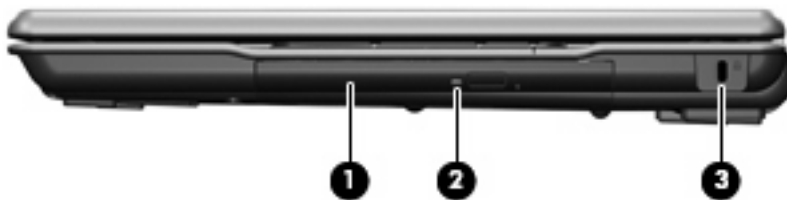
Item	Component	Function
(1)	<b>esc</b> key	Displays system information when pressed in combination with the <b>fn</b> key.
(2)	<b>fn</b> key	Executes frequently used system functions when pressed in combination with a function key or the <b>esc</b> key.
(3)	Windows logo key	Displays the Windows Start menu.
(4)	Windows applications key	Displays a shortcut menu for items beneath the pointer.
(5)	Numeric keypad keys	Can be used like the keys on an external numeric keypad.
(6)	Function keys	Execute frequently used system functions when pressed in combination with the <b>fn</b> key.

## Front components



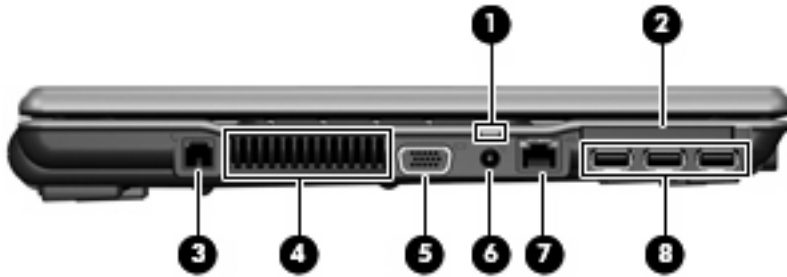
Item	Component	Function
(1)	Audio-out (headphone) jack	Produces sound when connected to optional powered stereo speakers, headphones, ear buds, a headset, or television audio.
(2)	Audio-in (microphone) jack	Connects an optional computer headset microphone, stereo array microphone, or monaural microphone.
(3)	SD/MMC Card Reader	Supports the following optional digital card formats: SD Memory Card and MMC.

## Right-side components



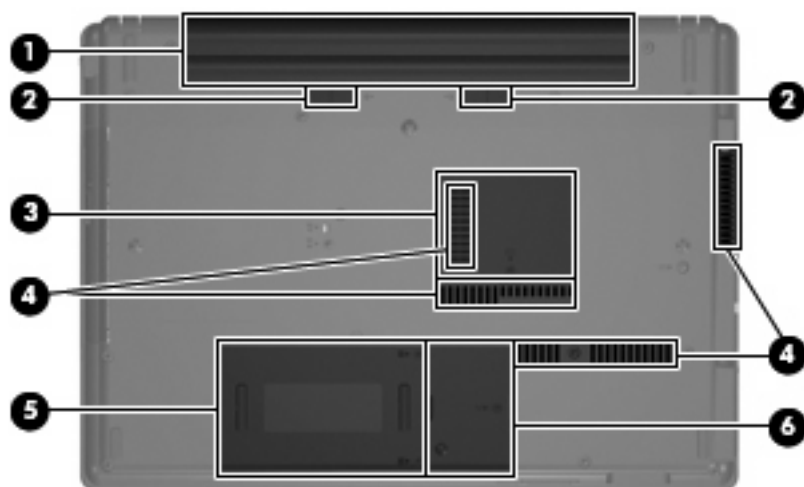
Item	Component	Function
(1)	Optical drive	Reads optical discs and, on select models, also writes to optical discs.
(2)	Optical drive light	Blinking: The optical drive is being accessed.
(3)	Security cable slot	Attaches an optional security cable to the computer. <b>NOTE:</b> The security cable is designed to act as a deterrent, but it may not prevent the computer from being mishandled or stolen.

## Left-side components



Item	Component	Function
(1)	Battery light	<ul style="list-style-type: none"> <li>Amber: A battery is charging.</li> <li>Blue: A battery is close to full charge capacity.</li> <li>Blinking amber: A battery that is the only available power source has reached a low battery level. When the battery reaches a critical battery level, the battery light begins blinking rapidly.</li> <li>If the computer is plugged into an external power source, the light turns off when all batteries in the computer are fully charged. If the computer is not plugged into an external power source, the light stays off until the battery reaches a low battery level.</li> </ul>
(2)	ExpressCard slot	Supports optional ExpressCards.
(3)	RJ-11 (modem) jack	Connects a modem cable.
(4)	Vent	Enables airflow to cool internal components.  <b>NOTE:</b> The computer fan starts up automatically to cool internal components and prevent overheating. It is normal for the internal fan to cycle on and off during routine operation.
(5)	External monitor port	Connects an external VGA monitor or projector.
(6)	Power connector	Connects an AC adapter.
(7)	RJ-45 (network) jack	Connects a network cable.
(8)	USB ports (3)	Connect optional USB devices.

## Bottom components



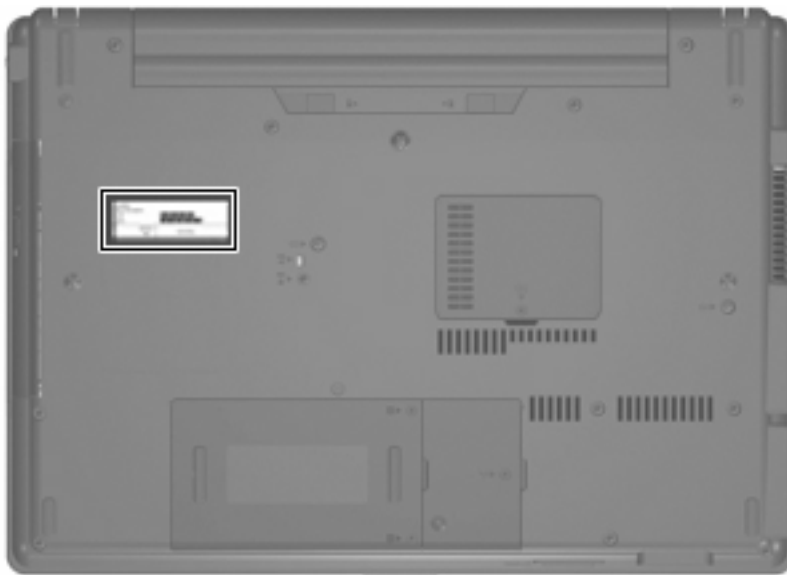
Item	Component	Function
(1)	Battery bay	Holds the battery.
(2)	Battery release latches (2)	Release the battery from the battery bay.
(3)	Memory module compartment	Contains 2 memory module slots.
(4)	Vents (4)	Enable airflow to cool internal components. <b>NOTE:</b> The computer fan starts up automatically to cool internal components and prevent overheating. It is normal for the internal fan to cycle on and off during routine operation.
(5)	Hard drive bay	Holds the hard drive.
(6)	WLAN module compartment (select models only)	Contains a WLAN module slot. <b>CAUTION:</b> To prevent an unresponsive system, use only a wireless module authorized for use in the computer by the governmental agency that regulates wireless devices in your country or region. If you install the module and then receive a warning message, remove the module to restore computer functionality, and then contact technical support through Help and Support.

---

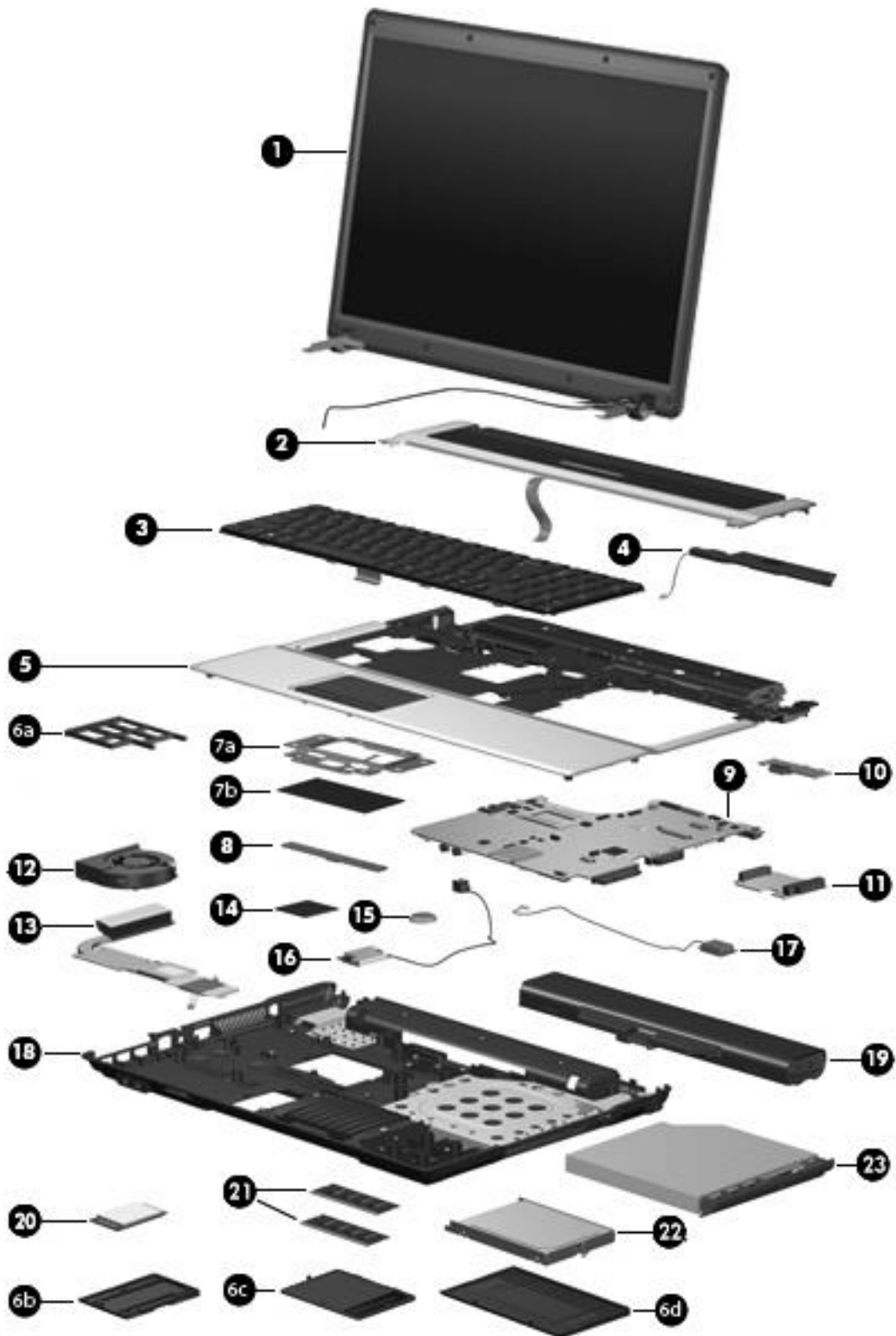
## 3 Illustrated parts catalog

### Serial number location

When ordering parts or requesting information, provide the computer serial number and model number located on the bottom of the computer.



# Computer major components



Item	Description	Spare part number
<b>(1)</b>	<b>Display assemblies</b> (include 2 wireless antenna transceivers and cables)	
	17.0-inch, WXGA with AntiGlare	456582-001
	17.0-inch, WXGA with BrightView	456583-001
	<b>Display internal components:</b>	
	Display enclosure (includes display bezel, 2 WLAN antenna transceivers and cables)	456586-001
	Display hinges (includes left and right hinges)	456584-001
	Display inverter	457621-001
<b>(2)</b>	<b>Switch cover</b> (includes button board and cable)	456581-001
<b>(3)</b>	<b>Keyboards</b>	
	For use in Belgium	456587-181
	For use in the Czech Republic	456587-221
	For use in Denmark	456587-081
	For use in France	456587-051
	For use in French Canada	456587-121
	For use in Germany	456587-041
	For use in Greece	456587-DJ1
	For use in Hungary	456587-211
	For use in Iceland	456587-DD1
	For use in Israel	456587-BB1
	For use in Italy	456587-061
	For use in the Netherlands	456587-B31
	For use in Norway	456587-091
	For use in Portugal	456587-131
	For use in Russia	456587-251
	For use in Saudi Arabia	456587-171
	For use in Slovakia	456587-231
	For use in Slovenia	456587-BA1
	For use in Spain	456587-071
	For use in Sweden	456587-B71
	For use in Switzerland	456587-BG1
	For use in Turkey	456587-141
	For use in the United Kingdom	456587-031
	For use in the United States	456587-001
<b>(4)</b>	<b>Speaker</b>	457614-001

Item	Description	Spare part number
(5)	<b>Top cover</b>	457616-001
	<b>Plastics Kit</b> (see <a href="#">Plastics Kit on page 18</a> for more Plastics Kit spare part information):	456614-001
(6a)	<b>ExpressCard slot bezel</b>	
(6b)	<b>WLAN module compartment cover</b> (includes one captive screw, secured by a C-clip)	
(6c)	<b>Memory module compartment cover</b> (includes one captive screw, secured by a C-clip)	
(6d)	<b>Hard drive bay cover</b> (includes 2 captive screws, secured by C-clips)	
	<b>TouchPad components</b>	
(7a)	<b>TouchPad bracket</b> (included in the Miscellaneous TouchPad Kit, which also includes the TouchPad button board actuators, which are not illustrated)	457618-001
(7b)	<b>TouchPad board</b> (includes cable)	457617-001
(8)	<b>TouchPad button board</b> (includes cable)	456601-001
(9)	<b>System boards</b> (include replacement thermal material)	
	Includes 128-MB of DDR2 graphics subsystem memory	456613-001
	Includes 64-MB of DDR2 graphics subsystem memory	456612-001
	Includes 128-MB of DDR1 graphics subsystem memory	456611-001
	Includes 64-MB of DDR1 graphics subsystem memory	456610-001
(10)	<b>Battery connector board</b>	457620-001
(11)	<b>Optical drive connector board</b>	456805-001
(12)	<b>Fan</b>	431312-001
(13)	<b>Heat sink</b> (includes replacement thermal material)	456606-001
(14)	<b>Processors</b> (includes replacement thermal material)	
	<b>Intel Core 2 Duo processors:</b>	
	• T9300 2.50-GHz (6-MB L2 cache, 800-MHz FSB)	463050-001
	• T8300 2.40-GHz (3-MB L2 cache, 800-MHz FSB)	463049-001
	• T8100 2.10-GHz (3-MB L2 cache, 800-MHz FSB)	463048-001
	• T7800 2.60-GHz (4-MB L2 cache, 800-MHz FSB)	459465-001
	• T7700 2.40-GHz (4-MB L2 cache, 800-MHz FSB)	446894-001
	• T7500 2.20-GHz (4-MB L2 cache, 800-MHz FSB)	446893-001
	• T7300 2.00-GHz (4-MB L2 cache, 800-MHz FSB)	446892-001
	• T7250 2.00-GHz (2-MB L2 cache, 800-MHz FSB)	459463-001
	• T7100 1.80-GHz (2-MB L2 cache, 800-MHz FSB)	446891-001
	• T5550 1.83-GHz (2-MB L2 cache, 800-MHz FSB)	459464-001
	• T5470 1.60-GHz (2-MB L2 cache, 800-MHz FSB)	456575-001
	• T5270 1.40-GHz (2-MB L2 cache, 800-MHz FSB)	462345-001



Item	Description	Spare part number
	<b>Intel Pentium Dual Core processor:</b>	
	<ul style="list-style-type: none"> <li>T2310 1.83-GHz (1-MB L2 cache, 533-MHz FSB)</li> </ul>	462619-001
	<b>Intel Celeron M processors:</b>	
	<ul style="list-style-type: none"> <li>550 2.00-GHz (1-MB L2 cache, 533-MHz FSB)</li> </ul>	446888-001
	<ul style="list-style-type: none"> <li>540 1.86-GHz (1-MB L2 cache, 533-MHz FSB)</li> </ul>	446889-001
	<ul style="list-style-type: none"> <li>530 1.73-GHz (1-MB L2 cache, 533-MHz FSB)</li> </ul>	459462-001
(15)	<b>RTC battery</b>	449137-001
(16)	<b>Modem module</b>	441074-001
	<b>NOTE:</b> The modem module spare part kit does not include a modem module cable. The modem module cable is included in the Cable Kit, spare part number 457615-001. See <a href="#">Cable Kit on page 19</a> for more Cable Kit spare part number information.	
(17)	<b>Broadcom Bluetooth module</b> (does not include Bluetooth module cable)	398393-002
	<b>NOTE:</b> The Bluetooth module spare part kit does not include a Bluetooth module cable. The Bluetooth module cable is included in the Cable Kit, spare part number 457615-001. See <a href="#">Cable Kit on page 19</a> for more Cable Kit spare part number information.	
(18)	<b>Base enclosure</b> (includes rubber feet)	457619-001
	<b>Rubber Kit</b> (not illustrated, contains 6 computer feet and 8 display bezel screw covers)	456616-001
(19)	<b>6-cell, 55-Wh Li-ion battery</b>	456865-001
(20)	<b>WLAN modules</b>	
	<b>Intel 802.11a/b/g/n WLAN modules:</b>	
	<ul style="list-style-type: none"> <li>For use in Antigua and Barbuda, Argentina, Aruba, the Bahamas, Barbados, Bermuda, Brunei, Canada, the Cayman Islands, Chile, Colombia, Costa Rica, the Dominican Republic, Ecuador, El Salvador, Guam, Guatemala, Haiti, Honduras, Hong Kong, India, Indonesia, Malaysia, Mexico, Panama, Paraguay, Peru, Saudi Arabia, Taiwan, Uruguay, the United States, Venezuela, and Vietnam</li> </ul>	441086-001
	<ul style="list-style-type: none"> <li>For use in Azerbaijan, Bahrain, Belgium, Brazil, Bulgaria, Croatia, Cyprus, the Czech Republic, Denmark, Egypt, Estonia, Finland, France, Georgia, Germany, Greece, Hungary, Iceland, Ireland, Israel, Italy, Latvia, Lebanon, Liechtenstein, Lithuania, Luxembourg, Malta, Monaco, the Netherlands, Norway, Oman, the Philippines, Poland, Portugal, Qatar, Romania, Russia, Serbia and Montenegro, Singapore, Slovakia, Slovenia, South Africa, Spain, Sri Lanka, Sweden, Switzerland, Turkey, Ukraine, the United Kingdom, and Uzbekistan</li> </ul>	441086-002
	<b>Broadcom 802.11a/b/g WLAN modules:</b>	
	<ul style="list-style-type: none"> <li>For use in Canada, Cayman Islands, Guam, Puerto Rico, the U.S. Virgin Islands, and the United States</li> </ul>	441075-001

Item	Description	Spare part number
	<ul style="list-style-type: none"> <li>For use in Afghanistan, Albania, Algeria, Andorra, Angola, Antigua and Barbuda, Argentina, Armenia, Aruba, Australia, Austria, Azerbaijan, the Bahamas, Bahrain, Bangladesh, Barbados, Belarus, Belgium, Belize, Benin, Bermuda, Bhutan, Bolivia, Bosnia and Herzegovina, Botswana, Brazil, the British Virgin Islands, Brunei, Bulgaria, Burkina Faso, Burundi, Cameroon, Cape Verde, the Central African Republic, Chad, Chile, the People's Republic of China, Colombia, Comoros, the Congo, Costa Rica, Croatia, Cyprus, the Czech Republic, Denmark, Djibouti, Dominica, the Dominican Republic, East Timor, Ecuador, Egypt, El Salvador, Equatorial Guinea, Eritrea, Estonia, Ethiopia, Fiji, Finland, France, French Guiana, Gabon, Gambia, Georgia, Germany, Ghana, Gibraltar, Greece, Grenada, Guadeloupe, Guatemala, Guinea, Guinea-Bissau, Guyana, Haiti, Honduras, Hong Kong, Hungary, Iceland, India, Ireland, Israel, Italy, the Ivory Coast, Jamaica, Jordan, Kazakhstan, Kenya, Kiribati, Kyrgyzstan, Laos, Latvia, Lebanon, Lesotho, Liberia, Liechtenstein, Lithuania, Luxembourg, Macedonia, Madagascar, Malawi, Malaysia, the Maldives, Mali, Malta, the Marshall Islands, Martinique, Mauritania, Mauritius, Mexico, Micronesia, Monaco, Mongolia, Montenegro, Morocco, Mozambique, Namibia, Nauru, Nepal, the Nether Antilles, the Netherlands, New Zealand, Nicaragua, Niger, Nigeria, Norway, Oman, Pakistan, Palau, Panama, Papua New Guinea, Paraguay, Peru, the Philippines, Poland, Portugal, the Republic of Moldova, Romania, Russia, Rwanda, Samoa, San Marino, Sao Tome &amp; Principe, Saudi Arabia, Senegal, Serbia and Montenegro, the Seychelles, Sierra Leone, Singapore, Slovakia, Slovenia, the Solomon Islands, Somalia, South Africa, South Korea, Spain, Sri Lanka, St. Kitts &amp; Nevis, St. Lucia, St. Vincent &amp; Grenada, Suriname, Swaziland, Sweden, Switzerland, Taiwan, Tajikistan, Tanzania, Togo, Tonga, Trinidad and Tobago, Tunisia, Turkey, Turkmenistan, Tuvalu, Uganda, Ukraine, the United Arab Emirates, the United Kingdom, Uruguay, Uzbekistan, Vanuatu, Venezuela, Vietnam, Yemen, Zaire, Zambia, and Zimbabwe</li> </ul>	441075-002
<b>Intel 802.11a/b/g WLAN modules:</b>		
For use with computer models equipped with Intel Core Duo 2 and Intel Celeron M processors:		
	<ul style="list-style-type: none"> <li>For use in Antigua &amp; Barbuda, Argentina, Aruba, the Bahamas, Barbados, Bermuda, Brunei, Canada, the Cayman Islands, Chile, Colombia, Costa Rica, the Dominican Republic, Ecuador, El Salvador, Guam, Guatemala, Haiti, Honduras, Hong Kong, India, Indonesia, Malaysia, Mexico, Panama, Paraguay, Peru, Saudi Arabia, Taiwan, the United States, Uruguay, Venezuela, and Vietnam</li> </ul>	441082-001
	<ul style="list-style-type: none"> <li>For use in Austria, Azerbaijan, Bahrain, Belgium, Brazil, Bulgaria, Croatia, Cyprus, the Czech Republic, Denmark, Egypt, Estonia, Finland, France, Georgia, Germany, Greece, Hungary, Iceland, Ireland, Israel, Italy, Latvia, Lebanon, Liechtenstein, Lithuania, Luxembourg, Malta, Monaco, the Netherlands, Norway, Oman, the Philippines, Poland, Portugal, Qatar, Romania, Russia, Serbia and Montenegro, Singapore, Slovakia, Slovenia, South Africa, Spain, Sri Lanka, Sweden, Switzerland, Turkey, Ukraine, the United Kingdom, and Uzbekistan</li> </ul>	441082-002
For use only with computer models equipped with Intel Core Duo 2 processors:		
	<ul style="list-style-type: none"> <li>For use in Antigua &amp; Barbuda, Argentina, Aruba, the Bahamas, Barbados, Bermuda, Brunei, Canada, the Cayman Islands, Chile, Colombia, Costa Rica, the Dominican Republic, Ecuador, El Salvador, Guam, Guatemala, Haiti, Honduras, Hong Kong, India, Indonesia, Malaysia, Mexico, Panama, Paraguay, Peru, Saudi Arabia, Taiwan, the United States, Uruguay, Venezuela, and Vietnam</li> </ul>	448674-001
	<ul style="list-style-type: none"> <li>For use in Austria, Azerbaijan, Bahrain, Belgium, Brazil, Bulgaria, Croatia, Cyprus, the Czech Republic, Denmark, Egypt, Estonia, Finland, France, Georgia, Germany, Greece, Hungary, Iceland, Ireland, Israel, Italy, Latvia, Lebanon, Liechtenstein, Lithuania, Luxembourg, Malta, Monaco, the Netherlands, Norway, Oman, the Philippines, Poland, Portugal, Qatar, Romania, Russia, Serbia and Montenegro, Singapore, Slovakia, Slovenia, South Africa, Spain, Sri Lanka, Sweden, Switzerland, Turkey, Ukraine, the United Kingdom, and Uzbekistan</li> </ul>	448674-002
<b>Broadcom 802.11b/g WLAN modules:</b>		

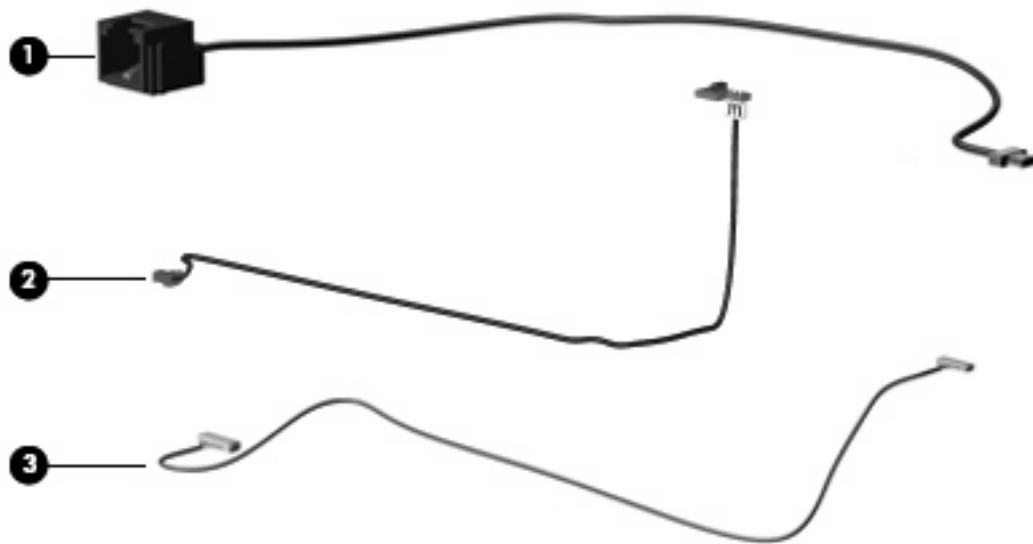
Item	Description	Spare part number
	<ul style="list-style-type: none"> <li>For use in Canada, the Cayman Islands, Guam, Puerto Rico, the U.S. Virgin Islands, and the United States</li> </ul>	441090-001
	<ul style="list-style-type: none"> <li>For use in Afghanistan, Albania, Algeria, Andorra, Angola, Antigua &amp; Barbuda, Argentina, Armenia, Aruba, Australia, Austria, Azerbaijan, the Bahamas, Bahrain, Bangladesh, Barbados, Belarus, Belgium, Belize, Benin, Bermuda, Bhutan, Bolivia, Bosnia &amp; Herzegovina, Botswana, Brazil, the British Virgin Islands, Brunei, Bulgaria, Burkina Faso, Burundi, Cambodia, Cameroon, Cape Verde, the Central African Republic, Chad, Chile, Colombia, Comoros, the Congo, Costa Rica, Croatia, Cyprus, the Czech Republic, Denmark, Djibouti, Dominica, the Dominican Republic, East Timor, Ecuador, Egypt, El Salvador, Equatorial Guinea, Eritrea, Estonia, Ethiopia, Fiji, Finland, France, French Guiana, Gabon, Gambia, Georgia, Germany, Ghana, Gibraltar, Greece, Grenada, Guadeloupe, Guatemala, Guinea, Guinea-Bissa, Guyana, Haiti, Honduras, Hong Kong, Hungary, Iceland, India, Indonesia, Ireland, Israel, Italy, the Ivory Coast, Jamaica, Jordan, Kazakhstan, Kenya, Kiribati, Kuwait, Kyrgyzstan, Laos, Latvia, Lebanon, Lesotho, Liberia, Liechtenstein, Lithuania, Luxembourg, Macedonia, Madagascar, Malawi, Malaysia, the Maldives, Mali, Malta, the Marshall Islands, Martinique, Mauritania, Mauritius, Mexico, Micronesia, Monaco, Mongolia, Montenegro, Morocco, Mozambique, Namibia, Nauru, Nepal, the Nether Antilles, the Netherlands, New Zealand, Nicaragua, Niger, Nigeria, Norway, Oman, Palau, Panama, Papua New Guinea, Paraguay, the People's Republic of China, Peru, the Philippines, Poland, Portugal, Qatar, the Republic of Moldova, Romania, Russia, Rwanda, Samoa, San Marino, Sao Tome &amp; Principe, Saudi Arabia, Senegal, Serbia and Montenegro, the Seychelles, Sierra Leone, Singapore, Slovakia, Slovenia, the Solomon Islands, Somalia, South Africa, South Korea, Spain, Sri Lanka, St. Kitts &amp; Nevis, St. Lucia, St. Vincent &amp; Grenada, Suriname, Swaziland, Sweden, Switzerland, Taiwan, Tajikistan, Tanzania, Thailand, Togo, Tonga, Trinidad &amp; Tobago, Tunisia, Turkey, Turkmenistan, Tuvalu, Uganda, Ukraine, the United Arab Emirates, the United Kingdom, Uruguay, Uzbekistan, Vanuatu, Venezuela, Vietnam, Yemen, Zaire, Zambia, and Zimbabwe</li> </ul>	441090-002
<b>(21)</b>	<b>Memory modules</b> (PC2-5300, 667-MHz, DDR2)	
	2048-MB	417506-001
	1024-MB	414046-001
	512-MB	414045-001
<b>(22)</b>	<b>Hard drives</b> (include hard drive bracket)	
	250-GB, 5400-rpm	457613-001
	160-GB, 5400-rpm	457014-001
	120-GB, 5400-rpm	457013-001
	80-GB, 5400-rpm	457012-001
<b>(23)</b>	<b>Optical drives</b> (include bezel and bracket)	
	DVD±RW and CD-RW Double-Layer Combo Drive with LightScribe	456799-001
	DVD±RW and CD-RW Double-Layer Combo Drive	456798-001
	Blu-ray Disc ROM and SuperMulti DVD±R/RW Double-Layer Drive	456580-001
	DVD/CD-RW Combo Drive	456797-001
	<b>Cable Kit</b> (not illustrated; see <a href="#">Cable Kit on page 19</a> for more Cable Kit spare part number information)	456594-001

## Plastics Kit



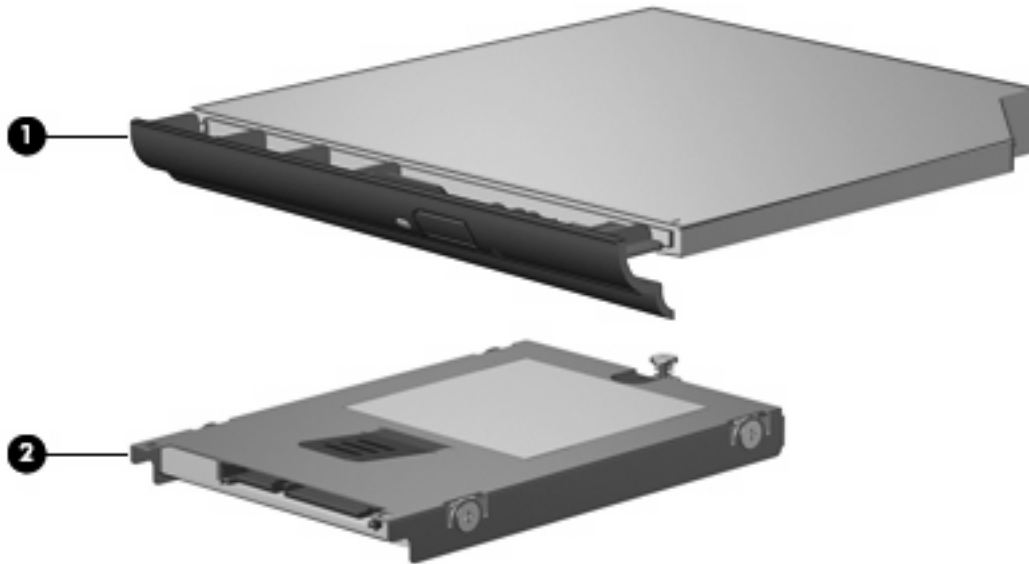
Item	Description	Spare part number
<b>Plastics Kit:</b>		456614-001
(1)	Hard drive bay cover (includes 2 captive screws, secured by C-clips)	
(2)	WLAN module compartment cover (includes one captive screw, secured by a C-clip)	
(3)	ExpressCard slot bezel	
(4)	Memory module compartment cover (includes one captive screw, secured by a C-clip)	

## Cable Kit



Item	Description	Spare part number
	<b>Cable Kit:</b>	457615-001
(1)	RJ-11 jack cable	
(2)	Display lid switch module and cable	
(3)	Bluetooth module cable	

## Mass storage devices



Item	Description	Spare part number
<b>(1)</b>	<b>Optical drives</b> (include bezel and bracket)	
	DVD±RW and CD-RW Super Multi Double-Layer Combo Drive with LightScribe	456799-001
	DVD±RW and CD-RW Super Multi Double-Layer Combo Drive	456798-001
	Blu-ray Disc ROM and SuperMulti DVD±R/RW Double-Layer Drive	456580-001
	DVD/CD-RW Combo Drive	456797-001
<b>(2)</b>	<b>Hard drives</b> (include bracket)	
	250-GB, 5400-rpm	457613-001
	160-GB, 5400-rpm	457014-001
	120-GB, 5400-rpm	457013-001
	80-GB, 5400-rpm	457012-001

## Miscellaneous parts

Description	Spare part number
<b>90-W AC adapter</b>	458220-001
<b>Logo Kit</b>	456617-001
<b>Nylon carrying case</b>	325814-001
<b>USB 1.1 diskette drive</b>	359118-001
<b>Power cords:</b>	
For use in Australia	342714-011
For use in Denmark	342714-081
For use in Europe, the Middle East, and Africa	342714-021
For use in Israel	342714-BB1
For use in Italy	342714-061
For use in Switzerland	342714-AG1
For use in the United Kingdom	342714-031
For use the United States	342714-001
<b>Screw Kit</b>	456615-001
<ul style="list-style-type: none"> <li>• Phillips PM3.0×4.0 screw</li> <li>• Phillips PM2.5×130 captive screw</li> <li>• Phillips PM2.5×10.0 captive screw</li> <li>• Phillips PM2.5×7.0 captive screw</li> <li>• Phillips PM2.5×7.0 screw</li> <li>• Phillips PM2.5×4.0 screw</li> <li>• Phillips PM2.0×8.0 screw</li> <li>• Phillips PM2.0×6.0 screw</li> <li>• Phillips PM2.0×5.0 captive screw</li> <li>• Phillips PM2.0×4.0 screw</li> <li>• Phillips PM2.0×2.0 broad-head screw</li> <li>• Torx T8M2.5×9.0 screw</li> <li>• Torx T8M2.5×7.0 screw</li> <li>• Torx T8M2.5×6.0 screw</li> <li>• Torx T8M2.5×4.0 screw</li> <li>• Torx T8M2.5×3.0 broad-head screw</li> </ul>	

## Sequential part number listing

Spare part number	Description
325814-001	Nylon carrying case
342714-001	Power cord for use in the United States
342714-011	Power cord for use in Australia and New Zealand
342714-021	Power cord for use in Europe, the Middle East, Africa
342714-031	Power cord for use in the United Kingdom
342714-061	Power cord for use in Italy
342714-081	Power cord for use in Denmark
342714-AG1	Power cord for use in Switzerland
342714-BB1	Power cord for use in Israel
359118-001	USB 1.1 diskette drive
398393-002	Bluetooth module for use in North America <b>NOTE:</b> The Bluetooth module spare part kit does not include a Bluetooth module cable. The Bluetooth module cable is included in the Cable Kit, spare part number 457615-001. See <a href="#">Cable Kit on page 19</a> for more Cable Kit spare part number information.
414045-001	512-MB memory module (PC2-5300, 667-MHz, DDR2)
414046-001	1024-MB memory module (PC2-5300, 667-MHz, DDR2)
417506-001	2048-MB memory module (PC2-5300, 667-MHz, DDR2)
431312-001	Fan
441074-001	Modem module (includes modem module cable) <b>NOTE:</b> The modem module spare part kit does not include a modem module cable. The modem module cable is included in the Cable Kit, spare part number 457615-001. See <a href="#">Cable Kit on page 19</a> for more Cable Kit spare part number information.
441075-001	Broadcom 802.11a/b/g WLAN module for use in Canada, Cayman Islands, Guam, Puerto Rico, the U.S. Virgin Islands, and the United States



Spare part number	Description
441075-002	Broadcom 802.11a/b/g WLAN module for use in Afghanistan, Albania, Algeria, Andorra, Angola, Antigua and Barbuda, Argentina, Armenia, Aruba, Australia, Austria, Azerbaijan, the Bahamas, Bahrain, Bangladesh, Barbados, Belarus, Belgium, Belize, Benin, Bermuda, Bhutan, Bolivia, Bosnia and Herzegovina, Botswana, Brazil, the British Virgin Islands, Brunei, Bulgaria, Burkina Faso, Burundi, Cameroon, Cape Verde, the Central African Republic, Chad, Chile, the People's Republic of China, Colombia, Comoros, the Congo, Costa Rica, Croatia, Cyprus, the Czech Republic, Denmark, Djibouti, Dominica, the Dominican Republic, East Timor, Ecuador, Egypt, El Salvador, Equatorial Guinea, Eritrea, Estonia, Ethiopia, Fiji, Finland, France, French Guiana, Gabon, Gambia, Georgia, Germany, Ghana, Gibraltar, Greece, Grenada, Guadeloupe, Guatemala, Guinea, Guinea-Bissau, Guyana, Haiti, Honduras, Hong Kong, Hungary, Iceland, India, Ireland, Israel, Italy, the Ivory Coast, Jamaica, Jordan, Kazakhstan, Kenya, Kiribati, Kyrgyzstan, Laos, Latvia, Lebanon, Lesotho, Liberia, Liechtenstein, Lithuania, Luxembourg, Macedonia, Madagascar, Malawi, Malaysia, the Maldives, Mali, Malta, the Marshall Islands, Martinique, Mauritania, Mauritius, Mexico, Micronesia, Monaco, Mongolia, Montenegro, Morocco, Mozambique, Namibia, Nauru, Nepal, the Nether Antilles, the Netherlands, New Zealand, Nicaragua, Niger, Nigeria, Norway, Oman, Pakistan, Palau, Panama, Papua New Guinea, Paraguay, Peru, the Philippines, Poland, Portugal, the Republic of Moldova, Romania, Russia, Rwanda, Samoa, San Marino, Sao Tome & Principe, Saudi Arabia, Senegal, Serbia and Montenegro, the Seychelles, Sierra Leone, Singapore, Slovakia, Slovenia, the Solomon Islands, Somalia, South Africa, South Korea, Spain, Sri Lanka, St. Kitts & Nevis, St. Lucia, St. Vincent & Grenada, Suriname, Swaziland, Sweden, Switzerland, Taiwan, Tajikistan, Tanzania, Togo, Tonga, Trinidad and Tobago, Tunisia, Turkey, Turkmenistan, Tuvalu, Uganda, Ukraine, the United Arab Emirates, the United Kingdom, Uruguay, Uzbekistan, Vanuatu, Venezuela, Vietnam, Yemen, Zaire, Zambia, and Zimbabwe
441082-001	Intel 802.11a/b/g WLAN module for use in Antigua & Barbuda, Argentina, Aruba, the Bahamas, Barbados, Bermuda, Brunei, Canada, the Cayman Islands, Chile, Colombia, Costa Rica, the Dominican Republic, Ecuador, El Salvador, Guam, Guatemala, Haiti, Honduras, Hong Kong, India, Indonesia, Malaysia, Mexico, Panama, Paraguay, Peru, Saudi Arabia, Taiwan, the United States, Uruguay, Venezuela, and Vietnam
441082-002	Intel 802.11a/b/g WLAN module for use in Austria, Azerbaijan, Bahrain, Belgium, Brazil, Bulgaria, Croatia, Cyprus, the Czech Republic, Denmark, Egypt, Estonia, Finland, France, Georgia, Germany, Greece, Hungary, Iceland, Ireland, Israel, Italy, Latvia, Lebanon, Liechtenstein, Lithuania, Luxembourg, Malta, Monaco, the Netherlands, Norway, Oman, the Philippines, Poland, Portugal, Qatar, Romania, Russia, Serbia and Montenegro, Singapore, Slovakia, Slovenia, South Africa, Spain, Sri Lanka, Sweden, Switzerland, Turkey, Ukraine, the United Kingdom, and Uzbekistan
441086-001	Intel 802.11a/b/g/n WLAN module for use in Antigua & Barbuda, Argentina, Aruba, the Bahamas, Barbados, Bermuda, Brunei, Canada, the Cayman Islands, Chile, Colombia, Costa Rica, the Dominican Republic, Ecuador, El Salvador, Guam, Guatemala, Haiti, Honduras, Hong Kong, India, Indonesia, Malaysia, Mexico, Panama, Paraguay, Peru, Saudi Arabia, Taiwan, the United States, Uruguay, Venezuela, and Vietnam
441086-002	Intel 802.11a/b/g/n WLAN module for use in Austria, Azerbaijan, Bahrain, Belgium, Brazil, Bulgaria, Croatia, Cyprus, the Czech Republic, Denmark, Egypt, Estonia, Finland, France, Georgia, Germany, Greece, Hungary, Iceland, Ireland, Israel, Italy, Latvia, Lebanon, Liechtenstein, Lithuania, Luxembourg, Malta, Monaco, the Netherlands, Norway, Oman, the Philippines, Poland, Portugal, Qatar, Romania, Russia, Serbia and Montenegro, Singapore, Slovakia, Slovenia, South Africa, Spain, Sri Lanka, Sweden, Switzerland, Turkey, Ukraine, the United Kingdom, and Uzbekistan
441090-001	Broadcom 802.11b/g WLAN module for use in Canada, Cayman Islands, Guam, Puerto Rico, the U.S. Virgin Islands, and the United States

Spare part number	Description
441090-002	Broadcom 802.11b/g WLAN module for use in Afghanistan, Albania, Algeria, Andorra, Angola, Antigua and Barbuda, Argentina, Armenia, Aruba, Australia, Austria, Azerbaijan, the Bahamas, Bahrain, Bangladesh, Barbados, Belarus, Belgium, Belize, Benin, Bermuda, Bhutan, Bolivia, Bosnia and Herzegovina, Botswana, Brazil, the British Virgin Islands, Brunei, Bulgaria, Burkina Faso, Burundi, Cameroon, Cape Verde, the Central African Republic, Chad, Chile, the People's Republic of China, Colombia, Comoros, the Congo, Costa Rica, Croatia, Cyprus, the Czech Republic, Denmark, Djibouti, Dominica, the Dominican Republic, East Timor, Ecuador, Egypt, El Salvador, Equatorial Guinea, Eritrea, Estonia, Ethiopia, Fiji, Finland, France, French Guiana, Gabon, Gambia, Georgia, Germany, Ghana, Gibraltar, Greece, Grenada, Guadeloupe, Guatemala, Guinea, Guinea-Bissa, Guyana, Haiti, Honduras, Hong Kong, Hungary, Iceland, India, Ireland, Israel, Italy, the Ivory Coast, Jamaica, Jordan, Kazakhstan, Kenya, Kiribati, Kyrgyzstan, Laos, Latvia, Lebanon, Lesotho, Liberia, Liechtenstein, Lithuania, Luxembourg, Macedonia, Madagascar, Malawi, Malaysia, the Maldives, Mali, Malta, the Marshall Islands, Martinique, Mauritania, Mauritius, Mexico, Micronesia, Monaco, Mongolia, Montenegro, Morocco, Mozambique, Namibia, Nauru, Nepal, the Nether Antilles, the Netherlands, New Zealand, Nicaragua, Niger, Nigeria, Norway, Oman, Pakistan, Palau, Panama, Papua New Guinea, Paraguay, Peru, the Philippines, Poland, Portugal, the Republic of Moldova, Romania, Russia, Rwanda, Samoa, San Marino, Sao Tome & Principe, Saudi Arabia, Senegal, Serbia and Montenegro, the Seychelles, Sierra Leone, Singapore, Slovakia, Slovenia, the Solomon Islands, Somalia, South Africa, South Korea, Spain, Sri Lanka, St. Kitts & Nevis, St. Lucia, St. Vincent & Grenada, Suriname, Swaziland, Sweden, Switzerland, Taiwan, Tajikistan, Tanzania, Togo, Tonga, Trinidad and Tobago, Tunisia, Turkey, Turkmenistan, Tuvalu, Uganda, Ukraine, the United Arab Emirates, the United Kingdom, Uruguay, Uzbekistan, Vanuatu, Venezuela, Vietnam, Yemen, Zaire, Zambia, and Zimbabwe
446888-001	Intel Celeron M 550 1.86-GHz processor (1-MB L2 cache, 533-MHz FSB, includes replacement thermal material)
446889-001	Intel Celeron M 540 2.00-GHz processor (1-MB L2 cache, 533-MHz FSB, includes replacement thermal material)
446891-001	Intel Core 2 Duo T7100 1.80-GHz processor (2-MB L2 cache, 800-MHz FSB, includes replacement thermal material)
446892-001	Intel Core 2 Duo T7300 2.00-GHz processor (4-MB L2 cache, 800-MHz FSB, includes replacement thermal material)
446893-001	Intel Core 2 Duo T7500 2.20-GHz processor (4-MB L2 cache, 800-MHz FSB, includes replacement thermal material)
446894-001	Intel Core 2 Duo T7700 2.40-GHz processor (4-MB L2 cache, 800-MHz FSB, includes replacement thermal material)
448674-001	Intel 802.11a/b/g WLAN module for use in Antigua & Barbuda, Argentina, Aruba, the Bahamas, Barbados, Bermuda, Brunei, Canada, the Cayman Islands, Chile, Colombia, Costa Rica, the Dominican Republic, Ecuador, El Salvador, Guam, Guatemala, Haiti, Honduras, Hong Kong, India, Indonesia, Malaysia, Mexico, Panama, Paraguay, Peru, Saudi Arabia, Taiwan, the United States, Uruguay, Venezuela, and Vietnam
448674-002	Intel 802.11a/b/g WLAN module for use in Austria, Azerbaijan, Bahrain, Belgium, Brazil, Bulgaria, Croatia, Cyprus, the Czech Republic, Denmark, Egypt, Estonia, Finland, France, Georgia, Germany, Greece, Hungary, Iceland, Ireland, Israel, Italy, Latvia, Lebanon, Liechtenstein, Lithuania, Luxembourg, Malta, Monaco, the Netherlands, Norway, Oman, the Philippines, Poland, Portugal, Qatar, Romania, Russia, Serbia and Montenegro, Singapore, Slovakia, Slovenia, South Africa, Spain, Sri Lanka, Sweden, Switzerland, Turkey, Ukraine, the United Kingdom, and Uzbekistan
456575-001	Intel Core 2 Duo 5470 1.60-GHz processor (2-MB L2 cache, 800-MHz FSB)
456580-001	Blu-ray Disc ROM and SuperMulti DVD±R/RW Double-Layer Drive
456581-001	Switch cover (includes button board and cable)
456582-001	17.0-inch WXGA display assembly with AntiGlare (includes 2 wireless antenna transceivers and cables)
456583-001	17.0-inch WXGA display assembly with BrightView (includes 2 wireless antenna transceivers and cables)
456584-001	Display hinges (includes left and right hinges)

<b>Spare part number</b>	<b>Description</b>
456586-001	Display enclosure (includes display bezel, 2 wireless antenna transceivers and cables)
456587-001	Keyboard for use in the United States
456587-031	Keyboard for use in the United Kingdom
456587-041	Keyboard for use in Germany
456587-051	Keyboard for use in France
456587-061	Keyboard for use in Italy
456587-071	Keyboard for use in Spain
456587-081	Keyboard for use in Denmark
456587-091	Keyboard for use in Norway
456587-121	Keyboard for use in French Canada
456587-131	Keyboard for use in Portugal
456587-141	Keyboard for use in Turkey
456587-171	Keyboard for use in Saudi Arabia
456587-181	Keyboard for use in Belgium
456587-211	Keyboard for use in Hungary
456587-221	Keyboard for use in the Czech Republic
456587-231	Keyboard for use in Slovakia
456587-251	Keyboard for use in Russia
456587-B31	Keyboard for use in the Netherlands
456587-B71	Keyboard for use in Sweden and Finland
456587-BA1	Keyboard for use in Slovenia
456587-BB1	Keyboard for use in Israel
456587-BG1	Keyboard for use in Switzerland
456587-DD1	Keyboard for use in Iceland
456587-DJ1	Keyboard for use in Greece
456601-001	TouchPad button board (includes cable)
456606-001	Heat sink (includes replacement thermal material)
456610-001	System board with 64-MB DDR1 graphics subsystem memory (includes replacement thermal material)
456611-001	System board with 128-MB DDR1 graphics subsystem memory (includes replacement thermal material)
456612-001	System board with 64-MB DDR2 graphics subsystem memory (includes replacement thermal material)
456613-001	System board with 128-MB DDR2 graphics subsystem memory (includes replacement thermal material)
456614-001	Plastics Kit (see <a href="#">Plastics Kit on page 18</a> for more Plastics Kit spare part information)
456615-001	Screw Kit

<b>Spare part number</b>	<b>Description</b>
456616-001	Rubber Kit (contains 6 computer feet and 8 display bezel screw covers)
456617-001	Logo Kit
456797-001	DVD/CD-RW Combo Drive (includes bezel and bracket)
456798-001	DVD±RW and CD-RW Super Multi Double-Layer Combo Drive with LightScribe (includes bezel and bracket)
456799-001	DVD±RW and CD-RW Super Multi Double-Layer Combo Drive (includes bezel and bracket)
456805-001	Optical drive connector board
456865-001	6-cell, 55-Wh Li-ion battery
457012-001	80-GB, 5400-rpm hard drive (includes bracket)
457013-001	120-GB, 5400-rpm hard drive (includes bracket)
457014-001	160-GB, 5400-rpm hard drive (includes bracket)
457613-001	250-GB, 5400-rpm hard drive (includes bracket)
457614-001	Speaker
457615-001	Cable Kit (see <a href="#">Cable Kit on page 19</a> for more Cable Kit spare part information)
457616-001	Top cover
457617-001	TouchPad board (includes cable)
457618-001	TouchPad Miscellaneous Kit (includes TouchPad bracket and TouchPad button board actuators)
457619-001	Base enclosure (includes 6 rubber feet)
457620-001	Battery connector board
457621-001	Display inverter
458220-001	90-W AC adapter
459462-001	Intel Celeron 530 1.73-GHz processor (1-MB L2 cache, 533-MHz FSB)
459463-001	Intel Core 2 Duo T7250 2.00-GHz processor (2-MB L2 cache, 800-MHz FSB)
459464-001	Intel Core 2 Duo T5550 1.83-GHz processor (2-MB L2 cache, 800-MHz FSB)
459465-001	Intel Core 2 Duo T7800 2.60-GHz processor (4-MB L2 cache, 800-MHz FSB)
459724-001	Optical drive board
462345-001	intel Core 2 Duo T5270 1.40-GHz processor (2-MB L2 cache, 800-MHz FSB)
462619-001	Intel Pentium Dual Core T2310 1.83-GHz processor (1-MB L2 cache, 533-MHz FSB)
463048-001	Intel Core 2 Duo T8100 processor (2.10-GHz, 3-MB L2 cache, 800-MHz FSB)
463049-001	Intel Core 2 Duo T8300 processor (2.40-GHz, 3-MB L2 cache, 800-MHz FSB)
463050-001	Intel Core 2 Duo T9300 processor (2.50-GHz, 6-MB L2 cache, 800-MHz FSB)

---

# 4 Removal and replacement procedures

## Preliminary replacement requirements

### Tools required


You will need the following tools to complete the removal and replacement procedures:

- Flat-bladed screwdriver
- Magnetic screwdriver
- Phillips P0 and P1 screwdrivers
- Torx T8 screwdriver

### Service considerations

The following sections include some of the considerations that you must keep in mind during disassembly and assembly procedures.

---

 **NOTE:** As you remove each subassembly from the computer, place the subassembly (and all accompanying screws) away from the work area to prevent damage.

---

### Plastic parts

Using excessive force during disassembly and reassembly can damage plastic parts. Use care when handling the plastic parts. Apply pressure only at the points designated in the maintenance instructions.

## Cables and connectors

- 
- △ **CAUTION:** When servicing the computer, be sure that cables are placed in their proper locations during the reassembly process. Improper cable placement can damage the computer.
- 

Cables must be handled with extreme care to avoid damage. Apply only the tension required to unseat or seat the cables during removal and insertion. Handle cables by the connector whenever possible. In all cases, avoid bending, twisting, or tearing cables. Be sure that cables are routed in such a way that they cannot be caught or snagged by parts being removed or replaced. Handle flex cables with extreme care; these cables tear easily.

## Drive handling

- 
- △ **CAUTION:** Drives are fragile components that must be handled with care. To prevent damage to the computer, damage to a drive, or loss of information, observe these precautions:
- 

Before removing or inserting a hard drive, shut down the computer. If you are unsure whether the computer is off or in Hibernation, turn the computer on, and then shut it down through the operating system.

Before handling a drive, be sure that you are discharged of static electricity. While handling a drive, avoid touching the connector.

Before removing a diskette drive or optical drive, be sure that a diskette or disc is not in the drive and be sure that the optical drive tray is closed.

Handle drives on surfaces covered with at least one inch of shock-proof foam.

Avoid dropping drives from any height onto any surface.

After removing a hard drive, an optical drive, or a diskette drive, place it in a static-proof bag.

Avoid exposing a hard drive to products that have magnetic fields, such as monitors or speakers.

Avoid exposing a drive to temperature extremes or liquids.

If a drive must be mailed, place the drive in a bubble pack mailer or other suitable form of protective packaging and label the package "FRAGILE."

---

# Grounding guidelines

## Electrostatic discharge damage

Electronic components are sensitive to electrostatic discharge (ESD). Circuitry design and structure determine the degree of sensitivity. Networks built into many integrated circuits provide some protection, but in many cases, ESD contains enough power to alter device parameters or melt silicon junctions.

A discharge of static electricity from a finger or other conductor can destroy static-sensitive devices or microcircuitry. Even if the spark is neither felt nor heard, damage may have occurred.

An electronic device exposed to ESD may not be affected at all and can work perfectly throughout a normal cycle. Or the device may function normally for a while, then degrade in the internal layers, reducing its life expectancy.

△ **CAUTION:** To prevent damage to the computer when you are removing or installing internal components, observe these precautions:

Keep components in their electrostatic-safe containers until you are ready to install them.

Use nonmagnetic tools.

Before touching an electronic component, discharge static electricity by using the guidelines described in this section.

Avoid touching pins, leads, and circuitry. Handle electronic components as little as possible.

If you remove a component, place it in an electrostatic-safe container.

The following table shows how humidity affects the electrostatic voltage levels generated by different activities.

△ **CAUTION:** A product can be degraded by as little as 700 V.

Typical electrostatic voltage levels			
Event	Relative humidity		
	10%	40%	55%
Walking across carpet	35,000 V	15,000 V	7,500 V
Walking across vinyl floor	12,000 V	5,000 V	3,000 V
Motions of bench worker	6,000 V	800 V	400 V
Removing DIPS from plastic tube	2,000 V	700 V	400 V
Removing DIPS from vinyl tray	11,500 V	4,000 V	2,000 V
Removing DIPS from Styrofoam	14,500 V	5,000 V	3,500 V
Removing bubble pack from PCB	26,500 V	20,000 V	7,000 V
Packing PCBs in foam-lined box	21,000 V	11,000 V	5,000 V

## Packaging and transporting guidelines

Follow these grounding guidelines when packaging and transporting equipment:

- To avoid hand contact, transport products in static-safe tubes, bags, or boxes.
- Protect ESD-sensitive parts and assemblies with conductive or approved containers or packaging.
- Keep ESD-sensitive parts in their containers until the parts arrive at static-free workstations.
- Place items on a grounded surface before removing items from their containers.
- Always be properly grounded when touching a component or assembly.
- Store reusable ESD-sensitive parts from assemblies in protective packaging or nonconductive foam.
- Use transporters and conveyors made of antistatic belts and roller bushings. Be sure that mechanized equipment used for moving materials is wired to ground and that proper materials are selected to avoid static charging. When grounding is not possible, use an ionizer to dissipate electric charges.

## Workstation guidelines

Follow these grounding workstation guidelines:

- Cover the workstation with approved static-shielding material.
- Use a wrist strap connected to a properly grounded work surface and use properly grounded tools and equipment.
- Use conductive field service tools, such as cutters, screwdrivers, and vacuums.
- When fixtures must directly contact dissipative surfaces, use fixtures made only of static-safe materials.
- Keep the work area free of nonconductive materials, such as ordinary plastic assembly aids and Styrofoam.
- Handle ESD-sensitive components, parts, and assemblies by the case or PCM laminate. Handle these items only at static-free workstations.
- Avoid contact with pins, leads, or circuitry.
- Turn off power and input signals before inserting or removing connectors or test equipment.



## Equipment guidelines

Grounding equipment must include either a wrist strap or a foot strap at a grounded workstation.

- When seated, wear a wrist strap connected to a grounded system. Wrist straps are flexible straps with a minimum of one megohm  $\pm 10\%$  resistance in the ground cords. To provide proper ground, wear a strap snugly against the skin at all times. On grounded mats with banana-plug connectors, use alligator clips to connect a wrist strap.
- When standing, use foot straps and a grounded floor mat. Foot straps (heel, toe, or boot straps) can be used at standing workstations and are compatible with most types of shoes or boots. On conductive floors or dissipative floor mats, use foot straps on both feet with a minimum of one megohm resistance between the operator and ground. To be effective, the conductive strips must be worn in contact with the skin.

The following grounding equipment is recommended to prevent electrostatic damage:

- Antistatic tape
- Antistatic smocks, aprons, and sleeve protectors
- Conductive bins and other assembly or soldering aids
- Nonconductive foam
- Conductive tabletop workstations with ground cords of one megohm resistance
- Static-dissipative tables or floor mats with hard ties to the ground
- Field service kits
- Static awareness labels
- Material-handling packages
- Nonconductive plastic bags, tubes, or boxes
- Metal tote boxes
- Electrostatic voltage levels and protective materials


The following table lists the shielding protection provided by antistatic bags and floor mats.

Material	Use	Voltage protection level
Antistatic plastic	Bags	1,500 V
Carbon-loaded plastic	Floor mats	7,500 V
Metallized laminate	Floor mats	5,000 V

## Unknown user password

If the computer you are servicing has an unknown user password, follow these steps to clear the password:

---

 **NOTE:** These steps also clear CMOS.

---

1. Shut down the computer. If you are unsure whether the computer is off or in Hibernation, turn the computer on, and then shut it down through the operating system.
2. Disconnect all external devices connected to the computer.
3. Disconnect the power from the computer by first unplugging the power cord from the AC outlet and then unplugging the AC adapter from the computer.
4. Remove the battery (see [Battery on page 35](#)).
5. Remove the real-time clock (RTC) battery (see [RTC battery on page 73](#)).
6. Wait approximately 5 minutes.
7. Replace the RTC battery and reassemble the computer.
8. Connect AC power to the computer. Do not reinsert any batteries at this time.
9. Turn on the computer.

All passwords and all CMOS settings have been cleared.

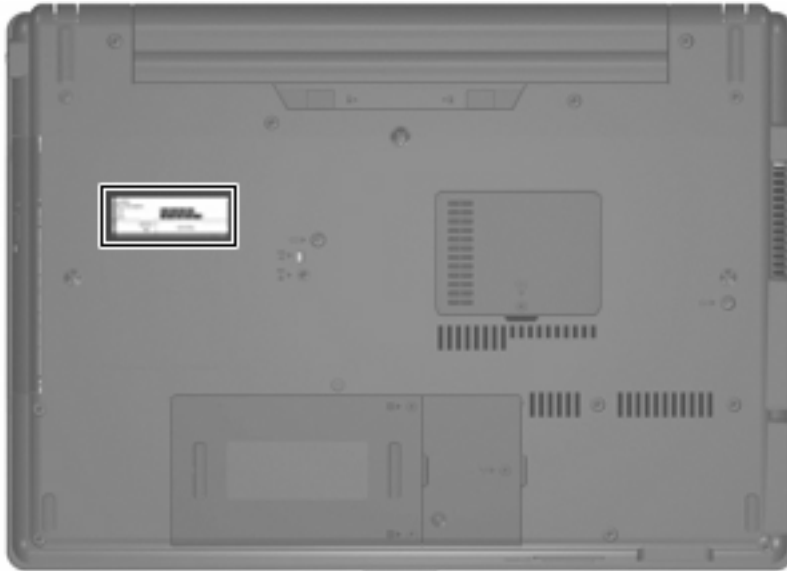
## Component replacement procedures

This chapter provides removal and replacement procedures.

There are as many as 93 screws, in 17 different sizes, that must be removed, replaced, or loosened when servicing the computer. Make special note of each screw size and location during removal and replacement.

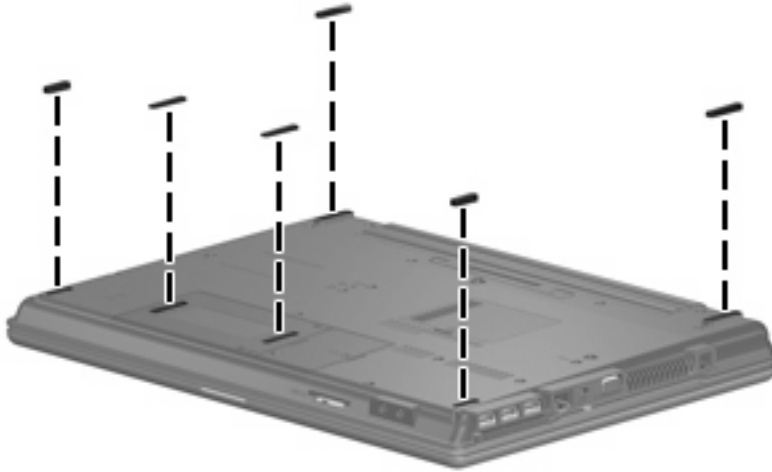
### Serial number

Report the computer serial number to HP when requesting information or ordering spare parts. The serial number is located on the bottom of the computer.



## Computer feet

The computer feet are adhesive-backed rubber pads. The feet are included in the Rubber Kit, spare part number 456616-001. There are 6 rubber feet that attach to the base enclosure in the locations illustrated below.



## Battery

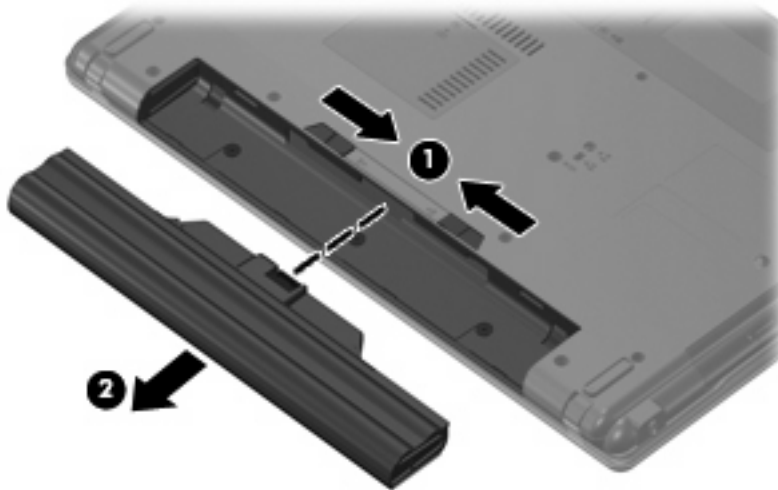
Description	Spare part number
6-cell, 55-Wh Li-ion battery	456865-001

Before disassembling the computer, follow these steps:

1. Shut down the computer. If you are unsure whether the computer is off or in Hibernation, turn the computer on, and then shut it down through the operating system.
2. Disconnect all external devices connected to the computer.
3. Disconnect the power from the computer by first unplugging the power cord from the AC outlet and then unplugging the AC adapter from the computer.

Remove the battery:

1. Turn the computer upside down on a flat surface, with the battery bay toward you.
2. Slide the battery release latches (1) to release the battery.
3. Remove the battery (2) from the computer.



Install the battery by inserting it into the battery bay until you hear a click.

## Hard drive

 **NOTE:** All hard drive spare part kits include a hard drive bracket.

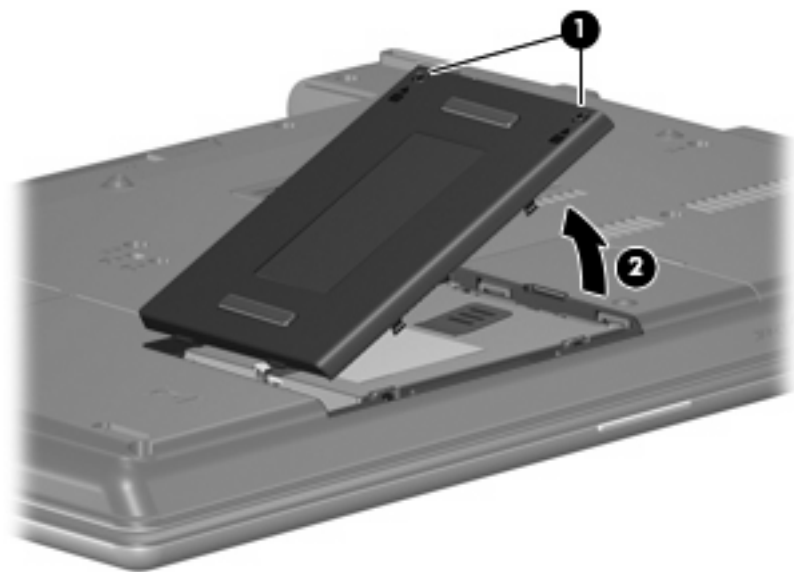
Description	Spare part number
250-GB, 5400-rpm hard drive	457613-001
160-GB, 5400-rpm hard drive	457014-001
120-GB, 5400-rpm hard drive	457013-001
80-GB, 5400-rpm hard drive	457012-001

Before disassembling the computer, follow these steps:

1. Shut down the computer. If you are unsure whether the computer is off or in Hibernation, turn the computer on, and then shut it down through the operating system.
2. Disconnect all external devices connected to the computer.
3. Disconnect the power from the computer by first unplugging the power cord from the AC outlet and then unplugging the AC adapter from the computer.
4. Remove the battery (see [Battery on page 35](#)).

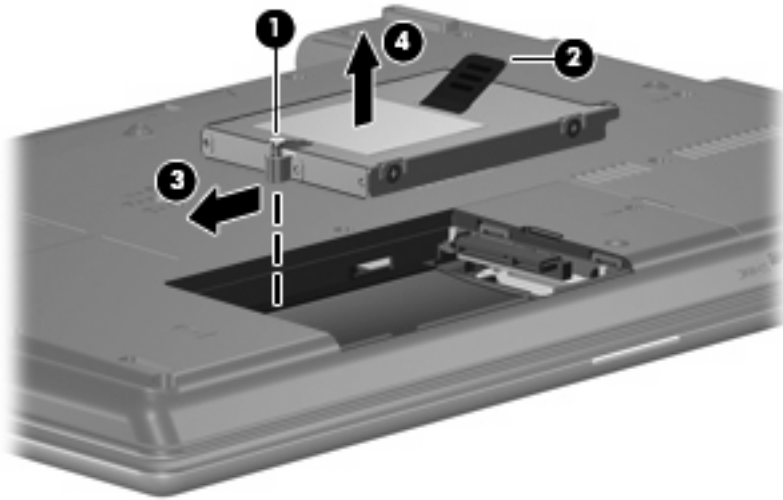
Remove the hard drive:

1. Position the computer with the front toward you.
2. Loosen the two Phillips PM2.0×5.0 captive screws (1) that secure the hard drive bay cover to the computer.
3. Lift the right side of the hard drive bay cover (2), swing it to left, and remove the cover. The hard drive bay cover is included in the Plastics Kit, spare part number 456614-001.

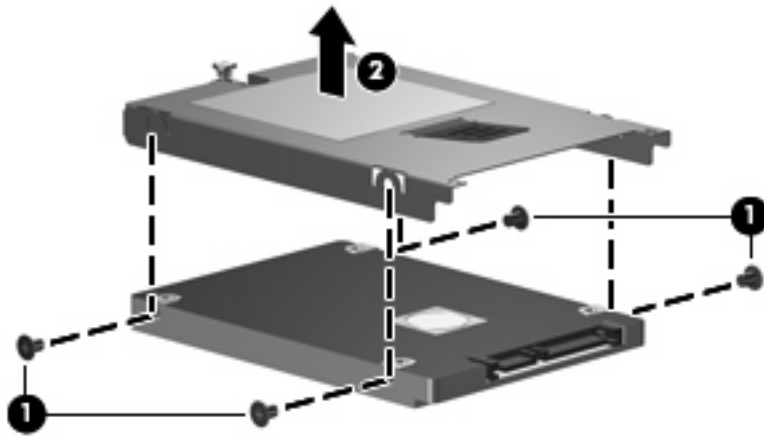


4. Loosen the Phillips PM2.5×13.0 captive screw (1) that secures the hard drive to the computer.

5. Grasp the Mylar tab (2) on the hard drive and slide the hard drive (3) to the left to disconnect it from the system board.
6. Remove the hard drive (4) from the hard drive bay.



7. If it is necessary to replace the hard drive bracket, remove the two Phillips PM3.0×4.0 hard drive bracket screws (1) from each side of the hard drive.
8. Lift the bracket (2) straight up to remove it from the hard drive.



Reverse this procedure to reassemble and install the hard drive.

## WLAN module

Description	Spare part number
<b>Intel 802.11a/b/g/n WLAN modules:</b>	
<ul style="list-style-type: none"> <li>For use in Antigua and Barbuda, Argentina, Aruba, the Bahamas, Barbados, Bermuda, Brunei, Canada, the Cayman Islands, Chile, Colombia, Costa Rica, the Dominican Republic, Ecuador, El Salvador, Guam, Guatemala, Haiti, Honduras, Hong Kong, India, Indonesia, Malaysia, Mexico, Panama, Paraguay, Peru, Saudi Arabia, Taiwan, Uruguay, the United States, Venezuela, and Vietnam</li> </ul>	441086-001
<ul style="list-style-type: none"> <li>For use in Austria, Azerbaijan, Bahrain, Belgium, Brazil, Bulgaria, Croatia, Cyprus, the Czech Republic, Denmark, Egypt, Estonia, Finland, France, Georgia, Germany, Greece, Hungary, Iceland, Ireland, Israel, Italy, Latvia, Lebanon, Liechtenstein, Lithuania, Luxembourg, Malta, Monaco, the Netherlands, Norway, Oman, the Philippines, Poland, Portugal, Qatar, Romania, Russia, Serbia and Montenegro, Singapore, Slovakia, Slovenia, South Africa, Spain, Sri Lanka, Sweden, Switzerland, Turkey, Ukraine, the United Kingdom, and Uzbekistan</li> </ul>	441086-002
<b>Broadcom 802.11a/b/g WLAN modules:</b>	
<ul style="list-style-type: none"> <li>For use in Canada, Cayman Islands, Guam, Puerto Rico, the U.S. Virgin Islands, and the United States</li> </ul>	441075-001
<ul style="list-style-type: none"> <li>For use in Afghanistan, Albania, Algeria, Andorra, Angola, Antigua and Barbuda, Argentina, Armenia, Aruba, Australia, Austria, Azerbaijan, the Bahamas, Bahrain, Bangladesh, Barbados, Belarus, Belgium, Belize, Benin, Bermuda, Bhutan, Bolivia, Bosnia and Herzegovina, Botswana, Brazil, the British Virgin Islands, Brunei, Bulgaria, Burkina Faso, Burundi, Cameroon, Cape Verde, the Central African Republic, Chad, Chile, the People's Republic of China, Colombia, Comoros, the Congo, Costa Rica, Croatia, Cyprus, the Czech Republic, Denmark, Djibouti, Dominica, the Dominican Republic, East Timor, Ecuador, Egypt, El Salvador, Equatorial Guinea, Eritrea, Estonia, Ethiopia, Fiji, Finland, France, French Guiana, Gabon, Gambia, Georgia, Germany, Ghana, Gibraltar, Greece, Grenada, Guadeloupe, Guatemala, Guinea, Guinea-Bissa, Guyana, Haiti, Honduras, Hong Kong, Hungary, Iceland, Ireland, Israel, Italy, the Ivory Coast, Jamaica, Jordan, Kazakhstan, Kenya, Kiribati, Kyrgyzstan, Laos, Latvia, Lebanon, Lesotho, Liberia, Liechtenstein, Lithuania, Luxembourg, Macedonia, Madagascar, Malawi, Malaysia, the Maldives, Mali, Malta, the Marshall Islands, Martinique, Mauritania, Mauritius, Mexico, Micronesia, Monaco, Mongolia, Montenegro, Morocco, Mozambique, Namibia, Nauru, Nepal, the Nether Antilles, the Netherlands, New Zealand, Nicaragua, Niger, Nigeria, Norway, Oman, Pakistan, Palau, Panama, Papua New Guinea, Paraguay, Peru, the Philippines, Poland, Portugal, the Republic of Moldova, Romania, Russia, Rwanda, Samoa, San Marino, Sao Tome &amp; Principe, Saudi Arabia, Senegal, Serbia and Montenegro, the Seychelles, Sierra Leone, Singapore, Slovakia, Slovenia, the Solomon Islands, Somalia, South Africa, South Korea, Spain, Sri Lanka, St. Kitts &amp; Nevis, St. Lucia, St. Vincent &amp; Grenada, Suriname, Swaziland, Sweden, Switzerland, Taiwan, Tajikistan, Tanzania, Togo, Tonga, Trinidad and Tobago, Tunisia, Turkey, Turkmenistan, Tuvalu, Uganda, Ukraine, the United Arab Emirates, the United Kingdom, Uruguay, Uzbekistan, Vanuatu, Venezuela, Vietnam, Yemen, Zaire, Zambia, and Zimbabwe</li> </ul>	441075-002
<b>Intel 802.11a/b/g WLAN modules:</b>	
For use with computer models equipped with Intel Core Duo 2 and Intel Celeron M processors:	
<ul style="list-style-type: none"> <li>For use in Antigua &amp; Barbuda, Argentina, Aruba, the Bahamas, Barbados, Bermuda, Brunei, Canada, the Cayman Islands, Chile, Colombia, Costa Rica, the Dominican Republic, Ecuador, El Salvador, Guam, Guatemala, Haiti, Honduras, Hong Kong, India, Indonesia, Malaysia, Mexico, Panama, Paraguay, Peru, Saudi Arabia, Taiwan, the United States, Uruguay, Venezuela, and Vietnam</li> </ul>	441082-001
<ul style="list-style-type: none"> <li>For use in Austria, Azerbaijan, Bahrain, Belgium, Brazil, Bulgaria, Croatia, Cyprus, the Czech Republic, Denmark, Egypt, Estonia, Finland, France, Georgia, Germany, Greece, Hungary, Iceland, Ireland, Israel, Italy, Latvia, Lebanon, Liechtenstein, Lithuania, Luxembourg, Malta, Monaco, the Netherlands, Norway, Oman, the Philippines, Poland, Portugal, Qatar, Romania, Russia, Serbia and Montenegro, Singapore, Slovakia, Slovenia, South Africa, Spain, Sri Lanka, Sweden, Switzerland, Turkey, Ukraine, the United Kingdom, and Uzbekistan</li> </ul>	441082-002



Description	Spare part number
For use only with computer models equipped with Intel Core Duo 2 processors:	
<ul style="list-style-type: none"> <li>For use in Antigua &amp; Barbuda, Argentina, Aruba, the Bahamas, Barbados, Bermuda, Brunei, Canada, the Cayman Islands, Chile, Colombia, Costa Rica, the Dominican Republic, Ecuador, El Salvador, Guam, Guatemala, Haiti, Honduras, Hong Kong, India, Indonesia, Malaysia, Mexico, Panama, Paraguay, Peru, Saudi Arabia, Taiwan, the United States, Uruguay, Venezuela, and Vietnam</li> </ul>	448674-001
<ul style="list-style-type: none"> <li>For use in Austria, Azerbaijan, Bahrain, Belgium, Brazil, Bulgaria, Croatia, Cyprus, the Czech Republic, Denmark, Egypt, Estonia, Finland, France, Georgia, Germany, Greece, Hungary, Iceland, Ireland, Israel, Italy, Latvia, Lebanon, Liechtenstein, Lithuania, Luxembourg, Malta, Monaco, the Netherlands, Norway, Oman, the Philippines, Poland, Portugal, Qatar, Romania, Russia, Serbia and Montenegro, Singapore, Slovakia, Slovenia, South Africa, Spain, Sri Lanka, Sweden, Switzerland, Turkey, Ukraine, the United Kingdom, and Uzbekistan</li> </ul>	448674-002
<b>Broadcom 802.11b/g WLAN modules:</b>	
<ul style="list-style-type: none"> <li>For use in Canada, the Cayman Islands, Guam, Puerto Rico, the U.S. Virgin Islands, and the United States</li> </ul>	441090-001
<ul style="list-style-type: none"> <li>For use in Afghanistan, Albania, Algeria, Andorra, Angola, Antigua &amp; Barbuda, Argentina, Armenia, Aruba, Australia, Austria, Azerbaijan, the Bahamas, Bahrain, Bangladesh, Barbados, Belarus, Belgium, Belize, Benin, Bermuda, Bhutan, Bolivia, Bosnia &amp; Herzegovina, Botswana, Brazil, the British Virgin Islands, Brunei, Bulgaria, Burkina Faso, Burundi, Cambodia, Cameroon, Cape Verde, the Central African Republic, Chad, Chile, Colombia, Comoros, the Congo, Costa Rica, Croatia, Cyprus, the Czech Republic, Denmark, Djibouti, Dominica, the Dominican Republic, East Timor, Ecuador, Egypt, El Salvador, Equatorial Guinea, Eritrea, Estonia, Ethiopia, Fiji, Finland, France, French Guiana, Gabon, Gambia, Georgia, Germany, Ghana, Gibraltar, Greece, Grenada, Guadeloupe, Guatemala, Guinea, Guinea-Bissa, Guyana, Haiti, Honduras, Hong Kong, Hungary, Iceland, India, Indonesia, Ireland, Israel, Italy, the Ivory Coast, Jamaica, Jordan, Kazakhstan, Kenya, Kiribati, Kuwait, Kyrgyzstan, Laos, Latvia, Lebanon, Lesotho, Liberia, Liechtenstein, Lithuania, Luxembourg, Macedonia, Madagascar, Malawi, Malaysia, the Maldives, Mali, Malta, the Marshall Islands, Martinique, Mauritania, Mauritius, Mexico, Micronesia, Monaco, Mongolia, Montenegro, Morocco, Mozambique, Namibia, Nauru, Nepal, the Nether Antilles, the Netherlands, New Zealand, Nicaragua, Niger, Nigeria, Norway, Oman, Palau, Panama, Papua New Guinea, Paraguay, the People's Republic of China, Peru, the Philippines, Poland, Portugal, Qatar, the Republic of Moldova, Romania, Russia, Rwanda, Samoa, San Marino, Sao Tome &amp; Principe, Saudi Arabia, Senegal, Serbia and Montenegro, the Seychelles, Sierra Leone, Singapore, Slovakia, Slovenia, the Solomon Islands, Somalia, South Africa, South Korea, Spain, Sri Lanka, St. Kitts &amp; Nevis, St. Lucia, St. Vincent &amp; Grenada, Suriname, Swaziland, Sweden, Switzerland, Taiwan, Tajikistan, Tanzania, Thailand, Togo, Tonga, Trinidad &amp; Tobago, Tunisia, Turkey, Turkmenistan, Tuvalu, Uganda, Ukraine, the United Arab Emirates, the United Kingdom, Uruguay, Uzbekistan, Vanuatu, Venezuela, Vietnam, Yemen, Zaire, Zambia, and Zimbabwe</li> </ul>	441090-002

△ **CAUTION:** To prevent an unresponsive system, replace the wireless module only with a wireless module authorized for use in the computer by the governmental agency that regulates wireless devices in your country or region. If you replace the module and then receive a warning message, remove the module to restore computer functionality, and then contact technical support through Help and Support.

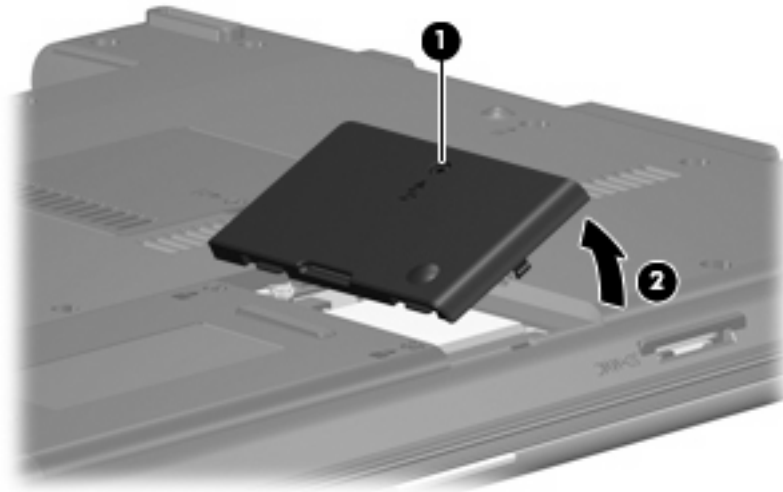
Before removing the WLAN module, follow these steps:

1. Shut down the computer. If you are unsure whether the computer is off or in Hibernation, turn the computer on, and then shut it down through the operating system.
2. Disconnect all external devices connected to the computer.


3. Disconnect the power from the computer by first unplugging the power cord from the AC outlet and then unplugging the AC adapter from the computer.
4. Remove the battery (see [Battery on page 35](#)).

Remove the WLAN module:

1. Position the computer with the front toward you.
2. Loosen the Phillips PM2.0×5.0 captive screw (1) that secures the WLAN module compartment cover to the computer.
3. Lift the right side of the WLAN module compartment cover (2), swing it to left, and remove the cover. The WLAN module compartment cover is included in the Plastics Kit, spare part number 456614-001.




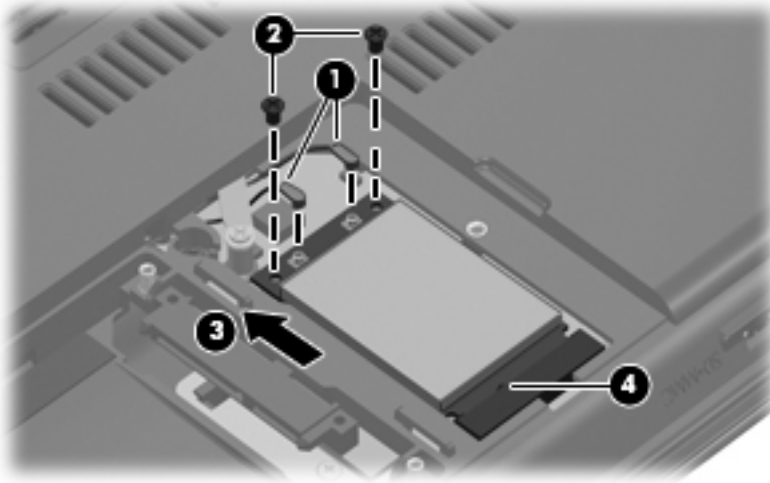
4. Disconnect the WLAN antenna cables (1) from the terminals on the WLAN module.

 **NOTE:** The black WLAN antenna cable is connected to the WLAN module “Main” terminal. The white WLAN antenna cable is connected to the WLAN module “Aux” terminal.

5. Remove the two Phillips PM2.5×4.0 screws (2) that secure the WLAN module to the computer. (The edge of the module opposite the slot rises away from the computer.)

6. Remove the WLAN module (3) by pulling the module away from the slot at an angle.

 **NOTE:** WLAN modules are designed with a notch (4) to prevent incorrect installation.



Reverse this procedure to install the WLAN module.

## Memory module

Description	Spare part number
2048-MB (PC2-5300, 667-MHz, DDR2)	417506-001
1024-MB (PC2-5300, 667-MHz, DDR2)	414046-001
512-MB (PC2-5300, 667-MHz, DDR2)	414045-001

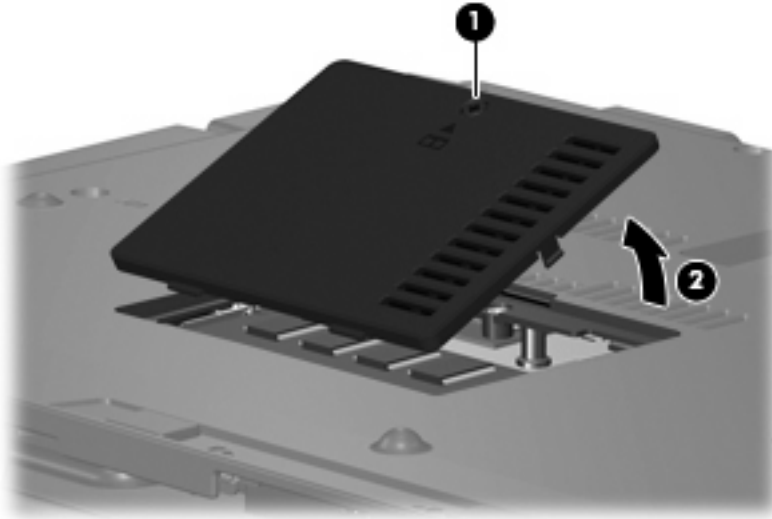
Before removing the memory module, follow these steps:

1. Shut down the computer. If you are unsure whether the computer is off or in Hibernation, turn the computer on, and then shut it down through the operating system.
2. Disconnect all external devices connected to the computer.
3. Disconnect the power from the computer by first unplugging the power cord from the AC outlet and then unplugging the AC adapter from the computer.
4. Remove the battery (see [Battery on page 35](#)).


Remove the memory module:

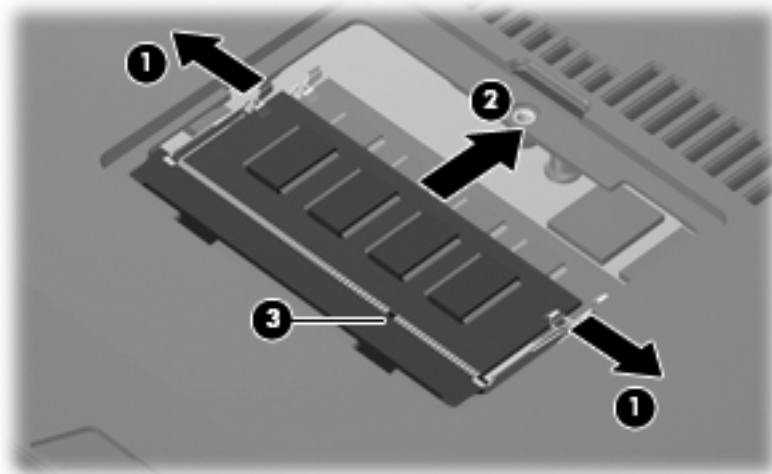
1. Loosen the Phillips PM2.0×5.0 captive screw (1) that secures the memory module compartment cover to the computer.

2. Lift the rear edge of the cover (2), swing it up and forward, and remove the cover. The memory module compartment cover is included in the Plastics Kit, spare part number 456614-001.




3. Spread the retaining tabs (1) on each side of the memory module slot to release the memory module. (The edge of the module opposite the slot rises away from the computer.)
4. Remove the memory module (2) by pulling the module away from the slot at an angle.

 **NOTE:** Memory modules are designed with a notch (3) to prevent incorrect installation into the memory module slot.



Reverse this procedure to install a memory module.

## Optical drive

 **NOTE:** All optical drive spare part kits include an optical drive bezel.

Description	Spare part number
DVD±RW and CD-RW Super Multi Double-Layer Combo Drive with LightScribe	456799-001

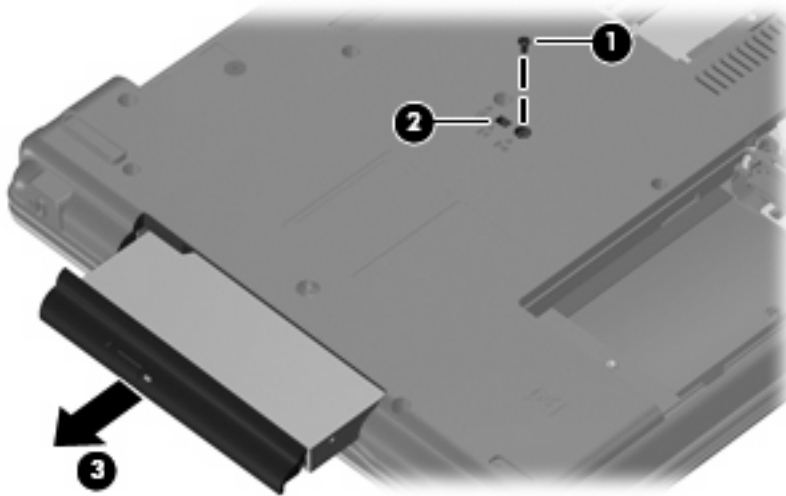
Description	Spare part number
DVD±RW and CD-RW Super Multi Double-Layer Combo Drive	456798-001
Blu-ray Disc ROM and SuperMulti DVD±R/RW Double-Layer Drive	456580-001
DVD/CD-RW Combo Drive	456797-001

Before removing the optical drive, follow these steps:

1. Shut down the computer. If you are unsure whether the computer is off or in Hibernation, turn the computer on, and then shut it down through the operating system.
2. Disconnect all external devices connected to the computer.
3. Disconnect the power from the computer by first unplugging the power cord from the AC outlet and then unplugging the AC adapter from the computer.
4. Remove the battery (see [Battery on page 35](#)).

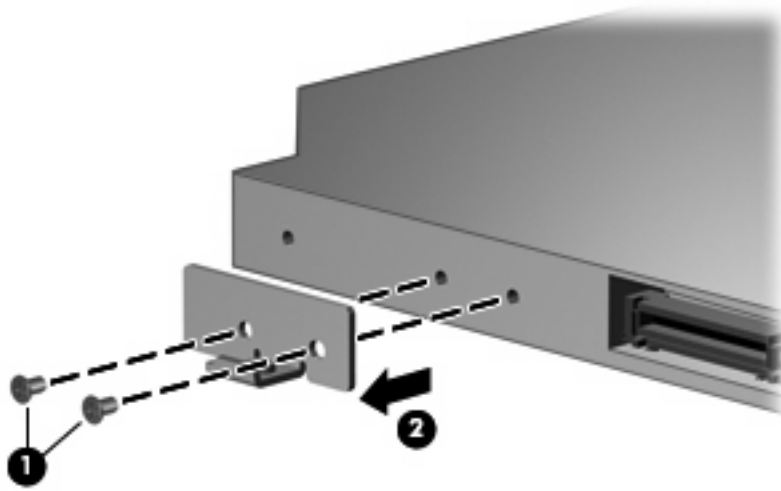
Remove the optical drive:

1. Position the computer with the right side toward you.
2. Remove the Torx T8M2.5×7.0 screw (1) that secures the optical drive to the computer.
3. Insert a flat-bladed screwdriver or similar tool into the optical drive tab access (2) and press the tab to the left to release the optical drive from the computer.
4. Remove the optical drive (3) from the computer.



5. If it is necessary to replace the optical drive bracket, position the optical drive with the rear toward you.
6. Remove the two Phillips PM2.0×4.0 screws (1) that secure the optical drive bracket to the optical drive.

7. Remove the optical drive bracket (2).



Reverse this procedure to reassemble and install an optical drive.

## Switch cover and keyboard

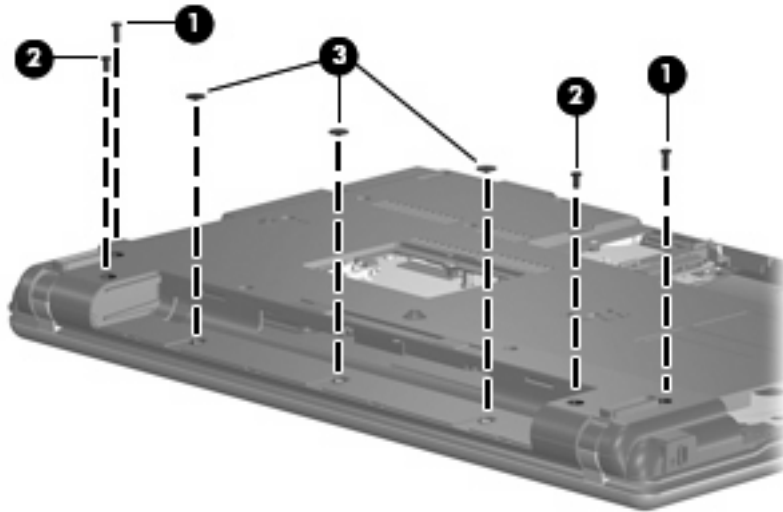
Description	Spare part number		
<b>Switch cover (includes button board and cable)</b>	<b>456581-001</b>		
<b>Keyboards for use in the following countries or regions:</b>			
Belgium	456587-181	Norway	456587-091
The Czech Republic	456587-221	Portugal	456587-131
Denmark	456587-081	Russia	456587-251
France	456587-051	Saudi Arabia	456587-171
French Canada	456587-121	Slovakia	456587-231
Germany	456587-041	Slovenia	456587-BA1
Greece	456587-DJ1	Spain	456587-071
Hungary	456587-211	Sweden and Finland	456587-B71
Iceland	456587-DD1	Switzerland	456587-BG1
Israel	456587-BB1	Turkey	456587-141
Italy	456587-061	The United Kingdom	456587-031
The Netherlands	456587-B31	The United States	456587-001

Before removing the switch cover and keyboard, follow these steps:

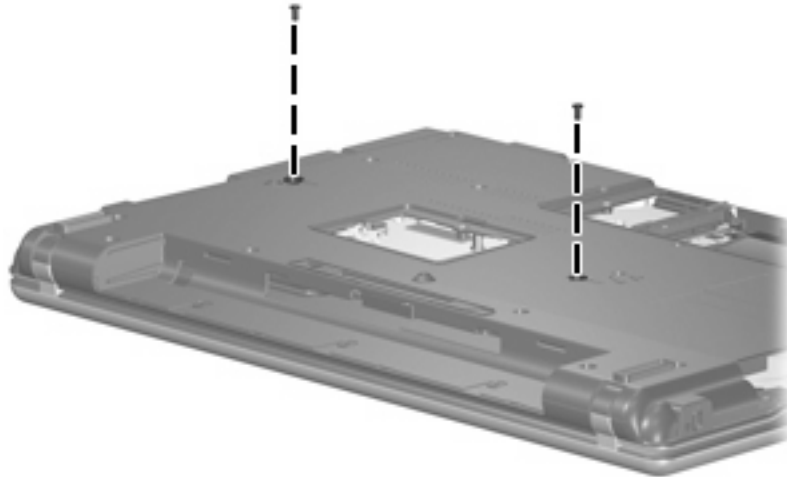
1. Shut down the computer. If you are unsure whether the computer is off or in Hibernation, turn the computer on, and then shut it down through the operating system.
2. Disconnect all external devices connected to the computer.
3. Disconnect the power from the computer by first unplugging the power cord from the AC outlet and then unplugging the AC adapter from the computer.
4. Remove the battery (see [Battery on page 35](#)).

Remove the switch cover and keyboard:

1. Remove the following screws:
  - (1) Two Torx T8M2.5×9.0 screws
  - (2) Two Torx T8M2.5×7.0 screws
  - (3) Three Torx T8M2.5×3.0 broad-head screws



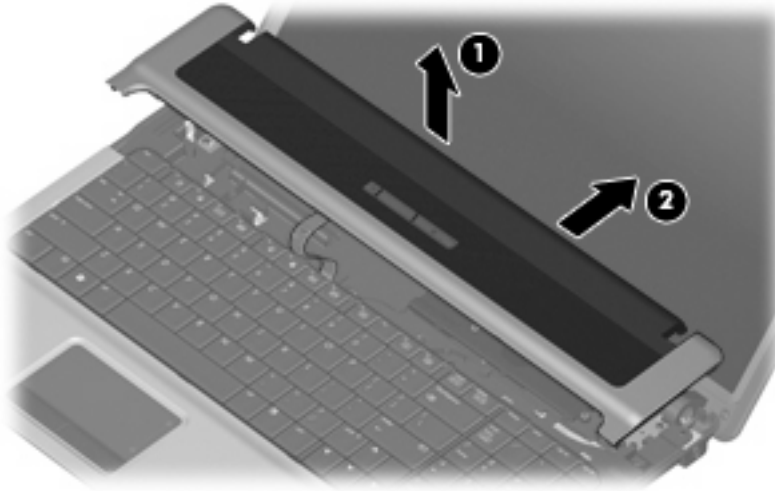
2. Remove the two Torx T8M2.5×7.0 screws that secure the keyboard to the computer.



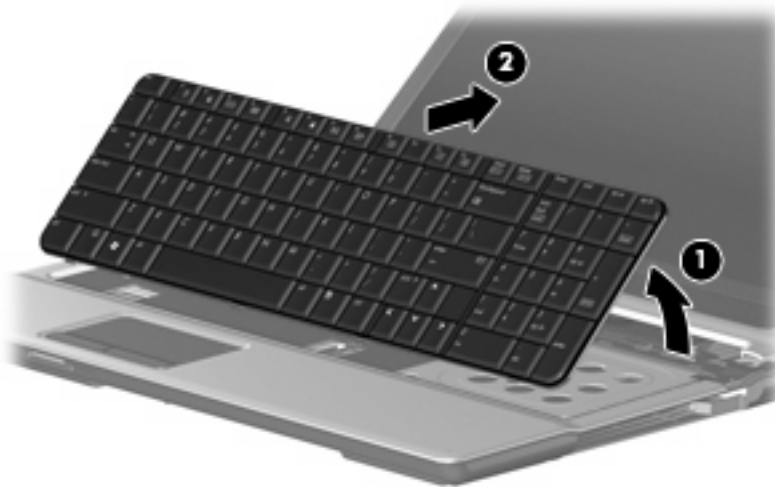
3. Turn the computer display-side up, with the front toward you.
4. Open the computer as far as possible.



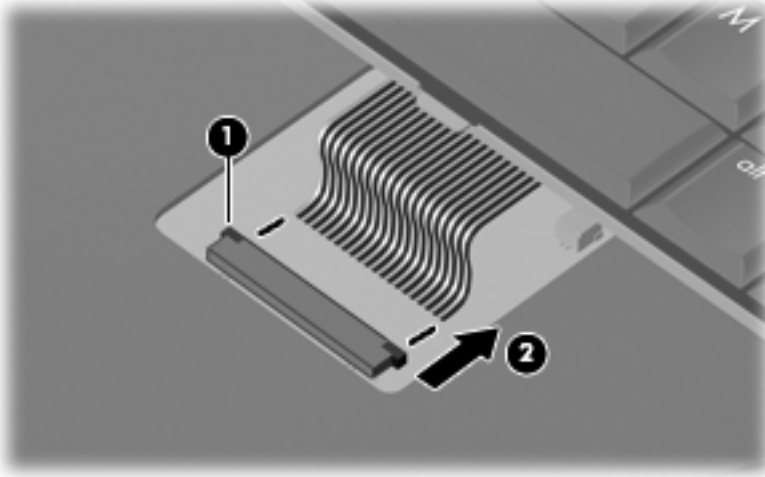
5. Lift the switch cover (1) straight up until it disengages from the computer, and slide it back (2) until it rests on the display assembly.



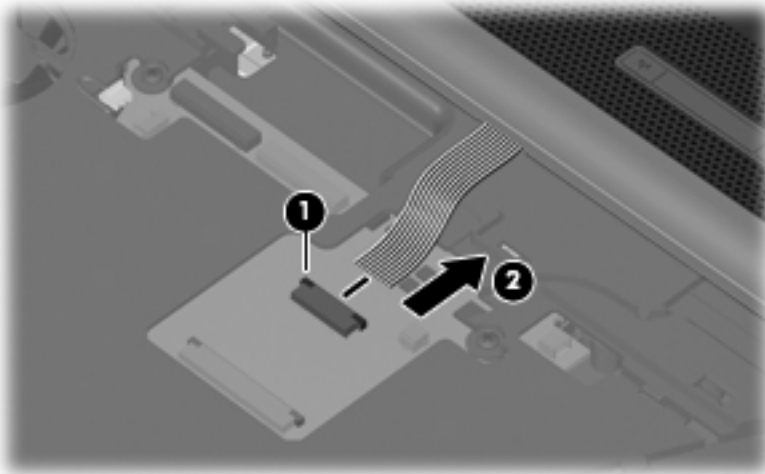
6. Lift the rear edge of the keyboard (1) until it rests at an angle, and slide it back (2) until it rests on the display assembly and switch cover.



7. Release the zero insertion force (ZIF) connector (1) to which the keyboard cable is attached, and disconnect the keyboard cable (2) from the system board.



8. Remove the keyboard.
9. Release the ZIF connector (1) to which the button board cable is attached, and disconnect the button board cable (2) from the system board.



10. Remove the switch cover.

Reverse this procedure to install the switch cover and keyboard.

## Speaker

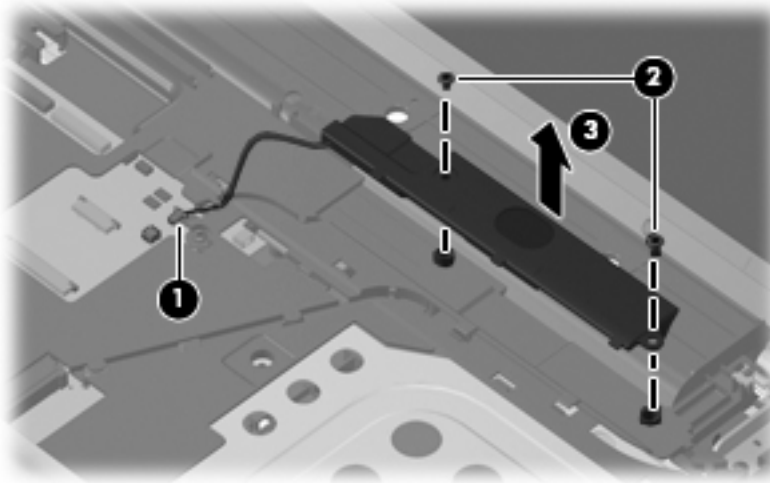
Description	Spare part number
Speaker	457614-001

Before removing the speaker, follow these steps:

1. Shut down the computer. If you are unsure whether the computer is off or in Hibernation, turn the computer on, and then shut it down through the operating system.
2. Disconnect all external devices connected to the computer.
3. Disconnect the power from the computer by first unplugging the power cord from the AC outlet and then unplugging the AC adapter from the computer.
4. Remove the battery (see [Battery on page 35](#)).
5. Remove the switch cover and keyboard (see [Switch cover and keyboard on page 45](#)).


Remove the speaker:

1. Disconnect the speaker cable (1) from the system board.
2. Remove the two Torx T8M2.5×4.0 screws (2) that secure the speaker to the top cover.
3. Remove the speaker (3) from the top cover.



Reverse this procedure to install the speaker.

## Display lid switch module

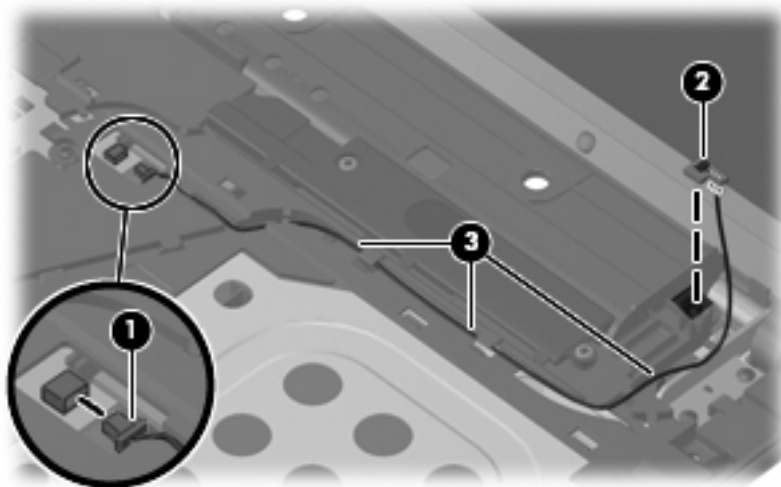
 **NOTE:** The display lid switch module is included in the Cable Kit, spare part number Cable Kit, spare part number 457615-001.

Before removing the display lid switch module, follow these steps:

1. Shut down the computer. If you are unsure whether the computer is off or in Hibernation, turn the computer on, and then shut it down through the operating system.
2. Disconnect all external devices connected to the computer.
3. Disconnect the power from the computer by first unplugging the power cord from the AC outlet and then unplugging the AC adapter from the computer.
4. Remove the battery (see [Battery on page 35](#)).
5. Remove the switch cover and keyboard (see [Switch cover and keyboard on page 45](#)).


Remove the display lid switch module:

1. Disconnect the display lid switch module cable **(1)** from the system board.
2. Remove the display lid switch module **(2)** from the clip built into the top cover.
3. Remove the display lid switch module cable from the clips **(3)** built into the top cover.



Reverse this procedure to install the display lid switch module.

## Display assembly

 **NOTE:** All display assembly spare part kits include 2 WLAN antenna transceivers and cables.

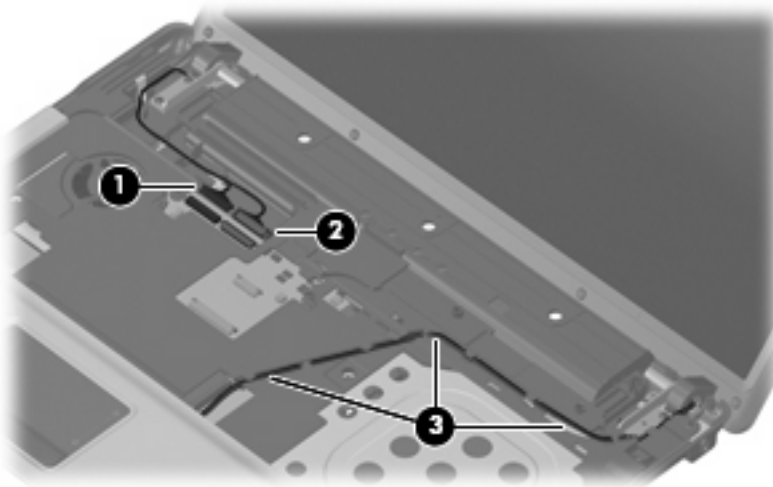
Description	Spare part number
17.0-inch, WXGA with AntiGlare	456582-001
17.0-inch, WXGA with BrightView	456583-001

Before removing the display assembly, follow these steps:

1. Shut down the computer. If you are unsure whether the computer is off or in Hibernation, turn the computer on, and then shut it down through the operating system.
2. Disconnect all external devices connected to the computer.
3. Disconnect the power from the computer by first unplugging the power cord from the AC outlet and then unplugging the AC adapter from the computer.
4. Remove the battery (see [Battery on page 35](#)).
5. Disconnect the wireless antenna cables from the WLAN module (see [WLAN module on page 38](#)).
6. Remove the following components:
  - a. Switch cover and keyboard (see [Switch cover and keyboard on page 45](#))
  - b. Speaker (see [Speaker on page 49](#))
  - c. Display lid switch module (see [Display lid switch module on page 50](#))

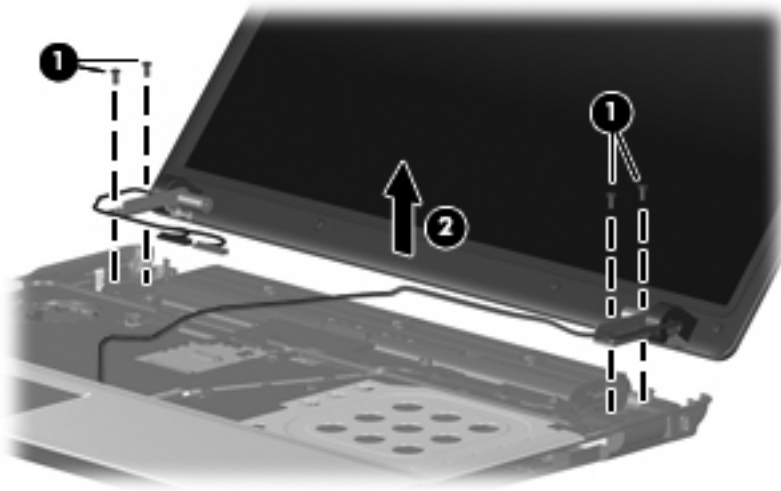
Remove the display assembly:

1. Disconnect the display panel cables **(1)** and **(2)** from the system board.
2. Remove the wireless antenna cables **(3)** from the clips and routing channels built into the top cover.

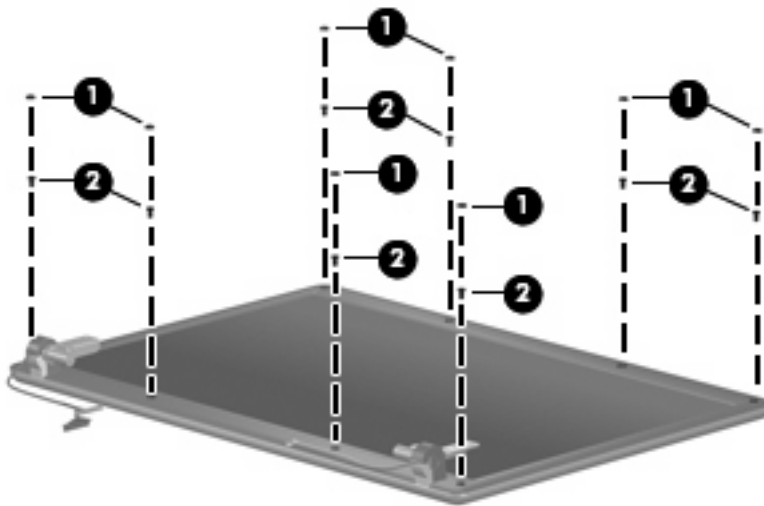


3. Remove the four Torx T8M2.5×7.0 screws **(1)** that secure the display assembly to the computer.

4. Lift the display assembly (2) straight up and remove it.

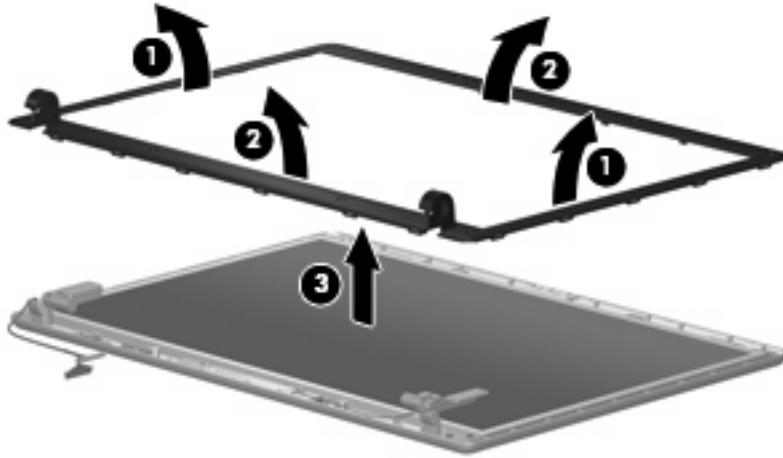


5. If it is necessary to replace the display bezel, display inverter, or display hinges, remove the eight rubber screw covers (1) and the eight Torx T8M2.5×6.0 screws (2) that secure the display bezel to the display assembly. The rubber screw covers are available in the Rubber Kit, spare part number 456616-001.



6. Flex the inside edges of the left and right sides (1) and the top and bottom sides (2) of the display bezel until the bezel disengages from the display enclosure.

7. Remove the display bezel (3). The display bezel is available in the display enclosure kit using spare part number 456586-001.

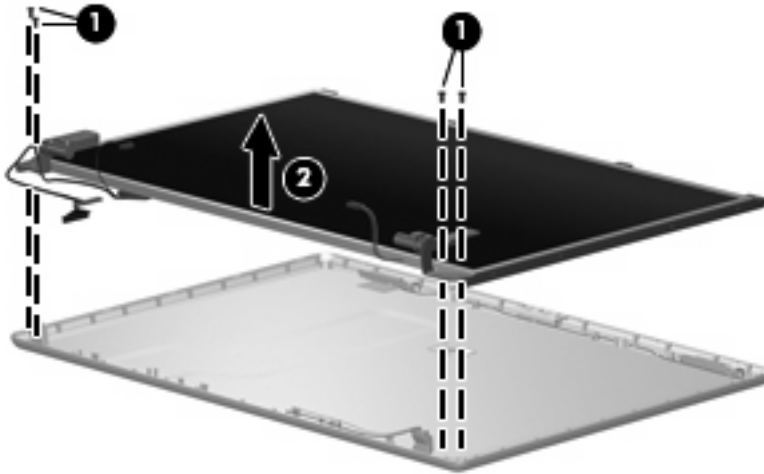


8. If it is necessary to replace the display inverter, remove the inverter (1) from the display enclosure as far as the display panel cable and the backlight cable will allow.
9. Disconnect the display panel cable (2) and the backlight cable (3) from the display inverter.



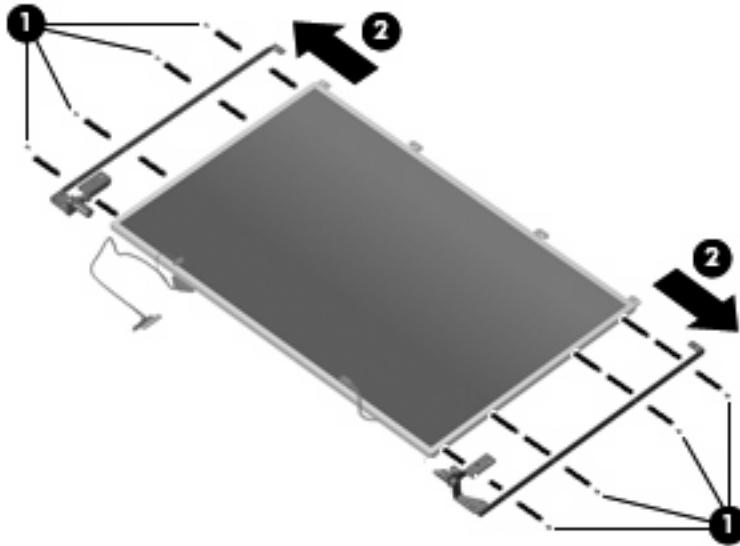
10. Remove the display inverter. The display inverter is available using spare part number 457621-001.
11. If it is necessary to replace the display hinges, remove the four Torx T8M2.5×6.0 screws (1) that secure the display panel to the display enclosure.

12. Remove the display panel (2).



13. Remove the four Phillips PM2.0×4.0 screws (1) that secure each display hinge to the display panel.

14. Remove the display hinges (2). The left and right display hinges are available using spare part number 456584-001.



Reverse this procedure to reassemble and install the display assembly.



## Top cover

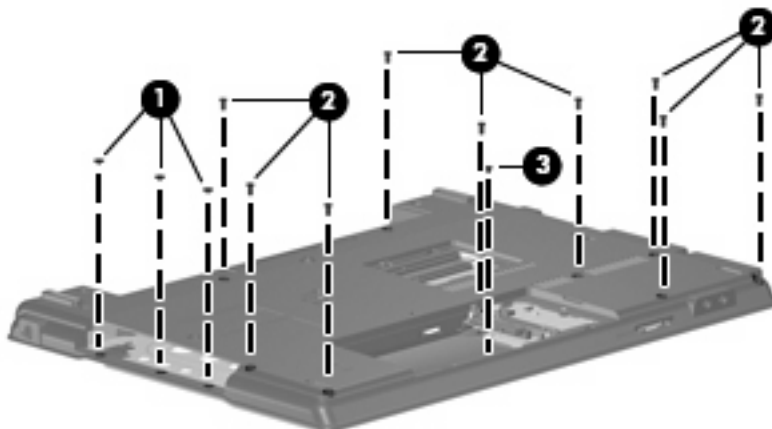
Description	Spare part number
Top cover	457616-001

Before removing the top cover, follow these steps:

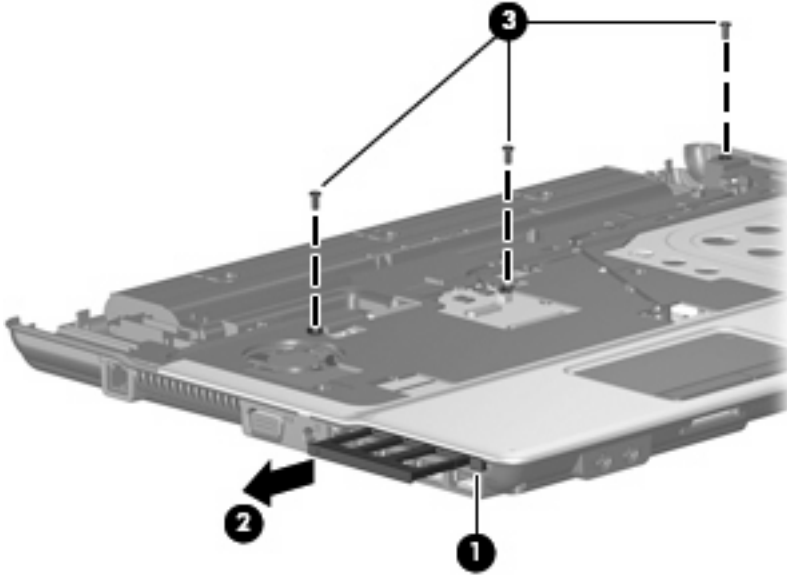
1. Shut down the computer. If you are unsure whether the computer is off or in Hibernation, turn the computer on, and then shut it down through the operating system.
2. Disconnect all external devices connected to the computer.
3. Disconnect the power from the computer by first unplugging the power cord from the AC outlet and then unplugging the AC adapter from the computer.
4. Remove the battery (see [Battery on page 35](#)).
5. Remove the following components:
  - a. Hard drive (see [Hard drive on page 36](#))
  - b. Optical drive (see [Optical drive on page 42](#))
  - c. Switch cover and keyboard (see [Switch cover and keyboard on page 45](#))
  - d. Speaker (see [Speaker on page 49](#))
  - e. Display lid switch module (see [Display lid switch module on page 50](#))
  - f. Display assembly (see [Display assembly on page 51](#))

Remove the top cover:

1. Turn the computer upside down, with the front toward you.
2. Remove the following screws:
  - (1) Three Phillips PM2.0×2.0 broad-head screws
  - (2) Nine Torx T8M2.5×7.0 screws
  - (3) One Torx T8m2.5×4.0 screw

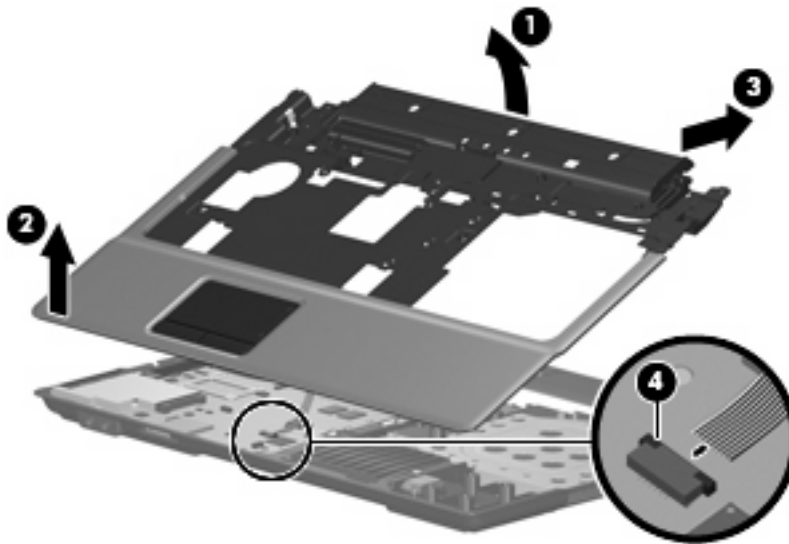


3. Turn the computer right-side up, with the left side toward you.
4. Press in on the ExpressCard slot eject button **(1)** two times. The first press releases the ExpressCard slot eject button. The second press releases the ExpressCard slot bezel from the ExpressCard slot.
5. Remove the ExpressCard slot bezel **(2)**.
6. Remove the three Torx T8M2.5×7.0 screws **(3)** that secure the top cover to the computer.



7. Lift the rear edge of the top cover **(1)** and swing it up and forward until it rests at an angle.
8. Lift the front edge of the top cover **(2)** until it disengages from the base enclosure.
9. Tilt the top cover **(3)** back until the TouchPad cable is accessible.

10. Release the ZIF connector (4) to which the TouchPad cable is connected and disconnect the TouchPad cable from the system board.



11. Remove the top cover.

Reverse this procedure to install the top cover.

## TouchPad board and TouchPad button board

Description	Spare part number
TouchPad board (includes cable)	457617-001
TouchPad button board (includes cable)	456601-001
TouchPad Miscellaneous Kit (includes TouchPad bracket and TouchPad button board actuators)	457618-001

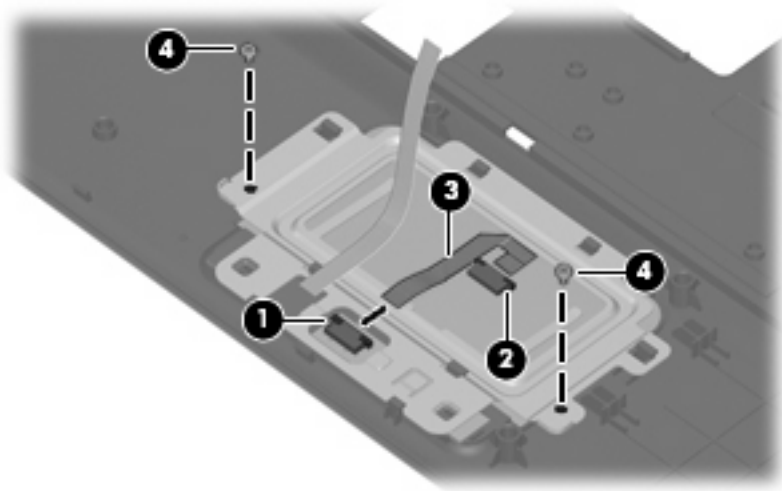
Before removing the TouchPad board and TouchPad button board, follow these steps:

1. Shut down the computer. If you are unsure whether the computer is off or in Hibernation, turn the computer on, and then shut it down through the operating system.
2. Disconnect all external devices connected to the computer.
3. Disconnect the power from the computer by first unplugging the power cord from the AC outlet and then unplugging the AC adapter from the computer.
4. Remove the battery (see [Battery on page 35](#)).
5. Remove the following components:
  - a. Hard drive (see [Hard drive on page 36](#))
  - b. Optical drive (see [Optical drive on page 42](#))
  - c. Switch cover and keyboard (see [Switch cover and keyboard on page 45](#))
  - d. Speaker (see [Speaker on page 49](#))
  - e. Display lid switch module (see [Display lid switch module on page 50](#))
  - f. Display assembly (see [Display assembly on page 51](#))
  - g. Top cover (see [Top cover on page 55](#))

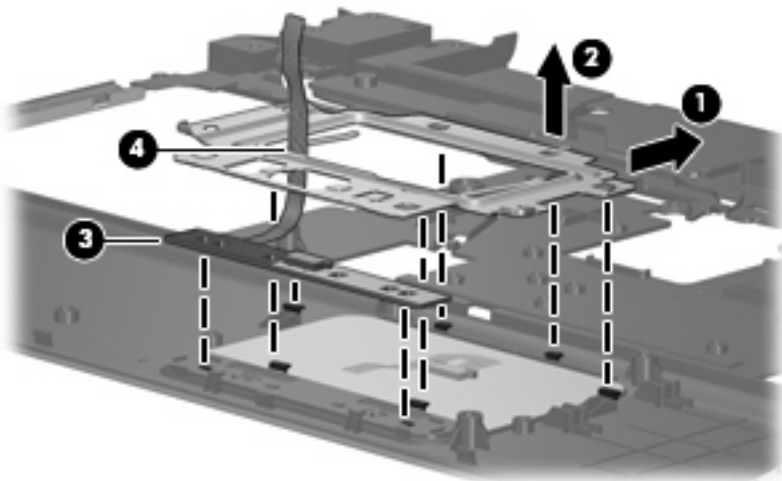
Remove the TouchPad board and TouchPad button board:

1. Turn the top cover upside down, with the front toward you.
2. Release the ZIF connectors on the TouchPad button board **(1)** and TouchPad board **(2)** to which the TouchPad board cable is connected.
3. Disconnect and remove the TouchPad board cable **(3)**.


4. Remove the two Phillips PM2.0×4.0 screws (4) that secure the TouchPad bracket to the computer.

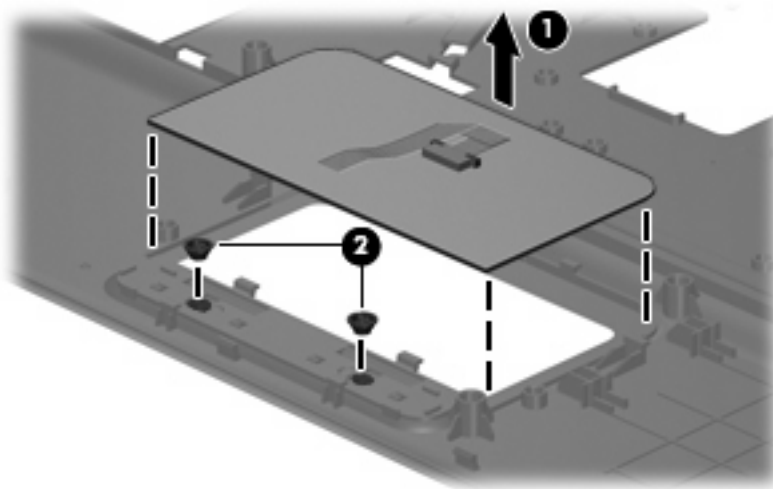


5. Release the TouchPad bracket (1) by sliding it back.
6. Remove the TouchPad bracket (2) by lifting it straight up.
7. Remove the TouchPad button board (3).
8. Remove the TouchPad button board cable (4) from the opening in the TouchPad bracket.




9. Remove the TouchPad board (1) from the top cover.

 **NOTE:** When replacing the TouchPad board and TouchPad button board, be sure the TouchPad button actuators (2) are installed in the top cover.



Reverse this procedure to install the TouchPad board and TouchPad button board.

## Bluetooth module

 **NOTE:** The Bluetooth module spare part kit does not include a Bluetooth module cable. The Bluetooth module cable is included in the Cable Kit, spare part number 457615-001.

Description	Spare part number
Bluetooth module	398393-002

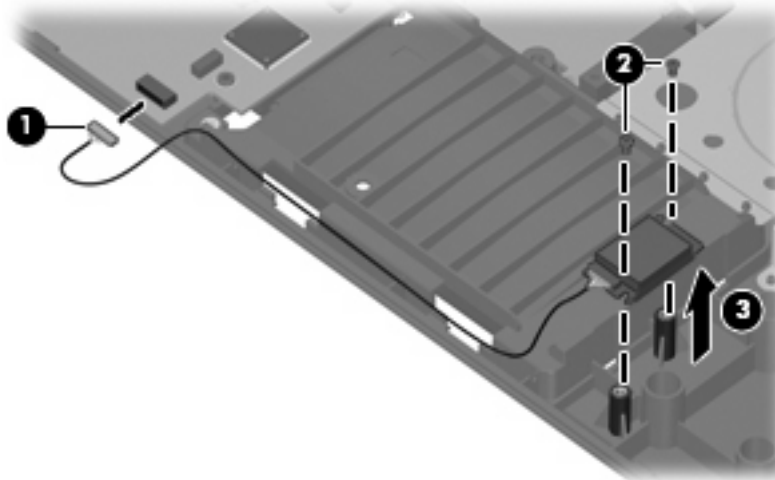
Before removing the Bluetooth module, follow these steps:

1. Shut down the computer. If you are unsure whether the computer is off or in Hibernation, turn the computer on, and then shut it down through the operating system.
2. Disconnect all external devices connected to the computer.
3. Disconnect the power from the computer by first unplugging the power cord from the AC outlet and then unplugging the AC adapter from the computer.
4. Remove the battery (see [Battery on page 35](#)).
5. Remove the following components:
  - a. Hard drive (see [Hard drive on page 36](#))
  - b. Optical drive (see [Optical drive on page 42](#))
  - c. Switch cover and keyboard (see [Switch cover and keyboard on page 45](#))
  - d. Speaker (see [Speaker on page 49](#))
  - e. Display lid switch module (see [Display lid switch module on page 50](#))

- f. Display assembly (see [Display assembly on page 51](#))
- g. Top cover (see [Top cover on page 55](#))


Remove the Bluetooth module:

1. Disconnect the Bluetooth module cable (1) from the system board.
2. Remove the two Phillips PM2.0×4.0 screws (2) that secure the Bluetooth module to the base enclosure.
3. Remove the Bluetooth module (3) from the base enclosure.



Reverse this procedure to install the Bluetooth module.

## System board

 **NOTE:** All system board spare part kits include replacement thermal material.

Description	Spare part number
Includes 128 MB of DDR2 graphics subsystem memory	456613-001
Includes 64 MB of DDR2 graphics subsystem memory	456612-001
Includes 128 MB of DDR1 graphics subsystem memory	456611-001
Includes 64 MB of DDR1 graphics subsystem memory	456610-001

Before removing the system board, follow these steps:

1. Shut down the computer. If you are unsure whether the computer is off or in Hibernation, turn the computer on, and then shut it down through the operating system.
2. Disconnect all external devices connected to the computer.
3. Disconnect the power from the computer by first unplugging the power cord from the AC outlet and then unplugging the AC adapter from the computer.

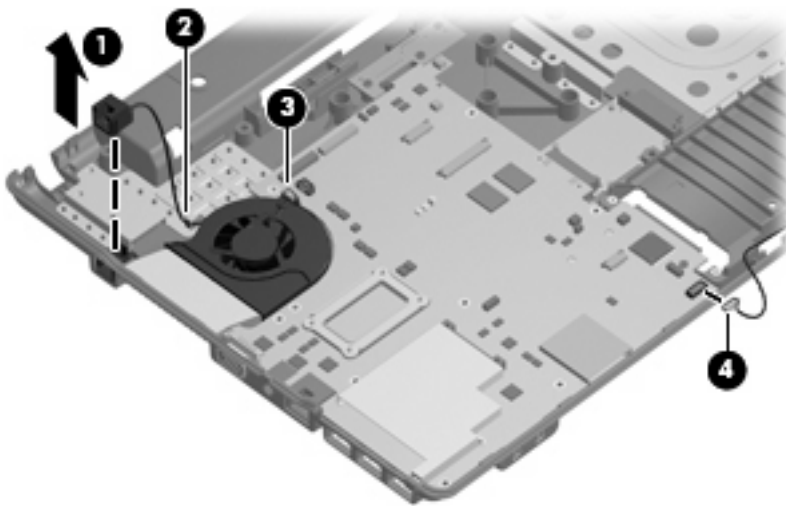
4. Remove the battery (see [Battery on page 35](#)).
5. Remove the following components:
  - a. Hard drive (see [Hard drive on page 36](#))
  - b. Optical drive (see [Optical drive on page 42](#))
  - c. Switch cover and keyboard (see [Switch cover and keyboard on page 45](#))
  - d. Speaker (see [Speaker on page 49](#))
  - e. Display lid switch module (see [Display lid switch module on page 50](#))
  - f. Display assembly (see [Display assembly on page 51](#))
  - g. Top cover (see [Top cover on page 55](#))

When replacing the system board, be sure that the following components are removed from the defective system board and installed on the replacement system board:

- Memory module (see [Memory module on page 41](#))
- WLAN module (see [WLAN module on page 38](#))
- Processor (see [Processor on page 69](#))

Remove the system board:

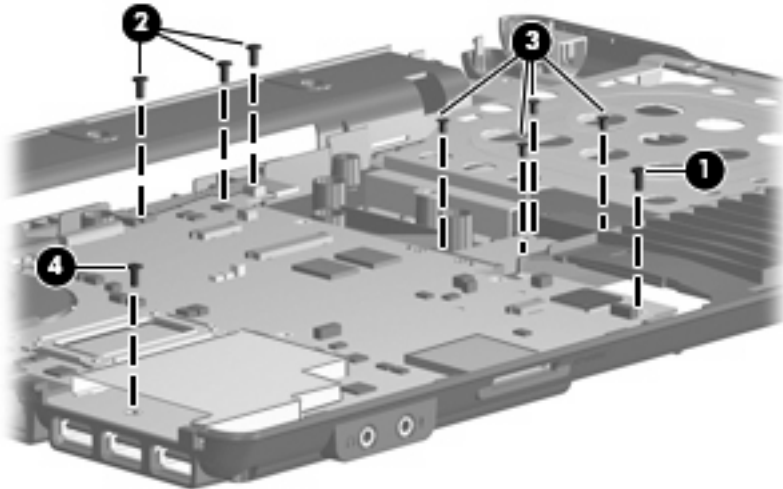
1. Remove the RJ-11 jack (1) from the clip built into the base enclosure and remove the RJ-11 jack cable from the hook (2) built into the base enclosure.
2. Disconnect the fan cable (3) and the Bluetooth module cable (4) from the system board.



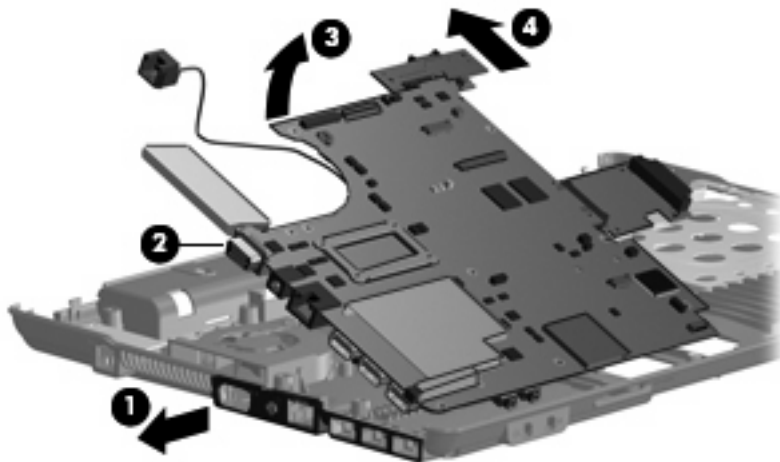


3. Remove the following screws:

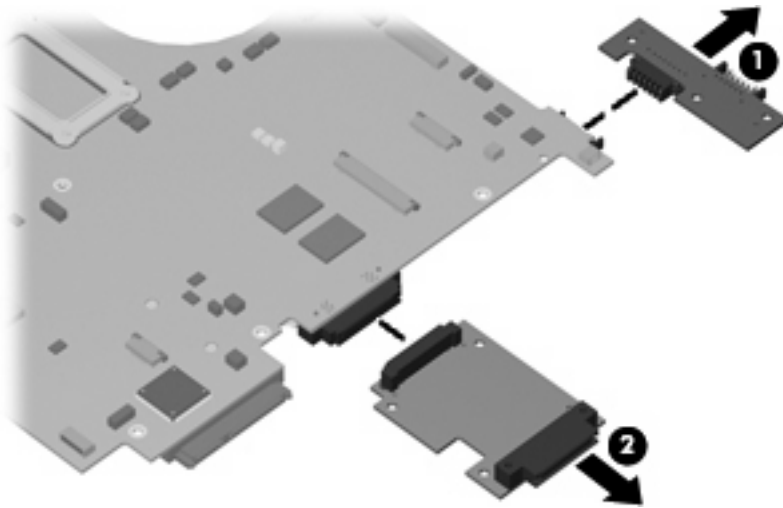
- (1) One Torx T8M2.5×6.0 screw that secures the system board to the base enclosure
- (2) Three Torx T8M2.5×6.0 screws that secure the battery connector board to the base enclosure
- (3) Four Torx T8M2.5×4.0 screws that secure the optical drive connector board to the base enclosure
- (4) One Phillips PMM2.0×6.0 screw that secures the system board to the base enclosure



- 4. Flex the left side of the base enclosure (1) until the external monitor connector (2) is clear of the opening in the base enclosure.
- 5. Lift the rear edge of the system board (3) until it rests at an angle.
- 6. Remove the system board (4) from the base enclosure by sliding it back.



7. If it is necessary to replace the battery connector board **(1)** and the optical drive connector board **(2)**, remove them from the connectors on the system board. The battery connector board is available using spare part number 457620-001. The optical drive connector board is available using spare part number 456805-001.



Reverse the preceding procedure to install the system board.

# Fan

Description	Spare part number
Fan	456604-001

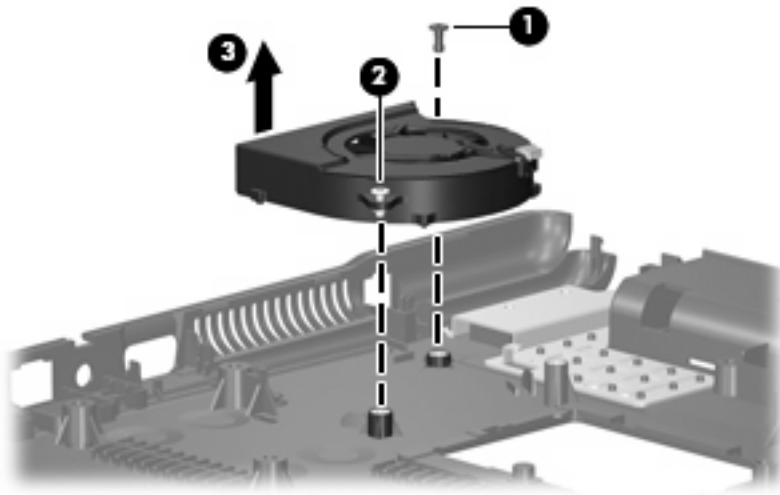
Before removing the fan, follow these steps:

1. Shut down the computer. If you are unsure whether the computer is off or in Hibernation, turn the computer on, and then shut it down through the operating system.
2. Disconnect all external devices connected to the computer.
3. Disconnect the power from the computer by first unplugging the power cord from the AC outlet and then unplugging the AC adapter from the computer.
4. Remove the battery (see [Battery on page 35](#)).
5. Remove the following components:
  - a. Hard drive (see [Hard drive on page 36](#))
  - b. Optical drive (see [Optical drive on page 42](#))
  - c. Switch cover and keyboard (see [Switch cover and keyboard on page 45](#))
  - d. Speaker (see [Speaker on page 49](#))
  - e. Display lid switch module (see [Display lid switch module on page 50](#))
  - f. Display assembly (see [Display assembly on page 51](#))
  - g. Top cover (see [Top cover on page 55](#))
  - h. System board (see [System board on page 61](#))


Remove the fan:

1. Remove the Phillips PM2.5×7.0 screw **(1)** that secures the fan to the base enclosure.
2. Loosen the Phillips PM2.5×7.0 screw **(2)** that secures the fan to the base enclosure.

3. Remove the fan (3) from the base enclosure.



Reverse this procedure to install the fan.

 **NOTE:** To properly ventilate the computer, allow at least a 7.6-cm (3-inch) clearance on the left side of the computer.

The computer uses an electric fan for ventilation. The fan is controlled by a temperature sensor and is designed to turn on automatically when high temperature conditions exist. These conditions are affected by high external temperatures, system power consumption, power management/battery conservation configurations, battery fast charging, and software requirements. Exhaust air is displaced through the ventilation grill located on the left side of the computer.

## Heat sink

Description	Spare part number
Heat sink (includes replacement thermal material)	456606-001

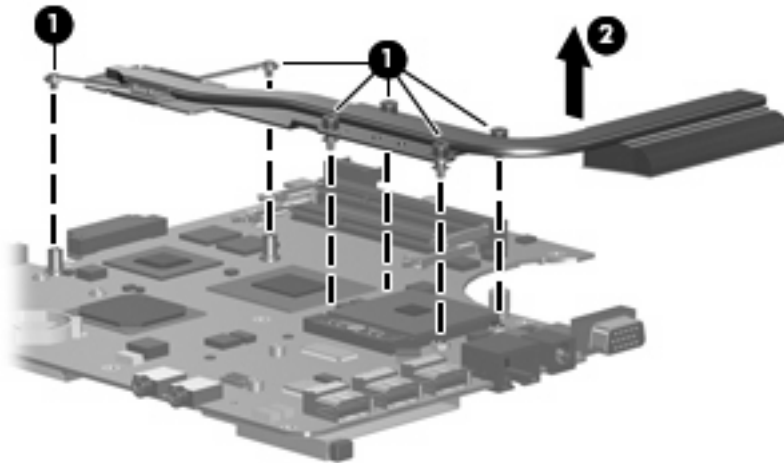
Before removing the heat sink, follow these steps:

1. Shut down the computer. If you are unsure whether the computer is off or in Hibernation, turn the computer on, and then shut it down through the operating system.
2. Disconnect all external devices connected to the computer.
3. Disconnect the power from the computer by first unplugging the power cord from the AC outlet and then unplugging the AC adapter from the computer.
4. Remove the battery (see [Battery on page 35](#)).
5. Remove the following components:
  - a. Hard drive (see [Hard drive on page 36](#))
  - b. Optical drive (see [Optical drive on page 42](#))
  - c. Switch cover and keyboard (see [Switch cover and keyboard on page 45](#))
  - d. Speaker (see [Speaker on page 49](#))
  - e. Display lid switch module (see [Display lid switch module on page 50](#))
  - f. Display assembly (see [Display assembly on page 51](#))
  - g. Top cover (see [Top cover on page 55](#))
  - h. System board (see [System board on page 61](#))

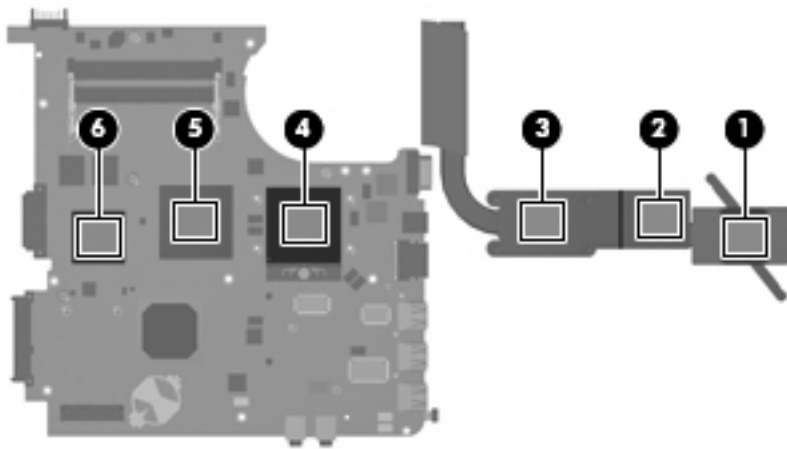
Remove the heat sink:

1. Turn the system board upside down, with the USB connectors toward you.
2. In the 1, 2, 3, 4, 5, 6 sequence stamped into the heat sink, loosen the six Phillips PM2.5×10.0 screws (**1**) that secure the heat sink to the system board.

3. Remove the heat sink (2).



**NOTE:** The thermal material must be thoroughly cleaned from the surfaces of the heat sink (1), (2), and (3) and the processor (4), Northbridge chip (5), and graphics subsystem memory (6) each time the heat sink is removed. Thermal material is included with all heat sink, system board, and processor spare part kits.



Reverse this procedure to install the heat sink.

## Processor

 **NOTE:** All processor spare part kits include replacement thermal material.

Description	Spare part number
Intel Core 2 Duo processors:	
• T9300 2.50-GHz processor (6-MB L2 cache, 800-MHz FSB)	463050-001
• T8300 2.40-GHz processor (3-MB L2 cache, 800-MHz FSB)	463049-001
• T8100 2.10-GHz processor (3-MB L2 cache, 800-MHz FSB)	463048-001
• T7800 2.60-GHz processor (4-MB L2 cache, 800-MHz FSB)	459465-001
• T7700 2.40-GHz processor (4-MB L2 cache, 800-MHz FSB)	446894-001
• T7500 2.20-GHz processor (4-MB L2 cache, 800-MHz FSB)	446893-001
• T7300 2.00-GHz processor (4-MB L2 cache, 800-MHz FSB)	446892-001
• T7250 2.00-GHz processor (2-MB L2 cache, 800-MHz FSB)	459463-001
• T7100 1.80-GHz processor (2-MB L2 cache, 800-MHz FSB)	446891-001
• T5550 1.83-GHz processor (2-MB L2 cache, 800-MHz FSB)	459464-001
• T5470 1.60-GHz processor (2-MB L2 cache, 800-MHz FSB)	456575-001
• T5270 1.40-GHz processor (2-MB L2 cache, 800-MHz FSB)	462345-001
Intel Pentium Dual Core processor:	
• T2310 1.83-GHz processor (1-MB L2 cache, 533-MHz FSB)	462619-001
Intel Celeron M processors:	
• 550 2.00-GHz processor (1-MB L2 cache, 533-MHz FSB)	446889-001
• 540 1.86-GHz processor (1-MB L2 cache, 533-MHz FSB)	446888-001
• 530 1.73-GHz processor (1-MB L2 cache, 533-MHz FSB)	459462-001

Before removing the processor, follow these steps:


1. Shut down the computer. If you are unsure whether the computer is off or in Hibernation, turn the computer on, and then shut it down through the operating system.
2. Disconnect all external devices connected to the computer.
3. Disconnect the power from the computer by first unplugging the power cord from the AC outlet and then unplugging the AC adapter from the computer.
4. Remove the battery (see [Battery on page 35](#)).
5. Remove the following components:
  - a. Hard drive (see [Hard drive on page 36](#))
  - b. Optical drive (see [Optical drive on page 42](#))
  - c. Switch cover and keyboard (see [Switch cover and keyboard on page 45](#))

- d. Speaker (see [Speaker on page 49](#))
- e. Display lid switch module (see [Display lid switch module on page 50](#))
- f. Display assembly (see [Display assembly on page 51](#))
- g. Top cover (see [Top cover on page 55](#))
- h. System board (see [System board on page 61](#))

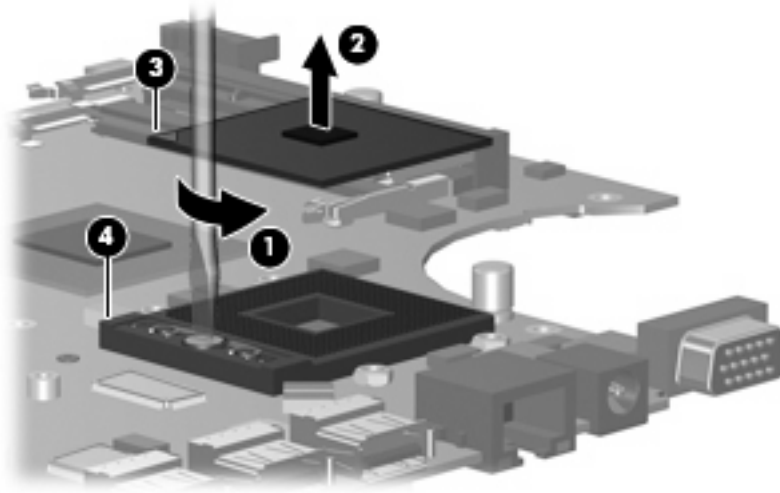
Remove the processor:

1. Turn the system board upside down, with the USB connectors toward you.
2. Use a flat-bladed screwdriver to turn the processor locking screw (1) one-half turn counterclockwise until you hear a click.
3. Lift the processor (2) straight up and remove it.

---

 **NOTE:** When you install the processor, the gold triangle (3) on the processor must be aligned with the triangle (4) embossed on the processor slot.


---



Reverse this procedure to install the processor.



## Modem module

 **NOTE:** The modem module spare part kit does not include a modem module cable. The modem module cable is included in the Cable Kit, spare part number 457615-001.

Description	Spare part number
Modem module	441074-001

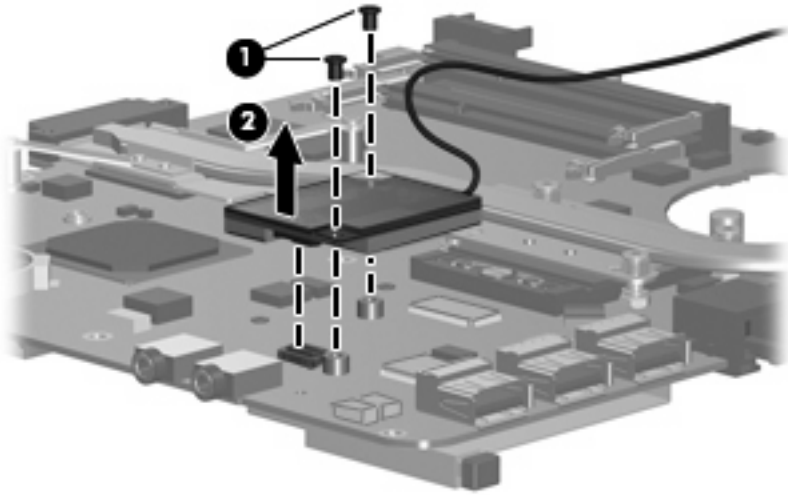
Before removing the modem module, follow these steps:

1. Shut down the computer. If you are unsure whether the computer is off or in Hibernation, turn the computer on, and then shut it down through the operating system.
2. Disconnect all external devices connected to the computer.
3. Disconnect the power from the computer by first unplugging the power cord from the AC outlet and then unplugging the AC adapter from the computer.
4. Remove the battery (see [Battery on page 35](#)).
5. Remove the following components:
  - a. Hard drive (see [Hard drive on page 36](#))
  - b. Optical drive (see [Optical drive on page 42](#))
  - c. Switch cover and keyboard (see [Switch cover and keyboard on page 45](#))
  - d. Speaker (see [Speaker on page 49](#))
  - e. Display lid switch module (see [Display lid switch module on page 50](#))
  - f. Display assembly (see [Display assembly on page 51](#))
  - g. Top cover (see [Top cover on page 55](#))
  - h. System board (see [System board on page 61](#))

Remove the modem module:

1. Turn the system board upside down, with the USB connectors toward you.
2. Remove the two Phillips PM2.5×4.0 screws (**1**) that secure the modem module to the system board.


3. Lift the modem module (2) straight up to disconnect it from the system board.



4. Remove the modem module.

Reverse this procedure to install the modem module.

## RTC battery

 **NOTE:** Removing the RTC battery and leaving it uninstalled for 5 or more minutes causes all passwords and CMOS settings to be cleared.

Description	Spare part number
RTC battery	449137-001

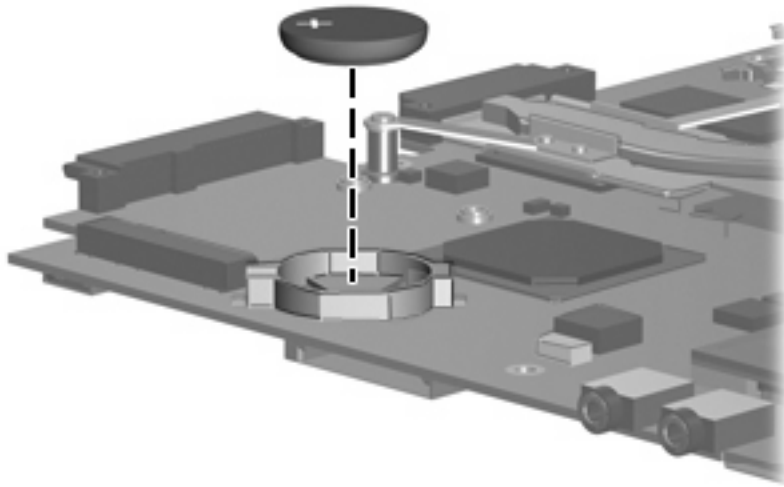
Before removing the RTC battery, follow these steps:

1. Shut down the computer. If you are unsure whether the computer is off or in Hibernation, turn the computer on, and then shut it down through the operating system.
2. Disconnect all external devices connected to the computer.
3. Disconnect the power from the computer by first unplugging the power cord from the AC outlet and then unplugging the AC adapter from the computer.
4. Remove the battery (see [Battery on page 35](#)).
5. Remove the following components:
  - a. Hard drive (see [Hard drive on page 36](#))
  - b. Optical drive (see [Optical drive on page 42](#))
  - c. Switch cover and keyboard (see [Switch cover and keyboard on page 45](#))
  - d. Speaker (see [Speaker on page 49](#))
  - e. Display lid switch module (see [Display lid switch module on page 50](#))
  - f. Display assembly (see [Display assembly on page 51](#))
  - g. Top cover (see [Top cover on page 55](#))
  - h. System board (see [System board on page 61](#))

Remove the RTC battery:

1. Turn the system board upside down, with the audio connectors toward you.

2. Remove the RTC battery from the socket on the system board.



Reverse this procedure to install the RTC battery.


---

# 5 Computer Setup

## Starting Computer Setup

Computer Setup is a preinstalled, ROM-based utility that can be used even when the operating system is not working or will not load.

---

 **NOTE:** Some of the Computer Setup menu items listed in this guide may not be supported by your computer.

**NOTE:** Pointing devices are not supported in Computer Setup. You must use the keyboard to navigate and make selections.

**NOTE:** An external keyboard connected by USB can be used with Computer Setup only if USB legacy support is enabled.

---

To start Computer Setup:

1. Turn on or restart the computer.
2. Before Windows® opens and while the "F10 = ROM Based Setup" message is displayed in the lower-left corner of the screen, press **f10**.

# Using Computer Setup

## Navigating and selecting in Computer Setup

The information and settings in Computer Setup are accessed from the File, Security, Diagnostics, and System Configuration menus.

1. Open Computer Setup by turning on or restarting the computer, and then pressing **f10** while the "F10 = ROM Based Setup" message is displayed in the lower-left corner of the screen.

Because Computer Setup is not Windows-based, it does not support the TouchPad. Navigation and selection are by keystroke:

- To choose a menu or a menu item, use the arrow keys.
  - To select an item, press **enter**.
  - To close open dialog boxes and return to the main Computer Setup screen, press **esc**.
  - To view navigation information, press **f1**.
  - To change the language, press **f2**.
2. Select the **File**, **Security**, **Diagnostics** or **System Configuration** menu.
  3. To exit Computer Setup, choose one of the following methods:
    - To exit Computer Setup without saving your preferences, use the arrow keys to select **File > Ignore changes and exit**. Then follow the instructions on the screen.
    - To save your preferences and exit Computer Setup, use the arrow keys to select **File > Save changes and exit**. Then follow the instructions on the screen.

Your preferences go into effect when the computer restarts.


## Restoring factory settings in Computer Setup

To return all settings in Computer Setup to the values that were set at the factory, follow these steps:

1. Open Computer Setup by turning on or restarting the computer, and then pressing **f10** while the "F10 = ROM Based Setup" message is displayed in the lower-left corner of the screen.
2. Use the arrow keys to select **File > Restore defaults**, and then press **enter**.
3. When the confirmation dialog box opens, press **f10**.
4. To save your preferences and exit Computer Setup, use the arrow keys to select **File > Save changes and exit**. Then follow the instructions on the screen.

Your preferences go into effect when the computer restarts.


---

 **NOTE:** Your password settings and security settings are not changed when you restore the factory settings.

---

# Computer Setup menus


The menu tables in this section provide an overview of Computer Setup options.

 **NOTE:** Some of the Computer Setup menu items listed in this chapter may not be supported by your computer.

## File menu

Select	To do this
System information	<ul style="list-style-type: none"><li>• View identification information for the computer and the batteries in the system.</li><li>• View specification information for the processor, cache and memory size, system ROM, video revision, and keyboard controller version.</li></ul>
Restore defaults	Replace the configuration settings in Computer Setup with the original factory settings. (Password settings and security settings are not changed when you restore the factory settings.)
Ignore changes and exit	Cancel any changes entered during the current session. Then exit and restart the computer.
Save changes and exit	Save any changes entered during the current session. Then exit and restart the computer. Your changes go into effect when the computer restarts.

## Security menu

 **NOTE:** Some of the menu items listed in this section may not be supported by your computer.


Select	To do this
Setup Password	Enter, change, or delete a setup password.
Power-On Password	Enter, change, or delete a power-on password.
Password Options	<ul style="list-style-type: none"><li>• Enable/disable stringent security.</li><li>• Enable/disable the password requirement on computer restart.</li></ul>
DriveLock Passwords	<ul style="list-style-type: none"><li>• Enable/disable DriveLock on any computer hard drive.</li><li>• Change a DriveLock user password or master password.</li></ul> <p><b>NOTE:</b> DriveLock settings are accessible only when you enter Computer Setup by turning on (not restarting) the computer.</p>
System IDs	Enter a user-defined computer asset tracking number and ownership tag.
Disk Sanitizer	Run Disk Sanitizer to destroy all existing data on the primary hard drive. The following options are available: <ul style="list-style-type: none"><li>• Fast: Runs the Disk Sanitizer erase cycle once.</li><li>• Optimum: Runs the Disk Sanitizer erase cycle 3 times.</li><li>• Custom: Allows you to select the desired number of Disk Sanitizer erase cycles from a list.</li><li>• Last status: Provides information about the last time Disk Sanitizer ran on the computer.</li></ul> <p><b>CAUTION:</b> If you run Disk Sanitizer, the data on the primary hard drive is destroyed permanently.</p>

## Diagnostics menu

Select	To do this
HDD Self-Test options	Run a comprehensive self-test on any hard drive in the system.
Memory Check	Run a comprehensive test on system memory.
Startup check	Verify the system components needed for starting the computer.



## System Configuration menu

 **NOTE:** Some of the listed System Configuration options may not be supported by your computer.

Select	To do this
Language (or press <b>f2</b> )	Change the Computer Setup language.
Boot Options	<ul style="list-style-type: none"><li>• Set an <b>f9</b>, <b>f10</b>, and <b>f12</b> delay when starting up.</li><li>• Enable/disable CD-ROM boot.</li><li>• Enable/disable floppy boot.</li><li>• Enable/disable internal network adapter boot and set the boot mode (PXE).</li><li>• Enable/disable MultiBoot, which sets a boot order that can include most boot devices in the system.</li><li>• Set the Express Boot Popup delay in seconds.</li><li>• Set the boot order.</li></ul>
Device Configurations	<ul style="list-style-type: none"><li>• Swap the functions of the <b>fn</b> key and left <b>ctrl</b> key.</li><li>• Enable/disable USB legacy support. When enabled, USB legacy support allows the following:<ul style="list-style-type: none"><li>◦ Use of a USB keyboard in Computer Setup even when a Windows operating system is not running.</li><li>◦ Startup from bootable USB devices, including a hard drive, diskette drive, or optical drive connected by a USB port to the computer.</li></ul></li><li>• Enable/disable BIOS DMA data transfers.</li><li>• Enable/disable fan always on while connected to an AC outlet.</li><li>• Enable/disable Data Execution Prevention. When enabled, the processor can disable some virus code execution, which helps to improve computer security.</li><li>• Enable/disable SATA Native Mode.</li><li>• Enable/disable Dual Core CPU.</li><li>• Choose Bit-shift or LBA-assisted HDD Translation Mode.</li><li>• Enable/disable Virtualization Technology.</li></ul>
Built-In Device Options	<ul style="list-style-type: none"><li>• Enable/disable embedded WLAN Device Radio.</li><li>• Enable/disable Wake on LAN.</li><li>• Enable/disable the optical disc drive.</li></ul>
Port Options	<ul style="list-style-type: none"><li>• Enable/disable the USB port.</li><li>• Enable/disable the ExpressCard slot.</li></ul>

# 6 Specifications

## Computer specifications

	Metric	U.S.
<b>Dimensions</b>		
Length	28.49 cm	11.22 in
Width	39.62 cm	15.60 in
Height (front to rear)	3.23 to 3.58 cm	1.27 to 1.41 in
<b>Weight</b> (equipped with optical drive, hard drive, and battery)	2.94 kg	6.48 lbs
<b>Input power</b>		
Operating voltage	19.0 V dc @ 4.74 A – 90 W	
Operating current	4.74 A	
<b>Temperature</b>		
Operating (not writing to optical disc)	0°C to 35°C	32°F to 95°F
Operating (writing to optical disc)	5°C to 35°C	41°F to 95°F
Nonoperating	-20°C to 60°C	-4°F to 140°F
<b>Relative humidity</b>		
Operating	10% to 90%	
Nonoperating	5% to 95%	
<b>Maximum altitude</b> (unpressurized)		
Operating (14.7 to 10.1 psia)	-15 m to 3,048 m	-50 ft to 10,000 ft
Nonoperating (14.7 to 4.4 psia)	-15 m to 12,192 m	-50 ft to 40,000 ft
<b>Shock</b>		
Operating	125 g, 2 ms, half-sine	
Nonoperating	200 g, 2 ms, half-sine	
<b>Random vibration</b>		
Operating	0.75 g zero-to-peak, 10 Hz to 500 Hz, 0.25 oct/min sweep rate	

	Metric	U.S.
Nonoperating	1.50 g zero-to-peak, 10 Hz to 500 Hz, 0.5 oct/min sweep rate	

**NOTE:** Applicable product safety standards specify thermal limits for plastic surfaces. The computer operates well within this range of temperatures.

## 17.0-inch, WXGA display specifications

	Metric	U.S.
<b>Dimensions</b>		
Height	24.4 cm	9.6 in
Width	38.1 cm	15.0 in
Diagonal	43.2 cm	17.0 in
<b>Number of colors</b>	Up to 16.8 million	
<b>Contrast ratio</b>	200:1 (typical)	
<b>Brightness</b>	180 nits (typical)	
<b>Pixel resolution</b>		
Pitch	0.259 × 0.259 mm	
Format	1140 × 900	
Configuration	RGB vertical stripe	
<b>Backlight</b>	CCFT	
<b>Character display</b>	80 × 25	
<b>Total power consumption</b>	6.5 W	
<b>Viewing angle</b>	+/-45° horizontal, +15°/-35° vertical (typical)	

## Hard drive specifications

	250-GB*	160-GB*	120-GB*	80-GB*
<b>Dimensions</b>				
Height	9.5 mm	9.5 mm	9.5 mm	9.5 mm
Width	70 mm	70 mm	70 mm	70 mm
Weight	101 g	101 g	101 g	101 g
<b>Interface type</b>	SATA	SATA	SATA	SATA
<b>Transfer rate</b>	100 MB/sec	100 MB/sec	100 MB/sec	100 MB/sec
<b>Security</b>	ATA security	ATA security	ATA security	ATA security
<b>Seek times</b> (typical read, including setting)				
Single track	3 ms	3 ms	3 ms	3 ms
Average	13 ms	13 ms	13 ms	13 ms
Maximum	24 ms	24 ms	24 ms	24 ms
<b>Logical blocks</b>	495,665,155	312,560,640	234,420,480	156,280,320
<b>Disc rotational speed</b>	5400 rpm	5400 rpm	5400 rpm	5400 rpm
<b>Operating temperature</b>	5°C to 55°C (41°F to 131°F)			
*1 GB = 1 billion bytes when referring to hard drive storage capacity. Actual accessible capacity is less. Actual drive specifications may differ slightly.				
<b>NOTE:</b> Certain restrictions and exclusions apply. Contact technical support for details.				

## DVD±RW and CD-RW Double-Layer Combo Drive specifications

<b>Applicable disc</b>	<b>Read:</b>	<b>Write:</b>
	CD-DA, CD+(E)G, CD-MIDI, CD-TEXT, CD-ROM, CD-ROM XA, MIXED MODE CD, CD-I, CD-I Bridge (Photo-CD, Video CD), Multisession CD (Photo-CD, CD-EXTRA, Portfolio, CD-R, CD-RW), CD-R, CD-RW, DVD-ROM (DVD-5, DVD-9, DVD-10, DVD-18), DVD-R, DVD-RW, DVD+R, DVD+RW, DVD-RAM	CD-R and CD-RW DVD+R, DVD+RW, DVD-R, DVD-RW, DVD-RAM
<b>Access time</b>	<b>CD</b>	<b>DVD</b>
Random	< 175 ms	< 230 ms
<b>Cache buffer</b>	2 MB	
<b>Data transfer rate</b>		
24X CD-ROM	3,600 KB/sec	
8X DVD-ROM	10,800 KB/sec	
24X CD-R	3,600 KB/sec	
16X CD-RW	2,400 KB/sec	
8X DVD+R	10,800 KB/sec	
4X DVD+RW	5,400 KB/sec	
8X DVD-R	10,800 KB/sec	
4X DVD-RW	5,400 KB/sec	
24X DVD+R	2,700 KB/sec	
5X DVD-RAM	6,750 KB/sec	
<b>Transfer mode</b>	Multiword DMA Mode	

## DVD/CD-RW Combo Drive specifications

Applicable disc	Read:	Write:
	CD-DA, CD+(E)G, CD-MIDI, CD-TEXT, CD-ROM, CD-ROM XA, MIXED MODE CD, CD-I, CD-I Bridge (Photo-CD, Video CD), Multisession CD (Photo-CD, CD-EXTRA, Portfolio, CD-R, CD-RW), CD-R, CD-RW, DVD-ROM (DVD-5, DVD-9, DVD-10, DVD-18), DVD-R, DVD-RW, DVD+R, DVD+RW, DVD-RAM	CD-R and CD-RW
<b>Center hole diameter</b>	1.5 cm (0.59 in)	
<b>Disc diameter</b>		
Standard disc	12 cm (4.72 in)	
Mini disc	8 cm (3.15 in)	
<b>Disc thickness</b>	1.2 mm (0.047 in)	
<b>Track pitch</b>	0.74 $\mu$ m	
<b>Access time</b>	<b>CD</b>	<b>DVD</b>
Random	< 110 ms	< 130 ms
Full stroke	< 210 ms	< 225 ms
<b>Audio output level</b>	Line-out, 0.7 Vrms	
<b>Cache buffer</b>	2 MB	
<b>Data transfer rate</b>		
24X CD-ROM	3,600 KB/sec	
8X DVD	3,600 KB/sec	
24X CD-R	3,600 KB/sec	
24X CD-RW	3,600 KB/sec	
<b>Transfer mode</b>	Multiword DMA mode 2	
<b>Startup time</b>	< 15 seconds	
<b>Stop time</b>	< 6 seconds	

## System DMA specifications

Hardware DMA	System function
DMA0	Not applicable
DMA1*	Not applicable
DMA2*	Not applicable
DMA3	Not applicable
DMA4	Direct memory access controller
DMA5*	Available for ExpressCard
DMA6	Not assigned
DMA7	Not assigned

\*ExpressCard controller can use DMA 1, 2, or 5.

## System interrupt specifications

Hardware IRQ	System function
IRQ0	System timer
IRQ1	Standard 101-/102-Key or Microsoft® Natural Keyboard
IRQ2	Cascaded
IRQ3	Intel 82801DB/DBM USB2 Enhanced Host Controller—24CD
IRQ4	COM1
IRQ5*	Conexant AC—Link Audio Intel 82801DB/DBM SMBus Controller—24C3 Data Fax Modem with SmartCP
IRQ6	Diskette drive
IRQ7*	Parallel port
IRQ8	System CMOS/real-time clock
IRQ9*	Microsoft ACPI-compliant system
IRQ10*	Intel USB UHCI controller—24C2 Intel 82852/82855 GM/GME Graphic Controller Realtek RTL8139 Family PCI Fast Ethernet Controller
IRQ11	Intel USB EHCI controller—24CD Intel USB UHCI controller—24C4 Intel USB UHCI controller—24C7 Intel Pro/Wireless 2200BG TI OHCI 1394 host controller TI PCI1410 CardBus controller
IRQ12	Synaptics PS/2 TouchPad
IRQ13	Numeric data processor
IRQ14	Primary IDE channel
IRQ15	Secondary IDE channel

\*Default configuration; audio possible configurations are IRQ5, IRQ7, IRQ9, IRQ10, or none.

**NOTE:** ExpressCards may assert IRQ3, IRQ4, IRQ5, IRQ7, IRQ9, IRQ10, IRQ11, or IRQ15. Either the infrared or the serial port may assert IRQ3 or IRQ4.



# System I/O address specifications

I/O address (hex)	System function (shipping configuration)
000 - 00F	DMA controller no. 1
010 - 01F	Unused
020 - 021	Interrupt controller no. 1
022 - 024	Opti chipset configuration registers
025 - 03F	Unused
02E - 02F	87334 "Super I/O" configuration for CPU
040 - 05F	Counter/timer registers
044 - 05F	Unused
060	Keyboard controller
061	Port B
062 - 063	Unused
064	Keyboard controller
065 - 06F	Unused
070 - 071	NMI enable/RTC
072 - 07F	Unused
080 - 08F	DMA page registers
090 - 091	Unused
092	Port A
093 - 09F	Unused
0A0 - 0A1	Interrupt controller no. 2
I/O Address (hex)	System function (shipping configuration)
0A2 - 0BF	Unused
0C0 - 0DF	DMA controller no. 2
0E0 - 0EF	Unused
0F0 - 0F1	Coprocessor busy clear/reset
0F2 - 0FF	Unused
100 - 16F	Unused
170 - 177	Secondary fixed disk controller
178 - 1EF	Unused
1F0 - 1F7	Primary fixed disk controller
1F8 - 200	Unused
201	JoyStick (decoded in ESS1688)
202 - 21F	Unused

<b>I/O address (hex)</b>	<b>System function (shipping configuration)</b>
220 - 22F	Entertainment audio
230 - 26D	Unused
26E - 26	Unused
278 - 27F	Unused
280 - 2AB	Unused
2A0 - 2A7	Unused
2A8 - 2E7	Unused
2E8 - 2EF	Reserved serial port
2F0 - 2F7	Unused
2F8 - 2FF	Infrared port
300 - 31F	Unused
320 - 36F	Unused
370 - 377	Secondary diskette drive controller
378 - 37F	Parallel port (LPT1/default)
380 - 387	Unused
388 - 38B	FM synthesizer—OPL3
38C - 3AF	Unused
3B0 - 3BB	VGA
3BC - 3BF	Reserved (parallel port/no EPP support)
3C0 - 3DF	VGA
3E0 - 3E1	ExpressCard controller in CPU
3E2 - 3E3	Unused
3E8 - 3EF	Internal modem
3F0 - 3F7	“A” diskette controller
3F8 - 3FF	Serial port (COM1/default)
CF8 - CFB	PCI configuration index register (PCIDIVO-1)
CFC - CFF	PCI configuration data register (PCIDIVO-1)

## System memory map specifications

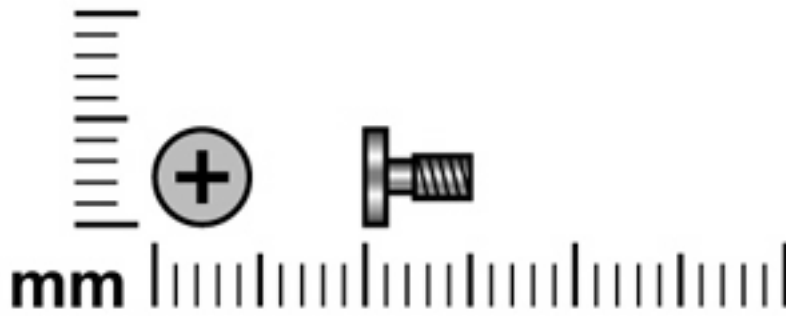
Size	Memory address	System function
640 KB	00000000-0009FFFF	Base memory
128 KB	000A0000-000BFFFF	Video memory
48 KB	000C0000-000CBFFF	Video BIOS
160 KB	000C8000-000E7FFF	Unused
64 KB	000E8000-000FFFFFF	System BIOS
15 MB	00100000-00FFFFFF	Extended memory
58 MB	04800000-07FFFFFF	Super extended memory
58 MB	04800000-07FFFFFF	Unused
2 MB	08000000-080FFFFFF	Video memory (direct access)
4 GB	08200000-FFFFFF	Unused
64 KB	FFFF0000-FFFFFFFF	System BIOS

---

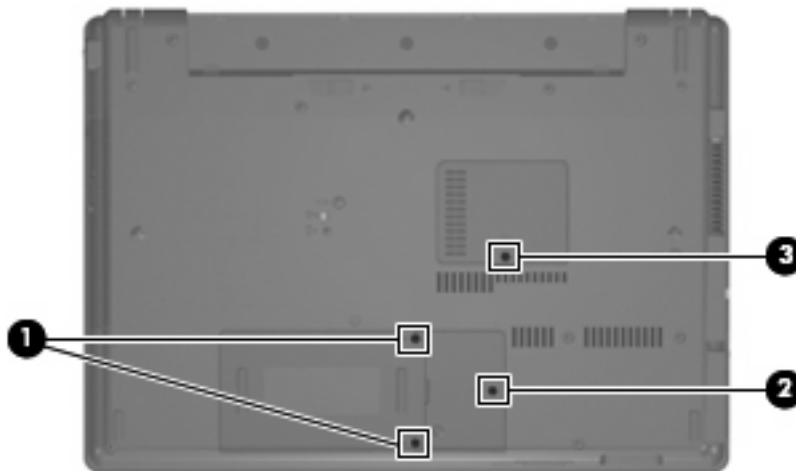
## 7 Screw listing

This section provides specification and reference information for the screws and screw locks used in the computer. All screws listed in this section are available in the Screw Kit, spare part number 456615-001.

## Phillips PM2.0×5.0 captive screw



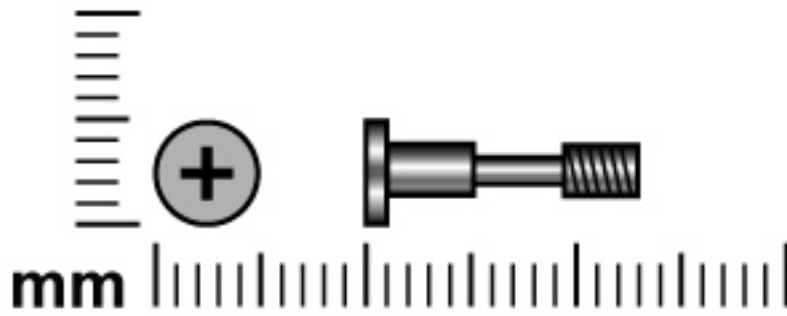
Color	Quantity	Length	Thread	Head diameter
Black	4	5.0 mm	2.0 mm	5.0 mm



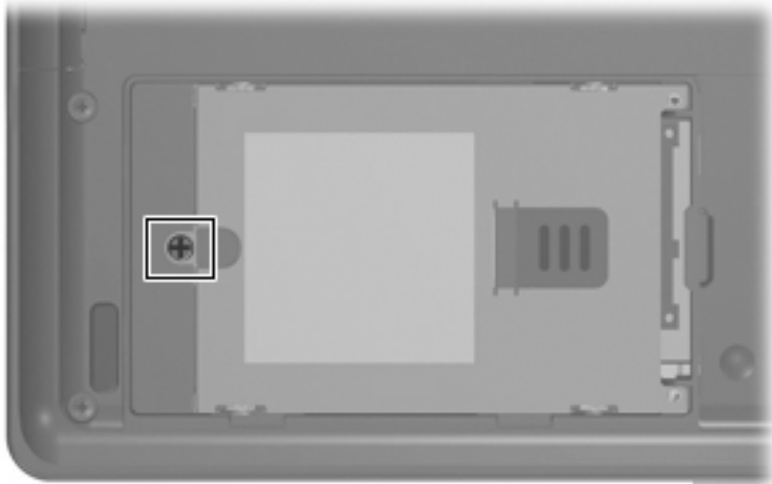
### Where used:

- (1) Two captive screws that secure the hard drive bay cover to the computer (screws are captured on the cover by C-clips)
- (2) One captive screw that secures the WLAN module compartment cover to the computer (screw is captured on the cover by a C-clip)
- (3) One captive screw that secures the memory module compartment cover to the computer (screw is captured on the cover by a C-clip)

## Phillips PM2.5×13.0 captive screw

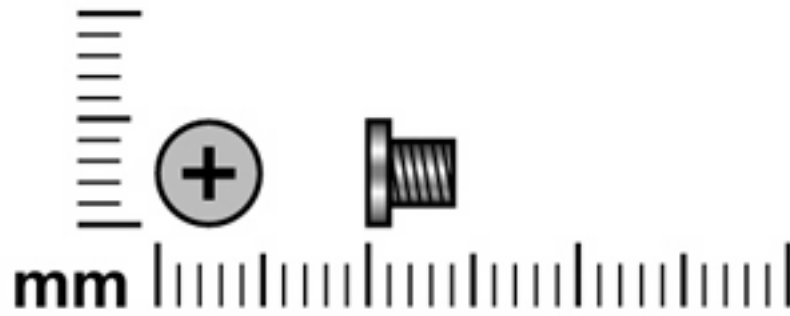


Color	Quantity	Length	Thread	Head diameter
Silver	1	13.0 mm	2.5 mm	5.0 mm

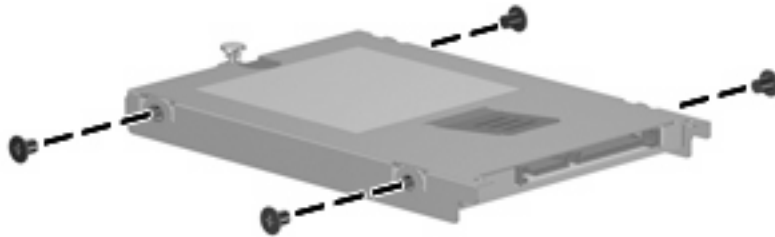


**Where used:** One captive screw that secures the hard drive to the computer (screw is secured to the hard drive bracket)

## Phillips PM3.0×4.0 screw

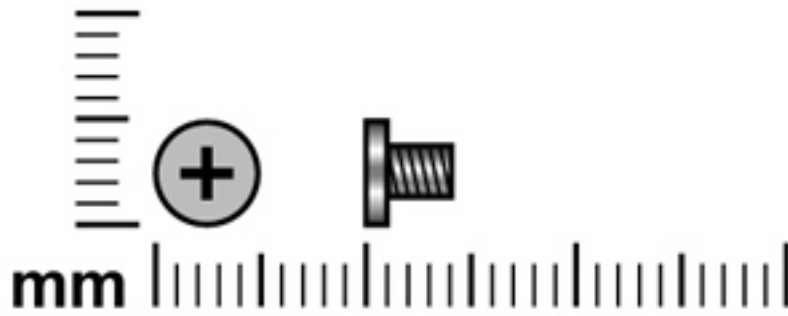


Color	Quantity	Length	Thread	Head diameter
Silver	4	4.0 mm	3.0 mm	5.0 mm

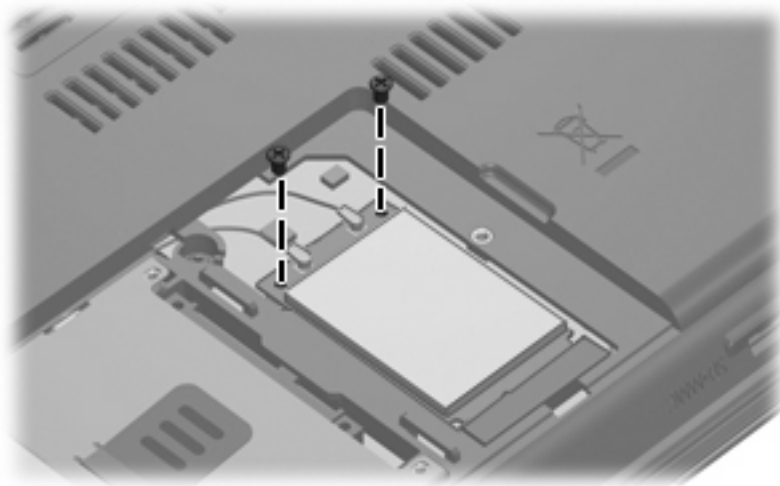


**Where used:** 4 screws that secure the hard drive bracket to the hard drive

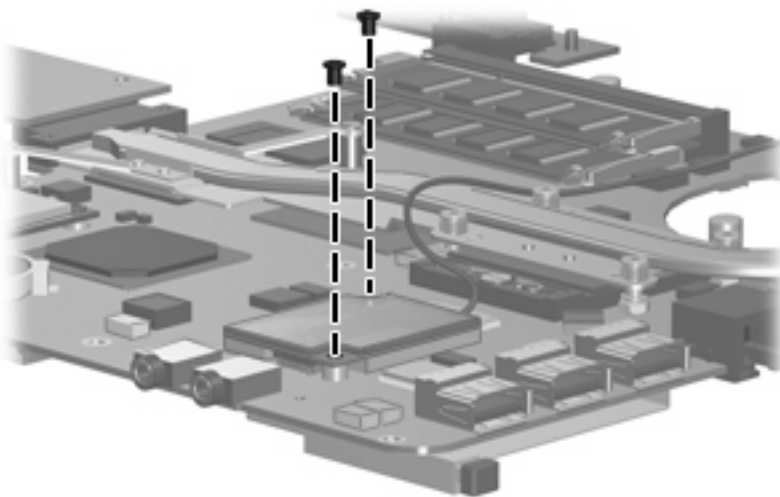
## Phillips PM2.5×4.0 screw



Color	Quantity	Length	Thread	Head diameter
Black	4	4.0 mm	2.5 mm	5.0 mm



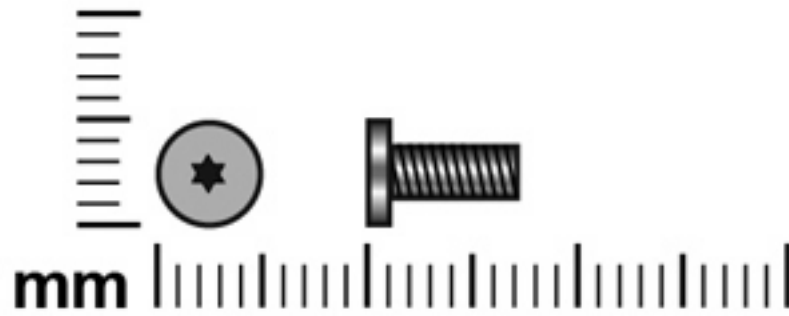
**Where used:** 2 screws that secure the WLAN module to the system board



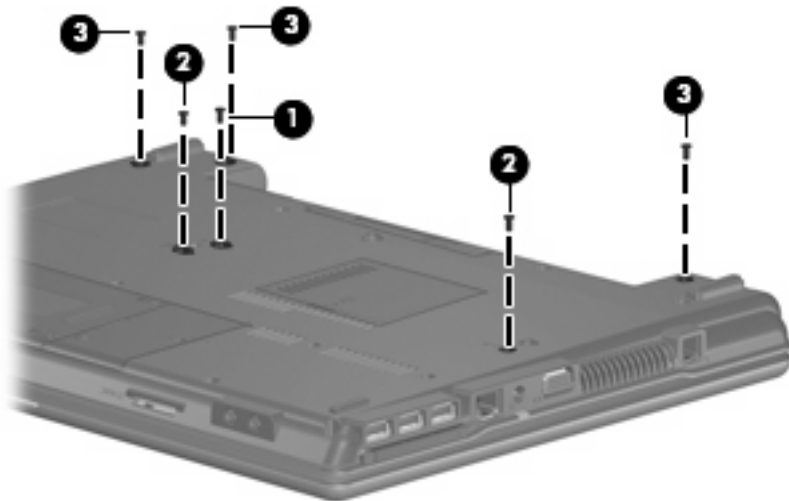
**Where used:** 2 screws that secure the modem module to the system board



## Torx T8M2.5×7.0 screw



Color	Quantity	Length	Thread	Head diameter
Black	23	7.0 mm	2.5 mm	5.0 mm

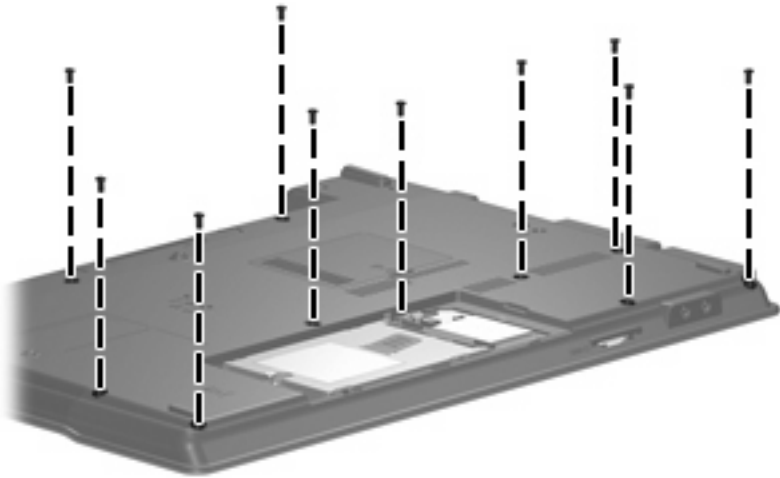


### Where used:

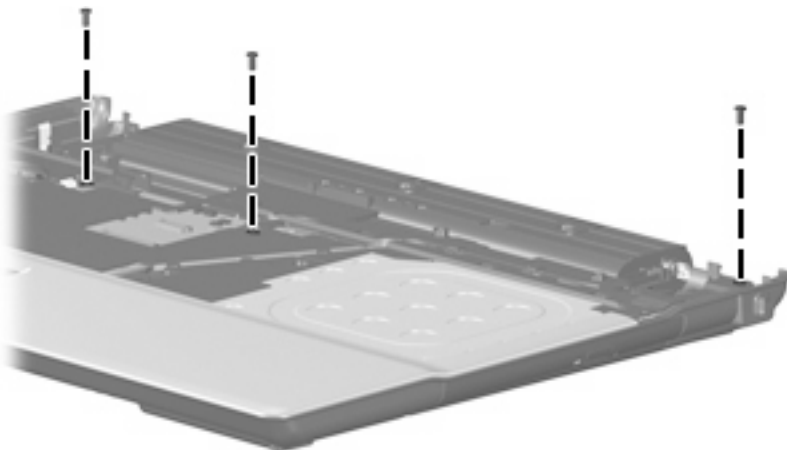
- (1) One screw that secures the optical drive to the computer
- (2) Two screws that secure the keyboard to the computer
- (3) Three screws that secure the switch cover to the computer



**Where used:** 4 screws that secure the display assembly to the computer

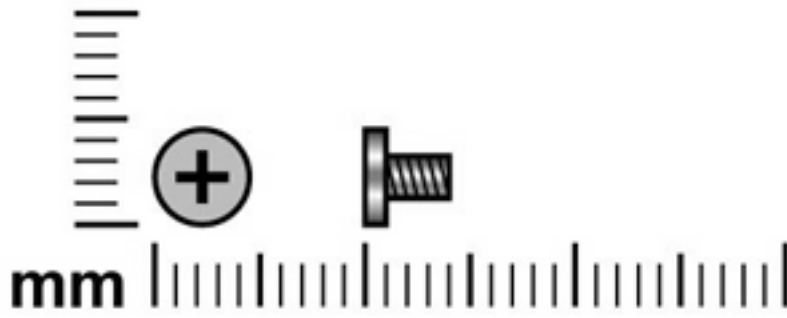


**Where used:** 10 screws that secure the top cover to the base enclosure



**Where used:** 3 screws that secure the top cover to the base enclosure

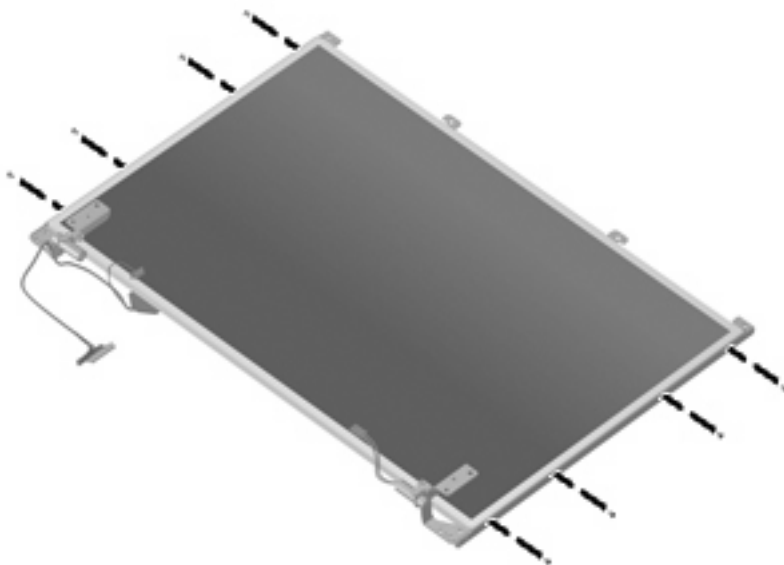
## Phillips PM2.0×4.0 screw



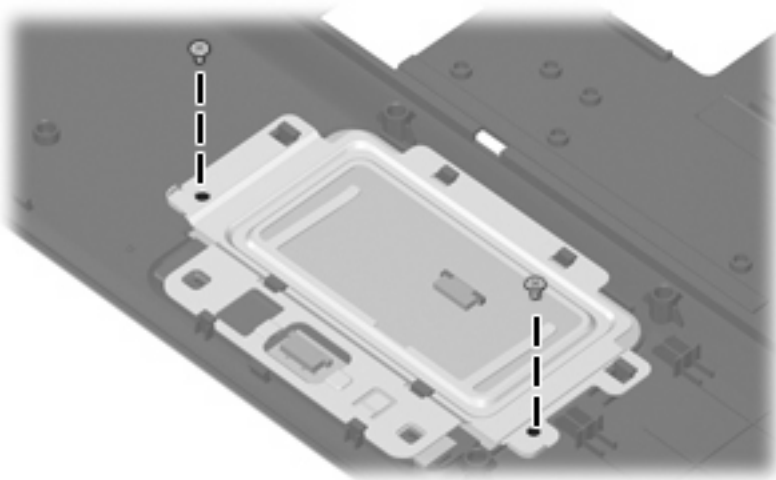
Color	Quantity	Length	Thread	Head diameter
Silver	14	4.0 mm	2.0 mm	4.5 mm



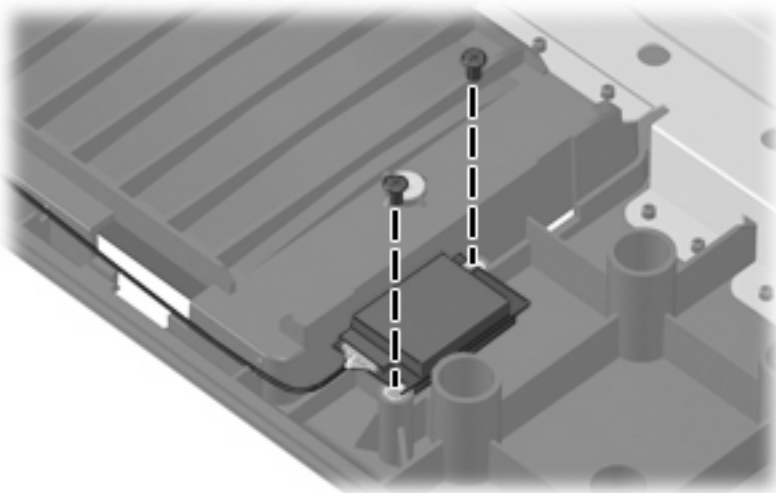
**Where used:** 2 screws that secure the optical drive bracket to the optical drive



**Where used:** 8 screws that secure the display hinges to the display assembly

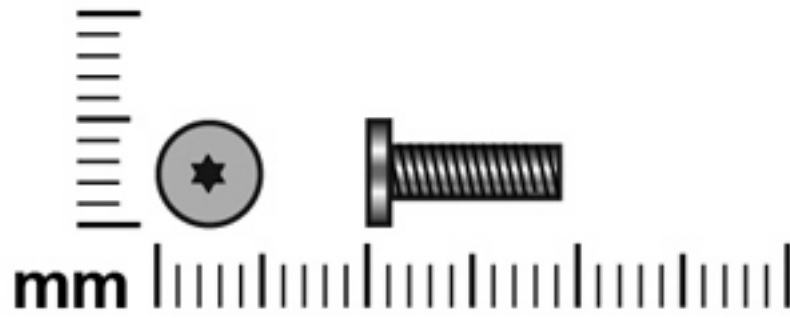


**Where used:** 2 screws that secure the TouchPad Bracket and TouchPad button board to the top cover

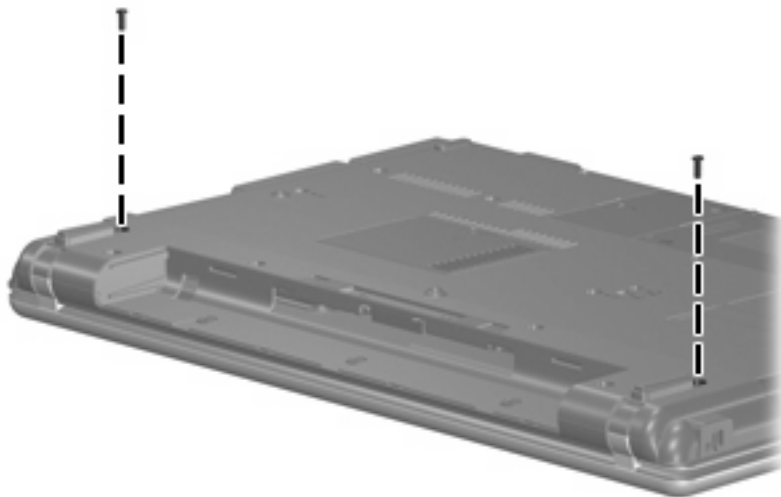


**Where used:** 2 screws that secure the Bluetooth module to the base enclosure

## Torx T8M2.5×9.0 screw

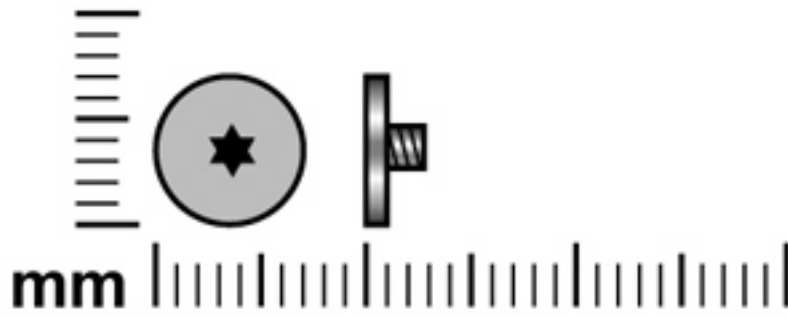


Color	Quantity	Length	Thread	Head diameter
Black	2	9.0 mm	2.5 mm	5.0 mm

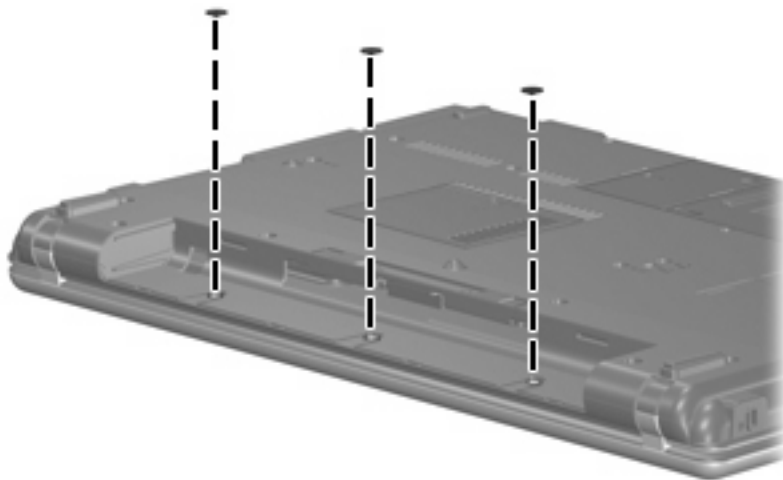


**Where used:** 2 screws that secure the switch cover to the computer

## Torx T8M2.5×3.0 broad-head screw

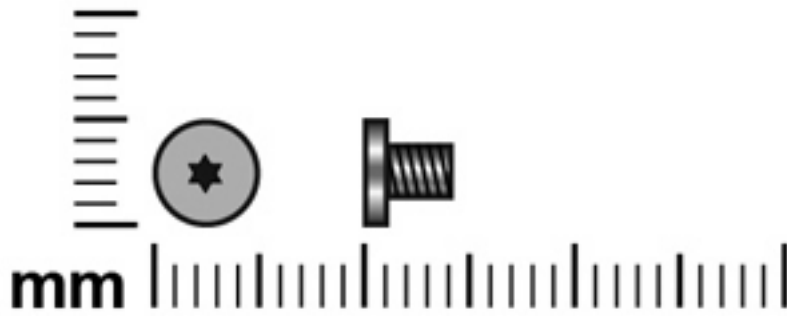


Color	Quantity	Length	Thread	Head diameter
Black	3	3.0 mm	2.5 mm	8.0 mm

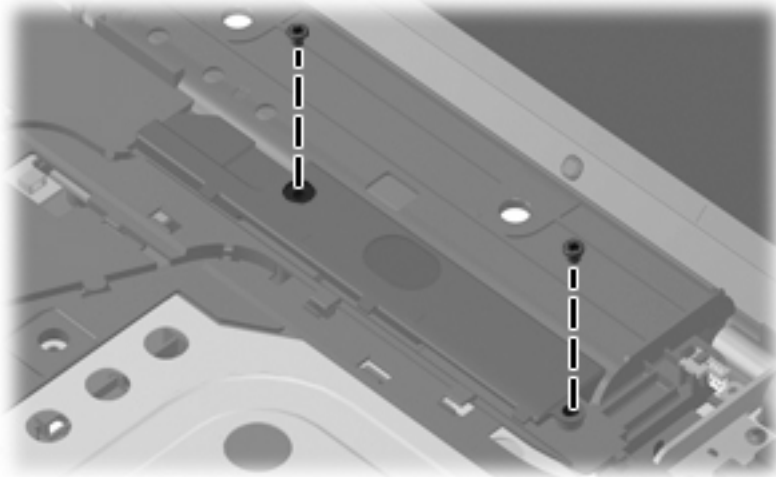


**Where used:** 3 screws that secure the switch cover to the computer

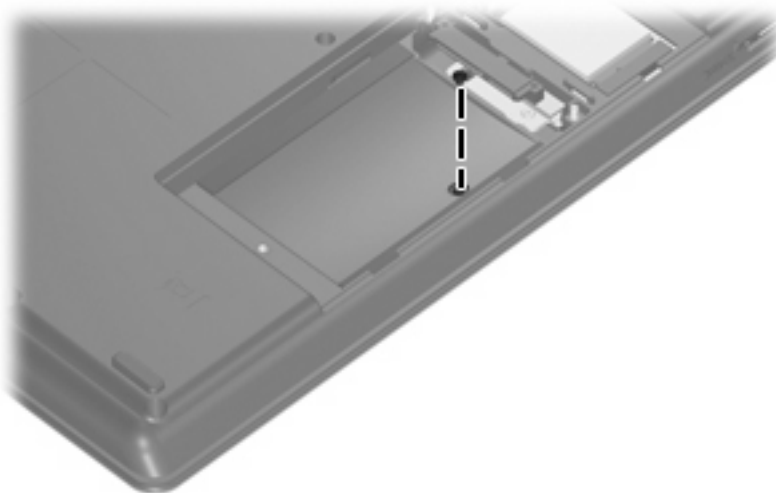
## Torx T8M2.5×4.0 screw



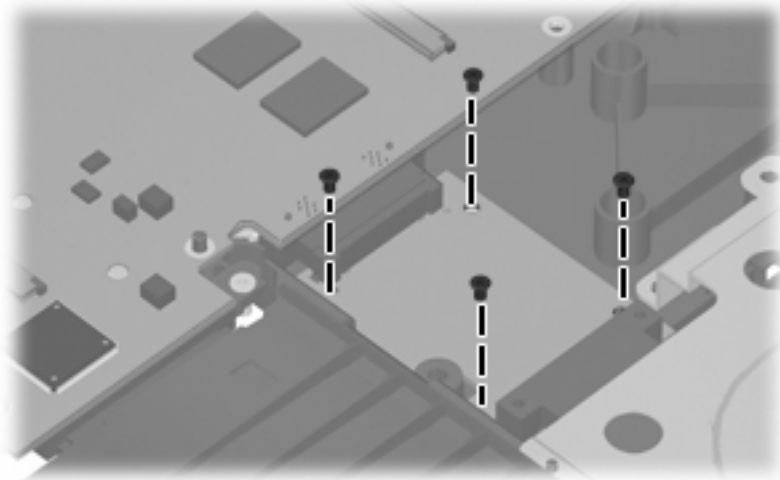
Color	Quantity	Length	Thread	Head diameter
Black	7	4.0 mm	2.5 mm	5.0 mm



**Where used:** 2 screws that secure the speaker to the computer



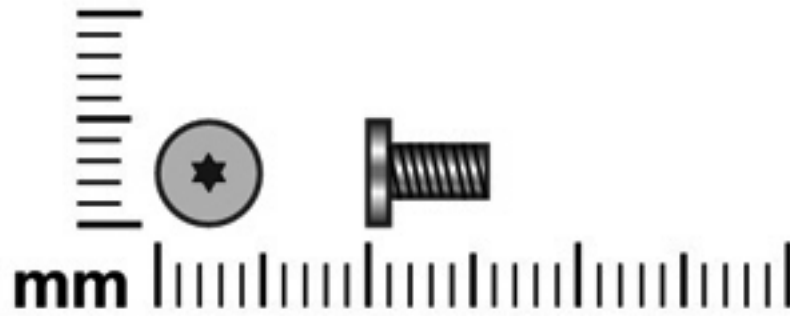
**Where used:** One screw that secures the top cover to the base enclosure



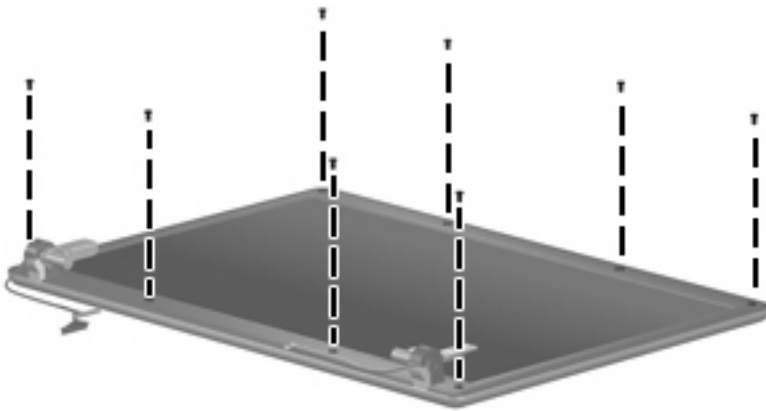
**Where used:** 4 screws that secure the battery connector board to the base enclosure



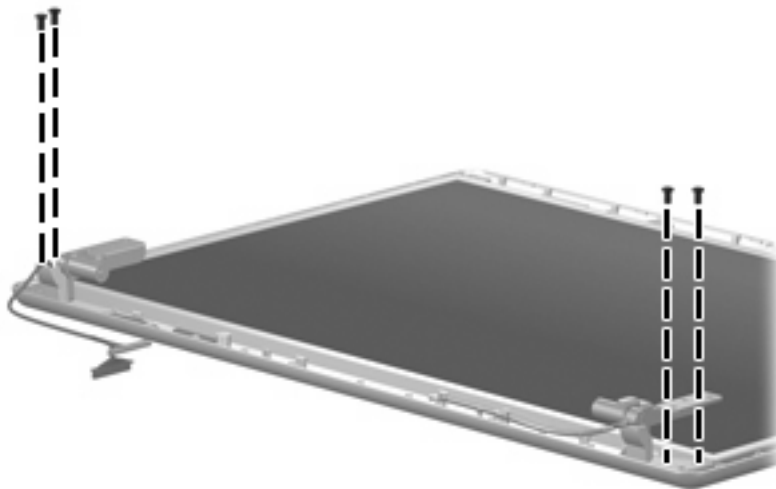
## Torx T8M2.5×6.0 screw



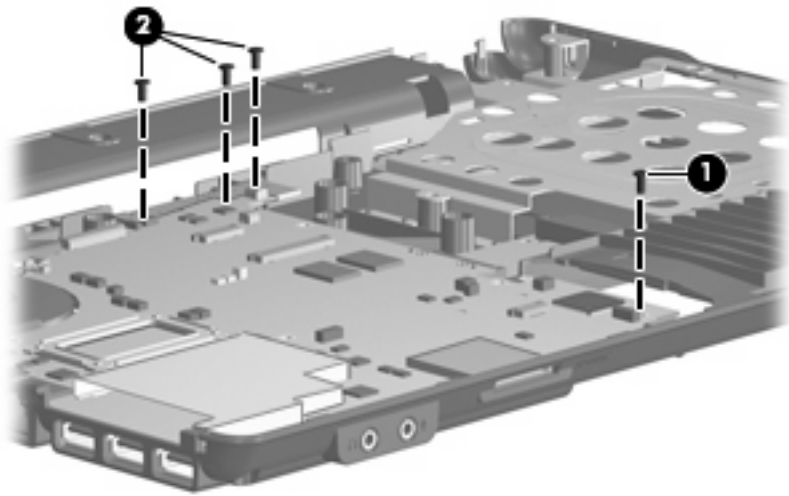
Color	Quantity	Length	Thread	Head width
Black	16	6.0 mm	2.5 mm	5.0 mm



**Where used:** 8 screws that secure the display bezel to the display assembly



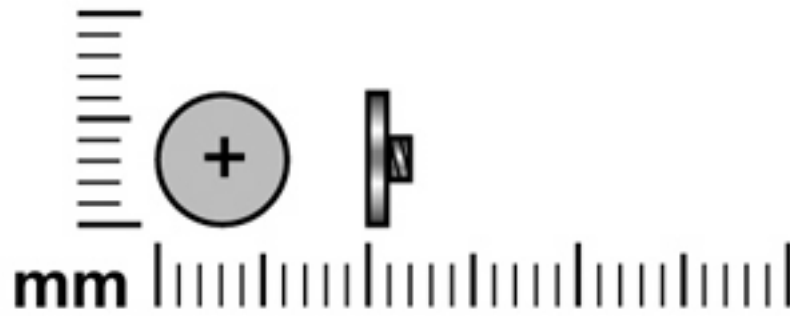
**Where used:** 4 screws that secure the display panel to the display enclosure



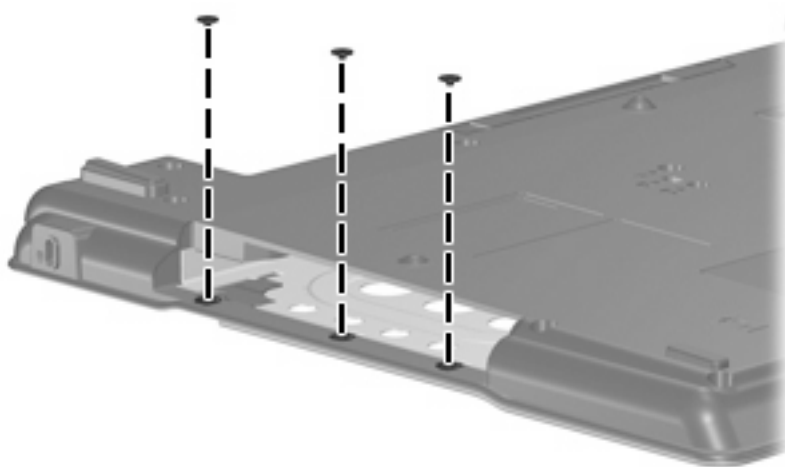
**Where used:**

- (1) One screw that secures the system board to the base enclosure
- (2) Three screws that secure the battery connector board to the base enclosure

## Phillips PM2.0×2.0 broad-head screw

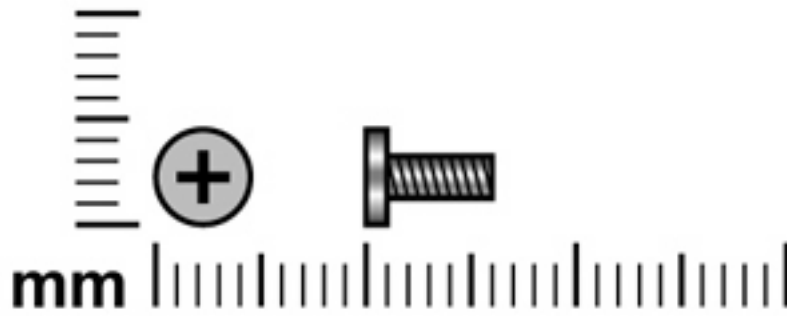


Color	Quantity	Length	Thread	Head diameter
Black	3	2.0 mm	2.0 mm	6.0 mm

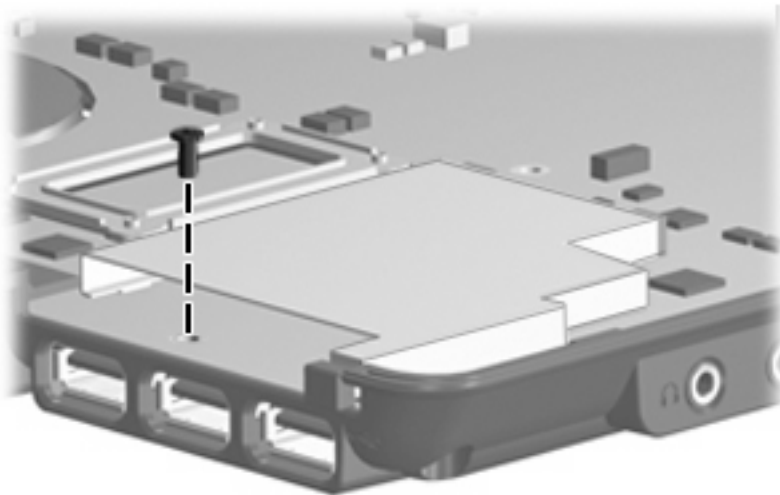


**Where used:** 3 screws that secure the top cover to the base enclosure

## Phillips PM2.0×6.0 screw

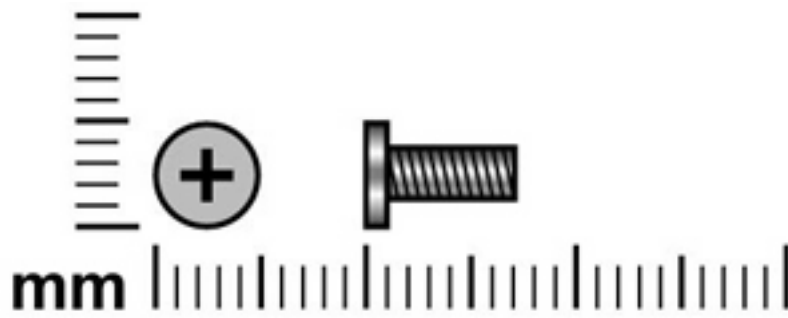


Color	Quantity	Length	Thread	Head diameter
Black	1	6.0 mm	2.0 mm	4.5 mm

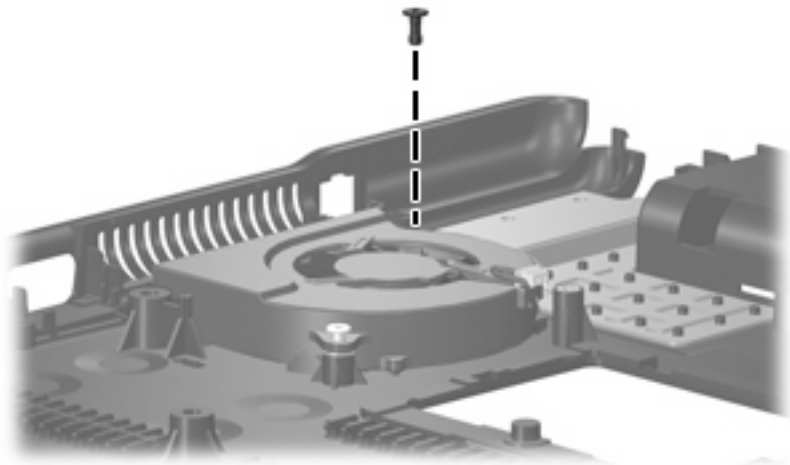


**Where used:** One screw that secures the system board to the base enclosure

## Phillips PM2.5×7.0 screw

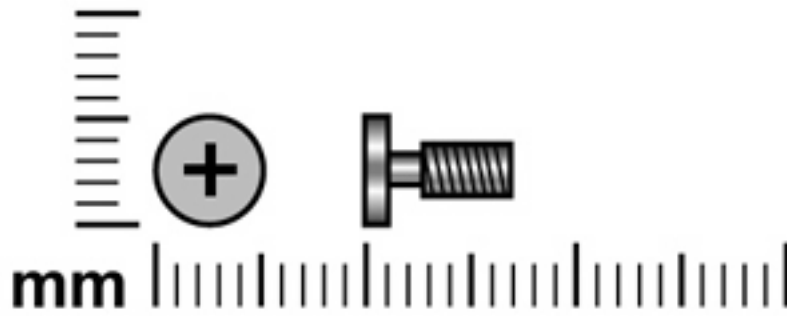


Color	Quantity	Length	Thread	Head diameter
Black	1	7.0 mm	2.5 mm	5.0 mm

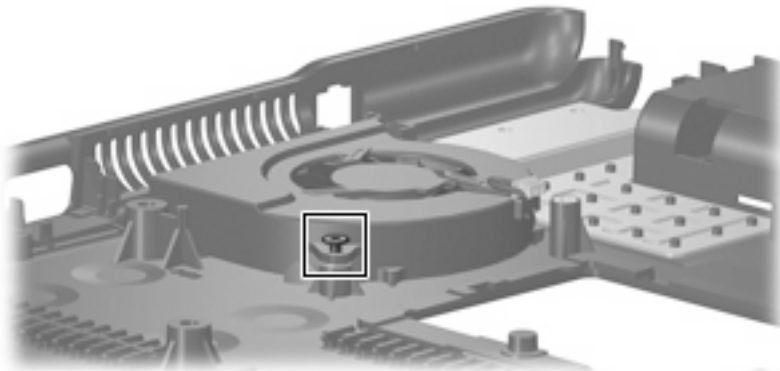


**Where used:** One screw that secures the fan to the base enclosure

## Phillips PM2.5×7.0 captive screw

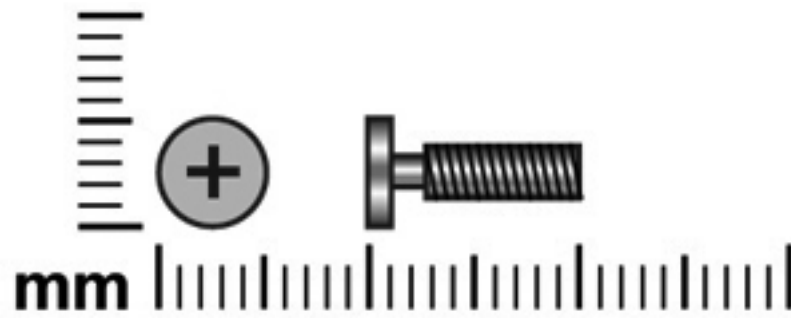


Color	Quantity	Length	Thread	Head diameter
Silver	1	7.0 mm	2.5 mm	5.0 mm

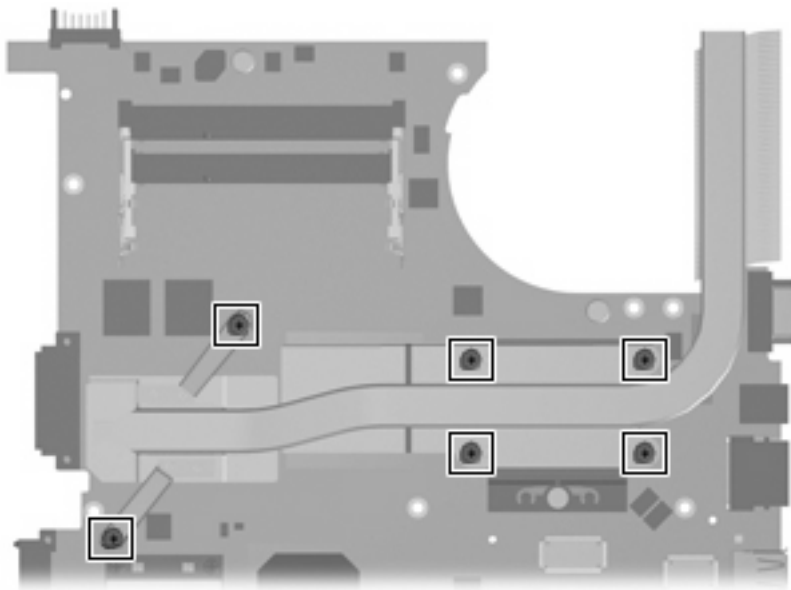


**Where used:** One captive screw that secures the fan to the base enclosure (screw is secured to the fan by a C-clip)

## Phillips PM2.5×10.0 captive screw



Color	Quantity	Length	Thread	Head diameter
Silver	6	10.0 mm	2.5 mm	5.0 mm



**Where used:** 6 captive screws that secure the heat sink to the system board (screws are secured to the heat sink by C-clips)

---

# 8 Backup and recovery


## Creating recovery discs in Windows Vista

After setting up the computer for the first time, be sure to create a set of recovery discs of the full factory image. The recovery discs are used to start up (boot) the computer and recover the operating system and software to factory settings in case of system instability or failure.

Note the following guidelines before creating recovery discs:

- Use any of the following types of discs: CD-R, DVD+R, DVD+R DL, DVD-R, or DVD-R DL (purchased separately). The discs you use will depend on the type of optical drive installed in your computer. Because DVDs store more information than CDs, DVDs and DVDs with double-layer (DL) support reduce the number of discs required.

---

 **NOTE:** Read-write discs, such as CD-RW, DVD+RW, and DVD-RW, are not compatible with the Backup & Recovery Manager software.

---


- The computer must be connected to AC power during the process.
- Only one set of the recovery discs can be created per computer.
- Number each disc before inserting it into the optical drive of the computer.
- If necessary, you can cancel the disc creation before you have finished creating the recovery discs. The next time you select **Create a set of recovery discs (Recommended)**, you will be prompted to continue the disc creation.

To create a set of recovery discs:

1. Select **Start > All Programs > HP Backup & Recovery > Backup & Recovery Manager**.
2. Click **Next**.
3. Click **Create a set of recovery discs (Recommended)**, and then click **Next**.
4. Follow the on-screen instructions.



# Backing up your information in Windows Vista


 **NOTE:** You can only recover files that you have previously backed up. HP recommends that you use HP Backup & Recovery Manager to create an entire drive backup as soon as you set up your computer.

With HP Backup & Recovery Manager, you can perform the following tasks:

- Backing up your information regularly to protect your important system files
- Creating system recovery points that allow you to reverse undesirable changes to your computer by restoring the computer to an earlier state
- Scheduling backups at specific intervals or events

## When to back up

- On a regularly scheduled basis

 **NOTE:** Set reminders to back up your information periodically.

- Before the computer is repaired or restored
- Before you add or modify hardware or software


## Backup suggestions

- Create a set of recovery discs using HP Backup & Recovery Manager.
- Create system recovery points using HP Backup & Recovery Manager, and periodically copy them to disc.
- Store personal files in the Documents folder and back up these folders periodically.
- Back up templates stored in their associated programs.
- Save customized settings in a window, toolbar, or menu bar by taking a screen shot of your settings.

The screen shot can be a time saver if you have to reset your preferences.

To copy the screen and paste it into a word-processing document:

- a. Display the screen.
- b. Copy the screen.  
To copy only the active window, press **alt+fn+prt sc**.  
To copy the entire screen, press **fn+prt sc**.
- c. Open a word-processing document, and then select **Edit > Paste**.


 **NOTE:** Before you can perform backup and recovery procedures, the computer must be connected to external power.

**NOTE:** Drivers, utilities, and applications installed by HP can be copied to a CD or to a DVD using HP Backup & Recovery Manager.

## Backing up specific files or folders

You can back up specific files or folders to the recovery partition on the hard drive, to an optional external hard drive, or to optical discs (CDs or DVDs).

---

 **NOTE:** This process will take several minutes, depending on the file size and the speed of the computer.

---


To back up specific files or folders:

1. Select **Start > All Programs > HP Backup & Recovery > Backup & Recovery Manager**.
2. Click **Next**.
3. Click **Create or manage backups**, and then click **Next**.
4. Click **Back up user created files and folders**, and then click **Next**.
5. Follow the on-screen instructions.

## Backing up the entire hard drive

When you perform a complete backup of the hard drive, you are saving the full factory image, including the Windows® operating system, software applications, and all personal files and folders.

---

 **NOTE:** A copy of the entire hard drive image can be stored on another hard drive, on a network drive, or on recovery discs that you create.

---

**NOTE:** This process may take over an hour, depending on your computer speed and the amount of data being stored.

---


To back up your entire hard drive:

1. Select **Start > All Programs > HP Backup & Recovery > Backup & Recovery Manager**.
2. Click **Next**.
3. Click **Create or manage backups**, and then click **Next**.
4. Click **Create or manage Entire Drive Backups**, and then click **Next**.
5. Follow the on-screen instructions.

## Creating recovery points

When you back up modifications since your last backup, you are creating system recovery points. This allows you to save a snapshot of your hard drive at a specific point in time. You can then recover back to that point if you want to reverse subsequent changes made to your system.

---


 **NOTE:** The first system recovery point, a snapshot of the entire image, is automatically created the first time you perform a backup. Subsequent recovery points make copies of changes made after that time.

---

HP recommends that you create recovery points at the following times:

- Before you add or extensively modify software or hardware
- Periodically, whenever the system is performing optimally

---

 **NOTE:** Recovering to an earlier recovery point does not affect data files or e-mails created since that recovery point.

---

To create a system recovery point:

1. Select **Start > All Programs > HP Backup & Recovery > Backup & Recovery Manager**.
2. Click **Next**.
3. Click **Create or manage backups**, and then click **Next**.
4. Click **Create or manage Recovery Points**, and then click **Next**.
5. Follow the on-screen instructions.


## Scheduling backups

Use HP Backup Scheduler to schedule backups for the entire system, for recovery points, or for specific files and folders. With this tool, you can schedule backups at specific intervals (daily, weekly, or monthly) or at specific events, such as at system restart or when you dock to an optional docking station (select models only).

To schedule backups:

1. Select **Start > All Programs > HP Backup & Recovery > HP Backup Scheduler**.
2. Follow the on-screen instructions.

## Performing a recovery in Windows Vista

 **NOTE:** You can only recover files that you have previously backed up. HP recommends that you use HP Backup & Recovery Manager to create an entire drive backup as soon as you set up your computer.

HP Backup & Recovery Manager helps you with the following tasks for safeguarding your information and restoring it in case of a system failure:

- Recovering important files—This feature helps you reinstall important files without performing a full system recovery.
- Performing a full system recovery—With HP Backup & Recovery Manager, you can recover your full factory image if you experience system failure or instability. HP Backup & Recovery Manager works from a dedicated recovery partition on the hard drive or from recovery discs you create.

### Performing a recovery from the recovery discs

To perform a recovery from the recovery discs, follow these steps:

1. Back up all personal files.
2. Insert the first recovery disc into the optical drive and restart the computer.
3. Follow the on-screen instructions.

### Performing a recovery from the hard drive

There are 2 ways to initiate a recovery from the hard drive:

- From within Windows
- From the recovery partition

## Initiating a recovery in Windows

To initiate a recovery in Windows, follow these steps:

1. Back up all personal files.
2. Select **Start > All Programs > HP Backup & Recovery > Backup & Recovery Manager**.
3. Click **Next**.
4. Click **Perform a recovery**, and then click **Next**.
5. Follow the on-screen instructions.

## Initiating a recovery from the hard drive recovery partition

To initiate a recovery from the hard drive recovery partition, follow these steps:

1. Back up all personal files.
2. Restart the computer, and then press **f11** before the Windows operating system loads.
3. Click a recovery option, and then click **Next**.
4. Follow the on-screen instructions.

## Creating recovery discs in Windows XP

After setting up the computer for the first time, be sure to create a set of recovery discs of the full factory image. The recovery discs are used to start up (boot) the computer and recover the operating system and software to factory settings in case of system instability or failure.

Note the following guidelines before creating recovery discs:

- Use any of the following types of discs: CD-R, DVD+R, DVD+R DL, DVD-R, or DVD-R DL (purchased separately). The discs you use will depend on the type of optical drive installed in your computer. Because DVDs store more information than CDs, DVDs and DVDs with double-layer (DL) support reduce the number of discs required.



**NOTE:** Read-write discs, such as CD-RW, DVD+RW, and DVD-RW, are not compatible with the HP Backup and Recovery Manager software.


---

- The computer must be connected to AC power during the process.
- Only one set of the recovery discs can be created per computer.
- Number each disc before inserting it into the optical drive of the computer.
- If necessary, you can cancel the disc creation before you have finished creating the recovery discs. The next time you select **Create factory software recovery CDs or DVDs to recover the system (Highly recommended)**, you will be prompted to continue the disc creation.

To create a set of recovery discs:

1. Select **Start > All Programs > HP Backup & Recovery > HP Backup and Recovery Manager**.
2. Click **Next**.
3. Click **Create factory software recovery CDs or DVDs to recover the system (Highly recommended)**, and then click **Next**.
4. Follow the on-screen instructions.

# Backing up your information in Windows XP

 **NOTE:** You can only recover files that you have previously backed up. HP recommends that you use HP Backup and Recovery Manager to create an entire drive backup as soon as you set up your computer.

---

With HP Backup and Recovery Manager, you can perform the following tasks:

- Backing up your information regularly to protect your important system files
- Creating system recovery points that allow you to reverse undesirable changes to your computer by restoring the computer to an earlier state
- Scheduling backups at specific intervals or events

## When to back up

- On a regularly scheduled basis

 **NOTE:** Set reminders to back up your information periodically.

---

- Before the computer is repaired or restored
- Before you add or modify hardware or software


## Backup suggestions

- Create a set of recovery discs using HP Backup and Recovery Manager.
- Create system recovery points using HP Backup and Recovery Manager, and periodically copy them to disc.
- Store personal files in the My Documents folder and back up these folders periodically.
- Back up templates stored in their associated programs.
- Save customized settings in a window, toolbar, or menu bar by taking a screen shot of your settings.

The screen shot can be a time saver if you have to reset your preferences.

To copy the screen and paste it into a word-processing document:

- a. Display the screen.
- b. Copy the screen.  
To copy only the active window, press **alt+fn+prt sc**.  
To copy the entire screen, press **fn+prt sc**.
- c. Open a word-processing document, and then select **Edit > Paste**.

 **NOTE:** Before you can perform backup and recovery procedures, the computer must be connected to external power.


**NOTE:** Drivers, utilities, and applications installed by HP can be copied to a CD or to a DVD using HP Backup and Recovery Manager.

---

## Backing up specific files or folders

You can back up specific files or folders to the recovery partition on the hard drive, to an optional external hard drive, or to optical discs (CDs or DVDs).

---

 **NOTE:** This process will take several minutes, depending on the file size and the speed of the computer.

---


To back up specific files or folders:

1. Select **Start > All Programs > HP Backup & Recovery > HP Backup and Recovery Manager**.
2. Click **Next**.
3. Click **Back up to protect system settings and important data files**, and then click **Next**.
4. Click **Back up individual files and folders**, and then click **Next**.
5. Follow the on-screen instructions.

## Backing up the entire hard drive

When you perform a complete backup of the hard drive, you are saving the full factory image, including the Windows® operating system, software applications, and all personal files and folders.

---

 **NOTE:** A copy of the entire hard drive image can be stored on another hard drive, on a network drive, or on recovery discs that you create.

---

**NOTE:** This process may take over an hour, depending on your computer speed and the amount of data being stored.

---


To back up your entire hard drive:

1. Select **Start > All Programs > HP Backup & Recovery > HP Backup and Recovery Manager**.
2. Click **Next**.
3. Click **Back up to protect system settings and important data files**, and then click **Next**.
4. Click **Back up entire hard drive**, and then click **Next**.
5. Follow the on-screen instructions.



## Creating recovery points


When you back up modifications since your last backup, you are creating system recovery points. This allows you to save a snapshot of your hard drive at a specific point in time. You can then recover back to that point if you want to reverse subsequent changes made to your system.

 **NOTE:** The first system recovery point, a snapshot of the entire image, is automatically created the first time you perform a backup. Subsequent recovery points make copies of changes made after that time.

---

HP recommends that you create recovery points at the following times:

- Before you add or extensively modify software or hardware
- Periodically, whenever the system is performing optimally

 **NOTE:** Recovering to an earlier recovery point does not affect data files or e-mails created since that recovery point.

---

To create a system recovery point:

1. Select **Start > All Programs > HP Backup & Recovery > HP Backup and Recovery Manager**.
2. Click **Next**.
3. Click **Back up to protect system settings and important data files**, and then click **Next**.
4. Click **Create or manage Recovery Points**, and then click **Next**.
5. Follow the on-screen instructions.


## Scheduling backups

Use HP Backup Scheduler to schedule backups for the entire system, for recovery points, or for specific files and folders. With this tool, you can schedule backups at specific intervals (daily, weekly, or monthly) or at specific events, such as at system restart or when you dock to an optional docking station (select models only).

To schedule backups:

1. Select **Start > All Programs > HP Backup & Recovery > HP Backup Scheduler**.
2. Follow the on-screen instructions.

## Performing a recovery in Windows XP

 **NOTE:** You can only recover files that you have previously backed up. HP recommends that you use HP Backup and Recovery Manager to create an entire drive backup as soon as you set up your computer.

---

HP Backup and Recovery Manager helps you with the following tasks for safeguarding your information and restoring it in case of a system failure:

- Recovering important files—This feature helps you reinstall important files without performing a full system recovery.
- Performing a full system recovery—With HP Backup and Recovery Manager, you can recover your full factory image if you experience system failure or instability. HP Backup and Recovery Manager works from a dedicated recovery partition on the hard drive or from recovery discs you create.

### Performing a recovery from the recovery discs

To perform a recovery from the recovery discs, follow these steps:

1. Back up all personal files.
2. Insert the first recovery disc into the optical drive and restart the computer.
3. Follow the on-screen instructions.

### Performing a recovery from the hard drive

There are 2 ways to initiate a recovery from the hard drive:

- From within Windows
- From the recovery partition

## Initiating a recovery in Windows

To initiate a recovery in Windows, follow these steps:

1. Back up all personal files.
2. Select **Start > All Programs > HP Backup & Recovery > HP Backup and Recovery Manager**.
3. Click **Next**.
4. Click **Recover important files or the entire system**, and then click **Next**.
5. Follow the on-screen instructions.

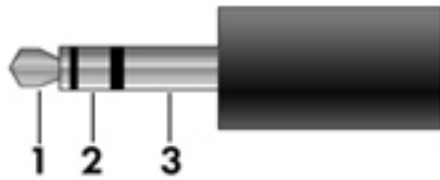
## Initiating a recovery from the hard drive recovery partition

To initiate a recovery from the hard drive recovery partition, follow these steps:

1. Back up all personal files.
2. Restart the computer, and then press **f11** before the Windows operating system loads.
3. Click a recovery option, and then click **Next**.
4. Follow the on-screen instructions.

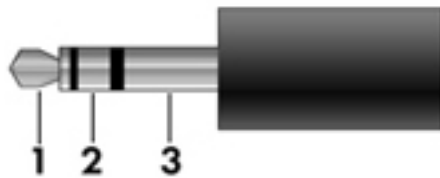
## 9 Connector pin assignments

### Audio-out (headphone)



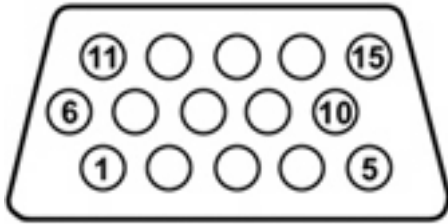
Pin	Signal
1	Audio out, left channel
2	Audio out, right channel
3	Ground

### Audio-in (microphone)



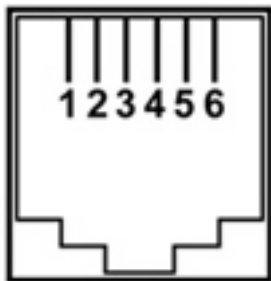
Pin	Signal
1	Audio signal in
2	Audio signal in
3	Ground

## External monitor



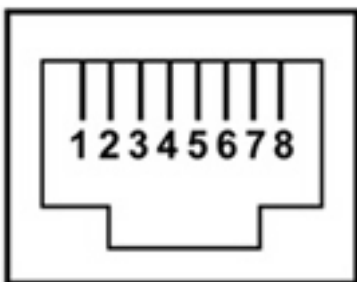
Pin	Signal
1	Red analog
2	Green analog
3	Blue analog
4	Not connected
5	Ground
6	Ground analog
7	Ground analog
8	Ground analog
9	+5 VDC
10	Ground
11	Monitor detect
12	DDC 2B data
13	Horizontal sync
14	Vertical sync
15	DDC 2B clock

## RJ-11 (modem)



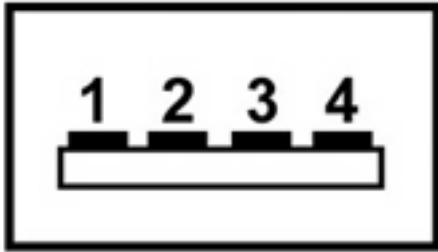
Pin	Signal
1	Unused
2	Tip
3	Ring
4	Unused
5	Unused
6	Unused

## RJ-45 (network)



Pin	Signal
1	Transmit +
2	Transmit -
3	Receive +
4	Unused
5	Unused
6	Receive -
7	Unused
8	Unused

# Universal Serial Bus



Pin	Signal
1	+5 VDC
2	Data -
3	Data +
4	Ground



---

# 10 Power cord set requirements

The wide range input feature of the computer permits it to operate from any line voltage from 100 to 120 volts AC or from 220 to 240 volts AC.

The 3-conductor power cord set included with the computer meets the requirements for use in the country or region where the equipment is purchased.

Power cord sets for use in other countries and regions must meet the requirements of the country or region where the computer is used.

## Requirements for all countries and regions

The requirements listed below are applicable to all countries and regions:

- The length of the power cord set must be at least 1.5 m (5.0 ft) and no more than 2.0 m (6.5 ft).
- All power cord sets must be approved by an acceptable accredited agency responsible for evaluation in the country or region where the power cord set will be used.
- The power cord sets must have a minimum current capacity of 10 amps and a nominal voltage rating of 125 or 250 V AC, as required by the power system of each country or region.
- The appliance coupler must meet the mechanical configuration of an EN 60 320/IEC 320 Standard Sheet C13 connector for mating with the appliance inlet on the back of the computer.

## Requirements for specific countries and regions

Country/region	Accredited agency	Applicable note number
Australia	EANSW	1
Austria	OVE	1
Belgium	CEBC	1
Canada	CSA	2
Denmark	DEMKO	1
Finland	FIMKO	1
France	UTE	1
Germany	VDE	1
Italy	IMQ	1
Japan	METI	3
Korea	EK	4
The Netherlands	KEMA	1
Norway	NEMKO	1
The People's Republic of China	CCC	5
Sweden	SEMKO	1
Switzerland	SEV	1
Taiwan	BSMI	4
The United Kingdom	BSI	1
The United States	UL	2

1. The flexible cord must be Type HO5VV-F, 3-conductor, 1.0-mm<sup>2</sup> conductor size. Power cord set fittings (appliance coupler and wall plug) must bear the certification mark of the agency responsible for evaluation in the country or region where it will be used.
2. The flexible cord must be Type SPT-3 or equivalent, No. 18 AWG, 3-conductor. The wall plug must be a two-pole grounding type with a NEMA 5-15P (15 A, 125 V) or NEMA 6-15P (15 A, 250 V) configuration.
3. The appliance coupler, flexible cord, and wall plug must bear a "T" mark and registration number in accordance with the Japanese Dentori Law. The flexible cord must be Type VCT or VCTF, 3-conductor, 1.00-mm<sup>2</sup> conductor size. The wall plug must be a two-pole grounding type with a Japanese Industrial Standard C8303 (7 A, 125 V) configuration.
4. The flexible cord must be Type RVV, 3-conductor, 0.75-mm<sup>2</sup> conductor size. Power cord set fittings (appliance coupler and wall plug) must bear the certification mark of the agency responsible for evaluation in the country or region where it will be used.
5. The flexible cord must be Type VCTF, 3-conductor, 0.75-mm<sup>2</sup> conductor size. Power cord set fittings (appliance coupler and wall plug) must bear the certification mark of the agency responsible for evaluation in the country or region where it will be used.

---

# 11 Recycling

## Battery

When a battery has reached the end of its useful life, do not dispose of the battery in general household waste. Follow the local laws and regulations in your area for computer battery disposal.

## Display

- 
- ⚠ **WARNING!** The backlight contains mercury. Exercise caution when removing and handling the backlight to avoid damaging this component and causing exposure to the mercury.
  - ⚠ **CAUTION:** The procedures in this appendix can result in damage to display components. The only components intended for recycling purposes are the liquid crystal display (LCD) panel and the backlight. Careful handling must be exercised when removing these components. When you remove these components, handle them carefully.
  - 📄 **NOTE: Materials Disposal.** This HP product contains mercury in the backlight in the display assembly that might require special handling at end-of-life. Disposal of mercury may be regulated because of environmental considerations. For disposal or recycling information, contact your local authorities, or see the Electronic Industries Alliance (EIA) Web site at <http://www.eiae.org>.
- 

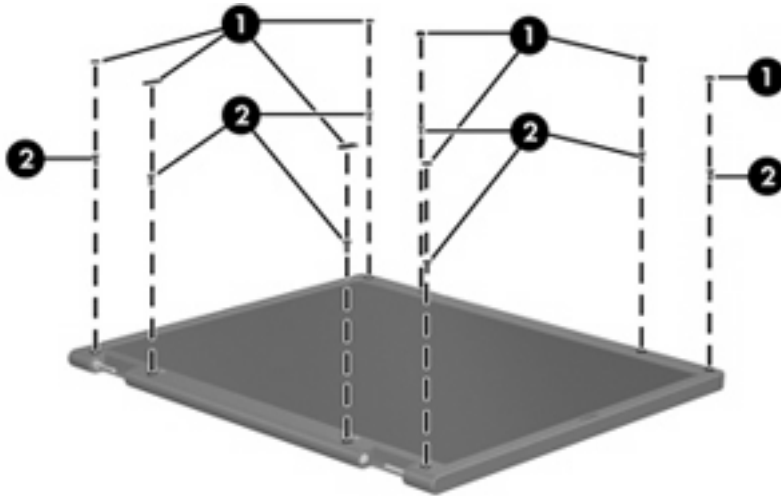
This section provides disassembly instructions for the display assembly. The display assembly must be disassembled to gain access to the backlight **(1)** and the liquid crystal display (LCD) panel **(2)**.



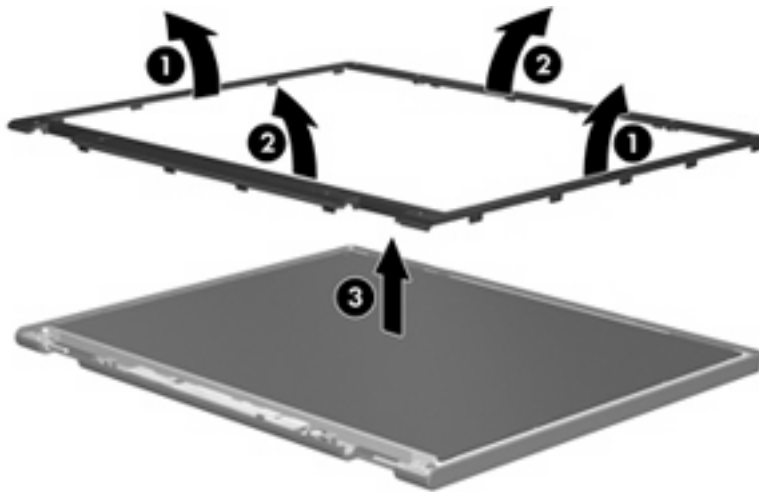
- 
- 📄 **NOTE:** The procedures provided in this appendix are general disassembly instructions. Specific details, such as screw sizes, quantities, and locations, and component shapes and sizes, can vary from one computer model to another.
-

Perform the following steps to disassemble the display assembly:

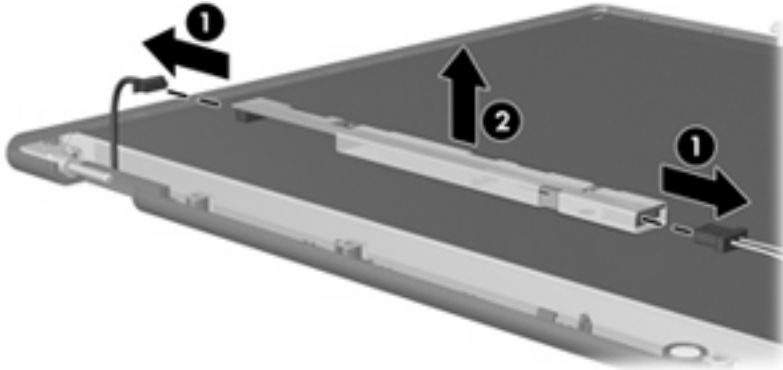
1. Remove all screw covers (1) and screws (2) that secure the display bezel to the display assembly.



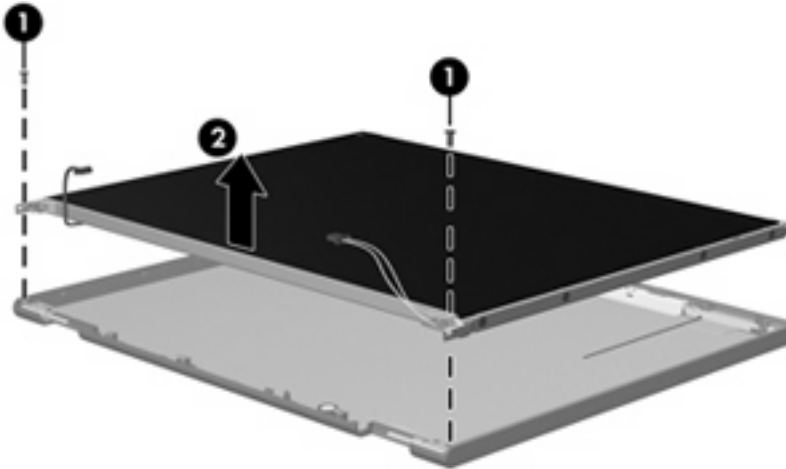
2. Lift up and out on the left and right inside edges (1) and the top and bottom inside edges (2) of the display bezel until the bezel disengages from the display assembly.
3. Remove the display bezel (3).



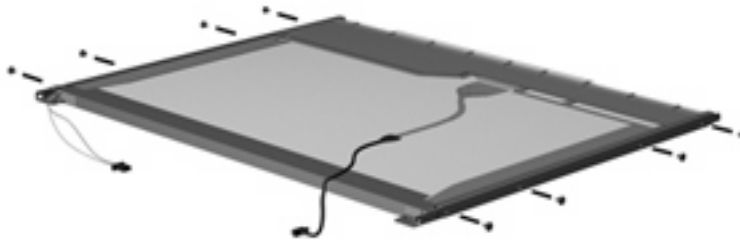
4. Disconnect all display panel cables (1) from the display inverter and remove the inverter (2).



5. Remove all screws (1) that secure the display panel assembly to the display enclosure.
6. Remove the display panel assembly (2) from the display enclosure.

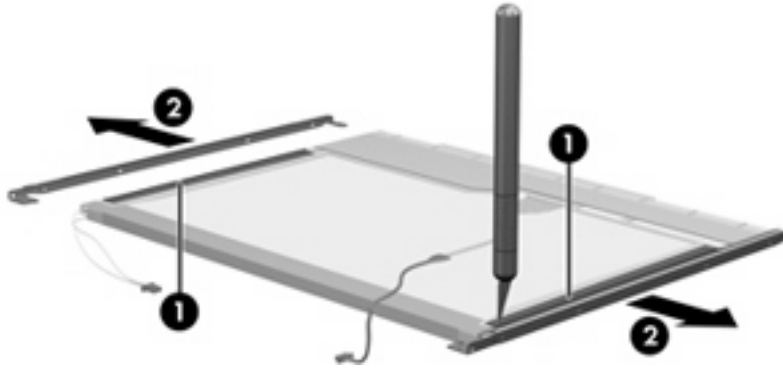


7. Turn the display panel assembly upside down.
8. Remove all screws that secure the display panel frame to the display panel.

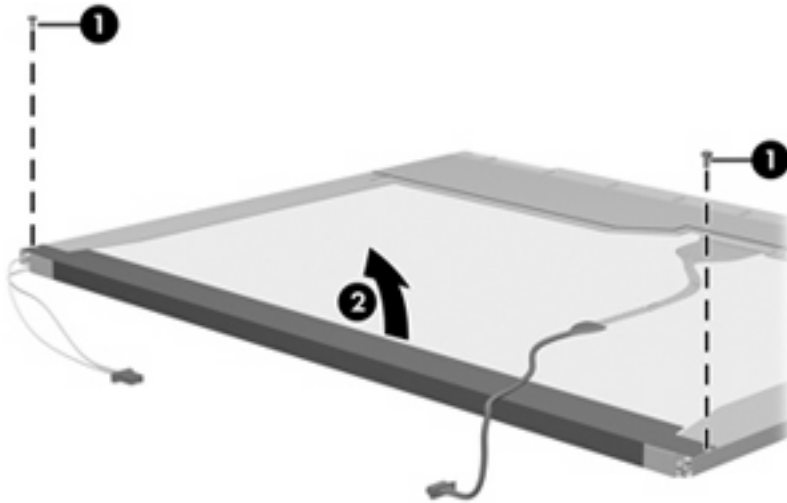


9. Use a sharp-edged tool to cut the tape (1) that secures the sides of the display panel to the display panel frame.

10. Remove the display panel frame (2) from the display panel.

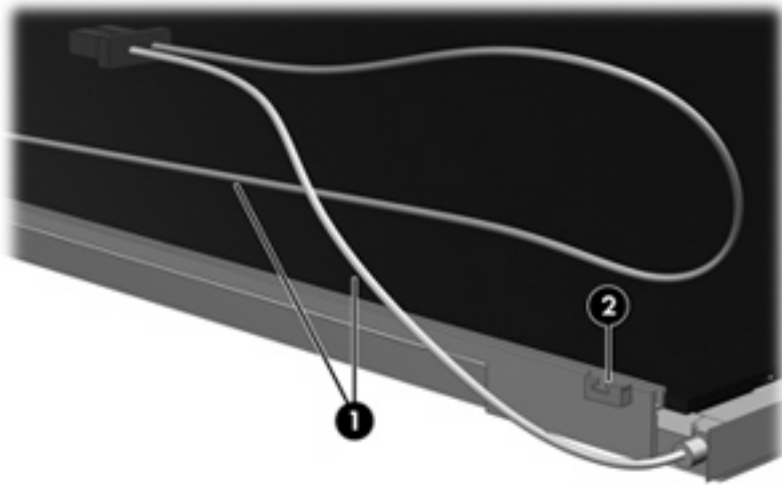


11. Remove the screws (1) that secure the backlight cover to the display panel.
12. Lift the top edge of the backlight cover (2) and swing it outward.



13. Remove the backlight cover.
14. Turn the display panel right-side up.

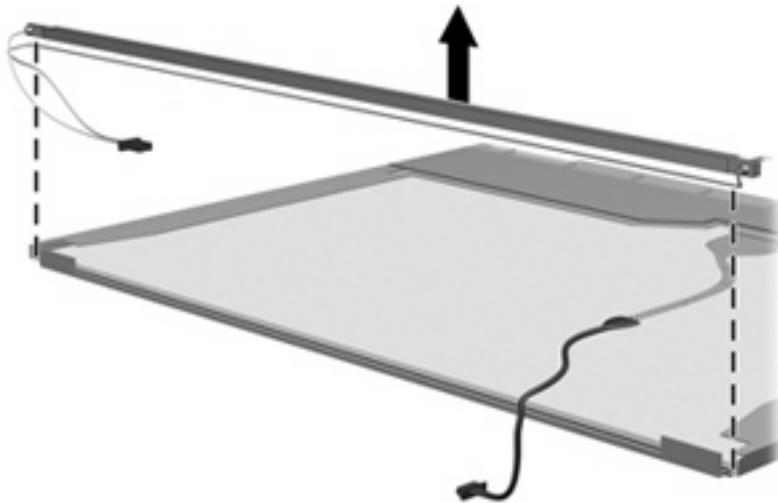
15. Remove the backlight cables (1) from the clip (2) in the display panel.



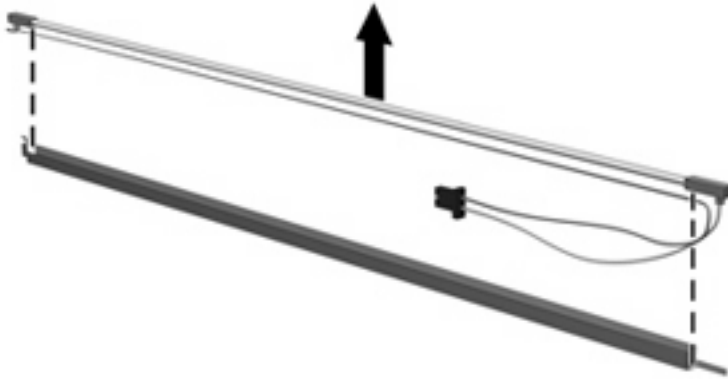
16. Turn the display panel upside down.

**⚠ WARNING!** The backlight contains mercury. Exercise caution when removing and handling the backlight to avoid damaging this component and causing exposure to the mercury.

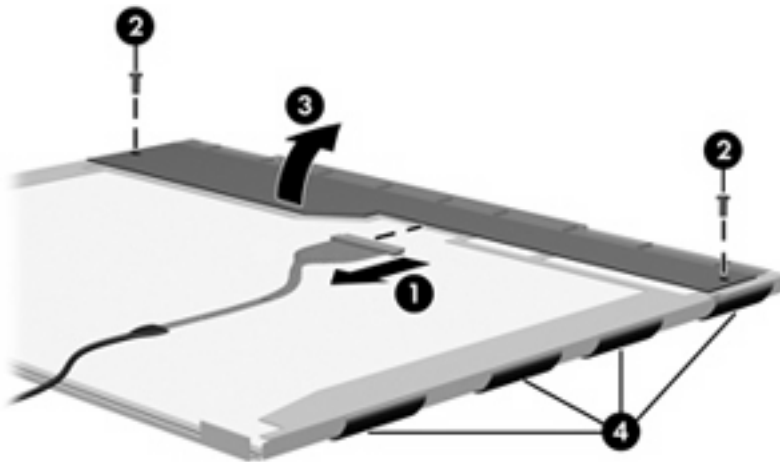
17. Remove the backlight frame from the display panel.



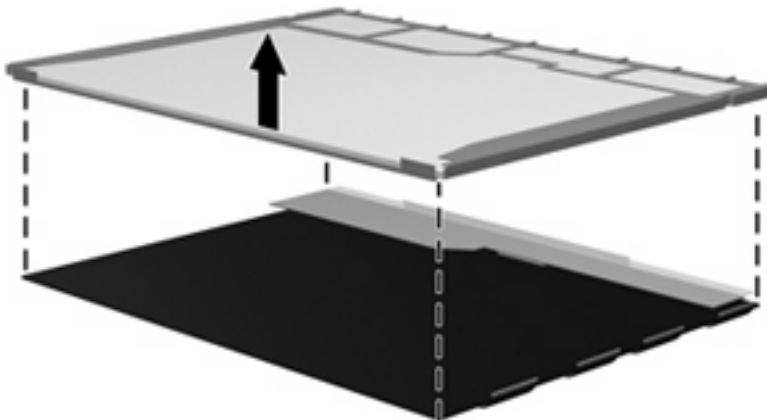
18. Remove the backlight from the backlight frame.



19. Disconnect the display panel cable (1) from the LCD panel.
20. Remove the screws (2) that secure the LCD panel to the display rear panel.
21. Release the LCD panel (3) from the display rear panel.
22. Release the tape (4) that secures the LCD panel to the display rear panel.



23. Remove the LCD panel.



24. Recycle the LCD panel and backlight.



---

# Index

## A

AC adapter, spare part  
number 21, 26  
antenna, disconnecting 40  
audio, product description 3  
audio-in jack  
location 8  
pin assignments 123  
audio-out jack  
location 8  
pin assignments 123

## B

backing up 111  
backup  
files and folders 112, 118  
hard drive 112, 118  
modifications made to  
system 119  
modifications made to the  
system 113  
scheduling 113, 119  
base enclosure, spare part  
number 15, 26  
battery  
location 10  
removal 32  
spare part number 15, 26,  
32  
battery bay 10  
battery connector board  
removal 64  
spare part number 14, 26,  
64  
battery latches 10  
battery light 9  
Blu-ray Disc ROM and SuperMulti  
DVD±R/RW Double-Layer Drive  
precautions 28

removal 43  
spare part number 17, 20,  
24, 43  
Bluetooth module  
removal 60  
spare part number 15, 22,  
60  
Bluetooth module cable,  
illustrated 19  
boot options 79  
boot order 79  
bottom components 10  
button components 6  
buttons  
power 6  
TouchPad 5  
wireless 6

## C

Cable Kit  
contents 19  
spare part number 17, 19,  
26  
cables, service considerations 28  
carrying case, spare part  
number 21, 22  
chipset, product description 1  
CMOS clearing 32  
components  
bottom 10  
buttons 6  
front 8  
keys 7  
left-side 9  
lights 6  
pointing devices 5  
right-side 8  
speaker 6  
top 5  
TouchPad 5

computer feet  
locations 34  
spare part number 34  
Computer Setup  
accessing 75  
Diagnostics menu 78  
File menu 77  
navigating and selecting 76  
restoring factory settings 76  
Security menu 78  
System Configuration  
menu 79  
using 76  
computer specifications 80  
connectors  
power 9  
service considerations 28  
creating recovery points 113,  
119

## D

Diagnostics menu 78  
Disk Sanitizer 78  
diskette drive  
precautions 28  
product description 2  
spare part number 21, 22  
display assembly  
removal 51  
spare part numbers 13, 24,  
51  
display bezel  
removal 52  
spare part number 53  
display component recycling 129  
display enclosure, spare part  
number 13, 25

- display hinge
  - removal 54
  - spare part number 13, 24, 54
- display inverter
  - removal 53
  - spare part number 13, 26, 53
- display lid switch module
  - illustrated 19
  - removal 50
- display panel
  - product description 1
  - removal 53
- display specifications 81
- DriveLock password 78
- drives
  - boot order 79
  - preventing damage 28
- DVD/CD-RW Combo Drive
  - precautions 28
  - removal 43
  - spare part number 17, 20, 26, 43
  - specifications 84
- DVD±RW and CD-RW Combo Drive
  - precautions 28
  - removal 42
  - spare part numbers 17, 20, 26, 42
  - specifications 83

**E**

- electrostatic discharge 29
- entire hard drive backup 118
- esc key 7
- Ethernet, product description 3
- Execution Disable 79
- ExpressCard slot 9
- ExpressCard slot bezel
  - removal 56
- ExpressCard slot bezel,
  - illustrated 18
- external media cards, product description 3
- external monitor port
  - location 9
  - pin assignments 124

**F**

- fan
  - removal 65
  - spare part number 14, 22, 65
- feet
  - locations 34
  - spare part number 34
- File menu 77
- fn key 7
- front components 8
- function keys 7

**G**

- graphics, product description 1
- grounding equipment and methods 31

**H**

- hard drive
  - location 10
  - precautions 28
  - product description 2
  - removal 36
  - spare part numbers 17, 20, 26, 36
  - specifications 82
- hard drive backup 112, 118
- hard drive bay 10
- hard drive bay cover
  - illustrated 18
  - removal 36
- hard drive bracket, removal 37
- hard drive recovery 114, 120
- hard drive test 78
- headphone jack
  - location 8
  - pin assignments 123
- heat sink
  - removal 67
  - spare part number 14, 25, 67
- hinge
  - removal 54
  - spare part number 13, 54

**I**

- I/O address specifications 87
- interrupt specifications 86

**J**

- jacks
  - audio-in 8
  - audio-out 8
  - headphone 8
  - microphone 8
  - modem 9
  - network 9
  - RJ-11 9
  - RJ-45 9

**K**

- key components 7
- keyboard
  - product description 3
  - removal 45
  - spare part numbers 13, 25, 45
- keypad keys 7
- keys
  - esc 7
  - fn 7
  - function 7
  - keypad 7
  - Windows applications 7
  - Windows logo 7

**L**

- language, changing in Computer Setup 79
- left-side components 9
- legacy support, Universal Serial Bus (USB) 75, 79
- light components 6
- lights
  - battery 9
  - optical drive 8
  - power 7
  - wireless 6
- Logo Kit, spare part number 21, 26

**M**

- mass storage devices, spare part numbers 20
- memory check 78
- memory map specifications 89
- memory module
  - product description 2

- removal 41
- spare part numbers 17, 22, 41
- memory module compartment 10
- memory module compartment cover
  - illustrated 18
  - removal 41
- microphone jack
  - location 8
  - pin assignments 123
- Miscellaneous TouchPad Kit, spare part number 14
- model name 1
- modem jack
  - location 9
  - pin assignments 125
- modem module
  - product description 3
  - removal 71
  - spare part number 15, 22, 71
- monitor port
  - location 9
  - pin assignments 124

**N**

- navigating in Computer Setup 76
- network jack
  - location 9
  - pin assignments 125

**O**

- operating system, product description 4
- optical drive
  - location 8
  - precautions 28
  - product description 2
  - removal 42
  - spare part numbers 17, 20, 42
  - specifications 83, 84
- optical drive connector board
  - removal 64
  - spare part number 14, 26, 64
- optical drive light 8

**P**

- packing guidelines 30

- password clearing 32
- passwords 78
- pin assignments
  - audio-in jack 123
  - audio-out jack 123
  - external monitor port 124
  - headphone jack 123
  - microphone jack 123
  - modem jack 125
  - monitor port 124
  - network jack 125
  - RJ-11 125
  - RJ-45 jack 125
  - Universal Serial Bus (USB) port 126
- plastic parts 27
- Plastics Kit
  - contents 18
  - spare part number 14, 18, 25
- pointing device
  - components 5
  - illustrated 5
  - product description 3
- pointing device components
  - TouchPad 5
  - TouchPad buttons 5
  - TouchPad scroll zone 5
- ports
  - external monitor 9
  - monitor 9
  - product description 3
  - Universal Serial Bus (USB) 9
- power button 6
- power connector 9
- power cord
  - set requirements 127
  - spare part numbers 21, 22
- power light 7
- power requirements, product description 4
- power-on password 78
- processor
  - product description 1
  - removal 62
  - spare part numbers 14, 24, 62
- product description
  - audio 3
  - chipset 1

- diskette drive 2
- display panel 1
- Ethernet 3
- external media cards 3
- graphics 1
- hard drives 2
- keyboard 3
- memory module 2
- modem module 3
- operating system 4
- optical drives 2
- pointing devices 3
- ports 3
- power requirements 4
- processors 1
- product name 1
- security 4
- serviceability 4
- wireless 3
- product name 1

**R**

- recovery discs
  - creating 110
  - using 114, 120
- recovery partition 115, 122
- recovery points 113, 119
- removal/replacement
  - preliminaries 27
  - procedures 33
- restoring Computer Setup factory settings 76
- right-side components 8
- RJ-11 jack
  - location 9
  - pin assignments 125
- RJ-11 jack cable
  - illustrated 19
  - release 62
- RJ-45 jack
  - location 9
  - pin assignments 125
- RTC battery
  - removal 32
  - spare part number 15, 32
- Rubber Kit, spare part number 26

**S**

- scheduling backups 113, 119

- Screw Kit
  - contents 90
  - spare part number 21, 25
- screw listing 90
- SD/MMC Card Reader 8
- security cable slot 8
- Security menu 78
- security, product description 4
- selecting in Computer Setup 76
- serial number 11, 33
- service considerations 27
- serviceability, product description 4
- speaker
  - location 7
  - removal 49
  - spare part number 13, 26, 49
- specifications
  - computer 80
  - display 81
  - DVD/CD-RW Combo Drive 84
  - DVD±RW and CD-RW Combo Drive 83
  - hard drive 82
  - I/O addresses 87
  - interrupts 86
  - memory map 89
  - optical drive 83, 84
  - system DMA 85
- startup check 78
- static-shielding materials 31
- stringent security 78
- switch cover
  - removal 45
  - spare part number 13, 24, 45
- system backup 112, 118
- system board
  - removal 61
  - spare part numbers 14, 25, 61
- System Configuration menu 79
- system DMA 85
- system fan 79
- system information 77
- system memory map 89
- system recovery points 113, 119

**T**

- thermal material, replacement 68
- tools required 27
- top components 5
- top cover
  - removal iii
  - spare part number 14, 26, iii
- TouchPad 5
- TouchPad board
  - removal 58
  - spare part number 14, 26, 58
- TouchPad button board
  - removal 58
  - spare part number 14, 25, 58
- TouchPad buttons 5
- TouchPad components 5
- TouchPad Miscellaneous Kit, spare part number 26, 58
- TouchPad scroll zone 5
- transporting guidelines 30

**U**

- Universal Serial Bus (USB) legacy support 75, 79
- unknown password 32
- USB port
  - location 9
  - pin assignments 126

**V**

- vents 9, 10

**W**

- Windows applications key 7
- Windows logo key 7
- wireless antenna, disconnecting 40
- wireless button 6
- wireless light 6
- wireless, product description 3
- WLAN module
  - removal 38
  - spare part numbers 15, 22, 24, 38
- WLAN module compartment 10
- WLAN module compartment cover illustrated 18
- removal 40
- workstation guidelines 30

