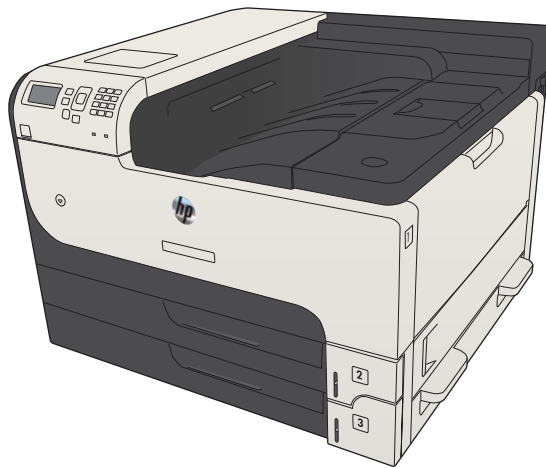




# LASERJET ENTERPRISE 700

## Repair Manual



M712





# HP LaserJet Enterprise 700 M712

Repair Manual

**Copyright and License**

© 2012 Copyright Hewlett-Packard Development Company, L.P.

Reproduction, adaptation, or translation without prior written permission is prohibited, except as allowed under the copyright laws.

The information contained herein is subject to change without notice.

The only warranties for HP products and services are set forth in the express warranty statements accompanying such products and services. Nothing herein should be construed as constituting an additional warranty. HP shall not be liable for technical or editorial errors or omissions contained herein.

Part number: CF235-90962

Edition 1, 11/2012


**Trademark Credits**

Microsoft®, Windows®, Windows® XP, and Windows Vista® are U.S. registered trademarks of Microsoft Corporation.





## Conventions used in this guide

---

 **TIP:** Tips provide helpful hints or shortcuts.

 **NOTE:** Notes provide important information to explain a concept or to complete a task.

 **CAUTION:** Cautions indicate procedures that you should follow to avoid losing data or damaging the product.

 **WARNING!** Warnings alert you to specific procedures that you should follow to avoid personal injury, catastrophic loss of data, or extensive damage to the product.

---



---

# Table of contents

<b>1 Removal and replacement .....</b>	<b>1</b>
Removal and replacement strategy .....	2
Introduction .....	2
Required tools .....	3
Types of screws .....	3
Service approach .....	3
Before performing service .....	4
After performing service .....	4
Parts removal order .....	4
Pickup rollers .....	5
Tray 1 (multipurpose tray) pickup roller .....	5
Tray 2 and Tray 3 pickup rollers .....	6
Tray 4, Tray 5, and Tray 6 pickup and feed rollers .....	7
Separation pads and rollers .....	8
Tray 1 separation pad assembly .....	8
Tray 2 and Tray 3 separation rollers .....	9
Tray 4, 5, and 6 separation rollers .....	9
Covers and doors .....	11
Front cover .....	11
Right rear cover .....	12
Left door .....	12
Rear cover .....	13
Front left lower cover .....	14
Front right lower cover .....	15
Face-down cover .....	16
Tray 1 (multipurpose tray) cover .....	17
Right door .....	18
Top cover .....	19
Left handle cover .....	20
Left inner lower cover .....	20
Left inner rear cover .....	21
Left inner front cover .....	22

Right handle cover .....	24
Face-down side cover .....	24
Top rear cover .....	25
Left upper cover .....	26
Left inner upper cover .....	27
Face-down upper cover .....	28
Main assemblies .....	30
Duplexer or duplex cover .....	31
Fuser .....	32
Control panel assembly .....	33
Paper delivery assembly .....	34
Registration assembly .....	37
Transfer roller .....	40
Paper feed assembly .....	40
Laser scanner .....	45
Toner cartridge door .....	47
Formatter cage assembly .....	52
Upper cassette pickup assembly .....	53
Lower cassette pickup assembly .....	56
Lifter drive assembly .....	58
Main drive assembly .....	60
Fuser drive assembly .....	64
Switches .....	67
Power switch assembly .....	68
Left door interlock switch .....	68
Cartridge door interlock switch .....	71
Cartridge door open detection switch .....	73
Upper cassette media end switch .....	75
Lower cassette media end switch .....	76
Sensors .....	78
Environment sensor .....	79
Cartridge presence sensor .....	79
Right door sensor .....	80
Motors, fans, and clutches .....	83
Fuser motor .....	85
Rear fan .....	85
Front fan .....	87
Fuser fan .....	89
Upper cassette pickup clutch .....	90
Lower cassette pickup clutch .....	91
Printed circuit-board assemblies (PCAs) .....	93

Formatter PCA .....	93
High-voltage power supply .....	94
DC controller PCA .....	96
Low-voltage power supply assembly .....	97
USB PCA .....	98
Miscellaneous parts .....	100
Hard drive .....	100
Trays .....	101
1x500-sheet paper feeder assembly .....	101
1x500 rear cover .....	101
1x500 left cover .....	102
1x500 right-front cover .....	104
1x500 front-upper cover .....	105
1x500 right door .....	106
1x500 right-lower cover .....	108
1x500 pickup assembly .....	109
1x500 lifter-drive assembly .....	112
1x500 pickup motor .....	113
1x500 driver PCA .....	114
1x500 or 3x500-sheet paper deck (optional accessory) .....	115
Paper deck right-door assembly .....	115
Paper deck left cover .....	117
Paper deck pickup motor .....	118
Paper deck front-lower cover .....	119
Paper deck right-corner cover .....	120
Paper deck front-upper cover .....	121
Paper deck right-lower cover 1 .....	122
Paper deck right-lower cover 2 .....	123
Paper deck left-lower cover .....	124
Paper deck rear cover .....	124
Paper deck rear-lower cover .....	125
Paper deck paper deck controller PCAs .....	126
Paper deck lifter-drive assembly .....	127
Paper deck right and left cassette rails .....	128
Paper deck paper deck pickup assembly .....	129
Input devices .....	131
High capacity input (HCI) feeder .....	131
HCI right tray .....	131
HCI left tray .....	131
HCI left cover .....	132
HCI left lower cover .....	133

HCI rear cover .....	134
HCI right door .....	135
HCI right front cover .....	135
HCI right center cover and right rear cover .....	136
HCI right lower cover .....	137
HCI rear lower cover .....	138
HCI left tray lifter drive .....	139
HCI right tray lifter drive .....	140
HCI left tray pickup drive .....	140
HCI right tray pickup drive .....	141
HCI controller PCA .....	142
HCI left tray automatic close assembly .....	143
HCI right tray automatic close assembly .....	144
HCI left tray pickup assembly .....	145
HCI right tray pickup assembly .....	147
HCI merge assembly .....	148

## **2 Parts and diagrams ..... 151**

Order parts by authorized service providers .....	152
Customer self repair orderable parts .....	152
Supplies part numbers .....	154
Accessories part numbers .....	154
Related documentation and software .....	155
Assembly locations .....	156
Base product (no optional trays or accessories) .....	156
Optional 500-sheet paper feeder (accessory) .....	157
Optional 1x500-sheet paper deck (accessory) .....	158
Optional 3x500-sheet paper deck (accessory) .....	159
High capacity input (HCI) paper deck .....	160
Duplexer .....	161
Print engine .....	162
External covers and panels .....	162
Internal components (1 of 4) .....	164
Internal components (2 of 4) .....	166
Internal components (3 of 4) .....	168
Internal components (4 of 4) .....	170
500-sheet paper feeder (Tray 4) .....	172
500-sheet paper feeder (Tray 4) covers .....	172
500-sheet paper feeder (Tray 4) components .....	174
1x500 and 3x500 paper deck .....	176
1x500 and 3x500 paper deck covers .....	176

1x500 paper deck components .....	178
3x500 paper deck components .....	180
High capacity input (HCI) feeder .....	182
HCI covers .....	182
HCI components (1 of 2) .....	184
HCI components (2 of 2) .....	186
Fasteners used in this product .....	188
Alphabetical parts list .....	189
Numerical parts list .....	198

<b>Index .....</b>	<b>207</b>
--------------------	------------





---

# List of tables

Table 1-1	Switch locations .....	67
Table 1-2	Sensor locations .....	78
Table 1-3	Motor locations .....	83
Table 1-4	Fan locations .....	84
Table 1-5	Fan locations .....	84
Table 2-1	Order parts, accessories, and supplies .....	152
Table 2-2	Orderable parts .....	152
Table 2-3	Supplies part numbers .....	154
Table 2-4	Accessories part numbers .....	154
Table 2-5	Related documentation and software .....	155
Table 2-6	Optional 500-sheet paper feeder (accessory) .....	157
Table 2-7	Optional 1x500-sheet paper deck (accessory) .....	158
Table 2-8	Optional 3x500-sheet paper deck (accessory) .....	159
Table 2-9	Optional 500-sheet input tray .....	160
Table 2-10	Duplexer .....	161
Table 2-11	External covers and panels .....	163
Table 2-12	Internal components (1 of 3) (print engine) .....	165
Table 2-13	Internal components (2 of 4) .....	167
Table 2-14	Internal components (3 of 4) .....	169
Table 2-15	Internal components (4 of 4) .....	171
Table 2-16	500-sheet paper feeder (Tray 4) covers .....	173
Table 2-17	500-sheet paper feeder (Tray 4) components .....	175
Table 2-18	1x500 and 3x500 paper deck covers .....	177
Table 2-19	1x500 paper deck components .....	179
Table 2-20	3x500 paper deck components .....	181
Table 2-21	HCI covers .....	183
Table 2-22	HCI components (1 of 2) .....	185
Table 2-23	HCI components (2 of 2) .....	187
Table 2-24	Common fasteners .....	188
Table 2-25	Alphabetical parts list .....	189
Table 2-26	Numerical parts list .....	198



---

# List of figures

Figure 1-1	Screwdrivers .....	3
Figure 1-2	Remove the Tray 1 (multipurpose tray) pickup roller .....	5
Figure 1-3	Remove the Tray 2 and Tray 3 pickup rollers (1 of 2) .....	6
Figure 1-4	Remove the Tray 2 and Tray 3 pickup rollers (2 of 2) .....	6
Figure 1-5	Remove the 1x500 or 3x500 rollers (1 of 2) .....	7
Figure 1-6	Remove the 1x500 or 3x500 rollers (2 of 2) .....	7
Figure 1-7	Remove the Tray 1 separation pad assembly (1 of 2) .....	8
Figure 1-8	Remove the Tray 1 separation pad assembly (2 of 2) .....	8
Figure 1-9	Remove the Tray 2 and Tray 3 separation rollers .....	9
Figure 1-10	Remove the 1x500 or 3x500 rollers (1 of 2) .....	10
Figure 1-11	Remove the 1x500 or 3x500 rollers (2 of 2) .....	10
Figure 1-12	Remove the front cover (1 of 2) .....	11
Figure 1-13	Remove the front cover (2 of 2) .....	11
Figure 1-14	Remove the right rear cover .....	12
Figure 1-15	Remove the left door (1 of 2) .....	12
Figure 1-16	Remove the left door (2 of 2) .....	13
Figure 1-17	Remove the rear cover (1 of 2) .....	13
Figure 1-18	Remove the rear cover (2 of 2) .....	14
Figure 1-19	Remove the front left lower cover .....	15
Figure 1-20	Remove the front right lower cover .....	16
Figure 1-21	Remove the face-down cover .....	16
Figure 1-22	Remove the Tray 1 (multipurpose tray) cover (1 of 2) .....	17
Figure 1-23	Remove the Tray 1 (multipurpose tray) cover (2 of 2) .....	17
Figure 1-24	Remove the right door (1 of 3) .....	18
Figure 1-25	Remove the right door (2 of 3) .....	18
Figure 1-26	Remove the right door (3 of 3) .....	19
Figure 1-27	Remove the top cover (1 of 2) .....	19
Figure 1-28	Remove the top cover (2 of 2) .....	20
Figure 1-29	Remove the left handle cover .....	20
Figure 1-30	Remove the left inner lower cover .....	21
Figure 1-31	Remove the left inner rear cover (1 of 2) .....	22
Figure 1-32	Remove the left inner rear cover (2 of 2) .....	22

Figure 1-33	Remove the left inner front cover (1 of 2)	23
Figure 1-34	Remove the left inner front cover (2 of 2)	23
Figure 1-35	Remove the right handle cover	24
Figure 1-36	Remove the face-down side cover	25
Figure 1-37	Remove the top rear cover	26
Figure 1-38	Remove the left upper cover	27
Figure 1-39	Remove the left inner upper cover (1 of 2)	28
Figure 1-40	Remove the left inner upper cover (2 of 2)	28
Figure 1-41	Remove the face-down upper cover (1 of 2)	29
Figure 1-42	Remove the face-down upper cover (2 of 2)	29
Figure 1-43	Remove the duplexer (1 of 2)	31
Figure 1-44	Remove the duplexer (2 of 2)	31
Figure 1-45	Remove the duplex cover	32
Figure 1-46	Remove the fuser	33
Figure 1-47	Remove the control panel (1 of 2)	33
Figure 1-48	Remove the control panel (2 of 2)	34
Figure 1-49	Remove the paper delivery assembly (1 of 2)	34
Figure 1-50	Remove the paper delivery assembly (2 of 2)	35
Figure 1-51	Static eliminators on the paper delivery assembly	35
Figure 1-52	Reinstall the paper delivery assembly (1 of 2)	36
Figure 1-53	Reinstall the paper delivery assembly (2 of 2)	36
Figure 1-54	Remove the registration assembly (1 of 2)	37
Figure 1-55	Registration assembly left screw	38
Figure 1-56	Registration assembly right screw	38
Figure 1-57	Remove the registration assembly (2 of 2)	39
Figure 1-58	Reinstalling the registration assembly	39
Figure 1-59	Remove the transfer roller	40
Figure 1-60	Remove the paper feed assembly (1 of 4)	41
Figure 1-61	Remove the paper feed assembly (2 of 4)	41
Figure 1-62	Remove the paper feed assembly (3 of 4)	42
Figure 1-63	Reinstall the connector cover	42
Figure 1-64	Remove the paper feed assembly (4 of 4)	43
Figure 1-65	Reinstall the paper feed assembly (1 of 2)	43
Figure 1-66	Reinstall the paper feed assembly (2 of 2)	44
Figure 1-67	Remove the laser scanner (1 of 3)	45
Figure 1-68	Remove the laser scanner (2 of 3)	45
Figure 1-69	Remove the laser scanner (3 of 3)	46
Figure 1-70	Remove the toner cartridge door (1 of 6)	47
Figure 1-71	Remove the toner cartridge door (2 of 6)	48
Figure 1-72	Remove the toner cartridge door (3 of 6)	48
Figure 1-73	Remove the toner cartridge door (4 of 6)	49

Figure 1-74	Remove the toner cartridge door (5 of 6)	49
Figure 1-75	Remove the toner cartridge door (6 of 6)	50
Figure 1-76	Reinstall the cartridge door assembly (1 of 2)	50
Figure 1-77	Reinstall the cartridge door assembly (2 of 2)	51
Figure 1-78	Remove the formatter cage (1 of 2)	52
Figure 1-79	Remove the formatter cage (2 of 2)	52
Figure 1-80	Remove the upper cassette pickup assembly (1 of 4)	53
Figure 1-81	Remove the upper cassette pickup assembly (2 of 4)	54
Figure 1-82	Remove the upper cassette pickup assembly (3 of 4)	54
Figure 1-83	Remove the upper cassette pickup assembly (4 of 4)	55
Figure 1-84	Remove the lower cassette pickup assembly (1 of 3)	56
Figure 1-85	Remove the lower cassette pickup assembly (2 of 3)	57
Figure 1-86	Remove the lower cassette pickup assembly (3 of 3)	57
Figure 1-87	Remove the lifter driver assembly (1 of 2)	58
Figure 1-88	Remove the lifter driver assembly (2 of 2)	59
Figure 1-89	Remove the main drive assembly (1 of 7)	60
Figure 1-90	Remove the main drive assembly (2 of 7)	60
Figure 1-91	Remove the main drive assembly (3 of 7)	61
Figure 1-92	Remove the main drive assembly (4 of 7)	61
Figure 1-93	Remove the main drive assembly (5 of 7)	62
Figure 1-94	Remove the main drive assembly (6 of 7)	62
Figure 1-95	Remove the main drive assembly (7 of 7)	63
Figure 1-96	Reinstall the main drive assembly	63
Figure 1-97	Remove the fuser drive assembly (1 of 3)	64
Figure 1-98	Remove the fuser drive assembly (2 of 3)	64
Figure 1-99	Remove the fuser drive assembly (3 of 3)	65
Figure 1-100	Reinstall the fuser drive assembly (1 of 3)	65
Figure 1-101	Reinstall the fuser drive assembly (2 of 3)	66
Figure 1-102	Reinstall the fuser drive assembly (3 of 3)	66
Figure 1-103	Switch locations	67
Figure 1-104	Remove the power switch assembly	68
Figure 1-105	Remove the left door interlock switch (1 of 4)	69
Figure 1-106	Remove the left door interlock switch (2 of 4)	69
Figure 1-107	Remove the left door interlock switch (3 of 4)	70
Figure 1-108	Reinstall the left door lever	70
Figure 1-109	Remove the left door interlock switch (4 of 4)	71
Figure 1-110	Remove the cartridge door interlock switch (1 of 4)	72
Figure 1-111	Remove the cartridge door interlock switch (2 of 4)	72
Figure 1-112	Remove the cartridge door interlock switch (3 of 4)	73
Figure 1-113	Remove the cartridge door interlock switch (4 of 4)	73
Figure 1-114	Remove the cartridge door open detection switch (1 of 3)	74

Figure 1-115	Remove the cartridge door open detection switch (2 of 3)	74
Figure 1-116	Remove the cartridge door open detection switch (3 of 3)	75
Figure 1-117	Remove the upper cassette media end switch	75
Figure 1-118	Remove the lower cassette media end switch (1 of 3)	76
Figure 1-119	Remove the lower cassette media end switch (2 of 3)	76
Figure 1-120	Remove the lower cassette media end switch (3 of 3)	77
Figure 1-121	Sensor locations	78
Figure 1-122	Remove the environment sensor	79
Figure 1-123	Remove the cartridge presence sensor	80
Figure 1-124	Remove the right door sensor (1 of 4)	81
Figure 1-125	Remove the right door sensor (2 of 4)	81
Figure 1-126	Remove the right door sensor (3 of 4)	82
Figure 1-127	Remove the right door sensor (4 of 4)	82
Figure 1-128	Motor locations	83
Figure 1-129	Fan locations	84
Figure 1-130	Clutch locations	84
Figure 1-131	Remove the fuser motor	85
Figure 1-132	Remove the rear fan (1 of 3)	85
Figure 1-133	Remove the rear fan (2 of 3)	86
Figure 1-134	Remove the rear fan (3 of 3)	87
Figure 1-135	Reinstall the rear fan	87
Figure 1-136	Remove the front fan	88
Figure 1-137	Reinstall the front fan	88
Figure 1-138	Remove the fuser fan	89
Figure 1-139	Reinstall the fuser fan	89
Figure 1-140	Remove the upper cassette pickup assembly (1 of 4)	90
Figure 1-141	Remove the upper cassette pickup assembly (2 of 4)	91
Figure 1-142	Remove the lower cassette pickup assembly (1 of 3)	92
Figure 1-143	Remove the lower cassette pickup assembly (2 of 3)	92
Figure 1-144	Remove the formatter (1 of 2)	93
Figure 1-145	Remove the formatter (2 of 2)	93
Figure 1-146	Remove the high-voltage power supply assembly (1 of 5)	94
Figure 1-147	Remove the high-voltage power supply assembly (2 of 5)	94
Figure 1-148	Remove the high-voltage power supply assembly (3 of 5)	95
Figure 1-149	Remove the high-voltage power supply assembly (4 of 5)	95
Figure 1-150	Remove the high-voltage power supply assembly (5 of 5)	96
Figure 1-151	Remove the DC controller PCA	96
Figure 1-152	Remove the low-voltage power supply assembly (1 of 4)	97
Figure 1-153	Remove the low-voltage power supply assembly (2 of 4)	97
Figure 1-154	Remove the low-voltage power supply assembly (3 of 4)	98
Figure 1-155	Remove the low-voltage power supply assembly (4 of 4)	98

Figure 1-156	Remove the USB PCA .....	99
Figure 1-157	Remove the hard drive (1 of 2) .....	100
Figure 1-158	Remove the hard drive (2 of 2) .....	100
Figure 1-159	Remove the 1x500 rear cover .....	101
Figure 1-160	Remove the 1x500 left cover (1 of 2) .....	102
Figure 1-161	Remove the 1x500 left cover (2 of 2) .....	102
Figure 1-162	Remove the 1x500 right-front cover .....	104
Figure 1-163	Remove the 1x500 front-upper cover .....	105
Figure 1-164	Remove the 1x500 right door (1 of 3) .....	106
Figure 1-165	Remove the 1x500 right door (2 of 3) .....	106
Figure 1-166	Remove the 1x500 right door (3 of 3) .....	107
Figure 1-167	Remove the 1x500 right-lower cover .....	108
Figure 1-168	Remove the 1x500 pickup assembly (1 of 4) .....	109
Figure 1-169	Remove the 1x500 pickup assembly (2 of 4) .....	109
Figure 1-170	Remove the 1x500 pickup assembly (3 of 4) .....	110
Figure 1-171	Remove the 1x500 pickup assembly (4 of 4) .....	110
Figure 1-172	Remove the 1x500 lifter-drive assembly (1 of 2) .....	112
Figure 1-173	Remove the 1x500 lifter-drive assembly (2 of 2) .....	112
Figure 1-174	Remove the 1x500 pickup motor .....	113
Figure 1-175	Remove the 1x500 driver PCA .....	114
Figure 1-176	Remove the paper deck right-door assembly (1 of 3) .....	115
Figure 1-177	Remove the paper deck right-door assembly (2 of 3) .....	115
Figure 1-178	Remove the paper deck right-door assembly (3 of 3) .....	116
Figure 1-179	Remove the paper deck left cover (1 of 2) .....	117
Figure 1-180	Remove the paper deck left cover (2 of 2) .....	117
Figure 1-181	Remove the paper deck pickup motor .....	118
Figure 1-182	Remove the paper deck front-lower cover .....	119
Figure 1-183	Remove the paper deck right-corner cover .....	120
Figure 1-184	Remove the paper deck front-upper cover .....	121
Figure 1-185	Remove the paper deck right-lower cover 1 .....	122
Figure 1-186	Remove the paper deck right-lower cover 2 .....	123
Figure 1-187	Remove the paper deck left-lower cover .....	124
Figure 1-188	Remove the paper deck rear cover .....	124
Figure 1-189	Remove the paper deck rear-lower cover .....	125
Figure 1-190	Remove the paper deck controller PCA .....	126
Figure 1-191	Remove the paper deck lifter-drive assembly (1 of 2) .....	127
Figure 1-192	Remove the paper deck lifter-drive assembly (2 of 2) .....	127
Figure 1-193	Remove the paper deck right and left cassette rails .....	128
Figure 1-194	Remove the paper deck pickup assembly (1 of 3) .....	129
Figure 1-195	Remove the paper deck pickup assembly (2 of 3) .....	130
Figure 1-196	Remove the paper deck pickup assembly (3 of 3) .....	130

Figure 1-197	Remove the HCI right tray .....	131
Figure 1-198	Remove the HCI left tray .....	132
Figure 1-199	Remove the HCI left cover (1 of 2) .....	132
Figure 1-200	Remove the HCI left cover (2 of 2) .....	133
Figure 1-201	Remove the HCI left lower cover .....	133
Figure 1-202	Remove the HCI rear cover .....	134
Figure 1-203	Remove the HCI right door .....	135
Figure 1-204	HCI right door link detail .....	135
Figure 1-205	Remove the HCI right front cover (1 of 2) .....	136
Figure 1-206	Remove the HCI right front cover (2 of 2) .....	136
Figure 1-207	Remove the HCI right center cover and right rear cover (1 of 2) .....	137
Figure 1-208	Remove the HCI right center cover and right rear cover (2 of 2) .....	137
Figure 1-209	Remove the HCI right lower cover .....	138
Figure 1-210	Remove the HCI rear lower cover .....	139
Figure 1-211	Remove the HCI left tray lifter drive .....	139
Figure 1-212	Remove the HCI right tray lifter drive .....	140
Figure 1-213	Remove the HCI left tray pickup drive (1 of 2) .....	141
Figure 1-214	Remove the HCI left tray pickup drive (2 of 2) .....	141
Figure 1-215	Remove the HCI right tray pickup drive (1 of 2) .....	142
Figure 1-216	Remove the HCI right tray pickup drive (2 of 2) .....	142
Figure 1-217	Remove the HCI controller PCA .....	143
Figure 1-218	Remove the HCI left tray automatic close assembly (1 of 2) .....	143
Figure 1-219	Remove the HCI left tray automatic close assembly (2 of 2) .....	144
Figure 1-220	Remove the HCI right tray automatic close assembly (1 of 2) .....	145
Figure 1-221	Remove the HCI right tray automatic close assembly (2 of 2) .....	145
Figure 1-222	Remove the HCI left tray pickup assembly (1 of 2) .....	146
Figure 1-223	Remove the HCI left tray pickup assembly (2 of 2) .....	146
Figure 1-224	Remove the HCI right tray pickup assembly (1 of 2) .....	147
Figure 1-225	Remove the HCI right tray pickup assembly (2 of 2) .....	148
Figure 1-226	Remove the HCI merge assembly (1 of 2) .....	149
Figure 1-227	Remove the HCI merge assembly (2 of 2) .....	149
Figure 2-1	Base product (no optional trays or accessories) .....	156
Figure 2-2	Optional 500-sheet paper feeder (accessory) .....	157
Figure 2-3	Optional 1x500-sheet paper deck (accessory) .....	158
Figure 2-4	Optional 3x500-sheet paper deck (accessory) .....	159
Figure 2-5	Duplexer .....	160
Figure 2-6	Duplexer .....	161
Figure 2-7	External covers and panels .....	162
Figure 2-8	Internal components (1 of 4) .....	164
Figure 2-9	Internal components (2 of 4) .....	166
Figure 2-10	Internal components (3 of 4) .....	168



Figure 2-11	Internal components (4 of 4) .....	170
Figure 2-12	500-sheet paper feeder (Tray 4) covers .....	172
Figure 2-13	500-sheet paper feeder (Tray 4) components .....	174
Figure 2-14	1x500 and 3x500 paper deck covers .....	176
Figure 2-15	1x500 paper deck components .....	178
Figure 2-16	3x500 paper deck components .....	180
Figure 2-17	HCI covers .....	182
Figure 2-18	HCI components (1 of 2) .....	184
Figure 2-19	HCI components (2 of 2) .....	186



---

# 1 Removal and replacement

- [Removal and replacement strategy](#)
- [Pickup rollers](#)
- [Separation pads and rollers](#)
- [Covers and doors](#)
- [Main assemblies](#)
- [Switches](#)
- [Sensors](#)
- [Motors, fans, and clutches](#)
- [Printed circuit-board assemblies \(PCAs\)](#)
- [Miscellaneous parts](#)
- [Trays](#)
- [Input devices](#)

# Removal and replacement strategy

## Introduction

This chapter describes the removal and replacement of field-replaceable units (FRUs) only.

Replacing FRUs is generally the reverse of removal. Notes are included to provide directions for difficult or critical replacement procedures.

HP does not support repairing individual subassemblies or troubleshooting to the component level.

Never operate or service the product with the protective cover removed from the laser scanner assembly. The reflected beam, although invisible, can damage your eyes.


The sheet-metal parts can have sharp edges. Be careful when handling sheet-metal parts.



Some parts are sensitive to electrostatic discharge (ESD). Look for the ESD reminder when removing product parts. Always perform service work at an ESD-protected workstation or mat. If an ESD workstation or mat is not available, ground yourself by touching the sheet-metal chassis *before* touching an ESD-sensitive part.

Protect the ESD-sensitive parts by placing them in ESD pouches when they are out of the product.


**CAUTION:** Do not bend or fold the flat flexible cables (FFCs) during removal or installation.

 **NOTE:** To install a self-tapping screw, first turn it counterclockwise to align it with the existing thread pattern, and then carefully turn it clockwise to tighten. Do not overtighten. If a self-tapping screw-hole becomes stripped, repair the screw-hole or replace the affected assembly.


---

## Required tools

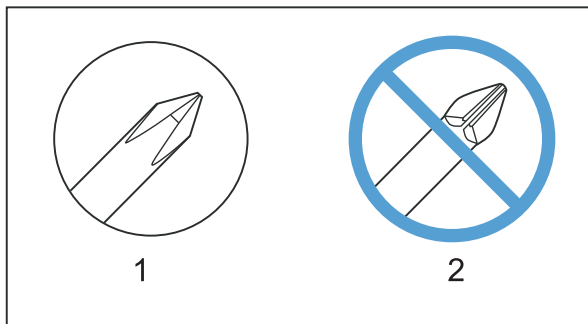
- #2 Phillips screwdriver with a magnetic tip and a 152-mm (6-in) shaft length

 **NOTE:** For the best fit, use a JIS #2 Phillips screwdriver for the stapler/stacker.


- Small, flat-blade screwdriver
- Needle-nose pliers
- ESD strap (if one is available)
- Penlight

 **CAUTION:** Always use a Phillips screwdriver (callout 1). Do not use a Pozidriv screwdriver (callout 2) or any motorized screwdriver. These can damage screws or screw threads.

**Figure 1-1** Screwdrivers



## Types of screws

 **WARNING!** Make sure that components are replaced with the correct screw type. Using the incorrect screw (for example, substituting a long screw for the correct shorter screw) can cause damage to the product or interfere with product operation. Do not intermix screws that are removed from one component with the screws that are removed from another component.

For a complete list of screw types and part numbers, see the Parts chapter.

## Service approach

The HP LaserJet Enterprise 700 M712 use a field repair strategy. Defective parts are diagnosed and replaced at the Field Replaceable Unit (FRU) assembly level. Repair normally begins by using the product internal diagnostics and the following two-step process:

1. Isolate the problem to the major system (for example, the network or server, or the product).
2. Troubleshoot the problem by using the procedures in the troubleshooting chapter.

After you locate a faulty part, the product can usually be repaired at the assembly level by replacing FRUs. Some mechanical assemblies might need to be repaired at the subassembly level. Hewlett-Packard Company does not support replacement of components on the printed circuit assemblies.

## Before performing service

**⚠ WARNING!** Turn the product off, wait 5 seconds, and then remove the power cord before attempting to service the product. *If this warning is not followed, severe injury and damage to the product can result.* The power must be on for certain functional checks during troubleshooting. However, the power supply should be disconnected during parts removal.

1. Remove all paper.
2. Place the product on an ESD mat (if available). If an ESD workstation or mat is not available, ground yourself by touching the sheet-metal chassis *before* touching an ESD-sensitive part.
3. Remove the toner cartridge.
4. Remove the trays.

## After performing service

1. Reinstall the toner cartridge.
2. Reinstall the trays.
3. Return all paper to the trays.
4. Plug in the power cable and turn on the product.

## Parts removal order

If multiple components must be removed to gain access to an assembly, the first step of the removal procedure lists all of the components that must be removed to gain access to that assembly. Use these lists to determine which parts must be removed before removing other parts.

# Pickup rollers

The user replaces toner cartridges when they reach the end of life. Additional instructions about other user-replaceable parts are provided in this section.

The product tracks the amount of use on the customer-replaceable supplies by keeping a page count. The product prompts the user to replace certain items when a supply is depleted or a specific number of pages has been printed.

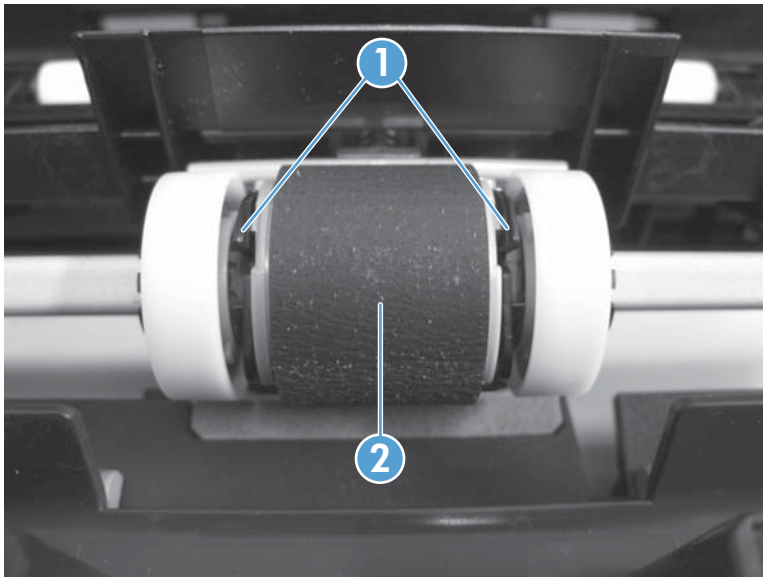
Swapping toner cartridges between products might cause a misrepresentation of supply life values and is not recommended.

- [Tray 1 \(multipurpose tray\) pickup roller](#)
- [Tray 2 and Tray 3 pickup rollers](#)
- [Tray 4, Tray 5, and Tray 6 pickup and feed rollers](#)


## Tray 1 (multipurpose tray) pickup roller

1. Open the toner cartridge door.
2. Push out on the pickup roller holder tabs (callout 1), and remove the pickup roller (callout 2).

**Figure 1-2** Remove the Tray 1 (multipurpose tray) pickup roller

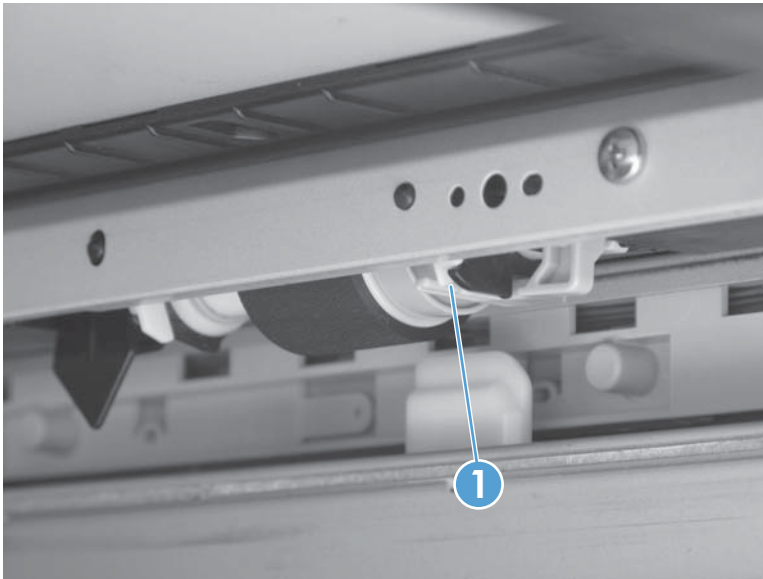


## Tray 2 and Tray 3 pickup rollers

 **NOTE:** The same removal procedures apply to the Tray 2 pickup roller and Tray 3 pickup roller.

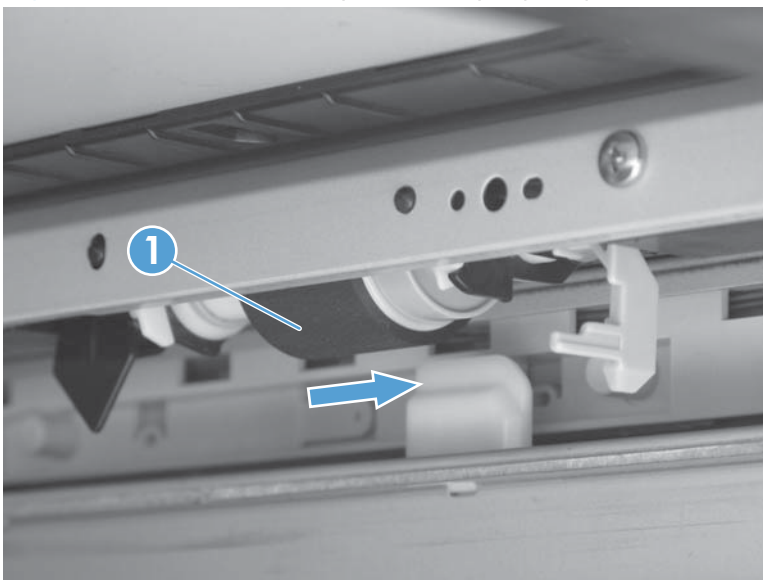
1. Remove the trays.
2. From the front of the product, on the right side of the tray cavity, rotate the stopper (callout 1) down.

**Figure 1-3** Remove the Tray 2 and Tray 3 pickup rollers (1 of 2)




3. Push the pickup roller (callout 1) in the direction that the arrow indicates and remove it.

**Figure 1-4** Remove the Tray 2 and Tray 3 pickup rollers (2 of 2)



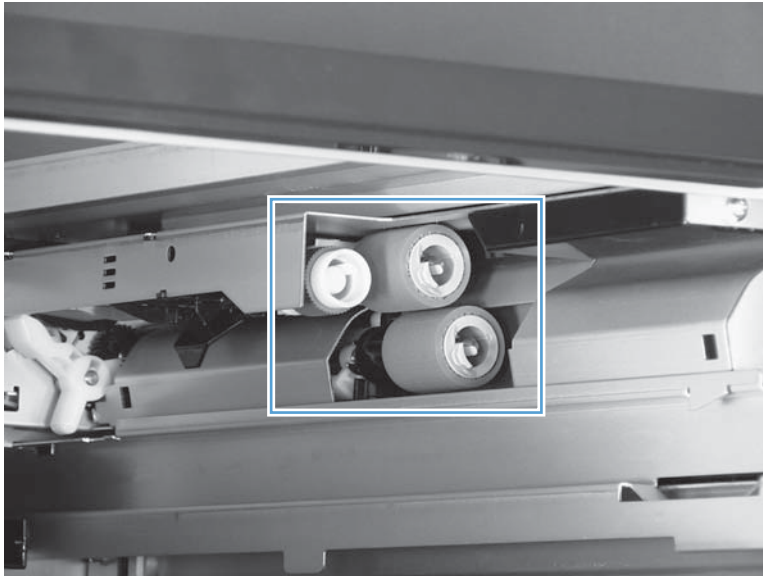


## Tray 4, Tray 5, and Tray 6 pickup and feed rollers

 **NOTE:** The same removal procedures apply to the 1x500-sheet tray, the 1x500-sheet tray stand, and the 3x500-sheet tray stand.

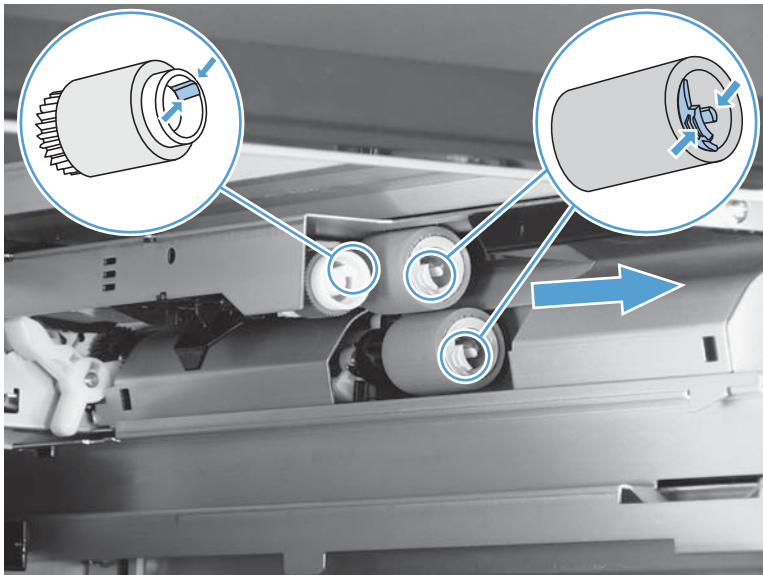
1. Remove the tray from the product, and then locate the rollers on the right-hand side of the tray cavity.


**Figure 1-5** Remove the 1x500 or 3x500 rollers (1 of 2)



2. Release three tabs, and then pull the rollers in the direction of the arrow.

**Figure 1-6** Remove the 1x500 or 3x500 rollers (2 of 2)



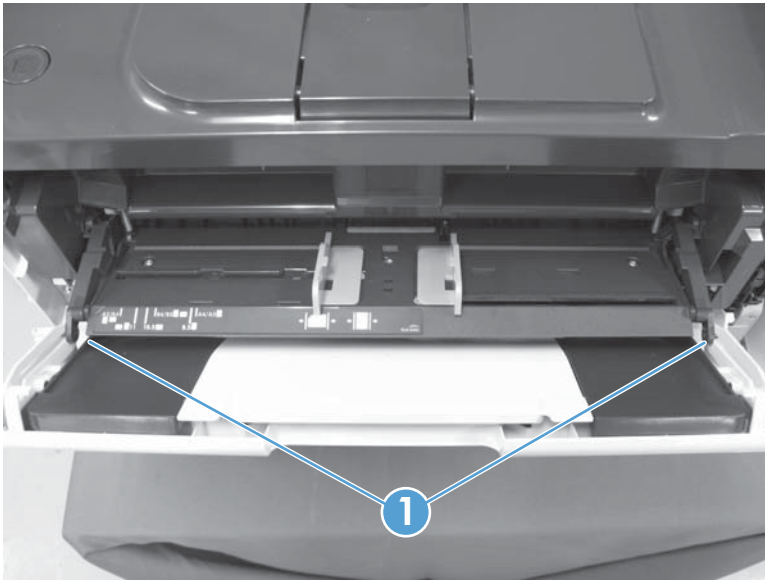
 **Reinstallation tip** When you reinstall the rollers, make sure that the rollers snap into place.

# Separation pads and rollers

## Tray 1 separation pad assembly

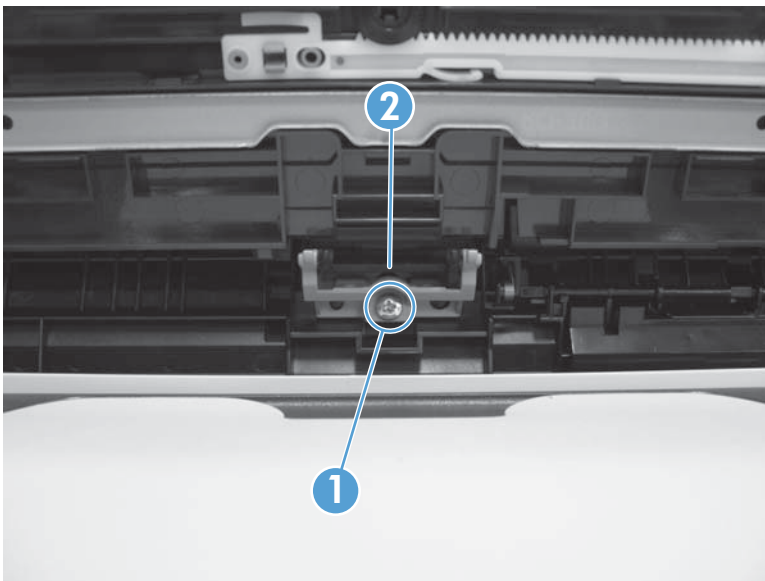
1. Open Tray 1.
2. Release two hinge pins (callout 1) on the Tray 1 cover assembly.

**Figure 1-7** Remove the Tray 1 separation pad assembly (1 of 2)




3. Remove one screw (callout 1), and then remove the separation pad assembly (callout 2).

**Figure 1-8** Remove the Tray 1 separation pad assembly (2 of 2)

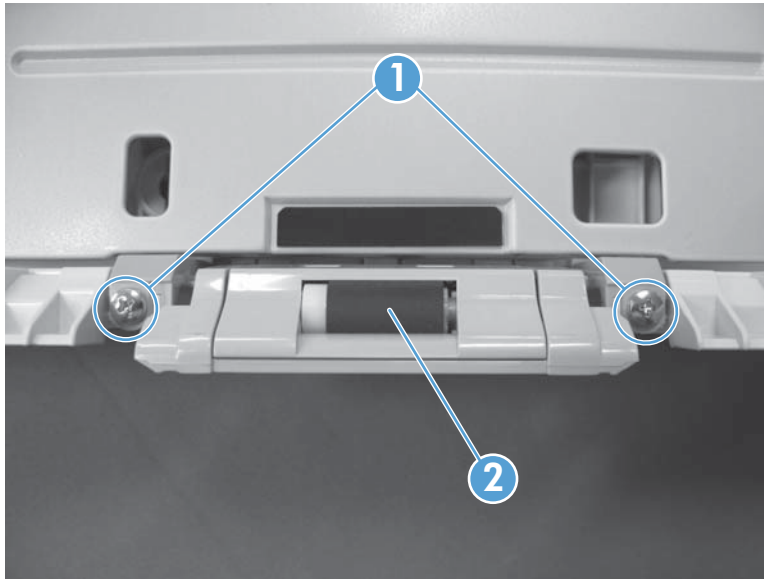


## Tray 2 and Tray 3 separation rollers


 **NOTE:** The same removal procedures apply to the Tray 2 separation roller and Tray 3 separation roller.

1. Remove the tray.
2. On the right side of the tray, remove two screws (callout 1), and then remove the roller.

**Figure 1-9** Remove the Tray 2 and Tray 3 separation rollers



## Tray 4, 5, and 6 separation rollers

 **CAUTION:** Do not touch the spongy roller surface unless you are replacing the roller. Skin oils on the roller can cause paper pickup problems.

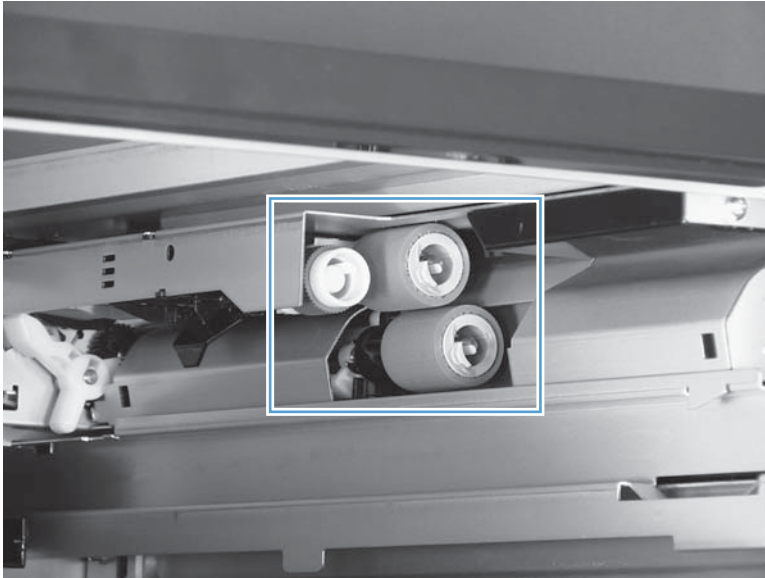
---

**TIP:** You do not have to separate the product from the feeder to remove these rollers.

---

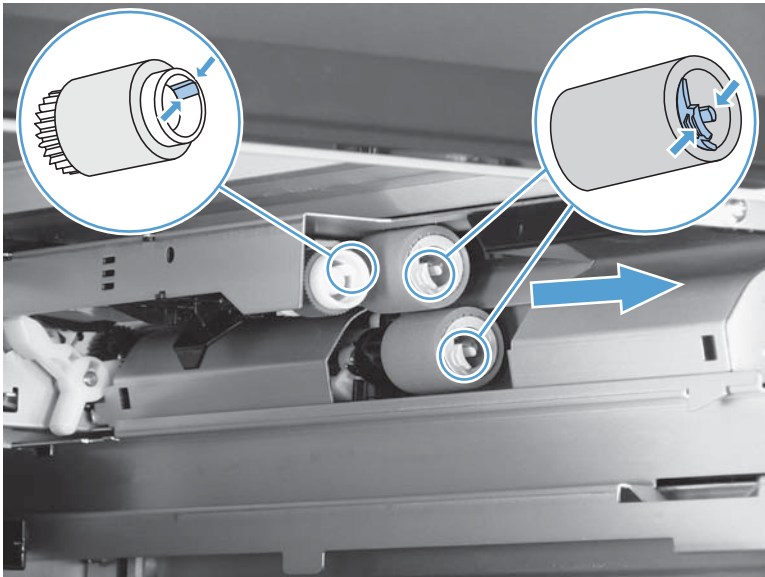
1. Remove the tray from the product, and then locate the rollers on the right-hand side of the tray cavity.

**Figure 1-10** Remove the 1x500 or 3x500 rollers (1 of 2)



2. Release three tabs, and then pull the rollers in the direction of the arrow.

**Figure 1-11** Remove the 1x500 or 3x500 rollers (2 of 2)



---

**Reinstallation tip** When you reinstall the rollers, make sure that the rollers snap into place.

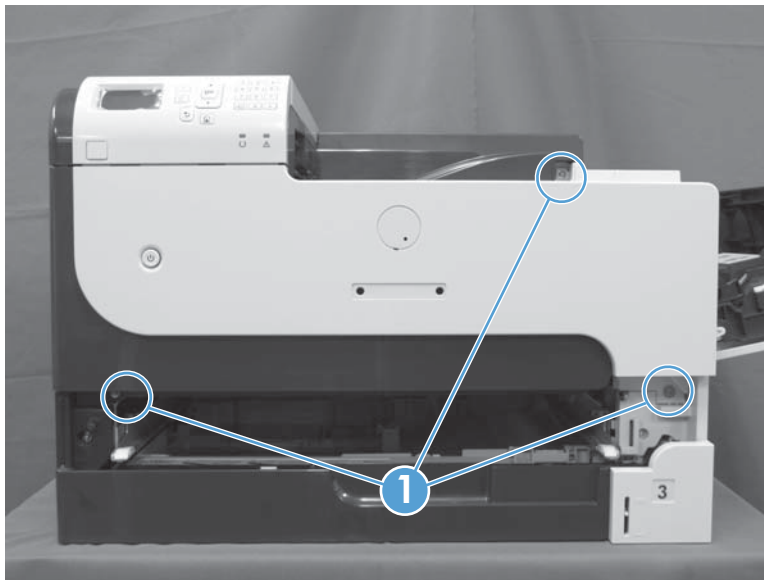
---

# Covers and doors

## Front cover

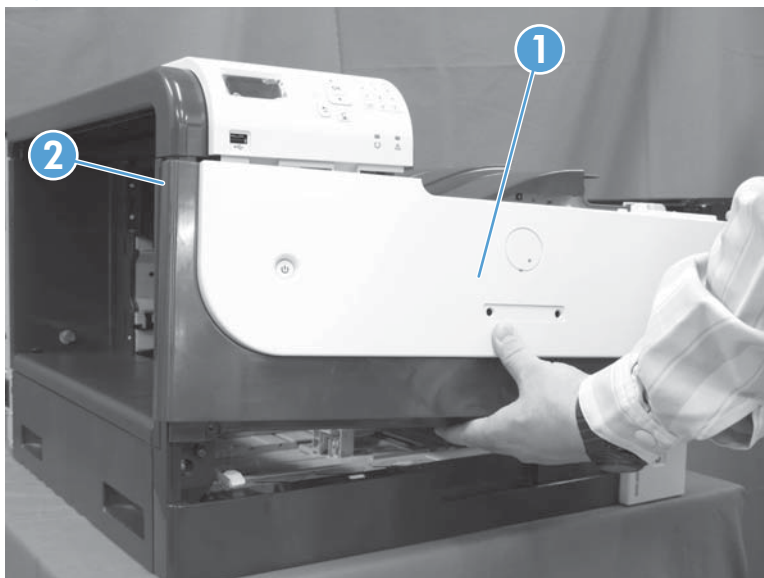
1. Remove Tray 2 and Tray 3, and open the toner cartridge door.
2. Remove three screws (callout 1).

**Figure 1-12** Remove the front cover (1 of 2)



3. Pull the right side of the cover (callout 1) away from the product, and then release the tab (callout 2) on the left side of the cover to remove it from the product.

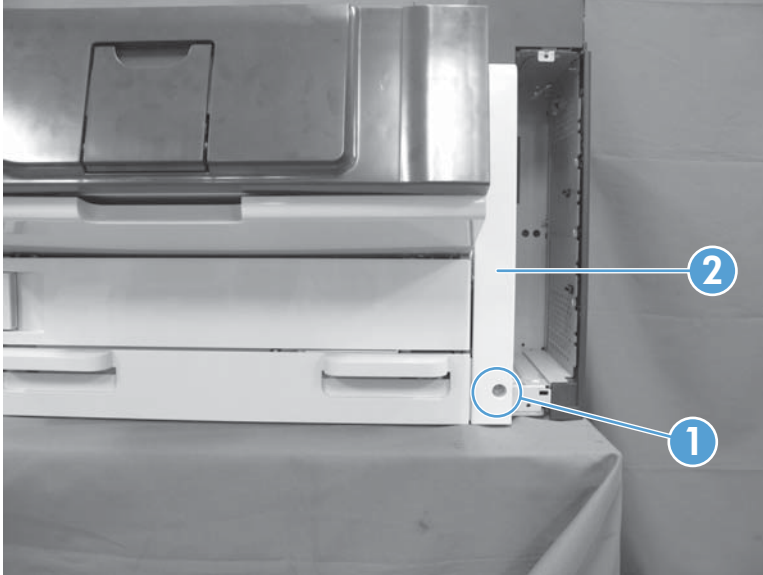
**Figure 1-13** Remove the front cover (2 of 2)



## Right rear cover

1. Open the toner cartridge door.
2. Remove one screw (callout 1), and then lift the right rear cover (callout 2) away from the product.

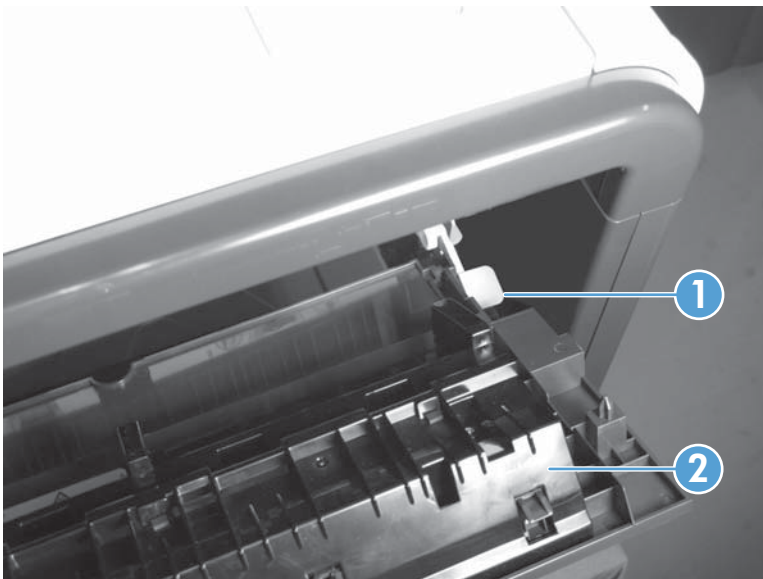
**Figure 1-14** Remove the right rear cover



## Left door

1. Remove the duplexer or the duplex cover. See [Duplexer or duplex cover on page 31](#).
2. Open the left door, and then lift up on the retainer arm (callout 1) to release it from the door assembly (callout 2).

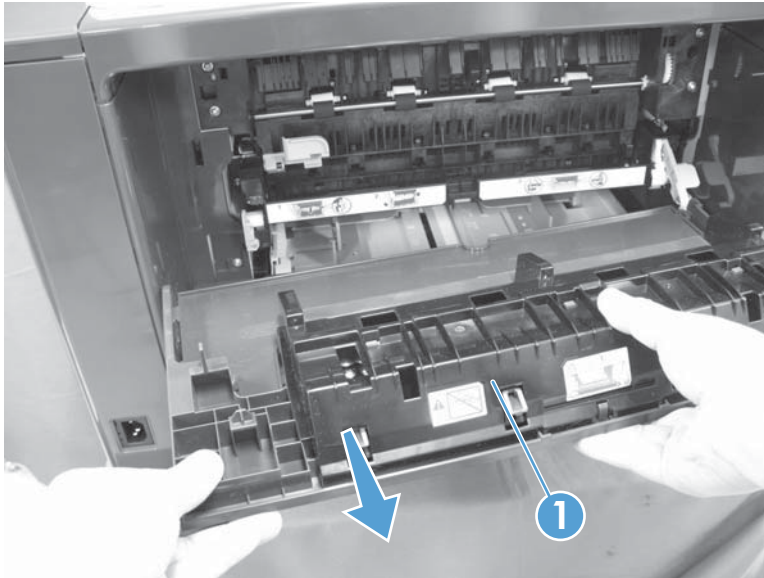
**Figure 1-15** Remove the left door (1 of 2)





3. Pull the left side of the assembly (callout 1) away from the product, release the pin on the right side of the assembly, and then remove the door assembly.

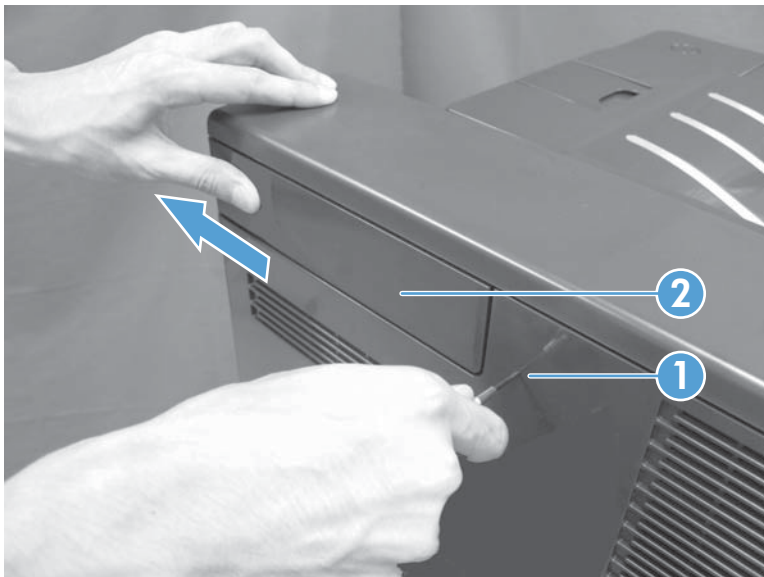
**Figure 1-16** Remove the left door (2 of 2)



## Rear cover

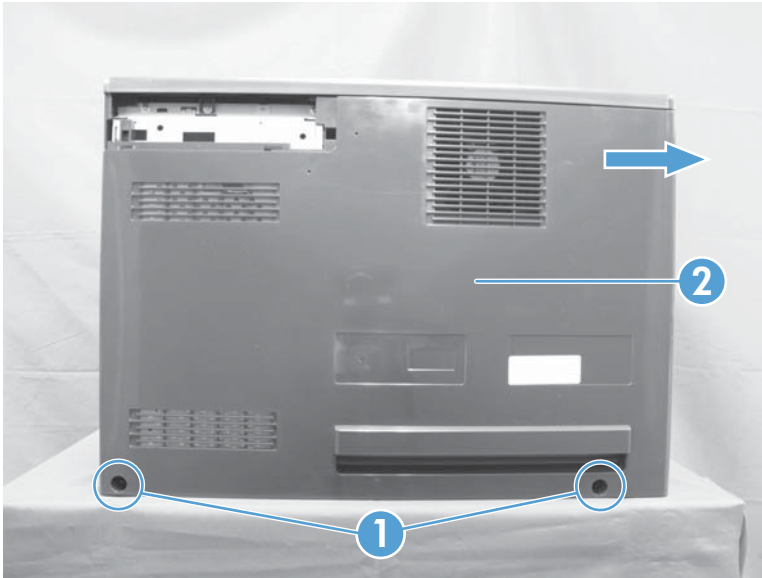
1. On the rear side of the product, insert a small screwdriver (or a paper clip) into the tab slot (callout 1) to release a hidden tab, and then slide the rear pocket cover (callout 2) in the direction indicated to remove the cover.

**Figure 1-17** Remove the rear cover (1 of 2)




2. Remove two screws (callout 1), and then slide the rear cover (callout 2) in the direction indicated to remove the cover from the product.

**Figure 1-18** Remove the rear cover (2 of 2)



---

 **Reinstallation tip** During reinstallation, make sure that all cables are correctly positioned and not pinched against metal parts of the chassis when you slide the rear cover into place.

---

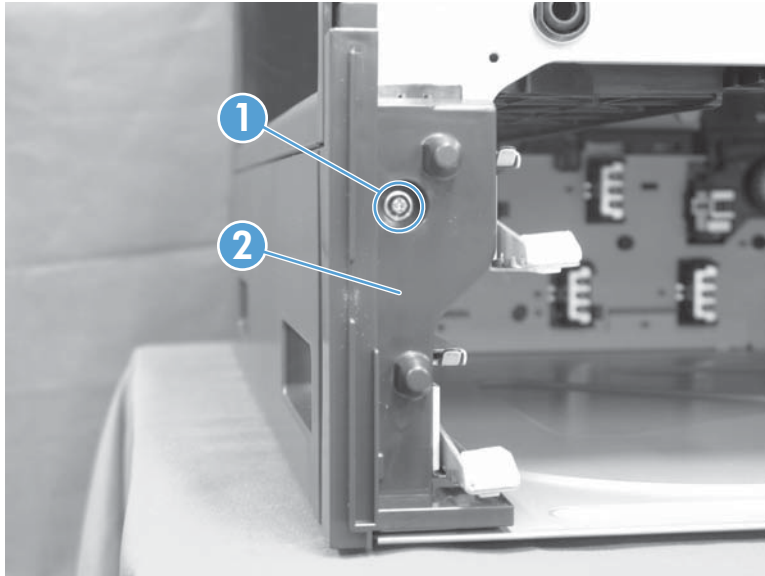
## Front left lower cover

1. Remove the following components or assemblies:
  - Tray 2 and Tray 3.
  - Front cover. See [Front cover on page 11](#).



2. At the front of the product, remove one screw (callout 1), and then remove the cover (callout 2) from the product.

**Figure 1-19** Remove the front left lower cover



## Front right lower cover

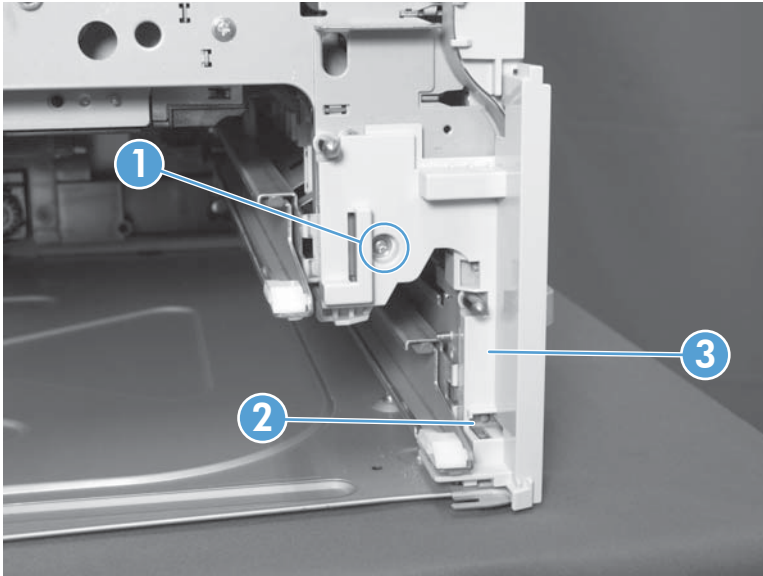
1. Remove the following components or assemblies:
  - Tray 2 and Tray 3.
  - Front cover. See [Front cover on page 11](#).



**NOTE:** If optional trays are installed, release the tray lock below the front right lower cover.

2. Remove one screw (callout 1), release one tab (callout 2), and then remove the cover (callout 3) from the product.

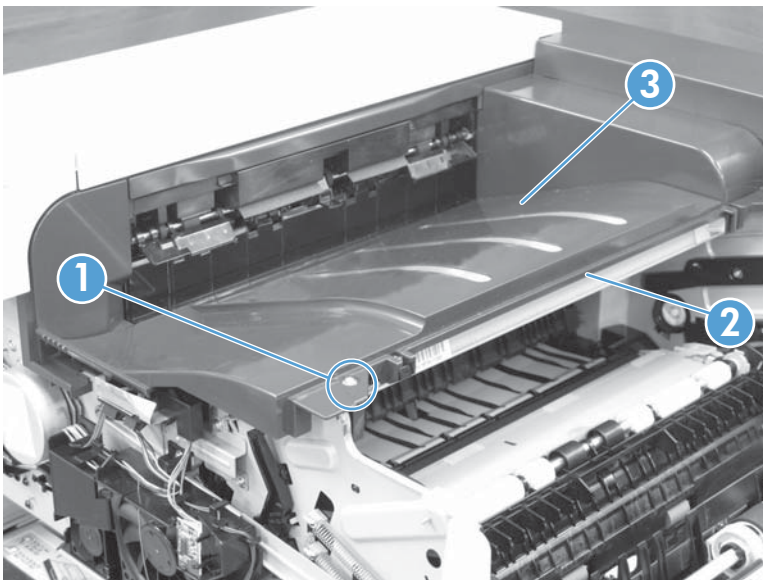
**Figure 1-20** Remove the front right lower cover



## Face-down cover

1. Open the toner cartridge door.
2. At the front of the product, remove one screw (callout 1), release one tab (callout 2) at the back of the metal rail under the cover, and then lift the left side of the cover to release 3 tabs on the rear side (callout 3) of the cover to remove the cover from the product.

**Figure 1-21** Remove the face-down cover

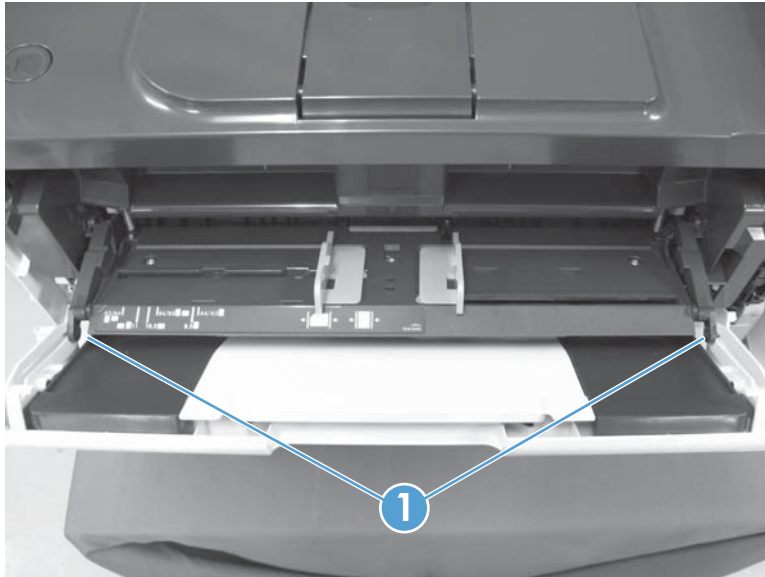


**TIP:** When you reinstall the face-down cover, make sure that the three tabs (callout 3) are properly inserted in the paper delivery assembly.

## Tray 1 (multipurpose tray) cover

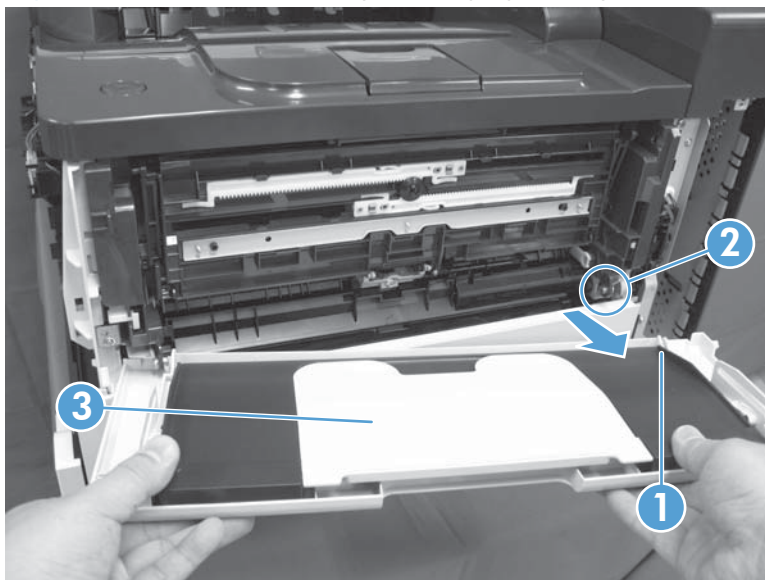
1. Remove the right rear cover. See [Right rear cover on page 12](#).
2. Open Tray 1.
3. Inside Tray 1, release two pins (callout 1), and then raise the cover to a half-closed position.

**Figure 1-22** Remove the Tray 1 (multipurpose tray) cover (1 of 2)



4. Pull the right side hinge slot (callout 1) away from the hinge pin (callout 2), and then remove the cover (callout 3) from the product.

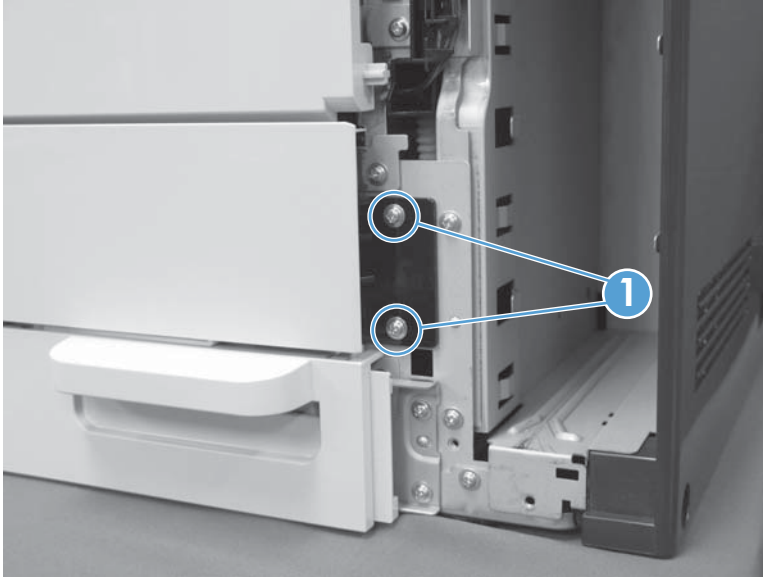
**Figure 1-23** Remove the Tray 1 (multipurpose tray) cover (2 of 2)



## Right door

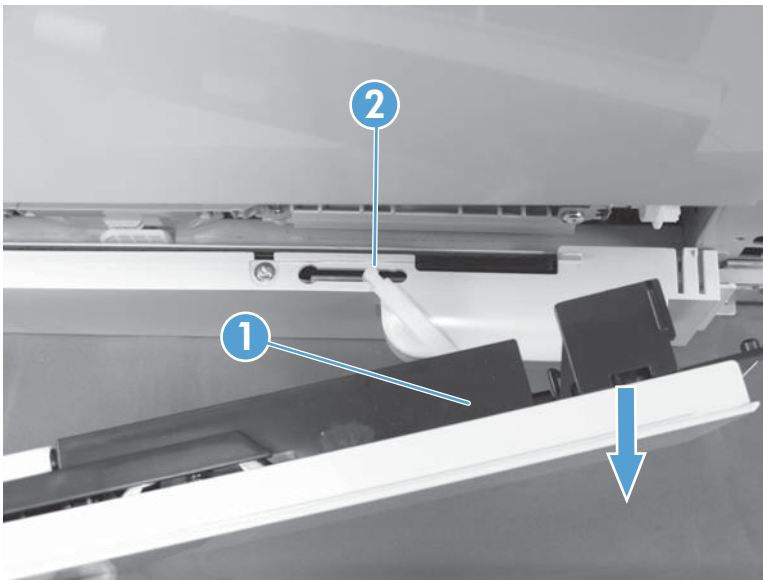
1. Remove the right rear cover. See [Right rear cover on page 12](#).
2. On the right side of the product, remove two screws (callout 1).

**Figure 1-24** Remove the right door (1 of 3)



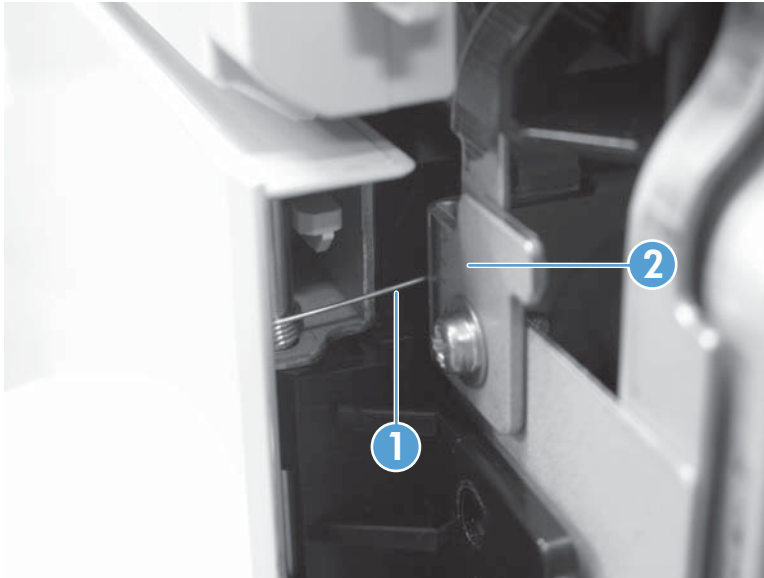
- 3.
4. Open the right door (callout 1), move it slightly toward the front of the product, and then release the door retainer arm (callout 2) to remove the right door.

**Figure 1-25** Remove the right door (2 of 3)



5. Make sure that you correctly position the spring (callout 1) inside the metal chassis (callout 2) when you reinstall the right door.

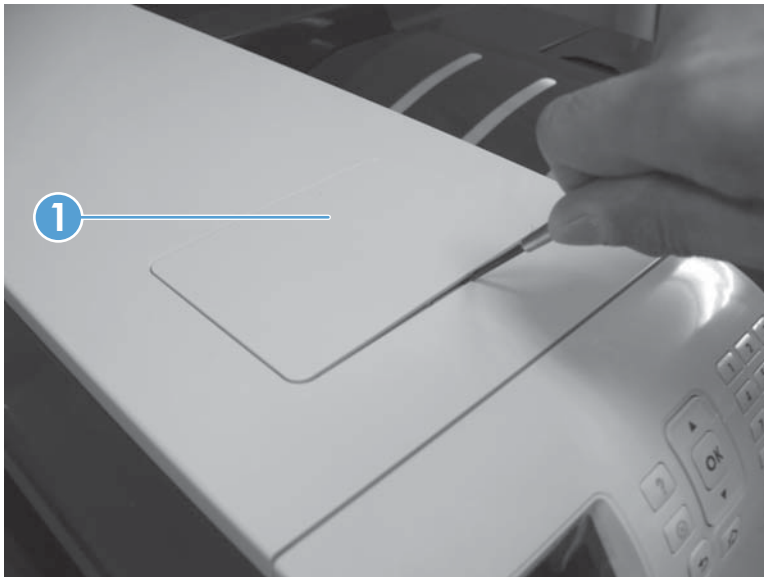
**Figure 1-26** Remove the right door (3 of 3)



## Top cover

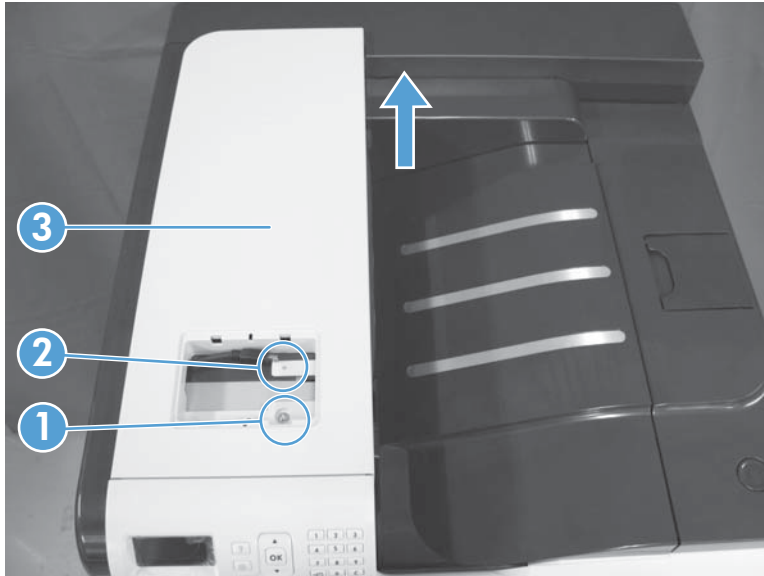
1. Use a small screwdriver to open and remove the hardware integration pocket cover (callout 1).

**Figure 1-27** Remove the top cover (1 of 2)



2. Remove one screw (callout 1), release one tab (callout 2), and then slide the top cover (callout 3) in the direction indicated to remove it from the product.

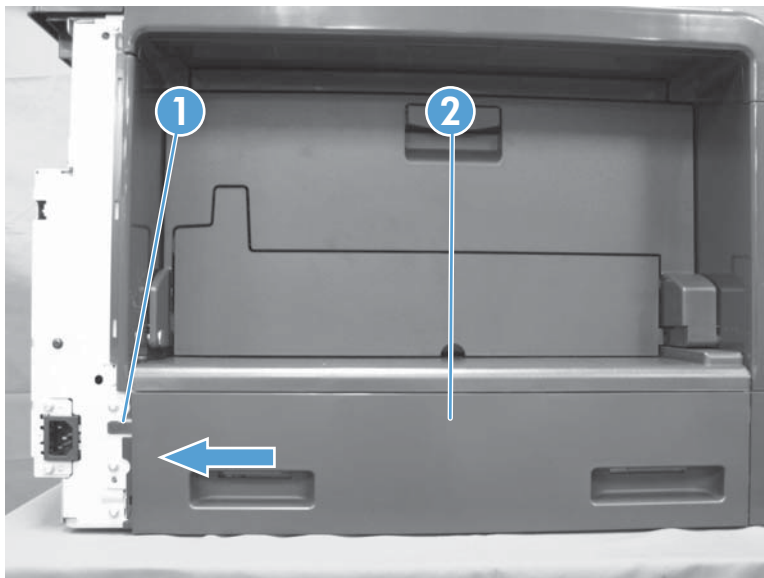
**Figure 1-28** Remove the top cover (2 of 2)



## Left handle cover

1. Remove the rear cover. See [Rear cover on page 13](#).
2. Release one tab (callout 1), and then slide the cover (callout 2) in the direction indicated to remove it from the product.

**Figure 1-29** Remove the left handle cover

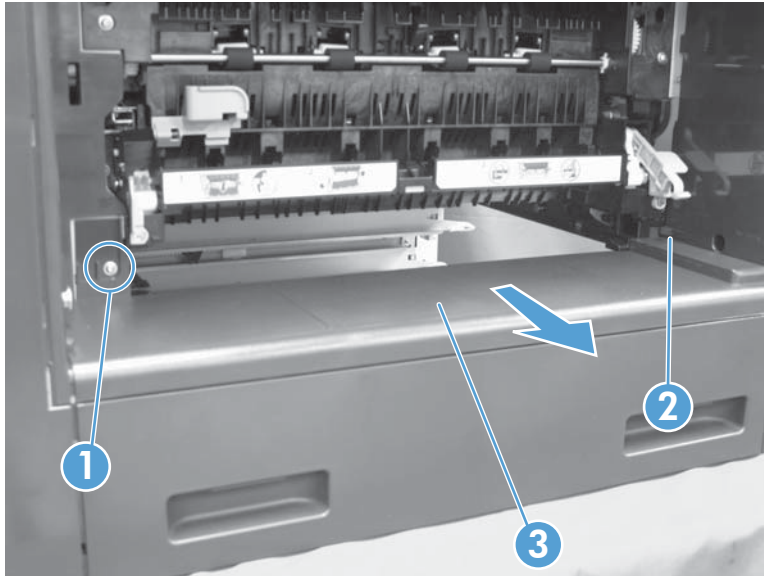


## Left inner lower cover

1. Remove the left door. See [Left door on page 12](#).

2. Remove one screw (callout 1), release one tab (callout 2), and then slide the left inner lower cover (callout 3) in the direction indicated to remove it from the product.

**Figure 1-30** Remove the left inner lower cover



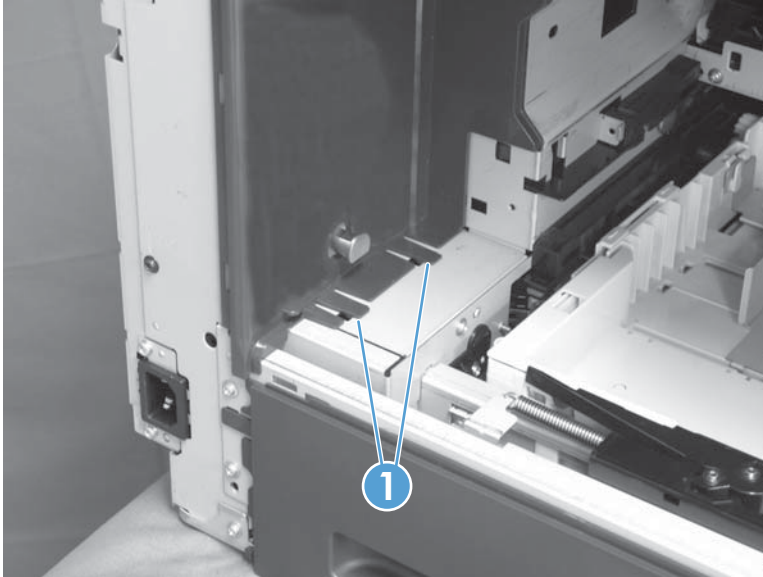
## Left inner rear cover

1. Remove the following components or assemblies:
  - Left door. See [Left door on page 12](#).
  - Left inner lower cover. See [Left inner lower cover on page 20](#).
  - Fuser. See [Fuser on page 32](#).
  - Rear cover. See [Rear cover on page 13](#).



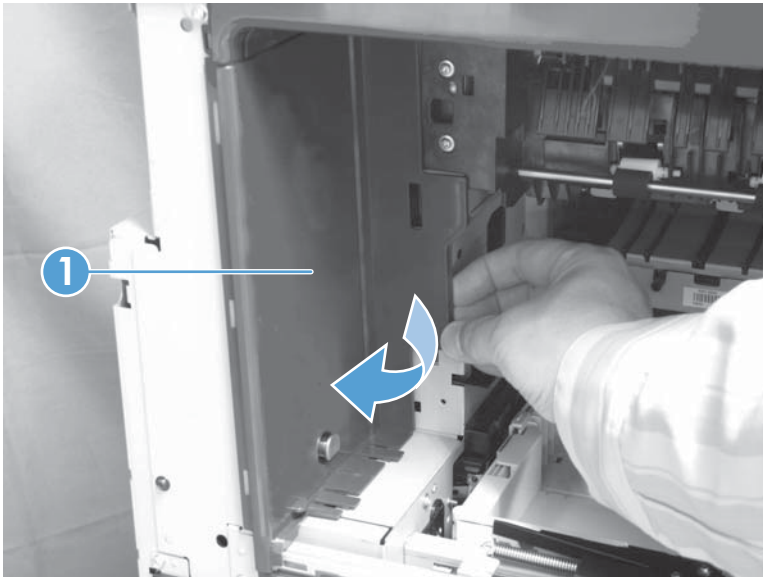
2. Release two tabs (callout 1).

**Figure 1-31** Remove the left inner rear cover (1 of 2)



3. Slide the left inner rear cover (callout 1) in the direction indicated to remove the cover from the product.

**Figure 1-32** Remove the left inner rear cover (2 of 2)



## Left inner front cover

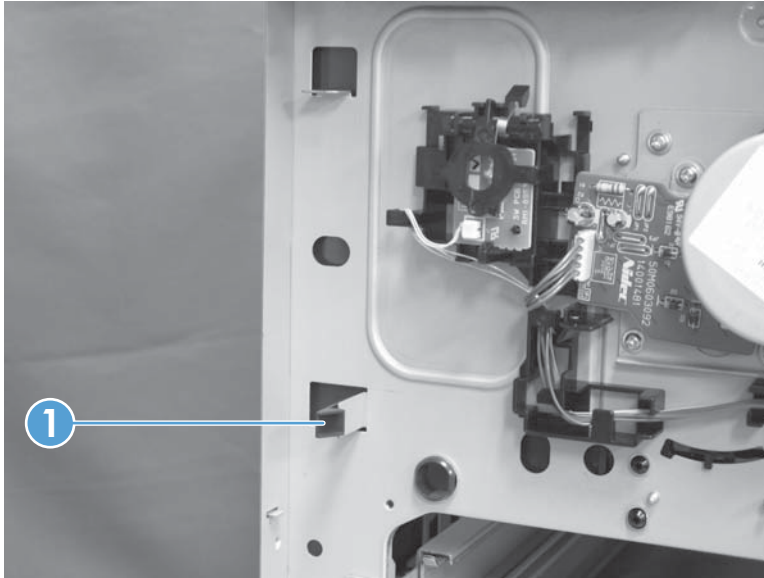
1. Remove the following components or assemblies:
  - Front cover. See [Front cover on page 11](#).
  - Front left lower cover. See [Front left lower cover on page 14](#).
  - Left door. See [Left door on page 12](#).



- Fuser. See [Fuser on page 32](#).
- Left inner lower cover. See [Left inner lower cover on page 20](#).

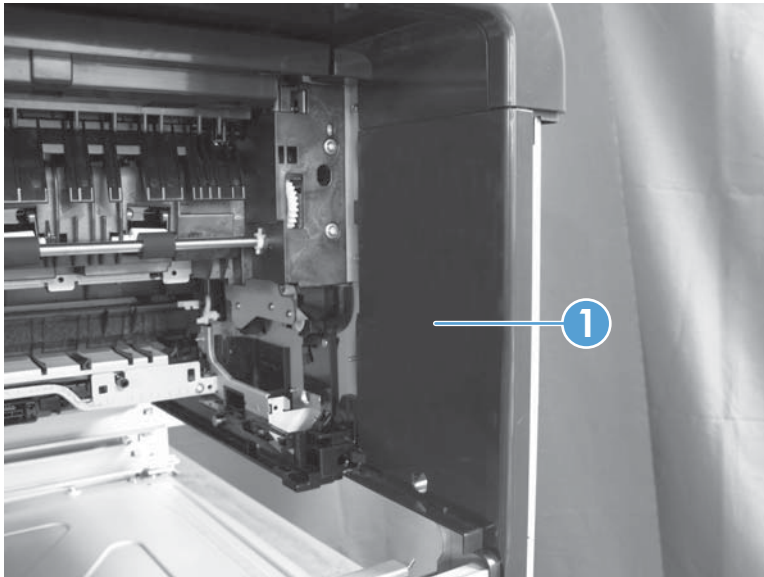
2. On the left side of the product, release one tab (callout 1).

**Figure 1-33** Remove the left inner front cover (1 of 2)



3. Inside the product, slide the cover (callout 1) toward you to remove it from the product.

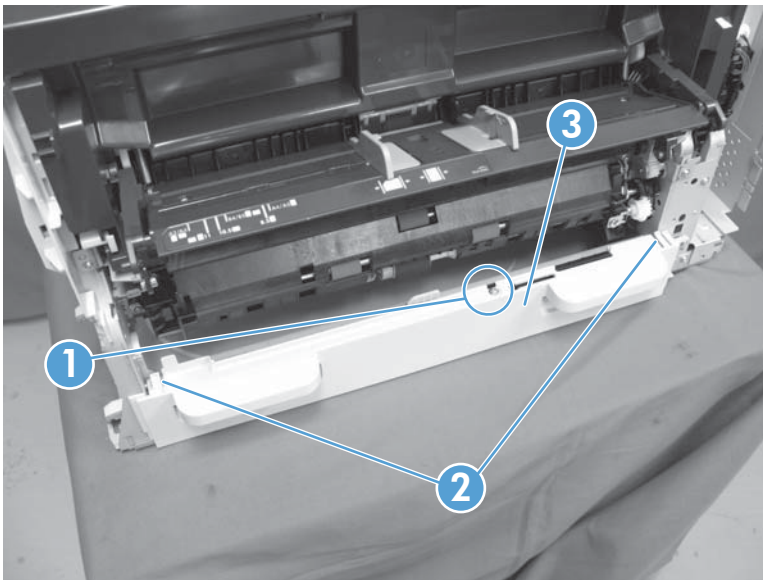
**Figure 1-34** Remove the left inner front cover (2 of 2)



## Right handle cover

1. Remove the following components or assemblies:
  - Front cover. See [Front cover on page 11](#).
  - Front right lower cover. See [Front right lower cover on page 15](#).
  - Right rear cover. See [Right rear cover on page 12](#).
  - Tray 1 cover. See [Tray 1 \(multipurpose tray\) cover on page 17](#).
  - Right door. See [Right door on page 18](#).
2. On the right side of the product, remove one screw (callout 1), release two tabs (callout 2), and then pull the top of the cover (callout 3) to remove it from the product.

**Figure 1-35** Remove the right handle cover

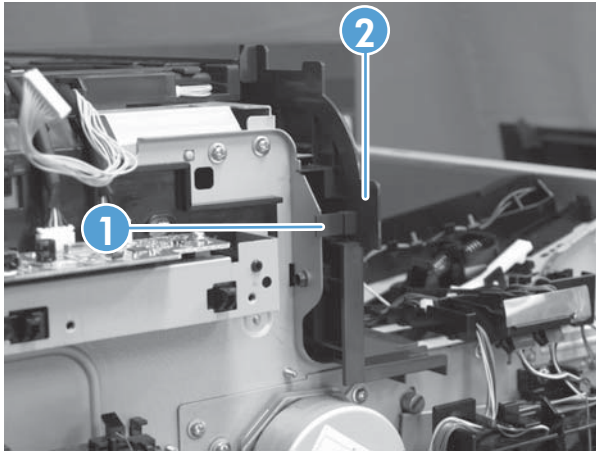


## Face-down side cover

1. Remove the following components or assemblies:
  - Top cover. See [Top cover on page 19](#).
  - Face-down cover. See [Face-down cover on page 16](#).
  - Front cover. See [Front cover on page 11](#).
  - Control panel. See [Control panel assembly on page 33](#).

2. On the left side at the front of the product, release one tab (callout 1), and then remove the cover (callout 2) from the product.

**Figure 1-36** Remove the face-down side cover

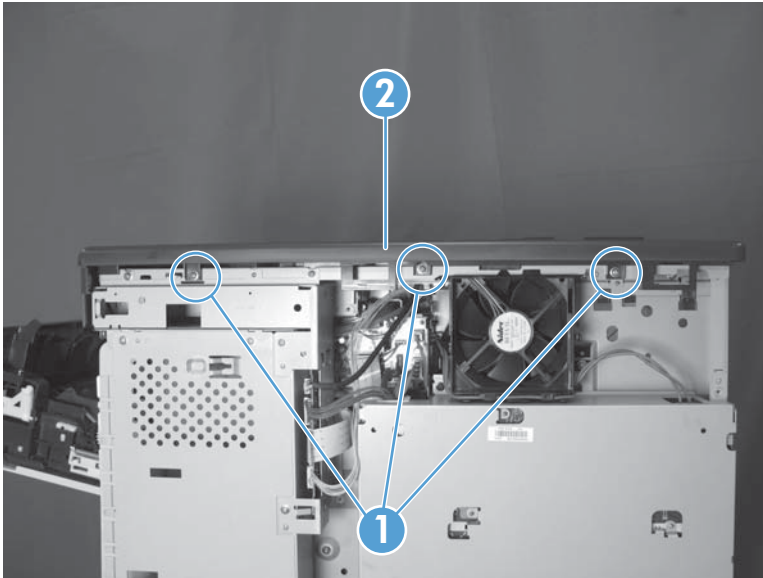


## Top rear cover

1. Remove the following components or assemblies:
  - Top cover. See [Top cover on page 19](#).
  - Face-down cover. See [Face-down cover on page 16](#).
  - Front cover. See [Front cover on page 11](#).
  - Rear cover. See [Rear cover on page 13](#).
2. Open the toner cartridge door.

3. On the rear side of the product, remove three screws (callout 1), and then remove the cover (callout 2) from the product.

**Figure 1-37** Remove the top rear cover

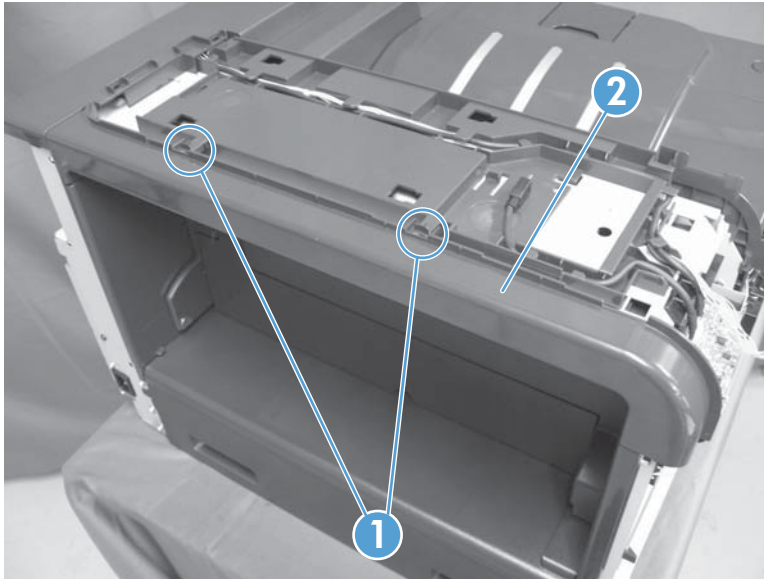


## Left upper cover

1. Remove the following components or assemblies:
  - Top cover. See [Top cover on page 19](#).
  - Front cover. See [Front cover on page 11](#).
  - Control panel. See [Control panel assembly on page 33](#).
  - Rear cover. See [Rear cover on page 13](#).

2. Release two tabs (callout 1), and then remove the cover (callout 2) from the product.

**Figure 1-38** Remove the left upper cover

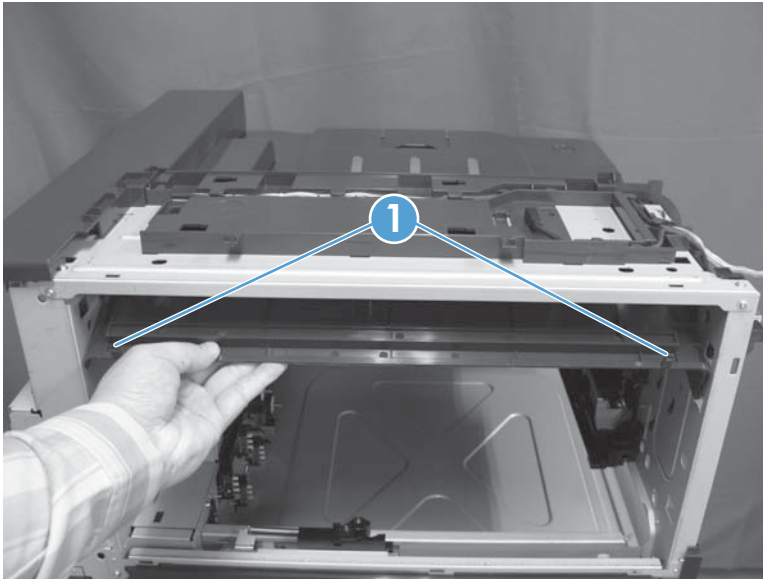


## Left inner upper cover

1. Remove the following components or assemblies:
  - Top cover. See [Top cover on page 19](#).
  - Front cover. See [Front cover on page 11](#).
  - Control panel. See [Control panel assembly on page 33](#).
  - Rear cover. See [Rear cover on page 13](#).
  - Left door. See [Left door on page 12](#).
  - Fuser. See [Fuser on page 32](#).
  - Left inner lower cover. See [Left inner lower cover on page 20](#).
  - Left inner rear cover. See [Left inner rear cover on page 21](#).
  - Left inner front cover. See [Left inner front cover on page 22](#).
  - Left upper cover. See [Left upper cover on page 26](#).

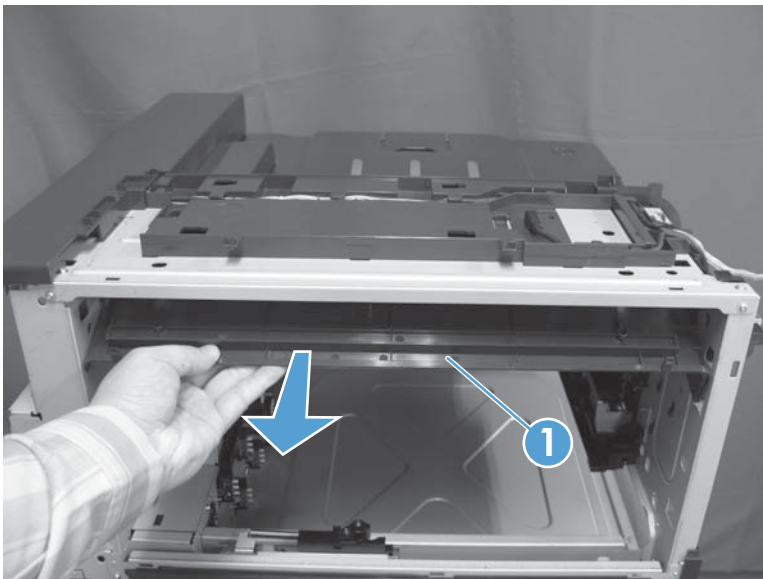
2. On the left side of the product, release two tabs (callout 1).

**Figure 1-39** Remove the left inner upper cover (1 of 2)



3. Pull the cover (callout 1) down and toward you to remove it from the product.

**Figure 1-40** Remove the left inner upper cover (2 of 2)



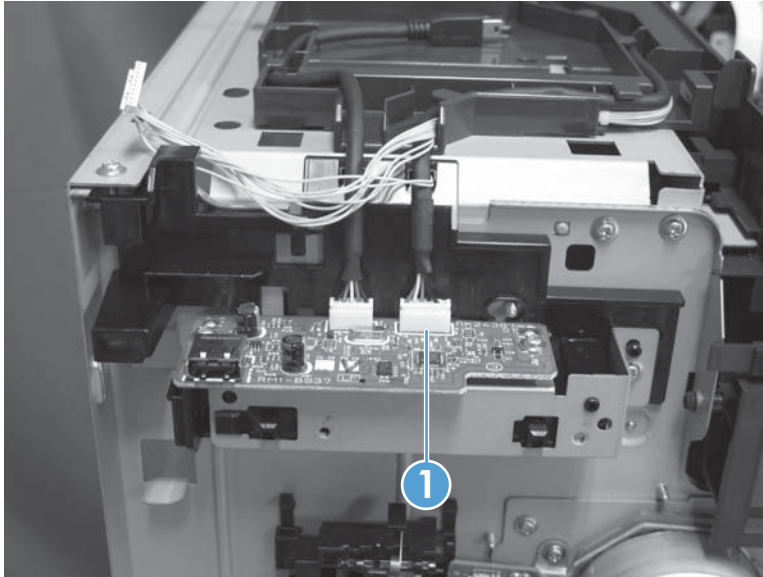
## Face-down upper cover

1. Remove the following components or assemblies:
  - Top cover. See [Top cover on page 19](#).
  - Face-down cover. See [Face-down cover on page 16](#).
  - Front cover. See [Front cover on page 11](#).



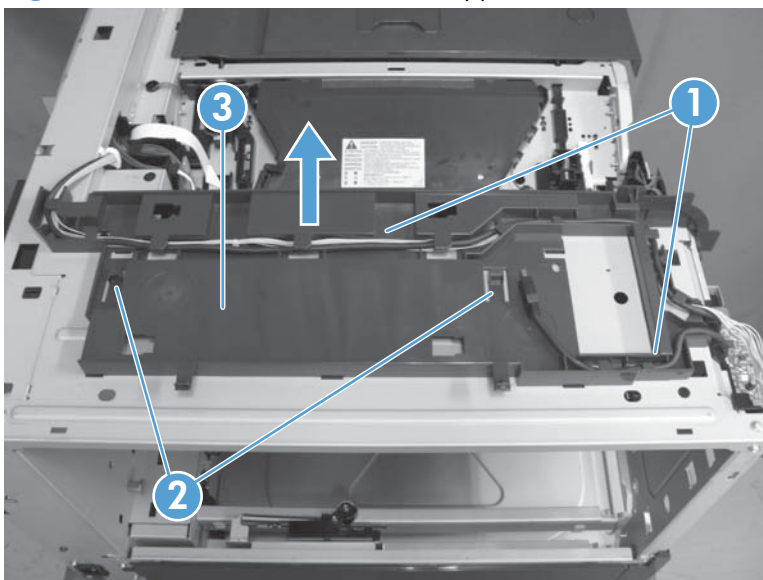
- Control panel. See [Control panel assembly on page 33](#).
  - Rear cover. See [Rear cover on page 13](#).
  - Top rear cover. See [Top rear cover on page 25](#).
  - Left upper cover. See [Left upper cover on page 26](#).
2. Open the toner cartridge door.
  3. On the front side of the product, disconnect one connector (callout 1) on the control panel PCA.

**Figure 1-41** Remove the face-down upper cover (1 of 2)



4. Release the cables from the cable guides (callout 1), release two tabs (callout 2), and then slide the cover (callout 3) in the direction indicated to remove it from the product.

**Figure 1-42** Remove the face-down upper cover (2 of 2)



## Main assemblies

- [Duplexer or duplex cover](#)
- [Fuser](#)
- [Control panel assembly](#)
- [Paper delivery assembly](#)
- [Registration assembly](#)
- [Transfer roller](#)
- [Paper feed assembly](#)
- [Laser scanner](#)
- [Toner cartridge door](#)
- [Formatter cage assembly](#)
- [Upper cassette pickup assembly](#)
- [Lower cassette pickup assembly](#)
- [Lifter drive assembly](#)
- [Main drive assembly](#)
- [Fuser drive assembly](#)



## Duplexer or duplex cover

If the product is equipped with a duplexer, complete the following steps.

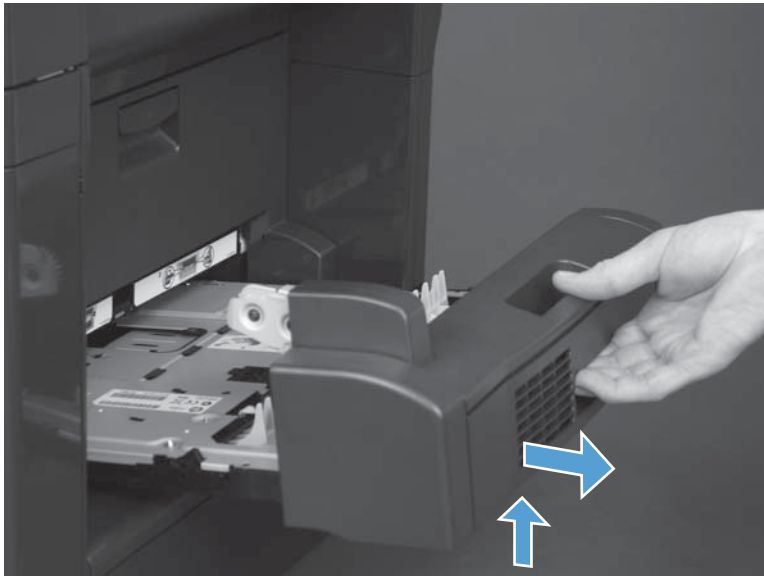
1. At the left side of the product, pull out the duplexer until it stops.

**Figure 1-43** Remove the duplexer (1 of 2)



2. Lift up the duplexer and slightly pull it toward you to remove it.

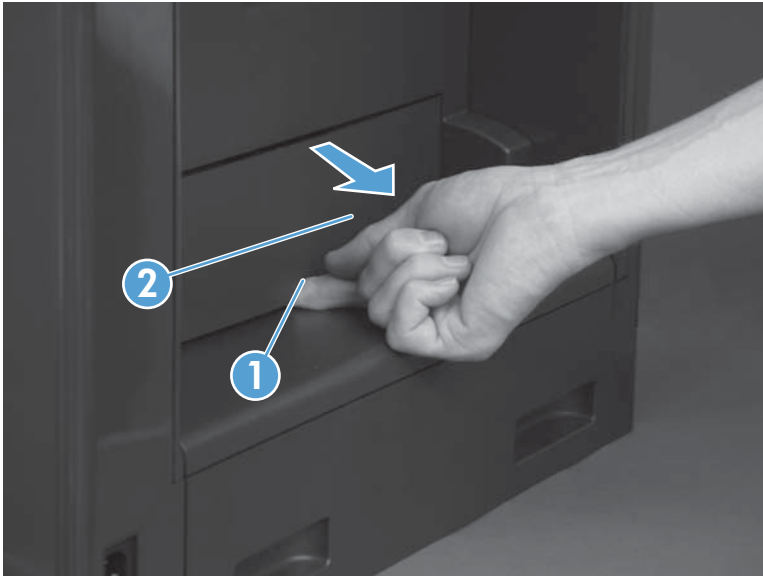
**Figure 1-44** Remove the duplexer (2 of 2)



If the product does not have a duplexer, complete the following steps to remove the duplex cover.

- ▲ On the left side of the product, place a finger in the notch (callout 1) at the bottom of the cover, and then pull the cover (callout 2) in the direction indicated to remove it from the product.

**Figure 1-45** Remove the duplex cover

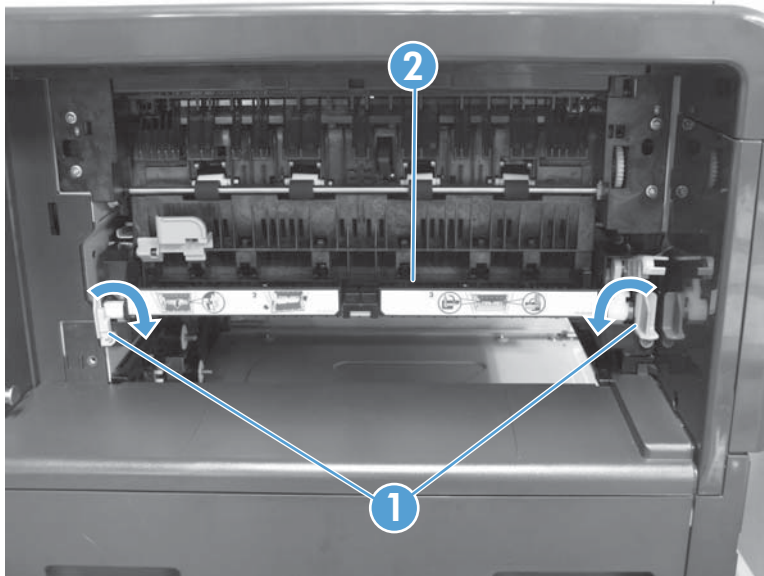



## Fuser

1. Remove the following components or assemblies:
  - Duplexer or duplex access cover. See [Duplexer or duplex cover on page 31](#).
  - Left door. See [Left door on page 12](#).

2. Turn the two latches (callout 1) in the direction indicated, and then pull the fuser (callout 2) straight out to remove it from the product.

**Figure 1-46** Remove the fuser

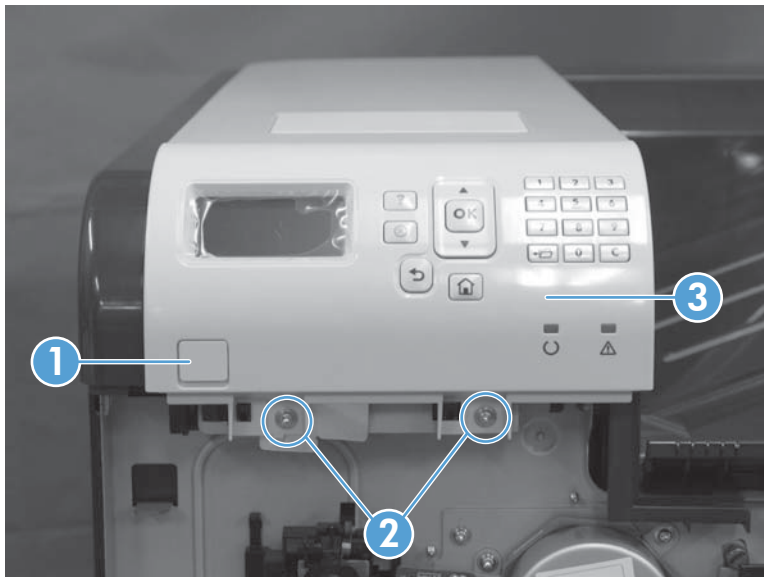


 **NOTE:** On the right side latch, you must reach behind the fuser door retainer to gain access to the latch.

## Control panel assembly

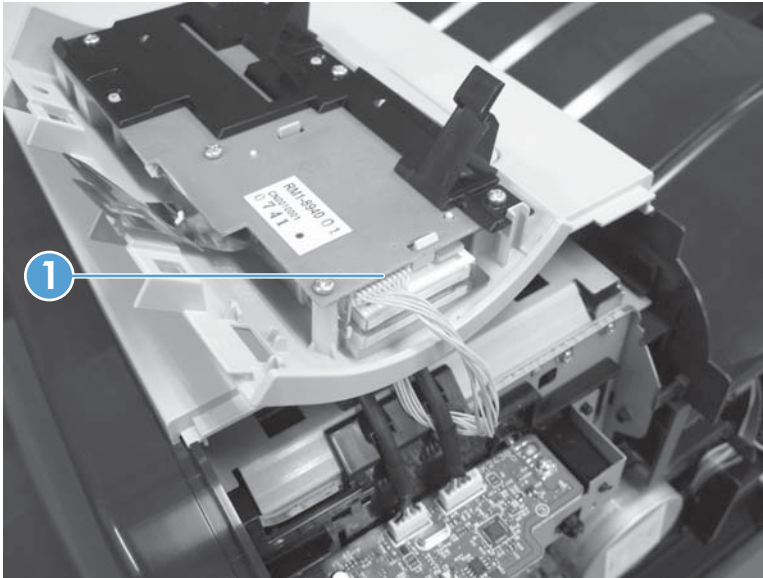
1. Remove the front cover. See [Front cover on page 11](#).
2. Remove the USB cap (callout 1), remove two screws (callout 2), and then pull the control panel (callout 3) away from the product.

**Figure 1-47** Remove the control panel (1 of 2)



3. On the underside of the control panel, disconnect one connector (callout 1) to remove the control panel from the product.

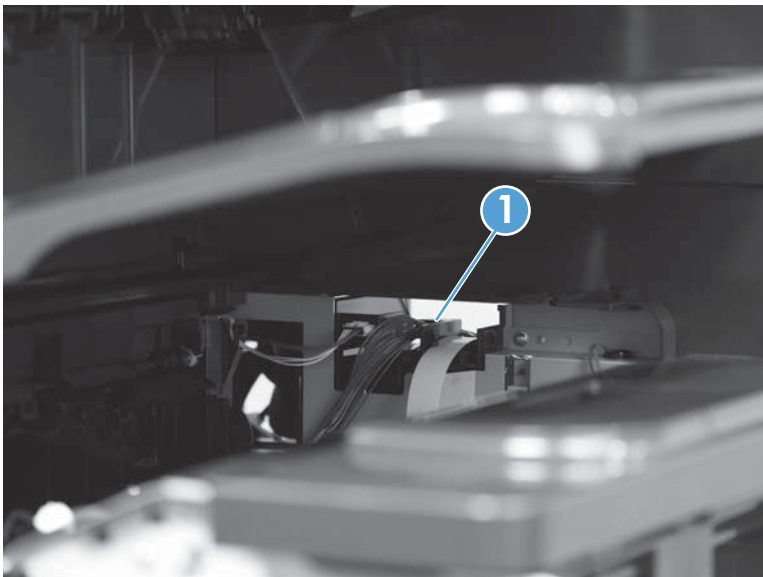
**Figure 1-48** Remove the control panel (2 of 2)



## Paper delivery assembly

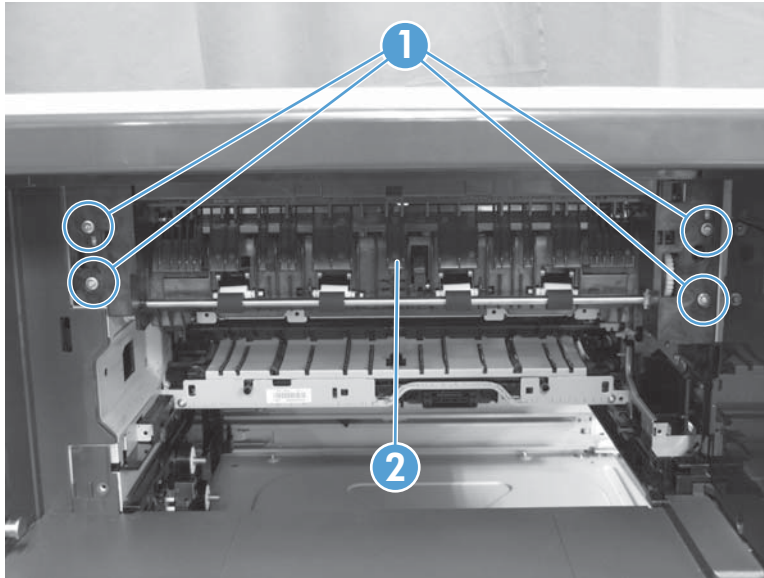
1. Remove the following components or assemblies:
  - Face-down cover. See [Face-down cover on page 16](#).
  - Fuser. See [Fuser on page 32](#).
2. At the top of the product near the left side, disconnect one connector (callout 1).


**Figure 1-49** Remove the paper delivery assembly (1 of 2)



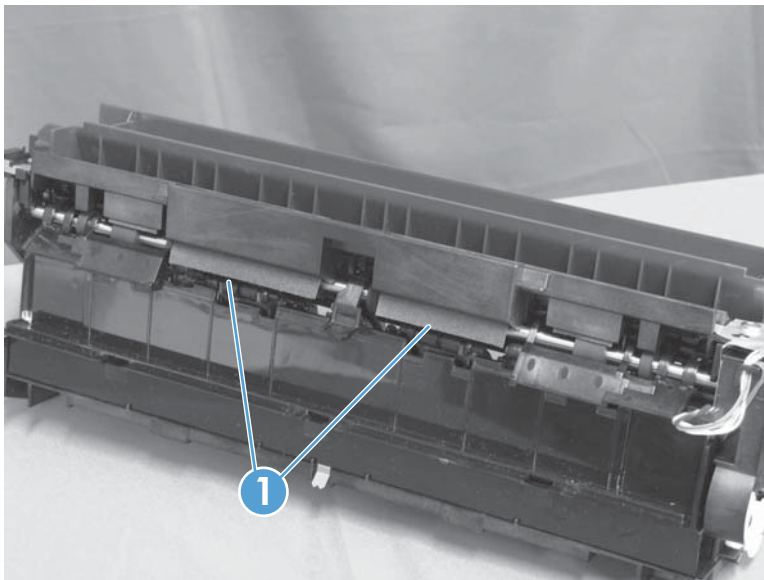
3. Remove four screws (callout 1), and then pull the paper delivery assembly (callout 2) straight out to remove it from the product.


**Figure 1-50** Remove the paper delivery assembly (2 of 2)



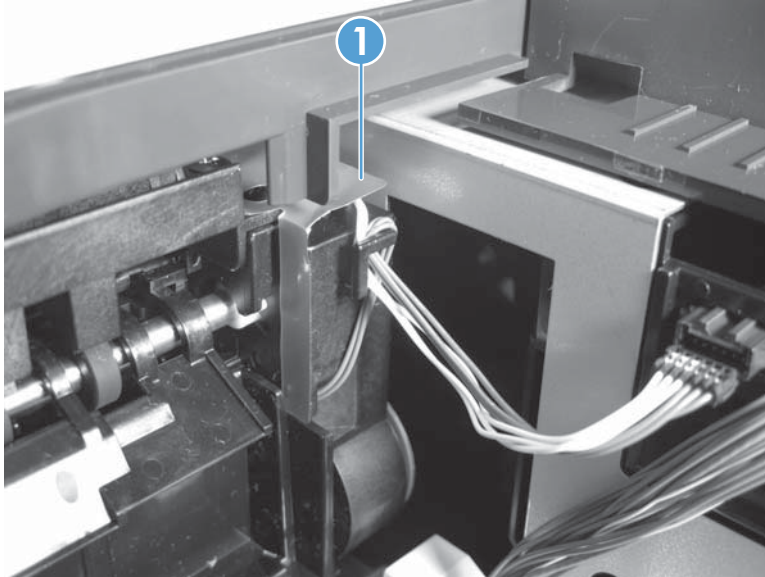
 **NOTE:** When holding the paper delivery assembly, do not touch the static eliminators (callout 1).

**Figure 1-51** Static eliminators on the paper delivery assembly



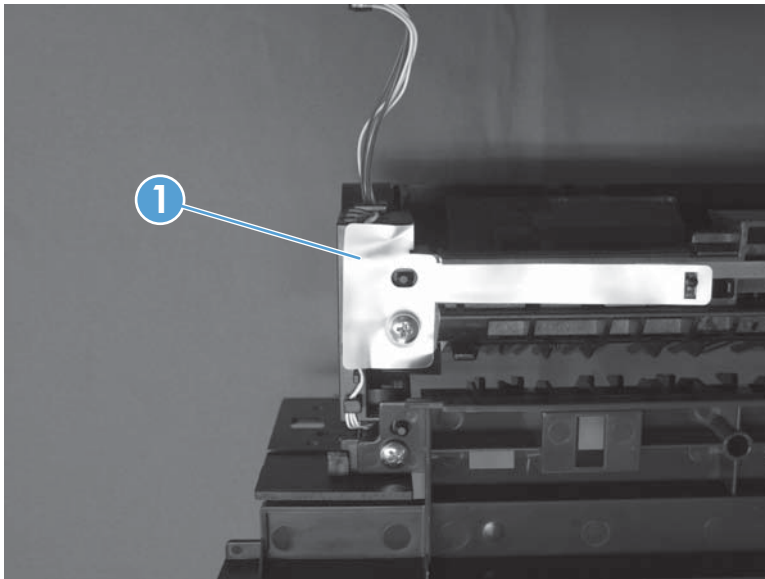
 **Reinstallation tip** When reassembling the paper delivery assembly, make sure that the sheet (callout 1) does not turn up.

**Figure 1-52** Reinstall the paper delivery assembly (1 of 2)



**Reinstallation tip** If the sheet (callout 1) turns up, remove the paper delivery assembly, flatten the sheet, and then reassemble the paper delivery assembly.

**Figure 1-53** Reinstall the paper delivery assembly (2 of 2)

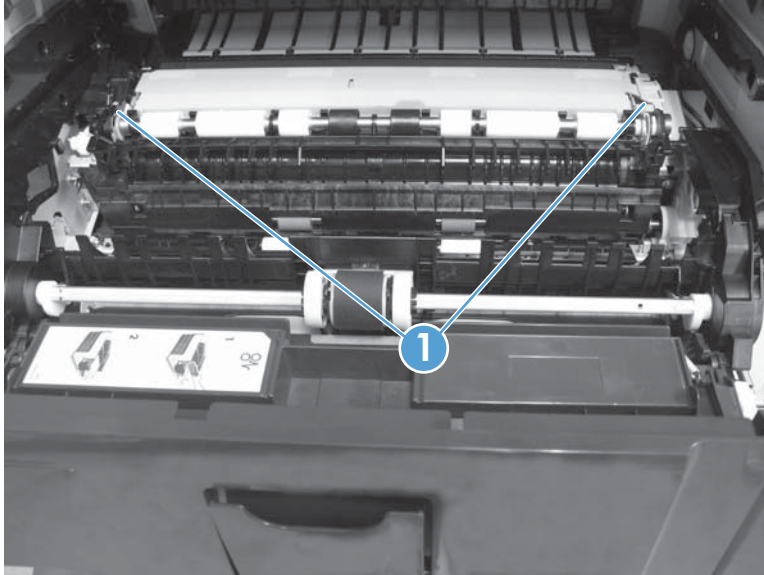




## Registration assembly

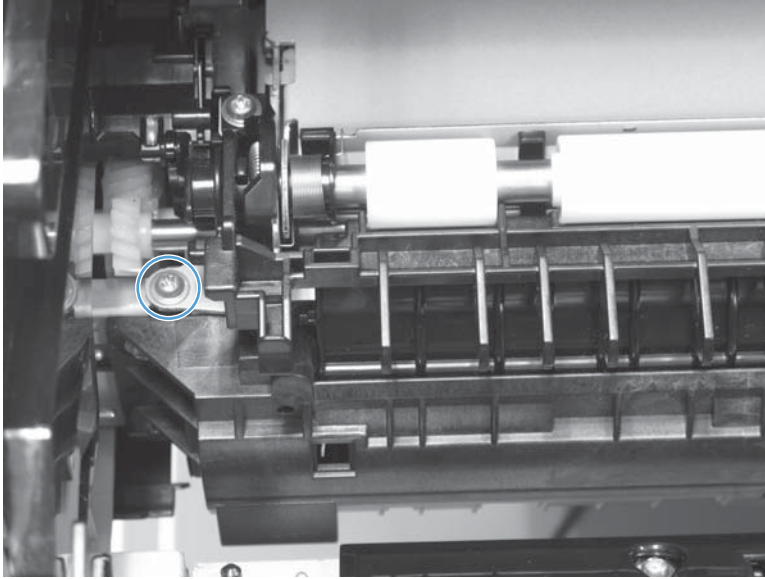
1. Open the toner cartridge door.
2. From the right side of the product, remove two screws (callout 1).

**Figure 1-54** Remove the registration assembly (1 of 2)

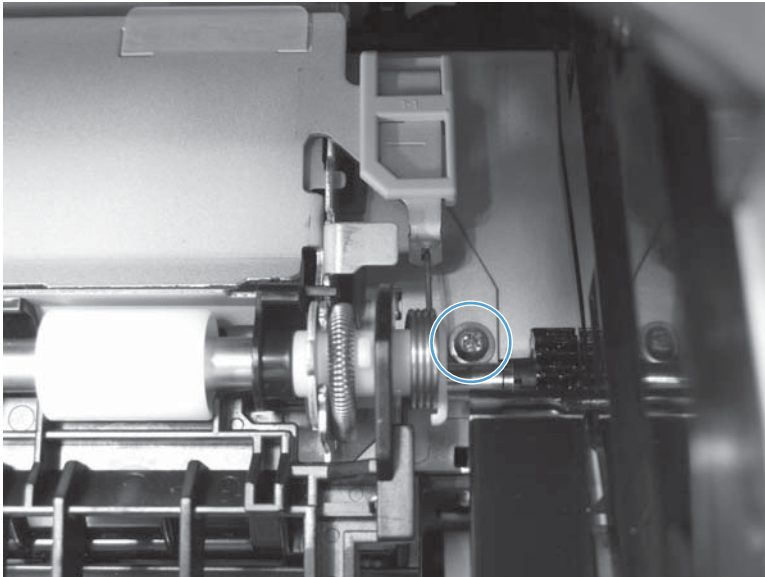


3. The following two figures show the screws in detail.

**Figure 1-55** Registration assembly left screw



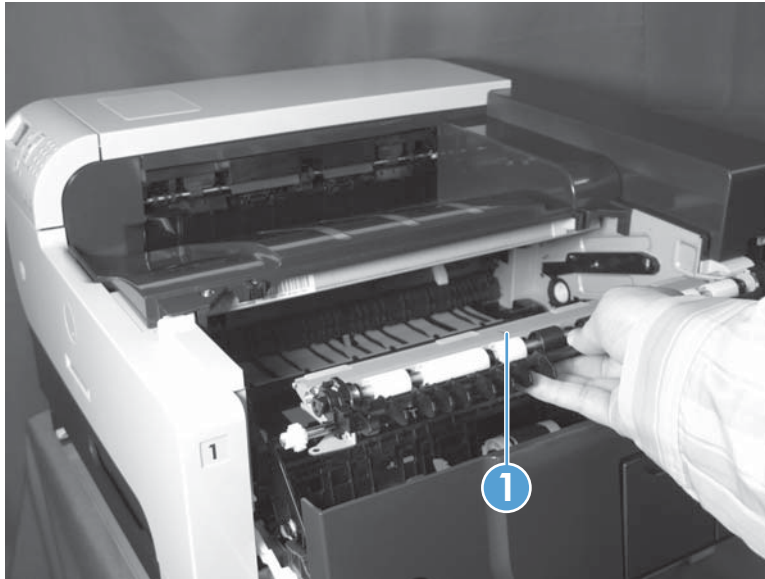
**Figure 1-56** Registration assembly right screw





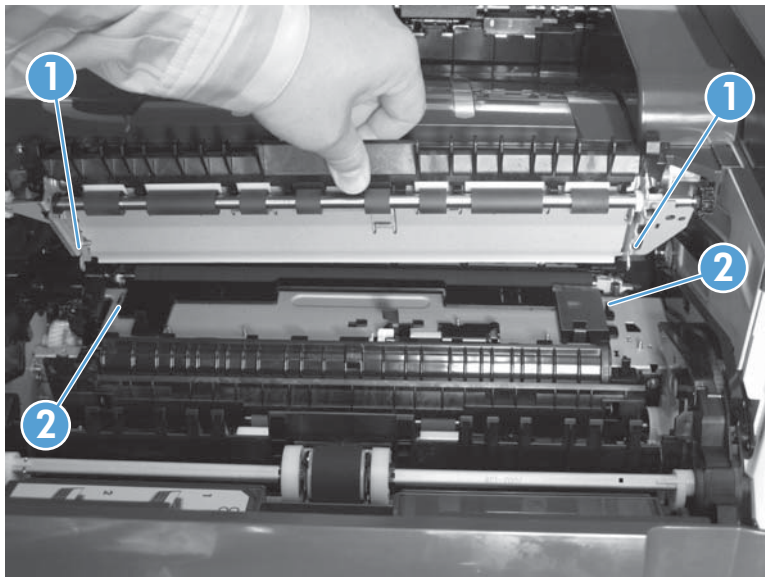
- Carefully pull the registration assembly (callout 1) out of the product.

**Figure 1-57** Remove the registration assembly (2 of 2)



**Reinstallation tip** When reassembling the registration assembly, make sure that the hooks (callout 1) on the rear side of assembly are seated in the slots (callout 2) on both sides.

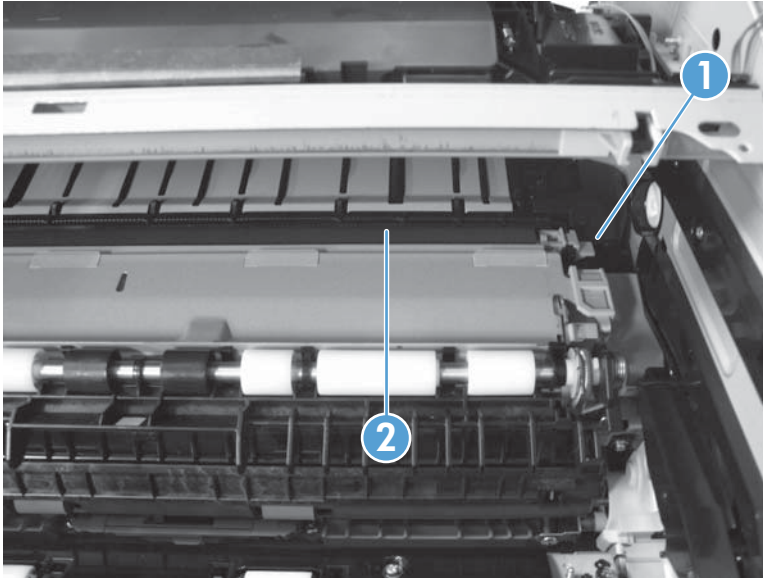
**Figure 1-58** Reinstalling the registration assembly



## Transfer roller

1. Open the toner cartridge door.
2. On the right end of the roller, pull up on the tab (callout 1) to loosen the roller (callout 2), and then remove the roller from the product.

**Figure 1-59** Remove the transfer roller

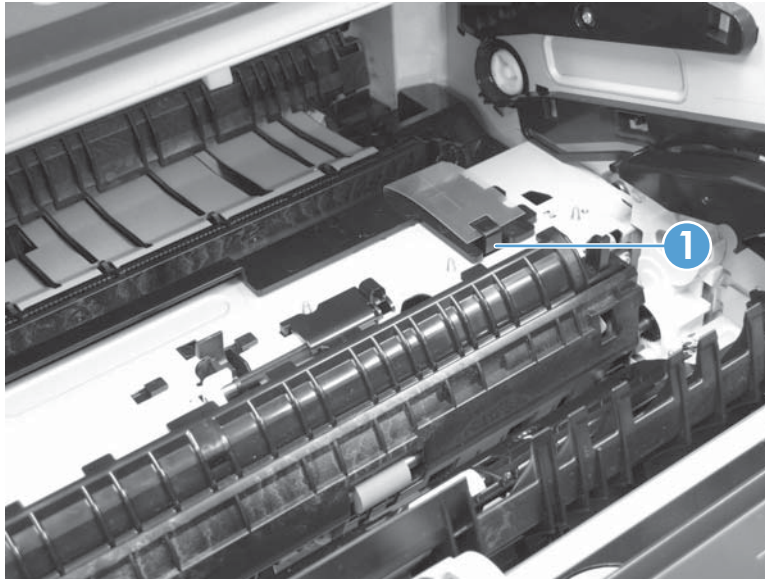


## Paper feed assembly

1. Remove the following components or assemblies:
  - Fuser. See [Fuser on page 32](#).
  - Registration assembly. See [Registration assembly on page 37](#).
  - Transfer roller. See [Transfer roller on page 40](#).

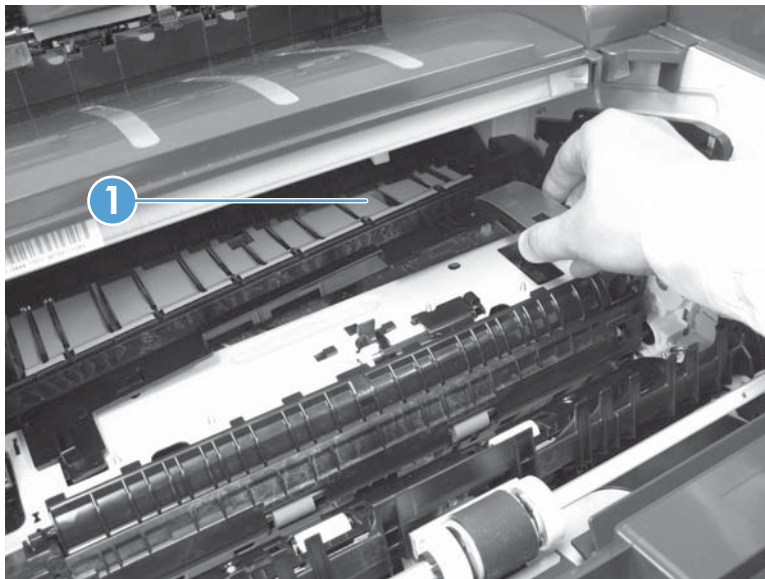
2. On the right side of the product, release one tab (callout 1).

**Figure 1-60** Remove the paper feed assembly (1 of 4)



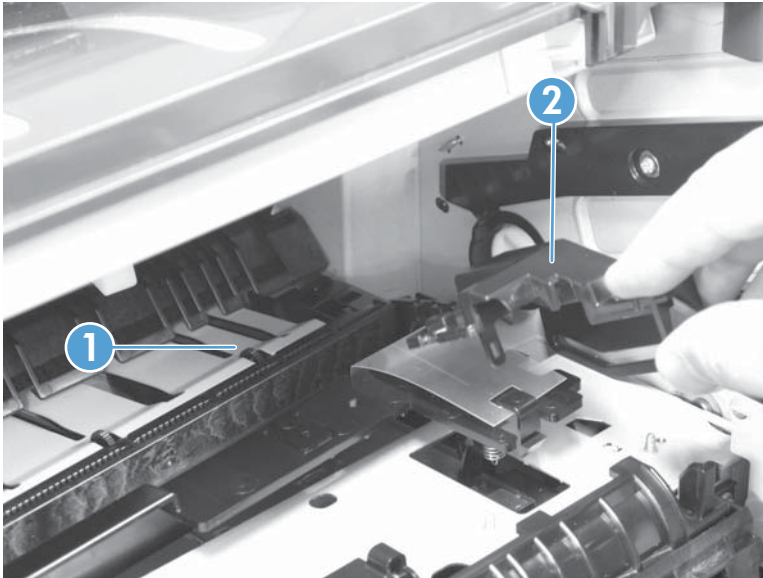
3. Hold up the right side of the paper feed assembly (callout 1).


**Figure 1-61** Remove the paper feed assembly (2 of 4)



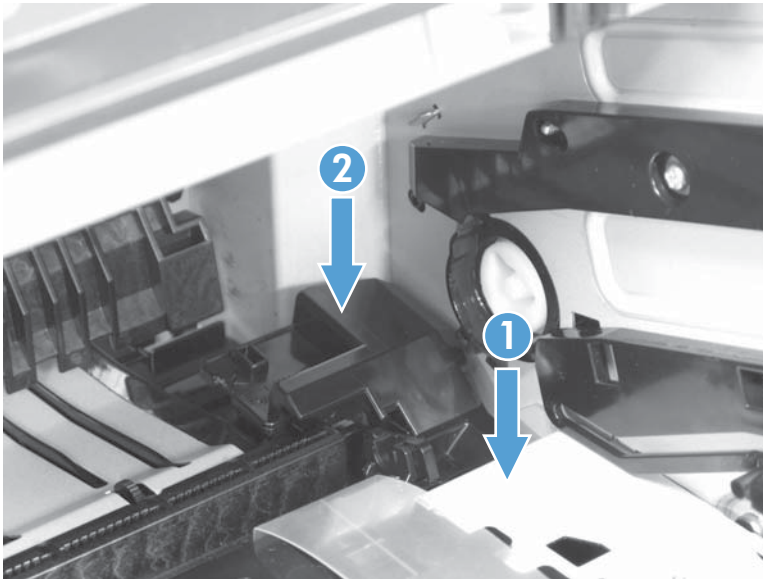
4. Beneath the paper feed assembly (callout 1), remove the connector cover (callout 2) by pulling the rear part of the cover up and toward you to release the front part of the cover.

**Figure 1-62** Remove the paper feed assembly (3 of 4)



 **Reinstallation tip** When reinstalling the connector cover, insert the front side (callout 1) first, and then press down on the rear end (callout 2) of the cover to snap it in place.

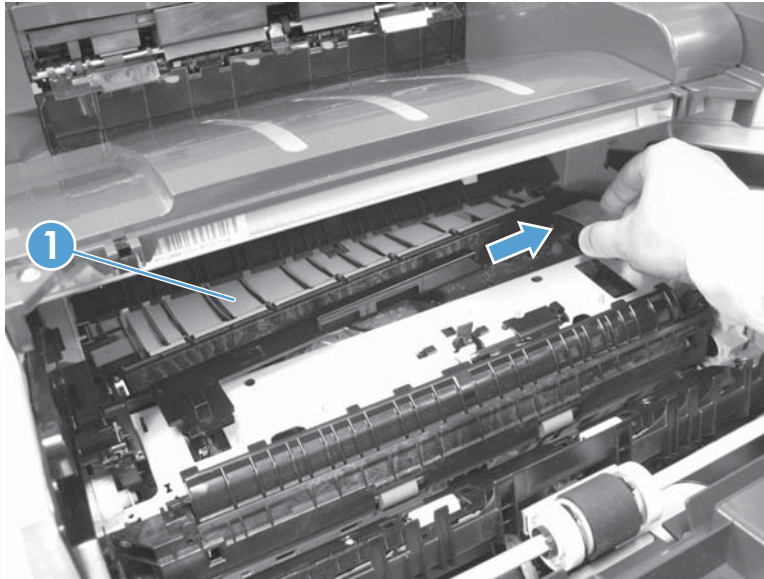
**Figure 1-63** Reinstall the connector cover






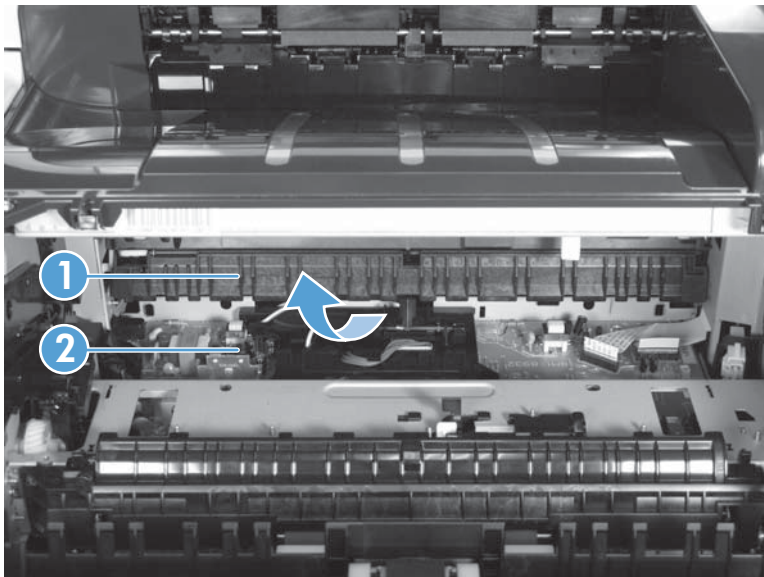
5. Slide the paper feed assembly (callout 1) in the direction indicated to remove it from the product.


**Figure 1-64** Remove the paper feed assembly (4 of 4)



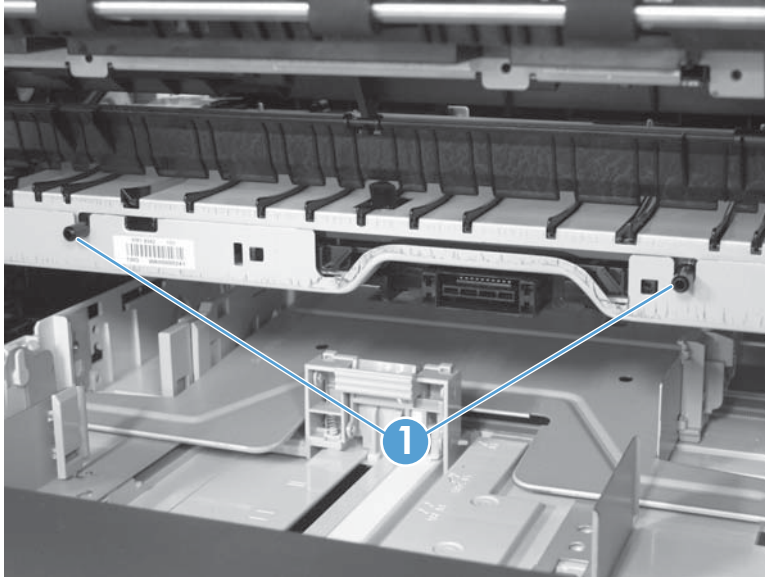
 **Reinstallation tip** When reinstalling the paper feed assembly, turn the shutter (callout 1) frontward so that the high-voltage power supply assembly (callout 2) is not damaged.

**Figure 1-65** Reinstall the paper feed assembly (1 of 2)



 **Reinstallation tip** When reinstalling the paper feed assembly, make sure that the pins (callout 1) on the rear side of the paper feed assembly are seated in the grooves on the high-voltage power supply assembly. The figure below shows the view from the left side of the product.

**Figure 1-66** Reinstall the paper feed assembly (2 of 2)



## Laser scanner

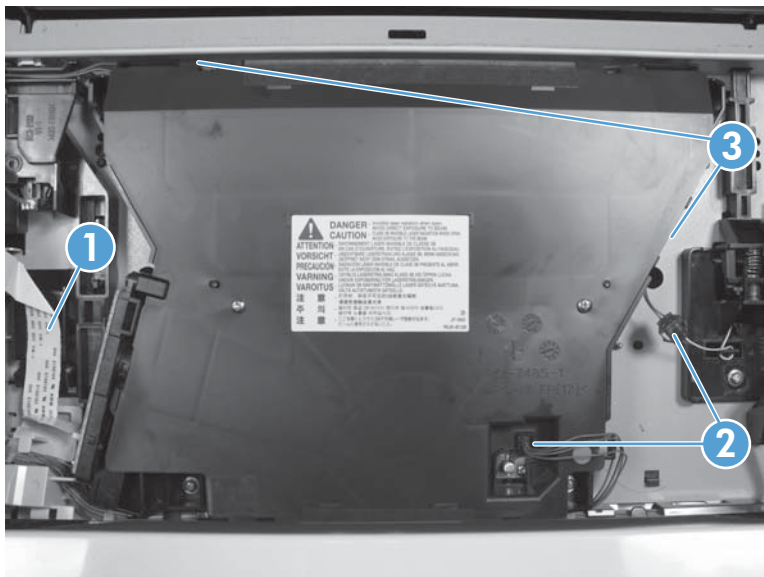
1. Remove the face-down cover. See [Face-down cover on page 16](#).
2. Remove the foam anti-static pad (callout 1) from the laser scanner.

**Figure 1-67** Remove the laser scanner (1 of 3)



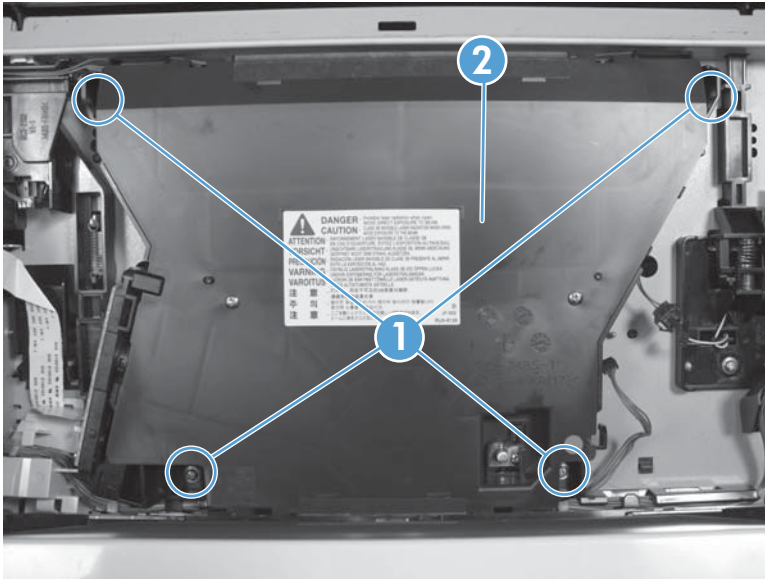
3. Disconnect one FFC (callout 1) and two connectors (callout 2), and then release the cables from the cable guides (callout 3).

**Figure 1-68** Remove the laser scanner (2 of 3)



4. Remove four screws (callout 1), and then remove the laser scanner (callout 2) from the product.

**Figure 1-69** Remove the laser scanner (3 of 3)

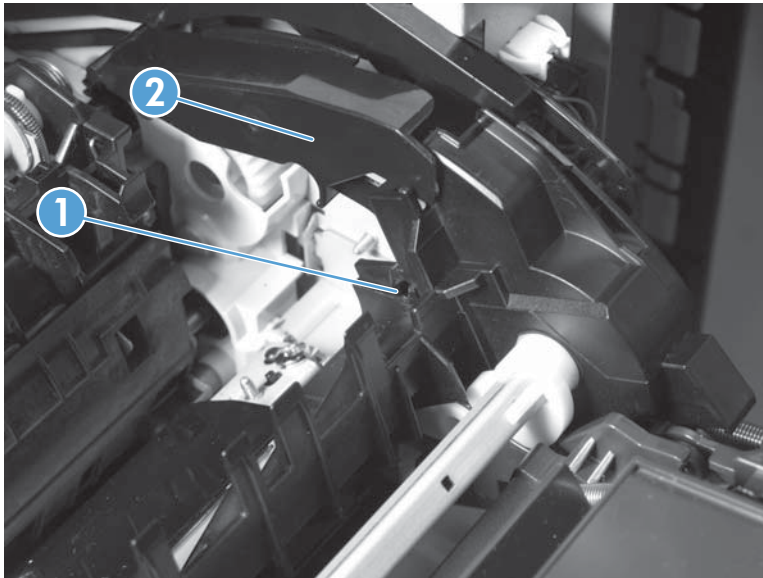




## Toner cartridge door

1. Remove the following components or assemblies:
  - Front cover. See [Front cover on page 11](#).
  - Right rear cover. See [Right rear cover on page 12](#).
  - Tray 1 (multipurpose tray) cover. See [Tray 1 \(multipurpose tray\) cover on page 17](#).
  - Right door. See [Right door on page 18](#).
2. Open the toner cartridge door.
3. Inside the door, use needle-nose pliers to release one tab (callout 1), and then release the link arm (callout 2).

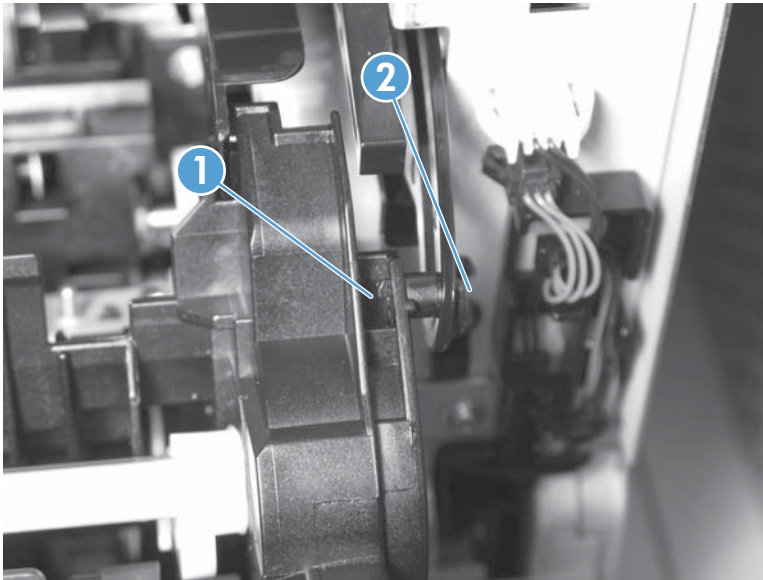
**Figure 1-70** Remove the toner cartridge door (1 of 6)



4. Release one tab (callout 1), and then remove the pin (callout 2) from the door linkage.

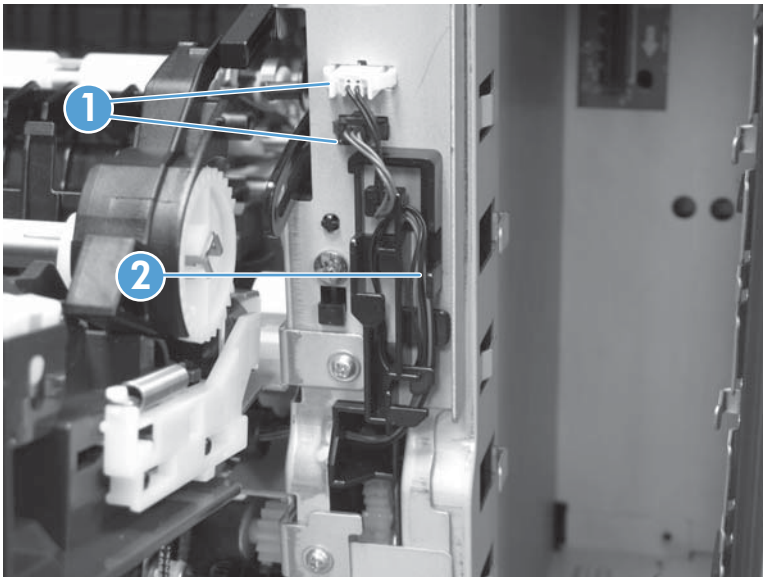
**⚠ CAUTION:** Be careful not to break the tab off of the pin.

**Figure 1-71** Remove the toner cartridge door (2 of 6)



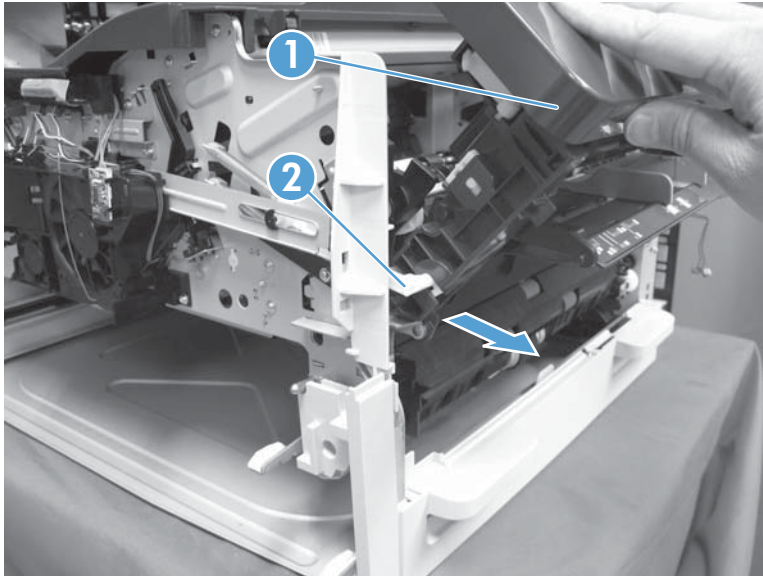
5. To the right of the door, disconnect two connectors (callout 1), and then release the cables (callout 2) from the cable guide.

**Figure 1-72** Remove the toner cartridge door (3 of 6)



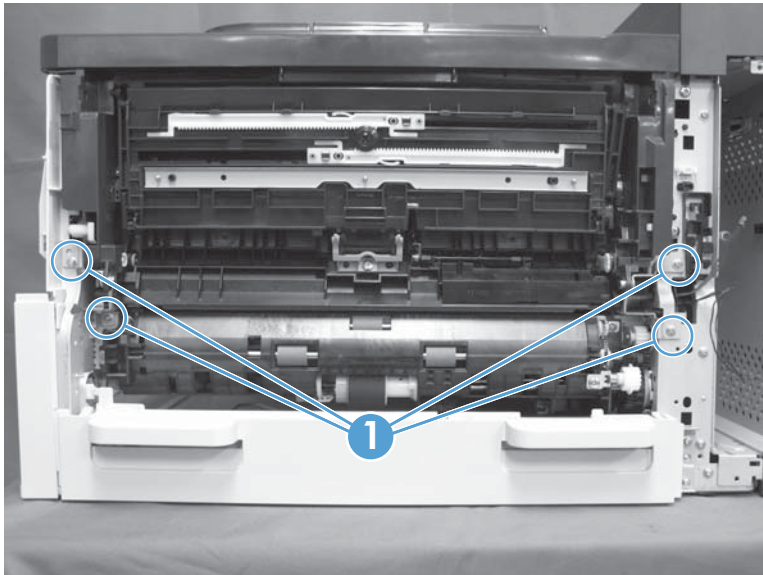
6. While closing the cartridge door (callout 1), pull the link arm (callout 2) in the direction indicated and release it from the notch in the cartridge door.

**Figure 1-73** Remove the toner cartridge door (4 of 6)



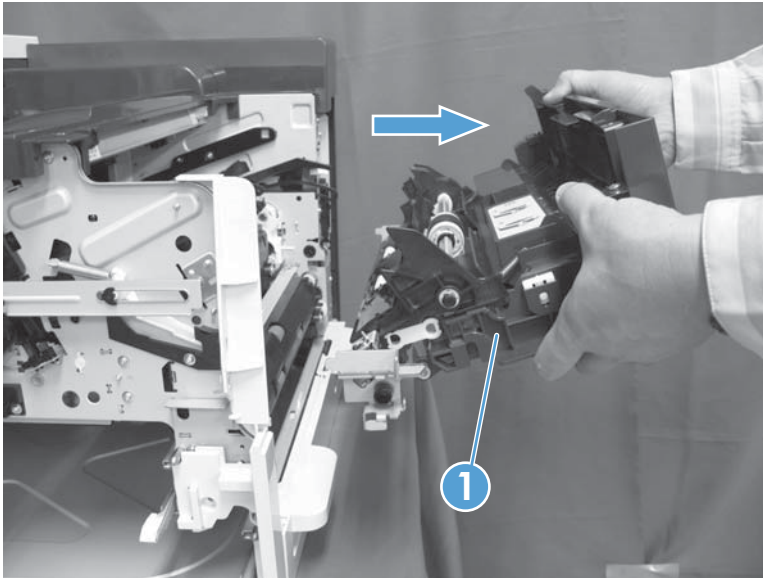
7. Remove four screws (callout 1).

**Figure 1-74** Remove the toner cartridge door (5 of 6)



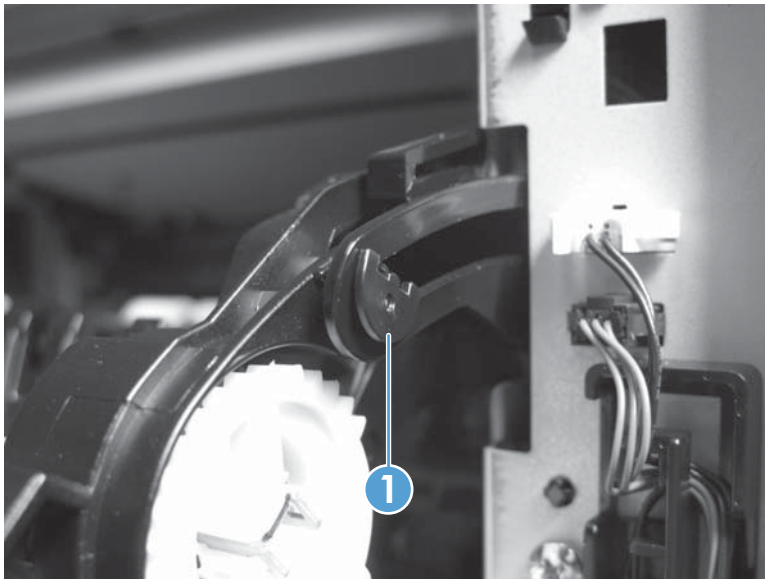
- Slide the cartridge door assembly (callout 1) in the direction indicated to remove it from the product.

**Figure 1-75** Remove the toner cartridge door (6 of 6)



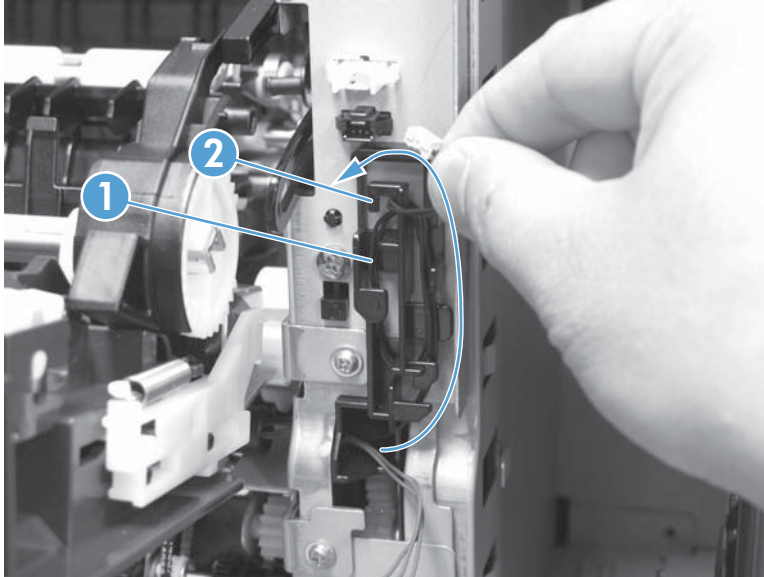
**Reinstallation tip** When reinstalling the cartridge door, insert the pin (callout 1) pointing as shown in the figure below while the cartridge door is open.

**Figure 1-76** Reinstall the cartridge door assembly (1 of 2)



**Reinstallation tip** When reinstalling the cartridge door, wind the cable (callout 1) around the cable guide counter-clockwise and run through the groove (callout 2) before connecting.

**Figure 1-77** Reinstall the cartridge door assembly (2 of 2)

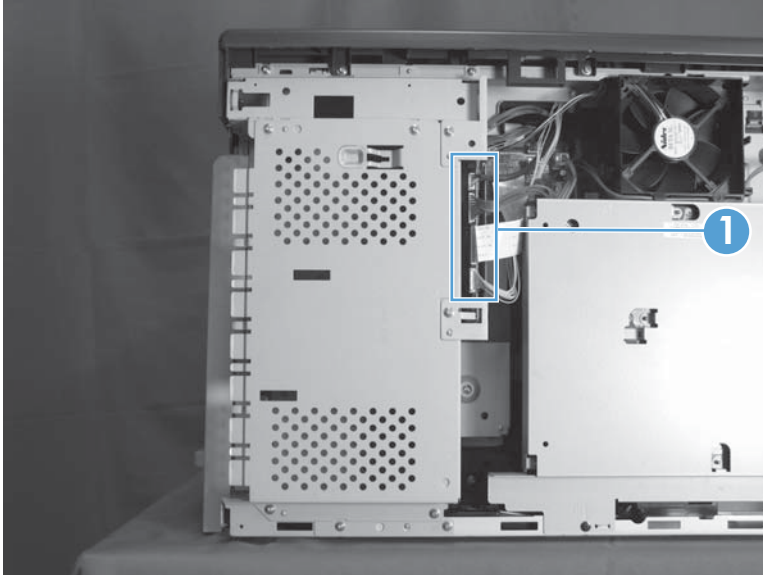




## Formatter cage assembly

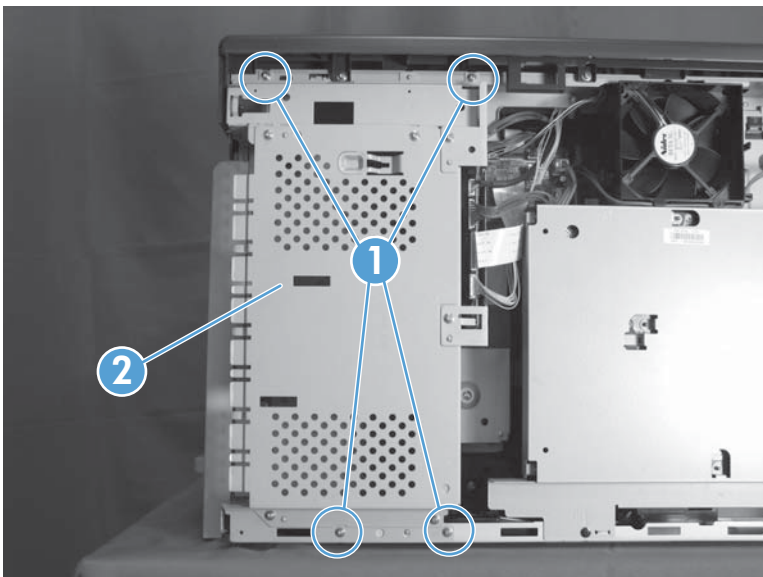
1. Remove the rear cover. See [Rear cover on page 13](#).
2. On the rear side of the product, disconnect three connectors and one flat flexible cable (callout 1).

**Figure 1-78** Remove the formatter cage (1 of 2)



3. Remove four screws (callout 1), and then lift up the bottom of the formatter cage (callout 2) to remove it from the product.

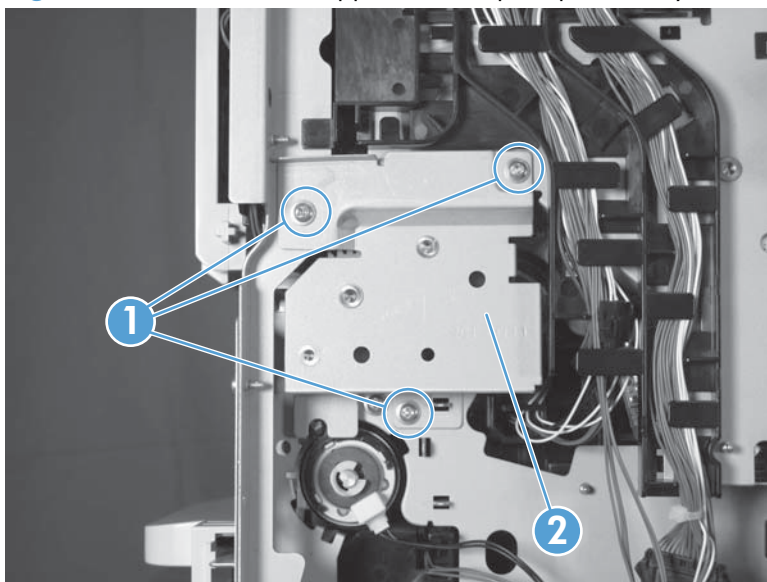
**Figure 1-79** Remove the formatter cage (2 of 2)



## Upper cassette pickup assembly

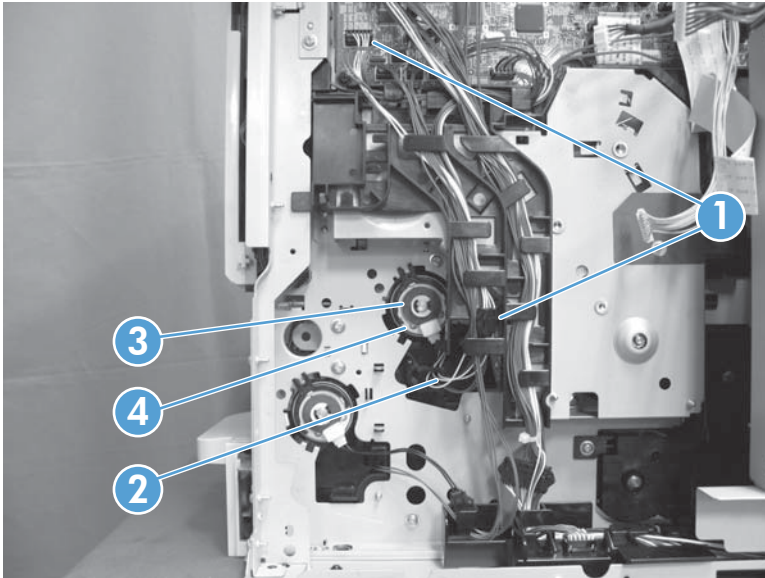
1. Remove the following components or assemblies:
  - Front cover. See [Front cover on page 11](#).
  - Rear cover. See [Rear cover on page 13](#).
  - Formatter cage. See [Formatter cage assembly on page 52](#).
  - Right rear cover. See [Right rear cover on page 12](#).
  - Tray 1 (multipurpose tray) cover. See [Tray 1 \(multipurpose tray\) cover on page 17](#).
  - Right door. See [Right door on page 18](#).
  - Toner cartridge door. See [Toner cartridge door on page 47](#).
2. Remove three screws (callout 1), and then remove the gear assembly (callout 2).

**Figure 1-80** Remove the upper cassette pickup assembly (1 of 4)



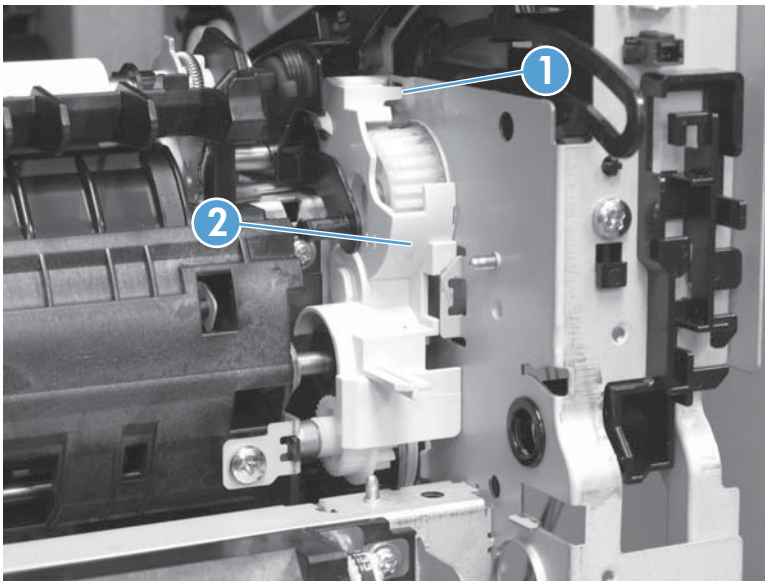
3. Disconnect two connectors (callout 1), release the cables (callout 2) from the cable guide, remove the C-clip (callout 3) from the clutch shaft, and then pull the upper cassette pickup clutch (callout 4) to remove it from the product.

**Figure 1-81** Remove the upper cassette pickup assembly (2 of 4)



4. Release one tab (callout 1), and then remove the gear cover (callout 2).

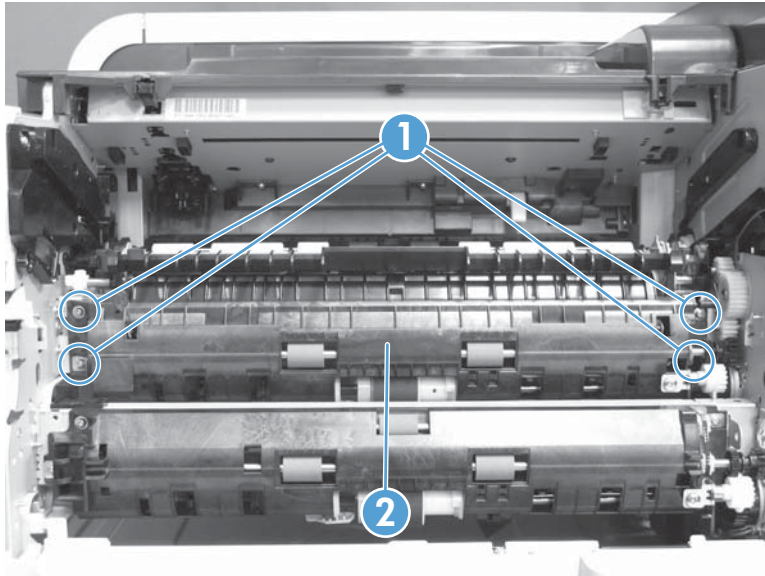
**Figure 1-82** Remove the upper cassette pickup assembly (3 of 4)





5. Remove four screws (callout 1), and then pull the upper cassette pickup assembly (callout 2) to remove it from the product.

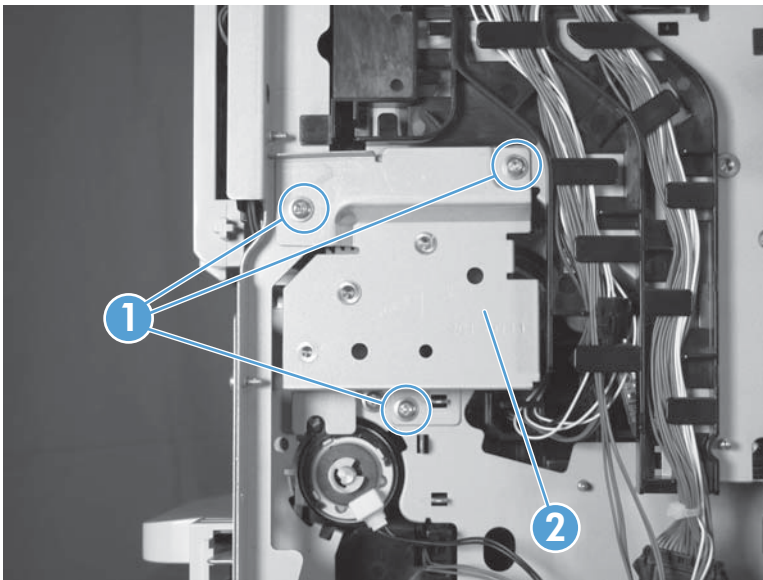
**Figure 1-83** Remove the upper cassette pickup assembly (4 of 4)



## Lower cassette pickup assembly

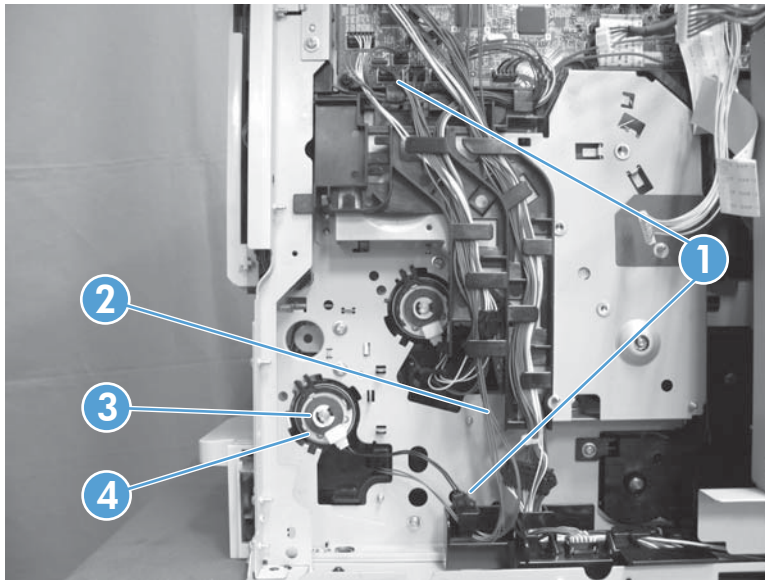
1. Remove the following components or assemblies:
  - Rear cover. See [Rear cover on page 13](#).
  - Formatter cage. See [Formatter cage assembly on page 52](#).
  - Right rear cover. See [Right rear cover on page 12](#).
  - Tray 1 (multipurpose tray) cover. See [Tray 1 \(multipurpose tray\) cover on page 17](#).
  - Right door. See [Right door on page 18](#).
2. Remove three screws (callout 1), and then remove the gear assembly (callout 2).

**Figure 1-84** Remove the lower cassette pickup assembly (1 of 3)



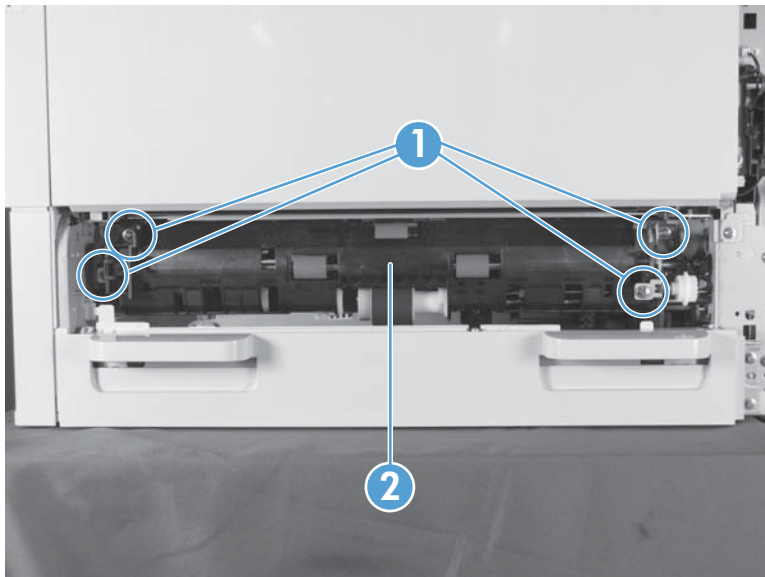
3. Disconnect two connectors (callout 1) (J43), release the cables (callout 2) from the cable guide, remove the C-clip (callout 3) from the clutch shaft, and then pull the lower cassette pickup clutch (callout 4) to remove it from the product.

**Figure 1-85** Remove the lower cassette pickup assembly (2 of 3)



4. Remove four screws (callout 1), and then pull the lower cassette pickup assembly (callout 2) to remove it from the product.

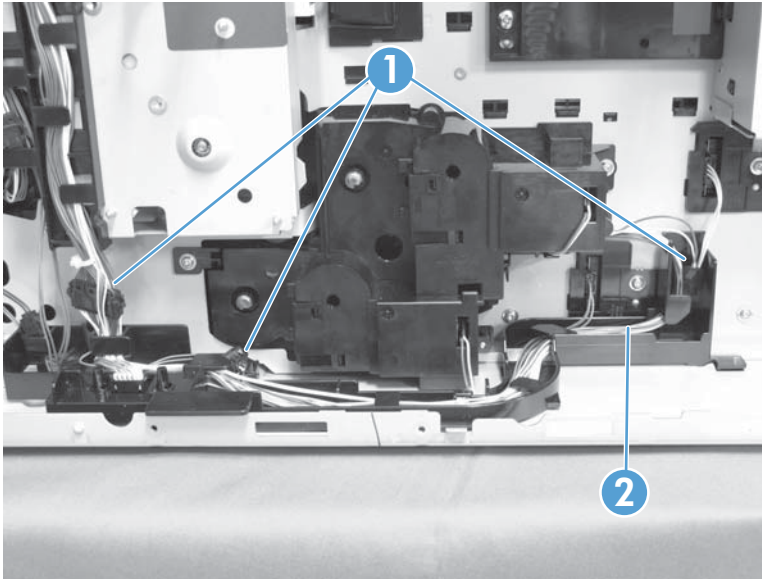
**Figure 1-86** Remove the lower cassette pickup assembly (3 of 3)



## Lifter drive assembly

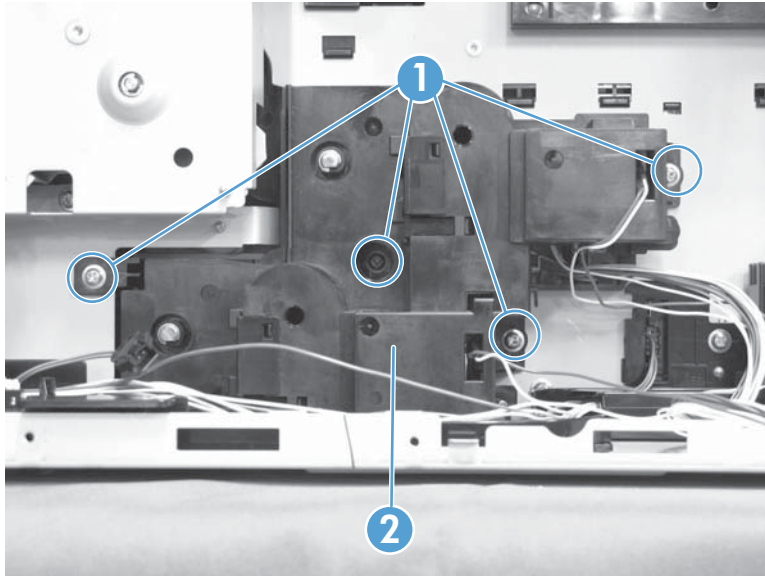
1. Remove the following components or assemblies:
  - Rear cover. See [Rear cover on page 13](#).
  - Formatter cage. See [Formatter cage assembly on page 52](#).
  - Low-voltage power supply. See [Low-voltage power supply assembly on page 97](#).
2. Disconnect three connectors (callout 1), and then release the cables (callout 2) from the cable guide.

**Figure 1-87** Remove the lifter driver assembly (1 of 2)



3. Remove four screws (callout 1), and then remove the lifter drive assembly (callout 2) from the product.

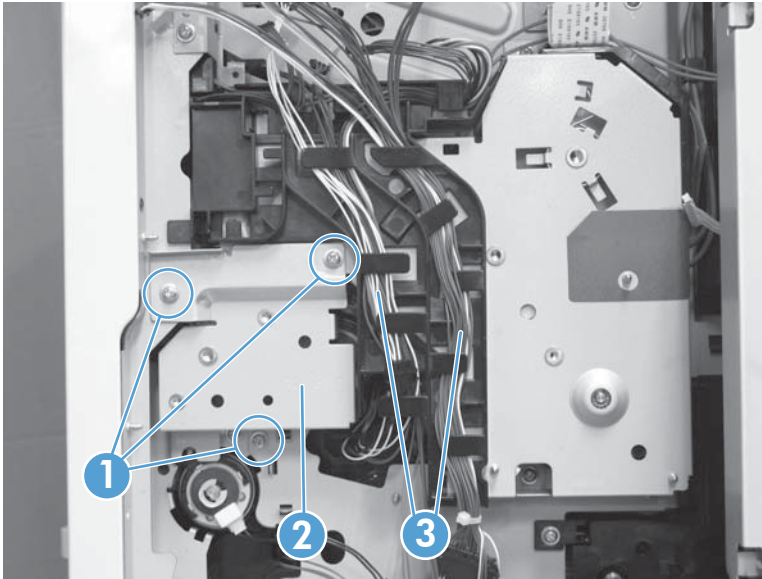
**Figure 1-88** Remove the lifter driver assembly (2 of 2)



## Main drive assembly

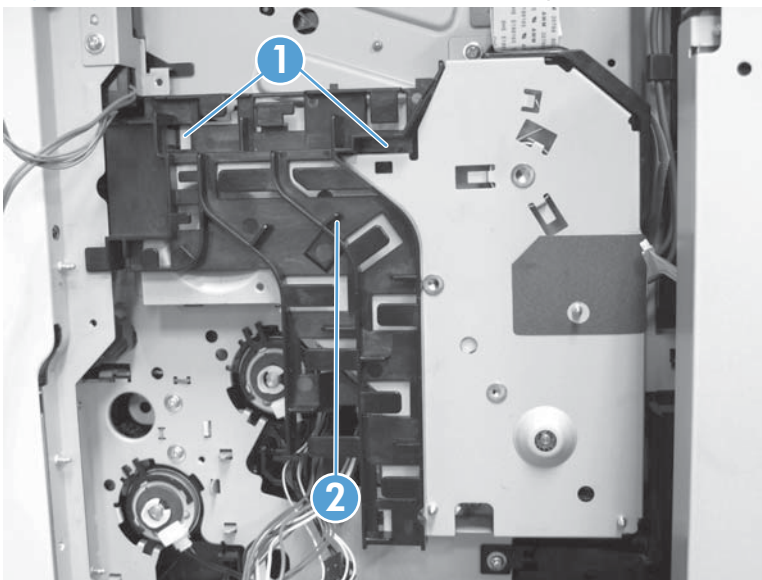
1. Remove the following components or assemblies:
  - Rear cover. See [Rear cover on page 13](#).
  - Formatter cage. See [Formatter cage assembly on page 52](#).
  - DC controller PCA. See [DC controller PCA on page 96](#).
2. Remove three screws (callout 1), remove the gear assembly (callout 2), and then release the cables (callout 3) from the cable guide.

**Figure 1-89** Remove the main drive assembly (1 of 7)



3. Release two tabs (callout 1), and then remove the cable guide (callout 2).

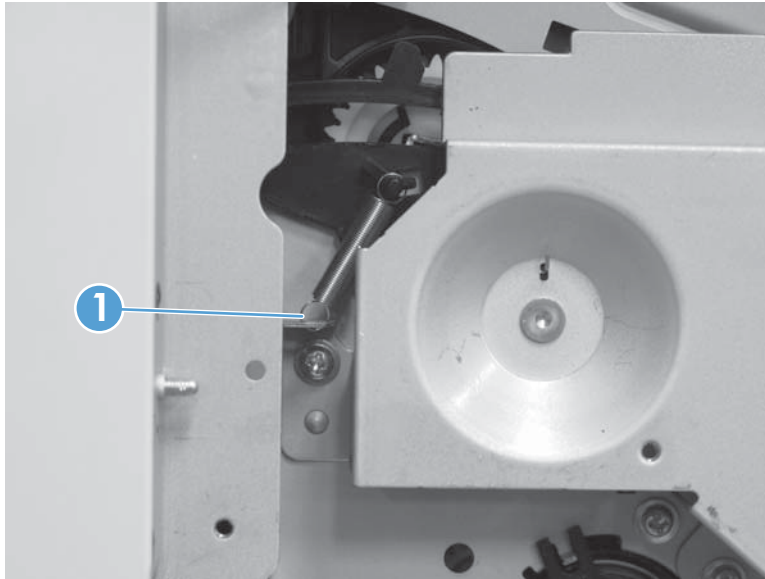
**Figure 1-90** Remove the main drive assembly (2 of 7)





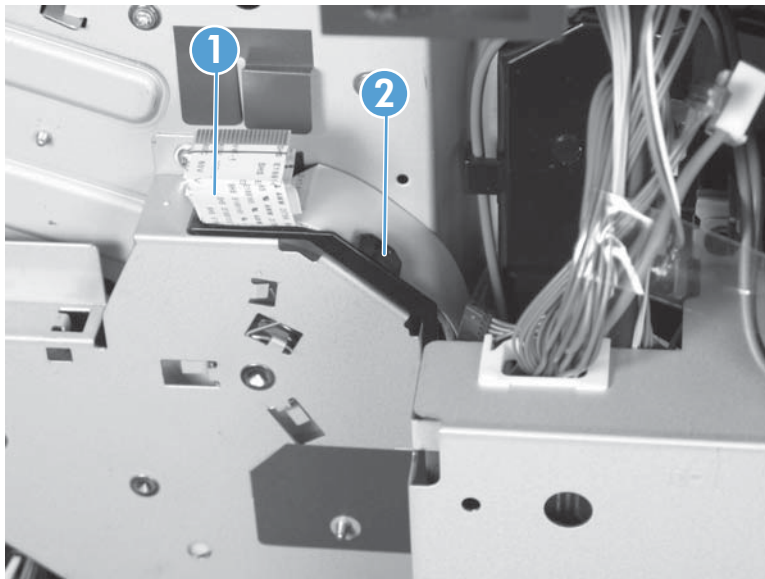
4. Unhook the spring (callout 1).

**Figure 1-91** Remove the main drive assembly (3 of 7)



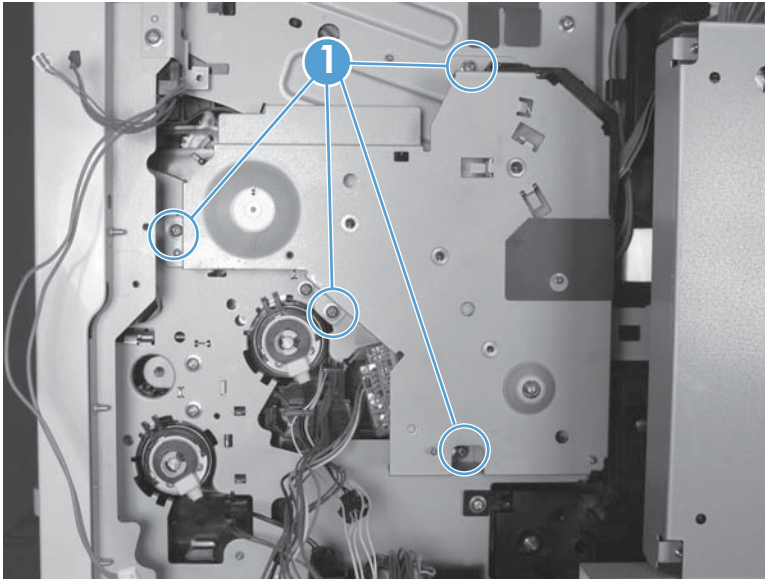
5. Release the flat flexible cable (callout 1) from the cable guide (callout 2).

**Figure 1-92** Remove the main drive assembly (4 of 7)



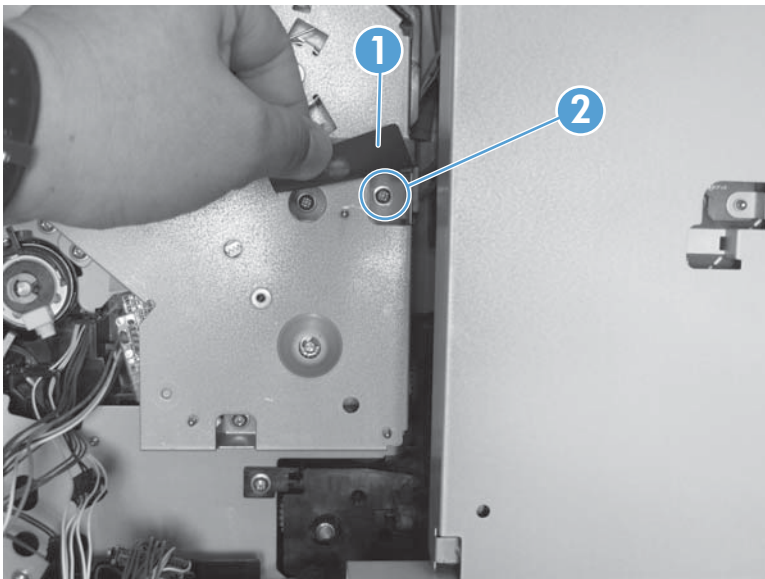
6. Remove four screws (callout 1).

**Figure 1-93** Remove the main drive assembly (5 of 7)




7. Pull up the sheet (callout 1), and then remove one screw (callout 2).

**Figure 1-94** Remove the main drive assembly (6 of 7)

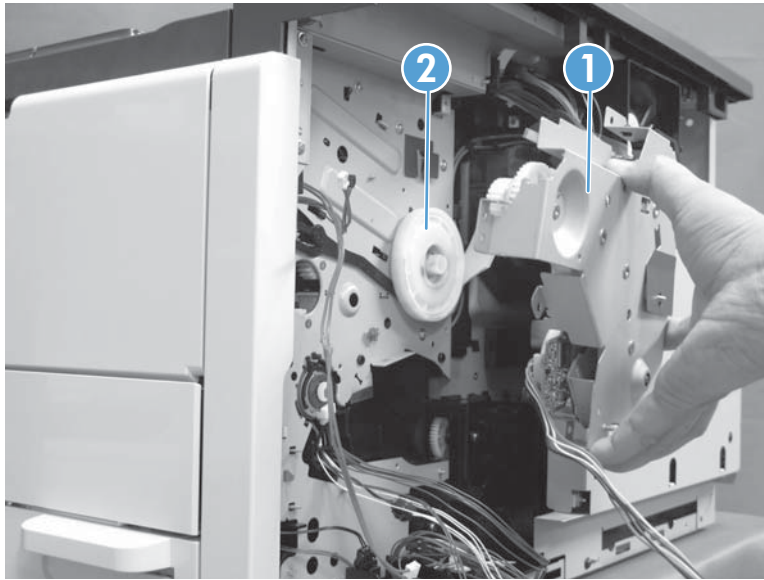





8. Remove the main drive assembly (callout 1).

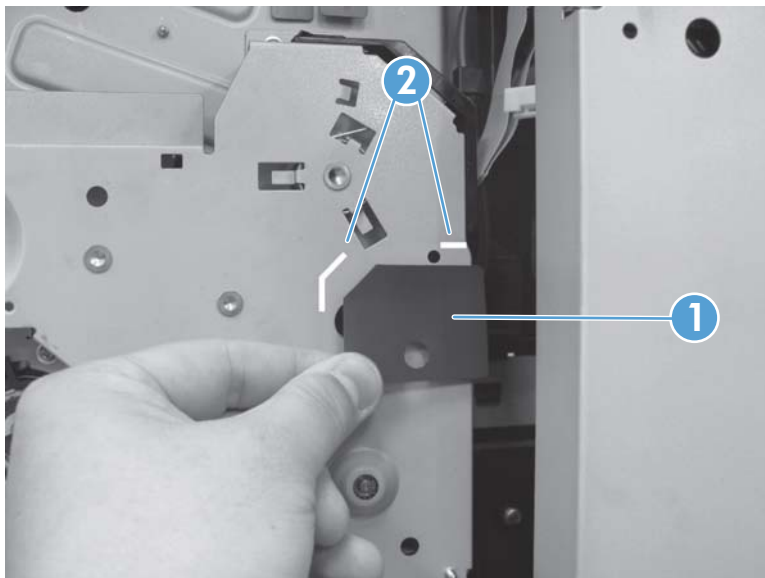
 **TIP:** When removing the main drive assembly, be careful not to drop the large gear (callout 2).

**Figure 1-95** Remove the main drive assembly (7 of 7)



 **Reinstallation tip** When replacing the main drive assembly, replace the sheet (callout 1), which is included with the new assembly, at the same time. Attach the sheet along the line (callout 2) impressed on the main drive assembly.

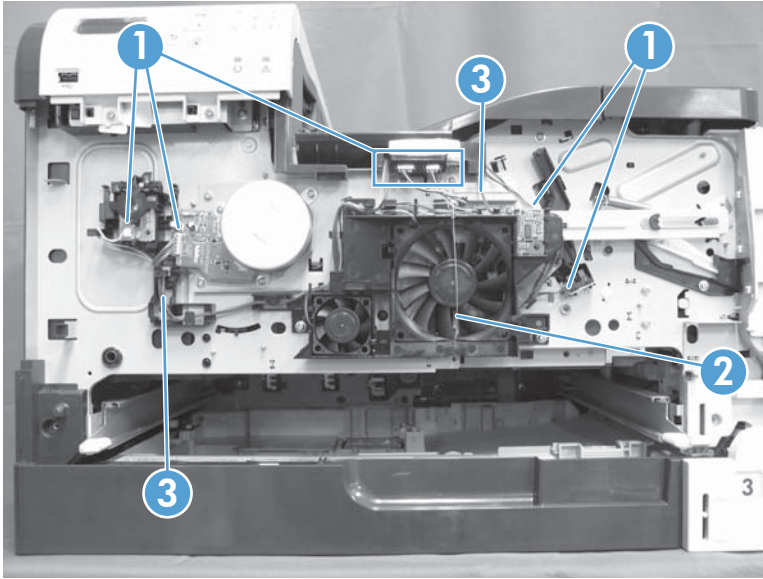
**Figure 1-96** Reinstall the main drive assembly



## Fuser drive assembly

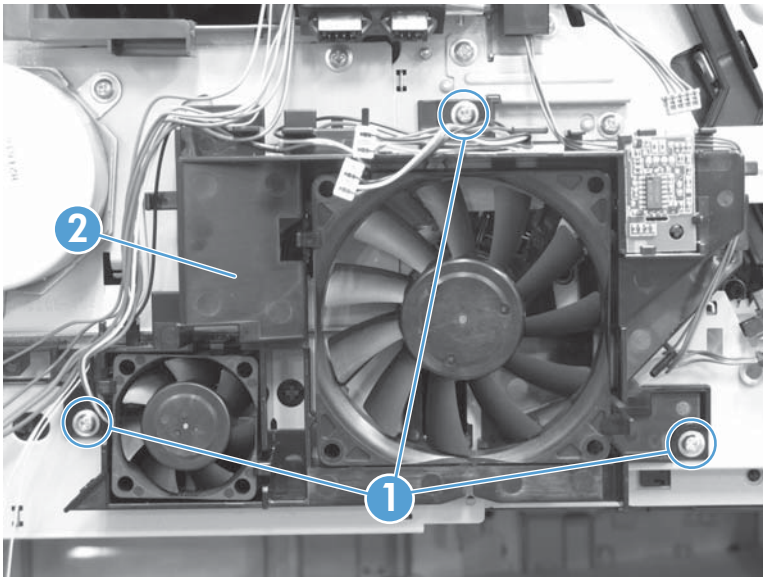
1. Remove the front cover. See [Front cover on page 11](#).
2. On the front side of the product, disconnect six connectors (callout 1), remove the ground wire (callout 2), and then release the cables (callout 3) from the cable guide.

**Figure 1-97** Remove the fuser drive assembly (1 of 3)



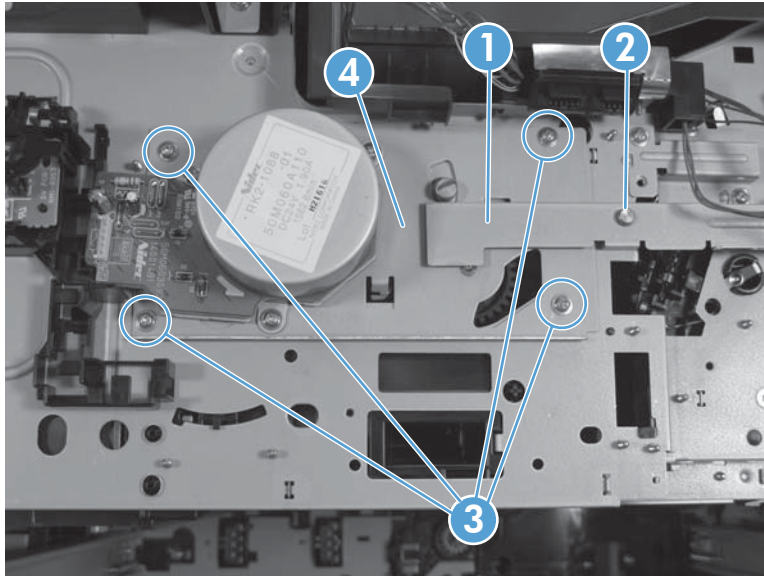
3. Remove three screws (callout 1), and then remove the fan holder (callout 2) from the product.

**Figure 1-98** Remove the fuser drive assembly (2 of 3)



4. Release the link (callout 1) from the pin (callout 2), remove four screws (callout 3), and then remove the fuser drive assembly (callout 4) from the product.

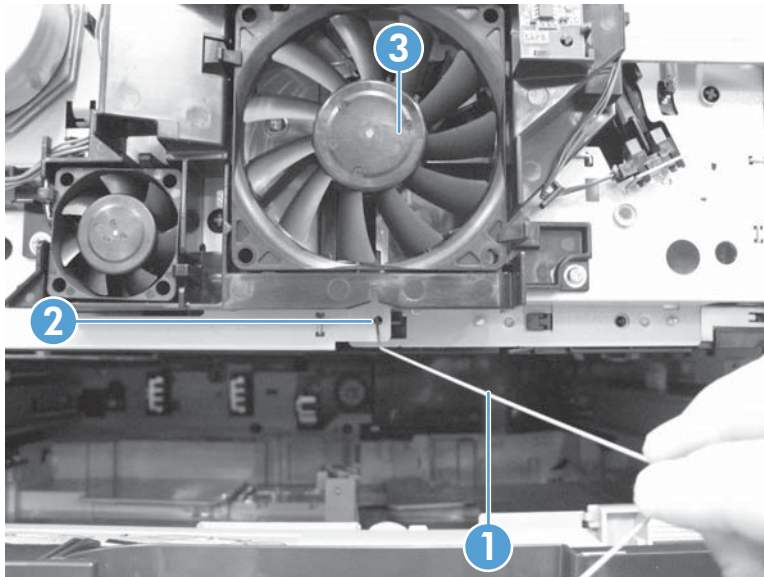
**Figure 1-99** Remove the fuser drive assembly (3 of 3)



When reinstalling the fuser drive assembly, complete the following steps.

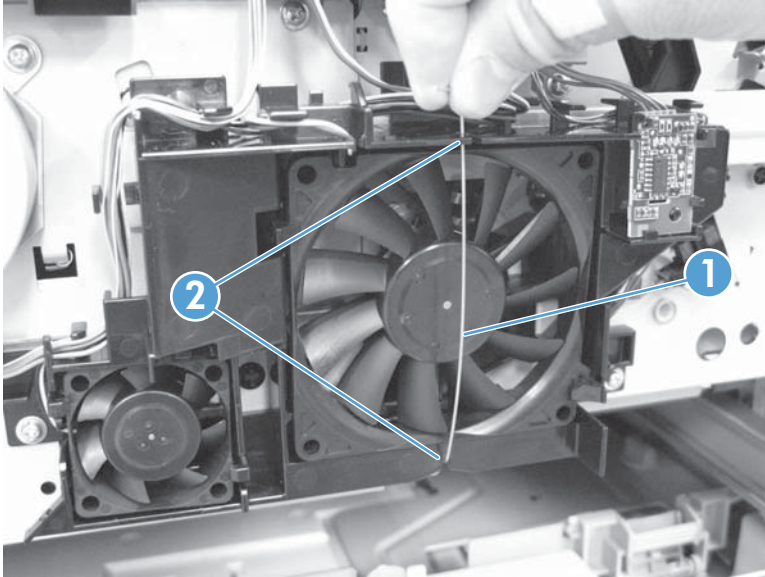
1. When reassembling the fan wire, place the leading end of the wire (callout 1) in the hole (callout 2) under the front fan (callout 3) first.

**Figure 1-100** Reinstall the fuser drive assembly (1 of 3)



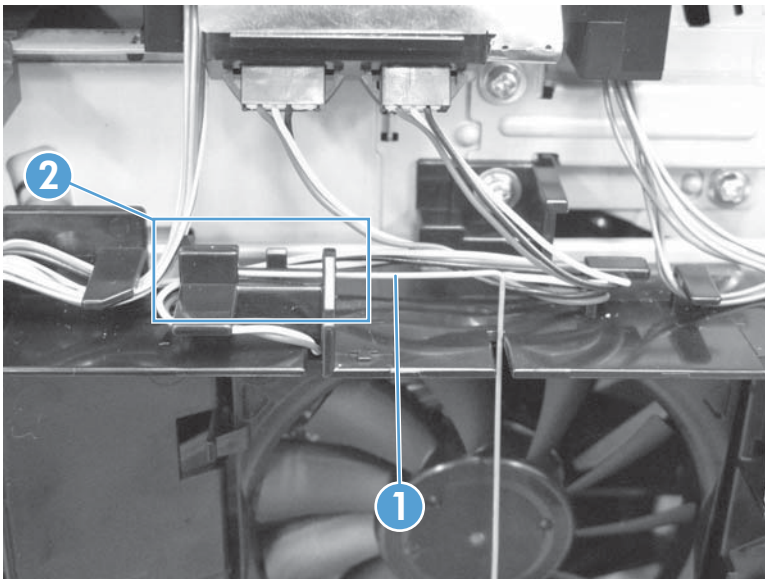
2. Then put the wire (callout 1) in the groove (callout 2) on the front side of the fan holder.

**Figure 1-101** Reinstall the fuser drive assembly (2 of 3)



3. Finally, put the wire (callout 1) in the groove (callout 2) on the upper side of the fan holder.

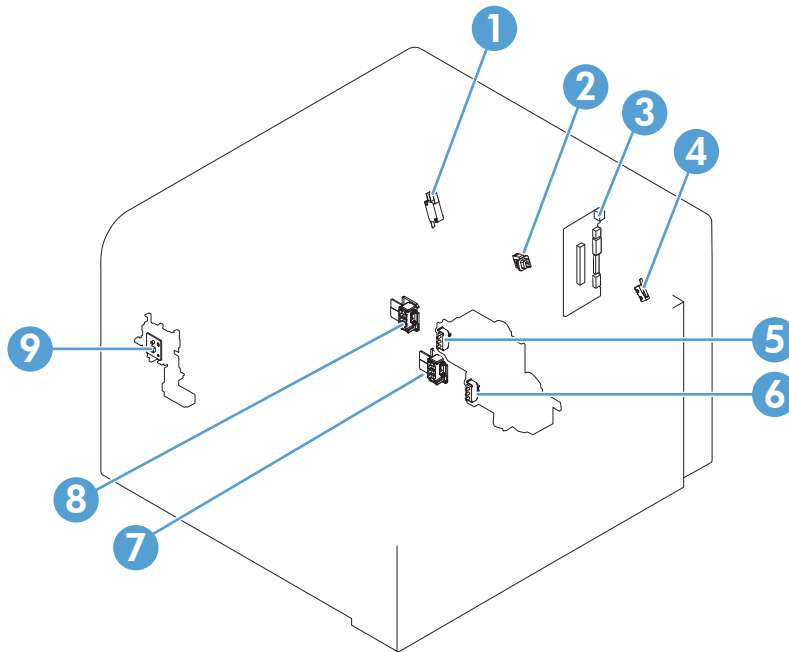
**Figure 1-102** Reinstall the fuser drive assembly (3 of 3)



# Switches

The product includes the switches shown below.

**Figure 1-103** Switch locations



**Table 1-1** Switch locations

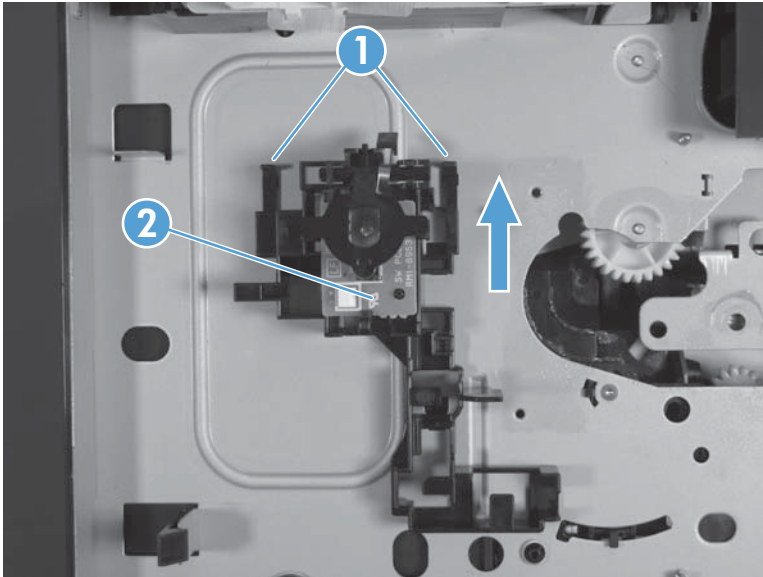
Item	Description	Removal process
1	Left door interlock switch	See <a href="#">Left door interlock switch on page 68</a> .
2	Cartridge door open detection switch	See <a href="#">Cartridge door open detection switch on page 73</a> .
3	Test print switch	This is removed as part of the formatter cage. See <a href="#">Formatter cage assembly on page 52</a> .
4	Cartridge door interlock switch	See <a href="#">Cartridge door interlock switch on page 71</a> .
5	Upper cassette media width switch	This is removed as part of the lifter drive assembly. See <a href="#">Lifter drive assembly on page 58</a> .
6	Lower cassette media width switch	This is removed as part of the lifter drive assembly. See <a href="#">Lifter drive assembly on page 58</a> .
7	Lower cassette media end switch	See <a href="#">Lower cassette media end switch on page 76</a> .
8	Upper cassette media end switch	See <a href="#">Upper cassette media end switch on page 75</a> .
9	Power switch assembly	See <a href="#">Power switch assembly on page 68</a> .



## Power switch assembly

1. Remove the following components or assemblies:
  - Front cover. See [Front cover on page 11](#).
  - Fuser drive. See [Fuser drive assembly on page 64](#).
2. Release two tabs (callout 1), and then slide the switch assembly (callout 2) in the direction indicated to remove it from the product.

**Figure 1-104** Remove the power switch assembly

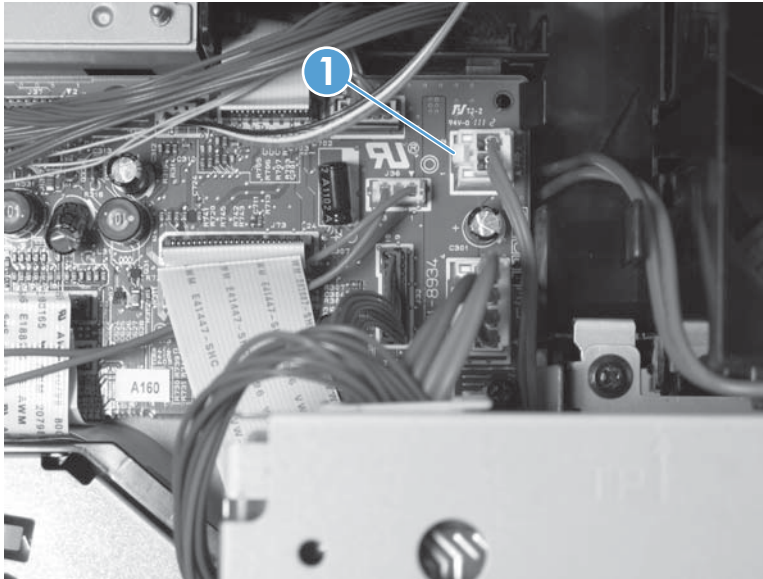


## Left door interlock switch

1. Remove the following components or assemblies:
  - Rear cover. See [Rear cover on page 13](#).
  - Low voltage power supply. See [Low-voltage power supply assembly on page 97](#).
  - Rear fan. See [Rear fan on page 85](#).

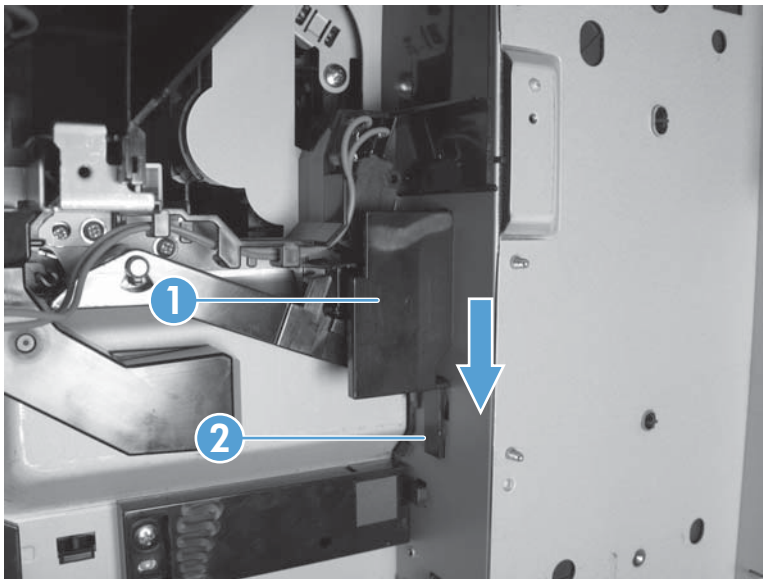
2. Disconnect one connector (callout 1) on the DC controller PCA.

**Figure 1-105** Remove the left door interlock switch (1 of 4)



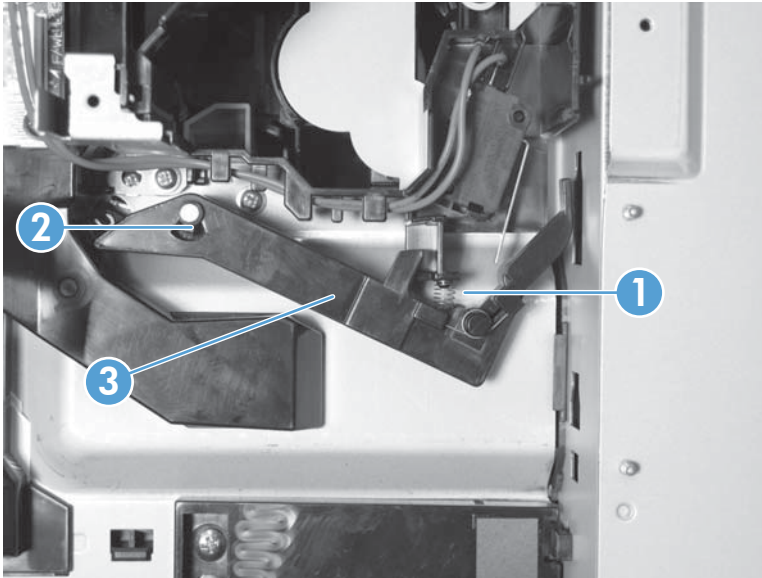
3. Release one tab (callout 1), and then slide the switch cover (callout 2) in the direction indicated to remove it from the product.


**Figure 1-106** Remove the left door interlock switch (2 of 4)



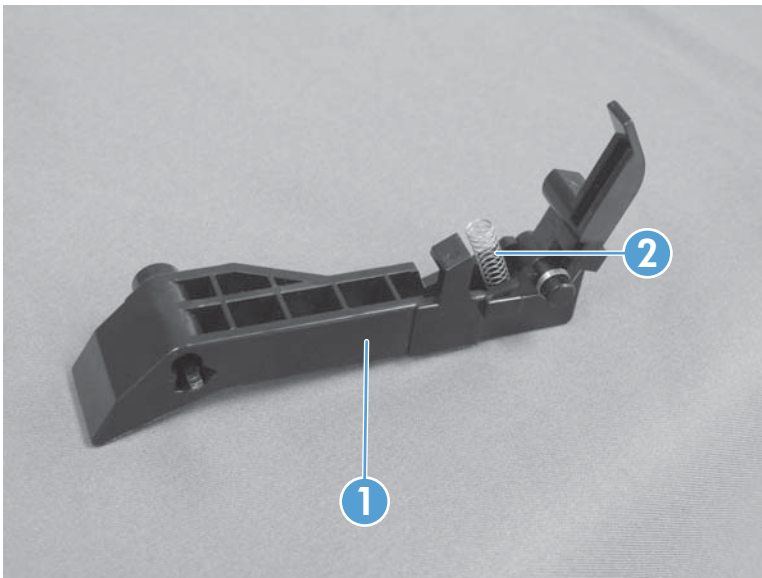
4. Open the left door, unhook the spring (callout 1), release one tab (callout 2), and then remove the lever (callout 3).

**Figure 1-107** Remove the left door interlock switch (3 of 4)



 **Reinstallation tip** When reinstalling the lever (callout 1), make sure that the spring (callout 2) is placed in the lever.

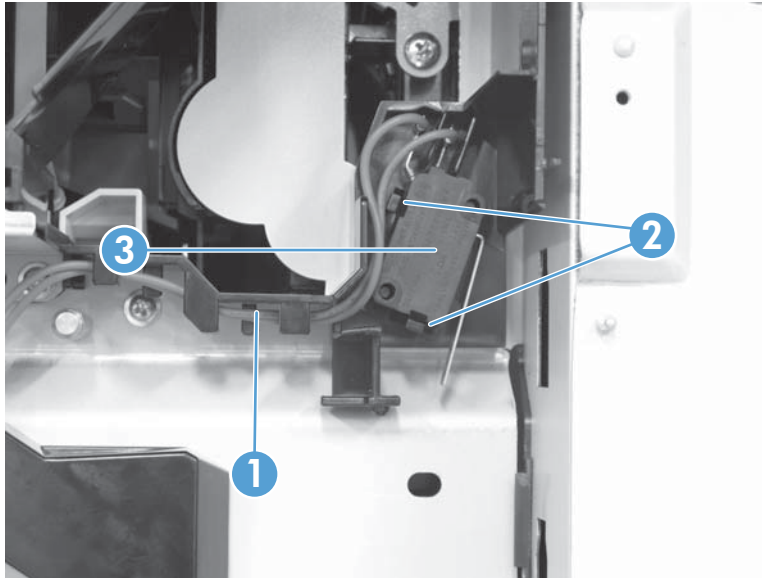
**Figure 1-108** Reinstall the left door lever





5. Release the cables (callout 1) from the cable guide, release two tabs (callout 2), and then remove the left door interlock switch (callout 3) from the product.

**Figure 1-109** Remove the left door interlock switch (4 of 4)

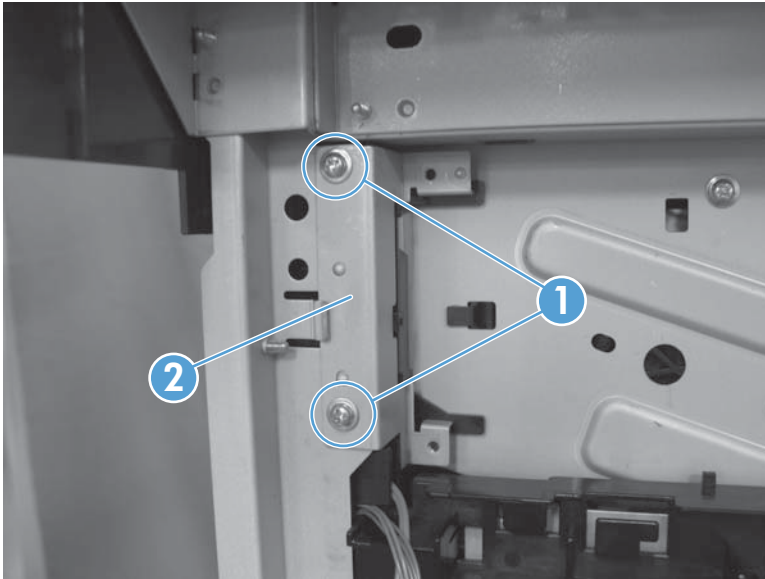


## Cartridge door interlock switch

1. Remove the following components or assemblies:
  - Rear cover. See [Rear cover on page 13](#).
  - Right rear cover. See [Right rear cover on page 12](#).
  - Formatter cage. See [Formatter cage assembly on page 52](#).
  - DC controller PCA. See [DC controller PCA on page 96](#).

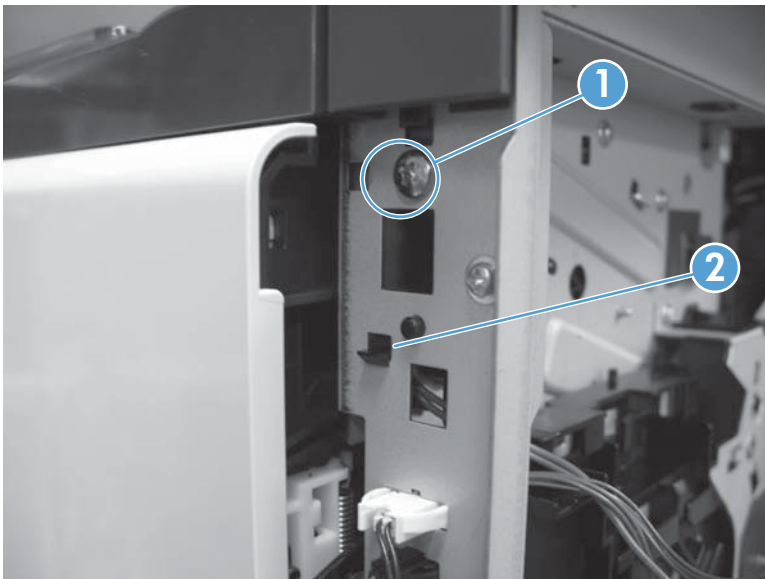
2. Remove two screws (callout 1) and the sheet metal cover (callout 2).

**Figure 1-110** Remove the cartridge door interlock switch (1 of 4)



3. Remove one screw (callout 1) and release one tab (callout 2).

**Figure 1-111** Remove the cartridge door interlock switch (2 of 4)



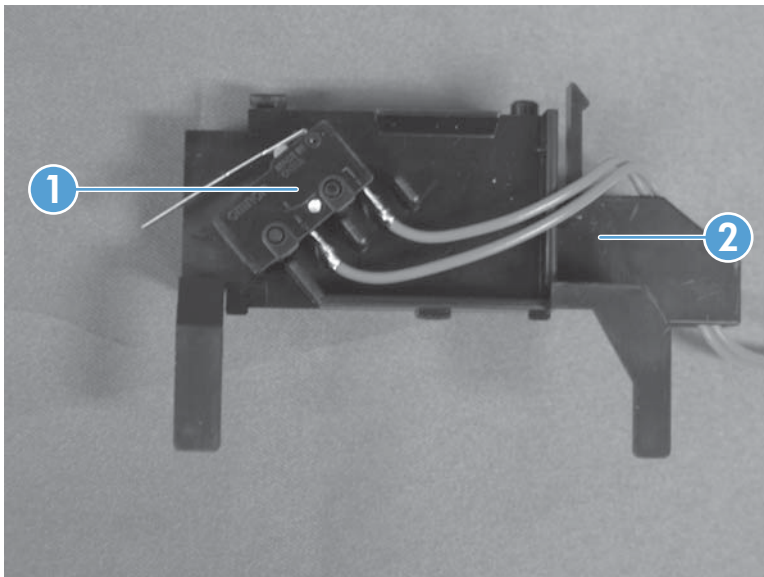
4. Remove the switch holder (callout 1).

**Figure 1-112** Remove the cartridge door interlock switch (3 of 4)



5. Remove the cartridge door interlock switch (callout 1) from the switch holder (callout 2).

**Figure 1-113** Remove the cartridge door interlock switch (4 of 4)

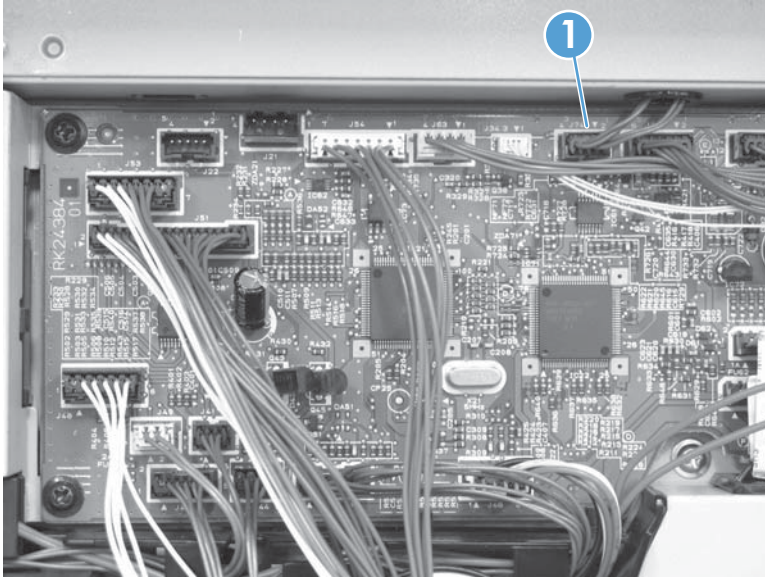


## Cartridge door open detection switch

1. Remove the following components or assemblies:
  - Face-down cover. See [Face-down cover on page 16](#).
  - Rear cover. See [Rear cover on page 13](#).
  - Formatter cage. See [Formatter cage assembly on page 52](#).

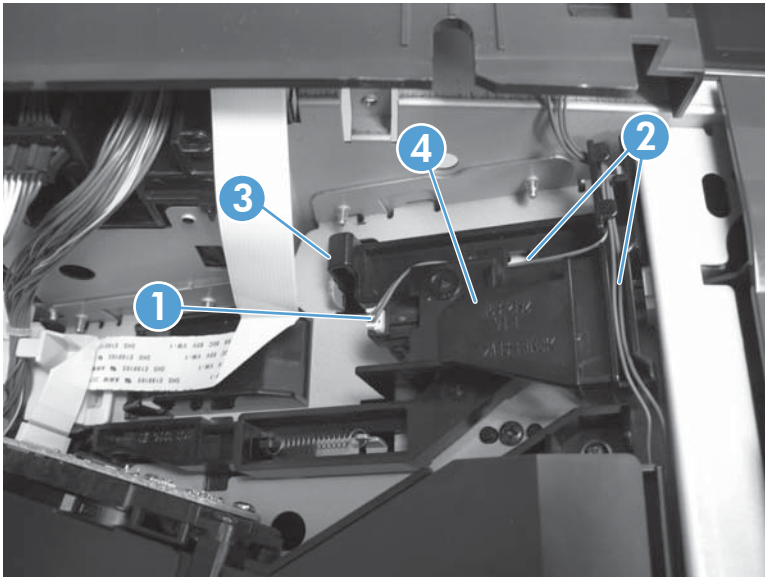
2. Disconnect one connector (callout 1) (J74) on the DC controller PCA.

**Figure 1-114** Remove the cartridge door open detection switch (1 of 3)



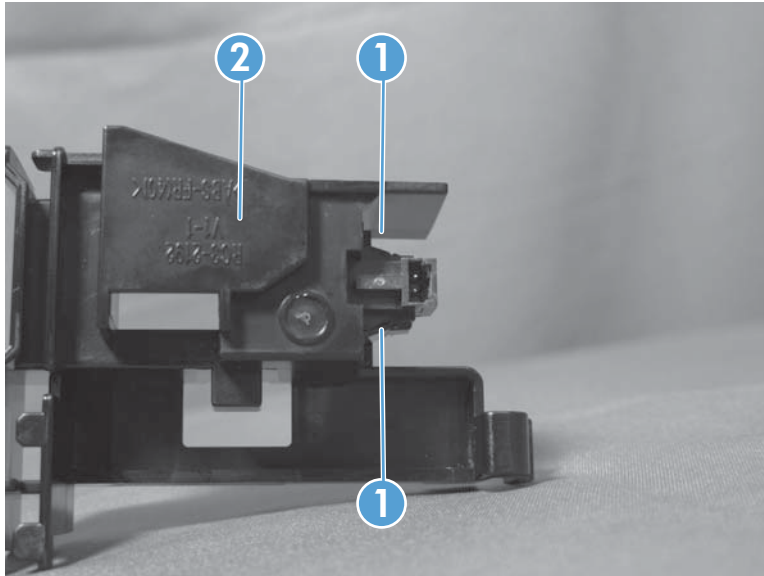
3. Disconnect one connector (callout 1), release the cables (callout 2) from the cable guide, release one tab (callout 3), and then remove the switch holder (callout 4).

**Figure 1-115** Remove the cartridge door open detection switch (2 of 3)



4. Release two tabs (callout 1), and then remove the cartridge door open detection switch from the switch holder (callout 2).

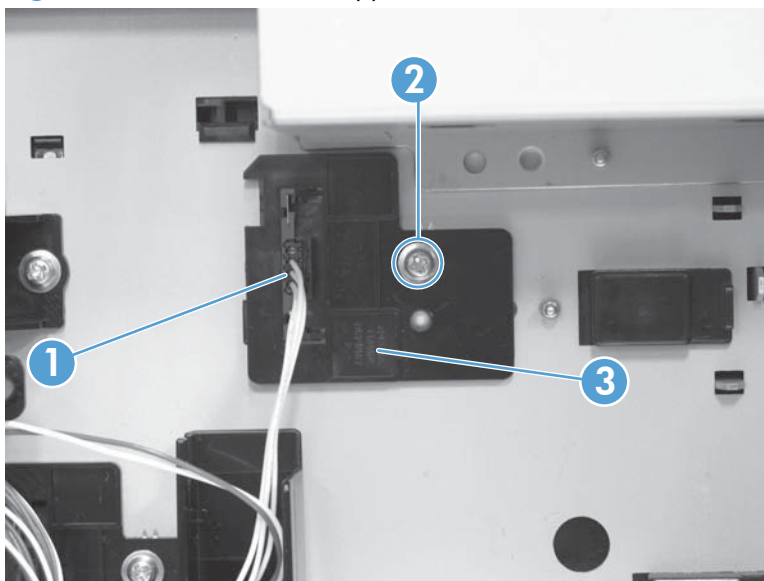
**Figure 1-116** Remove the cartridge door open detection switch (3 of 3)



## Upper cassette media end switch

1. Remove the following components or assemblies:
  - Rear cover. See [Rear cover on page 13](#).
  - Low voltage power supply. See [Low-voltage power supply assembly on page 97](#).
2. Disconnect one connector (callout 1), remove one screw (callout 2), and then remove the upper cassette media end switch (callout 3) from the product.

**Figure 1-117** Remove the upper cassette media end switch

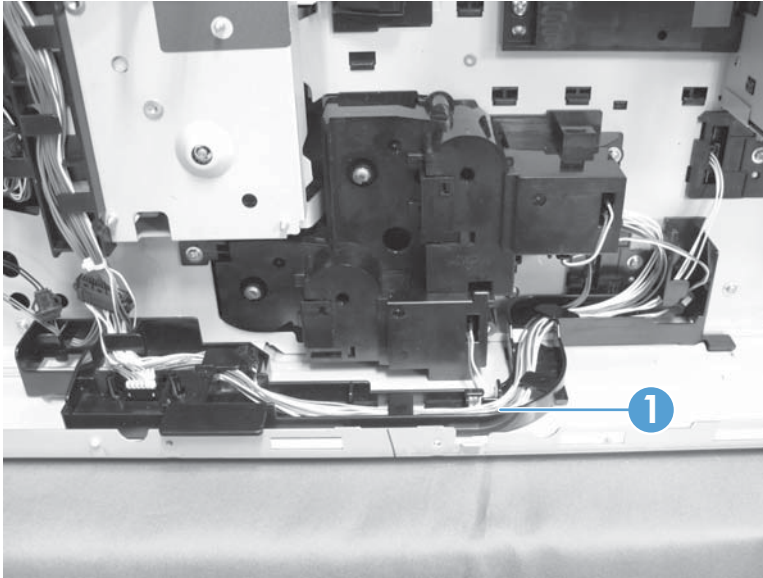




## Lower cassette media end switch

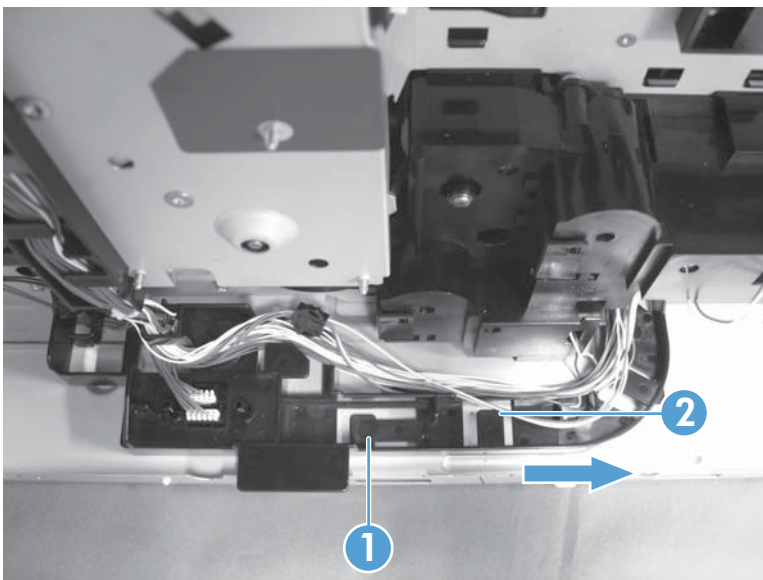
1. Remove the following components or assemblies:
  - Rear cover. See [Rear cover on page 13](#).
  - Formatter cage. See [Formatter cage assembly on page 52](#).
  - Low voltage power supply. See [Low-voltage power supply assembly on page 97](#).
2. Release the cables (callout 1) from the cable guide.

**Figure 1-118** Remove the lower cassette media end switch (1 of 3)



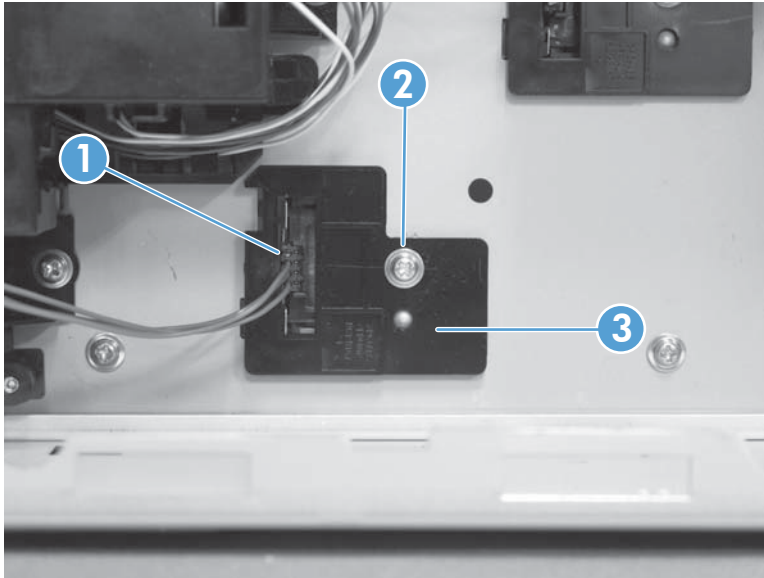
3. Release one tab (callout 1), and then slide the cable guide (callout 2) in the direction indicated to remove it.

**Figure 1-119** Remove the lower cassette media end switch (2 of 3)



4. Disconnect one connector (callout 1), remove one screw (callout 2), and then remove the lower cassette media end switch (callout 3) from the product.

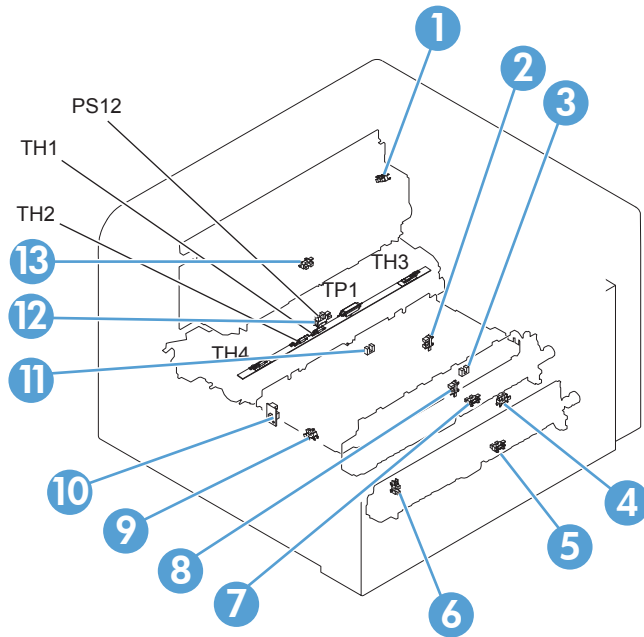
**Figure 1-120** Remove the lower cassette media end switch (3 of 3)



# Sensors

The product includes the sensors shown below.

**Figure 1-121** Sensor locations



**Table 1-2** Sensor locations

Item	Description	Removal process
1	Output bin media full sensor	This is removed as part of the paper delivery assembly. See <a href="#">Paper delivery assembly on page 34</a> .
2	Upper cassette lift-up sensor	This is removed as part of the lifter drive assembly. See <a href="#">Lifter drive assembly on page 58</a> .
3	Top of page sensor	This is removed as part of the high voltage power supply. See <a href="#">High-voltage power supply on page 94</a> .
4	Tray 1 (MP tray) media out sensor	This is removed as part of the cartridge door assembly. See <a href="#">Toner cartridge door on page 47</a> .
5	Lower cassette media out sensor	This is removed as part of the lower cassette pickup assembly. See <a href="#">Lower cassette pickup assembly on page 56</a> .
6	Right door sensor	See <a href="#">Right door sensor on page 80</a> .
7	Upper cassette media out sensor	This is removed as part of the upper cassette pickup assembly. See <a href="#">Upper cassette pickup assembly on page 53</a> .
8	Lower cassette lift-up sensor	This is removed as part of the lifter drive assembly. See <a href="#">Lifter drive assembly on page 58</a> .
9	Cartridge presence sensor	See <a href="#">Cartridge presence sensor on page 79</a> .
10	Environment sensor	See <a href="#">Environment sensor on page 79</a> .
11	Loop sensor	This is removed as part of the high voltage power supply. See <a href="#">High-voltage power supply on page 94</a> .



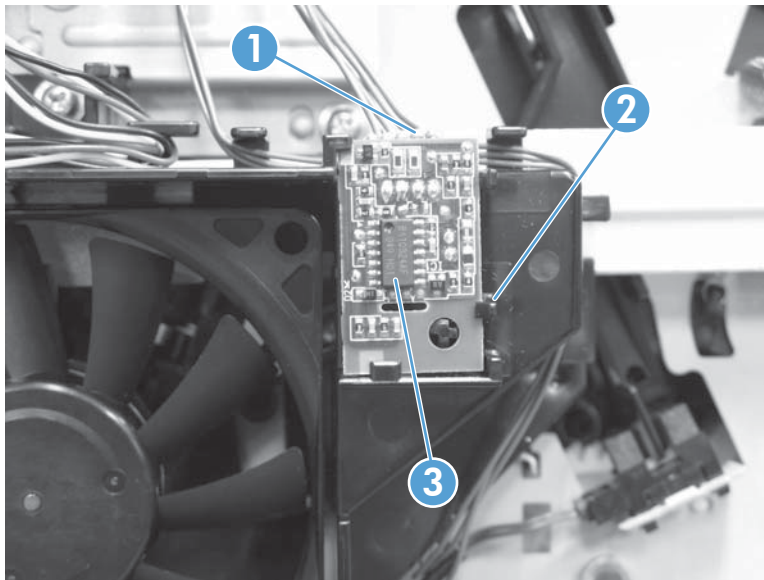
**Table 1-2 Sensor locations (continued)**

Item	Description	Removal process
12	Fuser output sensor	This is removed as part of the fuser. See <a href="#">Fuser on page 32</a> .
13	Output sensor	This is removed as part of the paper delivery assembly. See <a href="#">Paper delivery assembly on page 34</a> .

## Environment sensor

1. Remove the front cover. See [Front cover on page 11](#).
2. Disconnect one connector (callout 1), release one tab (callout 2), and then remove the environment sensor (callout 3) from the product.

**Figure 1-122** Remove the environment sensor

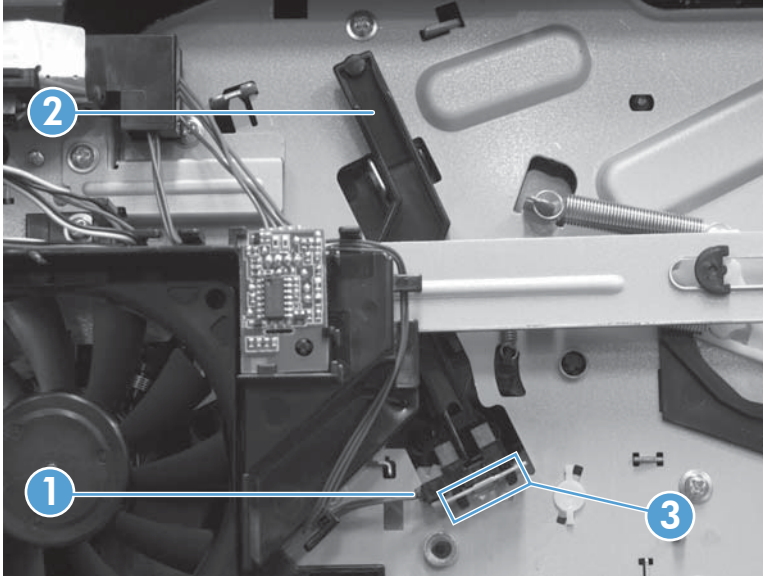


## Cartridge presence sensor

1. Remove the front cover. See [Front cover on page 11](#).

2. Disconnect one connector (callout 1). and then, while pressing the lever (callout 2), release two tabs (callout 3) on the bottom of the cartridge presence sensor to remove it from the product.

**Figure 1-123** Remove the cartridge presence sensor

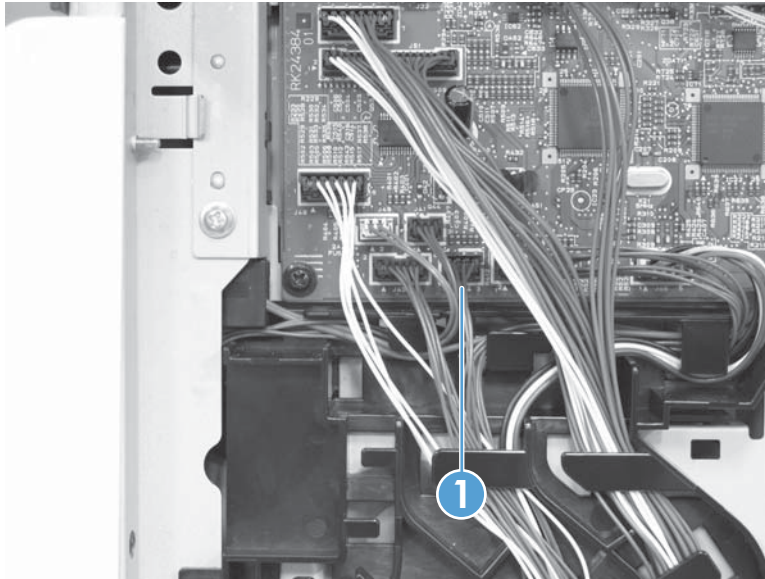


## Right door sensor

1. Remove the following components or assemblies:
  - Front cover. See [Front cover on page 11](#).
  - Right front lower cover. See [Front right lower cover on page 15](#).
  - Rear cover. See [Rear cover on page 13](#).
  - Formatter cage. See [Formatter cage assembly on page 52](#).
  - Right rear cover. See [Right rear cover on page 12](#).
  - Right door. See [Right door on page 18](#).
  - Lower cassette pickup assembly. See [Lower cassette pickup assembly on page 56](#).

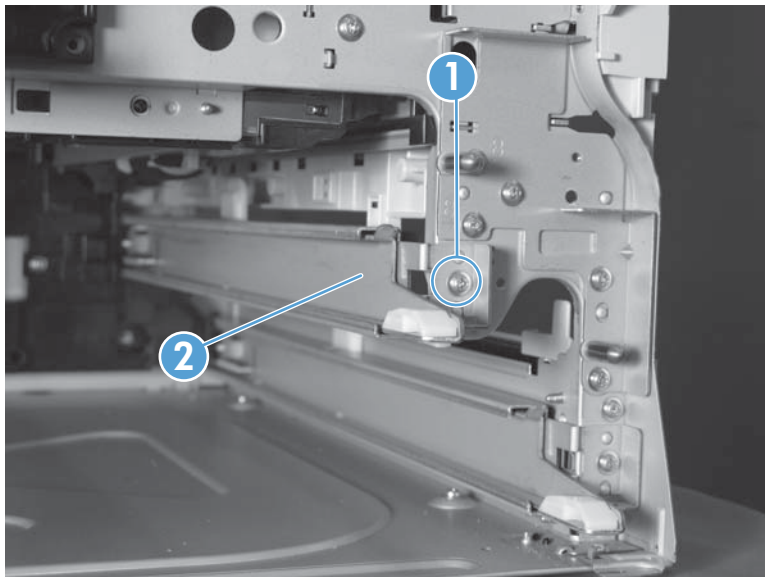
2. Disconnect one connector (callout 1) (J44) on the DC controller PCA.

**Figure 1-124** Remove the right door sensor (1 of 4)



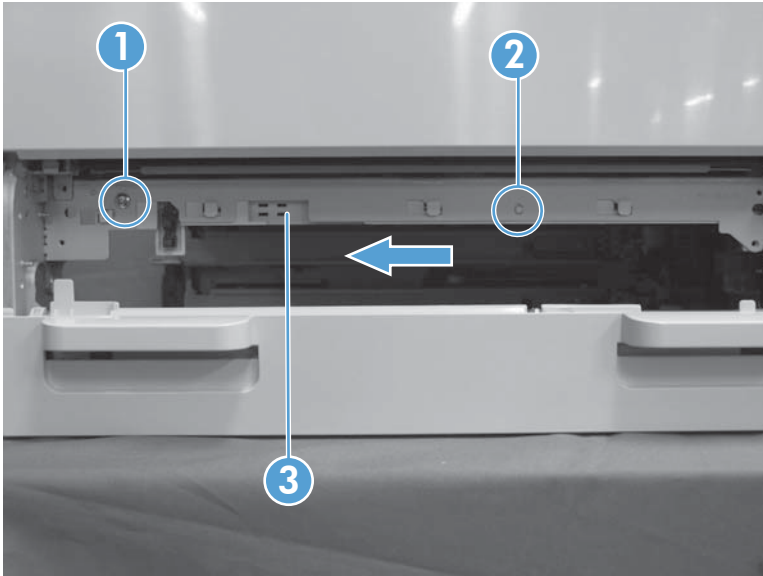
3. Remove one screw (callout 1), and then remove the right upper cassette rail (callout 2).

**Figure 1-125** Remove the right door sensor (2 of 4)



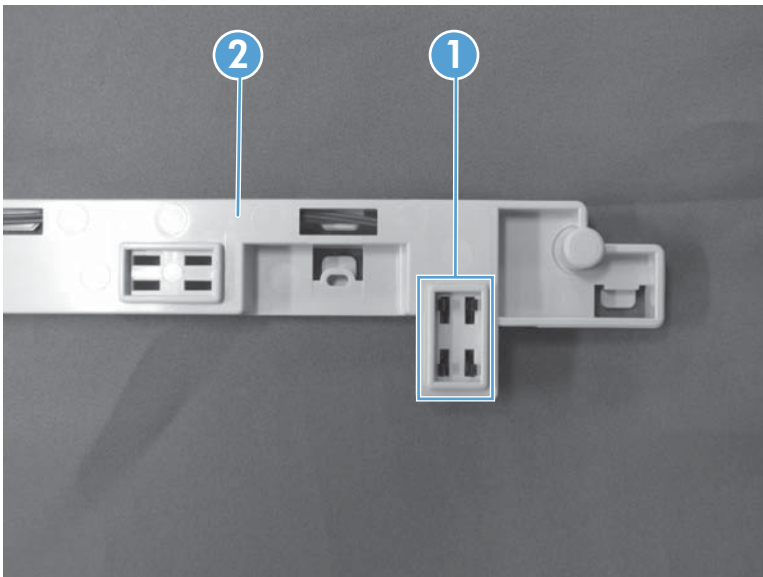
4. Remove one screw (callout 1), release one tab (callout 2), and then slide the sensor holder (callout 3) in the direction indicated to remove it from the product.

**Figure 1-126** Remove the right door sensor (3 of 4)



5. Release four tabs (callout 1), and then remove the sensor from the sensor holder (callout 2).

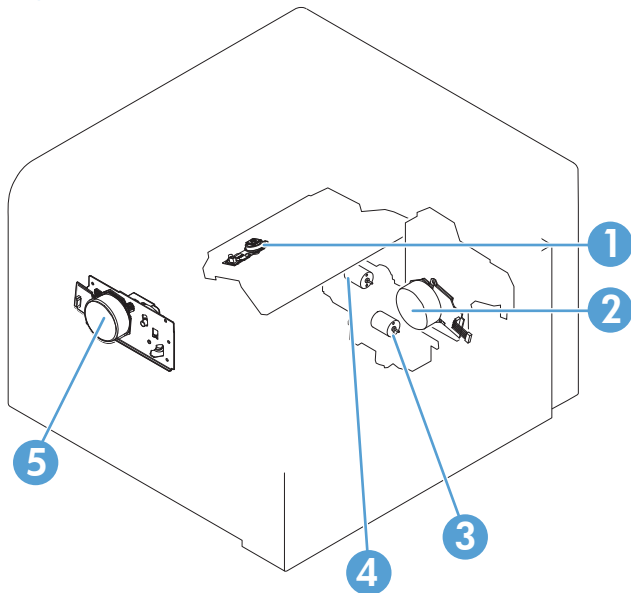
**Figure 1-127** Remove the right door sensor (4 of 4)



# Motors, fans, and clutches

The product includes the motors and fans shown below.

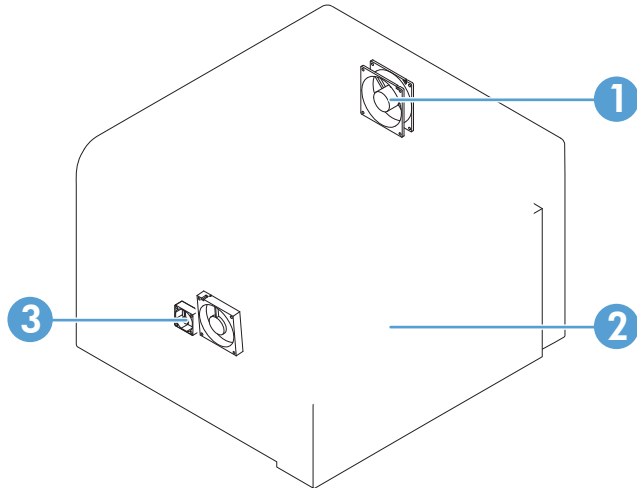
**Figure 1-128** Motor locations



**Table 1-3** Motor locations

Item	Description	Removal process
1	Scanner motor	This is removed as part of the laser scanner assembly. See <a href="#">Laser scanner on page 45</a> .
2	Drum motor	This is removed as part of the main drive assembly. See <a href="#">Main drive assembly on page 60</a> .
3	Upper cassette lifter motor	This is removed as part of the lifter drive assembly. See <a href="#">Lifter drive assembly on page 58</a> .
4	Lower cassette lifter motor	This is removed as part of the lifter drive assembly. See <a href="#">Lifter drive assembly on page 58</a> .
5	Fuser motor	See <a href="#">Fuser motor on page 85</a> .

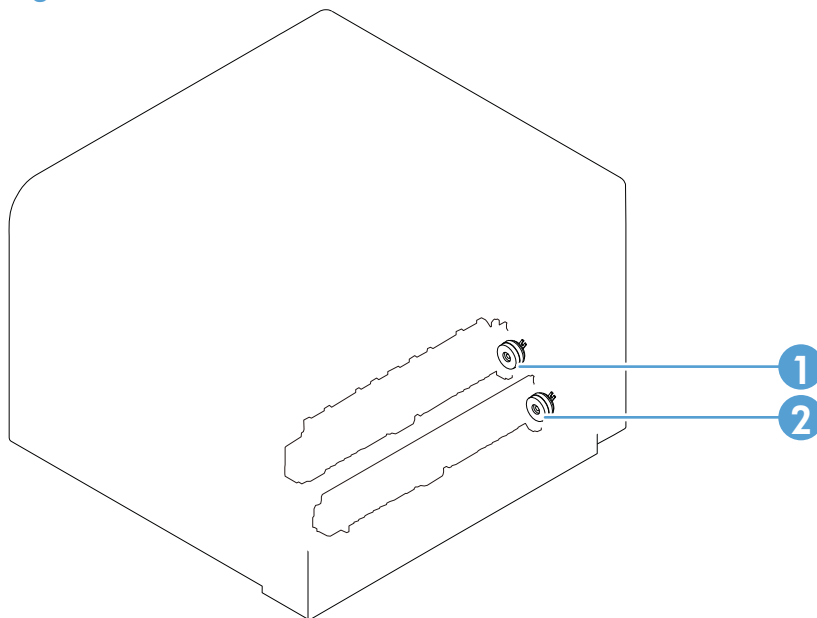
**Figure 1-129** Fan locations



**Table 1-4** Fan locations

Item	Description	Removal process
1	Rear fan	See <a href="#">Rear fan on page 85</a> .
2	Front fan	See <a href="#">Front fan on page 87</a> .
3	Fuser fan	See <a href="#">Fuser fan on page 89</a> .

**Figure 1-130** Clutch locations



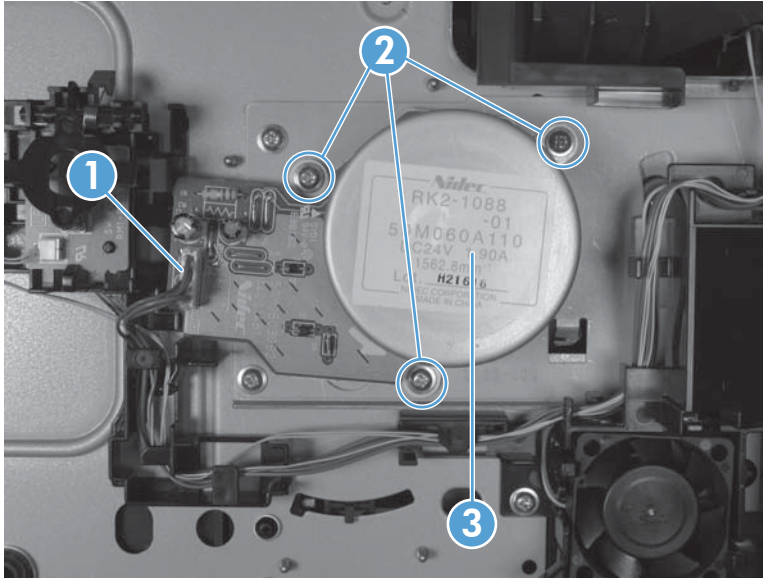
**Table 1-5** Fan locations

Item	Description	Removal process
1	Upper cassette pickup clutch	See <a href="#">Upper cassette pickup clutch on page 90</a> .
2	Lower cassette pickup clutch	See <a href="#">Lower cassette pickup clutch on page 91</a> .

## Fuser motor

1. Remove the front cover. See [Front cover on page 11](#).
2. Disconnect one connector (callout 1), remove three screws (callout 2), and then remove the fuser motor (callout 3) from the product.

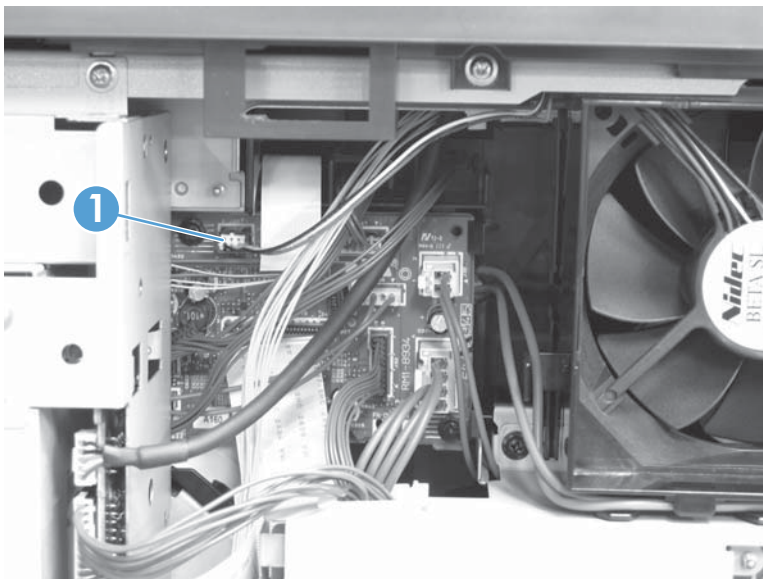
**Figure 1-131** Remove the fuser motor



## Rear fan

1. Remove the rear cover. See [Rear cover on page 13](#).
2. Disconnect one connector (callout 1) (J33) on the DC controller PCA.

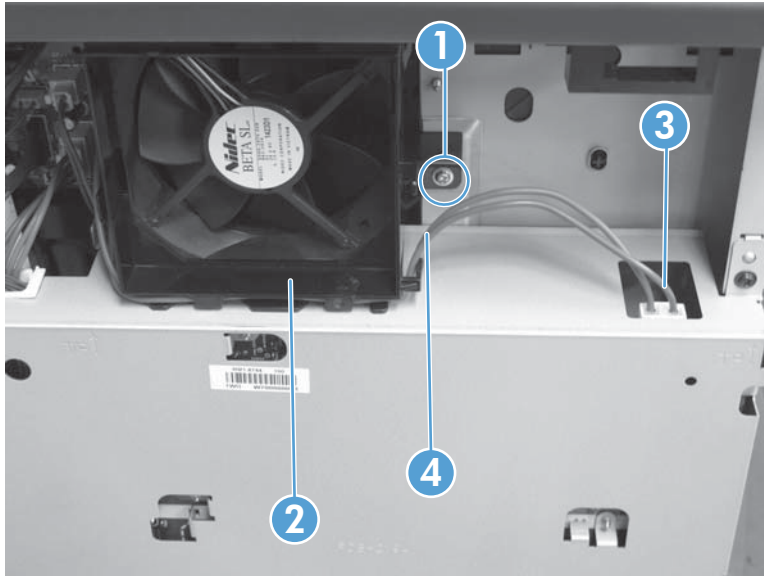
**Figure 1-132** Remove the rear fan (1 of 3)





3. Remove one screw (callout 1), remove the rear fan holder (callout 2), disconnect one connector (callout 3), and release the cables (callout 4) from the cable guide.

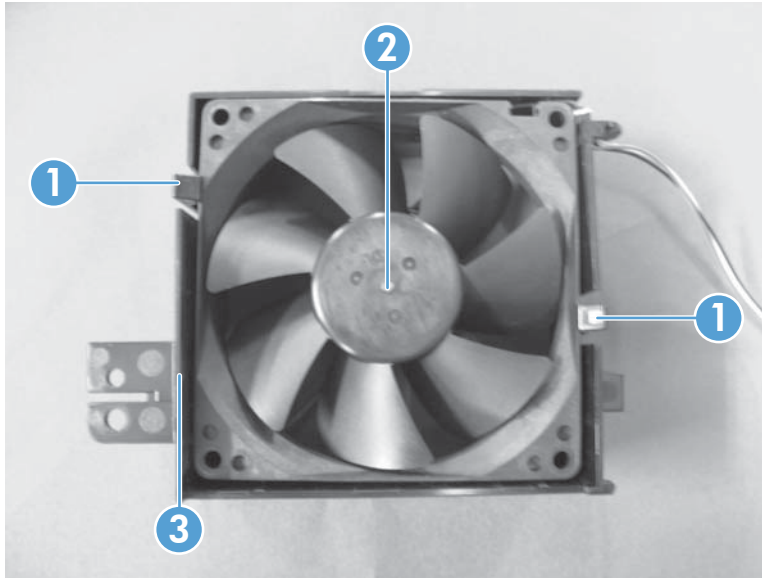
**Figure 1-133** Remove the rear fan (2 of 3)






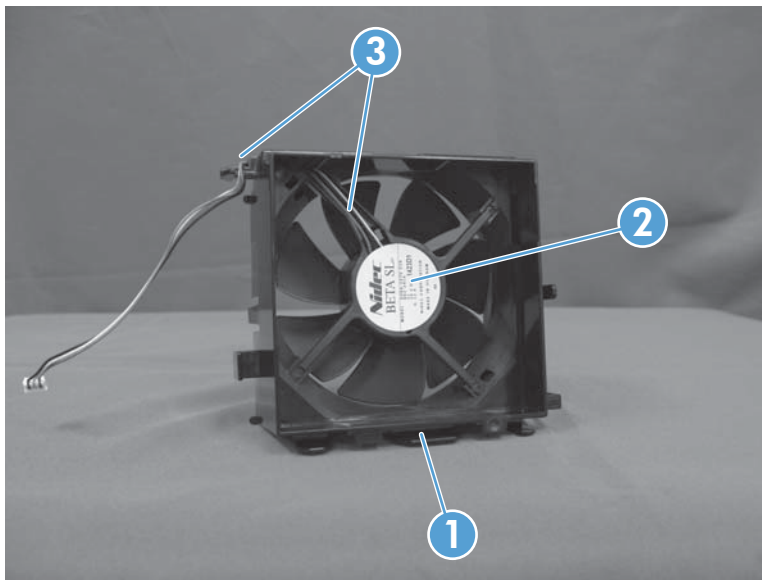
4. Release two tabs (callout 1) and remove the rear fan (callout 2) from the rear fan holder (callout 3).

**Figure 1-134** Remove the rear fan (3 of 3)



 **Reinstallation tip** When reinstalling the rear fan, make sure that the fan holder (callout 1), the label of the fan (callout 2), and the fan cable (callout 3) are positioned as shown in the figure below.

**Figure 1-135** Reinstall the rear fan

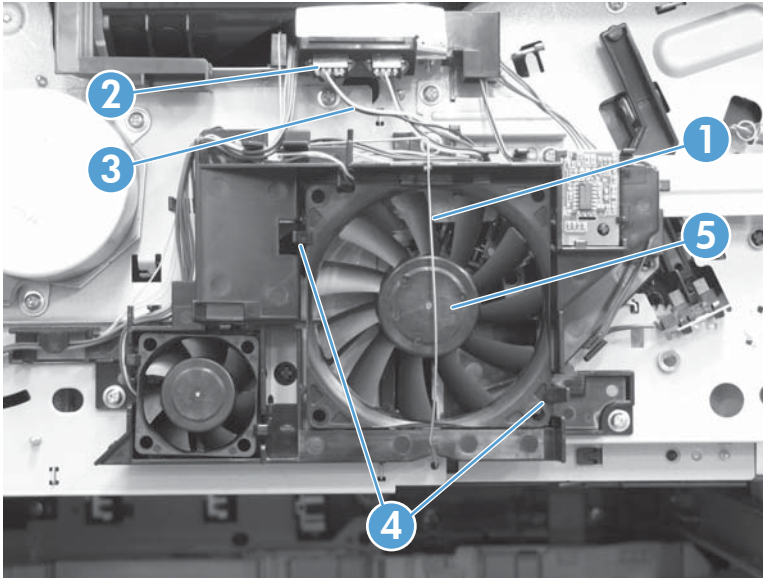



## Front fan

1. Remove the front cover. See [Front cover on page 11](#).

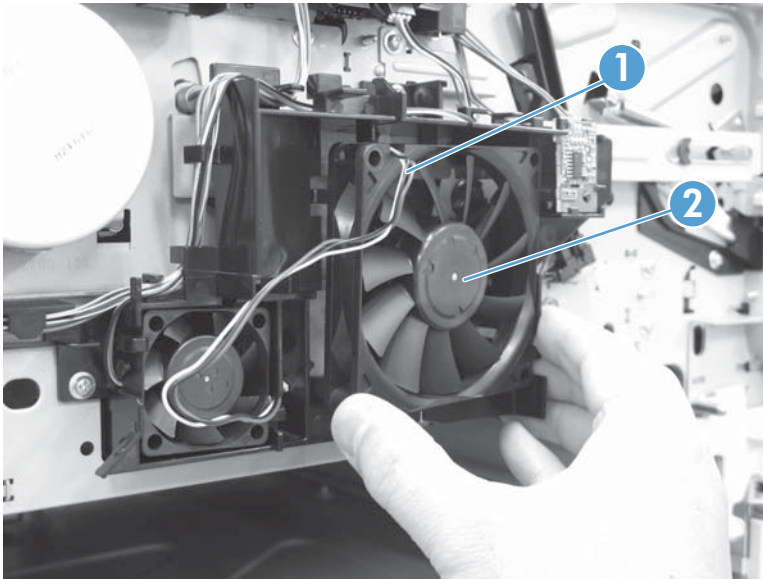
2. Remove the wire (callout 1), disconnect one connector (callout 2), release the cable (callout 3) from the cable guide, release two tabs (callout 4), and then remove the front fan (callout 5).


**Figure 1-136** Remove the front fan



 **Reinstallation tip** When reinstalling the front fan, make sure that the fan cable (callout 1) and the fan label (callout 2) are positioned as shown in the figure below.

**Figure 1-137** Reinstall the front fan

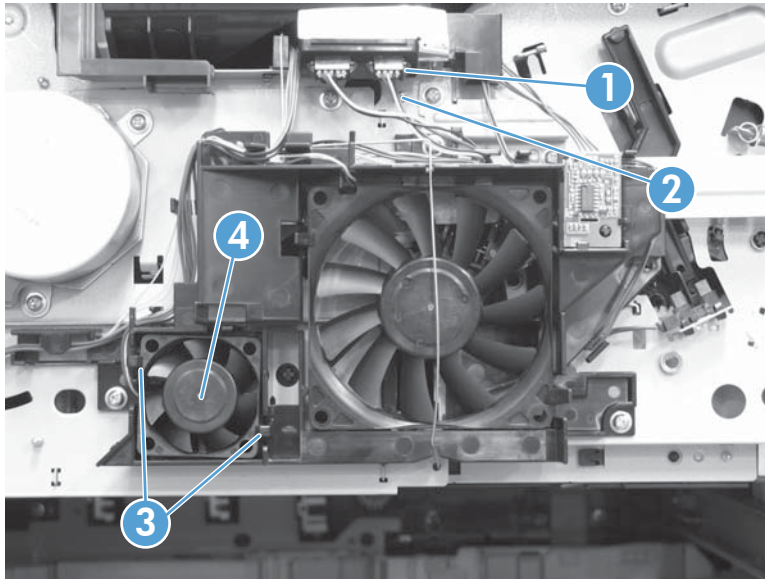


 **NOTE:** When reinstalling the ground wire, see the installation tip in [Fuser drive assembly on page 64](#).

## Fuser fan

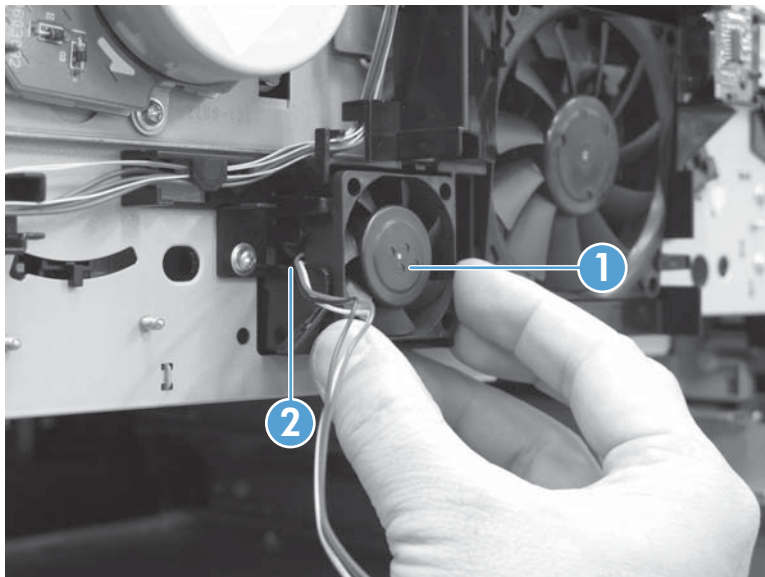
1. Remove the front cover. See [Front cover on page 11](#).
2. Disconnect one connector (callout 1), release the cable (callout 2) from the cable guide, release two tabs (callout 3), and then remove the fuser fan (callout 4) from the product.

**Figure 1-138** Remove the fuser fan



**Reinstallation tip** When reinstalling the fuser fan, make sure that the fan label (callout 1) and the fan cable (callout 2) are positioned as shown in the figure below.

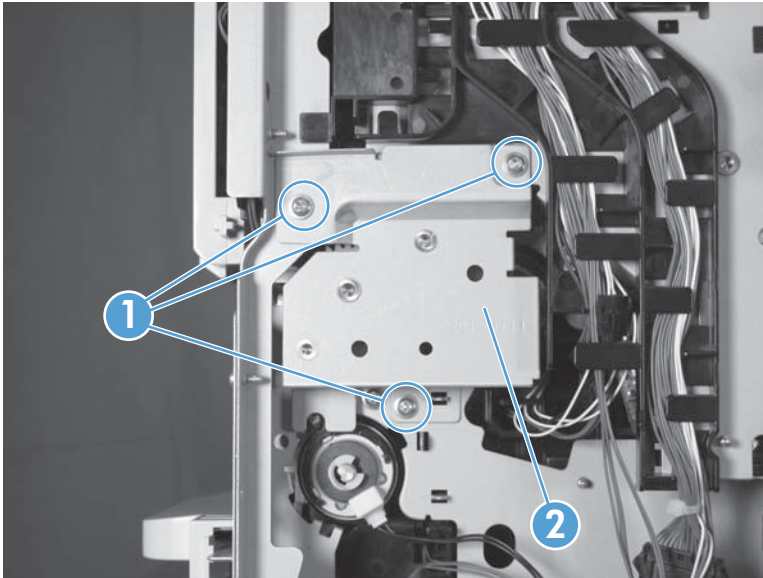
**Figure 1-139** Reinstall the fuser fan



## Upper cassette pickup clutch

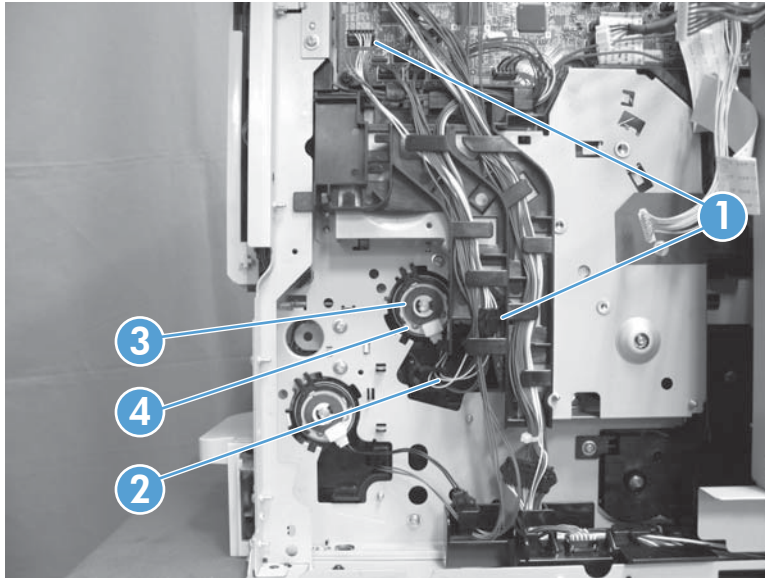
1. Remove the following components or assemblies:
  - Front cover. See [Front cover on page 11](#).
  - Rear cover. See [Rear cover on page 13](#).
  - Formatter cage. See [Formatter cage assembly on page 52](#).
  - Right rear cover. See [Right rear cover on page 12](#).
  - Tray 1 (multipurpose tray) cover. See [Tray 1 \(multipurpose tray\) cover on page 17](#).
  - Right door. See [Right door on page 18](#).
  - Toner cartridge door. See [Toner cartridge door on page 47](#).
2. Remove three screws (callout 1), and then remove the gear assembly (callout 2).

**Figure 1-140** Remove the upper cassette pickup assembly (1 of 4)



3. Disconnect two connectors (callout 1), release the cables (callout 2) from the cable guide, remove the C-clip (callout 3) from the clutch shaft, and then pull the upper cassette pickup clutch (callout 4) to remove it from the product.

**Figure 1-141** Remove the upper cassette pickup assembly (2 of 4)



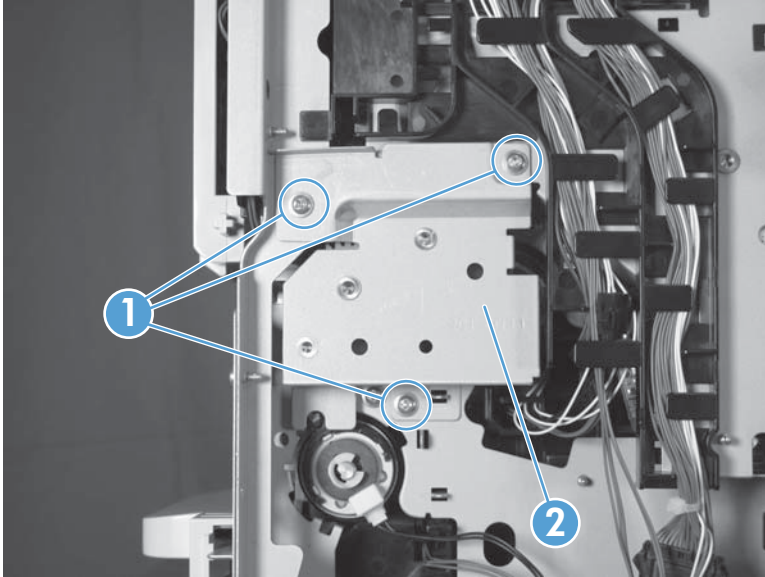
## Lower cassette pickup clutch

1. Remove the following components or assemblies:
  - Rear cover. See [Rear cover on page 13](#).
  - Formatter cage. See [Formatter cage assembly on page 52](#).
  - Right rear cover. See [Right rear cover on page 12](#).
  - Tray 1 (multipurpose tray) cover. See [Tray 1 \(multipurpose tray\) cover on page 17](#).
  - Right door. See [Right door on page 18](#).



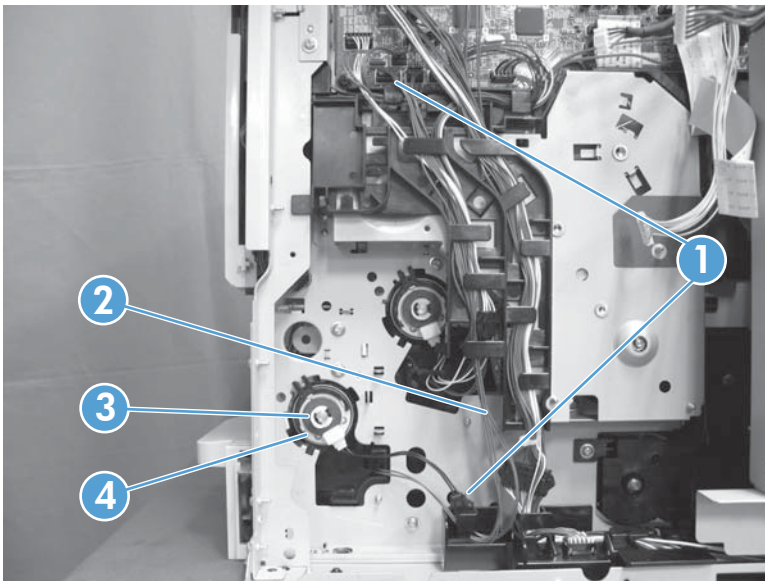
2. Remove three screws (callout 1), and then remove the gear assembly (callout 2).

**Figure 1-142** Remove the lower cassette pickup assembly (1 of 3)



3. Disconnect two connectors (callout 1) (J43), release the cables (callout 2) from the cable guide, remove the C-clip (callout 3) from the clutch shaft, and then pull the lower cassette pickup clutch (callout 4) to remove it from the product.

**Figure 1-143** Remove the lower cassette pickup assembly (2 of 3)



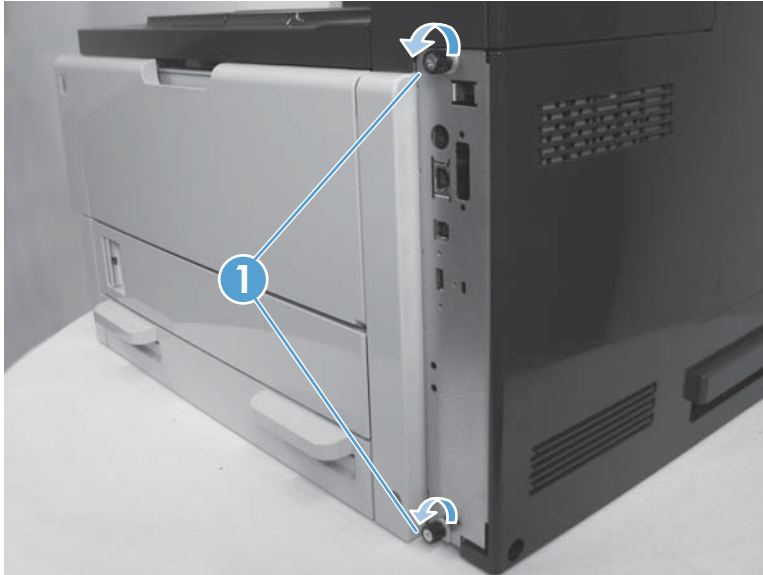
# Printed circuit-board assemblies (PCAs)

## Formatter PCA

The formatter is located in the right rear corner of the product. You do not need tools to remove it.

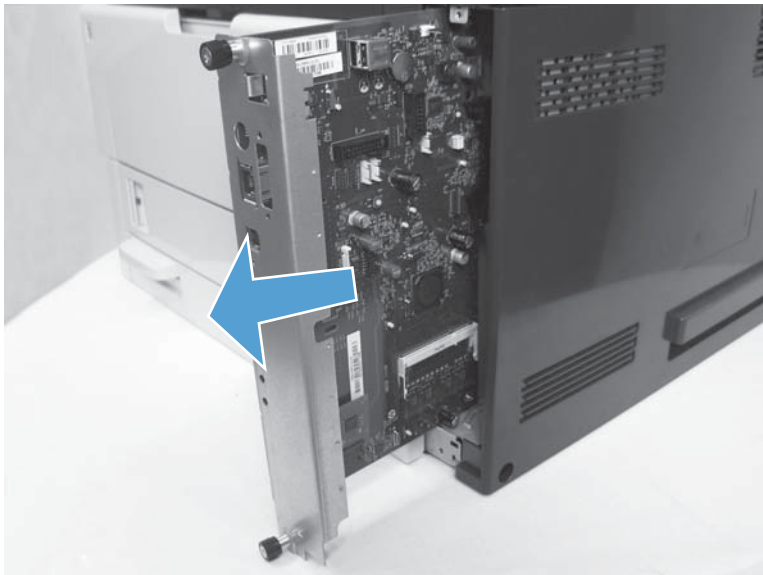
1. Locate the formatter and turn two thumb-screws (callout 1) counterclockwise to detach the formatter base plate from the chassis.

**Figure 1-144** Remove the formatter (1 of 2)



2. Pull the formatter away from the product to remove it.

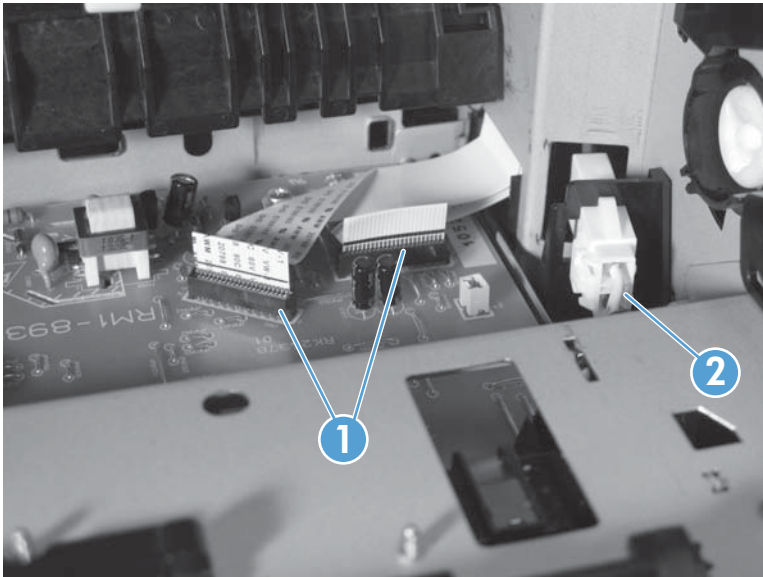
**Figure 1-145** Remove the formatter (2 of 2)



## High-voltage power supply

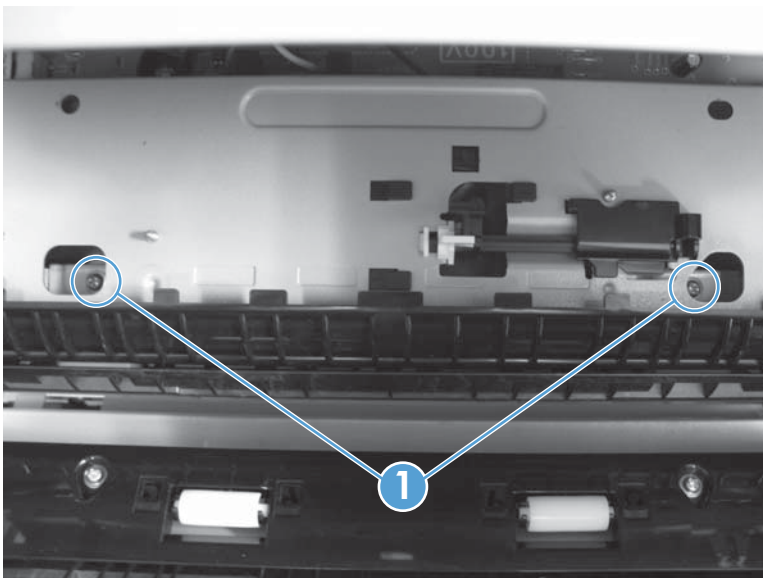
1. Remove the following components or assemblies:
  - Left door. See [Left door on page 12](#)
  - Fuser. See [Fuser on page 32](#).
  - Registration assembly. See [Registration assembly on page 37](#).
  - Paper feed assembly. See [Paper feed assembly on page 40](#).
2. Disconnect two flat flexible cables (callout 1) and one connector (callout 2).

**Figure 1-146** Remove the high-voltage power supply assembly (1 of 5)



3. Remove two screws (callout 1).

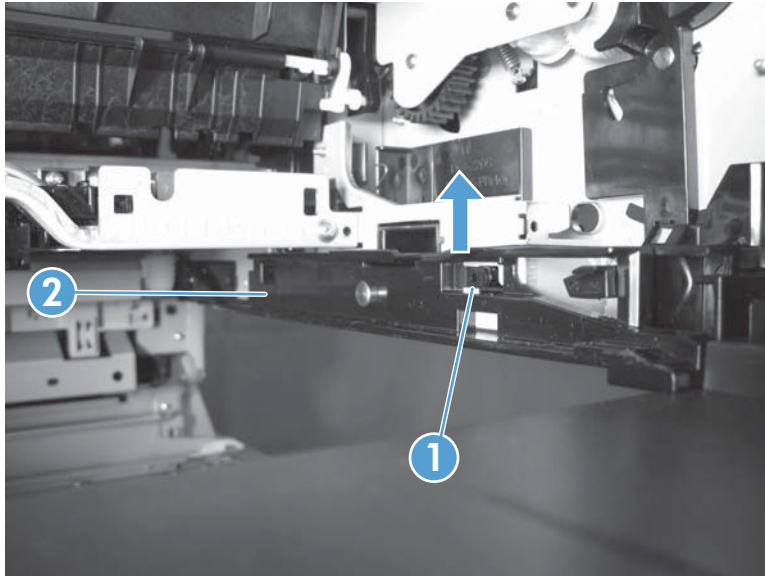
**Figure 1-147** Remove the high-voltage power supply assembly (2 of 5)





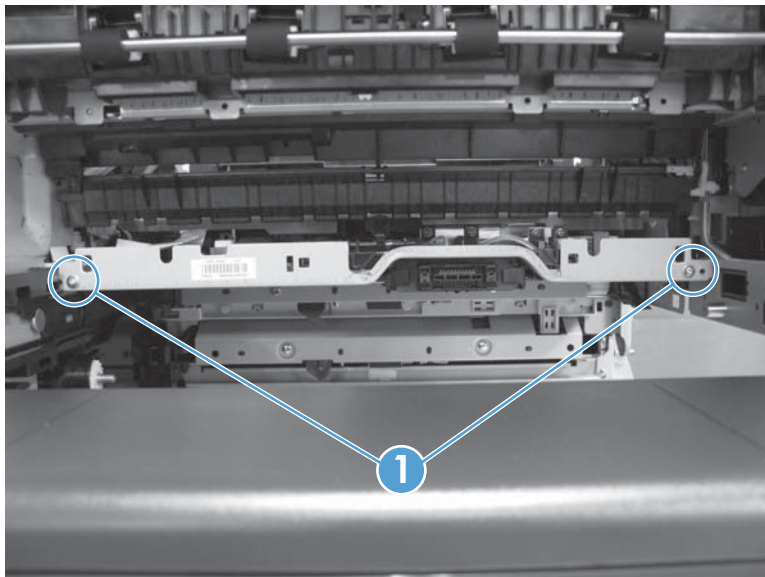
4. From the left side of the product, release one tab (callout 1), and then turn the guide (callout 2) slightly in the direction indicated and remove it.

**Figure 1-148** Remove the high-voltage power supply assembly (3 of 5)



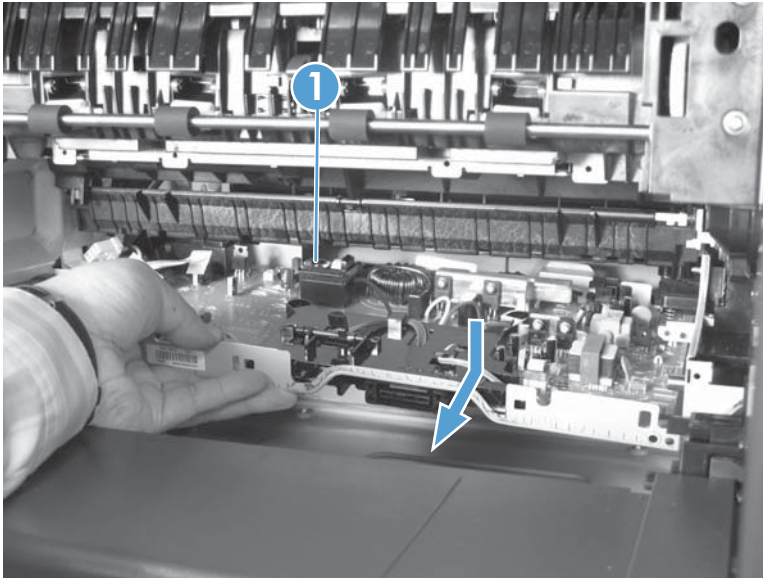
5. Remove two screws (callout 1).

**Figure 1-149** Remove the high-voltage power supply assembly (4 of 5)



6. Slide the high-voltage power supply assembly (callout 1) downward slightly and remove it from the product.

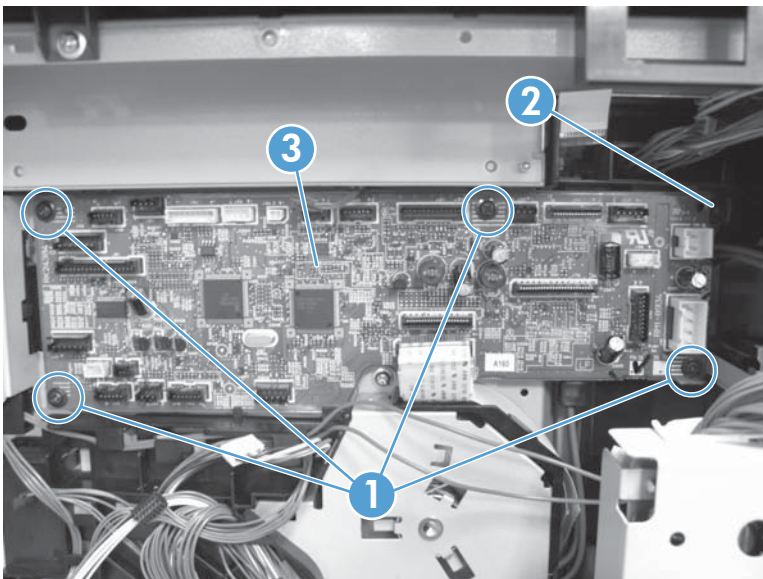
**Figure 1-150** Remove the high-voltage power supply assembly (5 of 5)



## DC controller PCA

1. Remove the following components or assemblies:
  - Rear cover. See [Rear cover on page 13](#).
  - Formatter cage. See [Formatter cage assembly on page 52](#).
2. Disconnect all of the connectors on the DC controller PCA, remove four screws (callout 1), release one tab (callout 2), and then remove the DC controller PCA (callout 3) from the product.

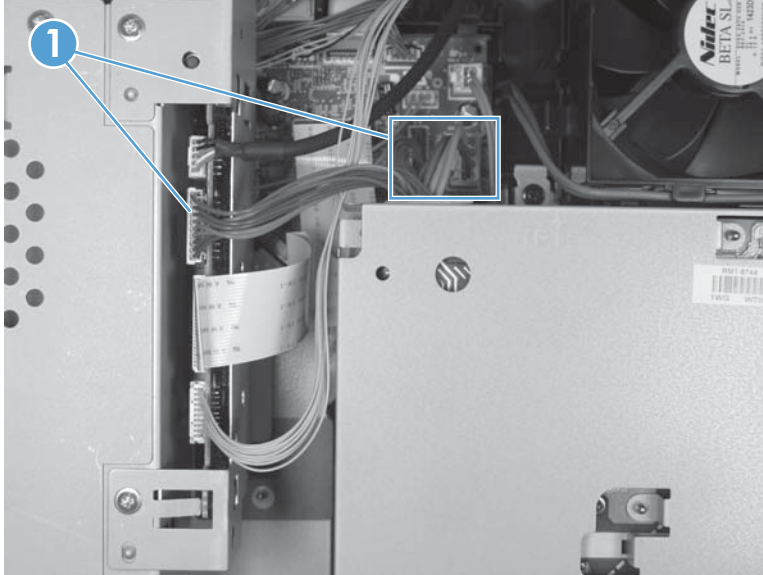
**Figure 1-151** Remove the DC controller PCA



## Low-voltage power supply assembly

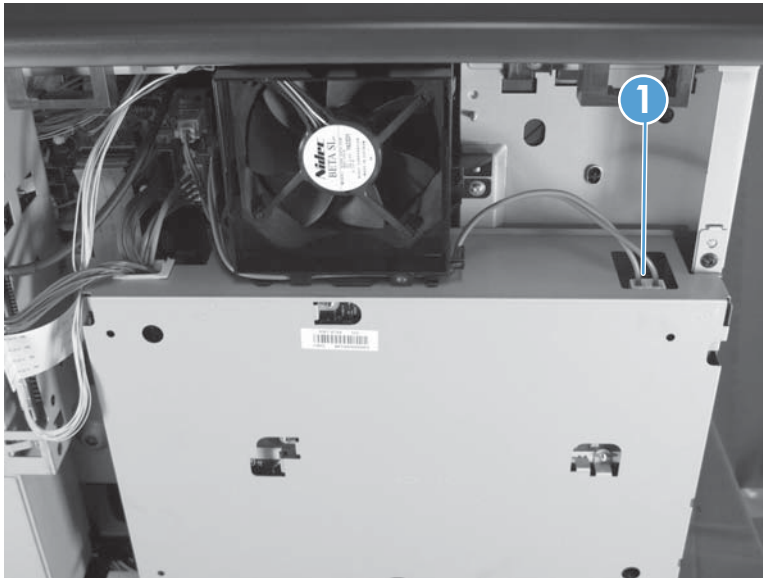
1. Remove the rear cover. See [Rear cover on page 13](#).
2. Disconnect three connectors (callout 1).

**Figure 1-152** Remove the low-voltage power supply assembly (1 of 4)



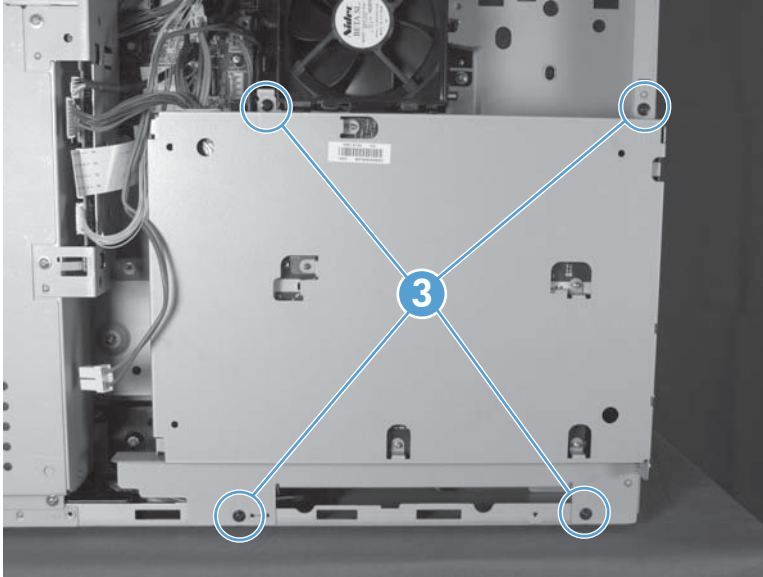
3. Disconnect one connector (callout 1).

**Figure 1-153** Remove the low-voltage power supply assembly (2 of 4)



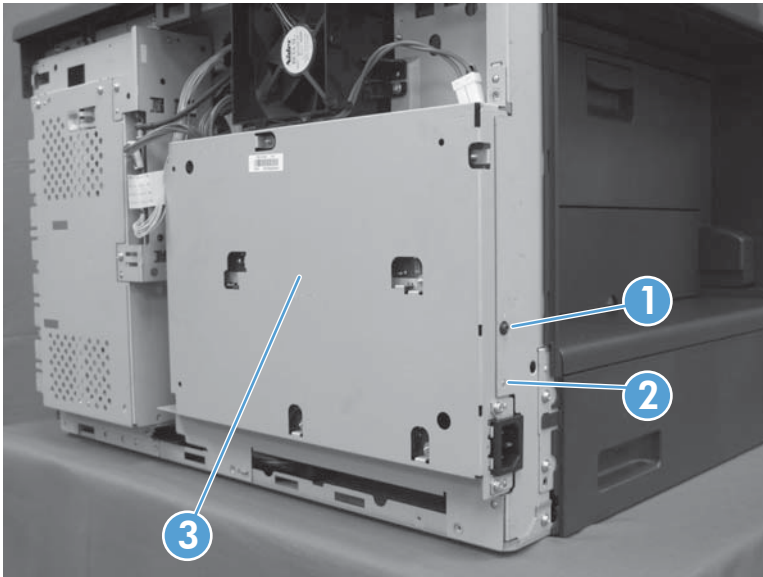
4. Remove four screws (callout 1).

**Figure 1-154** Remove the low-voltage power supply assembly (3 of 4)



5. Remove one screw (callout 1), release one tab (callout 2), and then remove the low-voltage power supply assembly (callout 3) from the product.

**Figure 1-155** Remove the low-voltage power supply assembly (4 of 4)

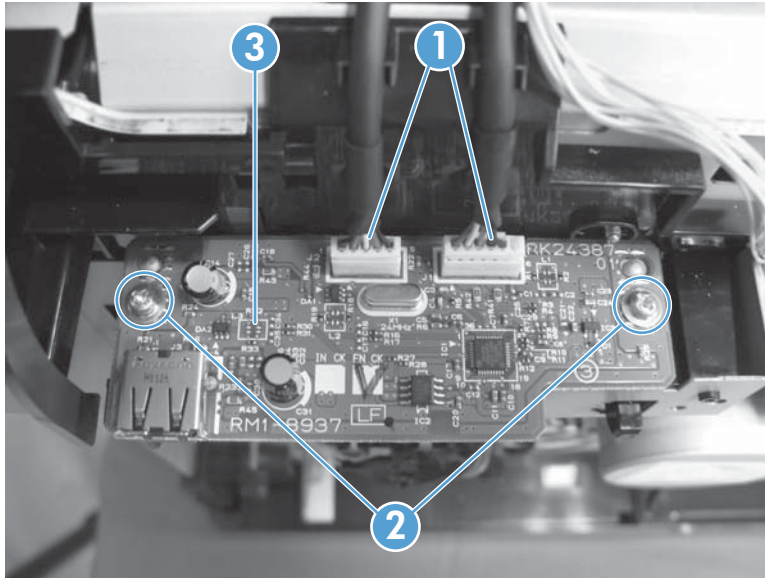


## USB PCA

1. Remove the following components or assemblies:
  - Front cover. See [Front cover on page 11](#).
  - Control panel. See [Control panel assembly on page 33](#).

2. On the front side of the product, disconnect two connectors (callout 1), remove two screws (callout 2), and then remove the USB PCA (callout 3) from the product.

**Figure 1-156** Remove the USB PCA



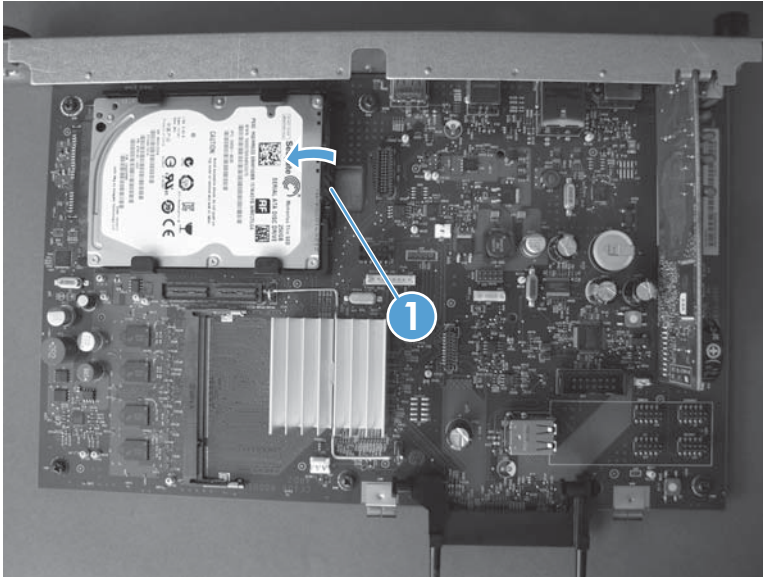


# Miscellaneous parts

## Hard drive

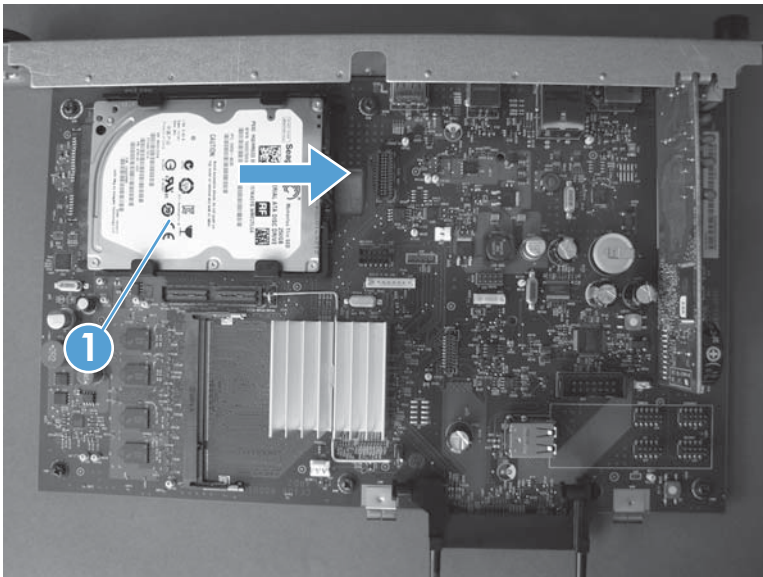
1. Remove the formatter from the product.
2. On the formatter, bend the plastic tab (callout 1) on the hard disk assembly toward the disk to disengage a tab underneath the formatter PCA.

**Figure 1-157** Remove the hard drive (1 of 2)




3. Slide the hard disk (callout 1) in the direction indicated to remove it from the formatter PCA.

**Figure 1-158** Remove the hard drive (2 of 2)



# Trays

## 1x500-sheet paper feeder assembly

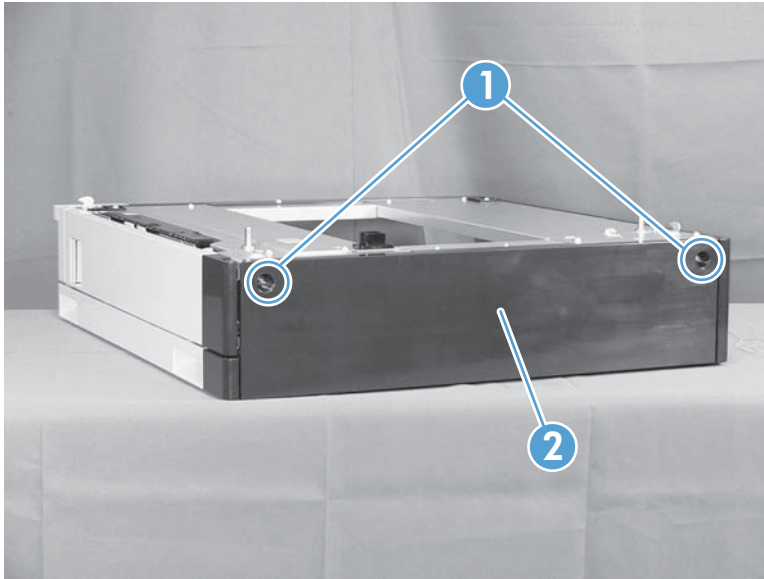
 **NOTE:** The user documentation refers to this assembly as the 500-sheet Tray 4.

---

### 1x500 rear cover

Remove two screws (callout 1), and then remove the rear cover (callout 2).

**Figure 1-159** Remove the 1x500 rear cover

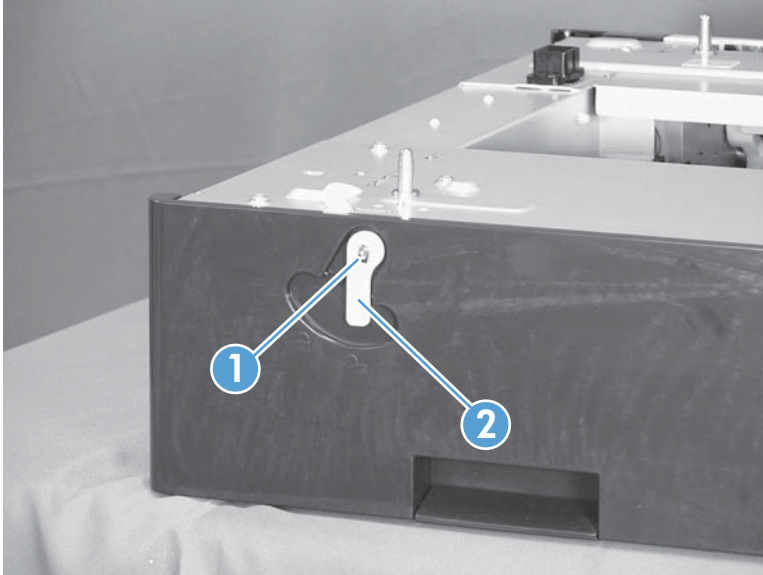




## 1x500 left cover

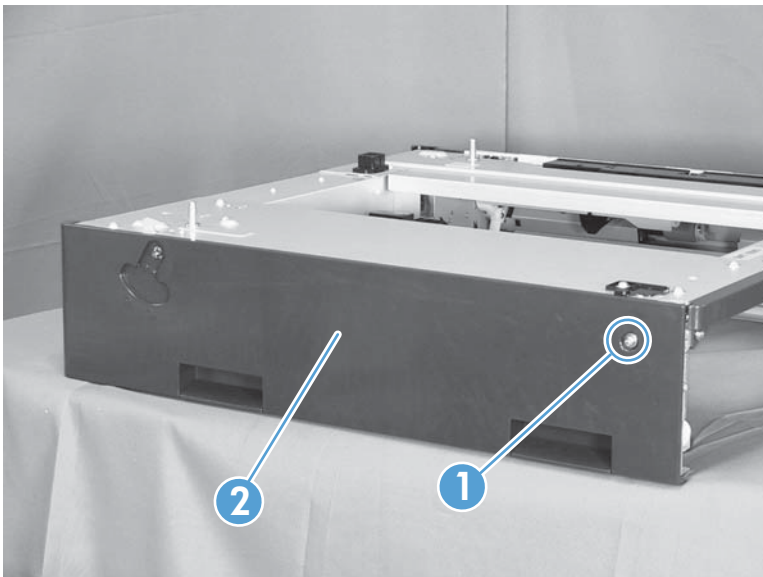
1. Take the cassette out of the feeder, release one tab (callout 1), and then remove the lever (callout 2).


**Figure 1-160** Remove the 1x500 left cover (1 of 2)



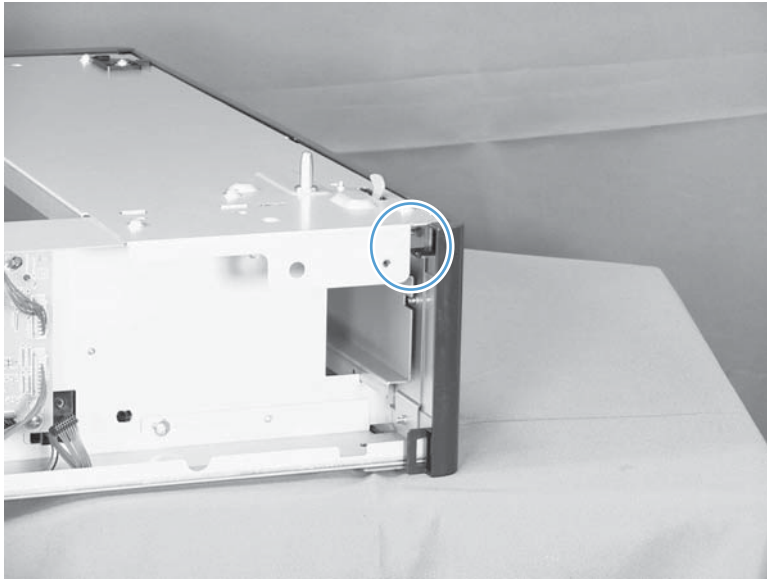
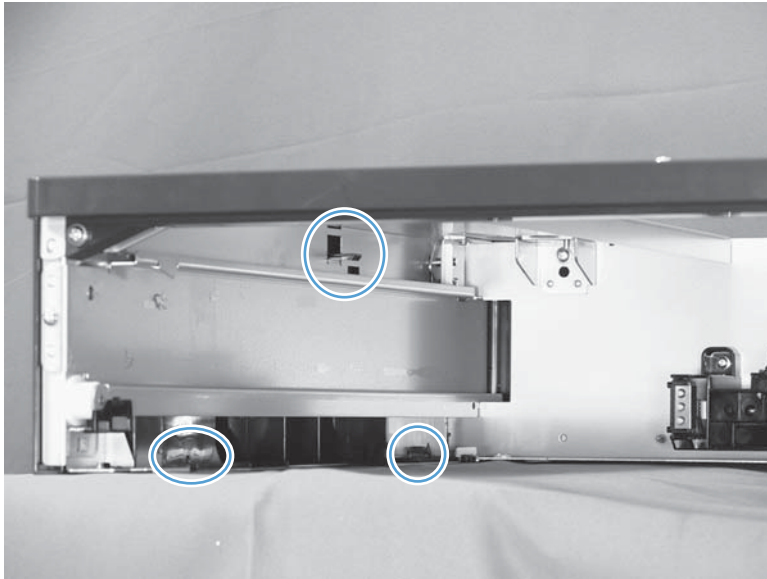
2. Remove one screw (callout 1), release four tabs from the inside (see the tip that follows this step), and then remove the left cover (callout 2).

**Figure 1-161** Remove the 1x500 left cover (2 of 2)



 **TIP:** The following figures show the tabs inside the cover.

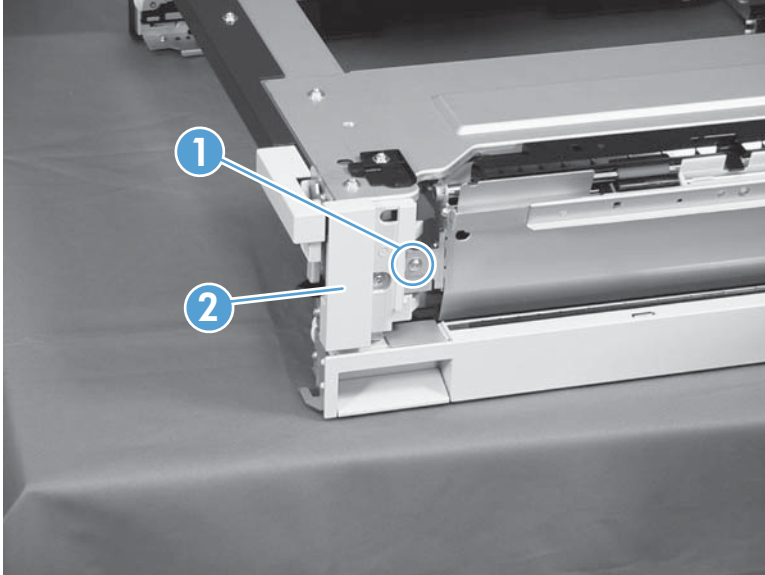
---



## 1x500 right-front cover

1. Take the cassette out of the feeder, and then open the right door.
2. Remove one screw (callout 1), and then remove the right-front cover (callout 2).

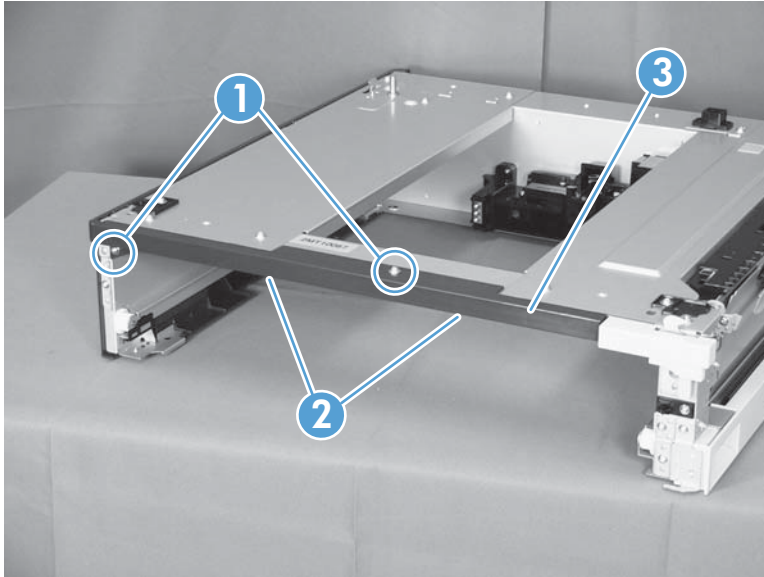
**Figure 1-162** Remove the 1x500 right-front cover



## 1x500 front-upper cover

1. Remove the cassette from the feeder, and then remove the right-front cover (see [1x500 right-front cover on page 104](#)).
2. Remove two screws (callout 1), release two tabs (callout 2), and then remove the front upper cover unit (callout 3).

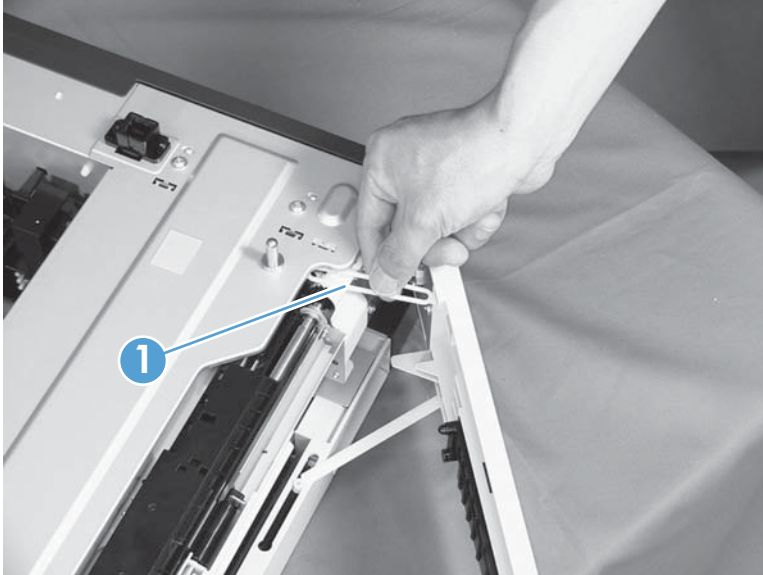
**Figure 1-163** Remove the 1x500 front-upper cover



## 1x500 right door

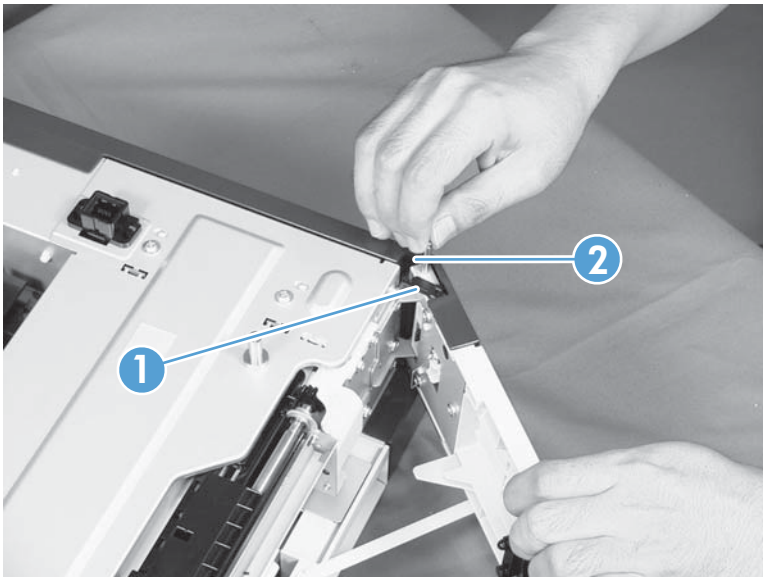
1. Lift the product off the feeder, and then open the tray right door.
2. Release the link arm (callout 1).

**Figure 1-164** Remove the 1x500 right door (1 of 3)



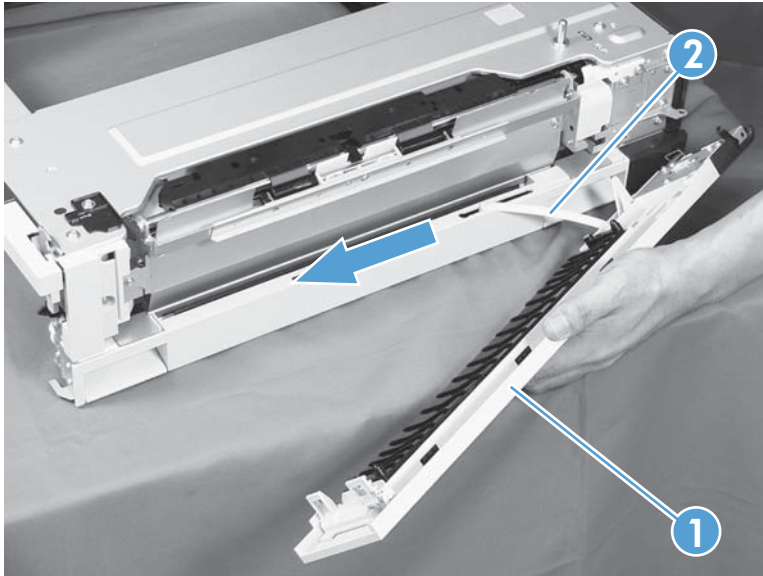
3. Release the stopper (callout 1), and then release the shaft (callout 2).

**Figure 1-165** Remove the 1x500 right door (2 of 3)



4. Slide the right door (callout 1) and the arm (callout 2) in the direction that the arrow indicates to remove them together, and then remove the arm from the right door unit.

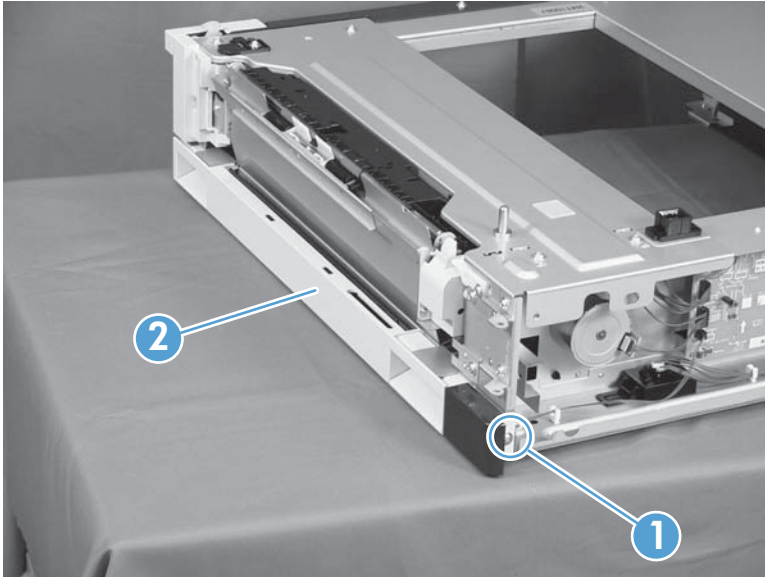
**Figure 1-166** Remove the 1x500 right door (3 of 3)



## 1x500 right-lower cover

1. Remove the cassette from the feeder, and then remove the right door (see [1x500 right door on page 106](#)).
2. Remove one screw (callout 1), and then slide the cover (callout 2) to the right to clear an alignment pin at the left side of the cover.

**Figure 1-167** Remove the 1x500 right-lower cover

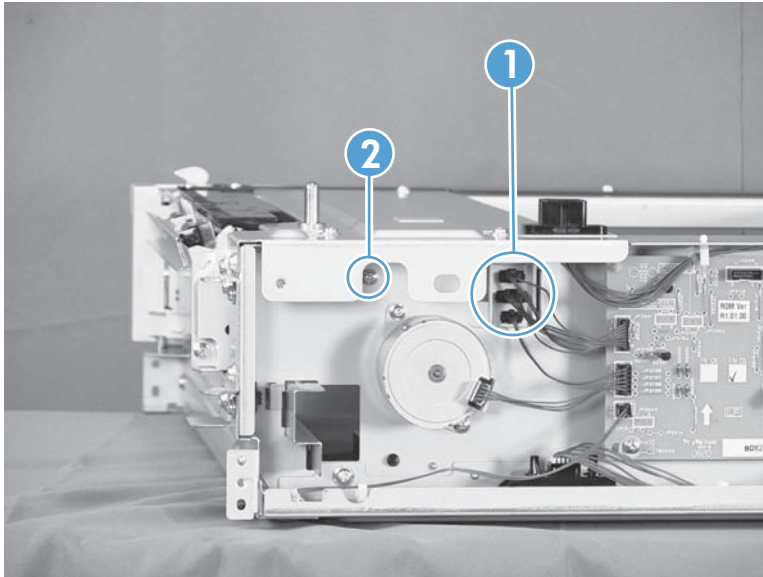




## 1x500 pickup assembly

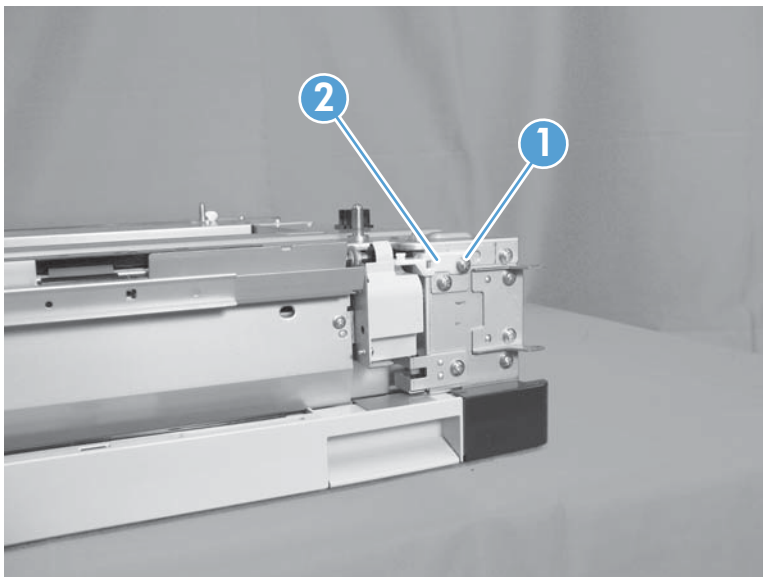
1. Remove the following components or assemblies:
  - Rear cover. See [1x500 rear cover on page 101](#).
  - Right-front cover. See [1x500 right-front cover on page 104](#).
  - Right door. See [1x500 right door on page 106](#).
  - Right-lower cover. See [1x500 right-lower cover on page 108](#).
2. Disconnect three connectors (callout 1), and then remove one screw (callout 2).

**Figure 1-168** Remove the 1x500 pickup assembly (1 of 4)



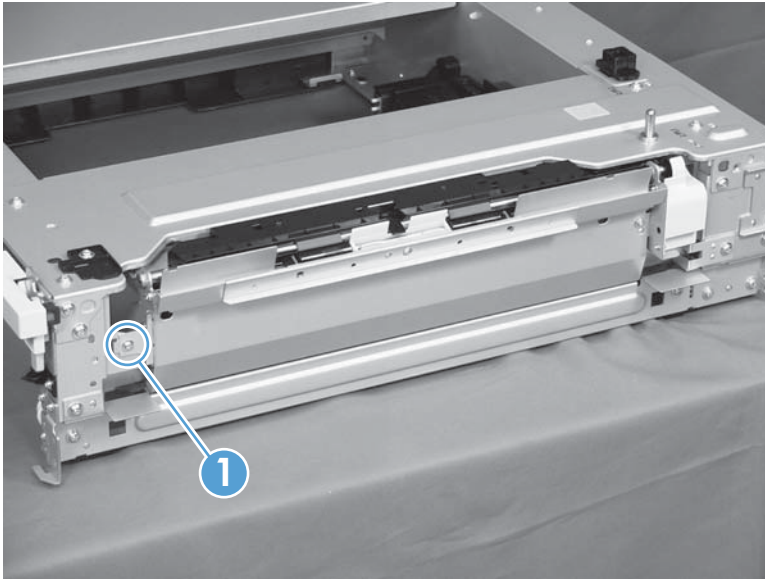
3. Remove one screw (callout 1), and then remove the stopper of the right-door link (callout 2).

**Figure 1-169** Remove the 1x500 pickup assembly (2 of 4)



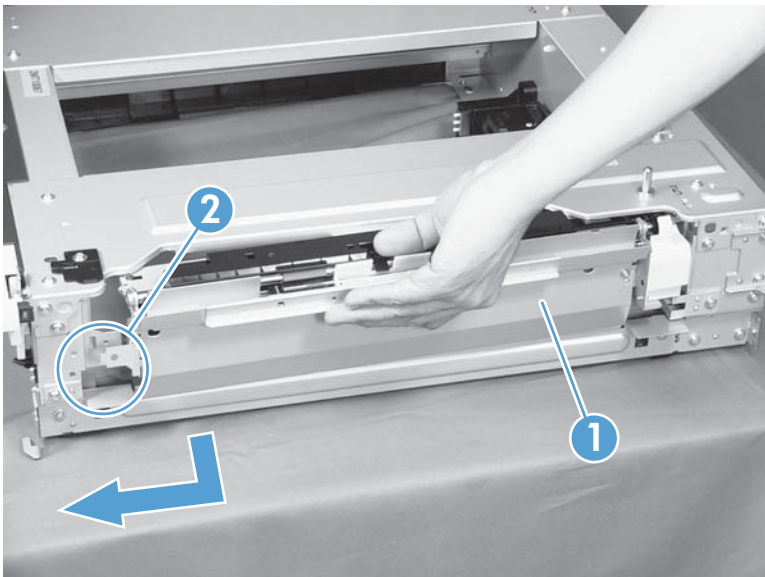
4. Remove one screw (callout 1).


**Figure 1-170** Remove the 1x500 pickup assembly (3 of 4)

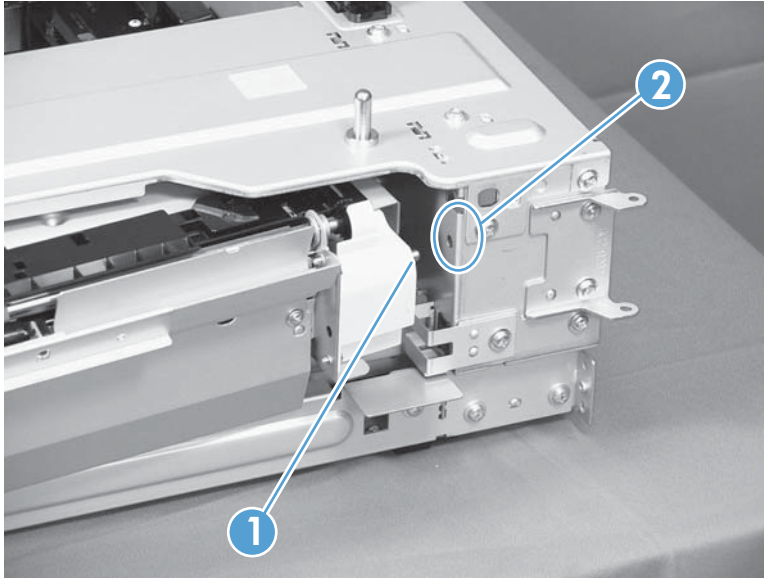


5. Lift the 1x500 pickup assembly (callout 1) slightly to clear a tab (callout 2), and then slide it in the direction that the arrow indicates to remove it.

**Figure 1-171** Remove the 1x500 pickup assembly (4 of 4)



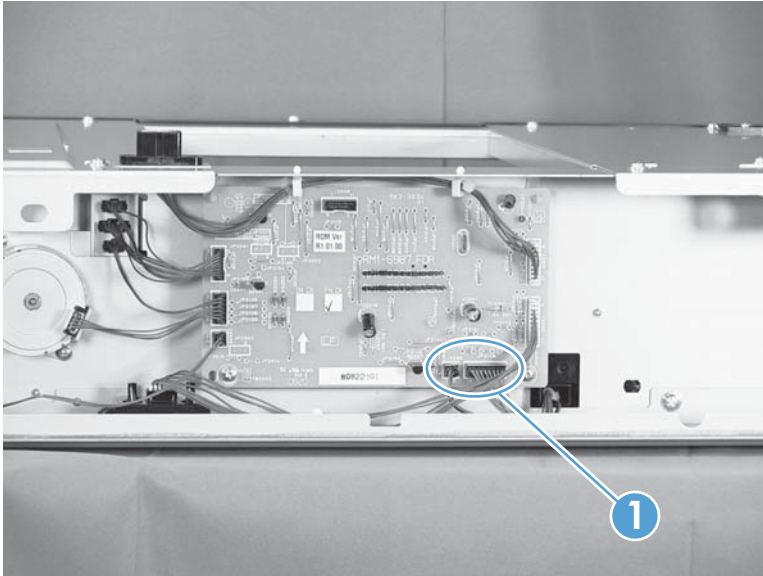
 **Reinstallation tip** When reassembling the 1x500 pickup assembly, be sure to fit the shaft (callout 1) on the assembly to the hole (callout 2) in the feeder.



## 1x500 lifter-drive assembly

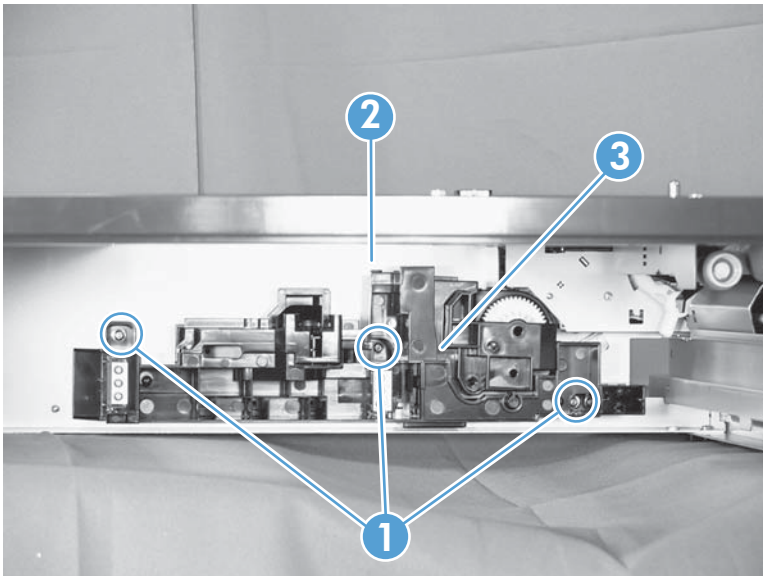
1. Remove the cassette from the feeder, and then remove the rear cover (see [1x500 rear cover on page 101](#)).
2. Disconnect two connectors (callout 1).

**Figure 1-172** Remove the 1x500 lifter-drive assembly (1 of 2)



3. From the front, inside the tray cavity, remove three screws (callout 1), release one tab (callout 2), and then remove the 1x500 lifter-drive assembly (callout 3).

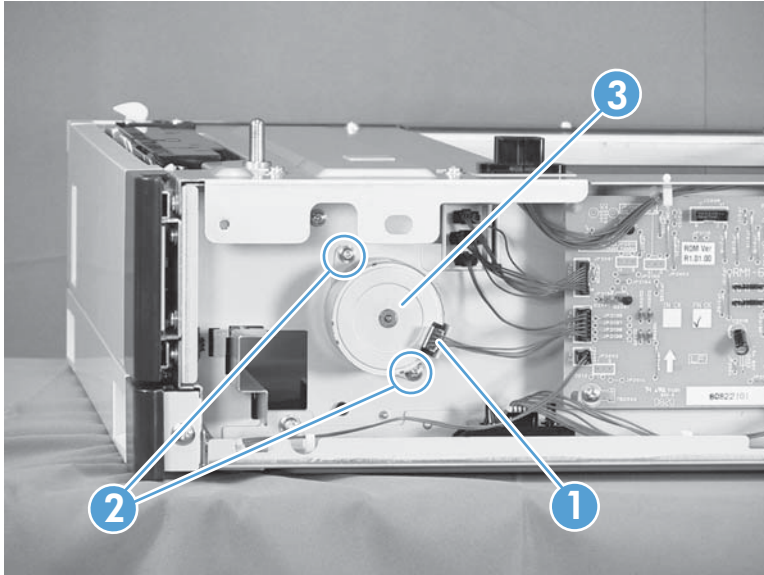
**Figure 1-173** Remove the 1x500 lifter-drive assembly (2 of 2)



## 1x500 pickup motor


1. Remove the cassette from the feeder, and then remove the rear cover (see [1x500 rear cover on page 101](#)).
2. Disconnect one connector (callout 1), remove two screws (callout 2), and then remove the 1x500 pickup motor (callout 3).

**Figure 1-174** Remove the 1x500 pickup motor

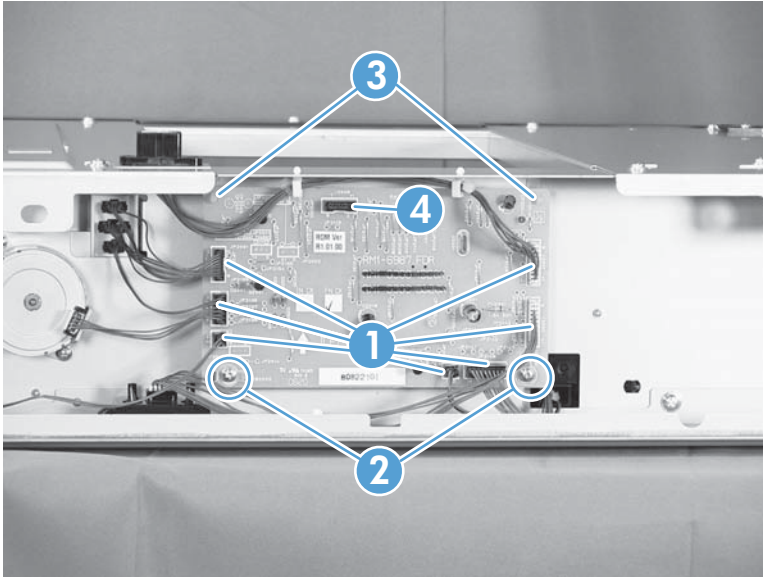


## 1x500 driver PCA

1. Remove the cassette from the feeder, and then remove the rear cover (see [1x500 rear cover on page 101](#)).
2. Disconnect seven connectors (callout 1), remove two screws (callout 2), release two tabs (callout 3), and then remove the 1x500 driver PCA.


 **NOTE:** One connector (callout 4) on the 1x500 driver PCA remains empty.

**Figure 1-175** Remove the 1x500 driver PCA





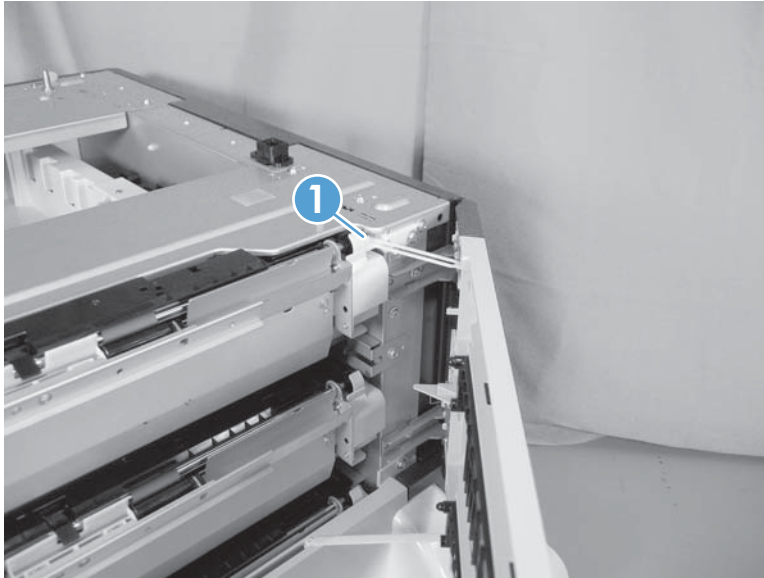
## 1x500 or 3x500-sheet paper deck (optional accessory)

 **NOTE:** The figures in this section show the 3x500 paper deck. The procedures for the 1x500 paper deck are the same.

### Paper deck right-door assembly

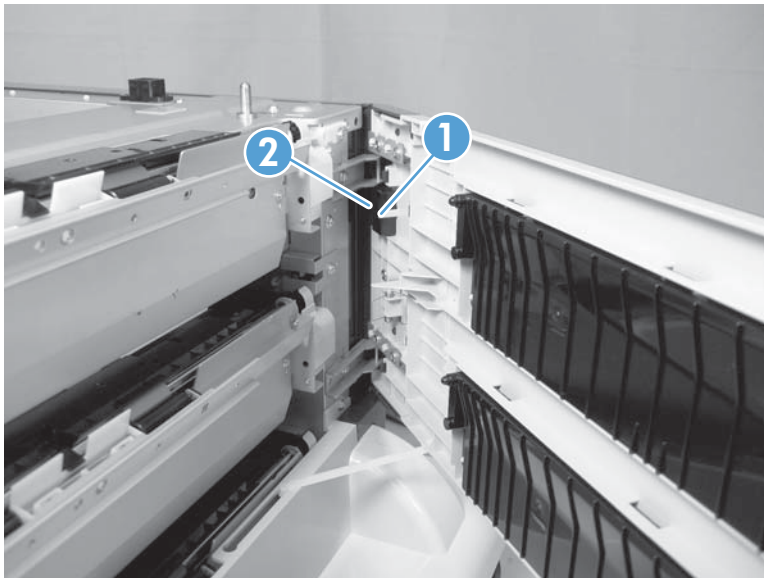
1. Open the right door, and then release one upper-link arm (callout 1).

**Figure 1-176** Remove the paper deck right-door assembly (1 of 3)



2. Release one tab (callout 1), and then remove the stopper (callout 2).

**Figure 1-177** Remove the paper deck right-door assembly (2 of 3)

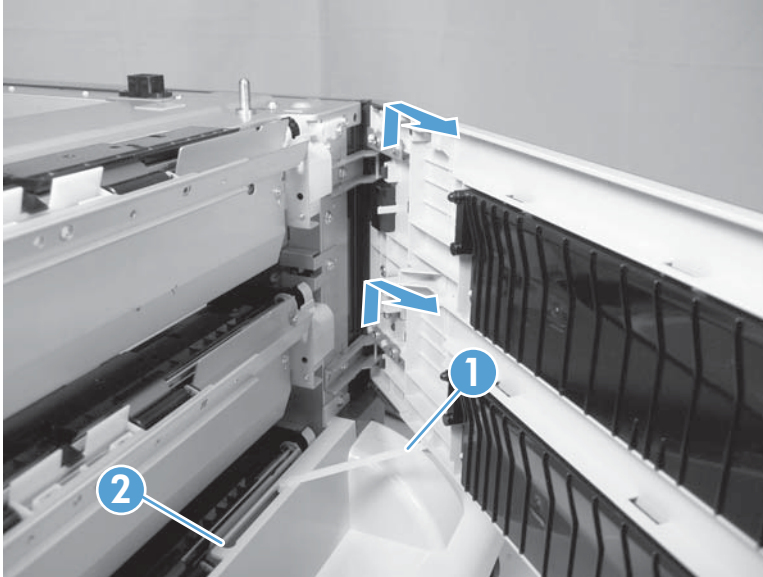




3. Lift up on the door to release it, slide the lower-link arm (callout 1) along the slot in the chassis to the release point (callout 2), and then remove the paper deck right door.

**CAUTION:** The door remains attached to the feeder until the link arm is released. Do not damage the link arm when the door is removed.

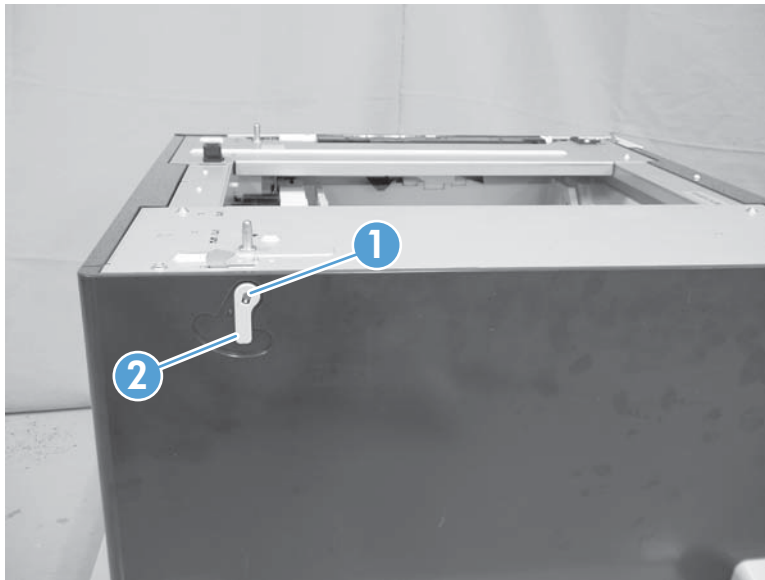
**Figure 1-178** Remove the paper deck right-door assembly (3 of 3)



## Paper deck left cover

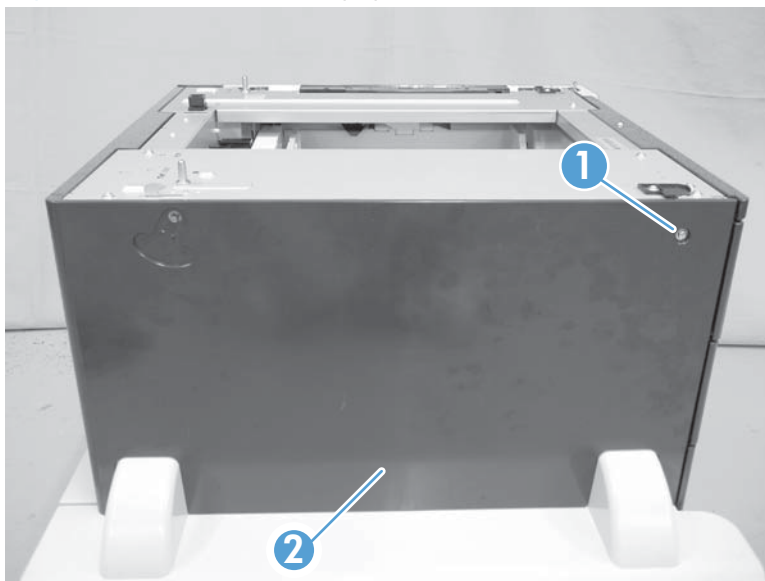
1. Release one tab (callout 1), and then remove the locking lever (callout 2).

**Figure 1-179** Remove the paper deck left cover (1 of 2)



2. Remove one screw (callout 1), and then remove the left cover (callout 2).

**Figure 1-180** Remove the paper deck left cover (2 of 2)

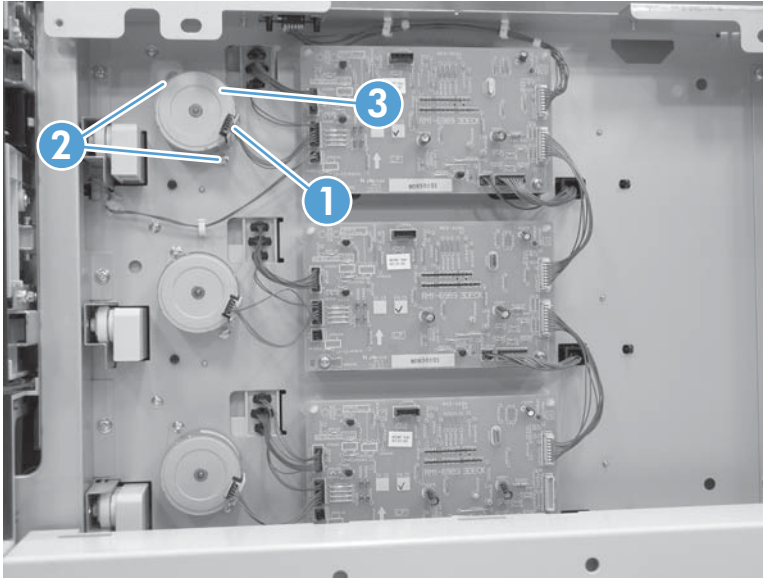


## Paper deck pickup motor

This procedure describes removing the paper deck cassette 1 pickup motor. Use this procedure for any of the paper deck pickup motors.

1. Remove the paper deck rear cover. See [Paper deck rear cover on page 124](#).
2. Disconnect one connector (callout 1), remove two screws (callout 2), and then remove the cassette pickup motor (callout 3).

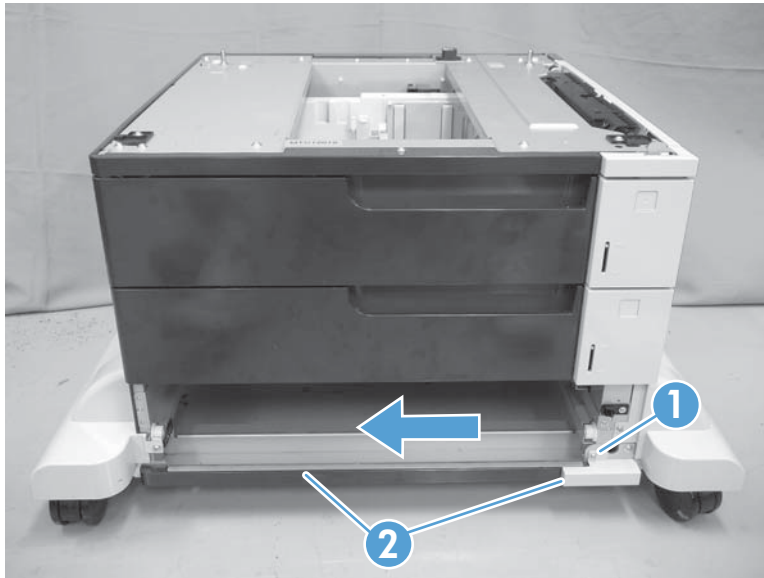
**Figure 1-181** Remove the paper deck pickup motor



## Paper deck front-lower cover

1. Remove the lowest cassette.
2. Remove one screw (callout 1), and then slide the 3 x 500 front-lower cover (callout 2) toward the left side of the feeder to remove it.

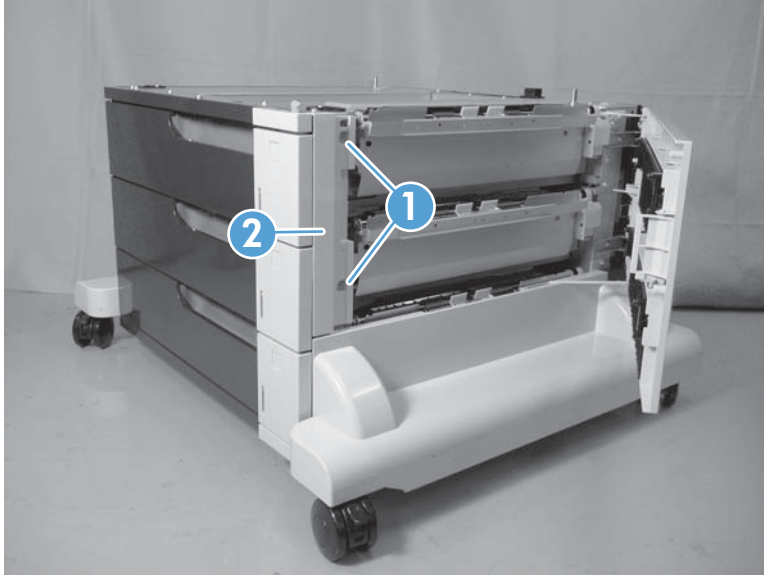
**Figure 1-182** Remove the paper deck front-lower cover



## Paper deck right-corner cover

Open the right door, remove two screws (callout 1), and then remove the paper deck right-corner cover (callout 2).

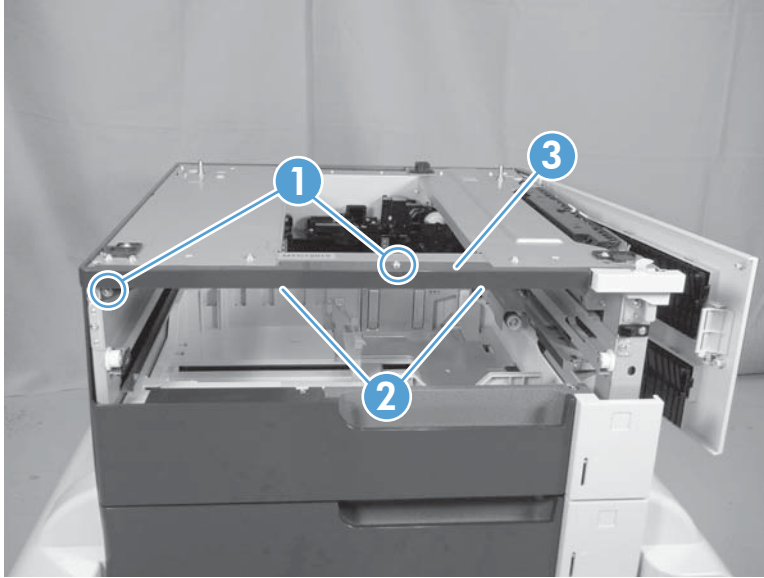
**Figure 1-183** Remove the paper deck right-corner cover



## Paper deck front-upper cover

1. Remove the right-corner cover (see [Paper deck right-corner cover on page 120](#)).
2. Remove the upper cassette.
3. Remove two screws (callout 1), release two tabs (callout 2), and then remove the front-upper cover (callout 3).

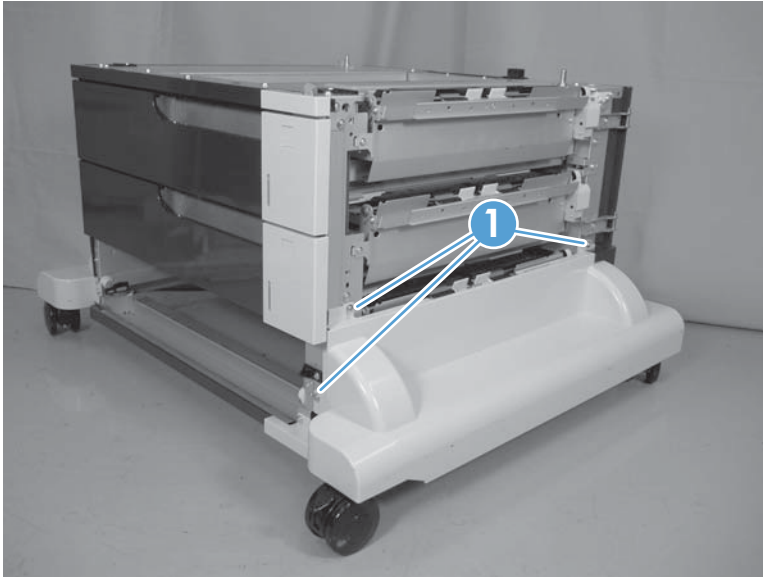
**Figure 1-184** Remove the paper deck front-upper cover



## Paper deck right-lower cover 1

1. Remove the lowest cassette, and then remove the paper deck right door assembly (see [Paper deck right-door assembly on page 115](#)).
2. Remove three screws (callout 1), loosen the top portion of the cover, and then remove the paper deck right-lower cover 1.


**Figure 1-185** Remove the paper deck right-lower cover 1



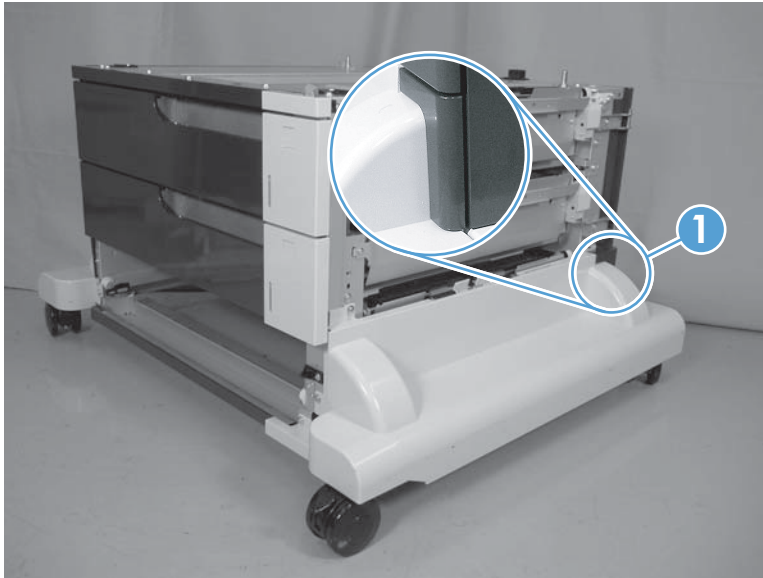


## Paper deck right-lower cover 2

1. Remove the paper deck rear cover (see [Paper deck rear cover on page 124](#)).
2. Release one tab (not shown), and then slide the paper deck right-lower cover 2 (callout 1) toward the back of the feeder to remove it.

 **NOTE:** The figure in this step does not show the rear cover removed. Remove the rear cover to access the tab.

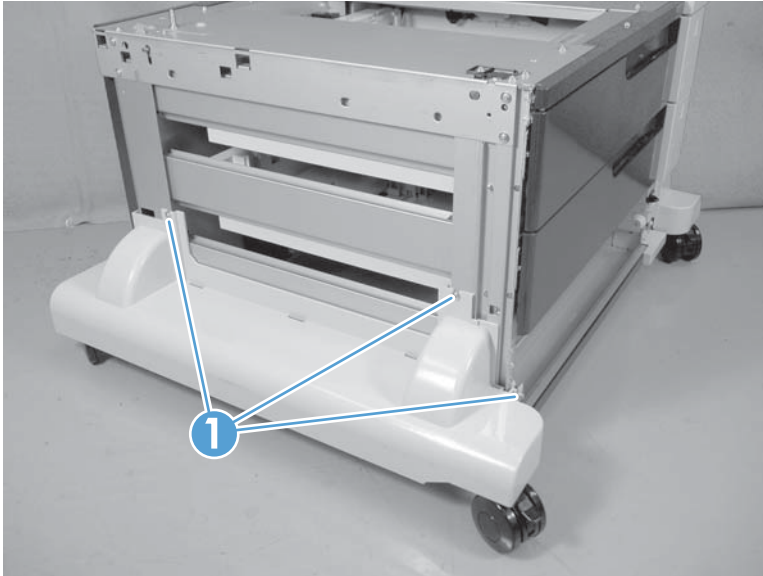
**Figure 1-186** Remove the paper deck right-lower cover 2



## Paper deck left-lower cover

1. Remove the lowest cassette, and then remove the paper deck right door assembly (see [Paper deck right-door assembly on page 115](#)).
2. Remove three screws (callout 1), and then remove the paper deck left-lower cover.

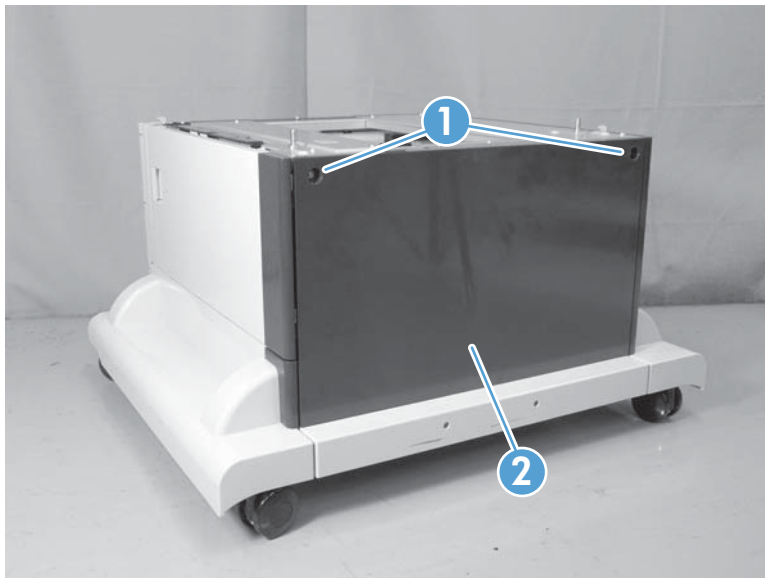
**Figure 1-187** Remove the paper deck left-lower cover



## Paper deck rear cover

Remove two screws (callout 1), and then remove the paper deck rear cover (callout 2).

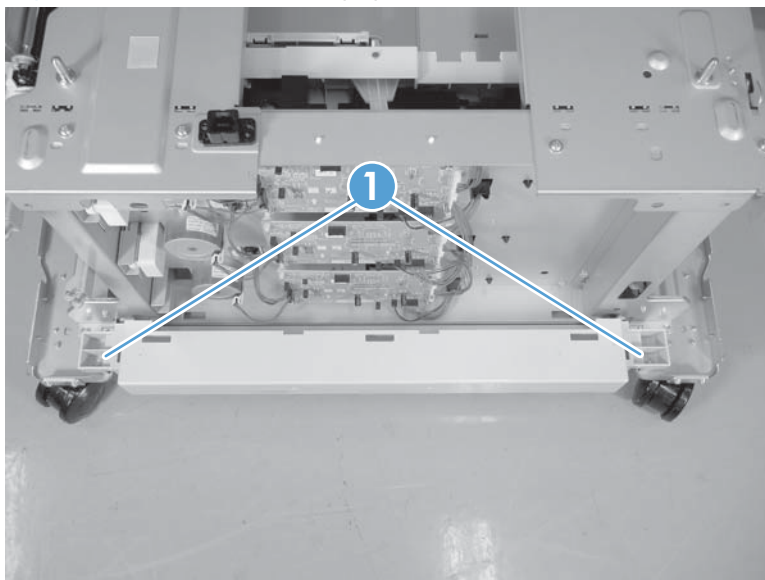
**Figure 1-188** Remove the paper deck rear cover



## Paper deck rear-lower cover


1. Remove the following components or assemblies:
  - Lowest cassette.
  - Paper deck rear cover. See [Paper deck rear cover on page 124](#).
  - Paper deck right door assembly. See [Paper deck right-door assembly on page 115](#).
  - Paper deck right-lower cover. See [Paper deck right-lower cover 1 on page 122](#).
  - Paper deck left cover. See [Paper deck left cover on page 117](#).
  - Paper deck left-lower cover. See [Paper deck left-lower cover on page 124](#).
2. Remove two screws (callout 1), and then remove the paper deck rear-lower cover.

**Figure 1-189** Remove the paper deck rear-lower cover

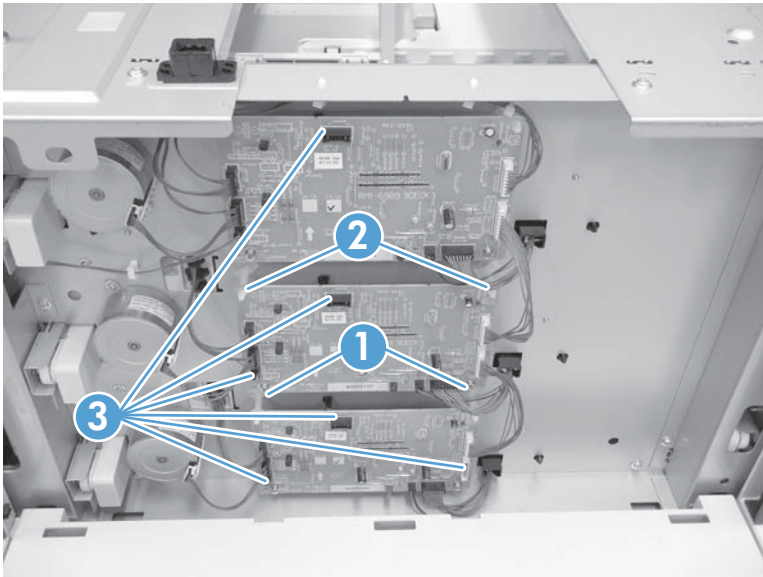


## Paper deck paper deck controller PCAs

1. Remove the paper deck rear cover (see [Paper deck rear cover on page 124](#)).
2. Disconnect all of the connectors for the desired PCA.
  - The top PCA has seven connectors.
  - The middle PCA has six connectors.
  - The bottom PCA has five connectors.
3. Remove two screws (callout 1), release two tabs (callout 2), and then remove the PCA. Repeat this procedure for the remaining PCAs.

 **NOTE:** Some connectors (callout 3) on the PCAs are not used.

**Figure 1-190** Remove the paper deck controller PCA

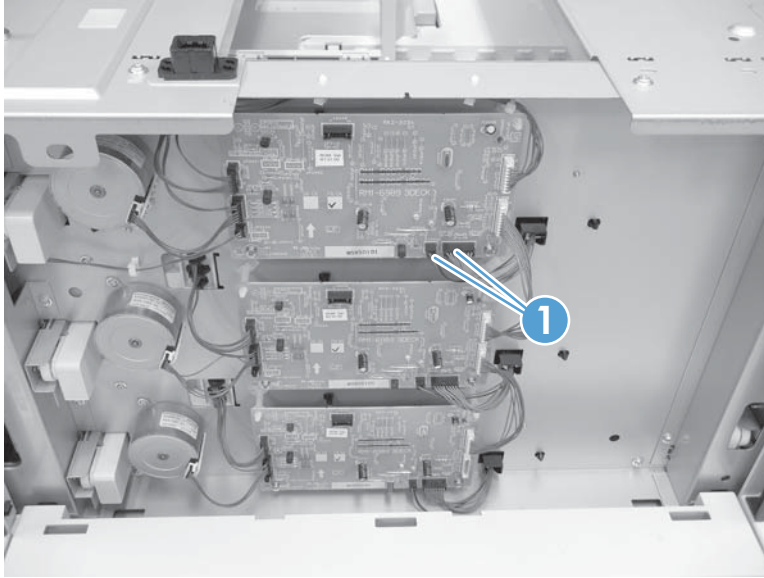


## Paper deck lifter-drive assembly

This procedure describes removing the paper deck cassette 1 lifter-drive assembly. Use this procedure for any of the paper deck lifter assemblies.

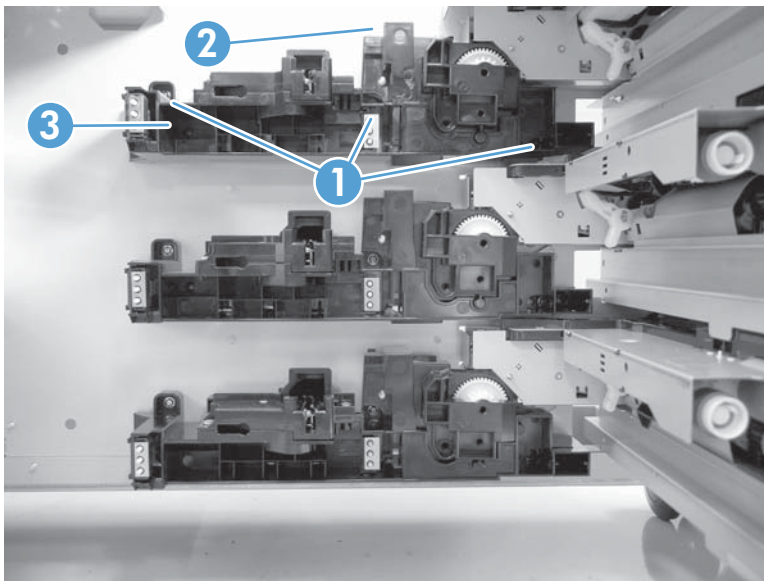
1. Remove the paper deck rear cover. See [Paper deck rear cover on page 124](#).
2. Disconnect two connectors (callout 1).

**Figure 1-191** Remove the paper deck lifter-drive assembly (1 of 2)



3. Remove all of the cassettes, remove three screws (callout 1), release one tab (callout 2), and then remove the cassette lifter assembly (callout 3).

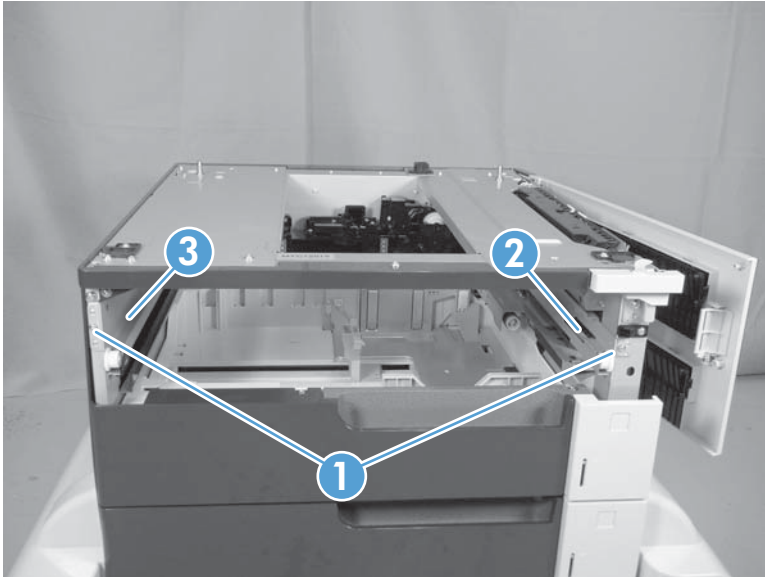
**Figure 1-192** Remove the paper deck lifter-drive assembly (2 of 2)



## Paper deck right and left cassette rails

1. Remove a cassette.
2. Remove two screws (callout 1), and then remove the paper deck right (callout 2) and left (callout 3) cassette rails. Repeat this procedure for the remaining cassette rails.


**Figure 1-193** Remove the paper deck right and left cassette rails



## Paper deck paper deck pickup assembly

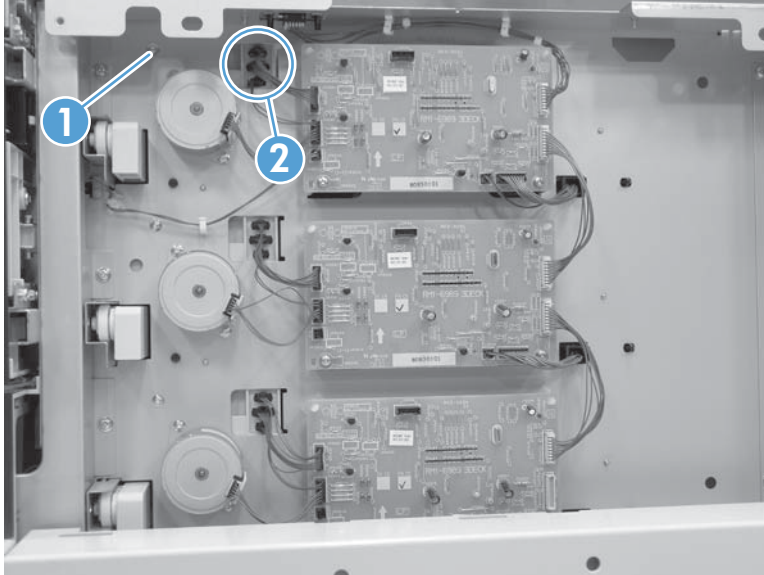
This procedure describes removing the paper deck cassette 1 assembly. Use this procedure for any of the paper deck pickup assemblies.

1. Remove the following components or assemblies:
  - Paper deck rear cover. See [Paper deck rear cover on page 124](#).
  - Paper deck right-corner cover. See [Paper deck right-corner cover on page 120](#)
  - Paper deck right door assembly. See [Paper deck right-door assembly on page 115](#).
  - Paper deck right-lower cover. See [Paper deck right-lower cover 1 on page 122](#).

 **NOTE:** Remove this cover only if you are removing the paper-feeder cassette 3 pickup assembly.

2. Remove one screw (callout 1), and then disconnect three connectors (callout 2).

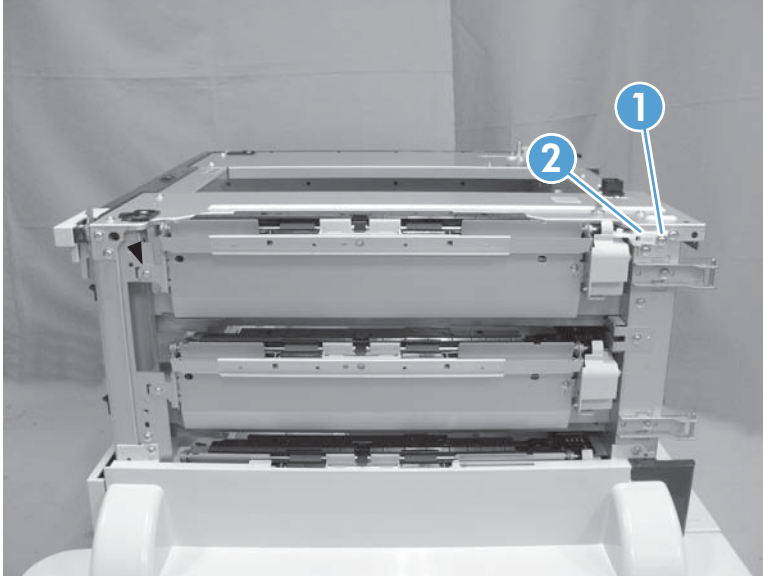
**Figure 1-194** Remove the paper deck pickup assembly (1 of 3)





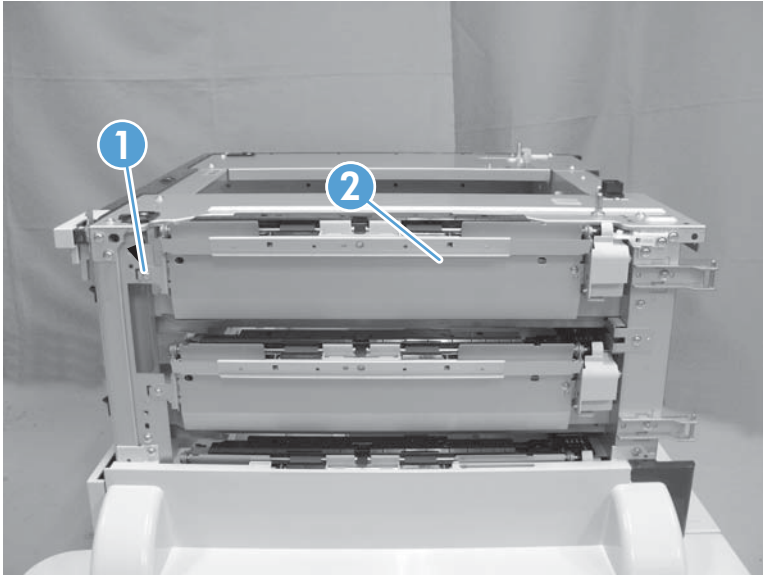
3. Remove the cassette, remove one screw (callout 1), and then remove the right-door link stopper (callout 2).

**Figure 1-195** Remove the paper deck pickup assembly (2 of 3)



4. Remove one screw (callout 1), and then remove the paper deck pickup assembly (callout 2).

**Figure 1-196** Remove the paper deck pickup assembly (3 of 3)



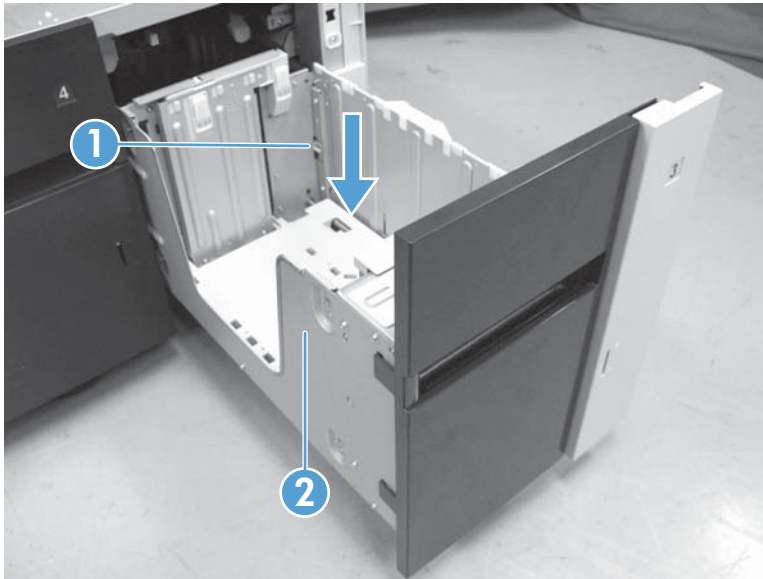
# Input devices

## High capacity input (HCI) feeder

### HCI right tray

1. Open the right tray.
2. Lower the tray release lever (callout 1), and then remove the right tray (callout 2).

**Figure 1-197** Remove the HCI right tray

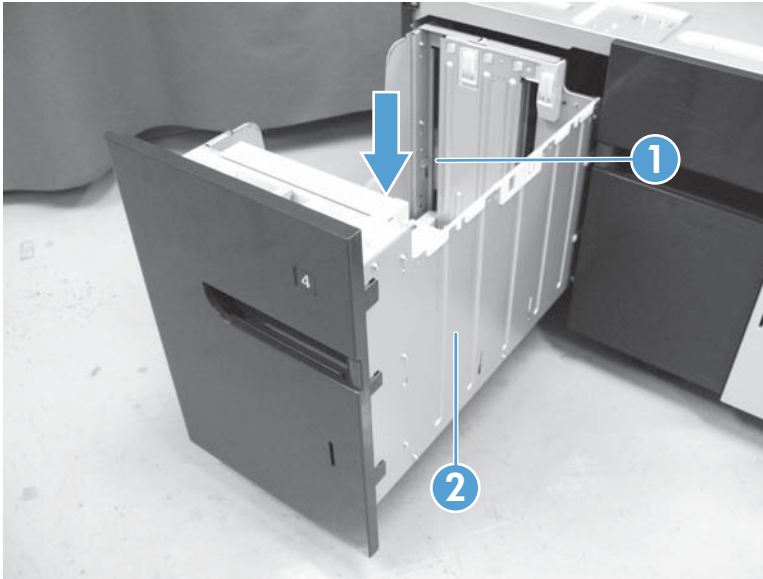


### HCI left tray

1. Open the left tray.

2. Lower the tray release lever (callout 1), and then remove the left tray (callout 2).

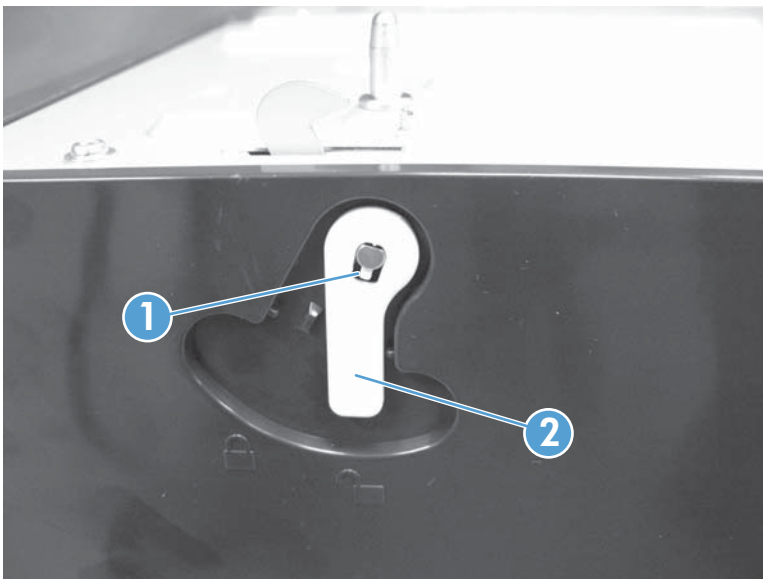
**Figure 1-198** Remove the HCl left tray



## HCl left cover

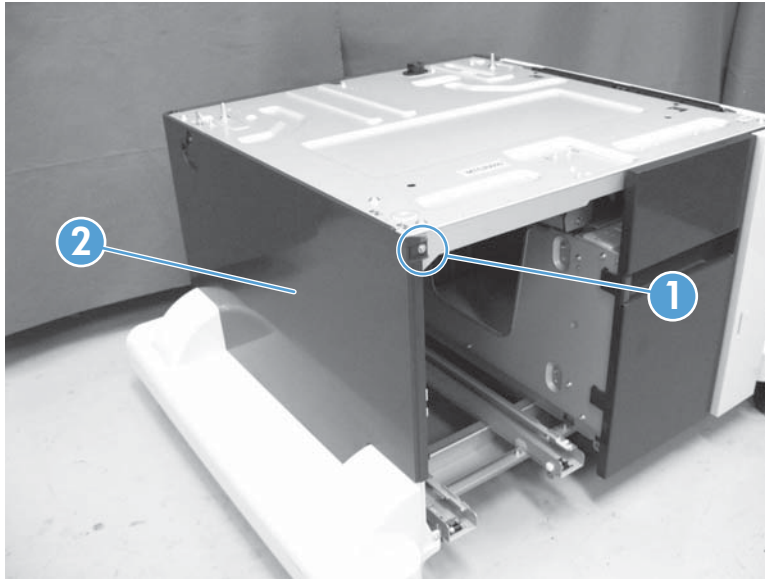
1. Remove the left tray. See [HCl left tray on page 131](#).
2. Release one tab (callout 1), and then move the lock lever (callout 2) into the unlocked position.

**Figure 1-199** Remove the HCl left cover (1 of 2)



3. Remove one screw (callout 1), and then remove the left cover (callout 2) from the HCI.

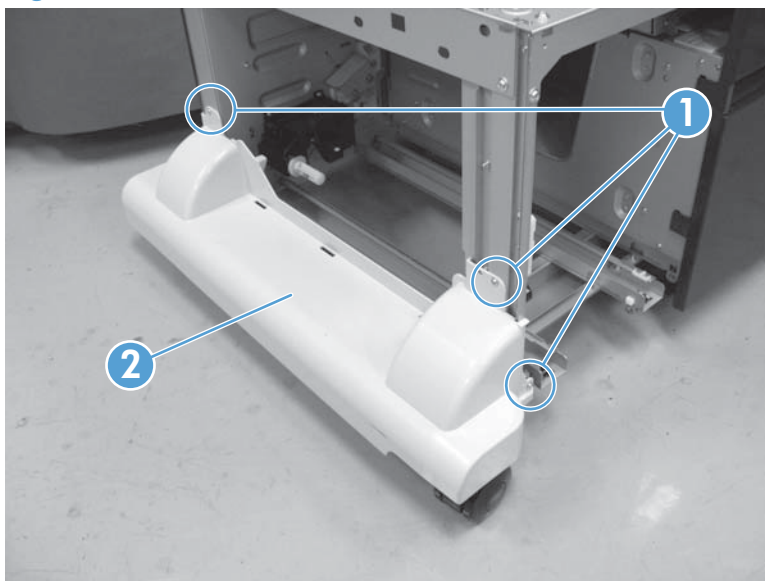
**Figure 1-200** Remove the HCI left cover (2 of 2)



### HCI left lower cover

1. Remove the following components or assemblies:
  - HCI left tray. See [HCI left tray on page 131](#).
  - HCI left cover. See [HCI left cover on page 132](#).
2. Remove three screws (callout 1), and then remove the left lower cover (callout 2).

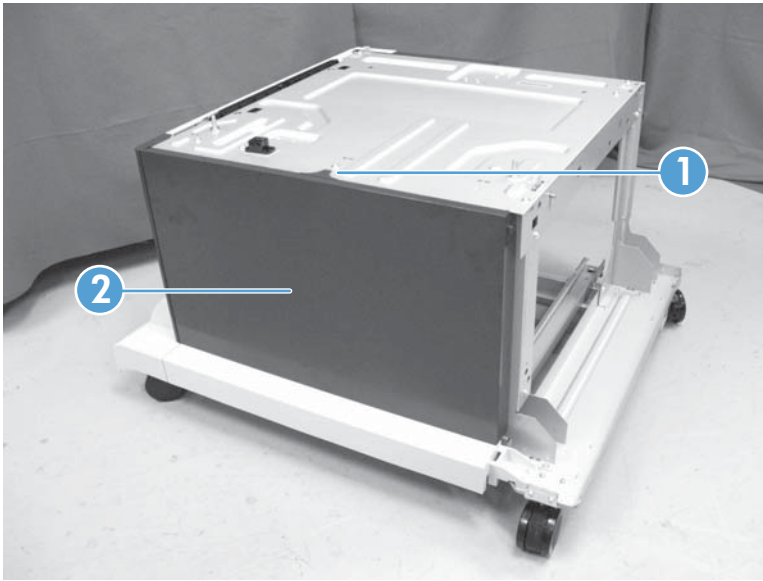
**Figure 1-201** Remove the HCI left lower cover



## HCI rear cover

1. Remove the following components or assemblies:
  - HCI left tray. See [HCI left tray on page 131](#).
  - HCI left cover. See [HCI left cover on page 132](#).
2. Release one tab (callout 1), and then remove the rear cover (callout 2).

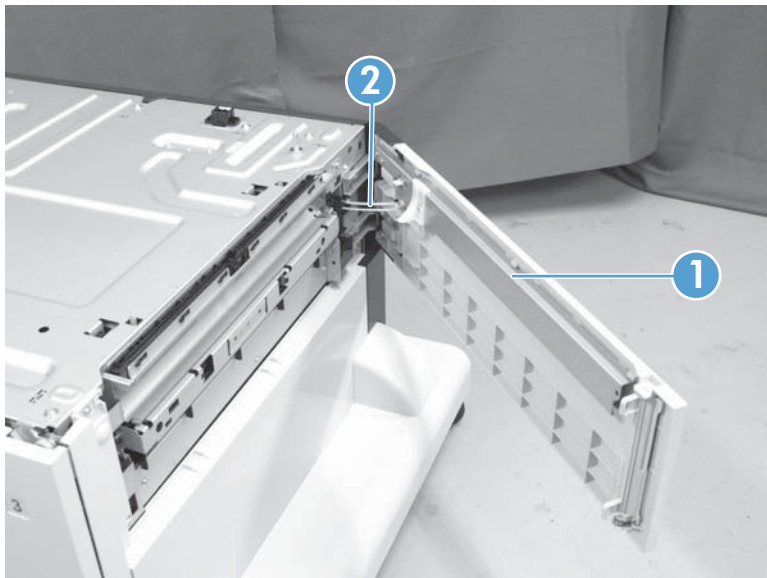
**Figure 1-202** Remove the HCI rear cover



## HCI right door

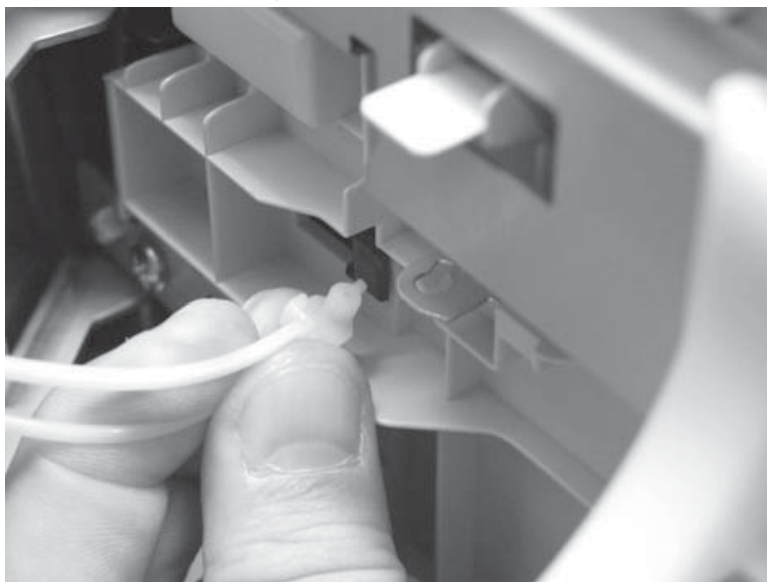
- ▲ Open the right door (callout 1), and then close the right door slightly and release the link (callout 2).

**Figure 1-203** Remove the HCI right door



The figure below shows the door link in detail.

**Figure 1-204** HCI right door link detail



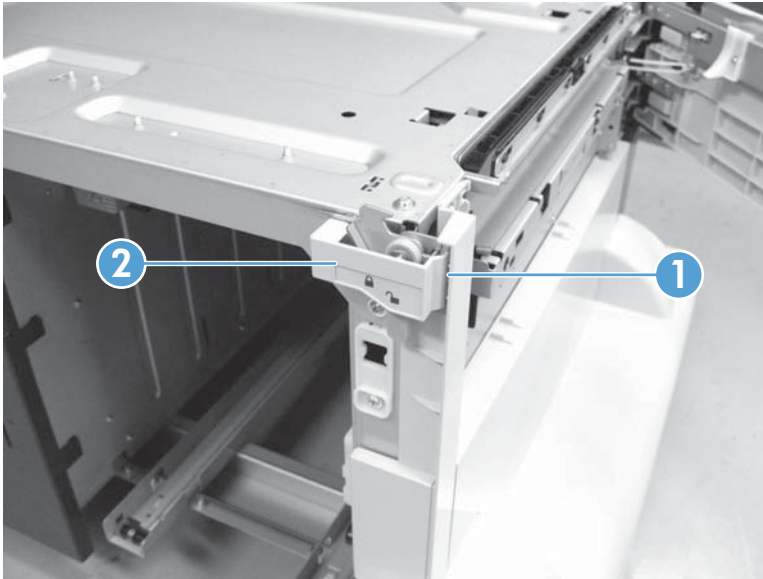
## HCI right front cover

1. Remove the HCI right tray. See [HCI right tray on page 131](#).



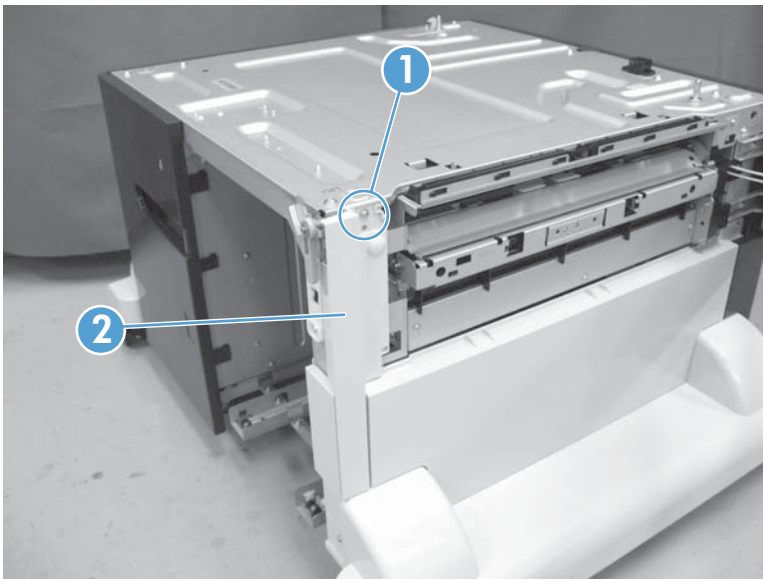
2. Open the HCI right door, release one tab (callout 1), and then remove the lock cover (callout 2).

**Figure 1-205** Remove the HCI right front cover (1 of 2)



3. Remove one screw (callout 1), and then remove the right front cover (callout 2).

**Figure 1-206** Remove the HCI right front cover (2 of 2)



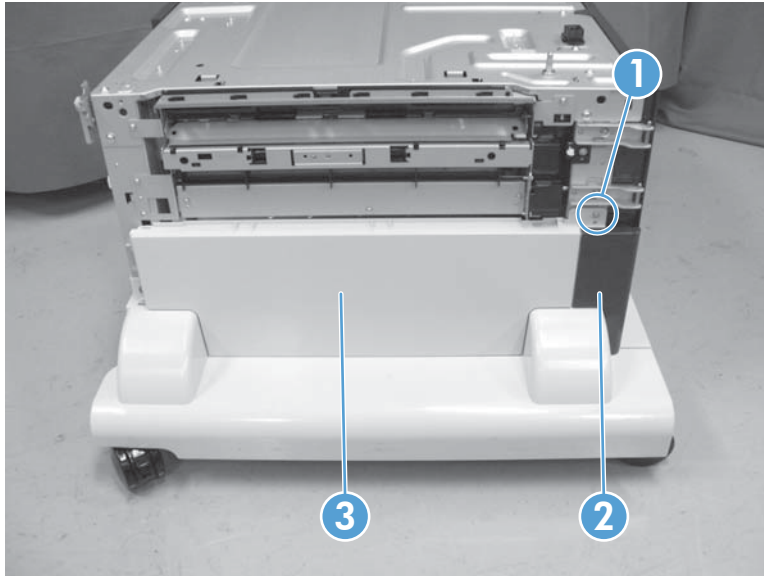
## HCI right center cover and right rear cover

1. Remove the following components or assemblies:
  - HCI right tray. See [HCI right tray on page 131](#).
  - HCI right door. See [HCI right door on page 135](#).
  - HCI right front cover. See [HCI right front cover on page 135](#).



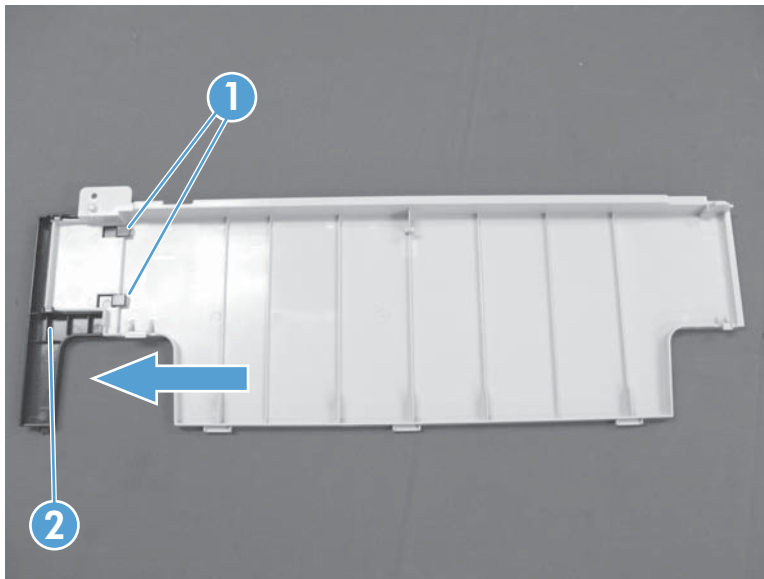
2. Remove one screw (callout 1), and then remove the right rear cover (callout 2) and the right center cover (callout 3) together.

**Figure 1-207** Remove the HCI right center cover and right rear cover (1 of 2)



3. Release two tabs (callout 1), slide the right rear cover (callout 2) in the direction indicated and remove it from the right center cover.

**Figure 1-208** Remove the HCI right center cover and right rear cover (2 of 2)

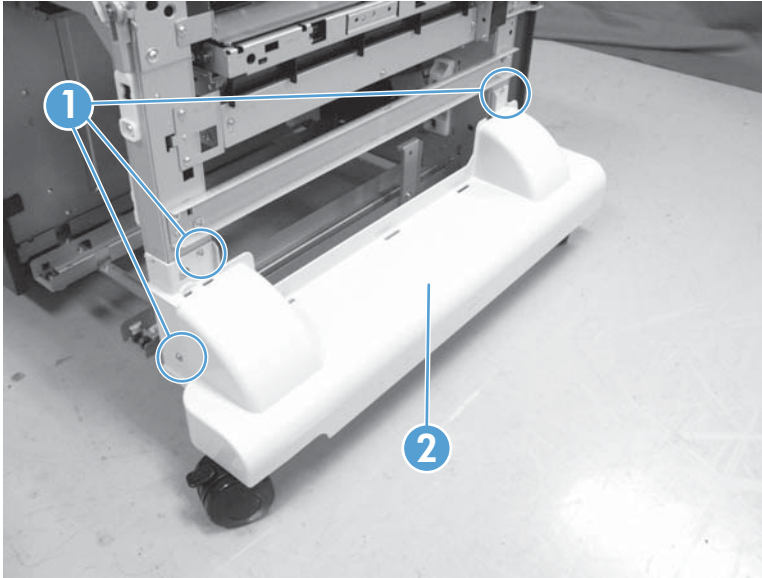


## HCI right lower cover

1. Remove the following components or assemblies:
  - HCI right tray. See [HCI right tray on page 131](#).
  - HCI right door. See [HCI right door on page 135](#).

- HCl right front cover. See [HCl right front cover on page 135](#).
  - HCl right center cover. See [HCl right center cover and right rear cover on page 136](#).
2. Remove three screws (callout 1), and then remove the right lower cover (callout 2).

**Figure 1-209** Remove the HCl right lower cover

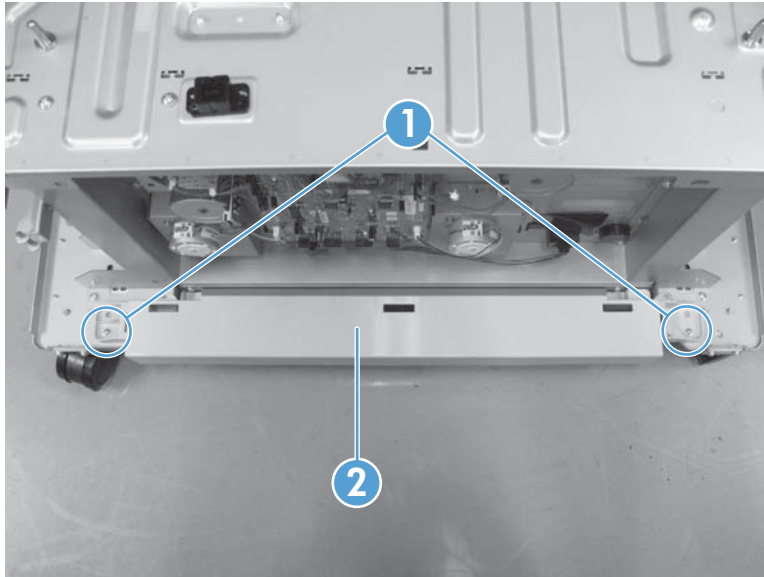


## HCl rear lower cover

1. Remove the following components or assemblies:
- HCl right tray. See [HCl right tray on page 131](#).
  - HCl left tray. See [HCl left tray on page 131](#).
  - HCl left cover. See [HCl left cover on page 132](#).
  - HCl left lower cover. See [HCl left lower cover on page 133](#).
  - HCl rear cover. See [HCl rear cover on page 134](#).
  - HCl right door. See [HCl right door on page 135](#).
  - HCl right front cover. See [HCl right front cover on page 135](#).
  - HCl right center cover. See [HCl right center cover and right rear cover on page 136](#).
  - HCl right lower cover. See [HCl right lower cover on page 137](#).

2. Remove two screws (callout 1), and then remove the rear lower cover (callout 2).

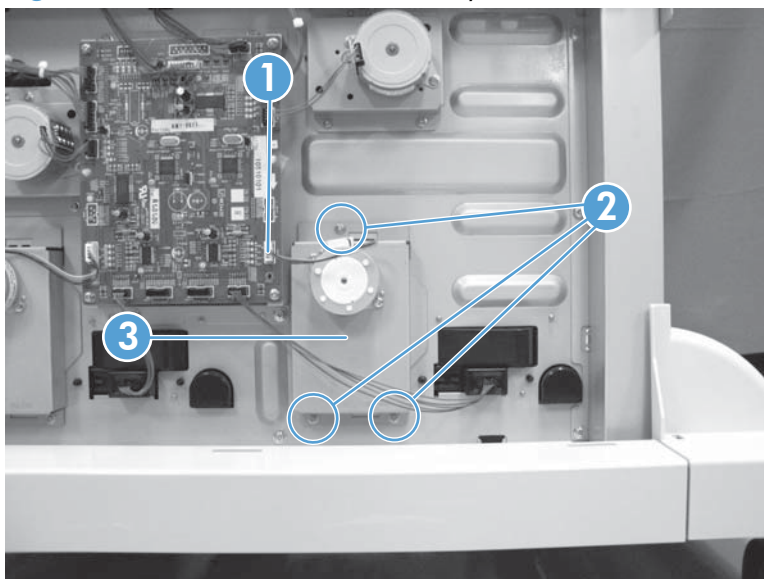
**Figure 1-210** Remove the HCI rear lower cover



## HCI left tray lifter drive

1. Remove the following components or assemblies:
  - HCI left tray. See [HCI left tray on page 131](#).
  - HCI left cover. See [HCI left cover on page 132](#).
  - HCI rear cover. See [HCI rear cover on page 134](#).
2. Disconnect one connector (callout 1), remove three screws (callout 2), and then remove the left tray lifter drive (callout 3).

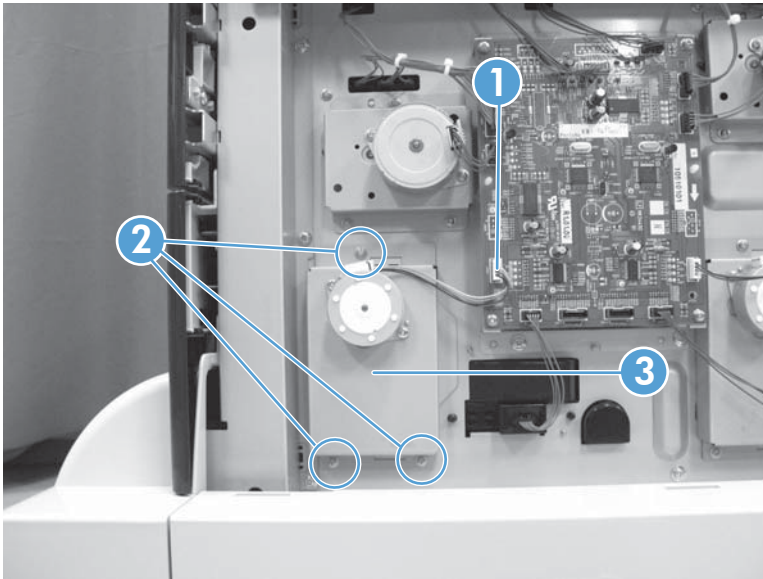
**Figure 1-211** Remove the HCI left tray lifter drive



## HCI right tray lifter drive

1. Remove the following components or assemblies:
  - HCI left tray. See [HCI left tray on page 131](#).
  - HCI left cover. See [HCI left cover on page 132](#).
  - HCI rear cover. See [HCI rear cover on page 134](#).
2. Disconnect one connector, remove three screws (callout 2), and then remove the right tray lifter drive (callout 3).

**Figure 1-212** Remove the HCI right tray lifter drive

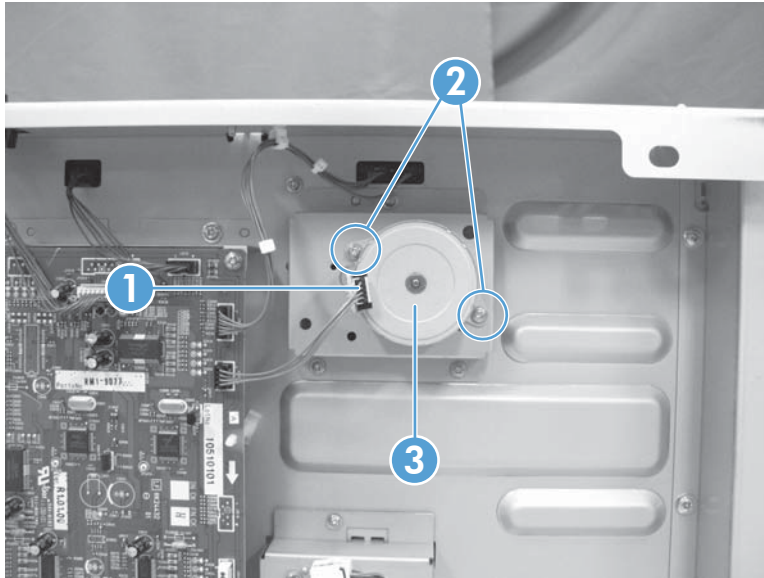


## HCI left tray pickup drive

1. Remove the following components or assemblies:
  - HCI left tray. See [HCI left tray on page 131](#).
  - HCI left cover. See [HCI left cover on page 132](#).
  - HCI rear cover. See [HCI rear cover on page 134](#).

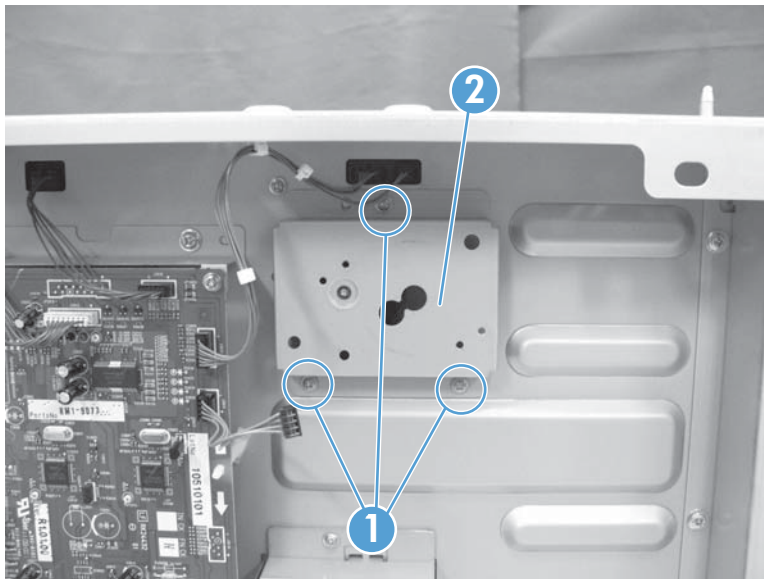
2. Disconnect one connector (callout 1), remove two screws (callout 2), and then remove the HCI left tray pickup motor (callout 3).

**Figure 1-213** Remove the HCI left tray pickup drive (1 of 2)



3. Remove three screws (callout 1), and then remove the left tray pickup drive (callout 2).

**Figure 1-214** Remove the HCI left tray pickup drive (2 of 2)



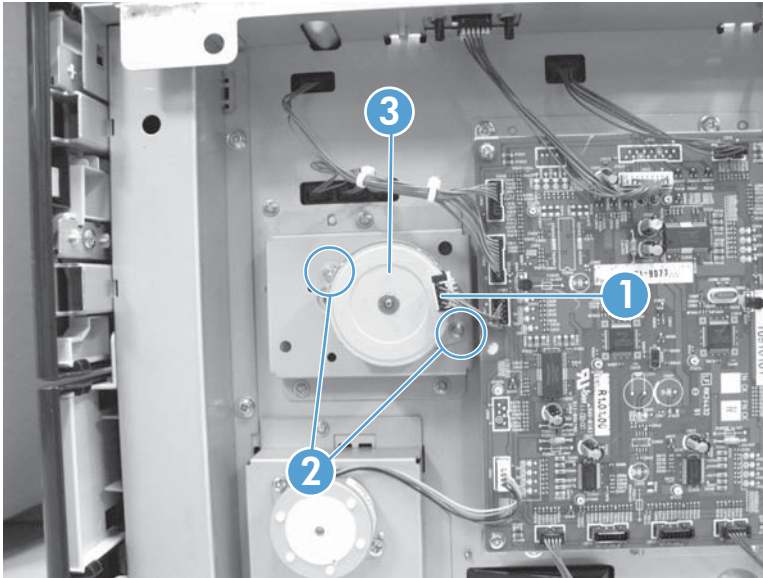
## HCI right tray pickup drive

1. Remove the following components or assemblies:
  - HCI left tray. See [HCI left tray on page 131](#).
  - HCI left cover. See [HCI left cover on page 132](#).
  - HCI rear cover. See [HCI rear cover on page 134](#).



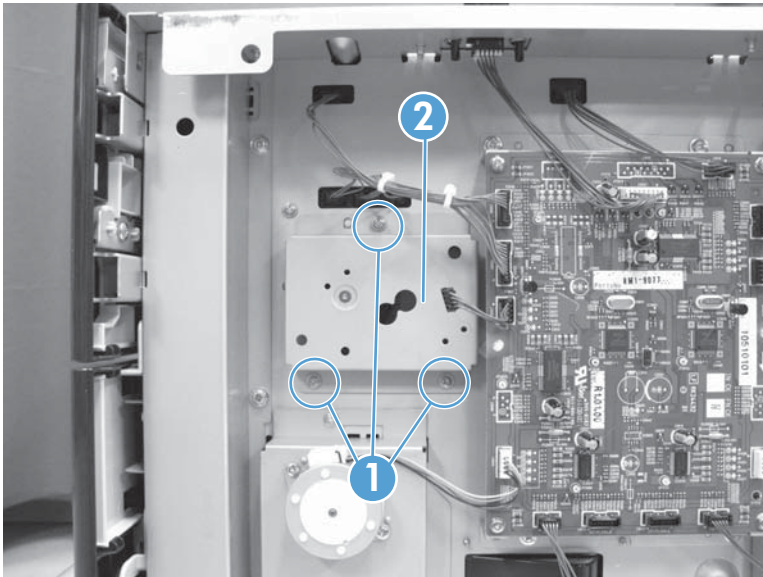
2. Disconnect one connector (callout 1), remove two screws (callout 2), and then remove the HCI right tray pickup motor (callout 3).

**Figure 1-215** Remove the HCI right tray pickup drive (1 of 2)



3. Remove three screws (callout 1), and then remove the right tray pickup drive (callout 2).

**Figure 1-216** Remove the HCI right tray pickup drive (2 of 2)

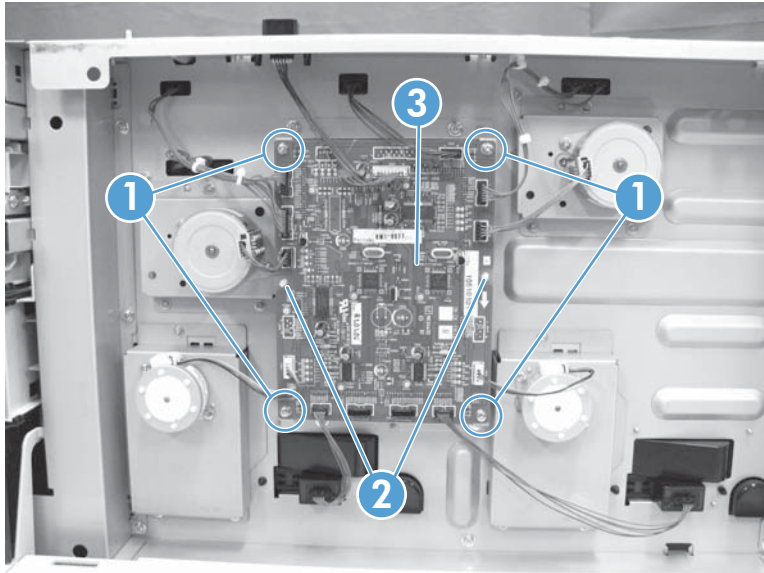


## HCI controller PCA

1. Remove the following components or assemblies:
  - HCI left tray. See [HCI left tray on page 131](#).
  - HCI left cover. See [HCI left cover on page 132](#).
  - HCI rear cover. See [HCI rear cover on page 134](#).

2. Disconnect all of the connectors on the HCI controller PCA, remove four screws (callout 1), release two tabs (callout 2), and then remove the HCI controller PCA (callout 3).

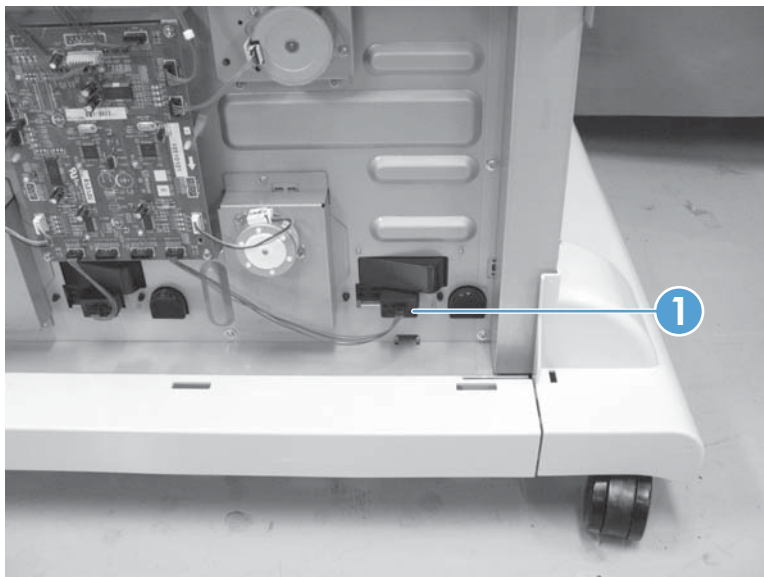
**Figure 1-217** Remove the HCI controller PCA



## HCI left tray automatic close assembly

1. Remove the following components or assemblies:
  - HCI left tray. See [HCI left tray on page 131](#).
  - HCI left cover. See [HCI left cover on page 132](#).
  - HCI rear cover. See [HCI rear cover on page 134](#).
2. Disconnect one connector (callout 1).

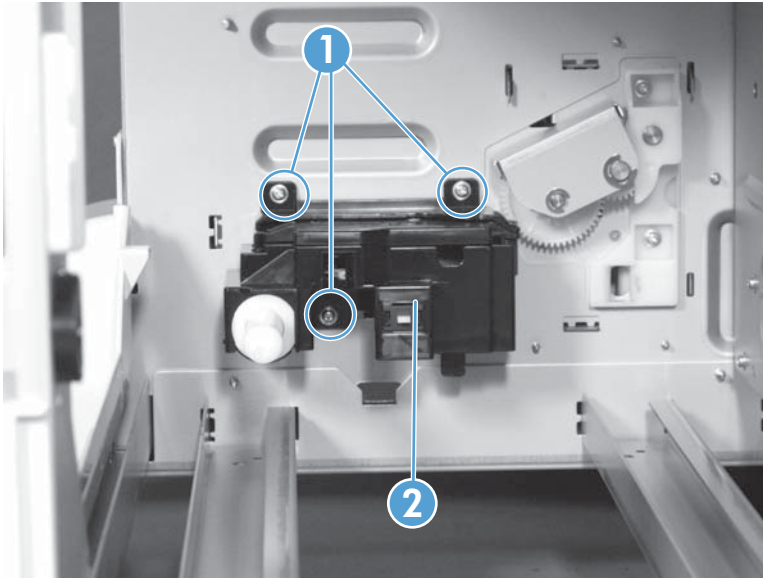
**Figure 1-218** Remove the HCI left tray automatic close assembly (1 of 2)





3. Remove three screws (callout 1), and then remove the left tray automatic close assembly (callout 2).

**Figure 1-219** Remove the HCI left tray automatic close assembly (2 of 2)

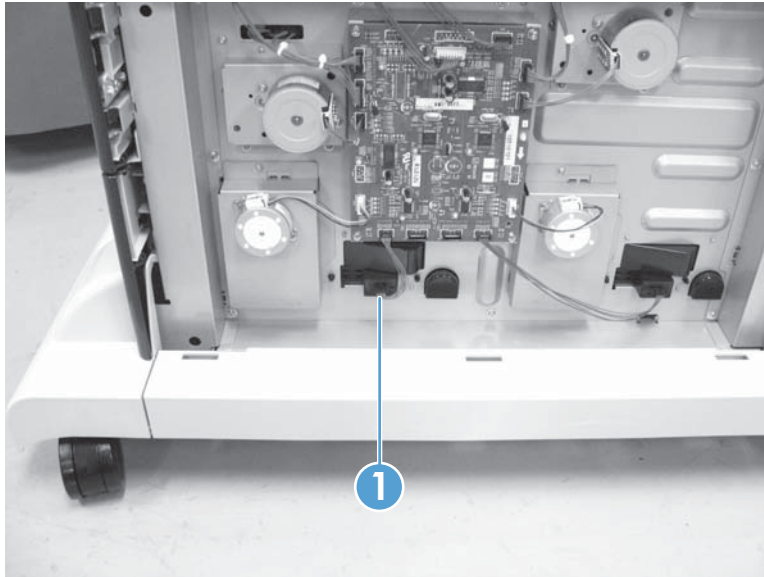


## HCI right tray automatic close assembly

1. Remove the following components or assemblies:
  - HCI right tray. See [HCI right tray on page 131](#).
  - HCI left tray. See [HCI left tray on page 131](#).
  - HCI left cover. See [HCI left cover on page 132](#).
  - HCI rear cover. See [HCI rear cover on page 134](#).

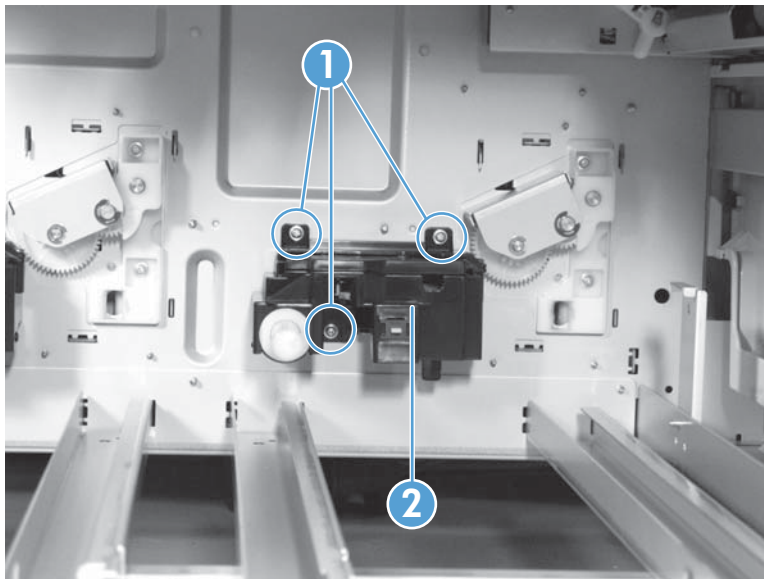
2. Disconnect one connector (callout 1).

**Figure 1-220** Remove the HCI right tray automatic close assembly (1 of 2)



3. Remove three screws (callout 1), and then remove the right tray automatic close assembly (callout 2).

**Figure 1-221** Remove the HCI right tray automatic close assembly (2 of 2)



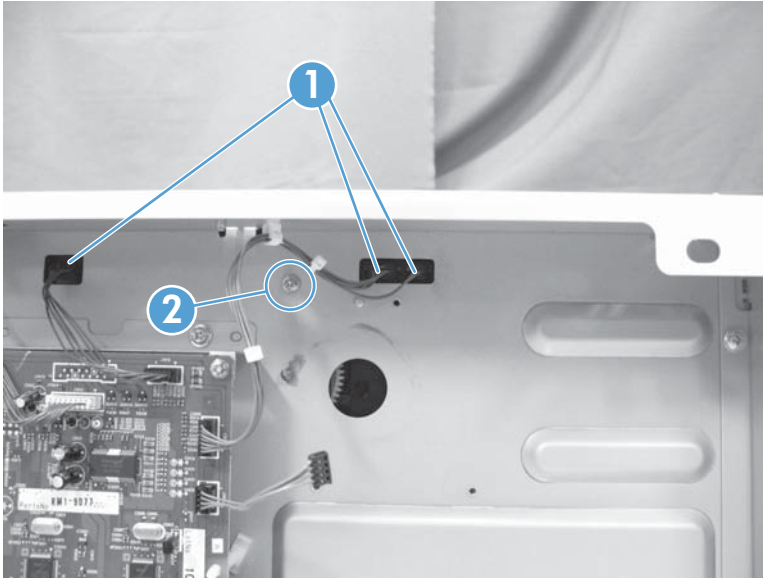
## HCI left tray pickup assembly

1. Remove the following components or assemblies:
  - HCI right tray. See [HCI right tray on page 131](#).
  - HCI left tray. See [HCI left tray on page 131](#).
  - HCI left cover. See [HCI left cover on page 132](#).

- HCI rear cover. See [HCI rear cover on page 134](#).
- HCI left tray pickup drive. See [HCI left tray pickup drive on page 140](#).

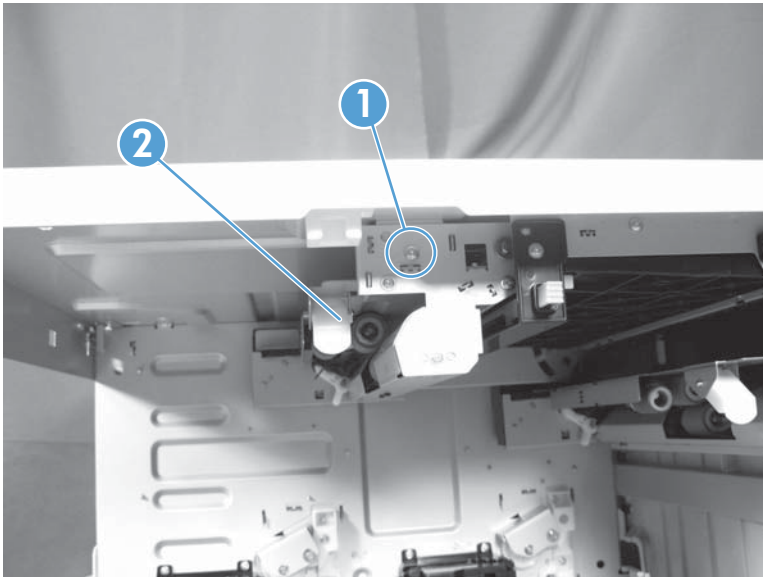
2. Disconnect three connectors (callout 1) and remove one screw (callout 2).

**Figure 1-222** Remove the HCI left tray pickup assembly (1 of 2)



3. Remove one screw (callout 1), and then remove the left tray pickup assembly (callout 2).

**Figure 1-223** Remove the HCI left tray pickup assembly (2 of 2)

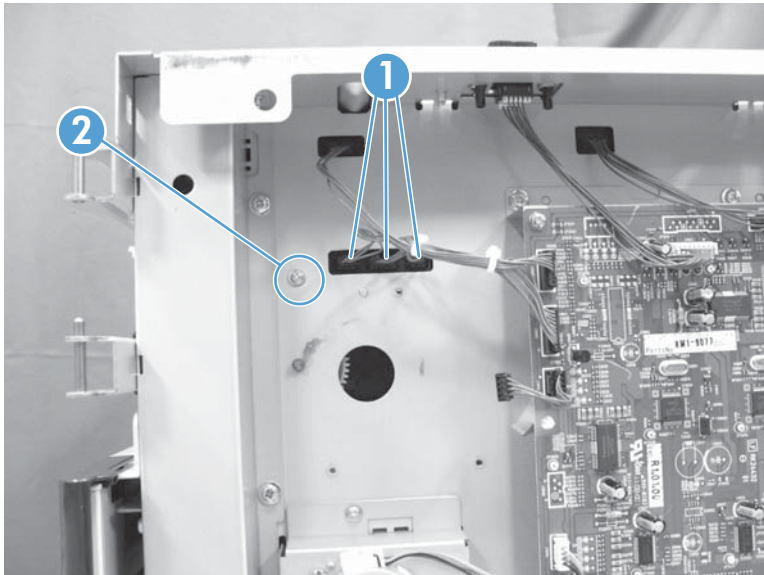


**TIP:** When removing the screw (callout 1), hold the left tray pickup assembly (callout 2) so that you do not drop the screw.

## HCI right tray pickup assembly

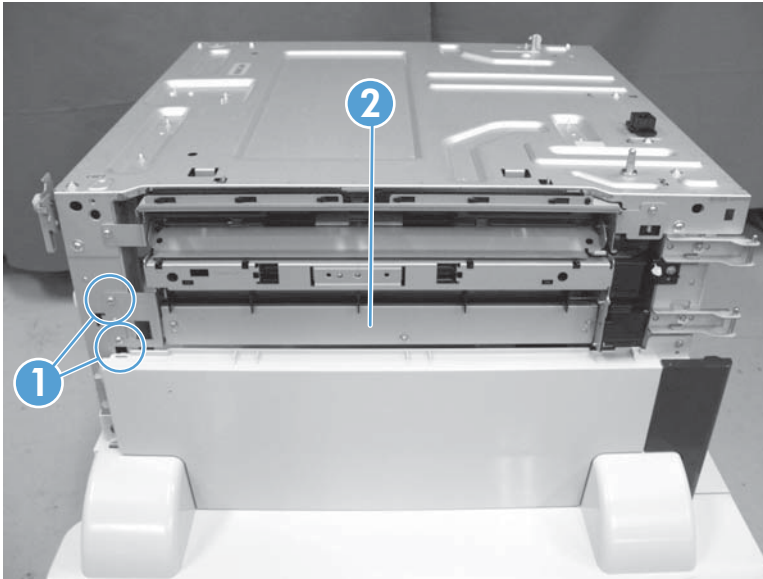
1. Remove the following components or assemblies:
  - HCI right tray. See [HCI right tray on page 131](#).
  - HCI left tray. See [HCI left tray on page 131](#).
  - HCI left cover. See [HCI left cover on page 132](#).
  - HCI right door. See [HCI right door on page 135](#).
  - HCI right front cover. See [HCI right front cover on page 135](#).
  - HCI rear cover. See [HCI rear cover on page 134](#).
  - HCI right tray pickup drive. See [HCI right tray pickup drive on page 141](#).
2. Disconnect three connectors (callout 1), and remove one screw (callout 2).

**Figure 1-224** Remove the HCI right tray pickup assembly (1 of 2)



3. Remove two screws (callout 1), and then remove the right tray pickup assembly (callout 2).

**Figure 1-225** Remove the HCI right tray pickup assembly (2 of 2)

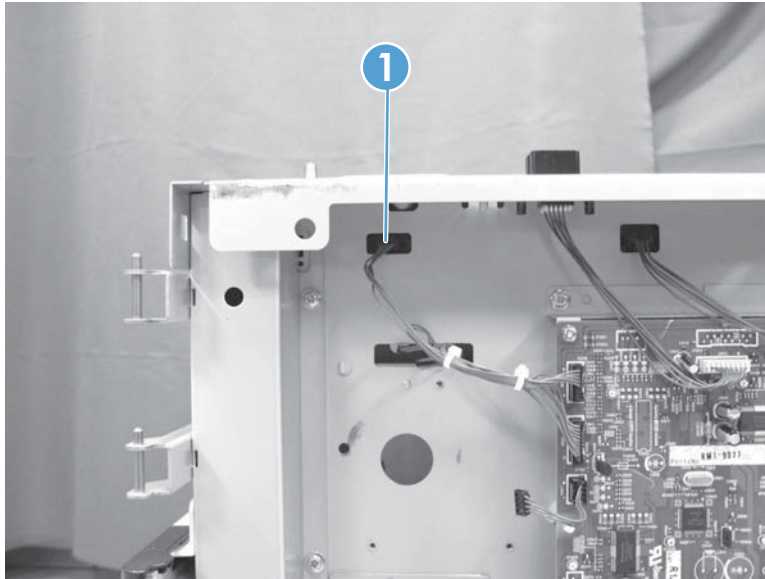


## HCI merge assembly

1. Remove the following components or assemblies:
  - HCI right tray. See [HCI right tray on page 131](#).
  - HCI left tray. See [HCI left tray on page 131](#).
  - HCI left cover. See [HCI left cover on page 132](#).
  - HCI rear cover. See [HCI rear cover on page 134](#).
  - HCI right door. See [HCI right door on page 135](#).
  - HCI right front cover. See [HCI right front cover on page 135](#).
  - HCI right tray pickup drive. See [HCI right tray pickup drive on page 141](#).
  - HCI right tray pickup assembly. See [HCI right tray pickup assembly on page 147](#).

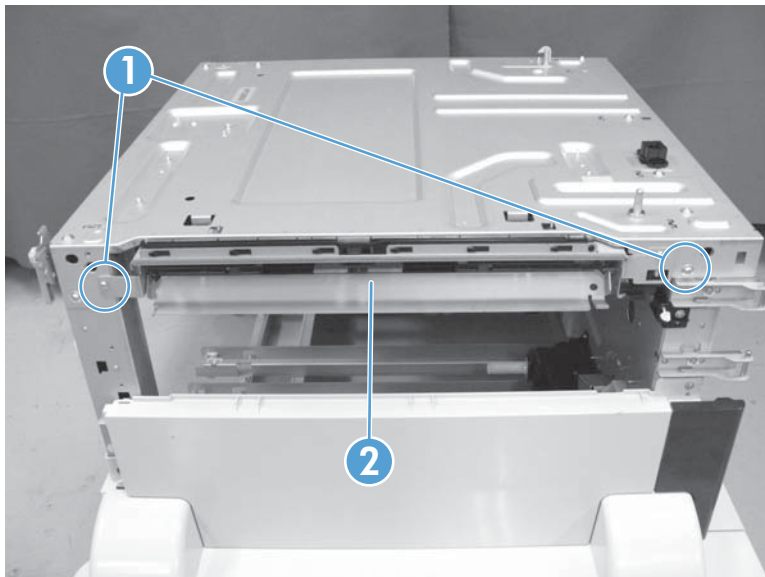
2. Disconnect one connector (callout 1).

**Figure 1-226** Remove the HCI merge assembly (1 of 2)



3. Remove two screws (callout 1), and then remove the merge assembly (callout 2).

**Figure 1-227** Remove the HCI merge assembly (2 of 2)







---

## 2 Parts and diagrams

This section describes Web resources for ordering parts, and for technical support and resources for ordering related documentation and software.

- [Order parts by authorized service providers](#)
- [Assembly locations](#)
- [Print engine](#)
- [500-sheet paper feeder \(Tray 4\)](#)
- [1x500 and 3x500 paper deck](#)
- [High capacity input \(HCI\) feeder](#)
- [Fasteners used in this product](#)
- [Alphabetical parts list](#)
- [Numerical parts list](#)

# Order parts by authorized service providers

**Table 2-1 Order parts, accessories, and supplies**

Order supplies and paper	<a href="http://www.hp.com/go/suresupply">www.hp.com/go/suresupply</a>
Order genuine HP parts or accessories	<a href="http://www.hp.com/buy/parts">www.hp.com/buy/parts</a>
Order through service or support providers	Contact an HP-authorized service or support provider.
Order using HP software	For information about using the HP software to order parts, accessories, and supplies, see the product user guide.

## Customer self repair orderable parts

**Table 2-2 Orderable parts**

Item	Description	Self-replacement options	Part number
Hard-disk drive replacement kit	Replacement 320 GB HP High-Performance Secure Hard Disk	Optional	CF235-67901
	Replacement 320 GB HP High-Performance Secure Hard Disk (government option)	Optional	CF235-67920
Formatter assembly kit	Replacement formatter assembly kit	Mandatory	CF235-67902
	Replacement formatter assembly kit—China	Mandatory	CF235-67903
Solid-state memory drive	4 GB SSM	Mandatory	CF235-67904
Tray 1 pickup roller and separation pad kit	Replacement pickup roller and separation pad for Tray 1	Optional	CF235-67906
Tray 2 or Tray 3 pickup roller and separation pad kit	Replacement pickup roller and separation pad for Tray 2 or Tray 3	Optional	CF235-67909
Tray 2 assembly kit	Replacement for Tray 2	Mandatory	CF235-67911
Tray 3 assembly kit	Replacement for Tray 3	Mandatory	CF235-67912
1x500-sheet feeder	Replacement 1x500-sheet feeder	Mandatory	CF235-67914
Tray 4, 5, and 6 roller kit	Replacement pickup, feed, and separation rollers for Trays 4, 5, and 6	Mandatory	CC522-67909
Tray 4, 5, or 6 assembly kit	Assembly kit for Trays 4, 5, or 6	Mandatory	CF235-67917
1x500-sheet feeder with stand kit	Optional 500-sheet feeder with stand	Mandatory	CF235-67915
3x500-sheet feeder with stand kit	Optional 3x500-sheet feeder with stand	Mandatory	CF235-67916
3,500-sheet high-capacity input feeder with stand kit	Optional 3,500-sheet high-capacity input feeder with stand	Mandatory	CF235-67918
3,500-sheet high-capacity input feeder left tray assembly	Left tray for the 3,500-sheet high-capacity input feeder	Mandatory	CF235-60103

**Table 2-2 Orderable parts (continued)**

Item	Description	Self-replacement options	Part number
3,500-sheet high-capacity input feeder right tray assembly	Right tray for the 3,500-sheet high-capacity input feeder	Mandatory	CF235-60104
3,500-sheet tray roller kit	Replacement pickup, feed, and separation rollers for the 3,500-sheet high-capacity input feeder	Mandatory	5851-5011
Transfer-roller kit	Replacement transfer roller	Mandatory	CF235-67910
Duplexer kit	Optional duplexer kit	Mandatory	CF235-67913
Fuser assembly kit (110V)	Replacement 110V fuser assembly kit	Mandatory	CF235-67921
Fuser assembly kit (220V)	Replacement 220V fuser assembly kit	Mandatory	CF235-67922
110V maintenance kit	Product maintenance kit <ul style="list-style-type: none"> <li>• 110-volt fuser</li> <li>• Transfer roller</li> <li>• Tray 1 pickup roller and separation pad</li> <li>• Tray 2 and 3 pickup rollers</li> <li>• Tray 2 and 3 separation pads</li> <li>• Trays 4,5, and 6 feed and separation rollers</li> </ul>	Mandatory	CF235-67907
220V maintenance kit	Product maintenance kit <ul style="list-style-type: none"> <li>• 220-volt fuser</li> <li>• Transfer roller</li> <li>• Tray 1 pickup roller and separation pad</li> <li>• Tray 2 and 3 feed rollers</li> <li>• Tray 2 and 3 separation pads</li> <li>• Trays 4,5, and 6 feed and separation rollers</li> </ul>	Mandatory	CF235-67908
Trays 4, 5, and 6 label kit	Replacement labels for Trays 4, 5, and 6	Mandatory	CE707-00001
Toner cartridge	Standard capacity	Mandatory	CF214-67901
	High capacity	Mandatory	CF214-67902
Power cable 220V – 10A	Replacement cable – China	Mandatory	8121-0943
Power cable 110V – 13A	Replacement cable – Taiwan	Mandatory	8121-0964
Power cable 220V – 10A	Replacement cable – Korea, EU generic	Mandatory	8121-0731
Power cable 110V – 12A	Replacement cable – Japan	Mandatory	8121-1143

**Table 2-2 Orderable parts (continued)**

Item	Description	Self-replacement options	Part number
Power cable 220V – 6A	Replacement cable – India	Mandatory	8121-0564
Power cable 220V – 10A	Replacement cable – UK/Asia Pacific	Mandatory	8121-0739
Power cable 220V – 10A	Replacement cable – Australia/New Zealand	Mandatory	8121-0837
Power cable 220V – 10A	Replacement cable – Israel	Mandatory	8121-1004
Power cable 220V – 10A	Replacement cable – Denmark	Mandatory	8121-0733
Power cable 220V – 10A	Replacement cable – South Africa	Mandatory	8121-0737
Power cable 220V – 10A	Replacement cable – Switzerland	Mandatory	8121-0738
Power cable 110V – 10A Brazil	Replacement cable – Brazil	Mandatory	8121-1071
Power cable 220V – 10A Argentina	Replacement cable – Argentina	Mandatory	8121-0729
Power cable 110V – 13A North America	Replacement cable – North America	Mandatory	8121-0740
Power cable 220V – 10A South America/Chile/Peru	Replacement cable – South America/Chile/Peru	Mandatory	8121-0735
Power cable 220V / 110V – Thailand/Philippines	Replacement cable – Thailand/Philippines	Mandatory	8121-0734

## Supplies part numbers

**Table 2-3 Supplies part numbers**

Item	Description	Part number
HP LaserJet toner cartridge	Standard-capacity cartridge	CF214-67901
		CF214A
	High-capacity cartridge	CF214-67902
		CF214X

## Accessories part numbers

**Table 2-4 Accessories part numbers**

Item	Description	Part number
500-sheet tray and feeder unit	Optional tray to increase paper capacity	CF235-67914
1x500-sheet feeder, cabinet, and stand	Optional tray to increase paper capacity	CF235-67915

**Table 2-4 Accessories part numbers (continued)**

<b>Item</b>	<b>Description</b>	<b>Part number</b>
3x500-sheet feeder and stand	Optional tray to increase paper capacity	CF235-67916
3,500-sheet high-capacity input and stand	Optional tray to increase paper capacity	CF235-67918
Duplex printing assembly	Optional accessory to print on both sides of the paper	CF235-67913
Hard disk drive	320 GB hard disk drive	CF235-67901
DIMM memory	HP Optional 512 MB DIMM memory	CF235-67919
HP Jetdirect print servers	HP Jetdirect ew2500 Wireless Print Server	J8021A
	HP Jetdirect 2700w USB Wireless Print Server	J8026A
USB cable	Standard USB-compatible device connector, 2 m (6.5 ft)	C6518A

## Related documentation and software

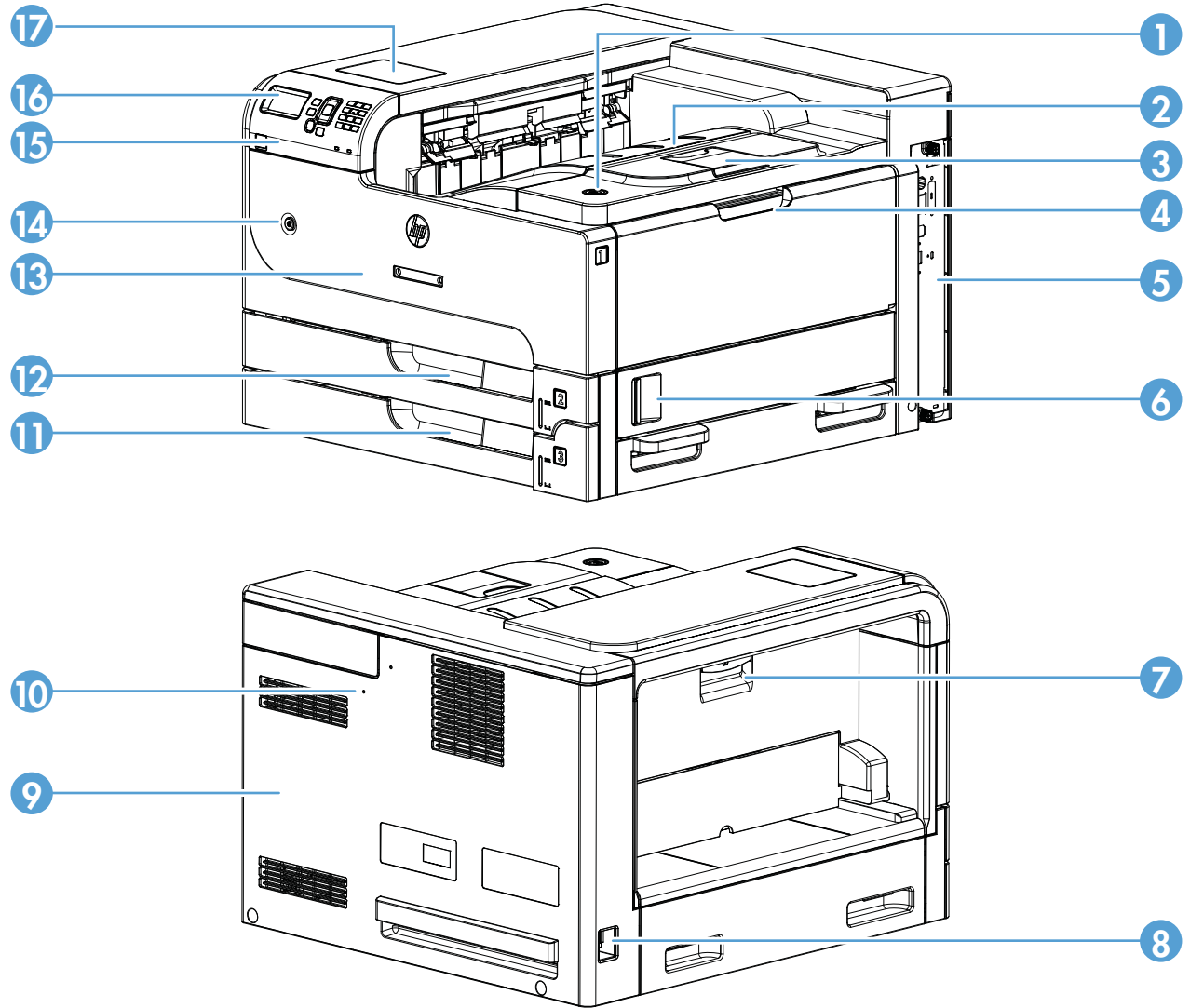
**Table 2-5 Related documentation and software**

<b>Item</b>	<b>Description</b>	<b>Part number</b>
HP LaserJet Enterprise 700 M712 Series User Guide	Product user guide	CF235-90901 (English)
HP LaserJet Pro Enterprise 700 M712 Series Repair Manual	English repair manual (this manual)	CF235-90962
HP LaserJet Pro Enterprise 700 M712 Series Troubleshooting Manual	English troubleshooting manual	CF235-90963

# Assembly locations

## Base product (no optional trays or accessories)

Figure 2-1 Base product (no optional trays or accessories)



Item	Description	Item	Description
1	Cartridge door	10	Test print switch
2	Face-down output bin	11	Lower cassette
3	Face-down output bin extension tray	12	Upper cassette
4	MP tray	13	Front cover
5	Formatter	14	Power switch
6	Right door	15	USB port
7	Left door	16	Control panel

Item	Description	Item	Description
8	Power receptacle	17	HIP cover
9	Rear cover		

## Optional 500-sheet paper feeder (accessory)

Figure 2-2 Optional 500-sheet paper feeder (accessory)

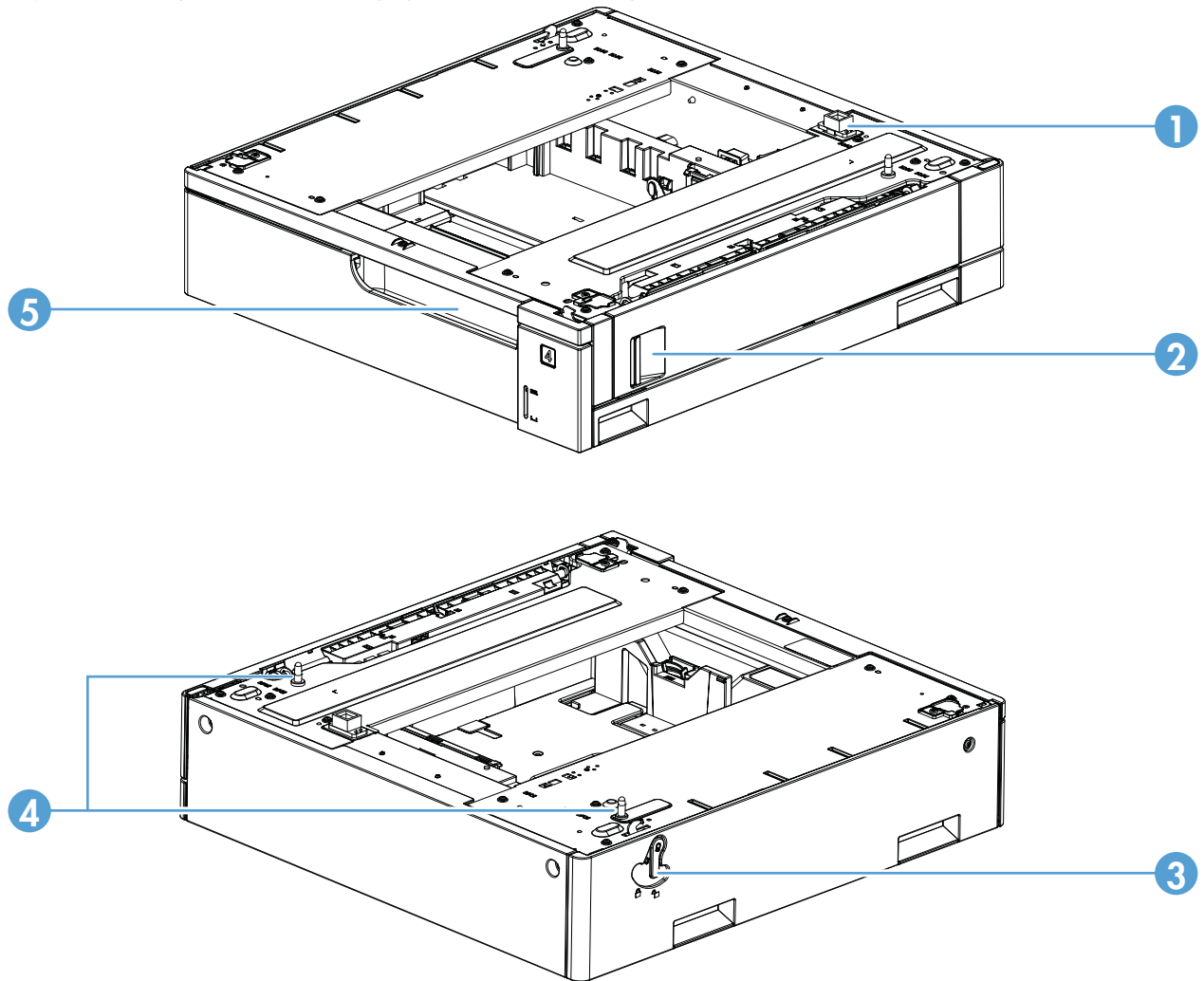


Table 2-6 Optional 500-sheet paper feeder (accessory)

Item	Description	Item	Description
1	Connector	4	Positioning pin
2	Right door	5	Cassette
3	Lock lever		



## Optional 1x500-sheet paper deck (accessory)

Figure 2-3 Optional 1x500-sheet paper deck (accessory)

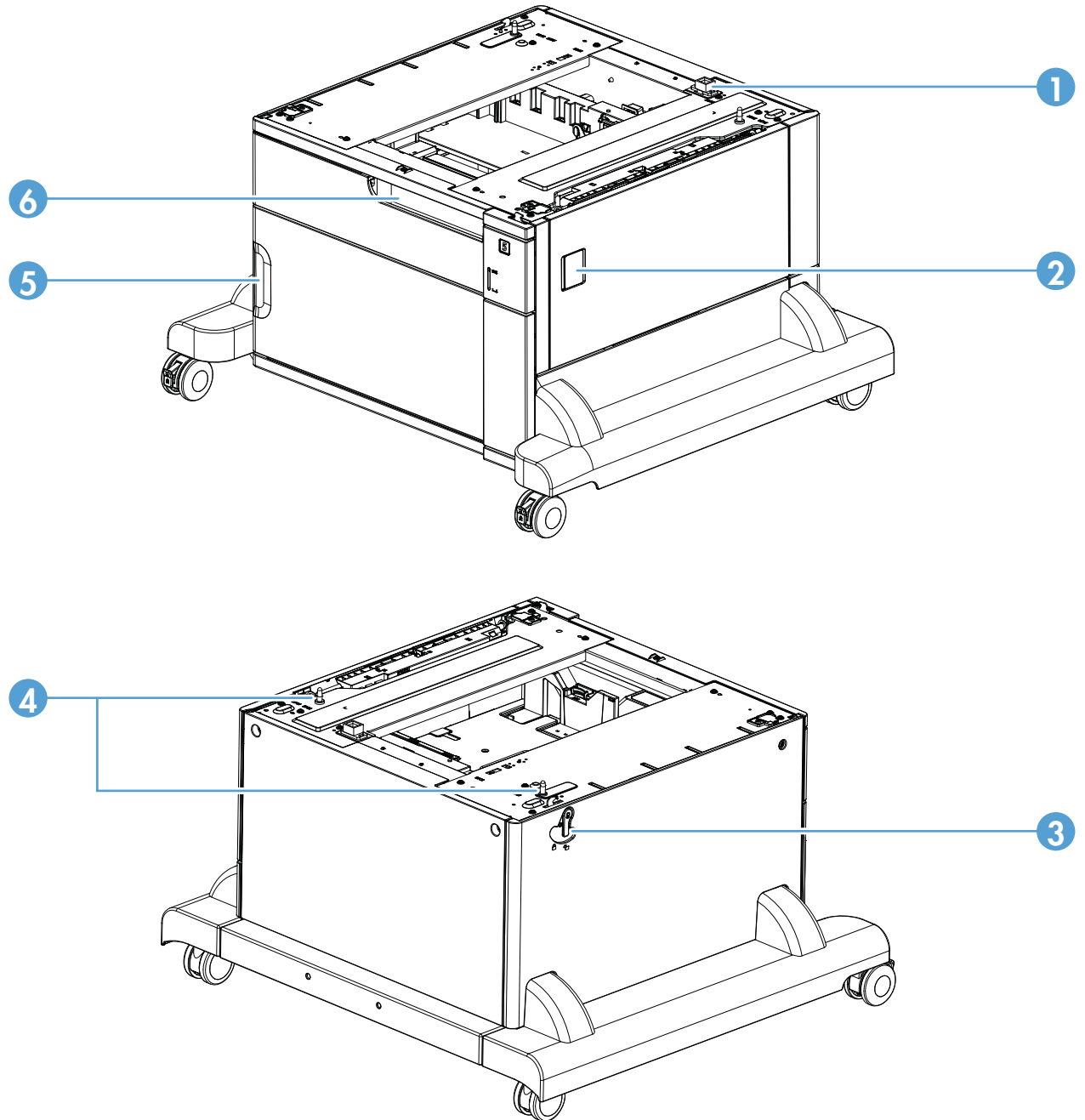


Table 2-7 Optional 1x500-sheet paper deck (accessory)

Item	Description	Item	Description
1	Connector	4	Positioning pin
2	Right door	5	Front door
3	Lock lever	6	Cassette

## Optional 3x500-sheet paper deck (accessory)

Figure 2-4 Optional 3x500-sheet paper deck (accessory)

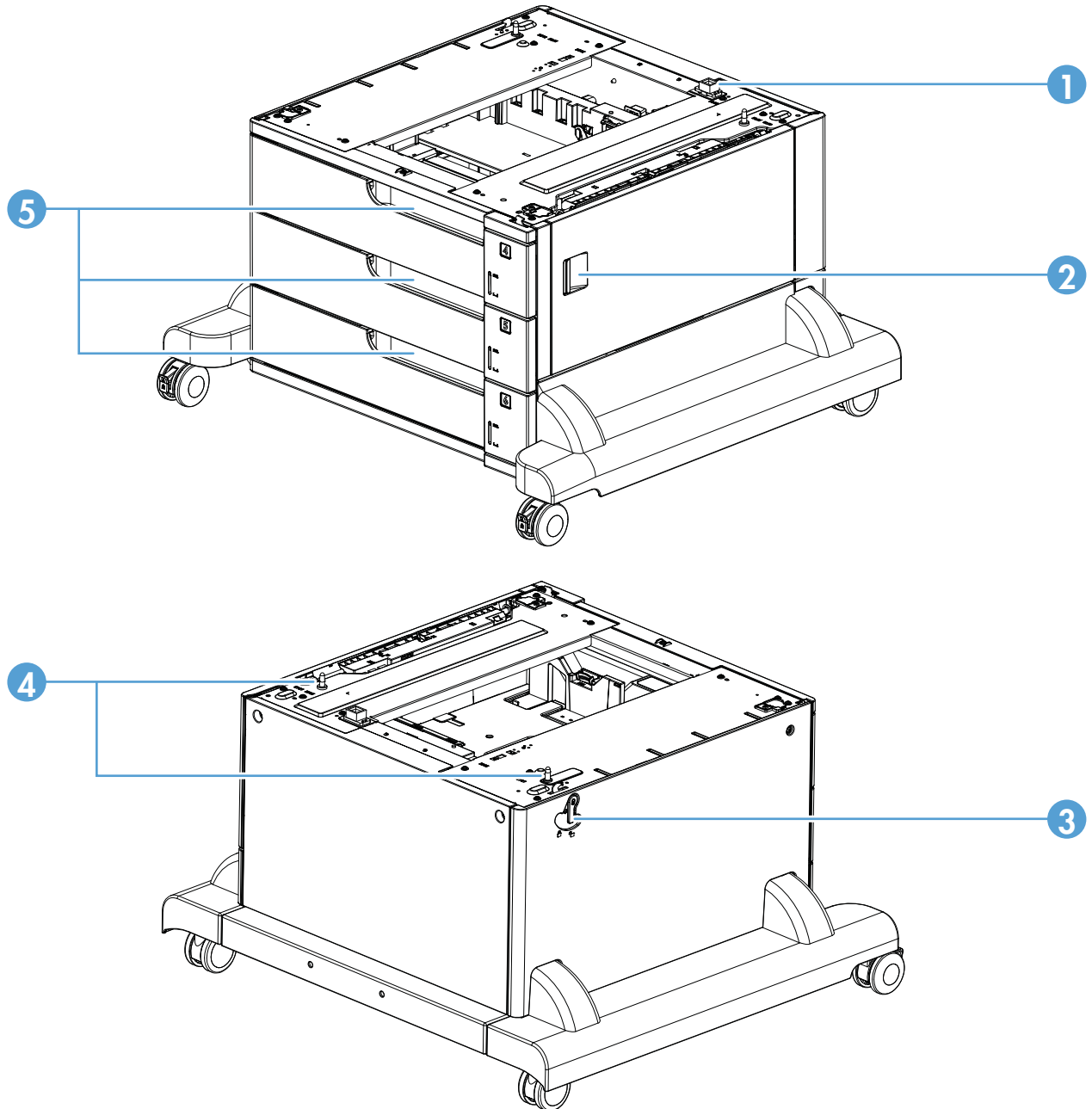


Table 2-8 Optional 3x500-sheet paper deck (accessory)

Item	Description	Item	Description
1	Connector	4	Positioning pin
2	Right door	5	Cassette
3	Lock lever		

## High capacity input (HCI) paper deck

Figure 2-5 Duplexer

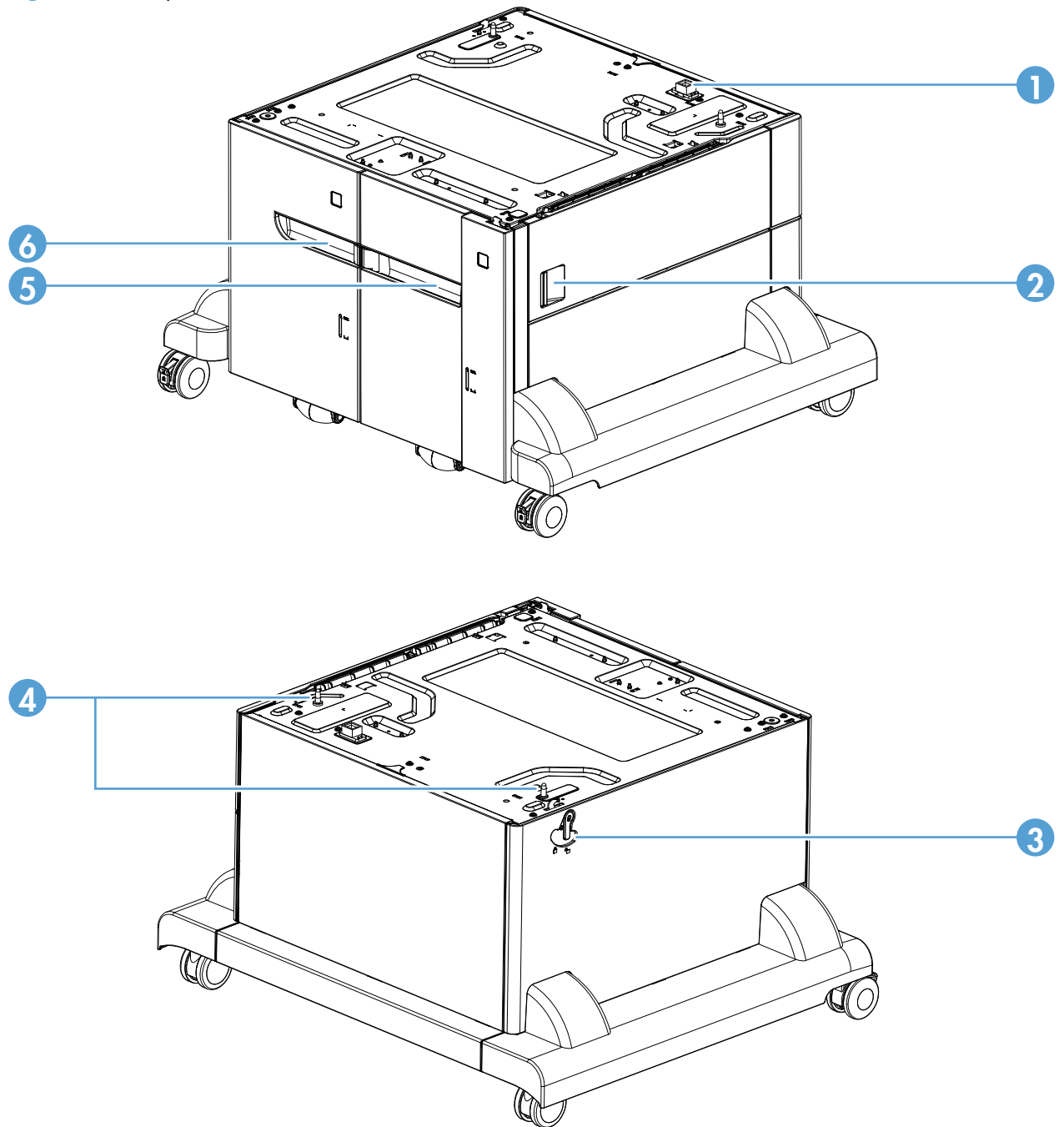
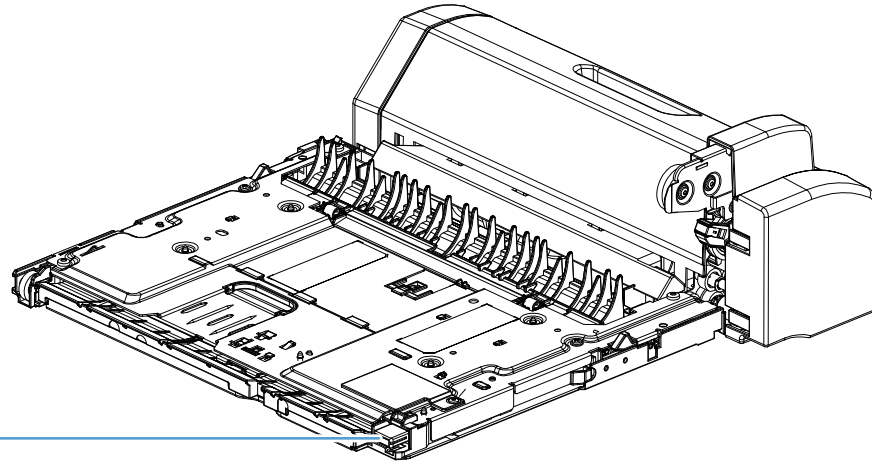


Table 2-9 Optional 500-sheet input tray

Item	Description	Item	Description
1	Connector	4	Positioning pin
2	Right door	5	Right cassette
3	Lock lever	6	Left cassette

# Duplexer

Figure 2-6 Duplexer



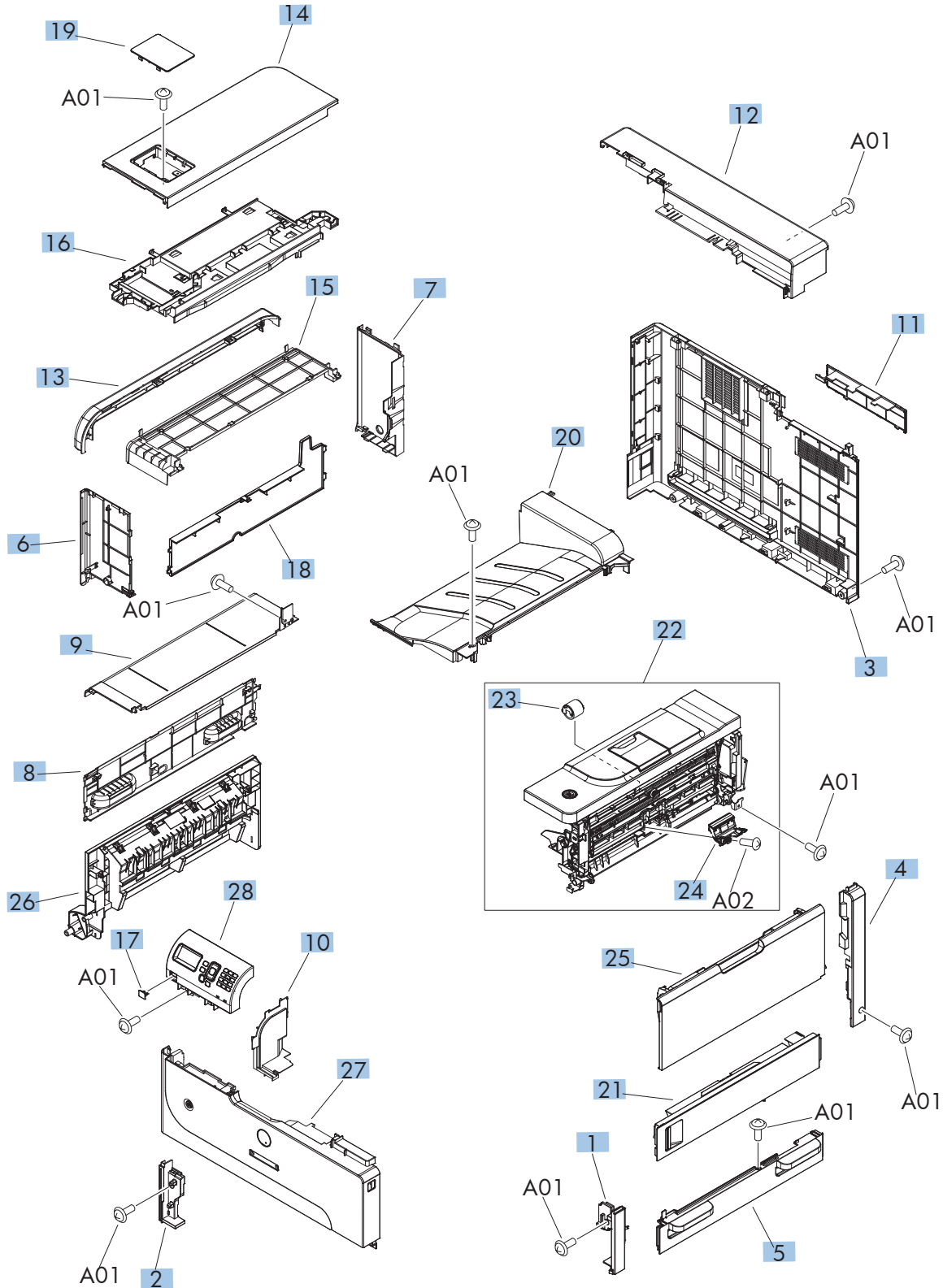
**1**  
**Table 2-10 Duplexer**

Item	Description
1	Connector

# Print engine

## External covers and panels

Figure 2-7 External covers and panels

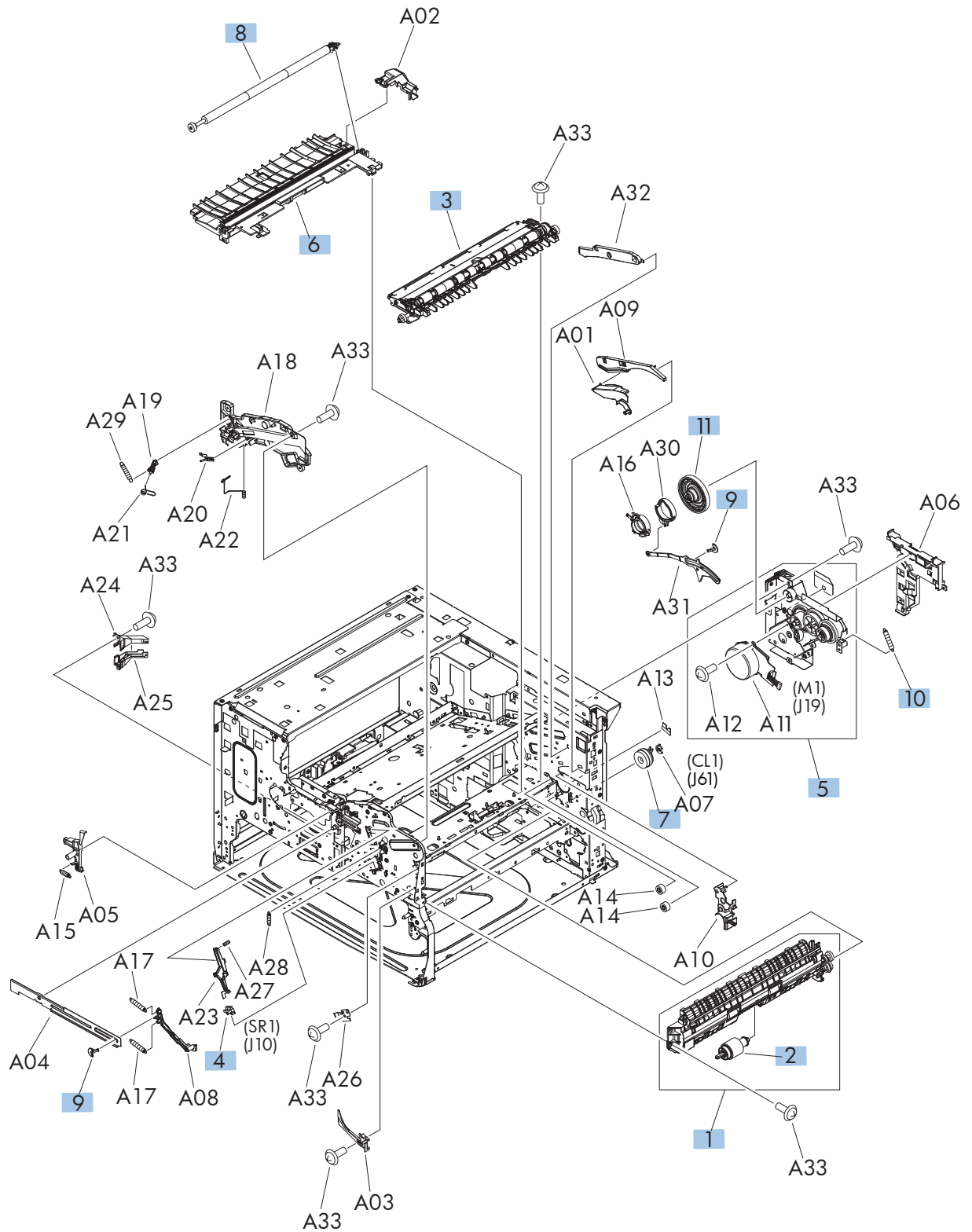


**Table 2-11 External covers and panels**

<b>Ref</b>	<b>Description</b>	<b>Part number</b>	<b>Qty</b>
1	Cover, front, right lower	RC3-2133-000CN	1
2	Cover, front, left lower	RC3-2134-000CN	1
3	Cover, rear	RC3-2138-000CN	1
4	Cover, right side, rear	RC3-2148-000CN	1
5	Cover, right handle	RC3-2153-000CN	1
6	Cover, left side, front, lower	RC3-2154-000CN	1
7	Cover, left side, rear, lower	RC3-2155-000CN	1
8	Cover, left handle	RC3-2156-000CN	1
9	Cover, left, upper	RC3-2272-000CN	1
10	Cover, facedown, side	RC3-2219-000CN	1
11	Cover, pocket rear	RC3-2220-000CN	1
12	Cover, top rear	RC3-2221-000CN	1
13	Cover, upper left	RC3-2222-000CN	1
14	Cover, top	RC3-2223-000CN	1
15	Cover, left roof	RC3-2224-000CN	1
16	Cover, output upper	RC3-2225-000CN	1
17	Cap, USB	RC3-2264-000CN	1
18	Cover, duplexer	RC3-2280-000CN	1
19	Cover, HIP	RC3-3231-000CN	1
20	Facedown cover assembly	RM1-8654-000CN	1
21	Right door assembly	RM1-8657-000CN	1
22	Cartridge door assembly	RM1-8660-000CN	1
23	Roller, paper pickup, multipurpose tray (part of Tray 1 pickup roller and separation pad kit)	CF235-67906	1
24	Multipurpose pad assembly (part of Tray 1 pickup roller and separation pad kit)	CF235-67906	1
25	Multipurpose cover assembly	RM1-8662-000CN	1
26	Left door assembly	RM1-8680-000CN	1
27	Front cover assembly kit (includes product labels)	CF235-67905	1
28	Control panel assembly	RM1-8940-000CN	1

# Internal components (1 of 4)

Figure 2-8 Internal components (1 of 4)



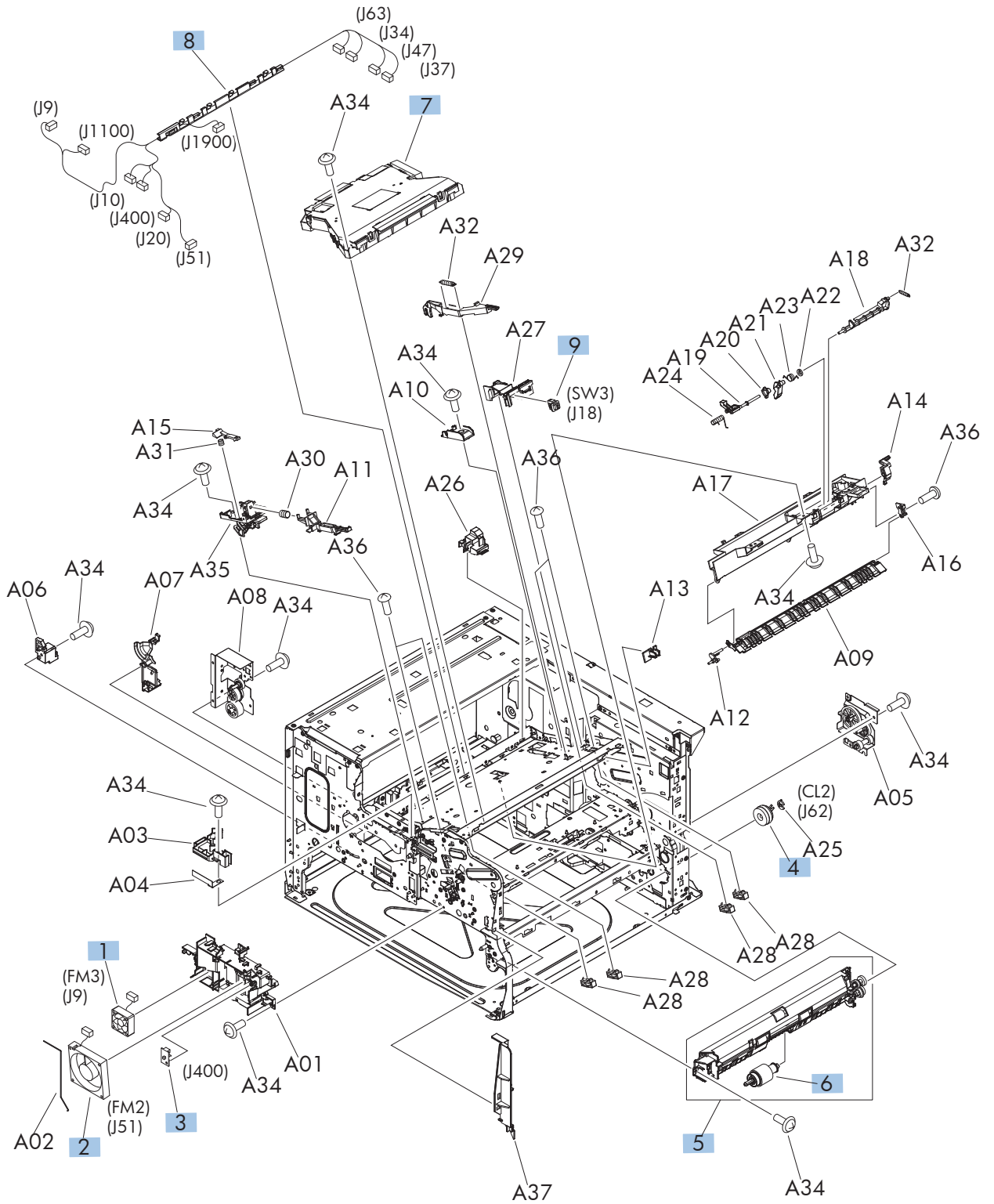


**Table 2-12 Internal components (1 of 3) (print engine)**

<b>Ref</b>	<b>Description</b>	<b>Part number</b>	<b>Qty</b>
1	Upper cassette (Tray 2) pickup assembly	RM2-0182-000CN	1
2	Roller, cassette pickup (part of Tray 2 or 3 pickup roller and separation pad kit)	CF235-67909	1
3	Registration assembly	RM1-8671-000CN	1
4	Photointerrupter	WG8-5935-000CN	1
5	Main drive assembly	RM2-0184-000CN	1
6	Paper feed assembly	RM1-8741-000CN	1
7	Clutch, electromagnetic	RM1-8946-000CN	1
8	Transfer roller assembly kit	CF235-67910	1
9	Stopper, link	RC3-2212-000CN	2
10	Spring, tension	RU5-2632-000CN	1
11	Gear, 133T	RU7-0350-000CN	1

# Internal components (2 of 4)

Figure 2-9 Internal components (2 of 4)

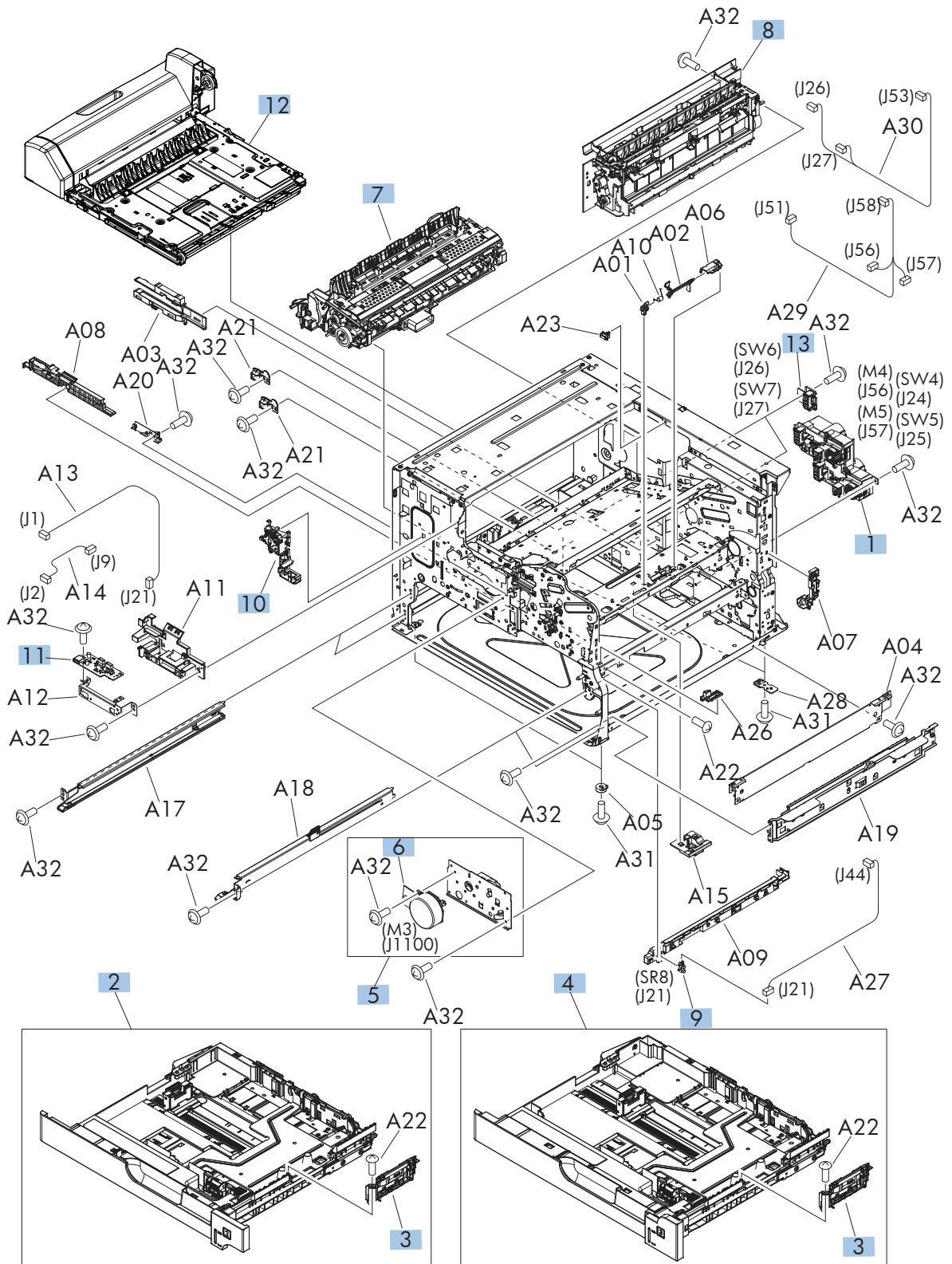


**Table 2-13 Internal components (2 of 4)**

<b>Ref</b>	<b>Description</b>	<b>Part number</b>	<b>Qty</b>
1	Fan	RK2-1092-000CN	1
2	Fan	RK2-3244-000CN	1
3	Sensor, humidity	WP2-5316-000CN	1
4	Clutch, electromagnetic	RM1-8946-000CN	1
5	Lower cassette (Tray 3) pickup assembly	RM2-0183-000CN	1
6	Roller, cassette pickup (part of Tray 2 or 3 pickup roller and separation pad kit)	CF235-67909	1
7	Laser scanner assembly	RM1-8679-000CN	1
8	Cable, multi, front	RM1-8971-000CN	1
9	Cartridge door open switch	WC2-5637-000CN	1

# Internal components (3 of 4)

Figure 2-10 Internal components (3 of 4)



**Table 2-14 Internal components (3 of 4)**

<b>Ref</b>	<b>Description</b>	<b>Part number</b>	<b>Qty</b>
1	Lifter drive assembly	RM1-2969-000CN	1
2	Upper cassette (Tray 2) assembly kit	CF235-67911	1
3	Separation pad assembly (part of Tray 2 or 3 pickup roller and separation pad kit)	CF235-67909	2
4	Lower cassette (Tray 3) assembly kit	CF235-67912	1
5	Fuser drive assembly	RM1-2963-000CN	1
6	Fuser motor assembly	RM1-2538-000CN	1
7	Fuser assembly kit (110V)	CF235-67921	1
7	Fuser assembly kit (220V)	CF235-67922	1
8	Paper delivery assembly	RM1-8669-000CN	1
9	Photointerrupter	WG8-5935-000CN	1
10	Power switch PCA	RM2-7561-000CN	1
11	USB PCA	RM1-8937-000CN	1
12	Optional duplexer assembly	CF235-67913	1
13	Back end sensor	RM1-2968-000CN	1



**Table 2-15 Internal components (4 of 4)**

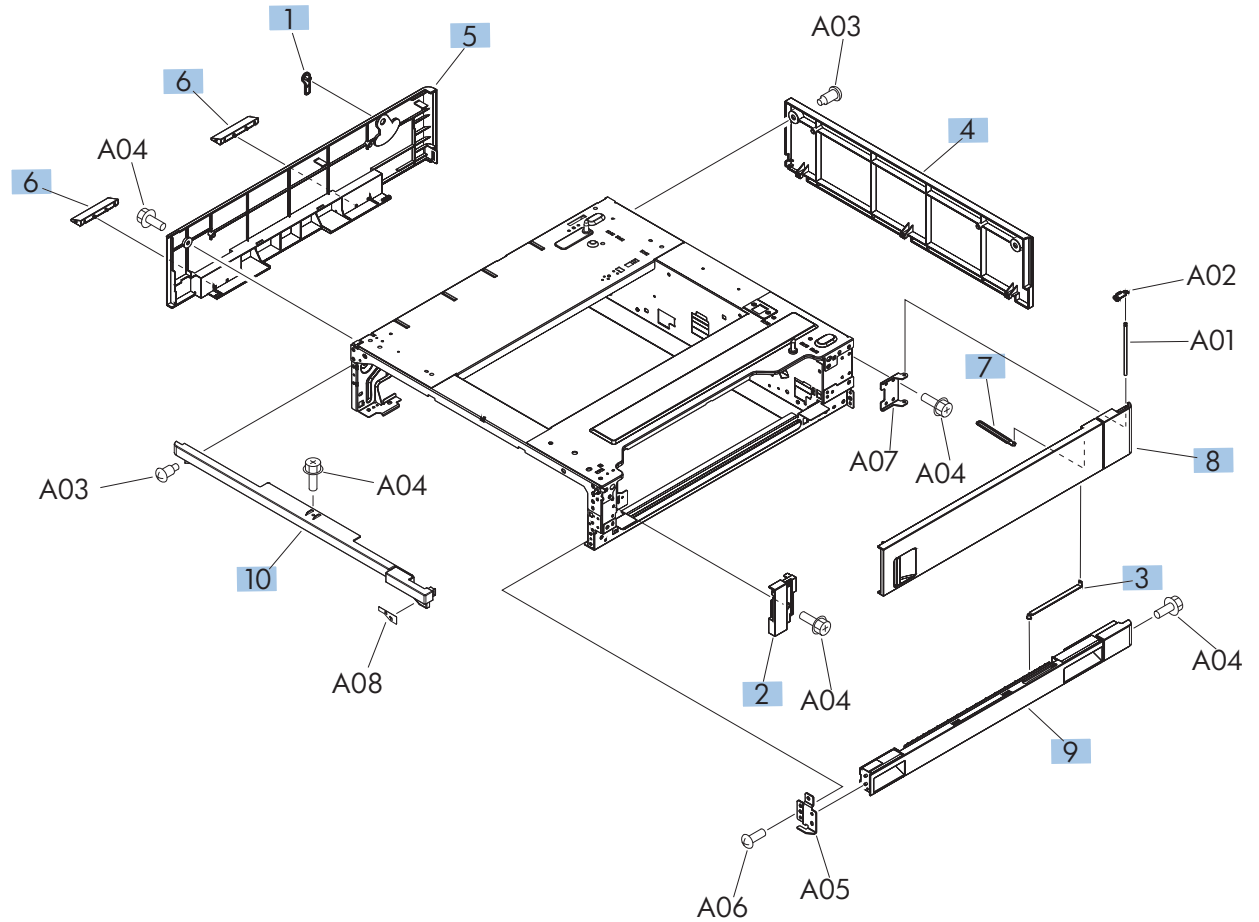
<b>Ref</b>	<b>Description</b>	<b>Part number</b>	<b>Qty</b>
1	Cable, flexible flat, 21P	RK2-4490-000CN	1
2	Cable, flexible flat, 23P	RK2-4492-000CN	1
3	Cable, flexible flat, 25P	RK2-4494-000CN	1
4	Cable, flexible flat, 15P	RK2-4496-000CN	1
5	DC controller PCA	RM1-8934-000CN	1
6	Fan	RK2-2416-000CN	1
7	Formatter cage	RM1-8683-000CN	1
8	Low voltage power supply (110V)	RM1-8744-000CN	1
8	Low voltage power supply (220V)	RM1-8745-000CN	1
9	High voltage power supply (110V)	RM2-7538-000CN	1
9	High voltage power supply (220V)	RM2-7539-000CN	1
10	Switch, fuser (left) door	RM1-3474-000CN	1
11	Switch, cartridge door	RM1-3471-000CN	1



# 500-sheet paper feeder (Tray 4)

## 500-sheet paper feeder (Tray 4) covers

Figure 2-12 500-sheet paper feeder (Tray 4) covers

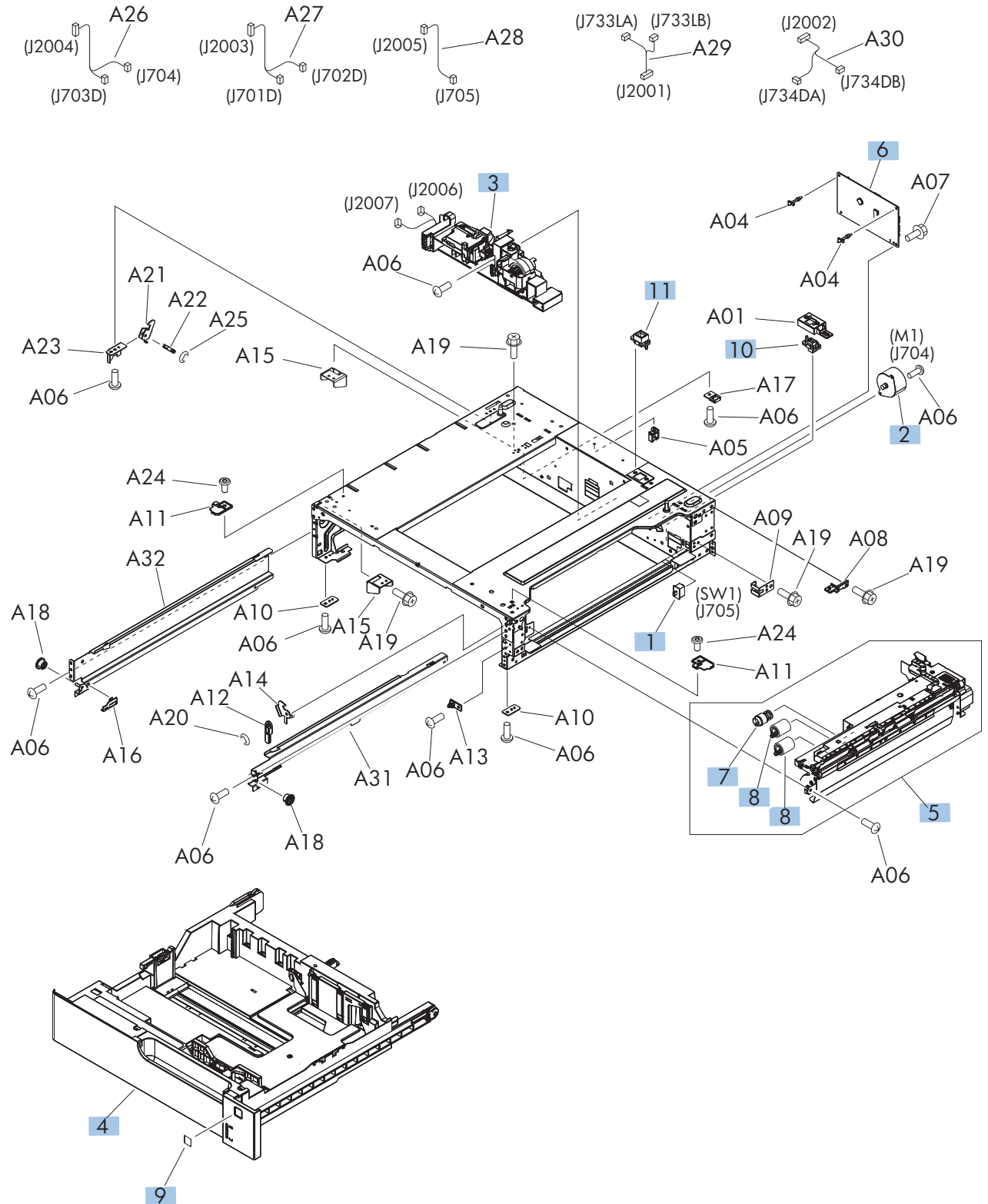


**Table 2-16 500-sheet paper feeder (Tray 4) covers**

<b>Ref</b>	<b>Description</b>	<b>Part number</b>	<b>Qty</b>
	Optional 500-sheet tray and feeder assembly kit	CF235-67914	1
1	Handle, lock, rear	RC2-9303-000CN	1
2	Cover, right front	RC2-9320-000CN	1
3	Link, right door, lower	RC2-9327-000CN	1
4	Cover, rear	RC2-9330-000CN	1
5	Cover, left	RC2-9331-000CN	1
6	Cover, handle lower	RC2-9332-000CN	2
7	Link, right door, upper	RC2-9335-000CN	1
8	Right door assembly	RM1-6946-000CN	1
9	Right lower cover assembly	RM1-6948-000CN	1
10	Front upper cover assembly	RM1-6949-000CN	1

## 500-sheet paper feeder (Tray 4) components

Figure 2-13 500-sheet paper feeder (Tray 4) components



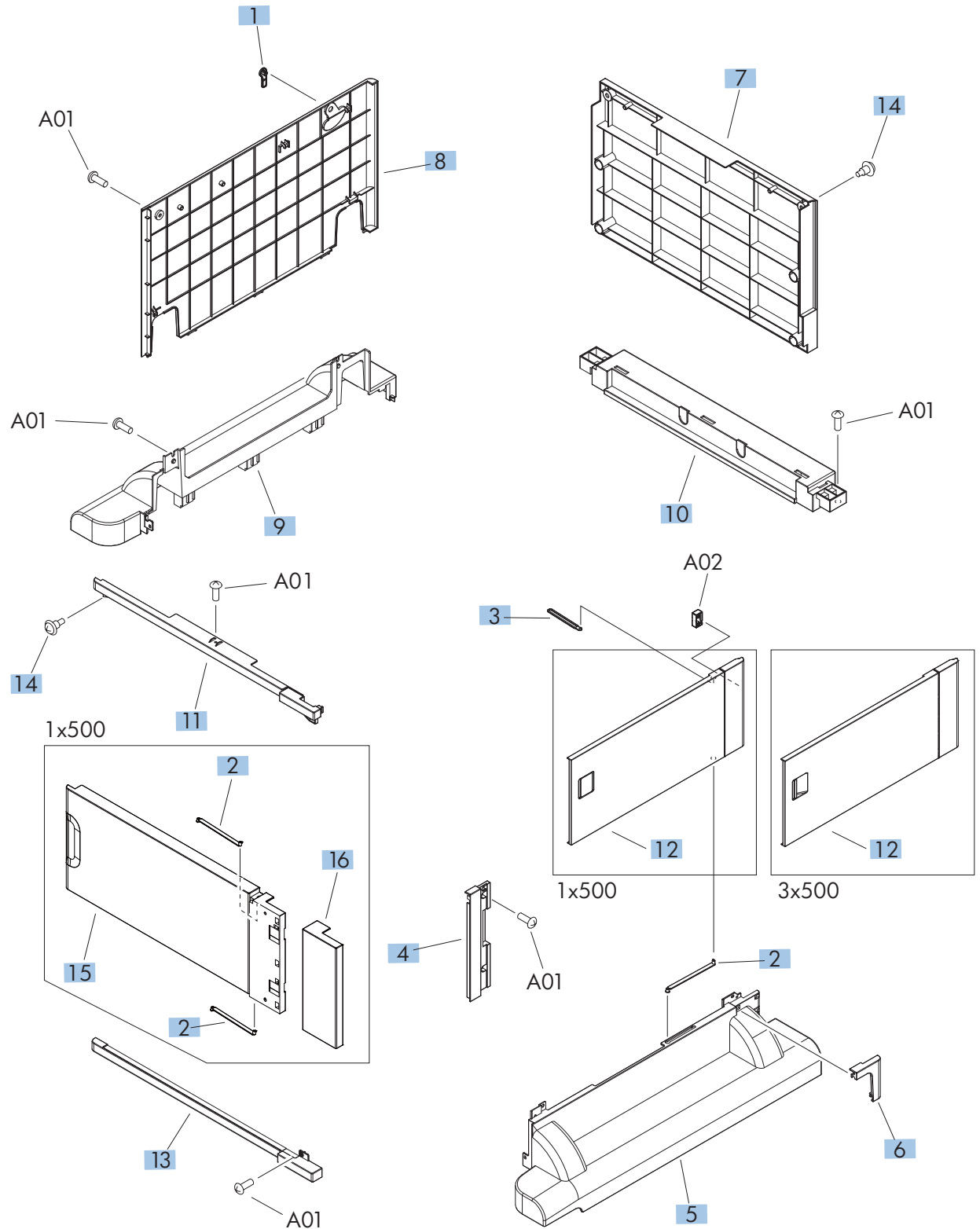
**Table 2-17 500-sheet paper feeder (Tray 4) components**

<b>Ref</b>	<b>Description</b>	<b>Part number</b>	<b>Qty</b>
1	Switch, button	WC2-5512-000CN	1
2	Motor, stepping, DC	RK2-1331-000CN	1
3	Lifter drive assembly	RM1-3819-000CN	1
4	Cassette assembly	RM1-9413-000CN	1
5	Paper pickup assembly	RM1-9415-000CN	1
6	Paper feeder controller PCA	RM1-9074-000CN	1
7	Roller, pickup (part of Trays 4,5 and 6 pickup and feed roller kit)	CC522-67909	4
8	Paper feed roller assembly (part of Trays 4,5 and 6 pickup and feed roller kit)	CC522-67909	8
9	Labels, cassette numbers, Trays 4-6	CE707-00001	1
10	Connector, 8P	VS1-7514-008CN	1
11	Connector, 8P	VS1-7500-008CN	1

# 1x500 and 3x500 paper deck

## 1x500 and 3x500 paper deck covers

Figure 2-14 1x500 and 3x500 paper deck covers

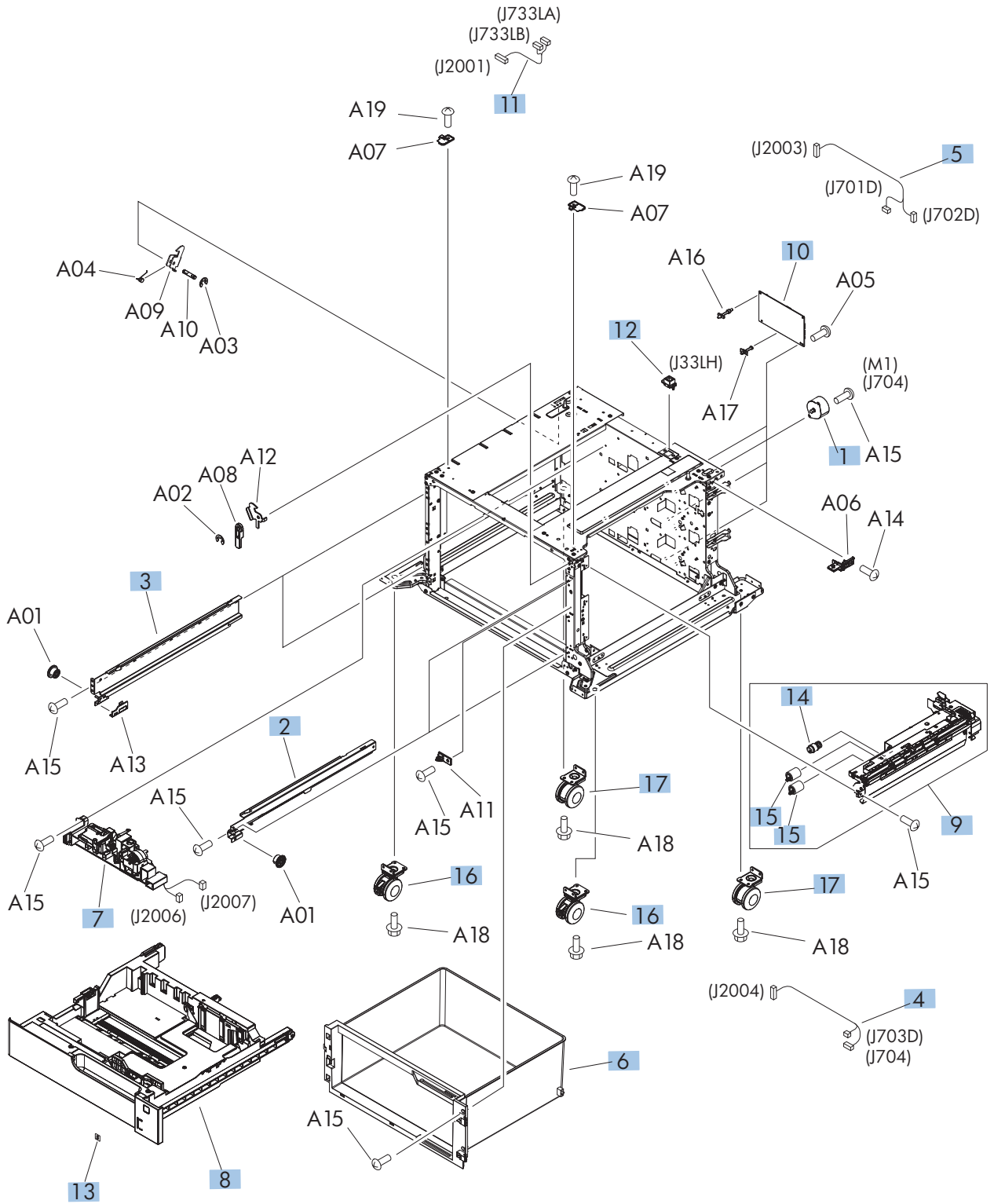


**Table 2-18 1x500 and 3x500 paper deck covers**

<b>Ref</b>	<b>Description</b>	<b>Part number</b>	<b>Qty</b>
	1x500 feeder and stand assembly kit	CF235-67915	1
	3x500 feeder and stand assembly kit	CF235-67916	1
1	Handle, lock, rear	RC2-9303-000CN	1
2	Link, right door, lower	RC2-9327-000CN	3
3	Link, right door, upper	RC2-9335-000CN	1
4	Cover, right corner	RC2-9343-000CN	1
5	Cover, right lower, 1	RC2-9346-000CN	1
6	Cover, right lower, 2	RC2-9347-000CN	1
7	Cover, rear	RC2-9348-000CN	1
8	Cover, left	RC2-9349-000CN	1
9	Cover, left lower	RC2-9350-000CN	1
10	Cover, rear lower	RC2-9357-000CN	1
11	Front upper cover assembly	RM1-6949-000CN	1
12	Right door assembly (1x500 paper deck)	RM1-6952-000CN	1
12	Right door assembly (3x500 paper deck)	RM1-6953-000CN	1
13	Front lower cover assembly	RM1-6958-000CN	1
14	Screw, stepped	RU5-9056-000CN	3
15	Door, stock, 1 (1x500 paper deck only)	RC2-9353-000CN	1
16	Door, stock, 2 (1x500 paper deck only)	RC2-9354-000CN	1

# 1x500 paper deck components

Figure 2-15 1x500 paper deck components



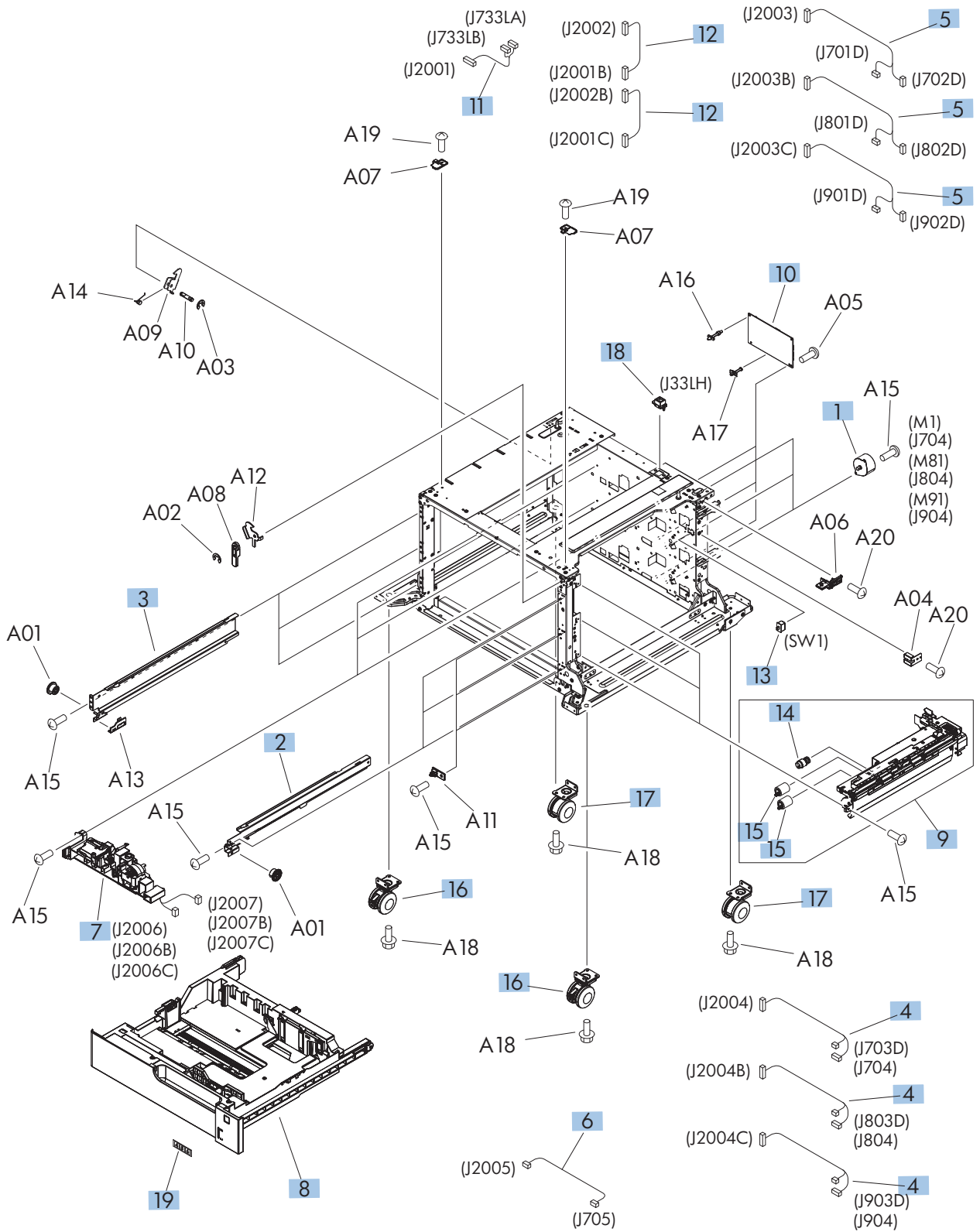


**Table 2-19 1x500 paper deck components**

<b>Ref</b>	<b>Description</b>	<b>Part number</b>	<b>Qty</b>
1	Motor, stepping, DC	RK2-1331-000CN	1
2	Rail, cassette, right	RL1-1390-000CN	2
3	Rail, cassette, left	RL1-1391-000CN	2
4	Cable, paper pickup option	RM1-3575-000CN	1
5	Cable, multisensor	RM1-3647-000CN	1
6	Stock box assembly	RM1-6954-000CN	1
7	Lifter drive assembly	RM1-3819-000CN	1
8	Cassette assembly kit, with Trays 4-6 label kit	CF235-67917	1
9	Paper pickup assembly	RM1-9415-000CN	1
10	Controller PCA	RM1-9075-000CN	1
11	Cable, engine interface	RM1-6991-000CN	1
12	Connector, 8P	VS1-7500-008CN	1
13	Labels, cassette numbers, Trays 4-6	CE707-00001	1
14	Roller, pickup (part of Trays 4,5 and 6 pickup and feed roller kit)	CC522-67909	4
15	Paper feed roller assembly (part of Trays 4,5 and 6 pickup and feed roller kit)	CC522-67909	8
16	Caster, double lock, front	RC1-9896-000CN	2
17	Caster, rear	RC3-2994-000CN	2

# 3x500 paper deck components

Figure 2-16 3x500 paper deck components



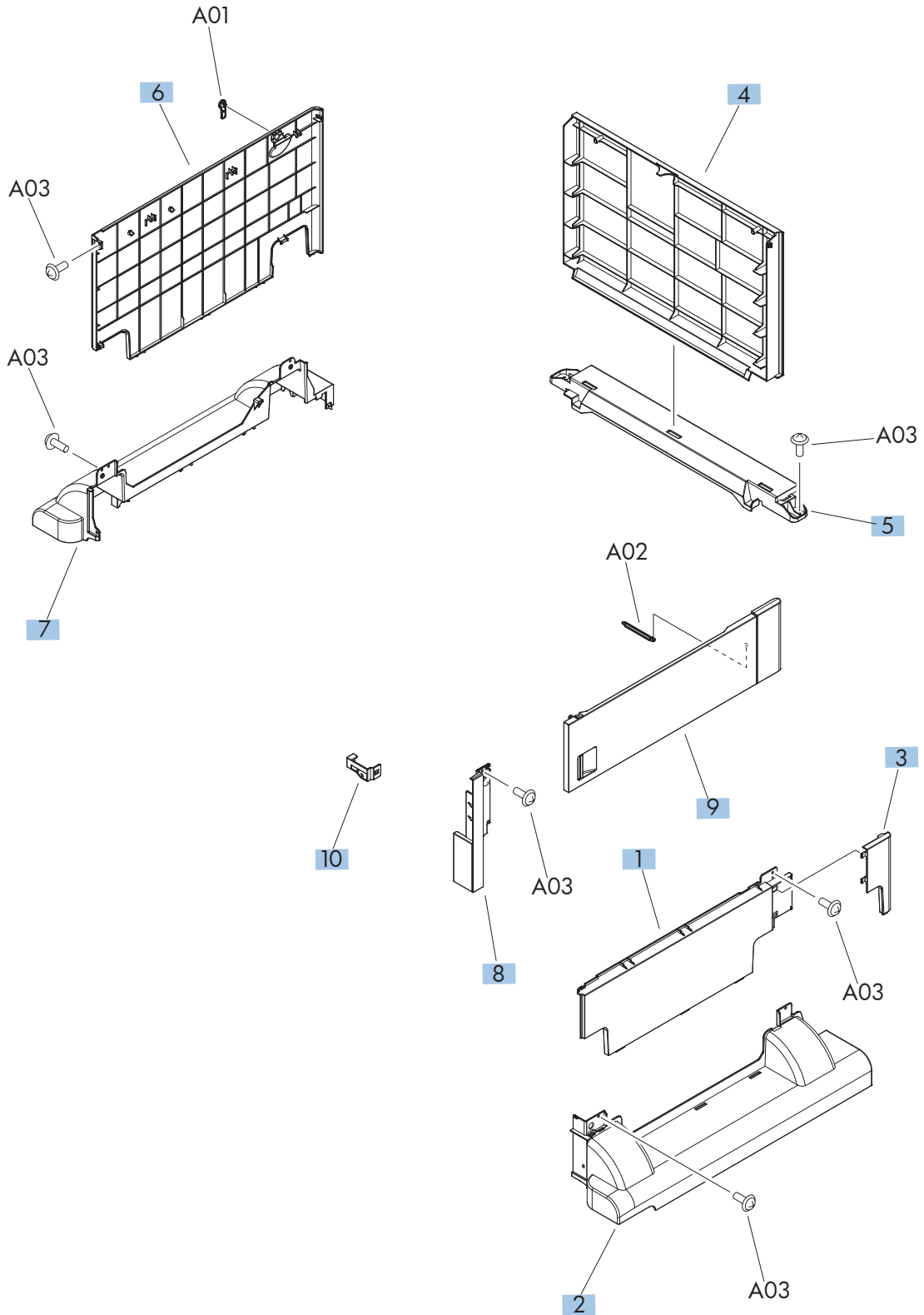
**Table 2-20 3x500 paper deck components**

<b>Ref</b>	<b>Description</b>	<b>Part number</b>	<b>Qty</b>
1	Motor, stepping, DC	RK2-1331-000CN	3
2	Rail, cassette, right	RL1-1390-000CN	3
3	Rail, cassette, left	RL1-1391-000CN	3
4	Cable, paper pickup option	RM1-3575-000CN	3
5	Cable, multi sensor	RM1-3647-000CN	3
6	Cable, door open switch	RM1-3651-000CN	1
7	Lifter drive assembly	RM1-3819-000CN	3
8	Cassette assembly kit, with Trays 4-6 label kit	CF235-67917	3
9	Paper pickup assembly	RM1-9415-000CN	3
10	Controller PCA	RM1-9076-000CN	1
11	Cable, engine interface	RM1-6991-000CN	1
12	Cable, PCA joint	RM1-6992-000CN	2
13	Switch, button	WC2-5512-000CN	1
14	Roller, pickup (part of Trays 4,5 and 6 pickup and feed roller kit)	CC522-67909	4
15	Paper feed roller assembly (part of Trays 4,5 and 6 pickup and feed roller kit)	CC522-67909	8
16	Caster, double lock, front	RC1-9896-000CN	2
17	Caster, rear	RC3-2994-000CN	2
18	Connector, 8P	VS1-7500-008CN	1
19	Labels, cassette numbers, Trays 4-6	CE707-00001	1

# High capacity input (HCI) feeder

## HCI covers

Figure 2-17 HCI covers

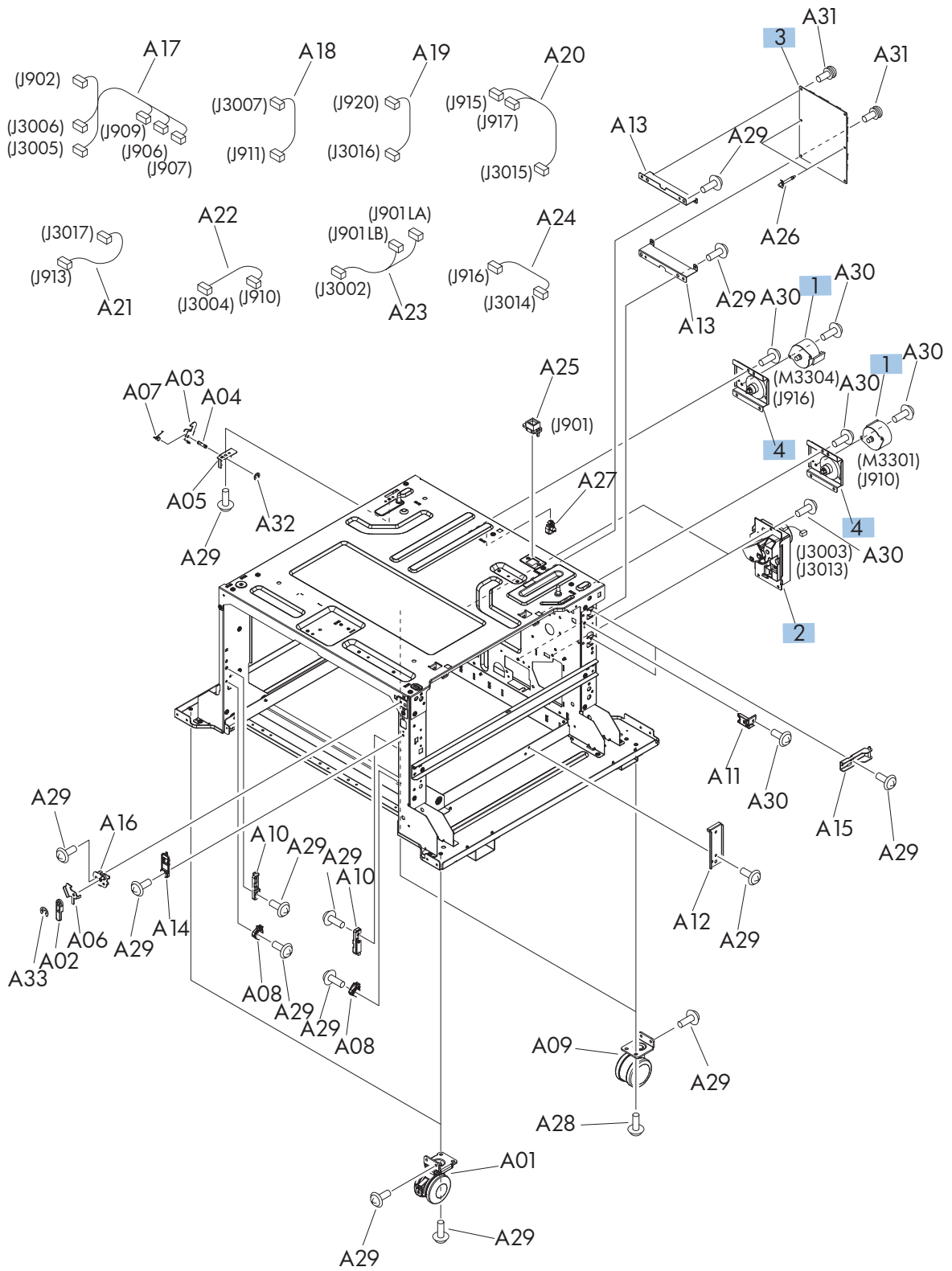


**Table 2-21 HCI covers**

<b>Ref</b>	<b>Description</b>	<b>Part number</b>	<b>Qty</b>
	3,500-sheet HCI feeder assembly kit	CC235-67918	1
1	Cover, right center	RC3-3000-000CN	1
2	Cover, right lower	RC3-3001-000CN	1
3	Cover, right rear	RC3-3002-000CN	1
4	Cover, rear	RC3-3003-000CN	1
5	Cover, rear lower	RC3-3004-000CN	1
6	Cover, left	RC3-3005-000CN	1
7	Cover, left lower	RC3-3006-000CN	1
8	Cover, corner, right	RC3-3009-000CN	1
9	Right door assembly	RM1-8868-000CN	1
10	Right front lock cover assembly	RM1-9416-000CN	1

# HCI components (1 of 2)

Figure 2-18 HCI components (1 of 2)



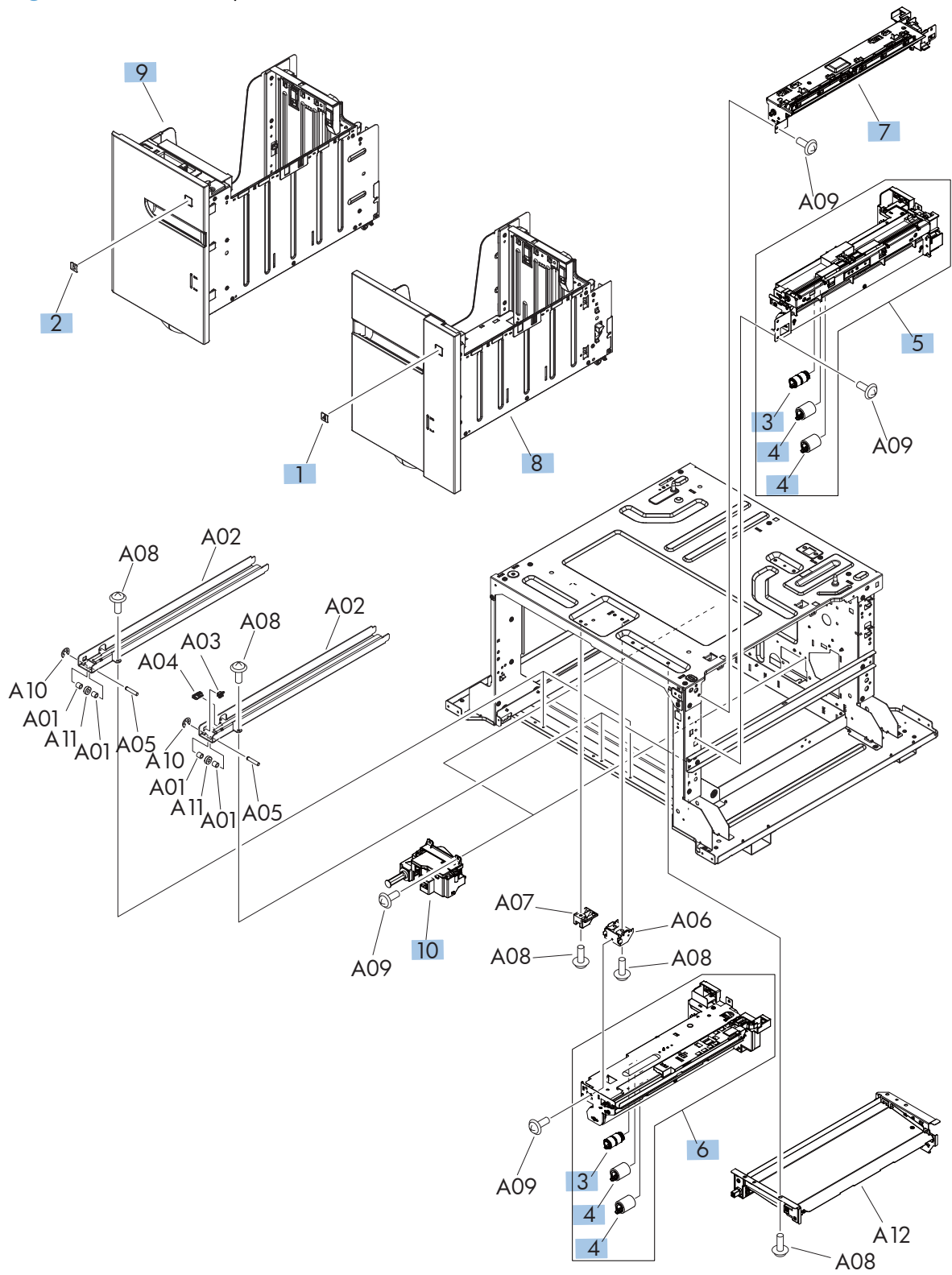
**Table 2-22 HCI components (1 of 2)**

<b>Ref</b>	<b>Description</b>	<b>Part number</b>	<b>Qty</b>
1	Motor, stepping, DC	RK2-1331-000CN	2
2	Lifter drive assembly	RM1-8879-000CN	2
3	Controller PCA	RM1-9057-000CN	1
4	Paper pickup motor assembly	RM1-8872-000CN	2



## HCI components (2 of 2)


Figure 2-19 HCI components (2 of 2)



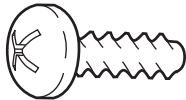
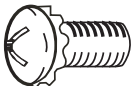
**Table 2-23 HCl components (2 of 2)**

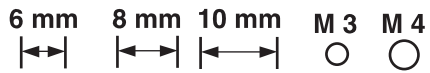
<b>Ref</b>	<b>Description</b>	<b>Part number</b>	<b>Qty</b>
1	Labels, cassette numbers, Trays 4-6	CE707-00001	1
2	Labels, cassette numbers, Trays 4-6	CE707-00001	1
3	Roller, paper pickup (part of HCl pickup and feed roller kit)	5851-5011	2
4	Paper feed roller assembly (part of HCl pickup and feed roller kit)	5851-5011	4
5	Paper pickup assembly, right	RM1-8869-000CN	1
6	Paper pickup assembly, left	RM1-8876-000CN	1
7	Crossing paper feed assembly	RM1-8888-000CN	1
8	Tray, right assembly kit, with Trays 4-6 tray label kit	CF235-60104	1
9	Tray, left assembly kit, with Trays 4-6 tray label kit	CF235-60103	1
10	Auto close assembly	RM1-8880-000CN	2

# Fasteners used in this product

 **NOTE:** The screw illustrations in the following table are for reference only. Screws might vary in size and appearance from those shown in this table.

**Table 2-24 Common fasteners**

Example	Description	Size	Part Number
	Screw, tapping, truss head	M4X10	XB4-7401-005CN
	Screw, D	M3X8	XA9-1671-000CN



# Alphabetical parts list

**Table 2-25 Alphabetical parts list**

<b>Description</b>	<b>Part number</b>	<b>Table and page</b>
1x500 feeder and stand assembly kit	CF235-67915	<a href="#">1x500 and 3x500 paper deck covers on page 177</a>
3,500-sheet HCI feeder assembly kit	CC235-67918	<a href="#">HCI covers on page 183</a>
3x500 feeder and stand assembly kit	CF235-67916	<a href="#">1x500 and 3x500 paper deck covers on page 177</a>
Auto close assembly	RM1-8880-000CN	<a href="#">HCI components (2 of 2) on page 187</a>
Back end sensor	RM1-2968-000CN	<a href="#">Internal components (3 of 4) on page 169</a>
Cable, door open switch	RM1-3651-000CN	<a href="#">3x500 paper deck components on page 181</a>
Cable, engine interface	RM1-6991-000CN	<a href="#">1x500 paper deck components on page 179</a>
Cable, engine interface	RM1-6991-000CN	<a href="#">3x500 paper deck components on page 181</a>
Cable, flexible flat, 15P	RK2-4496-000CN	<a href="#">Internal components (4 of 4) on page 171</a>
Cable, flexible flat, 21P	RK2-4490-000CN	<a href="#">Internal components (4 of 4) on page 171</a>
Cable, flexible flat, 23P	RK2-4492-000CN	<a href="#">Internal components (4 of 4) on page 171</a>
Cable, flexible flat, 25P	RK2-4494-000CN	<a href="#">Internal components (4 of 4) on page 171</a>
Cable, multi sensor	RM1-3647-000CN	<a href="#">3x500 paper deck components on page 181</a>
Cable, multi, front	RM1-8971-000CN	<a href="#">Internal components (2 of 4) on page 167</a>
Cable, multisensor	RM1-3647-000CN	<a href="#">1x500 paper deck components on page 179</a>
Cable, paper pickup option	RM1-3575-000CN	<a href="#">1x500 paper deck components on page 179</a>
Cable, paper pickup option	RM1-3575-000CN	<a href="#">3x500 paper deck components on page 181</a>
Cable, PCA joint	RM1-6992-000CN	<a href="#">3x500 paper deck components on page 181</a>
Cap, USB	RC3-2264-000CN	<a href="#">External covers and panels on page 163</a>

**Table 2-25 Alphabetical parts list (continued)**

<b>Description</b>	<b>Part number</b>	<b>Table and page</b>
Cartridge door assembly	RM1-8660-000CN	<a href="#">External covers and panels on page 163</a>
Cartridge door open switch	WC2-5637-000CN	<a href="#">Internal components (2 of 4) on page 167</a>
Cassette assembly	RM1-9413-000CN	<a href="#">500-sheet paper feeder (Tray 4) components on page 175</a>
Cassette assembly kit, with Trays 4-6 label kit	CF235-67917	<a href="#">1x500 paper deck components on page 179</a>
Cassette assembly kit, with Trays 4-6 label kit	CF235-67917	<a href="#">3x500 paper deck components on page 181</a>
Caster, double lock, front	RC1-9896-000CN	<a href="#">1x500 paper deck components on page 179</a>
Caster, double lock, front	RC1-9896-000CN	<a href="#">3x500 paper deck components on page 181</a>
Caster, rear	RC3-2994-000CN	<a href="#">1x500 paper deck components on page 179</a>
Caster, rear	RC3-2994-000CN	<a href="#">3x500 paper deck components on page 181</a>
Clutch, electromagnetic	RM1-8946-000CN	<a href="#">Internal components (1 of 3) (print engine) on page 165</a>
Clutch, electromagnetic	RM1-8946-000CN	<a href="#">Internal components (2 of 4) on page 167</a>
Connector, 8P	VS1-7514-008CN	<a href="#">500-sheet paper feeder (Tray 4) components on page 175</a>
Connector, 8P	VS1-7500-008CN	<a href="#">500-sheet paper feeder (Tray 4) components on page 175</a>
Connector, 8P	VS1-7500-008CN	<a href="#">1x500 paper deck components on page 179</a>
Connector, 8P	VS1-7500-008CN	<a href="#">3x500 paper deck components on page 181</a>
Control panel assembly	RM1-8940-000CN	<a href="#">External covers and panels on page 163</a>
Controller PCA	RM1-9075-000CN	<a href="#">1x500 paper deck components on page 179</a>
Controller PCA	RM1-9076-000CN	<a href="#">3x500 paper deck components on page 181</a>
Controller PCA	RM1-9057-000CN	<a href="#">HCl components (1 of 2) on page 185</a>

**Table 2-25 Alphabetical parts list (continued)**

<b>Description</b>	<b>Part number</b>	<b>Table and page</b>
Cover, corner, right	RC3-3009-000CN	<a href="#">HCI covers on page 183</a>
Cover, duplexer	RC3-2280-000CN	<a href="#">External covers and panels on page 163</a>
Cover, facedown, side	RC3-2219-000CN	<a href="#">External covers and panels on page 163</a>
Cover, front, left lower	RC3-2134-000CN	<a href="#">External covers and panels on page 163</a>
Cover, front, right lower	RC3-2133-000CN	<a href="#">External covers and panels on page 163</a>
Cover, handle lower	RC2-9332-000CN	<a href="#">500-sheet paper feeder (Tray 4) covers on page 173</a>
Cover, HIP	RC3-3231-000CN	<a href="#">External covers and panels on page 163</a>
Cover, left	RC2-9331-000CN	<a href="#">500-sheet paper feeder (Tray 4) covers on page 173</a>
Cover, left	RC2-9349-000CN	<a href="#">1x500 and 3x500 paper deck covers on page 177</a>
Cover, left	RC3-3005-000CN	<a href="#">HCI covers on page 183</a>
Cover, left handle	RC3-2156-000CN	<a href="#">External covers and panels on page 163</a>
Cover, left lower	RC2-9350-000CN	<a href="#">1x500 and 3x500 paper deck covers on page 177</a>
Cover, left lower	RC3-3006-000CN	<a href="#">HCI covers on page 183</a>
Cover, left roof	RC3-2224-000CN	<a href="#">External covers and panels on page 163</a>
Cover, left side, front, lower	RC3-2154-000CN	<a href="#">External covers and panels on page 163</a>
Cover, left side, rear, lower	RC3-2155-000CN	<a href="#">External covers and panels on page 163</a>
Cover, left, upper	RC3-2272-000CN	<a href="#">External covers and panels on page 163</a>
Cover, output upper	RC3-2225-000CN	<a href="#">External covers and panels on page 163</a>
Cover, pocket rear	RC3-2220-000CN	<a href="#">External covers and panels on page 163</a>
Cover, rear	RC3-2138-000CN	<a href="#">External covers and panels on page 163</a>
Cover, rear	RC2-9330-000CN	<a href="#">500-sheet paper feeder (Tray 4) covers on page 173</a>

**Table 2-25 Alphabetical parts list (continued)**

<b>Description</b>	<b>Part number</b>	<b>Table and page</b>
Cover, rear	RC2-9348-000CN	<a href="#">1x500 and 3x500 paper deck covers on page 177</a>
Cover, rear	RC3-3003-000CN	<a href="#">HCI covers on page 183</a>
Cover, rear lower	RC2-9357-000CN	<a href="#">1x500 and 3x500 paper deck covers on page 177</a>
Cover, rear lower	RC3-3004-000CN	<a href="#">HCI covers on page 183</a>
Cover, right center	RC3-3000-000CN	<a href="#">HCI covers on page 183</a>
Cover, right corner	RC2-9343-000CN	<a href="#">1x500 and 3x500 paper deck covers on page 177</a>
Cover, right front	RC2-9320-000CN	<a href="#">500-sheet paper feeder (Tray 4) covers on page 173</a>
Cover, right handle	RC3-2153-000CN	<a href="#">External covers and panels on page 163</a>
Cover, right lower	RC3-3001-000CN	<a href="#">HCI covers on page 183</a>
Cover, right lower, 1	RC2-9346-000CN	<a href="#">1x500 and 3x500 paper deck covers on page 177</a>
Cover, right lower, 2	RC2-9347-000CN	<a href="#">1x500 and 3x500 paper deck covers on page 177</a>
Cover, right rear	RC3-3002-000CN	<a href="#">HCI covers on page 183</a>
Cover, right side, rear	RC3-2148-000CN	<a href="#">External covers and panels on page 163</a>
Cover, top	RC3-2223-000CN	<a href="#">External covers and panels on page 163</a>
Cover, top rear	RC3-2221-000CN	<a href="#">External covers and panels on page 163</a>
Cover, upper left	RC3-2222-000CN	<a href="#">External covers and panels on page 163</a>
Crossing paper feed assembly	RM1-8888-000CN	<a href="#">HCI components (2 of 2) on page 187</a>
DC controller PCA	RM1-8934-000CN	<a href="#">Internal components (4 of 4) on page 171</a>
Door, stock, 1 (1x500 paper deck only)	RC2-9353-000CN	<a href="#">1x500 and 3x500 paper deck covers on page 177</a>
Door, stock, 2 (1x500 paper deck only)	RC2-9354-000CN	<a href="#">1x500 and 3x500 paper deck covers on page 177</a>
Facedown cover assembly	RM1-8654-000CN	<a href="#">External covers and panels on page 163</a>
Fan	RK2-1092-000CN	<a href="#">Internal components (2 of 4) on page 167</a>



**Table 2-25 Alphabetical parts list (continued)**

<b>Description</b>	<b>Part number</b>	<b>Table and page</b>
Fan	RK2-3244-000CN	<a href="#">Internal components (2 of 4) on page 167</a>
Fan	RK2-2416-000CN	<a href="#">Internal components (4 of 4) on page 171</a>
Formatter cage	RM1-8683-000CN	<a href="#">Internal components (4 of 4) on page 171</a>
Front cover assembly kit (includes product labels)	CF235-67905	<a href="#">External covers and panels on page 163</a>
Front lower cover assembly	RM1-6958-000CN	<a href="#">1x500 and 3x500 paper deck covers on page 177</a>
Front upper cover assembly	RM1-6949-000CN	<a href="#">500-sheet paper feeder (Tray 4) covers on page 173</a>
Front upper cover assembly	RM1-6949-000CN	<a href="#">1x500 and 3x500 paper deck covers on page 177</a>
Fuser assembly kit (110V)	CF235-67921	<a href="#">Internal components (3 of 4) on page 169</a>
Fuser assembly kit (220V)	CF235-67922	<a href="#">Internal components (3 of 4) on page 169</a>
Fuser drive assembly	RM1-2963-000CN	<a href="#">Internal components (3 of 4) on page 169</a>
Fuser motor assembly	RM1-2538-000CN	<a href="#">Internal components (3 of 4) on page 169</a>
Gear, 133T	RU7-0350-000CN	<a href="#">Internal components (1 of 3) (print engine) on page 165</a>
Handle, lock, rear	RC2-9303-000CN	<a href="#">500-sheet paper feeder (Tray 4) covers on page 173</a>
Handle, lock, rear	RC2-9303-000CN	<a href="#">1x500 and 3x500 paper deck covers on page 177</a>
High voltage power supply (110V)	RM2-7538-000CN	<a href="#">Internal components (4 of 4) on page 171</a>
High voltage power supply (220V)	RM2-7539-000CN	<a href="#">Internal components (4 of 4) on page 171</a>
Labels, cassette numbers, Trays 4-6	CE707-00001	<a href="#">HCI components (2 of 2) on page 187</a>
Labels, cassette numbers, Trays 4-6	CE707-00001	<a href="#">HCI components (2 of 2) on page 187</a>
Labels, cassette numbers, Trays 4-6	CE707-00001	<a href="#">500-sheet paper feeder (Tray 4) components on page 175</a>
Labels, cassette numbers, Trays 4-6	CE707-00001	<a href="#">1x500 paper deck components on page 179</a>

**Table 2-25 Alphabetical parts list (continued)**

<b>Description</b>	<b>Part number</b>	<b>Table and page</b>
Labels, cassette numbers, Trays 4-6	CE707-00001	<a href="#">3x500 paper deck components on page 181</a>
Laser scanner assembly	RM1-8679-000CN	<a href="#">Internal components (2 of 4) on page 167</a>
Left door assembly	RM1-8680-000CN	<a href="#">External covers and panels on page 163</a>
Lifter drive assembly	RM1-2969-000CN	<a href="#">Internal components (3 of 4) on page 169</a>
Lifter drive assembly	RM1-3819-000CN	<a href="#">500-sheet paper feeder (Tray 4) components on page 175</a>
Lifter drive assembly	RM1-3819-000CN	<a href="#">1x500 paper deck components on page 179</a>
Lifter drive assembly	RM1-3819-000CN	<a href="#">3x500 paper deck components on page 181</a>
Lifter drive assembly	RM1-8879-000CN	<a href="#">HCI components (1 of 2) on page 185</a>
Link, right door, lower	RC2-9327-000CN	<a href="#">500-sheet paper feeder (Tray 4) covers on page 173</a>
Link, right door, lower	RC2-9327-000CN	<a href="#">1x500 and 3x500 paper deck covers on page 177</a>
Link, right door, upper	RC2-9335-000CN	<a href="#">500-sheet paper feeder (Tray 4) covers on page 173</a>
Link, right door, upper	RC2-9335-000CN	<a href="#">1x500 and 3x500 paper deck covers on page 177</a>
Low voltage power supply (110V)	RM1-8744-000CN	<a href="#">Internal components (4 of 4) on page 171</a>
Low voltage power supply (220V)	RM1-8745-000CN	<a href="#">Internal components (4 of 4) on page 171</a>
Lower cassette (Tray 3) assembly kit	CF235-67912	<a href="#">Internal components (3 of 4) on page 169</a>
Lower cassette (Tray 3) pickup assembly	RM2-0183-000CN	<a href="#">Internal components (2 of 4) on page 167</a>
Main drive assembly	RM2-0184-000CN	<a href="#">Internal components (1 of 3) (print engine) on page 165</a>
Motor, stepping, DC	RK2-1331-000CN	<a href="#">500-sheet paper feeder (Tray 4) components on page 175</a>
Motor, stepping, DC	RK2-1331-000CN	<a href="#">1x500 paper deck components on page 179</a>

**Table 2-25 Alphabetical parts list (continued)**

<b>Description</b>	<b>Part number</b>	<b>Table and page</b>
Motor, stepping, DC	RK2-1331-000CN	<a href="#">3x500 paper deck components on page 181</a>
Motor, stepping, DC	RK2-1331-000CN	<a href="#">HCl components (1 of 2) on page 185</a>
Multipurpose cover assembly	RM1-8662-000CN	<a href="#">External covers and panels on page 163</a>
Multipurpose pad assembly (part of Tray 1 pickup roller and separation pad kit)	CF235-67906	<a href="#">External covers and panels on page 163</a>
Optional 500-sheet tray and feeder assembly kit	CF235-67914	<a href="#">500-sheet paper feeder (Tray 4) covers on page 173</a>
Optional duplexer assembly	CF235-67913	<a href="#">Internal components (3 of 4) on page 169</a>
Paper delivery assembly	RM1-8669-000CN	<a href="#">Internal components (3 of 4) on page 169</a>
Paper feed assembly	RM1-8741-000CN	<a href="#">Internal components (1 of 3) (print engine) on page 165</a>
Paper feed roller assembly (part of HCl pickup and feed roller kit)	5851-5011	<a href="#">HCl components (2 of 2) on page 187</a>
Paper feed roller assembly (part of Trays 4,5 and 6 pickup and feed roller kit)	CC522-67909	<a href="#">500-sheet paper feeder (Tray 4) components on page 175</a>
Paper feed roller assembly (part of Trays 4,5 and 6 pickup and feed roller kit)	CC522-67909	<a href="#">1x500 paper deck components on page 179</a>
Paper feed roller assembly (part of Trays 4,5 and 6 pickup and feed roller kit)	CC522-67909	<a href="#">3x500 paper deck components on page 181</a>
Paper feeder controller PCA	RM1-9074-000CN	<a href="#">500-sheet paper feeder (Tray 4) components on page 175</a>
Paper pickup assembly	RM1-9415-000CN	<a href="#">500-sheet paper feeder (Tray 4) components on page 175</a>
Paper pickup assembly	RM1-9415-000CN	<a href="#">1x500 paper deck components on page 179</a>
Paper pickup assembly	RM1-9415-000CN	<a href="#">3x500 paper deck components on page 181</a>
Paper pickup assembly, left	RM1-8876-000CN	<a href="#">HCl components (2 of 2) on page 187</a>
Paper pickup assembly, right	RM1-8869-000CN	<a href="#">HCl components (2 of 2) on page 187</a>
Paper pickup motor assembly	RM1-8872-000CN	<a href="#">HCl components (1 of 2) on page 185</a>

**Table 2-25 Alphabetical parts list (continued)**

<b>Description</b>	<b>Part number</b>	<b>Table and page</b>
Photointerrupter	WG8-5935-000CN	<a href="#">Internal components (1 of 3) (print engine) on page 165</a>
Photointerrupter	WG8-5935-000CN	<a href="#">Internal components (3 of 4) on page 169</a>
Power switch PCA	RM2-7561-000CN	<a href="#">Internal components (3 of 4) on page 169</a>
Rail, cassette, left	RL1-1391-000CN	<a href="#">1x500 paper deck components on page 179</a>
Rail, cassette, left	RL1-1391-000CN	<a href="#">3x500 paper deck components on page 181</a>
Rail, cassette, right	RL1-1390-000CN	<a href="#">1x500 paper deck components on page 179</a>
Rail, cassette, right	RL1-1390-000CN	<a href="#">3x500 paper deck components on page 181</a>
Registration assembly	RM1-8671-000CN	<a href="#">Internal components (1 of 3) (print engine) on page 165</a>
Right door assembly	RM1-8657-000CN	<a href="#">External covers and panels on page 163</a>
Right door assembly	RM1-6946-000CN	<a href="#">500-sheet paper feeder (Tray 4) covers on page 173</a>
Right door assembly	RM1-8868-000CN	<a href="#">HCl covers on page 183</a>
Right door assembly (1x500 paper deck)	RM1-6952-000CN	<a href="#">1x500 and 3x500 paper deck covers on page 177</a>
Right door assembly (3x500 paper deck)	RM1-6953-000CN	<a href="#">1x500 and 3x500 paper deck covers on page 177</a>
Right front lock cover assembly	RM1-9416-000CN	<a href="#">HCl covers on page 183</a>
Right lower cover assembly	RM1-6948-000CN	<a href="#">500-sheet paper feeder (Tray 4) covers on page 173</a>
Roller, cassette pickup (part of Tray 2 or 3 pickup roller and separation pad kit)	CF235-67909	<a href="#">Internal components (1 of 3) (print engine) on page 165</a>
Roller, cassette pickup (part of Tray 2 or 3 pickup roller and separation pad kit)	CF235-67909	<a href="#">Internal components (2 of 4) on page 167</a>
Roller, paper pickup (part of HCl pickup and feed roller kit)	5851-5011	<a href="#">HCl components (2 of 2) on page 187</a>
Roller, paper pickup, multipurpose tray (part of Tray 1 pickup roller and separation pad kit)	CF235-67906	<a href="#">External covers and panels on page 163</a>
Roller, pickup (part of Trays 4,5 and 6 pickup and feed roller kit)	CC522-67909	<a href="#">500-sheet paper feeder (Tray 4) components on page 175</a>

**Table 2-25 Alphabetical parts list (continued)**

<b>Description</b>	<b>Part number</b>	<b>Table and page</b>
Roller, pickup (part of Trays 4,5 and 6 pickup and feed roller kit)	CC522-67909	<a href="#">1x500 paper deck components on page 179</a>
Roller, pickup (part of Trays 4,5 and 6 pickup and feed roller kit)	CC522-67909	<a href="#">3x500 paper deck components on page 181</a>
Screw, stepped	RU5-9056-000CN	<a href="#">1x500 and 3x500 paper deck covers on page 177</a>
Sensor, humidity	WP2-5316-000CN	<a href="#">Internal components (2 of 4) on page 167</a>
Separation pad assembly (part of Tray 2 or 3 pickup roller and separation pad kit)	CF235-67909	<a href="#">Internal components (3 of 4) on page 169</a>
Spring, tension	RU5-2632-000CN	<a href="#">Internal components (1 of 3) (print engine) on page 165</a>
Stock box assembly	RM1-6954-000CN	<a href="#">1x500 paper deck components on page 179</a>
Stopper, link	RC3-2212-000CN	<a href="#">Internal components (1 of 3) (print engine) on page 165</a>
Switch, button	WC2-5512-000CN	<a href="#">500-sheet paper feeder (Tray 4) components on page 175</a>
Switch, button	WC2-5512-000CN	<a href="#">3x500 paper deck components on page 181</a>
Switch, cartridge door	RM1-3471-000CN	<a href="#">Internal components (4 of 4) on page 171</a>
Switch, fuser (left) door	RM1-3474-000CN	<a href="#">Internal components (4 of 4) on page 171</a>
Transfer roller assembly kit	CF235-67910	<a href="#">Internal components (1 of 3) (print engine) on page 165</a>
Tray, left assembly kit, with Trays 4-6 tray label kit	CF235-60103	<a href="#">HCI components (2 of 2) on page 187</a>
Tray, right assembly kit, with Trays 4-6 tray label kit	CF235-60104	<a href="#">HCI components (2 of 2) on page 187</a>
Upper cassette (Tray 2) assembly kit	CF235-67911	<a href="#">Internal components (3 of 4) on page 169</a>
Upper cassette (Tray 2) pickup assembly	RM2-0182-000CN	<a href="#">Internal components (1 of 3) (print engine) on page 165</a>
USB PCA	RM1-8937-000CN	<a href="#">Internal components (3 of 4) on page 169</a>

# Numerical parts list

**Table 2-26 Numerical parts list**

<b>Part number</b>	<b>Description</b>	<b>Table and page</b>
5851-5011	Roller, paper pickup (part of HCI pickup and feed roller kit)	<a href="#">HCI components (2 of 2) on page 187</a>
5851-5011	Paper feed roller assembly (part of HCI pickup and feed roller kit)	<a href="#">HCI components (2 of 2) on page 187</a>
CC235-67918	3,500-sheet HCI feeder assembly kit	<a href="#">HCI covers on page 183</a>
CC522-67909	Roller, pickup (part of Trays 4,5 and 6 pickup and feed roller kit)	<a href="#">500-sheet paper feeder (Tray 4) components on page 175</a>
CC522-67909	Paper feed roller assembly (part of Trays 4,5 and 6 pickup and feed roller kit)	<a href="#">500-sheet paper feeder (Tray 4) components on page 175</a>
CC522-67909	Roller, pickup (part of Trays 4,5 and 6 pickup and feed roller kit)	<a href="#">1x500 paper deck components on page 179</a>
CC522-67909	Paper feed roller assembly (part of Trays 4,5 and 6 pickup and feed roller kit)	<a href="#">1x500 paper deck components on page 179</a>
CC522-67909	Roller, pickup (part of Trays 4,5 and 6 pickup and feed roller kit)	<a href="#">3x500 paper deck components on page 181</a>
CC522-67909	Paper feed roller assembly (part of Trays 4,5 and 6 pickup and feed roller kit)	<a href="#">3x500 paper deck components on page 181</a>
CE707-00001	Labels, cassette numbers, Trays 4-6	<a href="#">500-sheet paper feeder (Tray 4) components on page 175</a>
CE707-00001	Labels, cassette numbers, Trays 4-6	<a href="#">1x500 paper deck components on page 179</a>
CE707-00001	Labels, cassette numbers, Trays 4-6	<a href="#">3x500 paper deck components on page 181</a>
CE707-00001	Labels, cassette numbers, Trays 4-6	<a href="#">HCI components (2 of 2) on page 187</a>
CE707-00001	Labels, cassette numbers, Trays 4-6	<a href="#">HCI components (2 of 2) on page 187</a>
CF235-60103	Tray, left assembly kit, with Trays 4-6 tray label kit	<a href="#">HCI components (2 of 2) on page 187</a>
CF235-60104	Tray, right assembly kit, with Trays 4-6 tray label kit	<a href="#">HCI components (2 of 2) on page 187</a>
CF235-67905	Front cover assembly kit (includes product labels)	<a href="#">External covers and panels on page 163</a>
CF235-67906	Roller, paper pickup, multipurpose tray (part of Tray 1 pickup roller and separation pad kit)	<a href="#">External covers and panels on page 163</a>

**Table 2-26 Numerical parts list (continued)**

<b>Part number</b>	<b>Description</b>	<b>Table and page</b>
CF235-67906	Multipurpose pad assembly (part of Tray 1 pickup roller and separation pad kit)	<a href="#">External covers and panels on page 163</a>
CF235-67909	Roller, cassette pickup (part of Tray 2 or 3 pickup roller and separation pad kit)	<a href="#">Internal components (1 of 3) (print engine) on page 165</a>
CF235-67909	Roller, cassette pickup (part of Tray 2 or 3 pickup roller and separation pad kit)	<a href="#">Internal components (2 of 4) on page 167</a>
CF235-67909	Separation pad assembly (part of Tray 2 or 3 pickup roller and separation pad kit)	<a href="#">Internal components (3 of 4) on page 169</a>
CF235-67910	Transfer roller assembly kit	<a href="#">Internal components (1 of 3) (print engine) on page 165</a>
CF235-67911	Upper cassette (Tray 2) assembly kit	<a href="#">Internal components (3 of 4) on page 169</a>
CF235-67912	Lower cassette (Tray 3) assembly kit	<a href="#">Internal components (3 of 4) on page 169</a>
CF235-67913	Optional duplexer assembly	<a href="#">Internal components (3 of 4) on page 169</a>
CF235-67914	Optional 500-sheet tray and feeder assembly kit	<a href="#">500-sheet paper feeder (Tray 4) covers on page 173</a>
CF235-67915	1x500 feeder and stand assembly kit	<a href="#">1x500 and 3x500 paper deck covers on page 177</a>
CF235-67916	3x500 feeder and stand assembly kit	<a href="#">1x500 and 3x500 paper deck covers on page 177</a>
CF235-67917	Cassette assembly kit, with Trays 4-6 label kit	<a href="#">1x500 paper deck components on page 179</a>
CF235-67917	Cassette assembly kit, with Trays 4-6 label kit	<a href="#">3x500 paper deck components on page 181</a>
CF235-67921	Fuser assembly kit (110V)	<a href="#">Internal components (3 of 4) on page 169</a>
CF235-67922	Fuser assembly kit (220V)	<a href="#">Internal components (3 of 4) on page 169</a>
RC1-9896-000CN	Caster, double lock, front	<a href="#">1x500 paper deck components on page 179</a>
RC1-9896-000CN	Caster, double lock, front	<a href="#">3x500 paper deck components on page 181</a>
RC2-9303-000CN	Handle, lock, rear	<a href="#">500-sheet paper feeder (Tray 4) covers on page 173</a>
RC2-9303-000CN	Handle, lock, rear	<a href="#">1x500 and 3x500 paper deck covers on page 177</a>
RC2-9320-000CN	Cover, right front	<a href="#">500-sheet paper feeder (Tray 4) covers on page 173</a>

**Table 2-26 Numerical parts list (continued)**

<b>Part number</b>	<b>Description</b>	<b>Table and page</b>
RC2-9327-000CN	Link, right door, lower	<a href="#">500-sheet paper feeder (Tray 4) covers on page 173</a>
RC2-9327-000CN	Link, right door, lower	<a href="#">1x500 and 3x500 paper deck covers on page 177</a>
RC2-9330-000CN	Cover, rear	<a href="#">500-sheet paper feeder (Tray 4) covers on page 173</a>
RC2-9331-000CN	Cover, left	<a href="#">500-sheet paper feeder (Tray 4) covers on page 173</a>
RC2-9332-000CN	Cover, handle lower	<a href="#">500-sheet paper feeder (Tray 4) covers on page 173</a>
RC2-9335-000CN	Link, right door, upper	<a href="#">500-sheet paper feeder (Tray 4) covers on page 173</a>
RC2-9335-000CN	Link, right door, upper	<a href="#">1x500 and 3x500 paper deck covers on page 177</a>
RC2-9343-000CN	Cover, right corner	<a href="#">1x500 and 3x500 paper deck covers on page 177</a>
RC2-9346-000CN	Cover, right lower, 1	<a href="#">1x500 and 3x500 paper deck covers on page 177</a>
RC2-9347-000CN	Cover, right lower, 2	<a href="#">1x500 and 3x500 paper deck covers on page 177</a>
RC2-9348-000CN	Cover, rear	<a href="#">1x500 and 3x500 paper deck covers on page 177</a>
RC2-9349-000CN	Cover, left	<a href="#">1x500 and 3x500 paper deck covers on page 177</a>
RC2-9350-000CN	Cover, left lower	<a href="#">1x500 and 3x500 paper deck covers on page 177</a>
RC2-9353-000CN	Door, stock, 1 (1x500 paper deck only)	<a href="#">1x500 and 3x500 paper deck covers on page 177</a>
RC2-9354-000CN	Door, stock, 2 (1x500 paper deck only)	<a href="#">1x500 and 3x500 paper deck covers on page 177</a>
RC2-9357-000CN	Cover, rear lower	<a href="#">1x500 and 3x500 paper deck covers on page 177</a>
RC3-2133-000CN	Cover, front, right lower	<a href="#">External covers and panels on page 163</a>
RC3-2134-000CN	Cover, front, left lower	<a href="#">External covers and panels on page 163</a>
RC3-2138-000CN	Cover, rear	<a href="#">External covers and panels on page 163</a>
RC3-2148-000CN	Cover, right side, rear	<a href="#">External covers and panels on page 163</a>



**Table 2-26 Numerical parts list (continued)**

<b>Part number</b>	<b>Description</b>	<b>Table and page</b>
RC3-2153-000CN	Cover, right handle	<a href="#">External covers and panels on page 163</a>
RC3-2154-000CN	Cover, left side, front, lower	<a href="#">External covers and panels on page 163</a>
RC3-2155-000CN	Cover, left side, rear, lower	<a href="#">External covers and panels on page 163</a>
RC3-2156-000CN	Cover, left handle	<a href="#">External covers and panels on page 163</a>
RC3-2212-000CN	Stopper, link	<a href="#">Internal components (1 of 3) (print engine) on page 165</a>
RC3-2219-000CN	Cover, facedown, side	<a href="#">External covers and panels on page 163</a>
RC3-2220-000CN	Cover, pocket rear	<a href="#">External covers and panels on page 163</a>
RC3-2221-000CN	Cover, top rear	<a href="#">External covers and panels on page 163</a>
RC3-2222-000CN	Cover, upper left	<a href="#">External covers and panels on page 163</a>
RC3-2223-000CN	Cover, top	<a href="#">External covers and panels on page 163</a>
RC3-2224-000CN	Cover, left roof	<a href="#">External covers and panels on page 163</a>
RC3-2225-000CN	Cover, output upper	<a href="#">External covers and panels on page 163</a>
RC3-2264-000CN	Cap, USB	<a href="#">External covers and panels on page 163</a>
RC3-2272-000CN	Cover, left, upper	<a href="#">External covers and panels on page 163</a>
RC3-2280-000CN	Cover, duplexer	<a href="#">External covers and panels on page 163</a>
RC3-2994-000CN	Caster, rear	<a href="#">1x500 paper deck components on page 179</a>
RC3-2994-000CN	Caster, rear	<a href="#">3x500 paper deck components on page 181</a>
RC3-3000-000CN	Cover, right center	<a href="#">HCI covers on page 183</a>
RC3-3001-000CN	Cover, right lower	<a href="#">HCI covers on page 183</a>
RC3-3002-000CN	Cover, right rear	<a href="#">HCI covers on page 183</a>
RC3-3003-000CN	Cover, rear	<a href="#">HCI covers on page 183</a>
RC3-3004-000CN	Cover, rear lower	<a href="#">HCI covers on page 183</a>

**Table 2-26 Numerical parts list (continued)**

<b>Part number</b>	<b>Description</b>	<b>Table and page</b>
RC3-3005-000CN	Cover, left	<a href="#">HCI covers on page 183</a>
RC3-3006-000CN	Cover, left lower	<a href="#">HCI covers on page 183</a>
RC3-3009-000CN	Cover, corner, right	<a href="#">HCI covers on page 183</a>
RC3-3231-000CN	Cover, HIP	<a href="#">External covers and panels on page 163</a>
RK2-1092-000CN	Fan	<a href="#">Internal components (2 of 4) on page 167</a>
RK2-1331-000CN	Motor, stepping, DC	<a href="#">500-sheet paper feeder (Tray 4) components on page 175</a>
RK2-1331-000CN	Motor, stepping, DC	<a href="#">1x500 paper deck components on page 179</a>
RK2-1331-000CN	Motor, stepping, DC	<a href="#">3x500 paper deck components on page 181</a>
RK2-1331-000CN	Motor, stepping, DC	<a href="#">HCI components (1 of 2) on page 185</a>
RK2-2416-000CN	Fan	<a href="#">Internal components (4 of 4) on page 171</a>
RK2-3244-000CN	Fan	<a href="#">Internal components (2 of 4) on page 167</a>
RK2-4490-000CN	Cable, flexible flat, 21P	<a href="#">Internal components (4 of 4) on page 171</a>
RK2-4492-000CN	Cable, flexible flat, 23P	<a href="#">Internal components (4 of 4) on page 171</a>
RK2-4494-000CN	Cable, flexible flat, 25P	<a href="#">Internal components (4 of 4) on page 171</a>
RK2-4496-000CN	Cable, flexible flat, 15P	<a href="#">Internal components (4 of 4) on page 171</a>
RL1-1390-000CN	Rail, cassette, right	<a href="#">1x500 paper deck components on page 179</a>
RL1-1390-000CN	Rail, cassette, right	<a href="#">3x500 paper deck components on page 181</a>
RL1-1391-000CN	Rail, cassette, left	<a href="#">1x500 paper deck components on page 179</a>
RL1-1391-000CN	Rail, cassette, left	<a href="#">3x500 paper deck components on page 181</a>
RM1-2538-000CN	Fuser motor assembly	<a href="#">Internal components (3 of 4) on page 169</a>
RM1-2963-000CN	Fuser drive assembly	<a href="#">Internal components (3 of 4) on page 169</a>

**Table 2-26 Numerical parts list (continued)**

<b>Part number</b>	<b>Description</b>	<b>Table and page</b>
RM1-2968-000CN	Back end sensor	<a href="#">Internal components (3 of 4) on page 169</a>
RM1-2969-000CN	Lifter drive assembly	<a href="#">Internal components (3 of 4) on page 169</a>
RM1-3471-000CN	Switch, cartridge door	<a href="#">Internal components (4 of 4) on page 171</a>
RM1-3474-000CN	Switch, fuser (left) door	<a href="#">Internal components (4 of 4) on page 171</a>
RM1-3575-000CN	Cable, paper pickup option	<a href="#">1x500 paper deck components on page 179</a>
RM1-3575-000CN	Cable, paper pickup option	<a href="#">3x500 paper deck components on page 181</a>
RM1-3647-000CN	Cable, multisensor	<a href="#">1x500 paper deck components on page 179</a>
RM1-3647-000CN	Cable, multi sensor	<a href="#">3x500 paper deck components on page 181</a>
RM1-3651-000CN	Cable, door open switch	<a href="#">3x500 paper deck components on page 181</a>
RM1-3819-000CN	Lifter drive assembly	<a href="#">500-sheet paper feeder (Tray 4) components on page 175</a>
RM1-3819-000CN	Lifter drive assembly	<a href="#">1x500 paper deck components on page 179</a>
RM1-3819-000CN	Lifter drive assembly	<a href="#">3x500 paper deck components on page 181</a>
RM1-6946-000CN	Right door assembly	<a href="#">500-sheet paper feeder (Tray 4) covers on page 173</a>
RM1-6948-000CN	Right lower cover assembly	<a href="#">500-sheet paper feeder (Tray 4) covers on page 173</a>
RM1-6949-000CN	Front upper cover assembly	<a href="#">500-sheet paper feeder (Tray 4) covers on page 173</a>
RM1-6949-000CN	Front upper cover assembly	<a href="#">1x500 and 3x500 paper deck covers on page 177</a>
RM1-6952-000CN	Right door assembly (1x500 paper deck)	<a href="#">1x500 and 3x500 paper deck covers on page 177</a>
RM1-6953-000CN	Right door assembly (3x500 paper deck)	<a href="#">1x500 and 3x500 paper deck covers on page 177</a>
RM1-6954-000CN	Stock box assembly	<a href="#">1x500 paper deck components on page 179</a>
RM1-6958-000CN	Front lower cover assembly	<a href="#">1x500 and 3x500 paper deck covers on page 177</a>

**Table 2-26 Numerical parts list (continued)**

<b>Part number</b>	<b>Description</b>	<b>Table and page</b>
RM1-6991-000CN	Cable, engine interface	<a href="#">1x500 paper deck components on page 179</a>
RM1-6991-000CN	Cable, engine interface	<a href="#">3x500 paper deck components on page 181</a>
RM1-6992-000CN	Cable, PCA joint	<a href="#">3x500 paper deck components on page 181</a>
RM1-8654-000CN	Facedown cover assembly	<a href="#">External covers and panels on page 163</a>
RM1-8657-000CN	Right door assembly	<a href="#">External covers and panels on page 163</a>
RM1-8660-000CN	Cartridge door assembly	<a href="#">External covers and panels on page 163</a>
RM1-8662-000CN	Multipurpose cover assembly	<a href="#">External covers and panels on page 163</a>
RM1-8669-000CN	Paper delivery assembly	<a href="#">Internal components (3 of 4) on page 169</a>
RM1-8671-000CN	Registration assembly	<a href="#">Internal components (1 of 3) (print engine) on page 165</a>
RM1-8679-000CN	Laser scanner assembly	<a href="#">Internal components (2 of 4) on page 167</a>
RM1-8680-000CN	Left door assembly	<a href="#">External covers and panels on page 163</a>
RM1-8683-000CN	Formatter cage	<a href="#">Internal components (4 of 4) on page 171</a>
RM1-8741-000CN	Paper feed assembly	<a href="#">Internal components (1 of 3) (print engine) on page 165</a>
RM1-8744-000CN	Low voltage power supply (110V)	<a href="#">Internal components (4 of 4) on page 171</a>
RM1-8745-000CN	Low voltage power supply (220V)	<a href="#">Internal components (4 of 4) on page 171</a>
RM1-8868-000CN	Right door assembly	<a href="#">HCI covers on page 183</a>
RM1-8869-000CN	Paper pickup assembly, right	<a href="#">HCI components (2 of 2) on page 187</a>
RM1-8872-000CN	Paper pickup motor assembly	<a href="#">HCI components (1 of 2) on page 185</a>
RM1-8876-000CN	Paper pickup assembly, left	<a href="#">HCI components (2 of 2) on page 187</a>
RM1-8879-000CN	Lifter drive assembly	<a href="#">HCI components (1 of 2) on page 185</a>

**Table 2-26 Numerical parts list (continued)**

<b>Part number</b>	<b>Description</b>	<b>Table and page</b>
RM1-8880-000CN	Auto close assembly	<a href="#">HCI components (2 of 2) on page 187</a>
RM1-8888-000CN	Crossing paper feed assembly	<a href="#">HCI components (2 of 2) on page 187</a>
RM1-8934-000CN	DC controller PCA	<a href="#">Internal components (4 of 4) on page 171</a>
RM1-8937-000CN	USB PCA	<a href="#">Internal components (3 of 4) on page 169</a>
RM1-8940-000CN	Control panel assembly	<a href="#">External covers and panels on page 163</a>
RM1-8946-000CN	Clutch, electromagnetic	<a href="#">Internal components (1 of 3) (print engine) on page 165</a>
RM1-8946-000CN	Clutch, electromagnetic	<a href="#">Internal components (2 of 4) on page 167</a>
RM1-8971-000CN	Cable, multi, front	<a href="#">Internal components (2 of 4) on page 167</a>
RM1-9057-000CN	Controller PCA	<a href="#">HCI components (1 of 2) on page 185</a>
RM1-9074-000CN	Paper feeder controller PCA	<a href="#">500-sheet paper feeder (Tray 4) components on page 175</a>
RM1-9075-000CN	Controller PCA	<a href="#">1x500 paper deck components on page 179</a>
RM1-9076-000CN	Controller PCA	<a href="#">3x500 paper deck components on page 181</a>
RM1-9413-000CN	Cassette assembly	<a href="#">500-sheet paper feeder (Tray 4) components on page 175</a>
RM1-9415-000CN	Paper pickup assembly	<a href="#">500-sheet paper feeder (Tray 4) components on page 175</a>
RM1-9415-000CN	Paper pickup assembly	<a href="#">1x500 paper deck components on page 179</a>
RM1-9415-000CN	Paper pickup assembly	<a href="#">3x500 paper deck components on page 181</a>
RM1-9416-000CN	Right front lock cover assembly	<a href="#">HCI covers on page 183</a>
RM2-0182-000CN	Upper cassette (Tray 2) pickup assembly	<a href="#">Internal components (1 of 3) (print engine) on page 165</a>
RM2-0183-000CN	Lower cassette (Tray 3) pickup assembly	<a href="#">Internal components (2 of 4) on page 167</a>

**Table 2-26 Numerical parts list (continued)**

<b>Part number</b>	<b>Description</b>	<b>Table and page</b>
RM2-0184-000CN	Main drive assembly	<a href="#">Internal components (1 of 3) (print engine) on page 165</a>
RM2-7538-000CN	High voltage power supply (110V)	<a href="#">Internal components (4 of 4) on page 171</a>
RM2-7539-000CN	High voltage power supply (220V)	<a href="#">Internal components (4 of 4) on page 171</a>
RM2-7561-000CN	Power switch PCA	<a href="#">Internal components (3 of 4) on page 169</a>
RU5-2632-000CN	Spring, tension	<a href="#">Internal components (1 of 3) (print engine) on page 165</a>
RU5-9056-000CN	Screw, stepped	<a href="#">1x500 and 3x500 paper deck covers on page 177</a>
RU7-0350-000CN	Gear, 133T	<a href="#">Internal components (1 of 3) (print engine) on page 165</a>
VS1-7500-008CN	Connector, 8P	<a href="#">500-sheet paper feeder (Tray 4) components on page 175</a>
VS1-7500-008CN	Connector, 8P	<a href="#">1x500 paper deck components on page 179</a>
VS1-7500-008CN	Connector, 8P	<a href="#">3x500 paper deck components on page 181</a>
VS1-7514-008CN	Connector, 8P	<a href="#">500-sheet paper feeder (Tray 4) components on page 175</a>
WC2-5512-000CN	Switch, button	<a href="#">500-sheet paper feeder (Tray 4) components on page 175</a>
WC2-5512-000CN	Switch, button	<a href="#">3x500 paper deck components on page 181</a>
WC2-5637-000CN	Cartridge door open switch	<a href="#">Internal components (2 of 4) on page 167</a>
WG8-5935-000CN	Photointerrupter	<a href="#">Internal components (1 of 3) (print engine) on page 165</a>
WG8-5935-000CN	Photointerrupter	<a href="#">Internal components (3 of 4) on page 169</a>
WP2-5316-000CN	Sensor, humidity	<a href="#">Internal components (2 of 4) on page 167</a>

# Index

## Symbols/Numerics

- 1x500-paper deck assembly
  - components, removing 115
- 1x500-sheet paper feeder assembly
  - components, removing 101
- 3x500-paper deck assembly
  - components, removing 115

## A

- accessories
  - ordering 152
- after-service checklist 4

## B

- before-service checklist 4

## C

- cartridge
  - ordering 154
  - part number 154
- cassette, lower pickup assembly
  - removing and replacing 56
- cassette, upper pickup assembly
  - removing and replacing 53
- cautions iii
- controller PCA, high capacity input (HCI) feeder
  - removing and replacing 142
- conventions, document iii

## D

- DC controller PCA
  - removing and replacing 96
- document conventions iii
- duplexer
  - removing 31

## E

- electrostatic discharge (ESD) 2
- ESD electrostatic discharge (ESD) 2

## F

- face-down cover
  - removing and replacing 16
- face-down side cover
  - removing and replacing 24
- fan, front
  - removing and replacing 87
- fan, rear
  - removing and replacing 85
- fasteners
  - screws 188
- feed roller, replacing tray 4, tray 5, and tray 6 7
- field-replaceable units (FRUs)
  - replacing 2
- formatter, cover and cage
  - removing and replacing 52
- front cover
  - removing and replacing 11
- front fan
  - removing and replacing 87
- FRUs (field-replaceable units)
  - replacing 2
- fuser
  - removing and replacing 32
- fuser fan
  - removing and replacing 89
- fuser motor
  - removing and replacing 85
- fuser, drive assembly
  - removing and replacing 64
- fuser, fan
  - removing and replacing 89

- fuser, motor
  - removing and replacing 85

## H

- hard drive
  - removing and replacing 100
- high capacity input (HCI) feeder controller PCA, removing and replacing 142
- left cover, removing and replacing 132
- left lower cover, removing and replacing 133
- left tray automatic close assembly, removing and replacing 143
- left tray lifter drive, removing and replacing 139
- left tray pickup assembly, removing and replacing 145
- left tray pickup drive, removing and replacing 140
- left tray, removing and replacing 131
- merge assembly, removing and replacing 148
- rear cover, removing and replacing 134
- rear lower cover, removing and replacing 138
- removing and replacing 131
- right center cover, removing and replacing 136
- right door, removing and replacing 135
- right front cover, removing and replacing 135
- right lower cover, removing and replacing 137

- right rear cover, removing and replacing 136
  - right tray automatic close assembly, removing and replacing 144
  - right tray lifter drive, removing and replacing 140
  - right tray pickup assembly, removing and replacing 147
  - right tray pickup drive, removing and replacing 141
  - right tray, removing and replacing 131
  - high-voltage power supply removing and replacing 94
- I**
- installation 2
    - screws 2
    - See *also* replacing parts
- L**
- laser scanner
    - cautions for servicing 2
    - removing and replacing 45
  - left cover, high capacity input (HCI) feeder
    - removing and replacing 132
  - left door
    - removing and replacing 12
  - left inner lower cover
    - removing and replacing 20
  - left inner upper cover
    - removing and replacing 27
  - left lower cover, high capacity input (HCI) feeder
    - removing and replacing 133
  - left rear inner cover
    - removing and replacing 21
  - left tray automatic close assembly, high capacity input (HCI) feeder
    - removing and replacing 143
  - left tray lifter drive, high capacity input (HCI) feeder
    - removing and replacing 139
  - left tray pickup assembly, high capacity input (HCI) feeder
    - removing and replacing 145
  - left tray pickup drive, high capacity input (HCI) feeder
    - removing and replacing 140
  - left tray, high capacity input (HCI) feeder
    - removing and replacing 131
  - left upper cover
    - removing and replacing 26
  - lifter drive assembly
    - removing and replacing 58
  - low-voltage power supply
    - removing and replacing 97
  - lower cassette pickup assembly
    - removing and replacing 56
  - lower left cover
    - removing and replacing 14, 15
- M**
- main drive assembly
    - removing and replacing 60
  - merge assembly, high capacity input (HCI) feeder
    - removing and replacing 148
- N**
- notes iii
- O**
- ordering
    - product documents 155
    - supplies and accessories 152
    - toner cartridge 154
- P**
- paper delivery assembly
    - removing and replacing 34
  - part number
    - toner cartridge 154
  - part numbers
    - screws 188
    - trays 154
  - pickup rollers
    - tray 1, replacing 5
    - tray 2 and tray 3, replacing 6
    - tray 4, tray 5, and tray 6, replacing 7
  - pickup rollers, remove 5
  - power supply, high-voltage
    - removing and replacing 94
  - power supply, low-voltage
    - removing and replacing 97
- R**
- rear cover
    - removing and replacing 13
  - rear cover, high capacity input (HCI) feeder
    - removing and replacing 134
  - rear fan
    - removing and replacing 85
  - rear lower cover, high capacity input (HCI) feeder
    - removing and replacing 138
  - registration assembly
    - removing and replacing 37
  - removing parts
    - 1x500-sheet paper deck assembly 115
    - 1x500-sheet paper feeder assembly 101
    - 3x500-sheet paper deck assembly 115
    - about 2
    - after-service checklist 4
    - before-service checklist 4
    - duplexer assembly 31
    - service approach 3
    - tools, required 3
    - tray 1 pickup roller 5
    - tray 2 and tray 3 separation pad 9
    - tray 2 pickup roller 6
    - tray 4, tray 5, and tray 6 pickup and feed rollers 7
  - repair approach 3
  - replacing parts
    - about 2
    - after-service checklist 4
    - before-service checklist 4
    - duplexer assembly 31
    - screws 2
    - service approach 3
    - tools, required 3
    - tray 1 pickup roller 5
    - tray 2 and tray 3 pickup roller 6



- tray 2 and tray 3 separation pad 9
  - tray 4, tray 5, and tray 6 pickup and feed rollers 7
  - right center cover, high capacity input (HCI) feeder
    - removing and replacing 136
  - right door
    - removing and replacing 18
  - right door, high capacity input (HCI) feeder
    - removing and replacing 135
  - right front cover, high capacity input (HCI) feeder
    - removing and replacing 135
  - right lower cover, high capacity input (HCI) feeder
    - removing and replacing 137
  - right rear cover
    - removing and replacing 12
  - right rear cover, high capacity input (HCI) feeder
    - removing and replacing 136
  - right tray automatic close assembly, high capacity input (HCI) feeder
    - removing and replacing 144
  - right tray lifter drive, high capacity input (HCI) feeder
    - removing and replacing 140
  - right tray pickup assembly, high capacity input (HCI) feeder
    - removing and replacing 147
  - right tray pickup drive, high capacity input (HCI) feeder
    - removing and replacing 141
  - right tray, high capacity input (HCI) feeder
    - removing and replacing 131
  - rollers
    - tray 1 pickup, replacing 5
    - tray 2 and tray 3 pickup, replacing 6
    - tray 4, tray 5, and tray 6 pickup and feed, replacing 7
- S**
- screwdrivers, required 3
  - screws
    - installing 2
  - part numbers 188
  - types of 3
  - separation pads
    - tray 2 and tray 3, replacing 9
  - service approach 3
  - static, precautions for 2
  - supplies
    - ordering 152
- T**
- tips iii
  - toner cartridge
    - ordering 154
    - part number 154
  - toner cartridge door
    - removing and replacing 47
  - tools, required 3
  - top cover
    - removing and replacing 19
  - transfer roller
    - removing and replacing 40
  - tray 1
    - pickup roller, replacing 5
  - tray 1 separation pad assembly
    - removing and replacing 8
  - tray 2 and tray 3
    - pickup roller, replacing 6
    - separation pad, replacing 9
  - tray 4, tray 5, and tray 6
    - pickup and feed rollers, replacing 7
  - trays
    - part numbers 154
  - troubleshooting
    - service approach 3
- U**
- upper cassette pickup assembly
    - removing and replacing 53
- W**
- warnings iii







CF235-90962

