



LASERJET PRO 200 COLOR MFP

Repair Manual



M276



HP LaserJet Pro 200 color MFP M276 Series

Repair Manual

Copyright and License

© 2012 Copyright Hewlett-Packard Development Company, L.P.

Reproduction, adaptation, or translation without prior written permission is prohibited, except as allowed under the copyright laws.

The information contained herein is subject to change without notice.

The only warranties for HP products and services are set forth in the express warranty statements accompanying such products and services. Nothing herein should be construed as constituting an additional warranty. HP shall not be liable for technical or editorial errors or omissions contained herein.

Part number: CF144-90934


Edition 1, 9/2012

Trademark Credits


Microsoft®, Windows®, Windows® XP, and Windows Vista® are U.S. registered trademarks of Microsoft Corporation.

ENERGY STAR and the ENERGY STAR mark are registered U.S. marks.

Conventions used in this guide

 **TIP:** Tips provide helpful hints or shortcuts.

 **NOTE:** Notes provide important information to explain a concept or to complete a task.

 **CAUTION:** Cautions indicate procedures that you should follow to avoid losing data or damaging the product.


 **WARNING!** Warnings alert you to specific procedures that you should follow to avoid personal injury, catastrophic loss of data, or extensive damage to the product.

Table of contents

1 Removal and replacement	1
Removal and replacement strategy	2
Introduction	2
Removal and replacement strategy	2
Electrostatic discharge	2
Required tools	3
Types of screws	4
Service approach	5
Before performing service	5
After performing service	6
Post-service tests	6
Test 1 (print-quality test)	6
Test 2 (copy-quality test)	6
Test 3 (fax-quality test)	7
Parts removal order	8
Removal and replacement procedures	9
Rollers	9
Pick roller	9
Separation roller	11
Transfer roller	13
Toner-cartridge drawer	15
Covers	17
Right cover	17
Left cover	20
Rear right cover	22
Document feeder and scanner assembly	23
Rear-upper cover	25
Rear door and rear-lower cover	25
Control panel	29
Upper cover	31
USB cover and USB PCA	33
Front-door and front-cover assembly	36

Main assemblies	39
Paper-guide assembly	39
Driver PCA	40
DC controller PCA	45
Special consideration	45
Remove the DC controller PCA	45
Wireless PCA (wireless models only)	47
Fax PCA	48
Formatter PCA and support bracket	48
Special considerations	48
Remove the formatter PCA and support bracket	49
Main motor	51
Intermediate transfer belt (ITB)	52
Remove the ITB	52
Reinstall the ITB	54
High-voltage power supply	56
Low-voltage power supply	59
Fuser power supply	61
Fuser	64
Fan	66
Document feeder components	67
Document feeder separation pad	67
Document feeder cover	71
Document feeder pick arm assembly	73
Document feeder core assembly	75
Post scan pinch rollers	77
Document feeder base assembly	78
Document feeder floating hinges	81

2 Parts and diagrams 83

Order parts by authorized service providers	84
Order replacement parts	84
Related documentation and software	84
Supplies part numbers	84
Service parts	84
Customer self repair parts	85
Whole-unit replacement part numbers	85
How to use the parts lists and diagrams	86
Assembly locations	87
Base product	87
Covers, panels, and doors	90

Internal assemblies 92
Scanner and document feeder (ADF) main assemblies 100
Document feeder internal components 102
Alphabetical parts list 104
Numerical parts list 107

Index 111

List of tables

Table 1-1	Common fasteners	4
Table 2-1	Order parts, accessories, and supplies	84
Table 2-2	Related documentation and software	84
Table 2-3	Supplies part numbers	84
Table 2-4	Service parts	84
Table 2-5	Customer replaceable units (CRU) kit part numbers	85
Table 2-6	Whole-unit replacement part numbers	85
Table 2-7	Assembly locations	87
Table 2-8	Covers, panels, and doors	91
Table 2-9	Internal components (1 of 4)	93
Table 2-10	Internal components (2 of 4)	95
Table 2-11	Internal components (3 of 4)	97
Table 2-12	Internal components (4 of 4)	99
Table 2-13	Scanner and document feeder main assemblies	101
Table 2-14	Document feeder assembly parts	103
Table 2-15	Alphabetical parts list	104
Table 2-16	Numerical parts list	107

List of figures

Figure 1-1	Phillips and Pozidriv screwdriver comparison	3
Figure 1-2	Parts-removal tree	8
Figure 1-3	Remove the pick roller	10
Figure 1-4	Remove the separation roller (1 of 2)	11
Figure 1-5	Remove the separation roller (2 of 2)	12
Figure 1-6	Remove the transfer roller (1 of 3)	13
Figure 1-7	Remove the transfer roller (2 of 3)	13
Figure 1-8	Remove the transfer roller (3 of 3)	14
Figure 1-9	Remove the toner-cartridge drawer (1 of 4)	15
Figure 1-10	Remove the toner-cartridge drawer (2 of 4)	15
Figure 1-11	Remove the toner-cartridge drawer (3 of 4)	16
Figure 1-12	Remove the toner-cartridge drawer (4 of 4)	16
Figure 1-13	Remove the right cover (1 of 5)	17
Figure 1-14	Remove the right cover (2 of 5)	18
Figure 1-15	Remove the right cover (3 of 5)	18
Figure 1-16	Remove the right cover (4 of 5)	19
Figure 1-17	Remove the right cover (5 of 5)	19
Figure 1-18	Remove the left cover (1 of 5)	20
Figure 1-19	Remove the left cover (2 of 5)	21
Figure 1-20	Remove the left cover (3 of 5)	21
Figure 1-21	Remove the left cover (4 of 5)	21
Figure 1-22	Remove the left cover (5 of 5)	22
Figure 1-23	Remove the rear right cover	22
Figure 1-24	Remove the document feeder and scanner assembly (1 of 3)	23
Figure 1-25	Remove the document feeder and scanner assembly (2 of 3)	23
Figure 1-26	Remove the document feeder and scanner assembly (3 of 3)	24
Figure 1-27	Remove the rear-upper cover	25
Figure 1-28	Remove the rear door and rear-lower cover (1 of 5)	26
Figure 1-29	Remove the rear door and rear-lower cover (2 of 5)	26
Figure 1-30	Remove the rear door and rear-lower cover (3 of 5)	27
Figure 1-31	Remove the rear door and rear-lower cover (4 of 5)	28
Figure 1-32	Remove the rear door and rear-lower cover (5 of 5)	28

Figure 1-33	Remove the control panel (1 of 3)	29
Figure 1-34	Remove the control panel (2 of 3)	29
Figure 1-35	Remove the control panel (3 of 3)	30
Figure 1-36	Remove the upper cover (1 of 2)	31
Figure 1-37	Remove the upper cover (2 of 2)	32
Figure 1-38	Remove the USB cover and the USB PCA (1 of 4)	33
Figure 1-39	Remove the USB cover and the USB PCA (2 of 4)	34
Figure 1-40	Remove the USB cover and the USB PCA (3 of 4)	34
Figure 1-41	Remove the USB cover and the USB PCA (4 of 4)	35
Figure 1-42	Remove the front-door and front-cover assembly (1 of 6)	36
Figure 1-43	Remove the front-door and front-cover assembly (2 of 6)	37
Figure 1-44	Remove the front-door and front-cover assembly (3 of 6)	37
Figure 1-45	Remove the front-door and front-cover assembly (4 of 6)	38
Figure 1-46	Remove the front-door and front-cover assembly (5 of 6)	38
Figure 1-47	Remove the front-door and front-cover assembly (6 of 6)	39
Figure 1-48	Remove the paper-guide assembly (1 of 2)	39
Figure 1-49	Remove the paper-guide assembly (2 of 2)	40
Figure 1-50	Remove the driver PCA (1 of 8)	40
Figure 1-51	Remove the driver PCA (2 of 8)	41
Figure 1-52	Remove the driver PCA (3 of 8)	41
Figure 1-53	Remove the driver PCA (4 of 8)	42
Figure 1-54	Remove the driver PCA (5 of 8)	42
Figure 1-55	Remove the driver PCA (6 of 8)	43
Figure 1-56	Remove the driver PCA (7 of 8)	43
Figure 1-57	Remove the driver PCA (8 of 8)	44
Figure 1-58	Remove the DC controller PCA (1 of 2)	46
Figure 1-59	Remove the DC controller PCA (2 of 2)	46
Figure 1-60	Remove the wireless PCA	47
Figure 1-61	Remove the fax PCA	48
Figure 1-62	Remove the formatter PCA and support bracket (1 of 3)	49
Figure 1-63	Remove the formatter PCA and support bracket (2 of 3)	50
Figure 1-64	Remove the formatter PCA and support bracket (3 of 3)	50
Figure 1-65	Remove the main motor (1 of 1)	51
Figure 1-66	Remove the ITB (1 of 3)	52
Figure 1-67	Remove the ITB (2 of 3)	53
Figure 1-68	Remove the ITB (3 of 3)	53
Figure 1-69	Reinstall the ITB (1 of 2)	54
Figure 1-70	Reinstall the ITB (2 of 2)	55
Figure 1-71	Remove the high-voltage power supply (1 of 4)	56
Figure 1-72	Remove the high-voltage power supply (2 of 4)	57
Figure 1-73	Remove the high-voltage power supply (3 of 4)	57

Figure 1-74	Remove the high-voltage power supply (4 of 4)	58
Figure 1-75	Reinstall the high-voltage power supply (1 of 1)	58
Figure 1-76	Remove the low-voltage power supply (1 of 3)	59
Figure 1-77	Remove the low-voltage power supply (2 of 3)	60
Figure 1-78	Remove the low-voltage power supply (3 of 3)	60
Figure 1-79	Remove the fuser power supply (1 of 4)	61
Figure 1-80	Remove the fuser power supply (2 of 4)	62
Figure 1-81	Remove the fuser power supply (3 of 4)	62
Figure 1-82	Remove the fuser power supply (4 of 4)	63
Figure 1-83	Remove the fuser (1 of 3)	64
Figure 1-84	Remove the fuser (2 of 3)	65
Figure 1-85	Remove the fuser (3 of 3)	65
Figure 1-86	Remove the fan	66
Figure 1-87	Remove the document feeder separation pad assembly (1 of 7)	67
Figure 1-88	Remove the document feeder separation pad assembly (2 of 7)	67
Figure 1-89	Remove the document feeder separation pad assembly (3 of 7)	68
Figure 1-90	Remove the document feeder separation pad assembly (4 of 7)	68
Figure 1-91	Remove the document feeder separation pad assembly (5 of 7)	69
Figure 1-92	Remove the document feeder separation pad assembly (6 of 7)	69
Figure 1-93	Remove the document feeder separation pad assembly (7 of 7)	70
Figure 1-94	Remove the document feeder cover (1 of 3)	71
Figure 1-95	Remove the document feeder cover (2 of 3)	71
Figure 1-96	Remove the document feeder cover (3 of 3)	72
Figure 1-97	Remove the document feeder pick arm assembly (1 of 3)	73
Figure 1-98	Remove the document feeder pick arm assembly (2 of 3)	73
Figure 1-99	Remove the document feeder pick arm assembly (3 of 3)	74
Figure 1-100	Remove the document feeder core assembly (1 of 4)	75
Figure 1-101	Remove the document feeder core assembly (2 of 4)	75
Figure 1-102	Remove the document feeder core assembly (3 of 4)	76
Figure 1-103	Remove the document feeder core assembly (4 of 4)	76
Figure 1-104	Remove the post scan pinch rollers (1 of 2)	77
Figure 1-105	Remove the post scan pinch rollers (2 of 2)	77
Figure 1-106	Remove the document feeder base assembly (1 of 4)	78
Figure 1-107	Remove the document feeder base assembly (2 of 4)	79
Figure 1-108	Remove the document feeder base assembly (3 of 4)	80
Figure 1-109	Remove the document feeder base assembly (4 of 4)	80
Figure 1-110	Remove the document feeder floating hinges	81
Figure 2-1	Base product	87
Figure 2-2	Covers, panels, and doors	90
Figure 2-3	Internal components (1 of 4)	92
Figure 2-4	Internal components (2 of 4)	94

Figure 2-5	Internal components (3 of 4)	96
Figure 2-6	Internal components (4 of 4)	98
Figure 2-7	Scanner and document feeder main assemblies	100
Figure 2-8	Document feeder assembly parts	102

1 Removal and replacement

- [Removal and replacement strategy](#)
- [Service approach](#)
- [Removal and replacement procedures](#)

Removal and replacement strategy

Introduction

This chapter describes the removal and replacement of field-replaceable units (FRUs) only.


Replacing FRUs is generally the reverse of removal. Occasionally, notes and tips are included to provide directions for difficult or critical replacement procedures.

HP does *not* support repairing individual subassemblies or troubleshooting to the component level.

Note the length, diameter, color, type, and location of each screw. Be sure to return each screw to its original location during reassembly.


Incorrectly routed or loose wire harnesses can interfere with other internal components and can become damaged or broken. Frayed or pinched harness wires can be difficult to find. When replacing wire harnesses, always use the provided wire loops, lance points, or wire-harness guides and retainers.


Removal and replacement strategy


 **WARNING!** Turn the product off, wait 5 seconds, and then remove the power cord before attempting to service the product. If this warning is not followed, severe injury can result, in addition to damage to the product. The power must be on for certain functional checks during troubleshooting. However, disconnect the power supply during parts removal.

Never operate or service the product with the protective cover removed from the laser/scanner assembly. The reflected beam, although invisible, can damage your eyes.



The sheet-metal parts can have sharp edges. Be careful when handling sheet-metal parts.

 **CAUTION:** Do not bend or fold the flat flexible cables (FFCs) during removal or installation. Also, do not straighten pre-folds in the FFCs. You *must* fully seat all FFCs in their connectors. Failure to fully seat an FFC into a connector can cause a short circuit in a PCA.

 **NOTE:** To install a self-tapping screw, first turn it counterclockwise to align it with the existing thread pattern, and then carefully turn it clockwise to tighten. Do not overtighten. If a self-tapping screw-hole becomes stripped, repair the screw-hole or replace the affected assembly.

 **TIP:** For clarity, some photos in this chapter show components removed that would not be removed to service the product. If necessary, remove the components listed at the beginning of a procedure before proceeding to service the product.


Electrostatic discharge

 **CAUTION:**  Some parts are sensitive to electrostatic discharge (ESD). Look for the ESD reminder when removing product parts. Always perform service work at an ESD-protected workstation or mat, or use an ESD strap. If an ESD workstation, mat, or strap is not available, ground yourself by touching the sheet-metal chassis *before* touching an ESD-sensitive part.

Protect the ESD-sensitive parts by placing them in ESD pouches when they are out of the product.

Required tools

- #2 Phillips screwdriver with a magnetic tip and a 152 mm (6 in) shaft length
- Precision slotted screwdriver with a 1 mm (0.04 in) blade width

 **NOTE:** This fine-point tool is required to release the front-door pins. The width of the blade must be 2 mm (0.08 in) or less to be able to push the door pins out of the mounting holes.

- Small slotted screwdriver
- Torx™ T10 screwdriver with a magnetic tip and a 25 mm minimum shank length
- Needle-nose pliers
- ESD mat (if one is available)
- Penlight (optional)


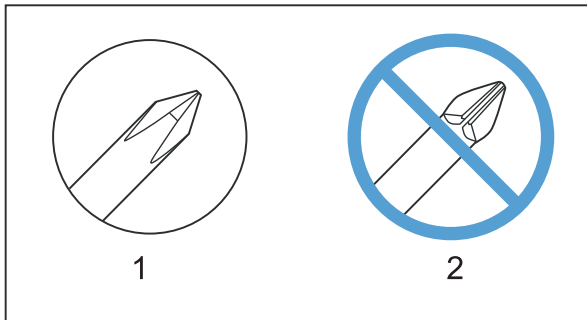
 **CAUTION:** Always use a Phillips screwdriver (callout 1). Do not use a Pozidriv® screwdriver (callout 2) or any motorized screwdriver. These can damage screws or screw threads.

Figure 1-1 Phillips and Pozidriv screwdriver comparison


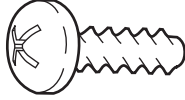

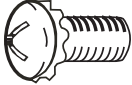



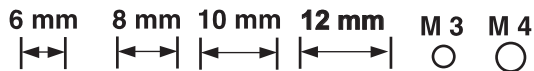
Types of screws

⚠ WARNING! Make sure that components are replaced with the correct screw type. Using the incorrect screw (for example, substituting a long screw for the correct shorter screw) can cause damage to the product or interfere with product operation. Do not mix screws that are removed from one component with the screws that are removed from another component.

📝 NOTE: The screw illustrations in the following table are for reference only. Screws might vary in size and appearance from those shown in this table.

Table 1-1 Common fasteners

Example	Description	Size	Part Number
	Screw, with washer	M3X8	XA9-1420-000CN
		M4X6	XB2-7400-605CN
		M4X12	XA9-1422-000CN
	Screw, tapping, truss head	M4X10	XB4-7401-005CN
		M4X15	XB4-7401-609CN
	Screw, TP	M3X4	XB6-7300-405CN
		M3X6	XB6-7300-605CN
	Screw, D	M3X6	XA9-1670-000CN
		M3X8	XA9-1671-000CN
	Screw, machine	M3X4	XB6-7300-409CN
	Screw, machine, flat head	M3X4	XA9-0679-000CN
	Screw, machine, flanged pan head	M3X6	XB6-7300-805CN



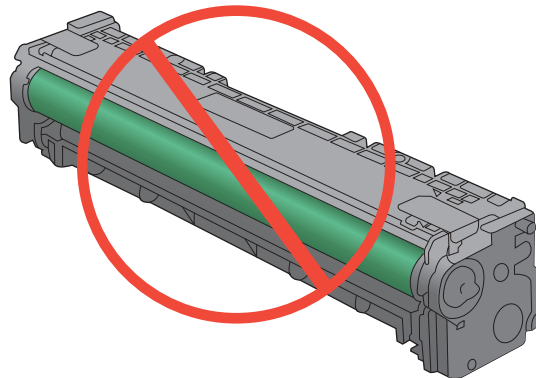
Service approach

Before performing service

- Remove all paper from the product.
- Turn off the power using the power switch.
- Unplug the power cable and the interface cable or cables.
- Place the product on an ESD workstation or mat, or use an ESD strap (if one is available). If an ESD workstation, mat, or strap is not available, ground yourself by touching the sheet-metal chassis *before* touching an ESD-sensitive part.
- Remove the toner cartridges.

⚠ CAUTION: Do not touch the imaging drum on the bottom of the toner cartridge. Finger prints on the imaging drum can cause print-quality problems.

Do not allow the image drum to contact any surface when the cartridge is set down. Protect the image drum at all times. Dust and debris can stick to the drum and cause print-quality problems.



After performing service

- Plug in the interface cables and then the power cable.
- Reinstall the toner cartridges.
- Load paper in the product.

Post-service tests

After service has been completed, perform the following tests to verify that the repair or replacement was successful.

Test 1 (print-quality test)

1. Verify that you have completed the necessary reassembly steps.
2. Ensure that the input tray contains clean, unmarked paper.
3. With the power cord and interface cables attached, turn on the product.
4. Verify that the expected start up sounds occur.
5. Print a configuration page, and then verify that the expected printing sounds occur.
6. Print a demo page, and then verify that the print quality is as expected.
7. Send a print job from the host computer, and then verify that the output meets expectations.
8. If necessary, restore any customer-specified settings.
9. Clean the outside of the product with a damp cloth.

Test 2 (copy-quality test)

1. Verify that you have completed the necessary reassembly steps.
2. Ensure that the input tray contains clean, unmarked paper.
3. With the power cord attached, turn on the product.
4. Verify that the expected start up sounds occur.
5. Print a configuration page, and then verify that the expected printing sounds occur.
6. Place the configuration page in the document feeder, or on the flatbed glass.
7. Print a copy job, and then verify the results.
8. Clean the outside of the product with a damp cloth.

Test 3 (fax-quality test)


1. Place the configuration page in the document feeder.
2. Type a valid fax number, and send the fax job.
3. Verify that the send quality and the receive quality meet expectations.

Removal and replacement procedures


Rollers

Pick roller

⚠ CAUTION: Do not touch the spongy roller surface unless you are going to replace the pick roller. Human skin oils that contact the roller can cause paper pickup problems.

1. Use the following procedure to rotate the roller into the position required to remove it.
 - Touch the Setup  button.
 - Touch the middle of the screen along the left edge (callout 1), and then immediately touch the lower-right corner (callout 2) of the screen.



- When the Home screen appears, touch the Setup  button again.
- Touch the [2ndary Service](#) button.
- Touch the arrow buttons (at the right or left side of the touch screen) until the [Pick roller](#) button appears.
- Touch the [Pick roller](#) button.
- Touch the [OK](#) button to confirm that you want the pick roller to rotate.
- Remove the power cord, without turning off the power using the power switch, and then remove the interface cable.

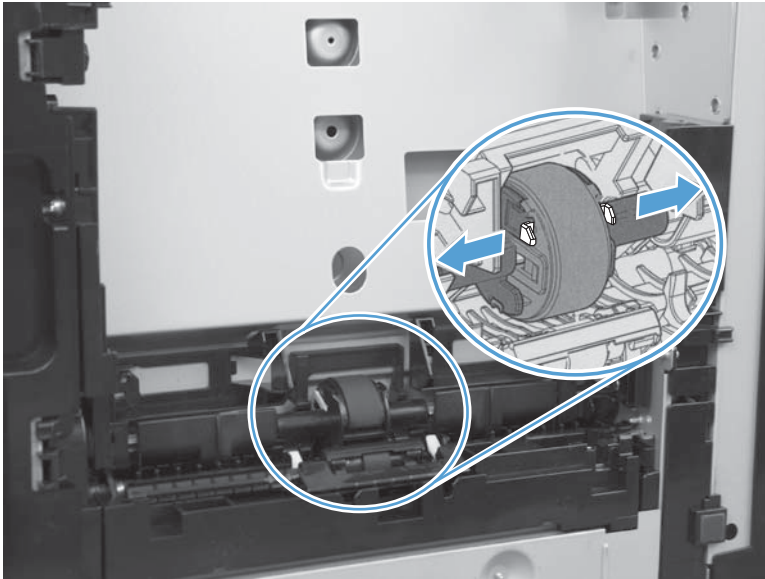
📝 NOTE: If the power to the product is turned off using the power switch, the pick roller will rotate to the parked position.

2. Remove the tray assembly, and then carefully place the product front-side up.

📝 NOTE: Debris can scratch or damage the back of the product. Before you place the product front-side up, remove any debris from the work surface. If possible, set the product on a clean, dry cloth to prevent scratching and damage.

3. Release the two black plastic locking tabs, and remove the pick roller.

Figure 1-3 Remove the pick roller



Separation roller

⚠ CAUTION: Do not touch the spongy roller surface unless you are going to replace the roller. Human skin oils that contact the roller can cause paper pickup problems.

1. Remove the tray (if installed), and then carefully place the product front-side up.

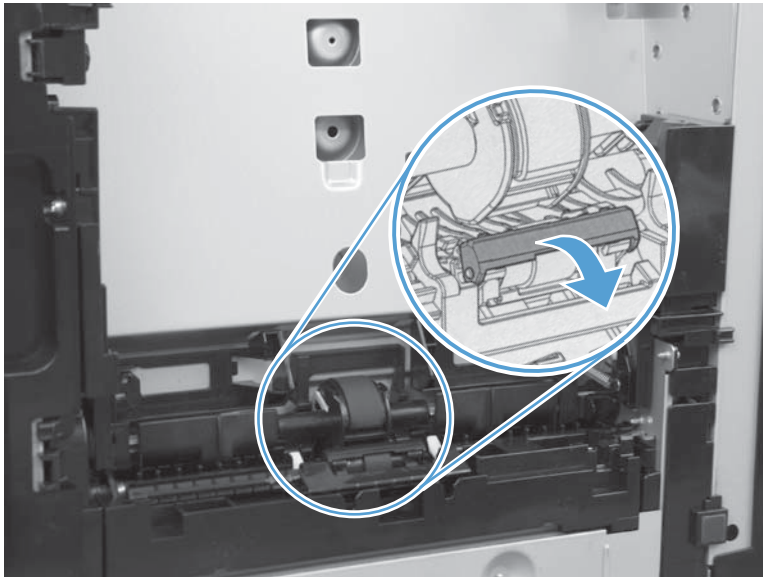
⚠ CAUTION: The document feeder and scanner cover are not captive and can open suddenly if the product is placed front-side up. Always support the document feeder and scanner cover before placing the product front-side up.

📝 NOTE: Debris can scratch or damage the back of the product. Before you place the product front-side up, remove any debris from the work surface. If possible, set the product on a clean, dry cloth to prevent scratching and damage.

2. Carefully release the roller cover, and then rotate it down and away from the roller.

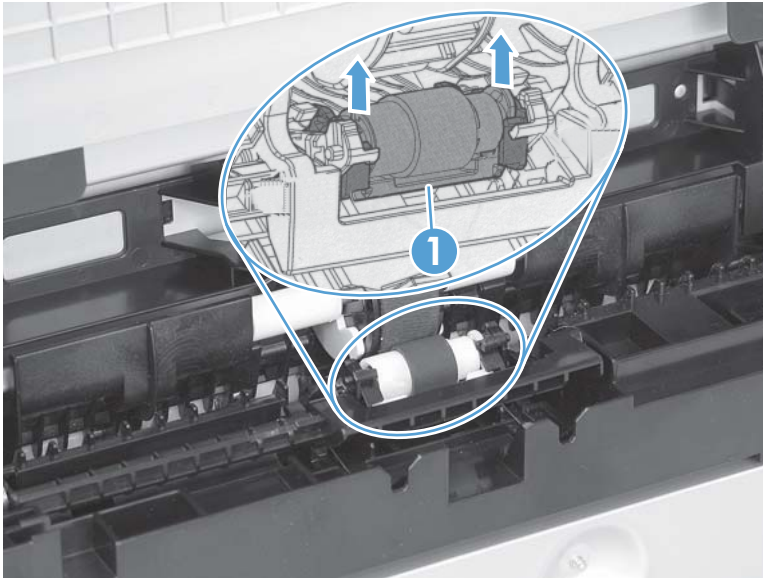
💡 Reinstallation tip Make sure that this cover snaps into place over the roller when the roller and holder are reinstalled.

Figure 1-4 Remove the separation roller (1 of 2)



3. Use a small, flat-blade screwdriver to gently pry up on the roller and holder assembly (callout 1) to remove the roller and holder assembly.

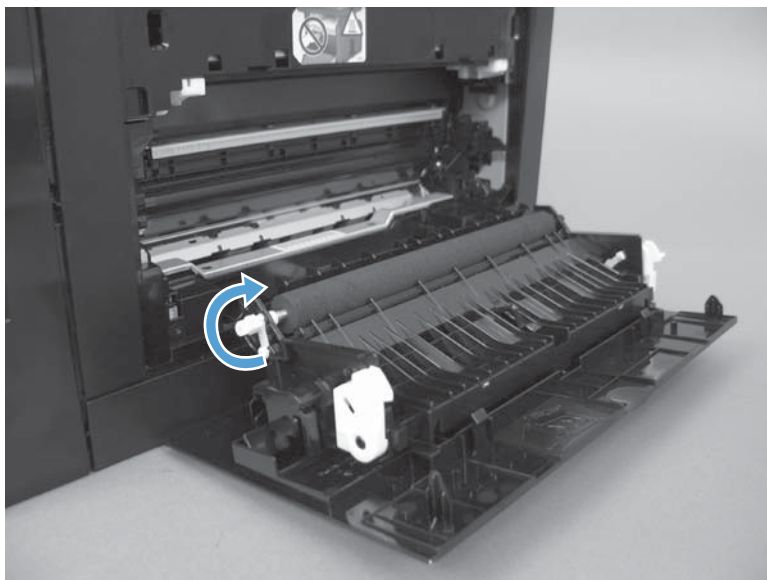
Figure 1-5 Remove the separation roller (2 of 2)



Transfer roller

1. Open the rear door.
2. Release the retainer clip, and then rotate it until the pin on the clip aligns with the slot in the mounting bracket.

Figure 1-6 Remove the transfer roller (1 of 3)



3. Remove the clip. Repeat these steps for the remaining retainer clip (located at the opposite end of the roller shaft).


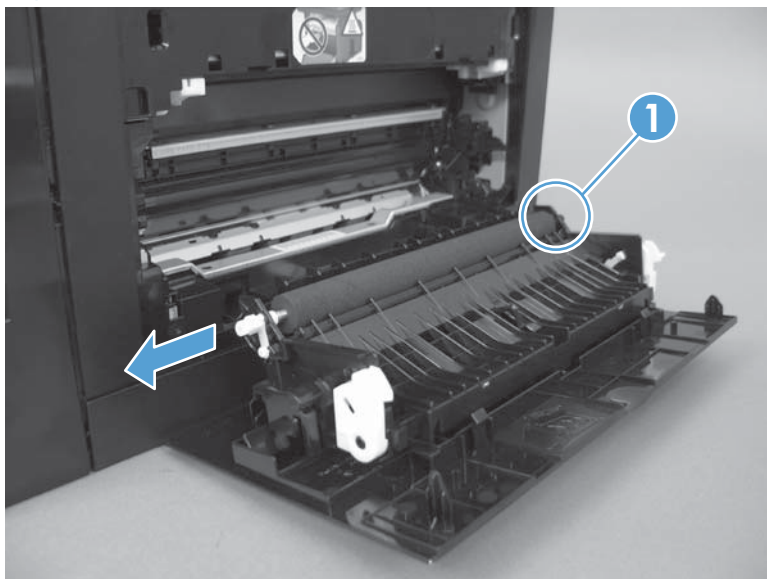
 **TIP:** One of the clips (callout 1) is made from a black conductive plastic. Make sure that the clips are reinstalled on the correct end of the transfer roller.

Figure 1-7 Remove the transfer roller (2 of 3)



4. Slide the roller to one side to disengage the roller shaft from the mounting bracket, and then remove the transfer roller.

CAUTION: Do not touch the black sponge portion of the roller. Human skin oils that contact the roller can cause print-quality problems.

Figure 1-8 Remove the transfer roller (3 of 3)



Toner-cartridge drawer

1. Open the front door, and pull out the toner-cartridge drawer.


 **TIP:** This step is easier to perform, but not required, with the upper cover removed.

Figure 1-9 Remove the toner-cartridge drawer (1 of 4)



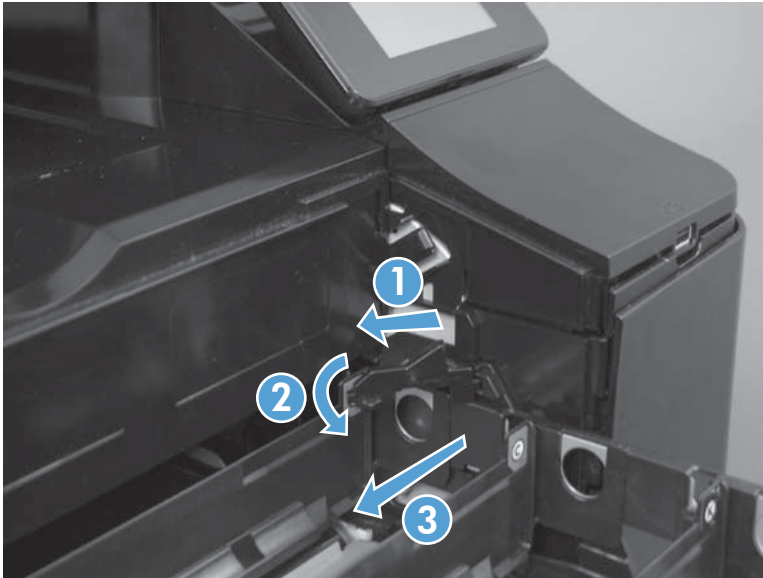
2. Use a small, flat-blade screwdriver to release one tab on the cartridge-drawer stop.

Figure 1-10 Remove the toner-cartridge drawer (2 of 4)



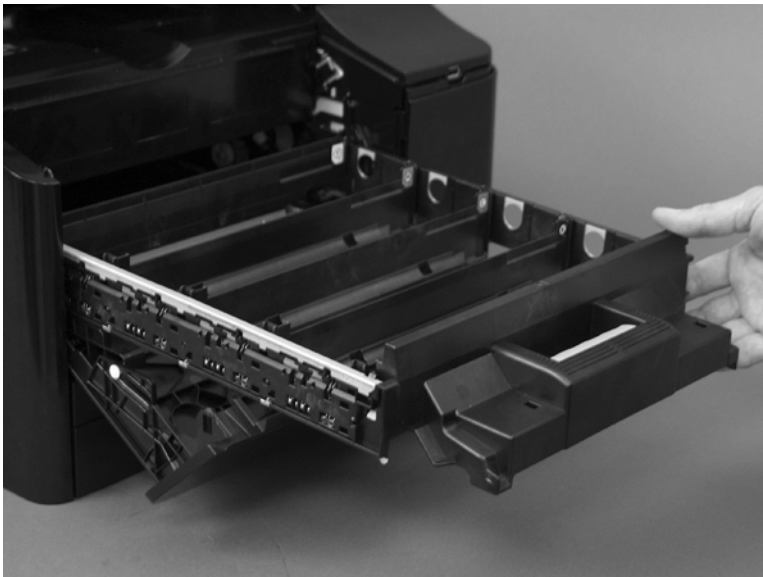
3. Push in on the edge of the upper cover (callout 1), rotate the end of the drawer stop toward the center of the toner-cartridge drawer (callout 2), and then remove the cartridge-drawer stop (callout 3).

Figure 1-11 Remove the toner-cartridge drawer (3 of 4)



4. Repeat steps 2 and 3 to remove the remaining cartridge-drawer stop.
5. Pull the toner-cartridge drawer out of the product to remove.

Figure 1-12 Remove the toner-cartridge drawer (4 of 4)

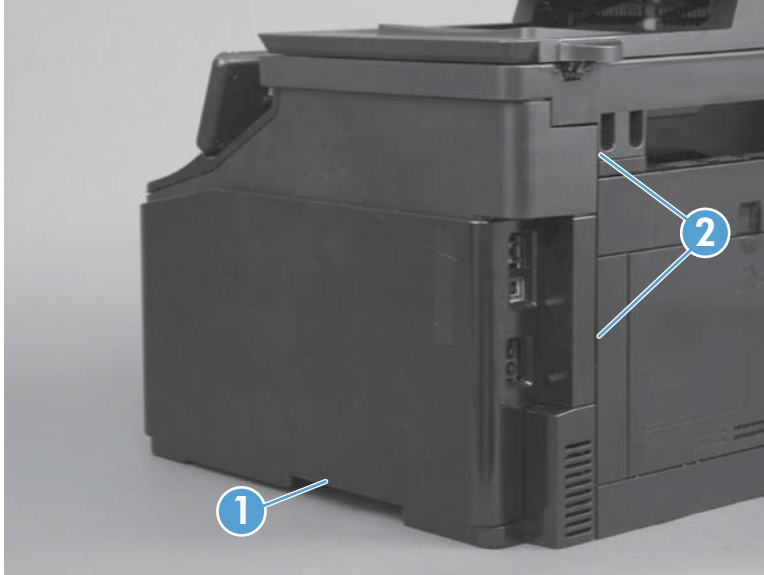


Covers

Right cover

1. Remove the tray assembly.
2. Open the front door.
3. Remove one screw (callout 1) and release two tabs (callout 2) using a flat-blade screwdriver.

Figure 1-13 Remove the right cover (1 of 5)



4. Push the right cover (callout 1) from the rear side (callout 2), and slide it in away from the product to release one tab (callout 3).

Figure 1-14 Remove the right cover (2 of 5)

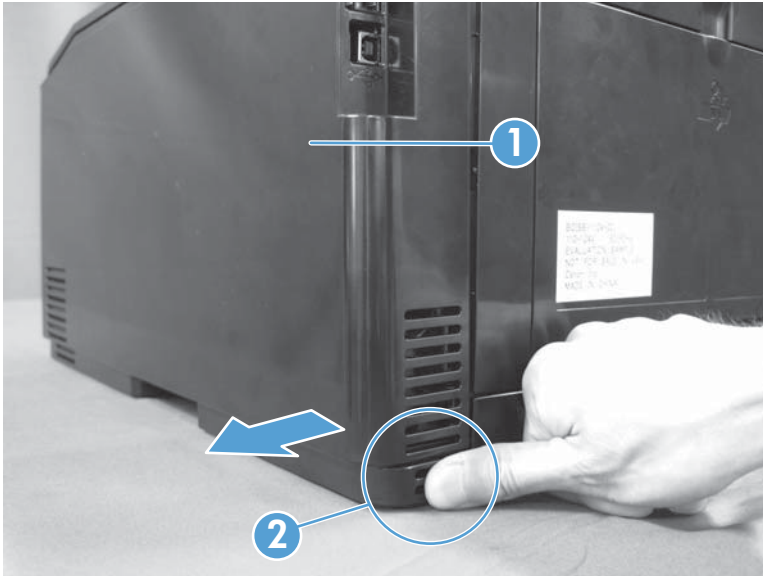
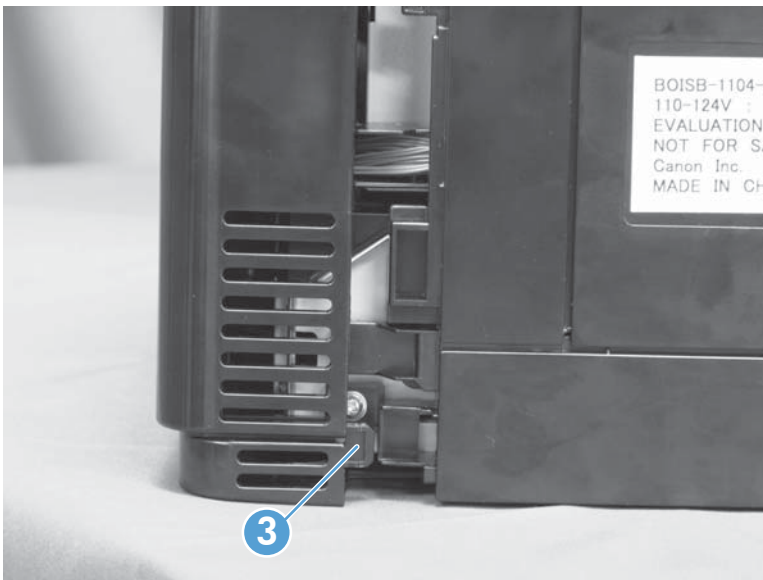
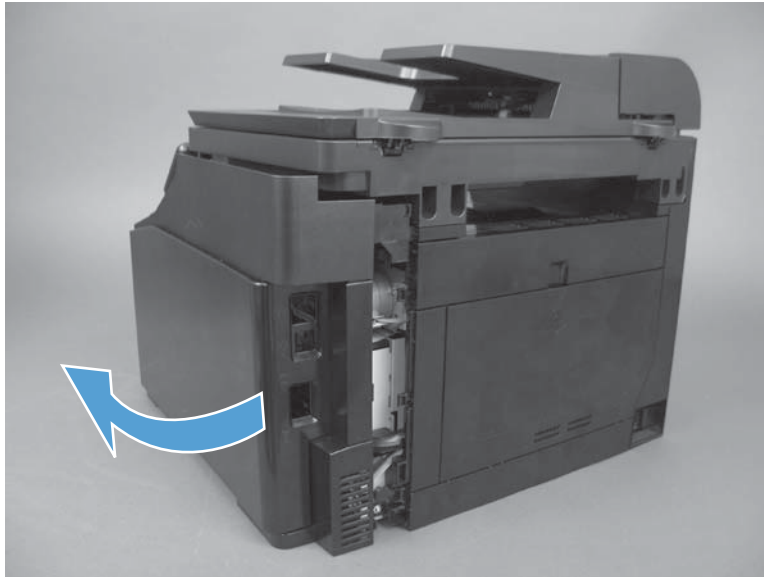


Figure 1-15 Remove the right cover (3 of 5)



5. Rotate the right cover toward the front of the product.

Figure 1-16 Remove the right cover (4 of 5)



6. Release three tabs, and remove the right cover.

TIP: When reinstalling the right cover, proper alignment of these three tabs is important to ensure the right cover installs flush with the front door and front cover. Insert the tabs while holding the right cover at a 45 degree angle and rotate the right cover toward the chassis while holding the front of the right cover in place.

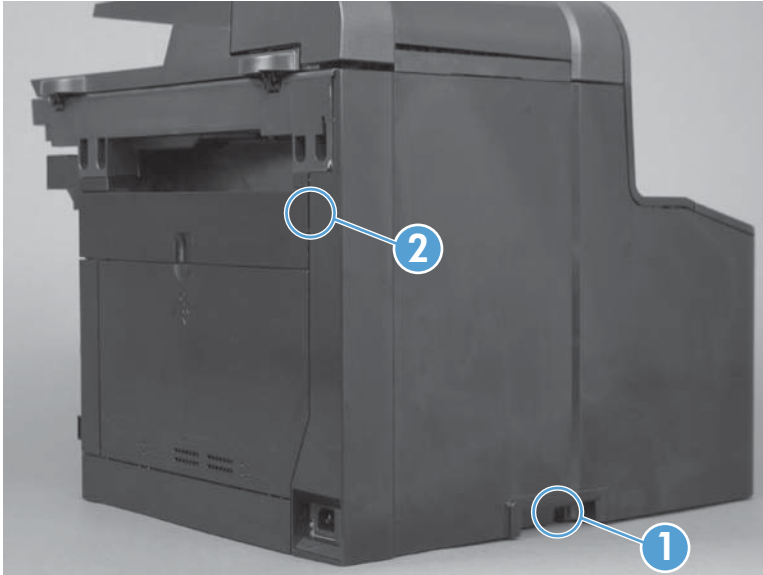
Figure 1-17 Remove the right cover (5 of 5)



Left cover

1. Remove the tray assembly.
2. Open the front door.
3. Remove one screw (callout 1), and release one tab (callout 2) with a flat-blade screwdriver.

Figure 1-18 Remove the left cover (1 of 5)



- Slide the left cover (callout 1) away from the product, release one tab (callout 2) near the power inlet and three tabs (callout 3) near the top of the left cover.

Figure 1-19 Remove the left cover (2 of 5)

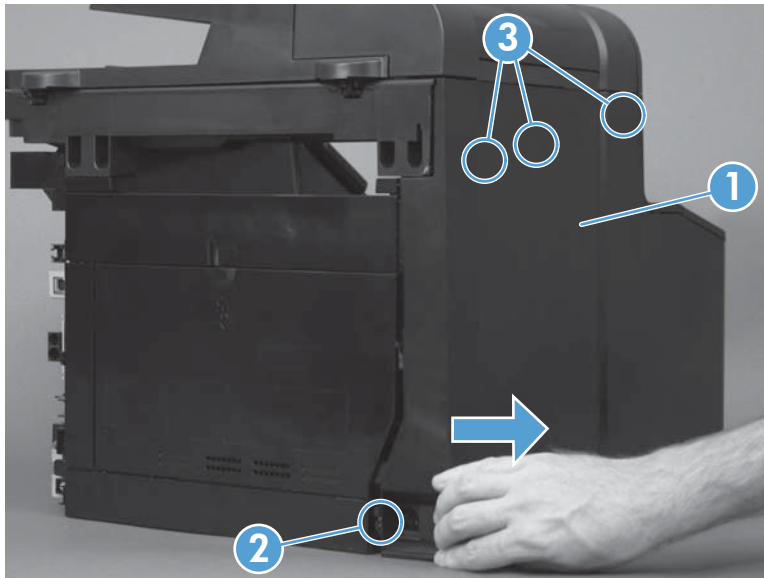
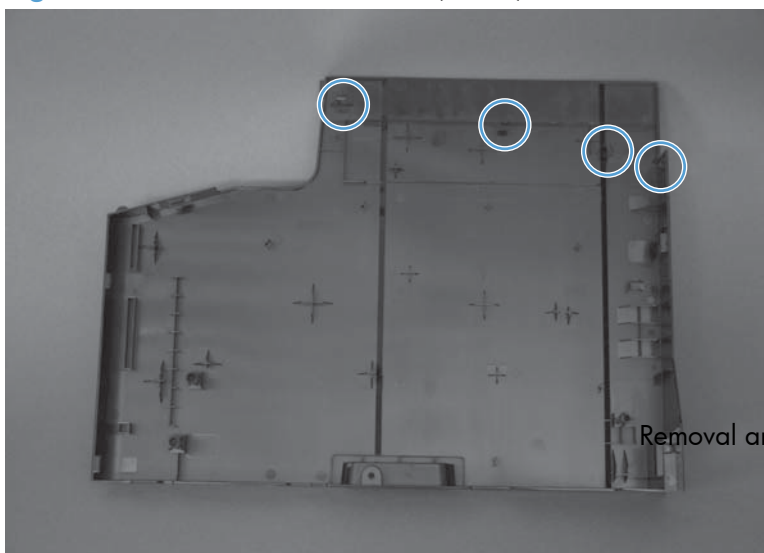


Figure 1-20 Remove the left cover (3 of 5)

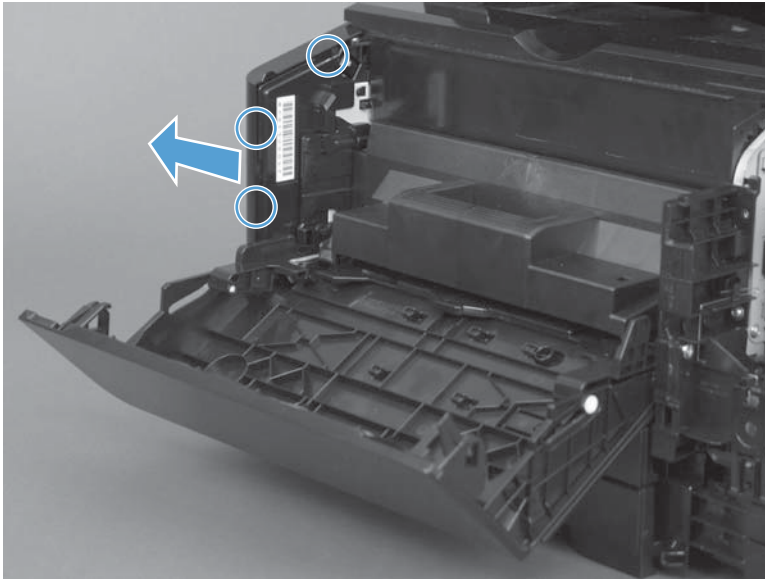


Figure 1-21 Remove the left cover (4 of 5)



5. Release three tabs, and slide the left cover to the left and remove it.

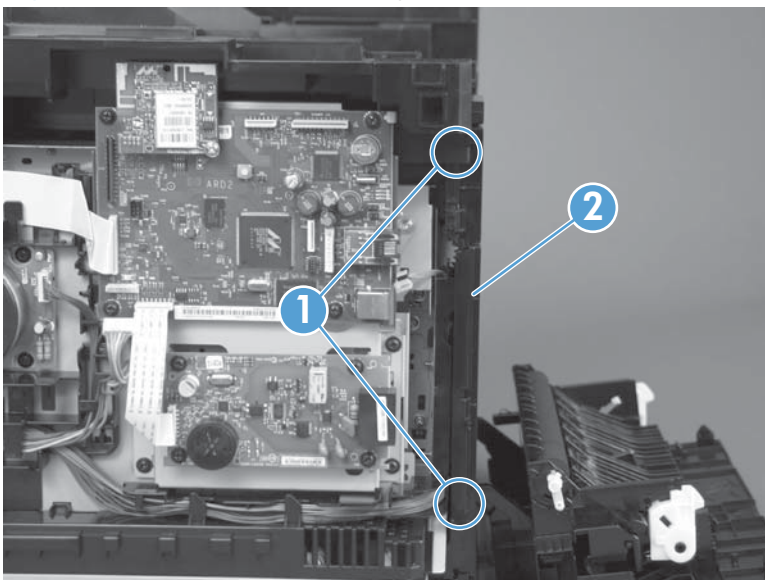
Figure 1-22 Remove the left cover (5 of 5)



Rear right cover

1. Remove the right cover. See [Right cover on page 17](#).
2. Open the rear door.
3. Release two tabs (callout 1) with a precision flat-blade screwdriver, and then remove the rear right cover (callout 2).

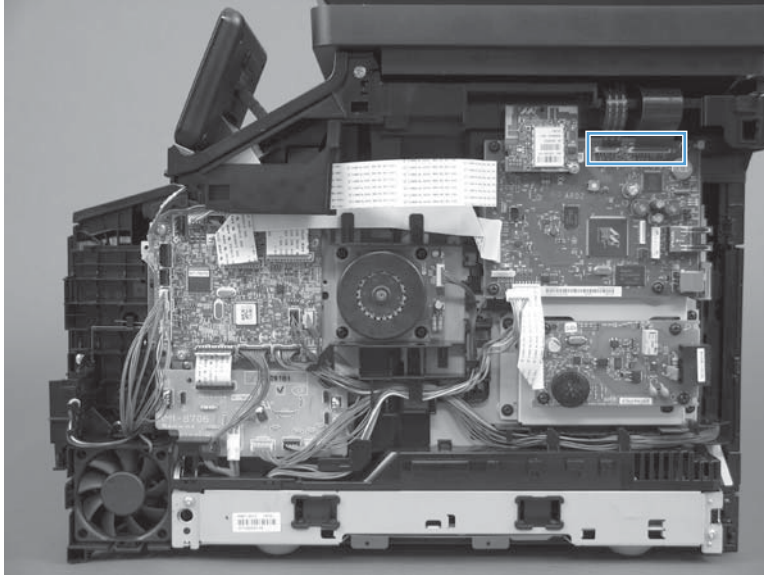
Figure 1-23 Remove the rear right cover



Document feeder and scanner assembly

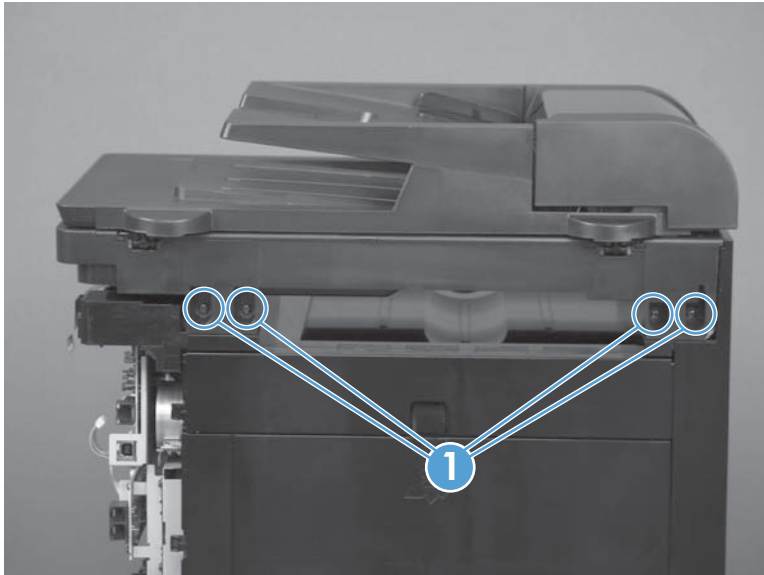
1. Remove the right cover. See [Right cover on page 17](#).
2. Disconnect two FFCs.

Figure 1-24 Remove the document feeder and scanner assembly (1 of 3)



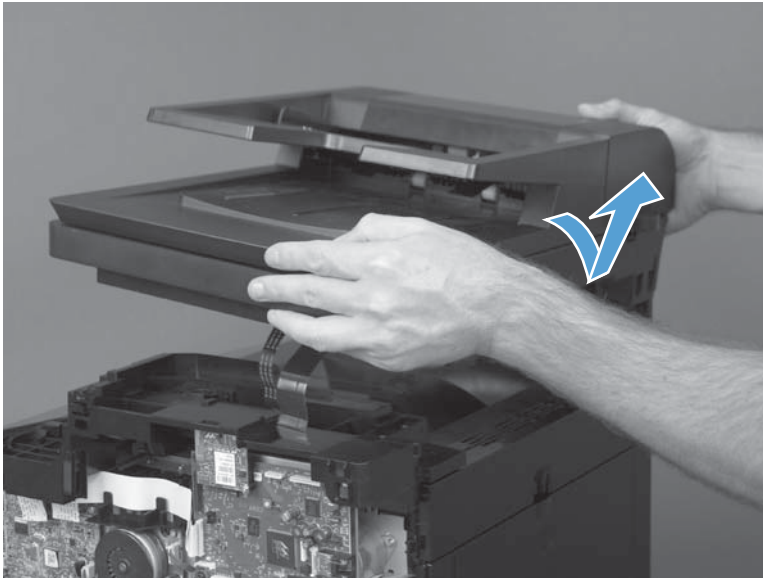
3. Remove four screws (callout 1).

Figure 1-25 Remove the document feeder and scanner assembly (2 of 3)



4. Slightly slide the document feeder and scanner assembly toward the rear of the product, and then lift it straight up and off of the product.

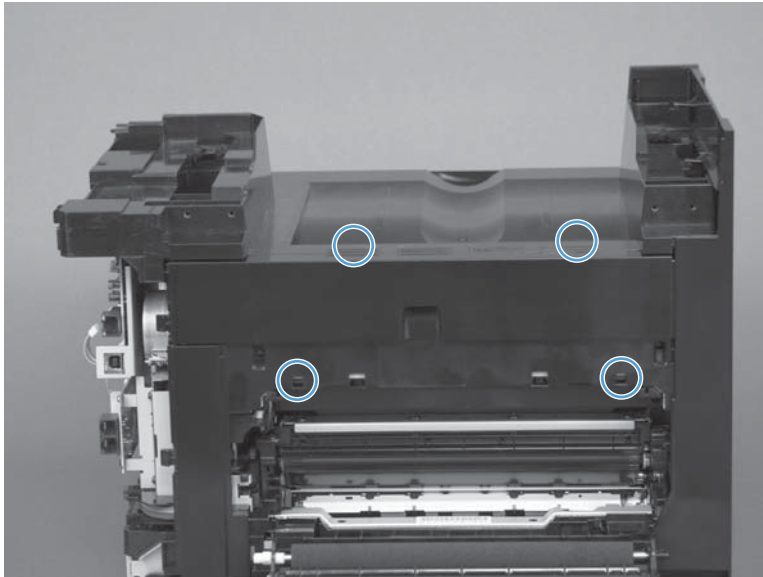
Figure 1-26 Remove the document feeder and scanner assembly (3 of 3)



Rear-upper cover

1. Remove the following components:
 - Right cover. See [Right cover on page 17](#).
 - Left cover. See [Left cover on page 20](#).
 - Rear right cover. See [Rear right cover on page 22](#).
2. Open the rear door.
3. Use a small, flat-blade screwdriver to release four tabs.

Figure 1-27 Remove the rear-upper cover



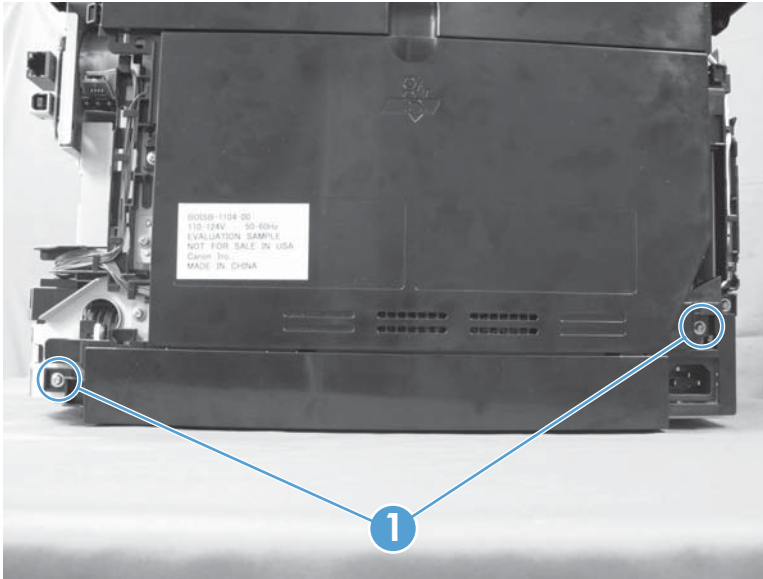
4. Pull the rear-upper cover away from the product to remove it.

Rear door and rear-lower cover

1. Remove the following components:
 - Right cover. See [Right cover on page 17](#).
 - Left cover. See [Left cover on page 20](#).
 - Rear right cover. See [Rear right cover on page 22](#).

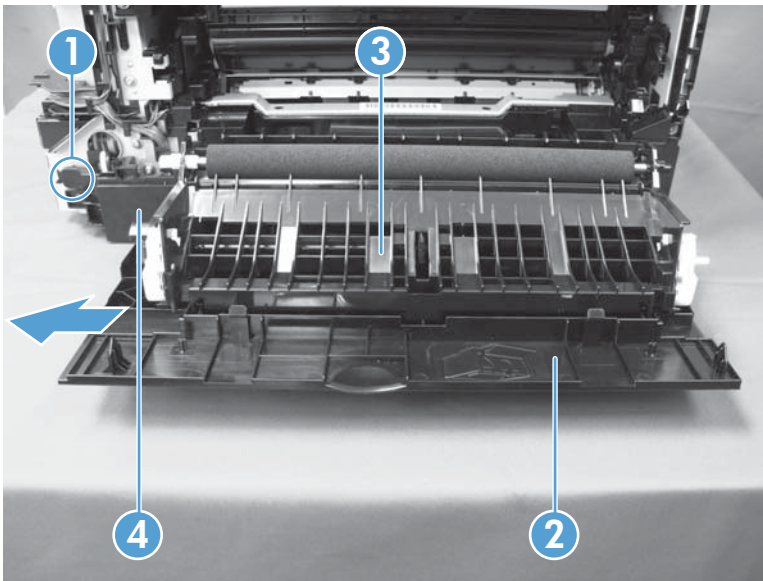
2. Remove two screws (callout 1), and open the rear door.

Figure 1-28 Remove the rear door and rear-lower cover (1 of 5)



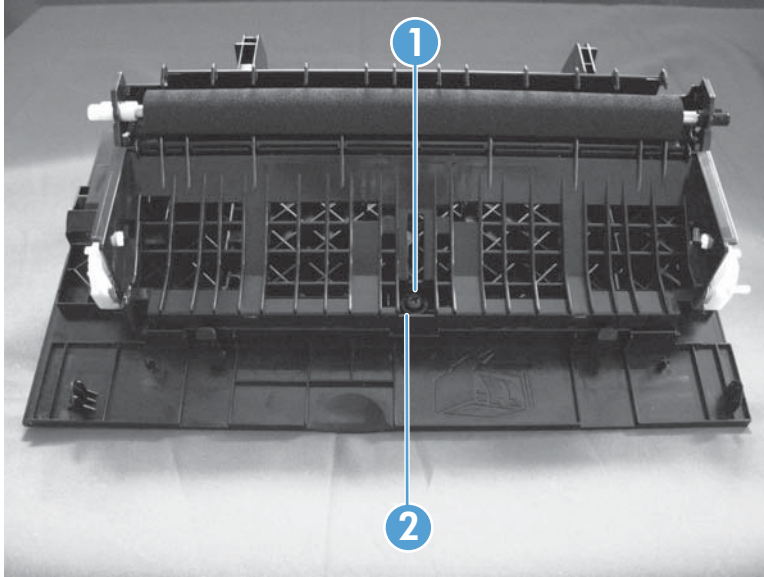
3. Release one locator pin (callout 1). Slide the rear door (callout 2), transfer roller assembly (callout 3) and rear bottom cover (callout 4) together to remove them. Remove the rear bottom cover from the rear door.

Figure 1-29 Remove the rear door and rear-lower cover (2 of 5)



4. Remove one screw (callout 1) and the cap (callout 2).

Figure 1-30 Remove the rear door and rear-lower cover (3 of 5)



5. Release two tabs (callout 1), and remove the transfer roller assembly (callout 3) from the rear door (callout 2).

Figure 1-31 Remove the rear door and rear-lower cover (4 of 5)

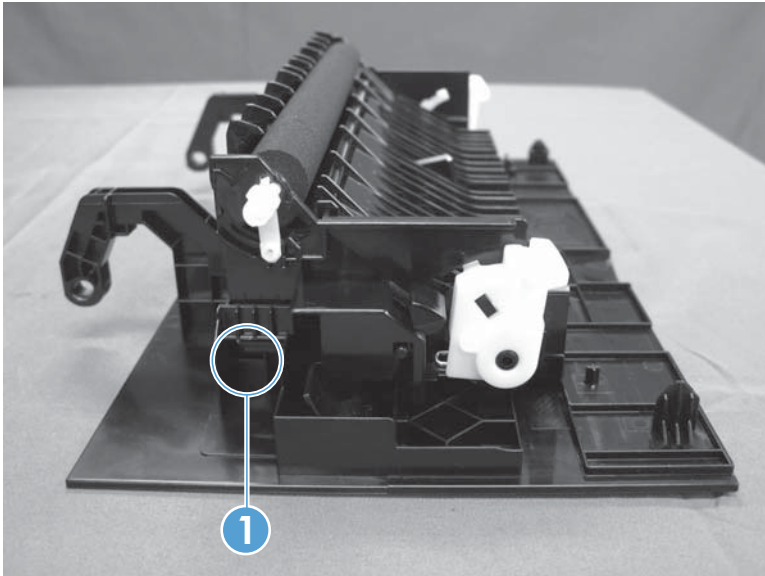
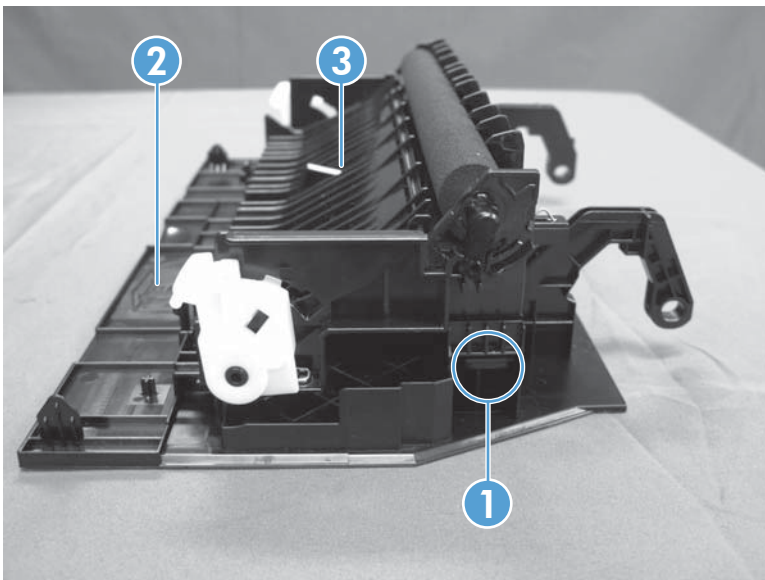


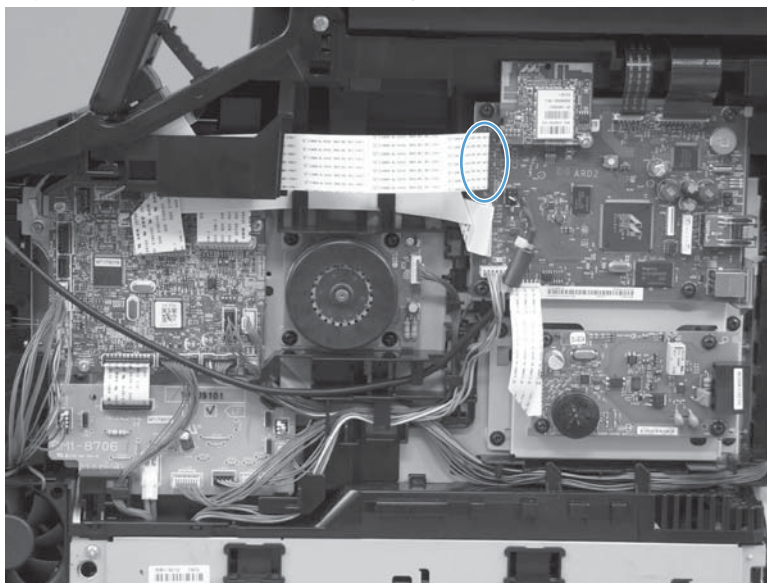
Figure 1-32 Remove the rear door and rear-lower cover (5 of 5)



Control panel

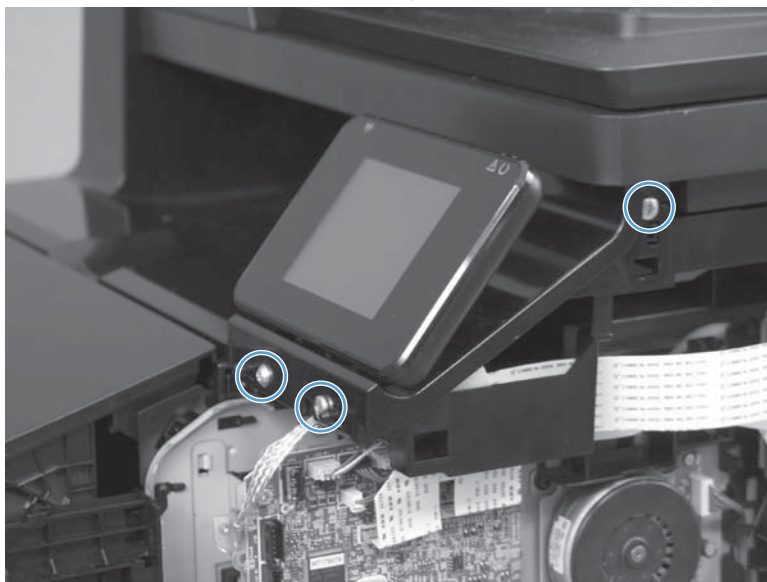
1. Remove the following components:
 - Right cover. See [Right cover on page 17](#).
 - USB cover. See [USB cover and USB PCA on page 33](#).
2. Disconnect one FFC on the formatter PCA.

Figure 1-33 Remove the control panel (1 of 3)



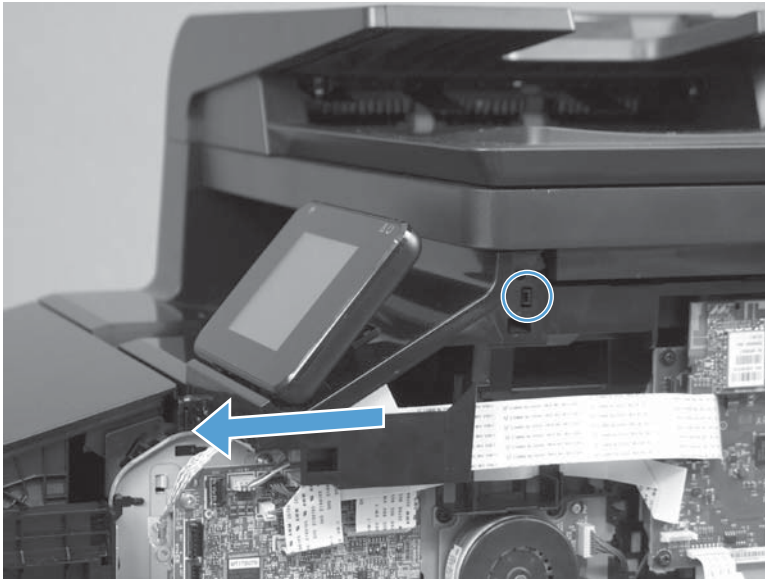
3. Remove three screws.

Figure 1-34 Remove the control panel (2 of 3)



4. Release one tab and move the control-panel assembly toward the front of the product to remove.

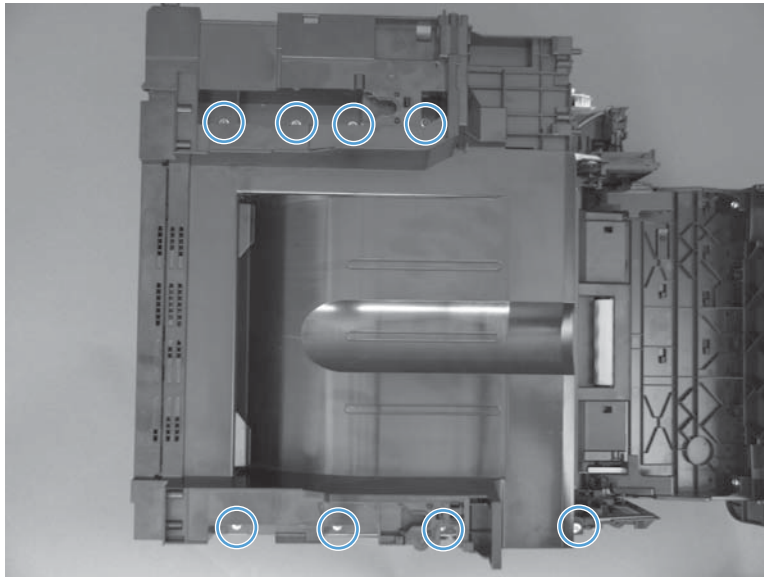
Figure 1-35 Remove the control panel (3 of 3)



Upper cover

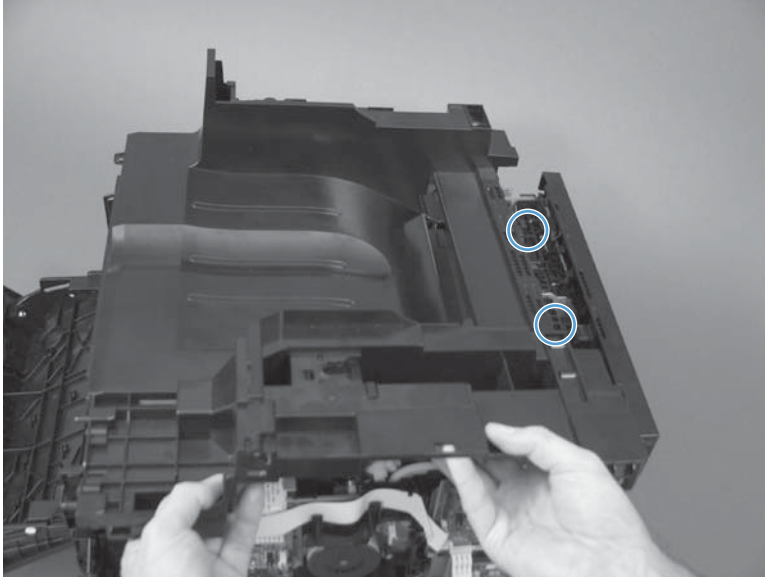
1. Remove the following components:
 - Document feeder and scanner assembly. See [Document feeder and scanner assembly on page 23](#).
 - Right cover. See [Right cover on page 17](#).
 - Left cover. See [Left cover on page 20](#).
 - USB cover. See [USB cover and USB PCA on page 33](#)
 - Control panel. See [USB cover and USB PCA on page 33](#).
 - Rear-upper cover. See [Rear-upper cover on page 25](#).
2. Open the front door.
3. Remove eight screws.

Figure 1-36 Remove the upper cover (1 of 2)



4. Release two tabs, lift the upper cover up, and then remove the upper cover.

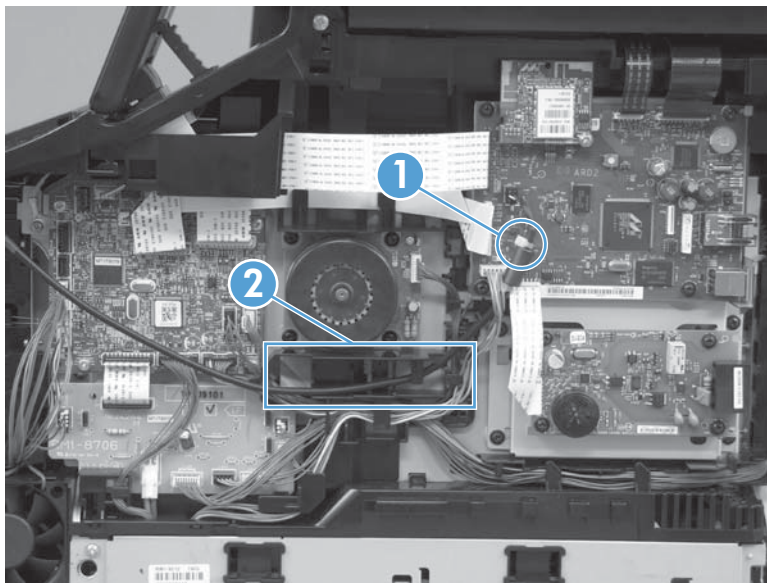
Figure 1-37 Remove the upper cover (2 of 2)




USB cover and USB PCA

1. Remove the following components:
 - Right cover. See [Right cover on page 17](#).
2. Disconnect one connector (callout 1) on the formatter PCA, and then remove the connector from the retainer (callout 2).

Figure 1-38 Remove the USB cover and the USB PCA (1 of 4)



3. Remove the locating screw (callout 1), the ground screw (callout 2), and ground braid lug.

 **NOTE:** When the control panel is reinstalled, install the locator screw (callout 1) first to correctly position the control panel on the product. Install the ground screw (callout 2) and the ground braid lug after the locator screw is tightened. The ground screw is identified by a star washer.


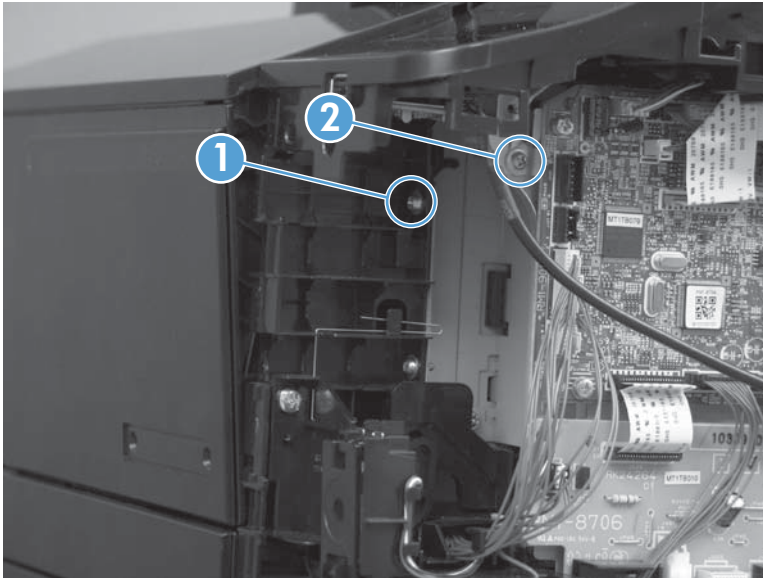
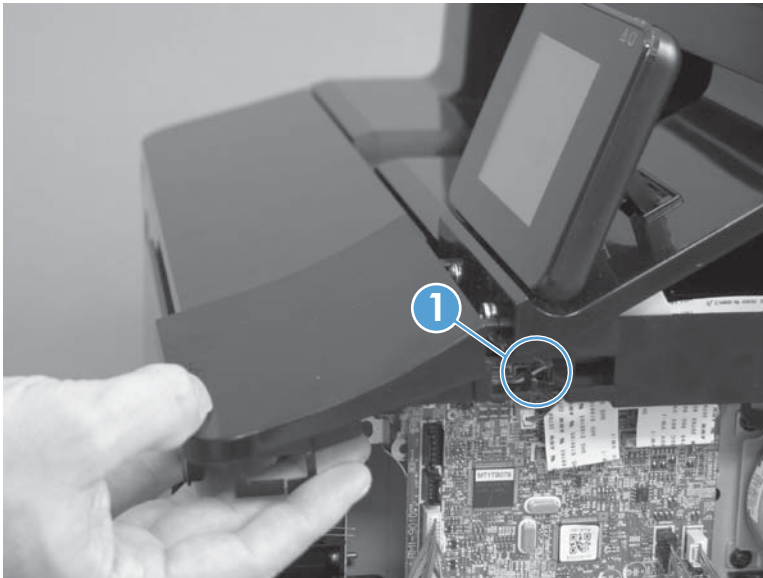
 **NOTE:** When reinstalling the USB cover, make sure the locating tab on the left side of the USB cover is properly engaged.

Figure 1-39 Remove the USB cover and the USB PCA (2 of 4)



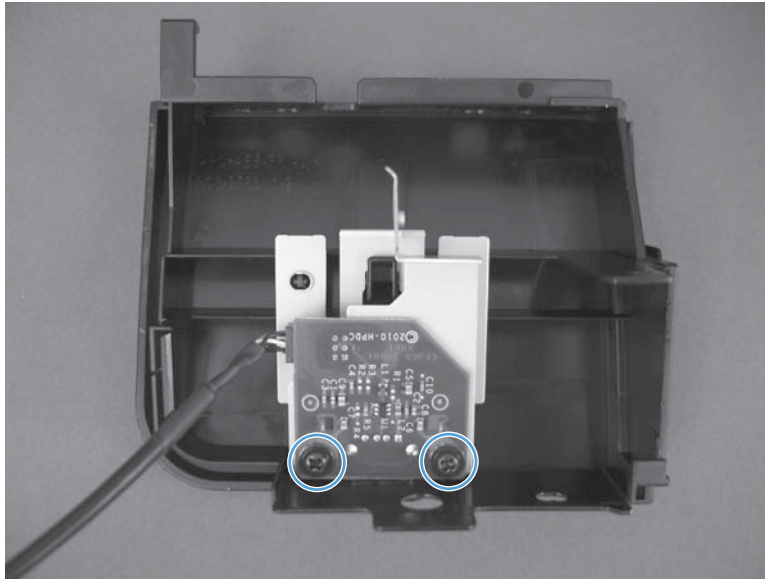
4. Release one tab (callout 1) and slide the USB cover toward the front of the product to remove.

Figure 1-40 Remove the USB cover and the USB PCA (3 of 4)



5. Remove two screws, and then remove the USB PCA.

Figure 1-41 Remove the USB cover and the USB PCA (4 of 4)

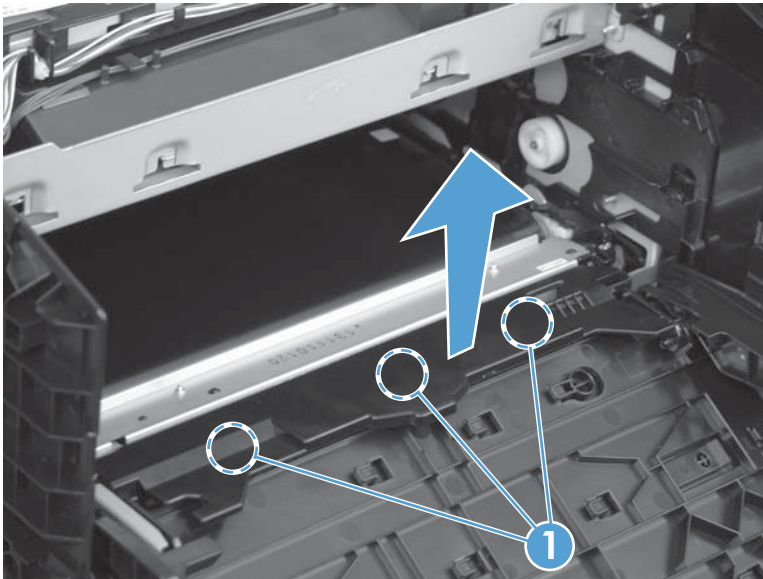


Front-door and front-cover assembly

The front cover assembly is located below the front door.

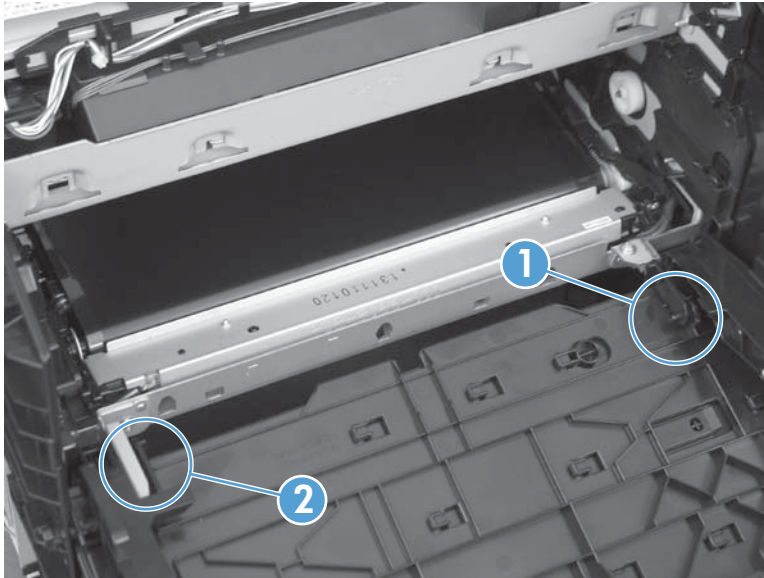
1. Remove the following components:
 - Toner-cartridge drawer. See [Toner-cartridge drawer on page 15](#).
 - Right cover. See [Right cover on page 17](#).
 - Left cover. See [Left cover on page 20](#).
 - Rear right cover. See [Rear right cover on page 22](#).
 - Rear door and rear-lower cover. See [Rear door and rear-lower cover on page 25](#).
 - Rear-upper cover. See [Rear-upper cover on page 25](#).
 - Upper cover. See [Upper cover on page 31](#).
2. Open the front cover assembly.
3. Release three tabs (callout 1), and remove the cartridge tray bottom cover.

Figure 1-42 Remove the front-door and front-cover assembly (1 of 6)



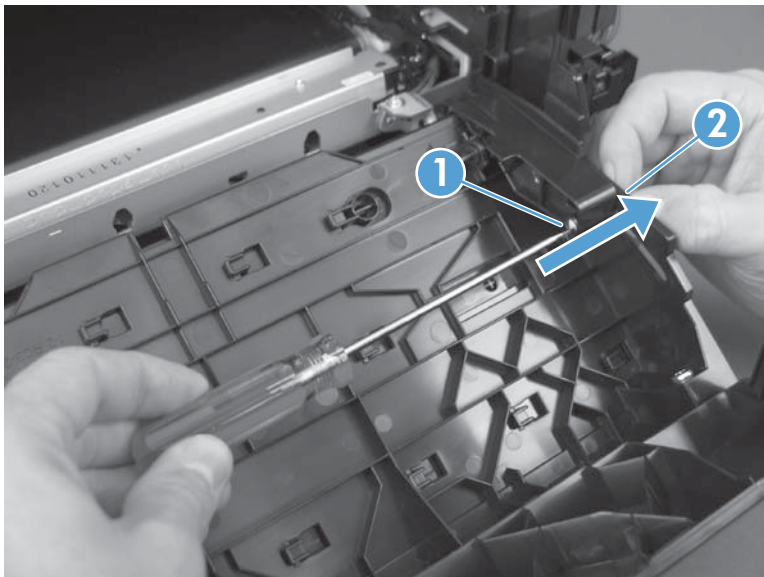
4. Release one peg (callout 1) on the right side of the front cover assembly. Close the front door assembly slightly, and release one peg (callout 2) on the left side of the front cover assembly. Then remove the front cover assembly.

Figure 1-43 Remove the front-door and front-cover assembly (2 of 6)



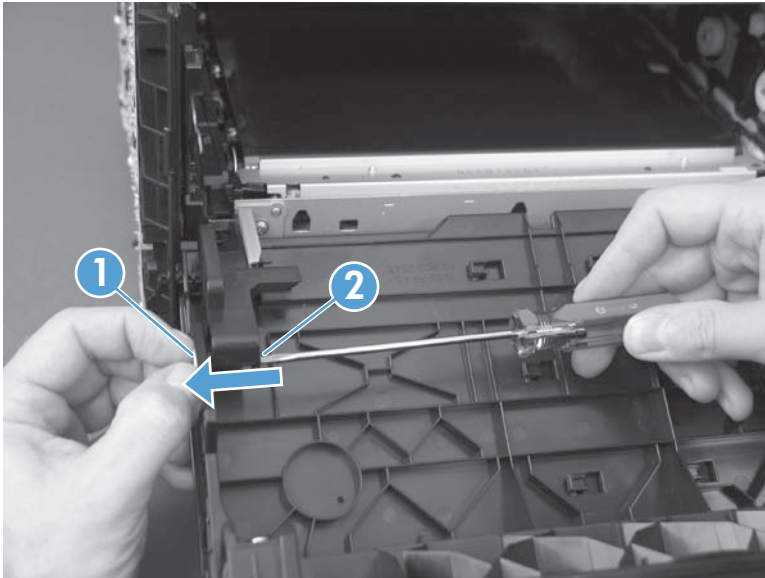
5. Hold up the tab (callout 1) with a precision flat-blade screwdriver and then pull out the shaft (callout 2) on the left side of the front door assembly.

Figure 1-44 Remove the front-door and front-cover assembly (3 of 6)



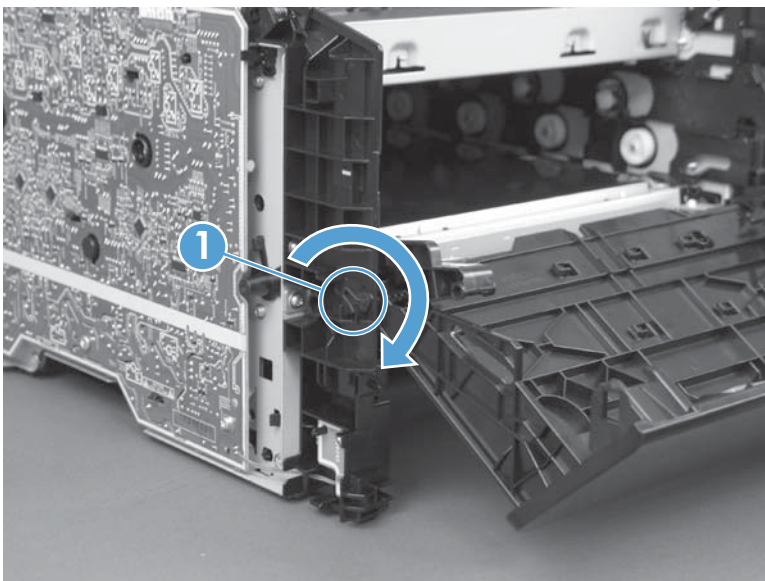
6. Hold up the tab (callout 2) with a precision flat-blade screwdriver, and then pull out the shaft (callout 1) on the right side of the front door assembly.

Figure 1-45 Remove the front-door and front-cover assembly (4 of 6)



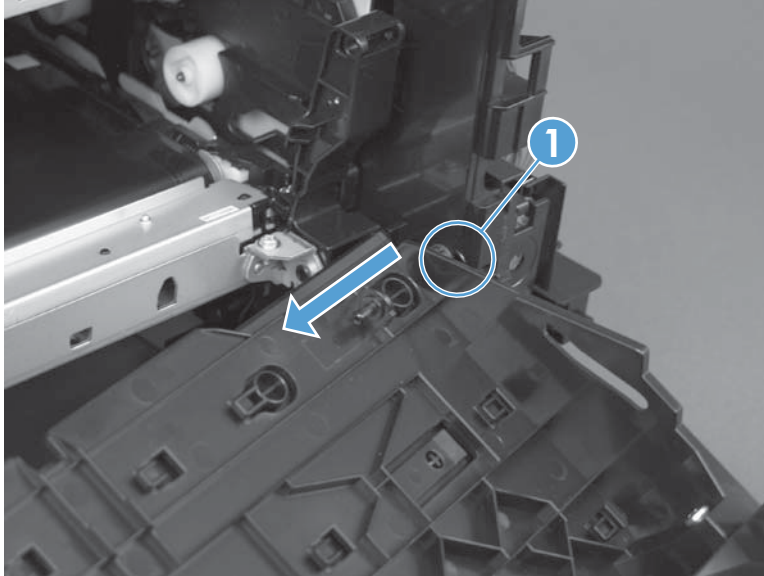
7. Release one tab (callout 1) of the support shaft on the left side of the front door assembly, and then pull out the support shaft by turning it clockwise.

Figure 1-46 Remove the front-door and front-cover assembly (5 of 6)



8. Release one peg (callout 1) on the right side of the front door assembly. Slide the front door assembly to the left and remove it.

Figure 1-47 Remove the front-door and front-cover assembly (6 of 6)



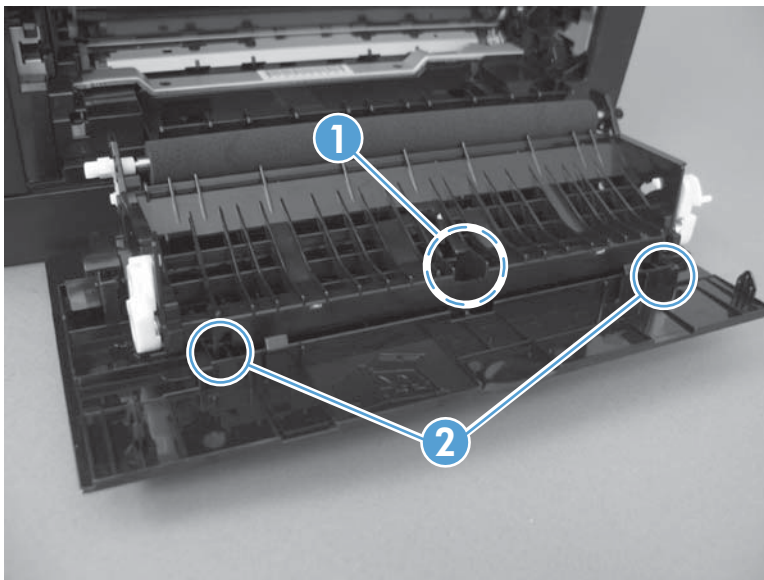
Main assemblies

 **NOTE:** The laser scanner installed in this product is not replaceable.

Paper-guide assembly

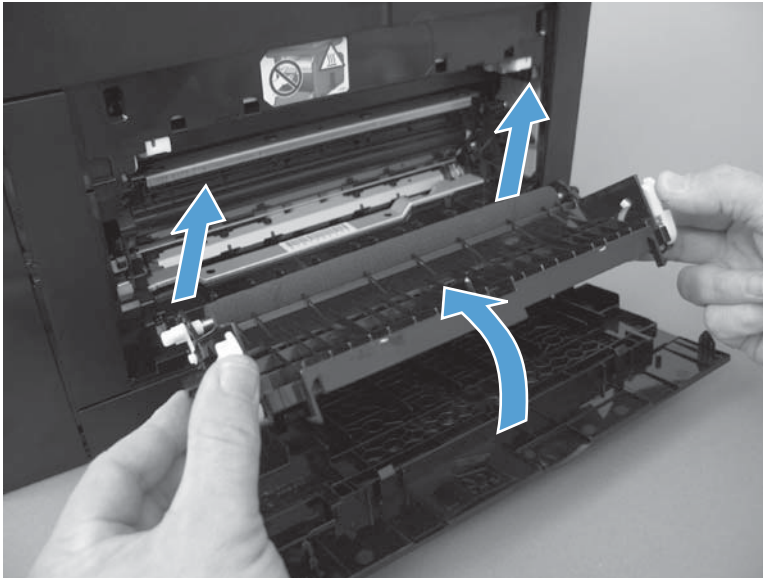
1. Open the rear door.
2. Release one captive screw (callout 1) and release two tabs (callout 2).

Figure 1-48 Remove the paper-guide assembly (1 of 2)



3. Rotate the assembly up and away from the rear door to release it, and then remove the paper-guide assembly.

Figure 1-49 Remove the paper-guide assembly (2 of 2)

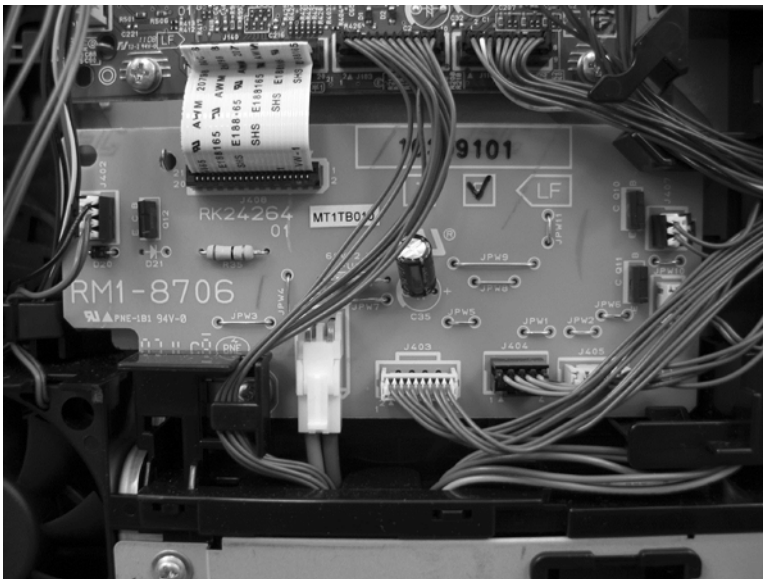


Driver PCA

Remove the driver PCA

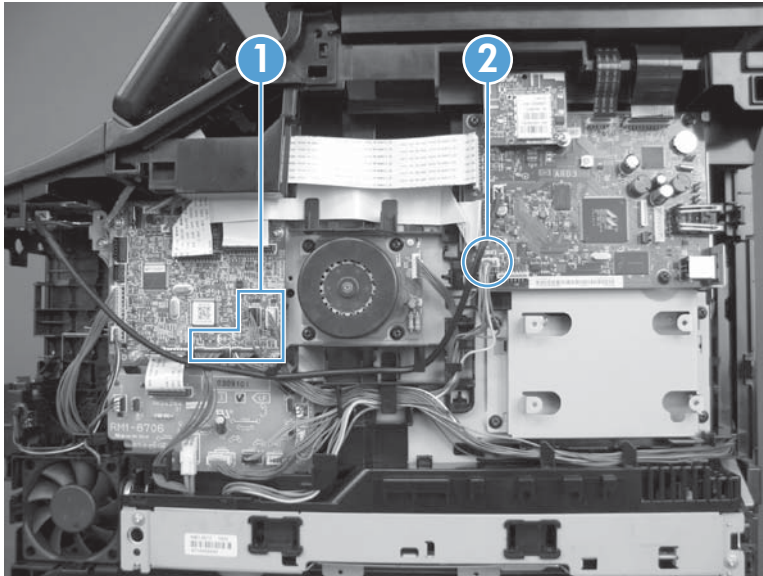
1. Remove the following components:
 - Right cover. See [Right cover on page 17](#).
2. Disconnect the power lead, six wire harnesses, and one FFC from the driver PCA.

Figure 1-50 Remove the driver PCA (1 of 8)



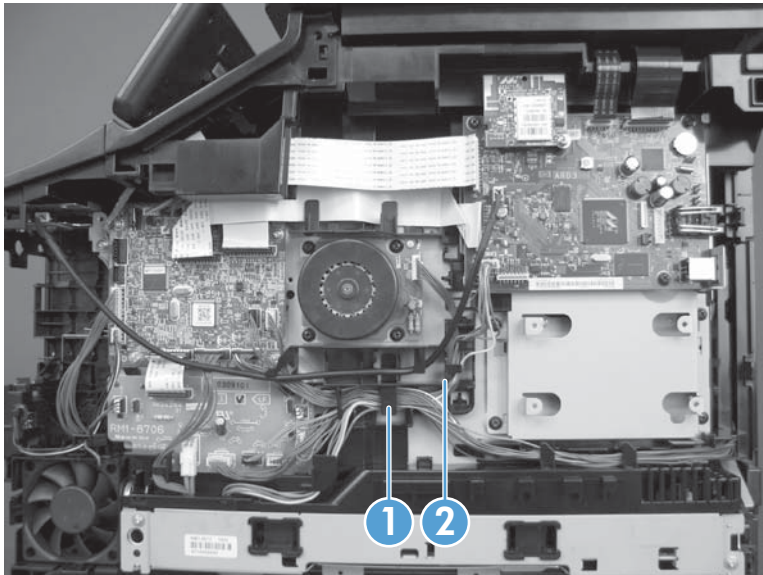
3. Disconnect four connectors (callout 1) on the DC controller assembly and one connector (callout 2) on the formatter PCA.

Figure 1-51 Remove the driver PCA (2 of 8)



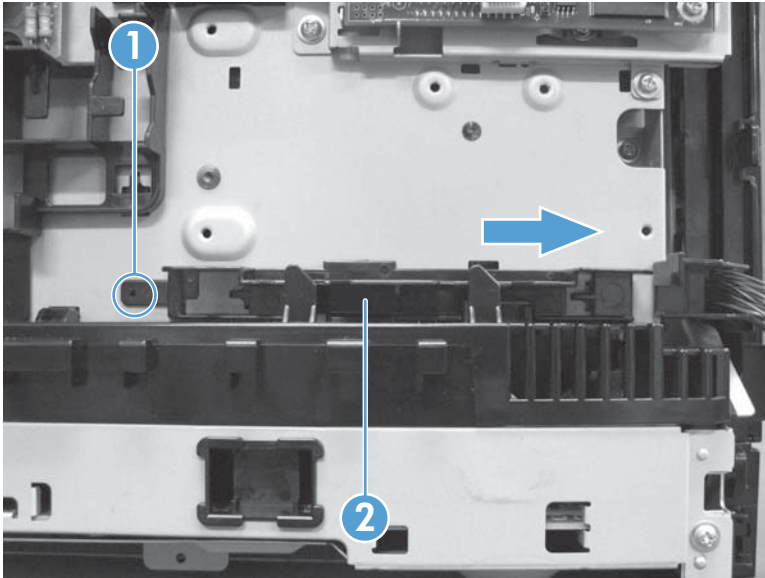
4. Release the cables (callout 1) from the cable guide (callout 2).

Figure 1-52 Remove the driver PCA (3 of 8)



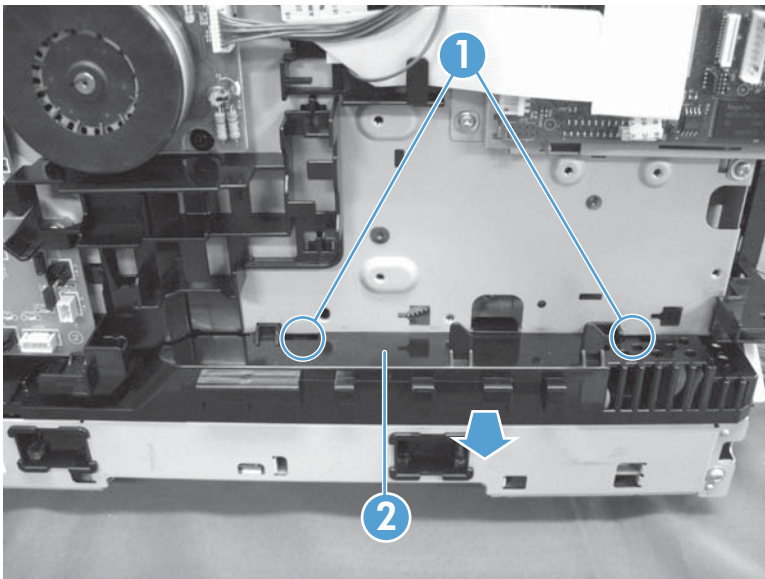
5. Release one tab (callout 1), and slide the cable guide (callout 2) toward the back of the product to remove.

Figure 1-53 Remove the driver PCA (4 of 8)



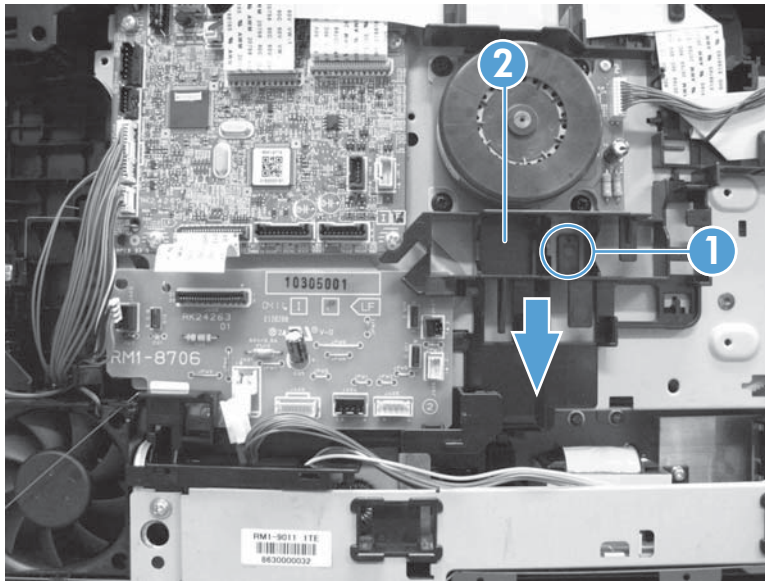
6. Release two tabs (callout 1), and slide the cable guide (callout 2) away from the product to remove.

Figure 1-54 Remove the driver PCA (5 of 8)



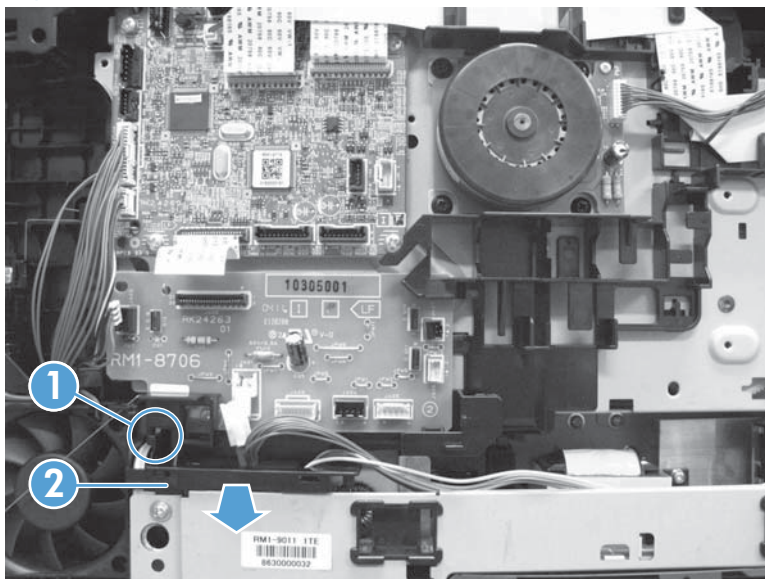
7. Release one tab (callout 1), and slide the cable guide (callout 2) downward to remove.

Figure 1-55 Remove the driver PCA (6 of 8)



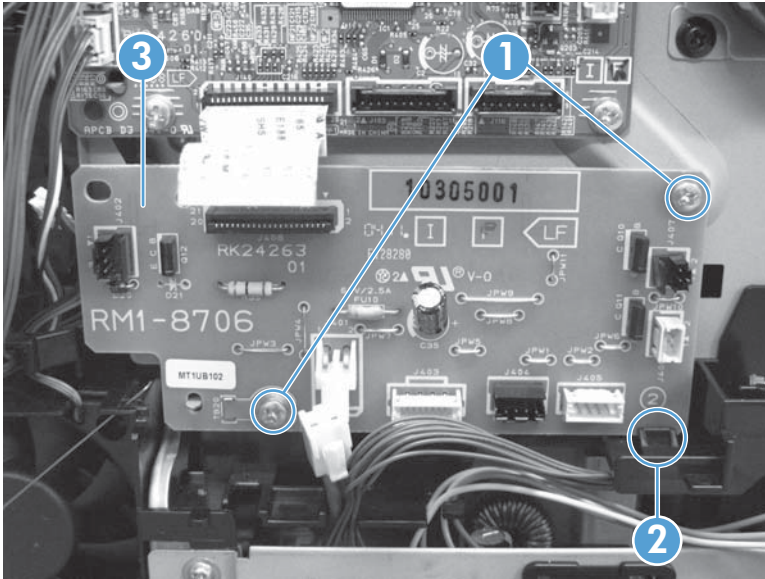
8. Release one tab (callout 1) and slide the cable guide (callout 2) away from the product to remove.

Figure 1-56 Remove the driver PCA (7 of 8)




9. Remove two screws (callout 1). Release one tab (callout 2), and remove the driver PCA (callout 3).

Figure 1-57 Remove the driver PCA (8 of 8)



DC controller PCA

Special consideration


 **WARNING!** Do not install a *replacement* formatter PCA and DC controller PCA at the same time, and then turn the product power on.

The formatter PCA and the DC controller PCA store important product configuration information (NVRAM data) that will be lost if both PCAs are replaced at the same time. When the product power is turned on, the formatter will restore the NVRAM data to a replacement DC controller.


Replacing both the DC controller and the formatter at the same time will result in severe print-quality problems.

Replacing the DC controller PCA before the formatter PCA

Use the following procedure if you need to install a replacement DC controller *and* a replacement formatter PCA.


 **NOTE:** If you are installing a replacement DC controller PCA, proceed to [DC controller PCA on page 45](#).


1. Install a replacement DC controller PCA.
2. Turn the product power on, and wait for the print-cartridge volume indicators to appear on the control-panel display.

 **NOTE:** This allows important product information to be written to the replacement DC controller PCA.

3. Turn the product power off.
4. Install a replacement formatter PCA. See [Formatter PCA and support bracket on page 48](#).
5. Turn the product power on.

Remove the DC controller PCA

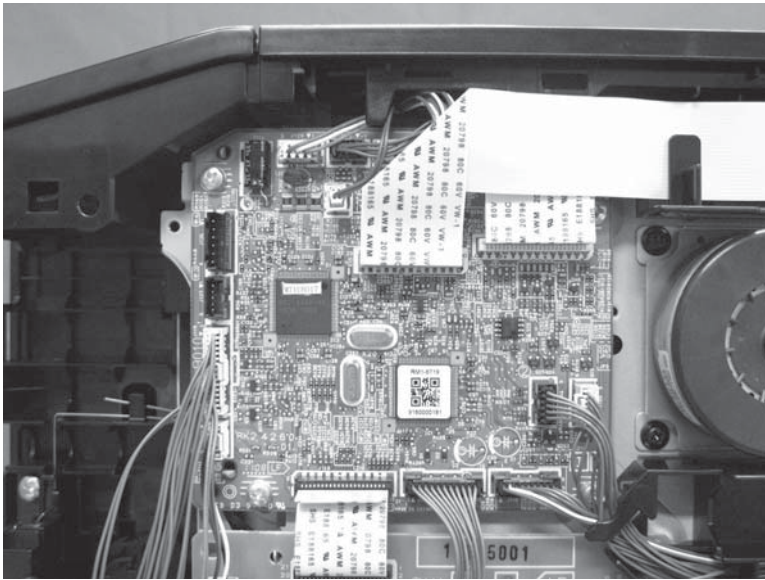
 **CAUTION:** Do not bend or fold the flat flexible cables (FFCs) during removal or installation. Also, do not straighten pre-folds in the FFCs. You *must* make sure that all FFCs are fully seated in their connectors. Failure to fully seat an FFC into a connector can cause a short circuit in a PCA.

 Some parts are sensitive to electrostatic discharge (ESD). Look for the ESD reminder when removing product parts. Always perform service work at an ESD-protected workstation or mat. If an ESD workstation or mat is not available, ground yourself by touching the sheet-metal chassis *before* touching an ESD-sensitive part.

1. Remove the following components:
 - Right cover. See [Right cover on page 17](#).
 - Upper cover. See [Upper cover on page 31](#).

2. Disconnect all of the FFCs and wire-harness connectors from the DC controller PCA:
 - FFCs:
 - J2, J5, J16, J17, J20
 - Wire harness:
 - J7, J13

Figure 1-58 Remove the DC controller PCA (1 of 2)



3. Remove four screws (callout 1), and then remove the DC controller PCA (callout 2).


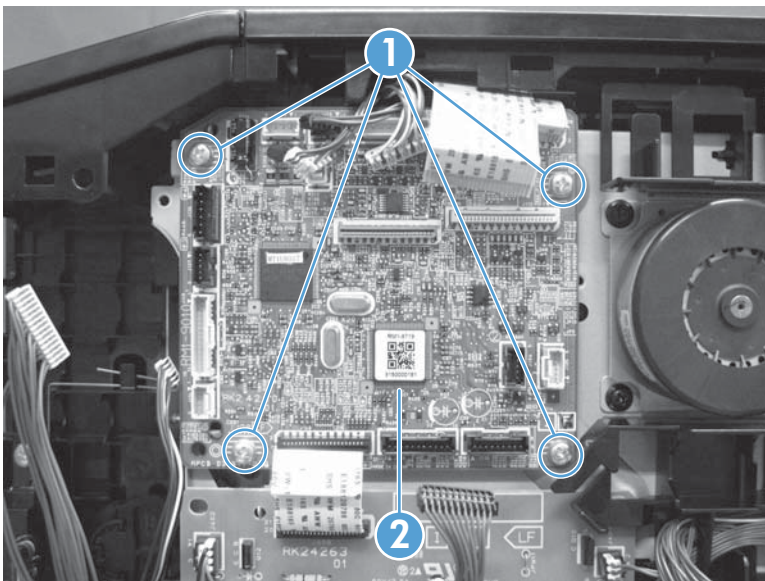

 **NOTE:** These four DC controller PCA screws are ground screws. Make sure that the correct screws are used to reinstall the DC controller PCA.

Figure 1-59 Remove the DC controller PCA (2 of 2)

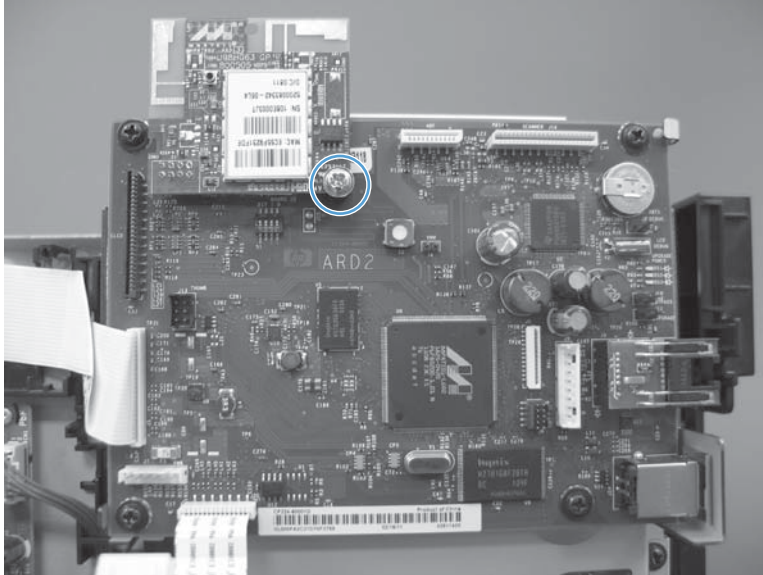


Wireless PCA (wireless models only)

⚠ CAUTION:  Some parts are sensitive to electrostatic discharge (ESD). Always perform service work at an ESD-protected workstation or mat. If an ESD workstation or mat is not available, ground yourself by touching the sheet-metal chassis *before* touching an ESD-sensitive part.

1. Remove the right cover. See [Right cover on page 17](#).
2. Remove one screw and disconnect the wireless PCA from the formatter PCA.

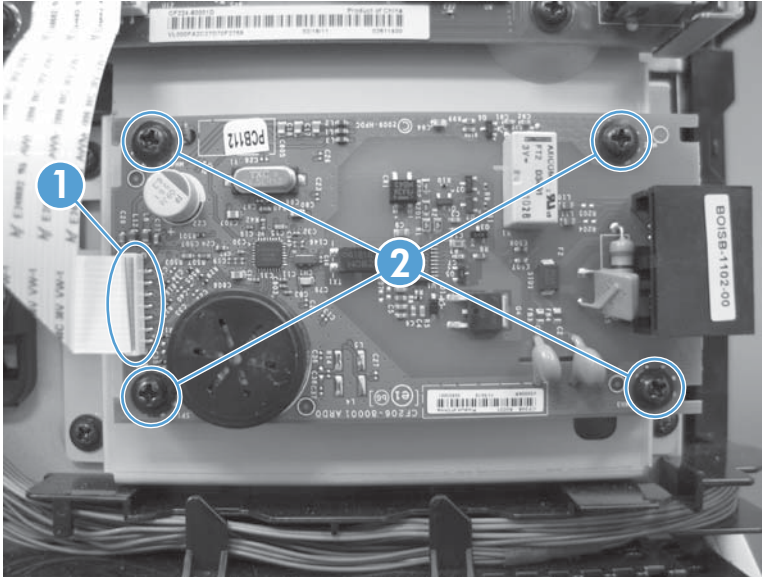
Figure 1-60 Remove the wireless PCA



Fax PCA

1. Remove the right cover. See [Right cover on page 17](#).
2. Disconnect one connector (callout 1), and remove four screws (callout 2). Remove the fax PCA.

Figure 1-61 Remove the fax PCA



Formatter PCA and support bracket

Special considerations

⚠ WARNING! Do not install a *replacement* formatter PCA and DC controller PCA at the same time.


The formatter PCA and the DC controller PCA store important product configuration information (NVRAM data) that will be lost if both PCAs are replaced at the same time. When the product power is turned on, the DC controller will restore the NVRAM data on the replacement formatter.

Replacing both the formatter and the DC controller at the same time will result in severe print-quality problems.


📄 NOTE: The base model does not have a fax card installed.

Replacing the formatter PCA before the DC controller PCA

Use the following procedure if you need to install a replacement formatter PCA *and* a replacement DC controller.


 **NOTE:** If you are only installing a replacement formatter PCA, proceed to [Remove the formatter PCA and support bracket on page 49](#).


1. Install a replacement formatter PCA.
2. Turn the product power on, and wait for the print-cartridge volume indicators to appear on the control-panel display.

 **NOTE:** This allows important product information to be written to the replacement formatter PCA.

3. Turn the product power off.
4. Install a replacement DC controller. See [DC controller PCA on page 45](#).
5. Turn the product power on.

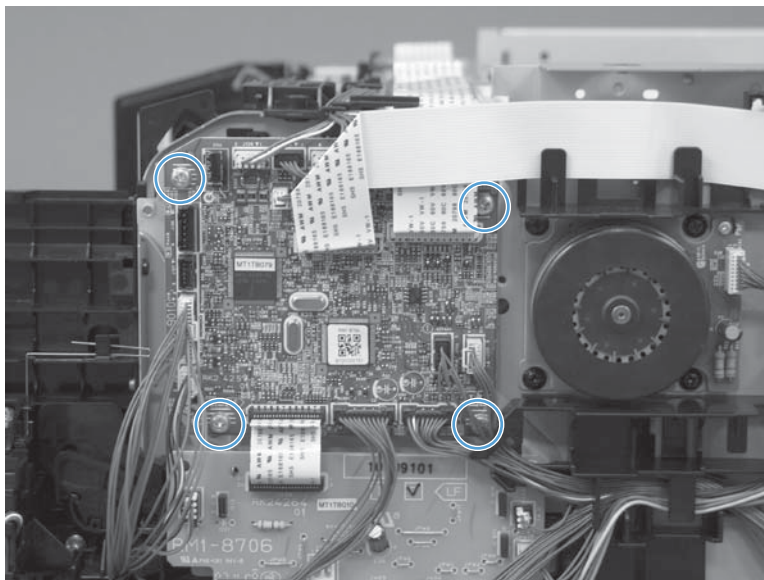
Remove the formatter PCA and support bracket

 **CAUTION:** Do not bend or fold the flat flexible cables (FFCs) during removal or installation. Also, do not straighten pre-folds in the FFCs. You *must* make sure that all FFCs are fully seated in their connectors. Failure to fully seat an FFC into a connector can cause a short circuit in a PCA.

 Some parts are sensitive to electrostatic discharge (ESD). Always perform service work at an ESD-protected workstation or mat. If an ESD workstation or mat is not available, ground yourself by touching the sheet-metal chassis *before* touching an ESD-sensitive part.

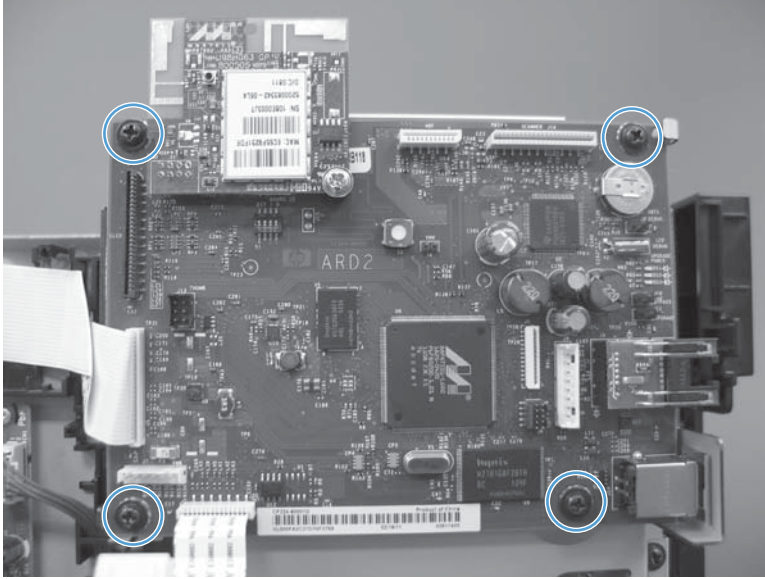
1. Remove the following components:
 - Right cover. See [Right cover on page 17](#).
 - Fax PCA. See [Fax PCA on page 48](#).
2. Disconnect all of the FFCs and wire-harness connectors from the formatter PCA.

Figure 1-62 Remove the formatter PCA and support bracket (1 of 3)



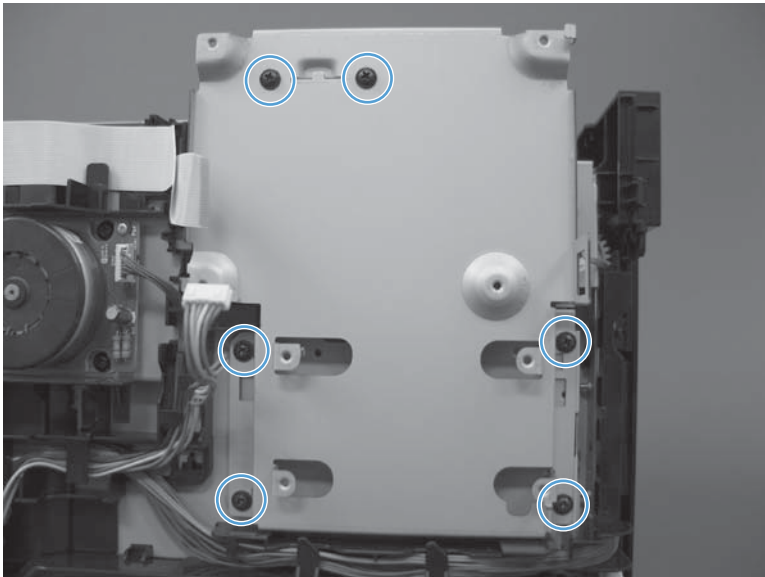
3. Remove 4 screws, and remove the formatter PCA.

Figure 1-63 Remove the formatter PCA and support bracket (2 of 3)



4. Remove six screws on the formatter support bracket, and remove the formatter support bracket.

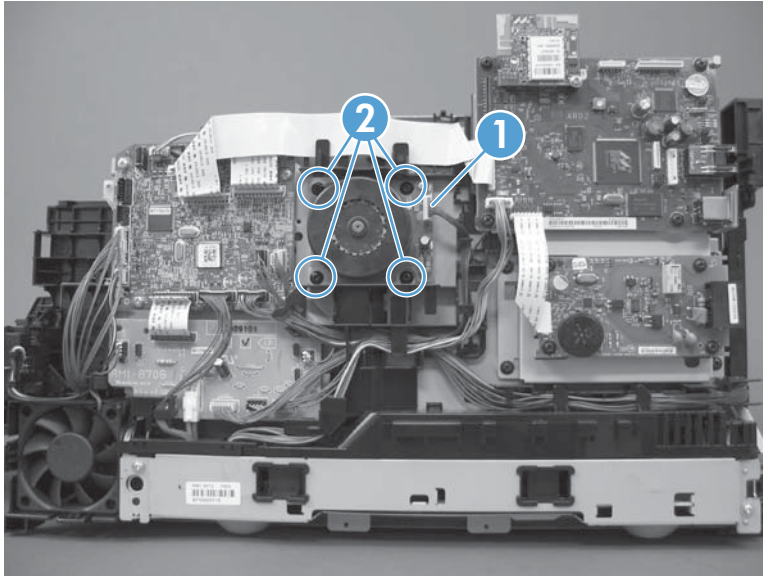
Figure 1-64 Remove the formatter PCA and support bracket (3 of 3)



Main motor

1. Remove the right cover. See [Right cover on page 17](#).
2. Disconnect one wire-harness connector (callout 1), remove four screws (callout 2), and remove the main motor.

Figure 1-65 Remove the main motor (1 of 1)

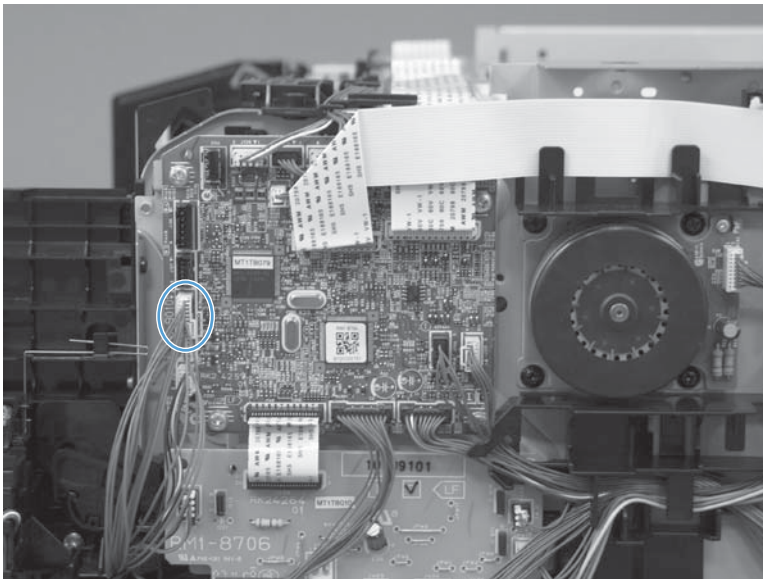


Intermediate transfer belt (ITB)

Remove the ITB

1. Remove the following components:
 - Toner-cartridge drawer. See [Toner-cartridge drawer on page 15](#).
 - Right cover. See [Right cover on page 17](#).
 - Left cover. See [Left cover on page 20](#).
 - Rear-right cover. See [Rear right cover on page 22](#).
 - Rear door and rear-lower cover. See [Rear door and rear-lower cover on page 25](#)
2. Disconnect one connector.

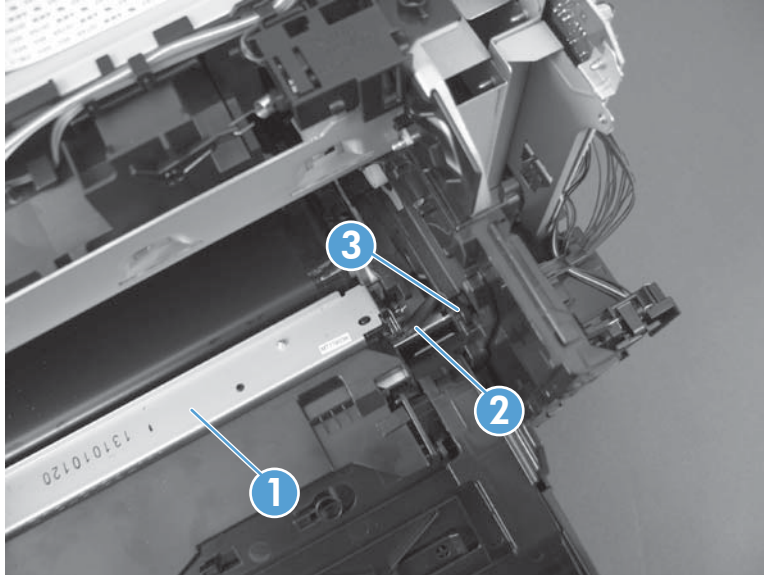
Figure 1-66 Remove the ITB (1 of 3)



3. When disassembling the ITB assembly (callout 1) make sure to release the cable (callout 2) from the guide (callout 3) .

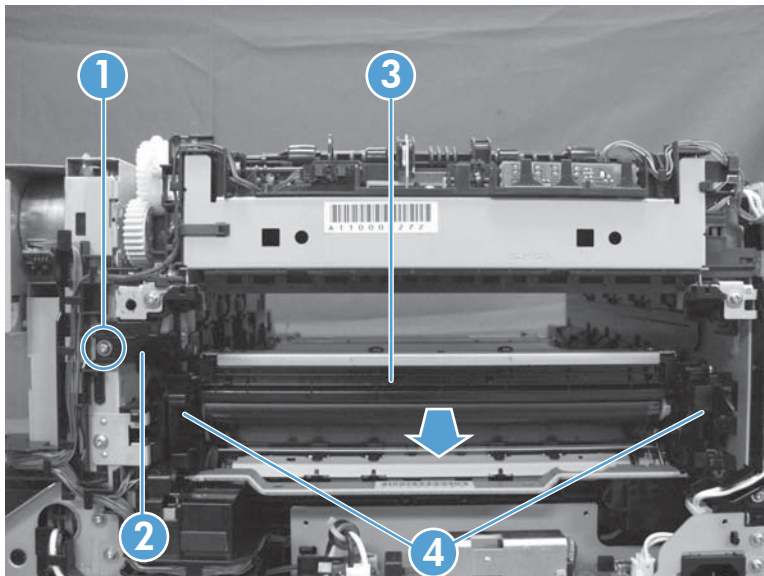
⚠ CAUTION: The cable can be damaged if it is not released from the guide before the ITB is removed from the chassis.

Figure 1-67 Remove the ITB (2 of 3)



4. Remove one screw (callout 1) and the stopper part (callout 2). Lift the ITB assembly (callout 3) slightly by pushing up at the locations shown (callout 4), and then slide the ITB assembly out of the chassis to remove.

Figure 1-68 Remove the ITB (3 of 3)



Reinstall the ITB

Use the following guidelines when you install the ITB.

- **⚠ WARNING!** The lower sheet-metal portion of the ITB frame (callout 1) can be easily bent. Avoid handling the ITB by this part of the sheet-metal frame.

Figure 1-69 Reinstall the ITB (1 of 2)



- When handling the ITB, always hold it using the hard plastic portions of the assembly.
- **⚠ CAUTION:** Avoid touching the black-plastic transfer belt or roller. Human skin oils that contact the belt or roller might cause print-quality problems.
- Do not let the transfer belt contact hard or sharp objects.
- **⚠ CAUTION:** Scratches, punctures, or other damages to the belt will cause print-quality problems.
- Make sure that the wire harness is not twisted or pinched after it is passed through the opening in the chassis and that the ITB sits flat in the product.
- **📝 NOTE:** When the toner-cartridge drawer is installed, it should easily slide in and out of the product and not contact any part of the ITB assembly.

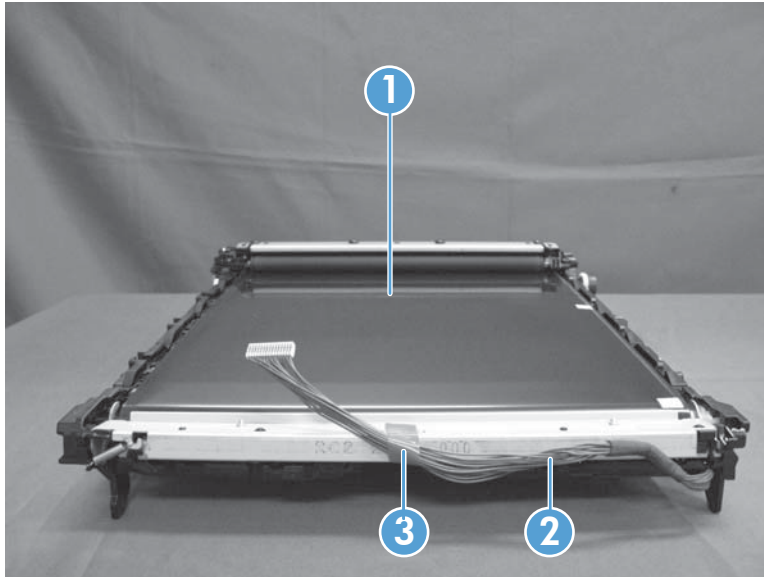
- Tape the wire harness (callout 2) to the sheet-metal frame (callout 3) so that it will not catch on internal components as the ITB (callout 1) is installed.

With the ITB partially installed, feed the wire harness through the opening in the chassis. Finish installing the ITB.

⚠ WARNING! Do not place the tape where it could make contact with or adhere to the transfer belt (callout 1). Tape or tape residue on the transfer belt will cause print-quality problems.

📝 NOTE: Remove all of the tape and tape residue after installing the ITB.

Figure 1-70 Reinstall the ITB (2 of 2)

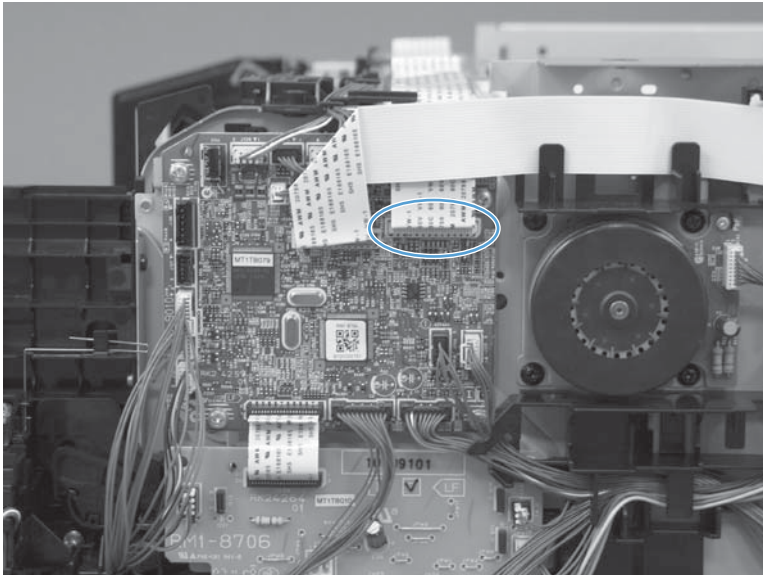


High-voltage power supply

CAUTION: Do not bend or fold the flat flexible cables (FFCs) during removal or installation. Do not straighten pre-folds in the FFCs. You *must* make sure that all FFCs are fully seated in their connectors. Failure to fully seat an FFC into a connector can cause a short circuit in a PCA.

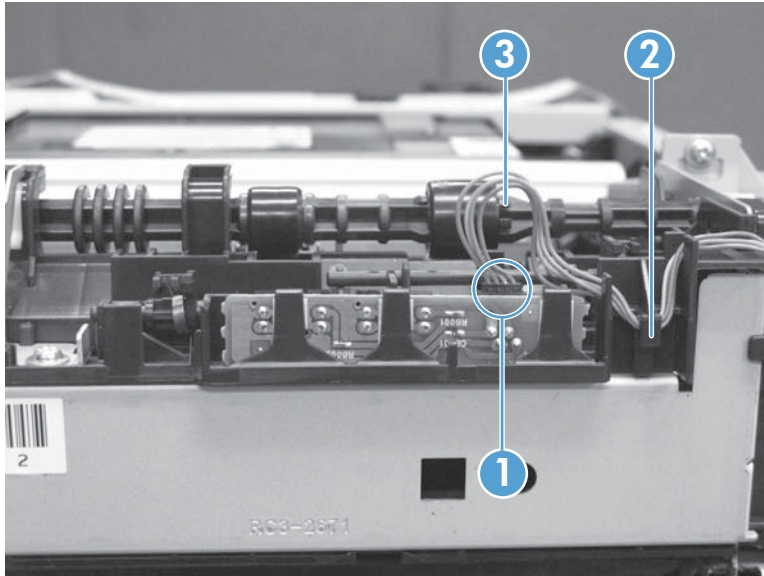
1. Remove the following components:
 - Right cover. See [Right cover on page 17](#).
 - Left cover. See [Left cover on page 20](#).
 - Rear right cover. See [Rear right cover on page 22](#).
 - Rear-upper cover. See [Rear-upper cover on page 25](#).
 - Upper cover. See [Upper cover on page 31](#).
2. Disconnect one FFC.

Figure 1-71 Remove the high-voltage power supply (1 of 4)



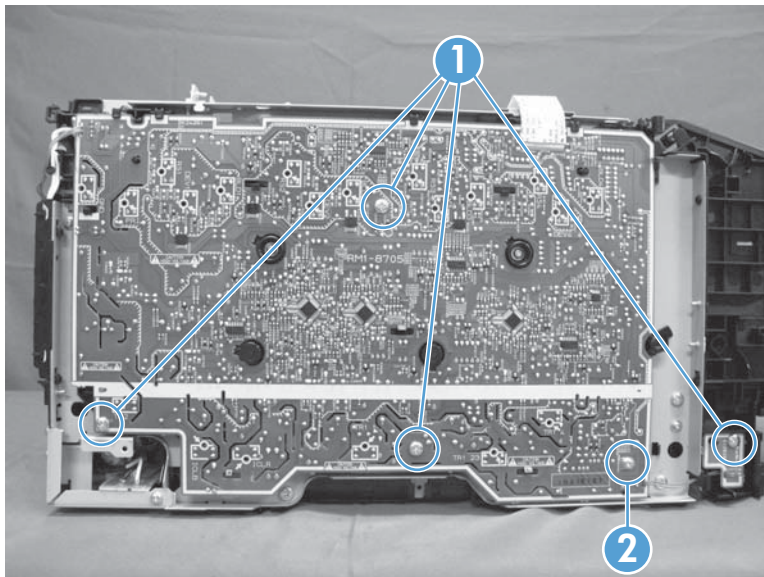
3. Disconnect one connector (callout 1) and release the cables (callout 3) from the cable guide (callout 2) located at the top of the fuser (non-drive side).

Figure 1-72 Remove the high-voltage power supply (2 of 4)



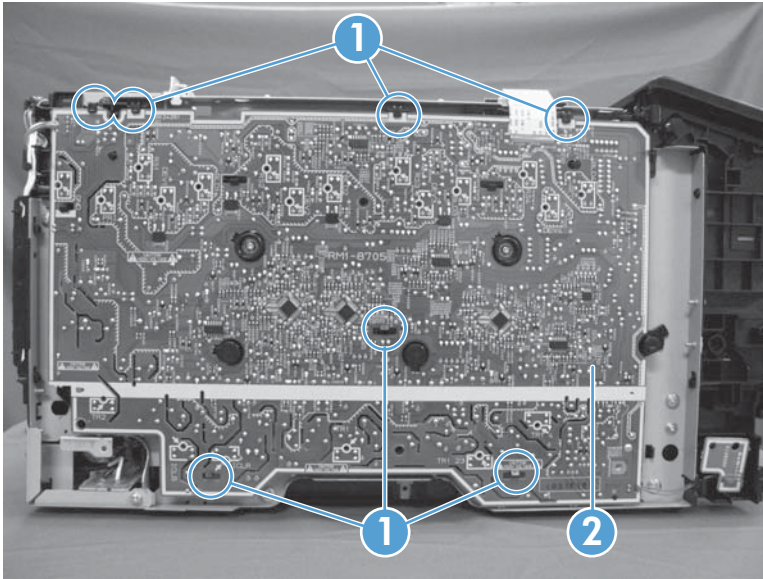
4. Remove four M4 screws (callout 1), and remove one screw with washer (callout 2).

Figure 1-73 Remove the high-voltage power supply (3 of 4)



5. Release seven tabs (callout 1), and remove the high-voltage power supply assembly (callout 2).

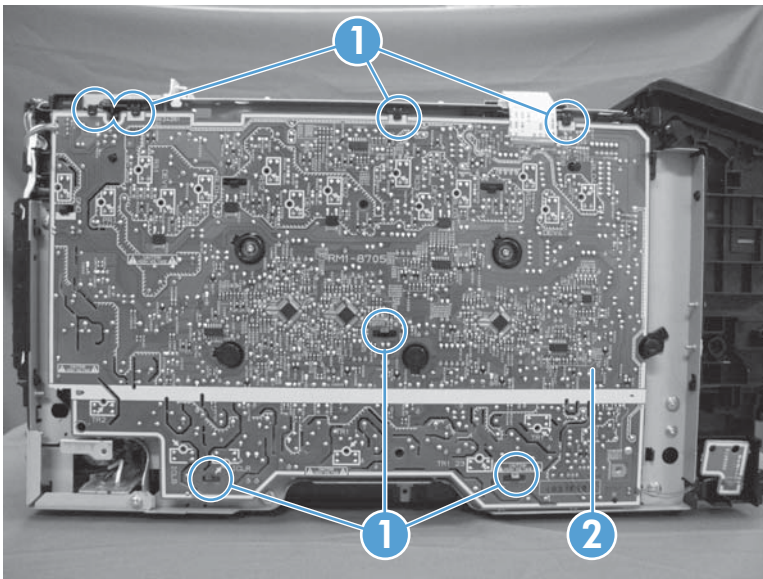
Figure 1-74 Remove the high-voltage power supply (4 of 4)



Reinstall the high-voltage power supply

- Make sure that the power supply is correctly positioned under the tabs (callout 1) located on the product chassis. If the power supply is not correctly installed, the product will not function correctly and a fuser open error (50.7000) might appear in the event log.

Figure 1-75 Reinstall the high-voltage power supply (1 of 1)

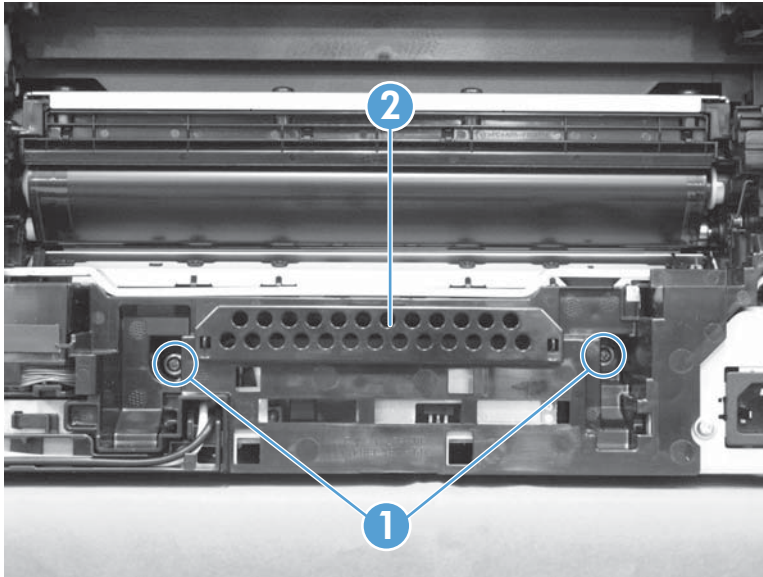


Low-voltage power supply

⚠ CAUTION: Do not bend or fold the flat flexible cables (FFCs) during removal or installation. Do not straighten pre-folds in the FFCs. You *must* make sure that all FFCs are fully seated in their connectors. Failure to fully seat an FFC into a connector can cause a short circuit in a PCA.

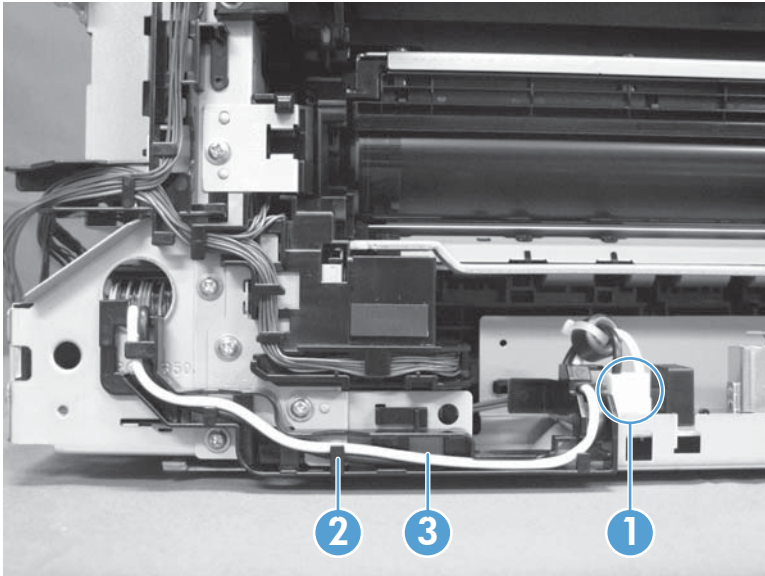
1. Remove the following components:
 - Right cover. See [Right cover on page 17](#).
 - Left cover. See [Left cover on page 20](#).
 - Rear right cover. See [Rear right cover on page 22](#).
 - Rear door and rear-lower cover. See [Rear door and rear-lower cover on page 25](#).
2. Remove two screws (callout 1) and the fuser power supply cover (callout 2).

Figure 1-76 Remove the low-voltage power supply (1 of 3)



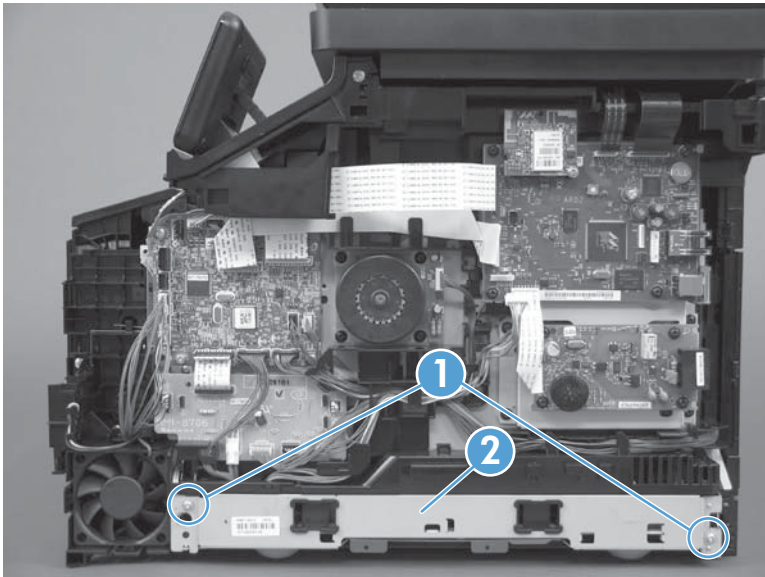
3. Disconnect one connector (callout 1), and release cable (callout 3) from the cable guide (callout 2).

Figure 1-77 Remove the low-voltage power supply (2 of 3)



4. Remove two screws (callout 1) and the low voltage power supply assembly (callout 2).

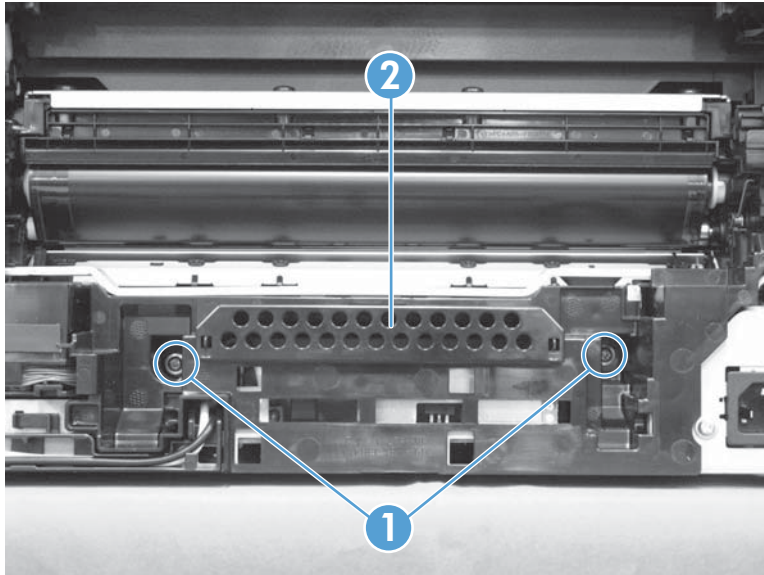
Figure 1-78 Remove the low-voltage power supply (3 of 3)



Fuser power supply

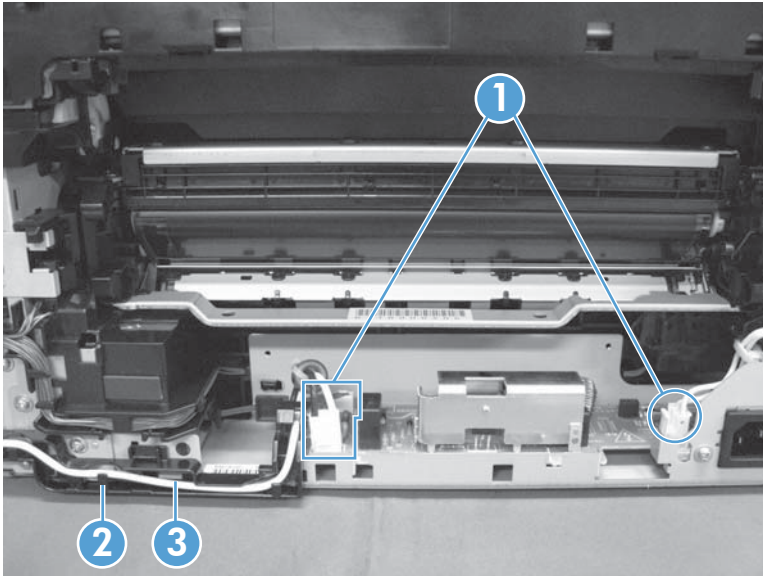
1. Remove the following components:
 - Right cover. See [Right cover on page 17](#).
 - Left cover. See [Left cover on page 20](#).
 - Rear right cover. See [Rear right cover on page 22](#).
 - Rear door and rear-lower cover. See [Rear door and rear-lower cover on page 25](#).
2. Remove two screws (callout 1) and the fuser power supply cover (callout 2).

Figure 1-79 Remove the fuser power supply (1 of 4)



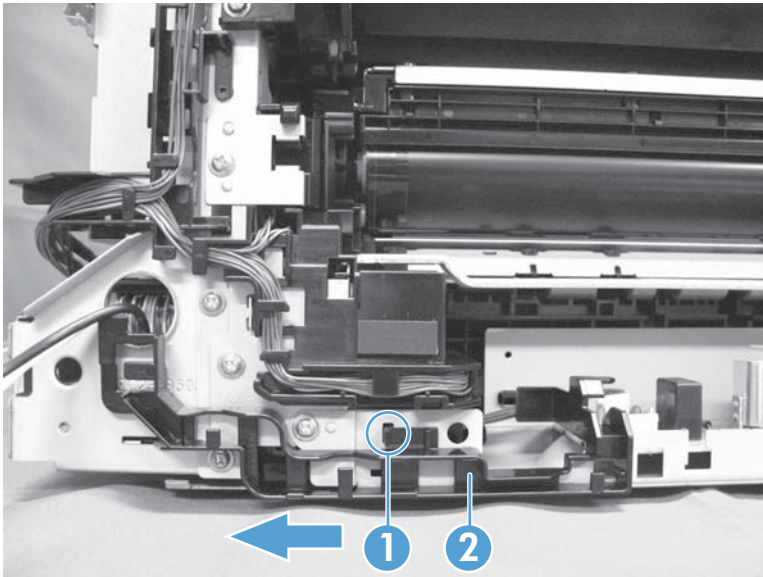
3. Disconnect three connectors (callout 1) and release the cables (callout 3) from the cable guide (callout 2).

Figure 1-80 Remove the fuser power supply (2 of 4)



4. Release one tab (callout 1), and slide the cable guide (callout 2) to the left to remove it.

Figure 1-81 Remove the fuser power supply (3 of 4)



5. Remove one screw with washer (callout 1). Remove two screws (callout 2) and the fuser power supply assembly (callout 3).


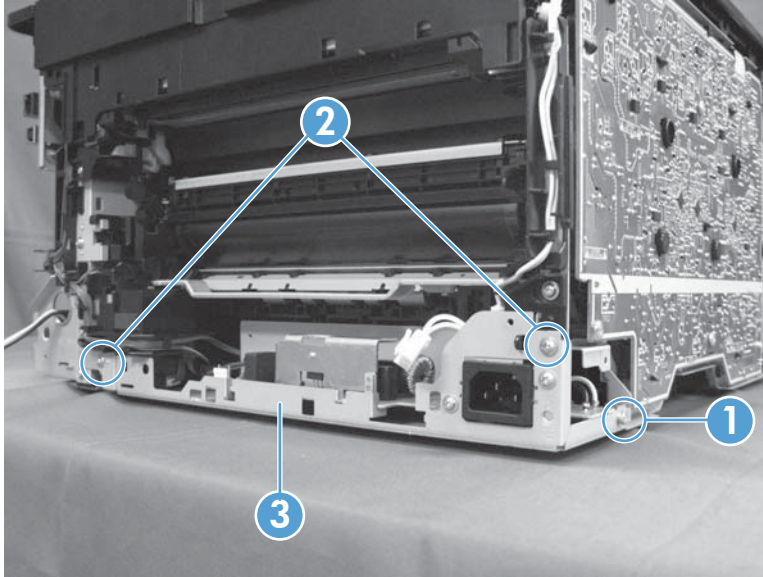
 **NOTE:** The two screws near the power switch are ground screws. Make sure that these screws are placed in the correct positions when the power supply is reinstalled.

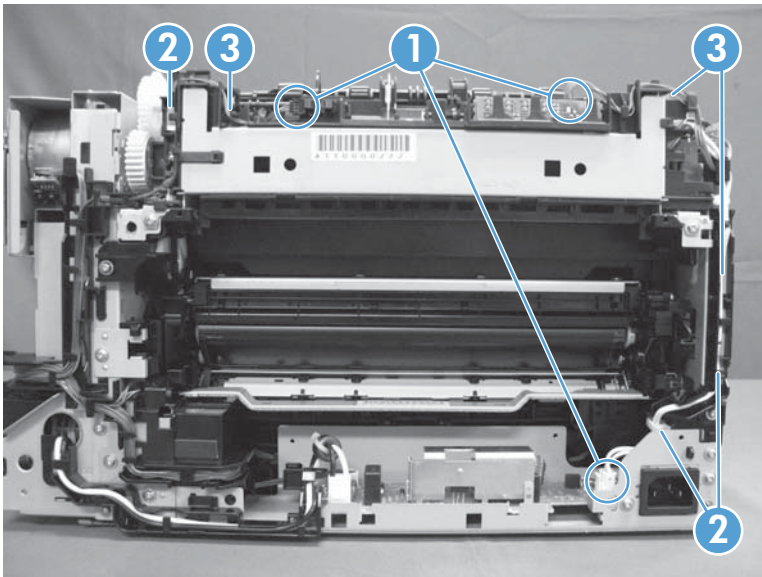
Figure 1-82 Remove the fuser power supply (4 of 4)



Fuser

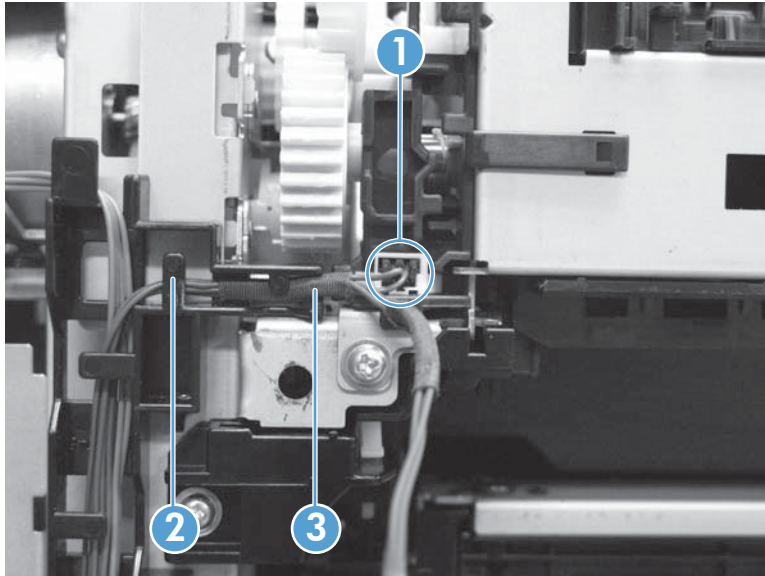
1. Remove the following components:
 - Right cover. See [Right cover on page 17](#).
 - Left cover. See [Left cover on page 20](#).
 - Rear right cover. See [Rear right cover on page 22](#).
 - Rear-upper cover. See [Rear-upper cover on page 25](#).
 - Rear door and rear-lower cover. See [Rear door and rear-lower cover on page 25](#).
 - Upper cover. See [Upper cover on page 31](#).
2. Disconnect three connectors (callout 1). Release the cables (callout 3) from the cable guide (callout 2).

Figure 1-83 Remove the fuser (1 of 3)



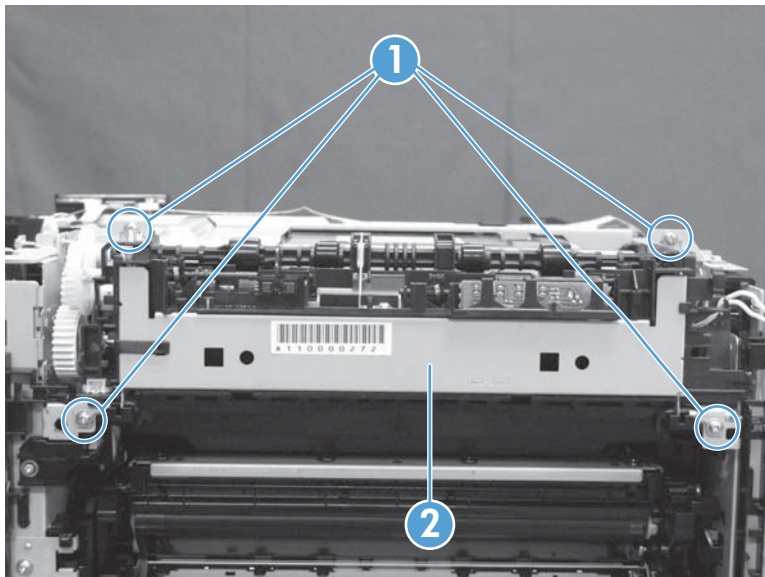
3. Disconnect one connector (callout 1). Release the cables (callout 3) from the cable guide (callout 2).

Figure 1-84 Remove the fuser (2 of 3)



4. Remove four screws (callout 1) and the fuser (callout 2).

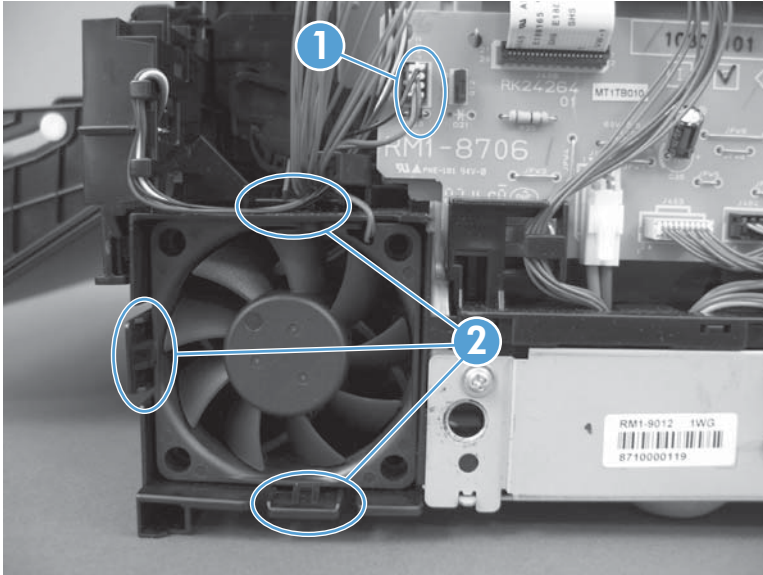
Figure 1-85 Remove the fuser (3 of 3)




Fan

1. Remove the following components:
 - Right cover. See [Right cover on page 17](#).
2. Disconnect one connector (callout 1), release three tabs (callout 2), and remove the fan.

Figure 1-86 Remove the fan



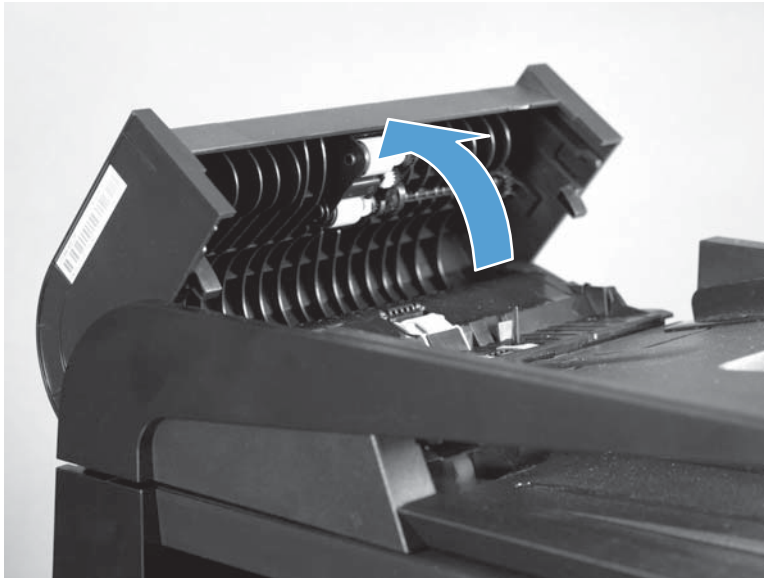
Document feeder components

 **NOTE:** This section describes replacement and removal of individual document feeder components. To remove the complete document feeder and scanner assembly, see [Document feeder and scanner assembly on page 23](#).

Document feeder separation pad

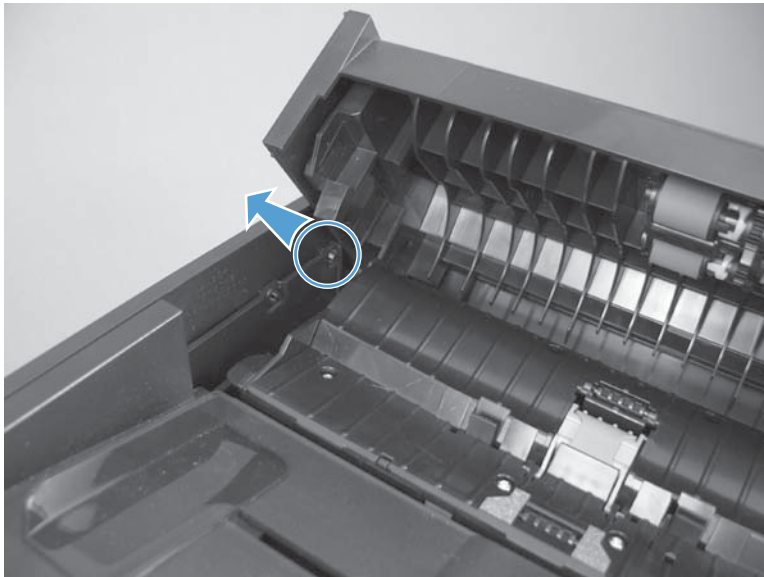
1. Open the document feeder cover.

Figure 1-87 Remove the document feeder separation pad assembly (1 of 7)



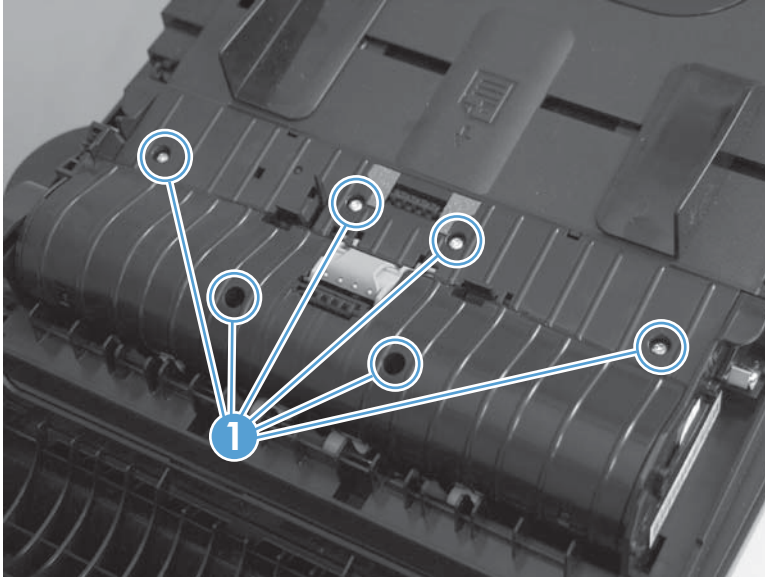
2. Release one tab, and then fully open the document feeder cover.

Figure 1-88 Remove the document feeder separation pad assembly (2 of 7)



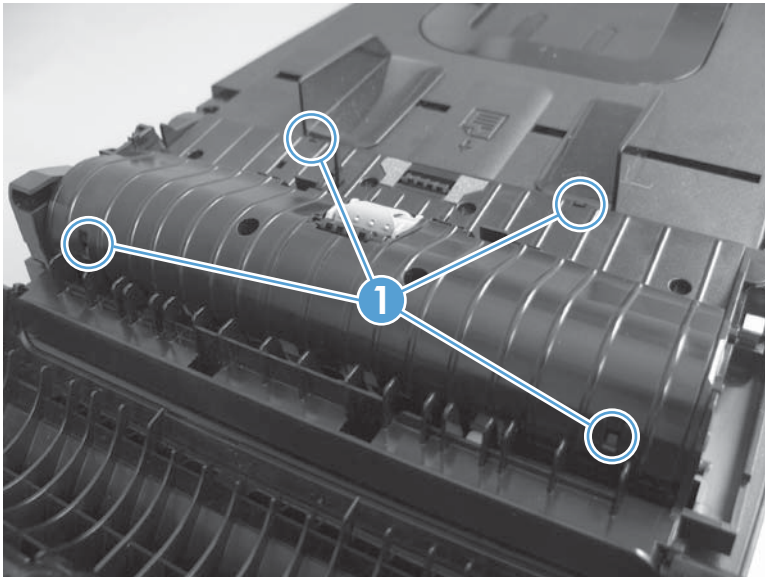
3. Remove six screws (callout 1) using a Torx T10 screwdriver.

Figure 1-89 Remove the document feeder separation pad assembly (3 of 7)



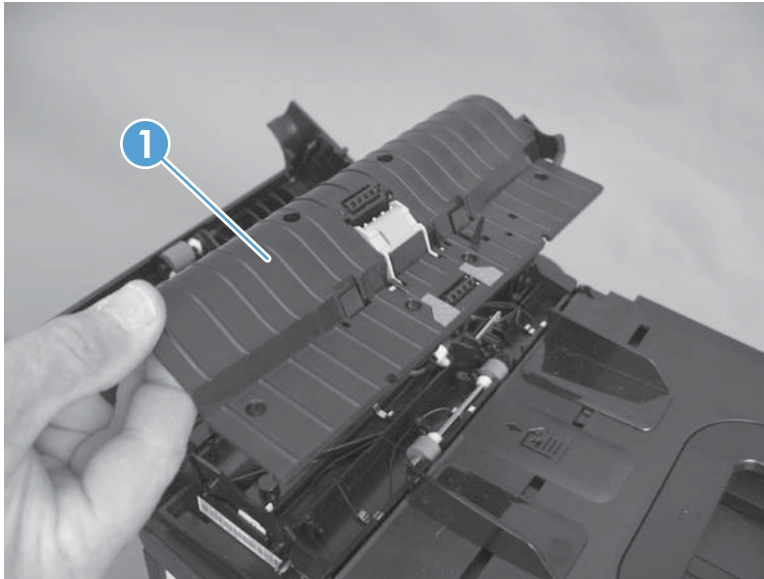
4. Release four tabs (callout 1) on the document feeder core cover.

Figure 1-90 Remove the document feeder separation pad assembly (4 of 7)



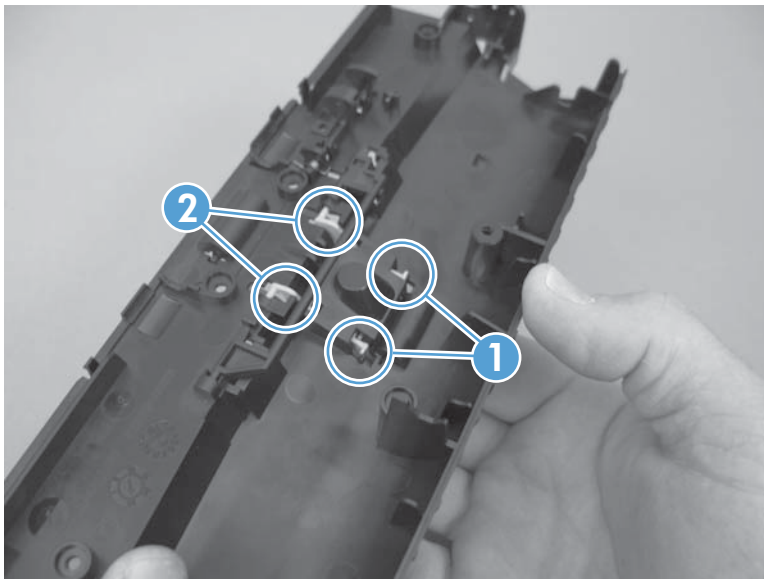
5. Remove the document feeder core cover (callout 1) from the base.

Figure 1-91 Remove the document feeder separation pad assembly (5 of 7)



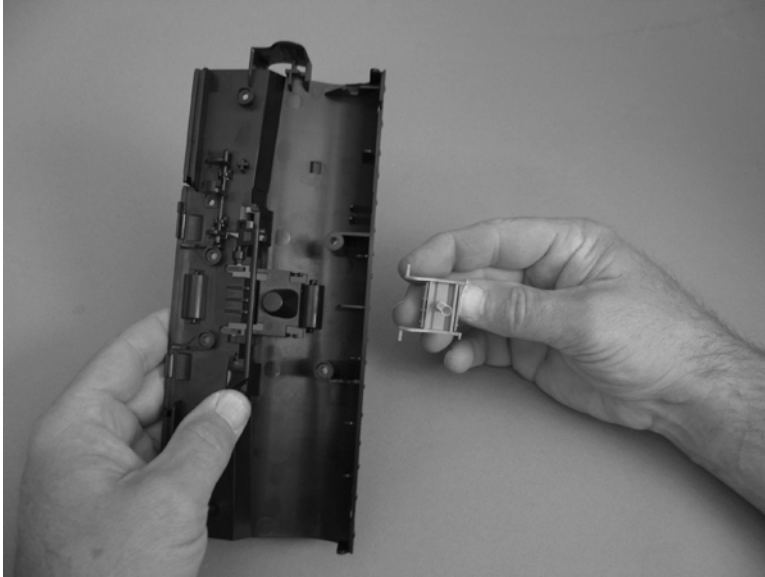
6. Push up on the separation pad assembly to release two pins (callout 1), and then slightly slide assembly in the core cover to release the remaining two pins (callout 2).

Figure 1-92 Remove the document feeder separation pad assembly (6 of 7)



7. Remove the separation pad assembly from the core cover.

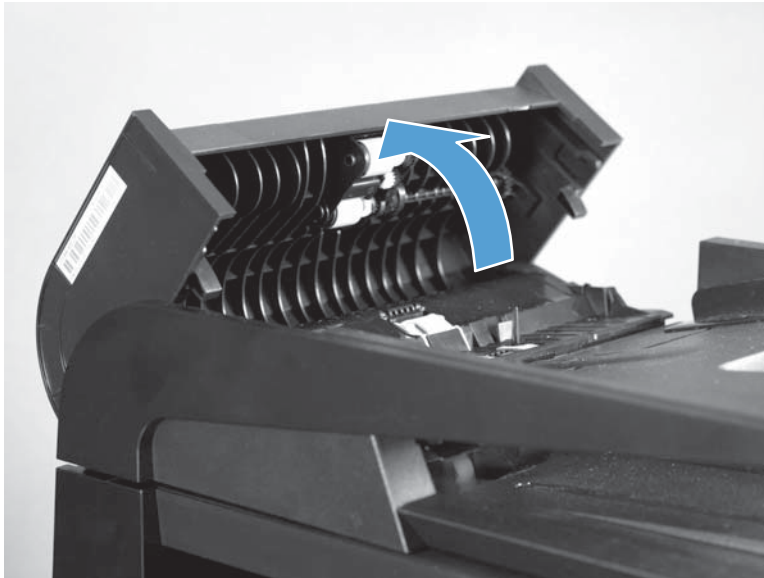
Figure 1-93 Remove the document feeder separation pad assembly (7 of 7)



Document feeder cover

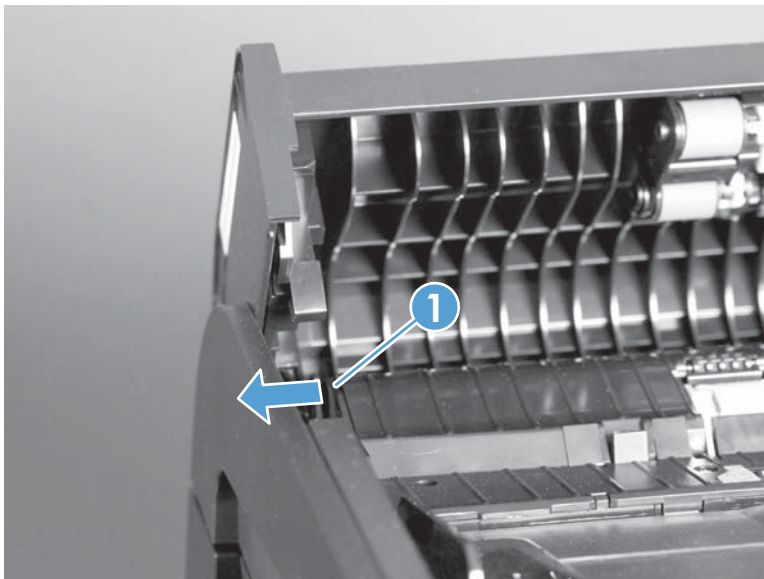
1. Open the document feeder cover.

Figure 1-94 Remove the document feeder cover (1 of 3)



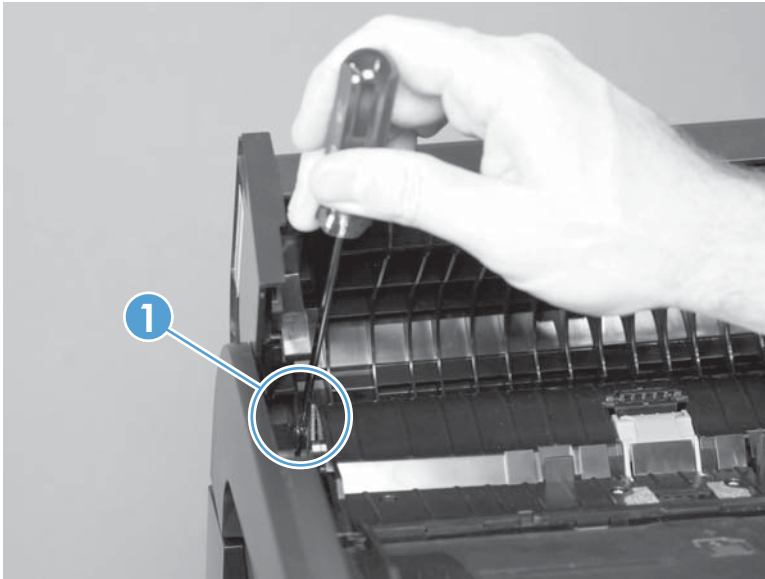
2. Release one tab (callout 1), and then fully open the document feeder cover.

Figure 1-95 Remove the document feeder cover (2 of 3)



3. Release the hinges (callout 1), and then remove the document feeder cover.

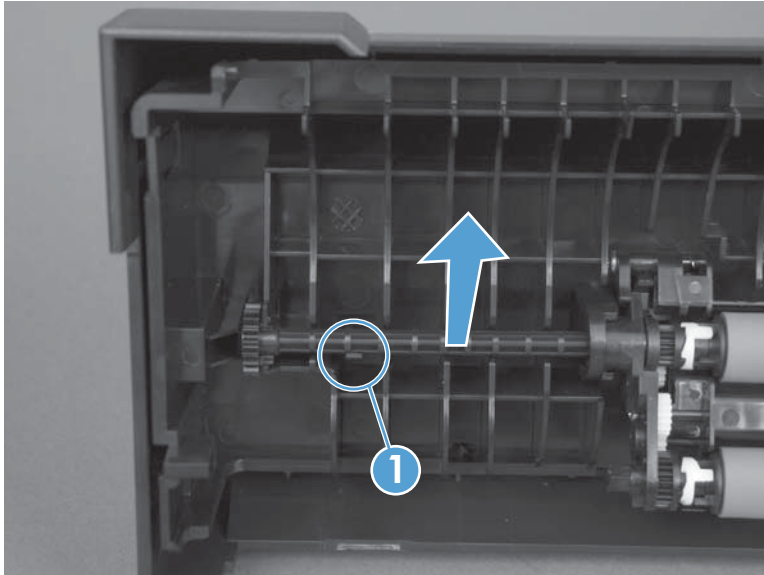
Figure 1-96 Remove the document feeder cover (3 of 3)



Document feeder pick arm assembly

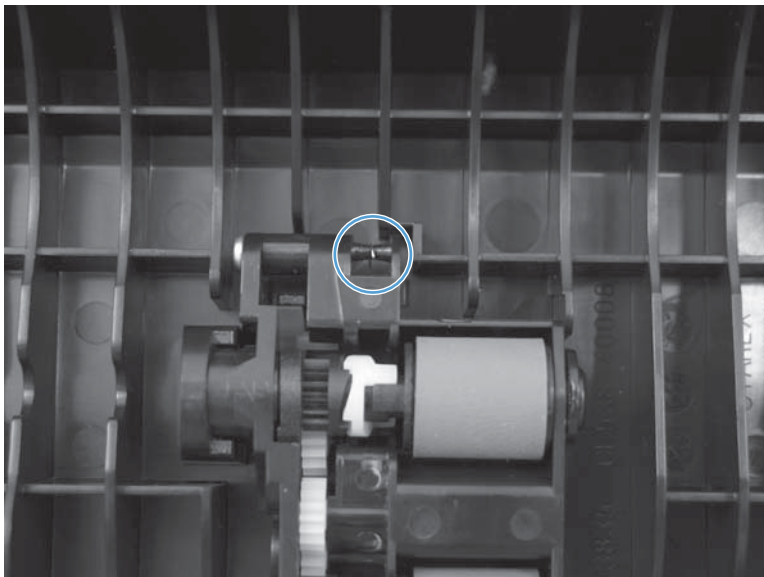
1. Remove the following components:
 - Document feeder cover. See [Document feeder cover on page 71](#).
2. Release one tab (callout 1), and remove the pick extension shaft.

Figure 1-97 Remove the document feeder pick arm assembly (1 of 3)



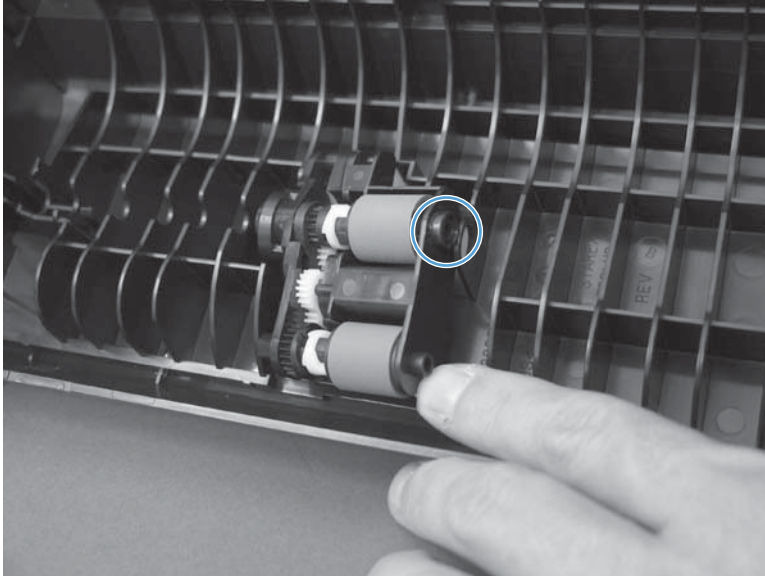
3. Use a small, flat-blade screwdriver to release the spring.

Figure 1-98 Remove the document feeder pick arm assembly (2 of 3)



4. Release the pick arm assembly at the mounting point, and then rotate the pick arm assembly to remove.

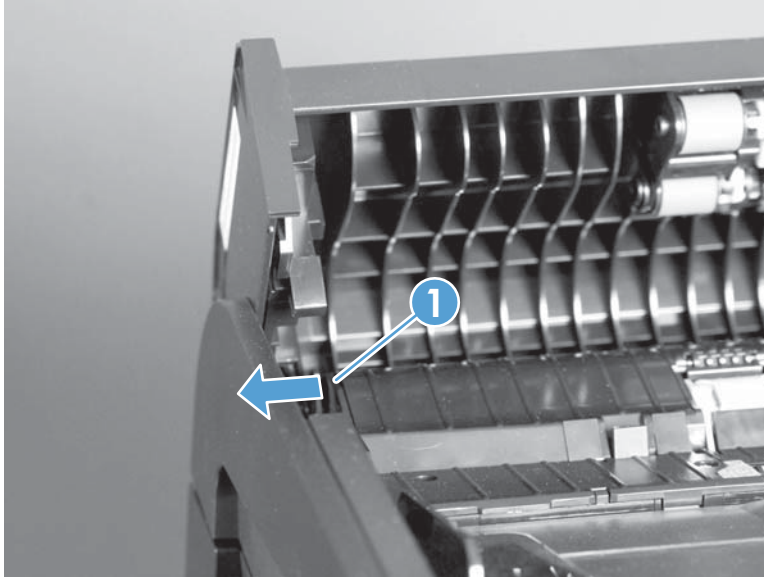
Figure 1-99 Remove the document feeder pick arm assembly (3 of 3)




Document feeder core assembly

1. Release one tab (callout 1), and then fully open the document feeder cover.

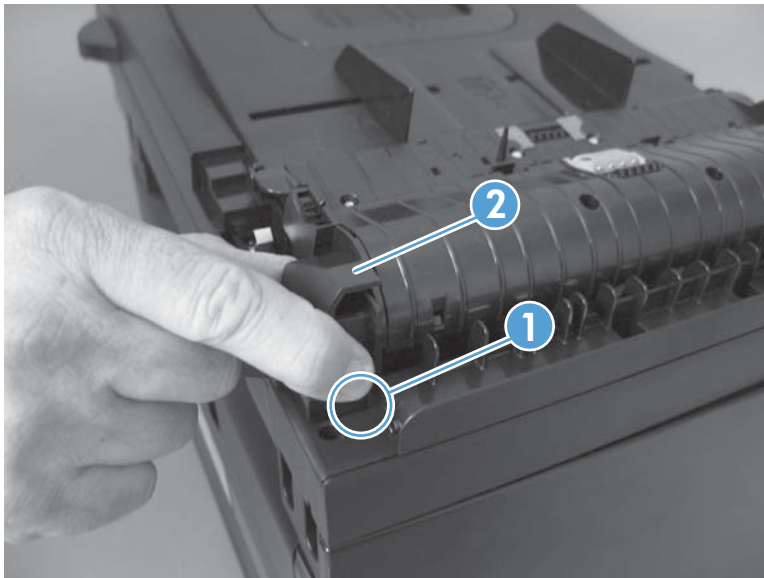
Figure 1-100 Remove the document feeder core assembly (1 of 4)



 **NOTE:** The remaining steps in this procedure are shown with the document feeder cover removed for clarity. It is *not* necessary to remove the document feeder cover to remove the document feeder core.

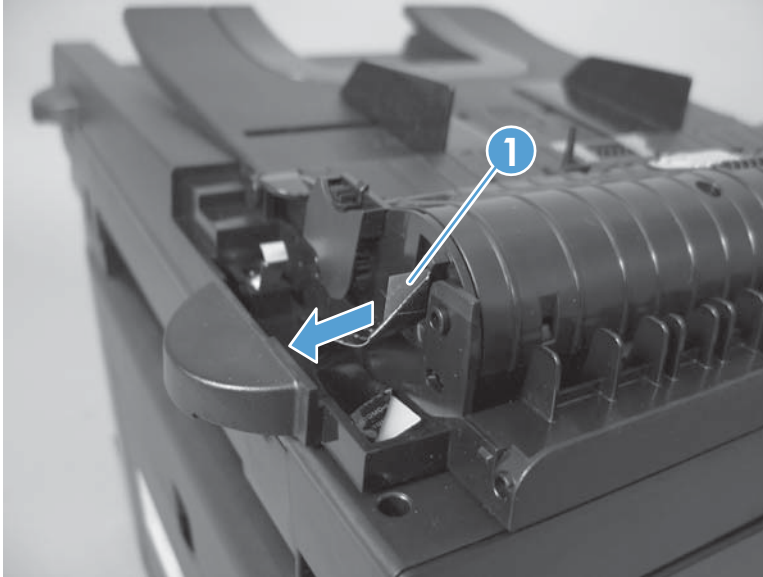
2. Release one tab (callout 1), and then remove the document feeder cable cover (callout 2).

Figure 1-101 Remove the document feeder core assembly (2 of 4)



3. Remove one FFC using the blue tab (callout 1).

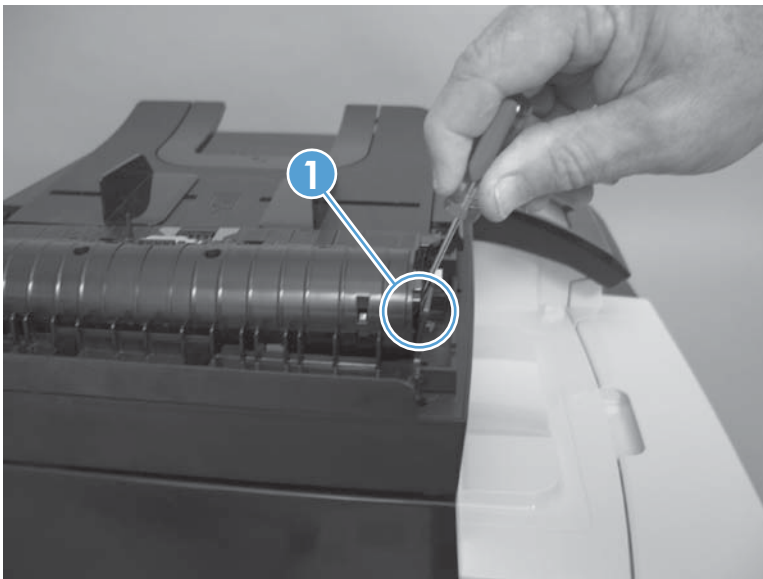
Figure 1-102 Remove the document feeder core assembly (3 of 4)



TIP: The orientation of the FFC is important. When reinstalling it, make sure the blue tab is toward the product's right side. If the FFC is installed upside down, the document-feeder will not work.

4. Release one hinge (callout 1) using your finger or a small, flat-blade screwdriver, and then remove the document feeder core assembly.

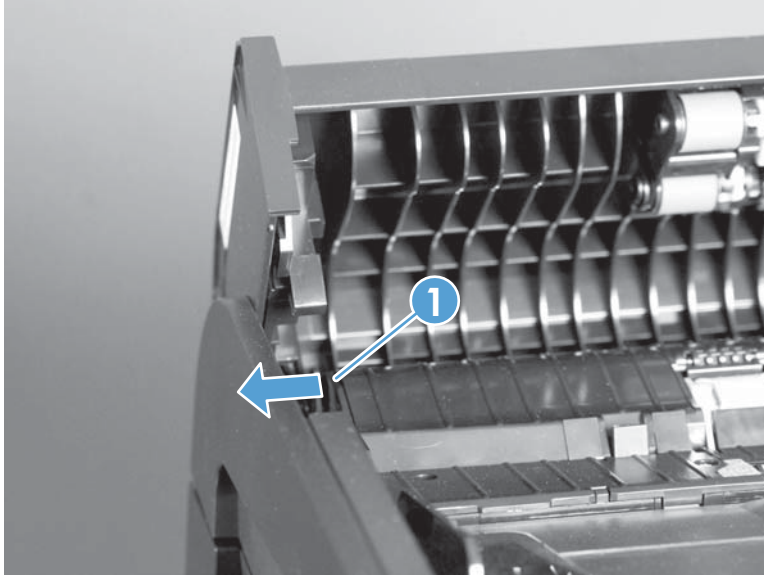
Figure 1-103 Remove the document feeder core assembly (4 of 4)



Post scan pinch rollers

1. Remove the following components:
 - Document feeder core. See [Document feeder core assembly on page 75](#).
2. Release one tab (callout 1), and then fully open the document feeder cover.

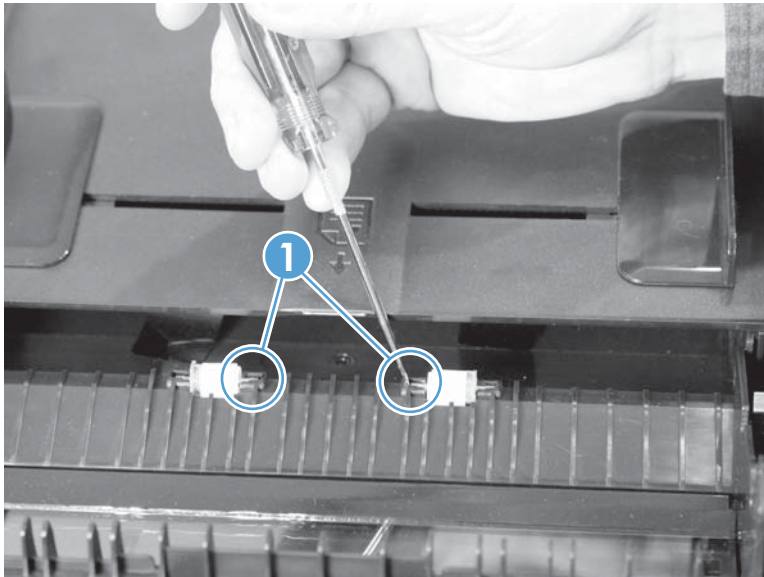
Figure 1-104 Remove the post scan pinch rollers (1 of 2)



NOTE: The remaining step in this procedure is shown with the document feeder cover removed for clarity. It is *not* necessary to remove the document feeder cover to remove the post scan pinch rollers.

3. Depress the roller springs and remove the post scan pinch rollers (callout 1).

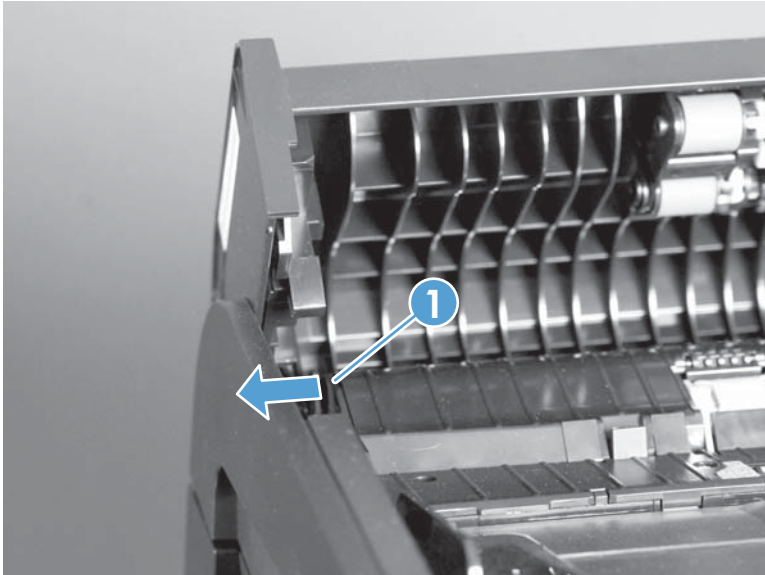
Figure 1-105 Remove the post scan pinch rollers (2 of 2)




Document feeder base assembly

1. Remove the following components:
 - Document feeder core. See [Document feeder core assembly on page 75](#).
2. Release one tab (callout 1), and then fully open the document feeder cover.

Figure 1-106 Remove the document feeder base assembly (1 of 4)



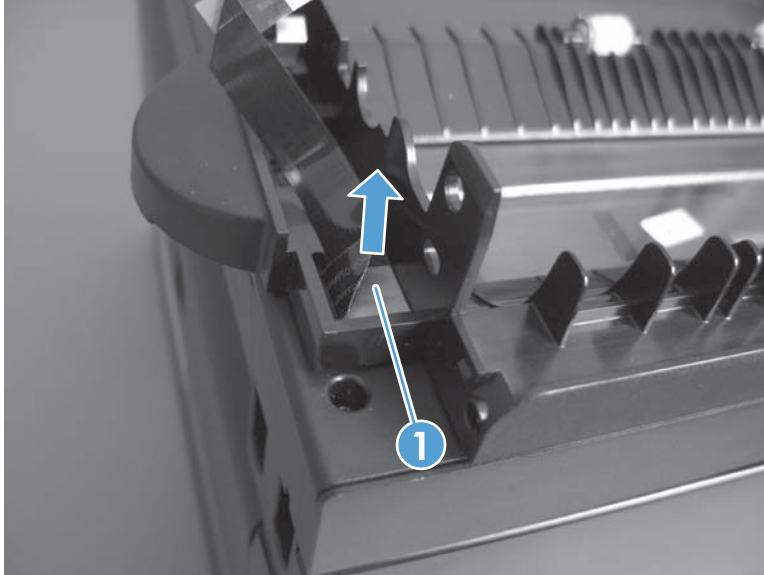
 **NOTE:** The remaining step in this procedure is shown with the document feeder cover removed for clarity. It is *not* necessary to remove the document feeder cover to remove the document feeder base assembly.

3. Pry up the white adhesive FFC protector on the document feeder base (callout 1) using a small, flat-blade screwdriver, and then unplug the FFC.

CAUTION: Failure to pry up and release the white FFC protector may result in damage to the FFC when unplugging the FFC.

Reinstallation tip Use two-sided tape to replace the FFC protector during reassembly.

Figure 1-107 Remove the document feeder base assembly (2 of 4)



4. Pull forward on the center tab on one of the hinge locks to release the lock (callout 1), and then pull the lock straight down to remove it (callout 2). Repeat the procedure for the other hinge lock.


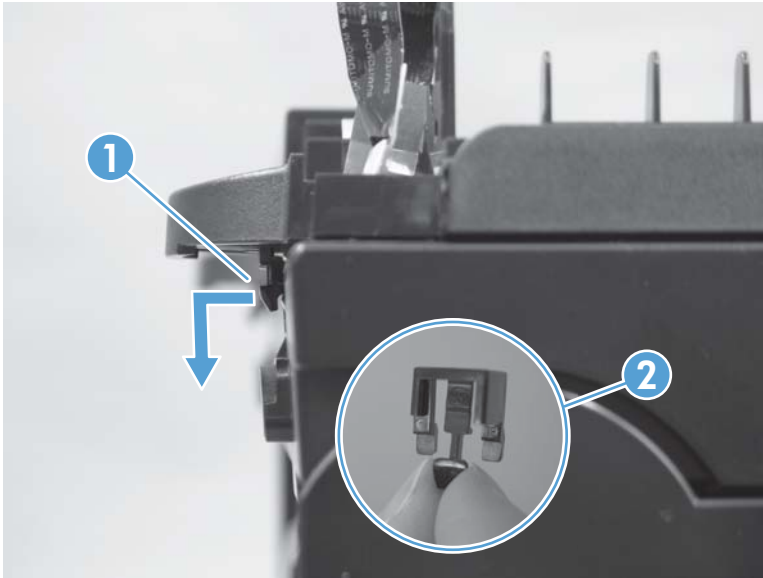
 **TIP:** The hinge locks can be difficult to remove. If necessary, use a small, flat-blade screwdriver to gently pry the two side tabs in order to release the hinge lock from the groove in the document feeder hinge.

Figure 1-108 Remove the document feeder base assembly (3 of 4)



5. Open the document feeder base, and then carefully remove it from the scanner assembly.


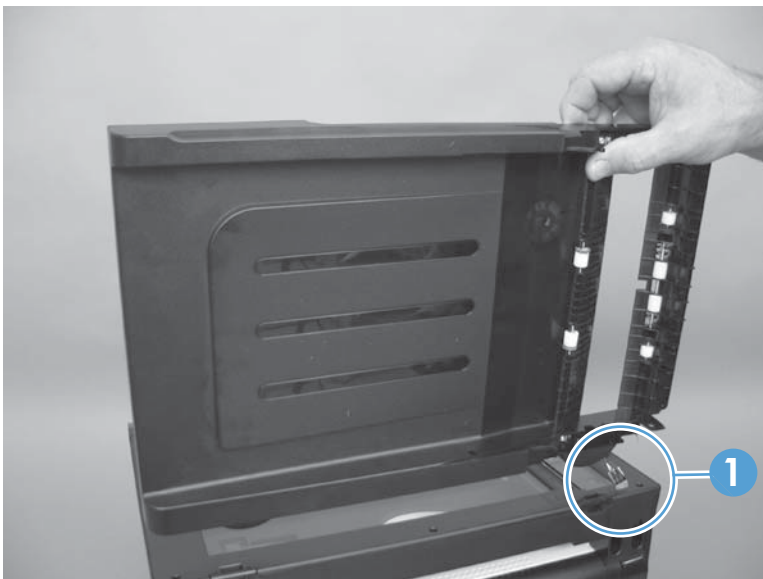
 **CAUTION:** Do not damage the FFC (callout 1) that runs through the document feeder base. Carefully feed the FFC through the slot during removal and during replacement.

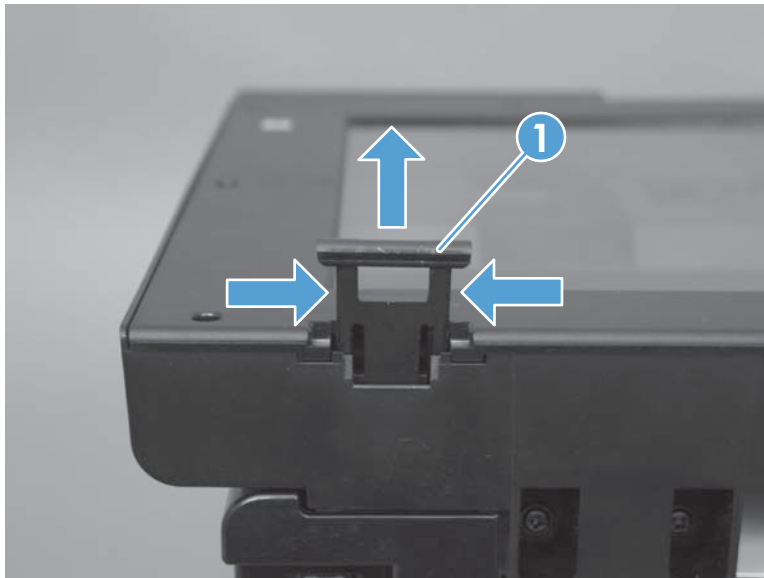
Figure 1-109 Remove the document feeder base assembly (4 of 4)



Document feeder floating hinges

1. Remove the following components:
 - Document feeder base assembly. See [Document feeder base assembly on page 78](#).
2. Release two tabs on each hinge (callout 1), and then remove each hinge (callout 2).

Figure 1-110 Remove the document feeder floating hinges



2 Parts and diagrams

- [Order parts by authorized service providers](#)
- [How to use the parts lists and diagrams](#)
- [Assembly locations](#)
- [Covers, panels, and doors](#)
- [Internal assemblies](#)
- [Scanner and document feeder \(ADF\) main assemblies](#)
- [Document feeder internal components](#)
- [Alphabetical parts list](#)
- [Numerical parts list](#)

Order parts by authorized service providers

Order replacement parts

Table 2-1 Order parts, accessories, and supplies

Order supplies and paper	www.hp.com/go/suresupply
Order genuine HP parts or accessories	www.hp.com/buy/parts
Order through service or support providers	Contact an HP-authorized service or support provider

Related documentation and software

Table 2-2 Related documentation and software

Item	Description	Part number
<i>HP LaserJet Pro 200 Color MFP Series User Guide</i>	Product user guide	CF144-90936
<i>HP LaserJet Pro 200 Color MFP Series Service Manual</i> (this manual)	English service manual (this manual)	CF144-90934

Supplies part numbers

Table 2-3 Supplies part numbers

Item	Description	Part number
HP LaserJet toner cartridges	Black	CF210-67901
	Cyan	CF211-67901
	Yellow	CF212-67901
	Magenta	CF213-67901

Service parts


 **NOTE:** The parts in the following table are not shown in the assembly illustrations in this chapter.

Table 2-4 Service parts

Item	Description	Part number
HP jewel	HP logo	7121-8496

Customer self repair parts

Table 2-5 Customer replaceable units (CRU) kit part numbers

Item	Description	Part number
Tray	Instructions, install paper tray (tray)	RM1-8772-000

Whole-unit replacement part numbers




 **NOTE:** Whole-unit replacement products include the formatter PCA.

Table 2-6 Whole-unit replacement part numbers

Item	Description	Part number
HP LaserJet Pro 200 color M276n MFP	110 V	<ul style="list-style-type: none"> CF144-67001 (North American Region, and Taiwan); New CF144-67006 (Brasil); New
	220 V	<ul style="list-style-type: none"> CF144-69001 (Europe, Middle East, and Africa); Exchange CF144-67003 (China, and Malaysia); New CF144-67004 (Asian Pacific, and Latin America Region); New CF144-67005 (Chile, and Argentina); New
	110 V	<ul style="list-style-type: none"> CF145-67001 (North American Region, and Taiwan); New CF145-67006 (Brasil); New
	220 V	<ul style="list-style-type: none"> CF145-69002 (Europe, Middle East, and Africa); Exchange CF145-67003 (China, and Malaysia); New CF145-67004 (Asian Pacific, and Latin American Region); New CF145-67005 (Chile, and Argentina); New

How to use the parts lists and diagrams

 **CAUTION:** Be sure to order the correct part. When looking for part numbers for electrical components, pay careful attention to the voltage that is listed. Doing so will ensure that the part number selected is for the correct model.

 **NOTE:** In this manual, the abbreviation “PCA” stands for “printed circuit-board assembly.” Components described as a PCA might consist of a single circuit board or a circuit board plus other parts, such as cables and sensors.

The figures in this chapter show the major subassemblies in the product and their component parts. A parts list table follows each exploded view assembly diagram. Each table lists the item number, the associated part number, and the description of each part. If a part is not listed in the table, then it is not a field replacement unit (FRU).

Assembly locations

Base product

Figure 2-1 Base product

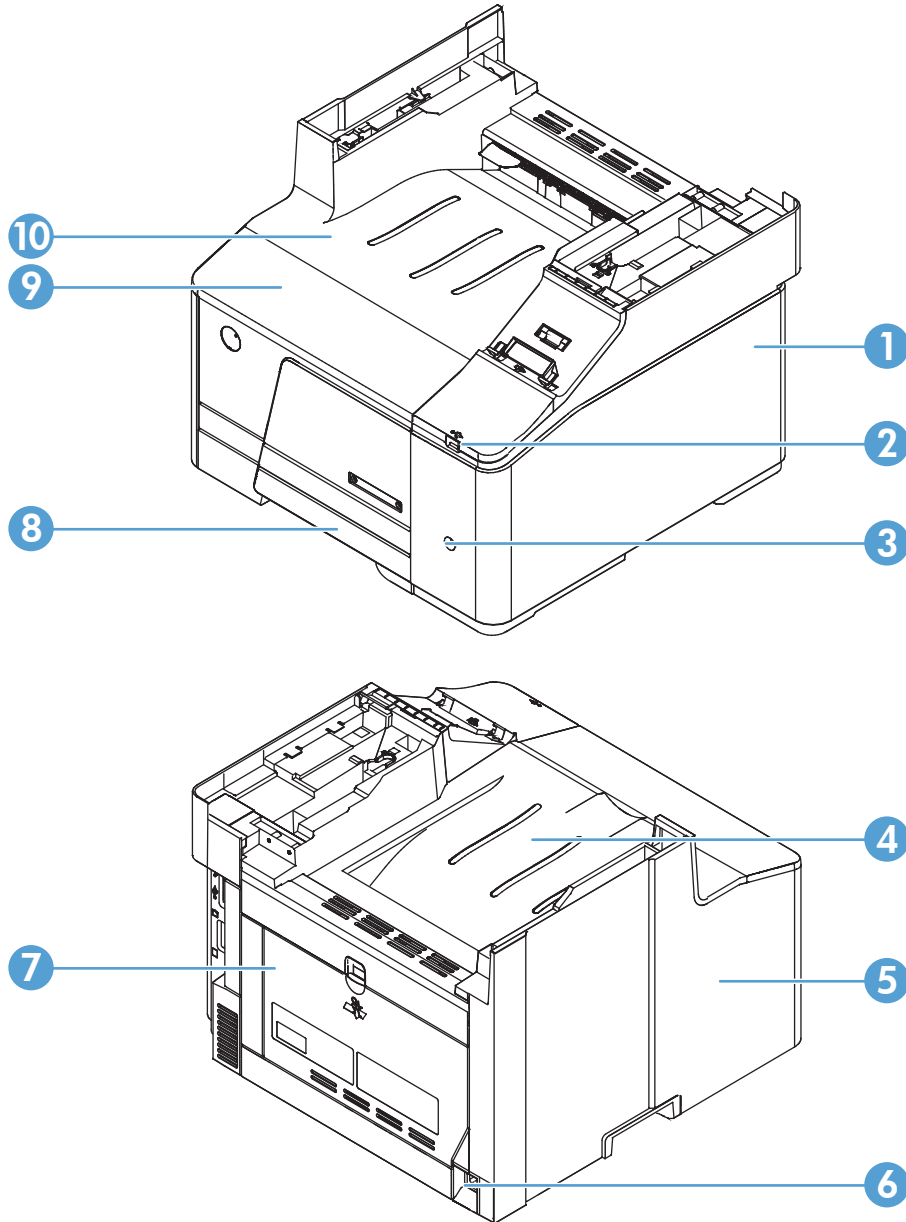


Table 2-7 Assembly locations

Item	Description	Item	Description
1	Right cover	6	Power inlet
2	Right-upper cover	7	Rear door
3	Power button	8	Front cover

Table 2-7 Assembly locations (continued)

Item	Description	Item	Description
4	Output bin	9	Front door
5	Left cover	10	Upper cover

Covers, panels, and doors

Figure 2-2 Covers, panels, and doors

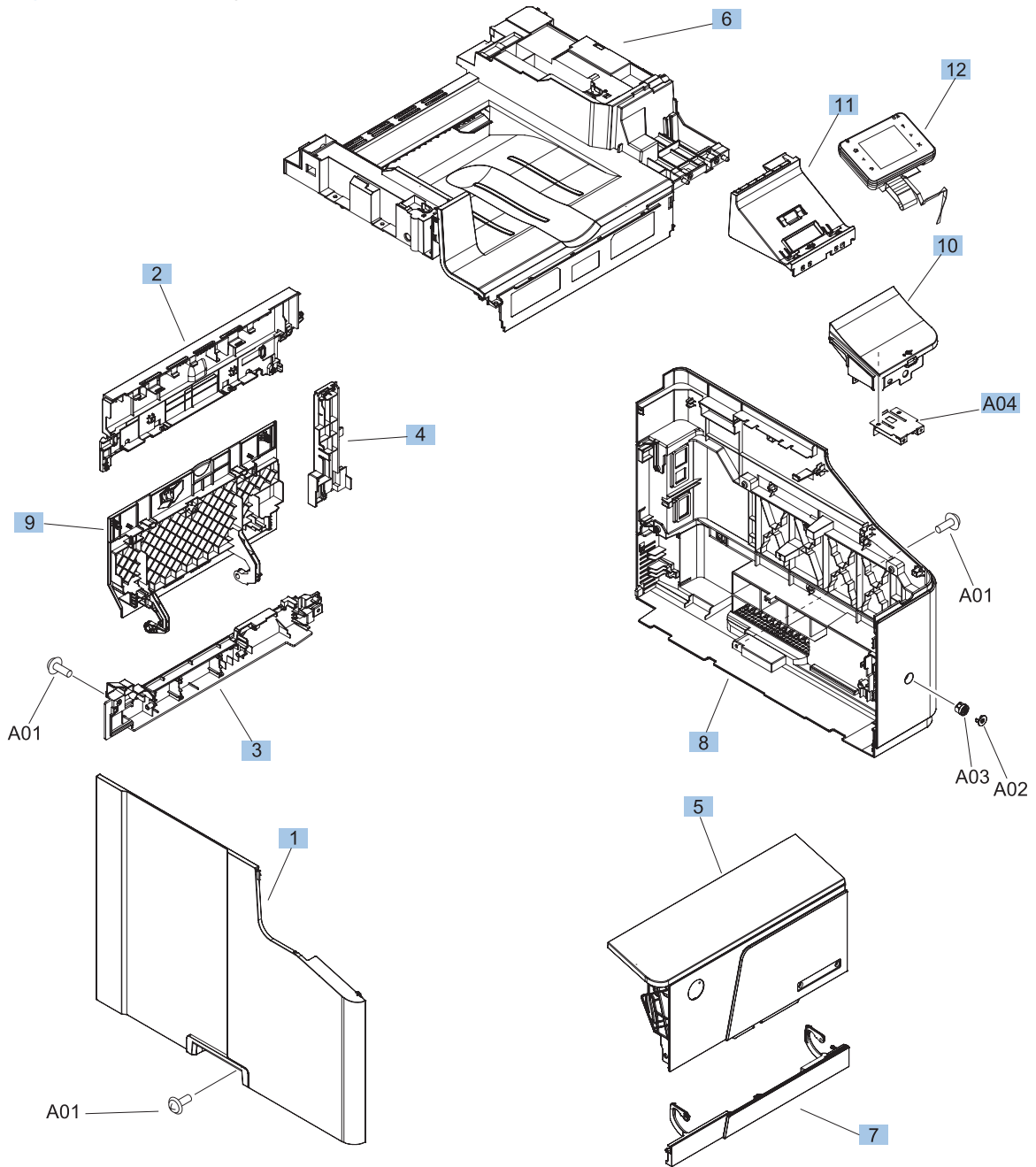


Table 2-8 Covers, panels, and doors

Ref	Description	Part number	Qty
1	Cover, left	RC3-2793-000	1
2	Cover, rear upper	RC3-2795-000	1
3	Cover, rear lower	RC3-2658-000	1
4	Cover, rear right	RC3-2657-000	1
5	Door, front	RM1-8795-000	1
6	Cover, upper assembly	RM1-8796-000	1
7	Cover, front	RM1-8769-000	1
8	Cover, right	RM1-8797-00	1
9	Door, rear	RC3-2659-000	1
10	Cover, right-upper	RC3-2788-000	1
11	Cover, upper-right	RC3-2800-000	1
12	Control-panel assembly	CF145-60101	
A04	USB PCA	CF368-60001	1
A02, A03	Power switch	RM1-8711-000	1

Internal assemblies

Figure 2-3 Internal components (1 of 4)

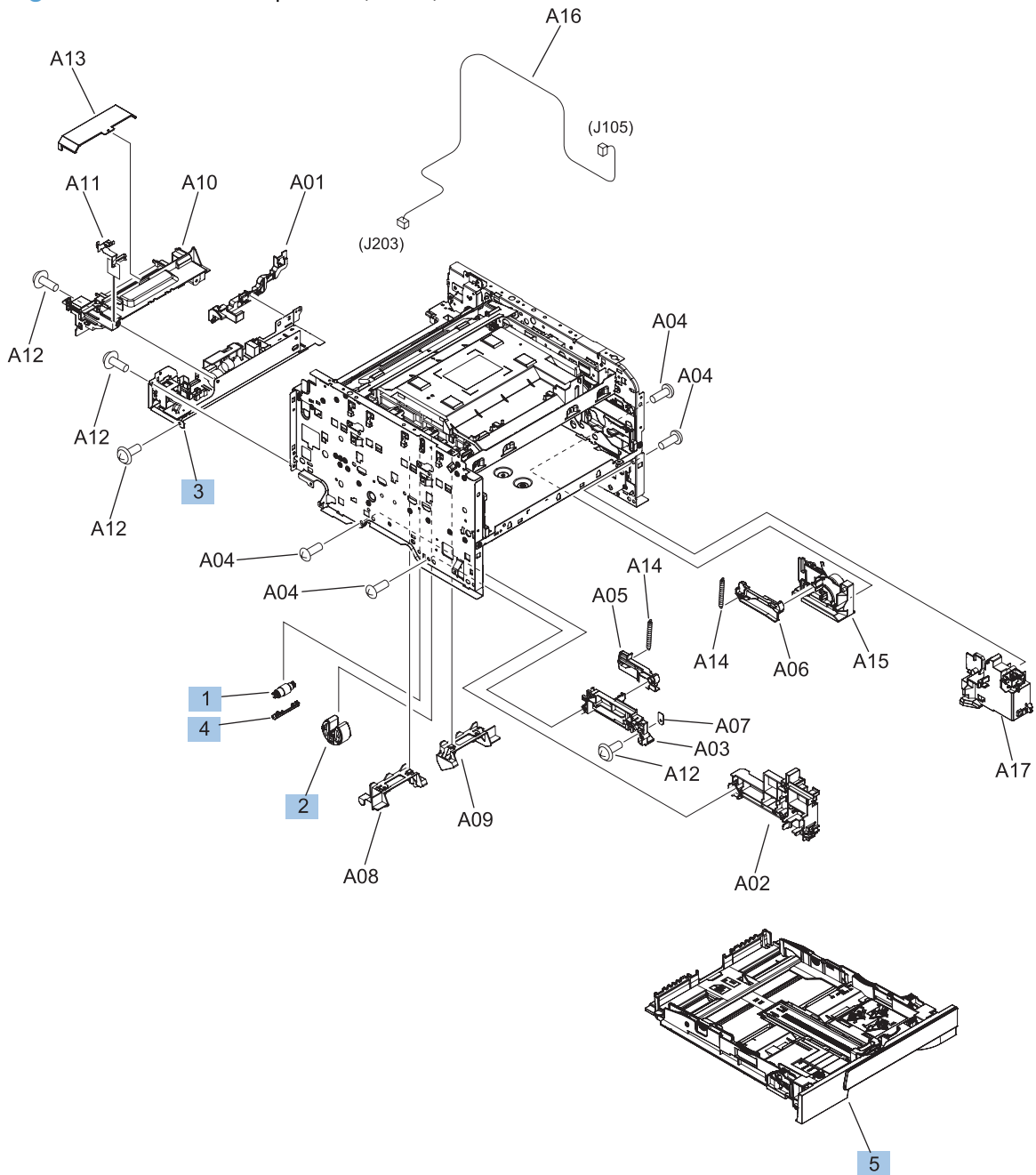


Table 2-9 Internal components (1 of 4)

Ref	Description	Part number	Qty
1	Roller, separation assembly	RM1-8765-000	1
2	Roller, pickup assembly	RM1-8047-000	1
3	Fuser power supply assembly (220V-240V)	RM1-8710-000	1
3	Fuser power supply assembly (110V-127V)	RM1-8709-000	1
4	Cover, holder	RC2-2014-000	1
5	Tray assembly	RM1-8772-000	1

Figure 2-4 Internal components (2 of 4)

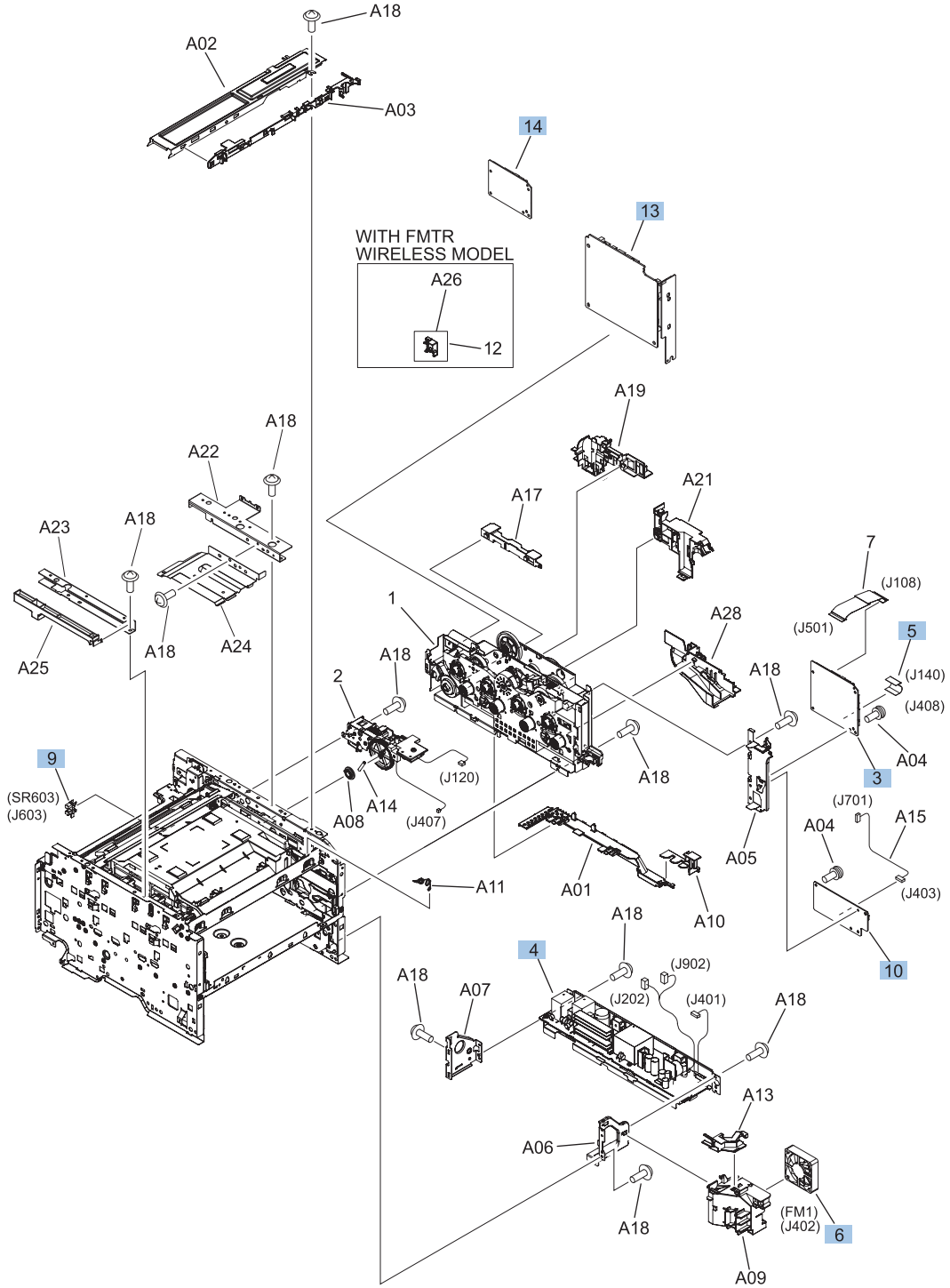


Table 2-10 Internal components (2 of 4)

Ref	Description	Part number	Qty
1	Main drive assembly	RM1-9328-000	1
2	Sub drive assembly	RM1-8785-000	1
3	DC controller PCA	RM1-8704-000	1
4	Low voltage power supply assembly (110V-127V)	RM1-9012-000	1
4	Low voltage power supply assembly (220V-240V)	RM1-9014-000	1
5	Cable, flexible flat (base, network model)	RK2-4540-000	1
6	Fan	RK2-4255-000	1
10	PCA, driver assembly	RM1-8706-000	1
11	Cable, flexible flat (network model)	RK2-4546-000	1
13	Formatter PCA	CF224-60001	1
13	Fax PCA (U.S.)	CF206-60001	1
13	Fax PCA (Europe)	CF207-60001	1
13	Fax PCA (Brazil)	CF208-60001	1
14	Wireless PCA	1150-7940	1

Figure 2-5 Internal components (3 of 4)

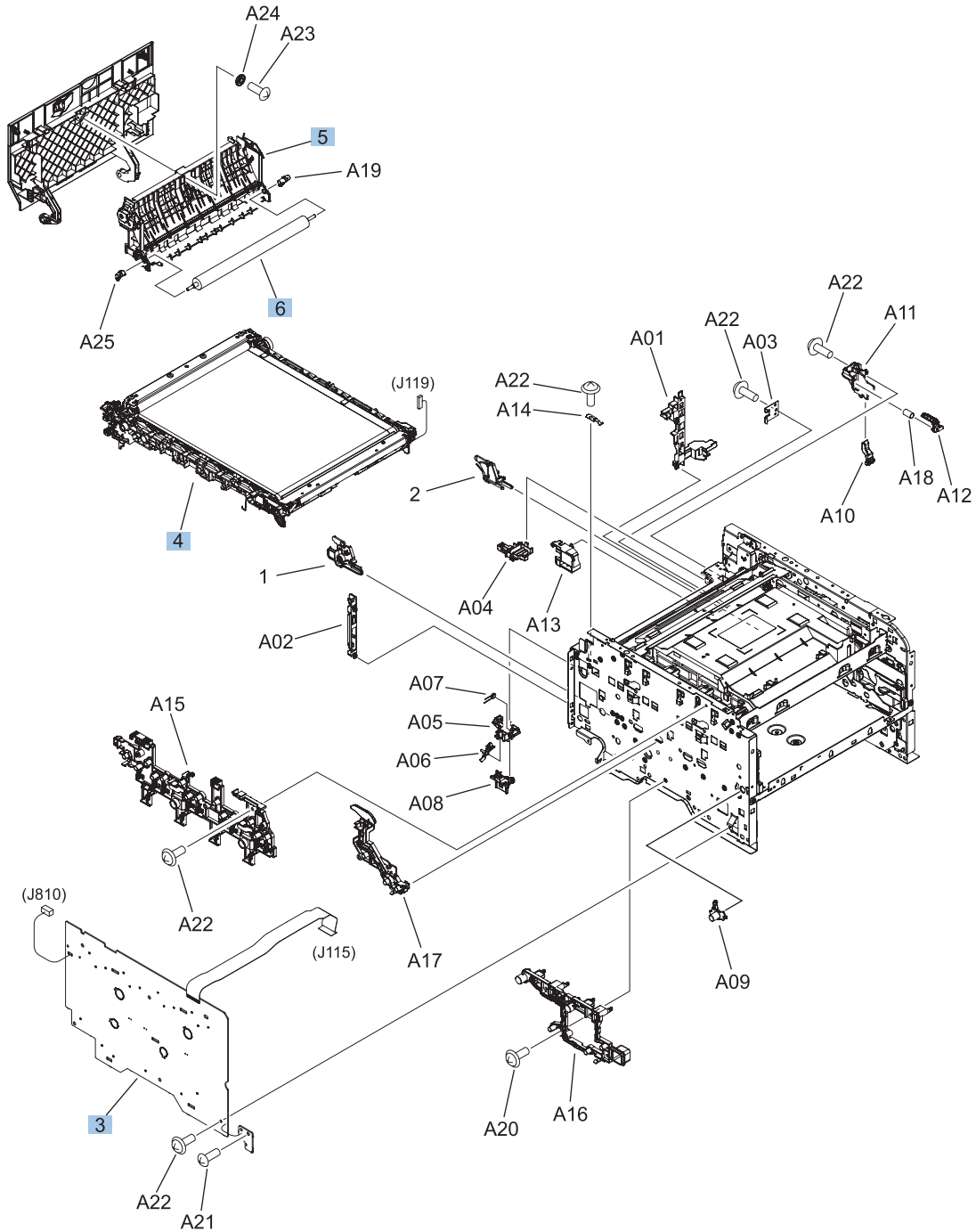


Table 2-11 Internal components (3 of 4)

Ref	Description	Part number	Qty
1	ITB lock lever assembly, left	RM1-4482-000	1
2	ITB lock lever assembly, right	RM1-4483-000	1
3	High voltage PCA	RM1-8705-000	1
4	Intermediate transfer belt assembly (ITB)	RM1-8777-000	1
5	Paper feed guide assembly	RM1-8779-000	1
6	Roller, transfer	RM1-4445-000	1

Figure 2-6 Internal components (4 of 4)

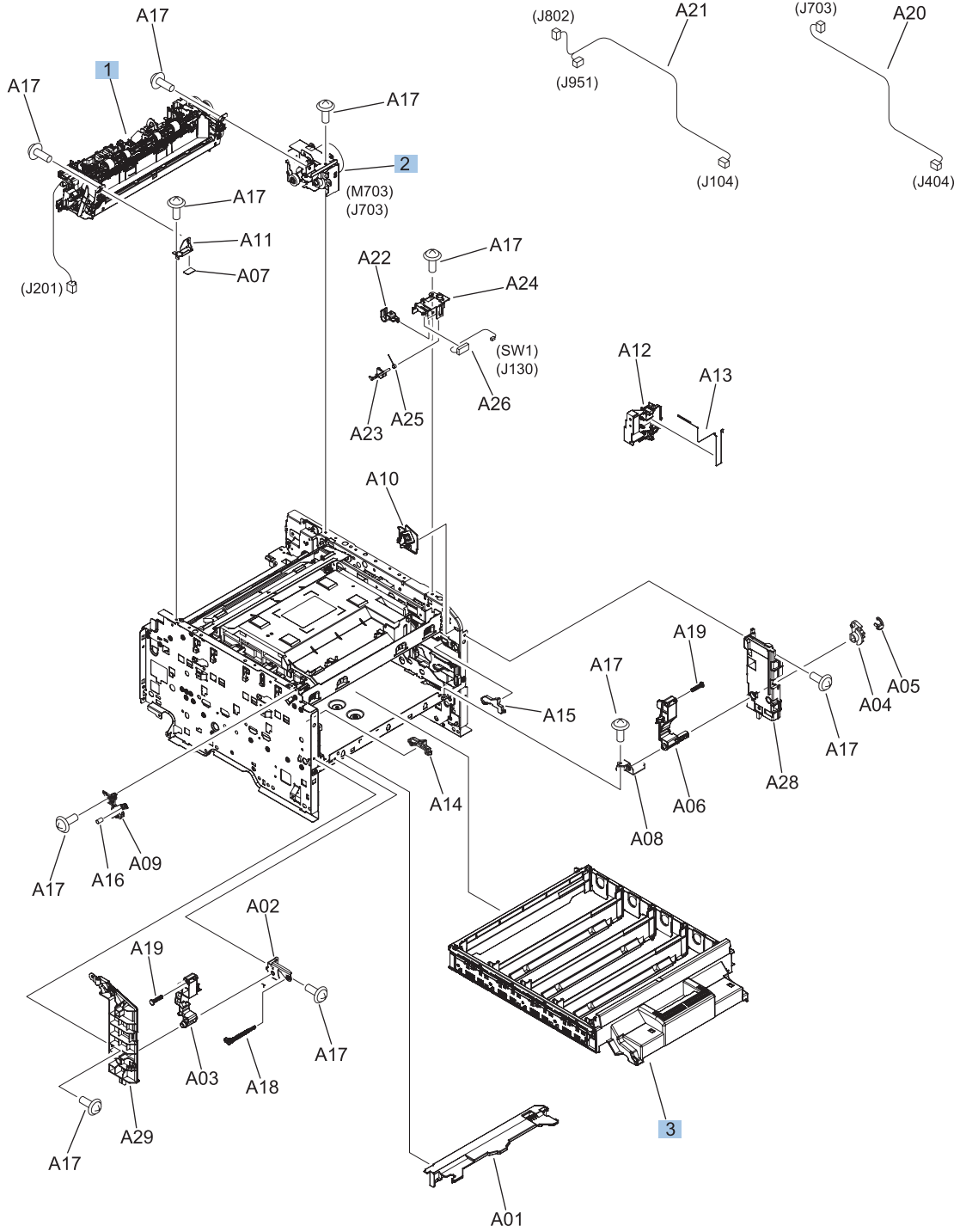


Table 2-12 Internal components (4 of 4)

Ref	Description	Part number	Qty
1	Fuser assembly (110V-127V)	RM1-8780-000	1
1	Fuser assembly (220V-240V)	RM1-8781-000	1
2	Fuser drive assembly	RM1-8784-000	1
3	Cartridge tray assembly	RM1-8774-000	1

Scanner and document feeder (ADF) main assemblies

Figure 2-7 Scanner and document feeder main assemblies

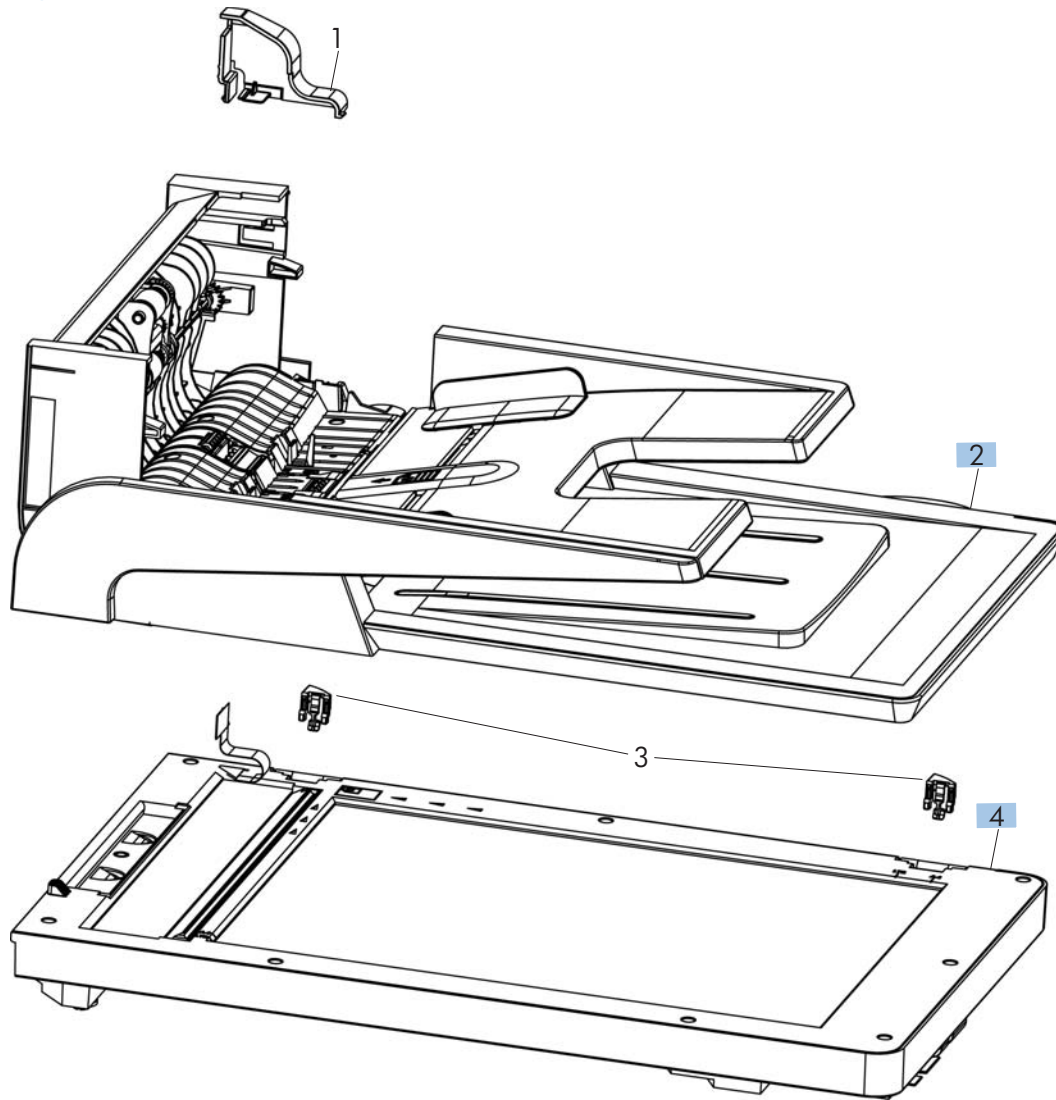


Table 2-13 Scanner and document feeder main assemblies

Ref	Description	Part number	Qty
1	Document feeder (ADF) motor cover	CE538-40044	1
2	Document feeder (ADF) assembly	CF144-60128	1
2	Document feeder (ADF) assembly	CF144-60138	1
4	Scanner assembly, base	CF144-60132	1
4	Scanner assembly	CF144-60130	1

Document feeder internal components

Figure 2-8 Document feeder assembly parts

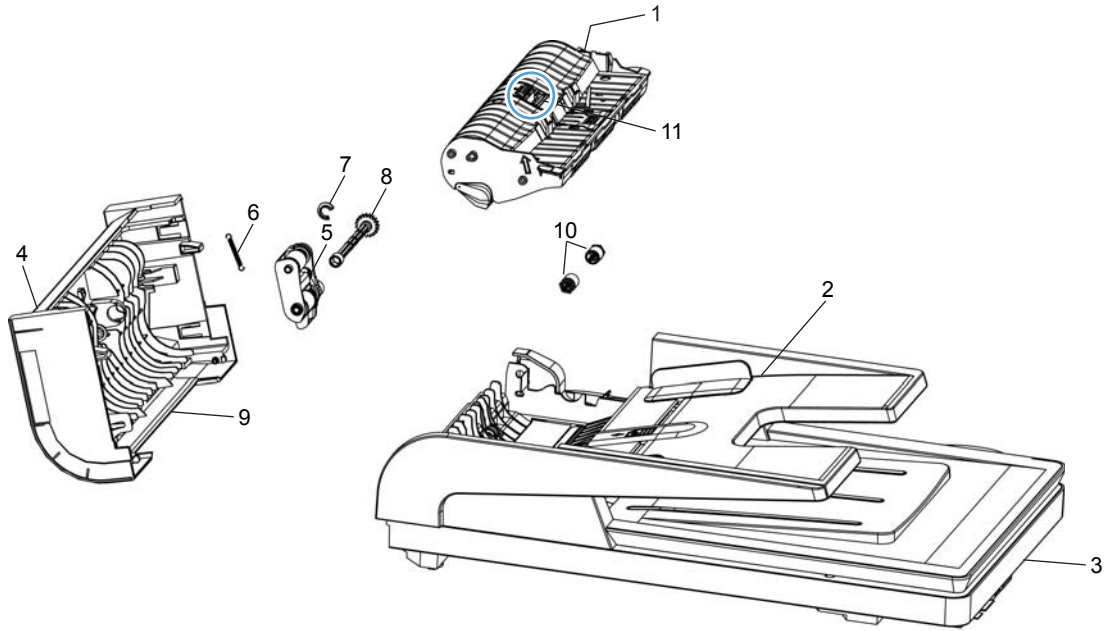


Table 2-14 Document feeder assembly parts

Ref	Description	Part number	Qty
1	Document feeder (ADF) core assembly	NA	1
2	Document feeder (ADF) input tray	NA	1
3	Document feeder (ADF) base	NA	1
4	Document feeder (ADF) cover, outer	NA	1
5	Document feeder (ADF) pick arm assembly	NA	1
6	Spring, document feeder (ADF) extension (pre-pick)	NA	1
8	Shaft, document feeder (ADF) pick extension	NA	1
9	Document feeder (ADF) cover, inner	NA	1
10	Roller assembly, document feeder (ADF) post-scan pinch	NA	2
11	Document feeder (ADF) separation pad assembly	NA	1

Alphabetical parts list

Table 2-15 Alphabetical parts list

Description	Part number	Table and page
Cable, flexible flat (base, network model)	RK2-4540-000	Internal components (2 of 4) on page 95
Cable, flexible flat (network model)	RK2-4546-000	Internal components (2 of 4) on page 95
Cartridge tray assembly	RM1-8774-000	Internal components (4 of 4) on page 99
Control-panel assembly	CF145-60101	Covers, panels, and doors on page 91
Cover, front	RM1-8769-000	Covers, panels, and doors on page 91
Cover, holder	RC2-2014-000	Internal components (1 of 4) on page 93
Cover, left	RC3-2793-000	Covers, panels, and doors on page 91
Cover, rear lower	RC3-2658-000	Covers, panels, and doors on page 91
Cover, rear right	RC3-2657-000	Covers, panels, and doors on page 91
Cover, rear upper	RC3-2795-000	Covers, panels, and doors on page 91
Cover, right	RM1-8797-00	Covers, panels, and doors on page 91
Cover, right-upper	RC3-2788-000	Covers, panels, and doors on page 91
Cover, upper assembly	RM1-8796-000	Covers, panels, and doors on page 91
Cover, upper-right	RC3-2800-000	Covers, panels, and doors on page 91
DC controller PCA	RM1-8704-000	Internal components (2 of 4) on page 95
Document feeder (ADF) assembly	CF144-60128	Scanner and document feeder main assemblies on page 101
Document feeder (ADF) assembly	CF144-60138	Scanner and document feeder main assemblies on page 101
Document feeder (ADF) base	NA	Document feeder assembly parts on page 103
Document feeder (ADF) core assembly	NA	Document feeder assembly parts on page 103

Table 2-15 Alphabetical parts list (continued)

Description	Part number	Table and page
Document feeder (ADF) cover, inner	NA	Document feeder assembly parts on page 103
Document feeder (ADF) cover, outer	NA	Document feeder assembly parts on page 103
Document feeder (ADF) input tray	NA	Document feeder assembly parts on page 103
Document feeder (ADF) motor cover	CE538-40044	Scanner and document feeder main assemblies on page 101
Document feeder (ADF) pick arm assembly	NA	Document feeder assembly parts on page 103
Document feeder (ADF) separation pad assembly	NA	Document feeder assembly parts on page 103
Door, front	RM1-8795-000	Covers, panels, and doors on page 91
Door, rear	RC3-2659-000	Covers, panels, and doors on page 91
Fan	RK2-4255-000	Internal components (2 of 4) on page 95
Fax PCA (Brazil)	CF208-60001	Internal components (2 of 4) on page 95
Fax PCA (Europe)	CF207-60001	Internal components (2 of 4) on page 95
Fax PCA (U.S.)	CF206-60001	Internal components (2 of 4) on page 95
Formatter PCA	CF224-60001	Internal components (2 of 4) on page 95
Fuser assembly (110V-127V)	RM1-8780-000	Internal components (4 of 4) on page 99
Fuser assembly (220V-240V)	RM1-8781-000	Internal components (4 of 4) on page 99
Fuser drive assembly	RM1-8784-000	Internal components (4 of 4) on page 99
Fuser power supply assembly (110V-127V)	RM1-8709-000	Internal components (1 of 4) on page 93
Fuser power supply assembly (220V-240V)	RM1-8710-000	Internal components (1 of 4) on page 93
High voltage PCA	RM1-8705-000	Internal components (3 of 4) on page 97
Intermediate transfer belt assembly (ITB)	RM1-8777-000	Internal components (3 of 4) on page 97

Table 2-15 Alphabetical parts list (continued)

Description	Part number	Table and page
ITB lock lever assembly, left	RM1-4482-000	Internal components (3 of 4) on page 97
ITB lock lever assembly, right	RM1-4483-000	Internal components (3 of 4) on page 97
Low voltage power supply assembly (110V-127V)	RM1-9012-000	Internal components (2 of 4) on page 95
Low voltage power supply assembly (220V-240V)	RM1-9014-000	Internal components (2 of 4) on page 95
Main drive assembly	RM1-9328-000	Internal components (2 of 4) on page 95
Paper feed guide assembly	RM1-8779-000	Internal components (3 of 4) on page 97
PCA, driver assembly	RM1-8706-000	Internal components (2 of 4) on page 95
Power switch	RM1-8711-000	Covers, panels, and doors on page 91
Roller assembly, document feeder (ADF) post-scan pinch	NA	Document feeder assembly parts on page 103
Roller, pickup assembly	RM1-8047-000	Internal components (1 of 4) on page 93
Roller, separation assembly	RM1-8765-000	Internal components (1 of 4) on page 93
Roller, transfer	RM1-4445-000	Internal components (3 of 4) on page 97
Scanner assembly	CF144-60130	Scanner and document feeder main assemblies on page 101
Scanner assembly, base	CF144-60132	Scanner and document feeder main assemblies on page 101
Shaft, document feeder (ADF) pick extension	NA	Document feeder assembly parts on page 103
Spring, document feeder (ADF) extension (pre-pick)	NA	Document feeder assembly parts on page 103
Sub drive assembly	RM1-8785-000	Internal components (2 of 4) on page 95
Tray assembly	RM1-8772-000	Internal components (1 of 4) on page 93
USB PCA	CF368-60001	Covers, panels, and doors on page 91
Wireless PCA	1150-7940	Internal components (2 of 4) on page 95

Numerical parts list

Table 2-16 Numerical parts list

Part number	Description	Table and page
1150-7940	Wireless PCA	Internal components (2 of 4) on page 95
CE538-40044	Document feeder (ADF) motor cover	Scanner and document feeder main assemblies on page 101
CF144-60128	Document feeder (ADF) assembly	Scanner and document feeder main assemblies on page 101
CF144-60130	Scanner assembly	Scanner and document feeder main assemblies on page 101
CF144-60132	Scanner assembly, base	Scanner and document feeder main assemblies on page 101
CF144-60138	Document feeder (ADF) assembly	Scanner and document feeder main assemblies on page 101
CF145-60101	Control-panel assembly	Covers, panels, and doors on page 91
CF206-60001	Fax PCA (U.S.)	Internal components (2 of 4) on page 95
CF207-60001	Fax PCA (Europe)	Internal components (2 of 4) on page 95
CF208-60001	Fax PCA (Brazil)	Internal components (2 of 4) on page 95
CF224-60001	Formatter PCA	Internal components (2 of 4) on page 95
CF368-60001	USB PCA	Covers, panels, and doors on page 91
NA	Document feeder (ADF) core assembly	Document feeder assembly parts on page 103
NA	Document feeder (ADF) input tray	Document feeder assembly parts on page 103
NA	Document feeder (ADF) base	Document feeder assembly parts on page 103
NA	Document feeder (ADF) cover, outer	Document feeder assembly parts on page 103
NA	Document feeder (ADF) pick arm assembly	Document feeder assembly parts on page 103
NA	Spring, document feeder (ADF) extension (pre-pick)	Document feeder assembly parts on page 103
NA	Shaft, document feeder (ADF) pick extension	Document feeder assembly parts on page 103

Table 2-16 Numerical parts list (continued)

Part number	Description	Table and page
NA	Document feeder (ADF) cover, inner	Document feeder assembly parts on page 103
NA	Roller assembly, document feeder (ADF) post-scan pinch	Document feeder assembly parts on page 103
NA	Document feeder (ADF) separation pad assembly	Document feeder assembly parts on page 103
RC2-2014-000	Cover, holder	Internal components (1 of 4) on page 93
RC3-2657-000	Cover, rear right	Covers, panels, and doors on page 91
RC3-2658-000	Cover, rear lower	Covers, panels, and doors on page 91
RC3-2659-000	Door, rear	Covers, panels, and doors on page 91
RC3-2788-000	Cover, right-upper	Covers, panels, and doors on page 91
RC3-2793-000	Cover, left	Covers, panels, and doors on page 91
RC3-2795-000	Cover, rear upper	Covers, panels, and doors on page 91
RC3-2800-000	Cover, upper-right	Covers, panels, and doors on page 91
RK2-4255-000	Fan	Internal components (2 of 4) on page 95
RK2-4540-000	Cable, flexible flat (base, network model)	Internal components (2 of 4) on page 95
RK2-4546-000	Cable, flexible flat (network model)	Internal components (2 of 4) on page 95
RM1-4445-000	Roller, transfer	Internal components (3 of 4) on page 97
RM1-4482-000	ITB lock lever assembly, left	Internal components (3 of 4) on page 97
RM1-4483-000	ITB lock lever assembly, right	Internal components (3 of 4) on page 97
RM1-8047-000	Roller, pickup assembly	Internal components (1 of 4) on page 93
RM1-8704-000	DC controller PCA	Internal components (2 of 4) on page 95
RM1-8705-000	High voltage PCA	Internal components (3 of 4) on page 97

Table 2-16 Numerical parts list (continued)

Part number	Description	Table and page
RM1-8706-000	PCA, driver assembly	Internal components (2 of 4) on page 95
RM1-8709-000	Fuser power supply assembly (110V-127V)	Internal components (1 of 4) on page 93
RM1-8710-000	Fuser power supply assembly (220V-240V)	Internal components (1 of 4) on page 93
RM1-8711-000	Power switch	Covers, panels, and doors on page 91
RM1-8765-000	Roller, separation assembly	Internal components (1 of 4) on page 93
RM1-8769-000	Cover, front	Covers, panels, and doors on page 91
RM1-8772-000	Tray assembly	Internal components (1 of 4) on page 93
RM1-8774-000	Cartridge tray assembly	Internal components (4 of 4) on page 99
RM1-8777-000	Intermediate transfer belt assembly (ITB)	Internal components (3 of 4) on page 97
RM1-8779-000	Paper feed guide assembly	Internal components (3 of 4) on page 97
RM1-8780-000	Fuser assembly (110V-127V)	Internal components (4 of 4) on page 99
RM1-8781-000	Fuser assembly (220V-240V)	Internal components (4 of 4) on page 99
RM1-8784-000	Fuser drive assembly	Internal components (4 of 4) on page 99
RM1-8785-000	Sub drive assembly	Internal components (2 of 4) on page 95
RM1-8795-000	Door, front	Covers, panels, and doors on page 91
RM1-8796-000	Cover, upper assembly	Covers, panels, and doors on page 91
RM1-8797-00	Cover, right	Covers, panels, and doors on page 91
RM1-9012-000	Low voltage power supply assembly (110V-127V)	Internal components (2 of 4) on page 95
RM1-9014-000	Low voltage power supply assembly (220V-240V)	Internal components (2 of 4) on page 95
RM1-9328-000	Main drive assembly	Internal components (2 of 4) on page 95

Index

A

- accessories
 - ordering 84
- after-service checklist 6

C

- cartridge
 - ordering 84
 - part number 84
- cautions iii
- checklists
 - after-service 6
 - preservice 5
- control panel
 - removing the control panel 29
 - removing the USB cover 33
- conventions, document iii
- copy-quality test 6
- covers
 - left, removing 20
 - locations 90
 - parts list 90
 - rear door and rear-lower cover, removing 25
 - rear side, removing 22
 - rear-upper, removing 25
 - right, removing 17
 - top, removing 31

D

- DC controller PCA, removing 45
- diagrams
 - covers, panels, and doors 90
 - internal assemblies 92
- document conventions iii
- doors
 - front cover, removing 36
 - front, removing 36

- parts list 90
- rear door and rear-lower cover, removing 25
- drawer
 - toner-cartridge, removing 15

E

- electrostatic discharge (ESD) 2
- ESD (electrostatic discharge) 2

F

- fax troubleshooting
 - fax-quality test 7
- fax-quality test 6, 7
- formatter and fax card PCAs, removing 48
- Front cover, removing 36
- front door, removing 36
- fuser, removing 64

I

- internal assembly
 - locations 92
 - parts list 92
- ITB
 - replacing 52

L

- left cover, removing 20

M

- main motor
 - replacing 51

N

- notes iii

O

- ordering
 - product documents 84
 - supplies and accessories 84
 - toner cartridge 84
 - whole-unit replacement 85

P

- panels
 - parts list 90
- paper guide assembly, removing 39
- part number
 - toner cartridge 84
 - whole-unit replacement 85
- parts
 - cover locations 90
 - door locations 90
 - internal assembly locations 92
 - panel locations 90
 - screws 4
- pick roller, removing 9
- pliers, required 3
- post-service tests 6
- power supply (fuser)
 - removing 61
- power supply (high-voltage), removing 56
- Power supply (low-voltage), removing 59
- preservice checklist 5
- print-quality test 6

R

- rear door and rear-lower cover, removing 25
- rear-side cover, removing 22
- rear-upper cover, removing 25

- removing parts
 - cautions for 2
 - checklists 5
 - control panel 29, 33
 - DC controller PCA 45
 - formatter and fax card PCAs 48
 - front doors 36
 - fuser 64
 - left cover 20
 - order of 8
 - paper guide assembly 39
 - pick roller 9
 - power supply (fuser) 61
 - power supply (high-voltage) 56
 - power supply (low-voltage) 59
 - rear door and rear-lower cover 25
 - rear-side cover 22
 - rear-upper cover 25
 - right cover 17
 - separation roller 11
 - Toner-cartridge drawer 15
 - tools, required 3
 - upper cover 31
- replacing
 - ITB 52
 - main motor 51
 - parts 2
- right cover, removing 17
- rollers
 - transfer 13
- rollers, pickup and separation; removing 9

S

- scanner
 - assembly, removing 23
- screwdrivers, required 3
- screws
 - replacing 2
- separation rollers
 - removing 11
- service
 - tools, required 3
- static precautions 2
- supplies
 - ordering 84

T

- tests
 - copy-quality 6
 - fax-quality 6, 7
 - post-service 6
 - print-quality 6
- tips iii
- toner cartridge
 - ordering 84
 - part number 84
- toner-cartridge drawer, removing 15
- tools, required 3
- transfer roller 13

U

- upper cover, removing 31

W

- warnings iii



CF144-90934

