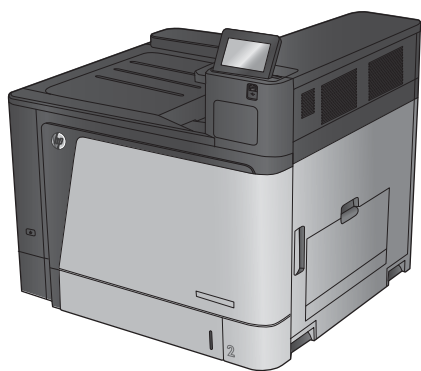


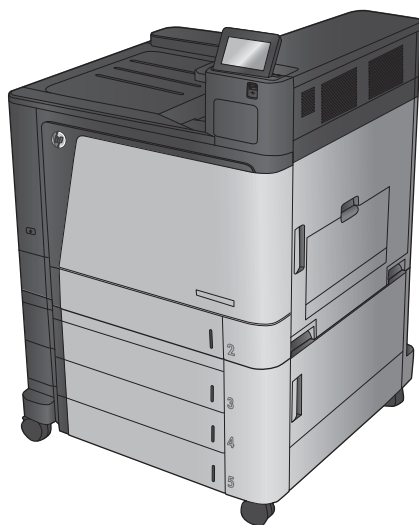


LASERJET ENTERPRISE M855 LASERJET ENTERPRISE FLOW MFP M880

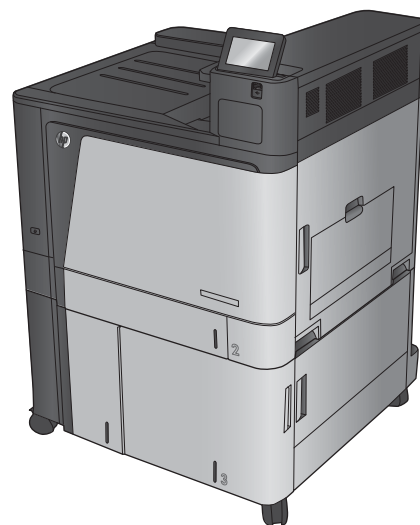
Repair Manual



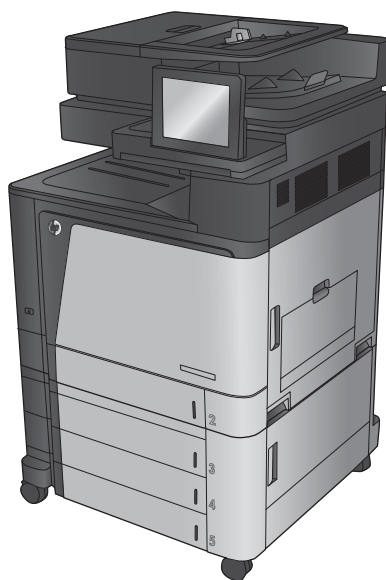
M855dn



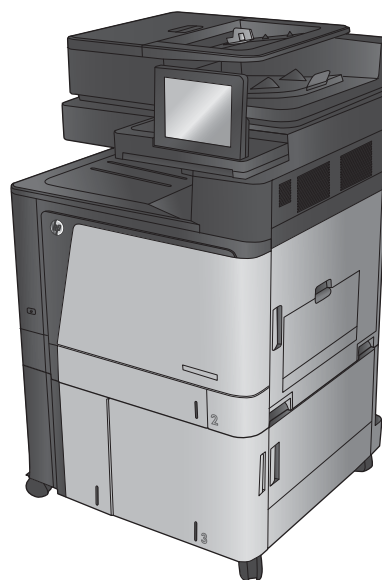
M855xh



M855x+



M880z



M880z+



HP Color LaserJet Enterprise M855 and flow MFP M880

Repair Manual

Copyright and License

© 2013 Copyright Hewlett-Packard Development Company, L.P.

Reproduction, adaptation, or translation without prior written permission is prohibited, except as allowed under the copyright laws.

The information contained herein is subject to change without notice.


The only warranties for HP products and services are set forth in the express warranty statements accompanying such products and services. Nothing herein should be construed as constituting an additional warranty. HP shall not be liable for technical or editorial errors or omissions contained herein.


Edition 3, 08/2014


Trademark Credits

Microsoft®, Windows®, Windows® XP, and Windows Vista® are U.S. registered trademarks of Microsoft Corporation.

Conventions used in this guide

 **TIP:** Helpful hints or shortcuts.

 **NOTE:** Information that explains a concept or how to complete a task.

 **IMPORTANT:** Information to help you avoid potential product error conditions.

 **CAUTION:** Procedures that you should follow to avoid losing data or damaging the product.


 **WARNING!** Alerts you to specific procedures that you must follow to avoid personal injury, catastrophic loss of data, or extensive damage to the product.

Table of contents

1 Removal and replacement	1
Removal and replacement strategy	2
Considerations during removal and replacement	2
Required tools	3
Types of screws	3
Service approach	3
Before performing service	4
After performing service	4
Parts removal order	4
Supported paper sizes and types	4
Supported paper sizes for the input trays and duplexer	5
Supported paper types for the input trays and duplexer	7
Supported paper sizes for the finishing accessories	9
Supported paper types for the finishing accessories	12
Customer-self repair assemblies	14
Toner cartridge	14
Imaging drum	15
Secondary transfer roller	16
Reinstall the secondary transfer roller	16
Tray 2, 1x500 Tray 3, 3x500 Tray 3, 3x500 Tray 4, and 3x500 Tray 5	18
Intermediate transfer belt (ITB)	19
Fuser	21
Switch back tray	22
Formatter	23
Reinstall the formatter or install a replacement formatter	24
Hard-disk drive (HDD) or solid-state memory (SSM)	25
Identify the storage device	25
Remove the HDD	26
Reinstall the HDD	27
Remove the SSM	28
Reinstall the SSM	29
Reinstall the product firmware	30

Memory DIMM	32
Remove the memory DIMM	32
Reinstall the memory DIMM	33
Fax PCA (M880)	35
Remove the fax PCA (M880)	35
Document feeder mylar strip (M880)	36
Install a replacement document feeder mylar strip (M880)	37
Document feeder white backing (M880)	39
Install a replacement document feeder white backing (M880)	40
Background selector (M880)	44
Reinstall the background selector (M880)	46
Control panel assembly (M855)	47
Reinstall the control panel assembly (M855)	52
Control panel assembly (M880)	53
Reinstall the control panel assembly (M880)	57
Keyboard assembly (M880)	59
Remove the keyboard assembly (M880)	59
Reinstall the keyboard assembly (M880)	62
Pickup, feed, and separation rollers and pads	67
Document-feeder roller (M880 only)	68
Reinstall the document-feeder roller (M880 only)	69
Document-feeder separation pad (M880 only)	70
Reinstall the document-feeder separation pad (M880 only)	71
Tray 1 rollers	75
Reinstall the Tray 1 rollers	77
Tray 2, 1x500-sheet feeder, and 3x500-sheet feeder rollers	78
Remove the Tray 2, 1x500-sheet feeder, and 3x500-sheet feeder rollers	78
Reinstall the Tray 2, 1x500-sheet feeder, and 3x500-sheet feeder rollers	79
High-capacity input (HCI) rollers	80
Remove the HCI rollers	80
Reinstall the HCI rollers	81
Covers and doors	82
Location of major components	84
Scanner back cover (M880)	88
Scanner left cover (M880)	89
Remove the scanner left cover (M880)	89
Scanner right cover (M880)	90
Remove the scanner right cover (M880)	90
Scanner front cover (M880)	91
Remove the scanner front cover (M880)	91
Right upper rear cover (M855)	96

Hardware integration pocket (HIP) cover (M855)	97
Hardware integration pocket (HIP) cover (M880)	98
Reinstall the HIP cover (M880)	100
Face-down bin	101
Reinstall the face-down bin	101
Left rear cover	104
Remove the left rear cover	104
Switch back cover	105
Lower right cover	106
Rear upper rear cover (M880)	107
Right upper rear cover (M880)	108
Rear upper MFP cover (M880)	109
Reinstall the rear upper MFP cover (M880)	109
Left upper rear cover and rear upper B cover (M880)	111
Remove the left upper rear cover and rear upper B cover (M880)	111
Rear upper front cover (M880)	113
Remove the rear upper front cover (M880)	113
Front top cover	115
Remove the front top cover	115
Rear top cover (M855)	116
Remove the rear top cover (M855)	116
Left cover	118
Remove the left cover	118
Right upper front cover (M855)	120
Remove the right upper front cover (M855)	120
Right upper front cover (M880)	122
Remove the right upper front cover (M880)	122
Right upper cover (M855)	124
Remove the right upper cover (M855)	124
Right door assembly	129
Remove the right door assembly	129
Reinstall the right door assembly	132
Left front cover	133
Remove the left front cover	133
Install a replacement left front cover	135
Front door	137
Reinstall the front door	141
Rear cover	143
Remove the rear cover	143
Install a replacement rear cover	144
Right rear cover	146

Remove the right rear cover	146
Front inner cover	147
Remove the front inner cover	147
Reinstall the front inner cover	148
Main assemblies	149
Location of major components	152
Document feeder assembly (M880)	154
Remove the document feeder assembly (M880)	154
Reinstall the document feeder assembly (M880)	159
Scanner control board (SCB) (M880)	160
Remove the SCB (M880)	160
Scanner assembly (M880)	162
Remove the scanner assembly (M880)	162
Reinstall the scanner assembly (M880)	166
Interlock switch assembly	167
Remove the interlock switch assembly	167
Front-door open detection switch	169
Remove the front-door open detection switch	169
Reinstall the front-door-open detection switch	171
Main switch assembly	173
Remove the main switch assembly	173
Secondary transfer assembly	175
Remove the secondary transfer assembly	175
Reinstall the secondary transfer assembly	181
Multipurpose tray (Tray 1) drive assembly	183
Remove the multipurpose tray (Tray 1) drive assembly	183
Multipurpose tray (Tray 1) guide assembly	190
Remove the multipurpose tray guide assembly	190
Tray 2 pickup unit	191
Remove the Tray 2 pickup assembly	191
Fuser home position sensor	192
Remove the fuser home position sensor	192
Reinstall the fuser home position sensor	193
Shutter gear holder assembly	194
Remove the shutter gear holder assembly	194
Reinstall the shutter gear holder assembly	196
Fuser-edge area cooling fan FM10 (front)	200
Remove the fuser-edge area cooling fan FM10 (front)	200
Reinstall the fuser-edge area cooling fan FM10 (front)	202
Fuser-edge area cooling fan FM9 (rear)	204
Remove the fuser-edge area cooling fan FM9 (rear)	204

Reinstall the fuser-edge area cooling fan FM9 (rear)	205
Fuser fan FM2	207
Remove the fuser fan FM2	207
Reinstall the fuser fan FM2	209
Fuser fan duct	211
Remove the fuser fan duct	211
Reinstall the fuser fan duct	212
Cartridge fan FM3 (yellow and magenta)	214
Remove the cartridge fan FM3 (yellow and magenta)	214
Reinstall the cartridge fan FM3 (yellow and magenta)	216
Cartridge fan FM4 (cyan and black)	218
Remove the cartridge fan FM4 (cyan and black)	218
Reinstall the cartridge fan FM4 (cyan and black)	220
Laser/scanner fan FM1	222
Remove the laser/scanner fan FM1	222
Reinstall the laser/scanner fan FM1	224
Delivery fan FM8	226
Cartridge front area cooling fan FM7	228
Remove the cartridge front area cooling fan FM7	228
Reinstall the cartridge front area cooling fan FM7	229
Memory tag PCA	230
Remove the memory tag PCA	230
Reinstall the memory tag PCA and sheet-metal bracket	231
Image-drum motor	233
Remove the image-drum motor	233
Fuser power supply	235
Remove the fuser power supply	235
Reinstall the fuser power supply	236
Primary transfer-roller disengagement motor	238
Remove the primary transfer-roller disengagement motor	238
Intermediate transfer belt (ITB) alienation-drive assembly	240
Remove the ITB alienation-drive assembly	240
Fuser motor	242
Remove the fuser motor	242
Intermediate transfer belt (ITB) motor	243
Remove the ITB motor	243
Toner-cartridge feed motor (black)	244
Remove the toner-cartridge feed motor (black)	244
Toner-cartridge feed motor (yellow, magenta, and cyan)	245
Remove the toner-cartridge feed motor (yellow, magenta, and cyan)	245
Environmental sensor	247

Remove the environmental sensor	247
Interconnect PCA (M855)	248
Remove the interconnect PCA (M855)	248
Reinstall the interconnect PCA (M855)	251
Interconnect PCA (M880)	252
Remove the interconnect PCA (M880)	252
Reinstall the interconnect PCA (M880)	254
Formatter case	255
Remove the formatter case	255
Reinstall the formatter case	256
Formatter, formatter case, and interconnect board (ICB)	257
Remove the formatter, formatter case, and ICB	257
Reinstall the formatter, formatter case, and ICB	259
High-voltage power supply (HVPS) B	260
Remove the HVPS B	260
Reinstall the HVPS B	261
DC controller PCA	263
Remove the DC controller PCA	263
Color-plane registration (CPR) sensor assembly	264
Remove the CPR sensor assembly	264
Reinstall the CPR sensor assembly	266
Low-voltage power supply (LVPS)	269
Remove the LVPS	269
High-voltage power supply (HVPS) A (first transfer)	272
Remove the HVPS A (first transfer)	272
Reinstall the HVPS A (first transfer)	273
Lifter-drive assembly	276
Remove the lifter-drive assembly	276
Reinstall the lifter-drive assembly	278
Toner-cartridge drive assembly (yellow and magenta)	280
Remove the toner-cartridge drive assembly (yellow and magenta)	280
Reinstall the toner-cartridge drive assembly (yellow and magenta)	281
Toner-cartridge drive assembly (cyan and black)	282
Remove the toner-cartridge drive assembly (cyan and black)	282
Reinstall the toner-cartridge drive assembly (cyan and black)	283
Cartridge interface PCA (cyan and black)	284
Remove the cartridge interface PCA (cyan and black)	285
Cartridge interface PCA (yellow and magenta)	286
Remove the cartridge interface PCA (yellow and magenta)	287
Main drive assembly	288
Remove the main drive assembly	289

Reinstall the main drive assembly	290
Replace or reinstall the toner-cartridge drive assemblies or the main drive assembly	291
Replace the toner-cartridge drive assembly or the main drive assembly	291
Reinstall the toner-cartridge drive assembly or the main drive assembly	296
Fuser drive assembly	298
Remove the fuser drive assembly	298
Reinstall the fuser drive assembly	303
Scanner cover	306
Remove the scanner cover	306
Laser/scanner assembly (yellow and magenta)	307
Remove the laser/scanner assembly (yellow and magenta)	307
Reinstall the laser/scanner assembly (yellow and magenta)	311
Laser/scanner assembly (cyan and black)	312
Remove the laser/scanner assembly (cyan and black)	312
Reinstall the laser/scanner assembly (cyan and black)	317
Duplex reverse assembly (M855)	319
Remove the duplex reverse assembly (M855)	319
Duplex reverse assembly (M880)	320
Remove the duplex reverse assembly (M880)	320
VOC fan (M855)	321
Remove the VOC fan (M855)	321
VOC fan (M880)	323
Remove the VOC fan (M880)	323
Face-down delivery assembly(M855)	327
Remove the face-down delivery assembly (M855)	327
Face-down delivery assembly (M880)	332
Remove the face-down delivery assembly (M880)	332
Face-down cover	343
Remove the face-down cover	343
Duplexing feed assembly	345
Reinstall the duplexing feed assembly	349
Multipurpose tray (Tray 1) pickup assembly	350
Remove the multipurpose tray (Tray 1) pickup assembly	350
Reinstall the multipurpose tray (Tray 1) pickup assembly	354
Input accessories	356
High-capacity input (HCI) feeder	357
Location of major components	357
HCI right tray	360
HCI left tray	361
HCI rear cover	362
HCI right lower cover	363

Remove the HCI right lower cover	363
HCI right tray pickup motor	365
Remove the HCI right tray pickup motor	365
HCI right tray pickup drive	366
Remove the HCI right tray pickup drive	366
HCI left tray pickup motor	367
Remove the HCI left tray pickup motor	367
HCI left tray pickup drive	368
Remove the HCI left tray pickup drive	368
HCI right tray lifter drive assembly	369
Remove the HCI right tray lifter drive assembly	369
HCI left tray lifter drive assembly	370
Remove the HCI left tray lifter drive assembly	370
HCI right tray media-level sensor assembly	371
Remove the HCI right tray media-level sensor assembly	371
HCI left tray media-level sensor assembly	372
Remove the HCI left tray media-level sensor assembly	372
HCI right tray automatic close assembly	373
Remove the HCI right tray automatic close assembly	373
HCI left tray automatic close assembly	374
Remove the HCI left tray automatic close assembly	374
HCI right tray pickup assembly	375
Remove the HCI right tray pickup assembly	375
Reinstall the HCI right tray pickup assembly	376
HCI left tray pickup assembly	377
Remove the HCI left tray pickup assembly	377
Reinstall the HCI left tray pickup assembly	379
HCI merge assembly	380
Remove the HCI merge assembly	380
Reinstall the HCI merge assembly	381
HCI controller PCA	382
Remove the HCI controller PCA	382
1x500- and 3x500-sheet feeders	383
Location of major components	383
1x500 and 3x500 rear cover	387
1x500 and 3x500 right front cover	388
Remove the 1x500 and 3x500 right front cover	388
Reinstall the 1x500 and 3x500 right front cover	389
1x500 and 3x500 upper front face cover	390
Remove the 1x500 and 3x500 upper front face cover	390
Reinstall the 1x500 and 3x500 upper front face cover	390

1x500 and 3x500 upper front cover	392
Remove the 1x500 and 3x500 right front cover	392
1x500 and 3x500 upper front left face cover	395
Remove the 1x500 and 3x500 upper front left face cover	395
1x500 storage box door	396
Remove the 1x500 storage box door	396
1x500 storage box	398
Remove the 1x500 storage box	398
1x500 and 3x500 right lower cover	400
Remove the 1x500 and 3x500 right lower cover	400
1x500 Tray 3 pickup assembly	402
Remove the 1x500 Tray 3 pickup assembly	402
Reinstall the 1x500 Tray 3 pickup assembly	405
3x500 Tray 3 pickup assembly	407
Remove the 3x500 Tray 3 pickup assembly	407
Reinstall the 3x500 Tray 3 pickup assembly	410
3x500 Tray 4 pickup assembly	412
Remove the 3x500 Tray 4 pickup assembly	412
Reinstall the 3x500 Tray 4 pickup assembly	415
3x500 Tray 5 pickup assembly	416
Remove the 3x500 Tray 5 pickup assembly	416
Reinstall the 3x500 Tray 5 pickup assembly	418
1x500 Tray 3 automatic close assembly	419
Remove the 1x500 Tray 3 automatic close assembly	419
3x500 Tray 3, Tray 4, and Tray 5 automatic close assemblies	420
Remove the 3x500 Tray 3, Tray 4, and Tray 5 automatic close assemblies	420
1x500 Tray 3, 3x500 Tray 3, Tray 4, and Tray 5 pickup motors	422
Remove the 1x500 Tray 3, 3x500 Tray 3, Tray 4, and Tray 5 pickup motors	422
1x500 and 3x500 controller PCA	424
Remove the HCI controller PCA	424
Shared input accessory covers and doors	425
HCI, 1x500, and 3x500 left cover	425
Remove the HCI, 1x500, and 3x500 left cover	426
Reinstall the HCI, 1x500, and 3x500 left cover	427
HCI, 1x500, and 3x500 right door assembly	428
Remove the HCI, 1x500, and 3x500 right door assembly	428
HCI, 1x500, and 3x500 right rear cover	430
Remove the HCI, 1x500, and 3x500 right rear cover	430
Reinstall the HCI right rear cover	431

Intermediate paper transport unit (IPTU)	433
Location of major components	434
IPTU assembly	437
IPTU rear cover	439
Reinstall the IPTU rear cover	440
IPTU driver PCA	442
Remove the IPTU driver PCA	442
IPTU finisher lock assembly	443
Remove the IPTU finisher lock assembly	443
IPTU fan assembly	446
Remove the IPTU fan assembly	446
IPTU side panel assembly	447
Remove the IPTU side panel assembly	447
Reinstall the IPTU side panel assembly	450
IPTU upper and lower guide assemblies	451
Remove the IPTU upper and lower guide assemblies	451
Install a replacement IPTU upper guide assembly	456
Finishing accessories	457
Identify the finishing accessories	458
Identifying finishing accessory covers and doors	460
Shared finishing accessory assemblies	464
Top cover lock assembly	466
Latch lower covers (front and rear)	468
Latch assembly	470
Remove the latch assembly	470
Open/closed stepped cover assembly	471
Upper stepped cover assembly	472
Lower stepped cover assembly	474
Remove the lower stepped cover assembly	474
Reinstall the lower stepped cover	477
Top door assembly	478
Front door	479
Remove the front door	479
Inner upper cover assembly	480
Inner upper cover assembly (remove)	481
Clutch assembly (front side)	482
Remove the clutch assembly (front side)	482
Sensor switch assembly	483
Remove the sensor switch assembly	483
Inner lower cover assembly	486
Inner lower cover assembly (remove)	488

Front foot cover assembly	490
Remove the front foot cover assembly	490
Bin cable guide cover	492
Reinstall the bin cable guide cover	495
Rear cover assembly	496
Remove the rear cover assembly	496
Main controller PCA assembly	498
Remove the main controller PCA assembly	498
Entrance upper guide assembly	513
Remove the entrance upper guide assembly	513
Rear foot cover assembly	516
Remove the rear foot cover assembly	516
Stack wall upper assembly and upper wall guide assembly	518
Remove the stack wall upper assembly and upper wall guide assembly	518
Upper cross member assembly	521
Remove the upper cross member assembly	521
Reinstall the upper cross member assembly	528
Paper feed drive assembly	533
Remove the paper feed drive assembly	533
Pressure roller assembly	535
Remove the pressure roller assembly	536
Stack upper bin and lower bin assemblies	540
Remove stack upper bin and lower bin assemblies	541
Reinstall the stack upper bin and lower bin assemblies	544
Height wall assembly	546
Remove the height wall center assembly	546
Reinstall the height wall assembly	547
Paper face sensor and flag assembly	548
Remove the paper face sensor and flag assembly	548
Staple subassembly	553
Remove the staple subassembly	553
Staple connecting cable assembly	556
Remove the staple connecting cable assembly	556
Staple assembly	558
Remove the staple assembly	558
Paper detect holder assembly	562
Remove the paper detect holder assembly	562
Reinstall the paper detect holder assembly	563
Operation tray assembly	564
Remove the operation tray assembly	565

Reinstall the operation tray assembly	571
Swing guide assembly	575
Remove the swing guide assembly	576
Reinstall the swing guide assembly	582
Return roller assembly	586
Remove the return roller assembly	587
Clutch assembly (rear side)	588
Remove the clutch assembly (rear side)	588
Stack ejection motor assembly	591
Remove the stack ejection motor assembly	591
Press motor assembly	595
Remove the press motor assembly	595
Common driver PCA assembly	599
Remove the common controller PCA assembly	599
Interface cable assembly	601
Remove the interface cable assembly	601
Paper pass assembly	603
Remove the paper pass assembly	603
Booklet maker accessory	607
Knob	608
Saddle output bin assembly	609
Reinstall the saddle output bin	610
Right cover assembly (BM PCA)	611
Remove the right cover assembly (BM PCA)	611
Booklet maker controller PCA	615
Remove the booklet maker controller PCA	615
Inner side plate assembly	616
Remove the inner side plate assembly	616
Before reinstalling the inner side plate assembly	620
Guide sensor assembly	623
Remove the guide sensor assembly	623
Guide motor assembly	625
Remove the guide motor assembly	625
Saddle motor assembly (SS and BM)	627
Remove the saddle motor assembly (SS and BM)	627
Saddle feed motor assembly	629
Remove the saddle feed assembly	629
Folding-motor mount assembly	633
Remove the folding-motor mount assembly	633
Reinstall the folding-motor mount assembly	637
Delivery switch mount assembly	638

Remove the delivery switch mount assembly	638
Saddle stapler assembly	641
Remove the saddle stapler assembly	641
Lower left guide assembly	643
Remove the lower left guide assembly	643
Saddle delivery inner cover, front assembly	645
Remove the saddle delivery inner cover, front assembly	645
Saddle delivery inner cover, rear assembly	647
Remove the saddle delivery inner cover, rear assembly	647
Saddle guide assembly	649
Remove the saddle guide assembly	650
Reinstall the saddle guide assembly	653
Saddle feed assembly	655
Remove the saddle feed assembly	656
Reinstall the saddle feed assembly	659
Saddle assembly	660
Remove the saddle assembly	661
Reinstall the saddle assembly	668
Upper delivery guide assembly	669
Remove the upper delivery guide assembly	669
Saddle paper delivery assembly	671
Remove the saddle paper delivery assembly	671
Reinstall the saddle paper delivery assembly	673
Saddle rear end sensor assembly	674
Remove the saddle rear end sensor assembly	674
Reinstall the saddle rear end sensor	681
Booklet maker and stapler/stacker with hole punch accessories	682
Remove the punch front cover	682
Punch lower front cover assembly	684
Remove the punch lower front cover assembly	684
Punch rear cover assembly	686
Remove the punch rear cover assembly	686
Punch controller PCA assembly	687
Remove the punch controller PCA assembly	687
Reinstall the punch controller PCA assembly	687
Punch waste tray	688
Punch inner cover assembly	689
Remove the punch inner cover assembly	689
Punch top cover	691
Remove the punch top	691
Punch hole assembly	694

Remove the punch hole assembly	694
Reinstall the punch hole assembly	699
Replace the punch hole assembly or the punch controller PCA assembly	702
Set the punch hole assembly type	702
Set the sensor adjustment values	704
2 Parts and diagrams	707
Order parts by authorized service providers	708
Order parts, accessories, and supplies	708
Related documentation and software	708
Supplies part numbers	708
Customer self-repair parts	709
Service replacement parts	711
Accessories	712
How to use the parts lists and diagrams	714
Assembly locations	715
Base product (no optional trays or accessories)	715
Stapler/stacker and booklet maker	720
Stapler/stacker external assembly locator	722
Booklet maker	728
Intermediate paper transportation unit (IPTU)	734
1x500-sheet feeder	738
3x500-sheet feeder	740
High-capacity input (HCI) feeder	742
Document feeder and scanner assemblies (M880)	748
Document feeder assemblies (M880)	750
Scanner assemblies (M880)	754
Covers	756
Right door assembly	760
Internal components	762
Internal components (1 of 6)	762
Internal components (2 of 6)	764
Internal components (3 of 6)	766
Internal components (4 of 6)	768
Internal components (5 of 6)	770
Internal components (6 of 6)	772
Intermediate paper transfer unit (IPTU) assemblies	774
1x500-sheet feeder with stand (M855 only) covers	776
1x500-sheet feeder with stand (M855 only) covers	776
1x500-sheet feeder with stand components	778
3x500-sheet feeder	780

3x500-sheet feeder covers	780
3x500-sheet feeder components	782
High-capacity input (HCI) feeder	784
Stapler stacker/booklet maker	790
Stapler/stacker covers	790
Booklet maker covers	792
Finisher main body (1 of 3)	794
Finisher main body (2 of 3)	796
Finisher main body (3 of 3)	798
Stapler/stacker main body	800
Booklet maker main body	802
Booklet maker saddle assembly	804
Alphabetical parts list	808
Numerical parts list	825

Index	843
-------------	-----

List of tables

Table 1-1	Supported paper sizes for the input trays and duplexer	5
Table 1-2	Supported paper types	8
Table 1-3	Supported paper sizes for the finishing accessories	9
Table 1-4	Supported paper types for the finishing accessories	12
Table 1-5	M855 base product covers and doors (1 of 2)	84
Table 1-6	M855 base product covers and doors (2 of 2)	85
Table 1-7	M880 base product covers and doors (1 of 2)	86
Table 1-8	M880 base product covers and doors (2 of 2)	87
Table 1-9	Base product main assemblies (1 of 2)	152
Table 1-10	Base product main assemblies (2 of 2)	153
Table 1-11	External covers and doors	357
Table 1-12	Main assemblies (1 of 2)	358
Table 1-13	Main assemblies (2 of 2)	359
Table 1-14	Printed circuit assembly (PCA)	359
Table 1-15	External covers and doors (1x500-sheet feeder)	383
Table 1-16	External covers and doors (3x500-sheet feeder)	384
Table 1-17	Main assemblies (1x500-sheet feeder)	385
Table 1-18	Main assemblies (3x500-sheet feeder)	385
Table 1-19	Printed circuit assembly (PCA)	386
Table 1-20	IPTU covers (1 of 2)	434
Table 1-21	IPTU covers (2 of 2)	435
Table 1-22	IPTU main assemblies	435
Table 1-23	IPTU PCA	436
Table 1-24	Stapler stacker covers and doors	460
Table 1-25	Stapler stacker with hole punch covers and doors	461
Table 1-26	Booklet maker covers and doors	462
Table 1-27	Booklet maker with hole punch covers and doors	463
Table 1-28	DIPSW settings	509
Table 1-29	Do not change these DIPSW settings	510
Table 1-30	LED601 and LED602 blinking patterns	703
Table 1-31	LED601 and LED602 blinking patterns	705
Table 2-1	Order parts, accessories, and supplies	708

Table 2-2	Related documentation and software	708
Table 2-3	Supplies part numbers	708
Table 2-4	Customer self-repair parts	709
Table 2-5	Service replacement parts	711
Table 2-6	M855 base product assembly locations (1 of 2)	715
Table 2-7	M855 base product assembly locations (2 of 2)	716
Table 2-8	M880 base product assembly locations (1 of 2)	718
Table 2-9	M880 base product assembly locations (2 of 2)	719
Table 2-10	Stapler/stacker and booklet maker main assemblies	720
Table 2-11	Stapler/stacker and booklet maker PCA	721
Table 2-12	Stapler/stacker external assembly locator	722
Table 2-13	Stapler/stacker with hole puncher external assembly locator	723
Table 2-14	Staple stacker internal assembly locator	724
Table 2-15	Staple stacker with hole puncher internal assembly locator	725
Table 2-16	Staple stacker external assembly locator (door open)	726
Table 2-17	Staple stacker with hole puncher external assembly locator (door open)	727
Table 2-18	Booklet maker external assembly locator	728
Table 2-19	Booklet maker with hole puncher external assembly locator	729
Table 2-20	Booklet maker internal assembly locator	730
Table 2-21	Booklet maker with hole puncher internal assembly locator	731
Table 2-22	Booklet maker external assembly locator (door open)	732
Table 2-23	Booklet maker with hole puncher external assembly locator (door open)	733
Table 2-24	IPTU external assembly locator (1 of 3)	734
Table 2-25	IPTU external assembly locator (2 of 3)	734
Table 2-26	IPTU external assembly locator (3 of 3)	735
Table 2-27	IPTU internal assembly locator (1 of 2)	736
Table 2-28	IPTU internal assembly locator (2 of 2)	736
Table 2-29	IPTU PCA	737
Table 2-30	1x500-sheet feeder (1 of 2)	738
Table 2-31	1x500-sheet feeder (2 of 2)	739
Table 2-32	3x500-sheet feeder (1 of 2)	740
Table 2-33	3x500-sheet feeder (2 of 2)	741
Table 2-34	HCI feeder (1 of 6)	742
Table 2-35	HCI feeder (2 of 6)	743
Table 2-36	HCI feeder (3 of 6)	744
Table 2-37	HCI feeder (4 of 6)	745
Table 2-38	HCI feeder (5 of 6)	746
Table 2-39	HCI feeder (6 of 6)	746
Table 2-40	Document feeder and scanner assemblies (M880)	749
Table 2-41	Document feeder assemblies (M880, 1 of 2)	751
Table 2-42	Document feeder assemblies (M880, 2 of 2)	753

Table 2-43	Scanner assemblies (M880)	755
Table 2-44	Covers (M855)	757
Table 2-45	Covers (M880)	759
Table 2-46	Right door assembly	761
Table 2-47	Internal components (1 of 6)	763
Table 2-48	Internal components (2 of 6)	765
Table 2-49	Internal components (3 of 6)	767
Table 2-50	Internal components (4 of 6)	769
Table 2-51	Internal components (5 of 6)	771
Table 2-52	Internal components (6 of 6)	773
Table 2-53	Intermediate paper transfer unit (IPTU) assemblies	775
Table 2-54	1x500-sheet feeder with stand (M855 only) covers	777
Table 2-55	1x500-sheet feeder with stand components	779
Table 2-56	3x500-sheet feeder covers	781
Table 2-57	3x500-sheet feeder components	783
Table 2-58	HCI feeder covers	785
Table 2-59	HCI feeder internal components (1 of 2)	787
Table 2-60	HCI feeder internal components (2 of 2)	789
Table 2-61	Stapler/stacker covers	791
Table 2-62	Booklet maker covers	793
Table 2-63	Finisher main body (1 of 3)	795
Table 2-64	Finisher main body (2 of 3)	797
Table 2-65	Finisher main body (3 of 3)	799
Table 2-66	Stapler/stacker main body	801
Table 2-67	Booklet maker main body	803
Table 2-68	Booklet maker saddle assembly	807

List of figures

Figure 1-1	Screwdrivers	3
Figure 1-2	Remove the toner cartridge	14
Figure 1-3	Remove the image drum	15
Figure 1-4	Remove the secondary transfer roller (1 of 2)	16
Figure 1-5	Remove the secondary transfer roller (2 of 2)	16
Figure 1-6	Reinstall the secondary transfer roller	17
Figure 1-7	Remove Tray 2, 1x500 Tray 3, 3x500 Tray 3, 3x500 Tray 4, and 3x500 Tray 5	18
Figure 1-8	Remove the ITB (1 of 4)	19
Figure 1-9	Remove the ITB (2 of 4)	19
Figure 1-10	Remove the ITB (3 of 4)	20
Figure 1-11	Remove the ITB (4 of 4)	20
Figure 1-12	Remove the fuser (1 of 3)	21
Figure 1-13	Remove the fuser (2 of 3)	21
Figure 1-14	Remove the fuser (3 of 3)	21
Figure 1-15	Remove the switch back tray	22
Figure 1-16	Remove the formatter (1 of 2)	23
Figure 1-17	Remove the formatter (2 of 2)	23
Figure 1-18	Remove the HDD (1 of 2)	26
Figure 1-19	Remove the HDD (2 of 2)	26
Figure 1-20	Remove the SSM (1 of 2)	28
Figure 1-21	Remove the SSM (2 of 2)	28
Figure 1-22	Remove the memory DIMM (1 of 2)	32
Figure 1-23	Remove the memory DIMM (2 of 2)	32
Figure 1-24	Reinstall the memory DIMM	33
Figure 1-25	Reinstall the memory DIMM	33
Figure 1-26	Reinstall the memory DIMM	34
Figure 1-27	Remove the fax PCA (M880; 1 of 2)	35
Figure 1-28	Remove the fax PCA (M880; 2 of 2)	35
Figure 1-29	Remove the document feeder mylar strip (M880; 1 of 4)	36
Figure 1-30	Remove the document feeder mylar strip (M880; 2 of 4)	36
Figure 1-31	Remove the document feeder mylar strip (M880; 3 of 4)	37
Figure 1-32	Remove the document feeder mylar strip (M880; 4 of 4)	37

Figure 1-33	Install a replacement document feeder mylar strip (M880; 1 of 2)	38
Figure 1-34	Install a replacement document feeder mylar strip (M880; 2 of 2)	38
Figure 1-35	Remove the document feeder white backing (M880; 1 of 3)	39
Figure 1-36	Remove the document feeder white backing (M880; 2 of 3)	39
Figure 1-37	Remove the document feeder white backing (M880; 3 of 3)	40
Figure 1-38	Install a replacement document feeder white backing (M880; 1 of 6)	40
Figure 1-39	Install a replacement document feeder white backing (M880; 2 of 6)	41
Figure 1-40	Install a replacement document feeder white backing (M880; 3 of 6)	41
Figure 1-41	Install a replacement document feeder white backing (M880; 4 of 6)	42
Figure 1-42	Install a replacement document feeder white backing (M880; 5 of 6)	42
Figure 1-43	Install a replacement document feeder white backing (M880; 6 of 6)	43
Figure 1-44	Remove the background selector (M880; 1 of 4)	44
Figure 1-45	Remove the background selector (M880; 2 of 4)	44
Figure 1-46	Remove the background selector (M880; 3 of 4)	45
Figure 1-47	Remove the background selector (M880; 4 of 4)	45
Figure 1-48	Reinstall the background selector (M880)	46
Figure 1-49	Remove the control panel assembly (M855; 1 of 10)	47
Figure 1-50	Remove the control panel assembly (M855; 2 of 10)	47
Figure 1-51	Remove the control panel assembly (M855; 3 of 10)	48
Figure 1-52	Remove the control panel assembly (M855; 4 of 10)	48
Figure 1-53	Remove the control panel assembly (M855; 5 of 10)	49
Figure 1-54	Remove the control panel assembly (M855; 6 of 10)	49
Figure 1-55	Remove the control panel assembly (M855; 7 of 10)	50
Figure 1-56	Remove the control panel assembly (M855; 8 of 10)	50
Figure 1-57	Remove the control panel assembly (M855; 9 of 10)	51
Figure 1-58	Remove the control panel assembly (M855; 10 of 10)	51
Figure 1-59	Reinstall the control panel (M855)	52
Figure 1-60	Remove the control panel assembly (M880; 1 of 8)	53
Figure 1-61	Remove the control panel assembly (M880; 2 of 8)	53
Figure 1-62	Remove the control panel assembly (M880; 3 of 8)	54
Figure 1-63	Remove the control panel assembly (M880; 4 of 8)	54
Figure 1-64	Remove the control panel assembly (M880; 5 of 8)	55
Figure 1-65	Remove the control panel assembly (M880; 6 of 8)	55
Figure 1-66	Remove the control panel assembly (M880; 7 of 8)	56
Figure 1-67	Remove the control panel assembly (M880; 8 of 8)	56
Figure 1-68	Reinstall the control panel assembly (M880; 1 of 3)	57
Figure 1-69	Reinstall the control panel assembly (M880; 2 of 3)	57
Figure 1-70	Reinstall the control panel assembly (M880; 3 of 3)	58
Figure 1-71	Remove the keyboard assembly (M880; 1 of 7)	59
Figure 1-72	Remove the keyboard assembly (M880; 2 of 7)	60
Figure 1-73	Remove the keyboard assembly (M880; 3 of 7)	60

Figure 1-74	Remove the keyboard assembly (M880; 4 of 7)	61
Figure 1-75	Remove the keyboard assembly (M880; 5 of 7)	61
Figure 1-76	Remove the keyboard assembly (M880; 6 of 7)	62
Figure 1-77	Remove the keyboard assembly (M880; 7 of 7)	62
Figure 1-78	Reinstall the keyboard assembly (M880; 1 of 7)	63
Figure 1-79	Reinstall the keyboard assembly (M880; 2 of 7)	63
Figure 1-80	Reinstall the keyboard assembly (M880; 3 of 7)	64
Figure 1-81	Reinstall the keyboard assembly (M880; 4 of 7)	64
Figure 1-82	Reinstall the keyboard assembly (M880; 5 of 7)	65
Figure 1-83	Reinstall the keyboard assembly (M880; 6 of 7)	65
Figure 1-84	Reinstall the keyboard assembly (M880; 7 of 7)	66
Figure 1-85	Remove the document-feeder roller (M880; 1 of 3)	68
Figure 1-86	Remove the document-feeder roller (M880; 2 of 3)	68
Figure 1-87	Remove the document-feeder roller (M880; 3 of 3)	69
Figure 1-88	Reinstall the document-feeder roller (M880)	69
Figure 1-89	Remove the document-feeder separation pad (M880; 1 of 4)	70
Figure 1-90	Remove the document-feeder separation pad (M880; 2 of 4)	70
Figure 1-91	Remove the document-feeder separation pad (M880; 3 of 4)	71
Figure 1-92	Remove the document-feeder separation pad (M880; 4 of 4)	71
Figure 1-93	Reinstall the document-feeder separation pad (M880; 1 of 5)	72
Figure 1-94	Reinstall the document-feeder separation pad (M880; 2 of 5)	72
Figure 1-95	Reinstall the document-feeder separation pad (M880; 3 of 5)	73
Figure 1-96	Reinstall the document-feeder separation pad (M880; 4 of 5)	73
Figure 1-97	Reinstall the document-feeder separation pad (M880; 5 of 5)	74
Figure 1-98	Remove the Tray 1 rollers (1 of 5)	75
Figure 1-99	Remove the Tray 1 rollers (2 of 5)	75
Figure 1-100	Remove the Tray 1 rollers (3 of 5)	76
Figure 1-101	Remove the Tray 1 rollers (4 of 5)	76
Figure 1-102	Remove the Tray 1 rollers (5 of 5)	76
Figure 1-103	Reinstall the Tray 1 rollers	77
Figure 1-104	Remove the Tray 2, 1x500, and 3x500 rollers (1 of 2)	78
Figure 1-105	Remove the Tray 2, 1x500, and 3x500 rollers (2 of 2)	79
Figure 1-106	Reinstall the Tray 2, 1x500, and 3x500 rollers	79
Figure 1-107	Remove the HCI rollers (1 of 2)	80
Figure 1-108	Remove the HCI rollers (2 of 2)	81
Figure 1-109	Reinstall the HCI rollers	81
Figure 1-110	M855 base product covers and doors (1 of 2)	84
Figure 1-111	M855 base product covers and doors (2 of 2)	85
Figure 1-112	M880 base product covers and doors (1 of 2)	86
Figure 1-113	M880 base product covers and doors (2 of 2)	87
Figure 1-114	Remove the scanner back cover (M880; 1 of 2)	88

Figure 1-115	Remove the scanner back cover (M880; 2 of 2)	88
Figure 1-116	Remove the scanner left cover (M880; 1 of 2)	89
Figure 1-117	Remove the scanner left cover (M880; 2 of 2)	89
Figure 1-118	Remove the scanner right cover (M880; 1 of 2)	90
Figure 1-119	Remove the scanner right cover (M880; 2 of 2)	90
Figure 1-120	Remove the scanner front cover (M880; 1 of 8)	91
Figure 1-121	Remove the scanner front cover (M880; 2 of 8)	92
Figure 1-122	Remove the scanner front cover (M880; 3 of 8)	92
Figure 1-123	Remove the scanner front cover (M880; 4 of 8)	93
Figure 1-124	Remove the scanner front cover (M880; 5 of 8)	93
Figure 1-125	Remove the scanner front cover (M880; 6 of 8)	94
Figure 1-126	Remove the scanner front cover (M880; 7 of 8)	94
Figure 1-127	Remove the scanner front cover (M880; 8 of 8)	95
Figure 1-128	Remove the right upper rear cover (M855)	96
Figure 1-129	Remove the hardware integration pocket (HIP) cover (M855)	97
Figure 1-130	Remove the HIP cover (M880; 1 of 3)	98
Figure 1-131	Remove the HIP cover (M880; 2 of 3)	98
Figure 1-132	Remove the HIP cover (M880; 3 of 3)	99
Figure 1-133	Reinstall the HIP cover (M880; 1 of 2)	100
Figure 1-134	Reinstall the HIP cover (M880; 2 of 2)	100
Figure 1-135	Remove the face-down bin (1 of 2)	101
Figure 1-136	Remove the face-down bin (2 of 2)	101
Figure 1-137	Reinstall the face-down bin (1 of 2)	102
Figure 1-138	Remove the face-down bin (2 of 2)	102
Figure 1-139	Correct installation of face-down bin.	103
Figure 1-140	Incorrect installation of face-down bin.	103
Figure 1-141	Remove the left rear cover (1 of 2)	104
Figure 1-142	Remove the left rear cover (2 of 2)	104
Figure 1-143	Remove the switch back cover (1 of 2)	105
Figure 1-144	Remove the switch back cover (2 of 2)	105
Figure 1-145	Remove the lower right cover (1 of 2)	106
Figure 1-146	Remove the lower right cover (2 of 2)	106
Figure 1-147	Remove the rear upper rear cover (M880; 1 of 2)	107
Figure 1-148	Remove the rear upper rear cover (M880; 2 of 2)	107
Figure 1-149	Remove the right upper rear cover (M880; 1 of 2)	108
Figure 1-150	Remove the right upper rear cover (M880; 2 of 2)	108
Figure 1-151	Remove the rear upper MFP cover (M880; 1 of 2)	109
Figure 1-152	Remove the rear upper MFP cover (M880; 2 of 2)	109
Figure 1-153	Reinstall the rear upper MFP cover (M880)	110
Figure 1-154	Remove the left upper rear cover and rear upper B cover (M880; 1 of 3)	111
Figure 1-155	Remove the left upper rear cover and rear upper B cover (M880; 2 of 3)	112

Figure 1-156	Remove the left upper rear cover and rear upper B cover (M880; 3 of 3)	112
Figure 1-157	Remove the rear upper front cover (M880; 1 of 2)	113
Figure 1-158	Remove the rear upper front cover (M880; 2 of 2)	114
Figure 1-159	Remove the front top cover (1 of 2)	115
Figure 1-160	Remove the front top cover (2 of 2)	115
Figure 1-161	Remove the rear top cover (M855; 1 of 3)	116
Figure 1-162	Remove the rear top cover (M855; 2 of 3)	117
Figure 1-163	Remove the rear top cover (M855; 3 of 3)	117
Figure 1-164	Remove the left cover (1 of 2)	118
Figure 1-165	Remove the left cover (2 of 2)	119
Figure 1-166	Remove the right upper front cover (M855; 1 of 2)	120
Figure 1-167	Remove the right upper front cover (M855; 2 of 2)	121
Figure 1-168	Remove the right upper front cover (M880; 1 of 2)	122
Figure 1-169	Remove the right upper front cover (M880; 2 of 2)	123
Figure 1-170	Remove the right upper cover (M855; 1 of 9)	124
Figure 1-171	Remove the right upper cover (M855; 2 of 9)	125
Figure 1-172	Remove the right upper cover (M855; 3 of 9)	125
Figure 1-173	Remove the right upper cover (M855; 4 of 9)	126
Figure 1-174	Remove the right upper cover (M855; 5 of 9)	126
Figure 1-175	Remove the right upper cover (M855; 6 of 9)	127
Figure 1-176	Remove the right upper cover (M855; 7 of 9)	127
Figure 1-177	Remove the right upper cover (M855; 8 of 9)	128
Figure 1-178	Remove the right upper cover (M855; 9 of 9)	128
Figure 1-179	Remove the right door assembly (1 of 7)	129
Figure 1-180	Remove the right door assembly (2 of 7)	129
Figure 1-181	Remove the right door assembly (3 of 7)	130
Figure 1-182	Remove the right door assembly (4 of 7)	130
Figure 1-183	Remove the right door assembly (5 of 7)	131
Figure 1-184	Remove the right door assembly (6 of 7)	131
Figure 1-185	Remove the right door assembly (7 of 7)	132
Figure 1-186	Reinstall the right door assembly	132
Figure 1-187	Remove the left front cover (1 of 5)	133
Figure 1-188	Remove the left front cover (2 of 5)	134
Figure 1-189	Remove the left front cover (3 of 5)	134
Figure 1-190	Remove the left front cover (4 of 5)	135
Figure 1-191	Remove the left front cover (5 of 5)	135
Figure 1-192	Install a replacement left front cover	136
Figure 1-193	Remove the front door (1 of 9)	137
Figure 1-194	Remove the front door (2 of 9)	137
Figure 1-195	Remove the front door (3 of 9)	138
Figure 1-196	Remove the front door (4 of 9)	138

Figure 1-197	Remove the front door (5 of 9)	139
Figure 1-198	Remove the front door (6 of 9)	139
Figure 1-199	Remove the front door (7 of 9)	140
Figure 1-200	Remove the front door (8 of 9)	140
Figure 1-201	Remove the front door (9 of 9)	141
Figure 1-202	Reinstall the front door (1 of 2)	141
Figure 1-203	Reinstall the front door (2 of 2)	142
Figure 1-204	Remove the rear cover (1 of 3)	143
Figure 1-205	Remove the rear cover (2 of 3)	143
Figure 1-206	Remove the rear cover (3 of 3)	144
Figure 1-207	Install a replacement rear cover (1 of 2)	144
Figure 1-208	Install a replacement rear cover (2 of 2)	145
Figure 1-209	Remove the right rear cover (1 of 2)	146
Figure 1-210	Remove the right rear cover (2 of 2)	146
Figure 1-211	Remove the front inner cover (1 of 2)	147
Figure 1-212	Remove the front inner cover (2 of 2)	148
Figure 1-213	Reinstall the front inner cover	148
Figure 1-214	Base product main assemblies (1 of 2)	152
Figure 1-215	Base product main assemblies (2 of 2)	153
Figure 1-216	Remove the document feeder assembly (M880; 1 of 9)	154
Figure 1-217	Remove the document feeder assembly (M880; 2 of 9)	155
Figure 1-218	Remove the document feeder assembly (M880; 3 of 9)	155
Figure 1-219	Remove the document feeder assembly (M880; 4 of 9)	156
Figure 1-220	Remove the document feeder assembly (M880; 5 of 9)	156
Figure 1-221	Remove the document feeder assembly (M880; 6 of 9)	157
Figure 1-222	Remove the document feeder assembly (M880; 7 of 9)	157
Figure 1-223	Remove the document feeder assembly (M880; 8 of 9)	158
Figure 1-224	Remove the document feeder assembly (M880; 9 of 9)	158
Figure 1-225	Remove the SCB (M880; 1 of 4)	160
Figure 1-226	Remove the SCB (M880; 2 of 4)	160
Figure 1-227	Remove the SCB (M880; 3 of 4)	161
Figure 1-228	Remove the SCB (M880; 4 of 4)	161
Figure 1-229	Remove the scanner assembly (M880; 1 of 7)	162
Figure 1-230	Remove the scanner assembly (M880; 2 of 7)	163
Figure 1-231	Remove the scanner assembly (M880; 3 of 7)	163
Figure 1-232	Remove the scanner assembly (M880; 4 of 7)	164
Figure 1-233	Remove the scanner assembly (M880; 5 of 7)	164
Figure 1-234	Remove the scanner assembly (M880; 6 of 7)	165
Figure 1-235	Remove the scanner assembly (M880; 7 of 7)	165
Figure 1-236	Remove the interlock switch assembly (1 of 2)	167
Figure 1-237	Remove the interlock switch assembly (2 of 2)	168

Figure 1-238	Remove the front-door open detection switch (1 of 4)	169
Figure 1-239	Remove the front-door open detection switch (2 of 4)	170
Figure 1-240	Remove the front-door open detection switch (3 of 4)	170
Figure 1-241	Remove the front-door open detection switch (4 of 4)	171
Figure 1-242	Reinstall the front-door-open detection switch (1 of 3)	171
Figure 1-243	Reinstall the front-door-open detection switch (2 of 3)	172
Figure 1-244	Reinstall the front-door-open detection switch (3 of 3)	172
Figure 1-245	Remove the main switch assembly (1 of 3)	173
Figure 1-246	Remove the main switch assembly (2 of 3)	174
Figure 1-247	Remove the main switch assembly (3 of 3)	174
Figure 1-248	Remove the secondary transfer assembly (1 of 10)	175
Figure 1-249	Remove the secondary transfer assembly (2 of 10)	176
Figure 1-250	Remove the secondary transfer assembly (3 of 10)	176
Figure 1-251	Remove the secondary transfer assembly (4 of 10)	177
Figure 1-252	Remove the secondary transfer assembly (5 of 10)	177
Figure 1-253	Remove the secondary transfer assembly (6 of 10)	178
Figure 1-254	Remove the secondary transfer assembly (7 of 10)	178
Figure 1-255	Remove the secondary transfer assembly (8 of 10)	179
Figure 1-256	Remove the secondary transfer assembly (9 of 10)	180
Figure 1-257	Remove the secondary transfer assembly (10 of 10)	180
Figure 1-258	Reinstall the secondary transfer assembly (1 of 3)	181
Figure 1-259	Reinstall the secondary transfer assembly (2 of 3)	181
Figure 1-260	Reinstall the secondary transfer assembly (3 of 3)	182
Figure 1-261	Remove the multipurpose tray (Tray 1) drive assembly (1 of 13)	183
Figure 1-262	Remove the multipurpose tray (Tray 1) drive assembly (2 of 13)	184
Figure 1-263	Remove the multipurpose tray (Tray 1) drive assembly (3 of 13)	184
Figure 1-264	Remove the multipurpose tray (Tray 1) drive assembly (4 of 13)	185
Figure 1-265	Remove the multipurpose tray (Tray 1) drive assembly (5 of 13)	185
Figure 1-266	Remove the multipurpose tray (Tray 1) drive assembly (6 of 13)	186
Figure 1-267	Remove the multipurpose tray (Tray 1) drive assembly (7 of 13)	186
Figure 1-268	Remove the multipurpose tray (Tray 1) drive assembly (8 of 13)	187
Figure 1-269	Remove the multipurpose tray (Tray 1) drive assembly (9 of 13)	187
Figure 1-270	Remove the multipurpose tray (Tray 1) drive assembly (10 of 13)	188
Figure 1-271	Remove the multipurpose tray (Tray 1) drive assembly (11 of 13)	188
Figure 1-272	Remove the multipurpose tray (Tray 1) drive assembly (12 of 13)	189
Figure 1-273	Remove the multipurpose tray (Tray 1) drive assembly (13 of 13)	189
Figure 1-274	Remove the multipurpose tray guide assembly	190
Figure 1-275	Remove the Tray 2 pickup assembly	191
Figure 1-276	Remove the fuser home position sensor (1 of 3)	192
Figure 1-277	Remove the fuser home position sensor (2 of 3)	192
Figure 1-278	Remove the fuser home position sensor (3 of 3)	193

Figure 1-279	Reinstall the fuser home position sensor	193
Figure 1-280	Remove the shutter gear holder assembly (1 of 5)	194
Figure 1-281	Remove the shutter gear holder assembly (2 of 5)	194
Figure 1-282	Remove the shutter gear holder assembly (3 of 5)	195
Figure 1-283	Remove the shutter gear holder assembly (4 of 5)	195
Figure 1-284	Remove the shutter gear holder assembly (5 of 5)	196
Figure 1-285	Reinstall the shutter gear holder assembly (1 of 6)	196
Figure 1-286	Reinstall the shutter gear holder assembly (2 of 6)	197
Figure 1-287	Reinstall the shutter gear holder assembly (3 of 6)	197
Figure 1-288	Reinstall the shutter gear holder assembly (4 of 6)	198
Figure 1-289	Reinstall the shutter gear holder assembly (5 of 6)	198
Figure 1-290	Reinstall the shutter gear holder assembly (6 of 6)	199
Figure 1-291	Remove the fuser-edge area cooling fan FM10 (front; 1 of 3)	200
Figure 1-292	Remove the fuser-edge area cooling fan FM10 (front; 2 of 3)	200
Figure 1-293	Remove the fuser-edge area cooling fan FM10 (front; 3 of 3)	201
Figure 1-294	Reinstall the fuser-edge area cooling fan FM10 (front; 1 of 3)	202
Figure 1-295	Reinstall the fuser-edge area cooling fan FM10 (front; 2 of 3)	202
Figure 1-296	Reinstall the fuser-edge area cooling fan FM10 (front; 3 of 3)	203
Figure 1-297	Remove the fuser-edge area cooling fan FM9 (rear; 1 of 3)	204
Figure 1-298	Remove the Remove the fuser-edge area cooling fan FM9 (rear; 2 of 3)	204
Figure 1-299	Remove the fuser-edge area cooling fan FM9 (rear; 3 of 3)	205
Figure 1-300	Reinstall the fuser-edge area cooling fan FM9 (rear; 1 of 3)	205
Figure 1-301	Reinstall the fuser-edge area cooling fan FM9 (rear; 2 of 3)	206
Figure 1-302	Reinstall the fuser-edge area cooling fan FM9 (rear; 3 of 3)	206
Figure 1-303	Remove the fuser fan FM2 (1 of 5)	207
Figure 1-304	Remove the fuser fan FM2 (2 of 5)	207
Figure 1-305	Remove the fuser fan FM2 (3 of 5)	208
Figure 1-306	Remove the fuser fan FM2 (4 of 5)	208
Figure 1-307	Remove the fuser fan FM2 (5 of 5)	209
Figure 1-308	Reinstall the fuser fan FM2 (1 of 3)	209
Figure 1-309	Reinstall the fuser fan FM2 (2 of 3)	210
Figure 1-310	Reinstall the fuser fan FM2 (3 of 3)	210
Figure 1-311	Remove the fuser fan duct (1 of 3)	211
Figure 1-312	Remove the fuser fan duct (2 of 3)	212
Figure 1-313	Remove the fuser fan duct (3 of 3)	212
Figure 1-314	Reinstall the fuser fan duct	213
Figure 1-315	Remove the cartridge fan FM3 (yellow and magenta; 1 of 5)	214
Figure 1-316	Remove the cartridge fan FM3 (yellow and magenta; 2 of 5)	214
Figure 1-317	Remove the cartridge fan FM3 (yellow and magenta; 3 of 5)	215
Figure 1-318	Remove the cartridge fan FM3 (yellow and magenta; 4 of 5)	215
Figure 1-319	Remove the cartridge fan FM3 (yellow and magenta; 5 of 5)	216

Figure 1-320	Reinstall the cartridge fan FM3 (yellow and magenta; 1 of 3)	216
Figure 1-321	Reinstall the cartridge fan FM3 (yellow and magenta; 2 of 3)	217
Figure 1-322	Reinstall the cartridge fan FM3 (yellow and magenta; 3 of 3)	217
Figure 1-323	Remove the cartridge fan FM4 (cyan and black; 1 of 5)	218
Figure 1-324	Remove the cartridge fan FM4 (cyan and black; 2 of 5)	218
Figure 1-325	Remove the cartridge fan FM4 (cyan and black; 3 of 5)	219
Figure 1-326	Remove the cartridge fan FM4 (cyan and black; 4 of 5)	219
Figure 1-327	Remove the cartridge fan FM4 (cyan and black; 5 of 5)	220
Figure 1-328	Reinstall the cartridge fan FM4 (cyan and black; 1 of 2)	220
Figure 1-329	Reinstall the cartridge fan FM4 (cyan and black; 2 of 3)	221
Figure 1-330	Reinstall the cartridge fan FM4 (cyan and black; 3 of 3)	221
Figure 1-331	Remove the laser/scanner fan FM1 (1 of 4)	222
Figure 1-332	Remove the laser/scanner fan FM1 (2 of 4)	222
Figure 1-333	Remove the laser/scanner fan FM1 (3 of 4)	223
Figure 1-334	Remove the laser/scanner fan FM1 (4 of 4)	223
Figure 1-335	Reinstall the laser/scanner fan FM1 (1 of 3)	224
Figure 1-336	Reinstall the laser/scanner fan FM1 (2 of 3)	224
Figure 1-337	Reinstall the laser/scanner fan FM1 (3 of 3)	225
Figure 1-338	Remove the delivery fan FM8 (1 of 3)	226
Figure 1-339	Remove the delivery fan FM8 (2 of 3)	226
Figure 1-340	Remove the delivery fan FM8 (3 of 3)	227
Figure 1-341	Remove the cartridge front area cooling fan FM7 (1 of 2)	228
Figure 1-342	Remove the cartridge front area cooling fan FM7 (2 of 2)	229
Figure 1-343	Reinstall the cartridge front area cooling fan FM7	229
Figure 1-344	Remove the memory tag PCA (1 of 3)	230
Figure 1-345	Remove the memory tag PCA (2 of 3)	231
Figure 1-346	Remove the memory tag PCA (3 of 3)	231
Figure 1-347	Reinstall the memory tag PCA	232
Figure 1-348	Remove the image-drum motor (1 of 2)	233
Figure 1-349	Remove the image-drum motor (2 of 2)	234
Figure 1-350	Remove the fuser power supply (1 of 2)	235
Figure 1-351	Remove the fuser power supply (2 of 2)	236
Figure 1-352	Reinstall the fuser power supply (1 of 2)	236
Figure 1-353	Reinstall the fuser power supply (2 of 2)	237
Figure 1-354	Remove the primary transfer-roller disengagement motor (1 of 2)	238
Figure 1-355	Remove the primary transfer-roller disengagement motor (2 of 2)	239
Figure 1-356	Remove the ITB alienation drive assembly (1 of 2)	240
Figure 1-357	Remove the ITB alienation drive assembly (2 of 2)	241
Figure 1-358	Remove the fuser motor (1 of 2)	242
Figure 1-359	Remove the fuser motor (2 of 2)	242
Figure 1-360	Remove the ITB motor (1 of 2)	243

Figure 1-361	Remove the ITB motor (2 of 2)	243
Figure 1-362	Remove the toner-cartridge feed motor (black; 1 of 2)	244
Figure 1-363	Remove the toner-cartridge feed motor (black; 2 of 2)	244
Figure 1-364	Remove the toner-cartridge feed motor (yellow, magenta, and cyan; 1 of 2)	245
Figure 1-365	Remove the toner-cartridge feed motor (yellow, magenta, and cyan; 2 of 2)	246
Figure 1-366	Remove the environmental sensor	247
Figure 1-367	Remove the interconnect PCA (M855; 1 of 4)	248
Figure 1-368	Remove the interconnect PCA (M855; 2 of 4)	249
Figure 1-369	Remove the interconnect PCA (M855; 3 of 4)	249
Figure 1-370	Remove the interconnect PCA (M855; 4 of 4)	250
Figure 1-371	Reinstall the interconnect PCA (M855)	251
Figure 1-372	Remove the interconnect PCA (M880; 1 of 4)	252
Figure 1-373	Remove the interconnect PCA (M880; 2 of 4)	253
Figure 1-374	Remove the interconnect PCA (M880; 3 of 4)	253
Figure 1-375	Remove the interconnect PCA (M880; 4 of 4)	254
Figure 1-376	Reinstall the interconnect PCA (M880)	254
Figure 1-377	Remove the formatter case (1 of 2)	255
Figure 1-378	Remove the formatter case (2 of 2)	256
Figure 1-379	Reinstall the formatter case	256
Figure 1-380	Remove the formatter, formatter case, and ICB (1 of 4)	257
Figure 1-381	Remove the formatter, formatter case, and ICB (2 of 4)	258
Figure 1-382	Remove the formatter, formatter case, and ICB (3 of 4)	258
Figure 1-383	Remove the formatter, formatter case, and ICB (4 of 4)	259
Figure 1-384	Reinstall the formatter, formatter case, and ICB	259
Figure 1-385	Remove the HVPS B (1 of 2)	260
Figure 1-386	Remove the HVPS B (2 of 2)	261
Figure 1-387	Reinstall the HVPS B (1 of 2)	261
Figure 1-388	Reinstall the HVPS B (2 of 2)	262
Figure 1-389	Remove the DC controller PCA	263
Figure 1-390	Remove the CPR sensor assembly (1 of 5)	264
Figure 1-391	Remove the CPR sensor assembly (2 of 5)	265
Figure 1-392	Remove the CPR sensor assembly (3 of 5)	265
Figure 1-393	Remove the CPR sensor assembly (4 of 5)	266
Figure 1-394	Remove the CPR sensor assembly (5 of 5)	266
Figure 1-395	Reinstall the CPR sensor assembly (1 of 4)	267
Figure 1-396	Reinstall the CPR sensor assembly (2 of 4)	267
Figure 1-397	Reinstall the CPR sensor assembly (3 of 4)	268
Figure 1-398	Reinstall the CPR sensor assembly (4 of 4)	268
Figure 1-399	Remove the LVPS (1 of 5)	269
Figure 1-400	Remove the LVPS (2 of 5)	269
Figure 1-401	Remove the LVPS (3 of 5)	270

Figure 1-402	Remove the LVPS (4 of 5)	270
Figure 1-403	Remove the LVPS (5 of 5)	271
Figure 1-404	Remove the HVPS A (first transfer) (1 of 3)	272
Figure 1-405	Remove the HVPS A (first transfer) (2 of 3)	273
Figure 1-406	Remove the HVPS A (first transfer) (3 of 3)	273
Figure 1-407	Reinstall the HVPS A (first transfer) (1 of 3)	274
Figure 1-408	Reinstall the HVPS A (first transfer) (2 of 3)	274
Figure 1-409	Reinstall the HVPS A (first transfer) (3 of 3)	275
Figure 1-410	Remove the lifter-drive assembly (1 of 3)	276
Figure 1-411	Remove the lifter-drive assembly (2 of 3)	277
Figure 1-412	Remove the lifter-drive assembly (3 of 3)	277
Figure 1-413	Unlocked position of the lifter-driver assembly (correct)	278
Figure 1-414	Locked position of the lifter-driver assembly (incorrect)	278
Figure 1-415	Unlocking the lifter-drive assembly	279
Figure 1-416	Remove the toner-cartridge drive assembly (yellow and magenta)	280
Figure 1-417	Reinstall the toner-cartridge drive assembly (yellow and magenta)	281
Figure 1-418	Remove the toner-cartridge drive assembly (cyan and black)	283
Figure 1-419	Reinstall the toner-cartridge drive assembly (cyan and black)	283
Figure 1-420	Remove the cartridge interface PCA (cyan and black)	285
Figure 1-421	Remove the cartridge interface PCA (yellow and magenta)	287
Figure 1-422	Remove the main drive assembly (1 of 2)	289
Figure 1-423	Remove the main drive assembly (2 of 2)	289
Figure 1-424	Reinstall the main drive assembly	290
Figure 1-425	Replace the toner-cartridge drive assembly or the main drive assembly (1 of 8)	291
Figure 1-426	Replace the toner-cartridge drive assembly or the main drive assembly (2 of 8)	292
Figure 1-427	Replace the toner-cartridge drive assembly or the main drive assembly (3 of 8)	292
Figure 1-428	Replace the toner-cartridge drive assembly or the main drive assembly (4 of 8)	293
Figure 1-429	Replace the toner-cartridge drive assembly or the main drive assembly (5 of 8)	293
Figure 1-430	Correct position of toner-cartridge drive assembly (6 of 8)	294
Figure 1-431	Incorrect position of toner-cartridge drive assembly (7 of 8)	294
Figure 1-432	Replace the toner-cartridge drive assembly or the main drive assembly (8 of 8)	295
Figure 1-433	Reinstall the toner-cartridge drive assembly or the main drive assembly (1 of 4)	296
Figure 1-434	Reinstall the toner-cartridge drive assembly or the main drive assembly (2 of 4)	296
Figure 1-435	Correct position of toner-cartridge drive assembly (3 of 4)	297
Figure 1-436	Incorrect position of toner-cartridge drive assembly (4 of 4)	297
Figure 1-437	Remove the fuser drive assembly (1 of 10)	298
Figure 1-438	Remove the fuser drive assembly (2 of 10)	299
Figure 1-439	Remove the fuser drive assembly (3 of 10)	299
Figure 1-440	Remove the fuser drive assembly (4 of 10)	300
Figure 1-441	Remove the fuser drive assembly (5 of 10)	300
Figure 1-442	Remove the fuser drive assembly (6 of 10)	301

Figure 1-443	Remove the fuser drive assembly (7 of 10)	301
Figure 1-444	Remove the fuser drive assembly (8 of 10)	302
Figure 1-445	Remove the fuser drive assembly (9 of 10)	302
Figure 1-446	Remove the fuser drive assembly (10 of 10)	303
Figure 1-447	Reinstall the fuser drive assembly (1 of 4)	303
Figure 1-448	Reinstall the fuser drive assembly (2 of 4)	304
Figure 1-449	Reinstall the fuser drive assembly (3 of 4)	304
Figure 1-450	Reinstall the fuser drive assembly (4 of 4)	305
Figure 1-451	Remove the scanner cover	306
Figure 1-452	Remove the laser/scanner assembly (yellow and magenta; 1 of 6)	307
Figure 1-453	Remove the laser/scanner assembly (yellow and magenta; 2 of 6)	308
Figure 1-454	Remove the laser/scanner assembly (yellow and magenta; 3 of 6)	309
Figure 1-455	Remove the laser/scanner assembly (yellow and magenta; 4 of 6)	309
Figure 1-456	Remove the laser/scanner assembly (yellow and magenta; 5 of 6)	310
Figure 1-457	Remove the laser/scanner assembly (yellow and magenta; 6 of 6)	310
Figure 1-458	Reinstall the laser/scanner assembly (yellow and magenta; 1 of 2)	311
Figure 1-459	Reinstall the laser/scanner assembly (yellow and magenta; 2 of 2)	311
Figure 1-460	Remove the laser/scanner assembly (cyan and black; 1 of 8)	312
Figure 1-461	Remove the laser/scanner assembly (cyan and black; 2 of 8)	313
Figure 1-462	Remove the laser/scanner assembly (cyan and black; 3 of 8)	313
Figure 1-463	Remove the laser/scanner assembly (cyan and black; 4 of 8)	314
Figure 1-464	Remove the laser/scanner assembly (cyan and black; 5 of 8)	315
Figure 1-465	Remove the laser/scanner assembly (cyan and black; 6 of 8)	315
Figure 1-466	Remove the laser/scanner assembly (cyan and black; 7 of 8)	316
Figure 1-467	Remove the laser/scanner assembly (cyan and black; 8 of 8)	316
Figure 1-468	Reinstall the laser/scanner assembly (cyan and black; 1 of 3)	317
Figure 1-469	Reinstall the laser/scanner assembly (cyan and black; 2 of 3)	317
Figure 1-470	Reinstall the laser/scanner assembly (cyan and black; 3 of 3)	318
Figure 1-471	Remove the duplex reverse assembly (M855)	319
Figure 1-472	Remove the duplex reverse assembly (M880)	320
Figure 1-473	Remove the VOC fan (M855; 1 of 2)	321
Figure 1-474	Remove the VOC fan (M855; 2 of 2)	322
Figure 1-475	Remove the VOC fan (M880; 1 of 6)	324
Figure 1-476	Remove the VOC fan (M880; 2 of 6)	324
Figure 1-477	Remove the VOC fan (M880; 3 of 6)	325
Figure 1-478	Remove the VOC fan (M880; 4 of 6)	325
Figure 1-479	Remove the VOC fan (M880; 5 of 6)	326
Figure 1-480	Remove the VOC fan (M880; 6 of 6)	326
Figure 1-481	Remove the face-down delivery assembly (M855; 1 of 8)	327
Figure 1-482	Remove the face-down delivery assembly (M855; 2 of 8)	328
Figure 1-483	Remove the face-down delivery assembly (M855; 3 of 8)	328

Figure 1-484	Remove the face-down delivery assembly (M855; 4 of 8)	329
Figure 1-485	Remove the face-down delivery assembly (M855; 5 of 8)	329
Figure 1-486	Remove the face-down delivery assembly (M855; 6 of 8)	330
Figure 1-487	Remove the face-down delivery assembly (M855; 7 of 8)	330
Figure 1-488	Remove the face-down delivery assembly (M855; 8 of 8)	331
Figure 1-489	Remove the face-down delivery assembly (M880; 1 of 19)	333
Figure 1-490	Remove the face-down delivery assembly (M880; 2 of 19)	333
Figure 1-491	Remove the face-down delivery assembly (M880; 3 of 19)	334
Figure 1-492	Remove the face-down delivery assembly (M880; 4 of 19)	334
Figure 1-493	Remove the face-down delivery assembly (M880; 5 of 19)	335
Figure 1-494	Remove the face-down delivery assembly (M880; 6 of 19)	335
Figure 1-495	Remove the face-down delivery assembly (M880; 7 of 19)	336
Figure 1-496	Remove the face-down delivery assembly (M880; 8 of 19)	336
Figure 1-497	Remove the face-down delivery assembly (M880; 9 of 19)	337
Figure 1-498	Remove the face-down delivery assembly (M880; 10 of 19)	337
Figure 1-499	Remove the face-down delivery assembly (M880; 11 of 19)	338
Figure 1-500	Remove the face-down delivery assembly (M880; 12 of 19)	339
Figure 1-501	Remove the face-down delivery assembly (M880; 13 of 19)	339
Figure 1-502	Remove the face-down delivery assembly (M880; 14 of 19)	340
Figure 1-503	Remove the face-down delivery assembly (M880; 15 of 19)	340
Figure 1-504	Remove the face-down delivery assembly (M880; 16 of 19)	341
Figure 1-505	Remove the face-down delivery assembly (M880; 17 of 19)	341
Figure 1-506	Remove the face-down delivery assembly (M880; 18 of 19)	342
Figure 1-507	Remove the face-down delivery assembly (M880; 19 of 19)	342
Figure 1-508	Remove face-down cover	344
Figure 1-509	Remove the duplexing feed assembly (1 of 7)	345
Figure 1-510	Remove the duplexing feed assembly (2 of 7)	345
Figure 1-511	Remove the duplexing feed assembly (3 of 7)	346
Figure 1-512	Remove the duplexing feed assembly (4 of 7)	346
Figure 1-513	Remove the duplexing feed assembly (5 of 7)	347
Figure 1-514	Remove the duplexing feed assembly (6 of 7)	347
Figure 1-515	Remove the duplexing feed assembly (7 of 7)	348
Figure 1-516	Remove the multipurpose tray (Tray 1) pickup assembly (1 of 10)	350
Figure 1-517	Remove the multipurpose tray (Tray 1) pickup assembly (2 of 10)	350
Figure 1-518	Remove the multipurpose tray (Tray 1) pickup assembly (3 of 10)	351
Figure 1-519	Remove the multipurpose tray (Tray 1) pickup assembly (4 of 10)	351
Figure 1-520	Remove the multipurpose tray (Tray 1) pickup assembly (5 of 10)	352
Figure 1-521	Remove the multipurpose tray (Tray 1) pickup assembly (6 of 10)	352
Figure 1-522	Remove the multipurpose tray (Tray 1) pickup assembly (7 of 10)	353
Figure 1-523	Remove the multipurpose tray (Tray 1) pickup assembly (8 of 10)	353
Figure 1-524	Remove the multipurpose tray (Tray 1) pickup assembly (9 of 10)	354

Figure 1-525	Remove the multipurpose tray (Tray 1) pickup assembly (10 of 10)	354
Figure 1-526	Reinstall the multipurpose tray (Tray 1) pickup assembly	355
Figure 1-527	External covers and doors	357
Figure 1-528	Main assemblies (1 of 2)	358
Figure 1-529	Main assemblies (2 of 2)	359
Figure 1-530	Printed circuit assembly (PCA)	359
Figure 1-531	Remove the HCI right tray	360
Figure 1-532	Remove the HCI left tray	361
Figure 1-533	Remove the HCI rear cover	362
Figure 1-534	Remove the HCI right lower cover (1 of 2)	363
Figure 1-535	Remove the HCI right lower cover (2 of 2)	364
Figure 1-536	Remove the HCI right tray pickup motor	365
Figure 1-537	Remove the HCI right tray pickup drive (1 of 2)	366
Figure 1-538	Remove the HCI left tray pickup motor	367
Figure 1-539	Remove the HCI left tray pickup drive	368
Figure 1-540	Remove the HCI right tray lifter drive assembly	369
Figure 1-541	Remove the HCI left tray lifter drive assembly	370
Figure 1-542	Remove the HCI right tray media-level sensor assembly (1 of 2)	371
Figure 1-543	Remove the HCI right tray media-level sensor assembly (2 of 2)	371
Figure 1-544	Remove the HCI left tray media-level sensor assembly (1 of 2)	372
Figure 1-545	Remove the HCI left tray media-level sensor assembly (2 of 2)	372
Figure 1-546	Remove the HCI right tray automatic close assembly (1 of 2)	373
Figure 1-547	Remove the HCI right tray automatic close assembly (2 of 2)	373
Figure 1-548	Remove the HCI left tray automatic close assembly (1 of 2)	374
Figure 1-549	Remove the HCI left tray automatic close assembly (2 of 2)	374
Figure 1-550	Remove the HCI right tray pickup assembly (1 of 3)	375
Figure 1-551	Remove the HCI right tray pickup assembly (2 of 3)	375
Figure 1-552	Remove the HCI right tray pickup assembly (3 of 3)	376
Figure 1-553	Reinstall the HCI right tray pickup assembly	376
Figure 1-554	Remove the HCI left tray pickup assembly (1 of 2)	377
Figure 1-555	Remove the HCI left tray pickup assembly (2 of 2)	378
Figure 1-556	Reinstall the HCI left tray pickup assembly (1 of 2)	379
Figure 1-557	Reinstall the HCI left tray pickup assembly (2 of 2)	379
Figure 1-558	Remove the HCI merge assembly (1 of 2)	380
Figure 1-559	Remove the HCI merge assembly (2 of 2)	381
Figure 1-560	Reinstall the HCI merge assembly	381
Figure 1-561	Remove the HCI controller PCA	382
Figure 1-562	External covers and doors (1x500-sheet feeder)	383
Figure 1-563	External covers and doors (3x500-sheet feeder)	384
Figure 1-564	Main assemblies (1x500-sheet feeder)	385
Figure 1-565	Main assemblies (3x500-sheet feeder)	385

Figure 1-566	Printed circuit assembly (PCA)	386
Figure 1-567	Remove the 1x500 and 3x500 rear cover (1 of 2)	387
Figure 1-568	Remove the 1x500 and 3x500 rear cover (2 of 2)	387
Figure 1-569	Remove the 1x500 and 3x500 right front cover (1 of 2)	388
Figure 1-570	Remove the 1x500 and 3x500 right front cover (2 of 2)	389
Figure 1-571	Reinstall the 1x500 and 3x500 right front cover	389
Figure 1-572	Remove the 1x500 and 3x500 upper front face cover	390
Figure 1-573	Reinstall the 1x500 and 3x500 upper front face cover	391
Figure 1-574	Remove the 1x500 and 3x500 upper front cover (1 of 4)	392
Figure 1-575	Remove the 1x500 and 3x500 upper front cover (2 of 4)	393
Figure 1-576	Remove the 1x500 and 3x500 upper front cover (3 of 4)	393
Figure 1-577	Remove the 1x500 and 3x500 upper front cover (4 of 4)	394
Figure 1-578	Remove the 1x500 and 3x500 upper front left face cover	395
Figure 1-579	Remove the 1x500 storage box door (1 of 3)	396
Figure 1-580	Remove the 1x500 storage box door (2 of 3)	396
Figure 1-581	Remove the 1x500 storage box door (3 of 3)	397
Figure 1-582	Remove the 1x500 storage box (1 of 2)	398
Figure 1-583	Remove the 1x500 storage box (2 of 2)	399
Figure 1-584	Remove the 1x500 and 3x500 right lower cover (1 of 2)	400
Figure 1-585	Remove the 1x500 and 3x500 right lower cover (2 of 2)	401
Figure 1-586	Remove the 1x500 Tray 3 pickup assembly (1 of 5)	402
Figure 1-587	Remove the 1x500 Tray 3 pickup assembly (2 of 5)	402
Figure 1-588	Remove the 1x500 Tray 3 pickup assembly (3 of 5)	403
Figure 1-589	Remove the 1x500 Tray 3 pickup assembly (4 of 5)	403
Figure 1-590	Remove the 1x500 Tray 3 pickup assembly (5 of 5)	404
Figure 1-591	Reinstall the 1x500 Tray 3 pickup assembly (1 of 4)	405
Figure 1-592	Reinstall the 1x500 Tray 3 pickup assembly (2 of 4)	405
Figure 1-593	Reinstall the 1x500 Tray 3 pickup assembly (3 of 4)	406
Figure 1-594	Reinstall the 1x500 Tray 3 pickup assembly (4 of 4)	406
Figure 1-595	Remove the 3x500 Tray 3 pickup assembly (1 of 4)	407
Figure 1-596	Remove the 3x500 Tray 3 pickup assembly (2 of 4)	408
Figure 1-597	Remove the 3x500 Tray 3 pickup assembly (3 of 4)	408
Figure 1-598	Remove the 3x500 Tray 3 pickup assembly (4 of 4)	409
Figure 1-599	Reinstall the 3x500 Tray 3 pickup assembly (1 of 4)	410
Figure 1-600	Reinstall the 3x500 Tray 3 pickup assembly (2 of 4)	410
Figure 1-601	Reinstall the 3x500 Tray 3 pickup assembly (3 of 4)	411
Figure 1-602	Reinstall the 3x500 Tray 3 pickup assembly (4 of 4)	411
Figure 1-603	Remove the 3x500 Tray 4 pickup assembly (1 of 4)	412
Figure 1-604	Remove the 3x500 Tray 4 pickup assembly (2 of 4)	413
Figure 1-605	Remove the 3x500 Tray 4 pickup assembly (3 of 4)	413
Figure 1-606	Remove the 3x500 Tray 4 pickup assembly (4 of 4)	414

Figure 1-607	Reinstall the 3x500 Tray 4 pickup assembly (1 of 2)	415
Figure 1-608	Reinstall the 3x500 Tray 4 pickup assembly (2 of 2)	415
Figure 1-609	Remove the 3x500 Tray 5 pickup assembly (1 of 3)	416
Figure 1-610	Remove the 3x500 Tray 5 pickup assembly (2 of 3)	417
Figure 1-611	Remove the 3x500 Tray 5 pickup assembly (3 of 3)	417
Figure 1-612	Reinstall the 3x500 Tray 5 pickup assembly (1 of 2)	418
Figure 1-613	Reinstall the 3x500 Tray 5 pickup assembly (2 of 2)	418
Figure 1-614	Remove the 1x500 Tray 3 automatic close assembly (1 of 2)	419
Figure 1-615	Remove the 1x500 Tray 3 automatic close assembly (2 of 2)	419
Figure 1-616	Remove the 3x500 Tray 3, Tray 4, and Tray 5 automatic close assemblies (1 of 2)	420
Figure 1-617	Remove the 3x500 Tray 3, Tray 4, and Tray 5 automatic close assemblies (2 of 2)	421
Figure 1-618	1x500 pickup motor location	422
Figure 1-619	3x500 pickup motor locations	423
Figure 1-620	Remove the 1x500 Tray 3, 3x500 Tray 3, Tray 4, and Tray 5 pickup motors	423
Figure 1-621	Remove the HCI controller PCA	424
Figure 1-622	Remove the HCI, 1x500, and 3x500 left cover (1 of 2)	426
Figure 1-623	Remove the HCI, 1x500, and 3x500 left cover (2 of 2)	426
Figure 1-624	Reinstall the HCI, 1x500, and 3x500 left cover	427
Figure 1-625	Remove the HCI, 1x500, and 3x500 right door assembly (1 of 3)	428
Figure 1-626	Remove the HCI, 1x500, and 3x500 right door assembly (2 of 3)	428
Figure 1-627	Remove the HCI, 1x500, and 3x500 right door assembly (3 of 3)	429
Figure 1-628	Remove the HCI, 1x500, and 3x500 right rear cover (1 of 4)	430
Figure 1-629	Remove the HCI, 1x500, and 3x500 right rear cover (2 of 4)	430
Figure 1-630	Remove the HCI, 1x500, and 3x500 right rear cover (3 of 4)	431
Figure 1-631	Remove the HCI, 1x500, and 3x500 right rear cover (4 of 4)	431
Figure 1-632	Reinstall the HCI, 1x500, and 3x500 right rear cover	432
Figure 1-633	Correct placement of the IPTU for servicing	433
Figure 1-634	Incorrect placement of the IPTU for servicing	433
Figure 1-635	IPTU covers (1 of 2)	434
Figure 1-636	IPTU covers (2 of 2)	435
Figure 1-637	IPTU main assemblies	435
Figure 1-638	IPTU PCA	436
Figure 1-639	Remove the IPTU (1 of 4)	437
Figure 1-640	Remove the IPTU (2 of 4)	437
Figure 1-641	Remove the IPTU (3 of 4)	438
Figure 1-642	Remove the IPTU (4 of 4)	438
Figure 1-643	Remove the IPTU rear cover (1 of 3)	439
Figure 1-644	Remove the IPTU rear cover (2 of 3)	439
Figure 1-645	Remove the IPTU rear cover (3 of 3)	440
Figure 1-646	Reinstall the IPTU rear cover (1 of 2)	440
Figure 1-647	Reinstall the IPTU rear cover (2 of 2)	441

Figure 1-648	Remove the IPTU driver PCA (1 of 2)	442
Figure 1-649	Remove the IPTU driver PCA (2 of 2)	442
Figure 1-650	Remove the IPTU finisher lock assembly (1 of 5)	443
Figure 1-651	Remove the IPTU finisher lock assembly (2 of 5)	443
Figure 1-652	Remove the IPTU finisher lock assembly (3 of 5)	444
Figure 1-653	Remove the IPTU finisher lock assembly (4 of 5)	444
Figure 1-654	Remove the IPTU finisher lock assembly (5 of 5)	445
Figure 1-655	Remove the IPTU fan assembly (1 of 2)	446
Figure 1-656	Remove the IPTU fan assembly (2 of 2)	446
Figure 1-657	Remove the IPTU side panel assembly (1 of 6)	447
Figure 1-658	Remove the IPTU side panel assembly (2 of 6)	448
Figure 1-659	Remove the IPTU side panel assembly (3 of 6)	448
Figure 1-660	Remove the IPTU side panel assembly (4 of 6)	449
Figure 1-661	Remove the IPTU side panel assembly (5 of 6)	449
Figure 1-662	Remove the IPTU side panel assembly (6 of 6)	450
Figure 1-663	Reinstall the IPTU side panel assembly	450
Figure 1-664	Remove the IPTU upper and lower guide assemblies (1 of 9)	451
Figure 1-665	Remove the IPTU upper and lower guide assemblies (2 of 9)	451
Figure 1-666	Remove the IPTU upper and lower guide assemblies (3 of 9)	452
Figure 1-667	Remove the IPTU upper and lower guide assemblies (4 of 9)	452
Figure 1-668	Remove the IPTU upper and lower guide assemblies (5 of 9)	453
Figure 1-669	Remove the IPTU upper and lower guide assemblies (6 of 9)	453
Figure 1-670	Remove the IPTU upper and lower guide assemblies (7 of 9)	454
Figure 1-671	Remove the IPTU upper and lower guide assemblies (8 of 9)	455
Figure 1-672	Remove the IPTU upper and lower guide assemblies (9 of 9)	455
Figure 1-673	Install a replacement IPTU upper guide assembly (1 of 2)	456
Figure 1-674	Install a replacement IPTU upper guide assembly (2 of 2)	456
Figure 1-675	Identify the BM finishing accessory	458
Figure 1-676	Identify the BMHP finishing accessory	458
Figure 1-677	Identify the SS finishing accessory	459
Figure 1-678	Identify the SSHP finishing accessory	459
Figure 1-679	Stapler stacker covers and doors	460
Figure 1-680	Stapler stacker with hole punch covers and doors	461
Figure 1-681	Booklet maker covers and doors	462
Figure 1-682	Booklet maker with hole punch covers and doors	463
Figure 1-683	Remove the top cover lock assembly (1 of 3)	466
Figure 1-684	Remove the top cover lock assembly (2 of 3)	466
Figure 1-685	Remove the top cover lock assembly (3 of 3)	467
Figure 1-686	Remove the latch lower covers (front and rear; 1 of 3)	468
Figure 1-687	Remove the latch lower covers (front and rear; 2 of 3)	468
Figure 1-688	Remove the latch lower covers (front and rear; 3 of 3)	469

Figure 1-689	Remove the latch assembly (1 of 2)	470
Figure 1-690	Remove the latch assembly (2 of 2)	470
Figure 1-691	Remove the open/close stepped cover assembly (1 of 2)	471
Figure 1-692	Remove the open/close stepped cover assembly (2 of 2)	471
Figure 1-693	Remove the upper stepped cover assembly (1 of 4)	472
Figure 1-694	Remove the upper stepped cover assembly (2 of 4)	472
Figure 1-695	Remove the upper stepped cover assembly (3 of 4)	473
Figure 1-696	Remove the upper stepped cover assembly (4 of 4)	473
Figure 1-697	Remove the lower stepped cover assembly (1 of 5)	474
Figure 1-698	Remove the lower stepped cover assembly (2 of 5)	475
Figure 1-699	Remove the lower stepped cover assembly (3 of 5)	475
Figure 1-700	Remove the lower stepped cover assembly (4 of 5)	476
Figure 1-701	Remove the lower stepped cover assembly (5 of 5)	476
Figure 1-702	Reinstall the lower stepped cover (1 of 2)	477
Figure 1-703	Reinstall the lower stepped cover (2 of 2)	477
Figure 1-704	Remove the top door assembly (1 of 2)	478
Figure 1-705	Remove the top door assembly (2 of 2)	478
Figure 1-706	Remove the front door (1 of 2)	479
Figure 1-707	Remove the front door (2 of 2)	479
Figure 1-708	Move the inner upper cover out of the way (1 of 2)	480
Figure 1-709	Move the inner upper cover out of the way (2 of 2)	480
Figure 1-710	Remove the inner upper cover assembly (1 of 2)	481
Figure 1-711	Remove the inner upper cover assembly (2 of 2)	481
Figure 1-712	Remove the clutch assembly (front side; 1 of 2)	482
Figure 1-713	Remove the clutch assembly (front side; 2 of 2)	482
Figure 1-714	Remove the sensor switch assembly (1 of 4)	483
Figure 1-715	Remove the sensor switch assembly (2 of 4)	484
Figure 1-716	Remove the sensor switch assembly (3 of 4)	484
Figure 1-717	Remove the sensor switch assembly (4 of 4)	485
Figure 1-718	Move the inner lower cover out of the way (1 of 4)	486
Figure 1-719	Move the inner lower cover out of the way (2 of 4)	486
Figure 1-720	Move the inner lower cover out of the way (3 of 4)	487
Figure 1-721	Move the inner lower cover out of the way (4 of 4)	487
Figure 1-722	Remove the inner lower cover assembly (1 of 4)	488
Figure 1-723	Remove the inner lower cover assembly (2 of 4)	488
Figure 1-724	Remove the inner lower cover assembly (2 of 4)	489
Figure 1-725	Remove the inner lower cover assembly (4 of 4)	489
Figure 1-726	Remove the front foot cover assembly (1 of 2)	490
Figure 1-727	Remove the front foot cover assembly (2 of 2)	491
Figure 1-728	Remove the bin cable guide cover (1 of 6)	492
Figure 1-729	Remove the bin cable guide cover (2 of 6)	492

Figure 1-730	Remove the bin cable guide cover (3 of 6)	493
Figure 1-731	Remove the bin cable guide cover (4 of 6)	493
Figure 1-732	Remove the bin cable guide cover (5 of 6)	494
Figure 1-733	Remove the bin cable guide cover (6 of 6)	494
Figure 1-734	Bin cable guide cover correctly installed	495
Figure 1-735	Bin cable guide cover incorrectly installed	495
Figure 1-736	Remove the rear cover assembly (1 of 4)	496
Figure 1-737	Remove the rear cover assembly (2 of 4)	496
Figure 1-738	Remove the rear cover assembly (3 of 4)	497
Figure 1-739	Remove the rear cover assembly (4 of 4)	497
Figure 1-740	Remove the main controller PCA assembly (1 of 6)	498
Figure 1-741	Remove the main controller PCA assembly (2 of 6)	499
Figure 1-742	Remove the main controller PCA assembly (3 of 6)	499
Figure 1-743	Remove the main controller PCA assembly (4 of 6)	500
Figure 1-744	Remove the main controller PCA assembly (5 of 6)	500
Figure 1-745	Remove the main controller PCA assembly (6 of 6)	501
Figure 1-746	Install a replacement main controller PCA assembly	502
Figure 1-747	Main controller PCA switches	503
Figure 1-748	Booklet maker controller PCA switches	504
Figure 1-749	DIPSW4 alignment settings	504
Figure 1-750	DIPSW4 staple position settings	505
Figure 1-751	DIPSW folding position settings	506
Figure 1-752	Mark the paper	507
Figure 1-753	Folding position adjustment (1 of 3)	507
Figure 1-754	Folding position adjustment (2 of 3)	508
Figure 1-755	Folding position adjustment (3 of 3)	508
Figure 1-756	Positive and negative width adjustment	509
Figure 1-757	Adjust the stitcher (1 of 6)	510
Figure 1-758	Adjust the stitcher (2 of 6)	510
Figure 1-759	Adjust the stitcher (3 of 6)	511
Figure 1-760	Adjust the stitcher (4 of 6)	511
Figure 1-761	Adjust the stitcher (5 of 6)	511
Figure 1-762	Adjust the stitcher (6 of 6)	512
Figure 1-763	Remove the entrance upper guide assembly (1 of 3)	513
Figure 1-764	Remove the entrance upper guide assembly (2 of 3)	514
Figure 1-765	Remove the entrance upper guide assembly (3 of 3)	515
Figure 1-766	Remove the rear foot cover assembly (1 of 2)	516
Figure 1-767	Remove the rear foot cover assembly (2 of 2)	517
Figure 1-768	Remove the stack wall upper assembly and upper wall guide assembly (1 of 5)	492
Figure 1-769	Remove the stack wall upper assembly and upper wall guide assembly (2 of 5)	519
Figure 1-770	Remove the stack wall upper assembly and upper wall guide assembly (3 of 5)	519

Figure 1-771	Remove the stack wall upper assembly and upper wall guide assembly (4 of 5)	520
Figure 1-772	Remove the stack wall upper assembly and upper wall guide assembly (5 of 5)	520
Figure 1-773	Remove the upper cross member assembly (1 of 13)	521
Figure 1-774	Remove the upper cross member assembly (2 of 13)	522
Figure 1-775	Remove the upper cross member assembly (3 of 13)	522
Figure 1-776	Remove the upper cross member assembly (4 of 13)	523
Figure 1-777	Remove the upper cross member assembly (5 of 13)	523
Figure 1-778	Remove the upper cross member assembly (6 of 13)	524
Figure 1-779	Remove the upper cross member assembly (7 of 13)	524
Figure 1-780	Remove the upper cross member assembly (8 of 13)	525
Figure 1-781	Remove the upper cross member assembly (9 of 13)	525
Figure 1-782	Remove the upper cross member assembly (10 of 13)	526
Figure 1-783	Remove the upper cross member assembly (11 of 13)	526
Figure 1-784	Remove the upper cross member assembly (12 of 13)	527
Figure 1-785	Remove the upper cross member assembly (13 of 13)	528
Figure 1-786	Reinstall the upper cross member assembly (1 of 7)	529
Figure 1-787	Reinstall the upper cross member assembly (2 of 7)	529
Figure 1-788	Reinstall the upper cross member assembly (3 of 7)	530
Figure 1-789	Reinstall the upper cross member assembly (4 of 7)	530
Figure 1-790	Reinstall the upper cross member assembly (5 of 7)	531
Figure 1-791	Reinstall the upper cross member assembly (6 of 7)	531
Figure 1-792	Reinstall the upper cross member assembly (7 of 7)	532
Figure 1-793	Remove the paper feed drive assembly (1 of 2)	533
Figure 1-794	Remove the paper feed drive assembly (2 of 2)	534
Figure 1-795	Remove the pressure roller assembly (1 of 8)	536
Figure 1-796	Remove the pressure roller assembly (2 of 8)	536
Figure 1-797	Remove the pressure roller assembly (3 of 8)	537
Figure 1-798	Remove the pressure roller assembly (4 of 8)	537
Figure 1-799	Remove the pressure roller assembly (5 of 8)	538
Figure 1-800	Remove the pressure roller assembly (6 of 8)	538
Figure 1-801	Remove the pressure roller assembly (7 of 8)	539
Figure 1-802	Remove the pressure roller assembly (8 of 8)	539
Figure 1-803	Remove the stack upper bin and lower bin assemblies (1 of 5)	541
Figure 1-804	Remove the stack upper bin and lower bin assemblies (2 of 5)	542
Figure 1-805	Remove the stack upper bin and lower bin assemblies (3 of 5)	542
Figure 1-806	Remove the stack upper bin and lower bin assemblies (4 of 5)	543
Figure 1-807	Remove the stack upper bin and lower bin assemblies (5 of 5)	543
Figure 1-808	Reinstall the stack wall upper assembly and upper wall guide assembly (1 of 2)	544
Figure 1-809	Reinstall the stack wall upper assembly and upper wall guide assembly (2 of 2)	544
Figure 1-810	Remove the height wall assembly (1 of 2)	546
Figure 1-811	Remove the height wall assembly (2 of 2)	547

Figure 1-812	Reinstall the height wall assembly	547
Figure 1-813	Remove the paper face sensor and flag assembly (1 of 9)	548
Figure 1-814	Remove the paper face sensor and flag assembly (2 of 9)	549
Figure 1-815	Remove the paper face sensor and flag assembly (3 of 9)	549
Figure 1-816	Remove the paper face sensor and flag assembly (4 of 9)	550
Figure 1-817	Remove the paper face sensor and flag assembly (5 of 9)	550
Figure 1-818	Remove the paper face sensor and flag assembly (6 of 9)	551
Figure 1-819	Remove the paper face sensor and flag assembly (7 of 9)	551
Figure 1-820	Remove the paper face sensor and flag assembly (8 of 9)	552
Figure 1-821	Remove the paper face sensor and flag assembly (9 of 9)	552
Figure 1-822	Remove the staple subassembly (1 of 6)	553
Figure 1-823	Remove the staple subassembly (2 of 6)	553
Figure 1-824	Remove the staple subassembly (3 of 6)	554
Figure 1-825	Remove the staple subassembly (4 of 6)	554
Figure 1-826	Remove the staple subassembly (5 of 6)	555
Figure 1-827	Remove the staple subassembly (6 of 6)	555
Figure 1-828	Remove the staple connecting cable assembly (1 of 2)	556
Figure 1-829	Remove the staple connecting cable assembly (2 of 2)	557
Figure 1-830	Remove the staple assembly (1 of 7)	558
Figure 1-831	Remove the staple assembly (2 of 7)	559
Figure 1-832	Remove the staple assembly (3 of 7)	559
Figure 1-833	Remove the staple assembly (4 of 7)	560
Figure 1-834	Remove the staple assembly (5 of 7)	560
Figure 1-835	Remove the staple assembly (6 of 7)	561
Figure 1-836	Remove the staple assembly (7 of 7)	561
Figure 1-837	Remove the paper detect holder assembly	562
Figure 1-838	Reinstall the paper detect holder assembly	563
Figure 1-839	Identify the operation tray assembly	564
Figure 1-840	Remove the operation tray assembly (1 of 11)	565
Figure 1-841	Remove the operation tray assembly (2 of 11)	566
Figure 1-842	Remove the operation tray assembly (3 of 11)	567
Figure 1-843	Remove the operation tray assembly (4 of 11)	567
Figure 1-844	Remove the operation tray assembly (5 of 11)	568
Figure 1-845	Remove the operation tray assembly (6 of 11)	568
Figure 1-846	Remove the operation tray assembly (7 of 11)	569
Figure 1-847	Remove the operation tray assembly (8 of 11)	569
Figure 1-848	Remove the operation tray assembly (9 of 11)	570
Figure 1-849	Remove the operation tray assembly (10 of 11)	570
Figure 1-850	Remove the operation tray assembly (11 of 11)	571
Figure 1-851	Reinstall the operation tray assembly (1 of 5)	571
Figure 1-852	Reinstall the operation tray assembly (2 of 5)	572

Figure 1-853	Reinstall the operation tray assembly (3 of 5)	572
Figure 1-854	Reinstall the operation tray assembly (4 of 5)	573
Figure 1-855	Reinstall the operation tray assembly (5 of 5)	574
Figure 1-856	Identify the operation tray assembly	575
Figure 1-857	Remove the swing guide assembly (1 of 12)	576
Figure 1-858	Remove the swing guide assembly (2 of 12)	576
Figure 1-859	Remove the swing guide assembly (3 of 12)	577
Figure 1-860	Remove the swing guide assembly (4 of 12)	577
Figure 1-861	Remove the swing guide assembly (5 of 12)	578
Figure 1-862	Remove the swing guide assembly (6 of 12)	578
Figure 1-863	Remove the swing guide assembly (7 of 12)	579
Figure 1-864	Remove the swing guide assembly (8 of 12)	579
Figure 1-865	Remove the swing guide assembly (9 of 12)	580
Figure 1-866	Remove the swing guide assembly (10 of 12)	580
Figure 1-867	Remove the swing guide assembly (11 of 12)	581
Figure 1-868	Remove the swing guide assembly (12 of 12)	581
Figure 1-869	Reinstall the swing guide assembly (1 of 7)	582
Figure 1-870	Reinstall the swing guide assembly (2 of 7)	582
Figure 1-871	Reinstall the swing guide assembly (3 of 7)	583
Figure 1-872	Reinstall the swing guide assembly (4 of 7)	531
Figure 1-873	Reinstall the swing guide assembly (5 of 7)	584
Figure 1-874	Reinstall the swing guide assembly (6 of 7)	584
Figure 1-875	Reinstall the swing guide assembly (7 of 7)	585
Figure 1-876	Remove the return roller assembly (1 of 2)	587
Figure 1-877	Remove the return roller assembly (2 of 2)	587
Figure 1-878	Remove the clutch assembly (rear side; 1 of 6)	588
Figure 1-879	Remove the clutch assembly (rear side; 2 of 6)	588
Figure 1-880	Remove the clutch assembly (rear side; 3 of 6)	589
Figure 1-881	Remove the clutch assembly (rear side; 4 of 6)	589
Figure 1-882	Remove the clutch assembly (rear side; 5 of 6)	590
Figure 1-883	Remove the clutch assembly (rear side; 6 of 6)	590
Figure 1-884	Remove the stack ejection motor assembly (1 of 7)	591
Figure 1-885	Remove the stack ejection motor assembly (2 of 7)	591
Figure 1-886	Remove the stack ejection motor assembly (3 of 7)	592
Figure 1-887	Remove the stack ejection motor assembly (4 of 7)	592
Figure 1-888	Remove the stack ejection motor assembly (5 of 7)	593
Figure 1-889	Remove the stack ejection motor assembly (6 of 7)	593
Figure 1-890	Remove the stack ejection motor assembly (7 of 7)	594
Figure 1-891	Remove the press motor assembly (1 of 7)	595
Figure 1-892	Remove the press motor assembly (2 of 7)	595
Figure 1-893	Remove the press motor assembly (3 of 7)	596

Figure 1-894	Remove the press motor assembly (4 of 7)	596
Figure 1-895	Remove the press motor assembly (5 of 7)	597
Figure 1-896	Remove the press motor assembly (6 of 7)	597
Figure 1-897	Remove the press motor assembly (7 of 7)	598
Figure 1-898	Remove the common driver PCA assembly (1 of 2)	599
Figure 1-899	Remove the common driver PCA assembly (2 of 2)	600
Figure 1-900	Remove the interface cable assembly (1 of 3)	601
Figure 1-901	Remove the interface cable assembly (2 of 3)	601
Figure 1-902	Remove the interface cable assembly (3 of 3)	602
Figure 1-903	Remove the paper pass assembly (1 of 6)	603
Figure 1-904	Remove the paper pass assembly (2 of 6)	604
Figure 1-905	Remove the paper pass assembly (3 of 6)	604
Figure 1-906	Remove the paper pass assembly (4 of 6)	605
Figure 1-907	Remove the paper pass assembly (5 of 6)	605
Figure 1-908	Remove the paper pass assembly (6 of 6)	606
Figure 1-909	Remove the knob	608
Figure 1-910	Remove the saddle output bin assembly (1 of 2)	609
Figure 1-911	Remove the saddle output bin assembly (2 of 2)	609
Figure 1-912	Reinstall the saddle output bin assembly	610
Figure 1-913	Remove the right cover assembly (BM PCA; 1 of 7)	611
Figure 1-914	Remove the right cover assembly (BM PCA; 2 of 7)	612
Figure 1-915	Remove the right cover assembly (BM PCA; 3 of 7)	612
Figure 1-916	Remove the right cover assembly (BM PCA; 4 of 7)	613
Figure 1-917	Remove the right cover assembly (BM PCA; 5 of 7)	613
Figure 1-918	Remove the right cover assembly (BM PCA; 6 of 7)	614
Figure 1-919	Remove the right cover assembly (BM PCA; 7 of 7)	614
Figure 1-920	Remove the booklet maker controller PCA	615
Figure 1-921	Remove the inner side plate assembly (1 of 8)	616
Figure 1-922	Remove the inner side plate assembly (2 of 8)	617
Figure 1-923	Remove the inner side plate assembly (3 of 8)	617
Figure 1-924	Remove the inner side plate assembly (4 of 8)	618
Figure 1-925	Remove the inner side plate assembly (5 of 8)	618
Figure 1-926	Remove the inner side plate assembly (6 of 8)	619
Figure 1-927	Remove the inner side plate assembly (7 of 8)	619
Figure 1-928	Remove the inner side plate assembly (8 of 8)	620
Figure 1-929	Inner plate assembly in the up position	620
Figure 1-930	Inner plate assembly in the middle position	621
Figure 1-931	Reinstall the inner side plate assembly (1 of 3)	621
Figure 1-932	Reinstall the inner side plate assembly (2 of 3)	622
Figure 1-933	Reinstall the inner side plate assembly (3 of 3)	622
Figure 1-934	Remove the guide sensor assembly (1 of 4)	623

Figure 1-935	Remove the guide sensor assembly (2 of 4)	623
Figure 1-936	Remove the guide sensor assembly (3 of 4)	624
Figure 1-937	Remove the guide sensor assembly (4 of 4)	624
Figure 1-938	Remove the guide motor assembly (1 of 3)	625
Figure 1-939	Remove the guide motor assembly (2 of 3)	626
Figure 1-940	Remove the guide motor assembly (3 of 3)	626
Figure 1-941	Remove the saddle motor assembly (SS and BM; 1 of 3)	627
Figure 1-942	Remove the saddle motor assembly (SS and BM; 2 of 3)	627
Figure 1-943	Remove the saddle motor assembly (SS and BM; 3 of 3)	628
Figure 1-944	Remove the saddle feed motor assembly (1 of 6)	629
Figure 1-945	Remove the saddle feed motor assembly (2 of 6)	630
Figure 1-946	Remove the saddle feed motor assembly (3 of 6)	630
Figure 1-947	Remove the saddle feed motor assembly (4 of 6)	631
Figure 1-948	Remove the saddle feed motor assembly (5 of 6)	631
Figure 1-949	Remove the saddle feed motor assembly (6 of 6)	632
Figure 1-950	Remove the folding-motor mount assembly (1 of 6)	633
Figure 1-951	Remove the folding-motor mount assembly (2 of 6)	634
Figure 1-952	Remove the folding-motor mount assembly (3 of 6)	634
Figure 1-953	Remove the folding-motor mount assembly (4 of 6)	635
Figure 1-954	Remove the folding-motor mount assembly (5 of 6)	635
Figure 1-955	Remove the folding-motor mount assembly (6 of 6)	636
Figure 1-956	Reinstall the folding-motor mount assembly	637
Figure 1-957	Remove the delivery switch mount assembly (1 of 4)	638
Figure 1-958	Remove the delivery switch mount assembly (2 of 4)	639
Figure 1-959	Remove the delivery switch mount assembly (4 of 4)	639
Figure 1-960	Remove the delivery switch mount assembly (4 of 4)	640
Figure 1-961	Remove the saddle stapler assembly (1 of 3)	641
Figure 1-962	Remove the saddle stapler assembly (2 of 3)	642
Figure 1-963	Remove the saddle stapler assembly (3 of 3)	642
Figure 1-964	Remove the lower left guide assembly (1 of 3)	643
Figure 1-965	Remove the lower left guide assembly (2 of 3)	643
Figure 1-966	Remove the lower left guide assembly (3 of 3)	644
Figure 1-967	Remove the saddle delivery inner cover, front assembly (1 of 3)	645
Figure 1-968	Remove the saddle delivery inner cover, front assembly (2 of 3)	645
Figure 1-969	Remove the saddle delivery inner cover, front assembly (3 of 3)	646
Figure 1-970	Remove the saddle delivery inner cover, rear assembly (1 of 3)	647
Figure 1-971	Remove the saddle delivery inner cover, rear assembly (2 of 3)	647
Figure 1-972	Remove the saddle delivery inner cover, rear assembly (3 of 3)	648
Figure 1-973	Remove the saddle guide assembly (1 of 5)	650
Figure 1-974	Remove the saddle guide assembly (2 of 5)	650
Figure 1-975	Remove the saddle guide assembly (3 of 5)	651

Figure 1-976	Remove the saddle guide assembly (4 of 5)	651
Figure 1-977	Remove the saddle guide assembly (5 of 5)	652
Figure 1-978	Reinstall the saddle guide assembly (1 of 4)	653
Figure 1-979	Reinstall the saddle guide assembly (2 of 4)	653
Figure 1-980	Reinstall the saddle guide assembly (3 of 4)	654
Figure 1-981	Reinstall the saddle guide assembly (4 of 4)	654
Figure 1-982	Remove the saddle feed assembly (1 of 7)	656
Figure 1-983	Remove the saddle feed assembly (2 of 7)	656
Figure 1-984	Remove the saddle feed assembly (3 of 7)	657
Figure 1-985	Remove the saddle feed assembly (4 of 7)	657
Figure 1-986	Remove the saddle feed assembly (5 of 7)	658
Figure 1-987	Remove the saddle feed assembly (6 of 7)	658
Figure 1-988	Remove the saddle feed assembly (7 of 7)	659
Figure 1-989	Reinstall the saddle feed assembly	659
Figure 1-990	Remove the saddle assembly (1 of 13)	661
Figure 1-991	Remove the saddle assembly (2 of 13)	661
Figure 1-992	Remove the saddle assembly (3 of 13)	662
Figure 1-993	Remove the saddle assembly (4 of 13)	662
Figure 1-994	Remove the saddle assembly (5 of 13)	663
Figure 1-995	Remove the saddle assembly (6 of 13)	663
Figure 1-996	Remove the saddle assembly (7 of 13)	664
Figure 1-997	Remove the saddle assembly (8 of 13)	664
Figure 1-998	Remove the saddle assembly (9 of 13)	665
Figure 1-999	Remove the saddle assembly (10 of 13)	665
Figure 1-1000	Remove the saddle assembly (11 of 13)	666
Figure 1-1001	Remove the saddle assembly (12 of 13)	666
Figure 1-1002	Remove the saddle assembly (13 of 13)	667
Figure 1-1003	Reinstall the saddle assembly	668
Figure 1-1004	Remove the upper delivery guide assembly (1 of 3)	669
Figure 1-1005	Remove the upper delivery guide assembly (2 of 3)	670
Figure 1-1006	Remove the upper delivery guide assembly (3 of 3)	670
Figure 1-1007	Remove the saddle paper delivery assembly (1 of 5)	671
Figure 1-1008	Remove the saddle paper delivery assembly (2 of 5)	671
Figure 1-1009	Remove the saddle paper delivery assembly (3 of 5)	672
Figure 1-1010	Remove the saddle paper delivery assembly (4 of 5)	672
Figure 1-1011	Remove the saddle paper delivery assembly (5 of 5)	673
Figure 1-1012	Reinstall the saddle paper delivery assembly	673
Figure 1-1013	Remove the saddle rear end sensor assembly (1 of 10)	675
Figure 1-1014	Remove the saddle rear end sensor assembly (2 of 10)	675
Figure 1-1015	Remove the saddle rear end sensor assembly (3 of 10)	676
Figure 1-1016	Remove the saddle rear end sensor assembly (4 of 10)	677

Figure 1-1017	Remove the saddle rear end sensor assembly (5 of 10)	678
Figure 1-1018	Remove the saddle rear end sensor assembly (6 of 10)	678
Figure 1-1019	Remove the saddle rear end sensor assembly (7 of 10)	679
Figure 1-1020	Remove the saddle rear end sensor assembly (8 of 10)	679
Figure 1-1021	Remove the saddle rear end sensor assembly (9 of 10)	680
Figure 1-1022	Remove the saddle rear end sensor assembly (10 of 10)	680
Figure 1-1023	Reinstall the saddle rear end sensor assembly (1 of 2)	681
Figure 1-1024	Reinstall the saddle rear end sensor assembly (2 of 2)	681
Figure 1-1025	Remove the punch front cover (1 of 2)	682
Figure 1-1026	Remove the punch front cover (2 of 2)	683
Figure 1-1027	Remove the punch lower front cover assembly (1 of 3)	684
Figure 1-1028	Remove the punch lower front cover assembly (2 of 3)	684
Figure 1-1029	Remove the punch lower front cover assembly (3 of 3)	685
Figure 1-1030	Remove the punch rear cover assembly (1 of 2)	686
Figure 1-1031	Remove the punch rear cover assembly (2 of 2)	686
Figure 1-1032	Remove the punch controller PCA assembly	687
Figure 1-1033	Remove the punch waste tray	688
Figure 1-1034	Remove the punch inner cover assembly (1 of 4)	689
Figure 1-1035	Remove the punch inner cover assembly (2 of 4)	689
Figure 1-1036	Remove the punch inner cover assembly (3 of 4)	690
Figure 1-1037	Remove the punch inner cover assembly (4 of 4)	690
Figure 1-1038	Remove the punch top cover (1 of 6)	691
Figure 1-1039	Remove the punch top cover (2 of 6)	691
Figure 1-1040	Remove the punch top cover (3 of 6)	692
Figure 1-1041	Remove the punch top cover (4 of 6)	692
Figure 1-1042	Remove the punch top cover (5 of 6)	693
Figure 1-1043	Remove the punch top cover (6 of 6)	693
Figure 1-1044	Remove the punch hole assembly (1 of 8)	694
Figure 1-1045	Remove the punch hole assembly (2 of 8)	695
Figure 1-1046	Remove the punch hole assembly (3 of 8)	695
Figure 1-1047	Remove the punch hole assembly (4 of 8)	696
Figure 1-1048	Remove the punch hole assembly (5 of 8)	696
Figure 1-1049	Remove the punch hole assembly (6 of 8)	697
Figure 1-1050	Remove the punch hole assembly (7 of 8)	697
Figure 1-1051	Remove the punch hole assembly (8 of 8)	698
Figure 1-1052	Determine the punch hole skew	699
Figure 1-1053	Adjust the punch hole location	700
Figure 1-1054	Correct punch hole alignment	701
Figure 1-1055	Set the punch hole assembly type	702
Figure 1-1056	SW601 punch hole assembly type settings	703
Figure 1-1057	SW601 sensor adjustment settings	703

Figure 1-1058	Set the sensor adjustment values	704
Figure 1-1059	SW601 sensor adjustment settings	704
Figure 1-1060	SW601 sensor adjustment settings	705
Figure 2-1	M855 base product cover locations (1 of 2)	715
Figure 2-2	M855 base product assembly locations (2 of 2)	716
Figure 2-3	M880 base product assembly locations (1 of 2)	718
Figure 2-4	M880 base product assembly locations (2 of 2)	719
Figure 2-5	Stapler/stacker and booklet maker main assemblies	720
Figure 2-6	Stapler/stacker and booklet maker PCA	721
Figure 2-7	Stapler/stacker	722
Figure 2-8	Stapler/stacker with hole puncher external assembly locator	723
Figure 2-9	Staple stacker internal assembly locator	724
Figure 2-10	Staple stacker with hole puncher internal assembly locator	725
Figure 2-11	Staple stacker external assembly locator (door open)	726
Figure 2-12	Staple stacker with hole puncher external assembly locator (door open)	727
Figure 2-13	Booklet maker external assembly locator	728
Figure 2-14	Booklet maker with hole puncher external assembly locator	729
Figure 2-15	Booklet maker internal assembly locator	730
Figure 2-16	Booklet maker with hole puncher internal assembly locator	731
Figure 2-17	Booklet maker external assembly locator (door open)	732
Figure 2-18	Booklet maker with hole puncher external assembly locator (door open)	733
Figure 2-19	IPTU external assembly locator (1 of 3)	734
Figure 2-20	IPTU external assembly locator (2 of 3)	734
Figure 2-21	IPTU external assembly locator (3 of 3)	735
Figure 2-22	IPTU internal assembly locator (1 of 2)	736
Figure 2-23	IPTU internal assembly locator (2 of 2)	736
Figure 2-24	IPTU PCA	737
Figure 2-25	1x500-sheet feeder (1 of 2)	738
Figure 2-26	1x500-sheet feeder (2 of 2)	739
Figure 2-27	3x500-sheet feeder (1 of 2)	740
Figure 2-28	3x500-sheet feeder (2 of 2)	741
Figure 2-29	HCI feeder (1 of 6)	742
Figure 2-30	HCI feeder (2 of 6)	743
Figure 2-31	HCI feeder (3 of 6)	744
Figure 2-32	HCI feeder (4 of 6)	745
Figure 2-33	HCI feeder (5 of 6)	746
Figure 2-34	HCI feeder (6 of 6)	746
Figure 2-35	Document feeder and scanner assemblies (M880)	748
Figure 2-36	Document feeder assemblies (M880, 1 of 2)	750
Figure 2-37	Document feeder assemblies (M880, 2 of 2)	752
Figure 2-38	Scanner assemblies (M880)	754

Figure 2-39	Covers (M855)	756
Figure 2-40	Covers (M880)	758
Figure 2-41	Right door assembly	760
Figure 2-42	Internal components (1 of 6)	762
Figure 2-43	Internal components (2 of 6)	764
Figure 2-44	Internal components (3 of 6)	766
Figure 2-45	Internal components (4 of 6)	768
Figure 2-46	Internal components (5 of 6)	770
Figure 2-47	Internal components (6 of 6)	772
Figure 2-48	Intermediate paper transfer unit (IPTU) assemblies	774
Figure 2-49	1x500-sheet feeder with stand (M855 only) covers	776
Figure 2-50	1x500-sheet feeder with stand components	778
Figure 2-51	3x500-sheet feeder covers	780
Figure 2-52	3x500-sheet feeder components	782
Figure 2-53	HCI feeder covers	784
Figure 2-54	HCI feeder internal components (1 of 2)	786
Figure 2-55	HCI feeder internal components (2 of 2)	788
Figure 2-56	Stapler/stacker covers	790
Figure 2-57	Booklet maker covers	792
Figure 2-58	Finisher main body (1 of 3)	794
Figure 2-59	Finisher main body (2 of 3)	796
Figure 2-60	Finisher main body (3 of 3)	798
Figure 2-61	Stapler/stacker main body	800
Figure 2-62	Booklet maker main body	802
Figure 2-63	Booklet maker saddle assembly (1 of 3)	804
Figure 2-64	Booklet maker saddle assembly (2 of 3)	805
Figure 2-65	Booklet maker saddle assembly (3 of 3)	806

1 Removal and replacement

- [Removal and replacement strategy](#)
- [Customer-self repair assemblies](#)
- [Pickup, feed, and separation rollers and pads](#)
- [Covers and doors](#)
- [Main assemblies](#)
- [Input accessories](#)
- [Intermediate paper transport unit \(IPTU\)](#)
- [Finishing accessories](#)


Removal and replacement strategy


Considerations during removal and replacement

This chapter describes the removal and replacement of field-replaceable units (FRUs) only.

Replacing FRUs is generally the reverse of removal. Notes are included to provide directions for difficult or critical replacement procedures.

HP does not support repairing individual subassemblies or troubleshooting to the PCA component level.

 **WARNING!** Never operate or service the product with the protective cover removed from the laser scanner assembly. The reflected beam, although invisible, can damage your eyes.


 **WARNING!** The sheet-metal parts can have sharp edges. Be careful when handling sheet-metal parts.


 **CAUTION:** 

Some parts are sensitive to electrostatic discharge (ESD). Look for the ESD reminder when removing product parts. Always perform service work at an ESD-protected workstation or mat. If an ESD workstation or mat is not available, ground yourself by touching the sheet-metal chassis *before* touching an ESD-sensitive part.

Protect the ESD-sensitive parts by placing them in ESD pouches when they are out of the product.

CAUTION: Do not bend or fold the flat cables during removal or installation.

 **NOTE:** To install a self-tapping screw, first turn it counterclockwise to align it with the existing thread pattern, and then carefully turn it clockwise to tighten. Do not overtighten. If a self-tapping screw-hole becomes stripped, repair the screw-hole or replace the affected assembly.

 **TIP:** For clarity, some figures in this chapter show assemblies removed that are not required to be removed to service the product (for example, the M880 scanner and document feeder assemblies). The procedures in this manual are correct for your product.

Required tools

- #2 Phillips screwdriver with a magnetic tip and a 152-mm (6-in) shaft length

 **NOTE:** For the best fit, use a JIS #2 Phillips screwdriver for the stapler/stacker.

- Small, flat-blade screwdriver
- Needle-nose pliers
- ESD strap (if one is available)
- Penlight


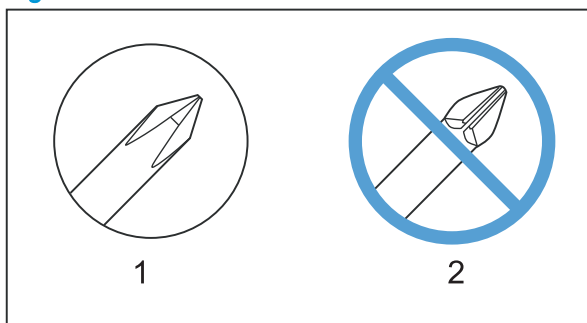

 **CAUTION:** Always use a Phillips screwdriver (callout 1). Do not use a Pozidriv screwdriver (callout 2) or any motorized screwdriver. These can damage screws or screw threads.

Figure 1-1 Screwdrivers



Types of screws

 **WARNING!** Make sure that assemblies are replaced with the correct screw type. Using the incorrect screw (for example, substituting a long screw for the correct shorter screw) can cause damage to the product or interfere with product operation. Do not intermix screws that are removed from one assembly with the screws that are removed from another assembly.

For a complete list of screw types and part numbers, see the Parts chapter in the product repair manual.

Service approach

The products described in this manual use a field repair strategy. Defective parts are diagnosed and replaced at the Field Replaceable Unit (FRU) assembly level. Repair normally begins by using the product internal diagnostics and the following two-step process:

1. Isolate the problem to the major system (for example, the network or server, or the product).
2. Troubleshoot the problem by using the procedures in the troubleshooting manual.

After you locate a faulty part, the product can usually be repaired at the assembly level by replacing FRUs. Some mechanical assemblies might need to be repaired at the subassembly level. Hewlett-Packard Company does not support replacement of components on the printed circuit assemblies.

The user replaces toner cartridges as they are depleted. Additional instructions about other user-replaceable parts are provided in this section.

The product tracks the amount of use on the customer-replaceable supplies by keeping a page count. The product prompts the user to replace certain items when a supply is depleted or a specific number of pages has been printed.

Swapping toner cartridges between products might cause a misrepresentation of supply life values and is not recommended.

Before performing service

⚠ WARNING! Turn the product off, wait 5 seconds, and then remove the power cord before attempting to service the product. *If this warning is not followed, severe injury and damage to the product can result.* The power must be on for certain functional checks during troubleshooting. However, the power supply should be disconnected during parts removal.

1. Remove all paper.
2. Place the product on an ESD mat (if available). If an ESD workstation or mat is not available, ground yourself by touching the sheet-metal chassis *before* touching an ESD-sensitive part.
3. Remove the toner cartridges.
4. Remove the imaging drums.
5. Remove the trays.

After performing service

1. Reinstall the toner cartridges.
2. Reinstall the trays.
3. Reinstall the imaging drums.
4. Return all paper to the trays.
5. Plug in the power cable and turn on the product.
6. Perform print-quality tests by printing from a host computer, the scanner glass, and the document feeder.

Parts removal order

If multiple components must be removed to gain access to an assembly, the first step of the removal procedure lists all of the components that must be removed to gain access to that assembly. Use these lists to determine which parts must be removed before removing other parts.

Supported paper sizes and types

If the product is experiencing assembly failure, use the tables in this section to verify that the customer is using media that meets HP specifications.

- [Supported paper sizes for the input trays and duplexer](#)
- [Supported paper types for the input trays and duplexer](#)
- [Supported paper sizes for the finishing accessories](#)
- [Supported paper types for the finishing accessories](#)

Supported paper sizes for the input trays and duplexer


 **NOTE:** To obtain the best results, select the correct paper size and type in the print driver before printing.

Table 1-1 Supported paper sizes for the input trays and duplexer

Size and dimensions	Tray 1	Tray 2	3x500-sheet trays	3,500-sheet high-capacity trays	Automatic duplex printing
Letter 279 x 216 mm (11 x 8.5 in)	✓	✓	✓	✓	✓
Letter Rotated 216 x 279 mm (8.5 x 11 in)	✓	✓	✓		✓
Legal 216 x 356 mm (8.5 x 14 in)	✓	✓	✓		✓
Executive 267 x 184 mm (10.5 x 7.3 in)	✓	✓	✓		✓
Statement 216 x 140 mm (8.5 x 5.5 in)	✓				
Oficio (8.5 x 13) 216 x 330 mm (8.5 x 13 in)	✓	✓	✓		✓
11 x 17 279 x 432 mm (11 x 17 in)	✓	✓			✓
12 x 18 305 x 457 mm (12 x 18 in)	✓		✓		✓
3 x 5 76 x 127 mm (3 x 5 in)	✓				
4 x 6 101 x 152 mm (4 x 6 in)	✓				
5 x 7 127 x 178 mm (5 x 7 in)	✓				
5 x 8 127 x 203 mm (5 x 8 in)	✓				
A3 297 x 420 mm (11.7 x 16.5 in)	✓	✓	✓		✓
A4 297 x 210 mm (11.7 x 8.3 in)	✓	✓	✓	✓	✓

Table 1-1 Supported paper sizes for the input trays and duplexer (continued)

Size and dimensions	Tray 1	Tray 2	3x500-sheet trays	3,500-sheet high-capacity trays	Automatic duplex printing
A4 Rotated 210 x 297 mm (8.3 x 11.7)	✓	✓	✓		✓
A5 148 x 210 mm (5.8 x 8.3 in)	✓	✓	✓		
A6 105 x 148 mm (4.2 x 5.8 in)	✓				
RA3 305 x 430 mm (12 x 17 in)	✓		✓		✓
RA4 215 x 305 mm (8.5 x 12 in)	✓		✓		✓
SRA3 320 x 450 mm (12.6 x 17.7 in)	✓		✓		✓
SRA4 225 x 320 mm (8.9 x 12.6 in)	✓	✓	✓		✓
B4 (JIS) 257 x 364 mm (10.1 x 14.3 in)	✓	✓	✓		✓
B5 (JIS) 257 x 182 mm (10.1 x 7.2 in)	✓	✓	✓		✓
B6 (JIS) 128 x 182 mm (5.1 x 7.2 in)	✓				
Oficio (216 x 340) 215.9 x 340 mm (8.5 x 13.4 in)	✓	✓	✓		✓
8K 270 x 390 mm 270 x 390 mm (10.6 x 15.4 in)	✓	✓	✓		✓
16K 195 x 270 mm 270 x 195 mm (10.6 x 7.7 in)	✓	✓	✓		✓
8K 260 x 368 mm 260 x 368 mm (10.2 x 14.5 in)	✓	✓	✓		✓
16K 184 x 260 mm 260 x 184 mm (10.2 x 7.2 in)	✓	✓	✓		✓
8K 273 x 394 mm 273 x 394 mm (10.8 x 16 in)	✓	✓	✓		✓

Table 1-1 Supported paper sizes for the input trays and duplexer (continued)

Size and dimensions	Tray 1	Tray 2	3x500-sheet trays	3,500-sheet high-capacity trays	Automatic duplex printing
16K 197 x 273 mm 273 x 197 mm (10.8 x 7.8 in)	✓	✓	✓		✓
D Postcard (JIS) 148 x 200 mm (5.8 x 7.9 in)	✓				
Envelope #9 98 x 225 mm (3.9 x 8.9 in)	✓				
Envelope #10 105 x 241 mm (4.1 x 9.5 in)	✓				
Envelope Monarch 98 x 191 mm (3.9 x 7.5 in)	✓				
Envelope B5 176 x 250 mm (6.9 x 9.8 in)	✓				
Envelope C5 162 x 229 mm (6.4 x 9 in)	✓				
Envelope C6 114 x 162 mm (4.5 x 6.4 in)	✓				
Envelope DL 110 x 220 mm (4.3 x 8.7 in)	✓				
Custom 76 x 127 mm to 320 x 457 mm (3.0 x 5.0 in to 12.6 x 18.0 in)	✓				
Custom 148 x 210 mm to 297 x 432 mm (5.9 x 8.3 in to 11.6 x 17 in)		✓			
Custom 148 x 210 mm to 320 x 457 mm (5.9 x 8.3 in to 12.6 x 18.0 in)			✓		
Custom 175 x 210 mm to 320 x 457 mm (6.9 x 8.3 in to 12.6 x 18.0 in)					✓

Supported paper types for the input trays and duplexer

Tray 1, Tray 2, and the 3x500-sheet trays support several types of paper in the following weight range: 60-220 g/m² (16-58 lb).

The 3,500-sheet high-capacity trays support cut-sheet paper in the following weight range: 60-120 g/m² (16-32 lb).

The automatic duplex printing unit supports paper in the following weight range: 60-220 g/m² (16-58 lb).



NOTE: To obtain the best results, select the correct paper size and type in the print driver before printing.

Table 1-2 Supported paper types

Paper type	Tray 1	Tray 2	3x500-sheet trays	3,500-sheet high-capacity trays	Automatic duplex printing
Cut-sheet paper	✓	✓	✓	✓	✓
Labels	✓	✓	✓		
Transparencies	✓	✓			
Glossy paper	✓	✓			✓
Glossy film	✓	✓			
Photo paper	✓	✓			
Envelopes	✓				

Supported paper sizes for the finishing accessories

 **NOTE:** For paper dimensions, see [Supported paper sizes for the input trays and duplexer on page 5](#)

Table 1-3 Supported paper sizes for the finishing accessories

Size	Stacking (Portrait)	Stacking (Landscape)	Staple (Corner)	Staple (Saddle)	Hole punch 2 holes	Hole punch 3–4 holes	Booklet
Letter		✓	✓	✓	✓	✓	
Letter Short-edge feed	✓		✓	✓	✓		✓
Legal	✓		✓	✓	✓		✓
Executive		✓					
Executive Short-edge feed	✓						
Statement	✓						
Oficio (8.5 x 13)	✓		✓	✓	✓		✓
11 x 17	✓		✓	✓	✓	✓	✓
12 x 18	✓						
3 x 5							
4 x 6	✓						
5 x 7	✓						
5 x 8	✓						
A3	✓		✓	✓	✓	✓	✓
A4		✓	✓	✓	✓	✓	
A4 Short-edge feed	✓		✓	✓	✓		✓
A5	✓	✓					
A6	✓						
RA3	✓						
RA4	✓	✓					
SRA3	✓						
SRA4	✓	✓					
B4 (JIS)	✓		✓	✓			
B5 (JIS)		✓					

Table 1-3 Supported paper sizes for the finishing accessories (continued)

Size	Stacking (Portrait)	Stacking (Landscape)	Staple (Corner)	Staple (Saddle)	Hole punch 2 holes	Hole punch 3–4 holes	Booklet
B5 (JIS) Short-edge feed	✓						
B6 (JIS)	✓						
Oficio (216 x 340)	✓		✓	✓	✓		✓
8K 270 x 390 mm	✓		✓	✓			
16K 195 x 270 mm		✓					
16K 195 x 270 mm Short-edge feed	✓						
8K 260 x 368 mm	✓						
16K 184 x 260 mm		✓					
16K 184 x 260 mm Short-edge feed	✓						
8K 273 x 394 mm	✓		✓				
16K 197 x 273 mm		✓					
16K 197 x 273 mm Short-edge feed	✓						
D Postcard (JIS)	✓	✓					
Envelope #9	✓						
Envelope #10	✓						
Envelope Monarch	✓						
Envelope B5	✓						
Envelope C5	✓						
Envelope C6	✓						

Table 1-3 Supported paper sizes for the finishing accessories (continued)

Size	Stacking (Portrait)	Stacking (Landscape)	Staple (Corner)	Staple (Saddle)	Hole punch 2 holes	Hole punch 3-4 holes	Booklet
Envelope DL	✓						
Custom Dimensions vary	✓	✓					

Supported paper types for the finishing accessories



NOTE: The number of sheets that can be stapled or folded into booklets varies with the thickness and size of the paper. The numbers in the following table indicate the number of sheets supported for each feature.

Pages pass through the hole punch unit one sheet at a time.

Table 1-4 Supported paper types for the finishing accessories

Type	Stacking in bins 1 or 2	Staples, small sheets of paper	Staples, large sheets of paper	Hole punch	Booklets in bin 3 with one cover sheet	Booklets in bin 3 with no cover sheet
Plain	✓	50	30	✓	14	15
HP EcoSMART Lite	✓	50	30	✓	14	15
HP Matte 90g	✓	44	22	✓	9	10
Light 60-74g	✓	50	30	✓	14	15
Bond	✓	50	30	✓	9	10
Recycled	✓	50	30	✓	14	15
Intermediate 85-95g	✓	50	30	✓	5	6
HP Matte 120g	✓	18	11	✓	4	5
HP Soft Gloss 120g	✓	8	8	✓	4	5
HP Glossy 120g	✓	8	8	✓	4	5
Mid-Weight 96-110g	✓	18	11	✓	4	5
Heavy 111-130g	✓	18	9	✓	4	5
Mid-Weight Glossy 96-110g	✓	8	8	✓	4	5
Heavy Glossy 111-130g	✓	8	8	✓	4	5
HP Matte 150g	✓	13	9	✓	2	3
HP Glossy 150g	✓	5	5	✓		
Extra Heavy 131-175g	✓	12	16	✓	2	3
Extra Heavy Glossy 131-175g	✓			✓		
HP Matte 200g	✓			✓		
HP Glossy 200g	✓			✓		
Cardstock 176-220g	✓			✓		
Card Glossy 176-220g	✓			✓		

Table 1-4 Supported paper types for the finishing accessories (continued)

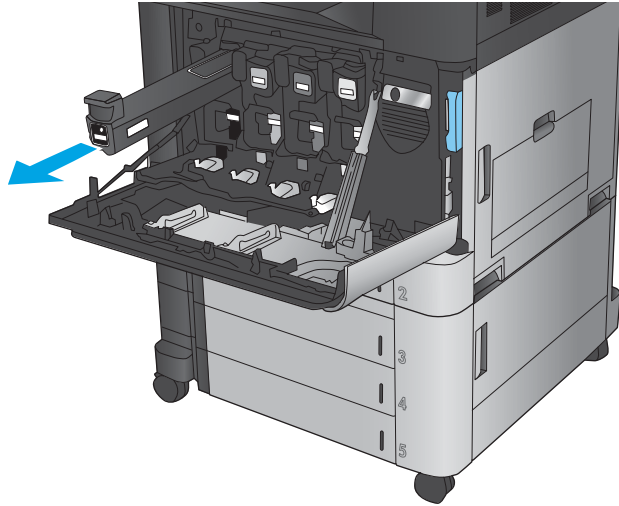
Type	Stacking in bins 1 or 2	Staples, small sheets of paper	Staples, large sheets of paper	Hole punch	Booklets in bin 3 with one cover sheet	Booklets in bin 3 with no cover sheet
Color Transparency	✓					
Labels	✓					
Letterhead	✓	50	30	✓	14	15
Envelope	✓					
Heavy Envelope	✓					
Preprinted	✓	50	30	✓	14	15
Prepunched	✓	50	30			
Colored	✓	50	30	✓	14	15
Rough	✓	50	30	✓	9	10
Heavy Rough	✓	18	11	✓	5	6

Customer-self repair assemblies

Toner cartridge

1. Open the front door.
2. Grasp the handle of the toner cartridge, and then pull out to remove it.

Figure 1-2 Remove the toner cartridge

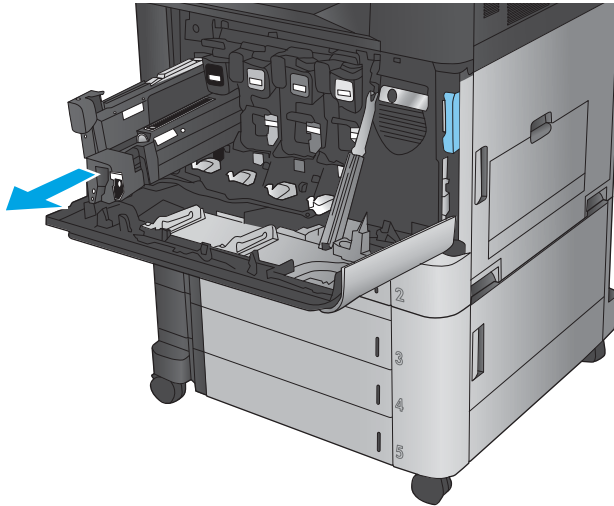


Imaging drum

1. Open the front door.
2. Grasp the handle at the front of the imaging drum, and then slide it out until the blue handle on the top is visible. Grasp the blue handle on the top, and then slide the imaging drum all the way out to remove it.

⚠ CAUTION: Do not touch or scratch the green cylinder on the bottom of the drum. While the imaging drum is out of the product, cover the green cylinder with paper to protect it from light exposure.

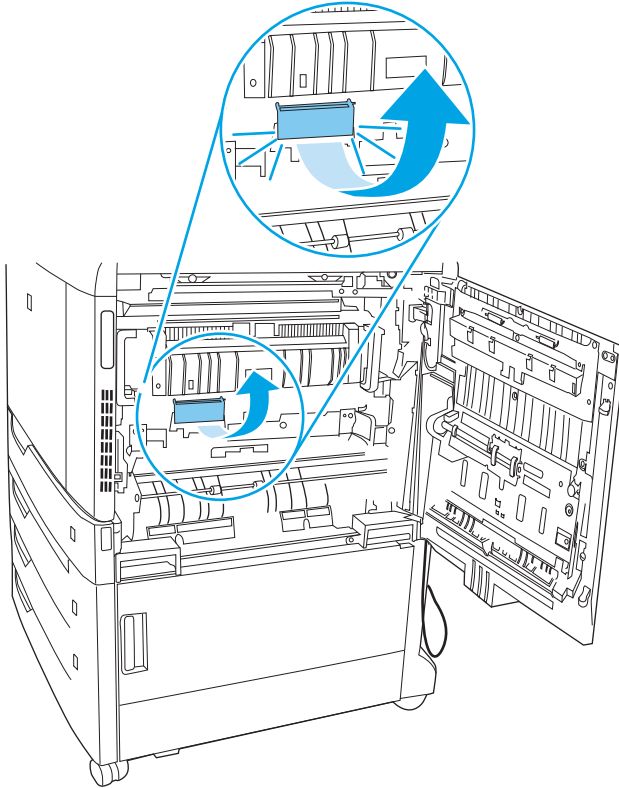
Figure 1-3 Remove the image drum



Secondary transfer roller

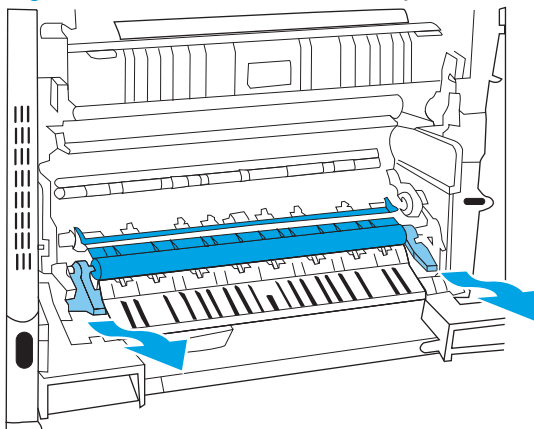
1. Open the right door.
2. Lift the green handle on the transfer assembly, and then open the panel.

Figure 1-4 Remove the secondary transfer roller (1 of 2)



3. Remove the secondary transfer roller.

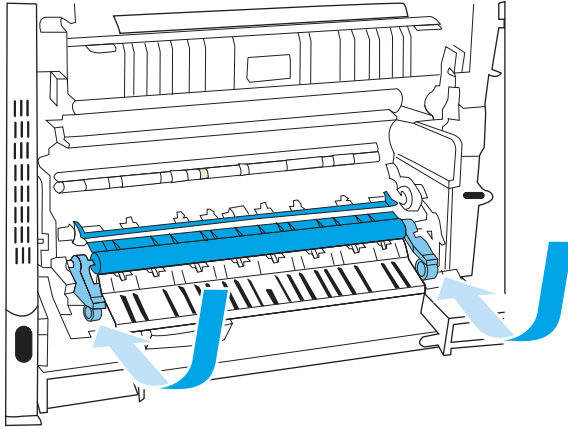
Figure 1-5 Remove the secondary transfer roller (2 of 2)



Reinstall the secondary transfer roller

Align the secondary transfer roller with the slots in the product, and then push until it clicks into place.

Figure 1-6 Reinstall the secondary transfer roller



Tray 2, 1x500 Tray 3, 3x500 Tray 3, 3x500 Tray 4, and 3x500 Tray 5

Slide the tray open until it stops, and then lift up on the front of the tray to release it. Remove the tray.


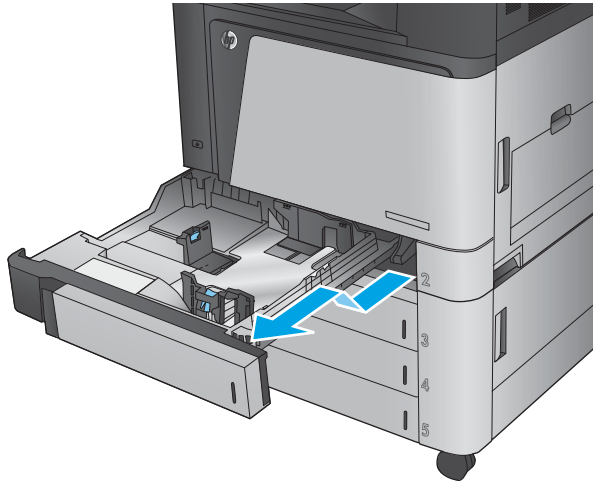
 **NOTE:** Tray 2 is shown below. The procedure is the same for the 1x500 Tray 3, 3x500 Tray 3, 3x500 Tray 4, and 3x500 Tray 5.

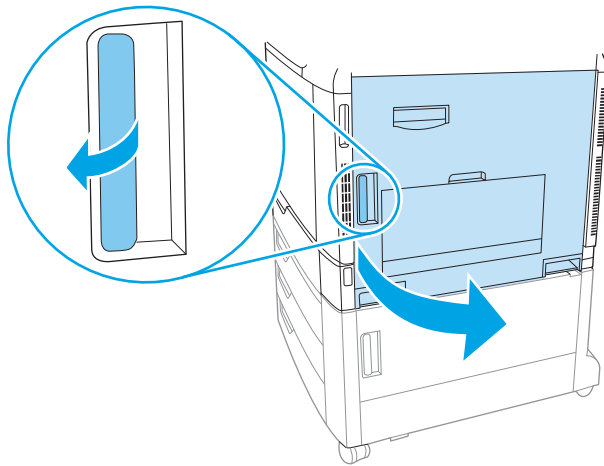
Figure 1-7 Remove Tray 2, 1x500 Tray 3, 3x500 Tray 3, 3x500 Tray 4, and 3x500 Tray 5



Intermediate transfer belt (ITB)

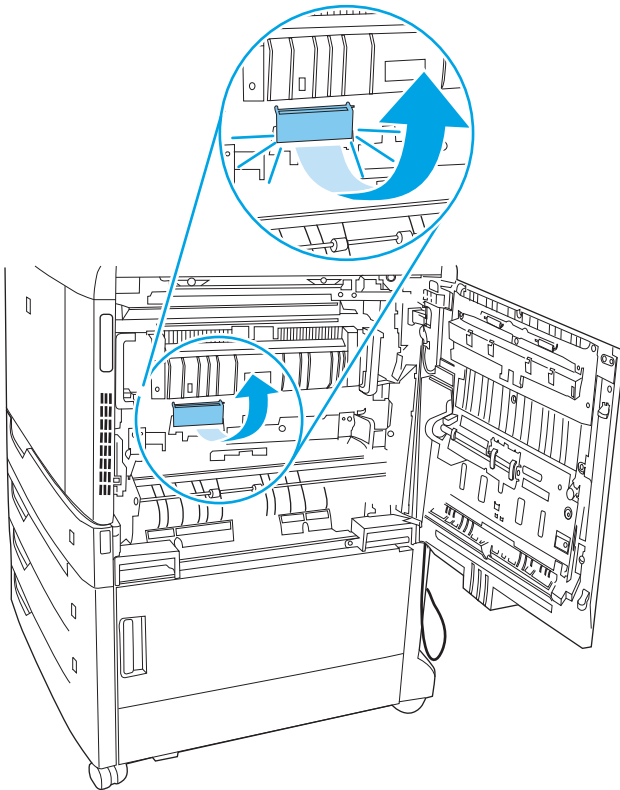
1. Open the right door.

Figure 1-8 Remove the ITB (1 of 4)



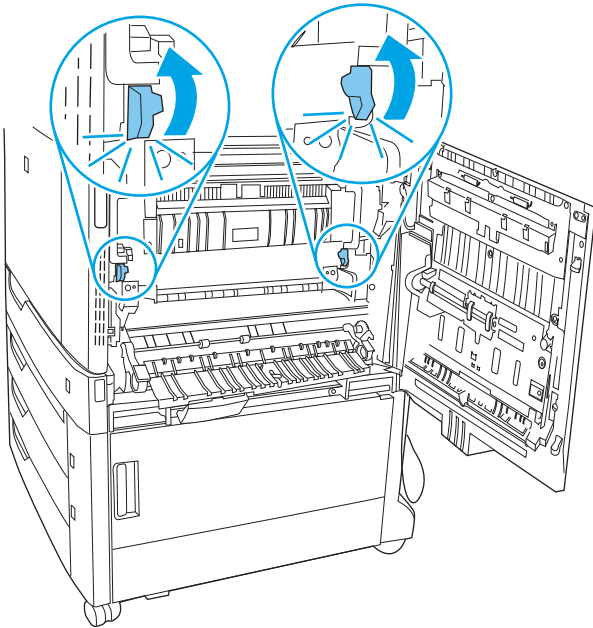
2. Lift the green handle on the transfer assembly, and then open the panel.

Figure 1-9 Remove the ITB (2 of 4)



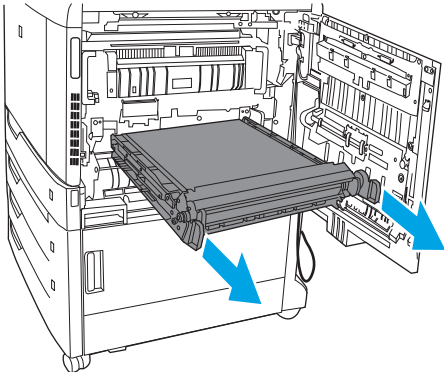
3. Raise the ITB levers.

Figure 1-10 Remove the ITB (3 of 4)



4. Remove the ITB.

Figure 1-11 Remove the ITB (4 of 4)

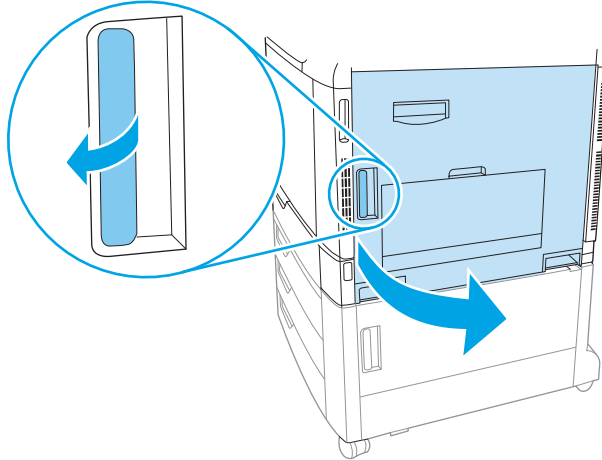


Fuser

⚠ WARNING! The fuser might be hot.

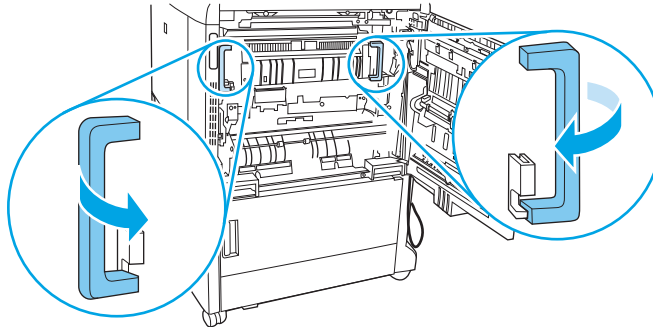
1. Open the right door.

Figure 1-12 Remove the fuser (1 of 3)



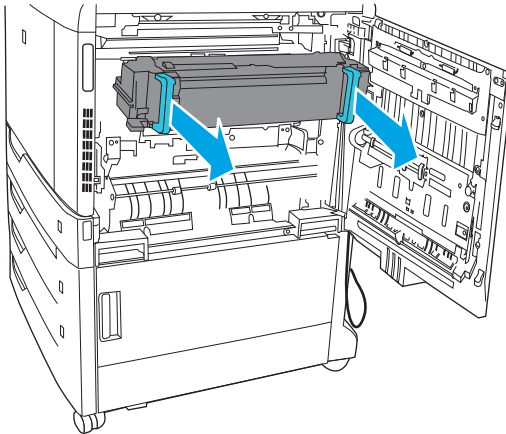
2. Rotate the two blue fuser handles toward the center of the fuser as shown below.

Figure 1-13 Remove the fuser (2 of 3)



3. Grasp the handles and slide the fuser toward the right door to remove it.

Figure 1-14 Remove the fuser (3 of 3)

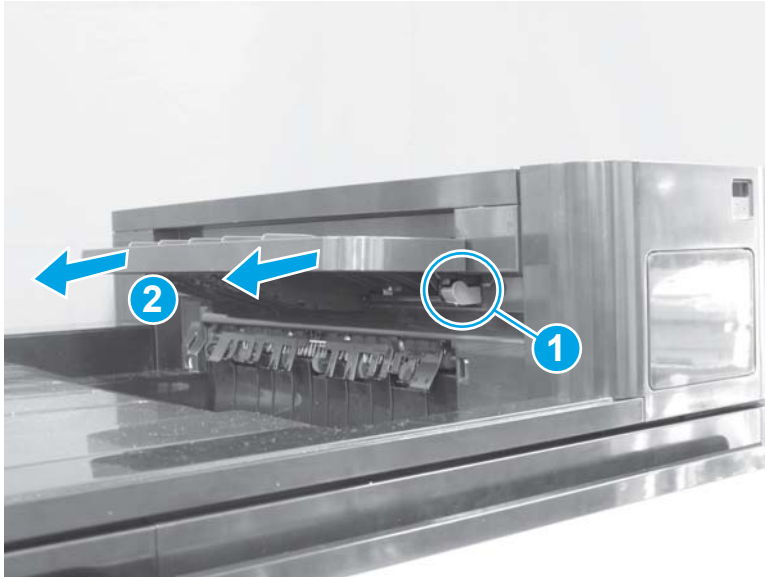


Switch back tray

Press and hold one button (callout 1) while pulling the switch back tray away from the product (callout 2) to remove it.

 **NOTE:** The M855 is shown below. The procedure is the same for the M880.

Figure 1-15 Remove the switch back tray



Formatter

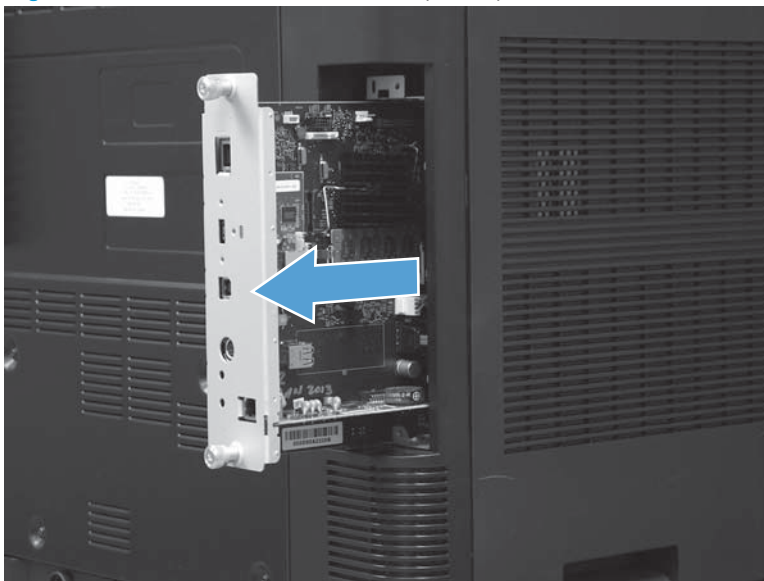
1. Loosen two screws.

Figure 1-16 Remove the formatter (1 of 2)




2. Grasp the screws, and then slide the formatter out of the product.

Figure 1-17 Remove the formatter (2 of 2)



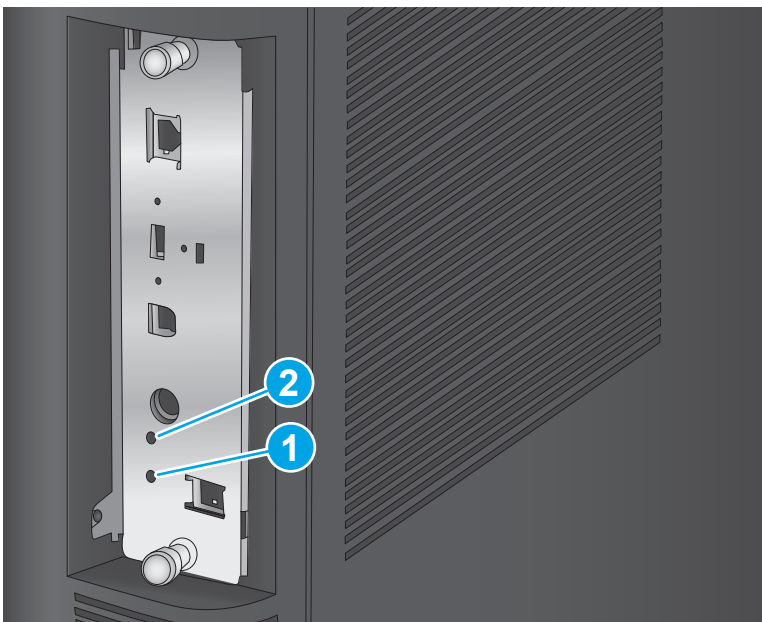
Reinstall the formatter or install a replacement formatter

1. Remove the following components from the existing formatter, and then reinstall them on the replacement formatter.

 **NOTE:** Not all of these components will be installed on the formatter---which components are installed depends on the product configuration. Identify the installed components, remove those components, and then install them on the replacement formatter.

- Hard-disk drive. See [Remove the HDD on page 26](#).
 - Solid-state memory. See [Remove the SSM on page 28](#).
 - Memory DIMM. See [Memory DIMM on page 32](#).
 - Fax PCA. See [Fax PCA \(M880\) on page 35](#).
2. Make sure that the formatter is seated completely when reinstalling it. To verify that the formatter is correctly installed, use the power switch to turn on the product power, and then observe the following functions of the LEDs on the formatter.
 - The heartbeat LED (callout 1) illuminates if the formatter is completely seated.
 - The connectivity LED (callout 2) indicates that the formatter is functioning correctly.
 - While the product is initializing, the connectivity LED rapidly blinks, and then turns off.
 - After the initialization sequence is complete, the connectivity LED slowly blinks continuously.

If the LEDs do not function correctly, see the LED diagnostics section in the product troubleshooting manual.



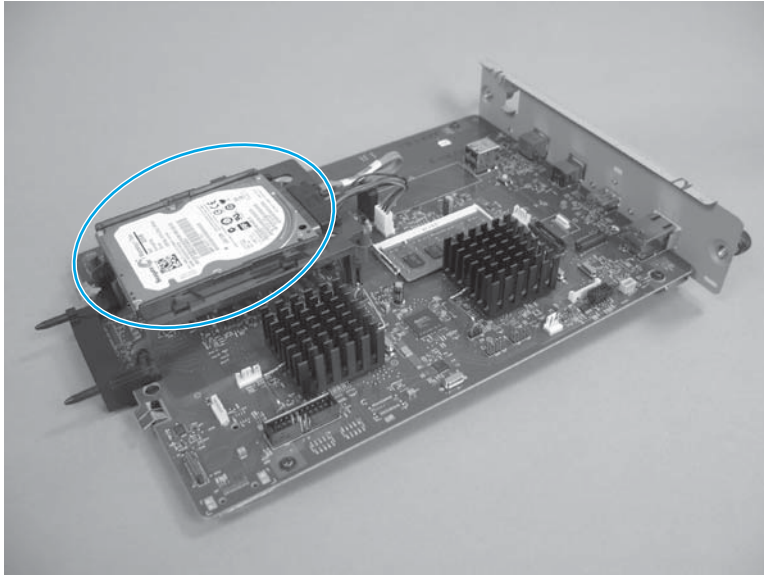
Hard-disk drive (HDD) or solid-state memory (SSM)

Before proceeding, remove the following assemblies:

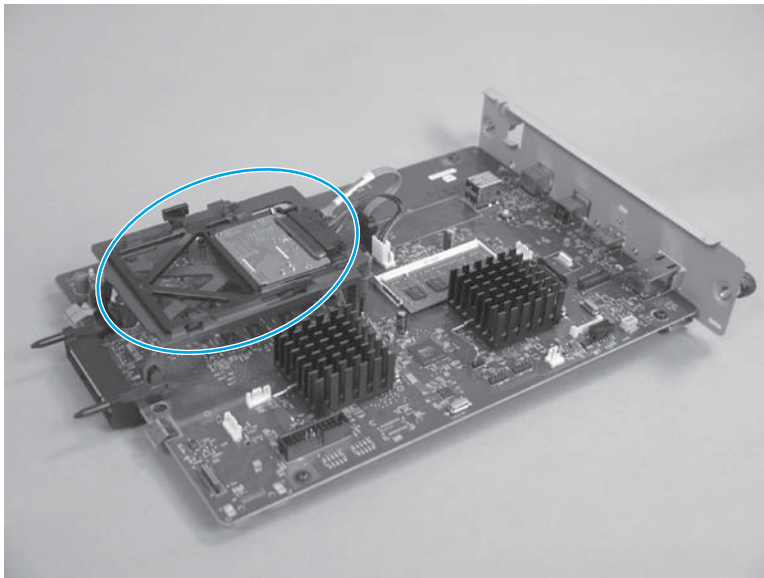
- Formatter. See [Formatter on page 23](#).

Identify the storage device

- Hard-disk drive (HDD). See [Remove the HDD on page 26](#).



- Solid-state memory (SSM). See [Remove the SSM on page 28](#).



Remove the HDD

 **CAUTION:**  ESD sensitive assembly.

1. Disconnect two connectors (callout 1).


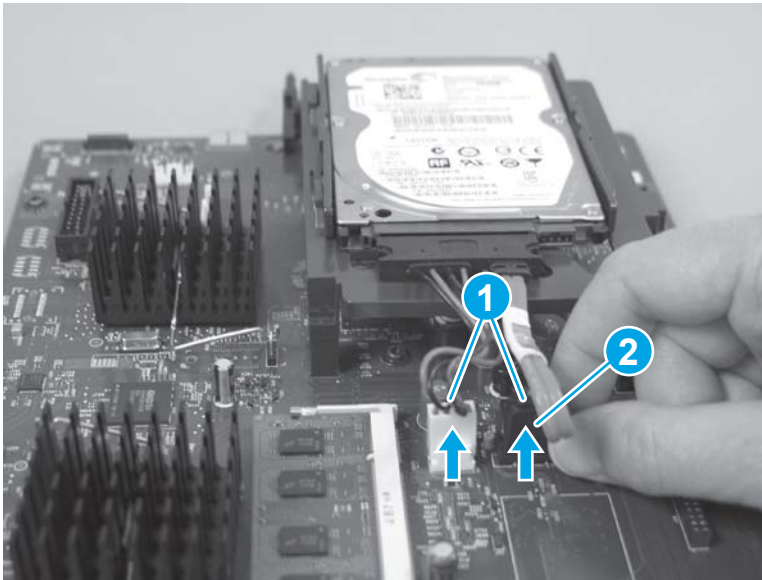
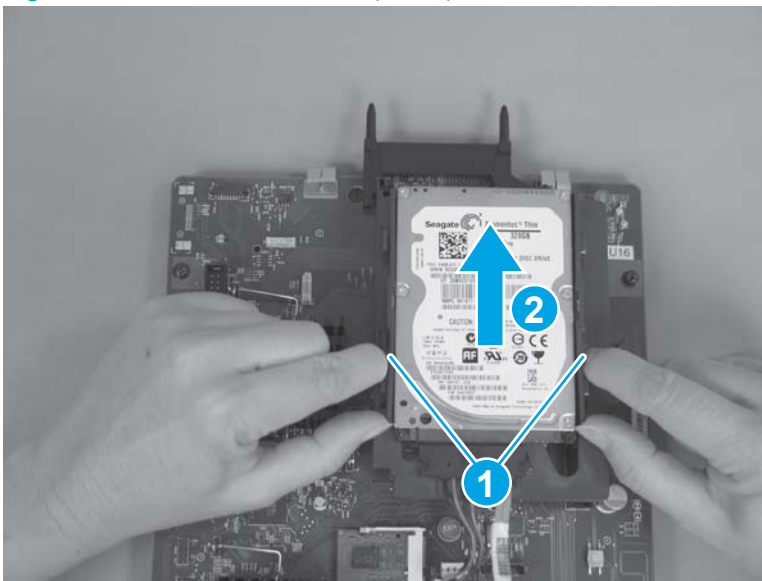
 **CAUTION:** To disconnect the black connector (callout 2), grasp the connector and pull upward. Do not pull on the cable to disconnect the connector.

Figure 1-18 Remove the HDD (1 of 2)



2. Release two tabs (callout 1), and then slide the HDD out and away from the plastic mounting bracket (callout 2) to remove it.

Figure 1-19 Remove the HDD (2 of 2)



Reinstall the HDD



NOTE: If you are installing a replacement drive, you must reinstall the product firmware. See [Reinstall the product firmware on page 30](#).

Remove the SSM

 **CAUTION:**  ESD sensitive assembly.

1. Disconnect two connectors (callout 1).


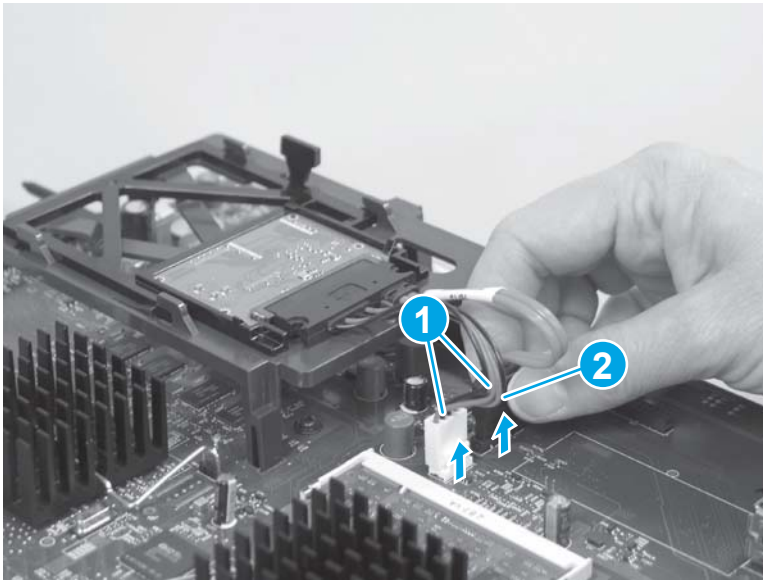
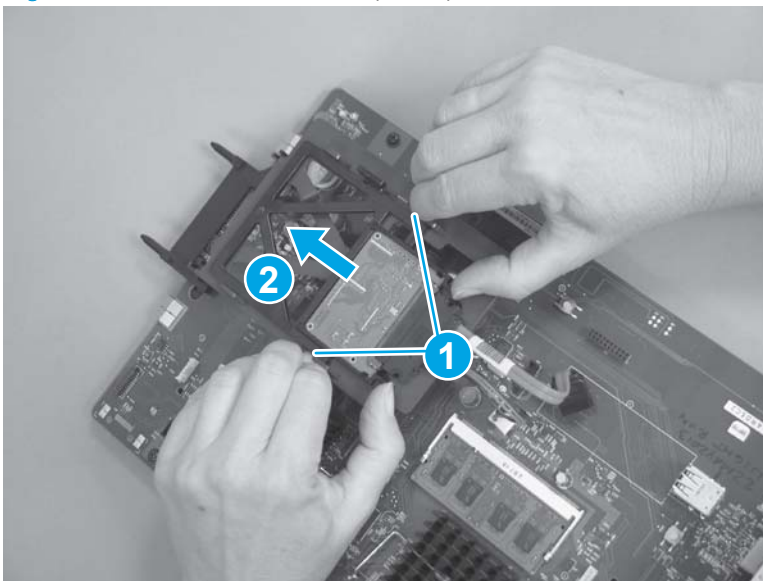
 **CAUTION:** To disconnect the black connector (callout 2), grasp the connector and pull upward. Do not pull on the cable to disconnect the connector.

Figure 1-20 Remove the SSM (1 of 2)




2. Release two tabs (callout 1), and then slide the solid state memory out and away from the plastic mounting bracket (callout 2) to remove it.


Figure 1-21 Remove the SSM (2 of 2)



Reinstall the SSM

 **NOTE:** If you are installing a replacement SSM, you must reinstall the product firmware. See [Reinstall the product firmware on page 30](#).

Reinstall the product firmware

 **NOTE:** If you are installing a replacement HDD or SSM, use the procedure below to reinstall the product firmware on the replacement drive.

If you are removing the HDD or SSM so that it can be installed on a replacement formatter, you can skip this procedure.

1. Locate the product support Web site.
 - **In the US:**
 - Go to www.hp.com/support/colorljM855 or www.hp.com/support/colorljflowMFPM880.
 - **Outside the US:**
 - Go to <http://www.hp.com/support>
 - Select your country/region.
 - Select **Product Support & Troubleshooting**
 - Enter the product name, and then select **Search**.
2. Select **Drivers, Software, and Firmware**, and then select **Cross operating system (BIOS, Firmware, Diagnostics, etc.)**.
3. Locate the firmware download, and then select **Download**.
4. Copy the firmware upgrade file to the root directory of a USB flash drive. The firmware upgrade file has a `.bd1` extension.
5. Insert the USB flash drive into the USB port on the product control panel.
6. The following message displays on the control panel: **Error: 99.09.63 Incorrect Disk**. Touch the **OK** button to continue.
7. Wait for the **Pre-Boot** menu to appear on the control panel display, and then touch the down arrow ▼ button to scroll to **3 Administrator**. Touch the **OK** button to select it.
8. Touch the down arrow ▼ button to scroll to **6 Manage Disk**. Touch the **OK** button to select it.
9. Touch the down arrow ▼ button to scroll to **4 Clear Disk PWD**. Touch the **OK** button to select it.
10. The message **Proceed with Requested Action** displays. Touch the **OK** button to select it.
11. Touch the back ↵ button to return to the **Pre-Boot** menu home screen.
12. Touch the down arrow ▼ button to scroll to **3 Administrator**. Touch the **OK** button to select it.
13. Touch the down arrow ▼ button to scroll to **1 Download**. Touch the **OK** button to select it.
14. Touch the down arrow ▼ button to scroll to **3 USB Thumbdrive**. Touch the **OK** button to select it.
15. Touch the down arrow ▼ button to scroll to the firmware upgrade file that you downloaded in step 4. Touch the **OK** button to select it.

 **NOTE:** If no `.bd1` files are listed, try saving the file to a different USB flash drive.

16. Wait while the file transfers. When the transfer is complete, the message **Complete** displays on the screen.
17. Turn the product off, remove the USB flash drive, and then turn the product on. Wait for several minutes while the product initializes.

Memory DIMM

Before proceeding, remove the following assemblies:

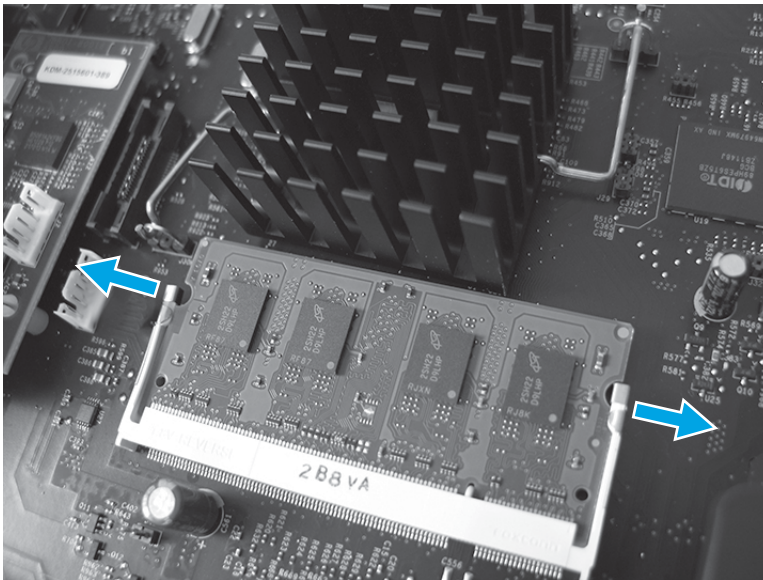
- Formatter. See [Formatter on page 23](#).

Remove the memory DIMM

 **CAUTION:**  ESD sensitive assembly.

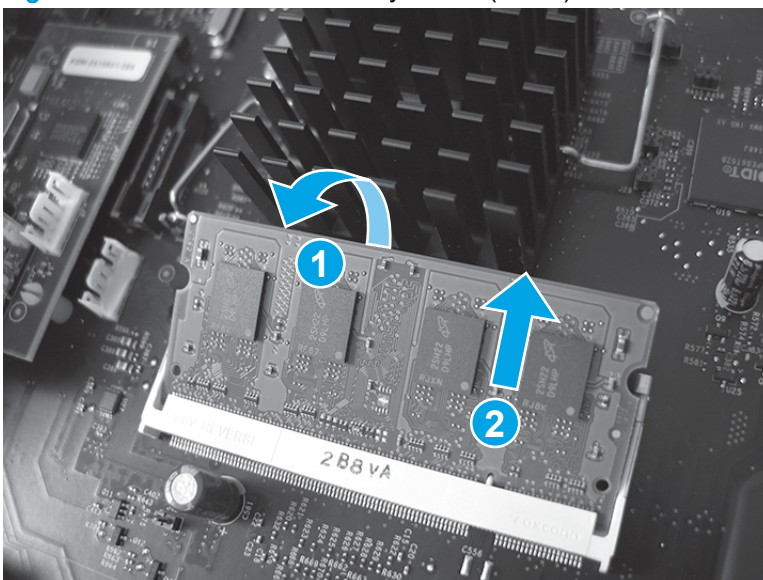
1. Release two clips.

Figure 1-22 Remove the memory DIMM (1 of 2)



2. Rotate the DIMM upward (callout 1), and then remove it (callout 2).

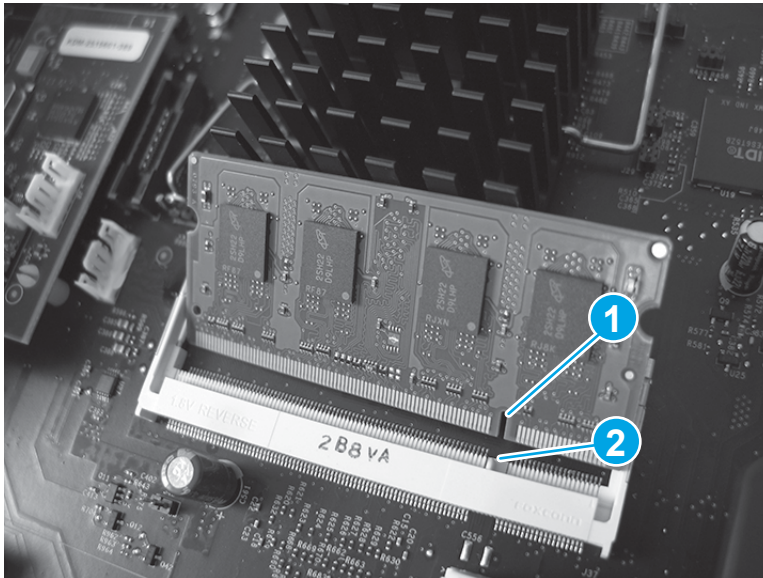
Figure 1-23 Remove the memory DIMM (2 of 2)



Reinstall the memory DIMM

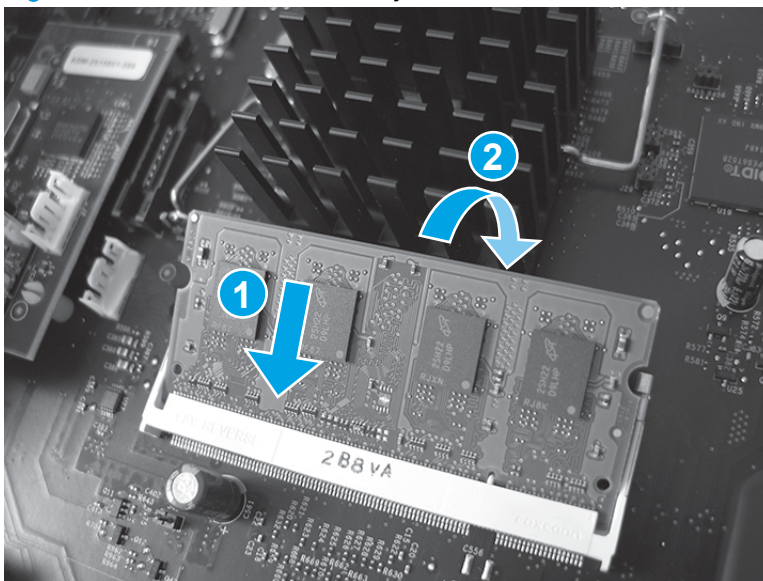
1. Align the notch (callout 1) on the DIMM with the tab (callout 2) on the connector.

Figure 1-24 Reinstall the memory DIMM



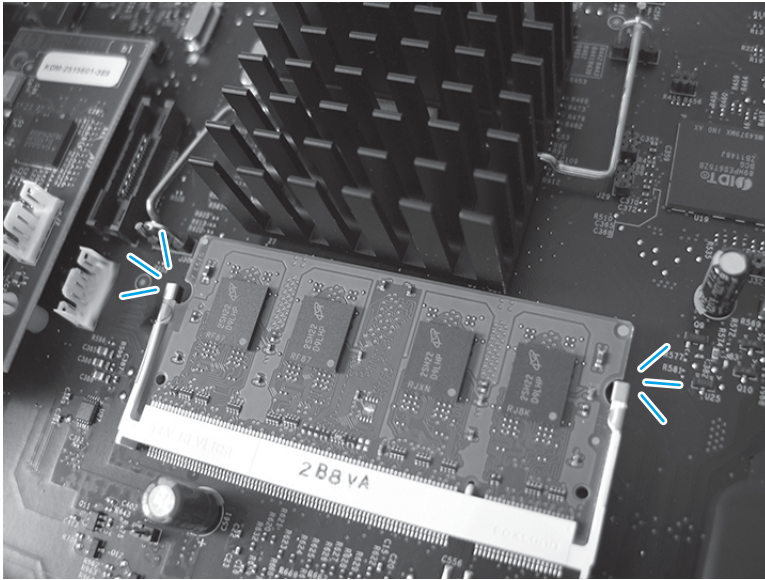
2. Slide the DIMM into the connector (callout 1), and then rotate the DIMM down, toward the formatter. (callout 2).

Figure 1-25 Reinstall the memory DIMM



3. Make sure that the memory DIMM snaps into the holder.

Figure 1-26 Reinstall the memory DIMM



Fax PCA (M880)

Before proceeding, remove the following assemblies:

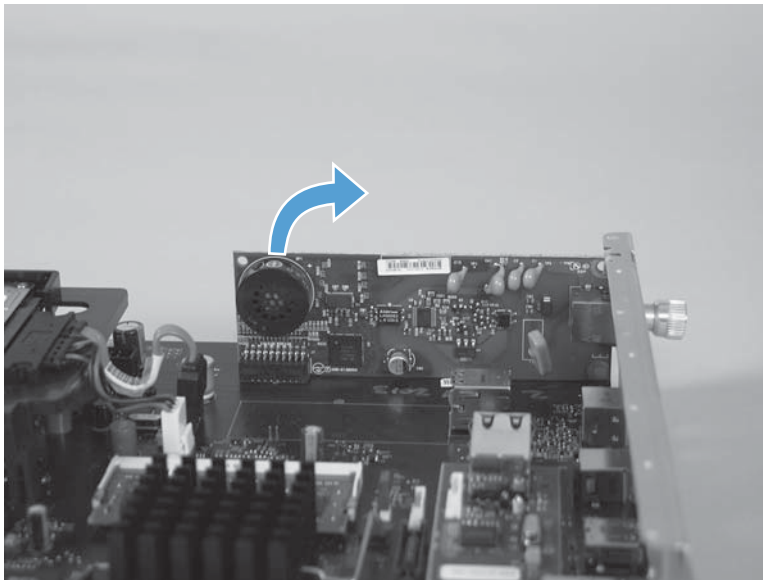
- Formatter. See [Formatter on page 23](#).

Remove the fax PCA (M880)

 **CAUTION:**  ESD sensitive assembly.

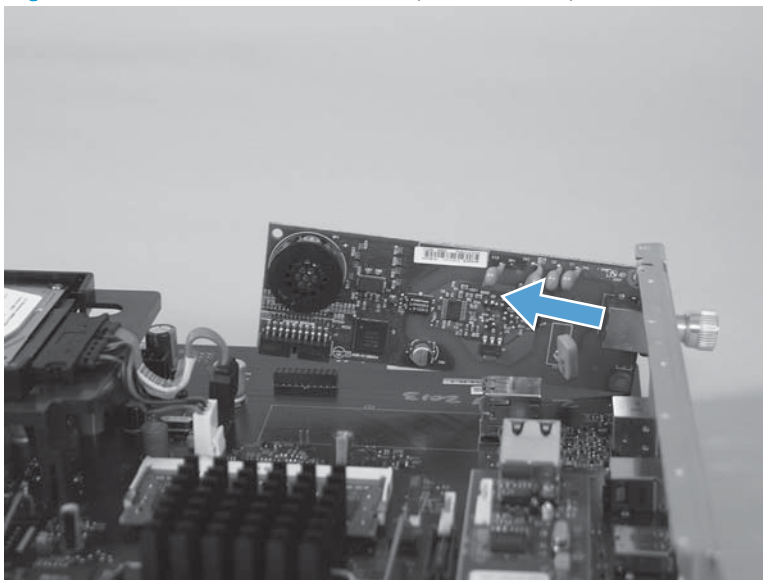
1. Rotate the connector end of the fax PCA up and away from the formatter to release it.

Figure 1-27 Remove the fax PCA (M880; 1 of 2)



2. Carefully remove the fax PCA from the formatter bracket.

Figure 1-28 Remove the fax PCA (M880; 2 of 2)



Document feeder mylar strip (M880)

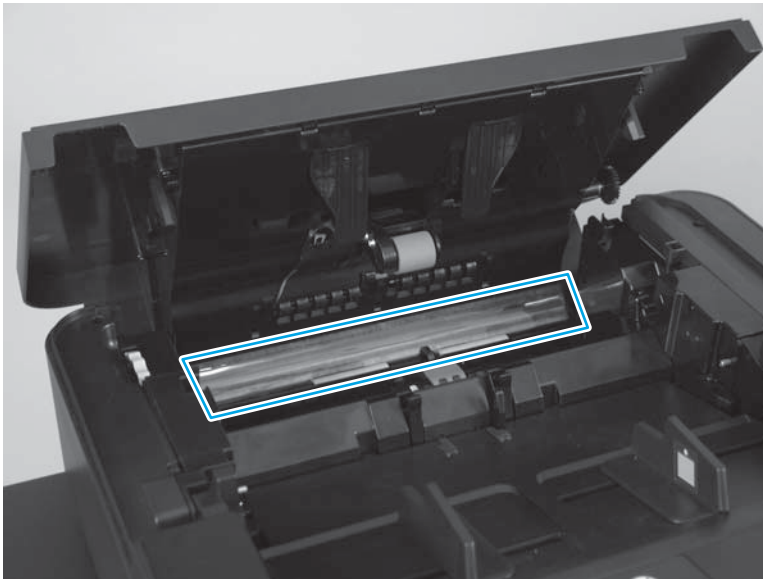
1. Open the document feeder cover.

Figure 1-29 Remove the document feeder mylar strip (M880; 1 of 4)



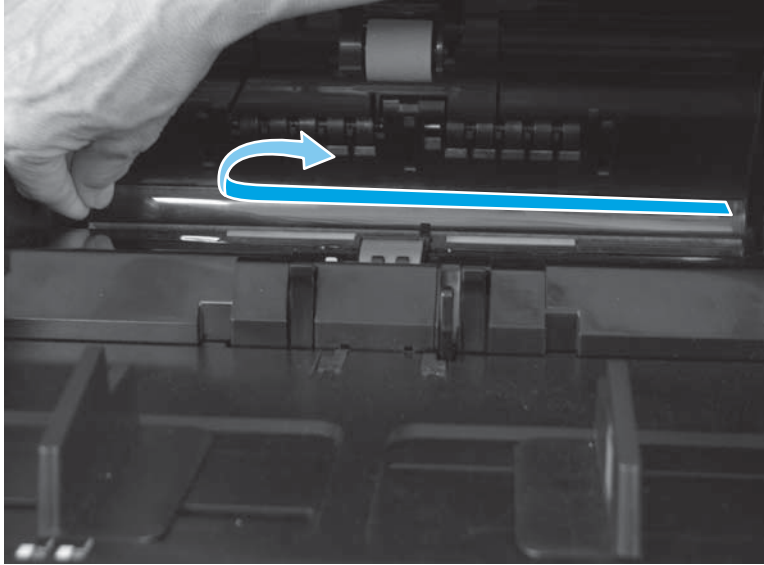
2. Locate the mylar strip.

Figure 1-30 Remove the document feeder mylar strip (M880; 2 of 4)



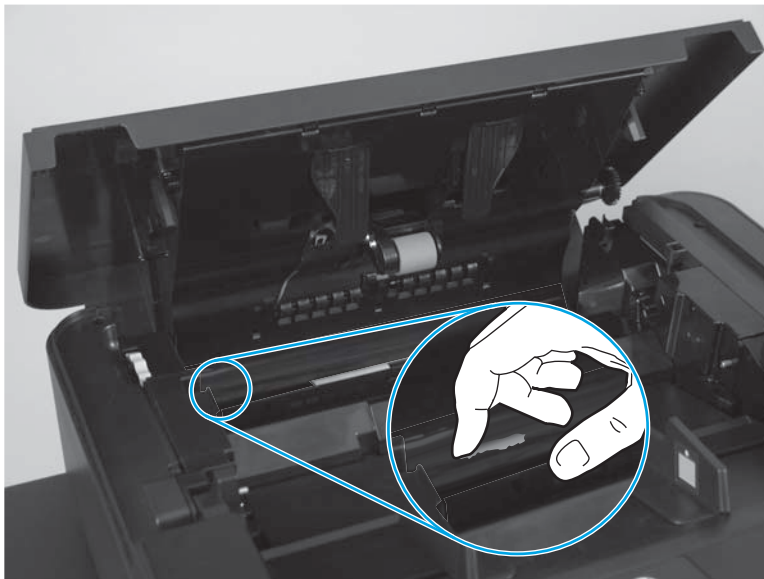
3. Carefully remove the mylar strip.

Figure 1-31 Remove the document feeder mylar strip (M880; 3 of 4)



4. Use your finger to remove any adhesive that remains after removing the mylar strip.

Figure 1-32 Remove the document feeder mylar strip (M880; 4 of 4)



Install a replacement document feeder mylar strip (M880)

Use the following guidelines when you install the replacement mylar strip:

1. Skin oils on the mylar strip can cause paper pickup problems. Wash your hands before handling the replacement mylar strip.
2. When handling the replacement mylar strip, do not touch the adhesive portion of the strip.

3. Position the replacement mylar strip as shown, with the rounded corners on the strip facing the document tray.


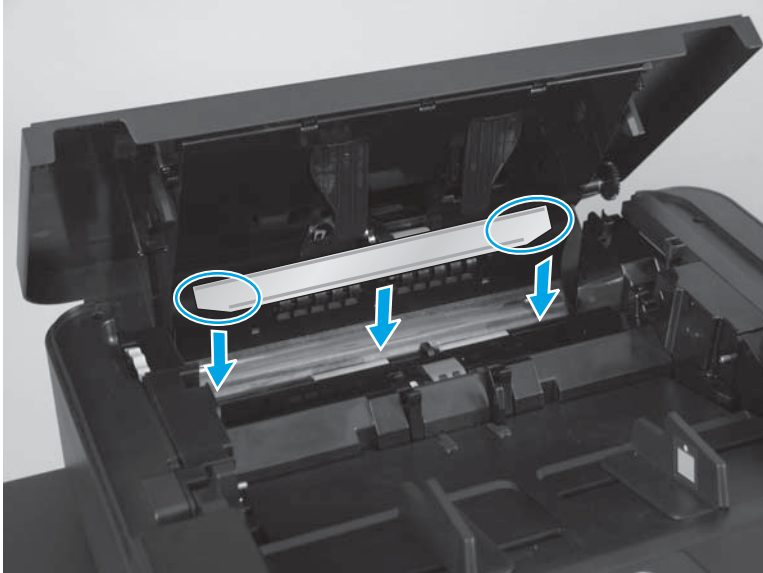
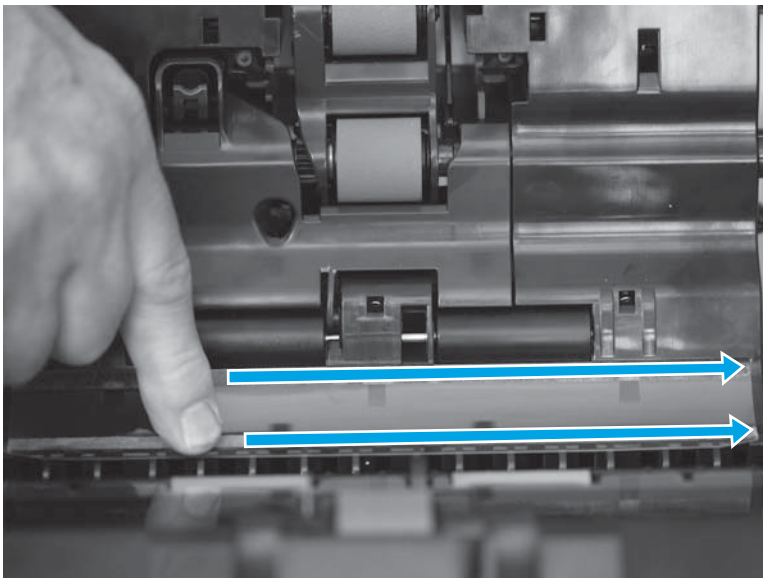
 **NOTE:** Make sure that the adhesive side of the guide is face down.

Figure 1-33 Install a replacement document feeder mylar strip (M880; 1 of 2)



4. Press down firmly on the strip to adhere it to the product.

Figure 1-34 Install a replacement document feeder mylar strip (M880; 2 of 2)



Document feeder white backing (M880)

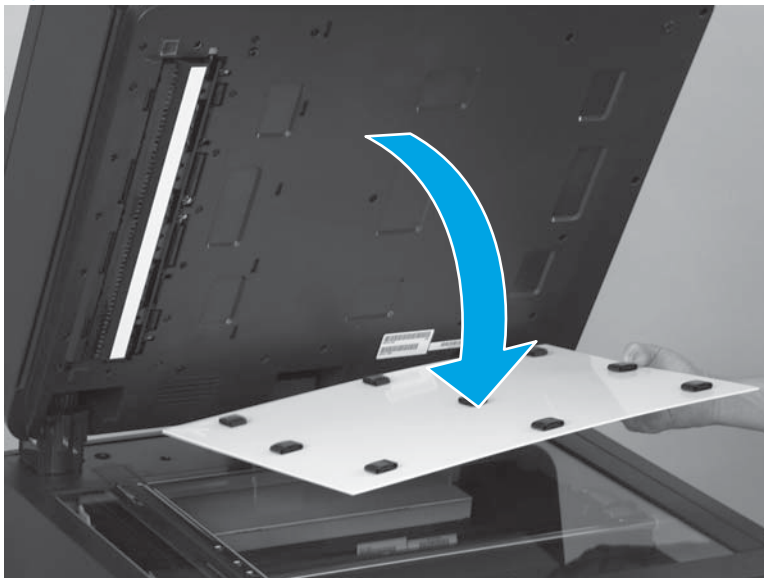
1. Open the document feeder.

Figure 1-35 Remove the document feeder white backing (M880; 1 of 3)



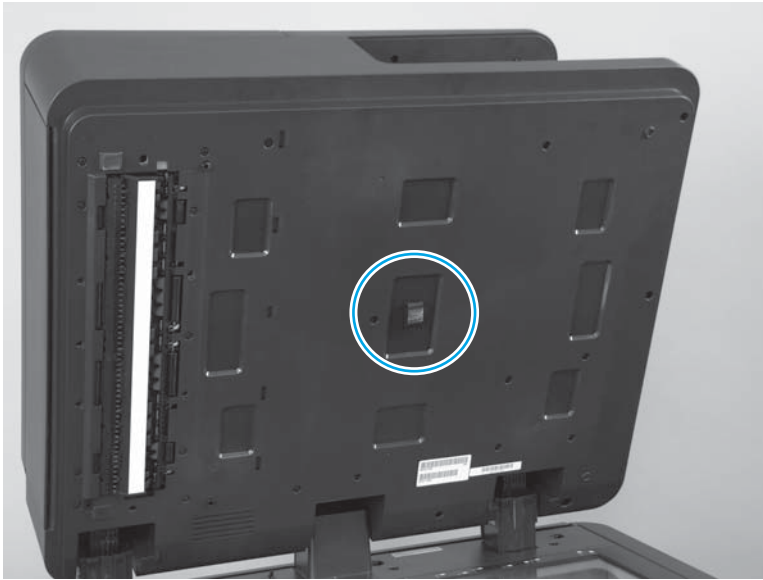
2. Carefully remove the white backing.

Figure 1-36 Remove the document feeder white backing (M880; 2 of 3)



3. Remove any rubber stoppers that might still be attached to the document feeder.

Figure 1-37 Remove the document feeder white backing (M880; 3 of 3)

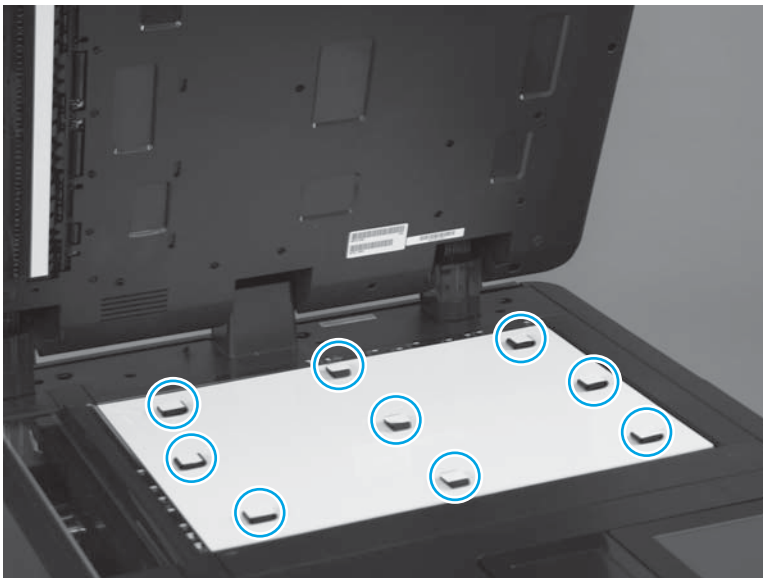


Install a replacement document feeder white backing (M880)

1. Position the replacement white backing on the scanner glass. Carefully remove the protective backing from the rubber stoppers.

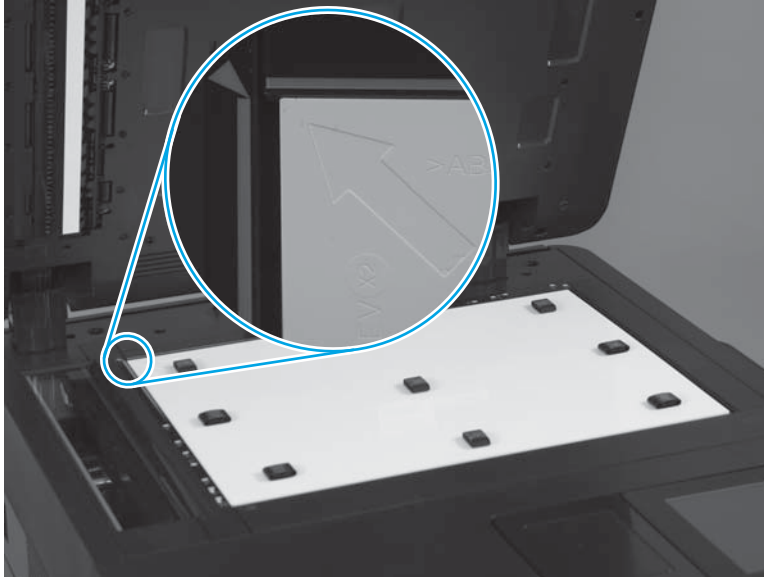
⚠ CAUTION: Do not touch the exposed adhesive.

Figure 1-38 Install a replacement document feeder white backing (M880; 1 of 6)



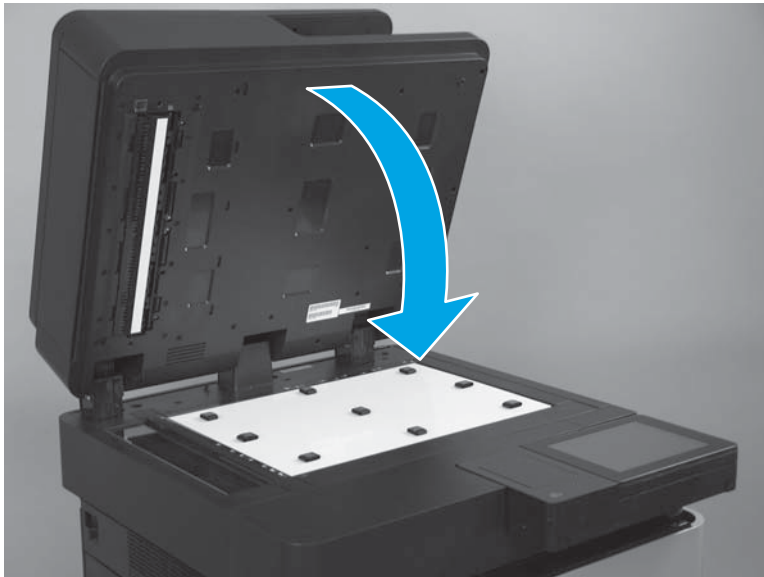
2. Make sure that the arrow on the replacement white backing is positioned in the upper-left corner of the scanner glass.

Figure 1-39 Install a replacement document feeder white backing (M880; 2 of 6)



3. Completely close the document feeder.

Figure 1-40 Install a replacement document feeder white backing (M880; 3 of 6)



4. Firmly push down on the four corners of the document feeder to adhere the white backing to the document feeder.

Figure 1-41 Install a replacement document feeder white backing (M880; 4 of 6)



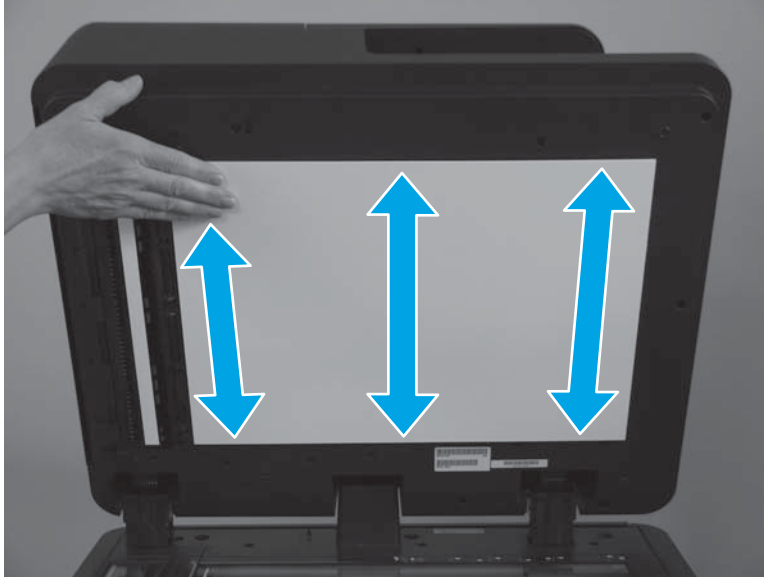
5. Carefully open the document feeder.

Figure 1-42 Install a replacement document feeder white backing (M880; 5 of 6)



6. Firmly press on the white backing over the areas shown below to make sure that the rubber stoppers are completely adhered to the document feeder.

Figure 1-43 Install a replacement document feeder white backing (M880; 6 of 6)



Background selector (M880)

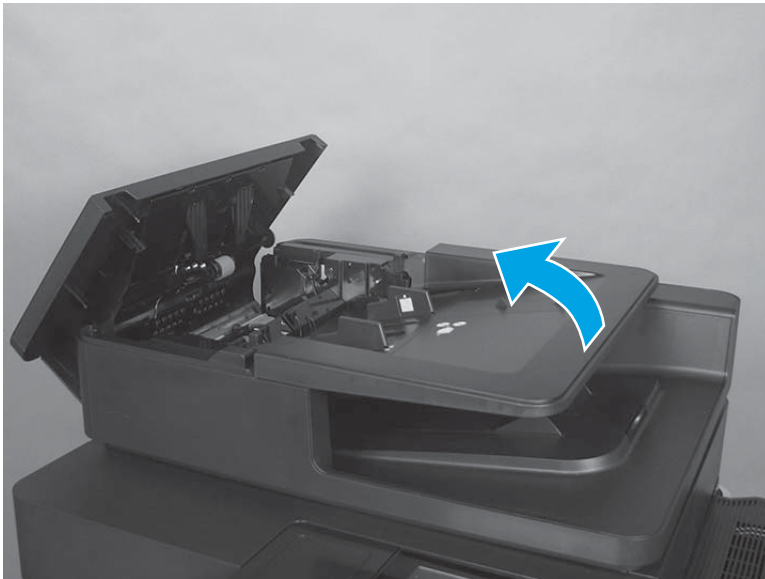
1. Open the document-feeder door.

Figure 1-44 Remove the background selector (M880; 1 of 4)



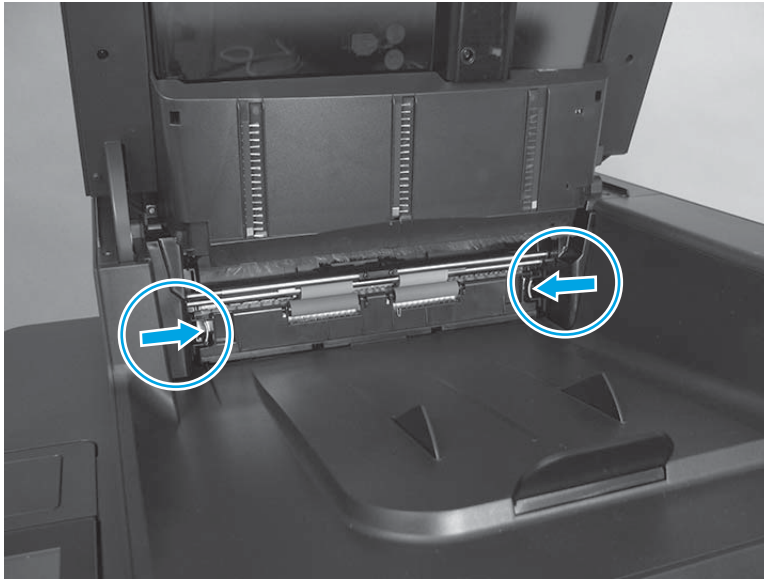
2. Rotate the input tray up.

Figure 1-45 Remove the background selector (M880; 2 of 4)



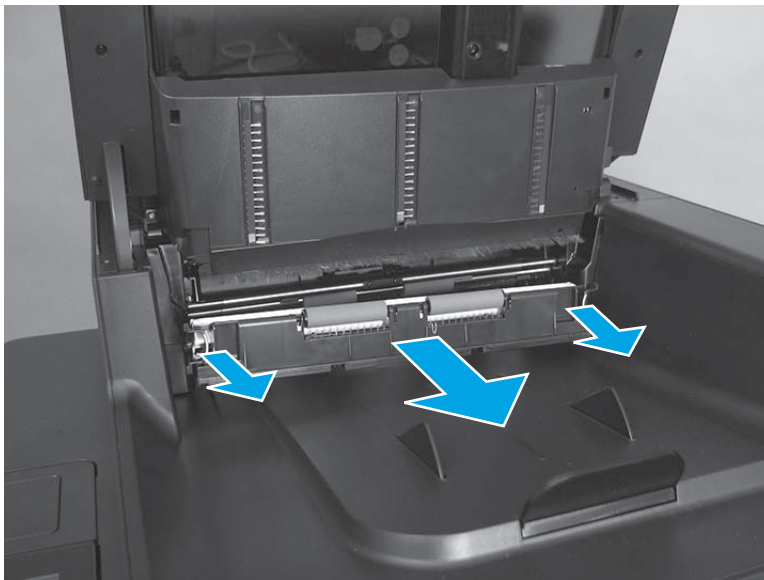
3. Release two tabs.

Figure 1-46 Remove the background selector (M880; 3 of 4)



4. Slide the background selector away from the product to remove it.

Figure 1-47 Remove the background selector (M880; 4 of 4)

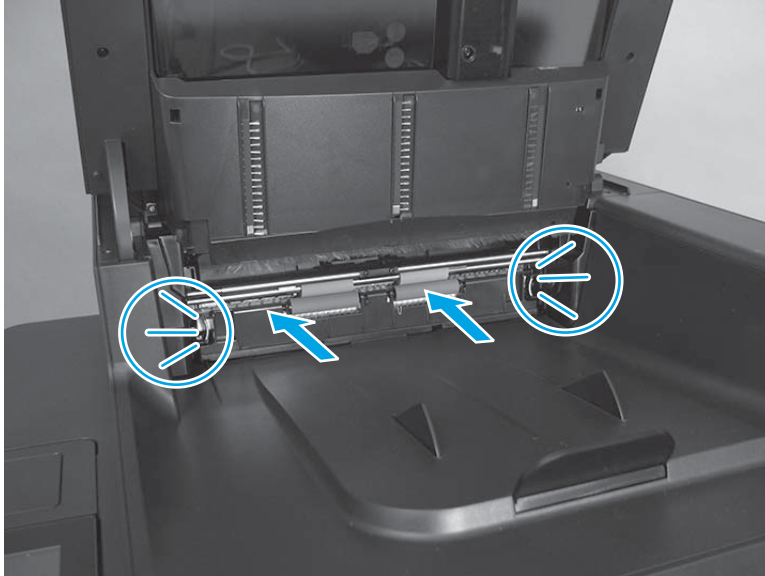


Reinstall the background selector (M880)

Push in on the background selector until the tabs snap into place.

 **NOTE:** If jams occur after the assembly is installed, make sure that the assembly is fully seated.

Figure 1-48 Reinstall the background selector (M880)



Control panel assembly (M855)

1. Tilt the control panel up.

Figure 1-49 Remove the control panel assembly (M855; 1 of 10)



2. Release one tab.

Figure 1-50 Remove the control panel assembly (M855; 2 of 10)



3. Remove the cover.

Figure 1-51 Remove the control panel assembly (M855; 3 of 10)



4. Release one blue locking latch.

Figure 1-52 Remove the control panel assembly (M855; 4 of 10)



5. Rotate the back of the control panel up and away from the product.

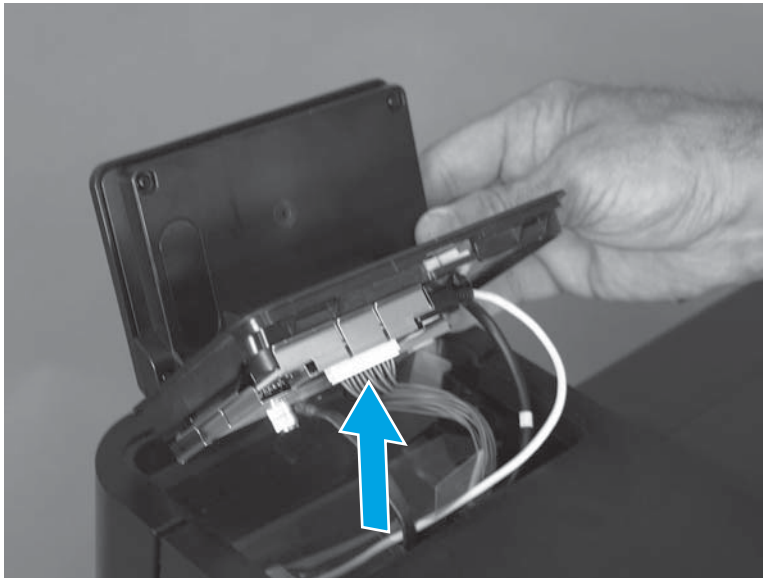
Figure 1-53 Remove the control panel assembly (M855; 5 of 10)



6. Lift the control panel assembly up and off of the product.

⚠ CAUTION: The control panel is still attached to the product by the control-panel cables. Do not attempt to completely remove the assembly.

Figure 1-54 Remove the control panel assembly (M855; 6 of 10)



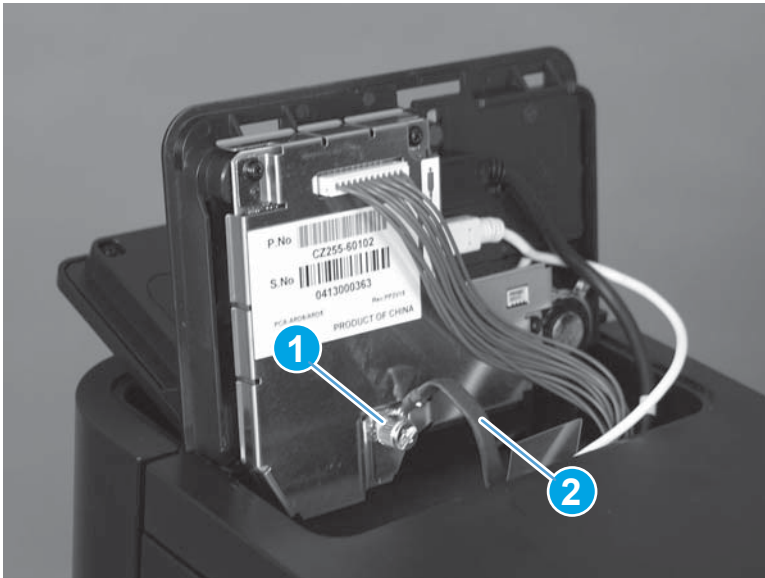
7. Tilt the control panel forward to access the control-panel connectors.

Figure 1-55 Remove the control panel assembly (M855; 7 of 10)



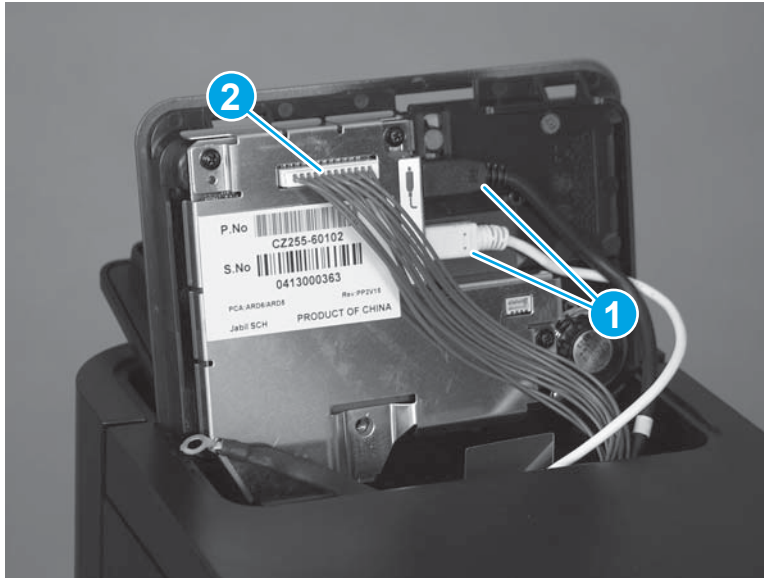
8. Remove one screw (callout 1), and then release one ground wire (callout 2).

Figure 1-56 Remove the control panel assembly (M855; 8 of 10)



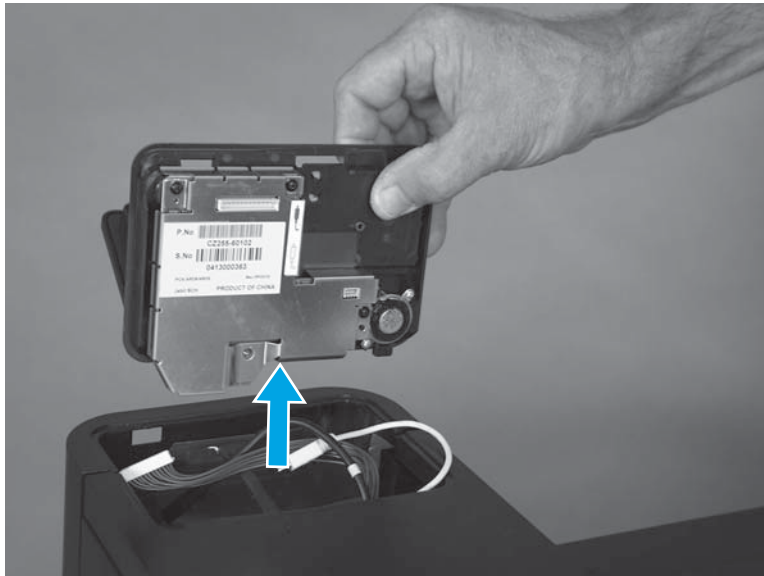
9. Disconnect two USB cables (callout 1), and then disconnect one connector (callout 2).

Figure 1-57 Remove the control panel assembly (M855; 9 of 10)



10. Remove the control panel assembly.

Figure 1-58 Remove the control panel assembly (M855; 10 of 10)



Reinstall the control panel assembly (M855)

Make sure that the USB cables (callout 1) are connected to the correct connectors. See the label (callout 2) next to the connectors.

 **NOTE:** One connector on the control panel is not used and remains empty.

Figure 1-59 Reinstall the control panel (M855)



Control panel assembly (M880)

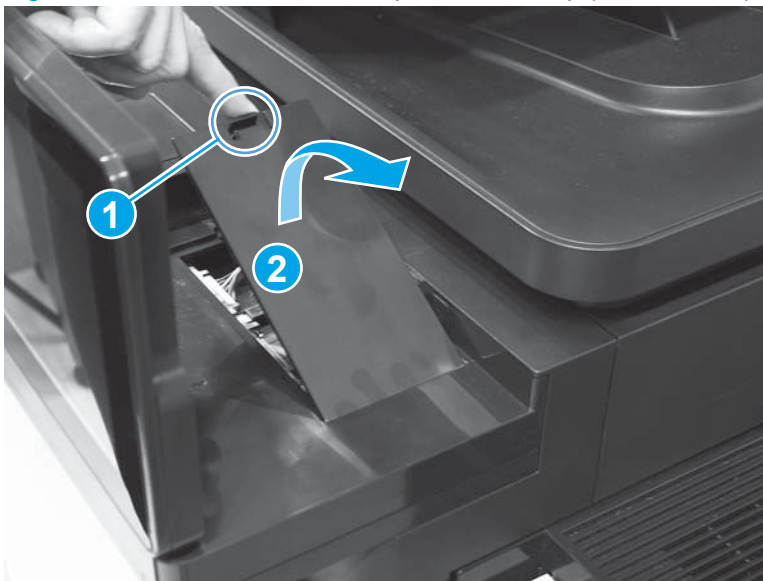
1. Tilt the control panel up.

Figure 1-60 Remove the control panel assembly (M880; 1 of 8)



2. Release one tab (callout 1), and then rotate the cover up (callout 2) to remove it.

Figure 1-61 Remove the control panel assembly (M880; 2 of 8)



3. Slide the keyboard about halfway out of the product.

Figure 1-62 Remove the control panel assembly (M880; 3 of 8)



4. Disconnect two connectors.

Figure 1-63 Remove the control panel assembly (M880; 4 of 8)



5. Remove one screw.


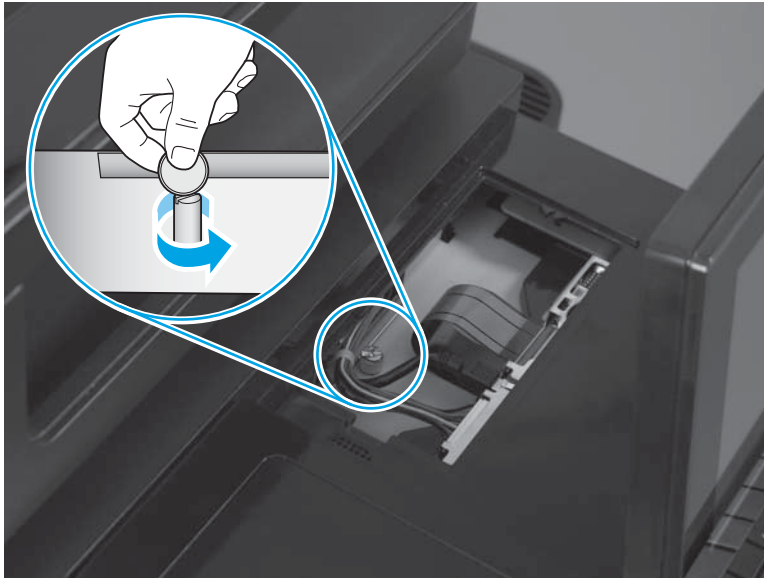
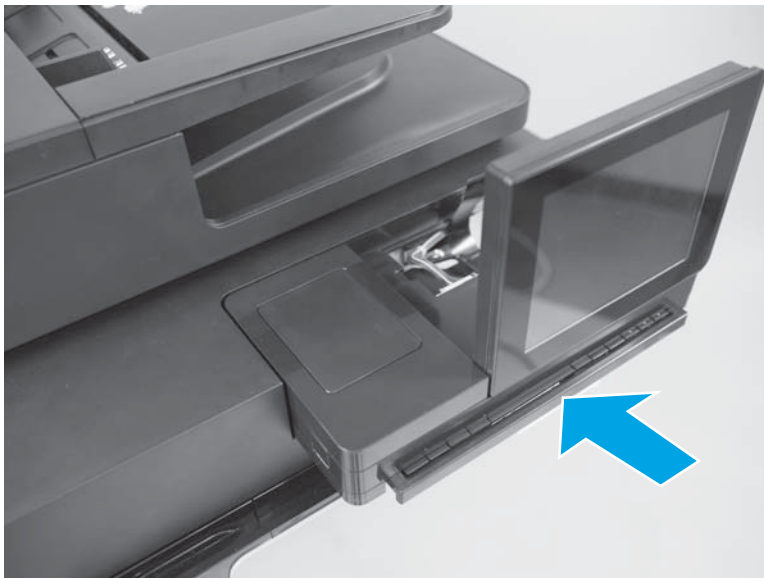
 **TIP:** Use the edge of a coin to loosen the screw.

Figure 1-64 Remove the control panel assembly (M880; 5 of 8)



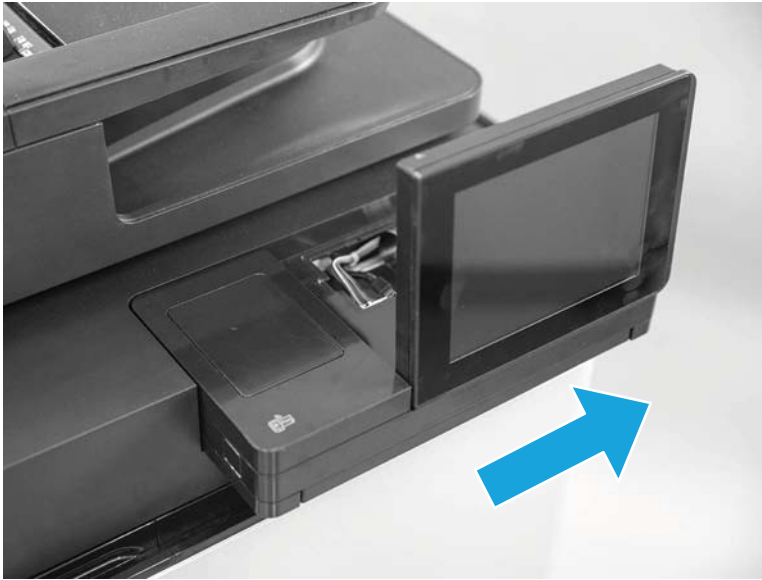
6. Slide the keyboard tray all the way into the product.

Figure 1-65 Remove the control panel assembly (M880; 6 of 8)




7. Slide the control panel toward the right door.

Figure 1-66 Remove the control panel assembly (M880; 7 of 8)



8. Slide the control panel toward the front of the product to remove it.

 **Reinstallation tip:** If you are installing a replacement control panel assembly, remove the keyboard assembly so that it can be installed on the replacement control panel assembly. See [Keyboard assembly \(M880\) on page 59](#).


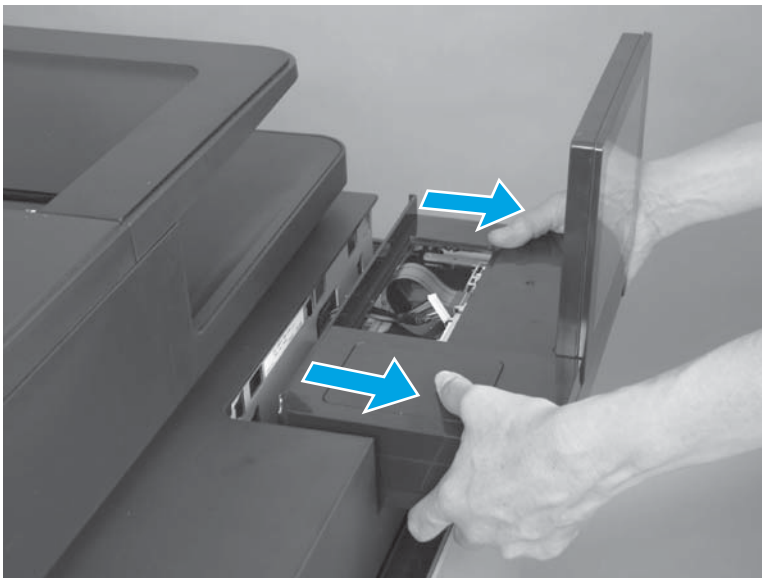
 **IMPORTANT:** If a device is installed in the hardware integration pocket (HIP), remove the HIP cover. See [Hardware integration pocket \(HIP\) cover \(M880\) on page 98](#). Remove the device and transfer it to the replacement control panel.

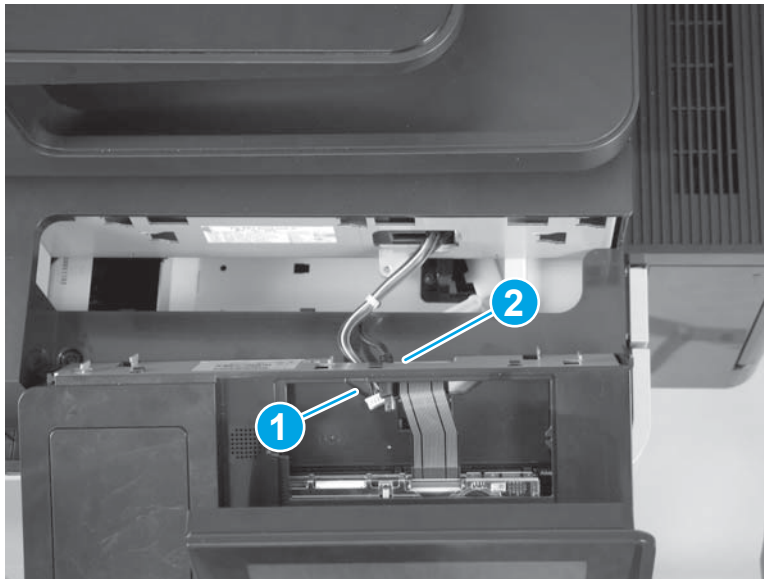
Figure 1-67 Remove the control panel assembly (M880; 8 of 8)



Reinstall the control panel assembly (M880)

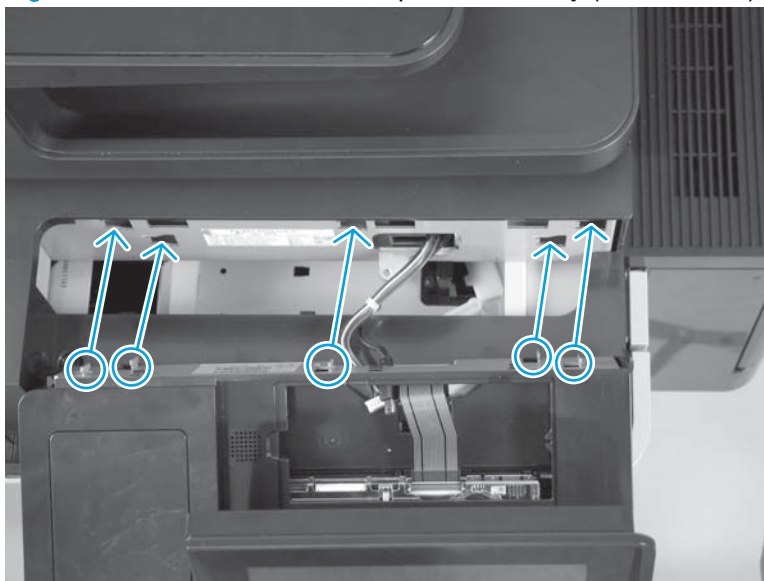
1. Insert the cable and wire harness (callout 1) into the opening at the back of the control panel (callout 2).

Figure 1-68 Reinstall the control panel assembly (M880; 1 of 3)



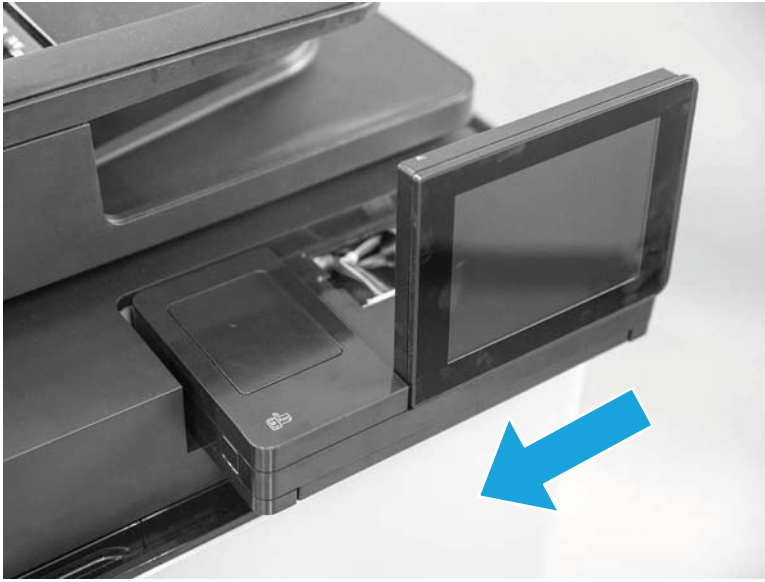
2. Insert the tabs on the control panel into the slots on the product.

Figure 1-69 Reinstall the control panel assembly (M880; 2 of 3)



3. Slide the control panel toward the left door to secure it to the product.

Figure 1-70 Reinstall the control panel assembly (M880; 3 of 3)



Keyboard assembly (M880)

Before proceeding, remove the following assemblies:

- Control panel (M880). See [Control panel assembly \(M880\) on page 53](#).

Remove the keyboard assembly (M880)

1. Place the control panel on a flat surface.

Figure 1-71 Remove the keyboard assembly (M880; 1 of 7)

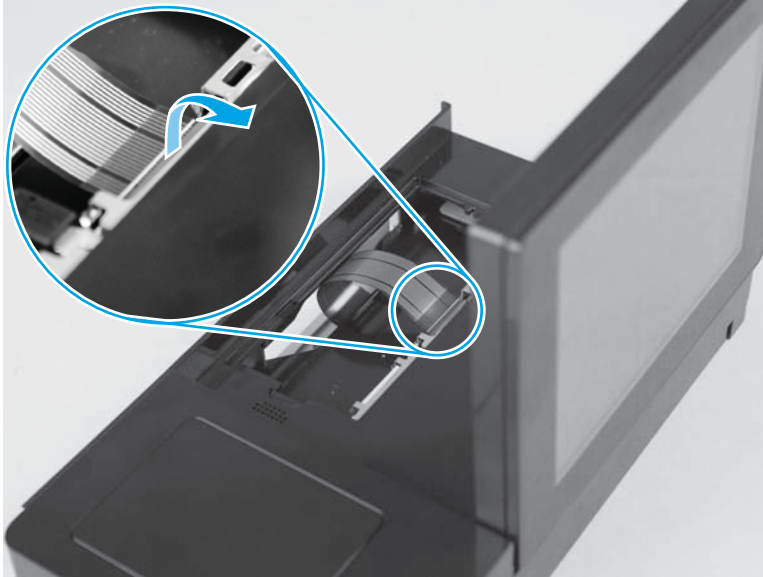


2. Open the hinged latch to release the flat cable.

⚠ CAUTION: This connector is a Zero Insertion Force (ZIF) connector that uses a hinged retainer to secure a flat cable. The hinged retainer must be opened to release the flat cable.

CAUTION: Be careful. Do not dislodge the latch from the connector when opening it.

Figure 1-72 Remove the keyboard assembly (M880; 2 of 7)



3. Disconnect the flat cable.

Figure 1-73 Remove the keyboard assembly (M880; 3 of 7)



4. Tilt the screen down until it lies flat.

Figure 1-74 Remove the keyboard assembly (M880; 4 of 7)



5. Slide the keyboard tray all of the way out of the control panel until it stops.

Figure 1-75 Remove the keyboard assembly (M880; 5 of 7)



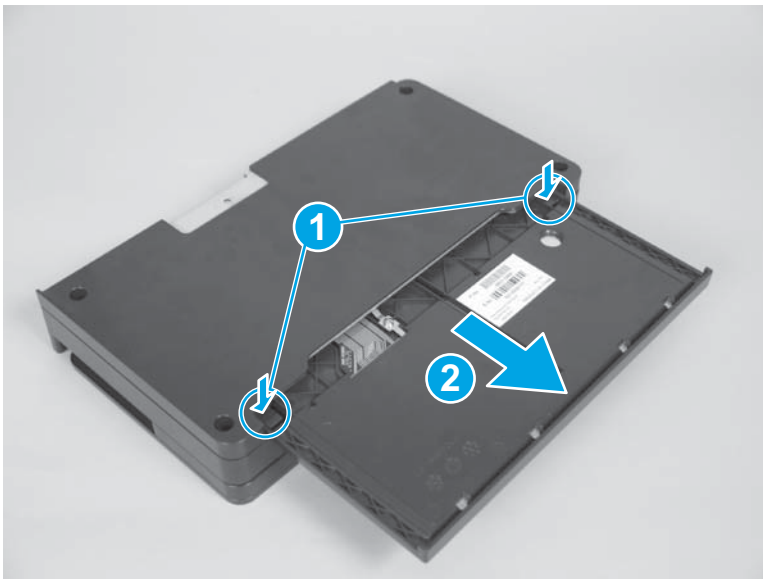
6. Turn the control panel face-down on the work surface.

Figure 1-76 Remove the keyboard assembly (M880; 6 of 7)



7. Release and hold two tabs (callout 1) while sliding the keyboard tray away from the control panel (callout 2) to remove it.

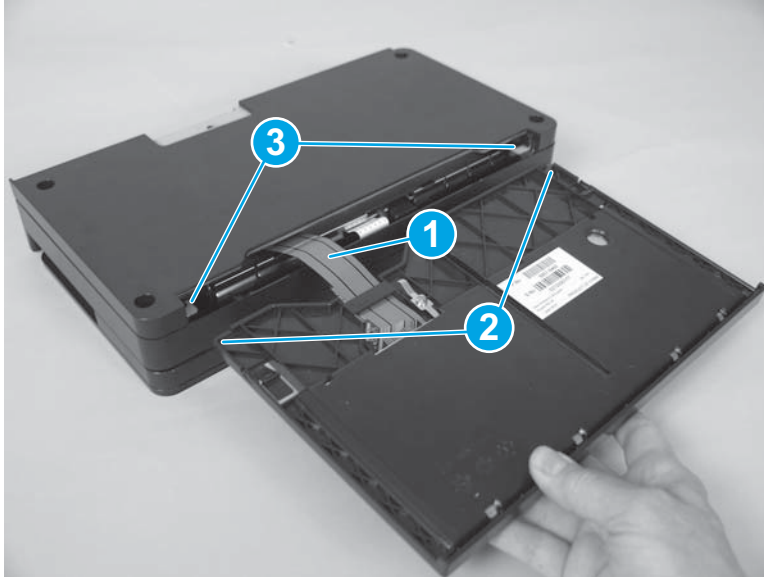
Figure 1-77 Remove the keyboard assembly (M880; 7 of 7)



Reinstall the keyboard assembly (M880)

1. Turn the keyboard tray upside down, and then position the flat cable (callout 1) inside the tray cavity. Align the edges of the tray (callout 2) with the slots in the control panel (callout 3).

Figure 1-78 Reinstall the keyboard assembly (M880; 1 of 7)



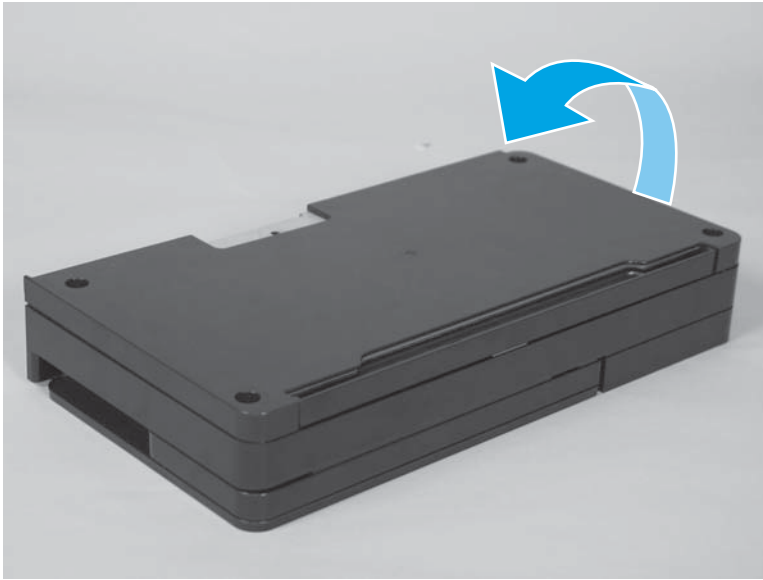
2. Slide the keyboard tray all the way into the control panel. The tabs on the tray snap into place as it is installed.

Figure 1-79 Reinstall the keyboard assembly (M880; 2 of 7)



3. Turn the control panel face-up.

Figure 1-80 Reinstall the keyboard assembly (M880; 3 of 7)



4. Tilt the screen up.

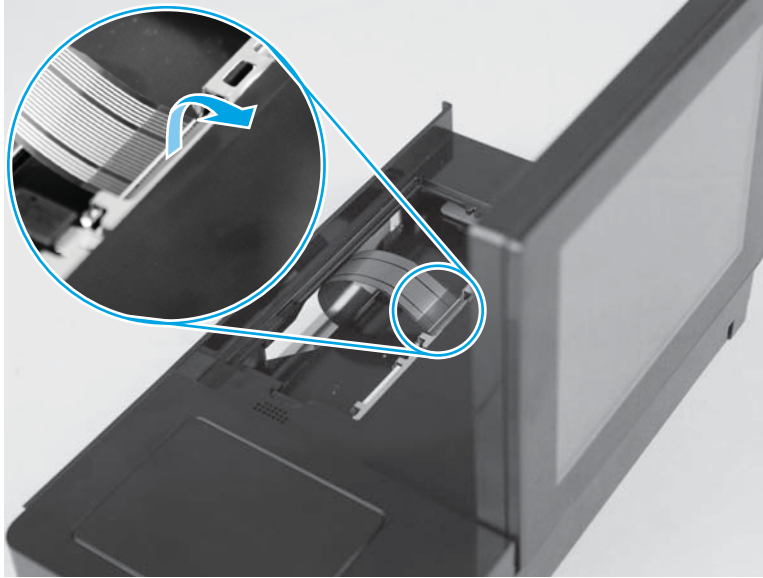
Figure 1-81 Reinstall the keyboard assembly (M880; 4 of 7)



5. Open the hinged latch, and then position the flat cable in the connector.

CAUTION: Be careful. Do not dislodge the latch from the connector when opening it.

Figure 1-82 Reinstall the keyboard assembly (M880; 5 of 7)

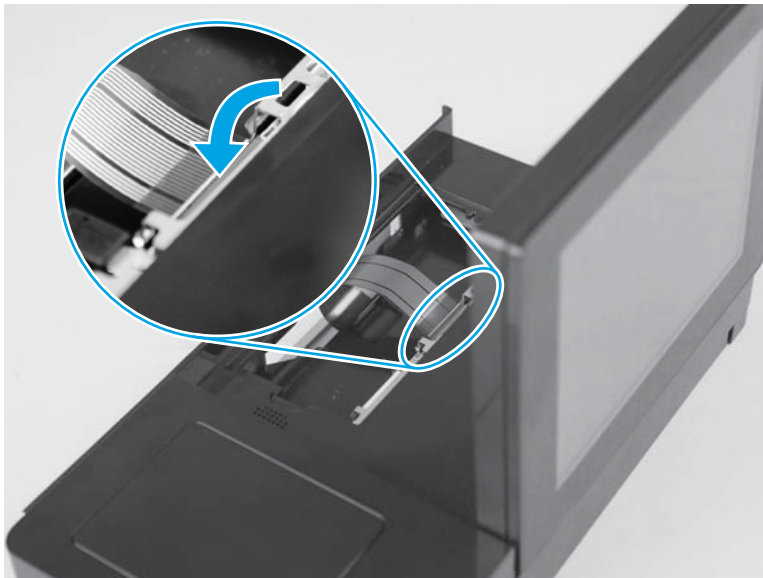


6. Carefully close the latch to lock the flat cable into position.

CAUTION: This connector is a Zero Insertion Force (ZIF) connector that uses a hinged retainer to secure a flat cable. When the flat cable is reinstalled, fully insert the flat cable in the connector, and then close the hinged retainer to lock the flat cable into the connector and provide proper electrical contact. If the flat cable is not locked into the connector, no electrical contact will occur.

CAUTION: Be careful. Do not dislodge the latch from the connector when closing it.

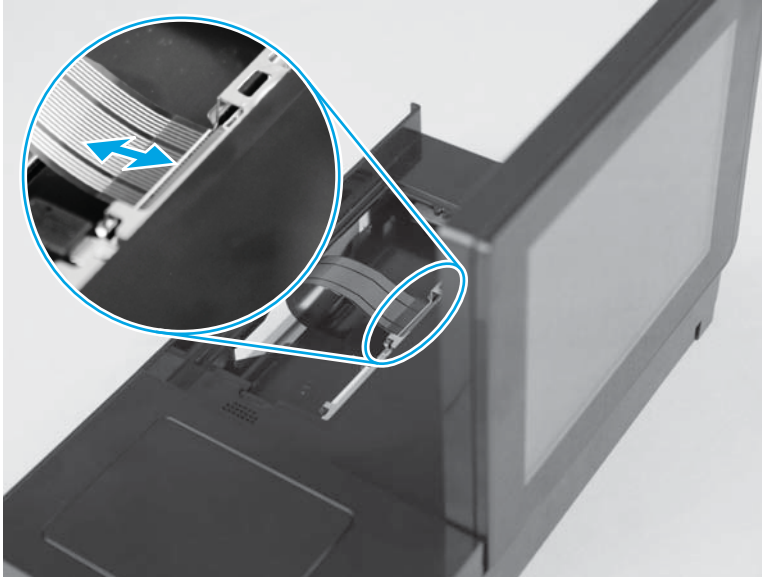
Figure 1-83 Reinstall the keyboard assembly (M880; 6 of 7)



7. Lightly pull on the flat cable to verify that it is securely fastened in the connector.

⚠ CAUTION: Be careful. Do not use your full force to pull on the flat cable. A light pull on the cable is sufficient to verify that it is securely fastened.

Figure 1-84 Reinstall the keyboard assembly (M880; 7 of 7)



Pickup, feed, and separation rollers and pads

- [Document-feeder roller \(M880 only\)](#)
- [Document-feeder separation pad \(M880 only\)](#)
- [Tray 1 rollers](#)
- [Tray 2, 1x500-sheet feeder, and 3x500-sheet feeder rollers](#)
- [High-capacity input \(HCI\) rollers](#)

Document-feeder roller (M880 only)

CAUTION: If you are replacing the roller, do not touch the surface of the replacement roller. Skin oils deposited on the roller might cause paper pickup problems.

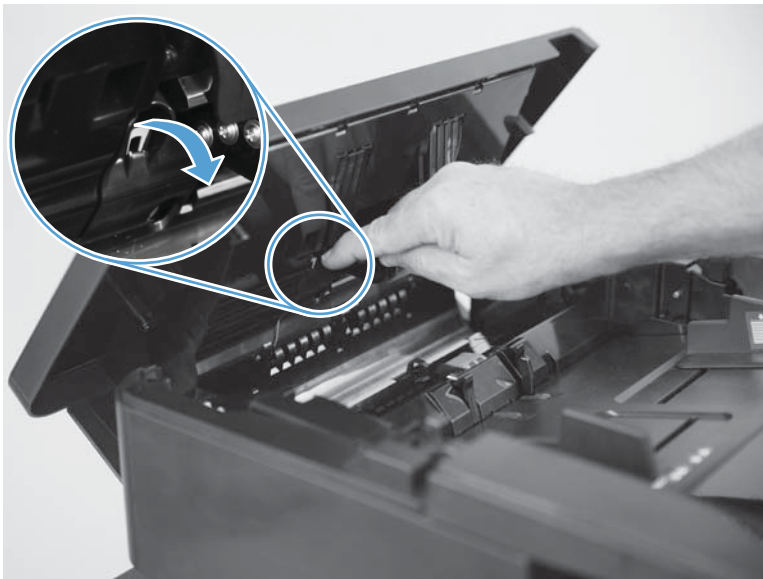
1. Open the document-feeder door.

Figure 1-85 Remove the document-feeder roller (M880; 1 of 3)



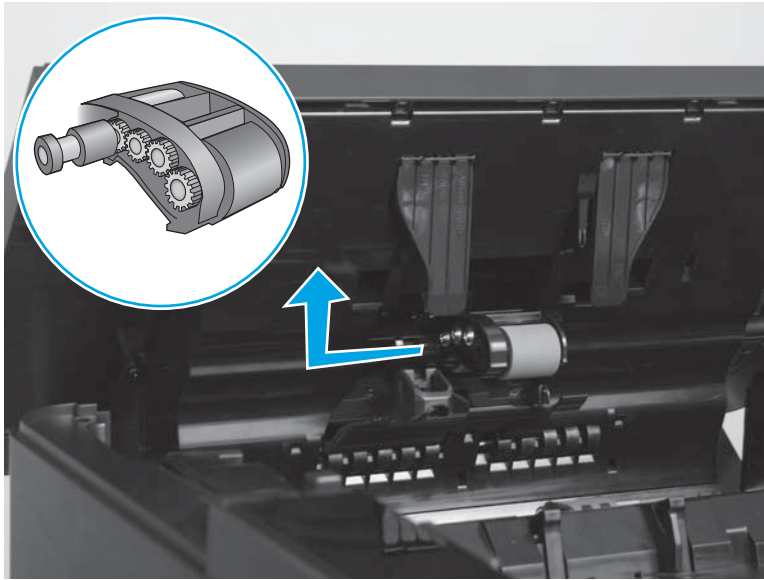
2. Release one tab, and then open the access door.

Figure 1-86 Remove the document-feeder roller (M880; 2 of 3)



3. Slide the roller left, and then lift it up and out of the product.

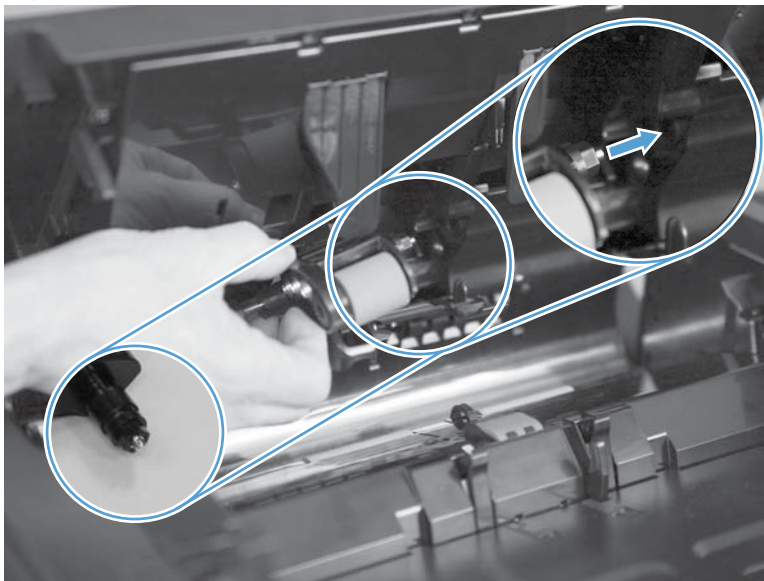
Figure 1-87 Remove the document-feeder roller (M880; 3 of 3)



Reinstall the document-feeder roller (M880 only)

The roller assembly is keyed. When reinstalling the roller assembly, position the hex-shaped fitting on the shaft toward the rear of the product.

Figure 1-88 Reinstall the document-feeder roller (M880)



IMPORTANT: When the roller is reinstalled, the access door must be fully closed. When you close the door, you should hear two audible clicks. If, after replacing the roller document feeder, a document feeder jam message appears on the control panel display, make sure that the access door is fully closed.

Document-feeder separation pad (M880 only)

⚠ CAUTION: If you are replacing the pad, do not touch the surface of the replacement pad. Skin oils deposited on the pad might cause paper pickup problems.

1. Open the document-feeder door.

Figure 1-89 Remove the document-feeder separation pad (M880; 1 of 4)



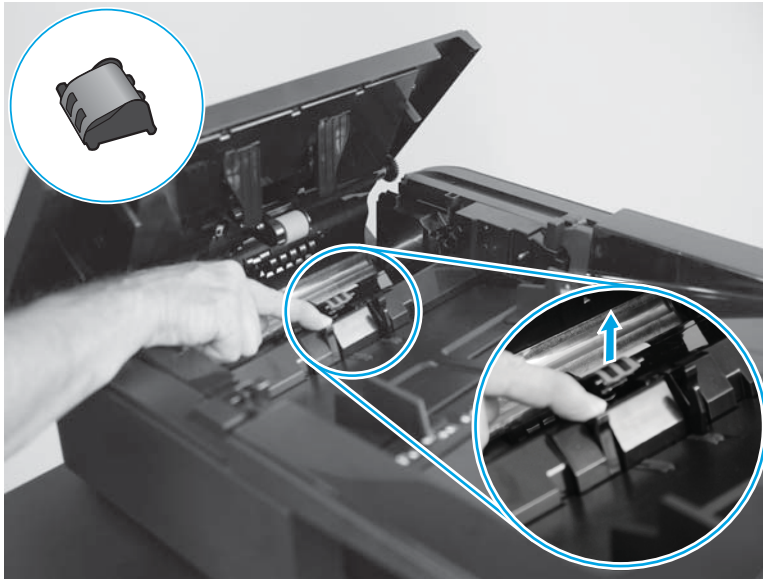
2. Release one tab to open the access door.

Figure 1-90 Remove the document-feeder separation pad (M880; 2 of 4)



3. The separation pad is spring-loaded and partially releases when the access door is opened.

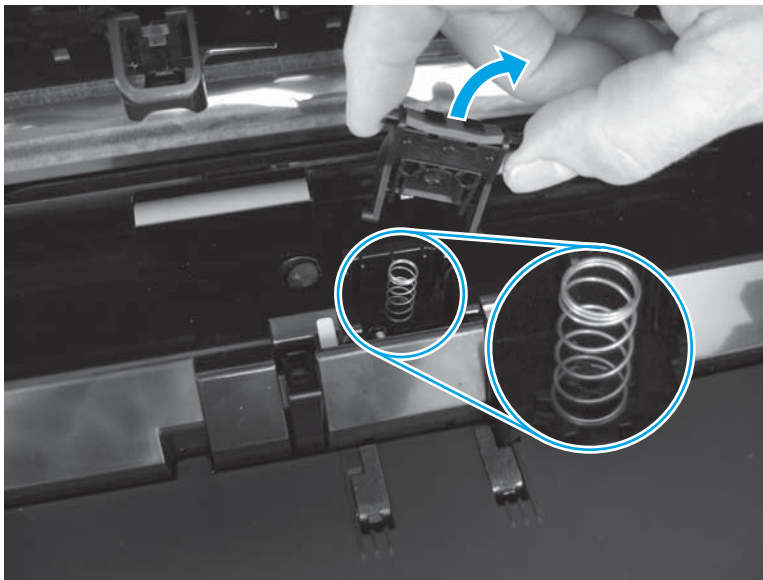
Figure 1-91 Remove the document-feeder separation pad (M880; 3 of 4)



4. Lift the separation pad up and away from the product.

⚠ CAUTION: If the spring becomes dislodged, securely reinstall it as shown below.

Figure 1-92 Remove the document-feeder separation pad (M880; 4 of 4)



Reinstall the document-feeder separation pad (M880 only)

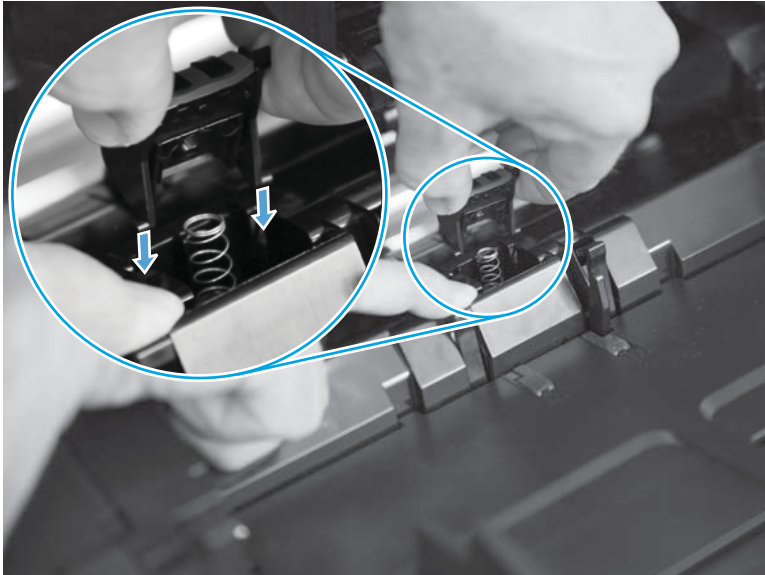
1. Release and hold the separation pad access door open.

Figure 1-93 Reinstall the document-feeder separation pad (M880; 1 of 5)



2. Align the pins on the separation pad with the mounting slots.

Figure 1-94 Reinstall the document-feeder separation pad (M880; 2 of 5)



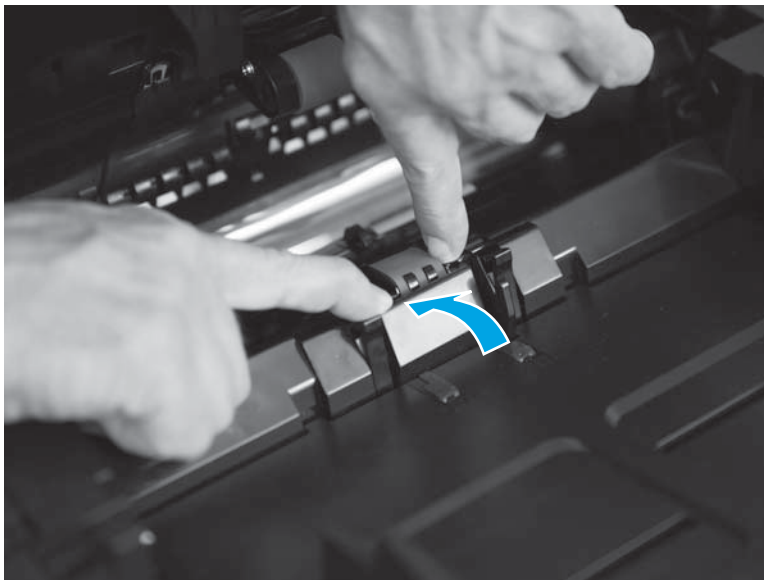
3. Carefully press down on the separation pad to compress the spring.

Figure 1-95 Reinstall the document-feeder separation pad (M880; 3 of 5)



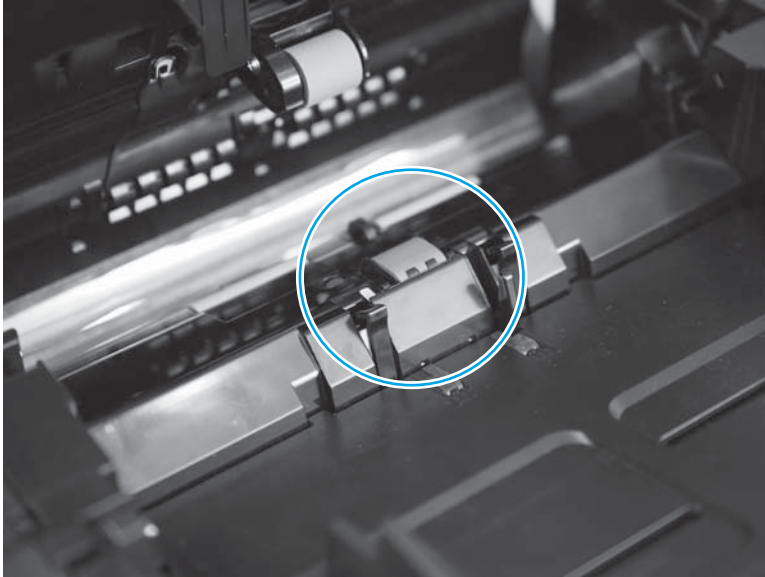
4. Continue to press down on the separation pad, and then release the access door.

Figure 1-96 Reinstall the document-feeder separation pad (M880; 4 of 5)



5. Verify that the separation pad is correctly installed and that the access door is fully closed as shown below.

Figure 1-97 Reinstall the document-feeder separation pad (M880; 5 of 5)

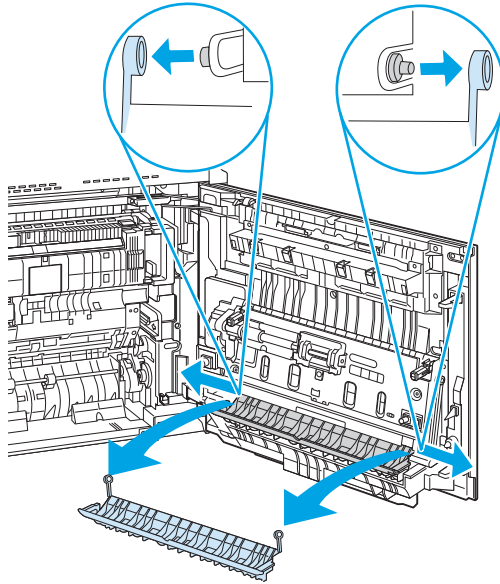


Tray 1 rollers

⚠ CAUTION: Do not touch the surface of the rollers. Skin oils deposited on the rollers might cause paper pickup problems.

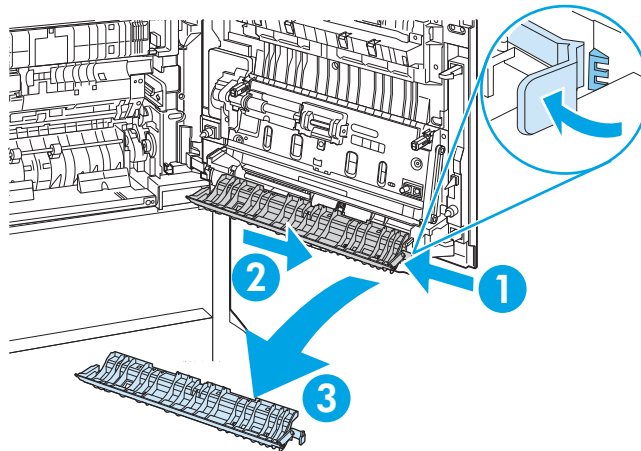
1. Open the right door.
2. Release two hinge pins and then remove the paper-feed cover.

Figure 1-98 Remove the Tray 1 rollers (1 of 5)



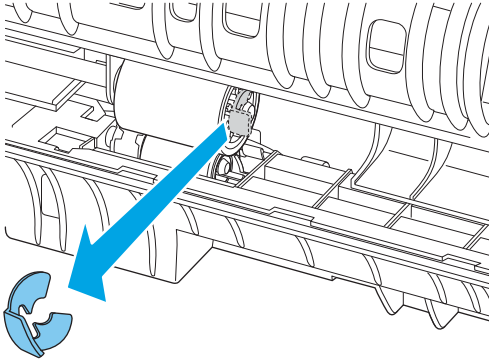
3. Release one tab (callout 1), slide the multipurpose upper feed guide to the right to release it (callout 2), and then lift it away from the door to remove it (callout 3).

Figure 1-99 Remove the Tray 1 rollers (2 of 5)



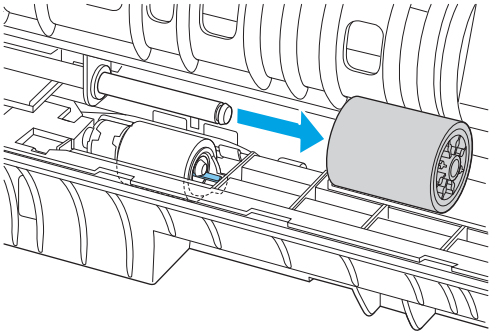
4. Remove one plastic clip.

Figure 1-100 Remove the Tray 1 rollers (3 of 5)



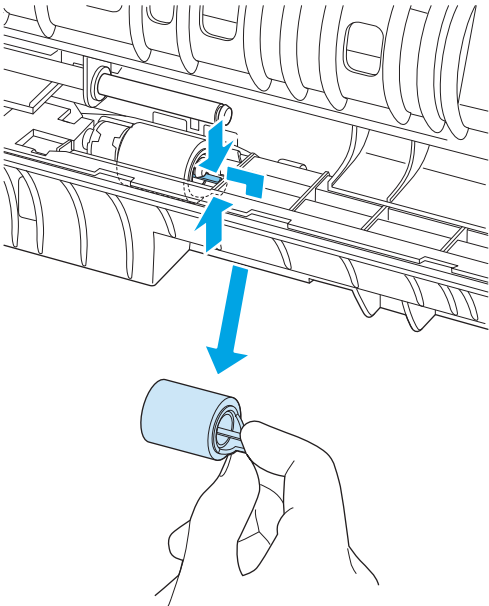
5. Remove the upper roller by sliding it to the right.

Figure 1-101 Remove the Tray 1 rollers (4 of 5)



6. Pinch and hold the tab at the end of the lower roller to release it, and then slide the roller to the right to release it from the metal shaft. Slide the roller down to remove it.

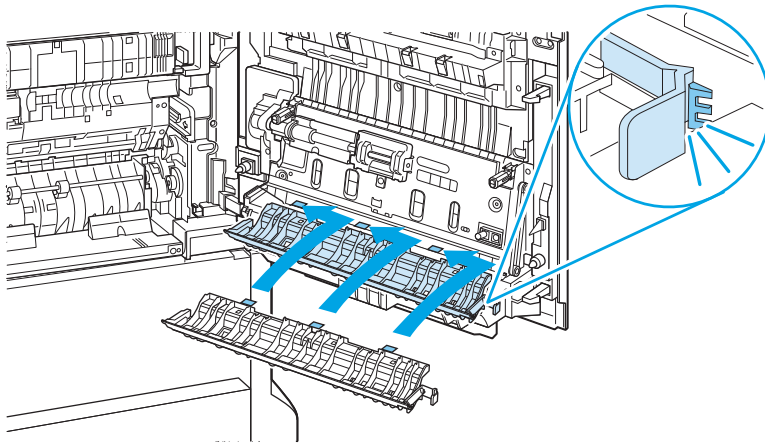
Figure 1-102 Remove the Tray 1 rollers (5 of 5)



Reinstall the Tray 1 rollers

Position the tabs on the multipurpose upper feed guide in the slots in the right door, and then slide it to the left to secure it to the door. One tab will click into place when the guide is seated properly.

Figure 1-103 Reinstall the Tray 1 rollers



Tray 2, 1x500-sheet feeder, and 3x500-sheet feeder rollers

Before proceeding, remove one or more of the following trays, depending upon which rollers you are replacing:

- Tray 2. See [Tray 2, 1x500 Tray 3, 3x500 Tray 3, 3x500 Tray 4, and 3x500 Tray 5 on page 18](#).
- 1x500 Tray 3 (1x500 only). See [Tray 2, 1x500 Tray 3, 3x500 Tray 3, 3x500 Tray 4, and 3x500 Tray 5 on page 18](#).
- 3x500 Tray 3 (3x500 only). See [Tray 2, 1x500 Tray 3, 3x500 Tray 3, 3x500 Tray 4, and 3x500 Tray 5 on page 18](#).
- 3x500 Tray 4 (3x500 only). See [Tray 2, 1x500 Tray 3, 3x500 Tray 3, 3x500 Tray 4, and 3x500 Tray 5 on page 18](#).
- 3x500 Tray 5 (3x500 only). See [Tray 2, 1x500 Tray 3, 3x500 Tray 3, 3x500 Tray 4, and 3x500 Tray 5 on page 18](#).

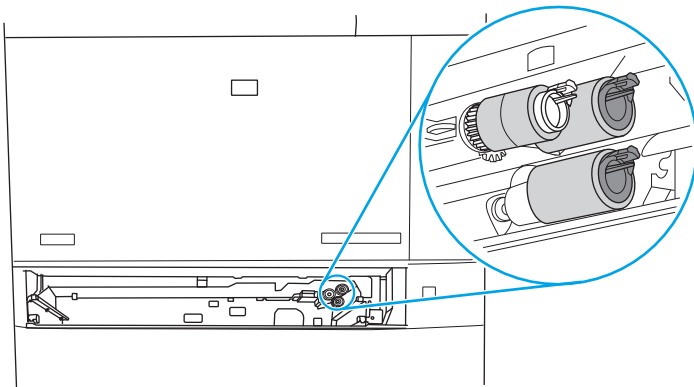
CAUTION: Do not touch the surface of the rollers. Skin oils deposited on the rollers might cause paper pickup problems.

NOTE: Tray 2 is shown in the figures below. The procedure is the same for all of the referenced trays.

Remove the Tray 2, 1x500-sheet feeder, and 3x500-sheet feeder rollers

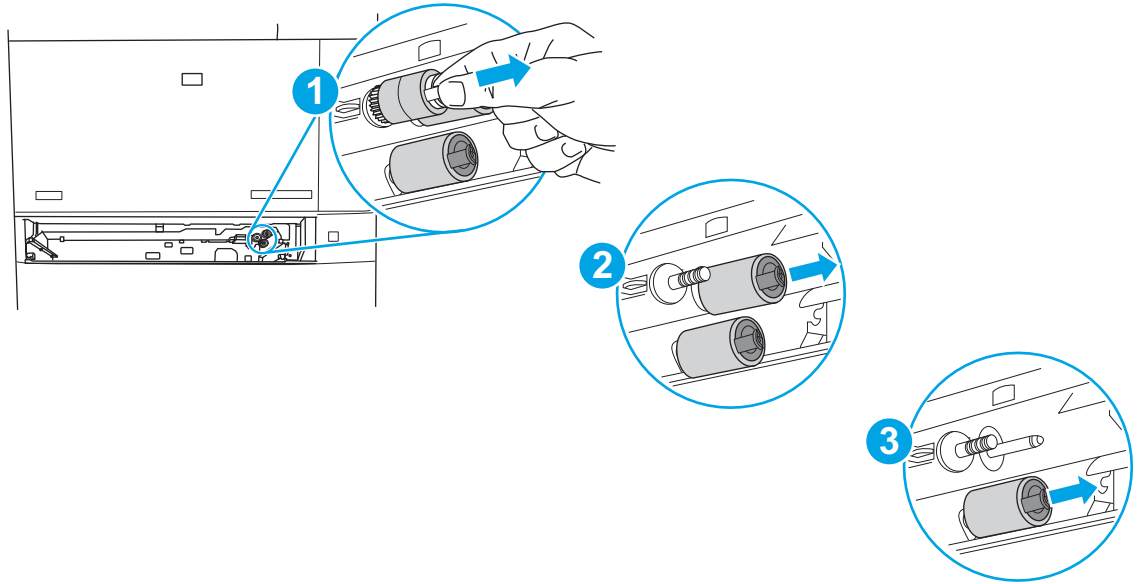
1. Remove the appropriate tray. See [Tray 2, 1x500 Tray 3, 3x500 Tray 3, 3x500 Tray 4, and 3x500 Tray 5 on page 18](#).
2. Locate the rollers on the right-hand side of the tray cavity.

Figure 1-104 Remove the Tray 2, 1x500, and 3x500 rollers (1 of 2)



3. Grasp the plastic tab on the roller and then pull the roller off of the rod. Repeat the process for the other rollers.

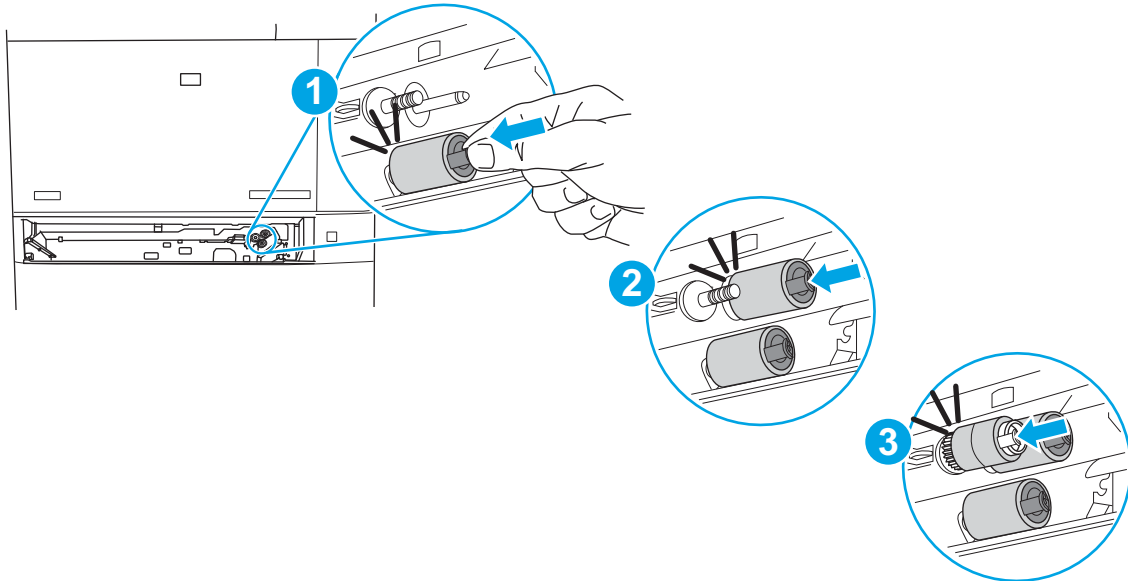
Figure 1-105 Remove the Tray 2, 1x500, and 3x500 rollers (2 of 2)



Reinstall the Tray 2, 1x500-sheet feeder, and 3x500-sheet feeder rollers

Reinstall the rollers in the order shown below. Make sure that the rollers snap into place.

Figure 1-106 Reinstall the Tray 2, 1x500, and 3x500 rollers



High-capacity input (HCI) rollers

Before proceeding, remove the following assemblies:

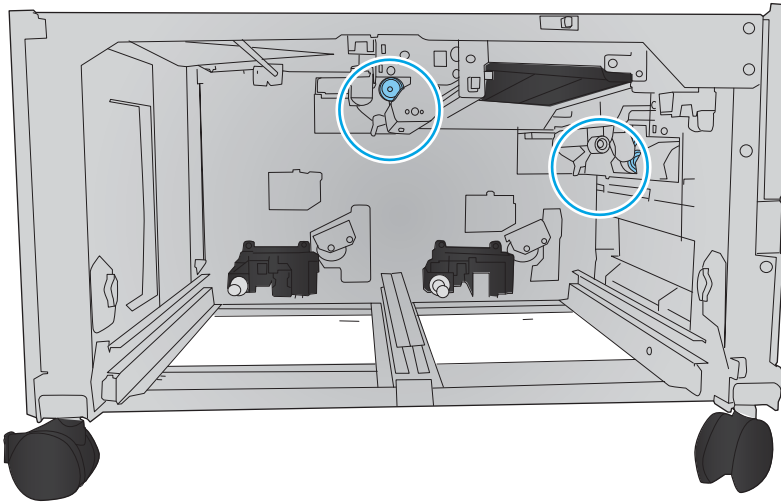
- HCI right tray. See [HCI right tray on page 360](#).
- HCI left tray. See [HCI left tray on page 361](#).

CAUTION: If you are replacing the rollers, do not touch the surface of the replacement rollers. Skin oils deposited on the rollers might cause paper pickup problems.

Remove the HCI rollers

1. Locate the rollers inside the tray cavity.

Figure 1-107 Remove the HCI rollers (1 of 2)



2. Pinch the tabs at the end of the rollers to release them, and then remove two rollers in the order shown below.


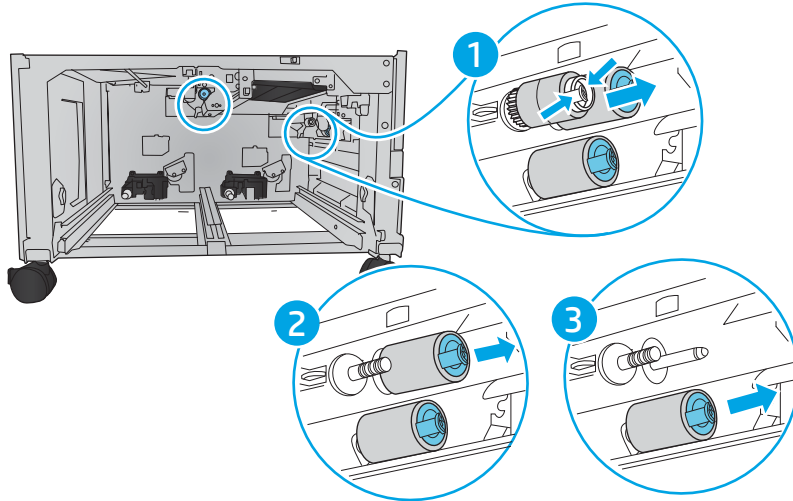
 **NOTE:** One roller is not replaced.

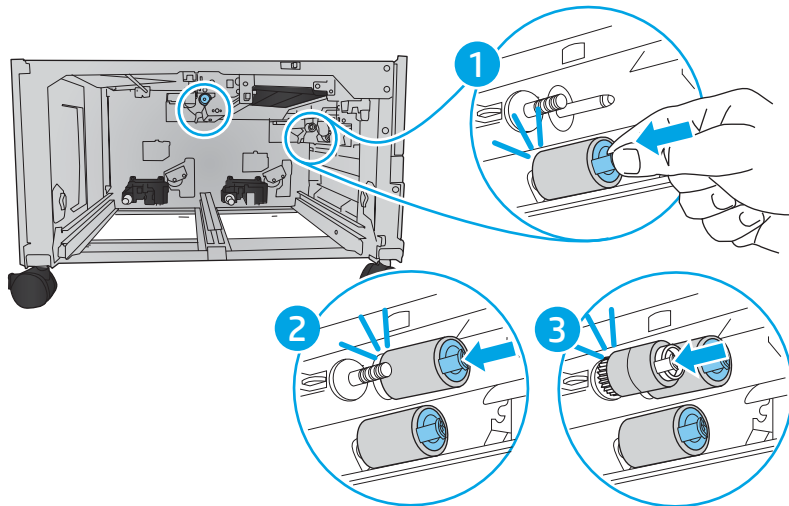
Figure 1-108 Remove the HCI rollers (2 of 2)




Reinstall the HCI rollers

Reinstall the rollers in the order shown below. Make sure that the rollers snap into place.

Figure 1-109 Reinstall the HCI rollers



Covers and doors

 **TIP:** For clarity, some figures in this chapter show assemblies removed that are not required to be removed to service the product (for example, the scanner and document feeder assemblies). The procedures in this manual are correct for your product.

- [Location of major components](#)
- [Scanner back cover \(M880\)](#)
- [Scanner left cover \(M880\)](#)
- [Scanner right cover \(M880\)](#)
- [Scanner front cover \(M880\)](#)
- [Right upper rear cover \(M855\)](#)
- [Hardware integration pocket \(HIP\) cover \(M855\)](#)
- [Hardware integration pocket \(HIP\) cover \(M880\)](#)
- [Face-down bin](#)
- [Left rear cover](#)
- [Switch back cover](#)
- [Lower right cover](#)
- [Rear upper rear cover \(M880\)](#)
- [Right upper rear cover \(M880\)](#)
- [Rear upper MFP cover \(M880\)](#)
- [Left upper rear cover and rear upper B cover \(M880\)](#)
- [Rear upper front cover \(M880\)](#)
- [Front top cover](#)
- [Rear top cover \(M855\)](#)
- [Left cover](#)
- [Right upper front cover \(M855\)](#)
- [Right upper front cover \(M880\)](#)
- [Right upper cover \(M855\)](#)
- [Right door assembly](#)
- [Left front cover](#)
- [Front door](#)
- [Rear cover](#)
- [Right rear cover](#)

- [Front inner cover](#)

Location of major components

Figure 1-110 M855 base product covers and doors (1 of 2)

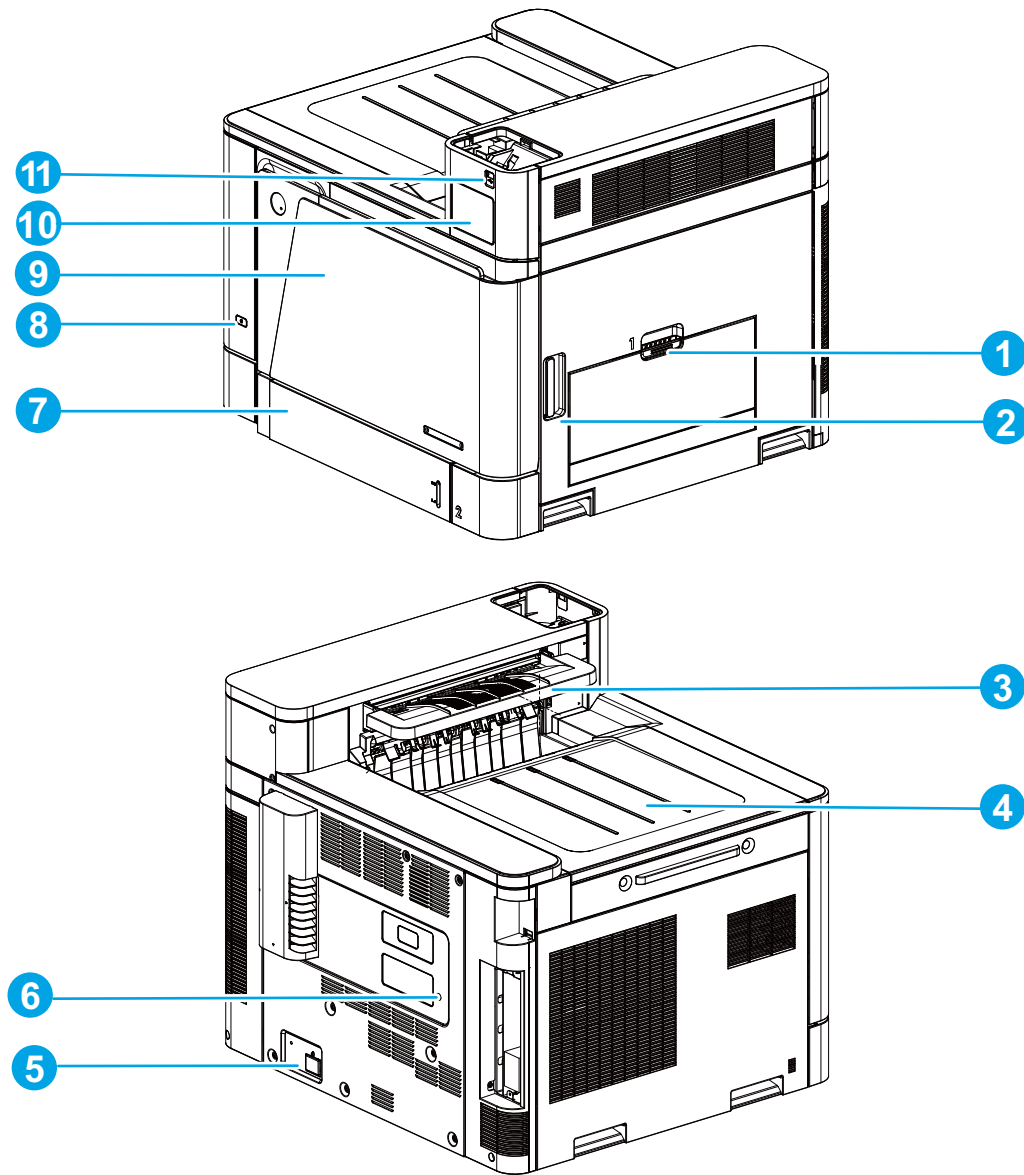


Table 1-5 M855 base product covers and doors (1 of 2)

Item	Description	Item	Description
1	Tray 1	7	Tray 2
2	Right door	8	Power switch
3	Switch back tray	9	Front door
4	Face-down bin	10	HIP cover
5	Power receptacle	11	USB insertion slot
6	Engine test button		

Figure 1-111 M855 base product covers and doors (2 of 2)

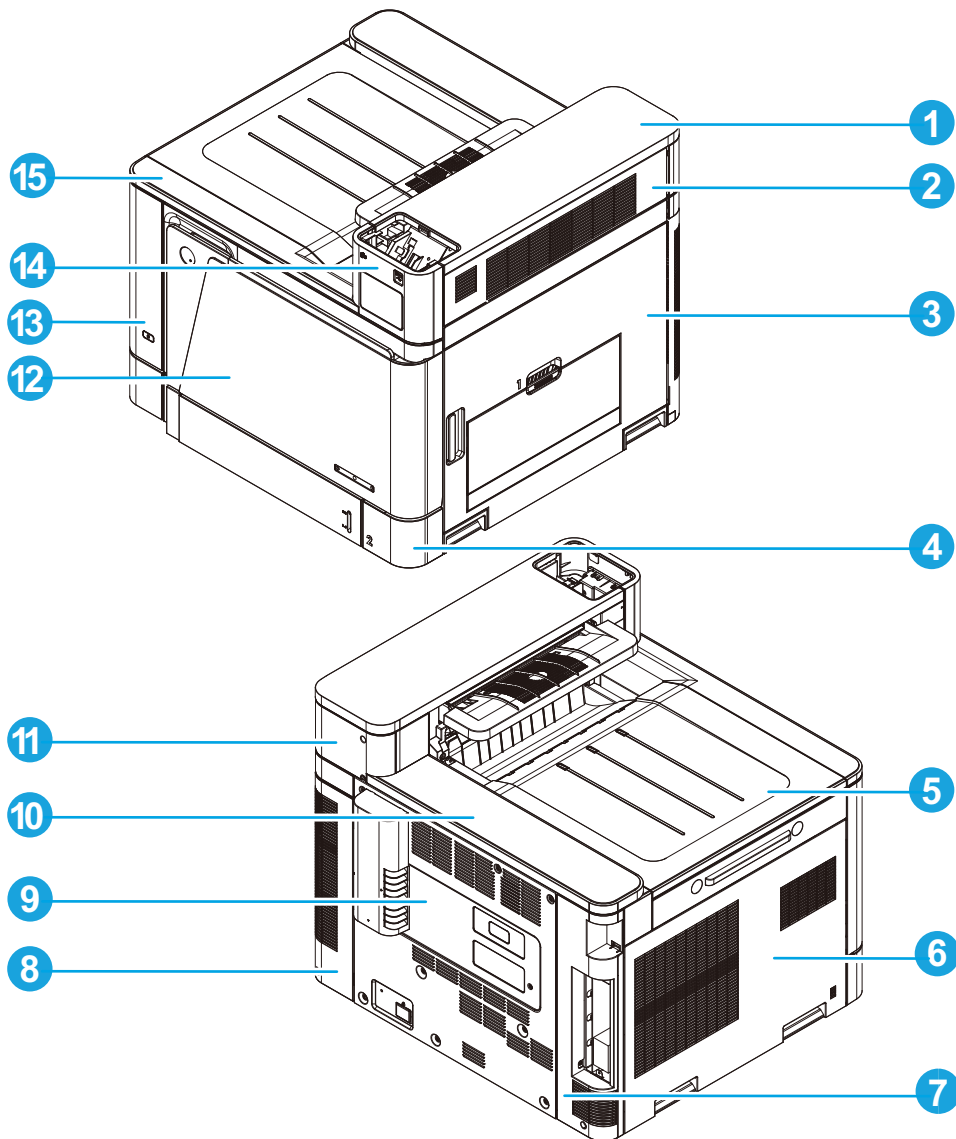


Table 1-6 M855 base product covers and doors (2 of 2)

Item	Description	Item	Description
1	Right upper cover	9	Rear cover
2	Switch back cover	10	Rear top cover
3	Right door assembly	11	Right upper rear cover
4	Lower right cover	12	Front door assembly
5	Face-down bin	13	Left front cover
6	Left cover	14	Right upper front cover
7	Left rear cover	15	Front top cover
8	Right rear cover		

Figure 1-112 M880 base product covers and doors (1 of 2)

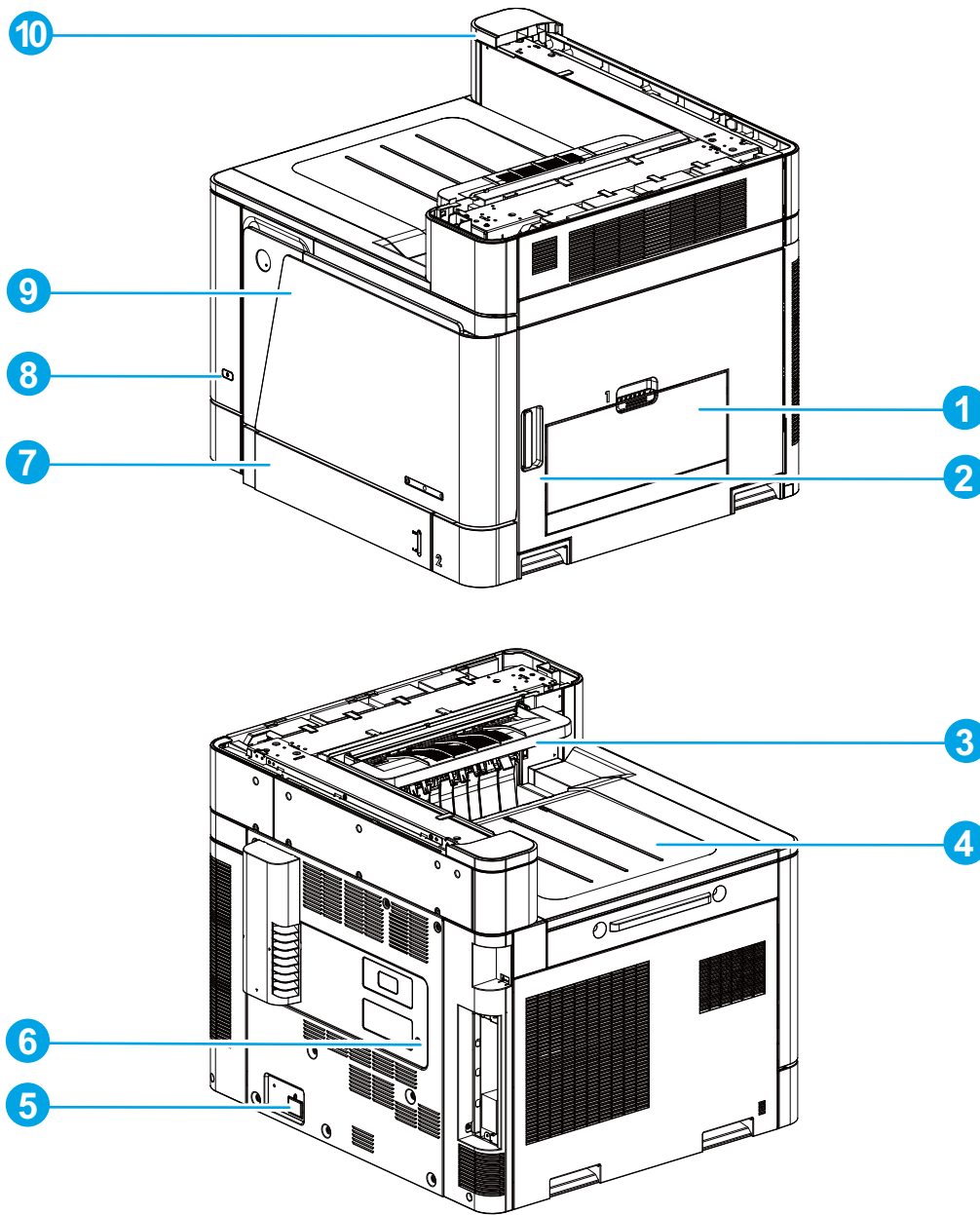


Table 1-7 M880 base product covers and doors (1 of 2)

Item1	Description	Item	Description
1	Tray 1	6	Engine test button
2	Right door	7	Tray 2
3	Switch back tray	8	Power switch
4	Face-down bin	9	Front door
5	Power receptacle	10	Rear upper MFP cover

Figure 1-113 M880 base product covers and doors (2 of 2)

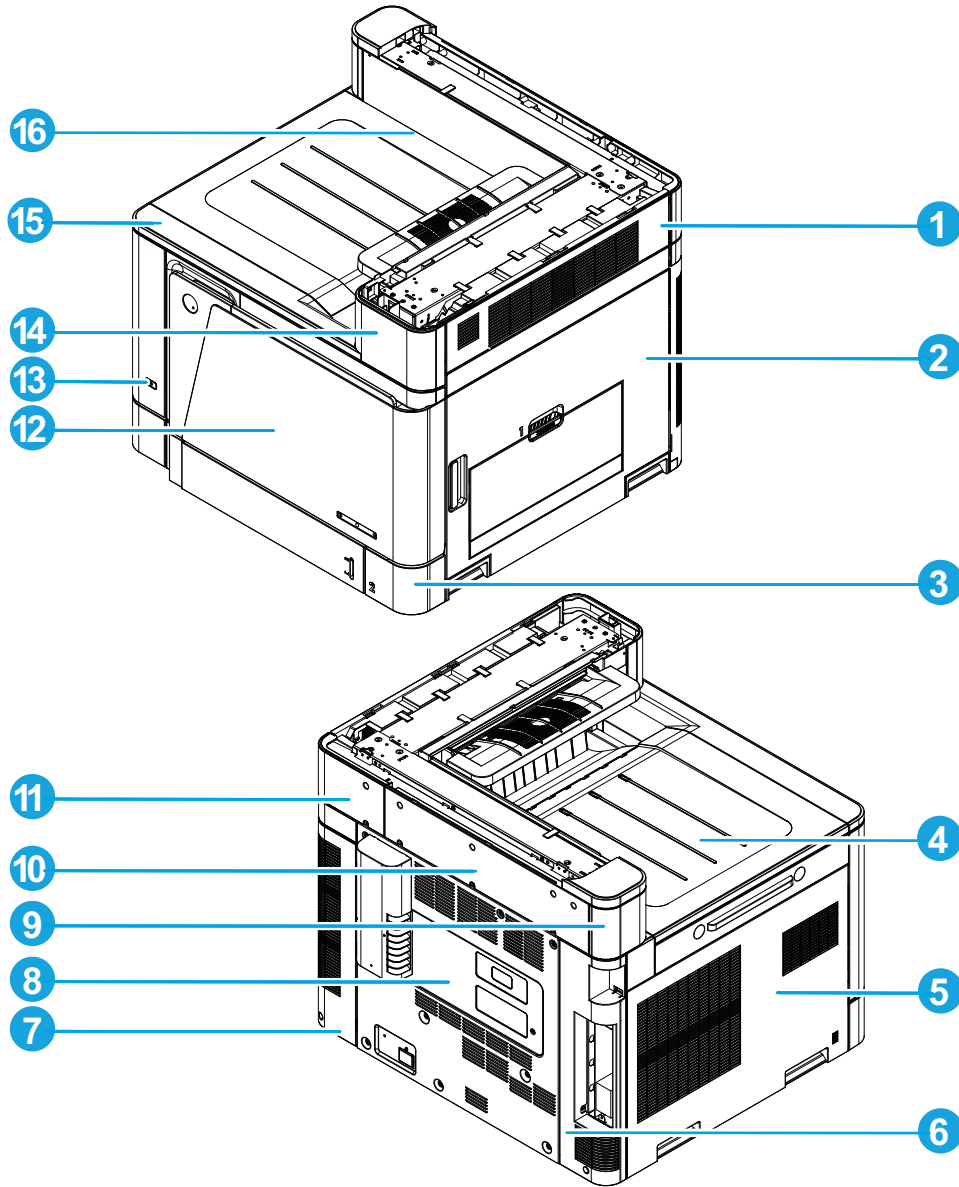


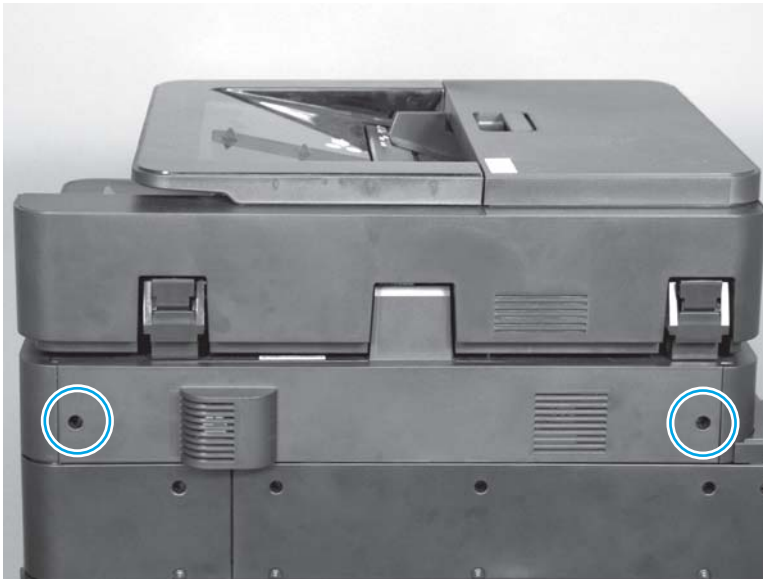
Table 1-8 M880 base product covers and doors (2 of 2)

Item	Description	Item	Description
1	Switch back cover	9	Left upper rear cover
2	Right door assembly	10	Rear upper rear cover
3	Lower right cover	11	Right upper rear cover
4	Face-down bin	12	Front door assembly
5	Left cover	13	Left front cover
6	Left rear cover	14	Right upper front cover
7	Right rear cover	15	Front top cover
8	Rear cover	16	Rear upper front cover

Scanner back cover (M880)

1. Remove two screws.

Figure 1-114 Remove the scanner back cover (M880; 1 of 2)



2. Remove the cover.

Figure 1-115 Remove the scanner back cover (M880; 2 of 2)



Scanner left cover (M880)

Before proceeding, remove the following assemblies:

- Scanner back cover (M880). See [Scanner back cover \(M880\) on page 88](#).

Remove the scanner left cover (M880)

1. Remove two screws.

Figure 1-116 Remove the scanner left cover (M880; 1 of 2)



2. Slide the cover towards the rear of the product to release it, and then remove the cover.

Figure 1-117 Remove the scanner left cover (M880; 2 of 2)



Scanner right cover (M880)

Before proceeding, remove the following assemblies:

- Scanner back cover (M880). See [Scanner back cover \(M880\) on page 88](#).

Remove the scanner right cover (M880)

1. Remove two screws.

Figure 1-118 Remove the scanner right cover (M880; 1 of 2)



2. Slide the cover towards the rear of the product to remove it.

Figure 1-119 Remove the scanner right cover (M880; 2 of 2)



Scanner front cover (M880)

Before proceeding, remove the following assemblies:

- Hardware integration pocket (HIP) cover (M880). See [Hardware integration pocket \(HIP\) cover \(M880\) on page 98](#).
- Control panel assembly (M880). See [Control panel assembly \(M880\) on page 53](#).
- Scanner back cover (M880). See [Scanner back cover \(M880\) on page 88](#).
- Scanner left cover (M880). See [Scanner left cover \(M880\) on page 89](#).
- Scanner right cover (M880). See [Scanner right cover \(M880\) on page 90](#).

Remove the scanner front cover (M880)

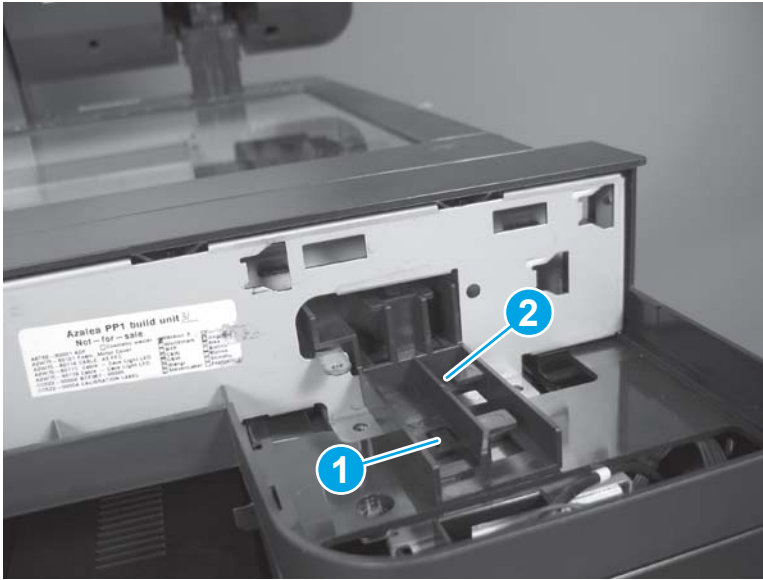
1. Raise the document feeder to the open position.

Figure 1-120 Remove the scanner front cover (M880; 1 of 8)



2. Release one tab (callout 1), and then remove the wire guide (callout 2).

Figure 1-121 Remove the scanner front cover (M880; 2 of 8)



3. Remove two screws.

Figure 1-122 Remove the scanner front cover (M880; 3 of 8)



4. Remove one screw.

Figure 1-123 Remove the scanner front cover (M880; 4 of 8)



5. Remove two screws.

Figure 1-124 Remove the scanner front cover (M880; 5 of 8)



6. Carefully flex the corner of the cover away from the scanner (callout 1), and then slightly rotate the bottom of the cover up and off of the scanner (callout 2).

Figure 1-125 Remove the scanner front cover (M880; 6 of 8)



7. Carefully flex the corner of the cover away from the scanner (callout 1), and then rotate the bottom of the cover up (callout 2).

Figure 1-126 Remove the scanner front cover (M880; 7 of 8)



8. Continue to rotate the cover up and away from the product to remove it.

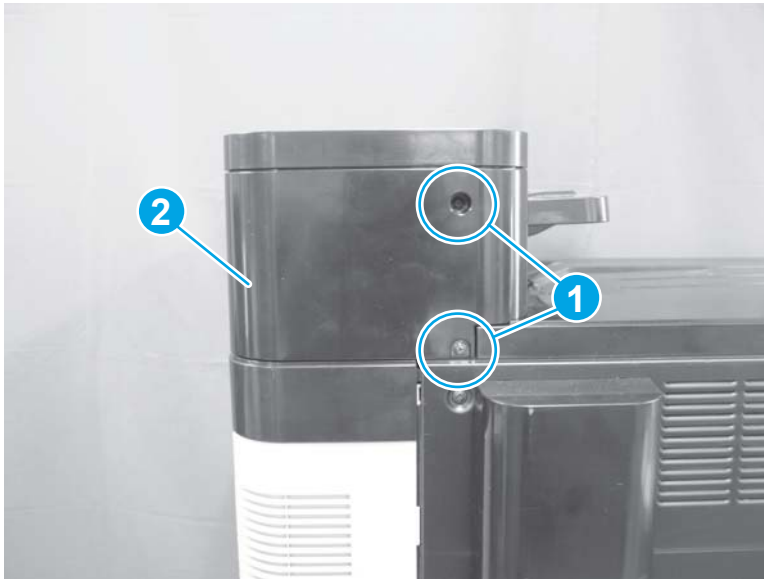
Figure 1-127 Remove the scanner front cover (M880; 8 of 8)



Right upper rear cover (M855)

Remove two screws (callout 1), and then remove the cover (callout 2).

Figure 1-128 Remove the right upper rear cover (M855)



Hardware integration pocket (HIP) cover (M855)

Use a small flat blade screwdriver to carefully release the cover, and then remove it.

Figure 1-129 Remove the hardware integration pocket (HIP) cover (M855)



Hardware integration pocket (HIP) cover (M880)

1. Note the location of four tabs under the HIP cover.

Figure 1-130 Remove the HIP cover (M880; 1 of 3)



2. Release two tabs on the side of the HIP cover toward the control panel screen.

Figure 1-131 Remove the HIP cover (M880; 2 of 3)



3. Remove the HIP cover.

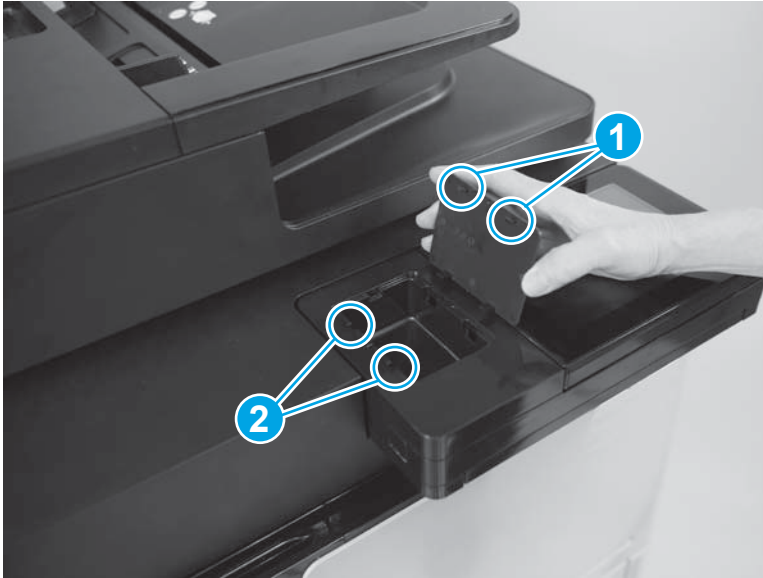
Figure 1-132 Remove the HIP cover (M880; 3 of 3)



Reinstall the HIP cover (M880)

1. Align the tabs (callout 1) on the cover with the slots in the product (callout 2).

Figure 1-133 Reinstall the HIP cover (M880; 1 of 2)




2. Lower the HIP cover until it snaps into place.

Figure 1-134 Reinstall the HIP cover (M880; 2 of 2)

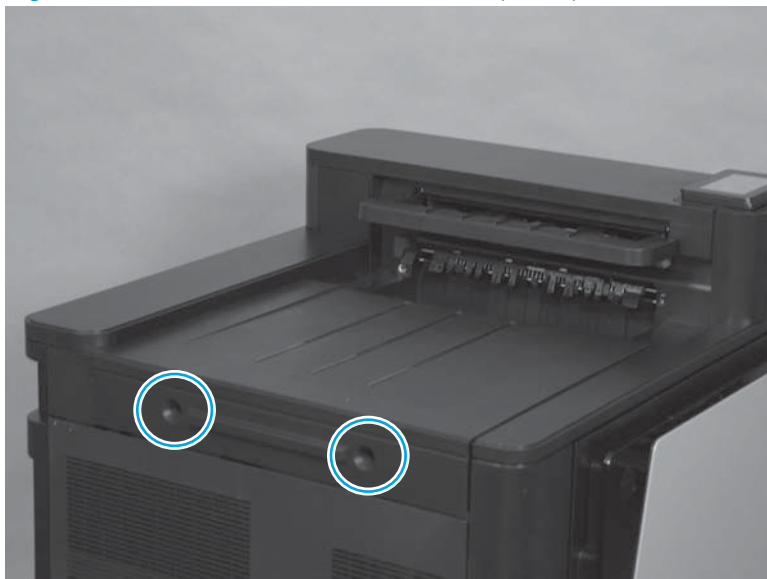


Face-down bin

 **NOTE:** The M855 is pictured in the figures below. The same face-down bin part is used on the M855 and the M880. On the M880, the face-down bin is located in the cavity under the scanner assembly.

1. Remove two screws.

Figure 1-135 Remove the face-down bin (1 of 2)



2. Lift up, and then remove the face-down bin.

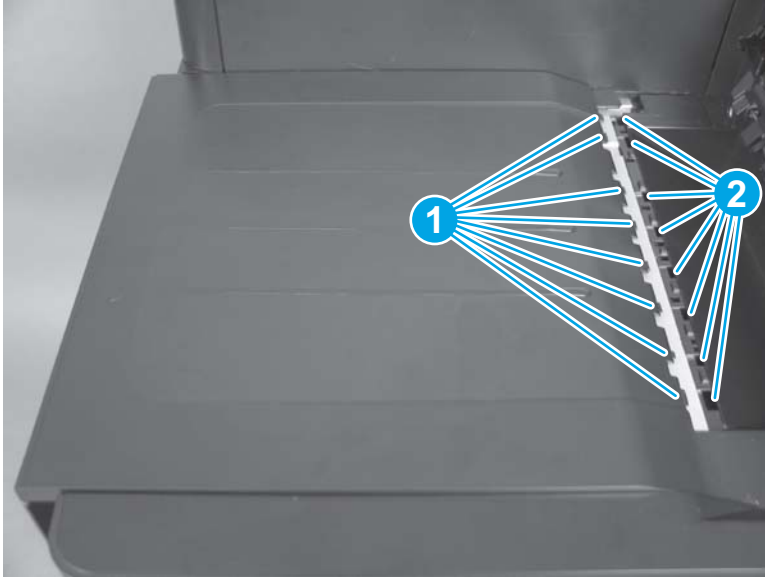
Figure 1-136 Remove the face-down bin (2 of 2)



Reinstall the face-down bin

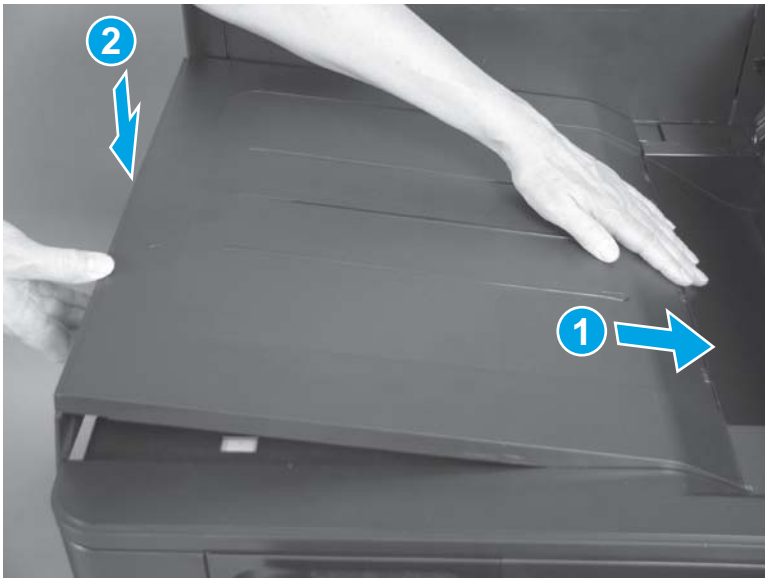
1. Make sure that the tabs (callout 1) on the bin are aligned with the slots (callout 2) in the product.

Figure 1-137 Reinstall the face-down bin (1 of 2)




2. Press downward and toward the right door (callout 1) to fully seat the tabs, and then lower the bin into position (callout 2).

Figure 1-138 Remove the face-down bin (2 of 2)



3. Check to make sure that the cover is installed correctly and that no tabs are visible.

 **IMPORTANT:** Incorrect installation might cause paper jams.


 **NOTE:** The scanner assembly on the M880 obscures the view of this portion of the face-down bin. Slide your fingers across the edge between the face-down bin and the product to make sure that all the tabs are seated properly.

Figure 1-139 Correct installation of face-down bin.

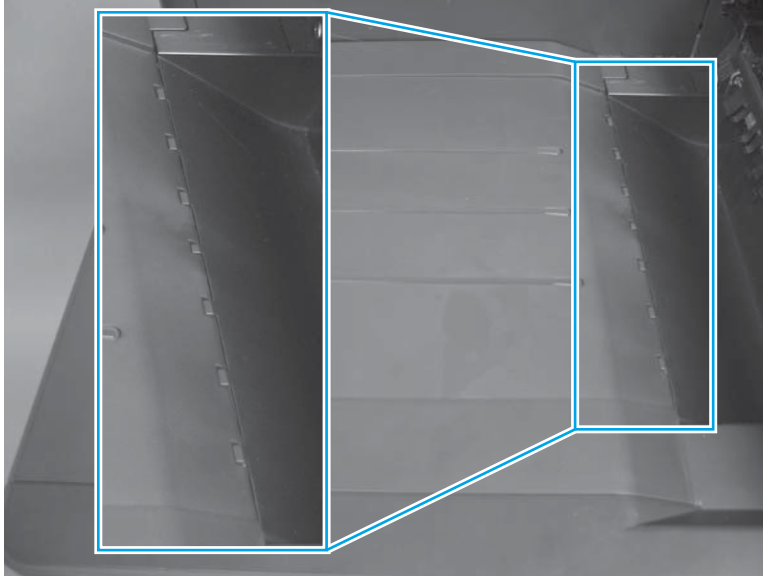
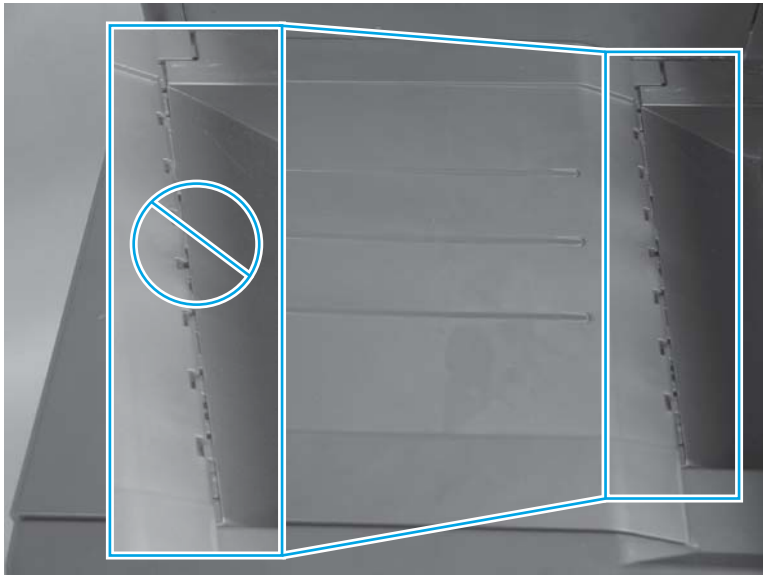


Figure 1-140 Incorrect installation of face-down bin.



Left rear cover

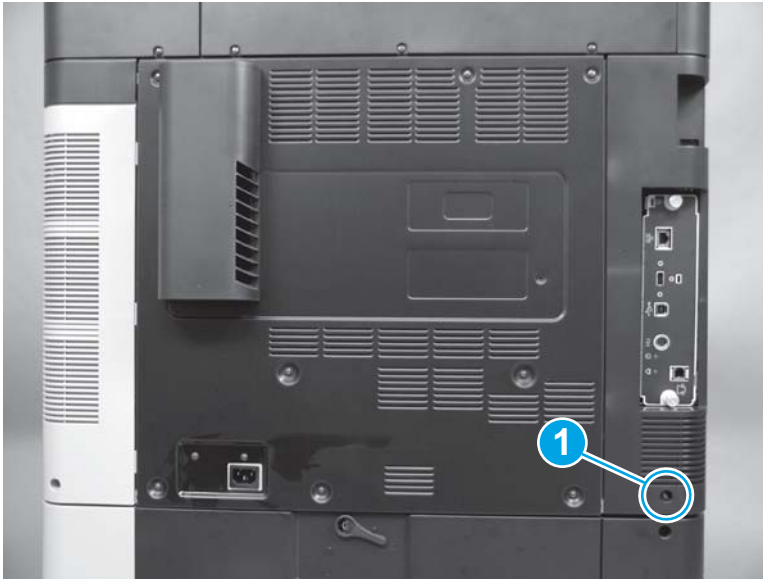
Before proceeding, remove the following assemblies:

- Intermediate paper transport unit (IPTU), if it is installed. See [IPTU assembly on page 437](#).

Remove the left rear cover

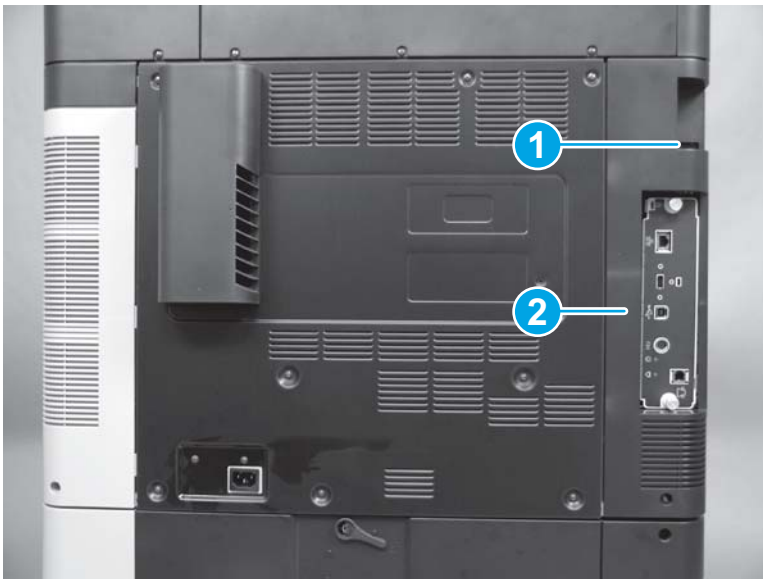
1. Remove one screw (callout 1).

Figure 1-141 Remove the left rear cover (1 of 2)



2. Release one tab (callout 1), and then remove the cover (callout 2).

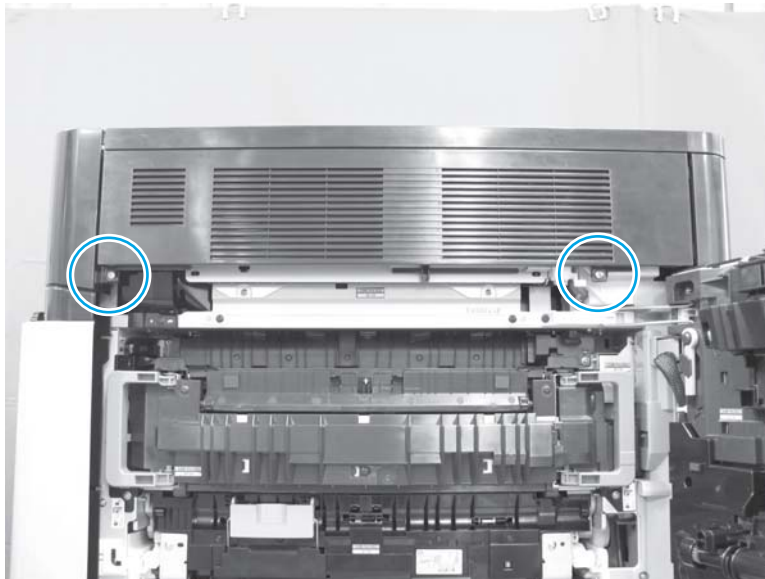
Figure 1-142 Remove the left rear cover (2 of 2)



Switch back cover

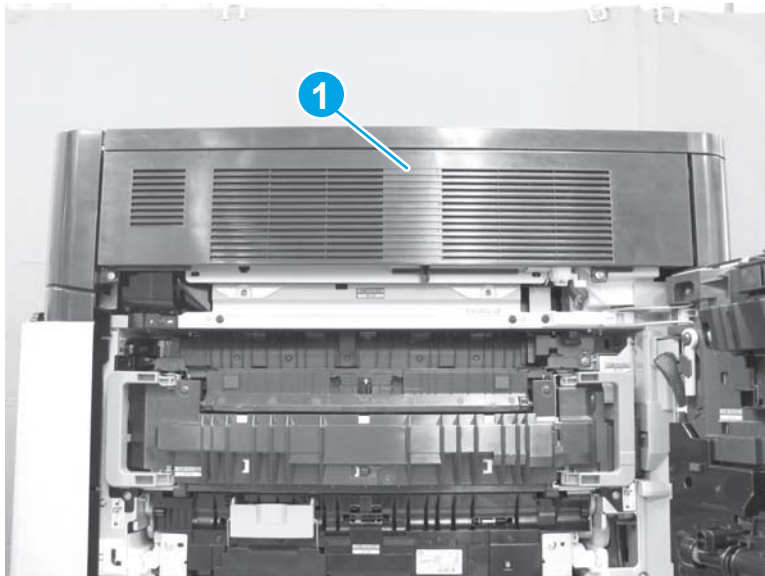
1. Open the right door, and then remove two screws.

Figure 1-143 Remove the switch back cover (1 of 2)




2. Remove the cover (callout 1).

Figure 1-144 Remove the switch back cover (2 of 2)



Lower right cover

 **NOTE:** If the Tray 2 is not already removed for servicing, remove it now.

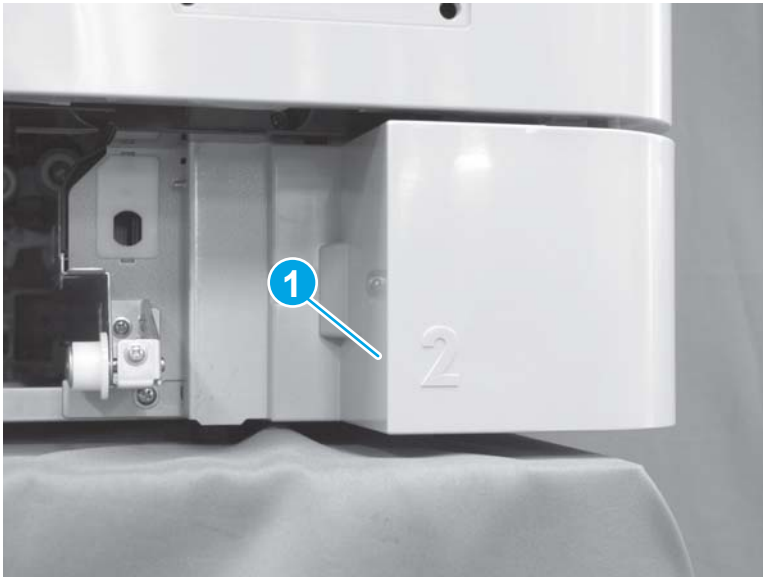
1. Remove one screw.

Figure 1-145 Remove the lower right cover (1 of 2)



2. Remove the cover (callout 1).

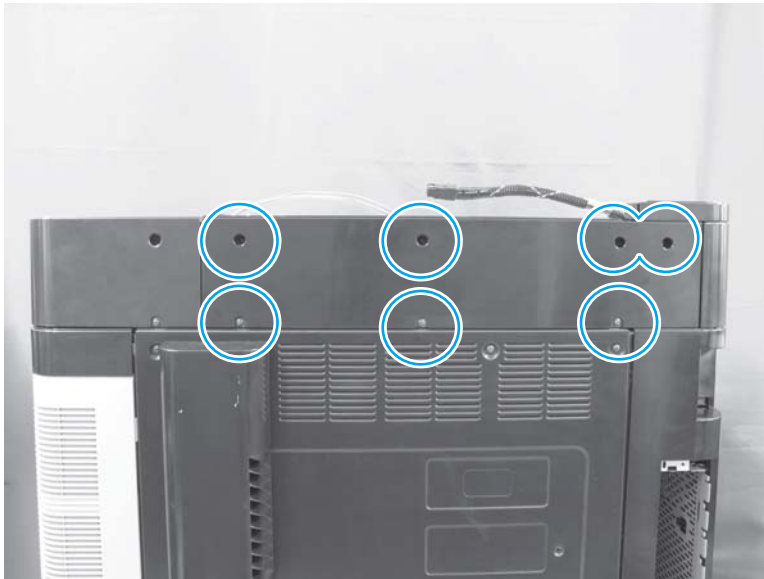
Figure 1-146 Remove the lower right cover (2 of 2)



Rear upper rear cover (M880)

1. Remove seven screws.

Figure 1-147 Remove the rear upper rear cover (M880; 1 of 2)



2. Remove the cover (callout 1).

Figure 1-148 Remove the rear upper rear cover (M880; 2 of 2)



Right upper rear cover (M880)

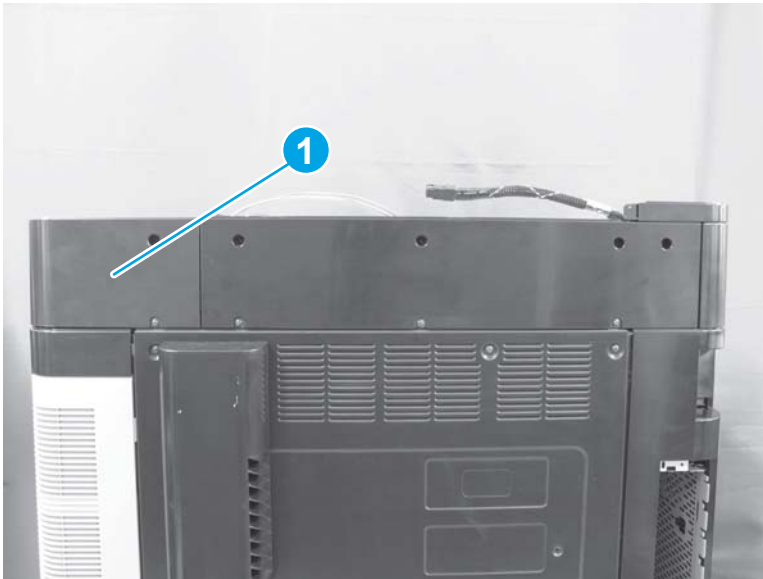
1. Remove two screws.

Figure 1-149 Remove the right upper rear cover (M880; 1 of 2)



2. Remove the cover (callout 1).

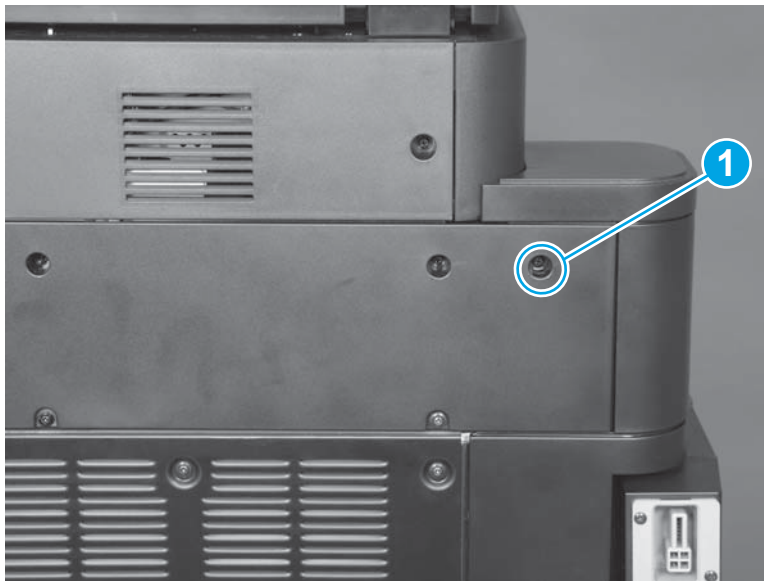
Figure 1-150 Remove the right upper rear cover (M880; 2 of 2)



Rear upper MFP cover (M880)

1. Remove one screw (callout 1).

Figure 1-151 Remove the rear upper MFP cover (M880; 1 of 2)



2. Remove the cover.

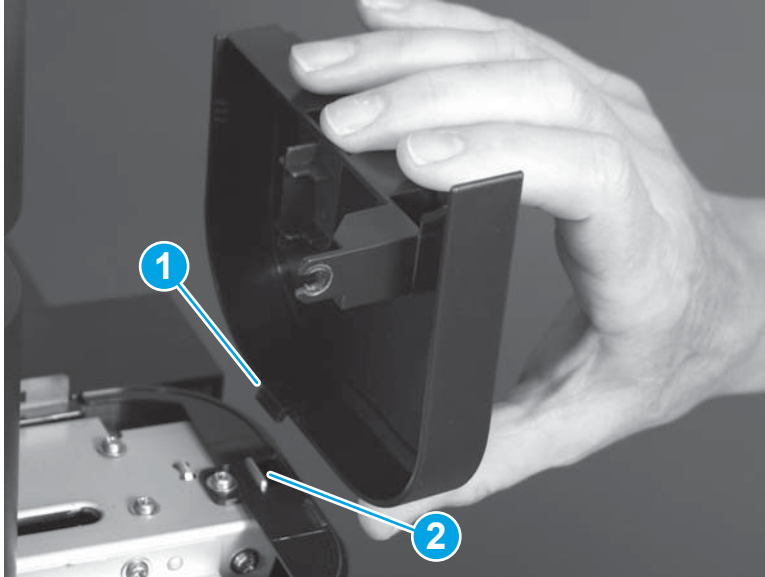
Figure 1-152 Remove the rear upper MFP cover (M880; 2 of 2)



Reinstall the rear upper MFP cover (M880)

Install the tab (callout 1) on the cover into the slot (callout 2) on the product, and then lower the cover into place.


Figure 1-153 Reinstall the rear upper MFP cover (M880)



Left upper rear cover and rear upper B cover (M880)

Before proceeding, remove the following assemblies:

- Remove one of the following, depending upon product configuration:
 - Face-down bin. See [Face-down bin on page 101](#).
 - Intermediate paper transport unit (IPTU). See [IPTU assembly on page 437](#).
- Rear upper MFP cover (M880). See [Rear upper MFP cover \(M880\) on page 109](#).

 **NOTE:** The figures below show the document feeder and scanner removed for clarity. It is not necessary to remove these parts before removing the left upper rear cover and rear upper B cover.

Remove the left upper rear cover and rear upper B cover (M880)

1. Remove one screw.

Figure 1-154 Remove the left upper rear cover and rear upper B cover (M880; 1 of 3)



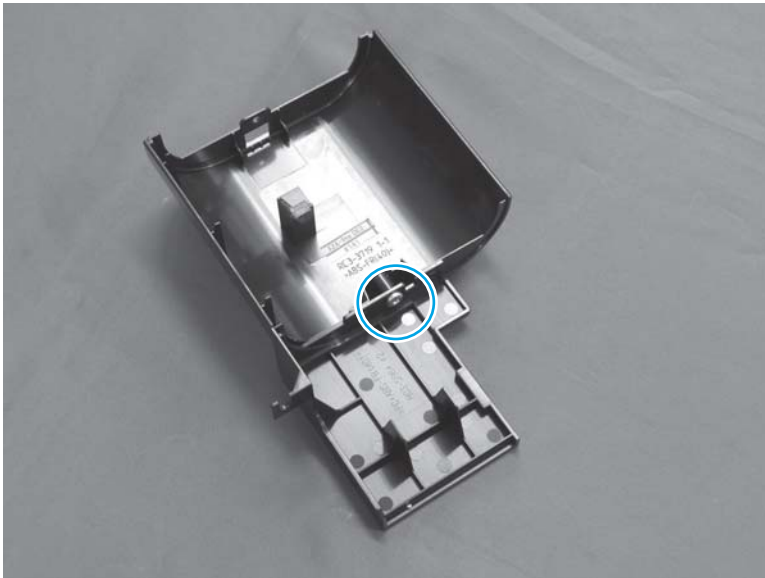
2. Remove the cover (callout 1).

Figure 1-155 Remove the left upper rear cover and rear upper B cover (M880; 2 of 3)



3. Remove one screw, and then separate the rear upper B cover from the left upper rear cover.

Figure 1-156 Remove the left upper rear cover and rear upper B cover (M880; 3 of 3)



Rear upper front cover (M880)

Before proceeding, remove the following assemblies:

- Remove one of the following, depending upon product configuration:
 - Face-down bin. See [Face-down bin on page 101](#).
 - Intermediate paper transport unit (IPTU). See [IPTU assembly on page 437](#).
- Rear upper MFP cover (M880). See [Rear upper MFP cover \(M880\) on page 109](#).
- Left upper rear cover (M880). See [Left upper rear cover and rear upper B cover \(M880\) on page 111](#).
- Document feeder (M880). See [Document feeder assembly \(M880\) on page 154](#).
- Scanner assembly (M880). See [Scanner assembly \(M880\) on page 162](#).

Remove the rear upper front cover (M880)

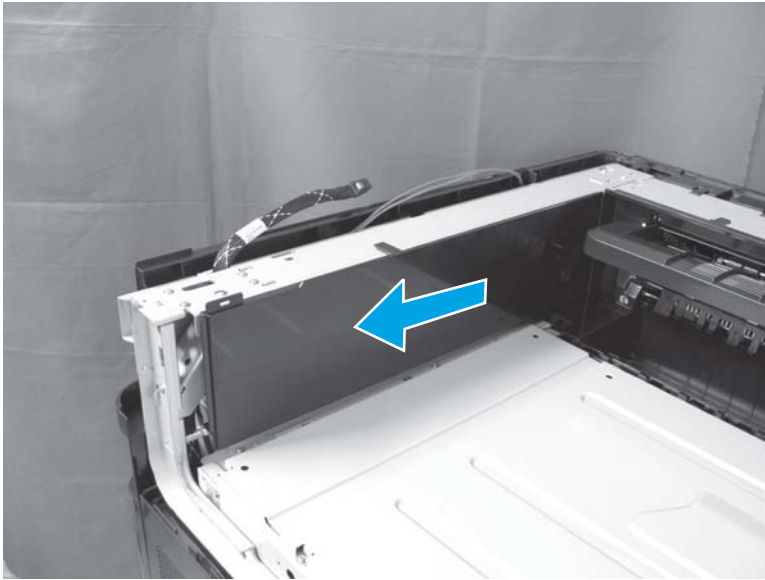
1. Release one tab.

Figure 1-157 Remove the rear upper front cover (M880; 1 of 2)



2. Slide the cover away from the product to remove it.

Figure 1-158 Remove the rear upper front cover (M880; 2 of 2)



Front top cover

Before proceeding, remove the following assemblies:

- Remove one of the following, depending upon product configuration:
 - Face-down bin. See [Face-down bin on page 101](#).
 - Intermediate paper transport unit (IPTU). See [IPTU assembly on page 437](#).

Remove the front top cover

1. Remove one screw (callout 1).

Figure 1-159 Remove the front top cover (1 of 2)



2. Release one tab (callout 1), and then remove the cover.

Figure 1-160 Remove the front top cover (2 of 2)



Rear top cover (M855)

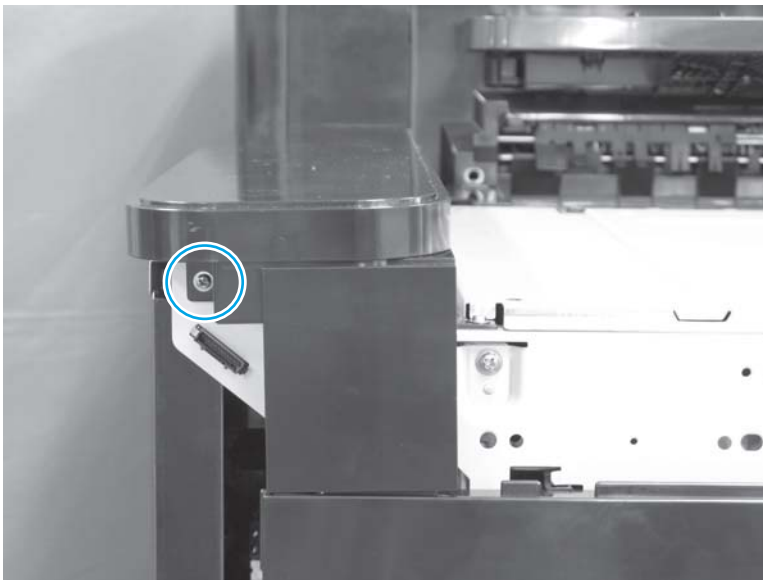
Before proceeding, remove the following assemblies:

- Remove one of the following, depending upon product configuration:
 - Face-down bin. See [Face-down bin on page 101](#).
 - Intermediate paper transport unit (IPTU). See [IPTU assembly on page 437](#).
- Left rear cover. See [Left rear cover on page 104](#).

Remove the rear top cover (M855)

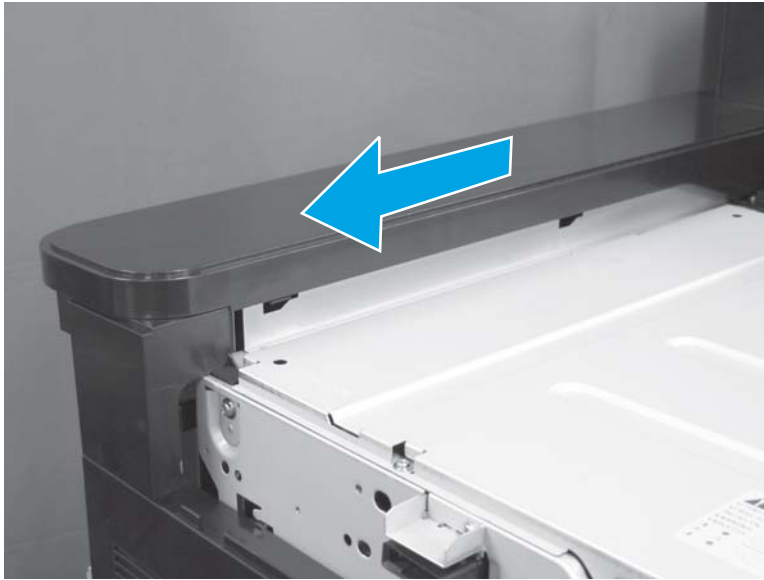
1. Remove one screw.

Figure 1-161 Remove the rear top cover (M855; 1 of 3)



2. Slide the cover away from the product to remove it.

Figure 1-162 Remove the rear top cover (M855; 2 of 3)



3. **Optional step:** If necessary, remove one screw, and then separate the cover assembly.

Figure 1-163 Remove the rear top cover (M855; 3 of 3)



Left cover

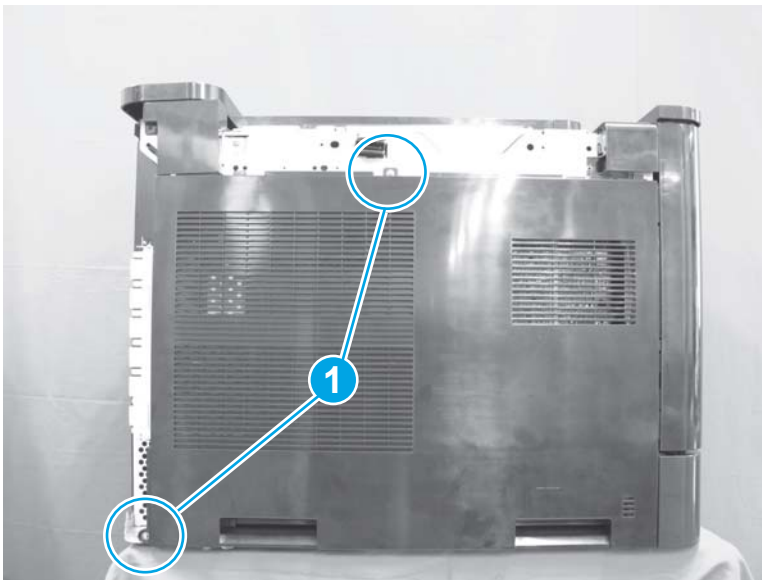
Before proceeding, remove the following assemblies:

- Remove one of the following, depending upon product configuration:
 - Face-down bin. See [Face-down bin on page 101](#).
 - Intermediate paper transport unit (IPTU). See [IPTU assembly on page 437](#).
- Left rear cover. See [Left rear cover on page 104](#).

Remove the left cover

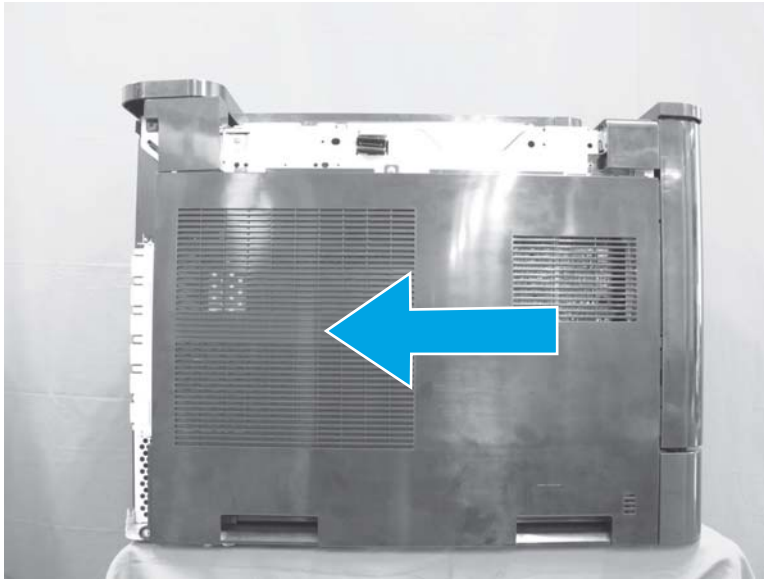
1. Remove two screws (callout 1).

Figure 1-164 Remove the left cover (1 of 2)



2. Slide the cover away from the product to remove it.

Figure 1-165 Remove the left cover (2 of 2)



Right upper front cover (M855)

Before proceeding, remove the following assemblies:

- Remove one of the following, depending upon product configuration:
 - Face-down bin. See [Face-down bin on page 101](#).
 - Intermediate paper transport unit (IPTU). See [IPTU assembly on page 437](#).
- Hardware integration pocket (HIP) cover (M855). See [Hardware integration pocket \(HIP\) cover \(M855\) on page 97](#).
- Control panel (M855). See [Control panel assembly \(M855\) on page 47](#)
- Front top cover. See [Front top cover on page 115](#).


Remove the right upper front cover (M855)

1. Remove one screw.

Figure 1-166 Remove the right upper front cover (M855; 1 of 2)



2. Release two tabs, and then rotate the cover away from the product to remove it.

 **NOTE:** Do not remove the USB cable from the cover. Release the cable from the product, and then remove it with the cover.


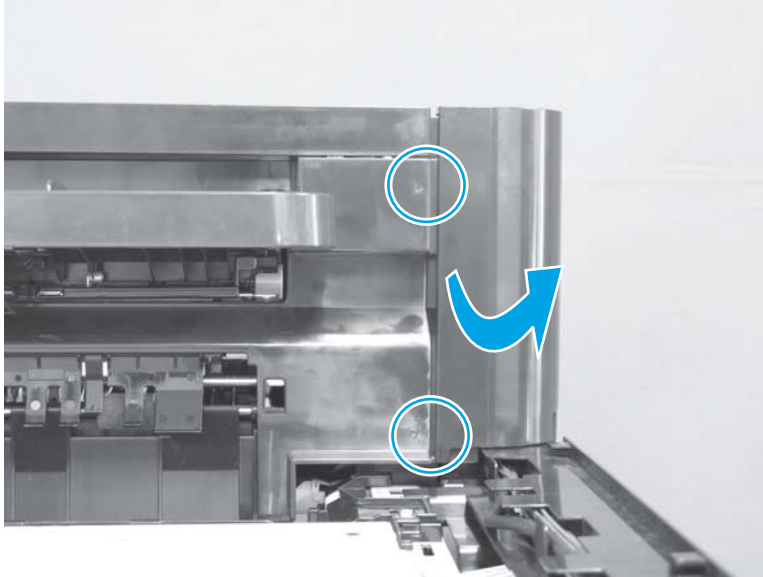
 **TIP:** Use the arrows embossed on the product to locate the tabs.

Figure 1-167 Remove the right upper front cover (M855; 2 of 2)



Right upper front cover (M880)

Before proceeding, remove the following assemblies:

- Remove one of the following, depending upon product configuration:
 - Face-down bin. See [Face-down bin on page 101](#).
 - Intermediate paper transport unit (IPTU). See [IPTU assembly on page 437](#).
- Document feeder (M880). See [Document feeder assembly \(M880\) on page 154](#).
- Scanner assembly (M880). See [Scanner assembly \(M880\) on page 162](#)
- Front top cover. See [Front top cover on page 115](#).

Remove the right upper front cover (M880)

1. Release two tabs, and then rotate the cover away from the product.


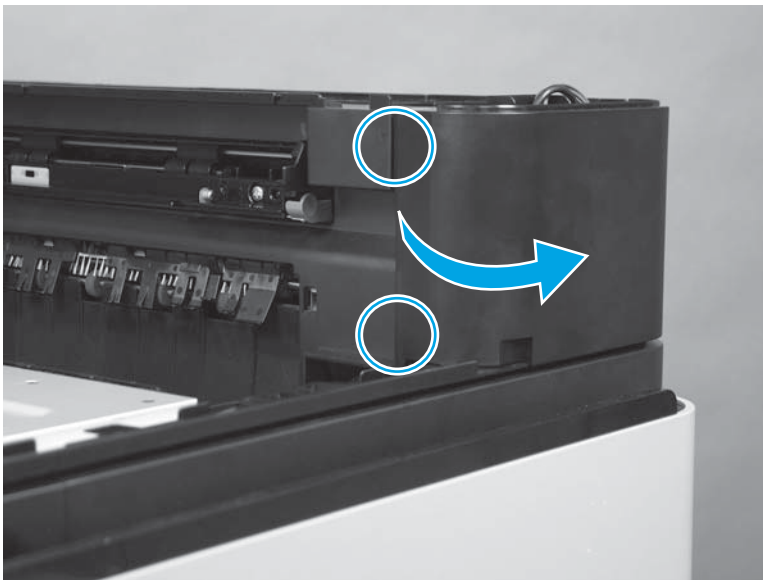
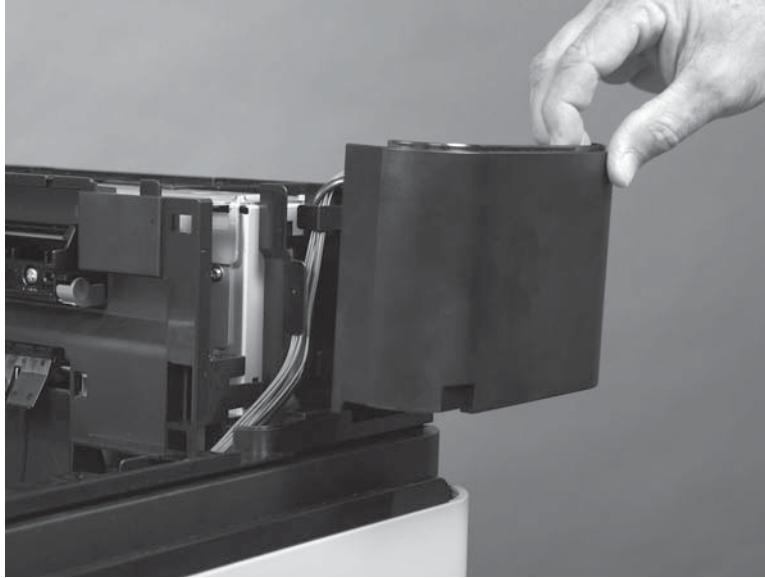
 **TIP:** Use the arrows embossed on the product to locate the tabs.

Figure 1-168 Remove the right upper front cover (M880; 1 of 2)



2. Remove the cover.

Figure 1-169 Remove the right upper front cover (M880; 2 of 2)



Right upper cover (M855)

Before proceeding, remove the following assemblies:

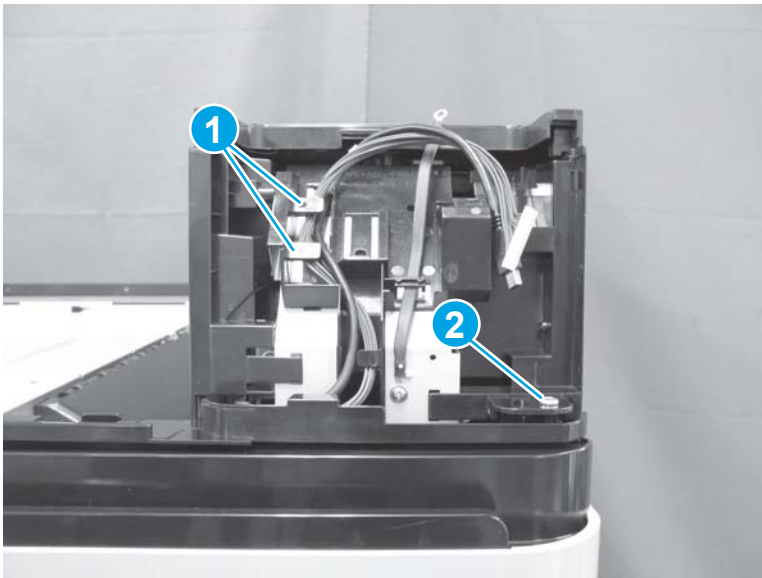
- Optional: Switch back tray. See [Switch back tray on page 22](#).
- Control panel (M855). See [Control panel assembly \(M855\) on page 47](#)
- Right upper rear cover (M855). See [Right upper rear cover \(M855\) on page 96](#).
- Remove one of the following, depending upon product configuration:
 - Face-down bin. See [Face-down bin on page 101](#).
 - Intermediate paper transport unit (IPTU). See [IPTU assembly on page 437](#).
- Switch back cover. See [Switch back cover on page 105](#).
- Front top cover. See [Front top cover on page 115](#).
- Rear top cover. See [Rear top cover \(M855\) on page 116](#).
- Right upper front cover (M855). See [Right upper front cover \(M855\) on page 120](#).

Remove the right upper cover (M855)

1. Release the wire harnesses from the guide (callout 1), and then remove one screw (callout 2).

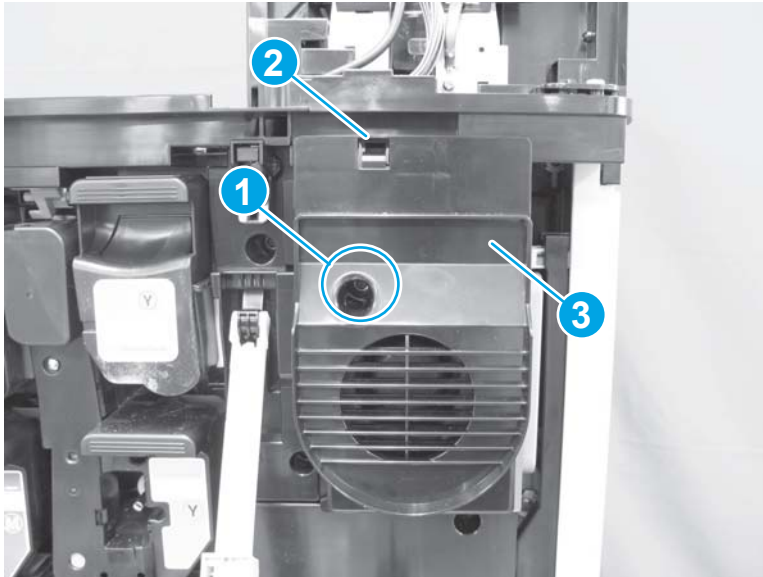
 **NOTE:** Release the control panel cables from the guides as needed.

Figure 1-170 Remove the right upper cover (M855; 1 of 9)



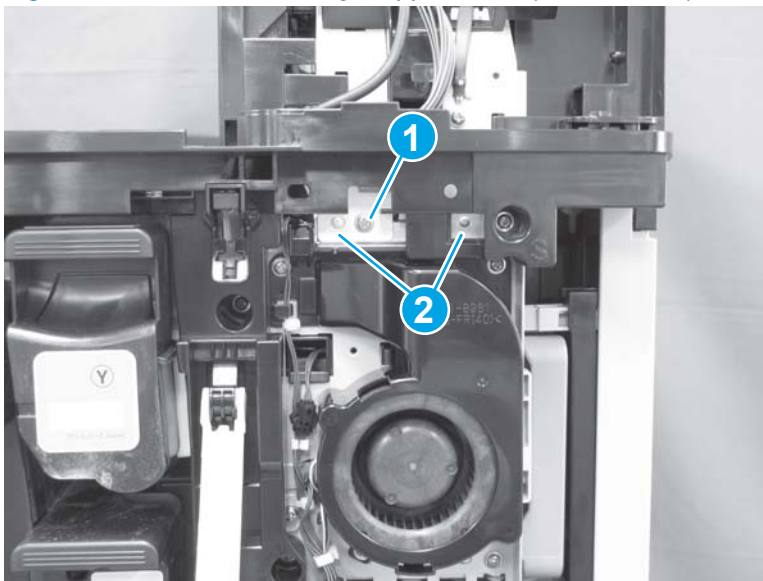
2. Open the front door, remove one screw (callout 1), release one tab (callout 2), and then remove the delivery fan cover (callout 3).

Figure 1-171 Remove the right upper cover (M855; 2 of 9)



3. Remove one screw (callout 1), and then push up on the assembly to release two sheet-metal tabs (callout 2).

Figure 1-172 Remove the right upper cover (M855; 3 of 9)



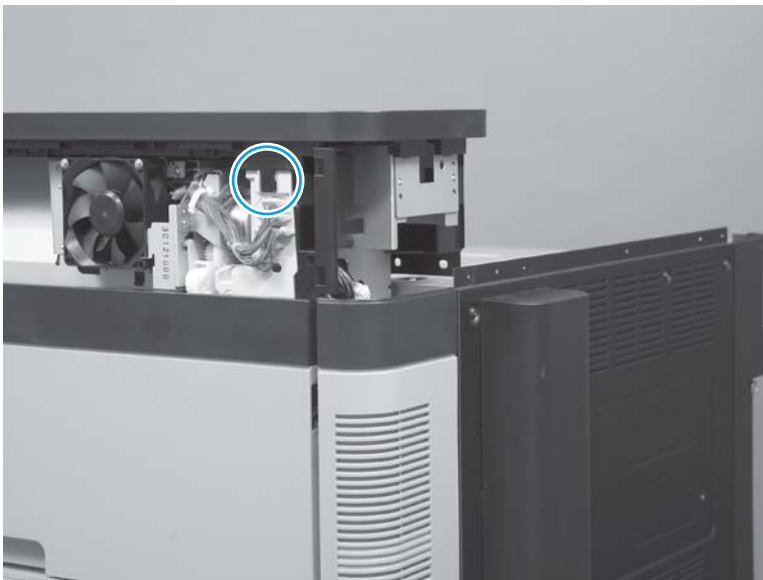
4. From the rear side of the product, remove two screws.

Figure 1-173 Remove the right upper cover (M855; 4 of 9)



5. From the right-rear side of the product, release one tab.

Figure 1-174 Remove the right upper cover (M855; 5 of 9)

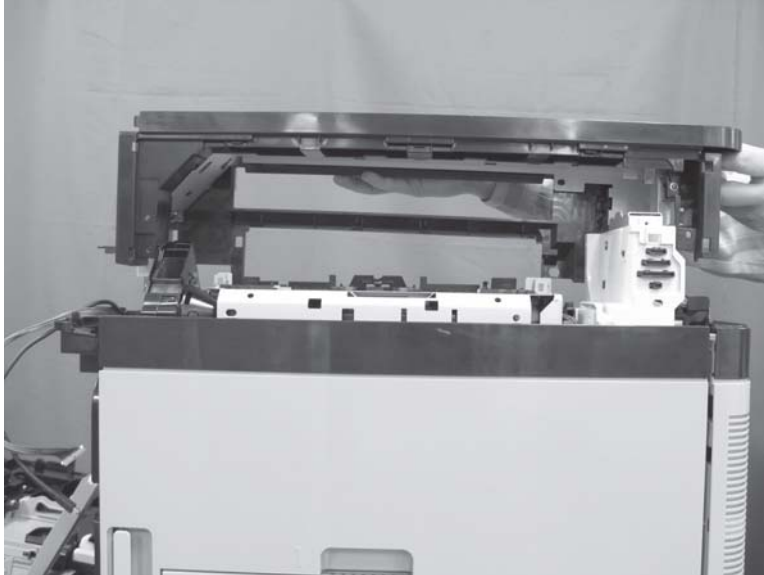


- Carefully remove the cover assembly.

CAUTION: Release the control panel cables from the guides as needed to remove the assembly. Make sure that the control-panel cables are correctly routed and are not pinched when the assembly is reinstalled.

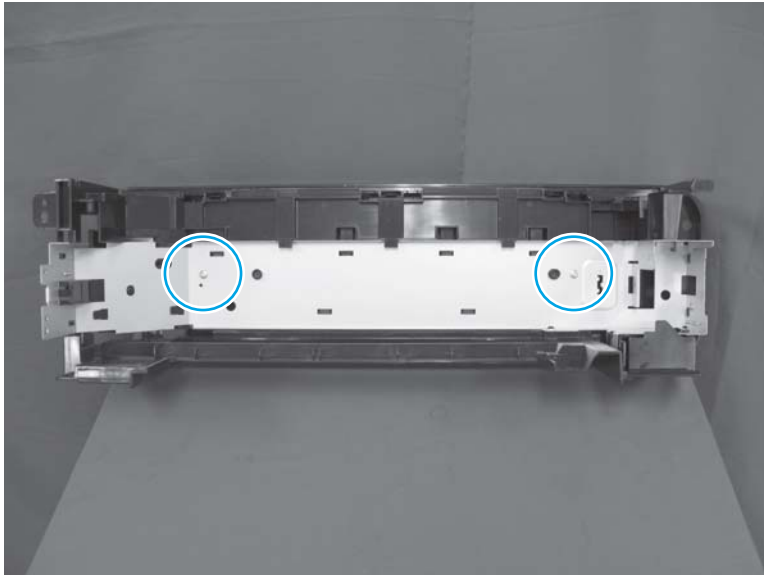
NOTE: The cover is still attached to a sheet-metal bracket.

Figure 1-175 Remove the right upper cover (M855; 6 of 9)



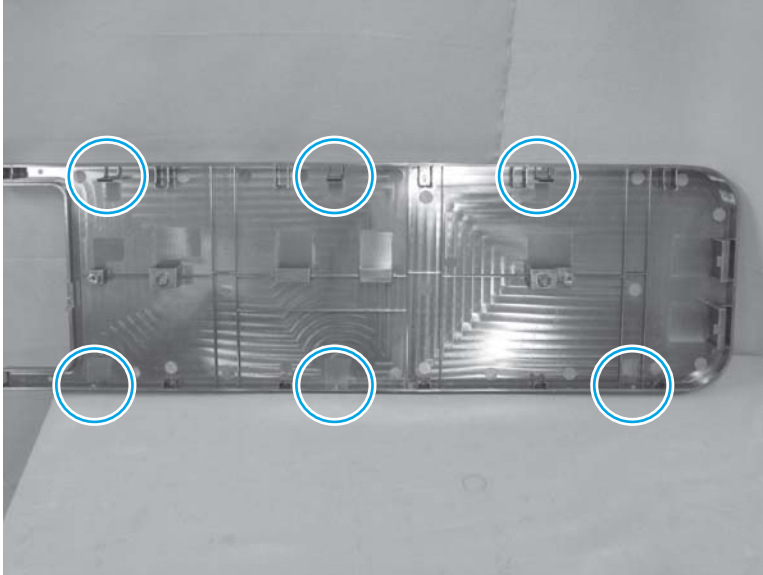
- Optional step:** To remove the cover from the sheet-metal bracket, remove two screws.

Figure 1-176 Remove the right upper cover (M855; 7 of 9)



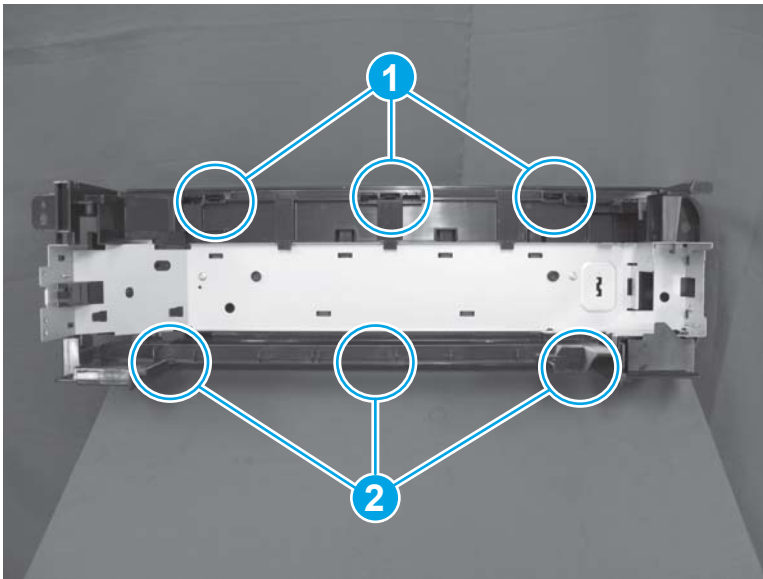
- Optional step:** To remove the cover from the sheet-metal bracket, before proceeding, note the location of the six tabs that secure the right upper cover to the assembly.

Figure 1-177 Remove the right upper cover (M855; 8 of 9)



- Optional step:** To remove the cover from the sheet-metal bracket, release three tabs (callout 1), release three additional tabs (callout 2), and then separate the cover from the assembly.

Figure 1-178 Remove the right upper cover (M855; 9 of 9)



Right door assembly

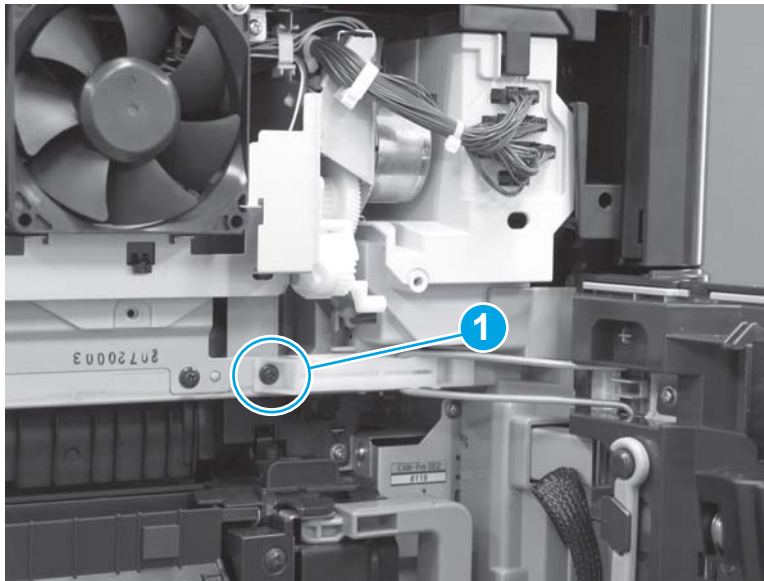
Before proceeding, remove the following assemblies:

- Switch back cover. See [Switch back cover on page 105](#).

Remove the right door assembly

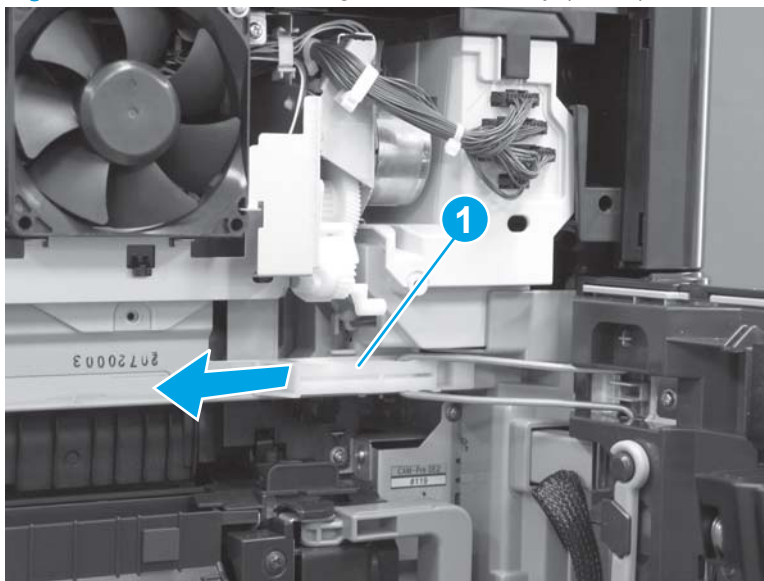
1. Open the right door, and then remove one screw (callout 1).

Figure 1-179 Remove the right door assembly (1 of 7)



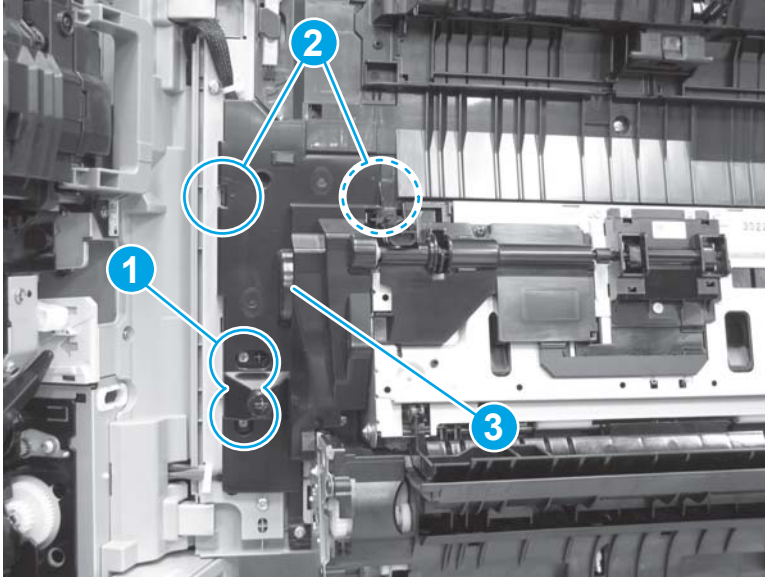
2. Slide the retainer arm and guide (callout 1) to the left to disengage it from the product.

Figure 1-180 Remove the right door assembly (2 of 7)



3. On the door assembly, remove two self-tapping screws (callout 1), release two tabs (callout 2), and then remove the motor cover (callout 3).

Figure 1-181 Remove the right door assembly (3 of 7)



4. Release the wire harness from the retainer (callout 1), disconnect three connectors (callout 2), and then release one wire tie (callout 3) .


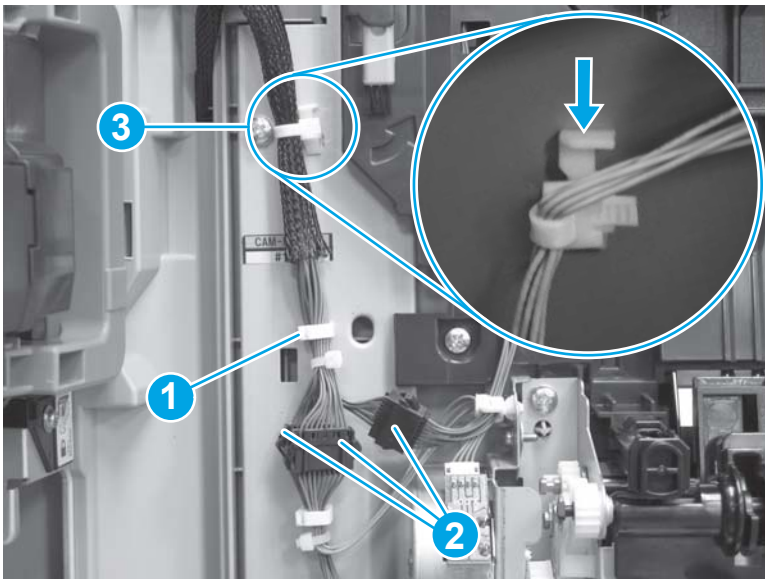
 **TIP:** To release the wire tie (callout 3), push in on the tab, and then remove the wire tie from the door.

Figure 1-182 Remove the right door assembly (4 of 7)



5. Disconnect one connector (callout 1), and then release one wire tie (callout 2).


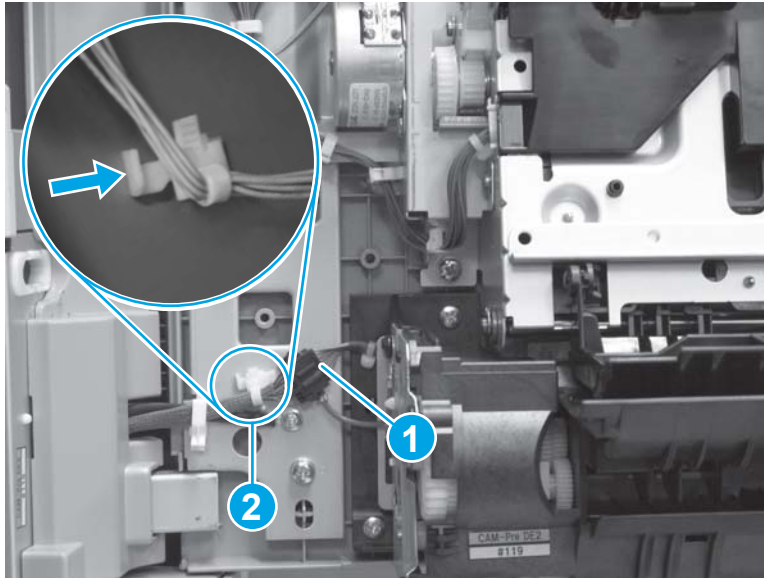
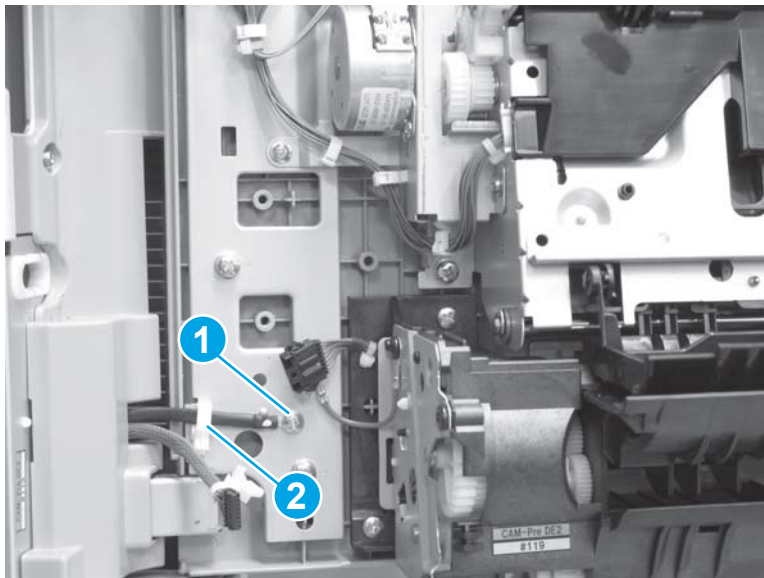
 **TIP:** To release the wire tie (callout 2), push in on the tab, and then remove the wire tie from the door.

Figure 1-183 Remove the right door assembly (5 of 7)



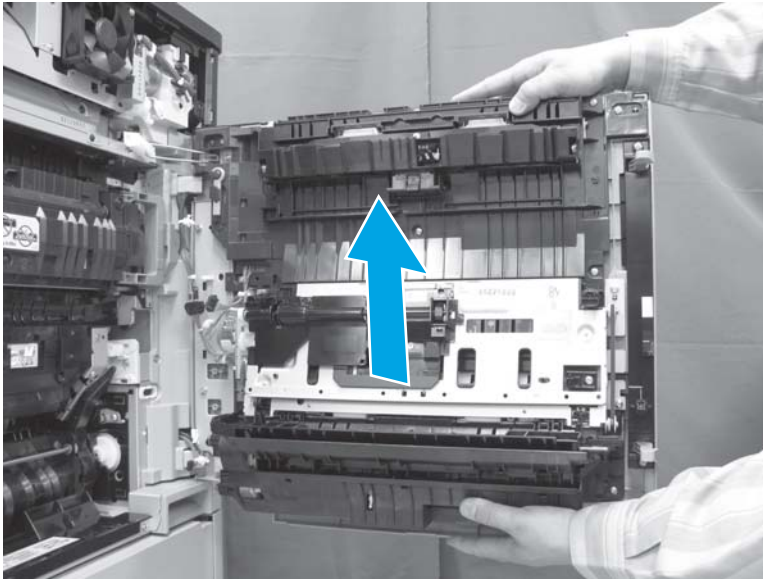
6. Remove one screw (callout 1), and then release the wire harness from the retainer (callout 2).

Figure 1-184 Remove the right door assembly (6 of 7)



- Carefully lift up the door assembly to remove it.

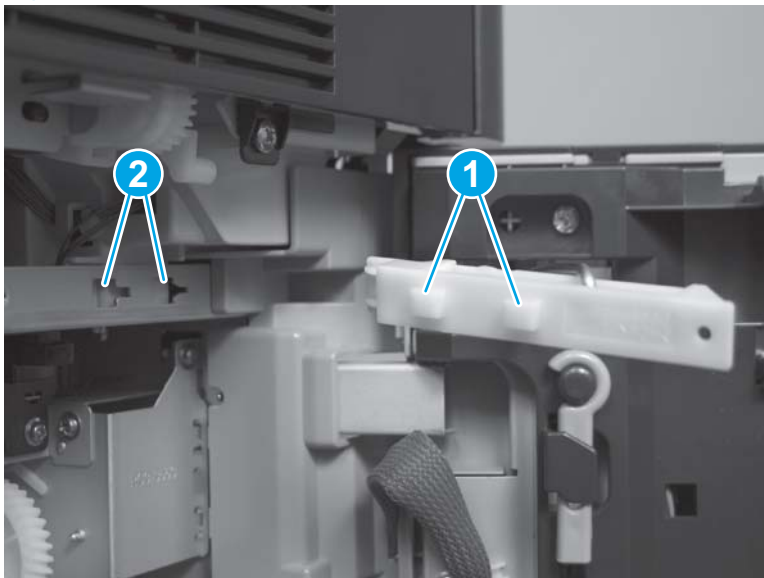
Figure 1-185 Remove the right door assembly (7 of 7)



Reinstall the right door assembly

When reinstalling the retainer arm, make sure that the tabs on the arm (callout 1) are installed in the slots in the product (callout 2).

Figure 1-186 Reinstall the right door assembly



Left front cover

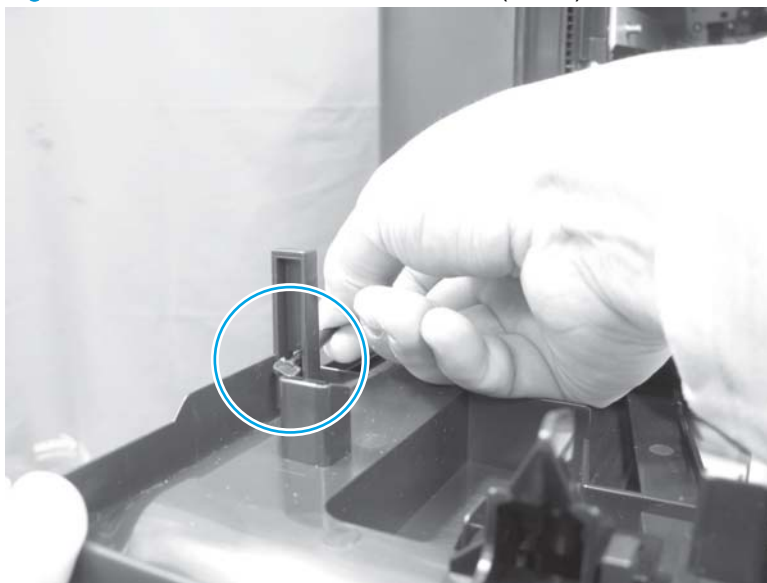
Before proceeding, remove the following assemblies:

- Remove one of the following, depending upon product configuration:
 - Face-down bin. See [Face-down bin on page 101](#).
 - Intermediate paper transport unit (IPTU). See [IPTU assembly on page 437](#).
- Left rear cover. See [Left rear cover on page 104](#).
- Front top cover. See [Front top cover on page 115](#).
- Left cover. See [Left cover on page 118](#).

Remove the left front cover

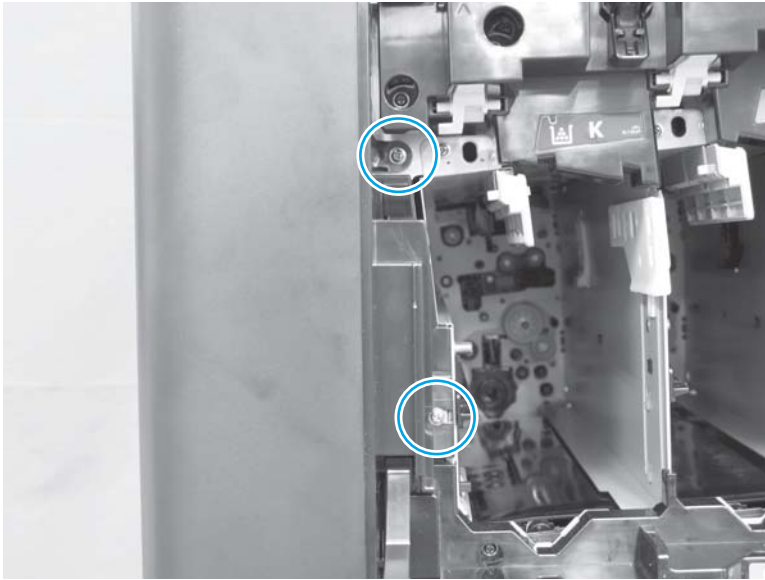
1. Open the front door
2. At the left side of the door, rotate the end of the retaining strap until it aligns with the hole in the bracket, and then push the strap through the hole to release it.

Figure 1-187 Remove the left front cover (1 of 5)



3. Remove two screws.

Figure 1-188 Remove the left front cover (2 of 5)



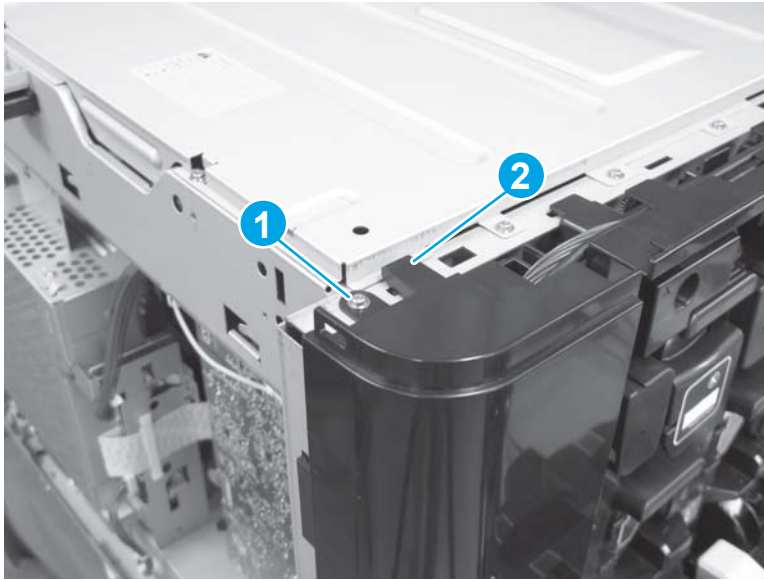
4. At the front of the product near the power switch, remove one screw.

Figure 1-189 Remove the left front cover (3 of 5)



5. At the top of the product, remove one screw (callout 1), and then release one tab (callout 2).

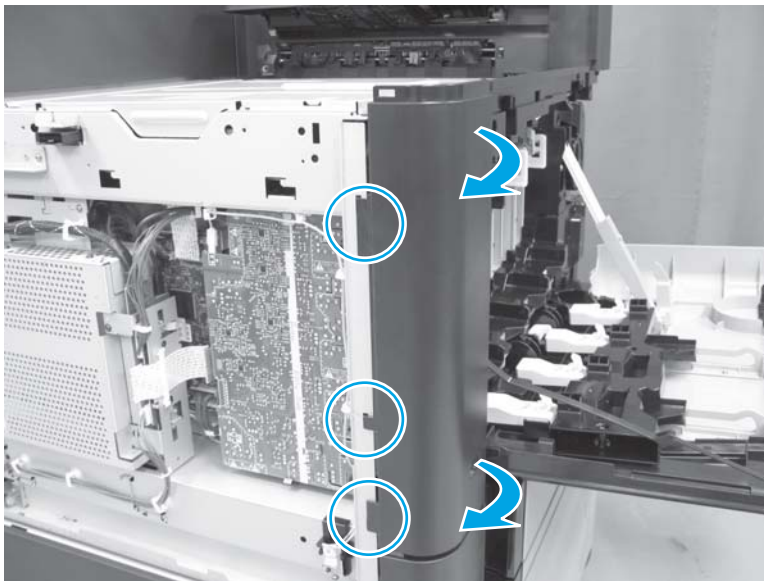
Figure 1-190 Remove the left front cover (4 of 5)



6. Rotate the edge of the cover near the front door away from the product to release three tabs, and then remove the cover.

 **NOTE:** The front door must be open to remove the cover.

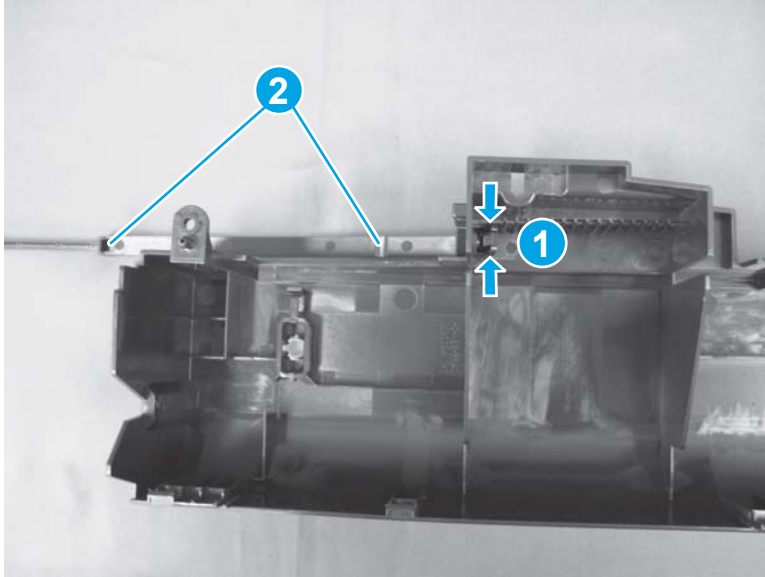
Figure 1-191 Remove the left front cover (5 of 5)



Install a replacement left front cover

If a replacement cover is installed, release two tabs on each side of the clip (callout 1), and then remove the retaining strap (callout 2) from the discarded cover and install it on the replacement cover.

Figure 1-192 Install a replacement left front cover



Front door

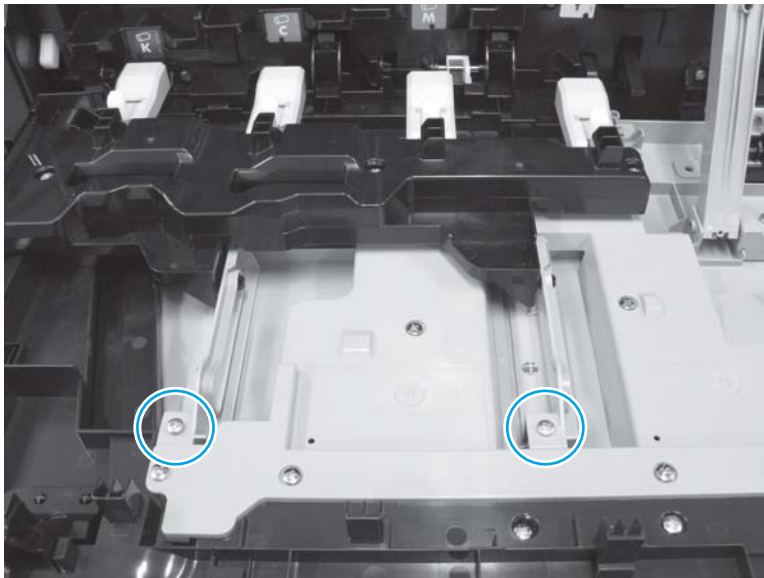
1. Open the front door
2. At the left side of the door, rotate the end of the retaining strap until it aligns with the hole in the bracket, and then push the strap through the hole to release it.

Figure 1-193 Remove the front door (1 of 9)



3. Remove two screws that fasten the two plastic rails to the door.

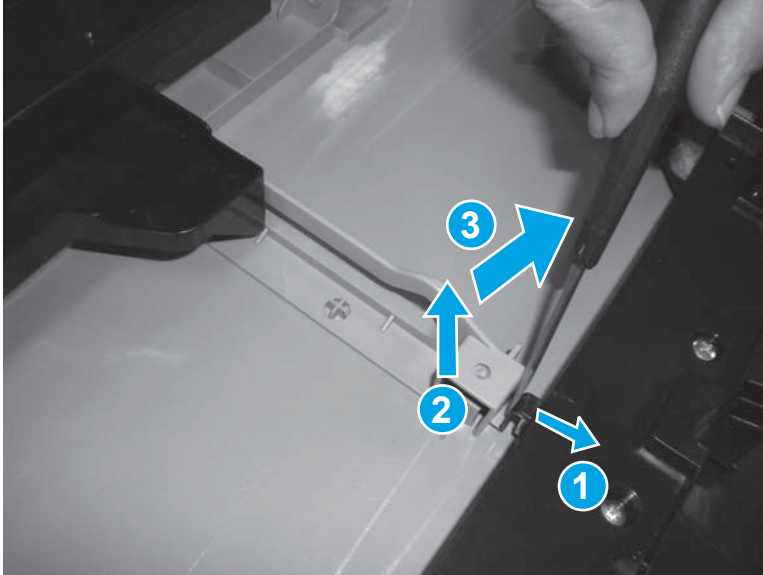
Figure 1-194 Remove the front door (2 of 9)



4. Use a small flat blade screwdriver to release a tab (callout 1), slightly raise the plastic rail (callout 2), and then slide the rail to the right (callout 3) to release and remove it.

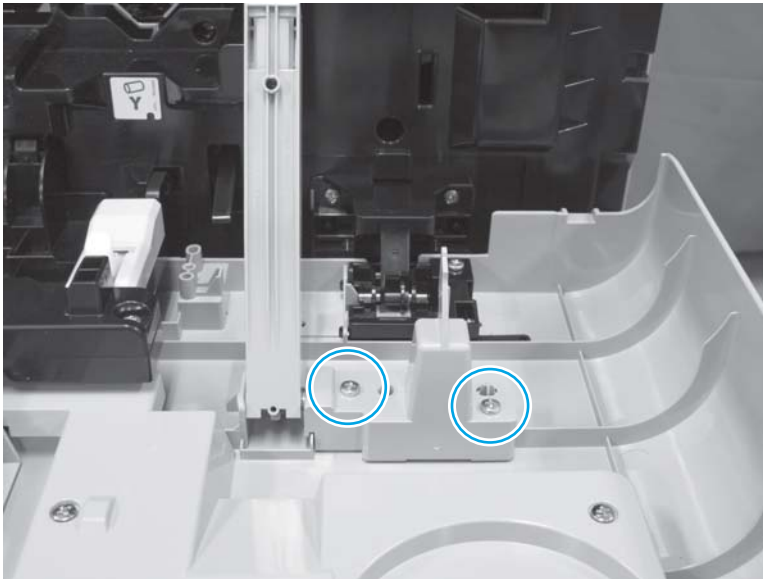
 **NOTE:** Repeat this step for the remaining rail.

Figure 1-195 Remove the front door (3 of 9)



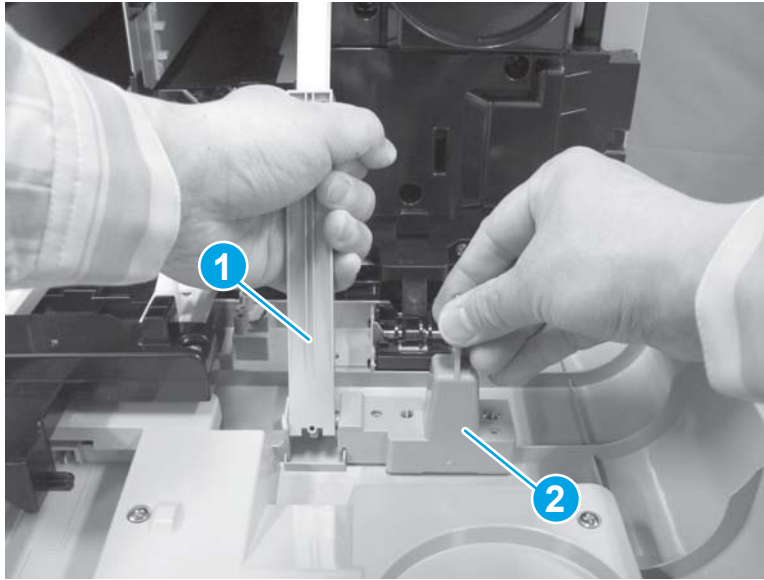
5. At the right side of the door, remove two screws.

Figure 1-196 Remove the front door (4 of 9)



6. Support the interlock-switch arm (callout 1), and then remove the switch lever (callout 2).

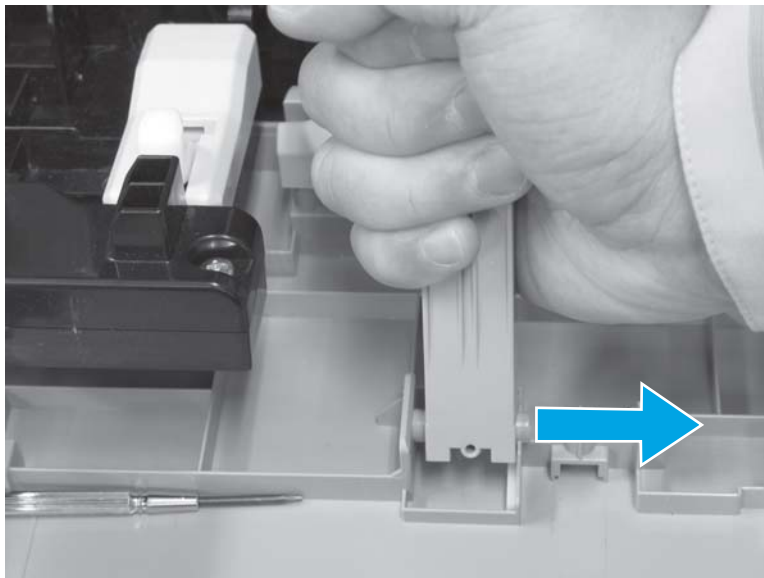
Figure 1-197 Remove the front door (5 of 9)



7. Slide the interlock-switch arm to the right to release it.

⚠ CAUTION: The interlock-switch arm is spring loaded. Firmly grasp the arm when it is removed to prevent it from retracting.

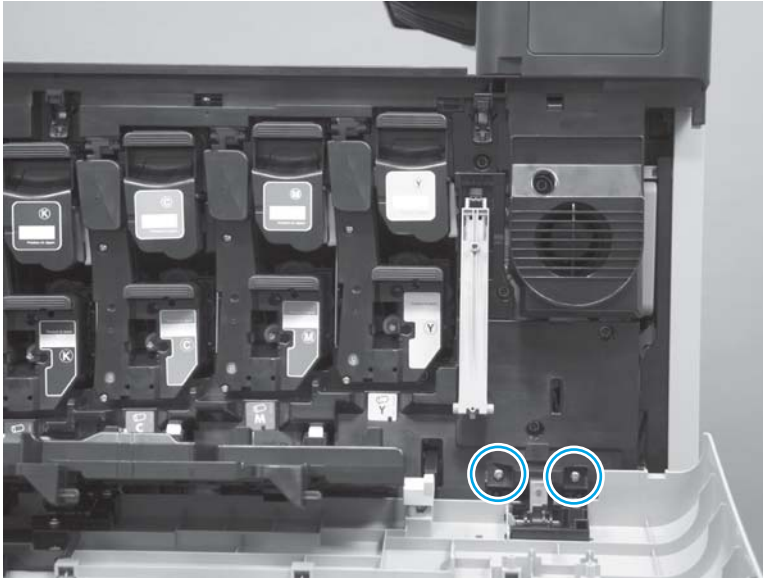
Figure 1-198 Remove the front door (6 of 9)



- At the right side of the door, remove two screws.

 **NOTE:** Support the door.

Figure 1-199 Remove the front door (7 of 9)



- At the left side of the door, remove two screws.


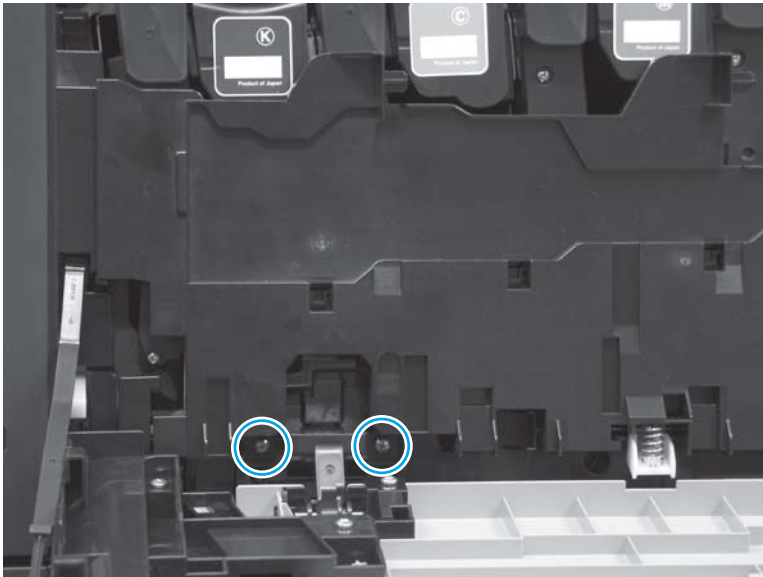
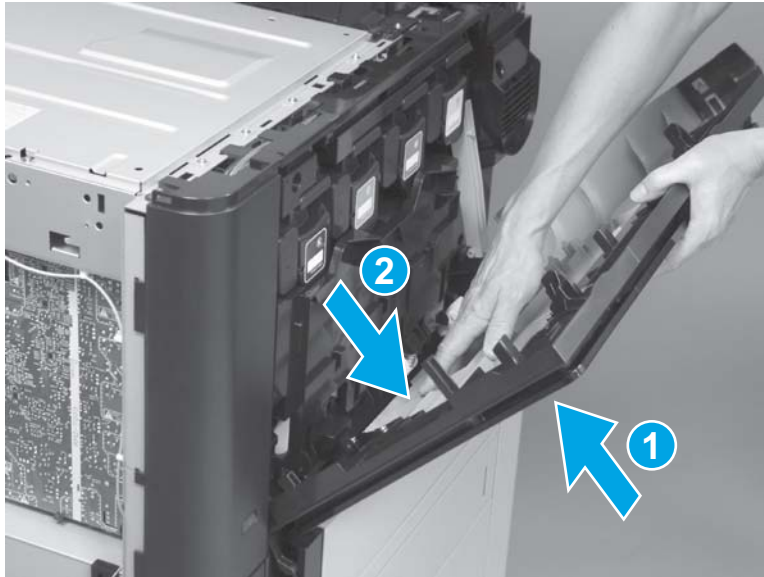
 **NOTE:** Support the door.

Figure 1-200 Remove the front door (8 of 9)



10. Raise the door until it is about one-half of the way open (callout 1), push down on the door (callout 2) to release it, and then remove the door.

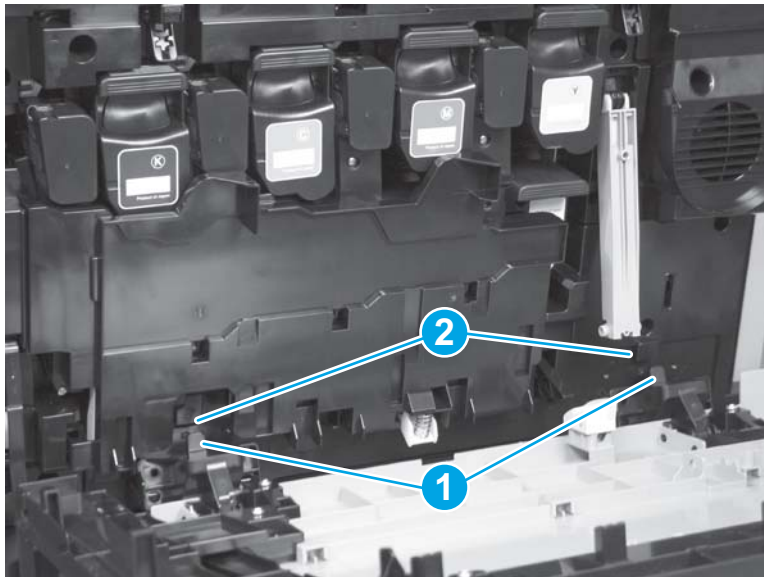
Figure 1-201 Remove the front door (9 of 9)



Reinstall the front door

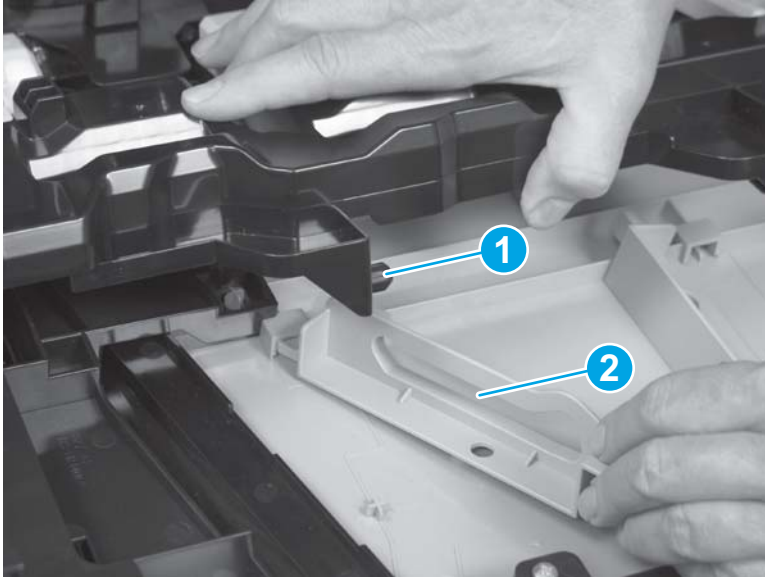
1. When reinstalling the door, make sure that the pins (callout 1) on the door are positioned in the slots (callout 2) on the product.

Figure 1-202 Reinstall the front door (1 of 2)



2. When reinstalling the rails, make sure that the pin (callout 1) on the inner door is positioned inside the slot (callout 2) on the rail before reinstalling the screws.

Figure 1-203 Reinstall the front door (2 of 2)



Rear cover

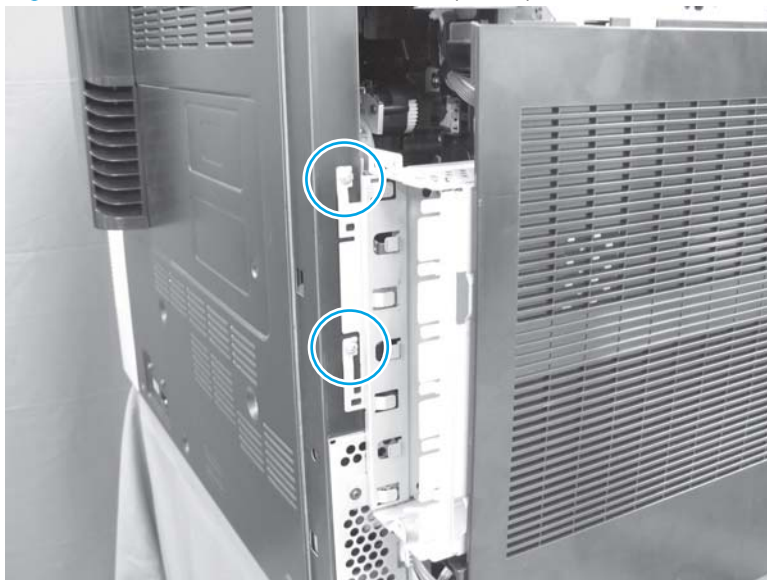
Before proceeding, remove the following assemblies:

- Left rear cover. See [Left rear cover on page 104](#).

Remove the rear cover

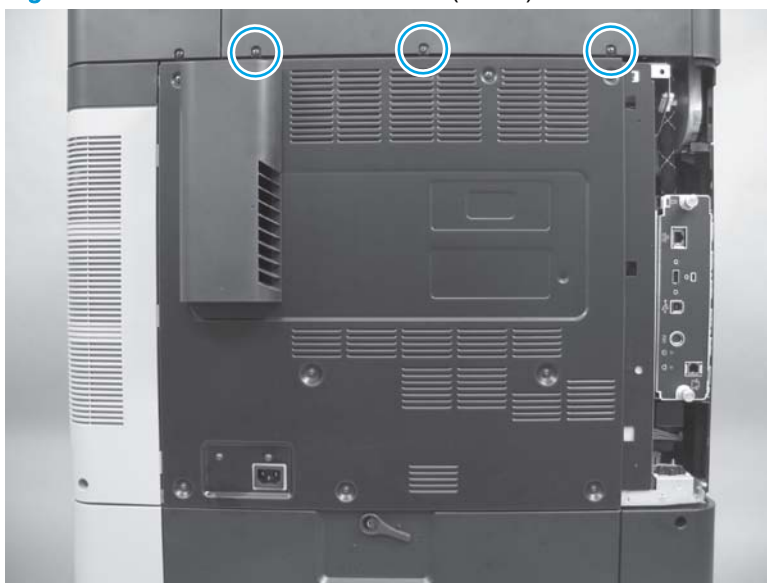
1. Remove two screws.

Figure 1-204 Remove the rear cover (1 of 3)



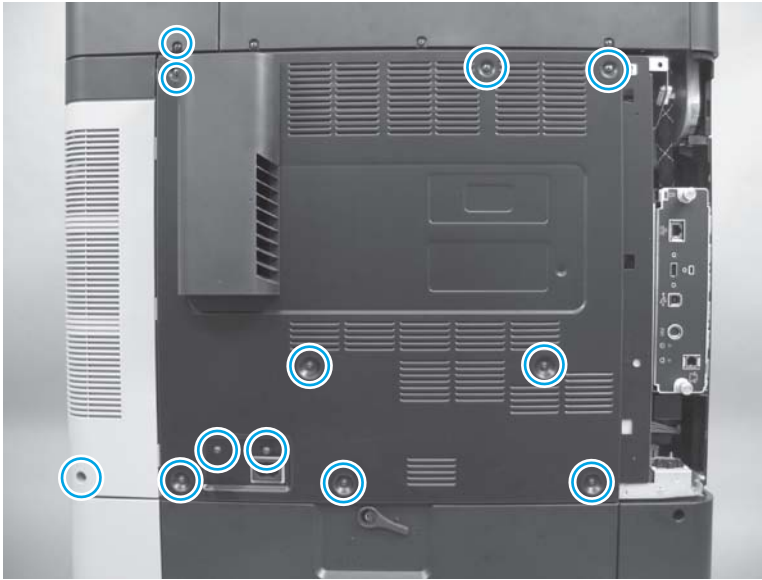
2. **M880 only:** Remove three screws.

Figure 1-205 Remove the rear cover (2 of 3)



3. Remove twelve screws, and then remove the cover.

Figure 1-206 Remove the rear cover (3 of 3)



Install a replacement rear cover

If a replacement cover is installed, remove the fuser fan cover and the right rear cover, and then install them on the replacement cover.

1. Release three tabs, and then remove the fuser fan cover.

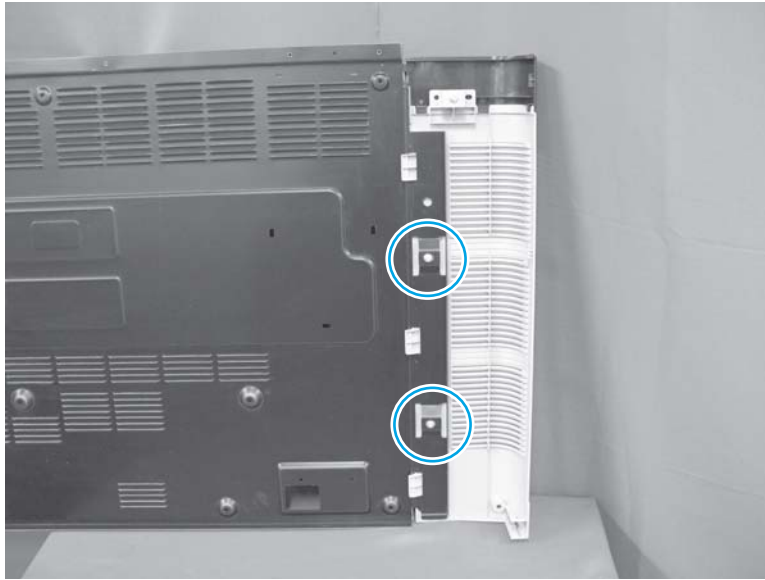
 **TIP:** Look for the arrows embossed on the cover to locate the tabs.

Figure 1-207 Install a replacement rear cover (1 of 2)



2. Remove two screws, and then separate the right rear cover from the rear cover.

Figure 1-208 Install a replacement rear cover (2 of 2)



Right rear cover

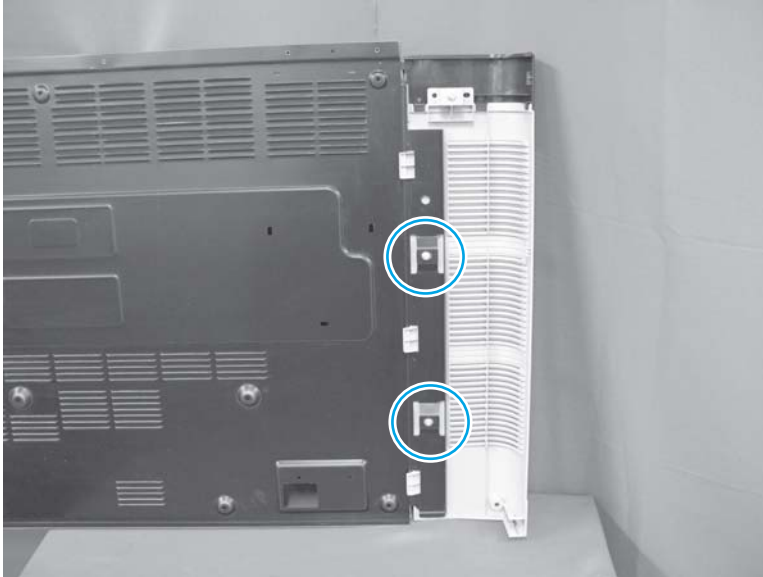
Before proceeding, remove the following assemblies:

- Left rear cover. See [Left rear cover on page 104](#).
- Rear cover. See [Rear cover on page 143](#).

Remove the right rear cover

1. Remove two screws, and then separate the right rear cover from the rear cover.

Figure 1-209 Remove the right rear cover (1 of 2)



2. **Optional step:** If necessary, remove one screw, and then separate the small upper cover from the right rear cover.

Figure 1-210 Remove the right rear cover (2 of 2)



Front inner cover

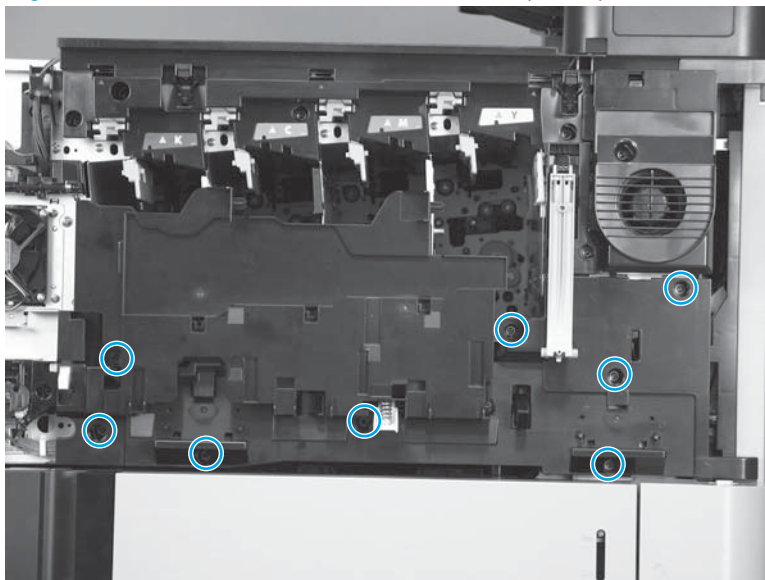
Before proceeding, remove the following assemblies:

- Remove one of the following, depending upon product configuration:
 - Face-down bin. See [Face-down bin on page 101](#).
 - Intermediate paper transport unit (IPTU). See [IPTU assembly on page 437](#).
- Front top cover. See [Front top cover on page 115](#).
- Left cover. See [Left cover on page 118](#).
- Left front cover. See [Left front cover on page 133](#).
- Front door assembly. See [Front door on page 137](#).

Remove the front inner cover

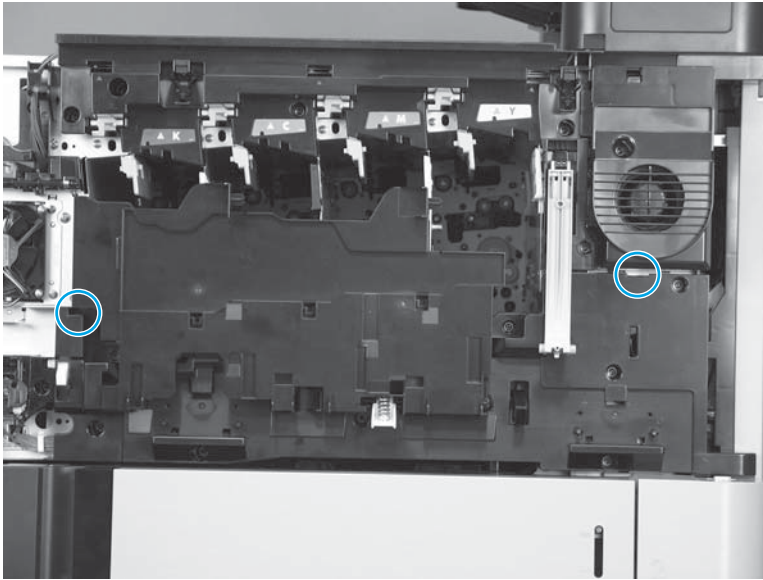
1. Remove eight screws.

Figure 1-211 Remove the front inner cover (1 of 2)



2. Release two tabs, and then remove the front inner cover.

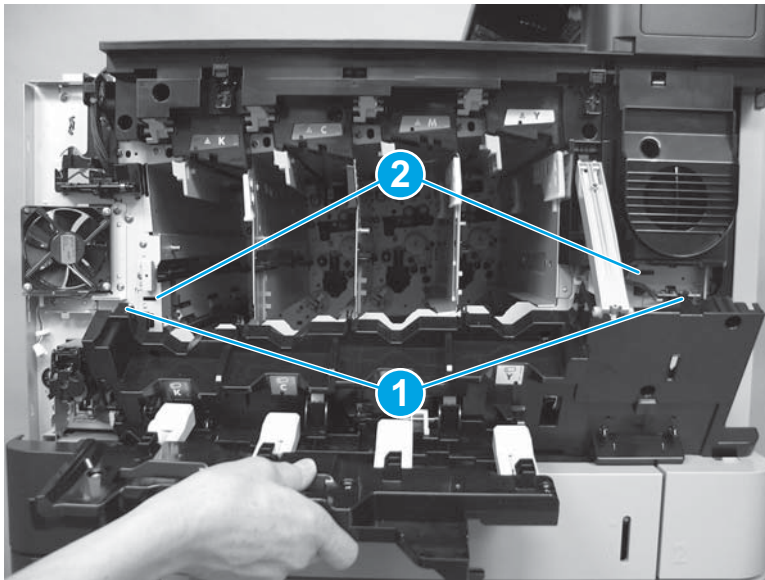
Figure 1-212 Remove the front inner cover (2 of 2)




Reinstall the front inner cover

Make sure that the tabs (callout 1) on the cover are inserted in the slots (callout 2) in the product.

Figure 1-213 Reinstall the front inner cover



Main assemblies

 **TIP:** For clarity, some figures in this chapter show assemblies removed that are not required to be removed to service the product (for example, the scanner and document feeder assemblies). The procedures in this manual are correct for your product.

- [Location of major components](#)
- [Document feeder assembly \(M880\)](#)
- [Scanner control board \(SCB\) \(M880\)](#)
- [Scanner assembly \(M880\)](#)
- [Interlock switch assembly](#)
- [Front-door open detection switch](#)
- [Main switch assembly](#)
- [Secondary transfer assembly](#)
- [Multipurpose tray \(Tray 1\) drive assembly](#)
- [Multipurpose tray \(Tray 1\) guide assembly](#)
- [Tray 2 pickup unit](#)
- [Fuser home position sensor](#)
- [Shutter gear holder assembly](#)
- [Fuser-edge area cooling fan FM10 \(front\)](#)
- [Fuser-edge area cooling fan FM9 \(rear\)](#)
- [Fuser fan FM2](#)
- [Fuser fan duct](#)
- [Cartridge fan FM3 \(yellow and magenta\)](#)
- [Cartridge fan FM4 \(cyan and black\)](#)
- [Laser/scanner fan FM1](#)
- [Delivery fan FM8](#)
- [Cartridge front area cooling fan FM7](#)
- [Memory tag PCA](#)
- [Image-drum motor](#)
- [Fuser power supply](#)
- [Primary transfer-roller disengagement motor](#)
- [Intermediate transfer belt \(ITB\) alienation-drive assembly](#)
- [Fuser motor](#)

- [Intermediate transfer belt \(ITB\) motor](#)
- [Toner-cartridge feed motor \(black\)](#)
- [Toner-cartridge feed motor \(yellow, magenta, and cyan\)](#)
- [Environmental sensor](#)
- [Interconnect PCA \(M855\)](#)
- [Interconnect PCA \(M880\)](#)
- [Formatter case](#)
- [Formatter, formatter case, and interconnect board \(ICB\)](#)
- [High-voltage power supply \(HVPS\) B](#)
- [DC controller PCA](#)
- [Color-plane registration \(CPR\) sensor assembly](#)
- [Low-voltage power supply \(LVPS\)](#)
- [High-voltage power supply \(HVPS\) A \(first transfer\)](#)
- [Lifter-drive assembly](#)
- [Toner-cartridge drive assembly \(yellow and magenta\)](#)
- [Toner-cartridge drive assembly \(cyan and black\)](#)
- [Cartridge interface PCA \(cyan and black\)](#)
- [Cartridge interface PCA \(yellow and magenta\)](#)
- [Main drive assembly](#)
- [Replace or reinstall the toner-cartridge drive assemblies or the main drive assembly](#)
- [Fuser drive assembly](#)
- [Scanner cover](#)
- [Laser/scanner assembly \(yellow and magenta\)](#)
- [Laser/scanner assembly \(cyan and black\)](#)
- [Duplex reverse assembly \(M855\)](#)
- [Duplex reverse assembly \(M880\)](#)
- [VOC fan \(M855\)](#)
- [VOC fan \(M880\)](#)
- [Face-down delivery assembly\(M855\)](#)
- [Face-down delivery assembly \(M880\)](#)
- [Face-down cover](#)

- [Duplexing feed assembly](#)
- [Multipurpose tray \(Tray 1\) pickup assembly](#)

Location of major components

Figure 1-214 Base product main assemblies (1 of 2)

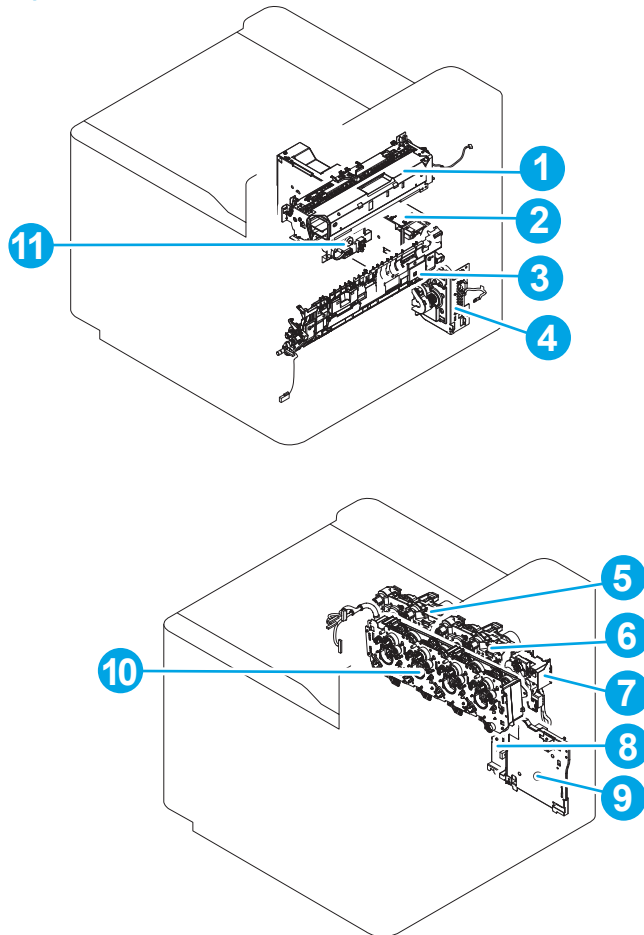


Table 1-9 Base product main assemblies (1 of 2)

Item	Description	Item	Description
1	Face-down delivery assembly	7	Fuser drive assembly
2	Low-voltage power supply (LVPS)	8	ITB alienation drive assembly
3	Secondary transfer (T2) assembly	9	Fuser PCA
4	Multipurpose tray (Tray 1) drive assembly	10	Main drive assembly
5	Toner cartridge drive assembly (C/K)	11	Shutter gear holder assembly
6	Toner cartridge drive assembly (Y/M)		

Figure 1-215 Base product main assemblies (2 of 2)

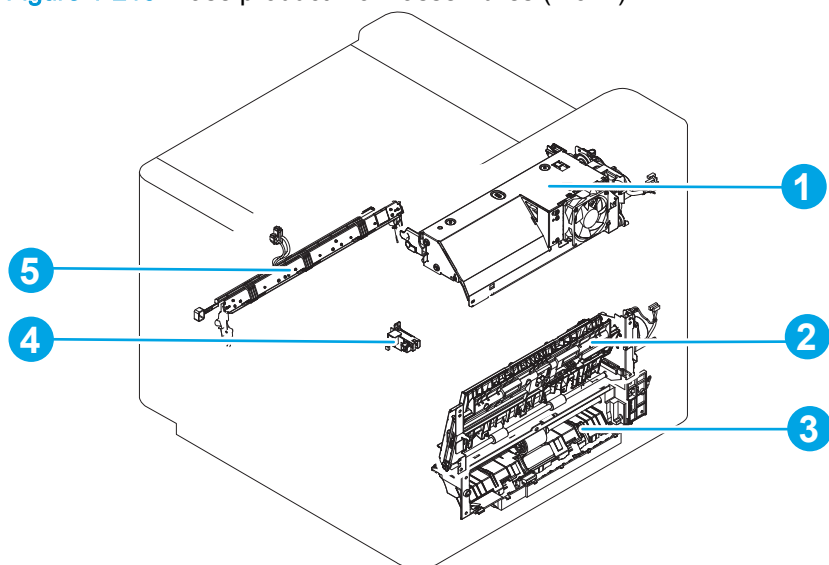


Table 1-10 Base product main assemblies (2 of 2)

Item	Description	Item	Description
1	Duplex reverse assembly	4	Fuser home position sensor assembly
2	Duplexing feed assembly (assembly is attached to the right door)	5	Color-plane registration (CPR) sensor assembly
3	Multipurpose tray (Tray 1) pickup assembly (assembly is attached to the right door)		

Document feeder assembly (M880)

Before proceeding, remove the following assemblies:

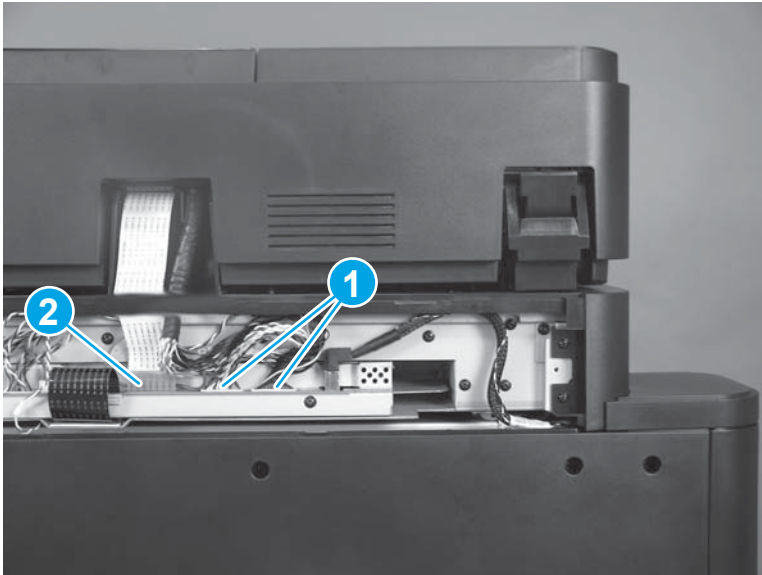
- Scanner back cover (M880). See [Scanner back cover \(M880\) on page 88](#).

Remove the document feeder assembly (M880)

 **IMPORTANT:** If you are installing a replacement ADF assembly, you must use the [Service](#) menu to set the [Document feeder Kit Interval](#) and [ADF Count](#) values to zero. See [Reinstall the document feeder assembly \(M880\) on page 159](#).

1. Disconnect two connectors (callout 1), and one flat cable (callout 2).

Figure 1-216 Remove the document feeder assembly (M880; 1 of 9)



2. Remove one screw (callout 1) and the retainer.


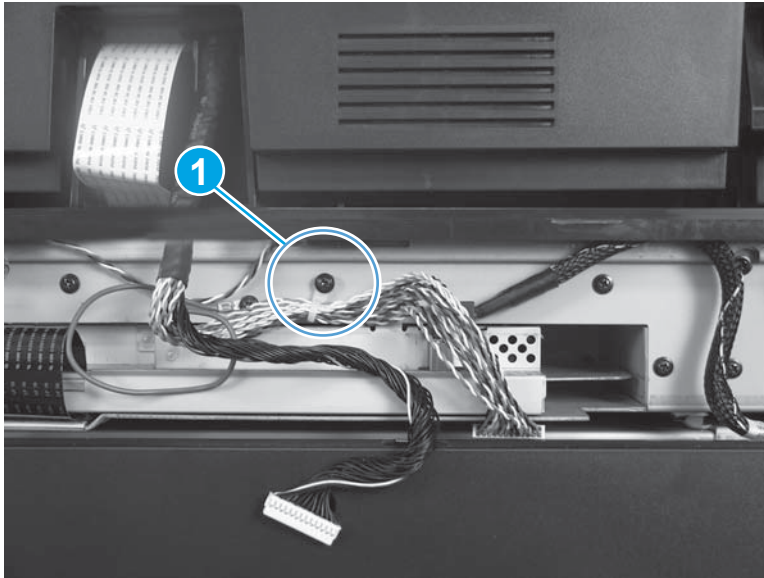
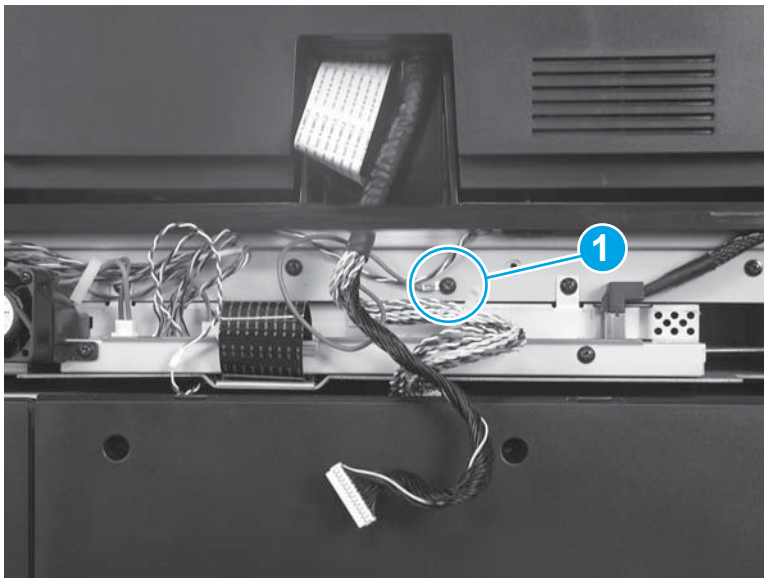
 **NOTE:** The screw (callout 1) that secures the wire retainer is longer than other screws used in the product. Make sure that you use this screw when the retainer is reinstalled.

Figure 1-217 Remove the document feeder assembly (M880; 2 of 9)



3. Remove one screw (callout 1) to release one ground wire.

Figure 1-218 Remove the document feeder assembly (M880; 3 of 9)



4. Remove two screws (callout 1) to release the document feeder hinges.


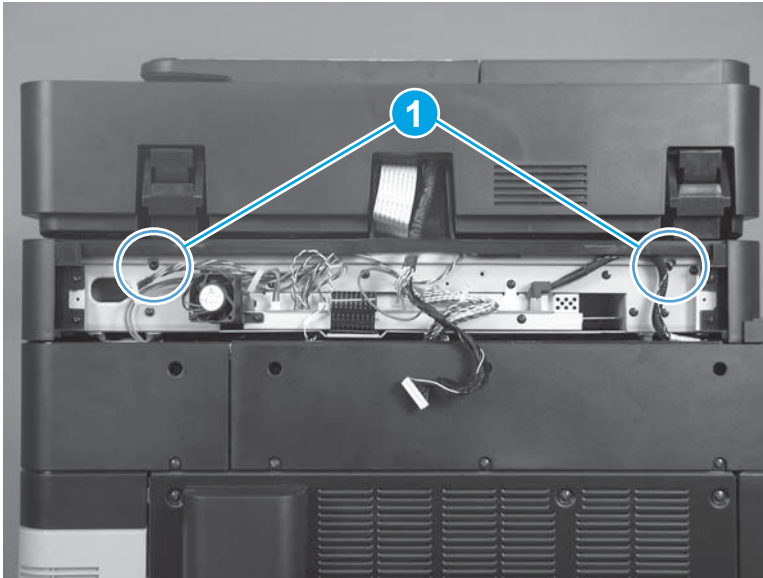
 **NOTE:** These screws (callout 1) are longer than other screws used in the product. Make sure that you use these screws when the document feeder assembly is reinstalled.

Figure 1-219 Remove the document feeder assembly (M880; 4 of 9)



5. Carefully push the document feeder wire harness and flat cable up through the opening in the scanner bezel.


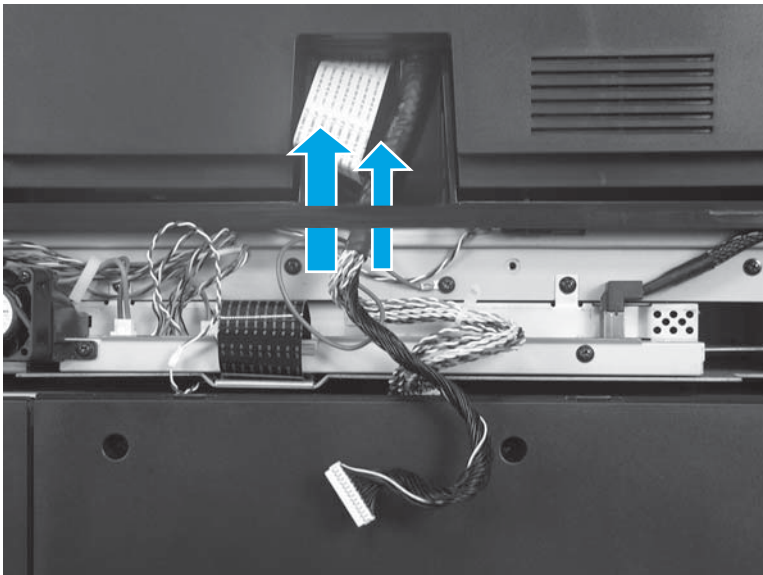
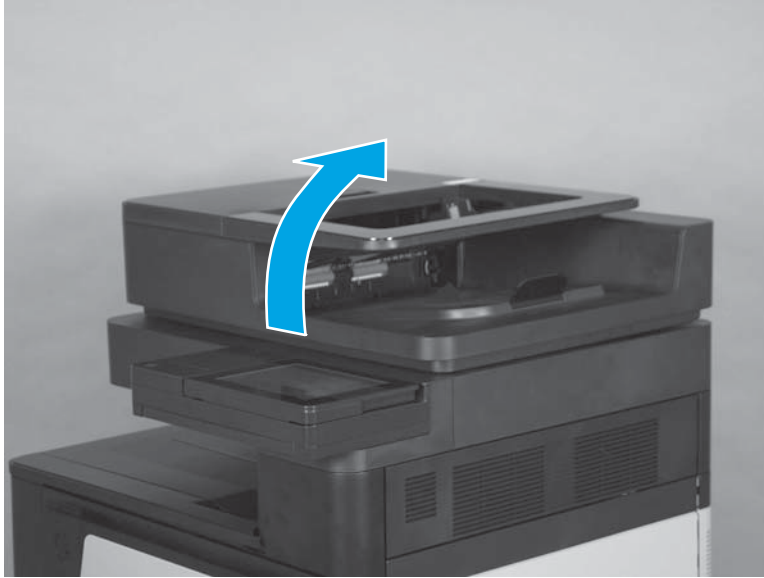
 **Reinstallation tip:** When the document feeder is reinstalled, make sure that the wire harness and flat cable are behind the scanner bezel, or the scanner back cover will not fit properly.

Figure 1-220 Remove the document feeder assembly (M880; 5 of 9)



6. Raise the document feeder to the open position.

Figure 1-221 Remove the document feeder assembly (M880; 6 of 9)



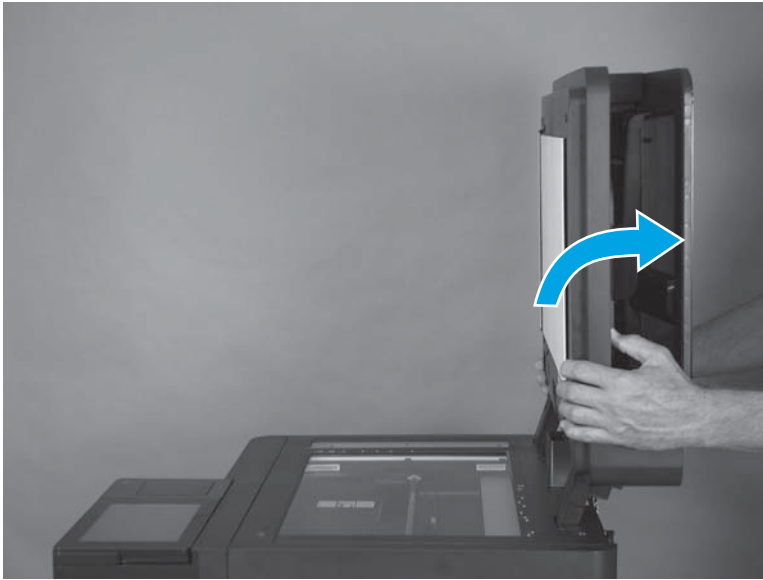
7. Lift the document feeder up until it stops.

Figure 1-222 Remove the document feeder assembly (M880; 7 of 9)



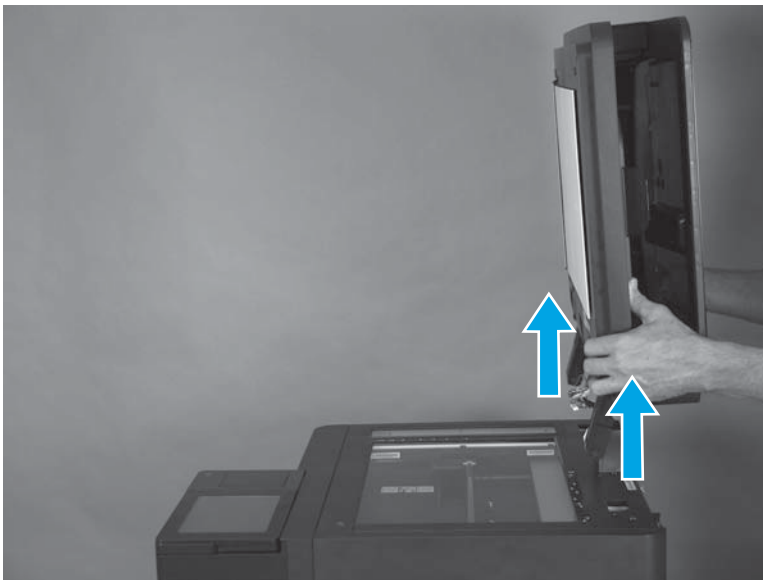
8. Tilt the assembly towards the rear of the product to release the hinges.

Figure 1-223 Remove the document feeder assembly (M880; 8 of 9)





9. Lift the assembly up and off of the product.

Figure 1-224 Remove the document feeder assembly (M880; 9 of 9)



Reinstall the document feeder assembly (M880)

 **IMPORTANT:** If a replacement document feeder is installed, you must follow the instructions below to reset the counter. Failure to follow these instructions might result in more frequent paper jams.

 **NOTE:** If a replacement document feeder or scanner assembly is installed, you must install a replacement white backing on the document feeder. See [Document feeder white backing \(M880\) on page 39](#).

Installing a replacement document feeder assembly

If a replacement document feeder is installed, do the following:

1. From the Home screen on the control panel, scroll to and touch the [Device Maintenance](#) button.
2. Open the [Service](#) menu.
3. On the sign-in screen, select the [Service Access Code](#) option from the drop-down list.
4. Enter the following service access code for this product: 11088013.
5. Reset the following values:
 - [Document Feeder Kit Interval](#); set to zero
 - [ADF Count](#); set to zero

Scanner control board (SCB) (M880)

Before proceeding, remove the following assemblies:

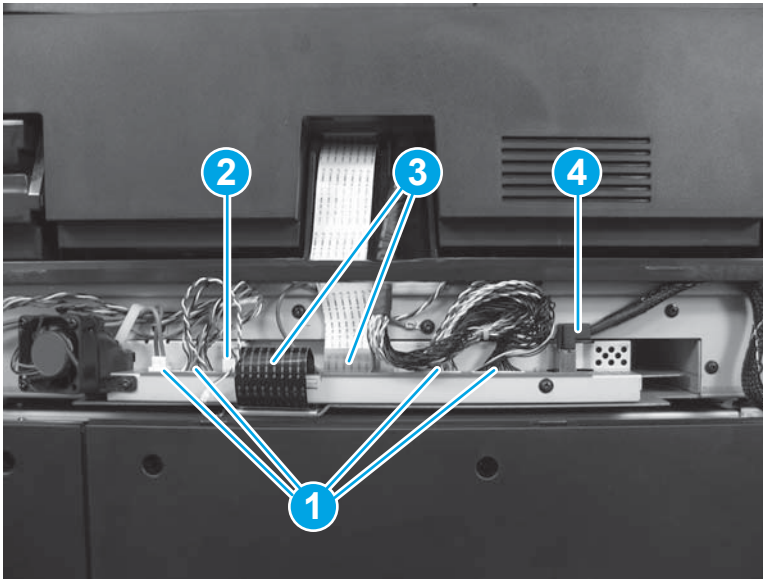
- Scanner back cover (M880). See [Scanner back cover \(M880\) on page 88](#).

Remove the SCB (M880)

1. Disconnect four wire harness connectors (callout 1), one inline connector (callout 2), two flat cables (callout 3), and one USB connector (callout 4).

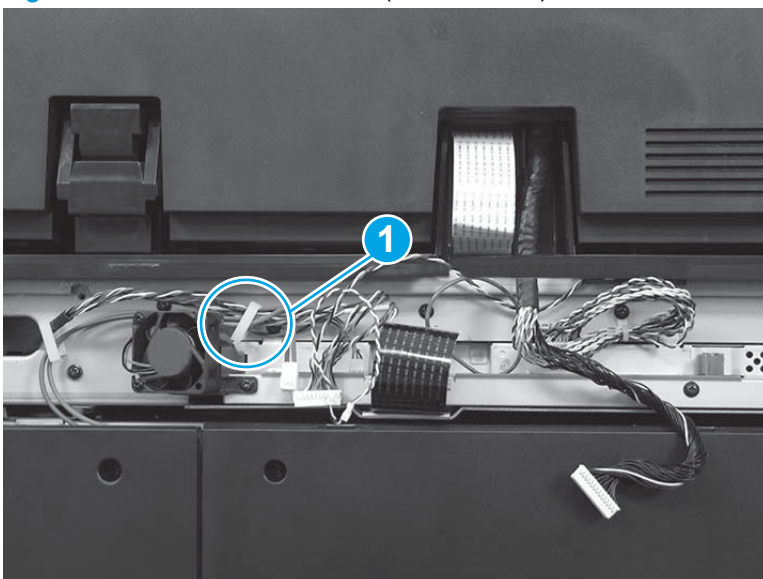
 **NOTE:** The scanner control board (SCB) fan connector does not need to be disconnected.

Figure 1-225 Remove the SCB (M880; 1 of 4)



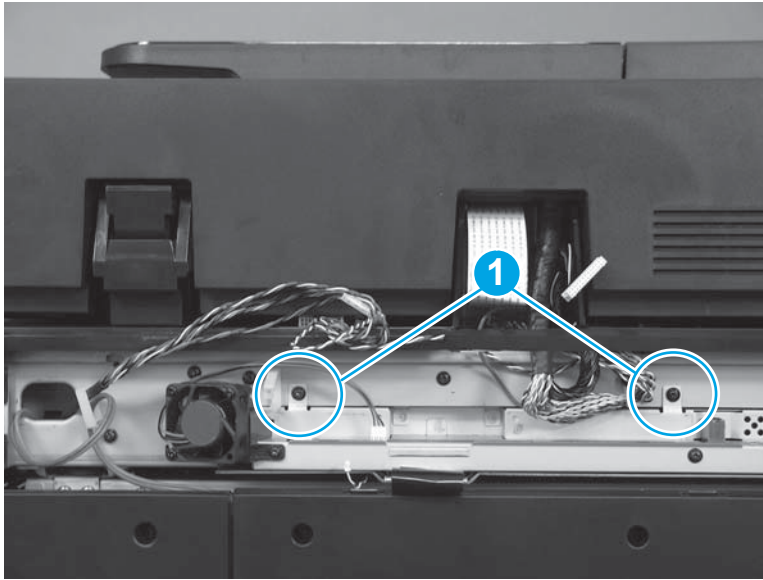
2. Release the wire harnesses from the retainer (callout 1).

Figure 1-226 Remove the SCB (M880; 2 of 4)



3. Remove two screws (callout 1).

Figure 1-227 Remove the SCB (M880; 3 of 4)



4. Carefully remove the SCB.


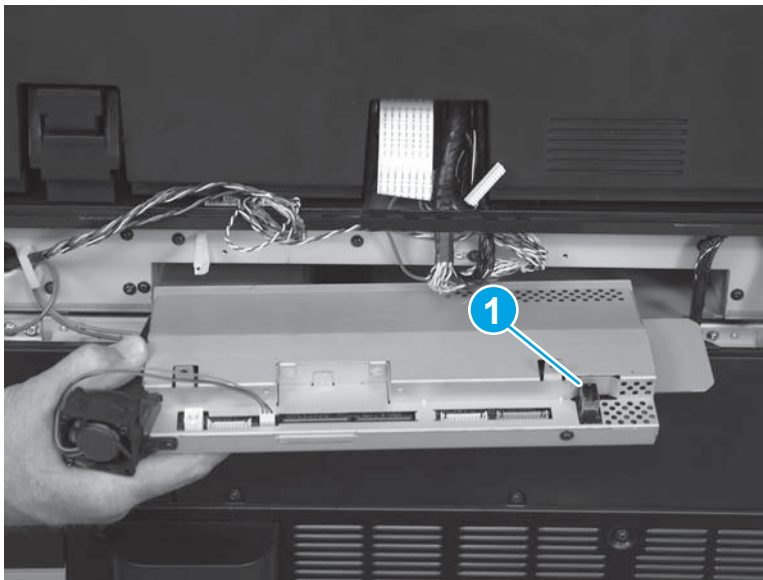
 **Reinstallation tip:** If you are installing a replacement SCB, make sure to remove the protective cover from the USB connector (callout 1) on the replacement SCB before installing it in the product.

Figure 1-228 Remove the SCB (M880; 4 of 4)



Scanner assembly (M880)

⚠ WARNING! The scanner assembly weighs approximately 26.3 kg (58.0 lbs). HP recommends that two people lift the assembly off of the product.

Before proceeding, remove the following assemblies:

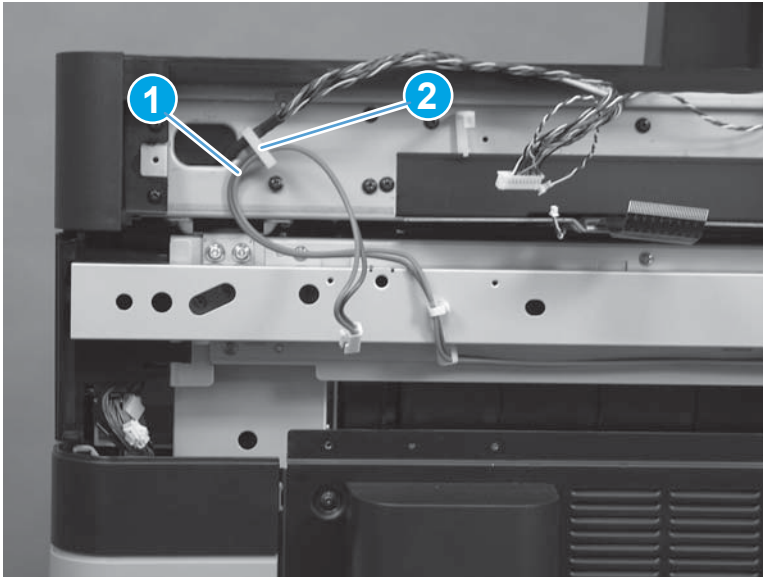
- Control panel assembly (M880). See [Control panel assembly \(M880\) on page 53](#).
- Scanner back cover (M880). See [Scanner back cover \(M880\) on page 88](#).
- Document feeder assembly (M880). See [Document feeder assembly \(M880\) on page 154](#).
- Scanner control board (M880). See [Scanner control board \(SCB\) \(M880\) on page 160](#).
- Rear upper MFP cover (M880). See [Rear upper MFP cover \(M880\) on page 109](#).
- Rear upper rear cover (M880). See [Rear upper rear cover \(M880\) on page 107](#).
- Right upper rear cover (M880). See [Right upper rear cover \(M880\) on page 108](#).

Remove the scanner assembly (M880)

📄 IMPORTANT: If you are installing a replacement scanner assembly, you must use the [Service](#) menu to set the [Flatbed Count](#) value to zero. See [Reinstall the scanner assembly \(M880\) on page 166](#).

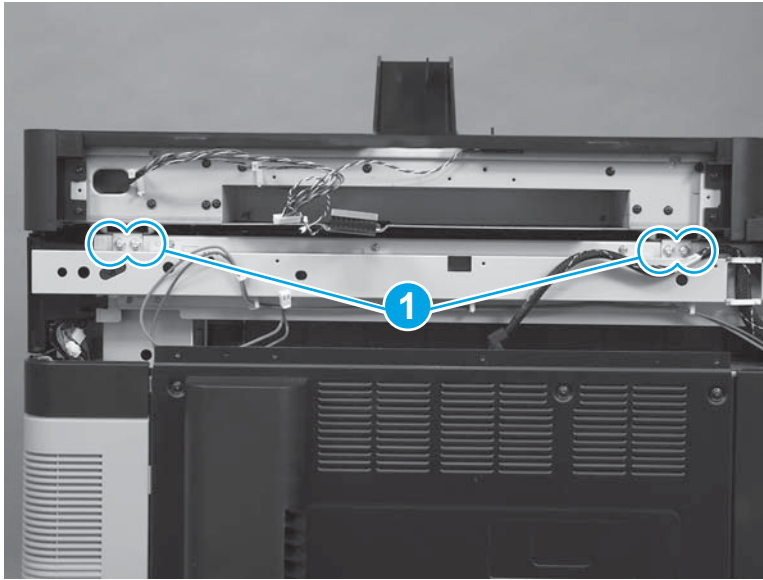
1. At the rear of the product, release the wire harness (callout 1) from the retainer (callout 2).

Figure 1-229 Remove the scanner assembly (M880; 1 of 7)



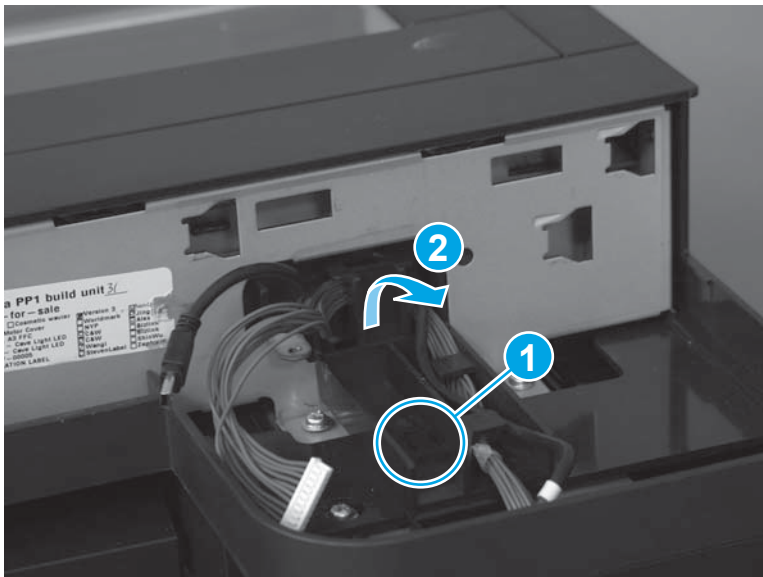
2. Remove four screws (callout 1).

Figure 1-230 Remove the scanner assembly (M880; 2 of 7)



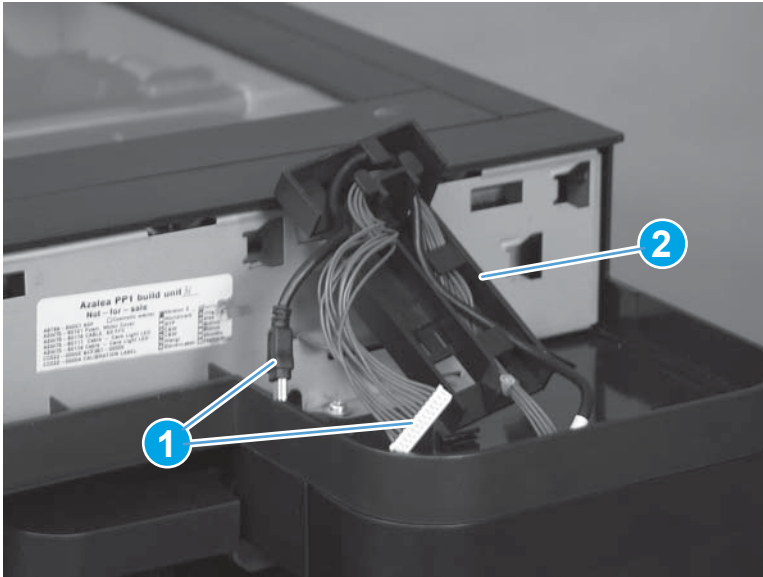
3. At the front of the product (where the control panel was removed), release one tab (callout 1), and then separate the wire guide from the product (callout 2).

Figure 1-231 Remove the scanner assembly (M880; 3 of 7)



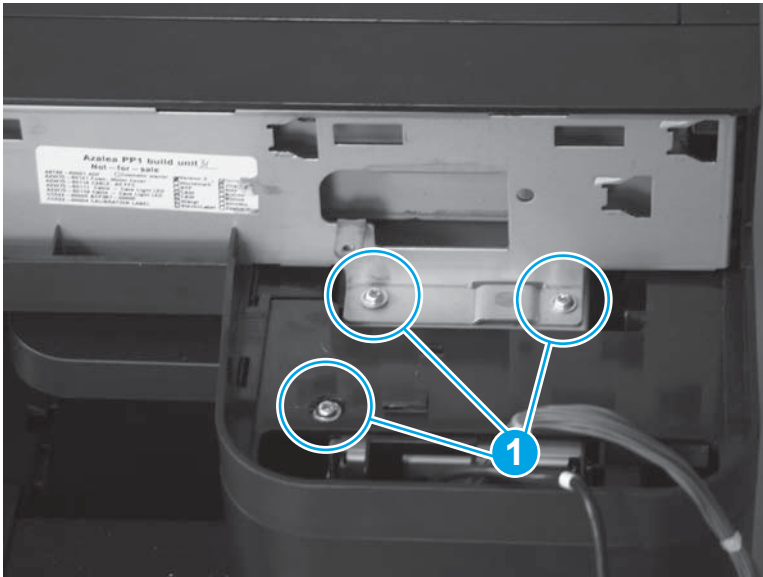
4. Release the USB cable and wire harness (callout 1) from the guide (callout 2), and then remove the guide.

Figure 1-232 Remove the scanner assembly (M880; 4 of 7)



5. Remove three screws (callout 1).

Figure 1-233 Remove the scanner assembly (M880; 5 of 7)



6. Carefully place the USB cable and wire harness in the cavity below the control panel mounting bracket to keep them out of the way when the scanner is removed.

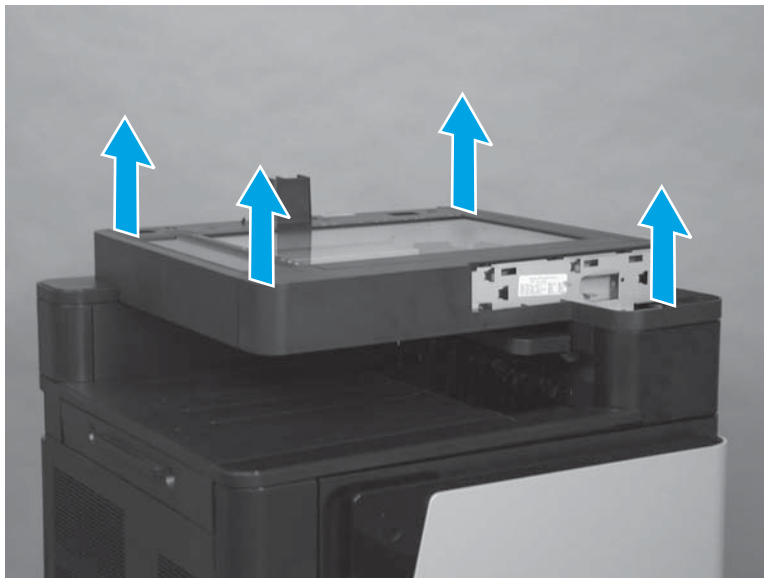
Figure 1-234 Remove the scanner assembly (M880; 6 of 7)




7. Carefully lift the scanner assembly up and off of the product.


⚠ WARNING! The scanner assembly weighs approximately 26.3 kg (58.0 lbs). HP recommends that two people lift the assembly off of the product.

Figure 1-235 Remove the scanner assembly (M880; 7 of 7)



Reinstall the scanner assembly (M880)

 **IMPORTANT:** If a replacement scanner assembly is installed, you must follow the instructions below to reset the counter. Failure to follow these instructions might result in more frequent paper jams.

 **NOTE:** If a replacement document feeder or scanner assembly is installed, you must install a replacement white backing on the document feeder. See [Document feeder white backing \(M880\) on page 39](#).

Installing a replacement scanner assembly

If a replacement scanner assembly is installed, do the following:

1. From the Home screen on the control panel, scroll to and touch the [Device Maintenance](#) button.
2. Open the [Service](#) menu.
3. On the sign-in screen, select the [Service Access Code](#) option from the drop-down list.
4. Enter the following service access code for this product: 11088013.
5. Reset the following value:
 - [Flatbed Count](#); set to zero

Interlock switch assembly

Before proceeding, remove the following assemblies:

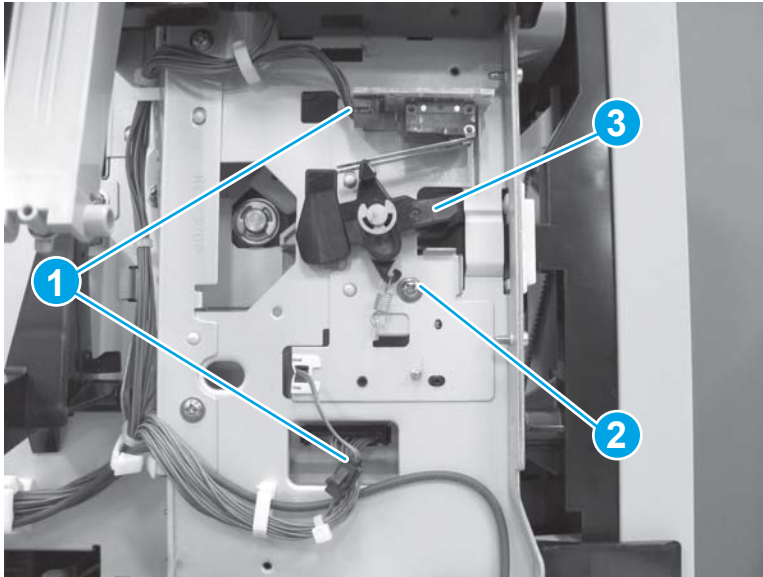
- Front door. See [Front door on page 137](#).
- Front inner cover. See [Front inner cover on page 147](#).

Remove the interlock switch assembly

If the toner cartridges have not already been removed for servicing the product, remove them now.

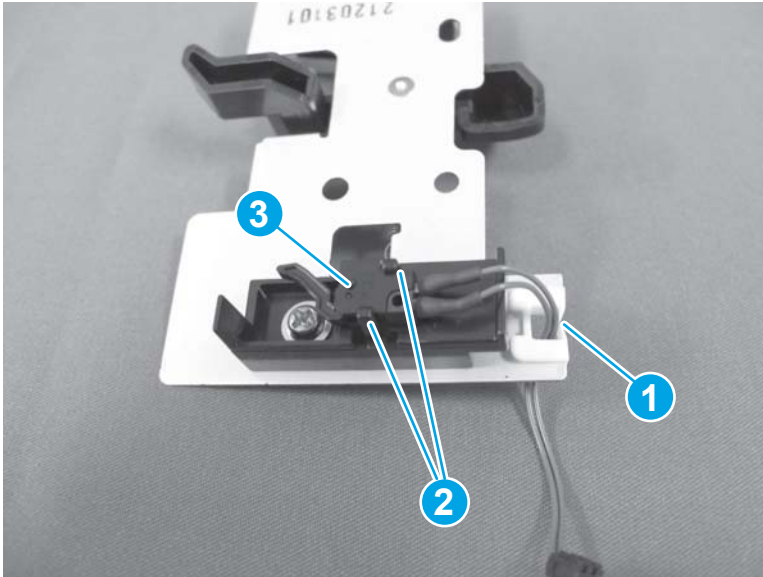
1. Disconnect two connectors (callout 1), remove one screw (callout 2), and then remove the interlock switch assembly (callout 3).

Figure 1-236 Remove the interlock switch assembly (1 of 2)



2. Release the wire harness from the retainer (callout 1), release two tabs (callout 2), and then remove the right-door open detection switch (callout 3) from the assembly.

Figure 1-237 Remove the interlock switch assembly (2 of 2)



Front-door open detection switch

Before proceeding, remove the following assemblies:

- Remove one of the following, depending upon product configuration:
 - Face-down bin. See [Face-down bin on page 101](#).
 - Intermediate paper transport unit (IPTU). See [IPTU assembly on page 437](#).
- Left rear cover. See [Left rear cover on page 104](#).
- Front top cover. See [Front top cover on page 115](#).
- Left cover. See [Left cover on page 118](#).
- Left front cover. See [Left front cover on page 133](#).

Remove the front-door open detection switch

1. Carefully release the flag from the holders to remove it.


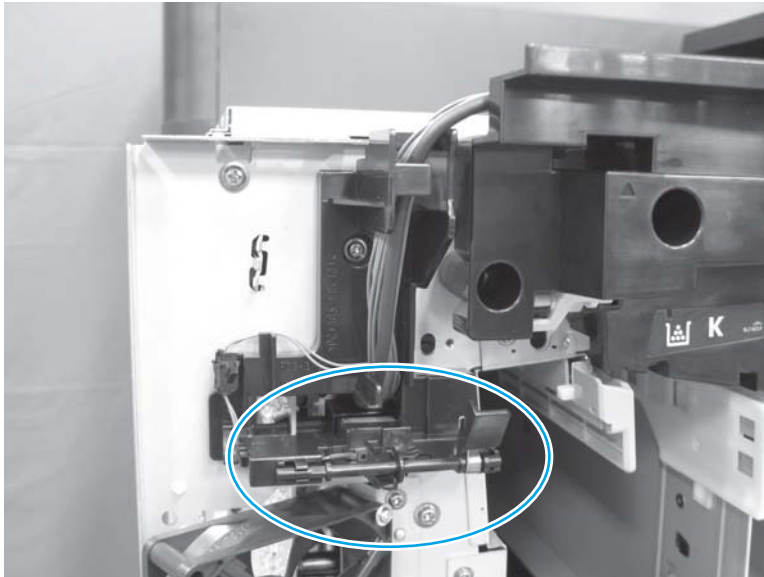
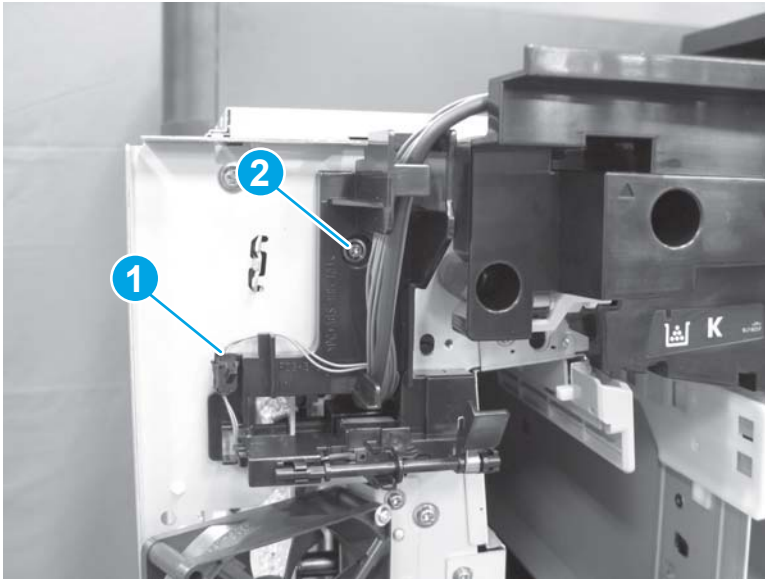
 **Reinstallation tip:** Note how the spring at the right end of the flag shaft is installed. If the spring becomes dislodged while removing the flag, you must correctly reinstall it so that the flag will properly function. See [Reinstall the front-door-open detection switch on page 171](#).

Figure 1-238 Remove the front-door open detection switch (1 of 4)



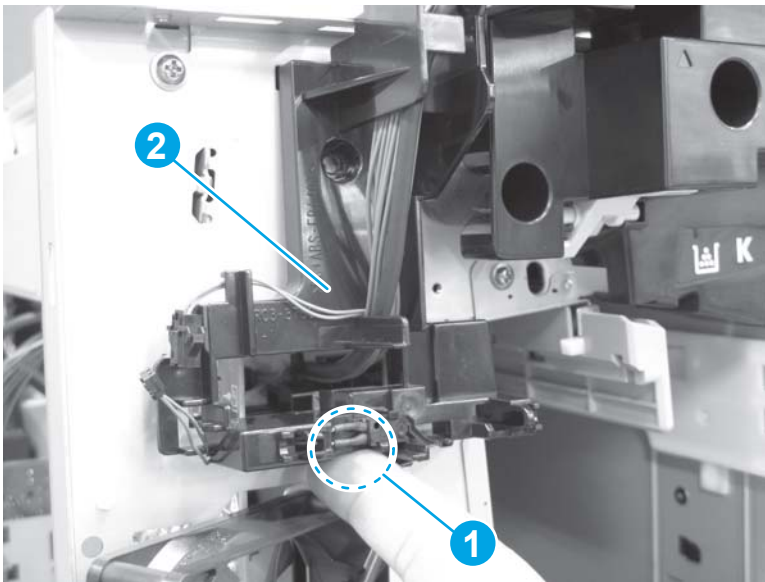
2. Disconnect one connector (callout 1), and then remove one screw (callout 2).

Figure 1-239 Remove the front-door open detection switch (2 of 4)



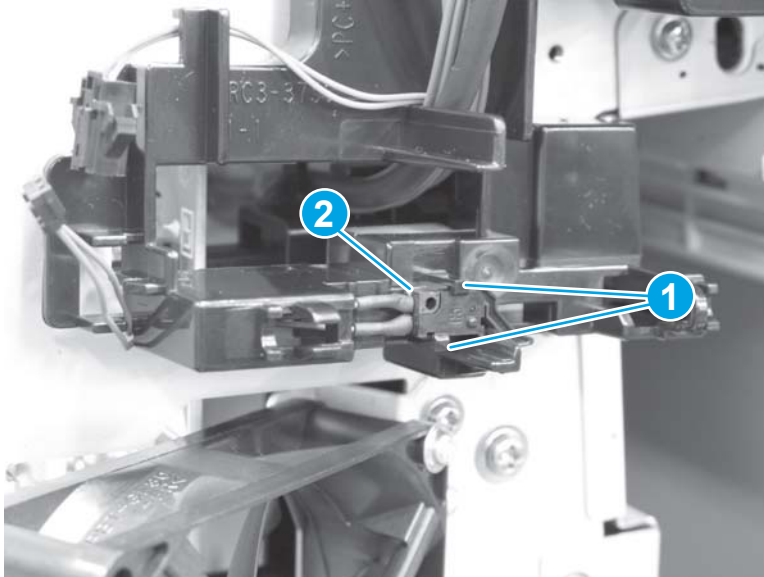
3. Release one tab (callout 1), and then remove the switch holder (callout 2).

Figure 1-240 Remove the front-door open detection switch (3 of 4)



4. Release two tabs (callout 1), and then remove the front-door open detection switch (callout 2) from the assembly.

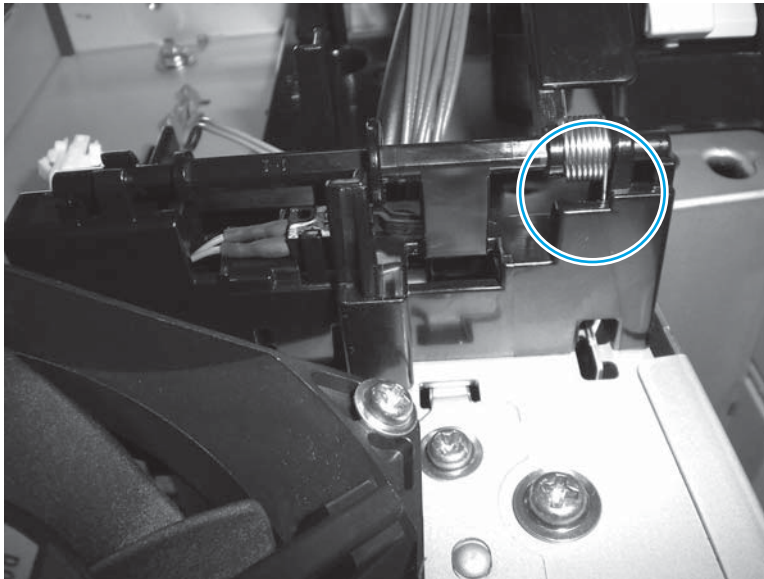
Figure 1-241 Remove the front-door open detection switch (4 of 4)



Reinstall the front-door-open detection switch

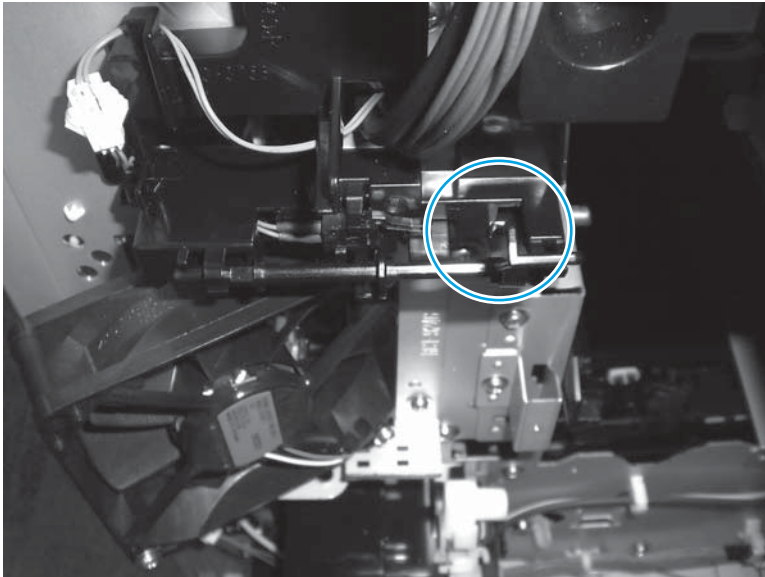
1. When the flag is reinstalled, make sure that the lower end of the spring is behind the holder.

Figure 1-242 Reinstall the front-door-open detection switch (1 of 3)



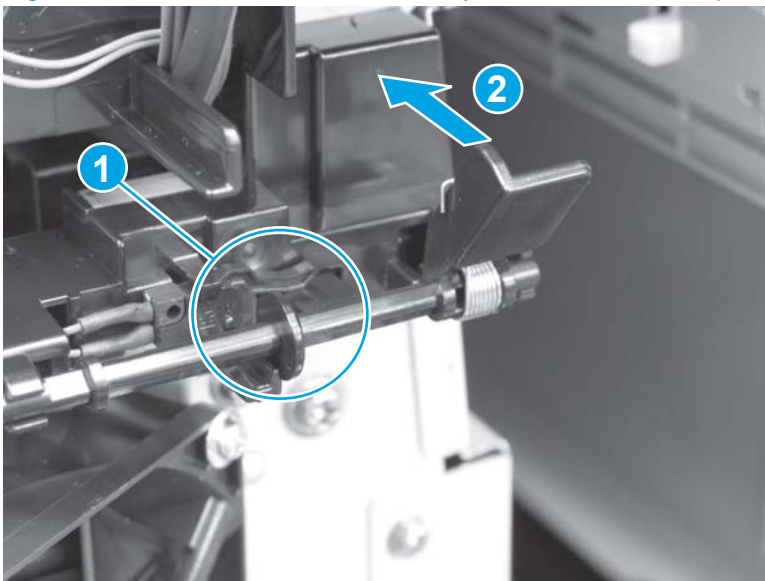
2. When the flag is reinstalled, make sure that the top end of the spring is correctly seated on the flag.

Figure 1-243 Reinstall the front-door-open detection switch (2 of 3)



3. Verify that the switch (callout 1) moves to the up position when the flag is toggled to the door closed position (callout 2).

Figure 1-244 Reinstall the front-door-open detection switch (3 of 3)



Main switch assembly

Before proceeding, remove the following assemblies:

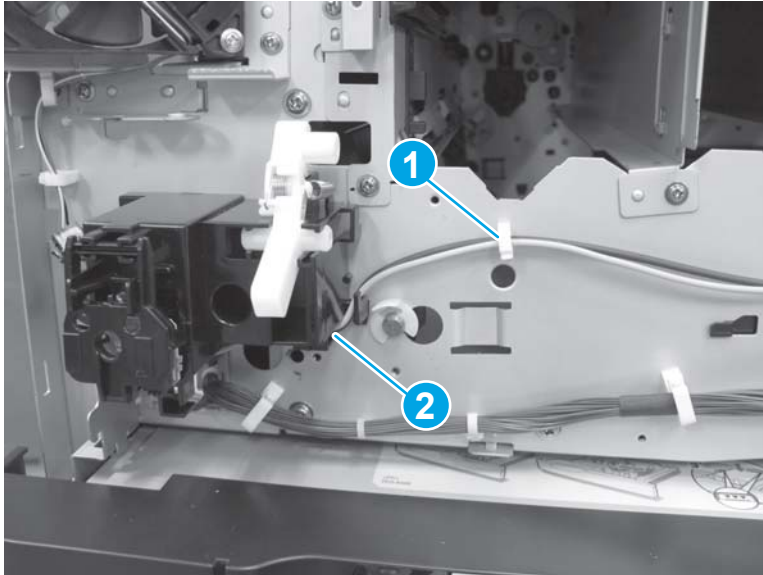
- Remove one of the following, depending upon product configuration:
 - Face-down bin. See [Face-down bin on page 101](#).
 - Intermediate paper transport unit (IPTU). See [IPTU assembly on page 437](#).
- Left rear cover. See [Left rear cover on page 104](#).
- Front top cover. See [Front top cover on page 115](#).
- Left cover. See [Left cover on page 118](#).
- Left front cover. See [Left front cover on page 133](#).
- Front door assembly. See [Front door on page 137](#).
- Front inner cover. See [Front inner cover on page 147](#).

Remove the main switch assembly

If the toner cartridges have not already been removed for servicing the product, remove them now.

1. Release the wire harness from one retainer (callout 1), and then from the guide (callout 2).

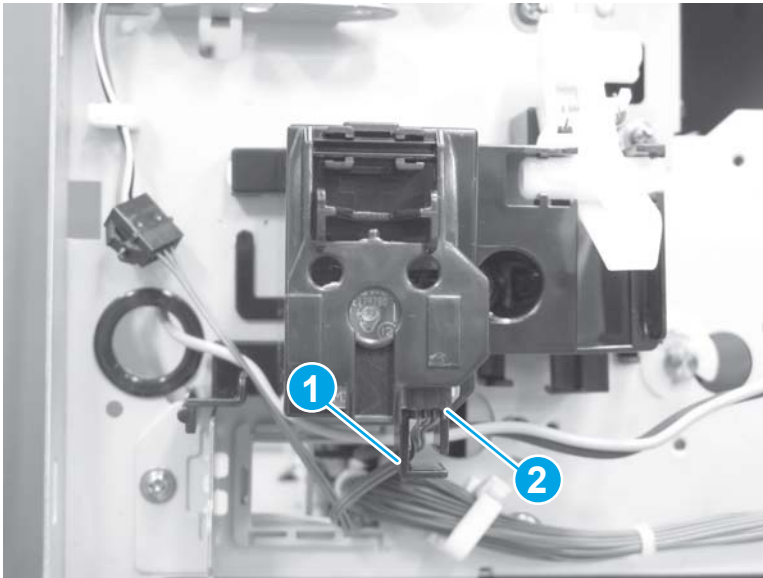
Figure 1-245 Remove the main switch assembly (1 of 3)



2. Release the wire harness from one guide (callout 1), and then disconnect one connector (callout 2).

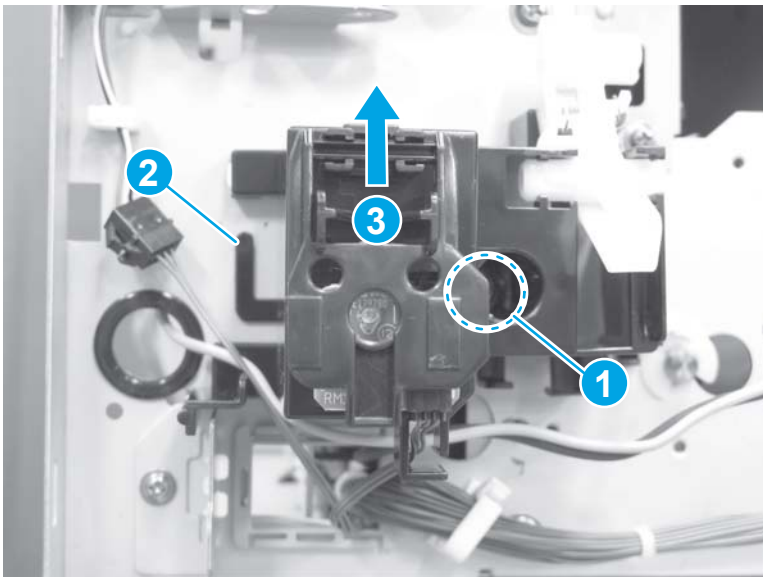
 **TIP:** It is easier to disconnect the connector if the harness is first released from the guide.

Figure 1-246 Remove the main switch assembly (2 of 3)



3. Remove one screw (callout 1), release one tab (callout 2), and then slide the switch assembly upward (callout 3) to remove it.

Figure 1-247 Remove the main switch assembly (3 of 3)



Secondary transfer assembly

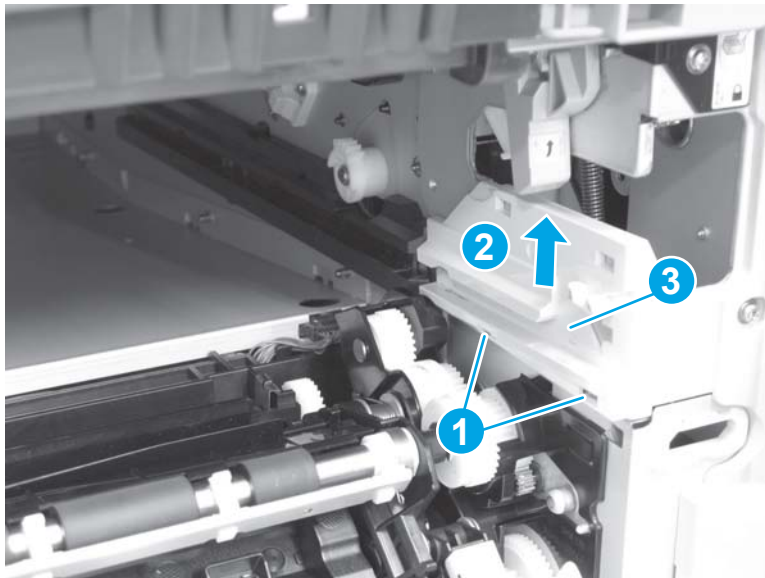
Before proceeding, remove the following assemblies:

- Secondary transfer roller. See [Secondary transfer roller on page 16](#)
- Intermediate transfer belt. See [Intermediate transfer belt \(ITB\) on page 19](#).

Remove the secondary transfer assembly

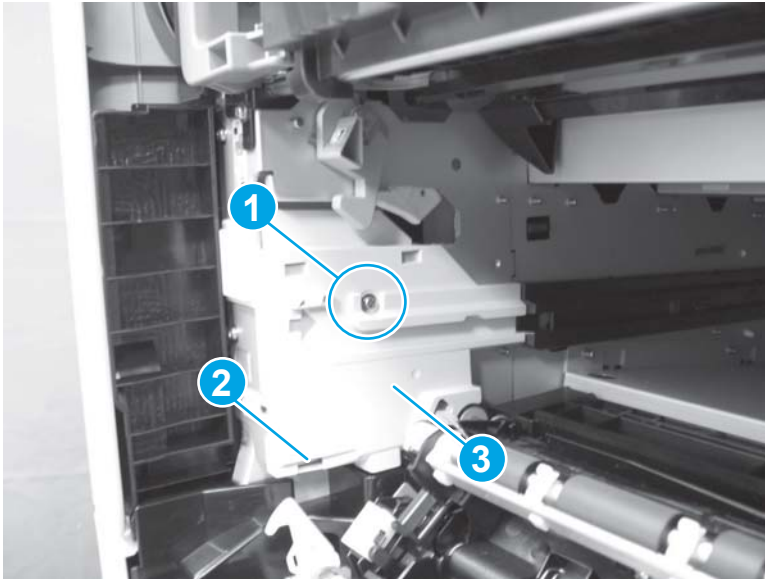
1. Open the right door to access the assemblies in the following steps.
2. Release two tabs (callout 1), and then lift up (callout 2) to remove the right ITB guide (callout 3).

Figure 1-248 Remove the secondary transfer assembly (1 of 10)



3. Remove one screw (callout 1), release one tab (callout 2), and then remove the left ITB guide (callout 3).

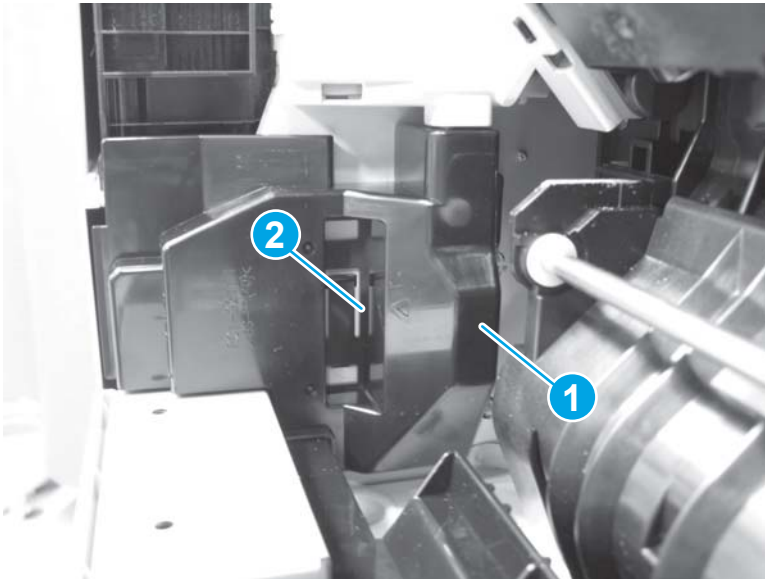
Figure 1-249 Remove the secondary transfer assembly (2 of 10)



4. Grasp the connector cover (callout 1), and then remove the cover by lifting up while releasing the tab (callout 2).

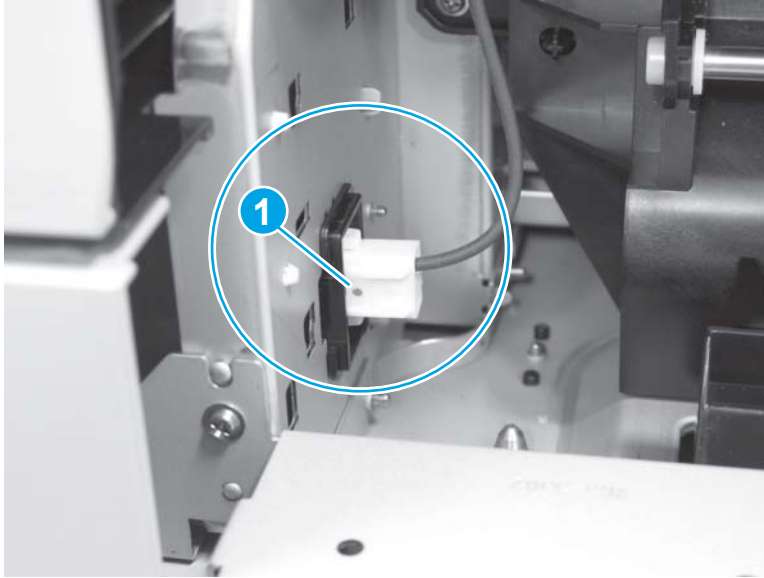
 **TIP:** Use the arrow embossed on the cover to locate the tab.

Figure 1-250 Remove the secondary transfer assembly (3 of 10)



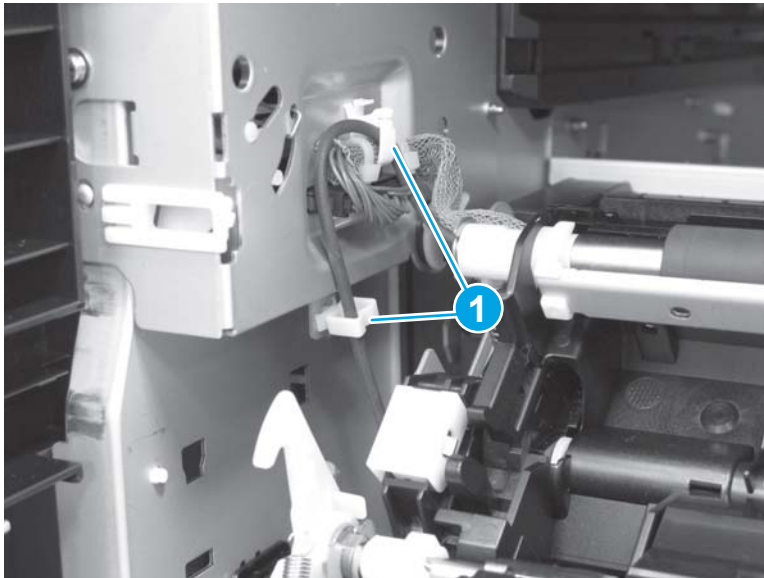
5. Push in on the red mark on the connector (callout 1), and then disconnect the connector.

Figure 1-251 Remove the secondary transfer assembly (4 of 10)



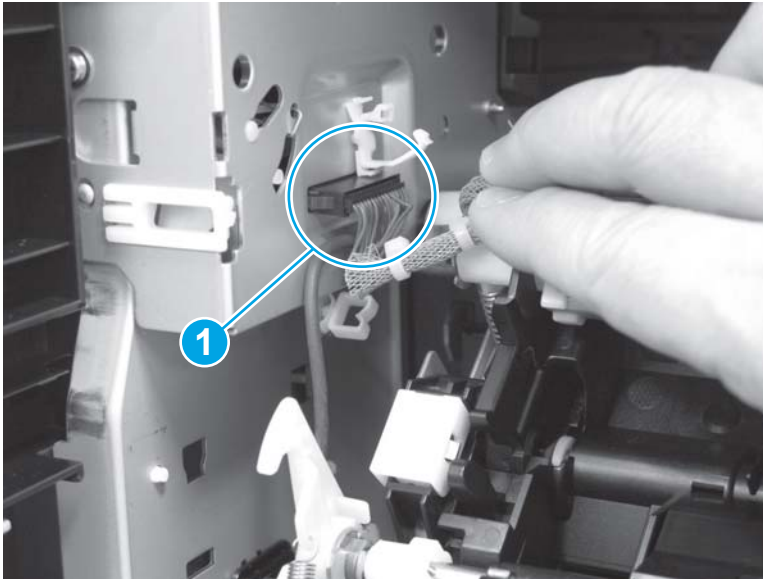
6. Release the wire harness from two cable retainers (callout 1).

Figure 1-252 Remove the secondary transfer assembly (5 of 10)



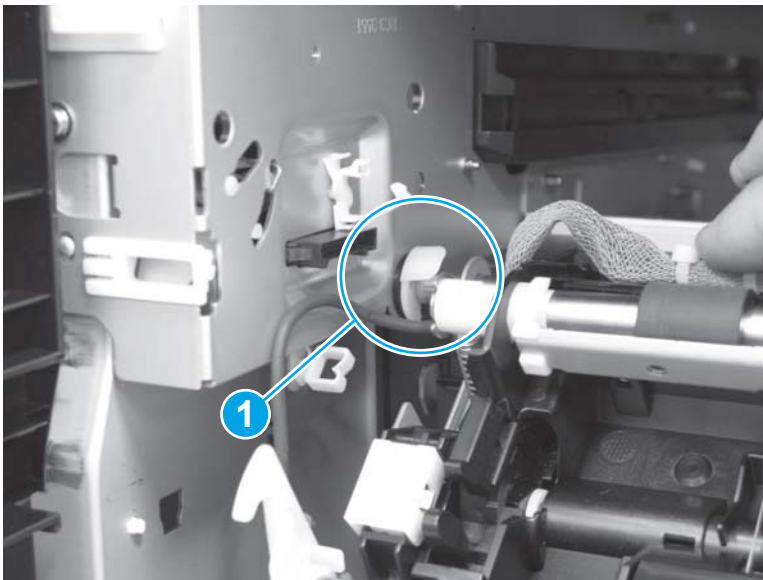
7. Disconnect one connector (callout 1).

Figure 1-253 Remove the secondary transfer assembly (6 of 10)




8. Remove one white plastic retainer (callout 1).

Figure 1-254 Remove the secondary transfer assembly (7 of 10)



9. Use a small flat-blade screwdriver to slide one black-plastic bushing away from the chassis (callout 1).

 **TIP:** After the assembly is removed later in this procedure, use the clip removed in the step above to secure the bushing to the shaft so it will not be lost.

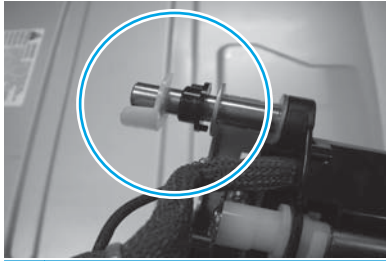
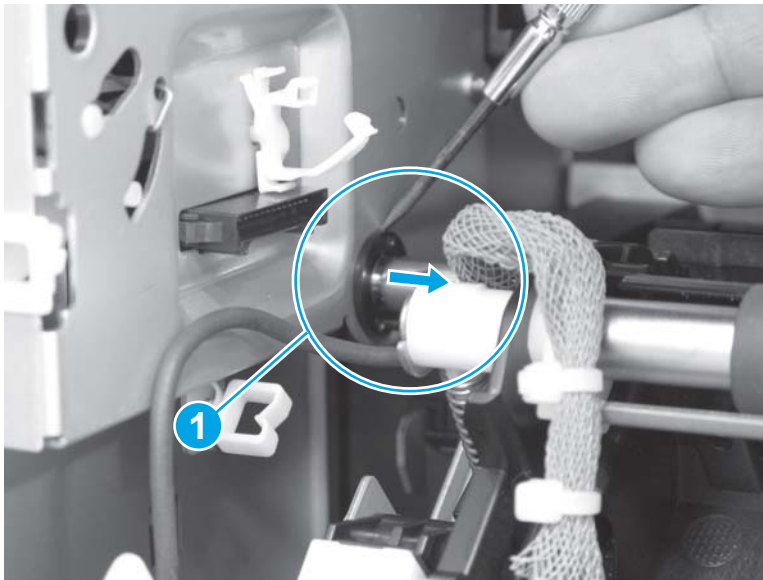


Figure 1-255 Remove the secondary transfer assembly (8 of 10)



10. Press down on the black handle (callout 1), and then Insert a screwdriver into the hole (callout 2) on the Multipurpose tray (Tray 1) drive assembly to hold the black handle in place.


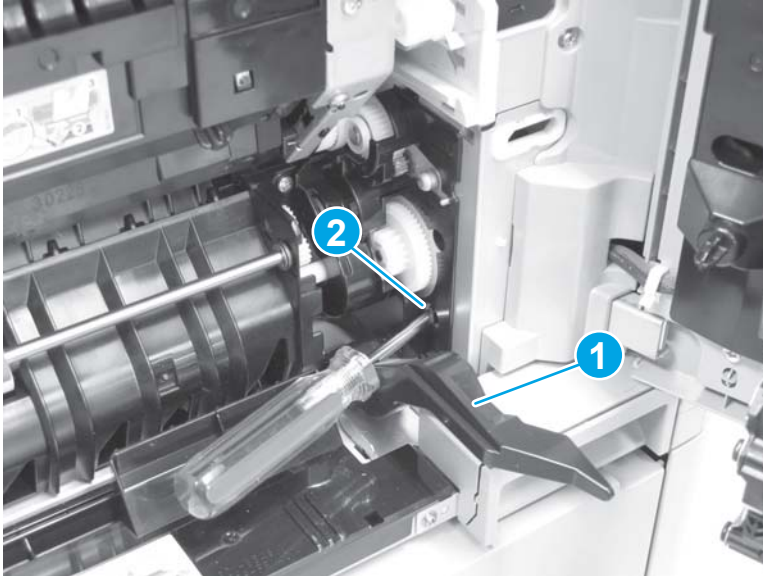
 **TIP:** Using this method to hold the black handle in place will allow you to use both hands to remove the assembly, and will also make reinstalling the assembly easier.

Figure 1-256 Remove the secondary transfer assembly (9 of 10)



11. Carefully press the feed guide (callout 1) toward the back of the product. Grasp the secondary transfer assembly and slide it toward the left (callout 2) to release the shaft (callout 3), and then remove the assembly.


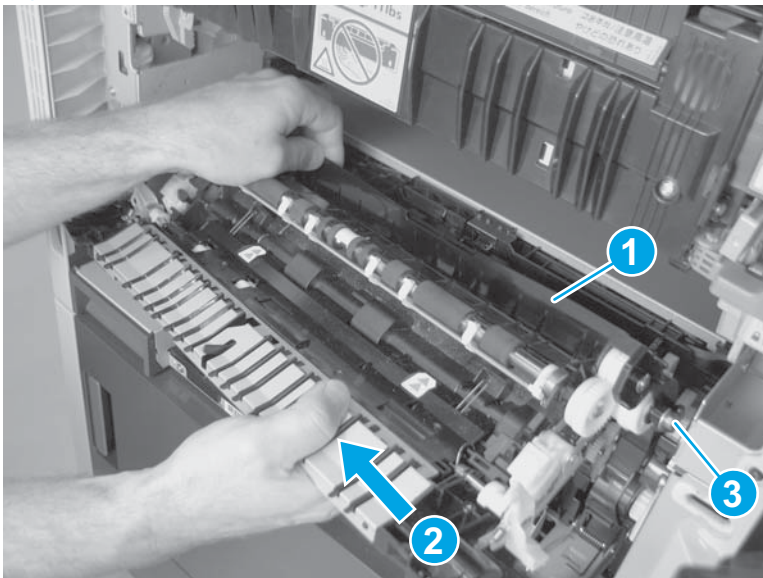
 **NOTE:** Handle the assembly carefully. The registration assembly tension springs and spring mounting blocks at each end of the secondary transfer assembly can be easily dislodged. See [Figure 1-258 Reinstall the secondary transfer assembly \(1 of 3\) on page 181](#).

Figure 1-257 Remove the secondary transfer assembly (10 of 10)



Reinstall the secondary transfer assembly

1. Before reinstalling the secondary transfer assembly, make sure that the registration assembly tension springs (callout 1) and spring mounting blocks (callout 2) at each end of the secondary transfer assembly are correctly positioned.


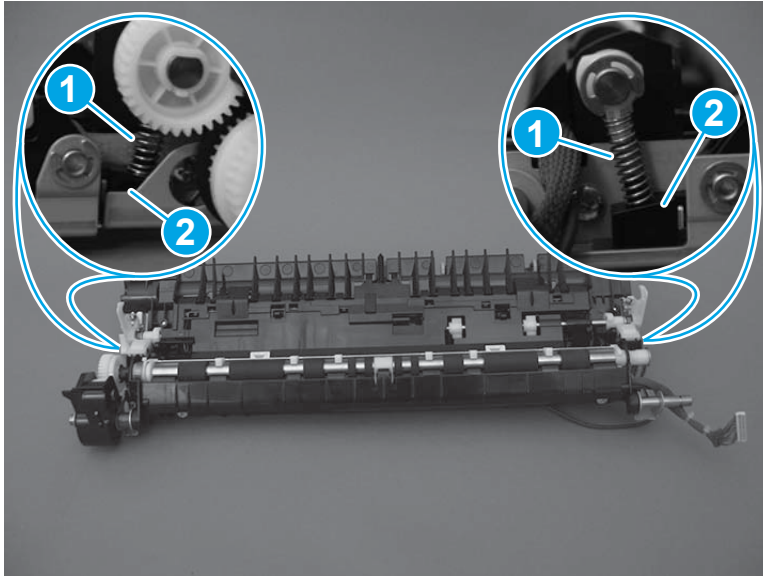
 **NOTE:** The springs should be straight (as shown below), and not bent or curved.

Figure 1-258 Reinstall the secondary transfer assembly (1 of 3)



2. Carefully turn the assembly over, and then make sure that the tabs on the spring mounting blocks are fully seated in the assembly sheet metal.


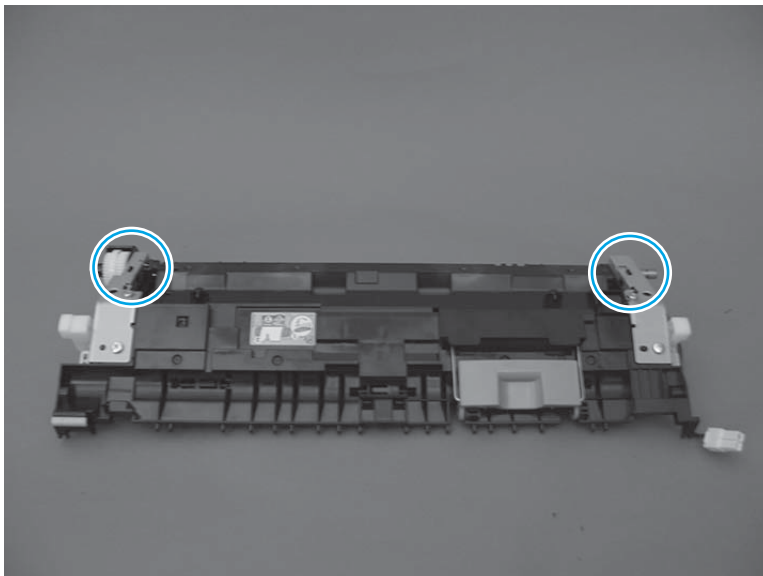
 **NOTE:** If the secondary transfer assembly is removed or replaced while servicing the product and a **13.B2.DD** error message appears on the control-panel display, remove the assembly and make sure that the registration tension springs and spring mounting blocks are correctly installed.

Figure 1-259 Reinstall the secondary transfer assembly (2 of 3)



3. When the secondary transfer assembly is reinstalled, make sure that the gear assembly (callout 1) is placed under the ITB rail (callout 2).


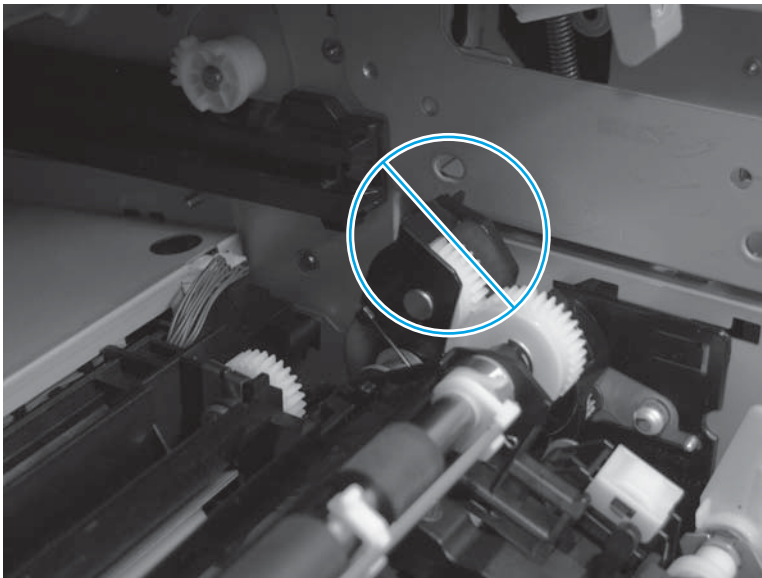
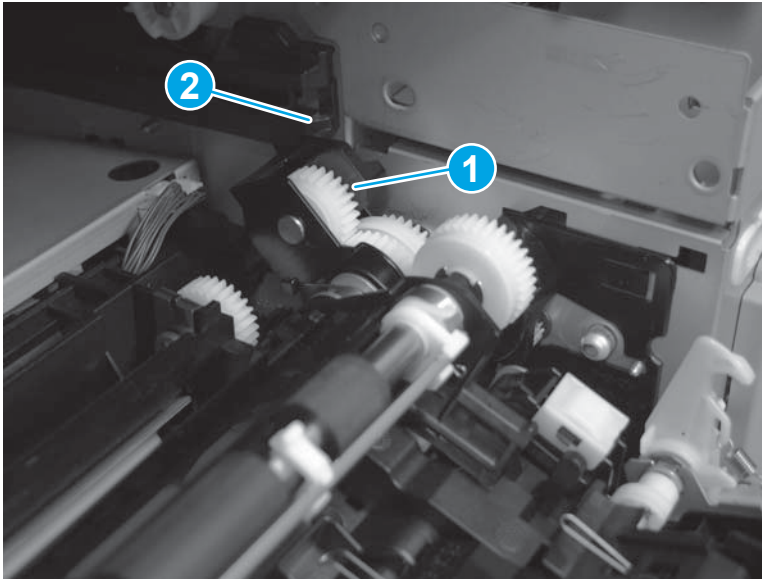
 **NOTE:** To make reinstalling the assembly easier, insert a screwdriver into the hole on the Multipurpose tray (Tray 1) drive assembly to hold the black handle in place. See [Figure 1-256 Remove the secondary transfer assembly \(9 of 10\) on page 180](#).

Figure 1-260 Reinstall the secondary transfer assembly (3 of 3)



Multipurpose tray (Tray 1) drive assembly

Before proceeding, remove the following assemblies:

- Intermediate transfer belt (ITB). See [Intermediate transfer belt \(ITB\) on page 19](#).
- Fuser. See [Fuser on page 21](#).
- Secondary transfer assembly. See [Secondary transfer assembly on page 175](#).

Remove the multipurpose tray (Tray 1) drive assembly

1. At the right side of the product, near the lower right corner of the right door, remove one small cover (callout 1).

Figure 1-261 Remove the multipurpose tray (Tray 1) drive assembly (1 of 13)



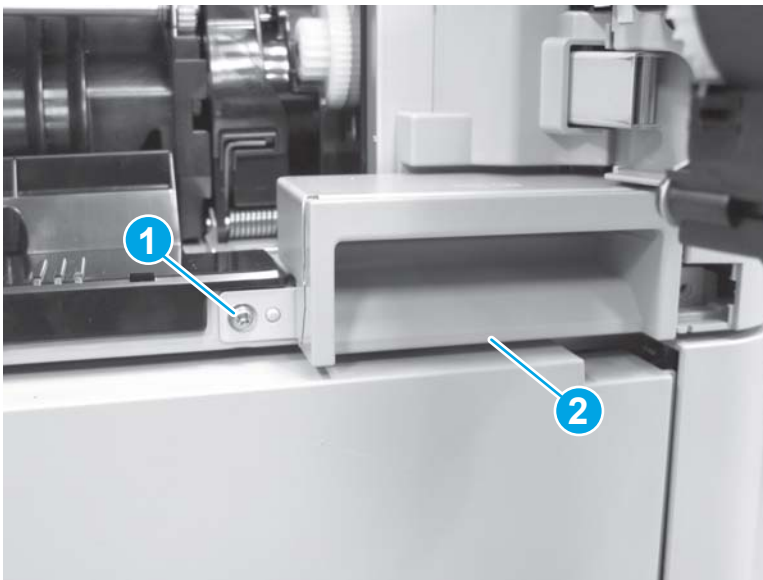
2. Remove one screw (callout 1).

Figure 1-262 Remove the multipurpose tray (Tray 1) drive assembly (2 of 13)



3. Open the right door, remove one screw (callout 1), and then remove the handle (callout 2).

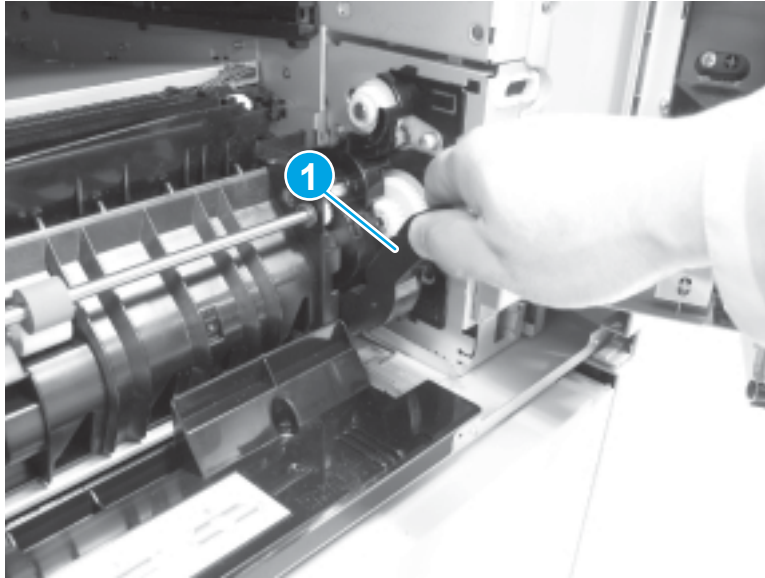
Figure 1-263 Remove the multipurpose tray (Tray 1) drive assembly (3 of 13)



4. Press down on the black handle (callout 1) to release it, and then pull it forward to remove it.

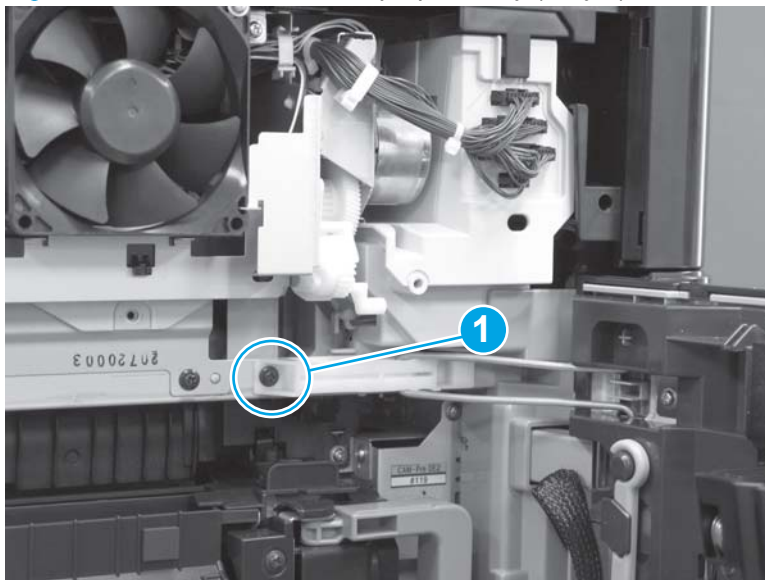
 **NOTE:** The handle is spring loaded. Firmly grasp the handle when it is removed.

Figure 1-264 Remove the multipurpose tray (Tray 1) drive assembly (4 of 13)



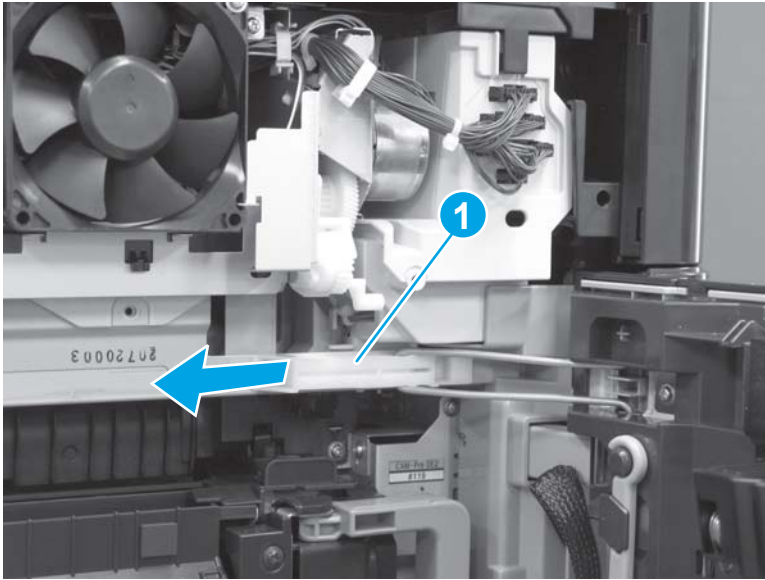
5. Open the right door, and then remove one screw (callout 1).

Figure 1-265 Remove the multipurpose tray (Tray 1) drive assembly (5 of 13)



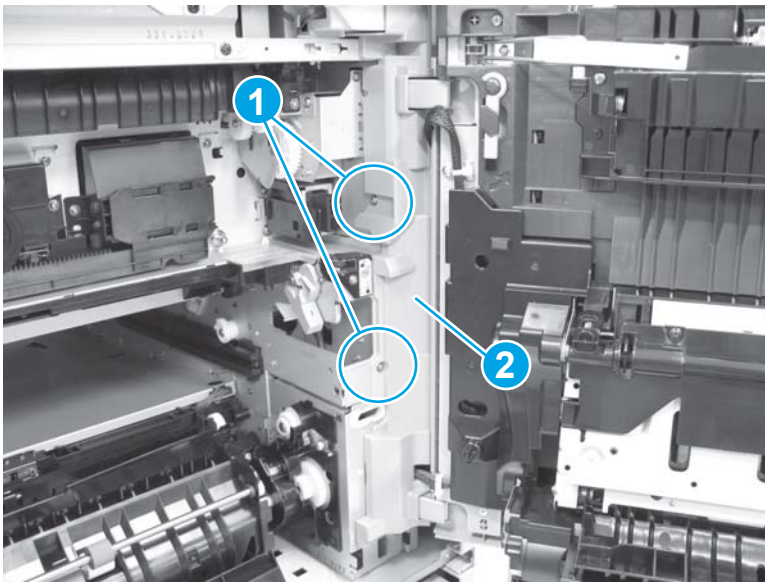
- Slide the retainer arm and guide (callout 1) to the left to disengage it from the chassis.

Figure 1-266 Remove the multipurpose tray (Tray 1) drive assembly (6 of 13)



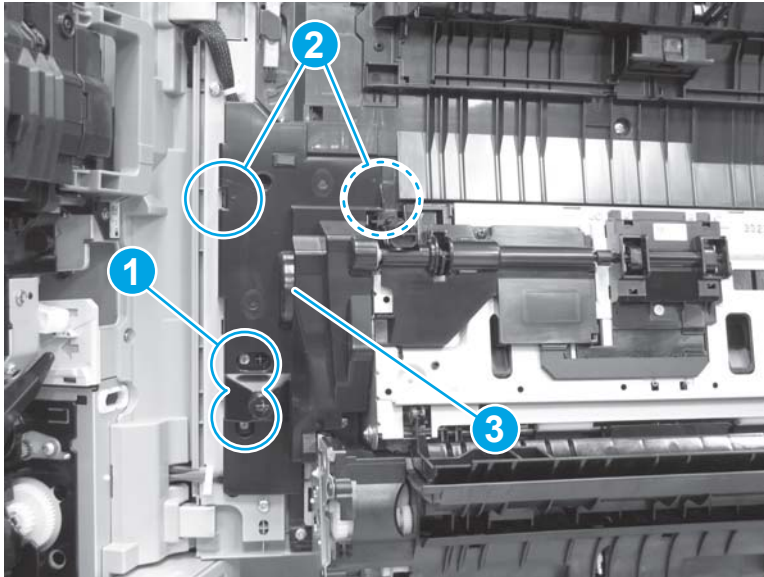
- Remove two screws (callout 1), and then remove the right-inner cover (callout 2).

Figure 1-267 Remove the multipurpose tray (Tray 1) drive assembly (7 of 13)



8. On the door assembly, remove two self-tapping screws (callout 1), release two tabs (callout 2), and then remove the motor cover (callout 3).

Figure 1-268 Remove the multipurpose tray (Tray 1) drive assembly (8 of 13)



9. Disconnect one connector (callout 1), and then release one wire tie (callout 2).


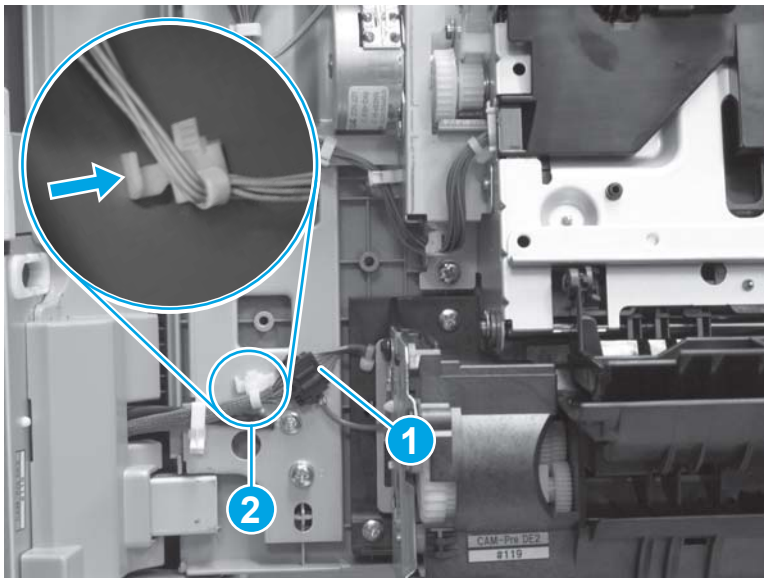
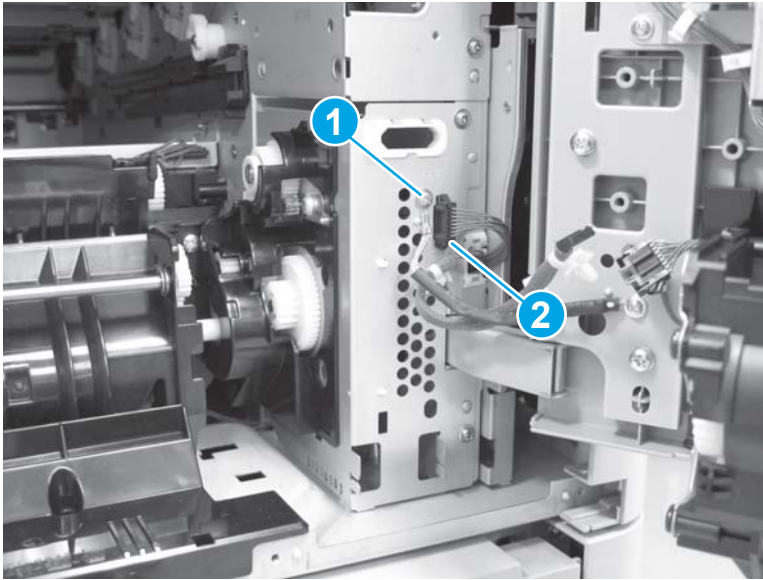
 **TIP:** To release the wire tie (callout 2), push in on the tab, and then remove the wire tie from the door.

Figure 1-269 Remove the multipurpose tray (Tray 1) drive assembly (9 of 13)



10. Remove one screw (callout 1), and then disconnect one connector (callout 2).

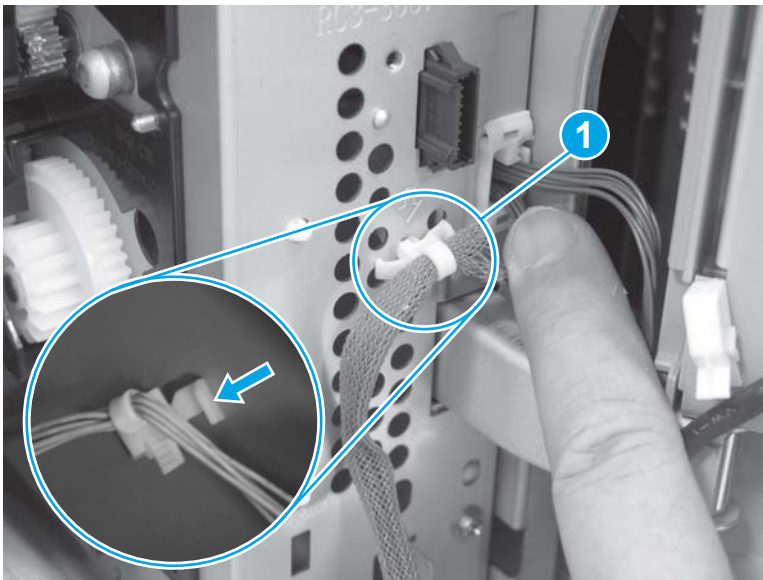
Figure 1-270 Remove the multipurpose tray (Tray 1) drive assembly (10 of 13)



11. Release one wire tie (callout 1).

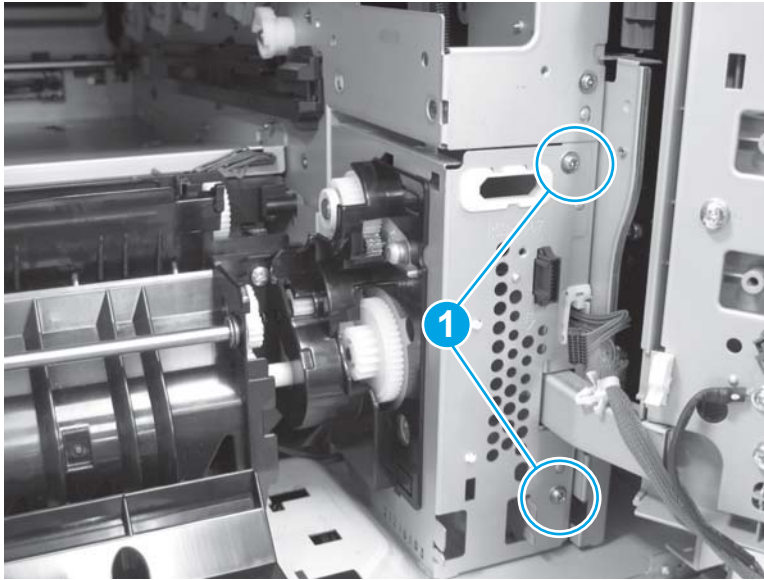
 **TIP:** To release the wire tie, push in on the tab, and then remove the wire tie from the chassis.

Figure 1-271 Remove the multipurpose tray (Tray 1) drive assembly (11 of 13)



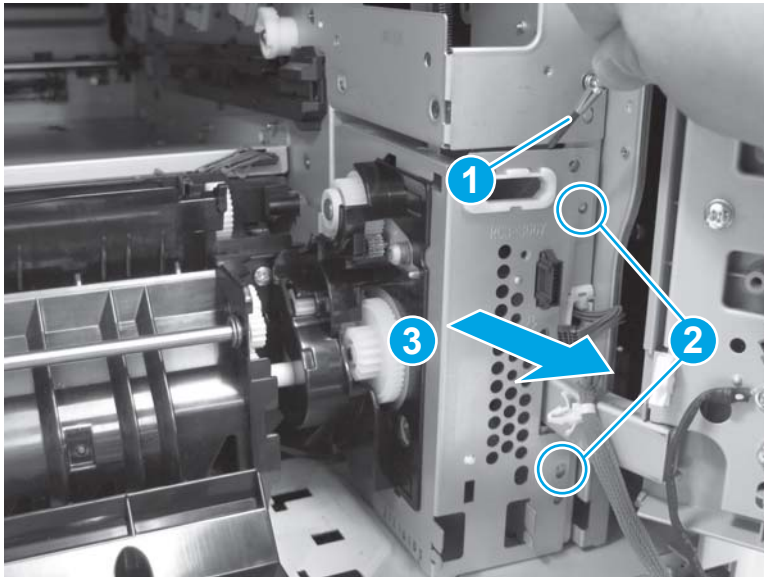
12. Remove two screws (callout 1).

Figure 1-272 Remove the multipurpose tray (Tray 1) drive assembly (12 of 13)



13. Use a small flat-blade screwdriver (callout 1) to carefully release the assembly and two sheet-metal tabs (callout 2), and then remove the assembly (callout 3).

Figure 1-273 Remove the multipurpose tray (Tray 1) drive assembly (13 of 13)



Multipurpose tray (Tray 1) guide assembly

Before proceeding, remove the following assemblies:

- Secondary transfer roller. See [Secondary transfer roller on page 16](#)
- Intermediate transfer belt. See [Intermediate transfer belt \(ITB\) on page 19](#).
- Fuser. See [Fuser on page 21](#).
- Secondary transfer assembly. See [Secondary transfer assembly on page 175](#).
- Multipurpose tray (Tray 1) drive assembly. See [Multipurpose tray \(Tray 1\) drive assembly on page 183](#).

Remove the multipurpose tray guide assembly

Disconnect one connector (callout 1), release one wire retainer (callout 2), remove two screws (callout 3), and then remove the multipurpose-tray guide (Tray 1) assembly.


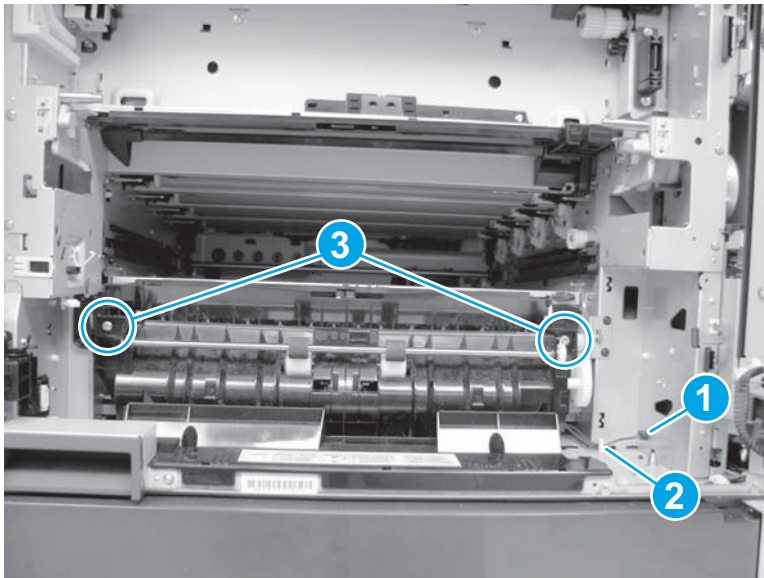
 **Reinstallation tip:** Make sure that the connector (callout 1) is securely in place when the assembly is reinstalled.

Figure 1-274 Remove the multipurpose tray guide assembly



Tray 2 pickup unit

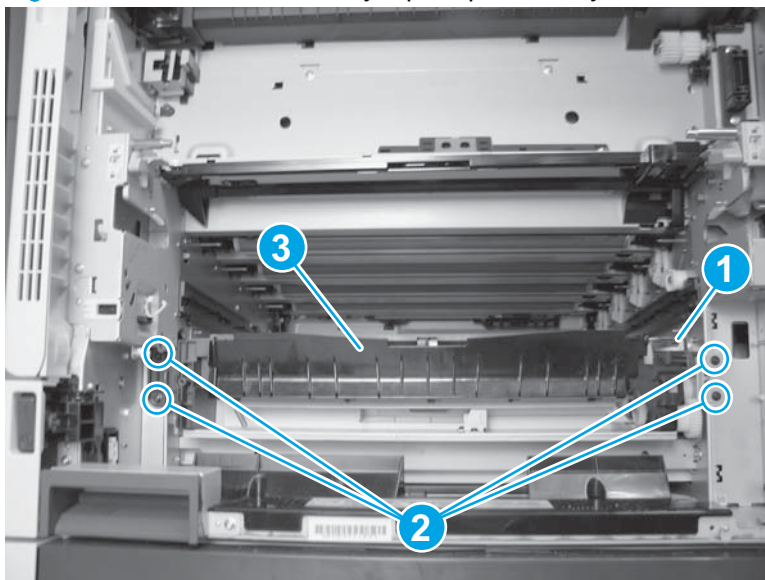
Before proceeding, remove the following assemblies:

- Secondary transfer roller. See [Secondary transfer roller on page 16](#)
- Tray 2. See [Tray 2, 1x500 Tray 3, 3x500 Tray 3, 3x500 Tray 4, and 3x500 Tray 5 on page 18](#).
- Intermediate transfer belt. See [Intermediate transfer belt \(ITB\) on page 19](#).
- Fuser. See [Fuser on page 21](#).
- Secondary transfer assembly. See [Secondary transfer assembly on page 175](#).
- Multipurpose tray (Tray 1) drive assembly. See [Multipurpose tray \(Tray 1\) drive assembly on page 183](#).
- Multipurpose tray (Tray 1) guide assembly. See [Multipurpose tray \(Tray 1\) guide assembly on page 190](#).

Remove the Tray 2 pickup assembly

Disconnect one connector (callout 1), remove four screws (callout 2), and then remove the Tray 2 pickup assembly (callout 3).

Figure 1-275 Remove the Tray 2 pickup assembly



Fuser home position sensor

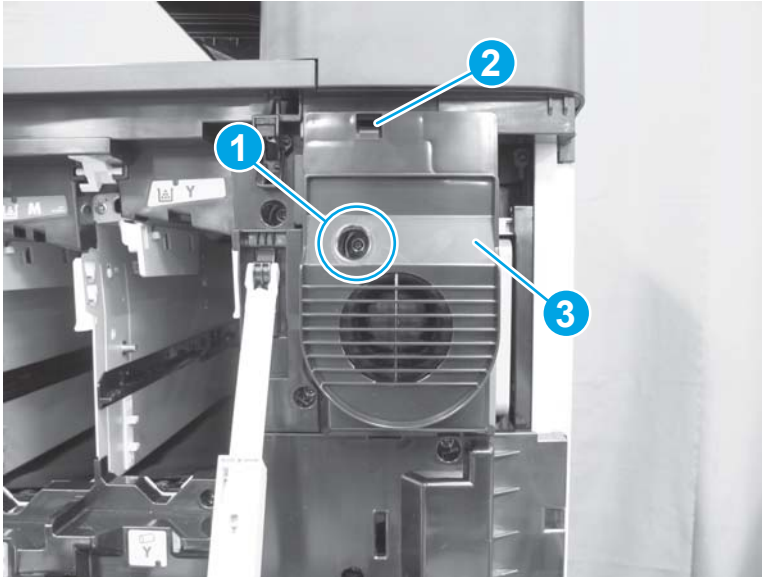
Before proceeding, remove the following assemblies:

- Fuser. See [Fuser on page 21](#).

Remove the fuser home position sensor

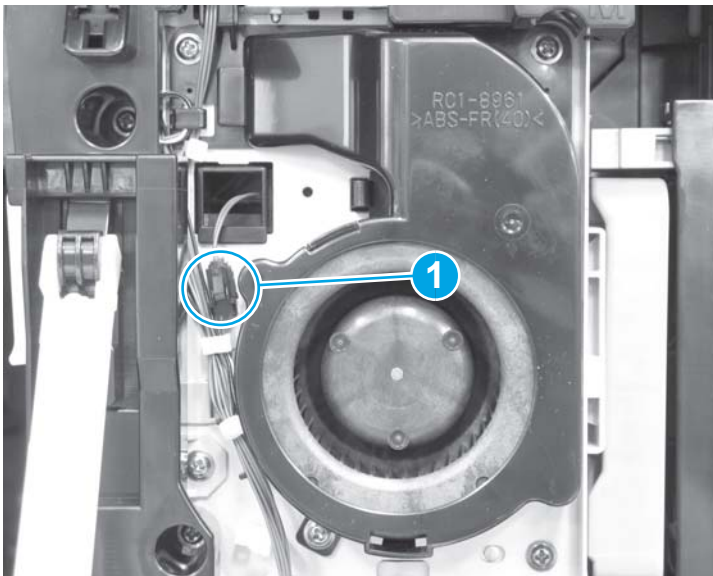
1. Open the front door, remove one screw (callout 1), release one tab (callout 2), and then remove the delivery fan cover (callout 3).

Figure 1-276 Remove the fuser home position sensor (1 of 3)



2. Disconnect one connector (callout 1).

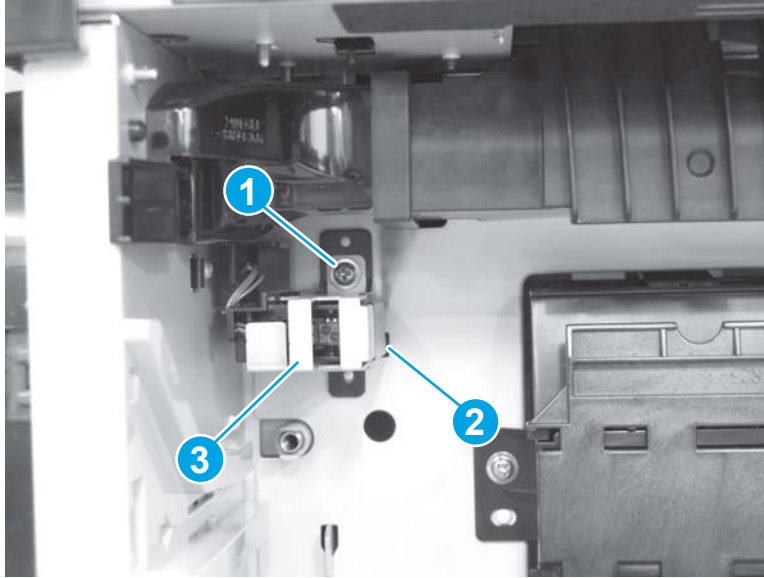
Figure 1-277 Remove the fuser home position sensor (2 of 3)



3. Open the right door, remove one screw (callout 1), release one tab (callout 2), and then remove the sensor assembly (callout 3).

⚠ CAUTION: As the assembly is removed, guide the wire harness through the opening in the chassis from the front of the product.

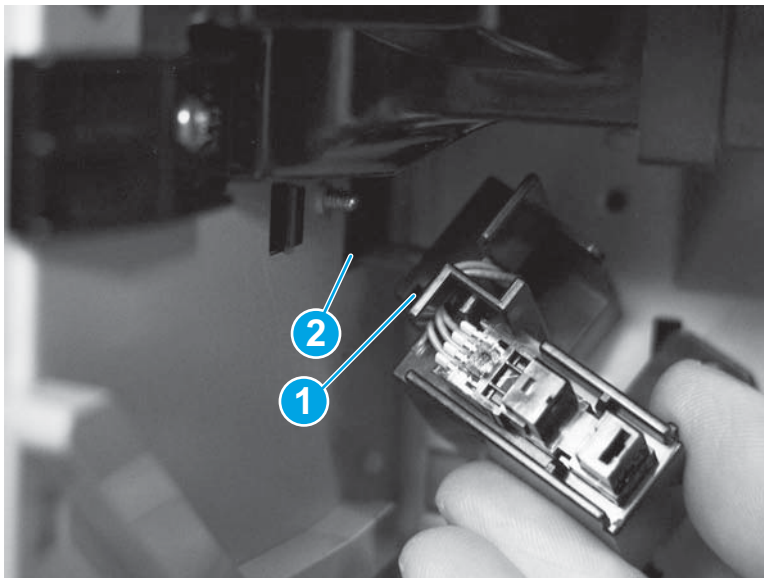
Figure 1-278 Remove the fuser home position sensor (3 of 3)



Reinstall the fuser home position sensor

As the assembly is reinstalled, guide the wire harness through the opening in the chassis to the front of the product, and then make sure that the tab on the sensor (callout 1) is installed in the opening (callout 2) in the chassis.

Figure 1-279 Reinstall the fuser home position sensor



Shutter gear holder assembly

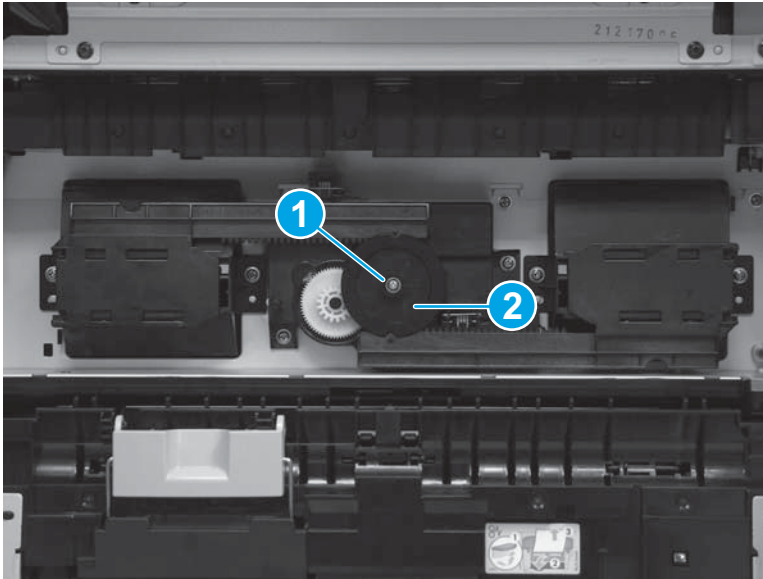
Before proceeding, remove the following assemblies:

- Fuser. See [Fuser on page 21](#).

Remove the shutter gear holder assembly

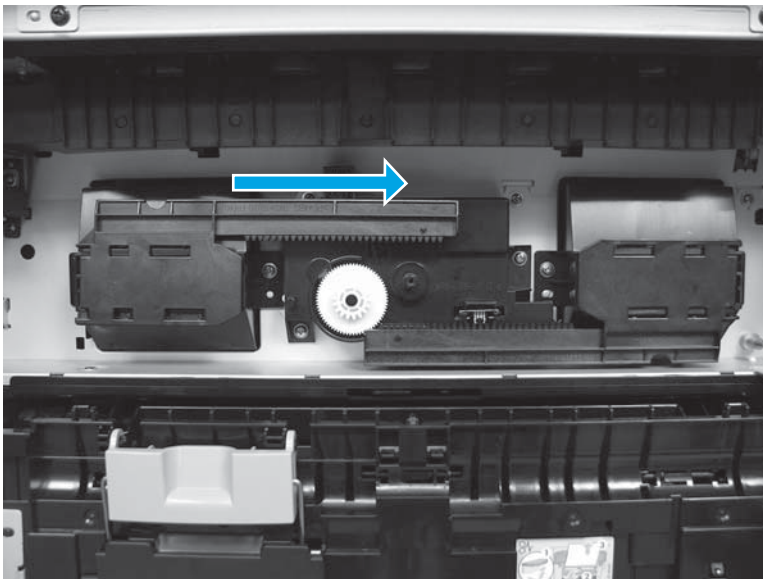
1. Open the right door, remove one screw (callout 1), and then remove one gear (callout 2).

Figure 1-280 Remove the shutter gear holder assembly (1 of 5)



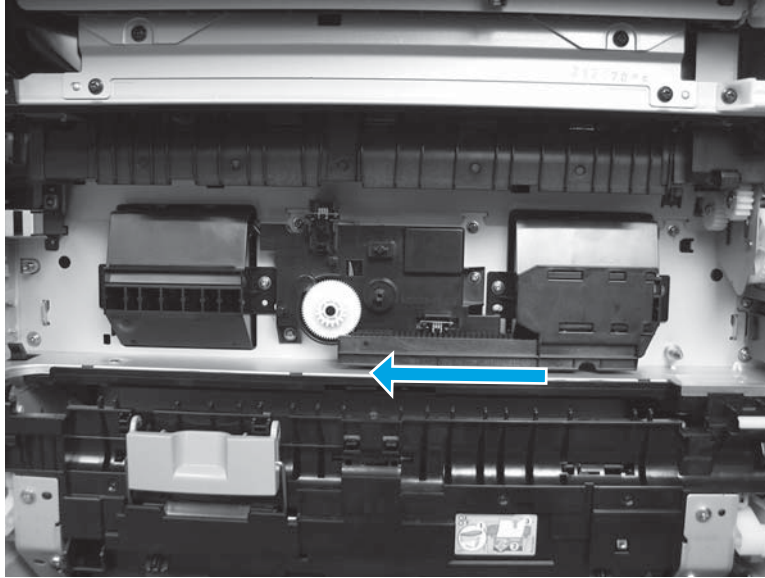
2. Slide the left shutter toward the back of the product to remove it.

Figure 1-281 Remove the shutter gear holder assembly (2 of 5)



3. Slide the right shutter toward the front of the product to remove it.

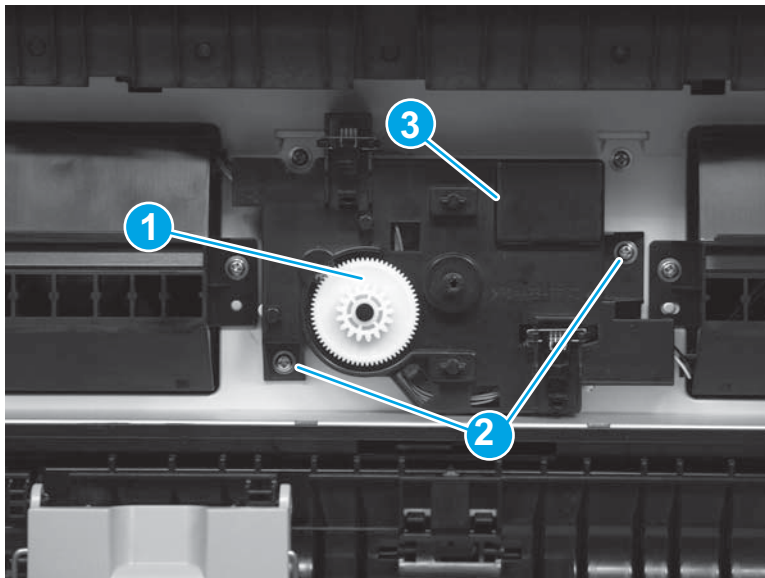
Figure 1-282 Remove the shutter gear holder assembly (3 of 5)



4. Remove one gear (callout 1), remove two screws (callout 2), and then separate the gear assembly (callout 3) from the chassis.

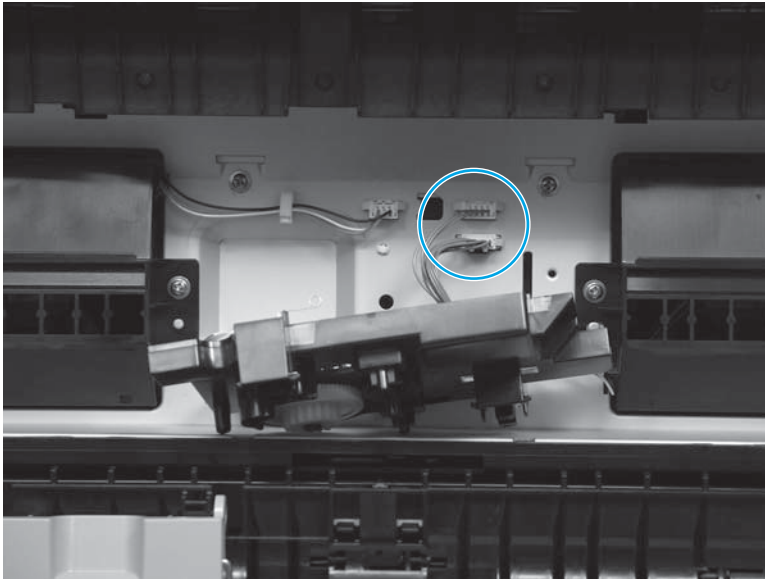
⚠ CAUTION: The assembly is still connected to the product by a wire harness. Do not attempt to completely remove the assembly.

Figure 1-283 Remove the shutter gear holder assembly (4 of 5)



5. Disconnect two connectors.

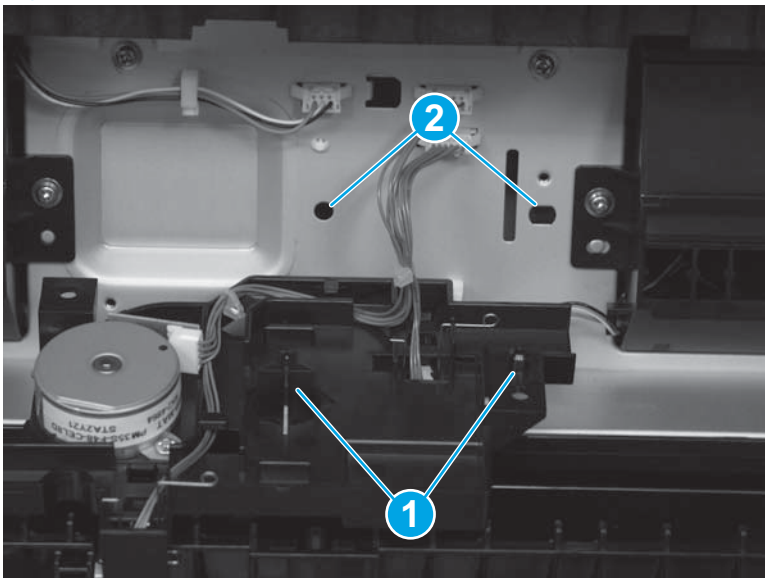
Figure 1-284 Remove the shutter gear holder assembly (5 of 5)



Reinstall the shutter gear holder assembly

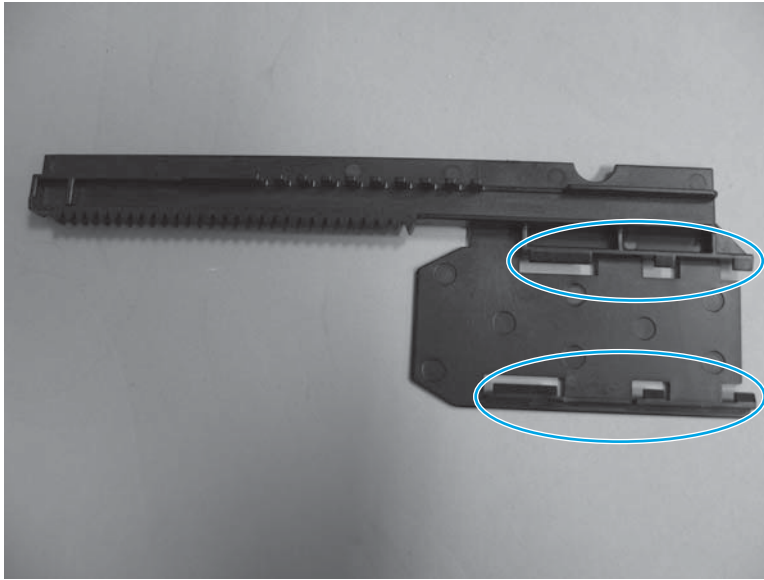
1. Align the round tabs (callout 1) on the back of the shutter gear holder assembly with the slots (callout 2) in the chassis.

Figure 1-285 Reinstall the shutter gear holder assembly (1 of 6)



2. Note the location of the guides on the back of the shutters.

Figure 1-286 Reinstall the shutter gear holder assembly (2 of 6)



3. Make sure that the guides (callout 1) on the shutters align with the rails (callout 2) so that they slide freely.


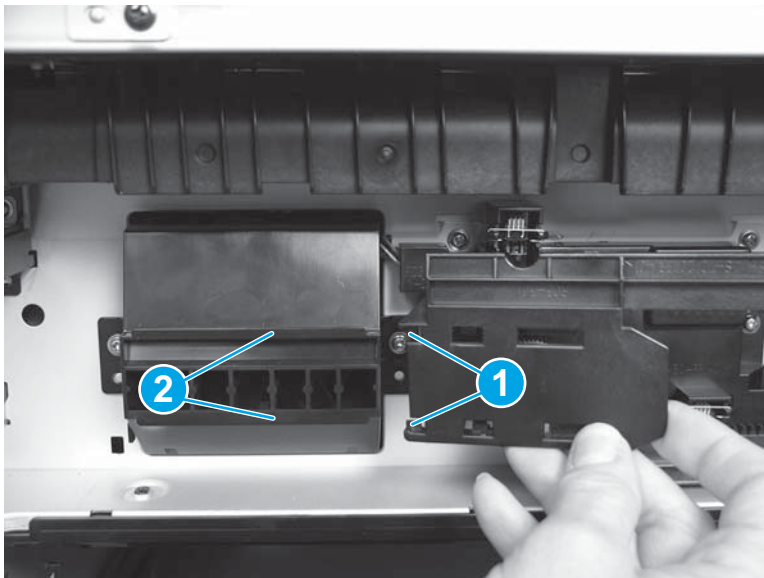
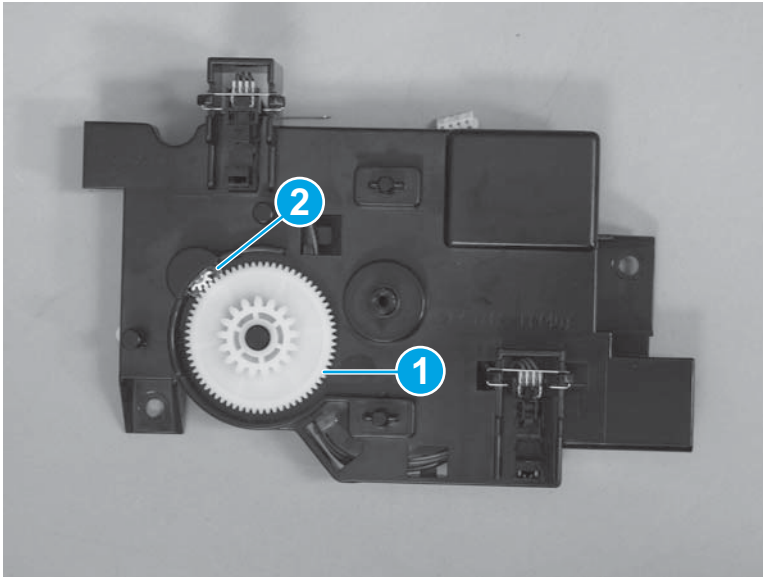
 **NOTE:** The left shutter is shown below. The procedure is the same for the right shutter.

Figure 1-287 Reinstall the shutter gear holder assembly (3 of 6)



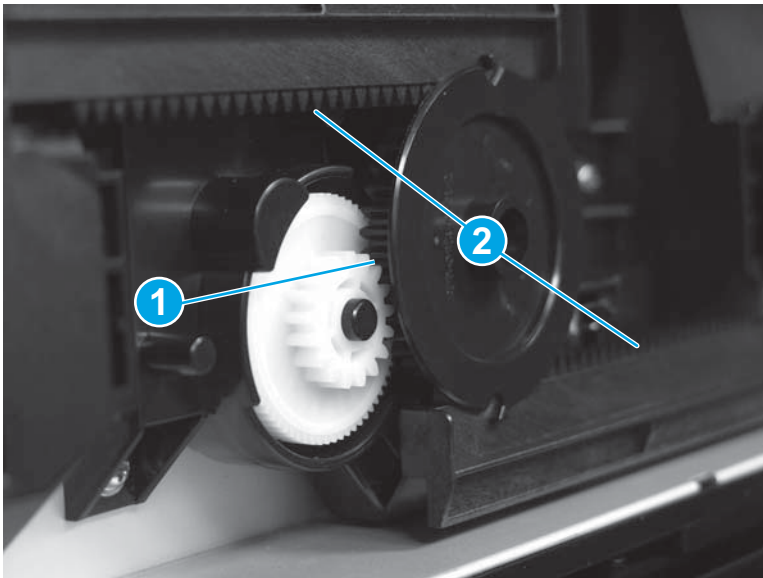
4. When the white gear (callout 1) is reinstalled, position the gear back in the assembly so that the teeth on the white gear align with the teeth on the smaller gear (callout 2).

Figure 1-288 Reinstall the shutter gear holder assembly (4 of 6)



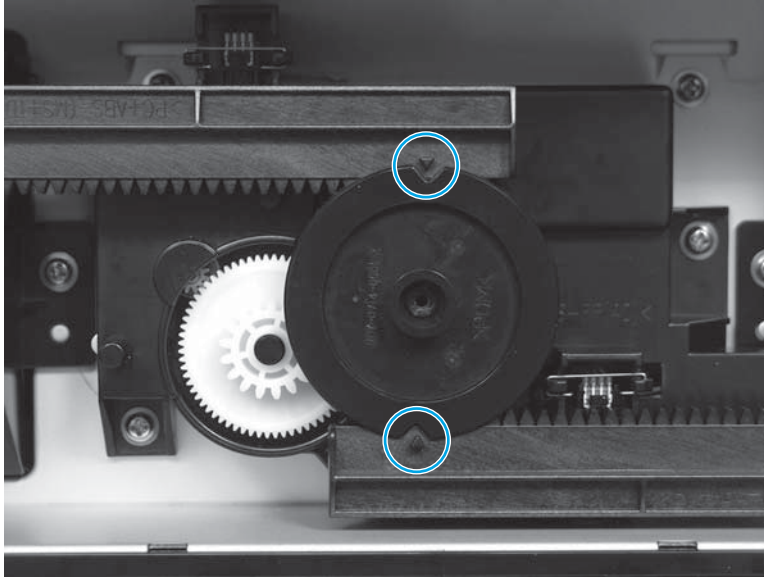
5. When replacing the black gear, make sure that the teeth on the black gear align with the teeth on the white gear (callout 1). Also make sure that the teeth on the shutters (callout 2) align with the teeth on the black gear.

Figure 1-289 Reinstall the shutter gear holder assembly (5 of 6)



6. Make sure that the arrows on the shutters align with the notches in the gear.

Figure 1-290 Reinstall the shutter gear holder assembly (6 of 6)



Fuser-edge area cooling fan FM10 (front)

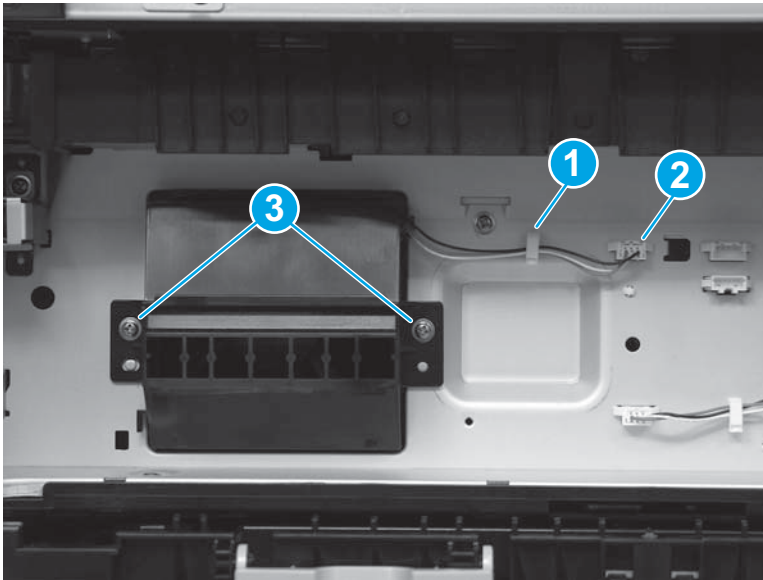
Before proceeding, remove the following assemblies:

- Fuser. See [Fuser on page 21](#).
- Shutter gear holder assembly. See [Shutter gear holder assembly on page 194](#).

Remove the fuser-edge area cooling fan FM10 (front)

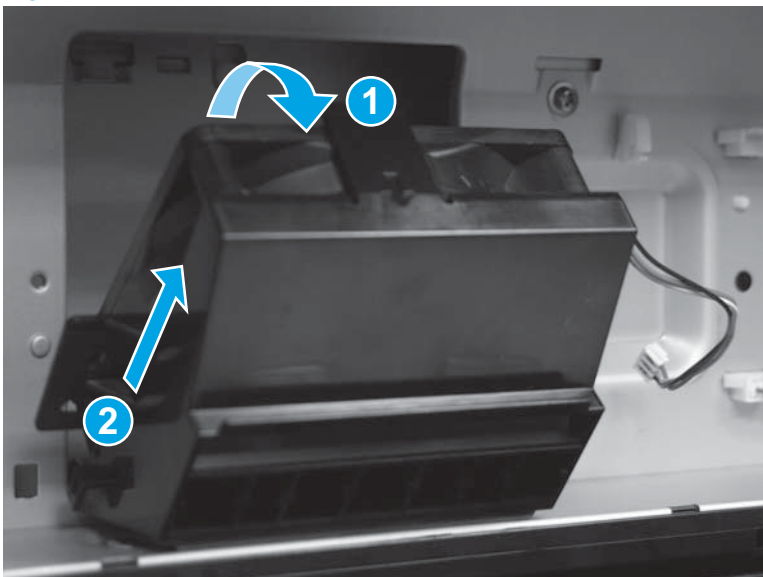
1. Release the wire harness from one retainer (callout 1), disconnect one connector (callout 2), and then remove two screws (callout 3).

Figure 1-291 Remove the fuser-edge area cooling fan FM10 (front; 1 of 3)



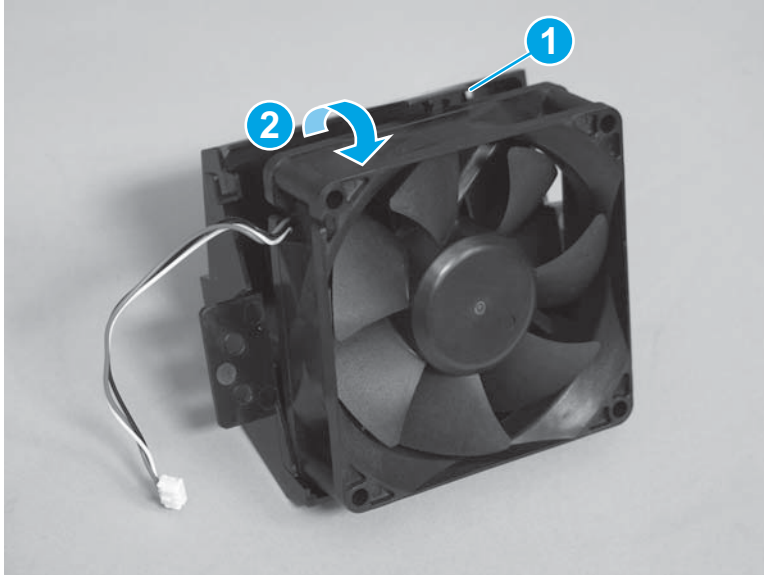
2. Rotate the top of the fan away from the chassis (callout 1), and then lift it up and away from the product (callout 2) to remove it.

Figure 1-292 Remove the fuser-edge area cooling fan FM10 (front; 2 of 3)



3. To remove the fan from the holder, release one tab (callout 1) and then rotate the top of the fan (callout 2) out of the holder to remove it.

Figure 1-293 Remove the fuser-edge area cooling fan FM10 (front; 3 of 3)



Reinstall the fuser-edge area cooling fan FM10 (front)

1. Make sure that the fan is oriented as shown below when reinstalling it in the holder.


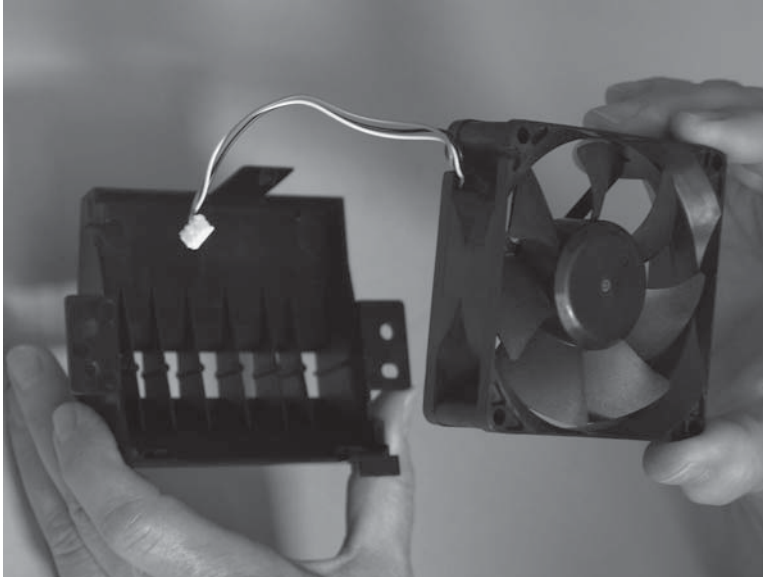
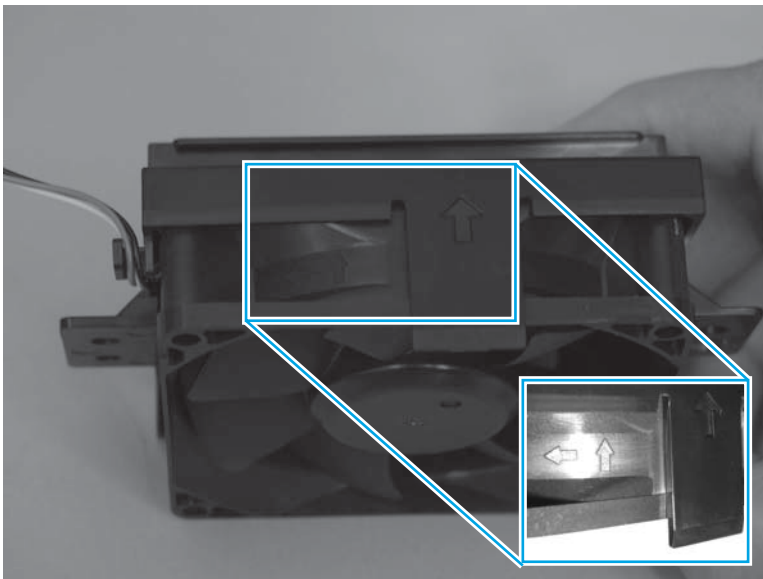
 **NOTE:** The label in the center of the fan should be facing inward, toward the holder.

Figure 1-294 Reinstall the fuser-edge area cooling fan FM10 (front; 1 of 3)



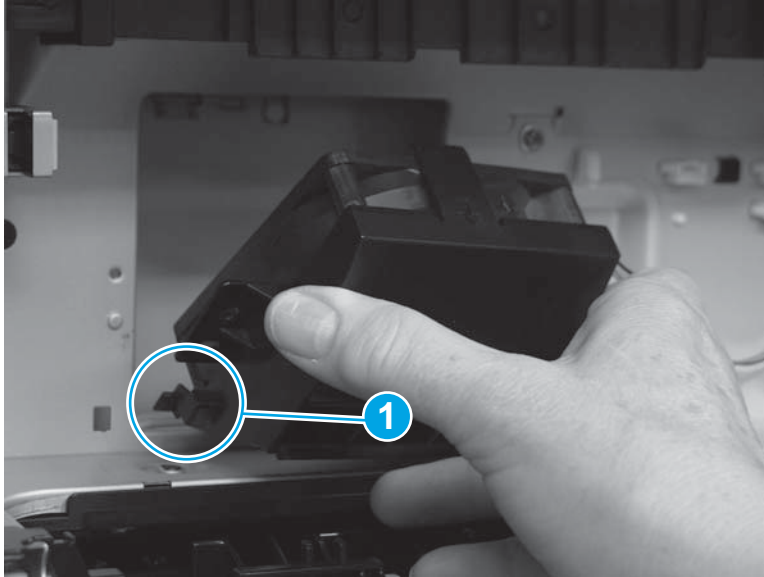
2. The embossed arrows on the fan must point into the chassis and to the left (toward the wire harness) when the fan and holder are installed in the product.

Figure 1-295 Reinstall the fuser-edge area cooling fan FM10 (front; 2 of 3)



3. When reinstalling the fan, make sure that the tab is installed first and that it fits behind the sheet metal (callout 1).

Figure 1-296 Reinstall the fuser-edge area cooling fan FM10 (front; 3 of 3)



Fuser-edge area cooling fan FM9 (rear)

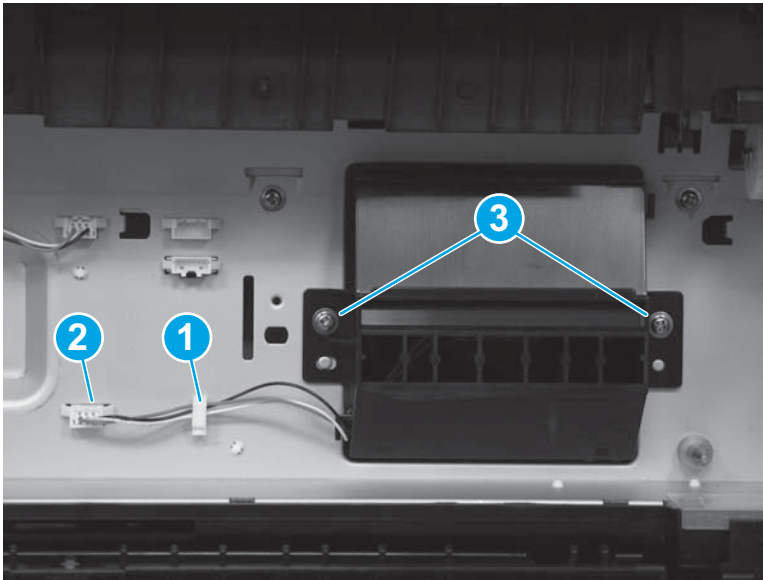
Before proceeding, remove the following assemblies:

- Fuser. See [Fuser on page 21](#).
- Shutter gear holder assembly. See [Shutter gear holder assembly on page 194](#).

Remove the fuser-edge area cooling fan FM9 (rear)

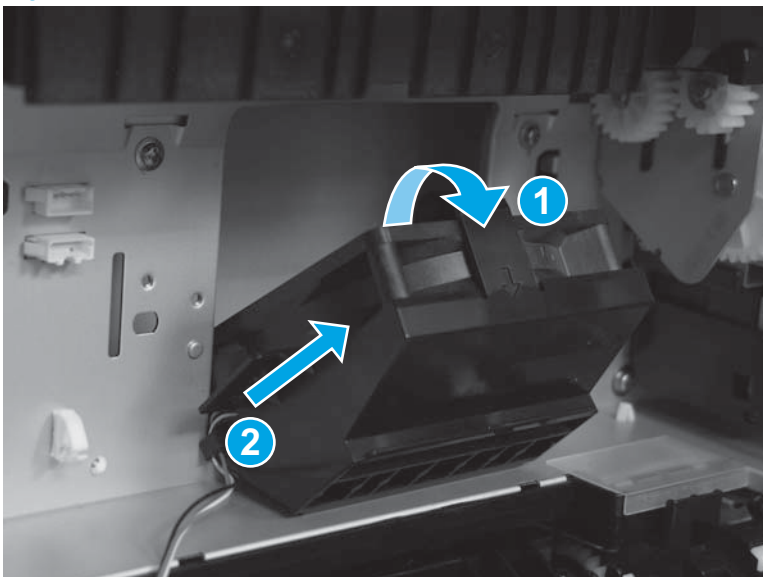
1. Release the wire harness from one retainer (callout 1), disconnect one connector (callout 2), and then remove two screws (callout 3).

Figure 1-297 Remove the fuser-edge area cooling fan FM9 (rear; 1 of 3)



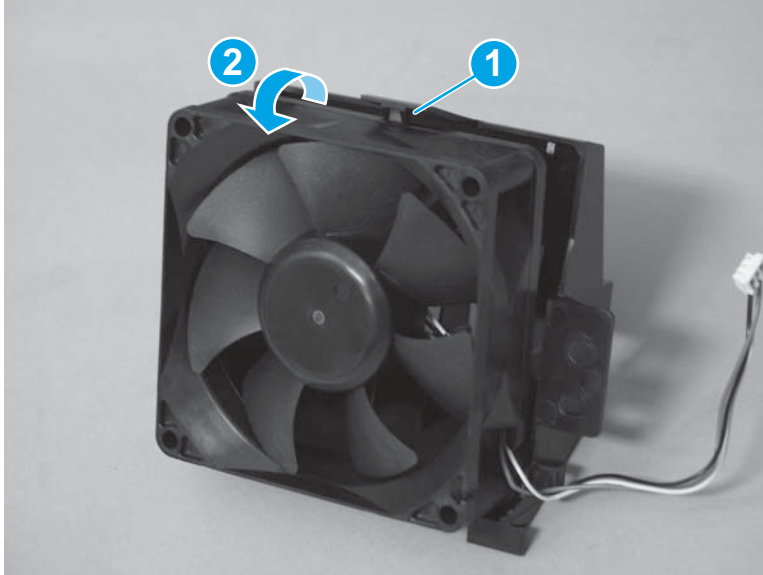
2. Rotate the top of the fan away from the chassis (callout 1), and then lift it up and away from the product (callout 2) to remove it.

Figure 1-298 Remove the Remove the fuser-edge area cooling fan FM9 (rear; 2 of 3)



3. To remove the fan from the holder, release one tab (callout 1) and then rotate the top of the fan out of the holder (callout 2) to remove it.

Figure 1-299 Remove the fuser-edge area cooling fan FM9 (rear; 3 of 3)



Reinstall the fuser-edge area cooling fan FM9 (rear)

1. Make sure that the fan is oriented as shown below when reinstalling it in the holder.


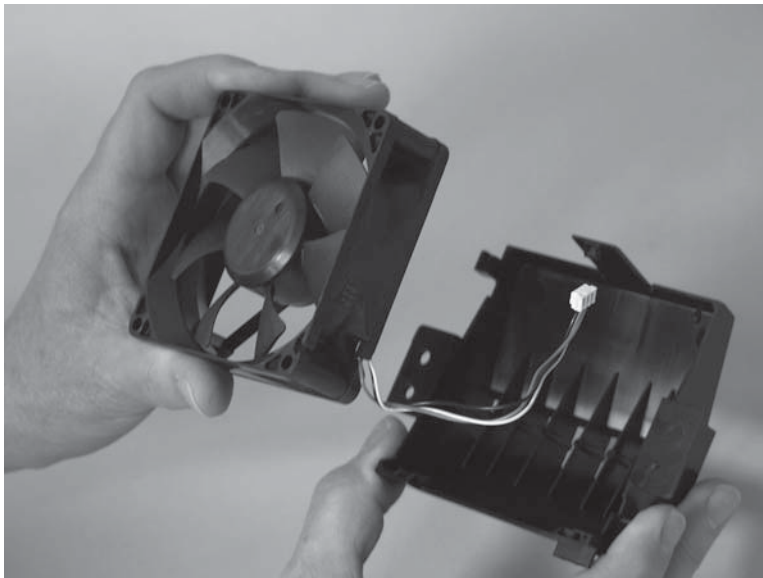
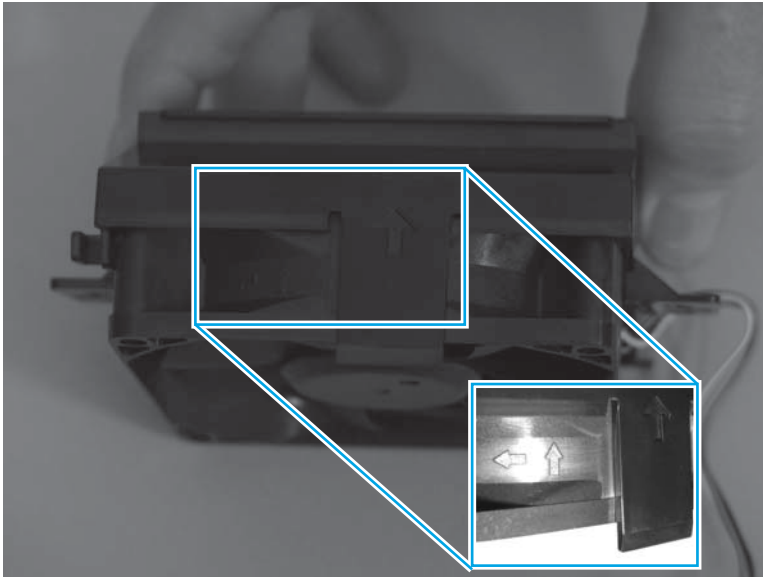
 **NOTE:** The label in the center of the fan should be facing inward, toward the holder.

Figure 1-300 Reinstall the fuser-edge area cooling fan FM9 (rear; 1 of 3)



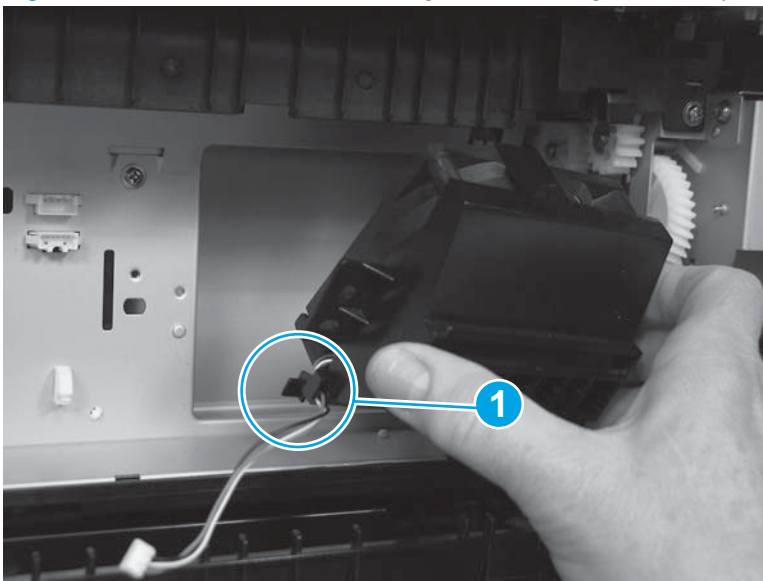
2. The embossed arrows on the fan must point into the chassis and to the left (away from the wire harness) when the fan and holder are installed in the product.

Figure 1-301 Reinstall the fuser-edge area cooling fan FM9 (rear; 2 of 3)



3. When reinstalling the left fuser cooling fan, make sure that the tab is installed first and that it fits behind the sheet metal (callout 1).

Figure 1-302 Reinstall the fuser-edge area cooling fan FM9 (rear; 3 of 3)



Fuser fan FM2

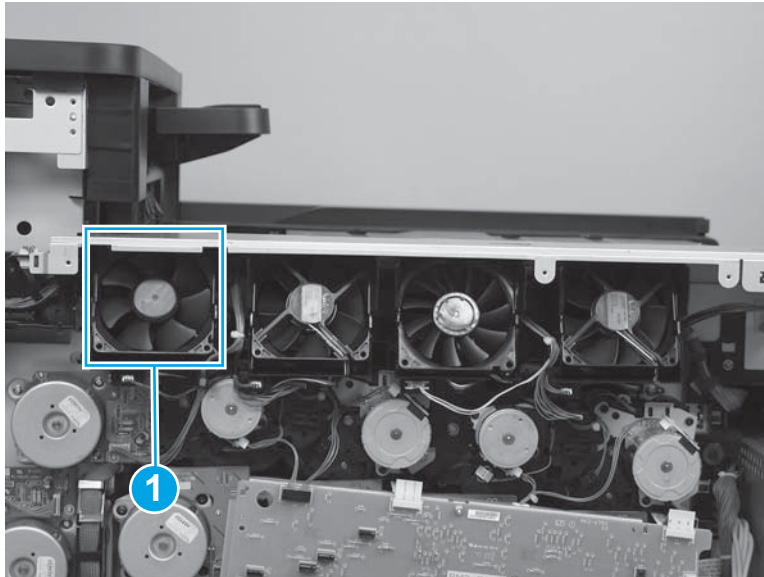
Before proceeding, remove the following assemblies:

- Left rear cover. See [Left rear cover on page 104](#).
- Rear cover. See [Rear cover on page 143](#).

Remove the fuser fan FM2

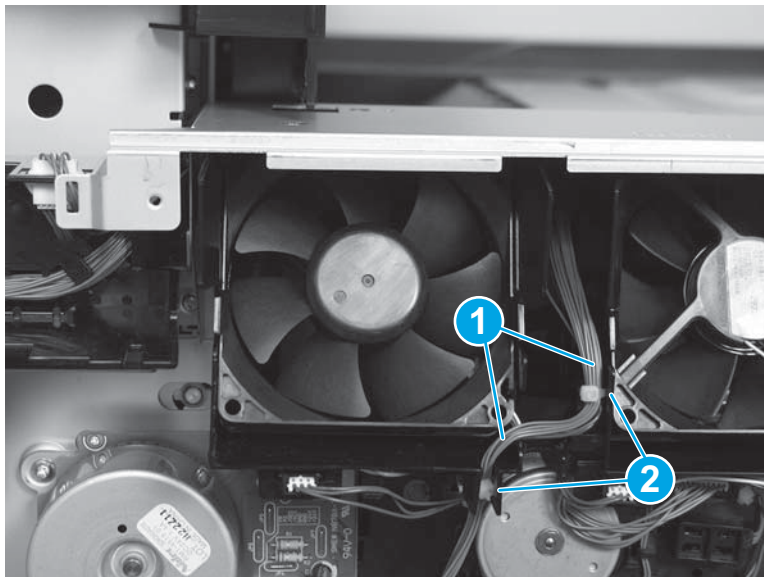
1. Locate the fuser fan (callout 1).

Figure 1-303 Remove the fuser fan FM2 (1 of 5)



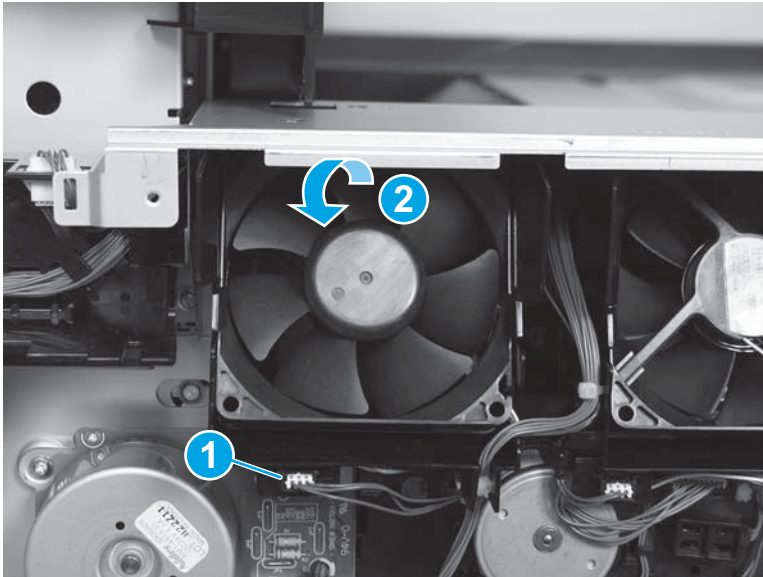
2. Release the wire harness (callout 1) from the guides (callout 2).

Figure 1-304 Remove the fuser fan FM2 (2 of 5)



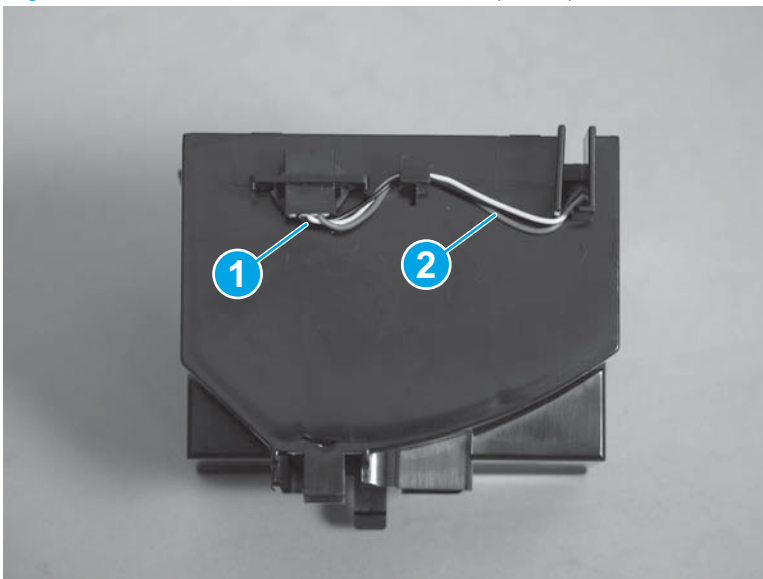
3. Disconnect one connector (callout 1), and then rotate the fan assembly out and down (callout 2) to remove it.

Figure 1-305 Remove the fuser fan FM2 (3 of 5)



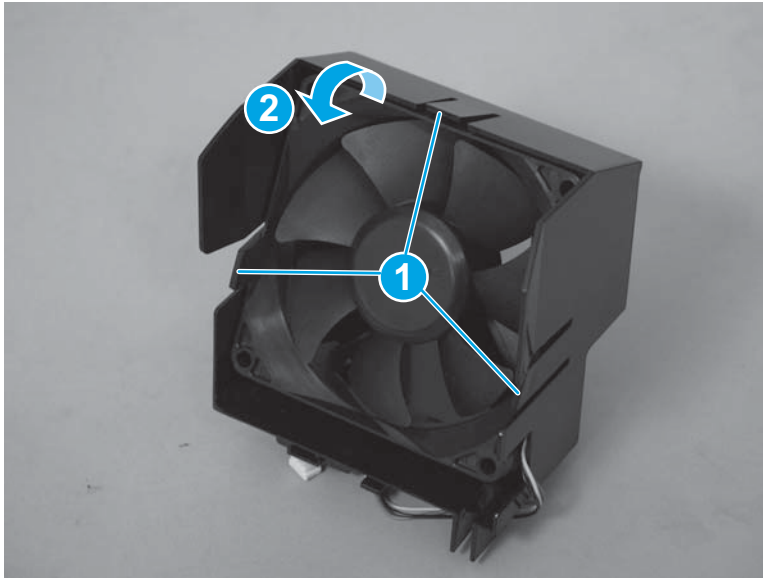
4. Disconnect one connector (callout 1) on the fan holder, and then release the wire harness (callout 2) from the guides.

Figure 1-306 Remove the fuser fan FM2 (4 of 5)



5. Release three tabs (callout 1), and then rotate the fuser fan (callout 2) out of the fan holder.

Figure 1-307 Remove the fuser fan FM2 (5 of 5)



Reinstall the fuser fan FM2

1. Make sure that the fan is oriented as shown below when reinstalling it in the holder.


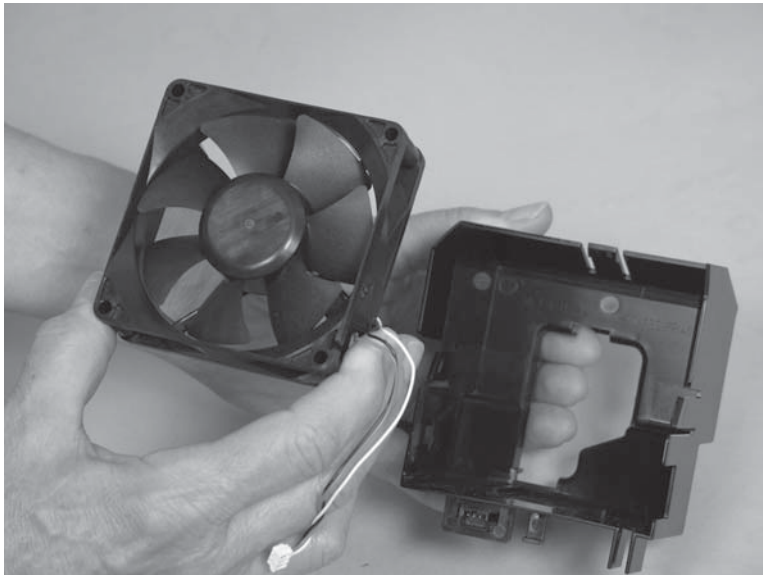
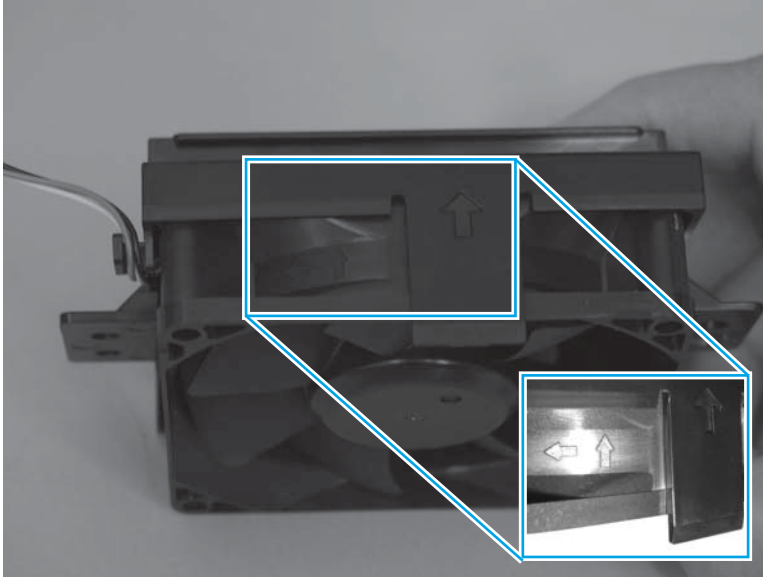
 **NOTE:** The label in the center of the fan should be facing inward, toward the holder.

Figure 1-308 Reinstall the fuser fan FM2 (1 of 3)



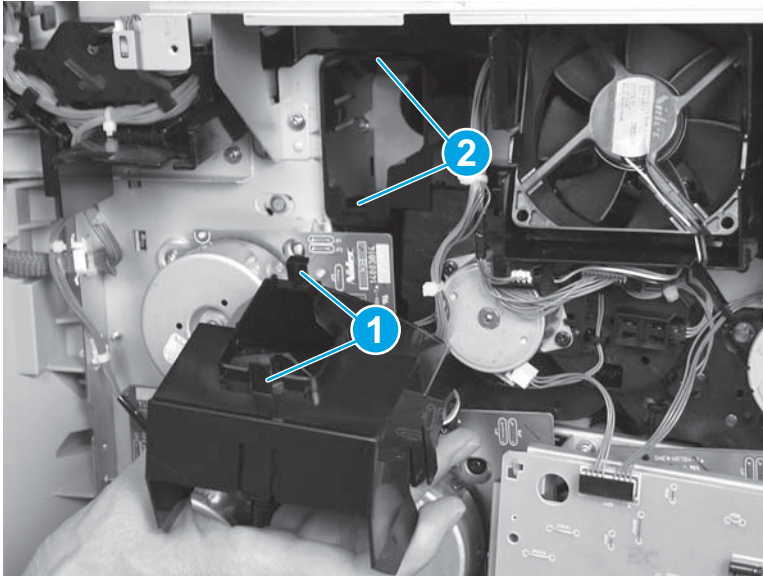
2. The embossed arrows on the fan must point into the chassis and to the left (toward the wire harness) when the fan and holder are installed in the product.

Figure 1-309 Reinstall the fuser fan FM2 (2 of 3)



3. When reinstalling the fuser fan assembly, make sure that the tabs (callout 1) on the holder are installed in the slots (callout 2) on the chassis.

Figure 1-310 Reinstall the fuser fan FM2 (3 of 3)



Fuser fan duct

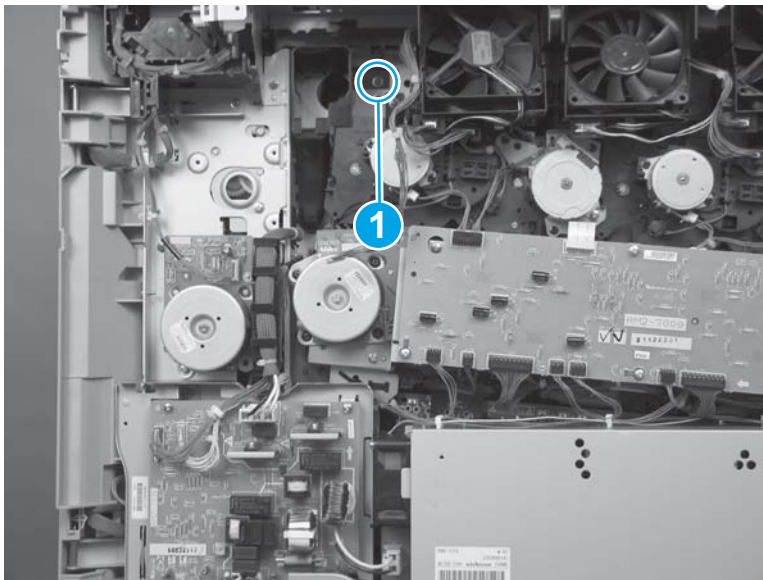
Before proceeding, remove the following assemblies:

- Left rear cover. See [Left rear cover on page 104](#).
- Rear cover. See [Rear cover on page 143](#).
- Fuser fan FM2. See [Fuser fan FM2 on page 207](#).
- Fuser motor. See [Fuser motor on page 242](#).

Remove the fuser fan duct

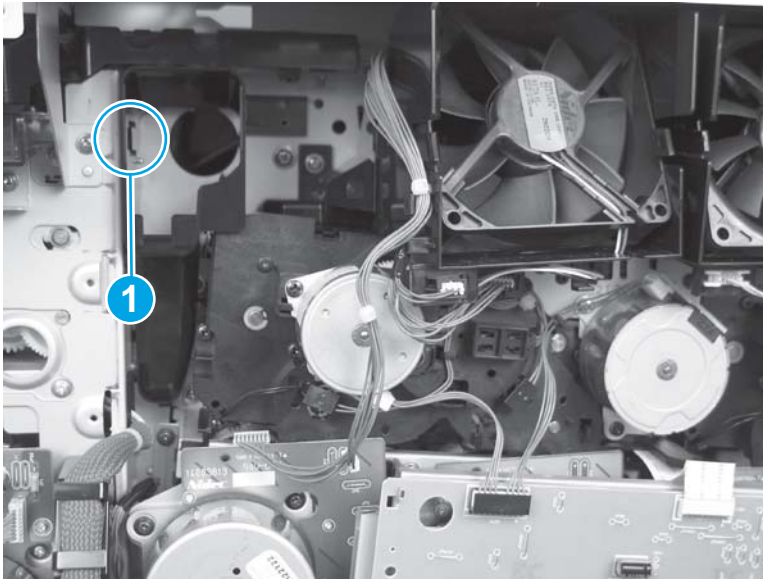
1. Remove one screw (callout 1).

Figure 1-311 Remove the fuser fan duct (1 of 3)



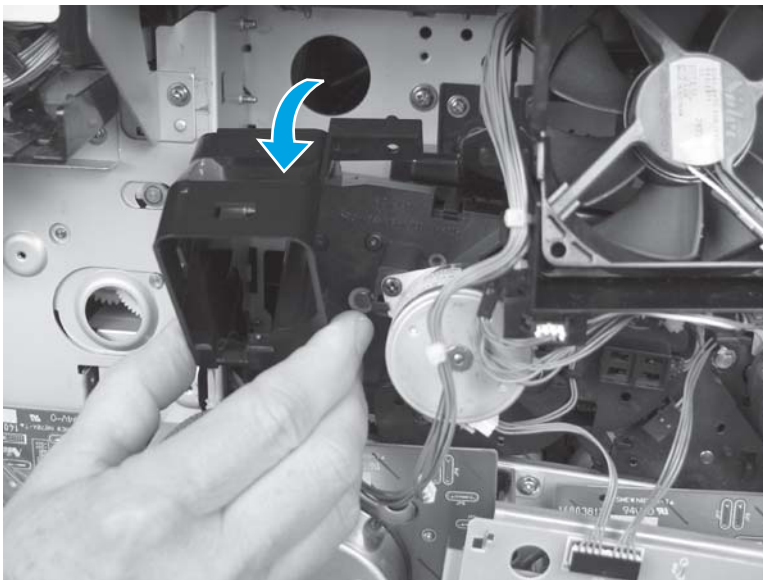
2. Release one tab (callout 1).

Figure 1-312 Remove the fuser fan duct (2 of 3)



3. Rotate the top of the fuser fan duct away from the product to remove it.

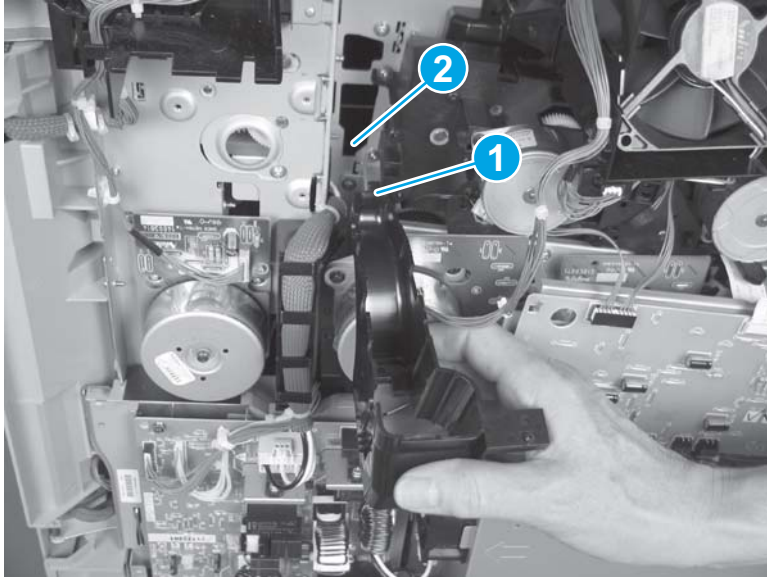
Figure 1-313 Remove the fuser fan duct (3 of 3)



Reinstall the fuser fan duct

Insert the tab (callout 1) on the duct into the slot (callout 2) on the chassis before rotating the duct into position.

Figure 1-314 Reinstall the fuser fan duct



Cartridge fan FM3 (yellow and magenta)

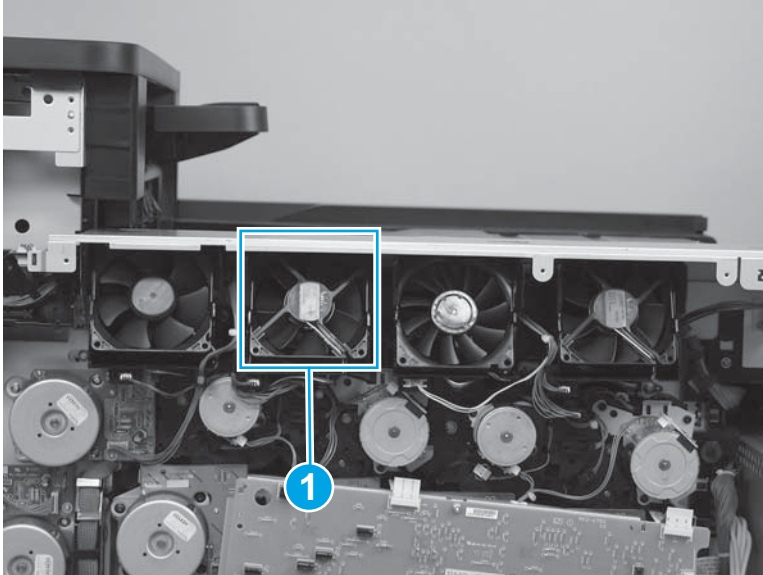
Before proceeding, remove the following assemblies:

- Left rear cover. See [Left rear cover on page 104](#).
- Rear cover. See [Rear cover on page 143](#).

Remove the cartridge fan FM3 (yellow and magenta)

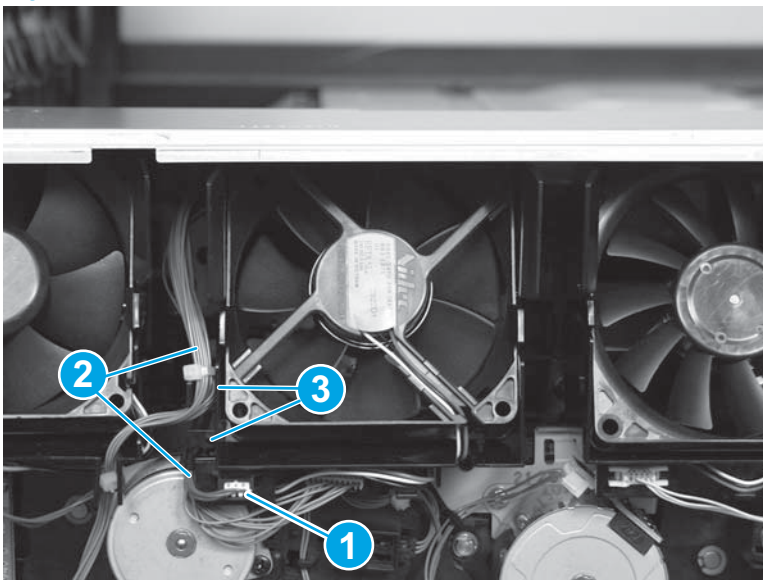
1. Locate the cartridge fan (yellow and magenta; callout 1).

Figure 1-315 Remove the cartridge fan FM3 (yellow and magenta; 1 of 5)



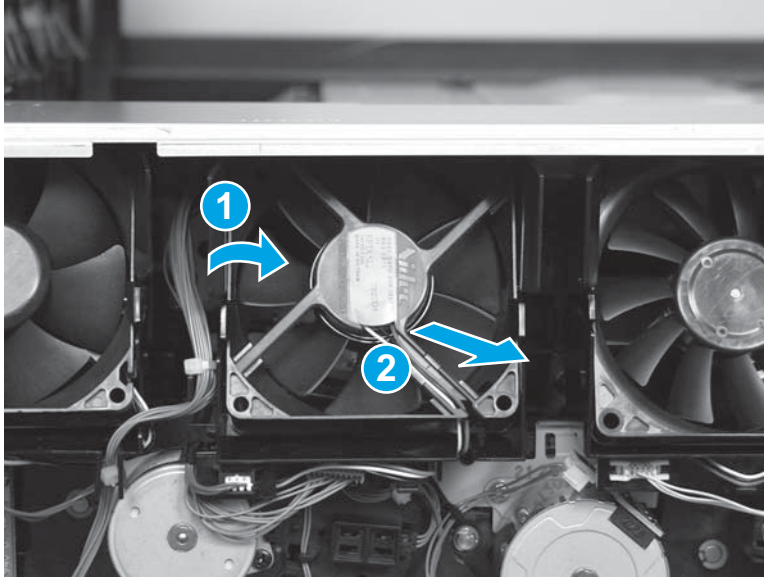
2. Disconnect one connector (callout 1), and then release the wire harnesses (callout 2) from the guides (callout 3).

Figure 1-316 Remove the cartridge fan FM3 (yellow and magenta; 2 of 5)



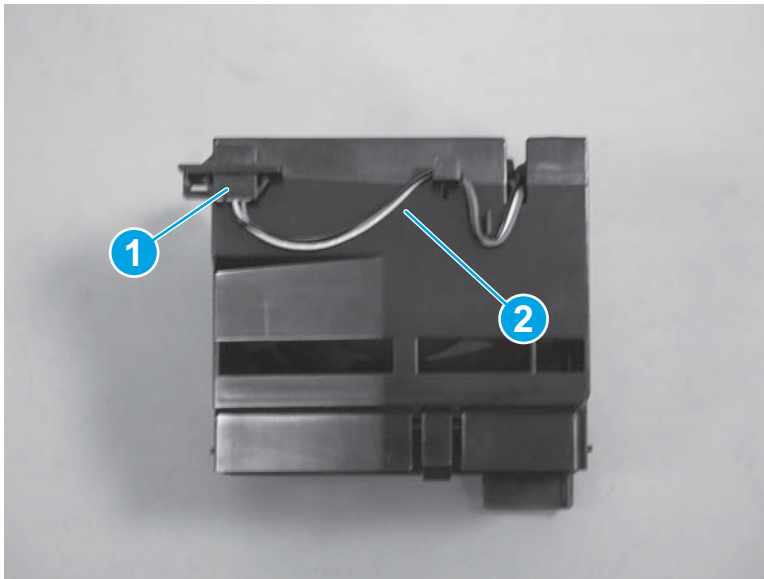
3. Rotate the fan assembly to the right (callout 1), while pulling the assembly away from the product (callout 2) to remove it.

Figure 1-317 Remove the cartridge fan FM3 (yellow and magenta; 3 of 5)



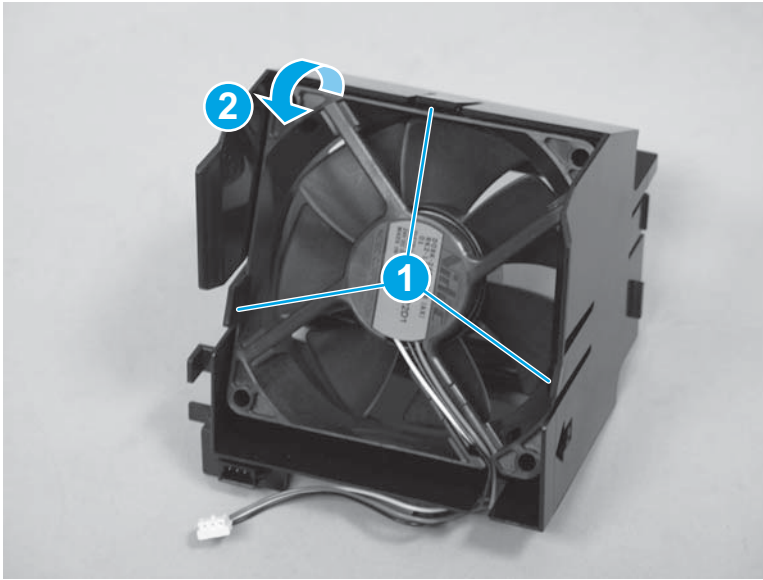
4. Disconnect one connector (callout 1) on the fan holder, and then release the wire harness (callout 2) from the guides.

Figure 1-318 Remove the cartridge fan FM3 (yellow and magenta; 4 of 5)



5. Release three tabs (callout 1), and then rotate the fan (callout 2) out of the fan holder.

Figure 1-319 Remove the cartridge fan FM3 (yellow and magenta; 5 of 5)



Reinstall the cartridge fan FM3 (yellow and magenta)

1. Make sure that the fan is oriented as shown below when reinstalling it in the holder.


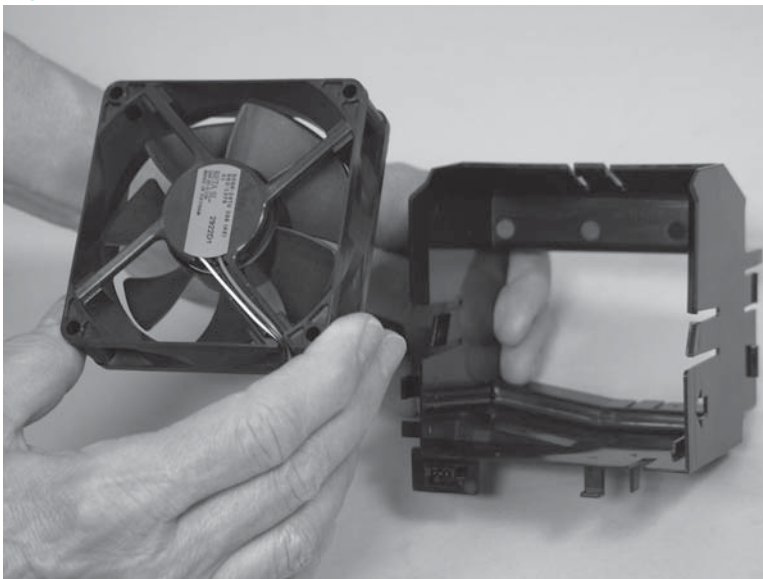
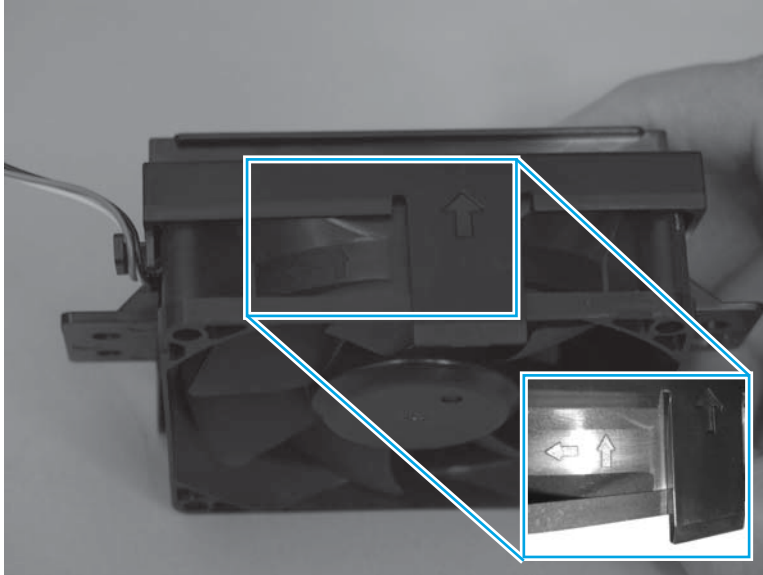
 **NOTE:** The label in the center of the fan should be facing outward, away from the holder.

Figure 1-320 Reinstall the cartridge fan FM3 (yellow and magenta; 1 of 3)



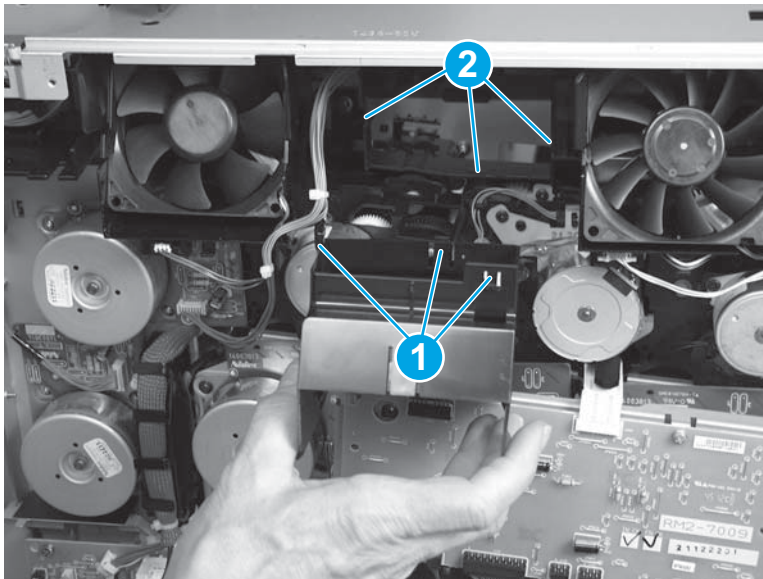
2. The embossed arrows on the fan must point away from the chassis and to the left (toward the wire harness) when the fan and holder are installed in the product.

Figure 1-321 Reinstall the cartridge fan FM3 (yellow and magenta; 2 of 3)



3. When reinstalling the cartridge fan (yellow and magenta) assembly, make sure that the tabs (callout 1) on the holder are installed in the slots (callout 2) on the product.

Figure 1-322 Reinstall the cartridge fan FM3 (yellow and magenta; 3 of 3)



Cartridge fan FM4 (cyan and black)

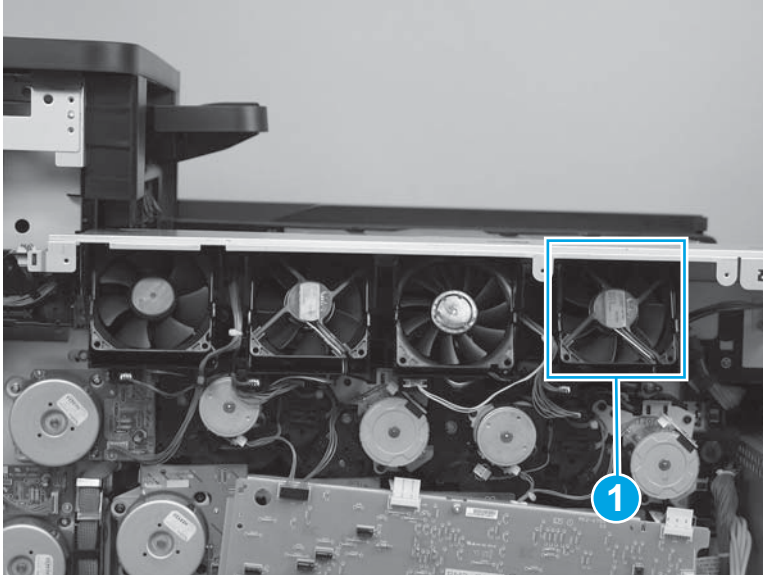
Before proceeding, remove the following assemblies:

- Left rear cover. See [Left rear cover on page 104](#).
- Rear cover. See [Rear cover on page 143](#).

Remove the cartridge fan FM4 (cyan and black)

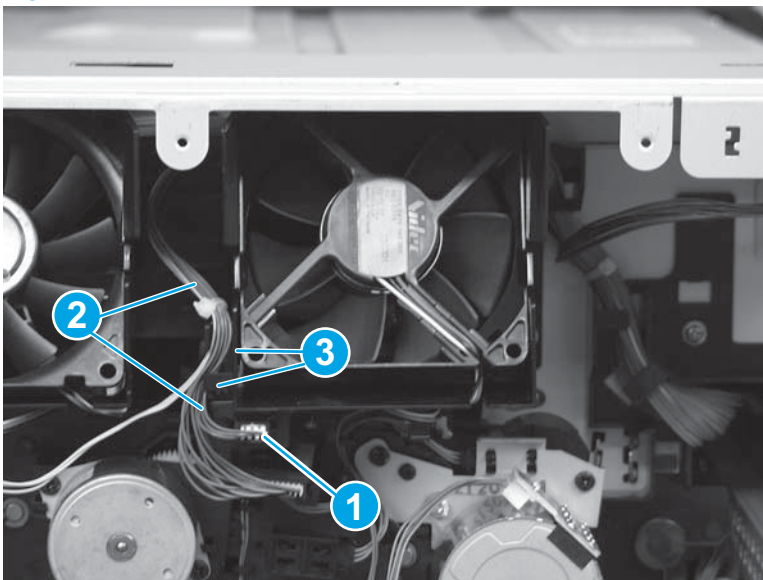
1. Locate the cartridge fan (cyan and black; callout 1).

Figure 1-323 Remove the cartridge fan FM4 (cyan and black; 1 of 5)



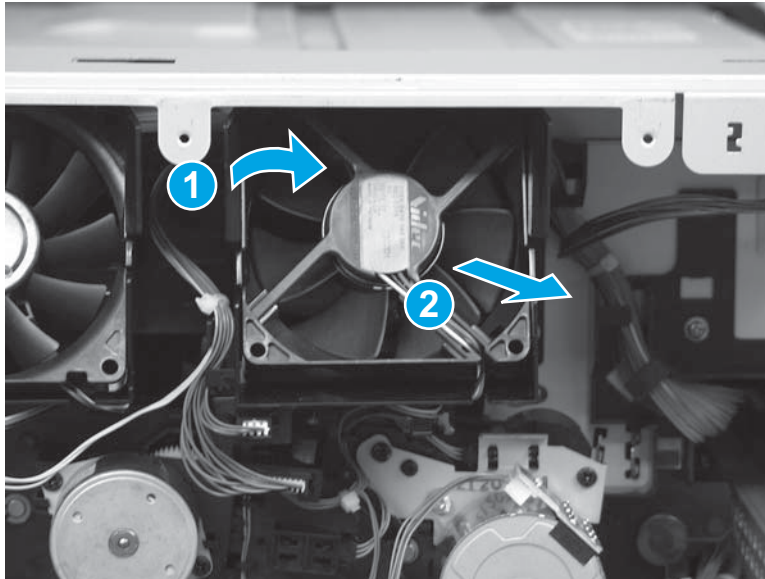
2. Disconnect one connector (callout 1), and then release the wire harnesses (callout 2) from the guides (callout 3).

Figure 1-324 Remove the cartridge fan FM4 (cyan and black; 2 of 5)



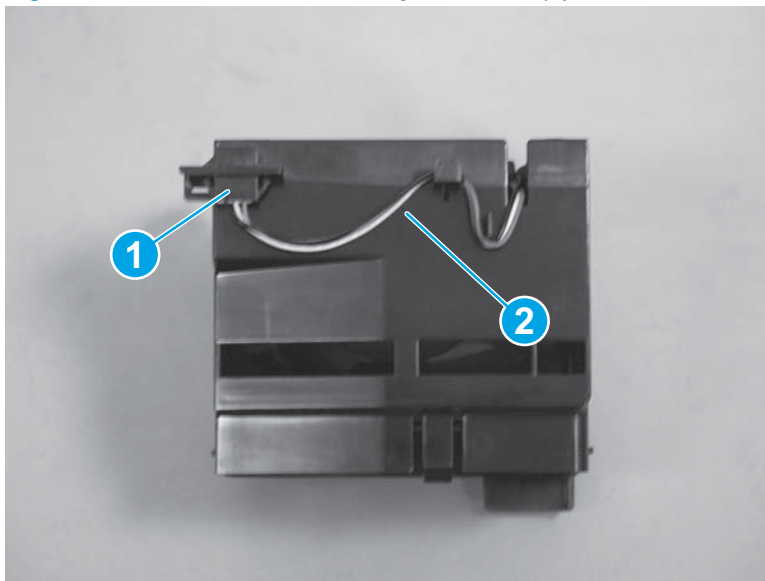
3. Rotate the fan assembly to the right (callout 1), while pulling the assembly away from the product (callout 2) to remove it.

Figure 1-325 Remove the cartridge fan FM4 (cyan and black; 3 of 5)



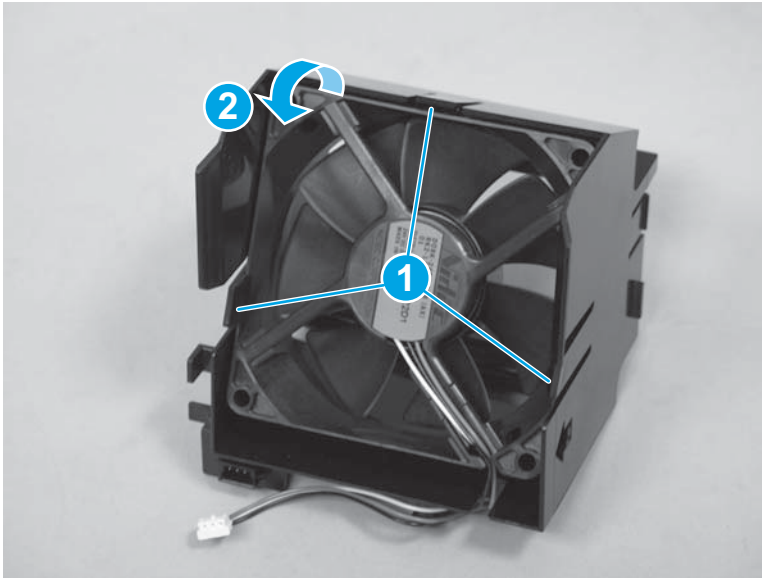
4. Disconnect one connector (callout 1) on the fan holder, and then release the wire harness (callout 2) from the guides.

Figure 1-326 Remove the cartridge fan FM4 (cyan and black; 4 of 5)



5. Release three tabs (callout 1), and then rotate the fan (callout 2) out of the fan holder.

Figure 1-327 Remove the cartridge fan FM4 (cyan and black; 5 of 5)



Reinstall the cartridge fan FM4 (cyan and black)

1. Make sure that the fan is oriented as shown below when reinstalling it in the holder.


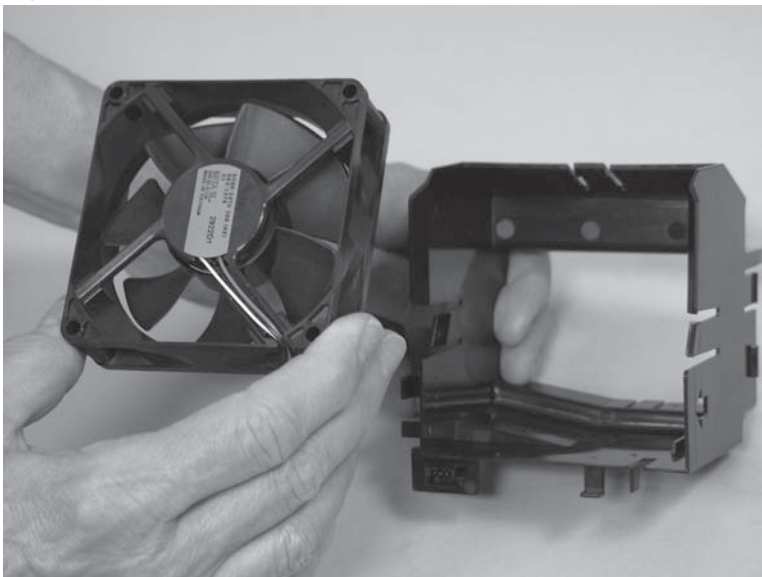
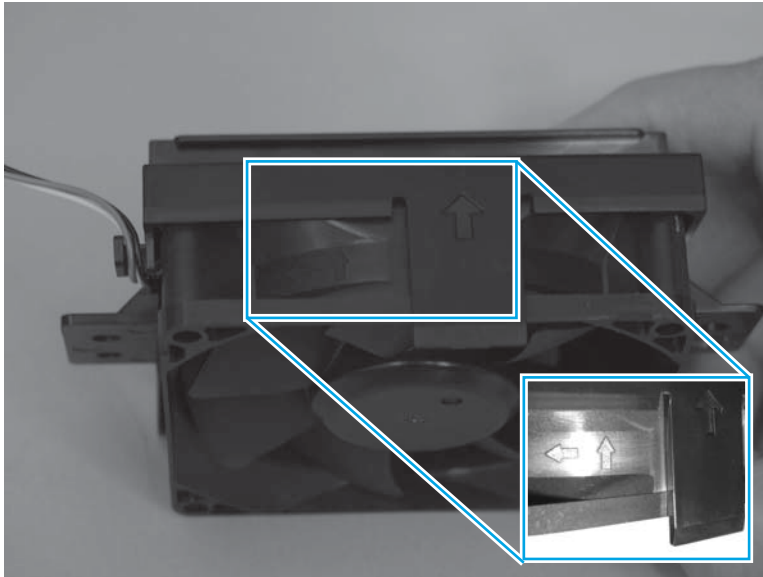
 **NOTE:** The label in the center of the fan should be facing outward, away from the holder.

Figure 1-328 Reinstall the cartridge fan FM4 (cyan and black; 1 of 2)



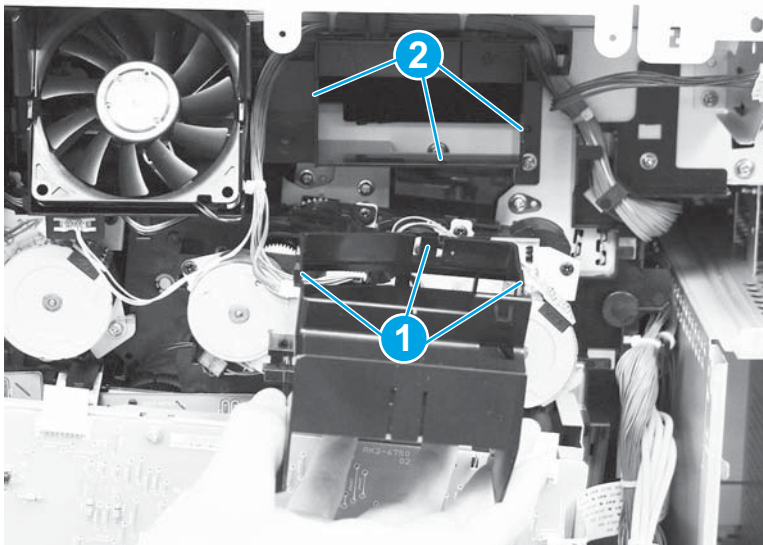
2. The embossed arrows on the fan must point away from the chassis and to the left (toward the wire harness) when the fan and holder are installed in the product.

Figure 1-329 Reinstall the cartridge fan FM4 (cyan and black; 2 of 3)



3. When reinstalling the cartridge fan (cyan and black) assembly, make sure that the tabs (callout 1) on the holder are installed in the slots (callout 2) on the chassis.

Figure 1-330 Reinstall the cartridge fan FM4 (cyan and black; 3 of 3)



Laser/scanner fan FM1

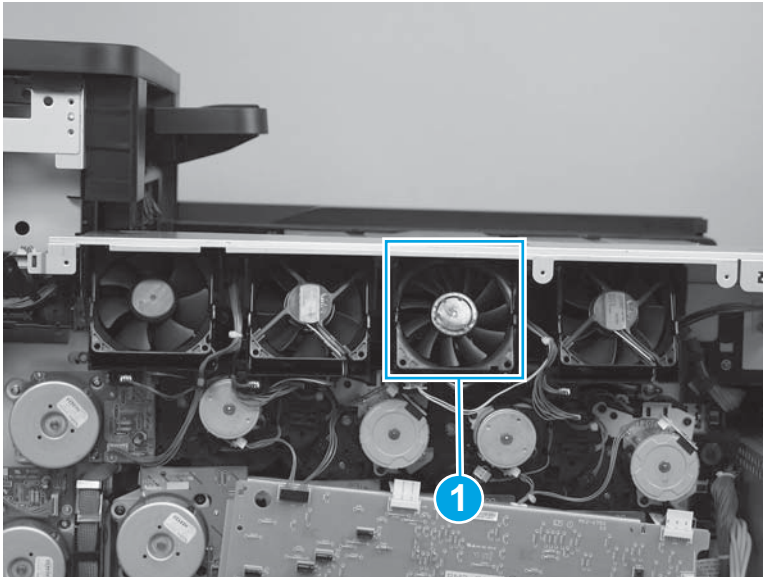
Before proceeding, remove the following assemblies:

- Left rear cover. See [Left rear cover on page 104](#).
- Rear cover. See [Rear cover on page 143](#).

Remove the laser/scanner fan FM1

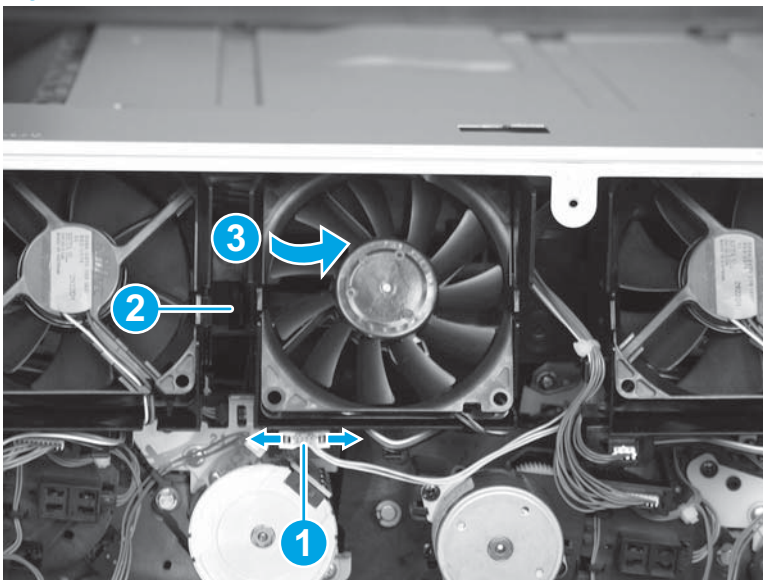
1. Locate the laser/scanner fan (callout 1).

Figure 1-331 Remove the laser/scanner fan FM1 (1 of 4)



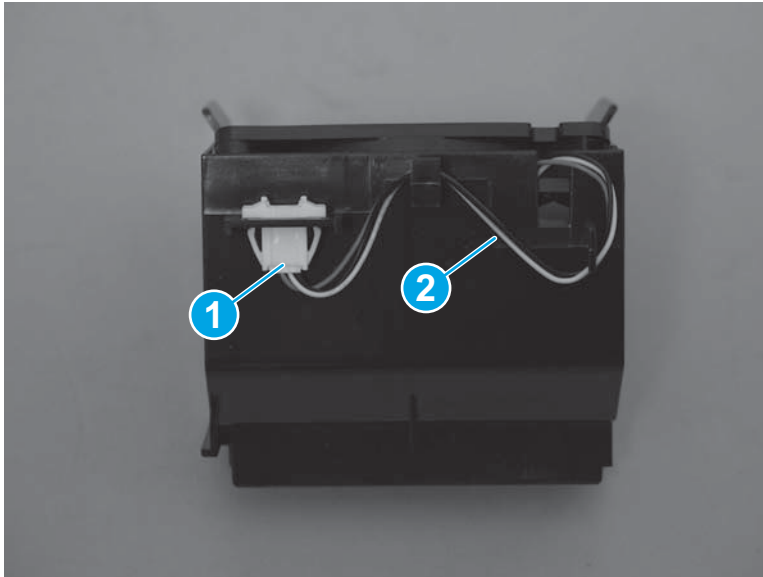
2. Release two locking tabs, and then disconnect one connector (callout 1). Release one tab (callout 2), and then rotate the fan assembly to the right (callout 3) to remove it.

Figure 1-332 Remove the laser/scanner fan FM1 (2 of 4)



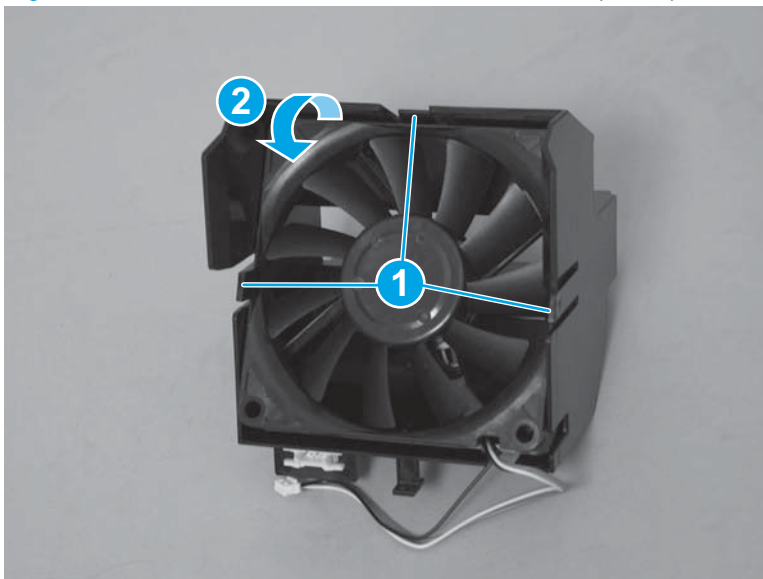
3. Disconnect one connector (callout 1) on the fan holder, and then release the wire harness (callout 2) from the guides.

Figure 1-333 Remove the laser/scanner fan FM1 (3 of 4)



4. Release three tabs (callout 1), and then rotate the laser/scanner fan (callout 2) out of the fan holder.

Figure 1-334 Remove the laser/scanner fan FM1 (4 of 4)



Reinstall the laser/scanner fan FM1

1. Make sure that the fan is oriented as shown below when reinstalling it in the holder.


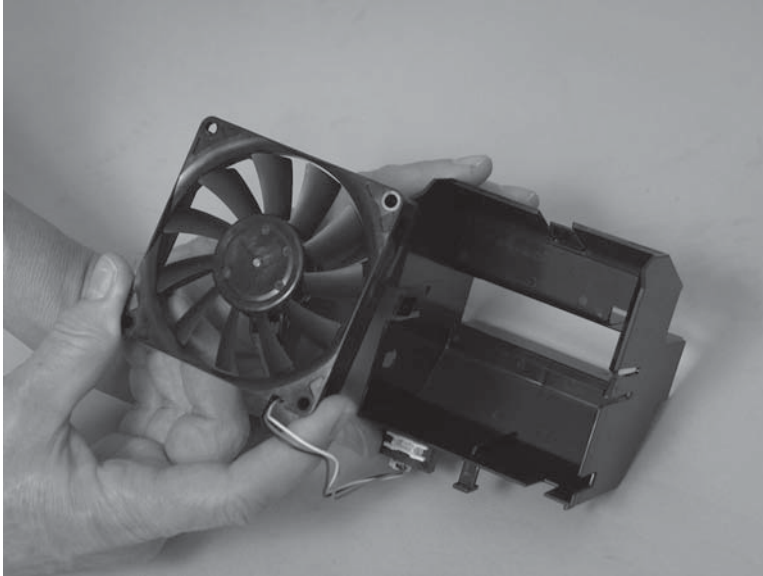
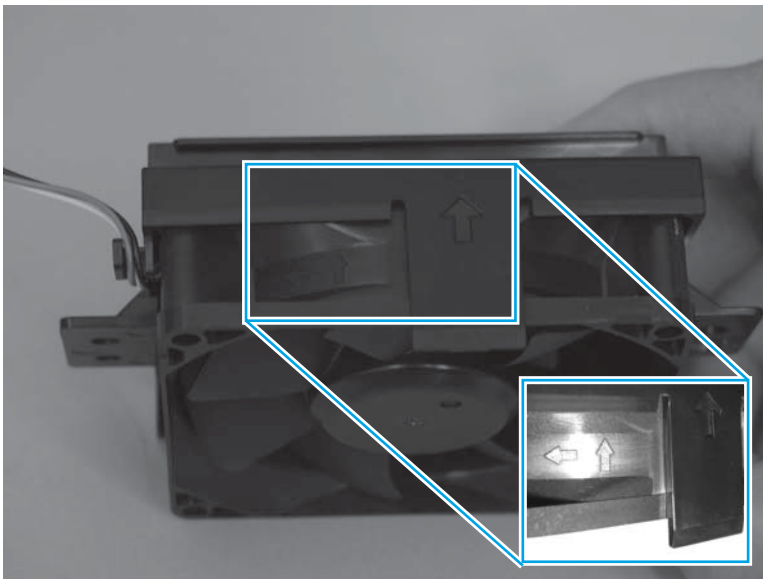
 **NOTE:** The label in the center of the fan should be facing inward, toward the holder.

Figure 1-335 Reinstall the laser/scanner fan FM1 (1 of 3)



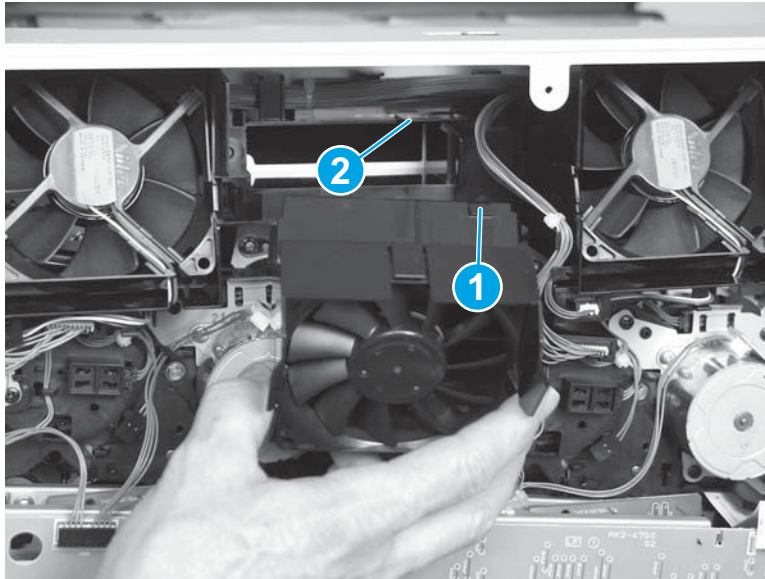
2. The embossed arrows on the fan must point into the chassis and to the left (toward the wire harness) when the fan and holder are installed in the product.

Figure 1-336 Reinstall the laser/scanner fan FM1 (2 of 3)



3. When reinstalling the laser/scanner fan assembly, make sure that the tabs (callout 1) on the holder are installed in the slots (callout 2) on the chassis.

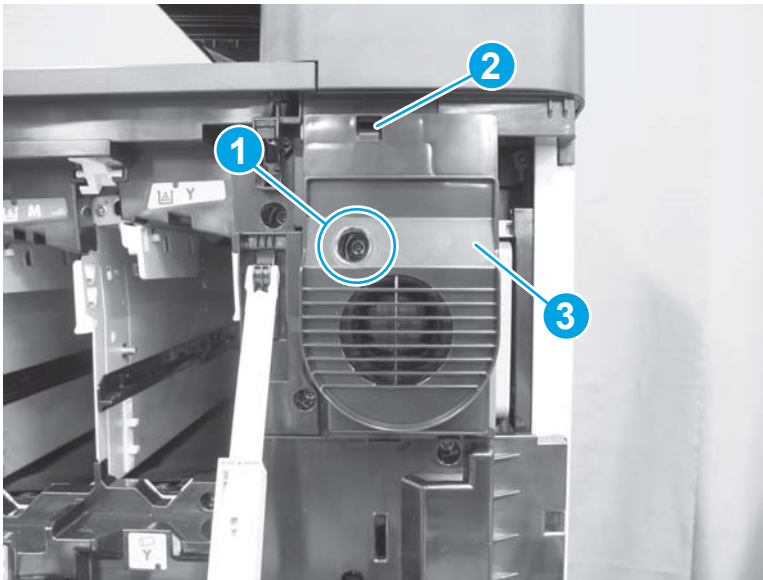
Figure 1-337 Reinstall the laser/scanner fan FM1 (3 of 3)



Delivery fan FM8

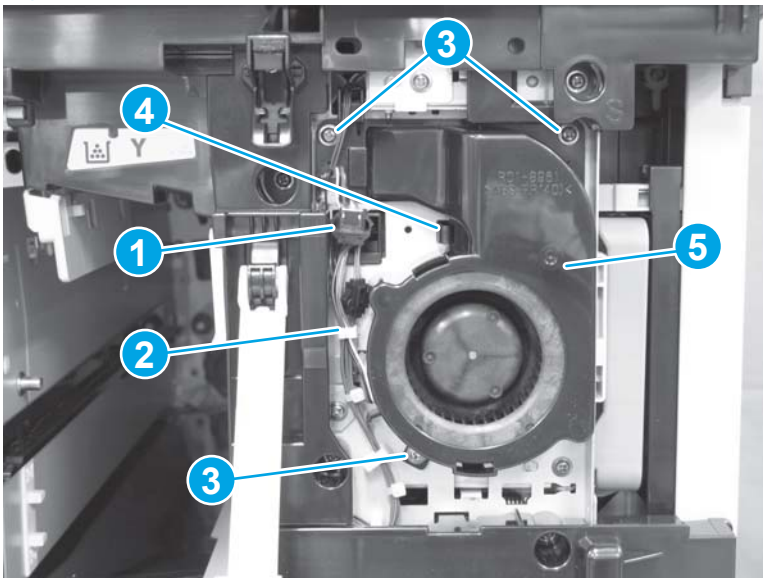
1. Open the front door.
2. Remove one screw (callout 1), release one tab (callout 2), and then remove the delivery fan cover (callout 3).

Figure 1-338 Remove the delivery fan FM8 (1 of 3)



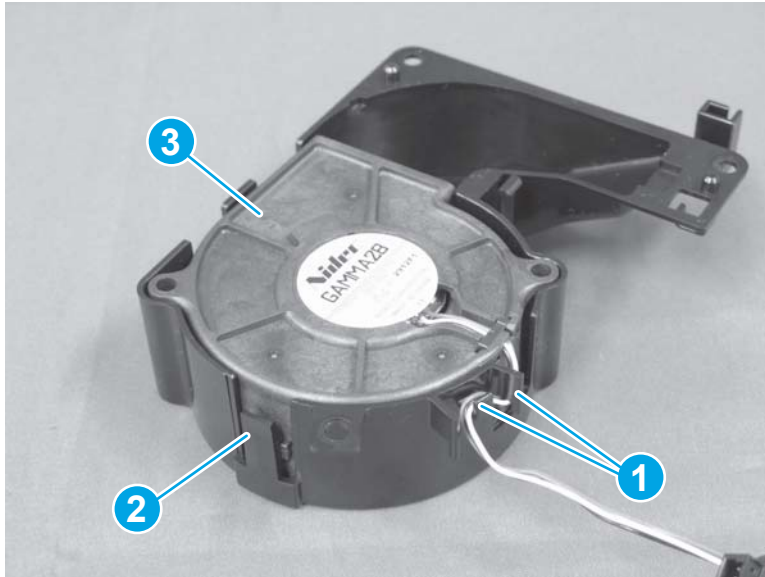
3. Disconnect one connector (callout 1), release the wire harness from the retainer (callout 2), remove three screws (callout 3), release one tab (callout 4), and then remove the delivery fan holder (callout 5).

Figure 1-339 Remove the delivery fan FM8 (2 of 3)



4. Release the wire harness from the guide (callout 1), release one tab (callout 2), and then remove the fan (callout 3).

Figure 1-340 Remove the delivery fan FM8 (3 of 3)



Cartridge front area cooling fan FM7

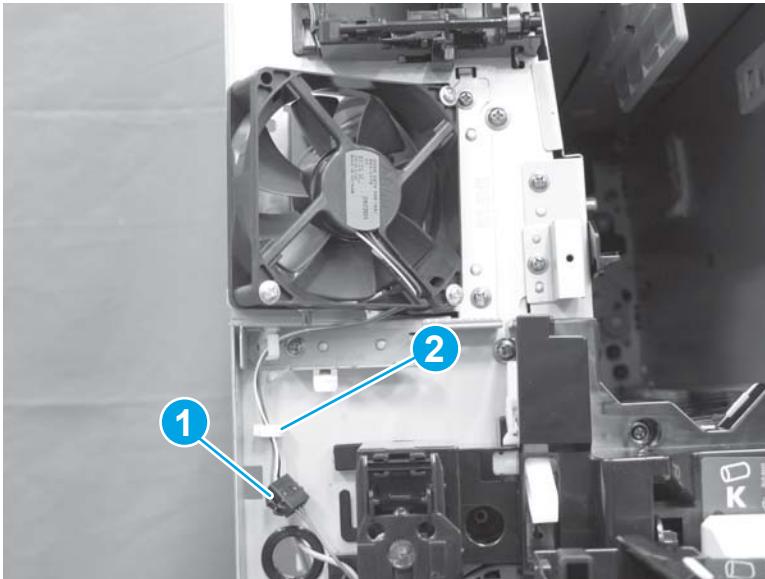
Before proceeding, remove the following assemblies:

- Remove one of the following, depending upon product configuration:
 - Face-down bin. See [Face-down bin on page 101](#).
 - Intermediate paper transport unit (IPTU). See [IPTU assembly on page 437](#).
- Left rear cover. See [Left rear cover on page 104](#).
- Front top cover. See [Front top cover on page 115](#).
- Left front cover. See [Left front cover on page 133](#).

Remove the cartridge front area cooling fan FM7

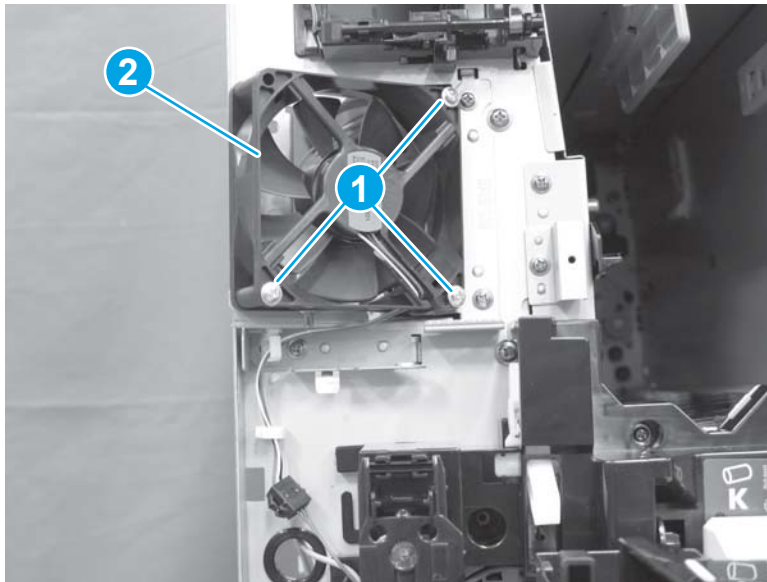
1. Disconnect one connector (callout 1), and then release the wire harness from the retainer (callout 2).

Figure 1-341 Remove the cartridge front area cooling fan FM7 (1 of 2)



2. Remove three screws (callout 1), and then remove the fan (callout 2).

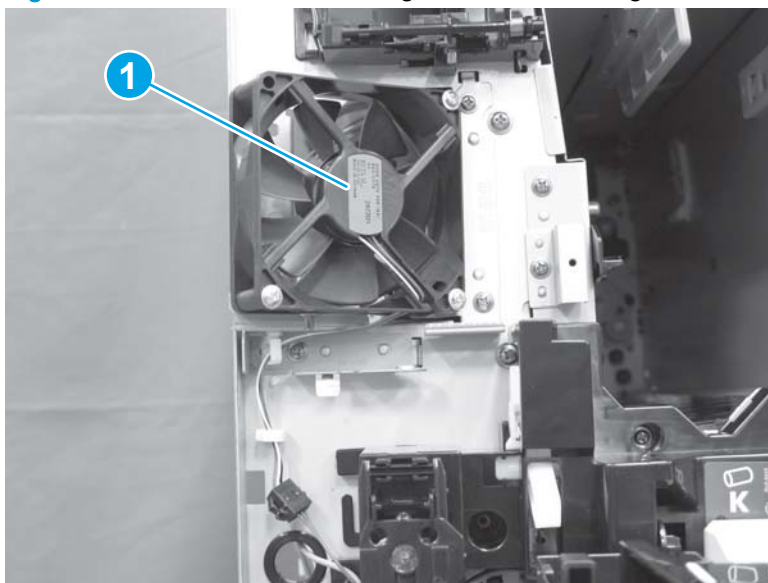
Figure 1-342 Remove the cartridge front area cooling fan FM7 (2 of 2)



Reinstall the cartridge front area cooling fan FM7

When the fan is reinstalled, make sure that the label (callout 1) on the fan is facing out and away from the chassis.

Figure 1-343 Reinstall the cartridge front area cooling fan FM7



Memory tag PCA

 **CAUTION:**  ESD sensitive assembly.

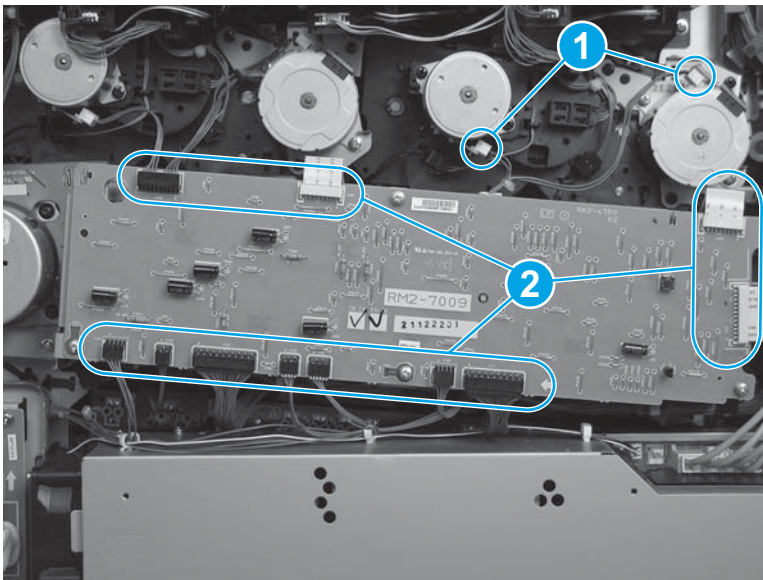
Before proceeding, remove the following assemblies:

- Left rear cover. See [Left rear cover on page 104](#).
- Rear cover. See [Rear cover on page 143](#).

Remove the memory tag PCA

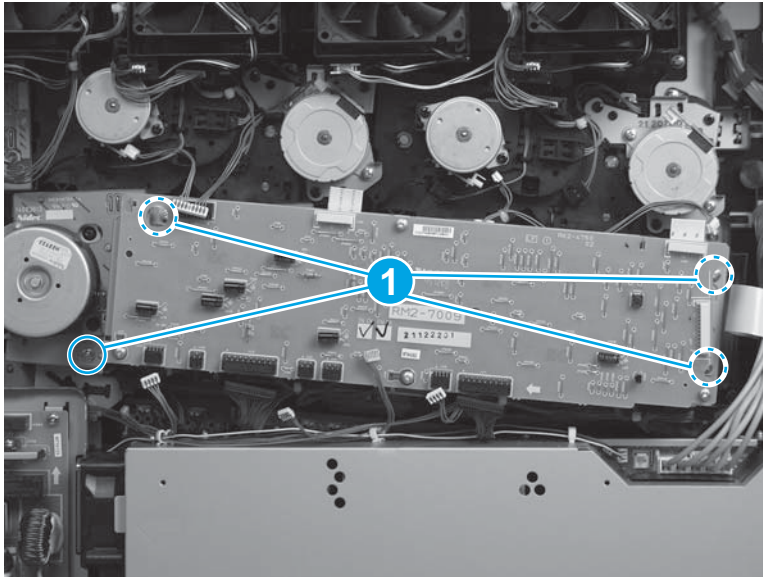
1. Disconnect two connectors (callout 1) on the motors above the memory tag PCA, and then disconnect 11 connectors (callout 2) on the memory tag PCA.

Figure 1-344 Remove the memory tag PCA (1 of 3)



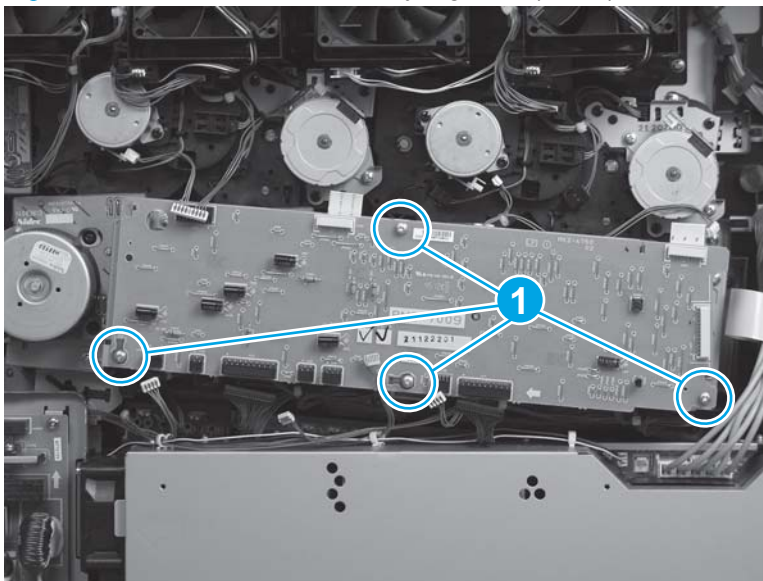
2. If you are removing the memory tag PCA to gain access to parts behind it, remove four screws (callout 1), and then remove the memory tag PCA and sheet-metal bracket.

Figure 1-345 Remove the memory tag PCA (2 of 3)



3. If you are replacing the memory tag PCA, remove four screws (callout 1), and then remove the memory tag PCA.

Figure 1-346 Remove the memory tag PCA (3 of 3)



Reinstall the memory tag PCA and sheet-metal bracket

Make sure that the tab (callout 1) on the sheet-metal bracket is installed in the slot (callout 2) on the chassis.

Figure 1-347 Reinstall the memory tag PCA

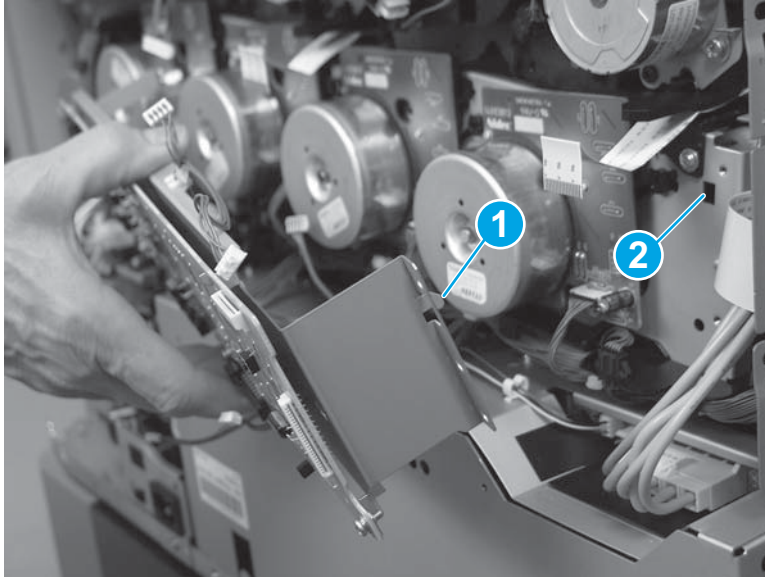


Image-drum motor

Before proceeding, remove the following assemblies:

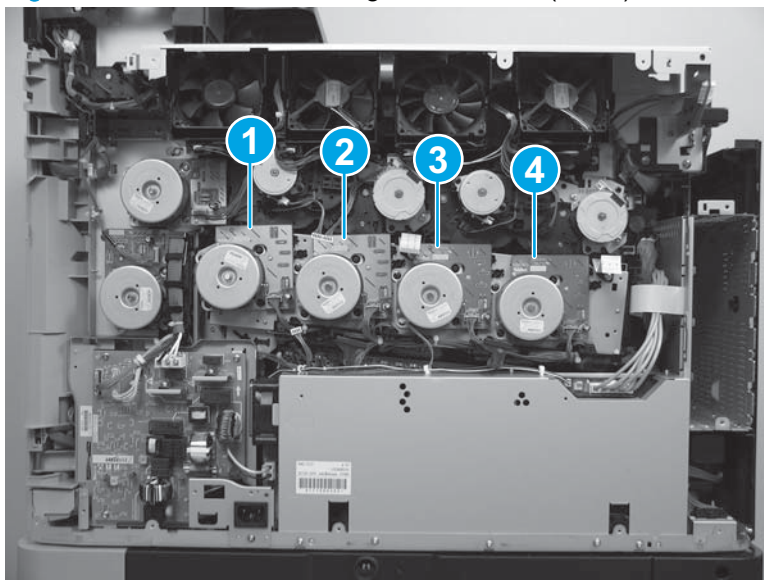
- Left rear cover. See [Left rear cover on page 104](#).
- Rear cover. See [Rear cover on page 143](#).

Remove the image-drum motor

 **NOTE:** All four motors are the same part number.

1. Locate the image-drum motors: yellow (callout 1), magenta (callout 2), cyan (callout 3), and black (callout 4).

Figure 1-348 Remove the image-drum motor (1 of 2)



2. Disconnect one connector (callout 1), remove four screws (callout 2), and then remove the image-drum motor


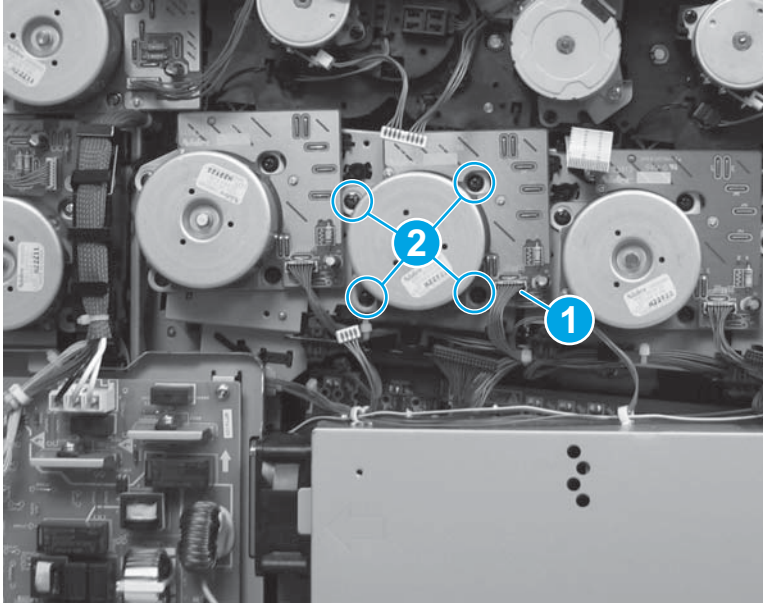
 **NOTE:** The following figure shows the magenta image-drum motor. The removal procedure is the same for all four motors.

Figure 1-349 Remove the image-drum motor (2 of 2)



Fuser power supply

 **CAUTION:**  ESD sensitive assembly.

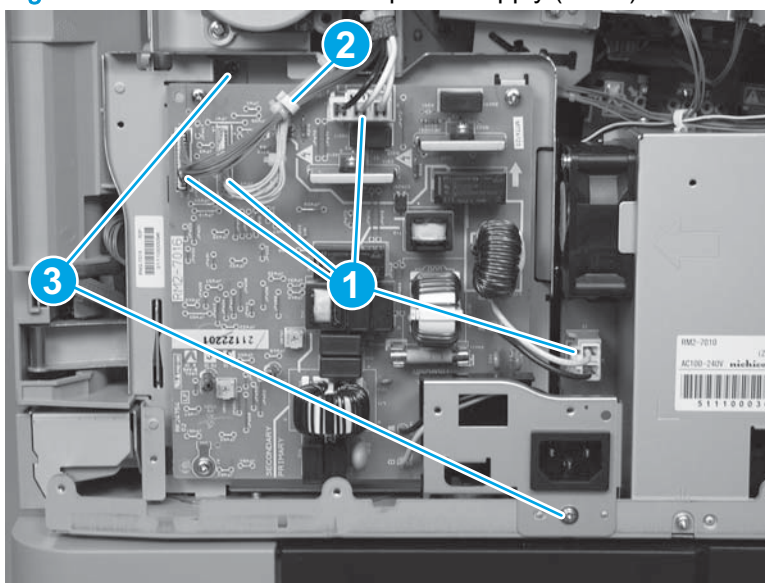
Before proceeding, remove the following assemblies:

- Left rear cover. See [Left rear cover on page 104](#).
- Rear cover. See [Rear cover on page 143](#).

Remove the fuser power supply

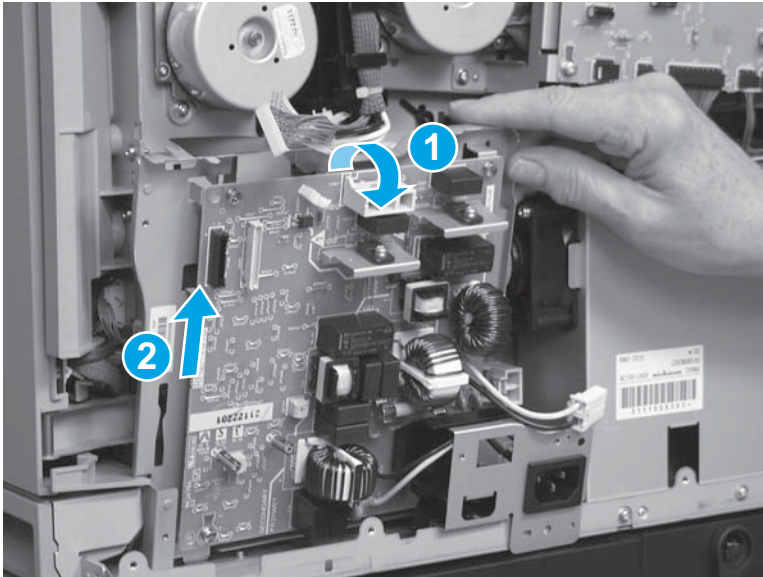
1. Disconnect four connectors (callout 1), release the wire harnesses from one retainer (callout 2), and then remove two screws (callout 3).

Figure 1-350 Remove the fuser power supply (1 of 2)



2. Rotate the top of the fuser power supply away from the chassis (callout 1), and then lift it up (callout 2) to remove it.

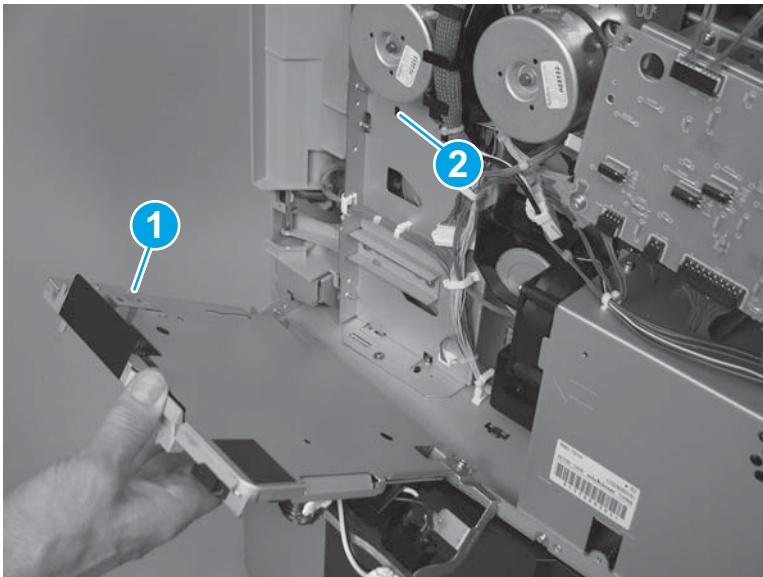
Figure 1-351 Remove the fuser power supply (2 of 2)



Reinstall the fuser power supply

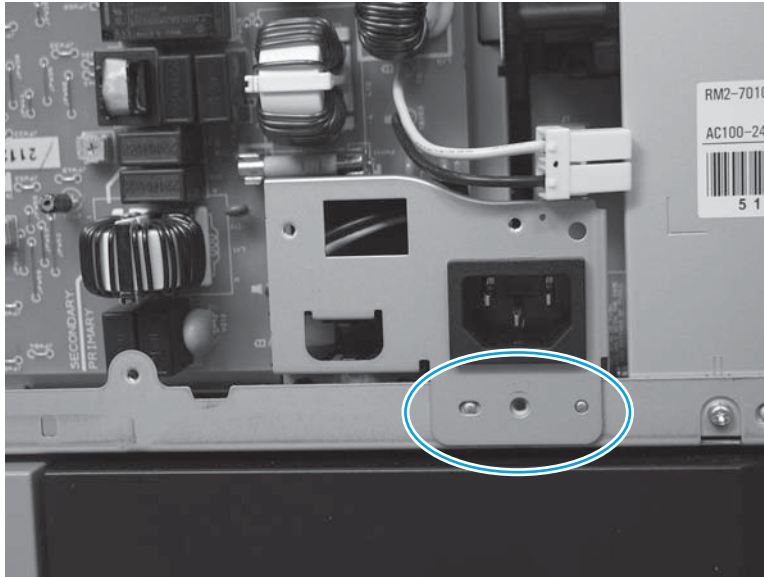
1. Make sure that the tab (callout 1) on the fuser power supply is installed in the slot (callout 2) on the chassis.

Figure 1-352 Reinstall the fuser power supply (1 of 2)



2. Make sure that the sheet-metal tab below the power connector is positioned as shown below. The tab should be outside of the sheet-metal frame.

Figure 1-353 Reinstall the fuser power supply (2 of 2)



Primary transfer-roller disengagement motor

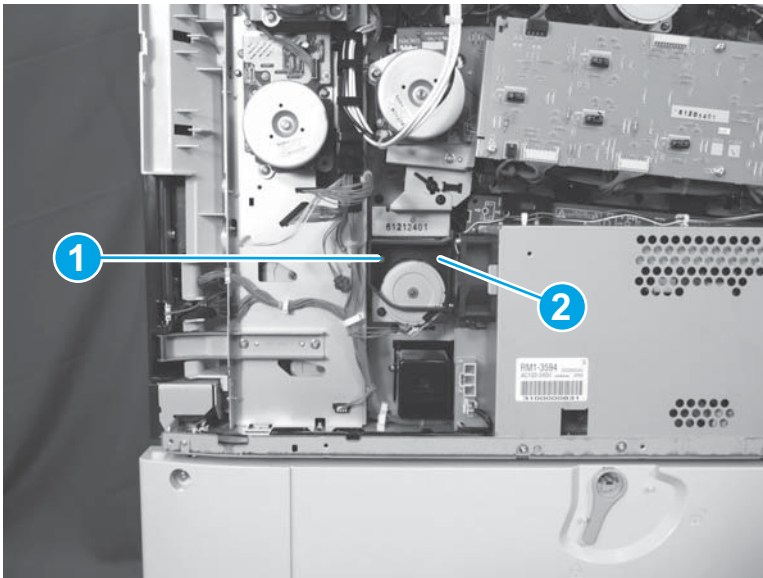
Before proceeding, remove the following assemblies:

- Left rear cover. See [Left rear cover on page 104](#).
- Rear cover. See [Rear cover on page 143](#).
- Fuser power supply. See [Fuser power supply on page 235](#).

Remove the primary transfer-roller disengagement motor

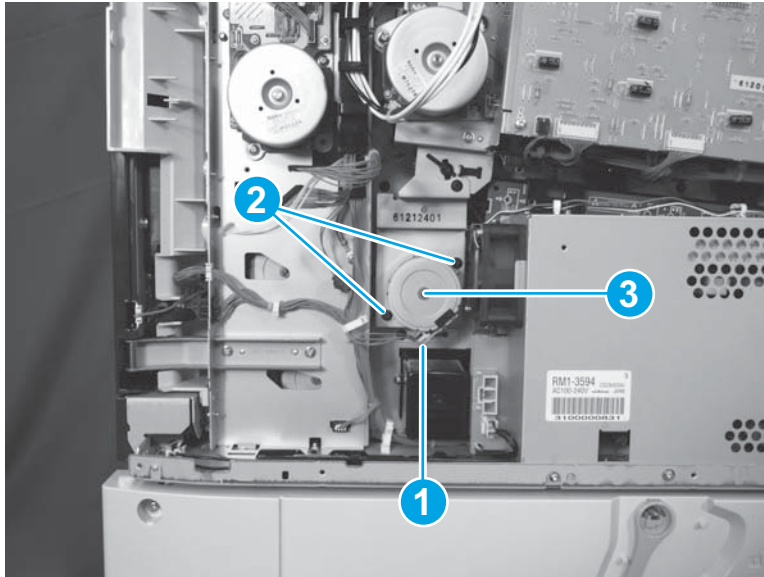
1. Remove one screw (callout 1), and then remove the motor cover (callout 2).

Figure 1-354 Remove the primary transfer-roller disengagement motor (1 of 2)



2. Disconnect one connector (callout 1), remove two screws (callout 2), and then remove the primary-transfer roller disengagement motor (callout 3).

Figure 1-355 Remove the primary transfer-roller disengagement motor (2 of 2)



Intermediate transfer belt (ITB) alienation-drive assembly

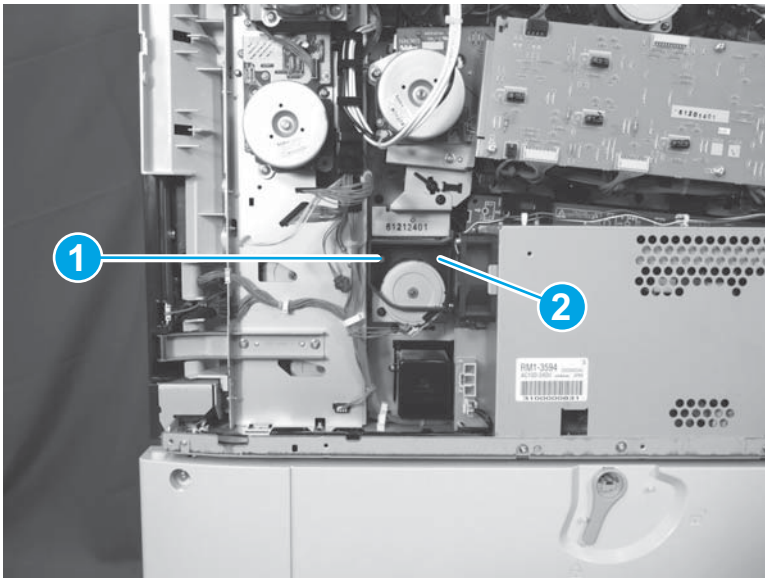
Before proceeding, remove the following assemblies:

- Left rear cover. See [Left rear cover on page 104](#).
- Rear cover. See [Rear cover on page 143](#).
- Fuser power supply. See [Fuser power supply on page 235](#).

Remove the ITB alienation-drive assembly

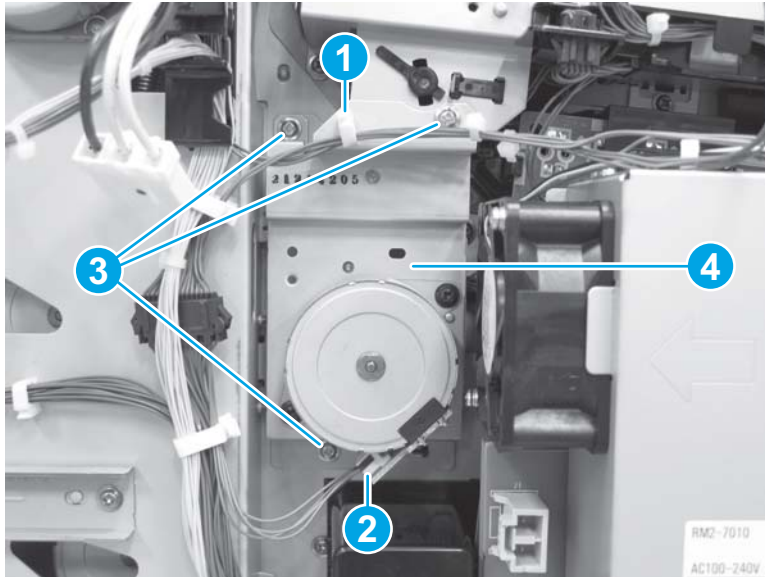
1. Remove one screw (callout 1), and then remove the motor cover (callout 2).

Figure 1-356 Remove the ITB alienation drive assembly (1 of 2)



2. Release one retainer (callout 1), disconnect one connector (callout 2). Remove three screws (callout 3), and then remove the ITB alienation drive assembly (callout 4).

Figure 1-357 Remove the ITB alienation drive assembly (2 of 2)



Fuser motor

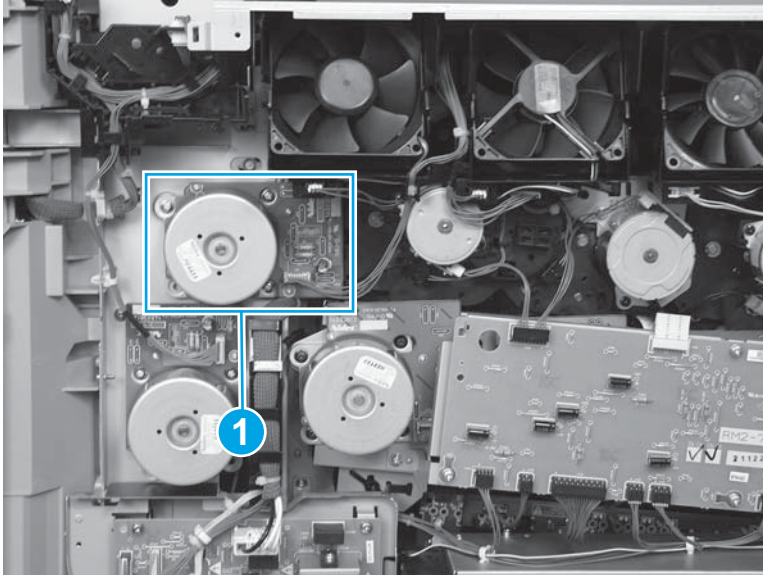
Before proceeding, remove the following assemblies:

- Left rear cover. See [Left rear cover on page 104](#).
- Rear cover. See [Rear cover on page 143](#).

Remove the fuser motor

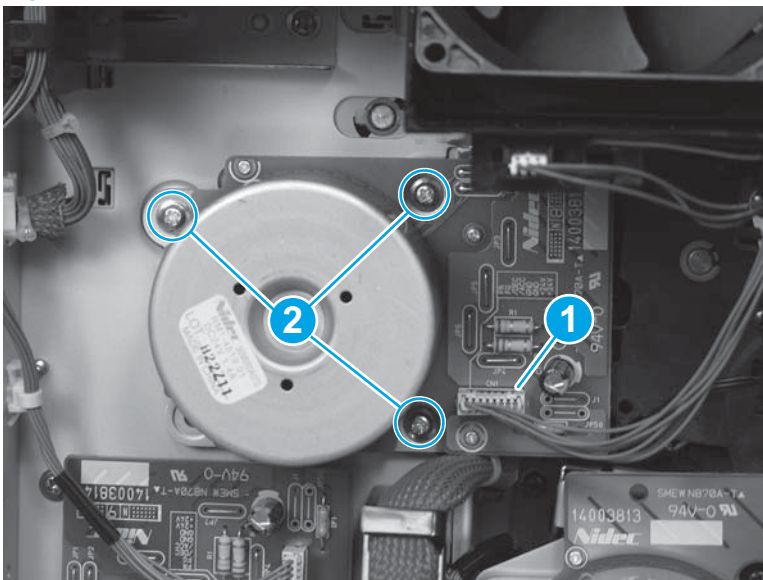
1. Locate the fuser motor (callout 1).

Figure 1-358 Remove the fuser motor (1 of 2)



2. Disconnect one connector (callout 1), remove three screws (callout 2), and then remove the fuser motor.

Figure 1-359 Remove the fuser motor (2 of 2)



Intermediate transfer belt (ITB) motor

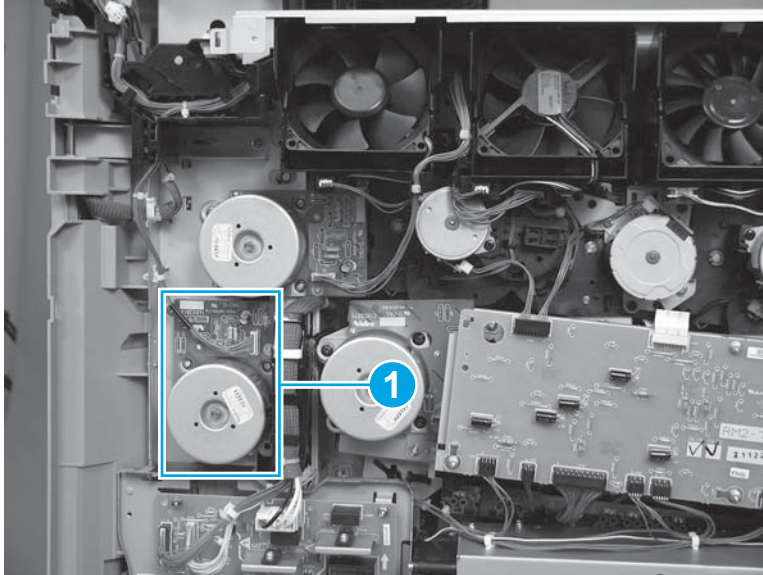
Before proceeding, remove the following assemblies:

- Left rear cover. See [Left rear cover on page 104](#).
- Rear cover. See [Rear cover on page 143](#).

Remove the ITB motor

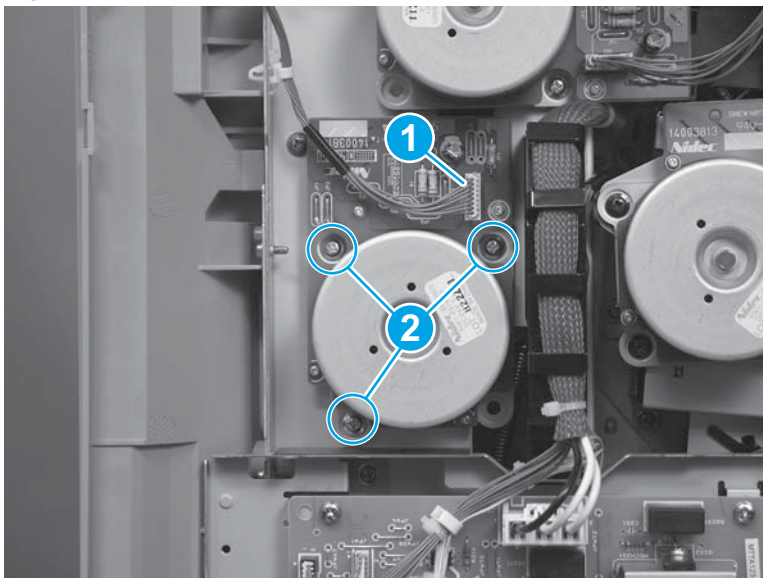
1. Locate the ITB motor (callout 1).

Figure 1-360 Remove the ITB motor (1 of 2)



2. Disconnect one connector (callout 1), remove three screws (callout 2), and then remove the ITB motor.

Figure 1-361 Remove the ITB motor (2 of 2)



Toner-cartridge feed motor (black)

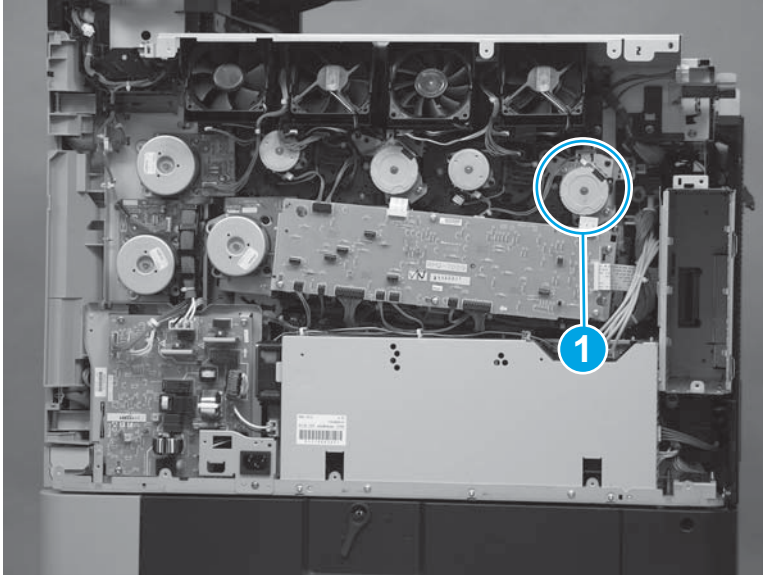
Before proceeding, remove the following assemblies:

- Left rear cover. See [Left rear cover on page 104](#).
- Rear cover. See [Rear cover on page 143](#).

Remove the toner-cartridge feed motor (black)

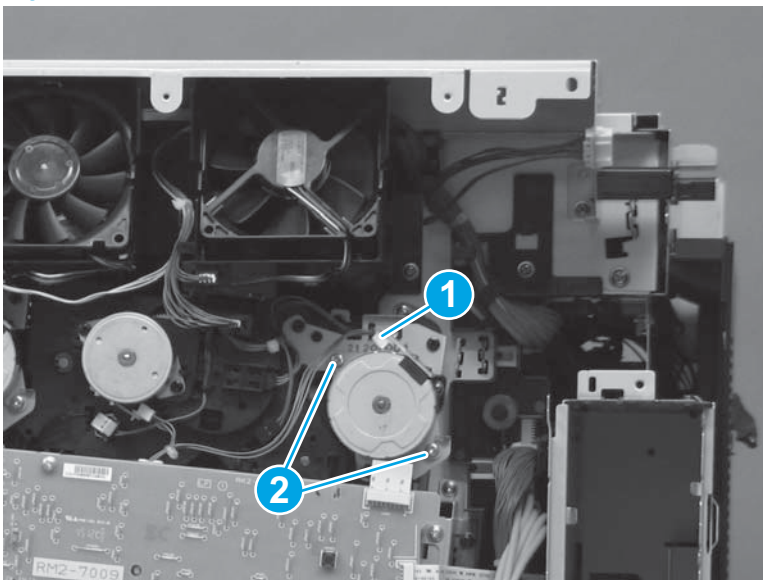
1. Locate the toner-cartridge feed motor (black; callout 1).

Figure 1-362 Remove the toner-cartridge feed motor (black; 1 of 2)



2. Disconnect one connector (callout 1), remove two screws (callout 2), and then remove the toner-cartridge feed motor (black).

Figure 1-363 Remove the toner-cartridge feed motor (black; 2 of 2)



Toner-cartridge feed motor (yellow, magenta, and cyan)

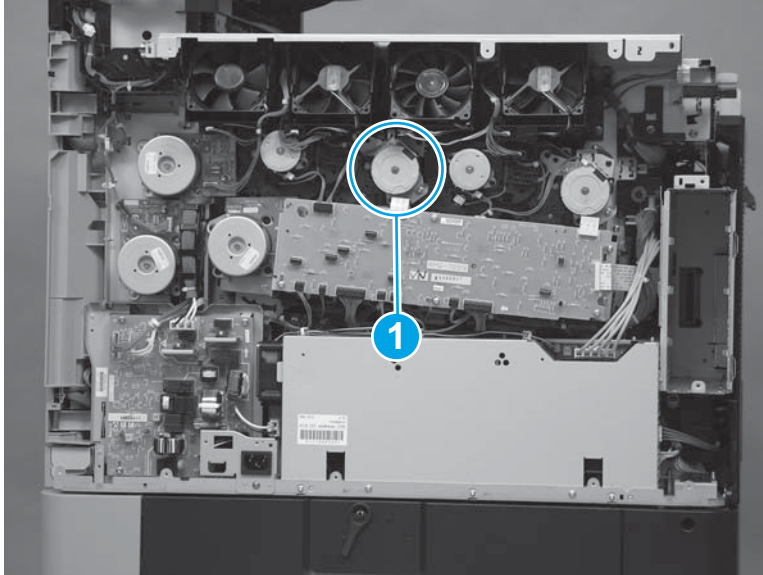
Before proceeding, remove the following assemblies:

- Left rear cover. See [Left rear cover on page 104](#).
- Rear cover. See [Rear cover on page 143](#).

Remove the toner-cartridge feed motor (yellow, magenta, and cyan)

1. Locate the toner-cartridge feed motor (yellow, magenta, and cyan; callout 1).

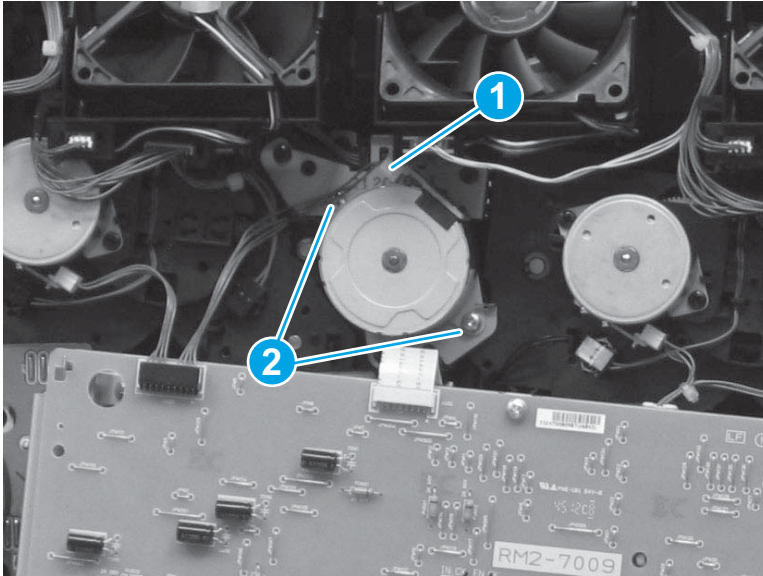
Figure 1-364 Remove the toner-cartridge feed motor (yellow, magenta, and cyan; 1 of 2)



2. Disconnect one connector (callout 1), remove two screws (callout 2), and then remove the toner-cartridge feed motor (yellow, magenta, and cyan).

 **Reinstallation tip:** Connect the connector (callout 1) before reinstalling the screws (callout 2).

Figure 1-365 Remove the toner-cartridge feed motor (yellow, magenta, and cyan; 2 of 2)



Environmental sensor

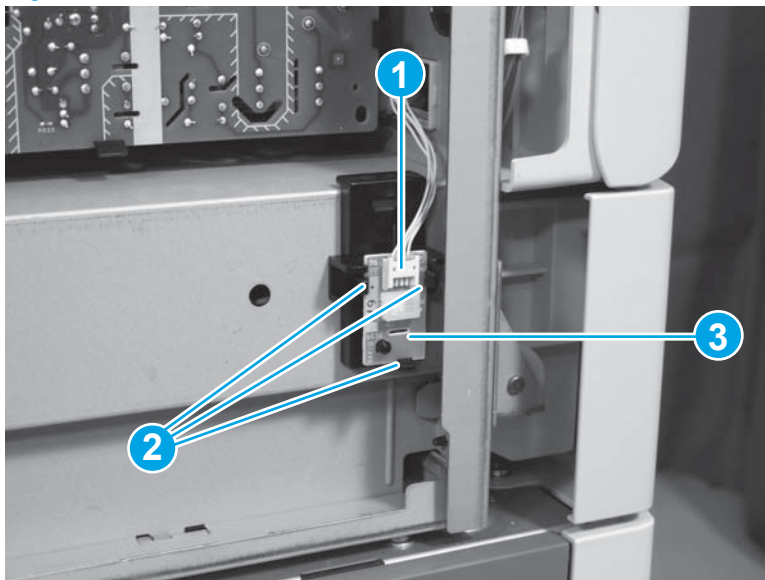
Before proceeding, remove the following assemblies:

- Remove one of the following, depending upon product configuration:
 - Face-down bin. See [Face-down bin on page 101](#).
 - Intermediate paper transport unit (IPTU). See [IPTU assembly on page 437](#).
- Left rear cover. See [Left rear cover on page 104](#).
- Left cover. See [Left cover on page 118](#).

Remove the environmental sensor

Disconnect one connector (callout 1). Release three tabs (callout 2), and then remove the environmental sensor (callout 3).

Figure 1-366 Remove the environmental sensor



Interconnect PCA (M855)

 **CAUTION:**  ESD sensitive assembly.

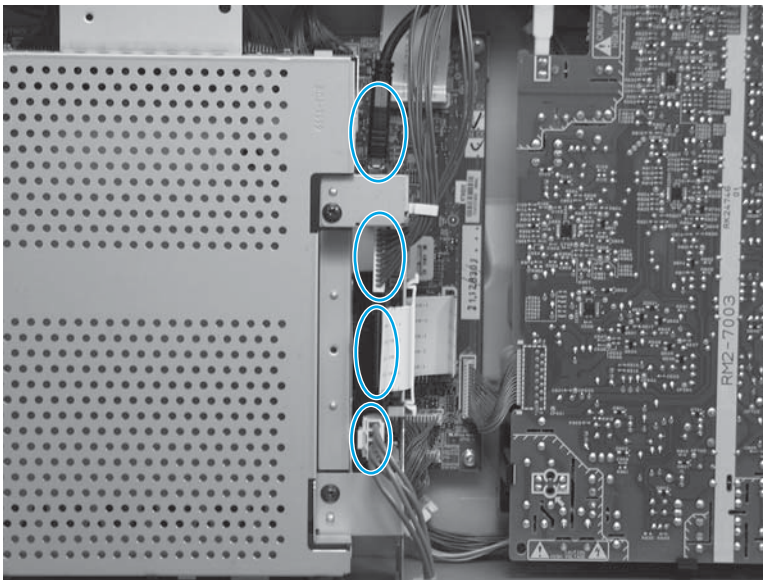
Before proceeding, remove the following assemblies:

- Formatter. See [Formatter on page 23](#).
- Remove one of the following, depending upon product configuration:
 - Face-down bin. See [Face-down bin on page 101](#).
 - Intermediate paper transport unit (IPTU). See [IPTU assembly on page 437](#).
- Left rear cover. See [Left rear cover on page 104](#).
- Left cover. See [Left cover on page 118](#).

Remove the interconnect PCA (M855)

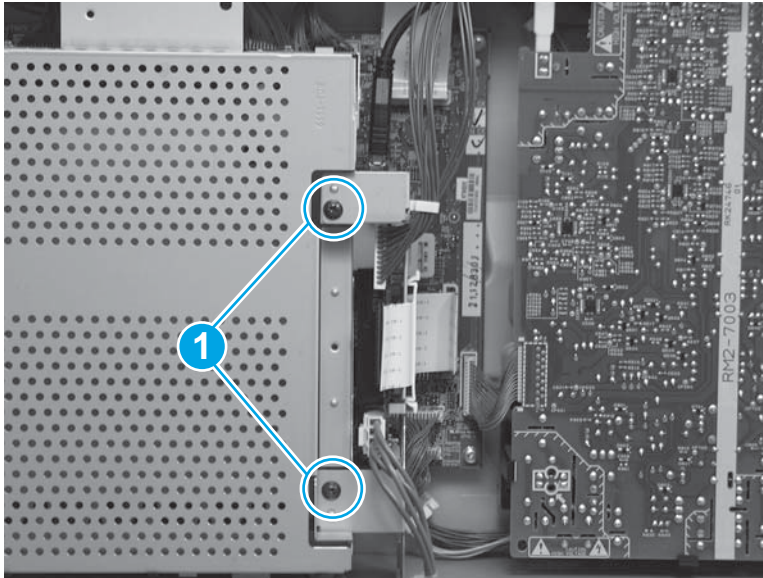
1. Disconnect four connectors.

Figure 1-367 Remove the interconnect PCA (M855; 1 of 4)



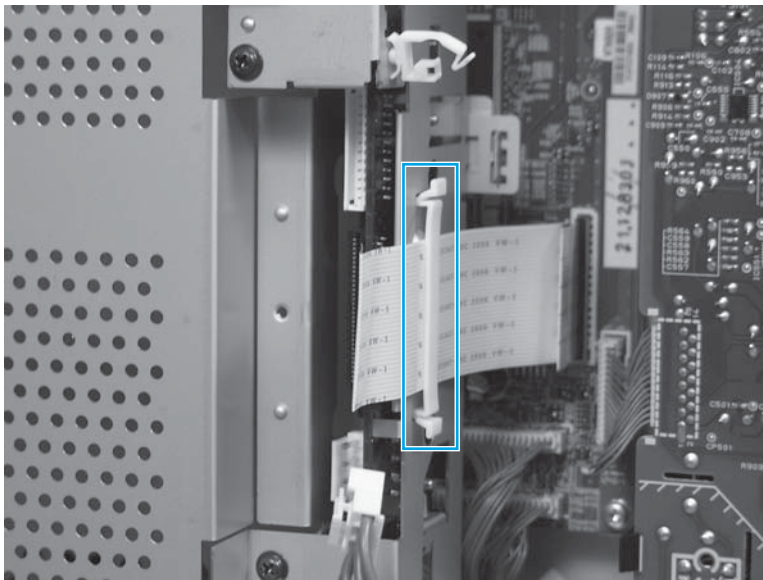
2. Remove two screws (callout 1).

Figure 1-368 Remove the interconnect PCA (M855; 2 of 4)



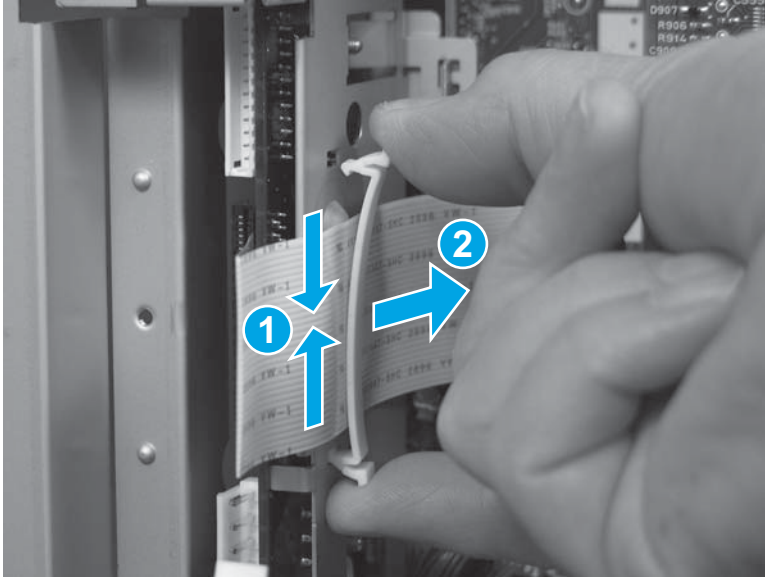
3. Locate one retainer.

Figure 1-369 Remove the interconnect PCA (M855; 3 of 4)



4. Squeeze the ends of the retainer together (callout 1) to release it, and then remove the retainer (callout 2).

Figure 1-370 Remove the interconnect PCA (M855; 4 of 4)



Reinstall the interconnect PCA (M855)

Make sure that the slot (callout 1) on the interconnect PCA is installed over the tab (callout 2) on the chassis.


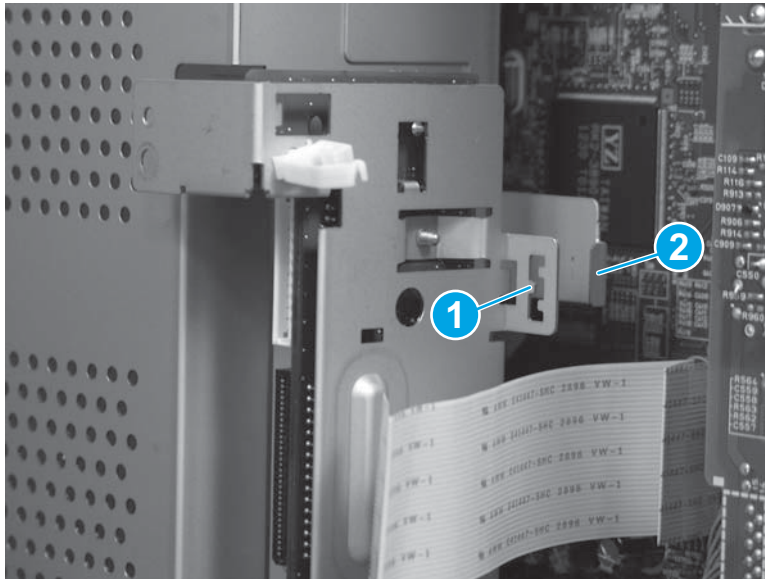
 **NOTE:** If the formatter was not removed prior to removing the interconnect PCA, remove it before attempting to reinstall the PCA.

Figure 1-371 Reinstall the interconnect PCA (M855)



Interconnect PCA (M880)

 **CAUTION:**  ESD sensitive assembly.

Before proceeding, remove the following assemblies:

- Formatter. See [Formatter on page 23](#).
- Remove one of the following, depending upon product configuration:
 - Face-down bin. See [Face-down bin on page 101](#).
 - Intermediate paper transport unit (IPTU). See [IPTU assembly on page 437](#).
- Left rear cover. See [Left rear cover on page 104](#).
- Left cover. See [Left cover on page 118](#).

Remove the interconnect PCA (M880)

1. Disconnect two connectors (callout 1) on top of the interconnect PCA and three connectors (callout 2) on the side.


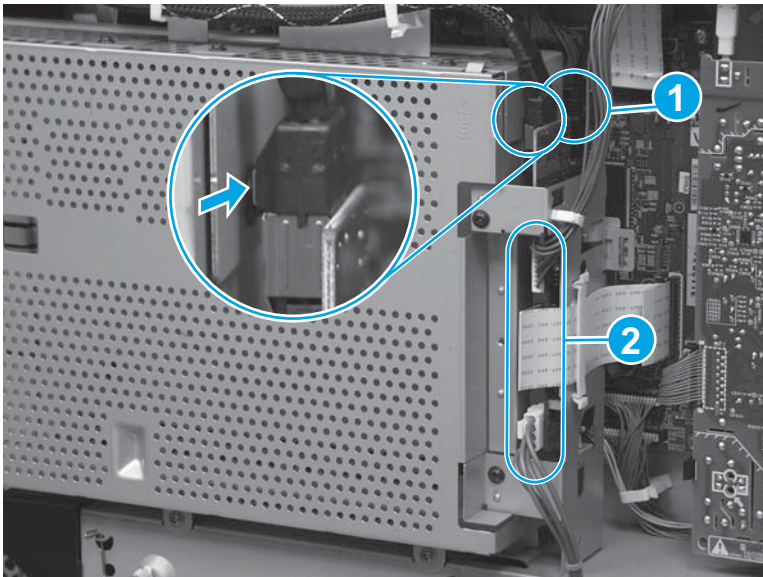
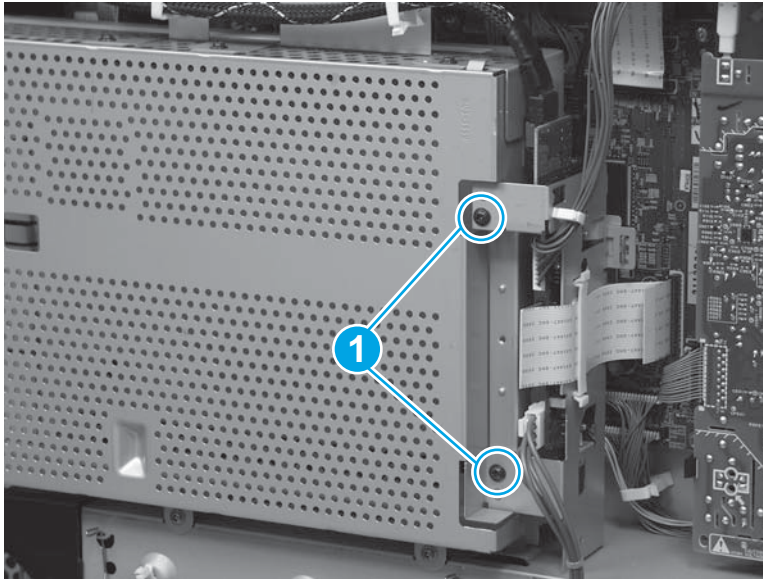
 **NOTE:** Use a small flat-blade screwdriver to press the tab and release one of the top connectors as shown below.

Figure 1-372 Remove the interconnect PCA (M880; 1 of 4)



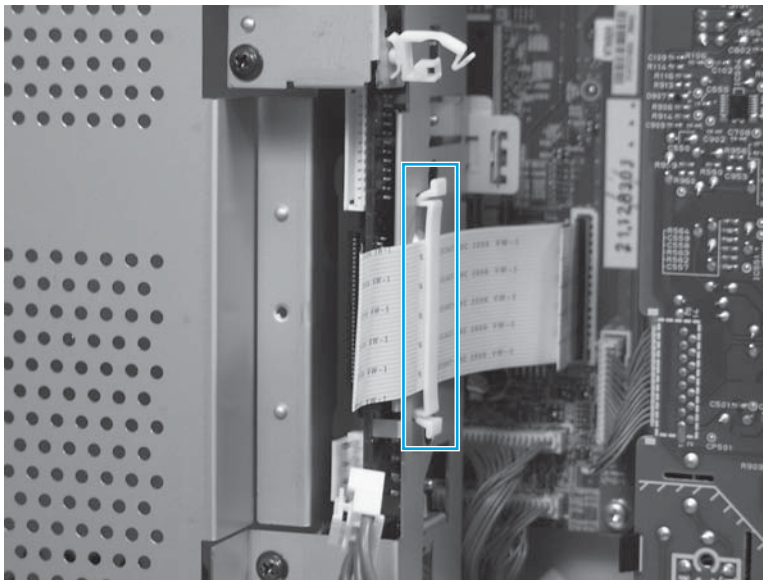
2. Remove two screws.

Figure 1-373 Remove the interconnect PCA (M880; 2 of 4)



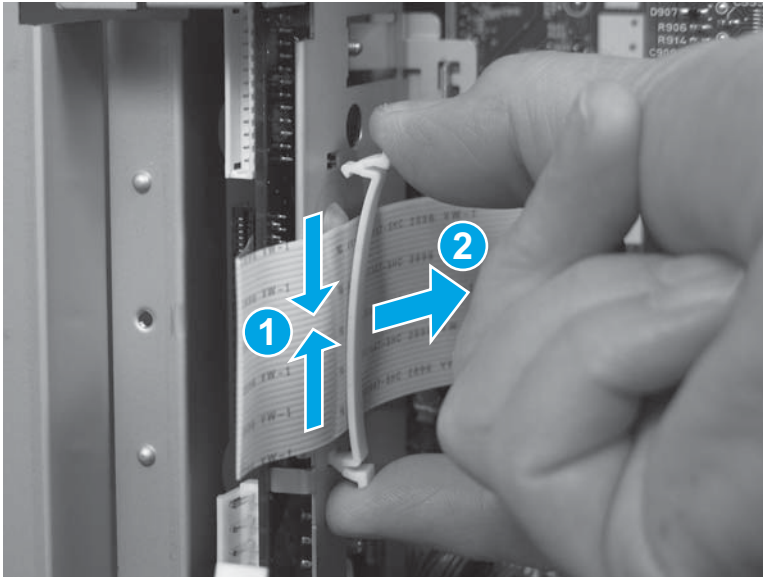
3. Locate one retainer.

Figure 1-374 Remove the interconnect PCA (M880; 3 of 4)



4. Squeeze the ends of the retainer together (callout 1) to release it, and then remove the retainer (callout 2).

Figure 1-375 Remove the interconnect PCA (M880; 4 of 4)



Reinstall the interconnect PCA (M880)

Make sure that the slot (callout 1) on the interconnect PCA is installed over the tab (callout 2) on the chassis.


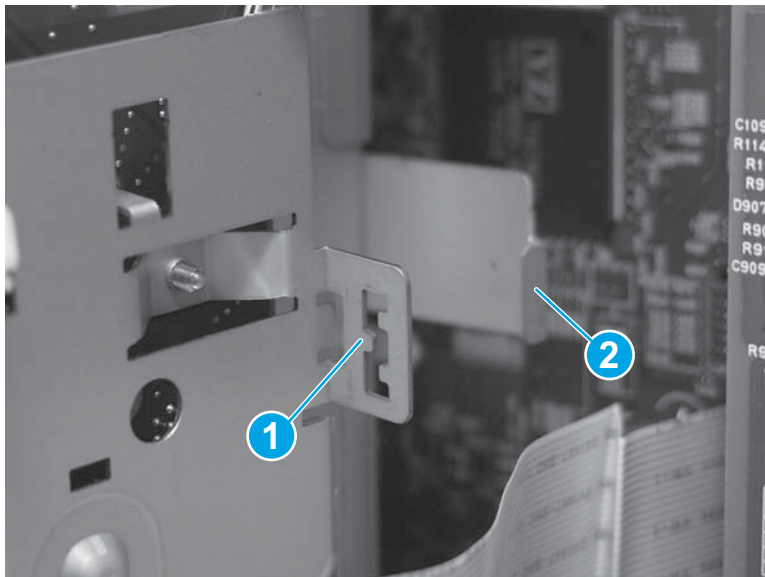
 **NOTE:** If the formatter was not removed prior to removing the interconnect PCA, remove it before attempting to reinstall the PCA.

Figure 1-376 Reinstall the interconnect PCA (M880)



Formatter case

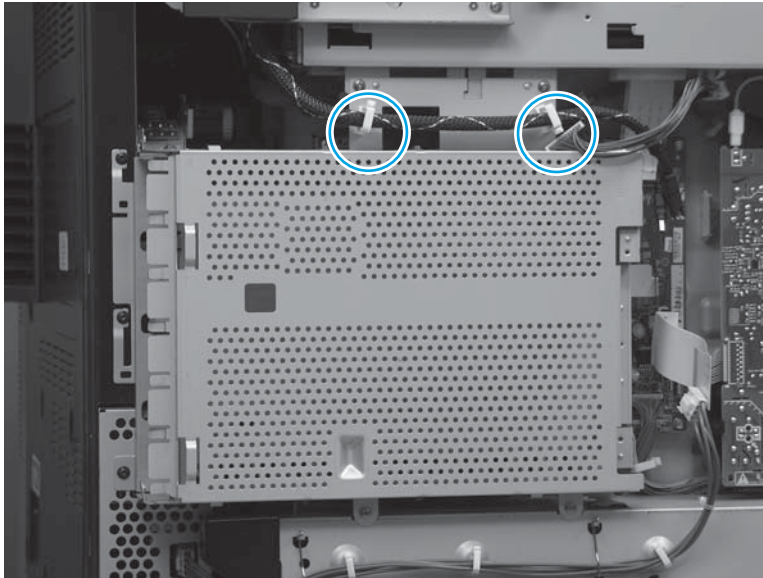
Before proceeding, remove the following assemblies:

- Remove one of the following, depending upon product configuration:
 - Face-down bin. See [Face-down bin on page 101](#).
 - Intermediate paper transport unit (IPTU). See [IPTU assembly on page 437](#).
- Left rear cover. See [Left rear cover on page 104](#).
- Left cover. See [Left cover on page 118](#).
- Interconnect PCA (M855). See [Interconnect PCA \(M855\) on page 248](#).
- Interconnect PCA (M880). See [Interconnect PCA \(M880\) on page 252](#).

Remove the formatter case

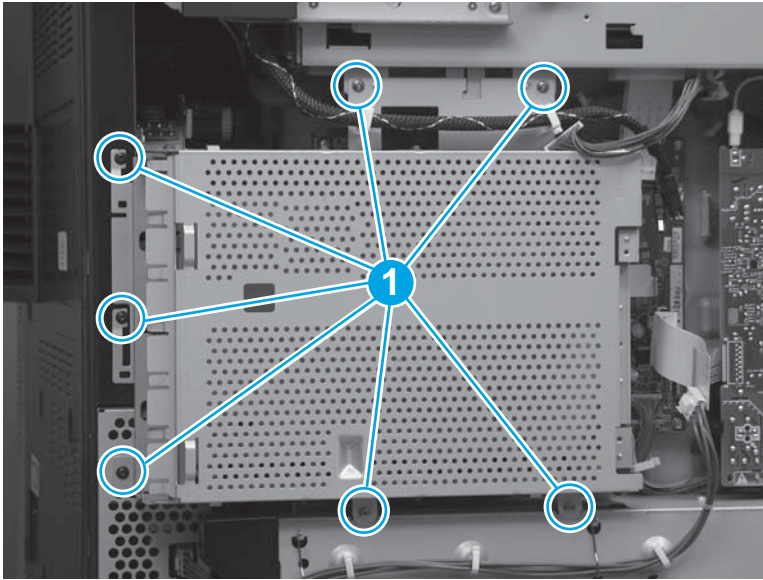
1. **M880 only:** Remove the cable from two retainers.

Figure 1-377 Remove the formatter case (1 of 2)



2. Remove seven screws (callout 1), and then remove the formatter case.

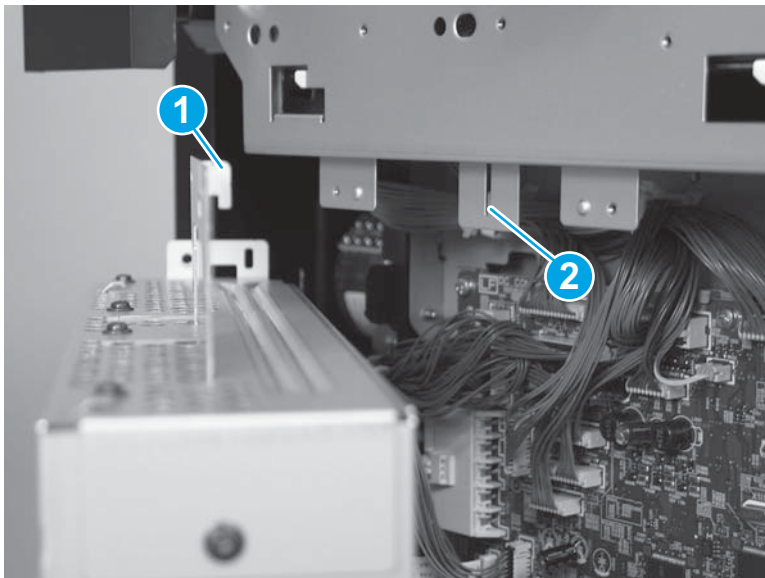
Figure 1-378 Remove the formatter case (2 of 2)




Reinstall the formatter case

Make sure that the tab (callout 1) on the formatter case is installed in the slot (callout 2) on the chassis.

Figure 1-379 Reinstall the formatter case



Formatter, formatter case, and interconnect board (ICB)

 **NOTE:** This procedure can be used to gain access to the DC controller when removing the main drive assembly.

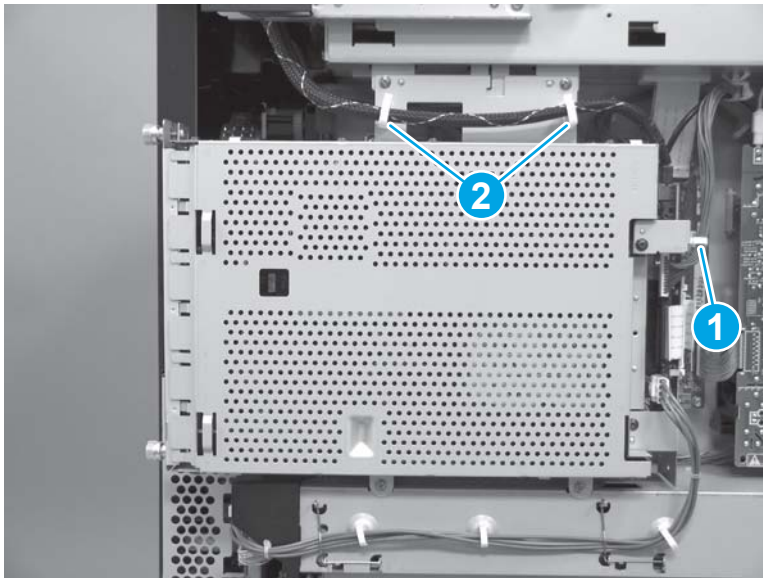
Before proceeding, remove the following assemblies:

- Remove one of the following, depending upon product configuration:
 - Face-down bin. See [Face-down bin on page 101](#).
 - Intermediate paper transport unit (IPTU). See [IPTU assembly on page 437](#).
- Left rear cover. See [Left rear cover on page 104](#).
- Left cover. See [Left cover on page 118](#).

Remove the formatter, formatter case, and ICB

1. Remove the wire harness from one retainer (callout 1). **M880 only:** Remove the cable from two retainers (callout 2).

Figure 1-380 Remove the formatter, formatter case, and ICB (1 of 4)



2. Disconnect four connectors (callout 1). **M880 only:** Disconnect one additional connector (callout 2) by pressing one tab while pulling up gently on the cable.


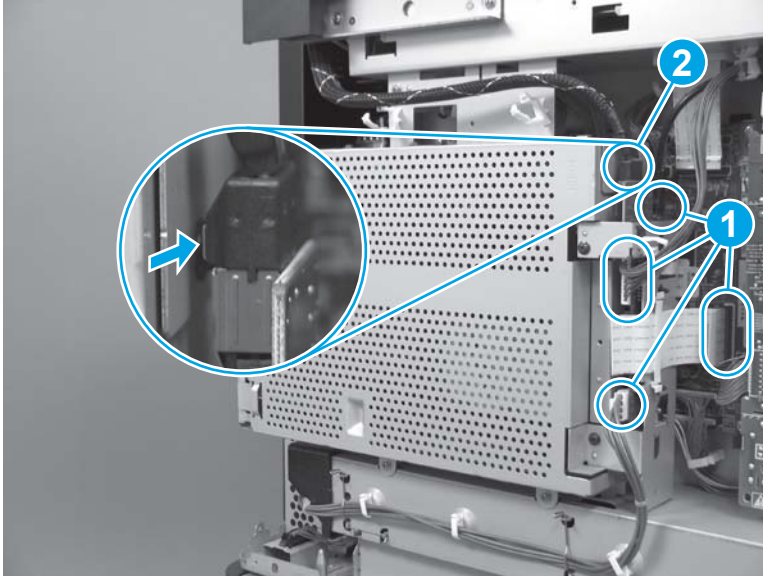
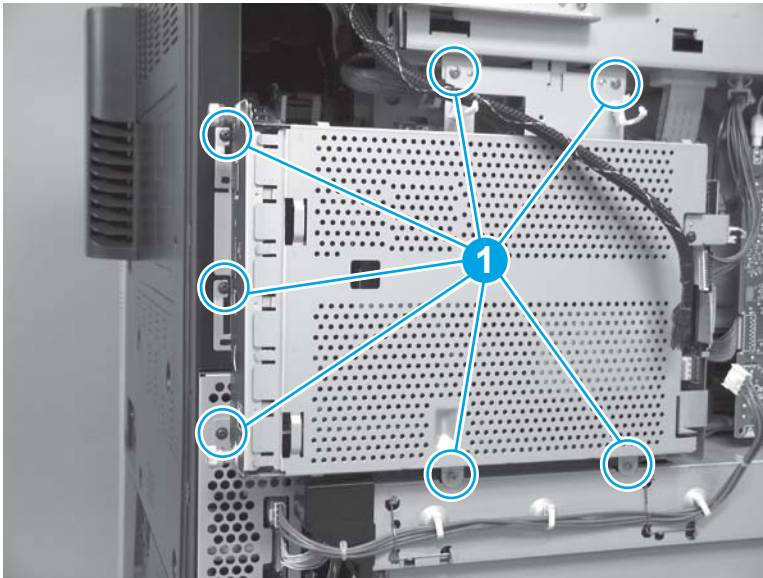
 **NOTE:** Use a small flat-blade screwdriver to press the tab and release the connector (callout 2).

Figure 1-381 Remove the formatter, formatter case, and ICB (2 of 4)



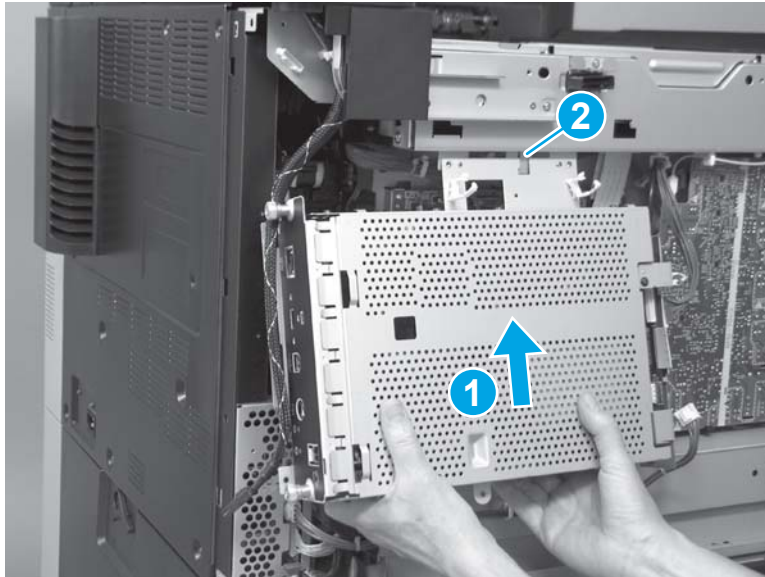
3. Remove seven screws (callout 1).

Figure 1-382 Remove the formatter, formatter case, and ICB (3 of 4)



4. Lift up (callout 1) to release one hook (callout 2), and then remove the formatter, formatter case, and ICB.

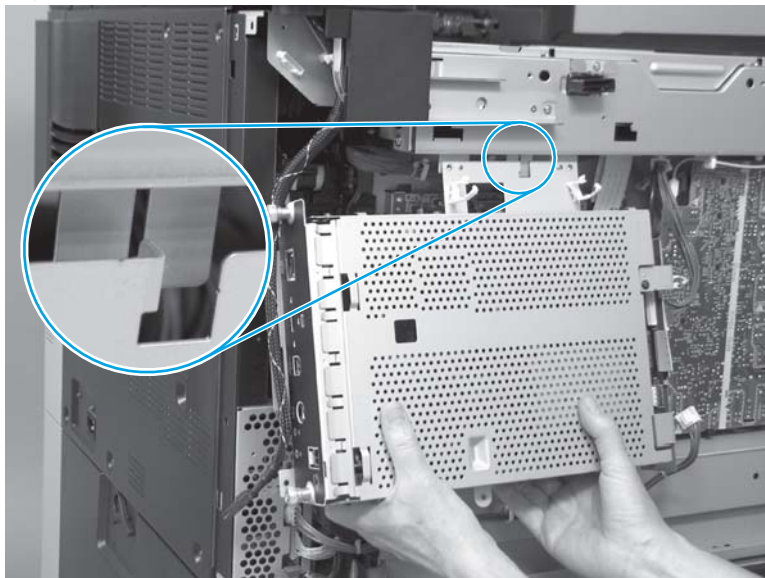
Figure 1-383 Remove the formatter, formatter case, and ICB (4 of 4)



Reinstall the formatter, formatter case, and ICB

Make sure that the hook on the formatter case is installed in the slot on the chassis.

Figure 1-384 Reinstall the formatter, formatter case, and ICB



High-voltage power supply (HVPS) B

 **CAUTION:**  ESD sensitive assembly.

Before proceeding, remove the following assemblies:

- Remove one of the following, depending upon product configuration:
 - Face-down bin. See [Face-down bin on page 101](#).
 - Intermediate paper transport unit (IPTU). See [IPTU assembly on page 437](#).
- Left rear cover. See [Left rear cover on page 104](#).
- Left cover. See [Left cover on page 118](#).

Remove the HVPS B

1. Disconnect two connectors (callout 1), and then remove one screw (callout 2).


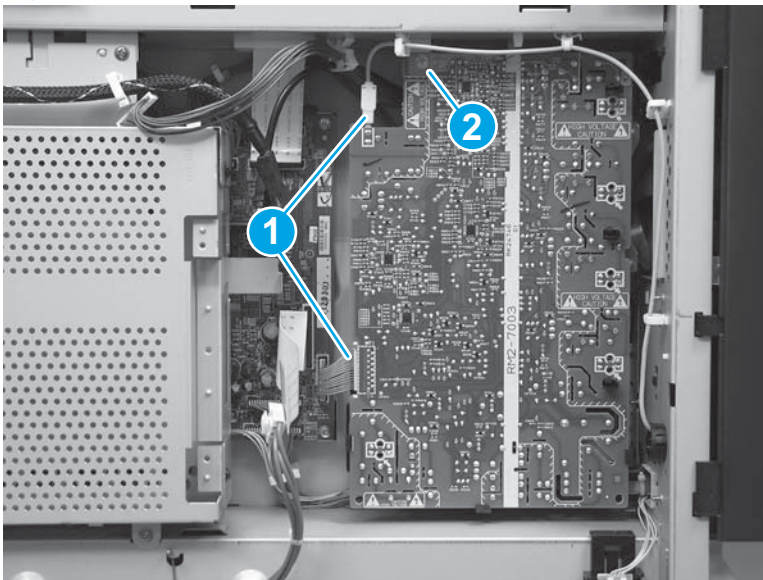
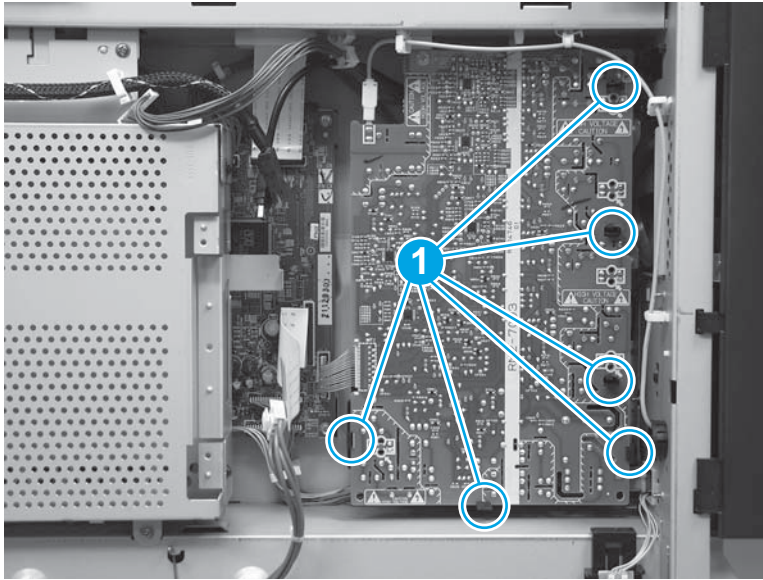
 **CAUTION:** Use care when disconnecting the white plastic connector at the top of the PCA. It can be easily damaged.

Figure 1-385 Remove the HVPS B (1 of 2)



2. Release six tabs (callout 1) and then remove the HVPS B.

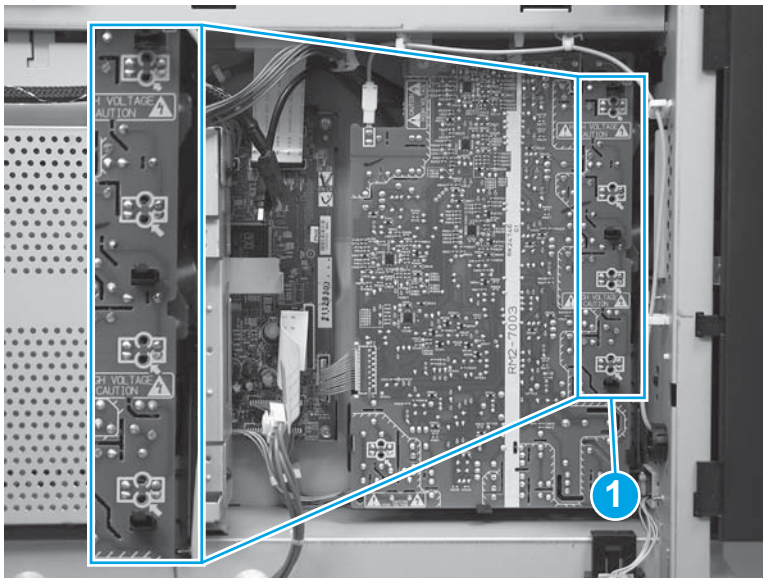
Figure 1-386 Remove the HVPS B (2 of 2)



Reinstall the HVPS B

1. After the HVPS B is installed and all tabs are in place, locate the circular locator windows (callout 1) along the side of the HVPS B.

Figure 1-387 Reinstall the HVPS B (1 of 2)



2. Make sure that the contact spring (callout 1) can be seen through the eight locator windows. If the spring cannot be seen, remove and reinstall the HVPS B.


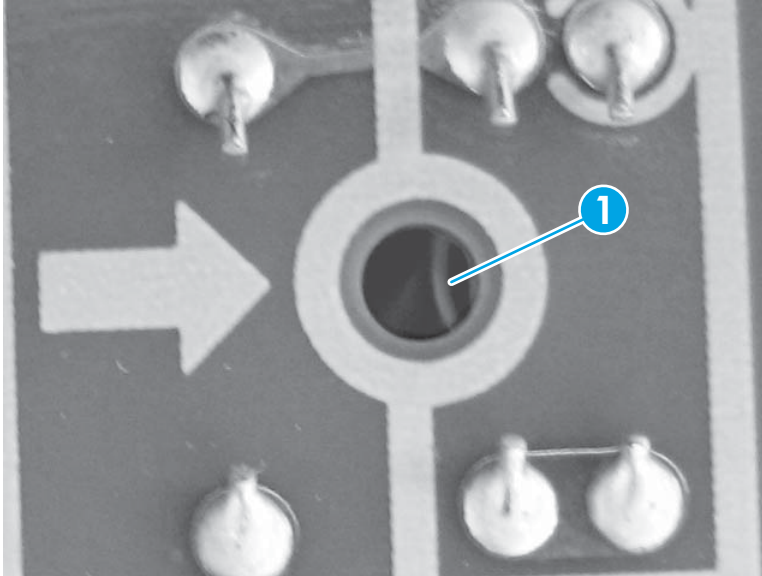
 **NOTE:** No error message is displayed on the control panel if these springs are positioned incorrectly. Poor print quality will be the only indicator.

Figure 1-388 Reinstall the HVPS B (2 of 2)



DC controller PCA

 **CAUTION:**  ESD sensitive assembly.

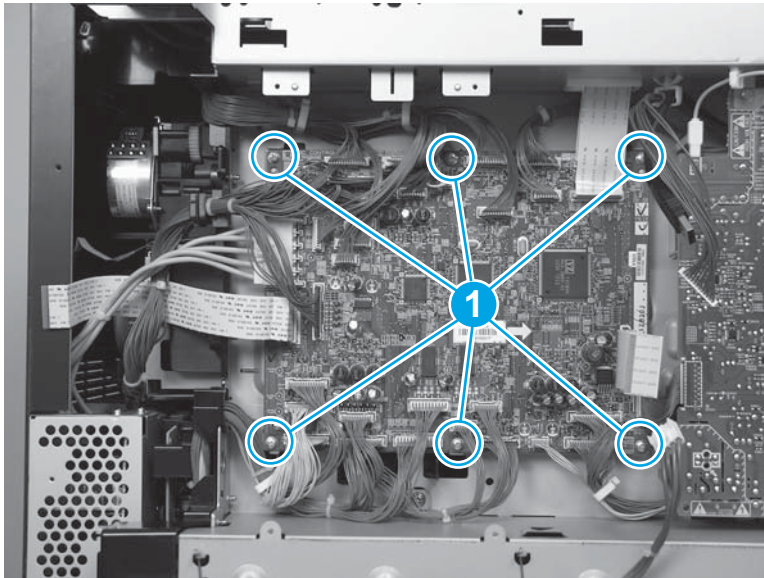
Before proceeding, remove the following assemblies:

- Remove one of the following, depending upon product configuration:
 - Face-down bin. See [Face-down bin on page 101](#).
 - Intermediate paper transport unit (IPTU). See [IPTU assembly on page 437](#).
- Left rear cover. See [Left rear cover on page 104](#).
- Left cover. See [Left cover on page 118](#).
- Formatter case. See [Formatter case on page 255](#).

Remove the DC controller PCA

Disconnect all of the connectors on the DC controller PCA. Remove six screws (callout 1), and then remove the DC controller PCA.

Figure 1-389 Remove the DC controller PCA



Color-plane registration (CPR) sensor assembly

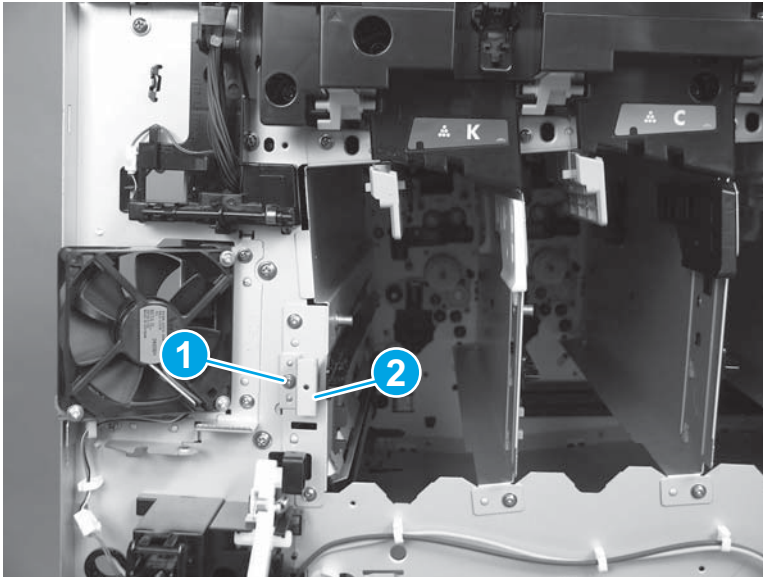
Before proceeding, remove the following assemblies:

- Remove one of the following, depending upon product configuration:
 - Face-down bin. See [Face-down bin on page 101](#).
 - Intermediate paper transport unit (IPTU). See [IPTU assembly on page 437](#).
- Left cover. See [Left cover on page 118](#).
- Front top cover. See [Front top cover on page 115](#).
- Front door assembly. See [Front door on page 137](#).
- Left front cover. See [Left front cover on page 133](#).
- Front inner cover. See [Front inner cover on page 147](#).

Remove the CPR sensor assembly

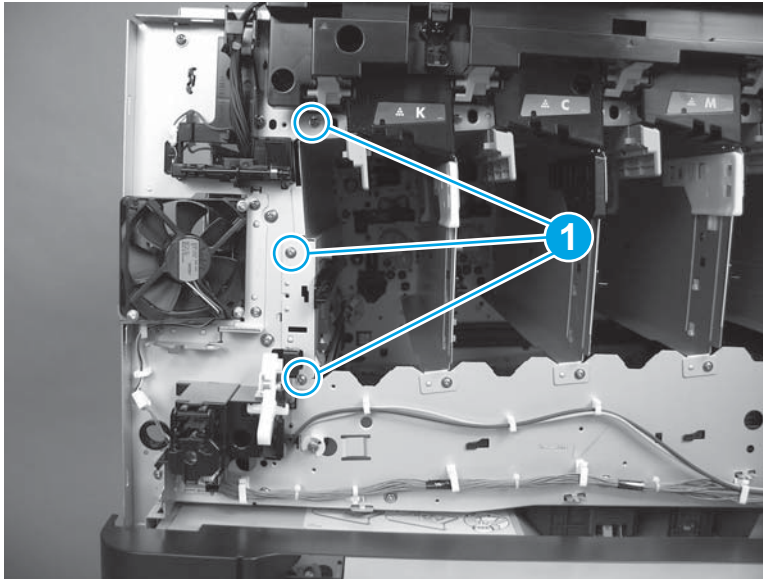
1. Remove one screw (callout 1), and then remove the bracket (callout 2).

Figure 1-390 Remove the CPR sensor assembly (1 of 5)



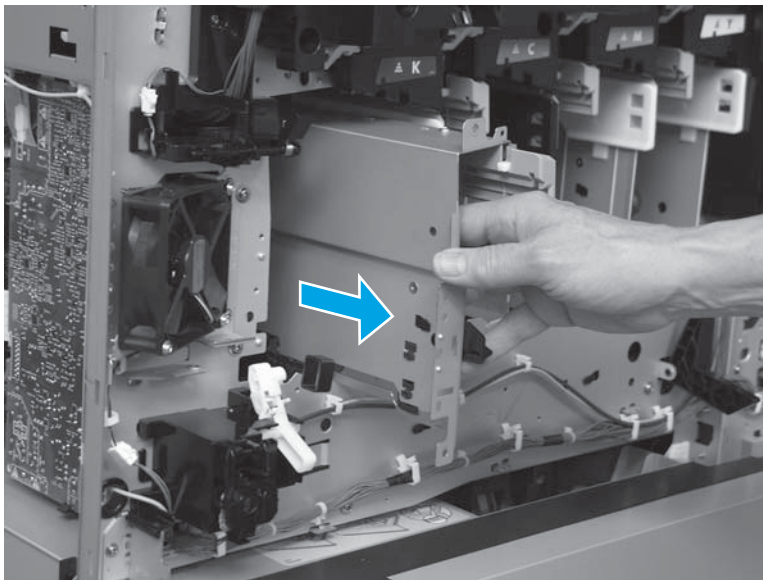
2. Remove three screws (callout 1).

Figure 1-391 Remove the CPR sensor assembly (2 of 5)



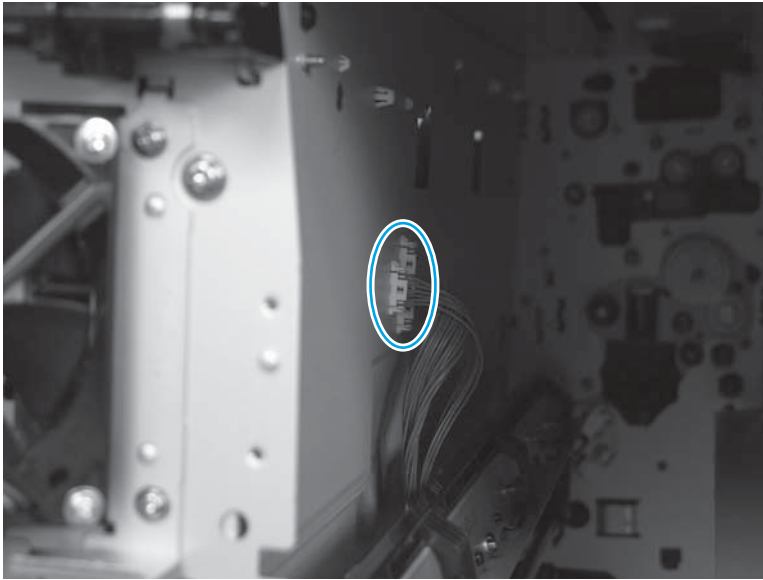
3. Slide the sheet-metal cover out of the product.

Figure 1-392 Remove the CPR sensor assembly (3 of 5)




4. Disconnect two connectors inside the cartridge cavity.

Figure 1-393 Remove the CPR sensor assembly (4 of 5)



5. Lift the CPR sensor assembly up to release two hooks on the assembly from the metal rod.

 **NOTE:** One clip is located toward the front of the product, and the other clip is located toward the back of the product.


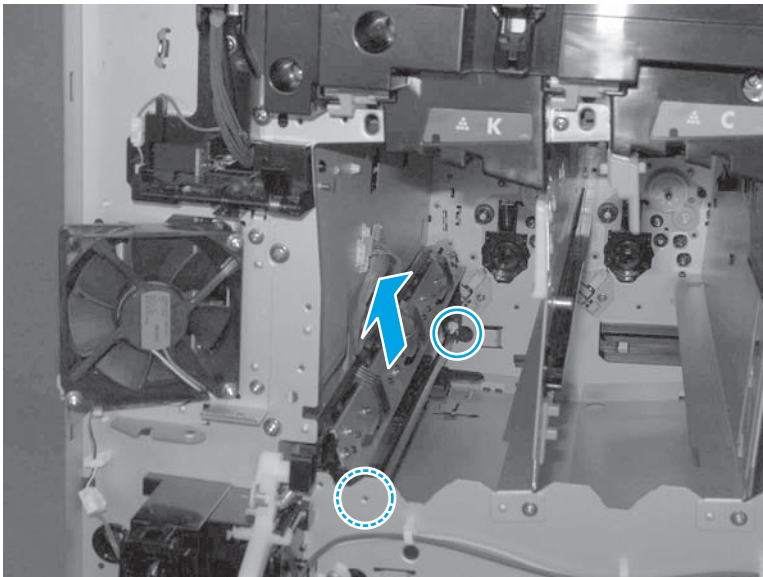
 **Reinstallation tip:** Make sure that the clips are snapped into place when reinstalling the CPR sensor assembly.

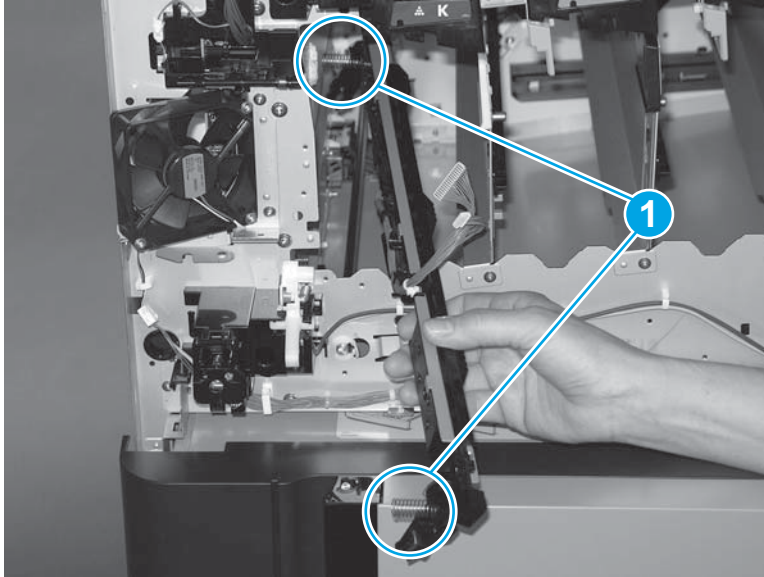
Figure 1-394 Remove the CPR sensor assembly (5 of 5)



Reinstall the CPR sensor assembly

1. Note the location of two springs (callout 1) on the CPR sensor assembly. When reinstalling the CPR sensor assembly, make sure that these springs are positioned between the CPR sensor assembly and the product chassis.

Figure 1-395 Reinstall the CPR sensor assembly (1 of 4)



2. After the CPR sensor assembly is reinstalled, look into the cavity where the ITB would be installed. Locate the spring pedestal (callout 1), and make sure that the CPR spring at the back right-hand corner is correctly positioned (callout 2).


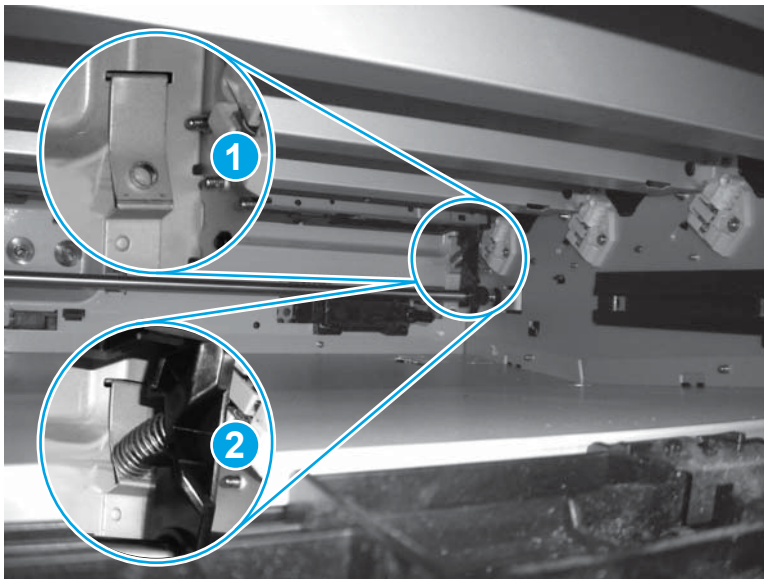
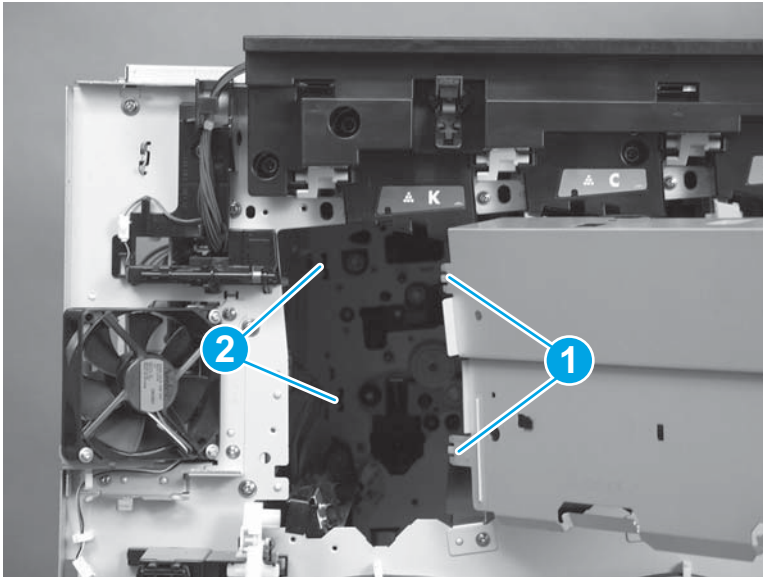
 **TIP:** This spring can also be viewed by looking into the cavity where the black toner cartridge would be installed.

Figure 1-396 Reinstall the CPR sensor assembly (2 of 4)



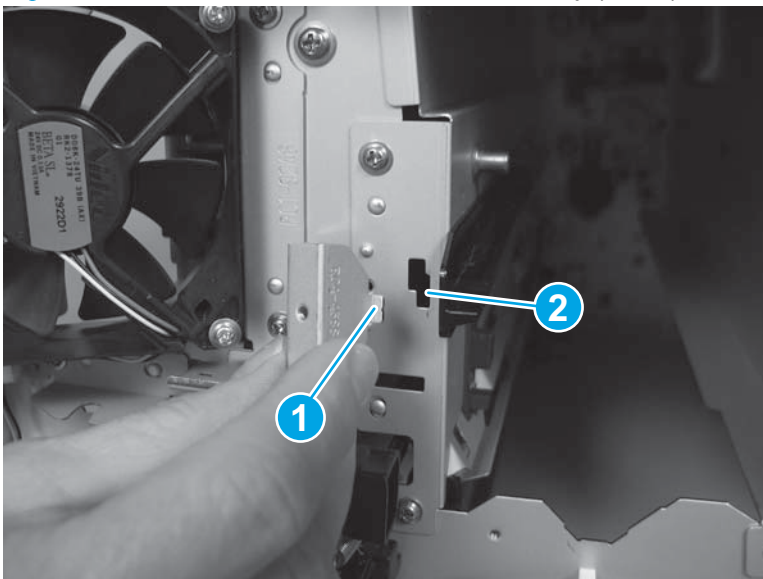
3. Make sure that the tabs (callout 1) on the sheet-metal cover are inserted into the slots (callout 2) inside the product.

Figure 1-397 Reinstall the CPR sensor assembly (3 of 4)



4. Make sure that the tab on the bracket (callout 1) is positioned in the slot in the chassis (callout 2).

Figure 1-398 Reinstall the CPR sensor assembly (4 of 4)



Low-voltage power supply (LVPS)

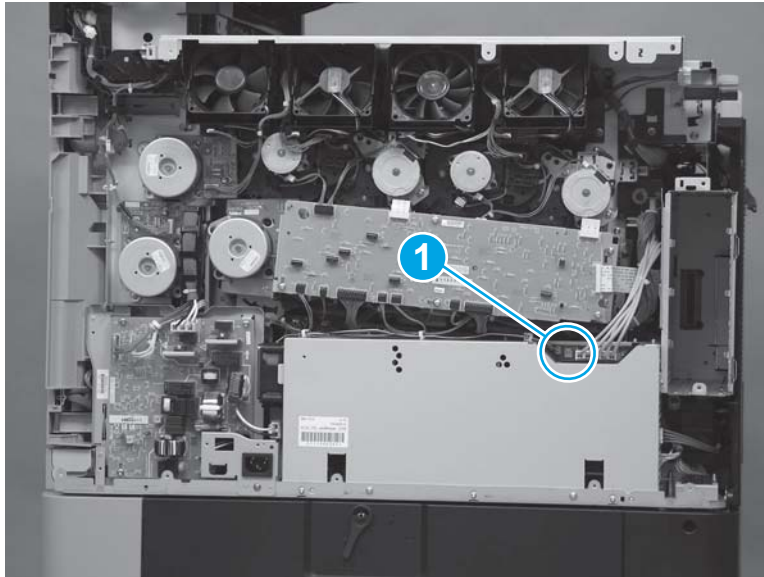
Before proceeding, remove the following assemblies:

- Left rear cover. See [Left rear cover on page 104](#).
- Rear cover. See [Rear cover on page 143](#).

Remove the LVPS

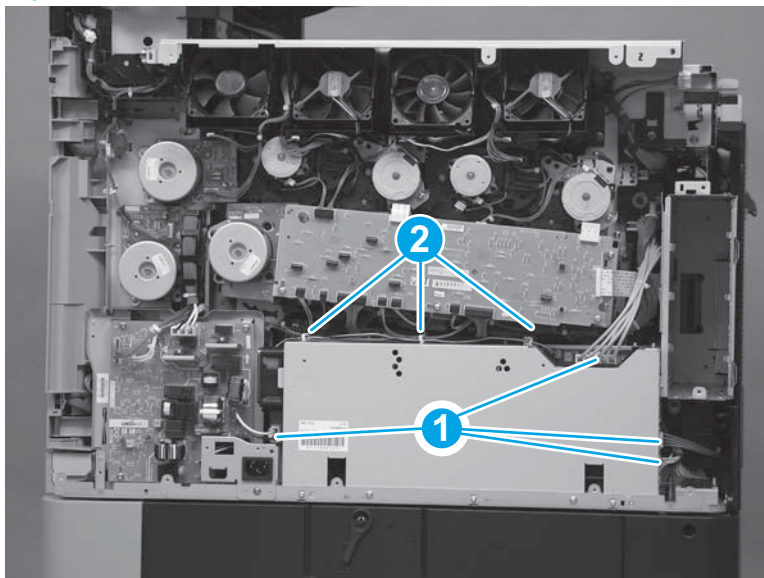
1. **M880 only:** Disconnect one connector (callout 1).

Figure 1-399 Remove the LVPS (1 of 5)



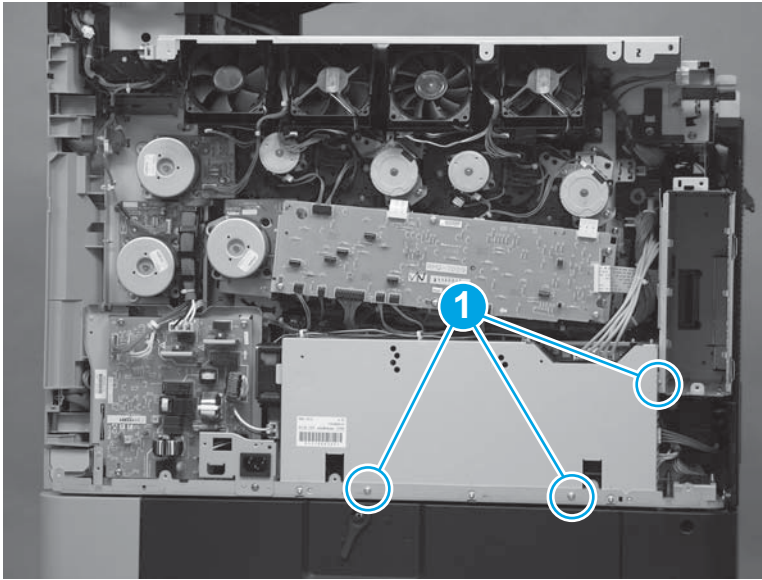
2. Disconnect four connectors (callout 1), and then release the wire harnesses from three retainers (callout 2).

Figure 1-400 Remove the LVPS (2 of 5)



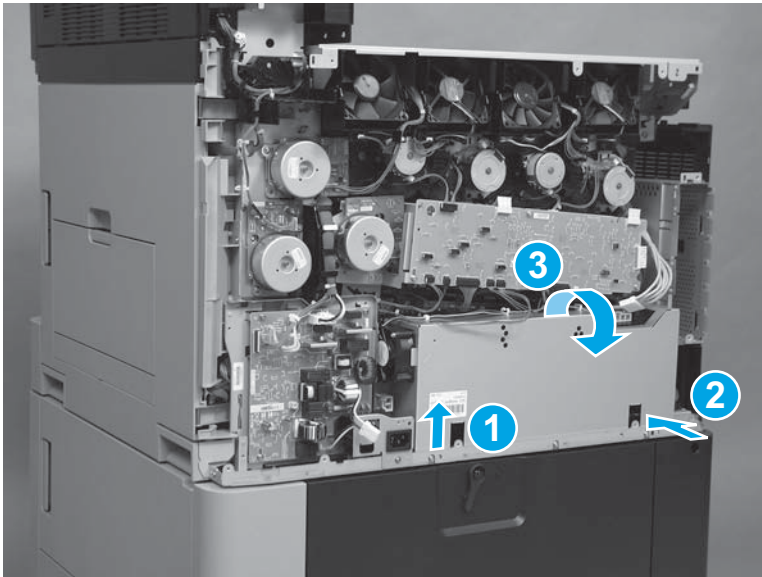
3. Remove three screws (callout 1).

Figure 1-401 Remove the LVPS (3 of 5)



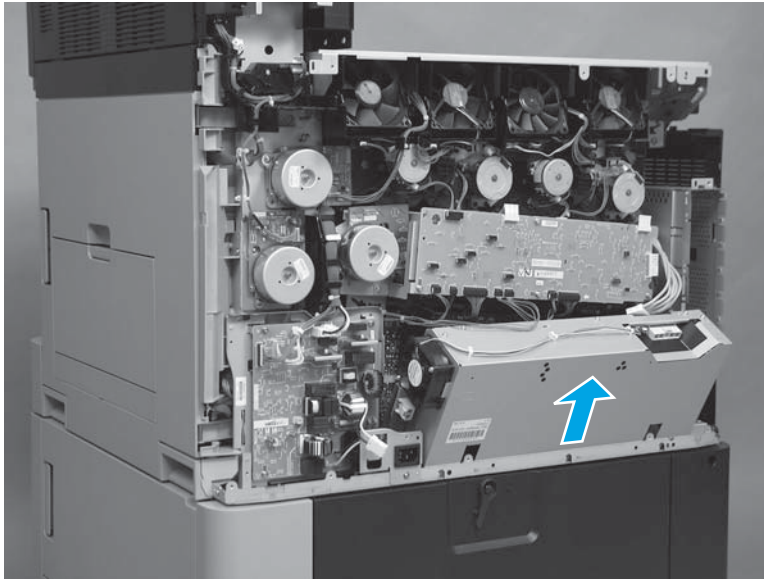
4. Lift the LVPS up (callout 1), push in on the lower right side (callout 2), and then rotate the top of the LVPS away from the product (callout 3).

Figure 1-402 Remove the LVPS (4 of 5)



5. Lift the LVPS up and out of the product

Figure 1-403 Remove the LVPS (5 of 5)



High-voltage power supply (HVPS) A (first transfer)

 **CAUTION:**  ESD sensitive assembly.

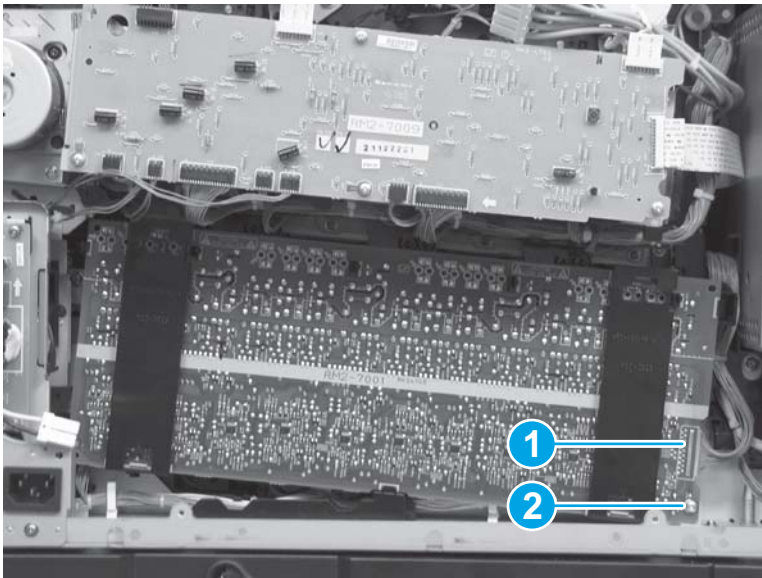
Before proceeding, remove the following assemblies:

- Left rear cover. See [Left rear cover on page 104](#).
- Rear cover. See [Rear cover on page 143](#).
- Low-voltage power supply (LVPS). See [Low-voltage power supply \(LVPS\) on page 269](#).

Remove the HVPS A (first transfer)

1. Disconnect one connector (callout 1), and then remove one screw (callout 2).

Figure 1-404 Remove the HVPS A (first transfer) (1 of 3)



2. Release seven tabs.


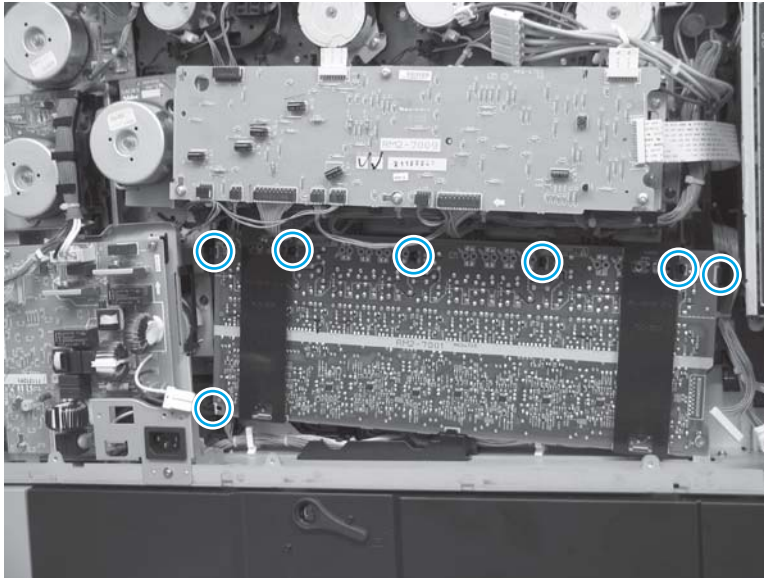
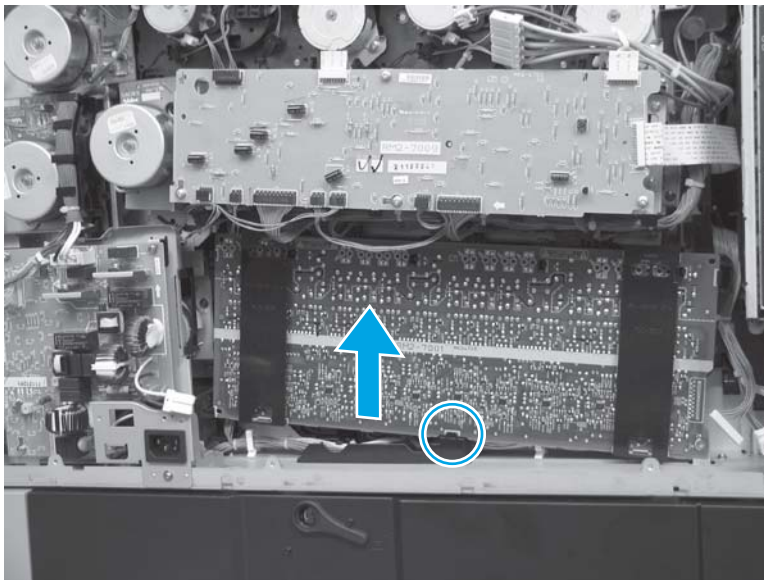
 **TIP:** Release the corner tabs first.

Figure 1-405 Remove the HVPS A (first transfer) (2 of 3)



3. Lift the HVPS A up and off of one retainer, and then remove it from the product.

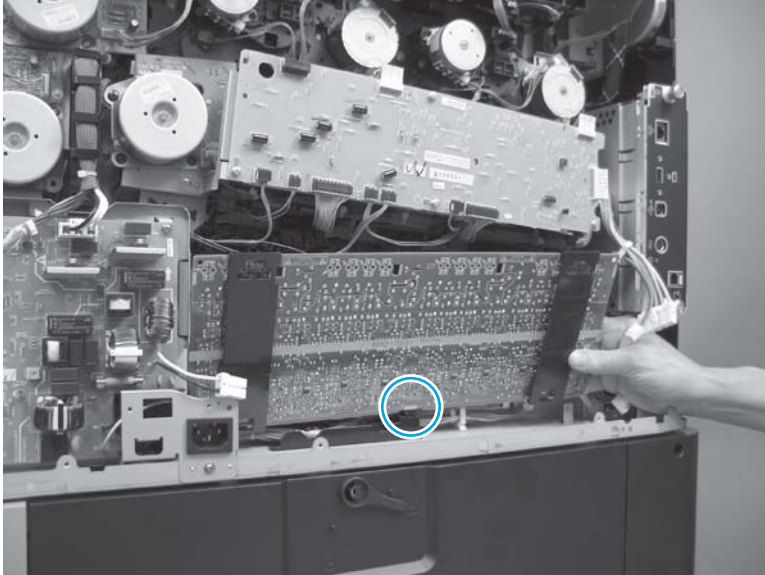
Figure 1-406 Remove the HVPS A (first transfer) (3 of 3)



Reinstall the HVPS A (first transfer)

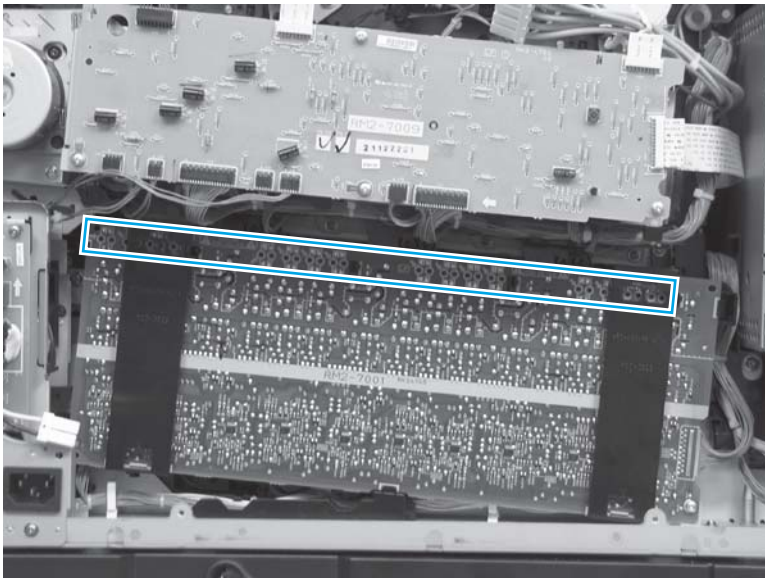
1. Position the slot bordered in white on the HVPS A into the retainer on the chassis before engaging the clips.

Figure 1-407 Reinstall the HVPS A (first transfer) (1 of 3)



2. After the HVPS A is installed and all tabs are in place, locate the circular locator windows across the top of the HVPS A.

Figure 1-408 Reinstall the HVPS A (first transfer) (2 of 3)



3. Make sure that the contact spring (callout 1) can be seen through the 32 locator windows. If the spring cannot be seen, remove and reinstall the HVPS A (first transfer).


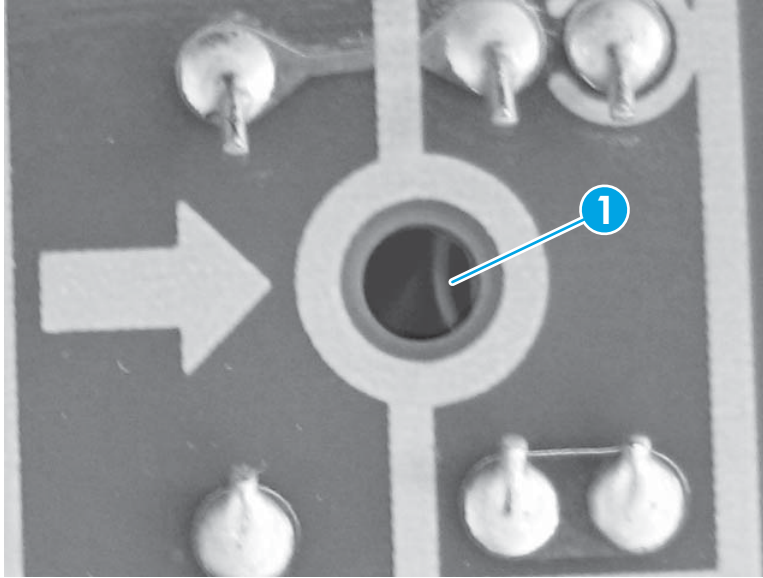
 **NOTE:** No error message is displayed on the control panel if these springs are positioned incorrectly. Poor print quality will be the only indicator.

Figure 1-409 Reinstall the HVPS A (first transfer) (3 of 3)



Lifter-drive assembly

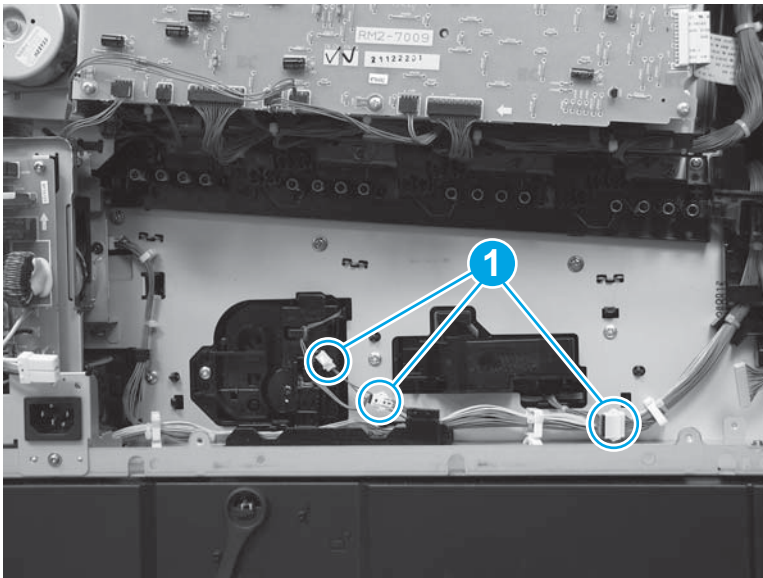
Before proceeding, remove the following assemblies:

- Tray 2. See [Tray 2, 1x500 Tray 3, 3x500 Tray 3, 3x500 Tray 4, and 3x500 Tray 5 on page 18](#).
- Left rear cover. See [Left rear cover on page 104](#).
- Rear cover. See [Rear cover on page 143](#).
- Low-voltage power supply (LVPS). See [Low-voltage power supply \(LVPS\) on page 269](#).
- High-voltage power supply (HVPS) A (first transfer). See [High-voltage power supply \(HVPS\) A \(first transfer\) on page 272](#).

Remove the lifter-drive assembly

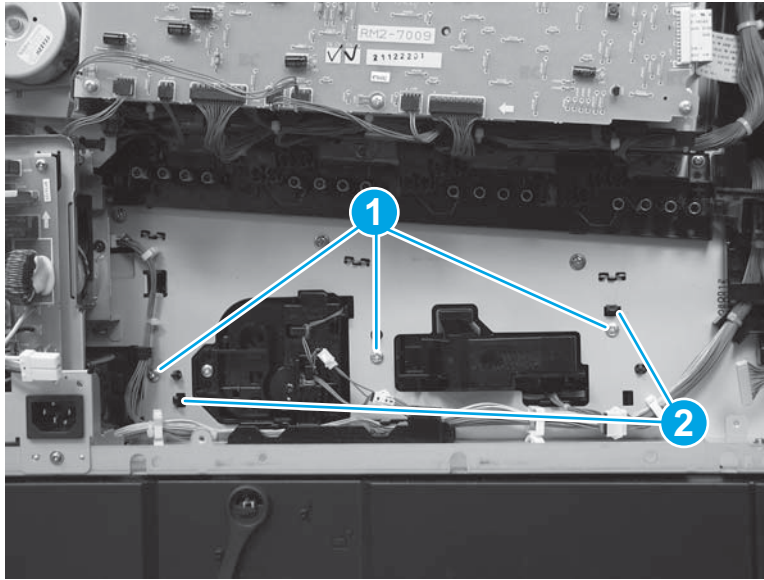
1. Disconnect three connectors (callout 1).

Figure 1-410 Remove the lifter-drive assembly (1 of 3)



2. Remove three screws (callout 1), and then release two tabs (callout 2).

Figure 1-411 Remove the lifter-drive assembly (2 of 3)



3. Remove the lifter-drive assembly through the Tray 2 cavity.

Figure 1-412 Remove the lifter-drive assembly (3 of 3)



Reinstall the lifter-drive assembly

1. When reinstalling the lifter-drive assembly, make sure that the assembly is unlocked (callout 1). If the lifter is locked (callout 2), the lifter will not function properly.

Figure 1-413 Unlocked position of the lifter-driver assembly (correct)

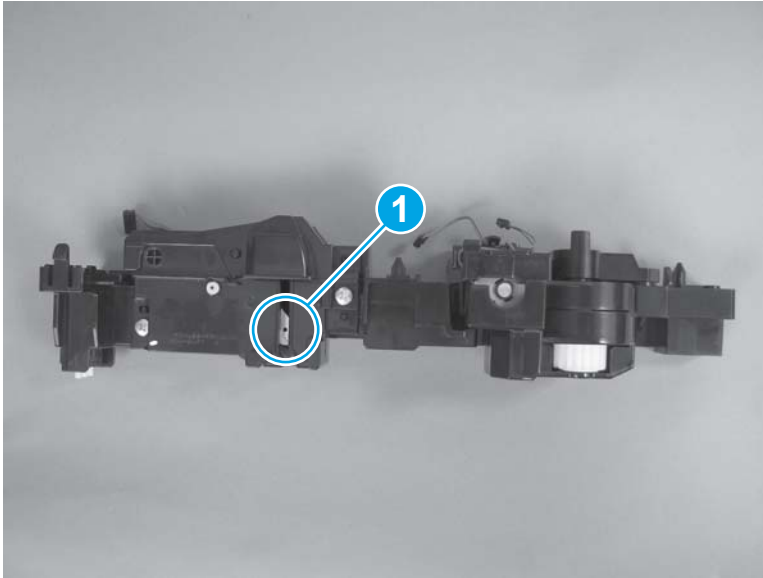
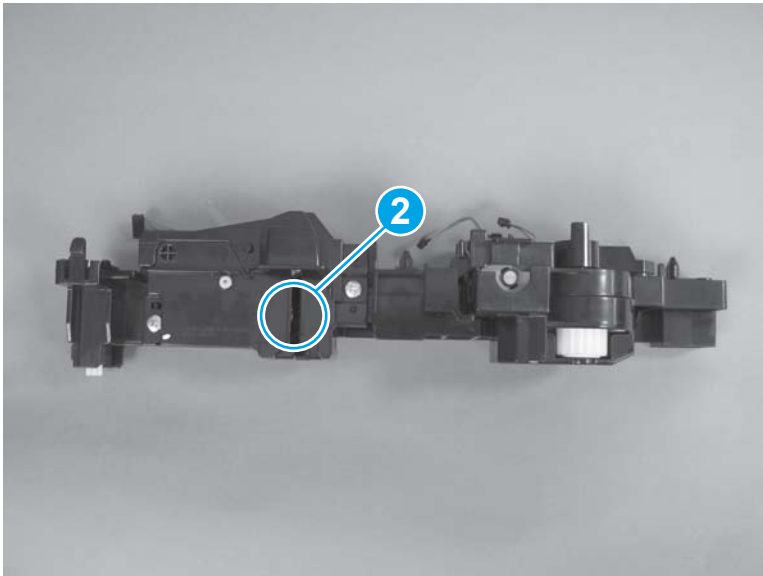
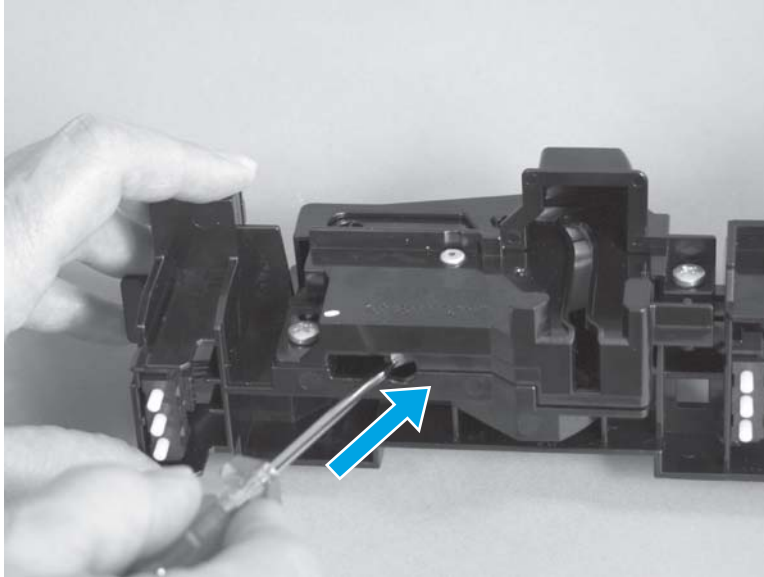


Figure 1-414 Locked position of the lifter-driver assembly (incorrect)



2. If the assembly is in the locked position (callout 2 above), use a small, flat-blade screwdriver to press on the spring-loaded metal plate and move it to the unlocked position.

Figure 1-415 Unlocking the lifter-drive assembly



Toner-cartridge drive assembly (yellow and magenta)

Before proceeding, remove the following assemblies:

- All four toner cartridges. See [Toner cartridge on page 14](#).
- All four imaging drums. See [Imaging drum on page 15](#).
- Left rear cover. See [Left rear cover on page 104](#).
- Rear cover. See [Rear cover on page 143](#).
- Memory tag PCA. See [Memory tag PCA on page 230](#).
- Fuser fan FM2. See [Fuser fan FM2 on page 207](#).
- Cartridge fan FM3 (yellow and magenta). See [Cartridge fan FM3 \(yellow and magenta\) on page 214](#).
- Laser/scanner fan FM1. See [Laser/scanner fan FM1 on page 222](#).
- All four image drum motors. See [Image-drum motor on page 233](#).
- Fuser motor. See [Fuser motor on page 242](#).
- Fuser fan duct. See [Fuser fan duct on page 211](#).
- Toner-cartridge feed motor (yellow, magenta, and cyan). See [Toner-cartridge feed motor \(yellow, magenta, and cyan\) on page 245](#).

Remove the toner-cartridge drive assembly (yellow and magenta)

Disconnect one connector (callout 1), remove four screws (callout 2), and then remove the toner-cartridge drive assembly (yellow and magenta; callout 3).


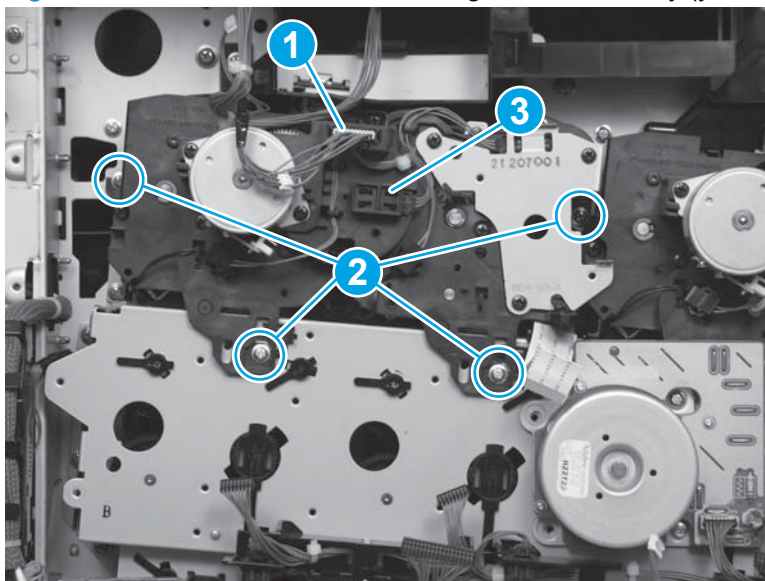
 **NOTE:** Two of the screws are longer than the other two. See the reinstallation instructions below.

Figure 1-416 Remove the toner-cartridge drive assembly (yellow and magenta)



Reinstall the toner-cartridge drive assembly (yellow and magenta)

1. Follow the gear-alignment procedure when replacing or reinstalling the toner-cartridge drive assembly (yellow and magenta). See [Replace or reinstall the toner-cartridge drive assemblies or the main drive assembly on page 291](#).
2. After the gear-alignment procedure is complete, install the two longer screws in the top positions (callout 1), and then install the two shorter screws in the lower positions (callout 2).


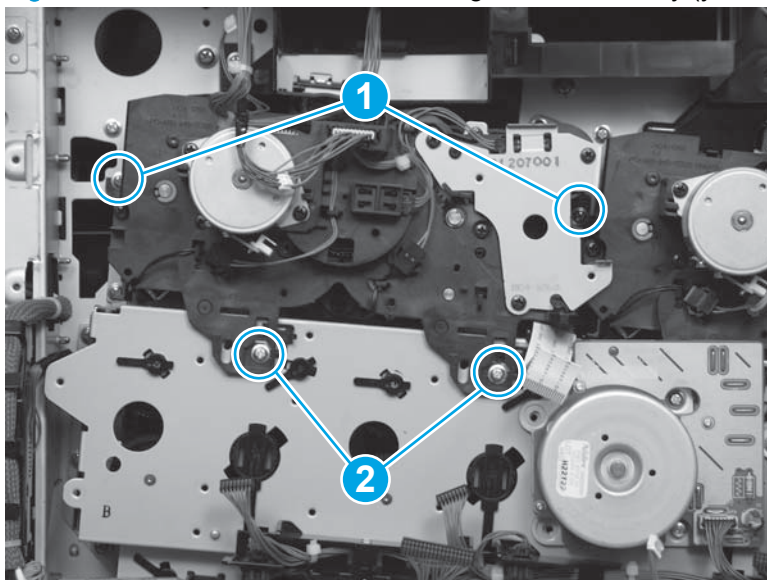
 **NOTE:** Move the black locks on the main drive assembly to the right (unlocked position) in order to install the lower screws in the toner-cartridge drive assembly.

Figure 1-417 Reinstall the toner-cartridge drive assembly (yellow and magenta)



Toner-cartridge drive assembly (cyan and black)

Before proceeding, remove the following assemblies:

- All four toner cartridges. See [Toner cartridge on page 14](#).
- All four imaging drums. See [Imaging drum on page 15](#).
- Left rear cover. See [Left rear cover on page 104](#).
- Rear cover. See [Rear cover on page 143](#).
- Fuser fan FM2. See [Fuser fan FM2 on page 207](#).
- Fuser fan duct. See [Fuser fan duct on page 211](#).
- Cartridge fan FM3 (yellow and magenta). See [Cartridge fan FM3 \(yellow and magenta\) on page 214](#).
- Cartridge fan FM4 (cyan and black). See [Cartridge fan FM4 \(cyan and black\) on page 218](#).
- Laser/scanner fan FM1. See [Laser/scanner fan FM1 on page 222](#).
- Memory tag PCA. See [Memory tag PCA on page 230](#).
- All four image drum motors. See [Image-drum motor on page 233](#).
- Fuser motor. See [Fuser motor on page 242](#).
- Toner-cartridge feed motor (black). See [Toner-cartridge feed motor \(black\) on page 244](#).
- Toner-cartridge feed motor (yellow, magenta, and cyan). See [Toner-cartridge feed motor \(yellow, magenta, and cyan\) on page 245](#).
- Toner-cartridge drive assembly (yellow and magenta). See [Toner-cartridge drive assembly \(yellow and magenta\) on page 280](#).

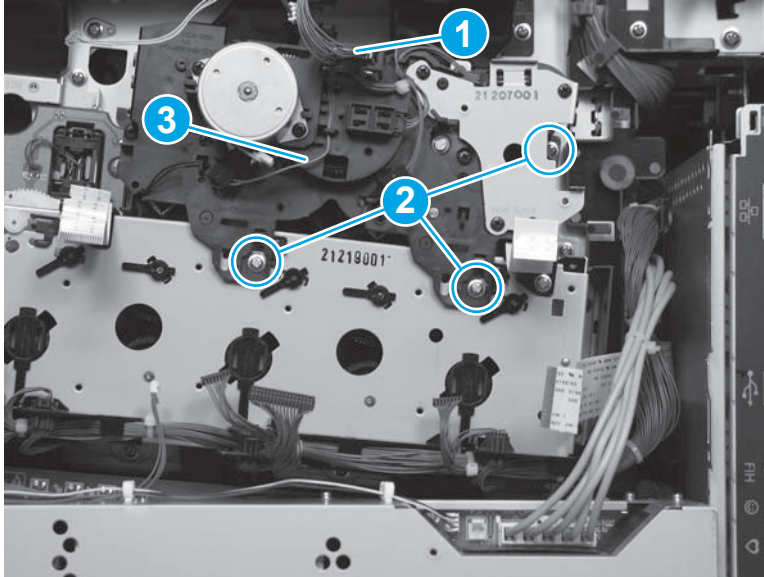
Remove the toner-cartridge drive assembly (cyan and black)

Disconnect one connector (callout 1), remove three screws (callout 2), and then remove the toner-cartridge drive assembly (cyan and black; callout 3).



NOTE: One of the screws is longer than the other two. See the reinstallation instructions below.

Figure 1-418 Remove the toner-cartridge drive assembly (cyan and black)



Reinstall the toner-cartridge drive assembly (cyan and black)

1. Follow the gear-alignment procedure when replacing or reinstalling the toner-cartridge drive assembly (cyan and black). See [Replace or reinstall the toner-cartridge drive assemblies or the main drive assembly on page 291](#).
2. After the gear-alignment procedure is complete, install the longer screw in the top position (callout 1), and then install the two shorter screws in the lower positions (callout 2).


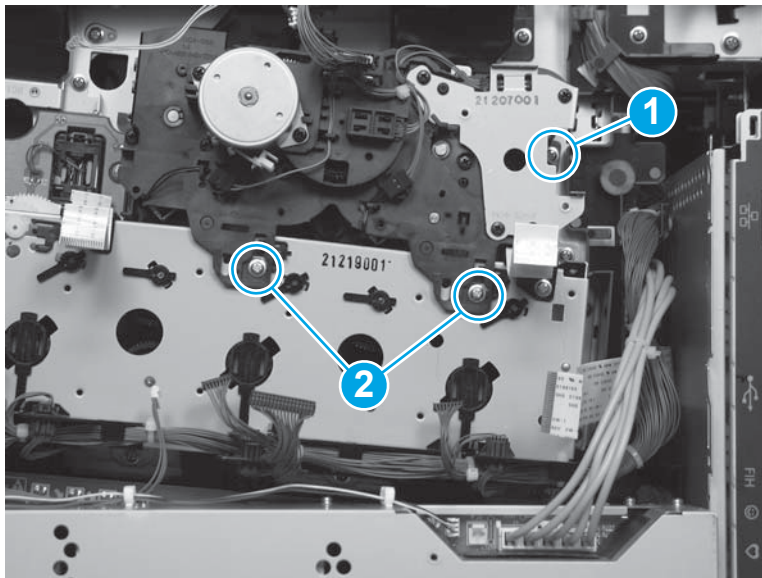

 **NOTE:** Move the black locks on the main drive assembly to the right (unlocked position) in order to install the lower screws in the toner-cartridge drive assembly.

Figure 1-419 Reinstall the toner-cartridge drive assembly (cyan and black)



Cartridge interface PCA (cyan and black)

 **CAUTION:**  ESD sensitive assembly.

 **NOTE:** This part is the same part number as the cartridge interface PCA (yellow and magenta).

Before proceeding, remove the following assemblies:

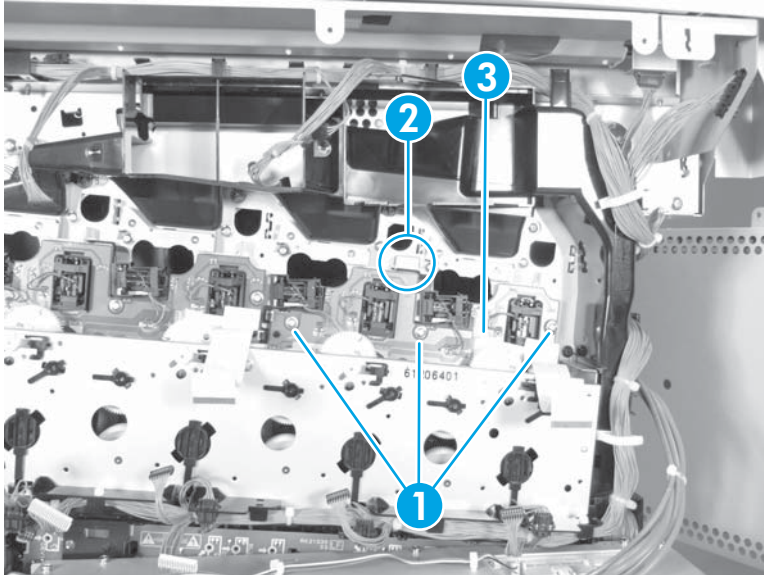
- All four toner cartridges. See [Toner cartridge on page 14](#).
- All four imaging drums. See [Imaging drum on page 15](#).
- Left rear cover. See [Left rear cover on page 104](#).
- Rear cover. See [Rear cover on page 143](#).
- Fuser fan FM2. See [Fuser fan FM2 on page 207](#).
- Fuser fan duct. See [Fuser fan duct on page 211](#).
- Cartridge fan FM3 (yellow and magenta). See [Cartridge fan FM3 \(yellow and magenta\) on page 214](#).
- Cartridge fan FM4 (cyan and black). See [Cartridge fan FM4 \(cyan and black\) on page 218](#).
- Laser/scanner fan FM1. See [Laser/scanner fan FM1 on page 222](#).
- Memory tag PCA. See [Memory tag PCA on page 230](#).
- All four image drum motors. See [Image-drum motor on page 233](#).
- Fuser motor. See [Fuser motor on page 242](#).
- Toner-cartridge feed motor (black). See [Toner-cartridge feed motor \(black\) on page 244](#).
- Toner-cartridge feed motor (yellow, magenta, and cyan). See [Toner-cartridge feed motor \(yellow, magenta, and cyan\) on page 245](#).
- Toner-cartridge drive assembly (yellow and magenta). See [Toner-cartridge drive assembly \(yellow and magenta\) on page 280](#).
- Toner-cartridge drive assembly (cyan and black). See [Toner-cartridge drive assembly \(cyan and black\) on page 282](#).

Remove the cartridge interface PCA (cyan and black)

Remove three screws (callout 1), release one tab (callout 2), and then remove the cartridge interface PCA (cyan and black; callout 3).


 **NOTE:** These screws have washers attached.

Figure 1-420 Remove the cartridge interface PCA (cyan and black)



Cartridge interface PCA (yellow and magenta)

 **CAUTION:**  ESD sensitive assembly.

 **NOTE:** This part is the same part number as the cartridge interface PCA (cyan and black).

Before proceeding, remove the following assemblies:

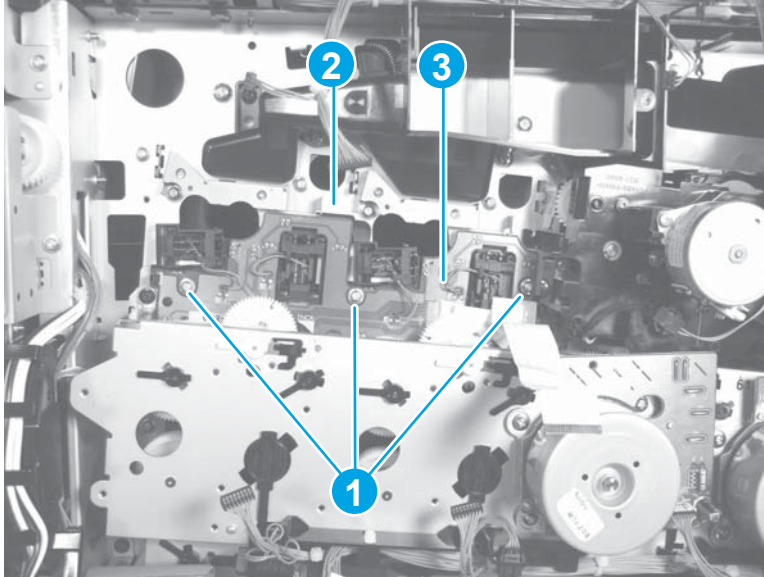
- All four toner cartridges. See [Toner cartridge on page 14](#).
- All four imaging drums. See [Imaging drum on page 15](#).
- Left rear cover. See [Left rear cover on page 104](#).
- Rear cover. See [Rear cover on page 143](#).
- Fuser fan FM2. See [Fuser fan FM2 on page 207](#).
- Fuser fan duct. See [Fuser fan duct on page 211](#).
- Cartridge fan FM4 (cyan and black). See [Cartridge fan FM4 \(cyan and black\) on page 218](#).
- Cartridge fan FM3 (yellow and magenta). See [Cartridge fan FM3 \(yellow and magenta\) on page 214](#).
- Laser/scanner fan FM1. See [Laser/scanner fan FM1 on page 222](#).
- Memory tag PCA. See [Memory tag PCA on page 230](#).
- All four image drum motors. See [Image-drum motor on page 233](#).
- Fuser motor. See [Fuser motor on page 242](#).
- Toner-cartridge feed motor (yellow, magenta, and cyan). See [Toner-cartridge feed motor \(yellow, magenta, and cyan\) on page 245](#).
- Toner-cartridge drive assembly (yellow and magenta). See [Toner-cartridge drive assembly \(yellow and magenta\) on page 280](#).

Remove the cartridge interface PCA (yellow and magenta)

Remove three screws (callout 1), release one tab (callout 2), and then remove the cartridge interface PCA (yellow and magenta; callout 3).

 **NOTE:** These screws have washers attached.

Figure 1-421 Remove the cartridge interface PCA (yellow and magenta)



Main drive assembly

Before proceeding, remove the following assemblies:

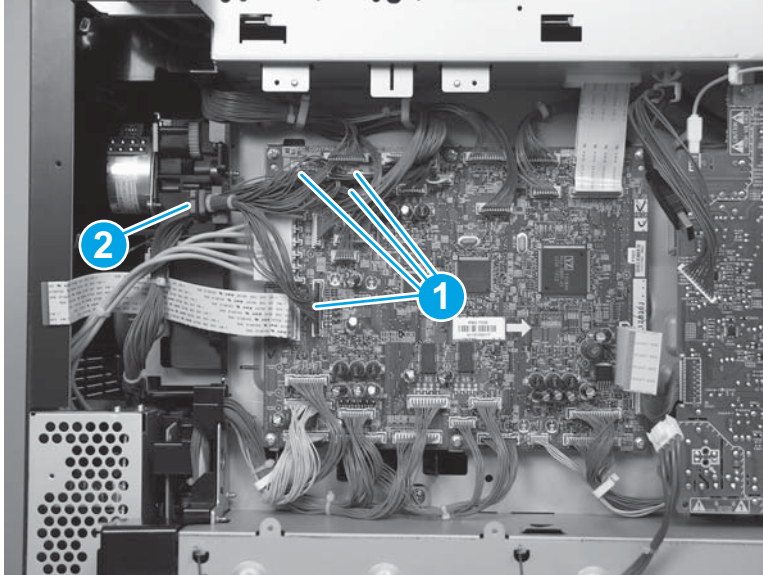
- All four toner cartridges. See [Toner cartridge on page 14](#).
- Intermediate transfer belt (ITB). See [Intermediate transfer belt \(ITB\) on page 19](#).
- Remove one of the following, depending upon product configuration:
 - Face-down bin. See [Face-down bin on page 101](#).
 - Intermediate paper transport unit (IPTU). See [IPTU assembly on page 437](#).
- Left rear cover. See [Left rear cover on page 104](#).
- Left cover. See [Left cover on page 118](#).
- Rear cover. See [Rear cover on page 143](#).
- Fuser fan FM2. See [Fuser fan FM2 on page 207](#).
- Fuser fan duct. See [Fuser fan duct on page 211](#).
- Cartridge fan FM3 (yellow and magenta). See [Cartridge fan FM3 \(yellow and magenta\) on page 214](#).
- Cartridge fan FM4 (cyan and black). See [Cartridge fan FM4 \(cyan and black\) on page 218](#).
- Laser/scanner fan FM1. See [Laser/scanner fan FM1 on page 222](#).
- Memory tag PCA. See [Memory tag PCA on page 230](#).
- All four image drum motors. See [Image-drum motor on page 233](#).
- Fuser power supply. See [Fuser power supply on page 235](#).
- Intermediate transfer belt (ITB) alienation-drive assembly. See [Intermediate transfer belt \(ITB\) alienation-drive assembly on page 240](#).
- Fuser motor. See [Fuser motor on page 242](#).
- Toner-cartridge feed motor (black). See [Toner-cartridge feed motor \(black\) on page 244](#).
- Toner-cartridge feed motor (yellow, magenta, and cyan). See [Toner-cartridge feed motor \(yellow, magenta, and cyan\) on page 245](#).
- Formatter, formatter case, and interconnect board (ICB). See [Formatter, formatter case, and interconnect board \(ICB\) on page 257](#).
- Low-voltage power supply (LVPS). See [Low-voltage power supply \(LVPS\) on page 269](#).
- High-voltage power supply (HVPS) A (first transfer). See [High-voltage power supply \(HVPS\) A \(first transfer\) on page 272](#).
- Toner-cartridge drive assembly (yellow and magenta). See [Toner-cartridge drive assembly \(yellow and magenta\) on page 280](#).
- Toner-cartridge drive assembly (cyan and black). See [Toner-cartridge drive assembly \(cyan and black\) on page 282](#).

- Cartridge interface PCA (cyan and black). See [Cartridge interface PCA \(cyan and black\) on page 284](#).
- Cartridge interface PCA (yellow and magenta). See [Cartridge interface PCA \(yellow and magenta\) on page 286](#).

Remove the main drive assembly

1. Disconnect four connectors (J113, J138, J141, and J142; callout 1) on the DC Controller, and then release the wire harnesses from the guide (callout 2).

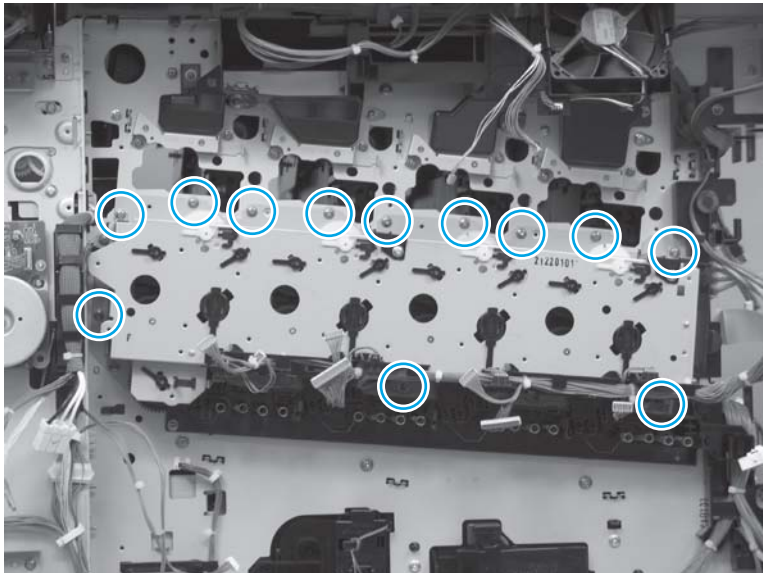
Figure 1-422 Remove the main drive assembly (1 of 2)



2. Remove 12 screws, and then remove the main drive assembly.

⚠ CAUTION: Do not remove the six red screws around the main drive assembly. Removal of these screws will cause damage to the assembly.

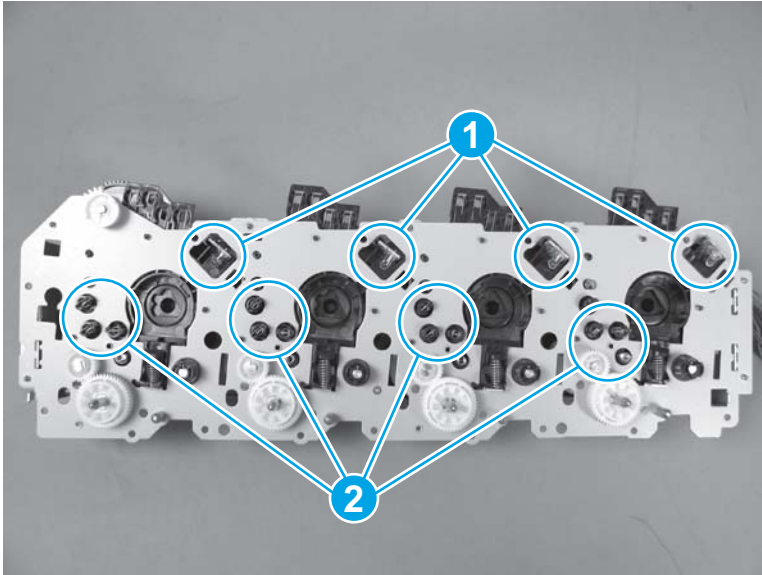
Figure 1-423 Remove the main drive assembly (2 of 2)



Reinstall the main drive assembly

1. Do not touch the LEDs (callout 1) or the bias connections (callout 2) on the back of the main drive assembly. Contamination of these parts by grease or oil might result in print quality problems.

Figure 1-424 Reinstall the main drive assembly



2. Follow the gear-alignment procedure when replacing or reinstalling the main drive assembly. See [Replace or reinstall the toner-cartridge drive assemblies or the main drive assembly on page 291](#).

Replace or reinstall the toner-cartridge drive assemblies or the main drive assembly

When the toner-cartridge drive units or the main drive assembly are installed on the product, the gears inside these assemblies must be realigned to ensure correct operation of the product. The following procedures explain how to align the gears when replacing the part or reinstalling the part after service.

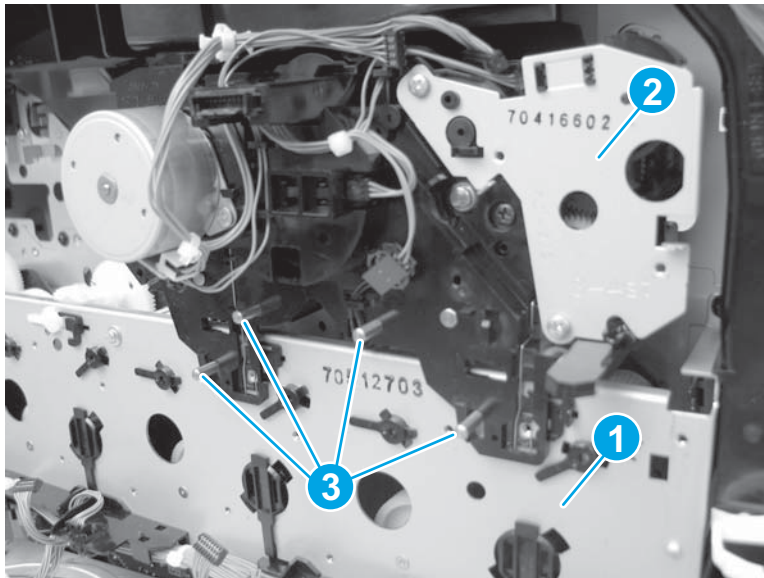
- If you are replacing the toner-cartridge drive assembly or the main drive assembly, see [Replace the toner-cartridge drive assembly or the main drive assembly on page 291](#)
- If you are reinstalling the current toner-cartridge drive assembly or the main drive assembly, see [Reinstall the toner-cartridge drive assembly or the main drive assembly on page 296](#)

Replace the toner-cartridge drive assembly or the main drive assembly

This procedure correctly aligns the gears of the main drive assembly (callout 1) and the toner-cartridge drive assembly(ies) (callout 2). Use the four pins (callout 3) supplied with the replacement units to align the gears.

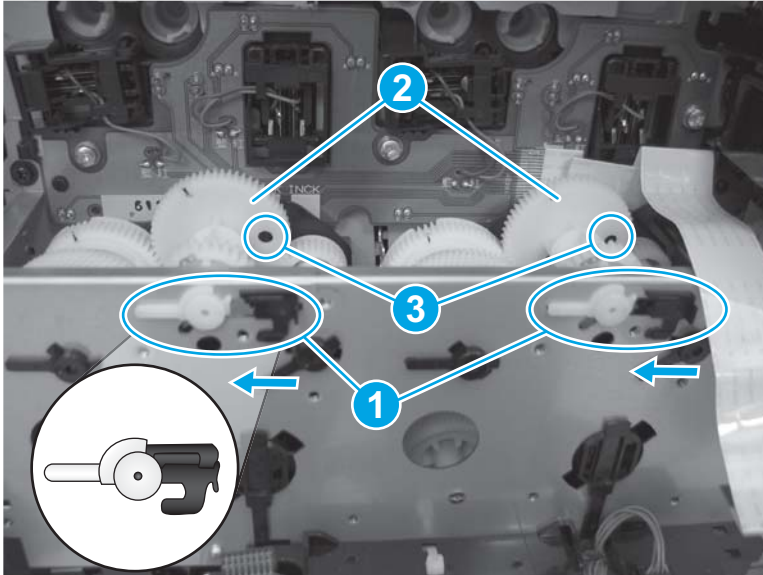
 **NOTE:** The toner-cartridge drive assembly (black) is shown in the figure below.

Figure 1-425 Replace the toner-cartridge drive assembly or the main drive assembly (1 of 8)



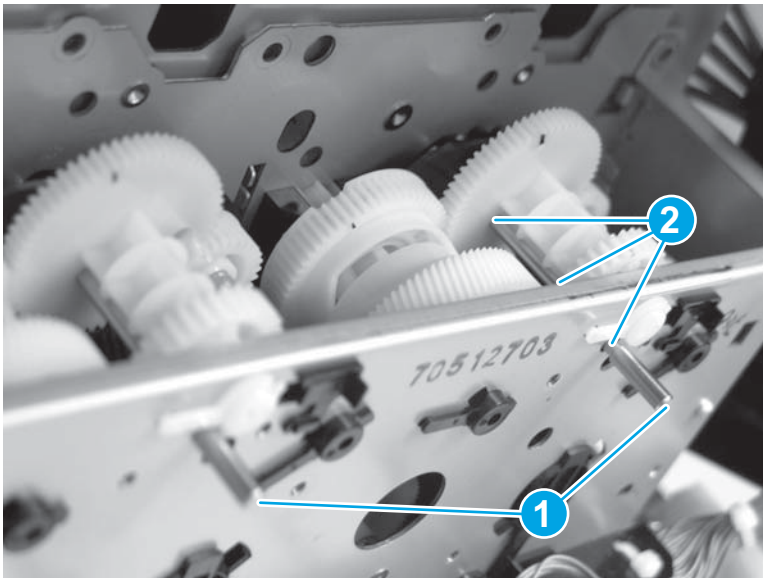
1. Reinstall the main drive assembly. Push the black locks (callout 1) to the left while rotating the top gears (callout 2) on the main drive assembly until they lock into position. The large holes (callout 3) should point to the right (3 o'clock position).

Figure 1-426 Replace the toner-cartridge drive assembly or the main drive assembly (2 of 8)



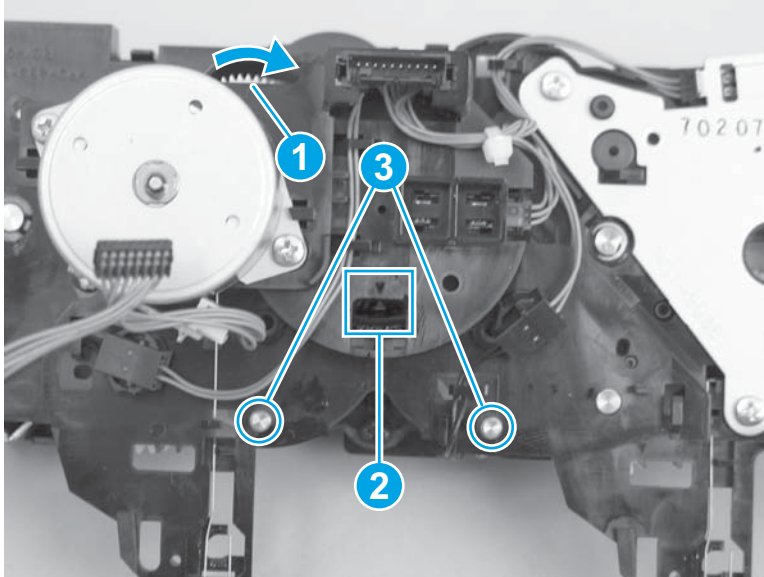
2. Insert the long alignment pins (callout 1) through the gears (callout 2) in the main drive assembly.

Figure 1-427 Replace the toner-cartridge drive assembly or the main drive assembly (3 of 8)



3. On the toner-cartridge drive assembly, rotate the top gear (callout 1) clockwise until the arrows align (callout 2). Insert the two short pins (callout 3).

Figure 1-428 Replace the toner-cartridge drive assembly or the main drive assembly (4 of 8)



4. Install the toner-cartridge drive assembly (callout 1) over the long pins in the main drive assembly (callout 2).


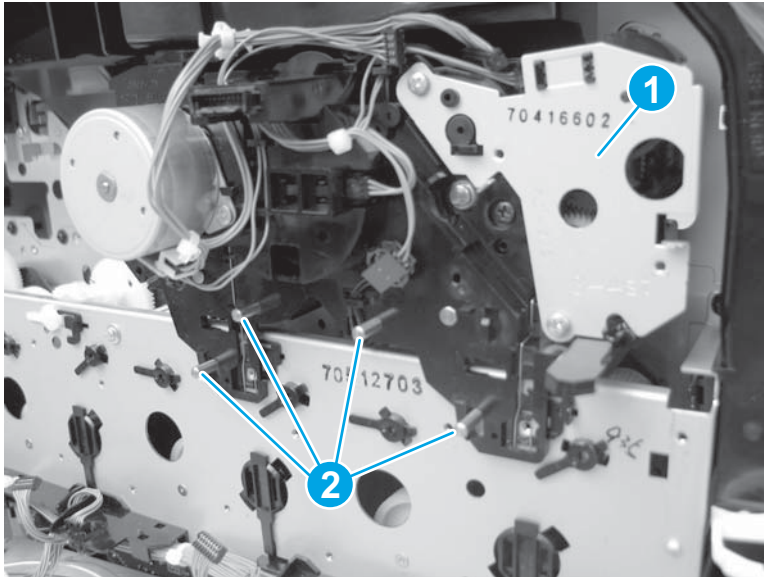
 **NOTE:** The toner-cartridge drive assembly (black) is shown in the figure below.

Figure 1-429 Replace the toner-cartridge drive assembly or the main drive assembly (5 of 8)



5. Check the installation of the toner-cartridge drive assembly.

⚠ CAUTION: Make sure that the toner-cartridge drive assembly is installed correctly. The assembly should be flush against the chassis (callout 1). Incorrect installation (callout 2) will cause the product to function incorrectly.

Figure 1-430 Correct position of toner-cartridge drive assembly (6 of 8)

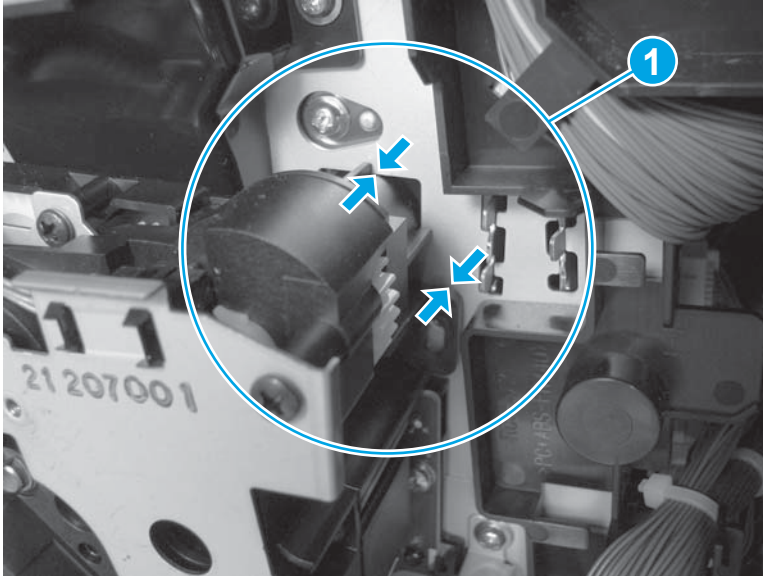
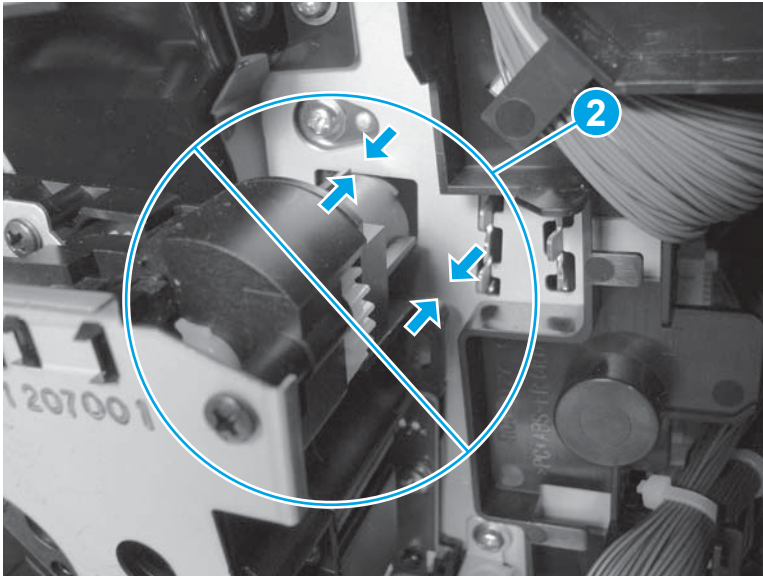


Figure 1-431 Incorrect position of toner-cartridge drive assembly (7 of 8)



6. Remove the alignment pins (callout 1).


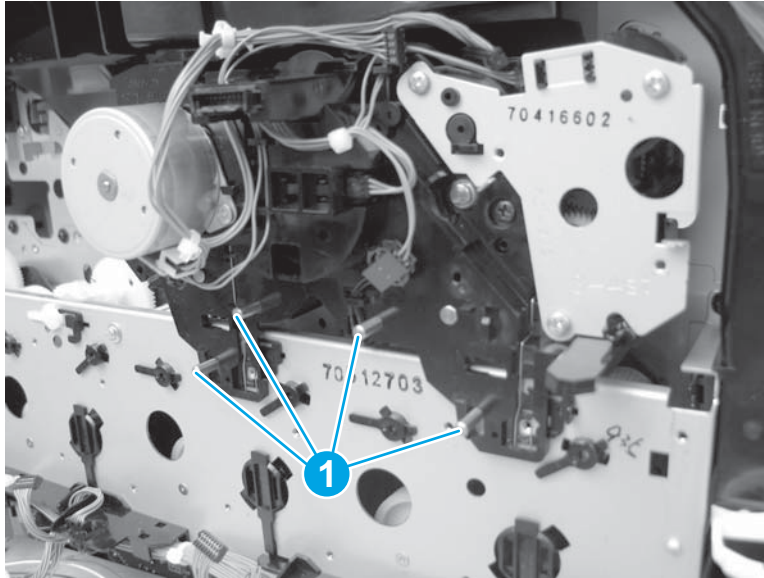
 **NOTE:** The toner-cartridge drive assembly (black) is shown in the figure below.

Figure 1-432 Replace the toner-cartridge drive assembly or the main drive assembly (8 of 8)



Reinstall the toner-cartridge drive assembly or the main drive assembly

This procedure correctly aligns the gears of the main drive assembly and the toner-cartridge drive assembly(ies) without the use of alignment pins.

1. Reinstall the main drive assembly. Push the black locks (callout 1) to the left while rotating the top gears (callout 2) on the main drive assembly until they lock into position. The large holes (callout 3) should point to the right (3 o'clock position).


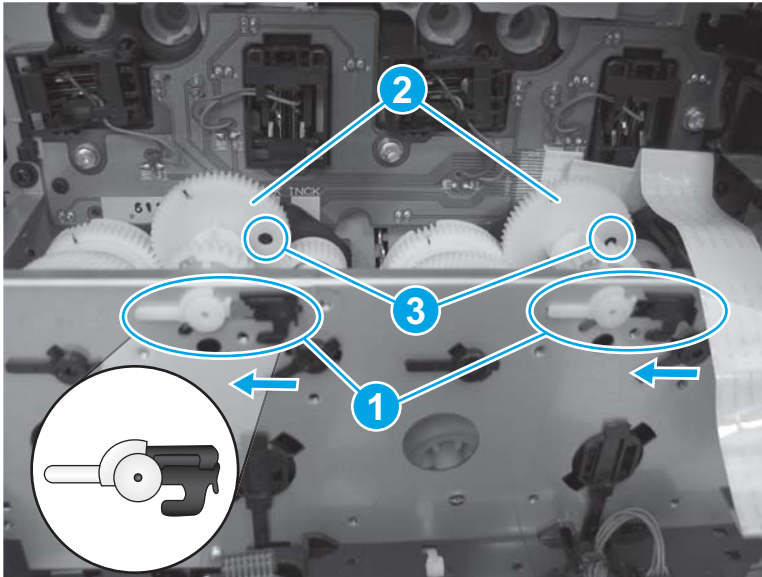
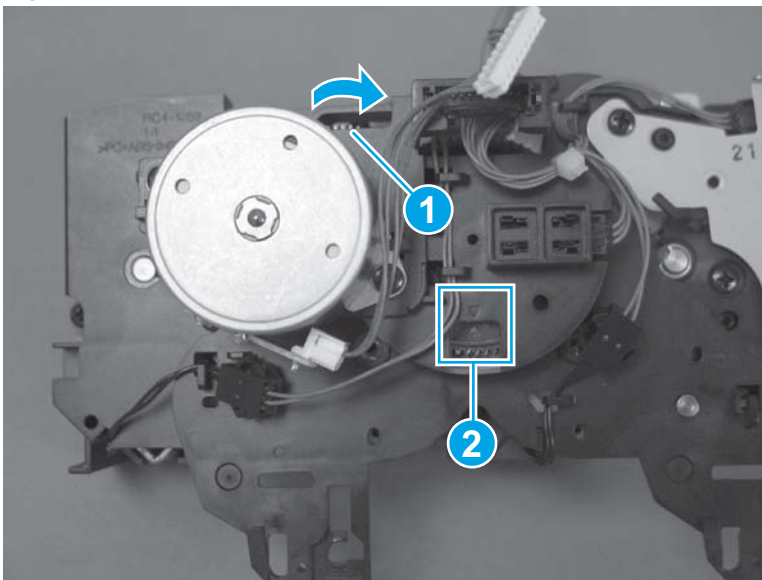
 **IMPORTANT:** When reinstalling without the alignment pins, it is important to verify that the locks (callout 1) are engaged.

Figure 1-433 Reinstall the toner-cartridge drive assembly or the main drive assembly (1 of 4)




2. On the toner-cartridge drive assembly, rotate the top gear (callout 1) clockwise until the arrows align (callout 2).

Figure 1-434 Reinstall the toner-cartridge drive assembly or the main drive assembly (2 of 4)



- Carefully install the toner-cartridge drive assembly.

 **NOTE:** Be careful not to rotate the gears on the toner-cartridge drive assembly while installing it.

- Check the installation of the toner-cartridge drive assembly.


 **CAUTION:** Make sure that the toner-cartridge drive assembly is installed correctly. The assembly should be flush against the chassis (callout 1). Incorrect installation (callout 2) will cause the product to function incorrectly.

Figure 1-435 Correct position of toner-cartridge drive assembly (3 of 4)

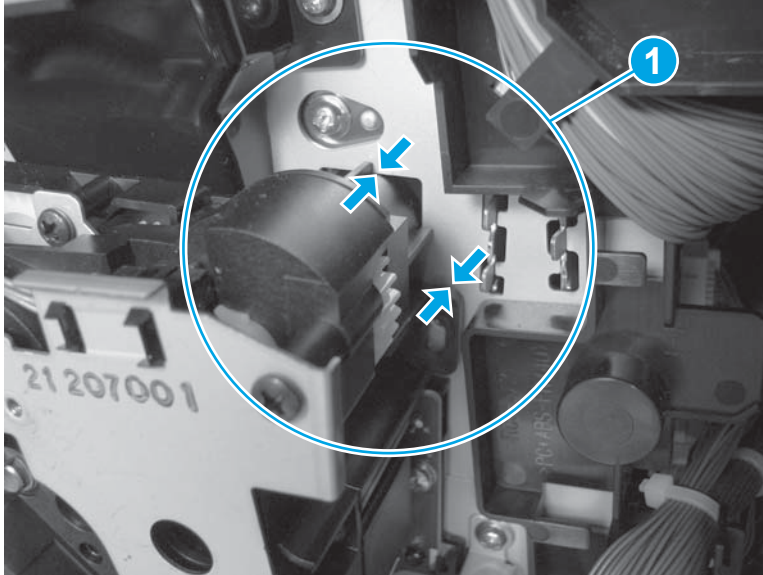
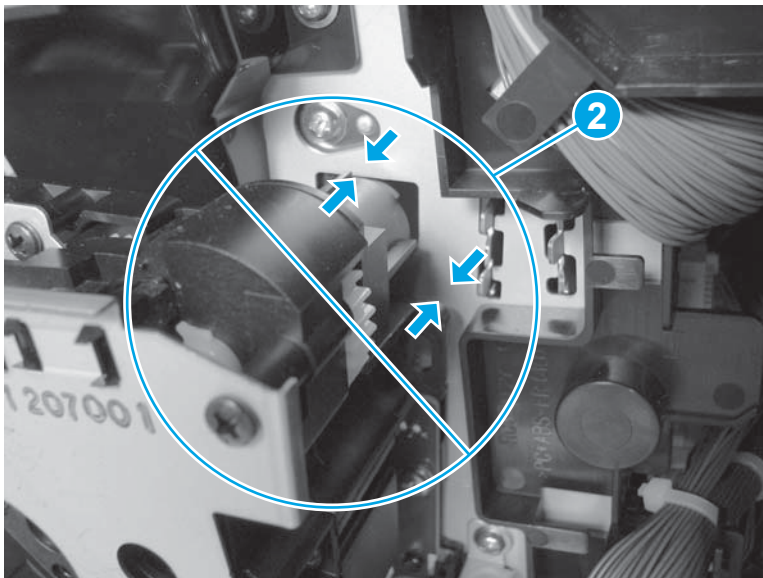


Figure 1-436 Incorrect position of toner-cartridge drive assembly (4 of 4)



Fuser drive assembly

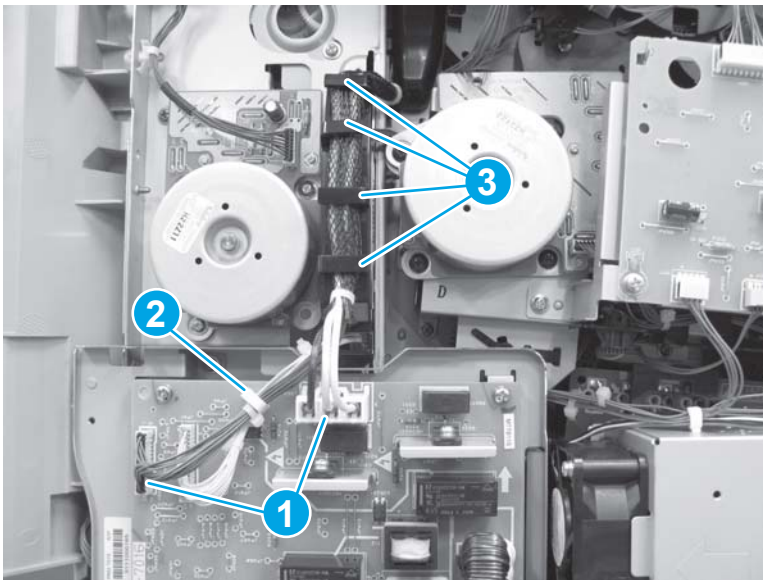
Before proceeding, remove the following assemblies:

- Fuser. See [Fuser on page 21](#).
- Left rear cover. See [Left rear cover on page 104](#).
- Rear cover. See [Rear cover on page 143](#).
- Fuser motor. See [Fuser motor on page 242](#).

Remove the fuser drive assembly

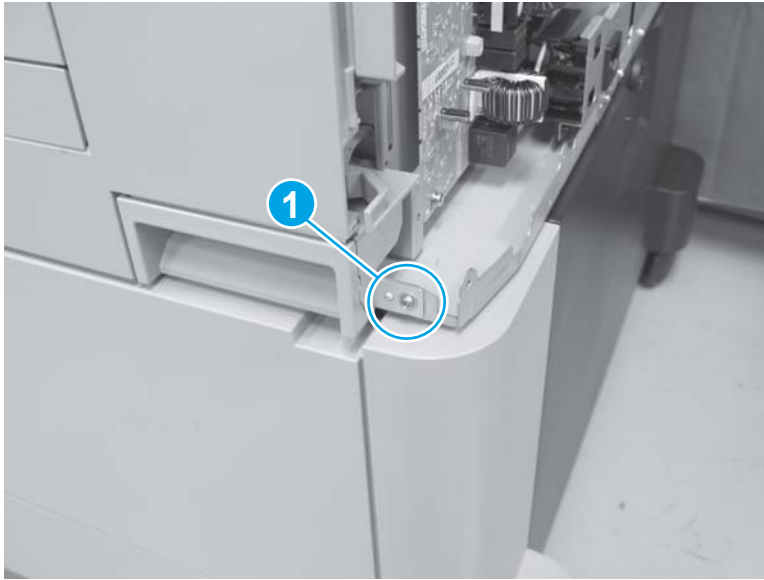
1. Disconnect two connectors (callout 1), release one wire harness from the retainer (callout 2), and then release the wire harnesses from the guide (callout 3).

Figure 1-437 Remove the fuser drive assembly (1 of 10)



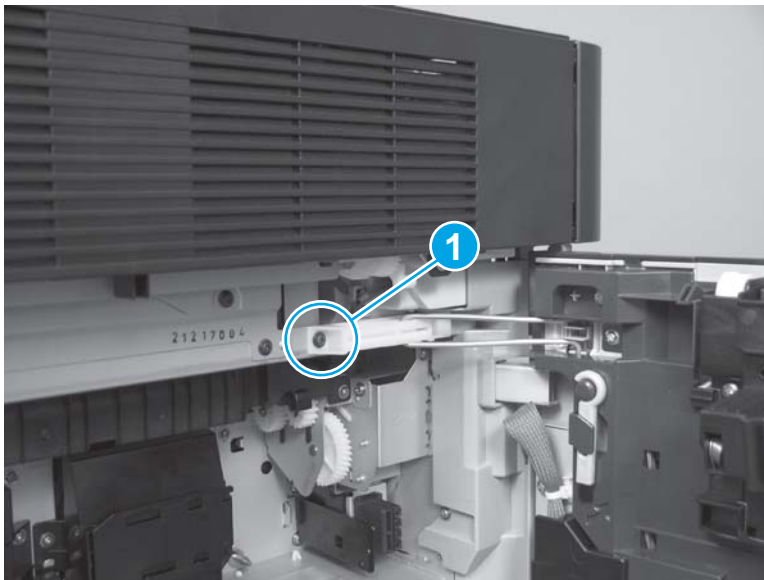
2. At the right-rear side of the product, remove one screw (callout 1).

Figure 1-438 Remove the fuser drive assembly (2 of 10)



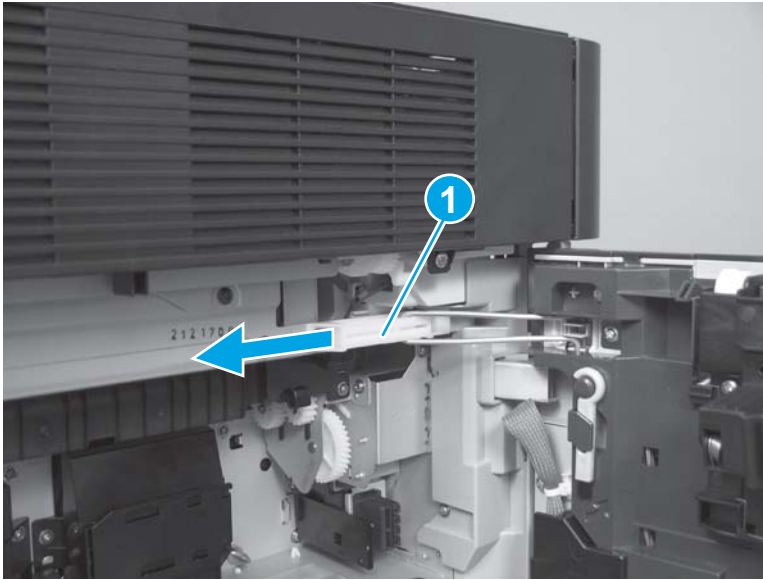
3. Open the right door, and then remove one screw.

Figure 1-439 Remove the fuser drive assembly (3 of 10)



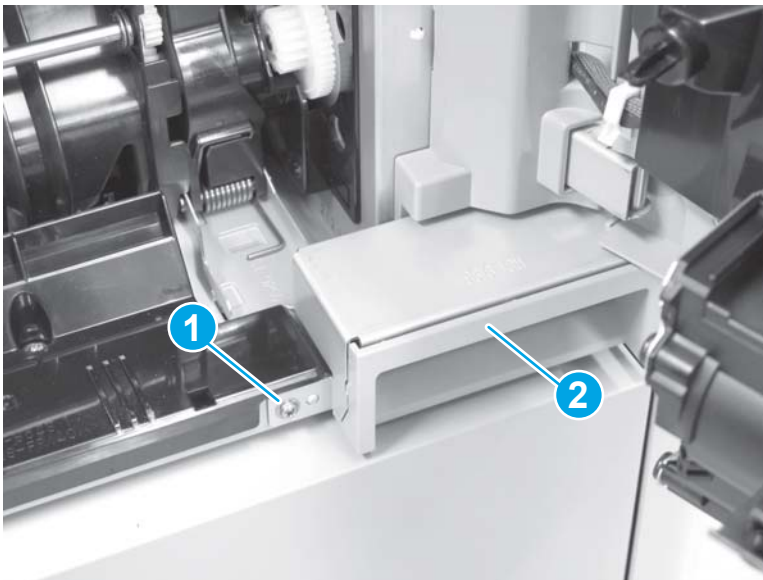
4. Slide the retainer arm and guide to the left to disengage it from the chassis.

Figure 1-440 Remove the fuser drive assembly (4 of 10)



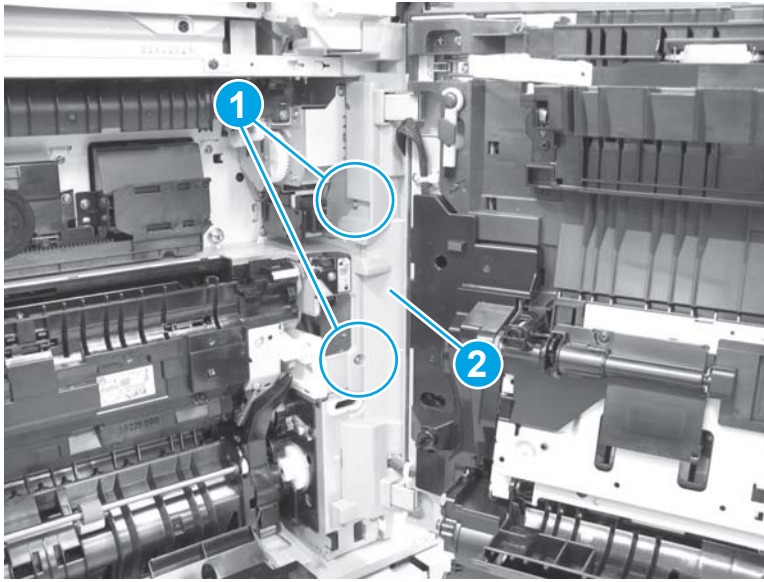
5. Remove one screw (callout 1), and then remove the handle (callout 2).

Figure 1-441 Remove the fuser drive assembly (5 of 10)




6. Remove two screws (callout 1), and then remove the right inner cover (callout 2).

Figure 1-442 Remove the fuser drive assembly (6 of 10)

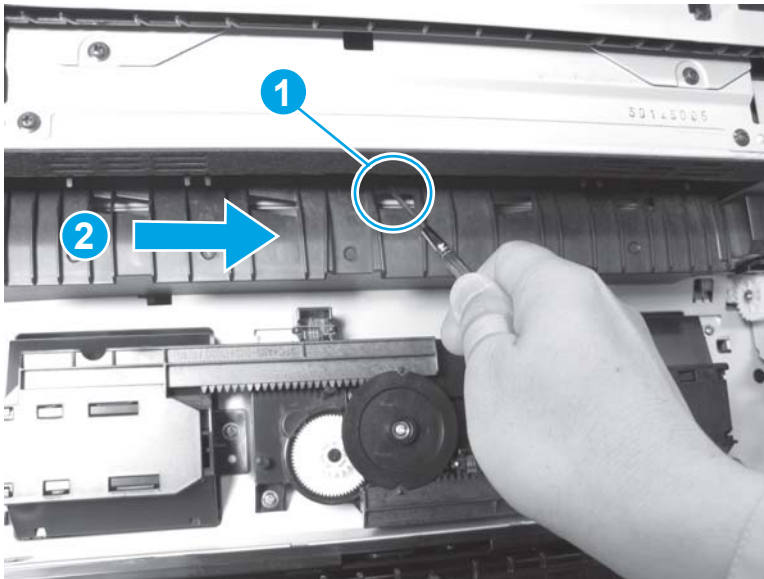


7. Use a small flat-blade screwdriver to release one plastic pin (callout 1), and then slide the duct to the right (callout 2) to remove it.

 **TIP:** Use the arrow embossed on the duct to locate the pin (callout 1).

Reinstallation tip: Lift up on the pin when the duct is reinstalled.

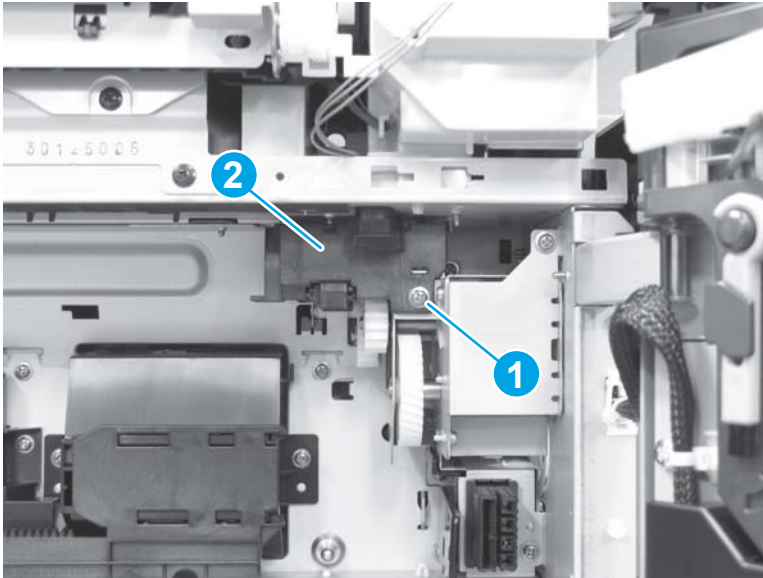
Figure 1-443 Remove the fuser drive assembly (7 of 10)



8. Remove one screw (callout 1), and then separate the fuser cover open detection sensor holder (callout 2) from the chassis.

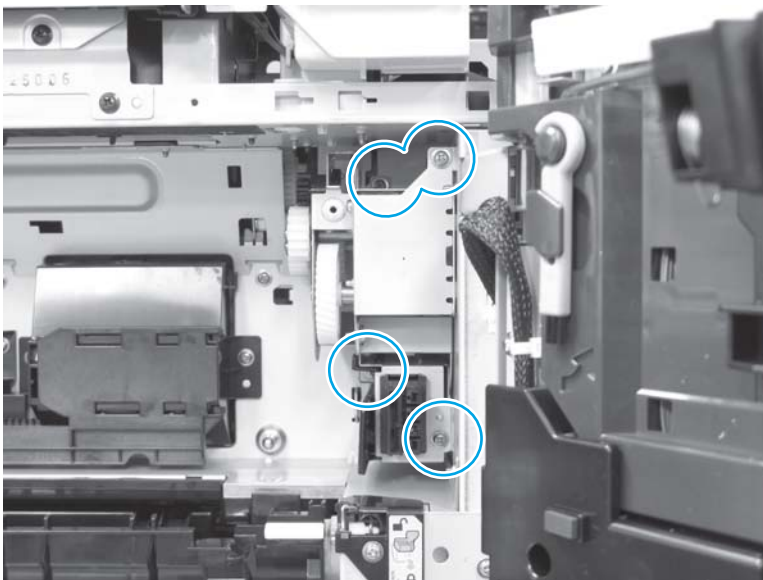
⚠ CAUTION: The holder is still attached to the product. Do not attempt to completely remove the holder. Separate it from the product, and move it out of the way.

Figure 1-444 Remove the fuser drive assembly (8 of 10)



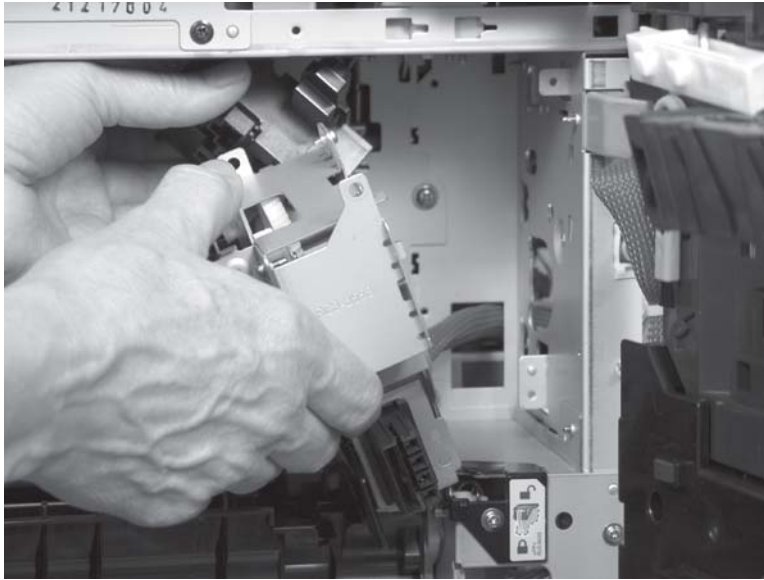
9. Remove four screws.

Figure 1-445 Remove the fuser drive assembly (9 of 10)



10. Remove the fuser drive assembly.

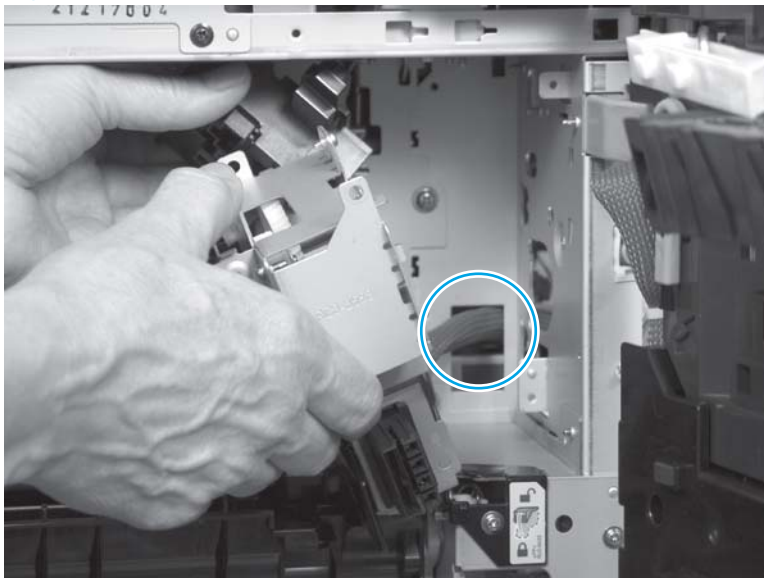
Figure 1-446 Remove the fuser drive assembly (10 of 10)



Reinstall the fuser drive assembly

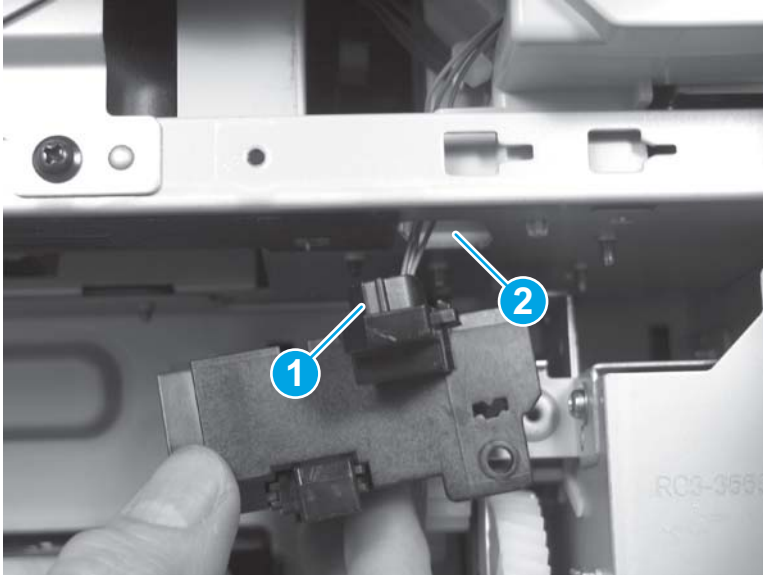
1. Make sure that the wire harness is routed through the correct opening in the chassis when reinstalling the assembly.

Figure 1-447 Reinstall the fuser drive assembly (1 of 4)



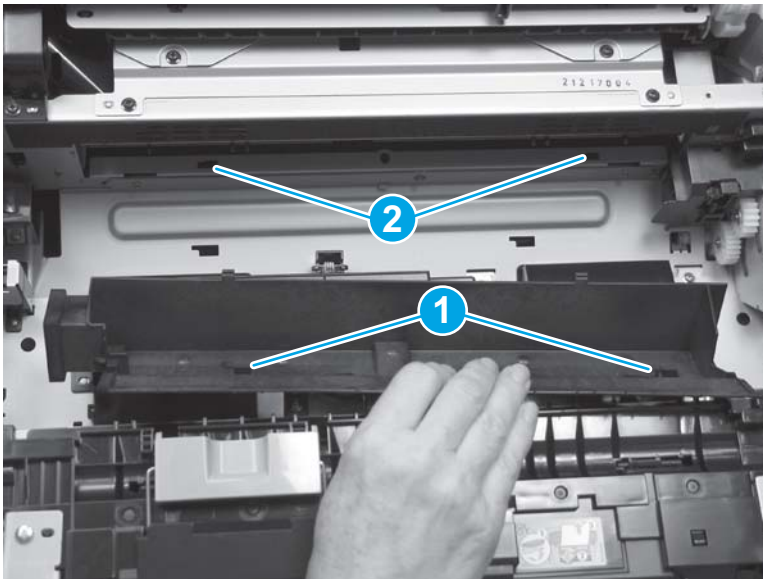
2. When reinstalling the fuser cover open detection sensor holder, make sure that the tab on the holder (callout 1) is installed in the opening in the chassis (callout 2).

Figure 1-448 Reinstall the fuser drive assembly (2 of 4)



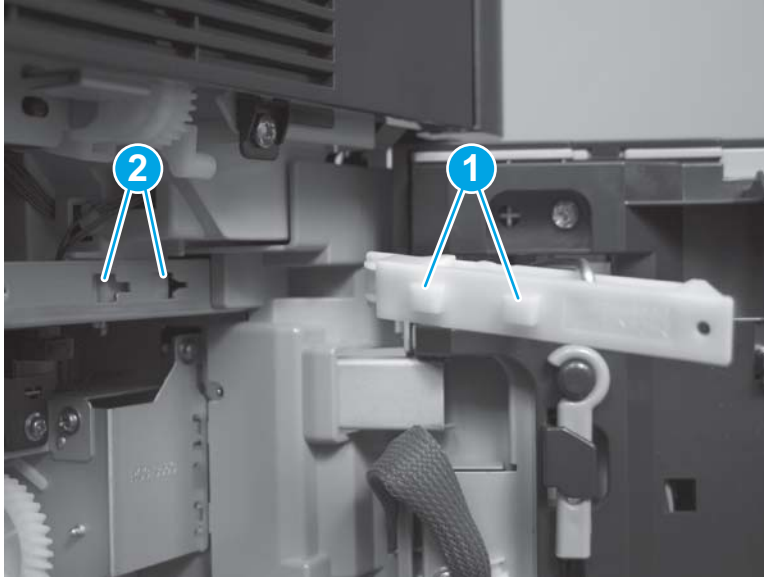
3. When reinstalling the duct, make sure that the tabs on the duct (callout 1) are installed in the slots in the chassis (callout 2).

Figure 1-449 Reinstall the fuser drive assembly (3 of 4)



4. When reinstalling the retainer arm, make sure that the tabs on the arm (callout 1) are installed in the slots in the chassis (callout 2).

Figure 1-450 Reinstall the fuser drive assembly (4 of 4)



Scanner cover

Before proceeding, remove the following assemblies:

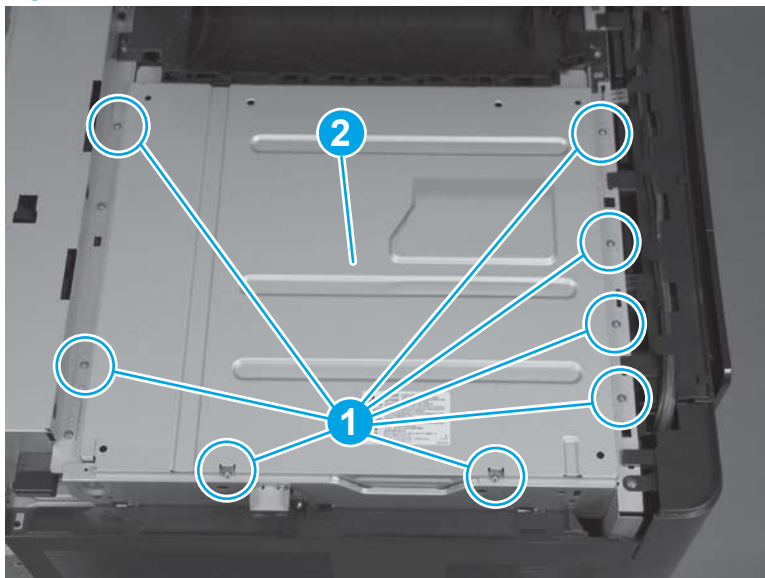
- Control panel assembly (M880). See [Control panel assembly \(M880\) on page 53](#).
- Scanner back cover (M880). See [Scanner back cover \(M880\) on page 88](#).
- Remove one of the following, depending upon product configuration:
 - Face-down bin. See [Face-down bin on page 101](#).
 - Intermediate paper transport unit (IPTU). See [IPTU assembly on page 437](#).
- Switch back cover. See [Switch back cover on page 105](#).
- Right upper rear cover (M855). See [Right upper rear cover \(M855\) on page 96](#).
- Right upper rear cover (M880). See [Right upper rear cover \(M880\) on page 108](#).
- Front top cover. See [Front top cover on page 115](#).
- Rear top cover. See [Rear top cover \(M855\) on page 116](#).
- Document feeder assembly (M880). See [Document feeder assembly \(M880\) on page 154](#).
- Scanner assembly (M880). See [Scanner assembly \(M880\) on page 162](#).

Remove the scanner cover

Remove eight screws (callout 1) and then remove the scanner cover (callout 2).

CAUTION: Be careful. Do not drop any of the screws into the product.

Figure 1-451 Remove the scanner cover



Laser/scanner assembly (yellow and magenta)

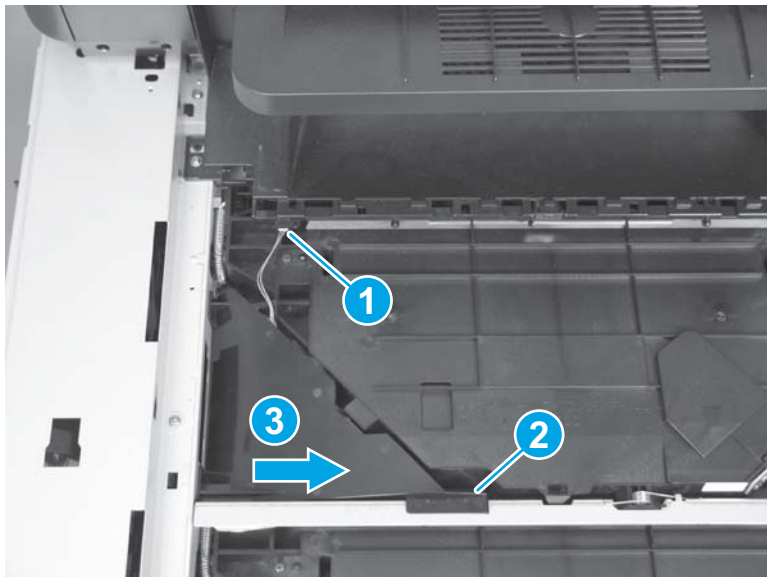
Before proceeding, remove the following assemblies:

- Scanner back cover (M880). See [Scanner back cover \(M880\) on page 88](#).
- Remove one of the following, depending upon product configuration:
 - Face-down bin. See [Face-down bin on page 101](#).
 - Intermediate paper transport unit (IPTU). See [IPTU assembly on page 437](#).
- Switch back cover. See [Switch back cover on page 105](#).
- Right upper rear cover (M855). See [Right upper rear cover \(M855\) on page 96](#).
- Right upper rear cover (M880). See [Right upper rear cover \(M880\) on page 108](#).
- Front top cover. See [Front top cover on page 115](#).
- Rear top cover. See [Rear top cover \(M855\) on page 116](#).
- Document feeder assembly (M880). See [Document feeder assembly \(M880\) on page 154](#).
- Scanner assembly (M880). See [Scanner assembly \(M880\) on page 162](#).
- Scanner cover. See [Scanner cover on page 306](#).

Remove the laser/scanner assembly (yellow and magenta)

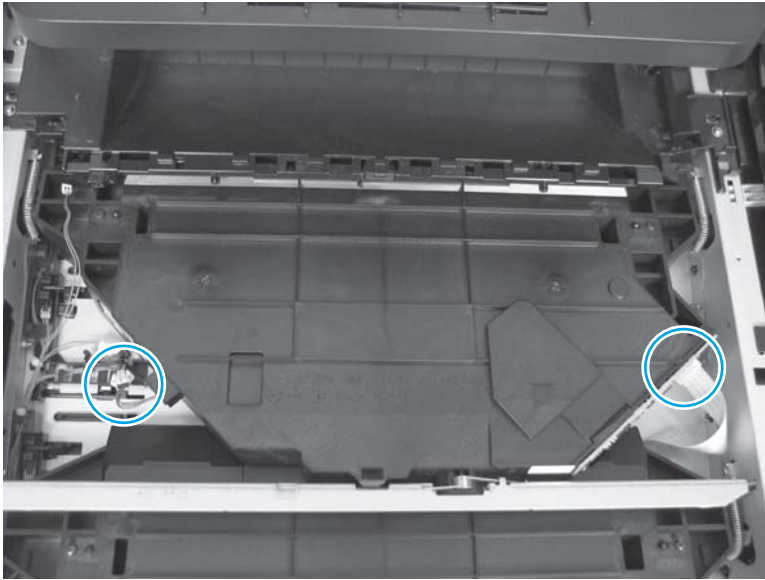
1. Disconnect one connector (callout 1), release one tab (callout 2), and then slide the corner cover to the right (callout 3) to remove it.

Figure 1-452 Remove the laser/scanner assembly (yellow and magenta; 1 of 6)



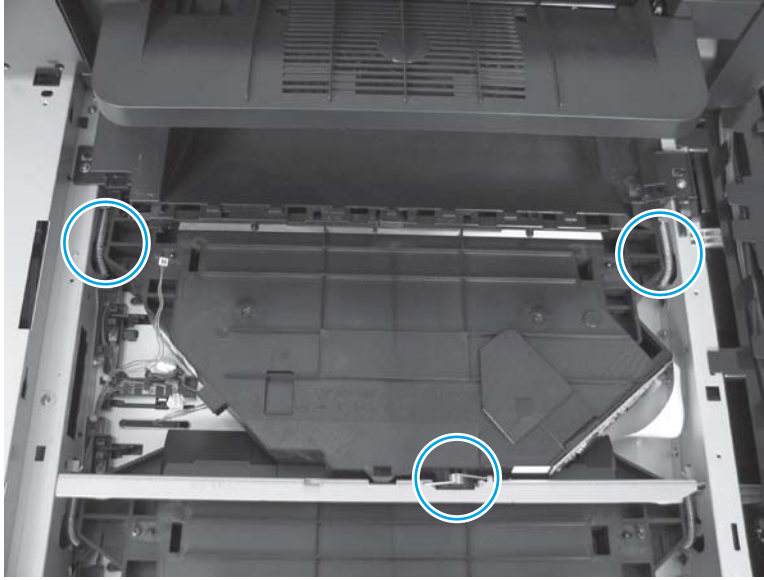
2. Disconnect two connectors.

Figure 1-453 Remove the laser/scanner assembly (yellow and magenta; 2 of 6)



3. Remove three springs.

Figure 1-454 Remove the laser/scanner assembly (yellow and magenta; 3 of 6)



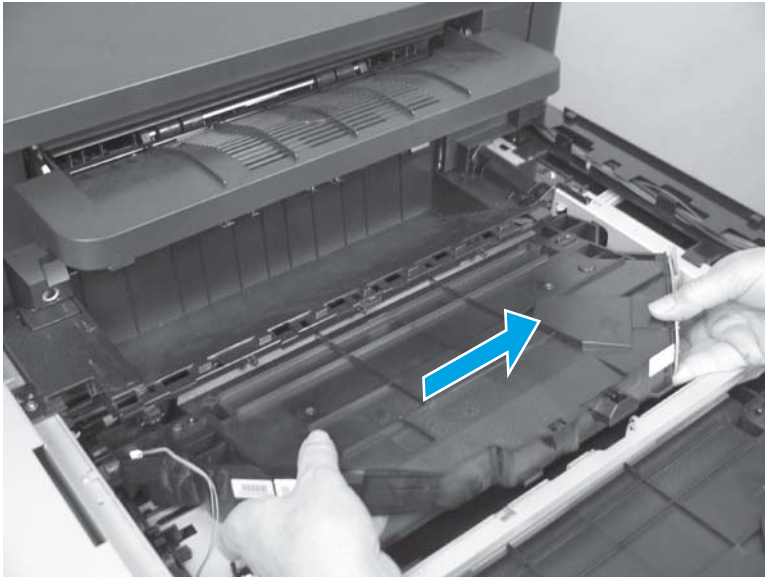
TIP: Hold the spring in place with one hand while releasing it with needle-nose pliers in the other hand.

Figure 1-455 Remove the laser/scanner assembly (yellow and magenta; 4 of 6)



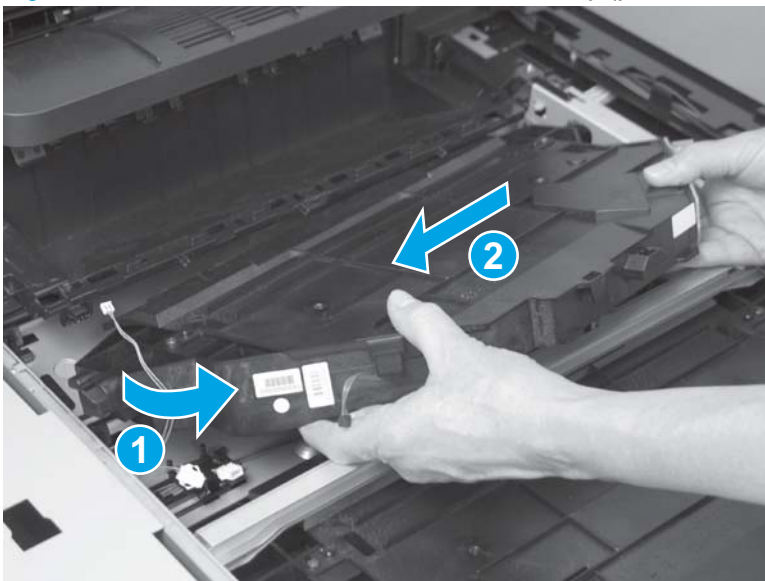
4. Lift up on the edge of the assembly closest to the left door, and then slide the assembly toward the front of the product.

Figure 1-456 Remove the laser/scanner assembly (yellow and magenta; 5 of 6)



5. Rotate the left side of the assembly toward the left door (callout 1), and then slide the assembly toward the back of the product (callout 2) to remove it.

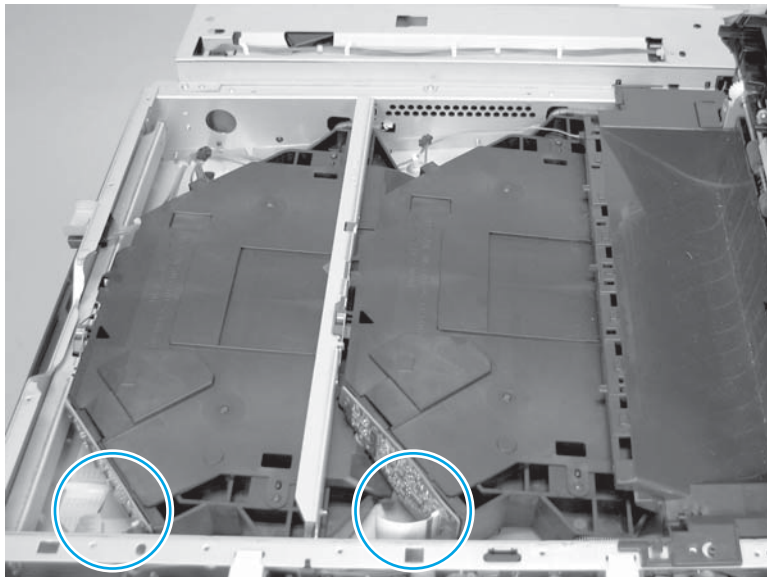
Figure 1-457 Remove the laser/scanner assembly (yellow and magenta; 6 of 6)



Reinstall the laser/scanner assembly (yellow and magenta)

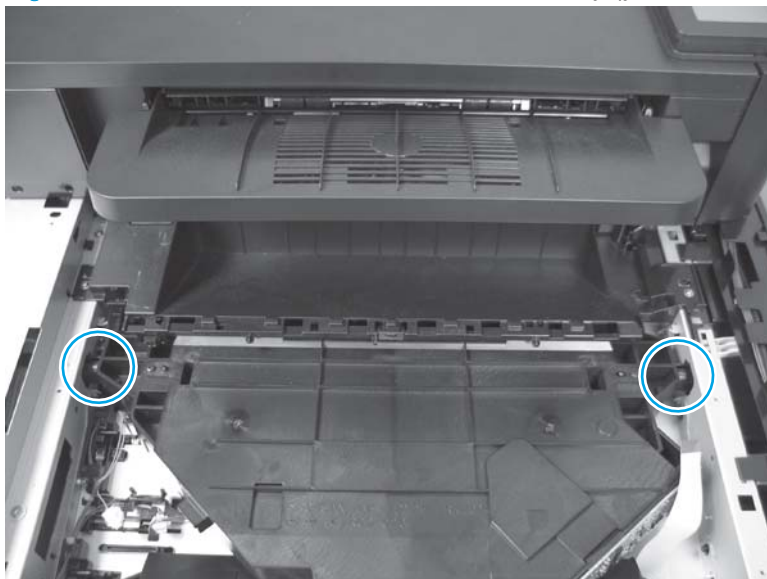
1. **CAUTION:** Use care when reinstalling the cables for the laser/scanner assemblies. The traces on the cable ends can be damaged when reinserted.

Figure 1-458 Reinstall the laser/scanner assembly (yellow and magenta; 1 of 2)



2. **CAUTION:** Make sure that the tabs on each side of the laser/scanner are fully seated.

Figure 1-459 Reinstall the laser/scanner assembly (yellow and magenta; 2 of 2)



Laser/scanner assembly (cyan and black)

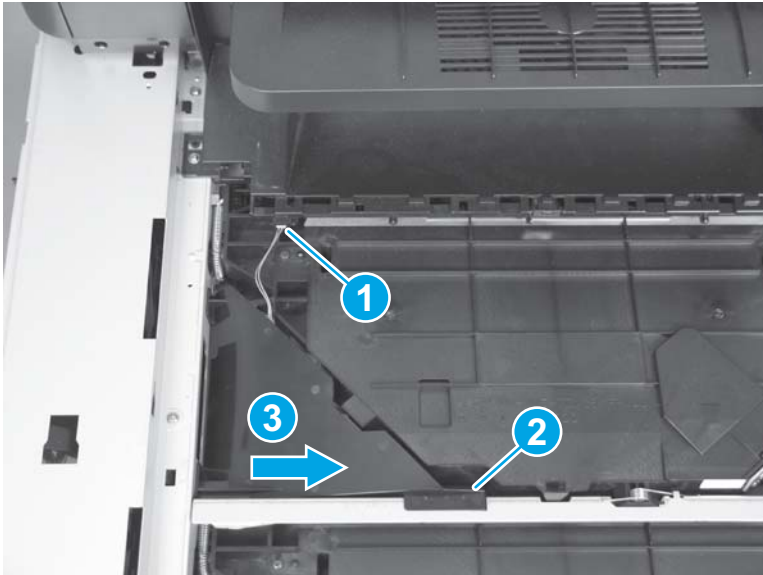
Before proceeding, remove the following assemblies:

- Scanner back cover (M880). See [Scanner back cover \(M880\) on page 88](#).
- Remove one of the following, depending upon product configuration:
 - Face-down bin. See [Face-down bin on page 101](#).
 - Intermediate paper transport unit (IPTU). See [IPTU assembly on page 437](#).
- Right upper rear cover (M855). See [Right upper rear cover \(M855\) on page 96](#).
- Right upper rear cover (M880). See [Right upper rear cover \(M880\) on page 108](#).
- Front top cover. See [Front top cover on page 115](#).
- Rear top cover. See [Rear top cover \(M855\) on page 116](#).
- Document feeder assembly (M880). See [Document feeder assembly \(M880\) on page 154](#).
- Scanner assembly (M880). See [Scanner assembly \(M880\) on page 162](#).
- Scanner cover. See [Scanner cover on page 306](#).

Remove the laser/scanner assembly (cyan and black)

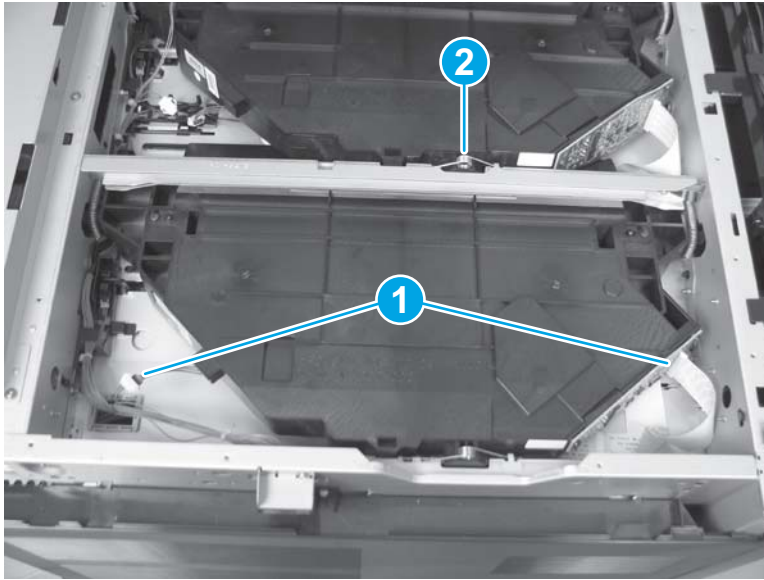
1. Disconnect one connector (callout 1), release one tab (callout 2), and then slide the corner cover to the right (callout 3) to remove it.

Figure 1-460 Remove the laser/scanner assembly (cyan and black; 1 of 8)



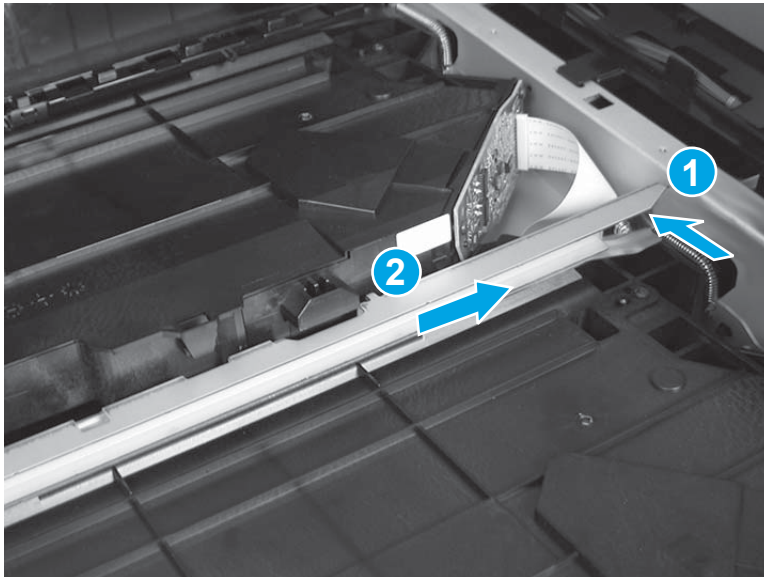
2. Disconnect two connectors (callout 1), and then remove one spring (callout 2).

Figure 1-461 Remove the laser/scanner assembly (cyan and black; 2 of 8)



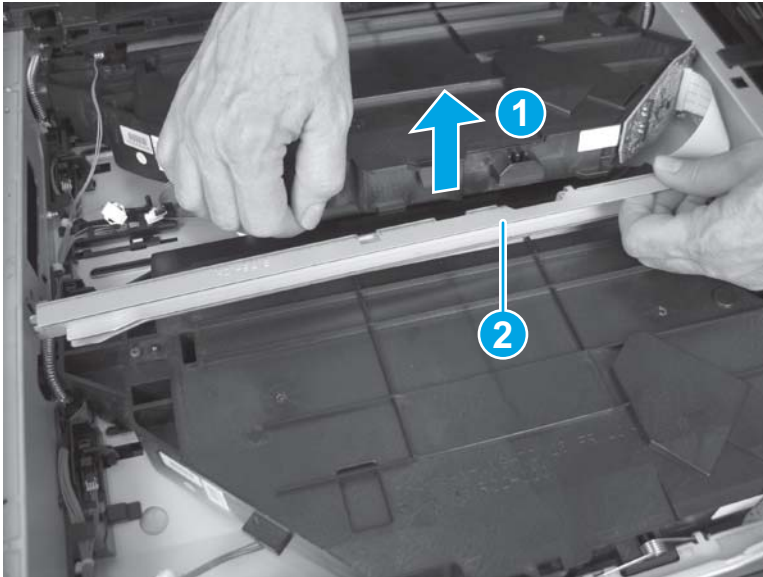
3. Press and hold one spring-loaded tab (callout 1), and then slide the sheet-metal bar toward the front door (callout 2) to release it.

Figure 1-462 Remove the laser/scanner assembly (cyan and black; 3 of 8)



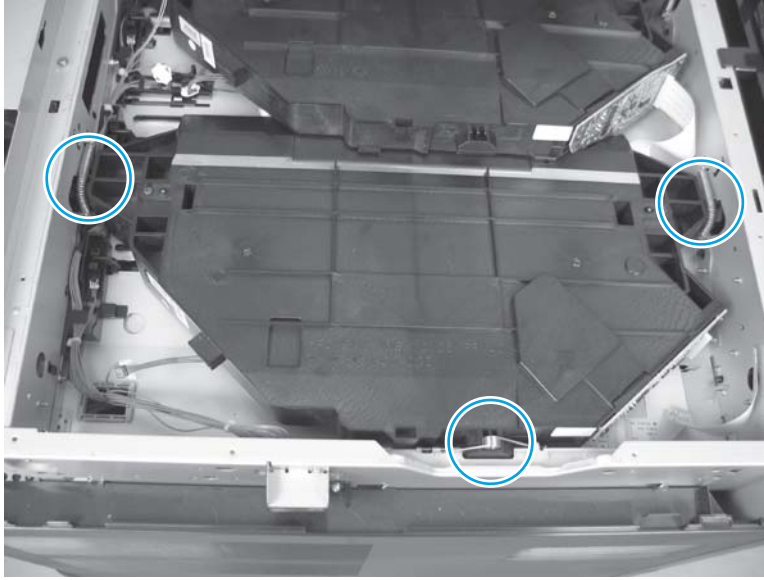
4. Lift up the edge of the laser/scanner assembly (yellow and magenta; callout 1), and then remove the bar (callout 2).

Figure 1-463 Remove the laser/scanner assembly (cyan and black; 4 of 8)



5. Remove three springs.

Figure 1-464 Remove the laser/scanner assembly (cyan and black; 5 of 8)




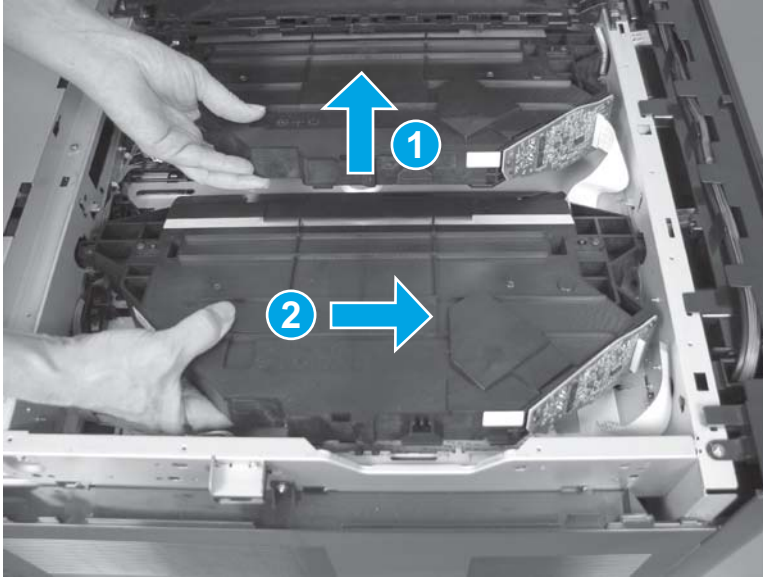
 **TIP:** Hold the spring in place with one hand while releasing it with needle-nose pliers in the other hand.

Figure 1-465 Remove the laser/scanner assembly (cyan and black; 6 of 8)



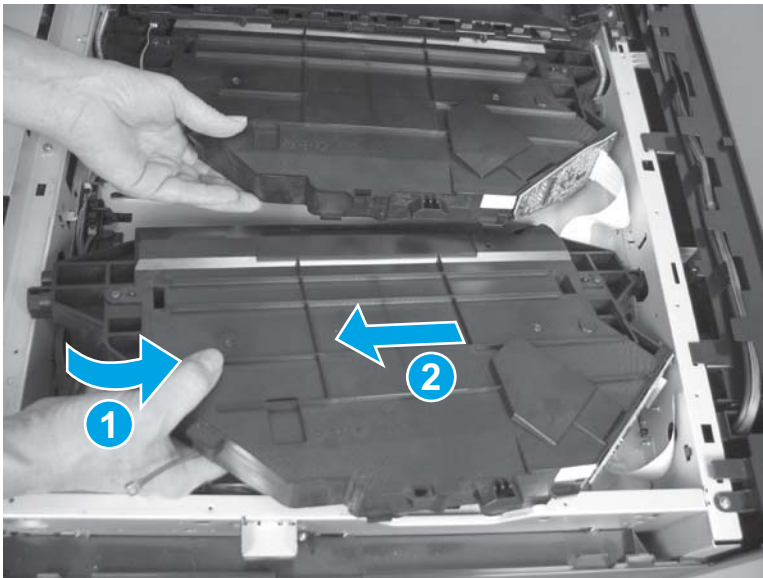
6. Lift up the edge of the laser/scanner assembly (yellow and magenta) (callout 1), and then slide the laser/scanner (cyan and black) to the right (callout 2).

Figure 1-466 Remove the laser/scanner assembly (cyan and black; 7 of 8)



7. Lift up the edge of the laser/scanner assembly (yellow and magenta), rotate the left side of the assembly towards the left door (callout 1), and then slide the assembly toward the back of the product (callout 2) to remove it.

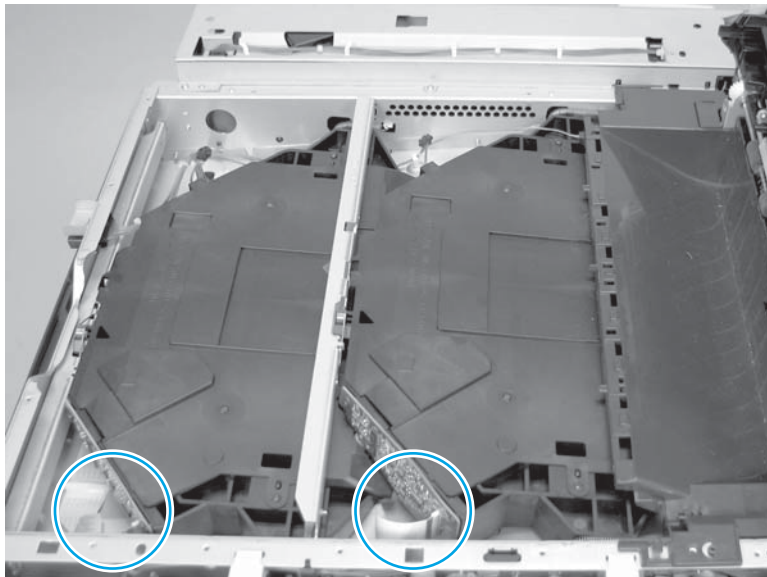
Figure 1-467 Remove the laser/scanner assembly (cyan and black; 8 of 8)



Reinstall the laser/scanner assembly (cyan and black)

1. **CAUTION:** Use care when reinstalling the cables for the laser/scanner assemblies. The traces on the cable ends can be damaged when reinserted.

Figure 1-468 Reinstall the laser/scanner assembly (cyan and black; 1 of 3)



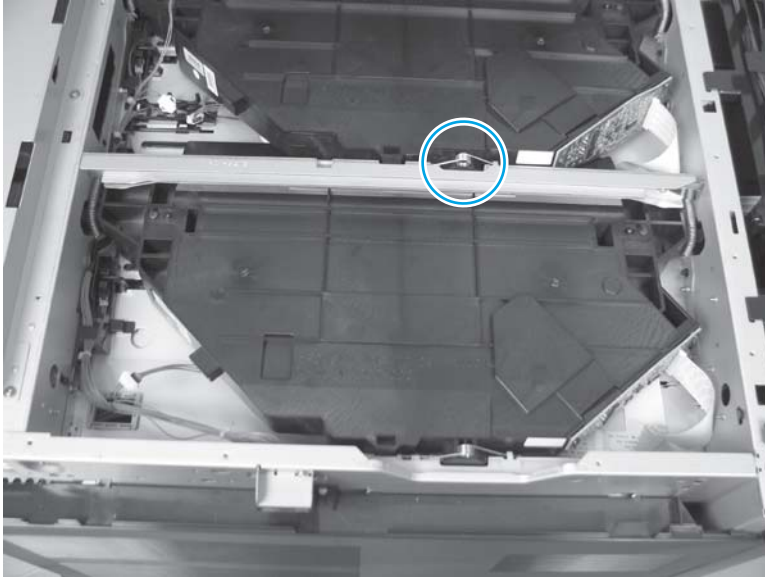
2. When reinstalling the bar, install the hook on the bar in the slot in the chassis as shown below.

Figure 1-469 Reinstall the laser/scanner assembly (cyan and black; 2 of 3)



3. Make sure that the spring on the laser/scanner assembly (yellow and magenta) is in place.

Figure 1-470 Reinstall the laser/scanner assembly (cyan and black; 3 of 3)



Duplex reverse assembly (M855)

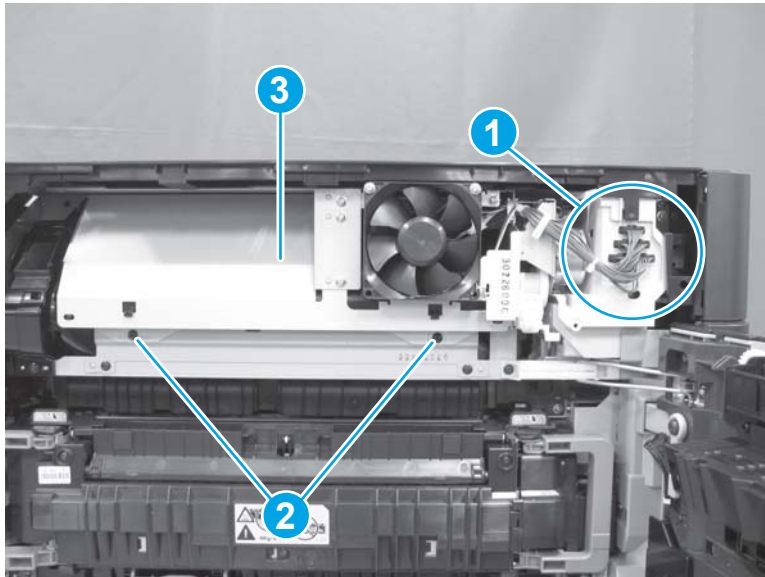
Before proceeding, remove the following assemblies:

- Switch back cover. See [Switch back cover on page 105](#).

Remove the duplex reverse assembly (M855)

Disconnect four connectors (callout 1), remove two screws (callout 2), and then remove the duplex reverse assembly (callout 3).

Figure 1-471 Remove the duplex reverse assembly (M855)



Duplex reverse assembly (M880)

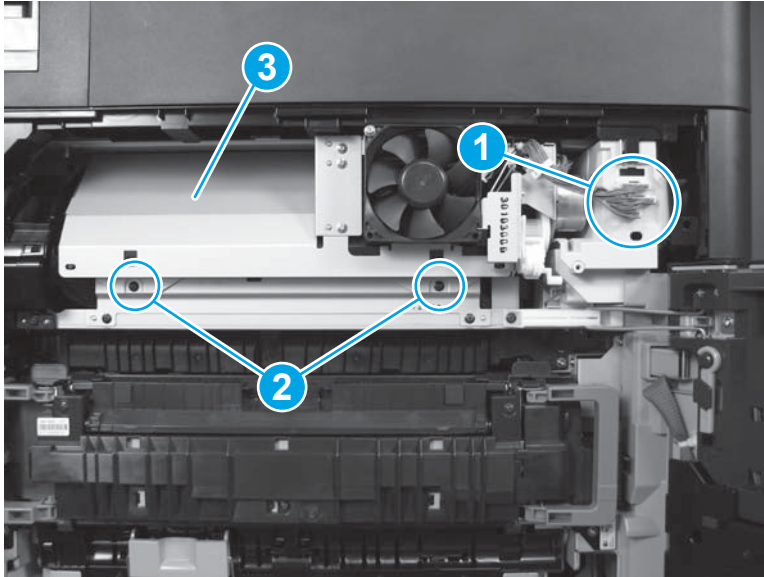
Before proceeding, remove the following assemblies:

- Switch back cover. See [Switch back cover on page 105](#).

Remove the duplex reverse assembly (M880)

Disconnect three connectors (callout 1), remove two screws (callout 2), and then remove the duplex reverse assembly (callout 3).

Figure 1-472 Remove the duplex reverse assembly (M880)



VOC fan (M855)

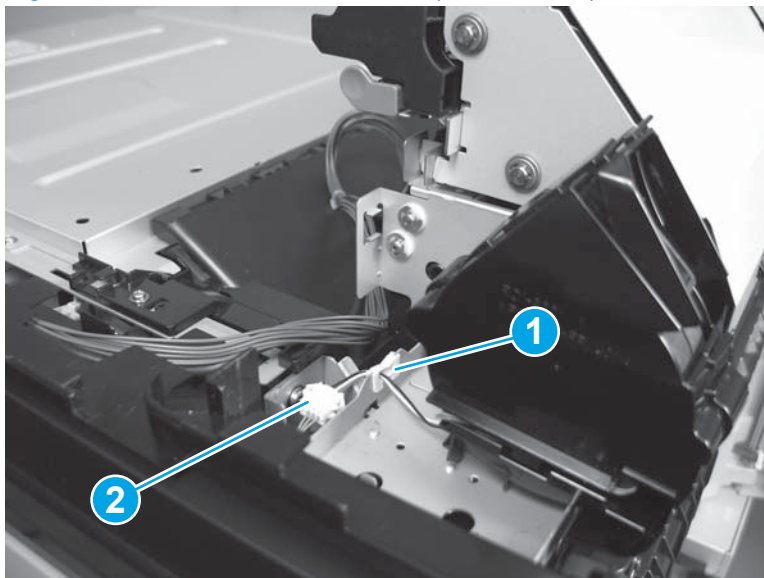
Before proceeding, remove the following assemblies:

- Switch back tray. See [Switch back tray on page 22](#).
- Control panel (M855). See [Control panel assembly \(M855\) on page 47](#).
- Right upper rear cover (M855). See [Right upper rear cover \(M855\) on page 96](#).
- Hardware integration pocket (HIP) cover (M855). See [Hardware integration pocket \(HIP\) cover \(M855\) on page 97](#).
- Remove one of the following, depending upon product configuration:
 - Face-down bin. See [Face-down bin on page 101](#).
 - Intermediate paper transport unit (IPTU). See [IPTU assembly on page 437](#).
- Switch back cover. See [Switch back cover on page 105](#).
- Right upper front cover (M855). See [Right upper front cover \(M855\) on page 120](#).
- Front top cover. See [Front top cover on page 115](#).
- Rear top cover. See [Rear top cover \(M855\) on page 116](#).
- Right upper cover (M855). See [Right upper cover \(M855\) on page 124](#).

Remove the VOC fan (M855)

1. At the top of the product, release the wire harness from the retainer (callout 1), and then disconnect one connector (callout 2).

Figure 1-473 Remove the VOC fan (M855; 1 of 2)



2. Remove one screw (callout 1), and then remove the VOC fan (callout 2).


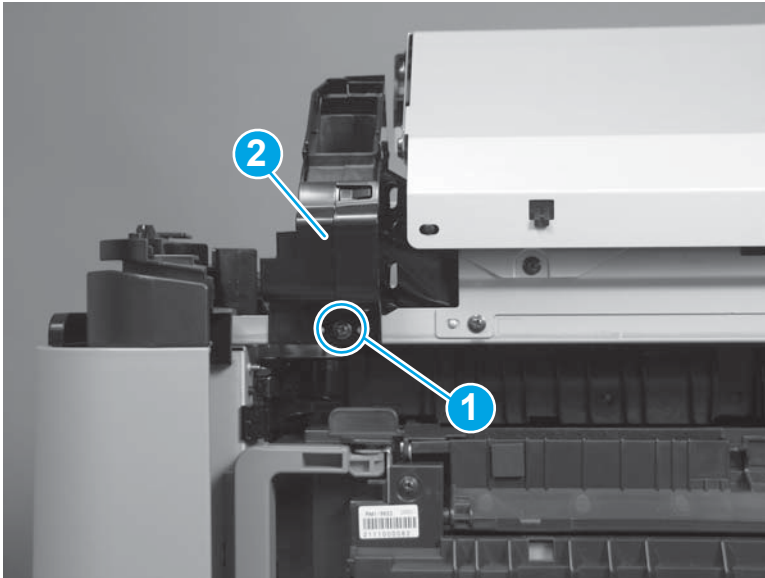
 **Reinstallation tip:** When the fan is reinstalled, make sure that the tab on the bottom fits into the slot provided on the chassis.

Figure 1-474 Remove the VOC fan (M855; 2 of 2)



VOC fan (M880)

Before proceeding, remove the following assemblies:

- Switch back tray. See [Switch back tray on page 22](#).
- Scanner back cover (M880). See [Scanner back cover \(M880\) on page 88](#).
- Remove one of the following, depending upon product configuration:
 - Face-down bin. See [Face-down bin on page 101](#).
 - Intermediate paper transport unit (IPTU). See [IPTU assembly on page 437](#).
- Switch back cover. See [Switch back cover on page 105](#).
- Rear upper rear cover (M880). See [Rear upper rear cover \(M880\) on page 107](#).
- Right upper rear cover (M880). See [Right upper rear cover \(M880\) on page 108](#).
- Rear upper MFP cover (M880). See [Rear upper MFP cover \(M880\) on page 109](#).
- Left upper rear cover (M880). See [Left upper rear cover and rear upper B cover \(M880\) on page 111](#).
- Rear upper front cover. See [Rear upper front cover \(M880\) on page 113](#).
- Front top cover. See [Front top cover on page 115](#).
- Right upper front cover (M880). See [Right upper front cover \(M880\) on page 122](#).
- Document feeder assembly (M880). See [Document feeder assembly \(M880\) on page 154](#).
- Scanner assembly (M880). See [Scanner assembly \(M880\) on page 162](#).
- Duplex reverse assembly (M880). See [Duplex reverse assembly \(M880\) on page 320](#).

Remove the VOC fan (M880)

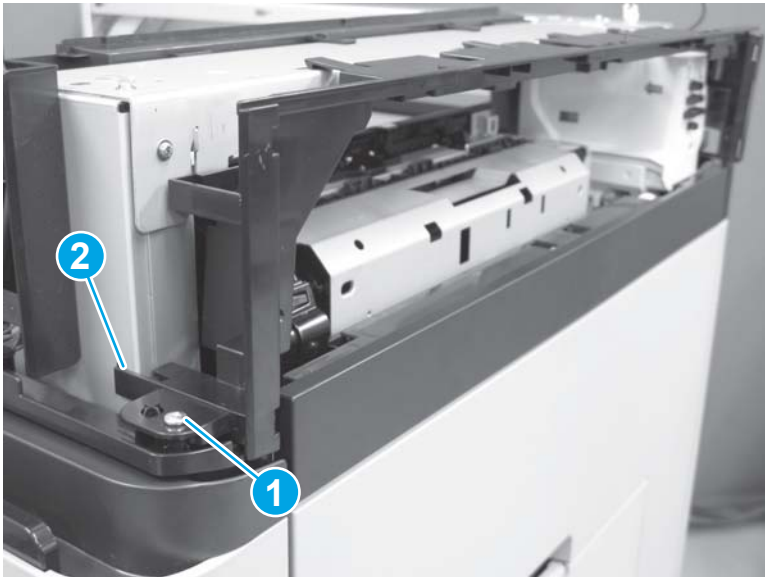
1. Remove one screw.

Figure 1-475 Remove the VOC fan (M880; 1 of 6)



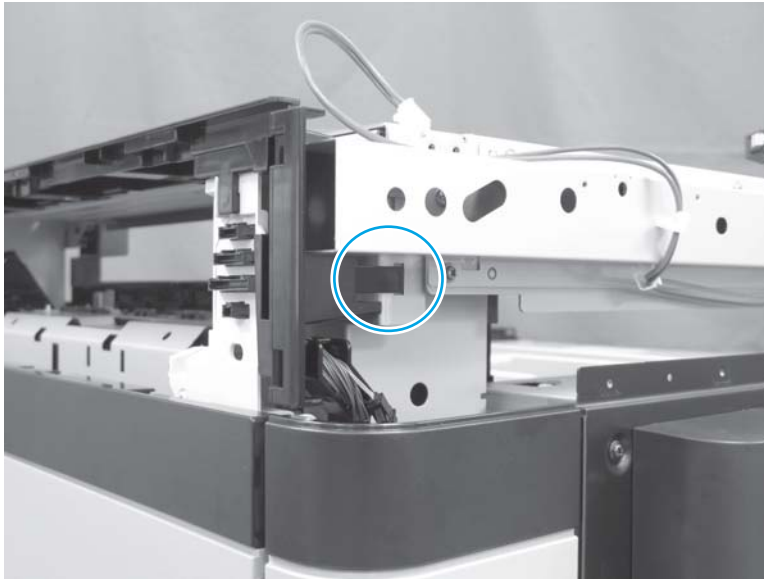
2. Remove one screw (callout 1), and then release one tab (callout 2).

Figure 1-476 Remove the VOC fan (M880; 2 of 6)



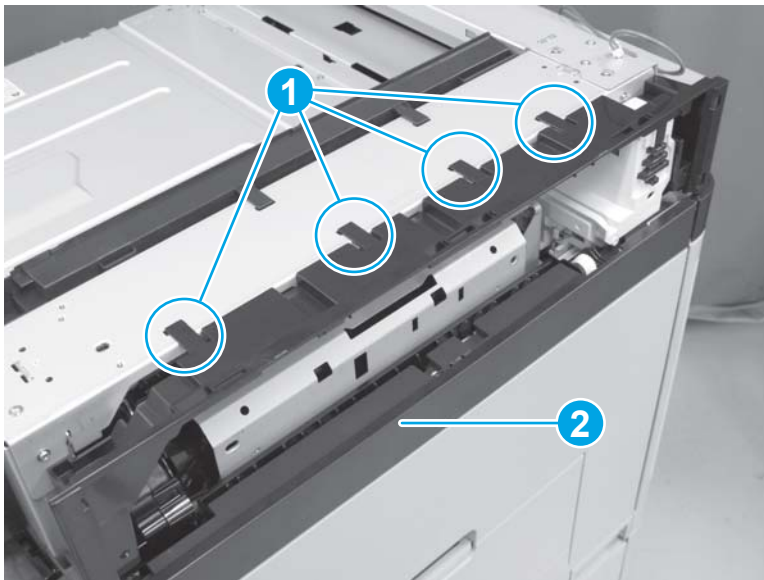
3. Release one tab.

Figure 1-477 Remove the VOC fan (M880; 3 of 6)



4. Release four tabs (callout 1), and then remove the switch back inner cover (callout 2).

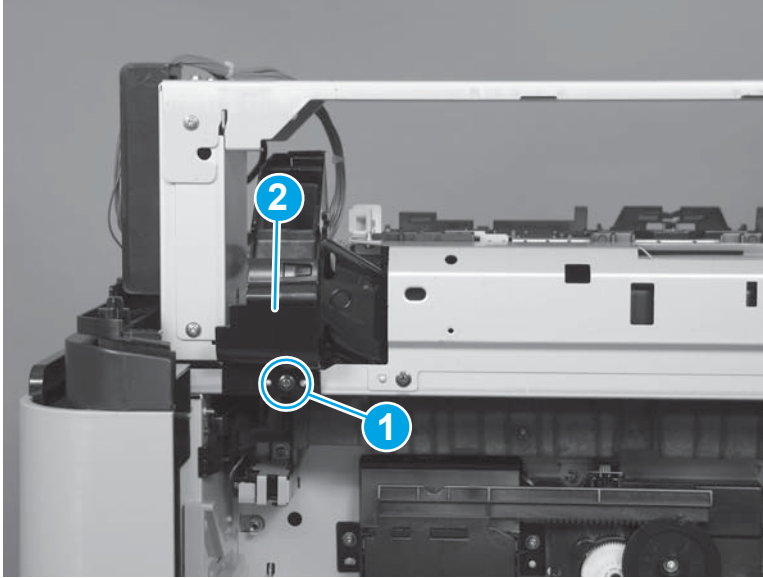
Figure 1-478 Remove the VOC fan (M880; 4 of 6)



5. Remove one screw (callout 1), and then lift the VOC fan (callout 2) away from the product.

⚠ CAUTION: The VOC fan is still attached to the product by a wire harness. Do not attempt to completely remove the VOC fan.

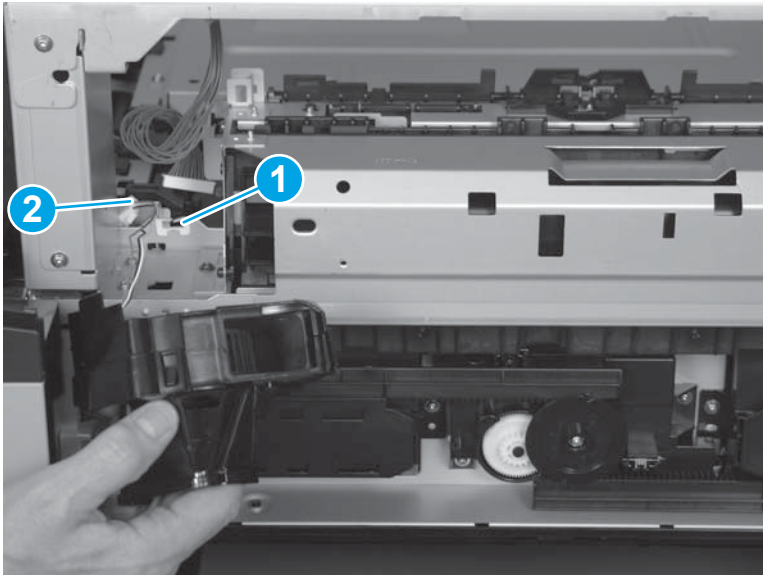
Figure 1-479 Remove the VOC fan (M880; 5 of 6)



6. Release the wire harness from the retainer (callout 1), and then disconnect one connector (callout 2) to remove the VOC fan.

💡 Reinstallation tip: When the fan is reinstalled, make sure that the tab on the bottom fits into the slot provided on the chassis.

Figure 1-480 Remove the VOC fan (M880; 6 of 6)



Face-down delivery assembly(M855)

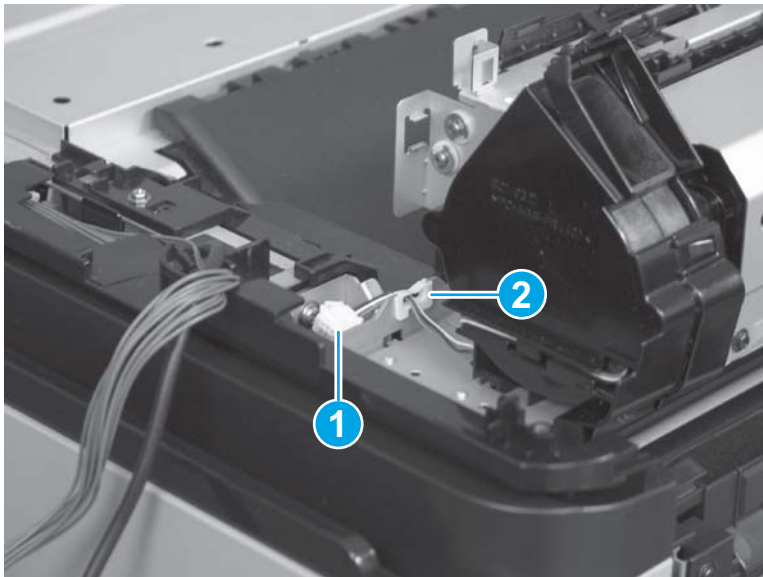
Before proceeding, remove the following assemblies:

- Switch back tray. See [Switch back tray on page 22](#).
- Control panel (M855). See [Control panel assembly \(M855\) on page 47](#).
- Right upper rear cover (M855). See [Right upper rear cover \(M855\) on page 96](#).
- Hardware integration pocket (HIP) cover (M855). See [Hardware integration pocket \(HIP\) cover \(M855\) on page 97](#).
- Remove one of the following, depending upon product configuration:
 - Face-down bin. See [Face-down bin on page 101](#).
 - Intermediate paper transport unit (IPTU). See [IPTU assembly on page 437](#).
- Switch back cover. See [Switch back cover on page 105](#).
- Right upper front cover (M855). See [Right upper front cover \(M855\) on page 120](#).
- Front top cover. See [Front top cover on page 115](#).
- Rear top cover. See [Rear top cover \(M855\) on page 116](#).
- Right upper cover (M855). See [Right upper cover \(M855\) on page 124](#).
- Duplex reverse assembly (M855). See [Duplex reverse assembly \(M855\) on page 319](#).

Remove the face-down delivery assembly (M855)

1. At the top of the product, disconnect one connector (callout 1), and then release the wire harness from the retainer (callout 2).

Figure 1-481 Remove the face-down delivery assembly (M855; 1 of 8)



2. Remove one screw (callout 1), and then remove the VOC fan (callout 2).


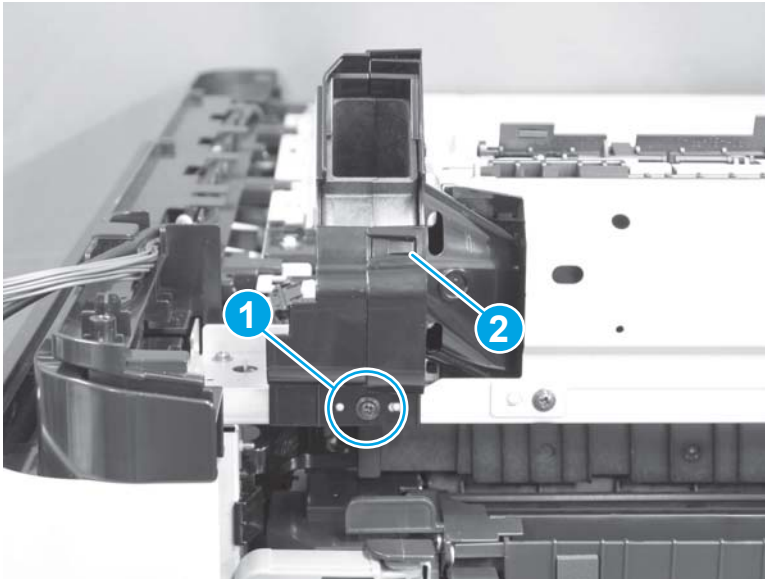
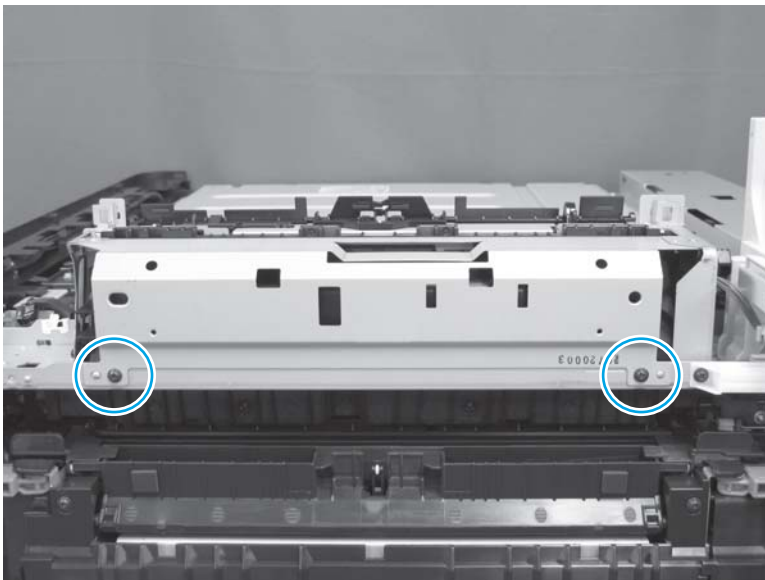
 **Reinstallation tip:** When the fan is reinstalled, make sure that the tab on the bottom fits into the slot provided on the chassis.

Figure 1-482 Remove the face-down delivery assembly (M855; 2 of 8)



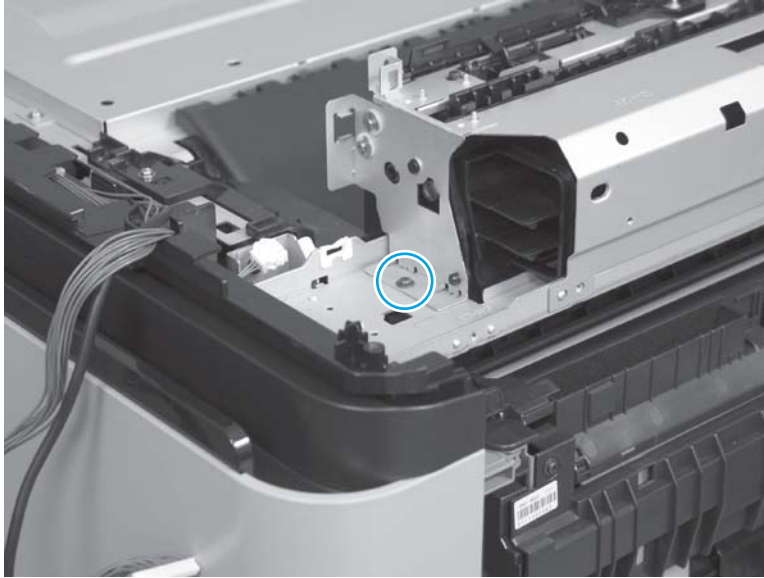
3. Remove two screws.

Figure 1-483 Remove the face-down delivery assembly (M855; 3 of 8)



4. Remove one screw.

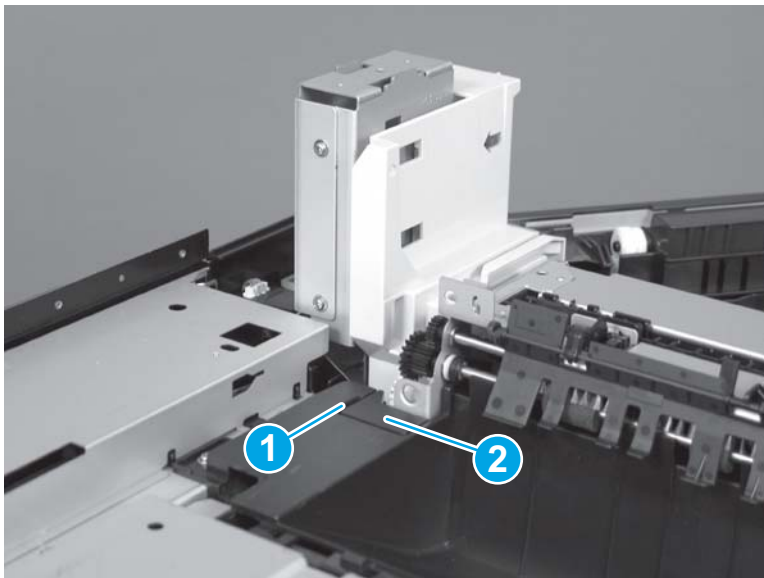
Figure 1-484 Remove the face-down delivery assembly (M855; 4 of 8)



5. Release one tab (callout 1), and then remove one cover (callout 2).

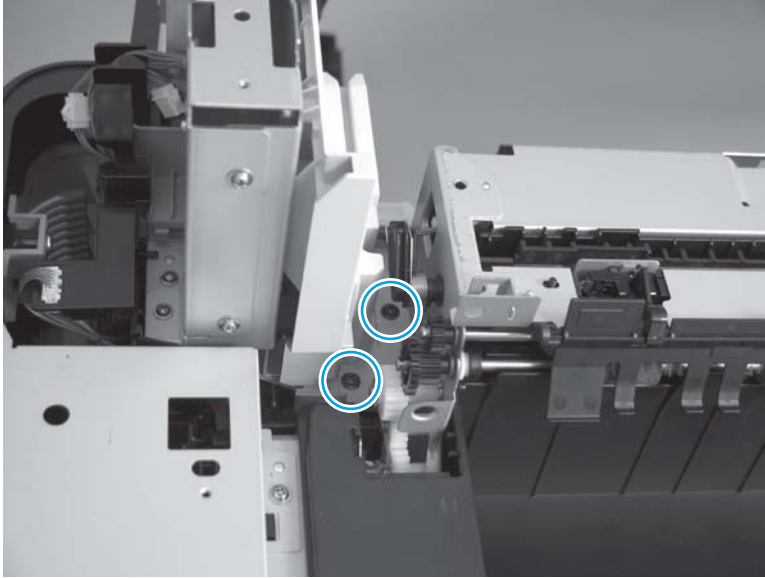
 **TIP:** Use the arrow embossed on the cover to locate the tab.

Figure 1-485 Remove the face-down delivery assembly (M855; 5 of 8)



6. Remove two screws.

Figure 1-486 Remove the face-down delivery assembly (M855; 6 of 8)



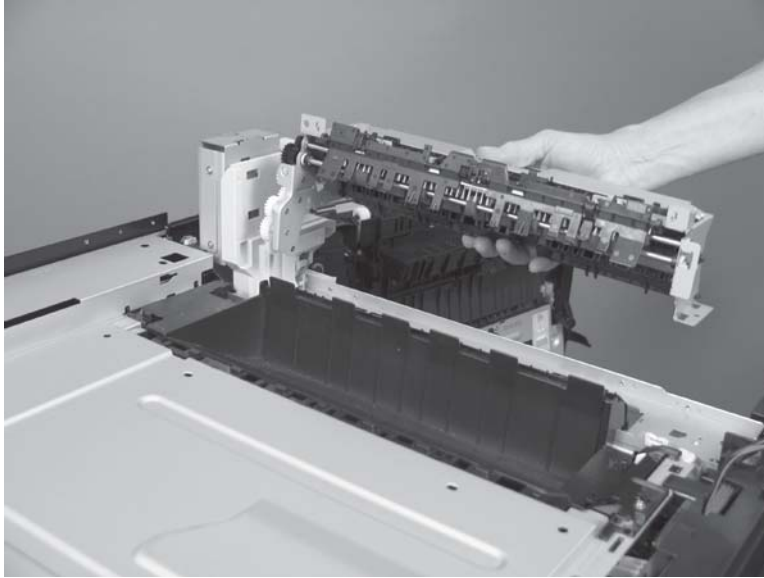
7. Disconnect one connector.

Figure 1-487 Remove the face-down delivery assembly (M855; 7 of 8)



8. Remove the assembly.

Figure 1-488 Remove the face-down delivery assembly (M855; 8 of 8)



Face-down delivery assembly (M880)

Before proceeding, remove the following assemblies:

- Switch back tray. See [Switch back tray on page 22](#).
- Scanner back cover (M880). See [Scanner back cover \(M880\) on page 88](#).
- Remove one of the following, depending upon product configuration:
 - Face-down bin. See [Face-down bin on page 101](#).
 - Intermediate paper transport unit (IPTU). See [IPTU assembly on page 437](#).
- Switch back cover. See [Switch back cover on page 105](#).
- Rear upper rear cover (M880). See [Rear upper rear cover \(M880\) on page 107](#).
- Right upper rear cover (M880). See [Right upper rear cover \(M880\) on page 108](#).
- Rear upper MFP cover (M880). See [Rear upper MFP cover \(M880\) on page 109](#).
- Left upper rear cover (M880). See [Left upper rear cover and rear upper B cover \(M880\) on page 111](#).
- Rear upper front cover. See [Rear upper front cover \(M880\) on page 113](#).
- Front top cover. See [Front top cover on page 115](#).
- Right upper front cover (M880). See [Right upper front cover \(M880\) on page 122](#).
- Document feeder assembly (M880). See [Document feeder assembly \(M880\) on page 154](#).
- Scanner assembly (M880). See [Scanner assembly \(M880\) on page 162](#).
- Duplex reverse assembly (M880). See [Duplex reverse assembly \(M880\) on page 320](#).

Remove the face-down delivery assembly (M880)

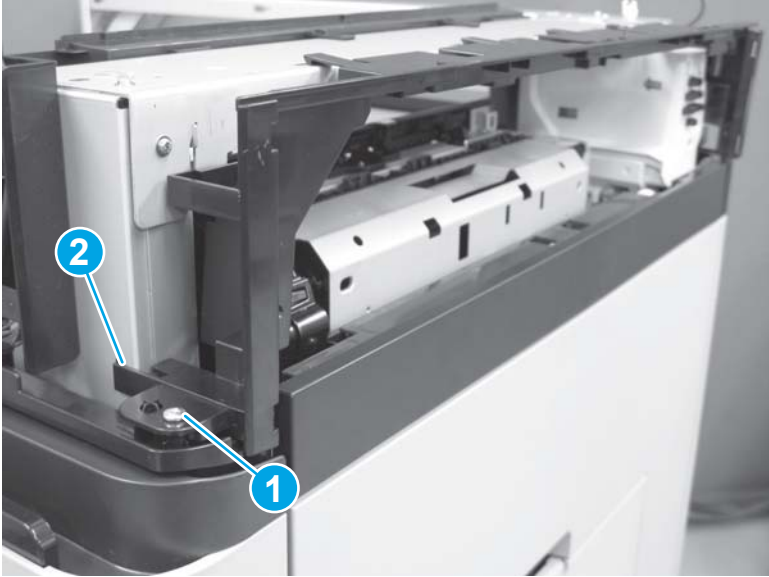
1. Remove one screw.

Figure 1-489 Remove the face-down delivery assembly (M880; 1 of 19)



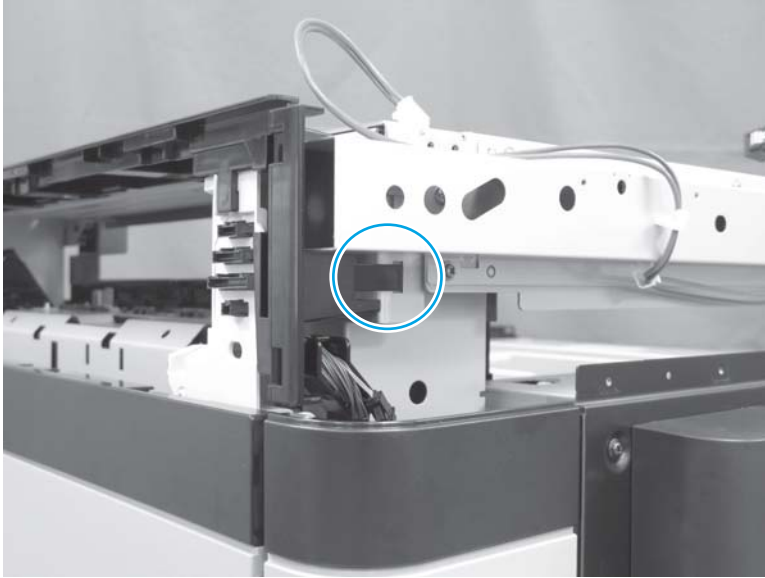
- 2. Remove one screw (callout 1), and then release one tab (callout 2).

Figure 1-490 Remove the face-down delivery assembly (M880; 2 of 19)



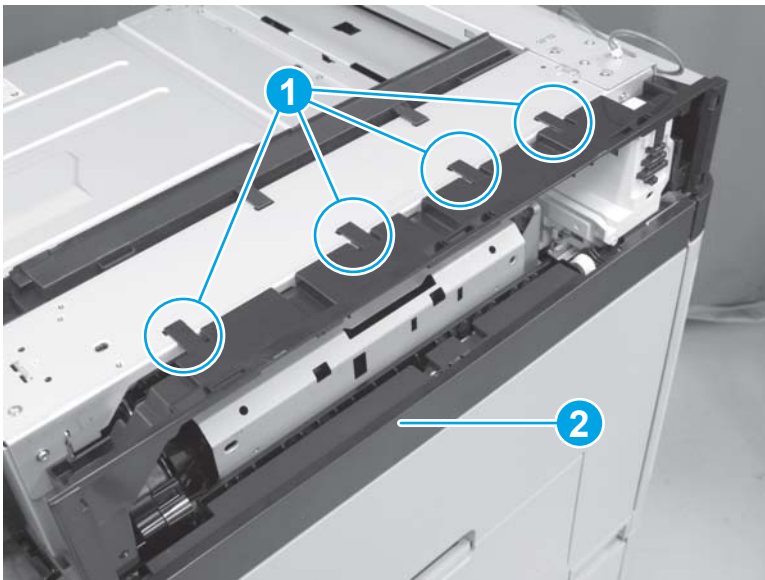
3. Release one tab.

Figure 1-491 Remove the face-down delivery assembly (M880; 3 of 19)



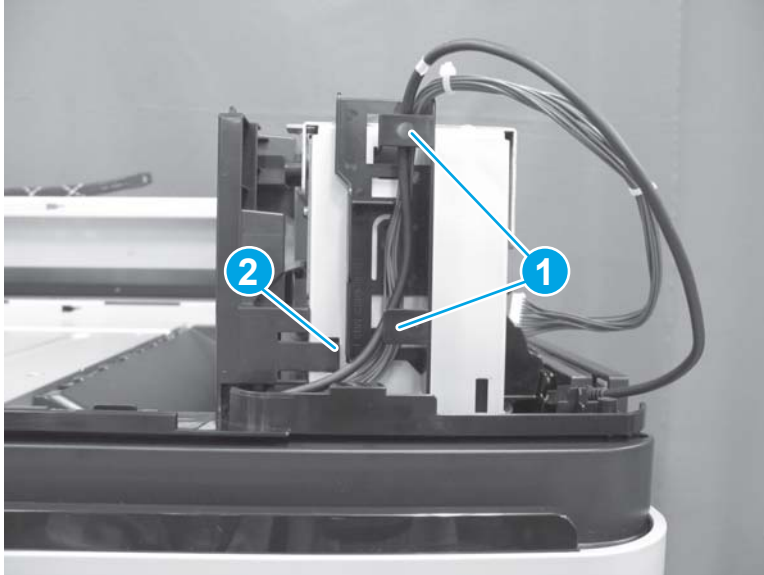
4. Release four tabs (callout 1), and then remove the switch back inner cover (callout 2).

Figure 1-492 Remove the face-down delivery assembly (M880; 4 of 19)



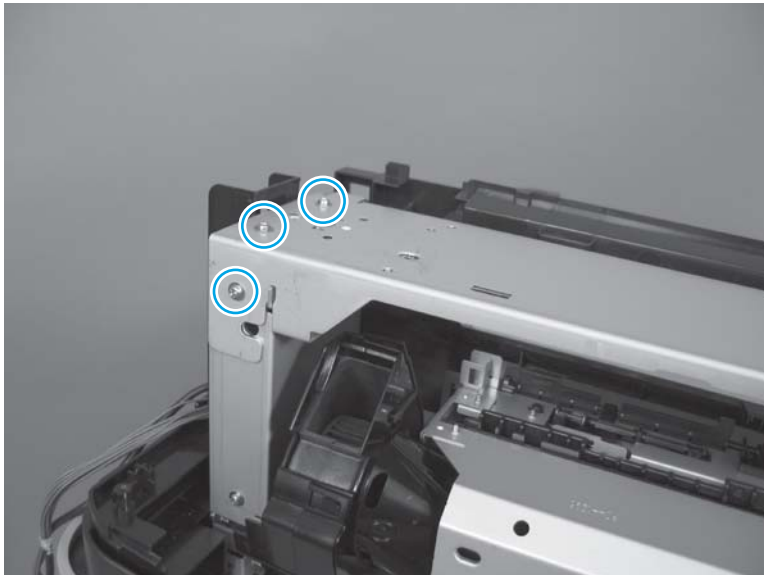
5. Release the wire harness and USB cable from the guide (callout 1), and then release one tab (callout 2).

Figure 1-493 Remove the face-down delivery assembly (M880; 5 of 19)



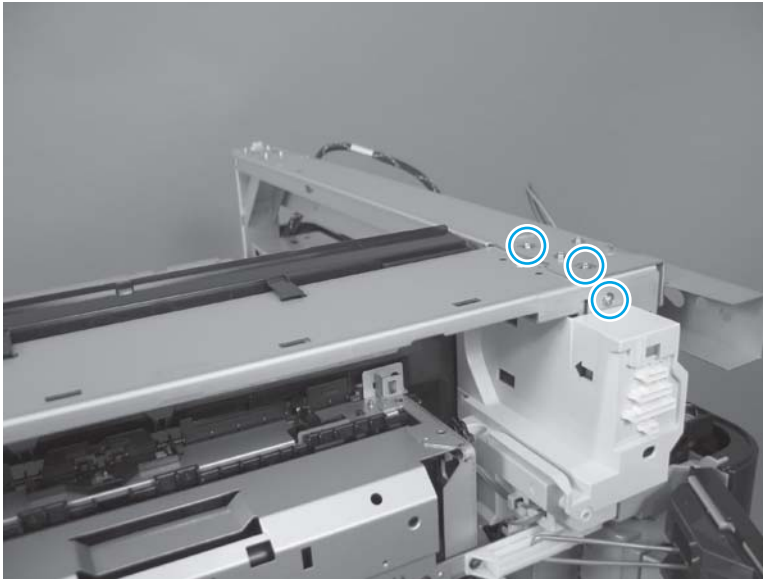
6. Remove three screws.

Figure 1-494 Remove the face-down delivery assembly (M880; 6 of 19)



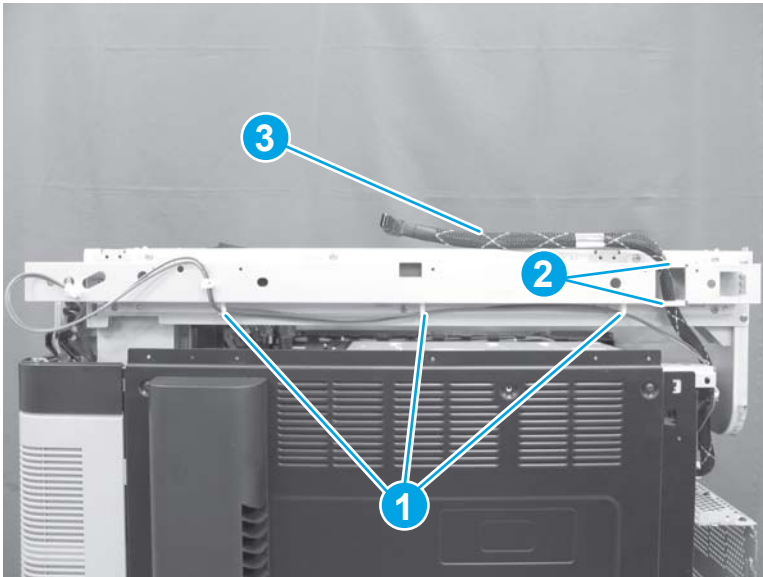
7. Remove three screws.

Figure 1-495 Remove the face-down delivery assembly (M880; 7 of 19)



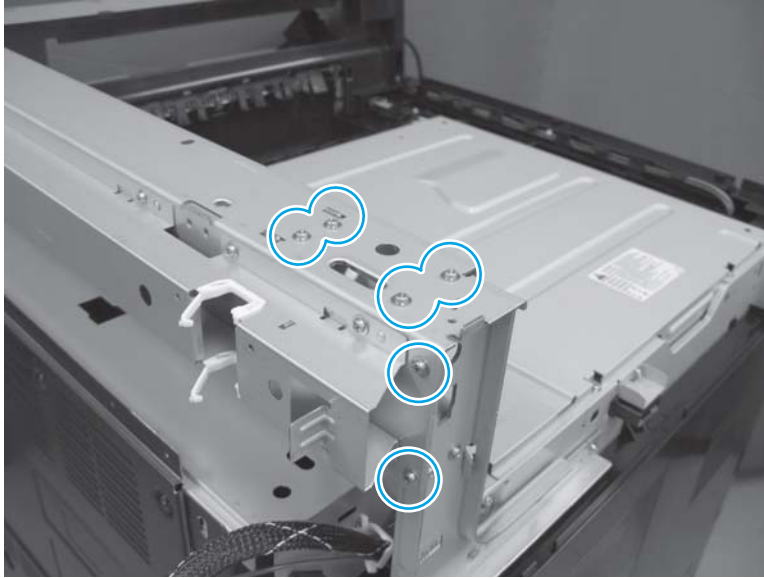
8. Release the wire harness from the retainers (callout 1), open two retainers (callout 2), and then release a second wire harness (callout 3) from the sheet-metal bracket.

Figure 1-496 Remove the face-down delivery assembly (M880; 8 of 19)



9. Remove six screws.

Figure 1-497 Remove the face-down delivery assembly (M880; 9 of 19)



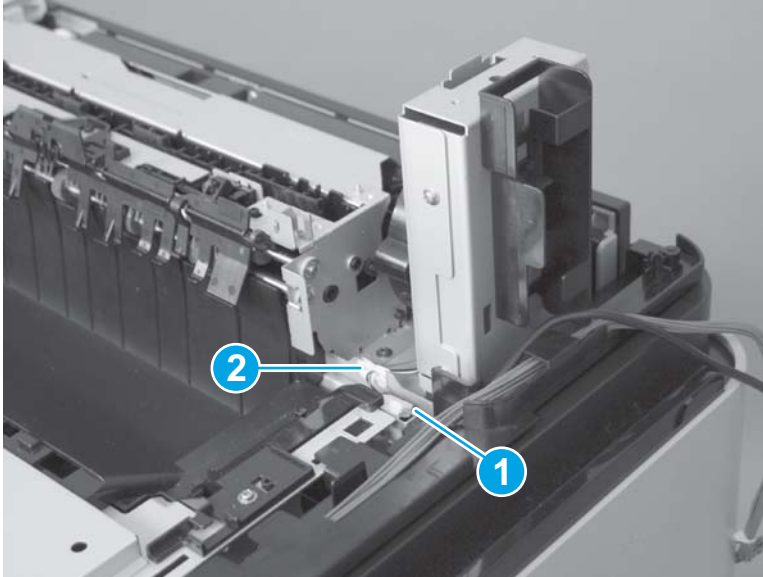
10. Remove the sheet-metal bracket.

Figure 1-498 Remove the face-down delivery assembly (M880; 10 of 19)



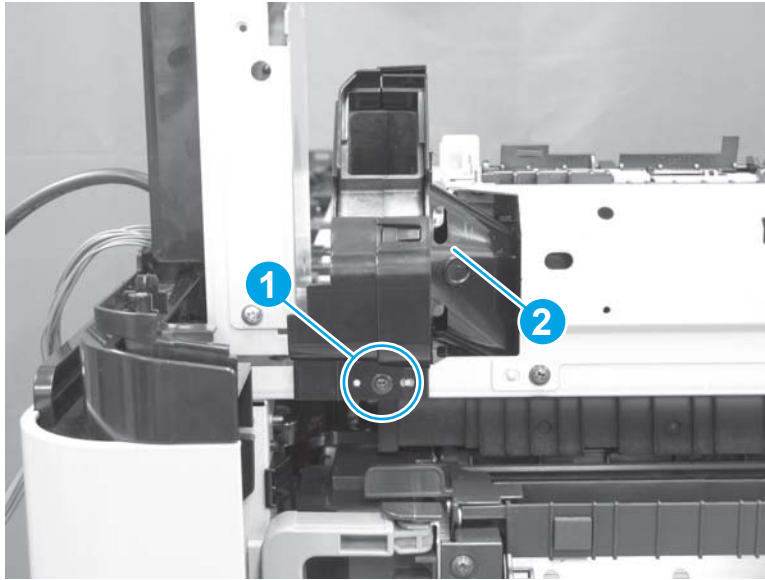
11. Disconnect one connector (callout 1), and then release the wire harness from the retainer (callout 2).

Figure 1-499 Remove the face-down delivery assembly (M880; 11 of 19)



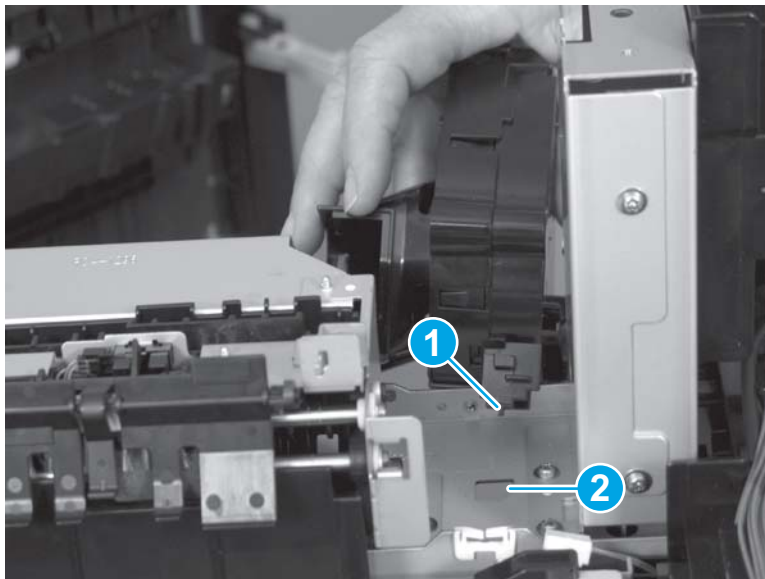
12. Remove one screw (callout 1), and then remove the VOC fan (callout 2).

Figure 1-500 Remove the face-down delivery assembly (M880; 12 of 19)



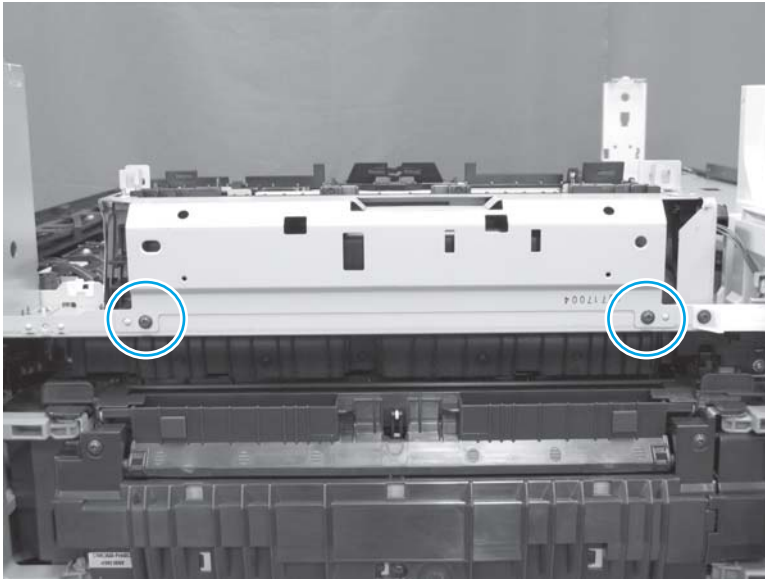
Reinstallation tip: When the fan is reinstalled, make sure that the tab (callout 1) on the fan fits into the slot (callout 2) on the chassis.

Figure 1-501 Remove the face-down delivery assembly (M880; 13 of 19)



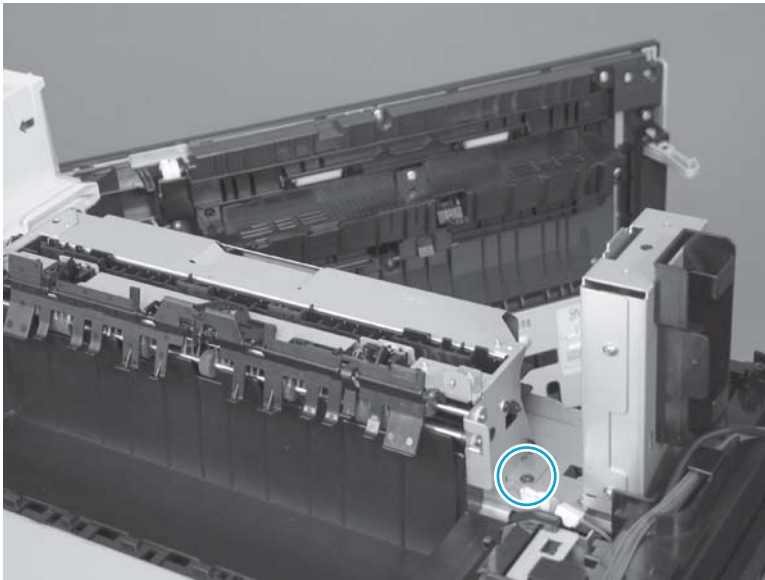
13. Remove two screws.

Figure 1-502 Remove the face-down delivery assembly (M880; 14 of 19)



14. Remove one screw.

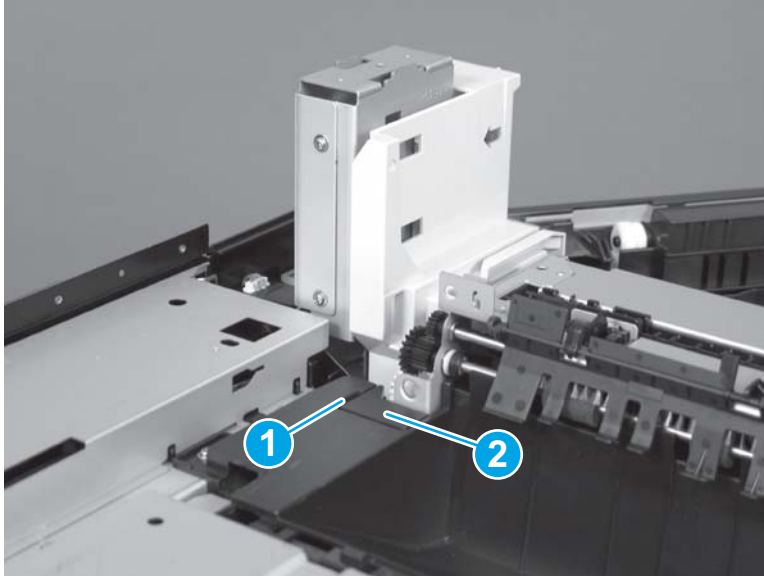
Figure 1-503 Remove the face-down delivery assembly (M880; 15 of 19)



15. Release one tab (callout 1), and then remove one cover (callout 2).

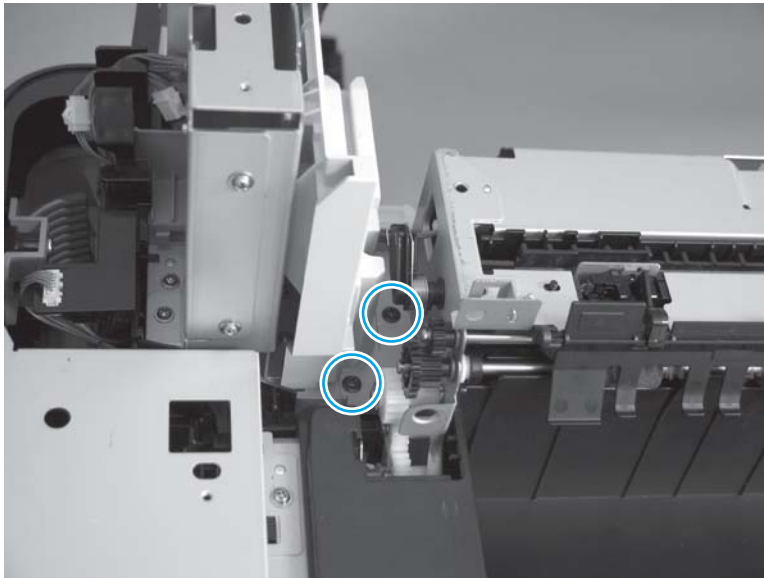
 **TIP:** Use the arrow embossed on the cover to locate the tab.

Figure 1-504 Remove the face-down delivery assembly (M880; 16 of 19)



16. Remove two screws.

Figure 1-505 Remove the face-down delivery assembly (M880; 17 of 19)



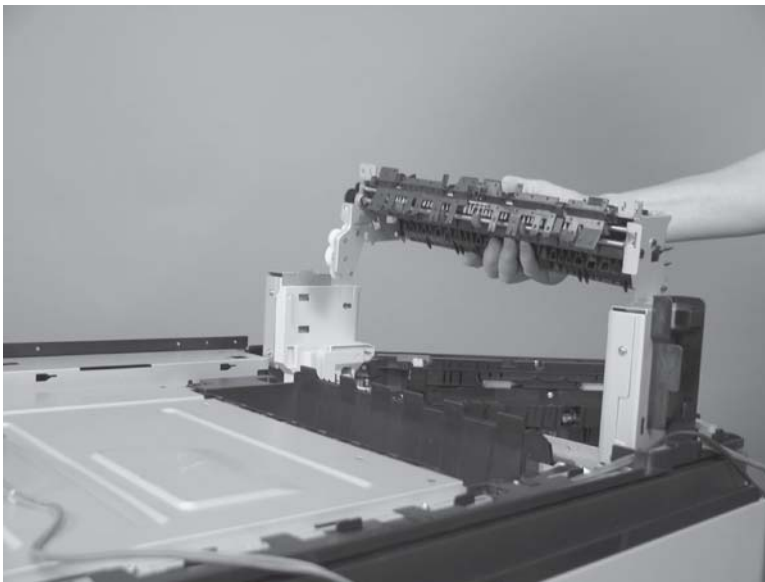
17. Disconnect one connector.

Figure 1-506 Remove the face-down delivery assembly (M880; 18 of 19)



18. Remove the assembly.

Figure 1-507 Remove the face-down delivery assembly (M880; 19 of 19)



Face-down cover

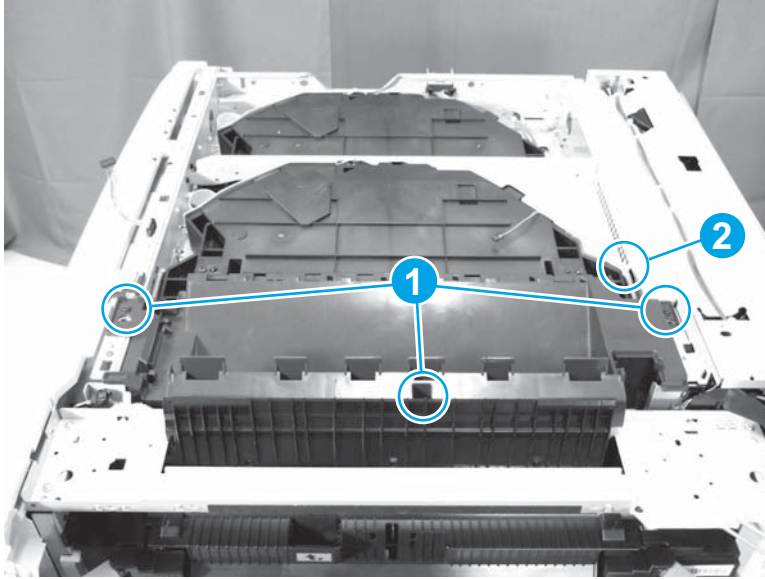
Before proceeding, remove the following assemblies:

- Switch back tray. See [Switch back tray on page 22](#).
- Control panel assembly (M855). See [Control panel assembly \(M855\) on page 47](#).
- Control panel assembly (M880). See [Control panel assembly \(M880\) on page 53](#).
- Scanner back cover (M880). See [Scanner back cover \(M880\) on page 88](#).
- Right upper rear cover (M855). See [Right upper rear cover \(M855\) on page 96](#).
- Right upper rear cover (M880). See [Right upper rear cover \(M880\) on page 108](#).
- Remove one of the following, depending upon product configuration:
 - Face-down bin. See [Face-down bin on page 101](#).
 - Intermediate paper transport unit (IPTU). See [IPTU assembly on page 437](#).
- Switch back cover. See [Switch back cover on page 105](#).
- Front top cover. See [Front top cover on page 115](#).
- Rear top cover. See [Rear top cover \(M855\) on page 116](#).
- Right upper front cover (M855). See [Right upper front cover \(M855\) on page 120](#).
- Right upper front cover (M880). See [Right upper front cover \(M880\) on page 122](#).
- Right upper cover (M855). See [Right upper cover \(M855\) on page 124](#).
- Document feeder assembly (M880). See [Document feeder assembly \(M880\) on page 154](#).
- Scanner assembly (M880). See [Scanner assembly \(M880\) on page 162](#).
- Scanner cover. See [Scanner cover on page 306](#).
- Duplex reverse assembly (M880). See [Duplex reverse assembly \(M880\) on page 320](#).
- Duplex reverse assembly (M855). See [Duplex reverse assembly \(M855\) on page 319](#).
- Face-down delivery assembly (M855). See [Face-down delivery assembly \(M855\) on page 327](#).
- Face-down delivery assembly (M880). See [Face-down delivery assembly \(M880\) on page 332](#).


Remove the face-down cover

Remove three screws (callout 1), disconnect one connector (callout 2), and then remove the face-down cover.

Figure 1-508 Remove face-down cover

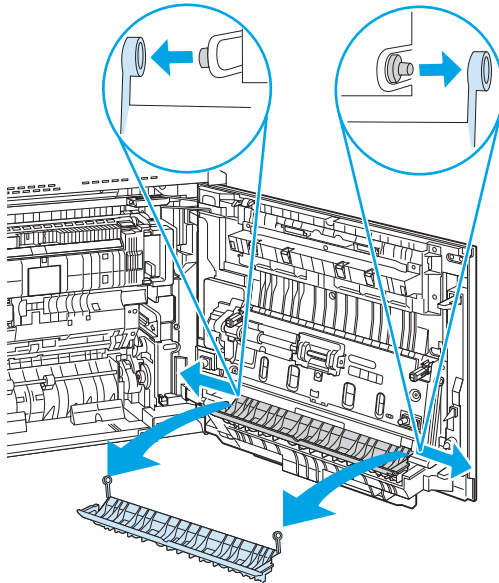


Duplexing feed assembly

 **IMPORTANT:** If you are installing a replacement duplexing feed assembly, you must use the Service menu to set the **New Duplex Roller** item to **Yes**. See [Reinstall the duplexing feed assembly on page 349](#).

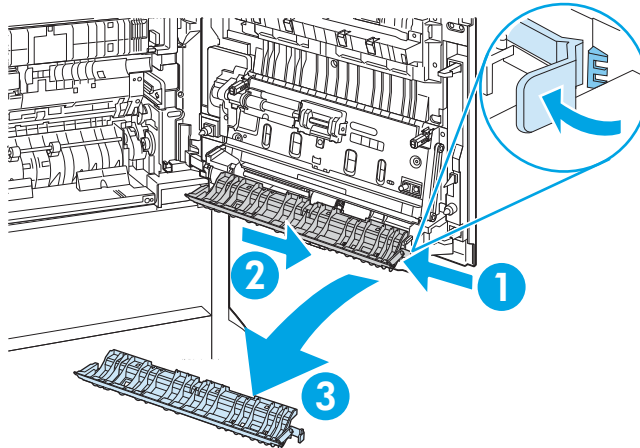
1. Open the right door.
2. Release two hinge pins and then remove the paper-feed cover.

Figure 1-509 Remove the duplexing feed assembly (1 of 7)



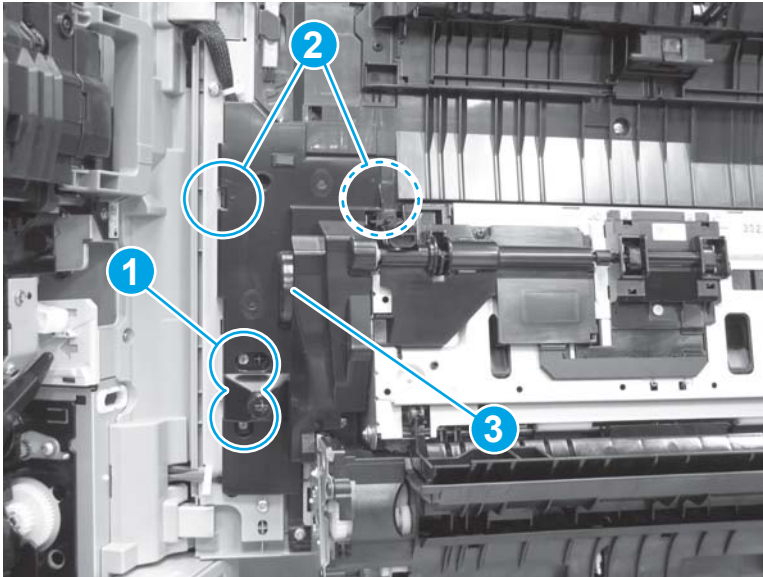
3. Release one tab (callout 1), slide the multipurpose upper feed guide to the right to release it (callout 2), and then lift it away from the door (callout 3) to remove it.

Figure 1-510 Remove the duplexing feed assembly (2 of 7)



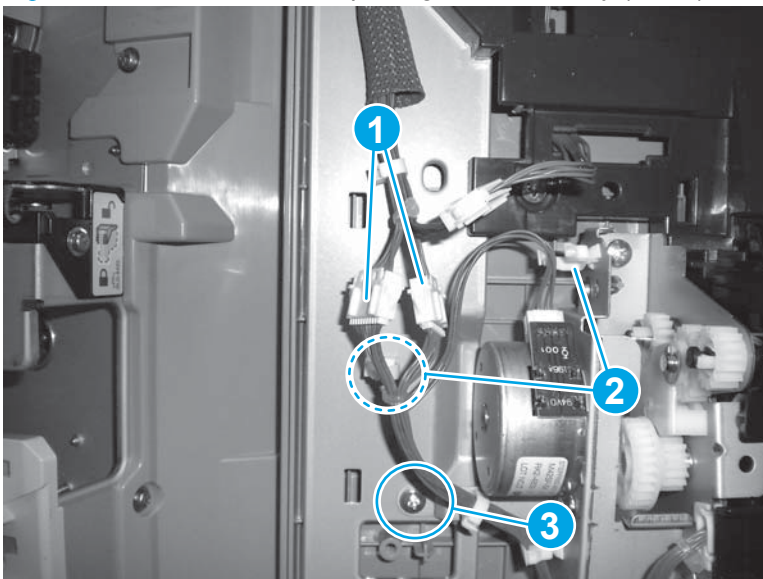
4. On the right door assembly, remove two self-tapping screws (callout 1), release two tabs (callout 2), and then remove the motor cover (callout 3).

Figure 1-511 Remove the duplexing feed assembly (3 of 7)



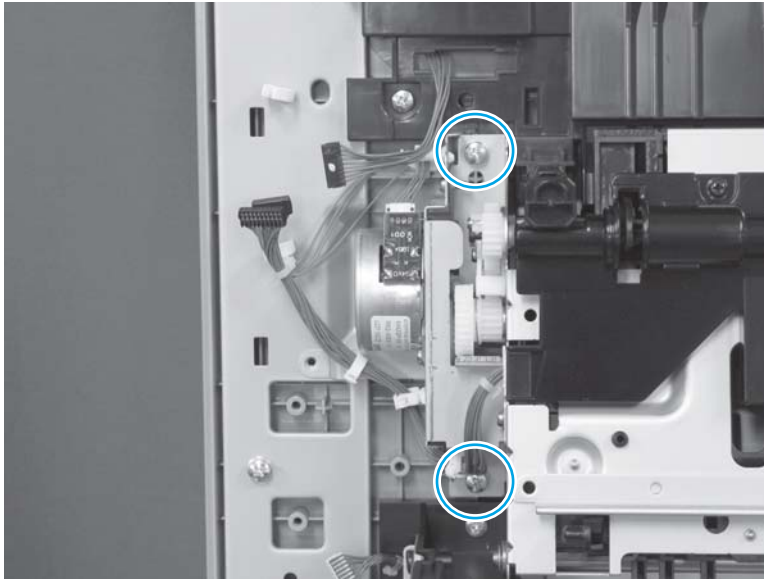
5. Disconnect two connectors (callout 1), release the wire harnesses from two retainers (callout 2), and then remove one screw (callout 3).

Figure 1-512 Remove the duplexing feed assembly (4 of 7)



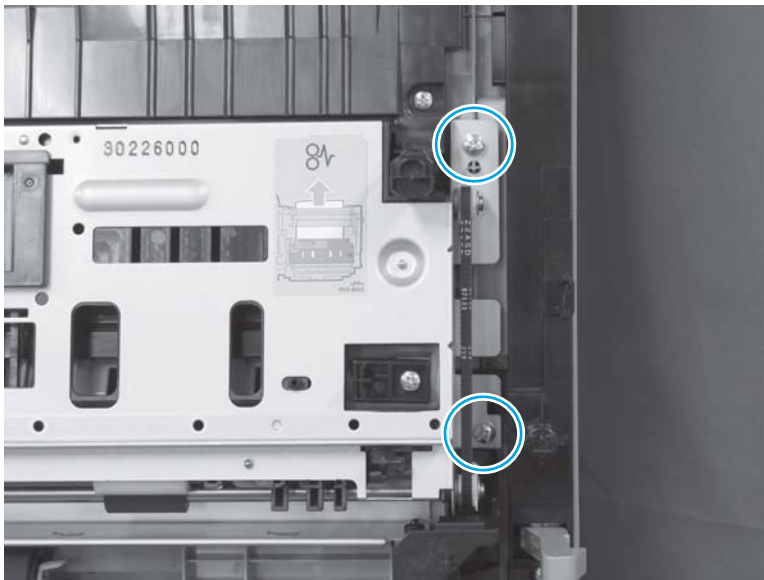
6. Remove two screws.

Figure 1-513 Remove the duplexing feed assembly (5 of 7)



7. Remove two screws.

Figure 1-514 Remove the duplexing feed assembly (6 of 7)



8. Remove the duplexing feed assembly (callout 1).


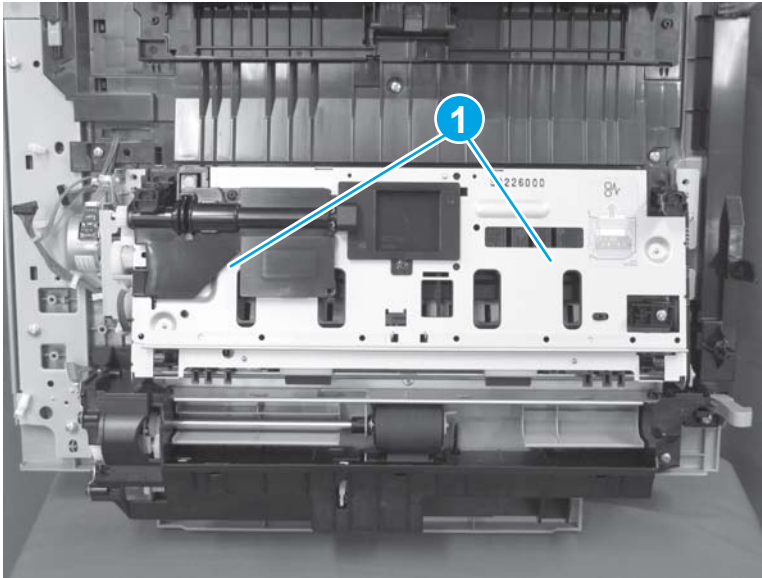

 **Reinstallation tip:** When reinstalling the duplexing feed assembly, make sure that there are no gaps between the part and the door.

Figure 1-515 Remove the duplexing feed assembly (7 of 7)



Reinstall the duplexing feed assembly

 **IMPORTANT:** If a replacement duplexing feed assembly is installed, you must follow the instructions below to reset the counter. Failure to follow these instructions might result in more frequent paper jams.

Installing a replacement duplexing feed assembly

If a replacement duplexing feed assembly is installed, do the following:

1. From the Home screen on the control panel, scroll to and touch the [Device Maintenance](#) button.
2. Open the [Service](#) menu.
3. On the sign-in screen, select the [Service Access Code](#) option from the drop-down list.
4. Enter one of the following service access codes:
 - **M855:** 11085513
 - **M880:** 11088013
5. Reset the following value:
 - [New Duplex Roller](#); set to [Yes](#)

Multipurpose tray (Tray 1) pickup assembly

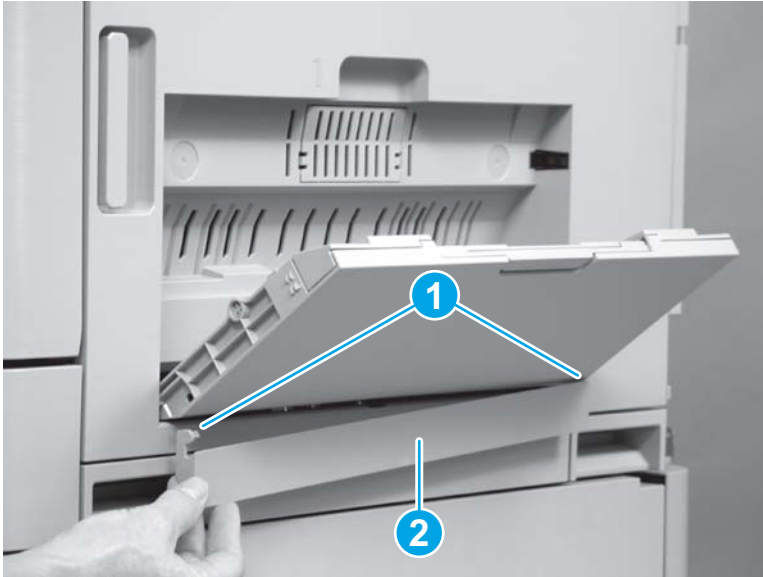
Before proceeding, remove the following assemblies:

- Duplexing feed assembly. See [Duplexing feed assembly on page 345](#)

Remove the multipurpose tray (Tray 1) pickup assembly

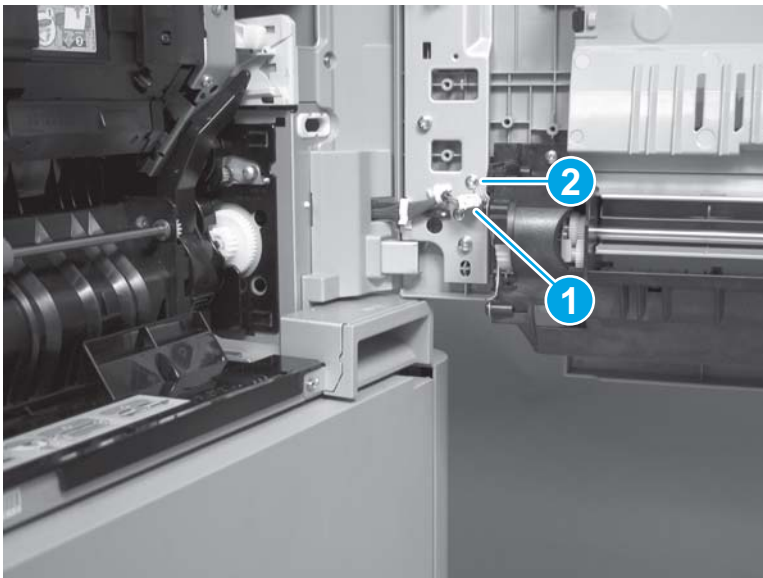
1. Open Tray 1, release two hinge pins (callout 1), and then remove the Tray 1 lower cover (callout 2).

Figure 1-516 Remove the multipurpose tray (Tray 1) pickup assembly (1 of 10)



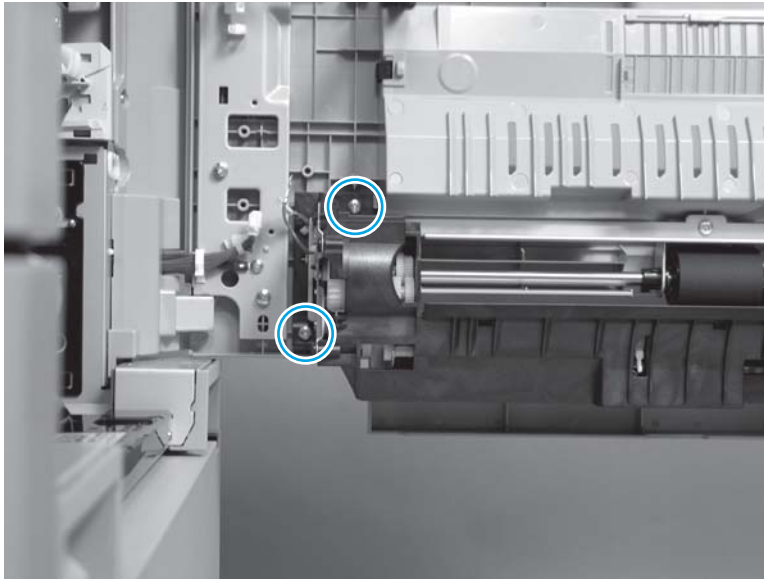
2. Disconnect one connector (callout 1), and then remove one screw (callout 2) to release the ground wire.

Figure 1-517 Remove the multipurpose tray (Tray 1) pickup assembly (2 of 10)



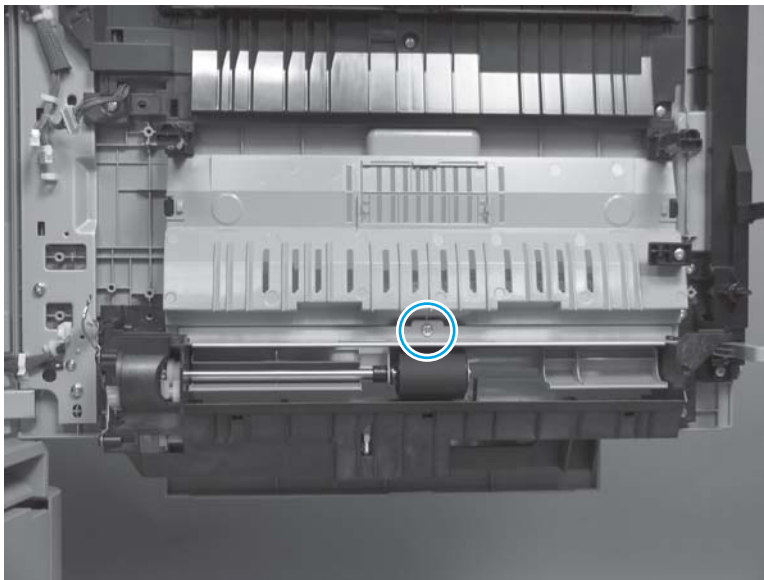
3. Remove two screws.

Figure 1-518 Remove the multipurpose tray (Tray 1) pickup assembly (3 of 10)



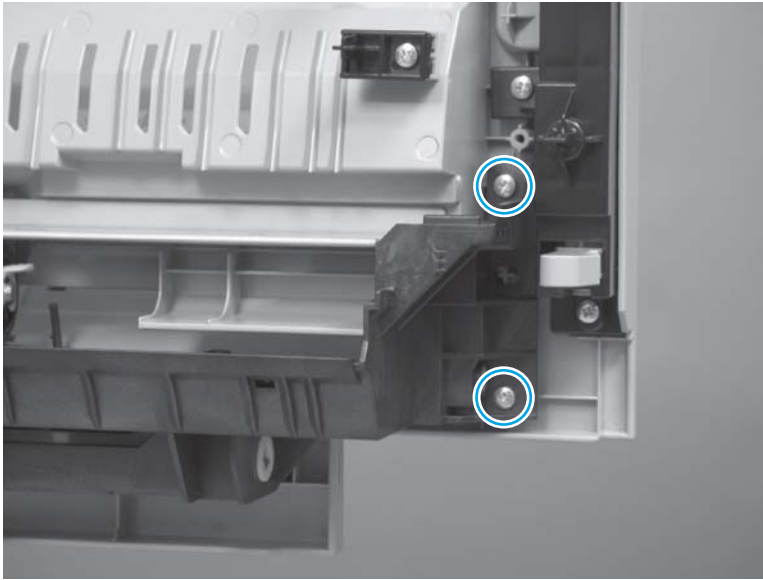
4. Remove one screw.

Figure 1-519 Remove the multipurpose tray (Tray 1) pickup assembly (4 of 10)



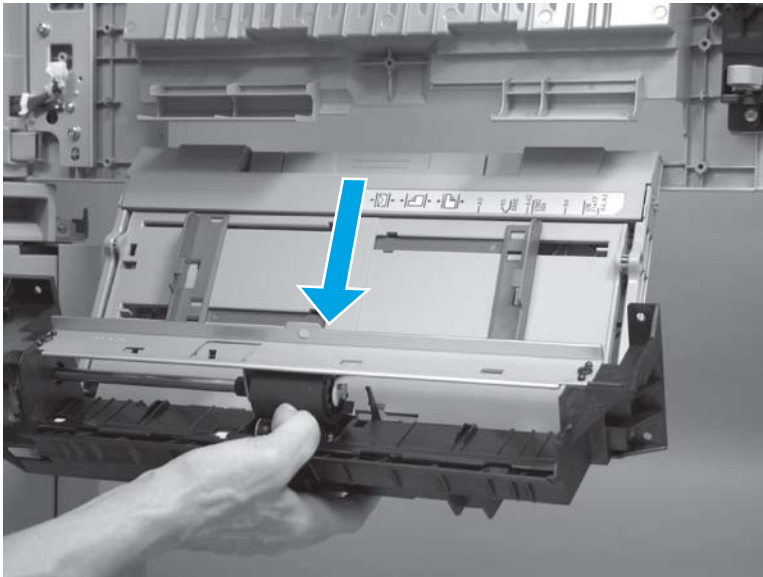
5. Remove two screws.

Figure 1-520 Remove the multipurpose tray (Tray 1) pickup assembly (5 of 10)



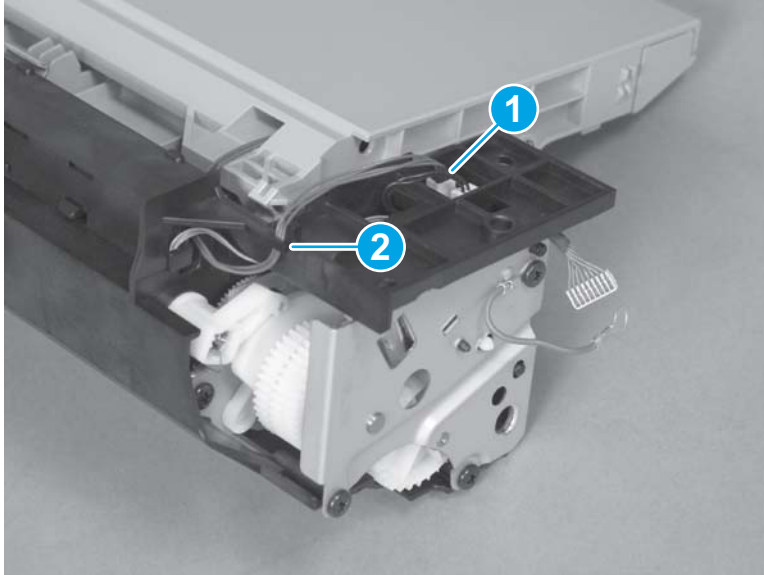
6. Make sure that Tray 1 is open, and then pull downward to remove Tray 1 and the Tray 1 pickup assembly together.

Figure 1-521 Remove the multipurpose tray (Tray 1) pickup assembly (6 of 10)



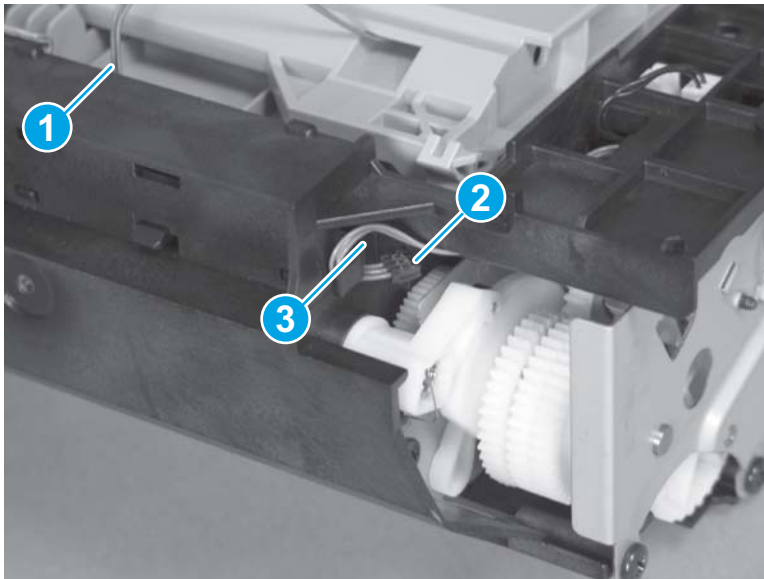
7. Disconnect one connector (callout 1), and then release the wire harness from the guide (callout 2).

Figure 1-522 Remove the multipurpose tray (Tray 1) pickup assembly (7 of 10)



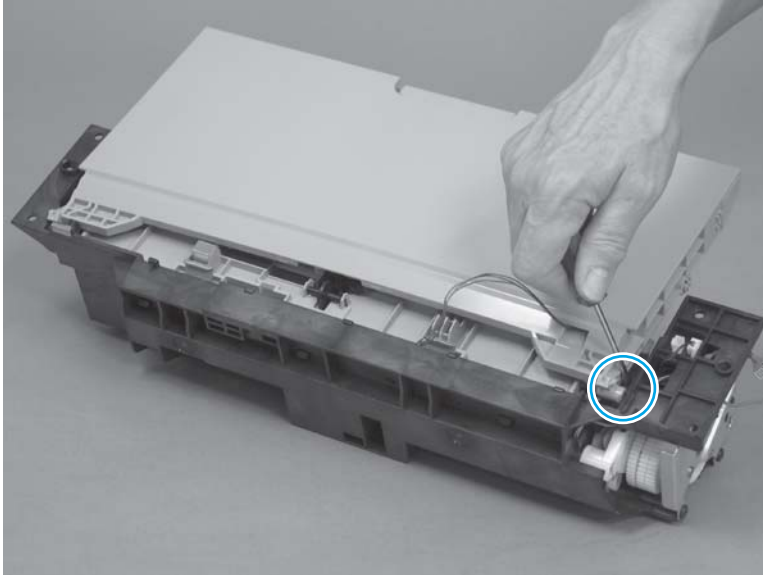
8. Gently pull on one wire harness (callout 1) to bring the connector (callout 2) through the slot (callout 3).

Figure 1-523 Remove the multipurpose tray (Tray 1) pickup assembly (8 of 10)



9. Use a small flat-blade screwdriver to release the shaft at the left side of the tray, and then separate the tray and the pickup assembly.

Figure 1-524 Remove the multipurpose tray (Tray 1) pickup assembly (9 of 10)



10. Remove Tray 1 from the pickup assembly.

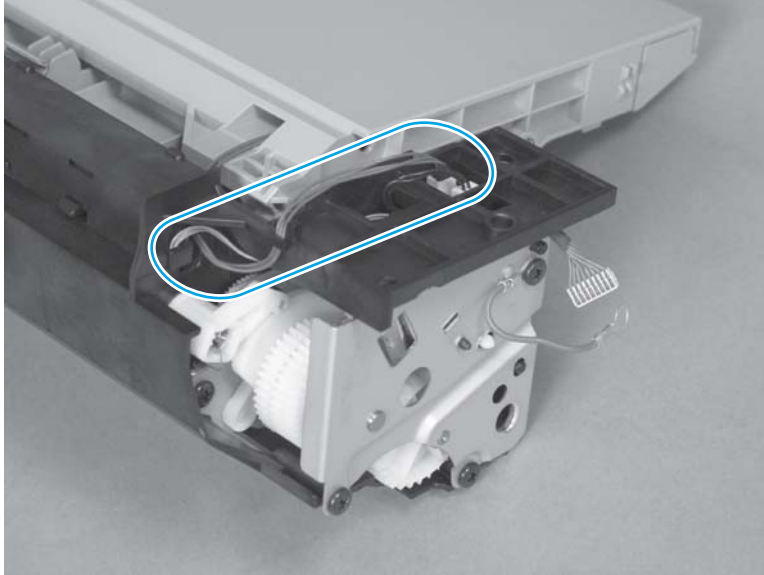
Figure 1-525 Remove the multipurpose tray (Tray 1) pickup assembly (10 of 10)



Reinstall the multipurpose tray (Tray 1) pickup assembly

Make sure that the wire harness is correctly installed when the assembly is reinstalled.

Figure 1-526 Reinstall the multipurpose tray (Tray 1) pickup assembly




Input accessories

This section includes information about the following topics:

- [High-capacity input \(HCI\) feeder](#)
- [1x500- and 3x500-sheet feeders](#)
- [Shared input accessory covers and doors](#)

High-capacity input (HCI) feeder

 **NOTE:** Some of the procedures in this section require the product to be removed from the input accessory.

Location of major components

Figure 1-527 External covers and doors

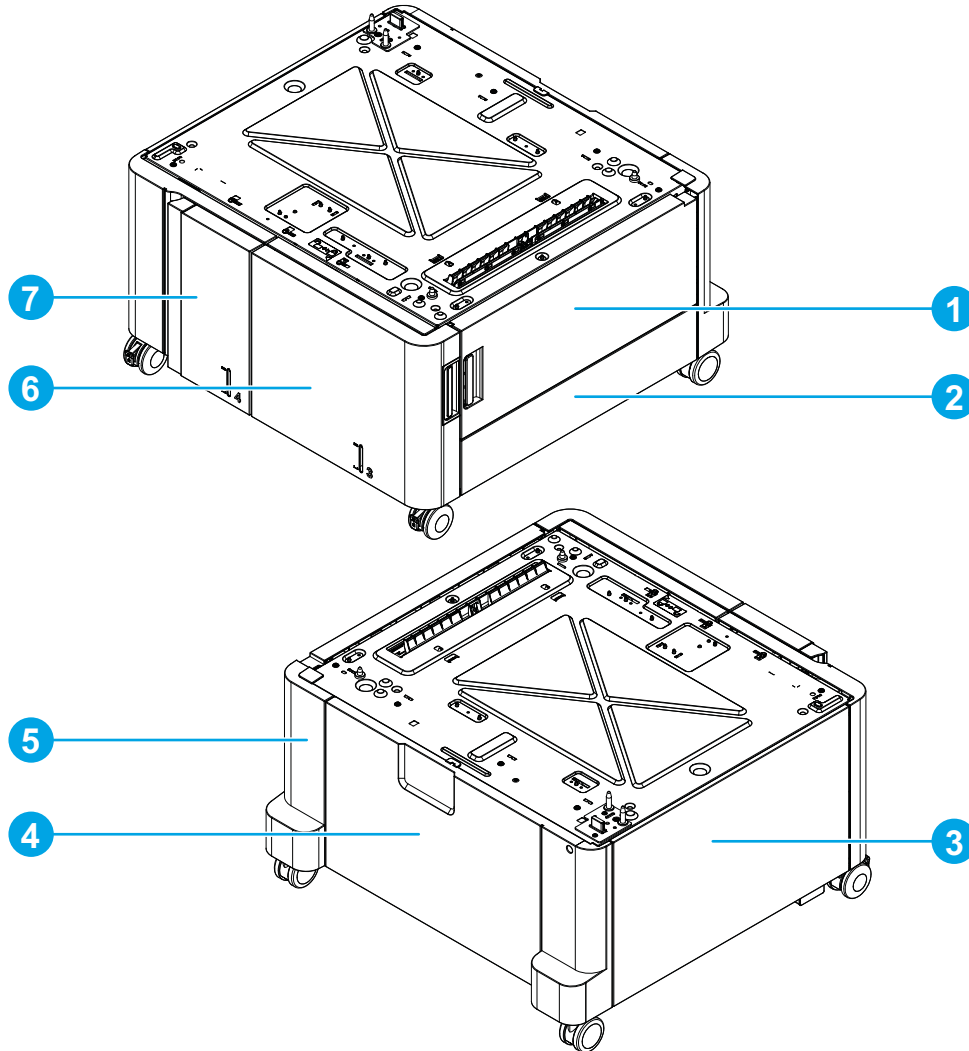


Table 1-11 External covers and doors

Item	Description	Item	Description
1	Right door assembly	5	Right rear cover
2	Right lower cover	6	Right tray
3	Left cover	7	Left tray
4	Rear cover		

Figure 1-528 Main assemblies (1 of 2)

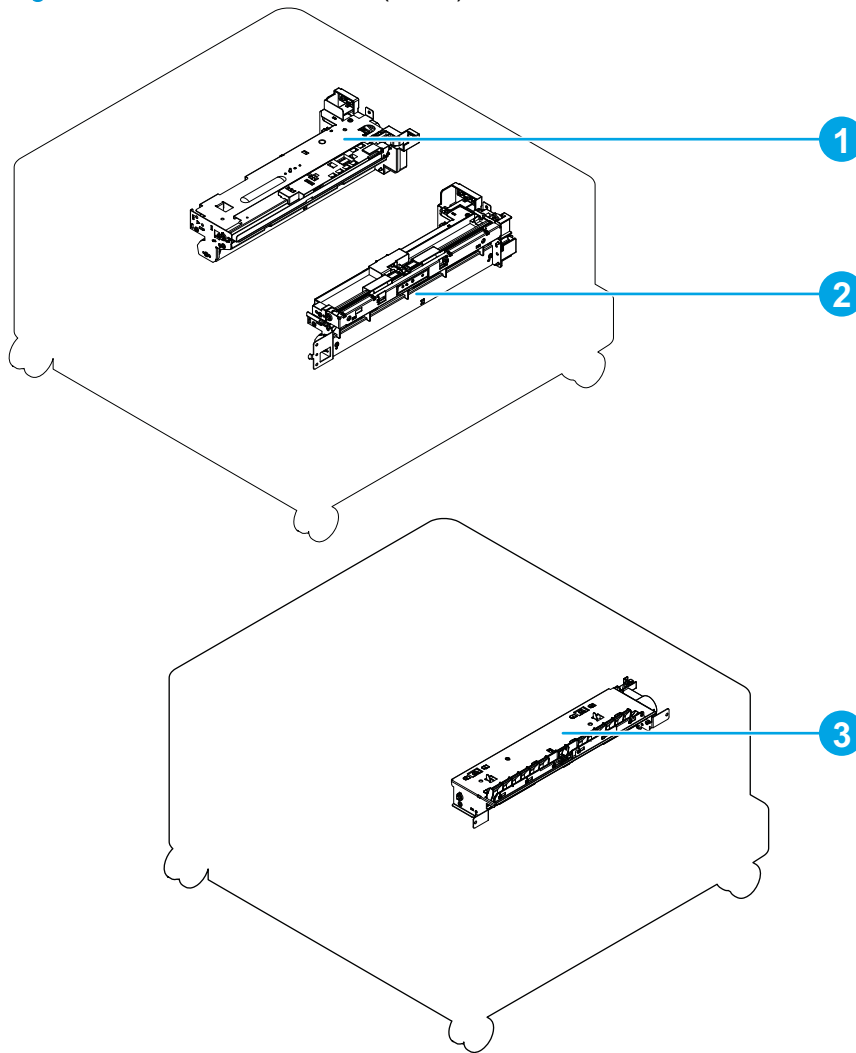


Table 1-12 Main assemblies (1 of 2)

Item	Description	Item	Description
1	Left tray pickup assembly	3	Merge assembly
2	Right tray pickup assembly		

Figure 1-529 Main assemblies (2 of 2)

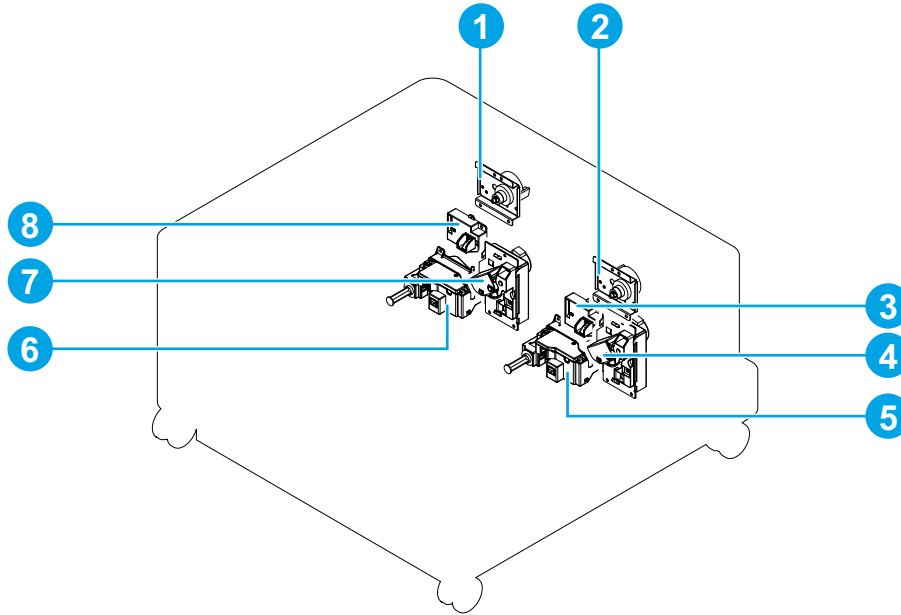


Table 1-13 Main assemblies (2 of 2)

Item	Description	Item	Description
1	Left tray pickup drive assembly	5	Right tray automatic close assembly
2	Right tray pickup drive assembly	6	Left tray automatic close assembly
3	Right tray media-level sensor assembly	7	Left tray lifter drive assembly
4	Right tray lifter drive assembly	8	Left tray media-level sensor assembly

Figure 1-530 Printed circuit assembly (PCA)

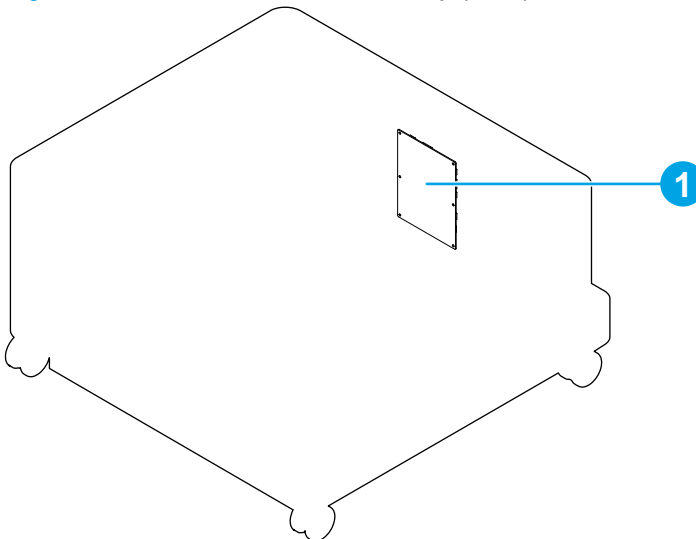


Table 1-14 Printed circuit assembly (PCA)

Item	Description	Item	Description
1	HCI controller PCA		

HCI right tray

1. Open the right tray.
2. Lower the tray release lever, and then remove the right tray.


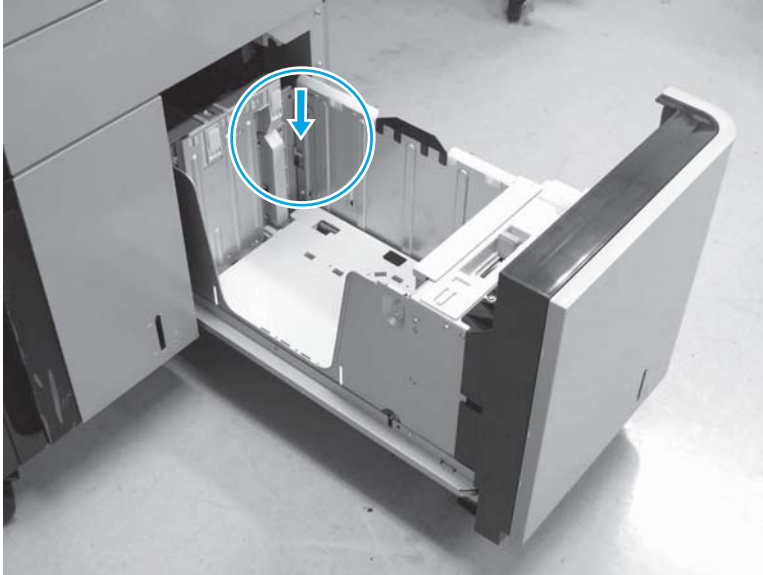
 **NOTE:** When the tray is reinstalled, the release lever automatically returns to the locked position.

Figure 1-531 Remove the HCI right tray



HCI left tray

1. Open the left tray.
2. Lower the tray release lever, and then remove the left tray.


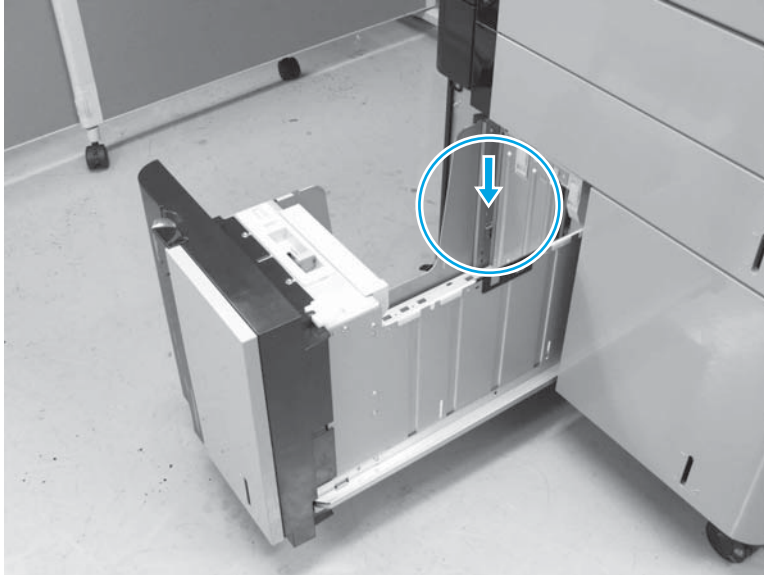
 **NOTE:** When the tray is reinstalled, the release lever automatically returns to the locked position.

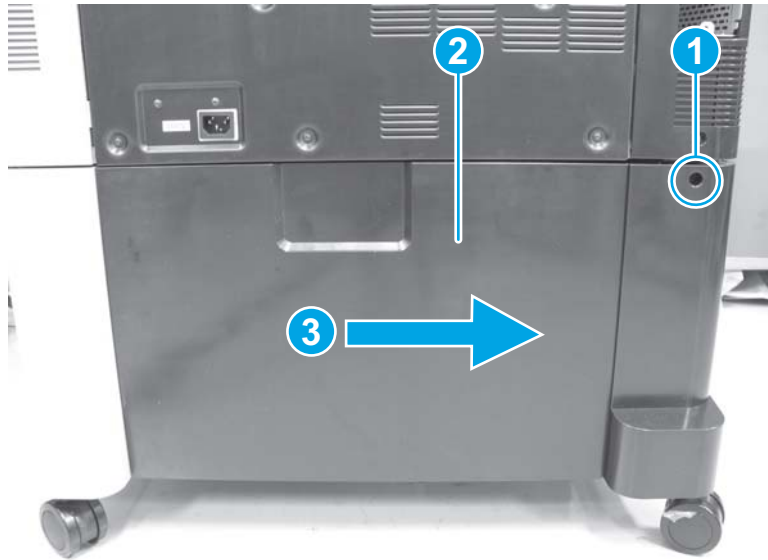
Figure 1-532 Remove the HCI left tray



HCI rear cover

Remove one screw (callout 1), and then slide the rear cover (callout 2) toward the left door to remove it (callout 3).

Figure 1-533 Remove the HCI rear cover



HCI right lower cover

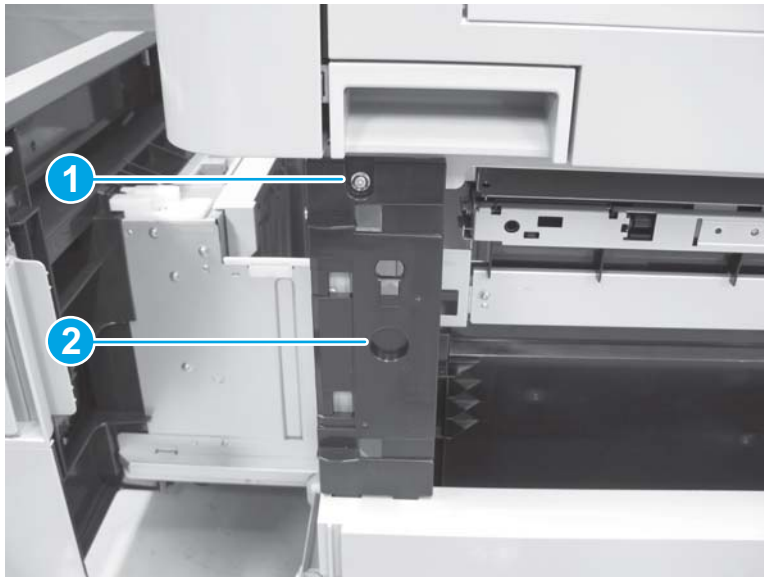
Before proceeding, remove the following assemblies:

- HCI rear cover. See [HCI rear cover on page 362](#).
- HCI, 1x500, and 3x500 right door assembly. See [HCI, 1x500, and 3x500 right door assembly on page 428](#).
- HCI, 1x500, and 3x500 right rear cover. See [HCI, 1x500, and 3x500 right rear cover on page 430](#).

Remove the HCI right lower cover

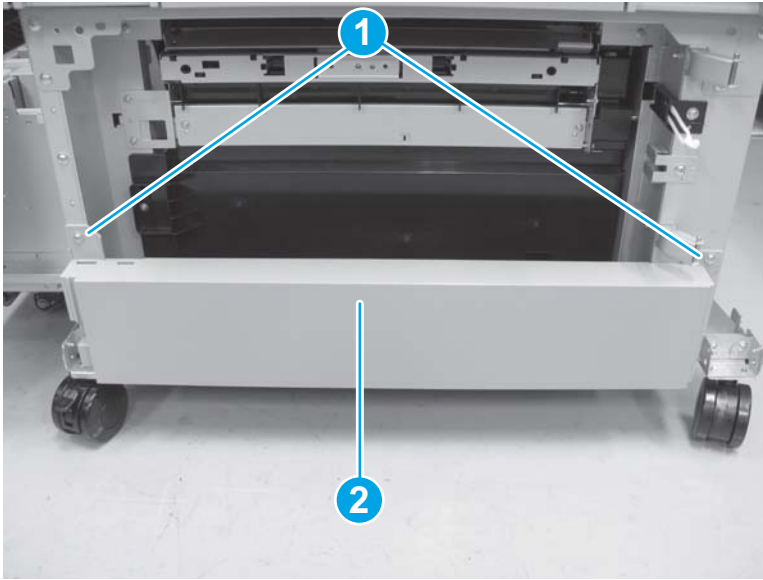
1. Open the right tray.
2. Remove one screw (callout 1), and then remove the lock holder (callout 2).

Figure 1-534 Remove the HCI right lower cover (1 of 2)



3. Remove two screws (callout 1), and then remove the HCI right lower cover (callout 2).

Figure 1-535 Remove the HCI right lower cover (2 of 2)



HCI right tray pickup motor

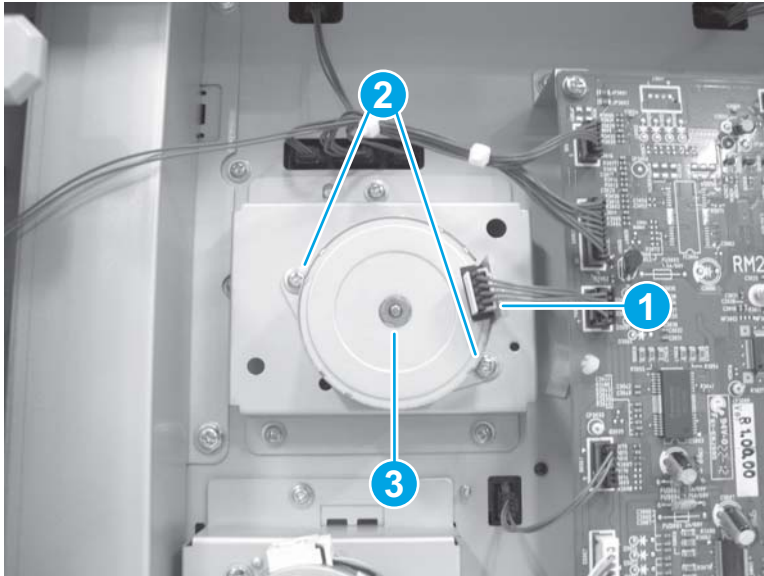
Before proceeding, remove the following assemblies:

- HCI rear cover. See [HCI rear cover on page 362](#).

Remove the HCI right tray pickup motor

Disconnect one connector (callout 1), remove two screws (callout 2), and then remove the right tray pickup motor (callout 3).

Figure 1-536 Remove the HCI right tray pickup motor



HCI right tray pickup drive

Before proceeding, remove the following assemblies:

- HCI rear cover. See [HCI rear cover on page 362](#).

Remove the HCI right tray pickup drive

Disconnect one connector (callout 1), remove three screws (callout 2), and then remove the right tray pickup drive (callout 3).


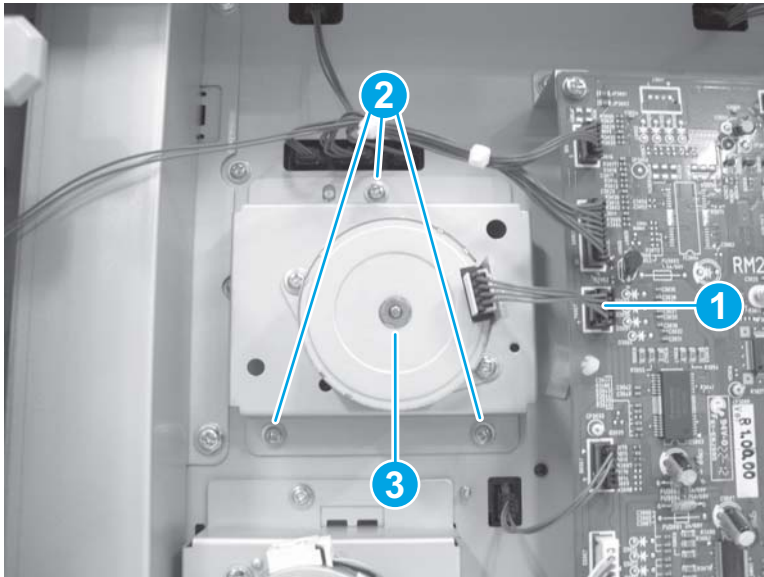
 **NOTE:** If you are replacing the HCI right tray pickup drive, remove the HCI right tray pickup motor from the old part and move it to the replacement part. See [HCI right tray pickup motor on page 365](#).

Figure 1-537 Remove the HCI right tray pickup drive (1 of 2)



HCI left tray pickup motor

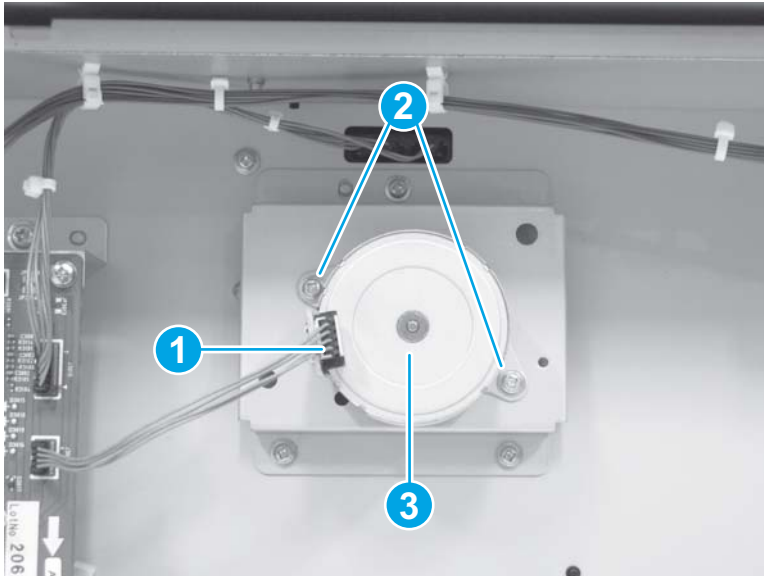
Before proceeding, remove the following assemblies:

- HCI rear cover. See [HCI rear cover on page 362](#).

Remove the HCI left tray pickup motor

Disconnect one connector (callout 1), remove two screws (callout 2), and then remove the left tray pickup motor (callout 3).

Figure 1-538 Remove the HCI left tray pickup motor



HCI left tray pickup drive

Before proceeding, remove the following assemblies:

- HCI rear cover. See [HCI rear cover on page 362](#).

Remove the HCI left tray pickup drive

Disconnect one connector (callout 1), remove three screws (callout 2), and then remove the left tray pickup drive (callout 3).


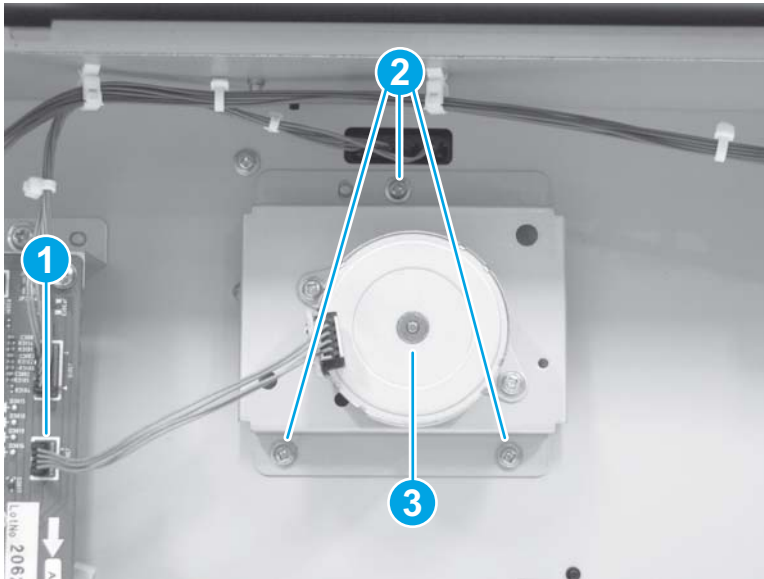
 **NOTE:** If you are replacing the HCI left tray pickup drive, remove the HCI left tray pickup motor from the old part and move it to the replacement part. See [HCI left tray pickup motor on page 367](#).

Figure 1-539 Remove the HCI left tray pickup drive



HCI right tray lifter drive assembly

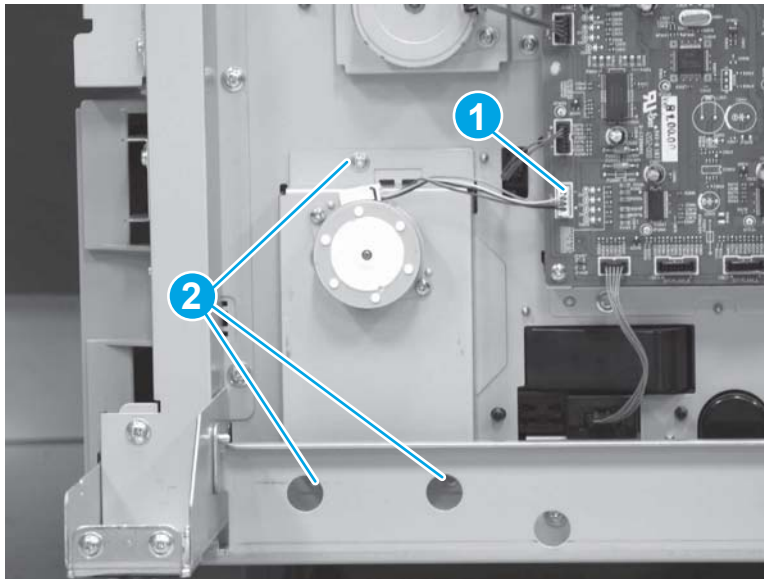
Before proceeding, remove the following assemblies:

- HCI rear cover. See [HCI rear cover on page 362](#).

Remove the HCI right tray lifter drive assembly

1. Open the HCI right tray.
2. Disconnect one connector (callout 1), remove three screws (callout 2), and then lift the assembly up to remove it.

Figure 1-540 Remove the HCI right tray lifter drive assembly



HCI left tray lifter drive assembly

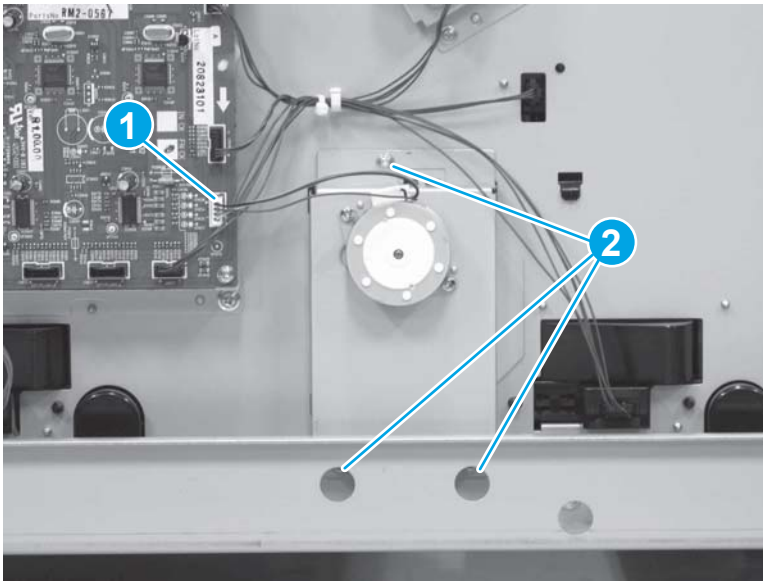
Before proceeding, remove the following assemblies:

- HCI rear cover. See [HCI rear cover on page 362](#).

Remove the HCI left tray lifter drive assembly

1. Open the HCI left tray.
2. Disconnect one connector (callout 1), remove three screws (callout 2), and then lift the assembly up to remove it

Figure 1-541 Remove the HCI left tray lifter drive assembly



HCI right tray media-level sensor assembly

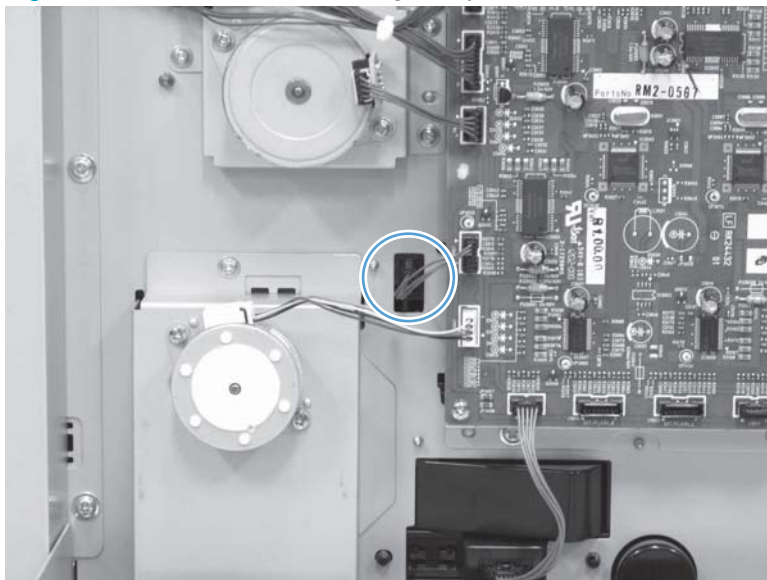
Before proceeding, remove the following assemblies:

- HCI right tray. See [HCI right tray on page 360](#).
- HCI rear cover. See [HCI rear cover on page 362](#).

Remove the HCI right tray media-level sensor assembly

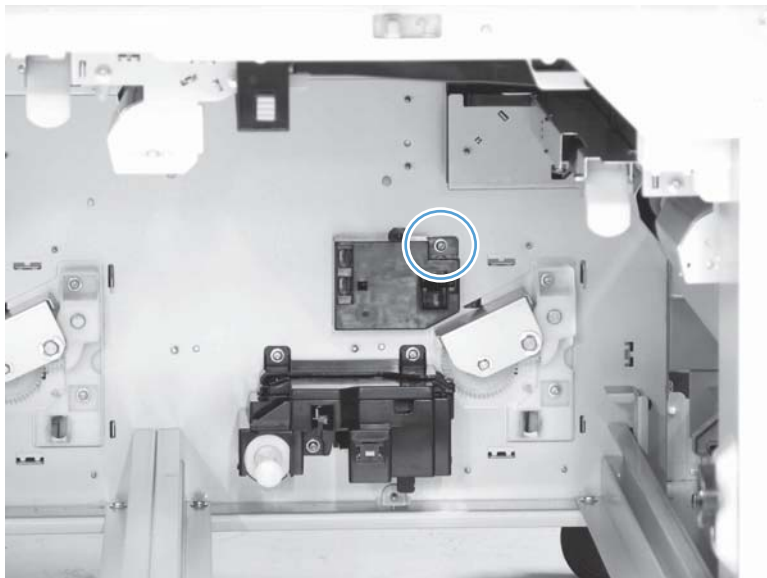
1. Disconnect one connector.

Figure 1-542 Remove the HCI right tray media-level sensor assembly (1 of 2)



2. From inside the tray cavity, remove one screw, and then remove the assembly.

Figure 1-543 Remove the HCI right tray media-level sensor assembly (2 of 2)



HCI left tray media-level sensor assembly

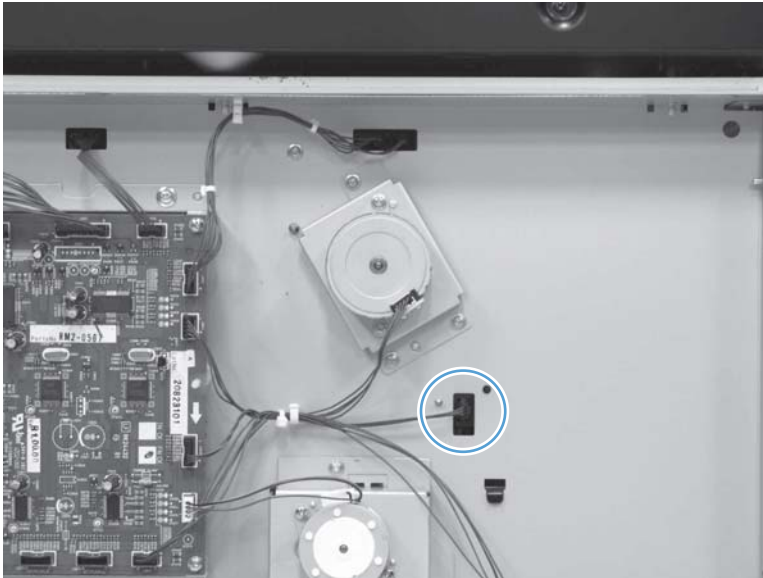
Before proceeding, remove the following assemblies:

- HCI left tray. See [HCI left tray on page 361](#).
- HCI rear cover. See [HCI rear cover on page 362](#).

Remove the HCI left tray media-level sensor assembly

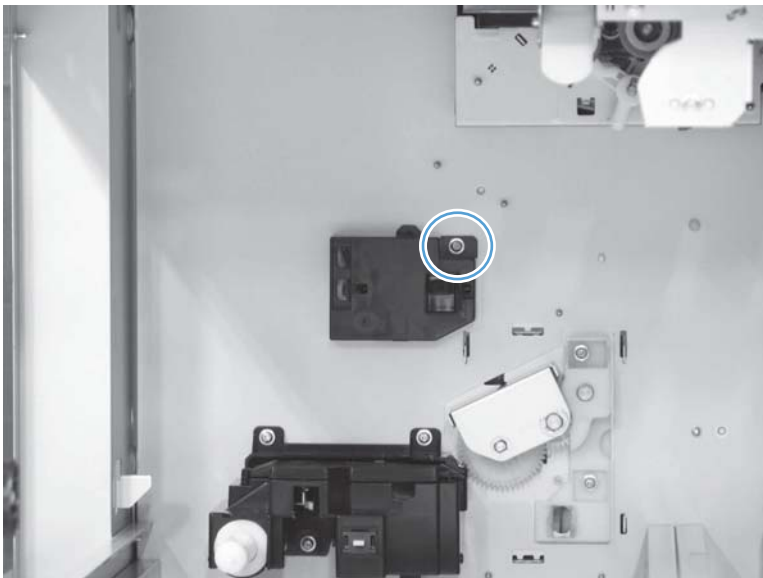
1. Disconnect one connector.

Figure 1-544 Remove the HCI left tray media-level sensor assembly (1 of 2)



2. From inside the tray cavity, remove one screw, and then remove the assembly.

Figure 1-545 Remove the HCI left tray media-level sensor assembly (2 of 2)



HCI right tray automatic close assembly

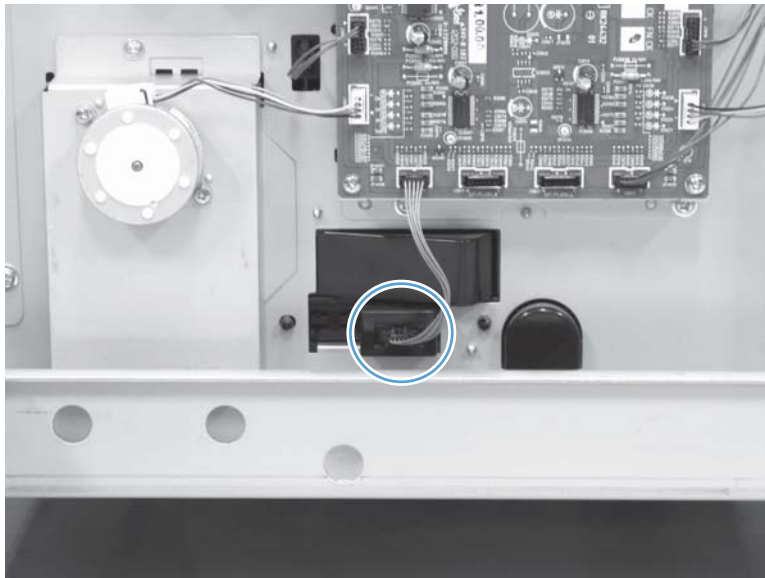
Before proceeding, remove the following assemblies:

- HCI right tray. See [HCI right tray on page 360](#).
- HCI rear cover. See [HCI rear cover on page 362](#).

Remove the HCI right tray automatic close assembly

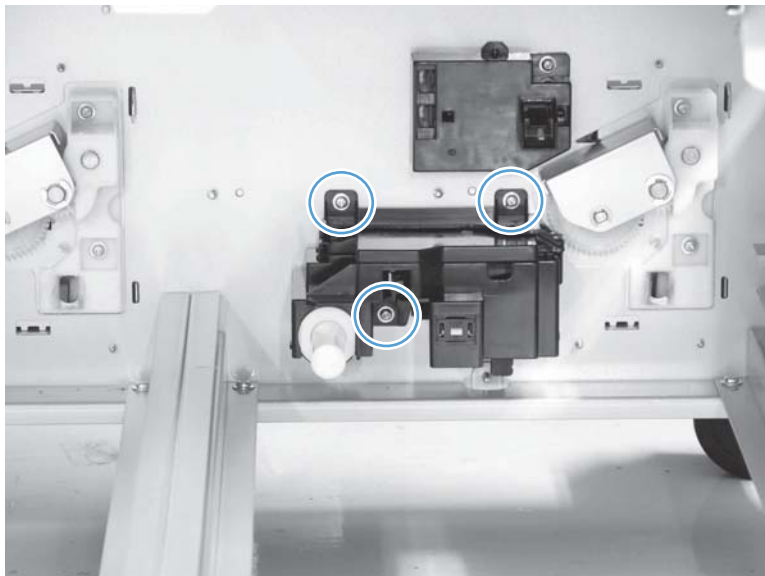
1. Disconnect one connector.

Figure 1-546 Remove the HCI right tray automatic close assembly (1 of 2)



2. From inside the tray cavity, remove three screws, and then remove the assembly.

Figure 1-547 Remove the HCI right tray automatic close assembly (2 of 2)



HCI left tray automatic close assembly

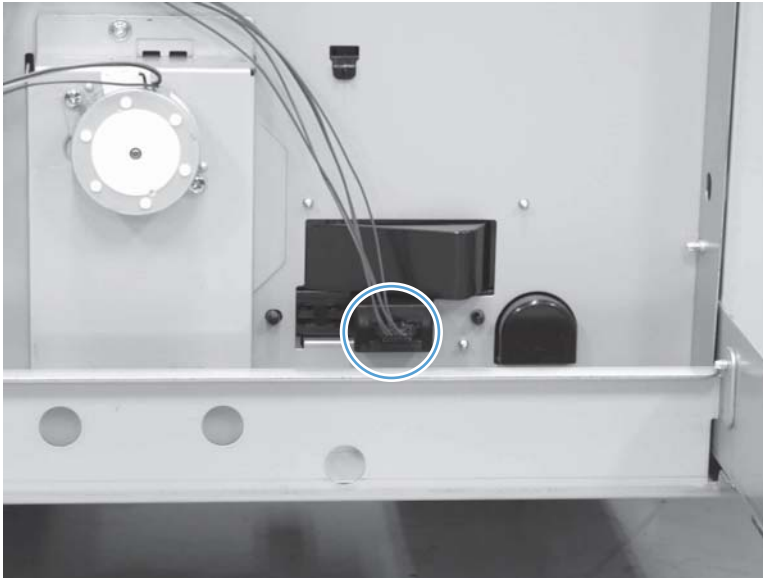
Before proceeding, remove the following assemblies:

- HCI left tray. See [HCI left tray on page 361](#).
- HCI rear cover. See [HCI rear cover on page 362](#).

Remove the HCI left tray automatic close assembly

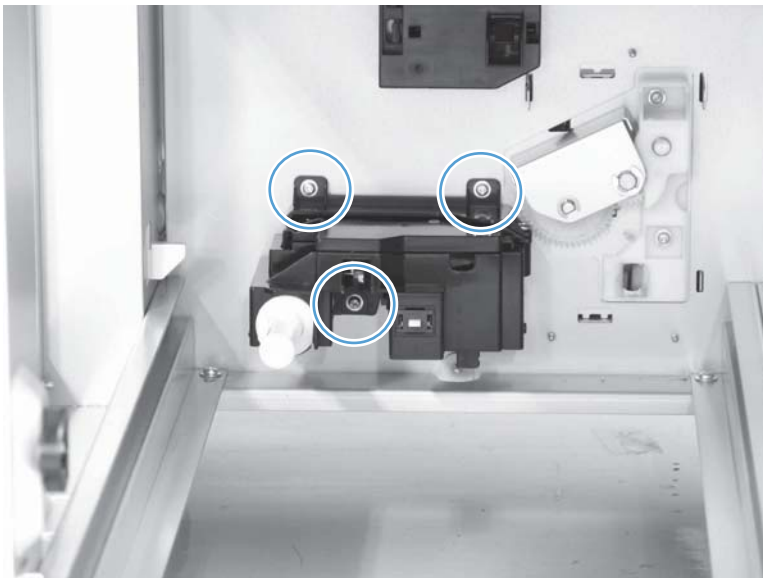
1. Disconnect one connector.

Figure 1-548 Remove the HCI left tray automatic close assembly (1 of 2)



2. From inside the tray cavity, remove three screws, and then remove the assembly.

Figure 1-549 Remove the HCI left tray automatic close assembly (2 of 2)



HCI right tray pickup assembly

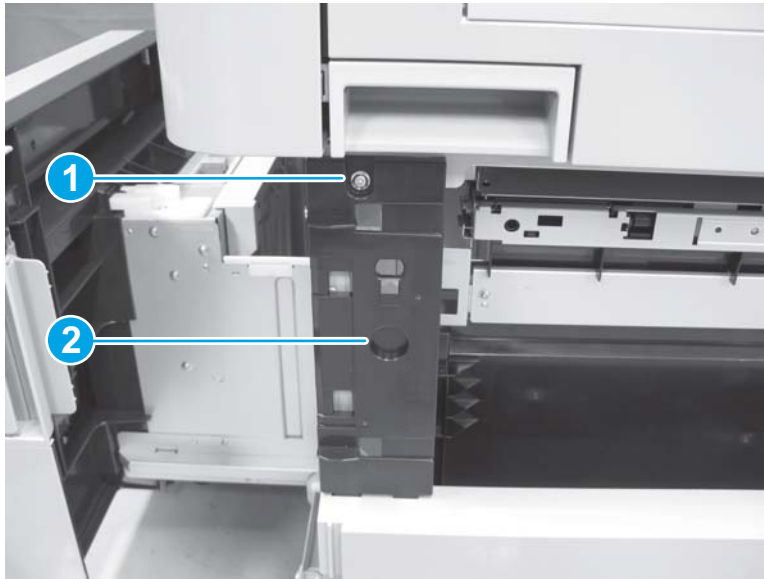
Before proceeding, remove the following assemblies:

- HCI right tray. See [HCI right tray on page 360](#).
- HCI rear cover. See [HCI rear cover on page 362](#).
- HCI right tray pickup drive. See [HCI right tray pickup drive on page 366](#).

Remove the HCI right tray pickup assembly

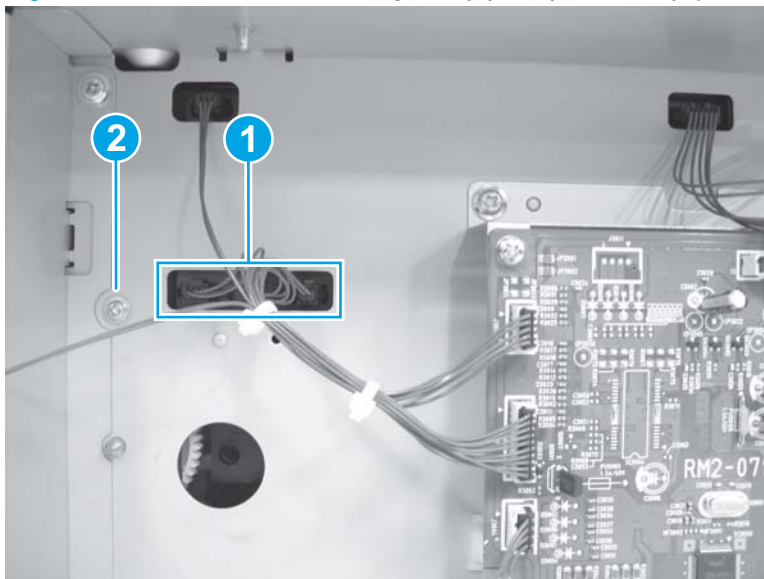
1. Remove one screw (callout 1), and then remove the lock holder (callout 2).

Figure 1-550 Remove the HCI right tray pickup assembly (1 of 3)



2. Disconnect three connectors (callout 1), and then remove one screw (callout 2).

Figure 1-551 Remove the HCI right tray pickup assembly (2 of 3)



3. Remove two screws (callout 1), and then remove the assembly (callout 2).


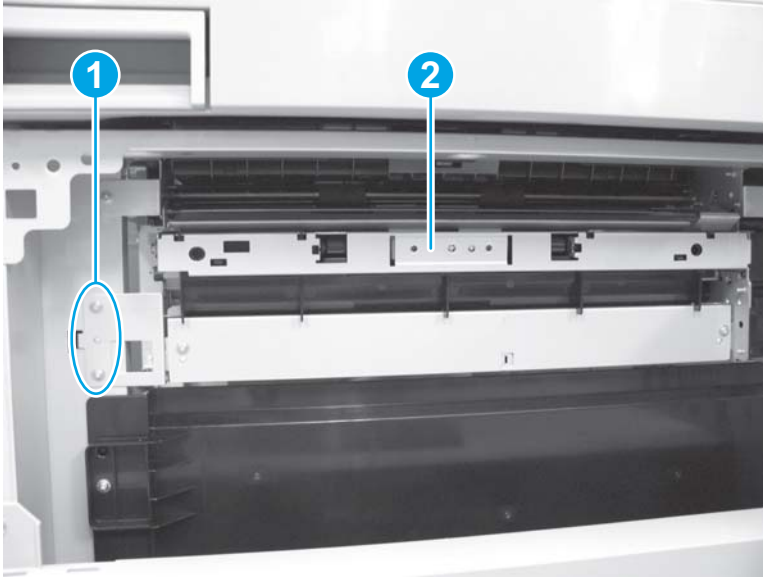
 **TIP:** For easier removal, lift up on the merge assembly flap, and then remove (or replace) the pickup assembly from the right side of the HCI chassis (rather than from inside the tray cavity).

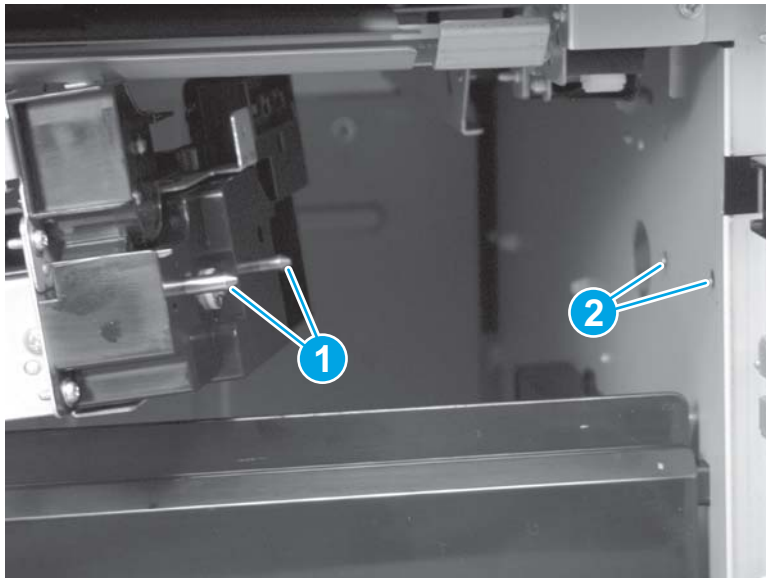
Figure 1-552 Remove the HCI right tray pickup assembly (3 of 3)



Reinstall the HCI right tray pickup assembly

Make sure that the pins (callout 1) on the HCI right tray pickup assembly are inserted in the holes (callout 2) in the product.

Figure 1-553 Reinstall the HCI right tray pickup assembly



HCI left tray pickup assembly

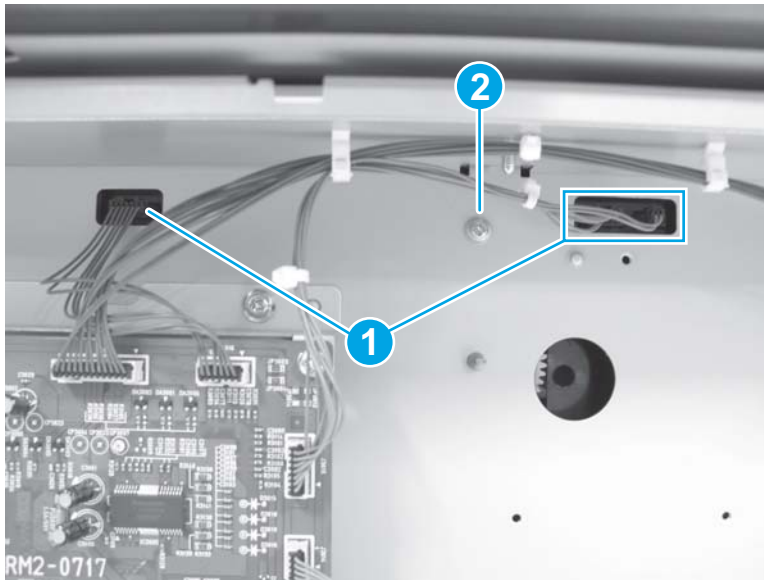
Before proceeding, remove the following assemblies:

- HCI right tray. See [HCI right tray on page 360](#).
- HCI left tray. See [HCI left tray on page 361](#).
- HCI rear cover. See [HCI rear cover on page 362](#).
- HCI left tray pickup drive. See [HCI left tray pickup drive on page 368](#).

Remove the HCI left tray pickup assembly

1. Disconnect three connectors (callout 1) and then remove one screw (callout 2).

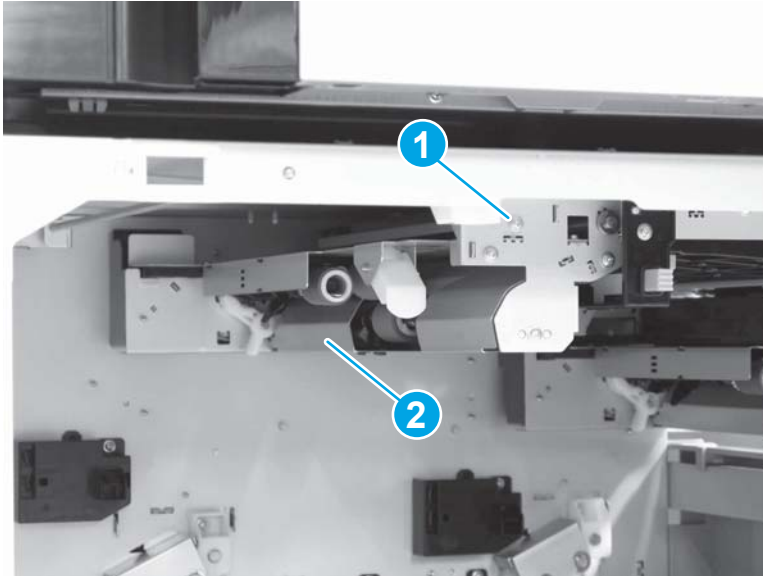
Figure 1-554 Remove the HCI left tray pickup assembly (1 of 2)



2. From inside the tray cavity, remove one screw (callout 1), and then remove the assembly (callout 2).

 **TIP:** Support the assembly when removing the screw (callout 1) so that it does not fall.

Figure 1-555 Remove the HCI left tray pickup assembly (2 of 2)



Reinstall the HCI left tray pickup assembly

Make sure that the pins (callout 1) on the HCI left tray pickup assembly are inserted in the holes (callout 2) in the product.

Figure 1-556 Reinstall the HCI left tray pickup assembly (1 of 2)

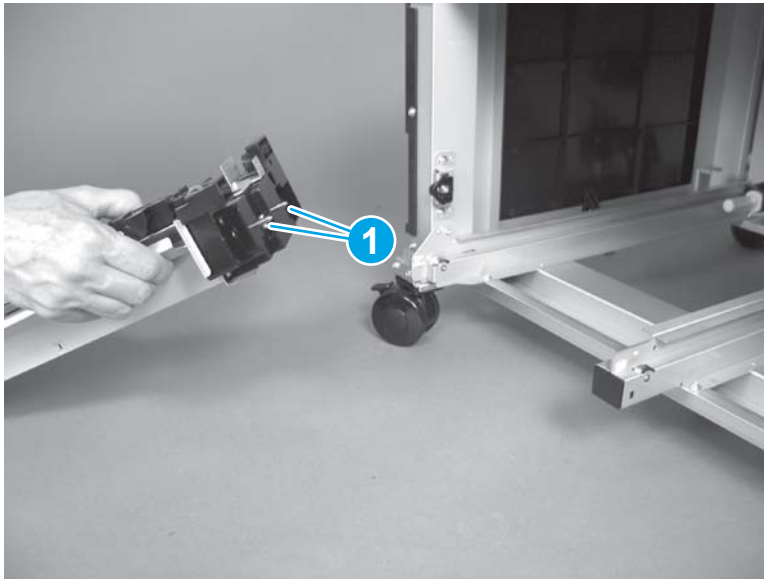
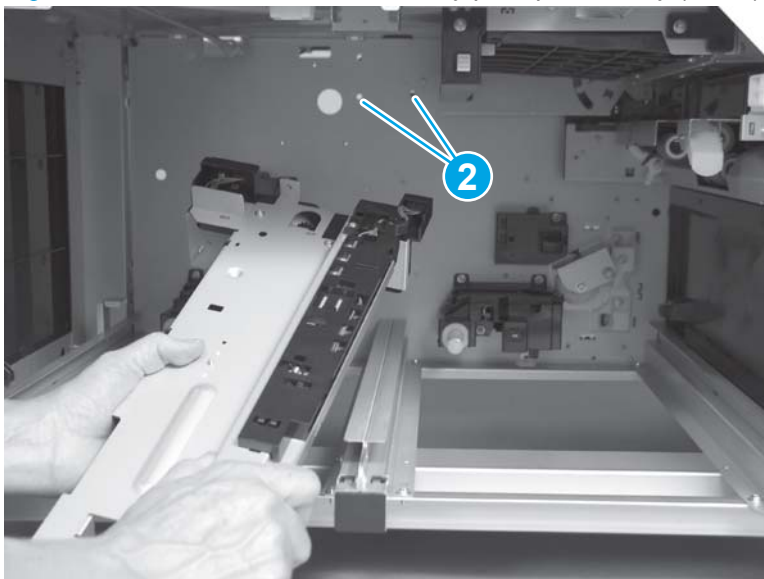


Figure 1-557 Reinstall the HCI left tray pickup assembly (2 of 2)



HCI merge assembly

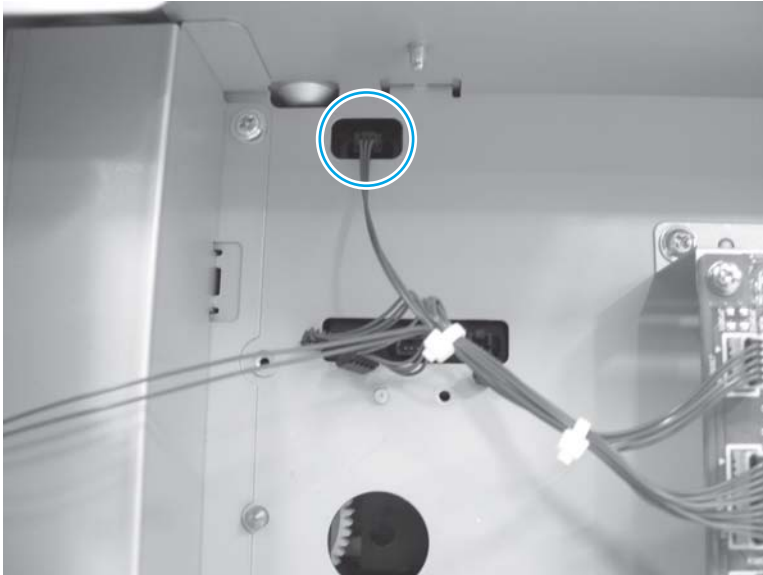
Before proceeding, remove the following assemblies:

- HCI right tray. See [HCI right tray on page 360](#).
- HCI rear cover. See [HCI rear cover on page 362](#).
- HCI right tray pickup drive. See [HCI right tray pickup drive on page 366](#).
- HCI right tray pickup assembly. See [HCI right tray pickup assembly on page 375](#).
- HCI, 1x500, and 3x500 right door assembly. See [HCI, 1x500, and 3x500 right door assembly on page 428](#).

Remove the HCI merge assembly

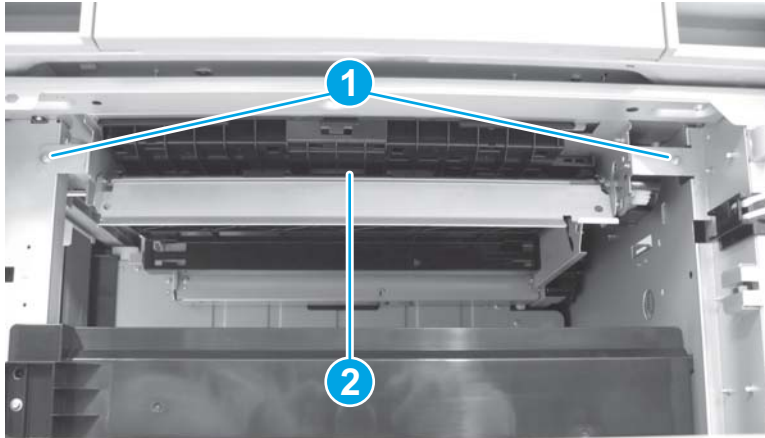
1. Disconnect one connector.

Figure 1-558 Remove the HCI merge assembly (1 of 2)



2. Remove two screws (callout 1), and then remove the assembly (callout 2).

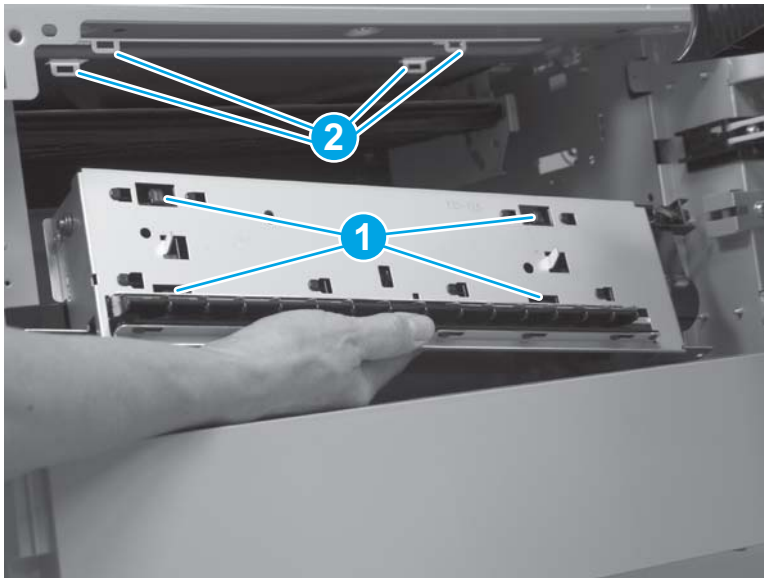
Figure 1-559 Remove the HCI merge assembly (2 of 2)



Reinstall the HCI merge assembly

Make sure that the tabs on the merge assembly (callout 1) are installed in the slots (callout 2) in the product.

Figure 1-560 Reinstall the HCI merge assembly



HCI controller PCA

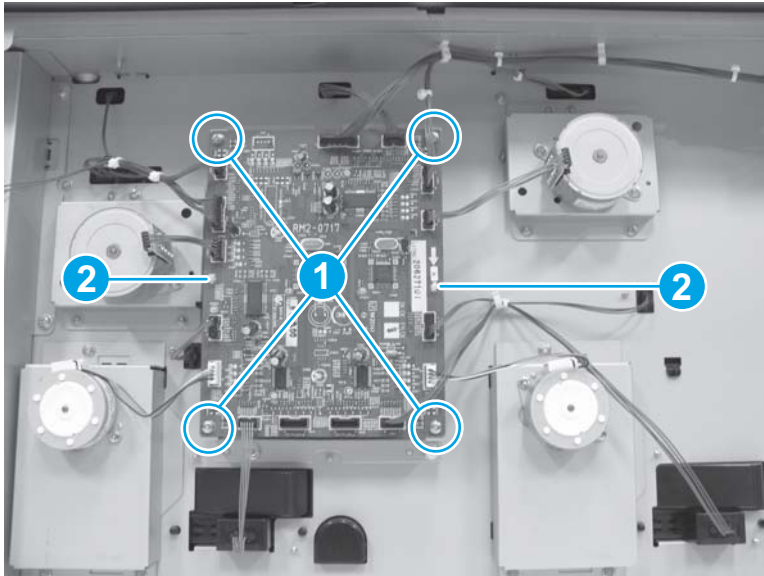
Before proceeding, remove the following assemblies:

- HCI rear cover. See [HCI rear cover on page 362](#).


Remove the HCI controller PCA

Disconnect all of the connectors on the HCI controller PCA, remove four screws (callout 1), release two standoffs (callout 2), and then remove the PCA.

Figure 1-561 Remove the HCI controller PCA



1x500- and 3x500-sheet feeders

 **NOTE:** Some of the procedures in this section require the product to be removed from the input accessory.

Location of major components

Figure 1-562 External covers and doors (1x500-sheet feeder)

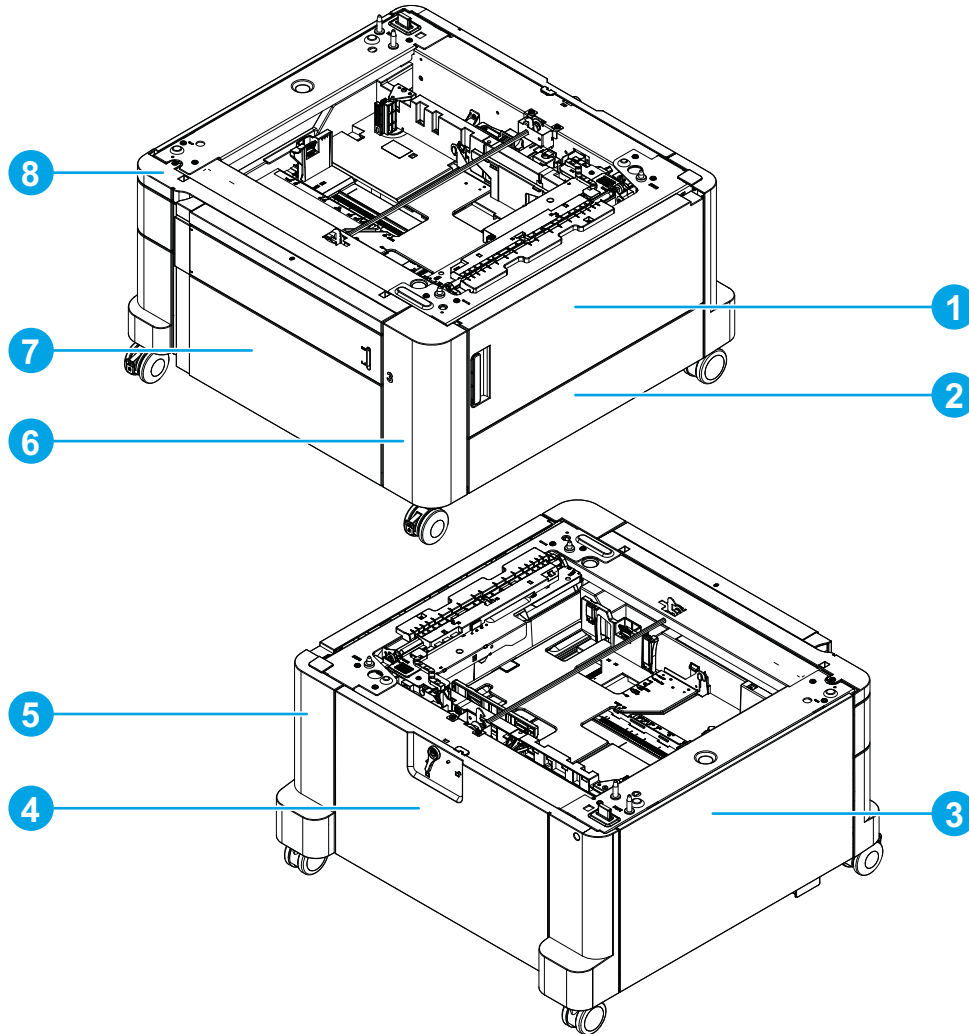


Table 1-15 External covers and doors (1x500-sheet feeder)

Item	Description	Item	Description
1	Right door	5	Right rear cover
2	Right lower cover	6	Right front cover
3	Left cover	7	Storage box door
4	Rear cover	8	Upper front cover

Figure 1-563 External covers and doors (3x500-sheet feeder)

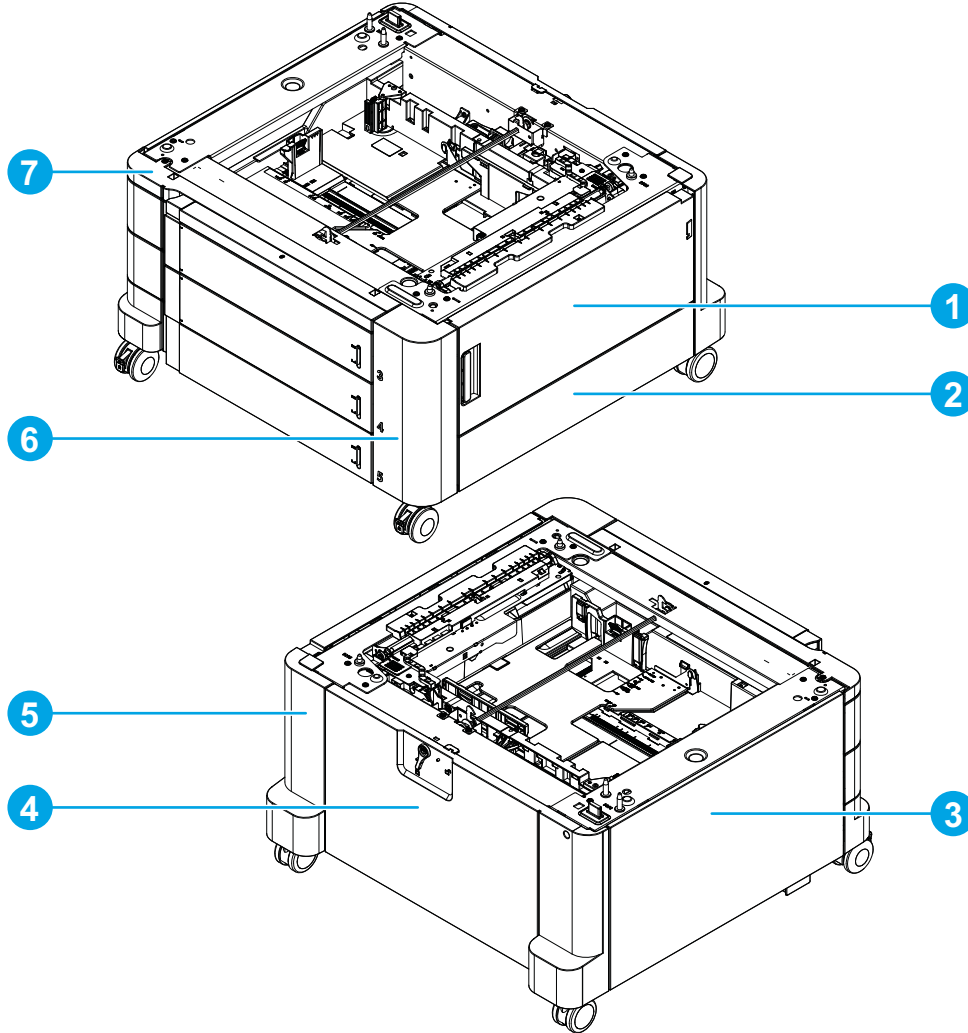


Table 1-16 External covers and doors (3x500-sheet feeder)

Item	Description	Item	Description
1	Right door	5	Right rear cover
2	Right lower cover	6	Right front cover
3	Left cover	7	Upper front cover
4	Rear cover		

Figure 1-564 Main assemblies (1x500-sheet feeder)

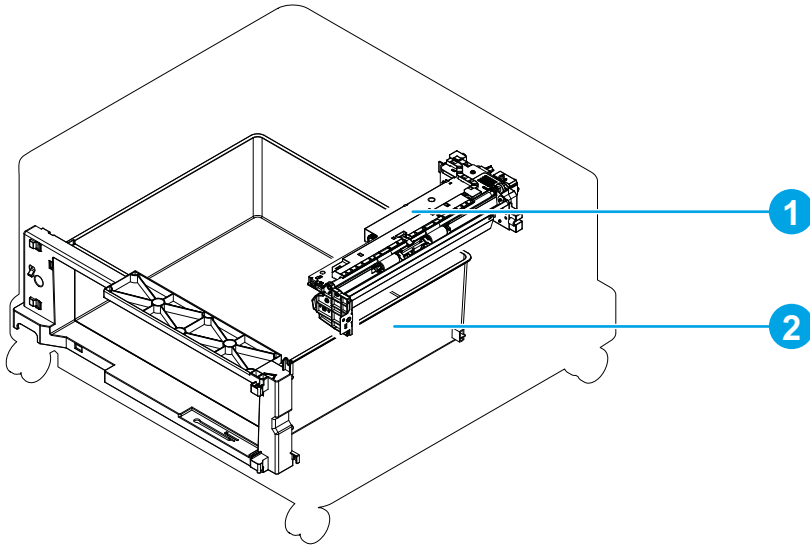


Table 1-17 Main assemblies (1x500-sheet feeder)

Item	Description	Item	Description
1	Tray 3 pickup assembly (1x500)	2	Storage box assembly

Figure 1-565 Main assemblies (3x500-sheet feeder)

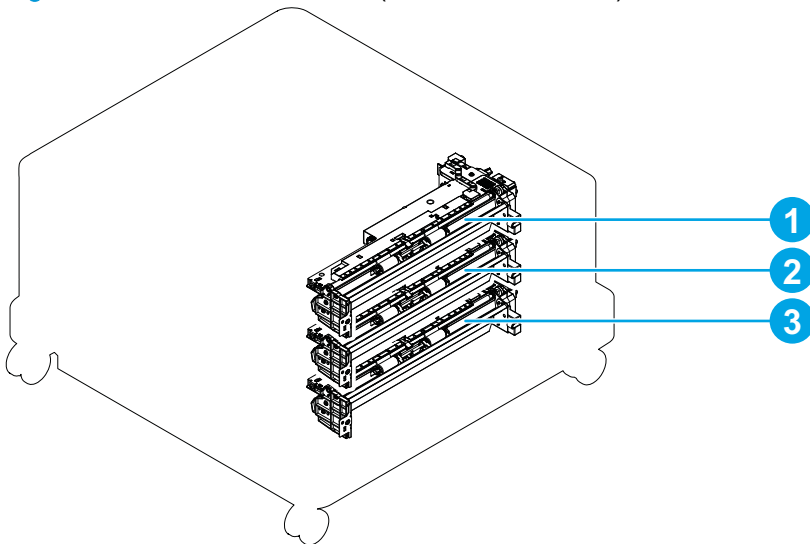


Table 1-18 Main assemblies (3x500-sheet feeder)

Item	Description	Item	Description
1	Tray 3 pickup assembly (3x500)	3	Tray 5 pickup assembly (3x500)
2	Tray 4 pickup assembly (3x500)		

Figure 1-566 Printed circuit assembly (PCA)

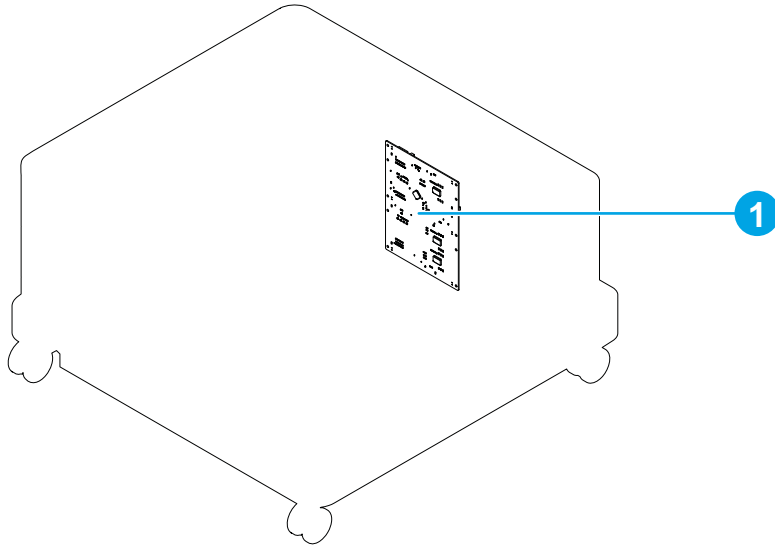


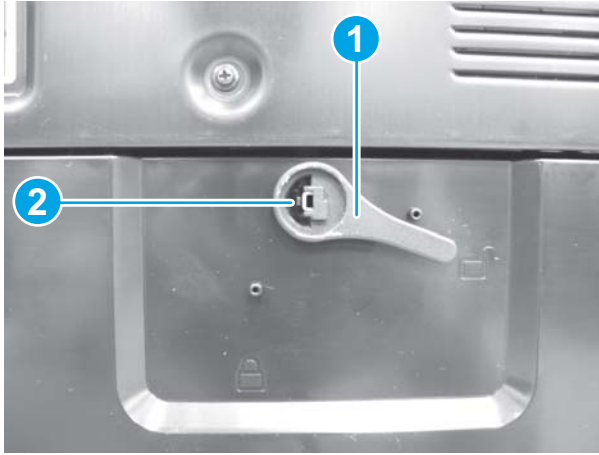
Table 1-19 Printed circuit assembly (PCA)

Item	Description	Item	Description
1	Controller PCA (1x500, 3x500)		

1x500 and 3x500 rear cover

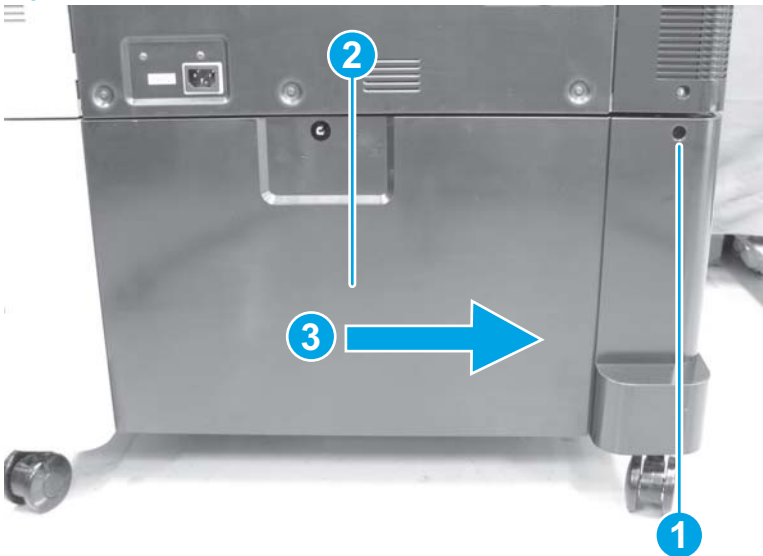
1. Move the lock lever (callout 1) to the unlocked position. Release one tab (callout 2), and then remove the lock lever.

Figure 1-567 Remove the 1x500 and 3x500 rear cover (1 of 2)



2. Remove one screw (callout 1), and then slide the rear cover (callout 2) toward the left door (callout 3) to remove it.

Figure 1-568 Remove the 1x500 and 3x500 rear cover (2 of 2)



1x500 and 3x500 right front cover

Before proceeding, remove the following assemblies:

- 1x500 Tray 3 (1x500 only). See [Tray 2, 1x500 Tray 3, 3x500 Tray 3, 3x500 Tray 4, and 3x500 Tray 5 on page 18](#).
- 3x500 Tray 3 (3x500 only). See [Tray 2, 1x500 Tray 3, 3x500 Tray 3, 3x500 Tray 4, and 3x500 Tray 5 on page 18](#).

Remove the 1x500 and 3x500 right front cover

1. Remove one screw.

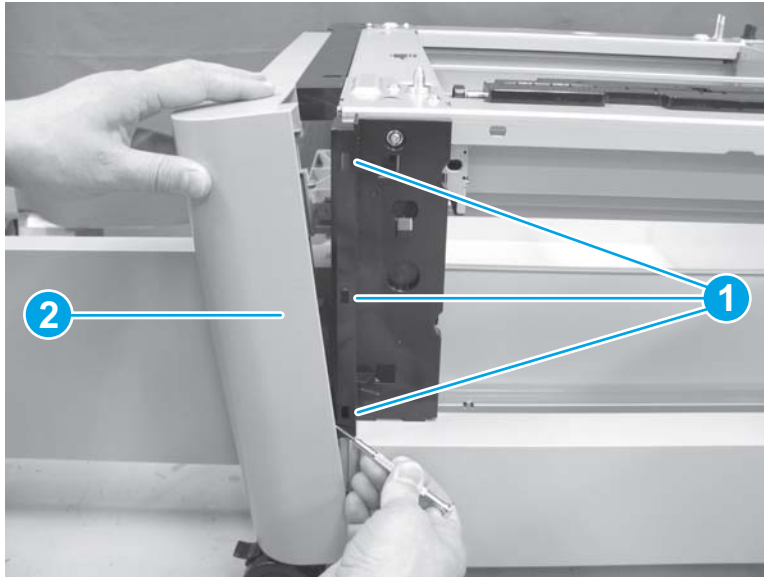
Figure 1-569 Remove the 1x500 and 3x500 right front cover (1 of 2)



2. Open the 1x500 and 3x500 right door.
3. **1x500 only:** Open the 1x500 storage box door.

4. Use a small, flat-blade screwdriver to release three tabs (callout 1), and then lift the right front cover (callout 2) away from the product.

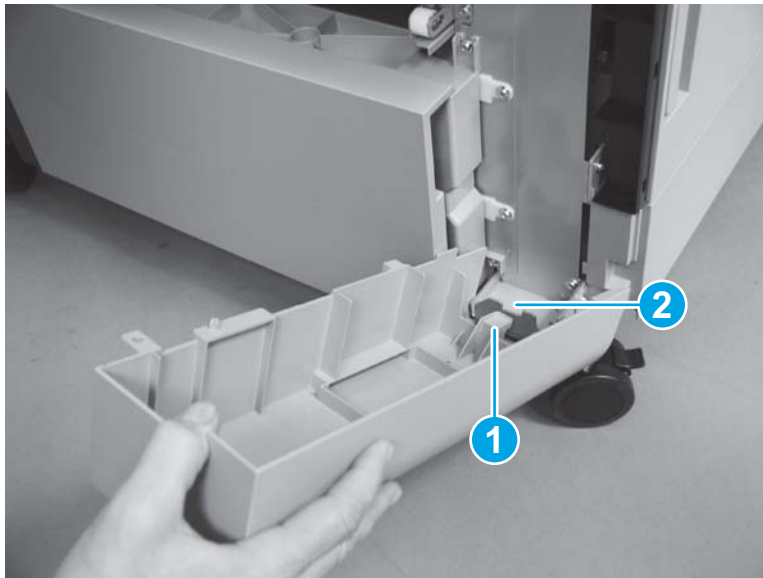
Figure 1-570 Remove the 1x500 and 3x500 right front cover (2 of 2)



Reinstall the 1x500 and 3x500 right front cover

Make sure that the tab on the cover (callout 1) is positioned over the sheet-metal slot (callout 2) in the product.

Figure 1-571 Reinstall the 1x500 and 3x500 right front cover



1x500 and 3x500 upper front face cover

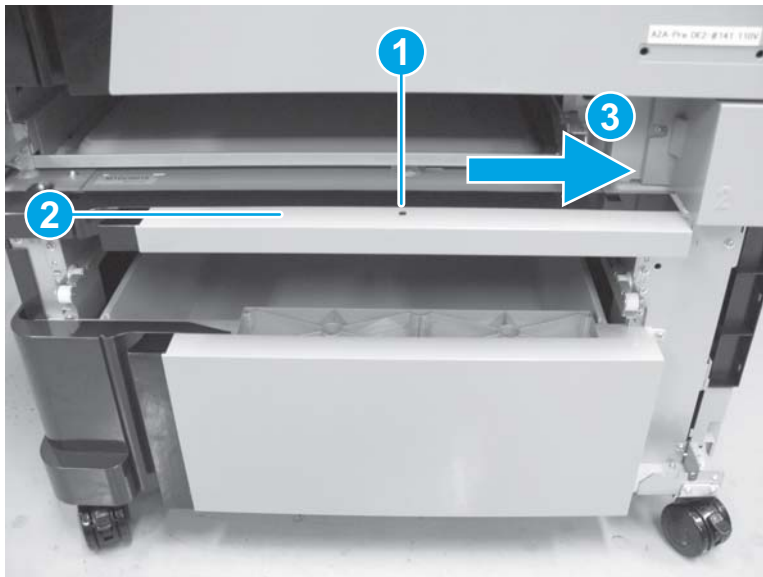
Before proceeding, remove the following assemblies:

- Tray 2. See [Tray 2, 1x500 Tray 3, 3x500 Tray 3, 3x500 Tray 4, and 3x500 Tray 5 on page 18](#).
- 1x500 Tray 3 (1x500 only). See [Tray 2, 1x500 Tray 3, 3x500 Tray 3, 3x500 Tray 4, and 3x500 Tray 5 on page 18](#).
- 3x500 Tray 3 (3x500 only). See [Tray 2, 1x500 Tray 3, 3x500 Tray 3, 3x500 Tray 4, and 3x500 Tray 5 on page 18](#).
- 1x500 and 3x500 right front cover. See [1x500 and 3x500 right front cover on page 388](#).

Remove the 1x500 and 3x500 upper front face cover

Release one tab (callout 1), and then slide the upper front face cover (callout 2) toward the right door to remove it (callout 3).

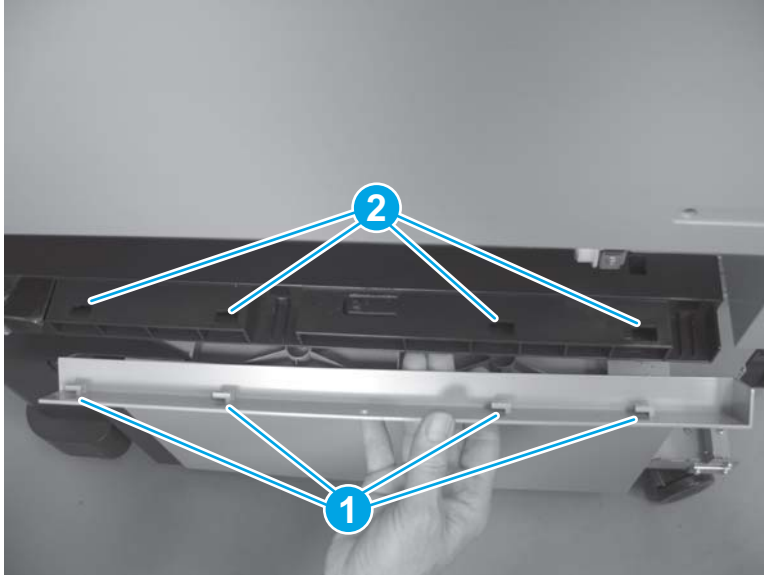
Figure 1-572 Remove the 1x500 and 3x500 upper front face cover



Reinstall the 1x500 and 3x500 upper front face cover

Make sure that the three tabs on the cover (callout 1) are positioned in the slots (callout 2) in the product.

Figure 1-573 Reinstall the 1x500 and 3x500 upper front face cover



1x500 and 3x500 upper front cover

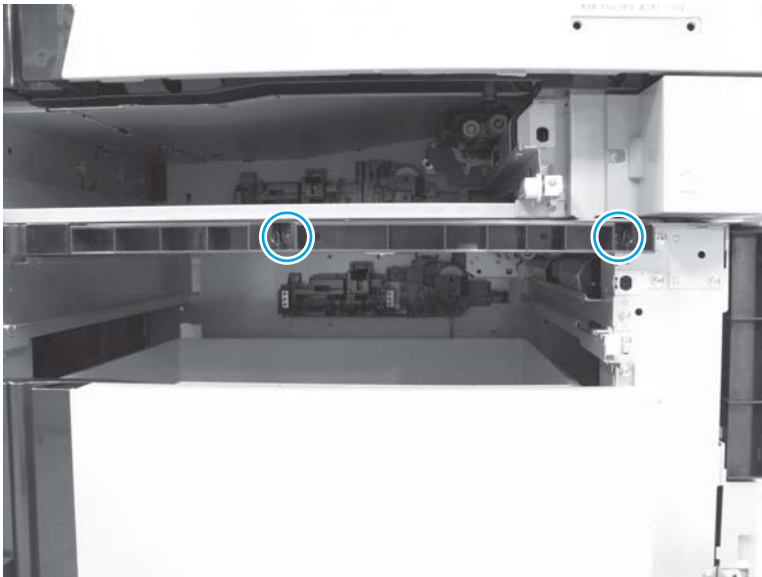
Before proceeding, remove the following assemblies:

- Tray 2. See [Tray 2, 1x500 Tray 3, 3x500 Tray 3, 3x500 Tray 4, and 3x500 Tray 5 on page 18](#).
- 1x500 Tray 3 (1x500 only). See [Tray 2, 1x500 Tray 3, 3x500 Tray 3, 3x500 Tray 4, and 3x500 Tray 5 on page 18](#).
- 3x500 Tray 3 (3x500 only). See [Tray 2, 1x500 Tray 3, 3x500 Tray 3, 3x500 Tray 4, and 3x500 Tray 5 on page 18](#).
- 1x500 and 3x500 right front cover. See [1x500 and 3x500 right front cover on page 388](#).
- 1x500 and 3x500 upper front face cover. See [1x500 and 3x500 upper front face cover on page 390](#).

Remove the 1x500 and 3x500 right front cover

1. Remove two screws.

Figure 1-574 Remove the 1x500 and 3x500 upper front cover (1 of 4)



2. Remove one screw.


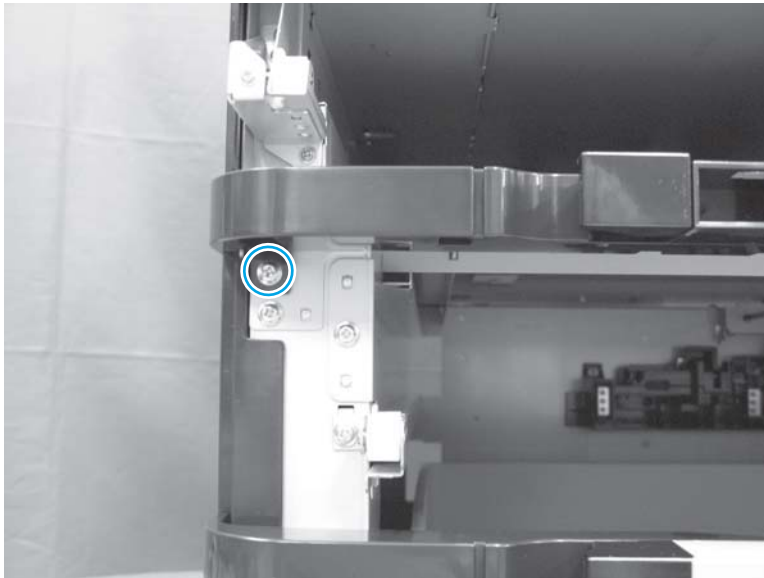
 **TIP:** Use a Phillips-head screwdriver with a short shaft to remove this screw.

Figure 1-575 Remove the 1x500 and 3x500 upper front cover (2 of 4)



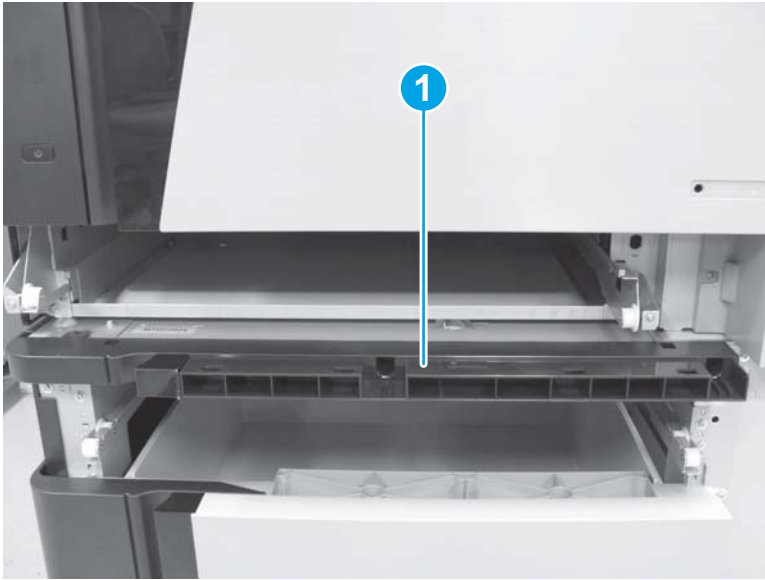
3. Remove one screw.

Figure 1-576 Remove the 1x500 and 3x500 upper front cover (3 of 4)



4. Lift up to remove the upper front cover (callout 1).

Figure 1-577 Remove the 1x500 and 3x500 upper front cover (4 of 4)



1x500 and 3x500 upper front left face cover

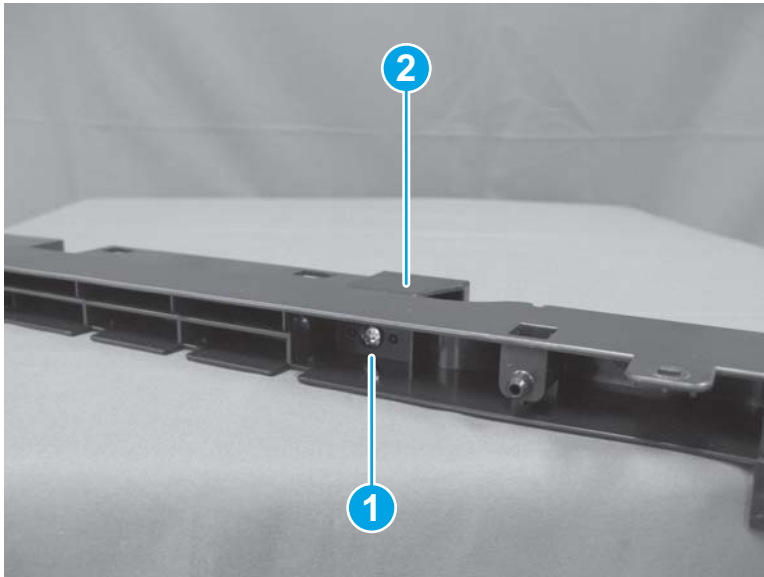
Before proceeding, remove the following assemblies:

- Tray 2. See [Tray 2, 1x500 Tray 3, 3x500 Tray 3, 3x500 Tray 4, and 3x500 Tray 5 on page 18](#).
- 1x500 Tray 3 (1x500 only). See [Tray 2, 1x500 Tray 3, 3x500 Tray 3, 3x500 Tray 4, and 3x500 Tray 5 on page 18](#).
- 3x500 Tray 3 (3x500 only). See [Tray 2, 1x500 Tray 3, 3x500 Tray 3, 3x500 Tray 4, and 3x500 Tray 5 on page 18](#).
- 1x500 and 3x500 right front cover. See [1x500 and 3x500 right front cover on page 388](#).
- 1x500 and 3x500 upper front face cover. See [1x500 and 3x500 upper front face cover on page 390](#).
- 1x500 and 3x500 upper front cover. See [1x500 and 3x500 upper front cover on page 392](#).

Remove the 1x500 and 3x500 upper front left face cover

Remove one screw from the 1x500 and 3x500 upper front cover (callout 1), and then remove the upper front left face cover (callout 2).

Figure 1-578 Remove the 1x500 and 3x500 upper front left face cover



1x500 storage box door

Before proceeding, remove the following assemblies:

- 1x500 Tray 3. See [Tray 2, 1x500 Tray 3, 3x500 Tray 3, 3x500 Tray 4, and 3x500 Tray 5 on page 18.](#)
- 1x500 and 3x500 right front cover. See [1x500 and 3x500 right front cover on page 388.](#)

Remove the 1x500 storage box door

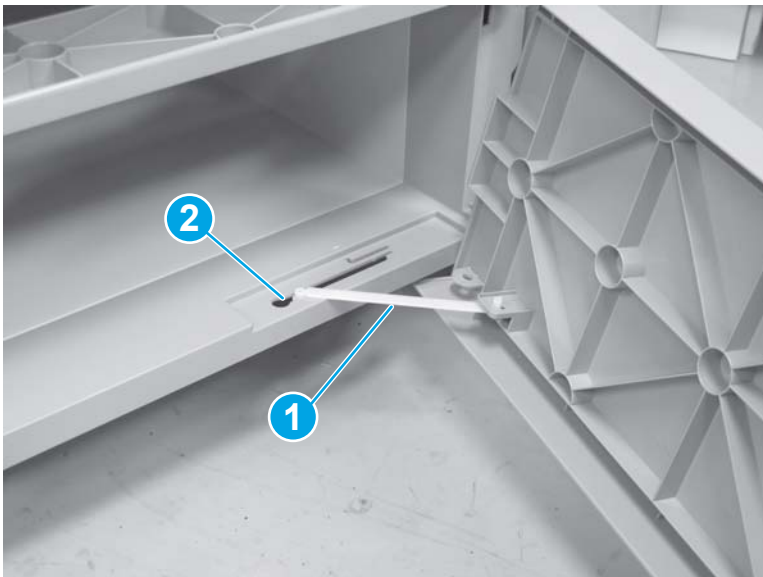
1. Press down on one tab to release the door hinge.

Figure 1-579 Remove the 1x500 storage box door (1 of 3)



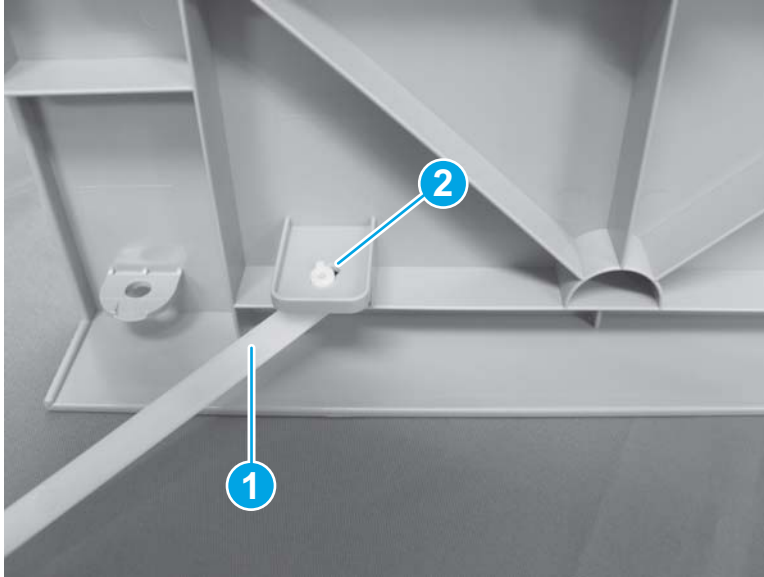
2. Release the link arm (callout 1) from the slot (callout 2).

Figure 1-580 Remove the 1x500 storage box door (2 of 3)



3. If you are replacing the storage box door, remove the link arm (callout 1) from the slot on the door (callout 2) and install it on the replacement door.

Figure 1-581 Remove the 1x500 storage box door (3 of 3)



1x500 storage box

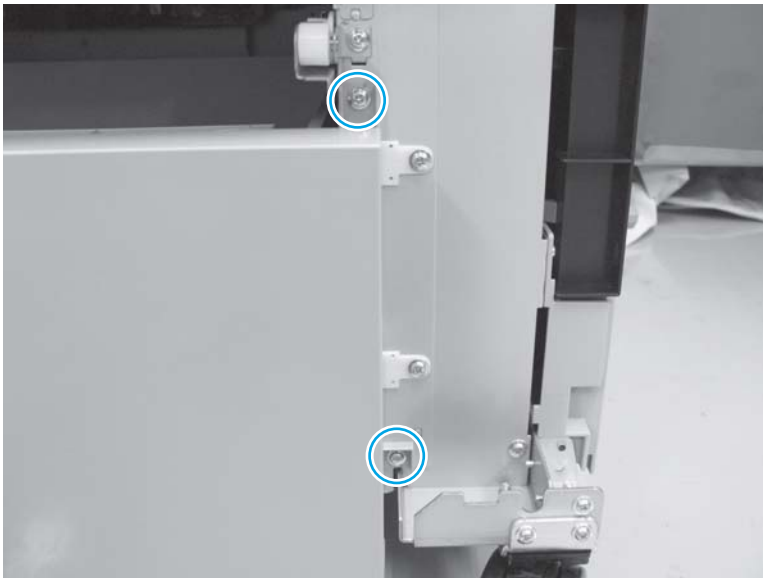
Before proceeding, remove the following assemblies:

- 1x500 Tray 3 (1x500 only). See [Tray 2, 1x500 Tray 3, 3x500 Tray 3, 3x500 Tray 4, and 3x500 Tray 5 on page 18](#).
- 1x500 and 3x500 right front cover. See [1x500 and 3x500 right front cover on page 388](#).
- 1x500 storage box door (1x500 only). See [1x500 storage box door on page 396](#).

Remove the 1x500 storage box

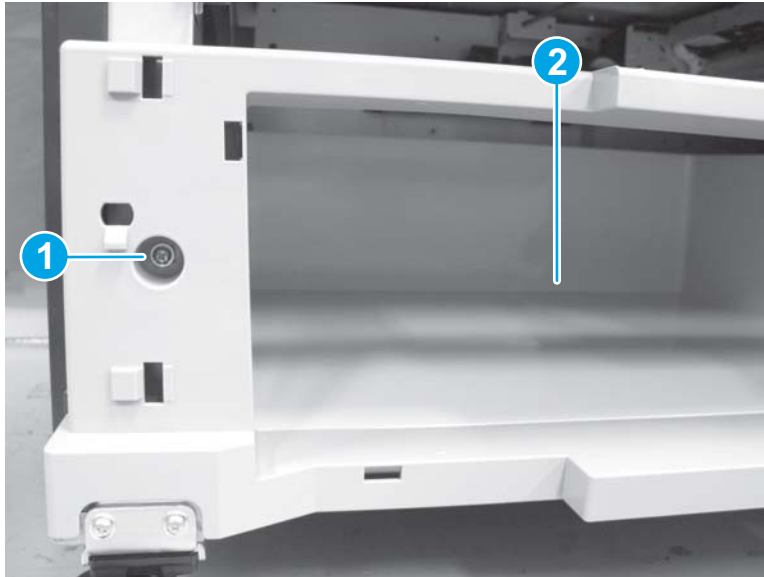
1. Remove two screws.

Figure 1-582 Remove the 1x500 storage box (1 of 2)



2. Remove one screw (callout 1) and then lift the storage box (callout 2) out of the printer to remove it.

Figure 1-583 Remove the 1x500 storage box (2 of 2)




1x500 and 3x500 right lower cover

Before proceeding, remove the following assemblies:

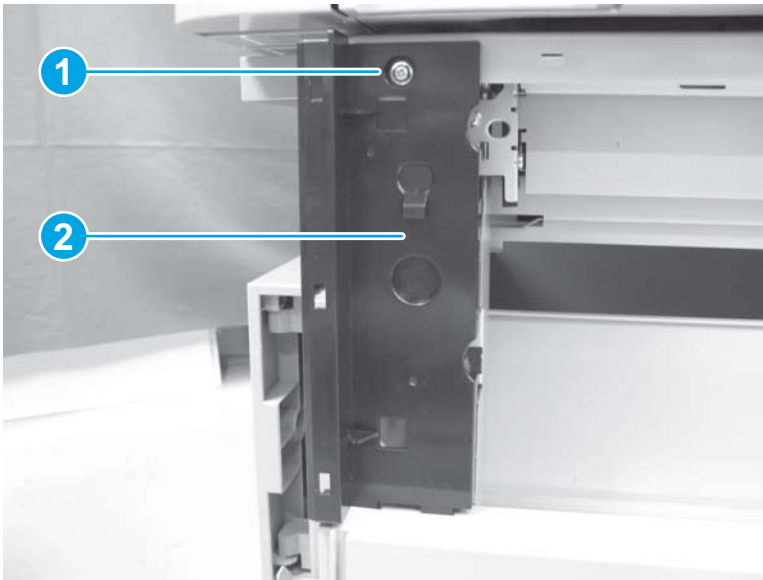
- 1x500 and 3x500 right front cover. See [1x500 and 3x500 right front cover on page 388](#).
- HCI, 1x500, and 3x500 right door assembly. See [HCI, 1x500, and 3x500 right door assembly on page 428](#).
- HCI, 1x500, and 3x500 right rear cover. See [HCI, 1x500, and 3x500 right rear cover on page 430](#).

Remove the 1x500 and 3x500 right lower cover

 **NOTE:** The 1x500 right lower cover is shown below. The procedure is the same for the 3x500 right lower cover.

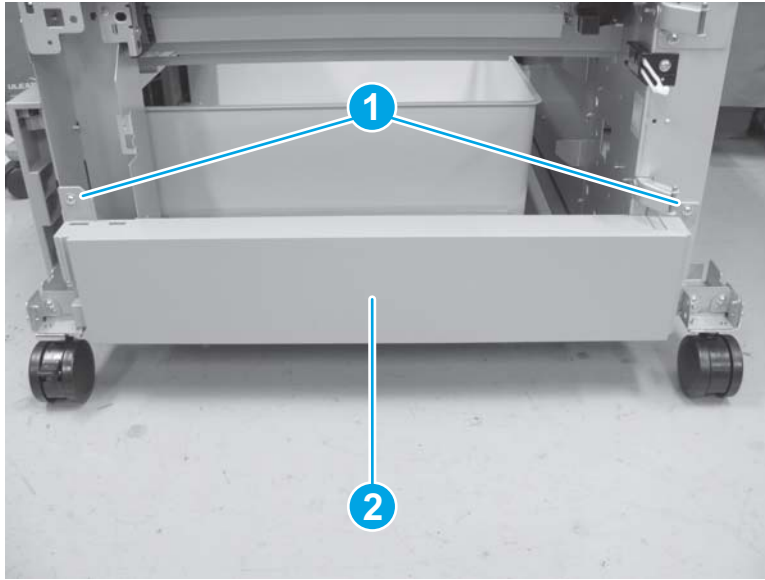
1. Remove one screw (callout 1), and then remove the lock holder (callout 2).

Figure 1-584 Remove the 1x500 and 3x500 right lower cover (1 of 2)



2. Remove two screws (callout 1), and then remove the right lower cover (callout 2).

Figure 1-585 Remove the 1x500 and 3x500 right lower cover (2 of 2)



1x500 Tray 3 pickup assembly

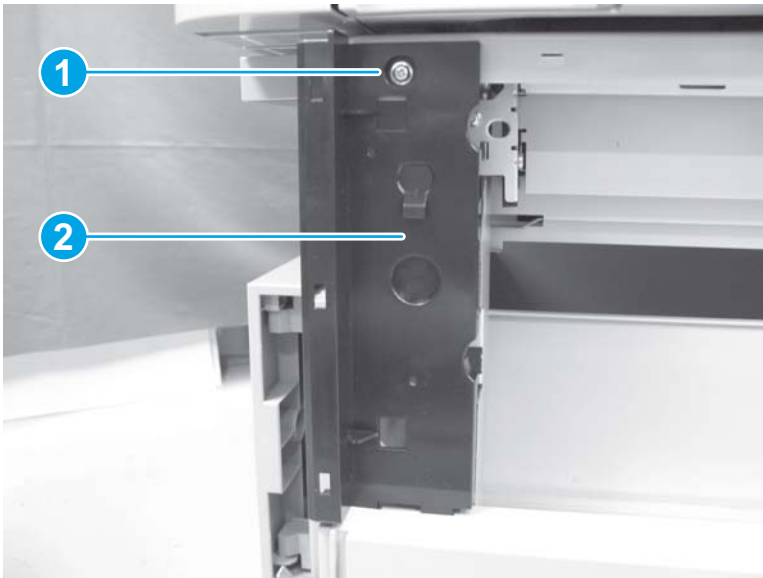
Before proceeding, remove the following assemblies:

- 1x500 Tray 3. See [Tray 2, 1x500 Tray 3, 3x500 Tray 3, 3x500 Tray 4, and 3x500 Tray 5 on page 18](#).
- 1x500 and 3x500 rear cover. See [1x500 and 3x500 rear cover on page 387](#).
- 1x500 and 3x500 right front cover. See [1x500 and 3x500 right front cover on page 388](#).

Remove the 1x500 Tray 3 pickup assembly

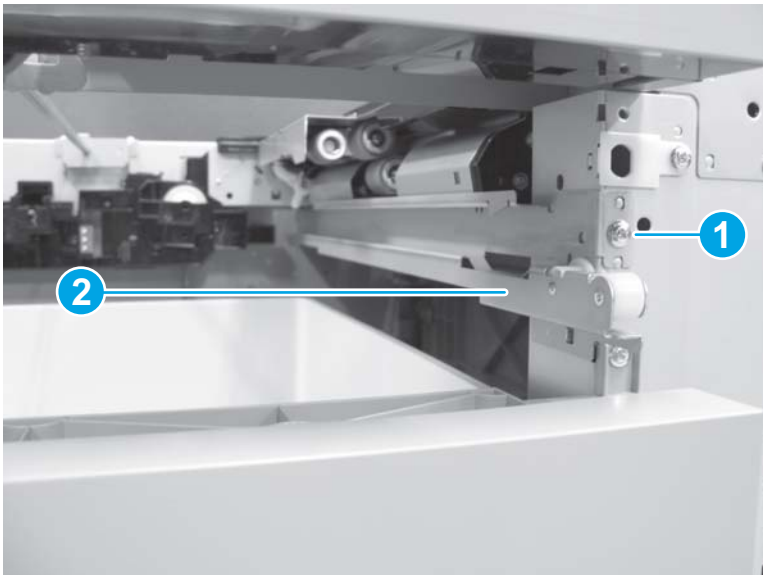
1. Remove one screw (callout 1), and then remove the lock holder (callout 2).

Figure 1-586 Remove the 1x500 Tray 3 pickup assembly (1 of 5)



2. Remove one screw (callout 1), and then remove the tray guide rail (callout 2).

Figure 1-587 Remove the 1x500 Tray 3 pickup assembly (2 of 5)



3. Disconnect three connectors (callout 1), and then remove one screw (callout 2).


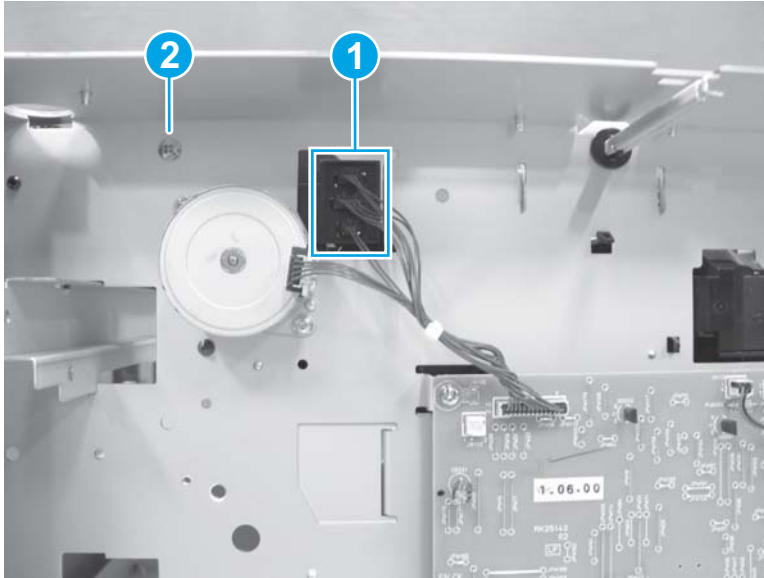
 **NOTE:** The connectors and screw are located on the back of the product.

Figure 1-588 Remove the 1x500 Tray 3 pickup assembly (3 of 5)



4. Remove one screw (callout 1). Hold the tray pickup assembly (callout 2), and then slide it toward the front of the product (callout 3) to release it.


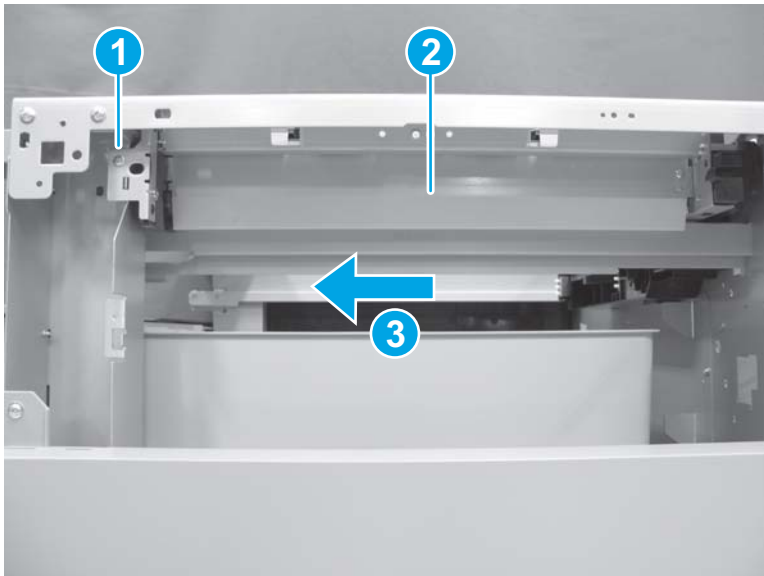
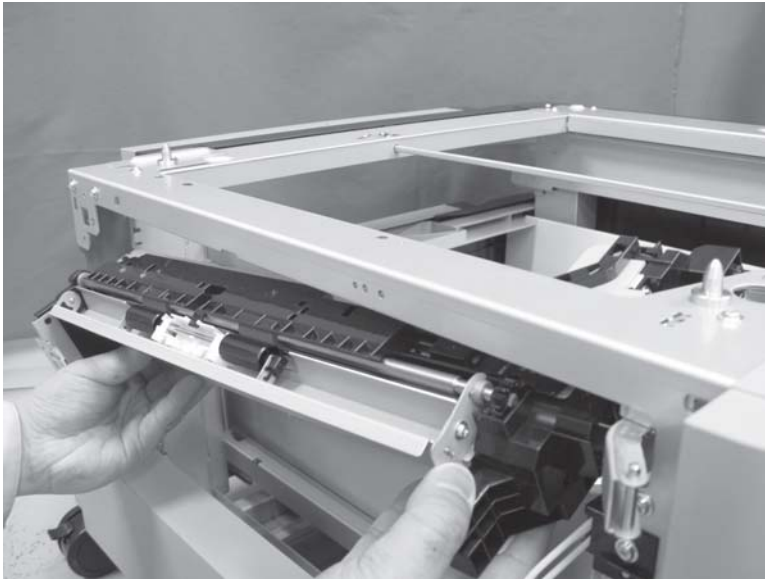
 **NOTE:** The screw and tray pickup assembly are located on the right side of the product.

Figure 1-589 Remove the 1x500 Tray 3 pickup assembly (4 of 5)



5. Remove the tray pickup assembly.

Figure 1-590 Remove the 1x500 Tray 3 pickup assembly (5 of 5)



Reinstall the 1x500 Tray 3 pickup assembly

1. Make sure that the shaft on the tray pickup assembly (callout 1) is positioned in the hole (callout 2) in the product.


 **NOTE:** Callout 2 shows the location of the hole from the back of the product.

Figure 1-591 Reinstall the 1x500 Tray 3 pickup assembly (1 of 4)

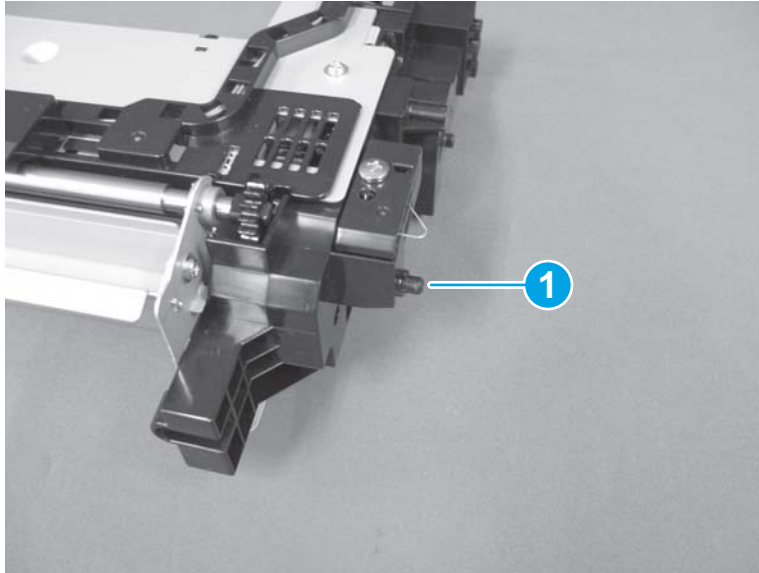
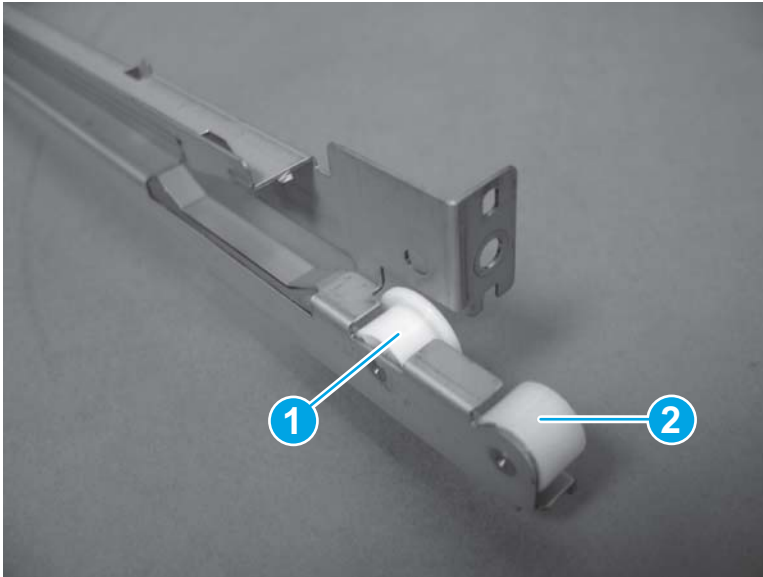


Figure 1-592 Reinstall the 1x500 Tray 3 pickup assembly (2 of 4)



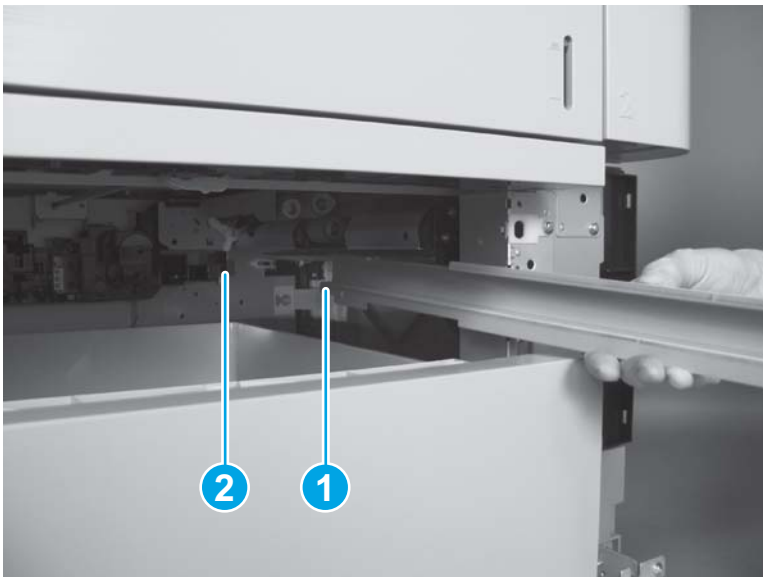
2. If the gear (callout 1) or the roller (callout 2) fall off of the tray guide rail, make sure that they are reinstalled correctly

Figure 1-593 Reinstall the 1x500 Tray 3 pickup assembly (3 of 4)



3. Install the end of the tray guide rail (callout 1) into the slot in the product (callout 2).

Figure 1-594 Reinstall the 1x500 Tray 3 pickup assembly (4 of 4)



3x500 Tray 3 pickup assembly

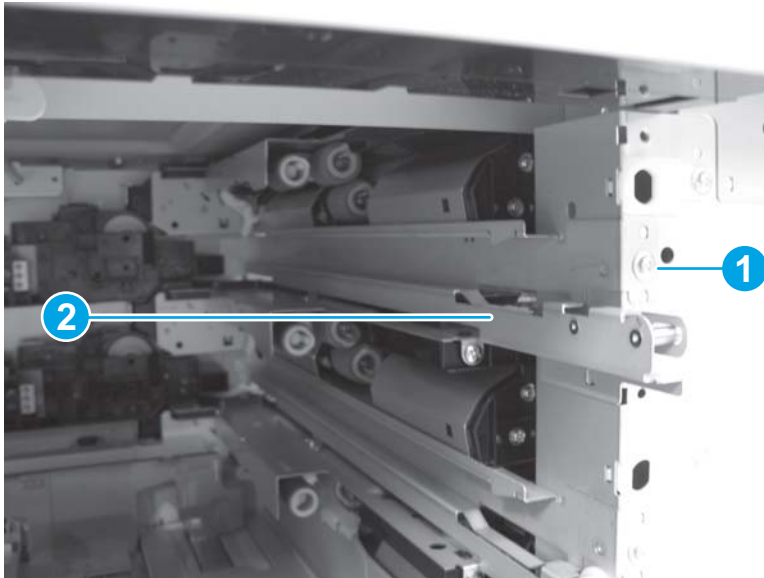
Before proceeding, remove the following assemblies:

- 3x500 Tray 3. See [Tray 2, 1x500 Tray 3, 3x500 Tray 3, 3x500 Tray 4, and 3x500 Tray 5 on page 18](#).
- 3x500 Tray 4. See [Tray 2, 1x500 Tray 3, 3x500 Tray 3, 3x500 Tray 4, and 3x500 Tray 5 on page 18](#).
- 1x500 and 3x500 rear cover. See [1x500 and 3x500 rear cover on page 387](#).
- 1x500 and 3x500 right front cover. See [1x500 and 3x500 right front cover on page 388](#).
- 3x500 Tray 4 pickup assembly. See [3x500 Tray 4 pickup assembly on page 412](#).

Remove the 3x500 Tray 3 pickup assembly

1. Remove one screw (callout 1), and then remove the tray guide rail (callout 2).

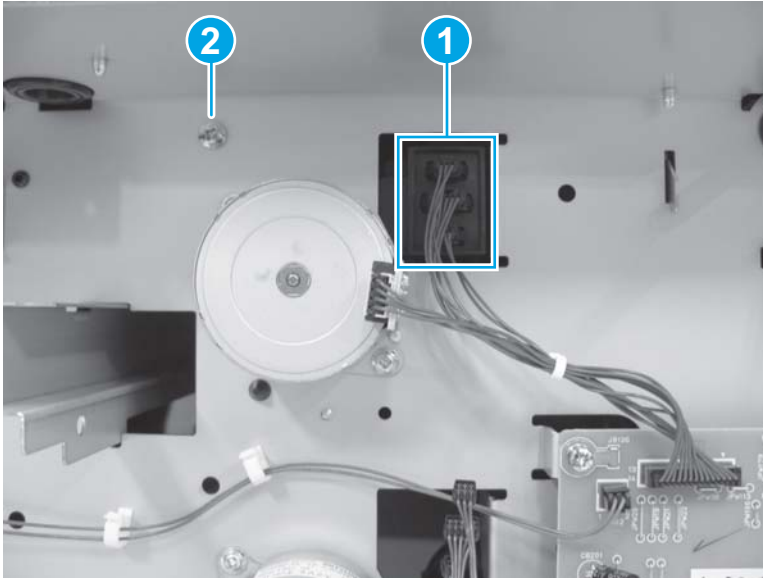
Figure 1-595 Remove the 3x500 Tray 3 pickup assembly (1 of 4)



2. Disconnect three connectors (callout 1), and then remove one screw (callout 2).

 **NOTE:** The connectors and screw are located on the back of the product.

Figure 1-596 Remove the 3x500 Tray 3 pickup assembly (2 of 4)



3. Remove one screw (callout 1). Hold the tray pickup assembly (callout 2), and then slide it toward the front of the product (callout 3) to release it.


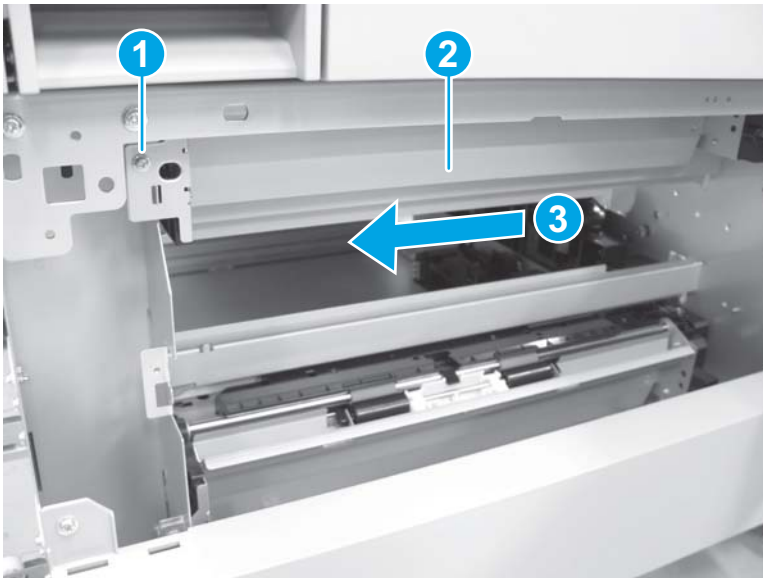
 **NOTE:** The screw and tray pickup assembly are located on the right side of the product.

Figure 1-597 Remove the 3x500 Tray 3 pickup assembly (3 of 4)



4. Remove the tray pickup assembly.

Figure 1-598 Remove the 3x500 Tray 3 pickup assembly (4 of 4)



Reinstall the 3x500 Tray 3 pickup assembly

1. Make sure that the shaft on the tray pickup assembly (callout 1) is positioned in the hole (callout 2) in the product.


 **NOTE:** Callout 2 shows the location of the hole from the back of the product.

Figure 1-599 Reinstall the 3x500 Tray 3 pickup assembly (1 of 4)

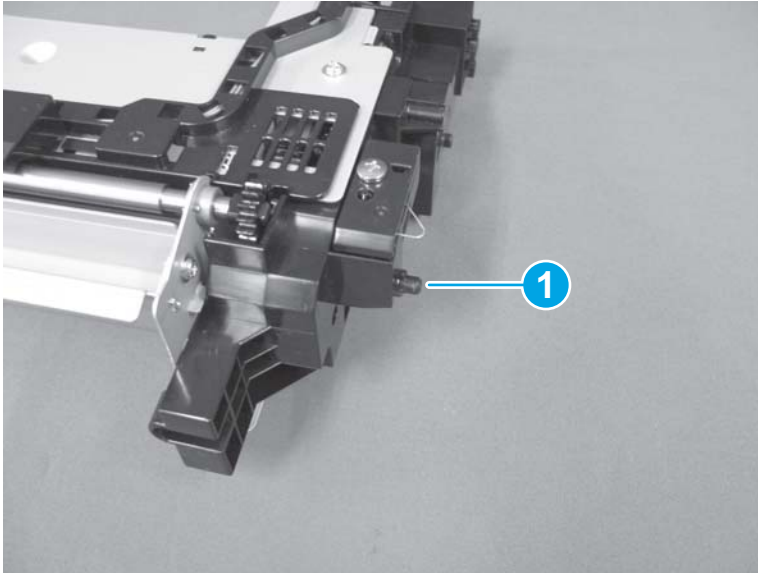
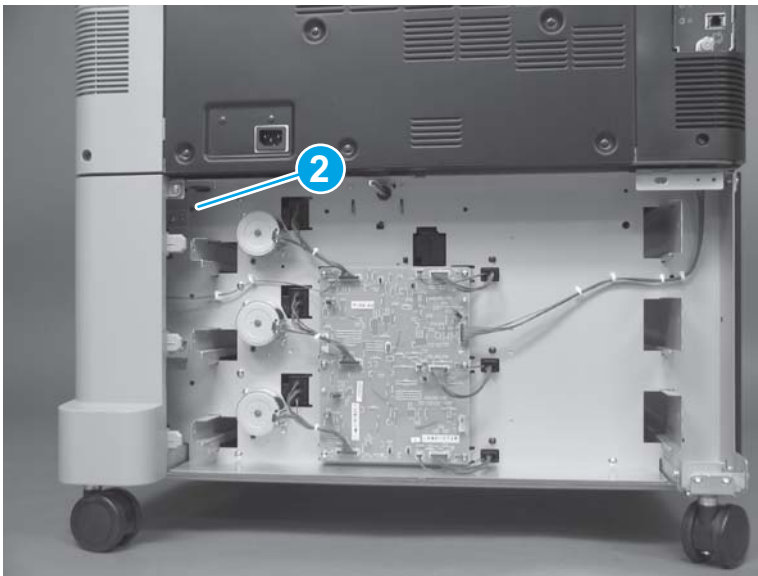
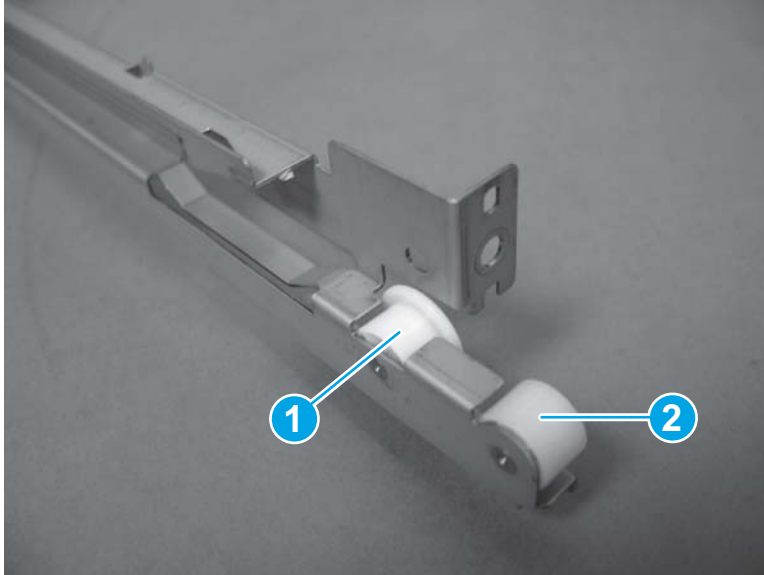


Figure 1-600 Reinstall the 3x500 Tray 3 pickup assembly (2 of 4)



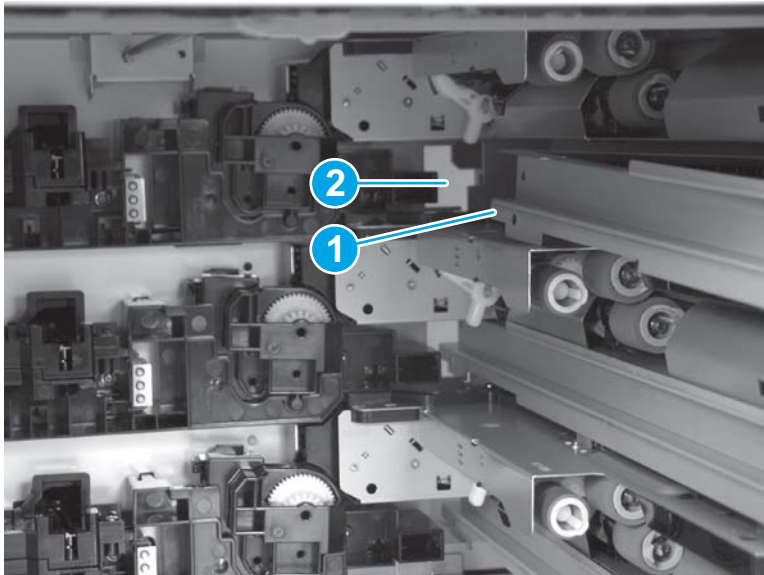
2. If the gear (callout 1) or the roller (callout 2) fall off of the tray guide rail, make sure that they are reinstalled correctly

Figure 1-601 Reinstall the 3x500 Tray 3 pickup assembly (3 of 4)



3. Install the end of the tray guide rail (callout 1) into the slot in the product (callout 2).

Figure 1-602 Reinstall the 3x500 Tray 3 pickup assembly (4 of 4)



3x500 Tray 4 pickup assembly

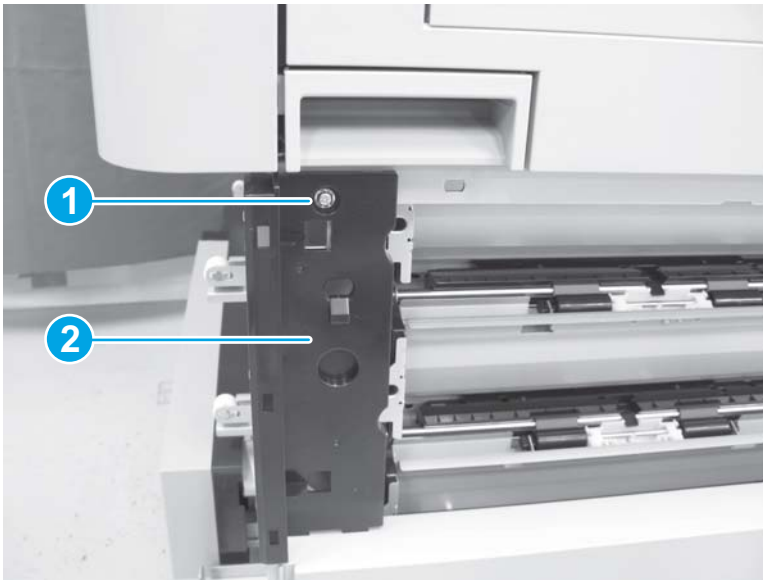
Before proceeding, remove the following assemblies:

- 3x500 Tray 4. See [Tray 2, 1x500 Tray 3, 3x500 Tray 3, 3x500 Tray 4, and 3x500 Tray 5 on page 18](#).
- 1x500 and 3x500 rear cover. See [1x500 and 3x500 rear cover on page 387](#).
- 1x500 and 3x500 right front cover. See [1x500 and 3x500 right front cover on page 388](#).

Remove the 3x500 Tray 4 pickup assembly

1. Remove one screw (callout 1), and then remove the lock holder (callout 2).

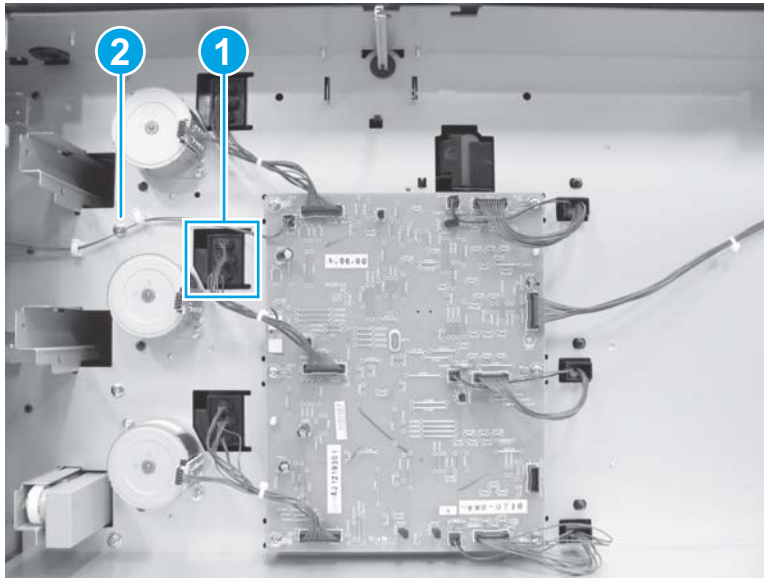
Figure 1-603 Remove the 3x500 Tray 4 pickup assembly (1 of 4)



2. Disconnect three connectors (callout 1), and then remove one screw (callout 2).

 **NOTE:** The connectors and screw are located on the back of the product.

Figure 1-604 Remove the 3x500 Tray 4 pickup assembly (2 of 4)



3. Remove one screw (callout 1). Hold the tray pickup assembly (callout 2), and then slide it toward the front of the product (callout 3) to release it.


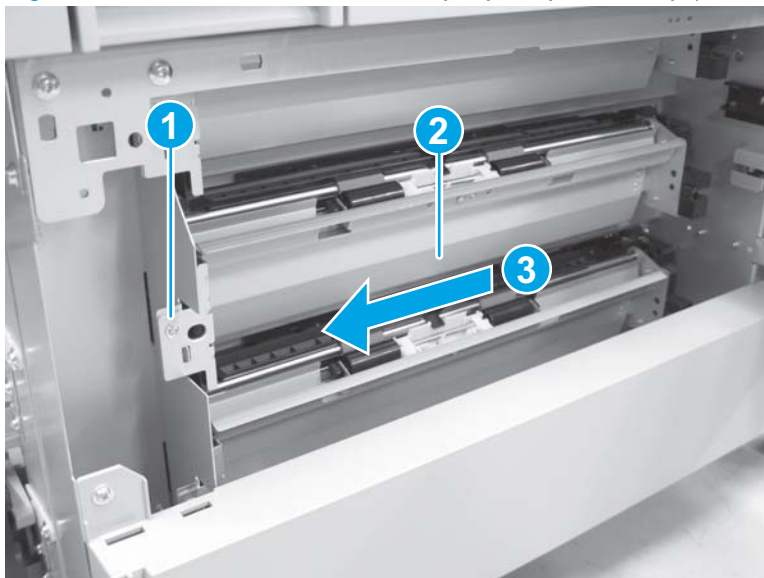
 **NOTE:** The screw and tray pickup assembly are located on the right side of the product.

Figure 1-605 Remove the 3x500 Tray 4 pickup assembly (3 of 4)



4. Remove the tray pickup assembly.

Figure 1-606 Remove the 3x500 Tray 4 pickup assembly (4 of 4)



Reinstall the 3x500 Tray 4 pickup assembly

Make sure that the shaft on the tray pickup assembly (callout 1) is positioned in the hole (callout 2) in the product.


 **NOTE:** Callout 2 shows the location of the hole from the back of the product.

Figure 1-607 Reinstall the 3x500 Tray 4 pickup assembly (1 of 2)

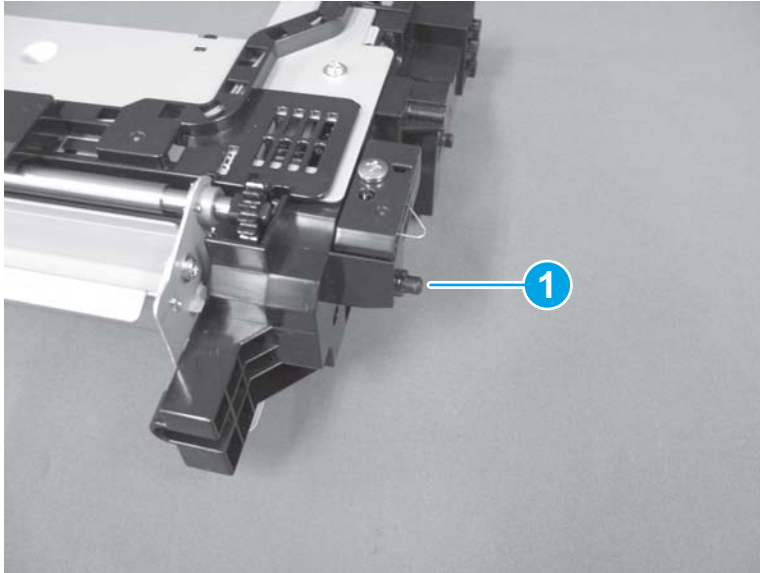
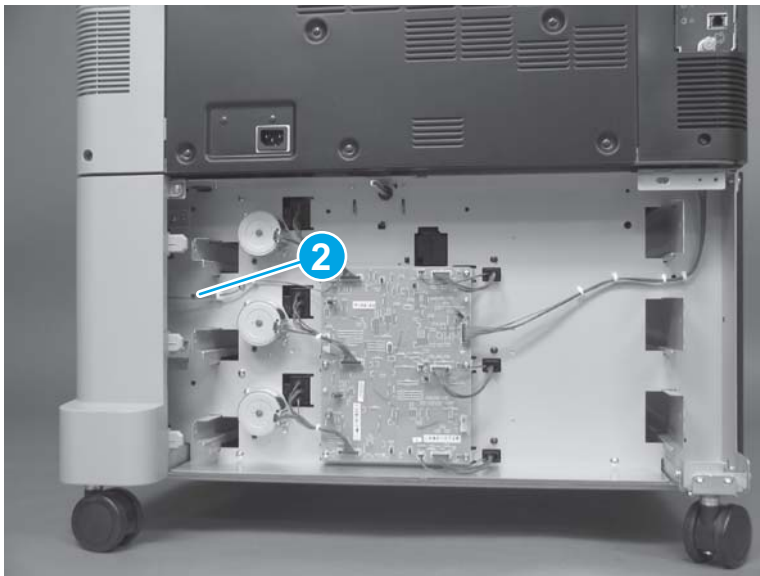


Figure 1-608 Reinstall the 3x500 Tray 4 pickup assembly (2 of 2)



3x500 Tray 5 pickup assembly

Before proceeding, remove the following assemblies:

- 3x500 Tray 5. See [Tray 2, 1x500 Tray 3, 3x500 Tray 3, 3x500 Tray 4, and 3x500 Tray 5 on page 18](#).
- 1x500 and 3x500 rear cover. See [1x500 and 3x500 rear cover on page 387](#).
- 1x500 and 3x500 right front cover. See [1x500 and 3x500 right front cover on page 388](#).
- 1x500 and 3x500 right lower cover. See [1x500 and 3x500 right lower cover on page 400](#).
- HCI, 1x500, and 3x500 right door assembly. See [HCI, 1x500, and 3x500 right door assembly on page 428](#).
- HCI, 1x500, and 3x500 right rear cover. See [HCI, 1x500, and 3x500 right rear cover on page 430](#).

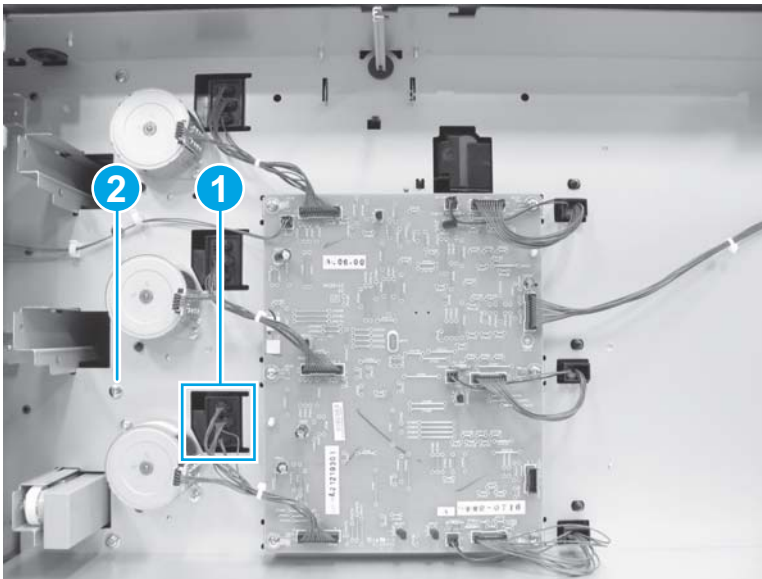
Remove the 3x500 Tray 5 pickup assembly

1. Disconnect three connectors (callout 1), and then remove one screw (callout 2).



NOTE: The connectors and screw are located on the back of the product.

Figure 1-609 Remove the 3x500 Tray 5 pickup assembly (1 of 3)



2. Remove one screw (callout 1). Hold the tray pickup assembly (callout 2), and then slide it toward the front of the product (callout 3) to release it.


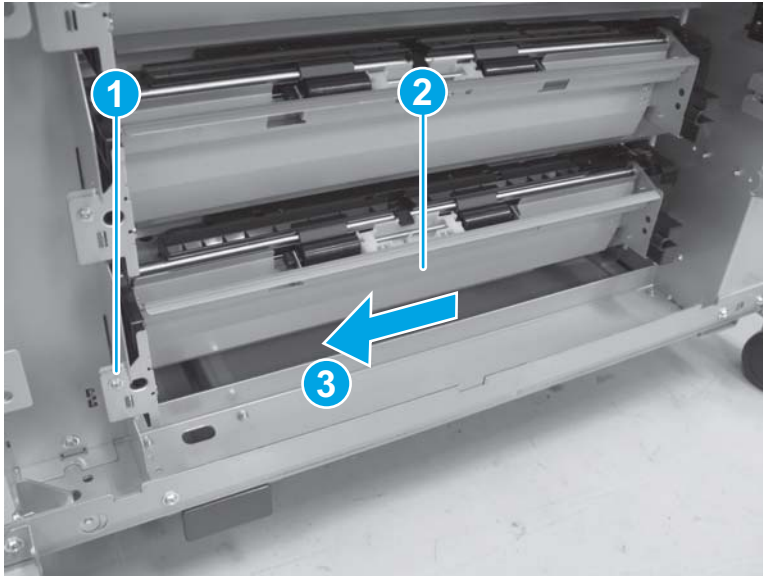
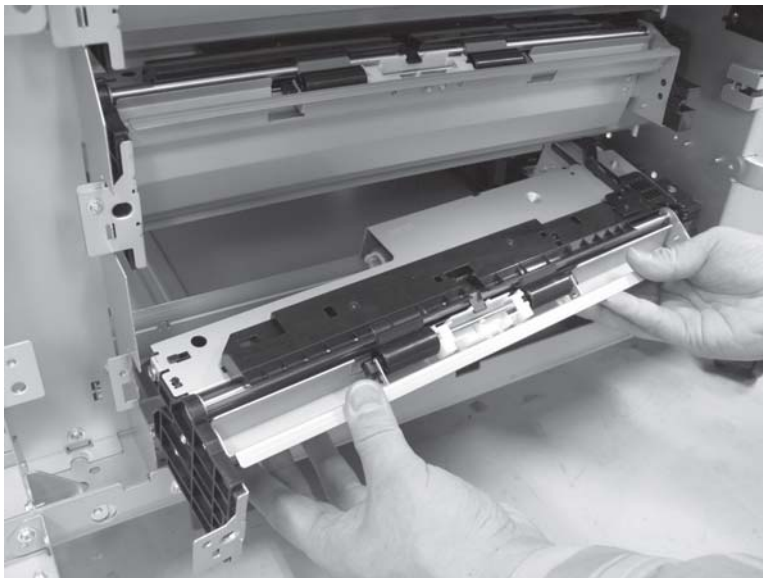
 **NOTE:** The screw and tray pickup assembly are located on the right side of the product.

Figure 1-610 Remove the 3x500 Tray 5 pickup assembly (2 of 3)



3. Remove the tray pickup assembly.

Figure 1-611 Remove the 3x500 Tray 5 pickup assembly (3 of 3)



Reinstall the 3x500 Tray 5 pickup assembly

Make sure that the shaft on the tray pickup assembly (callout 1) is positioned in the hole (callout 2) in the product.


 **NOTE:** Callout 2 shows the location of the hole from the back of the product.

Figure 1-612 Reinstall the 3x500 Tray 5 pickup assembly (1 of 2)

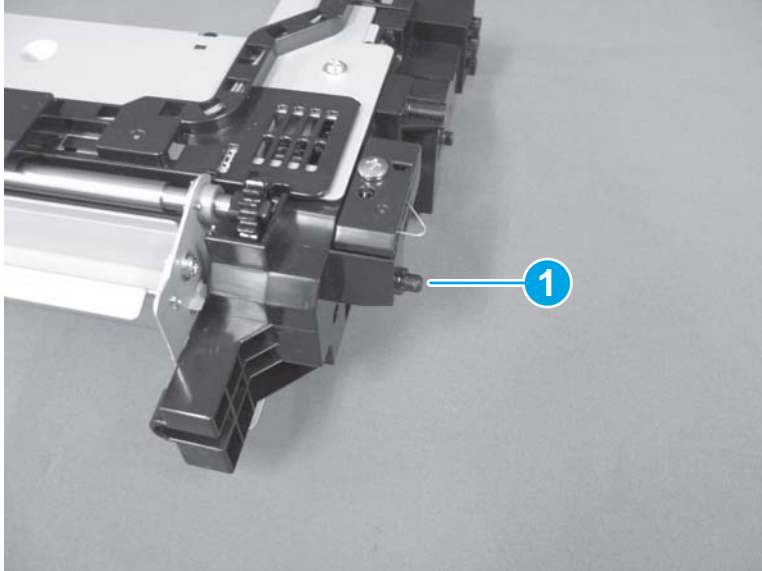
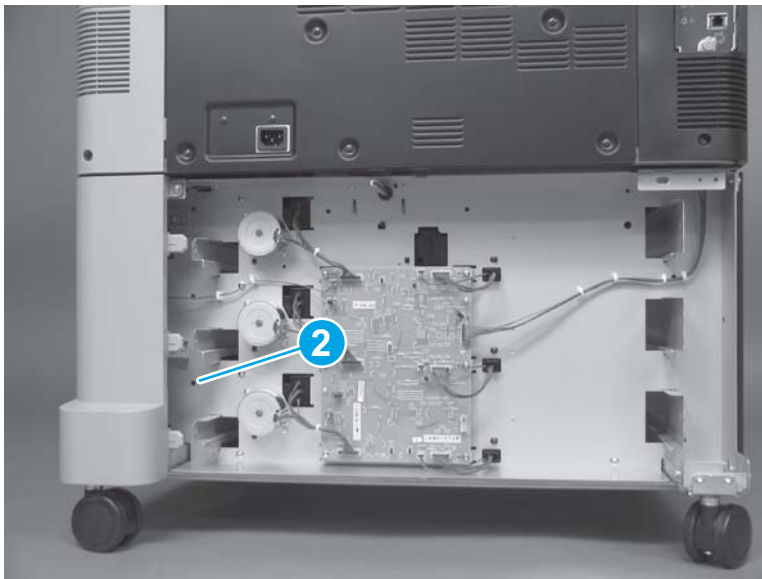


Figure 1-613 Reinstall the 3x500 Tray 5 pickup assembly (2 of 2)



1x500 Tray 3 automatic close assembly

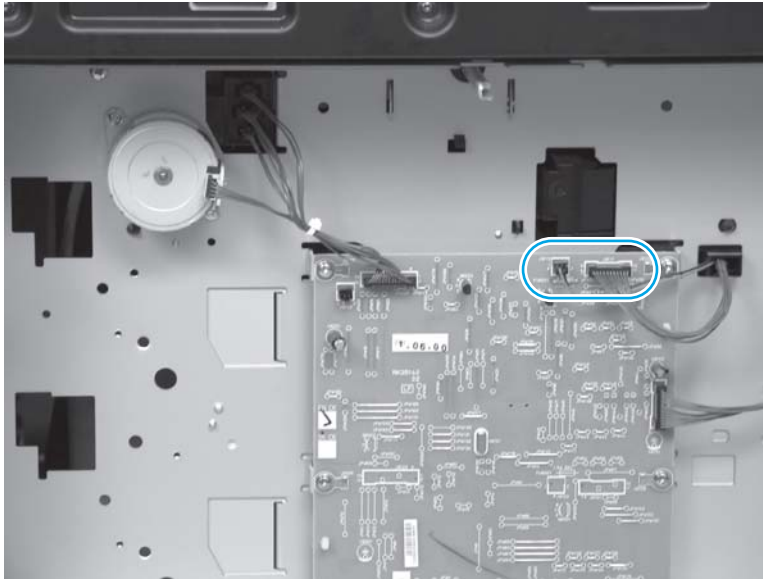
Before proceeding, remove the following assemblies:

- 1x500 Tray 3. See [Tray 2, 1x500 Tray 3, 3x500 Tray 3, 3x500 Tray 4, and 3x500 Tray 5 on page 18](#).
- 1x500 and 3x500 rear cover. See [1x500 and 3x500 rear cover on page 387](#).

Remove the 1x500 Tray 3 automatic close assembly

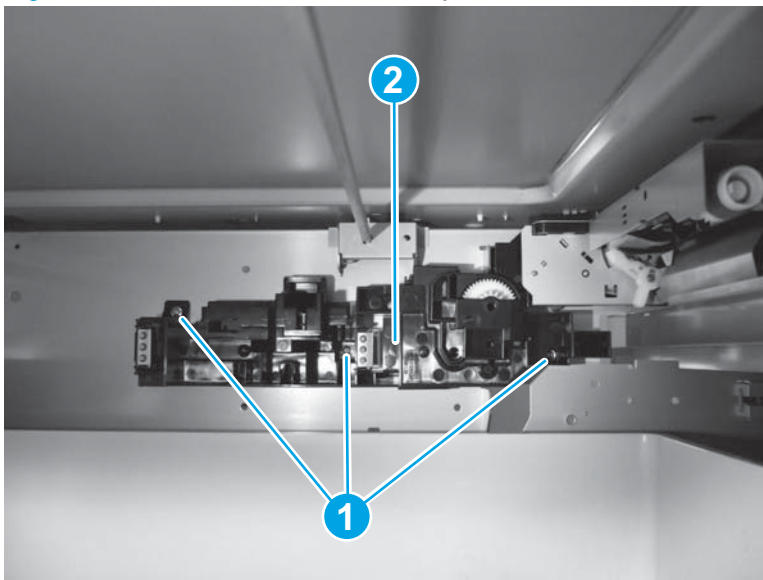
1. Disconnect two connectors on the back of the product.

Figure 1-614 Remove the 1x500 Tray 3 automatic close assembly (1 of 2)



2. From inside the tray cavity, remove three screws (callout 1), and then remove the automatic close assembly (callout 2).

Figure 1-615 Remove the 1x500 Tray 3 automatic close assembly (2 of 2)




3x500 Tray 3, Tray 4, and Tray 5 automatic close assemblies

Before proceeding, remove the following assemblies:

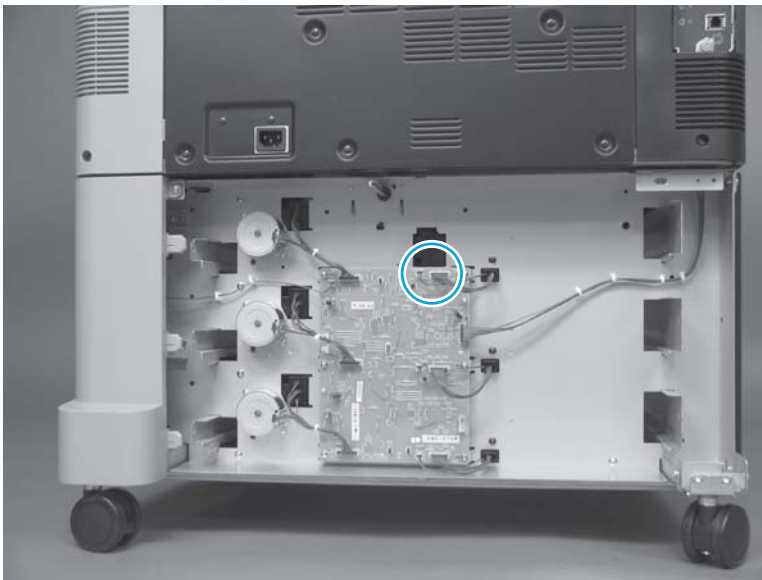
- 3x500 Tray 3. See [Tray 2, 1x500 Tray 3, 3x500 Tray 3, 3x500 Tray 4, and 3x500 Tray 5 on page 18.](#)
- 3x500 Tray 4. See [Tray 2, 1x500 Tray 3, 3x500 Tray 3, 3x500 Tray 4, and 3x500 Tray 5 on page 18.](#)
- 3x500 Tray 5. See [Tray 2, 1x500 Tray 3, 3x500 Tray 3, 3x500 Tray 4, and 3x500 Tray 5 on page 18.](#)
- 1x500 and 3x500 rear cover. See [1x500 and 3x500 rear cover on page 387.](#)

Remove the 3x500 Tray 3, Tray 4, and Tray 5 automatic close assemblies

 **NOTE:** The 3x500 Tray 3 automatic close assembly is shown below. The procedure is the same for the 3x500 Tray 4 or Tray 5 automatic close assemblies.

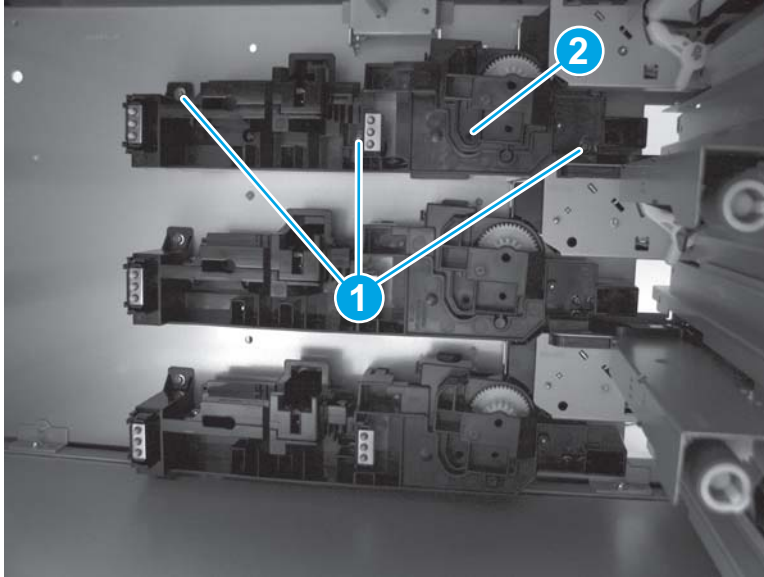
1. Disconnect two connectors on the back of the product.

Figure 1-616 Remove the 3x500 Tray 3, Tray 4, and Tray 5 automatic close assemblies (1 of 2)



2. From inside the tray cavity, remove three screws (callout 1), and then remove the automatic close assembly (callout 2).

Figure 1-617 Remove the 3x500 Tray 3, Tray 4, and Tray 5 automatic close assemblies (2 of 2)



1x500 Tray 3, 3x500 Tray 3, Tray 4, and Tray 5 pickup motors

Before proceeding, remove the following assemblies:

- 1x500 and 3x500 rear cover. See [1x500 and 3x500 rear cover on page 387](#).

Remove the 1x500 Tray 3, 3x500 Tray 3, Tray 4, and Tray 5 pickup motors

1. Locate the pickup motors:
 - 1x500 Tray 3 pickup motor (callout 1)
 - 3x500 Tray 3 pickup motor (callout 2)
 - 3x500 Tray 4 pickup motor (callout 3)
 - 3x500 Tray 5 pickup motor (callout 4)

Figure 1-618 1x500 pickup motor location

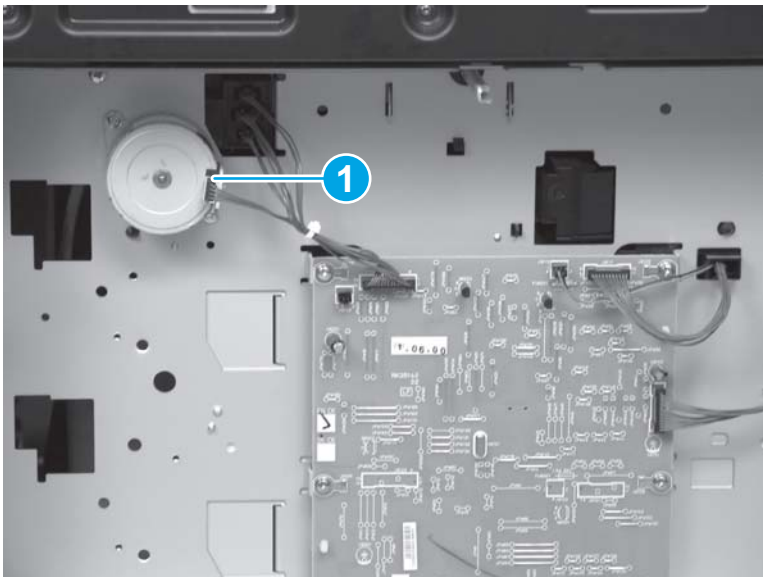
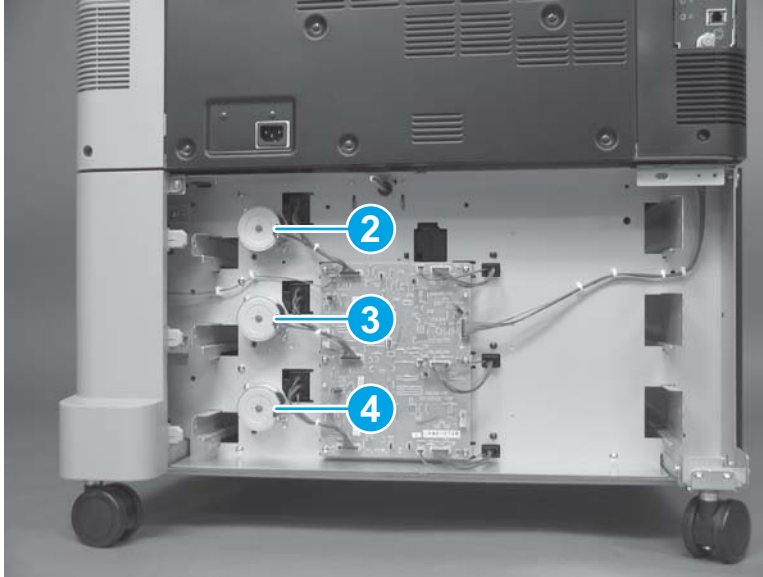


Figure 1-619 3x500 pickup motor locations



2. Disconnect one connector (callout 1), remove two screws (callout 2), and then remove the pickup motor (callout 3).


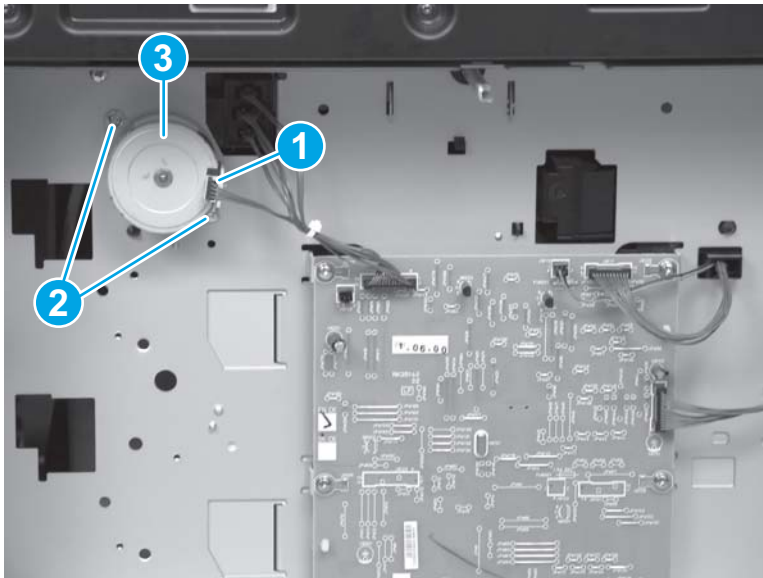
 **NOTE:** The 1x500 Tray 3 pickup motor is shown below. The procedure is the same for the 3x500 Tray 3, Tray 4, and Tray 5 pickup motors.

Figure 1-620 Remove the 1x500 Tray 3, 3x500 Tray 3, Tray 4, and Tray 5 pickup motors



1x500 and 3x500 controller PCA

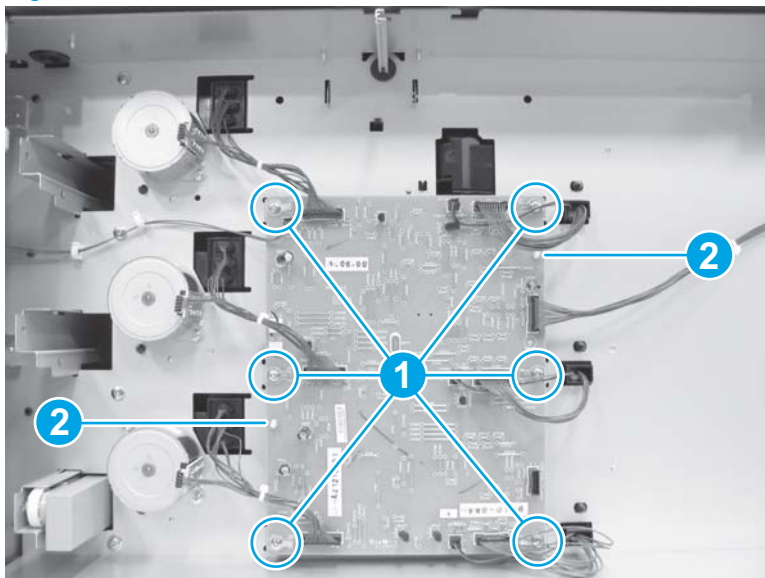
Before proceeding, remove the following assemblies:

- 1x500 and 3x500 rear cover. See [1x500 and 3x500 rear cover on page 387](#).

Remove the HCI controller PCA

Disconnect all of the connectors on the 1x500 and 3x500 controller PCA, remove six screws (callout 1), release two standoffs (callout 2), and then remove the PCA.

Figure 1-621 Remove the HCI controller PCA



Shared input accessory covers and doors

HCI, 1x500, and 3x500 left cover

Before proceeding, remove the following assemblies:

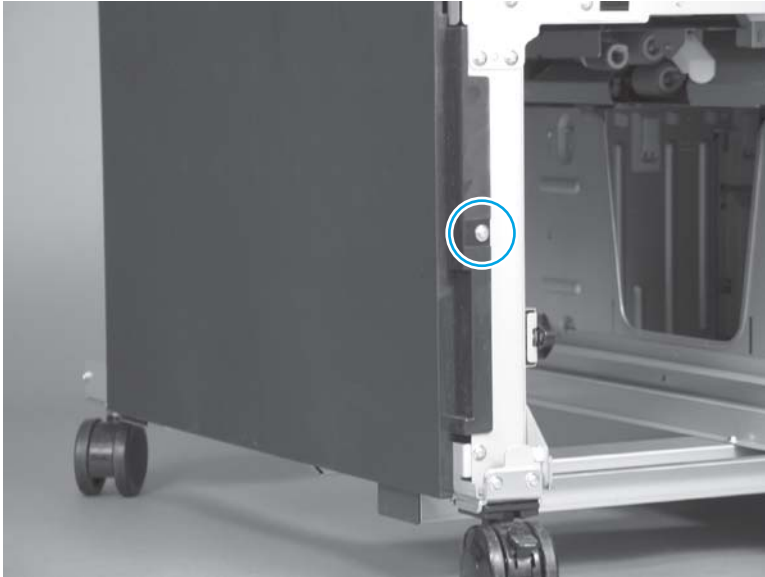
- 3x500 Tray 3 (3x500 only). See [Tray 2, 1x500 Tray 3, 3x500 Tray 3, 3x500 Tray 4, and 3x500 Tray 5 on page 18](#).
- 3x500 Tray 4 (3x500 only). See [Tray 2, 1x500 Tray 3, 3x500 Tray 3, 3x500 Tray 4, and 3x500 Tray 5 on page 18](#).
- HCI left tray (HCI only). See [HCI left tray on page 361](#).
- HCI rear cover (HCI only). See [HCI rear cover on page 362](#).
- 1x500 and 3x500 rear cover (1x500 and 3x500 only). See [1x500 and 3x500 rear cover on page 387](#).
- 1x500 and 3x500 right front cover (1x500 and 3x500 only). See [1x500 and 3x500 right front cover on page 388](#).
- 1x500 and 3x500 upper front face cover (1x500 and 3x500 only). See [1x500 and 3x500 upper front face cover on page 390](#).
- 1x500 and 3x500 upper front cover (1x500 and 3x500 only). See [1x500 and 3x500 upper front cover on page 392](#).
- 1x500 storage box door (1x500 only). See [1x500 storage box door on page 396](#).
- 1x500 storage box (1x500 only). See [1x500 storage box on page 398](#).

Remove the HCI, 1x500, and 3x500 left cover

 **NOTE:** The HCI is shown below.

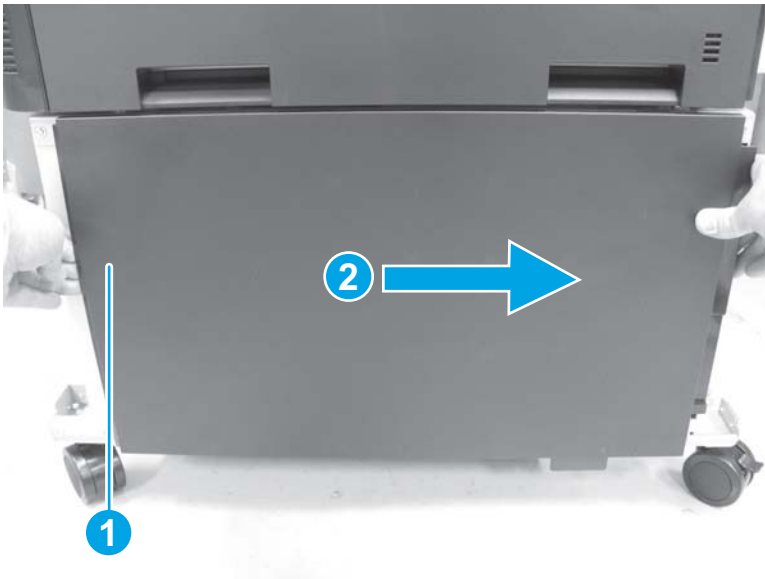
1. Remove one screw.

Figure 1-622 Remove the HCI, 1x500, and 3x500 left cover (1 of 2)



2. Pull out slightly on the back edge of the cover to release one tab (callout 1), and then slide the cover toward the front of the product (callout 2) to remove it.

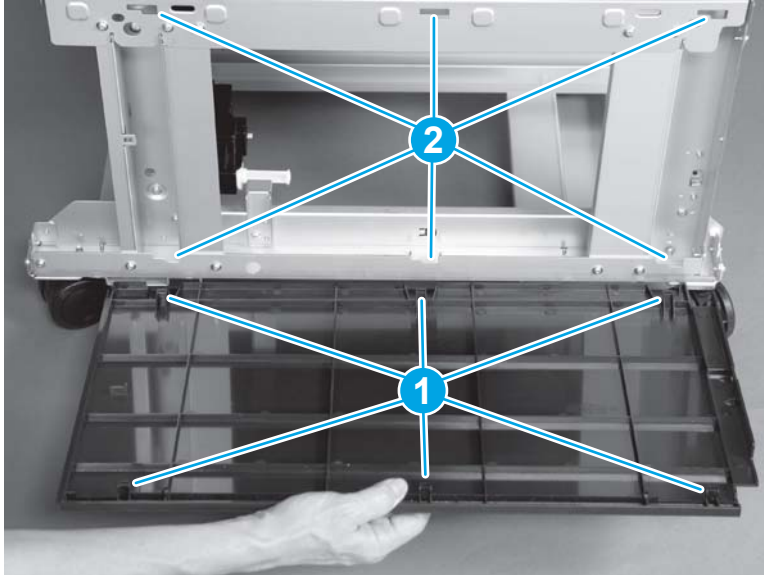
Figure 1-623 Remove the HCI, 1x500, and 3x500 left cover (2 of 2)



Reinstall the HCI, 1x500, and 3x500 left cover

Make sure that the tabs (callout 1) on the cover are positioned in the slots (callout 2) in the product.

Figure 1-624 Reinstall the HCI, 1x500, and 3x500 left cover

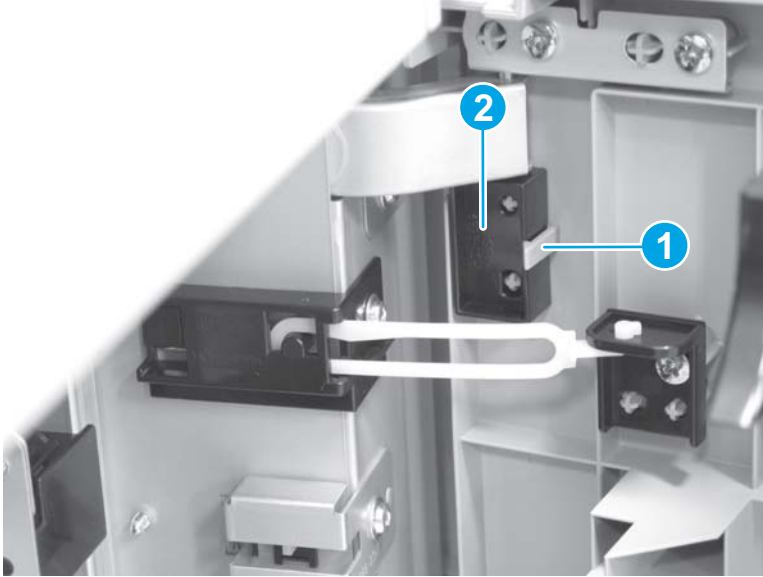


HCI, 1x500, and 3x500 right door assembly

Remove the HCI, 1x500, and 3x500 right door assembly

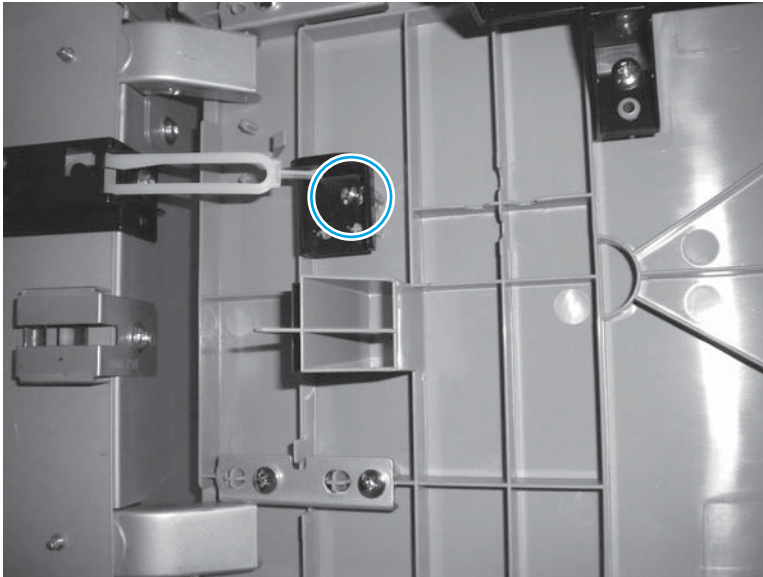
1. Open the right door assembly. Release one tab (callout 1), and then remove one stopper (callout 2).

Figure 1-625 Remove the HCI, 1x500, and 3x500 right door assembly (1 of 3)



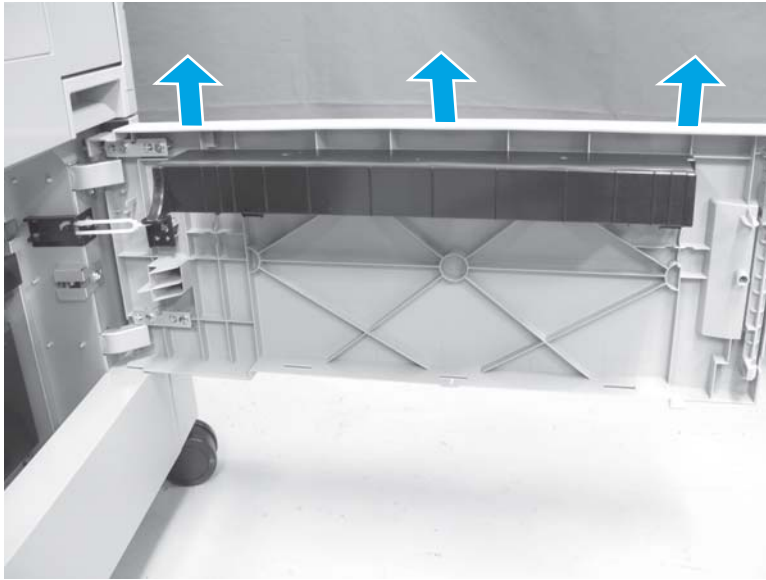
2. Remove one screw.

Figure 1-626 Remove the HCI, 1x500, and 3x500 right door assembly (2 of 3)



3. Lift the door straight up to remove it.

Figure 1-627 Remove the HCI, 1x500, and 3x500 right door assembly (3 of 3)



HCI, 1x500, and 3x500 right rear cover

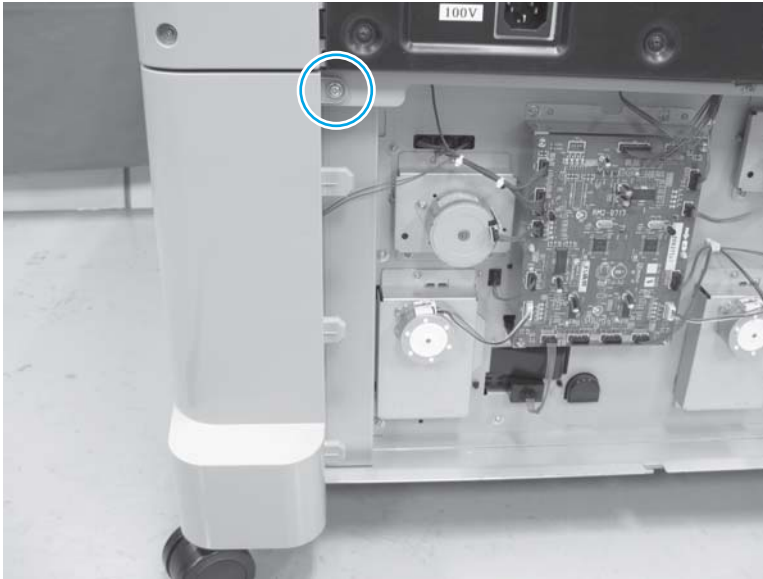
Before proceeding, remove the following assemblies:

- HCI rear cover (HCI only). See [HCI rear cover on page 362](#).
- 1x500 and 3x500 rear cover (1x500 or 3x500 only). See [1x500 and 3x500 rear cover on page 387](#).

Remove the HCI, 1x500, and 3x500 right rear cover

1. Remove one screw.

Figure 1-628 Remove the HCI, 1x500, and 3x500 right rear cover (1 of 4)



2. Note the location of the tab on the top of the cover.

Figure 1-629 Remove the HCI, 1x500, and 3x500 right rear cover (2 of 4)



3. Use a small, flat-blade screwdriver to release one tab.

Figure 1-630 Remove the HCI, 1x500, and 3x500 right rear cover (3 of 4)



4. Remove the right rear cover.

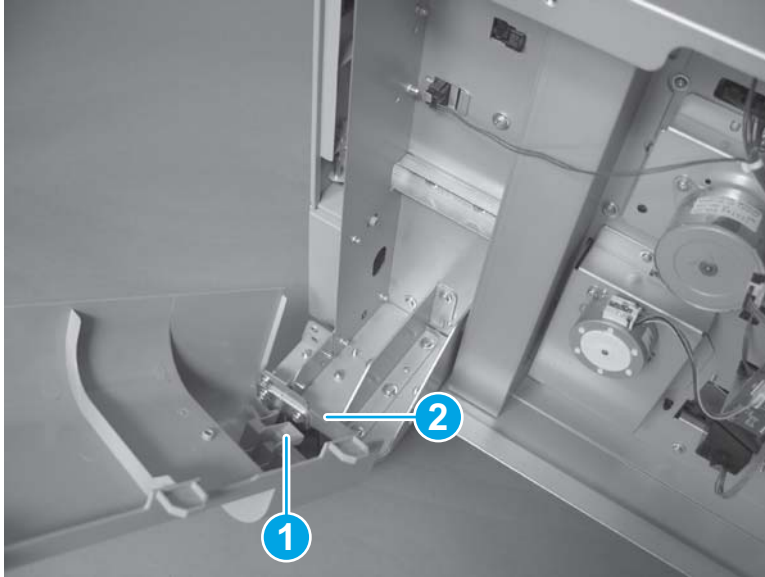
Figure 1-631 Remove the HCI, 1x500, and 3x500 right rear cover (4 of 4)



Reinstall the HCI right rear cover

Make sure that the tab on the cover (callout 1) is installed over the sheet-metal slot on the product (callout 2).

Figure 1-632 Reinstall the HCI, 1x500, and 3x500 right rear cover



Intermediate paper transport unit (IPTU)

⚠ CAUTION: To avoid damaging the intermediate paper transport unit (IPTU), place it on the edge of a work surface as shown below to service it.

Figure 1-633 Correct placement of the IPTU for servicing



Figure 1-634 Incorrect placement of the IPTU for servicing



Location of major components

Figure 1-635 IPTU covers (1 of 2)

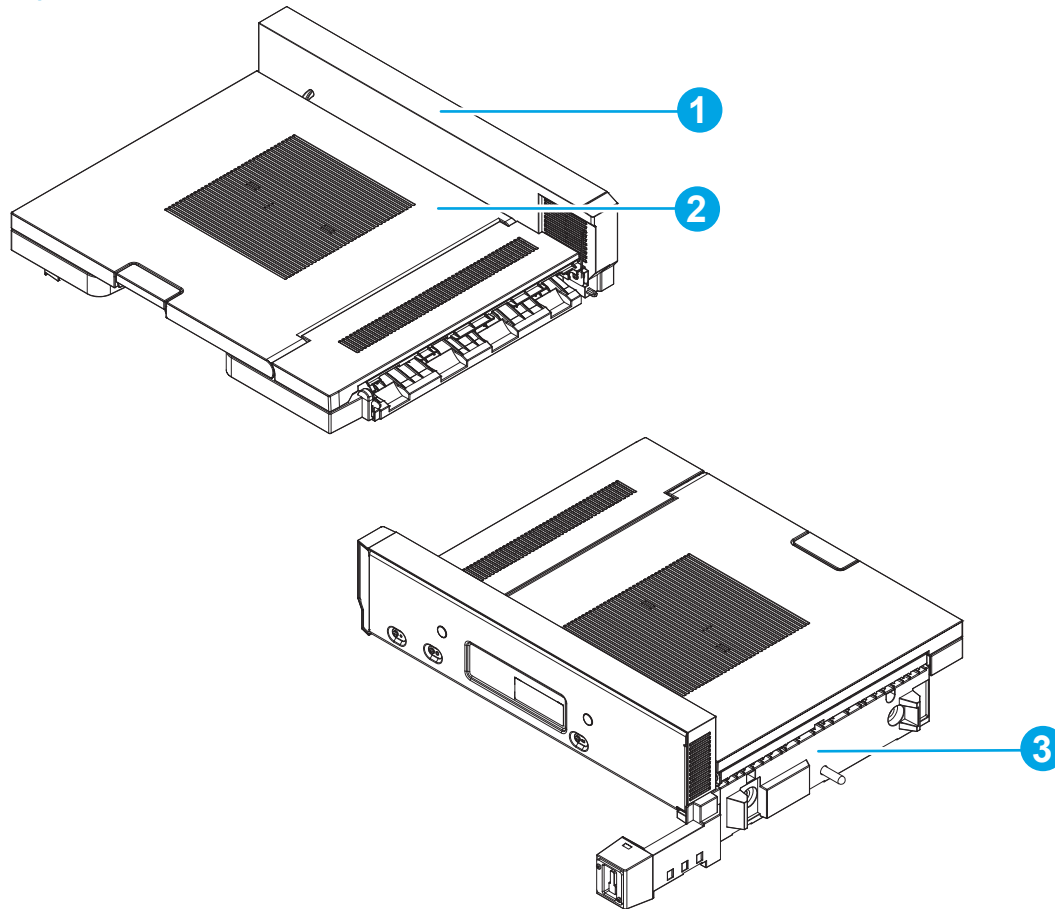


Table 1-20 IPTU covers (1 of 2)

Item	Description
1	Side panel assembly
2	Upper guide assembly
3	Finisher lock assembly

Figure 1-636 IPTU covers (2 of 2)

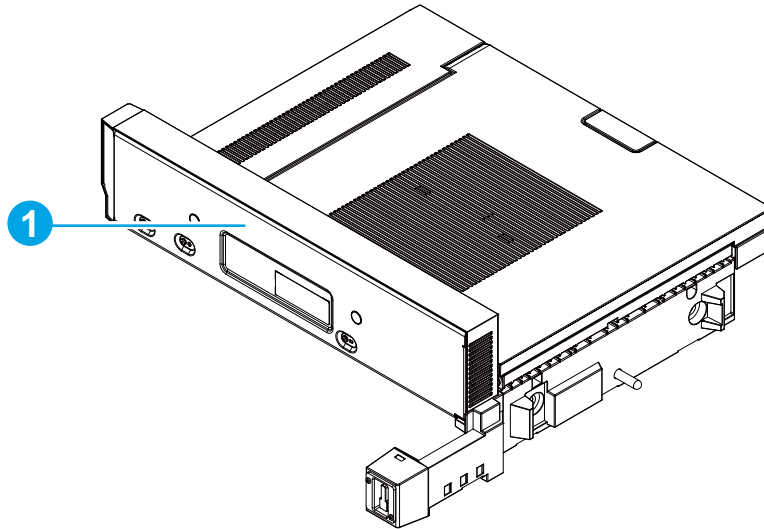


Table 1-21 IPTU covers (2 of 2)

Item	Description
1	Rear cover

Figure 1-637 IPTU main assemblies

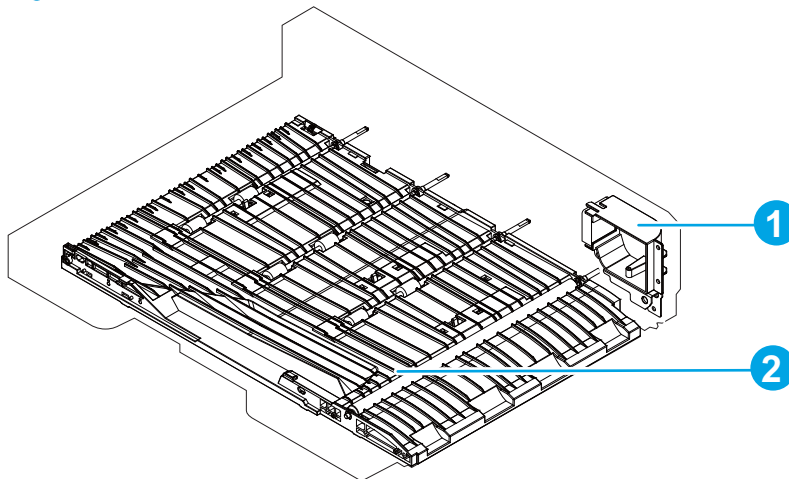


Table 1-22 IPTU main assemblies

Item	Description
1	IPTU fan assembly
2	Lower guide assembly

Figure 1-638 IPTU PCA

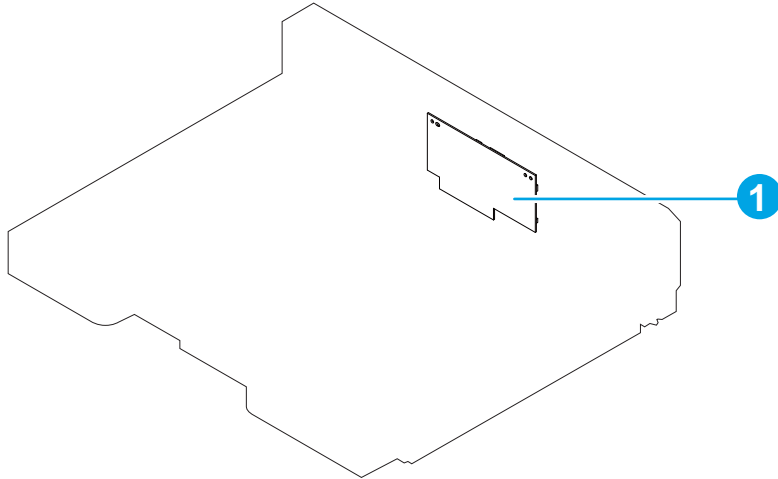


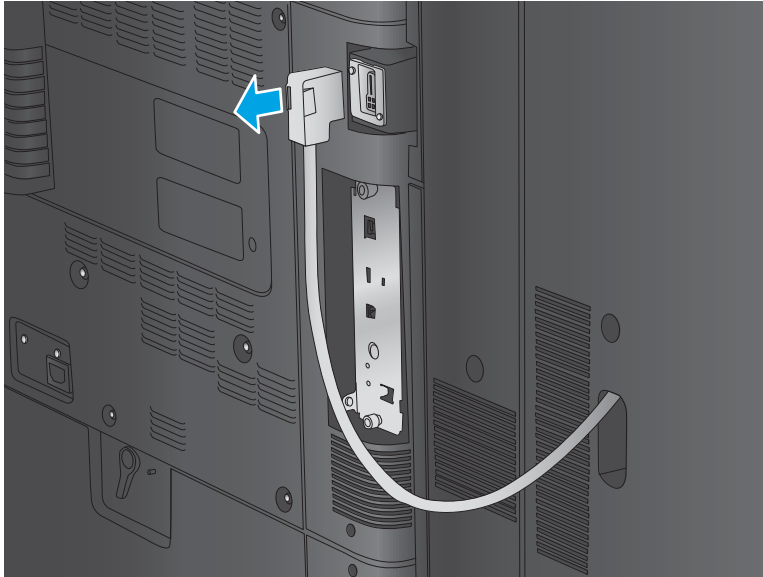
Table 1-23 IPTU PCA

Item	Description
1	IPTU driver PCA

IPTU assembly

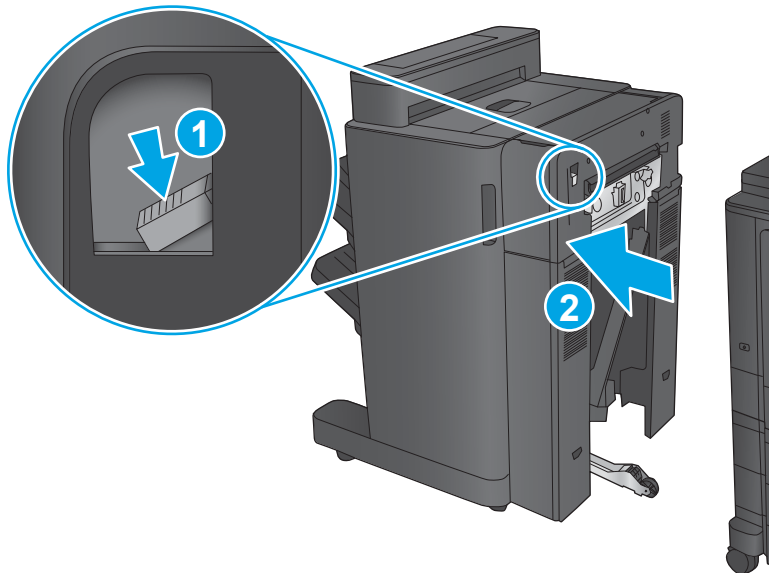
1. Turn the product off.
2. If a finishing accessory is attached, unplug the device from the printer.

Figure 1-639 Remove the IPTU (1 of 4)



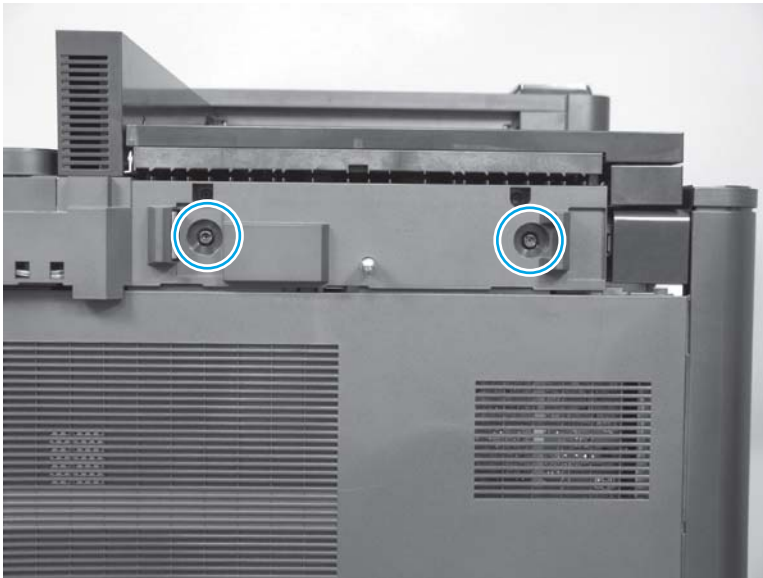
3. Press the release button down and hold it down (callout 1) as you slide the finishing accessory away from the product (callout 2).

Figure 1-640 Remove the IPTU (2 of 4)



4. Remove two screws.

Figure 1-641 Remove the IPTU (3 of 4)



5. Slide the IPTU away from the product to remove it.

Figure 1-642 Remove the IPTU (4 of 4)



IPTU rear cover

1. Place the IPTU face-down, and then remove six screws.


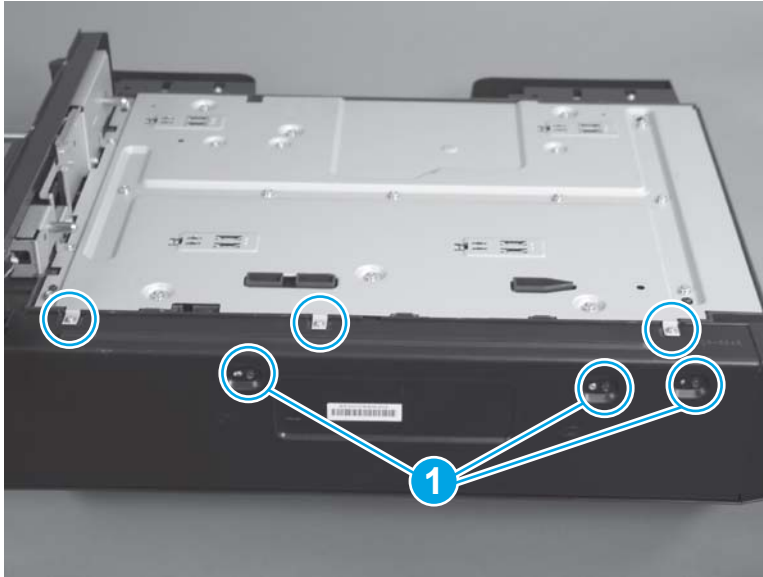
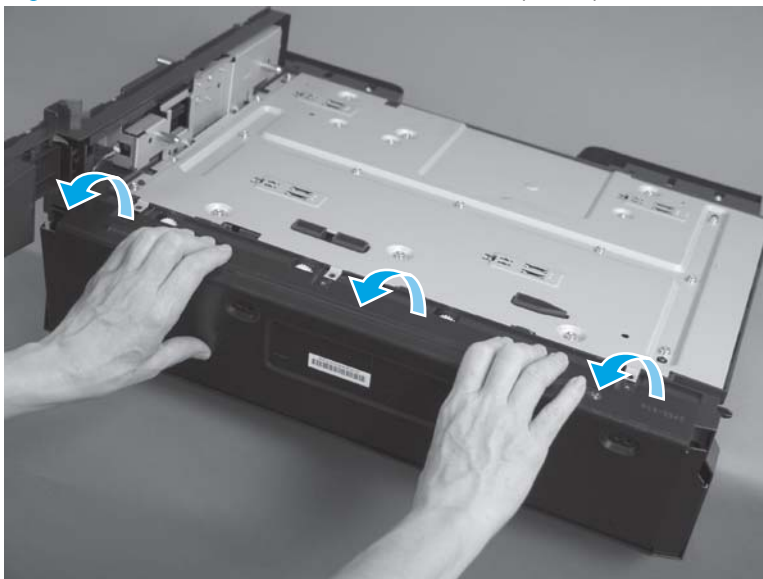
 **Reinstallation tip:** Three of these screws (callout 1) have washers attached. Make sure that these screws are reinstalled in the same locations.

Figure 1-643 Remove the IPTU rear cover (1 of 3)



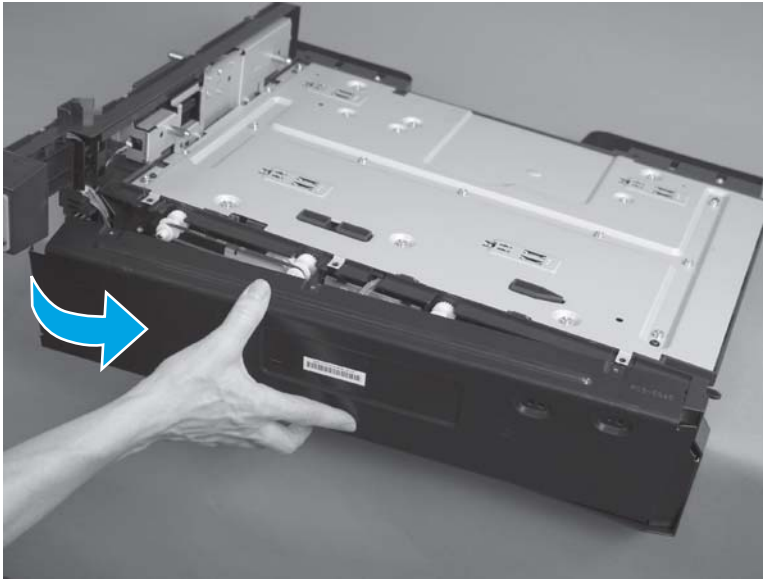
2. Rotate the top edge of the cover away from the IPTU.

Figure 1-644 Remove the IPTU rear cover (2 of 3)



3. Rotate the left edge of the cover away from the IPTU, and then remove the cover.

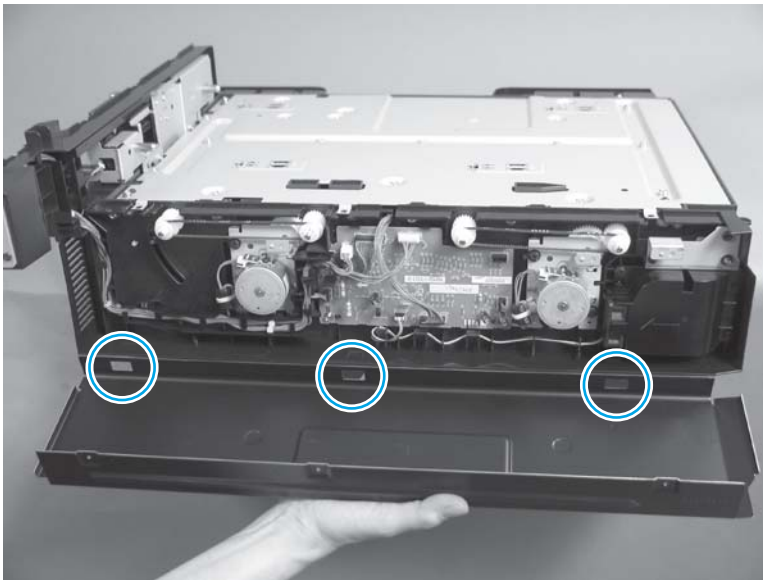
Figure 1-645 Remove the IPTU rear cover (3 of 3)



Reinstall the IPTU rear cover

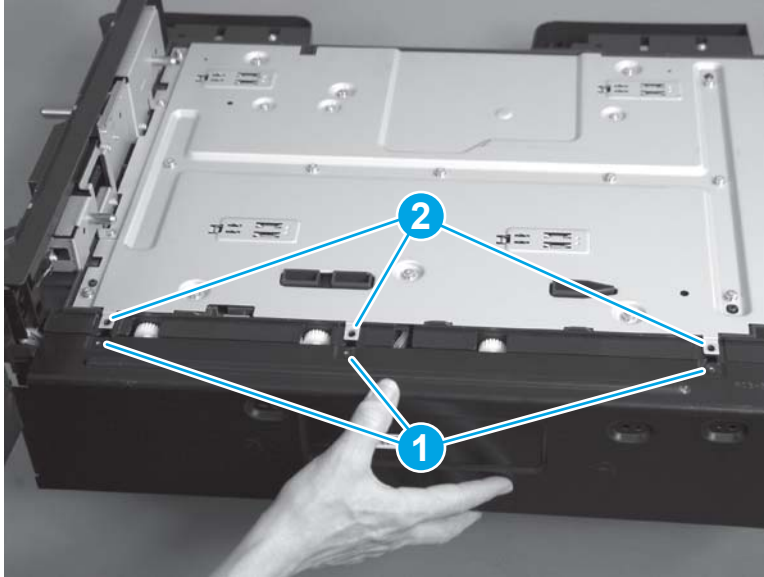
1. Make sure that the slots in the cover are aligned with the tabs on the IPTU.

Figure 1-646 Reinstall the IPTU rear cover (1 of 2)



2. Make sure that the indentations on the cover (callout 1) slide underneath the metal tabs (callout 2) on the IPTU.

Figure 1-647 Reinstall the IPTU rear cover (2 of 2)



IPTU driver PCA

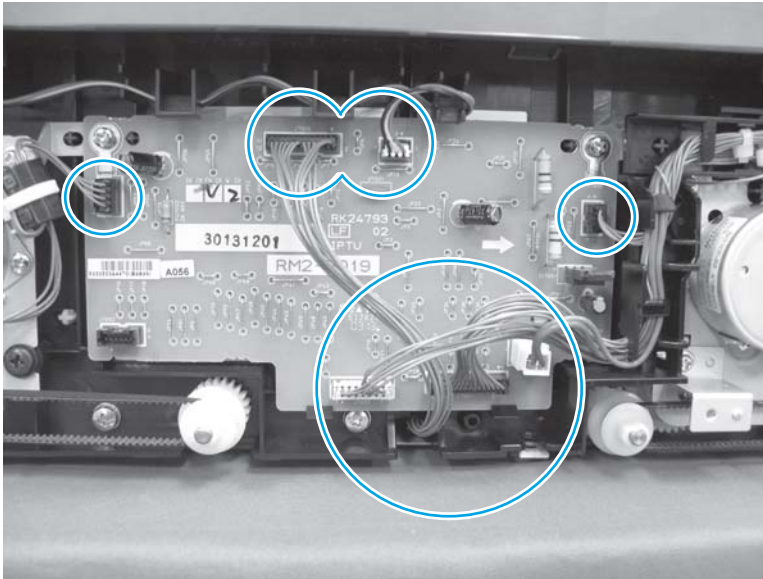
Before proceeding, remove the following assemblies:

- IPTU rear cover. See [IPTU rear cover on page 439](#).

Remove the IPTU driver PCA

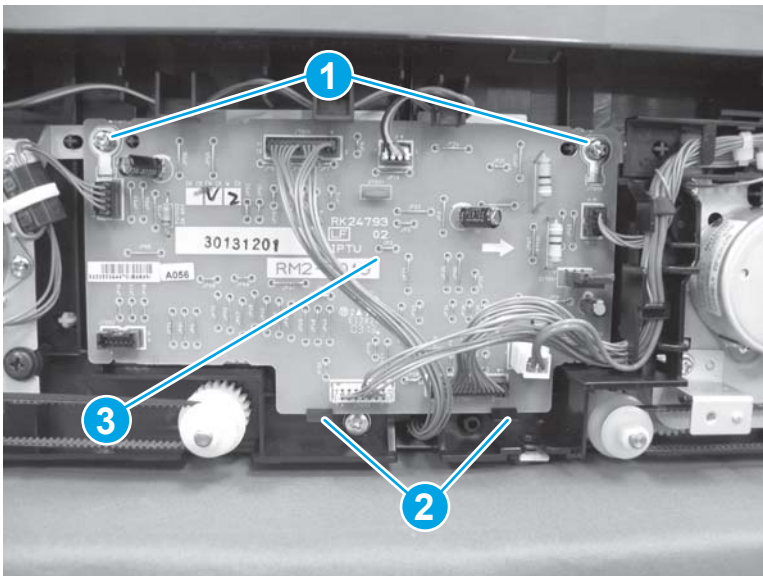
1. Disconnect seven connectors.

Figure 1-648 Remove the IPTU driver PCA (1 of 2)



2. Remove two screws (callout 1), release two tabs, and then remove the IPTU driver PCA (callout 3).

Figure 1-649 Remove the IPTU driver PCA (2 of 2)



IPTU finisher lock assembly

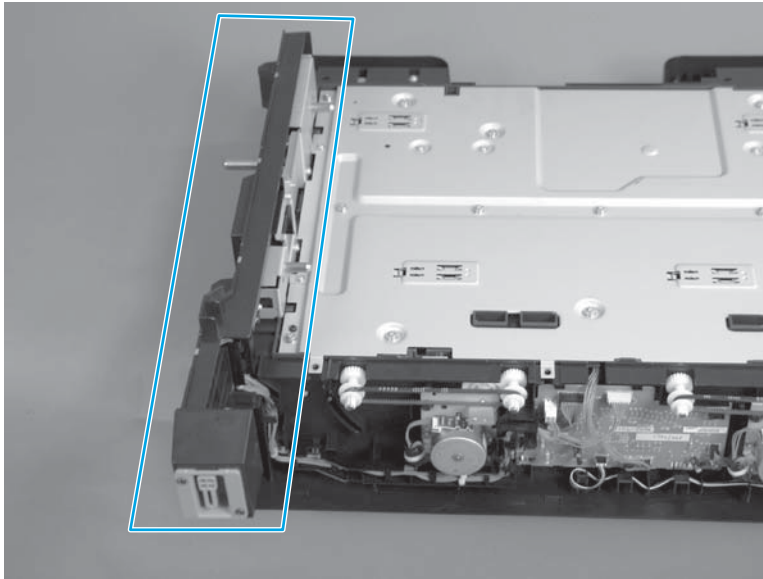
Before proceeding, remove the following assemblies:

- IPTU rear cover. See [IPTU rear cover on page 439](#).

Remove the IPTU finisher lock assembly

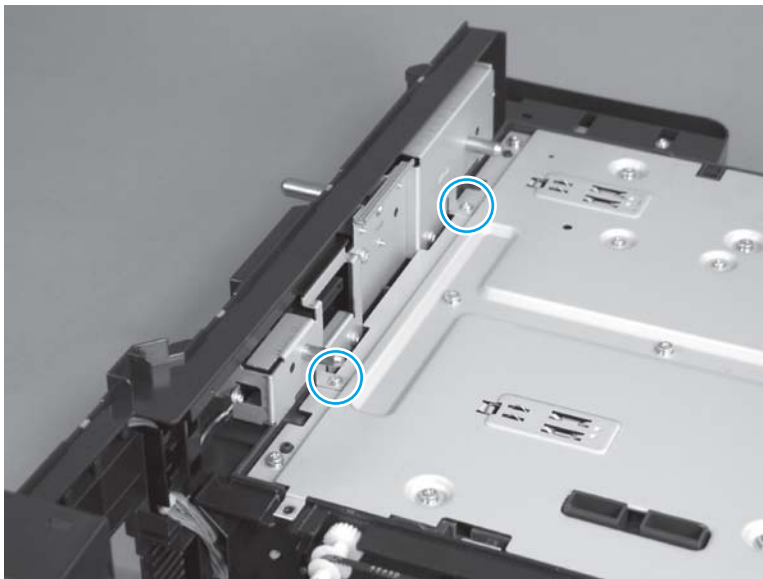
1. Place the IPTU face-down, and then locate the finisher lock assembly.

Figure 1-650 Remove the IPTU finisher lock assembly (1 of 5)



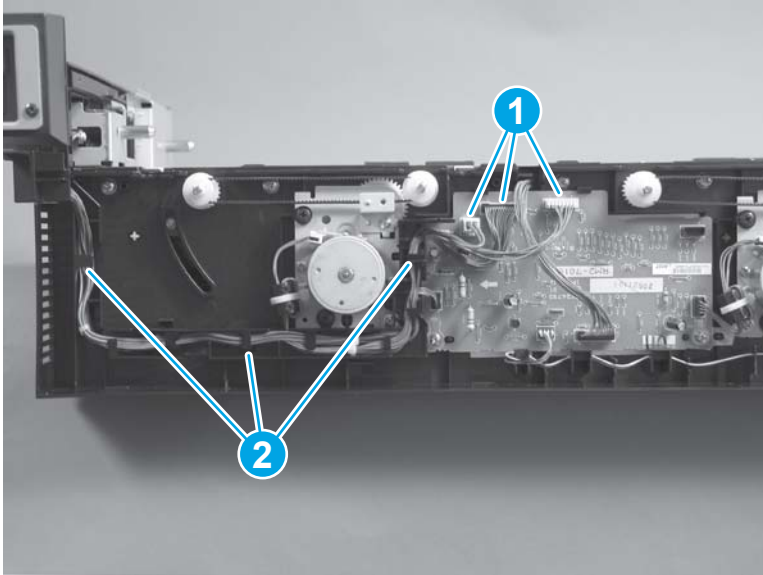
2. Remove two screws.

Figure 1-651 Remove the IPTU finisher lock assembly (2 of 5)



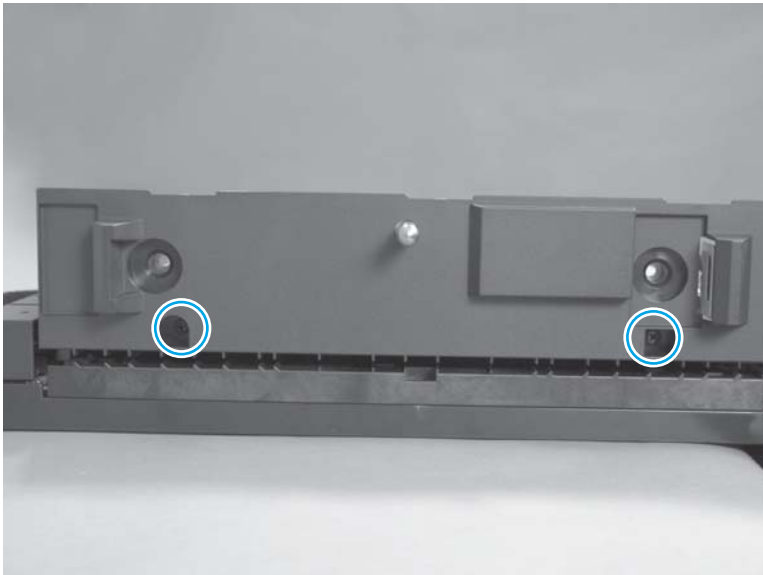
3. Disconnect three connectors (callout 1) on the IPTU driver PCA, and then remove the wire harnesses from the guides (callout 2).

Figure 1-652 Remove the IPTU finisher lock assembly (3 of 5)



4. Remove two screws.

Figure 1-653 Remove the IPTU finisher lock assembly (4 of 5)



5. Remove the IPFU finisher lock assembly.

Figure 1-654 Remove the IPTU finisher lock assembly (5 of 5)



IPTU fan assembly

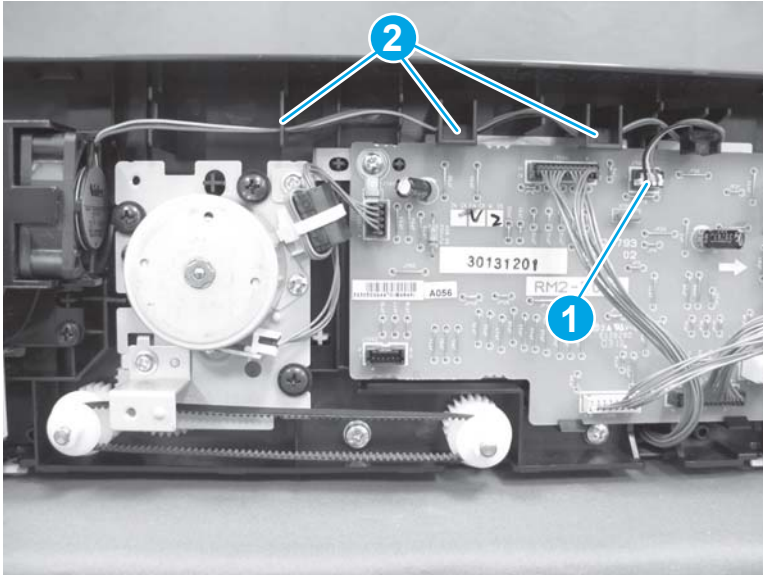
Before proceeding, remove the following assemblies:

- IPTU rear cover. See [IPTU rear cover on page 439](#).

Remove the IPTU fan assembly

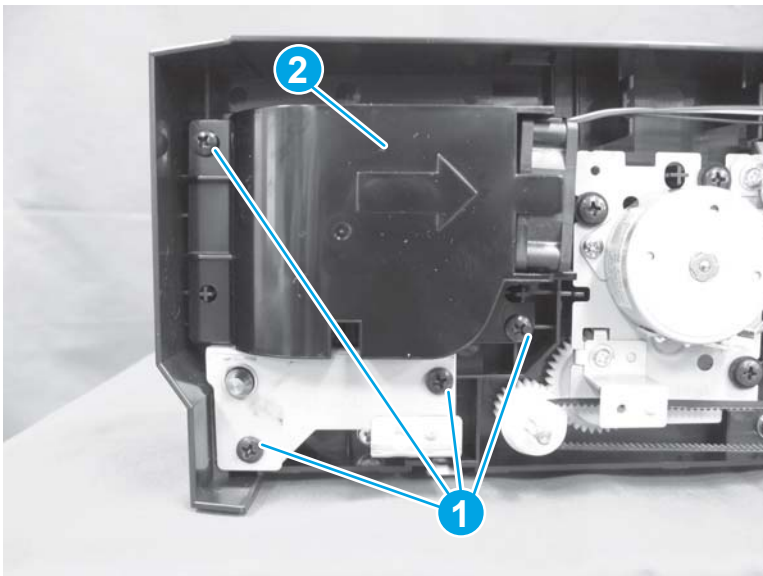
1. Disconnect one connector (callout 1), and then release the wire harness from the guide (callout 2).

Figure 1-655 Remove the IPTU fan assembly (1 of 2)



2. Remove four screws (callout 1), and then remove the fan assembly (callout 2).

Figure 1-656 Remove the IPTU fan assembly (2 of 2)



IPTU side panel assembly

Before proceeding, remove the following assemblies:

- IPTU rear cover. See [IPTU rear cover on page 439](#).
- IPTU finisher lock assembly. See [IPTU finisher lock assembly on page 443](#).
- IPTU fan assembly. See [IPTU fan assembly on page 446](#).
- IPTU driver PCA. See [IPTU driver PCA on page 442](#).

Remove the IPTU side panel assembly

1. Disconnect one connector (callout 1), and then remove one wire tie (callout 2).


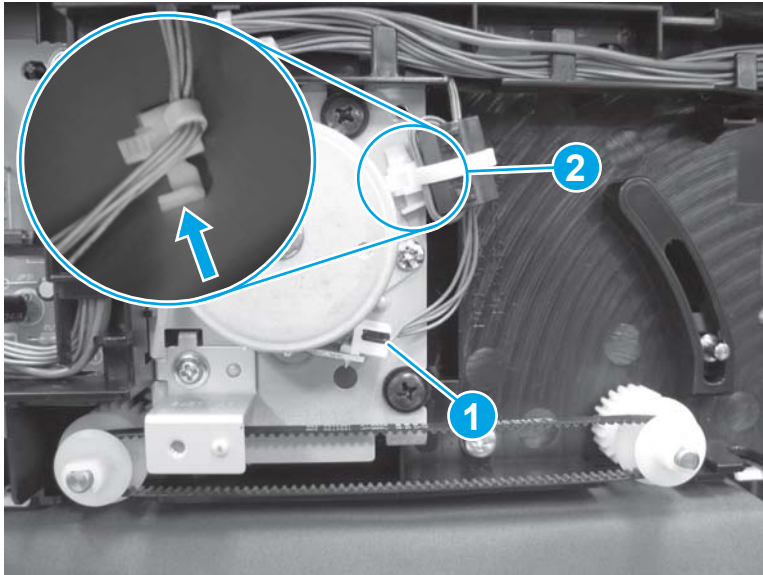
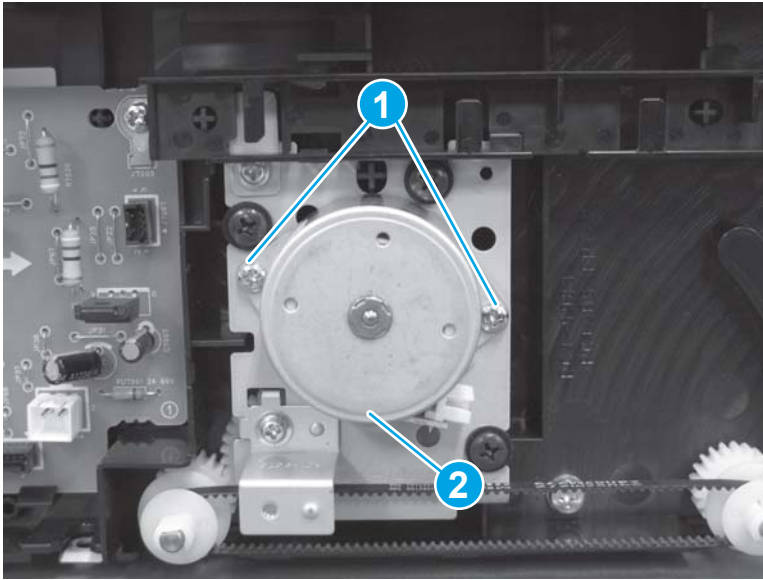
 **TIP:** To release the wire tie (callout 2), push in on the tab, and then remove the wire tie from the chassis.

Figure 1-657 Remove the IPTU side panel assembly (1 of 6)



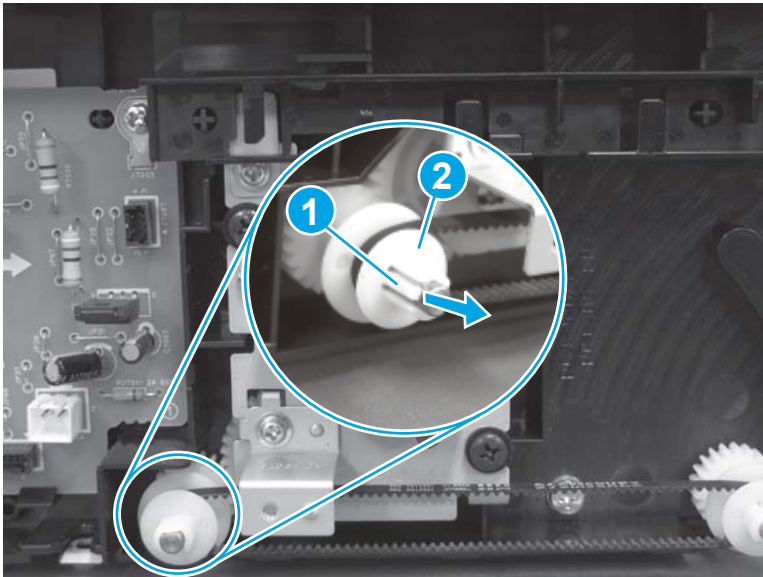
2. Remove two screws (callout 1), and then remove the right assist motor (callout 2).

Figure 1-658 Remove the IPTU side panel assembly (2 of 6)



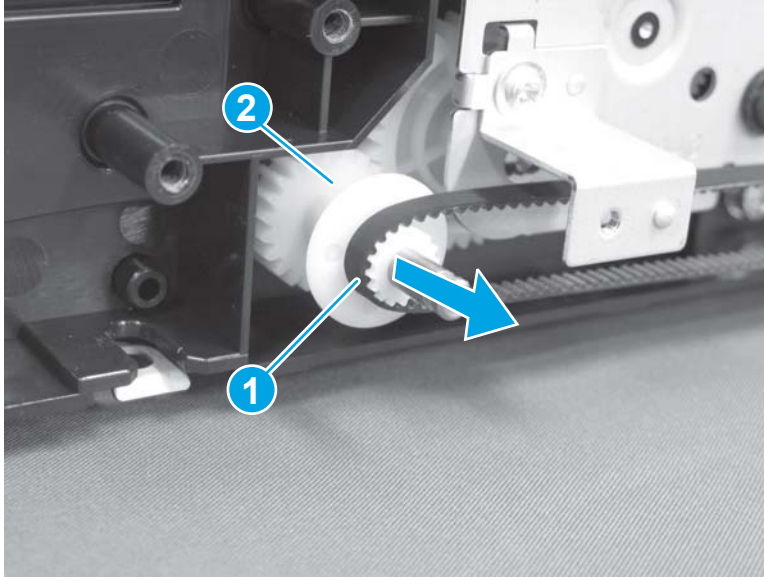
3. Release one tab (callout 1), and then slide the gear retainer (callout 2) off of the shaft to remove it.

Figure 1-659 Remove the IPTU side panel assembly (3 of 6)



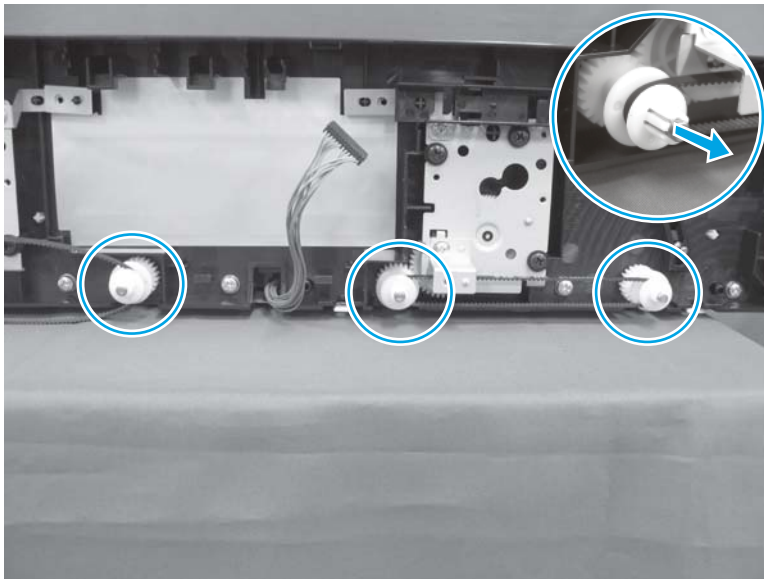
4. Remove one drive belt (callout 1), and then slide the drive gear (callout 2) off of the shaft to remove it.

Figure 1-660 Remove the IPTU side panel assembly (4 of 6)



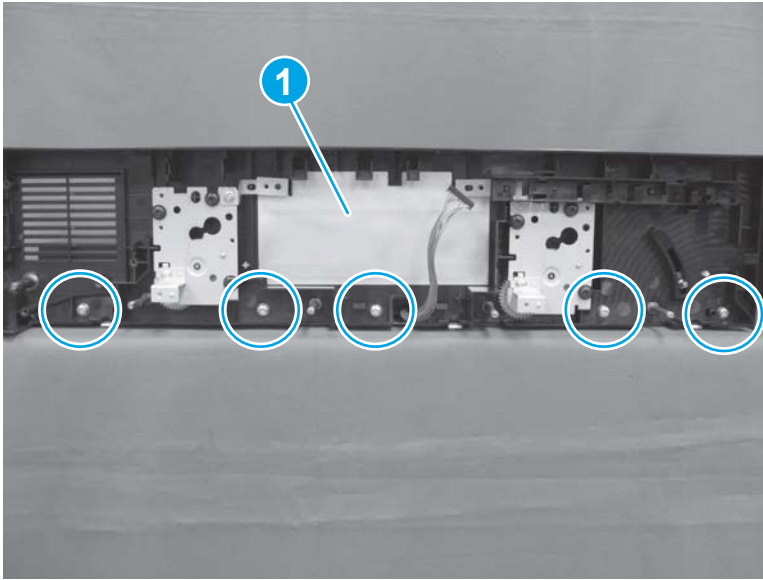
5. Repeat the previous two steps for the remaining three gear retainers, drive belts, and drive gears.

Figure 1-661 Remove the IPTU side panel assembly (5 of 6)



6. Remove five screws, and then remove the side panel assembly (callout 1).

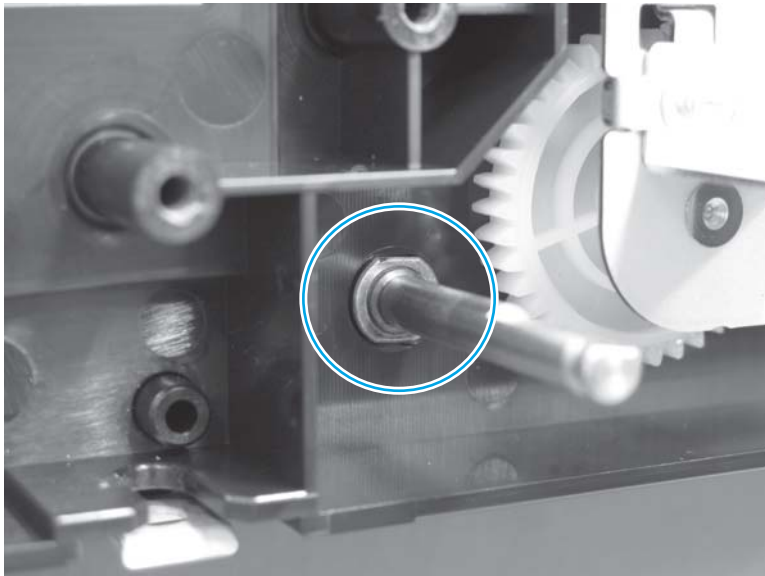
Figure 1-662 Remove the IPTU side panel assembly (6 of 6)



Reinstall the IPTU side panel assembly

When the side panel assembly is reinstalled, make sure that the bushings on the four drive-gear shafts are correctly installed as shown below.

Figure 1-663 Reinstall the IPTU side panel assembly



IPTU upper and lower guide assemblies

Before proceeding, remove the following assemblies:

- IPTU rear cover. See [IPTU rear cover on page 439](#).

Remove the IPTU upper and lower guide assemblies

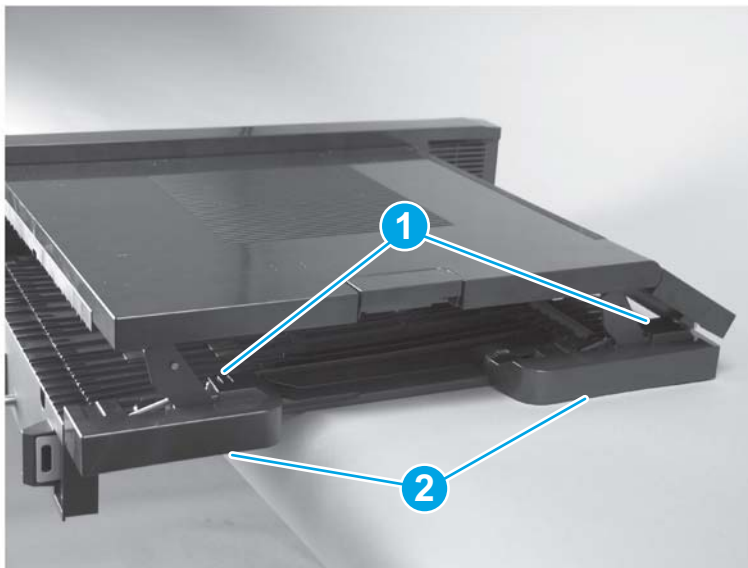
1. Turn the IPTU face-down, and then remove two screws.

Figure 1-664 Remove the IPTU upper and lower guide assemblies (1 of 9)



2. Turn the IPTU face-up, release two tabs (callout 1), and then remove two covers (callout 2).

Figure 1-665 Remove the IPTU upper and lower guide assemblies (2 of 9)



3. Remove six screws.


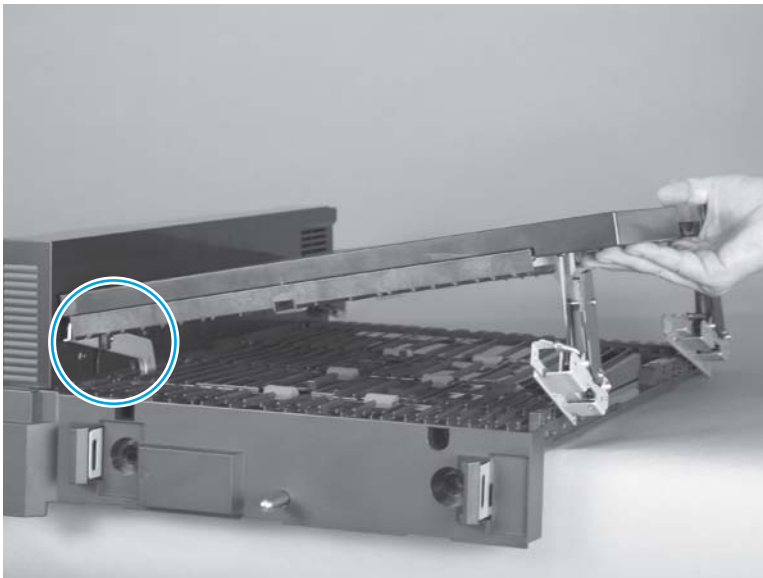
 **NOTE:** These are self-tapping screws.

Figure 1-666 Remove the IPTU upper and lower guide assemblies (3 of 9)



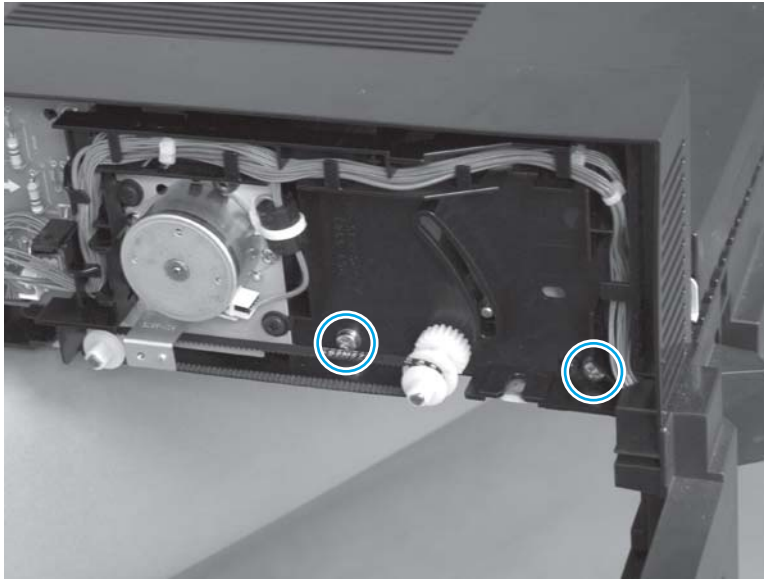
4. Lift the upper guide away from the IPTU, and then locate one hinge.

Figure 1-667 Remove the IPTU upper and lower guide assemblies (4 of 9)



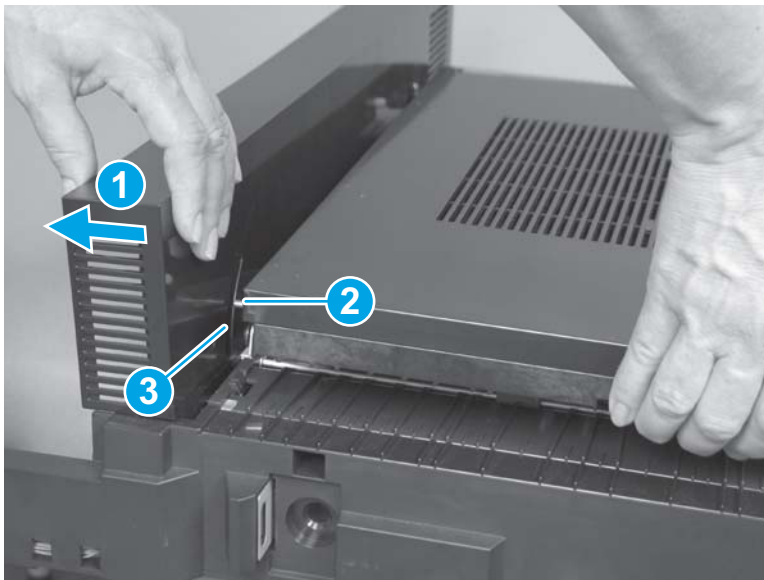
5. Remove two screws from the rear of the IPTU.

Figure 1-668 Remove the IPTU upper and lower guide assemblies (5 of 9)



6. Flex the plastic cover (callout 1) to release the hinge (callout 2) from the slot (callout 3).

Figure 1-669 Remove the IPTU upper and lower guide assemblies (6 of 9)



7. Lift the upper guide assembly (callout 1) until the screw (callout 2) in the hinge is visible. Remove the screw.


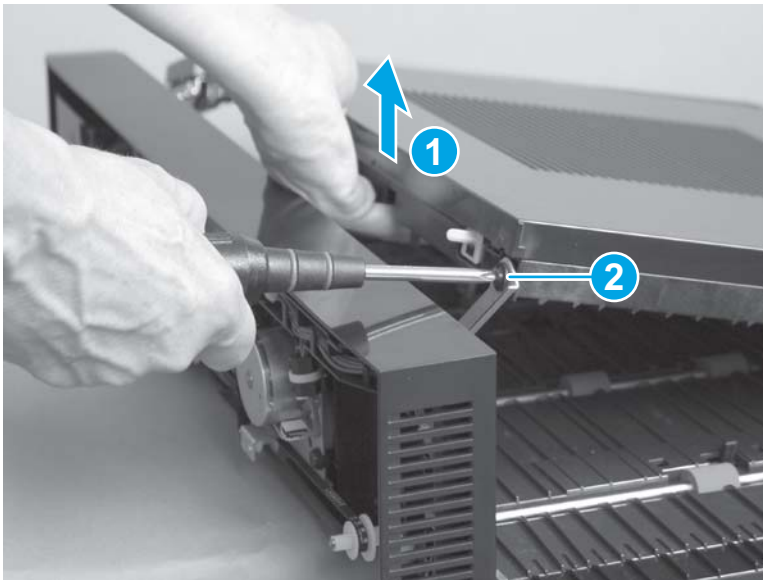
 **NOTE:** This screw is different from the other screws in the assembly. Make sure to reinstall this screw in the hinge.

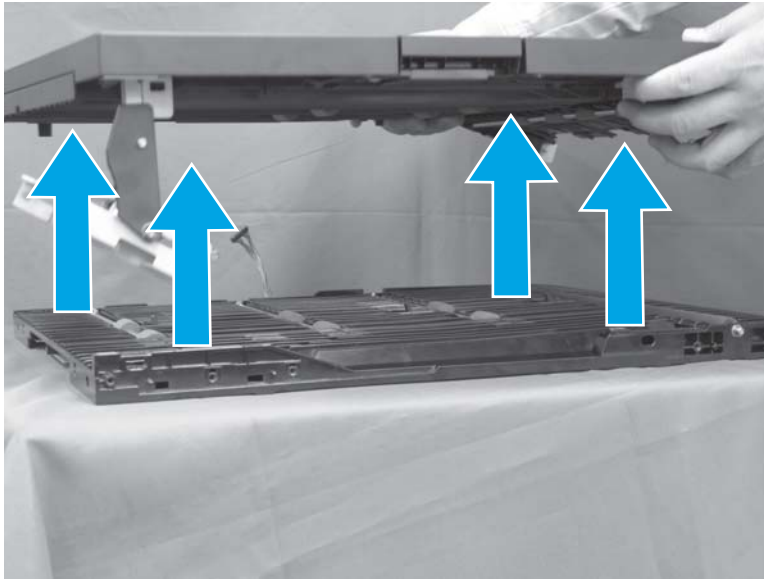


Figure 1-670 Remove the IPTU upper and lower guide assemblies (7 of 9)



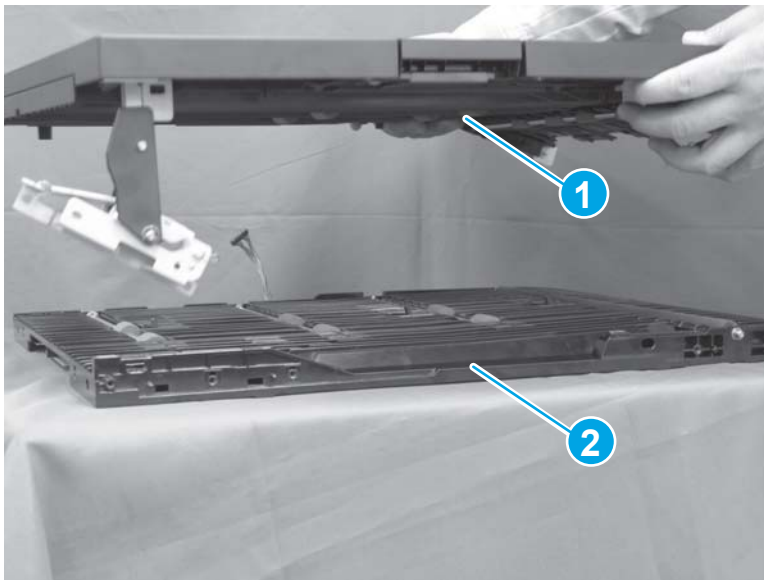
- Lift the upper guide assembly straight up to remove it.

Figure 1-671 Remove the IPTU upper and lower guide assemblies (8 of 9)



- Locate the upper guide assembly (callout 1) and the lower guide assembly (callout 2).

Figure 1-672 Remove the IPTU upper and lower guide assemblies (9 of 9)



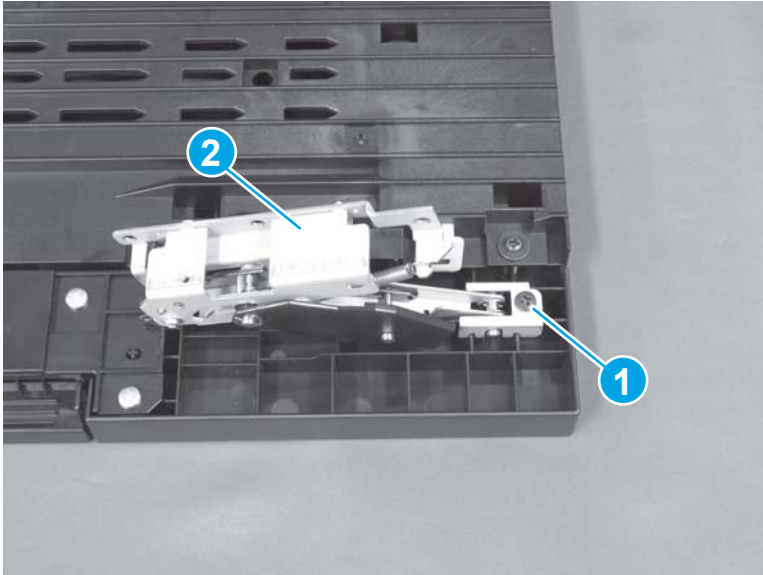
Install a replacement IPTU upper guide assembly

If you are installing a replacement upper guide assembly, follow these steps to remove the left- and right-assist assemblies, and then install them on the replacement upper guide assembly.

1. Turn the upper guide assembly over to access the bottom of the assembly.

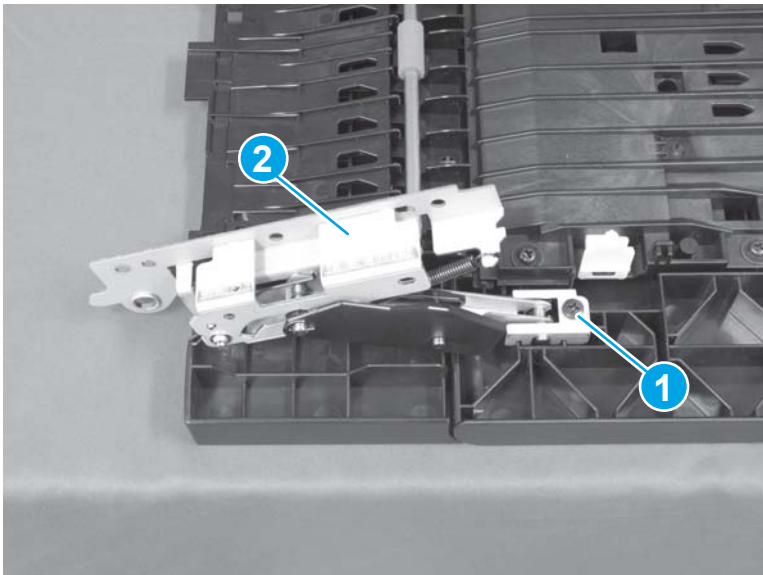
Remove one screw (callout 1), and then remove the left-assist assembly (callout 2).

Figure 1-673 Install a replacement IPTU upper guide assembly (1 of 2)




2. Remove one screw (callout 1), and then remove the right-assist assembly (callout 2).

Figure 1-674 Install a replacement IPTU upper guide assembly (2 of 2)



Finishing accessories

 **CAUTION:** Turn the product off and disconnect the finishing accessory from the product before servicing.

This section includes information about the following topics:

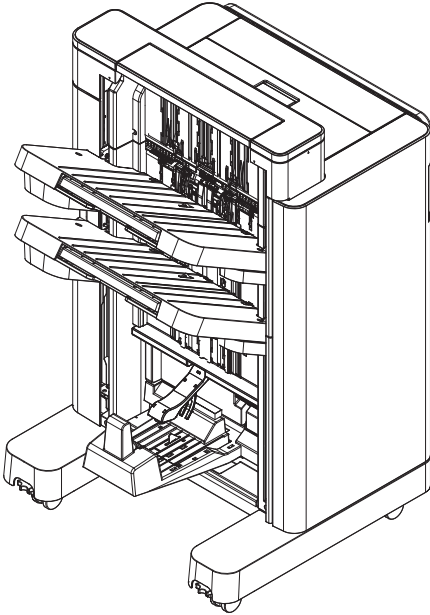
- [Identify the finishing accessories](#)
- [Identifying finishing accessory covers and doors](#)
- [Shared finishing accessory assemblies](#)
- [Booklet maker accessory](#)
- [Booklet maker and stapler/stacker with hole punch accessories](#)

Identify the finishing accessories

- Booklet maker (BM)

Includes booklet maker and stapler functions.

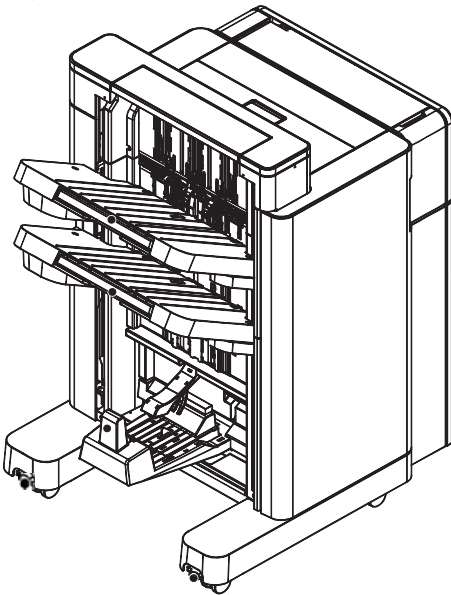
Figure 1-675 Identify the BM finishing accessory



- Booklet maker with hole punch (BMHP)

Includes booklet maker and hole punch (2/3 or 2/4) functions.

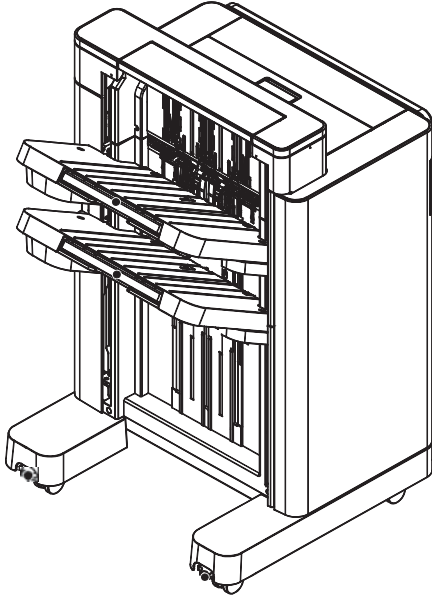
Figure 1-676 Identify the BMHP finishing accessory



- Stapler/stacker (SS)

Includes stapler functions.

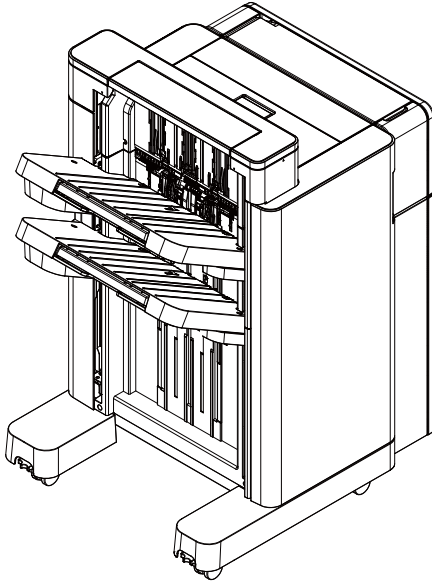
Figure 1-677 Identify the SS finishing accessory



- Stapler/stacker with hole punch (SSHP)

Includes stapler and hole punch (2/3 or 2/4) functions.

Figure 1-678 Identify the SSHP finishing accessory



Identifying finishing accessory covers and doors

Figure 1-679 Stapler stacker covers and doors

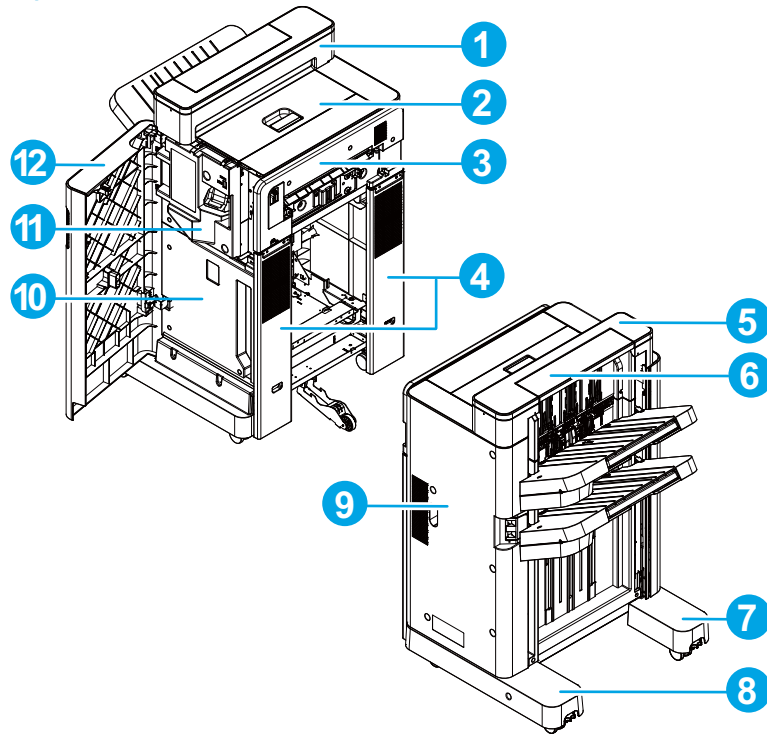


Table 1-24 Stapler stacker covers and doors

Item	Description	Item	Description
1	Step lower cover	7	Front foot cover
2	Top door assembly	8	Rear foot cover
3	Latch assembly	9	Rear cover
4	Latch lower cover	10	Inner lower cover
5	Step top cover	11	Inner upper cover assembly
6	Open-close step cover	12	Front door assembly

Figure 1-680 Stapler stacker with hole punch covers and doors

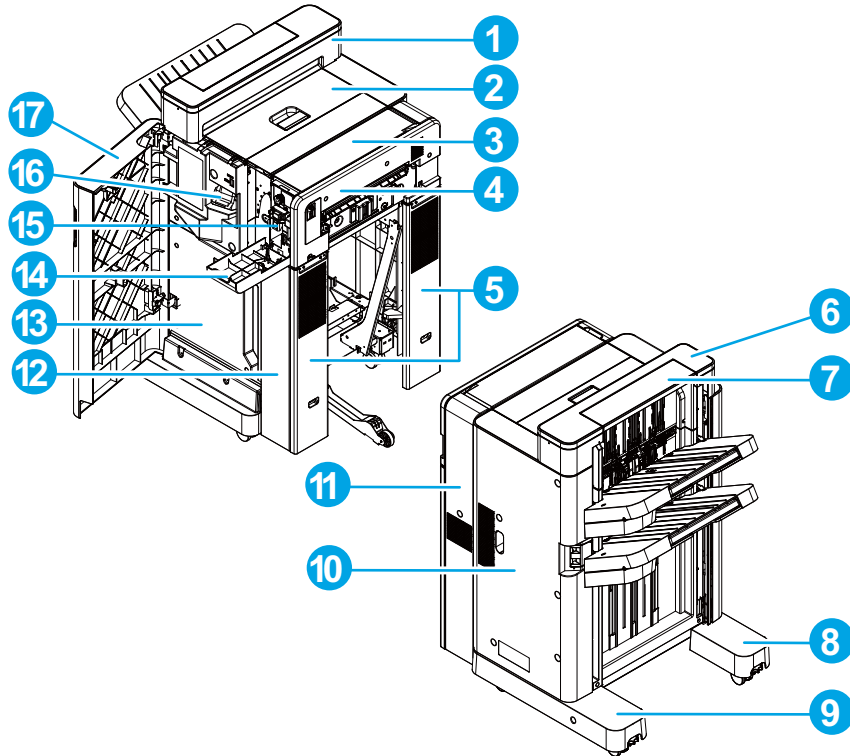


Table 1-25 Stapler stacker with hole punch covers and doors

Item	Description	Item	Description
1	Step lower cover	10	Rear cover
2	Top door assembly	11	Punch rear cover
3	Punch top cover	12	Punch lower cover
4	Latch assembly	13	Inner lower cover
5	Latch lower cover	14	Punch front cover
6	Step top cover	15	Punch inner cover
7	Open-close step cover	16	Inner upper cover assembly
8	Front foot cover	17	Front door assembly
9	Rear foot cover		

Figure 1-681 Booklet maker covers and doors

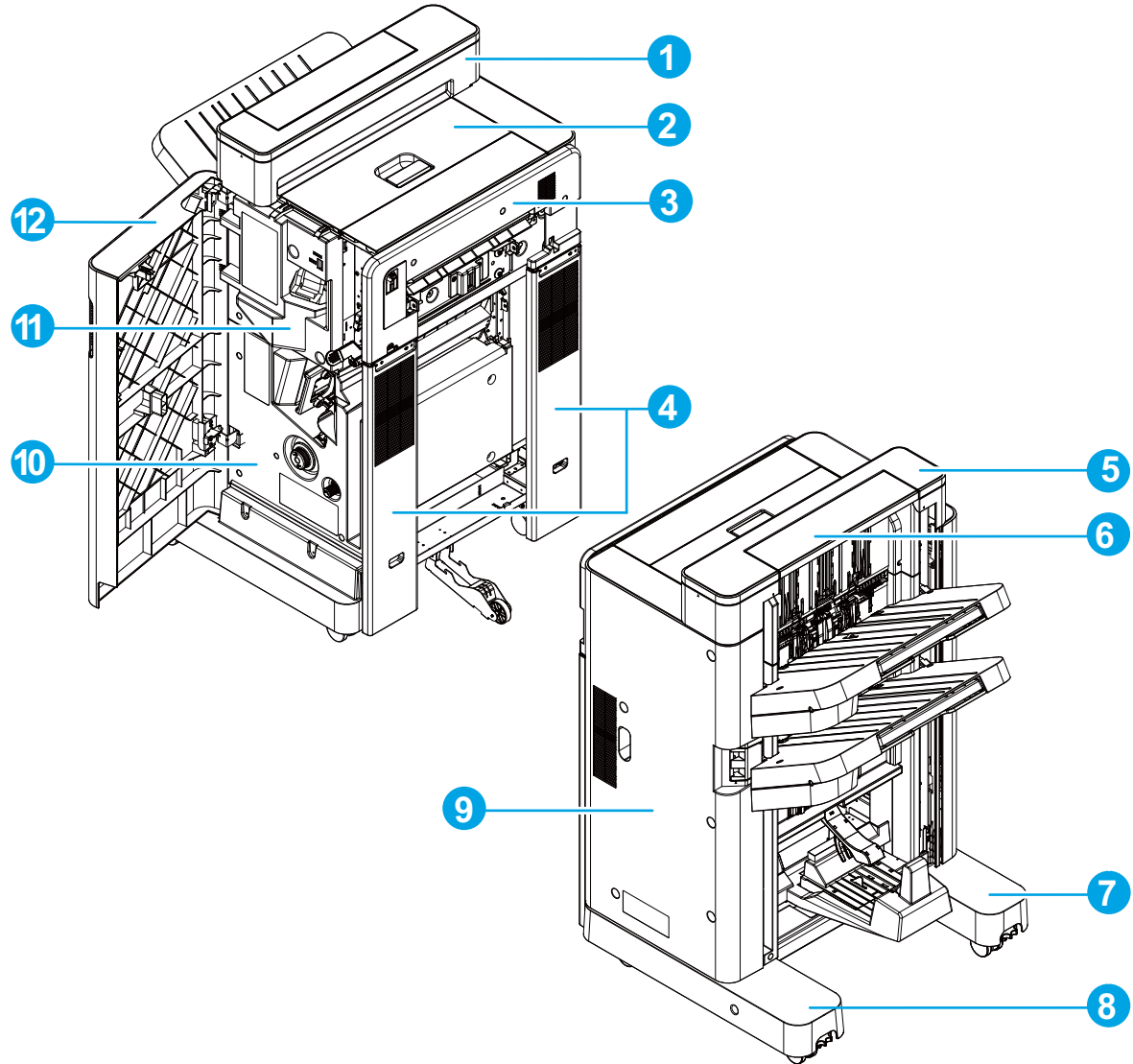


Table 1-26 Booklet maker covers and doors

Item	Description	Item	Description
1	Step lower cover	7	Front foot cover
2	Top door assembly	8	Rear foot cover
3	Latch assembly	9	Rear cover
4	Latch lower cover	10	Inner lower cover
5	Step top cover	11	Inner upper cover assembly
6	Open-close step cover	12	Front door assembly

Figure 1-682 Booklet maker with hole punch covers and doors

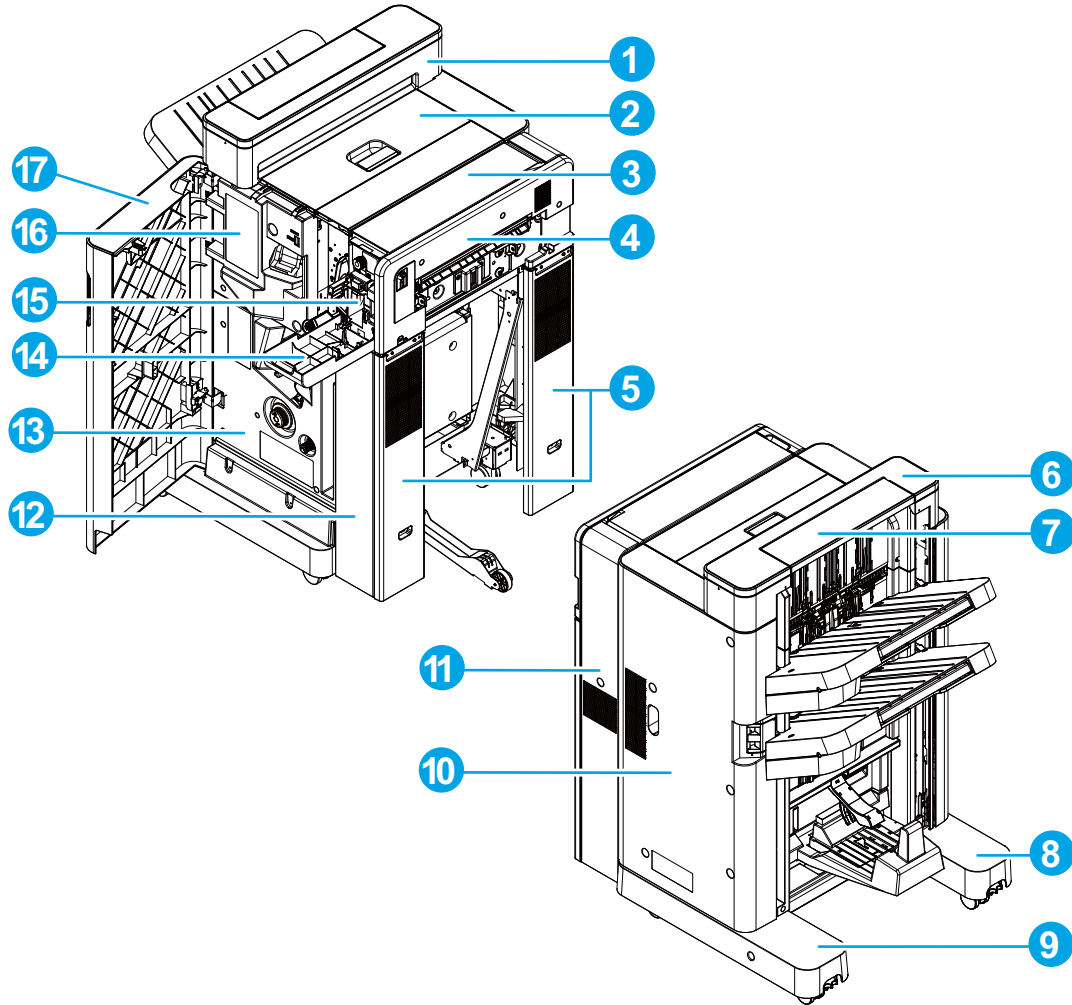


Table 1-27 Booklet maker with hole punch covers and doors

Item	Description	Item	Description
1	Step lower cover	10	Rear cover
2	Top door assembly	11	Punch rear cover
3	Punch top cover	12	Punch lower cover
4	Latch assembly	13	Inner lower cover
5	Latch lower cover	14	Punch front cover
6	Step top cover	15	Punch inner cover
7	Open-close step cover	16	Inner upper cover assembly
8	Front foot cover	17	Front door assembly
9	Rear foot cover		

Shared finishing accessory assemblies

The assemblies described in this section are found on each of the finishing accessories.

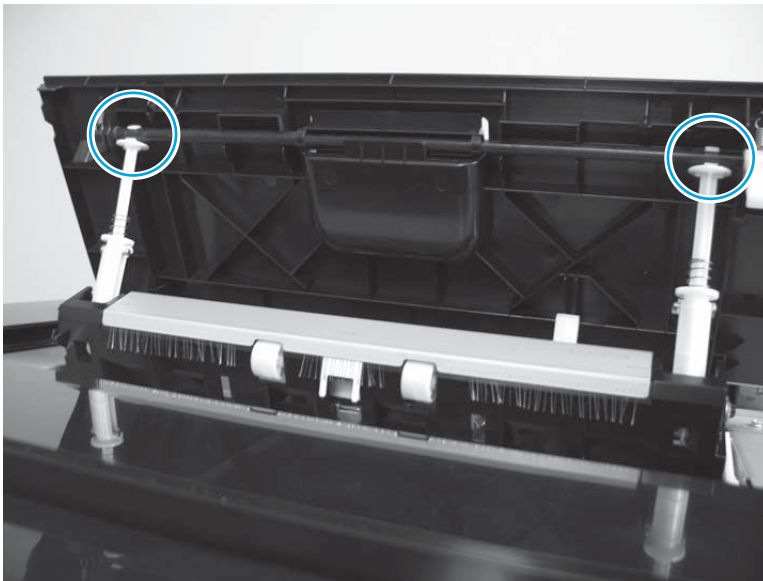
- [Top cover lock assembly](#)
- [Latch lower covers \(front and rear\)](#)
- [Latch assembly](#)
- [Open/closed stepped cover assembly](#)
- [Upper stepped cover assembly](#)
- [Lower stepped cover assembly](#)
- [Top door assembly](#)
- [Front door](#)
- [Inner upper cover assembly](#)
- [Clutch assembly \(front side\)](#)
- [Sensor switch assembly](#)
- [Inner lower cover assembly](#)
- [Front foot cover assembly](#)
- [Bin cable guide cover](#)
- [Rear cover assembly](#)
- [Main controller PCA assembly](#)
- [Entrance upper guide assembly](#)
- [Rear foot cover assembly](#)
- [Stack wall upper assembly and upper wall guide assembly](#)
- [Upper cross member assembly](#)
- [Paper feed drive assembly](#)
- [Pressure roller assembly](#)
- [Stack upper bin and lower bin assemblies](#)
- [Height wall assembly](#)
- [Paper face sensor and flag assembly](#)
- [Staple subassembly](#)
- [Staple connecting cable assembly](#)
- [Staple assembly](#)
- [Paper detect holder assembly](#)

- [Operation tray assembly](#)
- [Swing guide assembly](#)
- [Return roller assembly](#)
- [Clutch assembly \(rear side\)](#)
- [Stack ejection motor assembly](#)
- [Press motor assembly](#)
- [Common driver PCA assembly](#)
- [Interface cable assembly](#)
- [Paper pass assembly](#)

Top cover lock assembly

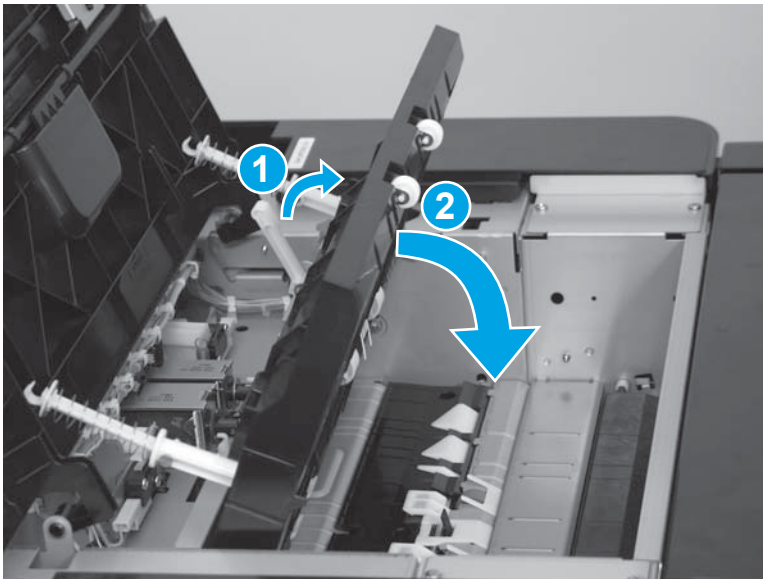
1. Open the top cover, carefully unsnap two spring loaded arms to release them from the latch shaft, and then move the cover out of the way.

Figure 1-683 Remove the top cover lock assembly (1 of 3)



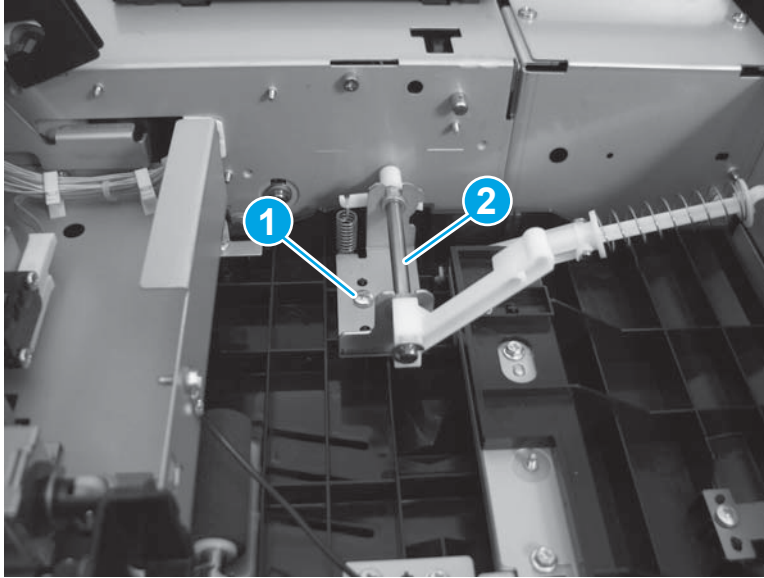
2. Move the upper cover out of the way, release one lever (callout 1) which holds the entrance upper guide assembly in the open position, and then lower the guide assembly (callout 2) into the accessory.

Figure 1-684 Remove the top cover lock assembly (2 of 3)




3. Remove one screw (callout 1), and then remove the upper cover lock assembly (callout 2).

Figure 1-685 Remove the top cover lock assembly (3 of 3)

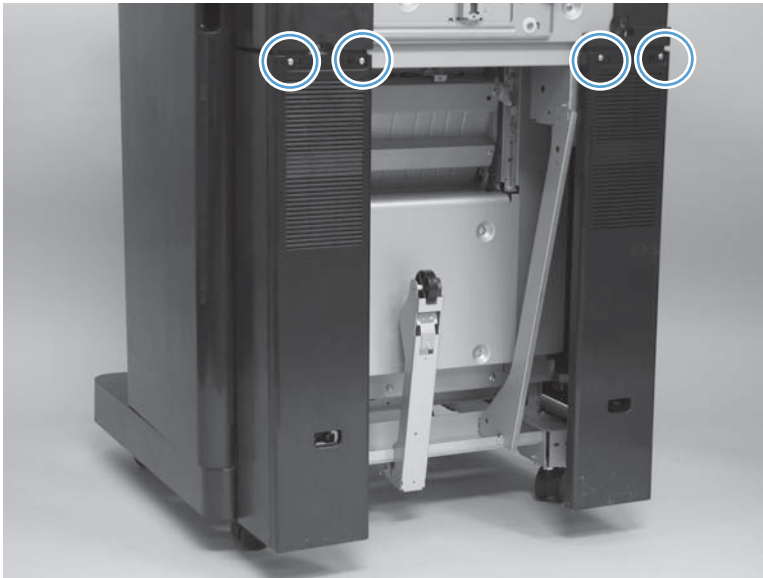


Latch lower covers (front and rear)

 **NOTE:** The cover shown in the following procedure is installed on a booklet maker with hole punch (BMHP) accessory, however the procedure is the same for all of the finishing accessories.

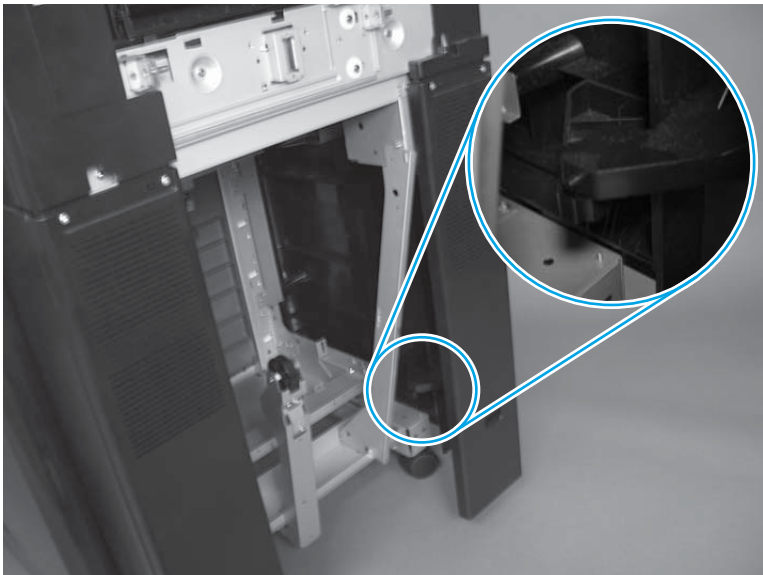
1. Remove four screws.

Figure 1-686 Remove the latch lower covers (front and rear; 1 of 3)



2. Before proceeding, take note of the two locator pins on the back side of each cover. These are positioning pins and must be correctly installed to assure proper alignment of the covers when they are reinstalled.

Figure 1-687 Remove the latch lower covers (front and rear; 2 of 3)



3. Remove the covers (callout 1) by moving the top of the cover outward to release the positioning pins (callout 2).


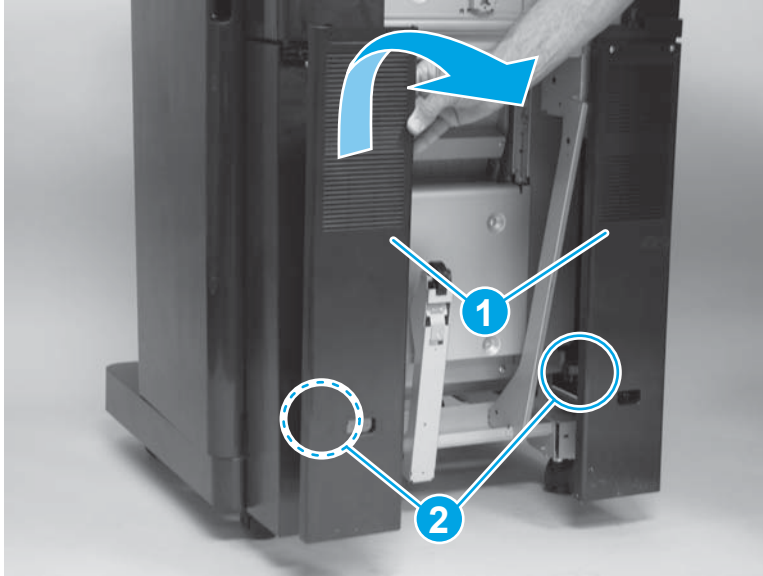
 **TIP:** As the cover is removed, you might need to reach behind the cover to release the two locator pins on the back side of the cover.

Figure 1-688 Remove the latch lower covers (front and rear; 3 of 3)



Latch assembly

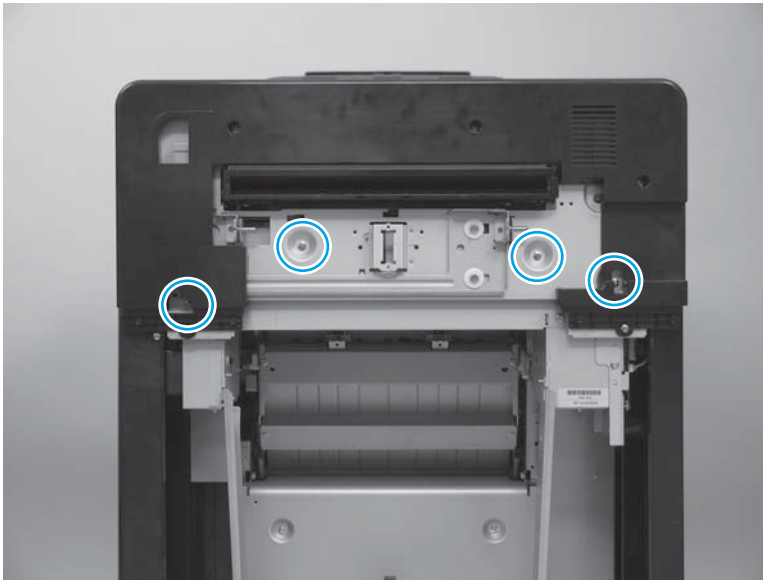
Before proceeding, remove the following assemblies:

- Latch lower covers (front and rear). See [Latch lower covers \(front and rear\)](#) on page 468.

Remove the latch assembly

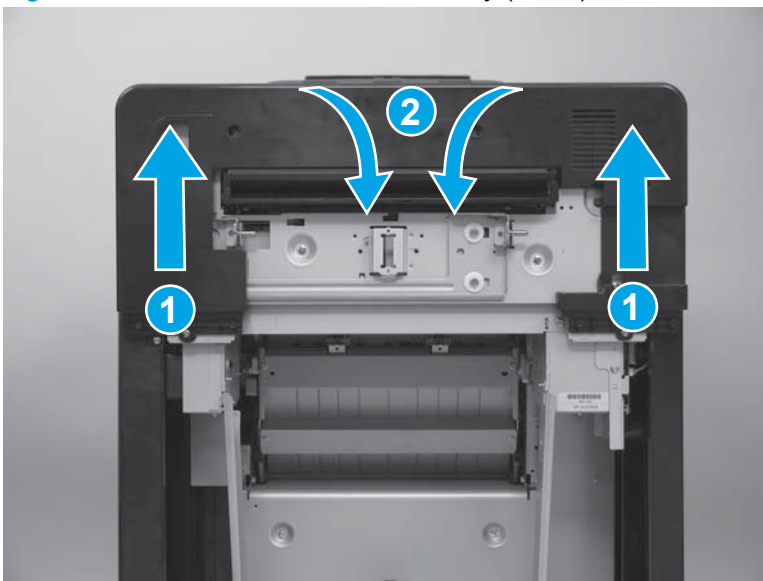
1. Remove four screws.

Figure 1-689 Remove the latch assembly (1 of 2)



2. Lift the assembly straight up to release it (callout 1), and then rotate the assembly away from the paper path entrance (callout 2) to remove it.

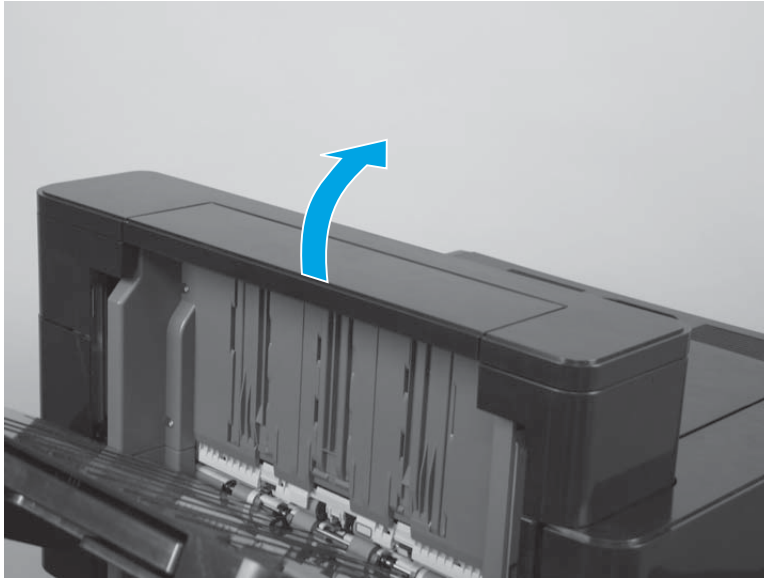
Figure 1-690 Remove the latch assembly (2 of 2)



Open/closed stepped cover assembly

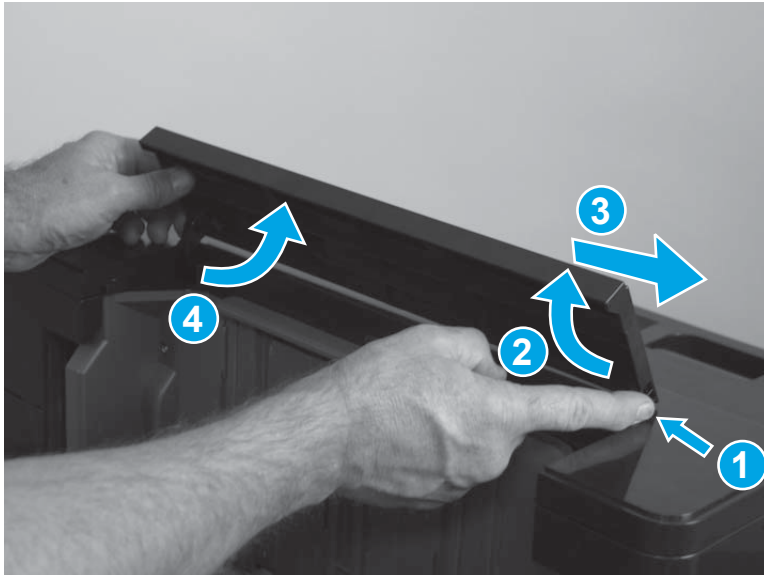
1. Open the cover.

Figure 1-691 Remove the open/close stepped cover assembly (1 of 2)



2. Carefully push in on the cover hinge (callout 1) to release the hinge pin, lift the rear edge of the cover out and up (callout 2), and then slide the cover to the right (callout 3). Unlatch the left hinge of cover by swinging it out and up to remove cover (callout 4).

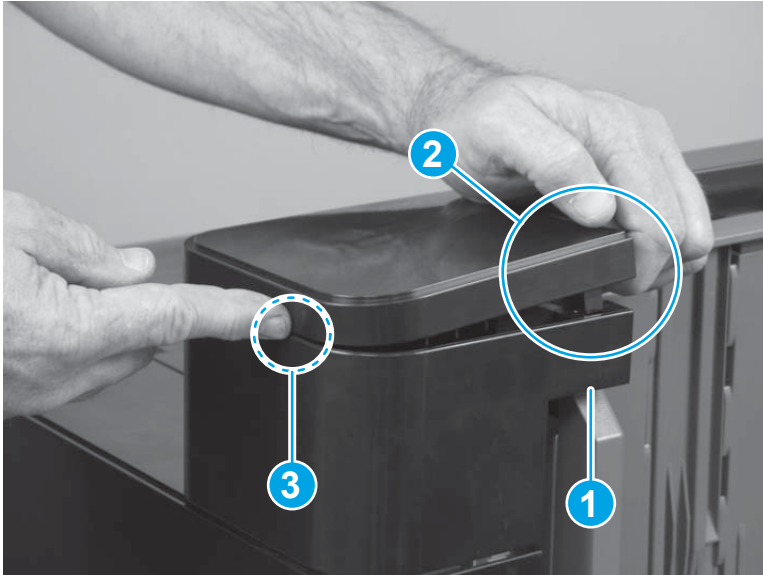
Figure 1-692 Remove the open/close stepped cover assembly (2 of 2)



Upper stepped cover assembly

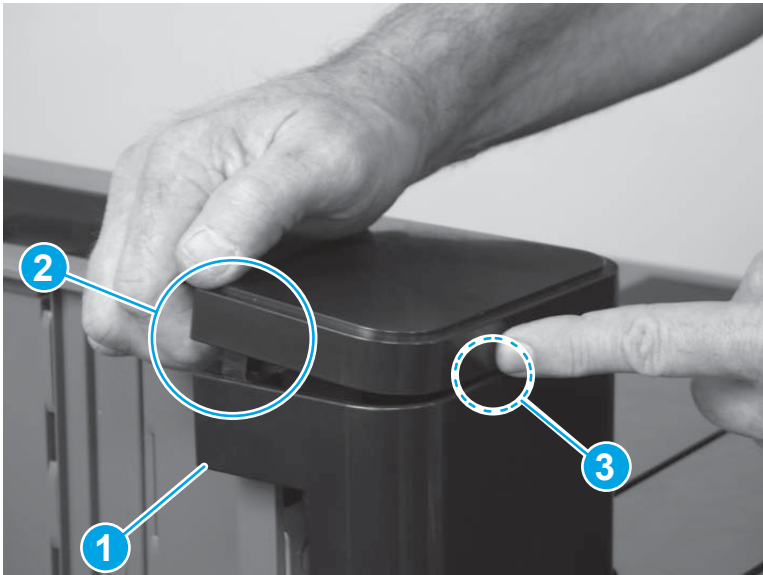
1. Use your finger to release one tab (callout 1), carefully pull up on the corner of the cover (callout 2), and then push in on the cover to release a second tab (callout 3).

Figure 1-693 Remove the upper stepped cover assembly (1 of 4)



2. Use your finger to release one tab (callout 1), carefully pull up on the opposite corner of the cover (callout 2), and then push in on the cover to release a second tab (callout 3).

Figure 1-694 Remove the upper stepped cover assembly (2 of 4)



3. Rotate the edge of the cover nearest the stack bins (callout 1) up and away from the accessory.


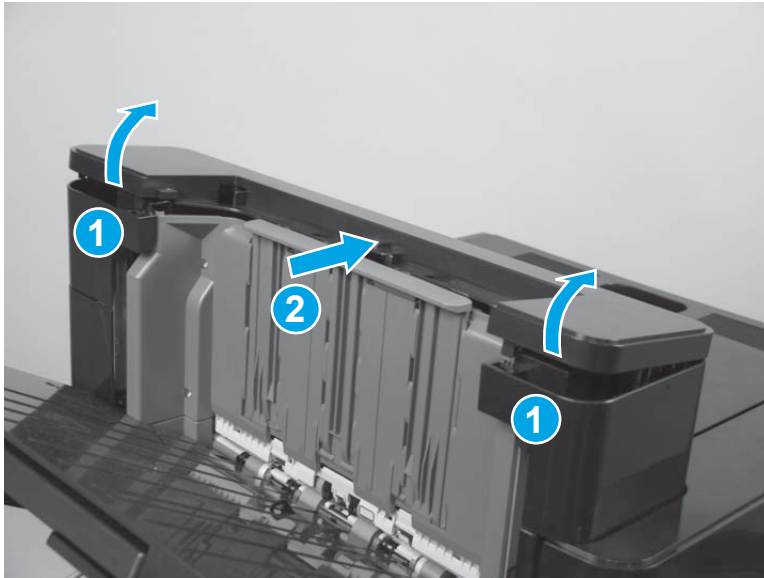
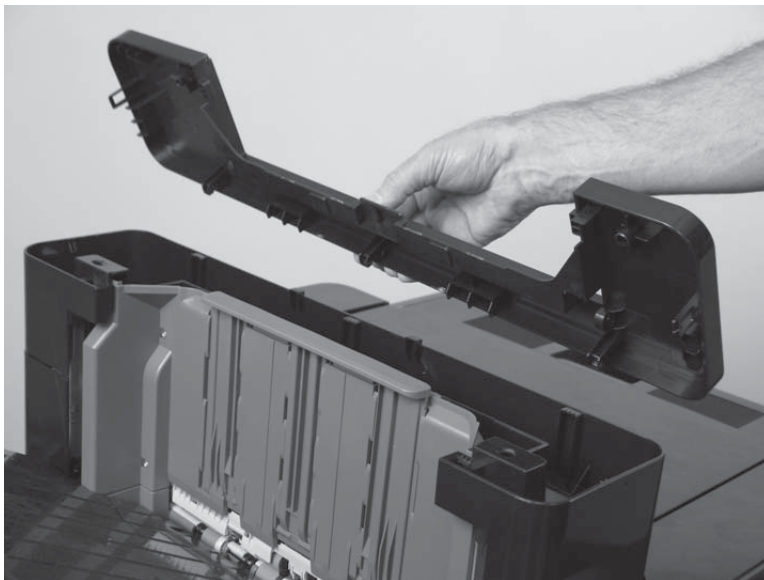
 **TIP:** As you rotate the cover up, push in on the center of the cover (callout 2) to make it easier to remove.

Figure 1-695 Remove the upper stepped cover assembly (3 of 4)



4. Remove the cover.

Figure 1-696 Remove the upper stepped cover assembly (4 of 4)



Lower stepped cover assembly

Before proceeding, remove the following assemblies:

- Open/closed stepped cover assembly. See [Open/closed stepped cover assembly on page 471](#).
- Upper stepped cover assembly. See [Upper stepped cover assembly on page 472](#).

Remove the lower stepped cover assembly

1. Remove two screws.


 **NOTE:** From the top of the accessory, look down into the lower stepped cover to locate these screws.

Figure 1-697 Remove the lower stepped cover assembly (1 of 5)



2. Remove one screw (callout 1) from the rear cover.


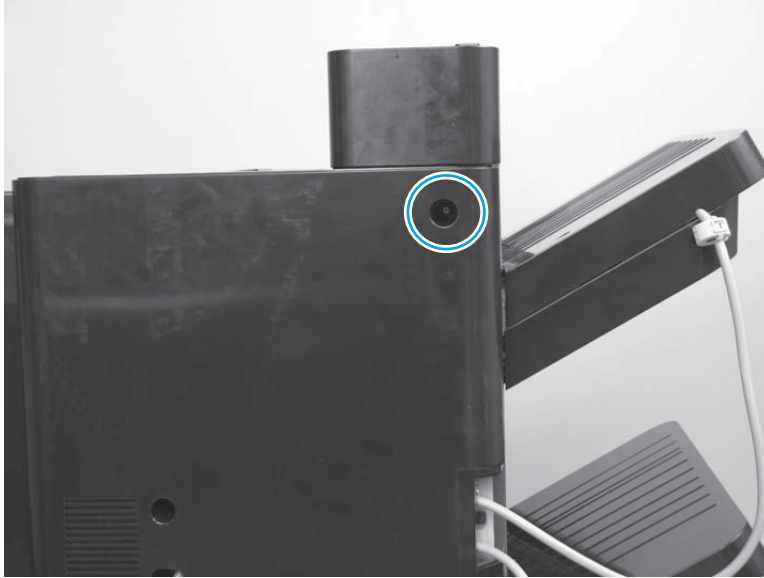
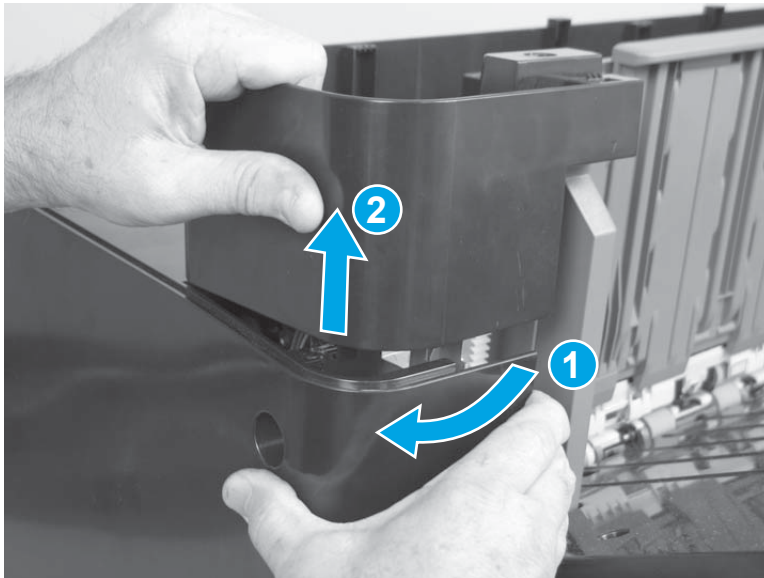
 **TIP:** Removing this screw is necessary to release the rear cover from the lower stepped cover when it is removed.

Figure 1-698 Remove the lower stepped cover assembly (2 of 5)



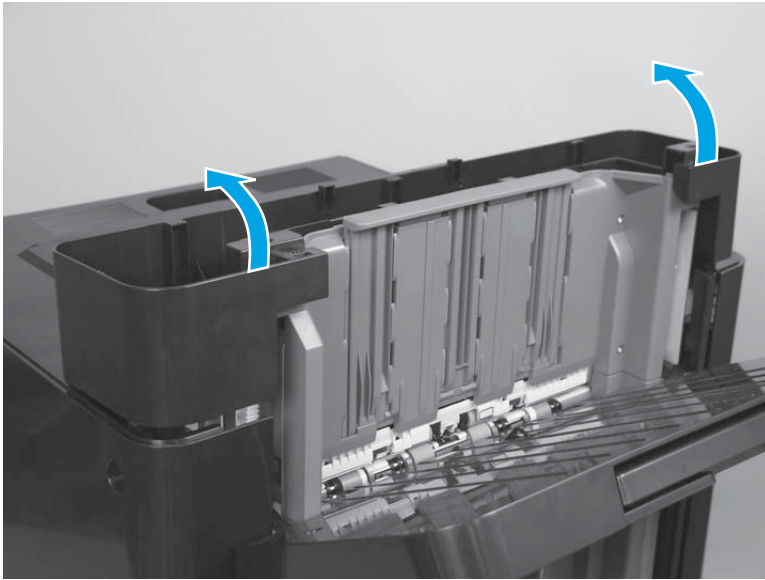
3. Carefully flex the corner of the rear cover away from the accessory (callout 1), and then slightly lift up and push in (callout 2) on the lower stepped cover to release one tab.

Figure 1-699 Remove the lower stepped cover assembly (3 of 5)



4. Rotate the edge of the cover nearest the stack bins up and away from the accessory.

Figure 1-700 Remove the lower stepped cover assembly (4 of 5)



5. Remove the cover.


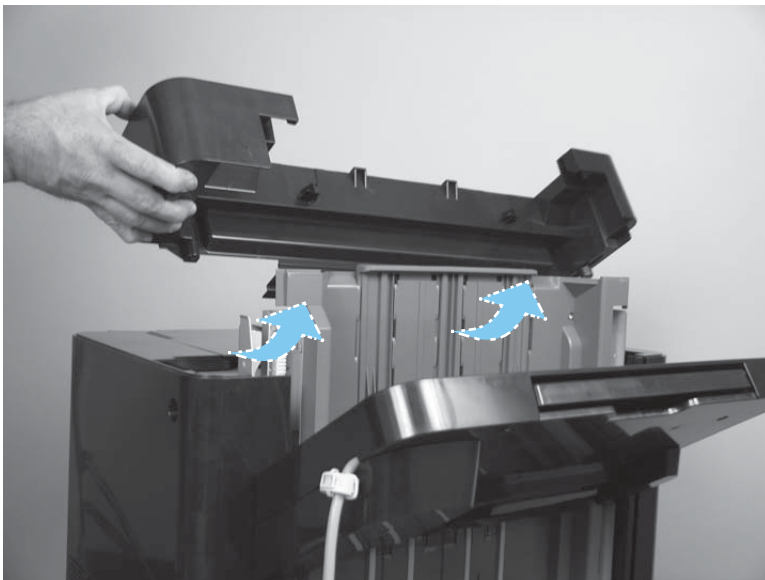
 **TIP:** Lift and rotate the cover as shown below so that the cover will slide out from under the top door.

Figure 1-701 Remove the lower stepped cover assembly (5 of 5)



Reinstall the lower stepped cover

When the cover is reinstalled, open the top cover and make sure that the slots in the cover are underneath the sheet-metal tabs on the chassis.

Figure 1-702 Reinstall the lower stepped cover (1 of 2)

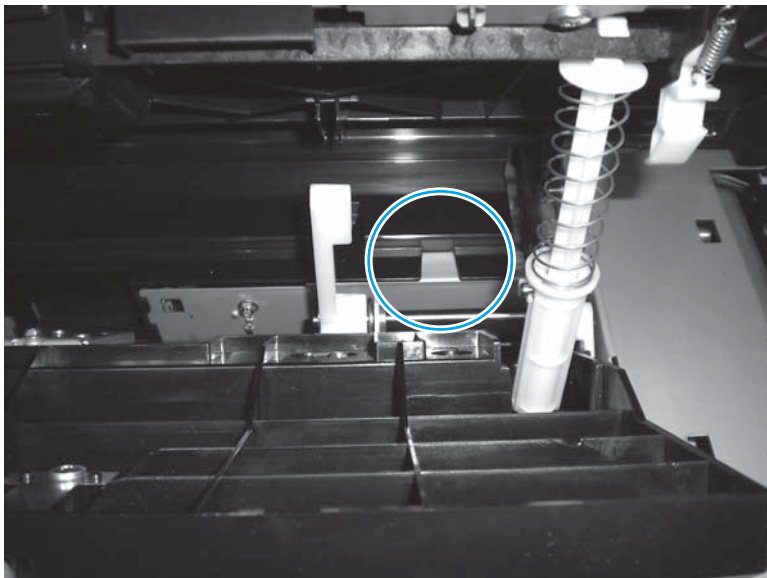
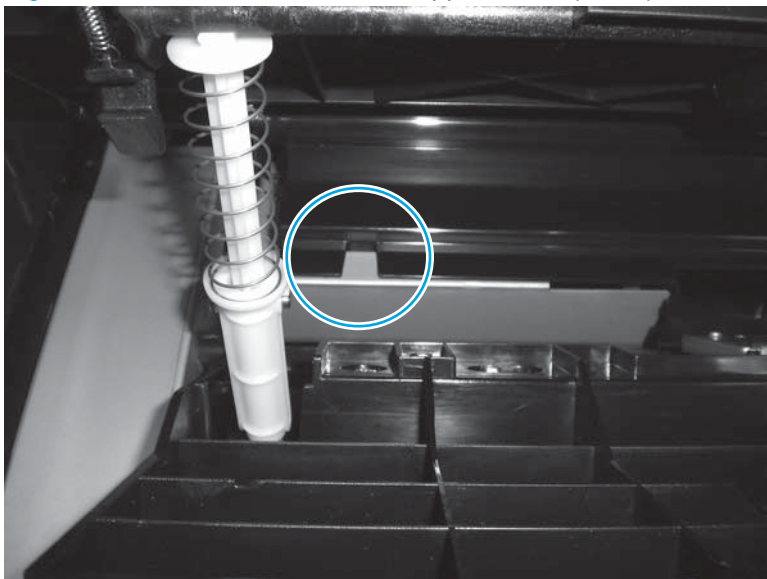



Figure 1-703 Reinstall the lower stepped cover (2 of 2)

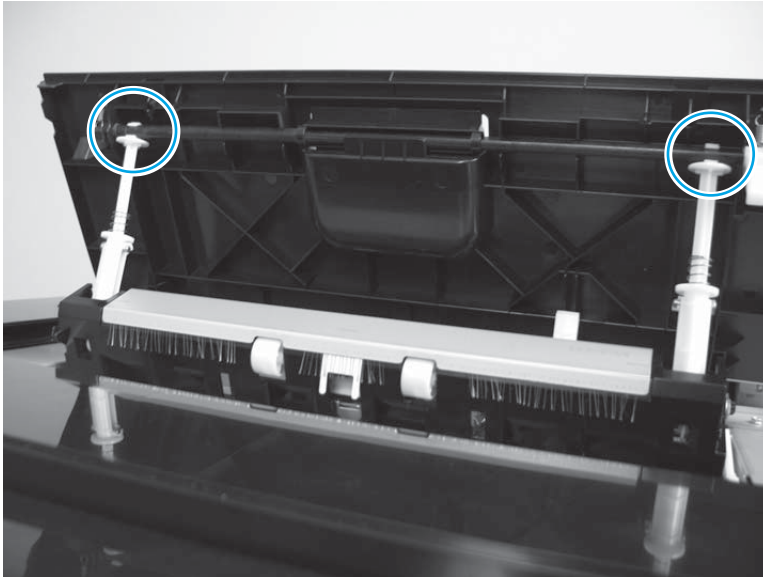


Top door assembly

 **NOTE:** The following figures show the top door assembly on the stapler/stacker with hole punch (SSHP) finishing accessory. This removal procedure is the same for all of the finishing accessories.

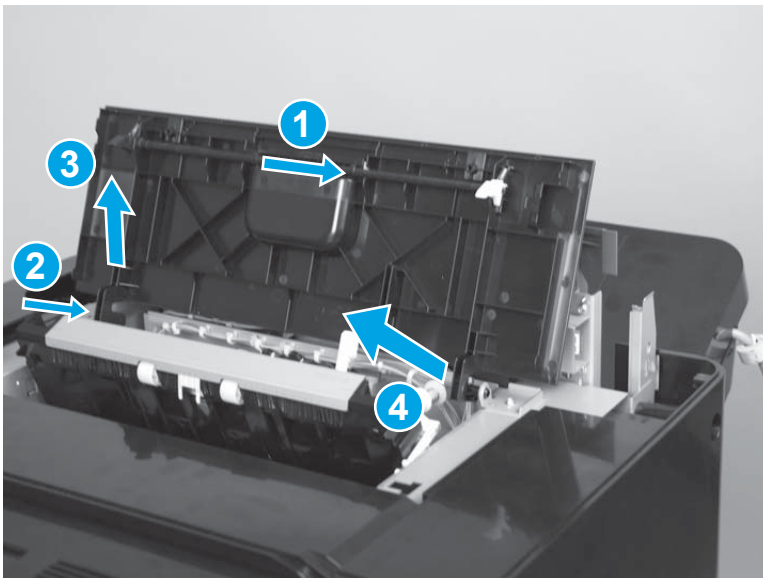
1. Open the door, and then carefully unsnap two spring loaded arms to release them from the latch shaft.

Figure 1-704 Remove the top door assembly (1 of 2)



2. From the front of the finisher, slide the top door slightly towards the rear of the accessory until it stops (callout 1). Carefully press in on the front hinge to release the hinge from the bracket (callout 2), and then lift it out of the bracket (callout 3). Slide the top of the door towards the front of the accessory to release the rear hinge (callout 4) from the rear bracket to remove the door.

Figure 1-705 Remove the top door assembly (2 of 2)



Front door

Remove the front door

1. Open the front door.
2. Support the door, and then remove one self tapping screw (callout 1) and the sheet-metal hinge (callout 2).


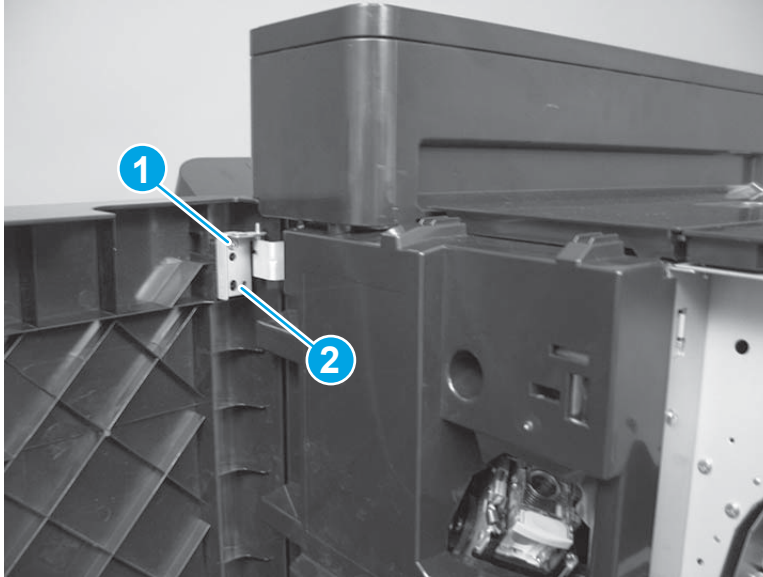
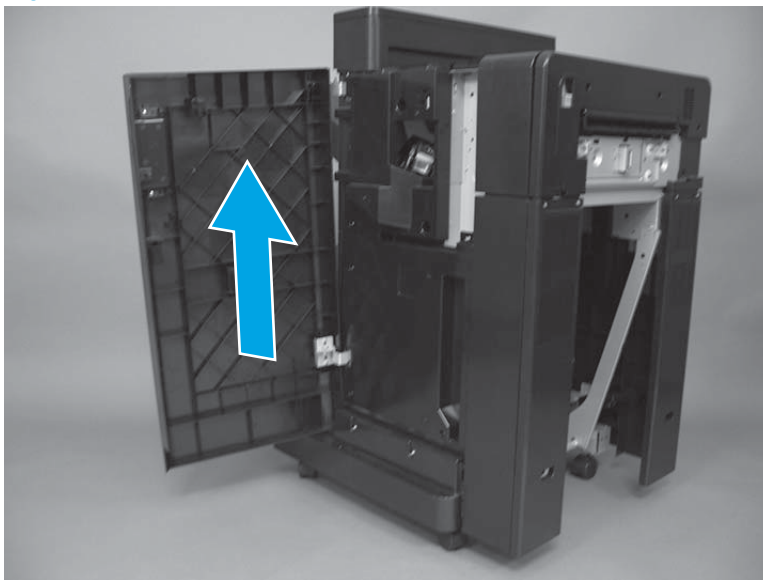
 **TIP:** To reinstall the self-tapping screw, first turn it counterclockwise (1/4 turn) to align it with the existing thread pattern, and then carefully turn it clockwise to tighten. Do not overtighten.

Figure 1-706 Remove the front door (1 of 2)




3. With the door slightly angled away from the accessory so that it will not interfere with other accessory covers, lift the door up and off of the bottom hinge to remove it.

Figure 1-707 Remove the front door (2 of 2)

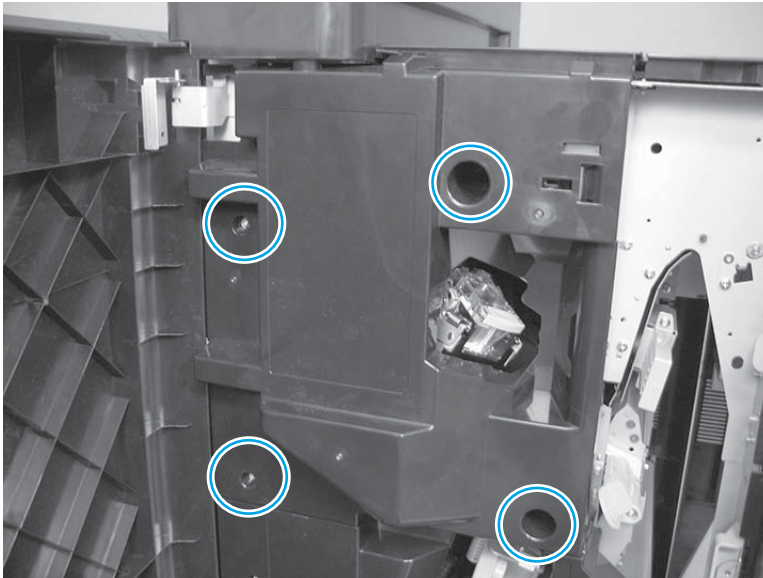


Inner upper cover assembly

 **TIP:** If the cover needs to be moved out of the way to gain access to assemblies immediately behind the cover, use the following procedure. If the cover needs to be removed to service other assemblies on the accessory, go to [Inner upper cover assembly \(remove\) on page 481](#).

1. Open the front door.
2. Remove four screws.

Figure 1-708 Move the inner upper cover out of the way (1 of 2)



3. Rotate the cover towards the front door to move it out of the way.


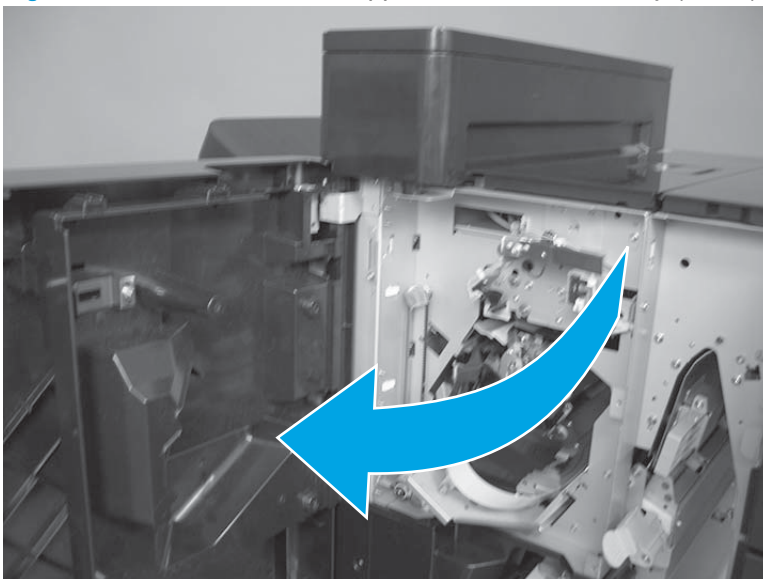
 **CAUTION:** To prevent damage to the cover, make sure that it does not bind on the upper front door hinge when you move it out of the way.

Figure 1-709 Move the inner upper cover out of the way (2 of 2)



Inner upper cover assembly (remove)

Before proceeding, remove the following assemblies:

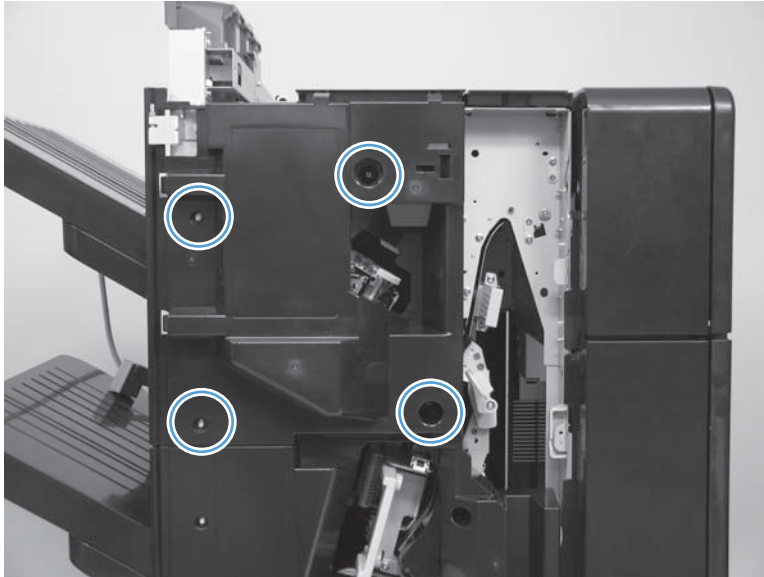
- Front door. See [Front door on page 479](#).

Remove the inner upper cover assembly

The figures in this section show the stepped covers removed. You do not need to remove the stepped covers to remove the inner upper cover assembly.

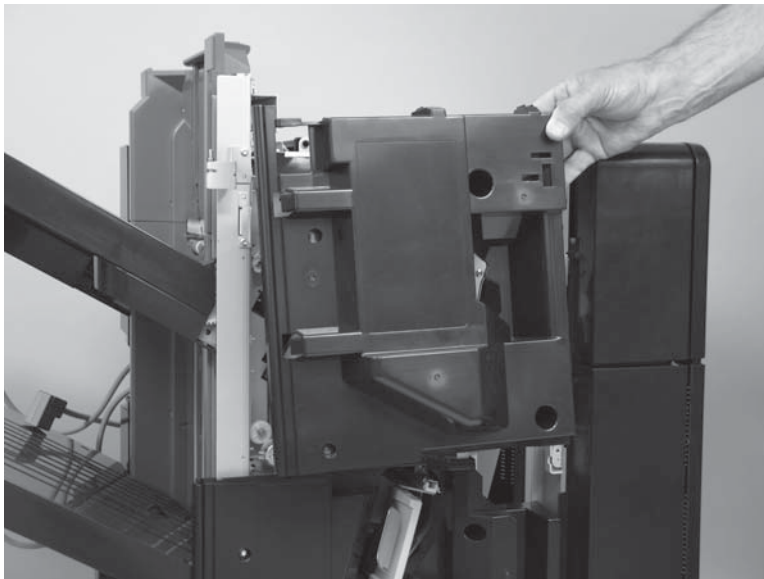
1. Remove four screws.

Figure 1-710 Remove the inner upper cover assembly (1 of 2)



2. Remove the cover.

Figure 1-711 Remove the inner upper cover assembly (2 of 2)



Clutch assembly (front side)

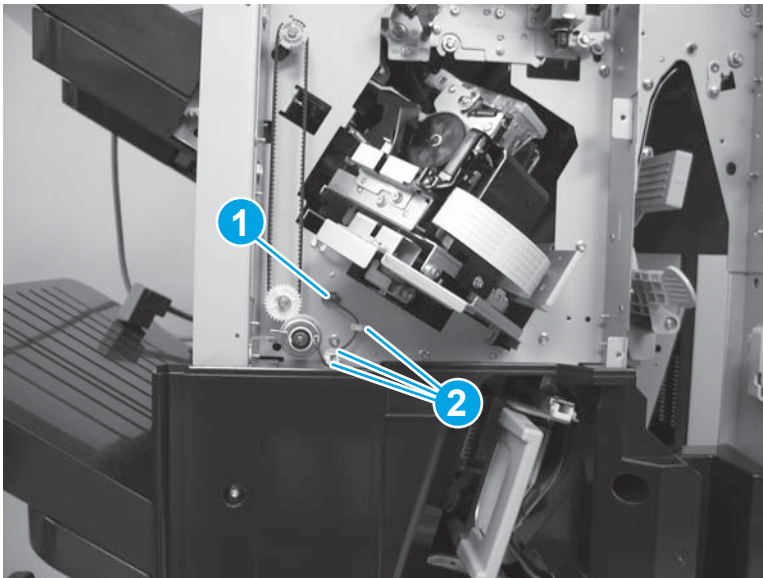
Before proceeding, do the following:

- Move the inner upper cover assembly. See [Inner upper cover assembly on page 480](#).

Remove the clutch assembly (front side)

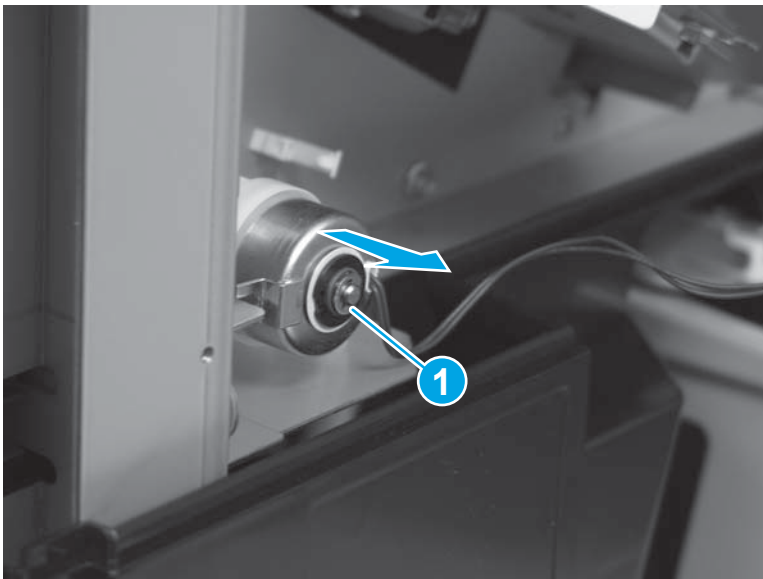
1. Disconnect one connector (callout 1), and then release the wire harness from three retainers (callout 2).

Figure 1-712 Remove the clutch assembly (front side; 1 of 2)



2. Remove one e-ring (callout 1), and then slide the clutch off of the shaft to remove it.

Figure 1-713 Remove the clutch assembly (front side; 2 of 2)



Sensor switch assembly

Before proceeding, do the following:

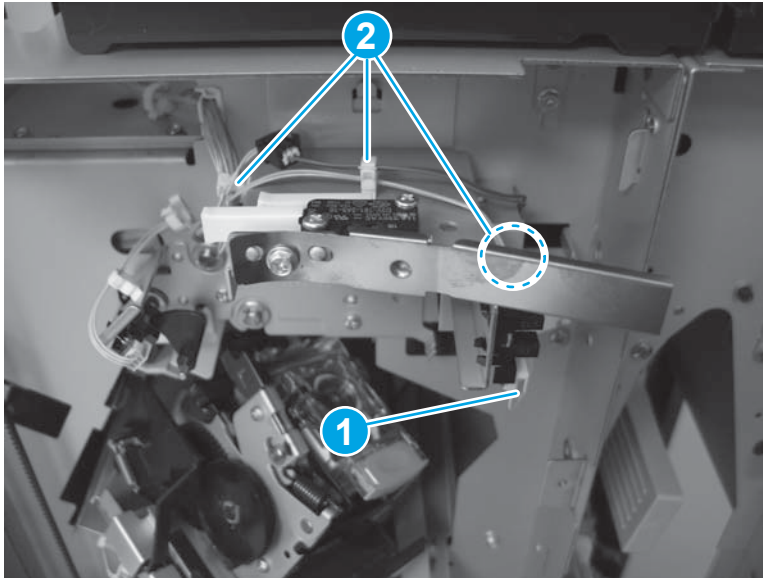
- Move the inner upper cover assembly. See [Inner upper cover assembly on page 480](#).

Remove the sensor switch assembly

⚠ WARNING! Make sure that the accessory interface cable is disconnected from the product. Line voltage exists at the switch when the accessory interface cable is connected to the product—even if the product is power is turned off.

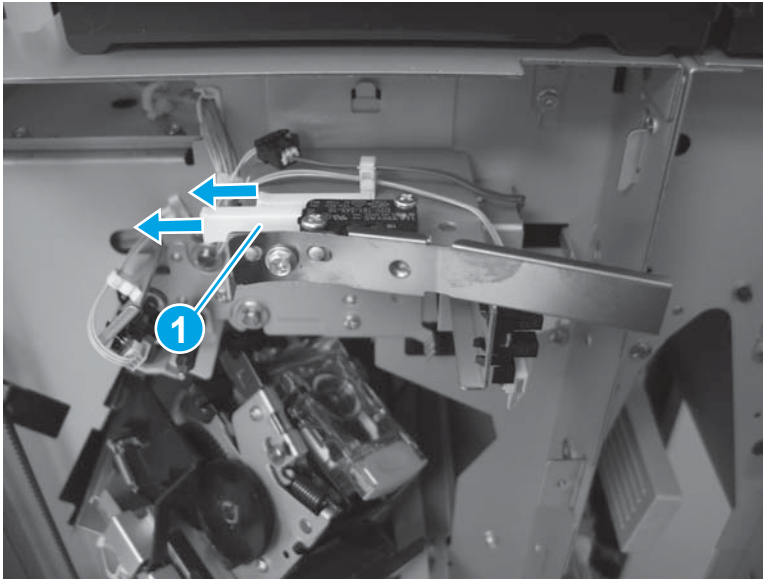
1. Disconnect one connector (callout 1), and then release the wire harnesses from three retainers (callout 2).

Figure 1-714 Remove the sensor switch assembly (1 of 4)



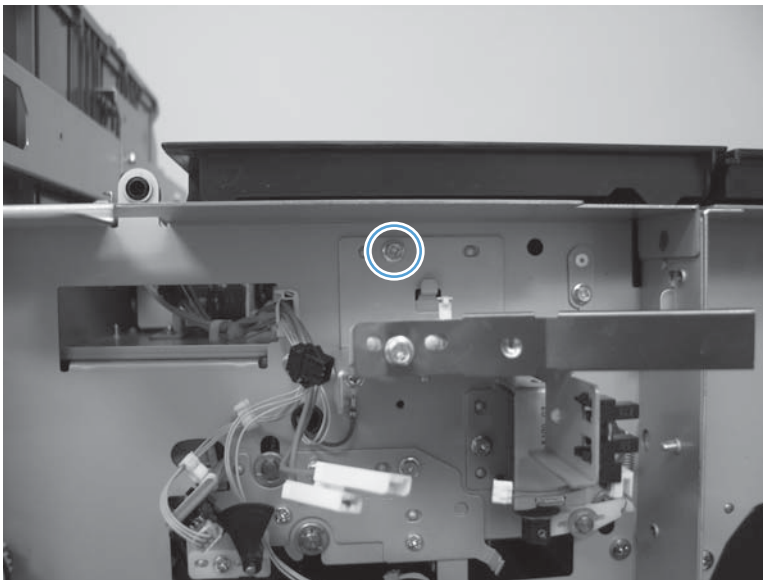
2. Use a small flat-blade screwdriver to disconnect one connector (callout 1).

Figure 1-715 Remove the sensor switch assembly (2 of 4)



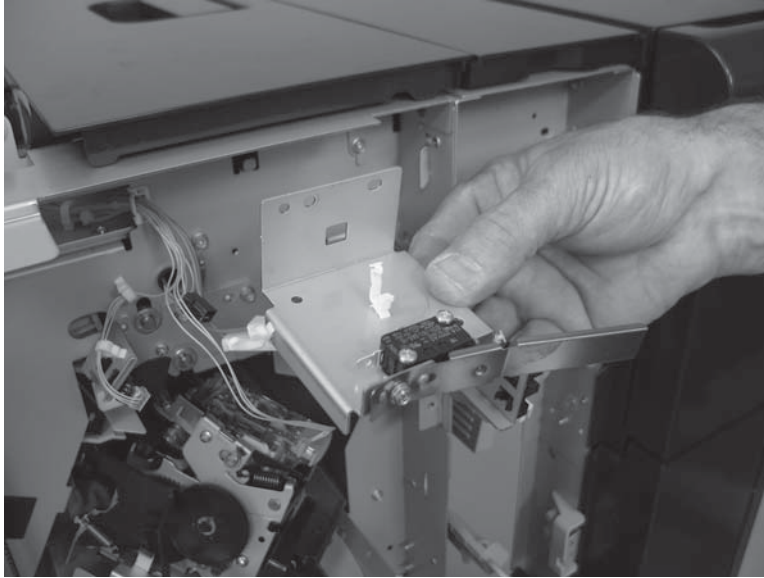
3. Remove one screw.

Figure 1-716 Remove the sensor switch assembly (3 of 4)




4. Remove the assembly.

Figure 1-717 Remove the sensor switch assembly (4 of 4)

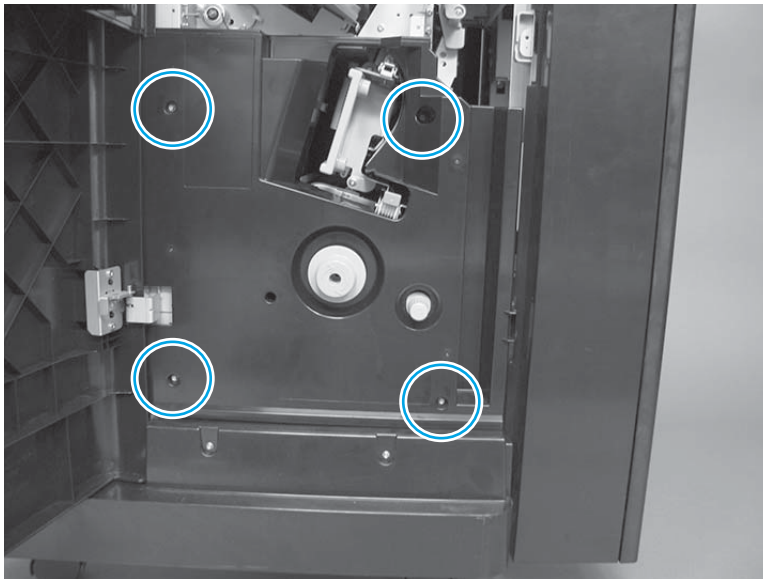


Inner lower cover assembly

 **TIP:** If the cover needs to be moved out of the way to gain access to assemblies immediately behind the cover, use the following procedure. If the cover needs to be removed to service other assemblies on the accessory, go to [Inner lower cover assembly \(remove\) on page 488](#).

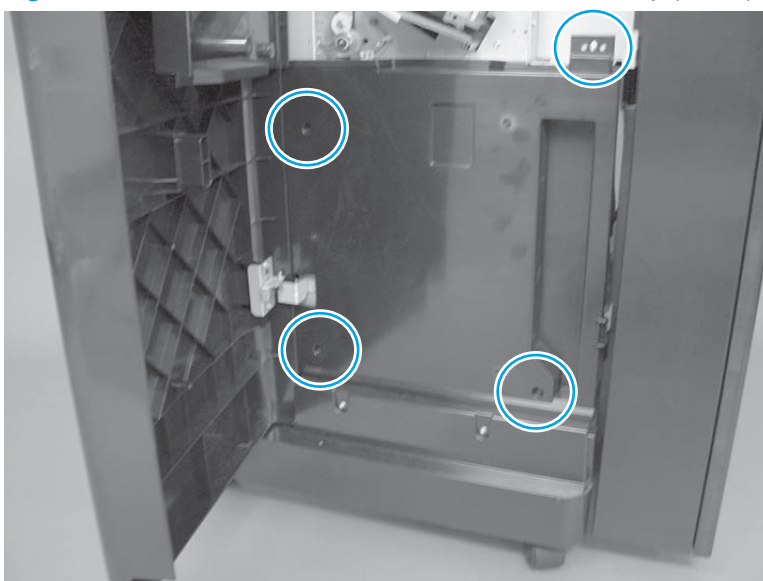
1. Open the front door.
2. Move the inner upper cover out of the way. See [Inner upper cover assembly on page 480](#).
3. Do one of the following:
 - **Booklet maker (BM) and booklet maker with hole punch (BMHP):** Remove four screws.

Figure 1-718 Move the inner lower cover out of the way (1 of 4)



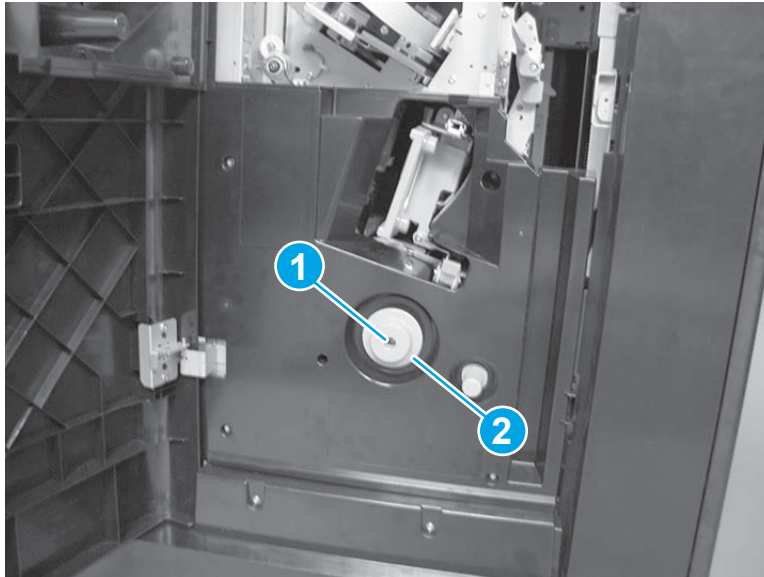
- **Stapler/stacker (SS) and stapler/stacker with hole punch (SSHP):** Remove four screws.

Figure 1-719 Move the inner lower cover out of the way (2 of 4)



4. **Booklet maker (BM) and booklet maker with hole punch (BMHP) only:** Remove one screw (callout 1), and then remove the green knob (callout 2).

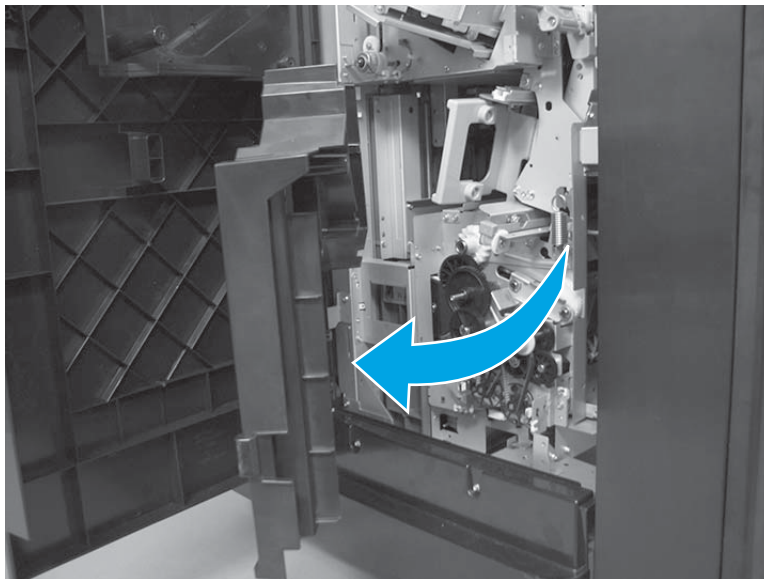
Figure 1-720 Move the inner lower cover out of the way (3 of 4)



5. Slide the cover toward the front door so that it will not interfere with the inner upper cover, and then rotate the cover towards the front door to move it out of the way.

⚠ CAUTION: To prevent damage to the cover, make sure that it does not bind on the upper front door hinge when you move it out of the way.

Figure 1-721 Move the inner lower cover out of the way (4 of 4)



Inner lower cover assembly (remove)

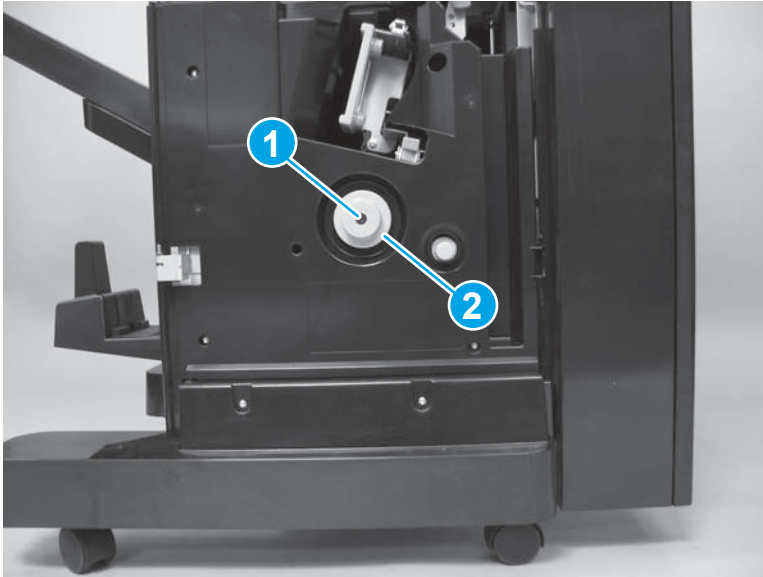
Before proceeding, remove the following assemblies:

- Front door. See [Front door on page 479](#).
- Inner upper cover assembly. See [Inner upper cover assembly on page 480](#).

Remove the inner lower cover assembly

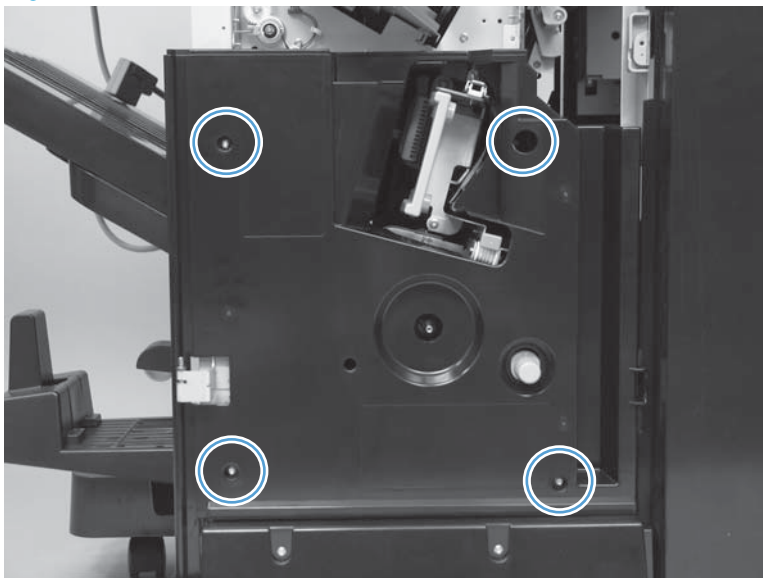
1. **Booklet maker (BM) and booklet maker with hole punch (BMHP) only:** Remove one screw (callout 1), and then remove the green knob (callout 2).

Figure 1-722 Remove the inner lower cover assembly (1 of 4)



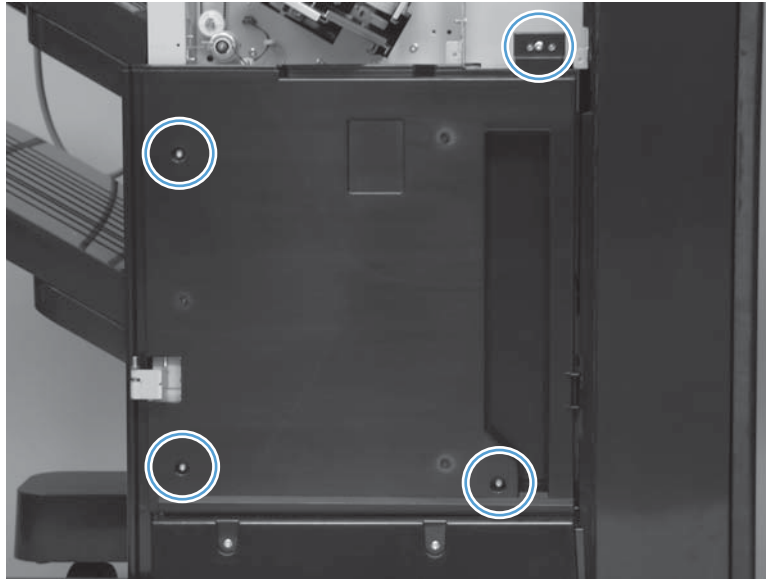
2. Do one of the following:
 - **Booklet maker (BM) and booklet maker with hole punch (BMHP):** Remove four screws.

Figure 1-723 Remove the inner lower cover assembly (2 of 4)



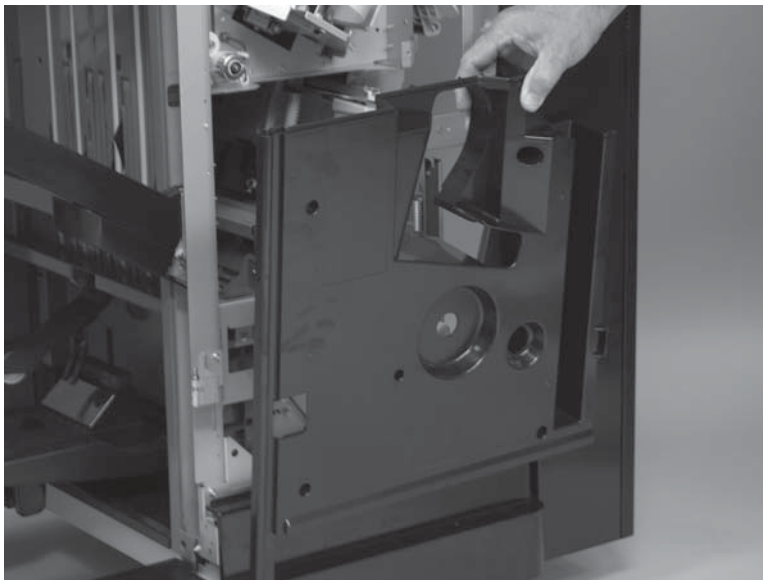
- Stapler/stacker (SS) and stapler/stacker with hole punch (SSHP): Remove four screws.

Figure 1-724 Remove the inner lower cover assembly (2 of 4)




3. Remove the cover.

Figure 1-725 Remove the inner lower cover assembly (4 of 4)



Front foot cover assembly

 **NOTE:** The cover shown in the following procedure is installed on a booklet maker with hole punch (BMHP) accessory, however the procedure is the same for all of the finishing accessories.

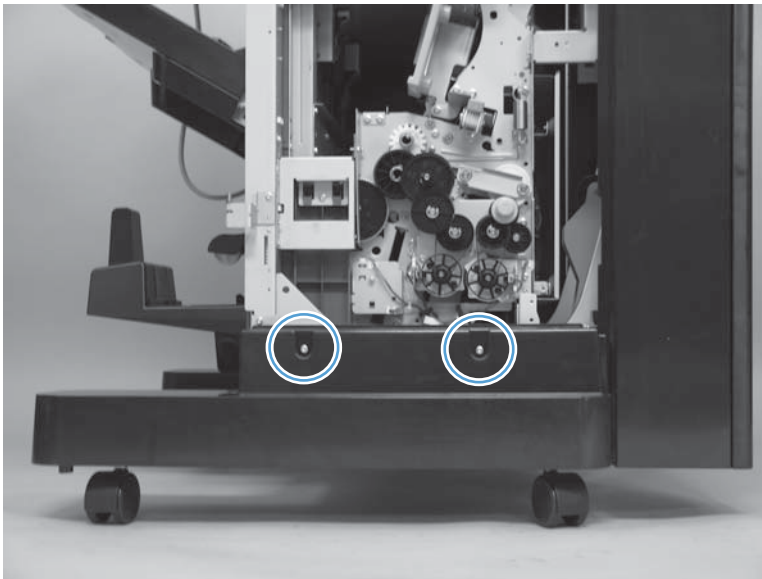
Before proceeding, remove the following assemblies:

- Front door. See [Front door on page 479](#).
- Inner upper cover assembly. See [Inner upper cover assembly on page 480](#).
- Inner lower cover assembly. See [Inner lower cover assembly on page 486](#).

Remove the front foot cover assembly

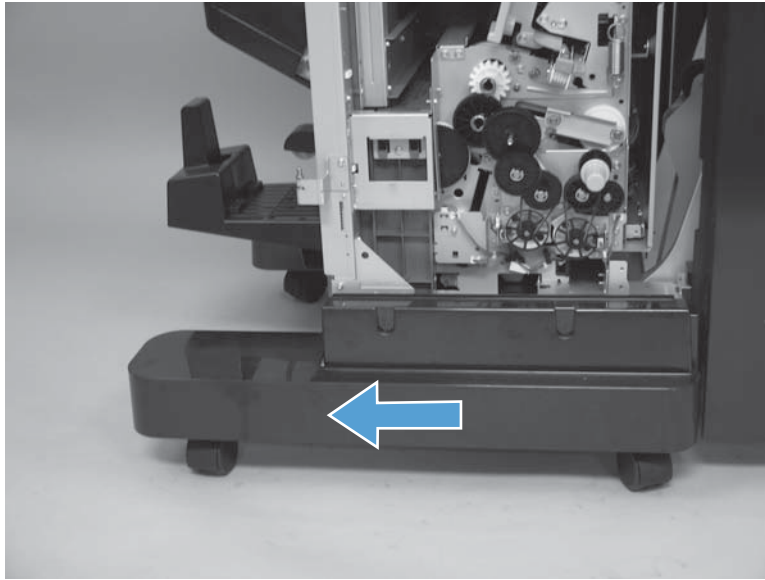
1. Remove two screws.

Figure 1-726 Remove the front foot cover assembly (1 of 2)



2. Slightly slide the cover to the left to release it, and then remove the cover.

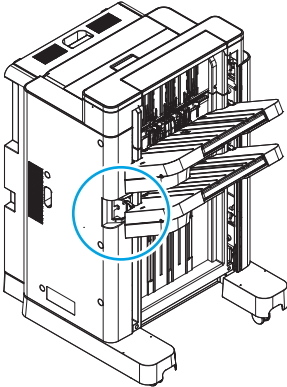
Figure 1-727 Remove the front foot cover assembly (2 of 2)




Bin cable guide cover

1. Use the figure below to locate the bin cable guide cover.

Figure 1-728 Remove the bin cable guide cover (1 of 6)



2. If the upper or lower stack bin prevents access to this cover, do the following:

 **TIP:** Push up on the bin to move it toward the top of the accessory. To move the bin down, use the following procedure to release the clutch.

- a. Support the bin.
- b. Release the bin clutch located on the underside of the bin, and then lower the bin to access the cover.


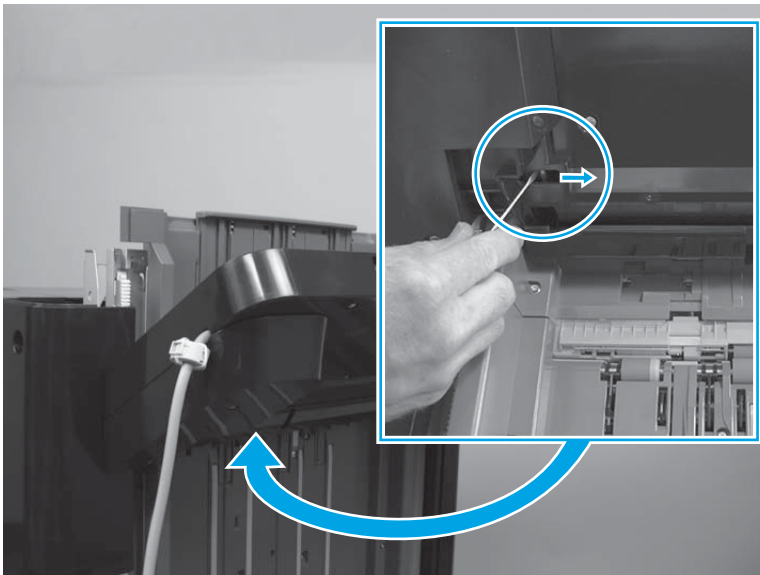
 **TIP:** Use a small flat-blade screwdriver to slide the raised portion of the clutch toward the spring to release the clutch and lower the bin.

Figure 1-729 Remove the bin cable guide cover (2 of 6)



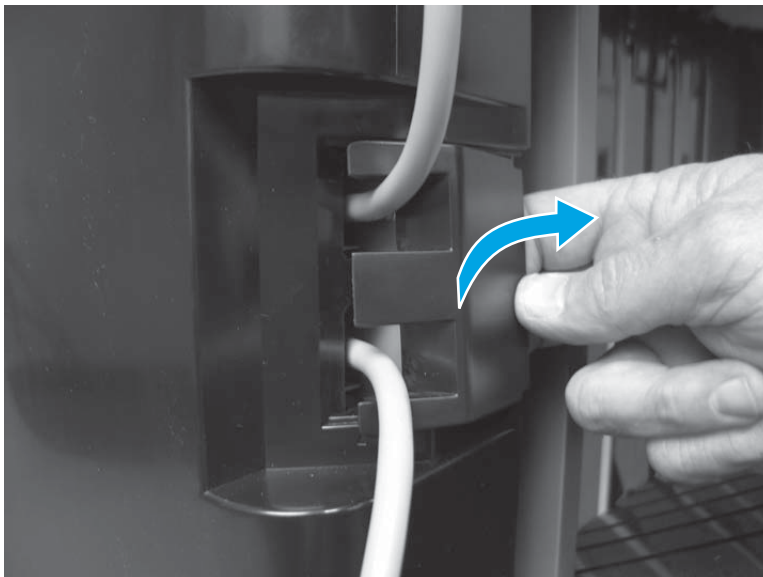
3. Use your fingers to reach in behind the cover, and then rotate the end of the cover—near the stack bin cables—away from the accessory to release two tabs.

Figure 1-730 Remove the bin cable guide cover (3 of 6)



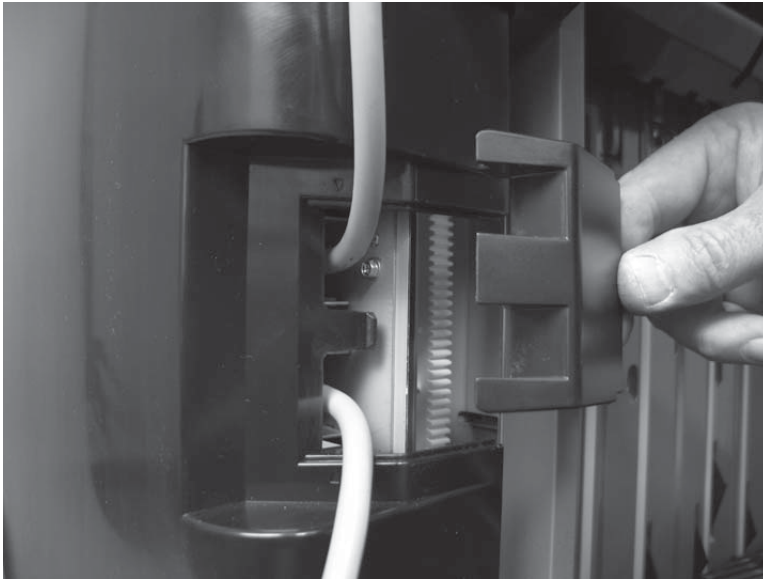
4. Slide the cover towards the stack bins to release it.

Figure 1-731 Remove the bin cable guide cover (4 of 6)



5. Remove the cover.

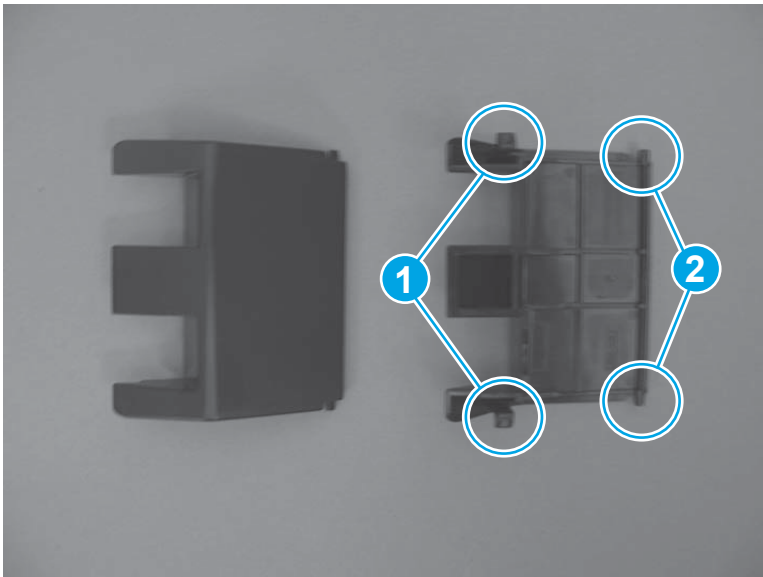
Figure 1-732 Remove the bin cable guide cover (5 of 6)



6. After the cover is removed, take note of the location of the two latching tabs (callout 1) and the two positioning tabs (callout 2).

When the bin cable guide cover is reinstalled, these tabs must be correctly positioned so that the cover is correctly installed and the bin cables will not bind on the cover when the bins move up and down.

Figure 1-733 Remove the bin cable guide cover (6 of 6)



Reinstall the bin cable guide cover

If the cover is not correctly installed, the bin cable guide cover can bind on the cover, which causes the upper and lower stack bins to not function correctly. If the bins cannot function correctly, a **66.60.32** error message appears on the control-panel display.

Make sure that the cover correctly fits flush against the rear cover when it is correctly installed—there should not be a gap between the bin cable guide cover and the rear cover.

Figure 1-734 Bin cable guide cover correctly installed



Figure 1-735 Bin cable guide cover incorrectly installed



Rear cover assembly

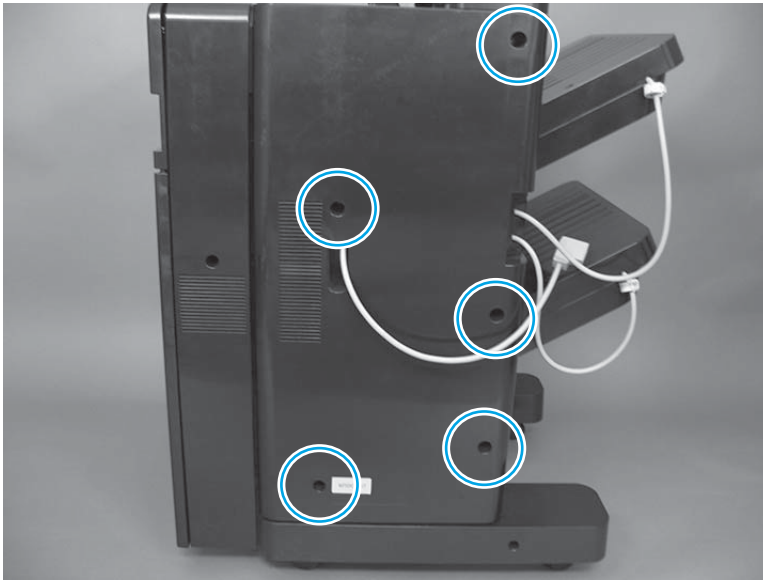
Before proceeding, remove the following assemblies:

- Bin cable guide cover. See [Bin cable guide cover on page 492](#).

Remove the rear cover assembly

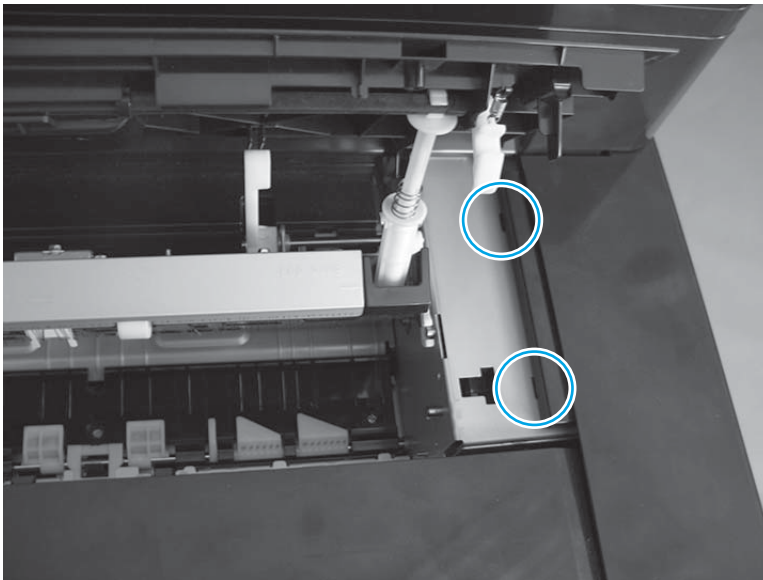
1. Remove five screws.

Figure 1-736 Remove the rear cover assembly (1 of 4)



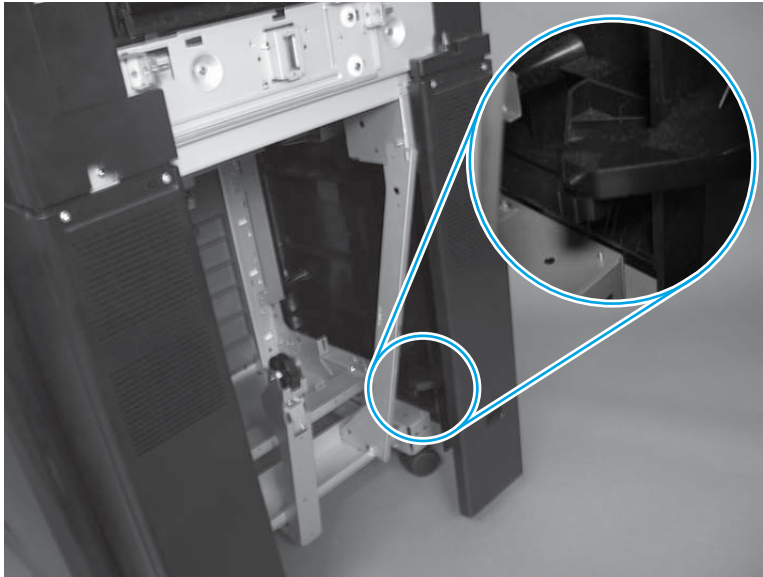
2. Open the top door assembly, and then lift up on the rear cover to release two tabs.

Figure 1-737 Remove the rear cover assembly (2 of 4)



3. As the cover is removed, you might need to reach behind the latch cover, and then release two locator pins on the back side of the cover.

Figure 1-738 Remove the rear cover assembly (3 of 4)



4. Remove the cover.


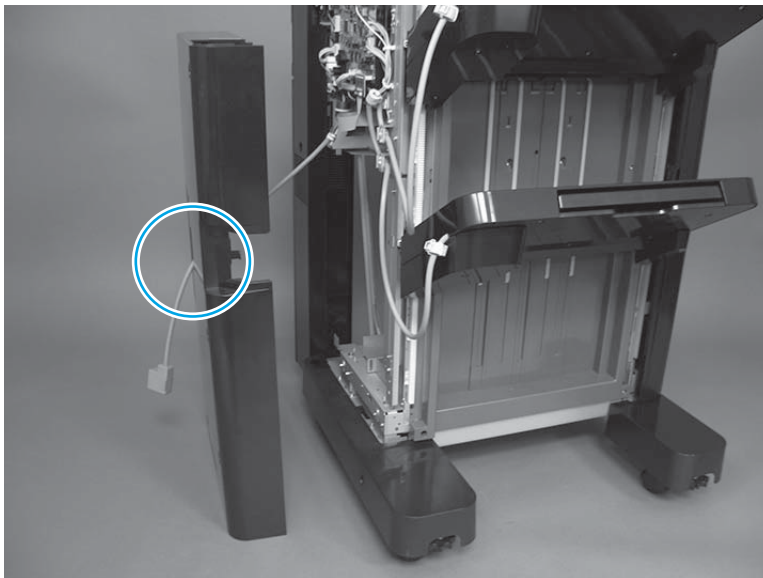
 **NOTE:** As the cover is removed, carefully feed the interface cable through the hole provided in the cover.

Figure 1-739 Remove the rear cover assembly (4 of 4)



Main controller PCA assembly


Before proceeding, remove the following assemblies:


- Bin cable guide cover. See [Bin cable guide cover on page 492](#).
- Rear cover assembly. See [Rear cover assembly on page 496](#).

Remove the main controller PCA assembly

 **CAUTION:**  ESD sensitive assembly.

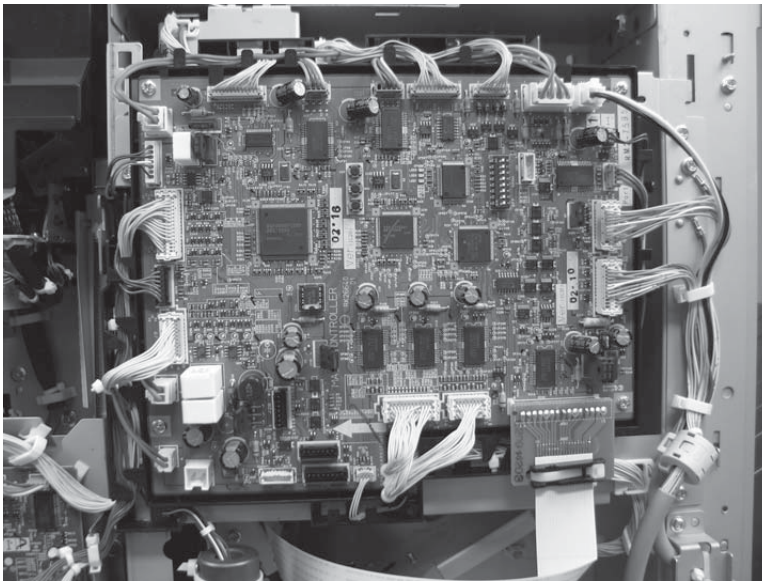
1. Disconnect 22 of the connectors, and then release the wire harnesses from the guides.

 **TIP:** Releasing the wire harnesses from the guides first will make it easier to disconnect some of the connectors on the PCA.

 **NOTE:** The following connectors are not used on the PCA:

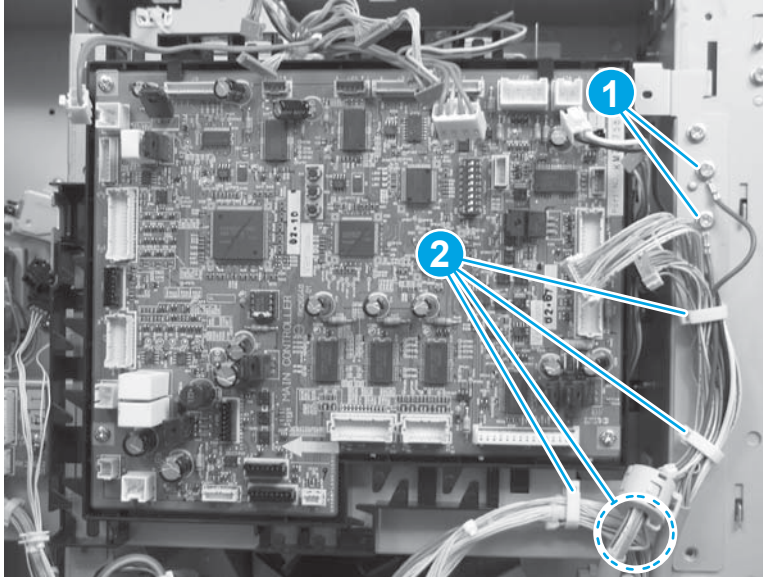
- Booklet maker: J25, J27, J28, and J32
- Booklet maker with hole punch: J21, J25, J27, and J28
- Stapler/stacker with hole punch: J12, J15, J25, J27, J28, and J30
- Stapler/stacker: J9, J16, and J32

Figure 1-740 Remove the main controller PCA assembly (1 of 6)



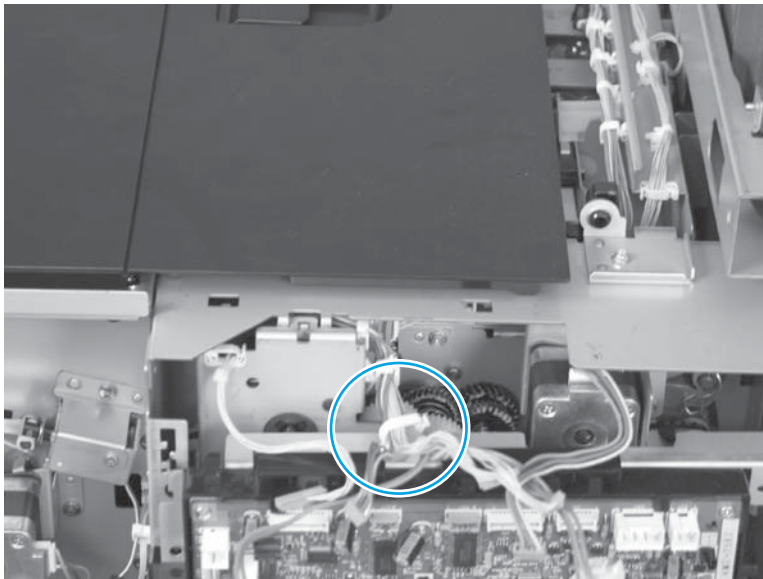
2. Remove two screws (callout 1) to release two ground wires, and then release the wire harnesses from four retainers (callout 2).

Figure 1-741 Remove the main controller PCA assembly (2 of 6)



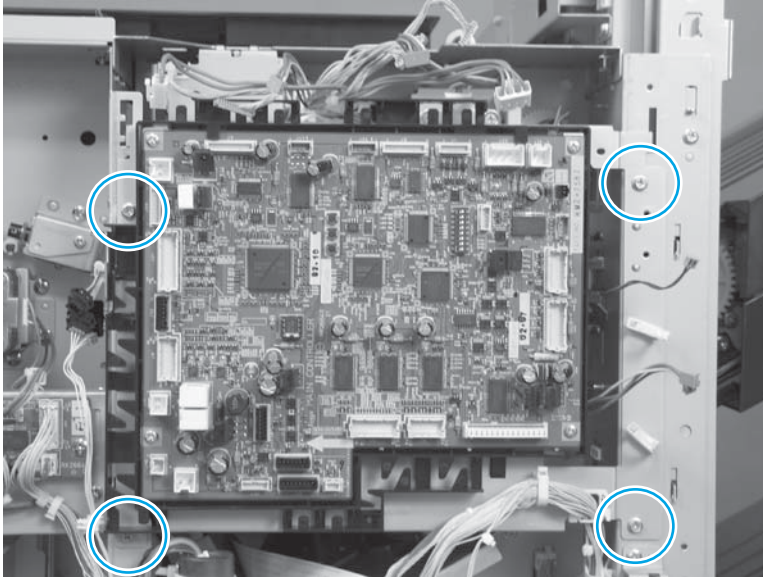
3. Release the wire harnesses from one retainer at the top of the sheet-metal PCA mounting bracket.

Figure 1-742 Remove the main controller PCA assembly (3 of 6)



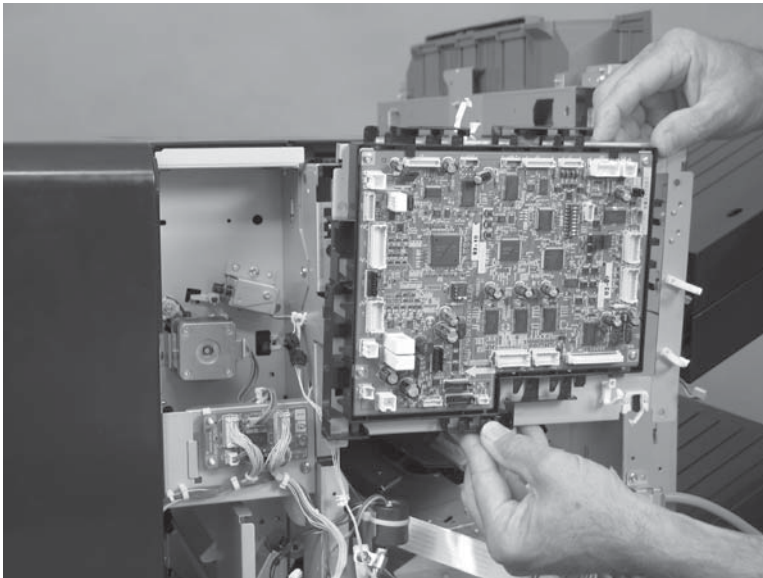
4. Remove four screws.

Figure 1-743 Remove the main controller PCA assembly (4 of 6)



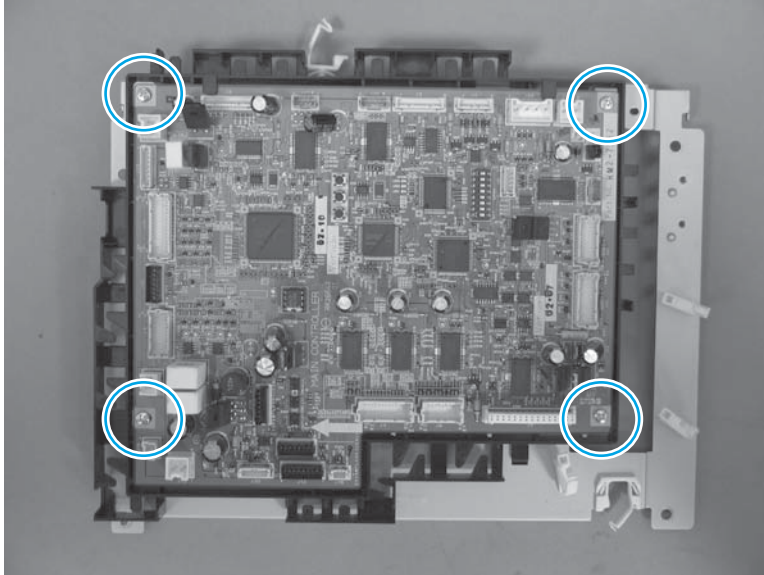
5. Lift up on the main controller PCA assembly to release it, and then remove the assembly.

Figure 1-744 Remove the main controller PCA assembly (5 of 6)



- Optional step:** Remove four screws, and then separate the main controller PCA from the sheet-metal mounting bracket.

Figure 1-745 Remove the main controller PCA assembly (6 of 6)

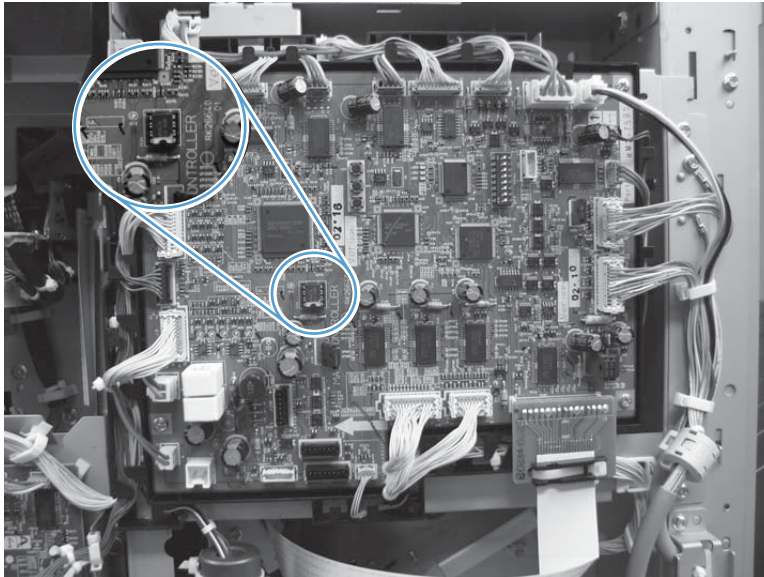


Install a replacement main controller PCA assembly

The main controller PCA assembly includes a removable memory device that contains important calibration information for the accessory. Carefully remove this device—place a small flat blade screwdriver between the memory device and the socket, and then gently pry the device out of the socket—and then install it on the replacement PCA to retain the calibration information.

CAUTION: When you install the memory device, the notch on the device and the notch on the socket must be aligned. If the memory device is not correctly installed, the device polarity will be reversed, which will damage the memory device.

Figure 1-746 Install a replacement main controller PCA assembly



Adjustments

These adjustments are for the primary stapler unit for both the stapler stacker and booklet maker accessories. Test the finishing accessory functions after replacing the main controller PCA. If needed, use these procedures to make performance adjustments.

Access the main controller switches

- SW1, SW2, and SW3 (callout 1)
- DIPSW4 (callout 2)


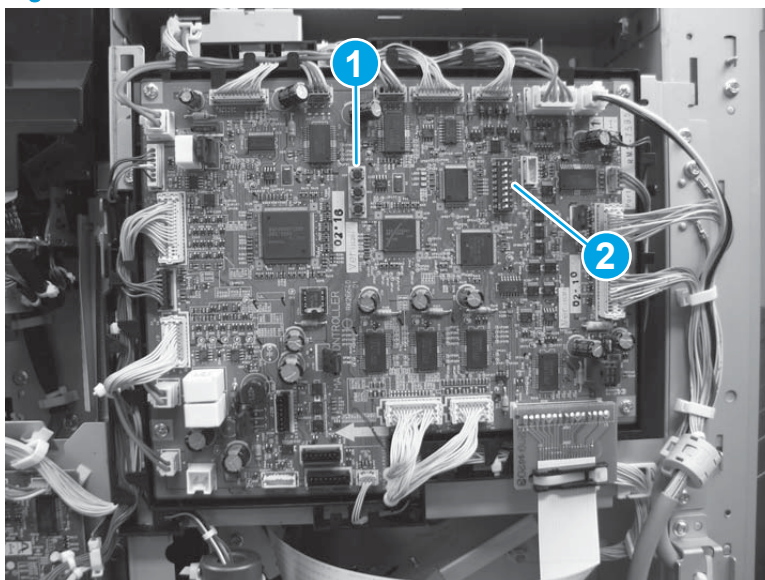
 **NOTE:** DIPSW4 has eight electronic switches that can be configured in the ON or OFF position. The controller PCA is marked ON and OFF to show the current switch position.

Figure 1-747 Main controller PCA switches



Access the saddle controller switches (BM only)

- SW1 (callout 1)
- DIPSW (callout 2)


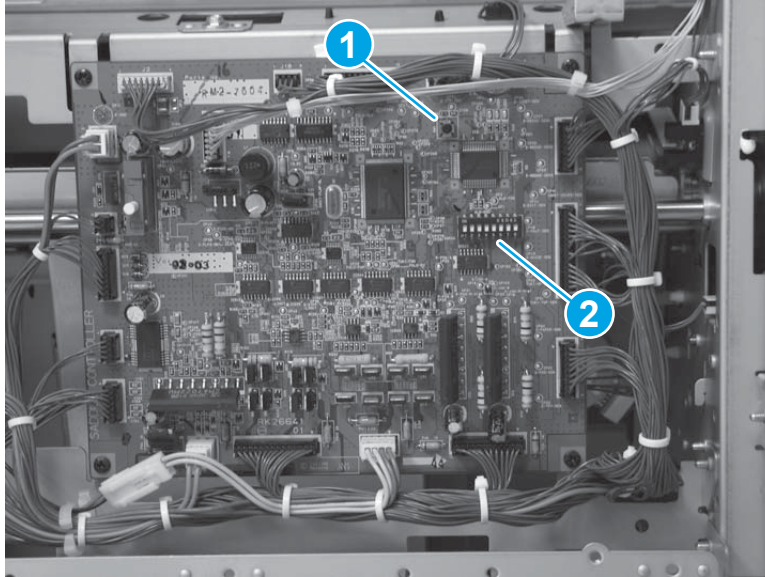
 **NOTE:** DIPSW has eight electronic switches that can be configured in the ON or OFF position. The controller PCA is marked ON and OFF to show the current switch position.

Figure 1-748 Booklet maker controller PCA switches

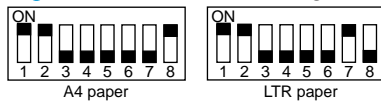


Adjust the alignment position


Perform this adjustment if the alignment position must be changed.

1. Turn the product power off, and then disconnect the interface cable from the product.
2. Access the main controller PCA, and then set DIPSW4 to one of the following:

Figure 1-749 DIPSW4 alignment settings



3. Connect the interface cable to the product, and then turn the product power on.
4. Press SW3 on the main controller PCA. When SW3 is pressed, the swing guide opens and the alignment plate moves to the prescribed position.
5. Place ten sheets of A4 or LTR paper between the alignment plates and align them squarely against the stopper.

 **NOTE:** The object of this calibration is to adjust the plates so that they lightly and evenly touch the sides of the stacked paper.

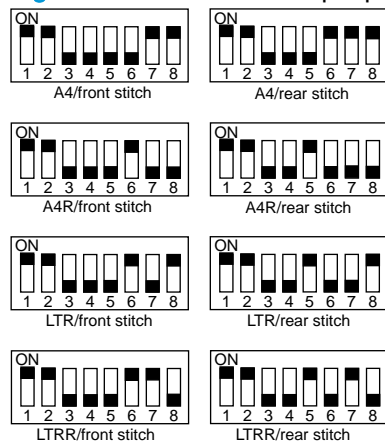
6. Press SW1 or SW2 on the main controller PCA and adjust the alignment plate against the paper. The adjustment range is ± 4.2 mm (0.165 in).
 - Pressing SW1 moves the alignment plate 0.42 mm (0.016 in) forward
 - Pressing SW2 moves the alignment plate 0.42 mm (0.016 in) backward
7. When the adjustment is complete, remove the paper, and then press SW3 once to write the adjustment values to the memory device on the PCA.
8. Return all of the switches on DIPSW4 to the OFF position.
9. Turn the product power off, and then install the covers.

Adjust the staple position

Adjust the stapler position if the staple position must be changed. This adjustment sets the front and rear stitches with A4/A4R when the paper used for adjustment is AB type and with LTR/LTRR when the paper is INCH type.

1. Turn the product power off, and then disconnect the interface cable from the product.
2. Access the main controller PCA, and then set DIPSW4 according to paper/stitch position used for adjustment:

Figure 1-750 DIPSW4 staple position settings



3. Connect the interface cable to the product, and then turn the product power on.
4. Press SW3 on the main controller PCA. When SW3 is pressed, the swing guide opens and the alignment plate moves to the prescribed position.
5. Place two sheets paper between the alignment plates and align them squarely against the stopper, and then push the rear edge of the paper against the rear alignment plate.

If the gap between the front alignment plate and front edge of the paper is 1 mm (0.039 in) or greater, adjust the plate alignment before continuing. See [Adjust the alignment position on page 504](#).
6. Press SW3 on the main controller PCA once to staple the paper. Remove the stapled paper and verify the staple position.
7. Press SW3 on the main controller PCA once.
8. If the staple position is correct, insert a sheet of paper between the aligning plates and align it against the stopper, push the far end edge of the paper to the rear aligning plate, press SW3 once (stapling action/store adjustment value), and then proceed to step 10.
9. If the staple position is incorrect, press SW1 or SW2 on the main controller PCA to adjust the staple position.
 - Pressing SW1 moves the alignment plate 0.49 mm (0.019 in) forward
 - Pressing SW2 moves the alignment plate 0.49 mm (0.019 in) backward
10. Repeat step 4 and step 5 until the staple is in the correct position.

11. Return all of the switches on DIPSW4 to the OFF position.
12. Turn the product power off, and then install the covers.

Adjust the folding position to the stitch position (booklet maker only)

Adjust the position of the booklet fold by changing the settings of bits six through eight of DIPSW on the booklet maker controller PCA to match the booklet stapling (stitching) position.

If the booklet maker controller PCA has been replaced, be sure to set the new DIPSW so that the settings will be the same as those on the old DIPSW.

Perform this adjustment if you must change the folding position. Set the DIPSW on the booklet maker controller PCA to match the stitching position (adjusting the distance over which the paper positioning plate is moved to the folding position from the stitching position).

1. Turn the product power off, and then disconnect the interface cable from the product.
2. Access the booklet maker controller PCA, and then set DIPSW. To establish a baseline for measurements, set bits 1 through 8 of DIPSW on the booklet maker controller PCA as follows:


 **NOTE:** Do not change bit 5.

Figure 1-751 DIPSW folding position settings

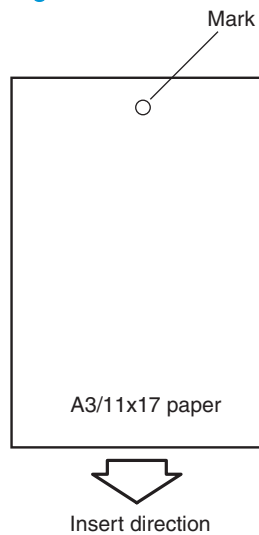


Do not change bit 5.

3. Do the following:
 - Open the front door and the paper-jam-access guide plate on the saddle guide assembly.
 - At the rear of the accessory, tape the actuator of the inlet-cover sensor (saddle guide assembly PI9) and inlet door switch (saddle guide assembly SW1) so that both sensor and switch remain activated. This simulates the saddle guide in the closed position throughout the adjustment procedure.

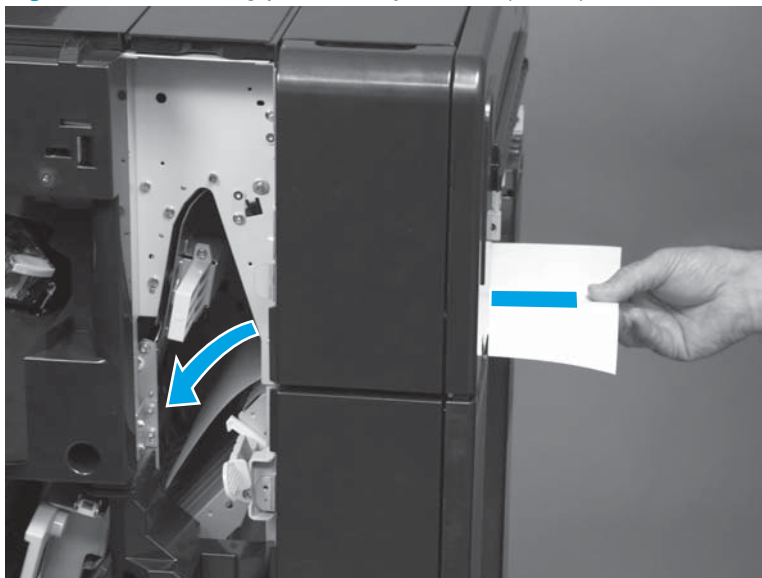
- Using two sheets of A3 or 11 x 17 paper, mark the top of the paper as shown below. This is a reference mark to show a specific end of the paper. The mark just needs to be somewhere at one end of the paper as shown below.

Figure 1-752 Mark the paper



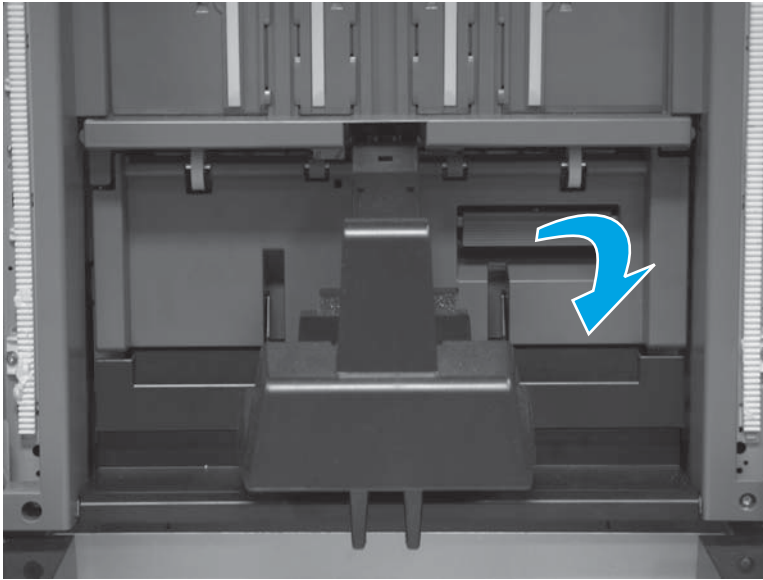
- Close the saddle guide assembly and the front door of the accessory. Reconnect the interface cable from the booklet maker to the product. Turn the product power on, and wait until the product is in a Ready state.
- Press SW1 on the booklet maker controller PCA to activate the feed motor (M1). You will need to press and hold down SW1 for three seconds or longer if 11 x 17 paper is used.
- Open the front door of the accessory, and then open saddle guide assembly (callout 1). Insert the two sheets of marked paper into the paper path (callout 2) leading to the folding unit and past the booklet stapler unit (callout 3). Push them in by hand until the front edge of the sheets push against the paper positioning plate.

Figure 1-753 Folding position adjustment (1 of 3)



8. Opening the booklet jam access door.

Figure 1-754 Folding position adjustment (2 of 3)

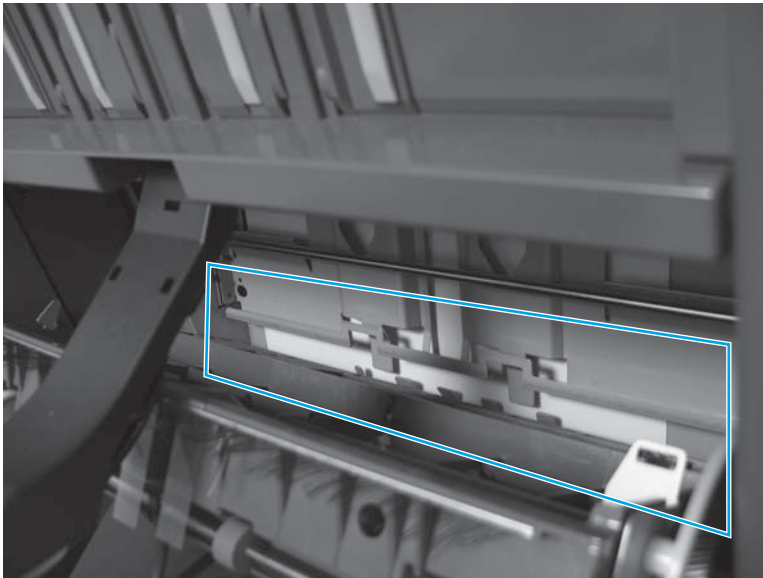


9. Verify that the paper is properly located against the paper positioning plate (callout 1).




NOTE: It is important for the bottom of the sheets of paper to be squarely resting on the paper positioning plate for the adjustment to be accurate. Check that the paper is even along the four tabs on the plate.

Figure 1-755 Folding position adjustment (3 of 3)



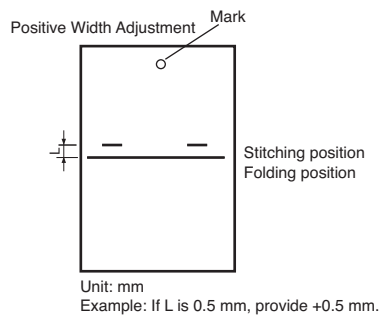
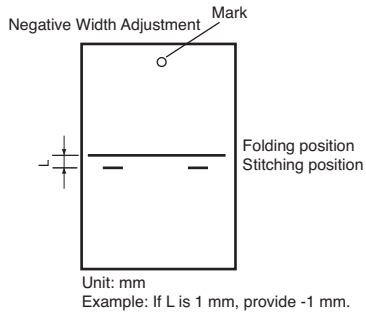
10. Close the saddle guide assembly.
11. Press SW1 on the booklet maker controller PCA. The saddle stitcher unit will "stitch" the sheets, and fold and deliver the stack automatically to the booklet output bin.

12. Measure the distance (L) between the stitching position and the folding position. Then perform a positive-width adjustment or a negative-width adjustment to suit the relationship between the stitching position and the folding position.

 **NOTE:** If the L adjustment is significantly larger than what the adjustment allows, the most common cause is that the paper was not fully inserted and resting squarely on the paper position plate.

- If the stitching position is above the folding position, perform a positive-width adjustment.
- If the stitching position is below the folding position, perform a negative-width adjustment.

Figure 1-756 Positive and negative width adjustment



13. Refer to the following tables, and then change the settings of bits 6 through 8 on DIPSW.

Table 1-28 DIPSW settings

DIPSW Bit settings			Setting
			0.5 mm (0.019 in) units
Bit 6	Bit 7	Bit 8	
OFF	ON	ON	+3
OFF	ON	OFF	+2
OFF	OFF	ON	+1
OFF	OFF	OFF	0
ON	OFF	ON	-1
ON	ON	OFF	-2
ON	ON	ON	-3
ON	OFF	OFF	

Table 1-29 Do not change these DIPSW settings

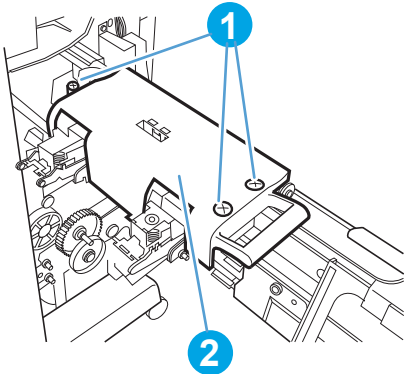
DIPSW Bit settings		
Bit 6	Bit 7	Bit 8
ON	OFF	OFF

14. When adjustment has been completed and the stitch staples are within the fold line, set DIPSW bits 1 to 4 (only) to OFF.
15. Remove the tape from the actuator arm of switch SW1 and PI9 on the rear frame of the accessory.

Adjust the stitcher unit

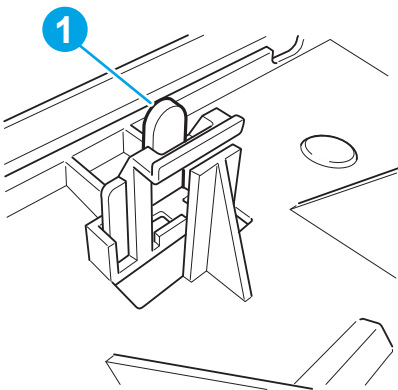
1. Open the front cover.
2. Pull out the stitcher mount unit to the front. Pull the stitcher towards you and then pull up.
3. Remove three screws (callout 1) and then remove the stitcher cover (callout 2).

Figure 1-757 Adjust the stitcher (1 of 6)



4. Remove the stitcher positioning tool (callout 1) from the back of the cover.

Figure 1-758 Adjust the stitcher (2 of 6)



5. To adjust the front stitcher, remove the front guide plate (callout 1) and center guide plate (callout 2). To adjust the rear stitcher, remove the center guide plate (callout 2) and the rear guide plate (callout 3).


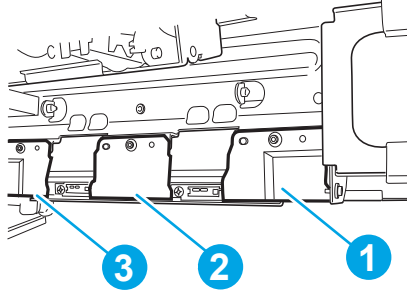
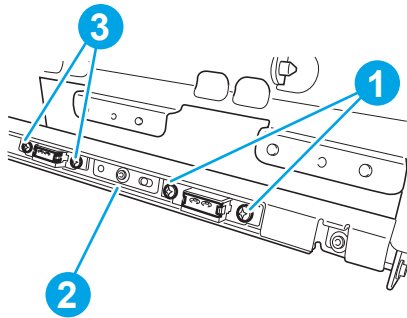
 **TIP:** Remove one screw from each plate to remove the plates.

Figure 1-759 Adjust the stitcher (3 of 6)



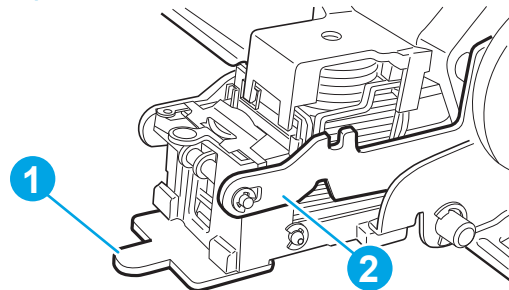
6. To adjust the front stitcher, loosen the two screws (callout 1) on the stitcher mount (callout 2). To adjust the rear stitcher, loosen the two screws (callout 3) on the stitcher mount.

Figure 1-760 Adjust the stitcher (4 of 6)



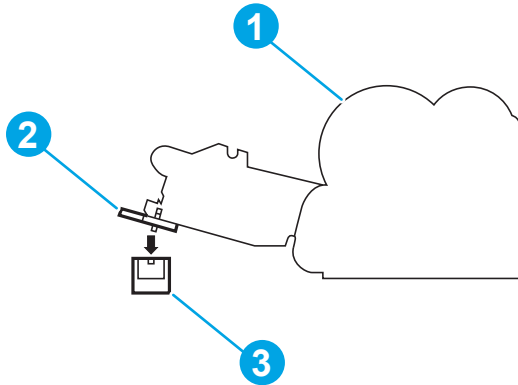
7. Insert the tool (callout 1) into the staple slot of the stitcher (callout 2).

Figure 1-761 Adjust the stitcher (5 of 6)



8. Tilt the stitcher, and turn the stitcher gear (callout 1) to match the recess of the tool (callout 2) and the mount (callout 3) and then tighten the screws on the stitcher mount.

Figure 1-762 Adjust the stitcher (6 of 6)



Entrance upper guide assembly

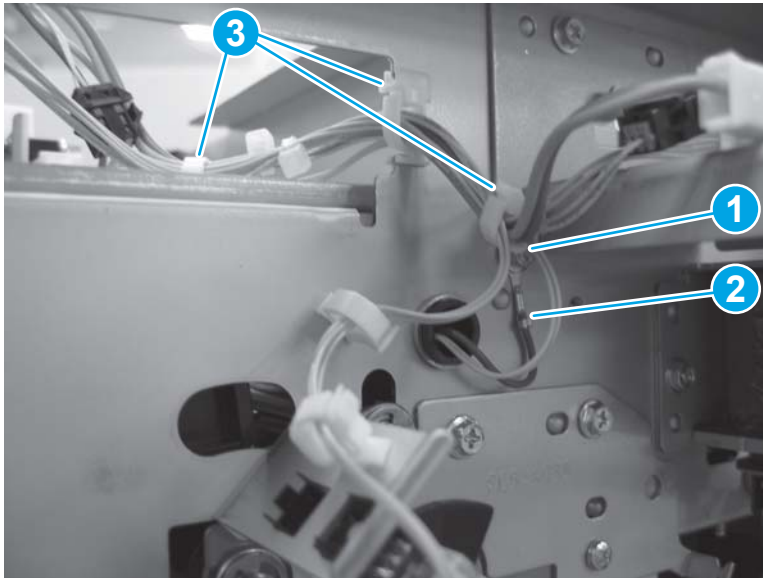
Before proceeding, remove the following assemblies:

- Open/closed stepped cover assembly. See [Open/closed stepped cover assembly on page 471](#).
- Upper stepped cover assembly. See [Upper stepped cover assembly on page 472](#).
- Lower stepped cover assembly. See [Lower stepped cover assembly on page 474](#).
- Top door assembly. See [Top door assembly on page 478](#).
- Front door. See [Front door on page 479](#).
- Inner upper cover assembly. See [Inner upper cover assembly on page 480](#).

Remove the entrance upper guide assembly

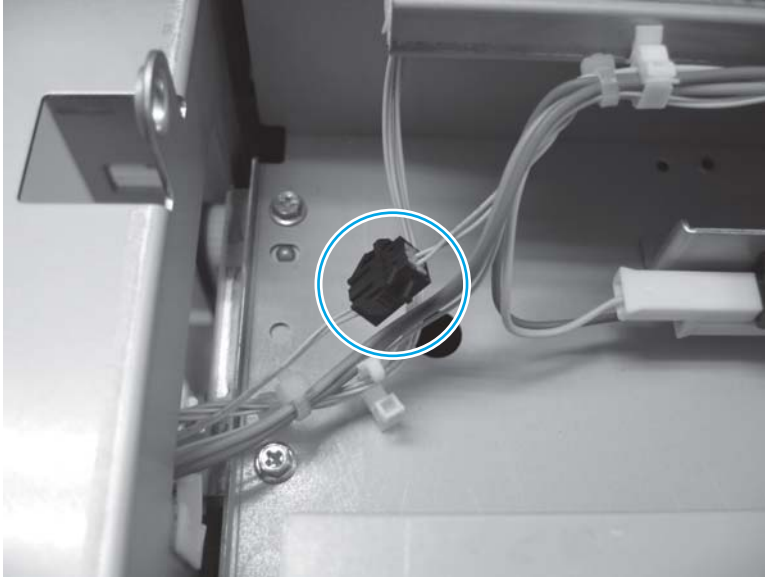
1. On the upper front chassis, remove one screw (callout 1) to release the ground wire (callout 2), and then release the wire harness from three retainers (callout 3).

Figure 1-763 Remove the entrance upper guide assembly (1 of 3)




2. Disconnect one connector.

Figure 1-764 Remove the entrance upper guide assembly (2 of 3)




3. Do the following:

- a. Remove one screw (callout 1), and then remove the door lock assembly (callout 2).
- b. Remove one screw (callout 3) to release the remove the ground wire (callout 4).

 **TIP:** Use a small Phillips-head screwdriver to remove this screw.

- c. Remove one screw (callout 5), and then remove the hinge pin (callout 6).
- d. Lift the assembly up (callout 7), and then slide it to the right (carefully remove the wire harness through the access hole in the chassis) to remove it (callout 8).

 **NOTE:** The figure below shows the entrance guide assembly in the BM accessory. The assembly in the SSHP accessory is considerably smaller (about one half the size shown), but the procedure is the same.


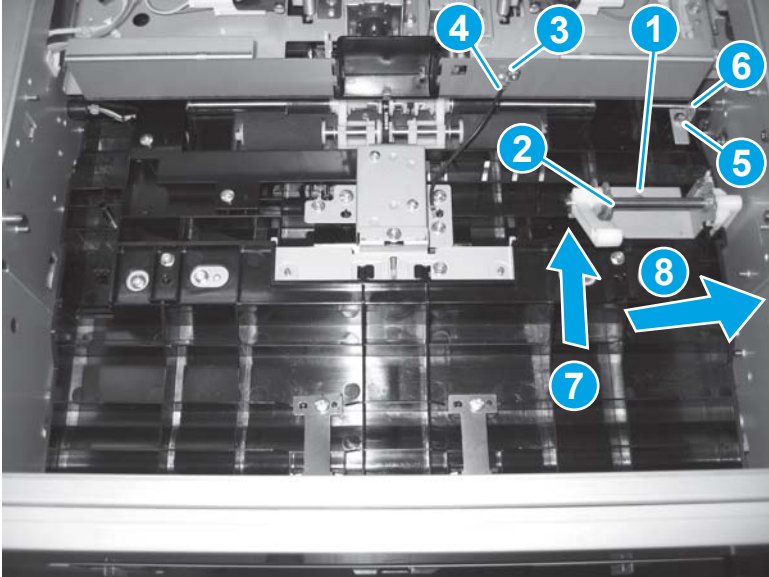
 **Reinstallation tip:** Carefully guide the wire harness through the access hole in the chassis when you reinsert the entrance assembly.


Figure 1-765 Remove the entrance upper guide assembly (3 of 3)



Rear foot cover assembly

Before proceeding, remove the following assemblies:

- Latch lower covers (front and rear). See [Latch lower covers \(front and rear\) on page 468](#).

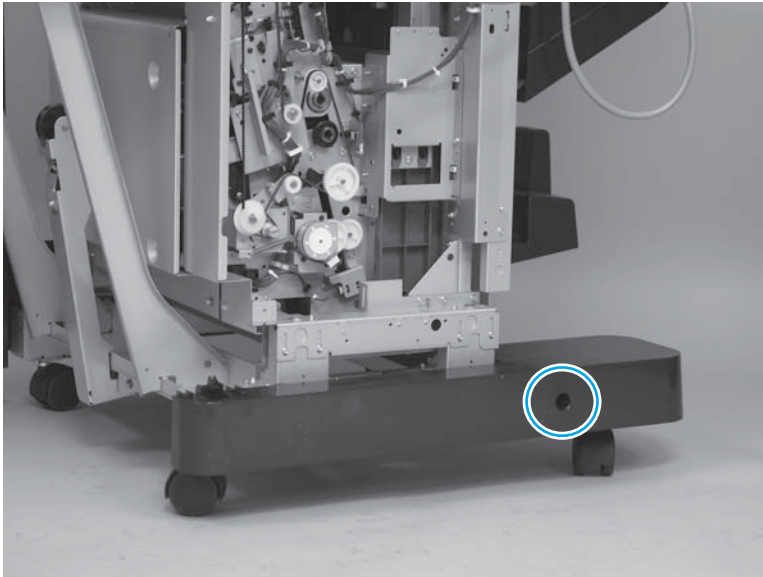
 **NOTE:** Only the rear latch lower cover needs to be removed.

- Latch assembly assembly. See [Latch assembly on page 470](#).
- Bin cable guide cover. See [Bin cable guide cover on page 492](#).
- Rear cover assembly. See [Rear cover assembly on page 496](#).
- For all models with a hole punch assembly installed:
 - Punch lower front cover assembly. See [Punch lower front cover assembly on page 684](#).
 - Punch rear cover assembly. See [Punch rear cover assembly on page 686](#).

Remove the rear foot cover assembly

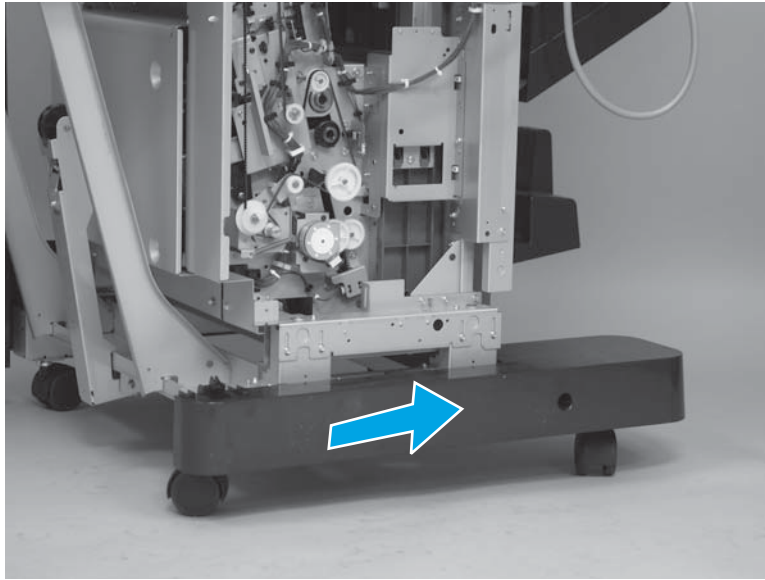
1. Remove one screw.

Figure 1-766 Remove the rear foot cover assembly (1 of 2)



2. Slightly slide the cover to the right to release it, and then remove the cover.

Figure 1-767 Remove the rear foot cover assembly (2 of 2)



Stack wall upper assembly and upper wall guide assembly

Before proceeding, remove the following assemblies:

- Open/closed stepped cover. See [Open/closed stepped cover assembly on page 471](#).
- Upper stepped cover. See [Upper stepped cover assembly on page 472](#).
- Lower stepped cover. See [Lower stepped cover assembly on page 474](#).

Remove the stack wall upper assembly and upper wall guide assembly

1. If the upper stack bin is in the raised position do the following:
 - a. Support the bin.
 - b. Release the bin clutch located on the underside of the bin, and then lower the bin to access the cover.


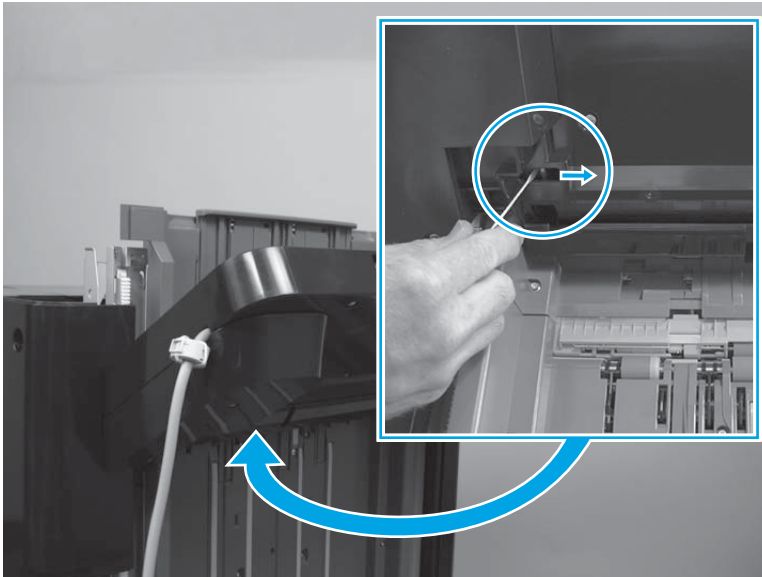
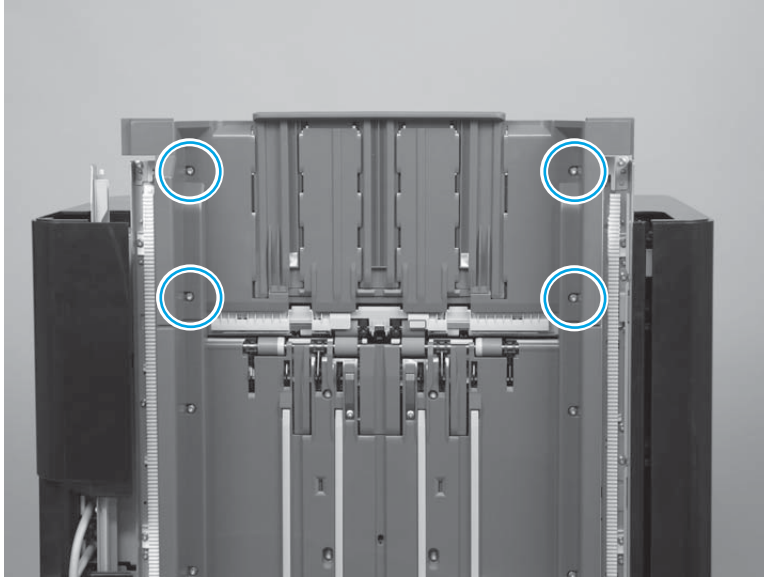
 **TIP:** Use a small flat-blade screwdriver to slide the raised portion of the clutch toward the spring to release the clutch and lower the bin.
 - c. Lower the bin to access the stack wall upper cover.

Figure 1-768 Remove the stack wall upper assembly and upper wall guide assembly (1 of 5)



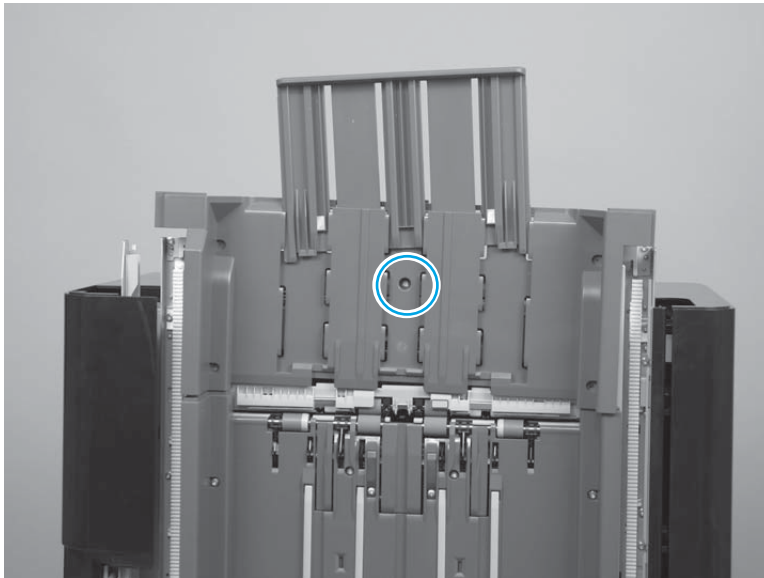
2. Remove four screws.

Figure 1-769 Remove the stack wall upper assembly and upper wall guide assembly (2 of 5)



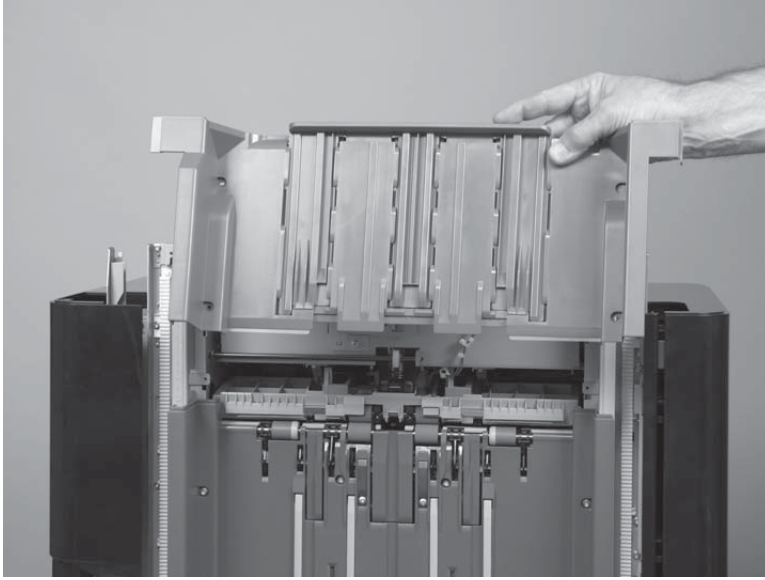
3. Raise the upper wall guide, and then remove one screw.

Figure 1-770 Remove the stack wall upper assembly and upper wall guide assembly (3 of 5)



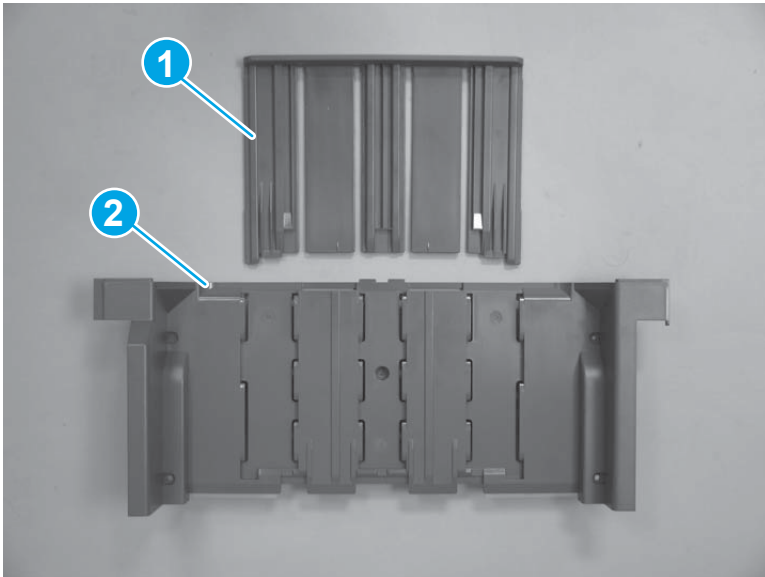
4. Remove the cover.

Figure 1-771 Remove the stack wall upper assembly and upper wall guide assembly (4 of 5)



5. If necessary, separate the upper guide wall (callout 1) from the stack wall upper assembly (callout 2).

Figure 1-772 Remove the stack wall upper assembly and upper wall guide assembly (5 of 5)



Upper cross member assembly

Before proceeding, remove the following assemblies:

- Latch lower covers (front and rear). See [Latch lower covers \(front and rear\) on page 468](#).
- Open/closed stepped cover. See [Open/closed stepped cover assembly on page 471](#).
- Upper stepped cover. See [Upper stepped cover assembly on page 472](#).
- Lower stepped cover. See [Lower stepped cover assembly on page 474](#).
- Top door assembly. See [Top door assembly on page 478](#).
- Front door. See [Front door on page 479](#).
- Inner upper cover. See [Inner upper cover assembly on page 480](#).
- Bin cable guide cover. See [Bin cable guide cover on page 492](#).
- Rear cover. See [Rear cover assembly on page 496](#).
- Stack wall upper cover. See [Stack wall upper assembly and upper wall guide assembly on page 518](#).

Remove the upper cross member assembly

1. At the top of the accessory, disconnect one connector (callout 1), and then release the wire harness from one retainer (callout 2).


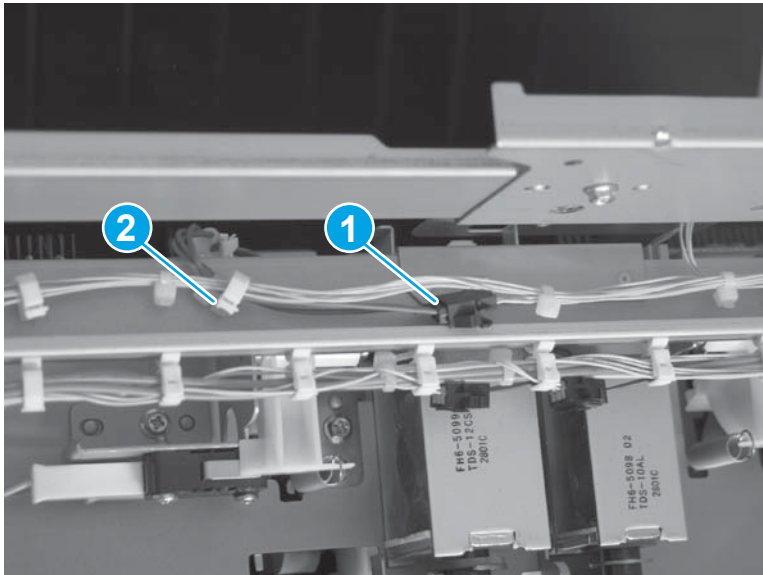
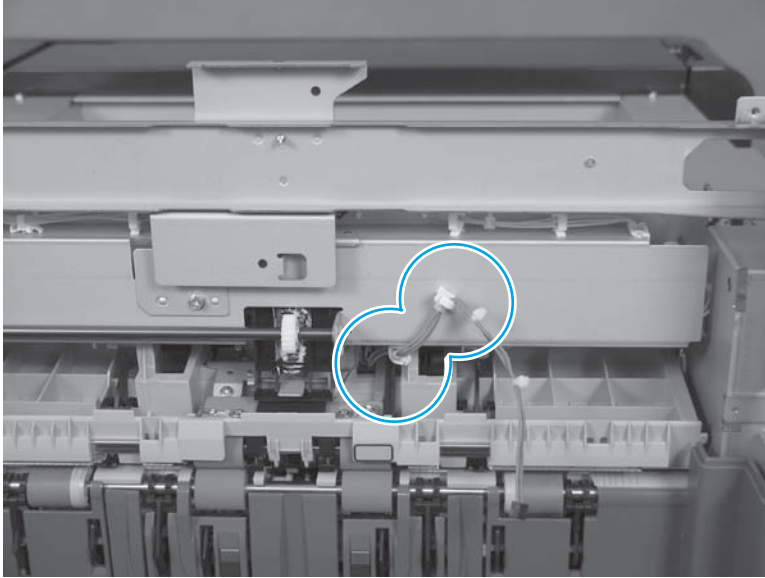
 **TIP:** The connector is located near the two solenoids mounted at the middle of the cross member assembly.

Figure 1-773 Remove the upper cross member assembly (1 of 13)



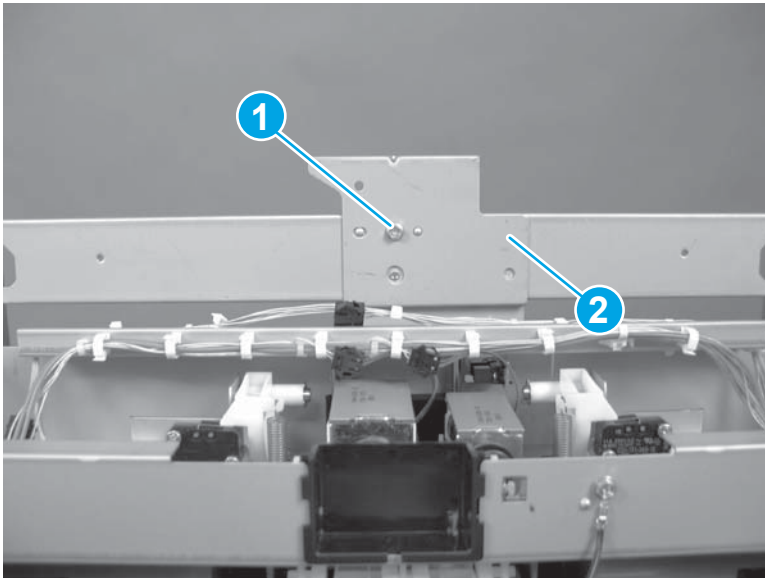
2. Release the wire harness from two retainers, and move it out of the way.

Figure 1-774 Remove the upper cross member assembly (2 of 13)



3. Remove one screw (callout 1), and then remove the sheet-metal bracket (callout 2).

Figure 1-775 Remove the upper cross member assembly (3 of 13)

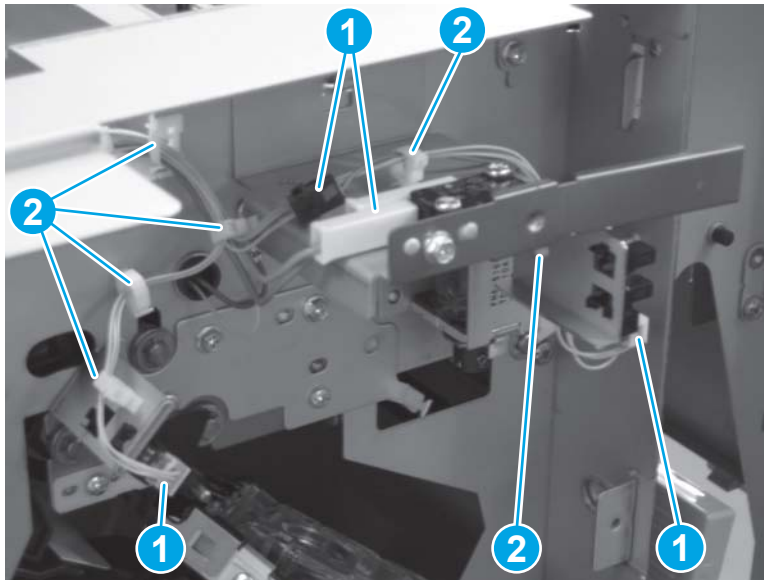


4. At the front of the accessory, disconnect four connectors (callout 1), and then remove the wire from the six wire retainers (callout 2).

⚠ WARNING! Make sure that the accessory interface cable is disconnected from the product. Line voltage exists at the switch when the accessory interface cable is connected to the product—even if the product is power is turned off.

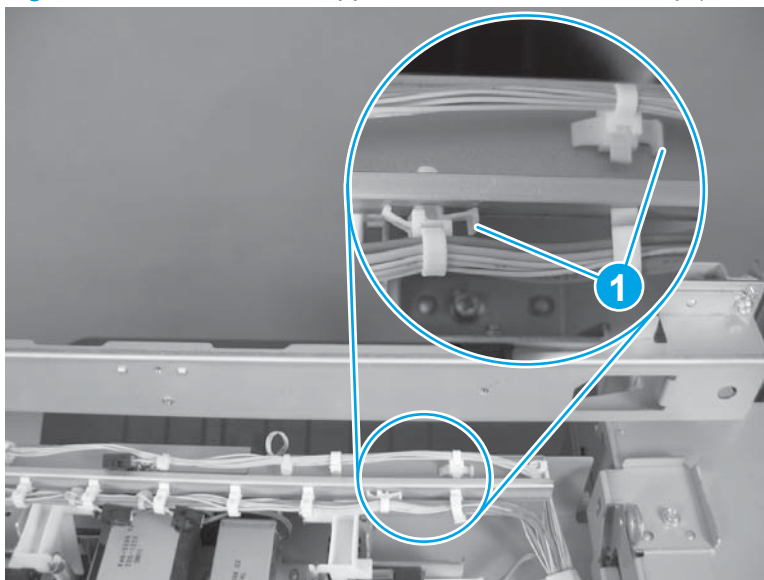
💡 TIP: Use a small flat-blade screwdriver to loosen, and then remove the large white-plastic connector on the front door detection switch.

Figure 1-776 Remove the upper cross member assembly (4 of 13)



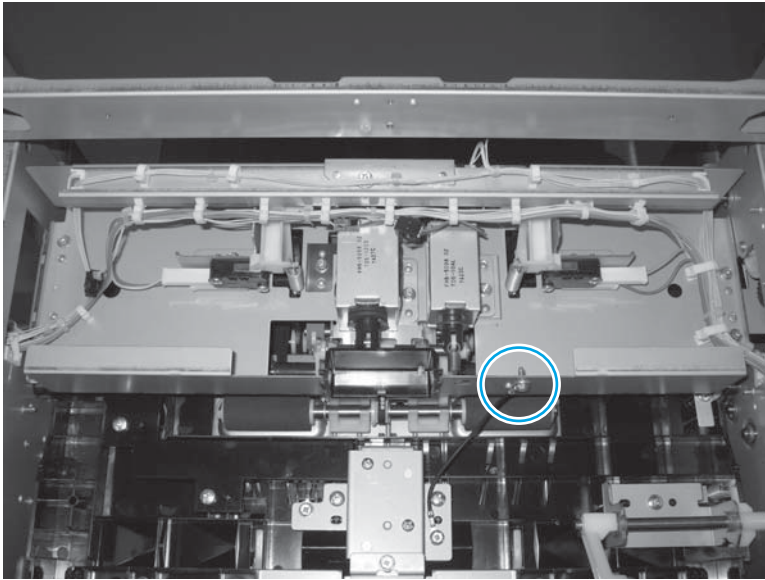
5. Release two tabs (callout 1), and then remove two wire tie retainers.

Figure 1-777 Remove the upper cross member assembly (5 of 13)



6. Remove one screw to release the ground wire.

Figure 1-778 Remove the upper cross member assembly (6 of 13)



7. Release two connectors (callout 1) and three inline connectors (callout 2).


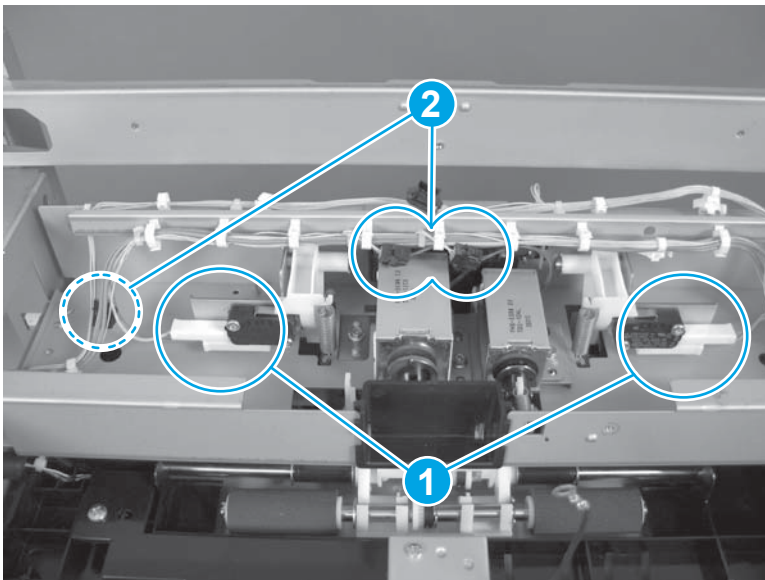
 **TIP:** Use a small flat-blade screwdriver to loosen, and then remove the two large white-plastic connectors (callout 1).

Figure 1-779 Remove the upper cross member assembly (7 of 13)



8. Release the wire harnesses from five retainers (callout 1) along the top of the assembly, and then release the wire harnesses from eleven retainers (callout 2) along the inside of the assembly.


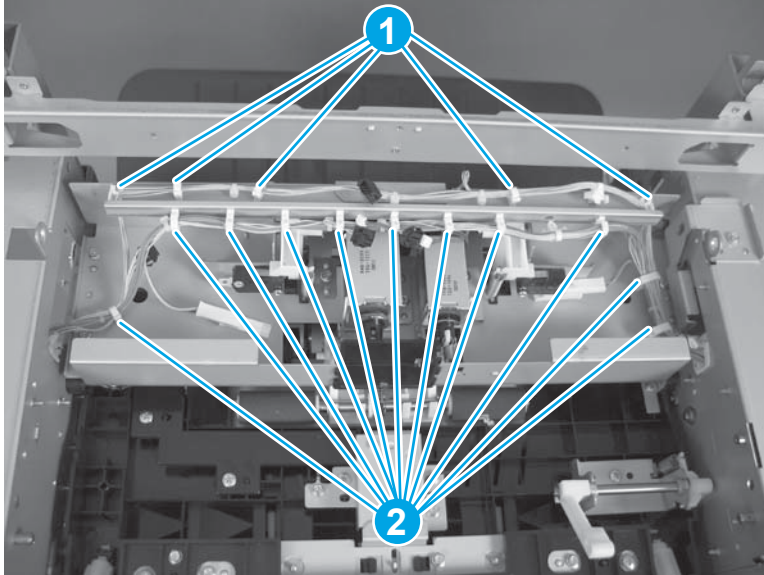
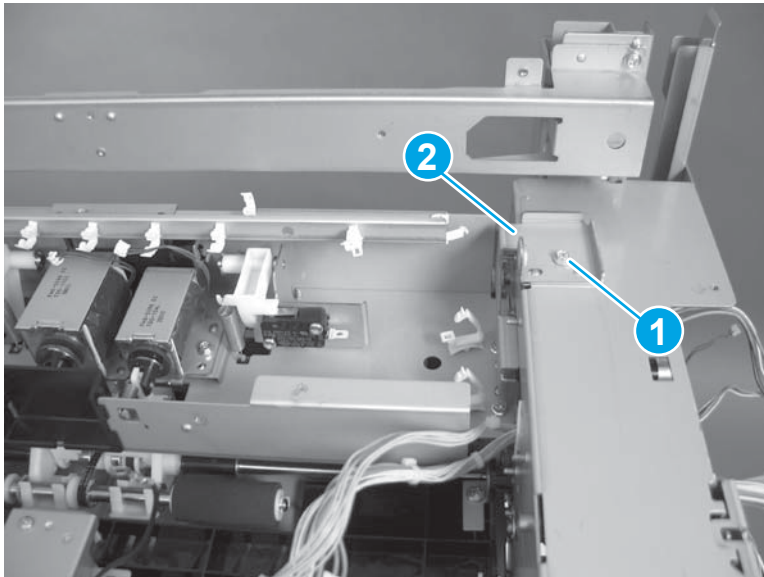
 **TIP:** Move the wire harnesses out of the way.

Figure 1-780 Remove the upper cross member assembly (8 of 13)



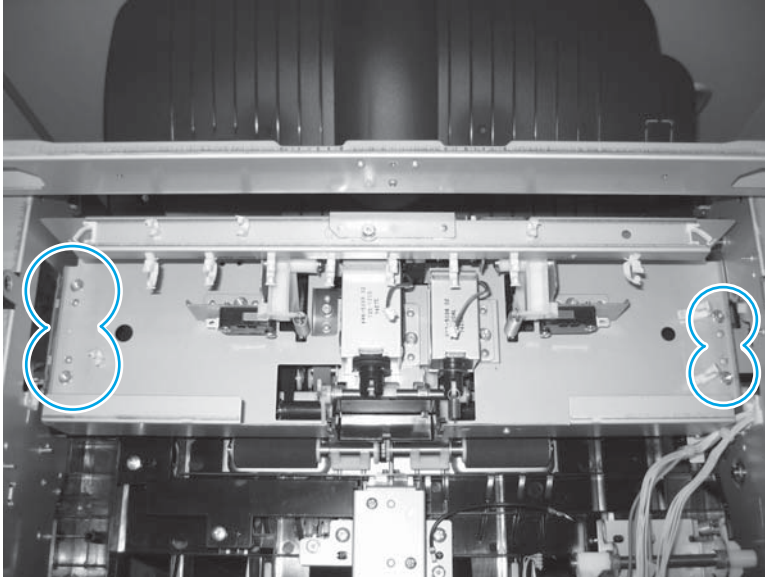
9. Remove one screw (callout 1), and then remove the sheet-metal hinge bracket (callout 2).

Figure 1-781 Remove the upper cross member assembly (9 of 13)



10. Remove four screws.

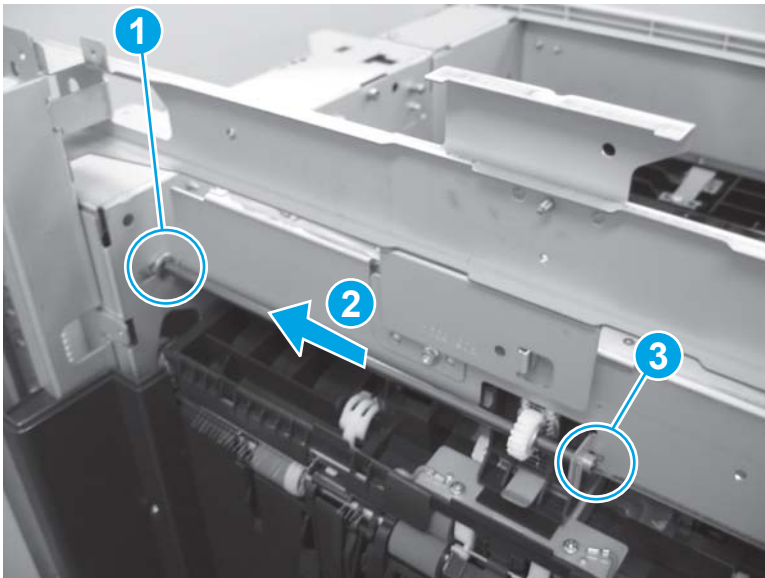
Figure 1-782 Remove the upper cross member assembly (10 of 13)



11. Remove one e-ring (callout 1), slide the gear shaft to the left (callout 2), remove one bushing (callout 3), and then move the gear shaft out of the way.

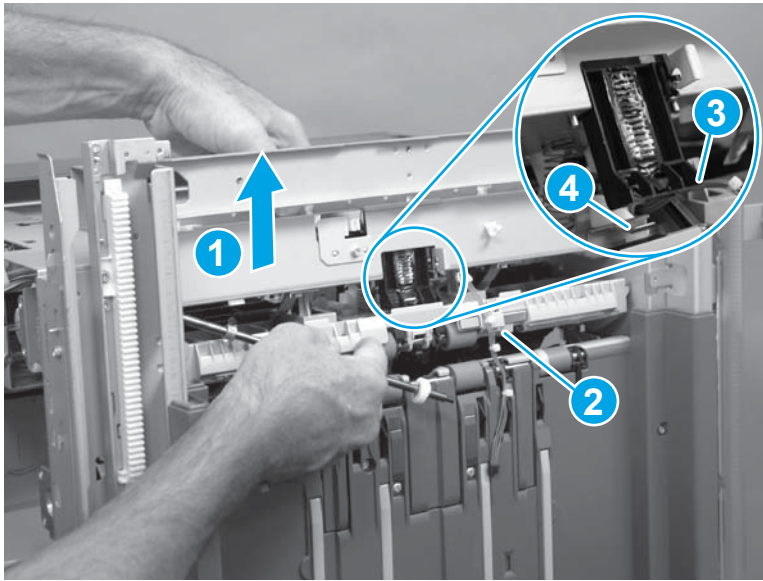
CAUTION: Do not lose the bushing (callout 3).

Figure 1-783 Remove the upper cross member assembly (11 of 13)



- Carefully rotate the edge of the upper cross member assembly up (callout 1), support the swing guide assembly (callout 2), and then separate the swing-pressure rack (callout 3) from the sheet-metal tab (callout 4).

Figure 1-784 Remove the upper cross member assembly (12 of 13)



13. Remove the assembly.

⚠ CAUTION: The black plastic bracket (callout 1) along the front edge of the assembly and the spring (callout 2) underneath the assembly are not captive. Do not lose these parts when removing or handling the assembly.

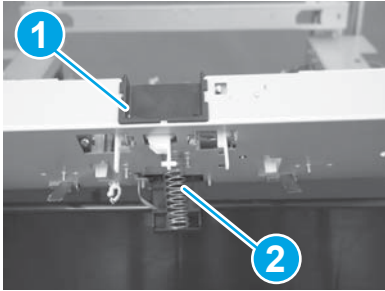
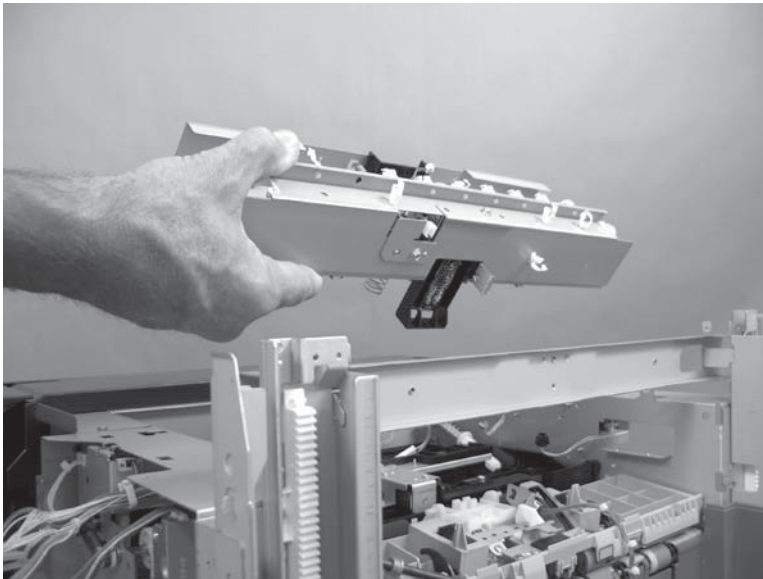


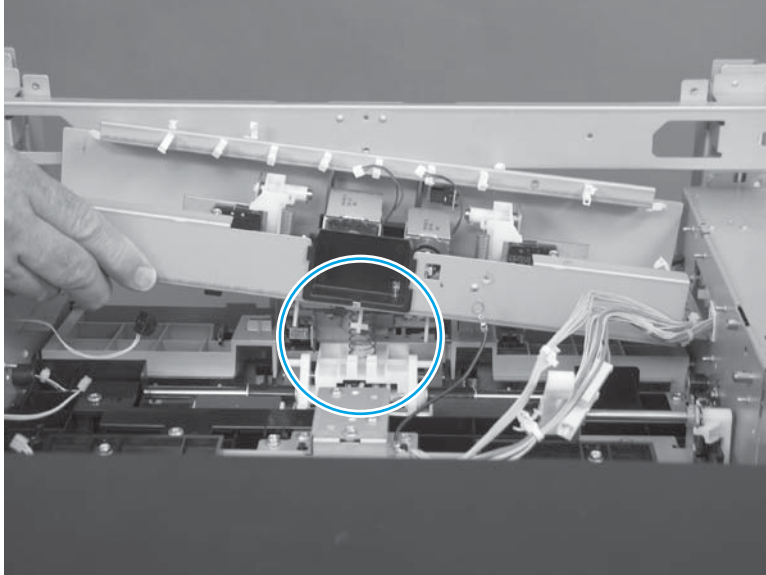
Figure 1-785 Remove the upper cross member assembly (13 of 13)



Reinstall the upper cross member assembly

1. When the assembly is positioned in the accessory, make sure that the spring underneath the assembly is seated on the pedestal on the swing guide.

Figure 1-786 Reinstall the upper cross member assembly (1 of 7)



2. Verify that the two pivot arms are positioned in front of the pins (callout 1), and that the locking bar is seated in the cradle (callout 2).


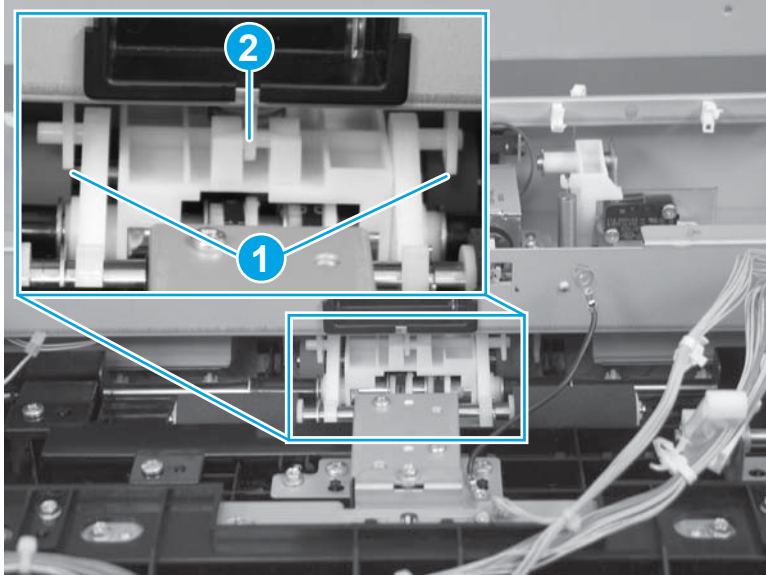
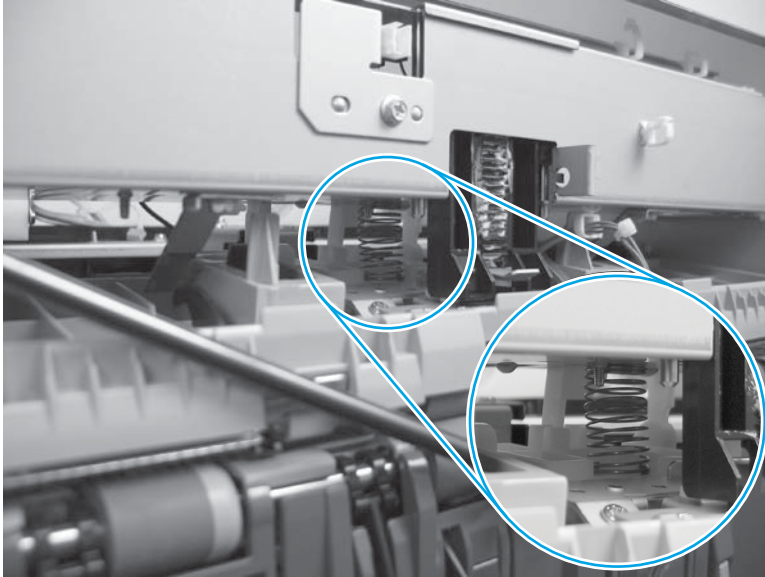
 **Reinstallation tip:** If after the upper cross member assembly is removed and replaced the message **13.60.A1 Jam in Top Left Door** appears on the control panel display (or in the event log) after the product power is turned on, the two pivot arms or the locking bar might not have been properly installed.

Figure 1-787 Reinstall the upper cross member assembly (2 of 7)



3. Install the mounting screws to secure the assembly to the chassis. Recheck the spring underneath the assembly. Verify that the spring is correctly positioned.

Figure 1-788 Reinstall the upper cross member assembly (3 of 7)



4. Recheck the locking bar underneath the assembly. Verify that it is correctly positioned in the cradle. If it is not correctly positioned, slightly lift up the upper cross member assembly and reposition the locking bar in the cradle.


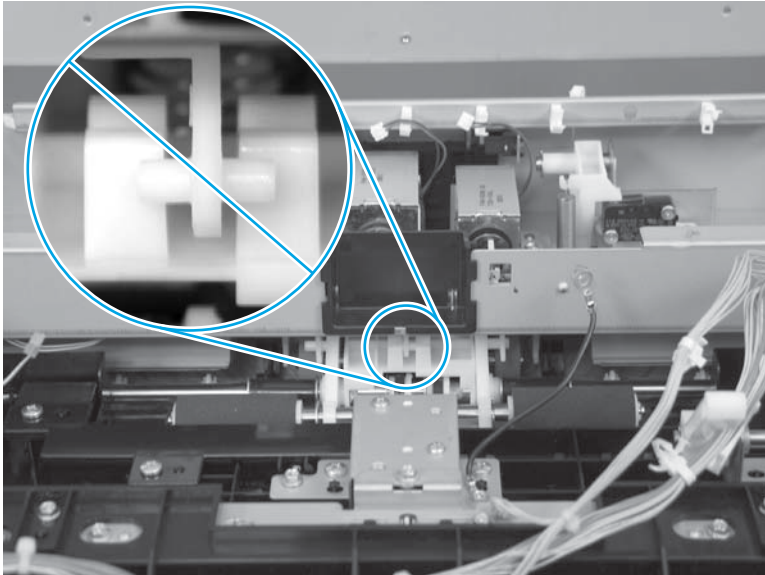
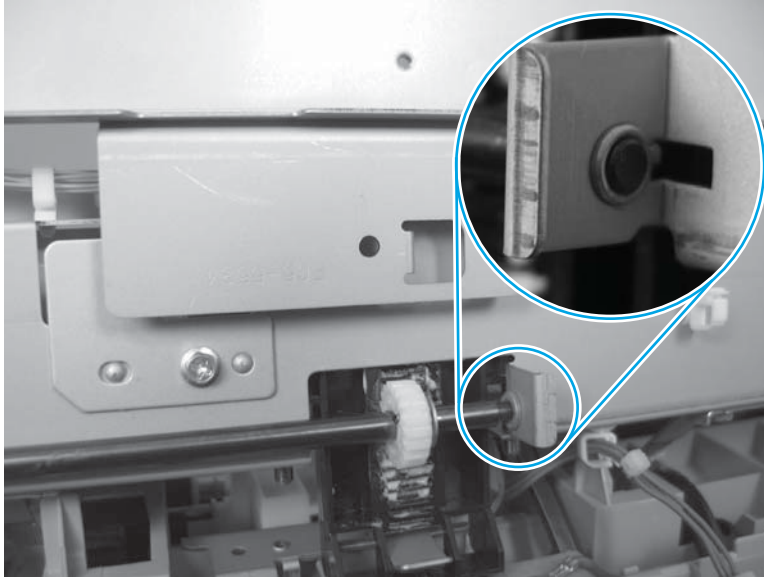
 **TIP:** If necessary, slightly loosen, but do not remove, the assembly mounting screws to allow the assembly to be lifted up. Make sure that you retighten the mounting screws.

Figure 1-789 Reinstall the upper cross member assembly (4 of 7)



5. To reinstall the gear shaft right-side bushing, align the keyed portion of the bushing with the slot in the chassis mounting tab.

Figure 1-790 Reinstall the upper cross member assembly (5 of 7)



6. To reinstall the gear shaft left-side bushing, align the keyed portion of the bushing with the slot in the chassis (callout 1), and then install the e-ring (callout 2).


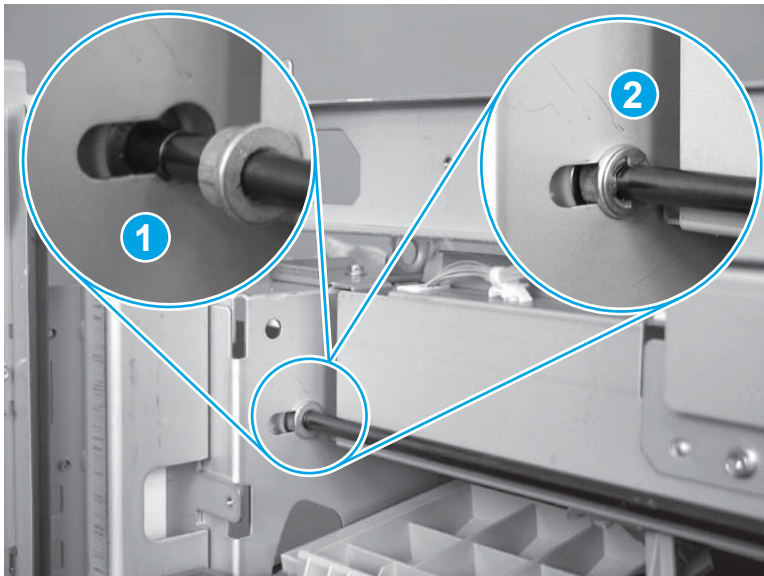
 **Reinstallation tip:** If the e-ring slot on the gear shaft is not visible, make sure that the drive gear, clutch, and pin—on the drive gear side of the shaft—are correctly assembled. If necessary, see the following optional step to reassemble the gear-shaft-pin assembly.

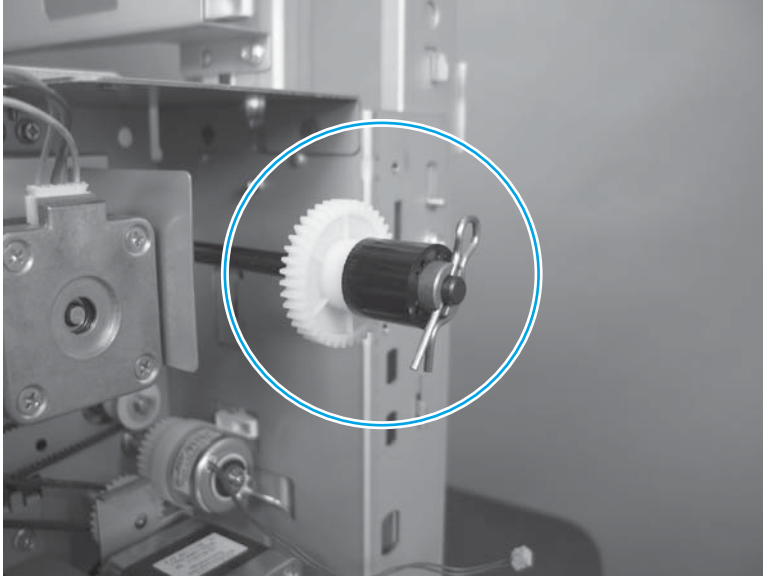
Figure 1-791 Reinstall the upper cross member assembly (6 of 7)



- 7. Optional step:** Make sure that the clutch is correctly position on the gear—two tabs on the clutch engage two slots on the gear face—and that the pin is positioned in the slot on the end of the shaft.

Reinstall the gear shaft left-side bushing, and then install the e-ring (callout 2). See [Figure 1-791 Reinstall the upper cross member assembly \(6 of 7\) on page 531](#).

Figure 1-792 Reinstall the upper cross member assembly (7 of 7)



Paper feed drive assembly

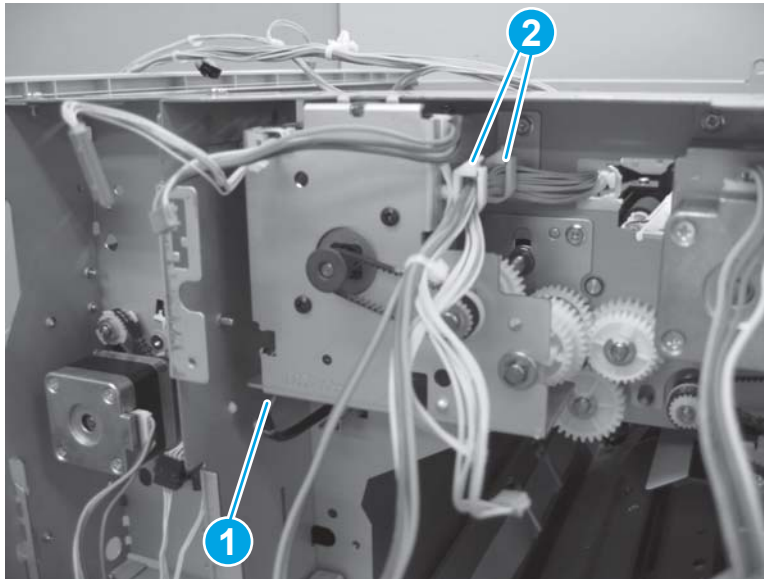
Before proceeding, remove the following assemblies:

- Bin cable guide cover. See [Bin cable guide cover on page 492](#).
- Rear cover assembly. See [Rear cover assembly on page 496](#).
- Main controller PCA assembly. See [Main controller PCA assembly on page 498](#).

Remove the paper feed drive assembly

1. Disconnect one connector (callout 1) and then release two retainers (callout 2).

Figure 1-793 Remove the paper feed drive assembly (1 of 2)



2. Remove three screws (callout 1), and then remove the paper feed drive assembly (callout 2).


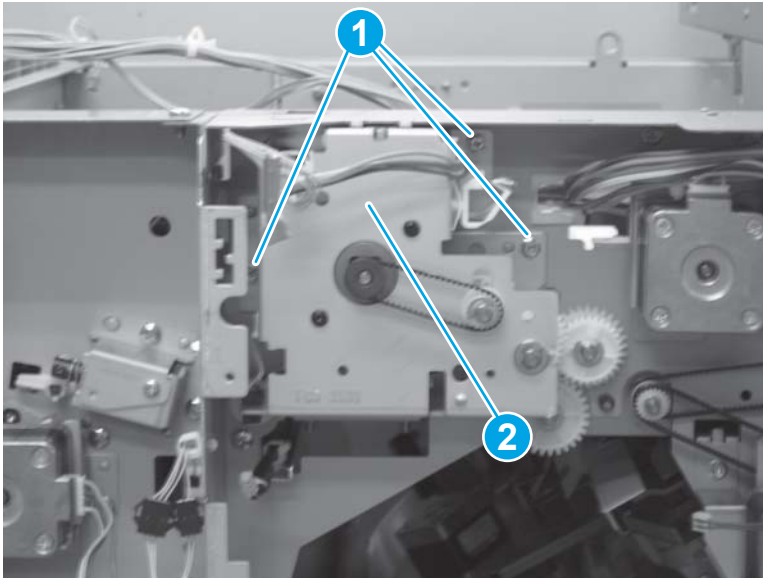
 **NOTE:** As you remove the assembly, slip the drive belt located behind the assembly off of the drive gear. Do not lose the belt.

Figure 1-794 Remove the paper feed drive assembly (2 of 2)




Pressure roller assembly

Before proceeding, remove the following assemblies:

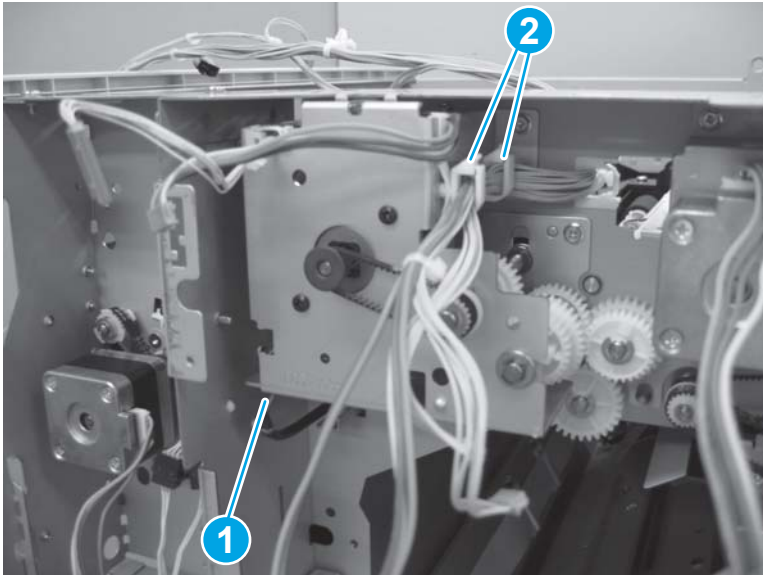
- Latch lower covers (front and rear). See [Latch lower covers \(front and rear\) on page 468](#).
- Open/closed stepped cover assembly. See [Open/closed stepped cover assembly on page 471](#).
- Upper stepped cover assembly. See [Upper stepped cover assembly on page 472](#).
- Lower stepped cover assembly. See [Lower stepped cover assembly on page 474](#).
- Top cover assembly. See [Top door assembly on page 478](#).
- Front door. See [Front door on page 479](#).
- Inner upper cover assembly. See [Inner upper cover assembly on page 480](#).
- Bin cable guide cover. See [Bin cable guide cover on page 492](#).
- Rear cover assembly. See [Rear cover assembly on page 496](#).
- Main controller PCA assembly. See [Main controller PCA assembly on page 498](#).
- Stack wall upper cover assembly. See [Stack wall upper assembly and upper wall guide assembly on page 518](#).
- Upper cross member assembly. See [Upper cross member assembly on page 521](#).

Remove the pressure roller assembly

 **NOTE:** Some of the figures in this procedure show white plastic drive gears. The gears in the accessory are black plastic. However, this removal procedure is correct for this accessory.

1. Disconnect one connector (callout 1) and then release two retainers (callout 2).

Figure 1-795 Remove the pressure roller assembly (1 of 8)



2. Remove three screws (callout 1), and then remove the paper feed motor assembly (callout 2).


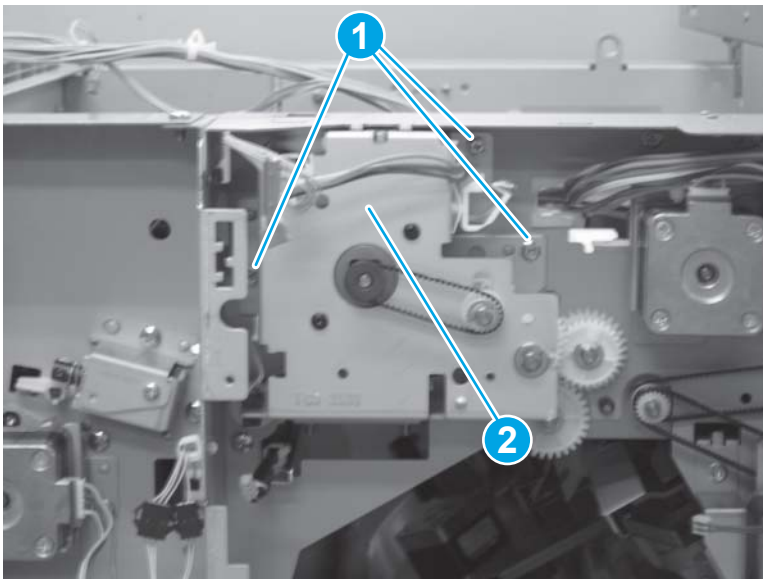
 **NOTE:** As you remove the assembly, slip the drive belt located behind the assembly off of the drive gear. Do not lose the belt. Make sure that you connect the belt to the gear when the paper feed motor assembly is reinstalled.

Figure 1-796 Remove the pressure roller assembly (2 of 8)



3. Rotate the outer gear until the square box on the face of the gear is facing down. This horizontally aligns the locking pin behind the gear, and lessens the possibility of the pin falling into the accessory when the gear is removed in the next step.


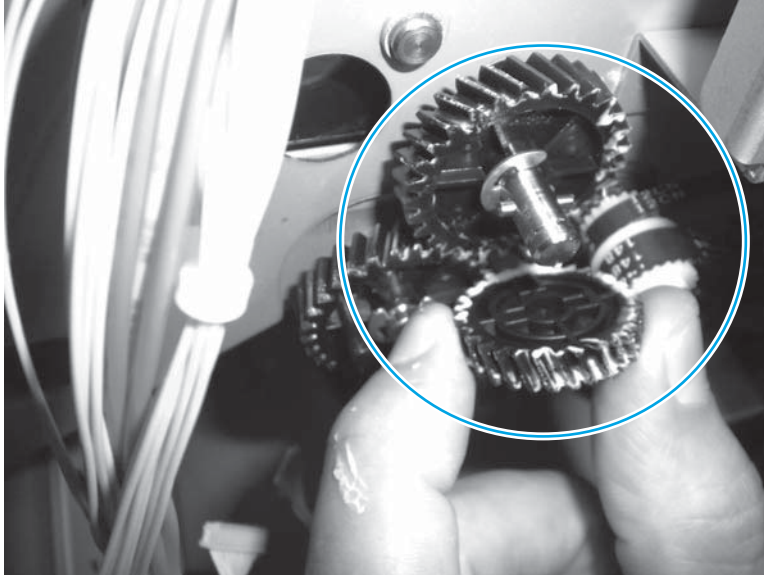
 **NOTE:** The outer gear is shown removed in the figure below.

Figure 1-797 Remove the pressure roller assembly (3 of 8)



4. Remove one e-ring (callout 1), one gear (callout 2), and one pin (callout 3) behind the gear.


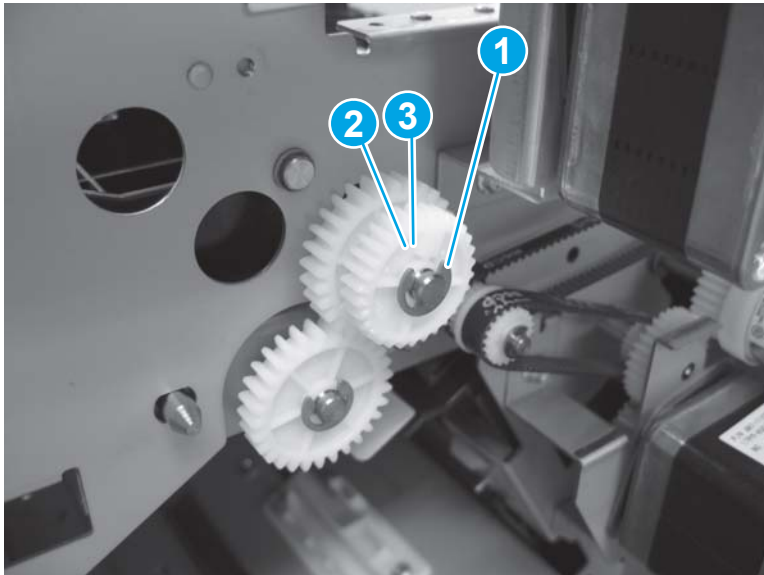

 **Reinstallation tip:** Use the horizontal pin alignment described above to reinstall the pin.

Figure 1-798 Remove the pressure roller assembly (4 of 8)



5. Remove one e-ring (callout 1), one gear (callout 2), and one pin (callout 3) behind the gear.

 **NOTE:** Before proceeding, rotate the inner gear until the visible hole in the shaft (callout 4) is horizontal to prevent the locking pin behind the gear from falling out of the shaft.


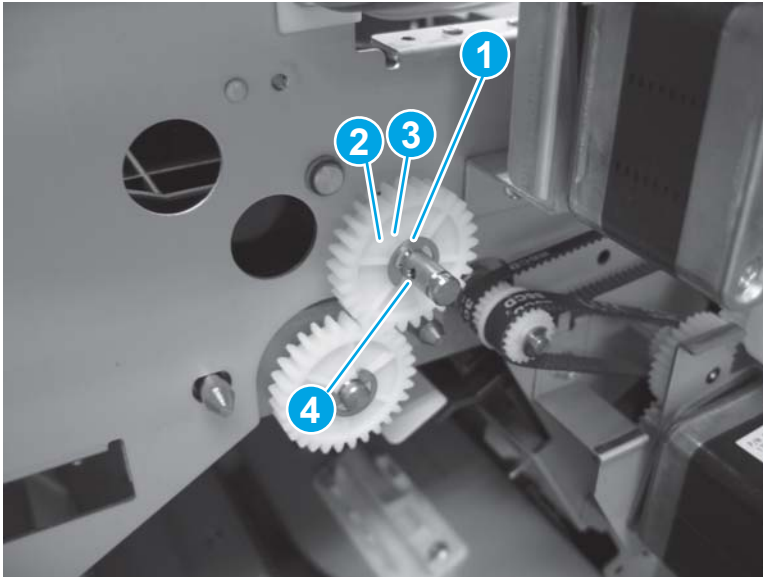
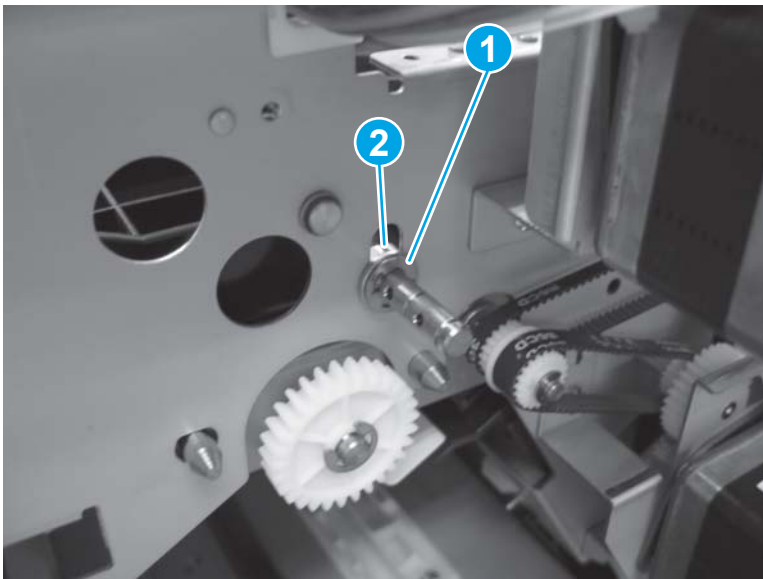
 **Reinstallation tip:** Use the horizontal pin alignment described above to reinstall the pin.

Figure 1-799 Remove the pressure roller assembly (5 of 8)



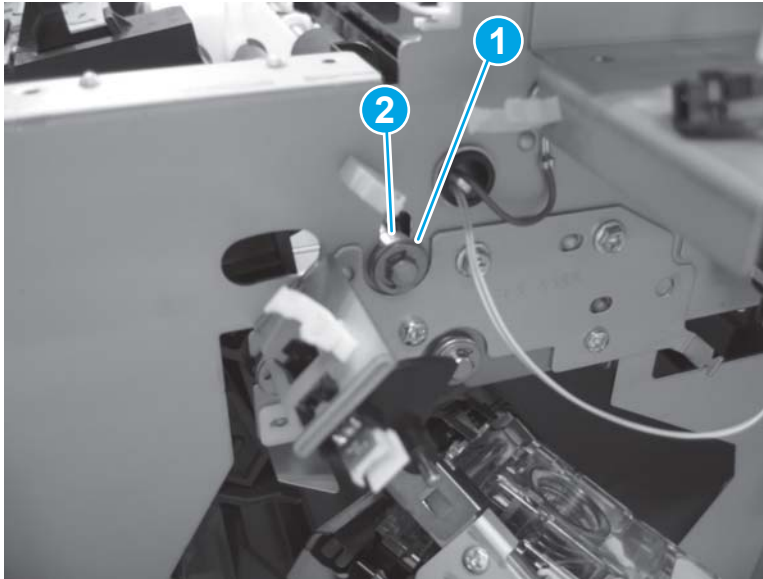
6. Remove the e-ring (callout 1) and then remove one bushing (callout 2).

Figure 1-800 Remove the pressure roller assembly (6 of 8)



7. At the opposite side of the accessory, remove the e-ring (callout 1) and then remove one bushing (callout 2).

Figure 1-801 Remove the pressure roller assembly (7 of 8)



8. Grasp the plastic component (callout 1) in the middle of the assembly, lift it up to clear the metal bracket, and then slide the assembly to the rear to release the front of the shaft. Lift the pressure roller assembly out of the accessory to remove it.


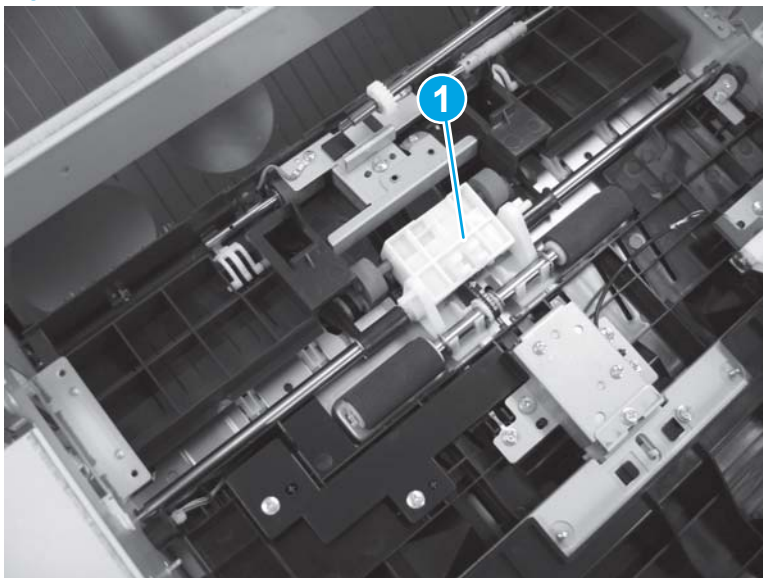
 **Reinstallation tip:** When the assembly is reinstalled, first position the rear of the shaft in the hole of the chassis.

Figure 1-802 Remove the pressure roller assembly (8 of 8)




Stack upper bin and lower bin assemblies

Before proceeding, remove the following assemblies:

- Latch lower covers (front and rear). See [Latch lower covers \(front and rear\) on page 468](#).
- Open/closed stepped cover assembly. See [Open/closed stepped cover assembly on page 471](#).
- Upper stepped cover assembly. See [Upper stepped cover assembly on page 472](#).
- Lower stepped cover assembly. See [Lower stepped cover assembly on page 474](#).
- Remove the following assemblies only if you need to remove the lower bin:
 - Front door. See [Front door on page 479](#).
 - Inner upper cover assembly. See [Inner upper cover assembly on page 480](#).
- Bin cable guide cover. See [Bin cable guide cover on page 492](#).
- Rear cover assembly. See [Rear cover assembly on page 496](#).
- Stack wall upper cover assembly. See [Stack wall upper assembly and upper wall guide assembly on page 518](#).

Remove stack upper bin and lower bin assemblies

 **NOTE:** The stack upper bin assembly and the stack lower bin assembly look identical, but are different. Do not reverse the locations of the bins when they are reinstalled.

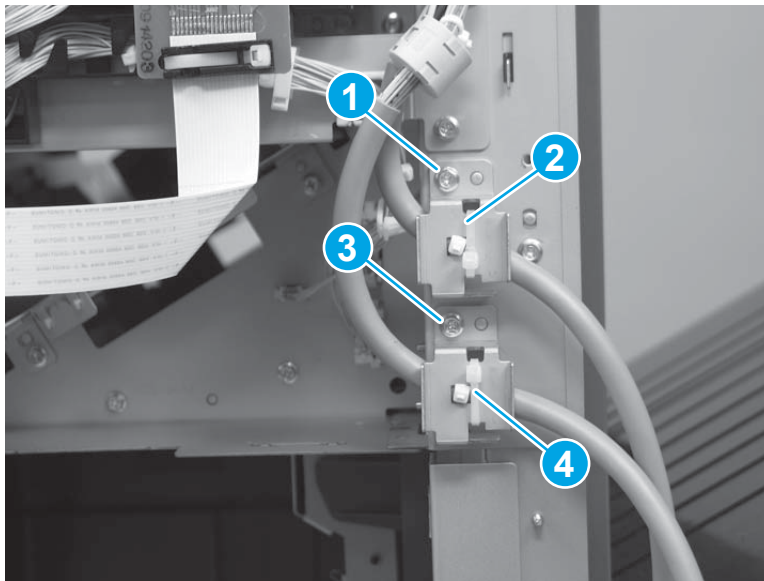
The upper bin assembly has two connectors and a ground wire at the end of the cable. The lower bin assembly has only one connector and a ground wire at the end of the cable. Also, the lower bin assembly has a coil around the end of the cable.

1. Do the following:

Stack upper bin assembly: Remove one screw (callout 1), and then remove the upper sheet-metal cable retainer (callout 2).

Stack lower bin assembly: Remove one screw (callout 3), and then remove the lower sheet-metal cable retainer (callout 4).

Figure 1-803 Remove the stack upper bin and lower bin assemblies (1 of 5)

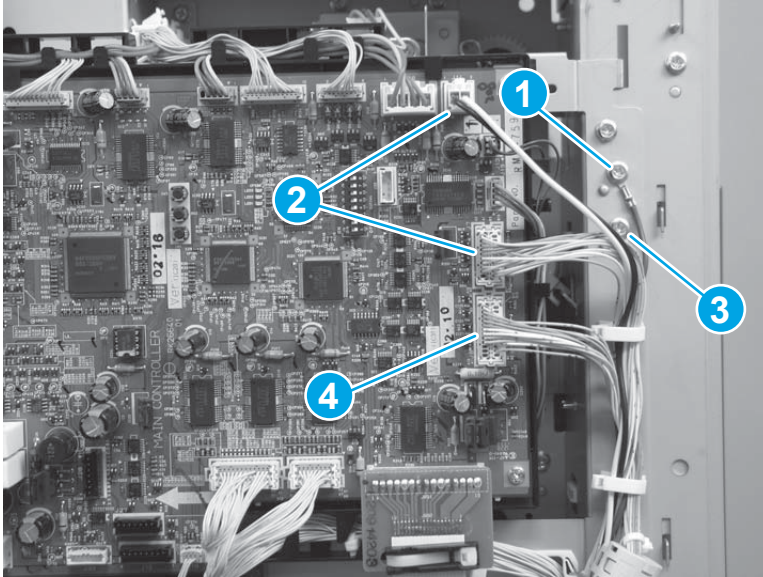


2. Release the wire harnesses from two retainers, and then do the following:

Stack upper bin assembly: Remove one ground screw (callout 1), and then disconnect two connectors (callout 2) on the controller PCA (J7 and J14).

Stack lower bin assembly: Remove one ground screw (callout 3), and then disconnect one connector (callout 4) on the controller PCA (J8).

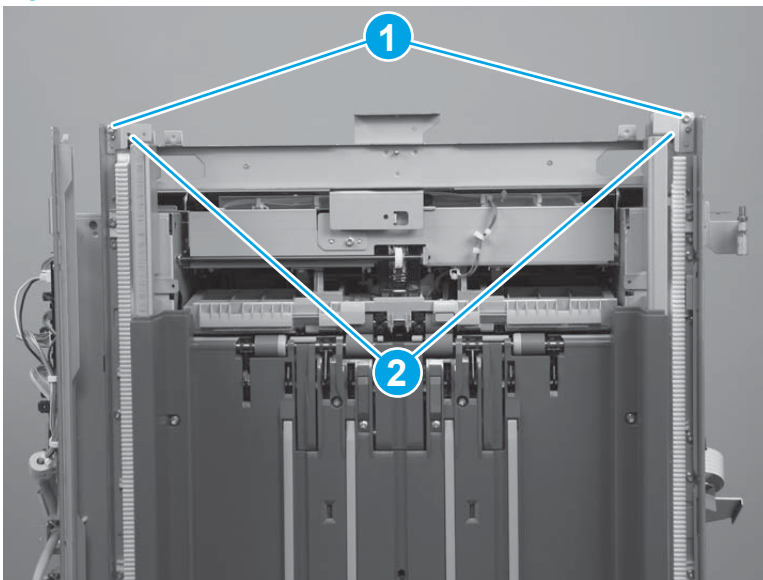
Figure 1-804 Remove the stack upper bin and lower bin assemblies (2 of 5)



3. Remove two screws (callout 1) and the sheet-metal stop brackets (callout 2).

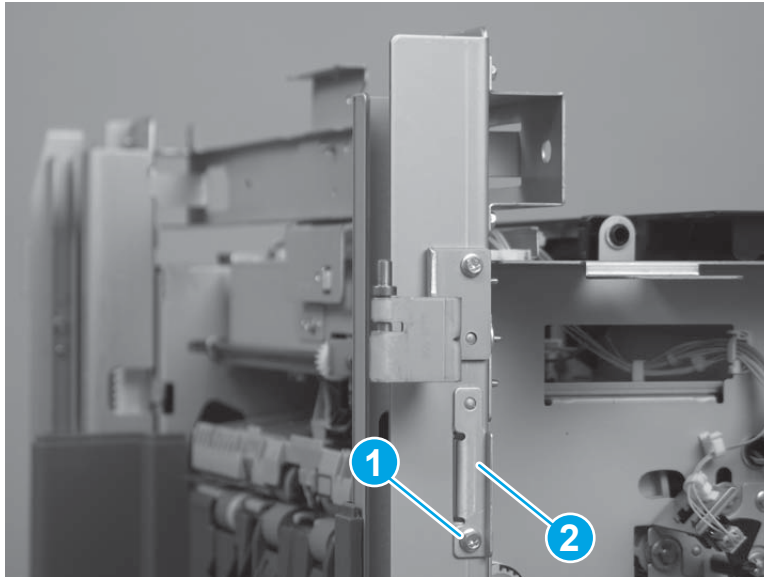
 **TIP:** The upper bin can be removed now.

Figure 1-805 Remove the stack upper bin and lower bin assemblies (3 of 5)



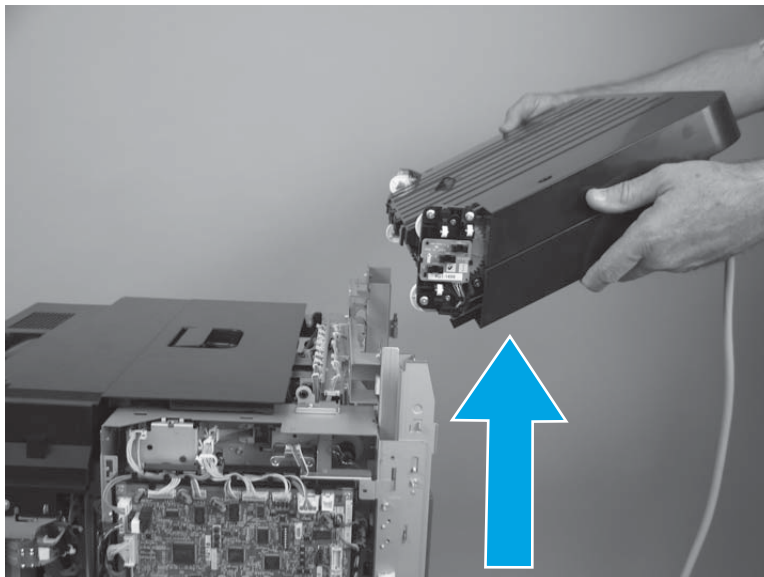
4. **Lower bin assembly only:** If you are removing the lower bin, remove one screw (callout 1), and then remove the sheet-metal stop bracket (callout 2).

Figure 1-806 Remove the stack upper bin and lower bin assemblies (4 of 5)



5. Carefully slide the bin up and off of the finishing accessory.

Figure 1-807 Remove the stack upper bin and lower bin assemblies (5 of 5)



Reinstall the stack upper bin and lower bin assemblies

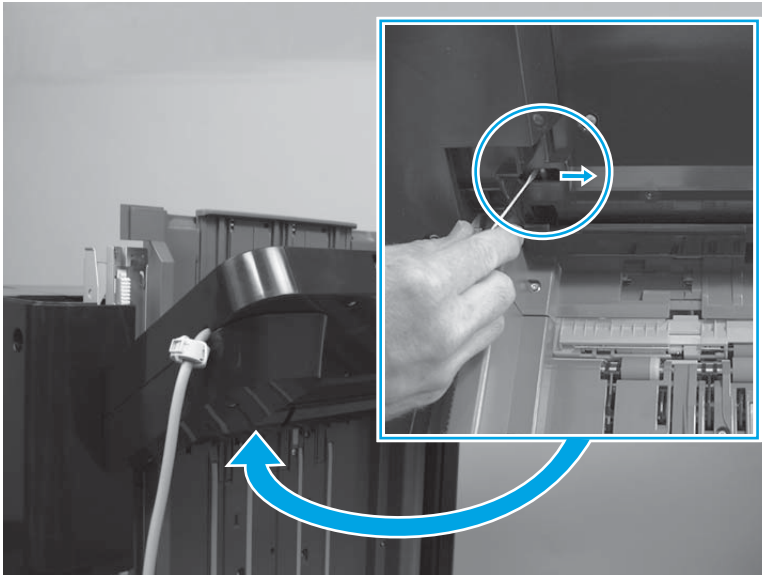
When the bins are reinstalled, use the following procedure to release the clutch and slide the bin down onto the accessory.

CAUTION: If both of the bins are reinstalled, do not install the upper bin directly on top of the lower bin. Leave a vertical gap between the bins. If the bins are not separated, an error message will appear on the control-panel display, and the bins might be damaged when the product power is turned on.

1. Support the bin.
2. Release the bin clutch located on the underside of the bin, and then lower the bin to access the cover.

TIP: Use a small flat-blade screwdriver to slide the raised portion of the clutch toward the spring to release the clutch and lower the bin.

Figure 1-808 Reinstall the stack wall upper assembly and upper wall guide assembly (1 of 2)

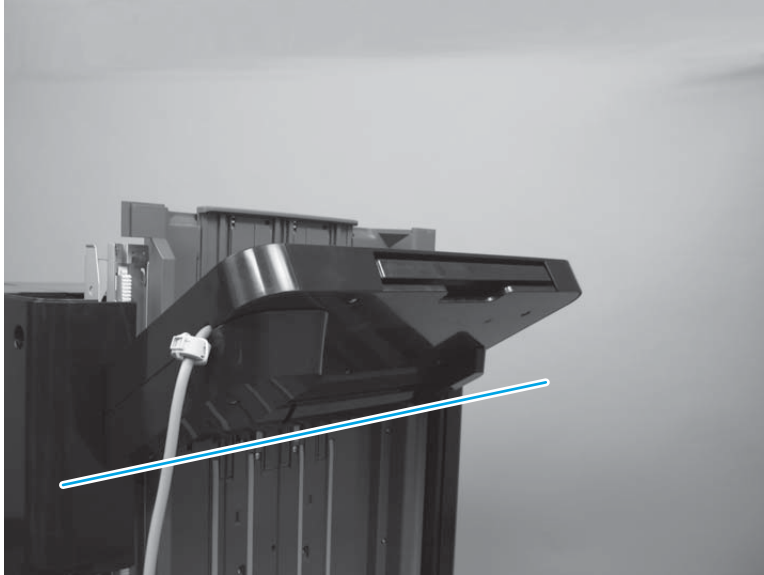


3. The bins must be installed so that they are level from side to side so that they will not bind on the track. If after installing the bins they are not level from side to side, remove them, and then reinstall the bins.

⚠ CAUTION: The bins might be damaged when they move up and down if they are not correctly installed.

💡 TIP: Lower the installed bin down to the exit rollers to check for level installation.

Figure 1-809 Reinstall the stack wall upper assembly and upper wall guide assembly (2 of 2)



Height wall assembly


 **NOTE:** This assembly is described in the parts chapter as the following:

- Height wall lower assembly (stapler/stacker and stapler stacker with hole punch)
- Height wall center assembly (booklet maker)

Before proceeding, remove the following assemblies:

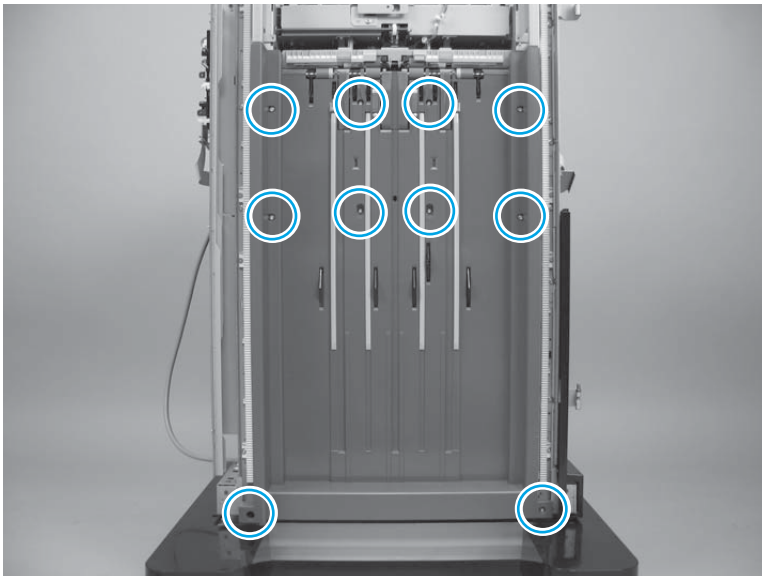
- Open/closed stepped cover assembly. See [Open/closed stepped cover assembly on page 471](#).
- Upper stepped cover assembly. See [Upper stepped cover assembly on page 472](#).
- Lower stepped cover assembly. See [Lower stepped cover assembly on page 474](#).
- Bin cable guide cover. See [Bin cable guide cover on page 492](#).
- Rear cover assembly. See [Rear cover assembly on page 496](#).
- Stack wall upper cover assembly. See [Stack wall upper assembly and upper wall guide assembly on page 518](#).
- Stack upper bin and lower bin assemblies. See [Stack upper bin and lower bin assemblies on page 540](#).

Remove the height wall center assembly

 **NOTE:** The following figures show the height wall assembly on the stapler/stacker with hole punch finishing accessory. This removal procedure is the same for all of the finishing accessories.

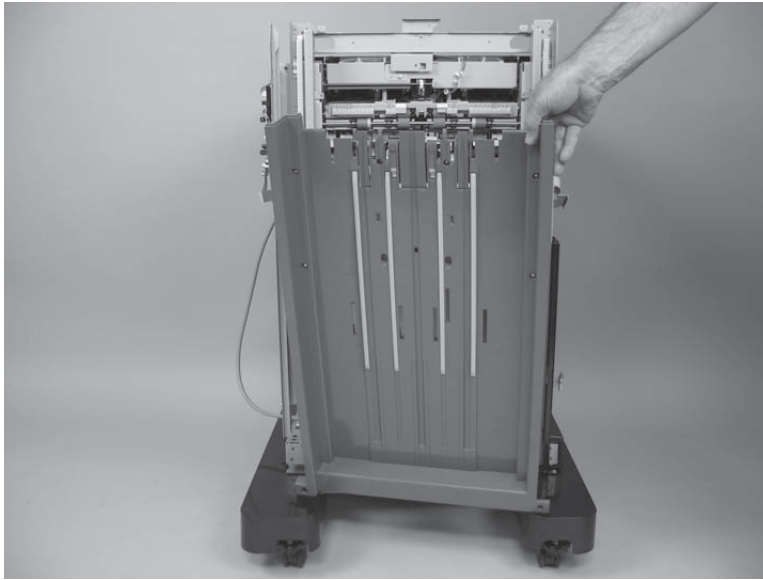
1. Remove ten screws.

Figure 1-810 Remove the height wall assembly (1 of 2)



2. Remove the cover.

Figure 1-811 Remove the height wall assembly (2 of 2)



Reinstall the height wall assembly

Make sure that the black bracket is in the down position when the height wall assembly is reinstalled. If the bracket is in the up position when the assembly is reinstalled, the upper stack wall will not move up and down.

Figure 1-812 Reinstall the height wall assembly



Paper face sensor and flag assembly

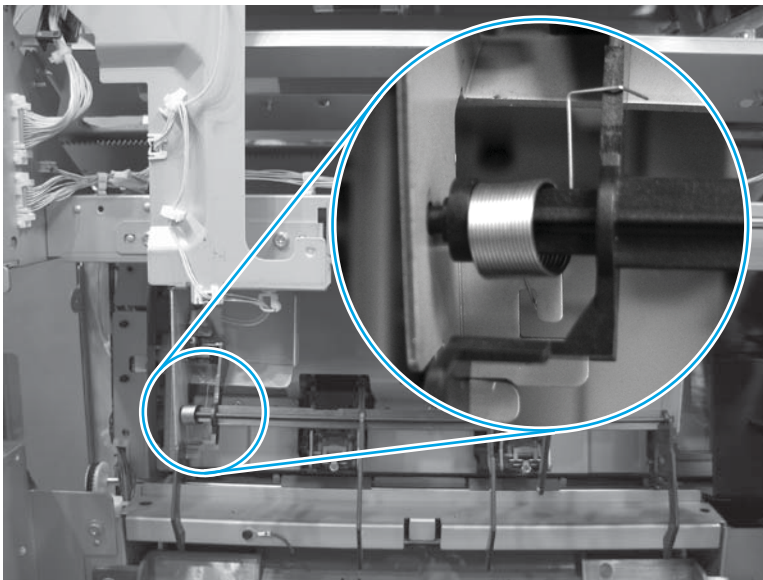
Before proceeding, remove the following assemblies:

- Open/closed stepped cover assembly. See [Open/closed stepped cover assembly on page 471](#).
- Upper stepped cover assembly. See [Upper stepped cover assembly on page 472](#).
- Lower stepped cover assembly. See [Lower stepped cover assembly on page 474](#).
- Bin cable guide cover. See [Bin cable guide cover on page 492](#).
- Rear cover assembly. See [Rear cover assembly on page 496](#).
- Stack wall upper cover assembly. See [Stack wall upper assembly and upper wall guide assembly on page 518](#).
- Stack upper bin and lower bin assemblies. See [Stack upper bin and lower bin assemblies on page 540](#).
- Height wall assembly. See [Height wall assembly on page 546](#).

Remove the paper face sensor and flag assembly

1. From the output side of the accessory, note how the spring on the left end of the flag is installed.

Figure 1-813 Remove the paper face sensor and flag assembly (1 of 9)



2. Disengage the bottom portion of the spring (callout 1) from the tab (callout 2) on the chassis.


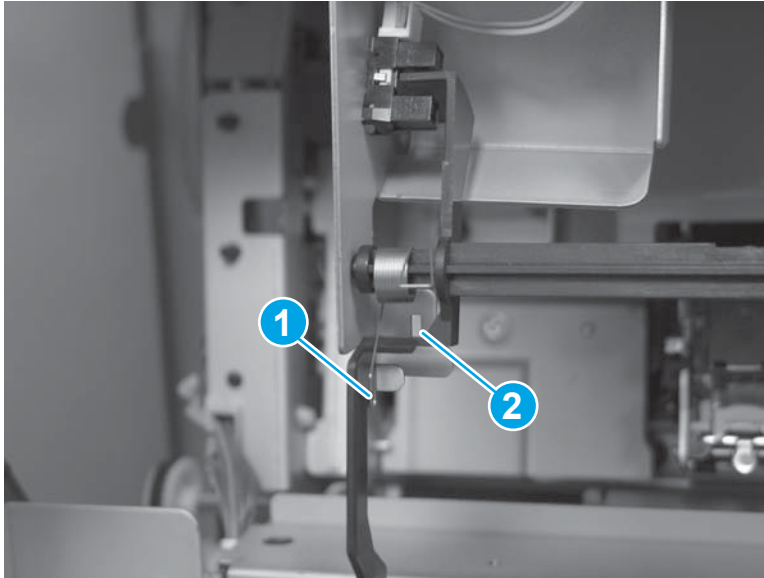
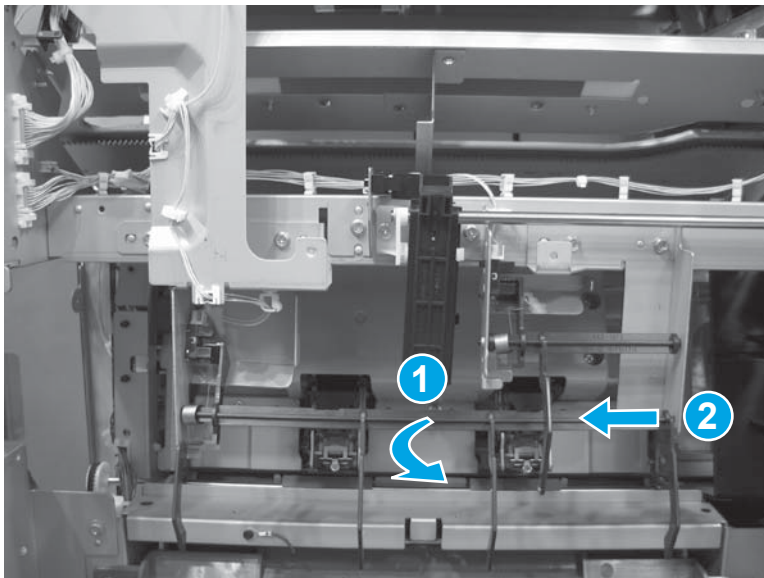
 **NOTE:** The figure below shows the spring disengaged.

Figure 1-814 Remove the paper face sensor and flag assembly (2 of 9)



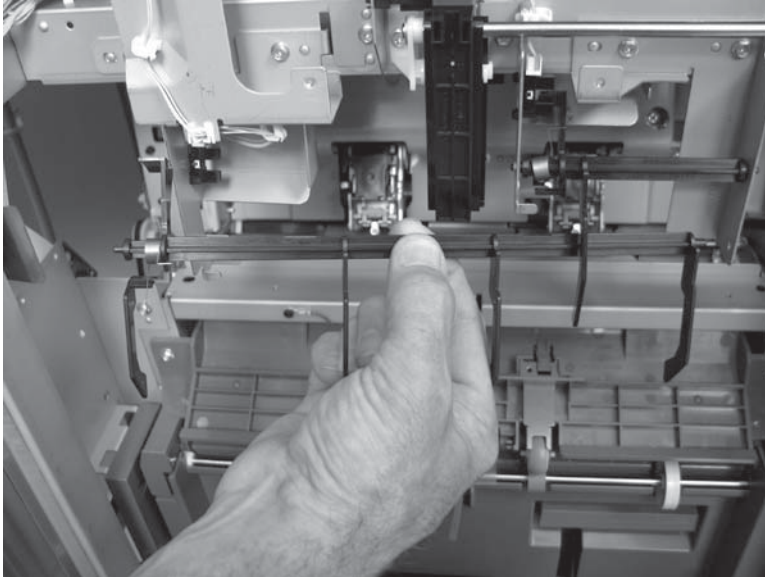
3. Carefully flex the middle of the flag shaft away from the accessory (callout 1), and then disengage the end of the shaft from the mounting hole in the chassis (callout 2).

Figure 1-815 Remove the paper face sensor and flag assembly (3 of 9)



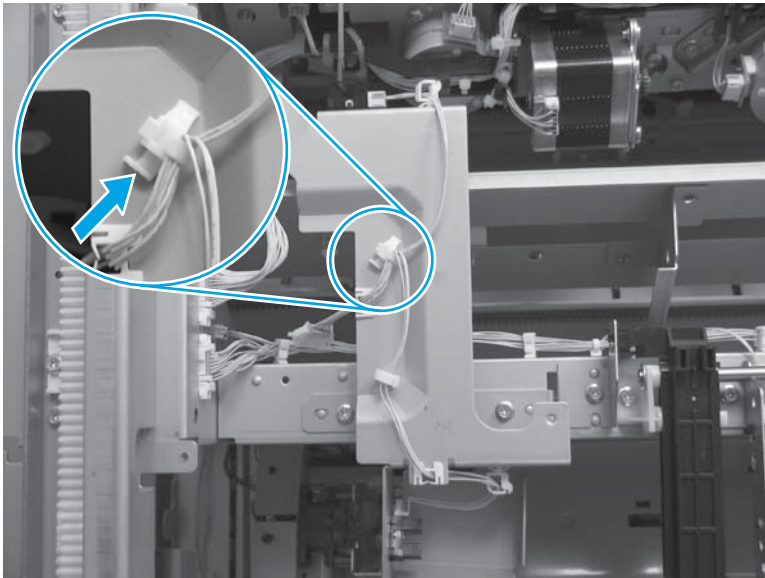
4. Remove the paper sensor flag.

Figure 1-816 Remove the paper face sensor and flag assembly (4 of 9)



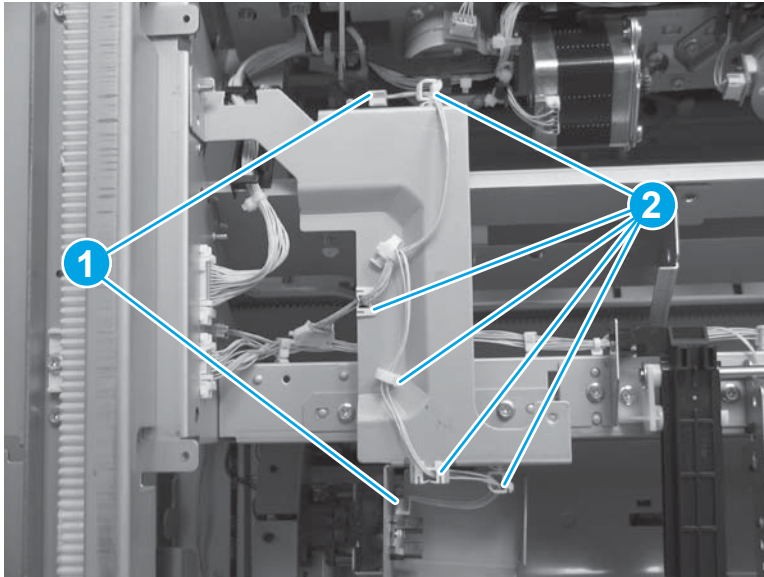
5. Release one tab, and then release the wire tie retainer.

Figure 1-817 Remove the paper face sensor and flag assembly (5 of 9)



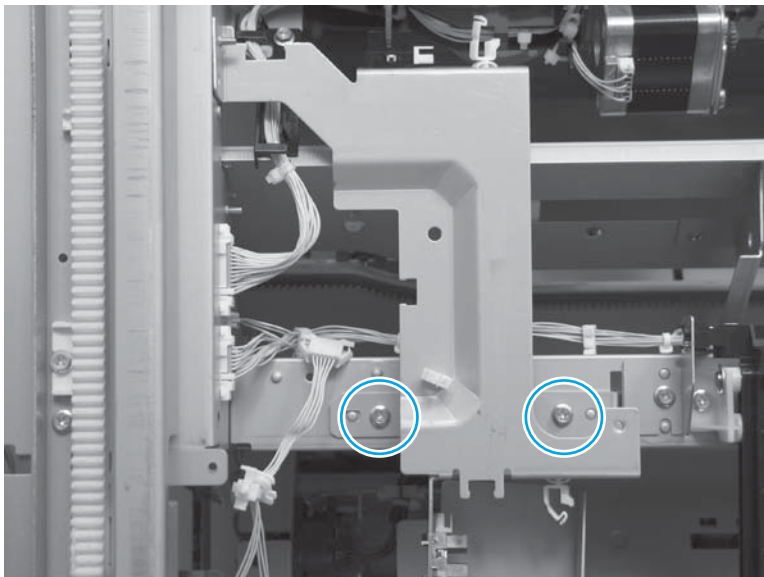
6. Disconnect two connectors (callout 1), and then release the wire harnesses from five retainers (callout 2).

Figure 1-818 Remove the paper face sensor and flag assembly (6 of 9)



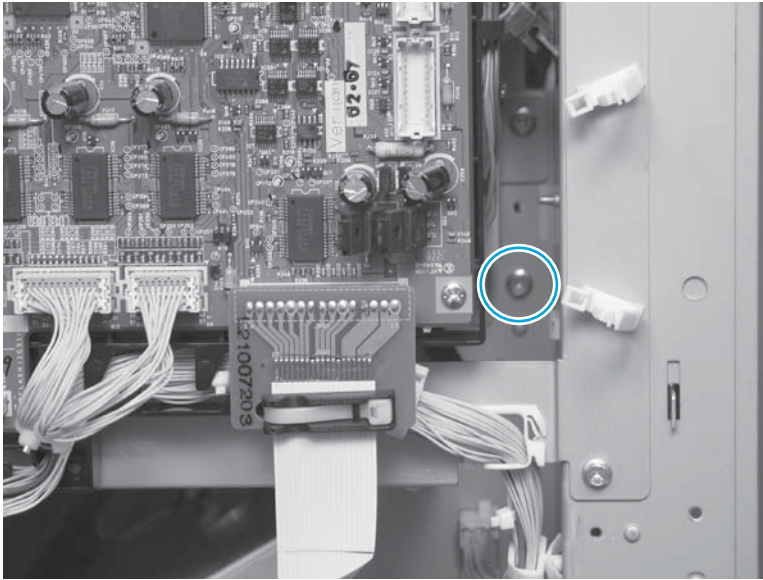
7. Remove two screws.

Figure 1-819 Remove the paper face sensor and flag assembly (7 of 9)



8. At the rear of the accessory, remove one screw.

Figure 1-820 Remove the paper face sensor and flag assembly (8 of 9)



9. Remove the assembly.

Figure 1-821 Remove the paper face sensor and flag assembly (9 of 9)



Staple subassembly

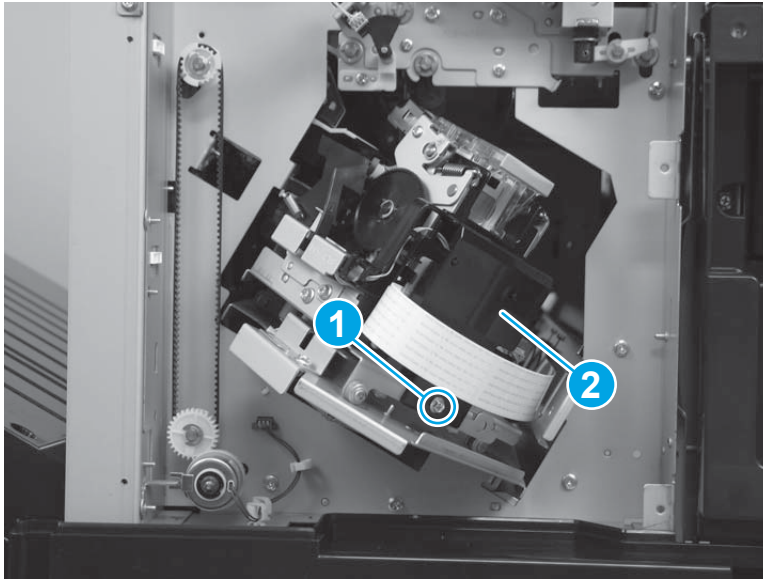
Before proceeding, do the following:

- Move the inner upper cover assembly out of the way. See [Inner upper cover assembly on page 480](#).

Remove the staple subassembly

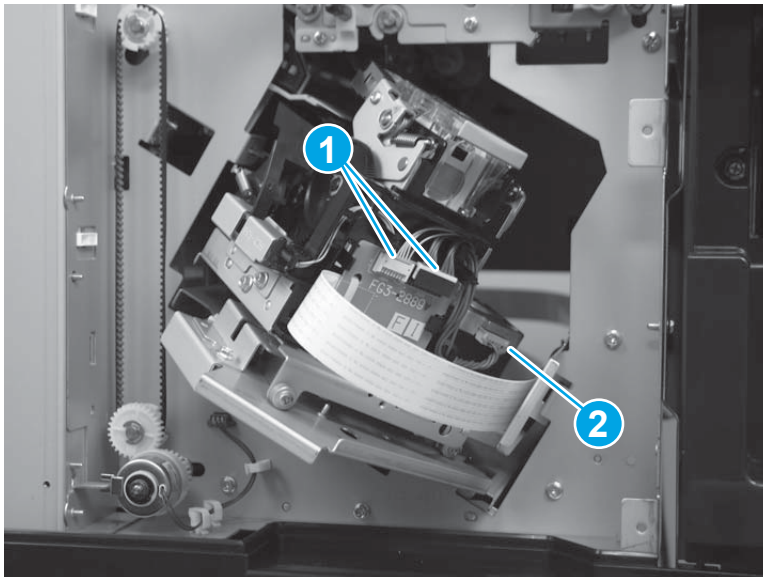
1. Remove one screw (callout 1), and then remove the protective cover (callout 2)

Figure 1-822 Remove the staple subassembly (1 of 6)



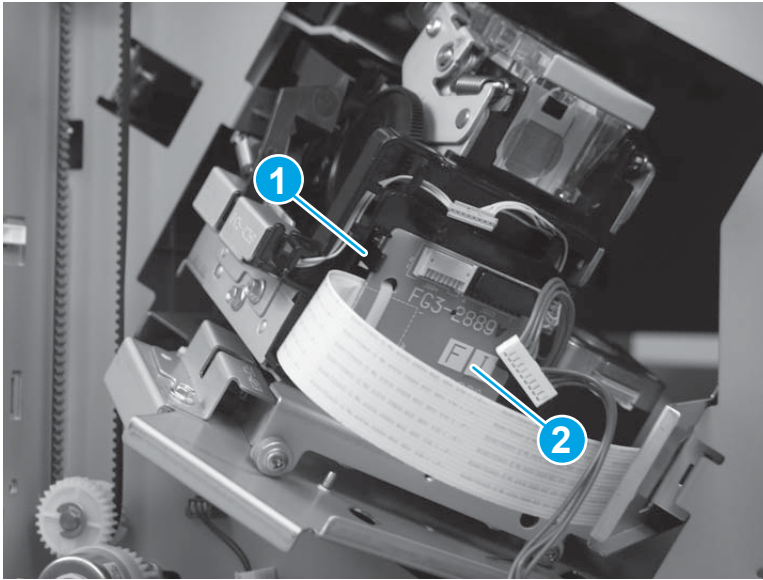
2. Disconnect two connectors (callout 1) on the PCA, and then disconnect one connector (callout 2) on the motor.

Figure 1-823 Remove the staple subassembly (2 of 6)



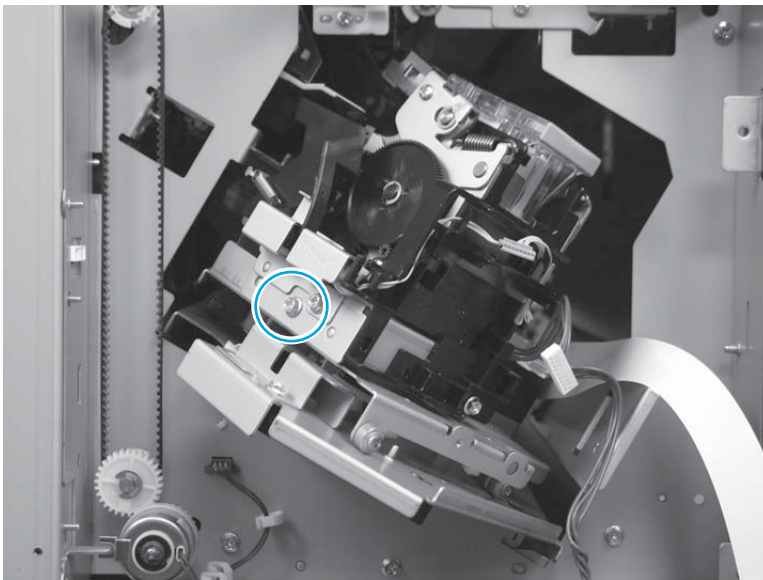
3. Release one tab (callout 1), and then remove the sub staple PCA (callout 2).

Figure 1-824 Remove the staple subassembly (3 of 6)



4. Remove one screw.

Figure 1-825 Remove the staple subassembly (4 of 6)



5. Slide the staple subassembly away from the staple subassembly motor to release the rear tabs of the assembly from the sheet-metal bracket.


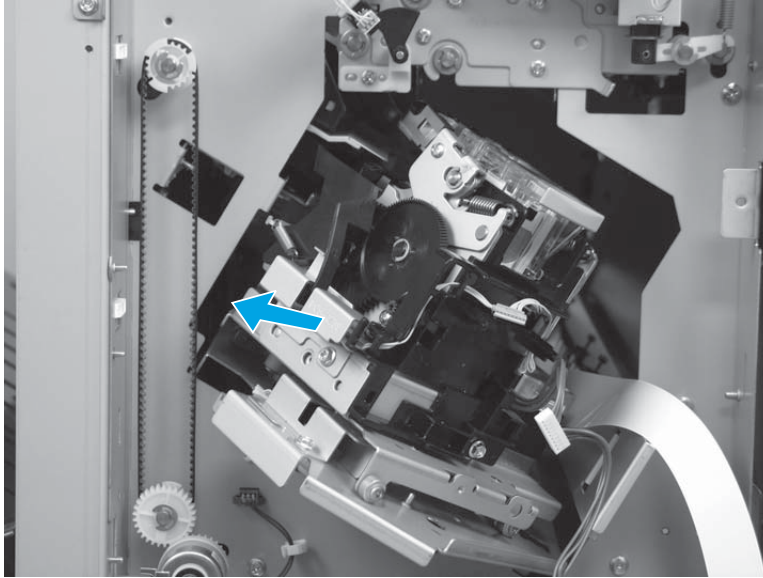
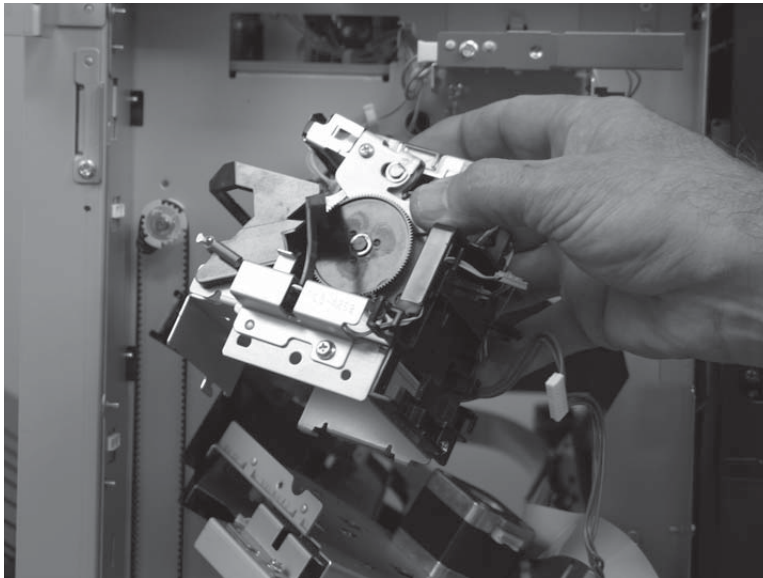
 **TIP:** When you reinstall the staple subassembly, make sure that the rear tabs of the assembly engage the slots in the sheet-metal bracket.

Figure 1-826 Remove the staple subassembly (5 of 6)



6. Remove the staple subassembly.

Figure 1-827 Remove the staple subassembly (6 of 6)



Staple connecting cable assembly

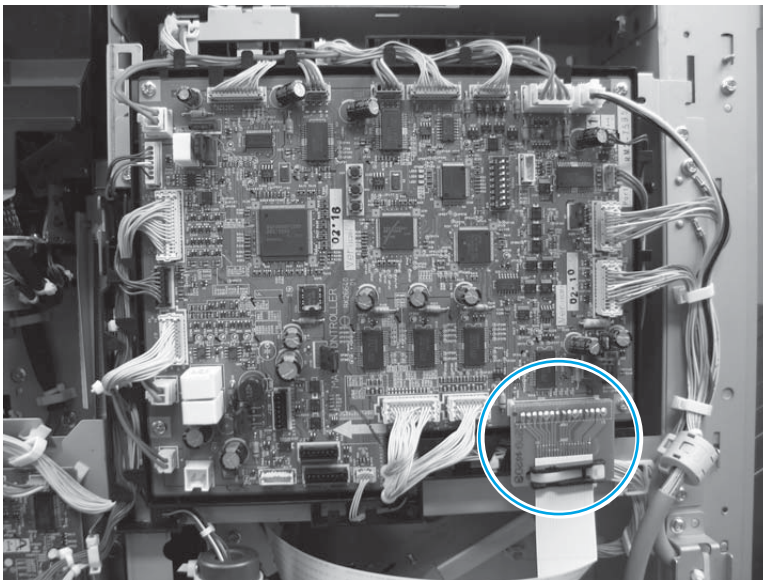
Before proceeding, remove the following assemblies:

- Move the inner upper cover assembly out of the way. See [Inner upper cover assembly on page 480](#).
- Bin cable guide cover. See [Bin cable guide cover on page 492](#).
- Rear cover assembly. See [Rear cover assembly on page 496](#).
- Staple subassembly. See [Staple subassembly on page 553](#).


Remove the staple connecting cable assembly

1. Disconnect one connector.

Figure 1-828 Remove the staple connecting cable assembly (1 of 2)

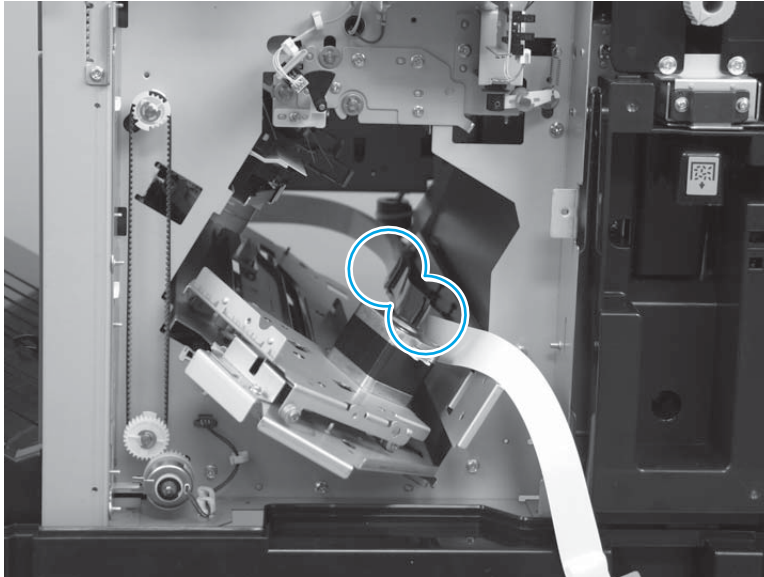


2. Release the cable from three retainers, and then remove the cable.

 **Reinstallation tip:** When the cable is reinstalled, make sure that it is positioned correctly and will not be pulled tight at either end when the staple subassembly moves along the staple assembly.

Align the black marks on the cable with the black marks on the chassis to place the cable in the correct position.

Figure 1-829 Remove the staple connecting cable assembly (2 of 2)



Staple assembly

Before proceeding, remove the following assemblies:

- Move the inner upper cover assembly out of the way. See [Inner upper cover assembly on page 480](#).
- Bin cable guide cover. See [Bin cable guide cover on page 492](#).
- Rear cover assembly. See [Rear cover assembly on page 496](#).
- Staple subassembly. See [Staple subassembly on page 553](#).

Remove the staple assembly

1. Remove two screws.


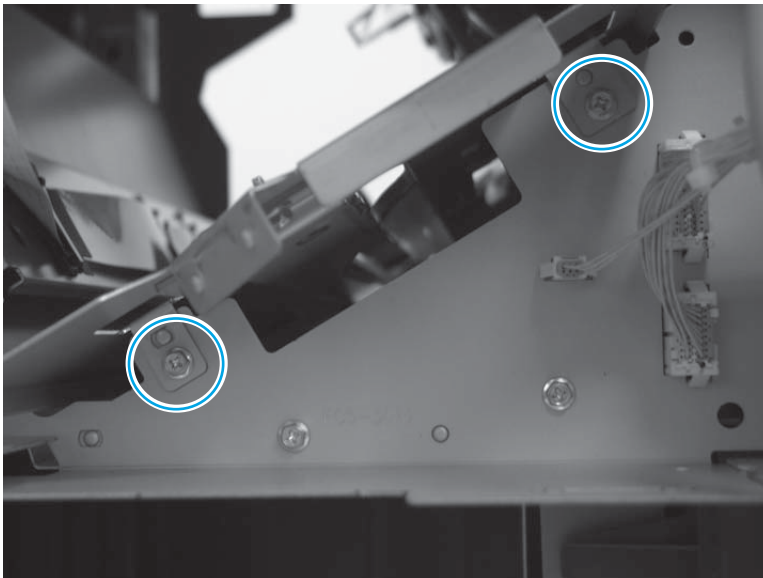
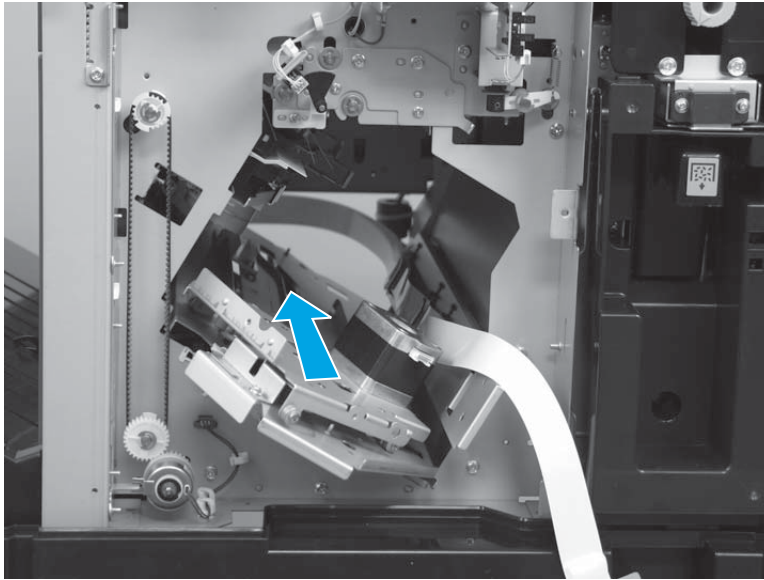
 **NOTE:** These screws are located under the controller PCA at the rear side of the accessory.

Figure 1-830 Remove the staple assembly (1 of 7)



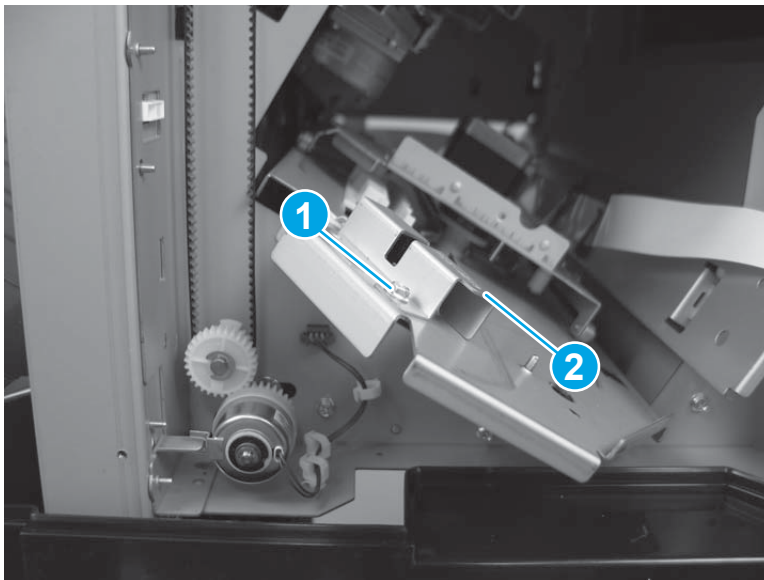
- Carefully push the staple subassembly base into the accessory.

Figure 1-831 Remove the staple assembly (2 of 7)



- Remove one screw (callout 1), and then remove the sheet-metal sensor cover (callout 2).

Figure 1-832 Remove the staple assembly (3 of 7)

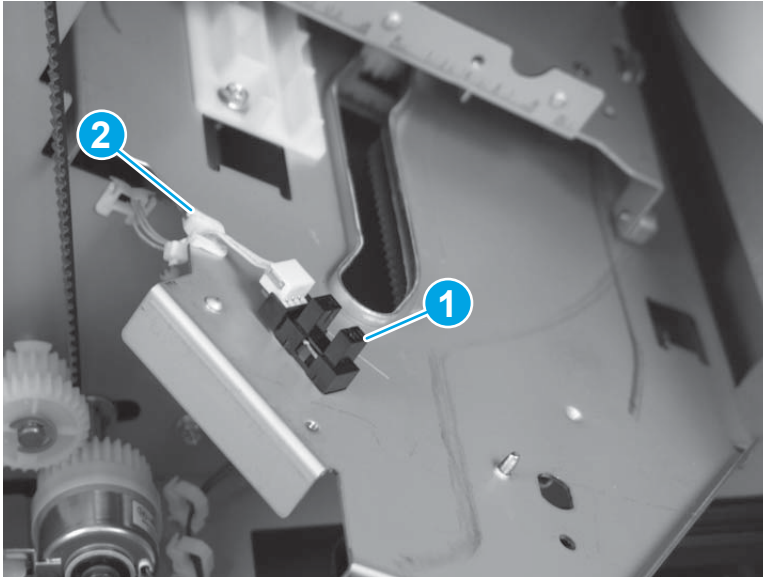


4. Release one sensor (callout 1), and then release one wire retainer (callout 2).

To remove the sensor, use your finger to release the sensor tabs from the underside of the assembly.

TIP: It is easier to release the entire retainer from the sheet-metal stapler assembly tray than to try to release the wire harness from the retainer.

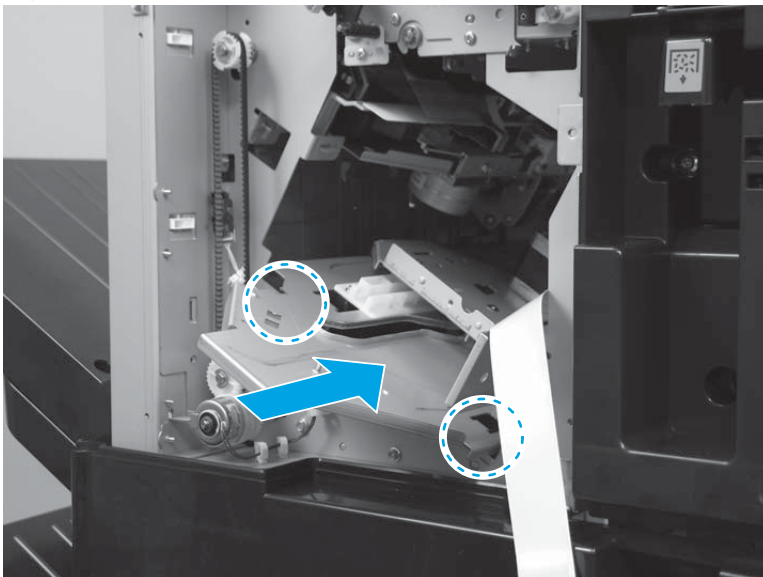
Figure 1-833 Remove the stapler assembly (4 of 7)



5. Carefully push the stapler assembly about one-half way into the accessory to release two tabs under the front edge of the assembly.

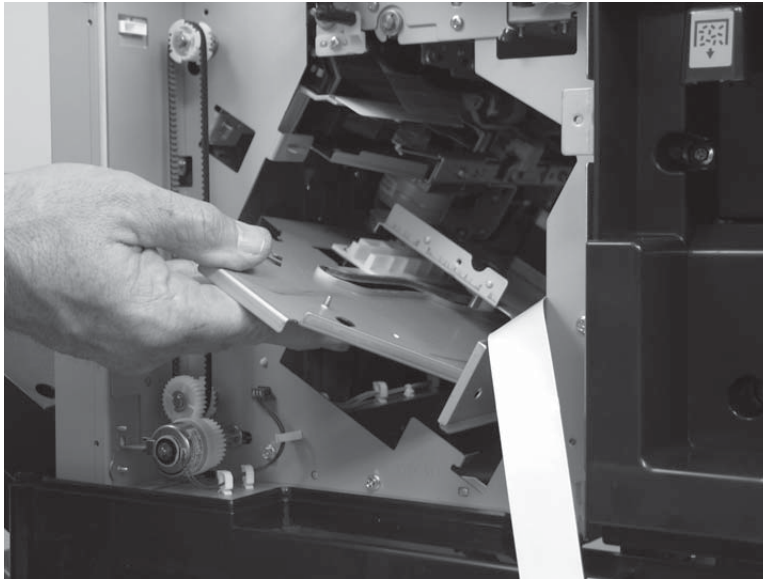
Reinstallation tip: Make sure that the two tabs are engaged in the slots in the chassis when the assembly is reinstalled.

Figure 1-834 Remove the stapler assembly (5 of 7)



- Lift up the stapler assembly.

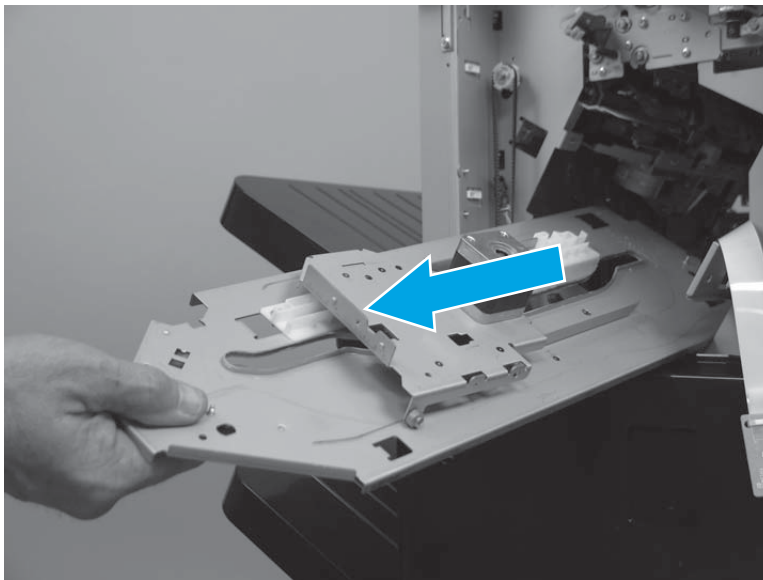
Figure 1-835 Remove the staple assembly (6 of 7)



- Carefully slide the stapler assembly out of the accessory.

TIP: You might have to move the staple assembly up and down, and rotate it right and left, as you slide it out of the accessory to completely remove it.

Figure 1-836 Remove the staple assembly (7 of 7)



Paper detect holder assembly

Before proceeding, remove the following assemblies:

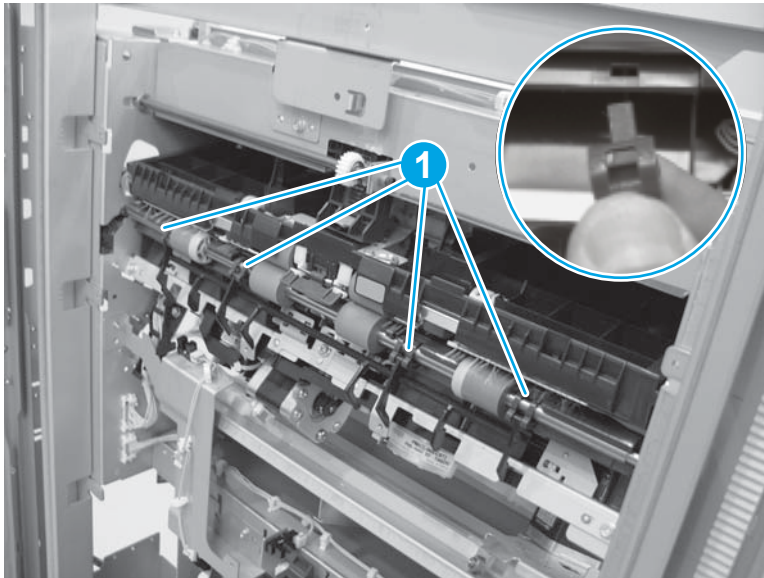
- Open/closed stepped cover assembly. See [Open/closed stepped cover assembly on page 471](#).
- Upper stepped cover assembly. See [Upper stepped cover assembly on page 472](#).
- Lower stepped cover assembly. See [Lower stepped cover assembly on page 474](#).
- Bin cable guide cover. See [Bin cable guide cover on page 492](#).
- Rear cover assembly. See [Rear cover assembly on page 496](#).
- Stack wall upper cover. See [Stack wall upper assembly and upper wall guide assembly on page 518](#).
- Stack upper bin and lower bin assembly. See [Stack upper bin and lower bin assemblies on page 540](#).
- Height wall assembly. See [Height wall assembly on page 546](#).

Remove the paper detect holder assembly

To remove the paper detect assembly, start at one end, grip each snap fastener at the base, and gently pull them to remove one at a time.

CAUTION: The assembly is very fragile. Grip the assembly by the snap fasteners (callout 1) and not by the arm.

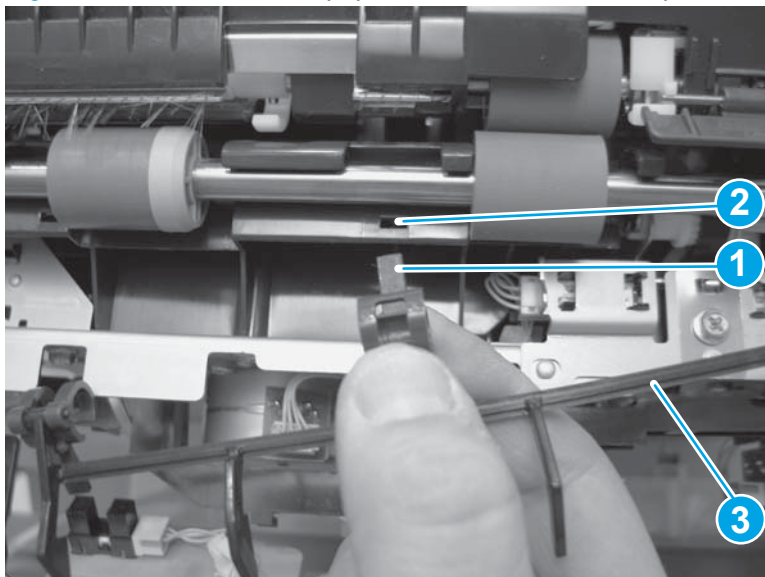
Figure 1-837 Remove the paper detect holder assembly



Reinstall the paper detect holder assembly

When reinstalling, the small tab (callout 1) on each snap fastener must be inserted into a hole (callout 2). The paper detect assembly (callout 3) will not work properly if the tabs are not installed correctly.

Figure 1-838 Reinstall the paper detect holder assembly



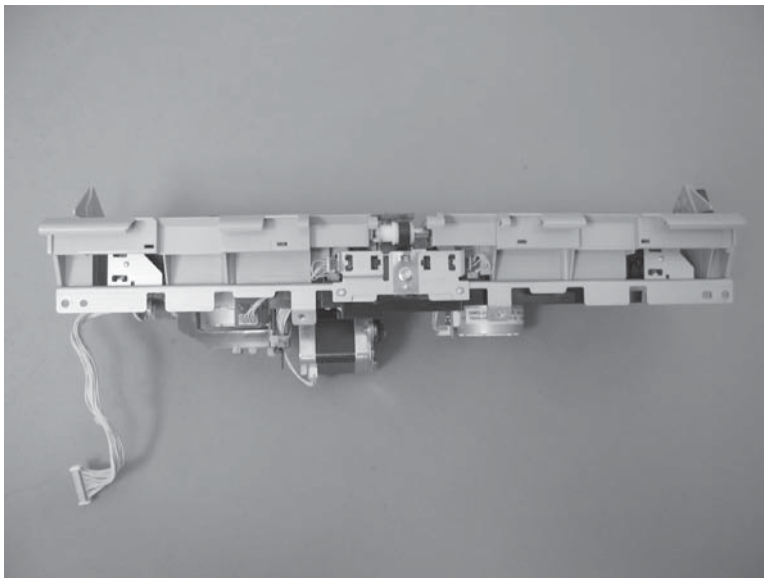
Operation tray assembly

Before proceeding, remove the following assemblies:


- Open/closed stepped cover assembly. See [Open/closed stepped cover assembly on page 471](#).
- Upper stepped cover assembly. See [Upper stepped cover assembly on page 472](#).
- Lower stepped cover assembly. See [Lower stepped cover assembly on page 474](#).
- Front door. See [Front door on page 479](#).
- Inner upper cover assembly. See [Inner upper cover assembly on page 480](#).
- Bin cable guide cover. See [Bin cable guide cover on page 492](#).
- Rear cover assembly. See [Rear cover assembly on page 496](#).
- Main controller PCA assembly. See [Main controller PCA assembly on page 498](#).
- Stack wall upper cover assembly. See [Stack wall upper assembly and upper wall guide assembly on page 518](#).
- Stack upper bin and lower bin assembly. See [Stack upper bin and lower bin assemblies on page 540](#).
- Height wall assembly. See [Height wall assembly on page 546](#).
- Paper detect holder assembly. See [Paper detect holder assembly on page 562](#).

The following figure shows the operation tray assembly. Use this figure to identify the assembly in the accessory.

Figure 1-839 Identify the operation tray assembly

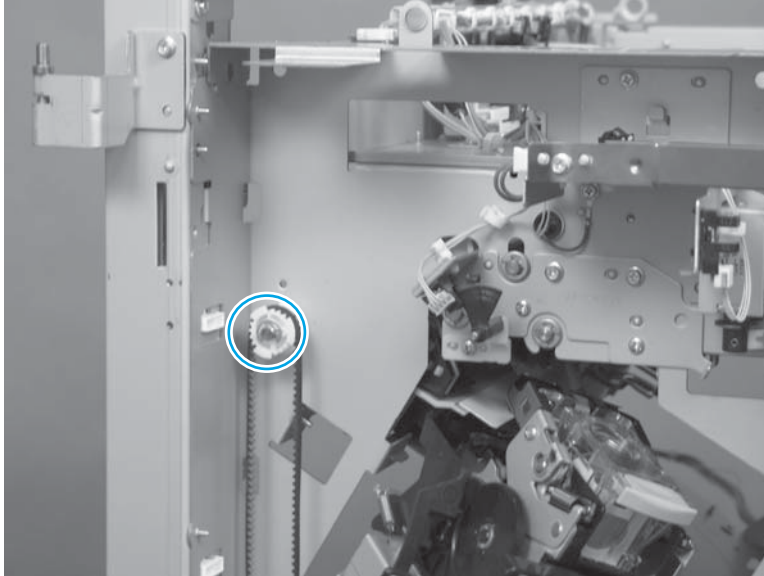


Remove the operation tray assembly


 **NOTE:** Some of the figures in this procedure show white plastic drive gears. The gears in the accessory are black plastic. However, this removal procedure is correct for this accessory.

1. Remove one e-ring.

Figure 1-840 Remove the operation tray assembly (1 of 11)



- Carefully slide the gear and belt (callout 1) off of the shaft, and then remove the locking pin (callout 2). The locking pin behind the gear is not captive. Do not lose the pin when removing the gear and belt.

 **TIP:** Before removing the gear, rotate the gear until the lines on the gear face are vertical. This horizontally aligns the pin, and minimizes the possibility of it falling into the accessory when the gear is removed.

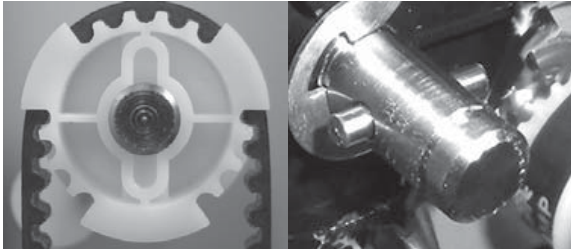
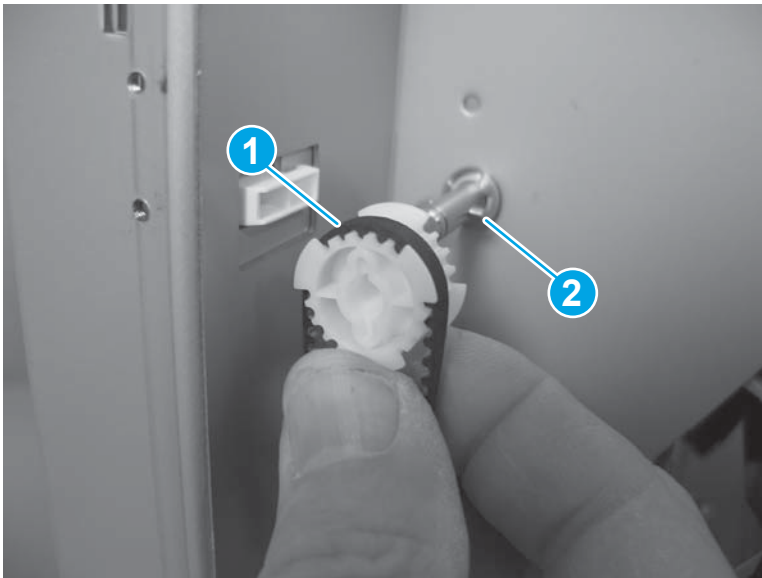


Figure 1-841 Remove the operation tray assembly (2 of 11)



3. Remove one e-ring.

Figure 1-842 Remove the operation tray assembly (3 of 11)



4. Remove one small-flat washer and one bearing.


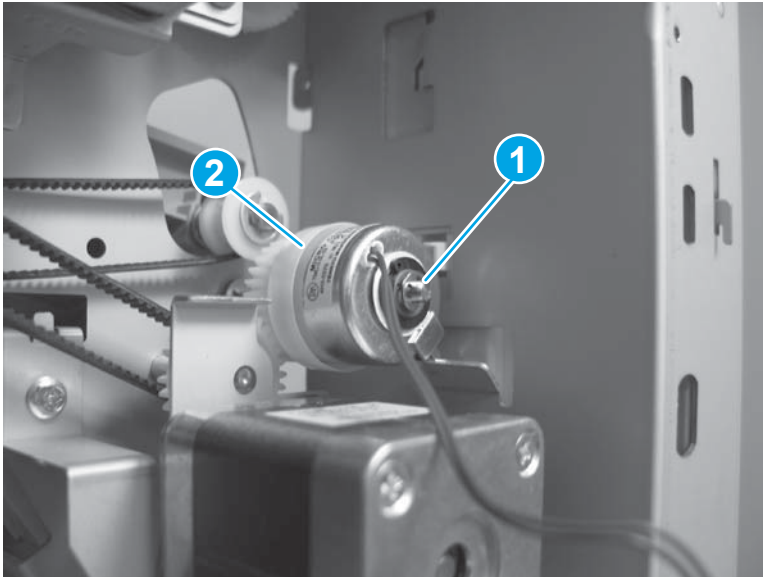
 **TIP:** It is easier to remove the washer and bearing by using a small flat-blade screwdriver.

Figure 1-843 Remove the operation tray assembly (4 of 11)



5. At the rear of the accessory, remove one e-ring (callout 1), and then slide the clutch (callout 2) off of the shaft to remove it.

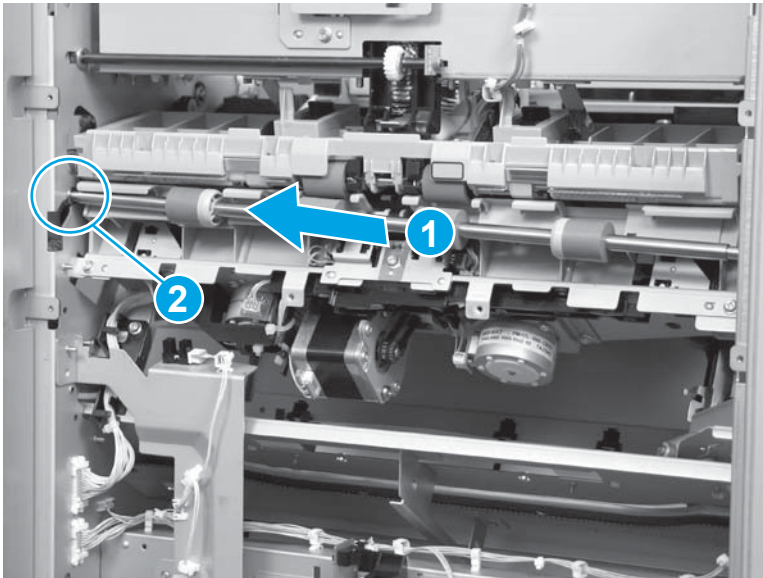
Figure 1-844 Remove the operation tray assembly (5 of 11)



6. Slide the stack-delivery roller to the left (callout 1) to release the bearing (callout 2).

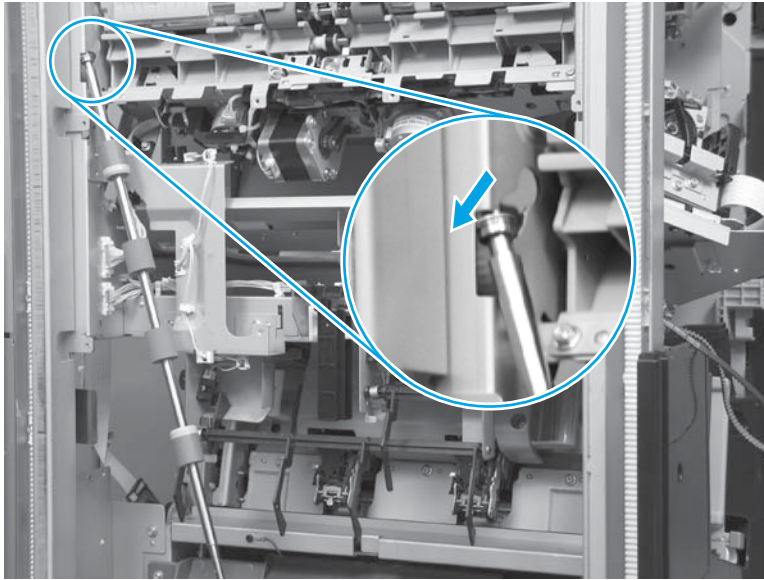
CAUTION: Avoid touching the rollers on the assembly. Skin oils can cause paper handling problems.

Figure 1-845 Remove the operation tray assembly (6 of 11)



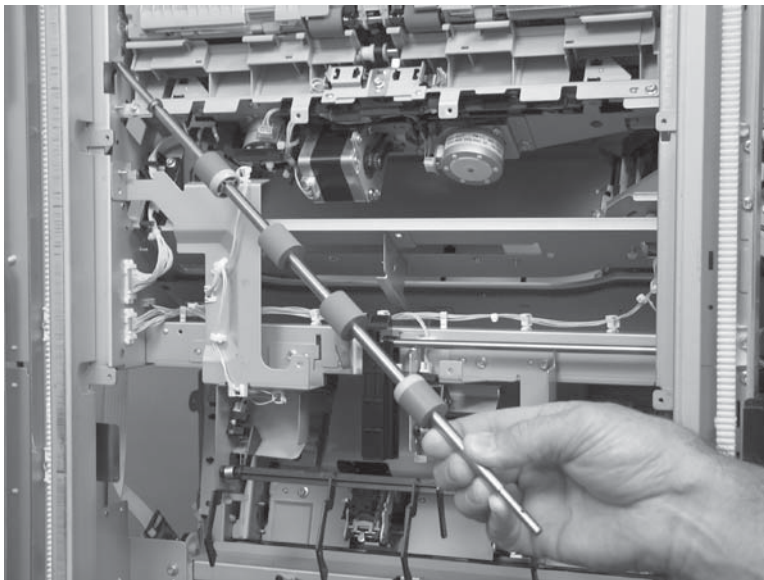
7. Carefully slide the bearing down the slot in the chassis.

Figure 1-846 Remove the operation tray assembly (7 of 11)



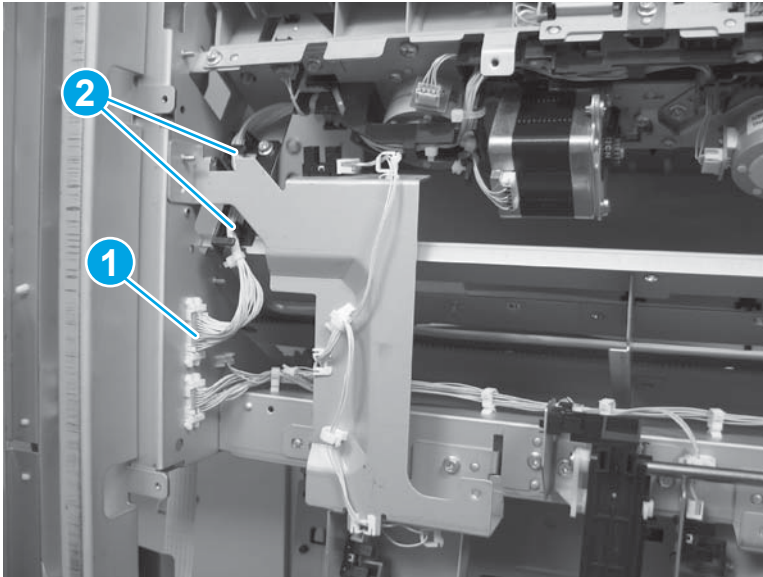
8. Remove the stack-delivery roller.

Figure 1-847 Remove the operation tray assembly (8 of 11)



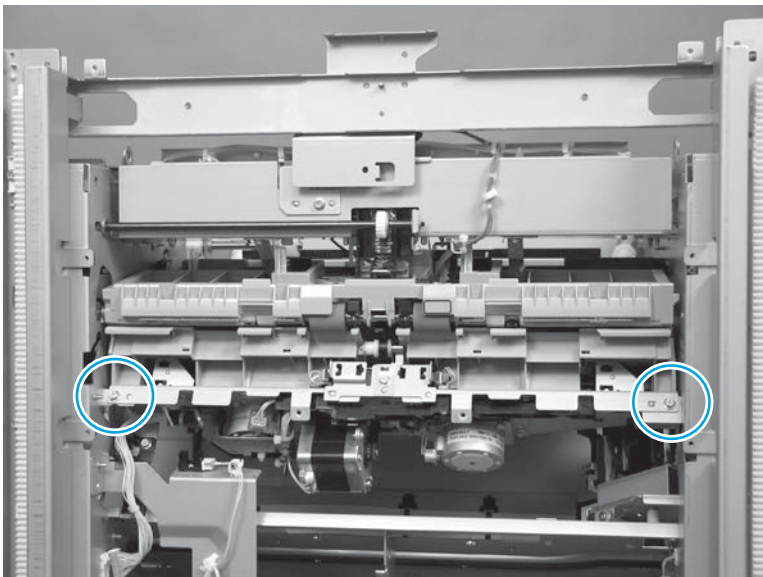
9. Disconnect one connector (callout 1), and then release the wire harness from the guide (callout 2).

Figure 1-848 Remove the operation tray assembly (9 of 11)



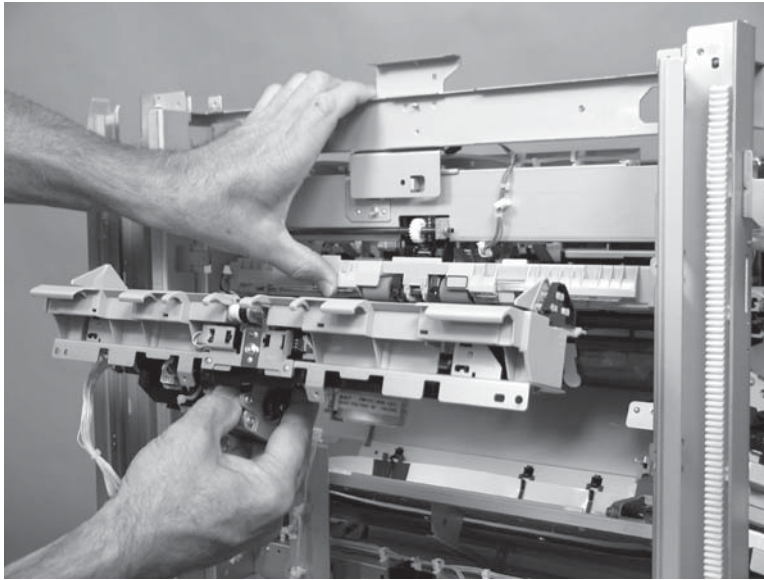
10. Remove two screws.

Figure 1-849 Remove the operation tray assembly (10 of 11)



11. Raise the swing guide assembly, and then remove the operation tray assembly.

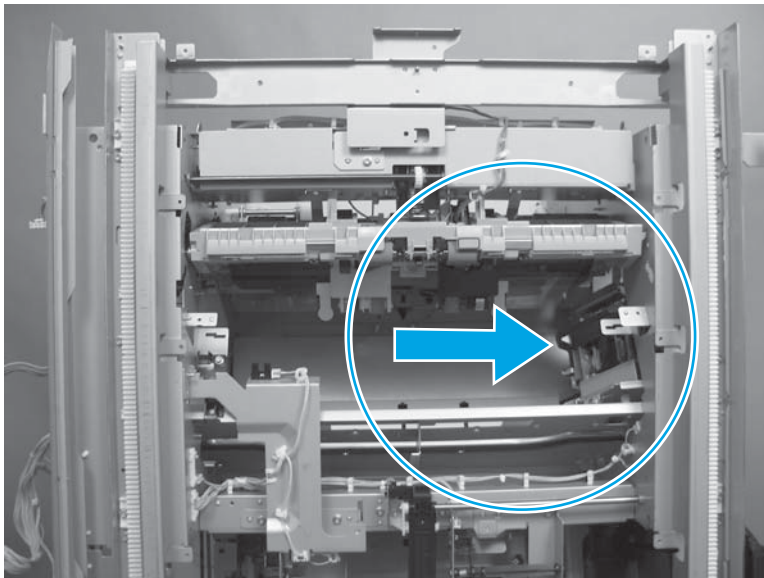
Figure 1-850 Remove the operation tray assembly (11 of 11)



Reinstall the operation tray assembly

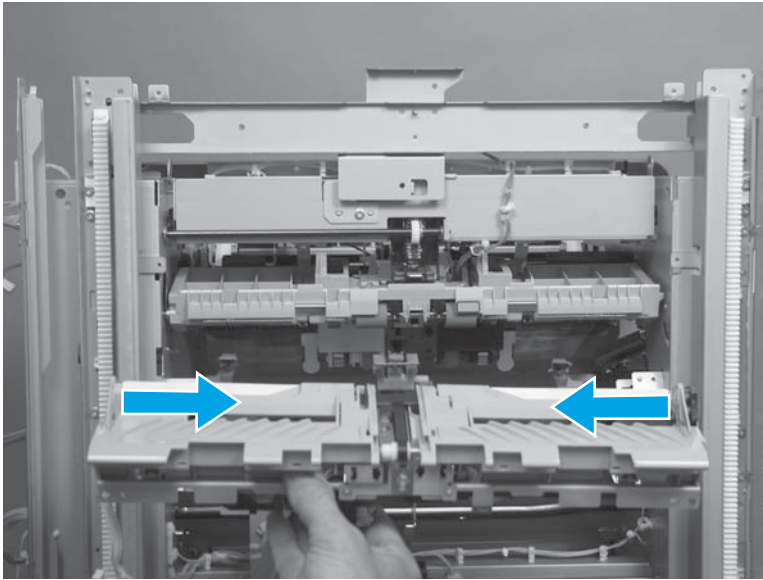
1. Before installing the operation tray assembly, make sure that the staple assembly is out of the way.

Figure 1-851 Reinstall the operation tray assembly (1 of 5)



2. On the assembly, slide the joggers to the inside position.

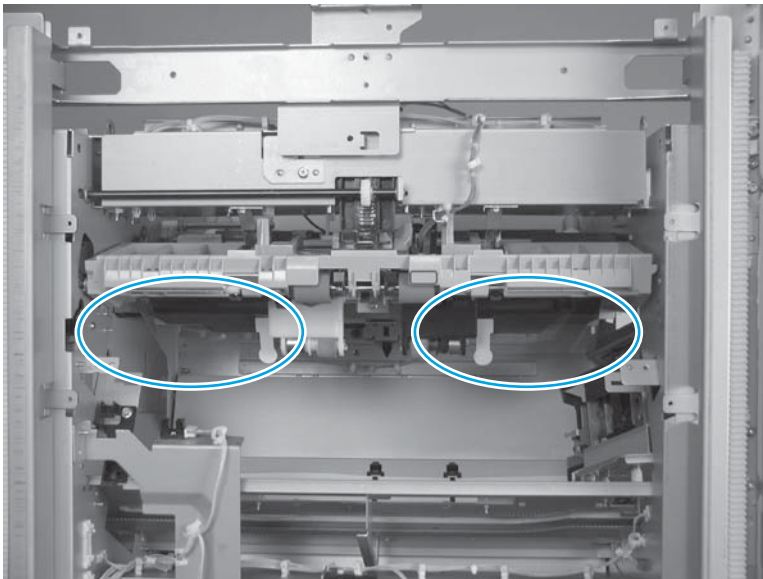
Figure 1-852 Reinstall the operation tray assembly (2 of 5)



3. When the assembly is installed, do not damage the mylar sheets inside the accessory.

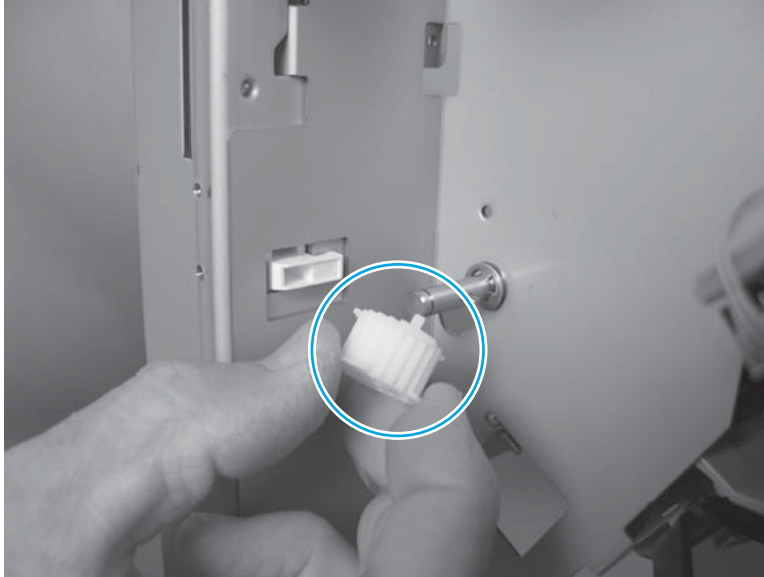
Locate the plastic pin on the back side of the gear. Install the gear with this pin facing the chassis. Then rotate the shaft so the hole is horizontal. Insert the metal locking pin, and then place the belt on the gear and slide the gear on the shaft so that it aligns with the locking pin in the slots on the gear.

Figure 1-853 Reinstall the operation tray assembly (3 of 5)




4. Before installing the drive gear, make sure that it will be positioned on the shaft with the white-plastic pin on the back of the gear facing the chassis.

Figure 1-854 Reinstall the operation tray assembly (4 of 5)



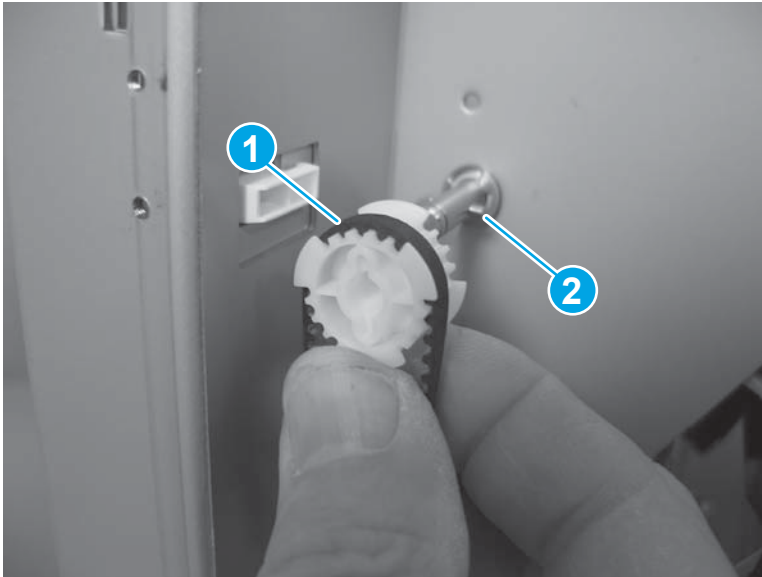
5. Rotate the shaft so that the locking pin hole is horizontal, install the locking pin (callout 1), place the belt on the gear, and then slide the gear onto the shaft (callout 2).

 **TIP:** Rotate the gear until the lines on the gear face are vertical so that the slot on the back side of the gear for the locking pin is horizontally aligned.

When the gear is correctly installed on the shaft, the shaft should rotate when the gear is rotated—the gear should not freely rotate on the shaft.



Figure 1-855 Reinstall the operation tray assembly (5 of 5)



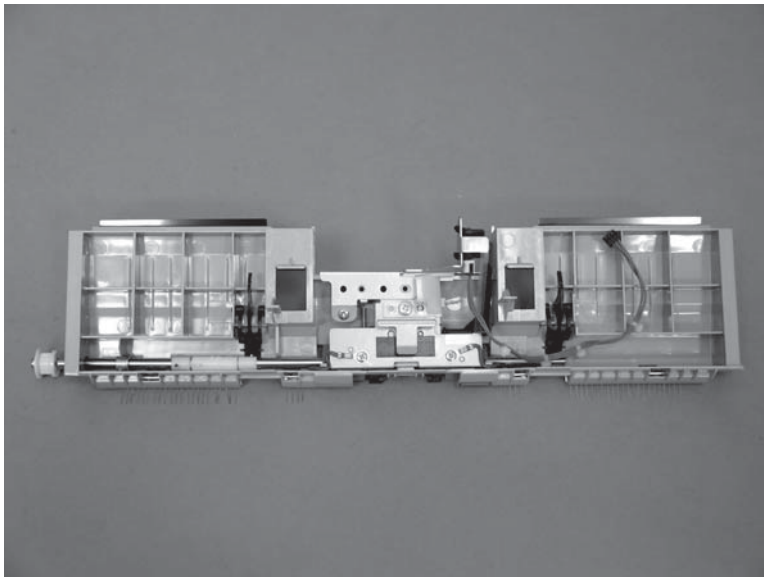
Swing guide assembly

Before proceeding, remove the following assemblies:

- Open/closed stepped cover assembly. See [Open/closed stepped cover assembly on page 471](#).
- Upper stepped cover assembly. See [Upper stepped cover assembly on page 472](#).
- Lower stepped cover assembly. See [Lower stepped cover assembly on page 474](#).
- Top door assembly. See [Top door assembly on page 478](#).
- Front door. See [Front door on page 479](#).
- Inner upper cover assembly. See [Inner upper cover assembly on page 480](#).
- Bin cable guide cover. See [Bin cable guide cover on page 492](#).
- Rear cover assembly. See [Rear cover assembly on page 496](#).
- Main controller PCA assembly. See [Main controller PCA assembly on page 498](#).
- Stack wall upper cover assembly. See [Stack wall upper assembly and upper wall guide assembly on page 518](#).
- Stack upper bin and lower bin assembly. See [Stack upper bin and lower bin assemblies on page 540](#).
- Height wall assembly. See [Height wall assembly on page 546](#).
- Paper detect holder assembly. See [Paper detect holder assembly on page 562](#).
- Operation tray assembly. See [Operation tray assembly on page 564](#).

The following figure shows the swing guide assembly. Use this figure to identify the assembly in the accessory.

Figure 1-856 Identify the operation tray assembly



Remove the swing guide assembly

1. Look inside the accessory where the operation tray assembly was removed. Locate and remove one e-ring.


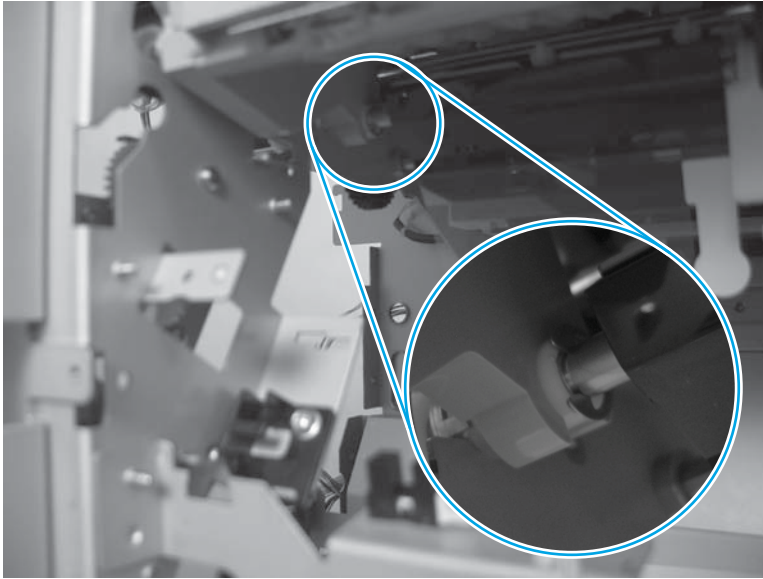
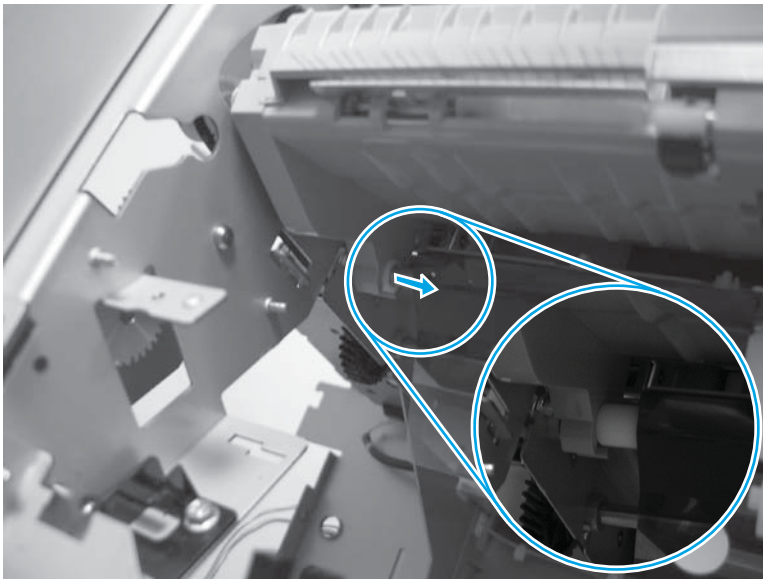
 **NOTE:** This e-ring is located on the inside rear wall of the chassis.

Figure 1-857 Remove the swing guide assembly (1 of 12)



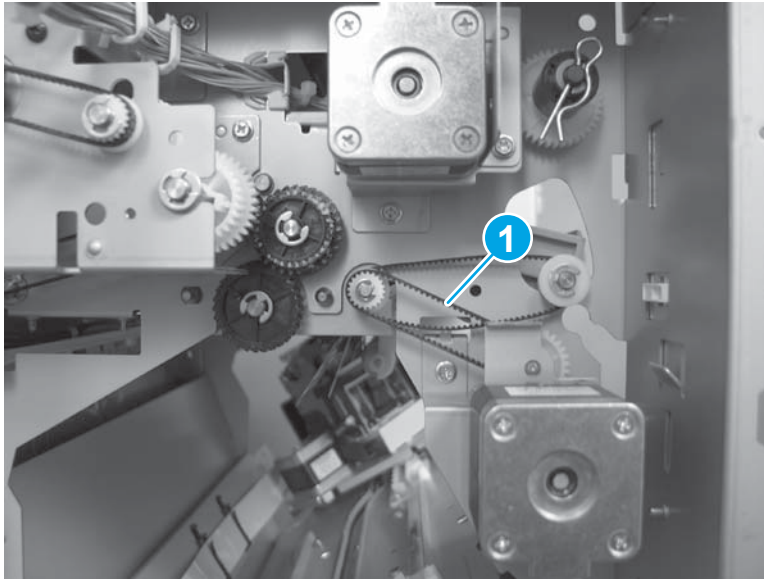
2. Slide the white-plastic bushing out of the holder.

Figure 1-858 Remove the swing guide assembly (2 of 12)



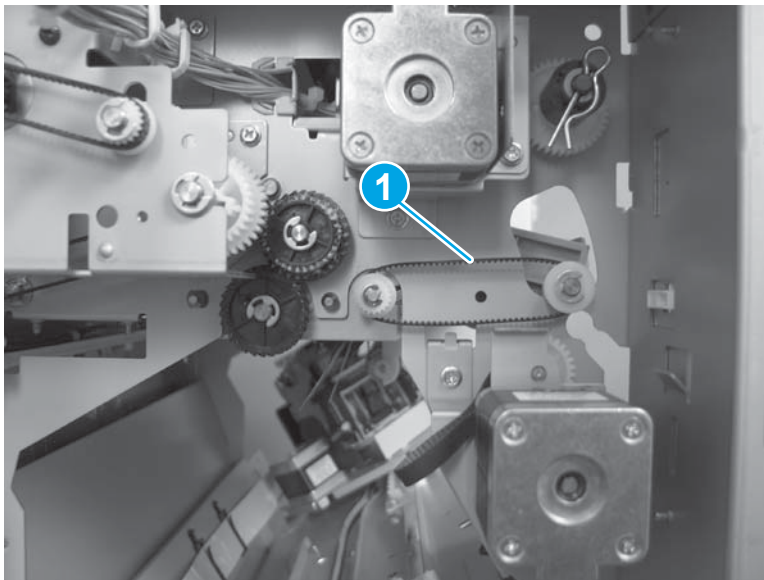
3. Release one belt (callout 1), and then move it out of the way.

Figure 1-859 Remove the swing guide assembly (3 of 12)



4. Remove one belt (callout 1).

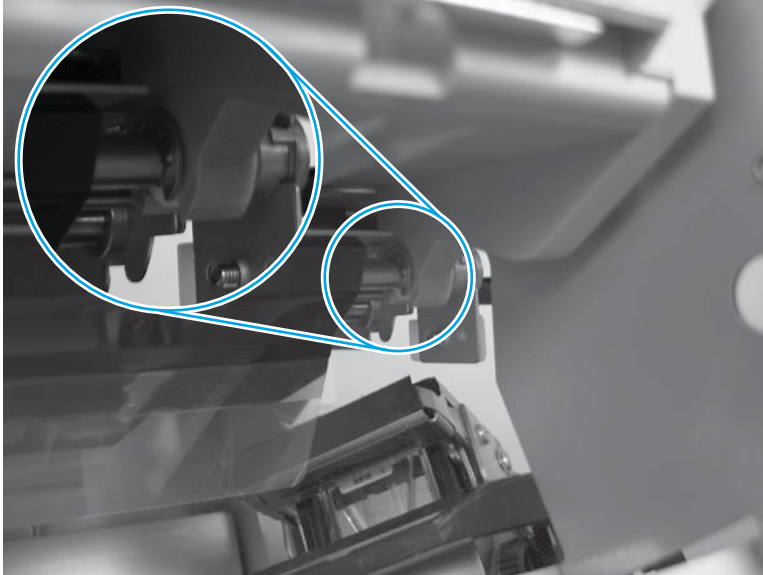
Figure 1-860 Remove the swing guide assembly (4 of 12)



5. Look inside the accessory where the operation tray assembly was removed. Locate and remove one e-ring. Slide the bushing out of the holder.

 **NOTE:** This e-ring and bushing are located on the inside front wall of the chassis.

Figure 1-861 Remove the swing guide assembly (5 of 12)



6. At the top of the accessory, disconnect one connector (callout 1), and then release the wire harness from one retainer (callout 2).


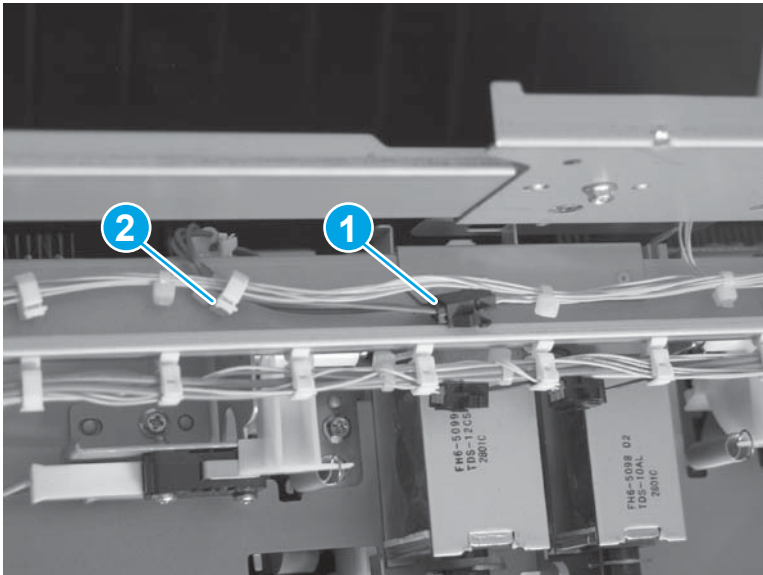
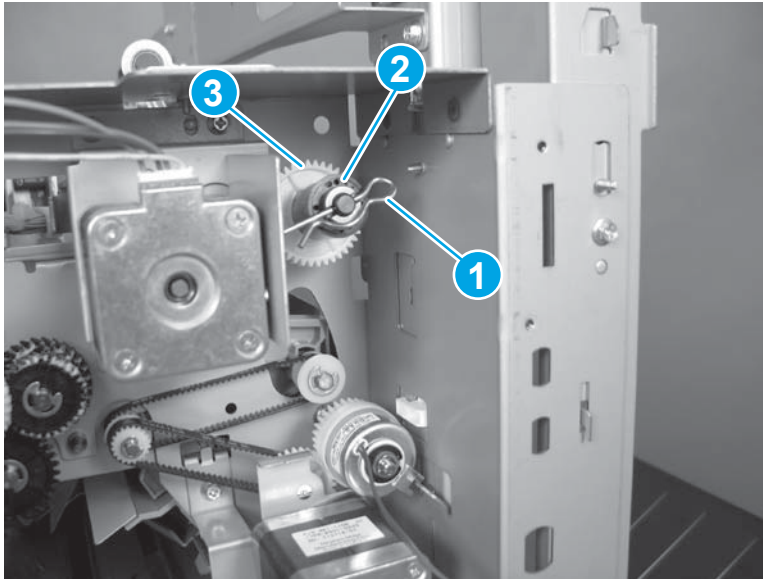
 **TIP:** Follow the wire harness to the swing guide assembly, and release two more retainers (not shown) on the front and bottom of the cross member assembly.

Figure 1-862 Remove the swing guide assembly (6 of 12)



7. At the rear of the accessory, remove one retainer pin (callout 1), and then slide the clutch (callout 2) and gear (callout 3) off the shaft to remove them.

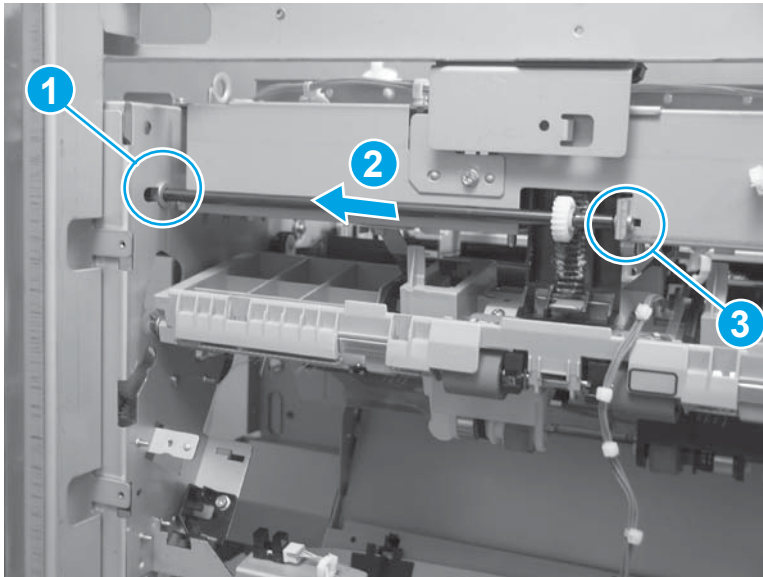
Figure 1-863 Remove the swing guide assembly (7 of 12)



8. At the output side of the accessory, remove one e-ring (callout 1), slide the gear shaft to the left (callout 2), and then remove one bushing (callout 3).

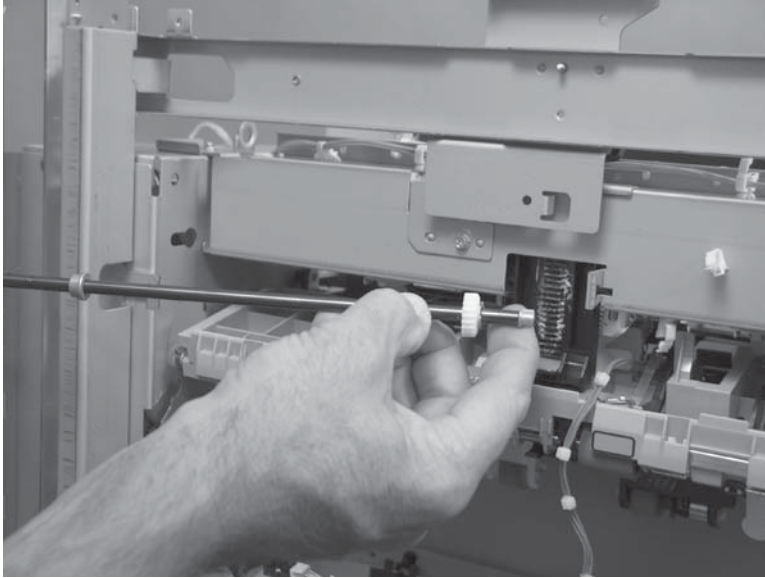
⚠ CAUTION: Do not lose the bushing (callout 3).

Figure 1-864 Remove the swing guide assembly (8 of 12)



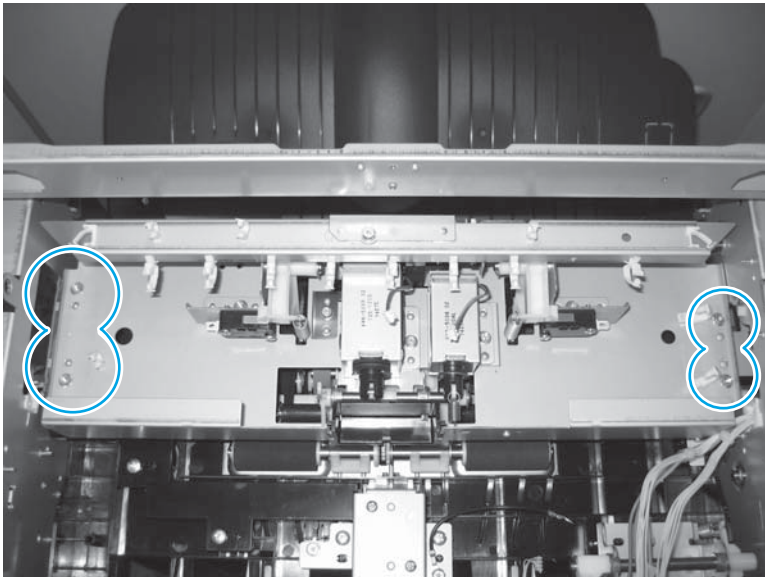
9. Remove the gear-shaft assembly.

Figure 1-865 Remove the swing guide assembly (9 of 12)



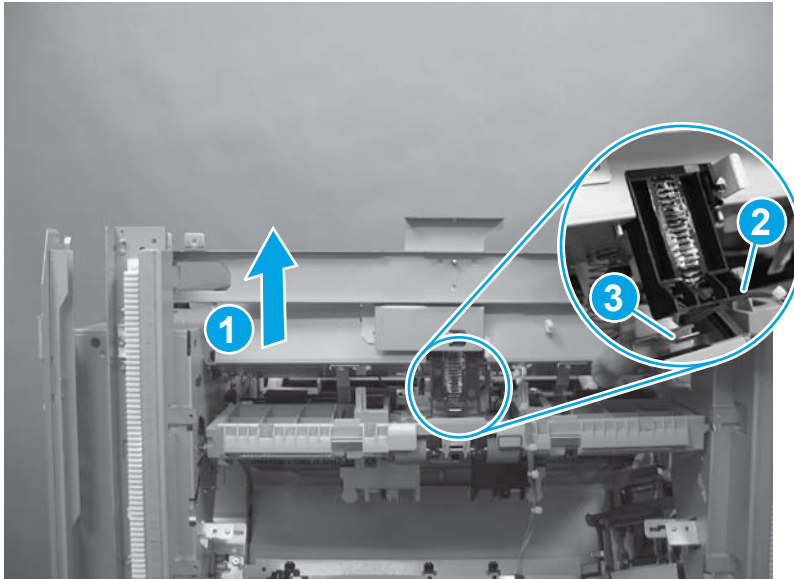
10. At the top of the accessory, loosen, but do not remove, four screws on the upper cross member assembly.

Figure 1-866 Remove the swing guide assembly (10 of 12)



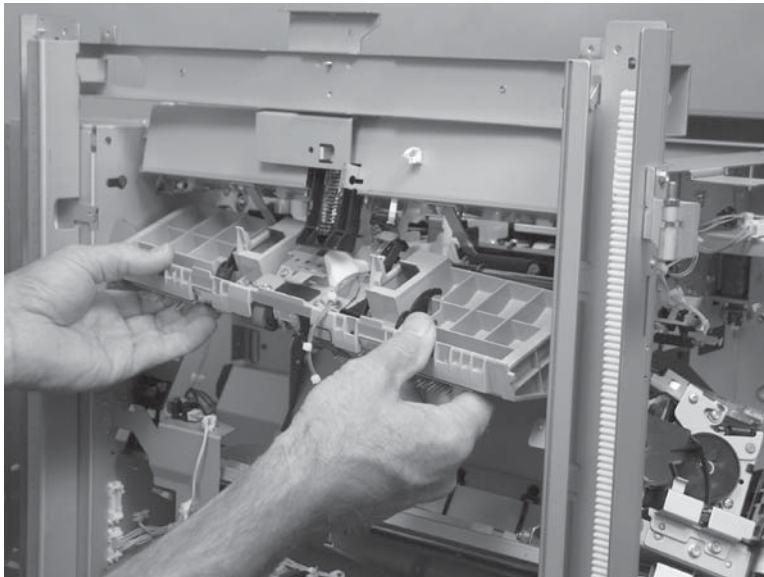
11. Carefully lift up on the edge of the upper cross member assembly (callout 1), and then separate the black-plastic gear rack (callout 2) from the sheet-metal tab (callout 3).

Figure 1-867 Remove the swing guide assembly (11 of 12)




12. Carefully remove the swing guide assembly.

Figure 1-868 Remove the swing guide assembly (12 of 12)



Reinstall the swing guide assembly

1. After the swing guide is reinstalled, verify that the two pivot arms on the upper cross member are positioned in front of the pins (callout 1), and that the locking bar is seated in the cradle (callout 2).

 **NOTE:** Do not forget to retighten the four upper cross member mounting screws.


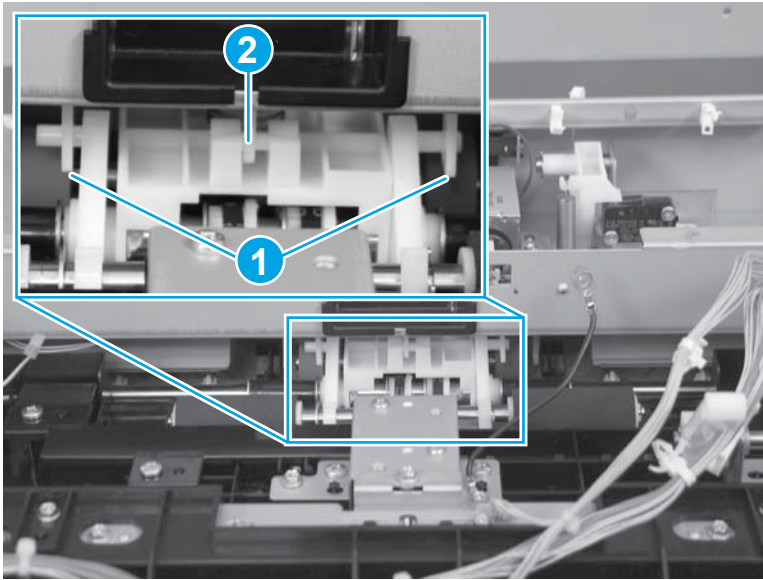
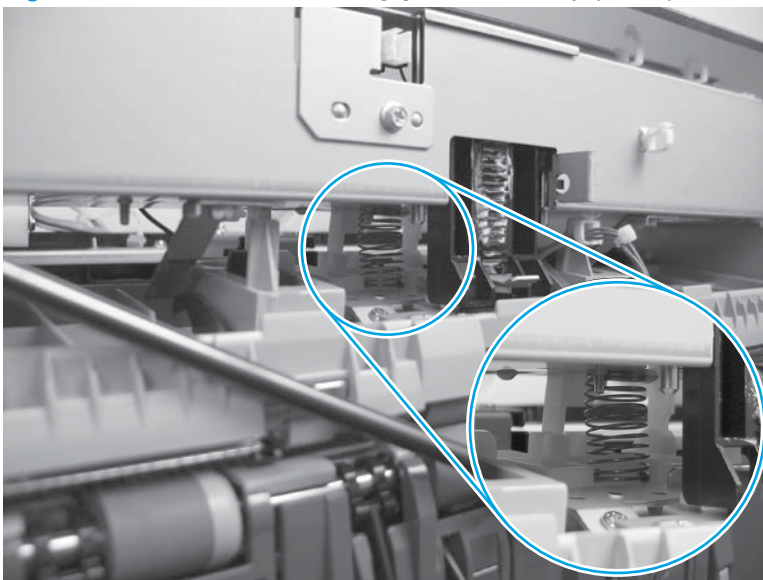
 **Reinstallation tip:** If the swing guide assembly is removed and replaced and the message **13.60.A1 Jam in Top Left Door** appears on the control panel display (or in the event log) after the product power is turned on, the two pivot arms or the locking bar might not have been properly installed.

Figure 1-869 Reinstall the swing guide assembly (1 of 7)



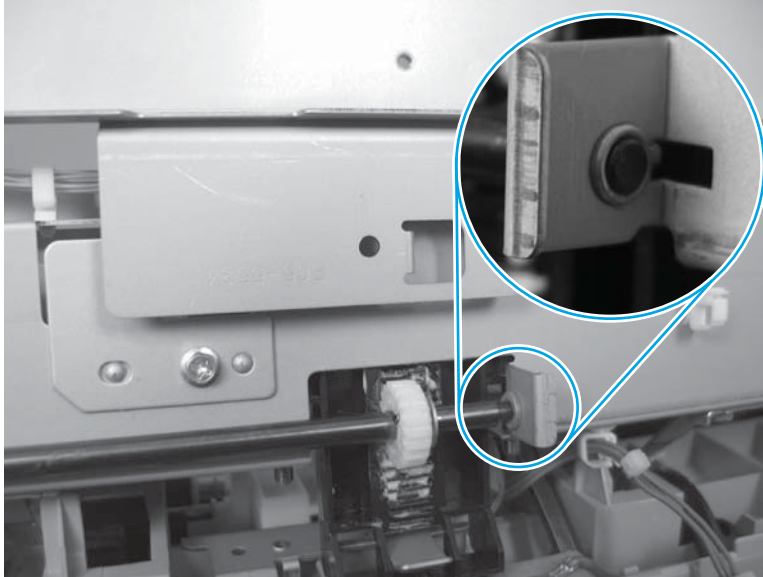
2. Verify that the spring underneath the upper cross member assembly is correctly positioned.

Figure 1-870 Reinstall the swing guide assembly (2 of 7)



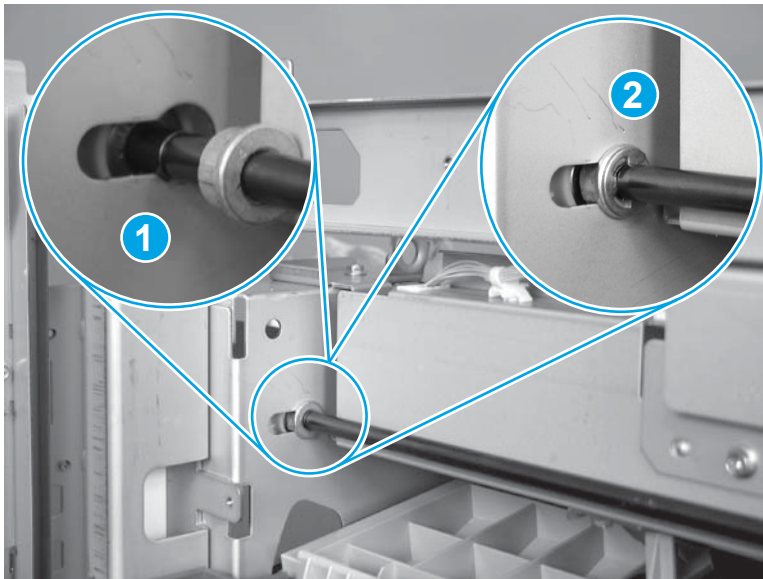
3. To reinstall the gear shaft right-side bushing, align the keyed portion of the bushing with the slot in the chassis mounting tab.

Figure 1-871 Reinstall the swing guide assembly (3 of 7)



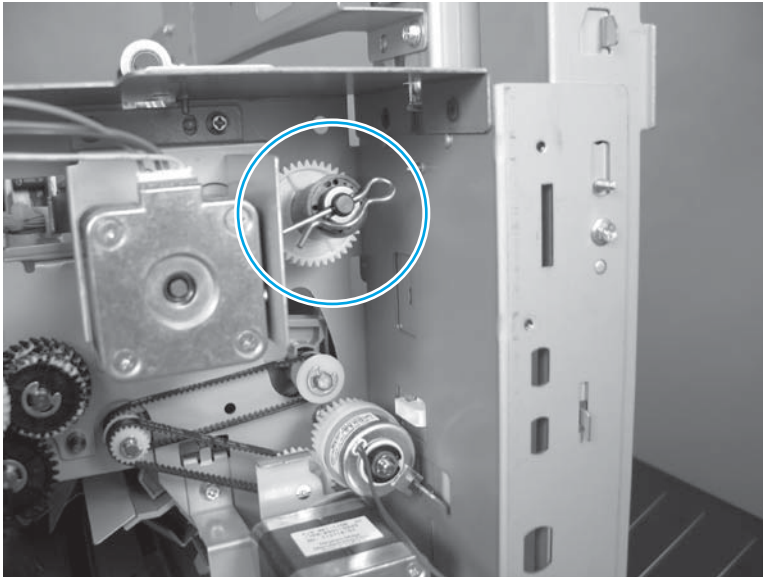
4. To reinstall the gear shaft left-side bushing, align the keyed portion of the bushing with the slot in the chassis (callout 1), and then install the e-ring (callout 2).

Figure 1-872 Reinstall the swing guide assembly (4 of 7)



5. Make sure that the clutch is correctly position on the gear—two tabs on the clutch engage two slots on the gear face—and that the pin is positioned in the slot on the end of the shaft.

Figure 1-873 Reinstall the swing guide assembly (5 of 7)



6. Recheck the locking bar underneath the upper cross member assembly. Verify that it is correctly positioned in the cradle. If it is not correctly positioned, slightly lift up the upper cross member assembly and reposition the locking bar in the cradle.


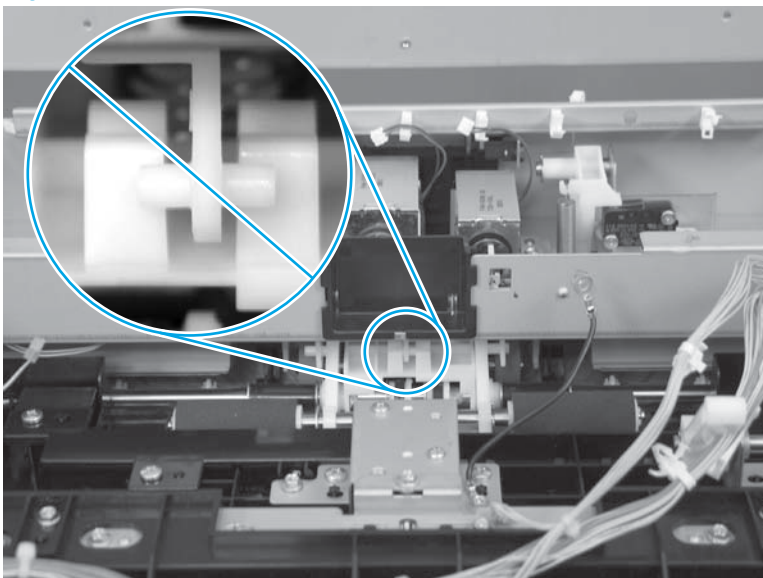
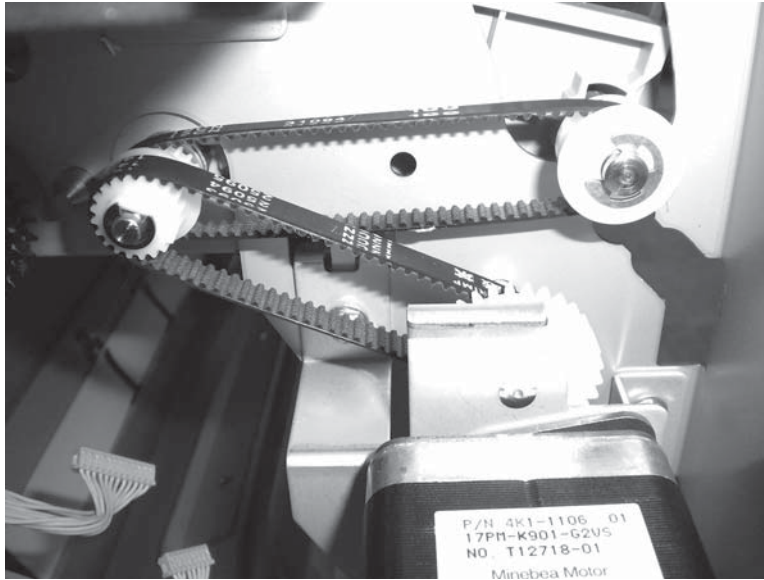
 **TIP:** If necessary, slightly loosen, but do not remove, the assembly mounting screws to allow the assembly to be lifted up. Make sure that you retighten the mounting screws.

Figure 1-874 Reinstall the swing guide assembly (6 of 7)



7. Make sure that the drive belts are correctly installed.

Figure 1-875 Reinstall the swing guide assembly (7 of 7)



Return roller assembly

Before proceeding, remove the following assemblies:

- Latch lower covers (front and rear). See [Latch lower covers \(front and rear\) on page 468](#).
- Open/closed stepped cover assembly. See [Open/closed stepped cover assembly on page 471](#).
- Upper stepped cover assembly. See [Upper stepped cover assembly on page 472](#).
- Lower stepped cover assembly. See [Lower stepped cover assembly on page 474](#).
- Top door assembly. See [Top door assembly on page 478](#).
- Front door. See [Front door on page 479](#).
- Inner upper cover assembly. See [Inner upper cover assembly on page 480](#).
- Bin cable guide cover. See [Bin cable guide cover on page 492](#).
- Rear cover assembly. See [Rear cover assembly on page 496](#).
- Main controller PCA assembly. See [Main controller PCA assembly on page 498](#).
- Stack wall upper cover assembly. See [Stack wall upper assembly and upper wall guide assembly on page 518](#).
- Stack upper bin and lower bin assembly. See [Stack upper bin and lower bin assemblies on page 540](#).
- Height wall assembly. See [Height wall assembly on page 546](#).
- Paper detect holder assembly. See [Paper detect holder assembly on page 562](#).
- Operation tray assembly. See [Operation tray assembly on page 564](#).
- Swing guide assembly. See [Swing guide assembly on page 575](#).

Remove the return roller assembly

1. Disconnect one connector (callout 1), release two wire retainers (callout 2), and then remove two screws (callout 3).


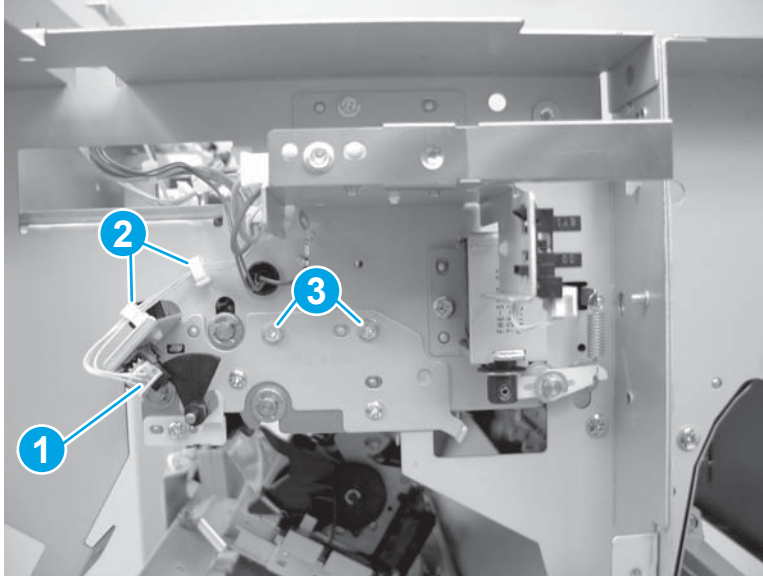
 **TIP:** To make removing the return roller assembly easier, push the stapler assembly all the way inside the accessory.

Figure 1-876 Remove the return roller assembly (1 of 2)



2. Remove the return roller assembly from the front side of the chassis.

 **NOTE:** When you remove the assembly, use both hands to support the return roller.


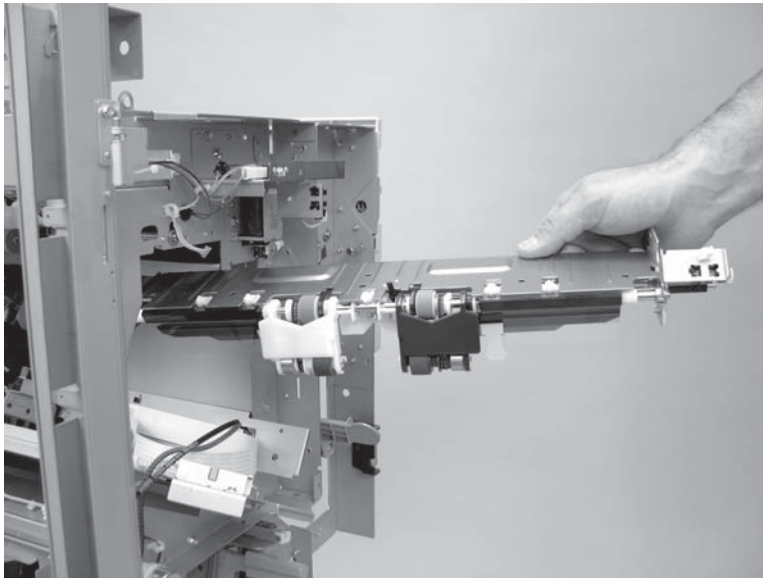
 **TIP:** Do not damage the mylar sheet during removal or replacement.

Figure 1-877 Remove the return roller assembly (2 of 2)



Clutch assembly (rear side)

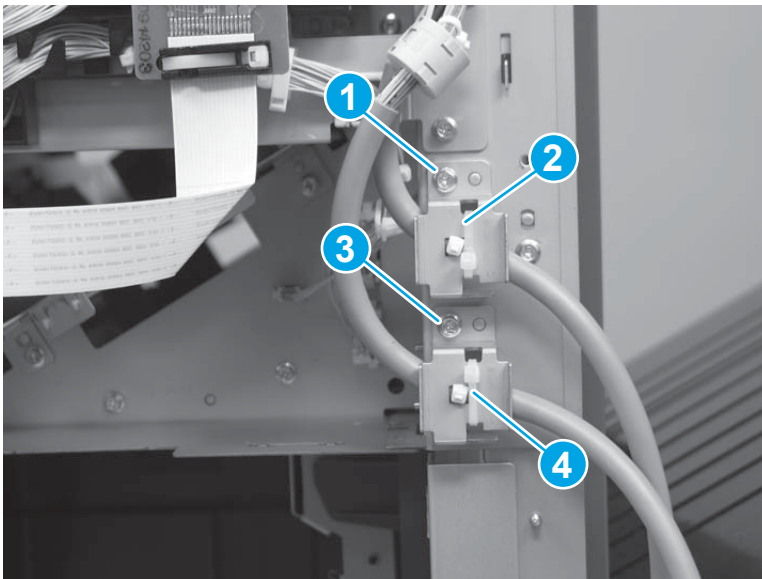
Before proceeding, remove the following assemblies:

- Bin cable guide cover. See [Bin cable guide cover on page 492](#).
- Rear cover assembly. See [Rear cover assembly on page 496](#).

Remove the clutch assembly (rear side)

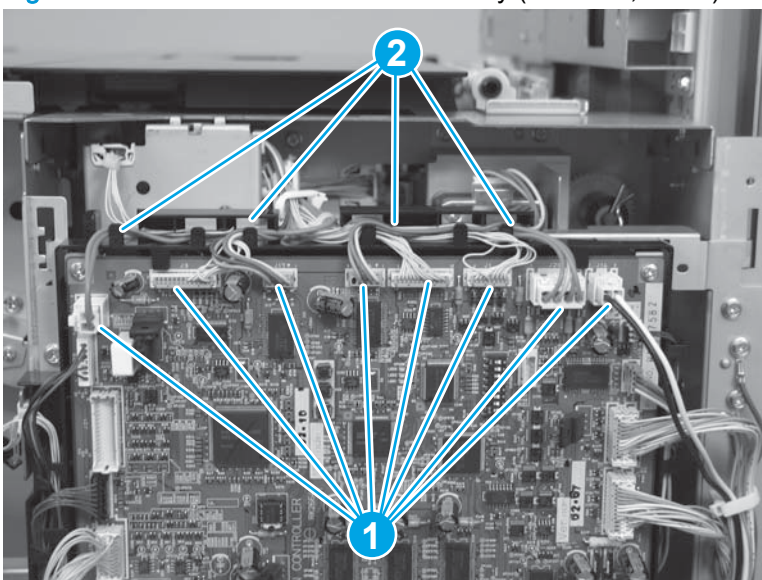
1. Remove one screw (callout 1), and then remove the upper sheet-metal cable retainer (callout 2). Remove one screw (callout 3), and then remove the lower sheet-metal cable retainer (callout 4).

Figure 1-878 Remove the clutch assembly (rear side; 1 of 6)



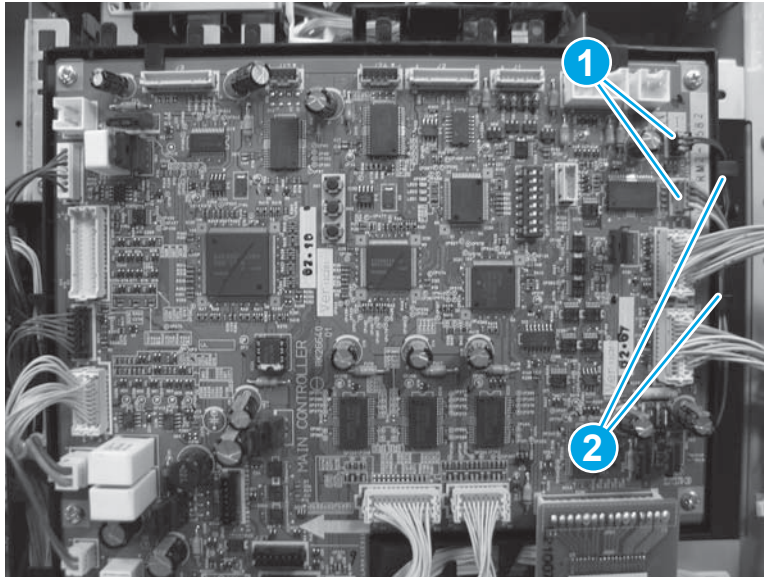
2. Disconnect eight connectors (callout 1), and then release the four wire harnesses from the retainer and guide (callout 2).

Figure 1-879 Remove the clutch assembly (rear side; 2 of 6)



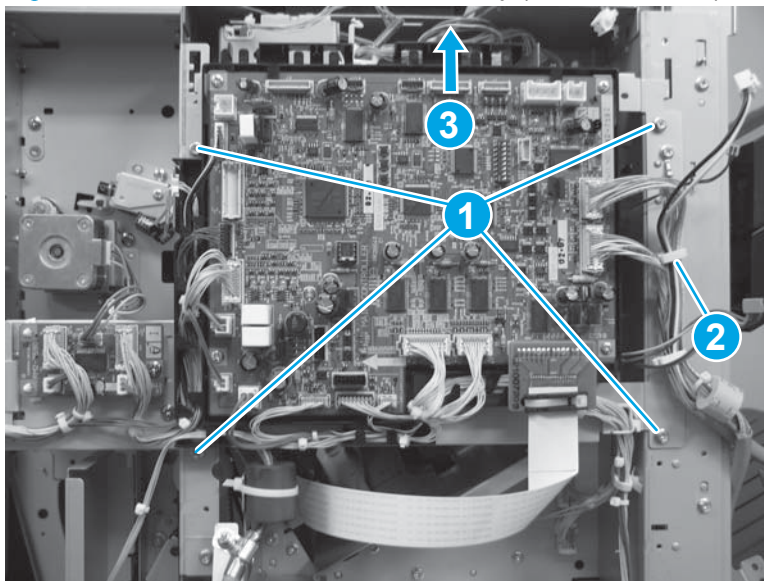
3. Disconnect two connectors (callout 1), and then release the two wire harnesses from the retainers (callout 2).

Figure 1-880 Remove the clutch assembly (rear side; 3 of 6)



4. Remove four screws (callout 1), release the wire harness from one retainer (callout 2), and then slightly lift up on the controller PCA sheet-metal bracket (callout 3) to release it.

Figure 1-881 Remove the clutch assembly (rear side; 4 of 6)



- Carefully rotate the top of the controller PCA away from the chassis and then move it out of the way.


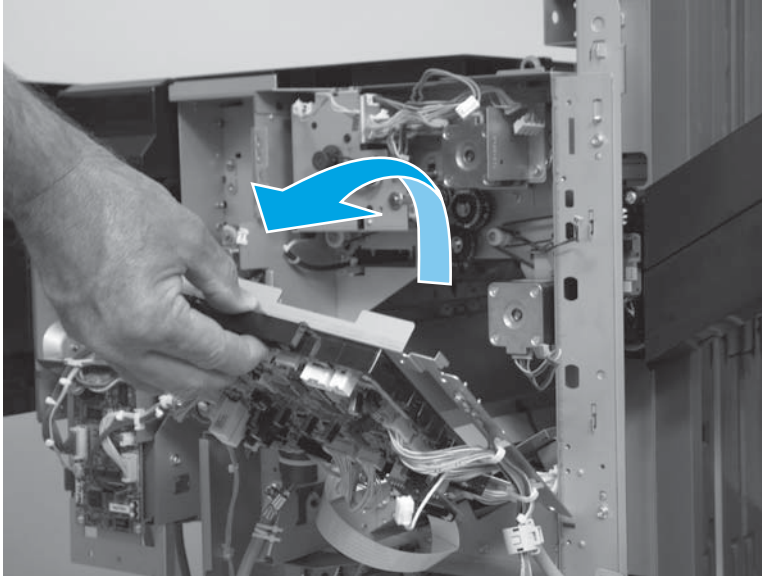
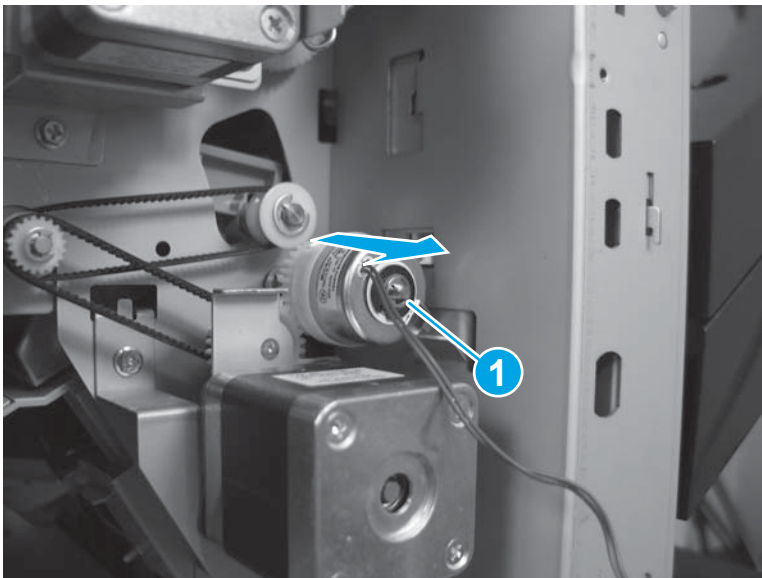
 **NOTE:** If needed, release additional wire harnesses from retainers to make it easier to rotate the PCA out of the way.

Figure 1-882 Remove the clutch assembly (rear side; 5 of 6)



- Remove one e-ring (callout 1), and then slide the clutch off the shaft to remove it.

Figure 1-883 Remove the clutch assembly (rear side; 6 of 6)



Stack ejection motor assembly

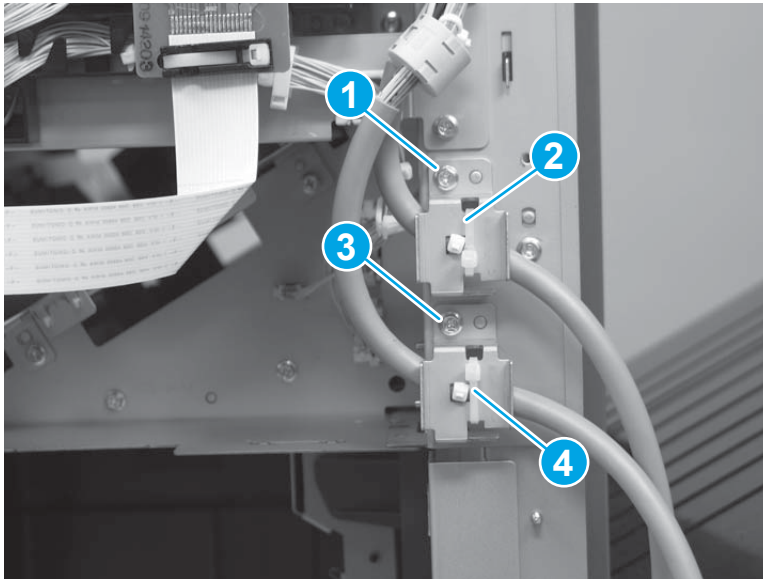
Before proceeding, remove the following assemblies:

- Bin cable guide cover. See [Bin cable guide cover on page 492](#).
- Rear cover assembly. See [Rear cover assembly on page 496](#).

Remove the stack ejection motor assembly

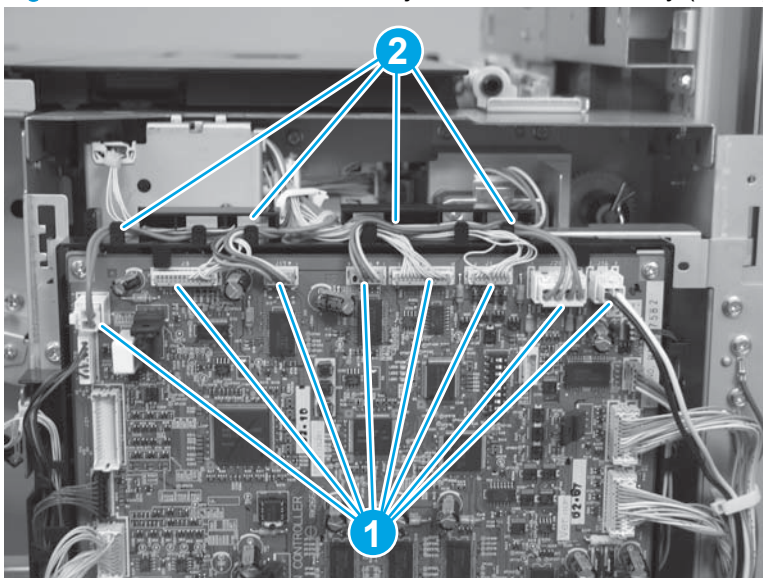
1. Remove one screw (callout 1), and then remove the upper sheet-metal cable retainer (callout 2). Remove one screw (callout 3), and then remove the lower sheet-metal cable retainer (callout 4).

Figure 1-884 Remove the stack ejection motor assembly (1 of 7)



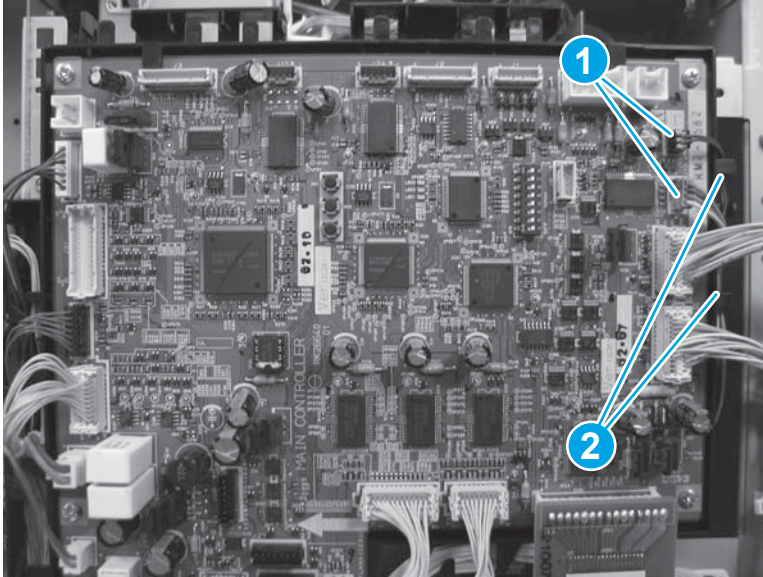
2. Disconnect eight connectors (callout 1), and then release the four wire harnesses from the retainer and guide (callout 2).

Figure 1-885 Remove the stack ejection motor assembly (2 of 7)



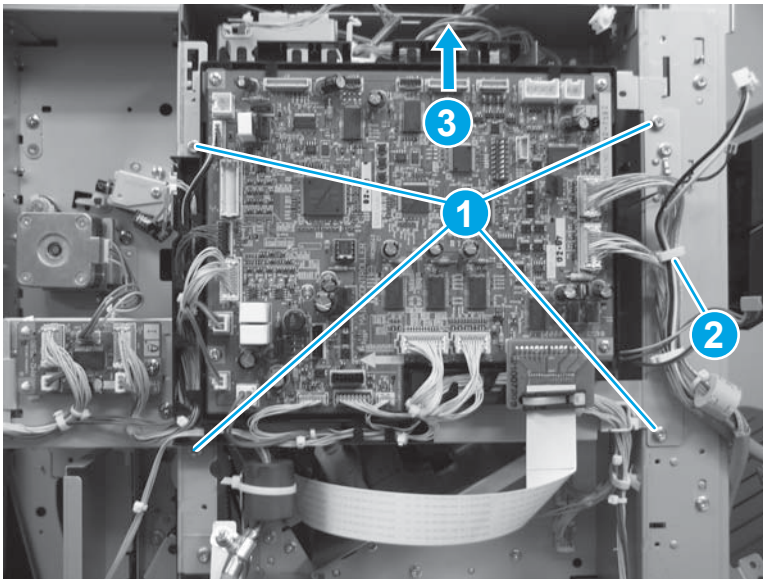
3. Disconnect two connectors (callout 1), and then release the two wire harnesses from the retainers (callout 2).

Figure 1-886 Remove the stack ejection motor assembly (3 of 7)



4. Remove four screws (callout 1), release the wire harness from one retainer (callout 2), and then slightly lift up on the controller PCA sheet-metal bracket (callout 3) to release it.

Figure 1-887 Remove the stack ejection motor assembly (4 of 7)



- Carefully rotate the top of the controller PCA away from the chassis and move it out of the way.


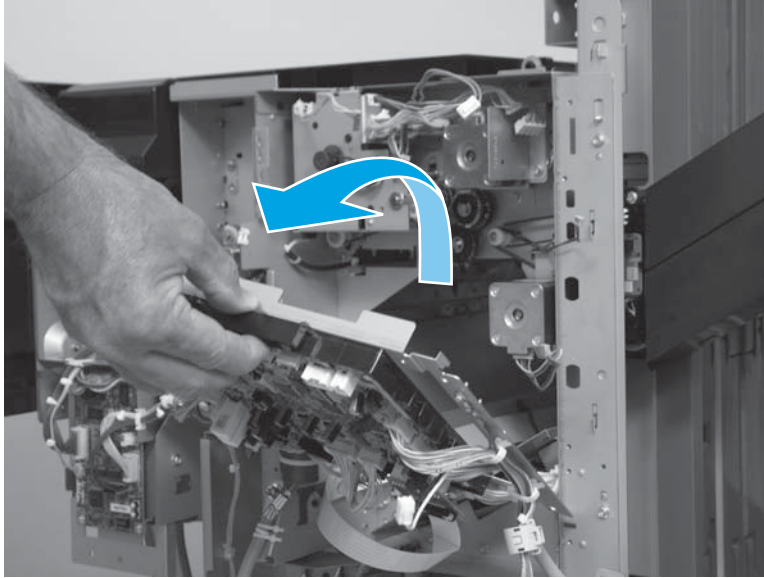
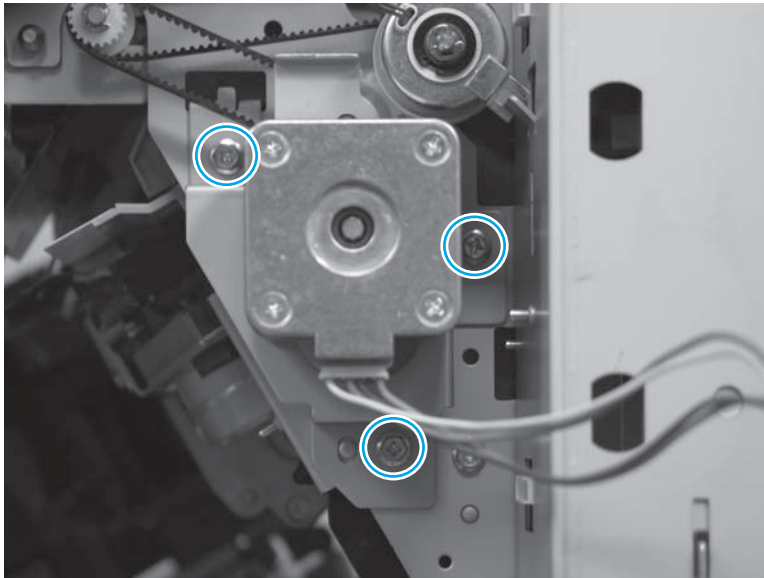
 **NOTE:** If needed, release additional wire harnesses from retainers to make it easier to rotate the PCA out of the way.

Figure 1-888 Remove the stack ejection motor assembly (5 of 7)



- Remove three screws.

Figure 1-889 Remove the stack ejection motor assembly (6 of 7)

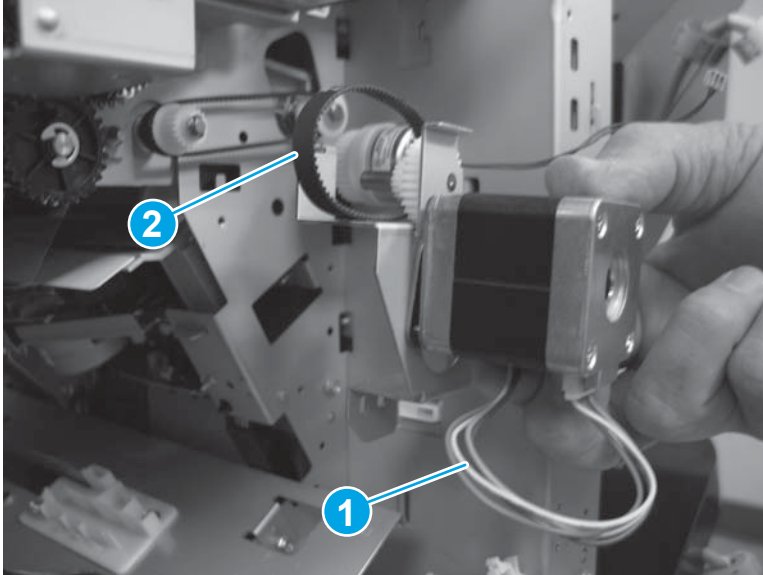


7. Remove the motor and drive belt.

⚠ CAUTION: The drive belt behind the motor is not captive. Do not lose the belt when the motor is removed.

💡 Reinstallation tip: If you are installing a replacement motor, remove the wire harness (callout 1) and drive belt (callout 2) from the discarded motor, and then install them on the replacement motor.

Figure 1-890 Remove the stack ejection motor assembly (7 of 7)



Press motor assembly

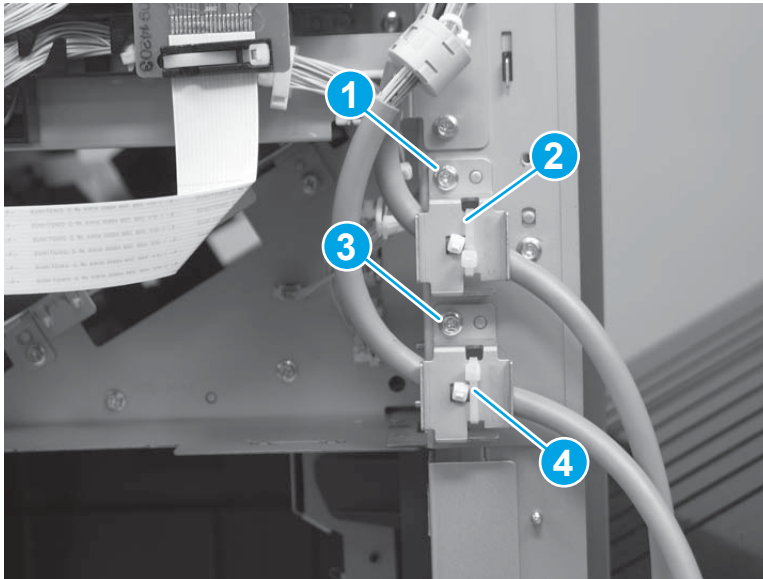
Before proceeding, remove the following assemblies:

- Bin cable guide cover. See [Bin cable guide cover on page 492](#).
- Rear cover assembly. See [Rear cover assembly on page 496](#).

Remove the press motor assembly

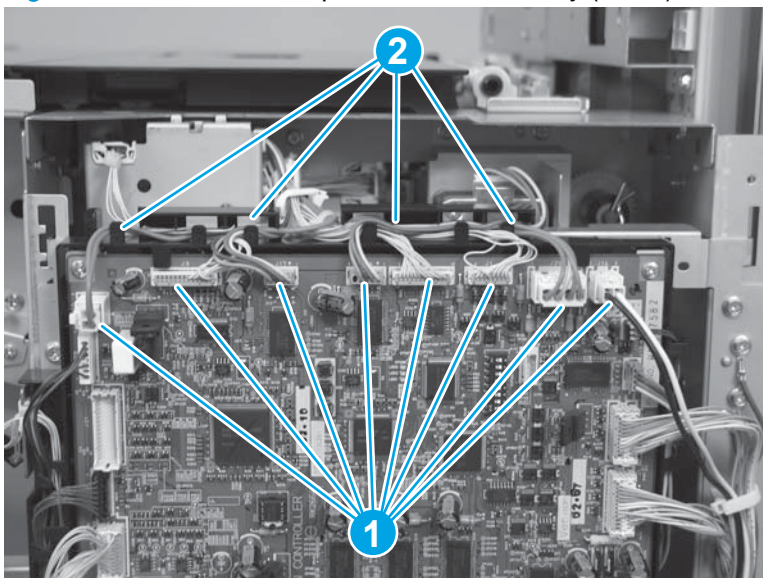
1. Remove one screw (callout 1), and then remove the upper sheet-metal cable retainer (callout 2). Remove one screw (callout 3), and then remove the lower sheet-metal cable retainer (callout 4).

Figure 1-891 Remove the press motor assembly (1 of 7)



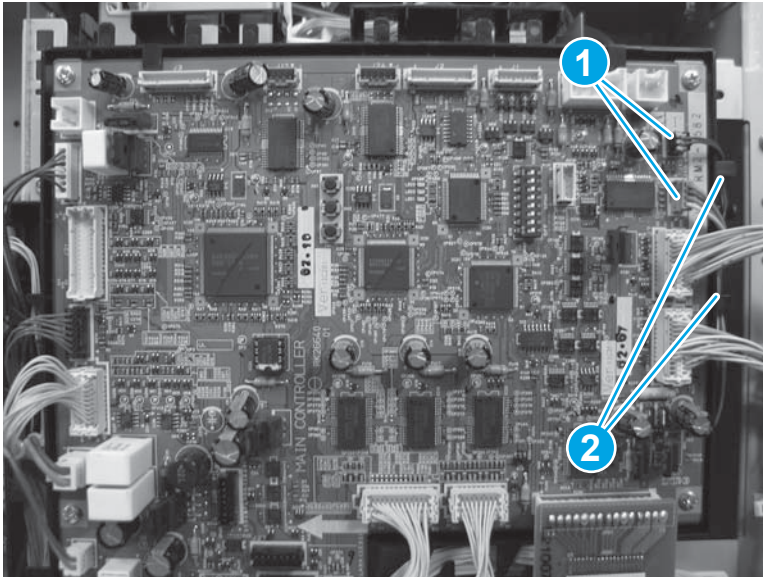
2. Disconnect eight connectors (callout 1), and then release the four wire harnesses from the retainer and guide (callout 2).

Figure 1-892 Remove the press motor assembly (2 of 7)



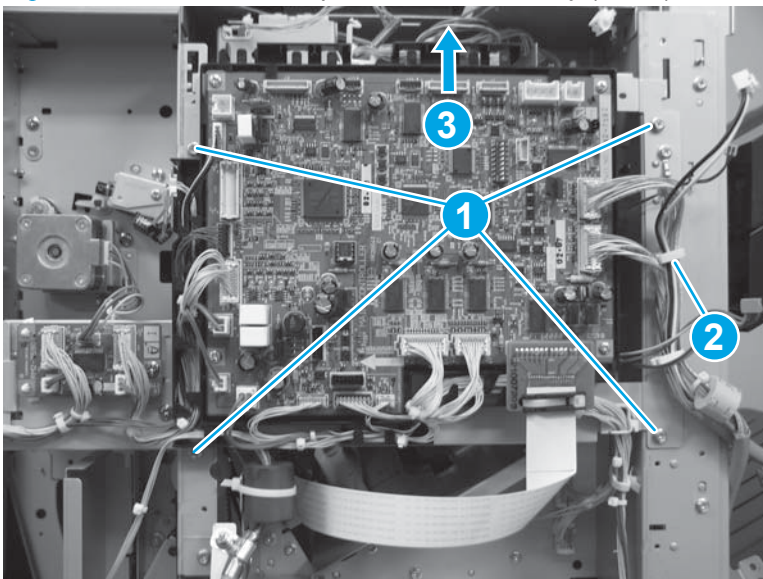
3. Disconnect two connectors (callout 1), and then release the two wire harnesses from the retainers (callout 2).

Figure 1-893 Remove the press motor assembly (3 of 7)



4. Remove four screws (callout 1), release the wire harness from one retainer (callout 2), and then slightly lift up on the controller assembly PCA sheet-metal bracket (callout 3) to release it.

Figure 1-894 Remove the press motor assembly (4 of 7)



- Carefully rotate the top of the controller PCA away from the chassis and move it out of the way.


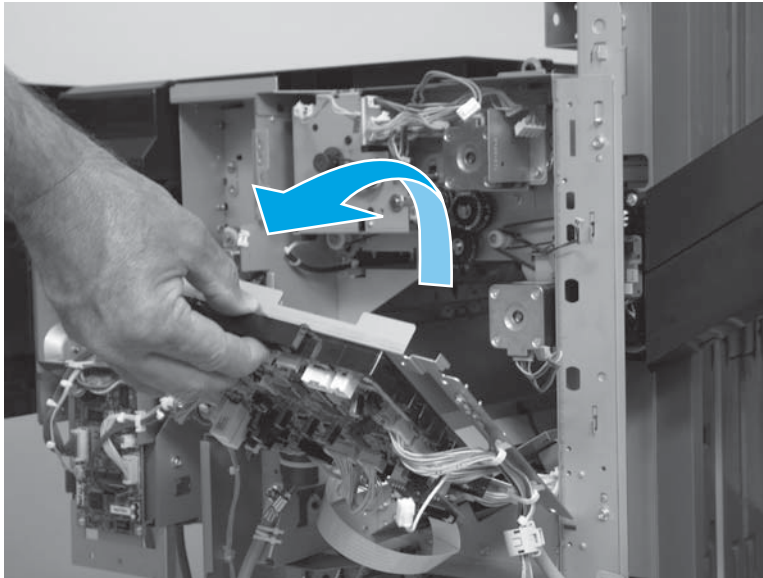
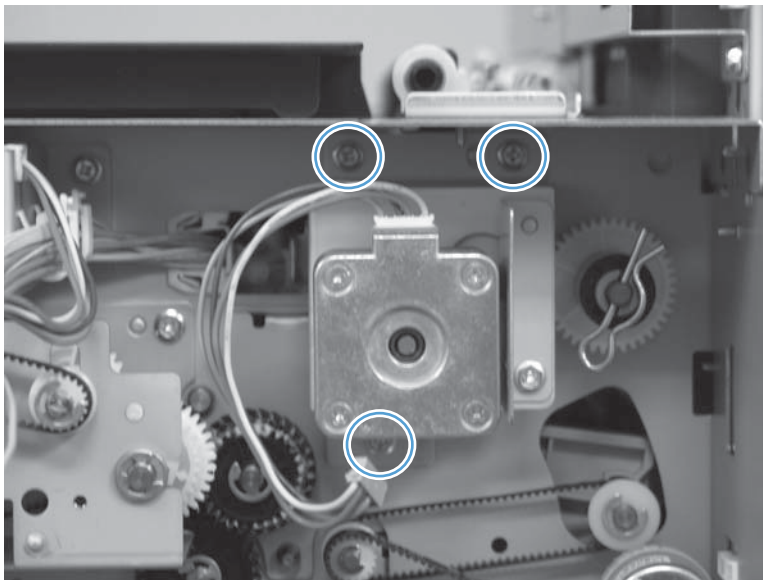
 **NOTE:** If needed, release additional wire harnesses from retainers to make it easier to rotate the PCA out of the way.

Figure 1-895 Remove the press motor assembly (5 of 7)



- Support the motor, and then remove three screws.

Figure 1-896 Remove the press motor assembly (6 of 7)



7. Remove the motor.


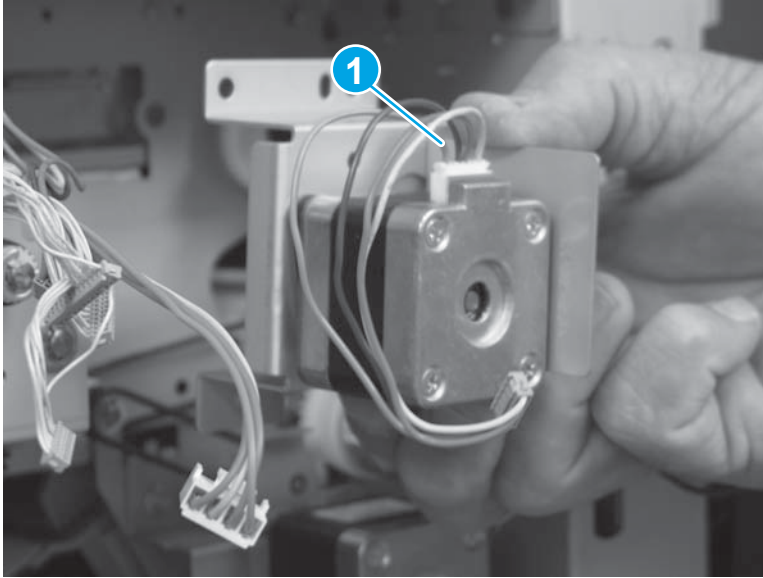

 **Reinstallation tip:** If you are installing a replacement motor, remove the wire harness (callout 1) from the discarded motor, and then install it on the replacement motor.

Figure 1-897 Remove the press motor assembly (7 of 7)



Common driver PCA assembly


 **NOTE:** Only the booklet maker and stapler stacker accessories have a common driver PCA.

Before proceeding, remove the following assemblies:

- Bin cable guide cover. See [Bin cable guide cover on page 492](#).
- Rear cover assembly. See [Rear cover assembly on page 496](#).

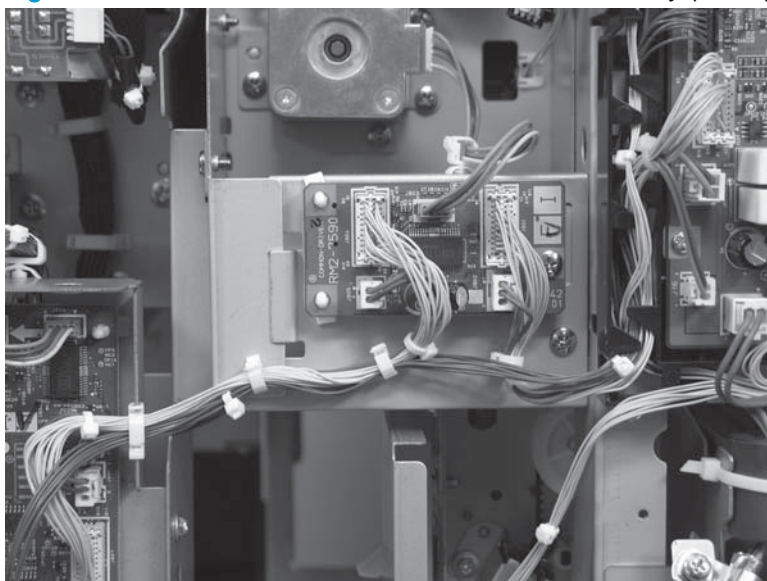
Remove the common controller PCA assembly

 **CAUTION:**  ESD sensitive assembly.

 **NOTE:** The following connectors are not used on the PCA: J804, and J805.

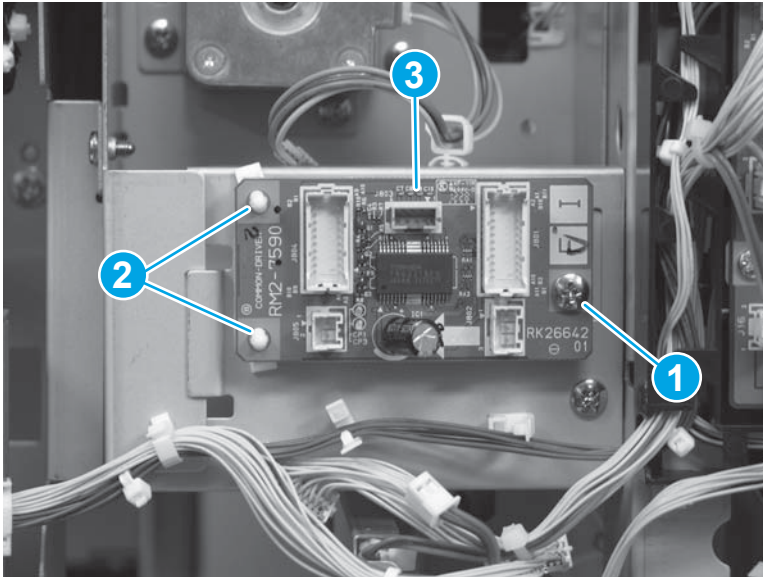
1. Disconnect all of the connectors.

Figure 1-898 Remove the common driver PCA assembly (1 of 2)



2. Remove one screw (callout 1), use a pair of needle-nose pliers to release two standoffs (callout 2), and then remove the PCA (callout 3).

Figure 1-899 Remove the common driver PCA assembly (2 of 2)



Interface cable assembly

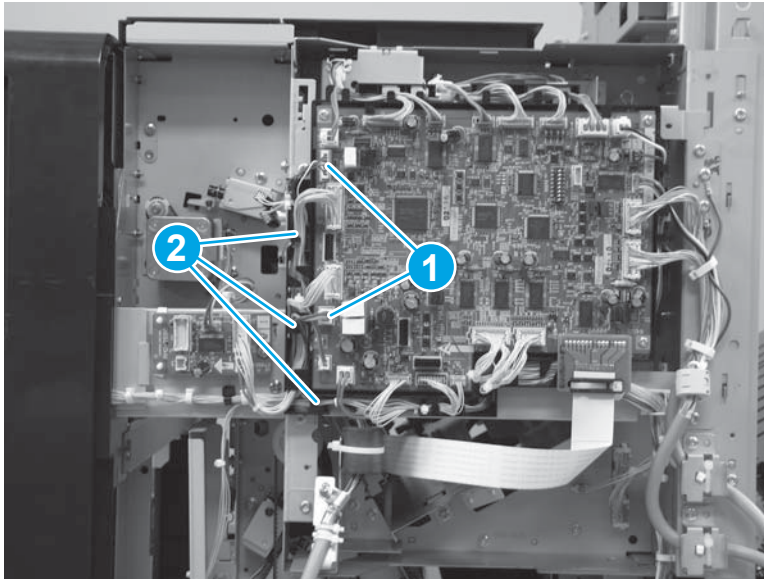
Before proceeding, remove the following assemblies:

- Bin cable guide cover. See [Bin cable guide cover on page 492](#).
- Rear cover assembly. See [Rear cover assembly on page 496](#).

Remove the interface cable assembly

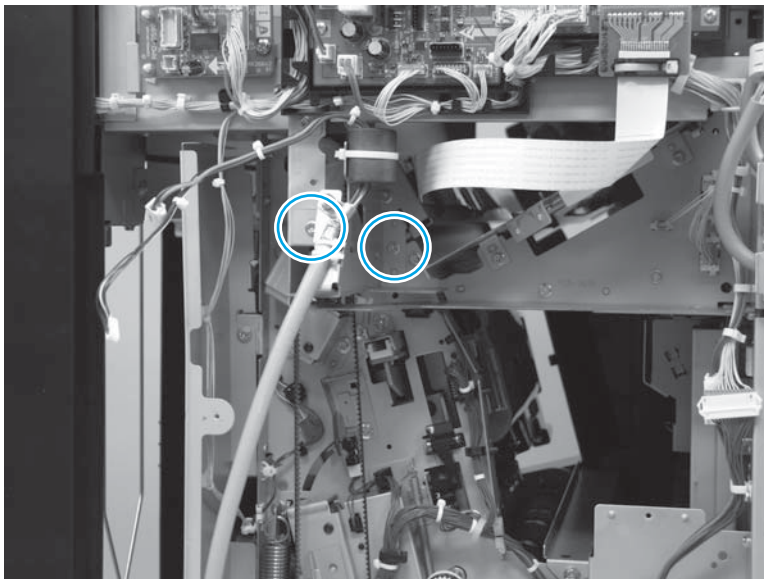
1. Disconnect two connectors on the main controller PCA (J11 and J29; callout 1), and then release the wire harness from the retainer (callout 2).

Figure 1-900 Remove the interface cable assembly (1 of 3)



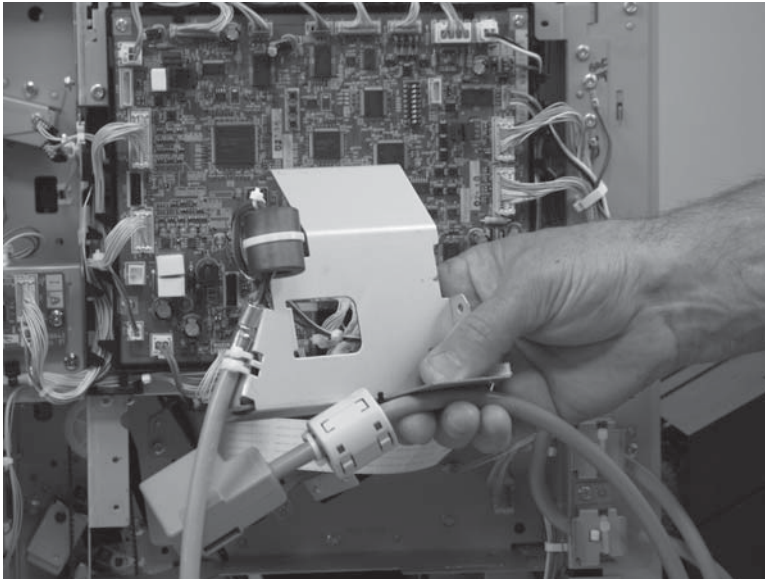
2. Remove two screws.

Figure 1-901 Remove the interface cable assembly (2 of 3)




3. Remove the assembly.

Figure 1-902 Remove the interface cable assembly (3 of 3)



Paper pass assembly

 **NOTE:** This assembly is installed only on the stapler/stacker (SS) model.

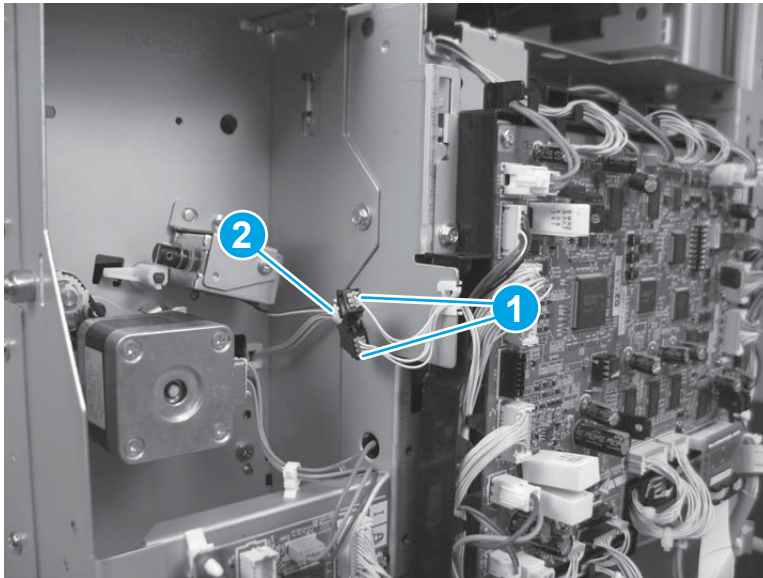
Before proceeding, remove the following assemblies:

- Latch lower covers (front and rear). See [Latch lower covers \(front and rear\) on page 468](#).
- Latch assembly. See [Latch assembly on page 470](#).
- Front door. See [Front door on page 479](#).
- Inner upper cover. See [Inner upper cover assembly on page 480](#).
- Bin cable guide cover. See [Bin cable guide cover on page 492](#).
- Rear cover assembly. See [Rear cover assembly on page 496](#).
- For all models with a hole punch assembly installed:
 - Punch lower front cover assembly. See [Punch lower front cover assembly on page 684](#).
 - Punch rear cover assembly. See [Punch rear cover assembly on page 686](#).
 - Punch waste tray. See [Punch waste tray on page 688](#).
 - Punch inner cover assembly. See [Punch inner cover assembly on page 689](#).
 - Punch upper cover assembly. See [Punch top cover on page 691](#).
 - Punch hole assembly. See [Punch hole assembly on page 694](#).

Remove the paper pass assembly

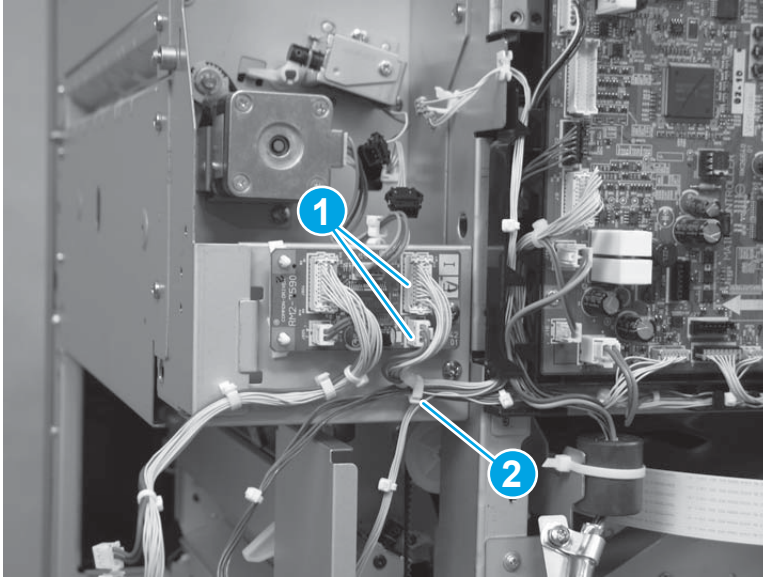
1. Disconnect two in-line connectors (callout 1), and then release the wire harnesses from one retainer (callout 2).

Figure 1-903 Remove the paper pass assembly (1 of 6)



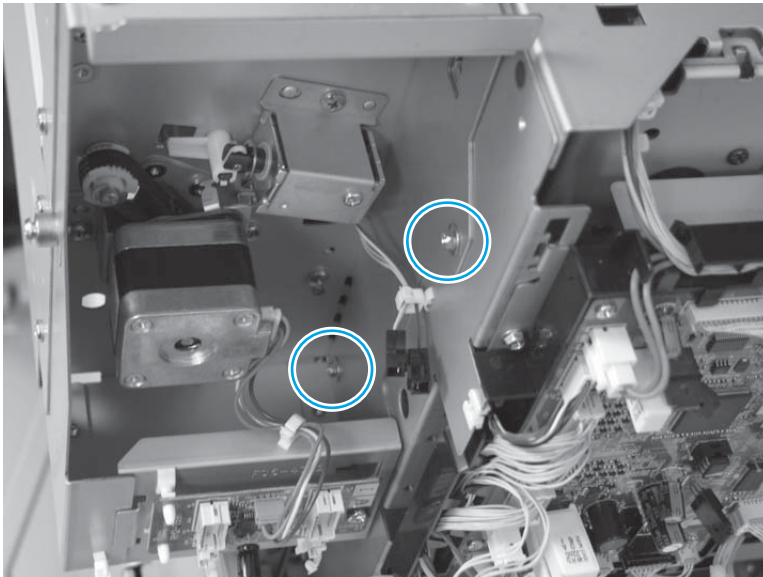
2. Disconnect two connectors (callout 1), and then release the wire harnesses from one retainer (callout 2).

Figure 1-904 Remove the paper pass assembly (2 of 6)



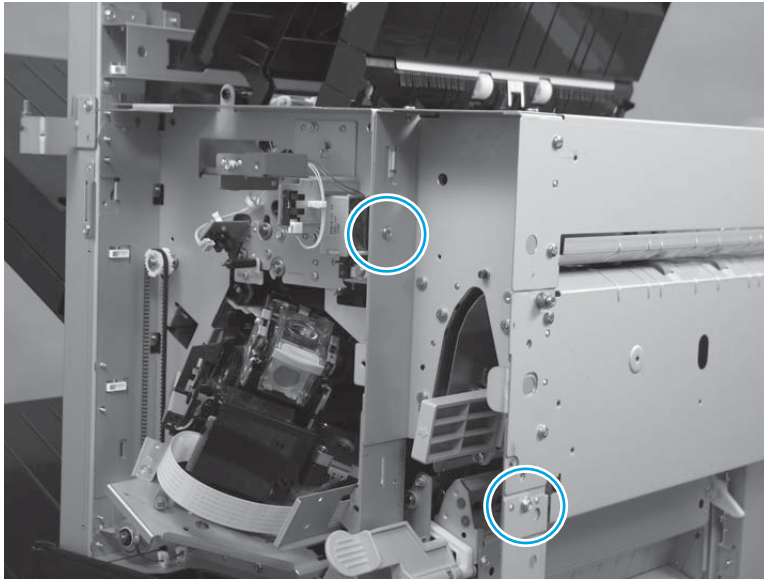
3. Remove two screws.

Figure 1-905 Remove the paper pass assembly (3 of 6)



4. Remove two screws.

Figure 1-906 Remove the paper pass assembly (4 of 6)



5. Remove two screws.


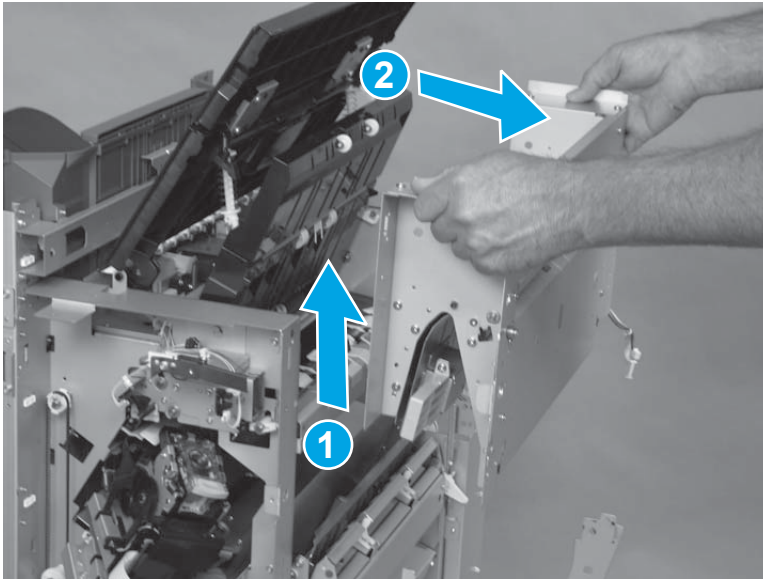
 **TIP:** These screws are located under the assembly, near the saddle guide assembly.

Figure 1-907 Remove the paper pass assembly (5 of 6)



6. Lift the assembly up to release it (callout 1), and then remove the assembly (callout 2).

Figure 1-908 Remove the paper pass assembly (6 of 6)



Booklet maker accessory

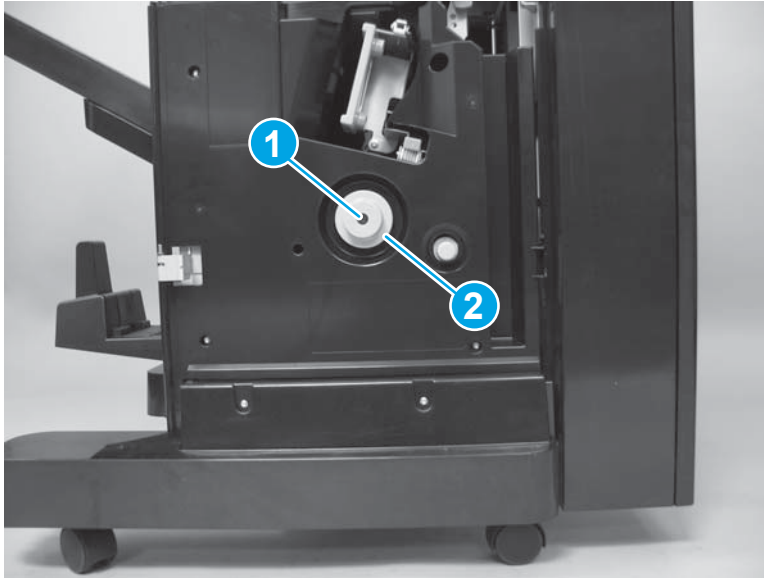
The assemblies described in this section are unique to the booklet-maker (BM) finishing accessory. For information about removing and replacing assemblies that are common to all of the finishing accessories, see [Shared finishing accessory assemblies on page 464](#).

- [Knob](#)
- [Saddle output bin assembly](#)
- [Right cover assembly \(BM PCA\)](#)
- [Booklet maker controller PCA](#)
- [Inner side plate assembly](#)
- [Guide sensor assembly](#)
- [Guide motor assembly](#)
- [Saddle motor assembly \(SS and BM\)](#)
- [Saddle feed motor assembly](#)
- [Folding-motor mount assembly](#)
- [Delivery switch mount assembly](#)
- [Saddle stapler assembly](#)
- [Lower left guide assembly](#)
- [Saddle delivery inner cover, front assembly](#)
- [Saddle delivery inner cover, rear assembly](#)
- [Saddle guide assembly](#)
- [Saddle feed assembly](#)
- [Saddle assembly](#)
- [Upper delivery guide assembly](#)
- [Saddle paper delivery assembly](#)
- [Saddle rear end sensor assembly](#)

Knob

Remove one screw (callout 1), and then remove the green knob (callout 2).

Figure 1-909 Remove the knob



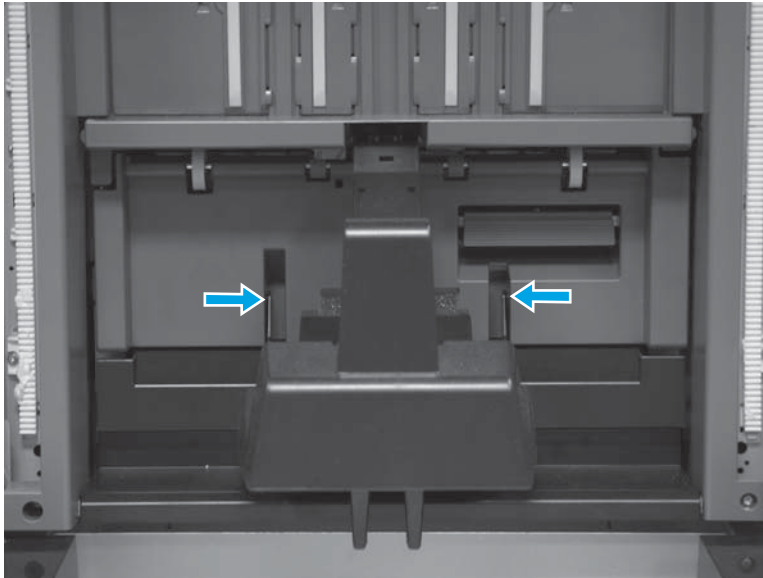
Saddle output bin assembly

1. Carefully push in on the bin hinges to release the hinge pins, and then separate the bin from the finishing accessory.

⚠ CAUTION: The saddle output bin is still connected to the finishing accessory by a wire harness. Do not attempt to completely remove the bin.

💡 TIP: Use a small flat-blade screwdriver to push in on the bin hinges and release them.

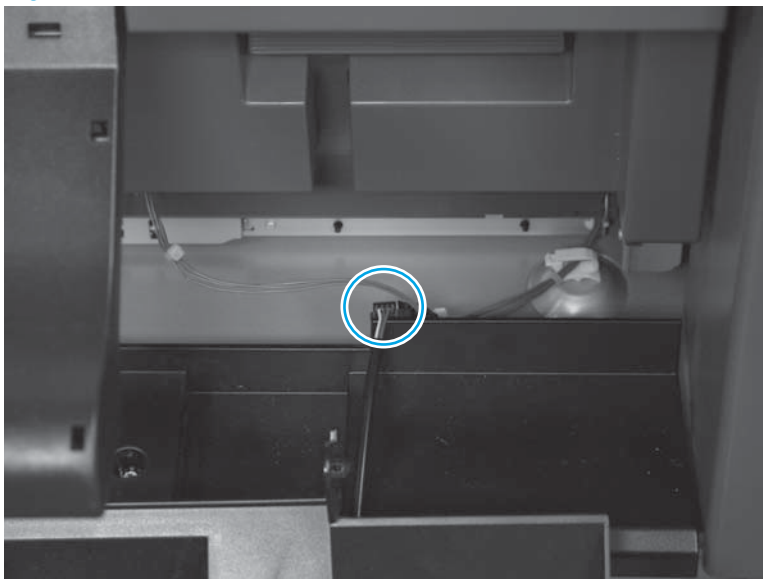
Figure 1-910 Remove the saddle output bin assembly (1 of 2)



2. Disconnect one in-line connector, and then remove the bin.

💡 Reinstallation tip: Make sure that this connector is reconnected before you reinstall the assembly.

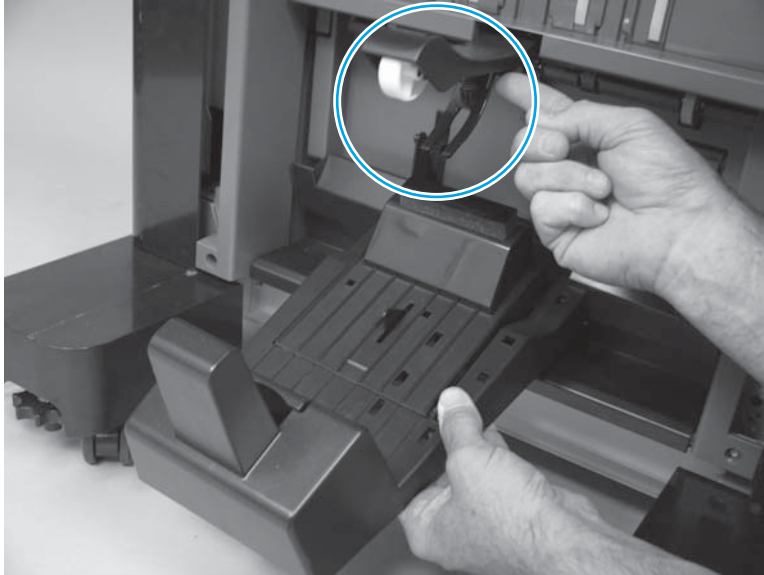
Figure 1-911 Remove the saddle output bin assembly (2 of 2)




Reinstall the saddle output bin

The spring loaded arm above the saddle output bin assembly can be easily dislodged. Hold the arm out of the way when you position the assembly on the accessory. Make sure that the arm is intact when the assembly is installed.

Figure 1-912 Reinstall the saddle output bin assembly



Right cover assembly (BM PCA)

 **NOTE:** For booklet maker (BM) models only.

Before proceeding, remove the following assemblies:

- Latch lower covers (front and rear). See [Latch lower covers \(front and rear\) on page 468](#).
- Latch assembly. See [Latch assembly on page 470](#).
- For all models with a hole punch assembly installed:
 - Punch lower front cover assembly. See [Punch lower front cover assembly on page 684](#).
 - Punch rear cover assembly. See [Punch rear cover assembly on page 686](#).
 - Punch waste tray. See [Punch waste tray on page 688](#).
 - Punch inner cover assembly. See [Punch inner cover assembly on page 689](#).
 - Punch upper cover assembly. See [Punch top cover on page 691](#).
 - Punch hole assembly. See [Punch hole assembly on page 694](#).

Remove the right cover assembly (BM PCA)

1. Remove two screws.


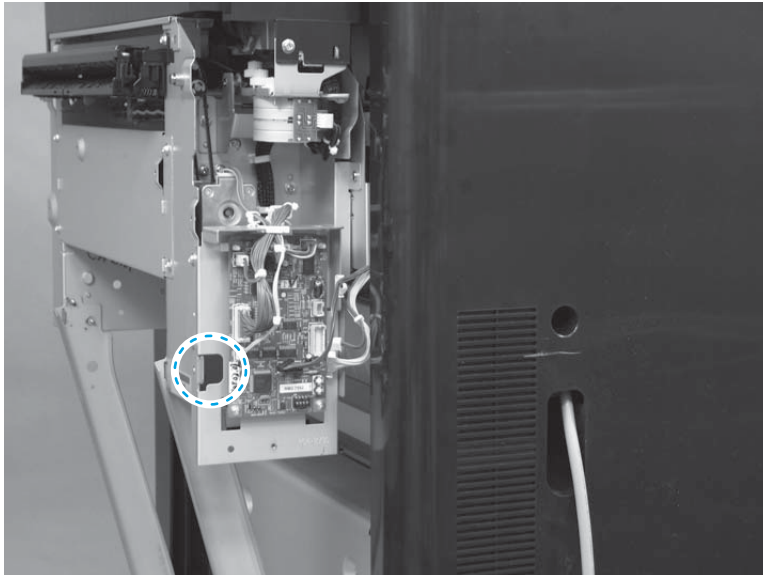
 **TIP:** These screws fasten the rear sheet-metal support bracket to the punch assembly. Use the hole provided in the chassis next to the punch controller PCA to gain access to these screws.

Figure 1-913 Remove the right cover assembly (BM PCA; 1 of 7)



2. Slightly lift up on the punch hole assembly (callout 1), and then disengage the sheet-metal support bracket (callout 2).


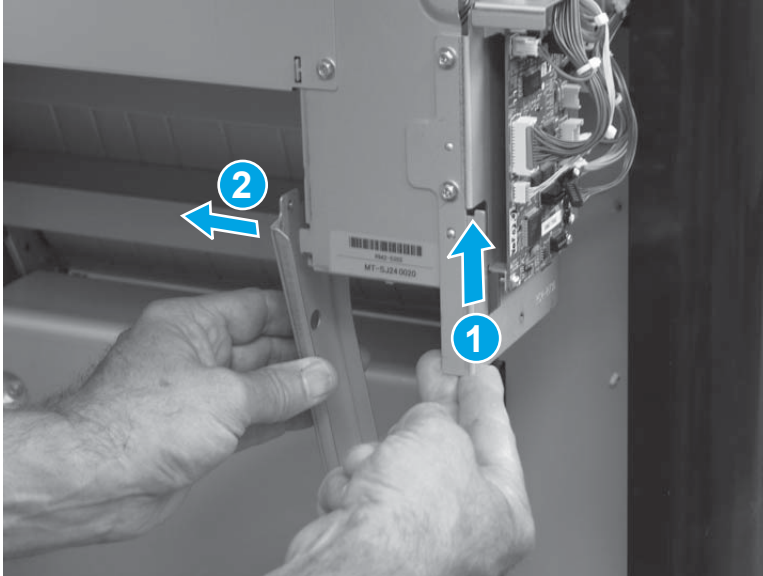
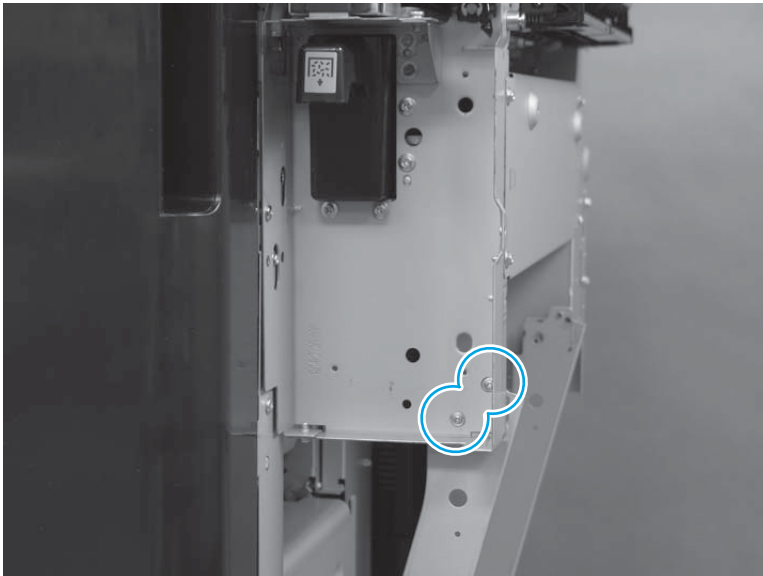
 **NOTE:** The punch hole assembly is still fastened to the accessory chassis, but you should be able to disengage the support bracket.

Figure 1-914 Remove the right cover assembly (BM PCA; 2 of 7)



3. Remove two screws.

Figure 1-915 Remove the right cover assembly (BM PCA; 3 of 7)



4. Slightly lift up on the punch hole assembly (callout 1), and then disengage the sheet-metal support bracket (callout 2).


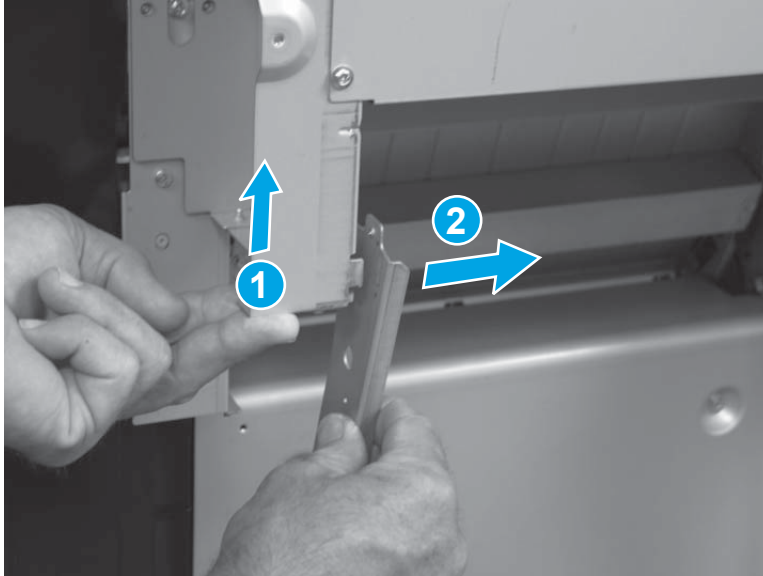
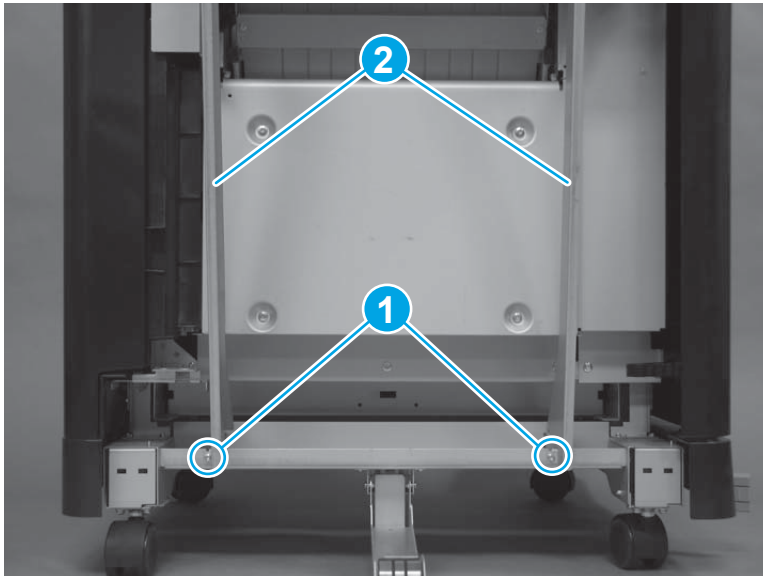
 **NOTE:** The punch hole assembly is still fastened to the accessory chassis, but you should be able to disengage the support bracket.

Figure 1-916 Remove the right cover assembly (BM PCA; 4 of 7)



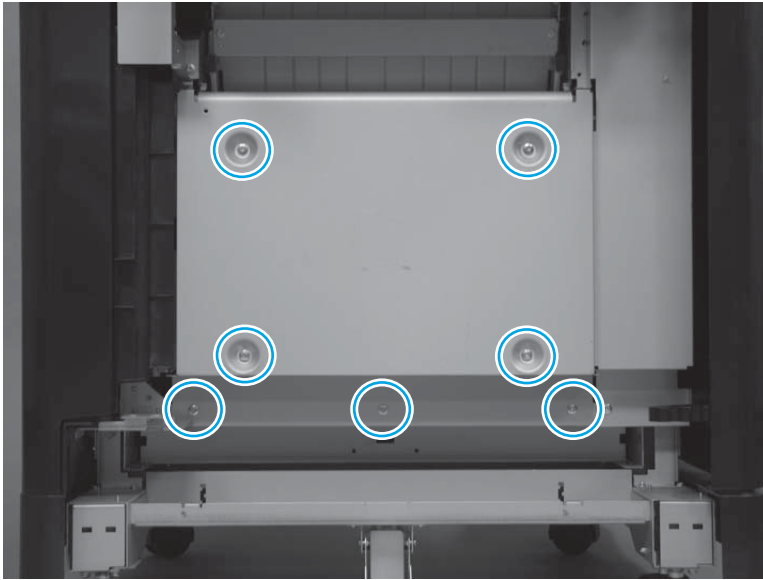
5. Remove two screws (callout 1), and then remove the sheet-metal support brackets (callout 2).

Figure 1-917 Remove the right cover assembly (BM PCA; 5 of 7)



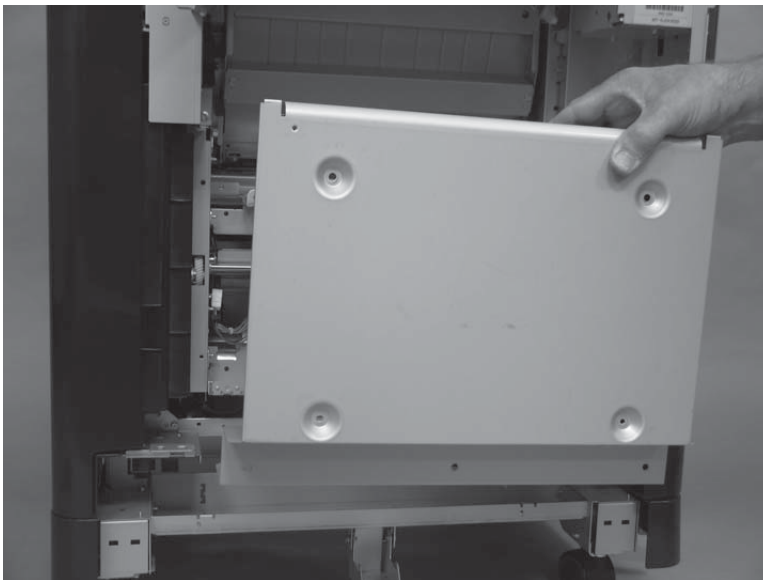
6. Remove seven screws.

Figure 1-918 Remove the right cover assembly (BM PCA; 6 of 7)



7. Remove the cover.

Figure 1-919 Remove the right cover assembly (BM PCA; 7 of 7)



Booklet maker controller PCA

Before proceeding, remove the following assemblies:

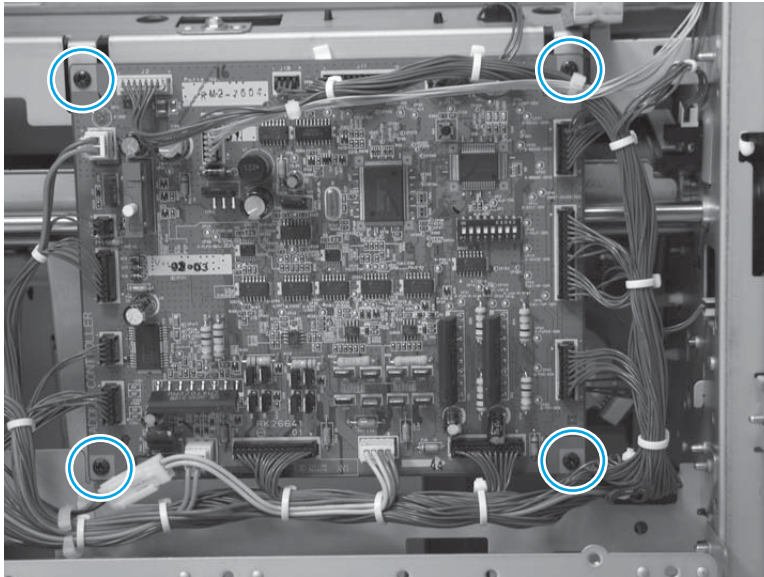
- Latch lower covers (front and rear). See [Latch lower covers \(front and rear\)](#) on page 468.
- Right cover assembly (BM PCA). See [Right cover assembly \(BM PCA\)](#) on page 611.

Remove the booklet maker controller PCA

 **CAUTION:**  ESD sensitive assembly.

Disconnect all of the connectors, remove four screws, and then remove the PCA.

Figure 1-920 Remove the booklet maker controller PCA



Inner side plate assembly

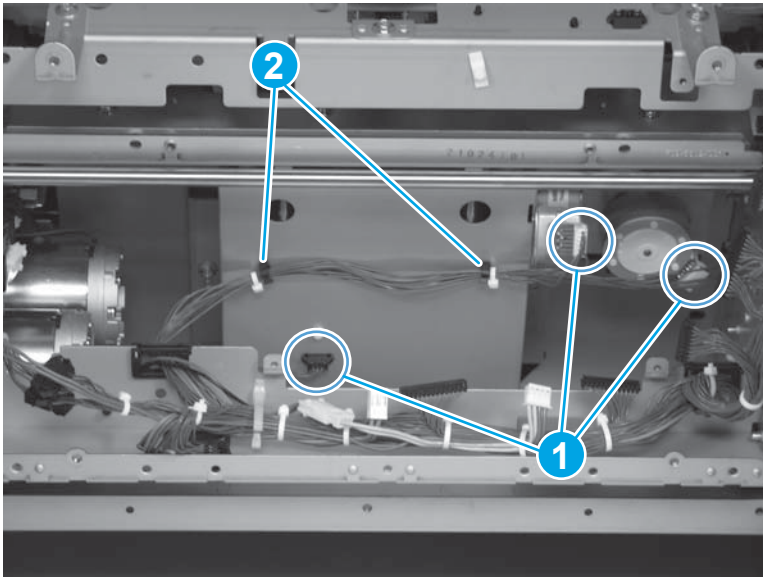
Before proceeding, remove the following assemblies:

- Latch lower covers (front and rear). See [Latch lower covers \(front and rear\) on page 468](#).
- Bin cable guide cover. See [Bin cable guide cover on page 492](#).
- Rear cover assembly. See [Rear cover assembly on page 496](#).
- Right cover assembly (BM PCA). See [Right cover assembly \(BM PCA\) on page 611](#).
- Booklet maker controller PCA. See [Booklet maker controller PCA on page 615](#).

Remove the inner side plate assembly

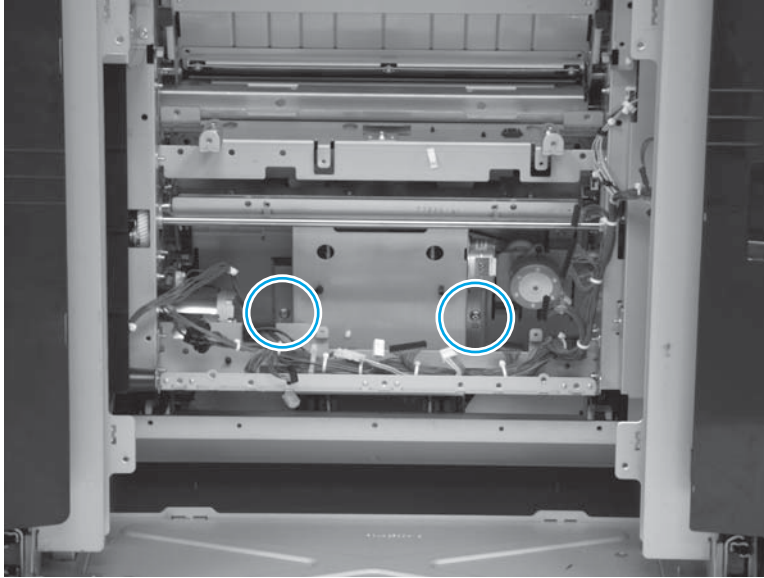
1. Disconnect three connectors (callout 1), and then release the wire harnesses from two retainers (callout 2).

Figure 1-921 Remove the inner side plate assembly (1 of 8)



2. Remove two screws.

Figure 1-922 Remove the inner side plate assembly (2 of 8)



3. At the drive gear side of the accessory, remove two screws.


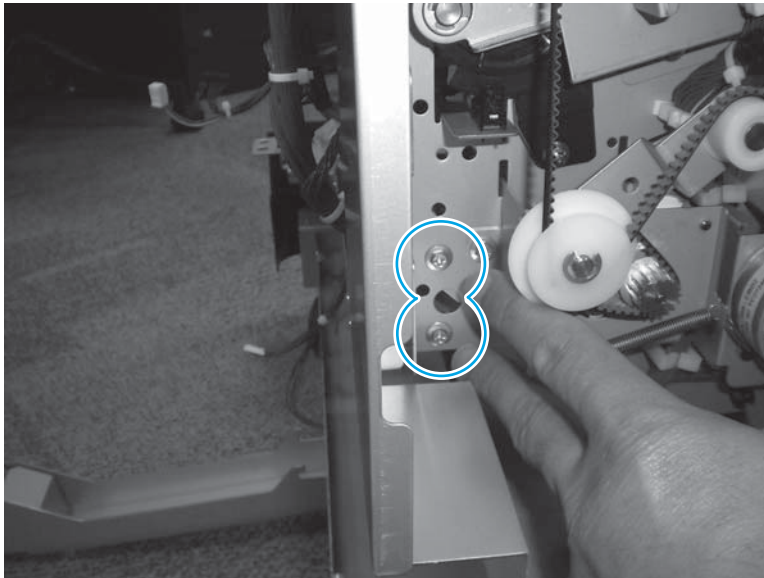
 **TIP:** Removing these screws loosens the tray under the assembly. When the tray is loose it can be slightly moved out of the way, which makes removing the inner side plate assembly easier.

Figure 1-923 Remove the inner side plate assembly (3 of 8)

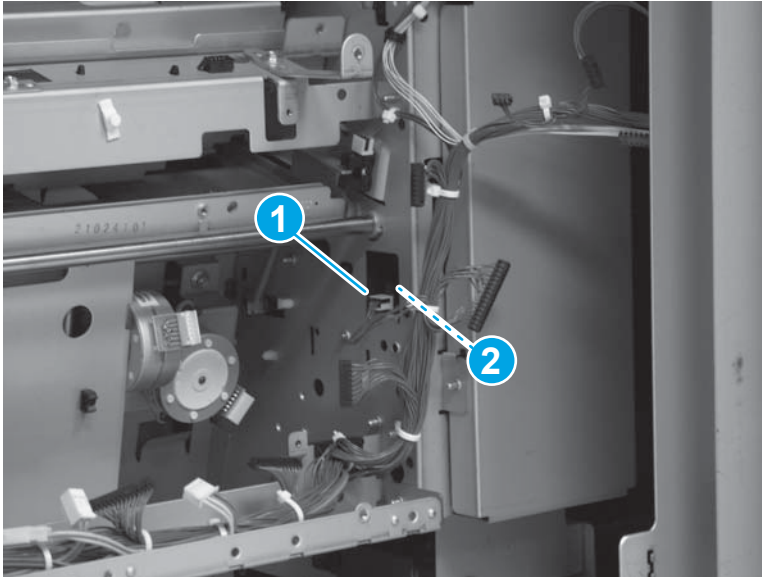


4. Disconnect one connector (callout 1), and move the wire harness out of the way.

⚠ CAUTION: When you remove the assembly, do not allow the right end of the shaft on the assembly damage the sensor (callout 2).

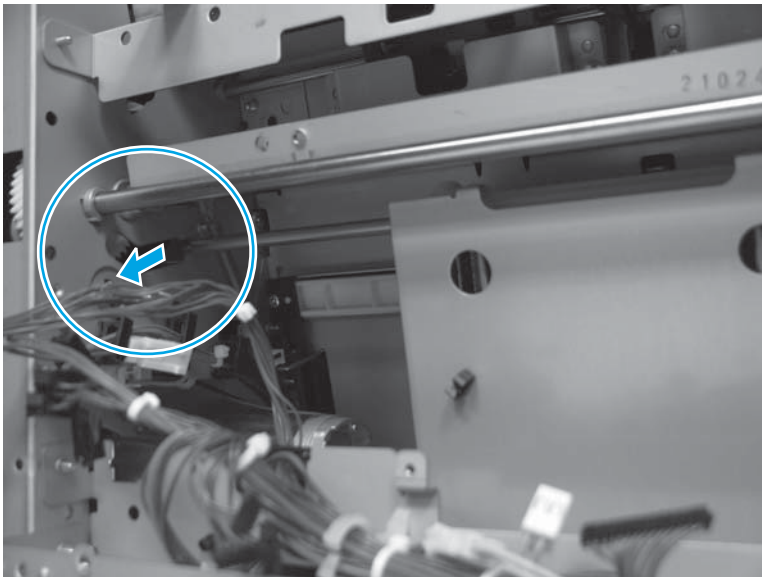
💡 Reinstallation tip: Make sure that you reconnect the sensor connector (callout 1) when the assembly is reinstalled.

Figure 1-924 Remove the inner side plate assembly (4 of 8)



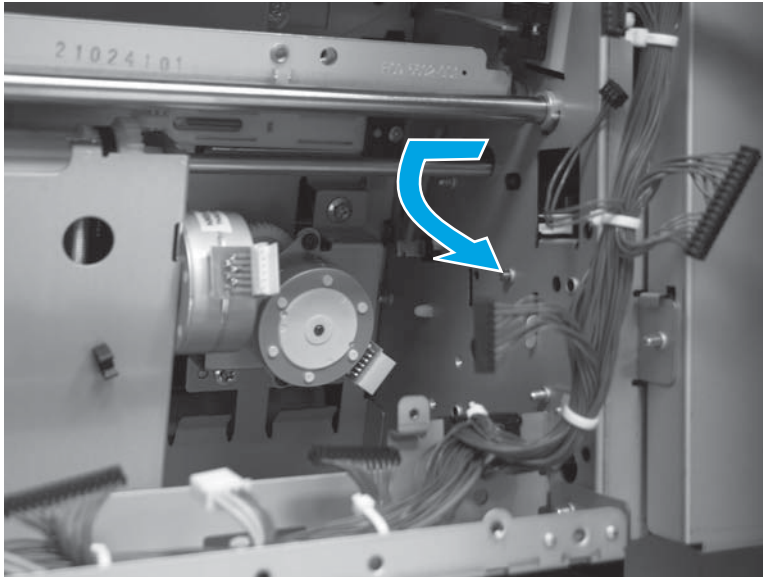
5. Slide the left end of the assembly shaft forward in the mounting hole provided in the chassis.

Figure 1-925 Remove the inner side plate assembly (5 of 8)



6. Slightly slide the assembly toward the left, and then rotate the right side of the shaft out of the hole in the chassis.

Figure 1-926 Remove the inner side plate assembly (6 of 8)

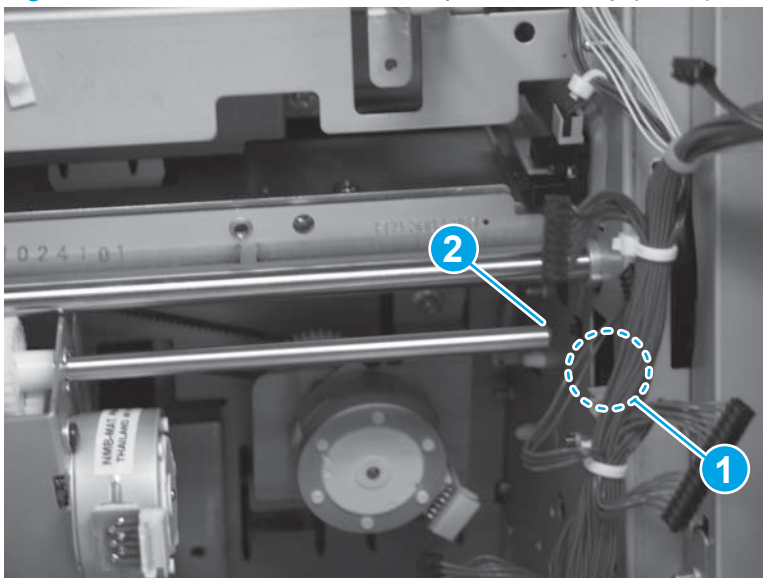


7. Continue to move the assembly toward the left until the right side of the shaft is past the chassis.

⚠ CAUTION: Do not damage the sensor (callout 1) with the end of the shaft (callout 2) when the shaft is rotated out of the chassis.

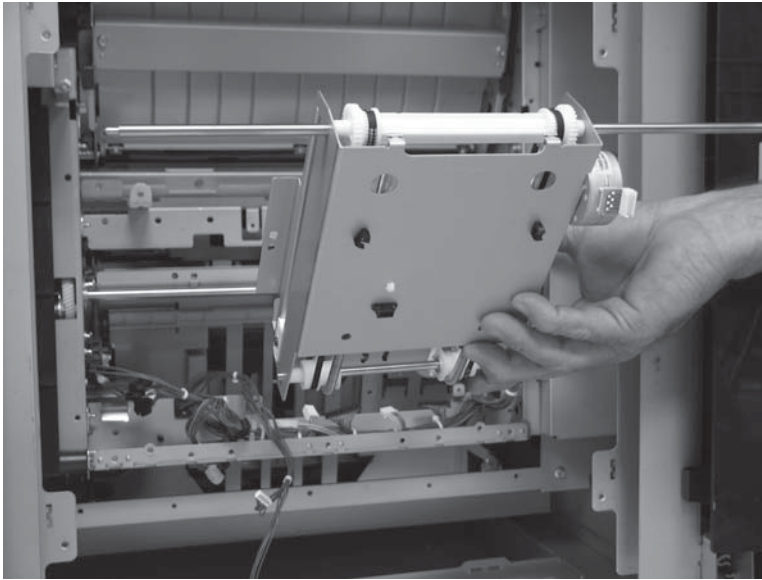
💡 TIP: The assembly might feel stuck as you remove it. Continue to move the assembly left, and rotate the right end of the shaft out of the chassis. It might take some time to get the shaft out of the chassis.

Figure 1-927 Remove the inner side plate assembly (7 of 8)



- Carefully remove the assembly.

Figure 1-928 Remove the inner side plate assembly (8 of 8)



Before reinstalling the inner side plate assembly

To avoid damage to the assembly sensors, and to make reinstallation of the assembly easier, move the inner plate on the assembly to the middle of the inner plate assembly. After positioning the inner plate assembly, go to [Reinstall the inner side plate assembly on page 621](#).

Figure 1-929 Inner plate assembly in the up position

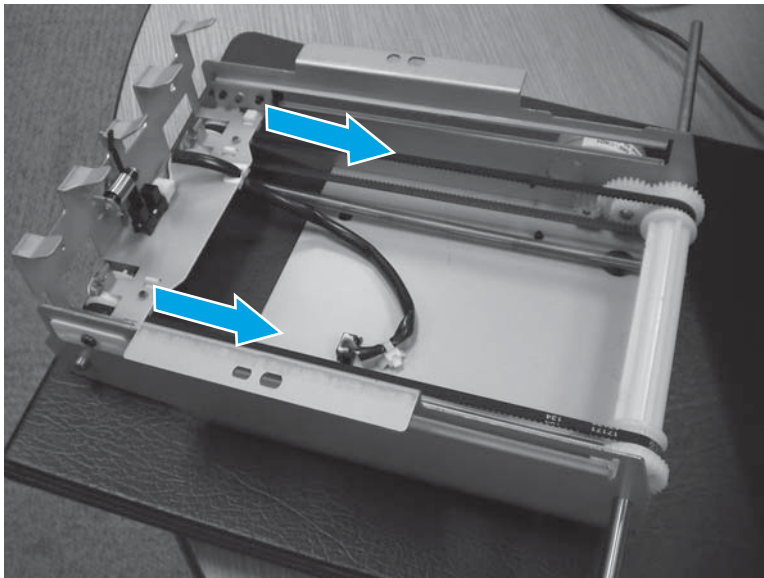
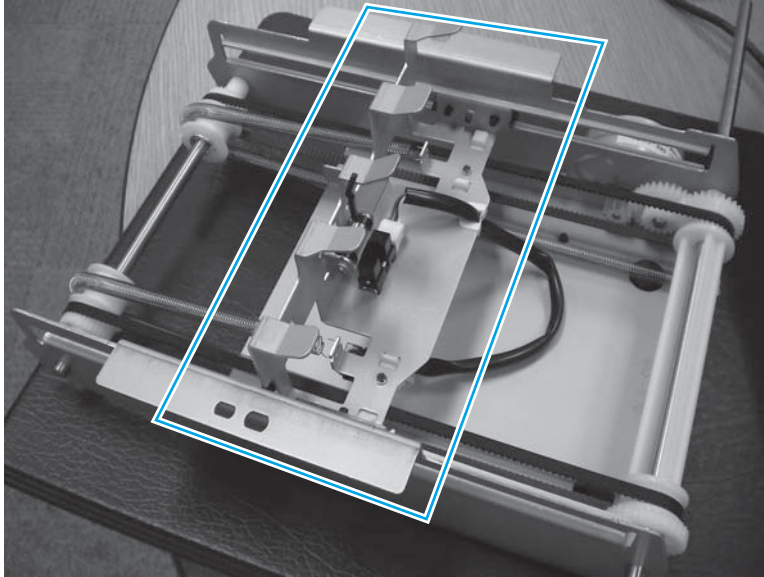


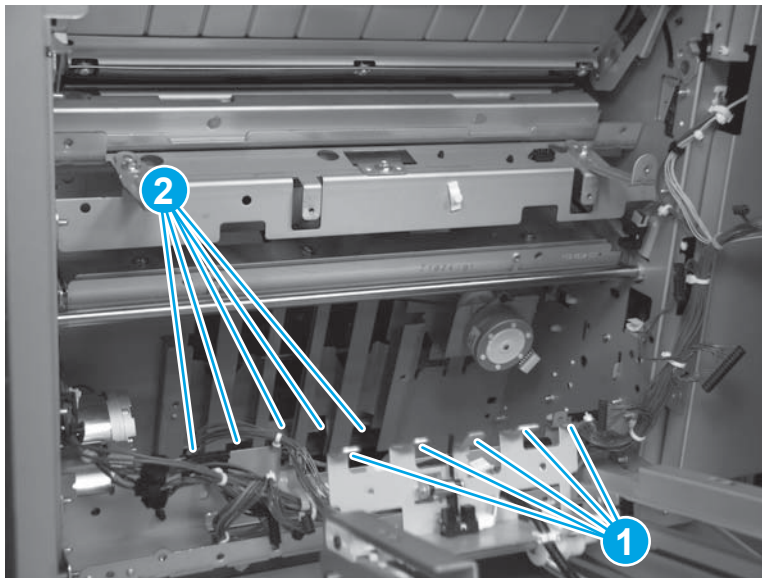
Figure 1-930 Inner plate assembly in the middle position



Reinstall the inner side plate assembly

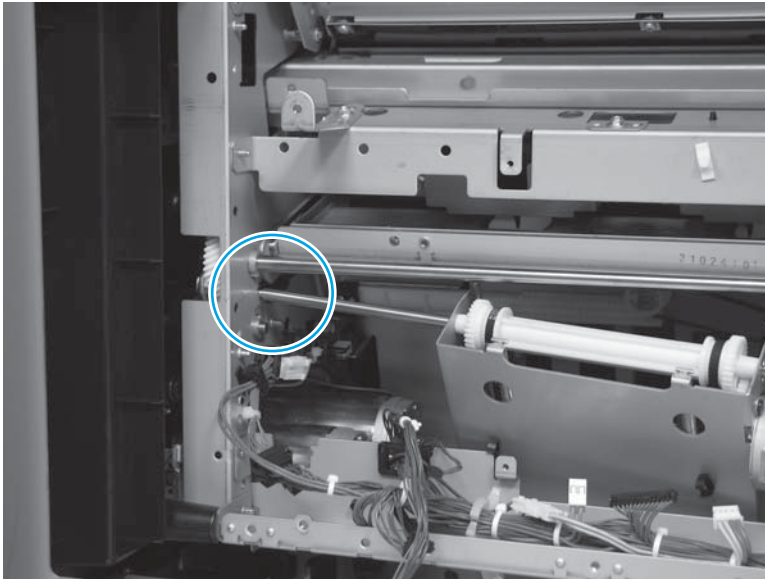
1. Position the assembly in the chassis by aligning the sheet-metal fingers of the inner plate assembly (callout 1) with the slots (callout 2) in the saddle assembly.

Figure 1-931 Reinstall the inner side plate assembly (1 of 3)



2. Slide the left end of the assembly shaft into the hole in the chassis.

Figure 1-932 Reinstall the inner side plate assembly (2 of 3)

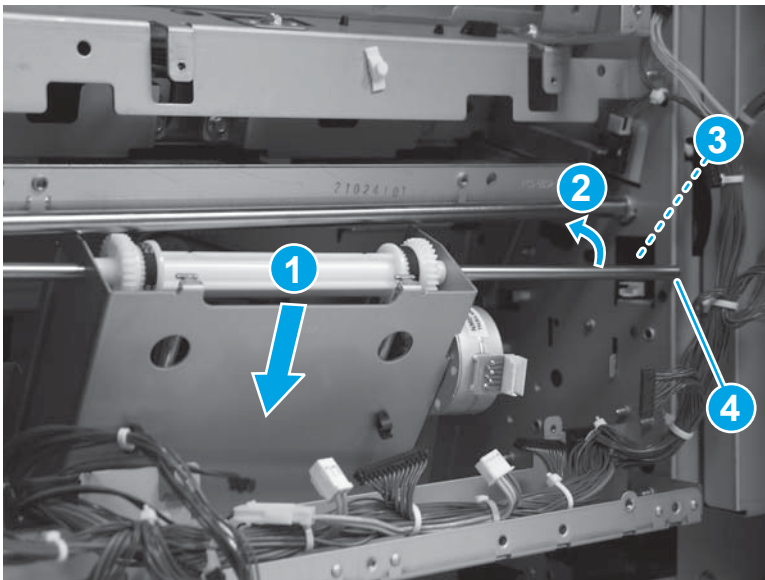


3. Push down on the assembly (callout 1) while rotating (callout 2) the right end of the shaft into the chassis.

CAUTION: Do not damage the sensor (callout 3) with the end of the shaft (callout 4) when the shaft is rotated into the chassis.

TIP: The assembly might feel stuck as you install it. Continue to move the assembly left, and rotate the right end of the shaft into the chassis. It might take some time to get the shaft into the chassis.

Figure 1-933 Reinstall the inner side plate assembly (3 of 3)




Guide sensor assembly

Before proceeding, remove the following assemblies:

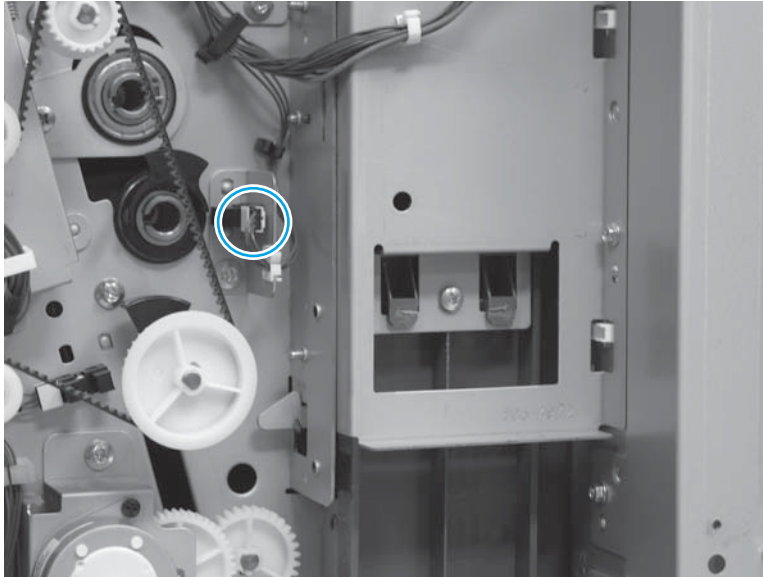
- Bin cable guide cover. See [Bin cable guide cover on page 492](#).
- Rear cover assembly. See [Rear cover assembly on page 496](#).

Remove the guide sensor assembly

 **NOTE:** This assembly is the folding roller home position sensor.

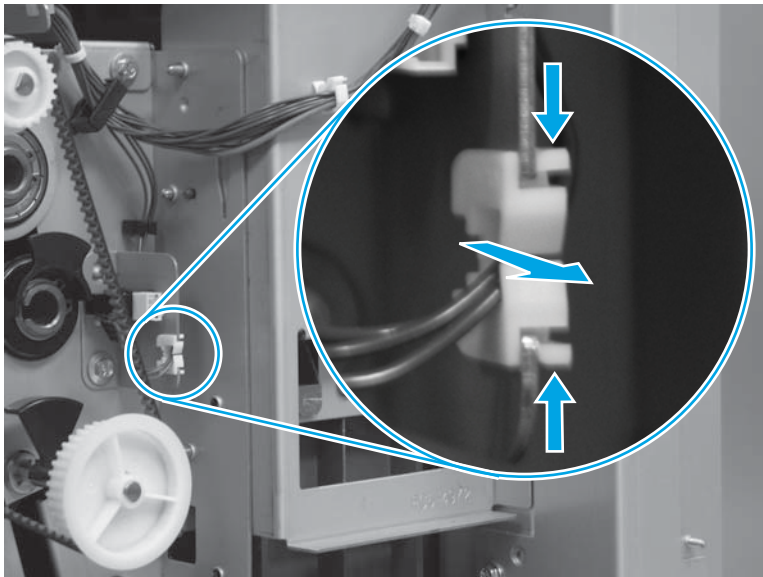
1. Disconnect one connector.

Figure 1-934 Remove the guide sensor assembly (1 of 4)



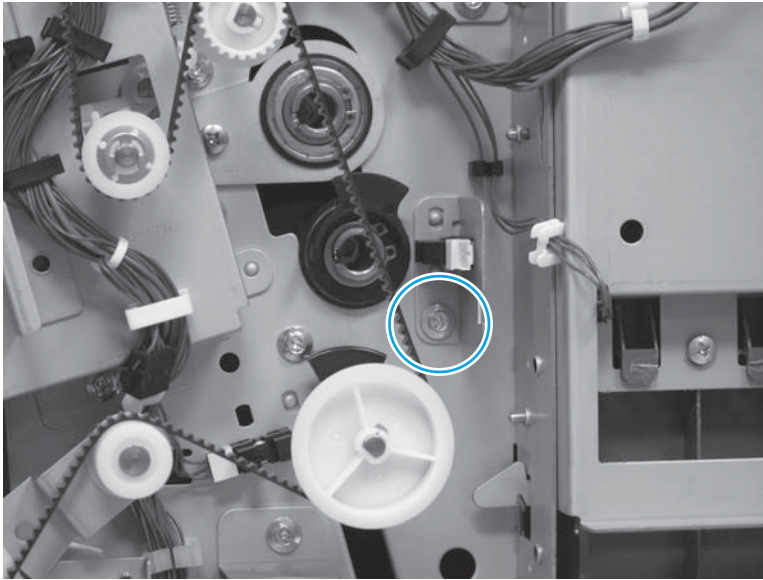
2. Release two tabs on the retainer, and then remove the retainer from the sheet-metal bracket.

Figure 1-935 Remove the guide sensor assembly (2 of 4)



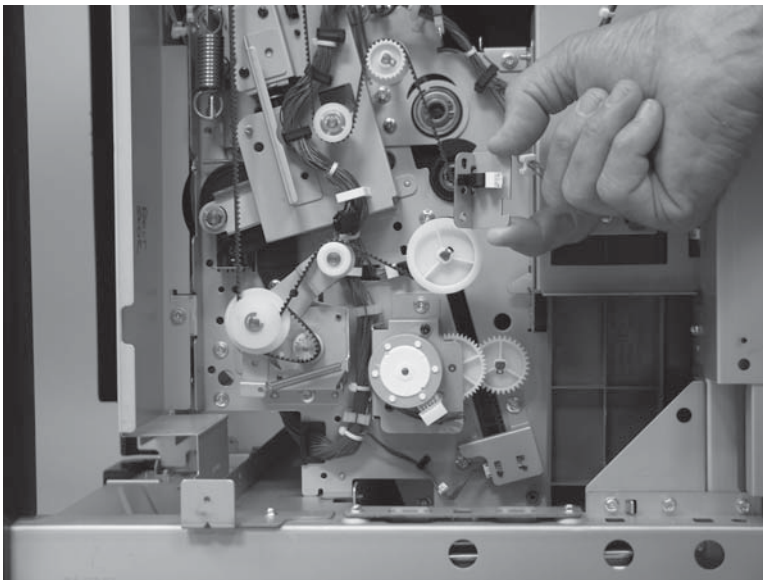
3. Remove one screw.

Figure 1-936 Remove the guide sensor assembly (3 of 4)



4. Remove the assembly.

Figure 1-937 Remove the guide sensor assembly (4 of 4)



Guide motor assembly

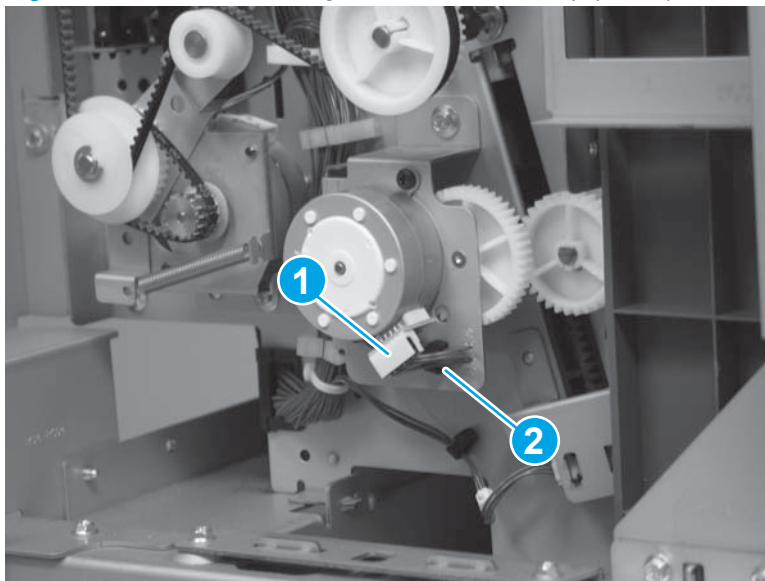
Before proceeding, remove the following assemblies:

- Bin cable guide cover. See [Bin cable guide cover on page 492](#).
- Rear cover assembly. See [Rear cover assembly on page 496](#).

Remove the guide motor assembly

1. Disconnect one connector (callout 1), and then release the wire harness from one retainer (callout 2).

Figure 1-938 Remove the guide motor assembly (1 of 3)



2. Remove two screws.


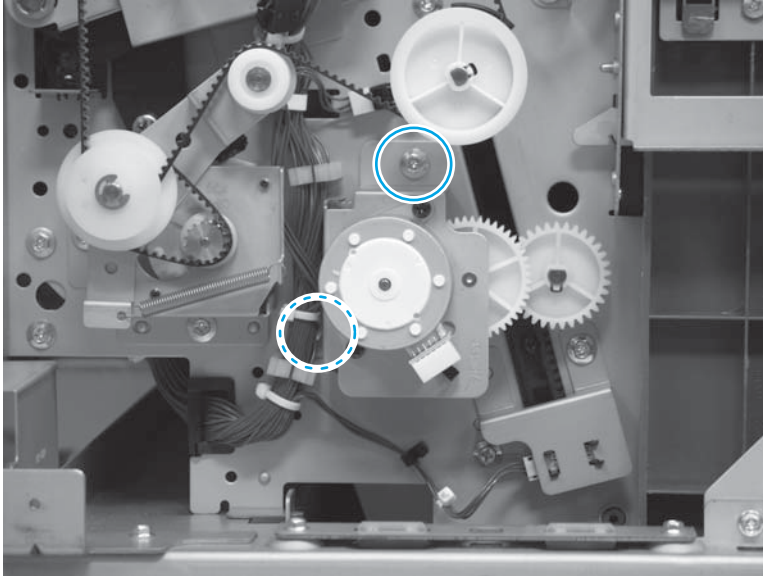
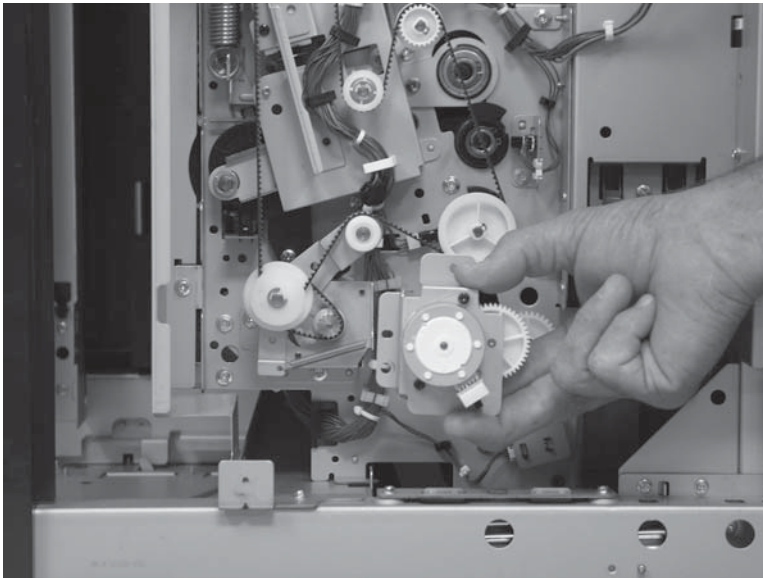
 **TIP:** One screw is hidden behind the wire harnesses along the left side of the sheet-metal mounting bracket. Use a small flat-blade screwdriver to hold the wire harnesses out of the way to access this screw.

Figure 1-939 Remove the guide motor assembly (2 of 3)



3. Remove the assembly.

Figure 1-940 Remove the guide motor assembly (3 of 3)



Saddle motor assembly (SS and BM)

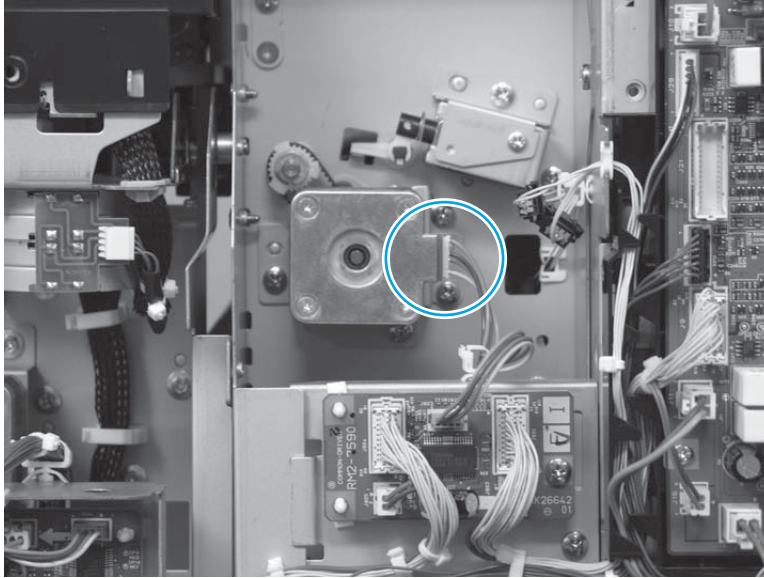
Before proceeding, remove the following assemblies:

- Bin cable guide cover. See [Bin cable guide cover on page 492](#).
- Rear cover assembly. See [Rear cover assembly on page 496](#).

Remove the saddle motor assembly (SS and BM)

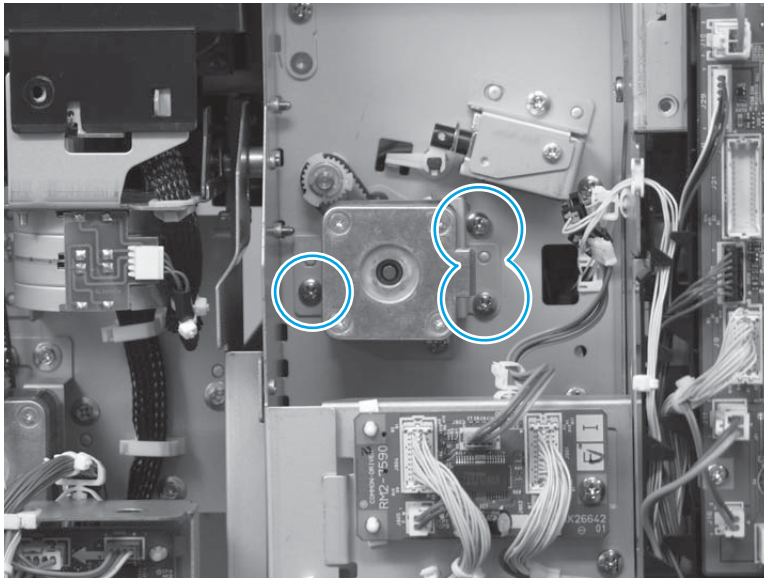
1. Disconnect one connector.

Figure 1-941 Remove the saddle motor assembly (SS and BM; 1 of 3)



2. Remove three screws.

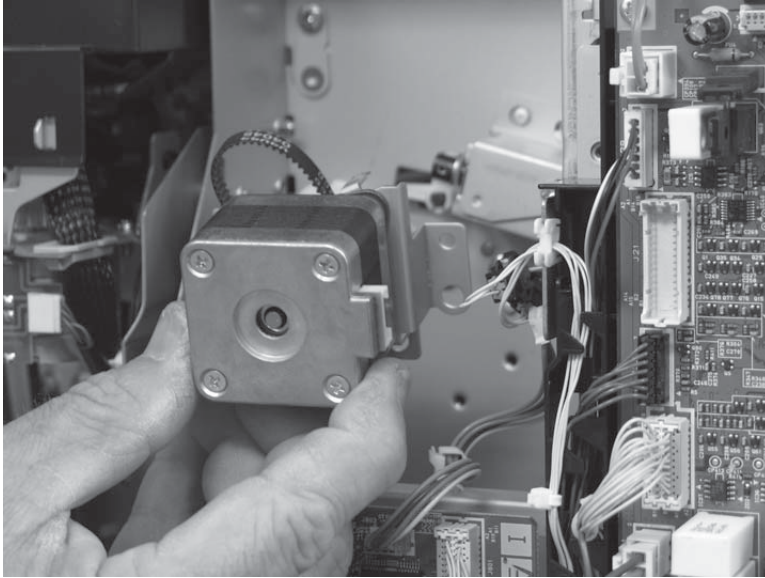
Figure 1-942 Remove the saddle motor assembly (SS and BM; 2 of 3)



3. Remove the motor.

⚠ CAUTION: The drive belt behind the motor is not captive. Do not lose the belt when the motor is removed.

Figure 1-943 Remove the saddle motor assembly (SS and BM; 3 of 3)



Saddle feed motor assembly

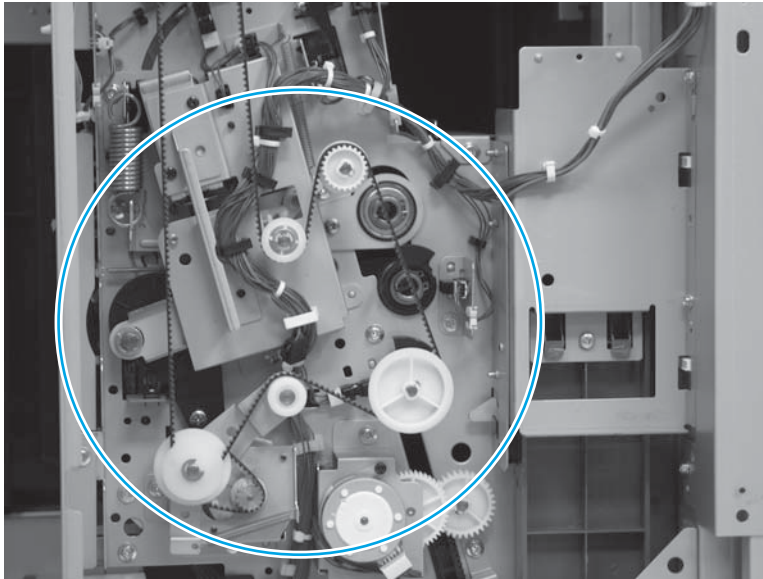
Before proceeding, remove the following assemblies:

- Bin cable guide cover. See [Bin cable guide cover on page 492](#).
- Rear cover assembly. See [Rear cover assembly on page 496](#).

Remove the saddle feed assembly

1. Before beginning, note how the drive belt is routed over the gears and-tension arm. The belt will not be tensioned correctly if the belt is not routed properly when the assembly is reinstalled.

Figure 1-944 Remove the saddle feed motor assembly (1 of 6)



2. Push down on the belt tension arm (callout 1), and then remove the timing belt from the motor drive gear.


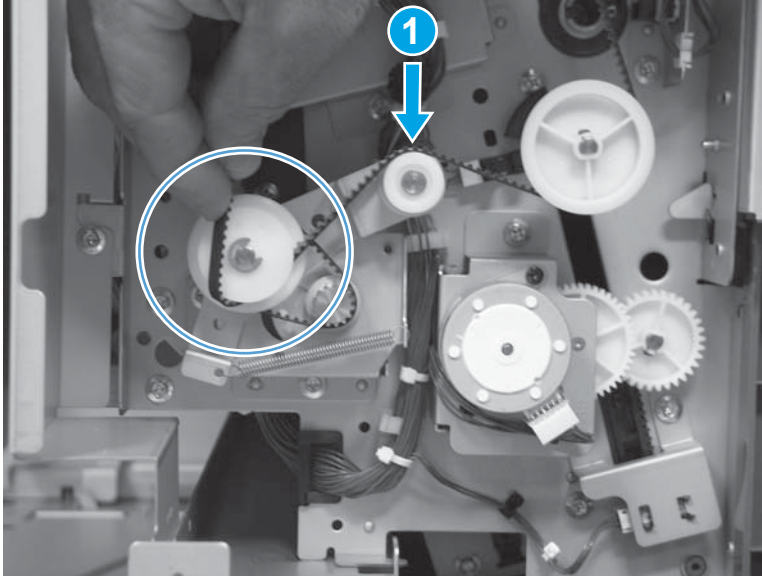

 **IMPORTANT:** Note how the belt is routed over the gears and belt-tension arm before you disengage the belt.

Figure 1-945 Remove the saddle feed motor assembly (2 of 6)

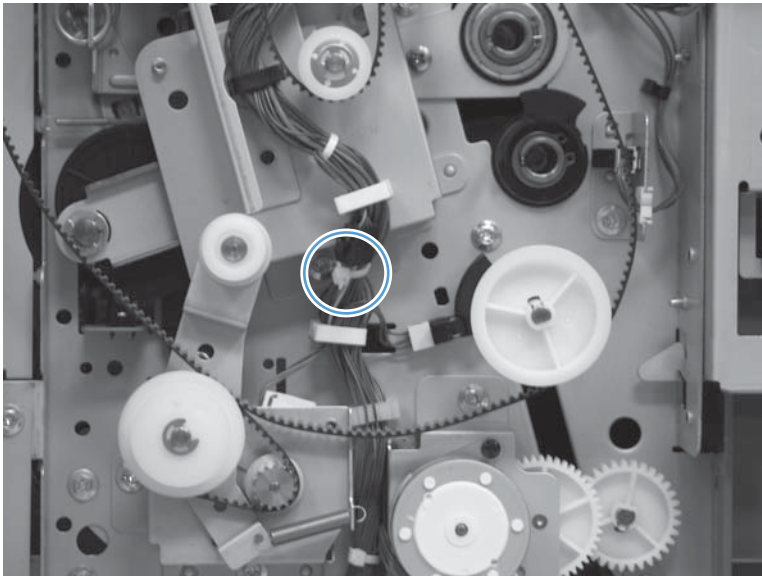


3. Remove one plastic wire cable tie.

 **CAUTION:** Do not damage the wire harnesses when this cable tie is removed.

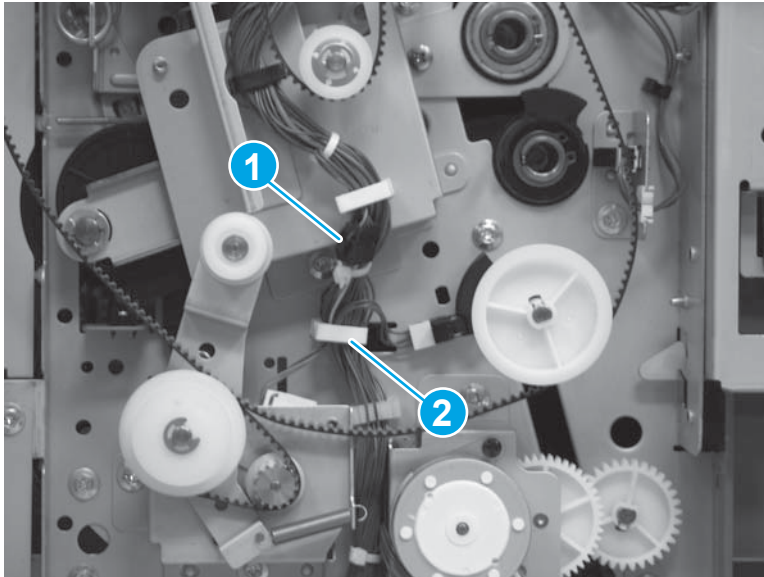
Do not attempt to remove the connector at the motor end of the wire harness. This wire harness is soldered to the motor and cannot be removed.

Figure 1-946 Remove the saddle feed motor assembly (3 of 6)



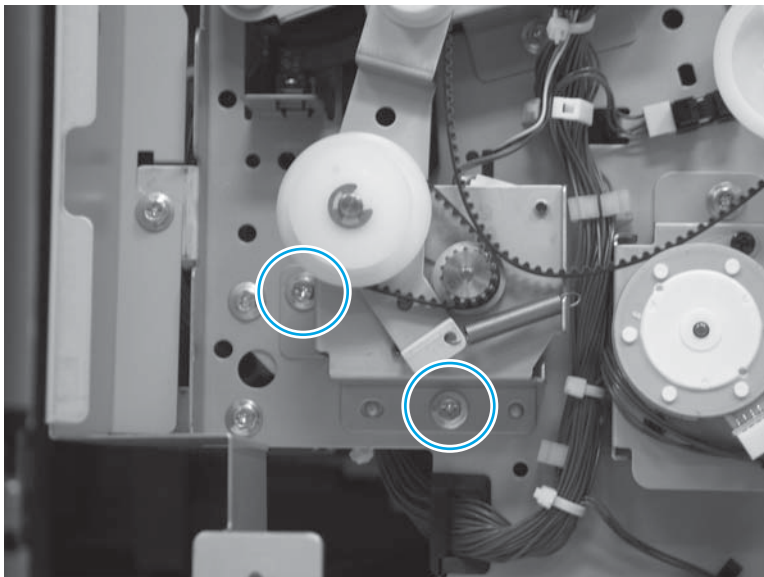
4. Disconnect one inline connector (callout 1), and then release the wire harness from one retainer (callout 2).

Figure 1-947 Remove the saddle feed motor assembly (4 of 6)



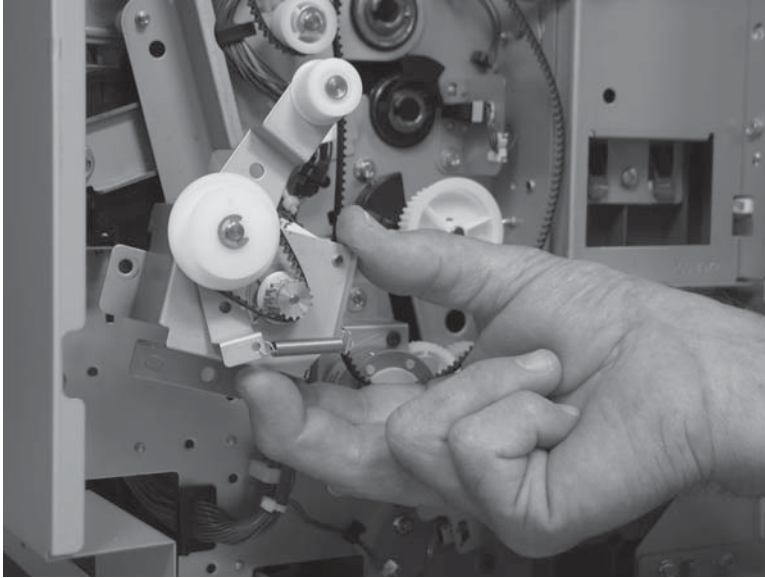
5. Remove two screws.

Figure 1-948 Remove the saddle feed motor assembly (5 of 6)



6. Remove the assembly.

Figure 1-949 Remove the saddle feed motor assembly (6 of 6)



Folding-motor mount assembly

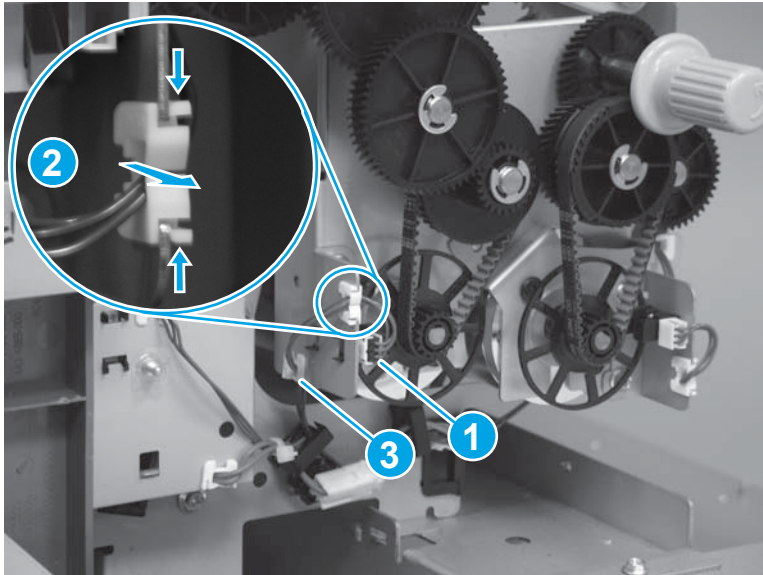
Before proceeding, remove the following assemblies:

- Latch lower covers (front and rear). See [Latch lower covers \(front and rear\) on page 468](#).
- Latch assembly. See [Latch assembly on page 470](#).
- Move the inner lower cover assembly out of the way. See [Inner upper cover assembly on page 480](#).
- Right cover assembly (BM PCA). See [Right cover assembly \(BM PCA\) on page 611](#).
- For all models with a hole punch assembly installed:
 - Punch lower front cover assembly. See [Punch lower front cover assembly on page 684](#).
 - Punch rear cover assembly. See [Punch rear cover assembly on page 686](#).

Remove the folding-motor mount assembly

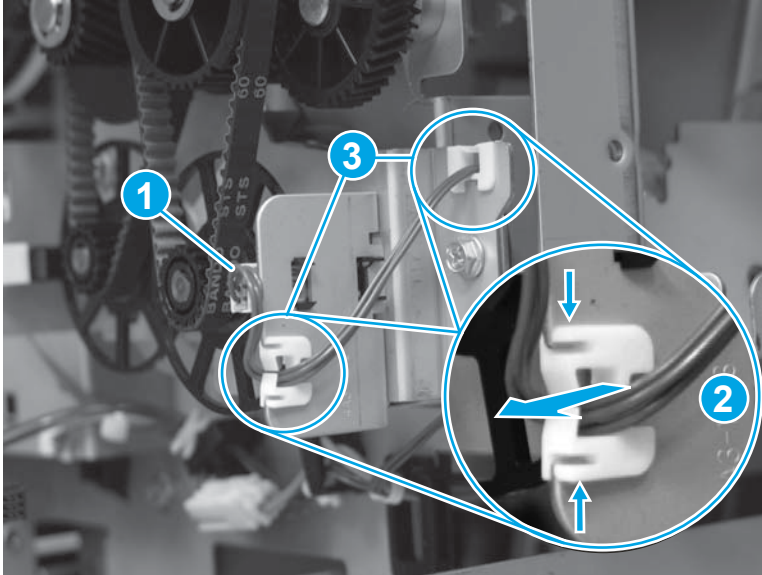
1. Disconnect one connector (callout 1), release two tabs on one retainer (callout 2), remove the retainer from the sheet-metal bracket, and then release the wire harness from one retainer (callout 3).

Figure 1-950 Remove the folding-motor mount assembly (1 of 6)



2. Disconnect one connector (callout 1), release two tabs (one on each side; callout 2) of two retainers (callout 3), and then remove the retainers from the sheet-metal bracket.

Figure 1-951 Remove the folding-motor mount assembly (2 of 6)

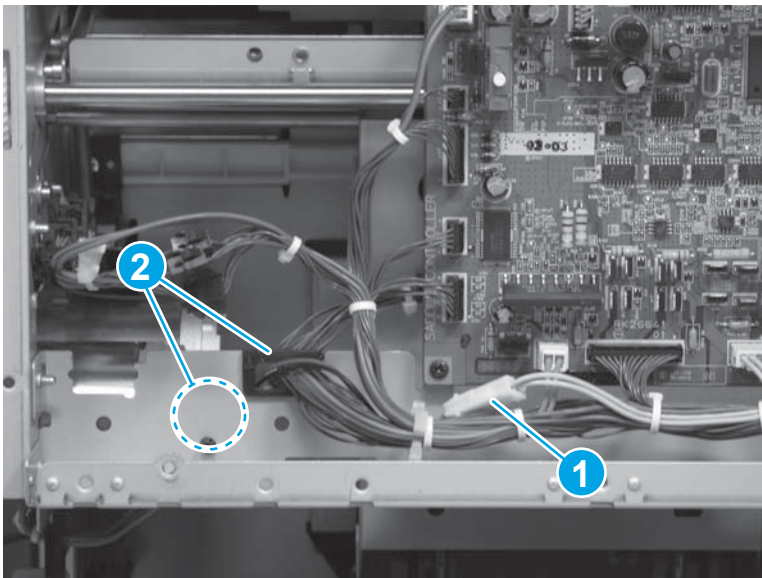


3. Disconnect one inline connector (callout 1), and then release the wire harness from two retainers (callout 2).

TIP: One of the retainers is on the back side of the sheet-metal support bracket. Use a long-barrel flat-blade screwdriver to release a tab on the retainer to open it

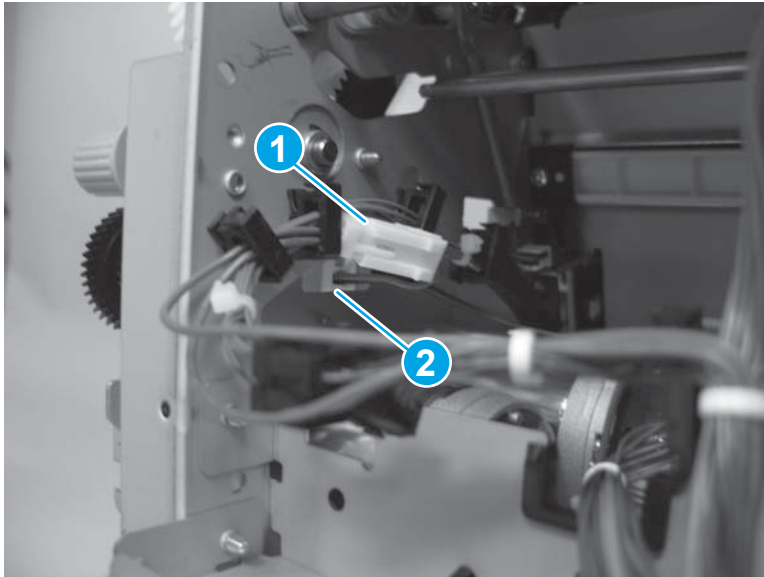
When the assembly is reinstalled, you might have to disconnect connectors on the controller PCA, or release wire harnesses from other retainers in order to gain enough slack in the wire harnesses to close the retainer latch.

Figure 1-952 Remove the folding-motor mount assembly (3 of 6)



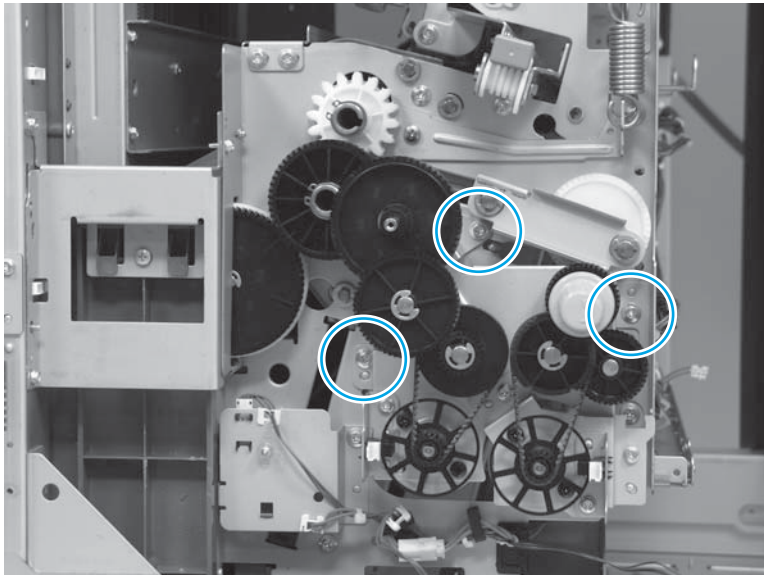
4. Disconnect one inline connector (callout 1), and then release the wire harness from one retainer (callout 2).

Figure 1-953 Remove the folding-motor mount assembly (4 of 6)



5. Remove three screws.

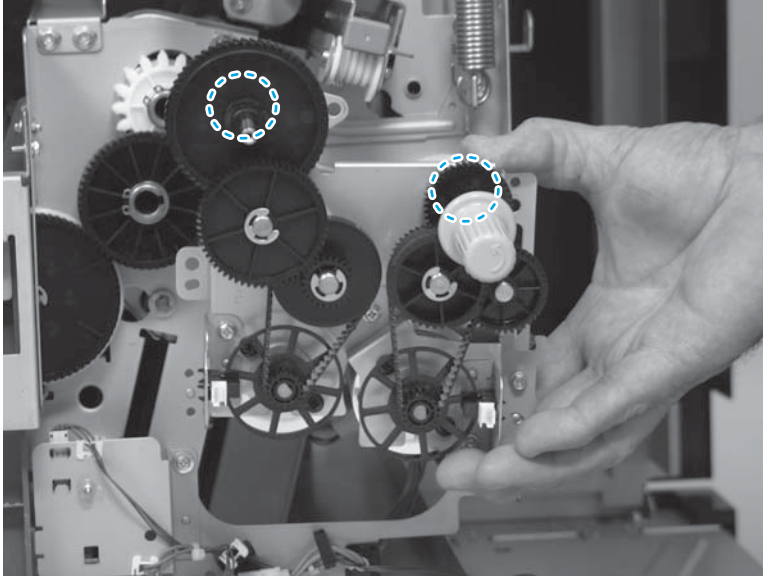
Figure 1-954 Remove the folding-motor mount assembly (5 of 6)



6. Remove the assembly.

⚠ CAUTION: There are two keyed bushings on the gear shafts that fit into holes on the chassis (see [Reinstall the folding-motor mount assembly on page 637](#)). The bushings are not captive. Do not lose them when the assembly is removed.

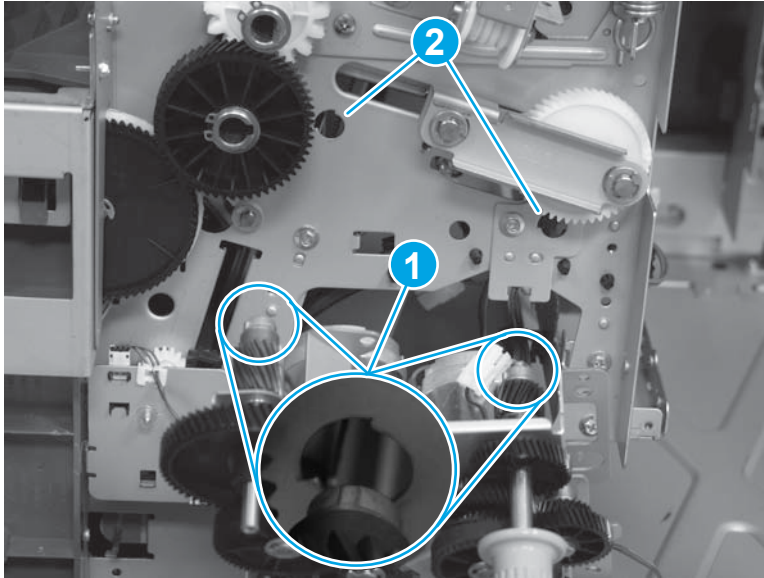
Figure 1-955 Remove the folding-motor mount assembly (6 of 6)



Reinstall the folding-motor mount assembly

Make sure that the two brass bushings (callout 1) are installed on the gear shafts, and that the keyed portion of the bushings are aligned with the associated large slots in the chassis mounting holes (callout 2). The sheet-metal mounting bracket must be tight up against the chassis before you install the mounting screws.

Figure 1-956 Reinstall the folding-motor mount assembly



Delivery switch mount assembly

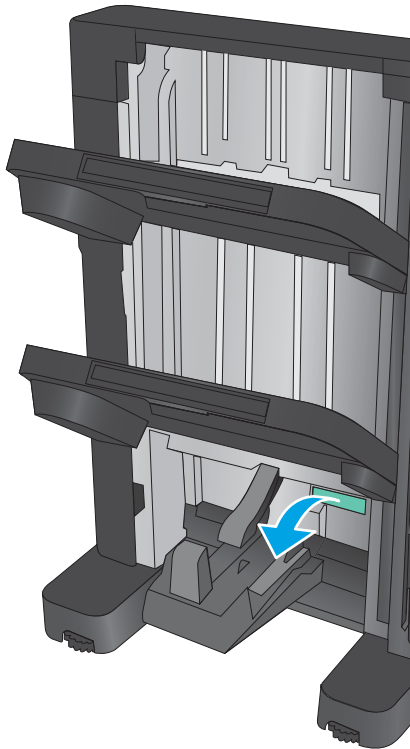
Before proceeding, do the following:

- Move the inner upper cover assembly out of the way. See [Inner upper cover assembly on page 480](#).
- Move the inner lower cover assembly out of the way. See [Inner lower cover assembly on page 486](#).

Remove the delivery switch mount assembly

1. Open the lower booklet jam access door.

Figure 1-957 Remove the delivery switch mount assembly (1 of 4)



2. Release the wire harnesses from two retainers (callout 1), and then disconnect two inline connectors (callout 2).


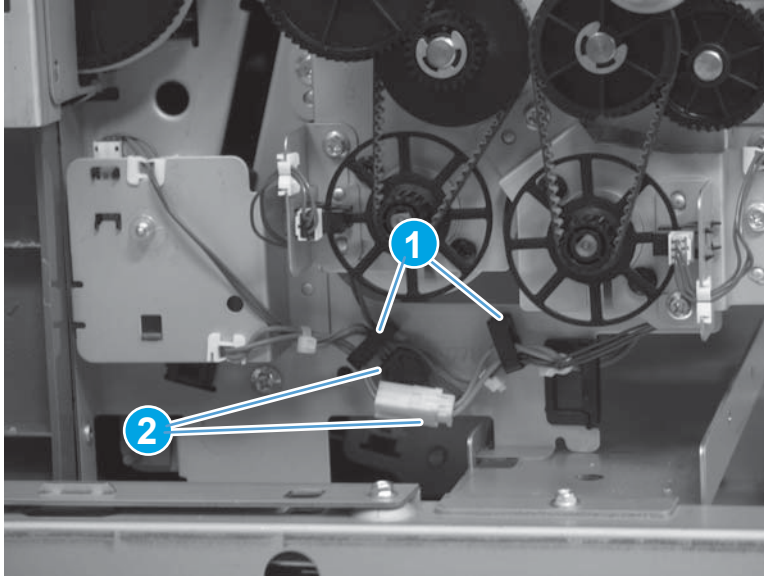
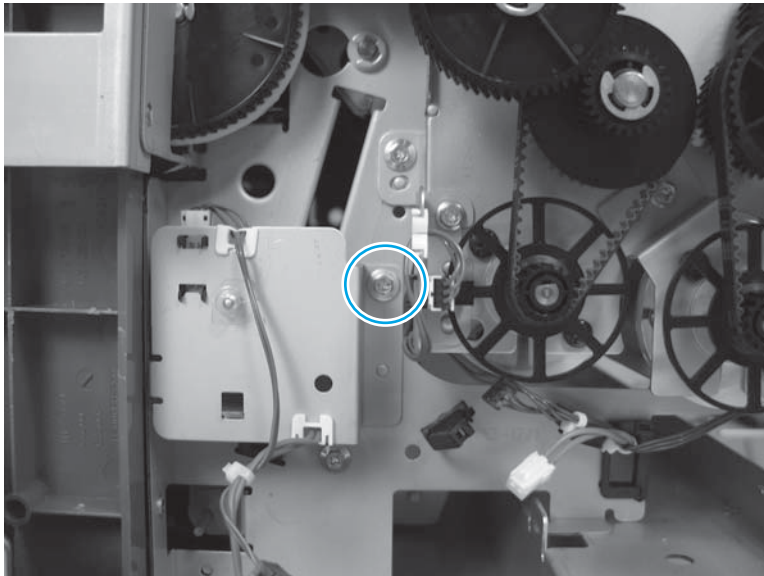
 **TIP:** Releasing the wire harnesses from the retainers first makes it easier to disconnect the connectors.

Figure 1-958 Remove the delivery switch mount assembly (2 of 4)



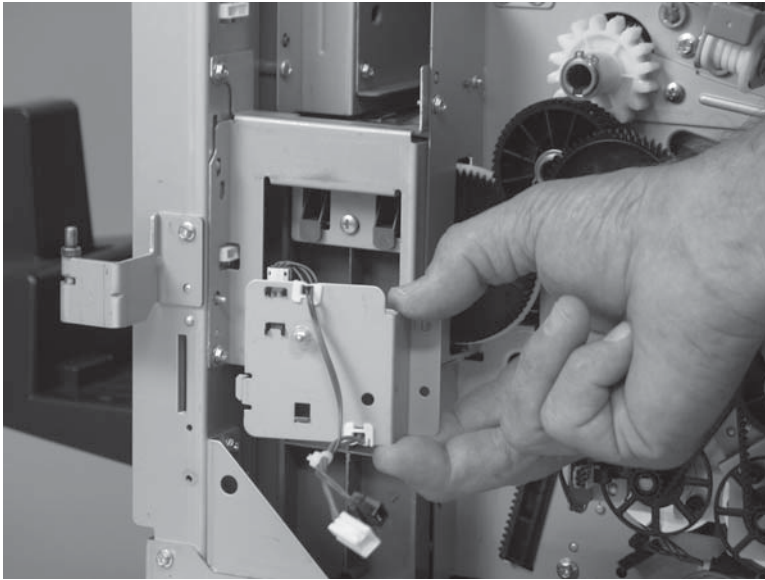
3. Remove one screw.

Figure 1-959 Remove the delivery switch mount assembly (4 of 4)



4. Remove the assembly.

Figure 1-960 Remove the delivery switch mount assembly (4 of 4)



Saddle stapler assembly

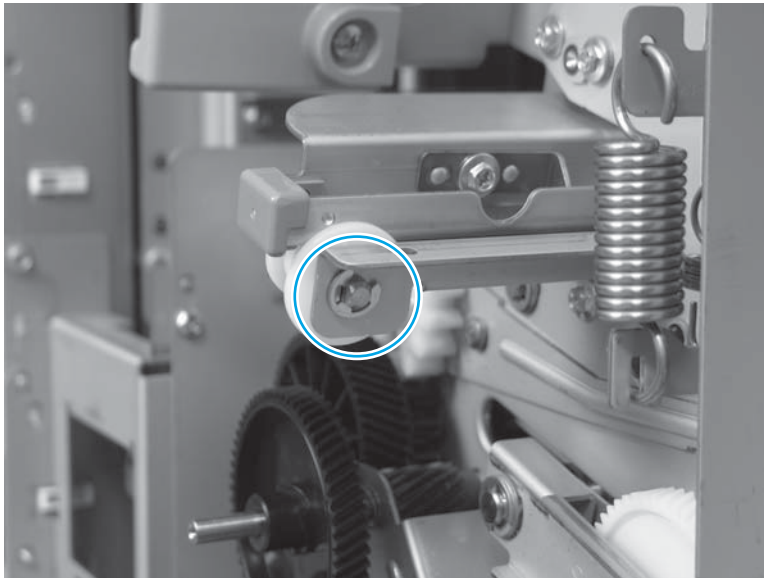
Before proceeding, do the following:

- Move the inner upper cover assembly out of the way. See [Inner upper cover assembly on page 480](#).
- Move the inner lower cover assembly out of the way. See [Inner lower cover assembly on page 486](#).

Remove the saddle stapler assembly

1. Remove one e-ring.

Figure 1-961 Remove the saddle stapler assembly (1 of 3)



2. Remove one shaft (callout 1), and then remove the white plastic wheel (callout 2).


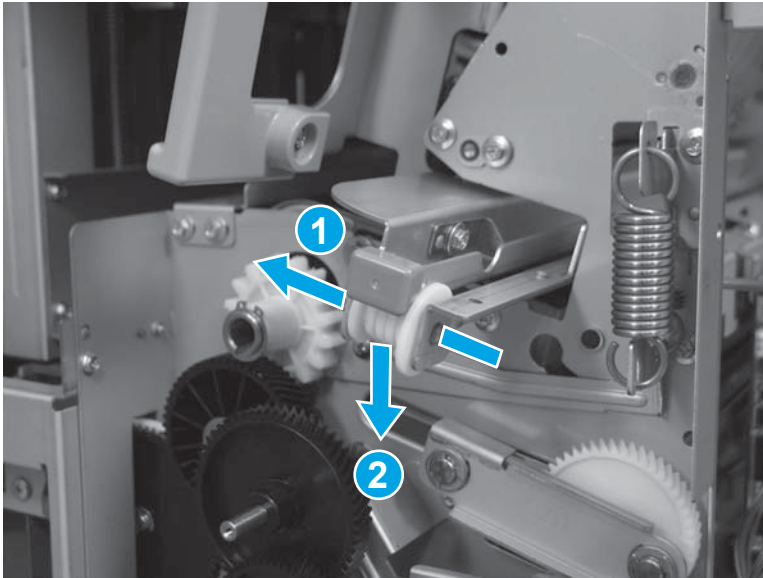
 **Reinstallation tip:** The wheel is asymmetric. The small diameter end of the wheel should face toward the saddle stapler assembly when it is reinstalled.

Figure 1-962 Remove the saddle stapler assembly (2 of 3)



3. Pull the assembly straight out of the saddle assembly to remove it.


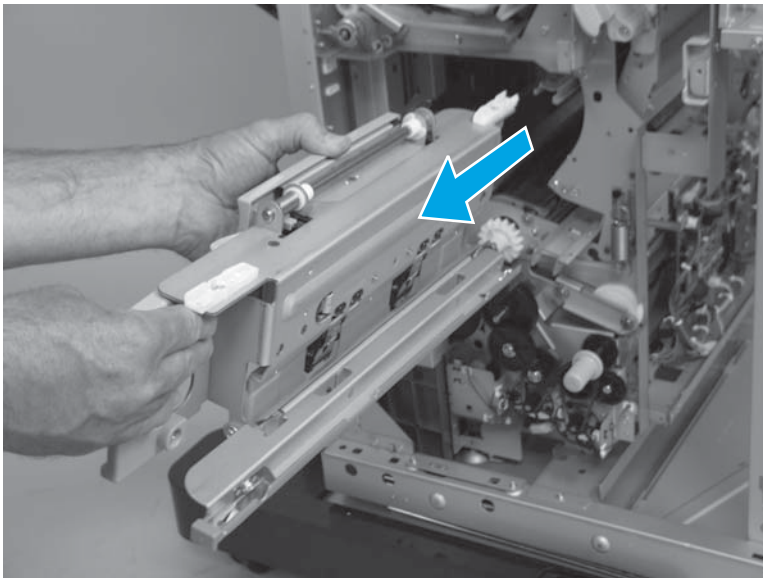
 **Reinstallation tip:** If you are installing a replacement assembly, remove the staple cartridges from the discarded saddle stapler assembly, and then install them in the replacement assembly.

Figure 1-963 Remove the saddle stapler assembly (3 of 3)



Lower left guide assembly

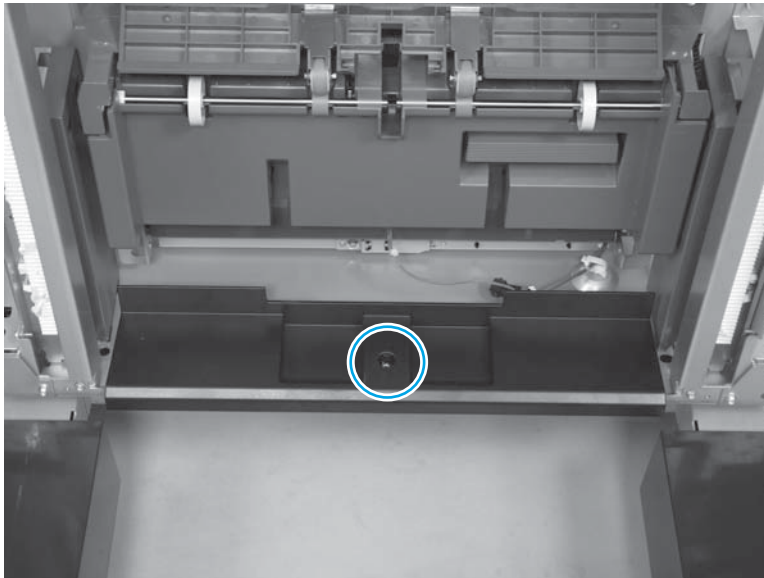
Before proceeding, remove the following assemblies:

- Saddle output bin assembly. See [Saddle output bin assembly on page 609](#).

Remove the lower left guide assembly

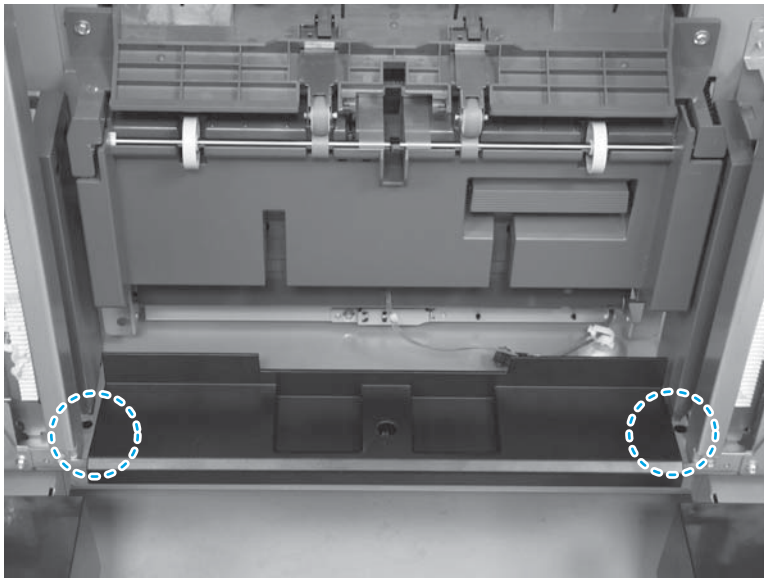
1. Remove one screw.

Figure 1-964 Remove the lower left guide assembly (1 of 3)



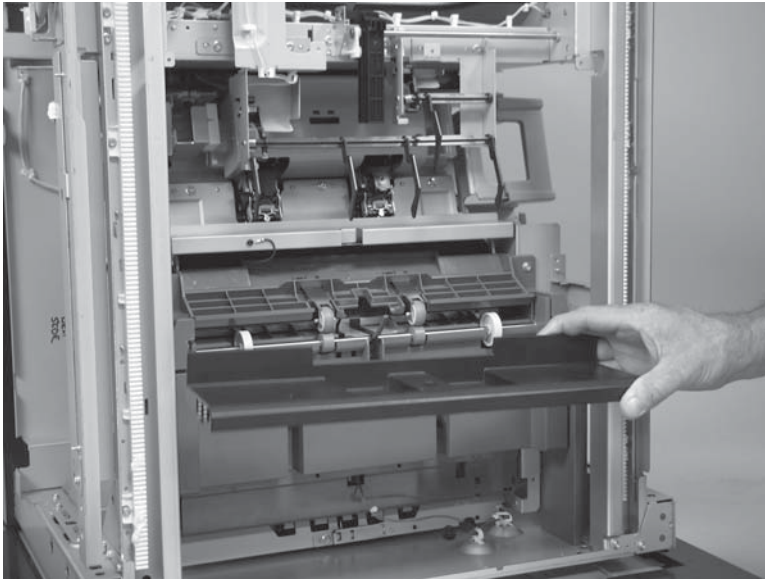
2. Release two tabs, and then remove the cover.

Figure 1-965 Remove the lower left guide assembly (2 of 3)



3. Remove the cover.

Figure 1-966 Remove the lower left guide assembly (3 of 3)



Saddle delivery inner cover, front assembly

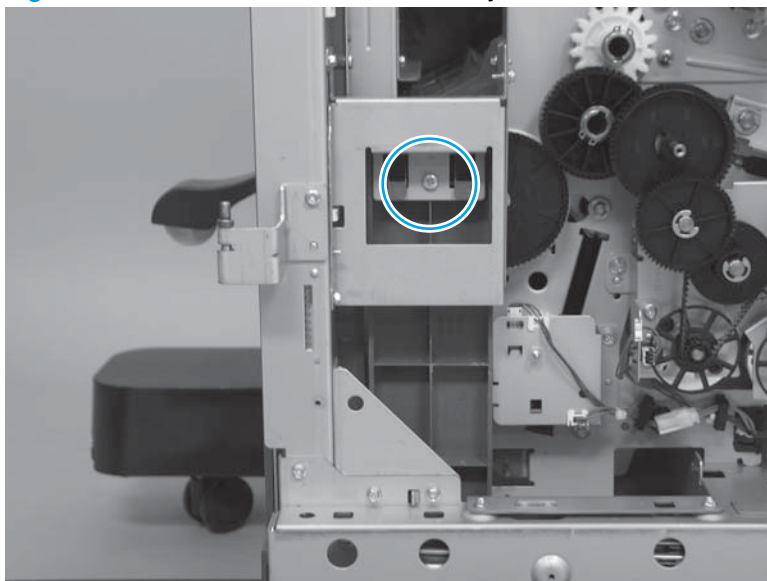
Before proceeding, remove the following assemblies:

- Front door. See [Front door on page 479](#).
- Inner upper cover assembly. See [Inner upper cover assembly on page 480](#).
- Inner lower cover assembly. See [Inner lower cover assembly on page 486](#).

Remove the saddle delivery inner cover, front assembly

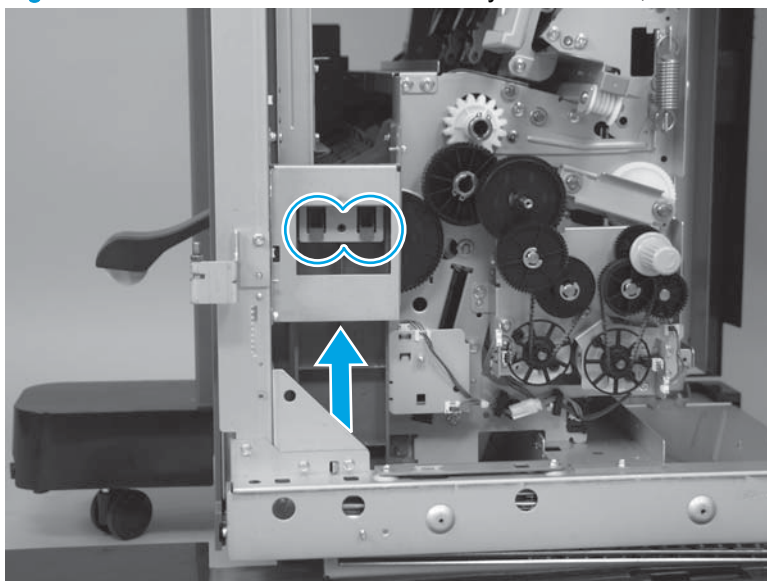
1. Remove one screw.

Figure 1-967 Remove the saddle delivery inner cover, front assembly (1 of 3)



2. Slide the cover up to release two tabs.

Figure 1-968 Remove the saddle delivery inner cover, front assembly (2 of 3)



3. Remove the cover.

Figure 1-969 Remove the saddle delivery inner cover, front assembly (3 of 3)



Saddle delivery inner cover, rear assembly

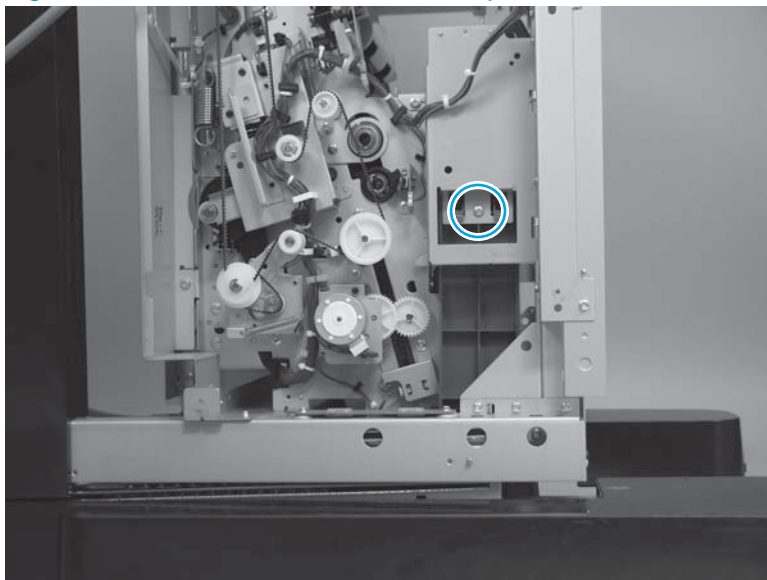
Before proceeding, remove the following assemblies:

- Bin cable guide cover. See [Bin cable guide cover on page 492](#).
- Rear cover assembly. See [Rear cover assembly on page 496](#).

Remove the saddle delivery inner cover, rear assembly

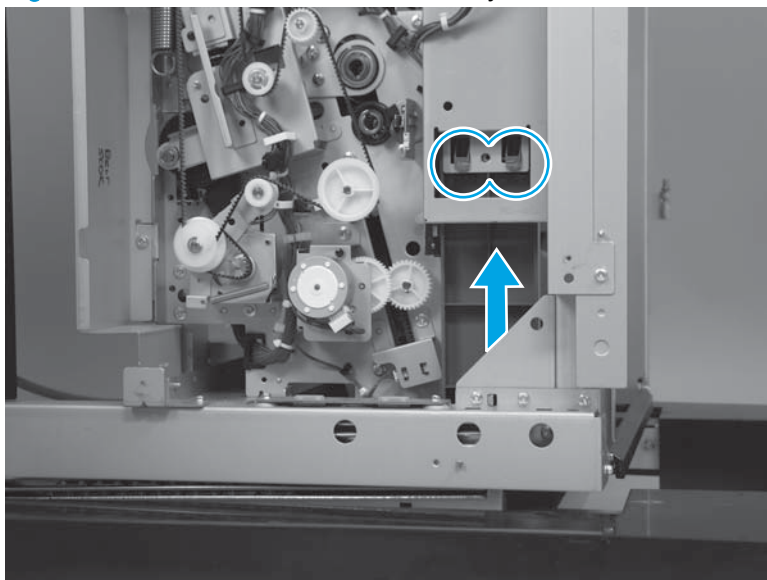
1. Remove one screw.

Figure 1-970 Remove the saddle delivery inner cover, rear assembly (1 of 3)



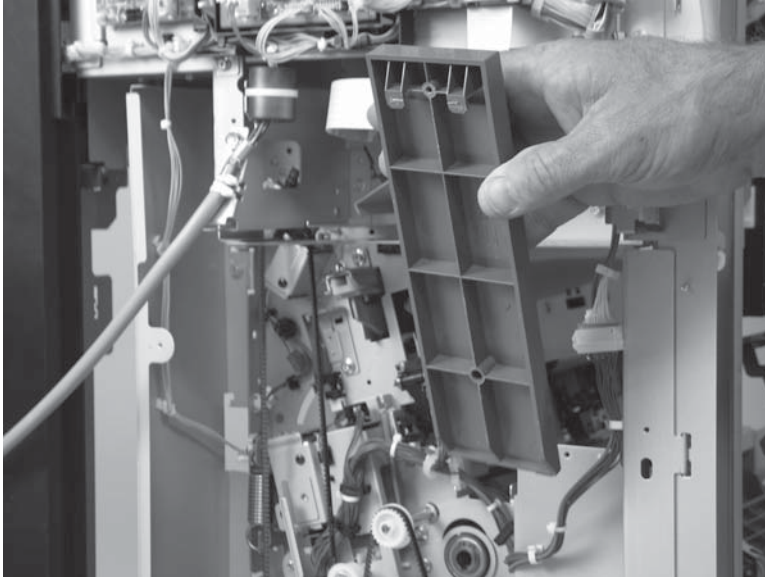
2. Slide the cover up to release two tabs.

Figure 1-971 Remove the saddle delivery inner cover, rear assembly (2 of 3)



3. Remove the cover.

Figure 1-972 Remove the saddle delivery inner cover, rear assembly (3 of 3)



Saddle guide assembly

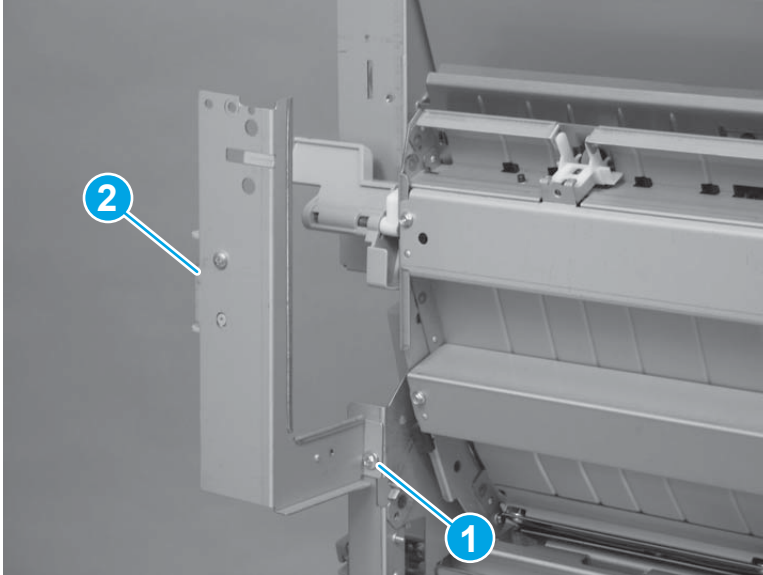
Before proceeding, remove the following assemblies:

- Latch lower covers (front and rear). See [Latch lower covers \(front and rear\) on page 468](#).
- Latch assembly. See [Latch assembly on page 470](#).
- Front door. See [Front door on page 479](#).
- Inner upper cover assembly. See [Inner upper cover assembly on page 480](#).
- Inner lower cover assembly. See [Inner lower cover assembly on page 486](#).
- Bin cable guide cover. See [Bin cable guide cover on page 492](#).
- Rear cover assembly. See [Rear cover assembly on page 496](#).
- For all models with a hole punch assembly installed:
 - Punch waste tray. See [Punch waste tray on page 688](#).
 - Punch inner cover assembly. See [Punch inner cover assembly on page 689](#).
 - Punch upper cover assembly. See [Punch top cover on page 691](#).
 - Punch hole assembly. See [Punch hole assembly on page 694](#).
- Paper pass assembly. See [Paper pass assembly on page 603](#).
- Right cover assembly (BM PCA). See [Right cover assembly \(BM PCA\) on page 611](#).

Remove the saddle guide assembly

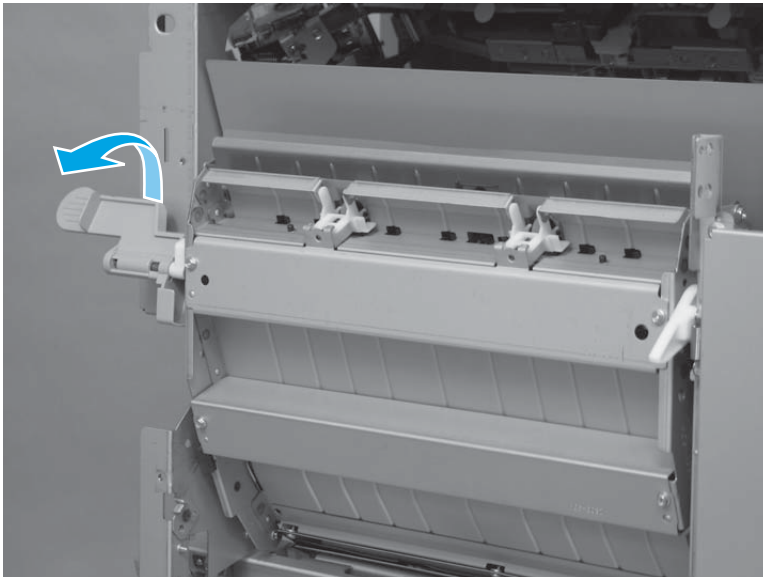
1. Remove one screw (callout 1), and then remove the sheet-metal support bracket (callout 2).

Figure 1-973 Remove the saddle guide assembly (1 of 5)



2. Release the lever, and then open the saddle guide.

Figure 1-974 Remove the saddle guide assembly (2 of 5)



3. Remove one screw (callout 1), and then remove the hinge pin retainer (callout 2).


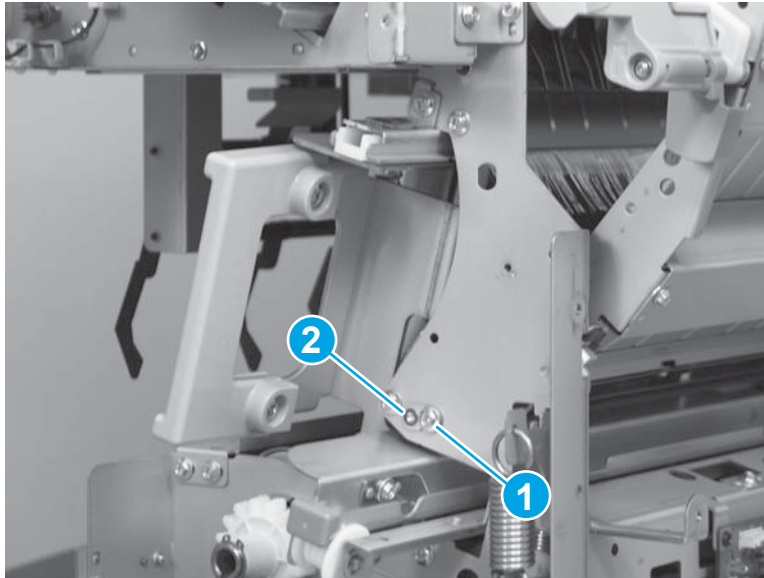
 **TIP:** Slightly move the saddle guide assembly back and forth to make removing the hinge pin retainer easier.

Figure 1-975 Remove the saddle guide assembly (3 of 5)



4. Slightly rotate the left side of the assembly away from the saddle assembly (callout 1), and then slide it to the left (callout 2).


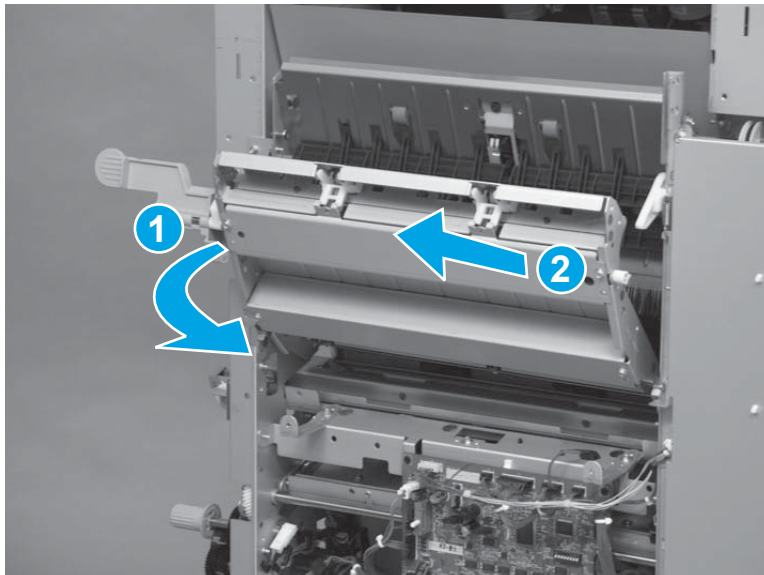
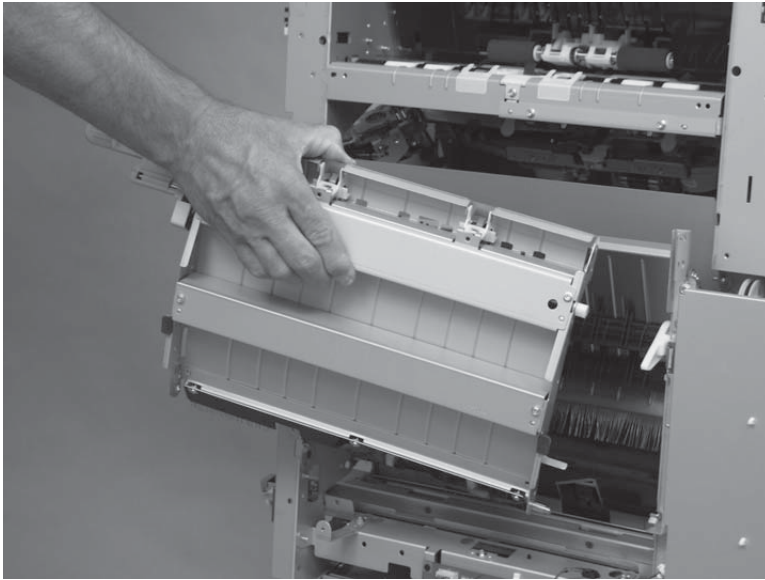
 **NOTE:** There is a pin on the left side of the assembly that must clear the accessory chassis.

Figure 1-976 Remove the saddle guide assembly (4 of 5)



5. Remove the assembly.

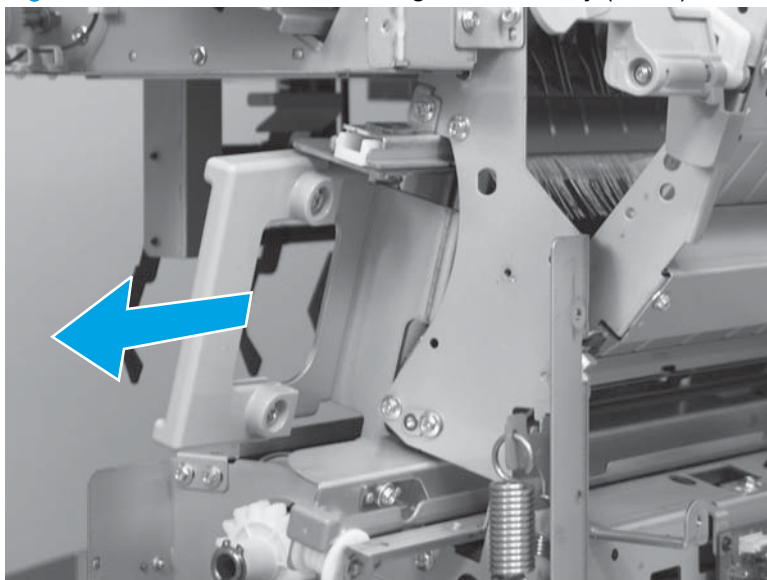
Figure 1-977 Remove the saddle guide assembly (5 of 5)



Reinstall the saddle guide assembly

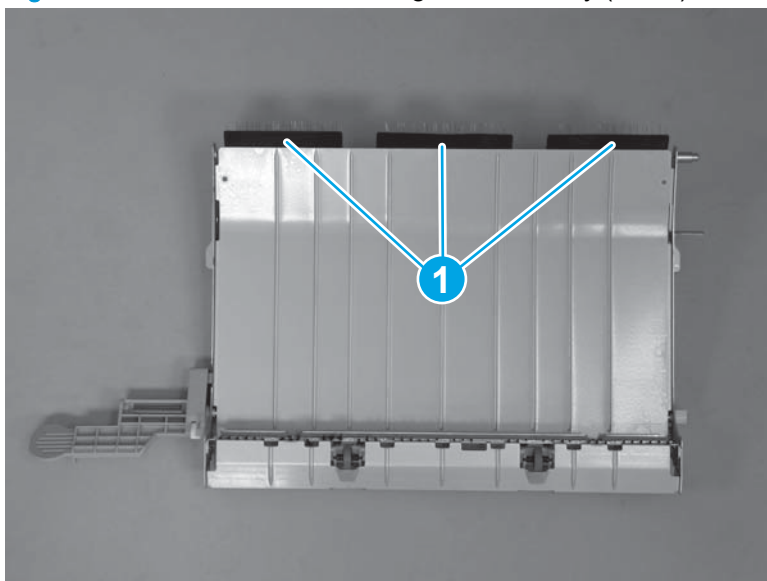
1. Slide the saddle stapler out of the accessory to avoid damage to the mylar strips on the saddle guide assembly when it is reinstalled.

Figure 1-978 Reinstall the saddle guide assembly (1 of 4)



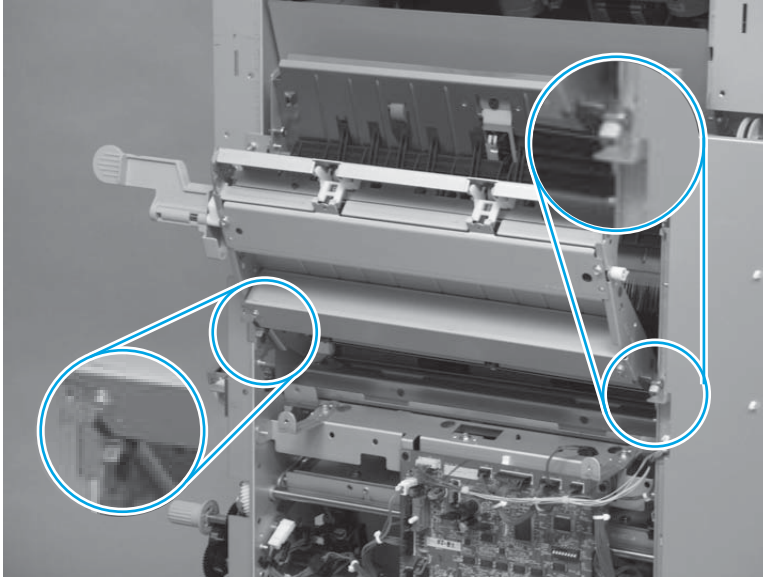
2. When you reinstall the assembly, do not damage the mylar strips (callout 1) on the assembly.

Figure 1-979 Reinstall the saddle guide assembly (2 of 4)



3. Make sure the shaft-end edge of the assembly, and the hinge-pin edge of the assembly, are behind the sheet-metal stoppers on the chassis.

Figure 1-980 Reinstall the saddle guide assembly (3 of 4)



4. Install the hinge pin retainer (callout 1), and then install one screw (callout 2) to secure the assembly.


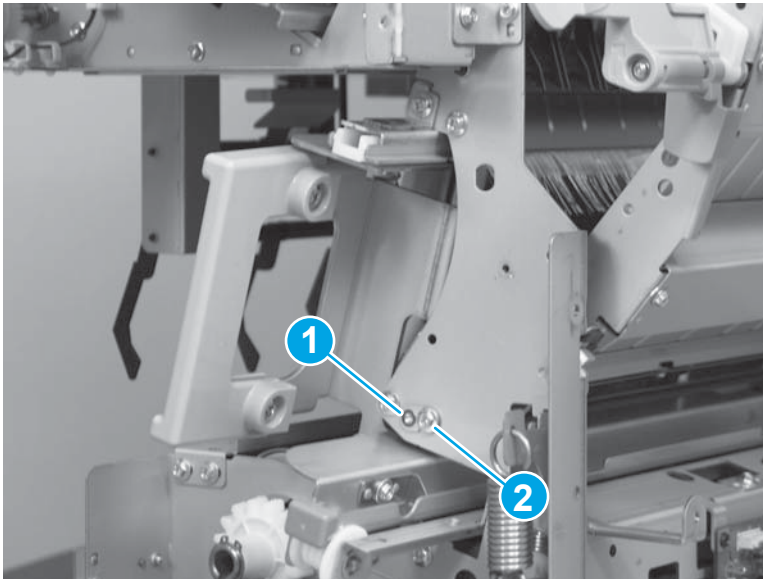
 **TIP:** Slightly move the saddle guide assembly back and forth to make installing the hinge pin retainer easier.

Figure 1-981 Reinstall the saddle guide assembly (4 of 4)



Saddle feed assembly

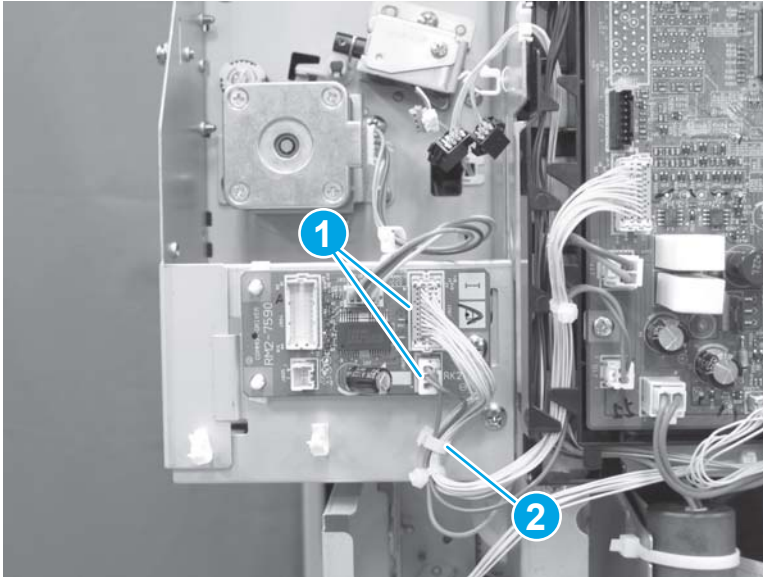
Before proceeding, remove the following assemblies:

- Latch lower covers (front and rear). See [Latch lower covers \(front and rear\) on page 468](#).
- Move the inner upper cover assembly out of the way. See [Inner upper cover assembly on page 480](#).
- Latch assembly. See [Latch assembly on page 470](#).
- Bin cable guide cover. See [Bin cable guide cover on page 492](#).
- Rear cover assembly. See [Rear cover assembly on page 496](#).
- For all models with a hole punch assembly installed:
 - Punch waste tray. See [Punch waste tray on page 688](#).
 - Punch inner cover assembly. See [Punch inner cover assembly on page 689](#).
 - Punch upper cover assembly. See [Punch top cover on page 691](#).
 - Punch hole assembly. See [Punch hole assembly on page 694](#).

Remove the saddle feed assembly

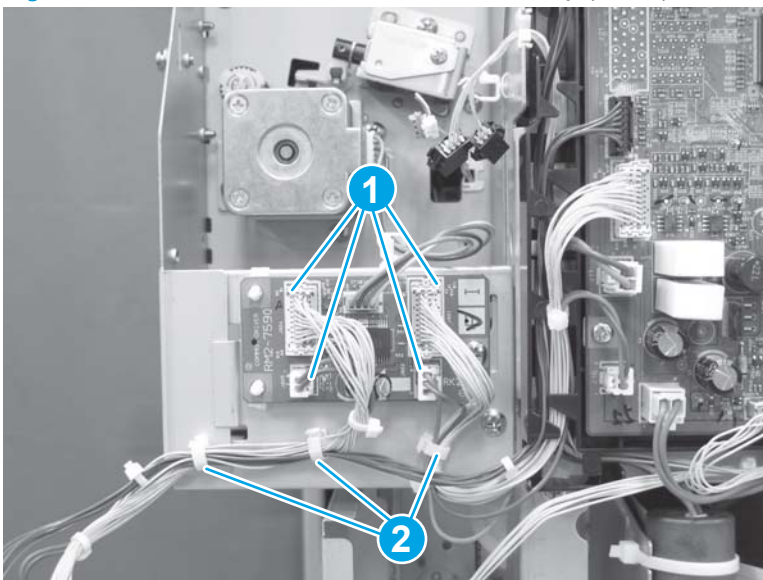
1. Open the top door and front door.
2. **Booklet maker only:** Disconnect two connectors (callout 1), and then release the wire harness from one retainer (callout 2).

Figure 1-982 Remove the saddle feed assembly (1 of 7)



3. **Booklet maker with hole punch only:** Disconnect four connectors (callout 1), and then release the wire harness from three retainers (callout 2).

Figure 1-983 Remove the saddle feed assembly (2 of 7)



4. Disconnect two connectors (callout 1), and then release the wire harnesses from two retainers (callout 2).


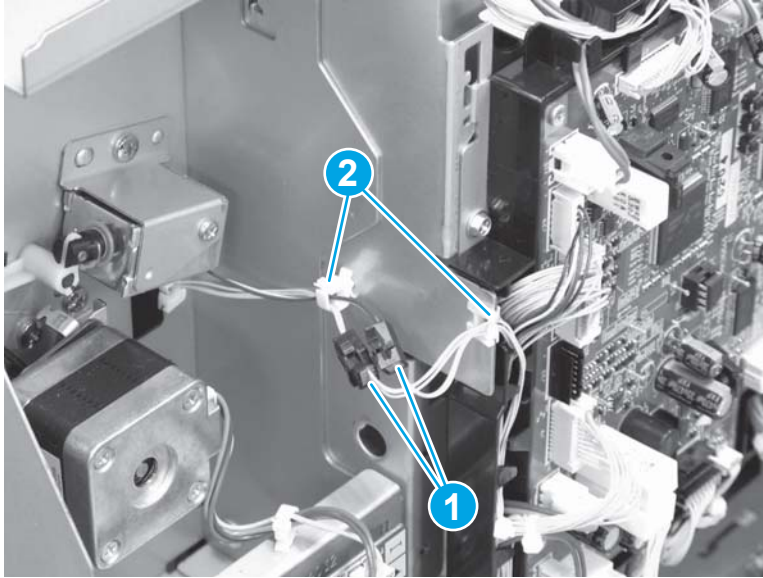
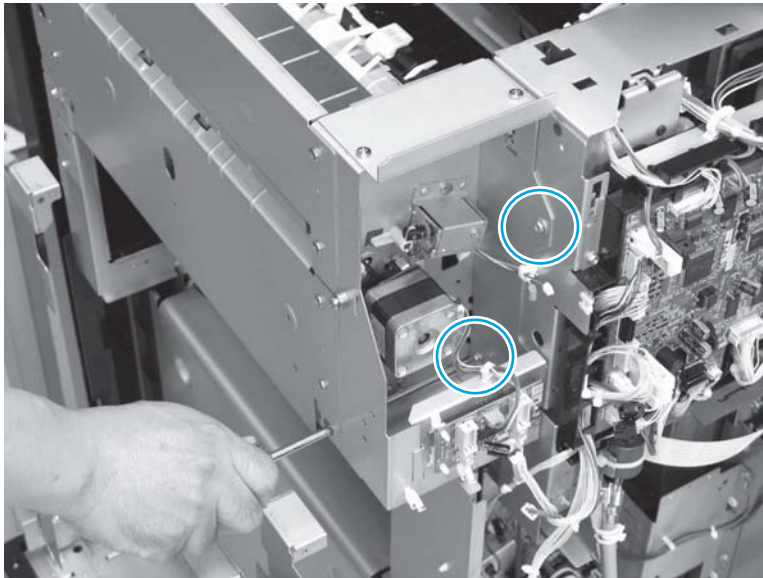
 **TIP:** It is easier to disconnect the connectors if you first release the wire harnesses from the retainers.

Figure 1-984 Remove the saddle feed assembly (3 of 7)



5. Remove two screws.

Figure 1-985 Remove the saddle feed assembly (4 of 7)



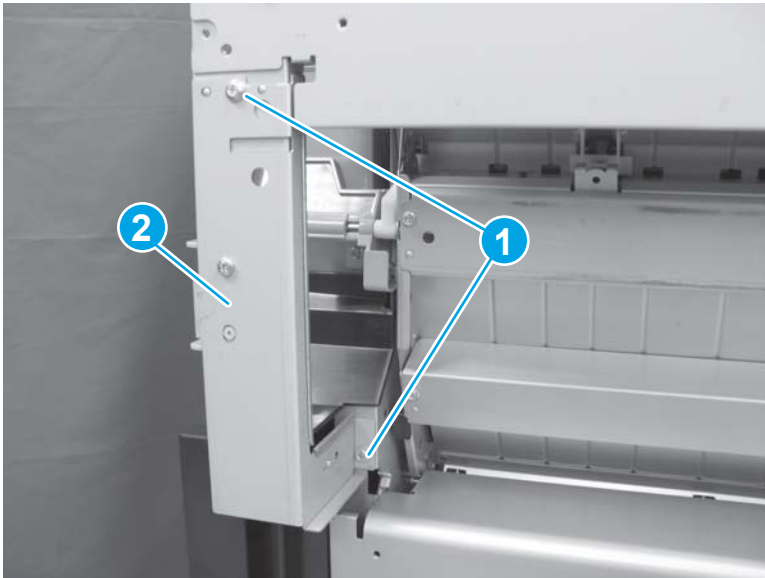
6. Below the saddle feed assembly near the left side of the saddle guide, remove two screws.

Figure 1-986 Remove the saddle feed assembly (5 of 7)



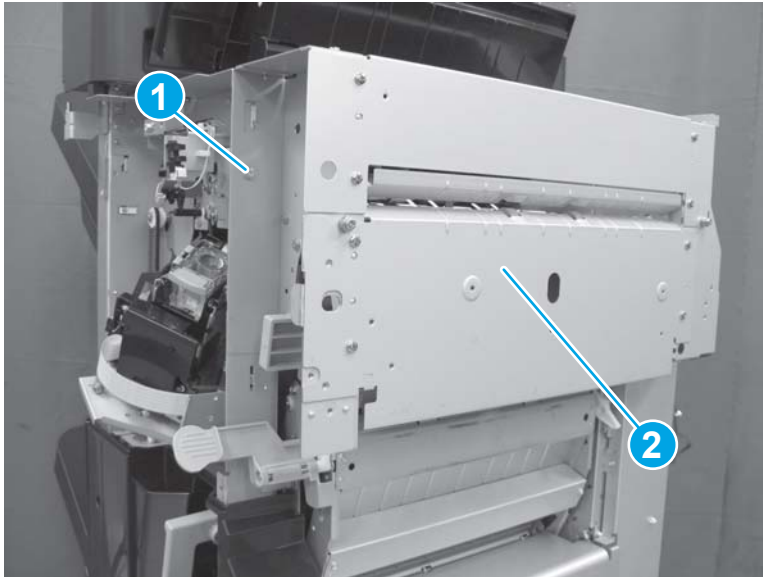
7. Remove two screws (callout 1), and then remove the sheet-metal bracket (callout 2).

Figure 1-987 Remove the saddle feed assembly (6 of 7)



8. Remove one screw (callout 1), grasp the top of the saddle feed assembly (callout 2), and then lift it up to remove it.

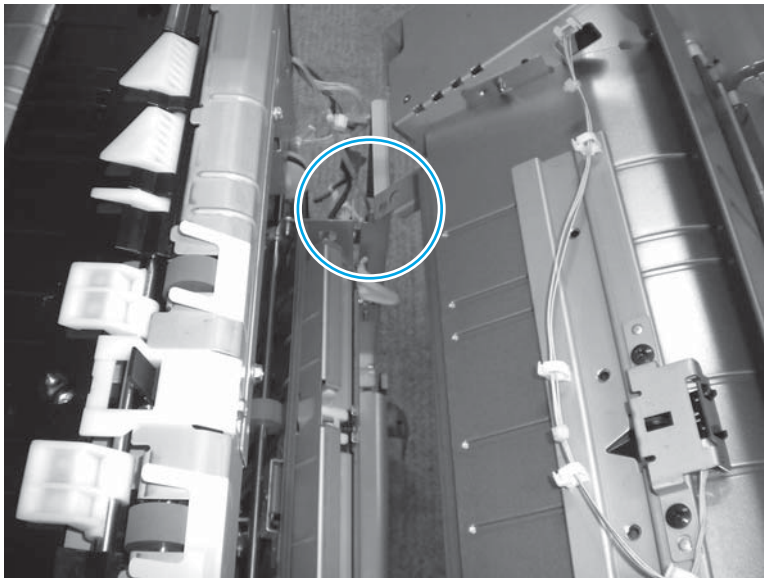
Figure 1-988 Remove the saddle feed assembly (7 of 7)



Reinstall the saddle feed assembly

Make sure that the bottom mounting tab on the saddle feed assembly is on the outside of the chassis—not on the inside—when it is installed.

Figure 1-989 Reinstall the saddle feed assembly



Saddle assembly



NOTE: The saddle assembly is not an orderable service part. This removal procedure is for reference only. HP does not recommend removing the saddle assembly at this time.

Before proceeding, remove the following assemblies:

- Latch lower covers (front and rear). See [Latch lower covers \(front and rear\) on page 468](#).
- Latch assembly. See [Latch assembly on page 470](#).
- Open/closed stepped cover assembly. See [Open/closed stepped cover assembly on page 471](#).
- Upper stepped cover assembly. See [Upper stepped cover assembly on page 472](#).
- Lower stepped cover assembly. See [Lower stepped cover assembly on page 474](#).
- Front door. See [Front door on page 479](#).
- Inner upper cover assembly. See [Inner upper cover assembly on page 480](#).
- Inner lower cover assembly. See [Inner lower cover assembly on page 486](#).
- Bin cable guide cover. See [Bin cable guide cover on page 492](#).
- Rear cover assembly. See [Rear cover assembly on page 496](#).
- For all models with a hole punch assembly installed:
 - Punch lower front cover assembly. See [Punch lower front cover assembly on page 684](#).
 - Punch rear cover assembly. See [Punch rear cover assembly on page 686](#).
 - Punch waste tray. See [Punch waste tray on page 688](#).
 - Punch inner cover assembly. See [Punch inner cover assembly on page 689](#).
 - Punch upper cover assembly. See [Punch top cover on page 691](#).
 - Punch hole assembly. See [Punch hole assembly on page 694](#).
- Paper pass assembly. See [Paper pass assembly on page 603](#).
- Saddle output bin assembly. See [Saddle output bin assembly on page 609](#).
- Right cover assembly (BM PCA). See [Right cover assembly \(BM PCA\) on page 611](#).
- Saddle delivery inner cover, front assembly. See [Saddle delivery inner cover, front assembly on page 645](#).

Remove the saddle assembly

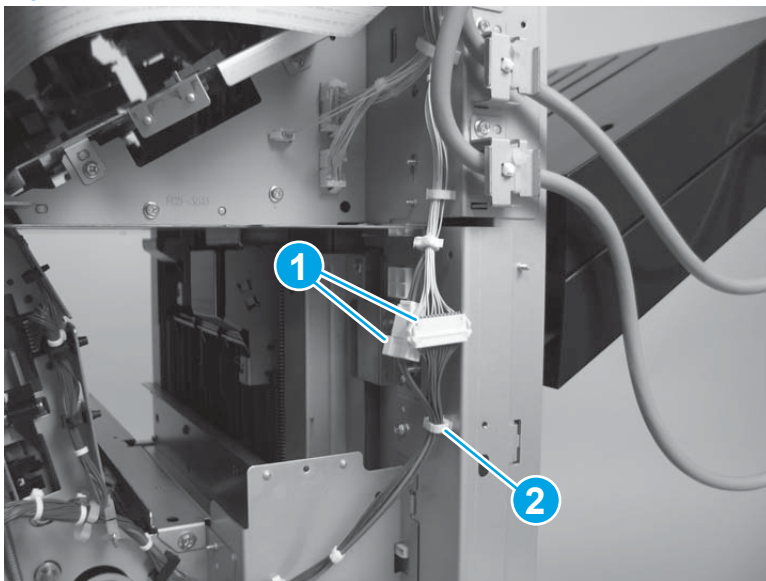
1. Release the wire harnesses from the two retainers.

Figure 1-990 Remove the saddle assembly (1 of 13)



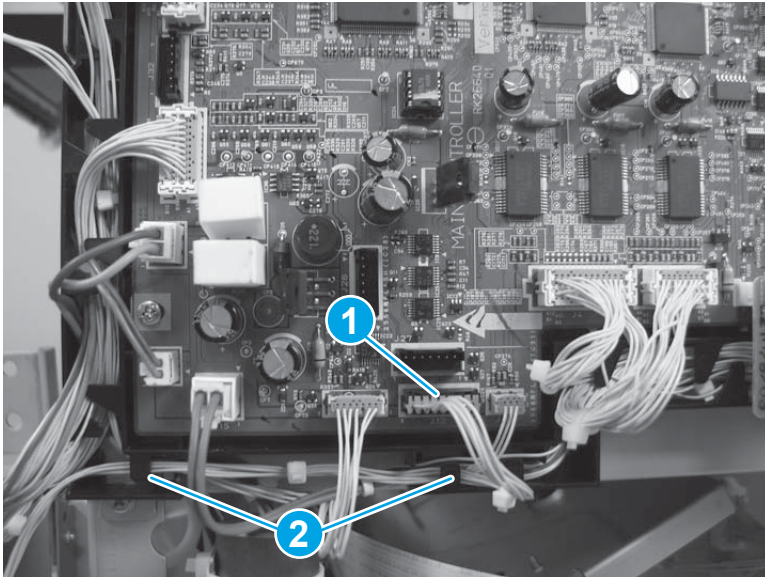
2. Disconnect two in-line connectors (callout 1), and then release the wire harness from one retainer (callout 2).

Figure 1-991 Remove the saddle assembly (2 of 13)



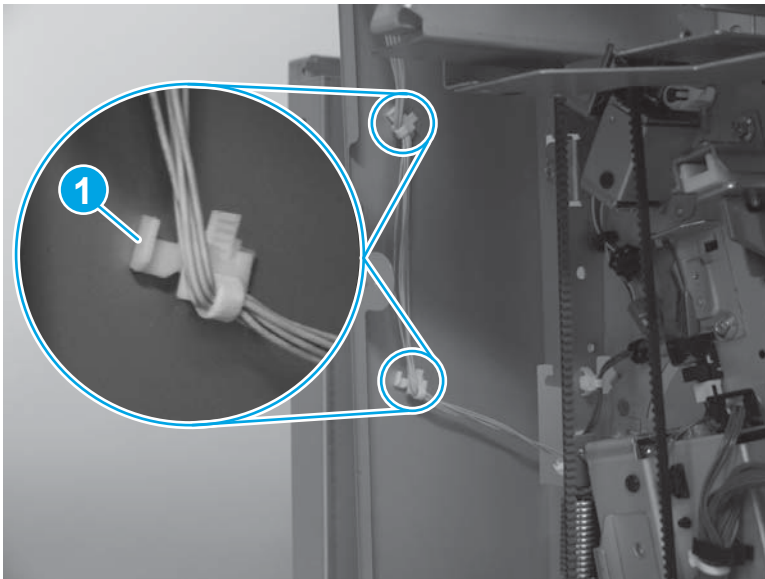
3. Disconnect one connector (callout 1) on the main controller PCA, and then release the wire harness from the guide (callout 2).

Figure 1-992 Remove the saddle assembly (3 of 13)



4. Release one tab (callout 1, one tab on each retainer) on two retainers to release them from the sheet-metal support bracket.

Figure 1-993 Remove the saddle assembly (4 of 13)

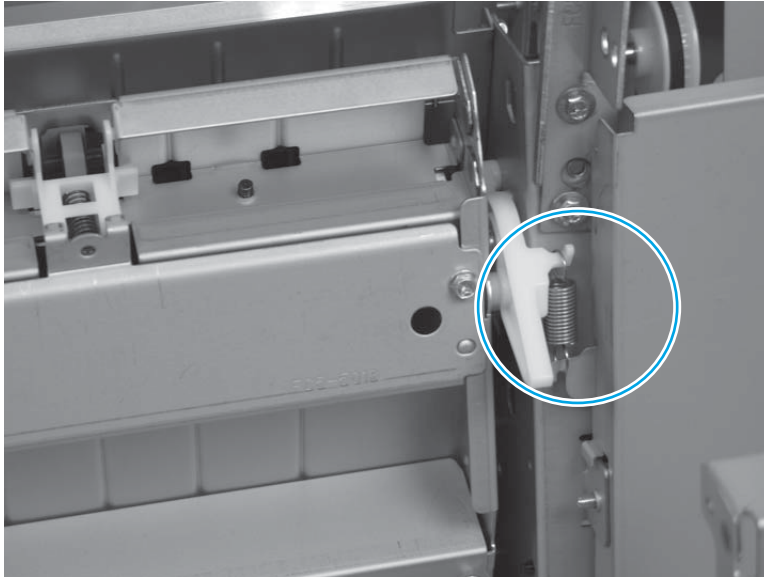


5. Remove one spring on the jam access locking arm. Set the spring aside.

⚠ CAUTION: The spring is not captive. Do not lose the spring when releasing it.

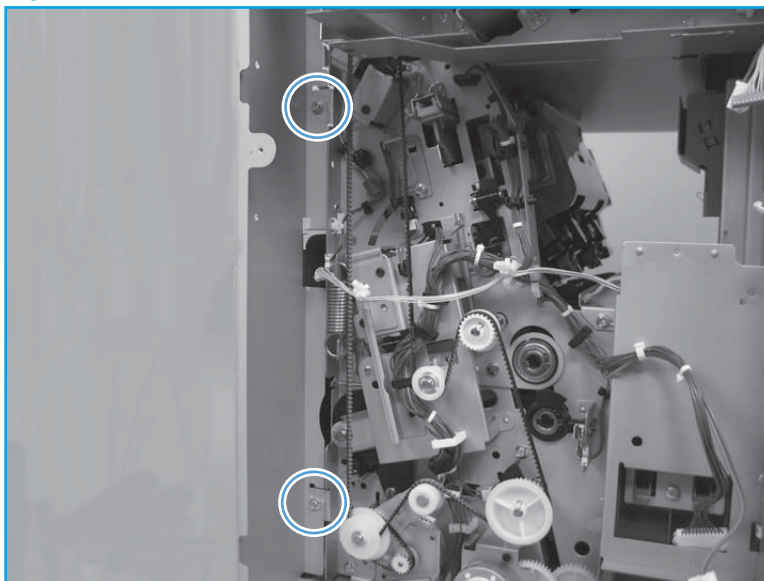
💡 Reinstallation tip: Do not forget to reinstall this spring when the assembly is reinstalled, or a replacement assembly is installed.

Figure 1-994 Remove the saddle assembly (5 of 13)



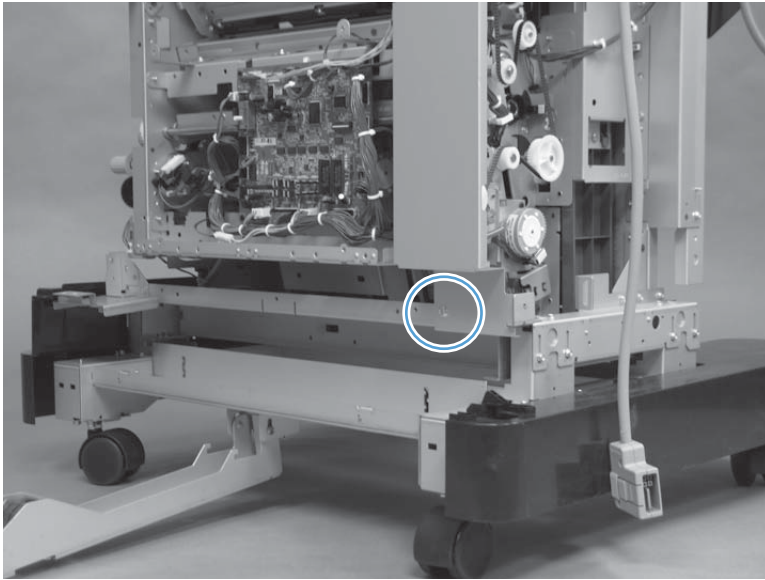
6. Remove two screws.

Figure 1-995 Remove the saddle assembly (6 of 13)



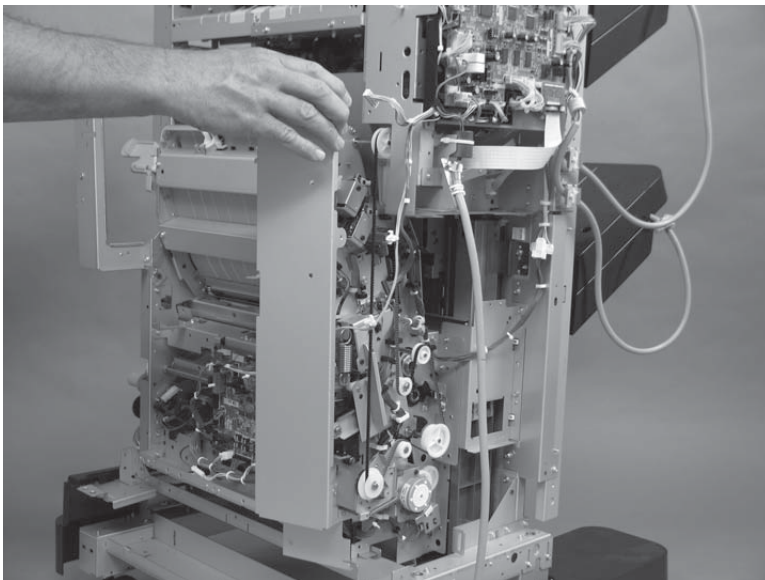
7. Remove one screw.

Figure 1-996 Remove the saddle assembly (7 of 13)



8. Remove the sheet-metal bracket.

Figure 1-997 Remove the saddle assembly (8 of 13)



9. Remove two screws.


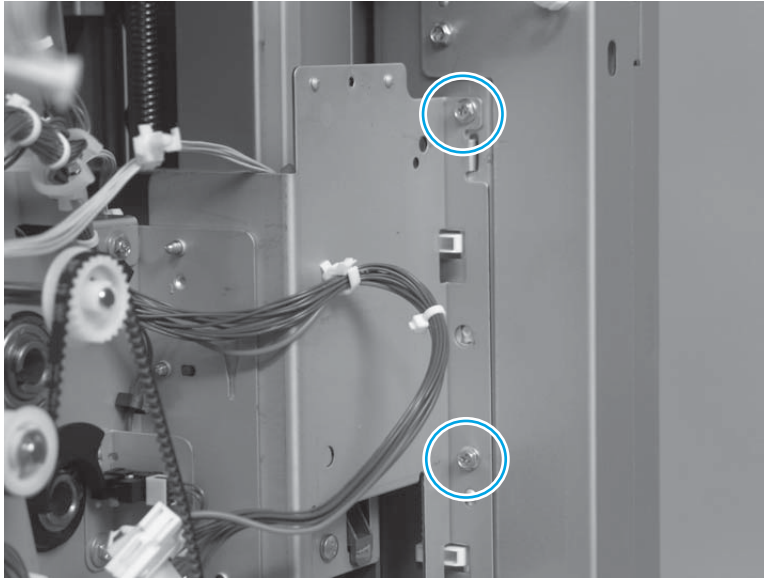
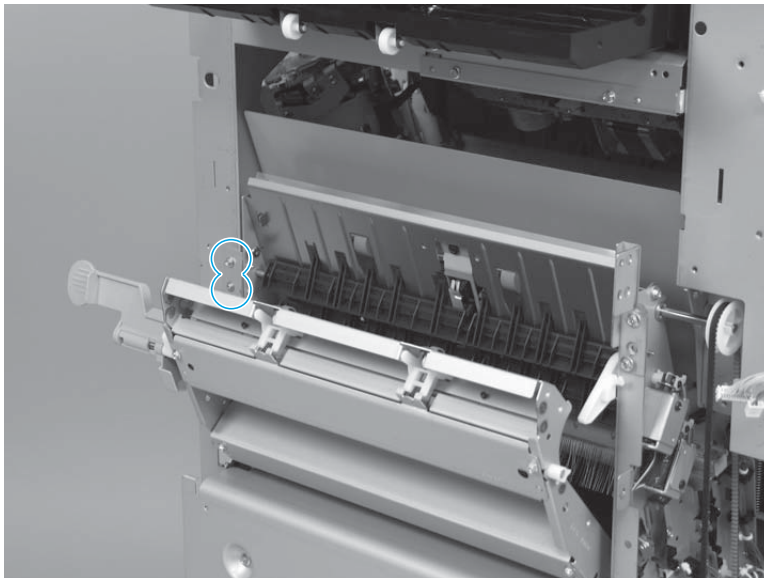
 **NOTE:** These two screws are located on the common controller PCA side of the accessory.

Figure 1-998 Remove the saddle assembly (9 of 13)



10. Open the jam access plate, and then remove two screws.

Figure 1-999 Remove the saddle assembly (10 of 13)



11. Remove one screw.


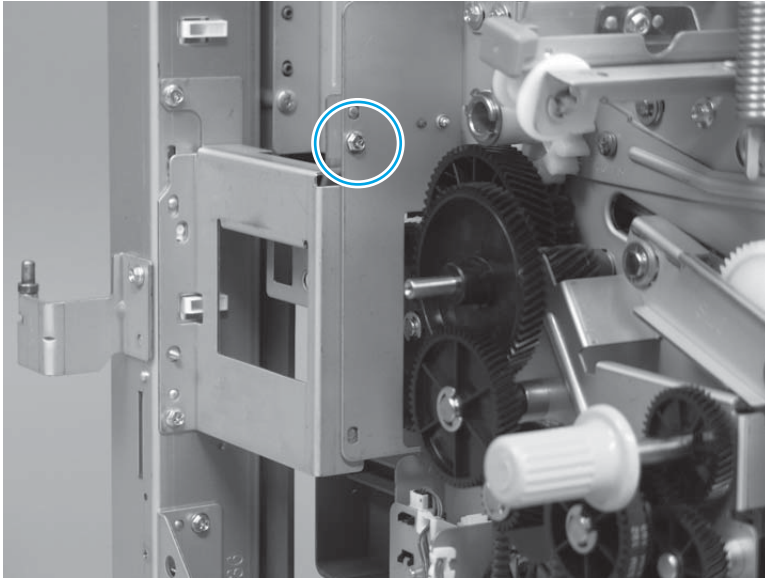
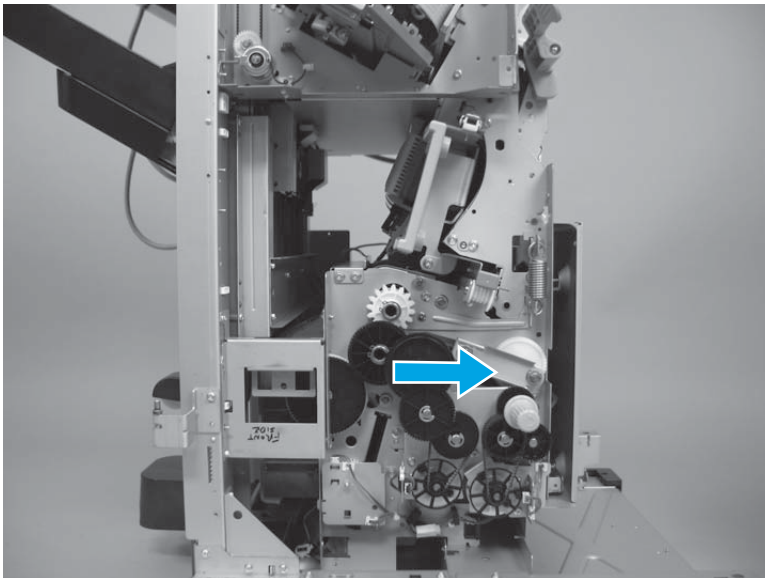
 **NOTE:** This screw is located on the front side of the accessory.

Figure 1-1000 Remove the saddle assembly (11 of 13)



12. Slightly slide the saddle assembly away from the stack bin side of the accessory to release it.

Figure 1-1001 Remove the saddle assembly (12 of 13)

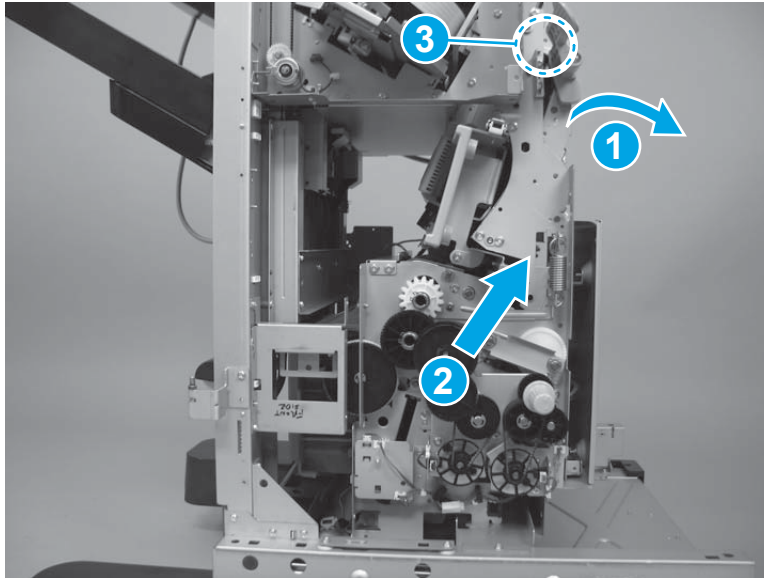


- Carefully rotate the top of the assembly away from the accessory (callout 1), and then lift the assembly up and out of the accessory (callout 2).

CAUTION: The assembly is heavy.


CAUTION: Do not grasp the assembly along the top edge (callout 3). Doing so can damage the mylar strip along the edge and cause paper jam problems when the assembly is reinstalled.

Figure 1-1002 Remove the saddle assembly (13 of 13)



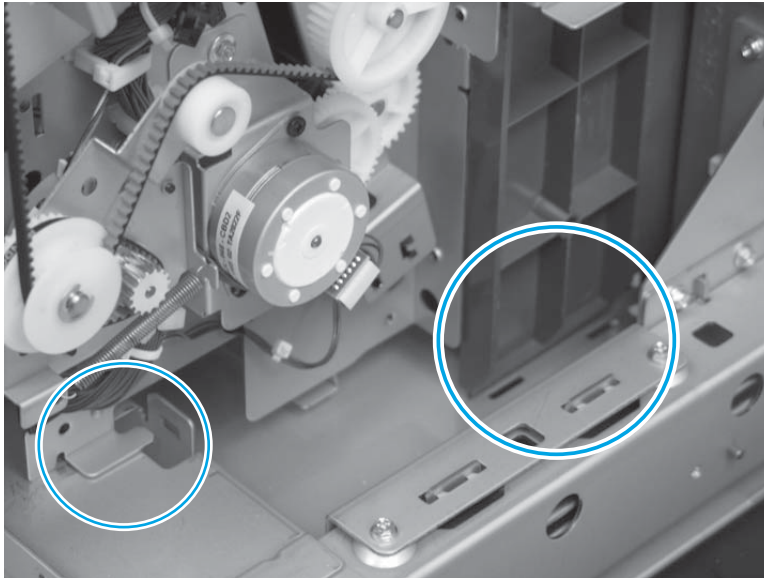
Reinstall the saddle assembly

Make sure that the two hooks on the bottom of the assembly (one shown) are correctly engaged with the chassis, and that the tabs on the rear saddle inner cover are in the slots in the chassis.

 **IMPORTANT:** Make sure that all of the assembly sheet-metal brackets that contact the accessory chassis are flush against the chassis to prevent paper jam problems after the assembly is reinstalled.

Make sure that the drive belts are correctly installed and have not been dislodged when handling the assembly.

Figure 1-1003 Reinstall the saddle assembly



Upper delivery guide assembly

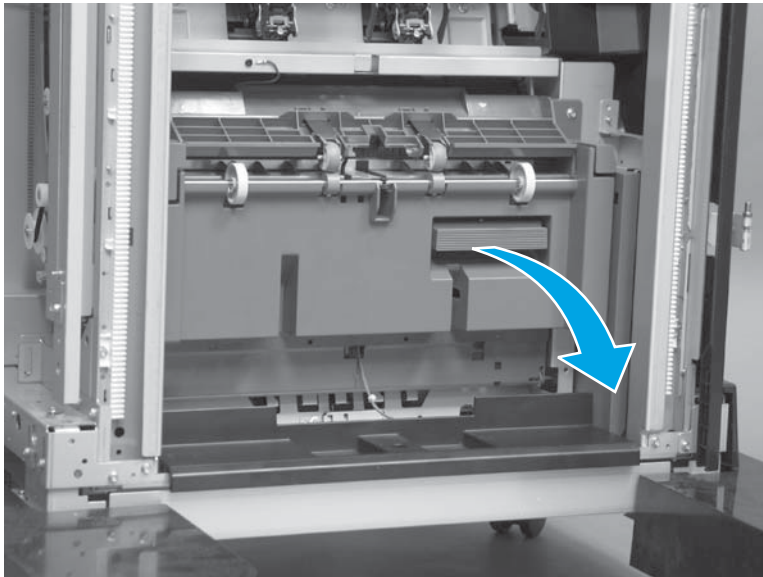
Before proceeding, remove the following assemblies:

- Open/closed stepped cover assembly. See [Open/closed stepped cover assembly on page 471](#).
- Upper stepped cover assembly. See [Upper stepped cover assembly on page 472](#).
- Lower stepped cover assembly. See [Lower stepped cover assembly on page 474](#).
- Front door. See [Front door on page 479](#).
- Inner upper cover assembly. See [Inner upper cover assembly on page 480](#).
- Inner lower cover assembly. See [Inner lower cover assembly on page 486](#).
- Bin cable guide cover. See [Bin cable guide cover on page 492](#).
- Rear cover assembly. See [Rear cover assembly on page 496](#).
- Stack wall upper cover assembly. See [Stack wall upper assembly and upper wall guide assembly on page 518](#).
- Stack upper bin and lower bin assemblies. See [Stack upper bin and lower bin assemblies on page 540](#).
- Height wall assembly. See [Height wall assembly on page 546](#).
- Saddle output bin assembly. See [Saddle output bin assembly on page 609](#).

Remove the upper delivery guide assembly

1. Open the upper delivery assembly door.

Figure 1-1004 Remove the upper delivery guide assembly (1 of 3)



2. Remove four screws.


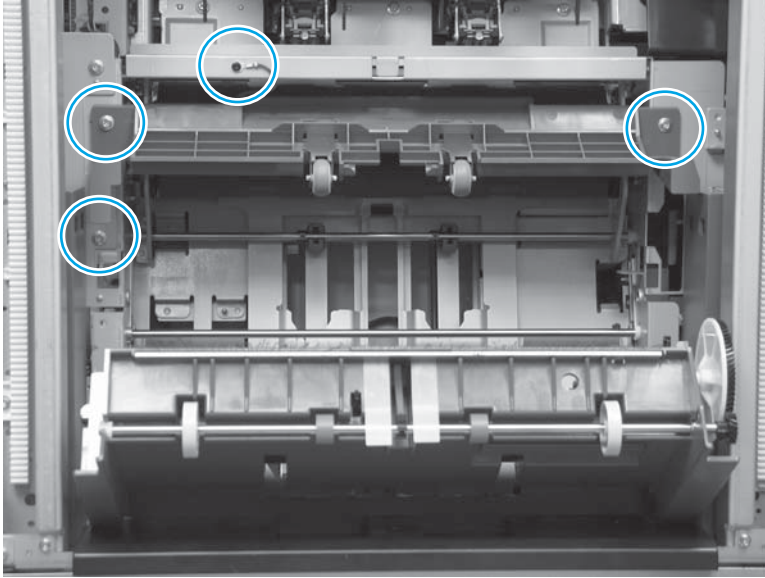
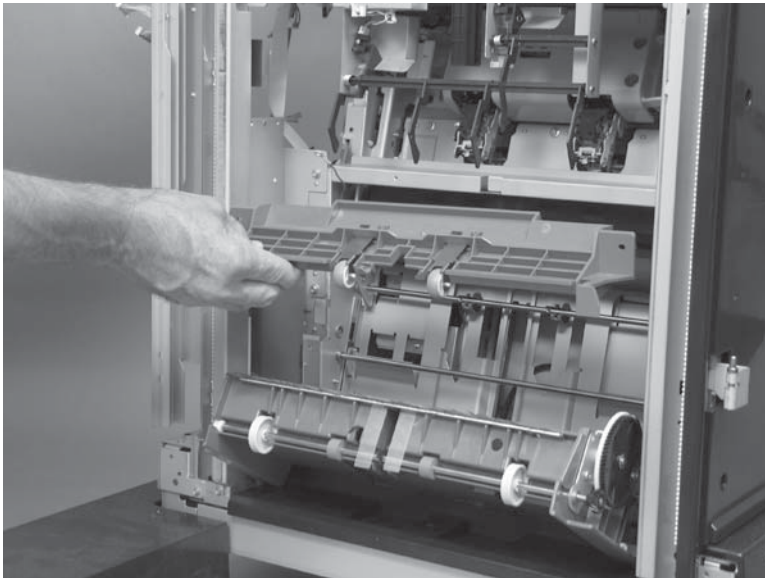
 **NOTE:** One screw is a ground wire connection. Make sure that you reconnect the ground wire when the assembly is reinstalled.

Figure 1-1005 Remove the upper delivery guide assembly (2 of 3)



3. Remove the assembly.

Figure 1-1006 Remove the upper delivery guide assembly (3 of 3)



Saddle paper delivery assembly

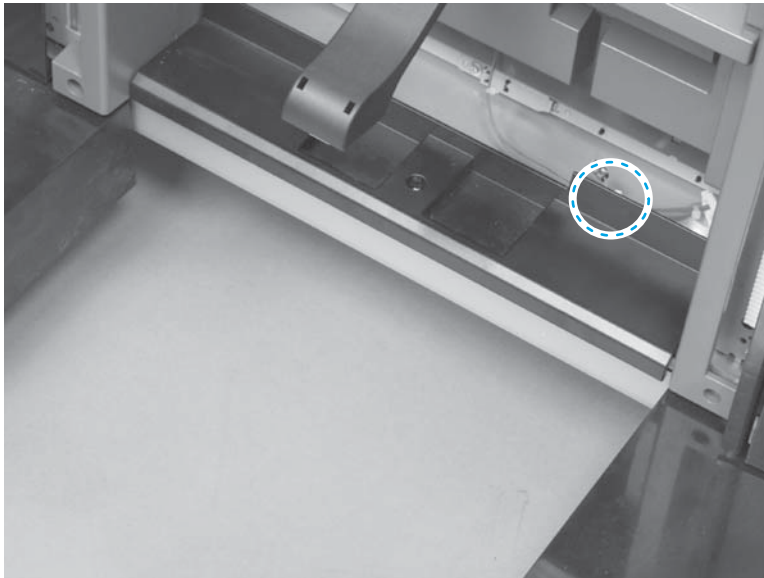
Before proceeding, remove the following assemblies:

- Saddle output bin assembly. See [Saddle output bin assembly on page 609](#).

Remove the saddle paper delivery assembly

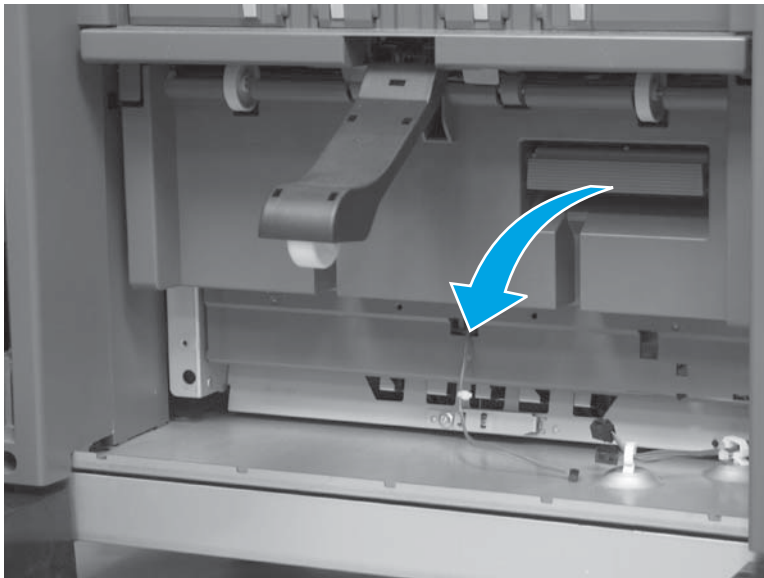
1. Disconnect one connector.

Figure 1-1007 Remove the saddle paper delivery assembly (1 of 5)



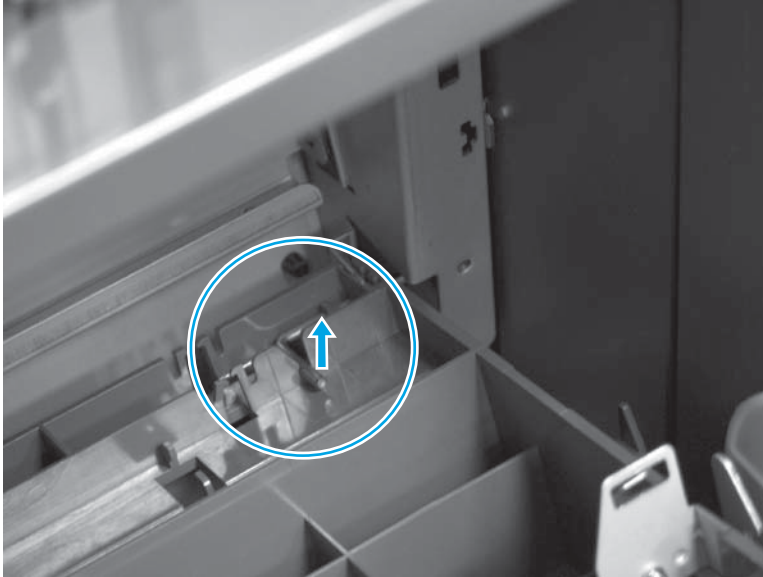
2. Open the upper delivery assembly door.

Figure 1-1008 Remove the saddle paper delivery assembly (2 of 5)



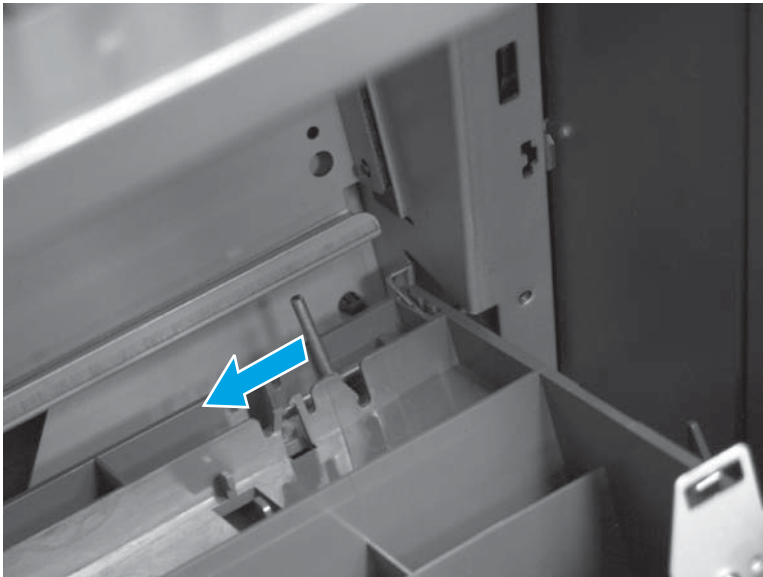
3. At the bottom lower-right corner of the upper delivery assembly door, locate and then rotate the locking pin to the upright position.

Figure 1-1009 Remove the saddle paper delivery assembly (3 of 5)



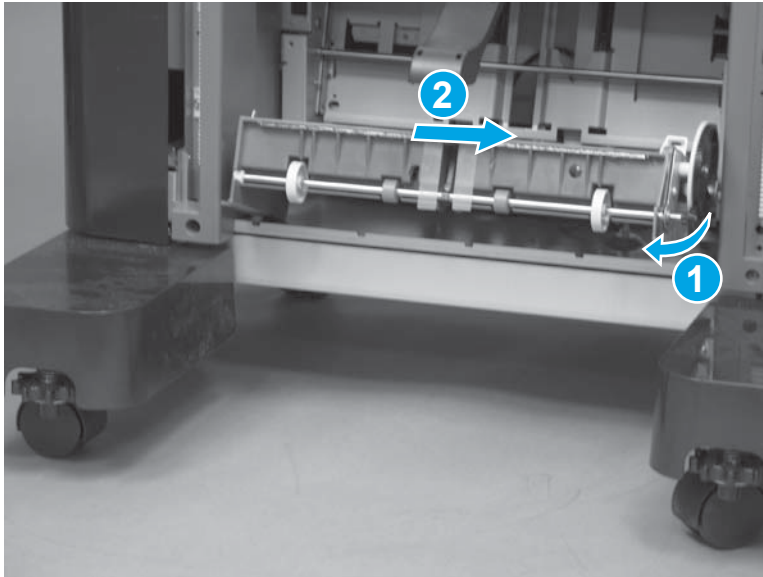
4. Slide the locking pin to the left to remove it.

Figure 1-1010 Remove the saddle paper delivery assembly (4 of 5)



5. Slightly rotate the right side of the assembly out and away from the accessory (callout 1), slide the to the right (callout 2) to release the left side hinge, and then remove the assembly.

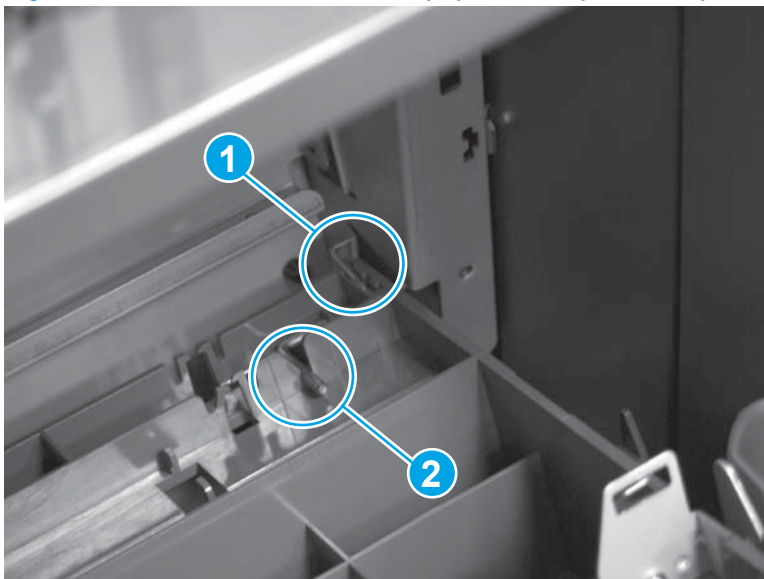
Figure 1-1011 Remove the saddle paper delivery assembly (5 of 5)



Reinstall the saddle paper delivery assembly

When the assembly is reinstalled, make sure that the sheet-metal of the accessory chassis is positioned in the slot in the cover (callout 1), and that the locking pin is in the locked position—push the pin all of the way down until it snaps into the locked position (callout 2).

Figure 1-1012 Reinstall the saddle paper delivery assembly



Saddle rear end sensor assembly

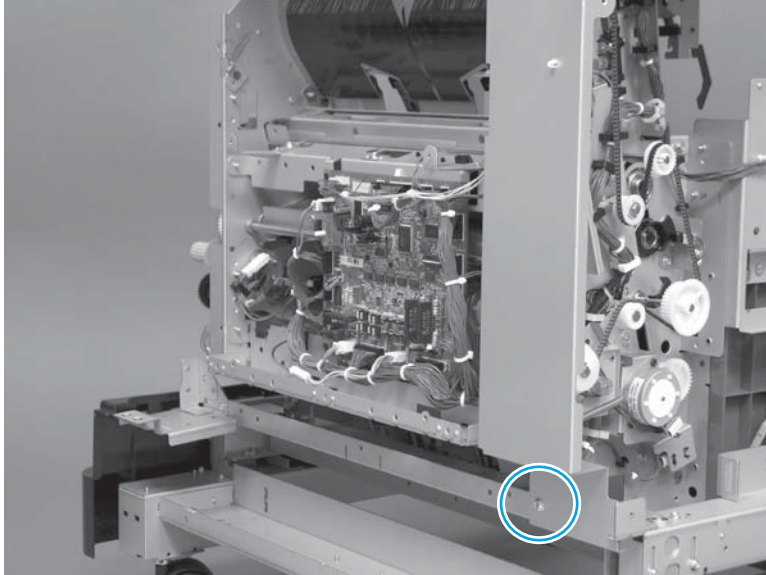
Before proceeding, remove the following assemblies:

- Latch lower covers (front and rear). See [Latch lower covers \(front and rear\) on page 468](#).
- Latch assembly. See [Latch assembly on page 470](#).
- Front door. See [Front door on page 479](#).
- Inner upper cover assembly. See [Inner upper cover assembly on page 480](#).
- Inner lower cover assembly. See [Inner lower cover assembly on page 486](#).
- Bin cable guide cover. See [Bin cable guide cover on page 492](#).
- Rear cover assembly. See [Rear cover assembly on page 496](#).
- For all models with a hole punch assembly installed:
 - Punch lower front cover assembly. See [Punch lower front cover assembly on page 684](#).
 - Punch rear cover assembly. See [Punch rear cover assembly on page 686](#).
 - Punch waste tray. See [Punch waste tray on page 688](#).
 - Punch inner cover assembly. See [Punch inner cover assembly on page 689](#).
 - Punch upper cover assembly. See [Punch top cover on page 691](#).
 - Punch hole assembly. See [Punch hole assembly on page 694](#).
- Paper pass assembly. See [Paper pass assembly on page 603](#).
- Right cover assembly (BM PCA). See [Right cover assembly \(BM PCA\) on page 611](#).
- Saddle guide assembly. See [Saddle guide assembly on page 649](#).

Remove the saddle rear end sensor assembly

1. Remove one screw.

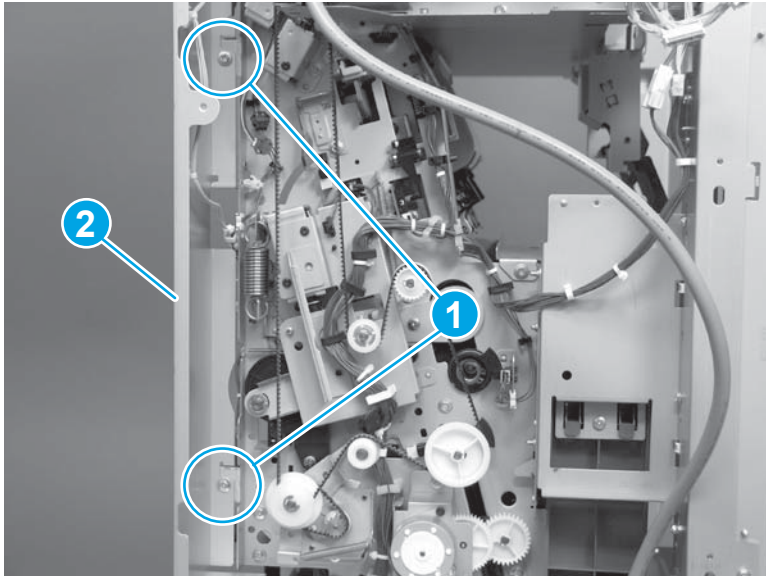
Figure 1-1013 Remove the saddle rear end sensor assembly (1 of 10)



2. Remove two screws (callout 1), and then move the sheet-metal plate (callout 2) out of the way.

CAUTION: The sheet-metal plate (callout 2) is still attached to the accessory by a wire harness and two retainers. Do not attempt to completely remove the sheet-metal plate.

Figure 1-1014 Remove the saddle rear end sensor assembly (2 of 10)

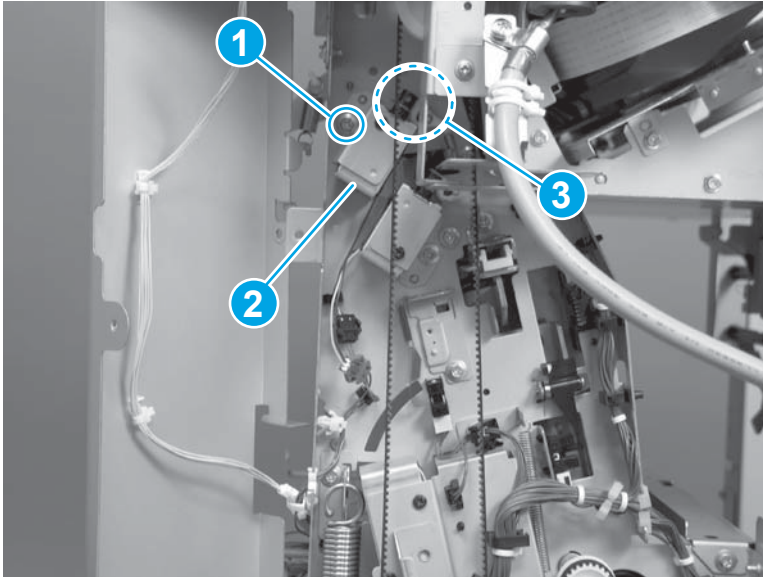


3. At the drive belt side of the accessory, remove one screw (callout 1), and then move the upper-deflector solenoid (callout 2) out of the way.


⚠ CAUTION: The solenoid (callout 2) is still attached to the accessory by one wire harness. Do not attempt to completely remove the solenoid.

📝 NOTE: The solenoid plunger (callout 3) slides out of the solenoid as it is removed.

Figure 1-1015 Remove the saddle rear end sensor assembly (3 of 10)



4. Remove one spring (callout 1), release one tab (callout 2) on the white-plastic retainer, and then slide the retainer and upper-deflector solenoid plunger and retainer (callout 3) off of the deflector shaft.

 **NOTE:** The figure below shows lower-deflector spring, retainer, and plunger assemblies for clarity.


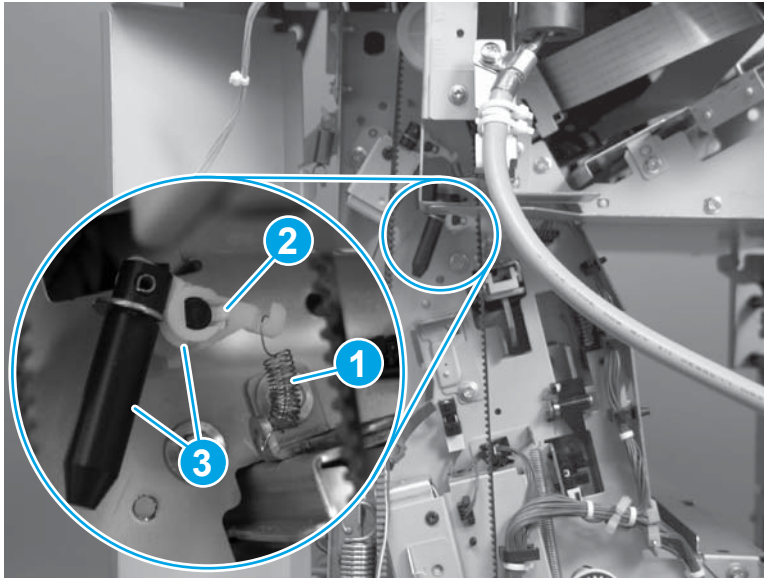
 **Reinstallation tip:** When the solenoid is reinstalled, make sure that the plunger freely moves in and out of the base before you fasten the base to the chassis.

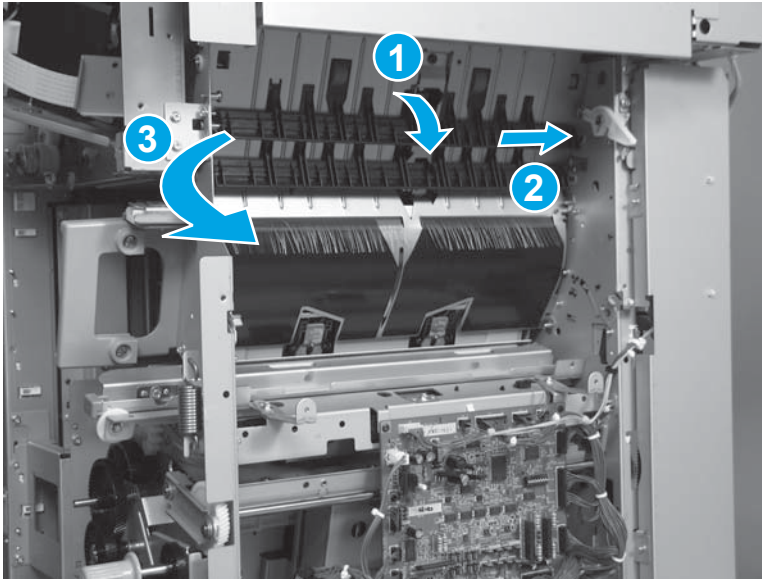
Figure 1-1016 Remove the saddle rear end sensor assembly (4 of 10)



5. At the output side of the accessory, rotate the top of the upper-deflector down (callout 1), slide the deflector toward the right (callout 2), and then carefully rotate the left end of the deflector away from the chassis (callout 3).

⚠ WARNING! The deflector shafts (at the left end and right end of the deflector) are fragile. Do not break either of the deflector shafts when removing the deflector.

Figure 1-1017 Remove the saddle rear end sensor assembly (5 of 10)

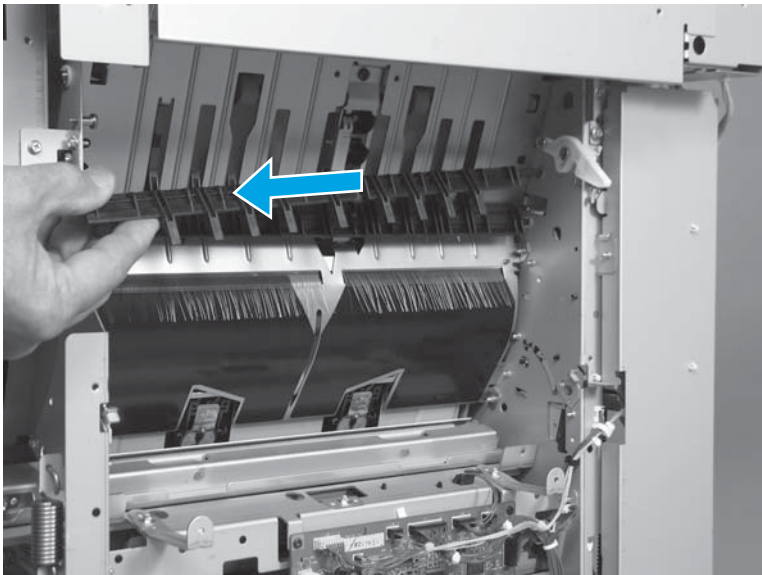


6. Slide the deflector to the left to remove it.

Repeat the previous steps to remove the lower-deflector solenoid, spring, retainer, plunger, and lower-deflector assemblies.

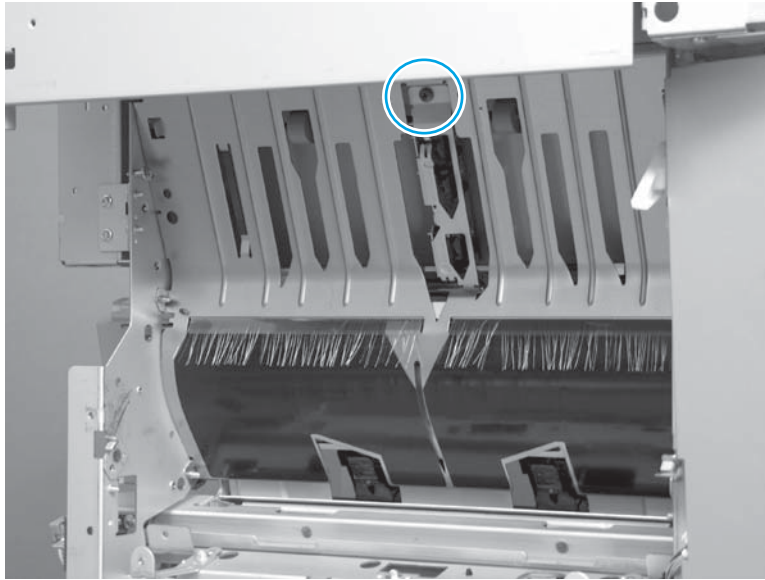
💡 Reinstallation tip: The upper- and lower-deflector shafts are not identical. Make sure that you install the correct deflector when they are reinstalled. See [Reinstall the saddle rear end sensor on page 681](#).

Figure 1-1018 Remove the saddle rear end sensor assembly (6 of 10)



7. Remove one screw.

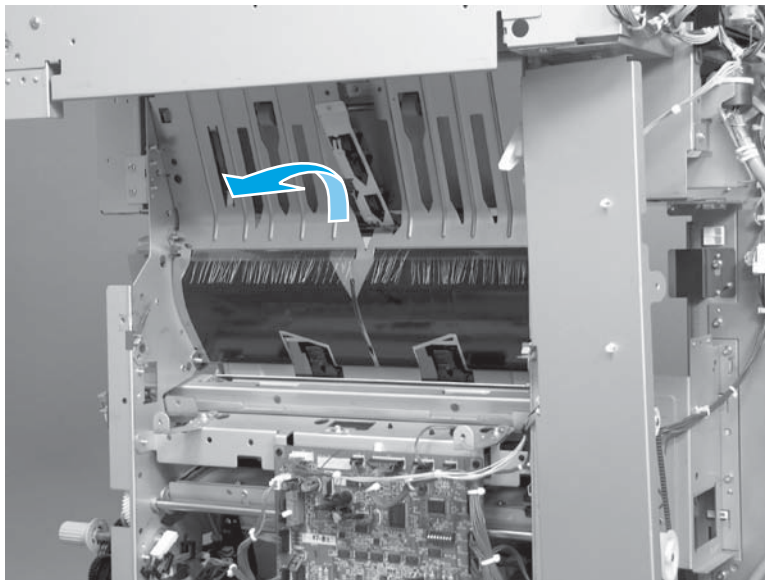
Figure 1-1019 Remove the saddle rear end sensor assembly (7 of 10)



8. Lift up on the sensor assembly to release it from the saddle assembly chassis.

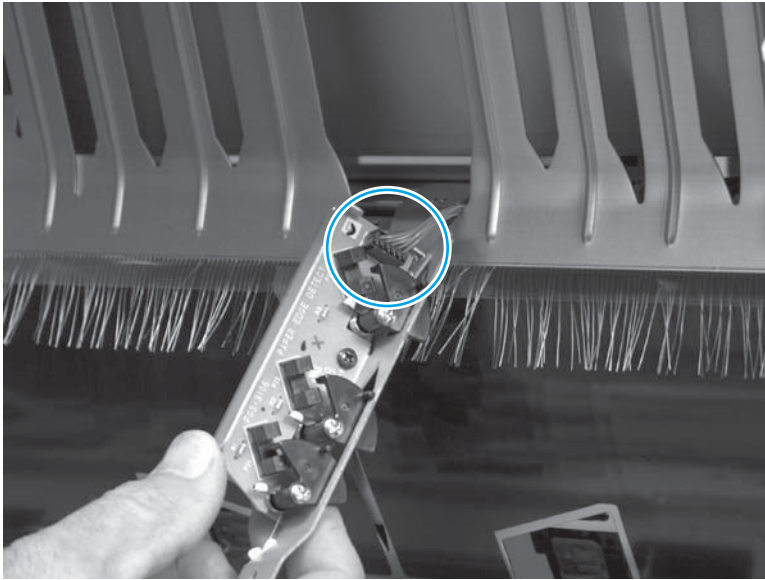
⚠ CAUTION: The sensor assembly is still attached to the accessory by one wire harness. Do not attempt to completely remove the sensor assembly.

Figure 1-1020 Remove the saddle rear end sensor assembly (8 of 10)



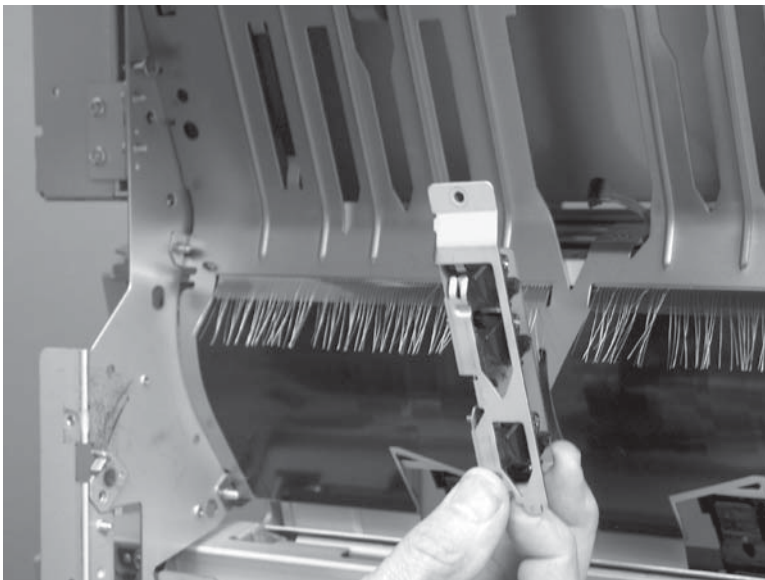
9. Turn the assembly over, and then disconnect one connector.

Figure 1-1021 Remove the saddle rear end sensor assembly (9 of 10)



10. Remove the saddle rear end sensor assembly.

Figure 1-1022 Remove the saddle rear end sensor assembly (10 of 10)



Reinstall the saddle rear end sensor

1. The upper-deflector (callout 1) and lower-deflector (callout 2) are not identical. Make sure that you install the correct deflector in the correct position when they are reinstalled.


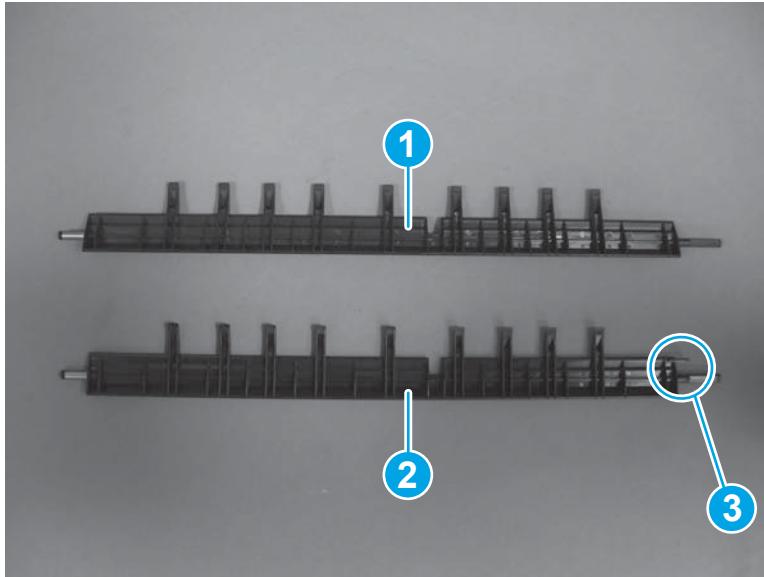
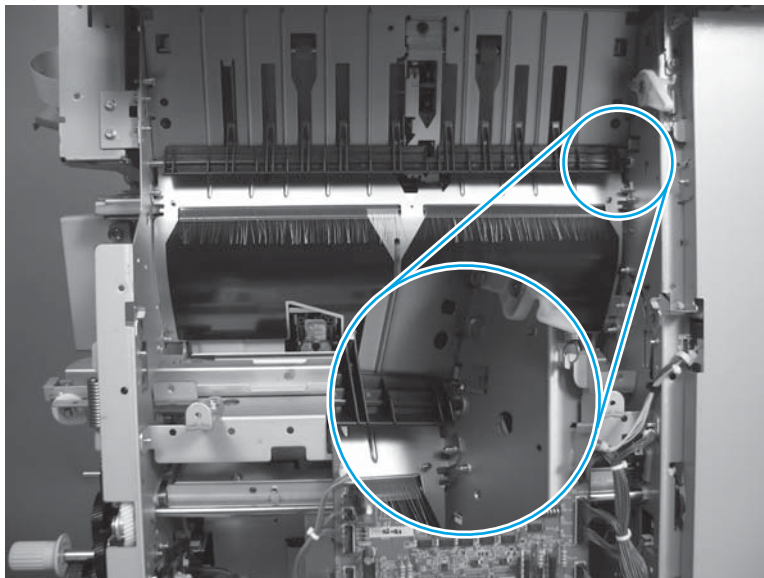
 **TIP:** The lower-deflector (callout 2) can be identified by the small black-plastic tab (callout 3) near the right end of the shaft.

Figure 1-1023 Reinstall the saddle rear end sensor assembly (1 of 2)



2. When the lower-deflector is installed, the small black-plastic tab near the right end shaft must be positioned in the cutout portion of the chassis so that it will not bind when the deflector moves.

Figure 1-1024 Reinstall the saddle rear end sensor assembly (2 of 2)



Booklet maker and stapler/stacker with hole punch accessories

The assemblies described in this section are unique to the stapler/stacker with hole punch (SSHP) or booklet maker with hole punch (BMHP) finishing accessories. For information about removing and replacing assemblies that are common to all of the finishing accessories, see [Shared finishing accessory assemblies on page 464](#).

- [Remove the punch front cover](#)
- [Punch lower front cover assembly](#)
- [Punch rear cover assembly](#)
- [Punch controller PCA assembly](#)
- [Punch waste tray](#)
- [Punch inner cover assembly](#)
- [Punch top cover](#)
- [Punch hole assembly](#)
- [Replace the punch hole assembly or the punch controller PCA assembly](#)

Remove the punch front cover

1. Open the punch front cover, and then remove one screw.

Figure 1-1025 Remove the punch front cover (1 of 2)



2. Release the hinge pin, and then remove the cover.

Figure 1-1026 Remove the punch front cover (2 of 2)



Punch lower front cover assembly

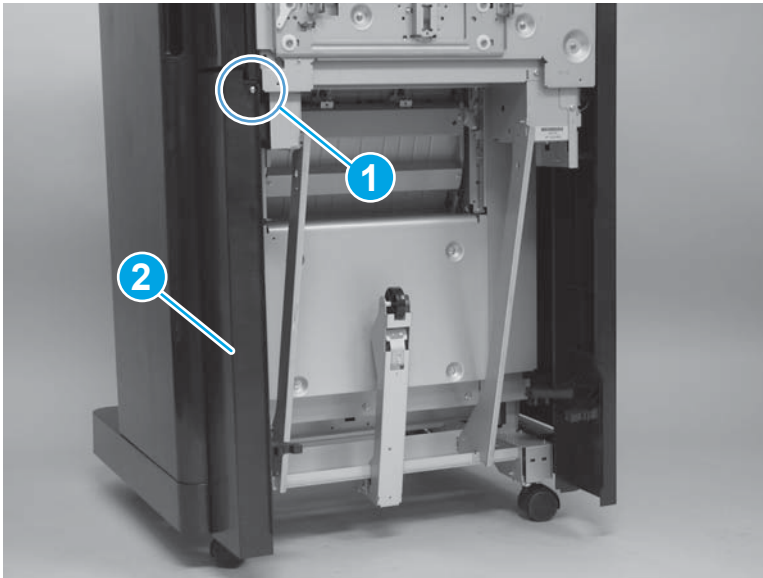
Before proceeding, remove the following assemblies:

- Latch lower cover assembly (front). See [Latch lower covers \(front and rear\) on page 468](#).

Remove the punch lower front cover assembly

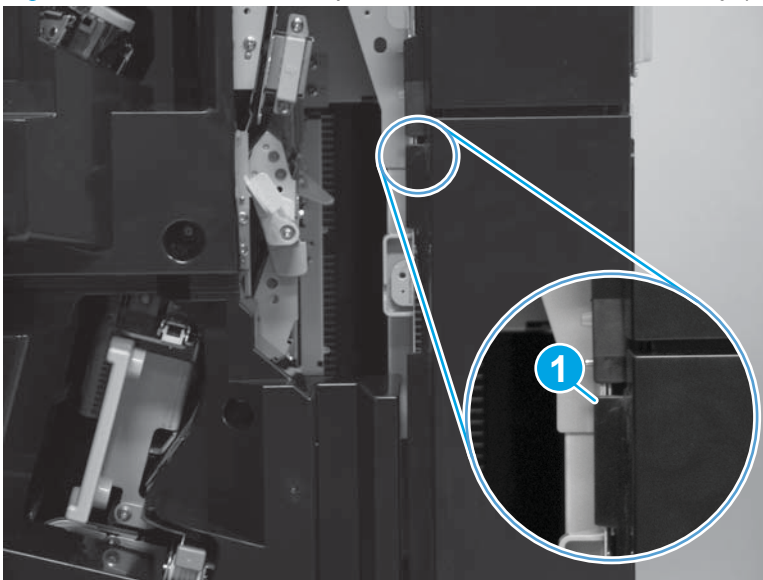
1. Remove one screw (callout 1) on the right side of the cover (callout 2).

Figure 1-1027 Remove the punch lower front cover assembly (1 of 3)



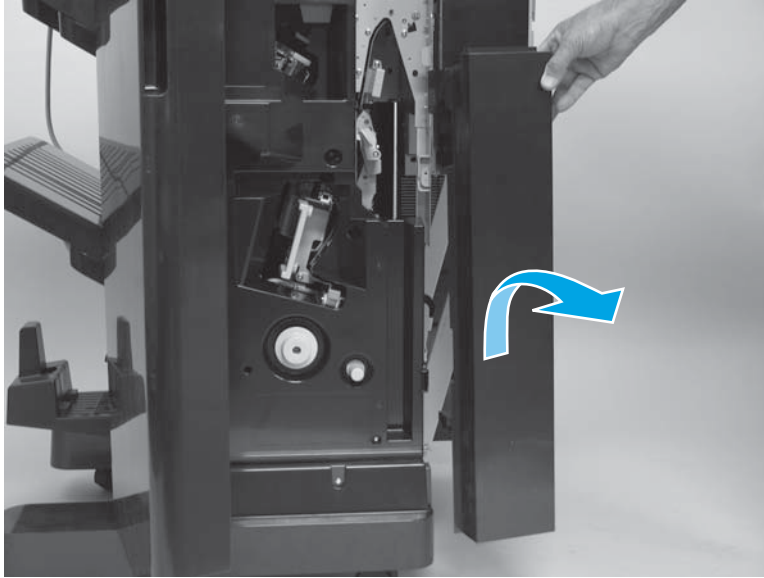
2. Open the front door, and then release one tab (callout 1).

Figure 1-1028 Remove the punch lower front cover assembly (2 of 3)



3. Slightly lift up on the cover to release it, and then remove the cover.


Figure 1-1029 Remove the punch lower front cover assembly (3 of 3)



Punch rear cover assembly

Before proceeding, remove the following assemblies:

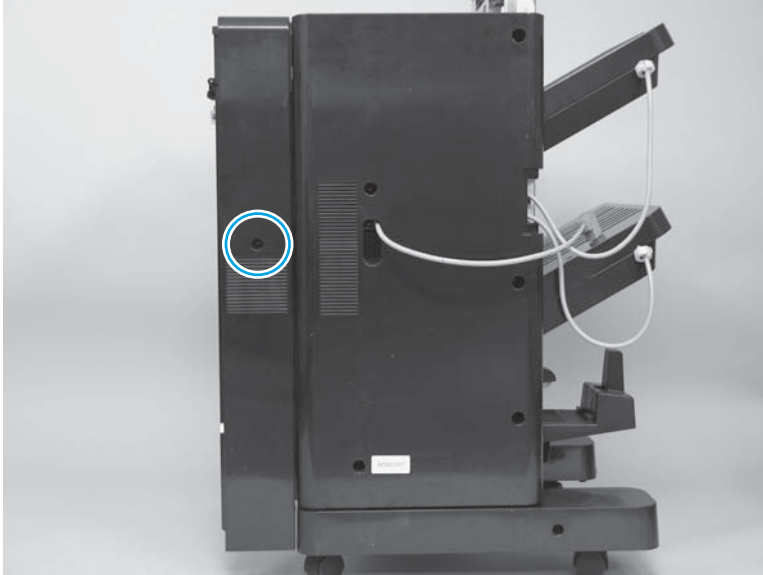
- Latch lower covers (front and rear). See [Latch lower covers \(front and rear\)](#) on page 468.

 **NOTE:** Only the lower latch cover rear needs to be removed.

Remove the punch rear cover assembly

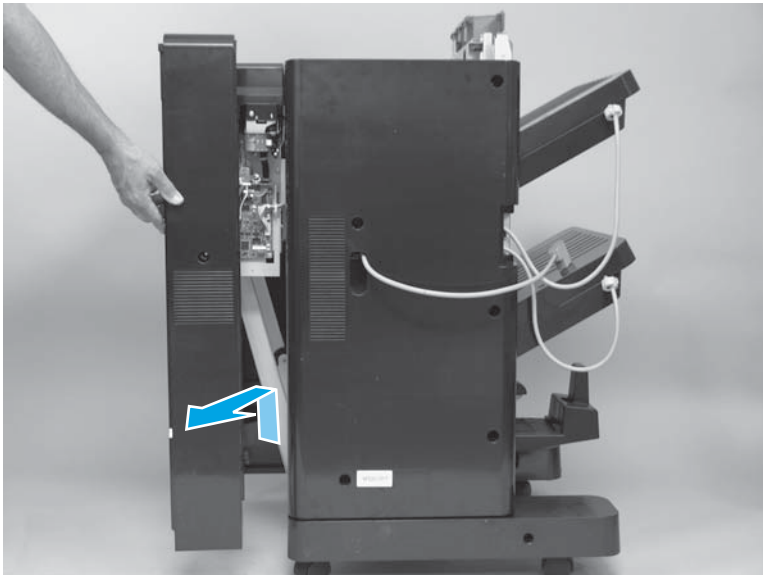
1. Remove one screw.

Figure 1-1030 Remove the punch rear cover assembly (1 of 2)



2. Slightly lift up on the cover to release it, and then remove the cover.

Figure 1-1031 Remove the punch rear cover assembly (2 of 2)



Punch controller PCA assembly

Before proceeding, remove the following assemblies:

- Punch rear cover assembly. See [Punch rear cover assembly on page 686](#).

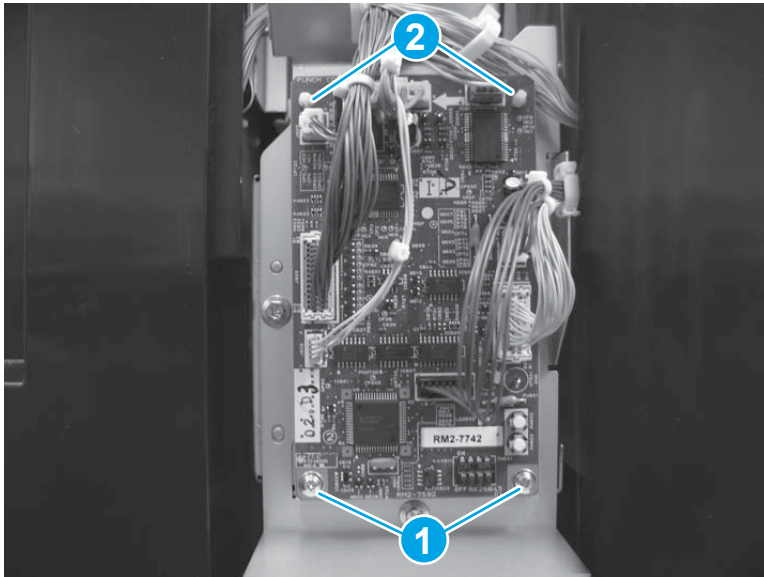
Remove the punch controller PCA assembly

CAUTION:  ESD sensitive assembly.

Disconnect eight connectors, remove two screws (callout 1), release two standoffs (callout 2), and then remove the PCA.

TIP: Releasing the wire harnesses from the retainers will make it easier to disconnect some of the connectors on the PCA.

Figure 1-1032 Remove the punch controller PCA assembly



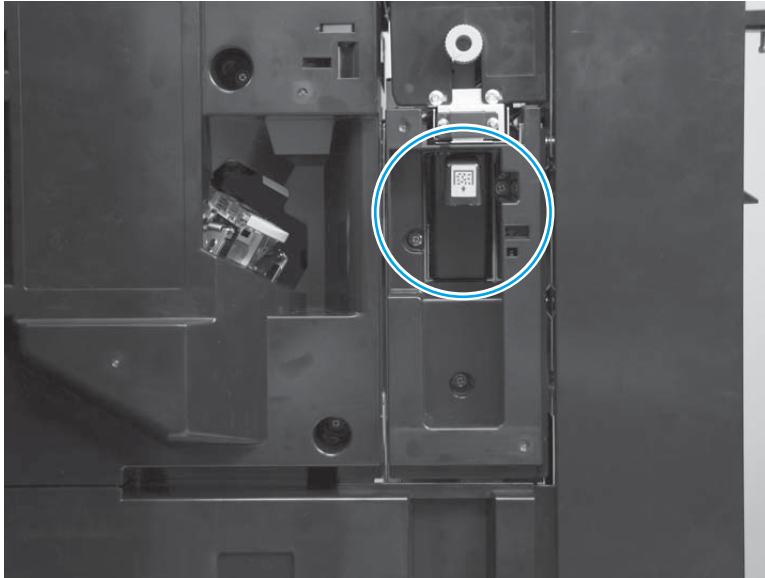
Reinstall the punch controller PCA assembly

IMPORTANT: If you are installing a replacement punch hole assembly or punch controller PCA, you must set the punch hole assembly type and adjust sensor values on the punch controller PCA. See [Replace the punch hole assembly or the punch controller PCA assembly on page 702](#).

Punch waste tray

Pull the punch waste tray straight out of the punch assembly to remove it.

Figure 1-1033 Remove the punch waste tray



Punch inner cover assembly

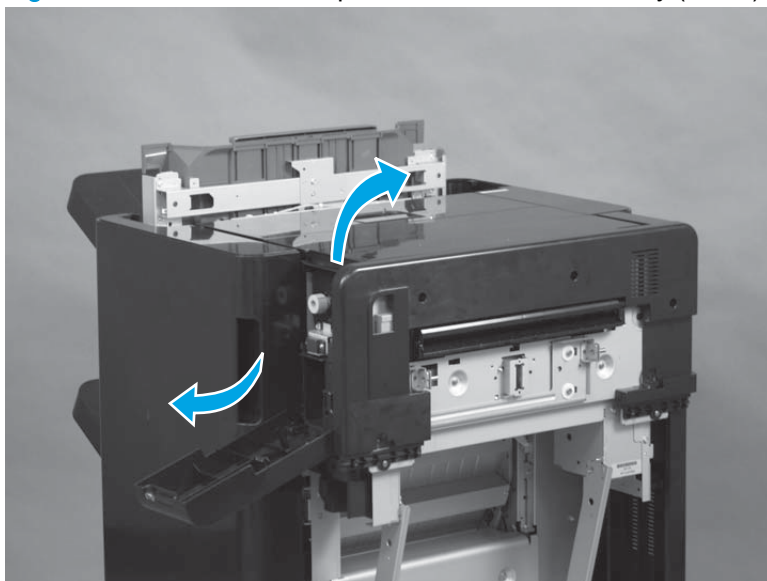
Before proceeding, remove the following assemblies:

- Latch lower cover assembly (front). See [Latch lower covers \(front and rear\) on page 468](#).
- Punch lower front cover assembly. See [Punch lower front cover assembly on page 684](#).
- Punch waste tray. See [Punch waste tray on page 688](#).

Remove the punch inner cover assembly

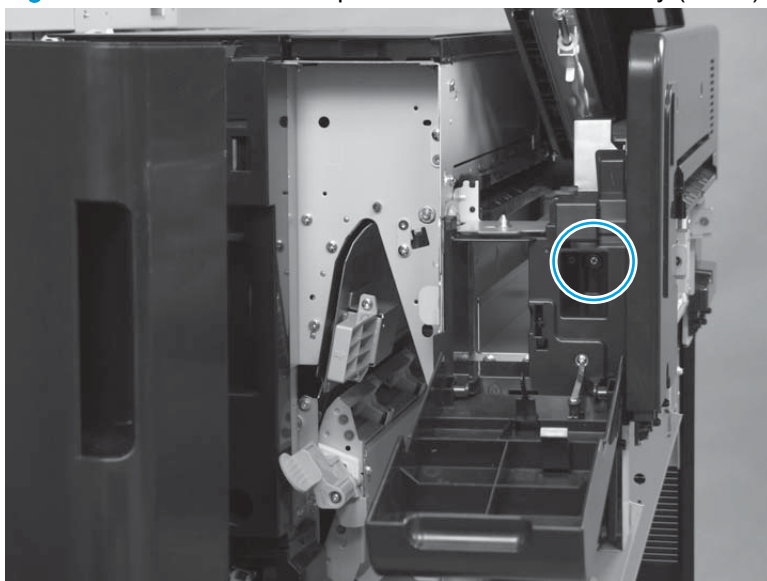
1. Raise the punch upper cover, and then open the front door.

Figure 1-1034 Remove the punch inner cover assembly (1 of 4)



2. Remove one screw.

Figure 1-1035 Remove the punch inner cover assembly (2 of 4)



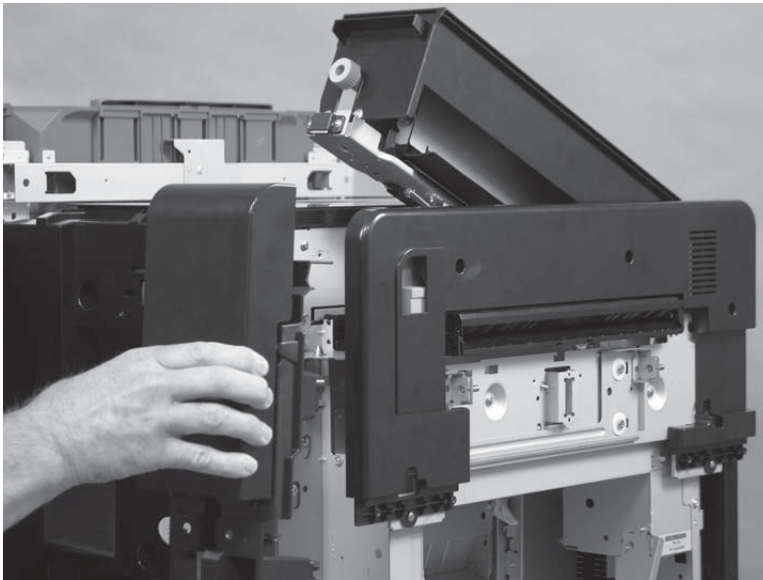
3. Close the punch door, and then remove two screws.

Figure 1-1036 Remove the punch inner cover assembly (3 of 4)



4. Remove the cover.


Figure 1-1037 Remove the punch inner cover assembly (4 of 4)



Punch top cover

Before proceeding, remove the following assemblies:

- Latch lower covers (front and rear). See [Latch lower covers \(front and rear\) on page 468](#).

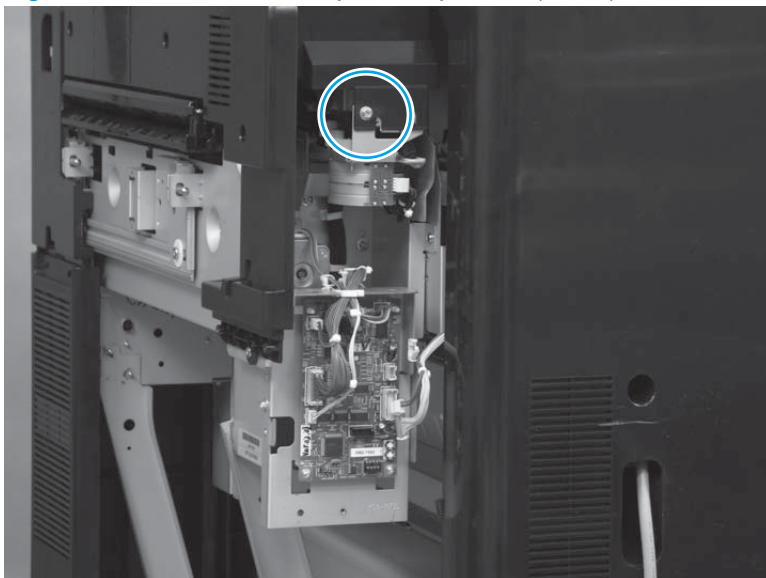
 **NOTE:** Only the lower latch cover rear needs to be removed.

- Punch rear cover assembly. See [Punch rear cover assembly on page 686](#).

Remove the punch top

1. Remove one screw.

Figure 1-1038 Remove the punch top cover (1 of 6)



2. Open the punch door.

Figure 1-1039 Remove the punch top cover (2 of 6)



3. Remove two screws.


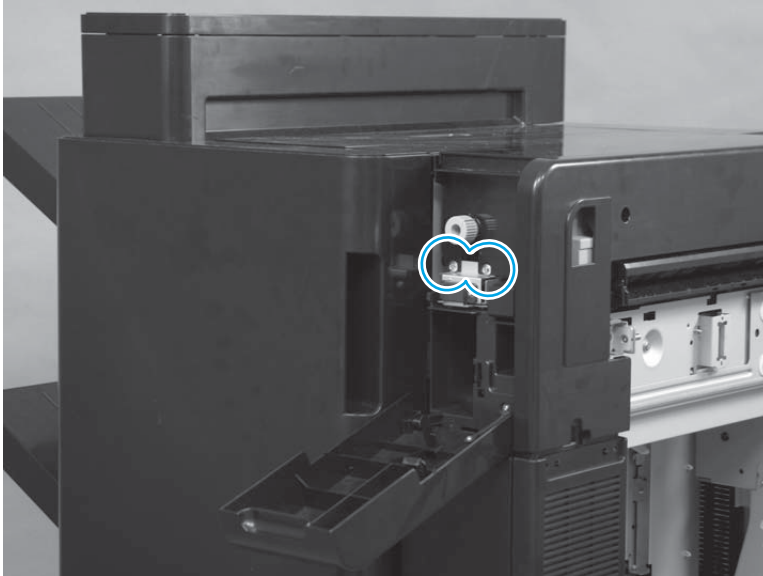
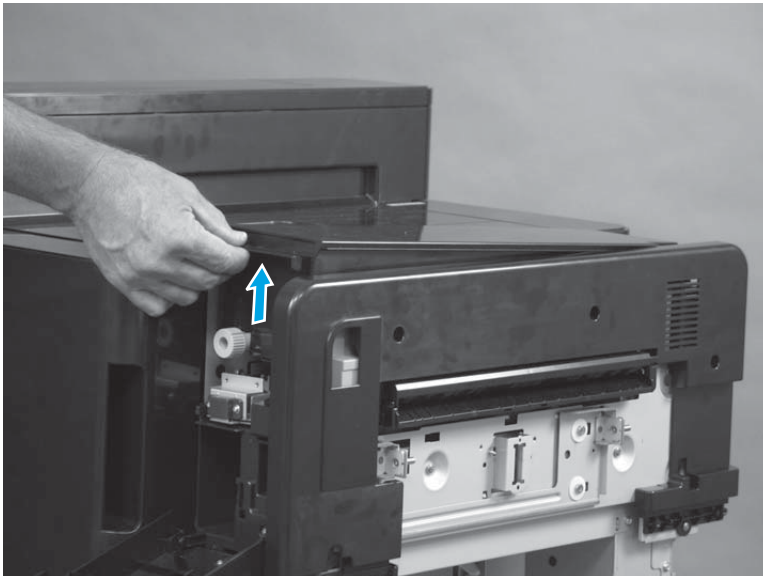
 **Reinstallation tip:** The mounting holes for these two screws are slotted. Use these screws to adjust the position of the cover when it is reinstalled if it strikes the punch assembly or does not align correctly with the accessory covers.

Figure 1-1040 Remove the punch top cover (3 of 6)



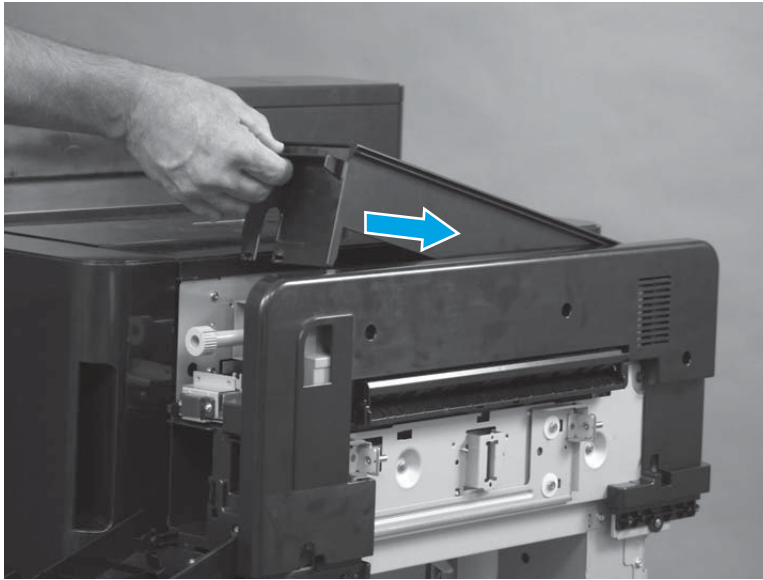
4. Slightly raise the front edge of the cover.

Figure 1-1041 Remove the punch top cover (4 of 6)



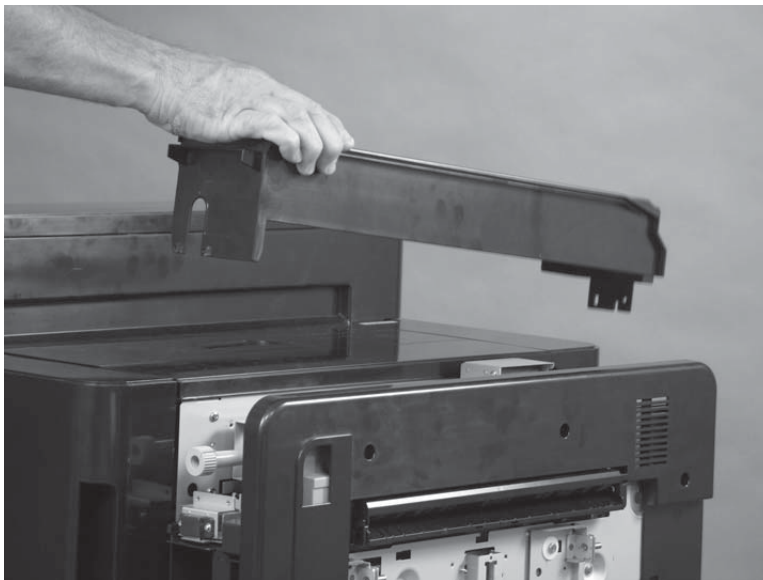
5. Slide the cover towards the rear of the accessory to release it.

Figure 1-1042 Remove the punch top cover (5 of 6)



6. Remove the cover.

Figure 1-1043 Remove the punch top cover (6 of 6)



Punch hole assembly

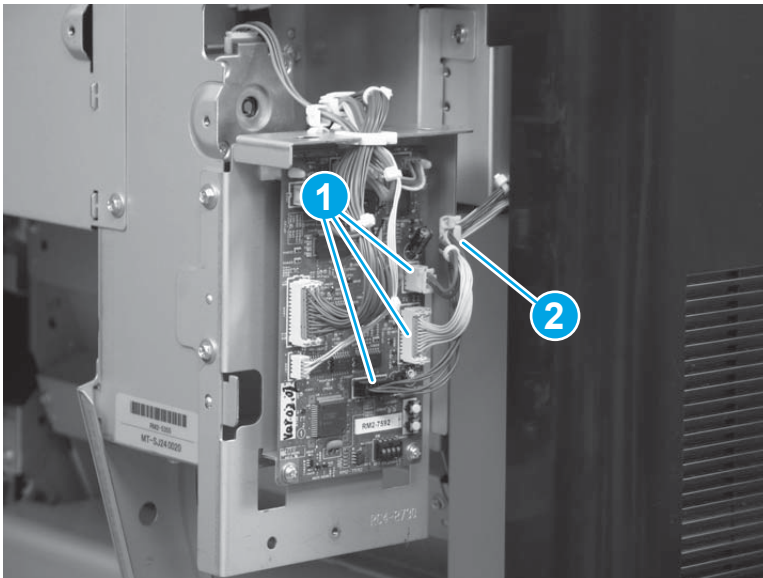
Before proceeding, remove the following assemblies:

- Latch lower covers (front and rear). See [Latch lower covers \(front and rear\) on page 468](#).
- Latch assembly. See [Latch assembly on page 470](#).
- Punch lower front cover assembly. See [Punch lower front cover assembly on page 684](#).
- Punch rear cover assembly. See [Punch rear cover assembly on page 686](#).
- Punch waste tray. See [Punch waste tray on page 688](#).
- Punch inner cover assembly. See [Punch inner cover assembly on page 689](#).
- Punch top cover. See [Punch top cover on page 691](#).

Remove the punch hole assembly

1. Disconnect three connectors (callout 1) on the controller PCA, and then release the wire harnesses from one retainer (callout 2).

Figure 1-1044 Remove the punch hole assembly (1 of 8)



2. Remove two screws.


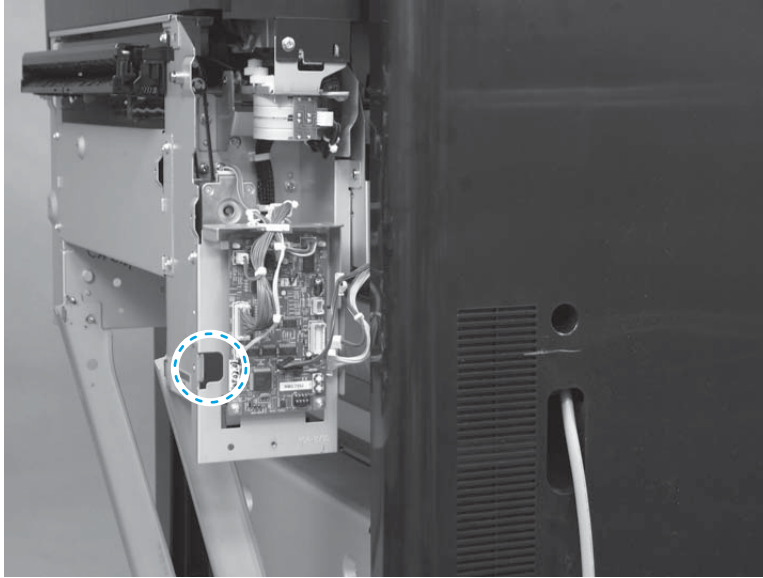
 **TIP:** These screws fasten the rear sheet-metal support bracket to the punch assembly. Use the hole provided in the chassis next to the punch controller PCA to gain access to these screws.

Figure 1-1045 Remove the punch hole assembly (2 of 8)



3. Slightly lift up on the punch hole assembly (callout 1), and then disengage the sheet-metal support bracket (callout 2).


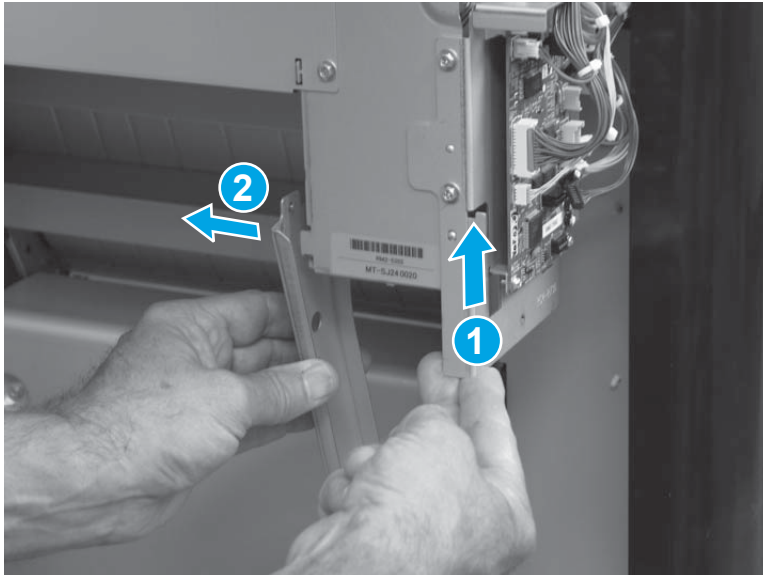
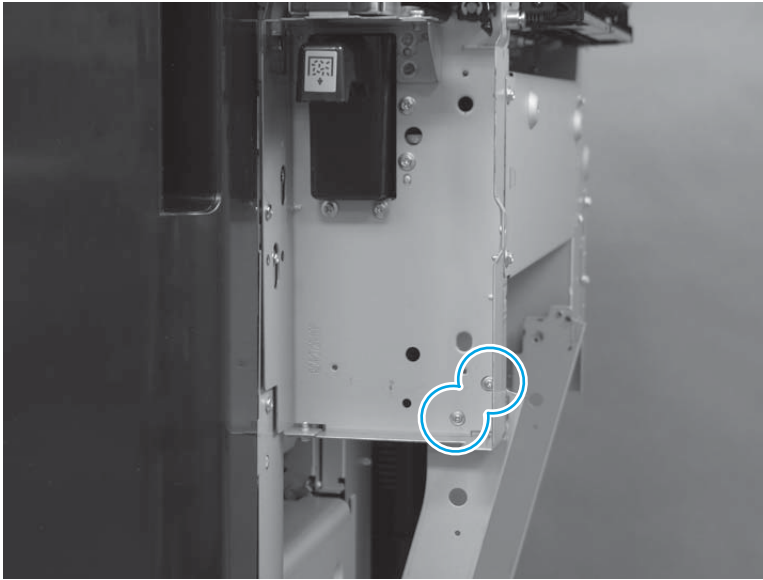
 **NOTE:** The punch hole assembly is still fastened to the accessory chassis, but you should be able to disengage the support bracket.

Figure 1-1046 Remove the punch hole assembly (3 of 8)



4. Remove two screws.

Figure 1-1047 Remove the punch hole assembly (4 of 8)



5. Slightly lift up on the punch hole assembly (callout 1), and then disengage the sheet-metal support bracket (callout 2).


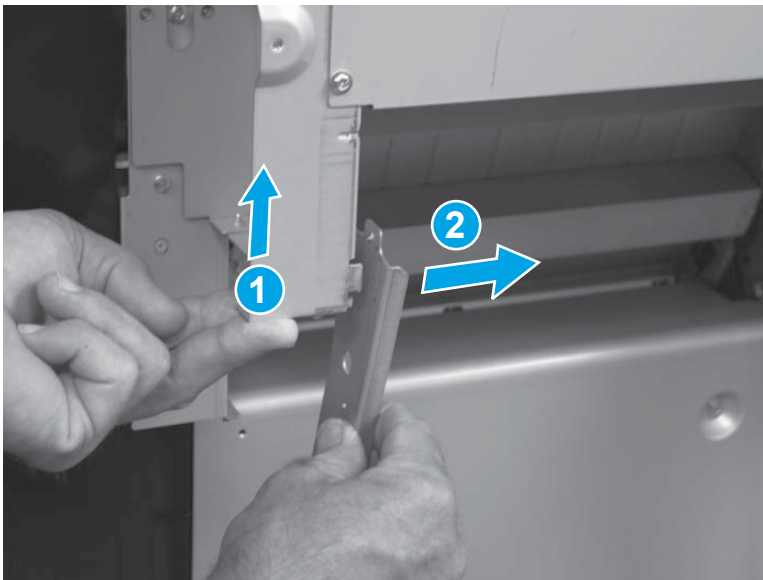
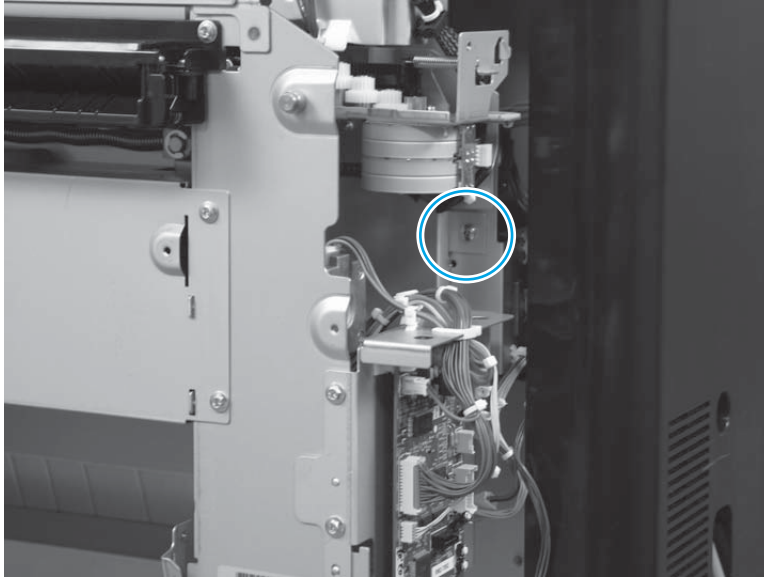
 **NOTE:** The punch hole assembly is still fastened to the accessory chassis, but you should be able to disengage the support bracket.

Figure 1-1048 Remove the punch hole assembly (5 of 8)



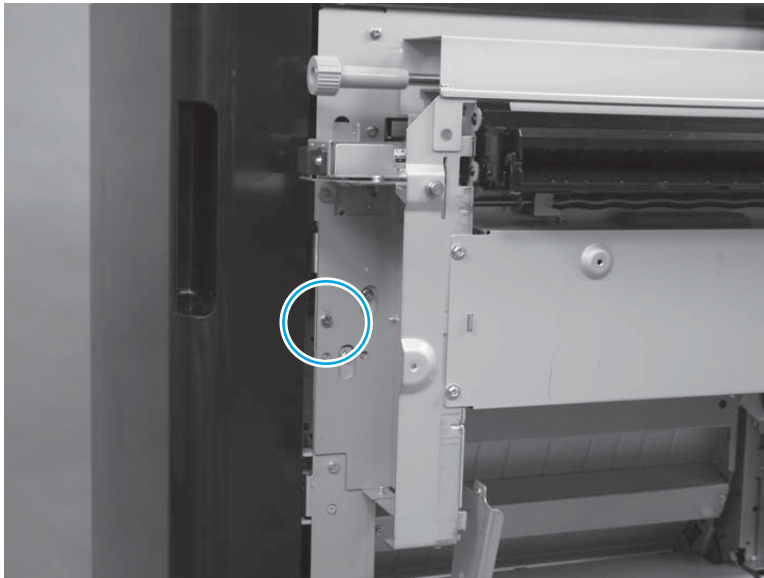
6. Remove one screw.

Figure 1-1049 Remove the punch hole assembly (6 of 8)



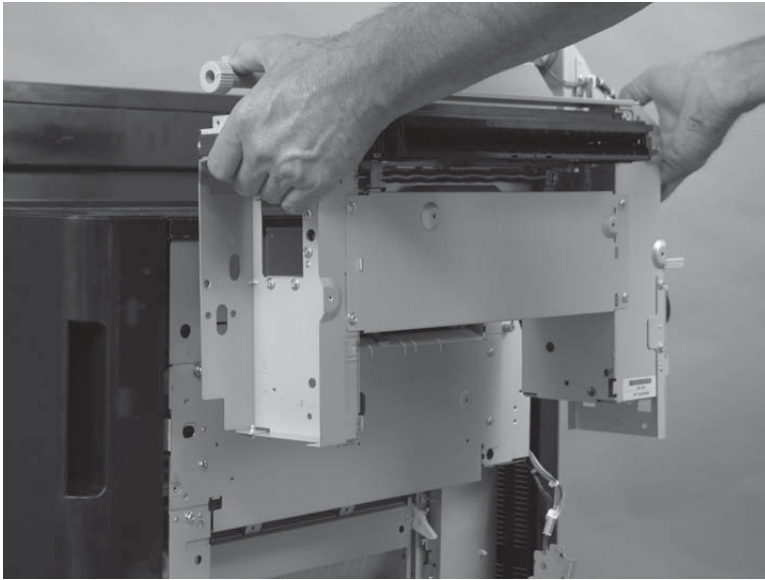
7. Remove one screw.

Figure 1-1050 Remove the punch hole assembly (7 of 8)



8. Lift the assembly up to release it, and then remove the assembly.

Figure 1-1051 Remove the punch hole assembly (8 of 8)




Reinstall the punch hole assembly

 **IMPORTANT:** If you are installing a replacement punch hole assembly or punch controller PCA, you must set the punch hole assembly type and adjust sensor values on the punch controller PCA. See [Replace the punch hole assembly or the punch controller PCA assembly on page 702](#).

Adjust the punch hole location

Punch adjustment is required when the punch holes are misaligned. If necessary, use the procedure below to adjust the position of punched holes after reinstalling, or replacing, the punch hole assembly.

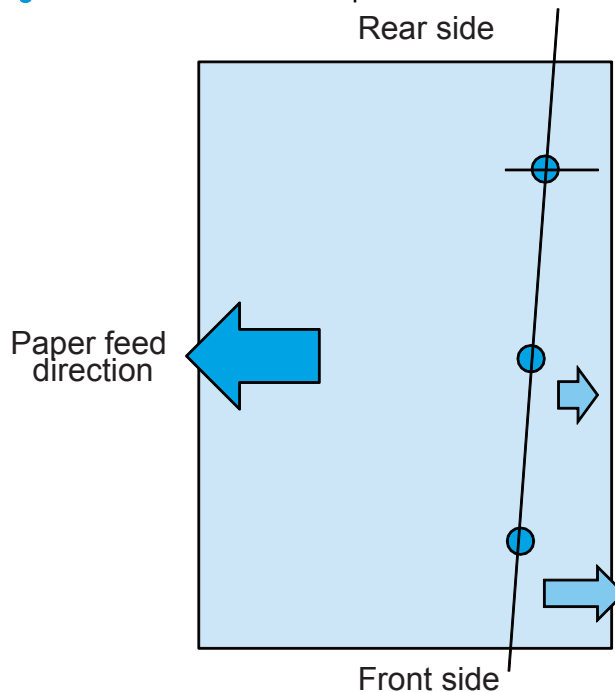
Adjust the screw on the puncher assembly to correct the position of punch holes.

 **NOTE:** The rear side punch hole is in a fixed position. The adjustment is made by pivoting the middle and front side hole in relation to the fixed rear side hole until all of the holes are aligned.


1. Identify in which direction the punched hole adjustment is required.

The figure below shows the punched hole misaligned to the left.

Figure 1-1052 Determine the punch hole skew



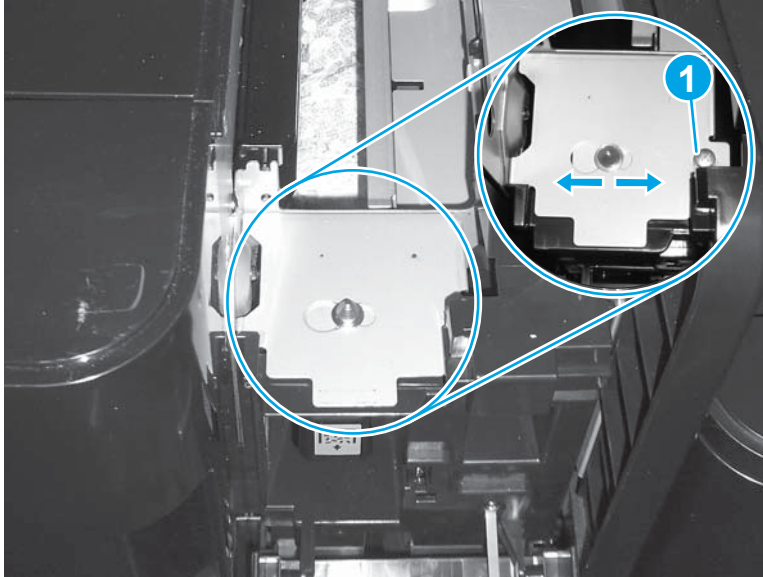
2. To adjust the skewed hole alignment, do the following.

 **NOTE:** This adjustment procedure only moves the front portion of the punch to move the front hole into alignment with the rear hole.


- a. Open the punch door and upper cover.

- b. Loosen the adjustment screw (callout 1), and then move the punch plate to the right or to the left as necessary to bring the front punched hole in alignment with the rear hole.

Figure 1-1053 Adjust the punch hole location



- c. Tighten the adjustment screw.

 **IMPORTANT:** Fully tighten the adjustment screw after making each adjustment and before closing the upper cover to make sure that the punch position does not move.

- d. Close the punch door and upper cover.

3. Print five test pages and repeat the adjustment procedure above until all the holes are aligned on the page. The figure below shows a page with correctly aligned punch holes.


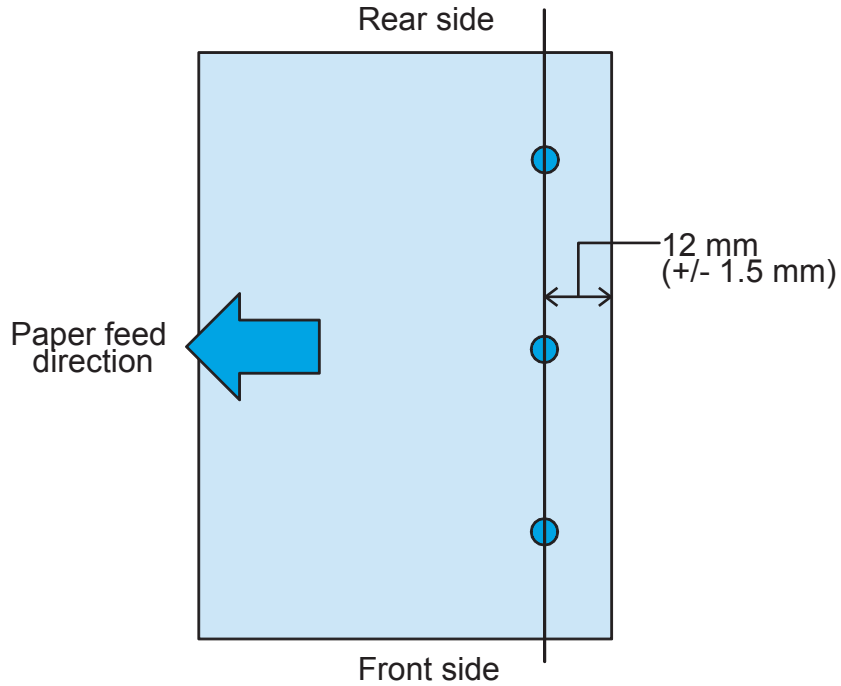

 **NOTE:** The 12 mm (.47 in) distance from the trailing edge of the paper is calculated in firmware and cannot be adjusted.

Figure 1-1054 Correct punch hole alignment



4. After adjustment is completed, print 25 test pages and make sure that the punched hole alignment remains constant.

 **NOTE:** If some pages have skewed holes while others do not, the problem is a skew in the paper and not the punch.

Replace the punch hole assembly or the punch controller PCA assembly


The punch controller PCA assembly stores configuration information for the punch hole assembly. Every time the punch hole assembly or the punch controller PCA assembly is replaced, the following procedures must be performed to set the punch hole assembly type as well as adjust sensors in the assembly.

Set the punch hole assembly type

Two types of punch hole assemblies are available: the 2/3 punch hole assembly (part number A2W94-67901), or the 2/4 punch hole assembly (part number CZ999-67902). Refer to the part number on the replacement part to determine the type of assembly you are installing. Follow these steps to set the punch hole assembly type.

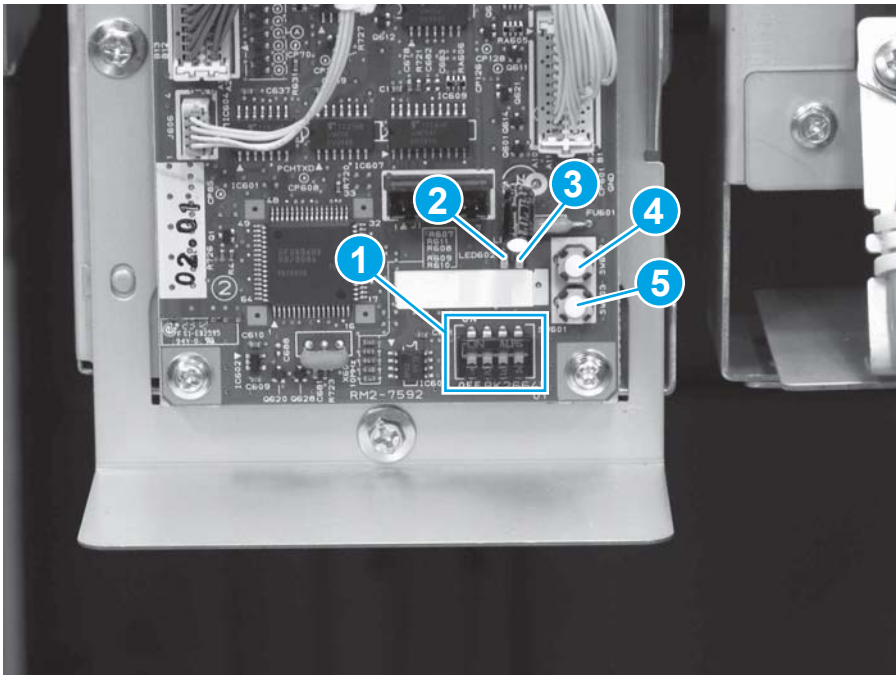
1. Turn the product power off.
2. Locate the switches and LEDs on the punch controller PCA.

- SW601 (callout 1)

 **NOTE:** SW601 has four electronic switches that can be configured in the ON or OFF position. The punch controller PCA is marked ON and OFF to show the current switch position.

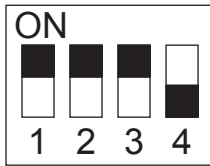
- LED602 (callout 2)
- LED601 (callout 3)
- SW602 (callout 4)
- SW603 (callout 5)

Figure 1-1055 Set the punch hole assembly type



- Set SW601 to the following:

Figure 1-1056 SW601 punch hole assembly type settings



- Turn the product power on.
- Press SW602 and observe the blinking pattern of LED601 and LED602. The table below explains the different blinking patterns.

Table 1-30 LED601 and LED602 blinking patterns

LED601	LED602	LED blinking pattern explanation
	Blinking one time	Not applicable
	Blinking two times	2/3 punch hole assembly selected
	Blinking three times	2/4 punch hole assembly selected
	Blinking alternately	Waiting for type setting completion
Not lit	Blinking steadily	Type setting completed

- Continue pressing SW602 until the blinking pattern matches the type of punch hole assembly you are installing. For example, if you are installing a 2/4 punch hole assembly (part number CZ999-67902), press SW602 until both LED601 and LED602 blink three times.
- Once the LEDs are blinking in the correct pattern, press SW603 to store the punch hole assembly type value in memory.
- Wait until LED601 is not lit and LED602 is blinking steadily to indicate the type setting is complete.
- Press either SW602 or SW603.
- Wait until only LED602 is blinking.
- Turn the product power off.
- Return all of the switches on SW601 to the OFF position.

Figure 1-1057 SW601 sensor adjustment settings




Set the sensor adjustment values

Follow these steps to adjust the sensors on the punch controller PCA.

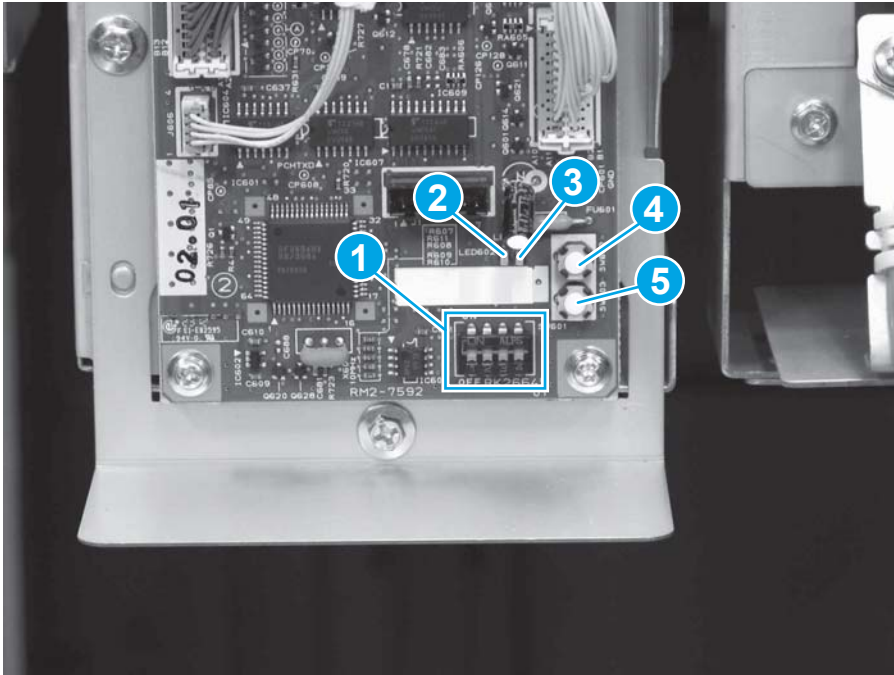
1. Turn the product power off.
2. Locate the switches and LEDs on the punch controller PCA.

- SW601 (callout 1)

 **NOTE:** SW601 has four electronic switches that can be configured in the ON or OFF position. The punch controller PCA is marked ON and OFF to show the current switch position.

- LED602 (callout 2)
- LED601 (callout 3)
- SW602 (callout 4)
- SW603 (callout 5)

Figure 1-1058 Set the sensor adjustment values



3. Set SW601 to the following:

Figure 1-1059 SW601 sensor adjustment settings



4. Turn the product power on.

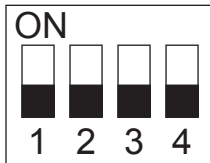
- Press SW602 and observe the blinking pattern of LED601 and LED602. The table below explains the different blinking patterns.

Table 1-31 LED601 and LED602 blinking patterns

LED601	LED602	LED blinking pattern explanation
Solidly lit	Blinking steadily	Adjusting sensors
	Blinking alternately	Waiting for adjustment completion
Not lit	Blinking steadily	Sensor adjustment completed

- Wait until LED601 is not lit and LED602 is blinking steadily to indicate sensor adjustment is complete.
- Press either SW602 or SW603.
- Wait until LED601 is not lit and LED602 is blinking steadily to indicate the sensor adjustment is complete.
- Turn the product power off.
- Return all of the switches on SW601 to the OFF position.

Figure 1-1060 SW601 sensor adjustment settings



2 Parts and diagrams

- [Order parts by authorized service providers](#)
- [How to use the parts lists and diagrams](#)
- [Assembly locations](#)
- [Document feeder and scanner assemblies \(M880\)](#)
- [Document feeder assemblies \(M880\)](#)
- [Scanner assemblies \(M880\)](#)
- [Covers](#)
- [Right door assembly](#)
- [Internal components](#)
- [Intermediate paper transfer unit \(IPTU\) assemblies](#)
- [1x500-sheet feeder with stand \(M855 only\) covers](#)
- [3x500-sheet feeder](#)
- [High-capacity input \(HCI\) feeder](#)
- [Stapler stacker/booklet maker](#)
- [Alphabetical parts list](#)
- [Numerical parts list](#)

Order parts by authorized service providers

Order parts, accessories, and supplies

Table 2-1 Order parts, accessories, and supplies

Order supplies and paper	www.hp.com/go/suresupply
Order genuine HP parts or accessories	www.hp.com/buy/parts
Order through service or support providers	Contact an HP-authorized service or support provider.
Order using HP software	For information about using the HP software to order parts, accessories, and supplies, see the product user guide.

Related documentation and software

Table 2-2 Related documentation and software

Item	Description	Part number
<i>HP Color LaserJet Enterprise M855</i>	Product user guide	A2W77-90907 (M855)
<i>HP Color LaserJet Enterprise flow MFP M880</i>		A2W75-90907 (M880)
<i>HP Color LaserJet Enterprise M855/flow MFP M880 Repair Manual</i>	English service manuals	A2W77-90997 A2W77-90998
<i>HP Color LaserJet Enterprise M855/flow MFP M880 Troubleshooting Manual</i>		

Supplies part numbers

Table 2-3 Supplies part numbers

Item	Description	Part number
HP LaserJet toner cartridges	Black toner cartridge	CF310A (M855)
		CF300A (M880)
	Cyan toner cartridge	CF311A (M855)
		CF301A (M880)
	Yellow toner cartridge	CF312A (M855)
		CF302A (M880)
	Magenta toner cartridge	CF313A (M855)
		CF303A (M880)
HP LaserJet drums	Black toner drum	CF358A
	Cyan toner drum	CF359A
	Yellow toner drum	CF364A
	Magenta toner drum	CF365A

Customer self-repair parts

The following customer self-repair parts are available for the product.

Each kit includes parts and installation instructions. The customer self-repair (CSR) level indicates the expected difficulty the customer will experience when replacing this part:

- **A:** Easy
- **B:** Requires a tool

Table 2-4 Customer self-repair parts

Item	Description	CSR level	Part number
Transfer and roller Kit	ITB, T2 and pick and feed rollers	A	D7H14-67901
Secondary transfer roller kit	Secondary transfer roller		D7H14-67902
Hard disk drive replacement kit	<ul style="list-style-type: none"> • Hard Disk, 320GB • Rail, Disk Drive - left/Left (M855) • Rail, Disk Drive - left/Right (M880) • Cradle (M880) 	B	A2W75-67905
FIPS HDD 500GB kit (U.S. government only)	Hard Disk, 500GB	B	A2W79-67901
Solid-state memory (SSM) kit (M855)	<ul style="list-style-type: none"> • SSM 8GB drive • SSD bracket 	B	A2W77-67909
Formatter Kit (M855)	<ul style="list-style-type: none"> • Formatter PCA assembly (M855) 	B	A2W77-67902
Formatter Kit (M855) (China/India ONLY)	<ul style="list-style-type: none"> • Formatter PCA Assembly (M855 China/India ONLY) 	B	A2W77-67903
Formatter Kit (M880)	<ul style="list-style-type: none"> • Formatter PCA Assembly (M880) 	B	A2W75-67903
Formatter Kit (M880) (China/India ONLY)	<ul style="list-style-type: none"> • Formatter PCA Assembly (M880 China/India ONLY) 	B	A2W75-67902
Fuser replacement kit	<ul style="list-style-type: none"> • Fuser 	A	C1N54-67901 (110V) C1N58-67901 (220V)
1x3500-sheet (HCI) paper feeder kit	1x3500-sheet feeder (HCI)	A	C1N64-67901
1x3500 left tray kit (HCI)	Tray assembly, left	A	C1N64-67902
1x3500 right tray kit (HCI)	Tray assembly, right	A	C1N64-67903
Stapler/stacker kit	Stapler/stacker	A	A2W80-67901
Stapler/stacker 2/4 hole punch kit	Stapler/stacker 2/4 hole puncher	A	A2W82-67901
Booklet maker with finisher kit	Booklet maker with finisher	A	A2W83-67901
Booklet maker/finisher with 2/3 hole punch kit	Booklet maker/finisher with 2/3 hole punch	A	A2W84-67901
Booklet maker/finisher with 2/4 hole punch kit	Booklet maker/finisher with 2/4 hole punch	A	CZ999-67901

NOTE: Make sure that you use the correct part number for the rated voltage of the product.

Table 2-4 Customer self-repair parts (continued)

Item	Description	CSR level	Part number
1x500 sheet feeder kit (M855)	1x500 sheet feeder	A	C2H56-67901
3x500 sheet feeder kit	3x500 sheet feeder	A	A2W77-67911
Stapler cartridge refill kit (stapler/stacker)	Stapler Cartridge Refill	A	C8085-60541
2000-staple cartridge kit (booklet maker)	2000-staple cartridge	A	CF367-67914
USB wireless print server kit	Wireless print server	A	J8026-61001
Near-field communication (NFC) accessory kit	NFC accessory	A	J8029-61001
ADF roller maintenance kit M880)	ADF roller replacement	A	C1P70-67901
Control panel assembly kit (M855)	Control panel assembly	A	5851-5950
Control panel assembly kit (M880)	Control panel assembly	A	5851-5952
Fax card replacement kit (M880)	Fax card	B	A2W77-67910
White backing A/3 kit (M880)	White ADF backing	A	5851-5864
ADF separation pad spring kit (M880)	ADF separation pad spring (spring only)	B	5851-5855
Backside background selector kit (M880)	Backside background selector	A	5851-5861
Tray 1 roller kit	<ul style="list-style-type: none"> • Tray 1 pickup roller • Tray 1 feed roller 	B	A2W77-67906
Tray 2-X roller kit	<ul style="list-style-type: none"> • Feed roller • Pickup roller 	A	A2W77-67905
Intermediate transfer belt kit (maintenance)	<ul style="list-style-type: none"> • ITB • Secondary transfer roller 	A	A2W77-67904
Secondary transfer roller kit	Secondary transfer roller	A	D7H14-67902
1 GB DIMM memory kit	1 GB DIMM	A	A2W77-67912
U.S. English keyboard kit (M880)	U.S. English keyboard assembly	A	5851-5380

Table 2-4 Customer self-repair parts (continued)

Item	Description	CSR level	Part number
U.K. English keyboard kit (M880)	U.K. English keyboard assembly	A	5851-5008
Keyboard overlay kit (M880)	Keyboard overlay	A	5851-6019 (FR, IT, RU, DE, ES: UK Kybd)
			5851-5065 (FR, IT, RU, DE, ES: UK Kybd)
			5851-5066 (FR-CN, ES-LA, US keyboard)
			5851-6020 (FR-CN, ES-LA, ES: US Kybd)
			5851-6021 (FR-SW, DE-SW, DA: UK Kybd)
			5851-5067 (FR-SW, DE-SW, DA: UK Kybd)
			5851-6022 (ZHTW, ZHCN)
			5851-5068 (ZHTW, ZHCN)
			5851-6023 (ES, PT)
			5851-5072 (ES, PT)
			5851-6024 (JA-KG, JA-KT)
			5851-5976 (JA-KG, JA-KT)

Service replacement parts

Table 2-5 Service replacement parts

Item	Description	Part number
Front door assembly kit	• Front cover assembly	A2W77-67907
	• Jewel	
	• Product label	
Main drive assembly kit	Main drive assembly	A2W77-67908

Table 2-5 Service replacement parts (continued)

Item	Description	Part number
ADF whole unit kit (M880)	<ul style="list-style-type: none"> ADF whole unit White backing A/3 kit <p>NOTE: When the ADF assembly is replaced, you must use the Service menu to set the Document feeder Kit Interval and ADF Count values to zero. See Reinstall the document feeder assembly (M880) on page 159.</p>	CF367-90920
Image scanner A3 whole unit kit (M880)	<ul style="list-style-type: none"> Image scanner A3 whole unit White backing A/3 kit <p>NOTE: When the image scanner assembly is replaced, you must use the Service menu to set the Flatbed Count value to zero. See Reinstall the scanner assembly (M880) on page 166.</p>	A2W75-67908
SCB assembly kit (M880)	SCB assembly	A2W75-67904
Mylar kit (M880)	Mylar deskew	5851-5857
Print cartridge drive unit kit	Print cartridge drive assembly	A2W75-67910
Cartridge interface PCA kit	Cartridge interface PCA	A2W79-67902
E-ring, pin, bushing kit	<ul style="list-style-type: none"> E-rings Ins washers Bushings 	5851-6142
Duplexing feed assembly kit	Duplexing feed assembly	A2W77-67913 (M855)
	<p>NOTE: When the duplexing feed assembly is replaced, you must use the Service menu to set the New Duplex Roller item to Yes. See Reinstall the duplexing feed assembly on page 349.</p>	A2W75-67911 (M880)


Accessories


Item	Description	Part number
1x500 sheet feeder (M855 only)	Optional tray to increase paper capacity	C2H56A
3x500-sheet feeder with stand	Optional tray to increase paper capacity	C1N63A
3,500-sheet high-capacity tray	Optional tray to increase paper capacity	C1N64A
Fax accessory	HP LaserJet MFP Analog Fax Accessory 500	CC487A
USB wireless print server	HP Jetdirect ew2500 Wireless Print Server	J8026A
USB cable	Standard USB-compatible device connector, 2 m (6.5 ft)	C6518A
Booklet maker/finisher	Accessory for producing booklets	A2W83A
Booklet maker/finisher w/ 2/3 hole punch		A2W84A

Item	Description	Part number
Booklet maker/finisher w 2/4 hole punch		CZ999A
Stapler stacker	Accessory for stapling and stacking printed output.	A2W80A
Stapler stacker w/ 2/4 hole punch		A2W82A

How to use the parts lists and diagrams

The figures in this chapter show the major subassemblies in the product and their component parts. A parts list table follows each exploded view assembly diagram. Each table lists the item number, the associated part number, and the description of each part. If a part is not listed in the table, it is not a field replacement unit (FRU).

 **CAUTION:** Be sure to order the correct part. When looking for part numbers for electrical components, pay careful attention to the voltage that is listed in the description column. Doing so will ensure that the part number selected is for the correct model.

 **NOTE:** In this manual, the abbreviation “PCA” stands for “printed circuit-board assembly.” Components described as a PCA might consist of a single circuit board or a circuit board plus other parts, such as cables and sensors.

Assembly locations

Base product (no optional trays or accessories)

Figure 2-1 M855 base product cover locations (1 of 2)

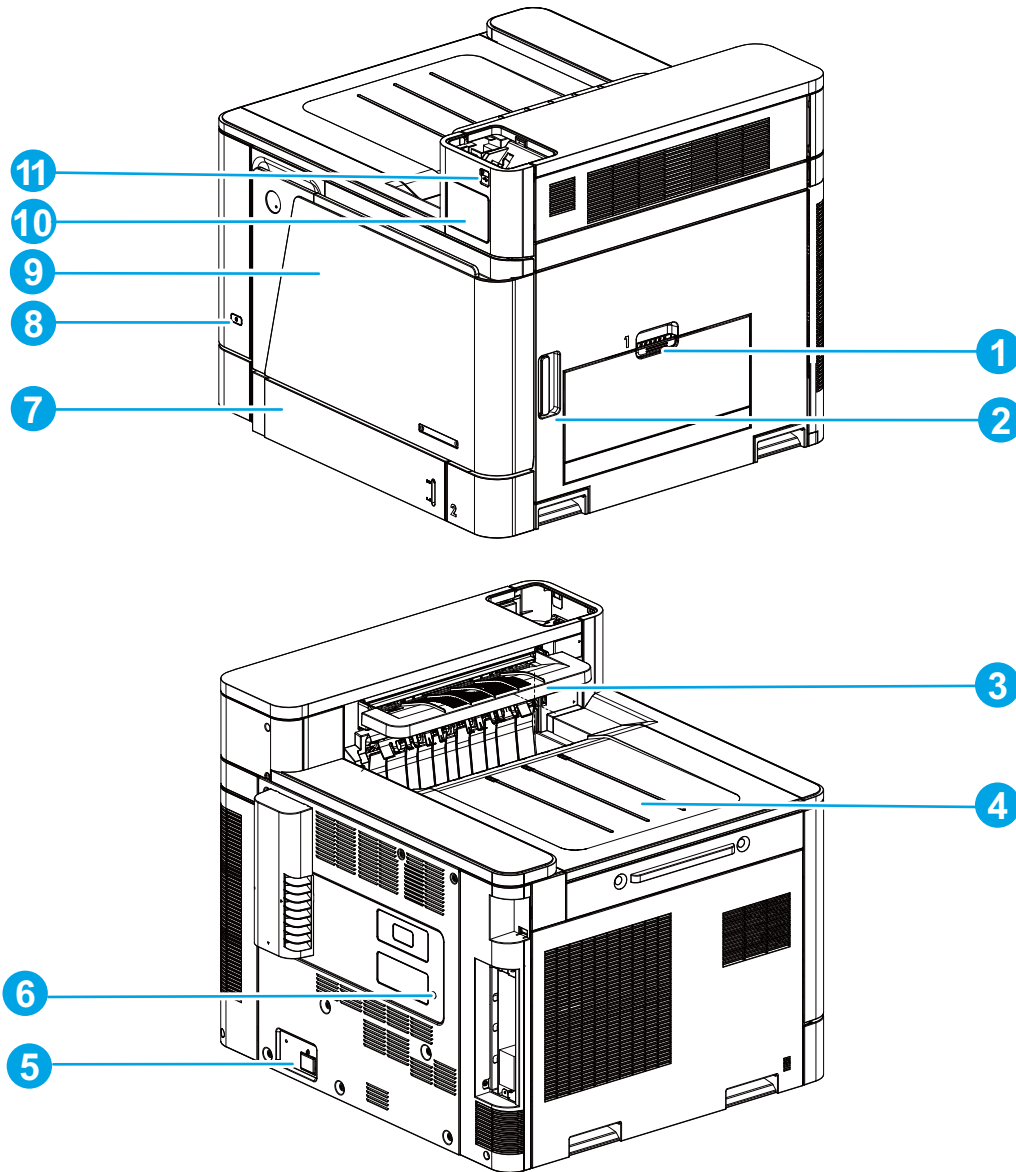


Table 2-6 M855 base product assembly locations (1 of 2)

Item	Description	Item	Description
1	Tray 1	7	Tray 2
2	Right door	8	Power switch
3	Switch back tray	9	Front door
4	Face-down bin	10	HIP cover

Table 2-6 M855 base product assembly locations (1 of 2) (continued)

Item	Description	Item	Description
5	Power receptacle	11	USB insertion slot
6	Test print switch		

Figure 2-2 M855 base product assembly locations (2 of 2)

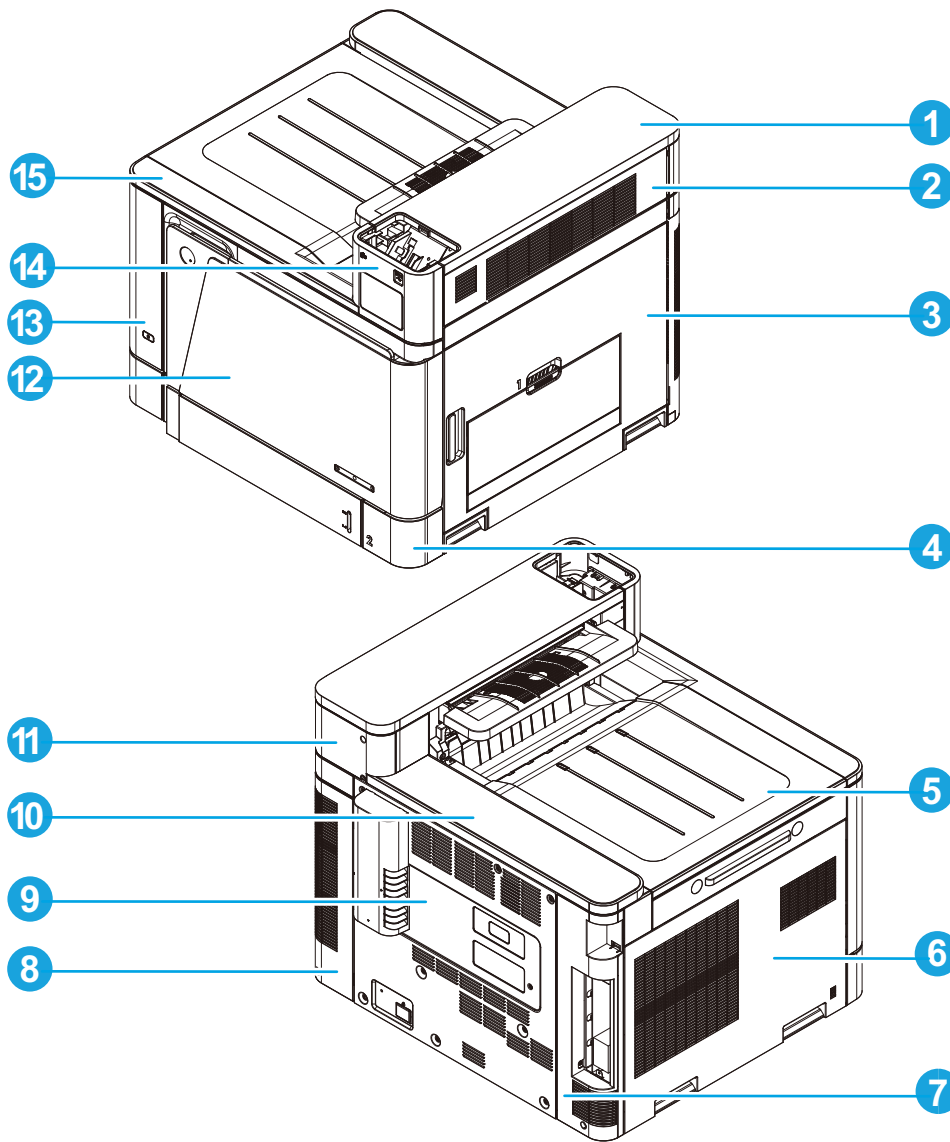


Table 2-7 M855 base product assembly locations (2 of 2)

Item	Description	Item	Description
1	Right upper cover	9	Rear cover
2	Switch back cover	10	Rear top cover
3	Right door assembly	11	Right upper rear cover

Table 2-7 M855 base product assembly locations (2 of 2) (continued)

Item	Description	Item	Description
4	Lower right cover	12	Front door assembly
5	Face-down bin	13	Left front cover
6	Left cover	14	Right upper front cover
7	Left rear cover	15	Front top cover
8	Right rear cover		

Figure 2-3 M880 base product assembly locations (1 of 2)

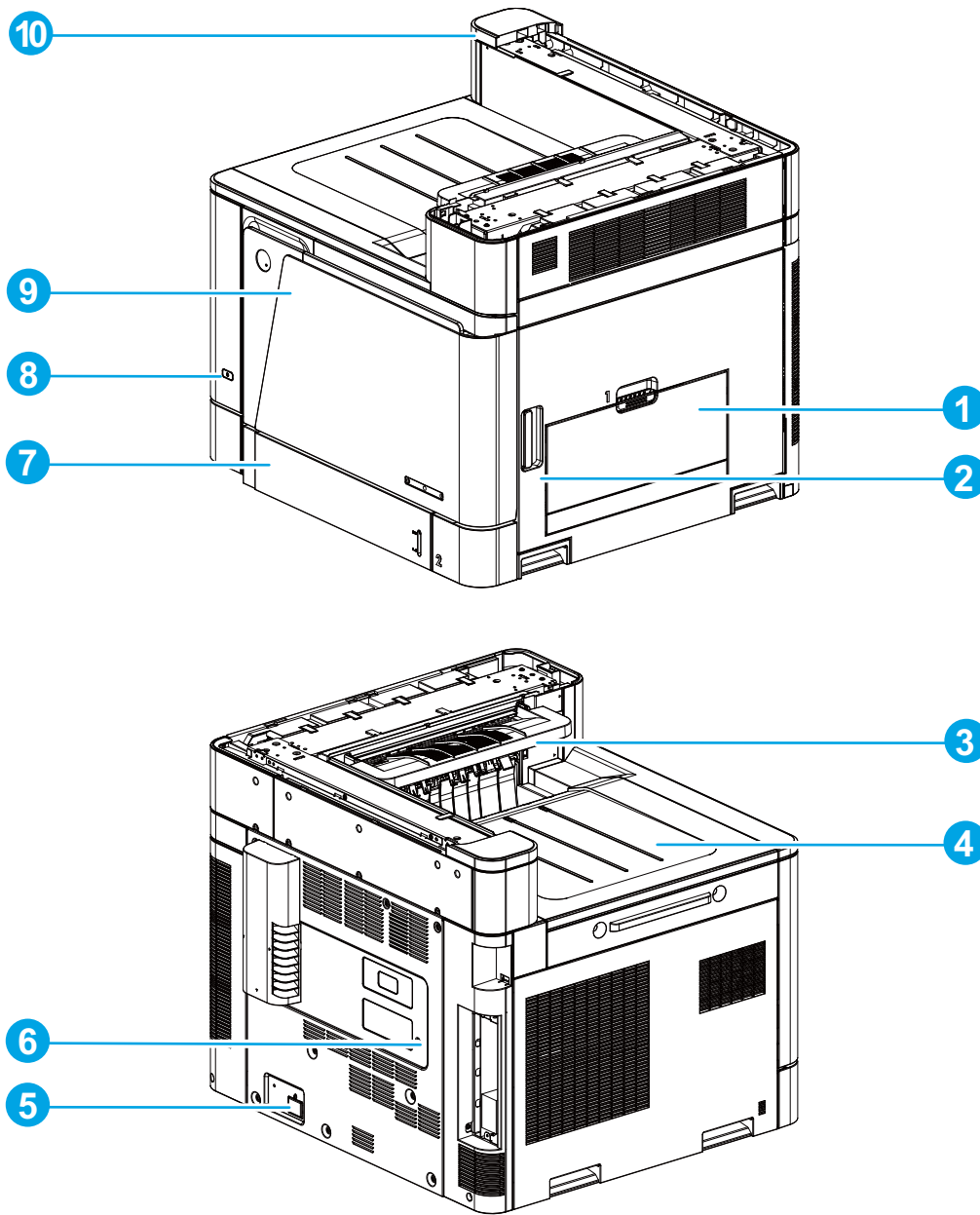


Table 2-8 M880 base product assembly locations (1 of 2)

Item1	Description	Item	Description
1	Tray 1	6	Test print switch
2	Right door	7	Tray 2
3	Switch back tray	8	Power switch
4	Face-down bin	9	Front door
5	Power receptacle	10	Rear upper MFP cover

Figure 2-4 M880 base product assembly locations (2 of 2)

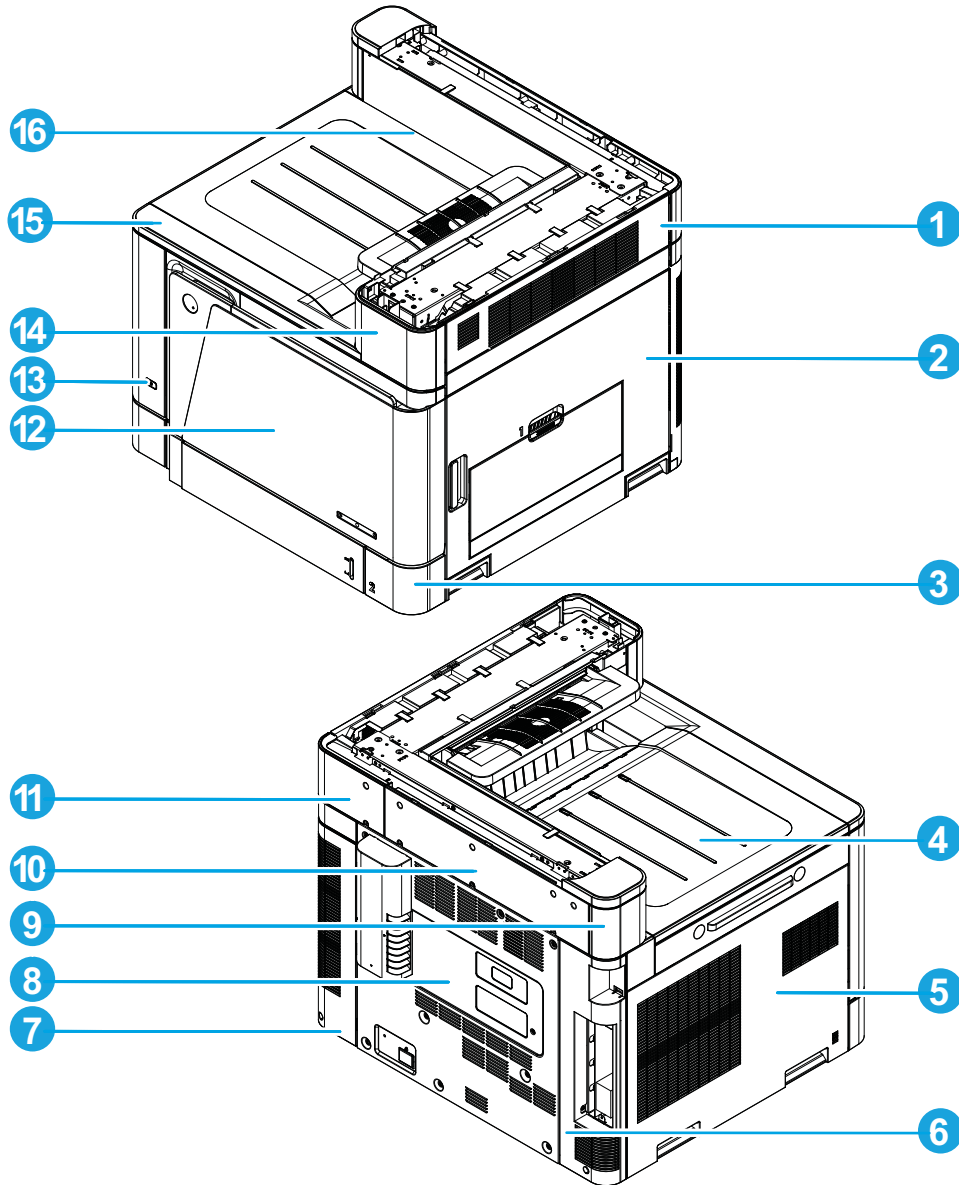


Table 2-9 M880 base product assembly locations (2 of 2)

Item	Description	Item	Description
1	Switch back cover	9	Left upper rear cover
2	Right door assembly	10	Rear upper rear cover
3	Lower right cover	11	Right upper rear cover
4	Face-down bin	12	Front door assembly
5	Left cover	13	Left front cover
6	Left rear cover	14	Right upper front cover
7	Right rear cover	15	Front top cover
8	Rear cover	16	Rear upper front cover

Stapler/stacker and booklet maker

Figure 2-5 Stapler/stacker and booklet maker main assemblies

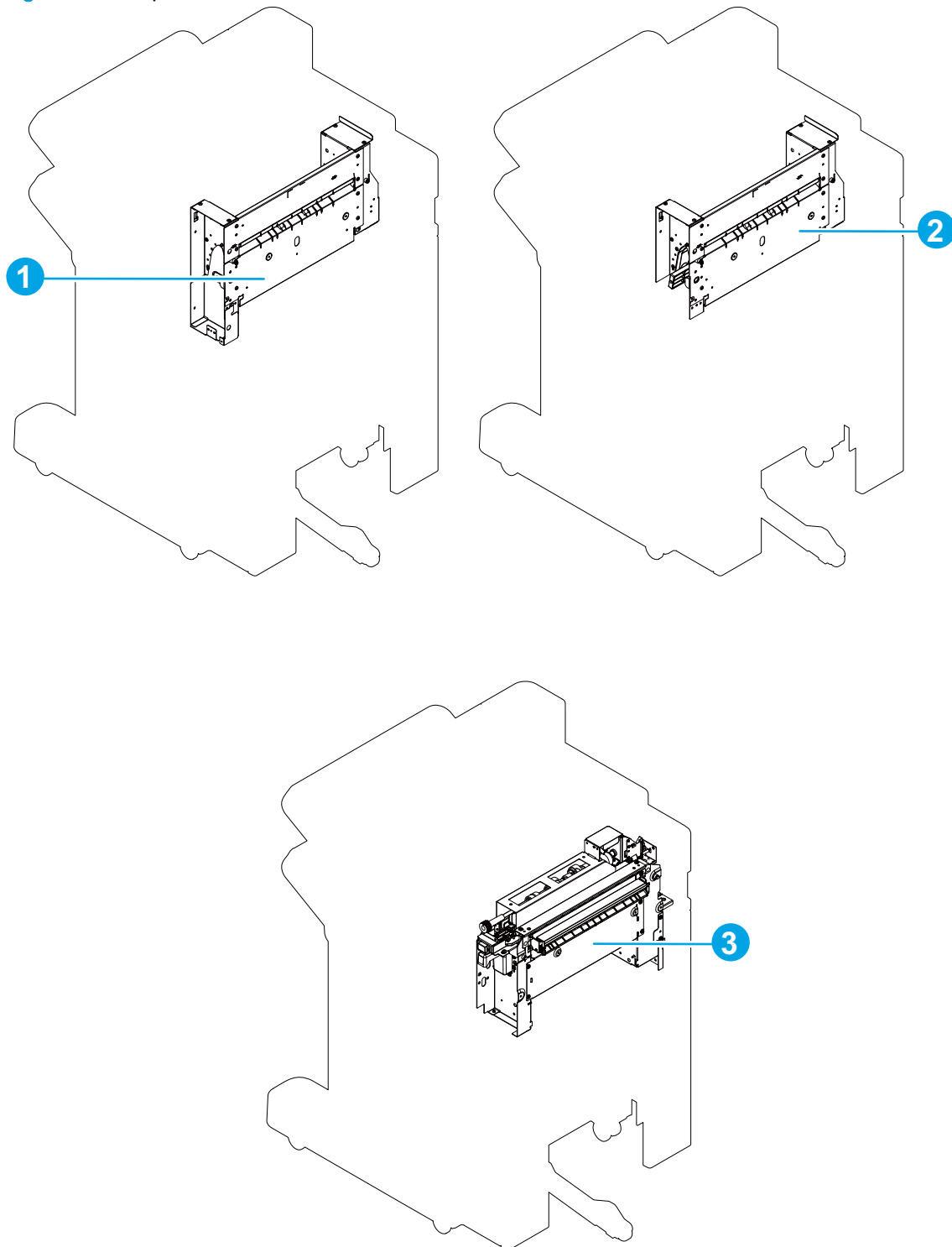


Table 2-10 Stapler/stacker and booklet maker main assemblies

Item	Description	Item	Description
1	Pass through assembly	3	Puncher assembly
2	Saddle feed assembly		

Figure 2-6 Stapler/stacker and booklet maker PCA

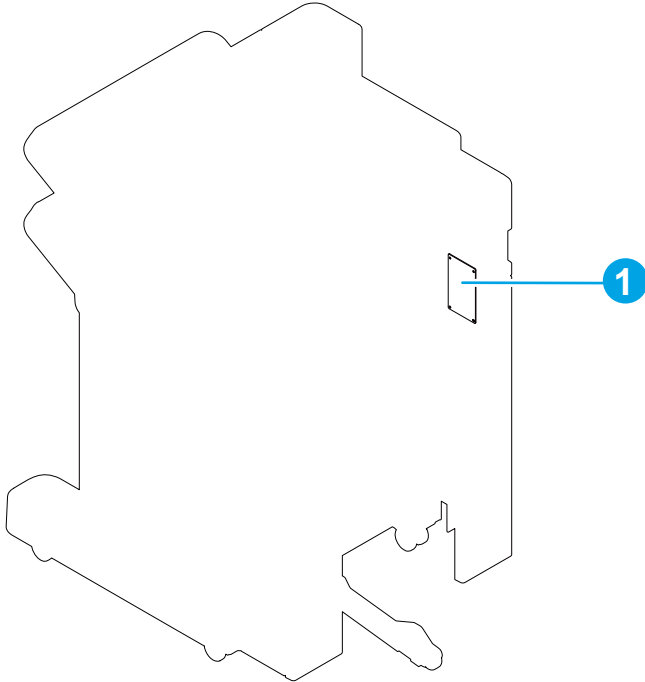


Table 2-11 Stapler/stacker and booklet maker PCA

Item	Description
1	Punch controller PCA

Stapler/stacker external assembly locator

Figure 2-7 Stapler/stacker

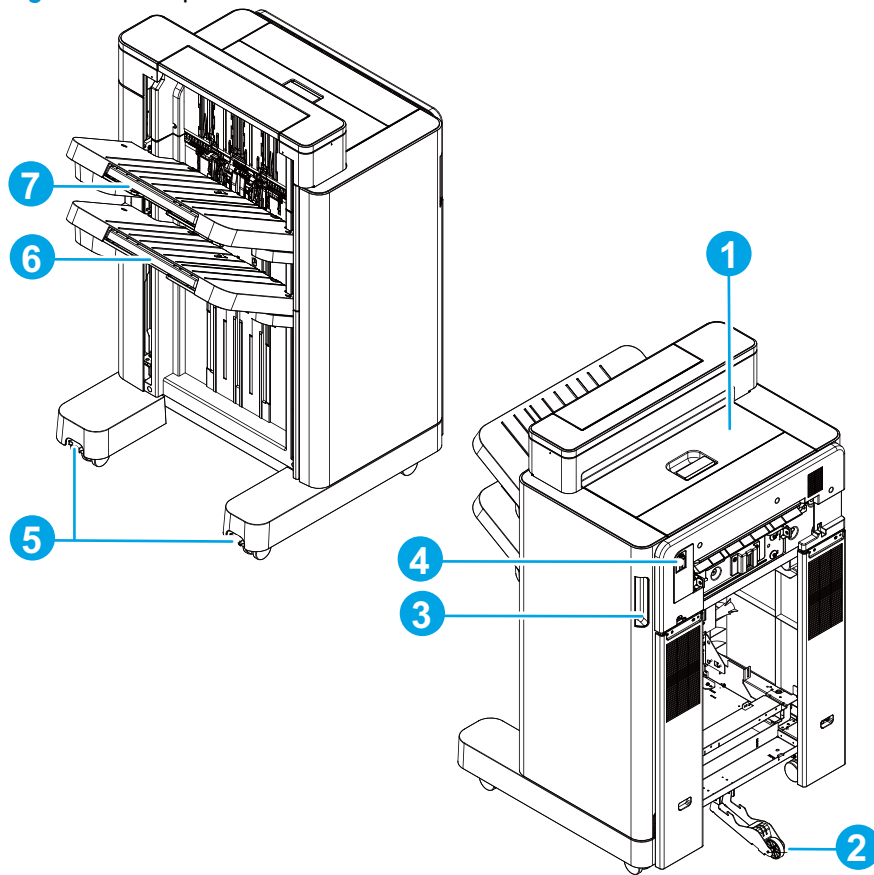


Table 2-12 Stapler/stacker external assembly locator

Item	Description	Item	Description
1	Top door	5	Height adjustment dial
2	Grounding foot	6	Output bin 2
3	Front door	7	Output bin 1
4	Connection latch lever		

Figure 2-8 Stapler/stacker with hole puncher external assembly locator

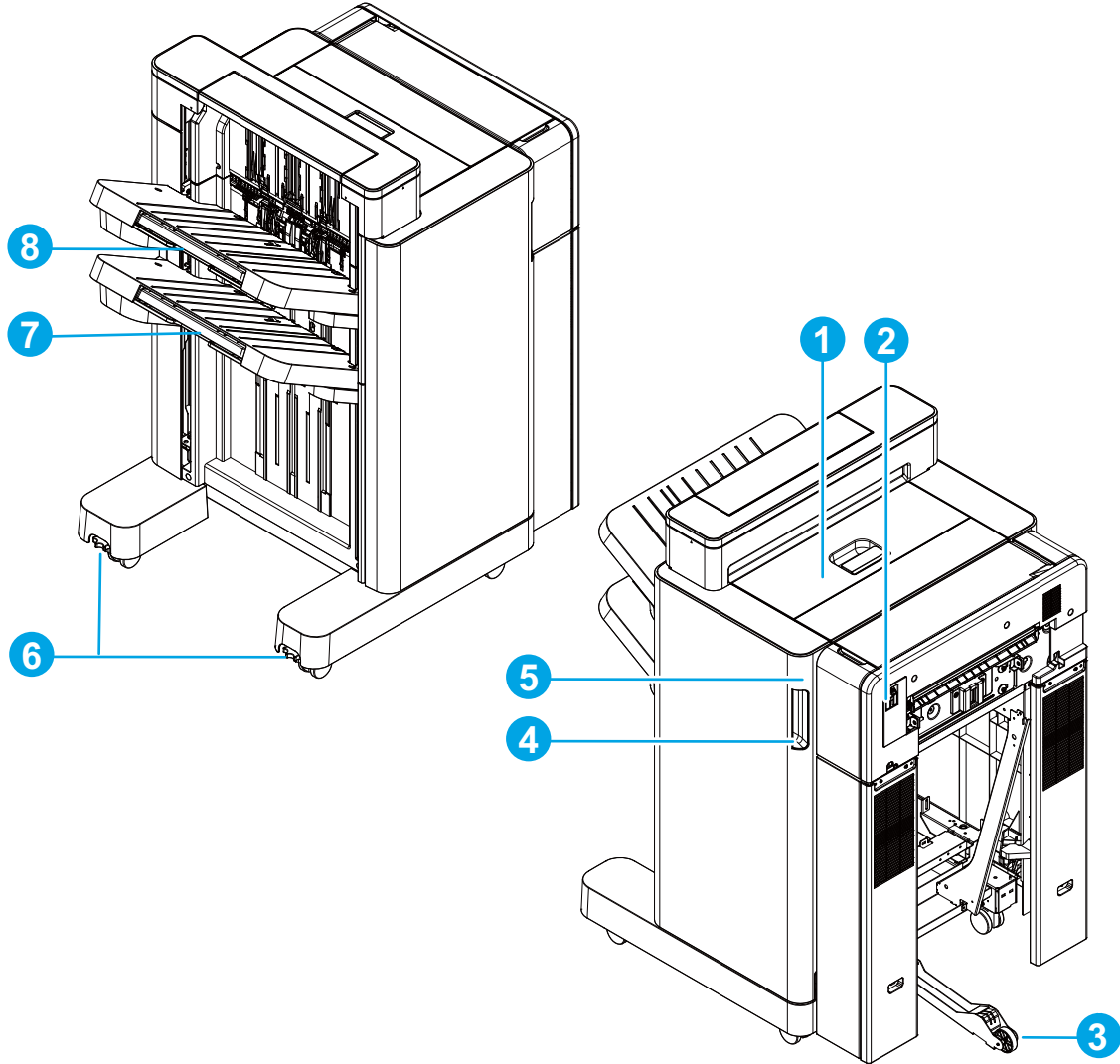


Table 2-13 Stapler/stacker with hole puncher external assembly locator

Item	Description	Item	Description
1	Top door	5	Punch front cover
2	Connection latch lever	6	Height adjustment dial
3	Grounding foot	7	Output bin 2
4	Front door	8	Output bin 1

Figure 2-9 Staple stacker internal assembly locator

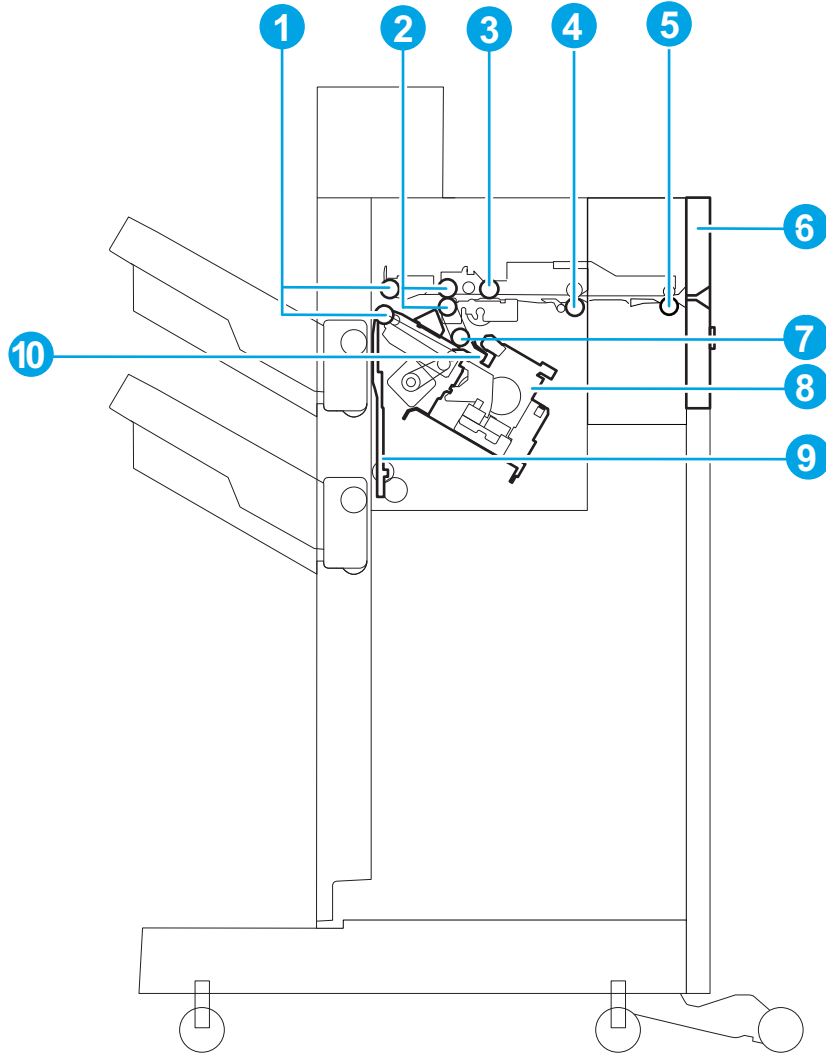


Table 2-14 Staple stacker internal assembly locator

Item	Description	Item	Description
1	Stack ejection roller	6	Latch assembly
2	Delivery roller	7	Return roller
3	Buffer roller	8	Stapler
4	Inlet roller	9	Shutter
5	Inlet roller 1	10	Processing tray assembly

Figure 2-10 Staple stacker with hole puncher internal assembly locator

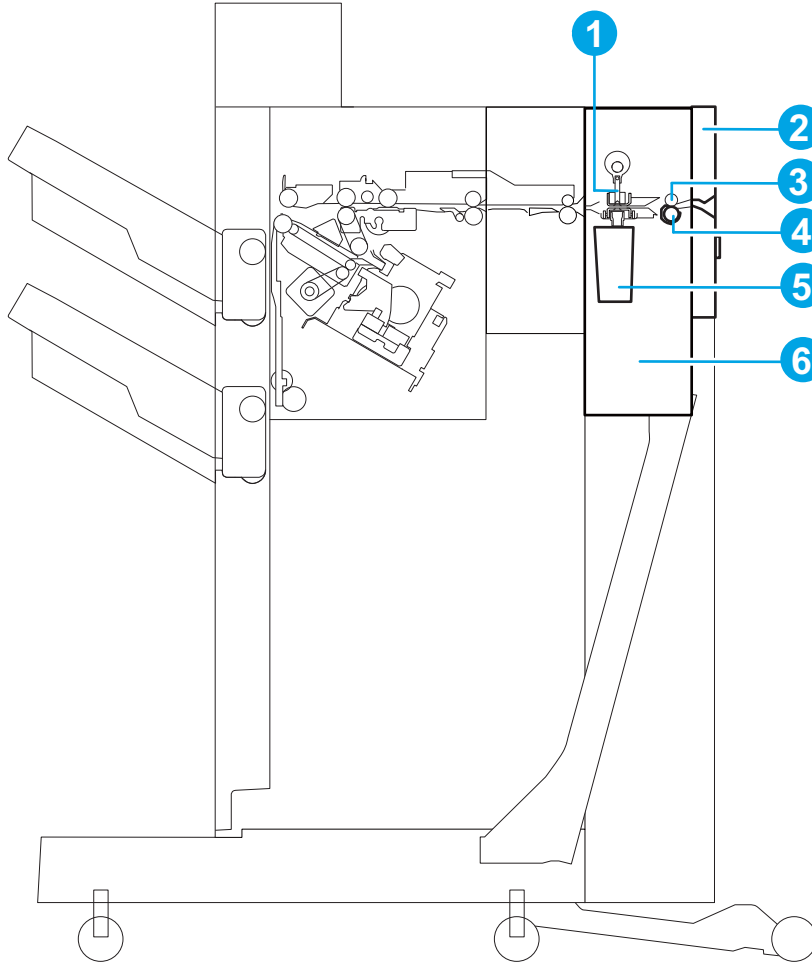


Table 2-15 Staple stacker with hole puncher internal assembly locator

Item	Description	Item	Description
1	Punch	4	Registration roller
2	Latch assembly	5	Punch chip collection box
3	Registration shutter	6	Puncher assembly

Figure 2-11 Staple stacker external assembly locator (door open)

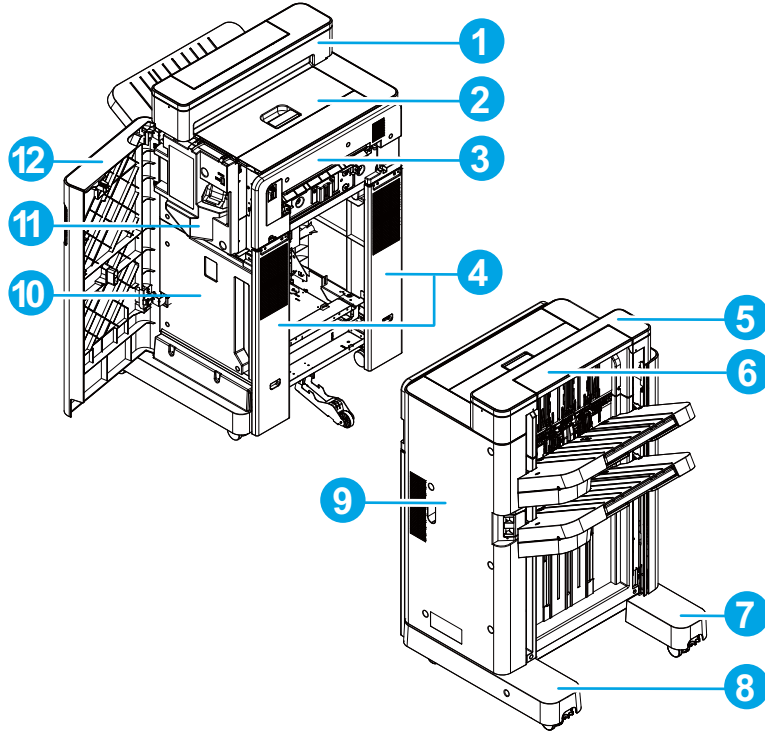


Table 2-16 Staple stacker external assembly locator (door open)

Item	Description	Item	Description
1	Step lower cover	7	Front foot cover
2	Top door assembly	8	Rear foot cover
3	Latch assembly	9	Rear cover
4	Latch lower cover	10	Inner lower cover
5	Step top cover	11	Inner upper cover assembly
6	Open-close step cover	12	Front door assembly

Figure 2-12 Staple stacker with hole puncher external assembly locator (door open)

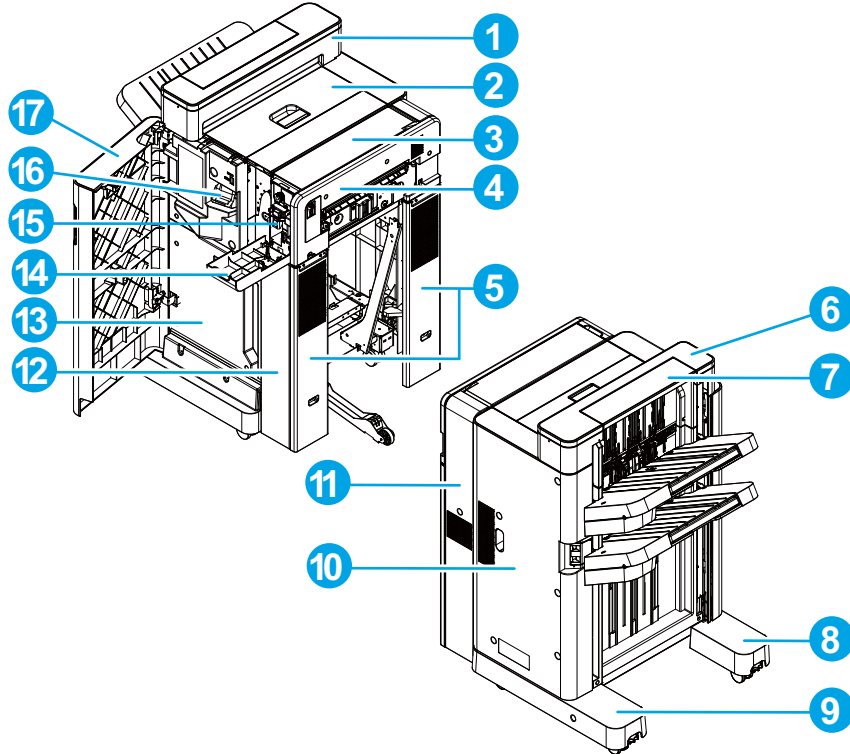


Table 2-17 Staple stacker with hole puncher external assembly locator (door open)

Item	Description	Item	Description
1	Step lower cover	10	Rear cover
2	Top door assembly	11	Punch rear cover
3	Punch top cover	12	Punch lower cover
4	Latch assembly	13	Inner lower cover
5	Latch lower cover	14	Punch front cover
6	Step top cover	15	Punch inner cover assembly
7	Open-close step cover	16	Inner upper cover assembly
8	Front foot cover	17	Front door assembly
9	Rear foot cover		

Booklet maker

Figure 2-13 Booklet maker external assembly locator

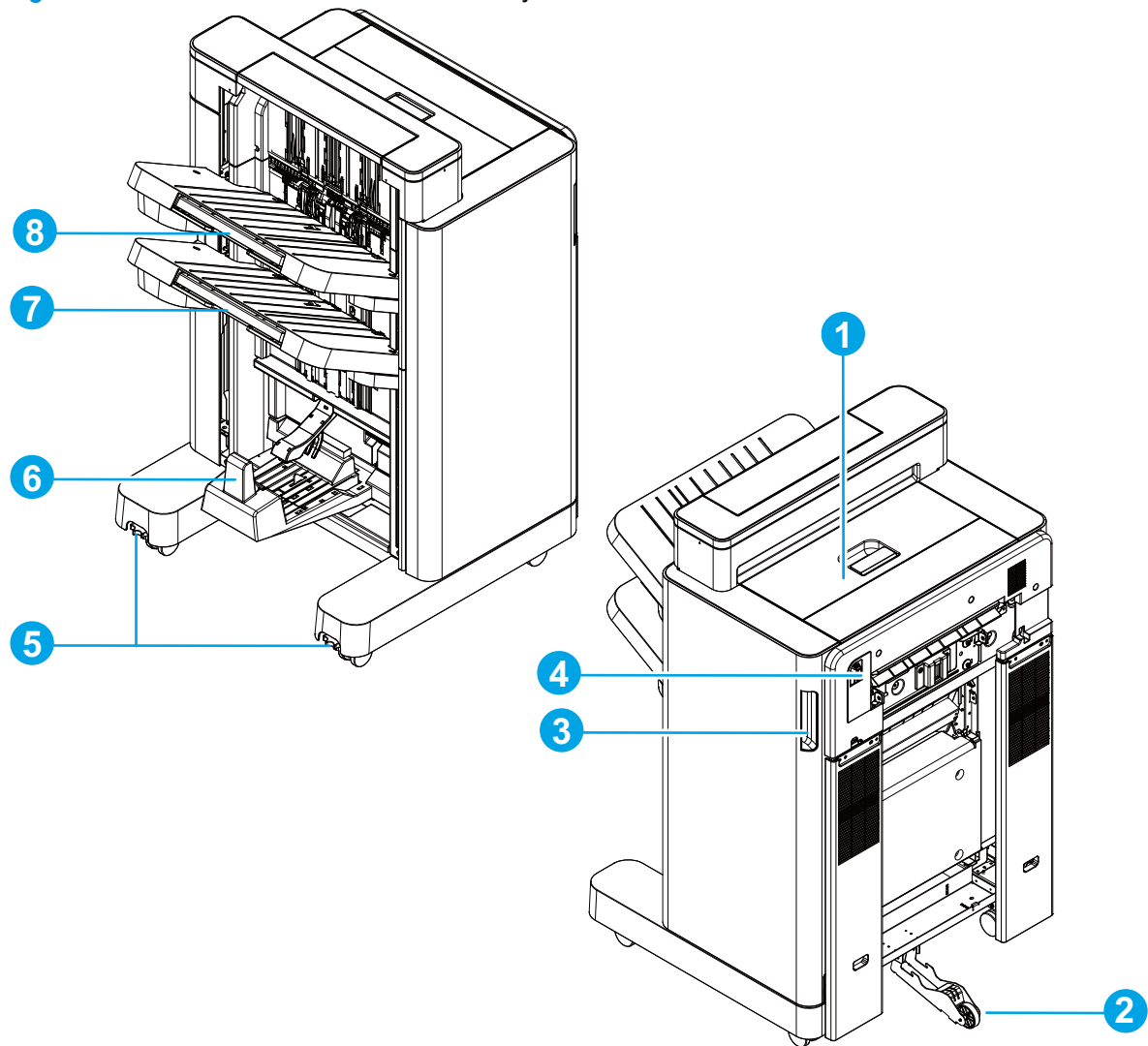


Table 2-18 Booklet maker external assembly locator

Item	Description	Item	Description
1	Top door	5	Height adjustment dial
2	Grounding foot	6	Saddle output bin
3	Front door	7	Output bin 2
4	Connection latch lever	8	Output bin 1

Figure 2-14 Booklet maker with hole puncher external assembly locator

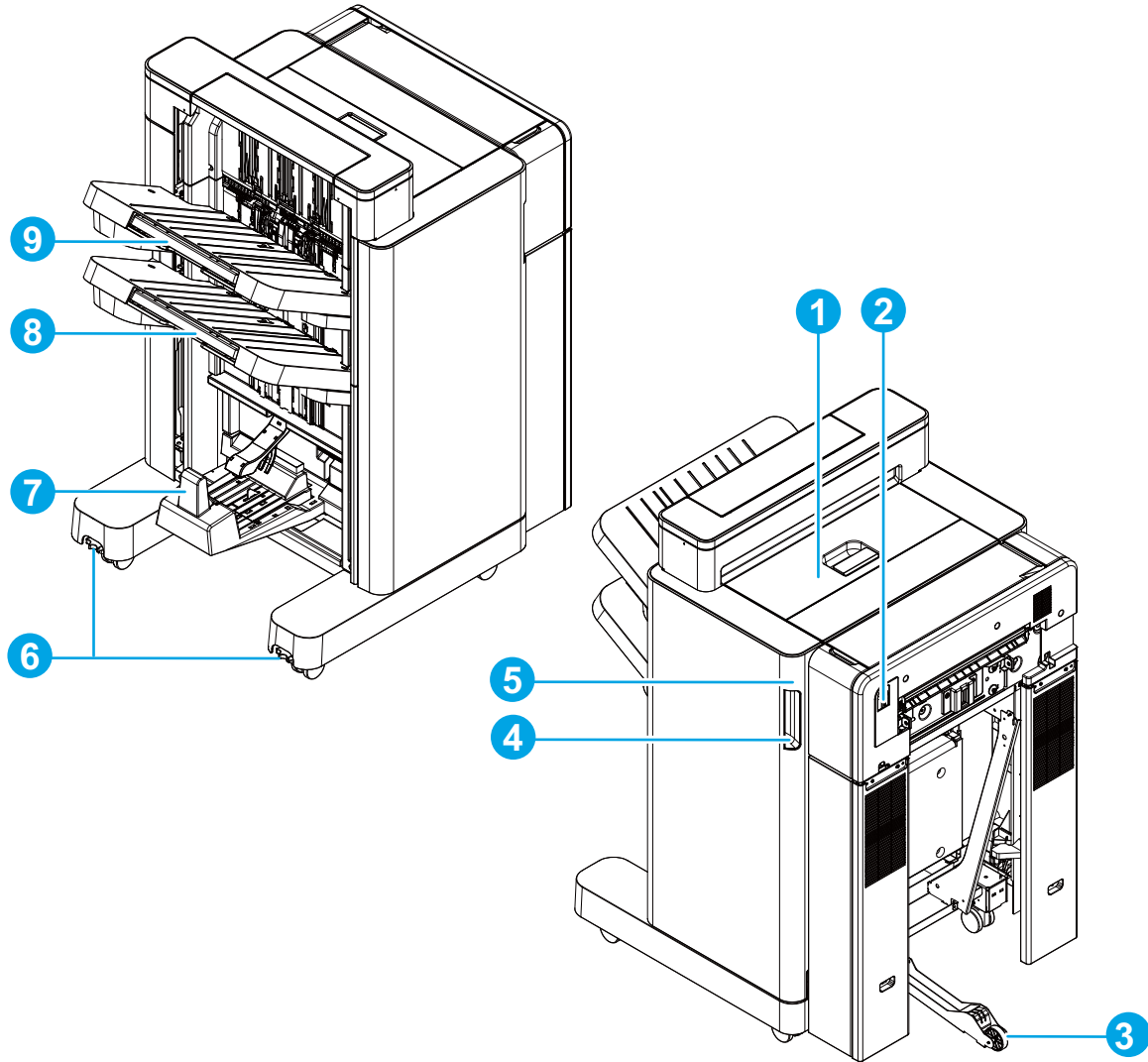


Table 2-19 Booklet maker with hole puncher external assembly locator

Item	Description	Item	Description
1	Top door	6	Height adjustment dial
2	Connection latch lever	7	Saddle output bin
3	Grounding foot	8	Output bin 2
4	Front door	9	Output bin 1
5	Punch front cover		

Figure 2-15 Booklet maker internal assembly locator

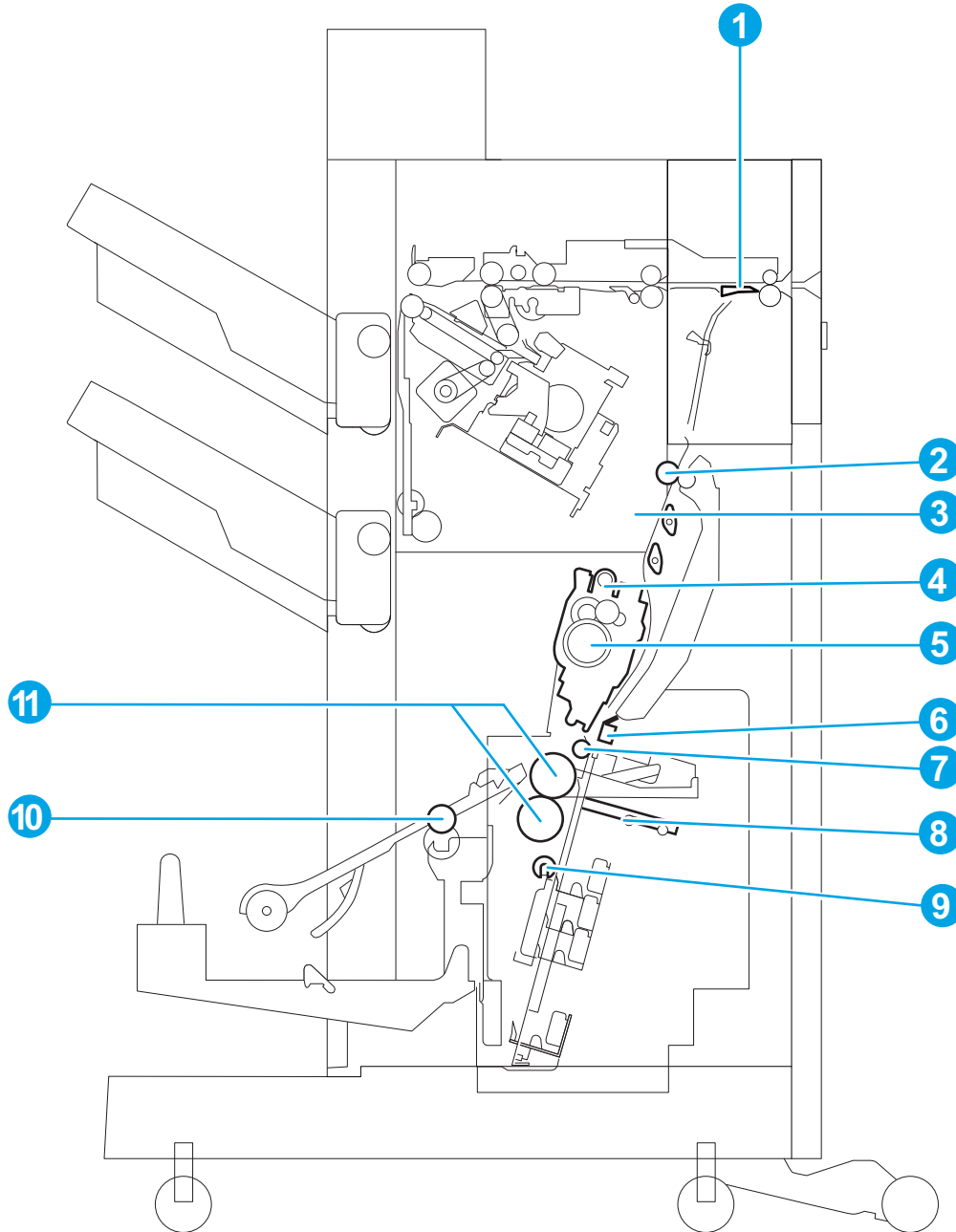


Table 2-20 Booklet maker internal assembly locator

Item	Description	Item	Description
1	Saddle sticher flapper	7	Intermediate roller
2	Inlet roller 2	8	Paper pushing plate
3	Flapper 1	9	Crescent roller
4	Flapper 2	10	Saddle delivery roller
5	Sticher (front, rear)	11	Paper folding roller
6	Sticher rack		

Figure 2-16 Booklet maker with hole puncher internal assembly locator

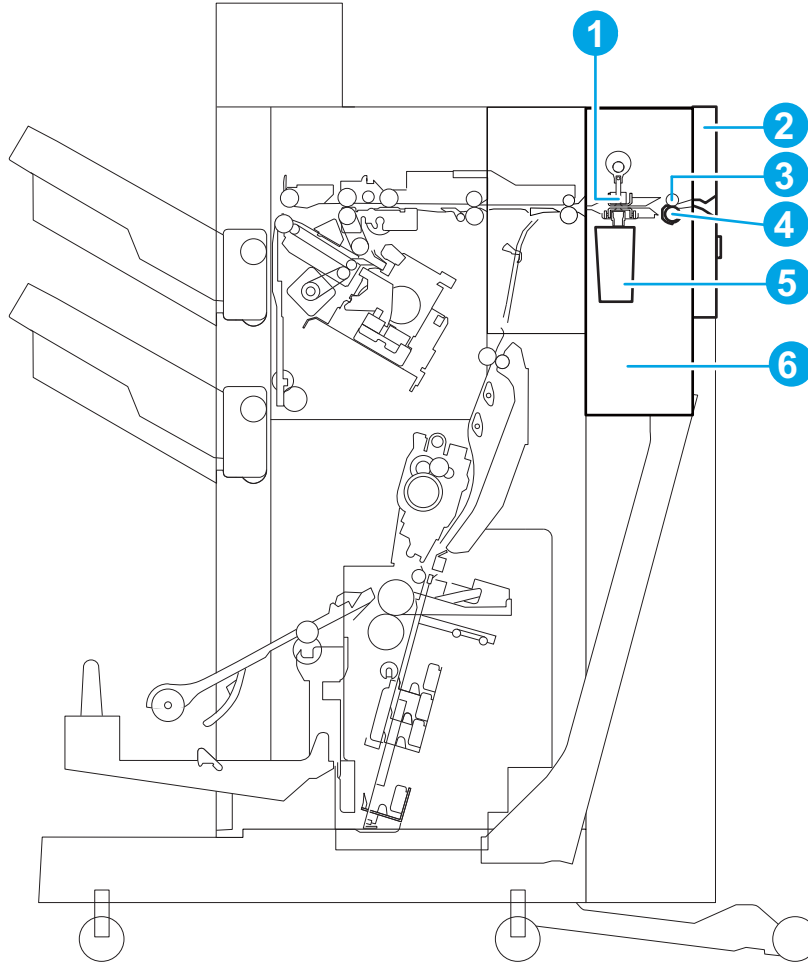


Table 2-21 Booklet maker with hole puncher internal assembly locator

Item	Description	Item	Description
1	Punch	4	Registration roller
2	Latch assembly	5	Punch chip box
3	Registration shutter	6	Puncher assembly

Figure 2-17 Booklet maker external assembly locator (door open)

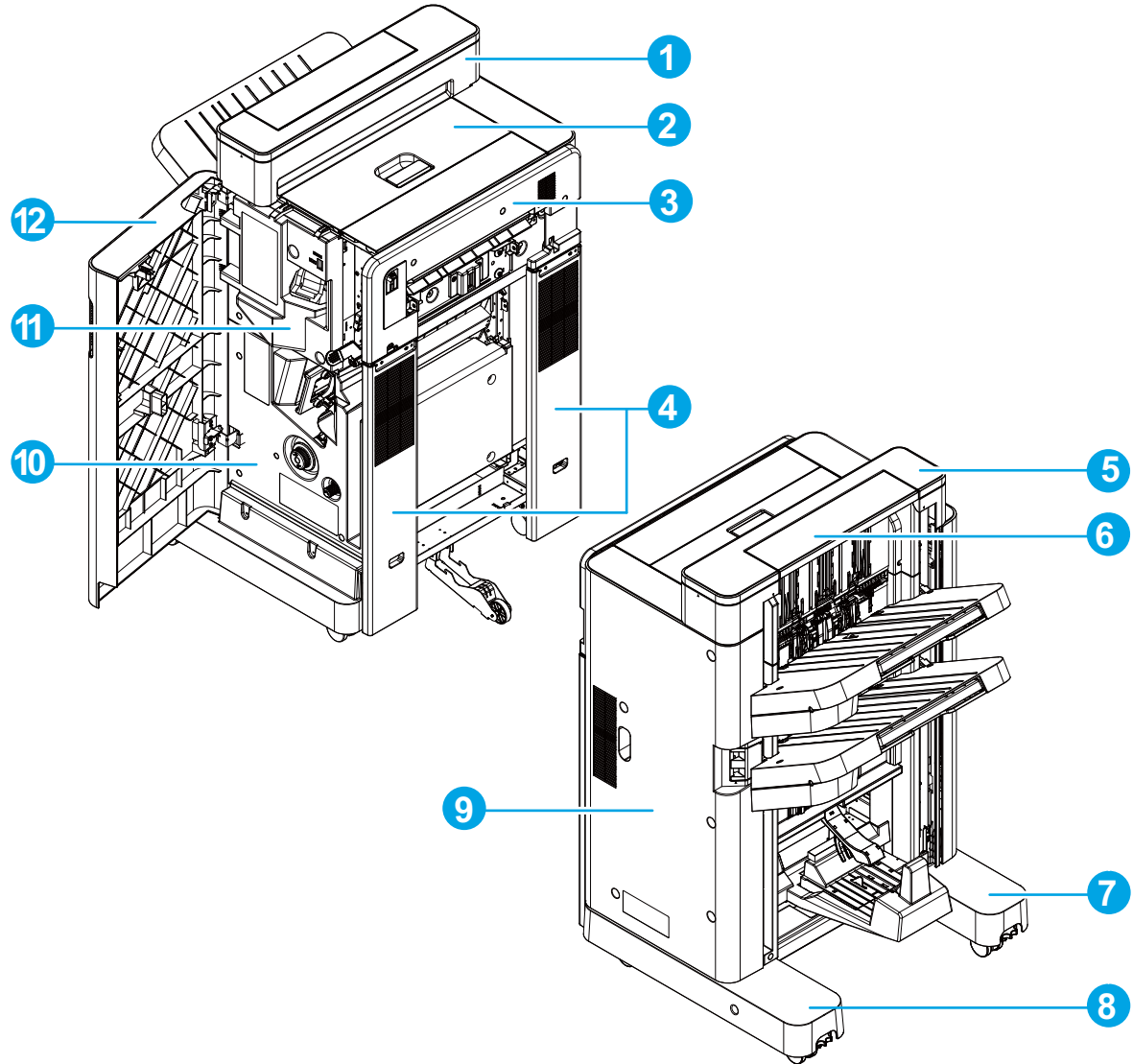


Table 2-22 Booklet maker external assembly locator (door open)

Item	Description	Item	Description
1	Step lower cover	7	Front foot cover
2	Top door assembly	8	Rear foot cover
3	Latch assembly	9	Rear cover
4	Latch lower cover	10	Inner lower cover assembly
5	Step top cover	11	Inner upper cover assembly
6	Open-close step cover	12	Front door assembly

Figure 2-18 Booklet maker with hole puncher external assembly locator (door open)

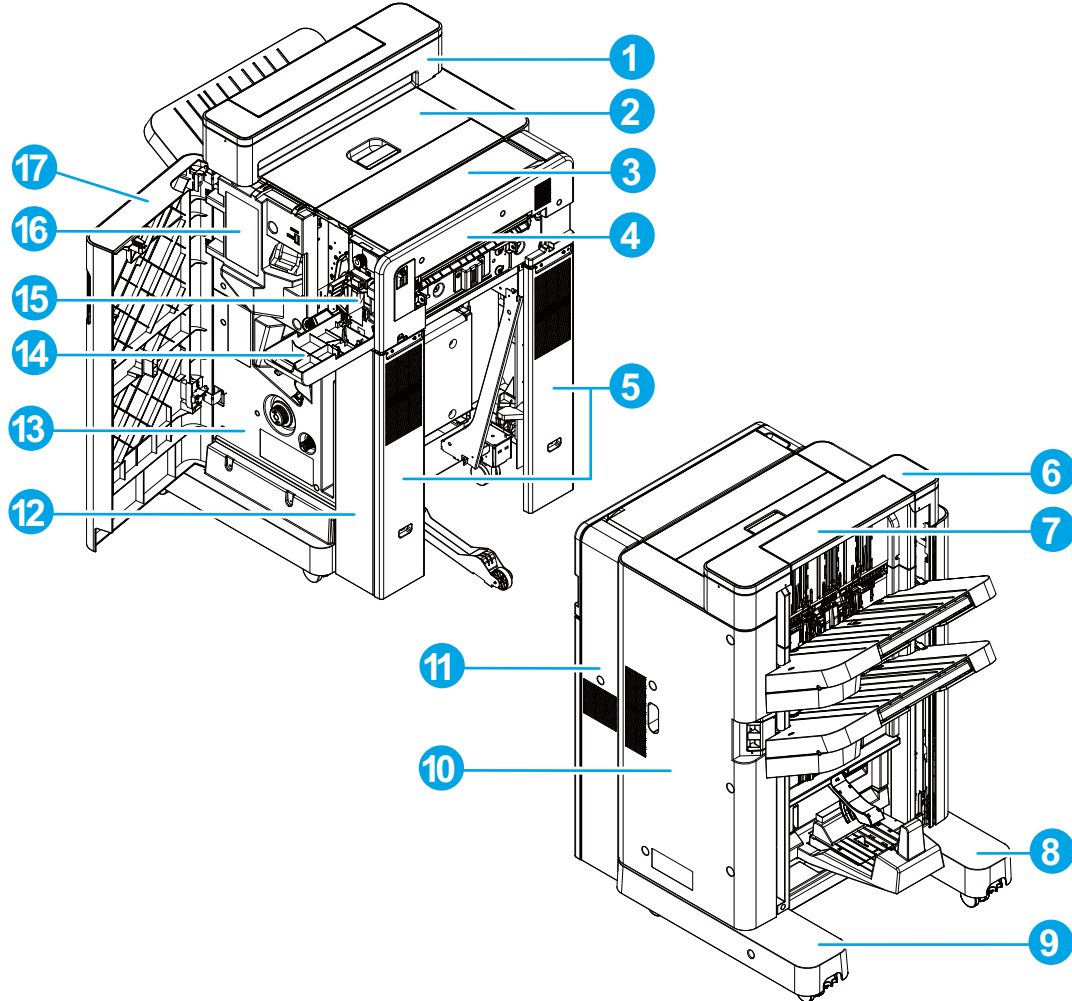


Table 2-23 Booklet maker with hole puncher external assembly locator (door open)

Item	Description	Item	Description
1	Step lower cover	10	Rear cover
2	Top door assembly	11	Punch rear cover
3	Punch top cover	12	Punch lower cover
4	Latch assembly	13	Inner lower cover assembly
5	Latch lower cover	14	Punch front cover
6	Step top cover	15	Punch inner cover assembly
7	Open-close step cover	16	Inner upper cover assembly
8	Front foot cover	17	Front door assembly
9	Rear foot cover		

Intermediate paper transportation unit (IPTU)

Figure 2-19 IPTU external assembly locator (1 of 3)

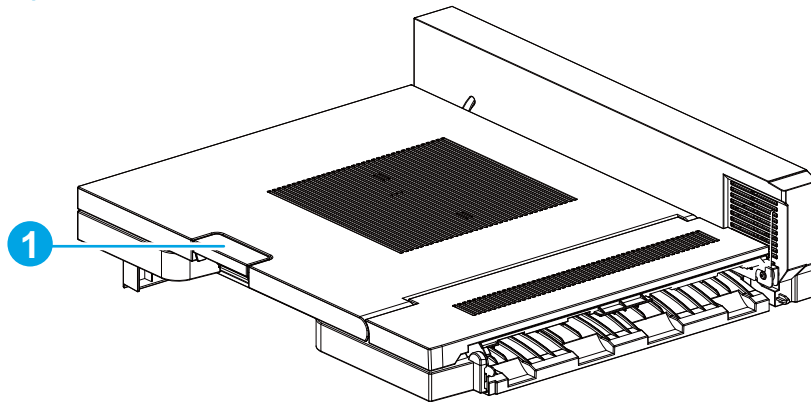


Table 2-24 IPTU external assembly locator (1 of 3)

Item	Description
1	Top door open lever

Figure 2-20 IPTU external assembly locator (2 of 3)

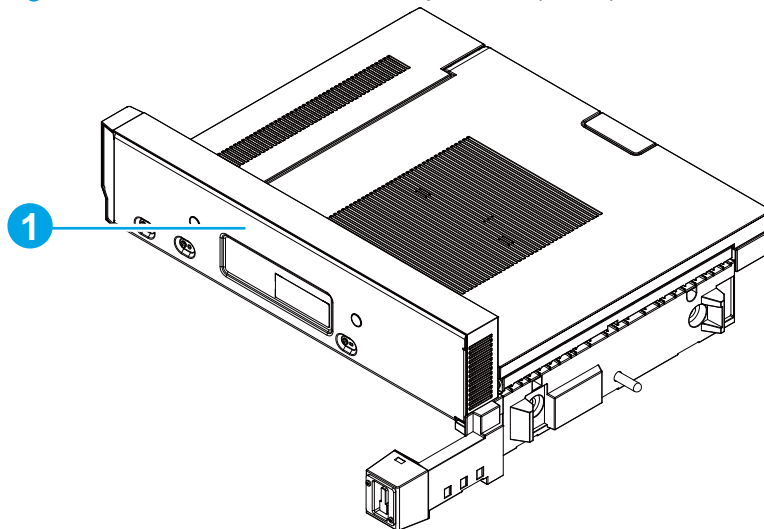


Table 2-25 IPTU external assembly locator (2 of 3)

Item	Description
1	Rear cover

Figure 2-21 IPTU external assembly locator (3 of 3)

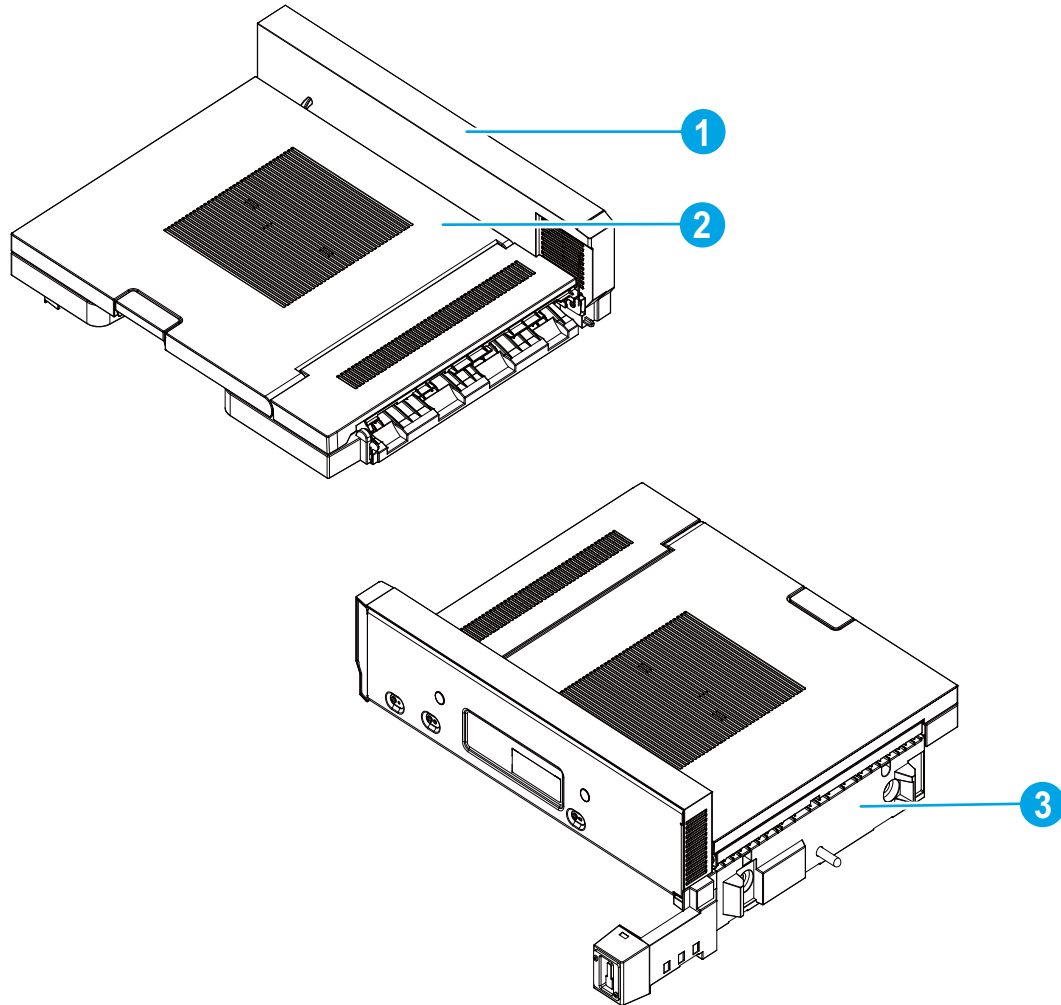


Table 2-26 IPTU external assembly locator (3 of 3)

Item	Description	Item	Description
1	Side panel assembly	3	Finisher lock assembly
2	Top cover assembly		

Figure 2-22 IPTU internal assembly locator (1 of 2)

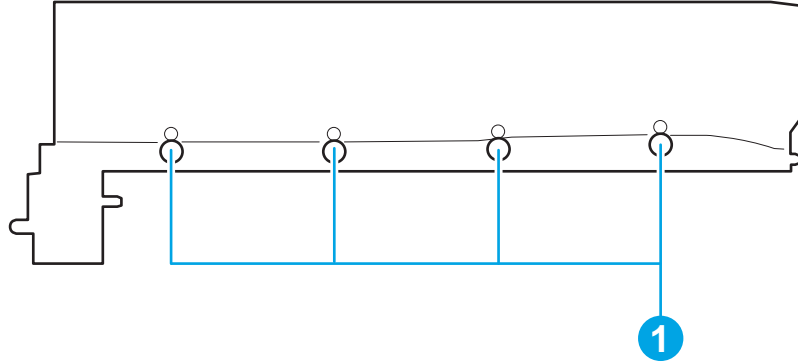


Table 2-27 IPTU internal assembly locator (1 of 2)

Item	Description
1	Feed rollers

Figure 2-23 IPTU internal assembly locator (2 of 2)

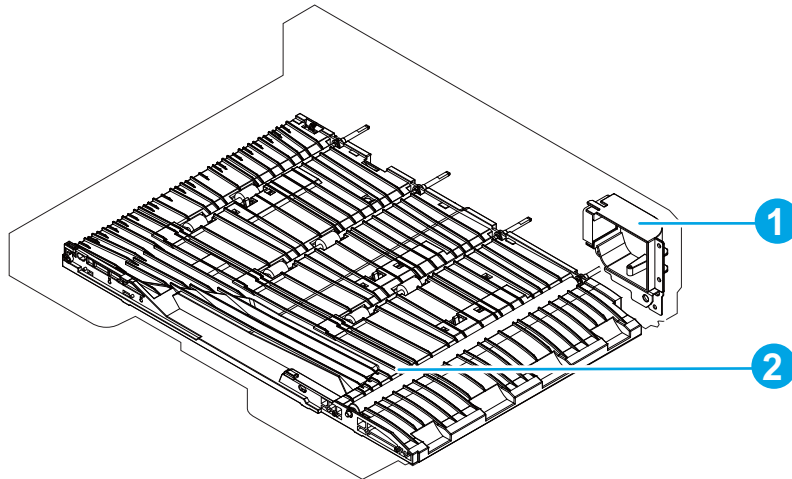


Table 2-28 IPTU internal assembly locator (2 of 2)

Item	Description	Item	Description
1	IPTU fan assembly	2	Bottom cover assembly

Figure 2-24 IPTU PCA

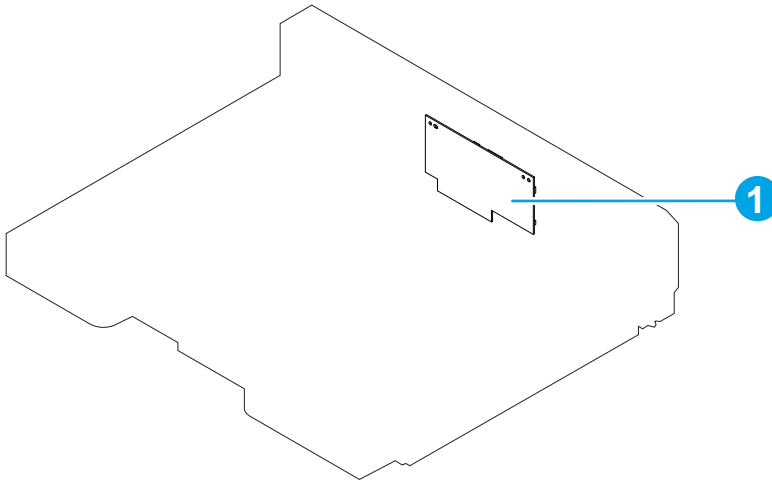


Table 2-29 IPTU PCA

Item	Description
1	IPTU driver PCA

1x500-sheet feeder

Figure 2-25 1x500-sheet feeder (1 of 2)

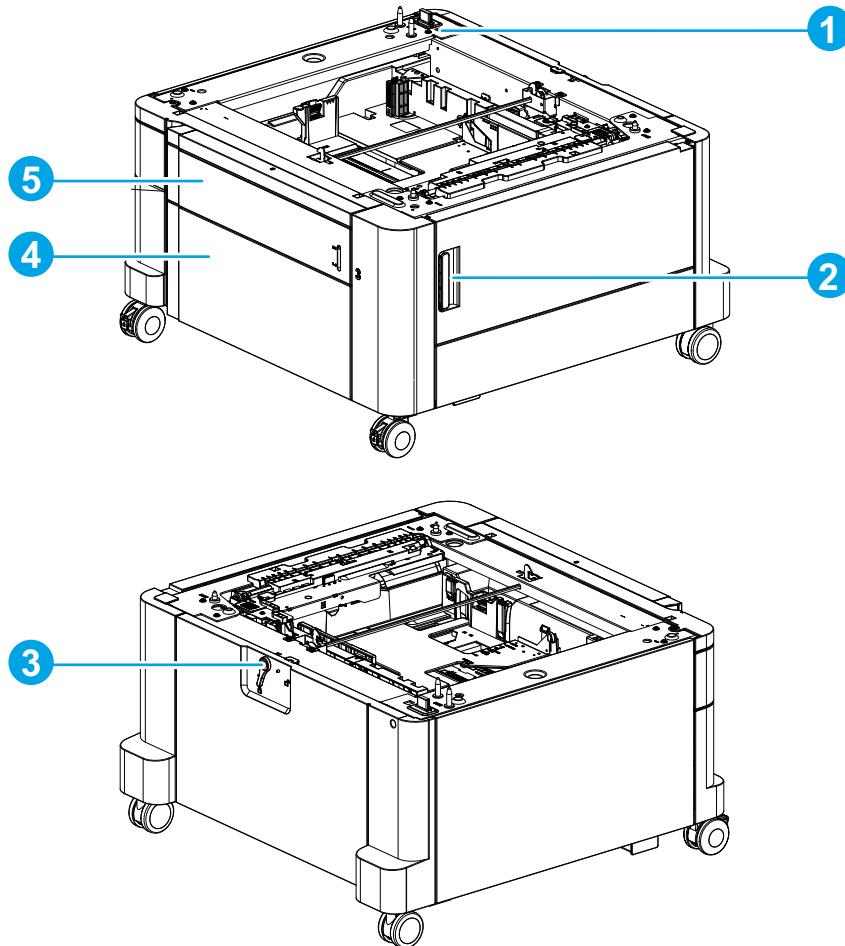


Table 2-30 1x500-sheet feeder (1 of 2)

Item	Description	Item	Description
1	Connector	4	Storage box door
2	Right door	5	Tray 3
3	Lock lever		

Figure 2-26 1x500-sheet feeder (2 of 2)

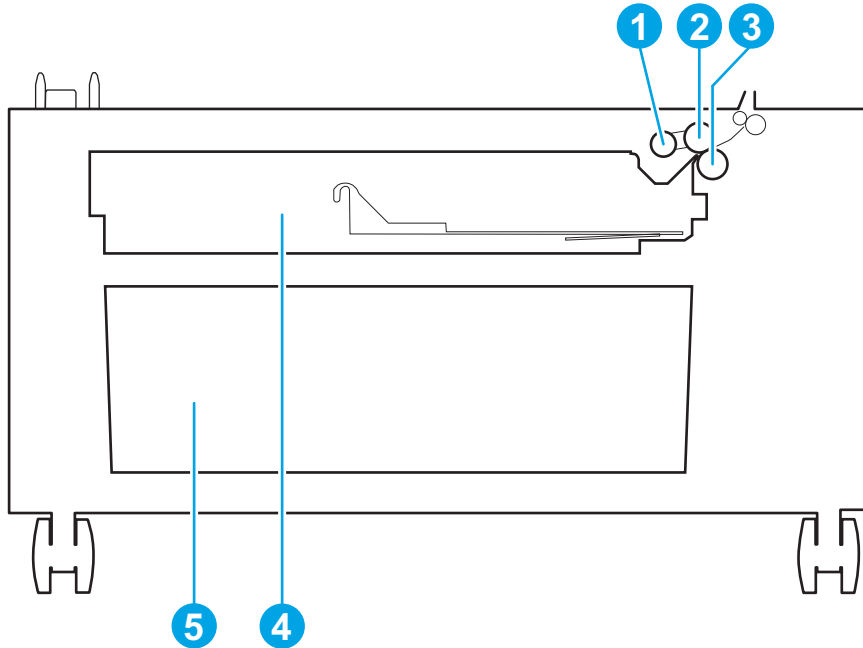


Table 2-31 1x500-sheet feeder (2 of 2)

Item	Description	Item	Description
1	Pickup roller	4	Tray 3
2	Feed roller	5	Storage box
3	Separation roller		

3x500-sheet feeder

Figure 2-27 3x500-sheet feeder (1 of 2)

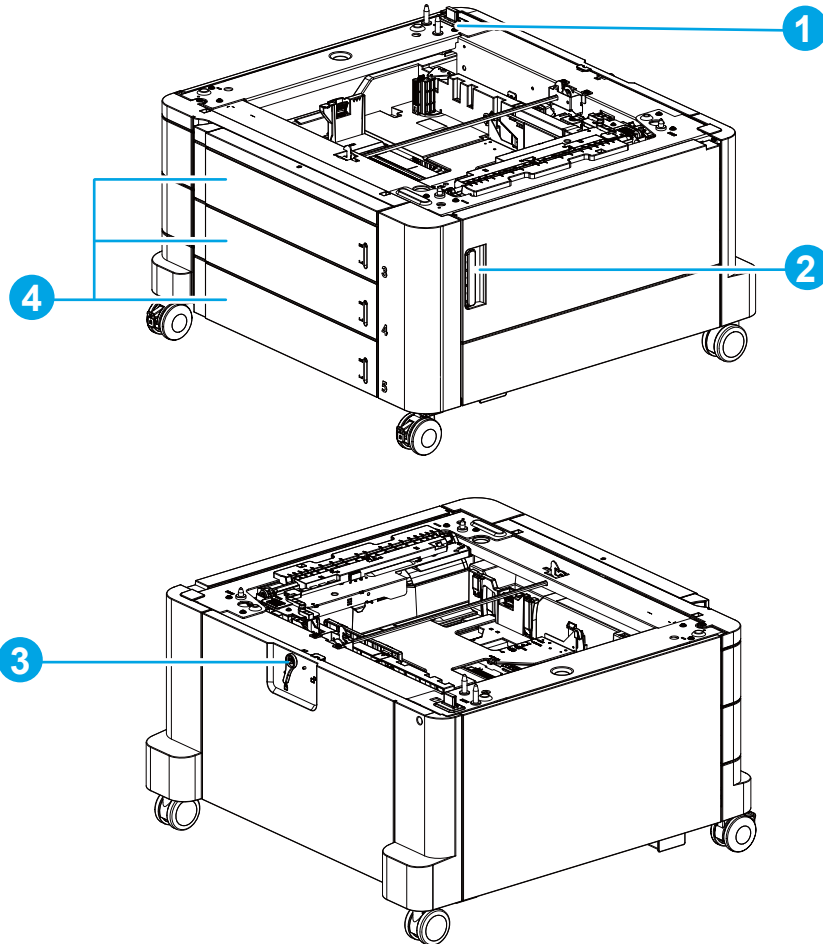


Table 2-32 3x500-sheet feeder (1 of 2)

Item	Description	Item	Description
1	Connector	3	Lock lever
2	Right door	4	Trays 3, 4, and 5

Figure 2-28 3x500-sheet feeder (2 of 2)

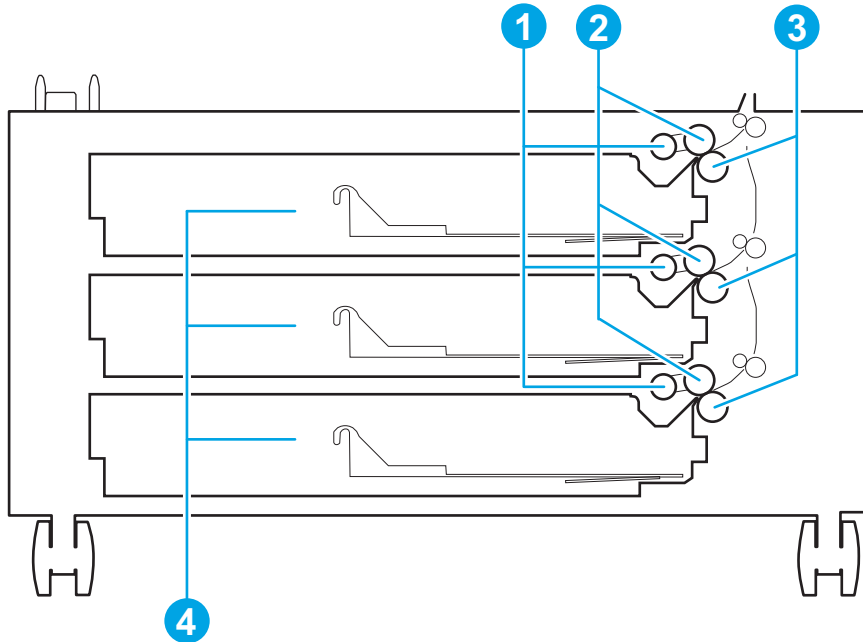


Table 2-33 3x500-sheet feeder (2 of 2)

Item	Description	Item	Description
1	Pickup roller	3	Separation roller
2	Feed roller	4	Trays 3, 4, and 5

High-capacity input (HCI) feeder

Figure 2-29 HCI feeder (1 of 6)

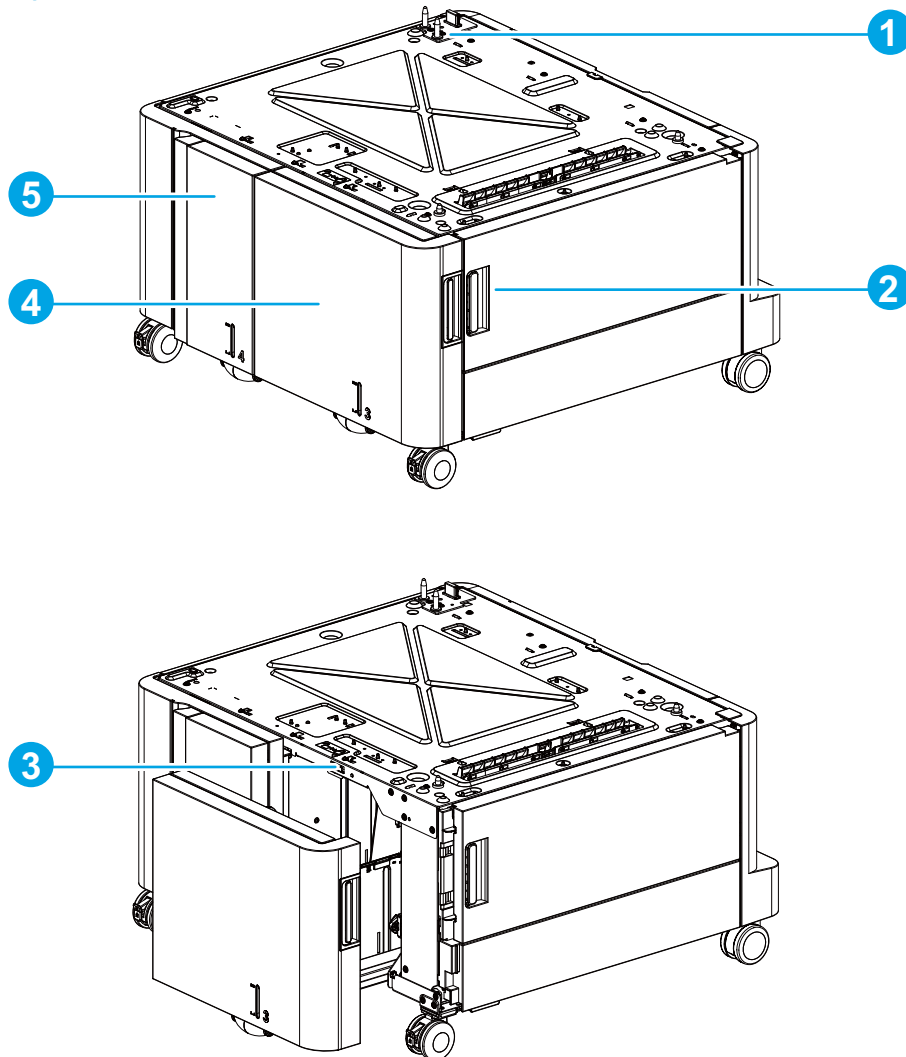


Table 2-34 HCI feeder (1 of 6)

Item	Description	Item	Description
1	Connector	4	Right tray
2	Right door	5	Left tray
3	Lock lever		

Figure 2-30 HCI feeder (2 of 6)

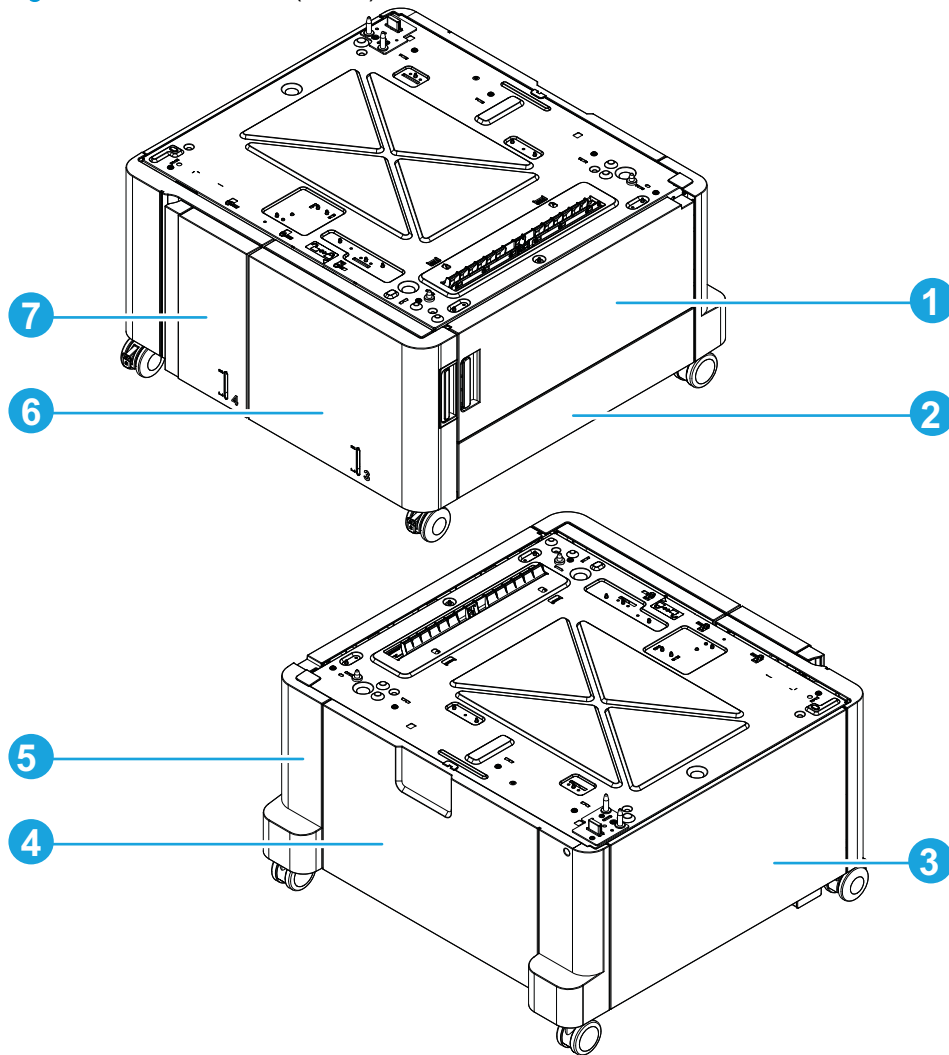


Table 2-35 HCI feeder (2 of 6)

Item	Description	Item	Description
1	Right door assembly	5	Right rear cover
2	Right lower cover	6	Right tray
3	Left cover	7	Left tray
4	Rear cover		

Figure 2-31 HCl feeder (3 of 6)

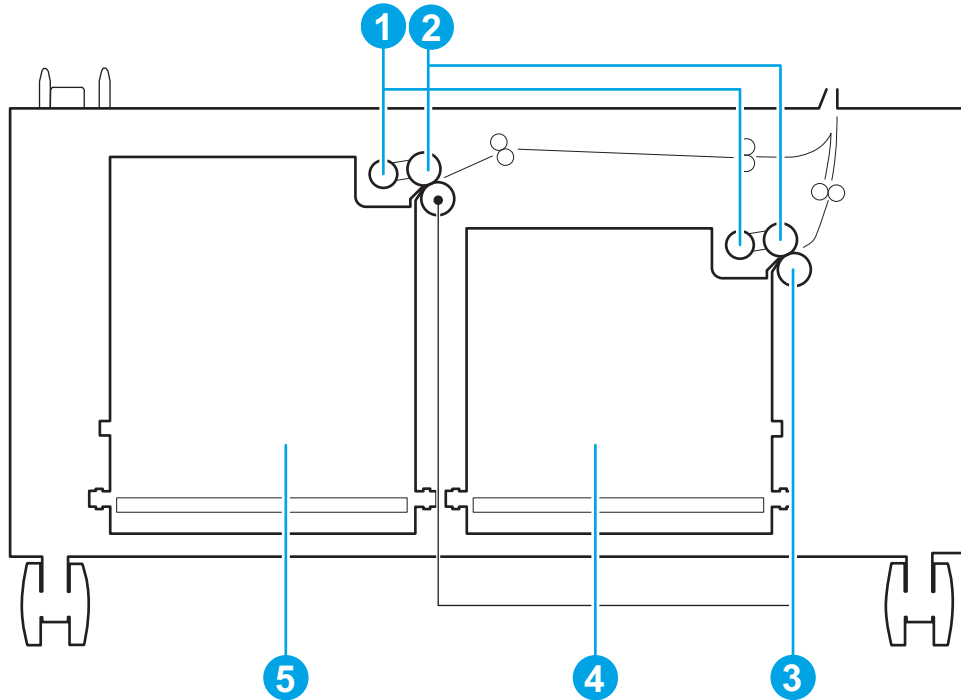


Table 2-36 HCl feeder (3 of 6)

Item	Description	Item	Description
1	Pickup roller	4	Right tray
2	Feed roller	5	Left tray
3	Separation roller		

Figure 2-32 HCI feeder (4 of 6)

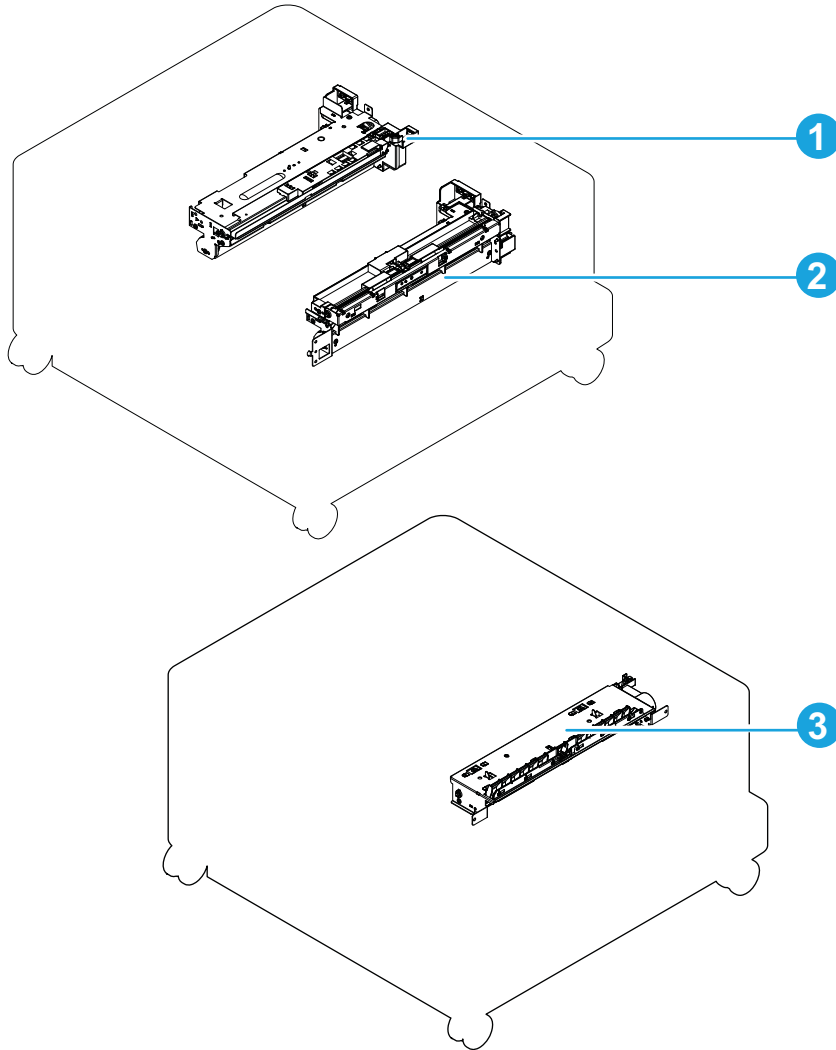


Table 2-37 HCI feeder (4 of 6)

Item	Description	Item	Description
1	Left tray pickup assembly	3	Merge paper feed assembly
2	Right tray pickup assembly		

Figure 2-33 HCI feeder (5 of 6)

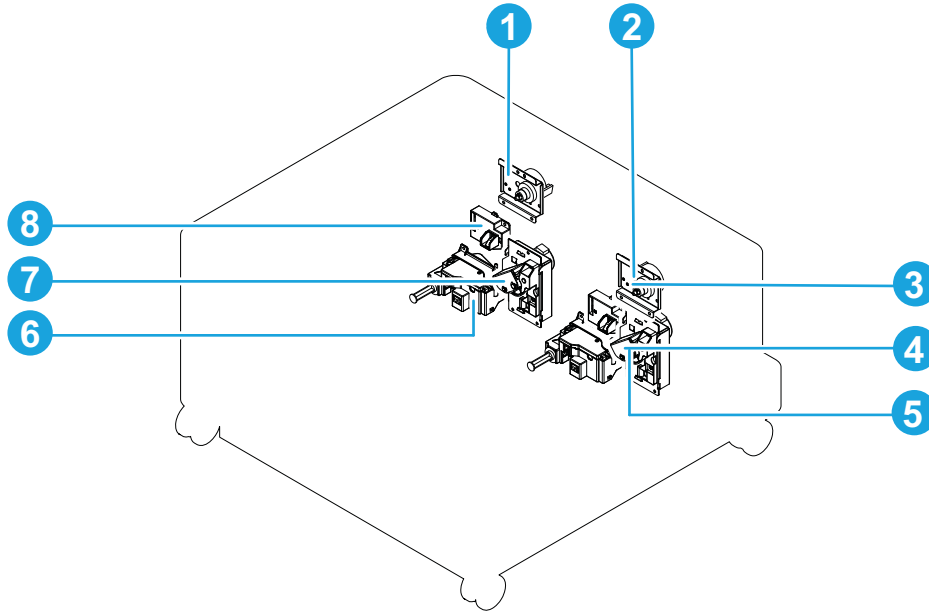


Table 2-38 HCI feeder (5 of 6)

Item	Description	Item	Description
1	Left tray pickup drive assembly	5	Right tray automatic close assembly
2	Right tray pickup drive assembly	6	Left tray automatic close assembly
3	Right tray media-level sensor assembly	7	Left tray lifter drive assembly
4	Right tray lifter drive assembly	8	Left tray media-level sensor assembly

Figure 2-34 HCI feeder (6 of 6)

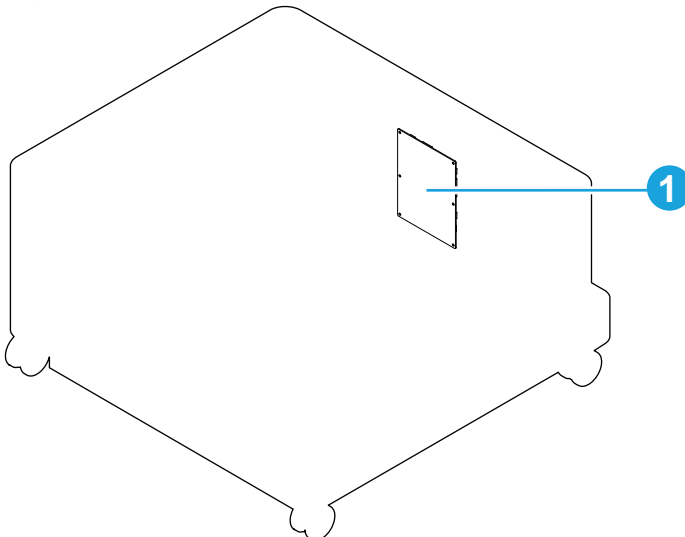


Table 2-39 HCI feeder (6 of 6)

Item	Description
1	HCI controller PCA

Document feeder and scanner assemblies (M880)

Figure 2-35 Document feeder and scanner assemblies (M880)

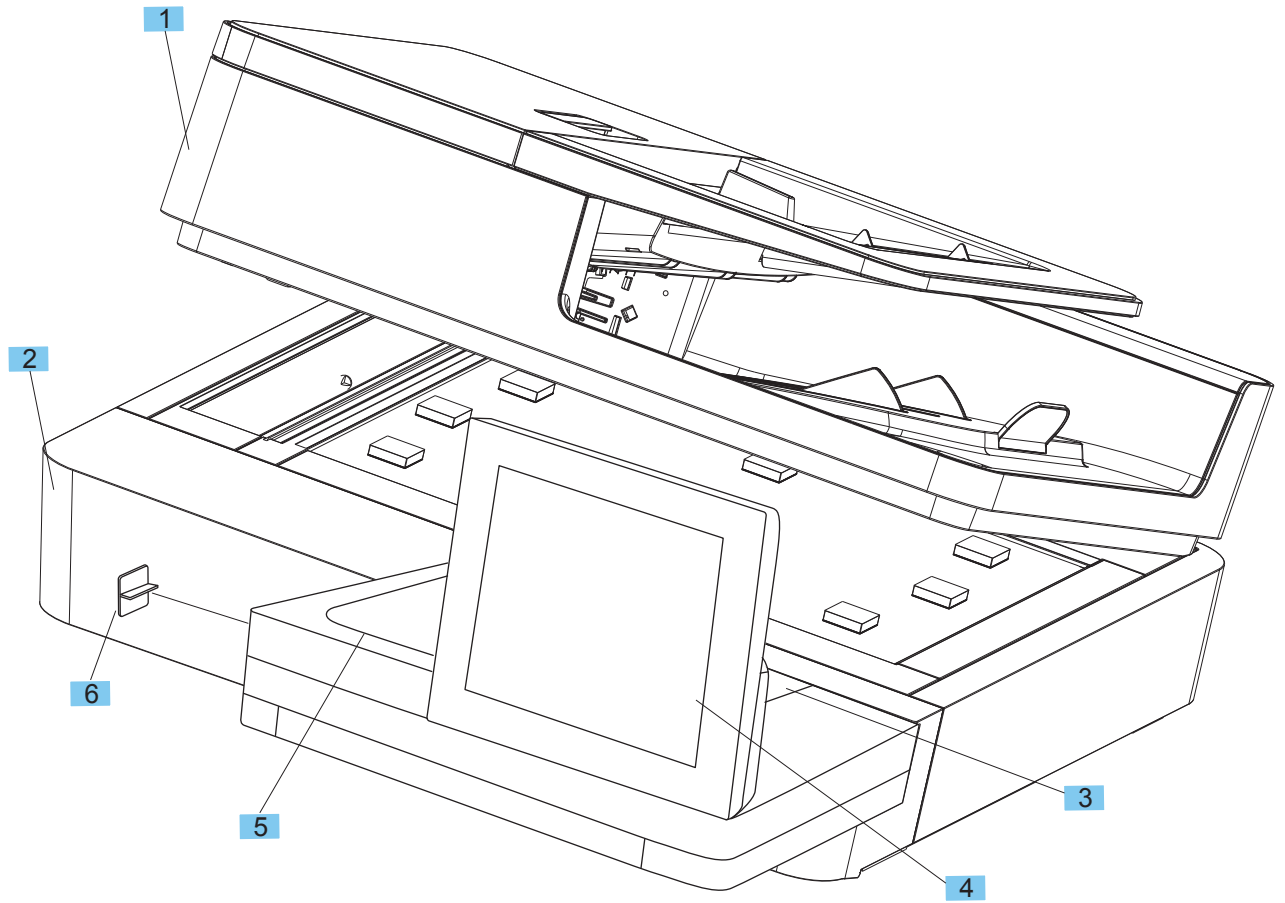


Table 2-40 Document feeder and scanner assemblies (M880)

Ref	Description	Part number	Qty
1	Kit, ADF whole unit, A3 (includes white backing kit) (M880) ¹	CF367-67920	1
2	Kit, scanner whole unit (includes white backing kit) (M880) ²	A2W75-67908	1
3	Cover, control panel access (M880)	5042-9118	1
4	Kit, control panel (without keyboard) (M880)	5851-5952	1
5	Cover, HIP (M880)	5851-5361	1
6	Cover, USB (M880)	5851-5360	1
Not shown	Kit, white backing, A3 (M880)	5851-5864	1
Not shown	Kit, ADF Mylar, A3 (M930)	5851-5857	1

¹ When the ADF assembly is replaced, you must use the [Service](#) menu to set the [Document feeder Kit Interval](#) and [ADF Count](#) values to zero. See [Reinstall the document feeder assembly \(M880\) on page 159](#).

² When the image scanner assembly is replaced, you must use the [Service](#) menu to set the [Flatbed Count](#) value to zero. See [Reinstall the scanner assembly \(M880\) on page 166](#).

Document feeder assemblies (M880)

Figure 2-36 Document feeder assemblies (M880, 1 of 2)

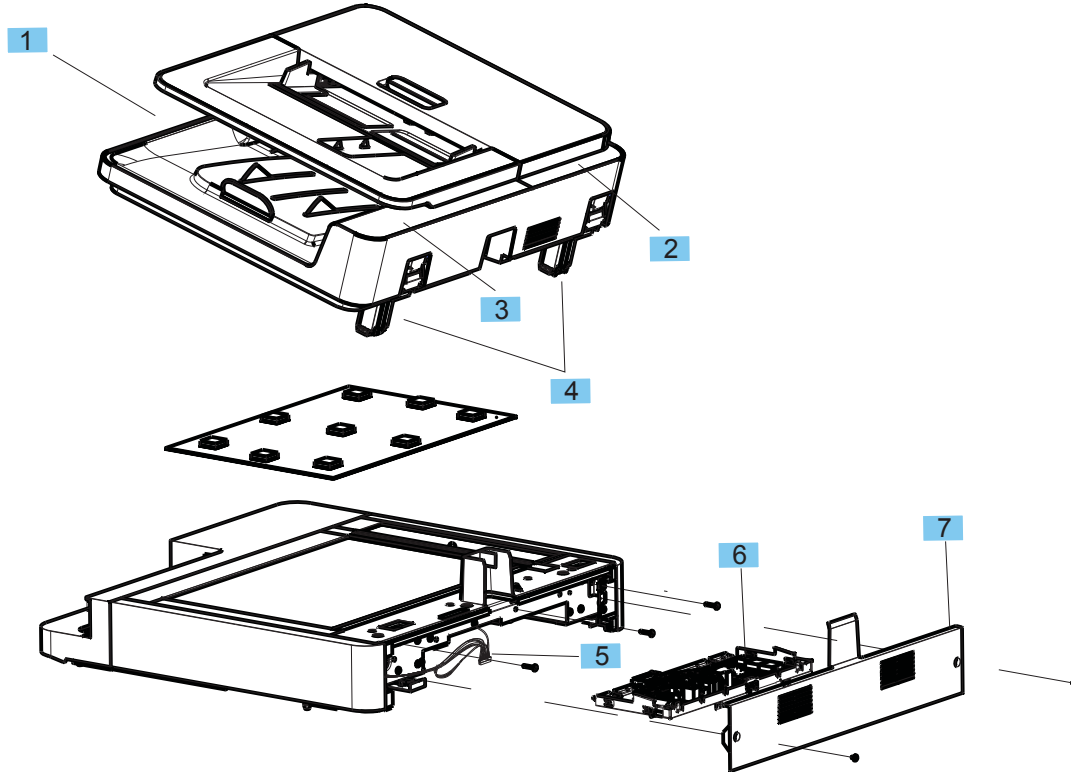


Table 2-41 Document feeder assemblies (M880, 1 of 2)

Ref	Description	Part number	Qty
1	Cover, front ADF (M880)	A8T68-40064	1
2	Cover, rear, left ADF (M880)	A8T68-40067	1
3	Cover, rear, right ADF (M880)	A8T68-40066	1
4	Assembly, ADF hinge (M880)	A8T68-60025	2
5	Cable, power, integrated scan assembly (M880)	CF367-60106	1
6	SCB Assembly (M880)	A2W75-67904	1
7	Cover, back, scanner (M880)	A2W75-60131	1
Not shown	Flag, paper presence (M880)	A8T68-40033	1
Not shown	Photosensor with connector (M880)	CC355-80014	1
Not shown	Stopper, load-front (M880)	A8T68-40034	1
Not shown	Stopper, load-rear (M880)	A8T68-40035	1
Not shown	Lift plate assembly (M880)	A8T68-60006	1
Not shown	Spring, ADF sensor	CC522-80101	1
Not shown	Photo interrupter	1990-3366	1
Not shown	Cable, cave light LED	A2W75-60111	1
Not shown	Assembly, AY_bracket-tensioner	CF367-60117	1
Not shown	Belt drive, A3	C8569-80008	1
Not shown	Scan optics, A3	C8569-60001	1
Not shown	AY motor encoder	CC522-60101	1
Not shown	Media length sensor	5851-5390	1
Not shown	Assembly, motor, A3	CC350-60006	1

Figure 2-37 Document feeder assemblies (M880, 2 of 2)

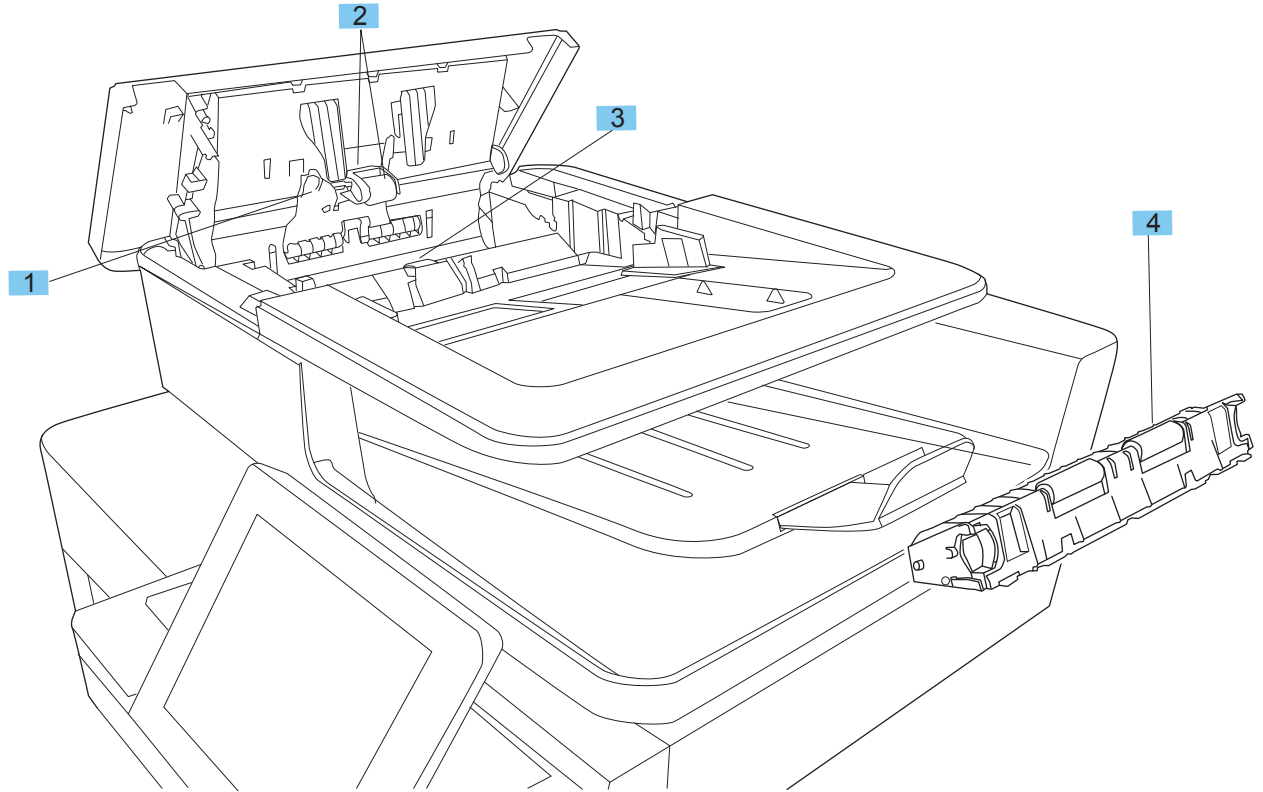


Table 2-42 Document feeder assemblies (M880, 2 of 2)

Ref	Description	Part number	Qty
1	Cover, ADF roller (M880)	A8T68-40072	1
2	Kit, ADF roller (M880)	C1P70-67901	1
3	Kit, ADF separation pad spring (M880)	5851-5855	1
4	Kit, background selector for backside scan (M880)	5851-5861	1

Scanner assemblies (M880)

Figure 2-38 Scanner assemblies (M880)

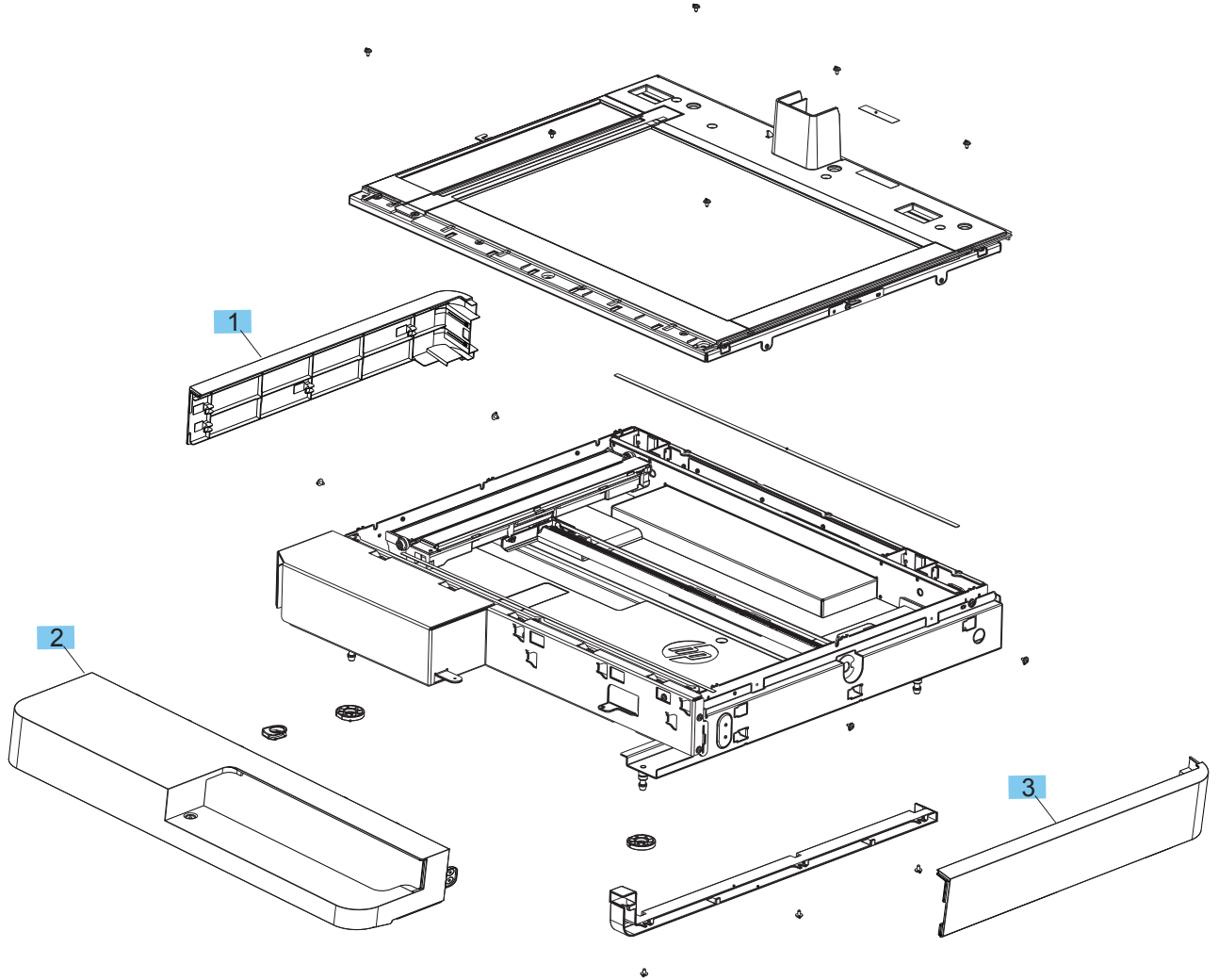


Table 2-43 Scanner assemblies (M880)

Ref	Description	Part number	Qty
1	Cover, left, scanner (M880)	A2W75-40003	1
2	Cover, front, scanner (M880)	A2W75-40002	1
3	Cover, right, scanner (M880)	A2W75-40004	1

Covers

Figure 2-39 Covers (M855)

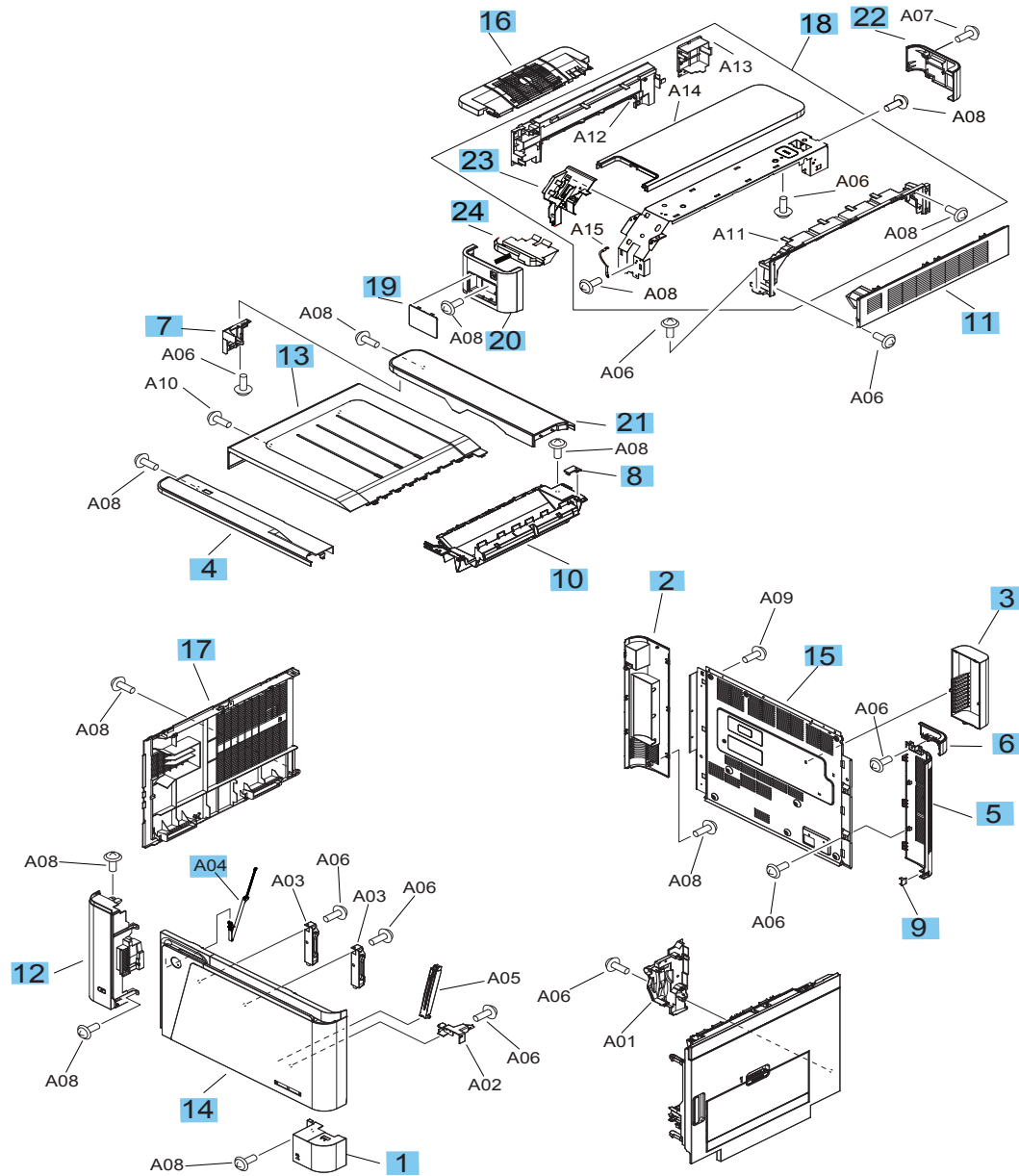


Table 2-44 Covers (M855)

Ref	Description	Part number	Qty
1	Cover, right lower	RC3-3692-000CN	1
2	Cover, rear left	RC3-3713-000CN	1
3	Cover, fuser fan	RC3-3714-000CN	1
4	Cover, front upper	RC3-3718-000CN	1
5	Cover, rear right	RC3-3711-000CN	1
6	Cover, rear right upper	RC3-3712-000CN	1
7	Cover, rear upper B	RC3-5964-000CN	1
8	Cover, face down drive	RC3-5991-000CN	1
9	Cap, rear right	RC4-1386-000CN	1
10	Assembly, face down end tray	RM1-9631-000CN	2
11	Assembly, switch back cover	RM1-9633-000CN	1
12	Assembly, left front cover	RM2-0294-000CN	1
13	Assembly, top cover	RM2-0295-000CN	1
14	Cover, front	A2W77-67907	1
15	Cover, rear	RC4-1378-000CN	1
16	Assembly, switch back tray	RM2-5023-000CN	1
17	Assembly, left cover	RM2-5049-000CN	1
18	Assembly, right upper cover	RM2-5063-000CN	1
19	Cover, HW integration pocket	RC3-3758-000CN	1
20	Cover, pocket base	RC3-3762-000CN	1
21	Cover, rear upper, upper	RC3-5290-000CN	1
22	Cover, right upper, rear	RC3-5952-000CN	1
23	Guide, cable right upper	RC3-5969-000CN	1
24	Mylar sheet	RC4-2822-000CN	1
A04	Band, door	RC4-4587-000CN	1

Figure 2-40 Covers (M880)

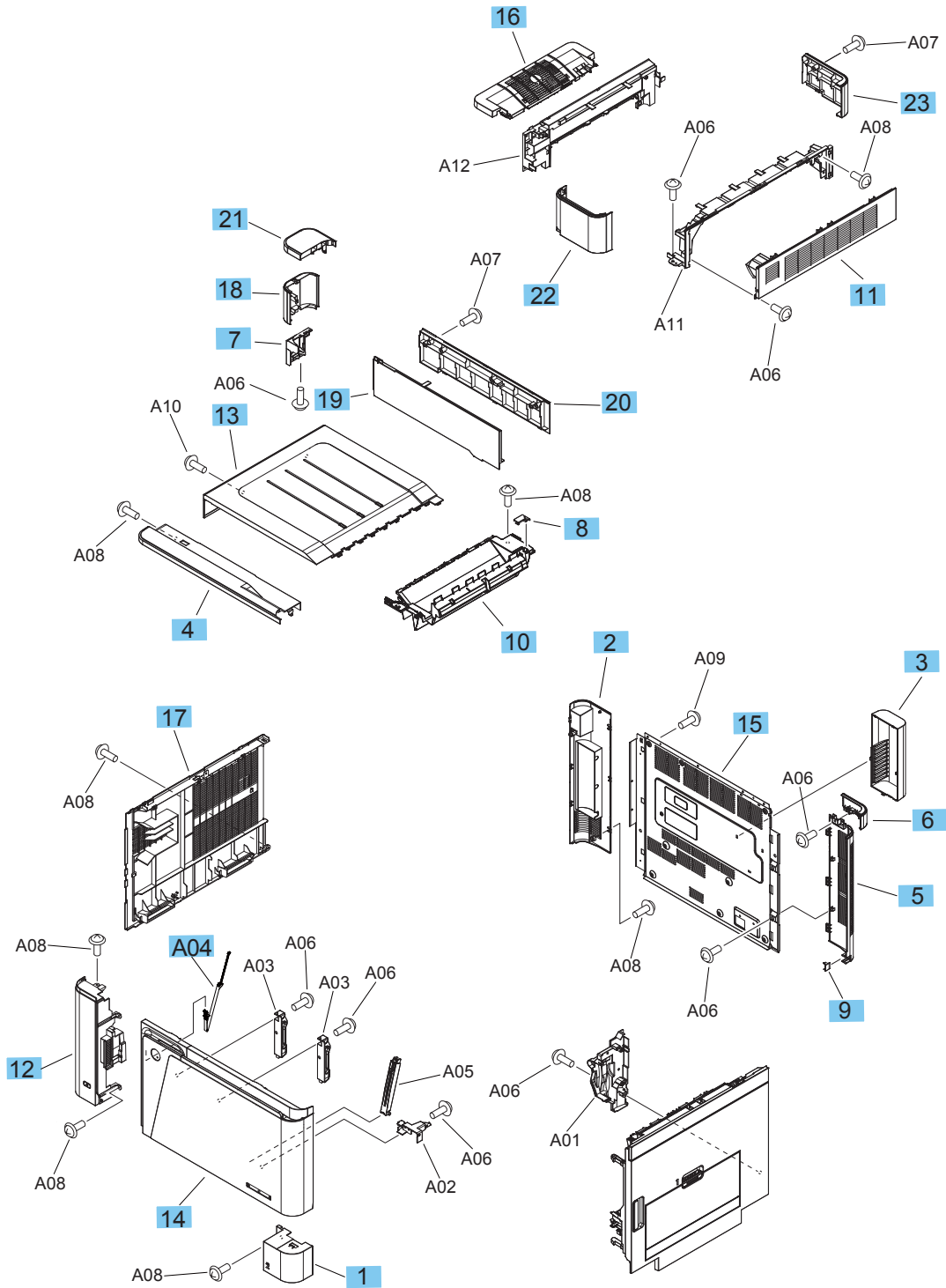


Table 2-45 Covers (M880)

Ref	Description	Part number	Qty
1	Cover, right lower	RC3-3692-000CN	1
2	Cover, rear left	RC3-3713-000CN	1
3	Cover, fuser fan	RC3-3714-000CN	1
4	Cover, front upper	RC3-3718-000CN	1
5	Cover, rear right	RC3-3711-000CN	1
6	Cover, rear right upper	RC3-3712-000CN	1
7	Cover, rear upper B	RC3-5964-000CN	1
8	Cover, face down drive	RC3-5991-000CN	1
9	Cap rear right	RC4-1386-000CN	1
10	Assembly, face down end tray	RM1-9631-000CN	1
11	Assembly, switch back cover	RM1-9633-000CN	1
12	Assembly, left front cover	RM2-0294-000CN	1
13	Assembly, top cover	RM2-0295-000CN	1
14	Door, front	A2W77-67907	1
15	Cover, rear	RC4-1378-000CN	1
16	Assembly, switch back tray	RM2-5023-000CN	1
17	Assembly, left cover	RM2-5049-000CN	1
18	Cover, rear upper side	RC3-3719-000CN	1
19	Cover, rear upper front	RC3-5288-000CN	1
20	Cover, rear upper rear	RC3-5289-000CN	1
21	Cover, rear upper MFP	RC3-5960-000CN	1
22	Cover, right upper front MFP	RC3-5965-000CN	1
23	Cover, right upper rear MFP	RC4-1291-000CN	1
A04	Band, door	RC4-4587-000CN	1

Right door assembly

Figure 2-41 Right door assembly

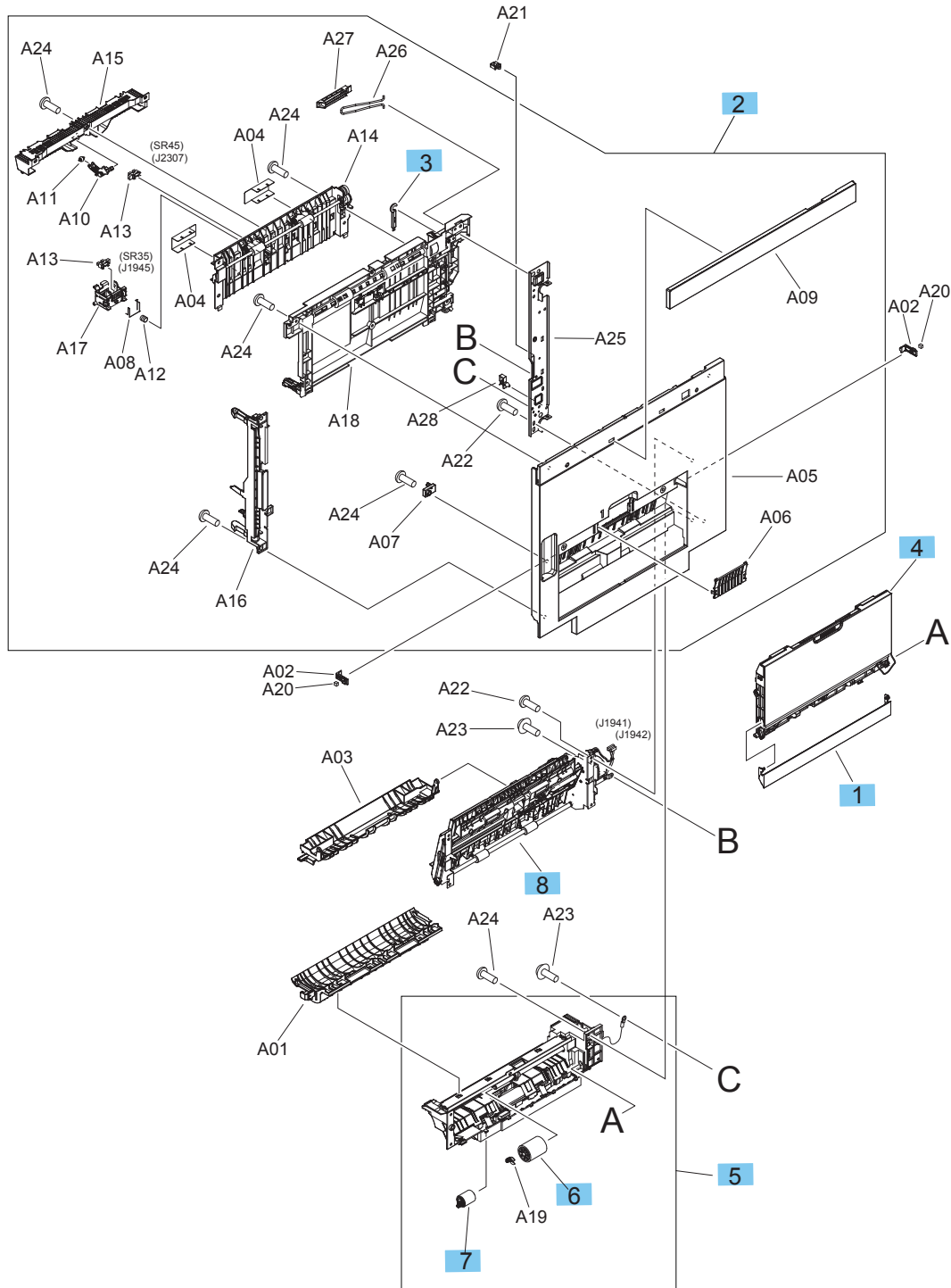


Table 2-46 Right door assembly

Ref	Description	Part number	Qty
1	Cover, MP blanking	RC3-5984-000CN	1
2	Assembly, right door sub	RM1-9640-000CN	1
3	Brush, cleaning	RB1-9617-000CN	1
4	Assembly, MP tray	RM1-9642-000CN	1
5	Assembly, MP paper pick up	RM1-9644-000CN	1
6	Roller, paper pickup	A2W77-67906	1
7	Roller, retard	A2W77-67906	1
8	Duplexing feed assembly (M855) ¹	A2W77-67913	1
8	Duplexing feed assembly (M880) ¹	A2W75-67911	1

¹ When the duplexing feed assembly is replaced, you must use the [Service](#) menu to set the [New Duplex Roller](#) item to [Yes](#). See [Reinstall the duplexing feed assembly on page 349](#).

Internal components

Internal components (1 of 6)

Figure 2-42 Internal components (1 of 6)

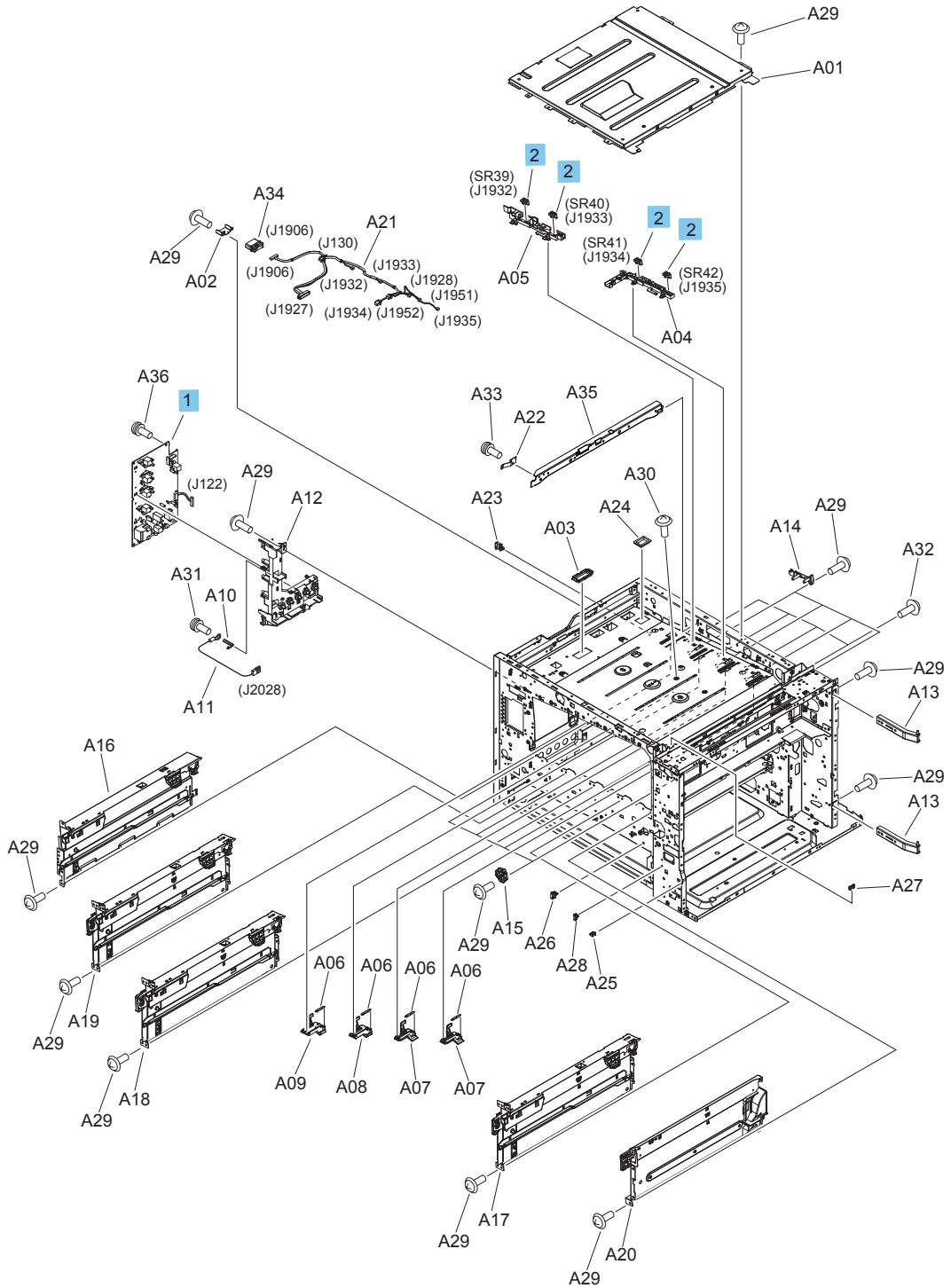


Table 2-47 Internal components (1 of 6)

Ref	Description	Part number	Qty
1	Assembly, HVPS Trans B PCA	RM2-7002-000CN	1
2	IC photo interrupter	WG8-5935-000CN	4

Internal components (2 of 6)

Figure 2-43 Internal components (2 of 6)

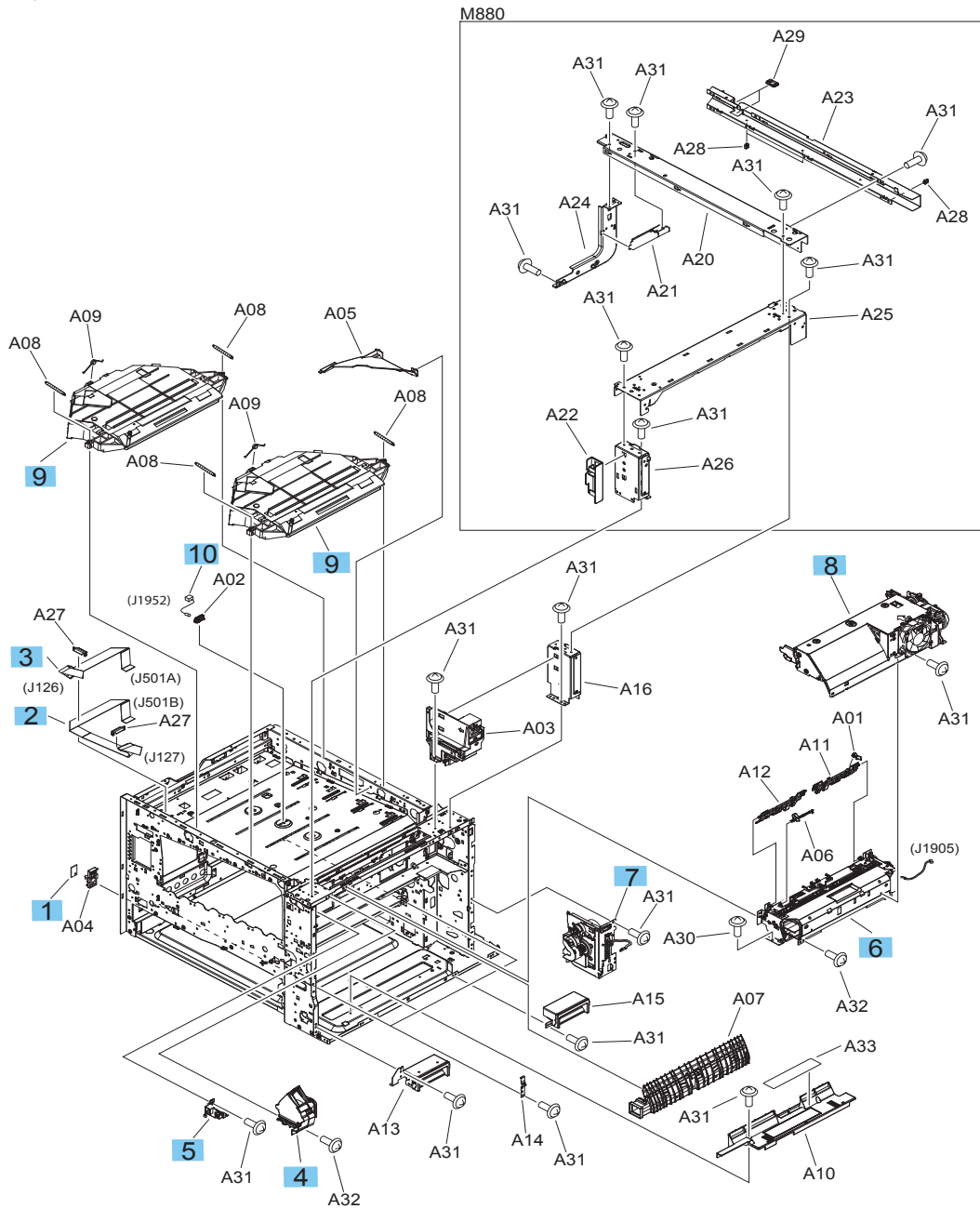


Table 2-48 Internal components (2 of 6)

Ref	Description	Part number	Qty
1	Humidity sensor unit	RK2-4811-000CN	1
2	FFC, laser	RK2-4839-000CN	1
3	FFC, laser	RK2-4841-000CN	1
4	Assembly, fan	RM1-3364-000CN	1
5	Assembly, photo sensor	RM1-9629-000CN	1
6	Assembly, face down paper delivery	RM1-9841-000CN	1
7	Assembly, MP drive	RM1-9843-000CN	1
8	Assembly, duplex reverse (M855)	RM2-0291-000CN	1
8	Assembly, duplex reverse (M880)	RM2-5061-000CN	1
9	Assembly, scanner	RM2-5176-000CN	2
10	Thermistor unit	RK2-1363-000CN	1

Internal components (3 of 6)

Figure 2-44 Internal components (3 of 6)

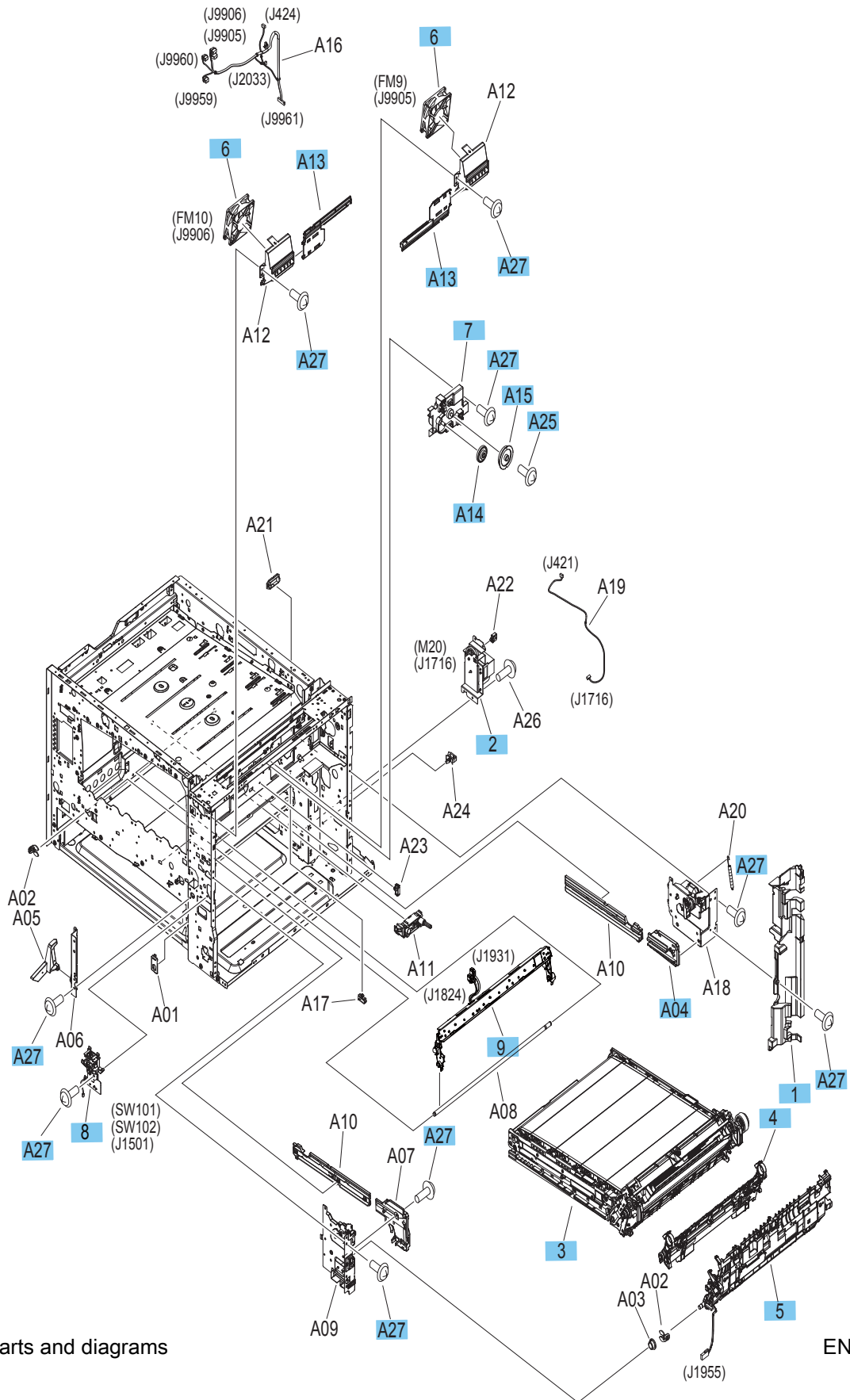


Table 2-49 Internal components (3 of 6)

Ref	Description	Part number	Qty
1	Cover, internal right	RC3-3533-000CN	1
2	Assembly, ITB alienation drive	RM1-3280-000CN	1
3	ITB	A2W77-67904	1
4	Secondary Transfer Roller	D7H14-67902	1
5	Assembly, registration 2nd transfer	RM1-9621-000CN	1
6	Fan (FM9, FM10)	RK2-1378-000CN	2
7	Assembly, shutter gear holder	RM1-9857-000CN	1
8	Assembly, interlock switch (SW101, SW102)	RM2-5062-000CN	1
9	Assembly, CPR sensor	RM2-7026-000CN	1
A04	Guide, ITB entrance	RC1-9186-000CN	1
A13	Shutter, fusing fan	RC3-3840-000CN	2
A14	Gear, 17T/66T	RU7-0713-000CN	1
A15	Gear, 42 T	RU7-0714-000CN	1
A25	Screw, TP M2x10	XA9-1986-000CN	1
A27	Screw, M3x8	XA9-1686-000CN	

Internal components (4 of 6)

Figure 2-45 Internal components (4 of 6)

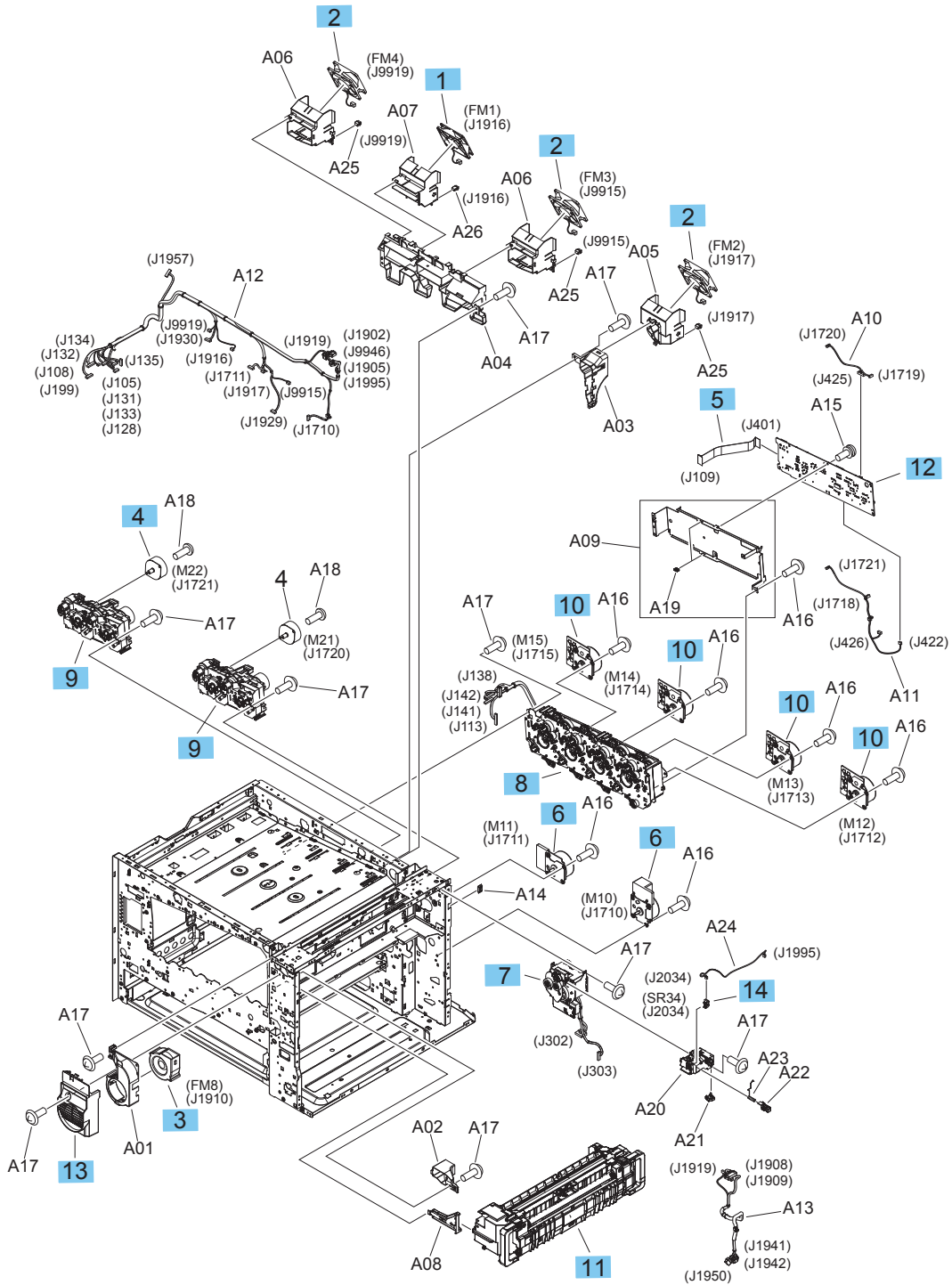


Table 2-50 Internal components (4 of 6)

Ref	Description	Part number	Qty
1	Fan (FM1)	RK2-1322-000CN	1
2	Fan (FM2, FM3, FM4)	RK2-1378-000CN	3
3	Fan (FM8)	RK2-1382-000CN	1
4	Motor, stepping DC (M21, M22)	RK2-4814-000CN	2
5	Cable, toner tag	RK2-4845-000CN	1
6	Assembly, DC motor (M10, M11)	RM1-4519-000CN	2
7	Assembly, fuser drive	RM1-9606-000CN	1
8	Main drive assembly	A2W77-67908	1
9	Print cartridge drive assembly	A2W75-67910	2
10	Assembly, drum motor (M13, M13, M14, M15)	RM1-9614-000CN	4
11	Fuser (110V)	C1N54-67901	1
11	Fuser (220V)	C1N58-67901	1
12	Assembly, memory tag PCA	RM2-7009-000CN	1
13	Cover, air duct	RC3-5990-000CN	1
14	IC photo interrupter	WG8-5935-000CN	1

Internal components (5 of 6)

Figure 2-46 Internal components (5 of 6)

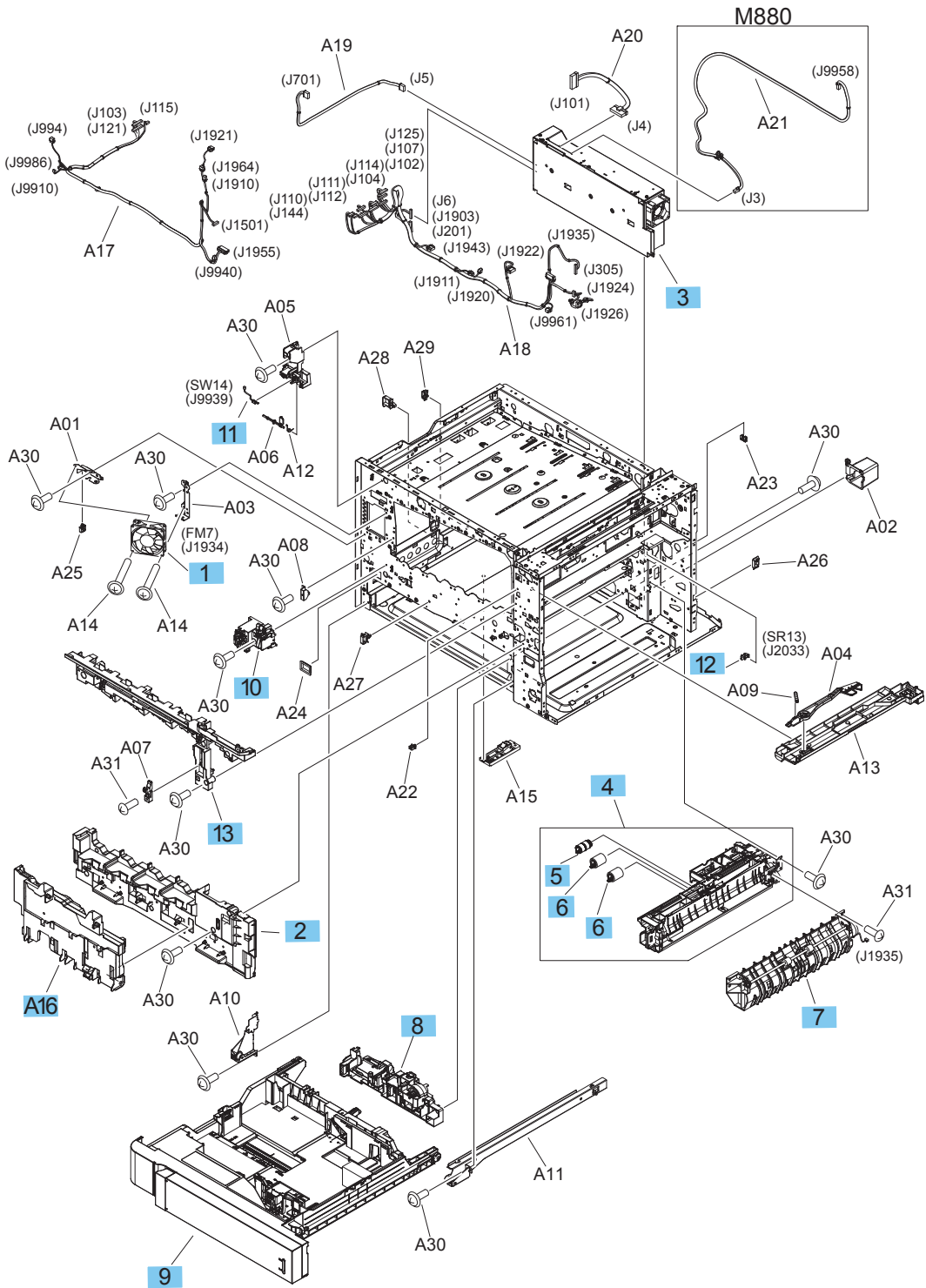


Table 2-51 Internal components (5 of 6)

Ref	Description	Part number	Qty
1	Fan (FM7)	RK2-1378-000CN	1
2	Cover, front inner lower	RL1-3637-000CN	1
3	Assembly, low-voltage power supply	RL1-4003-000CN	1
4	Assembly, cassette paper pick up	RM1-9599-000CN	1
5	Paper pick up roller	A2W77-67905	1
6	Paper feed roller	A2W77-67905	2
7	Assembly, MP Guide	RM1-9615-000CN	1
8	Assembly, lifter drive	RM1-3222-000CN	1
9	Cassette, Tray 2 (1x500 engine)	RM2-5014-000CN	1
10	Assembly, main switch PCA	RM2-5046-000CN	1
11	Door open switch assembly	RM2-7035-000CN	1
12	IC, photo interrupter	WG8-5935-000CN	1
13	Assembly, upper front inner cover (M855)	RM2-0313-000CN	1
13	Assembly, upper front inner cover (M880)	RM2-5034-000CN	1
A16	Cartridge pressure assembly	RM2-5022-000CN	1

Table 2-52 Internal components (6 of 6)

Ref	Description	Part number	Qty
1	Cable, video interface (M855)	RK2-4843-000CN	1
2	Assembly, fuser power supply	RL1-4005-000CN	1
3	Assembly, high-voltage power supply tran. A PCA	RM2-7001-000CN	1
4	Assembly, DC controller PCA (M855)	RM2-7005-000CN	1
4	Assembly, DC controller PCA (M880)	RM2-7006-000CN	1
5	Cartridge interface PCAs kit	A2W79-67902	2
6	Assembly, interconnect board (ICB) (M855)	RM2-0296-000CN	1
6	Assembly, interconnect board (ICB) (M880)	RM2-5035-000CN	1
7	Cable, USB AB (M855)	RK2-4804-000CN	1
8	Cable, USB, BB (M855)	RK2-4806-000CN	1
A18	Connector	VS1-7258-000CN	1
A23	Cable, CP s (M855)	RM2-7067-000CN	1
A25	USB cable connecting SCB and ICB (M880)	RK2-4801-000CN	1
A26	Cable, USB MFP (M880)	RK2-4836-000CN	1

Intermediate paper transfer unit (IPTU) assemblies

Figure 2-48 Intermediate paper transfer unit (IPTU) assemblies

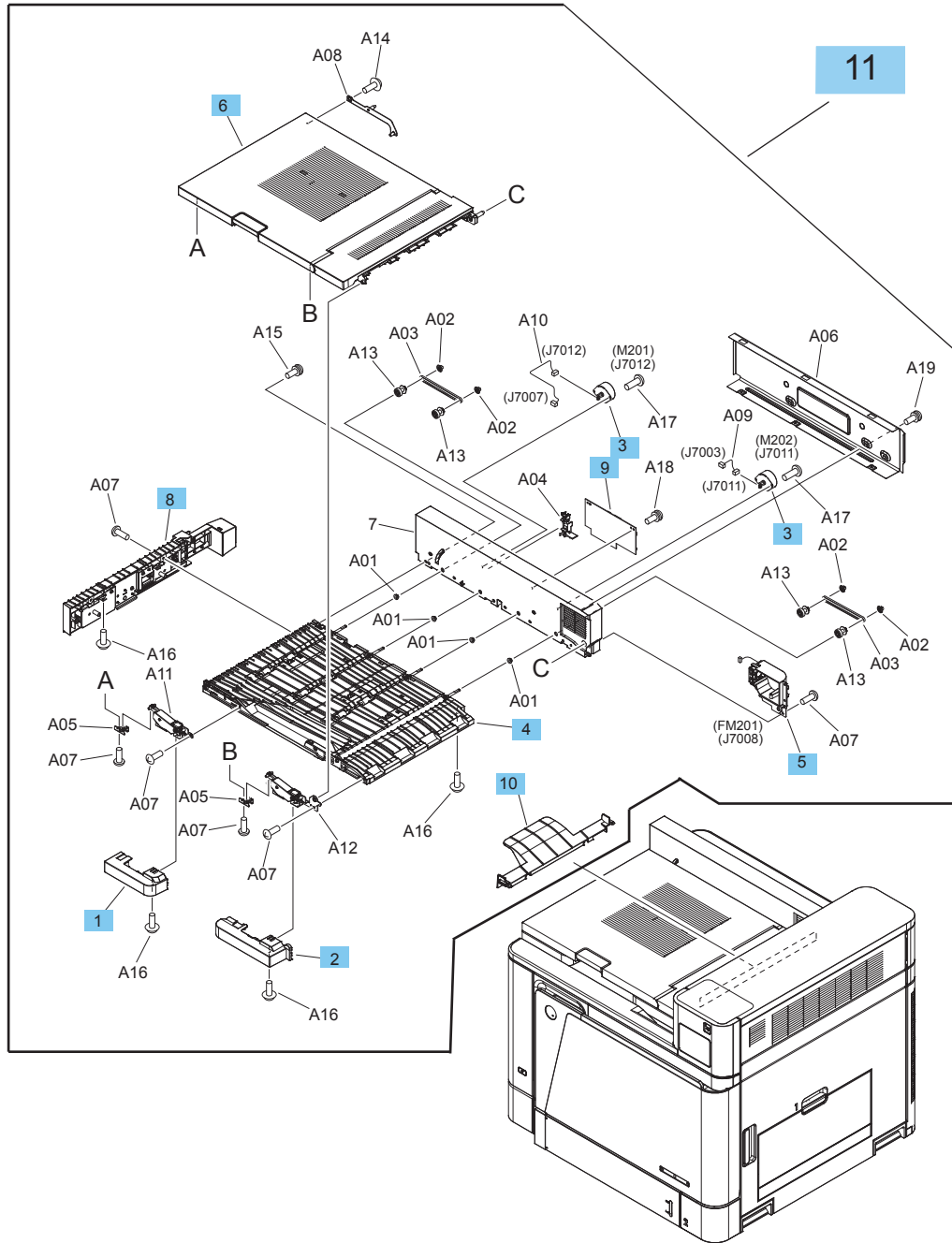


Table 2-53 Intermediate paper transfer unit (IPTU) assemblies

Ref	Description	Part number	Qty
1	Cover, assist left (IPTU)	RC3-5943-000CN	1
2	Cover, assist right (IPTU)	RC3-5944-000CN	1
3	Stepping motor DC (M201, M202) (IPTU)	RK2-1320-000CN	2
4	Lower guide assembly (IPTU)	RM2-5057-000CN	1
5	Fan assembly (FM201) (IPTU)	RM1-4394-000CN	1
6	Upper cover assembly (IPTU)	RM2-5016-000CN	1
7	Side panel assembly (IPTU)	RM2-5024-000CN	1
8	Finisher lock assembly (IPTU)	RM2-5038-000CN	1
9	Controller PCA assembly (IPTU)	RM2-7019-000CN	1
10	Cover, blanking (IPTU)	RC4-2797-000CN	1
11	Intermediate paper transfer unit (IPTU)	A2W77-67914	1

1x500-sheet feeder with stand (M855 only) covers

1x500-sheet feeder with stand (M855 only) covers

Figure 2-49 1x500-sheet feeder with stand (M855 only) covers

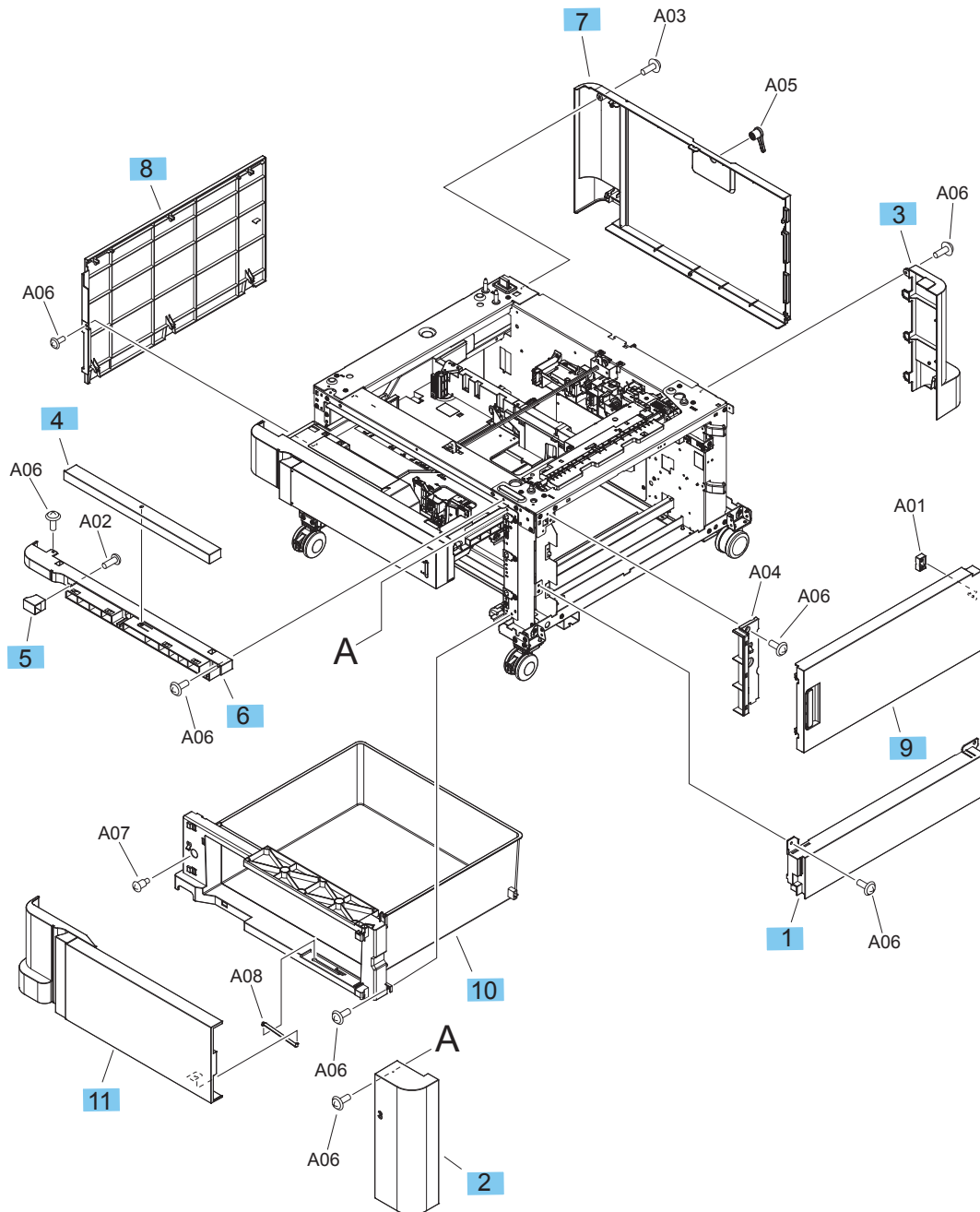


Table 2-54 1x500-sheet feeder with stand (M855 only) covers

Ref	Description	Part number	Qty
1	Cover, right lower	RC3-5875-000CN	1
2	Cover, right front	RC3-5920-000CN	1
3	Cover, right rear	RC3-5881-000CN	1
4	Cover, front upper face	RC3-5884-000CN	1
5	Cover, front upper face left	RC3-5885-000CN	1
6	Cover, front upper	RC3-5886-000CN	1
7	Cover, rear	RC3-5887-000CN	1
8	Cover, left	RC3-5913-000CN	1
9	Assembly, right door	RM2-0281-000CN	1
10	Assembly, stock box	RM2-0282-000CN	1
11	Assembly, stock box cover	RM2-0283-000CN	1

1x500-sheet feeder with stand components

Figure 2-50 1x500-sheet feeder with stand components

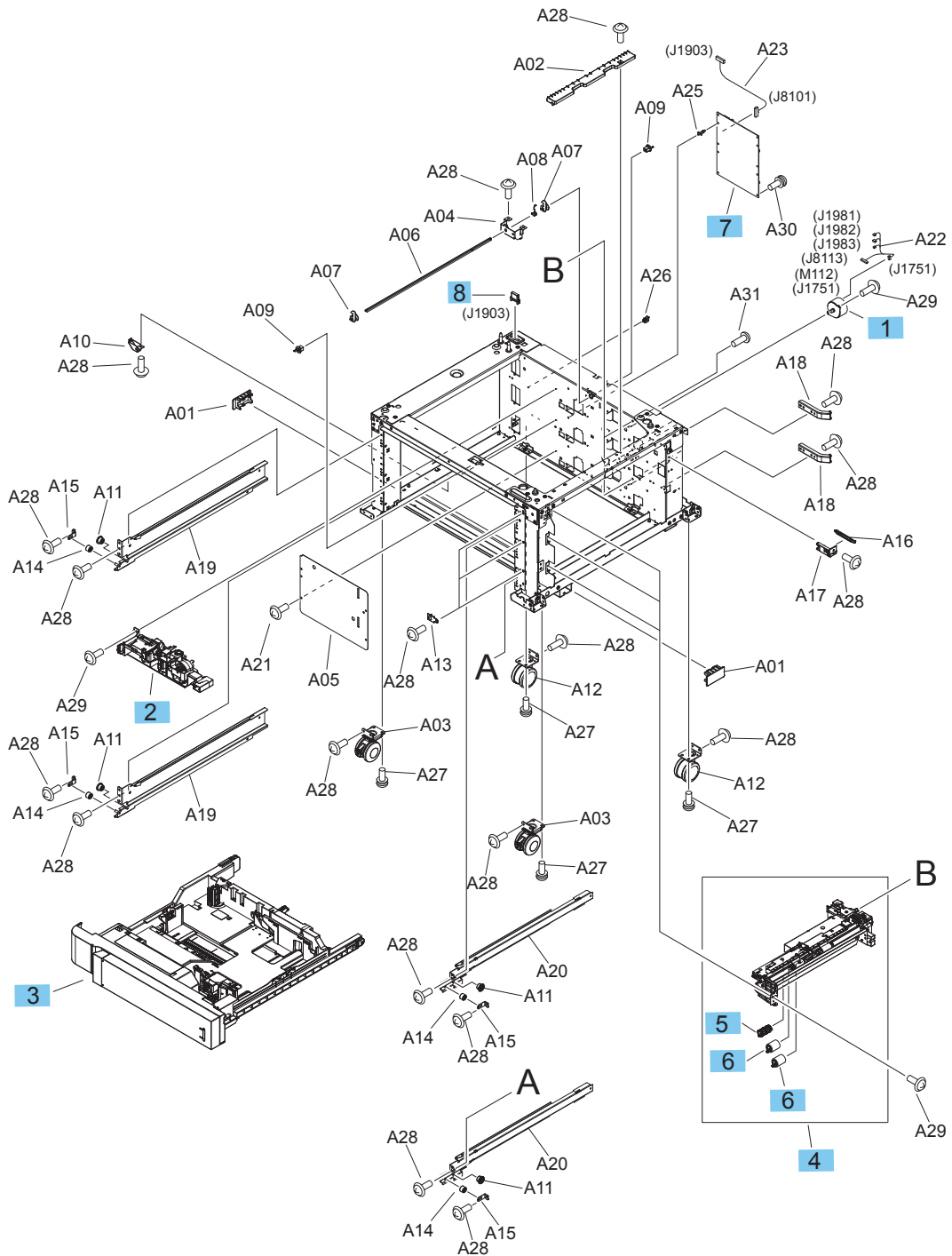


Table 2-55 1x500-sheet feeder with stand components

Ref	Description	Part number	Qty
1	Stepping motor DC (M112) (HCI)	RK2-1331-000CN	1
2	Assembly, auto close (HCI)	RM1-3531-000CN	2
3	Assembly, cassette	RM2-0273-000	1
4	Assembly, paper pick-up	RM2-0275-000	1
5	Paper pick up roller kit	A2W77-67905	1
6	Paper feed roller kit	A2W77-67905	1
7	Assembly, controller PCA	RM2-0715-000	1
8	Connector, drawer	VS1-7257-012CN	1

3x500-sheet feeder

3x500-sheet feeder covers

Figure 2-51 3x500-sheet feeder covers

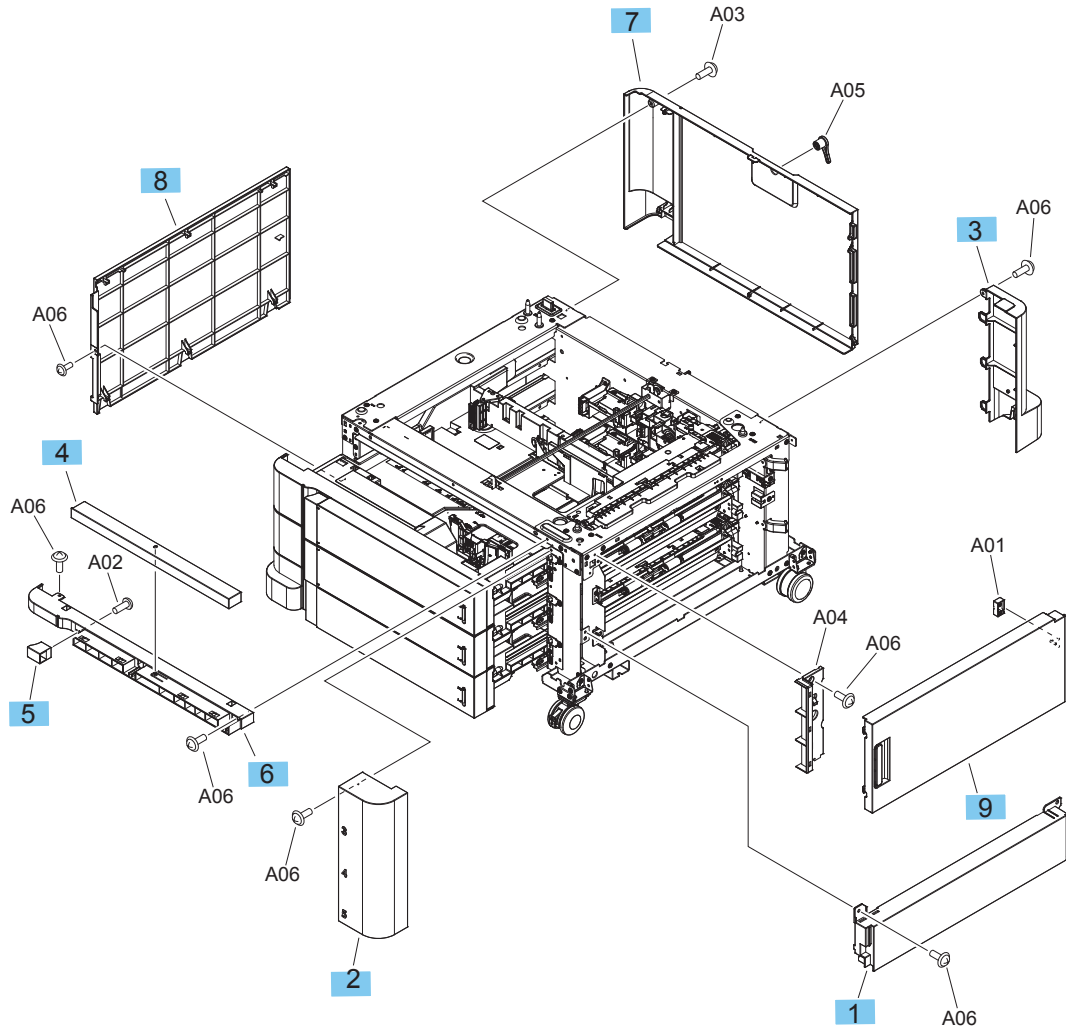


Table 2-56 3x500-sheet feeder covers

Ref	Description	Part number	Qty
1	Cover, right lower	RC3-5875-000CN	1
2	Cover, right front (3x500)	RC3-5878-000CN	1
3	Cover, right rear	RC3-5881-000CN	1
4	Cover, front upper face	RC3-5884-000CN	1
5	Cover, front upper face left	RC3-5885-000CN	1
6	Cover, front upper	RC3-5886-000CN	1
7	Cover, rear	RC3-5887-000CN	1
8	Cover, left	RC3-5913-000CN	1
9	Assembly, right door	RM2-0280-000CN	1

Table 2-57 3x500-sheet feeder components

Ref	Description	Part number	Qty
1	Motor, stepping (M112, M122, M132)	RK2-1331-000CN	3
2	Assembly, auto close	RM1-3531-060CN	3
3	Assembly, cassette	RM2-0273-000CN	2
4	Assembly, paper pick up	RM2-0275-000CN	3
5	Paper pick up roller kit	A2W77-67905	1
6	Paper feed roller kit	A2W77-67905	1
7	Assembly, controller PCA	RM2-0716-000CN	1
8	Assembly, cassette	RM2-0276-000CN	1
9	Switch, button (SW113)	WC2-5512-000CN	1
10	Connector, drawer	VS1-7257-012CN	1

High-capacity input (HCI) feeder

Figure 2-53 HCI feeder covers

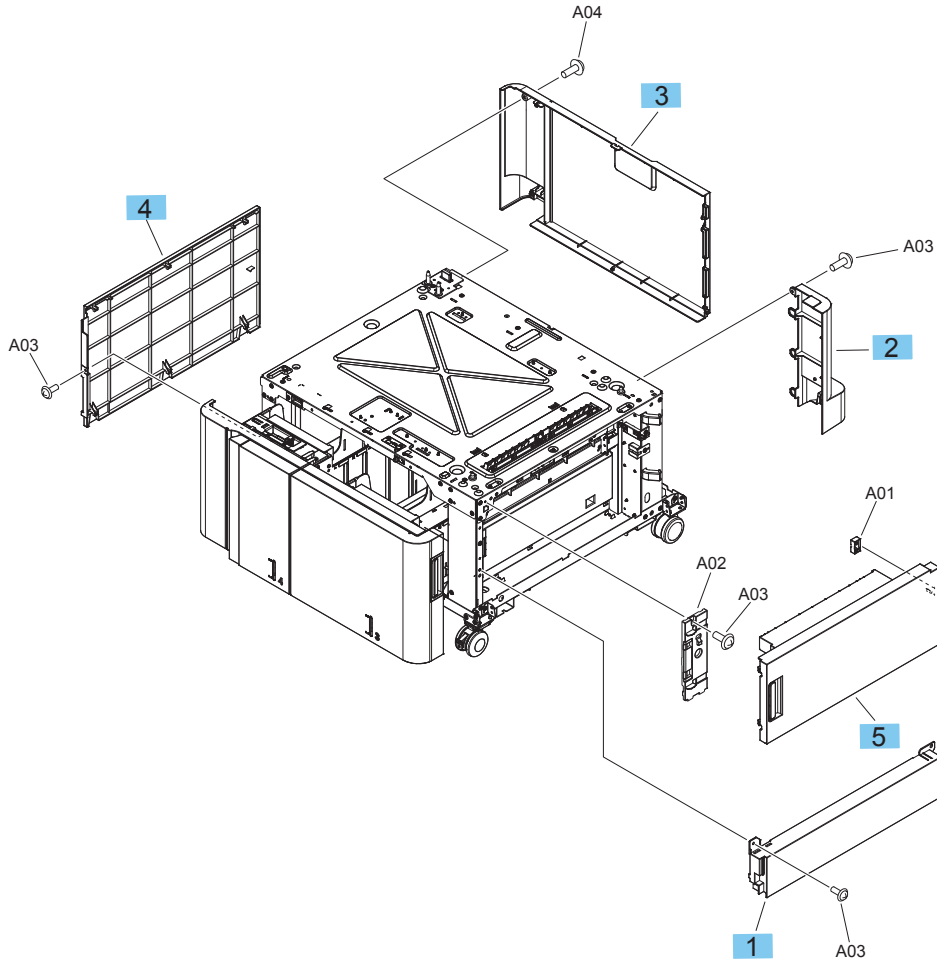


Table 2-58 HCI feeder covers

Ref	Description	Part number	Qty
1	Cover, right lower	RC3-5875-000CN	1
2	Cover, right rear	RC3-5881-000CN	1
3	Cover, rear (HCI)	RC3-5896-000CN	1
4	Cover, left	RC3-5913-000CN	1
5	Assembly, right door (HCI)	RM2-0256-000CN	1

Figure 2-54 HCI feeder internal components (1 of 2)

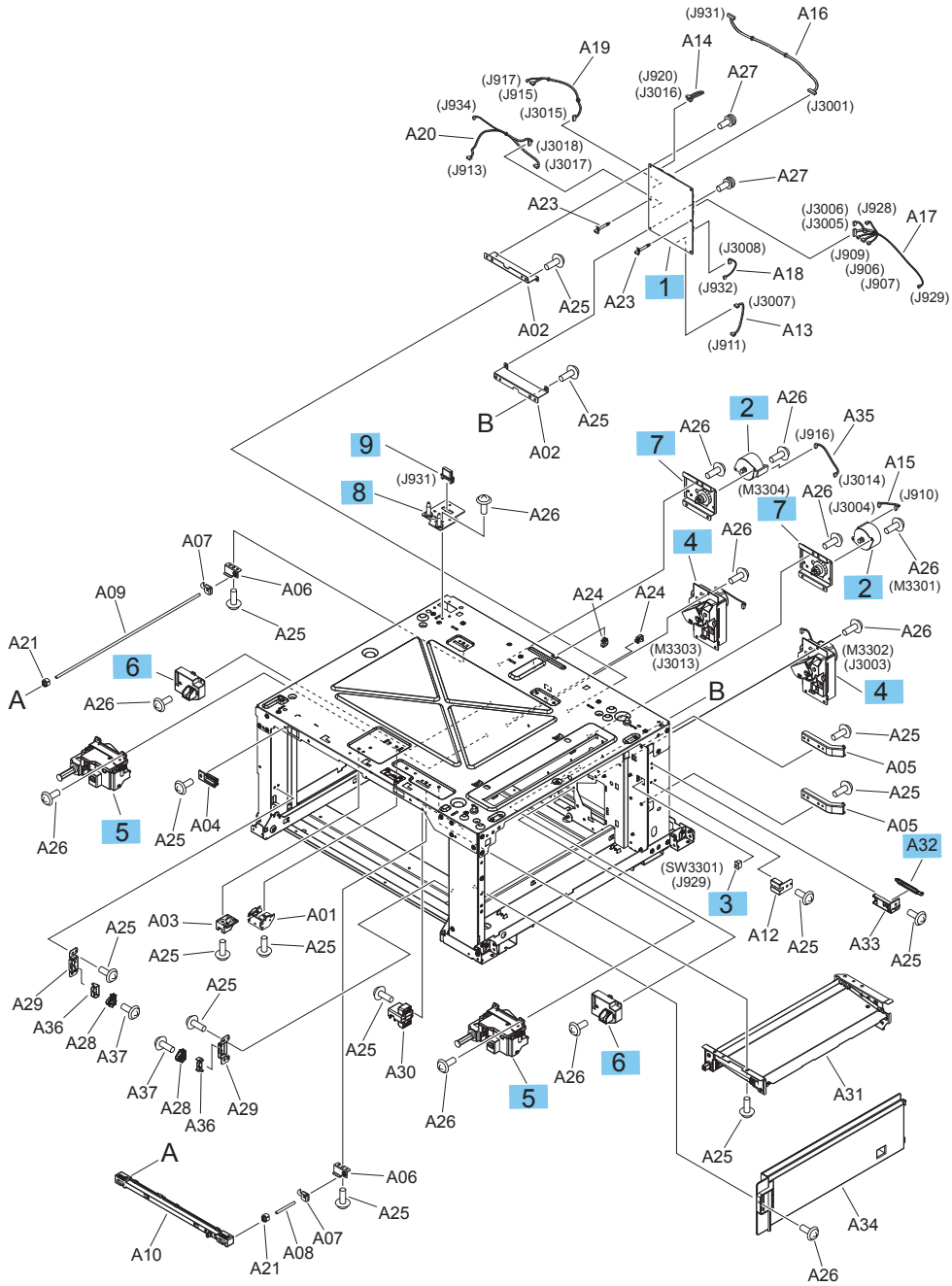


Table 2-59 HCI feeder internal components (1 of 2)

Ref	Description	Part number	Qty
1	Assembly, controller PCA (HCI)	RM2-0717-000CN	1
2	Stepping motor DC (M3302, M3304) (HCI)	RK2-1331-000CN	2
3	Switch, button (SW3301) (HCI)	WC2-5512-000CN	1
4	Assembly, lifter drive (M3302, M3303) (HCI)	RM1-8879-000CN	2
5	Assembly, auto close (HCI)	RM1-8880-000CN	2
6	Assembly, media level sensor (HCI)	RM1-9579-000CN	2
7	Assembly, paper pick up drive (HCI)	RM1-8872-000CN	2
8	Plate, drawer	RL1-4000-000CN	1
9	Connector, drawer	VS1-7257-012CN	1
A32	Link, right door	RC3-5882-000CN	1

Figure 2-55 HCI feeder internal components (2 of 2)

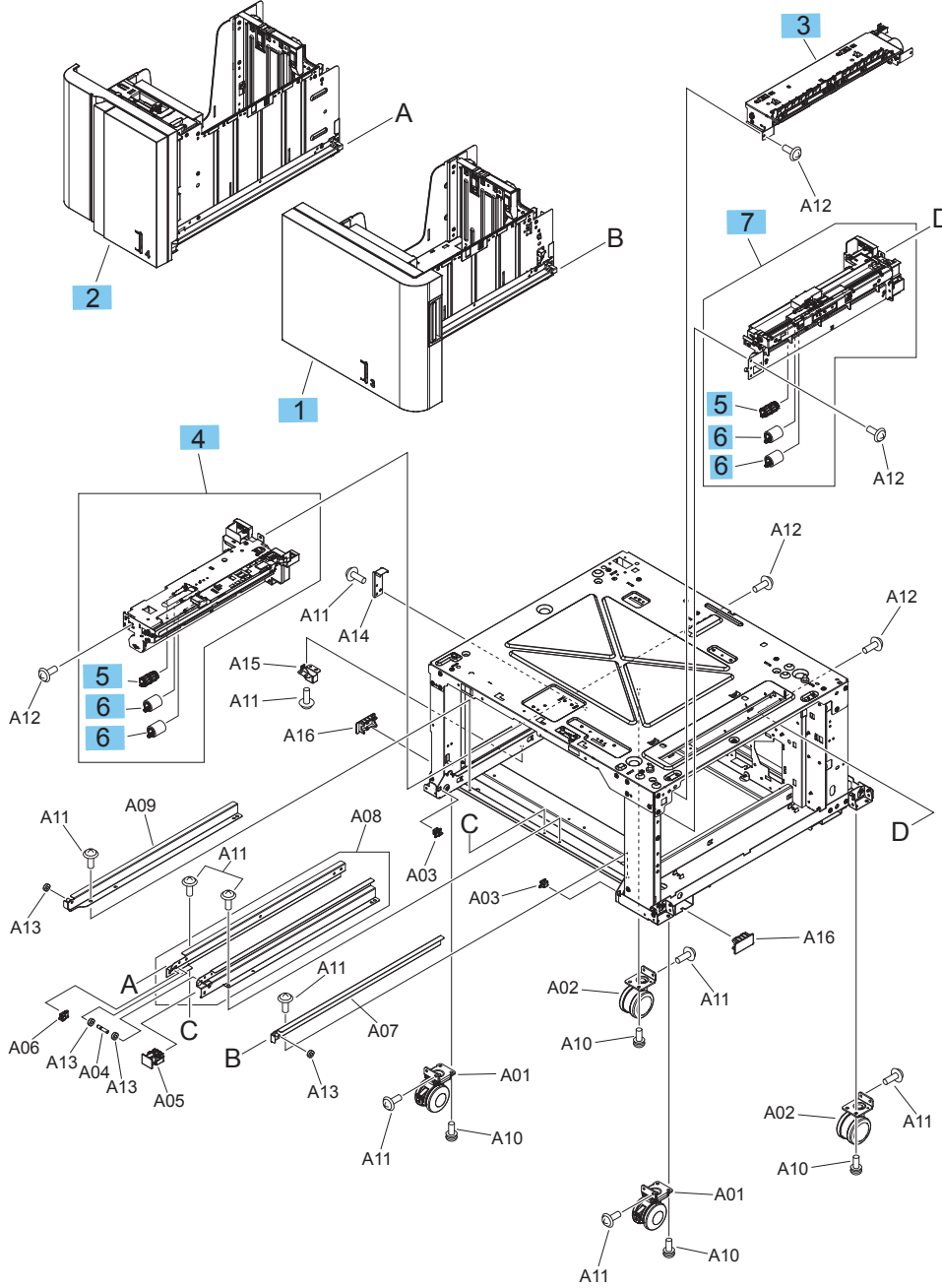


Table 2-60 HCI feeder internal components (2 of 2)

Ref	Description	Part number	Qty
1	Tray assembly, right	C1N64-67903	1
2	Tray assembly, left	C1N64-67902	1
3	Assembly, merge paper feed (HCI)	RM2-0270-000CN	1
4	Assembly, paper pick up, left (HCI)	RM1-8876-000CN	1
5	Paper pick up roller kit	A2W77-67905	1
6	Paper feed roller kit	A2W77-67905	1
7	Assembly, paper pick up, right (HCI)	RM1-8869-000CN	1

Stapler stacker/booklet maker

Stapler/stacker covers

Figure 2-56 Stapler/stacker covers

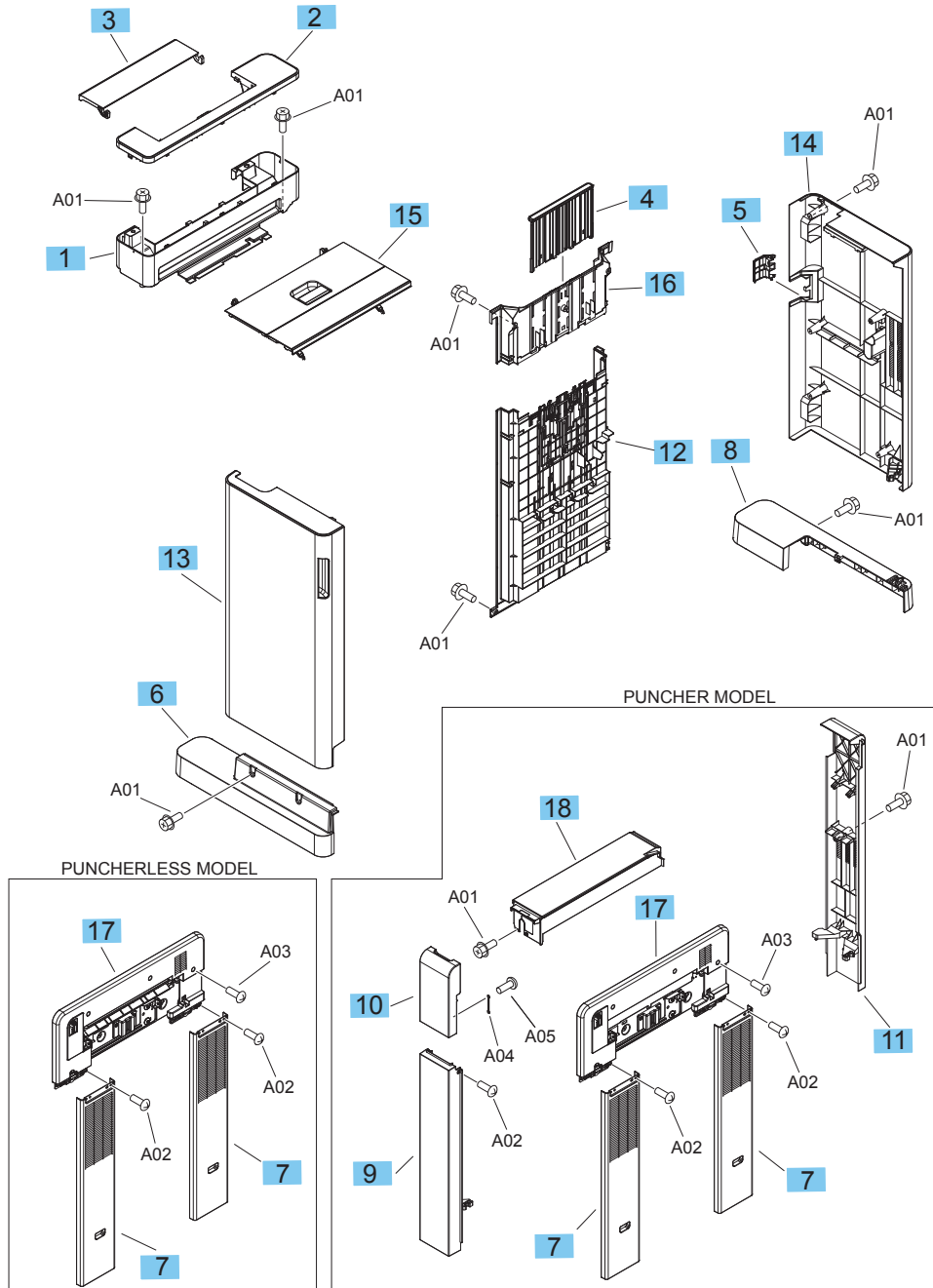


Table 2-61 Stapler/stacker covers

Ref	Description	Part number	Qty
1	Cover, stepped lower (stapler/stacker)	RC4-2447-000CN	1
2	Cover, stepped, upper	RC4-2448-000CN	1
3	Cover, open/close, stepped	RC4-2449-000CN	1
4	Guide, wall, upper	RC4-2455-000CN	1
5	Cover, tray cable	RC4-2462-000CN	1
6	Cover, foot front (stapler/stacker)	RM2-6079-000CN	1
7	Cover, latch, lower	RC4-2477-000CN	2
8	Cover, foot, rear	RM2-6080-000CN	1
9	Cover, punch front lower (hole punch)	RC4-2476-000CN	1
10	Cover, punch front (hole punch)	RC4-2478-000CN	1
11	Cover, punch rear (hole punch)	RC4-2482-000CN	1
12	Assembly, height wall, lower (stapler/stacker)	RM2-5853-000CN	1
13	Assembly, front cover	RM2-5320-000CN	1
14	Assembly, rear cover	RM2-5321-000CN	1
15	Assembly, upper cover	RM2-5322-000CN	1
16	Assembly, upper stack wall	RM2-5343-000CN	1
17	Assembly, latch (hole punch)	RM2-5352-000CN	1
17	Assembly, latch	RM2-5319-000CN	1
18	Assembly, hole punch upper cover	RM2-5336-000CN	1

Booklet maker covers

Figure 2-57 Booklet maker covers

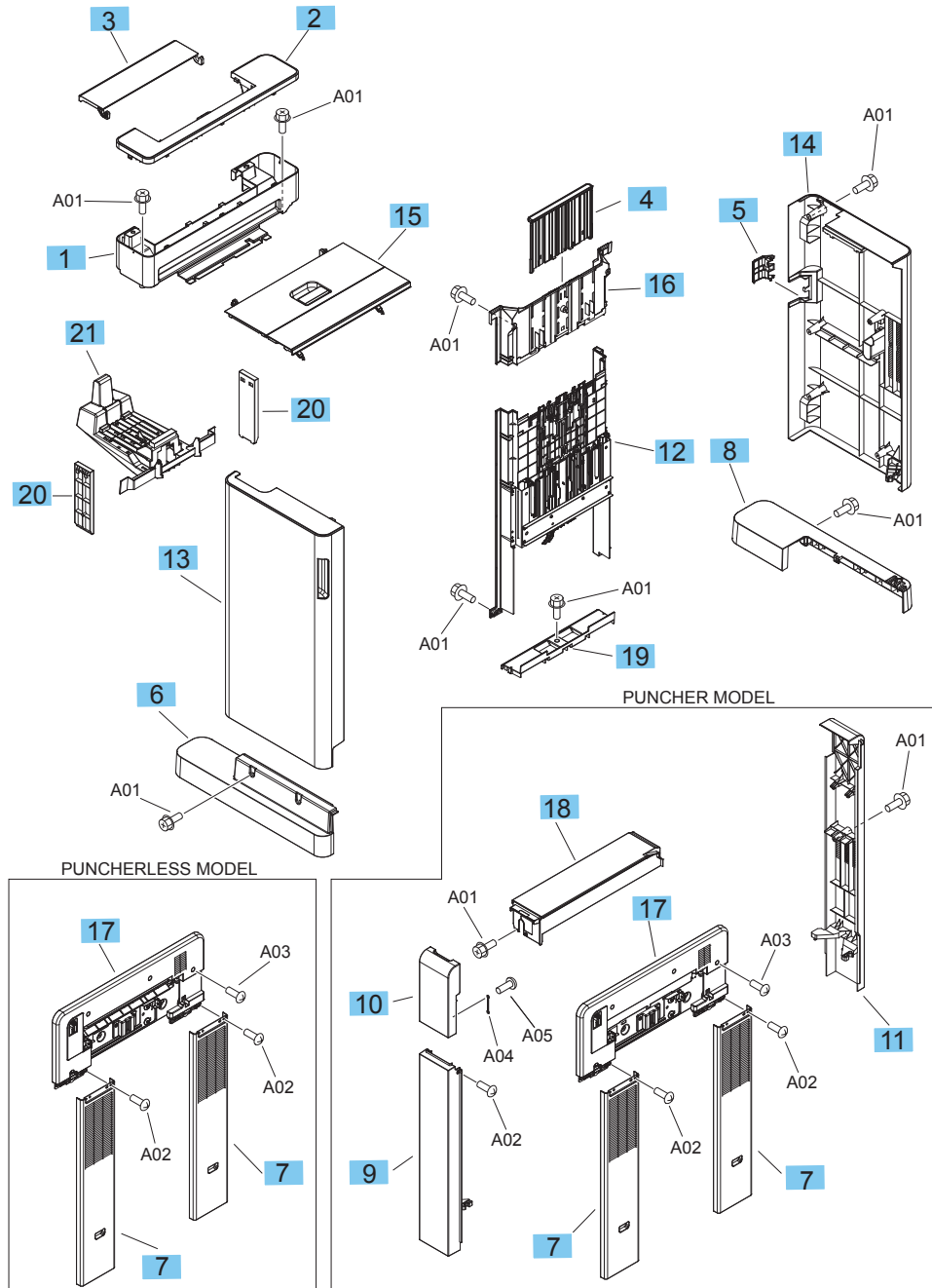


Table 2-62 Booklet maker covers

Ref	Description	Part number	Qty
1	Cover, stepped lower (booklet maker)	RC4-2447-000CN	1
2	Cover, stepped upper	RC4-2448-000CN	1
3	Cover, open/close stepped	RC4-2449-000CN	1
4	Guide, wall upper	RC4-2455-000CN	1
5	Cover, tray cable	RC4-2462-000CN	1
6	Assembly, front foot cover	RM2-6079-000CN	1
7	Cover, latch lower	RC4-2477-000CN	1
8	Assembly, rear foot cover	RM2-6080-000CN	1
9	Cover, punch front lower (hole punch)	RC4-2476-000CN	1
10	Cover, punch front (hole punch)	RC4-2478-000CN	1
11	Cover, punch rear (hole punch)	RC4-2482-000CN	1
12	Assembly, height wall center	RM2-5852-000CN	1
13	Assembly, front cover	RM2-5851-000CN	1
14	Assembly, rear cover	RM2-5321-000CN	1
15	Assembly, upper cover	RM2-5322-000CN	1
16	Assembly, stack wall upper	RM2-5343-000CN	1
17	Latch assembly (hole punch)	RM2-5352-000CN	1
17	Latch assembly	RM2-5319-000CN	1
18	Punch cover assembly upper (hole punch)	RM2-5336-000CN	1
19	Guide, left lower (booklet maker)	RC4-2467-000CN	1
20	Cover, saddle delivery inner (booklet maker)	RC4-2471-000CN	1
21	Assembly, saddle tray (booklet maker)	RM2-5318-000CN	1

Finisher main body (1 of 3)

Figure 2-58 Finisher main body (1 of 3)

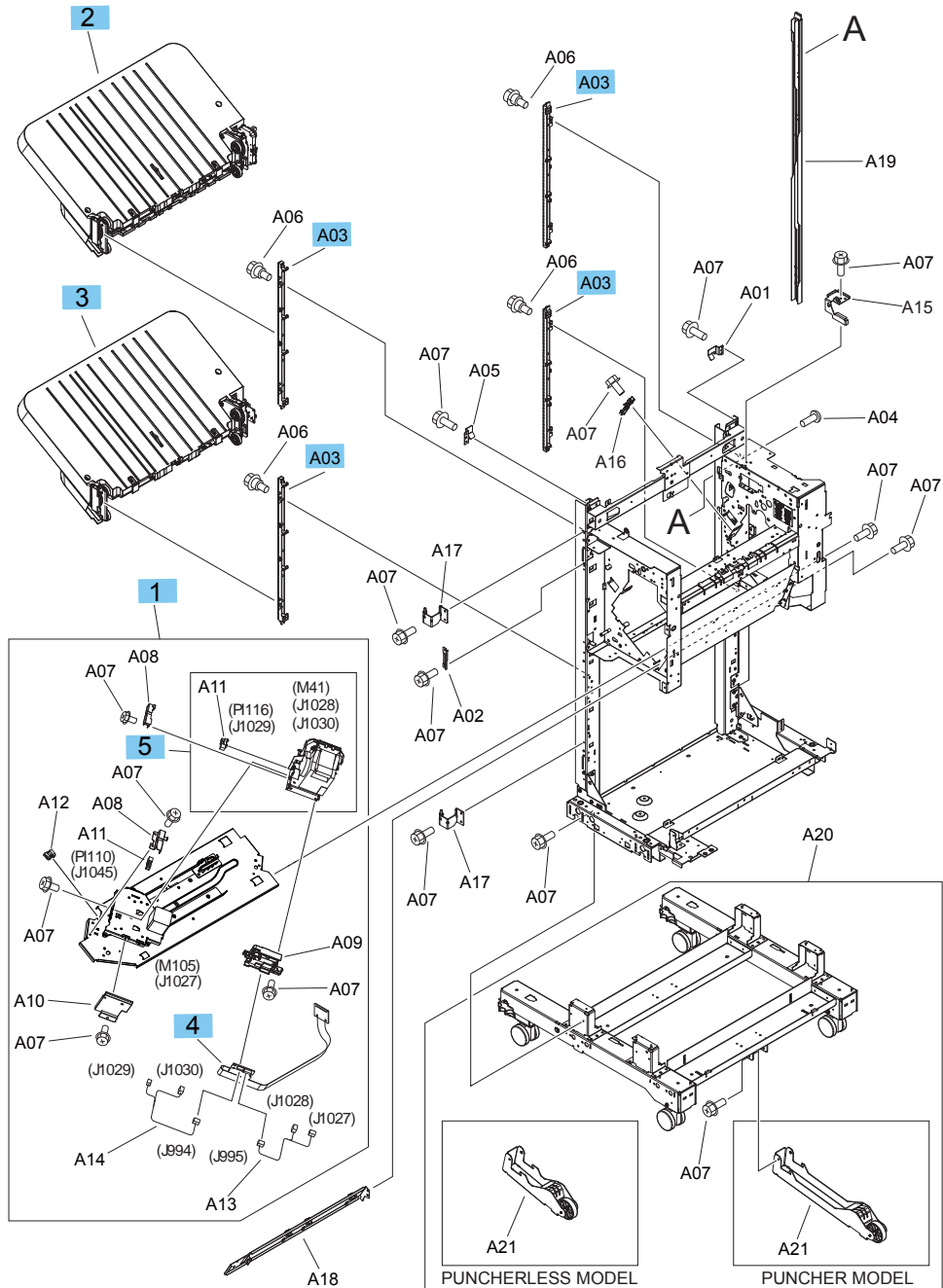


Table 2-63 Finisher main body (1 of 3)

Ref	Description	Part number	Qty
1	Staple assembly	4G3-0938-000CN	1
2	Stack upper tray assembly	RM2-5324-000CN	1
3	Stack lower tray assembly	RM2-5339-000CN	1
4	Cable, staple connecting	4G3-1777-000CN	1
5	Staple sub assembly	4G3-0939-000CN	1
A03	Rack rail	FC5-5436-000CN	4

Finisher main body (2 of 3)

Figure 2-59 Finisher main body (2 of 3)

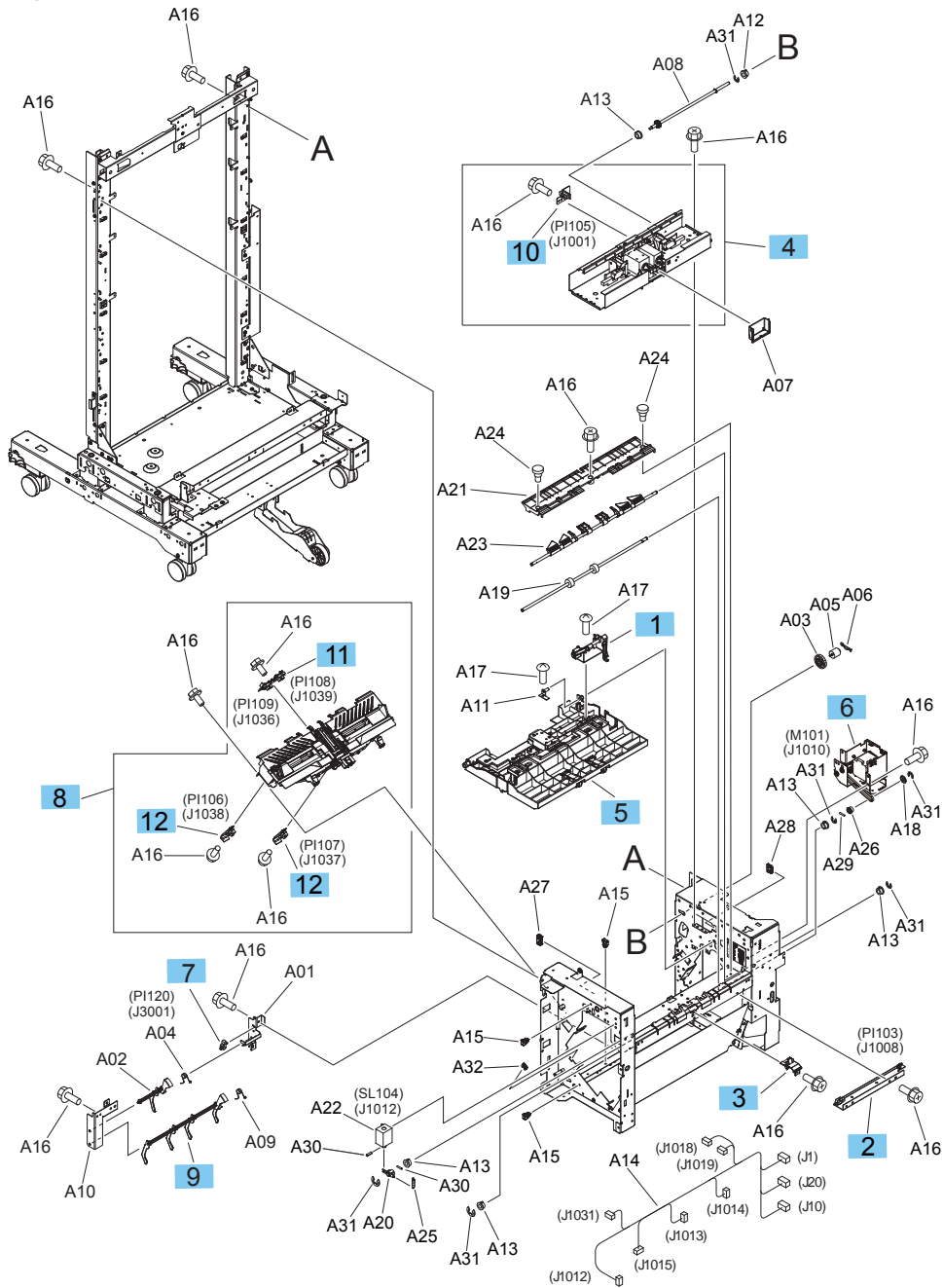


Table 2-64 Finisher main body (2 of 3)

Ref	Description	Part number	Qty
1	Assembly, upper cover lock	4G3-0210-000CN	1
2	Assembly, entrance sensor bracket	FM2-0717-000CN	1
3	Assembly, entrance sensor flag	RM2-5849-000CN	1
4	Assembly, upper cross-member	FM0-1882-000CN	1
5	Assembly, entrance upper guide (booklet maker)	RM2-6024-000CN	1
6	Assembly, paper feed motor	FM0-1889-000CN	1
7	Photo interrupter tlp1242	WG8-5593-000CN	1
8	Assembly, operation tray	RM2-5309-000CN	1
9	Flag, paper sensing sensor	FC5-5004-000CN	1
10	Assembly, swing, HP sensor	4G3-1564-000CN	1
11	Assembly, assist sensor	FM2-1396-000CN	1
12	Assembly, adjust guide HP sensor	FM2-1393-000CN	2

Finisher main body (3 of 3)

Figure 2-60 Finisher main body (3 of 3)

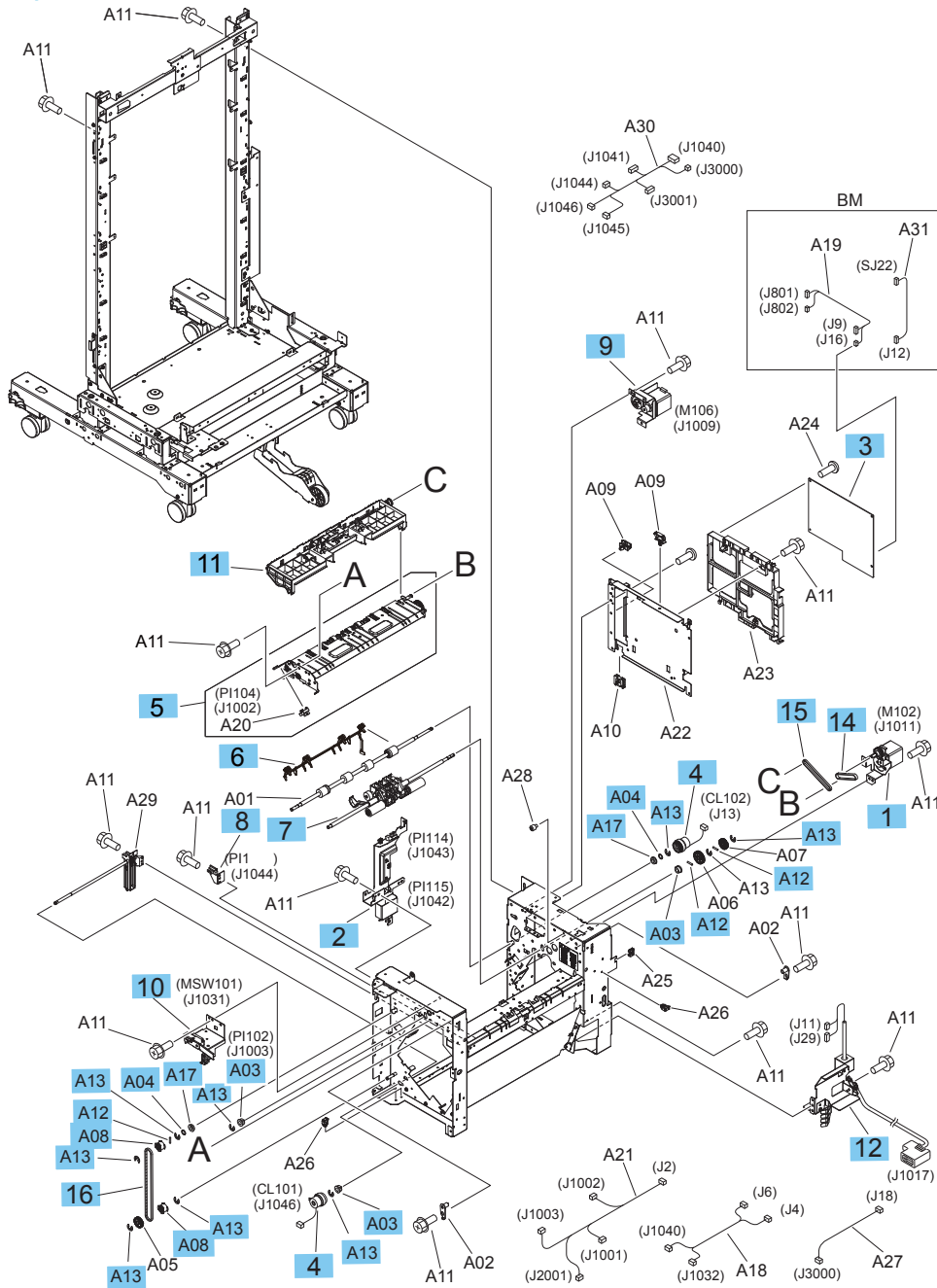


Table 2-65 Finisher main body (3 of 3)

Ref	Description	Part number	Qty
1	Assembly, stack ejection motor	4G3-0769-000CN	1
2	Assembly, paper face sensor	4G3-0934-000CN	1
3	Assembly, main controller PCA	RM2-7582-000CN	1
4	Clutch, electromagnetic (CL101, CL102)	4H3-0370-000CN	2
5	Assembly, return roller	FM0-2403-000CN	1
6	Paper detect holder assembly, up	FM0-2429-000CN	1
7	Assembly, pressure roller	FM2-0730-000CN	1
8	Assembly, shutter HP sensor	FM2-1401-000CN	1
9	Assembly, press motor (M106)	FM2-1409-000CN	1
10	Assembly, sensor/switch MSW101)	FM2-1417-000CN	1
11	Assembly, swing guide	RM2-5307-000CN	1
12	Assembly, interface cable	RM2-5521-000CN	1
13	Belt, timing cogged	XF2-1607860CN	1
14	Belt, timing	XF2-1608-840CN	1
15	Belt, timing cogged	XF9-0748-000CN	1
A03	Bushing	FS5-1805-000CN	3
A04	Washer	FS5-6488-000CN	2
A12	Pin, dowel	XD3-2200-000CN	4
A13	E-ring	XD9-0136-000CN	10
A17	Bearing , ball MF 106ZZS	XG9-0520-000CN	2
A08	Pulley, 2-T	FU5-3086-000CN	2
Not shown	E ring, clutch	XD2-1100-322	1

Stapler/stacker main body

Figure 2-61 Stapler/stacker main body

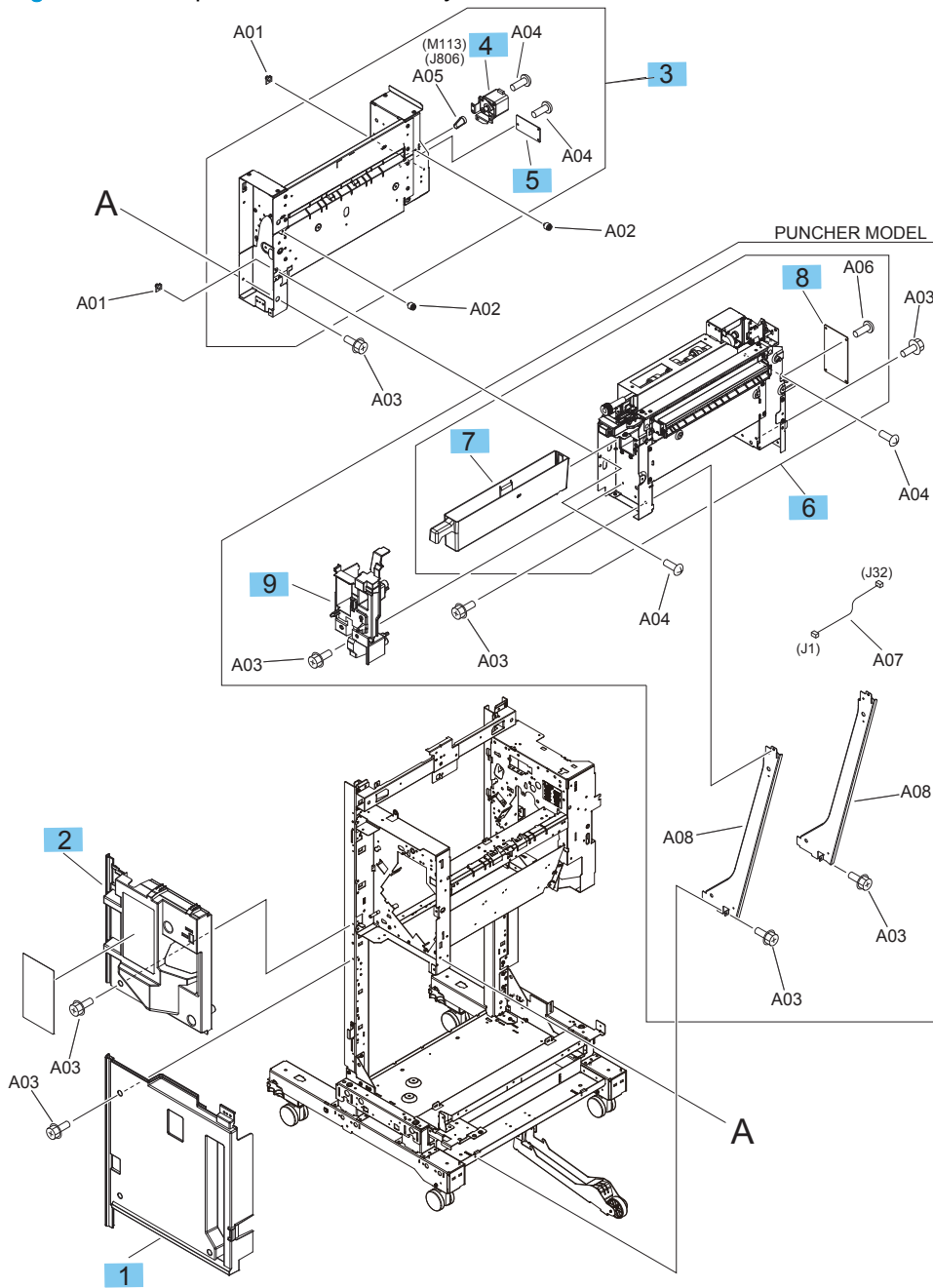


Table 2-66 Stapler/stacker main body

Ref	Description	Part number	Qty
1	Cover, inner lower	RC4-2474-000CN	1
2	Assembly, inner cover upper	RM2-5305-000CN	1
3	Assembly, paper pass	RM2-5334-000CN	1
4	Assembly, saddle motor (M113)	FM2-0737-000CN	1
5	Assembly, common driver PCA	RM2-7590-000CN	1
6	2/3 punch hole assembly kit	A2W84-67901	1
6	2/4 punch hole assembly kit	CZ999-67902	1
7	Punch waste bin	RM2-6102-000CN	1
8	Assembly, punch controller PCA (hole punch)	RM2-7592-000CN	1
9	Assembly, punch inner cover (hole punch)	RM2-5337-000CN	1

Booklet maker main body

Figure 2-62 Booklet maker main body

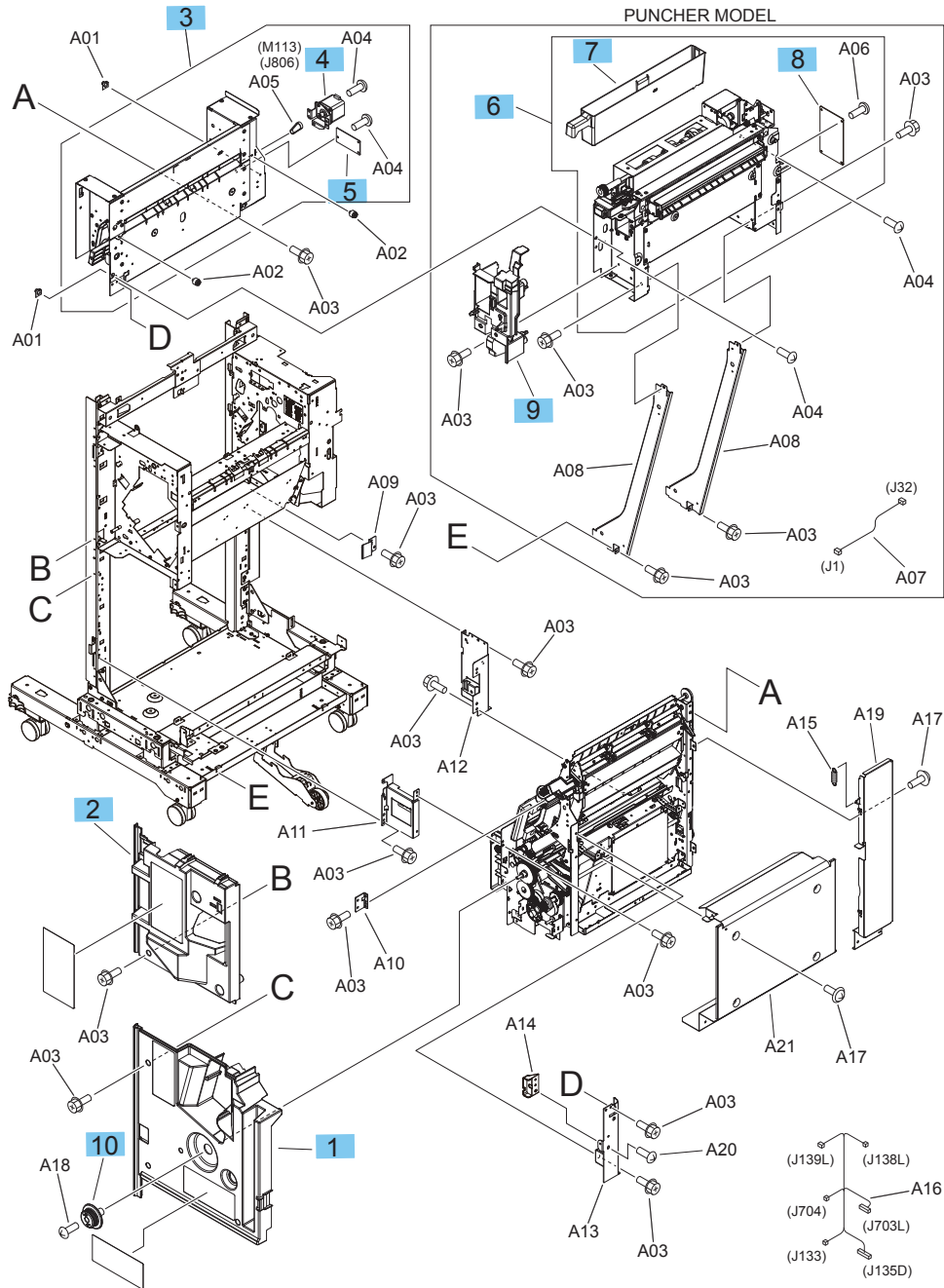


Table 2-67 Booklet maker main body

Ref	Description	Part number	Qty
1	Assembly, inner cover lower	RM2-5304-000CN	1
2	Assembly, inner cover upper	RM2-5305-000CN	1
3	Assembly, saddle paper feed	RM2-5351-000CN	1
4	Assembly, saddle motor (M113)	FM2-0737-000CN	2
5	Common driver PCA assembly	RM2-7590-000CN	1
6	Assembly, 2/3 punch hole	A2W94-67901	1
6	Assembly, 2/4 punch hole	CZ999-67902	1
7	Punch waste bin	RM2-6102-000CN	1
8	Punch controller PCA assembly	RM2-7592-000CN	1
9	Assembly, punch inner cover (hole punch)	RM2-5337-000CN	1
10	Knob	FB3-7881-000CN	1

Booklet maker saddle assembly

Figure 2-63 Booklet maker saddle assembly (1 of 3)

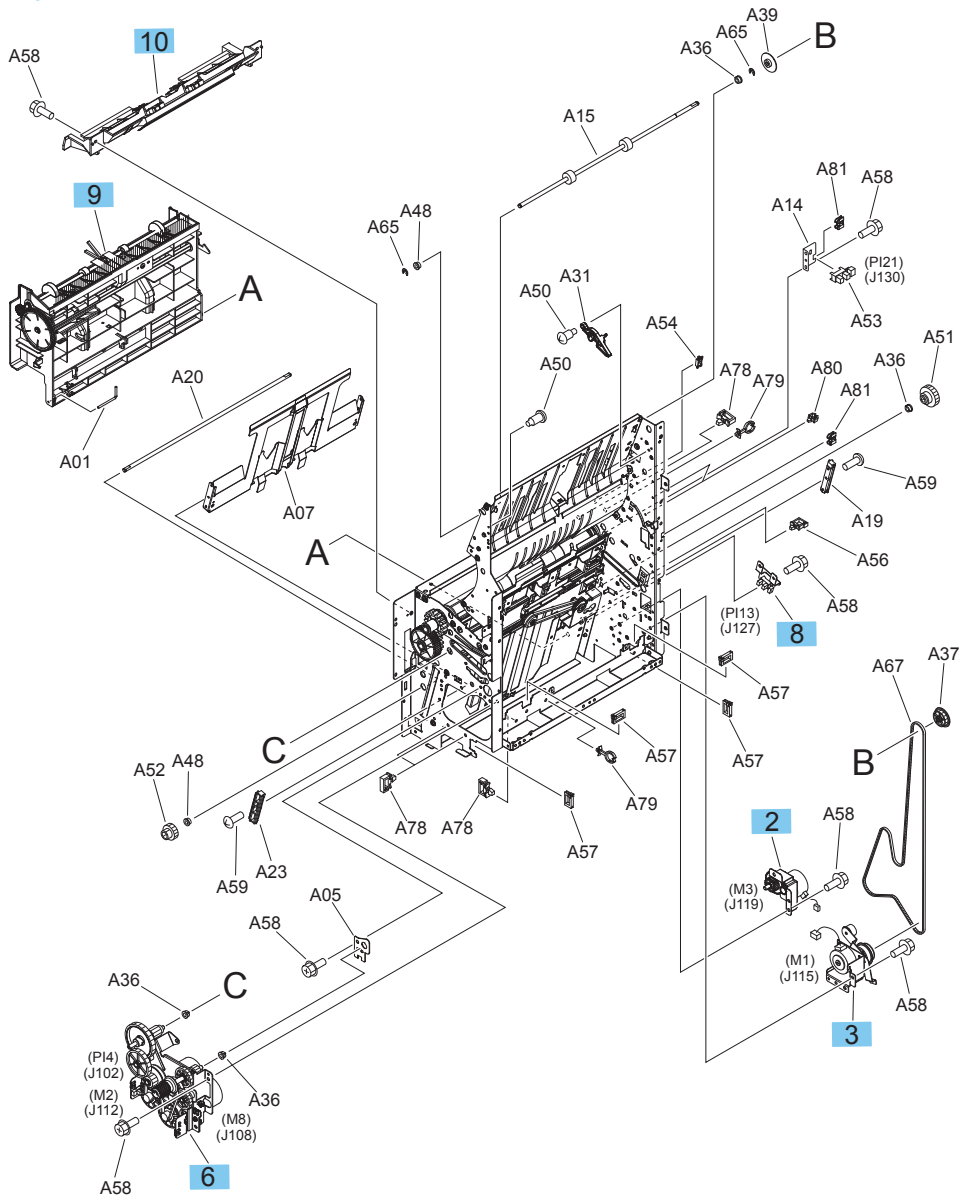


Figure 2-65 Booklet maker saddle assembly (3 of 3)

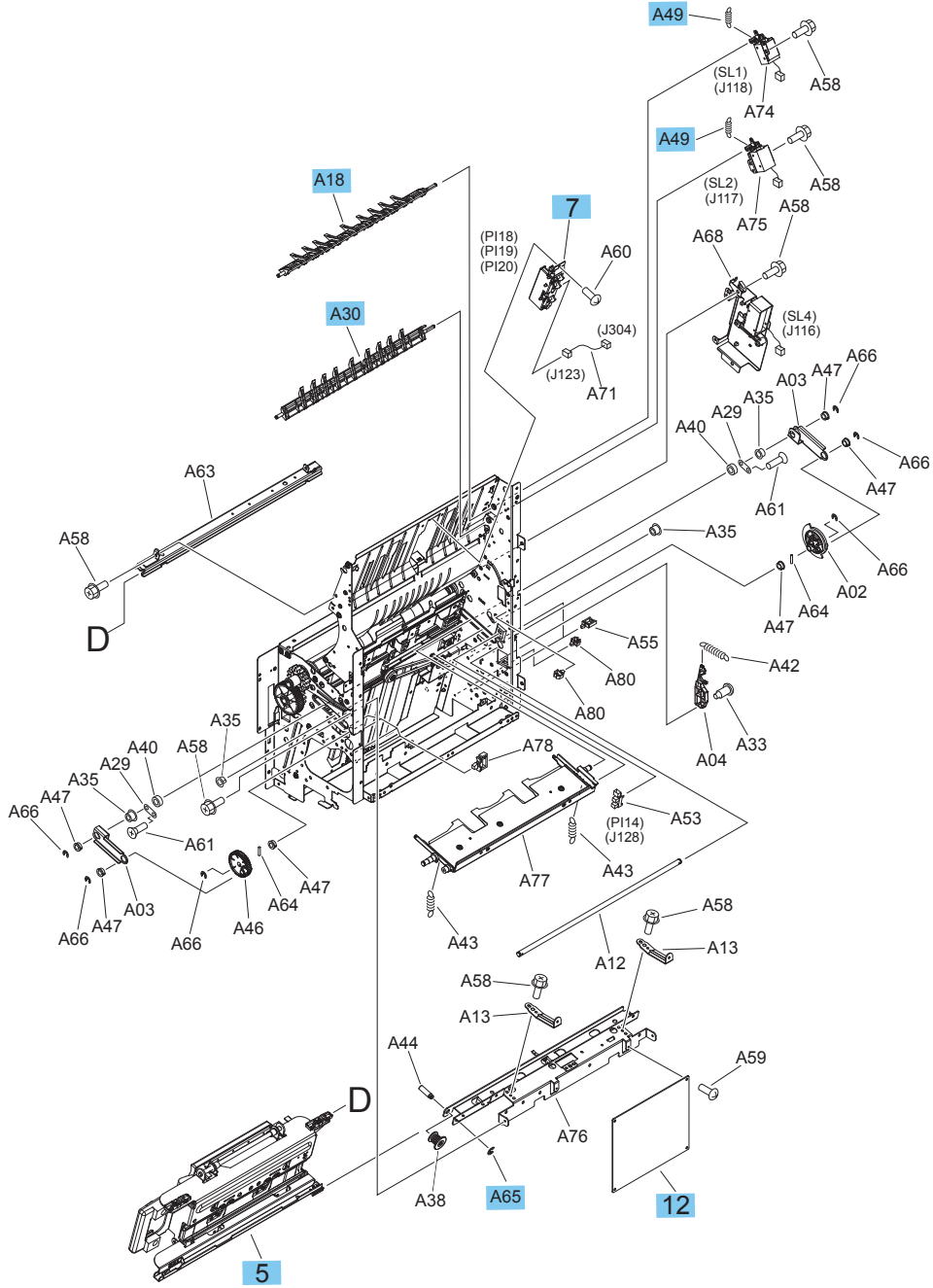


Table 2-68 Booklet maker saddle assembly

Ref	Description	Part number	Qty
1	Assembly, inner side plate	4G3-0671-000CN	1
2	Assembly, guide motor (M3)	4G3-0725-000CN	1
3	Assembly, saddle feed motor (M1)	4G3-1933-000CN	1
4	Assembly, saddle guide	4G3-1940-000CN	1
5	Assembly, saddle stapler	4G3-2721-000CN	1
6	Assembly, folding motor mount (M2, M8)	FM0-1686-000CN	1
7	Assembly, rear end sensor (PI13)	FM2-0763-000CN	1
8	Assembly, guide sensor	FM6-2283-000CN	1
9	Assembly, saddle paper delivery	RM2-5332-000CN	1
10	Assembly, upper delivery guide	RM2-5349-000CN	1
11	Assembly, delivery switch mount	RM2-5633-000CN	1
12	Assembly, saddle controller PCA	RM2-7586-000CN	1
A18	Deflector	FB3-7928-000CN	1
A30	Deflector	FB5-2697-000CN	1
A49	Spring, tension	FU5-2335-000CN	2
A65	E-ring	XD9-0136-000CN	9
A69	Motor Stepping (M5)	4K1-1103-000CN	1

Alphabetical parts list

Table 2-69 Alphabetical parts list

Description	Part number	Table and page
2/3 punch hole assembly kit	A2W84-67901	Stapler/stacker main body on page 801
2/4 punch hole assembly kit	CZ999-67902	Stapler/stacker main body on page 801
Assembly, 2/3 punch hole	A2W94-67901	Booklet maker main body on page 803
Assembly, 2/4 punch hole	CZ999-67902	Booklet maker main body on page 803
Assembly, ADF hinge (M880)	A8T68-60025	Document feeder assemblies (M880, 1 of 2) on page 751
Assembly, adjust guide HP sensor	FM2-1393-000CN	Finisher main body (2 of 3) on page 797
Assembly, assist sensor	FM2-1396-000CN	Finisher main body (2 of 3) on page 797
Assembly, auto close	RM1-3531-060CN	3x500-sheet feeder components on page 783
Assembly, auto close (HCI)	RM1-3531-000CN	1x500-sheet feeder with stand components on page 779
Assembly, auto close (HCI)	RM1-8880-000CN	HCI feeder internal components (1 of 2) on page 787
Assembly, AY_bracket-tensioner	CF367-60117	Document feeder assemblies (M880, 1 of 2) on page 751
Assembly, cassette	RM2-0273-000	1x500-sheet feeder with stand components on page 779
Assembly, cassette	RM2-0273-000CN	3x500-sheet feeder components on page 783
Assembly, cassette	RM2-0276-000CN	3x500-sheet feeder components on page 783
Assembly, cassette paper pick up	RM1-9599-000CN	Internal components (5 of 6) on page 771
Assembly, common driver PCA	RM2-7590-000CN	Stapler/stacker main body on page 801
Assembly, controller PCA	RM2-0715-000	1x500-sheet feeder with stand components on page 779
Assembly, controller PCA	RM2-0716-000CN	3x500-sheet feeder components on page 783
Assembly, controller PCA (HCI)	RM2-0717-000CN	HCI feeder internal components (1 of 2) on page 787
Assembly, CPR sensor	RM2-7026-000CN	Internal components (3 of 6) on page 767

Table 2-69 Alphabetical parts list (continued)

Description	Part number	Table and page
Assembly, DC controller PCA (M855)	RM2-7005-000CN	Internal components (6 of 6) on page 773
Assembly, DC controller PCA (M880)	RM2-7006-000CN	Internal components (6 of 6) on page 773
Assembly, DC motor (M10, M11)	RM1-4519-000CN	Internal components (4 of 6) on page 769
Assembly, delivery switch mount	RM2-5633-000CN	Booklet maker saddle assembly on page 807
Assembly, drum motor (M13, M13, M14, M15)	RM1-9614-000CN	Internal components (4 of 6) on page 769
Assembly, duplex reverse (M855)	RM2-0291-000CN	Internal components (2 of 6) on page 765
Assembly, duplex reverse (M880)	RM2-5061-000CN	Internal components (2 of 6) on page 765
Assembly, entrance sensor bracket	FM2-0717-000CN	Finisher main body (2 of 3) on page 797
Assembly, entrance sensor flag	RM2-5849-000CN	Finisher main body (2 of 3) on page 797
Assembly, entrance upper guide (booklet maker)	RM2-6024-000CN	Finisher main body (2 of 3) on page 797
Assembly, face down end tray	RM1-9631-000CN	Covers (M855) on page 757
Assembly, face down end tray	RM1-9631-000CN	Covers (M880) on page 759
Assembly, face down paper delivery	RM1-9841-000CN	Internal components (2 of 6) on page 765
Assembly, fan	RM1-3364-000CN	Internal components (2 of 6) on page 765
Assembly, folding motor mount (M2, M8)	FM0-1686-000CN	Booklet maker saddle assembly on page 807
Assembly, front cover	RM2-5320-000CN	Stapler/stacker covers on page 791
Assembly, front cover	RM2-5851-000CN	Booklet maker covers on page 793
Assembly, front foot cover	RM2-6079-000CN	Booklet maker covers on page 793
Assembly, fuser drive	RM1-9606-000CN	Internal components (4 of 6) on page 769
Assembly, fuser power supply	RL1-4005-000CN	Internal components (6 of 6) on page 773
Assembly, guide motor (M3)	4G3-0725-000CN	Booklet maker saddle assembly on page 807
Assembly, guide sensor	FM6-2283-000CN	Booklet maker saddle assembly on page 807

Table 2-69 Alphabetical parts list (continued)

Description	Part number	Table and page
Assembly, height wall center	RM2-5852-000CN	Booklet maker covers on page 793
Assembly, height wall, lower (stapler/stacker)	RM2-5853-000CN	Stapler/stacker covers on page 791
Assembly, high-voltage power supply tran. A PCA	RM2-7001-000CN	Internal components (6 of 6) on page 773
Assembly, hole punch upper cover	RM2-5336-000CN	Stapler/stacker covers on page 791
Assembly, HVPS Trans B PCA	RM2-7002-000CN	Internal components (1 of 6) on page 763
Assembly, inner cover lower	RM2-5304-000CN	Booklet maker main body on page 803
Assembly, inner cover upper	RM2-5305-000CN	Stapler/stacker main body on page 801
Assembly, inner cover upper	RM2-5305-000CN	Booklet maker main body on page 803
Assembly, inner side plate	4G3-0671-000CN	Booklet maker saddle assembly on page 807
Assembly, interconnect board (ICB) (M855)	RM2-0296-000CN	Internal components (6 of 6) on page 773
Assembly, interconnect board (ICB) (M880)	RM2-5035-000CN	Internal components (6 of 6) on page 773
Assembly, interface cable	RM2-5521-000CN	Finisher main body (3 of 3) on page 799
Assembly, interlock switch (SW101, SW102)	RM2-5062-000CN	Internal components (3 of 6) on page 767
Assembly, ITB alienation drive	RM1-3280-000CN	Internal components (3 of 6) on page 767
Assembly, latch	RM2-5319-000CN	Stapler/stacker covers on page 791
Assembly, latch (hole punch)	RM2-5352-000CN	Stapler/stacker covers on page 791
Assembly, left cover	RM2-5049-000CN	Covers (M855) on page 757
Assembly, left cover	RM2-5049-000CN	Covers (M880) on page 759
Assembly, left front cover	RM2-0294-000CN	Covers (M855) on page 757
Assembly, left front cover	RM2-0294-000CN	Covers (M880) on page 759
Assembly, lifter drive	RM1-3222-000CN	Internal components (5 of 6) on page 771
Assembly, lifter drive (M3302, M3303) (HCI)	RM1-8879-000CN	HCI feeder internal components (1 of 2) on page 787
Assembly, low-voltage power supply	RL1-4003-000CN	Internal components (5 of 6) on page 771

Table 2-69 Alphabetical parts list (continued)

Description	Part number	Table and page
Assembly, main controller PCA	RM2-7582-000CN	Finisher main body (3 of 3) on page 799
Assembly, main switch PCA	RM2-5046-000CN	Internal components (5 of 6) on page 771
Assembly, media level sensor (HCI)	RM1-9579-000CN	HCI feeder internal components (1 of 2) on page 787
Assembly, memory tag PCA	RM2-7009-000CN	Internal components (4 of 6) on page 769
Assembly, merge paper feed (HCI)	RM2-0270-000CN	HCI feeder internal components (2 of 2) on page 789
Assembly, motor, A3	CC350-60006	Document feeder assemblies (M880, 1 of 2) on page 751
Assembly, MP drive	RM1-9843-000CN	Internal components (2 of 6) on page 765
Assembly, MP Guide	RM1-9615-000CN	Internal components (5 of 6) on page 771
Assembly, MP paper pick up	RM1-9644-000CN	Right door assembly on page 761
Assembly, MP tray	RM1-9642-000CN	Right door assembly on page 761
Assembly, operation tray	RM2-5309-000CN	Finisher main body (2 of 3) on page 797
Assembly, paper face sensor	4G3-0934-000CN	Finisher main body (3 of 3) on page 799
Assembly, paper feed motor	FM0-1889-000CN	Finisher main body (2 of 3) on page 797
Assembly, paper pass	RM2-5334-000CN	Stapler/stacker main body on page 801
Assembly, paper pick up	RM2-0275-000CN	3x500-sheet feeder components on page 783
Assembly, paper pick up drive (HCI)	RM1-8872-000CN	HCI feeder internal components (1 of 2) on page 787
Assembly, paper pick up, left (HCI)	RM1-8876-000CN	HCI feeder internal components (2 of 2) on page 789
Assembly, paper pick up, right (HCI)	RM1-8869-000CN	HCI feeder internal components (2 of 2) on page 789
Assembly, paper pick-up	RM2-0275-000	1x500-sheet feeder with stand components on page 779
Assembly, photo sensor	RM1-9629-000CN	Internal components (2 of 6) on page 765

Table 2-69 Alphabetical parts list (continued)

Description	Part number	Table and page
Assembly, press motor (M106)	FM2-1409-000CN	Finisher main body (3 of 3) on page 799
Assembly, pressure roller	FM2-0730-000CN	Finisher main body (3 of 3) on page 799
Assembly, punch controller PCA (hole punch)	RM2-7592-000CN	Stapler/stacker main body on page 801
Assembly, punch inner cover (hole punch)	RM2-5337-000CN	Stapler/stacker main body on page 801
Assembly, punch inner cover (hole punch)	RM2-5337-000CN	Booklet maker main body on page 803
Assembly, rear cover	RM2-5321-000CN	Stapler/stacker covers on page 791
Assembly, rear cover	RM2-5321-000CN	Booklet maker covers on page 793
Assembly, rear end sensor (PI13)	FM2-0763-000CN	Booklet maker saddle assembly on page 807
Assembly, rear foot cover	RM2-6080-000CN	Booklet maker covers on page 793
Assembly, registration 2nd transfer	RM1-9621-000CN	Internal components (3 of 6) on page 767
Assembly, return roller	FM0-2403-000CN	Finisher main body (3 of 3) on page 799
Assembly, right door	RM2-0281-000CN	1x500-sheet feeder with stand (M855 only) covers on page 777
Assembly, right door	RM2-0280-000CN	3x500-sheet feeder covers on page 781
Assembly, right door (HCI)	RM2-0256-000CN	HCI feeder covers on page 785
Assembly, right door sub	RM1-9640-000CN	Right door assembly on page 761
Assembly, right upper cover	RM2-5063-000CN	Covers (M855) on page 757
Assembly, saddle controller PCA	RM2-7586-000CN	Booklet maker saddle assembly on page 807
Assembly, saddle feed motor (M1)	4G3-1933-000CN	Booklet maker saddle assembly on page 807
Assembly, saddle guide	4G3-1940-000CN	Booklet maker saddle assembly on page 807
Assembly, saddle motor (M113)	FM2-0737-000CN	Stapler/stacker main body on page 801
Assembly, saddle motor (M113)	FM2-0737-000CN	Booklet maker main body on page 803

Table 2-69 Alphabetical parts list (continued)

Description	Part number	Table and page
Assembly, saddle paper delivery	RM2-5332-000CN	Booklet maker saddle assembly on page 807
Assembly, saddle paper feed	RM2-5351-000CN	Booklet maker main body on page 803
Assembly, saddle stapler	4G3-2721-000CN	Booklet maker saddle assembly on page 807
Assembly, saddle tray (booklet maker)	RM2-5318-000CN	Booklet maker covers on page 793
Assembly, scanner	RM2-5176-000CN	Internal components (2 of 6) on page 765
Assembly, sensor/switch MSW101)	FM2-1417-000CN	Finisher main body (3 of 3) on page 799
Assembly, shutter gear holder	RM1-9857-000CN	Internal components (3 of 6) on page 767
Assembly, shutter HP sensor	FM2-1401-000CN	Finisher main body (3 of 3) on page 799
Assembly, stack ejection motor	4G3-0769-000CN	Finisher main body (3 of 3) on page 799
Assembly, stack wall upper	RM2-5343-000CN	Booklet maker covers on page 793
Assembly, stock box	RM2-0282-000CN	1x500-sheet feeder with stand (M855 only) covers on page 777
Assembly, stock box cover	RM2-0283-000CN	1x500-sheet feeder with stand (M855 only) covers on page 777
Assembly, swing guide	RM2-5307-000CN	Finisher main body (3 of 3) on page 799
Assembly, swing, HP sensor	4G3-1564-000CN	Finisher main body (2 of 3) on page 797
Assembly, switch back cover	RM1-9633-000CN	Covers (M855) on page 757
Assembly, switch back cover	RM1-9633-000CN	Covers (M880) on page 759
Assembly, switch back tray	RM2-5023-000CN	Covers (M855) on page 757
Assembly, switch back tray	RM2-5023-000CN	Covers (M880) on page 759
Assembly, top cover	RM2-0295-000CN	Covers (M855) on page 757
Assembly, top cover	RM2-0295-000CN	Covers (M880) on page 759
Assembly, upper cover	RM2-5322-000CN	Stapler/stacker covers on page 791
Assembly, upper cover	RM2-5322-000CN	Booklet maker covers on page 793
Assembly, upper cover lock	4G3-0210-000CN	Finisher main body (2 of 3) on page 797

Table 2-69 Alphabetical parts list (continued)

Description	Part number	Table and page
Assembly, upper cross-member	FM0-1882-000CN	Finisher main body (2 of 3) on page 797
Assembly, upper delivery guide	RM2-5349-000CN	Booklet maker saddle assembly on page 807
Assembly, upper front inner cover (M855)	RM2-0313-000CN	Internal components (5 of 6) on page 771
Assembly, upper front inner cover (M880)	RM2-5034-000CN	Internal components (5 of 6) on page 771
Assembly, upper stack wall	RM2-5343-000CN	Stapler/stacker covers on page 791
AY motor encoder	CC522-60101	Document feeder assemblies (M880, 1 of 2) on page 751
Band, door	RC4-4587-000CN	Covers (M855) on page 757
Band, door	RC4-4587-000CN	Covers (M880) on page 759
Bearing , ball MF 106ZZS	XG9-0520-000CN	Finisher main body (3 of 3) on page 799
Belt drive, A3	C8569-80008	Document feeder assemblies (M880, 1 of 2) on page 751
Belt, timing	XF2-1608-840CN	Finisher main body (3 of 3) on page 799
Belt, timing cogged	XF2-1607860CN	Finisher main body (3 of 3) on page 799
Belt, timing cogged	XF9-0748-000CN	Finisher main body (3 of 3) on page 799
Brush, cleaning	RB1-9617-000CN	Right door assembly on page 761
Bushing	FS5-1805-000CN	Finisher main body (3 of 3) on page 799
Cable, cave light LED	A2W75-60111	Document feeder assemblies (M880, 1 of 2) on page 751
Cable, CP s (M855)	RM2-7067-000CN	Internal components (6 of 6) on page 773
Cable, power, integrated scan assembly (M880)	CF367-60106	Document feeder assemblies (M880, 1 of 2) on page 751
Cable, staple connecting	4G3-1777-000CN	Finisher main body (1 of 3) on page 795
Cable, toner tag	RK2-4845-000CN	Internal components (4 of 6) on page 769
Cable, USB AB (M855)	RK2-4804-000CN	Internal components (6 of 6) on page 773
Cable, USB MFP (M880)	RK2-4836-000CN	Internal components (6 of 6) on page 773

Table 2-69 Alphabetical parts list (continued)

Description	Part number	Table and page
Cable, USB, BB (M855)	RK2-4806-000CN	Internal components (6 of 6) on page 773
Cable, video interface (M855)	RK2-4843-000CN	Internal components (6 of 6) on page 773
Cap rear right	RC4-1386-000CN	Covers (M880) on page 759
Cap, rear right	RC4-1386-000CN	Covers (M855) on page 757
Cartridge interface PCAs kit	A2W79-67902	Internal components (6 of 6) on page 773
Cartridge pressure assembly	RM2-5022-000CN	Internal components (5 of 6) on page 771
Cassette, Tray 2 (1x500 engine)	RM2-5014-000CN	Internal components (5 of 6) on page 771
Clutch, electromagnetic (CL101, CL102)	4H3-0370-000CN	Finisher main body (3 of 3) on page 799
Common driver PCA assembly	RM2-7590-000CN	Booklet maker main body on page 803
Connector	VS1-7258-000CN	Internal components (6 of 6) on page 773
Connector, drawer	VS1-7257-012CN	1x500-sheet feeder with stand components on page 779
Connector, drawer	VS1-7257-012CN	3x500-sheet feeder components on page 783
Connector, drawer	VS1-7257-012CN	HCI feeder internal components (1 of 2) on page 787
Controller PCA assembly (IPTU)	RM2-7019-000CN	Intermediate paper transfer unit (IPTU) assemblies on page 775
Cover, ADF roller (M880)	A8T68-40072	Document feeder assemblies (M880, 2 of 2) on page 753
Cover, air duct	RC3-5990-000CN	Internal components (4 of 6) on page 769
Cover, assist left (IPTU)	RC3-5943-000CN	Intermediate paper transfer unit (IPTU) assemblies on page 775
Cover, assist right (IPTU)	RC3-5944-000CN	Intermediate paper transfer unit (IPTU) assemblies on page 775
Cover, back, scanner (M880)	A2W75-60131	Document feeder assemblies (M880, 1 of 2) on page 751
Cover, blanking (IPTU)	RC4-2797-000CN	Intermediate paper transfer unit (IPTU) assemblies on page 775

Table 2-69 Alphabetical parts list (continued)

Description	Part number	Table and page
Cover, control panel access (M880)	5042-9118	Document feeder and scanner assemblies (M880) on page 749
Cover, face down drive	RC3-5991-000CN	Covers (M855) on page 757
Cover, face down drive	RC3-5991-000CN	Covers (M880) on page 759
Cover, foot front (stapler/stacker)	RM2-6079-000CN	Stapler/stacker covers on page 791
Cover, foot, rear	RM2-6080-000CN	Stapler/stacker covers on page 791
Cover, front	A2W77-67907	Covers (M855) on page 757
Cover, front ADF (M880)	A8T68-40064	Document feeder assemblies (M880, 1 of 2) on page 751
Cover, front inner lower	RL1-3637-000CN	Internal components (5 of 6) on page 771
Cover, front upper	RC3-3718-000CN	Covers (M855) on page 757
Cover, front upper	RC3-3718-000CN	Covers (M880) on page 759
Cover, front upper	RC3-5886-000CN	1x500-sheet feeder with stand (M855 only) covers on page 777
Cover, front upper	RC3-5886-000CN	3x500-sheet feeder covers on page 781
Cover, front upper face	RC3-5884-000CN	1x500-sheet feeder with stand (M855 only) covers on page 777
Cover, front upper face	RC3-5884-000CN	3x500-sheet feeder covers on page 781
Cover, front upper face left	RC3-5885-000CN	1x500-sheet feeder with stand (M855 only) covers on page 777
Cover, front upper face left	RC3-5885-000CN	3x500-sheet feeder covers on page 781
Cover, front, scanner (M880)	A2W75-40002	Scanner assemblies (M880) on page 755
Cover, fuser fan	RC3-3714-000CN	Covers (M855) on page 757
Cover, fuser fan	RC3-3714-000CN	Covers (M880) on page 759
Cover, HIP (M880)	5851-5361	Document feeder and scanner assemblies (M880) on page 749
Cover, HW integration pocket	RC3-3758-000CN	Covers (M855) on page 757
Cover, inner lower	RC4-2474-000CN	Stapler/stacker main body on page 801
Cover, internal right	RC3-3533-000CN	Internal components (3 of 6) on page 767

Table 2-69 Alphabetical parts list (continued)

Description	Part number	Table and page
Cover, latch lower	RC4-2477-000CN	Booklet maker covers on page 793
Cover, latch, lower	RC4-2477-000CN	Stapler/stacker covers on page 791
Cover, left	RC3-5913-000CN	1x500-sheet feeder with stand (M855 only) covers on page 777
Cover, left	RC3-5913-000CN	3x500-sheet feeder covers on page 781
Cover, left	RC3-5913-000CN	HCI feeder covers on page 785
Cover, left, scanner (M880)	A2W75-40003	Scanner assemblies (M880) on page 755
Cover, MP blanking	RC3-5984-000CN	Right door assembly on page 761
Cover, open/close stepped	RC4-2449-000CN	Booklet maker covers on page 793
Cover, open/close, stepped	RC4-2449-000CN	Stapler/stacker covers on page 791
Cover, pocket base	RC3-3762-000CN	Covers (M855) on page 757
Cover, punch front (hole punch)	RC4-2478-000CN	Stapler/stacker covers on page 791
Cover, punch front (hole punch)	RC4-2478-000CN	Booklet maker covers on page 793
Cover, punch front lower (hole punch)	RC4-2476-000CN	Stapler/stacker covers on page 791
Cover, punch front lower (hole punch)	RC4-2476-000CN	Booklet maker covers on page 793
Cover, punch rear (hole punch)	RC4-2482-000CN	Stapler/stacker covers on page 791
Cover, punch rear (hole punch)	RC4-2482-000CN	Booklet maker covers on page 793
Cover, rear	RC4-1378-000CN	Covers (M855) on page 757
Cover, rear	RC4-1378-000CN	Covers (M880) on page 759
Cover, rear	RC3-5887-000CN	1x500-sheet feeder with stand (M855 only) covers on page 777
Cover, rear	RC3-5887-000CN	3x500-sheet feeder covers on page 781
Cover, rear (HCI)	RC3-5896-000CN	HCI feeder covers on page 785
Cover, rear left	RC3-3713-000CN	Covers (M855) on page 757
Cover, rear left	RC3-3713-000CN	Covers (M880) on page 759

Table 2-69 Alphabetical parts list (continued)

Description	Part number	Table and page
Cover, rear right	RC3-3711-000CN	Covers (M855) on page 757
Cover, rear right	RC3-3711-000CN	Covers (M880) on page 759
Cover, rear right upper	RC3-3712-000CN	Covers (M855) on page 757
Cover, rear right upper	RC3-3712-000CN	Covers (M880) on page 759
Cover, rear upper B	RC3-5964-000CN	Covers (M855) on page 757
Cover, rear upper B	RC3-5964-000CN	Covers (M880) on page 759
Cover, rear upper front	RC3-5288-000CN	Covers (M880) on page 759
Cover, rear upper MFP	RC3-5960-000CN	Covers (M880) on page 759
Cover, rear upper rear	RC3-5289-000CN	Covers (M880) on page 759
Cover, rear upper side	RC3-3719-000CN	Covers (M880) on page 759
Cover, rear upper, upper	RC3-5290-000CN	Covers (M855) on page 757
Cover, rear, left ADF (M880)	A8T68-40067	Document feeder assemblies (M880, 1 of 2) on page 751
Cover, rear, right ADF (M880)	A8T68-40066	Document feeder assemblies (M880, 1 of 2) on page 751
Cover, right front	RC3-5920-000CN	1x500-sheet feeder with stand (M855 only) covers on page 777
Cover, right front (3x500)	RC3-5878-000CN	3x500-sheet feeder covers on page 781
Cover, right lower	RC3-3692-000CN	Covers (M855) on page 757
Cover, right lower	RC3-3692-000CN	Covers (M880) on page 759
Cover, right lower	RC3-5875-000CN	1x500-sheet feeder with stand (M855 only) covers on page 777
Cover, right lower	RC3-5875-000CN	3x500-sheet feeder covers on page 781
Cover, right lower	RC3-5875-000CN	HCI feeder covers on page 785
Cover, right rear	RC3-5881-000CN	1x500-sheet feeder with stand (M855 only) covers on page 777
Cover, right rear	RC3-5881-000CN	3x500-sheet feeder covers on page 781
Cover, right rear	RC3-5881-000CN	HCI feeder covers on page 785
Cover, right upper front MFP	RC3-5965-000CN	Covers (M880) on page 759
Cover, right upper rear MFP	RC4-1291-000CN	Covers (M880) on page 759
Cover, right upper, rear	RC3-5952-000CN	Covers (M855) on page 757

Table 2-69 Alphabetical parts list (continued)

Description	Part number	Table and page
Cover, right, scanner (M880)	A2W75-40004	Scanner assemblies (M880) on page 755
Cover, saddle delivery inner (booklet maker)	RC4-2471-000CN	Booklet maker covers on page 793
Cover, stepped lower (booklet maker)	RC4-2447-000CN	Booklet maker covers on page 793
Cover, stepped lower (stapler/stacker)	RC4-2447-000CN	Stapler/stacker covers on page 791
Cover, stepped upper	RC4-2448-000CN	Booklet maker covers on page 793
Cover, stepped, upper	RC4-2448-000CN	Stapler/stacker covers on page 791
Cover, tray cable	RC4-2462-000CN	Stapler/stacker covers on page 791
Cover, tray cable	RC4-2462-000CN	Booklet maker covers on page 793
Cover, USB (M880)	5851-5360	Document feeder and scanner assemblies (M880) on page 749
Deflector	FB3-7928-000CN	Booklet maker saddle assembly on page 807
Deflector	FB5-2697-000CN	Booklet maker saddle assembly on page 807
Door open switch assembly	RM2-7035-000CN	Internal components (5 of 6) on page 771
Door, front	A2W77-67907	Covers (M880) on page 759
Duplexing feed assembly (M855) ¹	A2W77-67913	Right door assembly on page 761
Duplexing feed assembly (M880) ¹	A2W75-67911	Right door assembly on page 761
E ring, clutch	XD2-1100-322	Finisher main body (3 of 3) on page 799
E-ring	XD9-0136-000CN	Finisher main body (3 of 3) on page 799
E-ring	XD9-0136-000CN	Booklet maker saddle assembly on page 807
Fan (FM1)	RK2-1322-000CN	Internal components (4 of 6) on page 769
Fan (FM2, FM3, FM4)	RK2-1378-000CN	Internal components (4 of 6) on page 769
Fan (FM7)	RK2-1378-000CN	Internal components (5 of 6) on page 771

Table 2-69 Alphabetical parts list (continued)

Description	Part number	Table and page
Fan (FM8)	RK2-1382-000CN	Internal components (4 of 6) on page 769
Fan (FM9, FM10)	RK2-1378-000CN	Internal components (3 of 6) on page 767
Fan assembly (FM201) (IPTU)	RM1-4394-000CN	Intermediate paper transfer unit (IPTU) assemblies on page 775
FFC, laser	RK2-4839-000CN	Internal components (2 of 6) on page 765
FFC, laser	RK2-4841-000CN	Internal components (2 of 6) on page 765
Finisher lock assembly (IPTU)	RM2-5038-000CN	Intermediate paper transfer unit (IPTU) assemblies on page 775
Flag, paper presence (M880)	A8T68-40033	Document feeder assemblies (M880, 1 of 2) on page 751
Flag, paper sensing sensor	FC5-5004-000CN	Finisher main body (2 of 3) on page 797
Fuser (110V)	C1N54-67901	Internal components (4 of 6) on page 769
Fuser (220V)	C1N58-67901	Internal components (4 of 6) on page 769
Gear, 17T/66T	RU7-0713-000CN	Internal components (3 of 6) on page 767
Gear, 42 T	RU7-0714-000CN	Internal components (3 of 6) on page 767
Guide, cable right upper	RC3-5969-000CN	Covers (M855) on page 757
Guide, ITB entrance	RC1-9186-000CN	Internal components (3 of 6) on page 767
Guide, left lower (booklet maker)	RC4-2467-000CN	Booklet maker covers on page 793
Guide, wall upper	RC4-2455-000CN	Booklet maker covers on page 793
Guide, wall, upper	RC4-2455-000CN	Stapler/stacker covers on page 791
Humidity sensor unit	RK2-4811-000CN	Internal components (2 of 6) on page 765
IC photo interrupter	WG8-5935-000CN	Internal components (1 of 6) on page 763
IC photo interrupter	WG8-5935-000CN	Internal components (4 of 6) on page 769
IC, photo interrupter	WG8-5935-000CN	Internal components (5 of 6) on page 771

Table 2-69 Alphabetical parts list (continued)

Description	Part number	Table and page
Intermediate paper transfer unit (IPTU)	A2W77-67914	Intermediate paper transfer unit (IPTU) assemblies on page 775
ITB	A2W77-67904	Internal components (3 of 6) on page 767
Kit, ADF Mylar, A3 (M930)	5851-5857	Document feeder and scanner assemblies (M880) on page 749
Kit, ADF roller (M880)	C1P70-67901	Document feeder assemblies (M880, 2 of 2) on page 753
Kit, ADF separation pad spring (M880)	5851-5855	Document feeder assemblies (M880, 2 of 2) on page 753
Kit, ADF whole unit, A3 (includes white backing kit) (M880) ¹	CF367-67920	Document feeder and scanner assemblies (M880) on page 749
Kit, background selector for backside scan (M880)	5851-5861	Document feeder assemblies (M880, 2 of 2) on page 753
Kit, control panel (without keyboard) (M880)	5851-5952	Document feeder and scanner assemblies (M880) on page 749
Kit, scanner whole unit (includes white backing kit) (M880) ²	A2W75-67908	Document feeder and scanner assemblies (M880) on page 749
Kit, white backing, A3 (M880)	5851-5864	Document feeder and scanner assemblies (M880) on page 749
Knob	FB3-7881-000CN	Booklet maker main body on page 803
Latch assembly	RM2-5319-000CN	Booklet maker covers on page 793
Latch assembly (hole punch)	RM2-5352-000CN	Booklet maker covers on page 793
Lift plate assembly (M880)	A8T68-60006	Document feeder assemblies (M880, 1 of 2) on page 751
Link, right door	RC3-5882-000CN	HCI feeder internal components (1 of 2) on page 787
Lower guide assembly (IPTU)	RM2-5057-000CN	Intermediate paper transfer unit (IPTU) assemblies on page 775
Main drive assembly	A2W77-67908	Internal components (4 of 6) on page 769
Media length sensor	5851-5390	Document feeder assemblies (M880, 1 of 2) on page 751
Motor Stepping (M5)	4K1-1103-000CN	Booklet maker saddle assembly on page 807

Table 2-69 Alphabetical parts list (continued)

Description	Part number	Table and page
Motor, stepping (M112, M122, M132)	RK2-1331-000CN	3x500-sheet feeder components on page 783
Motor, stepping DC (M21, M22)	RK2-4814-000CN	Internal components (4 of 6) on page 769
Mylar sheet	RC4-2822-000CN	Covers (M855) on page 757
Paper detect holder assembly, up	FM0-2429-000CN	Finisher main body (3 of 3) on page 799
Paper feed roller	A2W77-67905	Internal components (5 of 6) on page 771
Paper feed roller kit	A2W77-67905	1x500-sheet feeder with stand components on page 779
Paper feed roller kit	A2W77-67905	3x500-sheet feeder components on page 783
Paper feed roller kit	A2W77-67905	HCI feeder internal components (2 of 2) on page 789
Paper pick up roller	A2W77-67905	Internal components (5 of 6) on page 771
Paper pick up roller kit	A2W77-67905	1x500-sheet feeder with stand components on page 779
Paper pick up roller kit	A2W77-67905	3x500-sheet feeder components on page 783
Paper pick up roller kit	A2W77-67905	HCI feeder internal components (2 of 2) on page 789
Photo interrupter	1990-3366	Document feeder assemblies (M880, 1 of 2) on page 751
Photo interrupter tlp1242	WG8-5593-000CN	Finisher main body (2 of 3) on page 797
Photosensor with connector (M880)	CC355-80014	Document feeder assemblies (M880, 1 of 2) on page 751
Pin, dowel	XD3-2200-000CN	Finisher main body (3 of 3) on page 799
Plate, drawer	RL1-4000-000CN	HCI feeder internal components (1 of 2) on page 787
Print cartridge drive assembly	A2W75-67910	Internal components (4 of 6) on page 769
Pulley, 2-T	FU5-3086-000CN	Finisher main body (3 of 3) on page 799
Punch controller PCA assembly	RM2-7592-000CN	Booklet maker main body on page 803
Punch cover assembly upper (hole punch)	RM2-5336-000CN	Booklet maker covers on page 793

Table 2-69 Alphabetical parts list (continued)

Description	Part number	Table and page
Punch waste bin	RM2-6102-000CN	Stapler/stacker main body on page 801
Punch waste bin	RM2-6102-000CN	Booklet maker main body on page 803
Rack rail	FC5-5436-000CN	Finisher main body (1 of 3) on page 795
Roller, paper pickup	A2W77-67906	Right door assembly on page 761
Roller, retard	A2W77-67906	Right door assembly on page 761
Scan optics, A3	C8569-60001	Document feeder assemblies (M880, 1 of 2) on page 751
SCB Assembly (M880)	A2W75-67904	Document feeder assemblies (M880, 1 of 2) on page 751
Screw, M3x8	XA9-1686-000CN	Internal components (3 of 6) on page 767
Screw, TP M2x10	XA9-1986-000CN	Internal components (3 of 6) on page 767
Secondary Transfer Roller	D7H14-67902	Internal components (3 of 6) on page 767
Shutter, fusing fan	RC3-3840-000CN	Internal components (3 of 6) on page 767
Side panel assembly (IPTU)	RM2-5024-000CN	Intermediate paper transfer unit (IPTU) assemblies on page 775
Spring, ADF sensor	CC522-80101	Document feeder assemblies (M880, 1 of 2) on page 751
Spring, tension	FU5-2335-000CN	Booklet maker saddle assembly on page 807
Stack lower tray assembly	RM2-5339-000CN	Finisher main body (1 of 3) on page 795
Stack upper tray assembly	RM2-5324-000CN	Finisher main body (1 of 3) on page 795
Staple assembly	4G3-0938-000CN	Finisher main body (1 of 3) on page 795
Staple sub assembly	4G3-0939-000CN	Finisher main body (1 of 3) on page 795
Stepping motor DC (M112) (HCI)	RK2-1331-000CN	1x500-sheet feeder with stand components on page 779
Stepping motor DC (M201, M202) (IPTU)	RK2-1320-000CN	Intermediate paper transfer unit (IPTU) assemblies on page 775

Table 2-69 Alphabetical parts list (continued)

Description	Part number	Table and page
Stepping motor DC (M3302, M3304) (HCI)	RK2-1331-000CN	HCI feeder internal components (1 of 2) on page 787
Stopper, load-front (M880)	A8T68-40034	Document feeder assemblies (M880, 1 of 2) on page 751
Stopper, load-rear (M880)	A8T68-40035	Document feeder assemblies (M880, 1 of 2) on page 751
Switch, button (SW113)	WC2-5512-000CN	3x500-sheet feeder components on page 783
Switch, button (SW3301) (HCI)	WC2-5512-000CN	HCI feeder internal components (1 of 2) on page 787
Thermistor unit	RK2-1363-000CN	Internal components (2 of 6) on page 765
Tray assembly, left	C1N64-67902	HCI feeder internal components (2 of 2) on page 789
Tray assembly, right	C1N64-67903	HCI feeder internal components (2 of 2) on page 789
Upper cover assembly (IPTU)	RM2-5016-000CN	Intermediate paper transfer unit (IPTU) assemblies on page 775
USB cable connecting SCB and ICB (M880)	RK2-4801-000CN	Internal components (6 of 6) on page 773
Washer	FS5-6488-000CN	Finisher main body (3 of 3) on page 799

Numerical parts list

Table 2-70 Numerical parts list

Part number	Description	Table and page
1990-3366	Photo interrupter	Document feeder assemblies (M880, 1 of 2) on page 751
4G3-0210-000CN	Assembly, upper cover lock	Finisher main body (2 of 3) on page 797
4G3-0671-000CN	Assembly, inner side plate	Booklet maker saddle assembly on page 807
4G3-0725-000CN	Assembly, guide motor (M3)	Booklet maker saddle assembly on page 807
4G3-0769-000CN	Assembly, stack ejection motor	Finisher main body (3 of 3) on page 799
4G3-0934-000CN	Assembly, paper face sensor	Finisher main body (3 of 3) on page 799
4G3-0938-000CN	Staple assembly	Finisher main body (1 of 3) on page 795
4G3-0939-000CN	Staple sub assembly	Finisher main body (1 of 3) on page 795
4G3-1564-000CN	Assembly, swing, HP sensor	Finisher main body (2 of 3) on page 797
4G3-1777-000CN	Cable, staple connecting	Finisher main body (1 of 3) on page 795
4G3-1933-000CN	Assembly, saddle feed motor (M1)	Booklet maker saddle assembly on page 807
4G3-1940-000CN	Assembly, saddle guide	Booklet maker saddle assembly on page 807
4G3-2721-000CN	Assembly, saddle stapler	Booklet maker saddle assembly on page 807
4H3-0370-000CN	Clutch, electromagnetic (CL101, CL102)	Finisher main body (3 of 3) on page 799
4K1-1103-000CN	Motor Stepping (M5)	Booklet maker saddle assembly on page 807
5042-9118	Cover, control panel access (M880)	Document feeder and scanner assemblies (M880) on page 749
5851-5360	Cover, USB (M880)	Document feeder and scanner assemblies (M880) on page 749
5851-5361	Cover, HIP (M880)	Document feeder and scanner assemblies (M880) on page 749
5851-5390	Media length sensor	Document feeder assemblies (M880, 1 of 2) on page 751

Table 2-70 Numerical parts list (continued)

Part number	Description	Table and page
5851-5855	Kit, ADF separation pad spring (M880)	Document feeder assemblies (M880, 2 of 2) on page 753
5851-5857	Kit, ADF Mylar, A3 (M930)	Document feeder and scanner assemblies (M880) on page 749
5851-5861	Kit, background selector for backside scan (M880)	Document feeder assemblies (M880, 2 of 2) on page 753
5851-5864	Kit, white backing, A3 (M880)	Document feeder and scanner assemblies (M880) on page 749
5851-5952	Kit, control panel (without keyboard) (M880)	Document feeder and scanner assemblies (M880) on page 749
A2W75-40002	Cover, front, scanner (M880)	Scanner assemblies (M880) on page 755
A2W75-40003	Cover, left, scanner (M880)	Scanner assemblies (M880) on page 755
A2W75-40004	Cover, right, scanner (M880)	Scanner assemblies (M880) on page 755
A2W75-60111	Cable, cave light LED	Document feeder assemblies (M880, 1 of 2) on page 751
A2W75-60131	Cover, back, scanner (M880)	Document feeder assemblies (M880, 1 of 2) on page 751
A2W75-67904	SCB Assembly (M880)	Document feeder assemblies (M880, 1 of 2) on page 751
A2W75-67908	Kit, scanner whole unit (includes white backing kit) (M880) ²	Document feeder and scanner assemblies (M880) on page 749
A2W75-67910	Print cartridge drive assembly	Internal components (4 of 6) on page 769
A2W75-67911	Duplexing feed assembly (M880) ¹	Right door assembly on page 761
A2W77-67904	ITB	Internal components (3 of 6) on page 767
A2W77-67905	Paper pick up roller	Internal components (5 of 6) on page 771
A2W77-67905	Paper feed roller	Internal components (5 of 6) on page 771
A2W77-67905	Paper pick up roller kit	1x500-sheet feeder with stand components on page 779
A2W77-67905	Paper feed roller kit	1x500-sheet feeder with stand components on page 779
A2W77-67905	Paper pick up roller kit	3x500-sheet feeder components on page 783

Table 2-70 Numerical parts list (continued)

Part number	Description	Table and page
A2W77-67905	Paper feed roller kit	3x500-sheet feeder components on page 783
A2W77-67905	Paper pick up roller kit	HCI feeder internal components (2 of 2) on page 789
A2W77-67905	Paper feed roller kit	HCI feeder internal components (2 of 2) on page 789
A2W77-67906	Roller, paper pickup	Right door assembly on page 761
A2W77-67906	Roller, retard	Right door assembly on page 761
A2W77-67907	Cover, front	Covers (M855) on page 757
A2W77-67907	Door, front	Covers (M880) on page 759
A2W77-67908	Main drive assembly	Internal components (4 of 6) on page 769
A2W77-67913	Duplexing feed assembly (M855) ¹	Right door assembly on page 761
A2W77-67914	Intermediate paper transfer unit (IPTU)	Intermediate paper transfer unit (IPTU) assemblies on page 775
A2W79-67902	Cartridge interface PCAs kit	Internal components (6 of 6) on page 773
A2W84-67901	2/3 punch hole assembly kit	Stapler/stacker main body on page 801
A2W94-67901	Assembly, 2/3 punch hole	Booklet maker main body on page 803
A8T68-40033	Flag, paper presence (M880)	Document feeder assemblies (M880, 1 of 2) on page 751
A8T68-40034	Stopper, load-front (M880)	Document feeder assemblies (M880, 1 of 2) on page 751
A8T68-40035	Stopper, load-rear (M880)	Document feeder assemblies (M880, 1 of 2) on page 751
A8T68-40064	Cover, front ADF (M880)	Document feeder assemblies (M880, 1 of 2) on page 751
A8T68-40066	Cover, rear, right ADF (M880)	Document feeder assemblies (M880, 1 of 2) on page 751
A8T68-40067	Cover, rear, left ADF (M880)	Document feeder assemblies (M880, 1 of 2) on page 751
A8T68-40072	Cover, ADF roller (M880)	Document feeder assemblies (M880, 2 of 2) on page 753
A8T68-60006	Lift plate assembly (M880)	Document feeder assemblies (M880, 1 of 2) on page 751

Table 2-70 Numerical parts list (continued)

Part number	Description	Table and page
A8T68-60025	Assembly, ADF hinge (M880)	Document feeder assemblies (M880, 1 of 2) on page 751
C1N54-67901	Fuser (110V)	Internal components (4 of 6) on page 769
C1N58-67901	Fuser (220V)	Internal components (4 of 6) on page 769
C1N64-67902	Tray assembly, left	HCI feeder internal components (2 of 2) on page 789
C1N64-67903	Tray assembly, right	HCI feeder internal components (2 of 2) on page 789
C1P70-67901	Kit, ADF roller (M880)	Document feeder assemblies (M880, 2 of 2) on page 753
C8569-60001	Scan optics, A3	Document feeder assemblies (M880, 1 of 2) on page 751
C8569-80008	Belt drive, A3	Document feeder assemblies (M880, 1 of 2) on page 751
CC350-60006	Assembly, motor, A3	Document feeder assemblies (M880, 1 of 2) on page 751
CC355-80014	Photosensor with connector (M880)	Document feeder assemblies (M880, 1 of 2) on page 751
CC522-60101	AY motor encoder	Document feeder assemblies (M880, 1 of 2) on page 751
CC522-80101	Spring, ADF sensor	Document feeder assemblies (M880, 1 of 2) on page 751
CF367-60106	Cable, power, integrated scan assembly (M880)	Document feeder assemblies (M880, 1 of 2) on page 751
CF367-60117	Assembly, AY_bracket-tensioner	Document feeder assemblies (M880, 1 of 2) on page 751
CF367-67920	Kit, ADF whole unit, A3 (includes white backing kit) (M880) ¹	Document feeder and scanner assemblies (M880) on page 749
CZ999-67902	2/4 punch hole assembly kit	Stapler/stacker main body on page 801
CZ999-67902	Assembly, 2/4 punch hole	Booklet maker main body on page 803
D7H14-67902	Secondary Transfer Roller	Internal components (3 of 6) on page 767
FB3-7881-000CN	Knob	Booklet maker main body on page 803
FB3-7928-000CN	Deflector	Booklet maker saddle assembly on page 807

Table 2-70 Numerical parts list (continued)

Part number	Description	Table and page
FB5-2697-000CN	Deflector	Booklet maker saddle assembly on page 807
FC5-5004-000CN	Flag, paper sensing sensor	Finisher main body (2 of 3) on page 797
FC5-5436-000CN	Rack rail	Finisher main body (1 of 3) on page 795
FM0-1686-000CN	Assembly, folding motor mount (M2, M8)	Booklet maker saddle assembly on page 807
FM0-1882-000CN	Assembly, upper cross-member	Finisher main body (2 of 3) on page 797
FM0-1889-000CN	Assembly, paper feed motor	Finisher main body (2 of 3) on page 797
FM0-2403-000CN	Assembly, return roller	Finisher main body (3 of 3) on page 799
FM0-2429-000CN	Paper detect holder assembly, up	Finisher main body (3 of 3) on page 799
FM2-0717-000CN	Assembly, entrance sensor bracket	Finisher main body (2 of 3) on page 797
FM2-0730-000CN	Assembly, pressure roller	Finisher main body (3 of 3) on page 799
FM2-0737-000CN	Assembly, saddle motor (M113)	Stapler/stacker main body on page 801
FM2-0737-000CN	Assembly, saddle motor (M113)	Booklet maker main body on page 803
FM2-0763-000CN	Assembly, rear end sensor (PI13)	Booklet maker saddle assembly on page 807
FM2-1393-000CN	Assembly, adjust guide HP sensor	Finisher main body (2 of 3) on page 797
FM2-1396-000CN	Assembly, assist sensor	Finisher main body (2 of 3) on page 797
FM2-1401-000CN	Assembly, shutter HP sensor	Finisher main body (3 of 3) on page 799
FM2-1409-000CN	Assembly, press motor (M106)	Finisher main body (3 of 3) on page 799
FM2-1417-000CN	Assembly, sensor/switch MSW101)	Finisher main body (3 of 3) on page 799
FM6-2283-000CN	Assembly, guide sensor	Booklet maker saddle assembly on page 807
FS5-1805-000CN	Bushing	Finisher main body (3 of 3) on page 799
FS5-6488-000CN	Washer	Finisher main body (3 of 3) on page 799

Table 2-70 Numerical parts list (continued)

Part number	Description	Table and page
FU5-2335-000CN	Spring, tension	Booklet maker saddle assembly on page 807
FU5-3086-000CN	Pulley, 2-T	Finisher main body (3 of 3) on page 799
RB1-9617-000CN	Brush, cleaning	Right door assembly on page 761
RC1-9186-000CN	Guide, ITB entrance	Internal components (3 of 6) on page 767
RC3-3533-000CN	Cover, internal right	Internal components (3 of 6) on page 767
RC3-3692-000CN	Cover, right lower	Covers (M855) on page 757
RC3-3692-000CN	Cover, right lower	Covers (M880) on page 759
RC3-3711-000CN	Cover, rear right	Covers (M855) on page 757
RC3-3711-000CN	Cover, rear right	Covers (M880) on page 759
RC3-3712-000CN	Cover, rear right upper	Covers (M855) on page 757
RC3-3712-000CN	Cover, rear right upper	Covers (M880) on page 759
RC3-3713-000CN	Cover, rear left	Covers (M855) on page 757
RC3-3713-000CN	Cover, rear left	Covers (M880) on page 759
RC3-3714-000CN	Cover, fuser fan	Covers (M855) on page 757
RC3-3714-000CN	Cover, fuser fan	Covers (M880) on page 759
RC3-3718-000CN	Cover, front upper	Covers (M855) on page 757
RC3-3718-000CN	Cover, front upper	Covers (M880) on page 759
RC3-3719-000CN	Cover, rear upper side	Covers (M880) on page 759
RC3-3758-000CN	Cover, HW integration pocket	Covers (M855) on page 757
RC3-3762-000CN	Cover, pocket base	Covers (M855) on page 757
RC3-3840-000CN	Shutter, fusing fan	Internal components (3 of 6) on page 767
RC3-5288-000CN	Cover, rear upper front	Covers (M880) on page 759
RC3-5289-000CN	Cover, rear upper rear	Covers (M880) on page 759
RC3-5290-000CN	Cover, rear upper, upper	Covers (M855) on page 757
RC3-5875-000CN	Cover, right lower	1x500-sheet feeder with stand (M855 only) covers on page 777
RC3-5875-000CN	Cover, right lower	3x500-sheet feeder covers on page 781
RC3-5875-000CN	Cover, right lower	HCl feeder covers on page 785

Table 2-70 Numerical parts list (continued)

Part number	Description	Table and page
RC3-5878-000CN	Cover, right front (3x500)	3x500-sheet feeder covers on page 781
RC3-5881-000CN	Cover, right rear	1x500-sheet feeder with stand (M855 only) covers on page 777
RC3-5881-000CN	Cover, right rear	3x500-sheet feeder covers on page 781
RC3-5881-000CN	Cover, right rear	HCI feeder covers on page 785
RC3-5882-000CN	Link, right door	HCI feeder internal components (1 of 2) on page 787
RC3-5884-000CN	Cover, front upper face	1x500-sheet feeder with stand (M855 only) covers on page 777
RC3-5884-000CN	Cover, front upper face	3x500-sheet feeder covers on page 781
RC3-5885-000CN	Cover, front upper face left	1x500-sheet feeder with stand (M855 only) covers on page 777
RC3-5885-000CN	Cover, front upper face left	3x500-sheet feeder covers on page 781
RC3-5886-000CN	Cover, front upper	1x500-sheet feeder with stand (M855 only) covers on page 777
RC3-5886-000CN	Cover, front upper	3x500-sheet feeder covers on page 781
RC3-5887-000CN	Cover, rear	1x500-sheet feeder with stand (M855 only) covers on page 777
RC3-5887-000CN	Cover, rear	3x500-sheet feeder covers on page 781
RC3-5896-000CN	Cover, rear (HCI)	HCI feeder covers on page 785
RC3-5913-000CN	Cover, left	1x500-sheet feeder with stand (M855 only) covers on page 777
RC3-5913-000CN	Cover, left	3x500-sheet feeder covers on page 781
RC3-5913-000CN	Cover, left	HCI feeder covers on page 785
RC3-5920-000CN	Cover, right front	1x500-sheet feeder with stand (M855 only) covers on page 777

Table 2-70 Numerical parts list (continued)

Part number	Description	Table and page
RC3-5943-000CN	Cover, assist left (IPTU)	Intermediate paper transfer unit (IPTU) assemblies on page 775
RC3-5944-000CN	Cover, assist right (IPTU)	Intermediate paper transfer unit (IPTU) assemblies on page 775
RC3-5952-000CN	Cover, right upper, rear	Covers (M855) on page 757
RC3-5960-000CN	Cover, rear upper MFP	Covers (M880) on page 759
RC3-5964-000CN	Cover, rear upper B	Covers (M855) on page 757
RC3-5964-000CN	Cover, rear upper B	Covers (M880) on page 759
RC3-5965-000CN	Cover, right upper front MFP	Covers (M880) on page 759
RC3-5969-000CN	Guide, cable right upper	Covers (M855) on page 757
RC3-5984-000CN	Cover, MP blanking	Right door assembly on page 761
RC3-5990-000CN	Cover, air duct	Internal components (4 of 6) on page 769
RC3-5991-000CN	Cover, face down drive	Covers (M855) on page 757
RC3-5991-000CN	Cover, face down drive	Covers (M880) on page 759
RC4-1291-000CN	Cover, right upper rear MFP	Covers (M880) on page 759
RC4-1378-000CN	Cover, rear	Covers (M855) on page 757
RC4-1378-000CN	Cover, rear	Covers (M880) on page 759
RC4-1386-000CN	Cap, rear right	Covers (M855) on page 757
RC4-1386-000CN	Cap rear right	Covers (M880) on page 759
RC4-2447-000CN	Cover, stepped lower (stapler/stacker)	Stapler/stacker covers on page 791
RC4-2447-000CN	Cover, stepped lower (booklet maker)	Booklet maker covers on page 793
RC4-2448-000CN	Cover, stepped, upper	Stapler/stacker covers on page 791
RC4-2448-000CN	Cover, stepped upper	Booklet maker covers on page 793
RC4-2449-000CN	Cover, open/close, stepped	Stapler/stacker covers on page 791
RC4-2449-000CN	Cover, open/close stepped	Booklet maker covers on page 793
RC4-2455-000CN	Guide, wall, upper	Stapler/stacker covers on page 791
RC4-2455-000CN	Guide, wall upper	Booklet maker covers on page 793

Table 2-70 Numerical parts list (continued)

Part number	Description	Table and page
RC4-2462-000CN	Cover, tray cable	Stapler/stacker covers on page 791
RC4-2462-000CN	Cover, tray cable	Booklet maker covers on page 793
RC4-2467-000CN	Guide, left lower (booklet maker)	Booklet maker covers on page 793
RC4-2471-000CN	Cover, saddle delivery inner (booklet maker)	Booklet maker covers on page 793
RC4-2474-000CN	Cover, inner lower	Stapler/stacker main body on page 801
RC4-2476-000CN	Cover, punch front lower (hole punch)	Stapler/stacker covers on page 791
RC4-2476-000CN	Cover, punch front lower (hole punch)	Booklet maker covers on page 793
RC4-2477-000CN	Cover, latch, lower	Stapler/stacker covers on page 791
RC4-2477-000CN	Cover, latch lower	Booklet maker covers on page 793
RC4-2478-000CN	Cover, punch front (hole punch)	Stapler/stacker covers on page 791
RC4-2478-000CN	Cover, punch front (hole punch)	Booklet maker covers on page 793
RC4-2482-000CN	Cover, punch rear (hole punch)	Stapler/stacker covers on page 791
RC4-2482-000CN	Cover, punch rear (hole punch)	Booklet maker covers on page 793
RC4-2797-000CN	Cover, blanking (IPTU)	Intermediate paper transfer unit (IPTU) assemblies on page 775
RC4-2822-000CN	Mylar sheet	Covers (M855) on page 757
RC4-4587-000CN	Band, door	Covers (M855) on page 757
RC4-4587-000CN	Band, door	Covers (M880) on page 759
RK2-1320-000CN	Stepping motor DC (M201, M202) (IPTU)	Intermediate paper transfer unit (IPTU) assemblies on page 775
RK2-1322-000CN	Fan (FM1)	Internal components (4 of 6) on page 769
RK2-1331-000CN	Stepping motor DC (M112) (HCI)	1x500-sheet feeder with stand components on page 779
RK2-1331-000CN	Motor, stepping (M112, M122, M132)	3x500-sheet feeder components on page 783

Table 2-70 Numerical parts list (continued)

Part number	Description	Table and page
RK2-1331-000CN	Stepping motor DC (M3302, M3304) (HCI)	HCI feeder internal components (1 of 2) on page 787
RK2-1363-000CN	Thermistor unit	Internal components (2 of 6) on page 765
RK2-1378-000CN	Fan (FM9, FM10)	Internal components (3 of 6) on page 767
RK2-1378-000CN	Fan (FM2, FM3, FM4)	Internal components (4 of 6) on page 769
RK2-1378-000CN	Fan (FM7)	Internal components (5 of 6) on page 771
RK2-1382-000CN	Fan (FM8)	Internal components (4 of 6) on page 769
RK2-4801-000CN	USB cable connecting SCB and ICB (M880)	Internal components (6 of 6) on page 773
RK2-4804-000CN	Cable, USB AB (M855)	Internal components (6 of 6) on page 773
RK2-4806-000CN	Cable, USB, BB (M855)	Internal components (6 of 6) on page 773
RK2-4811-000CN	Humidity sensor unit	Internal components (2 of 6) on page 765
RK2-4814-000CN	Motor, stepping DC (M21, M22)	Internal components (4 of 6) on page 769
RK2-4836-000CN	Cable, USB MFP (M880)	Internal components (6 of 6) on page 773
RK2-4839-000CN	FFC, laser	Internal components (2 of 6) on page 765
RK2-4841-000CN	FFC, laser	Internal components (2 of 6) on page 765
RK2-4843-000CN	Cable, video interface (M855)	Internal components (6 of 6) on page 773
RK2-4845-000CN	Cable, toner tag	Internal components (4 of 6) on page 769
RL1-3637-000CN	Cover, front inner lower	Internal components (5 of 6) on page 771
RL1-4000-000CN	Plate, drawer	HCI feeder internal components (1 of 2) on page 787
RL1-4003-000CN	Assembly, low-voltage power supply	Internal components (5 of 6) on page 771
RL1-4005-000CN	Assembly, fuser power supply	Internal components (6 of 6) on page 773
RM1-3222-000CN	Assembly, lifter drive	Internal components (5 of 6) on page 771

Table 2-70 Numerical parts list (continued)

Part number	Description	Table and page
RM1-3280-000CN	Assembly, ITB alienation drive	Internal components (3 of 6) on page 767
RM1-3364-000CN	Assembly, fan	Internal components (2 of 6) on page 765
RM1-3531-000CN	Assembly, auto close (HCI)	1x500-sheet feeder with stand components on page 779
RM1-3531-060CN	Assembly, auto close	3x500-sheet feeder components on page 783
RM1-4394-000CN	Fan assembly (FM201) (IPTU)	Intermediate paper transfer unit (IPTU) assemblies on page 775
RM1-4519-000CN	Assembly, DC motor (M10, M11)	Internal components (4 of 6) on page 769
RM1-8869-000CN	Assembly, paper pick up, right (HCI)	HCI feeder internal components (2 of 2) on page 789
RM1-8872-000CN	Assembly, paper pick up drive (HCI)	HCI feeder internal components (1 of 2) on page 787
RM1-8876-000CN	Assembly, paper pick up, left (HCI)	HCI feeder internal components (2 of 2) on page 789
RM1-8879-000CN	Assembly, lifter drive (M3302, M3303) (HCI)	HCI feeder internal components (1 of 2) on page 787
RM1-8880-000CN	Assembly, auto close (HCI)	HCI feeder internal components (1 of 2) on page 787
RM1-9579-000CN	Assembly, media level sensor (HCI)	HCI feeder internal components (1 of 2) on page 787
RM1-9599-000CN	Assembly, cassette paper pick up	Internal components (5 of 6) on page 771
RM1-9606-000CN	Assembly, fuser drive	Internal components (4 of 6) on page 769
RM1-9614-000CN	Assembly, drum motor (M13, M13, M14, M15)	Internal components (4 of 6) on page 769
RM1-9615-000CN	Assembly, MP Guide	Internal components (5 of 6) on page 771
RM1-9621-000CN	Assembly, registration 2nd transfer	Internal components (3 of 6) on page 767
RM1-9629-000CN	Assembly, photo sensor	Internal components (2 of 6) on page 765
RM1-9631-000CN	Assembly, face down end tray	Covers (M855) on page 757
RM1-9631-000CN	Assembly, face down end tray	Covers (M880) on page 759

Table 2-70 Numerical parts list (continued)

Part number	Description	Table and page
RM1-9633-000CN	Assembly, switch back cover	Covers (M855) on page 757
RM1-9633-000CN	Assembly, switch back cover	Covers (M880) on page 759
RM1-9640-000CN	Assembly, right door sub	Right door assembly on page 761
RM1-9642-000CN	Assembly, MP tray	Right door assembly on page 761
RM1-9644-000CN	Assembly, MP paper pick up	Right door assembly on page 761
RM1-9841-000CN	Assembly, face down paper delivery	Internal components (2 of 6) on page 765
RM1-9843-000CN	Assembly, MP drive	Internal components (2 of 6) on page 765
RM1-9857-000CN	Assembly, shutter gear holder	Internal components (3 of 6) on page 767
RM2-0256-000CN	Assembly, right door (HCI)	HCI feeder covers on page 785
RM2-0270-000CN	Assembly, merge paper feed (HCI)	HCI feeder internal components (2 of 2) on page 789
RM2-0273-000	Assembly, cassette	1x500-sheet feeder with stand components on page 779
RM2-0273-000CN	Assembly, cassette	3x500-sheet feeder components on page 783
RM2-0275-000	Assembly, paper pick-up	1x500-sheet feeder with stand components on page 779
RM2-0275-000CN	Assembly, paper pick up	3x500-sheet feeder components on page 783
RM2-0276-000CN	Assembly, cassette	3x500-sheet feeder components on page 783
RM2-0280-000CN	Assembly, right door	3x500-sheet feeder covers on page 781
RM2-0281-000CN	Assembly, right door	1x500-sheet feeder with stand (M855 only) covers on page 777
RM2-0282-000CN	Assembly, stock box	1x500-sheet feeder with stand (M855 only) covers on page 777
RM2-0283-000CN	Assembly, stock box cover	1x500-sheet feeder with stand (M855 only) covers on page 777
RM2-0291-000CN	Assembly, duplex reverse (M855)	Internal components (2 of 6) on page 765
RM2-0294-000CN	Assembly, left front cover	Covers (M855) on page 757

Table 2-70 Numerical parts list (continued)

Part number	Description	Table and page
RM2-0294-000CN	Assembly, left front cover	Covers (M880) on page 759
RM2-0295-000CN	Assembly, top cover	Covers (M855) on page 757
RM2-0295-000CN	Assembly, top cover	Covers (M880) on page 759
RM2-0296-000CN	Assembly, interconnect board (ICB) (M855)	Internal components (6 of 6) on page 773
RM2-0313-000CN	Assembly, upper front inner cover (M855)	Internal components (5 of 6) on page 771
RM2-0715-000	Assembly, controller PCA	1x500-sheet feeder with stand components on page 779
RM2-0716-000CN	Assembly, controller PCA	3x500-sheet feeder components on page 783
RM2-0717-000CN	Assembly, controller PCA (HCI)	HCI feeder internal components (1 of 2) on page 787
RM2-5014-000CN	Cassette, Tray 2 (1x500 engine)	Internal components (5 of 6) on page 771
RM2-5016-000CN	Upper cover assembly (IPTU)	Intermediate paper transfer unit (IPTU) assemblies on page 775
RM2-5022-000CN	Cartridge pressure assembly	Internal components (5 of 6) on page 771
RM2-5023-000CN	Assembly, switch back tray	Covers (M855) on page 757
RM2-5023-000CN	Assembly, switch back tray	Covers (M880) on page 759
RM2-5024-000CN	Side panel assembly (IPTU)	Intermediate paper transfer unit (IPTU) assemblies on page 775
RM2-5034-000CN	Assembly, upper front inner cover (M880)	Internal components (5 of 6) on page 771
RM2-5035-000CN	Assembly, interconnect board (ICB) (M880)	Internal components (6 of 6) on page 773
RM2-5038-000CN	Finisher lock assembly (IPTU)	Intermediate paper transfer unit (IPTU) assemblies on page 775
RM2-5046-000CN	Assembly, main switch PCA	Internal components (5 of 6) on page 771
RM2-5049-000CN	Assembly, left cover	Covers (M855) on page 757
RM2-5049-000CN	Assembly, left cover	Covers (M880) on page 759
RM2-5057-000CN	Lower guide assembly (IPTU)	Intermediate paper transfer unit (IPTU) assemblies on page 775
RM2-5061-000CN	Assembly, duplex reverse (M880)	Internal components (2 of 6) on page 765

Table 2-70 Numerical parts list (continued)

Part number	Description	Table and page
RM2-5062-000CN	Assembly, interlock switch (SW101, SW102)	Internal components (3 of 6) on page 767
RM2-5063-000CN	Assembly, right upper cover	Covers (M855) on page 757
RM2-5176-000CN	Assembly, scanner	Internal components (2 of 6) on page 765
RM2-5304-000CN	Assembly, inner cover lower	Booklet maker main body on page 803
RM2-5305-000CN	Assembly, inner cover upper	Stapler/stacker main body on page 801
RM2-5305-000CN	Assembly, inner cover upper	Booklet maker main body on page 803
RM2-5307-000CN	Assembly, swing guide	Finisher main body (3 of 3) on page 799
RM2-5309-000CN	Assembly, operation tray	Finisher main body (2 of 3) on page 797
RM2-5318-000CN	Assembly, saddle tray (booklet maker)	Booklet maker covers on page 793
RM2-5319-000CN	Assembly, latch	Stapler/stacker covers on page 791
RM2-5319-000CN	Latch assembly	Booklet maker covers on page 793
RM2-5320-000CN	Assembly, front cover	Stapler/stacker covers on page 791
RM2-5321-000CN	Assembly, rear cover	Stapler/stacker covers on page 791
RM2-5321-000CN	Assembly, rear cover	Booklet maker covers on page 793
RM2-5322-000CN	Assembly, upper cover	Stapler/stacker covers on page 791
RM2-5322-000CN	Assembly, upper cover	Booklet maker covers on page 793
RM2-5324-000CN	Stack upper tray assembly	Finisher main body (1 of 3) on page 795
RM2-5332-000CN	Assembly, saddle paper delivery	Booklet maker saddle assembly on page 807
RM2-5334-000CN	Assembly, paper pass	Stapler/stacker main body on page 801
RM2-5336-000CN	Assembly, hole punch upper cover	Stapler/stacker covers on page 791
RM2-5336-000CN	Punch cover assembly upper (hole punch)	Booklet maker covers on page 793
RM2-5337-000CN	Assembly, punch inner cover (hole punch)	Stapler/stacker main body on page 801

Table 2-70 Numerical parts list (continued)

Part number	Description	Table and page
RM2-5337-000CN	Assembly, punch inner cover (hole punch)	Booklet maker main body on page 803
RM2-5339-000CN	Stack lower tray assembly	Finisher main body (1 of 3) on page 795
RM2-5343-000CN	Assembly, upper stack wall	Stapler/stacker covers on page 791
RM2-5343-000CN	Assembly, stack wall upper	Booklet maker covers on page 793
RM2-5349-000CN	Assembly, upper delivery guide	Booklet maker saddle assembly on page 807
RM2-5351-000CN	Assembly, saddle paper feed	Booklet maker main body on page 803
RM2-5352-000CN	Assembly, latch (hole punch)	Stapler/stacker covers on page 791
RM2-5352-000CN	Latch assembly (hole punch)	Booklet maker covers on page 793
RM2-5521-000CN	Assembly, interface cable	Finisher main body (3 of 3) on page 799
RM2-5633-000CN	Assembly, delivery switch mount	Booklet maker saddle assembly on page 807
RM2-5849-000CN	Assembly, entrance sensor flag	Finisher main body (2 of 3) on page 797
RM2-5851-000CN	Assembly, front cover	Booklet maker covers on page 793
RM2-5852-000CN	Assembly, height wall center	Booklet maker covers on page 793
RM2-5853-000CN	Assembly, height wall, lower (stapler/stacker)	Stapler/stacker covers on page 791
RM2-6024-000CN	Assembly, entrance upper guide (booklet maker)	Finisher main body (2 of 3) on page 797
RM2-6079-000CN	Cover, foot front (stapler/stacker)	Stapler/stacker covers on page 791
RM2-6079-000CN	Assembly, front foot cover	Booklet maker covers on page 793
RM2-6080-000CN	Cover, foot, rear	Stapler/stacker covers on page 791
RM2-6080-000CN	Assembly, rear foot cover	Booklet maker covers on page 793
RM2-6102-000CN	Punch waste bin	Stapler/stacker main body on page 801
RM2-6102-000CN	Punch waste bin	Booklet maker main body on page 803

Table 2-70 Numerical parts list (continued)

Part number	Description	Table and page
RM2-7001-000CN	Assembly, high-voltage power supply tran. A PCA	Internal components (6 of 6) on page 773
RM2-7002-000CN	Assembly, HVPS Trans B PCA	Internal components (1 of 6) on page 763
RM2-7005-000CN	Assembly, DC controller PCA (M855)	Internal components (6 of 6) on page 773
RM2-7006-000CN	Assembly, DC controller PCA (M880)	Internal components (6 of 6) on page 773
RM2-7009-000CN	Assembly, memory tag PCA	Internal components (4 of 6) on page 769
RM2-7019-000CN	Controller PCA assembly (IPTU)	Intermediate paper transfer unit (IPTU) assemblies on page 775
RM2-7026-000CN	Assembly, CPR sensor	Internal components (3 of 6) on page 767
RM2-7035-000CN	Door open switch assembly	Internal components (5 of 6) on page 771
RM2-7067-000CN	Cable, CP s (M855)	Internal components (6 of 6) on page 773
RM2-7582-000CN	Assembly, main controller PCA	Finisher main body (3 of 3) on page 799
RM2-7586-000CN	Assembly, saddle controller PCA	Booklet maker saddle assembly on page 807
RM2-7590-000CN	Assembly, common driver PCA	Stapler/stacker main body on page 801
RM2-7590-000CN	Common driver PCA assembly	Booklet maker main body on page 803
RM2-7592-000CN	Assembly, punch controller PCA (hole punch)	Stapler/stacker main body on page 801
RM2-7592-000CN	Punch controller PCA assembly	Booklet maker main body on page 803
RU7-0713-000CN	Gear, 17T/66T	Internal components (3 of 6) on page 767
RU7-0714-000CN	Gear, 42 T	Internal components (3 of 6) on page 767
VS1-7257-012CN	Connector, drawer	1x500-sheet feeder with stand components on page 779
VS1-7257-012CN	Connector, drawer	3x500-sheet feeder components on page 783
VS1-7257-012CN	Connector, drawer	HCl feeder internal components (1 of 2) on page 787
VS1-7258-000CN	Connector	Internal components (6 of 6) on page 773

Table 2-70 Numerical parts list (continued)

Part number	Description	Table and page
WC2-5512-000CN	Switch, button (SW113)	3x500-sheet feeder components on page 783
WC2-5512-000CN	Switch, button (SW3301) (HCI)	HCI feeder internal components (1 of 2) on page 787
WG8-5593-000CN	Photo interrupter tlp1242	Finisher main body (2 of 3) on page 797
WG8-5935-000CN	IC photo interrupter	Internal components (1 of 6) on page 763
WG8-5935-000CN	IC photo interrupter	Internal components (4 of 6) on page 769
WG8-5935-000CN	IC, photo interrupter	Internal components (5 of 6) on page 771
XA9-1686-000CN	Screw, M3x8	Internal components (3 of 6) on page 767
XA9-1986-000CN	Screw, TP M2x10	Internal components (3 of 6) on page 767
XD2-1100-322	E ring, clutch	Finisher main body (3 of 3) on page 799
XD3-2200-000CN	Pin, dowel	Finisher main body (3 of 3) on page 799
XD9-0136-000CN	E-ring	Finisher main body (3 of 3) on page 799
XD9-0136-000CN	E-ring	Booklet maker saddle assembly on page 807
XF2-1607860CN	Belt, timing cogged	Finisher main body (3 of 3) on page 799
XF2-1608-840CN	Belt, timing	Finisher main body (3 of 3) on page 799
XF9-0748-000CN	Belt, timing cogged	Finisher main body (3 of 3) on page 799
XG9-0520-000CN	Bearing , ball MF 106ZZS	Finisher main body (3 of 3) on page 799

Index

Symbols/Numerics

- 1x500 storage box door, 1x500- and 3x500-sheet feeders
 - removing and replacing 396
 - 1x500 storage box, 1x500- and 3x500-sheet feeders
 - removing and replacing 398
 - 1x500 Tray 3
 - removing and replacing 18
 - 1x500 Tray 3 automatic close assembly, 1x500- and 3x500-sheet feeders
 - removing and replacing 419
 - 1x500 Tray 3 pickup assembly, 1x500- and 3x500-sheet feeders
 - removing and replacing 402
 - 1x500- and 3x500-sheet feeder
 - left cover, removing and replacing 425
 - right door assembly, removing and replacing 428
 - right rear cover, removing and replacing 430
 - 1x500- and 3x500-sheet feeders
 - 1x500 storage box door, removing and replacing 396
 - 1x500 storage box, removing and replacing 398
 - 1x500 Tray 3 automatic close assembly, removing and replacing 419
 - 1x500 Tray 3 pickup assembly, removing and replacing 402
 - 3x500 Tray 3 pickup assembly, removing and replacing 407
 - 3x500 Tray 3, Tray 4, and Tray 5 automatic close assemblies, removing and replacing 420
 - 3x500 Tray 3, Tray 4, and Tray 5 pickup motors, removing and replacing 422
 - 3x500 Tray 4 pickup assembly, removing and replacing 412
 - 3x500 Tray 5 pickup assembly, removing and replacing 416
 - location of components 383
 - rear cover, removing and replacing 387
 - right front cover, removing and replacing 388
 - right lower cover, removing and replacing 400
 - upper front cover, removing and replacing 392
 - upper front face cover, removing and replacing 390
 - upper front left face cover, removing and replacing 395
- 3,500-sheet high-capacity input tray
 - part number 712
- 3x500 Tray 3
 - removing and replacing 18
 - 3x500 Tray 3 pickup assembly, 1x500- and 3x500-sheet feeders
 - removing and replacing 407
 - 3x500 Tray 3, Tray 4, and Tray 5 automatic close assemblies, 1x500- and 3x500-sheet feeders
 - removing and replacing 420
 - 3x500 Tray 3, Tray 4, and Tray 5 pickup motors, 1x500- and 3x500-sheet feeders
 - removing and replacing 422
 - 3x500 Tray 4
 - removing and replacing 18
 - 3x500 Tray 4 pickup assembly, 1x500- and 3x500-sheet feeders
 - removing and replacing 412
 - 3x500 Tray 5
 - removing and replacing 18
 - 3x500 Tray 5 pickup assembly, 1x500- and 3x500-sheet feeders
 - removing and replacing 416
 - 3x500-sheet paper deck
 - part number 712
- ## A
- accessories
 - ordering 708
 - part number 712
 - after-service checklist 4
 - alignment
 - adjusting for finishing accessories 504
- ## B
- background selector (M880)
 - removing and replacing 44
 - before-service checklist 4
 - bin cable cover (finishing accessories)
 - removing and replacing 492
 - booklet maker accessory
 - adjust folding position 506
 - removing and replacing procedures 607
 - booklet maker accessory controller PCA
 - removing and replacing 615
 - booklet maker with hole punch (BMHP) accessory
 - removing and replacing procedures 682

- C**
- cartridge fan FM3 (yellow and magenta)
 - removing and replacing 214
 - cartridge fan FM4 (cyan and black)
 - removing and replacing 218
 - cartridge front area cooling fan FM7
 - removing and replacing 228
 - cartridge interface PCA (cyan and black)
 - removing and replacing 284
 - cartridge interface PCA (yellow and magenta)
 - removing and replacing 286
 - cartridges
 - ordering 708
 - part number 708
 - cautions iii
 - clutch (front side, finishing accessories)
 - removing and replacing 482
 - clutch (rear side, finishing accessories)
 - removing and replacing 588
 - color-plane registration (CPR)
 - sensor assembly
 - removing and replacing 264
 - common driver PCA (booklet maker and stapler/stacker accessories)
 - removing and replacing 599
 - control panel assembly (M855)
 - removing and replacing 47
 - control panel assembly (M880)
 - removing and replacing 53
 - controller PCA main (finishing accessories)
 - removing and replacing 498
 - controller PCA, high-capacity input (HCI) feeder
 - removing and replacing 382, 424
 - conventions, document iii
 - CPR (color-plane registration)
 - sensor assembly
 - removing and replacing 264
 - CSR (customer self-repair) parts
 - part numbers 709
- D**
- customer self-repair (CSR) parts
 - part numbers 709
 - DC controller PCA
 - removing and replacing 263
 - delivery fan FM8
 - removing and replacing 226
 - delivery switch mount assembly (booklet maker accessory)
 - removing and replacing 638
 - diagrams 707
 - DIMM
 - removing and replacing 32
 - document conventions iii
 - document feeder assembly (M880)
 - removing and replacing 154
 - document feeder mylar strip
 - removing and replacing 36
 - document feeder white backing
 - removing and replacing 39
 - document-feeder roller (M880 only)
 - removing and replacing 68
 - document-feeder separation pad (M880 only)
 - removing and replacing 70
 - driver PCA, IPTU
 - removing and replacing 442
 - drivers
 - paper types 7
 - duplex reverse assembly (M855)
 - removing and replacing 319
 - duplex reverse assembly (M880)
 - removing and replacing 320
 - duplexing feed assembly
 - removing and replacing 345
- E**
- electrostatic discharge (ESD) 2
 - entrance upper guide assembly (finishing accessories)
 - removing and replacing 513
 - envelopes
 - supported sizes 4
 - environmental sensor
 - removing and replacing 247
 - ESD electrostatic discharge (ESD) 2
- F**
- face-down bin
 - removing and replacing 101
 - face-down cover
 - removing and replacing 343
 - face-down delivery unit (M855)
 - removing and replacing 327
 - face-down delivery unit (M880)
 - removing and replacing 332
 - fan assembly, IPTU
 - removing and replacing 446
 - fax PCA (M880)
 - removing and replacing 35
 - field-replaceable units (FRUs)
 - replacing 2
 - finisher lock assembly, IPTU
 - removing and replacing 443
 - finishing accessories
 - identifying covers and doors 460
 - identifying models 457
 - shared removing and replacing procedures 464
 - firmware
 - reinstall 30
 - FM1
 - removing and replacing 222
 - FM10
 - removing and replacing 200
 - FM2
 - removing and replacing 207
 - FM3
 - removing and replacing 214
 - FM4
 - removing and replacing 218
 - FM7
 - removing and replacing 228
 - FM8
 - removing and replacing 226
 - FM9
 - removing and replacing 204
 - folding motor mount assembly (booklet maker accessory)
 - removing and replacing 633
 - folding position
 - adjusting booklet maker 506
 - formatter
 - removing and replacing 23, 257

- formatter case
 - removing and replacing 255, 257
 - front door
 - removing and replacing 137
 - front door (finishing accessories)
 - removing and replacing 479
 - front foot cover (finishing accessories)
 - removing and replacing 490
 - front inner cover
 - removing and replacing 147
 - front top cover
 - removing and replacing 115
 - front-door open detection switch
 - removing and replacing 169
 - FRUs (field-replaceable units)
 - replacing 2
 - fuser
 - removing and replacing 21
 - fuser drive assembly
 - removing and replacing 298
 - fuser fan duct
 - removing and replacing 211
 - fuser fan FM2
 - removing and replacing 207
 - fuser home position sensor
 - removing and replacing 192
 - fuser motor
 - removing and replacing 242
 - fuser power supply
 - removing and replacing 235
 - fuser-edge area cooling fan FM10 (front)
 - removing and replacing 200
 - fuser-edge area cooling fan FM9 (rear)
 - removing and replacing 204
- G**
- guide motor assembly (booklet maker accessory)
 - removing and replacing 625
 - guide sensor assembly (booklet maker accessory)
 - removing and replacing 623
- H**
- hard disk drive (HDD)
 - removing and replacing 25
 - hardware integration pocket (HIP) cover (M855)
 - removing and replacing 97
 - hardware integration pocket (HIP) cover (M880)
 - removing and replacing 98
 - HCI (high-capacity input) feeder controller PCA, removing and replacing 382
 - left cover, removing and replacing 425
 - left tray automatic close assembly, removing and replacing 374
 - left tray lifter drive assembly, removing and replacing 370
 - left tray media-level sensor assembly, removing and replacing 372
 - left tray pickup assembly, removing and replacing 377
 - left tray pickup drive, removing and replacing 368
 - left tray pickup motor, removing and replacing 367
 - left tray, removing and replacing 361
 - location of components 357
 - merge assembly, removing and replacing 380
 - rear cover, removing and replacing 362
 - right door assembly, removing and replacing 428
 - right lower cover, removing and replacing 363
 - right rear cover, removing and replacing 430
 - right tray automatic close assembly, removing and replacing 373
 - right tray lifter drive assembly, removing and replacing 369
 - right tray media-level sensor assembly, removing and replacing 371
 - right tray pickup assembly, removing and replacing 375
 - right tray pickup drive, removing and replacing 366
 - right tray pickup motor, removing and replacing 365
 - right tray, removing and replacing 360
 - HCI (high-capacity input) rollers
 - removing and replacing 80
 - HDD (hard disk drive)
 - removing and replacing 25
 - height wall assembly (finishing accessories)
 - removing and replacing 546
 - high-capacity input (HCI) feeder controller PCA, removing and replacing 382, 424
 - left cover, removing and replacing 425
 - left tray automatic close assembly, removing and replacing 374
 - left tray lifter drive assembly, removing and replacing 370
 - left tray media-level sensor assembly, removing and replacing 372
 - left tray pickup assembly, removing and replacing 377
 - left tray pickup drive, removing and replacing 368
 - left tray pickup motor, removing and replacing 367
 - left tray, removing and replacing 361
 - location of components 357
 - merge assembly, removing and replacing 380
 - rear cover, removing and replacing 362
 - right door assembly, removing and replacing 428
 - right lower cover, removing and replacing 363
 - right rear cover, removing and replacing 430
 - right tray automatic close assembly, removing and replacing 373
 - right tray lifter drive assembly, removing and replacing 369

- right tray media-level sensor assembly, removing and replacing 371
- right tray pickup assembly, removing and replacing 375
- right tray pickup drive, removing and replacing 366
- right tray pickup motor, removing and replacing 365
- right tray, removing and replacing 360
- high-capacity input rollers (HCI) removing and replacing 80
- high-voltage power supply (HVPS)
 - A (first transfer) removing and replacing 272
- high-voltage power supply (HVPS)
 - B removing and replacing 260
- HIP (hardware integration pocket) cover (M855) removing and replacing 97
- HIP (hardware integration pocket) cover (M880) removing and replacing 98
- HVPS (high-voltage power supply)
 - A (first transfer) removing and replacing 272
- HVPS (high-voltage power supply)
 - B removing and replacing 260
- I**
- ICB (interconnect board) removing and replacing 257
- image-drum motor removing and replacing 233
- imaging drum removing and replacing 15
- inner lower cover (finishing accessories) removing and replacing 486
- inner side plate assembly (booklet maker accessory) removing and replacing 616
- inner upper cover (finishing accessories) removing and replacing 480
- input accessories removing and replacing 356
- installation 2
- screws 2
- See also* replacing parts
- interconnect board (ICB) removing and replacing 257
- interconnect PCA (M855) removing and replacing 248
- interconnect PCA (M880) removing and replacing 252
- interface cable (finishing accessories) removing and replacing 601
- interlock switch assembly removing and replacing 167
- intermediate paper transport unit (IPTU) driver PCA removing and replacing 442
- intermediate paper transport unit (IPTU) fan assembly removing and replacing 446
- intermediate paper transport unit (IPTU) rear cover removing and replacing 439
- intermediate paper transport unit (IPTU) side panel assembly removing and replacing 447
- intermediate paper transport unit (IPTU) upper guide assembly removing and replacing 451
- intermediate transfer belt (ITB) remove and replace 19
- intermediate transfer belt (ITB) alienation-drive assembly removing and replacing 240
- intermediate transfer belt (ITB) motor removing and replacing 243
- IPTU (intermediate paper transport unit) driver PCA removing and replacing 442
- IPTU (intermediate paper transport unit) fan assembly removing and replacing 446
- IPTU (intermediate paper transport unit) finisher lock assembly removing and replacing 443
- IPTU (intermediate paper transport unit) rear cover removing and replacing 439
- IPTU (intermediate paper transport unit) side panel assembly removing and replacing 447
- IPTU (intermediate paper transport unit) upper guide assembly removing and replacing 451
- ITB (intermediate transfer belt) remove and replace 19
- ITB (intermediate transfer belt) motor removing and replacing 243
- ITB alienation-drive assembly removing and replacing 240
- K**
- keyboard assembly (M880) removing and replacing 59
- knob (booklet maker) removing and replacing 608
- L**
- laser scanner warning for servicing 2
- laser/scanner assembly (cyan and black) removing and replacing 312
- laser/scanner assembly (yellow and magenta) removing and replacing 307
- laser/scanner fan FM1 removing and replacing 222
- latch assembly (finishing accessories) removing and replacing 470
- latch lower cover (front, finishing accessories) removing and replacing 468
- left cover removing and replacing 118
- left cover, 1x500- and 3x500-sheet feeder removing and replacing 425
- left cover, high-capacity input (HCI) feeder removing and replacing 425
- left front cover removing and replacing 133

- left rear cover
 - removing and replacing 104
 - left tray automatic close assembly, high-capacity input (HCI) feeder
 - removing and replacing 374
 - left tray lifter drive assembly, high-capacity input (HCI) feeder
 - removing and replacing 370
 - left tray media-level sensor assembly, high-capacity input (HCI) feeder
 - removing and replacing 372
 - left tray pickup assembly, high-capacity input (HCI) feeder
 - removing and replacing 377
 - left tray pickup drive, high-capacity input (HCI) feeder
 - removing and replacing 368
 - left tray pickup motor, high-capacity input (HCI) feeder
 - removing and replacing 367
 - left tray, high-capacity input (HCI) feeder
 - removing and replacing 361
 - left upper rear cover and rear upper B cover (M880)
 - removing and replacing 111
 - lifter-drive assembly
 - removing and replacing 276
 - low-voltage power supply (LVPS)
 - removing and replacing 269
 - lower left guide (booklet maker accessory)
 - removing and replacing 643
 - lower right cover
 - removing and replacing 106
 - lower stepped cover (finishing accessories)
 - removing and replacing 474
 - LVPS (low-voltage power supply)
 - removing and replacing 269
- M**
- main drive assembly
 - removing and replacing 288
 - main switch assembly
 - removing and replacing 173
 - media
 - supported sizes 4
 - supported types 7
 - memory DIMM
 - removing and replacing 32
 - memory tag PCA
 - removing and replacing 230
 - merge assembly, high-capacity input (HCI) feeder
 - removing and replacing 380
 - multipurpose tray (Tray 1) drive assembly
 - removing and replacing 183
 - multipurpose tray (Tray 1) guide assembly
 - removing and replacing 190
 - multipurpose tray (Tray 1) pickup assembly
 - removing and replacing 350
 - mylar strips
 - replacing 37
- N**
- notes iii
- O**
- open/closed stepped cover (finishing accessories)
 - removing and replacing 471
 - operation tray assembly (finishing accessories)
 - removing and replacing 564
 - ordering
 - product documents 708
 - supplies and accessories 708
 - toner cartridges 708
- P**
- paper
 - supported sizes 4
 - supported types 7
 - paper detect holder assembly (finishing accessories)
 - removing and replacing 562
 - paper face sensor and flag assembly (finishing accessories)
 - removing and replacing 548
 - paper feed drive assembly (finishing accessories)
 - removing and replacing 533
 - paper pass assembly (stapler/stacker accessory)
 - removing and replacing 603
 - part number
 - accessories 712
 - part numbers
 - customer self-repair parts 709
 - replacement parts 709
 - toner cartridge 708
 - parts 707
 - ordering 708
 - parts lists and diagrams
 - covers 756
 - using 714
 - pickup, feed, and separation
 - rollers and pads, remove 67
 - press motor (finishing accessories)
 - removing and replacing 595
 - pressure roller assembly (finishing accessories)
 - removing and replacing 535
 - primary transfer-roller disengagement motor
 - removing and replacing 238
 - punch controller PCA (BMHP and SSHP accessories)
 - removing and replacing 687
 - punch front cover (BMHP and SSHP accessories)
 - removing and replacing 682
 - punch hole assembly (stapler/stacker with hole punch accessory)
 - removing and replacing 694
 - punch inner cover (stapler/stacker with hole punch accessory)
 - removing and replacing 689
 - punch lower front cover (BMHP and SSHP accessories)
 - removing and replacing 684
 - punch rear cover (BMHP and SSHP accessories)
 - removing and replacing 686
 - punch top cover (BMHP and SSHP accessories)
 - removing and replacing 691
 - punch waste tray (stapler/stacker with hole punch accessory)
 - removing and replacing 688
- R**
- rear cover
 - removing and replacing 143

- rear cover assembly (finishing accessories)
 - removing and replacing 496
 - rear cover, 1x500- and 3x500-sheet feeders
 - removing and replacing 387
 - rear cover, high-capacity input (HCI) feeder
 - removing and replacing 362
 - rear cover, IPTU
 - removing and replacing 439
 - rear foot cover (finishing accessories)
 - removing and replacing 516
 - rear top cover (M855)
 - removing and replacing 116
 - rear upper front cover (M880)
 - removing and replacing 113
 - rear upper MFP cover (M880)
 - removing and replacing 109
 - rear upper rear cover (M880)
 - removing and replacing 107
 - related documentation and software
 - order parts 708
 - removal order
 - removing order 4
 - removal strategy
 - removing and replacing 2
 - remove the scanner front cover
 - scanner front cover, removing and replacing 91
 - remove the scanner left cover
 - scanner left cover, removing and replacing 89
 - remove the scanner right cover
 - scanner right cover, removing and replacing 90
 - removing parts
 - after-service checklist 4
 - before-service checklist 4
 - service approach 3
 - tools, required 3
 - repair approach 3
 - replace covers and doors
 - removing and replacing covers and doors 82
 - replacement parts
 - part numbers 709
 - replacing parts
 - about 2
 - after-service checklist 4
 - before-service checklist 4
 - screws 2
 - service approach 3
 - tools, required 3
 - return roller assembly (finishing accessories)
 - removing and replacing 586
 - right cover (booklet maker PCA)
 - removing and replacing 611
 - right door assembly
 - removing and replacing 129
 - right door assembly, 1x500- and 3x500-sheet feeder
 - removing and replacing 428
 - right door assembly, high-capacity input (HCI) feeder
 - removing and replacing 428
 - right front cover, 1x500- and 3x500-sheet feeders
 - removing and replacing 388
 - right lower cover, 1x500- and 3x500-sheet feeders
 - removing and replacing 400
 - right lower cover, high-capacity input (HCI) feeder
 - removing and replacing 363
 - right rear cover
 - removing and replacing 146
 - right rear cover, 1x500- and 3x500-sheet feeder
 - removing and replacing 430
 - right rear cover, high-capacity input (HCI) feeder
 - removing and replacing 430
 - right tray automatic close assembly, high-capacity input (HCI) feeder
 - removing and replacing 373
 - right tray lifter drive assembly, high-capacity input (HCI) feeder
 - removing and replacing 369
 - right tray media-level sensor assembly, high-capacity input (HCI) feeder
 - removing and replacing 371
 - right tray pickup assembly, high-capacity input (HCI) feeder
 - removing and replacing 375
 - right tray pickup drive, high-capacity input (HCI) feeder
 - removing and replacing 366
 - right tray pickup motor, high-capacity input (HCI) feeder
 - removing and replacing 365
 - right tray, high-capacity input (HCI) feeder
 - removing and replacing 360
 - right upper cover (M855)
 - removing and replacing 124
 - right upper front cover (M855)
 - removing and replacing 120
 - right upper front cover (M880)
 - removing and replacing 122
 - right upper rear cover (M855)
 - removing and replacing 96
 - right upper rear cover (M880)
 - removing and replacing 108
 - rollers
 - transfer, remove and replace 16
- S**
- saddle assembly (booklet maker accessory)
 - removing and replacing 660
 - saddle delivery inner cover, front (booklet maker accessory)
 - removing and replacing 645
 - saddle delivery inner cover, rear (booklet maker accessory)
 - removing and replacing 647
 - saddle feed assembly (booklet maker accessory)
 - removing and replacing 655
 - saddle feed motor assembly (booklet maker accessory)
 - removing and replacing 629
 - saddle guide assembly (booklet maker accessory)
 - removing and replacing 649
 - saddle motor (stapler/stacker and booklet maker accessories)
 - removing and replacing 627

- saddle output bin assembly (booklet maker)
 - removing and replacing 609
 - saddle paper delivery assembly (booklet maker accessory)
 - removing and replacing 671
 - saddle rear end sensor assembly (booklet maker accessory)
 - removing and replacing 674
 - saddle stapler assembly (booklet maker accessory)
 - removing and replacing 641
 - scanner assembly (M880)
 - removing and replacing 162
 - scanner back cover
 - removing and replacing 88
 - scanner control board (SCB) (M880)
 - removing and replacing 160
 - scanner cover
 - removing and replacing 306
 - scanner front cover (M880)
 - removing and replacing 91
 - scanner left cover (M880)
 - removing and replacing 89
 - scanner right cover (M880)
 - removing and replacing 90
 - SCB (scanner control board) (M880)
 - removing and replacing 160
 - screwdrivers, required 3
 - screws
 - installing 2
 - types of 3
 - secondary transfer assembly
 - removing and replacing 175
 - sensor switch assembly (finishing accessories)
 - removing and replacing 483
 - service approach 3
 - service replacement parts
 - order parts 711
 - shared input accessory covers and doors
 - removing and replacing 425
 - shutter gear holder assembly
 - removing and replacing 194
 - side panel assembly, IPTU
 - removing and replacing 447
 - sizes of paper supported 4
 - solid state memory (SSM)
 - removing and replacing 25
 - SSM (solid state memory)
 - removing and replacing 25
 - stack ejection motor (finishing accessories)
 - removing and replacing 591
 - stack upper bin and lower bin assemblies (finishing accessories)
 - removing and replacing 540
 - stack wall upper assembly and upper wall guide (finishing accessories)
 - removing and replacing 518
 - staple assembly (finishing accessories)
 - removing and replacing 558
 - staple connecting cable (finishing accessories)
 - removing and replacing 556
 - staple position
 - adjusting 505
 - stapler subassembly (finishing accessories)
 - removing and replacing 553
 - stapler/stacker with hole punch (SSHP) accessory
 - removing and replacing procedures 682
 - static, precautions for 2
 - stitcher unit
 - adjusting 510
 - supplies
 - ordering 708
 - part numbers 708
 - swing guide assembly (finishing accessories)
 - removing and replacing 575
 - switch back cover
 - removing and replacing 105
 - switch back tray
 - removing and replacing 22
- T**
- tips iii
 - toner cartridge
 - removing and replacing 14
 - toner cartridges
 - ordering 708
 - part numbers 708
 - toner-cartridge drive assembly (cyan and black)
 - removing and replacing 282
 - toner-cartridge drive assembly (yellow and magenta)
 - removing and replacing 280
 - toner-cartridge feed motor (black)
 - removing and replacing 244
 - toner-cartridge feed motor (yellow, magenta, and cyan)
 - removing and replacing 245
 - tools, required 3
 - top cover lock assembly (finishing accessories)
 - removing and replacing 466
 - top door assembly (finishing accessories)
 - removing and replacing 478
 - Tray 1
 - removing and replacing guide assembly 190
 - Tray 1 rollers
 - removing and replacing 75
 - Tray 2
 - removing and replacing 18
 - removing and replacing pickup unit 191
 - Tray 2 and 3x500-sheet paper feeder rollers
 - removing and replacing 78
 - Tray 2 pickup unit
 - removing and replacing 191
 - troubleshooting
 - service approach 3
 - types of paper supported 7
- U**
- upper cross member assembly (finishing accessories)
 - removing and replacing 521
 - upper delivery guide assembly (booklet maker accessory)
 - removing and replacing 669
 - upper front cover, 1x500- and 3x500-sheet feeders
 - removing and replacing 392

- upper front face cover, 1x500- and 3x500-sheet feeders
 - removing and replacing 390
- upper front left face cover, 1x500- and 3x500-sheet feeders
 - removing and replacing 395
- upper guide assembly, IPTU
 - removing and replacing 451
- upper stepped cover (finishing accessories)
 - removing and replacing 472

V

- VOC fan (M855)
 - removing and replacing 321
- VOC fan (M880)
 - removing and replacing 323

W

- warnings iii
- white backing
 - replacing 40



A2W77-90997

