



FACSIMILE EQUIPMENT

PARTS REFERENCE LIST

MODEL: MFC3220C / 3320CN

FAX1820C / 1920CN

**(For U.S.A / Canada /Chile / Argentina /
Brazil)**

© Copyright Brother 2003

All rights reserved

No part of this publication may be reproduced in any form or by any means without permission in writing from the publisher.

Specifications are subject to change without prior notice.

NOTES FOR USING THIS PARTS REFERENCE LIST

1. In the case of ordering parts, it needs mentioning the following items:

- (1) Code
- (2) Q' ty
- (3) Description

Note: No orders without Parts Code or Tool No. can be accepted.

[Example]

REF.NO.	(1) CODE	(2) Q' TY	(3) DESCRIPTION	REMARKS

2. Design-changed parts:

When the parts are changed, any one of the following symbols is mentioned in the REMARKS column.

CNG(cng) : The part is changed to a new part.

ADD(add) : The part is newly added.

DEL(del) : The part is deleted.

Symbol in capital letters indicates that the change is the latest one in the page.

3. Parts change will be informed by the technical information.

COUNTRIES

U.S.A. ----- USA

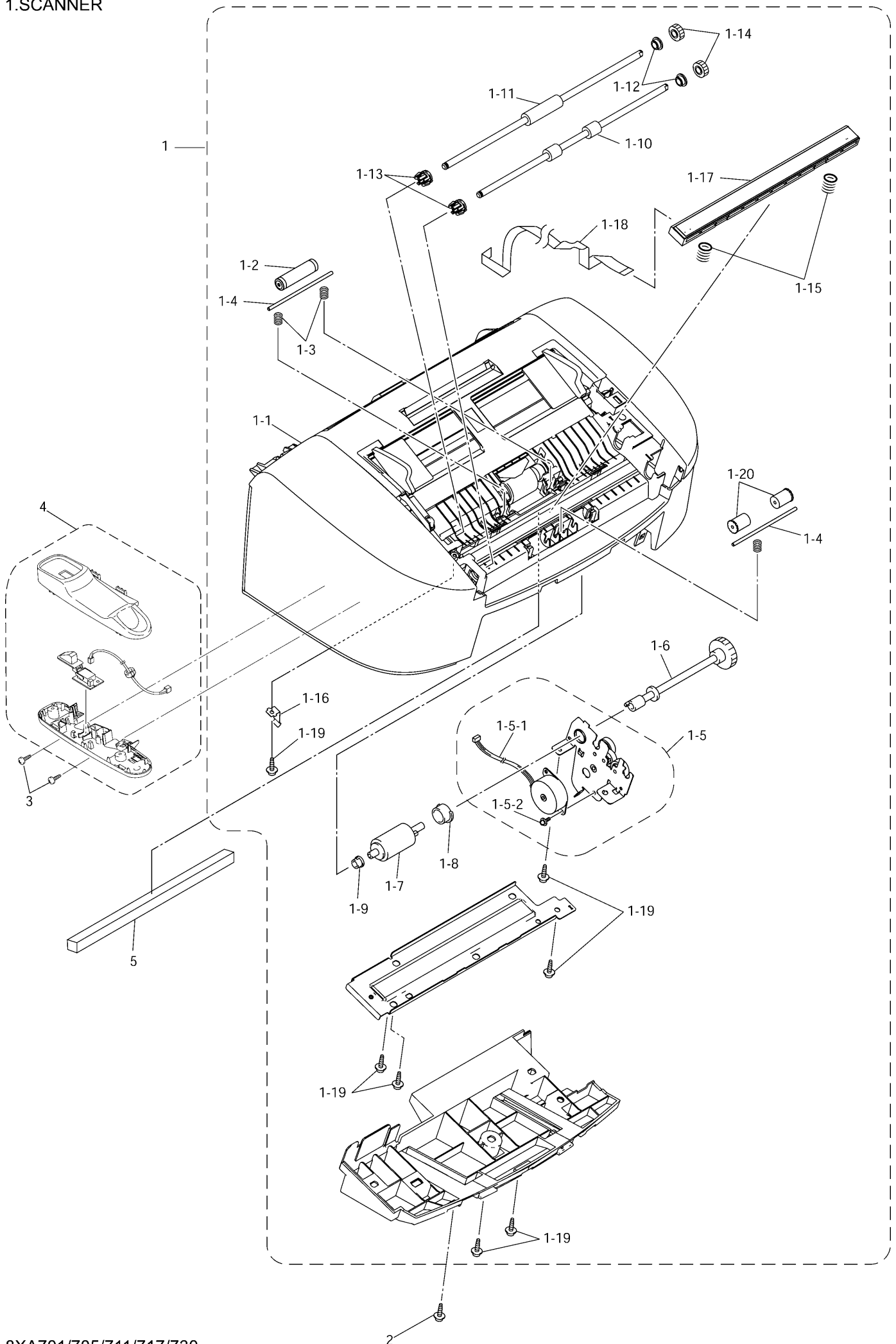
CANADA ----- CAN

CHILE ----- CHL

ARGENTINA ----- ARG

BRAZIL ----- BRA

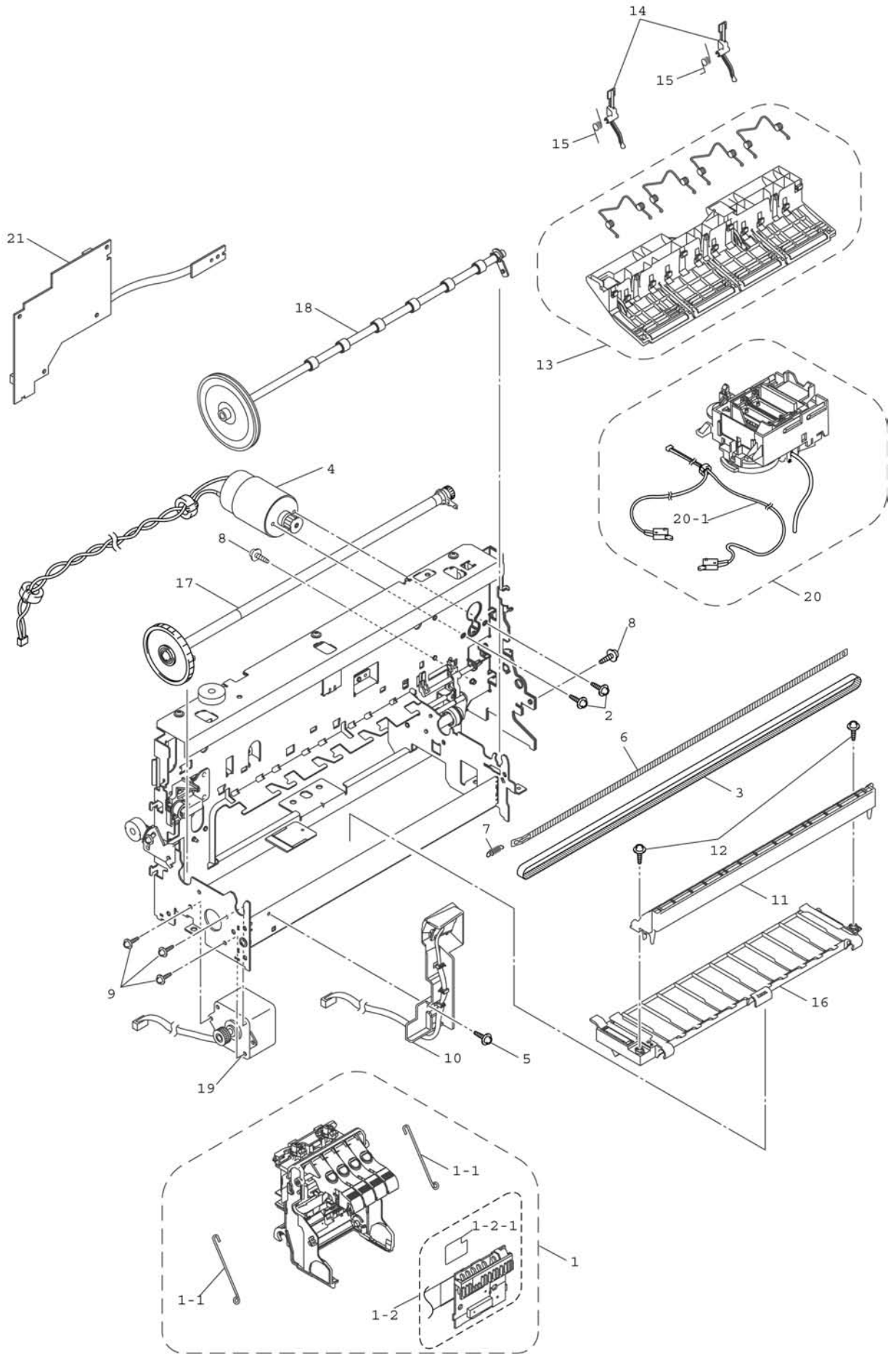
1. SCANNER



List1(SCANNER)

REF No	CODE	QTY	DESCRIPTION	RECOMMEND	REMARK
1	LE9896001	1	UPPER COVER ASSY, FAX1820C/1920CN		
1	LE3953001	1	UPPER COVER ASSY, MFC3220C		
1	LE9926001	1	UPPER COVER ASSY, MFC3320CN		
1-1	LE9897001	1	UPPER COVER, GRAY(1495), FAX1820C/1920CN		
1-1	LE3954001	1	UPPER COVER, GRAY(1581), MFC3220C		
1-1	LE9927001	1	UPPER COVER, GRAY(1581), MFC3320CN		
1-2	UU0021001	1	PRESSER ROLLER		
1-3	LE2472001	2	PRESSER ROLLER SPRING		
1-4	LE2471001	2	PRESSURE ROLLER SHAFT		
1-5	LE3957001	1	SCANNER DRIVE UNIT		
1-5-1	LE9865001	1	SCANNING MOTOR ASSY		
1-5-2	0A4300605	1	SCREW, PAN (S/P WASHER) M3X6		
1-6	UU7030001	1	SEPARATION ROLLER GEAR		
1-7	LF5446001	1	SEPARATION ROLLER		CHG
1-8	LE6325001	1	BUSHING 12		
1-9	LE6326001	1	BUSHING 6		
1-10	LE3965001	1	DOCUMENT EJECTION ROLLER ASSY		
1-11	LE3967001	1	DOCUMENT FEED ROLLER ASSY2		
1-12	UF8105001	2	BUSHING		
1-13	LF4230001	2	PAWLED PLASTIC BUSHING		chg
1-14	UU7039001	2	LF ROLLER GEAR 27		
1-15	UU2028001	2	CIS SPRING		
1-16	LF4353001	1	CIS SIDE SPRING		chg
1-17	LG4671001	1	CIS UNIT	√	
1-18	LG4672001	1	CIS FLAT CABLE		
1-19	087311016	7	TAPTITE, CUP B M3X10		
1-20	UL6244002	2	PINCH ROLLER		
2	087320616	1	TAPTITE, CUP S M3X6		
3	085411216	2	TAPTITE, BIND B M4X12, FAX1820C/1920CN		
4	LE9898001	1	HANDSET HOLDER ASSY, GRAY(1495), FAX1820C/1920CN		
5	LF4140001	1	SOUNDPROOF FOAM		

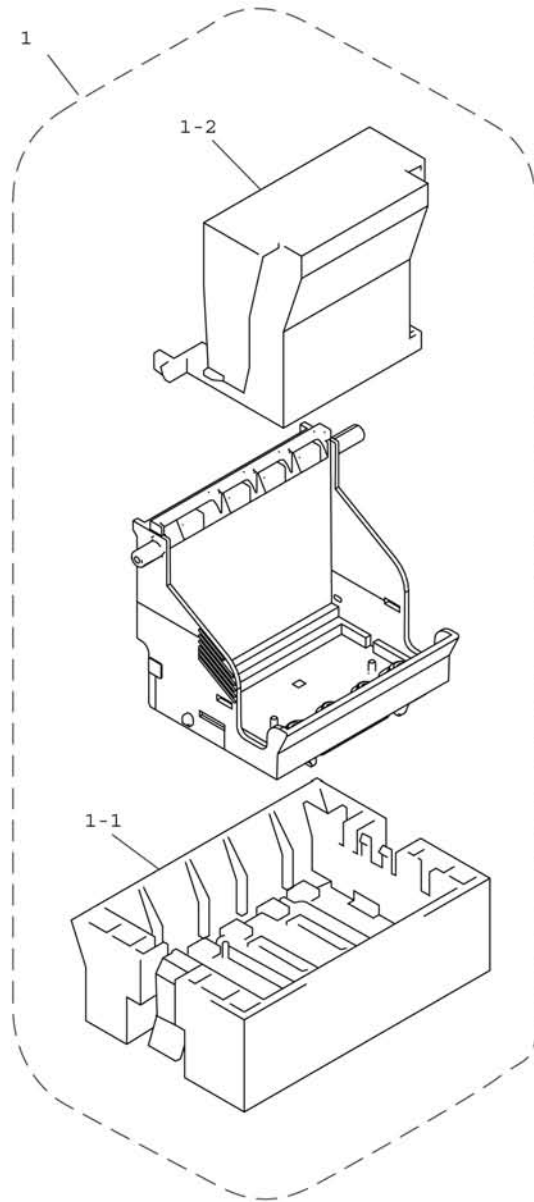
2.ENGINE



List2(ENGINE)

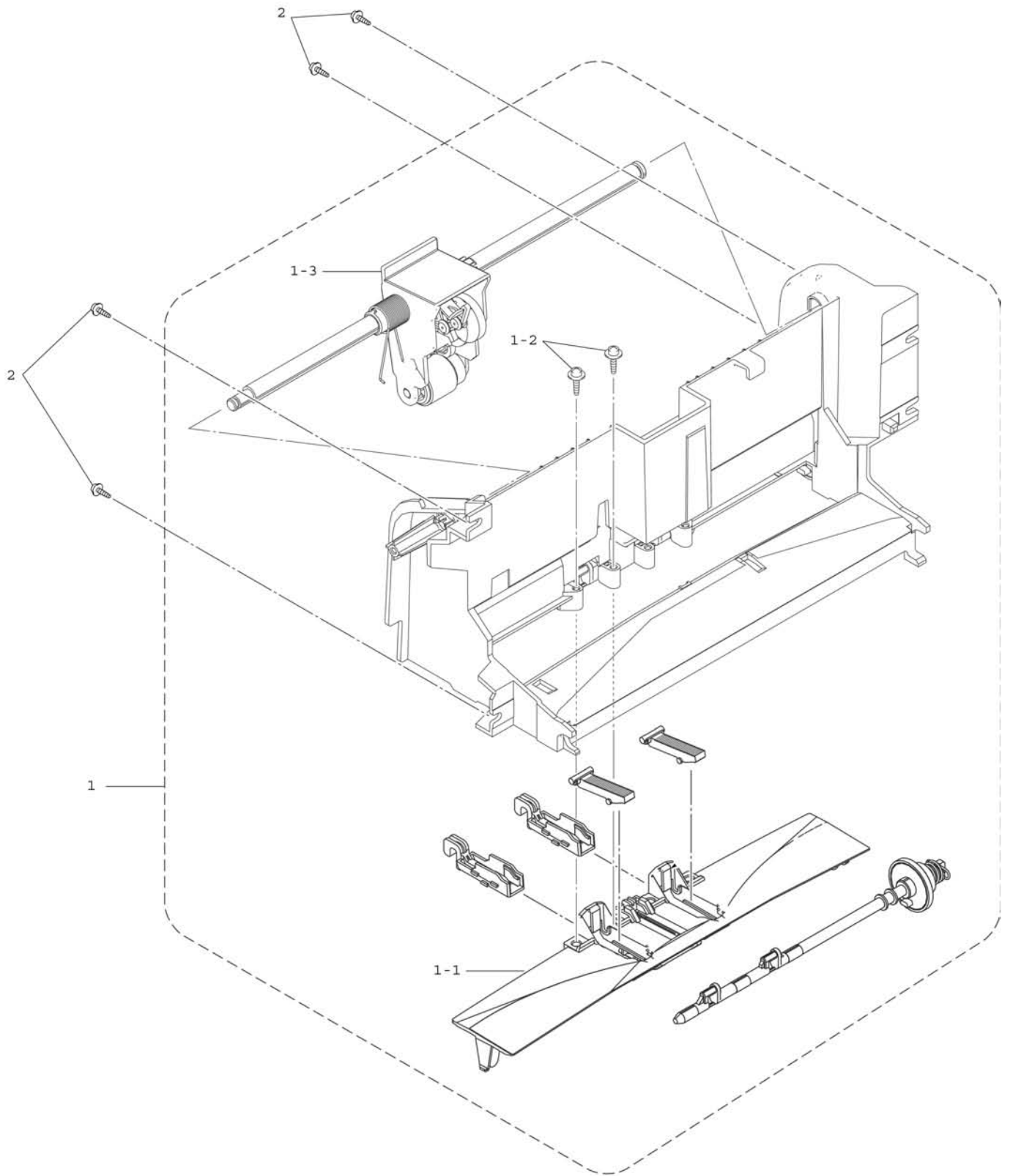
REF No	CODE	QTY	DESCRIPTION	RECOMMEND	SYMBOL	REMARK
1	LE3996001	1	CARRIAGE UNIT ASSY	√		
1-1	LE6930001	2	HEAD CLAMP SPRING			
1-2	LE6935001	1	CR PCB FILM ASSY			
1-2-1	LE6940001	1	SLIDE FILM PCB			
2	0A5300605	2	SCREW, PAN (S/P WASHER) M3X6			
3	LE6945001	1	TIMING BELT			
4	LE6946001	1	CARRIAGE MOTOR			
5	087320616	1	TAPTITE, CUP S M3X6			
6	LE6956001	1	ENCODER STRIP			
7	LE9725001	1	ENCODER STRIP SPRING			
8	087310815	2	TAPTITE, CUP B M3X8			
9	000300505	3	SCREW, BIND M3X5			
10	LG4745001	1	INK EMPTY SENSOR SUPPORT ASSY		B53K704	
11	LF5569001	1	STAR WHEEL SUPPORT ASSY (SP)			CHG
12	LE9229001	2	TAPTITE, PAN B 3X10			
13	LE6962001	1	PRESSURE ROLLER HOLDER ASSY			
14	LE6967001	2	ACTUATOR			
15	LE6968001	2	ACTUATOR SPRING			
16	LE6969001	1	PLATEN			
17	LE6974002	1	PF ROLLER ASSY, RED MARK(SP)			
17	LE6974003	1	PF ROLLER ASSY, BLUE MARK(SP)			
18	LF5567001	1	PAPER EJECTION ROLLER ASSY (SP)			CHG
19	LE6985001	1	PF MOTOR GEAR ASSY			
20	LE6988001	1	PURGE UNIT	√		
20-1	LG4678001	1	PURGE SWITCH HARNESS			
21	LG4994001	1	DRIVER PCB ASSY	√	B53K678	

3.HEAD UNIT



List3(HEAD UNIT)

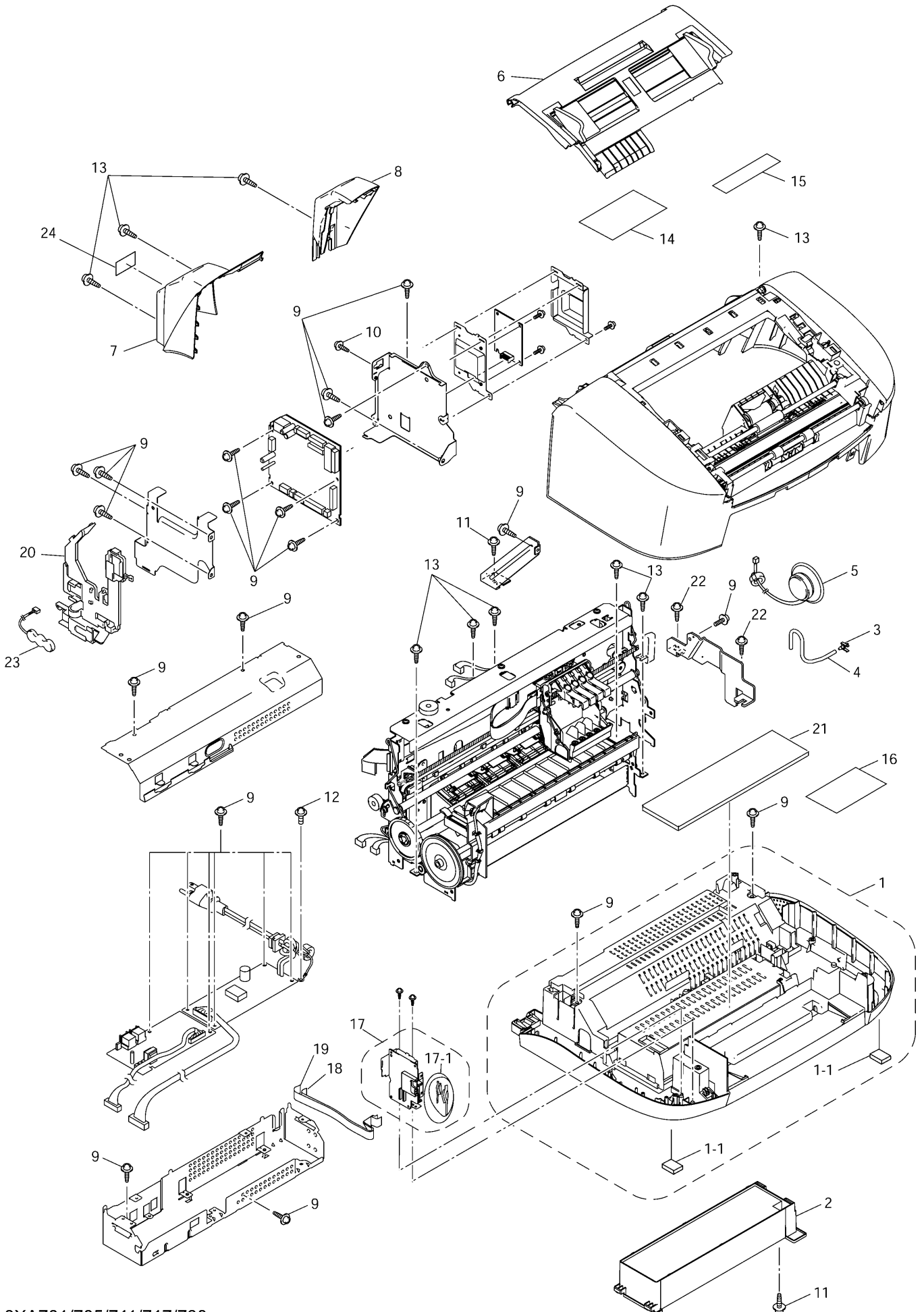
REF No	CODE	QTY	DESCRIPTION	RECOMMEND	REMARK
1	LK0935001	1	PRINT HEAD UNIT (SP)	√	
1-1	LK0516001	1	HEAD NOZZLE SEAL (SP)	√	
1-2	LK1870001	1	HEAD FILTER SEAL (SP)	√	CHG



List4(ASF)

REF No	CODE	QTY	DESCRIPTION	RECOMMEND	REMARK
1	LE9656001	1	ASF BASE L2 ASSY, GRAY(1581)	√	
1-1	LE9658001	1	BANK ASSY		
1-2	085311015	2	SCREW, BIND B TITE 3X10		
1-3	LE9672001	1	ASF ROLLER ASSY		
2	087320616	4	TAPTITE, CUP S M3X6		

5.COVER



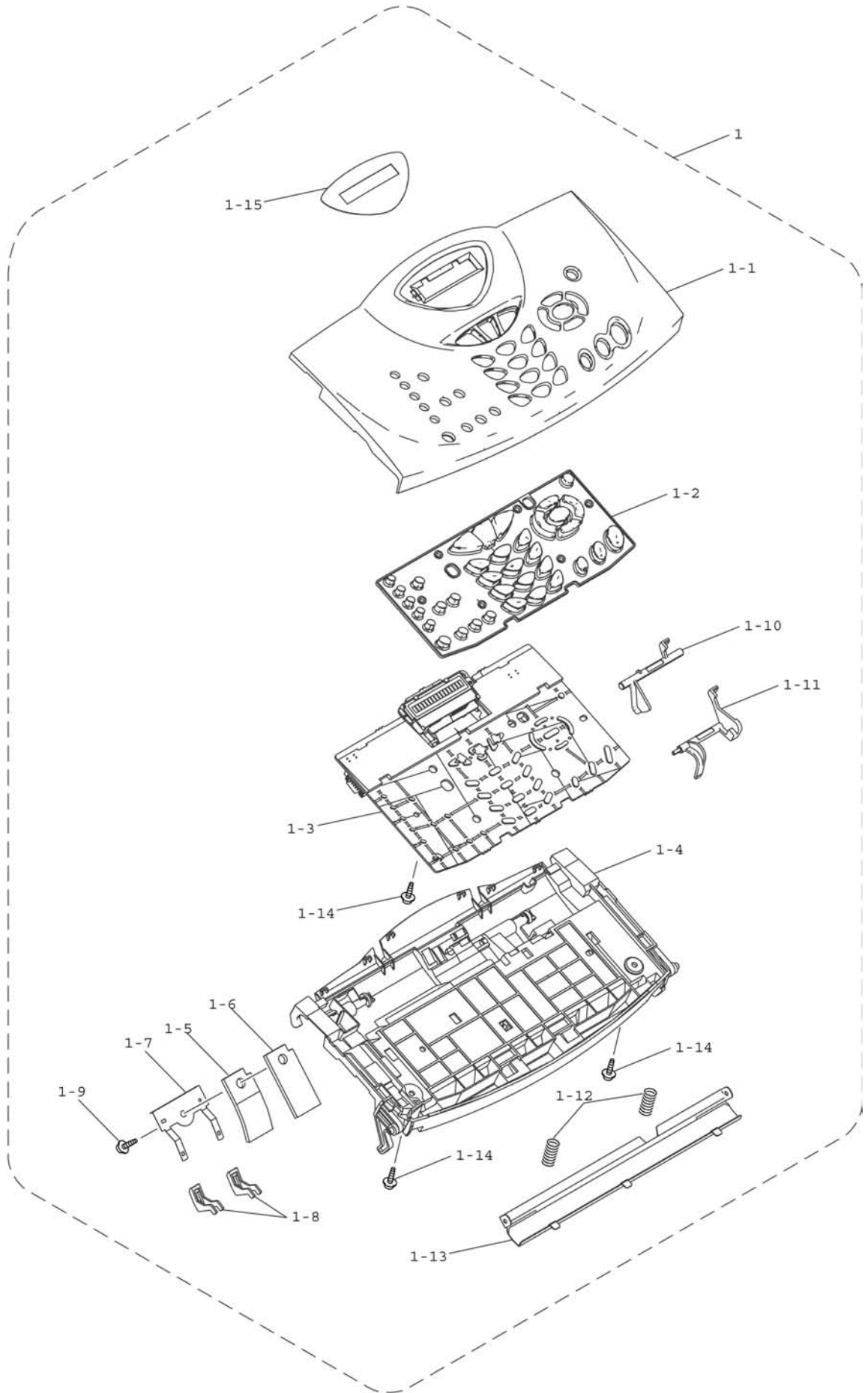
8XA701/705/711/717/730
/731/741/747

FAX1815C/1820C/1920CN/ MFC3220C/3320CN

List5(COVER)

REF No	CODE	QTY	DESCRIPTION	RECOMMEND	REMARK
1	LE9679001	1	LOWER COVER ASSY, GRAY(1677)		
1-1	UD4019001	2	RUBBER FOOT		
2	LE9681001	1	INK ABSORBER ASSY		
3	LE9164001	1	TUBE FIT D		
4	LE9684001	1	CONNECT TUBE		
5	LG3845001	1	SPEAKER		
6	LE9704002	1	TOP COVER ASSY, GRAY(1495), FAX1820C/1920CN		
6	LE9704001	1	TOP COVER ASSY, GRAY(1581), MFC3220C		
6	LE9704004	1	TOP COVER ASSY, GRAY(1581), MFC3320CN		
7	LE9689002	1	REAR COVER L, GRAY(1495), FAX1820C		
7	LE9909002	1	REAR COVER LS, GRAY(1495), FAX1920CN		
7	LE9689001	1	REAR COVER L, GRAY(1581), MFC3220C		
7	LE9909001	1	REAR COVER LS, GRAY(1581), MFC3320CN		
8	LE9690002	1	REAR COVER R, GRAY(1495), FAX1820C/1920CN		
8	LE9690001	1	REAR COVER R, GRAY(1581), MFC3220C/3320CN		
9	087320616	24	TAPTITE, CUP S M3X6		
10	002300616	1	SCREW, PAN M3X6		
11	087311016	2	TAPTITE, CUP B M3X10		
12	UF6559001	1	SCREW, PAN (WASHER) M4X8DB		
13	085411216	9	TAPTITE, BIND B M4X12		
14	LE9720001	1	INK REPLACE INSTRUCTION LABEL		
15	LE9721001	1	CONSUMPTION LABEL LC31		
16	UU0456001	1	PROTECTION PAPER		
17	LE9887001	1	MEDIA MODULE, MFC3320CN		
17-1	LE9889001	1	MEDIA COVER, MFC3320CN		
18	LE9918001	1	MEDIA FFC 21P BENDING ASSY, MFC3320CN		
19	LE9919001	1	MEDIA FFC 22P BENDING ASSY, MFC3320CN		
20	LF4429001	1	CORE SUPPORT		chg
21	LF4444001	4	SOUNDPROOF FOAM		DEL
22	087411216	2	TAPTITE, CUP B M4X12		
23	LG4075001	1	BATTERY 3/V80H, FAX1920CN		add
24	LF4475001	1	USB STICKER		add

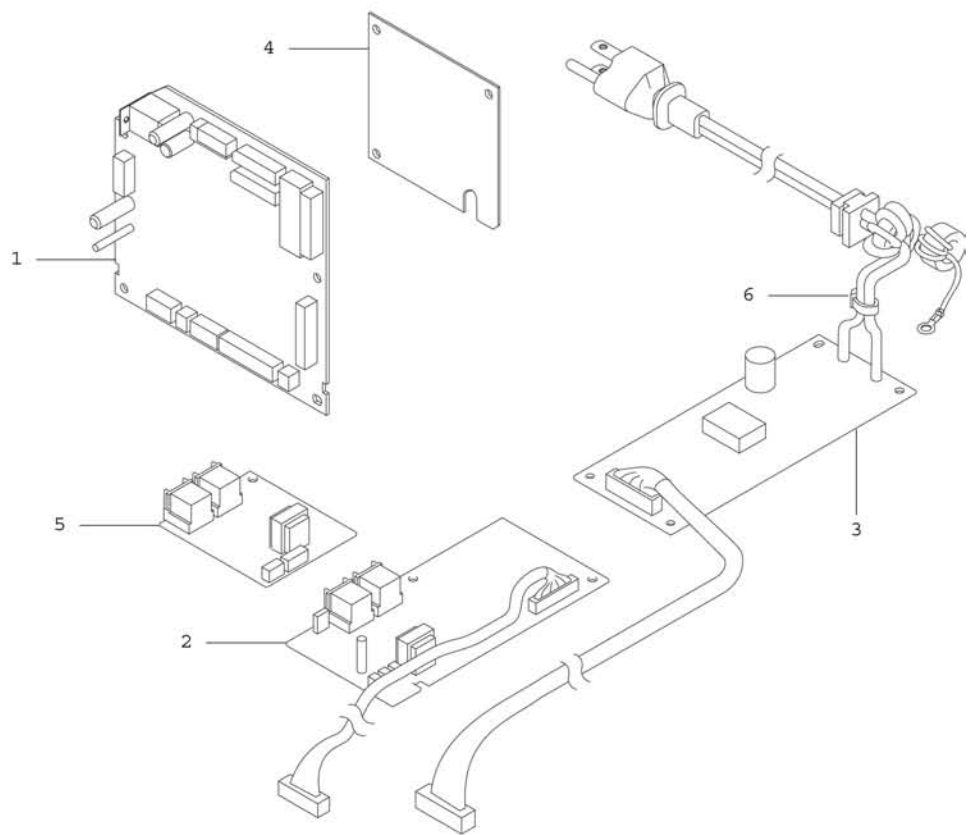
6.PANEL



List6(PANEL)

REF No	CODE	QTY	DESCRIPTION	RECOMMEND	SYMBOL	REMARK
1	LE9900001	1	CONTROL PANEL ASSY, FAX1820C	√		
1	LE9910001	1	CONTROL PANEL ASSY, FAX1920CN	√		
1	LE9693001	1	CONTROL PANEL ASSY, MFC3220C FOR US/CAN	√		
1	LE9914001	1	CONTROL PANEL ASSY, MFC3320CN	√		
1	LF4319001	1	CONTROL PANEL ASSY, MFC3220C FOR CHL/ARG	√		ADD
1	LF4603001	1	CONTROL PANEL ASSY, MFC3220C FOR BRA	√		ADD
1-1	LE9901001	1	PRINTED PANEL ASSY, GRAY(1495), FAX1820C			
1-1	LE9911001	1	PRINTED PANEL ASSY, GRAY(1495), FAX1920CN			
1-1	LE9694001	1	PRINTED PANEL ASSY, GRAY(1581), MFC3220C FOR US/CAN			
1-1	LE9915001	1	PRINTED PANEL ASSY, GRAY(1581), MFC3320CN			
1-1	LF4320001	1	PRINTED PANEL ASSY, MFC3220C FOR CHL/ARG			ADD
1-1	LF4604001	1	PRINTED PANEL ASSY, MFC3220C FOR BRA			ADD
1-2	LE9902001	1	RUBBER KEYPAD, FAX1820C			
1-2	LE9912001	1	RUBBER KEYPAD, FAX1920CN			
1-2	LE9869001	1	RUBBER KEYPAD, MFC3220C			
1-2	LE9916001	1	RUBBER KEYPAD, MFC3320CN			
1-3	LG4703003	1	CONTROL PANEL PCB ASSY, FAX1820C		B53K680	
1-3	LG4703004	1	CONTROL PANEL PCB ASSY, FAX1920CN		B53K680	
1-3	LG4703001	1	CONTROL PANEL PCB ASSY, MFC3220C		B53K680	
1-3	LG4703002	1	CONTROL PANEL PCB ASSY, MFC3320CN		B53K680	
1-4	LE9698001	1	PANEL REAR COVER			
1-5	LE3330001	1	ADF SPRING PLATE B			
1-6	LE3299001	1	SEPARATION RUBBER			
1-7	LE3300001	1	ADF SPRING PLATE A			
1-8	LE3323001	2	ADF GUIDE CAP			
1-9	UF6116002	1	TAPTITE, PAN B M3X6			chg
1-10	LE6176001	1	DOCUMENT FRONT SENSOR ACTUATOR			
1-11	LE6177001	1	DOCUMENT REAR SENSOR ACTUATOR			
1-12	LE9991001	2	SPRING			
1-13	LE9701001	1	DOCUMENT PRESSURE BAR ASSY			
1-14	087310615	3	TAPTITE, CUP B M3X6			
1-15	LE9904001	1	LCD SHEET 1820, FAX1820C			
1-15	LE9913001	1	LCD SHEET 1920, FAX1920CN			
1-15	LE9707001	1	LCD SHEET 3220, MFC3220C			
1-15	LE9917001	1	LCD SHEET 3320, MFC3320CN			

7. PCB

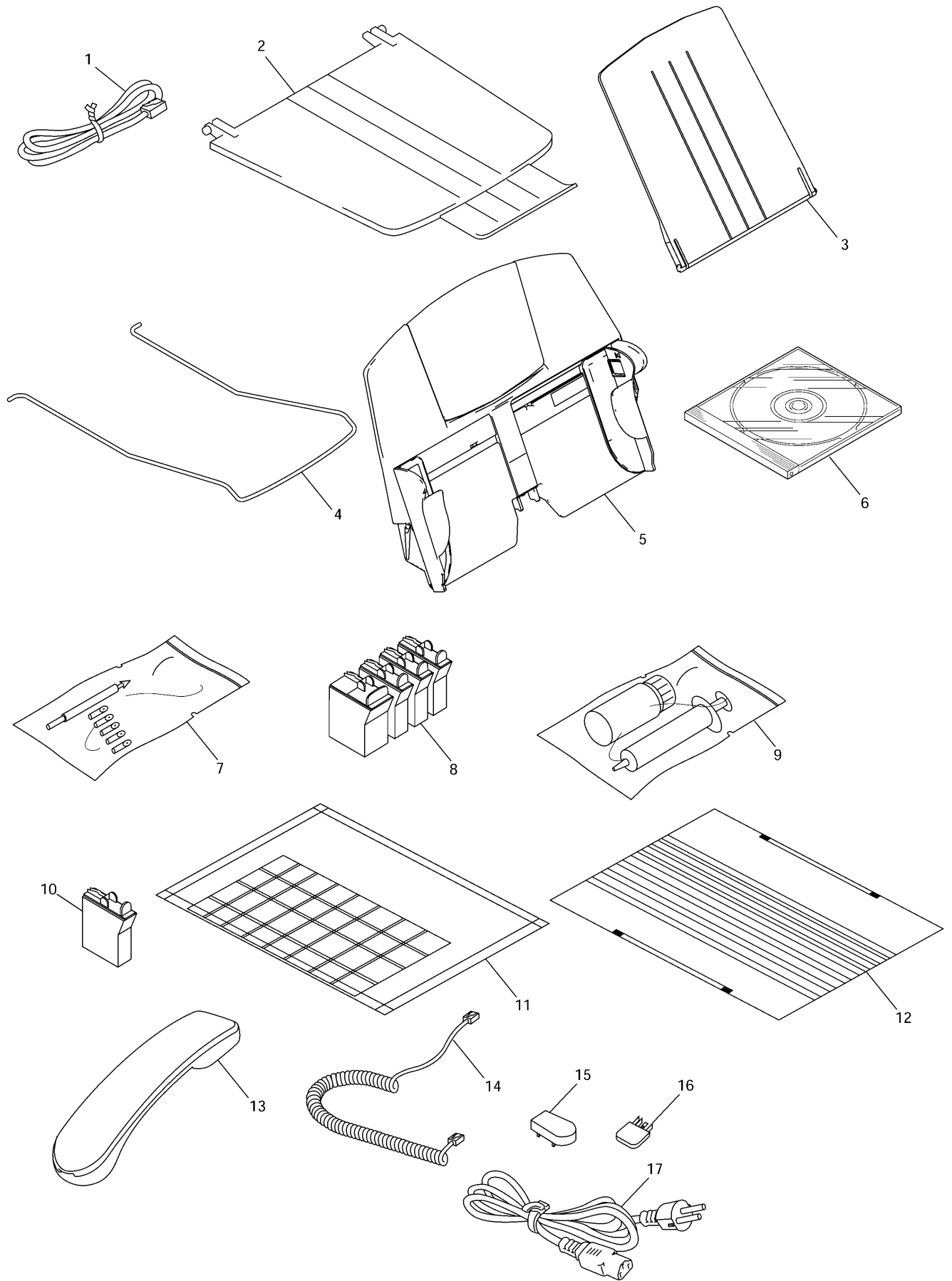


List7(PCB)

REF No	CODE	Q'TY	DESCRIPTION	RECOMMEND	SYMBOL	REMARK
1	LG4793021	1	MAIN PCB ASSY, FAX1820C	√	B53K674	
1*	LG4793022	4	MAIN PCB ASSY, FAX1820C FOR US	√	B53K674	DEL
1	LG4795001	1	MAIN PCB ASSY, FAX1920CN	√	B53K691	
1	LG4688001	1	MAIN PCB ASSY, MFC3220C FOR US/CAN	√	B53K674	
1*	LG4688002	4	MAIN PCB ASSY, MFC3220C FOR US	√	B53K674	DEL
1	LG4789001	1	MAIN PCB ASSY, MFC3320CN	√	B53K705	
1	LG4688005	1	MAIN PCB ASSY, MFC3220C FOR CHL/ARG	√	B53K674	ADD
1	LG4688003	1	MAIN PCB ASSY, MFC3220C FOR BRA	√	B53K674	ADD
2	LG4764061	1	NCU PCB ASSY, FAX1820C	√	B53K664	
2	LG4764051	1	NCU PCB ASSY, FAX1920CN	√	B53K664	
2	LG4396011	1	NCU PCB ASSY, MFC3220C FOR US/CAN/CHL/ARG	√	B53K664	
2	LG4520013	1	NCU PCB ASSY, MFC3220C FOR BRA	√	B53K666	ADD
3	LG5075001	1	POWER SUPPLY PCB ASSY FOR	√		chg
3	LG5043001	1	POWER SUPPLY PCB ASSY,	√		
3	LG4817001	1	POWER SUPPLY PCB ASSY, FAX3220C FOR	√		ADD
3	LG5213001	1	POWER SUPPLY PCB ASSY, FAX3220C FOR BRA	√		ADD
4	LG4808001	1	SDAA PCB ASSY, MFC3320CN	√	B53K710	
5	LG4855001	1	MJ PCB ASSY, MFC3320CN	√	B53K711	
6	U83026000	1	WIRE TIE 100			

*: First 3-month production only

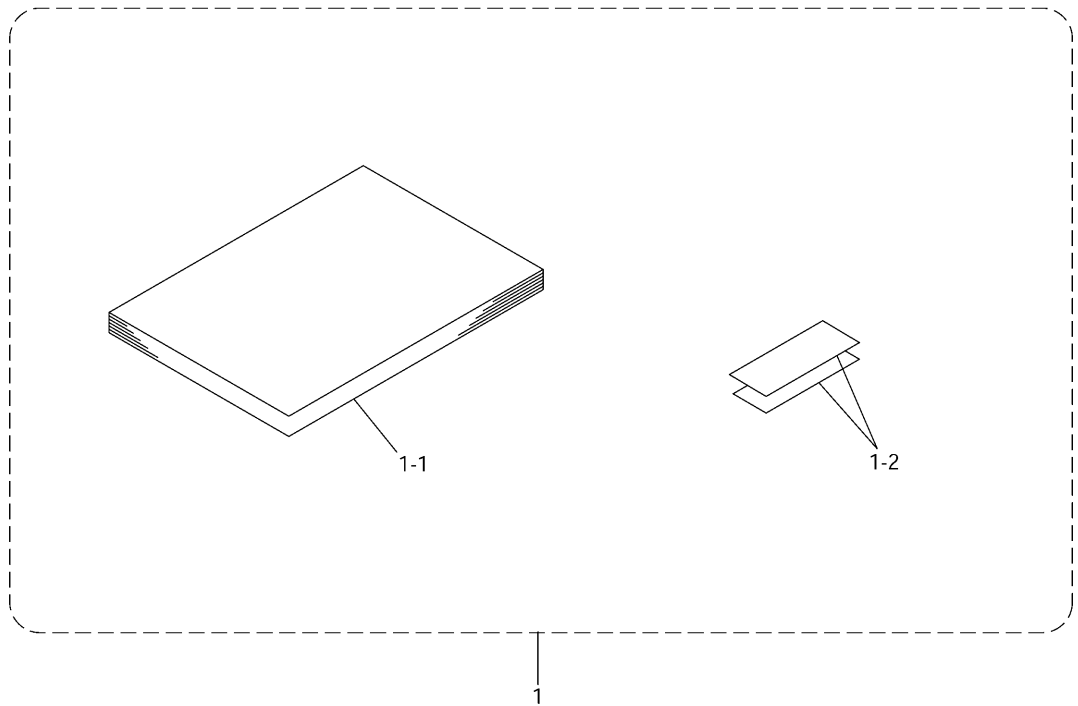
8.ACCESSORIES



List8(Accessories)

REF No	CODE	QTY	DESCRIPTION	RECOMMEND	REMARK
1	LG3077001	1	TELEPHONE LINE CORD, CSA EXCEPT FOE BRA		
1	UG1570001	1	TELEPHONE LINE CORD FOR BRA		ADD
2	LE9840002	1	OUTPUT PAPER SUPPORT, FAX1820C/1920CN		
2	LE9840001	1	OUTPUT PAPER SUPPORT, MFC3220C/3320CN		
3	LF4352002	1	ADF DOCUMENT SUPPORT, PURPLE(6255), FAX1820C/1920CN		chg
3	LF4352003	1	ADF DOCUMENT SUPPORT, GRAY(1676), MFC3220C/3320CN		chg
4	LE3305001	1	ADF DOCUMENT OUTPUT SUPPORT		
5	LE9709002	1	PAPER TRAY ASSY, PURPLE(6255), FAX1820C/1920CN		
5	LE9709001	1	PAPER TRAY ASSY, GRAY(1676), MFC3220C/3320CN		
6	LE9866004	4	CD-ROM ASSY, MFC3220C FOR US		del
6	LE9880004	4	CD-ROM ASSY, MFC3220C FOR CAN		del
6	LE9988001	1	CD-ROM ASSY, MFC3220C FOR US/CAN		add
6	LE9954004	4	CD-ROM ASSY, MFC3320CN FOR US		del
6	LE9989001	1	CD-ROM ASSY, MFC3320CN FOR US/CAN		chg
6	LF4292001	1	CD-ROM ASSY, MFC3220C FOR CHL/ARG/BRA		ADD
6	LF4450001	1	CD-ROM ASSY, MAC, MFC3220C FOR CHL/ARG/BRA		ADD
7	ZA0310001	1	HEAD CLEANER STICK ASSY	√	
8	LK1103001	1	IL CARTRIDGE LC31	√	
9	LK0504001	1	GLYCEROL CLEAN FLUID BH	√	
10	LF4005001	1	FORM EMPTY CARTRIDGE BHL2 UNIT	√	
11	UF9258001	1	COLOR TEST CHART CTC-001		
12	UF8263001	1	TEST CHART-027		
13	LE5803011	1	HANDSET ASSY, GRAY(1495), FAX1820C/1920CN		
14	LF4407001	1	HANDSET CURLED CORD ASSY, GRAY(1495), FAX1820C/1920CN		chg
15	----		NOT USED		
16	----		NOT USED		
17	LJ4738001	1	AC CODE BAG ASSY, MFC3220C FOR CHL		ADD
17	LG3619001	1	AC CORD BAG ASSY, MFC3220C FOR ARG	√	ADD

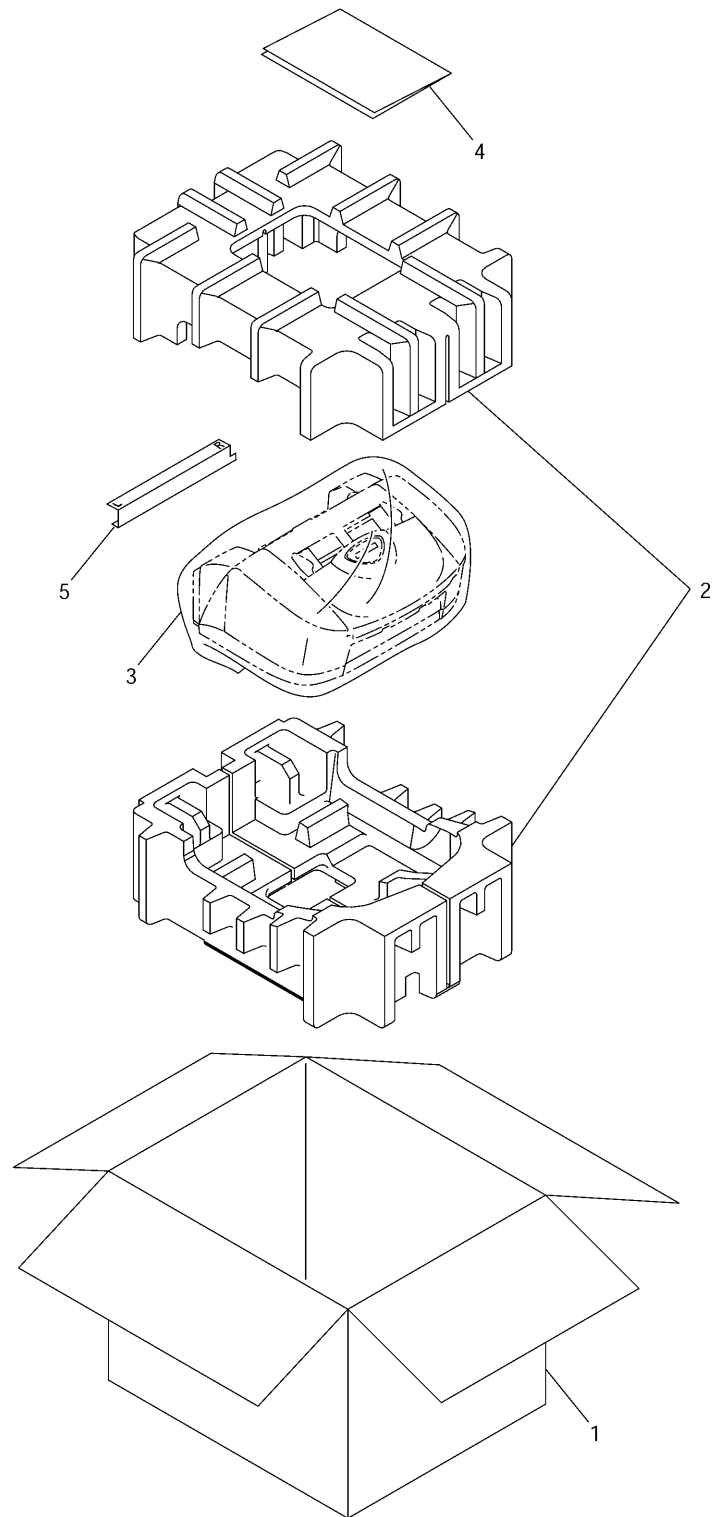
9. PRINTED MATTER



List9(PRINTED MATTER)

REF No.	CODE	QTY	DESCRIPTION	RECOMMEND	REMARK
1	LE9975001	1	USER'S GUIDE ASSY, FAX1820C FOR US	√	
1	LE9983001	1	USER'S GUIDE ASSY, FAX1920CN	√	
1	LE9858001	1	USER'S GUIDE ASSY, MFC3220C FOR US	√	
1	LE9965001	1	USER'S GUIDE ASSY, MFC3320CN FOR US	√	
1	LF4029001	1	USER'S GUIDE ASSY, FAX1820C FOR CAN	√	
1	LF4012001	1	USER'S GUIDE ASSY, MFC3220C FOR CAN	√	
1	LF4021001	1	USER'S GUIDE ASSY, MFC3320CN FOR CAN	√	
1	LF4688035	1	USER'S GUIDE ASSY, MFC3220C FOR CHL/ARG	√	ADD
1-1	LE9859001	1	USER'S GUIDE FOR FAX1820C/MFC3220C FOR US/CAN <ENGLISH>		
1-1	LE9966001	1	USER'S GUIDE FOR FAX1920CN/MFC3320CN FOR US/CAN <ENGLISH>		
1-1	LF4002001	1	USER'S GUIDE FOR FAX1820C/MFC3220C FOR CAN <FRENCH>		
1-1	LF4022001	1	USER'S GUIDE FOR MFC3320CN FOR CAN <FRENCH>		
1-1	LF4094015	1	USER'S GUIDE FOR MFC3220C FOR CHL/ARG		ADD
1-2	LE9641001	2	ADDRESS LABEL, FAX1820C/MFC3220C		
1-2	LE9984001	2	ADDRESS LABEL, FAX1920CN		
1-2	LE9967001	2	ADDRESS LABEL, MFC3320CN		

10. PACKING MATERIALS



List10(PACKING MATERIALS)

REF No	CODE	QTY	DESCRIPTION	RECOMMEND	REMARK
1	LF4707001	1	CARTON, BROTHER, FAX1820C FOR US	√	CHG
1	LF4710001	1	CARTON, BROTHER, FAX1920CN	√	CHG
1	LF4689001	1	CARTON, BROTHER, MFC3220C FOR US	√	chg
1	LF4692001	1	CARTON, BROTHER, MFC3320CN FOR US	√	chg
1	LF4708001	1	CARTON, BROTHER, FAX1820C FOR CAN	√	CHG
1	LF4690001	1	CARTON, BROTHER, MFC3220C FOR CAN	√	chg
1	LF4693001	1	CARTON, BROTHER, MFC3320CN FOR CAN	√	chg
1	LF4691001	1	CARTON, BROTHER, MFC3220C FOR CHL/ARG/BRA	√	add
2	LE9906001	1	BODY POLYSTYRENE FOAM ASSY FOR FAX1820C/1920CN		
2	LF4666001	1	BODY POLYSTYRENE FOAM ASSY FOR MFC3220C/3320CN		chg
3	LE3605001	1	BAG, 800X900H		
4	LE9979001	1	QUICK SETUP GUIDE, FAX1820C/1920CN FOR US/CAN <ENGLISH>		
4	LE9864001	1	QUICK SETUP GUIDE, MFC3220C FOR US/CAN <ENGLISH>		
4	LE9971001	1	QUICK SETUP GUIDE, MFC3320CN FOR US/CAN <ENGLISH>		
4	LE9998001	1	QUICK SETUP GUIDE, FAX1820C FOR CAN <FRENCH>		
4	LE9999001	1	QUICK SETUP GUIDE, MFC3220C FOR CAN <FRENCH>		
4	LF4025001	1	QUICK SETUP GUIDE, MFC3320CN FOR CAN <FRENCH>		
4	LF4323001	1	QUICK SETUP GUIDE, MFC3220C FOR CHL/ARG		add
5	LF4135001	1	CARRIAGE STOPPER		

brother®

PL-FAX051
8XA701
Ver. J-1