

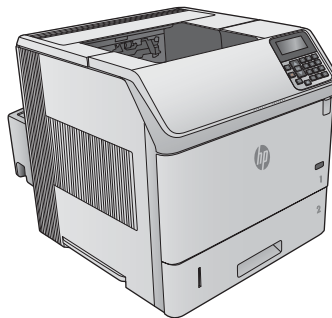


LaserJet Enterprise M604, M605, M606

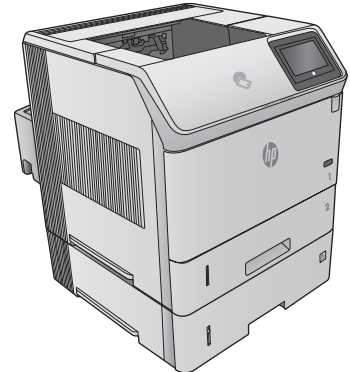
Repair Manual



M604n
M605n



M604dn
M605dn
M606dn



M605x
M606x



www.hp.com/support/lj604

www.hp.com/support/lj605

www.hp.com/support/lj606

For printer theory and troubleshooting information, see the Troubleshooting Manual.

Copyright and License

© 2015 Copyright Hewlett-Packard
Development Company, L.P.

Reproduction, adaptation, or translation
without prior written permission is prohibited,
except as allowed under the copyright laws.

The information contained herein is subject to
change without notice.


The only warranties for HP products and
services are set forth in the express warranty
statements accompanying such products and
services. Nothing herein should be construed
as constituting an additional warranty. HP shall
not be liable for technical or editorial errors or
omissions contained herein.


Edition 1, 4/2015

Conventions used in this guide


 **TIP:** Helpful hints or shortcuts.

Reinstallation tip: Reinstallation helpful hints, shortcuts, or considerations.

 **NOTE:** Information that explains a concept or how to complete a task.

 **IMPORTANT:** Information that help the user to avoid potential printer error conditions.

 **CAUTION:** Procedures that the user must follow to avoid losing data or damaging the printer.

 **WARNING!** Procedures that the user must follow to avoid personal injury, catastrophic loss of data, or extensive damage to the printer.

For additional service and support information

HP service personnel, go to the Service Access Work Bench (SAW) at <http://h41302.www4.hp.com/km/saw/home.do>.

Channel partners, go to HP Channel Services Network (CNS) at <https://h30125.www3.hp.com/hpcsn>.

- To access HP PartSurfer information from any mobile device, go to <http://partsurfermobile.hp.com/> or scan the Quick Response (QR) code below.



- Install and configure
- Printer specifications
- Up-to-date control-panel message (CPMD) troubleshooting
- Solutions for printer issues and emerging issues
- Remove and replace part instructions and videos
- Service advisories
- Warranty & regulatory information

Table of contents

1 Removal and replacement	1
For additional service and support	2
Removal and replacement strategy	3
Introduction	3
Considerations during removal and replacement	3
Electrostatic discharge	4
Required tools	4
Types of screws	5
Service approach	6
Before performing service	6
After performing service	6
Post service tests	6
Print quality test	6
Parts removal order	6
Removal and replacement procedures	7
Customer self-repair (CSR) A parts and assemblies	7
Removal and replacement: Toner cartridge	8
Introduction	8
Step 1: Remove the toner cartridge	8
Step 2: Unpack the replacement toner cartridge	9
Step 3: Install the toner cartridge	10
Removal and replacement: Fuser	13
Introduction	13
Step 1: Remove the duplex accessory	14
Step 2: Remove the duplex accessory cover	14
Step 3: Remove the rear output bin	15
Step 4: Remove the fuser	16
Step 5: Unpack the replacement fuser	17
Step 6: Install the fuser	17
Step 7: Install the rear output bin	18
Step 8: Install the duplex accessory cover	19
Step 9: Install the duplex accessory	19

Removal and replacement: Transfer roller	21
Introduction	21
Step 1: Remove the toner cartridge	21
Step 2: Remove the transfer roller	22
Step 3: Unpack the replacement transfer roller	24
Step 4: Install the transfer roller	24
Step 5: Install the toner cartridge	26
Removal and replacement: Pickup, feed, and separation rollers (Trays 2-6 and 1,500-sheet high-capacity input feeder)	28
Introduction	28
Step 1: Remove the tray	29
Step 2: Remove the pickup, feed, and separation rollers (trays 2-6)	29
Step 3: Unpack the replacement pickup, feed, and separation rollers	31
Step 4: Install the pickup, feed, and separation rollers (trays 2-6)	31
Step 5: Install the tray	34
Step 6: Remove the pickup, feed, and separation rollers (HCI)	34
Step 7: Unpack the replacement pickup, feed, and separation rollers	37
Step 8: Install the pickup, feed, and separation rollers (HCI)	37
Removal and replacement: Hard-disk drive (HDD)	41
Introduction	41
Step 1: Remove the formatter cover	42
Step 2: Remove the hard-disk drive	43
Step 3: Unpack the replacement hard-disk drive	44
Step 4: Install the hard-disk drive	45
Step 5: Install the formatter cover	46
Step 6: Reinstall the product firmware	47
Removal and replacement: Torque limiter (trays 2-6 and 1,500-sheet high- capacity input feeder)	50
Introduction	50
Step 1: Remove the tray	51
Step 2: Remove the torque limiter (trays 2-6)	51
Step 3: Unpack the replacement torque limiter	52
Step 4: Install the torque limiter (trays 2-6)	53
Step 5: Install the tray	55
Step 6: Remove the torque limiter (HCI)	55
Step 7: Unpack the replacement torque limiter	57
Step 8: Install the torque limiter (HCI)	58
Removal and replacement: Trusted platform module (TPM) PCA	61
Introduction	61
Step 1: Remove the formatter cover	61
Step 2: Remove the TPM	62

Step 3: Unpack the TPM	63
Step 4: Install the TPM	64
Step 5: Install the formatter cover	65
Removal and replacement: embedded MultiMedia Card (eMMC)	67
Introduction	67
Step 1: Remove the formatter cover	68
Step 2: Remove the eMMC	69
Step 3: Unpack the replacement eMMC	70
Step 4: Install the eMMC	71
Step 5: Install the formatter cover	72
Step 6: Reinstall the product firmware	73
Removal and replacement: Dual in-line memory module (DIMM)	76
Introduction	76
Step 1: Remove the formatter cover	77
Step 2: Remove the hard-disk drive (HDD)	78
Step 3: Remove the memory DIMM	79
Step 4: Unpack the replacement memory DIMM	80
Step 5: Install the memory DIMM	80
Step 6: Install the hard-disk drive (HDD)	81
Step 7: Install the formatter cover	83
Removal and replacement: Control panel (M605x, M606x)	85
Introduction	85
Step 1: Remove the control panel	85
Step 2: Unpack the replacement control panel	89
Step 3: Install the control panel	89
Customer self-repair (CSR) B parts and assemblies	93
Removal and replacement: Tray 1 rollers	94
Introduction	94
Step 1: Remove the Tray 1 rollers	94
Step 2: Unpack the replacement Tray 1 rollers	98
Step 3: Install the Tray 1 rollers	99
Field replaceable units (FRUs)	104
Removal and replacement: External panels, covers, and doors	104
Removal and replacement: Envelope feeder cover	105
Removal and replacement: Duplex accessory cover	108
Removal and replacement: Top accessory cover	110
Removal and replacement: Rear output bin	114
Removal and replacement: Formatter cover	120
Removal and replacement: Tray 2 extension door	123
Removal and replacement: Front cover	129
Removal and replacement: Hardware integration pocket (HIP) cover	135

Removal and replacement: Right cover	139
Removal and replacement: Left cover	149
Removal and replacement: Right front cover	185
Removal and replacement: Right rear cover	207
Removal and replacement: Top cover (M605x, M606x)	224
Removal and replacement: Top cover (M604n/dn, M605n/dn, M606dn) ..	251
Removal and replacement: Control panel (M604n/dn, M605n/dn, M606dn)	269
Removal and replacement: Internal parts and assemblies	278
Removal and replacement: Formatter	280
Removal and replacement: Registration assembly	300
Removal and replacement: Easy-access USB port and cable	307
Removal and replacement: Fan FN101	332
Removal and replacement: Fan FN102	370
Removal and replacement: Fan FN103	378
Removal and replacement: Fan FN104	416
Removal and replacement: Pickup motor	424
Removal and replacement: Drum motor	433
Removal and replacement: Lifter motor assembly	442
Removal and replacement: DC controller	453
Removal and replacement: Pickup drive assembly	463
Removal and replacement: Fuser motor	484
Removal and replacement: Drum drive assembly	506
Removal and replacement: Environmental sensor	552
Removal and replacement: Power supply	589
Removal and replacement: Feed-guide assembly	647
Removal and replacement: Tray 1 paper-pickup assembly	705
Removal and replacement: Feed roller assembly	756
Removal and replacement: Laser/scanner	805
Removal and replacement: Paper-delivery assembly	839
Removal and replacement: Paper feed shaft gear (gear, 18T)	879
Removal and replacement: Paper feed shaft assembly	902
Removal and replacement: Pickup drive assembly gear (gear, 23T)	934
Removal and replacement: Pickup drive assembly solenoid	957
Removal and replacement: Pickup drive assembly drive-gear shaft	981
Removal and replacement: Paper-delivery drive assembly	990
Removal and replacement: Tag holder assembly	1040
Removal and replacement: Size-detect assembly (Tray 2)	1108
Removal and replacement: Lower input accessory connector	1130
Removal and replacement: Memory PCA (island of data)	1146
Removal and replacement: Wireless PCA	1179

Removal and replacement: Near field communication (NFC) PCA	1208
Removal and replacement: Fuser drive assembly	1217
Removal and replacement: Trays	1280
Removal and replacement: Trays 2-6	1281
Introduction	1281
Step 1: Remove the tray	1281
Step 2: Unpack the replacement tray	1282
Step 3: Install the tray	1282
Removal and replacement: Accessories	1284
Removal and replacement: Duplex accessory	1285
Introduction	1285
Step 1: Remove the duplex accessory	1285
Step 2: Unpack the replacement duplex accessory	1286
Step 3: Install the duplex accessory	1286
500-sheet paper feeder	1288
Removal and replacement: Tray extension door (500-sheet feeder)	1289
Removal and replacement: Front right cover (500-sheet feeder)	1294
Removal and replacement: Right cover (500-sheet feeder)	1299
Removal and replacement: Upper connector (500-sheet feeder)	1306
Removal and replacement: Lower connector (500-sheet feeder)	1316
Removal and replacement: Size-detect assembly (500-sheet feeder) ..	1325
Removal and replacement: Lifter drive assembly (500-sheet feeder) ...	1338
1,500-sheet paper feeder	1351
Removal and replacement: Front door (1,500-sheet feeder)	1352
Removal and replacement: Rear cover (1,500-sheet feeder)	1358
Removal and replacement: Left cover (1,500-sheet feeder)	1362
Removal and replacement: Right cover (1,500-sheet feeder)	1370
Removal and replacement: Feeder motor (1,500-sheet feeder)	1376
Removal and replacement: PCA (1,500-sheet feeder)	1384
Removal and replacement: Lifter-drive assembly (1,500-sheet feeder)	1392
Removal and replacement: Upper connector (1,500-sheet feeder)	1403
5-bin mailbox	1409
Removal and replacement: Right cover (5-bin mailbox)	1410
Removal and replacement: Left cover (5-bin mailbox)	1415
Removal and replacement: Front cover (5-bin mailbox)	1420
Removal and replacement: Sensor assembly (5-bin mailbox)	1423
Removal and replacement: Drive assembly (5-bin mailbox)	1432
Removal and replacement: Connector (5-bin mailbox)	1443
Stacker and stapler/stacker	1448
Removal and replacement: Connector (stacker and stapler/stacker)	1449
Removal and replacement: Stapler assembly (stapler/stacker)	1454

Removal and replacement: Delivery tray (stacker and stapler/stacker) .	1460
Removal and replacement: Rear cover (stacker and stapler/stacker)	1463
Removal and replacement: Top cover (stapler/stacker)	1467
Removal and replacement: Left cover (stacker and stapler/stacker)	1474
Removal and replacement: Right front cover (stacker and stapler/ stacker)	1484
Removal and replacement: Front cover (stacker and stapler/stacker) ...	1494
Removal and replacement: Jog assembly (stapler/stacker)	1509
Removal and replacement: Paddle motor(stapler/stacker)	1530
Removal and replacement: Feed motor (stacker and stapler/stacker) ...	1551

2 Parts and diagrams 1571

For additional service and support	1572
Assembly locations	1573
Product front view	1573
Product back view	1574
Order parts, accessories, and supplies	1575
Ordering	1575
Orderable parts	1575
Supplies	1575
Accessories	1575
Customer self-repair kits	1577
Related documentation and software	1577
How to use the parts lists and diagrams	1578
Covers	1580
Internal components	1582
Internal components (1 of 3)	1582
Internal components (2 of 3)	1584
Internal components (3 of 3)	1586
Power supply assembly	1588
Multi-purpose (Tray 1) pickup assembly	1590
Duplexer	1592
Envelope feeder	1594
Envelope feeder covers and panels	1594
Envelope feeder internal components (1 of 2)	1596
Envelope feeder internal components (2 of 2)	1598
500-sheet feeder	1600
500-sheet feeder covers	1600
500-sheet feeder main body	1602
1,500-sheet feeder	1604
1,500-sheet feeder covers and panels	1604

1,500-sheet feeder main body (1 of 2)	1606
1,500-sheet feeder main body (2 of 2)	1608
1,500-sheet feeder paper pickup assembly	1610
5-bin mailbox	1612
5-bin mailbox covers and panels	1612
5-bin mailbox main body (1 of 2)	1614
5-bin mailbox main body (2 of 2)	1616
Stacker and stapler/stacker	1618
Stacker and stapler/stacker covers and panels	1618
Stapler/stacker main body	1620
Stacker main body	1622
Stapler/stacker middle assembly (1 of 2)	1624
Stapler/stacker middle assembly (2 of 2)	1626
Stacker middle assembly (1 of 2)	1628
Stacker middle assembly (2 of 2)	1630
Alphabetical parts list	1632
Numerical parts list	1642

Index	1653
--------------------	-------------

List of tables

Table 1-1	Pickup drive assembly	474
Table 1-2	Pickup drive assembly	892
Table 1-3	Pickup drive assembly	924
Table 1-4	Pickup drive assembly	947
Table 1-5	Pickup drive assembly	971
Table 2-1	Supplies	1575
Table 2-2	Accessories	1575
Table 2-3	Covers	1581
Table 2-4	Internal components (1 of 3)	1583
Table 2-5	Internal components (2 of 3)	1585
Table 2-6	Internal components (3 of 3)	1587
Table 2-7	Power supply assembly	1589
Table 2-8	Multi-purpose (Tray 1) pickup assembly	1591
Table 2-9	Duplexer	1593
Table 2-10	Envelope feeder covers and panels	1595
Table 2-11	Envelope feeder internal components (1 of 2)	1597
Table 2-12	Envelope feeder internal components (2 of 2)	1599
Table 2-13	500-sheet feeder covers	1601
Table 2-14	500-sheet feeder covers	1603
Table 2-15	1,500-sheet feeder covers and panels	1605
Table 2-16	1,500-sheet feeder main body (1 of 2)	1607
Table 2-17	1,500-sheet feeder main body (2 of 2)	1609
Table 2-18	1,500-sheet feeder paper pickup assembly	1611
Table 2-19	5-bin mailbox covers and panels	1613
Table 2-20	5-bin mailbox main body (1 of 2)	1615
Table 2-21	5-bin mailbox main body (2 of 2)	1617
Table 2-22	Stacker and stapler/stacker covers and panels	1619
Table 2-23	Stapler/stacker main body	1621
Table 2-24	Stacker main body	1623
Table 2-25	Stapler/stacker middle assembly (1 of 2)	1625
Table 2-26	Stapler/stacker middle assembly (2 of 2)	1627
Table 2-27	Stacker middle assembly (1 of 2)	1629

Table 2-28 Stacker middle assembly (2 of 2) 1631

List of figures

Figure 1-1	Screwdrivers	4
Figure 1-2	Screw size chart	5
Figure 1-3	Open the cartridge door	9
Figure 1-4	Remove the toner cartridge	9
Figure 1-5	Recycle and unpack	10
Figure 1-6	Rock the toner cartridge	10
Figure 1-7	Remove the toner sealing tape	11
Figure 1-8	Install the toner cartridge	11
Figure 1-9	Close the cartridge door	12
Figure 1-10	Remove the duplex accessory	14
Figure 1-11	Remove the duplex accessory cover	15
Figure 1-12	Release the hinge pin	15
Figure 1-13	Remove the output bin	16
Figure 1-14	Squeeze the blue fuser-release tabs	16
Figure 1-15	Remove the fuser	17
Figure 1-16	Recycle and unpack	17
Figure 1-17	Install the fuser	18
Figure 1-18	Position the output bin	18
Figure 1-19	Install left hinge pin	19
Figure 1-20	Install the duplex accessory cover	19
Figure 1-21	Install the duplex accessory	20
Figure 1-22	Open the cartridge door	22
Figure 1-23	Remove the toner cartridge	22
Figure 1-24	Unpack the transfer-roller removal hook	23
Figure 1-25	Lift the left side of the transfer roller	23
Figure 1-26	Remove the transfer roller	24
Figure 1-27	Recycle and unpack	24
Figure 1-28	Wear the protective gloves	25
Figure 1-29	Install the right end of the transfer roller	25
Figure 1-30	Install the left end of the transfer roller	26
Figure 1-31	Install the toner cartridge	26
Figure 1-32	Close the cartridge door	27

Figure 1-33	Remove the tray	29
Figure 1-34	Open the cover	29
Figure 1-35	Remove the feed roller	30
Figure 1-36	Remove the feed roller	30
Figure 1-37	Remove the pick roller	31
Figure 1-38	Recycle and unpack	31
Figure 1-39	Install the pick roller	32
Figure 1-40	Install the feed roller	32
Figure 1-41	Open the cover	33
Figure 1-42	Align the torque limiter	33
Figure 1-43	Install the feed roller	34
Figure 1-44	Install the tray	34
Figure 1-45	Open the feeder door	35
Figure 1-46	Open the separation-roller cover	35
Figure 1-47	Remove the separation roller	36
Figure 1-48	Remove the feed roller	36
Figure 1-49	Remove the pick roller	37
Figure 1-50	Recycle and unpack	37
Figure 1-51	Install the pick roller	38
Figure 1-52	Install the feed roller	38
Figure 1-53	Open the separation-roller cover	39
Figure 1-54	Check the torque limiter	39
Figure 1-55	Install the feed roller	40
Figure 1-56	Close the feeder door	40
Figure 1-57	Remove the formatter cover	42
Figure 1-58	Open the formatter case door	43
Figure 1-59	Locate the hard-disk drive	43
Figure 1-60	Release the HDD	44
Figure 1-61	Remove HDD	44
Figure 1-62	Recycle and unpack	45
Figure 1-63	Install the tab	45
Figure 1-64	Install the HDD	46
Figure 1-65	Verify HDD installation	46
Figure 1-66	Close the formatter case door	47
Figure 1-67	Align the tabs and slots	47
Figure 1-68	Remove the tray	51
Figure 1-69	Open the cover	51
Figure 1-70	Remove the feed roller	52
Figure 1-71	Remove the torque limiter	52
Figure 1-72	Recycle and unpack	53
Figure 1-73	Open the cover	53

Figure 1-74	Install the torque limiter	54
Figure 1-75	Align the torque limiter	54
Figure 1-76	Install the feed roller	55
Figure 1-77	Install the tray	55
Figure 1-78	Open the feeder door	56
Figure 1-79	Open the separation-roller cover	56
Figure 1-80	Remove the separation roller	57
Figure 1-81	Remove the torque limiter	57
Figure 1-82	Recycle and unpack	58
Figure 1-83	Open the separation-roller cover	58
Figure 1-84	Install the torque limiter	58
Figure 1-85	Align the torque limiter	59
Figure 1-86	Install the feed roller	59
Figure 1-87	Close the feeder door	60
Figure 1-88	Remove the formatter cover	62
Figure 1-89	Open the formatter case door	62
Figure 1-90	Locate the TPM	63
Figure 1-91	Remove the TPM	63
Figure 1-92	Recycle and unpack	64
Figure 1-93	TPM connector	64
Figure 1-94	Install the TPM	65
Figure 1-95	Close the formatter case door	65
Figure 1-96	Align the tabs and slots	66
Figure 1-97	Remove the formatter cover	68
Figure 1-98	Open the formatter case door	69
Figure 1-99	Disconnect two connectors	69
Figure 1-100	Locate the eMMC component	70
Figure 1-101	Remove the eMMC	70
Figure 1-102	Recycle and unpack	71
Figure 1-103	eMMC connector	71
Figure 1-104	Install eMMC	72
Figure 1-105	Connect two connectors	72
Figure 1-106	Close the formatter case door	73
Figure 1-107	Align the tabs and slots	73
Figure 1-108	Remove the formatter cover	77
Figure 1-109	Open the formatter case door	77
Figure 1-110	Locate the hard-disk drive	78
Figure 1-111	Release the HDD	78
Figure 1-112	Remove HDD	79
Figure 1-113	Locate the DIMM	79
Figure 1-114	Remove the DIMM	80

Figure 1-115	Recycle and unpack	80
Figure 1-116	DIMM connector	81
Figure 1-117	Install the DIMM	81
Figure 1-118	Install the tab	82
Figure 1-119	Install the HDD	82
Figure 1-120	Verify HDD installation	83
Figure 1-121	Close the formatter case door	83
Figure 1-122	Align the tabs and slots	84
Figure 1-123	Tilt the control panel up	86
Figure 1-124	Release tabs	86
Figure 1-125	Rotate cover away	87
Figure 1-126	Remove two screws	87
Figure 1-127	Rotate the control panel base	88
Figure 1-128	Disconnect connectors	88
Figure 1-129	Remove the control panel	89
Figure 1-130	Recycle and unpack	89
Figure 1-131	Reinstall the control panel	90
Figure 1-132	Connect connectors	90
Figure 1-133	Rotate the control-panel base down	91
Figure 1-134	Install two screws	91
Figure 1-135	Install screw cover	92
Figure 1-136	Open the front cover	95
Figure 1-137	Open the separation roller cover	95
Figure 1-138	Slide the separation roller	96
Figure 1-139	Remove the separation roller	96
Figure 1-140	Remove one screw	97
Figure 1-141	Remove the bushing	97
Figure 1-142	Remove the cover	98
Figure 1-143	Remove the Tray 1 pickup and feed rollers	98
Figure 1-144	Recycle and unpack	99
Figure 1-145	Install the Tray 1 pickup and feed rollers	99
Figure 1-146	Remove the cover	100
Figure 1-147	Install the bushing	101
Figure 1-148	Install one screw	101
Figure 1-149	Open the separation roller cover	102
Figure 1-150	Position the separation roller	102
Figure 1-151	Install the separation roller	103
Figure 1-152	Close the front cover	103
Figure 1-153	Remove the envelope feeder cover	106
Figure 1-154	Recycle and unpack	106
Figure 1-155	Install the envelope feeder cover	107

Figure 1-156	Remove the duplex accessory cover	108
Figure 1-157	Recycle and unpack	109
Figure 1-158	Install the duplex accessory cover	109
Figure 1-159	Open the rear output bin	111
Figure 1-160	Remove top accessory cover	111
Figure 1-161	Recycle and unpack	112
Figure 1-162	Align the tabs and slots	112
Figure 1-163	Install the top accessory cover	113
Figure 1-164	Close the rear output bin	113
Figure 1-165	Remove the duplex accessory	115
Figure 1-166	Remove the duplex accessory cover	116
Figure 1-167	Release the hinge pin	116
Figure 1-168	Remove the output bin	117
Figure 1-169	Recycle and unpack	117
Figure 1-170	Position the output bin	118
Figure 1-171	Install left hinge pin	118
Figure 1-172	Install the duplex accessory cover	119
Figure 1-173	Install the duplex accessory	119
Figure 1-174	Remove the formatter cover	121
Figure 1-175	Recycle and unpack	121
Figure 1-176	Install the formatter cover	122
Figure 1-177	Remove the duplex accessory	124
Figure 1-178	Remove the duplex accessory cover	124
Figure 1-179	Release the hinge pin	125
Figure 1-180	Remove the Tray 2 extension door	125
Figure 1-181	Recycle and unpack	126
Figure 1-182	Install the keyed hinge pin	126
Figure 1-183	Install the hinge pin	127
Figure 1-184	Install the duplex accessory cover	127
Figure 1-185	Install the duplex accessory	128
Figure 1-186	Open the front cover	130
Figure 1-187	Release retainers	130
Figure 1-188	Release spring	131
Figure 1-189	Remove the cover	131
Figure 1-190	Recycle and unpack	132
Figure 1-191	Install the cover	132
Figure 1-192	Install spring	133
Figure 1-193	Check arm installation	133
Figure 1-194	Install retainers	134
Figure 1-195	Locate HIP cover	135
Figure 1-196	Mounting feet and tabs location	136

Figure 1-197	Release tabs	136
Figure 1-198	Remove the HIP cover	137
Figure 1-199	Recycle and unpack	137
Figure 1-200	Install HIP cover	138
Figure 1-201	Remove the formatter cover	140
Figure 1-202	Locate HIP cover	140
Figure 1-203	Mounting feet and tabs location	141
Figure 1-204	Release tabs	141
Figure 1-205	Remove the HIP cover	142
Figure 1-206	Open the front cover and cartridge door	142
Figure 1-207	Remove two screws	143
Figure 1-208	Release three tabs	143
Figure 1-209	Remove the cover	144
Figure 1-210	Recycle and unpack	144
Figure 1-211	Note location of tabs	145
Figure 1-212	Position the front tabs	145
Figure 1-213	Slide the cover	146
Figure 1-214	Install two screws	146
Figure 1-215	Close the front cover and cartridge door	147
Figure 1-216	Install HIP cover	147
Figure 1-217	Install the formatter cover	148
Figure 1-218	Remove the tray	150
Figure 1-219	Remove the duplex accessory	151
Figure 1-220	Remove the duplex accessory cover	151
Figure 1-221	Release the hinge pin	152
Figure 1-222	Remove the Tray 2 extension door	152
Figure 1-223	Open the rear output bin	153
Figure 1-224	Remove top accessory cover	153
Figure 1-225	Open the front cover and cartridge door	154
Figure 1-226	Remove two screws	154
Figure 1-227	Release three tabs	155
Figure 1-228	Remove the cover	155
Figure 1-229	Release the drive-arm tabs	156
Figure 1-230	Remove three screws	156
Figure 1-231	Remove one screw	157
Figure 1-232	Remove one screw	157
Figure 1-233	Location of two tabs	158
Figure 1-234	Release two tabs	158
Figure 1-235	Remove the top cover	159
Figure 1-236	Release the drive-arm and door hinge tabs	159
Figure 1-237	Release the ground wire	160

Figure 1-238	Disconnect two connectors	160
Figure 1-239	Remove three screws	161
Figure 1-240	Remove one screw	161
Figure 1-241	Remove one screw	162
Figure 1-242	Location of two tabs	162
Figure 1-243	Release two tabs	163
Figure 1-244	Release cables from guides	163
Figure 1-245	Remove the top cover	164
Figure 1-246	Remove one screw	164
Figure 1-247	Remove the left front inside cover	165
Figure 1-248	Release one tab	165
Figure 1-249	Release one tab	166
Figure 1-250	Remove the cover	166
Figure 1-251	Recycle and unpack	167
Figure 1-252	Note location of tabs	167
Figure 1-253	Rotate the cover into place	168
Figure 1-254	Install one tab	168
Figure 1-255	Install one tab	169
Figure 1-256	Install the left front inside cover	169
Figure 1-257	Install one screw	170
Figure 1-258	Lower the top cover	170
Figure 1-259	Install cables in guides	171
Figure 1-260	Install two tabs	171
Figure 1-261	Install one screw	172
Figure 1-262	Install one screw	172
Figure 1-263	Install three screws	173
Figure 1-264	Connect two connectors	173
Figure 1-265	Install the ground wire	174
Figure 1-266	Reattach the door hinge	174
Figure 1-267	Install the drive-arm and door hinge tabs	175
Figure 1-268	Lower the top cover	175
Figure 1-269	Install two tabs	176
Figure 1-270	Install one screw	176
Figure 1-271	Install one screw	177
Figure 1-272	Install three screws	177
Figure 1-273	Install the drive-arm tabs	178
Figure 1-274	Note location of tabs	178
Figure 1-275	Position the front tabs	179
Figure 1-276	Slide the cover	179
Figure 1-277	Install two screws	180
Figure 1-278	Close the front cover and cartridge door	180

Figure 1-279	Align the tabs and slots	181
Figure 1-280	Install the top accessory cover	181
Figure 1-281	Close the rear output bin	182
Figure 1-282	Install the keyed hinge pin	182
Figure 1-283	Install the hinge pin	183
Figure 1-284	Install the duplex accessory cover	183
Figure 1-285	Install the duplex accessory	184
Figure 1-286	Install the tray	184
Figure 1-287	Remove the tray	186
Figure 1-288	Open the front cover and cartridge door	186
Figure 1-289	Remove two screws	187
Figure 1-290	Release three tabs	187
Figure 1-291	Remove the cover	188
Figure 1-292	Open the front cover	188
Figure 1-293	Release retainers	189
Figure 1-294	Release spring	189
Figure 1-295	Remove the cover	190
Figure 1-296	Disconnect one connector	190
Figure 1-297	Remove two screws	191
Figure 1-298	Remove one screw	191
Figure 1-299	Release one tab	192
Figure 1-300	Remove the right front cover	192
Figure 1-301	Remove one screw	193
Figure 1-302	Release the switch PCA	193
Figure 1-303	Remove the switch PCA	194
Figure 1-304	Release one hinge pin	194
Figure 1-305	Remove the switch button	195
Figure 1-306	Recycle and unpack	195
Figure 1-307	Position the switch button	196
Figure 1-308	Install the switch button	196
Figure 1-309	Switch button seated correctly	197
Figure 1-310	Switch button seated incorrectly	197
Figure 1-311	Position the switch PCA	198
Figure 1-312	Install the switch PCA	198
Figure 1-313	Install one screw	199
Figure 1-314	Position the right front cover	199
Figure 1-315	Install one tab	200
Figure 1-316	Install one screw	200
Figure 1-317	Install two screws	201
Figure 1-318	Connect one connector	201
Figure 1-319	Install the cover	202

Figure 1-320	Install spring	202
Figure 1-321	Check arm installation	203
Figure 1-322	Install retainers	203
Figure 1-323	Note location of tabs	204
Figure 1-324	Position the front tabs	204
Figure 1-325	Slide the cover	205
Figure 1-326	Install two screws	205
Figure 1-327	Close the front cover and cartridge door	206
Figure 1-328	Install the tray	206
Figure 1-329	Remove the duplex accessory	208
Figure 1-330	Remove the duplex accessory cover	209
Figure 1-331	Open the rear output bin	209
Figure 1-332	Remove top accessory cover	210
Figure 1-333	Open the front cover and cartridge door	210
Figure 1-334	Remove two screws	211
Figure 1-335	Release three tabs	211
Figure 1-336	Remove the cover	212
Figure 1-337	Remove two screws	212
Figure 1-338	Slide the formatter case	213
Figure 1-339	Release one tab	213
Figure 1-340	Rotate the cover	214
Figure 1-341	Recycle and unpack	214
Figure 1-342	Position the tabs and rotate	215
Figure 1-343	Install one tab	215
Figure 1-344	Open the formatter case door	216
Figure 1-345	Slide the formatter case into place	216
Figure 1-346	Check connectors	217
Figure 1-347	Close the formatter case door	217
Figure 1-348	Install two screws	218
Figure 1-349	Note location of tabs	218
Figure 1-350	Position the front tabs	219
Figure 1-351	Slide the cover	219
Figure 1-352	Install two screws	220
Figure 1-353	Close the front cover and cartridge door	220
Figure 1-354	Align the tabs and slots	221
Figure 1-355	Install the top accessory cover	221
Figure 1-356	Close the rear output bin	222
Figure 1-357	Install the duplex accessory cover	222
Figure 1-358	Install the duplex accessory	223
Figure 1-359	Open the cartridge door	225
Figure 1-360	Remove the toner cartridge	226

Figure 1-361	Tilt the control panel up	226
Figure 1-362	Release tabs	227
Figure 1-363	Rotate cover away	227
Figure 1-364	Remove two screws	228
Figure 1-365	Rotate the control panel base	228
Figure 1-366	Disconnect connectors	229
Figure 1-367	Remove the control panel	229
Figure 1-368	Open the rear output bin	230
Figure 1-369	Remove top accessory cover	230
Figure 1-370	Open the front cover and cartridge door	231
Figure 1-371	Remove two screws	231
Figure 1-372	Release three tabs	232
Figure 1-373	Remove the cover	232
Figure 1-374	Release the drive-arm and door hinge tabs	233
Figure 1-375	Release the ground wire	233
Figure 1-376	Disconnect two connectors	234
Figure 1-377	Remove three screws	234
Figure 1-378	Remove one screw	235
Figure 1-379	Remove one screw	235
Figure 1-380	Location of two tabs	236
Figure 1-381	Release two tabs	236
Figure 1-382	Release cables from guides	237
Figure 1-383	Remove the top cover	237
Figure 1-384	Recycle and unpack	238
Figure 1-385	Lower the top cover	238
Figure 1-386	Install cables in guides	239
Figure 1-387	Install two tabs	239
Figure 1-388	Install one screw	240
Figure 1-389	Install one screw	240
Figure 1-390	Install three screws	241
Figure 1-391	Connect two connectors	241
Figure 1-392	Install the ground wire	242
Figure 1-393	Reattach the door hinge	242
Figure 1-394	Install the drive-arm and door hinge tabs	243
Figure 1-395	Note location of tabs	243
Figure 1-396	Position the front tabs	244
Figure 1-397	Slide the cover	244
Figure 1-398	Install two screws	245
Figure 1-399	Close the front cover and cartridge door	245
Figure 1-400	Align the tabs and slots	246
Figure 1-401	Install the top accessory cover	246

Figure 1-402	Close the rear output bin	247
Figure 1-403	Reinstall the control panel	247
Figure 1-404	Connect connectors	248
Figure 1-405	Rotate the control-panel base down	248
Figure 1-406	Install two screws	249
Figure 1-407	Install screw cover	249
Figure 1-408	Install the toner cartridge	250
Figure 1-409	Close the cartridge door	250
Figure 1-410	Open the cartridge door	252
Figure 1-411	Remove the toner cartridge	253
Figure 1-412	Open the rear output bin	253
Figure 1-413	Remove top accessory cover	254
Figure 1-414	Open the front cover and cartridge door	254
Figure 1-415	Remove two screws	255
Figure 1-416	Release three tabs	255
Figure 1-417	Remove the cover	256
Figure 1-418	Release the drive-arm tabs	256
Figure 1-419	Remove three screws	257
Figure 1-420	Remove one screw	257
Figure 1-421	Remove one screw	258
Figure 1-422	Location of two tabs	258
Figure 1-423	Release two tabs	259
Figure 1-424	Remove the top cover	259
Figure 1-425	Recycle and unpack	260
Figure 1-426	Lower the top cover	260
Figure 1-427	Install two tabs	261
Figure 1-428	Install one screw	261
Figure 1-429	Install one screw	262
Figure 1-430	Install three screws	262
Figure 1-431	Install the drive-arm tabs	263
Figure 1-432	Note location of tabs	263
Figure 1-433	Position the front tabs	264
Figure 1-434	Slide the cover	264
Figure 1-435	Install two screws	265
Figure 1-436	Close the front cover and cartridge door	265
Figure 1-437	Align the tabs and slots	266
Figure 1-438	Install the top accessory cover	266
Figure 1-439	Close the rear output bin	267
Figure 1-440	Install the toner cartridge	267
Figure 1-441	Close the cartridge door	268
Figure 1-442	Open the front cover and cartridge door	270

Figure 1-443	Remove two screws	270
Figure 1-444	Release three tabs	271
Figure 1-445	Remove the cover	271
Figure 1-446	Remove three screws	272
Figure 1-447	Disconnect one connector	272
Figure 1-448	Remove the control panel	273
Figure 1-449	Recycle and unpack	273
Figure 1-450	Connect one connector	274
Figure 1-451	Install three screws	274
Figure 1-452	Note location of tabs	275
Figure 1-453	Position the front tabs	275
Figure 1-454	Slide the cover	276
Figure 1-455	Install two screws	276
Figure 1-456	Close the front cover and cartridge door	277
Figure 1-457	Remove the formatter cover	281
Figure 1-458	Open the formatter case door	282
Figure 1-459	Remove the formatter case door	282
Figure 1-460	Disconnect two connectors	283
Figure 1-461	Locate the eMMC component	283
Figure 1-462	Remove the eMMC	284
Figure 1-463	Locate the hard-disk drive	284
Figure 1-464	Release the HDD	285
Figure 1-465	Remove HDD	285
Figure 1-466	Locate the DIMM	286
Figure 1-467	Remove the DIMM	286
Figure 1-468	Locate the TPM	287
Figure 1-469	Remove the TPM	287
Figure 1-470	ZIF connector	288
Figure 1-471	Disconnect all connectors	288
Figure 1-472	Remove four screws	289
Figure 1-473	Remove the formatter	289
Figure 1-474	Recycle and unpack	290
Figure 1-475	Network port install note	290
Figure 1-476	Install the formatter	291
Figure 1-477	Install four screws	291
Figure 1-478	ZIF connector	292
Figure 1-479	Disconnect all connectors	293
Figure 1-480	TPM connector	293
Figure 1-481	Install the TPM	294
Figure 1-482	DIMM connector	294
Figure 1-483	Install the DIMM	295

Figure 1-484	Install the tab	295
Figure 1-485	Install the HDD	296
Figure 1-486	Verify HDD installation	296
Figure 1-487	eMMC connector	297
Figure 1-488	Install eMMC	297
Figure 1-489	Connect two connectors	298
Figure 1-490	Install the door	298
Figure 1-491	Close the formatter case door	299
Figure 1-492	Align the tabs and slots	299
Figure 1-493	Open the cartridge door	301
Figure 1-494	Remove the toner cartridge	301
Figure 1-495	Open the registration-roller plate	302
Figure 1-496	Remove five screws	302
Figure 1-497	Locate the grounding plate	303
Figure 1-498	Remove the registration assembly	303
Figure 1-499	Recycle and unpack	304
Figure 1-500	Position the registration assembly	304
Figure 1-501	Open the registration-roller plate	305
Figure 1-502	Install five screws	305
Figure 1-503	Install the toner cartridge	306
Figure 1-504	Close the cartridge door	306
Figure 1-505	Open the front cover and cartridge door	308
Figure 1-506	Remove two screws	308
Figure 1-507	Release three tabs	309
Figure 1-508	Remove the cover	309
Figure 1-509	Remove three screws	310
Figure 1-510	Disconnect one connector	310
Figure 1-511	Remove the control panel	311
Figure 1-512	Open the front cover	311
Figure 1-513	Release retainers	312
Figure 1-514	Release spring	312
Figure 1-515	Remove the cover	313
Figure 1-516	Disconnect one connector	313
Figure 1-517	Remove two screws	314
Figure 1-518	Remove one screw	314
Figure 1-519	Release one tab	315
Figure 1-520	Remove the right front cover	315
Figure 1-521	Release door hinge tabs	316
Figure 1-522	Remove right top cover	316
Figure 1-523	Disconnect one connector	317
Figure 1-524	Remove cable from guides	317

Figure 1-525	Remove one screw	318
Figure 1-526	Press on the tab	318
Figure 1-527	Remove the USB port	319
Figure 1-528	Recycle and unpack	319
Figure 1-529	Note tab and slot locations	320
Figure 1-530	Install USB port	320
Figure 1-531	Install one screw	321
Figure 1-532	Install cable in guides	321
Figure 1-533	Connect one connector	322
Figure 1-534	Position right top cover	322
Figure 1-535	Install door hinge tabs	323
Figure 1-536	Position the right front cover	323
Figure 1-537	Install one tab	324
Figure 1-538	Install one screw	324
Figure 1-539	Install two screws	325
Figure 1-540	Connect one connector	325
Figure 1-541	Install the cover	326
Figure 1-542	Install spring	326
Figure 1-543	Check arm installation	327
Figure 1-544	Install retainers	327
Figure 1-545	Connect one connector	328
Figure 1-546	Install three screws	328
Figure 1-547	Note location of tabs	329
Figure 1-548	Position the front tabs	329
Figure 1-549	Slide the cover	330
Figure 1-550	Install two screws	330
Figure 1-551	Close the front cover and cartridge door	331
Figure 1-552	Remove the duplex accessory	333
Figure 1-553	Remove the duplex accessory cover	334
Figure 1-554	Release the hinge pin	334
Figure 1-555	Remove the Tray 2 extension door	335
Figure 1-556	Open the rear output bin	335
Figure 1-557	Remove top accessory cover	336
Figure 1-558	Open the front cover and cartridge door	336
Figure 1-559	Remove two screws	337
Figure 1-560	Release three tabs	337
Figure 1-561	Remove the cover	338
Figure 1-562	Release the drive-arm tabs	338
Figure 1-563	Remove three screws	339
Figure 1-564	Remove one screw	339
Figure 1-565	Remove one screw	340

Figure 1-566	Location of two tabs	340
Figure 1-567	Release two tabs	341
Figure 1-568	Remove the top cover	341
Figure 1-569	Release the drive-arm and door hinge tabs	342
Figure 1-570	Release the ground wire	342
Figure 1-571	Disconnect two connectors	343
Figure 1-572	Remove three screws	343
Figure 1-573	Remove one screw	344
Figure 1-574	Remove one screw	344
Figure 1-575	Location of two tabs	345
Figure 1-576	Release two tabs	345
Figure 1-577	Release cables from guides	346
Figure 1-578	Remove the top cover	346
Figure 1-579	Remove one screw	347
Figure 1-580	Remove the left front inside cover	347
Figure 1-581	Release one tab	348
Figure 1-582	Release one tab	348
Figure 1-583	Remove the cover	349
Figure 1-584	Remove two screws and the sheet-metal plate	349
Figure 1-585	Disconnect two connectors and remove one screw	350
Figure 1-586	Remove the fan	350
Figure 1-587	Recycle and unpack	351
Figure 1-588	Position the fan	351
Figure 1-589	Connect two connectors and install one screw	352
Figure 1-590	Install the sheet-metal plate	352
Figure 1-591	Note location of tabs	353
Figure 1-592	Rotate the cover into place	353
Figure 1-593	Install one tab	354
Figure 1-594	Install one tab	354
Figure 1-595	Install the left front inside cover	355
Figure 1-596	Install one screw	355
Figure 1-597	Lower the top cover	356
Figure 1-598	Install cables in guides	356
Figure 1-599	Install two tabs	357
Figure 1-600	Install one screw	357
Figure 1-601	Install one screw	358
Figure 1-602	Install three screws	358
Figure 1-603	Connect two connectors	359
Figure 1-604	Install the ground wire	359
Figure 1-605	Reattach the door hinge	360
Figure 1-606	Install the drive-arm and door hinge tabs	360

Figure 1-607	Lower the top cover	361
Figure 1-608	Install two tabs	361
Figure 1-609	Install one screw	362
Figure 1-610	Install one screw	362
Figure 1-611	Install three screws	363
Figure 1-612	Install the drive-arm tabs	363
Figure 1-613	Note location of tabs	364
Figure 1-614	Position the front tabs	364
Figure 1-615	Slide the cover	365
Figure 1-616	Install two screws	365
Figure 1-617	Close the front cover and cartridge door	366
Figure 1-618	Align the tabs and slots	366
Figure 1-619	Install the top accessory cover	367
Figure 1-620	Close the rear output bin	367
Figure 1-621	Install the keyed hinge pin	368
Figure 1-622	Install the hinge pin	368
Figure 1-623	Install the duplex accessory cover	369
Figure 1-624	Install the duplex accessory	369
Figure 1-625	Open the front cover and cartridge door	371
Figure 1-626	Remove two screws	371
Figure 1-627	Release three tabs	372
Figure 1-628	Remove the cover	372
Figure 1-629	Disconnect one connector	373
Figure 1-630	Remove fan	373
Figure 1-631	Recycle and unpack	374
Figure 1-632	Install fan	374
Figure 1-633	Connect one connector	375
Figure 1-634	Note location of tabs	375
Figure 1-635	Position the front tabs	376
Figure 1-636	Slide the cover	376
Figure 1-637	Install two screws	377
Figure 1-638	Close the front cover and cartridge door	377
Figure 1-639	Remove the duplex accessory	379
Figure 1-640	Remove the duplex accessory cover	380
Figure 1-641	Release the hinge pin	380
Figure 1-642	Remove the Tray 2 extension door	381
Figure 1-643	Open the rear output bin	381
Figure 1-644	Remove top accessory cover	382
Figure 1-645	Open the front cover and cartridge door	382
Figure 1-646	Remove two screws	383
Figure 1-647	Release three tabs	383

Figure 1-648	Remove the cover	384
Figure 1-649	Release the drive-arm tabs	384
Figure 1-650	Remove three screws	385
Figure 1-651	Remove one screw	385
Figure 1-652	Remove one screw	386
Figure 1-653	Location of two tabs	386
Figure 1-654	Release two tabs	387
Figure 1-655	Remove the top cover	387
Figure 1-656	Release the drive-arm and door hinge tabs	388
Figure 1-657	Release the ground wire	388
Figure 1-658	Disconnect two connectors	389
Figure 1-659	Remove three screws	389
Figure 1-660	Remove one screw	390
Figure 1-661	Remove one screw	390
Figure 1-662	Location of two tabs	391
Figure 1-663	Release two tabs	391
Figure 1-664	Release cables from guides	392
Figure 1-665	Remove the top cover	392
Figure 1-666	Remove one screw	393
Figure 1-667	Remove the left front inside cover	393
Figure 1-668	Release one tab	394
Figure 1-669	Release one tab	394
Figure 1-670	Remove the cover	395
Figure 1-671	Remove two screws and the sheet-metal plate	395
Figure 1-672	Disconnect one connector, release the wire harness, and remove the fan clip	396
Figure 1-673	Remove the fan	396
Figure 1-674	Recycle and unpack	397
Figure 1-675	Position the fan	397
Figure 1-676	Install the fan clip, install the wire harness in the retainer, and connect one connector	398
Figure 1-677	Install the sheet-metal plate	398
Figure 1-678	Note location of tabs	399
Figure 1-679	Rotate the cover into place	399
Figure 1-680	Install one tab	400
Figure 1-681	Install one tab	400
Figure 1-682	Install the left front inside cover	401
Figure 1-683	Install one screw	401
Figure 1-684	Lower the top cover	402
Figure 1-685	Install cables in guides	402
Figure 1-686	Install two tabs	403
Figure 1-687	Install one screw	403
Figure 1-688	Install one screw	404

Figure 1-689	Install three screws	404
Figure 1-690	Connect two connectors	405
Figure 1-691	Install the ground wire	405
Figure 1-692	Reattach the door hinge	406
Figure 1-693	Install the drive-arm and door hinge tabs	406
Figure 1-694	Lower the top cover	407
Figure 1-695	Install two tabs	407
Figure 1-696	Install one screw	408
Figure 1-697	Install one screw	408
Figure 1-698	Install three screws	409
Figure 1-699	Install the drive-arm tabs	409
Figure 1-700	Note location of tabs	410
Figure 1-701	Position the front tabs	410
Figure 1-702	Slide the cover	411
Figure 1-703	Install two screws	411
Figure 1-704	Close the front cover and cartridge door	412
Figure 1-705	Align the tabs and slots	412
Figure 1-706	Install the top accessory cover	413
Figure 1-707	Close the rear output bin	413
Figure 1-708	Install the keyed hinge pin	414
Figure 1-709	Install the hinge pin	414
Figure 1-710	Install the duplex accessory cover	415
Figure 1-711	Install the duplex accessory	415
Figure 1-712	Open the front cover and cartridge door	417
Figure 1-713	Remove two screws	417
Figure 1-714	Release three tabs	418
Figure 1-715	Remove the cover	418
Figure 1-716	Disconnect one connector	419
Figure 1-717	Remove fan	419
Figure 1-718	Recycle and unpack	420
Figure 1-719	Install fan	420
Figure 1-720	Connect one connector	421
Figure 1-721	Note location of tabs	421
Figure 1-722	Position the front tabs	422
Figure 1-723	Slide the cover	422
Figure 1-724	Install two screws	423
Figure 1-725	Close the front cover and cartridge door	423
Figure 1-726	Open the front cover and cartridge door	425
Figure 1-727	Remove two screws	425
Figure 1-728	Release three tabs	426
Figure 1-729	Remove the cover	426

Figure 1-730	Locate the pickup motor	427
Figure 1-731	Disconnect one connector and remove three screws	427
Figure 1-732	Release the motor	428
Figure 1-733	Recycle and unpack	428
Figure 1-734	Install the pickup motor	429
Figure 1-735	Connect one connector and install three screws	429
Figure 1-736	Note location of tabs	430
Figure 1-737	Position the front tabs	430
Figure 1-738	Slide the cover	431
Figure 1-739	Install two screws	431
Figure 1-740	Close the front cover and cartridge door	432
Figure 1-741	Open the front cover and cartridge door	434
Figure 1-742	Remove two screws	434
Figure 1-743	Release three tabs	435
Figure 1-744	Remove the cover	435
Figure 1-745	Locate the drum motor	436
Figure 1-746	Disconnect one connector and remove three screws	436
Figure 1-747	Release the motor	437
Figure 1-748	Recycle and unpack	437
Figure 1-749	Install the drum motor	438
Figure 1-750	Connect one connector and install three screws	438
Figure 1-751	Note location of tabs	439
Figure 1-752	Position the front tabs	439
Figure 1-753	Slide the cover	440
Figure 1-754	Install two screws	440
Figure 1-755	Close the front cover and cartridge door	441
Figure 1-756	Open the front cover and cartridge door	443
Figure 1-757	Remove two screws	443
Figure 1-758	Release three tabs	444
Figure 1-759	Remove the cover	444
Figure 1-760	Disconnect one connector	445
Figure 1-761	Release one spring	445
Figure 1-762	Remove one screw	446
Figure 1-763	Remove the black bracket	446
Figure 1-764	Remove the lifter-motor assembly	447
Figure 1-765	Recycle and unpack	447
Figure 1-766	Position the lifter-motor assembly	448
Figure 1-767	Install the black bracket	448
Figure 1-768	Install one screw	449
Figure 1-769	Connect one connector	449
Figure 1-770	Attach one spring	450

Figure 1-771	Note location of tabs	450
Figure 1-772	Position the front tabs	451
Figure 1-773	Slide the cover	451
Figure 1-774	Install two screws	452
Figure 1-775	Close the front cover and cartridge door	452
Figure 1-776	Open the front cover and cartridge door	454
Figure 1-777	Remove two screws	454
Figure 1-778	Release three tabs	455
Figure 1-779	Remove the cover	455
Figure 1-780	ZIF connector	456
Figure 1-781	Disconnect the connectors	456
Figure 1-782	Remove two screws and release one tab	457
Figure 1-783	Remove the DC controller	457
Figure 1-784	Recycle and unpack	458
Figure 1-785	Position the DC controller on the printer	458
Figure 1-786	Install two screws	459
Figure 1-787	ZIF connector	459
Figure 1-788	Connect the connectors	460
Figure 1-789	Note location of tabs	460
Figure 1-790	Position the front tabs	461
Figure 1-791	Slide the cover	461
Figure 1-792	Install two screws	462
Figure 1-793	Close the front cover and cartridge door	462
Figure 1-794	Open the front cover and cartridge door	464
Figure 1-795	Remove two screws	464
Figure 1-796	Release three tabs	465
Figure 1-797	Remove the cover	465
Figure 1-798	ZIF connector	466
Figure 1-799	Disconnect the connectors	466
Figure 1-800	Remove two screws and release one tab	467
Figure 1-801	Remove the DC controller	467
Figure 1-802	Locate the pickup motor	468
Figure 1-803	Disconnect one connector and remove three screws	468
Figure 1-804	Release the motor	469
Figure 1-805	Release wire harnesses from the retainer	469
Figure 1-806	Release the wire harness from the retainer	470
Figure 1-807	Remove five screws	470
Figure 1-808	Remove one e-clip	471
Figure 1-809	Remove one shaft collar	471
Figure 1-810	Remove the drive-gear shaft	472
Figure 1-811	Two gears are not captive	472

Figure 1-812	Remove the pickup drive assembly	473
Figure 1-813	Recycle and unpack	473
Figure 1-814	Install the pickup drive assembly	474
Figure 1-815	Install the drive-gear shaft	475
Figure 1-816	Install one shaft collar	475
Figure 1-817	Install one e-clip	476
Figure 1-818	Remove five screws	476
Figure 1-819	Install the wire harnesses in the retainer	477
Figure 1-820	Install the wire harnesses in the retainer	477
Figure 1-821	Install the pickup motor	478
Figure 1-822	Connect one connector and install three screws	478
Figure 1-823	Position the DC controller on the printer	479
Figure 1-824	Install two screws	479
Figure 1-825	ZIF connector	480
Figure 1-826	Connect the connectors	480
Figure 1-827	Note location of tabs	481
Figure 1-828	Position the front tabs	481
Figure 1-829	Slide the cover	482
Figure 1-830	Install two screws	482
Figure 1-831	Close the front cover and cartridge door	483
Figure 1-832	Open the front cover and cartridge door	485
Figure 1-833	Remove two screws	485
Figure 1-834	Release three tabs	486
Figure 1-835	Remove the cover	486
Figure 1-836	ZIF connector	487
Figure 1-837	Disconnect the connectors	487
Figure 1-838	Remove two screws and release one tab	488
Figure 1-839	Remove the DC controller	488
Figure 1-840	Open the formatter case door	489
Figure 1-841	ZIF connector	489
Figure 1-842	Disconnect all connectors	490
Figure 1-843	Remove two screws	490
Figure 1-844	Remove the wires from the formatter case	491
Figure 1-845	Feed cables through the openings	491
Figure 1-846	Remove formatter case	492
Figure 1-847	Locate the fuser motor	492
Figure 1-848	Release one spring	493
Figure 1-849	Remove two screws	493
Figure 1-850	Remove the bracket	494
Figure 1-851	Remove the fuser motor	494
Figure 1-852	Recycle and unpack	495

Figure 1-853	Install the fuser motor	495
Figure 1-854	Position the bracket	496
Figure 1-855	Install two screws	496
Figure 1-856	Attach one spring	497
Figure 1-857	Position the DC controller on the printer	497
Figure 1-858	Install two screws	498
Figure 1-859	ZIF connector	498
Figure 1-860	Connect the connectors	499
Figure 1-861	Position the formatter case	499
Figure 1-862	Install the formatter case	500
Figure 1-863	Position the wires in the formatter case	500
Figure 1-864	Install two screws	501
Figure 1-865	ZIF connector	501
Figure 1-866	Connect all connectors	502
Figure 1-867	Close the formatter case door	502
Figure 1-868	Note location of tabs	503
Figure 1-869	Position the front tabs	503
Figure 1-870	Slide the cover	504
Figure 1-871	Install two screws	504
Figure 1-872	Close the front cover and cartridge door	505
Figure 1-873	Open the front cover and cartridge door	507
Figure 1-874	Remove two screws	508
Figure 1-875	Release three tabs	508
Figure 1-876	Remove the cover	509
Figure 1-877	Open the rear output bin	509
Figure 1-878	Remove top accessory cover	510
Figure 1-879	Release the drive-arm tabs	510
Figure 1-880	Remove three screws	511
Figure 1-881	Remove one screw	511
Figure 1-882	Remove one screw	512
Figure 1-883	Location of two tabs	512
Figure 1-884	Release two tabs	513
Figure 1-885	Remove the top cover	513
Figure 1-886	Release the drive-arm and door hinge tabs	514
Figure 1-887	Release the ground wire	514
Figure 1-888	Disconnect two connectors	515
Figure 1-889	Remove three screws	515
Figure 1-890	Remove one screw	516
Figure 1-891	Remove one screw	516
Figure 1-892	Location of two tabs	517
Figure 1-893	Release two tabs	517

Figure 1-894	Release cables from guides	518
Figure 1-895	Remove the top cover	518
Figure 1-896	Open the formatter case door	519
Figure 1-897	ZIF connector	519
Figure 1-898	Disconnect all connectors	520
Figure 1-899	Remove two screws	520
Figure 1-900	Remove the wires from the formatter case	521
Figure 1-901	Feed cables through the openings	521
Figure 1-902	Remove formatter case	522
Figure 1-903	ZIF connector	522
Figure 1-904	Disconnect the connectors	523
Figure 1-905	Remove two screws and release one tab	523
Figure 1-906	Remove the DC controller	524
Figure 1-907	Locate the drum motor	524
Figure 1-908	Disconnect one connector and remove three screws	525
Figure 1-909	Release the motor	525
Figure 1-910	Remove one screw	526
Figure 1-911	Release the wire harnesses	526
Figure 1-912	Remove one screw and release one tab	527
Figure 1-913	Move the fan duct aside	527
Figure 1-914	Remove four screws	528
Figure 1-915	Remove the drum-drive assembly	528
Figure 1-916	Recycle and unpack	529
Figure 1-917	Correct spring position	529
Figure 1-918	Position the drum-drive assembly	530
Figure 1-919	Install four screws	530
Figure 1-920	Position the fan duct	531
Figure 1-921	Top tab position	531
Figure 1-922	Install one tab and one screw	532
Figure 1-923	Install the wire harnesses	532
Figure 1-924	Install one screw	533
Figure 1-925	Install the drum motor	533
Figure 1-926	Connect one connector and install three screws	534
Figure 1-927	Position the DC controller on the printer	534
Figure 1-928	Install two screws	535
Figure 1-929	ZIF connector	535
Figure 1-930	Connect the connectors	536
Figure 1-931	Position the formatter case	536
Figure 1-932	Install the formatter case	537
Figure 1-933	Position the wires in the formatter case	537
Figure 1-934	Install two screws	538

Figure 1-935	ZIF connector	538
Figure 1-936	Connect all connectors	539
Figure 1-937	Close the formatter case door	539
Figure 1-938	Lower the top cover	540
Figure 1-939	Install cables in guides	540
Figure 1-940	Install two tabs	541
Figure 1-941	Install one screw	541
Figure 1-942	Install one screw	542
Figure 1-943	Install three screws	542
Figure 1-944	Connect two connectors	543
Figure 1-945	Install the ground wire	543
Figure 1-946	Reattach the door hinge	544
Figure 1-947	Install the drive-arm and door hinge tabs	544
Figure 1-948	Lower the top cover	545
Figure 1-949	Install two tabs	545
Figure 1-950	Install one screw	546
Figure 1-951	Install one screw	546
Figure 1-952	Install three screws	547
Figure 1-953	Install the drive-arm tabs	547
Figure 1-954	Align the tabs and slots	548
Figure 1-955	Install the top accessory cover	548
Figure 1-956	Close the rear output bin	549
Figure 1-957	Note location of tabs	549
Figure 1-958	Position the front tabs	550
Figure 1-959	Slide the cover	550
Figure 1-960	Install two screws	551
Figure 1-961	Close the front cover and cartridge door	551
Figure 1-962	Remove the duplex accessory	553
Figure 1-963	Remove the duplex accessory cover	554
Figure 1-964	Release the hinge pin	554
Figure 1-965	Remove the Tray 2 extension door	555
Figure 1-966	Open the rear output bin	555
Figure 1-967	Remove top accessory cover	556
Figure 1-968	Open the front cover and cartridge door	556
Figure 1-969	Remove two screws	557
Figure 1-970	Release three tabs	557
Figure 1-971	Remove the cover	558
Figure 1-972	Release the drive-arm tabs	558
Figure 1-973	Remove three screws	559
Figure 1-974	Remove one screw	559
Figure 1-975	Remove one screw	560

Figure 1-976	Location of two tabs	560
Figure 1-977	Release two tabs	561
Figure 1-978	Remove the top cover	561
Figure 1-979	Release the drive-arm and door hinge tabs	562
Figure 1-980	Release the ground wire	562
Figure 1-981	Disconnect two connectors	563
Figure 1-982	Remove three screws	563
Figure 1-983	Remove one screw	564
Figure 1-984	Remove one screw	564
Figure 1-985	Location of two tabs	565
Figure 1-986	Release two tabs	565
Figure 1-987	Release cables from guides	566
Figure 1-988	Remove the top cover	566
Figure 1-989	Remove one screw	567
Figure 1-990	Remove the left front inside cover	567
Figure 1-991	Release one tab	568
Figure 1-992	Release one tab	568
Figure 1-993	Remove the cover	569
Figure 1-994	Remove two screws and the sheet-metal plate	569
Figure 1-995	Disconnect one connector and remove one screw	570
Figure 1-996	Recycle and unpack	570
Figure 1-997	Connect one connector and install one screw	571
Figure 1-998	Install the sheet-metal plate	571
Figure 1-999	Note location of tabs	572
Figure 1-1000	Rotate the cover into place	572
Figure 1-1001	Install one tab	573
Figure 1-1002	Install one tab	573
Figure 1-1003	Install the left front inside cover	574
Figure 1-1004	Install one screw	574
Figure 1-1005	Lower the top cover	575
Figure 1-1006	Install cables in guides	575
Figure 1-1007	Install two tabs	576
Figure 1-1008	Install one screw	576
Figure 1-1009	Install one screw	577
Figure 1-1010	Install three screws	577
Figure 1-1011	Connect two connectors	578
Figure 1-1012	Install the ground wire	578
Figure 1-1013	Reattach the door hinge	579
Figure 1-1014	Install the drive-arm and door hinge tabs	579
Figure 1-1015	Lower the top cover	580
Figure 1-1016	Install two tabs	580

Figure 1-1017	Install one screw	581
Figure 1-1018	Install one screw	581
Figure 1-1019	Install three screws	582
Figure 1-1020	Install the drive-arm tabs	582
Figure 1-1021	Note location of tabs	583
Figure 1-1022	Position the front tabs	583
Figure 1-1023	Slide the cover	584
Figure 1-1024	Install two screws	584
Figure 1-1025	Close the front cover and cartridge door	585
Figure 1-1026	Align the tabs and slots	585
Figure 1-1027	Install the top accessory cover	586
Figure 1-1028	Close the rear output bin	586
Figure 1-1029	Install the keyed hinge pin	587
Figure 1-1030	Install the hinge pin	587
Figure 1-1031	Install the duplex accessory cover	588
Figure 1-1032	Install the duplex accessory	588
Figure 1-1033	Remove the duplex accessory	591
Figure 1-1034	Remove the duplex accessory cover	591
Figure 1-1035	Release the hinge pin	592
Figure 1-1036	Remove the Tray 2 extension door	592
Figure 1-1037	Release the hinge pin	593
Figure 1-1038	Remove the output bin	593
Figure 1-1039	Squeeze the blue fuser-release tabs	594
Figure 1-1040	Remove the fuser	594
Figure 1-1041	Open the front cover and cartridge door	595
Figure 1-1042	Remove two screws	595
Figure 1-1043	Release three tabs	596
Figure 1-1044	Remove the cover	596
Figure 1-1045	Open the rear output bin	597
Figure 1-1046	Remove top accessory cover	597
Figure 1-1047	Release the drive-arm tabs	598
Figure 1-1048	Remove three screws	598
Figure 1-1049	Remove one screw	599
Figure 1-1050	Remove one screw	599
Figure 1-1051	Location of two tabs	600
Figure 1-1052	Release two tabs	600
Figure 1-1053	Remove the top cover	601
Figure 1-1054	Release the drive-arm and door hinge tabs	601
Figure 1-1055	Release the ground wire	602
Figure 1-1056	Disconnect two connectors	602
Figure 1-1057	Remove three screws	603

Figure 1-1058	Remove one screw	603
Figure 1-1059	Remove one screw	604
Figure 1-1060	Location of two tabs	604
Figure 1-1061	Release two tabs	605
Figure 1-1062	Release cables from guides	605
Figure 1-1063	Remove the top cover	606
Figure 1-1064	Remove one screw	606
Figure 1-1065	Remove the left front inside cover	607
Figure 1-1066	Release one tab	607
Figure 1-1067	Release one tab	608
Figure 1-1068	Remove the cover	608
Figure 1-1069	Open the formatter case door	609
Figure 1-1070	ZIF connector	609
Figure 1-1071	Disconnect all connectors	610
Figure 1-1072	Remove two screws	610
Figure 1-1073	Remove the wires from the formatter case	611
Figure 1-1074	Feed cables through the openings	611
Figure 1-1075	Remove formatter case	612
Figure 1-1076	Remove one screw and release one tab	612
Figure 1-1077	Remove the tray guide	613
Figure 1-1078	Remove four screws and grounding screw	613
Figure 1-1079	Disconnect seven wire-harness connectors	614
Figure 1-1080	Remove two screws and fan cover plate	614
Figure 1-1081	Disconnect three connectors and remove four screws	615
Figure 1-1082	Feed the cables through the opening	615
Figure 1-1083	Remove the power supply	616
Figure 1-1084	Remove five screws	616
Figure 1-1085	Remove one screw	617
Figure 1-1086	Remove the feed-guide assembly	617
Figure 1-1087	Recycle and unpack	618
Figure 1-1088	Support foot	618
Figure 1-1089	Position the feed-guide assembly	619
Figure 1-1090	Install one screw	619
Figure 1-1091	Install five screws	620
Figure 1-1092	Install the power supply	620
Figure 1-1093	Install the cables	621
Figure 1-1094	Connect three connectors and install four screws	621
Figure 1-1095	Install the fan cover plate	622
Figure 1-1096	Connect seven wire-harness connectors	622
Figure 1-1097	Install four screws and grounding screw	623
Figure 1-1098	Install the power-supply PCA guide	623

Figure 1-1099	Install one tab and one screw	624
Figure 1-1100	Position the formatter case	624
Figure 1-1101	Install the formatter case	625
Figure 1-1102	Position the wires in the formatter case	625
Figure 1-1103	Install two screws	626
Figure 1-1104	ZIF connector	626
Figure 1-1105	Connect all connectors	627
Figure 1-1106	Close the formatter case door	627
Figure 1-1107	Note location of tabs	628
Figure 1-1108	Rotate the cover into place	628
Figure 1-1109	Install one tab	629
Figure 1-1110	Install one tab	629
Figure 1-1111	Install the left front inside cover	630
Figure 1-1112	Install one screw	630
Figure 1-1113	Lower the top cover	631
Figure 1-1114	Install cables in guides	631
Figure 1-1115	Install two tabs	632
Figure 1-1116	Install one screw	632
Figure 1-1117	Install one screw	633
Figure 1-1118	Install three screws	633
Figure 1-1119	Connect two connectors	634
Figure 1-1120	Install the ground wire	634
Figure 1-1121	Reattach the door hinge	635
Figure 1-1122	Install the drive-arm and door hinge tabs	635
Figure 1-1123	Lower the top cover	636
Figure 1-1124	Install two tabs	636
Figure 1-1125	Install one screw	637
Figure 1-1126	Install one screw	637
Figure 1-1127	Install three screws	638
Figure 1-1128	Install the drive-arm tabs	638
Figure 1-1129	Align the tabs and slots	639
Figure 1-1130	Install the top accessory cover	639
Figure 1-1131	Close the rear output bin	640
Figure 1-1132	Note location of tabs	640
Figure 1-1133	Position the front tabs	641
Figure 1-1134	Slide the cover	641
Figure 1-1135	Install two screws	642
Figure 1-1136	Close the front cover and cartridge door	642
Figure 1-1137	Install the fuser	643
Figure 1-1138	Position the output bin	643
Figure 1-1139	Install left hinge pin	644

Figure 1-1140	Install the keyed hinge pin	644
Figure 1-1141	Install the hinge pin	645
Figure 1-1142	Install the duplex accessory cover	645
Figure 1-1143	Install the duplex accessory	646
Figure 1-1144	Install the duplex accessory	649
Figure 1-1145	Remove the duplex accessory cover	649
Figure 1-1146	Release the hinge pin	650
Figure 1-1147	Remove the Tray 2 extension door	650
Figure 1-1148	Release the hinge pin	651
Figure 1-1149	Remove the output bin	651
Figure 1-1150	Squeeze the blue fuser-release tabs	652
Figure 1-1151	Remove the fuser	652
Figure 1-1152	Open the front cover and cartridge door	653
Figure 1-1153	Remove two screws	653
Figure 1-1154	Release three tabs	654
Figure 1-1155	Remove the cover	654
Figure 1-1156	Open the rear output bin	655
Figure 1-1157	Remove top accessory cover	655
Figure 1-1158	Release the drive-arm tabs	656
Figure 1-1159	Remove three screws	656
Figure 1-1160	Remove one screw	657
Figure 1-1161	Remove one screw	657
Figure 1-1162	Location of two tabs	658
Figure 1-1163	Release two tabs	658
Figure 1-1164	Remove the top cover	659
Figure 1-1165	Release the drive-arm and door hinge tabs	659
Figure 1-1166	Release the ground wire	660
Figure 1-1167	Disconnect two connectors	660
Figure 1-1168	Remove three screws	661
Figure 1-1169	Remove one screw	661
Figure 1-1170	Remove one screw	662
Figure 1-1171	Location of two tabs	662
Figure 1-1172	Release two tabs	663
Figure 1-1173	Release cables from guides	663
Figure 1-1174	Remove the top cover	664
Figure 1-1175	Remove one screw	664
Figure 1-1176	Remove the left front inside cover	665
Figure 1-1177	Release one tab	665
Figure 1-1178	Release one tab	666
Figure 1-1179	Remove the cover	666
Figure 1-1180	Open the formatter case door	667

Figure 1-1181	ZIF connector	667
Figure 1-1182	Disconnect all connectors	668
Figure 1-1183	Remove two screws	668
Figure 1-1184	Remove the wires from the formatter case	669
Figure 1-1185	Feed cables through the openings	669
Figure 1-1186	Remove formatter case	670
Figure 1-1187	Remove one screw and release one tab	670
Figure 1-1188	Remove the tray guide	671
Figure 1-1189	Remove four screws and grounding screw	671
Figure 1-1190	Disconnect seven wire-harness connectors	672
Figure 1-1191	Remove two screws and fan cover plate	672
Figure 1-1192	Disconnect three connectors and remove four screws	673
Figure 1-1193	Feed the cables through the opening	673
Figure 1-1194	Remove the power supply	674
Figure 1-1195	Remove five screws	674
Figure 1-1196	Remove one screw	675
Figure 1-1197	Remove the feed-guide assembly	675
Figure 1-1198	Recycle and unpack	676
Figure 1-1199	Support foot	676
Figure 1-1200	Position the feed-guide assembly	677
Figure 1-1201	Install one screw	677
Figure 1-1202	Install five screws	678
Figure 1-1203	Install the power supply	678
Figure 1-1204	Install the cables	679
Figure 1-1205	Connect three connectors and install four screws	679
Figure 1-1206	Install the fan cover plate	680
Figure 1-1207	Connect seven wire-harness connectors	680
Figure 1-1208	Install four screws and grounding screw	681
Figure 1-1209	Install the power-supply PCA guide	681
Figure 1-1210	Install one tab and one screw	682
Figure 1-1211	Position the formatter case	682
Figure 1-1212	Install the formatter case	683
Figure 1-1213	Position the wires in the formatter case	683
Figure 1-1214	Install two screws	684
Figure 1-1215	ZIF connector	684
Figure 1-1216	Connect all connectors	685
Figure 1-1217	Close the formatter case door	685
Figure 1-1218	Note location of tabs	686
Figure 1-1219	Rotate the cover into place	686
Figure 1-1220	Install one tab	687
Figure 1-1221	Install one tab	687

Figure 1-1222	Install the left front inside cover	688
Figure 1-1223	Install one screw	688
Figure 1-1224	Lower the top cover	689
Figure 1-1225	Install cables in guides	689
Figure 1-1226	Install two tabs	690
Figure 1-1227	Install one screw	690
Figure 1-1228	Install one screw	691
Figure 1-1229	Install three screws	691
Figure 1-1230	Connect two connectors	692
Figure 1-1231	Install the ground wire	692
Figure 1-1232	Reattach the door hinge	693
Figure 1-1233	Install the drive-arm and door hinge tabs	693
Figure 1-1234	Lower the top cover	694
Figure 1-1235	Install two tabs	694
Figure 1-1236	Install one screw	695
Figure 1-1237	Install one screw	695
Figure 1-1238	Install three screws	696
Figure 1-1239	Install the drive-arm tabs	696
Figure 1-1240	Align the tabs and slots	697
Figure 1-1241	Install the top accessory cover	697
Figure 1-1242	Close the rear output bin	698
Figure 1-1243	Note location of tabs	698
Figure 1-1244	Position the front tabs	699
Figure 1-1245	Slide the cover	699
Figure 1-1246	Install two screws	700
Figure 1-1247	Close the front cover and cartridge door	700
Figure 1-1248	Install the fuser	701
Figure 1-1249	Position the output bin	701
Figure 1-1250	Install left hinge pin	702
Figure 1-1251	Install the keyed hinge pin	702
Figure 1-1252	Install the hinge pin	703
Figure 1-1253	Install the duplex accessory cover	703
Figure 1-1254	Install the duplex accessory	704
Figure 1-1255	Remove the duplex accessory	706
Figure 1-1256	Remove the duplex accessory cover	707
Figure 1-1257	Release the hinge pin	707
Figure 1-1258	Remove the Tray 2 extension door	708
Figure 1-1259	Open the front cover and cartridge door	708
Figure 1-1260	Remove two screws	709
Figure 1-1261	Release three tabs	709
Figure 1-1262	Remove the cover	710

Figure 1-1263	Open the rear output bin	710
Figure 1-1264	Remove top accessory cover	711
Figure 1-1265	Release the drive-arm tabs	711
Figure 1-1266	Remove three screws	712
Figure 1-1267	Remove one screw	712
Figure 1-1268	Remove one screw	713
Figure 1-1269	Location of two tabs	713
Figure 1-1270	Release two tabs	714
Figure 1-1271	Remove the top cover	714
Figure 1-1272	Release the drive-arm and door hinge tabs	715
Figure 1-1273	Release the ground wire	715
Figure 1-1274	Disconnect two connectors	716
Figure 1-1275	Remove three screws	716
Figure 1-1276	Remove one screw	717
Figure 1-1277	Remove one screw	717
Figure 1-1278	Location of two tabs	718
Figure 1-1279	Release two tabs	718
Figure 1-1280	Release cables from guides	719
Figure 1-1281	Remove the top cover	719
Figure 1-1282	Remove one screw	720
Figure 1-1283	Remove the left front inside cover	720
Figure 1-1284	Release one tab	721
Figure 1-1285	Release one tab	721
Figure 1-1286	Remove the cover	722
Figure 1-1287	Open the front cover	722
Figure 1-1288	Release retainers	723
Figure 1-1289	Release spring	723
Figure 1-1290	Remove the cover	724
Figure 1-1291	Disconnect one connector	724
Figure 1-1292	Remove two screws	725
Figure 1-1293	Remove one screw	725
Figure 1-1294	Release one tab	726
Figure 1-1295	Remove the right front cover	726
Figure 1-1296	Disconnect two connectors and release wire harness from guides	727
Figure 1-1297	Remove eight screws	727
Figure 1-1298	Remove the Tray 1 paper-pickup assembly	728
Figure 1-1299	Recycle and unpack	728
Figure 1-1300	Position the Tray 1 paper-pickup assembly	729
Figure 1-1301	Install eight screws	729
Figure 1-1302	Connect two connectors and install wire harnesses in guides	730
Figure 1-1303	Position the switch button	730

Figure 1-1304	Install the switch button	731
Figure 1-1305	Switch button seated correctly	732
Figure 1-1306	Switch button seated incorrectly	732
Figure 1-1307	Position the switch PCA	733
Figure 1-1308	Install the switch PCA	733
Figure 1-1309	Install one screw	734
Figure 1-1310	Position the right front cover	734
Figure 1-1311	Install one tab	735
Figure 1-1312	Install one screw	735
Figure 1-1313	Install two screws	736
Figure 1-1314	Connect one connector	736
Figure 1-1315	Install the cover	737
Figure 1-1316	Install spring	737
Figure 1-1317	Check arm installation	738
Figure 1-1318	Install retainers	738
Figure 1-1319	Note location of tabs	739
Figure 1-1320	Rotate the cover into place	739
Figure 1-1321	Install one tab	740
Figure 1-1322	Install one tab	740
Figure 1-1323	Install the left front inside cover	741
Figure 1-1324	Install one screw	741
Figure 1-1325	Lower the top cover	742
Figure 1-1326	Install cables in guides	742
Figure 1-1327	Install two tabs	743
Figure 1-1328	Install one screw	743
Figure 1-1329	Install one screw	744
Figure 1-1330	Install three screws	744
Figure 1-1331	Connect two connectors	745
Figure 1-1332	Install the ground wire	745
Figure 1-1333	Reattach the door hinge	746
Figure 1-1334	Install the drive-arm and door hinge tabs	746
Figure 1-1335	Lower the top cover	747
Figure 1-1336	Install two tabs	747
Figure 1-1337	Install one screw	748
Figure 1-1338	Install one screw	748
Figure 1-1339	Install three screws	749
Figure 1-1340	Install the drive-arm tabs	749
Figure 1-1341	Align the tabs and slots	750
Figure 1-1342	Install the top accessory cover	750
Figure 1-1343	Close the rear output bin	751
Figure 1-1344	Note location of tabs	751

Figure 1-1345	Position the front tabs	752
Figure 1-1346	Slide the cover	752
Figure 1-1347	Install two screws	753
Figure 1-1348	Close the front cover and cartridge door	753
Figure 1-1349	Install the keyed hinge pin	754
Figure 1-1350	Install the hinge pin	754
Figure 1-1351	Install the duplex accessory cover	755
Figure 1-1352	Install the duplex accessory	755
Figure 1-1353	Remove the duplex accessory	758
Figure 1-1354	Remove the duplex accessory cover	758
Figure 1-1355	Release the hinge pin	759
Figure 1-1356	Remove the Tray 2 extension door	759
Figure 1-1357	Open the front cover and cartridge door	760
Figure 1-1358	Remove two screws	760
Figure 1-1359	Release three tabs	761
Figure 1-1360	Remove the cover	761
Figure 1-1361	Open the rear output bin	762
Figure 1-1362	Remove top accessory cover	762
Figure 1-1363	Release the drive-arm tabs	763
Figure 1-1364	Remove three screws	763
Figure 1-1365	Remove one screw	764
Figure 1-1366	Remove one screw	764
Figure 1-1367	Location of two tabs	765
Figure 1-1368	Release two tabs	765
Figure 1-1369	Remove the top cover	766
Figure 1-1370	Release the drive-arm and door hinge tabs	766
Figure 1-1371	Release the ground wire	767
Figure 1-1372	Disconnect two connectors	767
Figure 1-1373	Remove three screws	768
Figure 1-1374	Remove one screw	768
Figure 1-1375	Remove one screw	769
Figure 1-1376	Location of two tabs	769
Figure 1-1377	Release two tabs	770
Figure 1-1378	Release cables from guides	770
Figure 1-1379	Remove the top cover	771
Figure 1-1380	Remove one screw	771
Figure 1-1381	Remove the left front inside cover	772
Figure 1-1382	Release one tab	772
Figure 1-1383	Release one tab	773
Figure 1-1384	Remove the cover	773
Figure 1-1385	Open the front cover	774

Figure 1-1386	Release retainers	774
Figure 1-1387	Release spring	775
Figure 1-1388	Remove the cover	775
Figure 1-1389	Disconnect one connector	776
Figure 1-1390	Remove two screws	776
Figure 1-1391	Remove one screw	777
Figure 1-1392	Release one tab	777
Figure 1-1393	Remove the right front cover	778
Figure 1-1394	Disconnect two connectors and release wire harness from guides	778
Figure 1-1395	Remove eight screws	779
Figure 1-1396	Remove the Tray 1 paper-pickup assembly	779
Figure 1-1397	Remove two screws and the feed-roller assembly	780
Figure 1-1398	Recycle and unpack	780
Figure 1-1399	Install two screws and the feed-roller assembly	781
Figure 1-1400	Position the Tray 1 paper-pickup assembly	781
Figure 1-1401	Install eight screws	782
Figure 1-1402	Connect two connectors and install wire harnesses in guides	782
Figure 1-1403	Position the right front cover	783
Figure 1-1404	Install one tab	783
Figure 1-1405	Install one screw	784
Figure 1-1406	Install two screws	784
Figure 1-1407	Connect one connector	785
Figure 1-1408	Install the cover	785
Figure 1-1409	Install spring	786
Figure 1-1410	Check arm installation	786
Figure 1-1411	Install retainers	787
Figure 1-1412	Note location of tabs	787
Figure 1-1413	Rotate the cover into place	788
Figure 1-1414	Install one tab	788
Figure 1-1415	Install one tab	789
Figure 1-1416	Install the left front inside cover	789
Figure 1-1417	Install one screw	790
Figure 1-1418	Lower the top cover	790
Figure 1-1419	Install cables in guides	791
Figure 1-1420	Install two tabs	791
Figure 1-1421	Install one screw	792
Figure 1-1422	Install one screw	792
Figure 1-1423	Install three screws	793
Figure 1-1424	Connect two connectors	793
Figure 1-1425	Install the ground wire	794
Figure 1-1426	Reattach the door hinge	794

Figure 1-1427	Install the drive-arm and door hinge tabs	795
Figure 1-1428	Lower the top cover	795
Figure 1-1429	Install two tabs	796
Figure 1-1430	Install one screw	796
Figure 1-1431	Install one screw	797
Figure 1-1432	Install three screws	797
Figure 1-1433	Install the drive-arm tabs	798
Figure 1-1434	Align the tabs and slots	798
Figure 1-1435	Install the top accessory cover	799
Figure 1-1436	Close the rear output bin	799
Figure 1-1437	Note location of tabs	800
Figure 1-1438	Position the front tabs	800
Figure 1-1439	Slide the cover	801
Figure 1-1440	Install two screws	801
Figure 1-1441	Close the front cover and cartridge door	802
Figure 1-1442	Install the keyed hinge pin	802
Figure 1-1443	Install the hinge pin	803
Figure 1-1444	Install the duplex accessory cover	803
Figure 1-1445	Install the duplex accessory	804
Figure 1-1446	Remove the duplex accessory	806
Figure 1-1447	Remove the duplex accessory cover	807
Figure 1-1448	Open the front cover and cartridge door	807
Figure 1-1449	Remove two screws	808
Figure 1-1450	Release three tabs	808
Figure 1-1451	Remove the cover	809
Figure 1-1452	Open the rear output bin	809
Figure 1-1453	Remove top accessory cover	810
Figure 1-1454	Release the drive-arm tabs	810
Figure 1-1455	Remove three screws	811
Figure 1-1456	Remove one screw	811
Figure 1-1457	Remove one screw	812
Figure 1-1458	Location of two tabs	812
Figure 1-1459	Release two tabs	813
Figure 1-1460	Remove the top cover	813
Figure 1-1461	Release the drive-arm and door hinge tabs	814
Figure 1-1462	Release the ground wire	814
Figure 1-1463	Disconnect two connectors	815
Figure 1-1464	Remove three screws	815
Figure 1-1465	Remove one screw	816
Figure 1-1466	Remove one screw	816
Figure 1-1467	Location of two tabs	817

Figure 1-1468	Release two tabs	817
Figure 1-1469	Release cables from guides	818
Figure 1-1470	Remove the top cover	818
Figure 1-1471	Disconnect one connector	819
Figure 1-1472	Release the laser/scanner wire-harness	819
Figure 1-1473	Remove four screws	820
Figure 1-1474	Remove one grounding clip	820
Figure 1-1475	Disconnect one connector	821
Figure 1-1476	Remove the laser/scanner	821
Figure 1-1477	Recycle and unpack	822
Figure 1-1478	Position the air duct	822
Figure 1-1479	Install the laser/scanner and check the shutter	823
Figure 1-1480	Connect one connector	823
Figure 1-1481	Install the grounding clip	824
Figure 1-1482	Install four screws	824
Figure 1-1483	Install the laser/scanner wire-harness in the wire guide	825
Figure 1-1484	Connect one connector	825
Figure 1-1485	Lower the top cover	826
Figure 1-1486	Install cables in guides	826
Figure 1-1487	Install two tabs	827
Figure 1-1488	Install one screw	827
Figure 1-1489	Install one screw	828
Figure 1-1490	Install three screws	828
Figure 1-1491	Connect two connectors	829
Figure 1-1492	Install the ground wire	829
Figure 1-1493	Reattach the door hinge	830
Figure 1-1494	Install the drive-arm and door hinge tabs	830
Figure 1-1495	Lower the top cover	831
Figure 1-1496	Install two tabs	831
Figure 1-1497	Install one screw	832
Figure 1-1498	Install one screw	832
Figure 1-1499	Install three screws	833
Figure 1-1500	Install the drive-arm tabs	833
Figure 1-1501	Align the tabs and slots	834
Figure 1-1502	Install the top accessory cover	834
Figure 1-1503	Close the rear output bin	835
Figure 1-1504	Note location of tabs	835
Figure 1-1505	Position the front tabs	836
Figure 1-1506	Slide the cover	836
Figure 1-1507	Install two screws	837
Figure 1-1508	Close the front cover and cartridge door	837

Figure 1-1509	Install the duplex accessory cover	838
Figure 1-1510	Install the duplex accessory	838
Figure 1-1511	Remove the duplex accessory	840
Figure 1-1512	Remove the duplex accessory cover	841
Figure 1-1513	Release the hinge pin	841
Figure 1-1514	Remove the output bin	842
Figure 1-1515	Open the front cover and cartridge door	842
Figure 1-1516	Remove two screws	843
Figure 1-1517	Release three tabs	843
Figure 1-1518	Remove the cover	844
Figure 1-1519	Open the rear output bin	844
Figure 1-1520	Remove top accessory cover	845
Figure 1-1521	Release the drive-arm tabs	845
Figure 1-1522	Remove three screws	846
Figure 1-1523	Remove one screw	846
Figure 1-1524	Remove one screw	847
Figure 1-1525	Location of two tabs	847
Figure 1-1526	Release two tabs	848
Figure 1-1527	Remove the top cover	848
Figure 1-1528	Release the drive-arm and door hinge tabs	849
Figure 1-1529	Release the ground wire	849
Figure 1-1530	Disconnect two connectors	850
Figure 1-1531	Remove three screws	850
Figure 1-1532	Remove one screw	851
Figure 1-1533	Remove one screw	851
Figure 1-1534	Location of two tabs	852
Figure 1-1535	Release two tabs	852
Figure 1-1536	Release cables from guides	853
Figure 1-1537	Remove the top cover	853
Figure 1-1538	Remove two screws	854
Figure 1-1539	Slide the formatter case	854
Figure 1-1540	Release one tab	855
Figure 1-1541	Rotate the cover	855
Figure 1-1542	Remove one screw and release two tabs	856
Figure 1-1543	Remove the guide	856
Figure 1-1544	Remove the shaft lock	857
Figure 1-1545	Remove the paper-delivery assembly	858
Figure 1-1546	Recycle and unpack	858
Figure 1-1547	Check the output-bin sensor	859
Figure 1-1548	Position the paper-delivery assembly	859
Figure 1-1549	Install the shaft lock	860

Figure 1-1550	Install the guide	860
Figure 1-1551	Remove one screw and release two tabs	861
Figure 1-1552	Position the tabs and rotate	861
Figure 1-1553	Install one tab	862
Figure 1-1554	Open the formatter case door	862
Figure 1-1555	Slide the formatter case into place	863
Figure 1-1556	Check connectors	863
Figure 1-1557	Close the formatter case door	864
Figure 1-1558	Install two screws	864
Figure 1-1559	Lower the top cover	865
Figure 1-1560	Install cables in guides	865
Figure 1-1561	Install two tabs	866
Figure 1-1562	Install one screw	866
Figure 1-1563	Install one screw	867
Figure 1-1564	Install three screws	867
Figure 1-1565	Connect two connectors	868
Figure 1-1566	Install the ground wire	868
Figure 1-1567	Reattach the door hinge	869
Figure 1-1568	Install the drive-arm and door hinge tabs	869
Figure 1-1569	Lower the top cover	870
Figure 1-1570	Install two tabs	870
Figure 1-1571	Install one screw	871
Figure 1-1572	Install one screw	871
Figure 1-1573	Install three screws	872
Figure 1-1574	Install the drive-arm tabs	872
Figure 1-1575	Align the tabs and slots	873
Figure 1-1576	Install the top accessory cover	873
Figure 1-1577	Close the rear output bin	874
Figure 1-1578	Note location of tabs	874
Figure 1-1579	Position the front tabs	875
Figure 1-1580	Slide the cover	875
Figure 1-1581	Install two screws	876
Figure 1-1582	Close the front cover and cartridge door	876
Figure 1-1583	Position the output bin	877
Figure 1-1584	Install left hinge pin	877
Figure 1-1585	Install the duplex accessory cover	878
Figure 1-1586	Install the duplex accessory	878
Figure 1-1587	Open the front cover and cartridge door	880
Figure 1-1588	Remove two screws	881
Figure 1-1589	Release three tabs	881
Figure 1-1590	Remove the cover	882

Figure 1-1591	ZIF connector	882
Figure 1-1592	Disconnect the connectors	883
Figure 1-1593	Remove two screws and release one tab	883
Figure 1-1594	Remove the DC controller	884
Figure 1-1595	Locate the pickup motor	884
Figure 1-1596	Disconnect one connector and remove three screws	885
Figure 1-1597	Release the motor	885
Figure 1-1598	Release wire harnesses from the retainer	886
Figure 1-1599	Release the wire harness from the retainer	886
Figure 1-1600	Remove five screws	887
Figure 1-1601	Remove one e-clip	887
Figure 1-1602	Remove one shaft collar	888
Figure 1-1603	Remove the drive-gear shaft	888
Figure 1-1604	Two gears are not captive	889
Figure 1-1605	Remove the pickup drive assembly	889
Figure 1-1606	Locate the paper feed shaft gear	890
Figure 1-1607	Remove the gear	890
Figure 1-1608	Recycle and unpack	891
Figure 1-1609	Install the gear	891
Figure 1-1610	Install the pickup drive assembly	892
Figure 1-1611	Install the drive-gear shaft	893
Figure 1-1612	Install one shaft collar	893
Figure 1-1613	Install one e-clip	894
Figure 1-1614	Remove five screws	894
Figure 1-1615	Install the wire harnesses in the retainer	895
Figure 1-1616	Install the wire harnesses in the retainer	895
Figure 1-1617	Install the pickup motor	896
Figure 1-1618	Connect one connector and install three screws	896
Figure 1-1619	Position the DC controller on the printer	897
Figure 1-1620	Install two screws	897
Figure 1-1621	ZIF connector	898
Figure 1-1622	Connect the connectors	898
Figure 1-1623	Note location of tabs	899
Figure 1-1624	Position the front tabs	899
Figure 1-1625	Slide the cover	900
Figure 1-1626	Install two screws	900
Figure 1-1627	Close the front cover and cartridge door	901
Figure 1-1628	Open the front cover and cartridge door	903
Figure 1-1629	Remove two screws	904
Figure 1-1630	Release three tabs	904
Figure 1-1631	Remove the cover	905

Figure 1-1632	ZIF connector	905
Figure 1-1633	Disconnect the connectors	906
Figure 1-1634	Remove two screws and release one tab	906
Figure 1-1635	Remove the DC controller	907
Figure 1-1636	Locate the pickup motor	907
Figure 1-1637	Disconnect one connector and remove three screws	908
Figure 1-1638	Release the motor	908
Figure 1-1639	Release wire harnesses from the retainer	909
Figure 1-1640	Release the wire harness from the retainer	909
Figure 1-1641	Remove five screws	910
Figure 1-1642	Remove one e-clip	910
Figure 1-1643	Remove one shaft collar	911
Figure 1-1644	Remove the drive-gear shaft	911
Figure 1-1645	Two gears are not captive	912
Figure 1-1646	Remove the pickup drive assembly	912
Figure 1-1647	Locate the paper feed shaft gear	913
Figure 1-1648	Remove the gear	913
Figure 1-1649	Remove the feed roller	914
Figure 1-1650	Remove the pick roller	914
Figure 1-1651	Remove one e-clip	914
Figure 1-1652	Remove one bushing	915
Figure 1-1653	Locate the paper feed shaft	915
Figure 1-1654	Remove the paper feed shaft	916
Figure 1-1655	Remove the covers	916
Figure 1-1656	Remove one spring	917
Figure 1-1657	Recycle and unpack	917
Figure 1-1658	Remove the feed shaft	918
Figure 1-1659	Install one spring	918
Figure 1-1660	Position the covers	919
Figure 1-1661	Align holes	919
Figure 1-1662	Install the feed shaft	920
Figure 1-1663	Slide feed shaft into position	920
Figure 1-1664	Verify that the slots in the gear fit over the locking pins on the shaft	921
Figure 1-1665	Install one bushing	921
Figure 1-1666	Install one e-clip	922
Figure 1-1667	Install the pick roller	922
Figure 1-1668	Install the feed roller	923
Figure 1-1669	Install the gear	923
Figure 1-1670	Install the pickup drive assembly	924
Figure 1-1671	Install the drive-gear shaft	925
Figure 1-1672	Install one shaft collar	925

Figure 1-1673	Install one e-clip	926
Figure 1-1674	Remove five screws	926
Figure 1-1675	Install the wire harnesses in the retainer	927
Figure 1-1676	Install the wire harnesses in the retainer	927
Figure 1-1677	Install the pickup motor	928
Figure 1-1678	Connect one connector and install three screws	928
Figure 1-1679	Position the DC controller on the printer	929
Figure 1-1680	Install two screws	929
Figure 1-1681	ZIF connector	930
Figure 1-1682	Connect the connectors	930
Figure 1-1683	Note location of tabs	931
Figure 1-1684	Position the front tabs	931
Figure 1-1685	Slide the cover	932
Figure 1-1686	Install two screws	932
Figure 1-1687	Close the front cover and cartridge door	933
Figure 1-1688	Open the front cover and cartridge door	935
Figure 1-1689	Remove two screws	936
Figure 1-1690	Release three tabs	936
Figure 1-1691	Remove the cover	937
Figure 1-1692	ZIF connector	937
Figure 1-1693	Disconnect the connectors	938
Figure 1-1694	Remove two screws and release one tab	938
Figure 1-1695	Remove the DC controller	939
Figure 1-1696	Locate the pickup motor	939
Figure 1-1697	Disconnect one connector and remove three screws	940
Figure 1-1698	Release the motor	940
Figure 1-1699	Release wire harnesses from the retainer	941
Figure 1-1700	Release the wire harness from the retainer	941
Figure 1-1701	Remove five screws	942
Figure 1-1702	Remove one e-clip	942
Figure 1-1703	Remove one shaft collar	943
Figure 1-1704	Remove the drive-gear shaft	943
Figure 1-1705	Two gears are not captive	944
Figure 1-1706	Remove the pickup drive assembly	944
Figure 1-1707	Locate the pickup drive assembly gear	945
Figure 1-1708	Remove the gear	945
Figure 1-1709	Recycle and unpack	946
Figure 1-1710	Install the gear	946
Figure 1-1711	Install the pickup drive assembly	947
Figure 1-1712	Install the drive-gear shaft	948
Figure 1-1713	Install one shaft collar	948

Figure 1-1714	Install one e-clip	949
Figure 1-1715	Remove five screws	949
Figure 1-1716	Install the wire harnesses in the retainer	950
Figure 1-1717	Install the wire harnesses in the retainer	950
Figure 1-1718	Install the pickup motor	951
Figure 1-1719	Connect one connector and install three screws	951
Figure 1-1720	Position the DC controller on the printer	952
Figure 1-1721	Install two screws	952
Figure 1-1722	ZIF connector	953
Figure 1-1723	Connect the connectors	953
Figure 1-1724	Note location of tabs	954
Figure 1-1725	Position the front tabs	954
Figure 1-1726	Slide the cover	955
Figure 1-1727	Install two screws	955
Figure 1-1728	Close the front cover and cartridge door	956
Figure 1-1729	Open the front cover and cartridge door	958
Figure 1-1730	Remove two screws	959
Figure 1-1731	Release three tabs	959
Figure 1-1732	Remove the cover	960
Figure 1-1733	ZIF connector	960
Figure 1-1734	Disconnect the connectors	961
Figure 1-1735	Remove two screws and release one tab	961
Figure 1-1736	Remove the DC controller	962
Figure 1-1737	Locate the pickup motor	962
Figure 1-1738	Disconnect one connector and remove three screws	963
Figure 1-1739	Release the motor	963
Figure 1-1740	Release wire harnesses from the retainer	964
Figure 1-1741	Release the wire harness from the retainer	964
Figure 1-1742	Remove five screws	965
Figure 1-1743	Remove one e-clip	965
Figure 1-1744	Remove one shaft collar	966
Figure 1-1745	Remove the drive-gear shaft	966
Figure 1-1746	Two gears are not captive	967
Figure 1-1747	Remove the pickup drive assembly	967
Figure 1-1748	Remove one screw	968
Figure 1-1749	Remove the solenoid	968
Figure 1-1750	Recycle and unpack	969
Figure 1-1751	Install the solenoid	969
Figure 1-1752	Check the solenoid arm position	970
Figure 1-1753	Install one screw	970
Figure 1-1754	Install the pickup drive assembly	971

Figure 1-1755	Install the drive-gear shaft	972
Figure 1-1756	Install one shaft collar	972
Figure 1-1757	Install one e-clip	973
Figure 1-1758	Remove five screws	973
Figure 1-1759	Install the wire harnesses in the retainer	974
Figure 1-1760	Install the wire harnesses in the retainer	974
Figure 1-1761	Install the pickup motor	975
Figure 1-1762	Connect one connector and install three screws	975
Figure 1-1763	Position the DC controller on the printer	976
Figure 1-1764	Install two screws	976
Figure 1-1765	ZIF connector	977
Figure 1-1766	Connect the connectors	977
Figure 1-1767	Note location of tabs	978
Figure 1-1768	Position the front tabs	978
Figure 1-1769	Slide the cover	979
Figure 1-1770	Install two screws	979
Figure 1-1771	Close the front cover and cartridge door	980
Figure 1-1772	Open the front cover and cartridge door	982
Figure 1-1773	Remove two screws	982
Figure 1-1774	Release three tabs	983
Figure 1-1775	Remove the cover	983
Figure 1-1776	Remove one e-clip	984
Figure 1-1777	Remove one shaft collar	984
Figure 1-1778	Remove the drive-gear shaft	985
Figure 1-1779	Recycle and unpack	985
Figure 1-1780	Install the drive-gear shaft	986
Figure 1-1781	Install one shaft collar	986
Figure 1-1782	Install one e-clip	987
Figure 1-1783	Note location of tabs	987
Figure 1-1784	Position the front tabs	988
Figure 1-1785	Slide the cover	988
Figure 1-1786	Install two screws	989
Figure 1-1787	Close the front cover and cartridge door	989
Figure 1-1788	Remove the duplex accessory	991
Figure 1-1789	Remove the duplex accessory cover	992
Figure 1-1790	Release the hinge pin	992
Figure 1-1791	Remove the output bin	993
Figure 1-1792	Open the front cover and cartridge door	993
Figure 1-1793	Remove two screws	994
Figure 1-1794	Release three tabs	994
Figure 1-1795	Remove the cover	995

Figure 1-1796	Open the rear output bin	995
Figure 1-1797	Remove top accessory cover	996
Figure 1-1798	Release the drive-arm tabs	996
Figure 1-1799	Remove three screws	997
Figure 1-1800	Remove one screw	997
Figure 1-1801	Remove one screw	998
Figure 1-1802	Location of two tabs	998
Figure 1-1803	Release two tabs	999
Figure 1-1804	Remove the top cover	999
Figure 1-1805	Release the drive-arm and door hinge tabs	1000
Figure 1-1806	Release the ground wire	1000
Figure 1-1807	Disconnect two connectors	1001
Figure 1-1808	Remove three screws	1001
Figure 1-1809	Remove one screw	1002
Figure 1-1810	Remove one screw	1002
Figure 1-1811	Location of two tabs	1003
Figure 1-1812	Release two tabs	1003
Figure 1-1813	Release cables from guides	1004
Figure 1-1814	Remove the top cover	1004
Figure 1-1815	Remove two screws	1005
Figure 1-1816	Slide the formatter case	1005
Figure 1-1817	Release one tab	1006
Figure 1-1818	Rotate the cover	1006
Figure 1-1819	Open the formatter case door	1007
Figure 1-1820	ZIF connector	1007
Figure 1-1821	Disconnect all connectors	1008
Figure 1-1822	Remove two screws	1008
Figure 1-1823	Remove the wires from the formatter case	1009
Figure 1-1824	Feed cables through the openings	1009
Figure 1-1825	Remove formatter case	1010
Figure 1-1826	Remove one screw and release two tabs	1010
Figure 1-1827	Remove the guide	1011
Figure 1-1828	Remove the shaft lock	1011
Figure 1-1829	Remove the paper-delivery assembly	1012
Figure 1-1830	Remove four screws	1012
Figure 1-1831	Remove the paper-delivery drive assembly	1013
Figure 1-1832	Recycle and unpack	1013
Figure 1-1833	Position the paper-delivery drive assembly	1014
Figure 1-1834	Install the paper-delivery drive assembly	1014
Figure 1-1835	Install four screws	1015
Figure 1-1836	Check the output-bin sensor	1015

Figure 1-1837	Position the paper-delivery assembly	1016
Figure 1-1838	Install the shaft lock	1016
Figure 1-1839	Install the guide	1017
Figure 1-1840	Remove one screw and release two tabs	1017
Figure 1-1841	Position the formatter case	1018
Figure 1-1842	Install the formatter case	1018
Figure 1-1843	Position the wires in the formatter case	1019
Figure 1-1844	Install two screws	1019
Figure 1-1845	ZIF connector	1020
Figure 1-1846	Connect all connectors	1021
Figure 1-1847	Close the formatter case door	1021
Figure 1-1848	Position the tabs and rotate	1022
Figure 1-1849	Install one tab	1022
Figure 1-1850	Open the formatter case door	1023
Figure 1-1851	Slide the formatter case into place	1023
Figure 1-1852	Check connectors	1024
Figure 1-1853	Close the formatter case door	1024
Figure 1-1854	Install two screws	1025
Figure 1-1855	Lower the top cover	1025
Figure 1-1856	Install cables in guides	1026
Figure 1-1857	Install two tabs	1026
Figure 1-1858	Install one screw	1027
Figure 1-1859	Install one screw	1027
Figure 1-1860	Install three screws	1028
Figure 1-1861	Connect two connectors	1028
Figure 1-1862	Install the ground wire	1029
Figure 1-1863	Reattach the door hinge	1029
Figure 1-1864	Install the drive-arm and door hinge tabs	1030
Figure 1-1865	Lower the top cover	1030
Figure 1-1866	Install two tabs	1031
Figure 1-1867	Install one screw	1031
Figure 1-1868	Install one screw	1032
Figure 1-1869	Install three screws	1032
Figure 1-1870	Install the drive-arm tabs	1033
Figure 1-1871	Align the tabs and slots	1033
Figure 1-1872	Install the top accessory cover	1034
Figure 1-1873	Close the rear output bin	1034
Figure 1-1874	Note location of tabs	1035
Figure 1-1875	Position the front tabs	1035
Figure 1-1876	Slide the cover	1036
Figure 1-1877	Install two screws	1036

Figure 1-1878	Close the front cover and cartridge door	1037
Figure 1-1879	Position the output bin	1037
Figure 1-1880	Install left hinge pin	1038
Figure 1-1881	Install the duplex accessory cover	1038
Figure 1-1882	Install the duplex accessory	1039
Figure 1-1883	Remove the duplex accessory	1042
Figure 1-1884	Remove the duplex accessory cover	1042
Figure 1-1885	Release the hinge pin	1043
Figure 1-1886	Remove the Tray 2 extension door	1043
Figure 1-1887	Release the hinge pin	1044
Figure 1-1888	Remove the output bin	1044
Figure 1-1889	Squeeze the blue fuser-release tabs	1045
Figure 1-1890	Remove the fuser	1045
Figure 1-1891	Open the front cover and cartridge door	1046
Figure 1-1892	Remove two screws	1046
Figure 1-1893	Release three tabs	1047
Figure 1-1894	Remove the cover	1047
Figure 1-1895	Open the rear output bin	1048
Figure 1-1896	Remove top accessory cover	1048
Figure 1-1897	Release the drive-arm tabs	1049
Figure 1-1898	Remove three screws	1049
Figure 1-1899	Remove one screw	1050
Figure 1-1900	Remove one screw	1050
Figure 1-1901	Location of two tabs	1051
Figure 1-1902	Release two tabs	1051
Figure 1-1903	Remove the top cover	1052
Figure 1-1904	Release the drive-arm and door hinge tabs	1052
Figure 1-1905	Release the ground wire	1053
Figure 1-1906	Disconnect two connectors	1053
Figure 1-1907	Remove three screws	1054
Figure 1-1908	Remove one screw	1054
Figure 1-1909	Remove one screw	1055
Figure 1-1910	Location of two tabs	1055
Figure 1-1911	Release two tabs	1056
Figure 1-1912	Release cables from guides	1056
Figure 1-1913	Remove the top cover	1057
Figure 1-1914	Remove one screw	1057
Figure 1-1915	Remove the left front inside cover	1058
Figure 1-1916	Release one tab	1058
Figure 1-1917	Release one tab	1059
Figure 1-1918	Remove the cover	1059

Figure 1-1919	Open the formatter case door	1060
Figure 1-1920	ZIF connector	1060
Figure 1-1921	Disconnect all connectors	1061
Figure 1-1922	Remove two screws	1061
Figure 1-1923	Remove the wires from the formatter case	1062
Figure 1-1924	Feed cables through the openings	1062
Figure 1-1925	Remove formatter case	1063
Figure 1-1926	Remove one screw and release one tab	1063
Figure 1-1927	Remove the tray guide	1064
Figure 1-1928	Remove four screws and grounding screw	1064
Figure 1-1929	Disconnect seven wire-harness connectors	1065
Figure 1-1930	Remove two screws and fan cover plate	1065
Figure 1-1931	Disconnect three connectors and remove four screws	1066
Figure 1-1932	Feed the cables through the opening	1066
Figure 1-1933	Remove the power supply	1067
Figure 1-1934	Disconnect one connector	1067
Figure 1-1935	Release the laser/scanner wire-harness	1068
Figure 1-1936	Remove four screws	1068
Figure 1-1937	Remove one grounding clip	1069
Figure 1-1938	Disconnect one connector	1069
Figure 1-1939	Remove the laser/scanner	1070
Figure 1-1940	Disconnect one connector	1070
Figure 1-1941	Remove the wire harness from the guides	1071
Figure 1-1942	Remove the wire harness through the top guide	1071
Figure 1-1943	Remove the wire harness from the guides and insert through opening	1072
Figure 1-1944	Remove one screw	1072
Figure 1-1945	Slide the tag holder assembly	1073
Figure 1-1946	Remove the tag holder assembly	1073
Figure 1-1947	Recycle and unpack	1074
Figure 1-1948	Align the tabs and slots	1074
Figure 1-1949	Install the tag assembly	1075
Figure 1-1950	Install one screw	1075
Figure 1-1951	Insert the wire harness through the opening and install in the guides	1076
Figure 1-1952	Install the wire harness through the top guide	1076
Figure 1-1953	Install the wire harness in the guides	1077
Figure 1-1954	Connect one connector	1077
Figure 1-1955	Position the air duct	1078
Figure 1-1956	Install the laser/scanner and check the shutter	1078
Figure 1-1957	Connect one connector	1079
Figure 1-1958	Install the grounding clip	1079
Figure 1-1959	Install four screws	1080

Figure 1-1960	Install the laser/scanner wire-harness in the wire guide	1080
Figure 1-1961	Connect one connector	1081
Figure 1-1962	Install the power supply	1081
Figure 1-1963	Install the cables	1082
Figure 1-1964	Connect three connectors and install four screws	1082
Figure 1-1965	Install the fan cover plate	1083
Figure 1-1966	Connect seven wire-harness connectors	1083
Figure 1-1967	Install four screws and grounding screw	1084
Figure 1-1968	Install the power-supply PCA guide	1084
Figure 1-1969	Install one tab and one screw	1085
Figure 1-1970	Position the formatter case	1085
Figure 1-1971	Install the formatter case	1086
Figure 1-1972	Position the wires in the formatter case	1086
Figure 1-1973	Install two screws	1087
Figure 1-1974	ZIF connector	1087
Figure 1-1975	Connect all connectors	1088
Figure 1-1976	Close the formatter case door	1088
Figure 1-1977	Note location of tabs	1089
Figure 1-1978	Rotate the cover into place	1089
Figure 1-1979	Install one tab	1090
Figure 1-1980	Install one tab	1090
Figure 1-1981	Install the left front inside cover	1091
Figure 1-1982	Install one screw	1091
Figure 1-1983	Lower the top cover	1092
Figure 1-1984	Install cables in guides	1092
Figure 1-1985	Install two tabs	1093
Figure 1-1986	Install one screw	1093
Figure 1-1987	Install one screw	1094
Figure 1-1988	Install three screws	1094
Figure 1-1989	Connect two connectors	1095
Figure 1-1990	Install the ground wire	1095
Figure 1-1991	Reattach the door hinge	1096
Figure 1-1992	Install the drive-arm and door hinge tabs	1096
Figure 1-1993	Lower the top cover	1097
Figure 1-1994	Install two tabs	1097
Figure 1-1995	Install one screw	1098
Figure 1-1996	Install one screw	1098
Figure 1-1997	Install three screws	1099
Figure 1-1998	Install the drive-arm tabs	1099
Figure 1-1999	Align the tabs and slots	1100
Figure 1-2000	Install the top accessory cover	1100

Figure 1-2001	Close the rear output bin	1101
Figure 1-2002	Note location of tabs	1101
Figure 1-2003	Position the front tabs	1102
Figure 1-2004	Slide the cover	1102
Figure 1-2005	Install two screws	1103
Figure 1-2006	Close the front cover and cartridge door	1103
Figure 1-2007	Install the fuser	1104
Figure 1-2008	Position the output bin	1104
Figure 1-2009	Install left hinge pin	1105
Figure 1-2010	Install the keyed hinge pin	1105
Figure 1-2011	Install the hinge pin	1106
Figure 1-2012	Install the duplex accessory cover	1106
Figure 1-2013	Install the duplex accessory	1107
Figure 1-2014	Remove the duplex accessory	1109
Figure 1-2015	Remove the duplex accessory cover	1110
Figure 1-2016	Release the hinge pin	1110
Figure 1-2017	Remove the Tray 2 extension door	1111
Figure 1-2018	Open the front cover and cartridge door	1111
Figure 1-2019	Remove two screws	1112
Figure 1-2020	Release three tabs	1112
Figure 1-2021	Remove the cover	1113
Figure 1-2022	Open the formatter case door	1113
Figure 1-2023	ZIF connector	1114
Figure 1-2024	Disconnect all connectors	1115
Figure 1-2025	Remove two screws	1115
Figure 1-2026	Remove the wires from the formatter case	1116
Figure 1-2027	Feed cables through the openings	1116
Figure 1-2028	Remove formatter case	1117
Figure 1-2029	Disconnect one connector and remove two screws	1117
Figure 1-2030	Release two tabs	1118
Figure 1-2031	Rotate and remove the size-detect assembly	1118
Figure 1-2032	Recycle and unpack	1119
Figure 1-2033	Install the size-detect assembly	1119
Figure 1-2034	Install two tabs	1120
Figure 1-2035	Connect one connector and install two screws	1120
Figure 1-2036	Position the formatter case	1121
Figure 1-2037	Install the formatter case	1121
Figure 1-2038	Position the wires in the formatter case	1122
Figure 1-2039	Install two screws	1122
Figure 1-2040	ZIF connector	1123
Figure 1-2041	Connect all connectors	1124

Figure 1-2042	Close the formatter case door	1124
Figure 1-2043	Note location of tabs	1125
Figure 1-2044	Position the front tabs	1125
Figure 1-2045	Slide the cover	1126
Figure 1-2046	Install two screws	1126
Figure 1-2047	Close the front cover and cartridge door	1127
Figure 1-2048	Install the keyed hinge pin	1127
Figure 1-2049	Install the hinge pin	1128
Figure 1-2050	Install the duplex accessory cover	1128
Figure 1-2051	Install the duplex accessory	1129
Figure 1-2052	Open the front cover and cartridge door	1131
Figure 1-2053	Remove two screws	1131
Figure 1-2054	Release three tabs	1132
Figure 1-2055	Remove the cover	1132
Figure 1-2056	Open the formatter case door	1133
Figure 1-2057	ZIF connector	1133
Figure 1-2058	Disconnect all connectors	1134
Figure 1-2059	Remove two screws	1134
Figure 1-2060	Remove the wires from the formatter case	1135
Figure 1-2061	Feed cables through the openings	1135
Figure 1-2062	Remove formatter case	1136
Figure 1-2063	Disconnect two connectors	1136
Figure 1-2064	Compress the sleeves around the pegs	1137
Figure 1-2065	Recycle and unpack	1137
Figure 1-2066	Install the connector	1138
Figure 1-2067	Connect two connectors	1138
Figure 1-2068	Position the formatter case	1139
Figure 1-2069	Install the formatter case	1139
Figure 1-2070	Position the wires in the formatter case	1140
Figure 1-2071	Install two screws	1140
Figure 1-2072	ZIF connector	1141
Figure 1-2073	Connect all connectors	1142
Figure 1-2074	Close the formatter case door	1142
Figure 1-2075	Note location of tabs	1143
Figure 1-2076	Position the front tabs	1143
Figure 1-2077	Slide the cover	1144
Figure 1-2078	Install two screws	1144
Figure 1-2079	Close the front cover and cartridge door	1145
Figure 1-2080	Open the front cover and cartridge door	1147
Figure 1-2081	Remove two screws	1148
Figure 1-2082	Release three tabs	1148

Figure 1-2083	Remove the cover	1149
Figure 1-2084	Open the rear output bin	1149
Figure 1-2085	Remove top accessory cover	1150
Figure 1-2086	Release the drive-arm tabs	1150
Figure 1-2087	Remove three screws	1151
Figure 1-2088	Remove one screw	1151
Figure 1-2089	Remove one screw	1152
Figure 1-2090	Location of two tabs	1152
Figure 1-2091	Release two tabs	1153
Figure 1-2092	Remove the top cover	1153
Figure 1-2093	Release the drive-arm and door hinge tabs	1154
Figure 1-2094	Release the ground wire	1154
Figure 1-2095	Disconnect two connectors	1155
Figure 1-2096	Remove three screws	1155
Figure 1-2097	Remove one screw	1156
Figure 1-2098	Remove one screw	1156
Figure 1-2099	Location of two tabs	1157
Figure 1-2100	Release two tabs	1157
Figure 1-2101	Release cables from guides	1158
Figure 1-2102	Remove the top cover	1158
Figure 1-2103	Remove one screw	1159
Figure 1-2104	Disconnect six connectors	1159
Figure 1-2105	Release the wire harness	1160
Figure 1-2106	Release the wire guide	1160
Figure 1-2107	Disconnect one connector	1161
Figure 1-2108	Release one tab	1161
Figure 1-2109	Remove the memory PCA	1162
Figure 1-2110	Recycle and unpack	1162
Figure 1-2111	Install the memory PCA	1163
Figure 1-2112	Release one tab	1163
Figure 1-2113	Connect one connector	1164
Figure 1-2114	Install the wire harness in the retainer	1164
Figure 1-2115	Position the wire guide	1165
Figure 1-2116	Connect five connectors	1165
Figure 1-2117	Install one screw	1166
Figure 1-2118	Lower the top cover	1166
Figure 1-2119	Install cables in guides	1167
Figure 1-2120	Install two tabs	1167
Figure 1-2121	Install one screw	1168
Figure 1-2122	Install one screw	1168
Figure 1-2123	Install three screws	1169

Figure 1-2124	Connect two connectors	1169
Figure 1-2125	Install the ground wire	1170
Figure 1-2126	Reattach the door hinge	1170
Figure 1-2127	Install the drive-arm and door hinge tabs	1171
Figure 1-2128	Lower the top cover	1171
Figure 1-2129	Install two tabs	1172
Figure 1-2130	Install one screw	1172
Figure 1-2131	Install one screw	1173
Figure 1-2132	Install three screws	1173
Figure 1-2133	Install the drive-arm tabs	1174
Figure 1-2134	Align the tabs and slots	1174
Figure 1-2135	Install the top accessory cover	1175
Figure 1-2136	Close the rear output bin	1175
Figure 1-2137	Note location of tabs	1176
Figure 1-2138	Position the front tabs	1176
Figure 1-2139	Slide the cover	1177
Figure 1-2140	Install two screws	1177
Figure 1-2141	Close the front cover and cartridge door	1178
Figure 1-2142	Open the front cover and cartridge door	1180
Figure 1-2143	Remove two screws	1181
Figure 1-2144	Release three tabs	1181
Figure 1-2145	Remove the cover	1182
Figure 1-2146	Open the rear output bin	1182
Figure 1-2147	Remove top accessory cover	1183
Figure 1-2148	Release the drive-arm tabs	1183
Figure 1-2149	Remove three screws	1184
Figure 1-2150	Remove one screw	1184
Figure 1-2151	Remove one screw	1185
Figure 1-2152	Location of two tabs	1185
Figure 1-2153	Release two tabs	1186
Figure 1-2154	Remove the top cover	1186
Figure 1-2155	Release the drive-arm and door hinge tabs	1187
Figure 1-2156	Release the ground wire	1187
Figure 1-2157	Disconnect two connectors	1188
Figure 1-2158	Remove three screws	1188
Figure 1-2159	Remove one screw	1189
Figure 1-2160	Remove one screw	1189
Figure 1-2161	Location of two tabs	1190
Figure 1-2162	Release two tabs	1190
Figure 1-2163	Release cables from guides	1191
Figure 1-2164	Remove the top cover	1191

Figure 1-2165	Disconnect one connector	1192
Figure 1-2166	Release one tab	1192
Figure 1-2167	Remove the wireless PCA	1193
Figure 1-2168	Recycle and unpack	1193
Figure 1-2169	Install the wireless PCA	1194
Figure 1-2170	Check one tab	1194
Figure 1-2171	Connect one connector	1195
Figure 1-2172	Lower the top cover	1195
Figure 1-2173	Install cables in guides	1196
Figure 1-2174	Install two tabs	1196
Figure 1-2175	Install one screw	1197
Figure 1-2176	Install one screw	1197
Figure 1-2177	Install three screws	1198
Figure 1-2178	Connect two connectors	1198
Figure 1-2179	Install the ground wire	1199
Figure 1-2180	Reattach the door hinge	1199
Figure 1-2181	Install the drive-arm and door hinge tabs	1200
Figure 1-2182	Lower the top cover	1200
Figure 1-2183	Install two tabs	1201
Figure 1-2184	Install one screw	1201
Figure 1-2185	Install one screw	1202
Figure 1-2186	Install three screws	1202
Figure 1-2187	Install the drive-arm tabs	1203
Figure 1-2188	Align the tabs and slots	1203
Figure 1-2189	Install the top accessory cover	1204
Figure 1-2190	Close the rear output bin	1204
Figure 1-2191	Note location of tabs	1205
Figure 1-2192	Position the front tabs	1205
Figure 1-2193	Slide the cover	1206
Figure 1-2194	Install two screws	1206
Figure 1-2195	Close the front cover and cartridge door	1207
Figure 1-2196	Open the cartridge door	1209
Figure 1-2197	Remove two screws	1209
Figure 1-2198	Remove one cover	1210
Figure 1-2199	Remove one screw	1210
Figure 1-2200	Rotate the cover away	1211
Figure 1-2201	Disconnect one connector	1211
Figure 1-2202	Release two tabs	1212
Figure 1-2203	Remove the NFC PCA	1212
Figure 1-2204	Recycle and unpack	1213
Figure 1-2205	Align the tabs and holes	1213

Figure 1-2206	Check the tabs	1214
Figure 1-2207	Connect one connector	1214
Figure 1-2208	Position the cover	1215
Figure 1-2209	Install one screw	1215
Figure 1-2210	Position the cover	1216
Figure 1-2211	Install two screws	1216
Figure 1-2212	Remove the duplex accessory	1219
Figure 1-2213	Remove the duplex accessory cover	1219
Figure 1-2214	Release the hinge pin	1220
Figure 1-2215	Remove the output bin	1220
Figure 1-2216	Release the hinge pin	1221
Figure 1-2217	Remove the Tray 2 extension door	1221
Figure 1-2218	Squeeze the blue fuser-release tabs	1222
Figure 1-2219	Remove the fuser	1222
Figure 1-2220	Open the front cover and cartridge door	1223
Figure 1-2221	Remove two screws	1223
Figure 1-2222	Release three tabs	1224
Figure 1-2223	Remove the cover	1224
Figure 1-2224	Open the rear output bin	1225
Figure 1-2225	Remove top accessory cover	1225
Figure 1-2226	Release the drive-arm tabs	1226
Figure 1-2227	Remove three screws	1226
Figure 1-2228	Remove one screw	1227
Figure 1-2229	Remove one screw	1227
Figure 1-2230	Location of two tabs	1228
Figure 1-2231	Release two tabs	1228
Figure 1-2232	Remove the top cover	1229
Figure 1-2233	Release the drive-arm and door hinge tabs	1229
Figure 1-2234	Release the ground wire	1230
Figure 1-2235	Disconnect two connectors	1230
Figure 1-2236	Remove three screws	1231
Figure 1-2237	Remove one screw	1231
Figure 1-2238	Remove one screw	1232
Figure 1-2239	Location of two tabs	1232
Figure 1-2240	Release two tabs	1233
Figure 1-2241	Release cables from guides	1233
Figure 1-2242	Remove the top cover	1234
Figure 1-2243	Remove one screw	1234
Figure 1-2244	Remove the left front inside cover	1235
Figure 1-2245	Release one tab	1235
Figure 1-2246	Release one tab	1236

Figure 1-2247	Remove the cover	1236
Figure 1-2248	Open the formatter case door	1237
Figure 1-2249	ZIF connector	1237
Figure 1-2250	Disconnect all connectors	1238
Figure 1-2251	Remove two screws	1238
Figure 1-2252	Remove the wires from the formatter case	1239
Figure 1-2253	Feed cables through the openings	1239
Figure 1-2254	Remove formatter case	1240
Figure 1-2255	Remove one screw and release one tab	1240
Figure 1-2256	Remove the tray guide	1241
Figure 1-2257	Remove four screws and grounding screw	1241
Figure 1-2258	Disconnect seven wire-harness connectors	1242
Figure 1-2259	Remove two screws and fan cover plate	1242
Figure 1-2260	Disconnect three connectors and remove four screws	1243
Figure 1-2261	Feed the cables through the opening	1243
Figure 1-2262	Remove the power supply	1244
Figure 1-2263	Remove two screws	1244
Figure 1-2264	Remove two screws	1245
Figure 1-2265	Remove the sheet-metal crossbar	1245
Figure 1-2266	Remove one gear	1246
Figure 1-2267	Remove four screws	1246
Figure 1-2268	Remove the fuser drive assembly	1247
Figure 1-2269	Recycle and unpack	1247
Figure 1-2270	Check the gears	1248
Figure 1-2271	Install one small gear	1248
Figure 1-2272	Install one small gear	1249
Figure 1-2273	Install one large gear	1249
Figure 1-2274	Install one large gear	1250
Figure 1-2275	Install one large gear	1250
Figure 1-2276	Install four screws	1251
Figure 1-2277	Install one gear	1251
Figure 1-2278	Position the sheet-metal crossbar	1252
Figure 1-2279	Install the sheet-metal crossbar	1252
Figure 1-2280	Install two screws	1253
Figure 1-2281	Install the power supply	1253
Figure 1-2282	Install the cables	1254
Figure 1-2283	Connect three connectors and install four screws	1254
Figure 1-2284	Install the fan cover plate	1255
Figure 1-2285	Connect seven wire-harness connectors	1255
Figure 1-2286	Install four screws and grounding screw	1256
Figure 1-2287	Install the power-supply PCA guide	1256

Figure 1-2288	Install one tab and one screw	1257
Figure 1-2289	Position the formatter case	1257
Figure 1-2290	Install the formatter case	1258
Figure 1-2291	Position the wires in the formatter case	1258
Figure 1-2292	Install two screws	1259
Figure 1-2293	ZIF connector	1259
Figure 1-2294	Connect all connectors	1260
Figure 1-2295	Close the formatter case door	1260
Figure 1-2296	Note location of tabs	1261
Figure 1-2297	Rotate the cover into place	1261
Figure 1-2298	Install one tab	1262
Figure 1-2299	Install one tab	1262
Figure 1-2300	Install the left front inside cover	1263
Figure 1-2301	Install one screw	1263
Figure 1-2302	Lower the top cover	1264
Figure 1-2303	Install cables in guides	1264
Figure 1-2304	Install two tabs	1265
Figure 1-2305	Install one screw	1265
Figure 1-2306	Install one screw	1266
Figure 1-2307	Install three screws	1266
Figure 1-2308	Connect two connectors	1267
Figure 1-2309	Install the ground wire	1267
Figure 1-2310	Reattach the door hinge	1268
Figure 1-2311	Install the drive-arm and door hinge tabs	1268
Figure 1-2312	Lower the top cover	1269
Figure 1-2313	Install two tabs	1269
Figure 1-2314	Install one screw	1270
Figure 1-2315	Install one screw	1270
Figure 1-2316	Install three screws	1271
Figure 1-2317	Install the drive-arm tabs	1271
Figure 1-2318	Align the tabs and slots	1272
Figure 1-2319	Install the top accessory cover	1272
Figure 1-2320	Close the rear output bin	1273
Figure 1-2321	Note location of tabs	1273
Figure 1-2322	Position the front tabs	1274
Figure 1-2323	Slide the cover	1274
Figure 1-2324	Install two screws	1275
Figure 1-2325	Close the front cover and cartridge door	1275
Figure 1-2326	Install the fuser	1276
Figure 1-2327	Install the keyed hinge pin	1276
Figure 1-2328	Install the hinge pin	1277

Figure 1-2329	Position the output bin	1277
Figure 1-2330	Install left hinge pin	1278
Figure 1-2331	Install the duplex accessory cover	1278
Figure 1-2332	Install the duplex accessory	1279
Figure 1-2333	Remove the tray	1282
Figure 1-2334	Recycle and unpack	1282
Figure 1-2335	Install the tray	1283
Figure 1-2336	Remove the duplex accessory	1286
Figure 1-2337	Recycle and unpack	1286
Figure 1-2338	Install the duplex accessory	1287
Figure 1-2339	Remove the tray	1290
Figure 1-2340	Release the hinge pin	1290
Figure 1-2341	Remove the tray extension door	1291
Figure 1-2342	Recycle and unpack	1291
Figure 1-2343	Install the keyed hinge pin	1292
Figure 1-2344	Install the hinge pin	1292
Figure 1-2345	Install the tray	1293
Figure 1-2346	Remove the tray	1295
Figure 1-2347	Remove two screws	1295
Figure 1-2348	Remove the cover	1296
Figure 1-2349	Recycle and unpack	1296
Figure 1-2350	Install the tabs	1297
Figure 1-2351	Install two screws	1297
Figure 1-2352	Install the tray	1298
Figure 1-2353	Remove the tray	1300
Figure 1-2354	Remove two screws	1300
Figure 1-2355	Remove the cover	1301
Figure 1-2356	Release three tabs	1301
Figure 1-2357	Rotate and remove the cover	1302
Figure 1-2358	Recycle and unpack	1302
Figure 1-2359	Install the tabs	1303
Figure 1-2360	Install the cover	1303
Figure 1-2361	Install the tabs	1304
Figure 1-2362	Install two screws	1304
Figure 1-2363	Install the tray	1305
Figure 1-2364	Remove the tray	1307
Figure 1-2365	Remove two screws	1307
Figure 1-2366	Remove the cover	1308
Figure 1-2367	Release three tabs	1308
Figure 1-2368	Rotate and remove the cover	1309
Figure 1-2369	Remove two screws	1309

Figure 1-2370	Disconnect two connectors	1310
Figure 1-2371	Compress the sleeves around the pegs	1310
Figure 1-2372	Recycle and unpack	1311
Figure 1-2373	Install the connector	1311
Figure 1-2374	Connect two connectors	1312
Figure 1-2375	Install two screws	1312
Figure 1-2376	Install the tabs	1313
Figure 1-2377	Install the cover	1313
Figure 1-2378	Install the tabs	1314
Figure 1-2379	Install two screws	1314
Figure 1-2380	Install the tray	1315
Figure 1-2381	Remove the tray	1317
Figure 1-2382	Remove two screws	1317
Figure 1-2383	Remove the cover	1318
Figure 1-2384	Release three tabs	1318
Figure 1-2385	Rotate and remove the cover	1319
Figure 1-2386	Disconnect two connectors	1319
Figure 1-2387	Compress the sleeves around the pegs	1320
Figure 1-2388	Recycle and unpack	1320
Figure 1-2389	Install the connector	1321
Figure 1-2390	Connect two connectors	1321
Figure 1-2391	Install the tabs	1322
Figure 1-2392	Install the cover	1322
Figure 1-2393	Install the tabs	1323
Figure 1-2394	Install two screws	1323
Figure 1-2395	Install the tray	1324
Figure 1-2396	Remove the tray	1326
Figure 1-2397	Release the hinge pin	1327
Figure 1-2398	Remove the tray extension door	1327
Figure 1-2399	Remove two screws	1328
Figure 1-2400	Remove the cover	1328
Figure 1-2401	Release three tabs	1329
Figure 1-2402	Rotate and remove the cover	1329
Figure 1-2403	Remove the PCA	1330
Figure 1-2404	Disconnect one connector and remove two screws	1330
Figure 1-2405	Release two tabs	1331
Figure 1-2406	Rotate and remove the size-detect assembly	1331
Figure 1-2407	Recycle and unpack	1332
Figure 1-2408	Install the size-detect assembly	1332
Figure 1-2409	Install two tabs	1333
Figure 1-2410	Connect one connector and install two screws	1333

Figure 1-2411	Install the PCA	1334
Figure 1-2412	Install the tabs	1334
Figure 1-2413	Install the cover	1335
Figure 1-2414	Install the tabs	1335
Figure 1-2415	Install two screws	1336
Figure 1-2416	Install the keyed hinge pin	1336
Figure 1-2417	Install the hinge pin	1337
Figure 1-2418	Install the tray	1337
Figure 1-2419	Remove the tray	1339
Figure 1-2420	Remove two screws	1339
Figure 1-2421	Remove the cover	1340
Figure 1-2422	Release three tabs	1340
Figure 1-2423	Rotate and remove the cover	1341
Figure 1-2424	Disconnect one connector	1341
Figure 1-2425	Release one spring	1342
Figure 1-2426	Remove one screw	1342
Figure 1-2427	Remove the black bracket	1343
Figure 1-2428	Remove the lifter drive assembly	1343
Figure 1-2429	Recycle and unpack	1344
Figure 1-2430	Position the lifter drive assembly	1344
Figure 1-2431	Install the black bracket	1345
Figure 1-2432	Install one screw	1345
Figure 1-2433	Attach one spring	1346
Figure 1-2434	Connect one connector	1346
Figure 1-2435	Install the tabs	1347
Figure 1-2436	Install the cover	1347
Figure 1-2437	Install the tabs	1348
Figure 1-2438	Install the cover	1348
Figure 1-2439	Install the tabs	1349
Figure 1-2440	Install two screws	1349
Figure 1-2441	Install the tray	1350
Figure 1-2442	Disengage door slide bar	1353
Figure 1-2443	Tab and notch locations	1353
Figure 1-2444	Remove the front door	1354
Figure 1-2445	Recycle and unpack	1354
Figure 1-2446	Reattach slide bar	1355
Figure 1-2447	Position the spring	1355
Figure 1-2448	Position the door	1356
Figure 1-2449	Install the front door	1356
Figure 1-2450	Engage door slide bar	1357
Figure 1-2451	Release two tabs	1359

Figure 1-2452	Remove the rear cover	1359
Figure 1-2453	Recycle and unpack	1360
Figure 1-2454	Install the rear cover	1360
Figure 1-2455	Install two tabs	1361
Figure 1-2456	Release two tabs	1363
Figure 1-2457	Remove the rear cover	1363
Figure 1-2458	Lock-mechanism cover tabs	1364
Figure 1-2459	Remove the lock-mechanism cover	1364
Figure 1-2460	Remove two screws	1365
Figure 1-2461	Release one tab	1365
Figure 1-2462	Remove the left cover	1366
Figure 1-2463	Recycle and unpack	1366
Figure 1-2464	Location of tabs and notches	1367
Figure 1-2465	Install the left cover	1367
Figure 1-2466	Position the tab	1368
Figure 1-2467	Install the lock mechanism cover	1368
Figure 1-2468	Install the rear cover	1369
Figure 1-2469	Install two tabs	1369
Figure 1-2470	Release two tabs	1371
Figure 1-2471	Remove the rear cover	1371
Figure 1-2472	Remove one screw	1372
Figure 1-2473	Remove the right cover	1372
Figure 1-2474	Recycle and unpack	1373
Figure 1-2475	Install the right cover	1373
Figure 1-2476	Install one screw	1374
Figure 1-2477	Install the rear cover	1374
Figure 1-2478	Install two tabs	1375
Figure 1-2479	Release two tabs	1377
Figure 1-2480	Remove the rear cover	1377
Figure 1-2481	Remove one screw	1378
Figure 1-2482	Remove the right cover	1378
Figure 1-2483	Disconnect wire harness	1379
Figure 1-2484	Remove two screws	1379
Figure 1-2485	Recycle and unpack	1380
Figure 1-2486	Reinstall the motor	1380
Figure 1-2487	Install two screws	1381
Figure 1-2488	Connect wire harness	1381
Figure 1-2489	Install the right cover	1382
Figure 1-2490	Install one screw	1382
Figure 1-2491	Install the rear cover	1383
Figure 1-2492	Install two tabs	1383

Figure 1-2493	Release two tabs	1385
Figure 1-2494	Remove the rear cover	1385
Figure 1-2495	Remove one screw	1386
Figure 1-2496	Remove the right cover	1386
Figure 1-2497	Disconnect eight connectors	1387
Figure 1-2498	Remove the PCA	1387
Figure 1-2499	Recycle and unpack	1388
Figure 1-2500	Install the PCA	1388
Figure 1-2501	Connect eight connectors	1389
Figure 1-2502	Install the right cover	1389
Figure 1-2503	Install one screw	1390
Figure 1-2504	Install the rear cover	1390
Figure 1-2505	Install two tabs	1391
Figure 1-2506	Release two tabs	1393
Figure 1-2507	Remove the rear cover	1393
Figure 1-2508	Remove one screw	1394
Figure 1-2509	Remove the right cover	1394
Figure 1-2510	Disconnect wire harness	1395
Figure 1-2511	Remove two screws	1395
Figure 1-2512	Remove two screws	1396
Figure 1-2513	Disconnect one connector	1396
Figure 1-2514	Remove three screws	1397
Figure 1-2515	Recycle and unpack	1397
Figure 1-2516	Install three screws	1398
Figure 1-2517	Connect one connector	1398
Figure 1-2518	Install the sheet-metal plate	1399
Figure 1-2519	Reinstall the motor	1399
Figure 1-2520	Install two screws	1400
Figure 1-2521	Connect wire harness	1400
Figure 1-2522	Install the right cover	1401
Figure 1-2523	Install one screw	1401
Figure 1-2524	Install the rear cover	1402
Figure 1-2525	Install two tabs	1402
Figure 1-2526	Remove one screw	1404
Figure 1-2527	Disconnect two connectors	1404
Figure 1-2528	Compress the sleeves around the pegs	1405
Figure 1-2529	Remove the connector	1405
Figure 1-2530	Install the connector	1406
Figure 1-2531	Connect two connectors	1407
Figure 1-2532	Install the sheet-metal plate	1407
Figure 1-2533	Install one screw	1408

Figure 1-2534	Open the rear cover	1411
Figure 1-2535	Release two tabs	1411
Figure 1-2536	Remove the right cover	1412
Figure 1-2537	Recycle and unpack	1412
Figure 1-2538	Install the cover	1413
Figure 1-2539	Check the tabs	1413
Figure 1-2540	Close the rear cover	1414
Figure 1-2541	Open the rear cover	1416
Figure 1-2542	Release two tabs	1416
Figure 1-2543	Remove the left cover	1417
Figure 1-2544	Recycle and unpack	1417
Figure 1-2545	Install the left cover	1418
Figure 1-2546	Check the tabs	1418
Figure 1-2547	Close the rear cover	1419
Figure 1-2548	Remove one screw and the front cover	1421
Figure 1-2549	Recycle and unpack	1421
Figure 1-2550	Install the cover and one screw	1422
Figure 1-2551	Open the rear cover	1424
Figure 1-2552	Release two tabs	1424
Figure 1-2553	Remove the right cover	1425
Figure 1-2554	Disconnect one connector and remove two screws	1425
Figure 1-2555	Release five tabs	1426
Figure 1-2556	Release two tabs	1426
Figure 1-2557	Remove the assembly	1427
Figure 1-2558	Recycle and unpack	1427
Figure 1-2559	Position the sensor assembly	1428
Figure 1-2560	Engage the tabs	1428
Figure 1-2561	Engage five tabs	1429
Figure 1-2562	Connect one connector and install two screws	1429
Figure 1-2563	Install the cover	1430
Figure 1-2564	Check the tabs	1430
Figure 1-2565	Close the rear cover	1431
Figure 1-2566	Remove one screw and the front cover	1433
Figure 1-2567	Open the rear cover	1433
Figure 1-2568	Release two tabs	1434
Figure 1-2569	Remove the left cover	1434
Figure 1-2570	Disconnect three connectors	1435
Figure 1-2571	Remove the wire harnesses from the guides	1435
Figure 1-2572	Remove the wire guide	1436
Figure 1-2573	Remove four screws	1436
Figure 1-2574	Remove the drive assembly.	1437

Figure 1-2575	Recycle and unpack	1437
Figure 1-2576	Install the tabs in the slots	1438
Figure 1-2577	Position the drive assembly	1438
Figure 1-2578	Install four screws	1439
Figure 1-2579	Install the wire guide	1439
Figure 1-2580	Install the wire harnesses	1440
Figure 1-2581	Install the wire harnesses and connect three connectors	1440
Figure 1-2582	Install the left cover	1441
Figure 1-2583	Check the tabs	1441
Figure 1-2584	Close the rear cover	1442
Figure 1-2585	Install the cover and one screw	1442
Figure 1-2586	Remove two screws	1444
Figure 1-2587	Disconnect two connectors	1444
Figure 1-2588	Compress the sleeves around the pegs	1445
Figure 1-2589	Recycle and unpack	1445
Figure 1-2590	Install the connector	1446
Figure 1-2591	Connect two connectors	1446
Figure 1-2592	Install two screws	1447
Figure 1-2593	Remove two screws	1450
Figure 1-2594	Disconnect two connectors	1450
Figure 1-2595	Compress the sleeves around the pegs	1451
Figure 1-2596	Recycle and unpack	1451
Figure 1-2597	Install the connector	1452
Figure 1-2598	Connect two connectors	1452
Figure 1-2599	Install two screws	1453
Figure 1-2600	Rotate the stapler assembly	1455
Figure 1-2601	Release one tab	1455
Figure 1-2602	Rotate the stapler assembly away	1456
Figure 1-2603	Disconnect one connector	1456
Figure 1-2604	Recycle and unpack	1457
Figure 1-2605	Connect one connector	1457
Figure 1-2606	Position the tabs	1458
Figure 1-2607	Install the stapler assembly	1458
Figure 1-2608	Rotate the stapler assembly	1459
Figure 1-2609	Remove the delivery tray	1461
Figure 1-2610	Recycle and unpack	1461
Figure 1-2611	Install the delivery tray	1462
Figure 1-2612	Disengage hinge pins	1464
Figure 1-2613	Remove the rear cover	1464
Figure 1-2614	Recycle and unpack	1465
Figure 1-2615	Install the rear cover	1465

Figure 1-2616	Check the hinge pins	1466
Figure 1-2617	Remove the delivery tray	1468
Figure 1-2618	Disengage hinge pins	1468
Figure 1-2619	Remove the rear cover	1469
Figure 1-2620	Remove one screw and release two tabs	1469
Figure 1-2621	Remove the top cover	1470
Figure 1-2622	Recycle and unpack	1470
Figure 1-2623	Position the tabs in the slots	1471
Figure 1-2624	Position the top cover	1471
Figure 1-2625	Install two tabs and install one screw	1472
Figure 1-2626	Install the rear cover	1472
Figure 1-2627	Check the hinge pins	1473
Figure 1-2628	Install the delivery tray	1473
Figure 1-2629	Remove the delivery tray	1475
Figure 1-2630	Disengage hinge pins	1475
Figure 1-2631	Remove the rear cover	1476
Figure 1-2632	Remove one screw and release two tabs	1476
Figure 1-2633	Remove the top cover	1477
Figure 1-2634	Release one tab	1477
Figure 1-2635	Slide the left cover	1478
Figure 1-2636	Remove the left cover	1478
Figure 1-2637	Recycle and unpack	1479
Figure 1-2638	Position the left cover	1479
Figure 1-2639	Position the left cover	1480
Figure 1-2640	Install the left cover	1480
Figure 1-2641	Position the tabs in the slots	1481
Figure 1-2642	Position the top cover	1481
Figure 1-2643	Install two tabs and install one screw	1482
Figure 1-2644	Install the rear cover	1482
Figure 1-2645	Check the hinge pins	1483
Figure 1-2646	Install the delivery tray	1483
Figure 1-2647	Remove the delivery tray	1485
Figure 1-2648	Disengage hinge pins	1485
Figure 1-2649	Remove the rear cover	1486
Figure 1-2650	Remove one screw and release two tabs	1486
Figure 1-2651	Remove the top cover	1487
Figure 1-2652	Release one tab and slide the cover	1487
Figure 1-2653	Remove the right front cover	1488
Figure 1-2654	Recycle and unpack	1488
Figure 1-2655	Position the tabs in the slots	1489
Figure 1-2656	Position the right front cover	1489

Figure 1-2657	Install the right front cover	1490
Figure 1-2658	Position the tabs in the slots	1490
Figure 1-2659	Position the top cover	1491
Figure 1-2660	Install two tabs and install one screw	1491
Figure 1-2661	Install the rear cover	1492
Figure 1-2662	Check the hinge pins	1492
Figure 1-2663	Install the delivery tray	1493
Figure 1-2664	Remove the delivery tray	1495
Figure 1-2665	Disengage hinge pins	1496
Figure 1-2666	Remove the rear cover	1496
Figure 1-2667	Remove one screw and release two tabs	1497
Figure 1-2668	Remove the top cover	1497
Figure 1-2669	Release one tab	1498
Figure 1-2670	Slide the left cover	1498
Figure 1-2671	Remove the left cover	1499
Figure 1-2672	Release one tab and slide the cover	1499
Figure 1-2673	Remove the right front cover	1500
Figure 1-2674	Release two tabs	1500
Figure 1-2675	Remove the front cover	1501
Figure 1-2676	Recycle and unpack	1501
Figure 1-2677	Install the front cover	1502
Figure 1-2678	Check the tabs	1502
Figure 1-2679	Position the tabs in the slots	1503
Figure 1-2680	Position the right front cover	1503
Figure 1-2681	Install the right front cover	1504
Figure 1-2682	Position the left cover	1504
Figure 1-2683	Position the left cover	1505
Figure 1-2684	Install the left cover	1505
Figure 1-2685	Position the tabs in the slots	1506
Figure 1-2686	Position the top cover	1506
Figure 1-2687	Install two tabs and install one screw	1507
Figure 1-2688	Install the rear cover	1507
Figure 1-2689	Check the hinge pins	1508
Figure 1-2690	Install the delivery tray	1508
Figure 1-2691	Remove the delivery tray	1510
Figure 1-2692	Disengage hinge pins	1511
Figure 1-2693	Remove the rear cover	1511
Figure 1-2694	Remove one screw and release two tabs	1512
Figure 1-2695	Remove the top cover	1512
Figure 1-2696	Release one tab	1513
Figure 1-2697	Slide the left cover	1513

Figure 1-2698	Remove the left cover	1514
Figure 1-2699	Release one tab and slide the cover	1514
Figure 1-2700	Remove the right front cover	1515
Figure 1-2701	Release two tabs	1515
Figure 1-2702	Remove the front cover	1516
Figure 1-2703	Disconnect two connectors	1516
Figure 1-2704	Remove the wire harnesses from the guides	1517
Figure 1-2705	Remove the plastic pin	1517
Figure 1-2706	Remove one screw	1518
Figure 1-2707	Remove the plastic pin	1518
Figure 1-2708	Remove the jog assembly	1519
Figure 1-2709	Recycle and unpack	1519
Figure 1-2710	Install the jog assembly	1520
Figure 1-2711	Install one screw and one white pin	1520
Figure 1-2712	Install one white pin	1521
Figure 1-2713	Install the wire harnesses in the guides	1521
Figure 1-2714	Connect two connectors	1522
Figure 1-2715	Install the front cover	1522
Figure 1-2716	Check the tabs	1523
Figure 1-2717	Position the tabs in the slots	1523
Figure 1-2718	Position the right front cover	1524
Figure 1-2719	Install the right front cover	1524
Figure 1-2720	Position the left cover	1525
Figure 1-2721	Position the left cover	1525
Figure 1-2722	Install the left cover	1526
Figure 1-2723	Position the tabs in the slots	1526
Figure 1-2724	Position the top cover	1527
Figure 1-2725	Install two tabs and install one screw	1527
Figure 1-2726	Install the rear cover	1528
Figure 1-2727	Check the hinge pins	1528
Figure 1-2728	Install the delivery tray	1529
Figure 1-2729	Remove the delivery tray	1531
Figure 1-2730	Disengage hinge pins	1532
Figure 1-2731	Remove the rear cover	1532
Figure 1-2732	Remove one screw and release two tabs	1533
Figure 1-2733	Remove the top cover	1533
Figure 1-2734	Release one tab	1534
Figure 1-2735	Slide the left cover	1534
Figure 1-2736	Remove the left cover	1535
Figure 1-2737	Release one tab and slide the cover	1535
Figure 1-2738	Remove the right front cover	1536

Figure 1-2739	Release two tabs	1536
Figure 1-2740	Remove the front cover	1537
Figure 1-2741	Disconnect one connector and release wire harnesses	1537
Figure 1-2742	Remove two screws	1538
Figure 1-2743	Remove the metal plate	1538
Figure 1-2744	Release the wire harnesses	1539
Figure 1-2745	Remove two screws	1539
Figure 1-2746	Remove the motor	1540
Figure 1-2747	Recycle and unpack	1540
Figure 1-2748	Install the paddle motor	1541
Figure 1-2749	Install two screws	1541
Figure 1-2750	Install the wire harnesses	1542
Figure 1-2751	Install the metal plate	1542
Figure 1-2752	Install two screws	1543
Figure 1-2753	Install the wire harnesses and connect one connector	1543
Figure 1-2754	Install the front cover	1544
Figure 1-2755	Check the tabs	1544
Figure 1-2756	Position the tabs in the slots	1545
Figure 1-2757	Position the right front cover	1545
Figure 1-2758	Install the right front cover	1546
Figure 1-2759	Position the left cover	1546
Figure 1-2760	Position the left cover	1547
Figure 1-2761	Install the left cover	1547
Figure 1-2762	Position the tabs in the slots	1548
Figure 1-2763	Position the top cover	1548
Figure 1-2764	Install two tabs and install one screw	1549
Figure 1-2765	Install the rear cover	1549
Figure 1-2766	Check the hinge pins	1550
Figure 1-2767	Install the delivery tray	1550
Figure 1-2768	Remove the delivery tray	1552
Figure 1-2769	Disengage hinge pins	1553
Figure 1-2770	Remove the rear cover	1553
Figure 1-2771	Remove one screw and release two tabs	1554
Figure 1-2772	Remove the top cover	1554
Figure 1-2773	Release one tab	1555
Figure 1-2774	Slide the left cover	1555
Figure 1-2775	Remove the left cover	1556
Figure 1-2776	Release one tab and slide the cover	1556
Figure 1-2777	Remove the right front cover	1557
Figure 1-2778	Release two tabs	1557
Figure 1-2779	Remove the front cover	1558

Figure 1-2780	Disconnect one connector and release wire harnesses	1558
Figure 1-2781	Remove two screws	1559
Figure 1-2782	Remove the metal plate	1559
Figure 1-2783	Release the wire harnesses	1560
Figure 1-2784	Remove the motor	1560
Figure 1-2785	Recycle and unpack	1561
Figure 1-2786	Install the feed motor	1561
Figure 1-2787	Install the wire harnesses	1562
Figure 1-2788	Install the metal plate	1562
Figure 1-2789	Install two screws	1563
Figure 1-2790	Install the wire harnesses and connect one connector	1563
Figure 1-2791	Install the front cover	1564
Figure 1-2792	Check the tabs	1564
Figure 1-2793	Position the tabs in the slots	1565
Figure 1-2794	Position the right front cover	1565
Figure 1-2795	Install the right front cover	1566
Figure 1-2796	Position the left cover	1566
Figure 1-2797	Position the left cover	1567
Figure 1-2798	Install the left cover	1567
Figure 1-2799	Position the tabs in the slots	1568
Figure 1-2800	Position the top cover	1568
Figure 1-2801	Install two tabs and install one screw	1569
Figure 1-2802	Install the rear cover	1569
Figure 1-2803	Check the hinge pins	1570
Figure 1-2804	Install the delivery tray	1570
Figure 2-1	Covers	1580
Figure 2-2	Internal components (1 of 3)	1582
Figure 2-3	Internal components (2 of 3)	1584
Figure 2-4	Internal components (3 of 3)	1586
Figure 2-5	Power supply assembly	1588
Figure 2-6	Multi-purpose (Tray 1) pickup assembly	1590
Figure 2-7	Duplexer	1592
Figure 2-8	Envelope feeder covers and panels	1594
Figure 2-9	Envelope feeder internal components (1 of 2)	1596
Figure 2-10	Envelope feeder internal components (2 of 2)	1598
Figure 2-11	500-sheet feeder covers	1600
Figure 2-12	500-sheet feeder main body	1602
Figure 2-13	1,500-sheet feeder covers and panels	1604
Figure 2-14	1,500-sheet feeder main body (1 of 2)	1606
Figure 2-15	1,500-sheet feeder main body (2 of 2)	1608
Figure 2-16	1,500-sheet feeder paper pickup assembly	1610

Figure 2-17	5-bin mailbox covers and panels	1612
Figure 2-18	5-bin mailbox main body (1 of 2)	1614
Figure 2-19	5-bin mailbox main body (2 of 2)	1616
Figure 2-20	Stacker and stapler/stacker covers and panels	1618
Figure 2-21	Stapler/stacker main body	1620
Figure 2-22	Stacker main body	1622
Figure 2-23	Stapler/stacker middle assembly (1 of 2)	1624
Figure 2-24	Stapler/stacker middle assembly (2 of 2)	1626
Figure 2-25	Stacker middle assembly (1 of 2)	1628
Figure 2-26	Stacker middle assembly (2 of 2)	1630

1 Removal and replacement

- [For additional service and support](#)
- [Removal and replacement strategy](#)
- [Service approach](#)
- [Removal and replacement procedures](#)

For additional service and support

HP service personnel, go to the Service Access Work Bench (SAW) at <http://h41302.www4.hp.com/km/saw/home.do>.

Channel partners, go to HP Channel Services Network (CSN) at <https://h30125.www3.hp.com/hpcsn>.

- To access HP PartSurfer information from any mobile device, go to <http://partsurfermobile.hp.com/> or scan the Quick Response (QR) code below.



- Install and configure
- Printer specifications
- Up to date control-panel message (CPMD) troubleshooting
- Solutions for printer issues and emerging issues
- Remove and replace part instructions and videos
- Service advisories
- Warranty & regulatory information

Removal and replacement strategy

Introduction

The printer uses a field repair strategy. Defective parts are diagnosed and replaced at the Field Replaceable Unit (FRU) assembly level. Repair normally begins by using the printer internal diagnostics and the following two-step process:

1. Isolate the problem to the major system (for example, the network or server, or the printer).
2. Troubleshoot the problem by using the procedures in the troubleshooting chapter.

After locating a faulty part, the printer can usually be repaired at the assembly level by replacing FRUs. Some mechanical assemblies might need to be repaired at the subassembly level. Hewlett-Packard Company does not support replacement of components on the printed circuit assemblies.

The user replaces toner cartridges as they are depleted. Additional instructions about other user-replaceable parts are provided in this section.

The printer tracks the amount of use on the customer-replaceable supplies by keeping a page count. The printer prompts the user to replace certain items when a supply is depleted or a specific number of pages has been printed.

Swapping toner cartridges between products might cause a misrepresentation of supply life values and is not recommended.

Considerations during removal and replacement

This chapter describes the removal and replacement of field-replaceable units (FRUs) only.

Replacing FRUs is generally the reverse of removal. Notes are included to provide directions for difficult or critical replacement procedures.

HP does not support repairing individual subassemblies or troubleshooting to the printed-circuit assembly (PCA) component level.

⚠ WARNING! Never operate or service the printer with the protective cover removed from the laser scanner assembly. The reflected beam, although invisible, can cause damage to the eyes.


The sheet-metal parts can have sharp edges. Be careful when handling sheet-metal parts.

Turn the printer off, wait 5 seconds, and then remove the power cord before attempting to service the printer. *If this warning is not followed, severe injury can result as well as damage to the printer.* The power must be on for certain functional checks during troubleshooting. However, the power cord must be disconnected during parts removal. AC voltage is still present inside the printer when the power switch is in the off position. The power cord must be *disconnected* before servicing the product.


⚠ CAUTION: Incorrectly routed or loose wire harnesses might interfere with other internal components or assemblies and be damaged, pinched, or frayed. Make sure that wire harnesses are correctly routed and retained when installing assemblies.

Do not bend or fold the flat flexible cables (FFCs) during removal or installation.


Do not expose the toner cartridge or cartridges, to strong light even for a short time.

 **IMPORTANT:** When an assembly is removed that includes a rating plate or tag (or a printer code label), make sure to transfer the plate or tag (or code label) to the replacement assembly.



Do not replace the formatter, DC controller, and eMMC PCA or hard-disk drive simultaneously during a single printer servicing. Doing so might cause the printer to become unstable or inoperable.

 **NOTE:** During assembly removal and replacement, or if the printer is moved, remove the toner cartridge or cartridges.

Toner is a non-poisonous substance composed of plastic and a small number of colored components. If toner gets on the skin or clothing, wipe it off with dry tissue paper and wash in cold water. Hot water sets toner and it might be difficult, or impossible, to remove. Toner easily breaks down vinyl materials, so avoid letting toner contact with vinyl.

 **TIP:** Some figures might show assemblies removed or installed that have not yet been removed or installed at that specific step. However, the procedures are correct for this printer and the target assembly. Always thoroughly read the instructions that accompany each figure.

Electrostatic discharge

 **CAUTION:**  Some parts are sensitive to electrostatic discharge (ESD). Look for the ESD reminder when removing printer parts. Always perform service work at an ESD-protected workstation or mat. If an ESD workstation or mat is not available, touch the sheet-metal chassis to provide a static ground *before* touching an ESD-sensitive assembly.

Protect the ESD-sensitive assemblies by placing them in ESD pouches when they are out of the printer.

Required tools

- #2 Phillips screwdriver with a magnetic tip and a 152-mm (6-in)) shaft length
- Small, flat-blade screwdriver
- Needle-nose pliers
- ESD strap (if one is available)
- Penlight


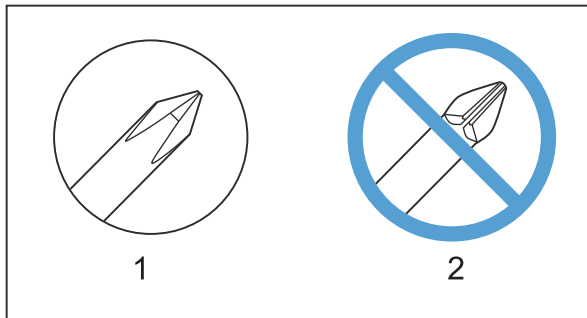
 **CAUTION:** Always use a Phillips screwdriver (callout 1). Do not use a Pozidriv screwdriver (callout 2) or any motorized screwdriver. These can damage screws or screw threads.

Figure 1-1 Screwdrivers



Types of screws

⚠ WARNING! Make sure that assemblies are replaced with the correct screw type. Using the incorrect screw (for example, substituting a long screw for the correct shorter screw) can cause damage to the printer or interfere with printer operation. Do not intermix screws that are removed from one assembly with the screws that are removed from another assembly.

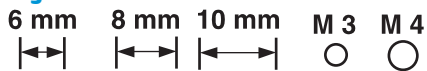
📝 NOTE: To install a self-tapping screw, first turn it counterclockwise to align it with the existing thread pattern, and then carefully turn it clockwise to tighten. Do not overtighten. If a self-tapping screw-hole becomes stripped, repair the screw-hole or replace the affected assembly.

Always take note of the length, diameter, color, type, and location of each removed screw. Make sure that screws are installed in the original location they were removed from during reinstallation.

Fasteners used in the printer


- Screw, BH M3X10
- Screw, with washer, M3X8
- Screw, D M3X8
- Screw, machine, truss head, M3X6

Figure 1-2 Screw size chart



Service approach

Before performing service

 **WARNING!** Turn the printer off, wait 30 seconds, and then remove the power cord before attempting to service the printer. *If this warning is not followed, severe injury and damage to the printer can result.* The power must be on for certain functional checks during troubleshooting. However, the power to the printer should be disconnected during parts removal.

1. Remove all paper.
2. Place the printer on an ESD mat (if available). If an ESD workstation or mat is not available, touching the sheet-metal chassis to provide a static ground *before* touching an ESD-sensitive assembly.
3. Remove the toner cartridge or toner cartridges.
4. Remove the trays.

After performing service

1. Reinstall the toner cartridge or toner cartridges.
2. Reinstall the trays.
3. Return all paper to the trays.
4. Plug in the power cable and turn on the printer.
5. Perform print-quality tests by printing from a host computer.

Post service tests

Print quality test

Use the print quality troubleshooting pages to help diagnose and solve print-quality problems. For more information, see the printer troubleshooting manual.

 **NOTE:** To get further assistance in print quality troubleshooting, go to www.hp.com/support/ljM604, www.hp.com/support/ljM605, www.hp.com/support/ljM606 and select PQ Troubleshooting Tools.

Parts removal order

For procedures and/or steps that require identifying the right, left, or rear side of the printer, face the front of the printer for correct orientation.

Removal and replacement procedures

Customer self-repair (CSR) A parts and assemblies

- [Removal and replacement: Toner cartridge](#)
- [Removal and replacement: Fuser](#)
- [Removal and replacement: Transfer roller](#)
- [Removal and replacement: Pickup, feed, and separation rollers \(Trays 2-6 and 1,500-sheet high-capacity input feeder\)](#)
- [Removal and replacement: Hard-disk drive \(HDD\)](#)
- [Removal and replacement: Torque limiter \(trays 2-6 and 1,500-sheet high-capacity input feeder\)](#)
- [Removal and replacement: Trusted platform module \(TPM\) PCA](#)
- [Removal and replacement: embedded MultiMedia Card \(eMMC\)](#)
- [Removal and replacement: Dual in-line memory module \(DIMM\)](#)
- [Removal and replacement: Control panel \(M605x, M606x\)](#)

The CSR level indicates the expected difficulty the customer will experience when removing and replacing an assembly. The CSR A assemblies in this section are easy for the customer to remove and replace.

Removal and replacement: Toner cartridge

- [Introduction](#)
- [Step 1: Remove the toner cartridge](#)
- [Step 2: Unpack the replacement toner cartridge](#)
- [Step 3: Install the toner cartridge](#)


Introduction

This document provides the procedures to remove and replace the toner cartridge.

Before performing service

Turn the printer power off

- Disconnect the power cable.

 **WARNING!** To avoid damage to the printer, turn the printer off, wait 30 seconds, and then remove the power cord before attempting to service the printer.

Use the table below to identify the correct part number for your printer. To order the part, go to www.hp.com/buy/parts.

Toner cartridge part numbers

CF281-67901

HP 81A Black Original LaserJet Toner Cartridge

CF281-67902

HP 81X High Yield Black Original LaserJet Toner Cartridge

Required tools

- No special tools are required to install this part.

After performing service

Turn the printer power on

- Connect the power cable.
- Use the power switch to turn the power on.

Post service test

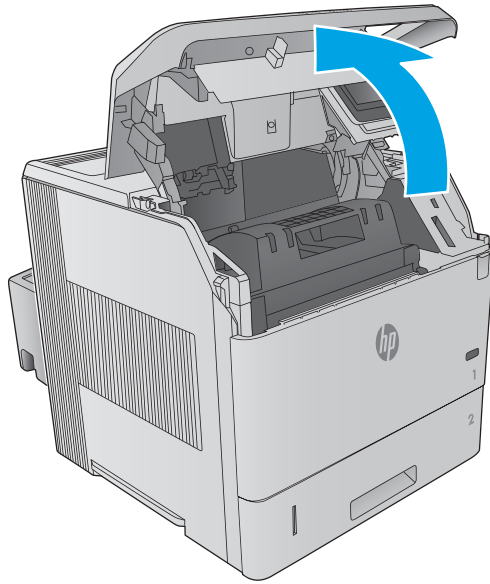
Make sure that the printer initializes to a **Ready** state.

Print a configuration page to make sure that the printer is functioning correctly.

Step 1: Remove the toner cartridge

1. Open the cartridge door.

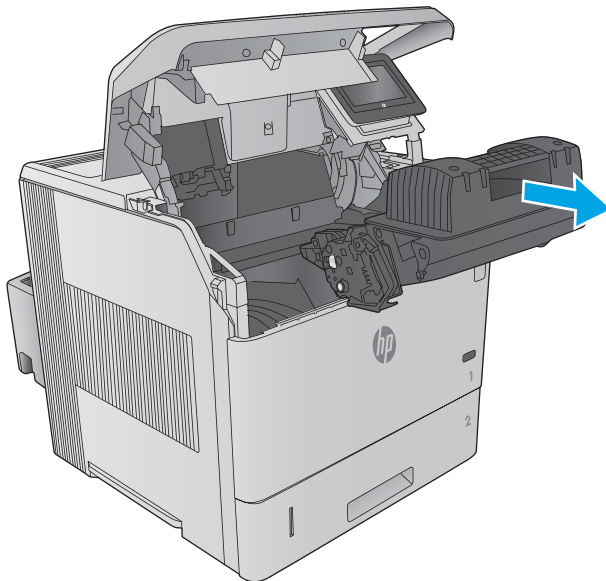
Figure 1-3 Open the cartridge door



2. Firmly grasp the toner cartridge and pull it up and out of the printer.

⚠ CAUTION: Do not expose the toner cartridge to bright light or direct sunlight for long periods of time. This can damage the cartridge, which will result in print-quality defects. If the cartridge must be removed from the printer for an extended amount of time, cover it and keep it out of bright light or direct sunlight.

Figure 1-4 Remove the toner cartridge



Step 2: Unpack the replacement toner cartridge

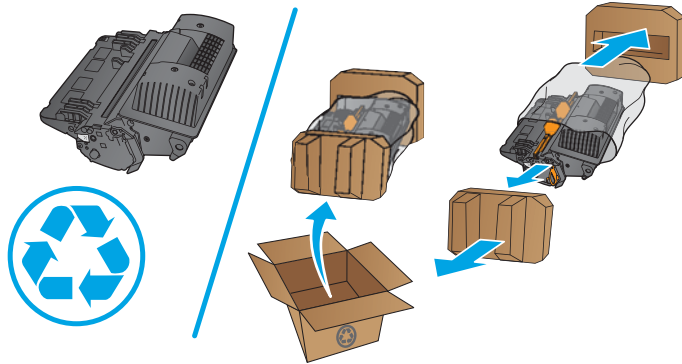
Remove the new toner cartridge from its packaging and protective bag. Save all packaging for recycling the used toner cartridge.

CAUTION: To prevent damage to a replacement toner cartridge, do not expose it to light for more than a few minutes. Cover the green imaging drum if the toner cartridge must be removed from the product for an extended period of time.

If toner gets on clothing, wipe it off by using a dry cloth and wash the clothes in cold water. Hot water sets toner into fabric.

NOTE: HP recommends responsible disposal of the defective part.

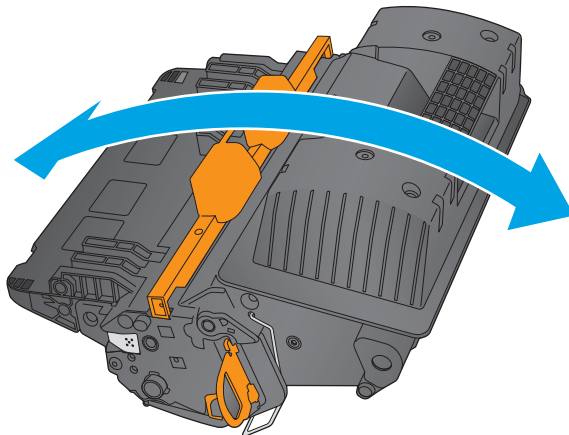
Figure 1-5 Recycle and unpack



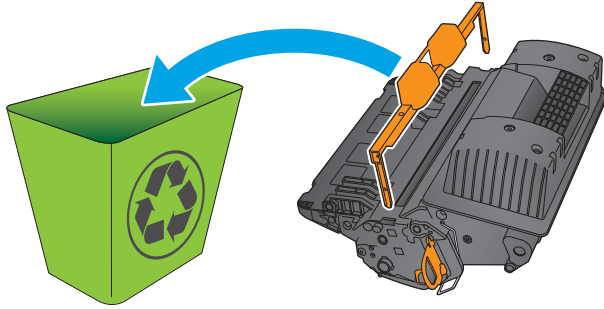
Step 3: Install the toner cartridge

1. Hold both ends of the toner cartridge and rock it 5-6 times.

Figure 1-6 Rock the toner cartridge

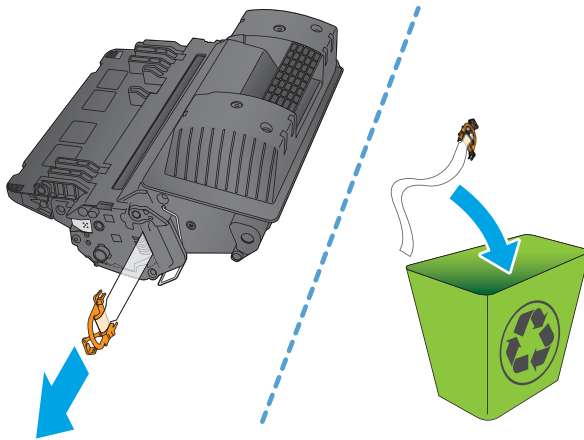


2. Remove the protective shield from the toner cartridge.



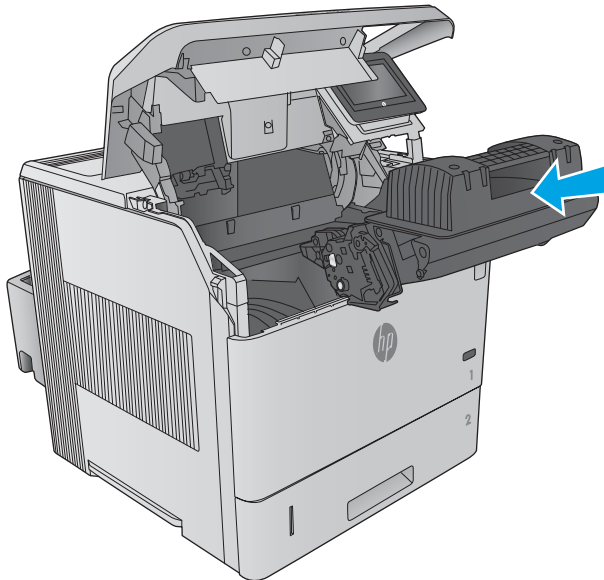
3. Pull on the orange tab to remove the toner sealing tape. Completely remove the sealing tape from the cartridge.

Figure 1-7 Remove the toner sealing tape



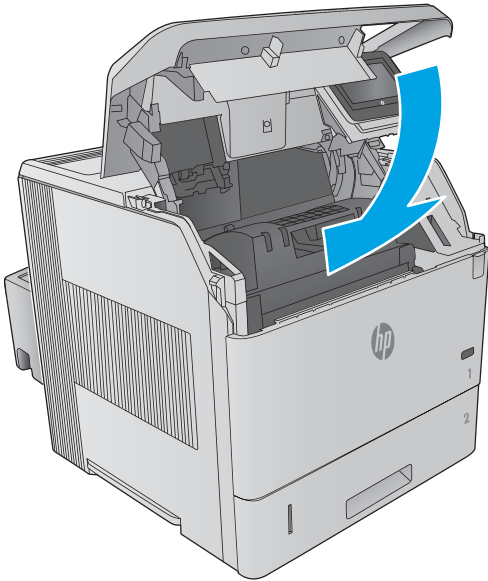
4. Install the toner cartridge.

Figure 1-8 Install the toner cartridge



5. Close the cartridge door.

Figure 1-9 Close the cartridge door



Removal and replacement: Fuser

- [Introduction](#)
- [Step 1: Remove the duplex accessory](#)
- [Step 2: Remove the duplex accessory cover](#)
- [Step 3: Remove the rear output bin](#)
- [Step 4: Remove the fuser](#)
- [Step 5: Unpack the replacement fuser](#)
- [Step 6: Install the fuser](#)
- [Step 7: Install the rear output bin](#)
- [Step 8: Install the duplex accessory cover](#)
- [Step 9: Install the duplex accessory](#)

Introduction

This document provides the procedures to remove and replace the fuser.



NOTE: The printer might appear different from some of the figures below; however, the procedures in this section are correct for this printer.

Before performing service

Turn the printer power off

- Disconnect the power cable.



WARNING! To avoid damage to the printer, turn the printer off, wait 30 seconds, and then remove the power cord before attempting to service the printer.

Use the table below to identify the correct part number for your printer. To order the part, go to www.hp.com/buy/parts.

Fuser part numbers	
E6867-67901	Fuser kit (110V)
E6867-67902	Fuser kit (220V)

Required tools

- No special tools are required to install this part.

After performing service

Turn the printer power on


- Connect the power cable.
- Use the power switch to turn the power on.

Post service test

Make sure that the printer initializes to a **Ready** state.

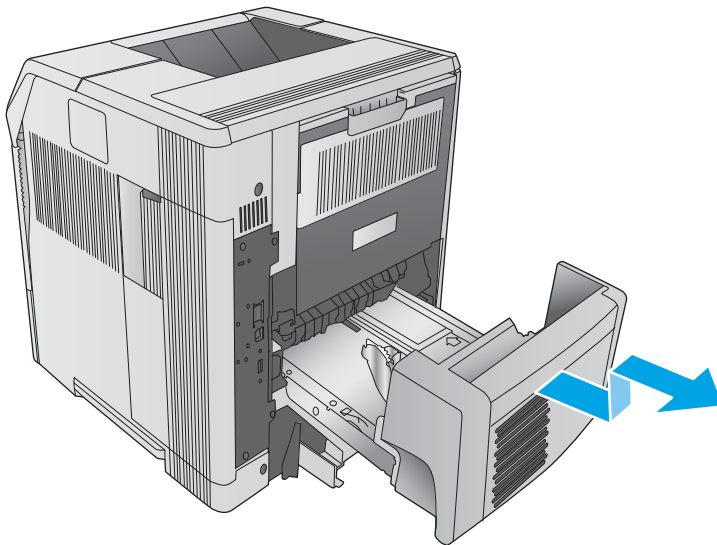
Print a configuration page to make sure that the printer is functioning correctly.

Step 1: Remove the duplex accessory


 **NOTE:** If the optional duplex accessory is not installed, skip this step and go to [Step 2: Remove the duplex accessory cover on page 14](#).

- ▲ Slightly lift up on the duplex accessory, and then pull it completely out of the printer to remove it.

Figure 1-10 Remove the duplex accessory

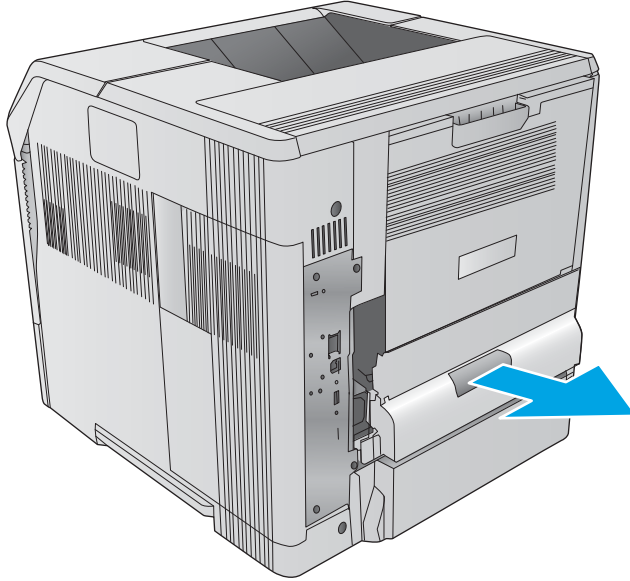


Step 2: Remove the duplex accessory cover

 **NOTE:** If the duplex accessory cover is not installed, skip this step and go to [Step 3: Remove the rear output bin on page 15](#).

- ▲ Pull the duplex accessory cover straight out of the printer to remove it.

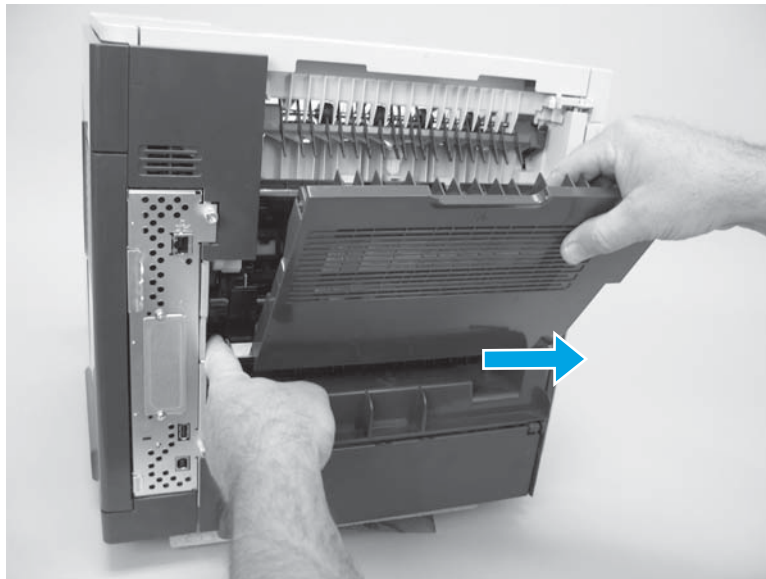
Figure 1-11 Remove the duplex accessory cover



Step 3: Remove the rear output bin

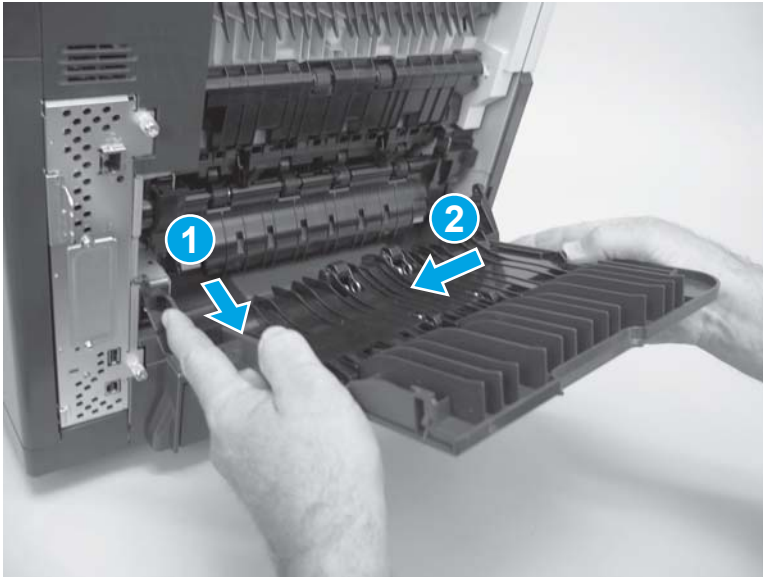
1. Open the rear output bin, and then squeeze the hinge pin out of its mounting hole.

Figure 1-12 Release the hinge pin



2. Rotate the output bin away from the printer (callout 1) until the right hinge pin is released, and then slide the output bin to the left (callout 2) to remove it.

Figure 1-13 Remove the output bin

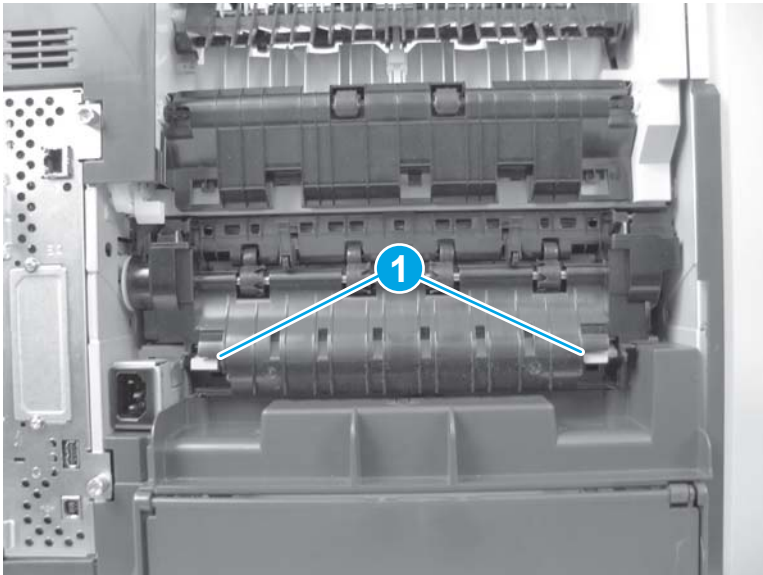


Step 4: Remove the fuser

WARNING! The fuser might be very hot. After turning off the printer power, allow the fuser to cool for at least 5 minutes before removing it.

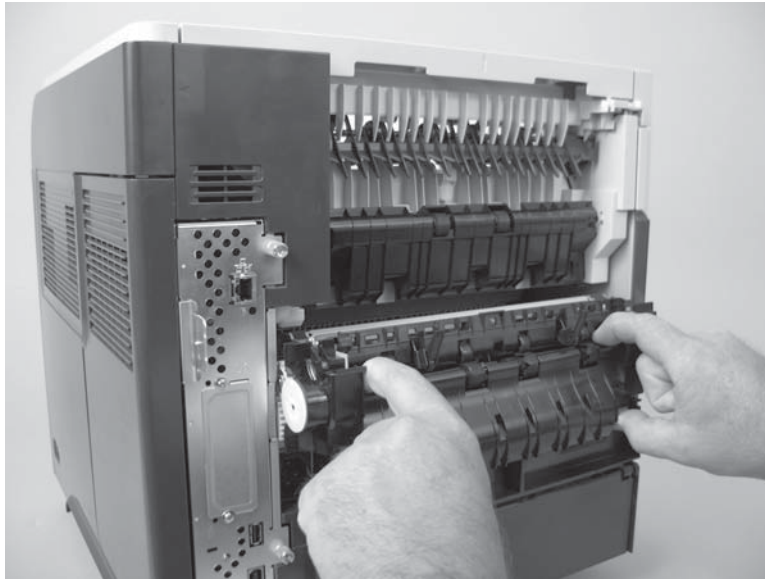
1. Squeeze the blue fuser-release tabs (callout 1).

Figure 1-14 Squeeze the blue fuser-release tabs



2. Pull the fuser straight back and out of the printer.

Figure 1-15 Remove the fuser



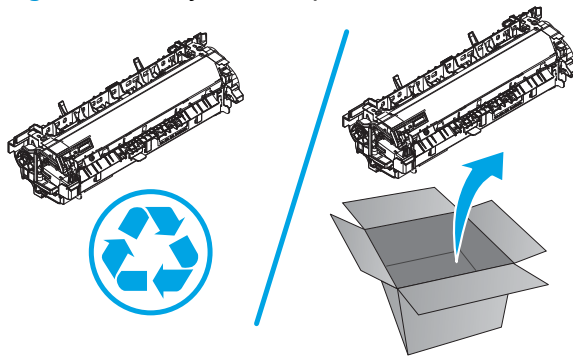
Step 5: Unpack the replacement fuser

Unpack the replacement part from the packaging.

<http://www8.hp.com/us/en/hp-information/environment/product-recycling.html>


 **NOTE:** HP recommends responsible disposal of the defective part.

Figure 1-16 Recycle and unpack



Step 6: Install the fuser

- ▲ Position the fuser on the printer, and then push it toward the printer to install it.

 **CAUTION:** Do not drop or jar the fuser. It can easily be damaged if it is mishandled.


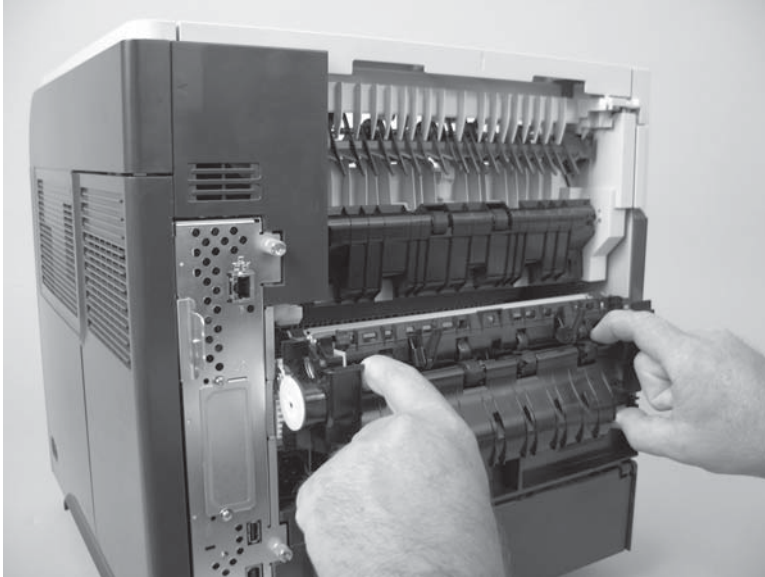
 **TIP:** Make sure that the fuser is fully seated into the printer. You should hear both sides snap into place.

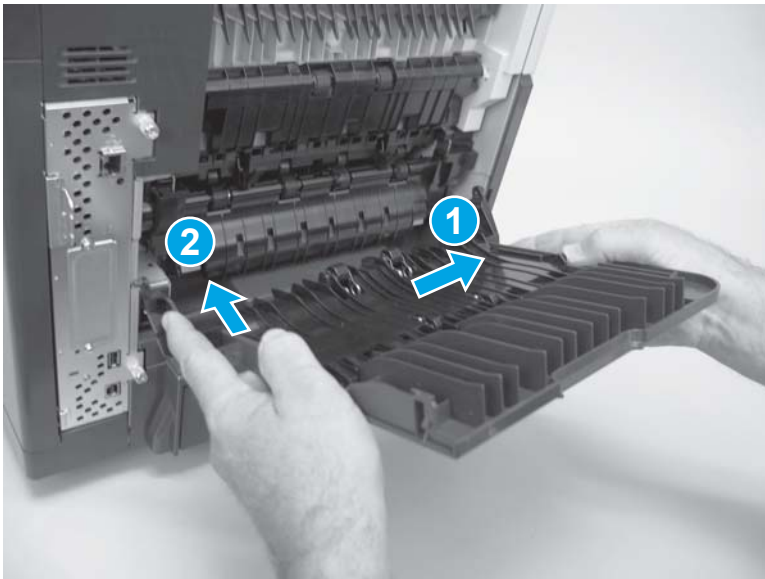
Figure 1-17 Install the fuser



Step 7: Install the rear output bin

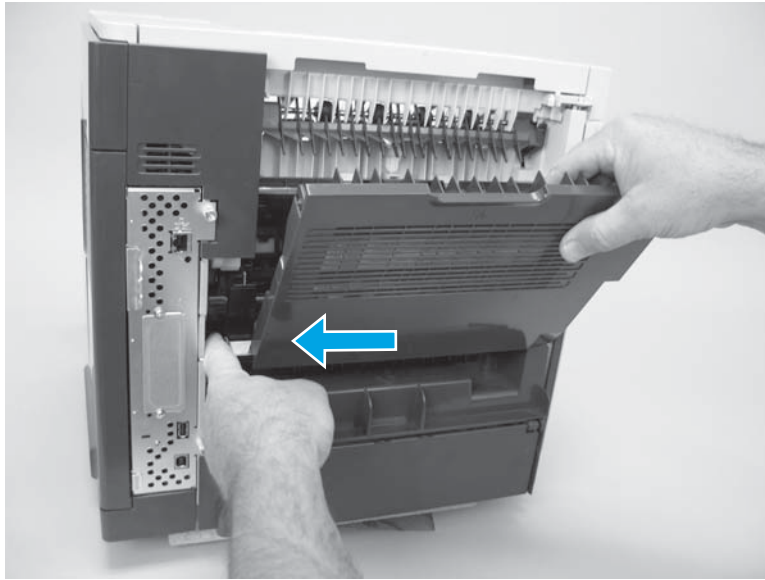
1. Install the right hinge pin (callout 1), and then rotate the output bin toward the printer (callout 2).

Figure 1-18 Position the output bin




2. Make sure that the left hinge pin is installed in the mounting hole.

Figure 1-19 Install left hinge pin

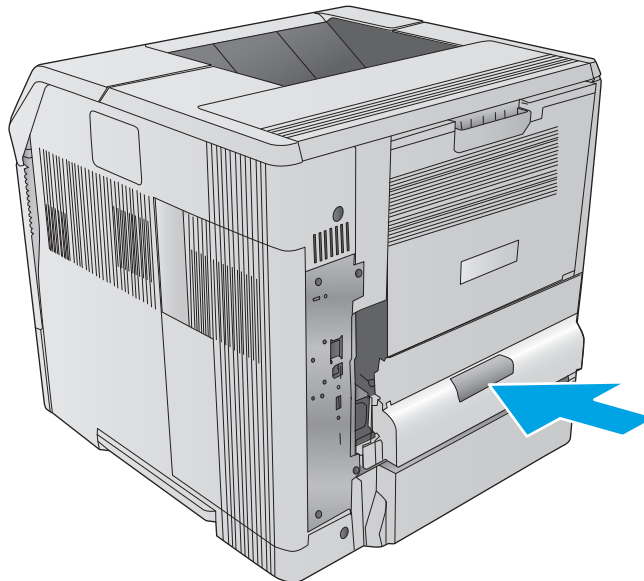


Step 8: Install the duplex accessory cover


 **NOTE:** If the duplex accessory cover was not removed, skip this step and go to [Step 9: Install the duplex accessory on page 19](#).

- ▲ Slide the duplex accessory cover straight into the printer to install it.

Figure 1-20 Install the duplex accessory cover

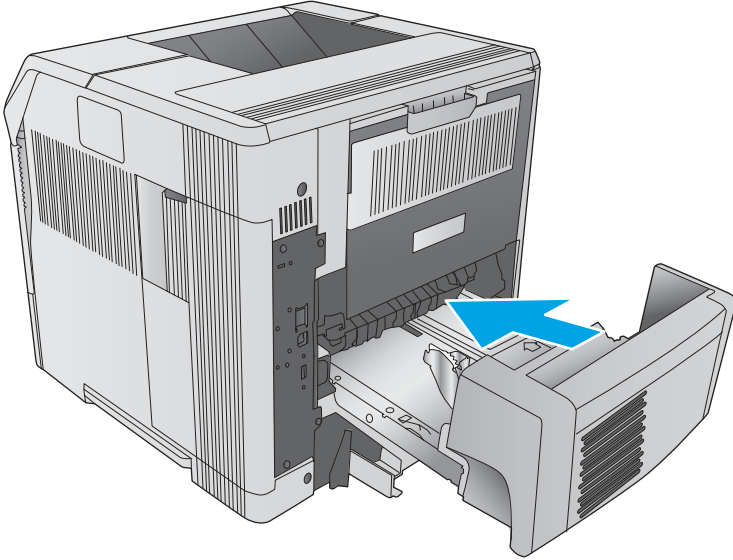


Step 9: Install the duplex accessory

 **NOTE:** If the optional duplex accessory was not removed, skip this step.

- ▲ Slide the duplex accessory straight into the printer to install it.

Figure 1-21 Install the duplex accessory



Removal and replacement: Transfer roller

- [Introduction](#)
- [Step 1: Remove the toner cartridge](#)
- [Step 2: Remove the transfer roller](#)
- [Step 3: Unpack the replacement transfer roller](#)
- [Step 4: Install the transfer roller](#)
- [Step 5: Install the toner cartridge](#)


Introduction

This document provides the procedures to remove and replace the transfer roller.

Before performing service

Turn the printer power off

- Disconnect the power cable.

 **WARNING!** To avoid damage to the printer, turn the printer off, wait 30 seconds, and then remove the power cord before attempting to service the printer.

Use the table below to identify the correct part number for your printer. To order the part, go to www.hp.com/buy/parts.

Transfer roller part number	
E6B67-67904	Transfer roller with instruction guide

Required tools

- No special tools are required to remove this part.

After performing service

Turn the printer power on

- Connect the power cable.
- Use the power switch to turn the power on.

Post service test

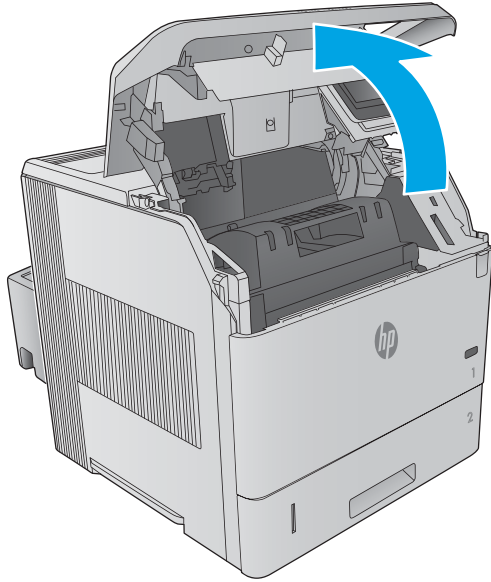
Make sure that the printer initializes to a **Ready** state.

Print a configuration page to make sure that the printer is functioning correctly.

Step 1: Remove the toner cartridge

1. Open the cartridge door.

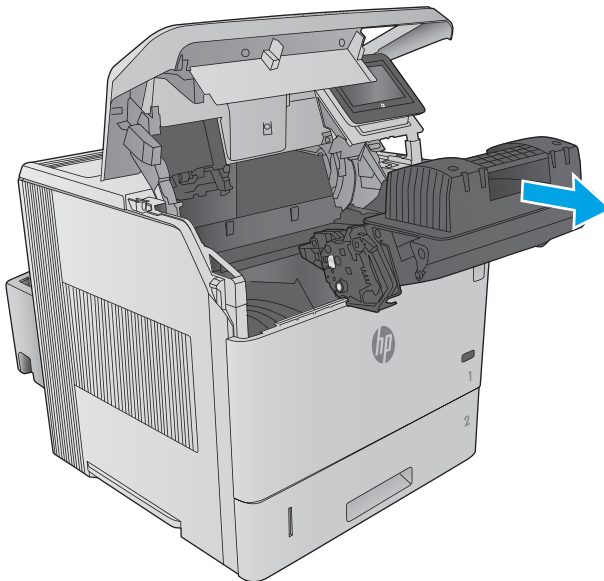
Figure 1-22 Open the cartridge door



2. Firmly grasp the toner cartridge and pull it up and out of the printer.

CAUTION: Do not expose the toner cartridge to bright light or direct sunlight for long periods of time. This can damage the cartridge, which will result in print-quality defects. If the cartridge must be removed from the printer for an extended amount of time, cover it and keep it out of bright light or direct sunlight.

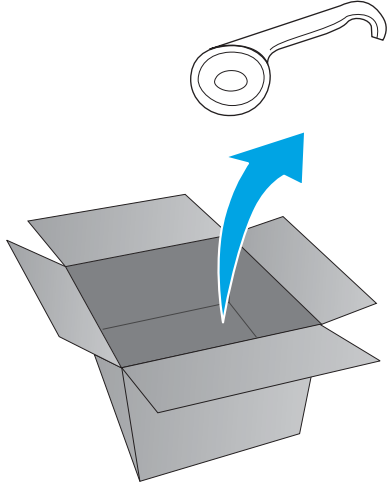
Figure 1-23 Remove the toner cartridge



Step 2: Remove the transfer roller

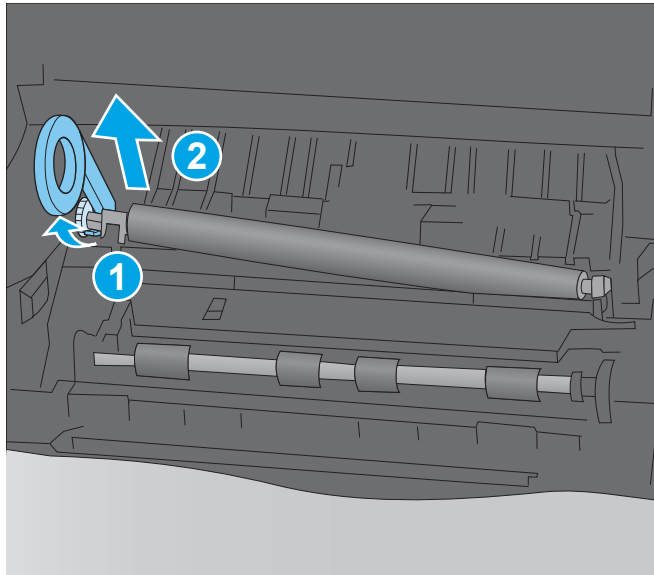
1. Remove the transfer-roller removal hook from the replacement kit packaging.

Figure 1-24 Unpack the transfer-roller removal hook



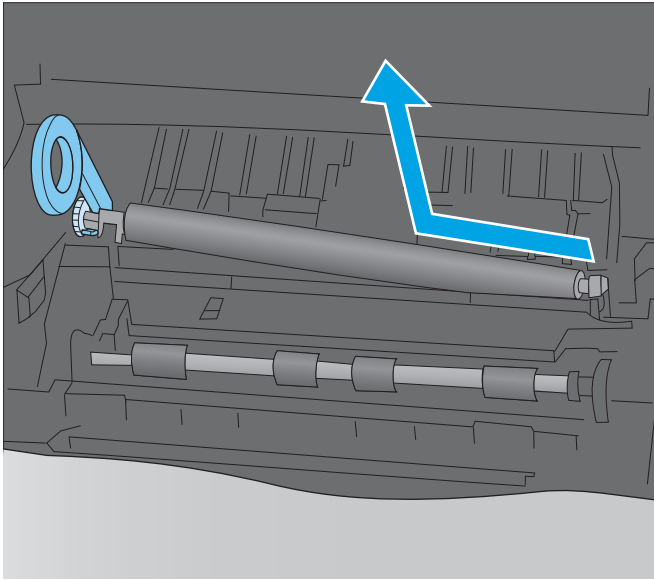
2. Insert the transfer-roller removal hook around the left end of the metal shaft near the blue gear (callout 1). Lift the hook up (callout 2) to disengage the left side of the transfer roller.

Figure 1-25 Lift the left side of the transfer roller



3. Slide the transfer roller to the left, and then lift up to remove it.

Figure 1-26 Remove the transfer roller



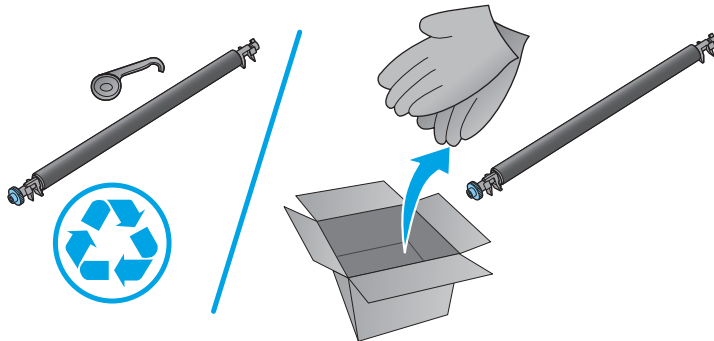
Step 3: Unpack the replacement transfer roller

Unpack the replacement part from the packaging.

<http://www8.hp.com/us/en/hp-information/environment/product-recycling.html>

 **NOTE:** HP recommends responsible disposal of the defective part.

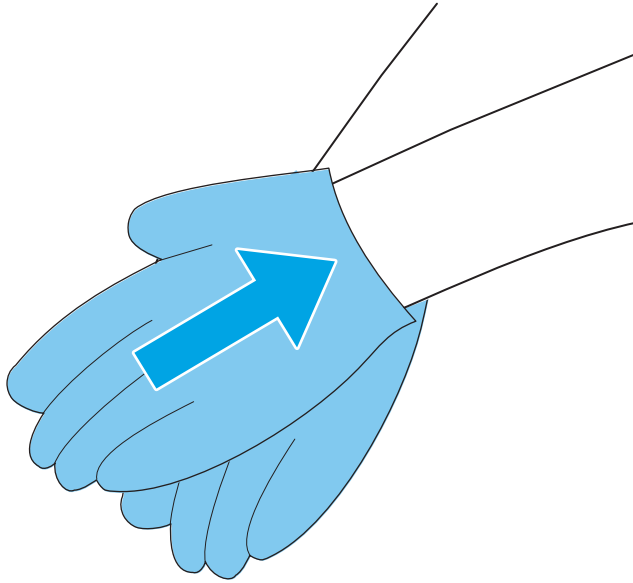
Figure 1-27 Recycle and unpack



Step 4: Install the transfer roller

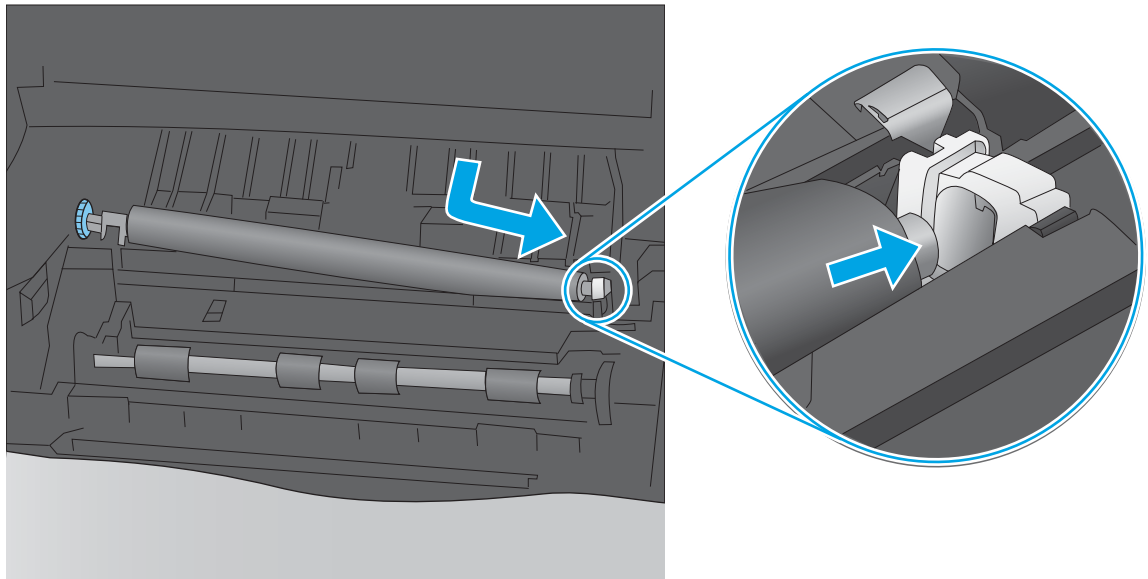
1. Put on the protective gloves provided in the replacement kit before handling the replacement roller. These will protect the roller from contamination by skin oils, which can cause print-quality problems.

Figure 1-28 Wear the protective gloves



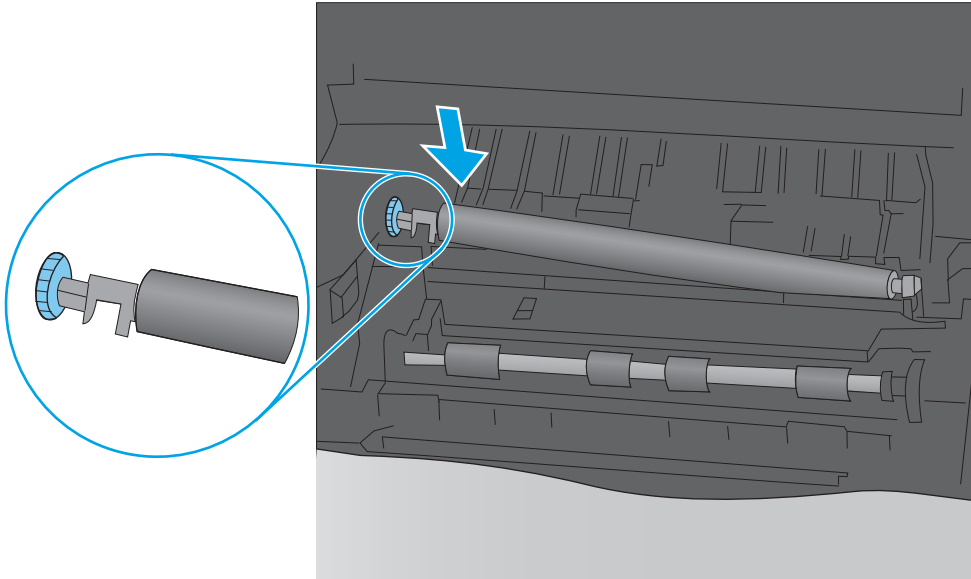
2. Install the right end of the transfer roller into the slot in the printer.

Figure 1-29 Install the right end of the transfer roller



3. Lower the transfer roller into position on the left. Make sure that the collar on the left side is oriented correctly, with the open end face-down (the solid end is face-up).

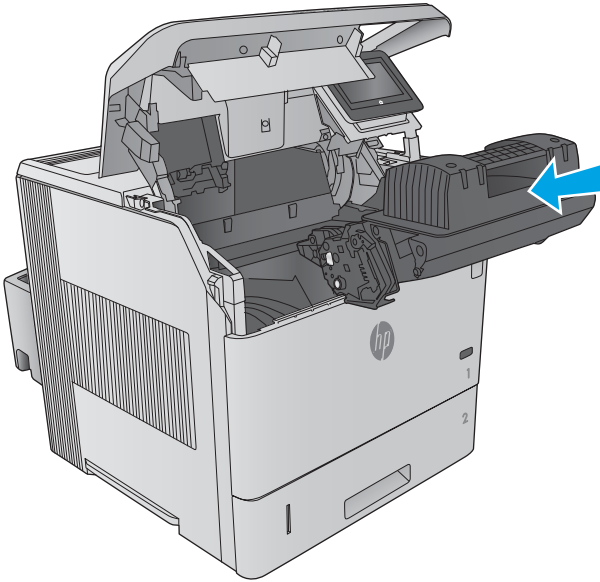
Figure 1-30 Install the left end of the transfer roller



Step 5: Install the toner cartridge

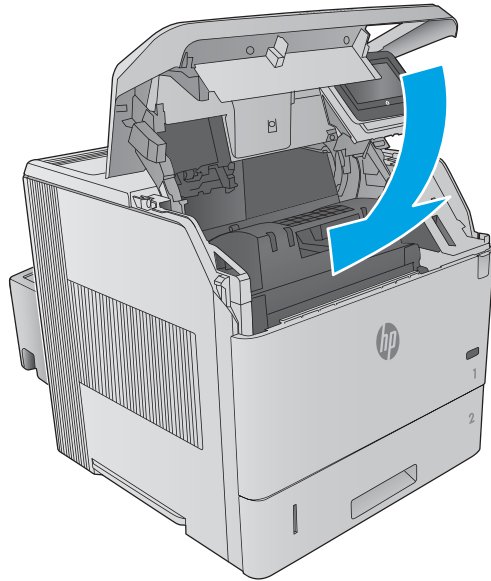
1. Install the toner cartridge.

Figure 1-31 Install the toner cartridge



2. Close the cartridge door.

Figure 1-32 Close the cartridge door



Removal and replacement: Pickup, feed, and separation rollers (Trays 2-6 and 1,500-sheet high-capacity input feeder)

- [Introduction](#)
- [Step 1: Remove the tray](#)
- [Step 2: Remove the pickup, feed, and separation rollers \(trays 2-6\)](#)
- [Step 3: Unpack the replacement pickup, feed, and separation rollers](#)
- [Step 4: Install the pickup, feed, and separation rollers \(trays 2-6\)](#)
- [Step 5: Install the tray](#)
- [Step 6: Remove the pickup, feed, and separation rollers \(HCI\)](#)
- [Step 7: Unpack the replacement pickup, feed, and separation rollers](#)
- [Step 8: Install the pickup, feed, and separation rollers \(HCI\)](#)


Introduction

This document provides the procedures to remove and replace the pickup, feed, and separation rollers for Tray 2, the optional 500-sheet paper feeders, and the 1,500-sheet high-capacity input feeder (HCI).

Before performing service

Turn the printer power off

- Disconnect the power cable.

 **WARNING!** To avoid damage to the printer, turn the printer off, wait 30 seconds, and then remove the power cord before attempting to service the printer.

Use the table below to identify the correct part number for your printer. To order the part, go to www.hp.com/buy/parts.

Trays 2-6 pickup, feed, and separation rollers part number	
--	--

E6B67-67905

Trays 2-6 rollers with instruction guide
--

Required tools

- No special tools are required to install this part.

After performing service

Turn the printer power on

- Connect the power cable.
- Use the power switch to turn the power on.

Post service test

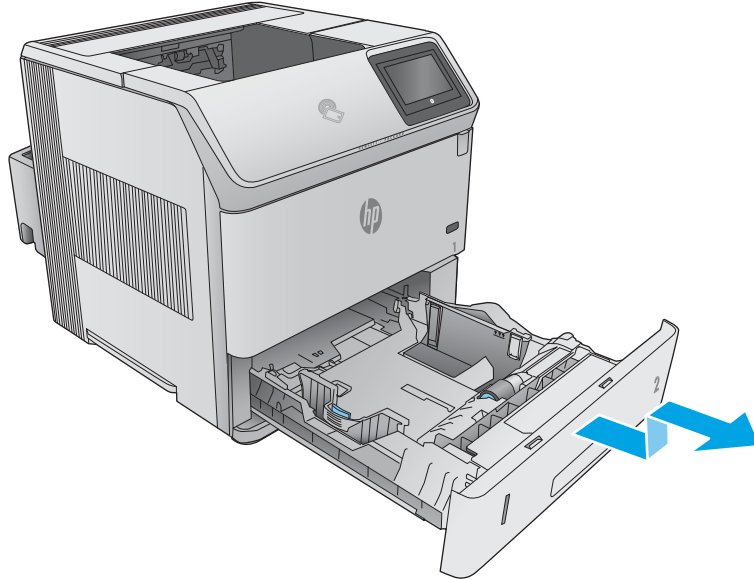
Make sure that the printer initializes to a **Ready** state.

Print a configuration page to make sure that the printer is functioning correctly.

Step 1: Remove the tray

- ▲ Pull the tray out, slightly lift up, and then pull it completely out of the printer to remove it.

Figure 1-33 Remove the tray

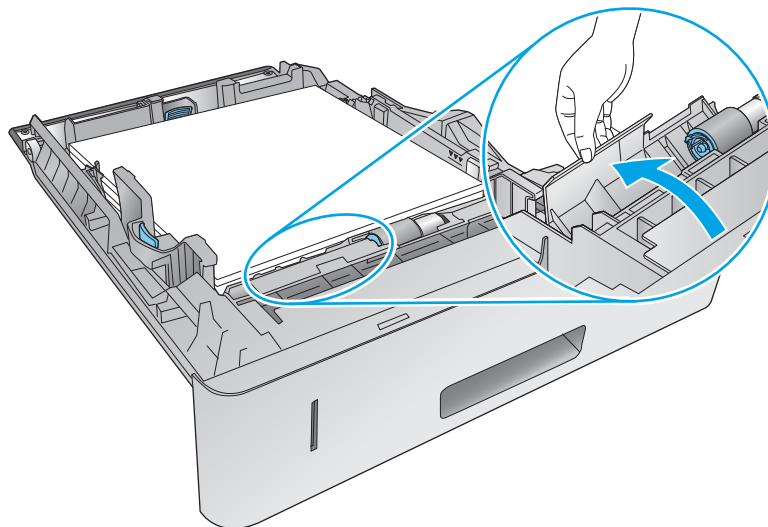


Step 2: Remove the pickup, feed, and separation rollers (trays 2-6)

CAUTION: When handling the rollers, avoid touching the roller surfaces. Skin oils and fingerprints on a roller surface can cause print-quality problems.

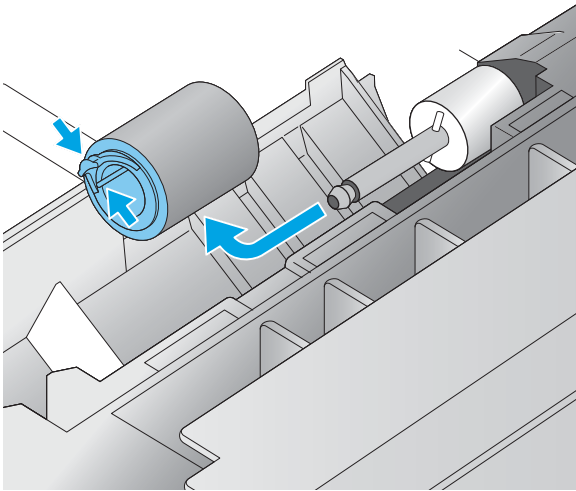
1. Place the tray on a level work surface. Locate and open the spring-loaded cover that is next to the roller in the tray.

Figure 1-34 Open the cover



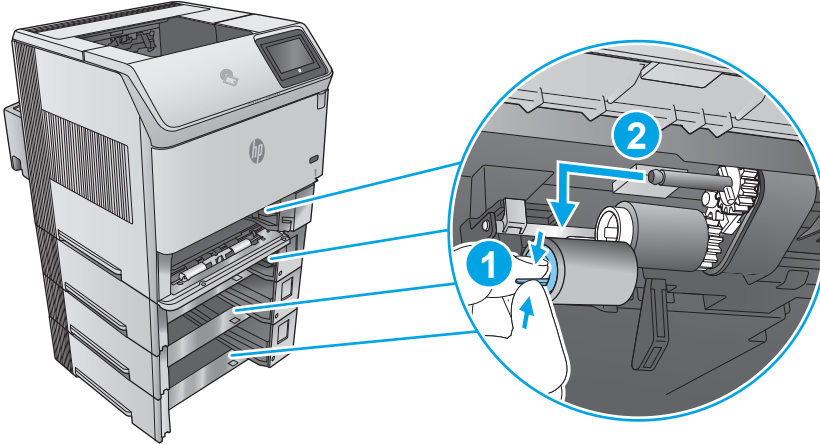
2. Pinch the blue tab that is on the left side of the roller, and then slide the roller off of the shaft.

Figure 1-35 Remove the feed roller



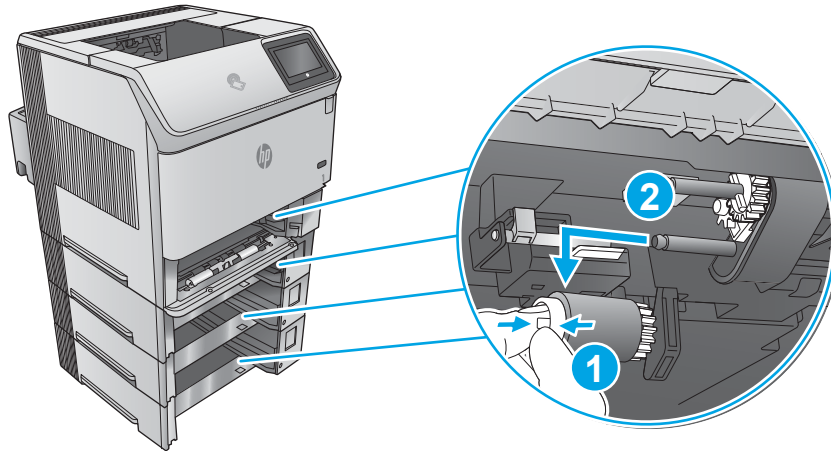
3. Inside the tray cavity, pinch the blue tab that is on the left side of the upper feed roller (callout 1), and then slide the roller off of the shaft (callout 2).

Figure 1-36 Remove the feed roller



4. Inside the tray cavity, pinch the blue tab that is on the left side of the lower pick roller (callout 1), and then slide the roller off of the shaft (callout 2).

Figure 1-37 Remove the pick roller



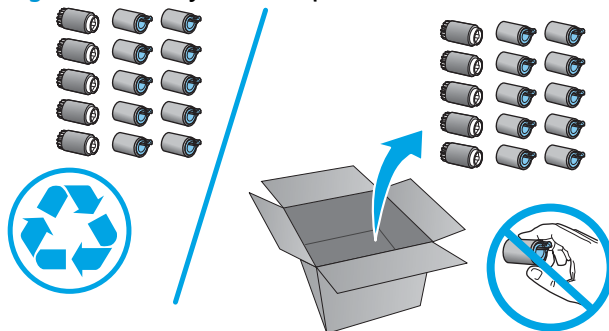
Step 3: Unpack the replacement pickup, feed, and separation rollers

Unpack the replacement parts from the packaging.

<http://www8.hp.com/us/en/hp-information/environment/product-recycling.html>

 **NOTE:** HP recommends responsible disposal of the defective parts.

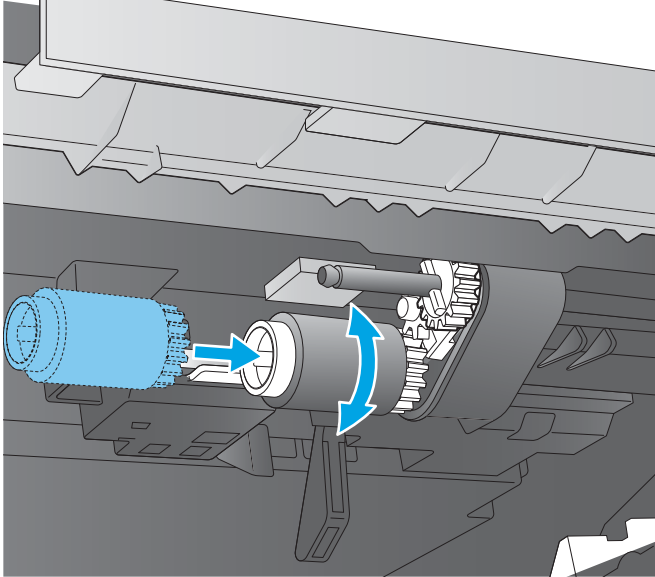
Figure 1-38 Recycle and unpack



Step 4: Install the pickup, feed, and separation rollers (trays 2-6)

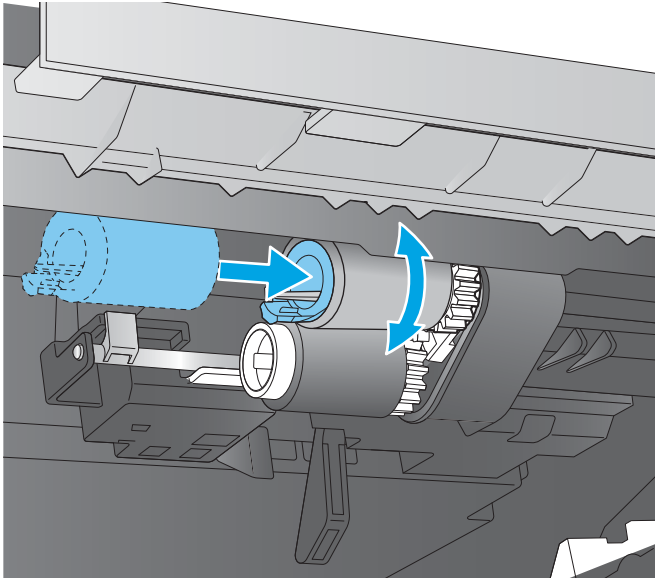
1. Inside the tray cavity, slide the lower pick roller onto the shaft. You might have to rotate the roller while sliding it onto the shaft to make sure it clicks into place.

Figure 1-39 Install the pick roller



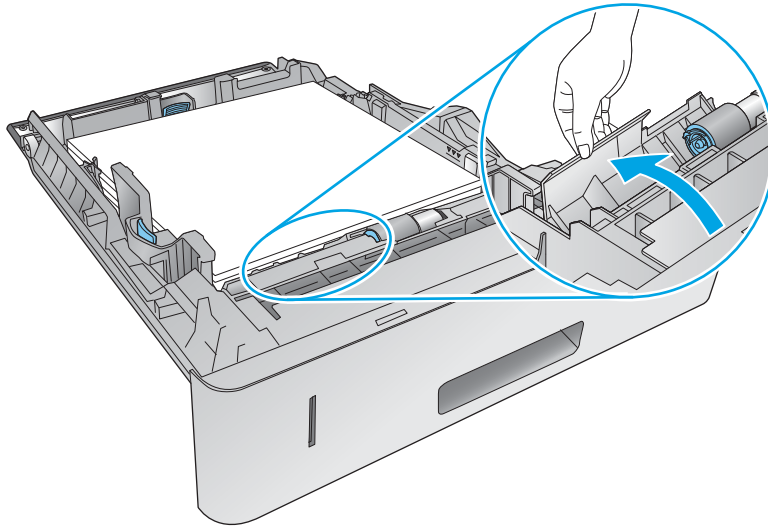
2. Inside the tray cavity, slide the upper feed roller onto the shaft. You might have to rotate the roller while sliding it onto the shaft to make sure it clicks into place.

Figure 1-40 Install the feed roller



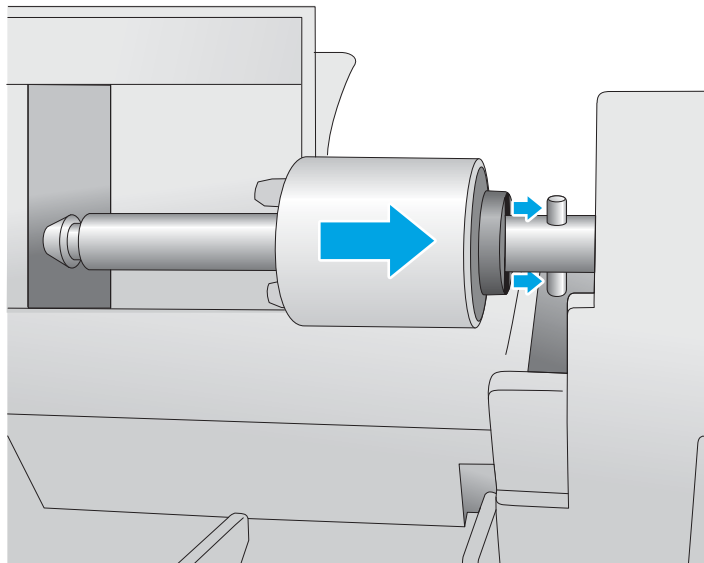
3. Open the spring-loaded cover that is next to the roller in the tray.

Figure 1-41 Open the cover



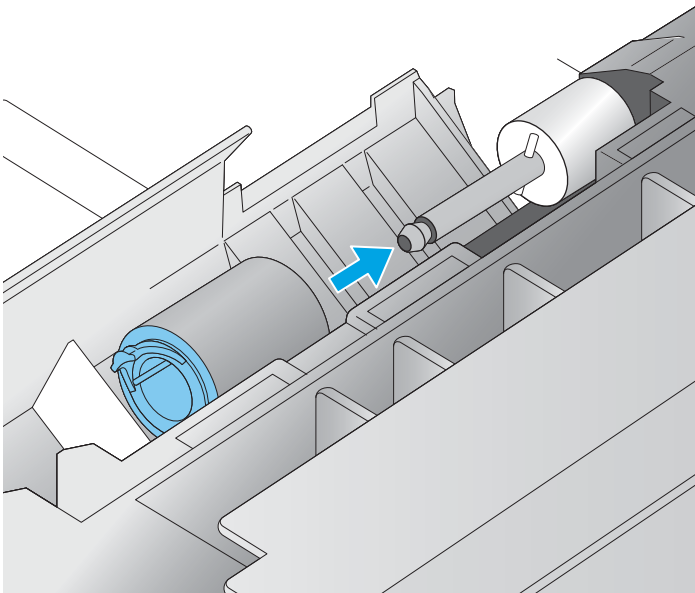
4. Before installing the feed roller, make sure that the torque limiter (the white roller on the shaft next to the feed roller) is correctly positioned against the locking pins on the shaft.

Figure 1-42 Align the torque limiter



5. Slide the feed roller onto the shaft. You might have to rotate the roller while sliding it onto the shaft to make sure it clicks into place.

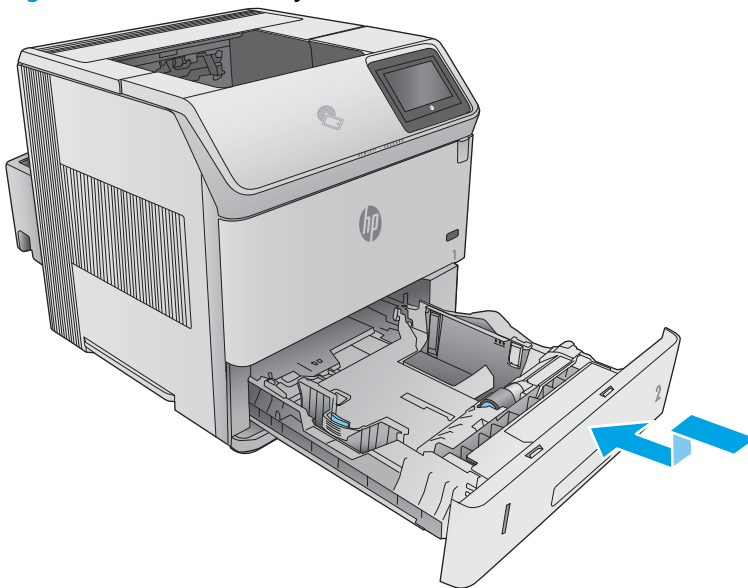
Figure 1-43 Install the feed roller



Step 5: Install the tray

- ▲ Lift the tray up slightly and install the back edge of the tray into the tray cavity. Lower the tray, and then slide it into the printer.

Figure 1-44 Install the tray

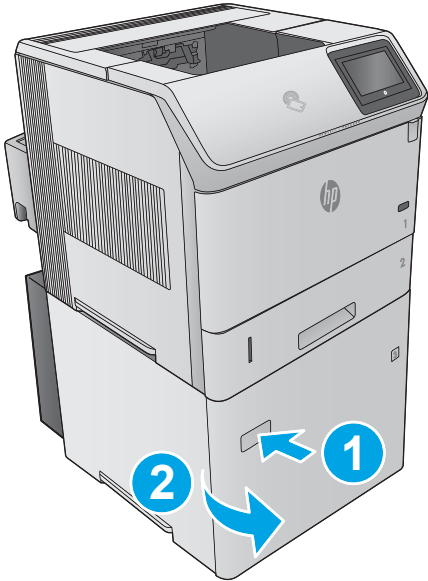


Step 6: Remove the pickup, feed, and separation rollers (HCI)

If the printer does not have the optional HCI installed, skip the remaining steps in this procedure.

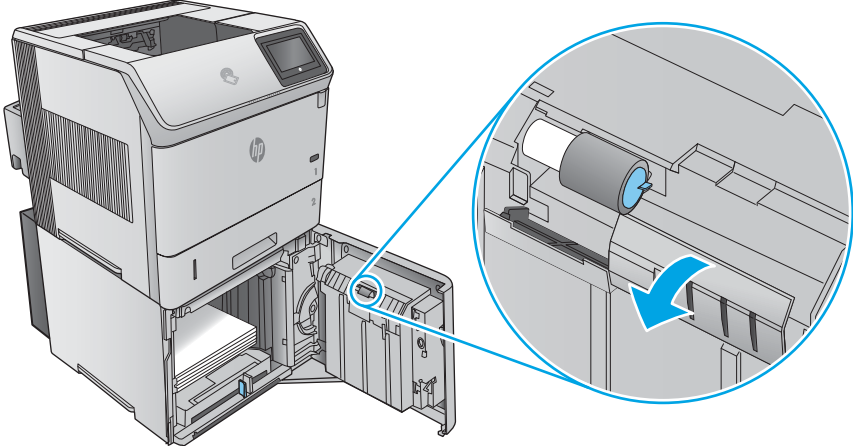
1. Press on the latch (callout 1), and then open the feeder door (callout 2).

Figure 1-45 Open the feeder door



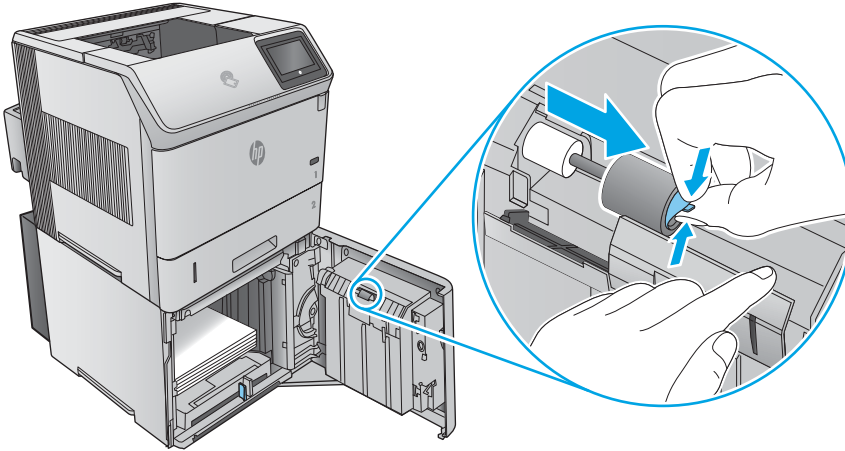
- 2. Open the separation-roller cover.

Figure 1-46 Open the separation-roller cover



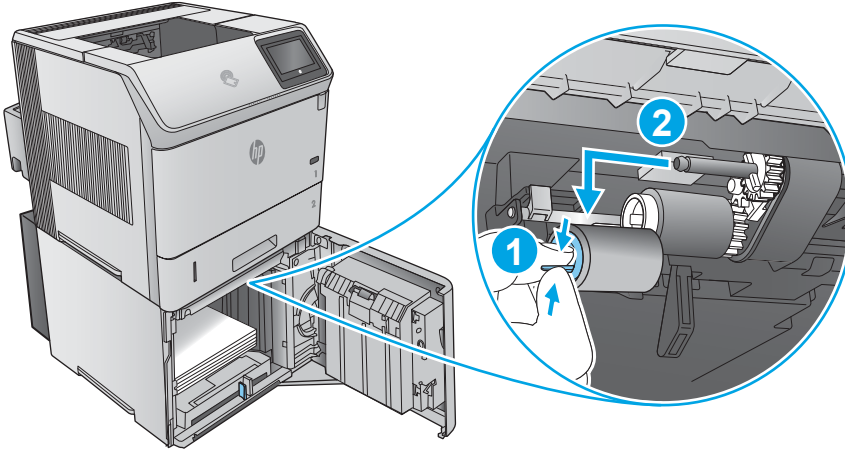
3. Pinch the blue tab that is on the left side of the separation roller, and then slide the roller off of the shaft.

Figure 1-47 Remove the separation roller



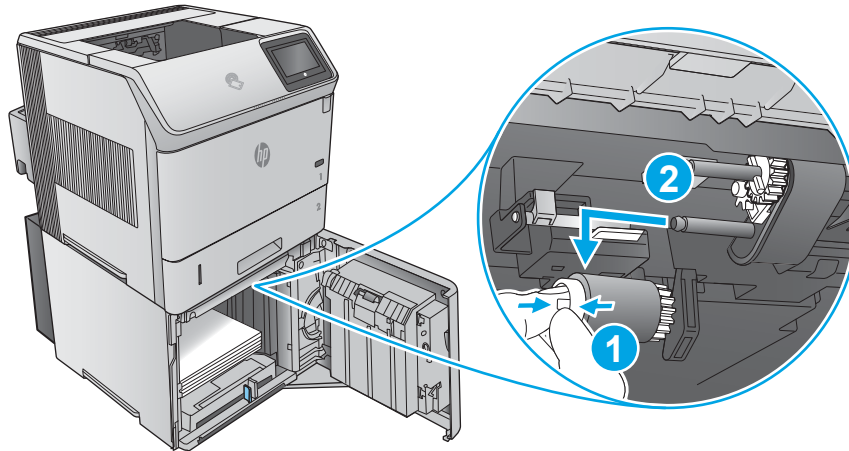
4. Inside the tray cavity, pinch the blue tab that is on the left side of the upper feed roller (callout 1), and then slide the roller off of the shaft (callout 2).

Figure 1-48 Remove the feed roller



5. Inside the tray cavity, pinch the blue tab that is on the left side of the lower pick roller (callout 1), and then slide the roller off of the shaft (callout 2).

Figure 1-49 Remove the pick roller



Step 7: Unpack the replacement pickup, feed, and separation rollers

Unpack the replacement parts from the packaging.

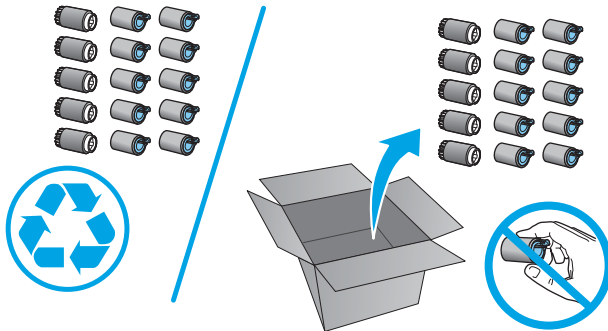
<http://www8.hp.com/us/en/hp-information/environment/product-recycling.html>

CAUTION: When handling the rollers, avoid touching the roller surfaces. Skin oils and fingerprints on a roller surface can cause print-quality problems.

NOTE: HP recommends responsible disposal of the defective parts.

The number of rollers replaced depends upon the number of input accessories installed.

Figure 1-50 Recycle and unpack

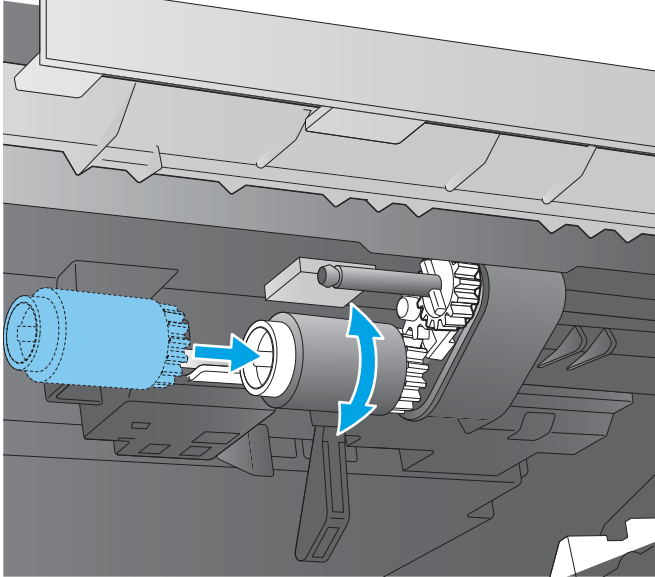


Step 8: Install the pickup, feed, and separation rollers (HCI)

CAUTION: When handling the rollers, avoid touching the roller surfaces. Skin oils and fingerprints on a roller surface can cause print-quality problems.

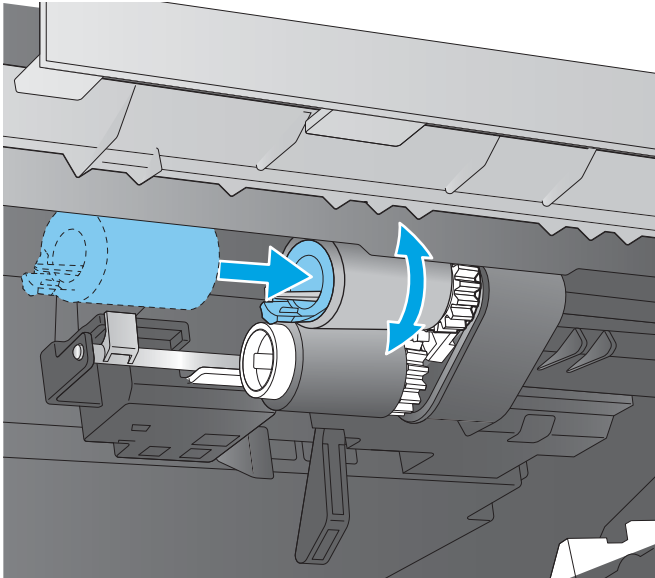
1. Inside the tray cavity, slide the lower pick roller onto the shaft. You might have to rotate the roller while sliding it onto the shaft to make sure it clicks into place.

Figure 1-51 Install the pick roller



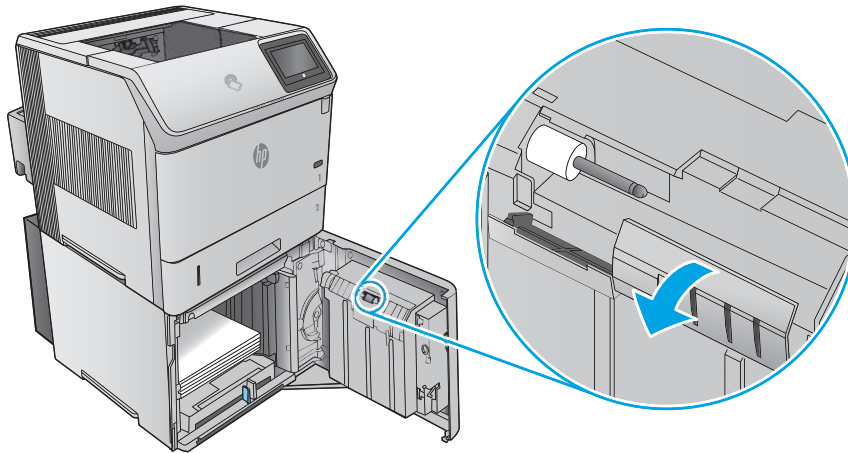
2. Inside the tray cavity, slide the upper feed roller onto the shaft. You might have to rotate the roller while sliding it onto the shaft to make sure it clicks into place.

Figure 1-52 Install the feed roller



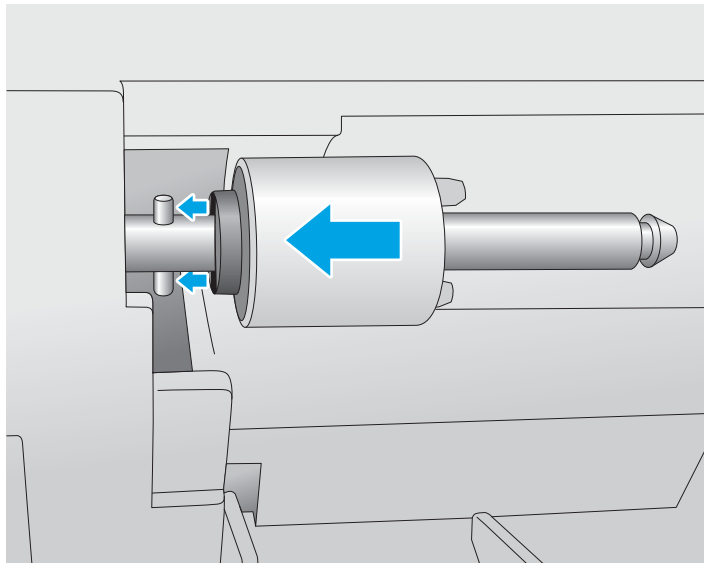
3. Open the separation-roller cover.

Figure 1-53 Open the separation-roller cover



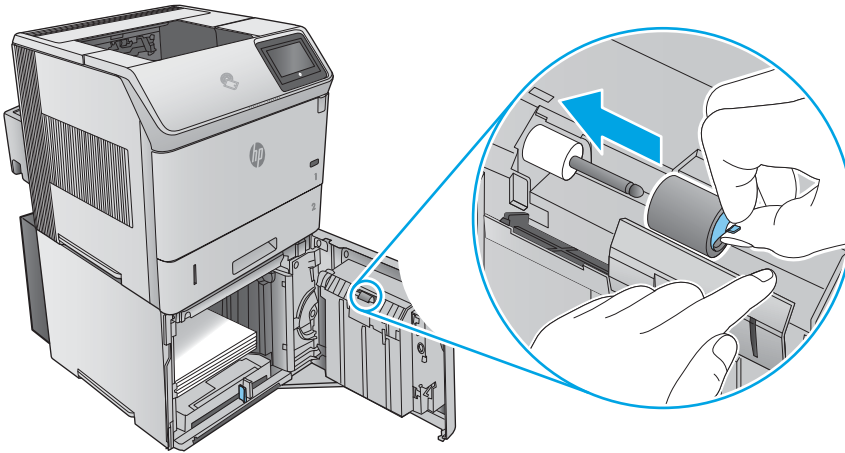
4. Before installing the feed roller, make sure that the torque limiter (the white plastic roller on the shaft next to the feed roller) is correctly positioned against the locking pins on the shaft.

Figure 1-54 Check the torque limiter



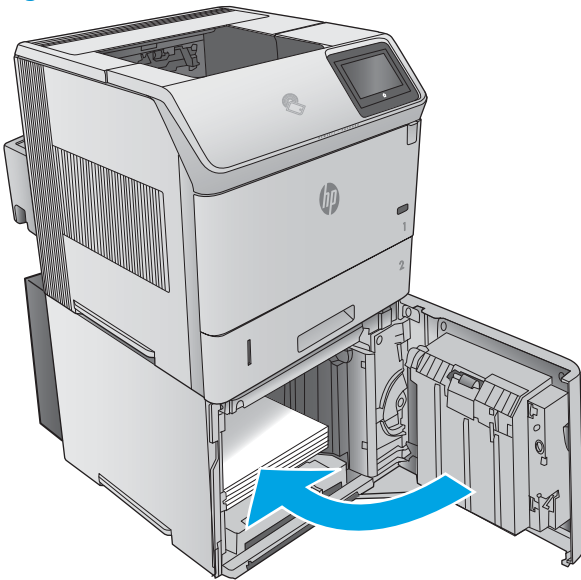
5. Slide the feed roller onto the shaft. You might have to rotate the roller while sliding it onto the shaft to make sure it clicks into place.

Figure 1-55 Install the feed roller



6. Close the feeder door.

Figure 1-56 Close the feeder door



Removal and replacement: Hard-disk drive (HDD)

- [Introduction](#)
- [Step 1: Remove the formatter cover](#)
- [Step 2: Remove the hard-disk drive](#)
- [Step 3: Unpack the replacement hard-disk drive](#)
- [Step 4: Install the hard-disk drive](#)
- [Step 5: Install the formatter cover](#)
- [Step 6: Reinstall the product firmware](#)


Introduction

This document provides the procedures to remove and replace the hard-disk drive.



Before performing service


Turn the printer power off

- Disconnect the power cable.

 **WARNING!** To avoid damage to the printer, turn the printer off, wait 30 seconds, and then remove the power cord before attempting to service the printer.

- Disconnect all network cables.

 **CAUTION:**  This part contains components that are electrostatic discharge (ESD) sensitive. To reduce the possibility of ESD damage, always touch the sheet-metal chassis to ground yourself before touching an ESD-sensitive part.

 **IMPORTANT:** Do not replace the formatter, DC controller, and eMMC PCA or hard-disk drive simultaneously during a single printer servicing. Doing so might cause the printer to become unstable or inoperable.

Use the table below to identify the correct part number for your printer. To order the part, go to www.hp.com/buy/parts.

Hard-disk drive part number	
B5L29-67901	Hard-disk drive kit

Required tools

- No special tools are required to remove this part.

After performing service

Turn the printer power on

- Connect the power cable.
- Use the power switch to turn the power on.

Post service test

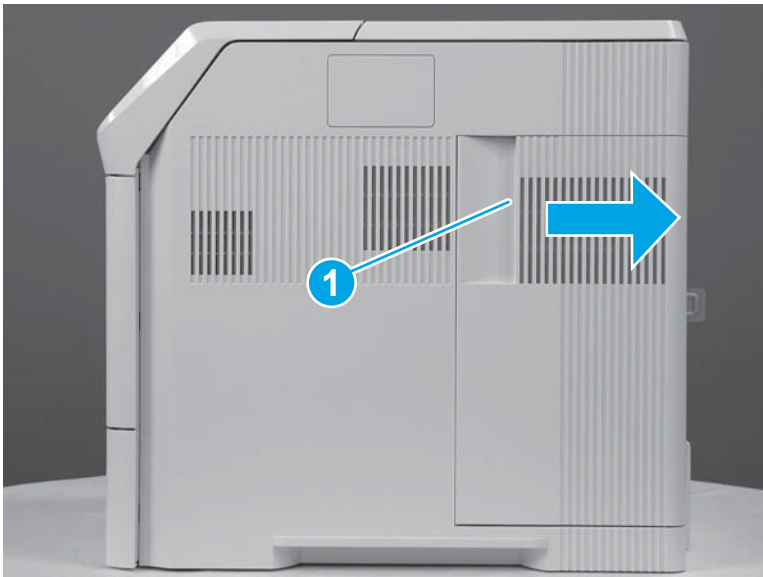
Make sure that the printer initializes to a **Ready** state.

Print a configuration page to make sure that the printer is functioning correctly.

Step 1: Remove the formatter cover

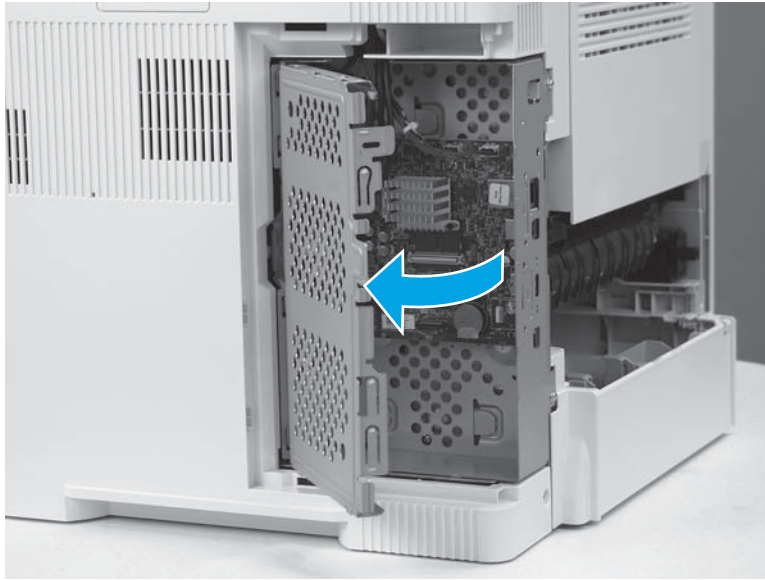
1. Grasp the handle on the formatter cover (callout 1), and then slide the cover toward the rear of the printer to remove it.

Figure 1-57 Remove the formatter cover



2. Open the formatter case door.

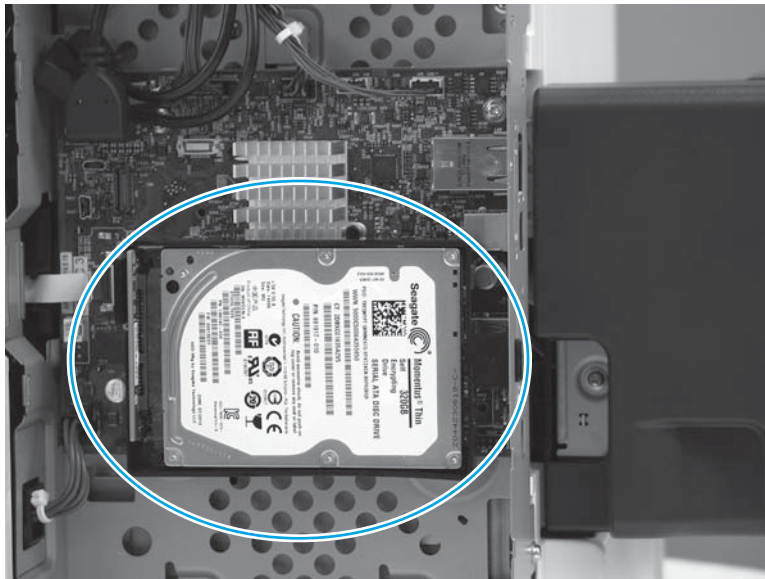
Figure 1-58 Open the formatter case door



Step 2: Remove the hard-disk drive

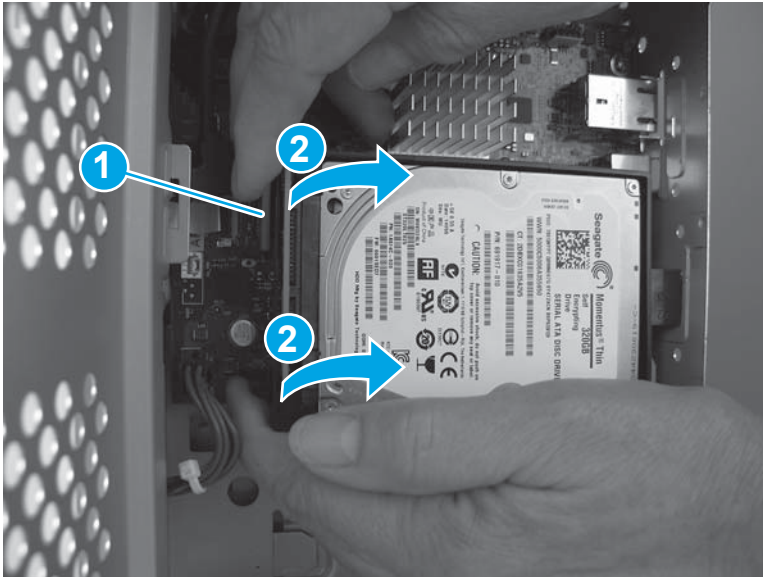
1. Locate the hard-disk drive (HDD) on the formatter.

Figure 1-59 Locate the hard-disk drive



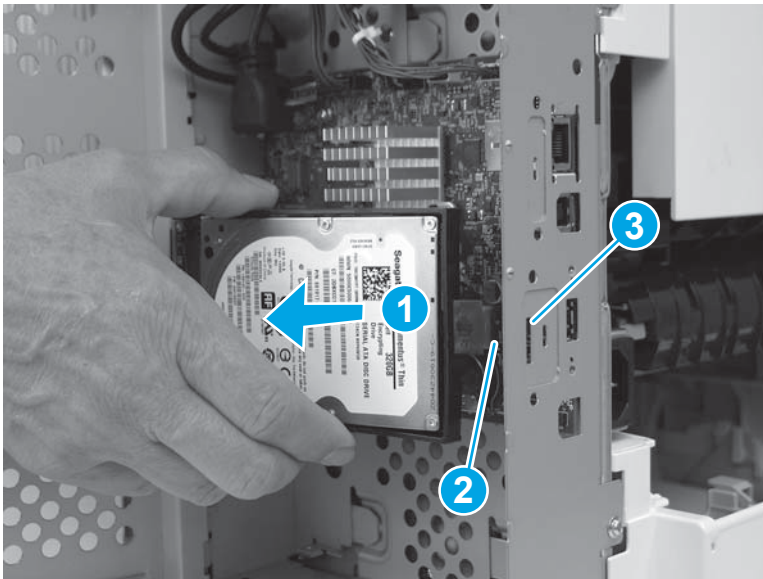
2. Release one tab (callout 1), grasp the HDD mounting bracket, and then rotate the connector end of the bracket up (callout 2) and away from the formatter to release it.

Figure 1-60 Release the HDD




3. Slide the HDD toward the front of the printer (callout 1) to release one tab (callout 2) from the slot (callout 3) in the formatter case, and then remove the HDD.

Figure 1-61 Remove HDD



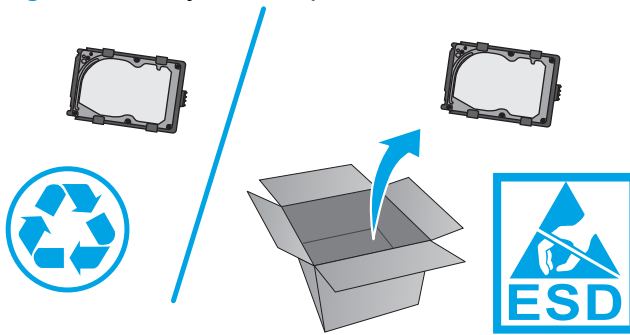
Step 3: Unpack the replacement hard-disk drive

Unpack the replacement assembly from the packaging.

CAUTION:  This part contains components that are electrostatic discharge (ESD) sensitive. To reduce the possibility of ESD damage, always touch the sheet-metal chassis to ground yourself before touching an ESD-sensitive part.

 **NOTE:** HP recommends responsible disposal of the defective assembly.

Figure 1-62 Recycle and unpack



Step 4: Install the hard-disk drive

1. Install the tab (callout 1) on the HDD bracket into the slot (callout 2) on the formatter case, and then slide the HDD toward the back of the printer (callout 3).


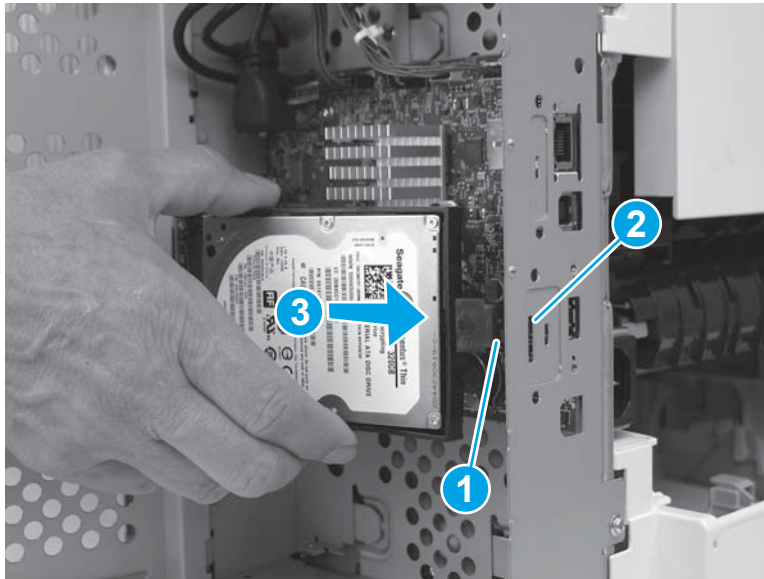
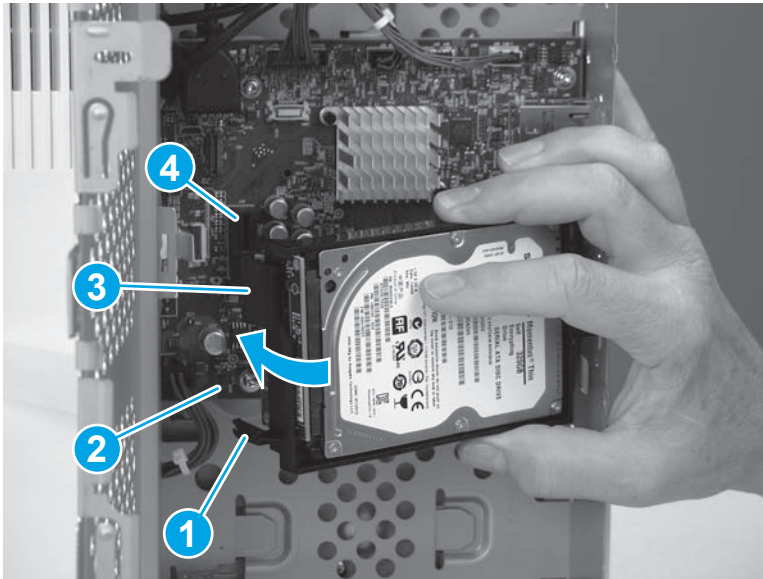
 **TIP:** If this is the first time the HDD is being installed, remove the pre-scored label that covers the slot in the chassis (callout 2).

Figure 1-63 Install the tab



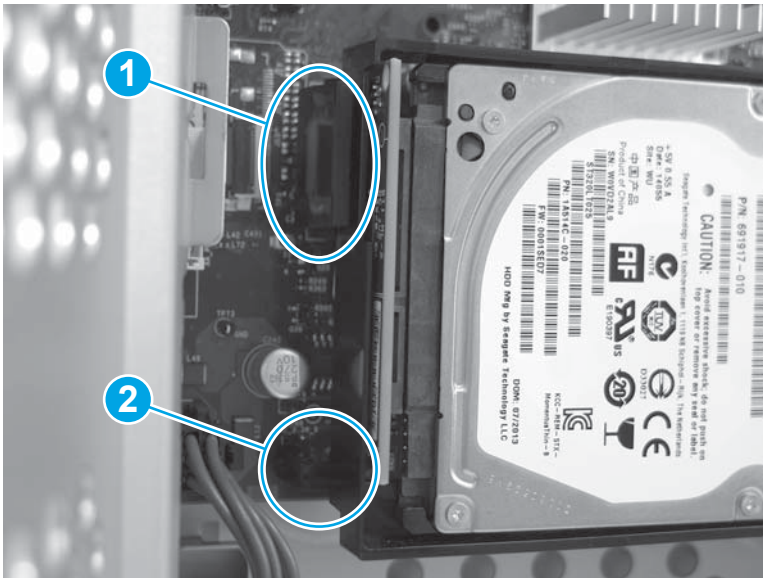
2. Rotate the HDD down toward the formatter and press down. Make sure that the retainer tab (callout 1) latches into the hole (callout 2) on the formatter, and that the connector latch (callout 3) snaps into the connector (callout 4).

Figure 1-64 Install the HDD



3. Verify that the HDD is fully seated in the connector (callout 1) and that the retainer tab (callout 2) is latched.

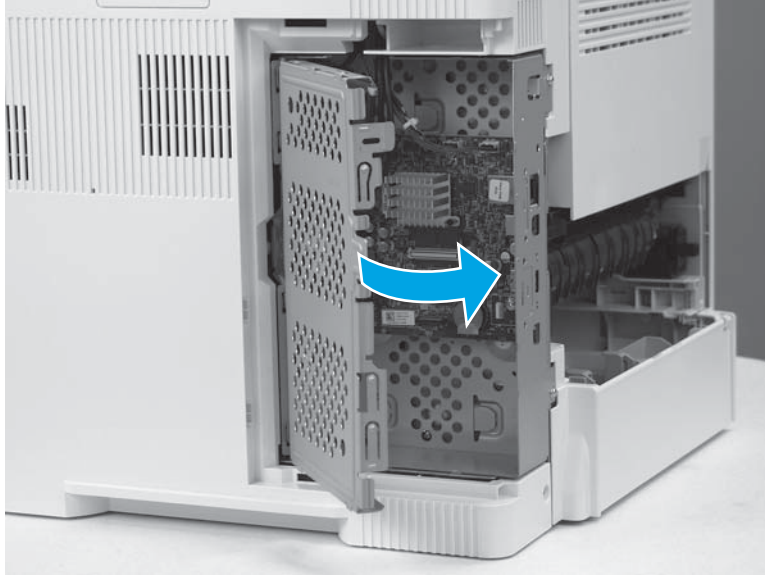
Figure 1-65 Verify HDD installation



Step 5: Install the formatter cover

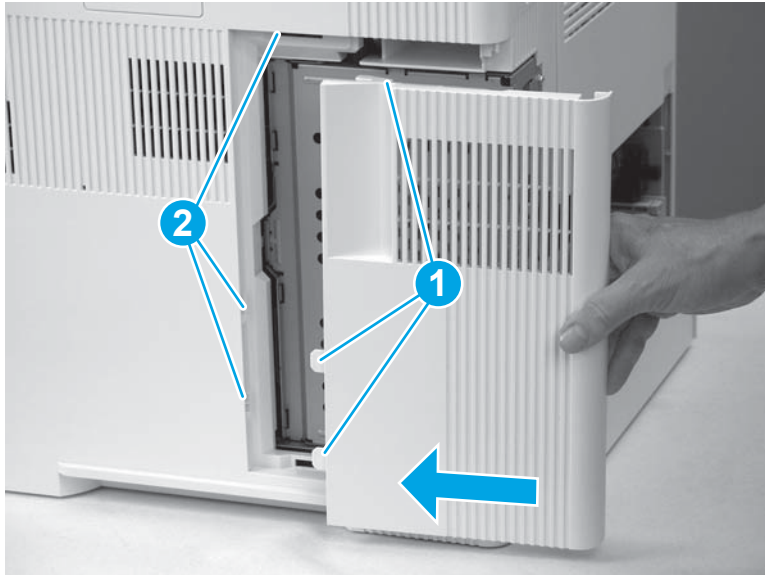
1. Close the formatter case door.

Figure 1-66 Close the formatter case door



2. Align the tabs (callout 1) on the formatter cover with the slots (callout 2) in the right cover, and then slide the formatter cover toward the front of the printer to install it.

Figure 1-67 Align the tabs and slots



Step 6: Reinstall the product firmware



NOTE: If this installation is a replacement HDD, use the following steps to reinstall the firmware.

1. Do the one of the following:
 - In the U.S., go to www.hp.com/support/ljM604, www.hp.com/support/ljM605, www.hp.com/support/ljM606.
 - a. Select **Get drivers, Software, and Firmware**, and then select the appropriate product by name.



NOTE: More than one product model might be listed. Make sure to select the correct model so that the upgraded firmware supports all of the product functions.

- b. Select the driver language and operating system.
- c. Locate the firmware download, and then select **Download**.
- Outside the U.S., go to www.hp.com/support.
 - a. Select your country/region.
 - b. Select **Drivers & Downloads**.
 - c. Enter the product name in the **Find my product** dialogue box, and then select **Go**.



TIP: Click on the **How do I find my product name/number?** link to see a short video on identifying the printer name and number.

- d. Select the appropriate product by name.



NOTE: More than one product model might be listed. Make sure to select the correct model so that the upgraded firmware supports all of the product functions.

- e. Select the driver language and operating system.
 - f. Locate the firmware download, and then select **Download**.
2. Copy the firmware upgrade file to the root directory of a USB flash drive. The firmware upgrade file has a .bdl extension.
 3. Insert the USB flash drive into the USB port near the printer control panel.
 4. Turn on the printer.
 5. The following message displays on the control panel depending on product configuration:
 - eMMC only installed: **Error: 99.39.67 eMMC Not Bootable**
 - Optional HDD installed: **Error: 99.09.63 Incorrect Disk**Touch the **OK** button to continue.
 6. Wait for the **Pre-Boot** menu to appear on the control-panel display, and then touch the down arrow ▼ button to scroll to **3 Administrator**. Touch the **OK** button to select it.
 7. Touch the down arrow ▼ button to scroll to **1 Download**. Touch the **OK** button to select it.
 8. Touch the down arrow ▼ button to scroll to **3 USB Thumbdrive**. Touch the **OK** button to select it.
 9. Several .bdl files might be listed. Touch the down arrow ▼ button to scroll to the firmware upgrade file that you downloaded previously. Touch the **OK** button to select it.
 10. Wait while the file transfers. When the transfer is complete, the message **Complete** displays on the screen.
 11. Turn the printer off, remove the USB flash drive, and then turn the printer on. Wait for several minutes while the printer initializes. If the upgrade is unsuccessful, try sending the firmware upgrade file again.



NOTE: If the upgrade fails again, contact HP support at www.hp.com/support/ljM604, www.hp.com/support/ljM605, www.hp.com/support/ljM606.

Removal and replacement: Torque limiter (trays 2-6 and 1,500-sheet high-capacity input feeder)

- [Introduction](#)
- [Step 1: Remove the tray](#)
- [Step 2: Remove the torque limiter \(trays 2-6\)](#)
- [Step 3: Unpack the replacement torque limiter](#)
- [Step 4: Install the torque limiter \(trays 2-6\)](#)
- [Step 5: Install the tray](#)
- [Step 6: Remove the torque limiter \(HCI\)](#)
- [Step 7: Unpack the replacement torque limiter](#)
- [Step 8: Install the torque limiter \(HCI\)](#)


Introduction

This document provides the procedures to remove and replace the torque limiter for Tray 2, the optional 500-sheet paper feeders, and the 1,500-sheet high-capacity input feeder (HCI).

Before performing service

Turn the printer power off

- Disconnect the power cable.

 **WARNING!** To avoid damage to the printer, turn the printer off, wait 30 seconds, and then remove the power cord before attempting to service the printer.

Use the table below to identify the correct part number for your printer. To order the part, go to www.hp.com/buy/parts.

Torque limiter part number	
E6B67-67926	Torque limiter with instruction guide

Required tools

- No special tools are required to remove this part.

After performing service

Turn the printer power on

- Connect the power cable.
- Use the power switch to turn the power on.

Post service test

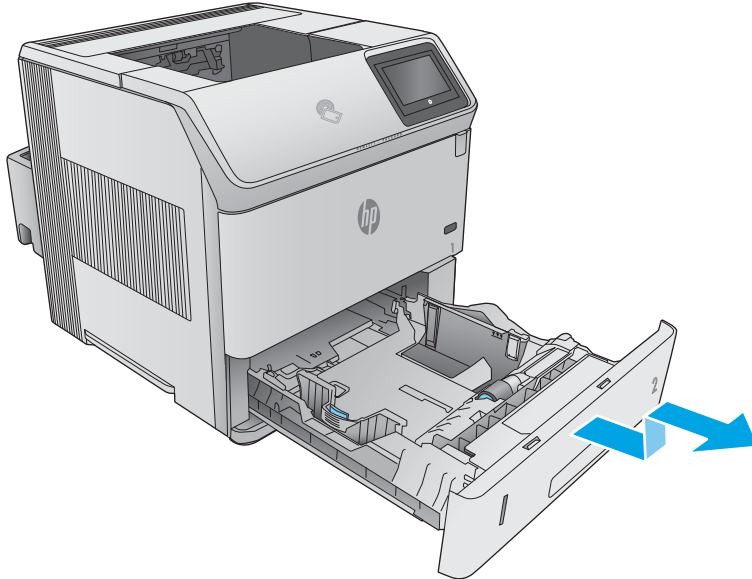
Make sure that the printer initializes to a **Ready** state.

Print a configuration page to make sure that the printer is functioning correctly.

Step 1: Remove the tray

- ▲ Pull the tray out, slightly lift up, and then pull it completely out of the printer to remove it.

Figure 1-68 Remove the tray

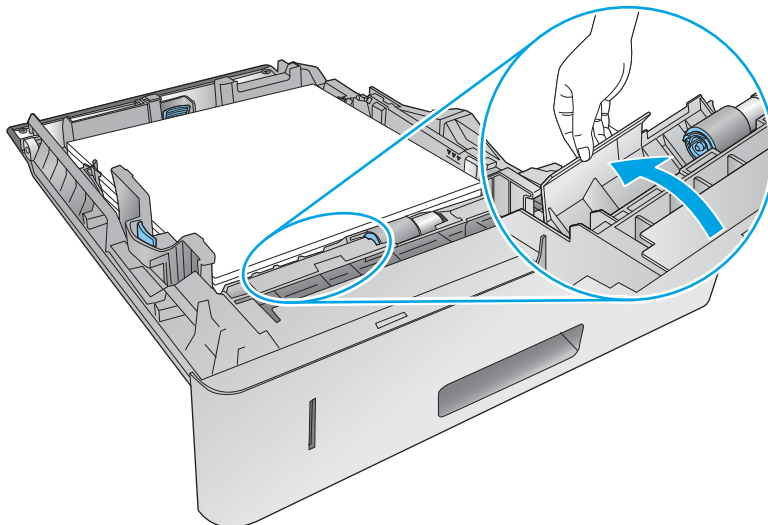


Step 2: Remove the torque limiter (trays 2-6)

CAUTION: When handling the rollers, avoid touching the roller surfaces. Skin oils and fingerprints on a roller surface can cause print-quality problems.

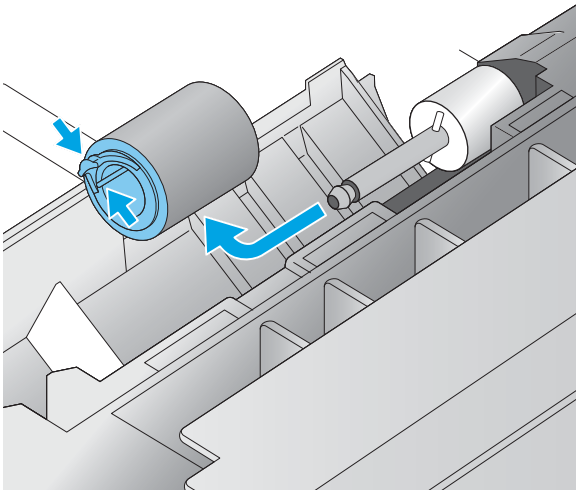
1. Place the tray on a level work surface. Locate and open the spring-loaded cover that is next to the roller in the tray.

Figure 1-69 Open the cover



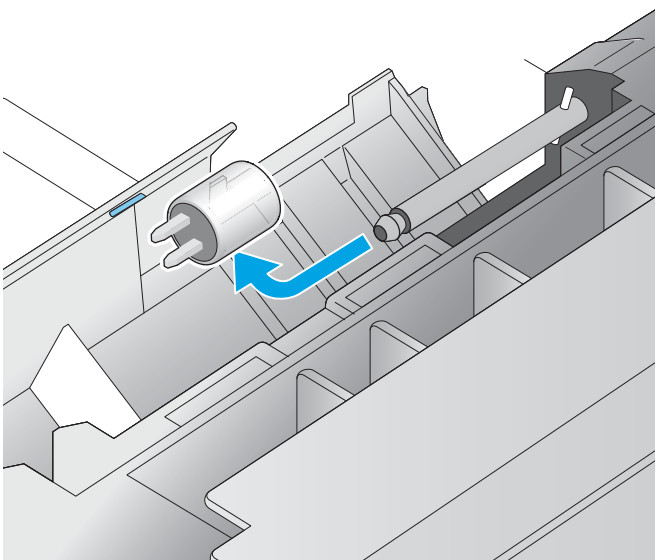
2. Pinch the blue tab that is on the left side of the roller, and then slide the roller off of the shaft.

Figure 1-70 Remove the feed roller



3. Slide the torque limiter off of the shaft to remove it.

Figure 1-71 Remove the torque limiter



Step 3: Unpack the replacement torque limiter

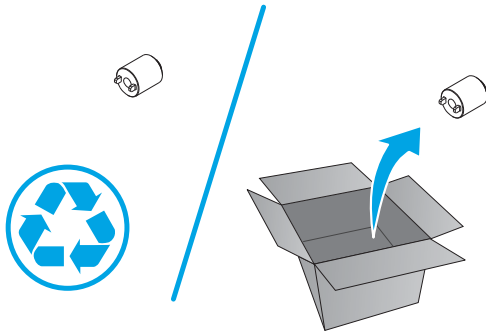
Unpack the replacement part from the packaging.

<http://www8.hp.com/us/en/hp-information/environment/product-recycling.html>



NOTE: HP recommends responsible disposal of the defective parts.

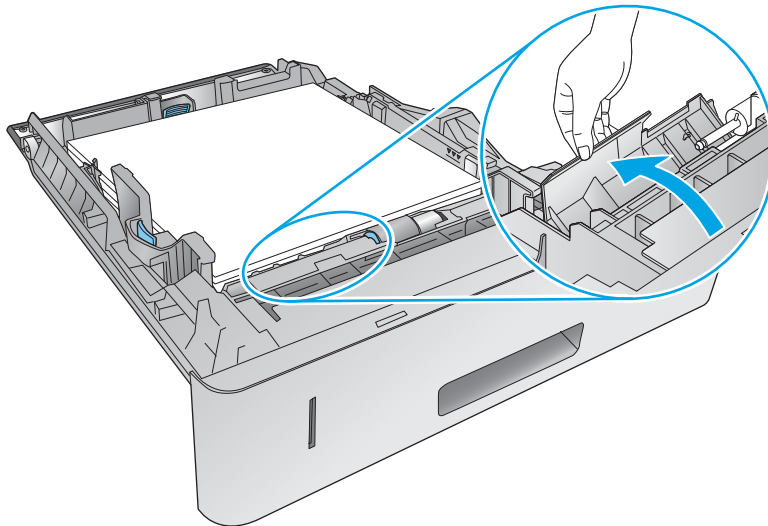
Figure 1-72 Recycle and unpack



Step 4: Install the torque limiter (trays 2-6)

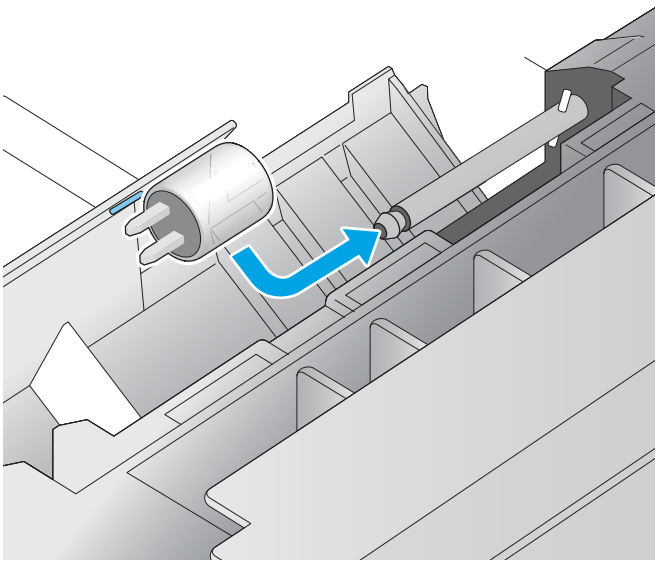
1. Open the spring-loaded cover on the tray.

Figure 1-73 Open the cover



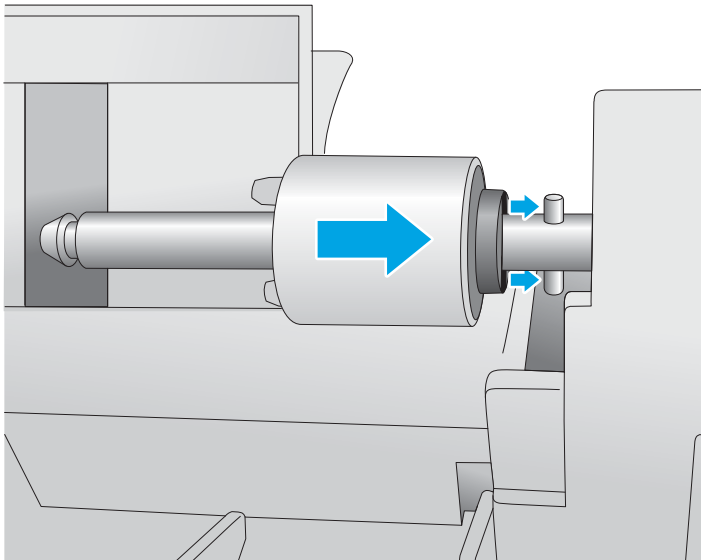
2. Slide the torque limiter onto the shaft.

Figure 1-74 Install the torque limiter



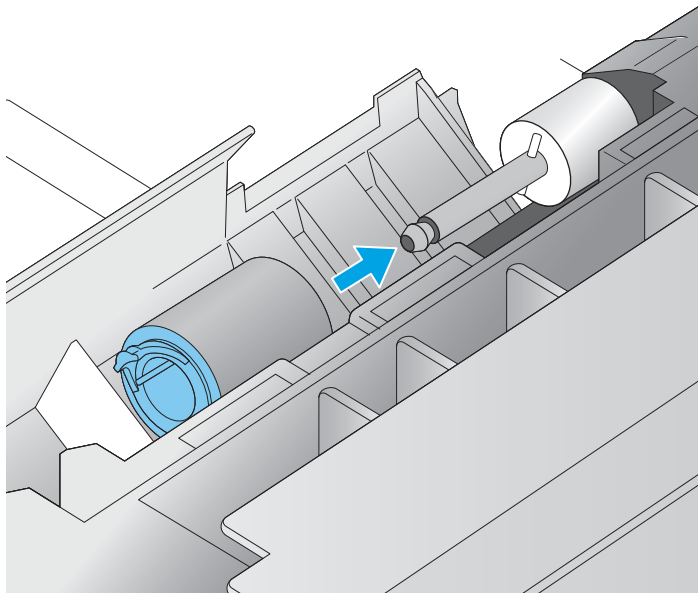
3. Before installing the feed roller, make sure that the torque limiter is correctly positioned against the locking pins on the shaft.

Figure 1-75 Align the torque limiter



4. Slide the feed roller onto the shaft. You might have to rotate the roller while sliding it onto the shaft to make sure it clicks into place.

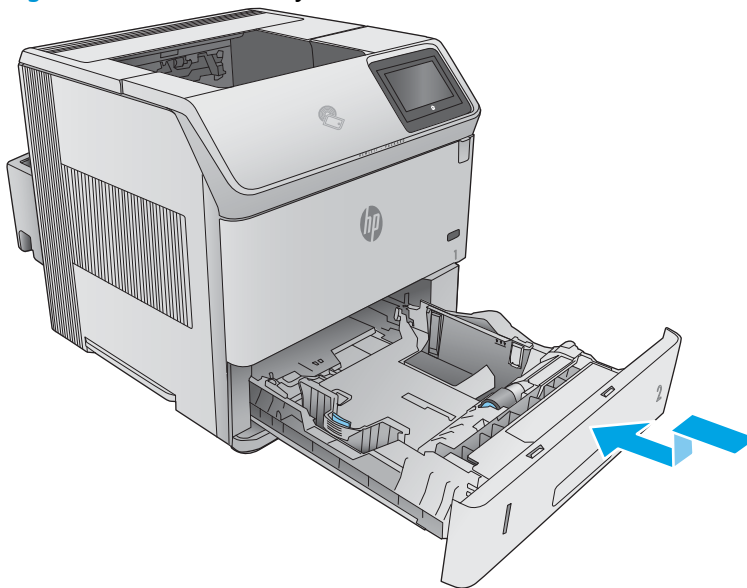
Figure 1-76 Install the feed roller



Step 5: Install the tray

- ▲ Lift the tray up slightly and install the back edge of the tray into the tray cavity. Lower the tray, and then slide it into the printer.

Figure 1-77 Install the tray



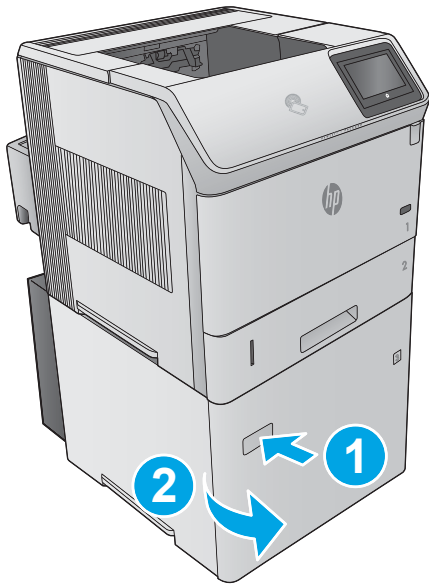
Step 6: Remove the torque limiter (HCI)

- CAUTION:** When handling the rollers, avoid touching the roller surfaces. Skin oils and fingerprints on a roller surface can cause print-quality problems.

If the printer does not have the optional HCI installed, skip the remaining steps in this procedure.

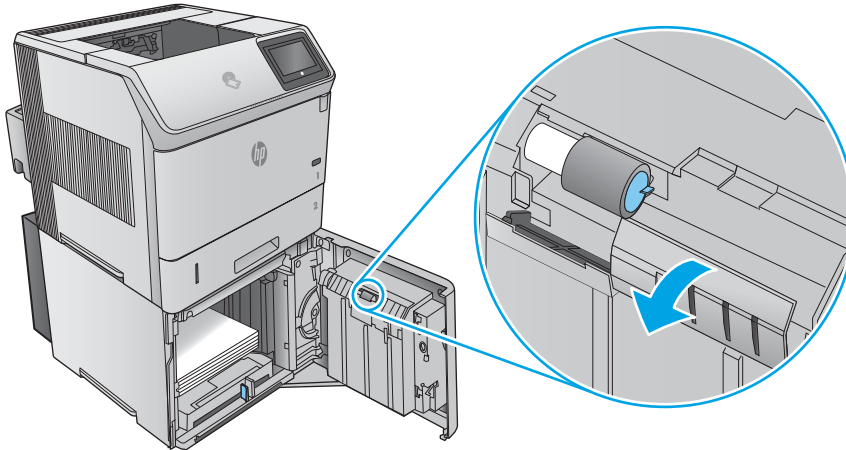
1. Press on the latch (callout 1), and then open the feeder door (callout 2).

Figure 1-78 Open the feeder door



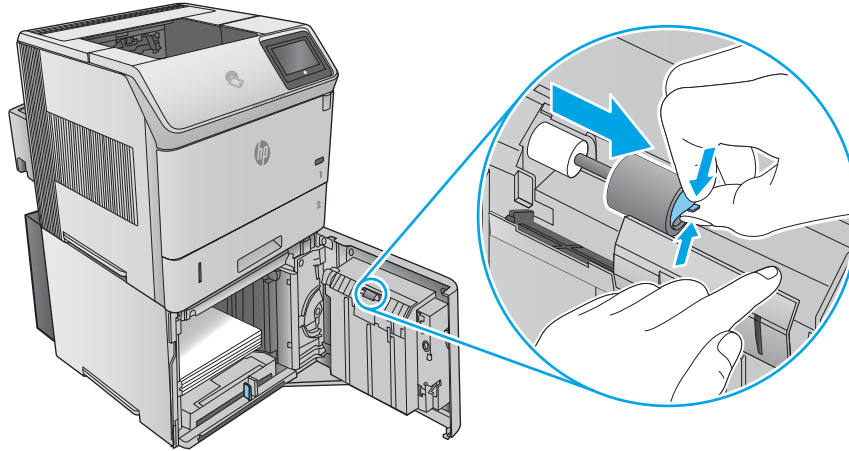
2. Open the separation-roller cover.

Figure 1-79 Open the separation-roller cover



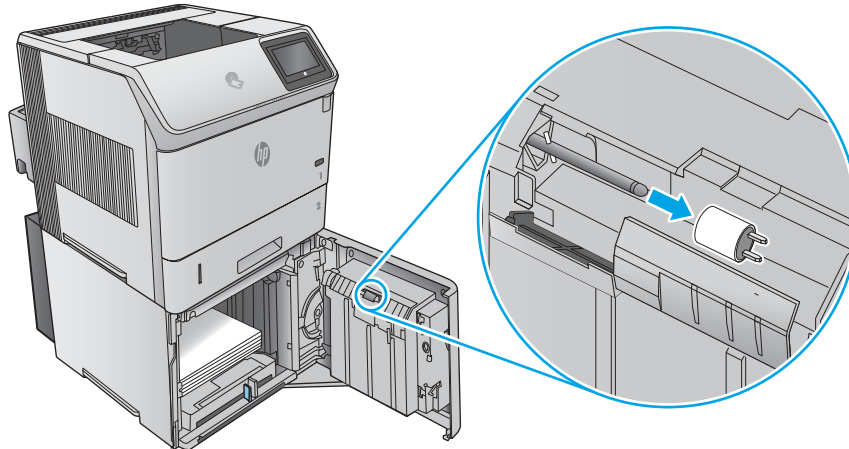
3. Pinch the blue tab that is on the left side of the separation roller, and then slide the roller off of the shaft.

Figure 1-80 Remove the separation roller



4. Slide the torque limiter off of the shaft to remove it.

Figure 1-81 Remove the torque limiter



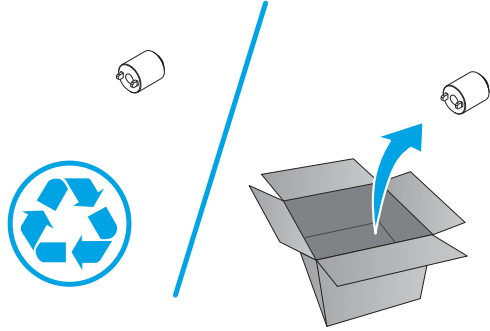
Step 7: Unpack the replacement torque limiter

Unpack the replacement part from the packaging.

<http://www8.hp.com/us/en/hp-information/environment/product-recycling.html>

 **NOTE:** HP recommends responsible disposal of the defective part.

Figure 1-82 Recycle and unpack

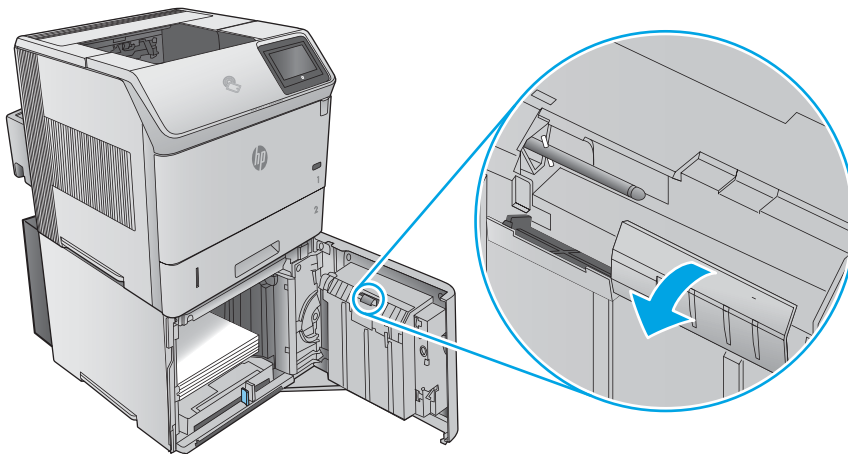


Step 8: Install the torque limiter (HCI)

CAUTION: When handling the rollers, avoid touching the roller surfaces. Skin oils and fingerprints on a roller surface can cause print-quality problems.

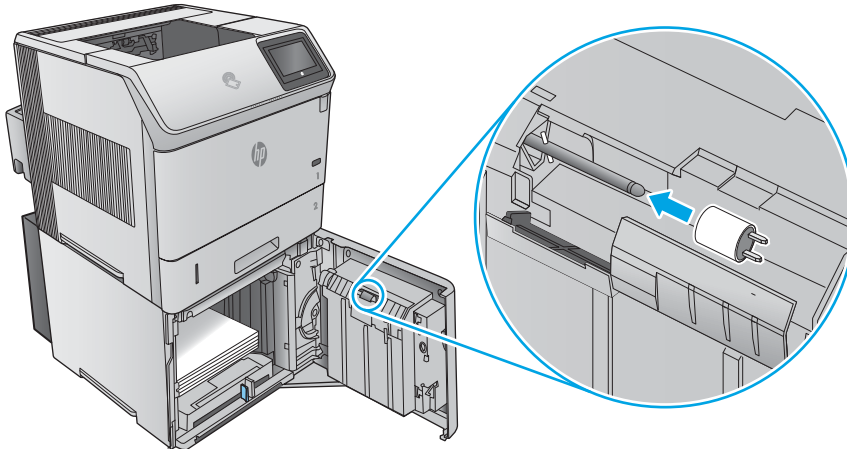
1. Open the separation-roller cover.

Figure 1-83 Open the separation-roller cover



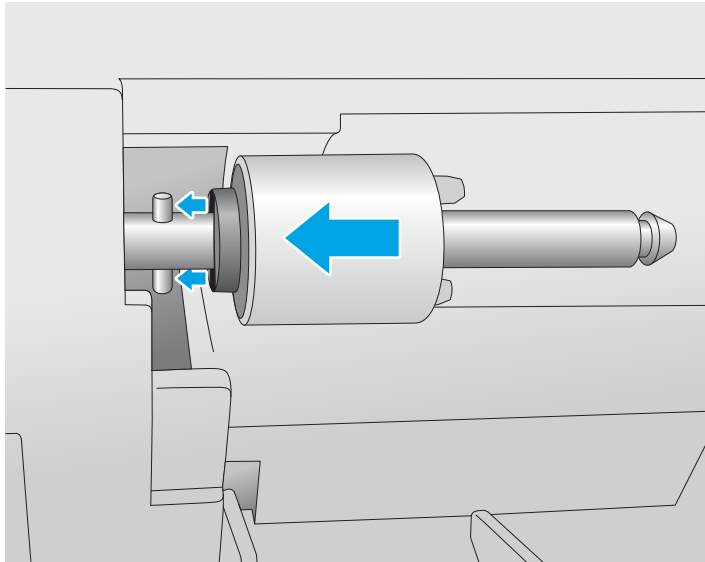
2. Slide the torque limiter onto the shaft.

Figure 1-84 Install the torque limiter



3. Before installing the feed roller, make sure that the torque limiter is correctly positioned against the locking pins on the shaft.

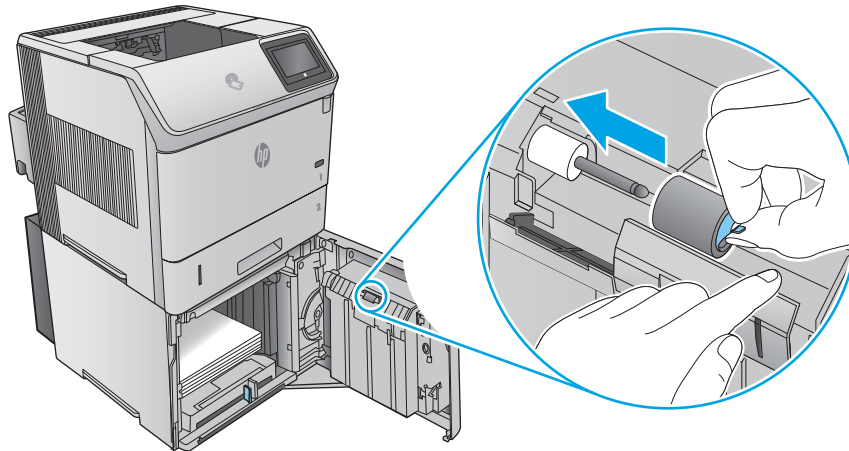
Figure 1-85 Align the torque limiter



4. Slide the feed roller onto the shaft. You might have to rotate the roller while sliding it onto the shaft to make sure it clicks into place.

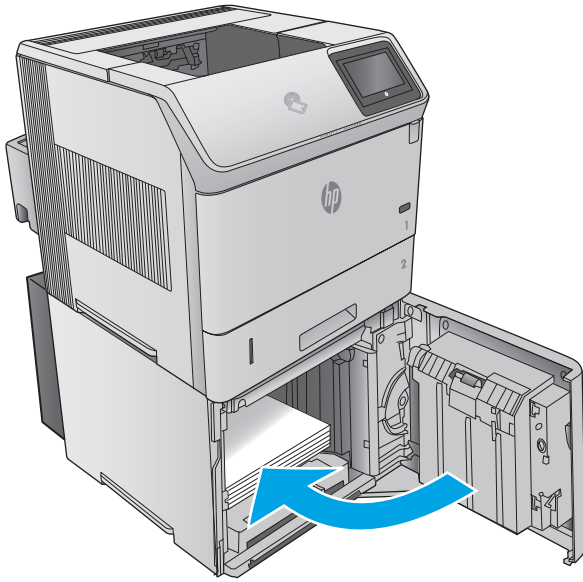
⚠ CAUTION: When handling the rollers, avoid touching the roller surfaces. Skin oils and fingerprints on a roller surface can cause print-quality problems.

Figure 1-86 Install the feed roller



5. Close the feeder door.

Figure 1-87 Close the feeder door



Removal and replacement: Trusted platform module (TPM) PCA

- [Introduction](#)
- [Step 1: Remove the formatter cover](#)
- [Step 2: Remove the TPM](#)
- [Step 3: Unpack the TPM](#)
- [Step 4: Install the TPM](#)
- [Step 5: Install the formatter cover](#)


Introduction

This document provides the procedures to remove and replace the trusted platform module (TPM) PCA.

Before performing service

Turn the printer power off

- Disconnect the power cable.

 **WARNING!** To avoid damage to the printer, turn the printer off, wait 30 seconds, and then remove the power cord before attempting to service the printer.

Use the table below to identify the correct part number for your printer, and then go to www.hp.com/buy/parts to order the kit.

Trusted platform module (TPM) part number	
BF5S62-67901	HP trusted platform module with instruction guide

Required tools

- #2 Phillips screwdriver with a magnetic tip

After performing service

Turn the printer power on

- Connect the power cable.
- Use the power switch to turn the power on.

Post service test

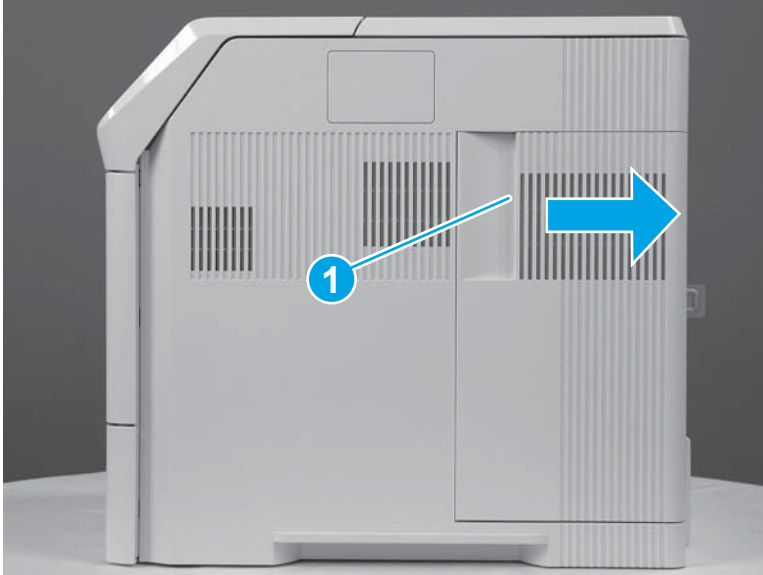
Make sure that the printer initializes to a **Ready** state.

Print a configuration page to make sure that the printer is functioning correctly.

Step 1: Remove the formatter cover

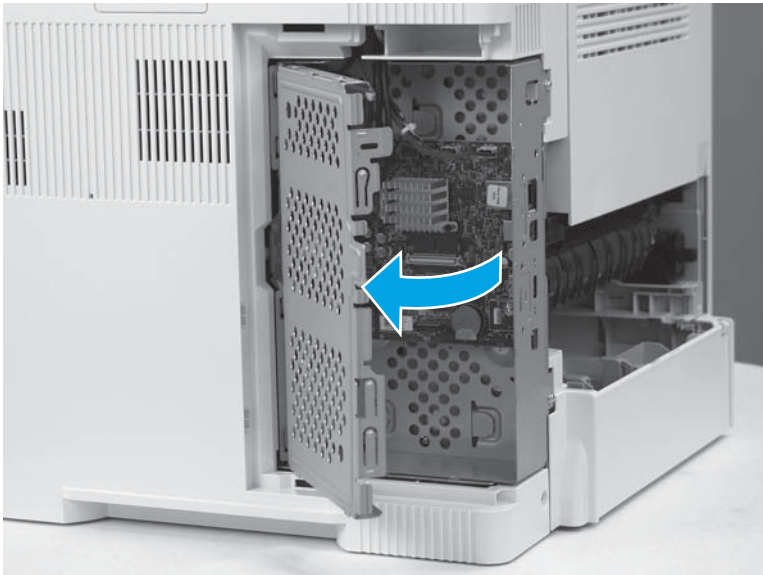
1. Grasp the handle on the formatter cover (callout 1), and then slide the cover toward the rear of the printer to remove it.

Figure 1-88 Remove the formatter cover



2. Open the formatter case door.

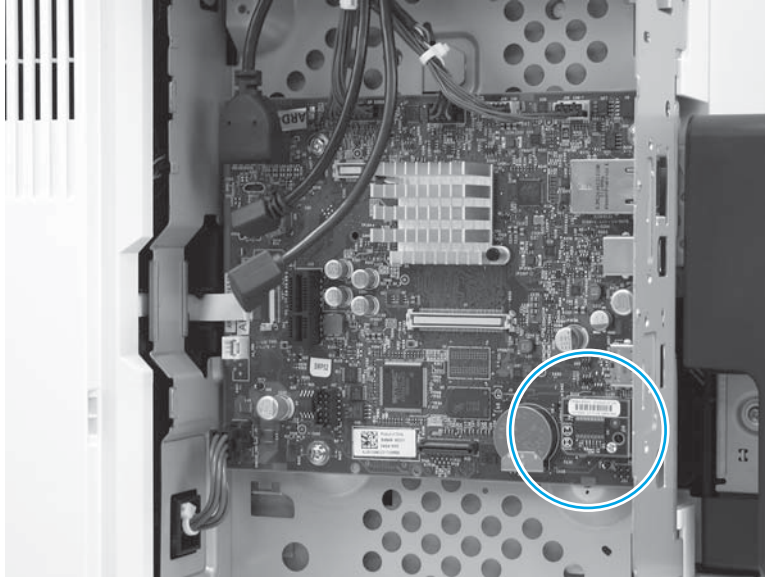
Figure 1-89 Open the formatter case door



Step 2: Remove the TPM

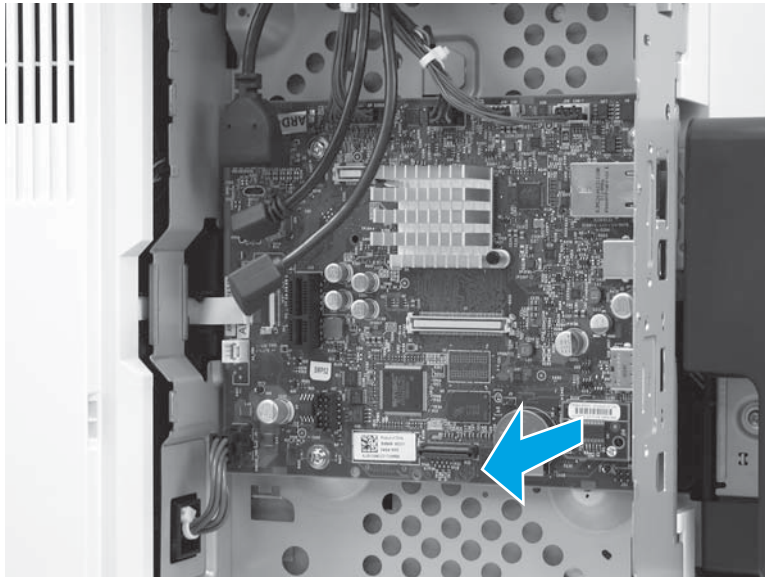
1. Locate the trusted platform module (TPM) installed on the formatter.

Figure 1-90 Locate the TPM



2. Pull the TPM straight off of the formatter to remove it.

Figure 1-91 Remove the TPM



Step 3: Unpack the TPM

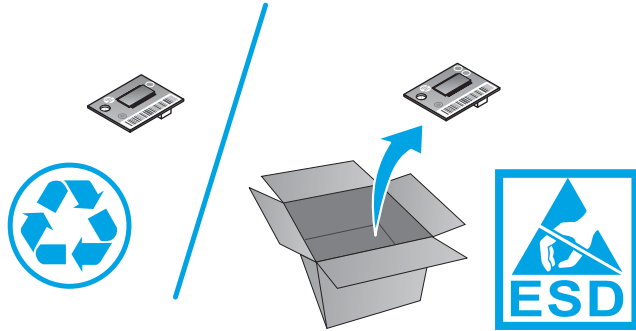
Unpack the replacement part from the packaging.

<http://www8.hp.com/us/en/hp-information/environment/product-recycling.html>



NOTE: HP recommends responsible disposal of the defective part.

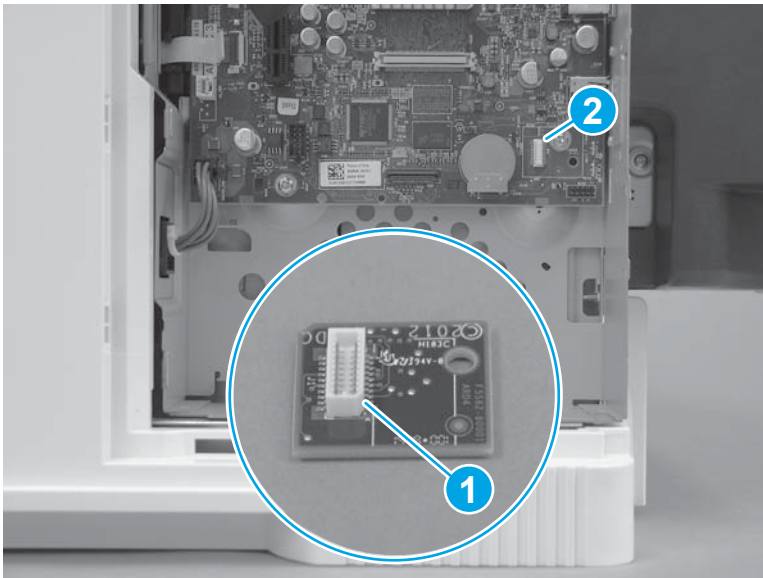
Figure 1-92 Recycle and unpack



Step 4: Install the TPM

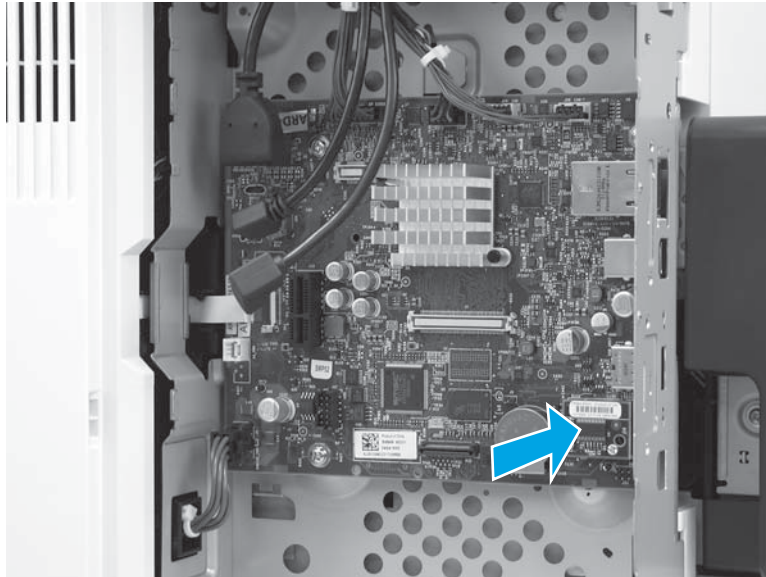
1. Note that the TPM connector (callout 1) is keyed, and can only be installed in one direction in the formatter connector (callout 2).

Figure 1-93 TPM connector



2. Align the connector on the TPM with the connector on the formatter, and then push the TPM onto the formatter to install it. Verify that the TPM is fully seated in the connector.

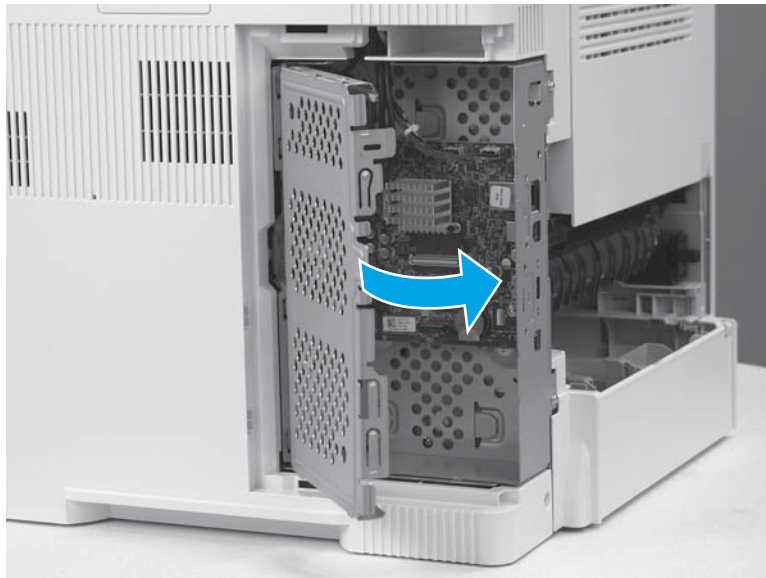
Figure 1-94 Install the TPM



Step 5: Install the formatter cover

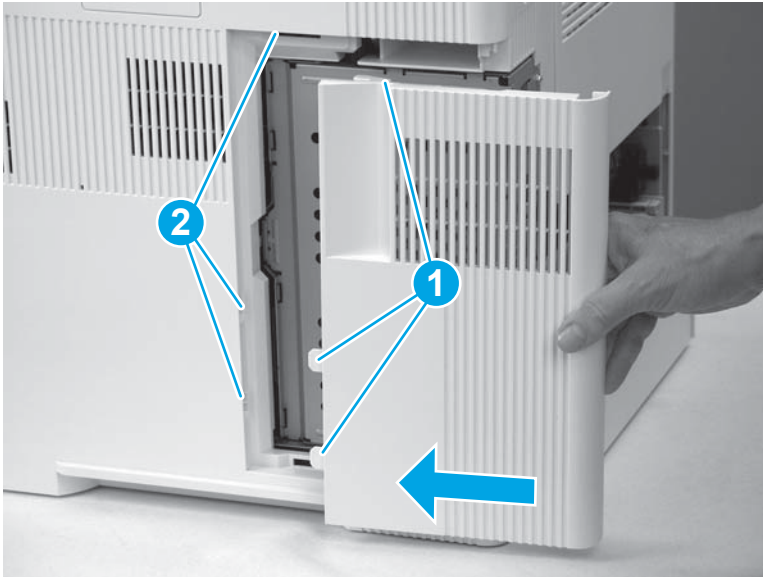
1. Close the formatter case door.

Figure 1-95 Close the formatter case door



2. Align the tabs (callout 1) on the formatter cover with the slots (callout 2) in the right cover, and then slide the formatter cover toward the front of the printer to install it.

Figure 1-96 Align the tabs and slots



Removal and replacement: embedded MultiMedia Card (eMMC)

- [Introduction](#)
- [Step 1: Remove the formatter cover](#)
- [Step 2: Remove the eMMC](#)
- [Step 3: Unpack the replacement eMMC](#)
- [Step 4: Install the eMMC](#)
- [Step 5: Install the formatter cover](#)
- [Step 6: Reinstall the product firmware](#)


Introduction

This document provides the procedures to remove and replace the eMMC component.



Before performing service


Turn the printer power off


- Disconnect the power cable.

 **WARNING!** To avoid damage to the printer, turn the printer off, wait 30 seconds, and then remove the power cord before attempting to service the printer.

- Disconnect all network cables.

 **CAUTION:**  This part contains components that are electrostatic discharge (ESD) sensitive. To reduce the possibility of ESD damage, always touch the sheet-metal chassis to ground yourself before touching an ESD-sensitive part.

 **IMPORTANT:** Do not replace the formatter, DC controller, and eMMC PCA or hard-disk drive simultaneously during a single printer servicing. Doing so might cause the printer to become unstable or inoperable.

 **NOTE:** Data stored on the eMMC is not secure and cannot be encrypted.

Use the table below to identify the correct part number for your printer. To order the part, go to www.hp.com/buy/parts.

eMMC component part number	
B5L32-60101	eMMC PCA with instruction guide

Required tools

- No special tools are required to install this part.

After performing service

Turn the printer power on

- Connect the power cable.
- Use the power switch to turn the power on.

Post service test

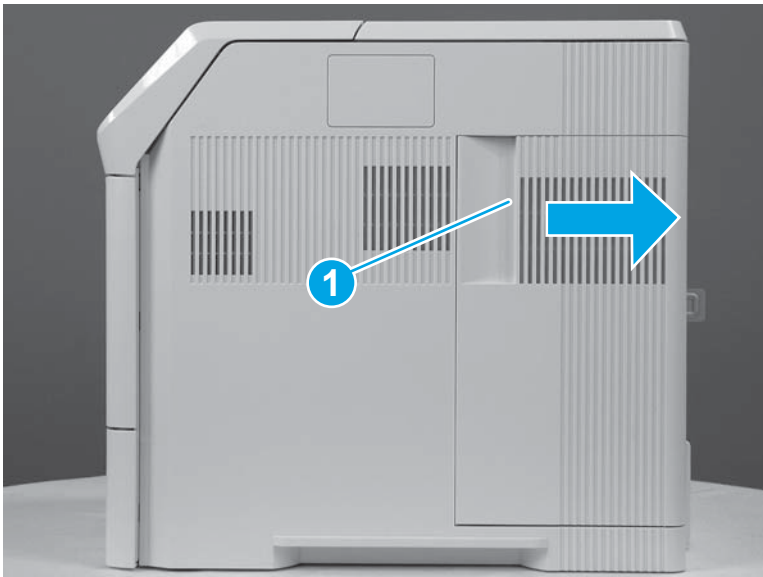
Make sure that the printer initializes to a **Ready** state.

Print a configuration page to make sure that the printer is functioning correctly.

Step 1: Remove the formatter cover

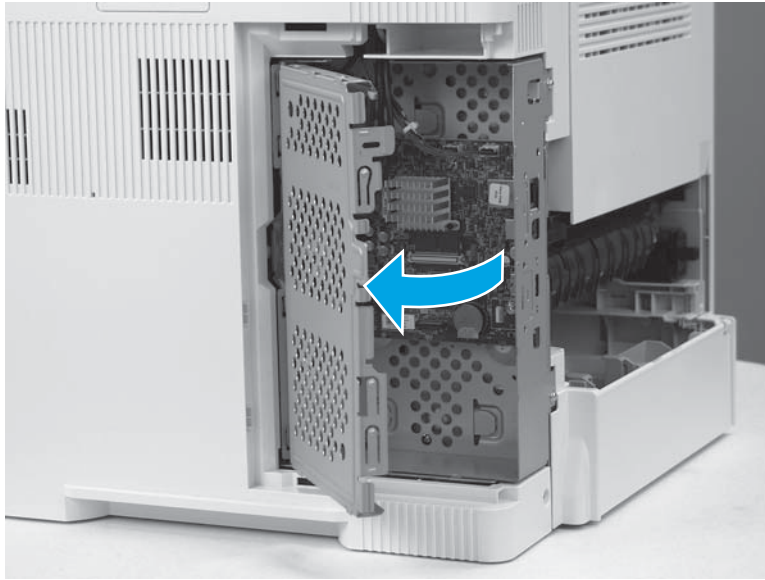
1. Grasp the handle on the formatter cover (callout 1), and then slide the cover toward the rear of the printer to remove it.

Figure 1-97 Remove the formatter cover



2. Open the formatter case door.

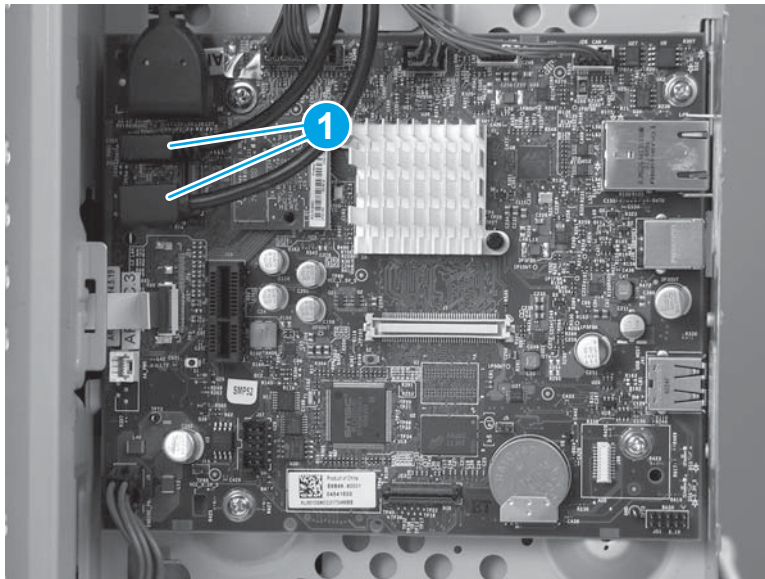
Figure 1-98 Open the formatter case door



Step 2: Remove the eMMC

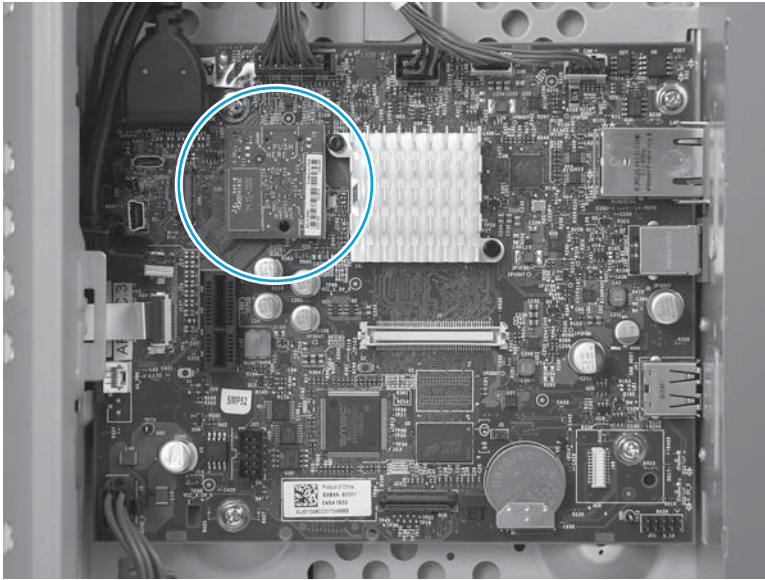
1. Disconnect two connectors (callout 1).

Figure 1-99 Disconnect two connectors



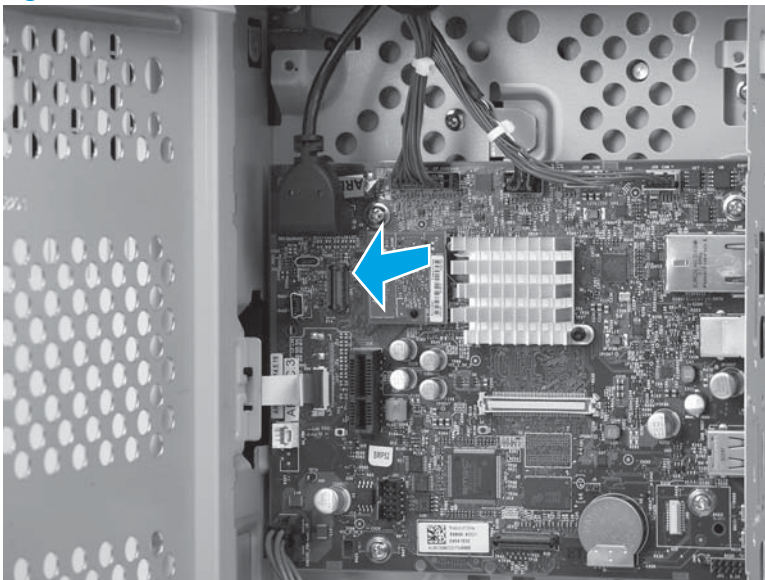
2. Locate the eMMC component on the formatter.

Figure 1-100 Locate the eMMC component




3. Pull the eMMC straight off of the formatter to remove it.

Figure 1-101 Remove the eMMC



Step 3: Unpack the replacement eMMC

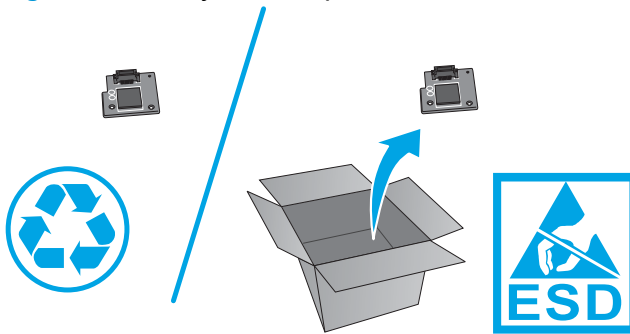
Unpack the replacement part from the packaging.

CAUTION:  This part contains components that are electrostatic discharge (ESD) sensitive. To reduce the possibility of ESD damage, always touch the sheet-metal chassis to ground yourself before touching an ESD-sensitive part.

<http://www8.hp.com/us/en/hp-information/environment/product-recycling.html>

 **NOTE:** HP recommends responsible disposal of the defective part.

Figure 1-102 Recycle and unpack



Step 4: Install the eMMC

1. Before installing the new eMMC component, note that the eMMC connector (callout 1) is keyed, and can only be installed in one direction onto the formatter connector (callout 2).

Figure 1-103 eMMC connector

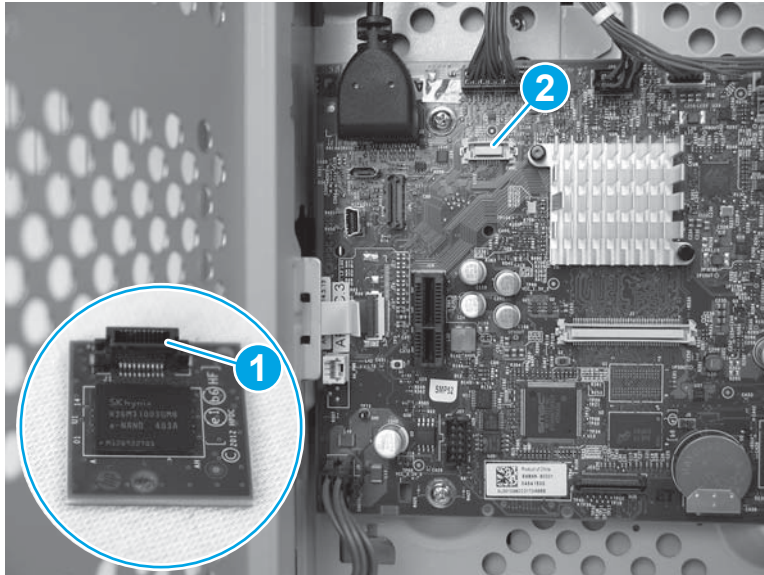
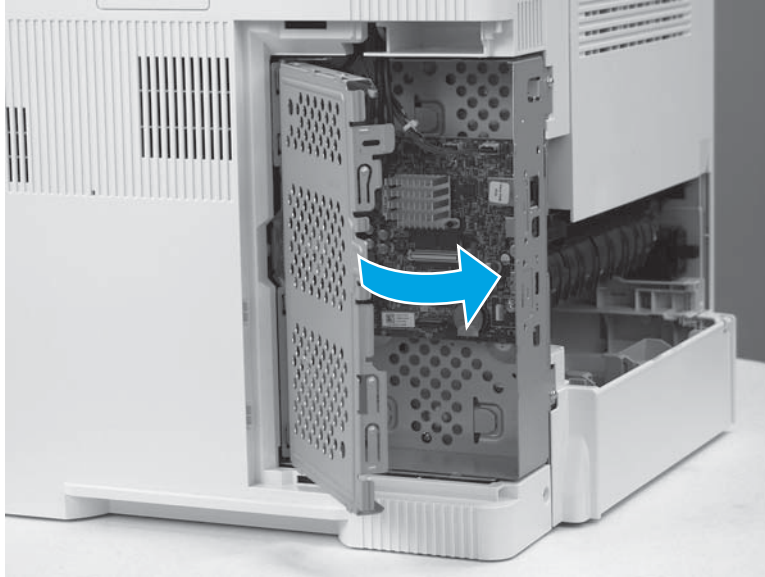
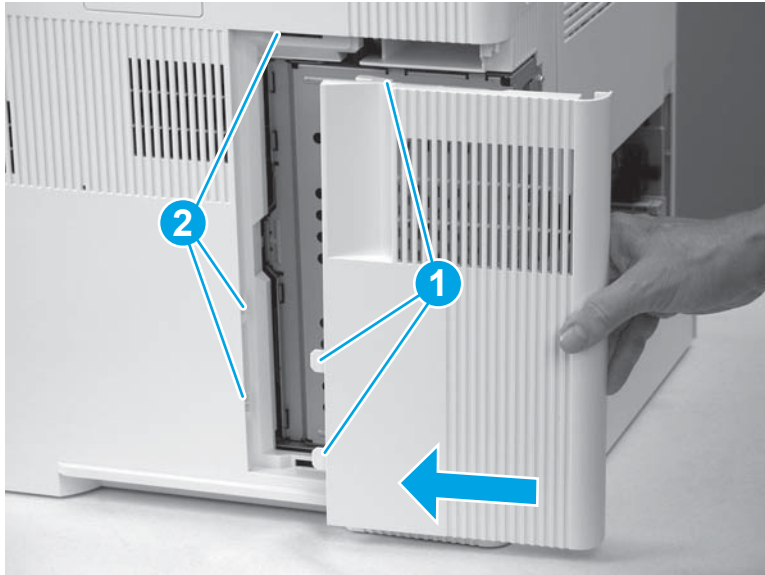


Figure 1-106 Close the formatter case door



2. Align the tabs (callout 1) on the formatter cover with the slots (callout 2) in the right cover, and then slide the formatter cover toward the front of the printer to install it.

Figure 1-107 Align the tabs and slots



Step 6: Reinstall the product firmware



NOTE: If this installation is a replacement eMMC, use the following steps to reinstall the firmware.

1. Do the one of the following:
 - In the U.S., go to www.hp.com/support/ljM604, www.hp.com/support/ljM605, www.hp.com/support/ljM606.
 - a. Select **Get drivers, Software, and Firmware**, and then select the appropriate product by name.



NOTE: More than one product model might be listed. Make sure to select the correct model so that the upgraded firmware supports all of the product functions.

- b. Select the driver language and operating system.
- c. Locate the firmware download, and then select **Download**.
- Outside the U.S., go to www.hp.com/support.
 - a. Select your country/region.
 - b. Select **Drivers & Downloads**.
 - c. Enter the product name in the **Find my product** dialogue box, and then select **Go**.



TIP: Click on the **How do I find my product name/number?** link to see a short video on identifying the printer name and number.

- d. Select the appropriate product by name.



NOTE: More than one product model might be listed. Make sure to select the correct model so that the upgraded firmware supports all of the product functions.

- e. Select the driver language and operating system.
 - f. Locate the firmware download, and then select **Download**.
2. Copy the firmware upgrade file to the root directory of a USB flash drive. The firmware upgrade file has a .bdl extension.
 3. Insert the USB flash drive into the USB port near the printer control panel.
 4. Turn on the printer.
 5. The following message displays on the control panel depending on product configuration:
 - eMMC only installed: **Error: 99.39.67 eMMC Not Bootable**
 - Optional HDD installed: **Error: 99.09.63 Incorrect Disk**Touch the **OK** button to continue.
 6. Wait for the **Pre-Boot** menu to appear on the control-panel display, and then touch the down arrow ▼ button to scroll to **3 Administrator**. Touch the **OK** button to select it.
 7. Touch the down arrow ▼ button to scroll to **1 Download**. Touch the **OK** button to select it.
 8. Touch the down arrow ▼ button to scroll to **3 USB Thumbdrive**. Touch the **OK** button to select it.
 9. Several .bdl files might be listed. Touch the down arrow ▼ button to scroll to the firmware upgrade file that you downloaded previously. Touch the **OK** button to select it.
 10. Wait while the file transfers. When the transfer is complete, the message **Complete** displays on the screen.
 11. Turn the printer off, remove the USB flash drive, and then turn the printer on. Wait for several minutes while the printer initializes. If the upgrade is unsuccessful, try sending the firmware upgrade file again.



NOTE: If the upgrade fails again, contact HP support at www.hp.com/support/ljM604, www.hp.com/support/ljM605, www.hp.com/support/ljM606.

Removal and replacement: Dual in-line memory module (DIMM)

- [Introduction](#)
- [Step 1: Remove the formatter cover](#)
- [Step 2: Remove the hard-disk drive \(HDD\)](#)
- [Step 3: Remove the memory DIMM](#)
- [Step 4: Unpack the replacement memory DIMM](#)
- [Step 5: Install the memory DIMM](#)
- [Step 6: Install the hard-disk drive \(HDD\)](#)
- [Step 7: Install the formatter cover](#)


Introduction



This document provides the procedures to remove and replace the memory DIMM.

Before performing service

Turn the printer power off

- Disconnect the power cable.

 **WARNING!** To avoid damage to the printer, turn the printer off, wait 30 seconds, and then remove the power cord before attempting to service the printer.

 **CAUTION:**  This part contains components that are electrostatic discharge (ESD) sensitive. To reduce the possibility of ESD damage, always touch the sheet-metal chassis to ground yourself before touching an ESD-sensitive part.

Use the table below to identify the correct part number for your printer. To order the part, go to www.hp.com/buy/parts.

Memory DIMM part number

5851-6422

Memory DIMM with instruction guide

Required tools

- No special tools are required to install this part.

After performing service

Turn the printer power on

- Connect the power cable.
- Use the power switch to turn the power on.

Post service test

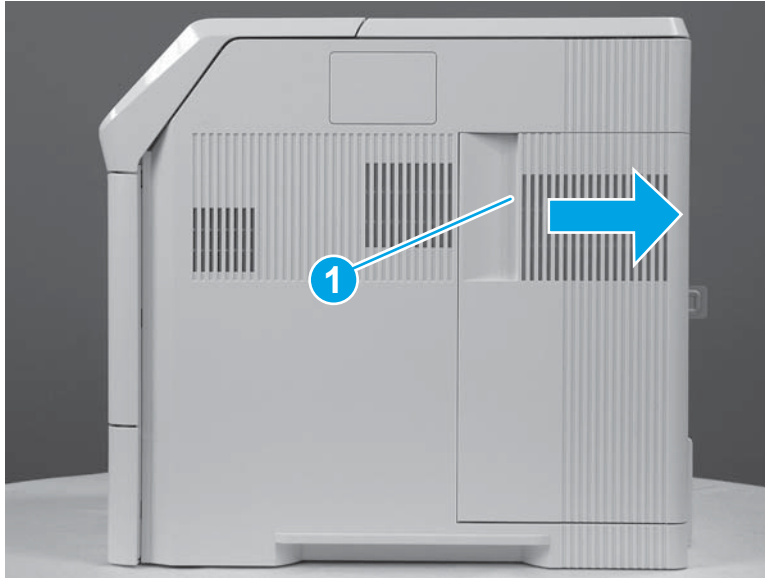
Make sure that the printer initializes to a **Ready** state.

Print a configuration page to make sure that the printer is functioning correctly.

Step 1: Remove the formatter cover

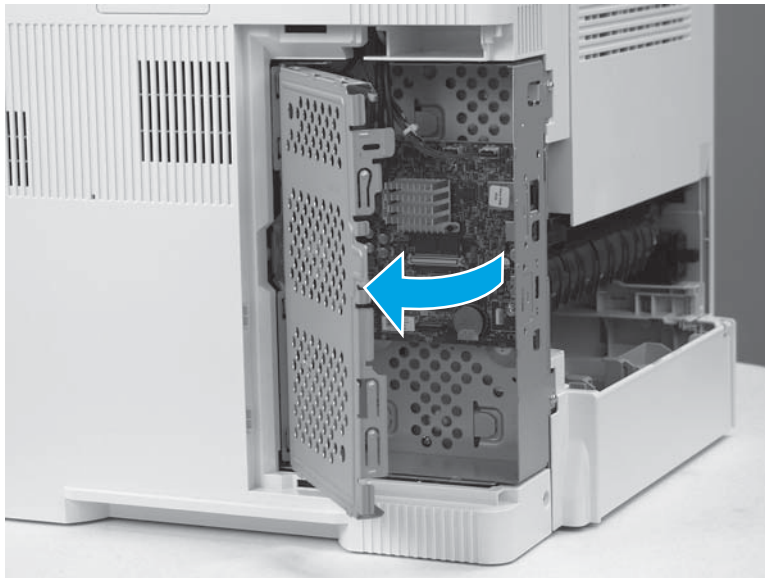
1. Grasp the handle on the formatter cover (callout 1), and then slide the cover toward the rear of the printer to remove it.

Figure 1-108 Remove the formatter cover




2. Open the formatter case door.

Figure 1-109 Open the formatter case door

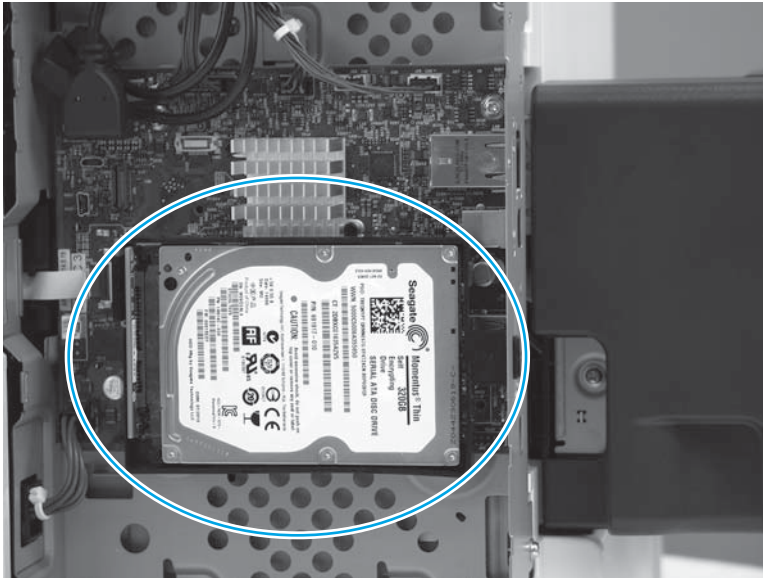


Step 2: Remove the hard-disk drive (HDD)

 **NOTE:** If the optional HDD is not installed, skip this step and go to [Step 3: Remove the memory DIMM on page 79](#).

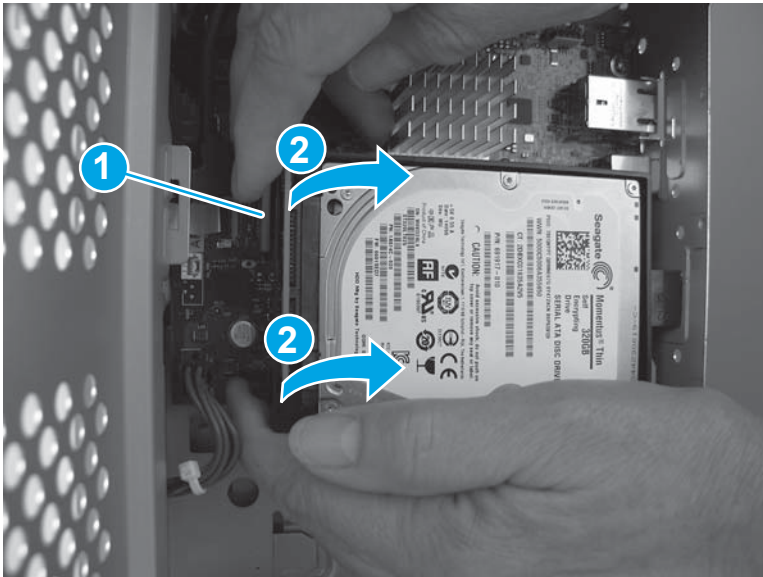
1. Locate the hard-disk drive (HDD) on the formatter.

Figure 1-110 Locate the hard-disk drive



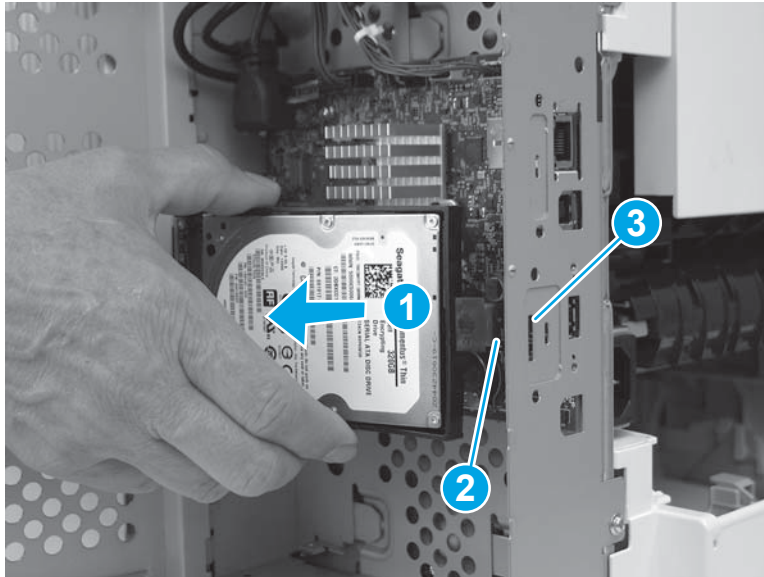
2. Release one tab (callout 1), grasp the HDD mounting bracket, and then rotate the connector end of the bracket up (callout 2) and away from the formatter to release it.

Figure 1-111 Release the HDD



3. Slide the HDD toward the front of the printer (callout 1) to release one tab (callout 2) from the slot (callout 3) in the formatter case, and then remove the HDD.

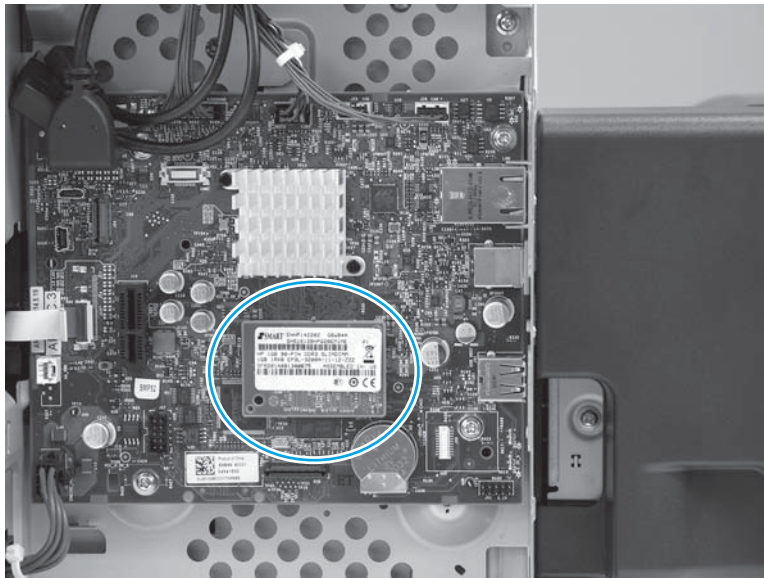
Figure 1-112 Remove HDD



Step 3: Remove the memory DIMM

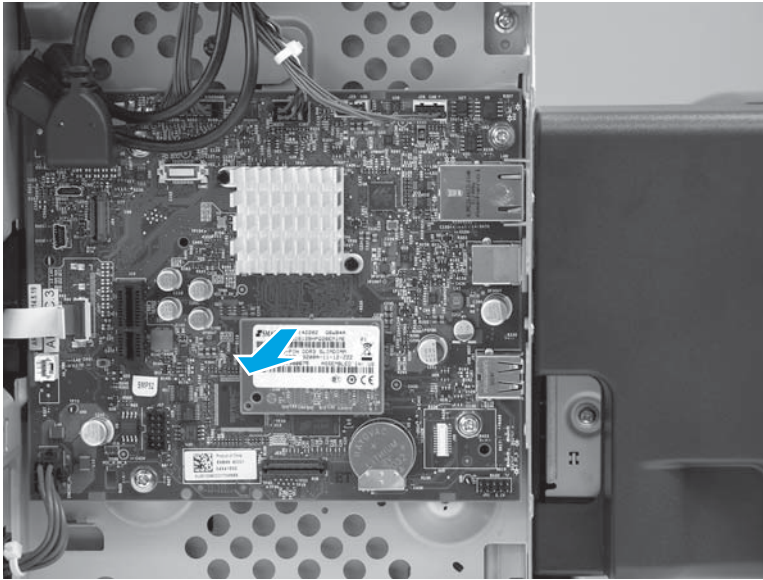
1. Locate the memory DIMM installed on the formatter.

Figure 1-113 Locate the DIMM




2. Pull the DIMM straight off of the formatter to remove it.

Figure 1-114 Remove the DIMM



Step 4: Unpack the replacement memory DIMM

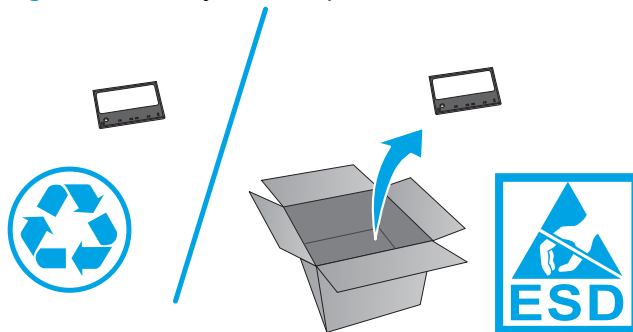
Unpack the replacement part from the packaging.

CAUTION:  This part contains components that are electrostatic discharge (ESD) sensitive. To reduce the possibility of ESD damage, always touch the sheet-metal chassis to ground yourself before touching an ESD-sensitive part.

<http://www8.hp.com/us/en/hp-information/environment/product-recycling.html>

NOTE:  HP recommends responsible disposal of the defective part.

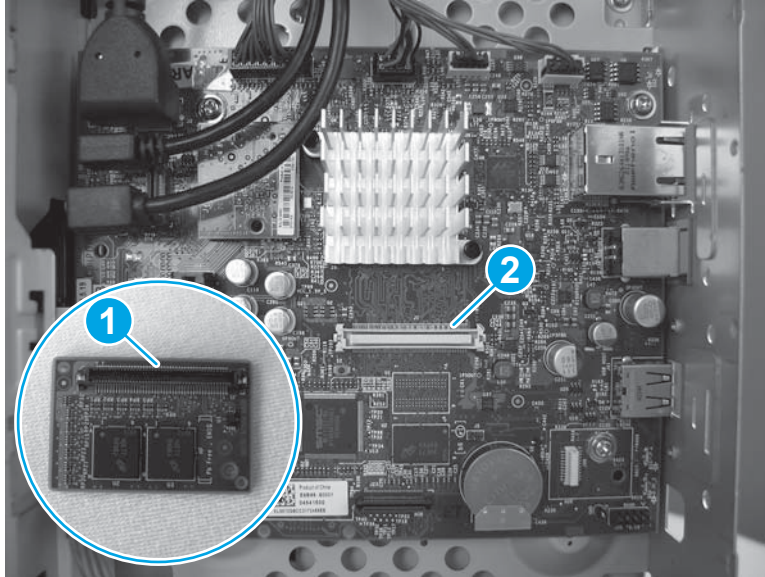
Figure 1-115 Recycle and unpack



Step 5: Install the memory DIMM

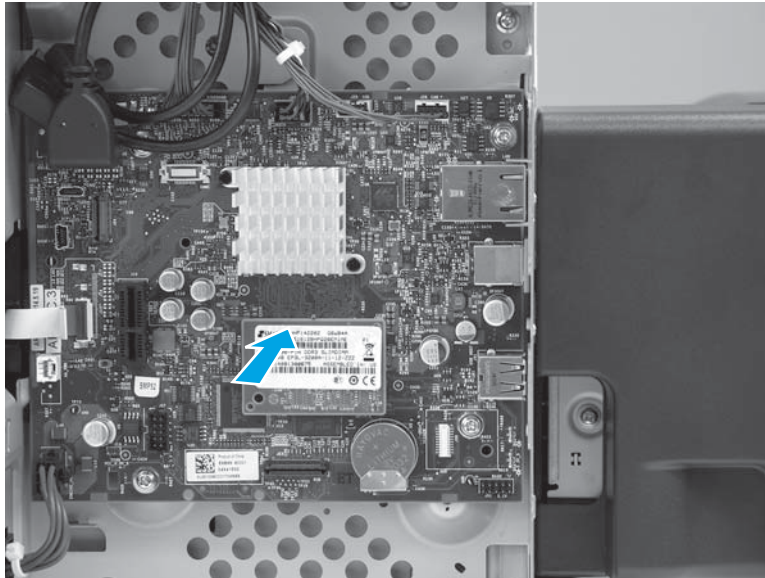
1. Note that the DIMM connector (callout 1) is keyed, and can only be installed in one direction in the formatter connector (callout 2).

Figure 1-116 DIMM connector



2. Align the connector on the DIMM with the connector on the formatter, and then push the DIMM onto the formatter to install it. Verify that the DIMM is fully seated in the connector.

Figure 1-117 Install the DIMM



Step 6: Install the hard-disk drive (HDD)



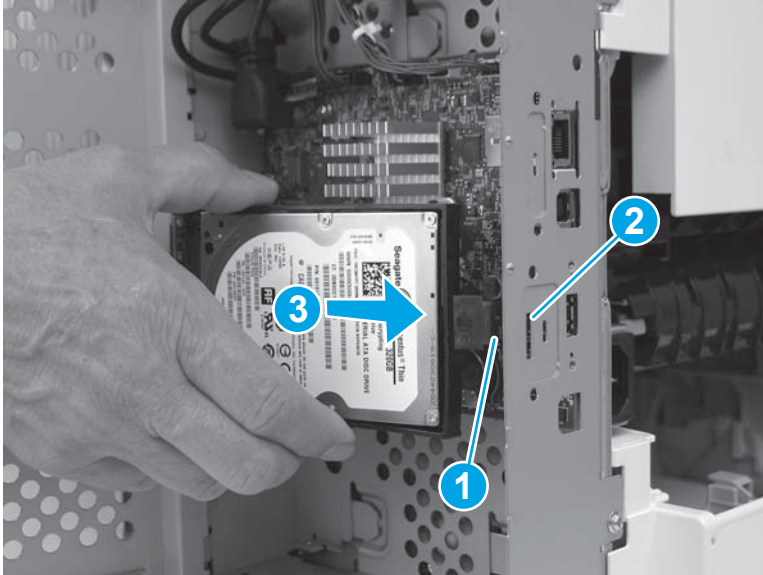
NOTE: If the optional HDD was not removed, skip this step and go to [Step 7: Install the formatter cover on page 83](#).

1. Install the tab (callout 1) on the HDD bracket into the slot (callout 2) on the formatter case, and then slide the HDD toward the back of the printer (callout 3).



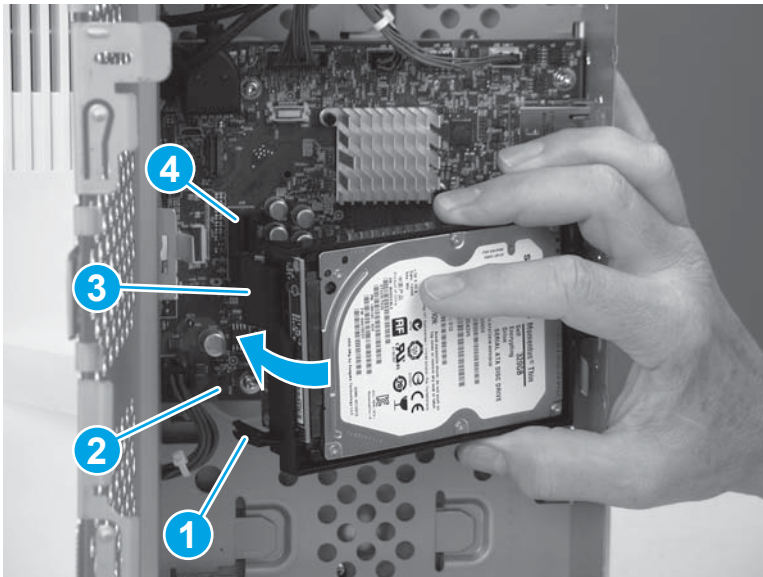
TIP: If this is the first time the HDD is being installed, remove the pre-scored label that covers the slot in the chassis (callout 2).

Figure 1-118 Install the tab



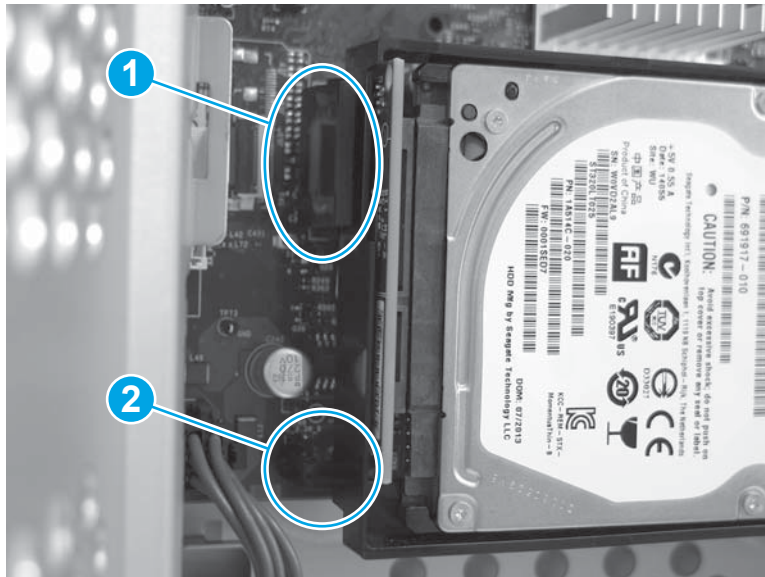
2. Rotate the HDD down toward the formatter and press down. Make sure that the retainer tab (callout 1) latches into the hole (callout 2) on the formatter, and that the connector latch (callout 3) snaps into the connector (callout 4).

Figure 1-119 Install the HDD



3. Verify that the HDD is fully seated in the connector (callout 1) and that the retainer tab (callout 2) is latched.

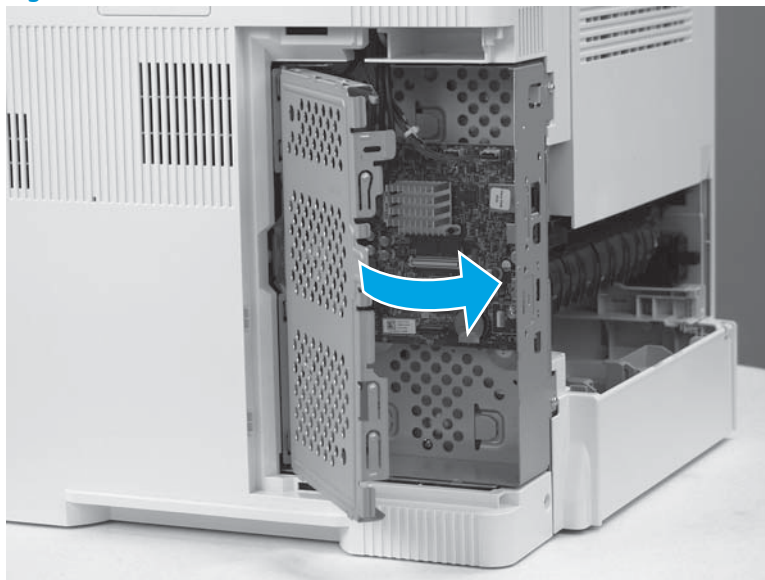
Figure 1-120 Verify HDD installation



Step 7: Install the formatter cover

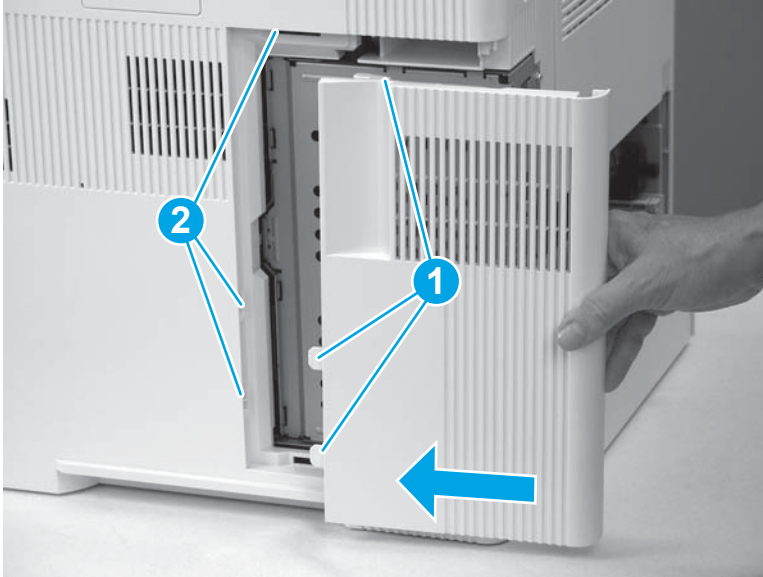
1. Close the formatter case door.

Figure 1-121 Close the formatter case door



2. Align the tabs (callout 1) on the formatter cover with the slots (callout 2) in the right cover, and then slide the formatter cover toward the front of the printer to install it.

Figure 1-122 Align the tabs and slots



Removal and replacement: Control panel (M605x, M606x)

- [Introduction](#)
- [Step 1: Remove the control panel](#)
- [Step 2: Unpack the replacement control panel](#)
- [Step 3: Install the control panel](#)


Introduction

This document provides the procedures to remove and replace the control panel for the M605x and M606x models.

Before performing service

Turn the printer power off

- Disconnect the power cable.

 **WARNING!** To avoid damage to the printer, turn the printer off, wait 30 seconds, and then remove the power cord before attempting to service the printer.

Use the table below to identify the correct part number for your printer. To order the part, go to www.hp.com/buy/parts.

Control panel (M605x, M606x part number)	
E6B67-67914	Control panel (M605x, M606x) with reversible screwdriver and instruction guide

Required tools

- Reversible small, flat-blade screwdriver and #2 Phillips screwdriver (included with the control panel)

After performing service

Turn the printer power on

- Connect the power cable.
- Use the power switch to turn the power on.

Post service test

Make sure that the control panel display illuminates and the startup screens display as the printer initializes.

When the printer reaches the **Ready** state, make sure that the control panel works correctly by scrolling through the control panel menus.

Step 1: Remove the control panel

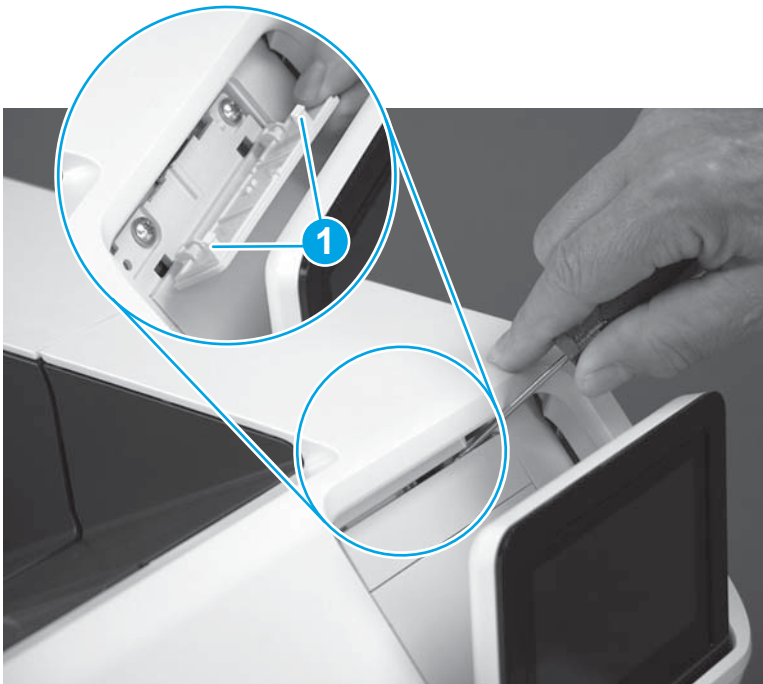
1. Tilt the control panel up.

Figure 1-123 Tilt the control panel up



2. Before proceeding, take note of the location of the tabs (callout 1) on the control-panel screws cover. Use a small flat-blade screwdriver to release these tabs at the top of the cover.

Figure 1-124 Release tabs



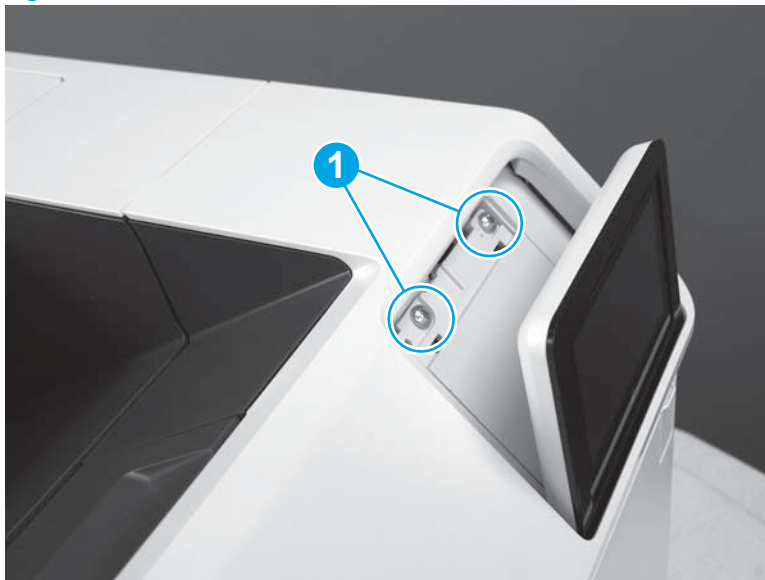
3. Rotate the cover away from the control panel base to remove it.

Figure 1-125 Rotate cover away



4. Remove two screws (callout 1).

Figure 1-126 Remove two screws



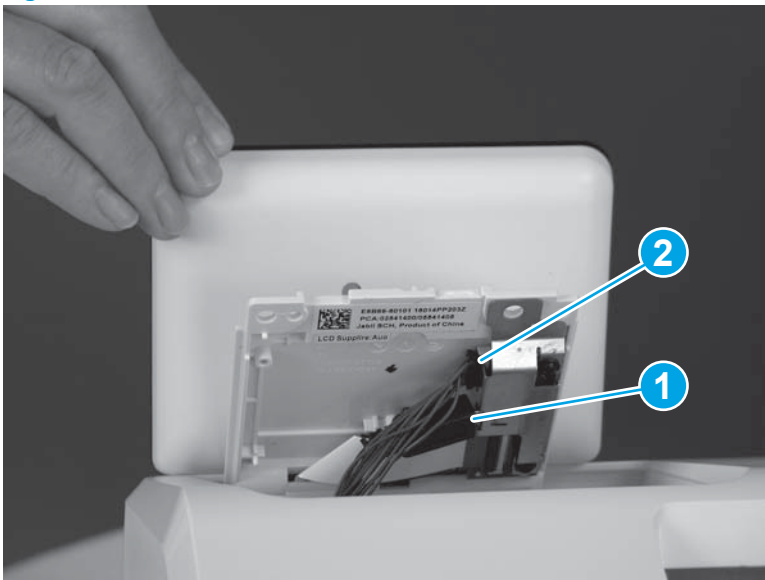
5. Rotate the control-panel base toward the front of the printer.

Figure 1-127 Rotate the control panel base



6. Disconnect one USB cable (callout 1), and one connector (callout 2).

Figure 1-128 Disconnect connectors



7. Remove the control panel.

Figure 1-129 Remove the control panel



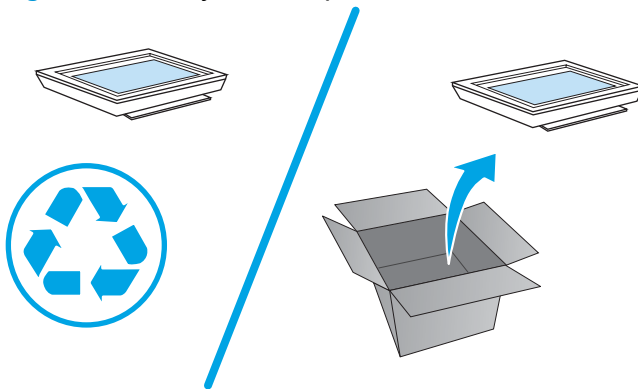
Step 2: Unpack the replacement control panel

Unpack the replacement part from the packaging.

<http://www8.hp.com/us/en/hp-information/environment/product-recycling.html>

 **NOTE:** HP recommends responsible disposal of the defective part.

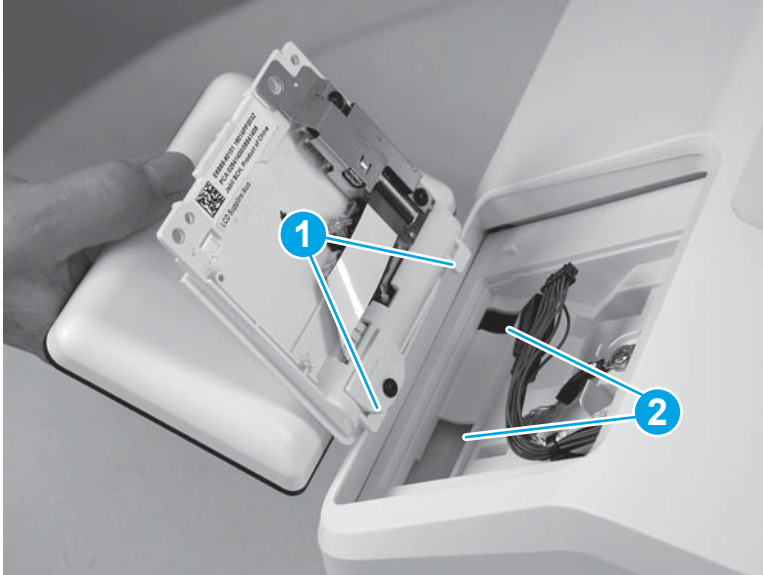
Figure 1-130 Recycle and unpack



Step 3: Install the control panel

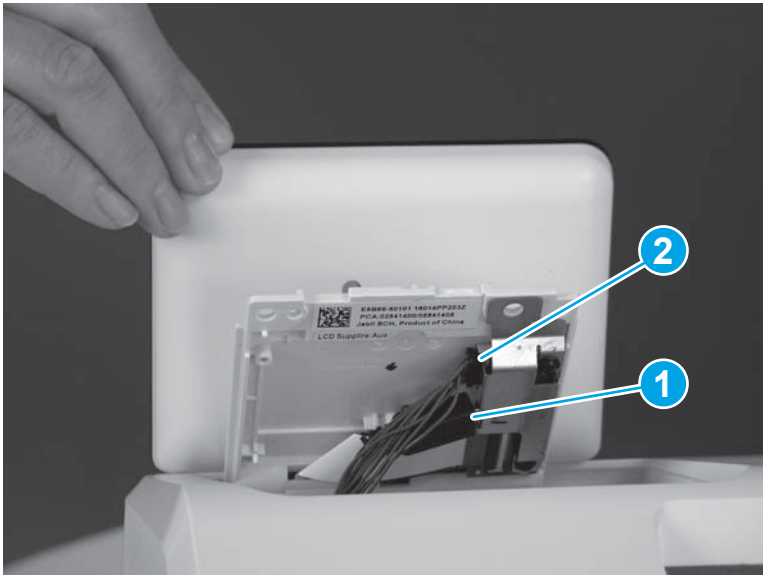
1. Open the replacement control panel, and then position the tabs (callout 1) on the control panel in the slots (callout 2) in the printer.

Figure 1-131 Reinstall the control panel



2. Connect one USB cable (callout 1), and one connector (callout 2).

Figure 1-132 Connect connectors



5. Position the screw cover mounting feet into the slots in the top cover (callout 1), and then rotate the cover toward the control-panel base (callout 2) to install it.


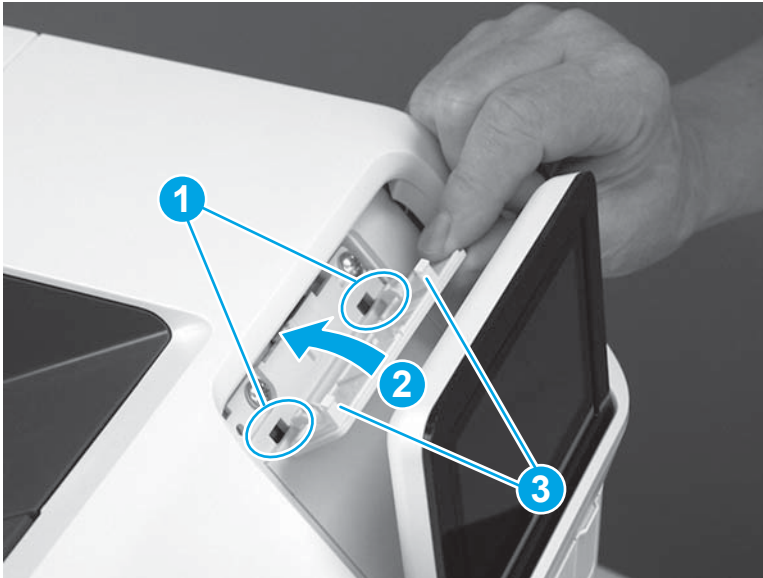
 **NOTE:** Make sure that the tabs on the cover (callout 3) snap into place.

Figure 1-135 Install screw cover



Customer self-repair (CSR) B parts and assemblies

- [Removal and replacement: Tray 1 rollers](#)

The CSR level indicates the expected difficulty the customer will experience when removing and replacing an assembly. The CSR B assemblies in this section might be difficult for the customer to remove and replace.

Removal and replacement: Tray 1 rollers

- [Introduction](#)
- [Step 1: Remove the Tray 1 rollers](#)
- [Step 2: Unpack the replacement Tray 1 rollers](#)
- [Step 3: Install the Tray 1 rollers](#)


Introduction

This document provides the procedures to remove and replace the Tray 1 rollers.

Before performing service

Turn the printer power off

- Disconnect the power cable.

 **WARNING!** To avoid damage to the printer, turn the printer off, wait 30 seconds, and then remove the power cord before attempting to service the printer.

Use the table below to identify the correct part number for your printer. To order the part, go to www.hp.com/buy/parts.

Tray 1 rollers part number

E6B67-67906

Tray 1 rollers with instruction guide

Required tools

- #2 Phillips screwdriver with a magnetic tip

After performing service

Turn the printer power on


- Connect the power cable.
- Use the power switch to turn the power on.

Post service test

Make sure that the printer initializes to a **Ready** state.

Print a configuration page to make sure that the printer is functioning correctly.

Step 1: Remove the Tray 1 rollers

 **CAUTION:** When handling the rollers, avoid touching the roller surfaces. Skin oils and fingerprints on a roller surface can cause print-quality problems.

1. Open the front cover.

Figure 1-136 Open the front cover



2. Rotate the spring-loaded cover downward to gain access to the separation roller.


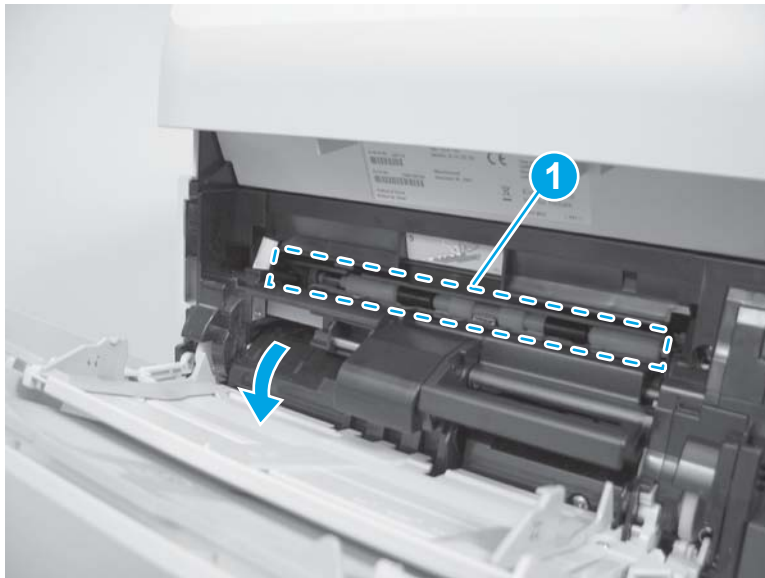
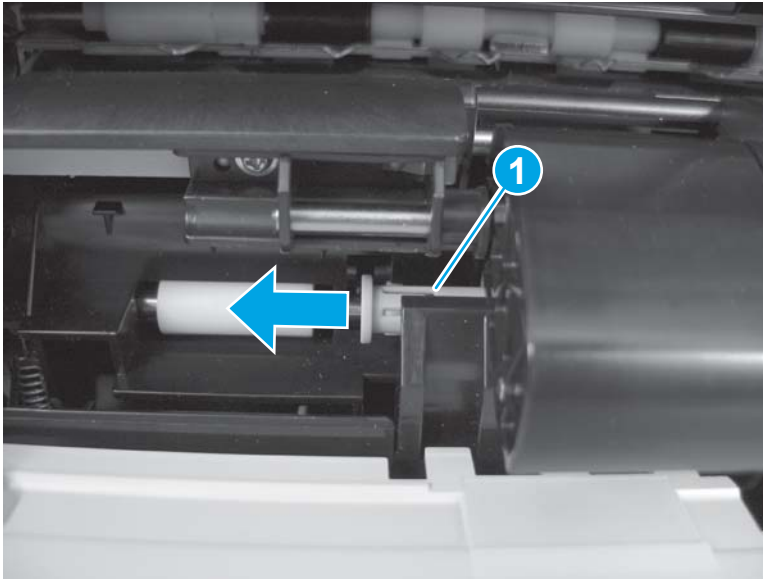
 **NOTE:** The envelope feeder cover is not shown in this figure. The cover might be installed in this area (callout 1) on some printers.

Figure 1-137 Open the separation roller cover



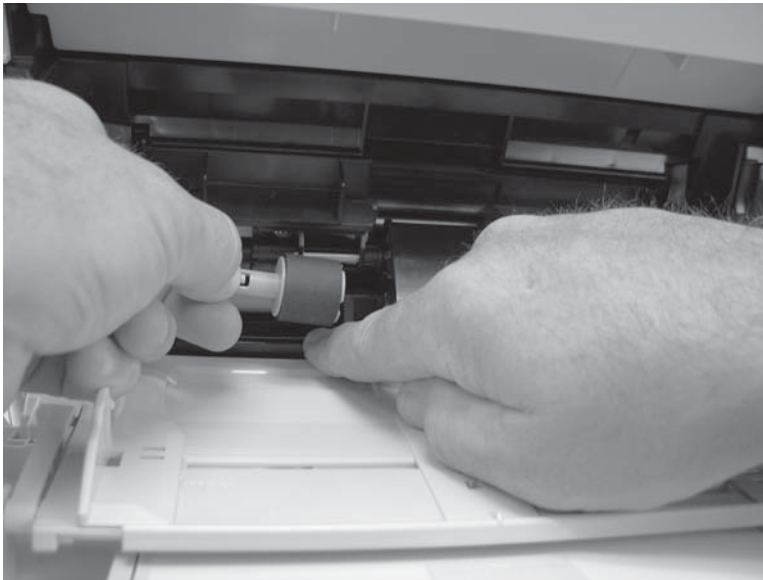
3. Slide the separation roller (callout 1) to the left.

Figure 1-138 Slide the separation roller



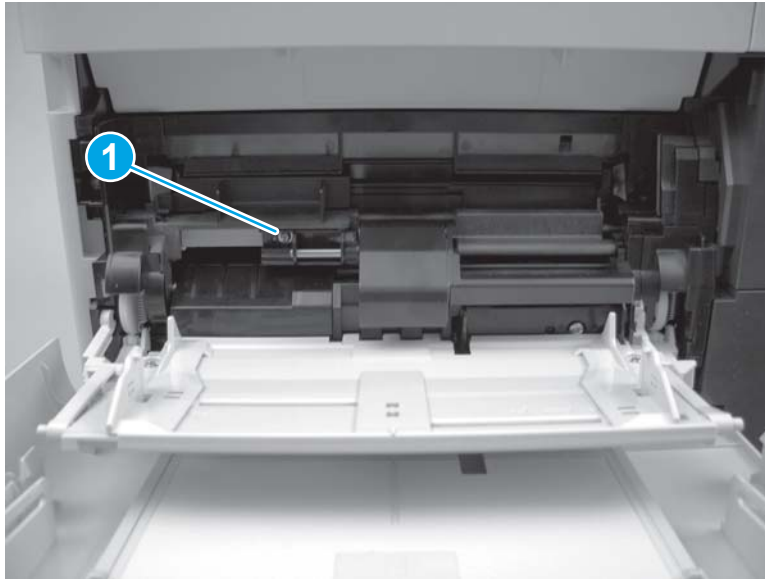
4. Remove the separation roller.

Figure 1-139 Remove the separation roller



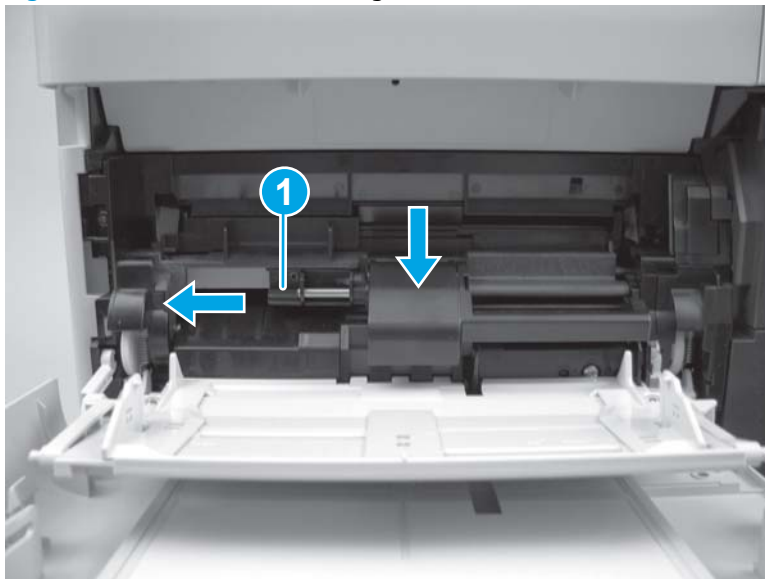
5. Remove one screw (callout 1).

Figure 1-140 Remove one screw



6. Push down on the roller-shaft bushing (callout 1) to release two alignment pins, and then slide the bushing to the left and off of the shaft to remove it.

Figure 1-141 Remove the bushing



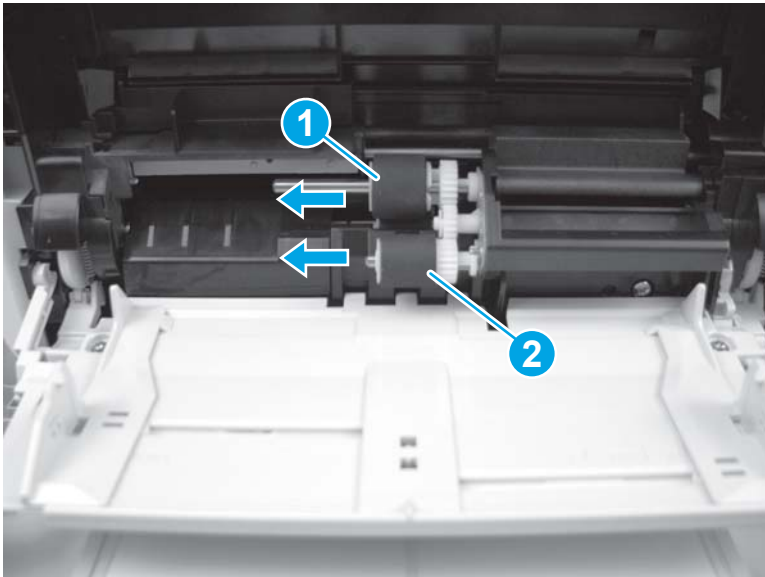
7. Slide the Tray 1 rollers cover slightly to the left to release it, and then lift the cover up to remove it.

Figure 1-142 Remove the cover



8. Slide the Tray 1 pickup roller (callout 1) and the feed roller (callout 2) to the left and off of the shafts to remove them.

Figure 1-143 Remove the Tray 1 pickup and feed rollers



Step 2: Unpack the replacement Tray 1 rollers

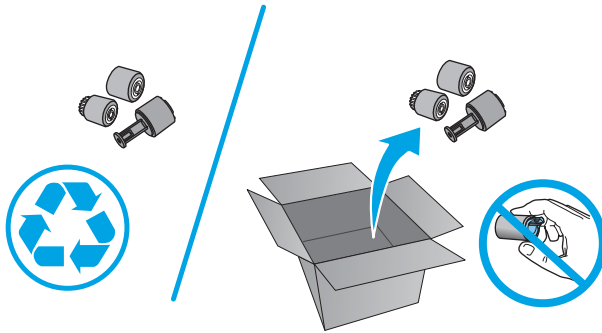
Unpack the replacement parts from the packaging.

<http://www8.hp.com/us/en/hp-information/environment/product-recycling.html>



NOTE: HP recommends responsible disposal of the defective parts.

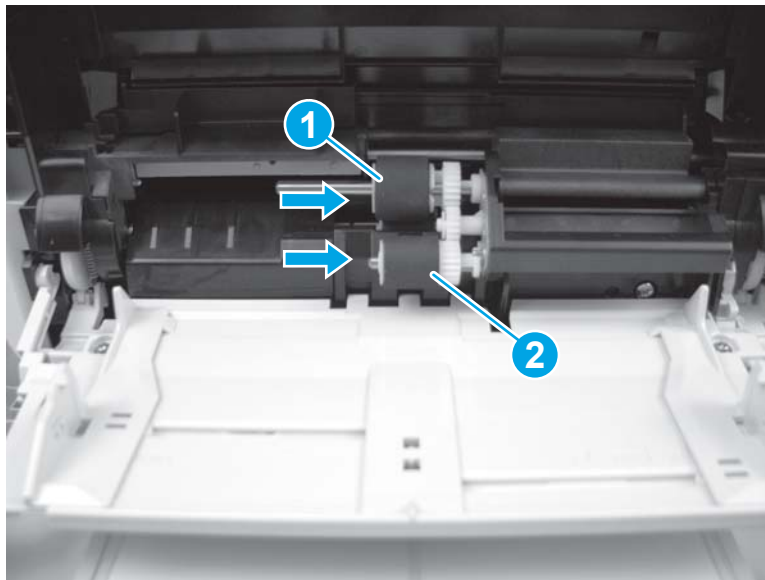
Figure 1-144 Recycle and unpack




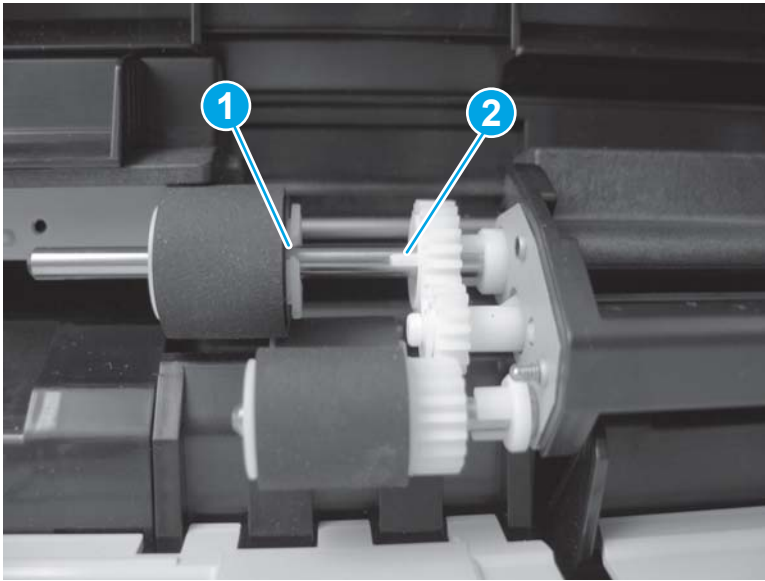
Step 3: Install the Tray 1 rollers

1. Slide the Tray 1 pickup roller (callout 1) and the feed roller (callout 2) to the right and onto the shafts to install them.

Figure 1-145 Install the Tray 1 pickup and feed rollers

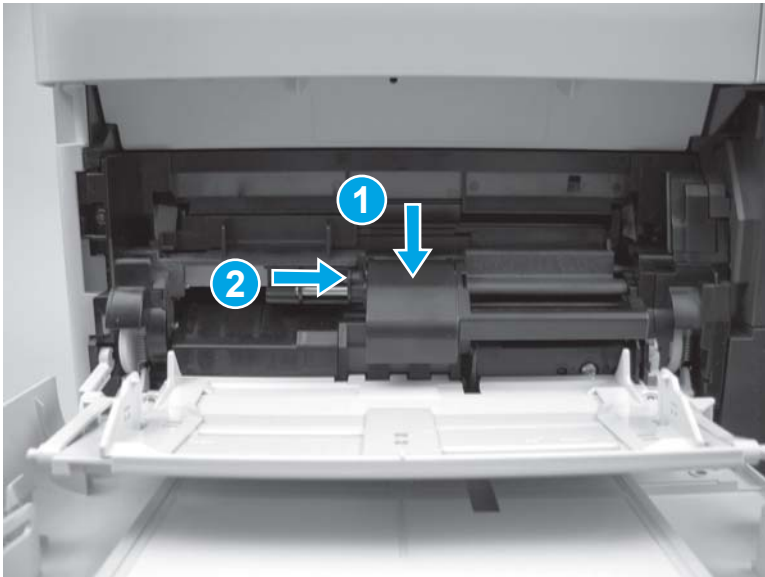


 **TIP:** The pickup roller must fit over the drive tabs (callout 1) on the roller-drive gear (callout 2).



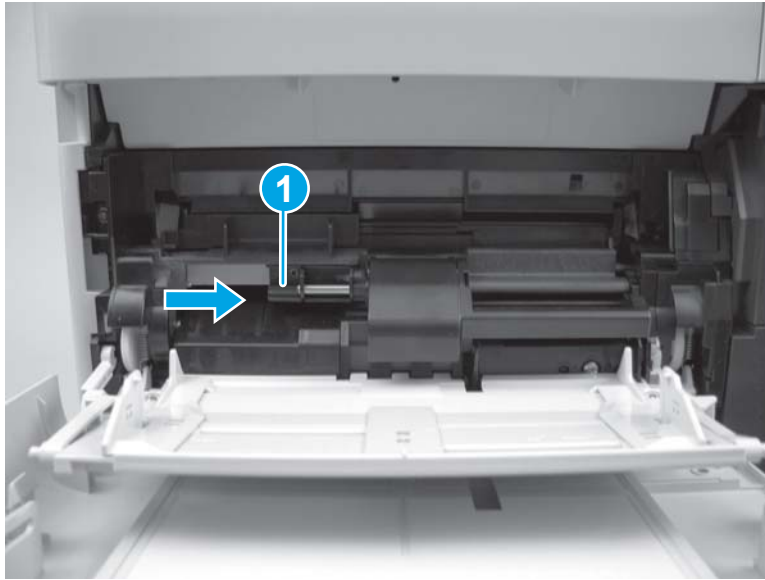
2. Position the Tray 1 rollers cover over the pickup and feed rollers (callout 1), and then slide the cover to the right (callout 2) to install it.

Figure 1-146 Remove the cover



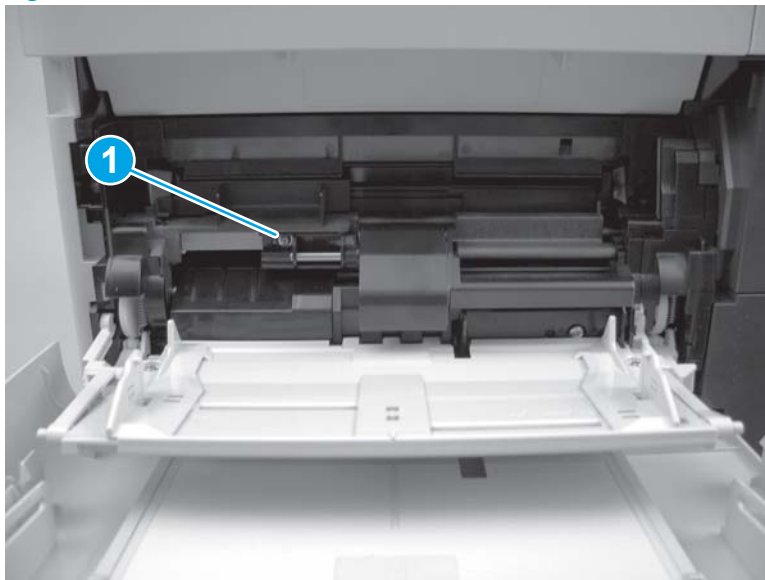
3. Slide the roller-shaft bushing (callout 1) to the right and onto the shaft to install it.

Figure 1-147 Install the bushing



4. Install one screw (callout 1).

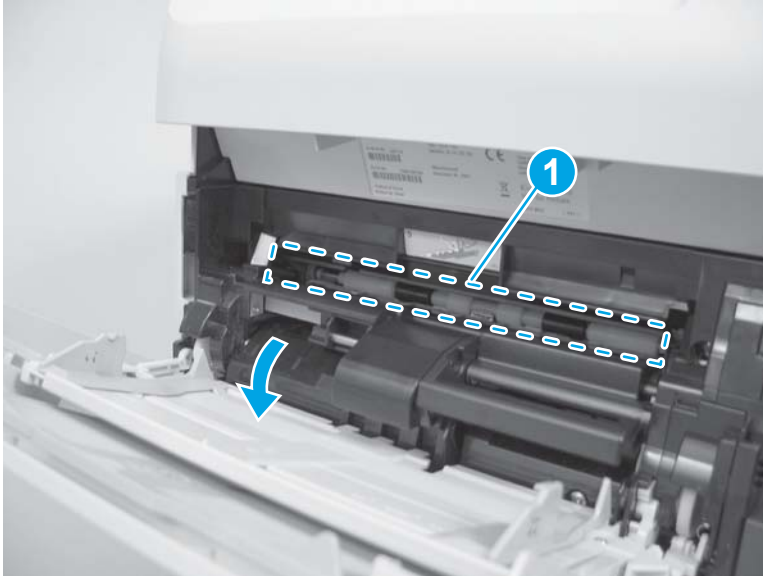
Figure 1-148 Install one screw



5. Rotate the spring-loaded cover downward.

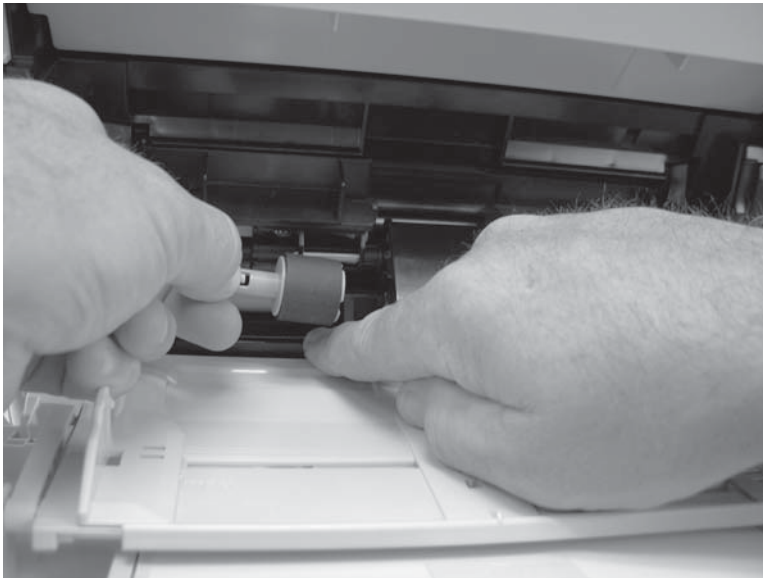
 **NOTE:** The envelope feeder cover is not shown in this figure. The cover might be installed in this area (callout 1) on some printers.

Figure 1-149 Open the separation roller cover



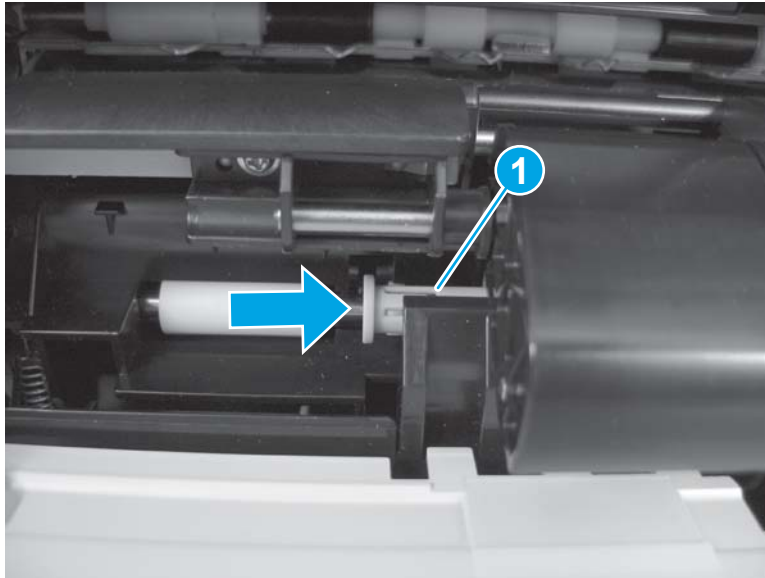
6. Position the separation roller onto the shaft.

Figure 1-150 Position the separation roller



7. Slide the separation roller (callout 1) to the right until it clicks into place.

Figure 1-151 Install the separation roller



8. Close the front cover.

Figure 1-152 Close the front cover



Field replaceable units (FRUs)

Removal and replacement: External panels, covers, and doors

- [Removal and replacement: Envelope feeder cover](#)
- [Removal and replacement: Duplex accessory cover](#)
- [Removal and replacement: Top accessory cover](#)
- [Removal and replacement: Rear output bin](#)
- [Removal and replacement: Formatter cover](#)
- [Removal and replacement: Tray 2 extension door](#)
- [Removal and replacement: Front cover](#)
- [Removal and replacement: Hardware integration pocket \(HIP\) cover](#)
- [Removal and replacement: Right cover](#)
- [Removal and replacement: Left cover](#)
- [Removal and replacement: Right front cover](#)
- [Removal and replacement: Right rear cover](#)
- [Removal and replacement: Top cover \(M605x, M606x\)](#)
- [Removal and replacement: Top cover \(M604n/dn, M605n/dn, M606dn\)](#)
- [Removal and replacement: Control panel \(M604n/dn, M605n/dn, M606dn\)](#)

Removal and replacement: Envelope feeder cover

- [Introduction](#)
- [Step 1: Remove the envelope feeder cover](#)
- [Step 3: Unpack the replacement envelope feeder cover](#)
- [Step 3: Install the envelope feeder cover](#)

Introduction

This document provides the procedures to remove and replace the envelope feeder cover.



NOTE: The printer might appear different from some of the figures below; however, the procedures in this section are correct for this printer.

Before performing service

Use the table below to identify the correct part number for your printer. To order the part, go to www.hp.com/buy/parts.

Envelope feeder cover part number	
RL1-1667-000CN	Envelope feeder cover

Required tools

- No special tools are required to install this part.

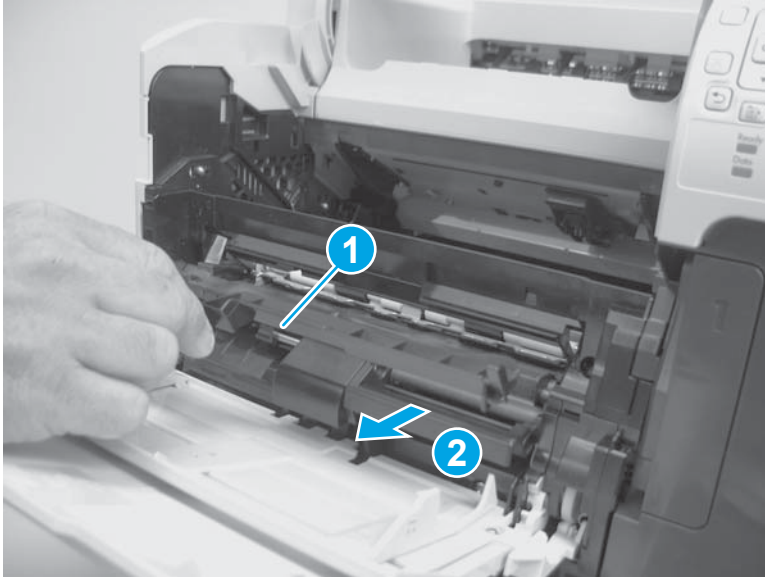
After performing service

Make sure that the envelope feeder cover is fully seated after replacing it.

Step 1: Remove the envelope feeder cover

- ▲ Open the front cover. Grasp the envelope feeder cover (callout 1), and then pull it straight out of the printer (callout 2) to remove it.

Figure 1-153 Remove the envelope feeder cover



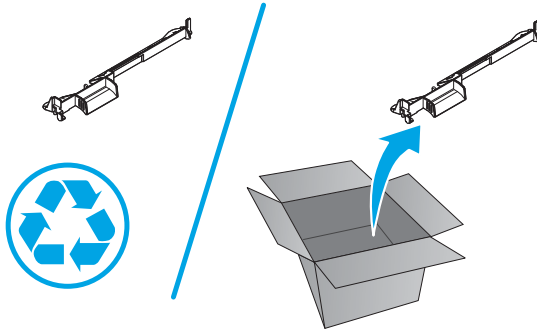
Step 3: Unpack the replacement envelope feeder cover

Unpack the replacement part from the packaging.

<http://www8.hp.com/us/en/hp-information/environment/product-recycling.html>

 **NOTE:** HP recommends responsible disposal of the defective part.

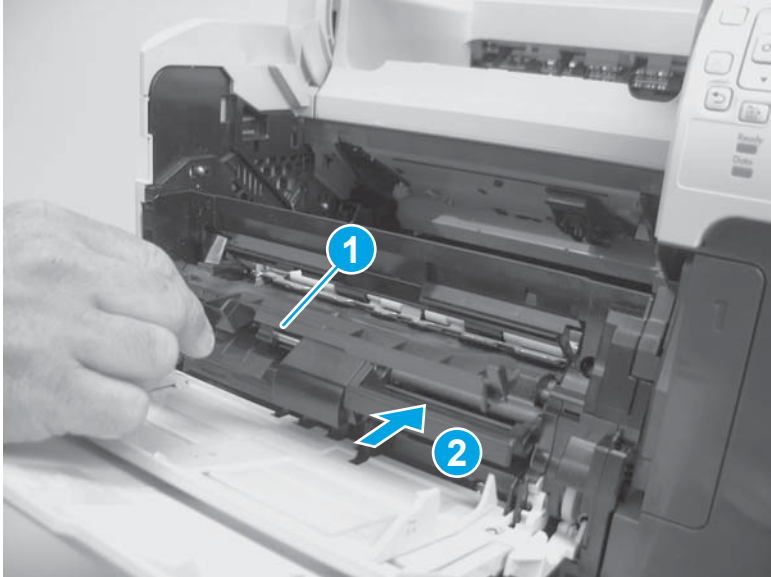
Figure 1-154 Recycle and unpack



Step 3: Install the envelope feeder cover

- ▲ Grasp the envelope feeder cover (callout 1), and then push it straight onto the printer (callout 2) to install it.

Figure 1-155 Install the envelope feeder cover



Removal and replacement: Duplex accessory cover

- [Introduction](#)
- [Step 1: Remove the duplex accessory cover](#)
- [Step 2: Unpack the replacement duplex accessory cover](#)
- [Step 3: Install the duplex accessory cover](#)

Introduction

This document provides the procedures to remove and replace the duplex accessory cover.

Before performing service

Use the table below to identify the correct part number for your printer. To order the part, go to www.hp.com/buy/parts.

Duplex accessory cover part number	
RM2-6310-000CN	Duplex accessory cover

Required tools

- No special tools are required to install this part.

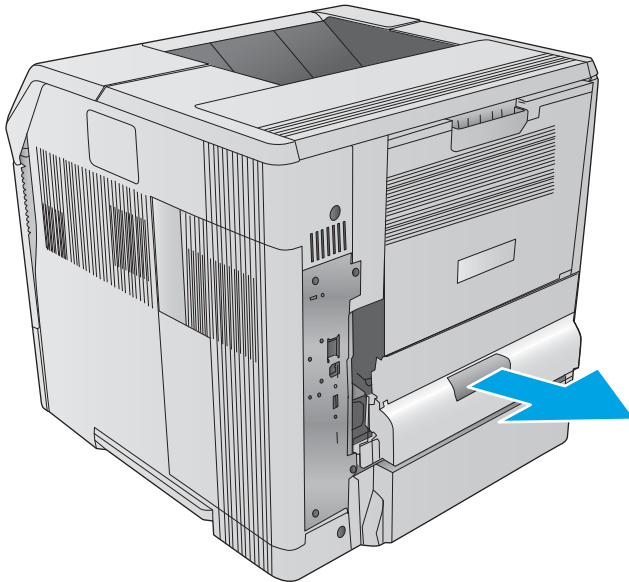
After performing service

Make sure that the duplex accessory cover is fully seated after replacing it.

Step 1: Remove the duplex accessory cover

- ▲ Pull the duplex accessory cover straight out of the printer to remove it.

Figure 1-156 Remove the duplex accessory cover



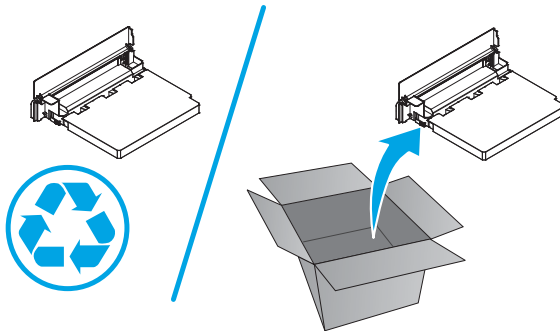
Step 2: Unpack the replacement duplex accessory cover

Unpack the replacement part from the packaging.

<http://www8.hp.com/us/en/hp-information/environment/product-recycling.html>

 **NOTE:** HP recommends responsible disposal of the defective part.

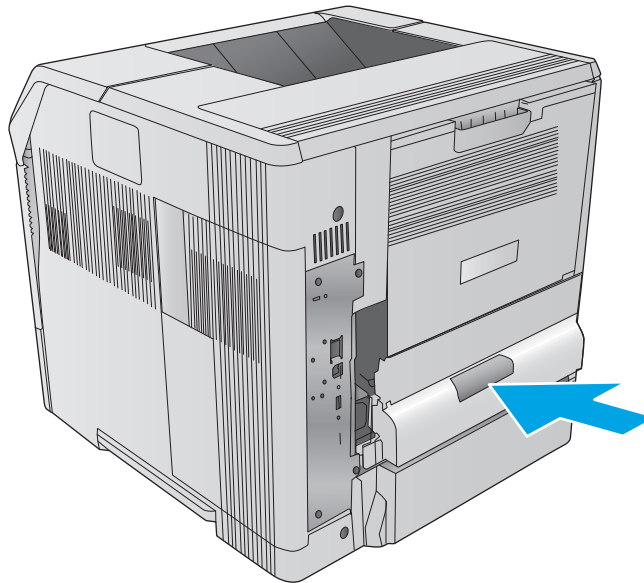
Figure 1-157 Recycle and unpack



Step 3: Install the duplex accessory cover

- ▲ Slide the duplex accessory cover straight into the printer to install it.

Figure 1-158 Install the duplex accessory cover



Removal and replacement: Top accessory cover

- [Introduction](#)
- [Step 1: Remove the top accessory cover](#)
- [Step 2: Unpack the replacement top accessory cover](#)
- [Step 3: Install the top accessory cover](#)

Introduction

This document provides the procedures to remove and replace the top accessory cover.



NOTE: The printer might appear different from some of the figures below; however, the procedures in this section are correct for this printer.

Before performing service

Turn the printer power off

- Disconnect the power cable.

WARNING! To avoid damage to the printer, turn the printer off, wait 30 seconds, and then remove the power cord before attempting to service the printer.

Use the table below to identify the correct part number for your printer. To order the part, go to www.hp.com/buy/parts.

Top accessory cover part number	
RL2-1404-000CN	Top accessory cover

Required tools

- No special tools are required to install this part.

After performing service

Make sure that the top accessory cover is fully seated after replacing it.

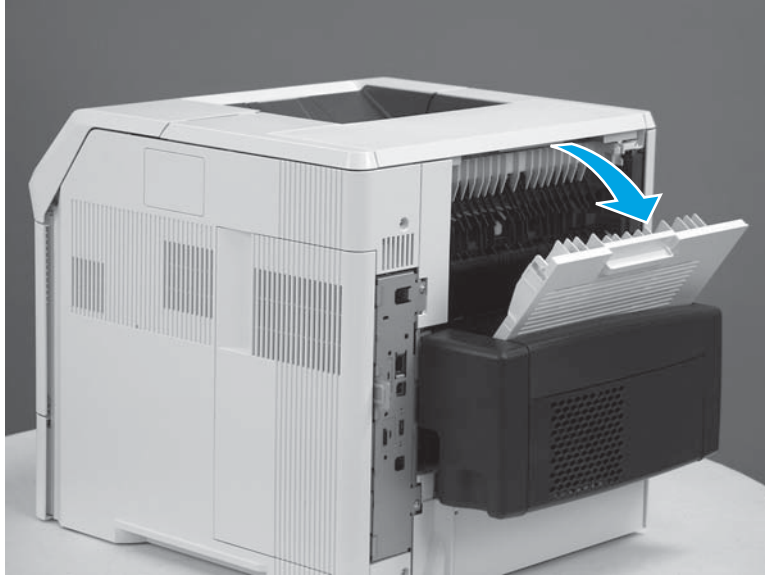
Turn the printer power on

- Connect the power cable.
- Use the power switch to turn the power on.

Step 1: Remove the top accessory cover

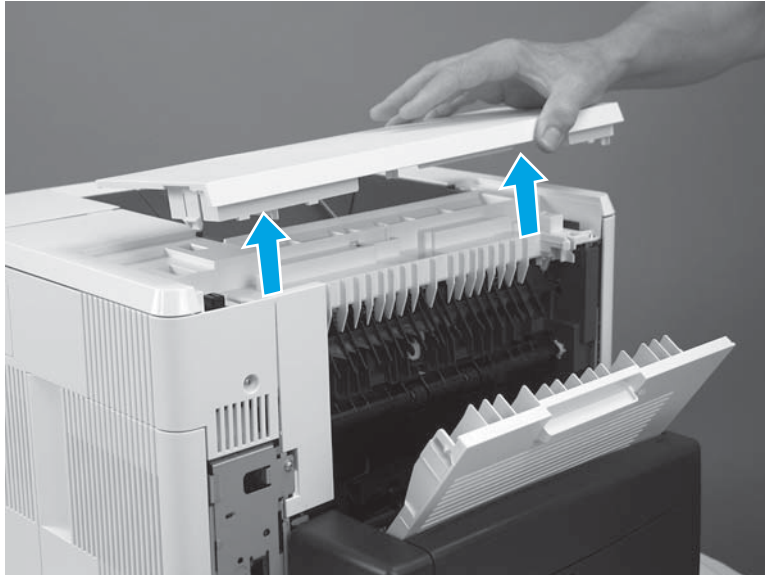
1. Open the rear output bin.

Figure 1-159 Open the rear output bin



2. Lift the top accessory cover up and off of the printer.

Figure 1-160 Remove top accessory cover



Step 2: Unpack the replacement top accessory cover

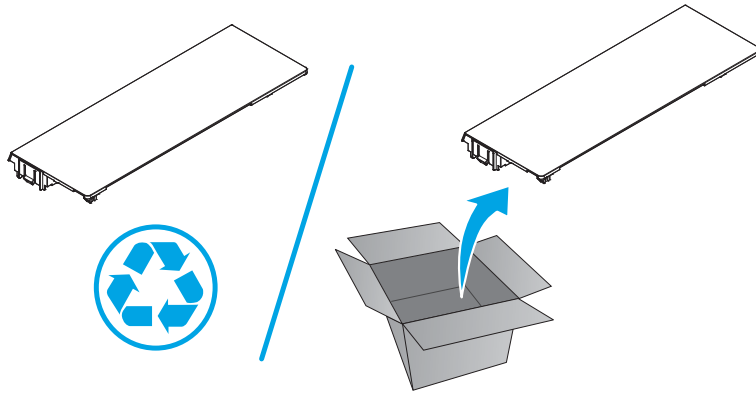
Unpack the replacement part from the packaging.

<http://www8.hp.com/us/en/hp-information/environment/product-recycling.html>



NOTE: HP recommends responsible disposal of the defective part.

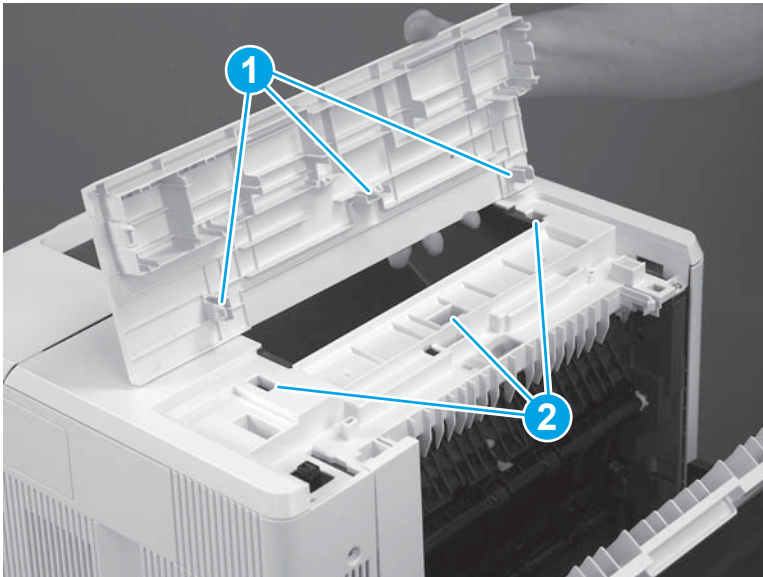
Figure 1-161 Recycle and unpack



Step 3: Install the top accessory cover

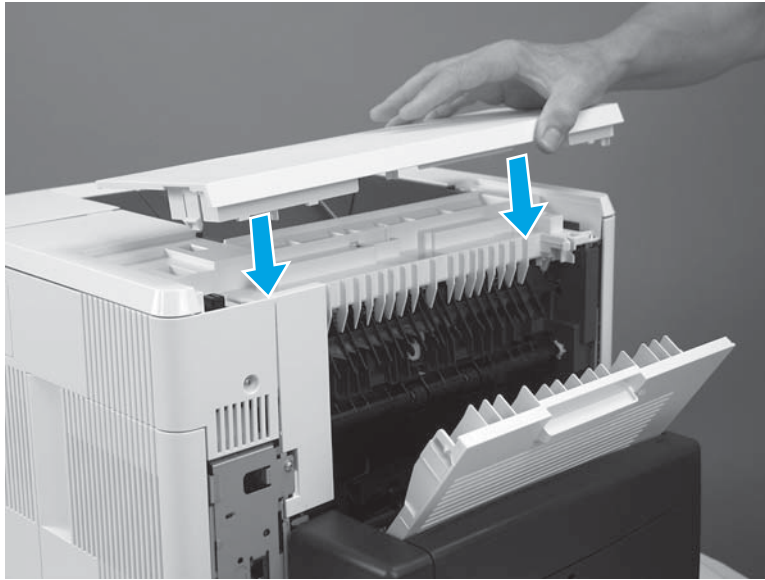
1. Align the tabs (callout 1) on the top accessory cover with the slots (callout 2) in the top cover.

Figure 1-162 Align the tabs and slots



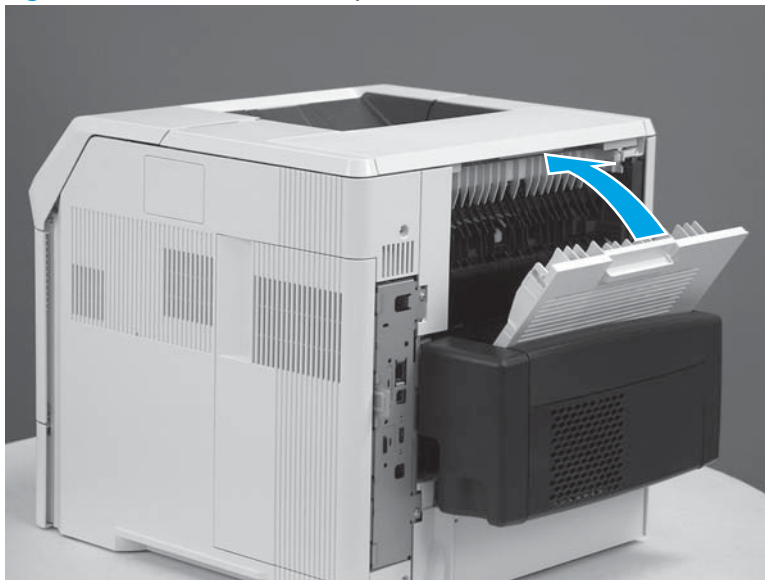
2. Place the top accessory on top of the printer, and then press down to install it.

Figure 1-163 Install the top accessory cover



3. Close the rear output bin.

Figure 1-164 Close the rear output bin



Removal and replacement: Rear output bin

- [Introduction](#)
- [Step 1: Remove the duplex accessory](#)
- [Step 2: Remove the duplex accessory cover](#)
- [Step 3: Remove the rear output bin](#)
- [Step 4: Unpack the replacement rear output bin](#)
- [Step 5: Install the rear output bin](#)
- [Step 6: Install the duplex accessory cover](#)
- [Step 7: Install the duplex accessory](#)

Introduction

This document provides the procedures to remove and replace the rear output bin.




NOTE: The printer might appear different from some of the figures below; however, the procedures in this section are correct for this printer.

Before performing service

Turn the printer power off

- Disconnect the power cable.

 **WARNING!** To avoid damage to the printer, turn the printer off, wait 30 seconds, and then remove the power cord before attempting to service the printer.

Use the table below to identify the correct part number for your printer. To order the part, go to www.hp.com/buy/parts.

Rear output bin part number	
RM2-6298-000CN	Rear output bin

Required tools

- No special tools are required to install this part.

After performing service

Make sure that the rear output bin is fully seated after replacing it.

Turn the printer power on


- Connect the power cable.
- Use the power switch to turn the power on.

Post service test

Make sure that the printer initializes to a **Ready** state.

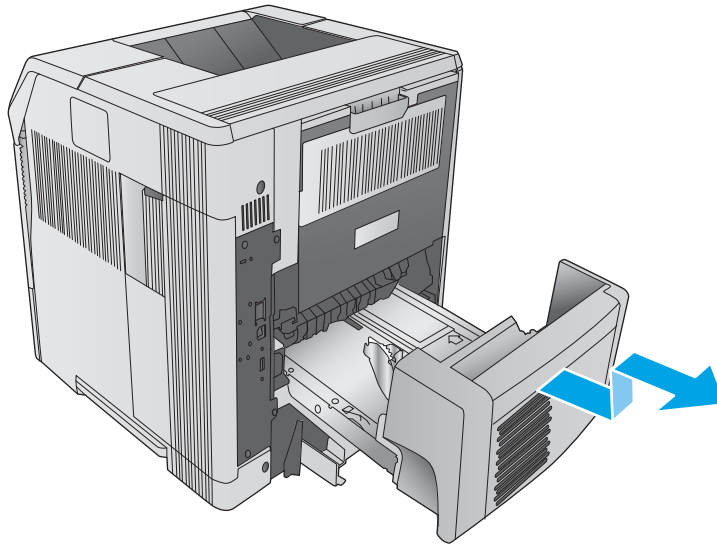
Print a page and send it to the rear output bin to make sure that the printer is functioning correctly.

Step 1: Remove the duplex accessory


 **NOTE:** If the optional duplex accessory is not installed, skip this step and go to [Step 2: Remove the duplex accessory cover on page 115](#).

- ▲ Slightly lift up on the duplex accessory, and then pull it completely out of the printer to remove it.

Figure 1-165 Remove the duplex accessory

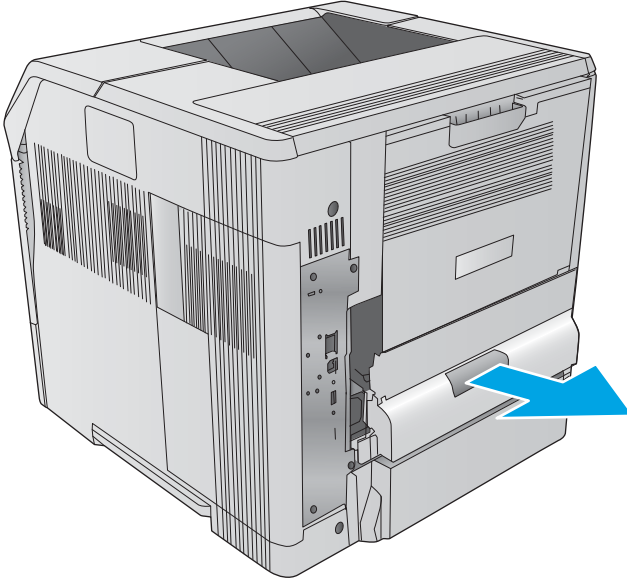


Step 2: Remove the duplex accessory cover

 **NOTE:** If the duplex accessory cover is not installed, skip this step and go to [Step 3: Remove the rear output bin on page 116](#).

- ▲ Pull the duplex accessory cover straight out of the printer to remove it.

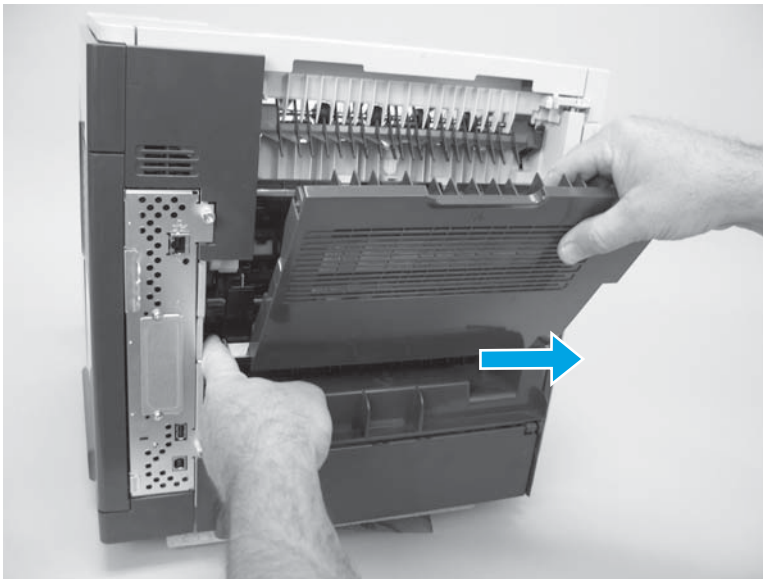
Figure 1-166 Remove the duplex accessory cover



Step 3: Remove the rear output bin

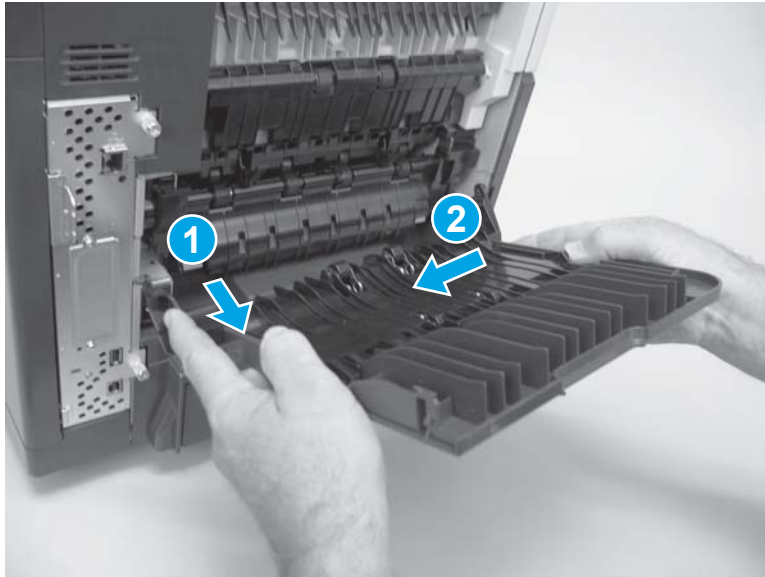
1. Open the rear output bin, and then squeeze the hinge pin out of its mounting hole.

Figure 1-167 Release the hinge pin



2. Rotate the output bin away from the printer (callout 1) until the right hinge pin is released, and then slide the output bin to the left (callout 2) to remove it.

Figure 1-168 Remove the output bin



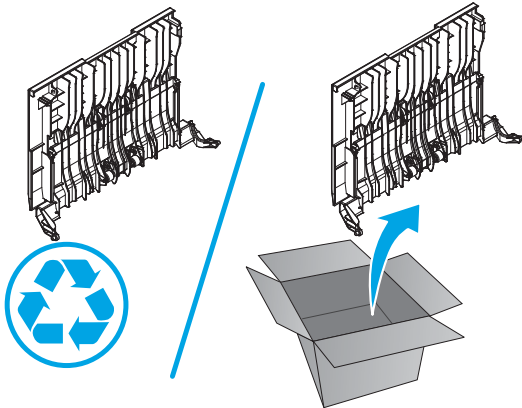
Step 4: Unpack the replacement rear output bin

Unpack the replacement part from the packaging.

<http://www8.hp.com/us/en/hp-information/environment/product-recycling.html>

 **NOTE:** HP recommends responsible disposal of the defective part.

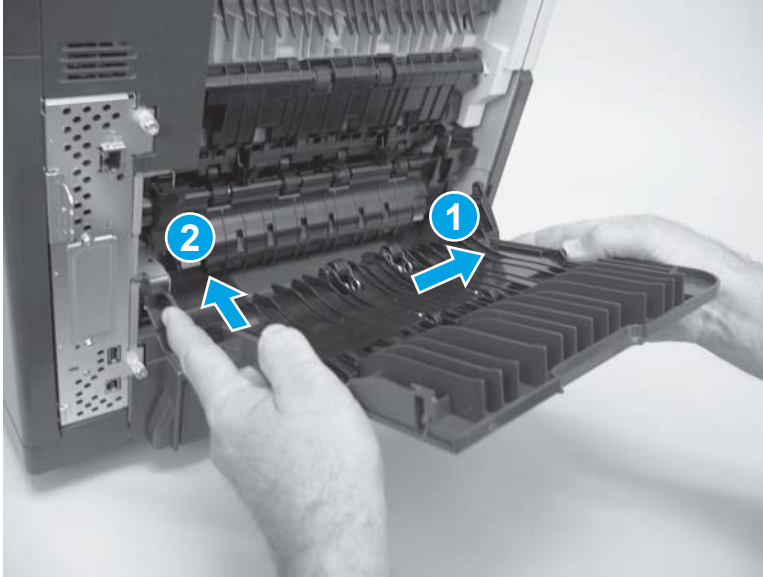
Figure 1-169 Recycle and unpack



Step 5: Install the rear output bin

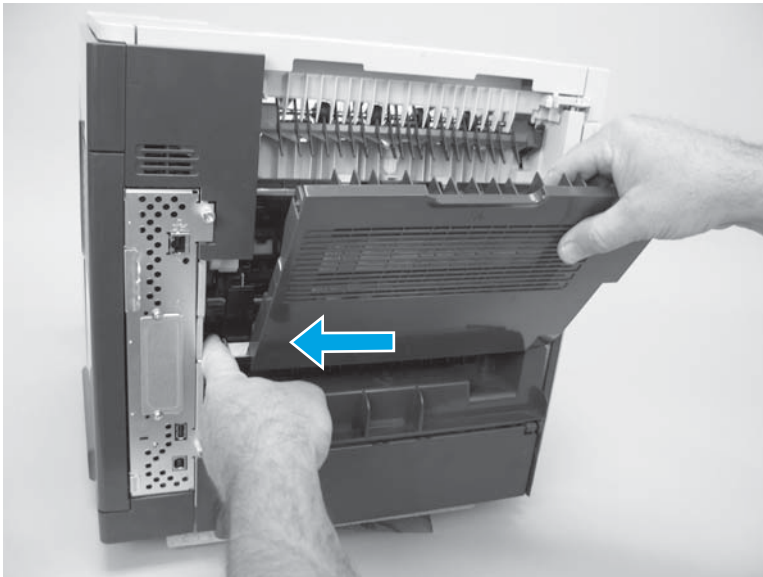
1. Install the right hinge pin (callout 1), and then rotate the output bin toward the printer (callout 2).

Figure 1-170 Position the output bin




2. Make sure that the left hinge pin is installed in the mounting hole.

Figure 1-171 Install left hinge pin

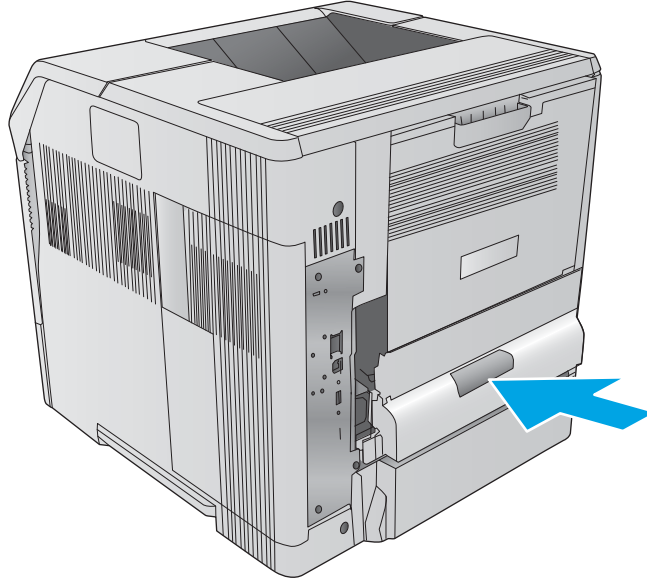


Step 6: Install the duplex accessory cover

 **NOTE:** If the duplex accessory cover was not removed, skip this step and go to [Step 7: Install the duplex accessory on page 119](#).

- ▲ Slide the duplex accessory cover straight into the printer to install it.

Figure 1-172 Install the duplex accessory cover

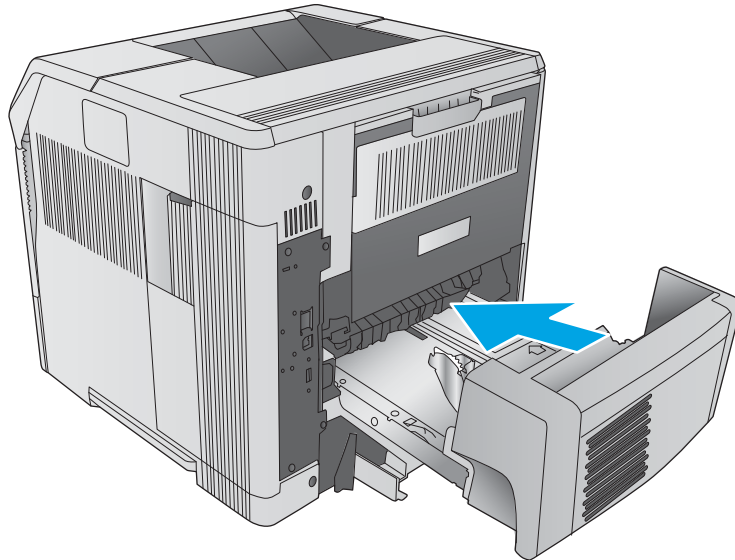


Step 7: Install the duplex accessory

 **NOTE:** If the optional duplex accessory was not removed, skip this step.

- ▲ Slide the duplex accessory straight into the printer to install it.

Figure 1-173 Install the duplex accessory



Removal and replacement: Formatter cover

- [Introduction](#)
- [Step 1: Remove the formatter cover](#)
- [Step 2: Unpack the replacement formatter cover](#)
- [Step 3: Install the formatter cover](#)


Introduction

This document provides the procedures to remove and replace the formatter cover.

Before performing service

Turn the printer power off

- Disconnect the power cable.

 **WARNING!** To avoid damage to the printer, turn the printer off, wait 30 seconds, and then remove the power cord before attempting to service the printer.

Use the table below to identify the correct part number for your printer. To order the part, go to www.hp.com/buy/parts.

Formatter cover part number

RC4-5802-000CN

Formatter cover

Required tools

- No special tools are required to install this part.

After performing service

Make sure that the formatter cover is fully seated after replacing it.

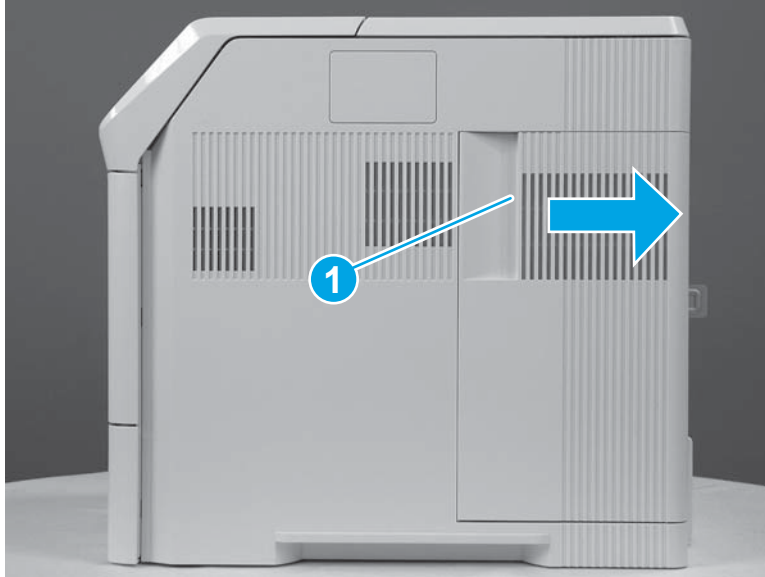
Turn the printer power on

- Connect the power cable.
- Use the power switch to turn the power on.

Step 1: Remove the formatter cover

- ▲ Grasp the handle on the formatter cover (callout 1), and then slide the cover toward the rear of the printer to remove it.

Figure 1-174 Remove the formatter cover



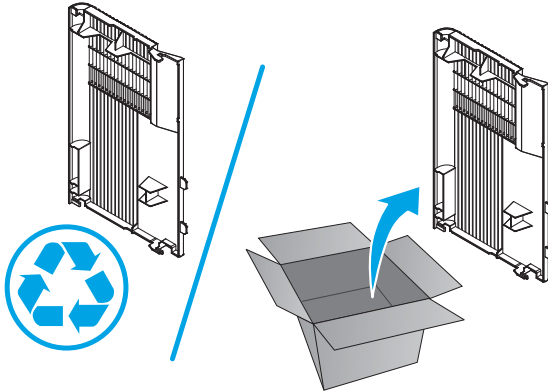
Step 2: Unpack the replacement formatter cover

Unpack the replacement part from the packaging.

<http://www8.hp.com/us/en/hp-information/environment/product-recycling.html>

 **NOTE:** HP recommends responsible disposal of the defective part.

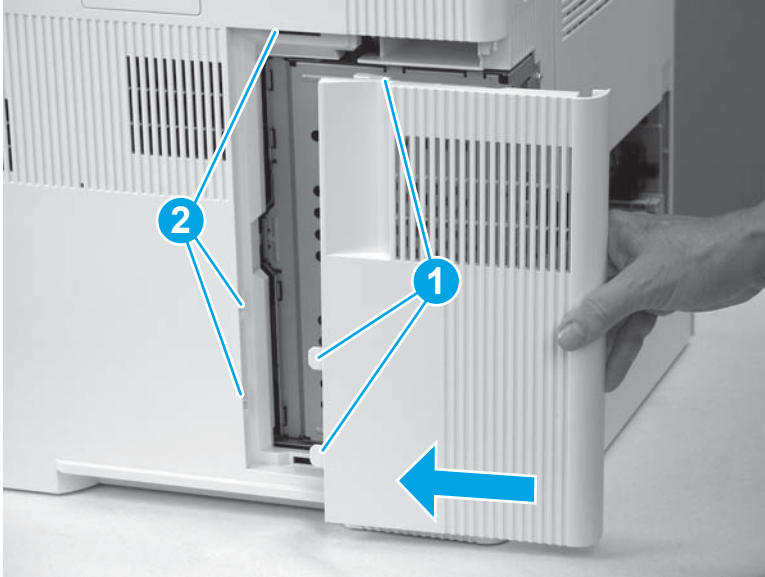
Figure 1-175 Recycle and unpack



Step 3: Install the formatter cover

- ▲ Align the tabs (callout 1) on the formatter cover with the slots (callout 2) in the right cover, and then slide the formatter cover toward the front of the printer to install it.

Figure 1-176 Install the formatter cover



Removal and replacement: Tray 2 extension door

- [Introduction](#)
- [Step 1: Remove the duplex accessory](#)
- [Step 2: Remove the duplex accessory cover](#)
- [Step 3: Remove the Tray 2 extension door](#)
- [Step 4: Unpack the replacement Tray 2 extension door](#)
- [Step 5: Install the Tray 2 extension door](#)
- [Step 6: Install the duplex accessory cover](#)
- [Step 7: Install the duplex accessory](#)

Introduction

This document provides the procedures to remove and replace the Tray 2 extension door.



NOTE: The printer might appear different from some of the figures below; however, the procedures in this section are correct for this printer.

Before performing service

Turn the printer power off

- Disconnect the power cable.



WARNING! To avoid damage to the printer, turn the printer off, wait 30 seconds, and then remove the power cord before attempting to service the printer.

Use the table below to identify the correct part number for your printer. To order the part, go to www.hp.com/buy/parts.

Tray 2 extension door part number	
RC4-5872-000CN	Tray 2 extension door

Required tools

- No special tools are required to install this part.


After performing service

Make sure that the Tray 2 extension door is fully seated after replacing it.

Turn the printer power on

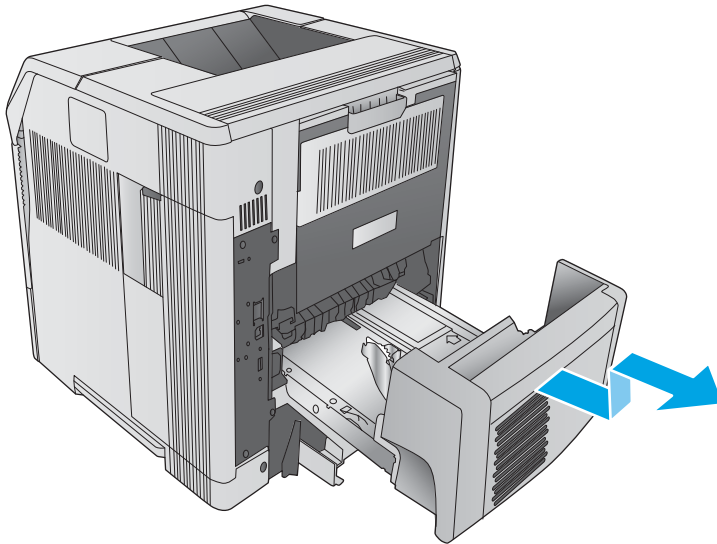
- Connect the power cable.
- Use the power switch to turn the power on.

Step 1: Remove the duplex accessory


 **NOTE:** If the optional duplex accessory is not installed, skip this step and go to [Step 2: Remove the duplex accessory cover on page 124](#).

- ▲ Slightly lift up on the duplex accessory, and then pull it completely out of the printer to remove it.

Figure 1-177 Remove the duplex accessory

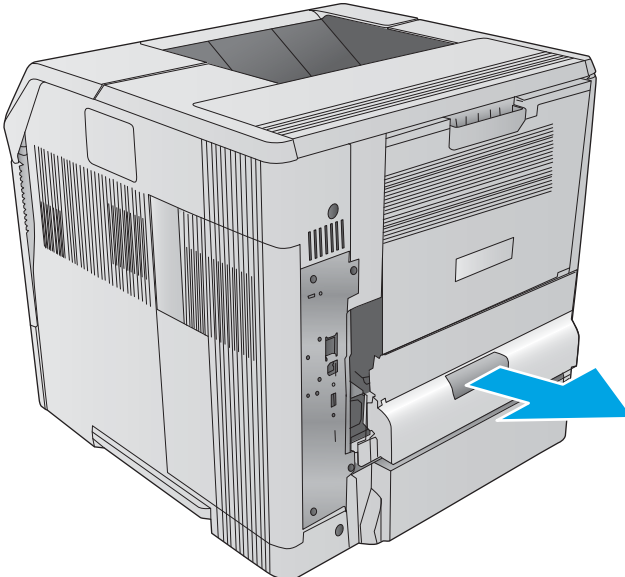


Step 2: Remove the duplex accessory cover

 **NOTE:** If the duplex accessory cover is not installed, skip this step and go to [Step 3: Remove the Tray 2 extension door on page 125](#).

- ▲ Pull the duplex accessory cover straight out of the printer to remove it.

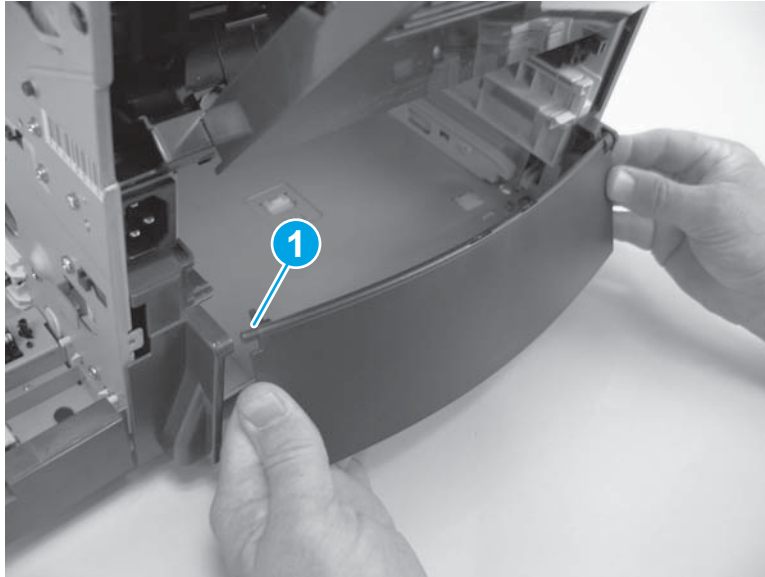
Figure 1-178 Remove the duplex accessory cover



Step 3: Remove the Tray 2 extension door

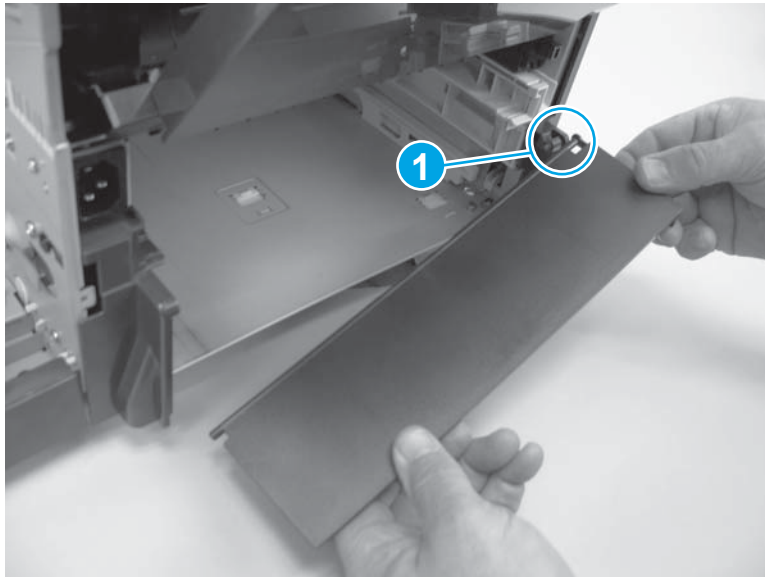
1. Carefully flex the Tray 2 extension door to release the hinge pin (callout 1) near the power-cord side of the printer.

Figure 1-179 Release the hinge pin



2. Rotate the Tray 2 extension door to the horizontal position, and then pull up on the keyed hinge pin (callout 1) to release the door. Remove the Tray 2 extension door.

Figure 1-180 Remove the Tray 2 extension door



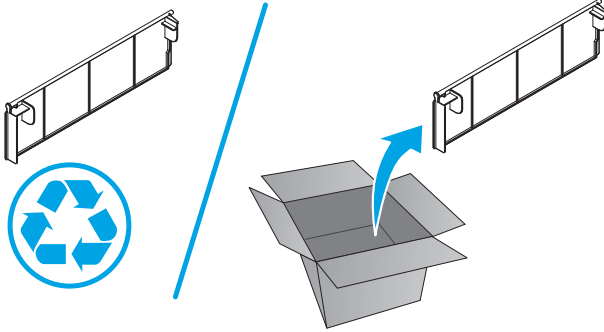
Step 4: Unpack the replacement Tray 2 extension door

Unpack the replacement part from the packaging.

<http://www8.hp.com/us/en/hp-information/environment/product-recycling.html>

 **NOTE:** HP recommends responsible disposal of the defective part.

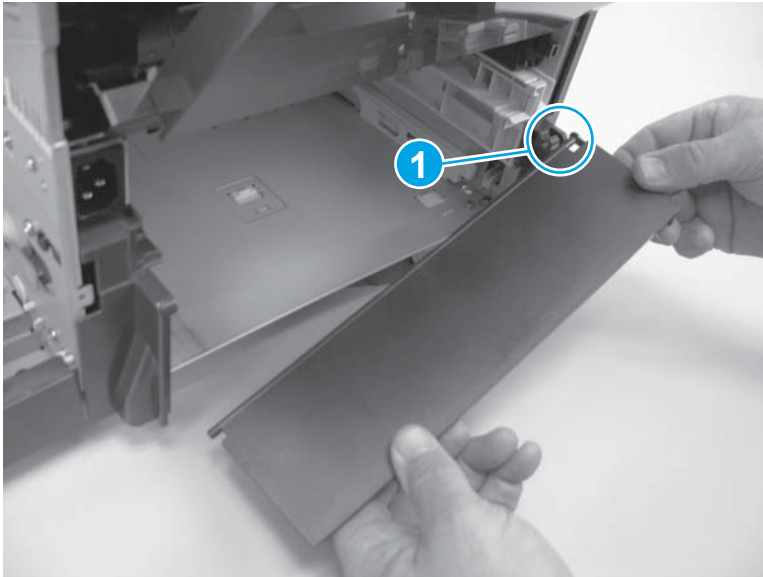
Figure 1-181 Recycle and unpack



Step 5: Install the Tray 2 extension door

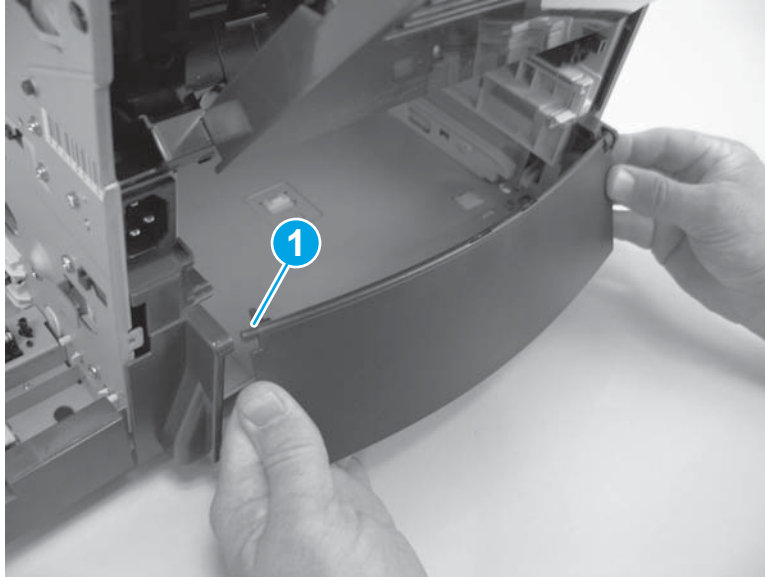
1. Rotate the Tray 2 extension door to the horizontal position, and then install the keyed hinge pin (callout 1).

Figure 1-182 Install the keyed hinge pin




2. Carefully flex the Tray 2 extension door, and then install the hinge pin (callout 1) near the power-cord side of the printer.

Figure 1-183 Install the hinge pin

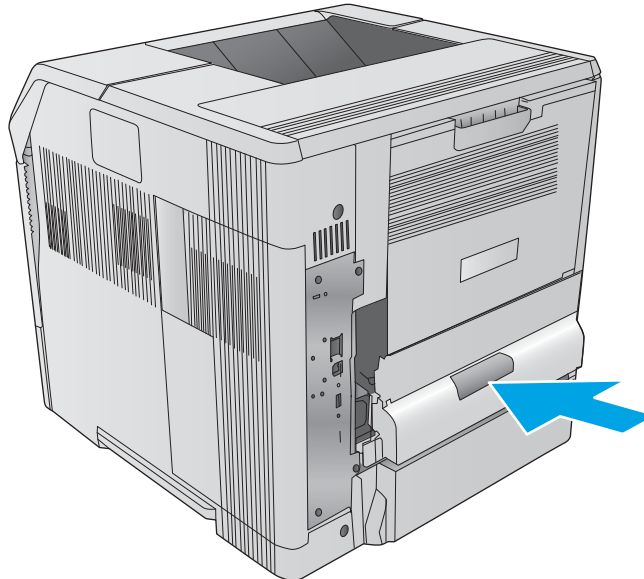


Step 6: Install the duplex accessory cover


 **NOTE:** If the duplex accessory cover was not removed, skip this step and go to [Step 7: Install the duplex accessory on page 127](#).

- ▲ Slide the duplex accessory cover straight into the printer to install it.

Figure 1-184 Install the duplex accessory cover

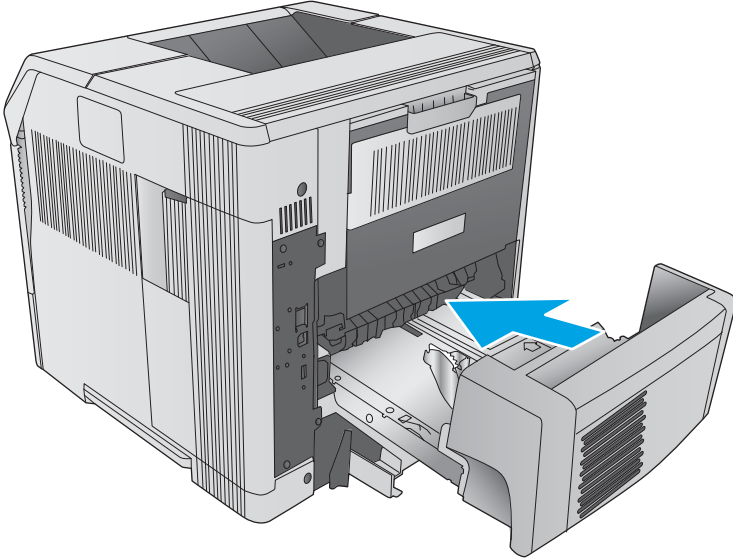


Step 7: Install the duplex accessory

 **NOTE:** If the optional duplex accessory was not removed, skip this step.

- ▲ Slide the duplex accessory straight into the printer to install it.

Figure 1-185 Install the duplex accessory



Removal and replacement: Front cover

- [Introduction](#)
- [Step 1: Remove the front cover](#)
- [Step 2: Unpack the replacement front cover](#)
- [Step 3: Install the front cover](#)

Introduction

This document provides the procedures to remove and replace the front cover.

Before performing service

Turn the printer power off

- Disconnect the power cable.

⚠ WARNING! To avoid damage to the printer, turn the printer off, wait 30 seconds, and then remove the power cord before attempting to service the printer.

Use the table below to identify the correct part number for your printer. To order the part, go to www.hp.com/buy/parts.

Front cover part number	
RM2-6314-000CN	Front cover

Required tools

- Needle-nose pliers

After performing service

Make sure that the front cover is fully seated after replacing it.

Turn the printer power on

- Connect the power cable.
- Use the power switch to turn the power on.

Post service test

Print a page from Tray 1 to verify that the front cover is installed correctly.

Step 1: Remove the front cover

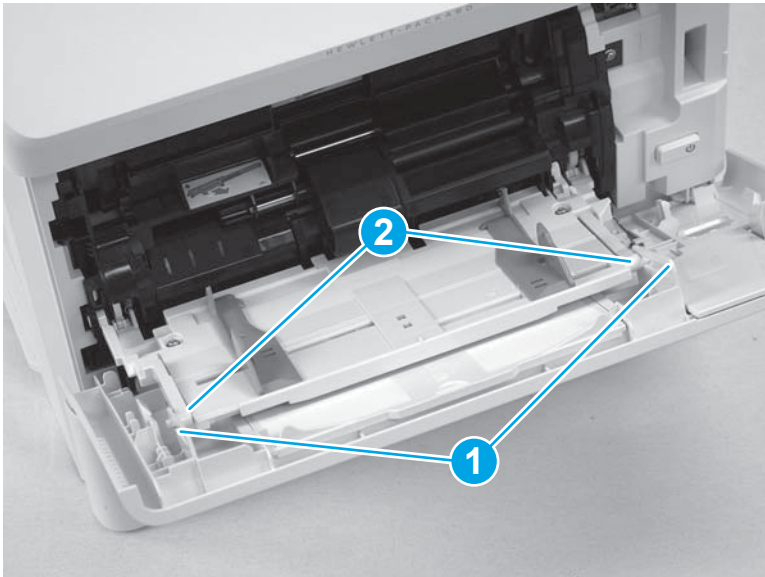
1. Open the front cover

Figure 1-186 Open the front cover



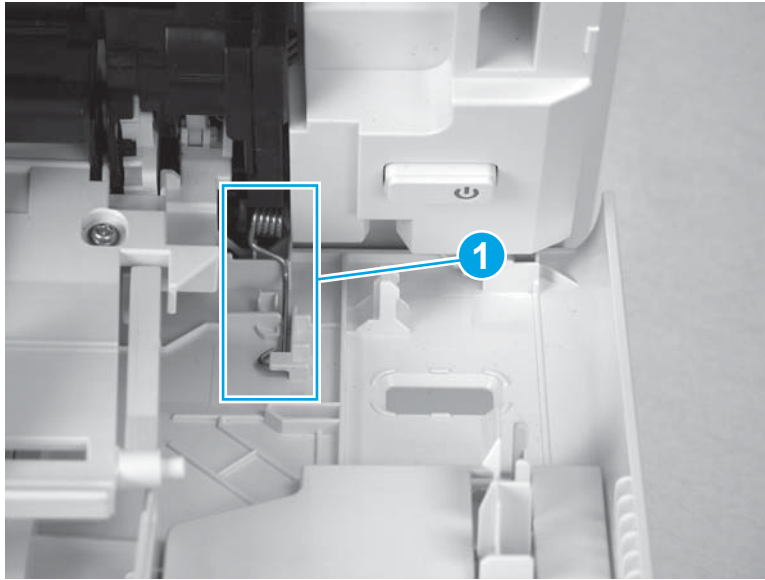
2. Gently pry the front-cover retainers (callout 1) off of the Tray 1 arms (callout 2).

Figure 1-187 Release retainers



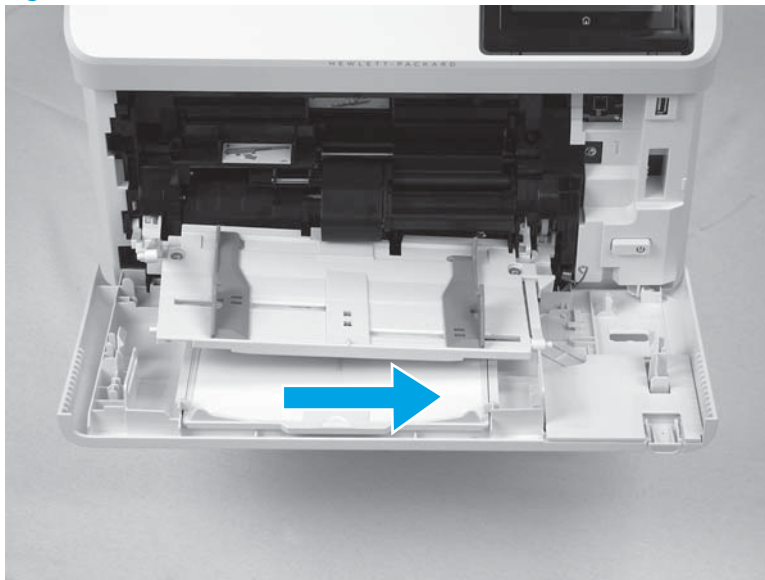
3. Use needle-nose pliers to release one spring (callout 1).

Figure 1-188 Release spring



4. Slide the front cover toward the right side of the printer to remove it.

Figure 1-189 Remove the cover



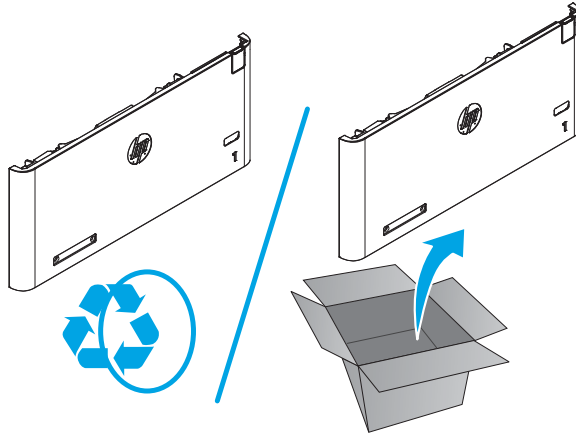
Step 2: Unpack the replacement front cover

Unpack the replacement part from the packaging.

<http://www8.hp.com/us/en/hp-information/environment/product-recycling.html>

 **NOTE:** HP recommends responsible disposal of the defective part.

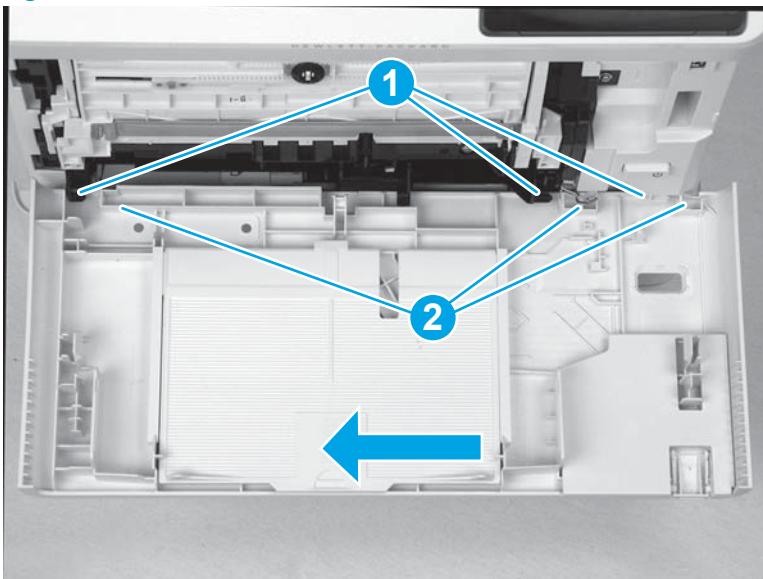
Figure 1-190 Recycle and unpack



Step 3: Install the front cover

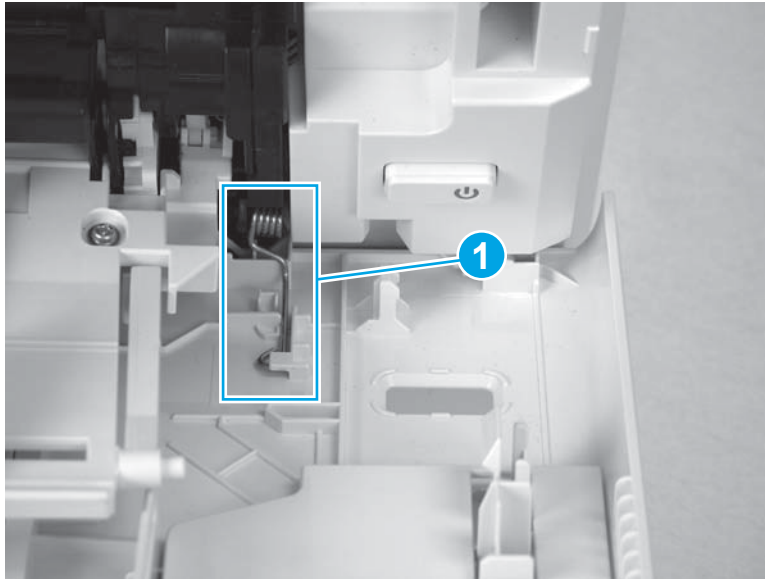
1. Align the pins (callout 1) on the printer with the holes (callout 2) on the front cover, and then slide the front cover toward the left side of the printer to install it.

Figure 1-191 Install the cover



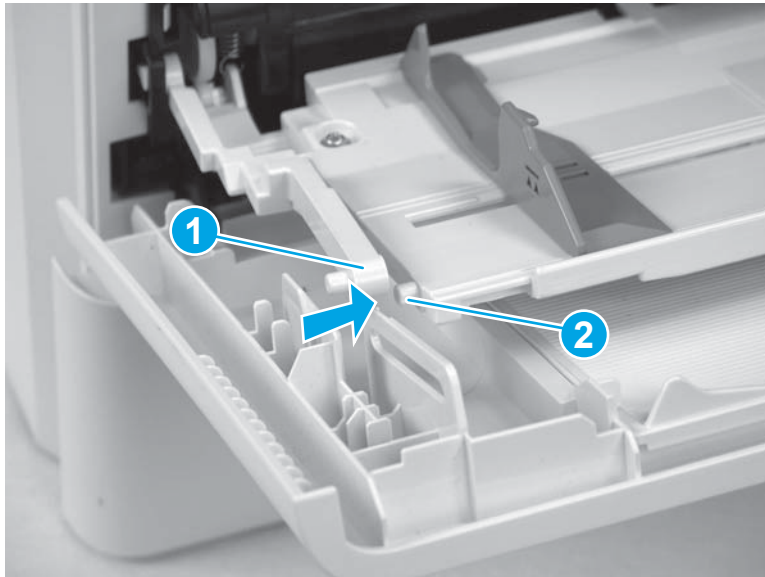
2. Use needle-nose pliers to install one spring (callout 1).

Figure 1-192 Install spring



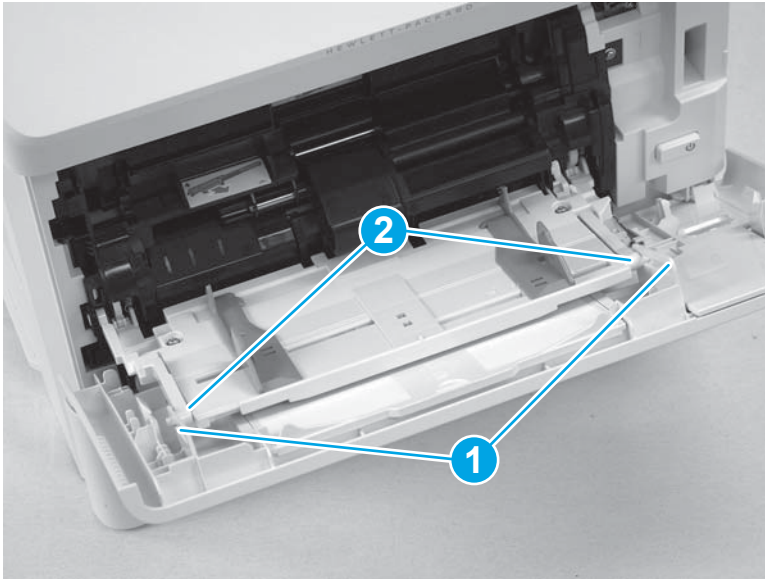
3. The hinge arm (callout 1) might become dislodged from the Tray 1 pin (callout 2). Make sure that the hinge arm fits securely on the pin.

Figure 1-193 Check arm installation



4. Gently flex the front-cover retainers (callout 1) outward to install them on the Tray 1 arms (callout 2).

Figure 1-194 Install retainers



Removal and replacement: Hardware integration pocket (HIP) cover

- [Introduction](#)
- [Step 1: Remove the HIP cover](#)
- [Step 3: Unpack the replacement HIP cover](#)
- [Step 4: Install the HIP cover](#)

Introduction

This document provides the procedures to remove and replace the hardware integration pocket (HIP) cover.

Before performing service

Use the table below to identify the correct part number for your printer. To order the part, go to www.hp.com/buy/parts.

HIP cover part number	
RC4-5803-000CN	HIP cover

Required tools

- Small flat-blade screwdriver

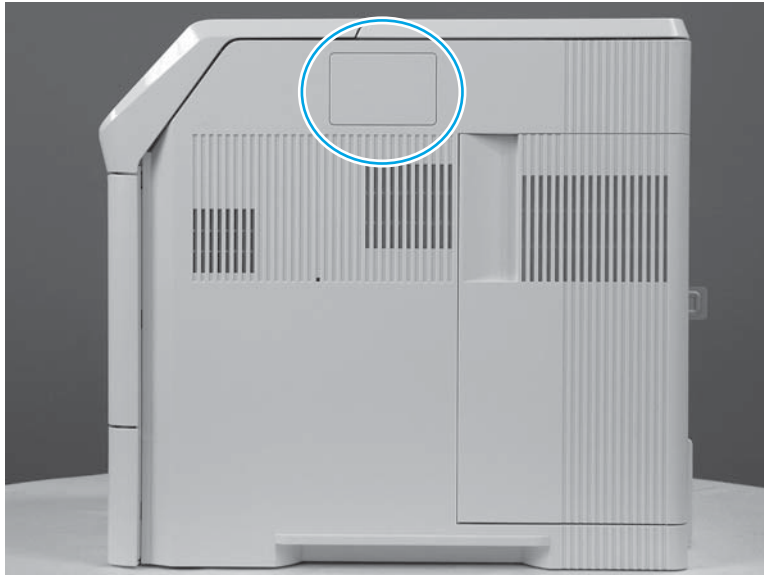
After performing service

Make sure that the HIP cover is fully seated after replacing it.

Step 1: Remove the HIP cover

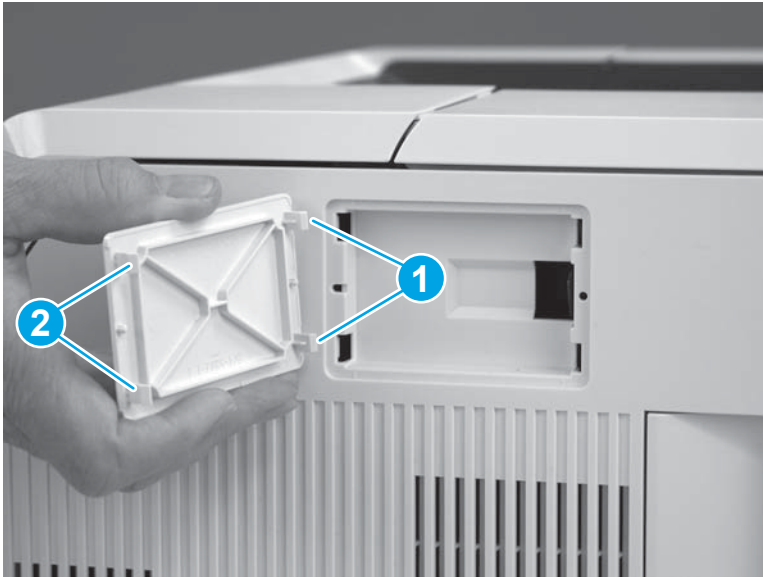
1. Locate the hardware integration pocket (HIP) cover.

Figure 1-195 Locate HIP cover



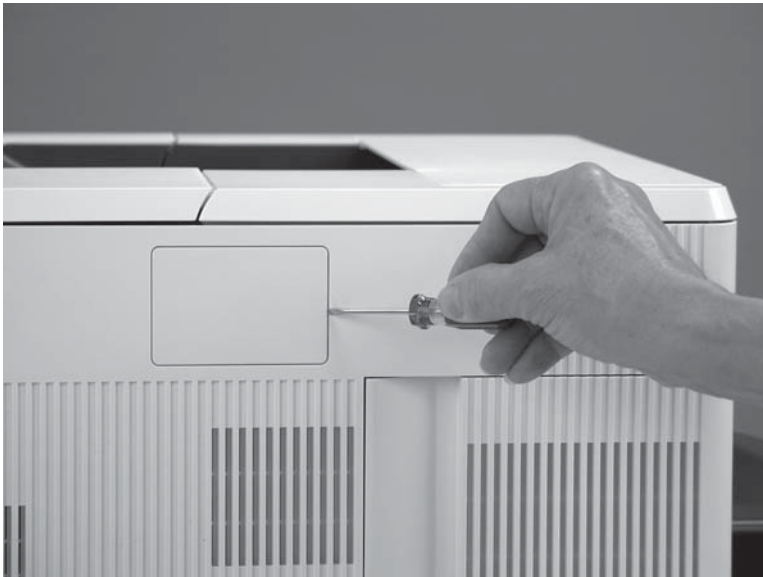
2. Before proceeding, note the location of the mounting feet (callout 1) and tabs (callout 2) on the HIP cover.

Figure 1-196 Mounting feet and tabs location



3. Use a small flat-blade screwdriver to release the HIP cover tabs.

Figure 1-197 Release tabs



4. Rotate the HIP cover away from the printer to remove it.

Figure 1-198 Remove the HIP cover



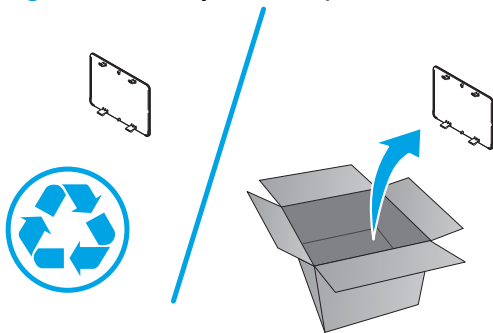
Step 3: Unpack the replacement HIP cover

Unpack the replacement part from the packaging.

<http://www8.hp.com/us/en/hp-information/environment/product-recycling.html>

 **NOTE:** HP recommends responsible disposal of the defective part.

Figure 1-199 Recycle and unpack



Step 4: Install the HIP cover

- ▲ Position the HIP cover mounting feet into the slots in the top cover (callout 1), and then rotate the cover toward the printer (callout 2) to install it.


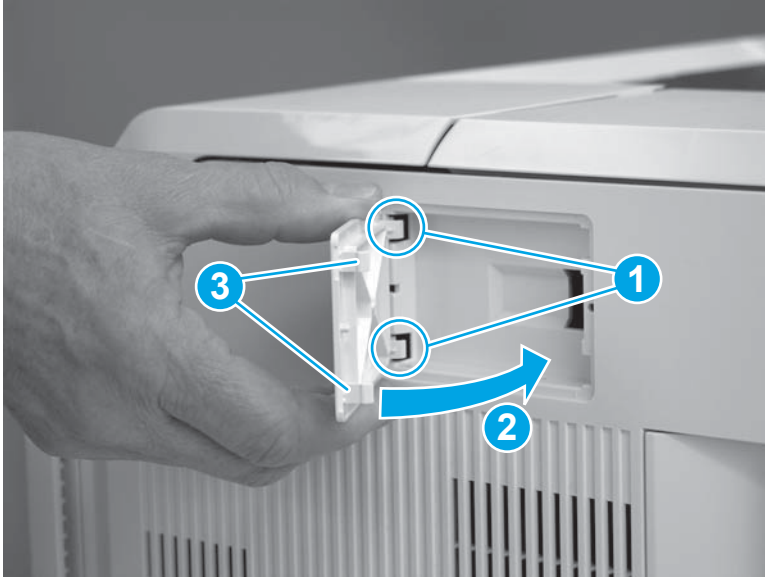
 **NOTE:** Make sure that the tabs on the cover (callout 3) snap into place.

Figure 1-200 Install HIP cover



Removal and replacement: Right cover

- [Introduction](#)
- [Step 1: Remove the formatter cover](#)
- [Step 2: Remove the HIP cover](#)
- [Step 3: Remove the right cover](#)
- [Step 4: Unpack the replacement right cover](#)
- [Step 5: Install the right cover](#)
- [Step 6: Install the HIP cover](#)
- [Step 7: Install the formatter cover](#)

Introduction

This document provides the procedures to remove and replace the right cover.



NOTE: The printer might appear different from some of the figures below; however, the procedures in this section are correct for this printer.

Before performing service

Turn the printer power off

- Disconnect the power cable.



WARNING! To avoid damage to the printer, turn the printer off, wait 30 seconds, and then remove the power cord before attempting to service the printer.

Use the table below to identify the correct part number for your printer. To order the part, go to www.hp.com/buy/parts.

Right cover part number	
RM2-6311-000CN	Right cover

Required tools

- #2 Phillips screwdriver with a magnetic tip
- Small flat-blade screwdriver

After performing service

Make sure that the right cover is fully seated after replacing it.

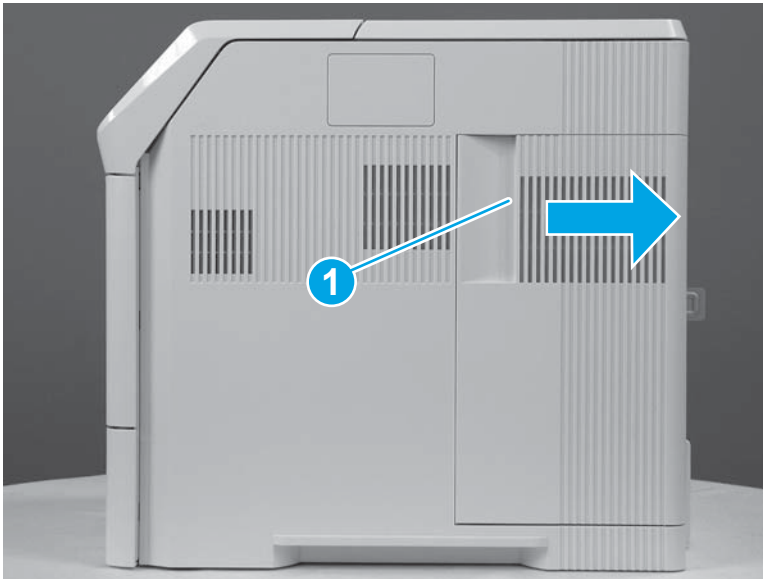
Turn the printer power on

- Connect the power cable.
- Use the power switch to turn the power on.

Step 1: Remove the formatter cover

- ▲ Grasp the handle on the formatter cover (callout 1), and then slide the cover toward the rear of the printer to remove it.

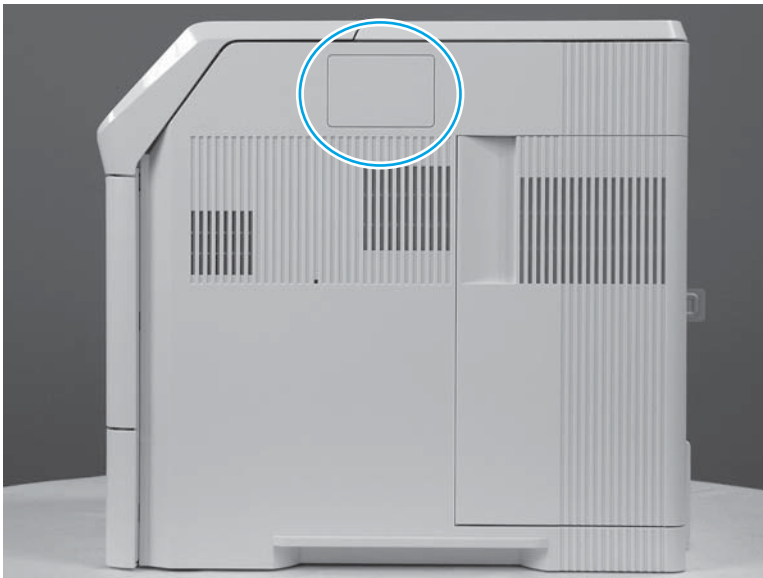
Figure 1-201 Remove the formatter cover



Step 2: Remove the HIP cover

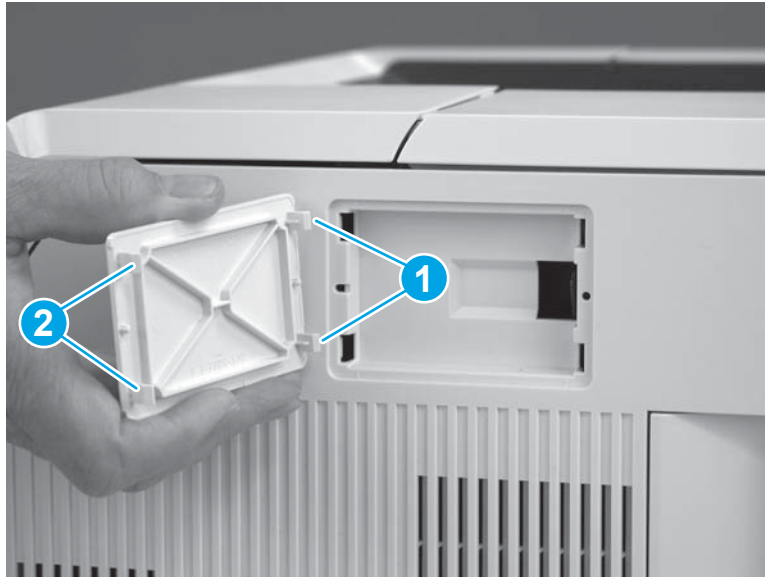
1. Locate the hardware integration pocket (HIP) cover.

Figure 1-202 Locate HIP cover



2. Before proceeding, note the location of the mounting feet (callout 1) and tabs (callout 2) on the HIP cover.

Figure 1-203 Mounting feet and tabs location



3. Use a small flat-blade screwdriver to release the HIP cover tabs.

Figure 1-204 Release tabs



4. Rotate the HIP cover away from the printer to remove it.

 **NOTE:** Save this cover for installation on a replacement right cover.

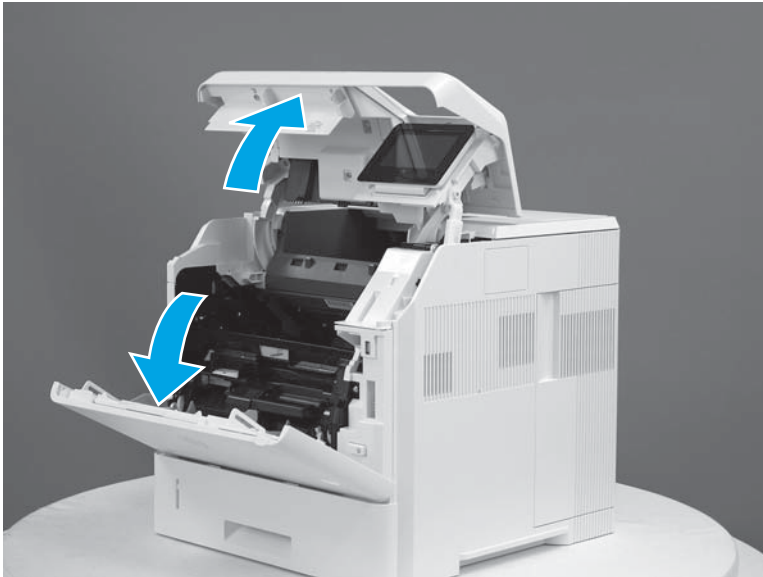
Figure 1-205 Remove the HIP cover



Step 3: Remove the right cover

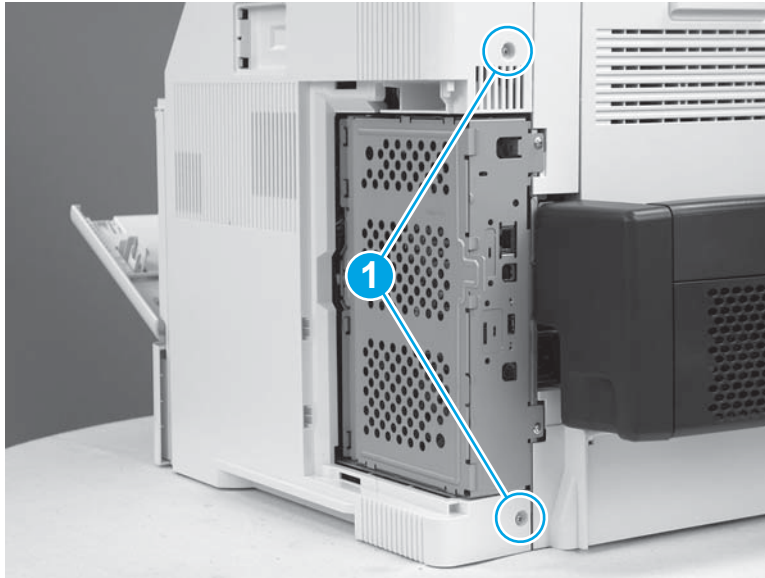
1. Open the front cover and the cartridge door.

Figure 1-206 Open the front cover and cartridge door



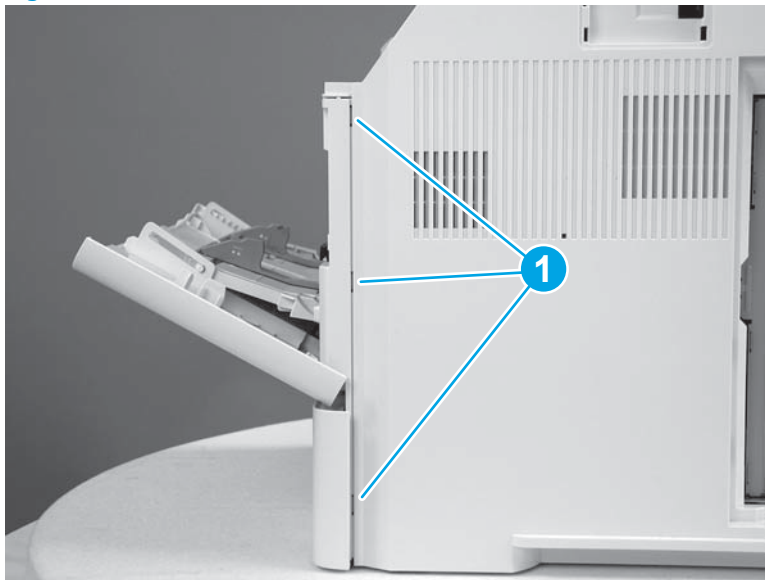
2. Remove two screws (callout 1).

Figure 1-207 Remove two screws



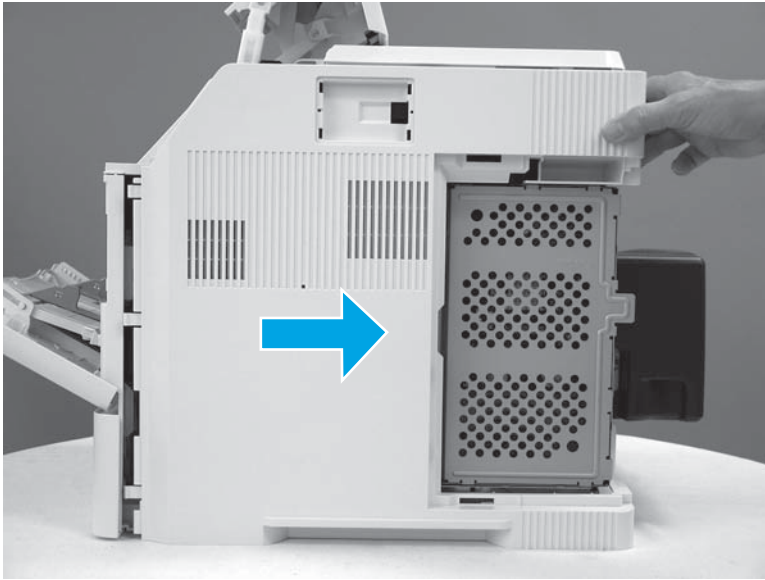
3. Release three tabs (callout 1).

Figure 1-208 Release three tabs



4. Slide the cover toward the rear of the printer to remove it.

Figure 1-209 Remove the cover



Step 4: Unpack the replacement right cover

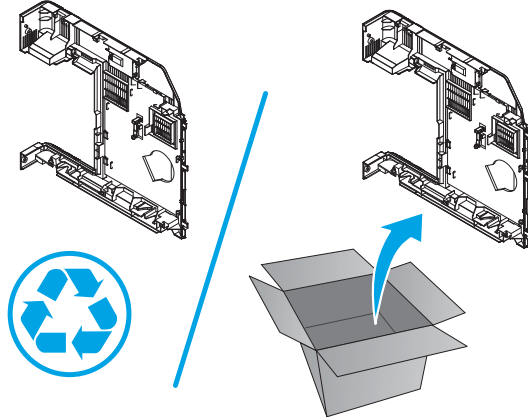
Unpack the replacement part from the packaging.

<http://www8.hp.com/us/en/hp-information/environment/product-recycling.html>



NOTE: HP recommends responsible disposal of the defective part.

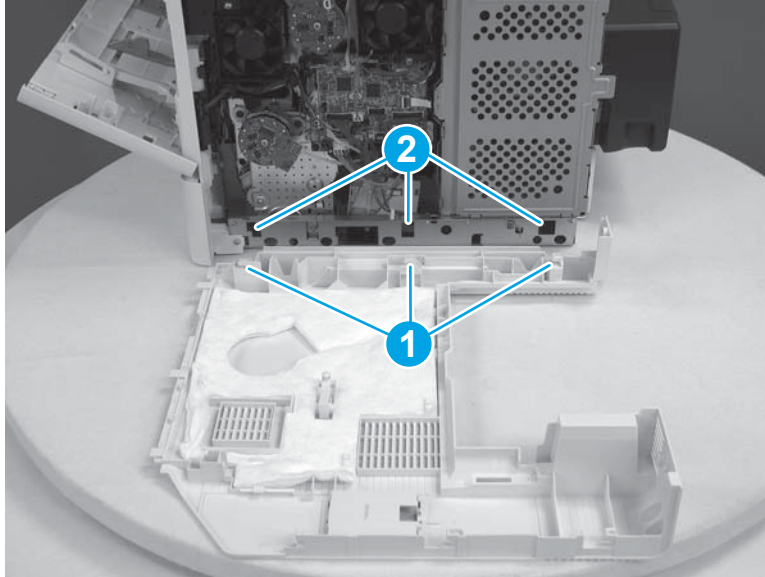
Figure 1-210 Recycle and unpack



Step 5: Install the right cover

1. Note the location of the tabs (callout 1) on the cover that will fit into the slots (callout 2) on the printer.

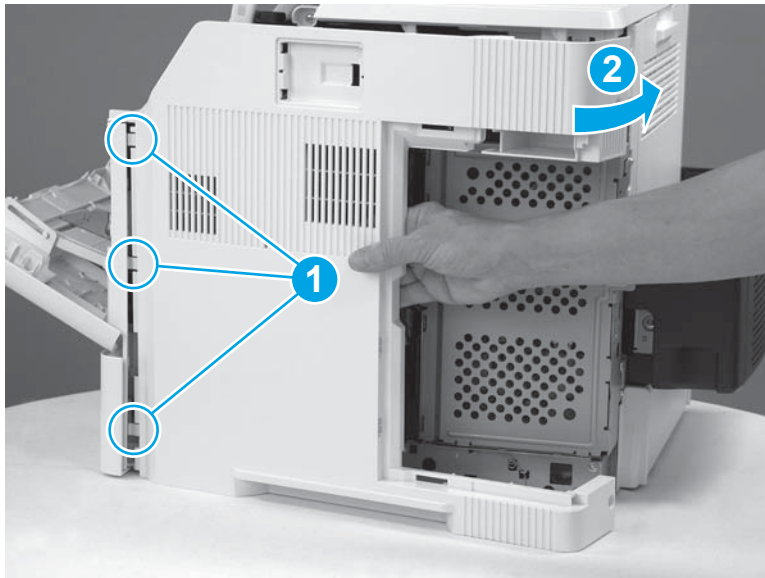
Figure 1-211 Note location of tabs



2. Position the front tabs on the right cover slightly behind the right front cover (callout 1), and then rotate the back edge of the cover (callout 2) toward the printer.

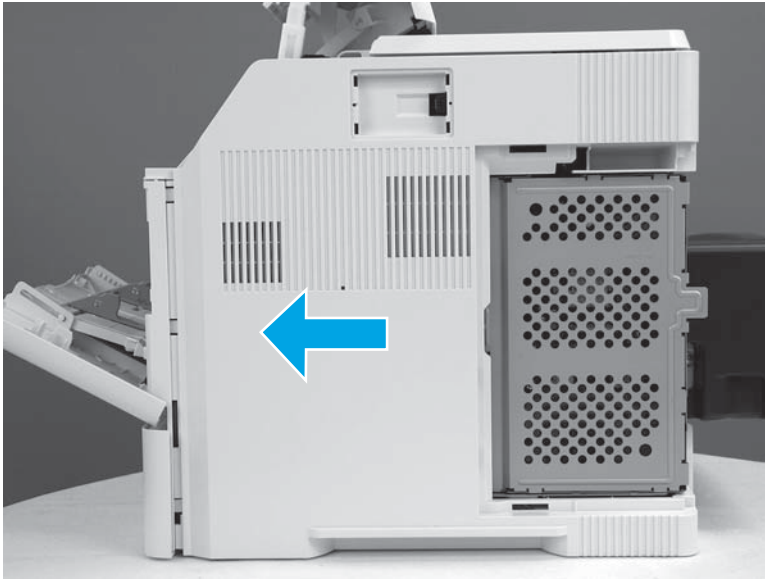
 **NOTE:** The tabs and slots mentioned in the previous step will engage as the cover is rotated into place.

Figure 1-212 Position the front tabs



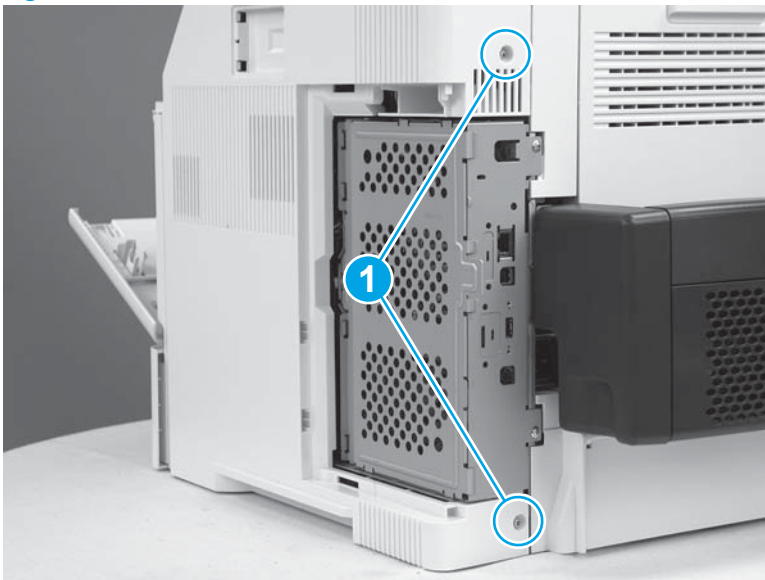
3. Slide the cover toward the front of the printer to install it.

Figure 1-213 Slide the cover



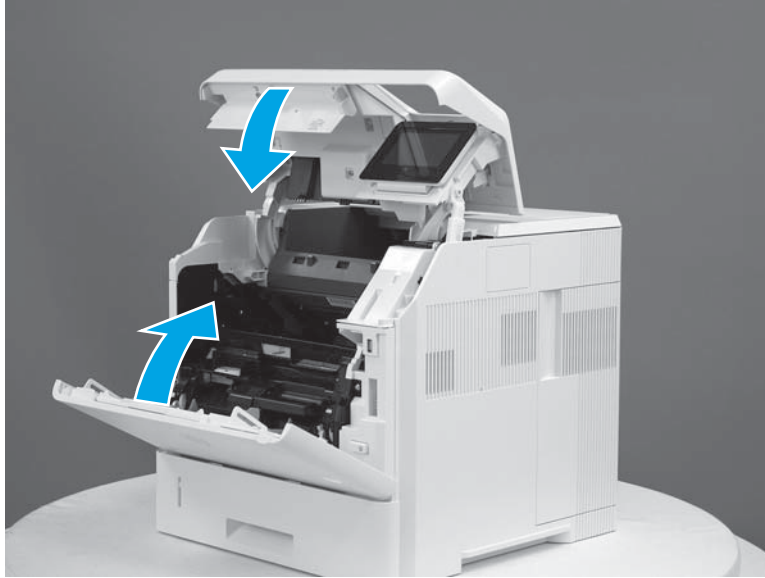
4. Install two screws (callout 1).

Figure 1-214 Install two screws



5. Close the front cover and the cartridge door.

Figure 1-215 Close the front cover and cartridge door



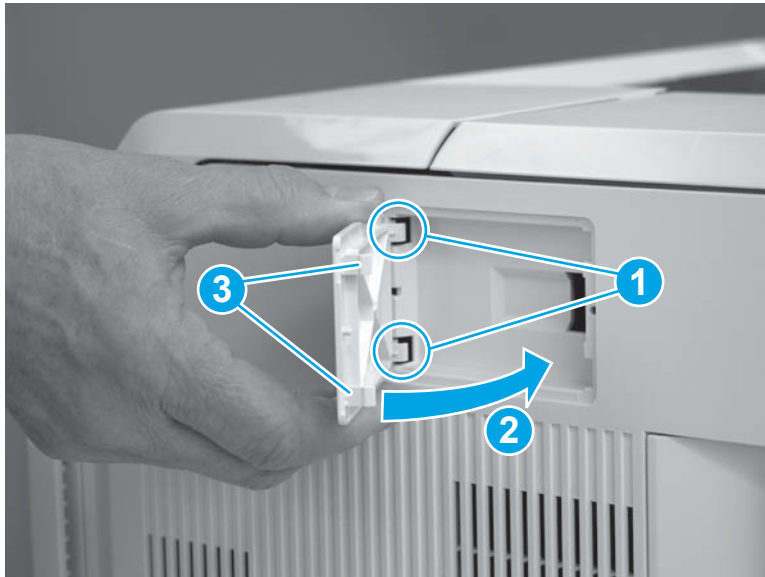
Step 6: Install the HIP cover

- ▲ Position the HIP cover mounting feet into the slots in the top cover (callout 1), and then rotate the cover toward the printer (callout 2) to install it.



NOTE: Make sure that the tabs on the cover (callout 3) snap into place.

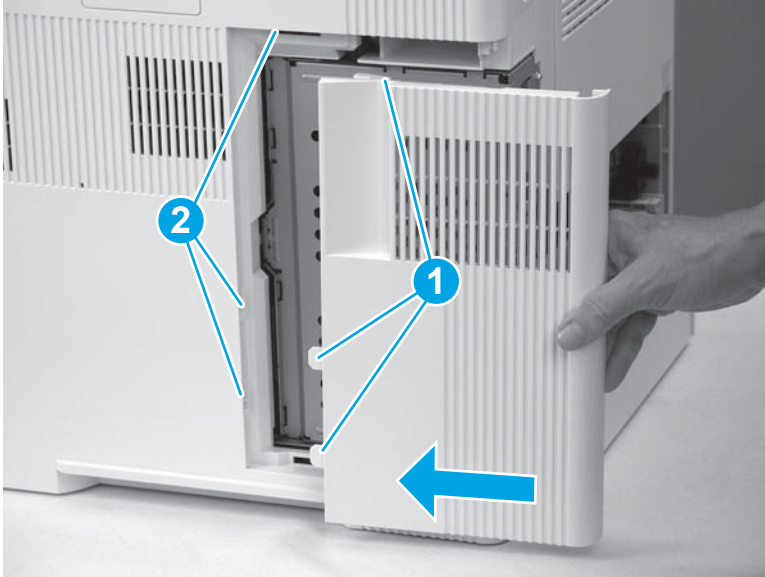
Figure 1-216 Install HIP cover



Step 7: Install the formatter cover

- ▲ Align the tabs (callout 1) on the formatter cover with the slots (callout 2) in the right cover, and then slide the formatter cover toward the front of the printer to install it.

Figure 1-217 Install the formatter cover



Removal and replacement: Left cover

- [Introduction](#)
- [Step 1: Remove the tray](#)
- [Step 2: Remove the duplex accessory](#)
- [Step 3: Remove the duplex accessory cover](#)
- [Step 4: Remove the Tray 2 extension door](#)
- [Step 5: Remove the top accessory cover](#)
- [Step 6: Remove the right cover](#)
- [Step 7: Remove the top cover \(M604n/dn, M605n/dn, M606dn only\)](#)
- [Step 8: Remove the top cover \(M605x, M606x only\)](#)
- [Step 9: Remove the left cover](#)
- [Step 10: Unpack the replacement left cover](#)
- [Step 11: Install the left cover](#)
- [Step 12: Install the top cover \(M605x, M606x only\)](#)
- [Step 13: Install the top cover \(M604n/dn, M605n/dn, M606dn only\)](#)
- [Step 14: Install the right cover](#)
- [Step 15: Install the top accessory cover](#)
- [Step 16: Install the Tray 2 extension door](#)
- [Step 17: Install the duplex accessory cover](#)
- [Step 18: Install the duplex accessory](#)
- [Step 19: Install the tray](#)

Introduction

This document provides the procedures to remove and replace the left cover.

Before performing service

Turn the printer power off

- Disconnect the power cable.

⚠ WARNING! To avoid damage to the printer, turn the printer off, wait 30 seconds, and then remove the power cord before attempting to service the printer.

Use the table below to identify the correct part number for your printer. To order the part, go to www.hp.com/buy/parts.

Left cover part number

RM2-6312-000CN

Left cover

Required tools

- #2 Phillips screwdriver with a magnetic tip

After performing service

Make sure that the left cover is fully seated after replacing it.

Turn the printer power on

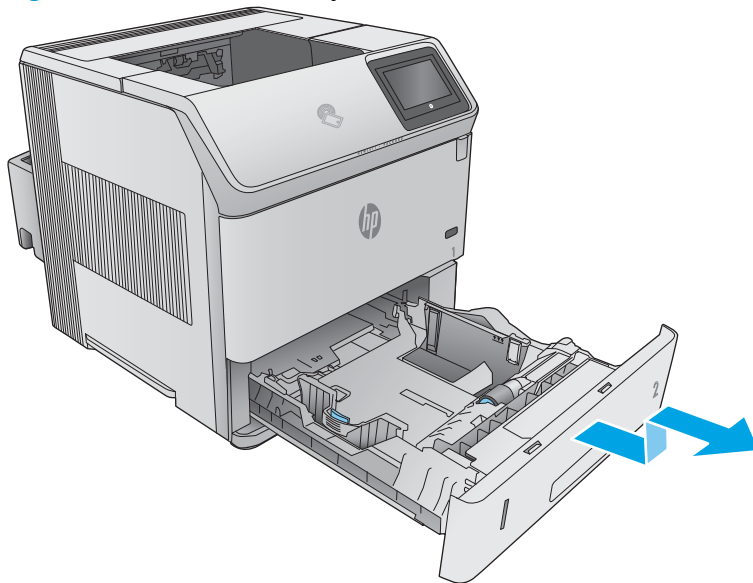
- Connect the power cable.
- Use the power switch to turn the power on.

Step 1: Remove the tray

NOTE: The procedure to replace the tray for Trays 3-6 is the same as for Tray 2. Only Tray 2 is shown here.

- ▲ Pull the tray out, slightly lift up, and then pull it completely out of the printer to remove it.

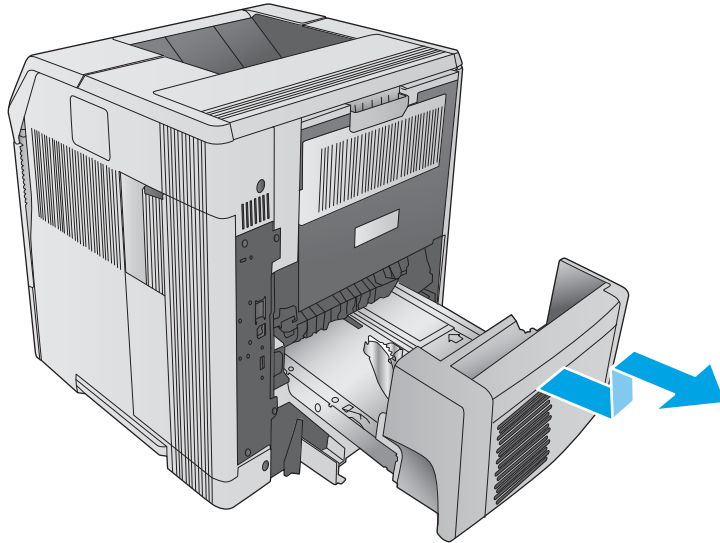
Figure 1-218 Remove the tray

**Step 2: Remove the duplex accessory**

NOTE: If the optional duplex accessory is not installed, skip this step and go to [Step 3: Remove the duplex accessory cover on page 151](#).

- ▲ Slightly lift up on the duplex accessory, and then pull it completely out of the printer to remove it.

Figure 1-219 Remove the duplex accessory



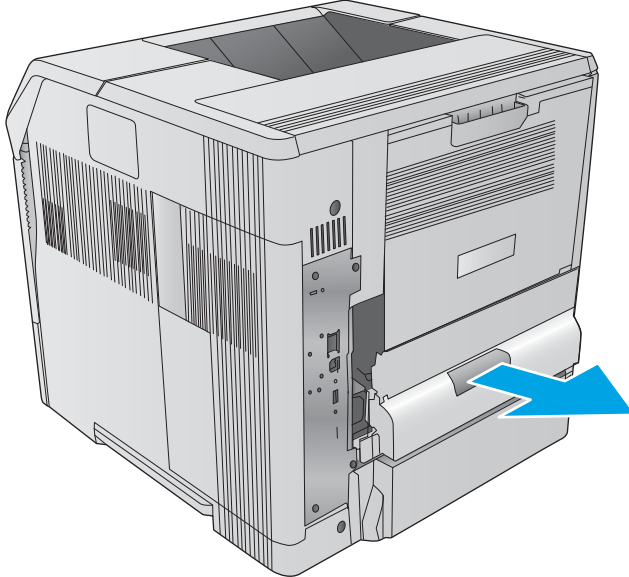
Step 3: Remove the duplex accessory cover



NOTE: If the duplex accessory cover is not installed, skip this step and go to [Step 4: Remove the Tray 2 extension door on page 151](#).

- ▲ Pull the duplex accessory cover straight out of the printer to remove it.

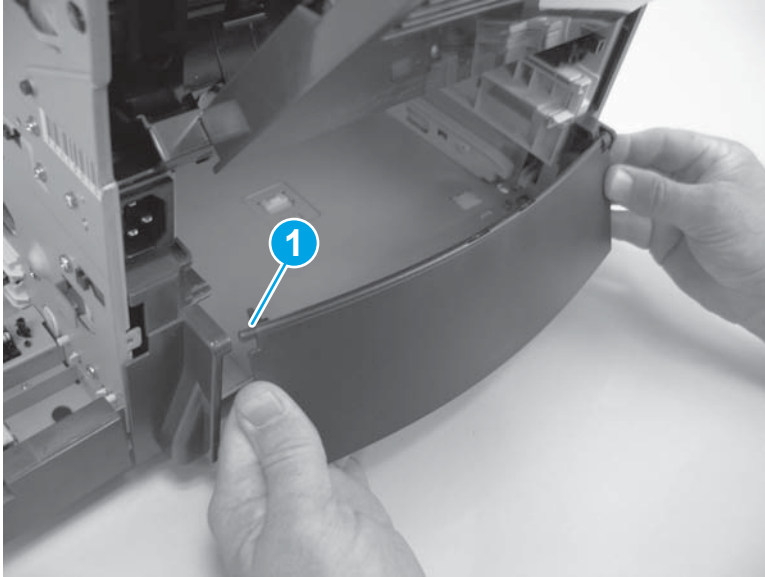
Figure 1-220 Remove the duplex accessory cover



Step 4: Remove the Tray 2 extension door

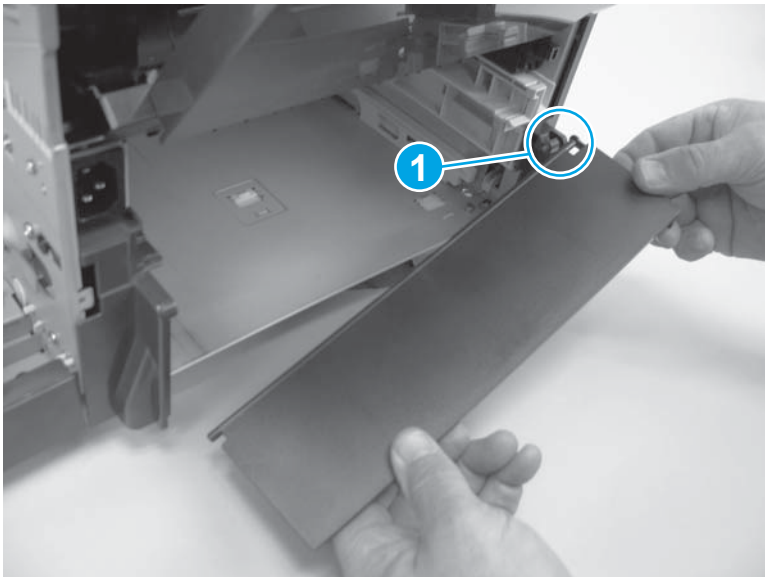
1. Carefully flex the Tray 2 extension door to release the hinge pin (callout 1) near the power-cord side of the printer.

Figure 1-221 Release the hinge pin



2. Rotate the Tray 2 extension door to the horizontal position, and then pull up on the keyed hinge pin (callout 1) to release the door. Remove the Tray 2 extension door.

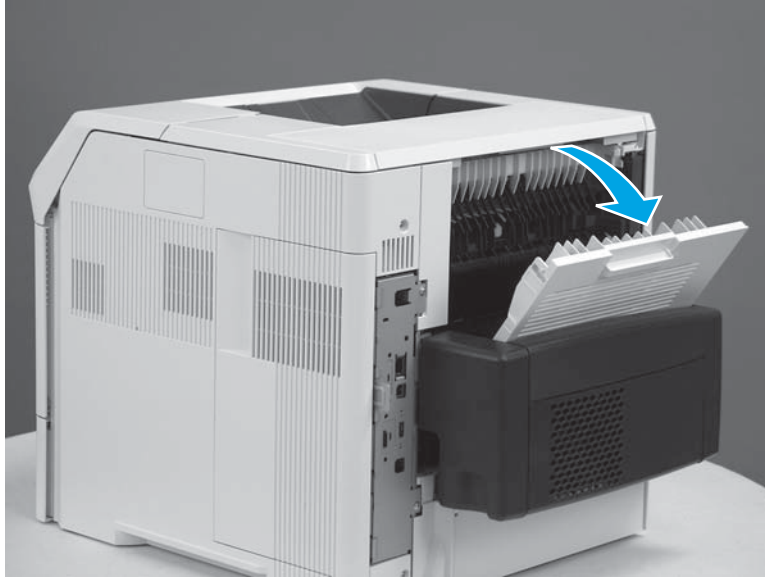
Figure 1-222 Remove the Tray 2 extension door



Step 5: Remove the top accessory cover

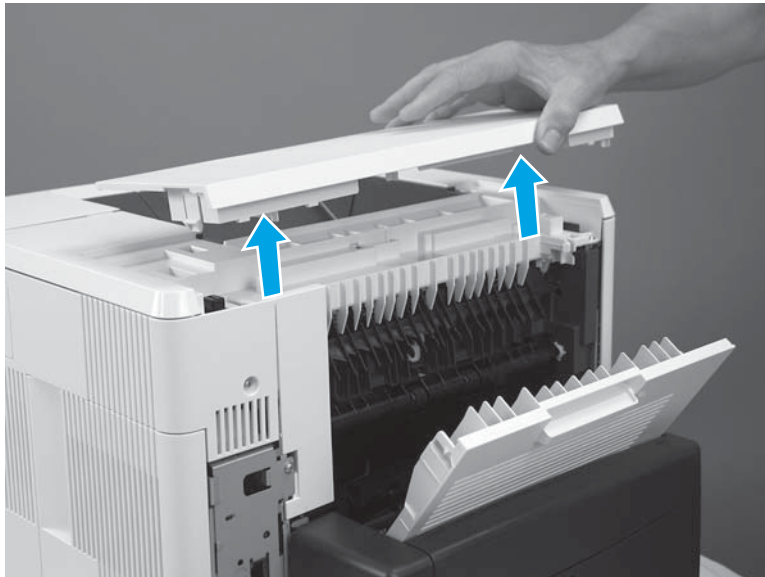
1. Open the rear output bin.

Figure 1-223 Open the rear output bin



2. Lift the top accessory cover up and off of the printer.

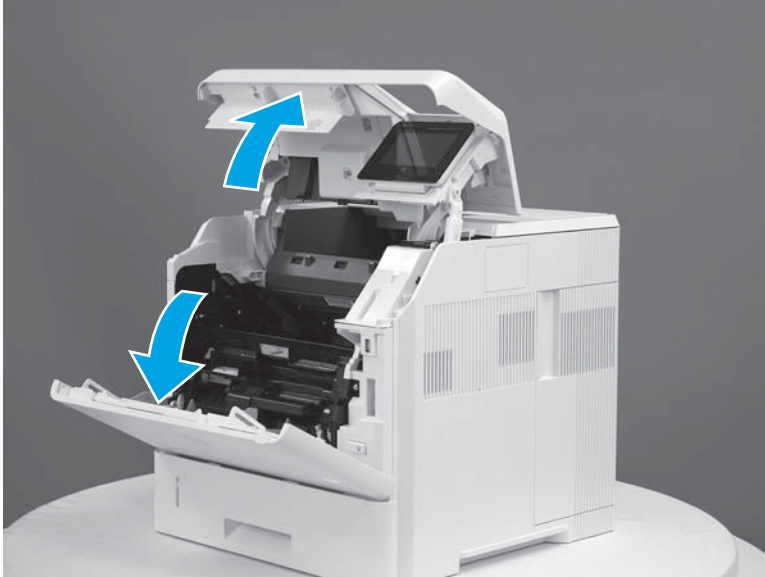
Figure 1-224 Remove top accessory cover



Step 6: Remove the right cover

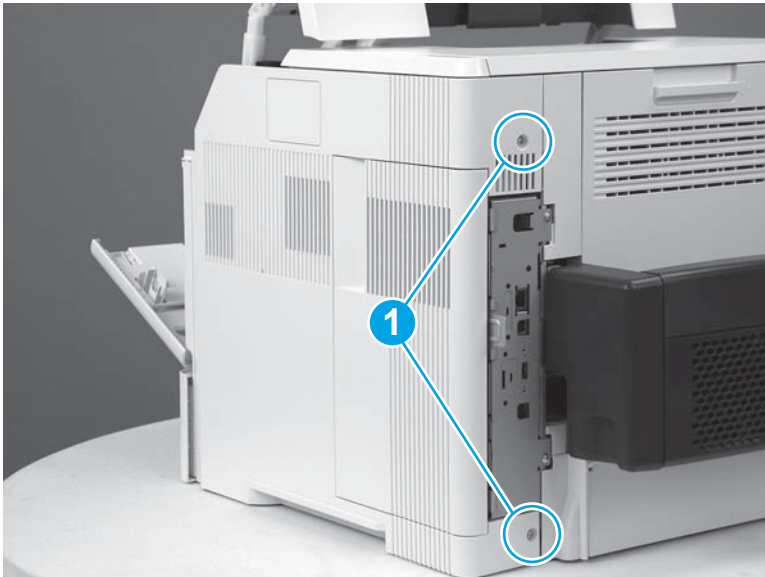
1. Open the front cover and the cartridge door.

Figure 1-225 Open the front cover and cartridge door



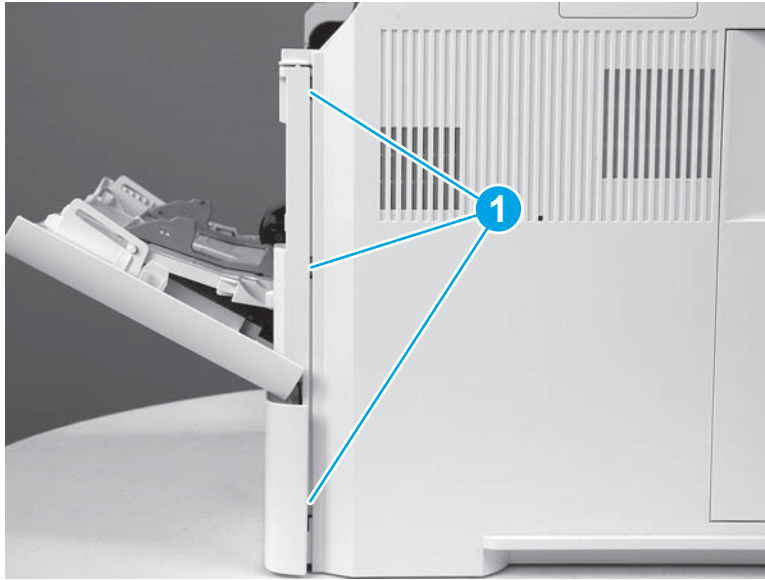
2. Remove two screws (callout 1).

Figure 1-226 Remove two screws



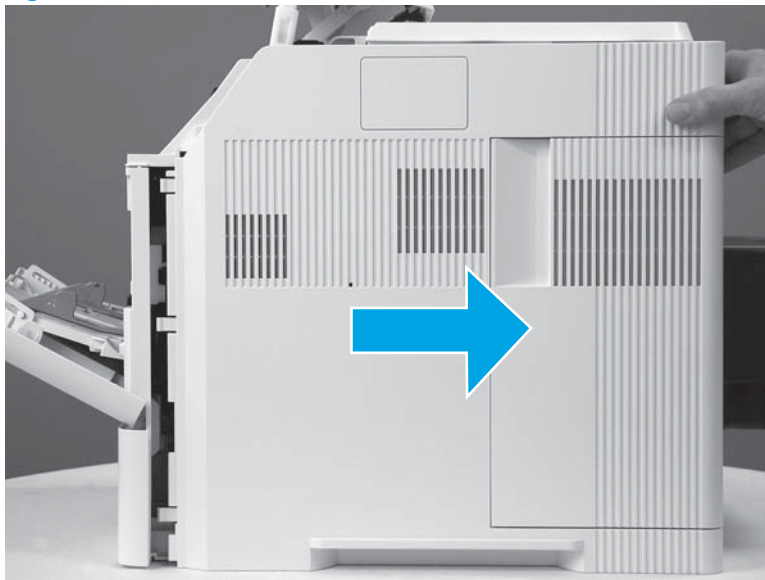
3. Release three tabs (callout 1).

Figure 1-227 Release three tabs




4. Slide the cover toward the rear of the printer to remove it.

Figure 1-228 Remove the cover



Step 7: Remove the top cover (M604n/dn, M605n/dn, M606dn only)

 **NOTE:** For the M605x or M606x products, skip this step and go to [Step 8: Remove the top cover \(M605x, M606x only\) on page 159.](#)

1. Use needle-nose pliers to release the toner-cartridge drive-arm tabs (callout 1).

 **CAUTION:** The toner-cartridge drive-arm tabs break easily.


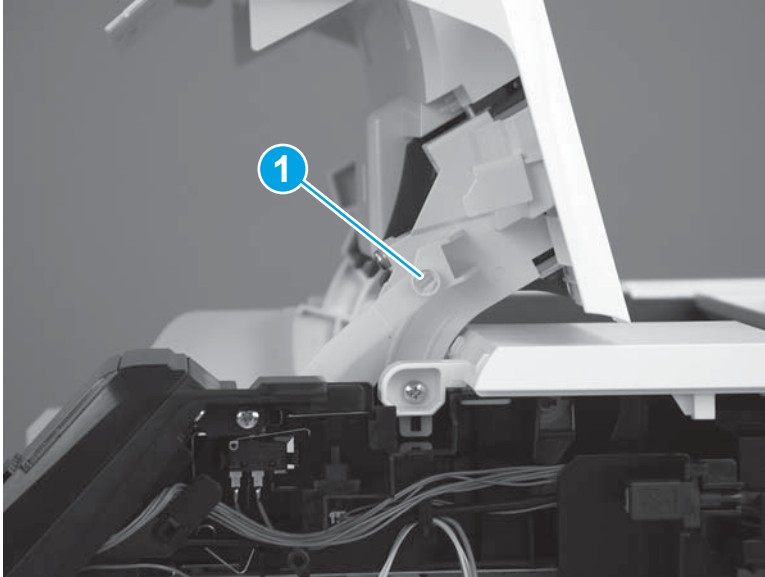
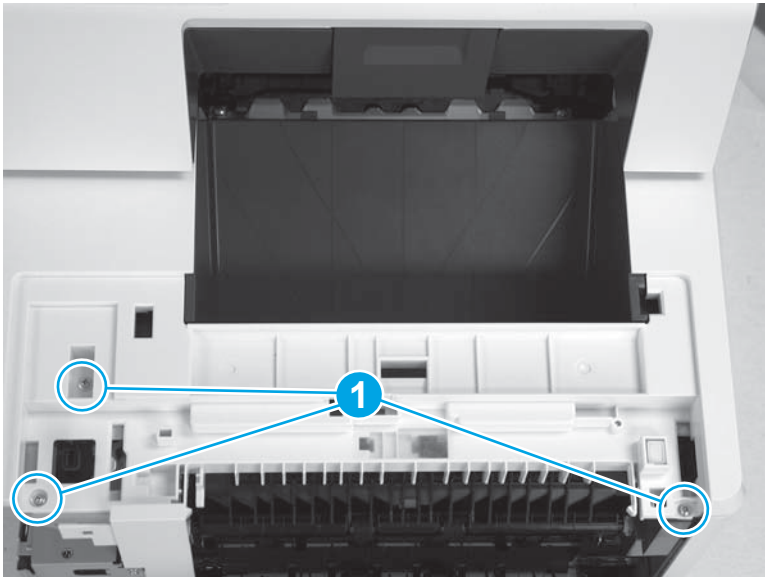
 **TIP:** Push the toner-cartridge drive-arm back into the printer to avoid damaging it when you remove the top cover.

Figure 1-229 Release the drive-arm tabs



2. Remove three screws (callout 1) on the top of the printer.

Figure 1-230 Remove three screws



3. Remove one screw (callout 1) on the right side of the printer.


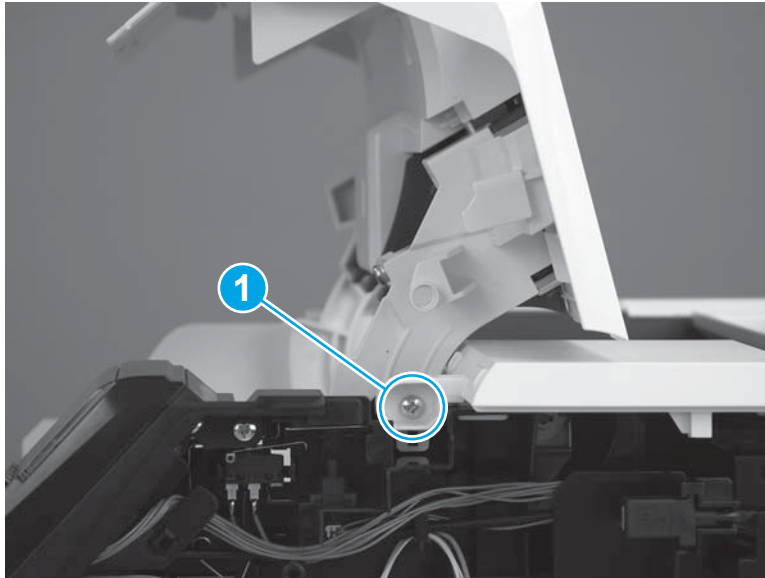
 **Reinstallation tip:** This screw is larger than the screws removed from the top of the printer. Make sure to install the correct screw when reassembling.

Figure 1-231 Remove one screw



4. Remove one screw (callout 1) on the left side of the printer.


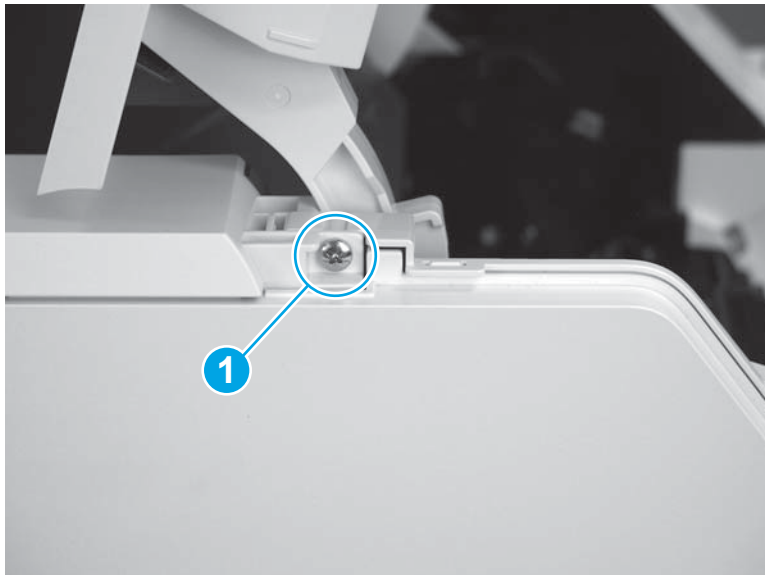
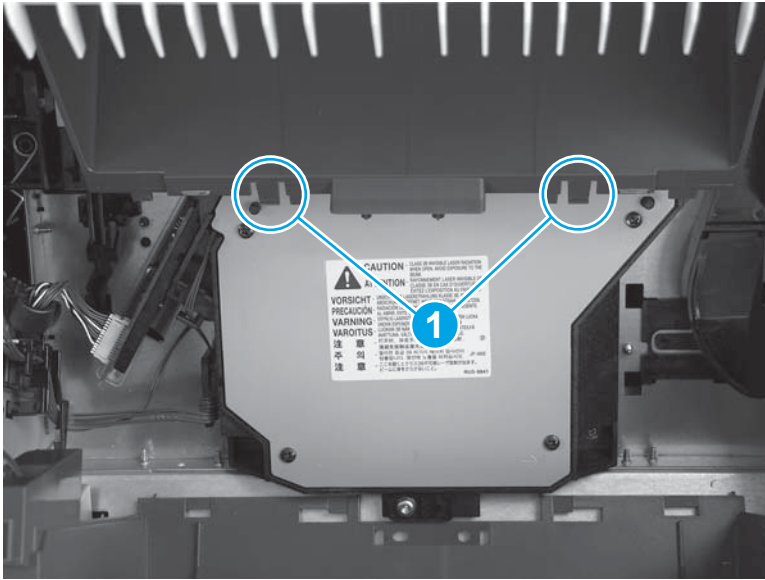
 **Reinstallation tip:** This screw is larger than the screws removed from the top of the printer. Make sure to install the correct screw when reassembling.

Figure 1-232 Remove one screw



5. Note the location of two tabs on the top output bin (callout 1). These tabs are released in the next step.

Figure 1-233 Location of two tabs



6. Release two tabs (callout 1) on the top output bin.


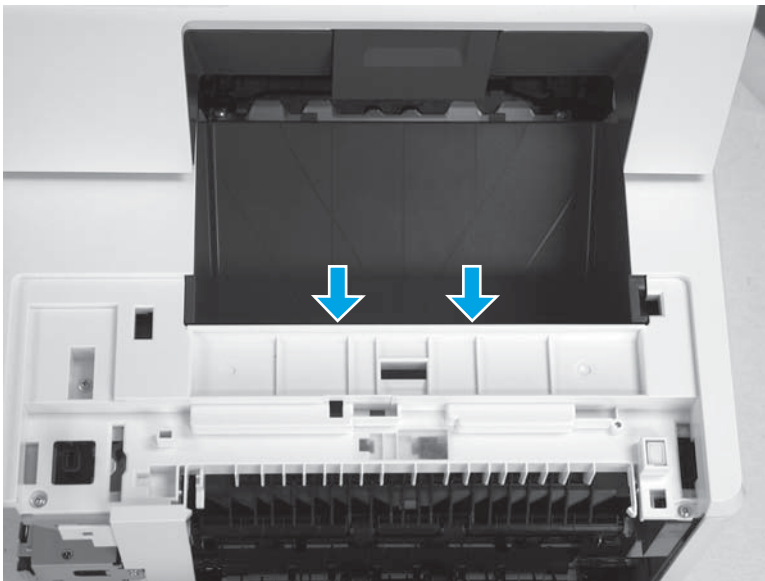
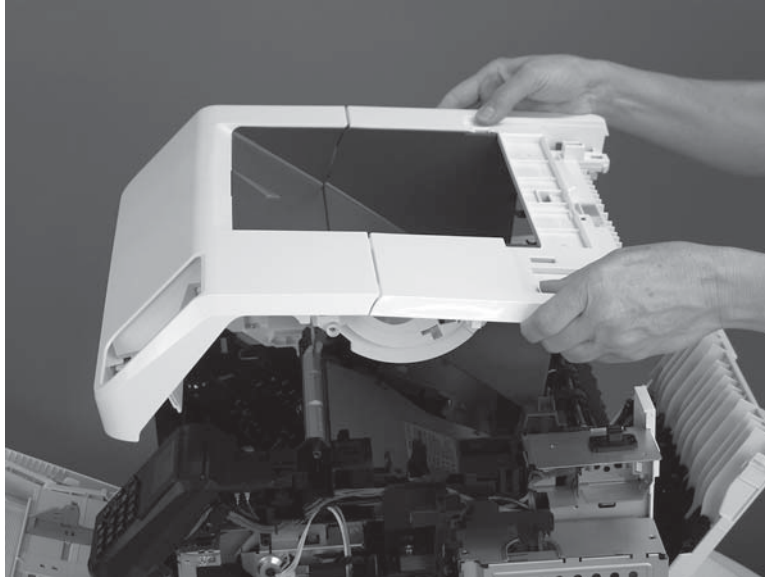
 **Reinstallation tip:** Make sure that these tabs are fully seated when the top cover is reinstalled.

Figure 1-234 Release two tabs



7. Lift the top cover up and off of the printer to remove it.

Figure 1-235 Remove the top cover



Step 8: Remove the top cover (M605x, M606x only)

 **NOTE:** For the M604n/dn, M605n/dn, or M606dn products, skip this step and go to [Step 9: Remove the left cover on page 164](#).

1. Use needle-nose pliers to release the toner-cartridge drive-arm tabs (callout 1) and the toner-cartridge door hinge tabs (callout 2).

 **CAUTION:** The toner-cartridge drive-arm tabs break easily.


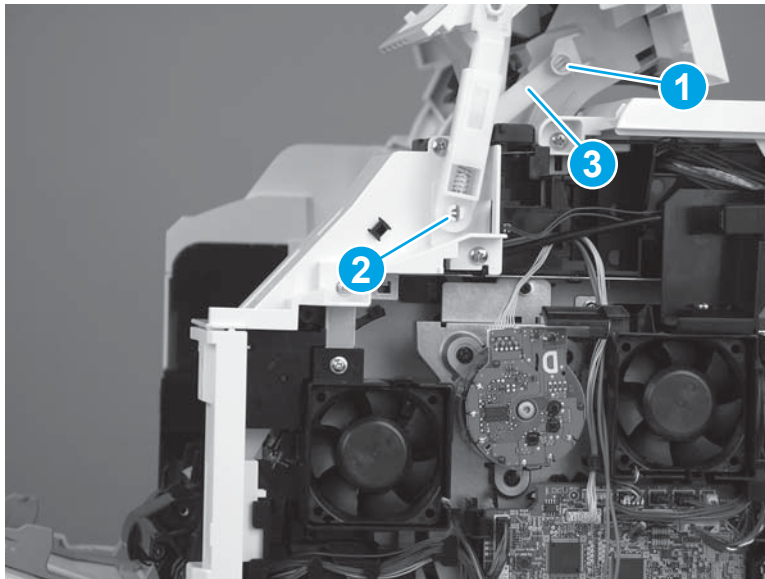
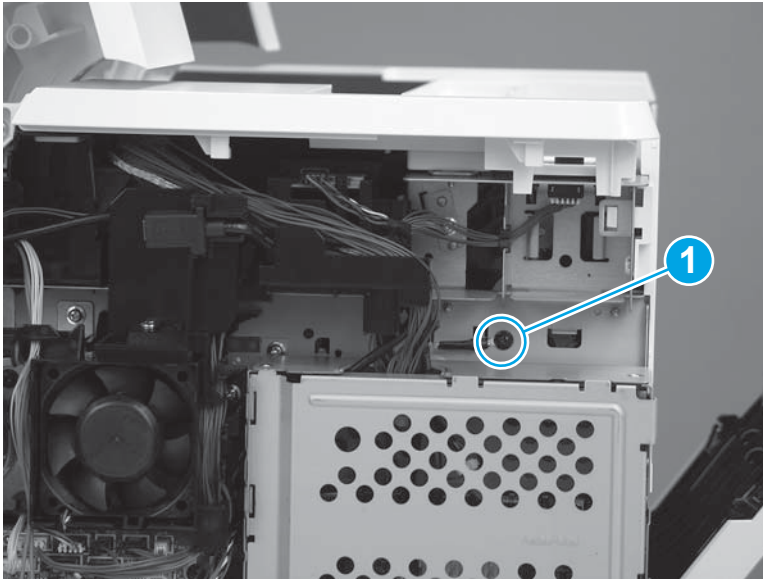
 **TIP:** Push the toner-cartridge drive-arm (callout 3) back into the printer to avoid damaging it when you remove the top cover.

Figure 1-236 Release the drive-arm and door hinge tabs



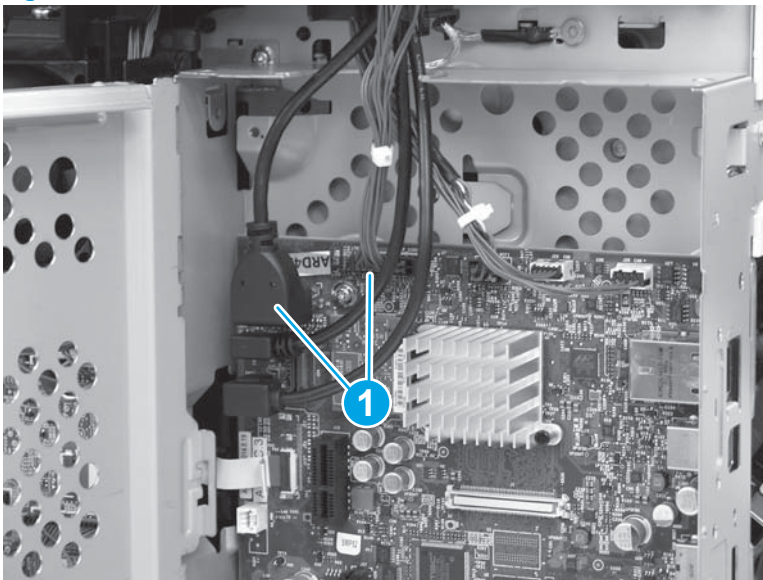
2. Remove one screw, and then release the ground wire (callout 1).

Figure 1-237 Release the ground wire



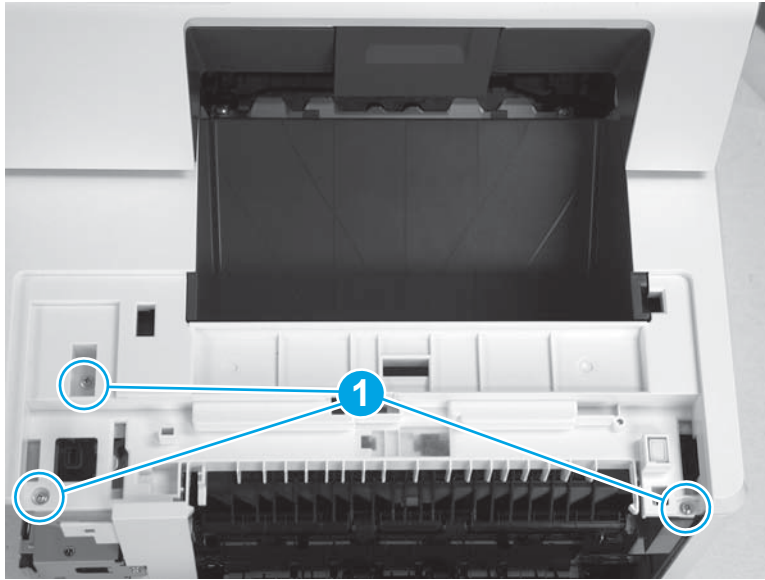
3. Open the formatter case door, and then disconnect two connectors (callout 1).

Figure 1-238 Disconnect two connectors



4. Remove three screws (callout 1) on the top of the printer.

Figure 1-239 Remove three screws



5. Remove one screw (callout 1) on the right side of the printer.


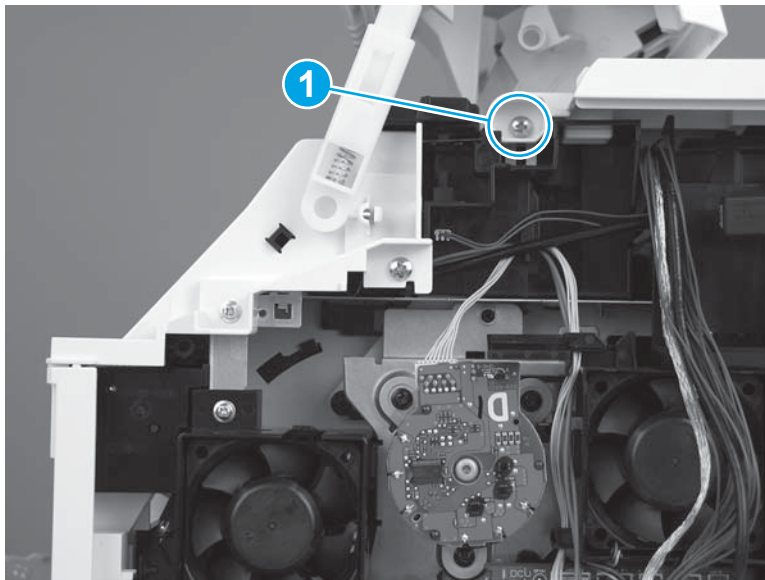
 **Reinstallation tip:** This screw is larger than the screws removed from the top of the printer. Make sure to install the correct screw when reassembling.

Figure 1-240 Remove one screw



6. Remove one screw (callout 1) on the left side of the printer.


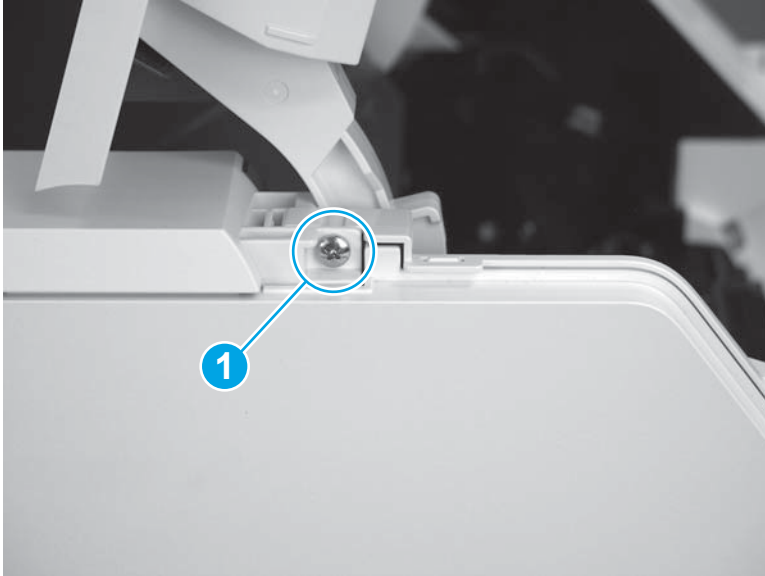
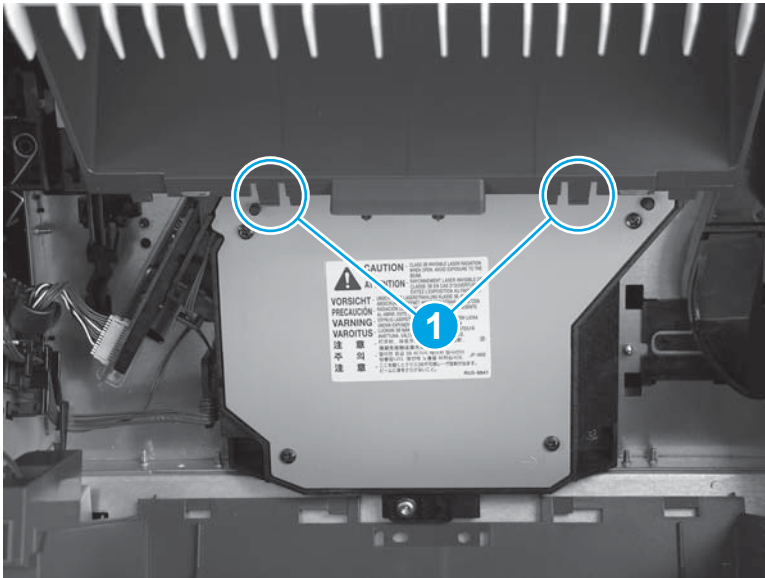
 **Reinstallation tip:** This screw is larger than the screws removed from the top of the printer. Make sure to install the correct screw when reassembling.

Figure 1-241 Remove one screw



7. Note the location of two tabs on the top output bin (callout 1). These tabs are released in the next step.

Figure 1-242 Location of two tabs



8. Release two tabs (callout 1) on the top output bin.


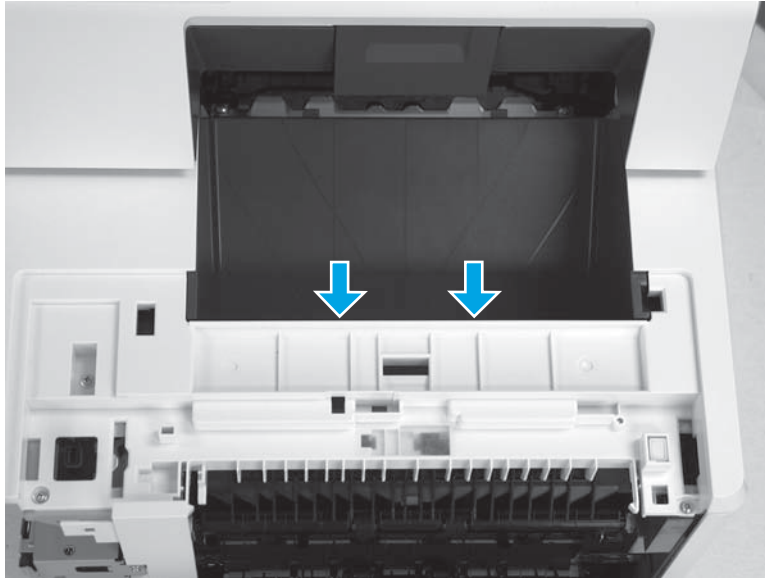
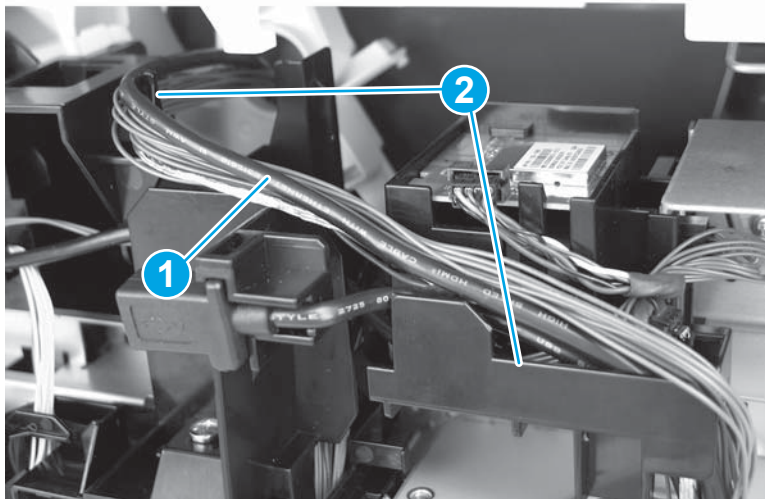
 **Reinstallation tip:** Make sure that these tabs are fully seated when the top cover is reinstalled.

Figure 1-243 Release two tabs



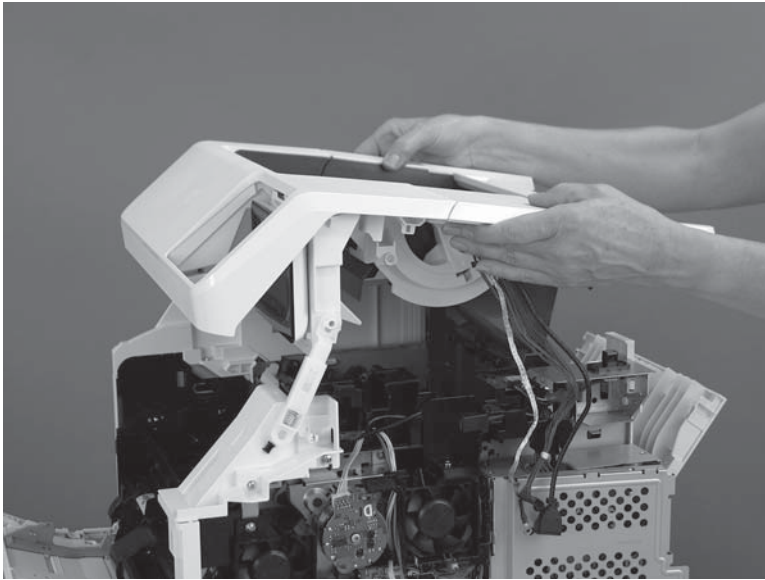
9. On the right side of the printer, release the wire harness and cables (callout 1) from the guides (callout 2).

Figure 1-244 Release cables from guides



10. Lift the top cover up and off of the printer to remove it.

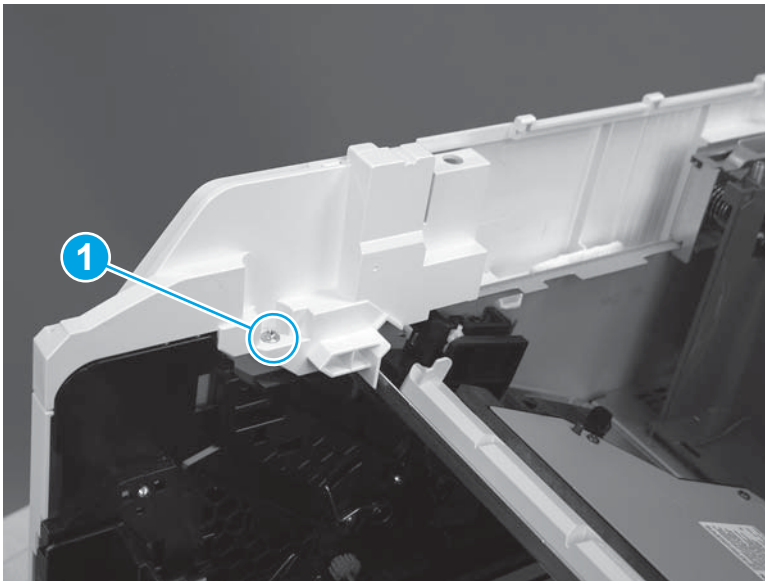
Figure 1-245 Remove the top cover



Step 9: Remove the left cover

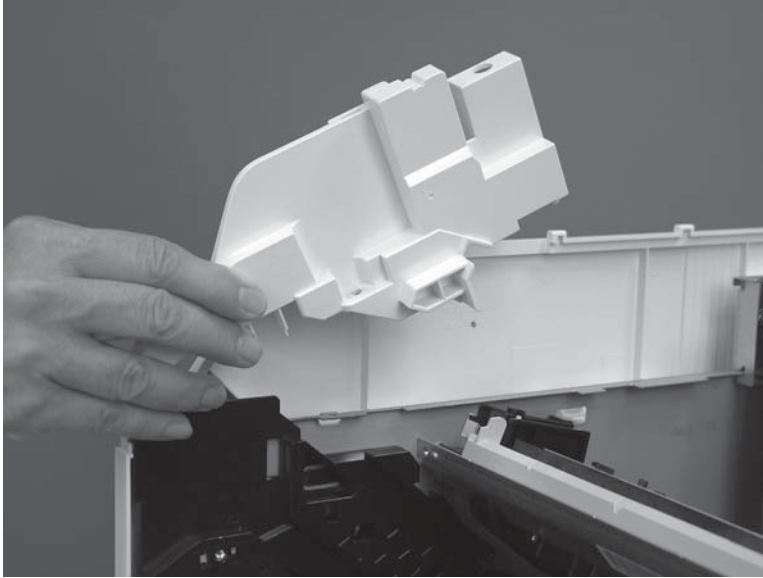
1. Remove one screw (callout 1).

Figure 1-246 Remove one screw



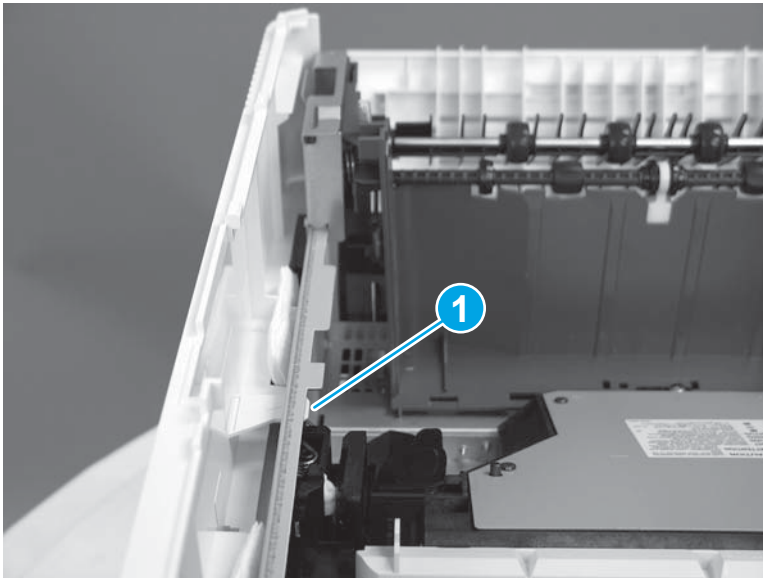
2. Remove the left front inside cover.

Figure 1-247 Remove the left front inside cover



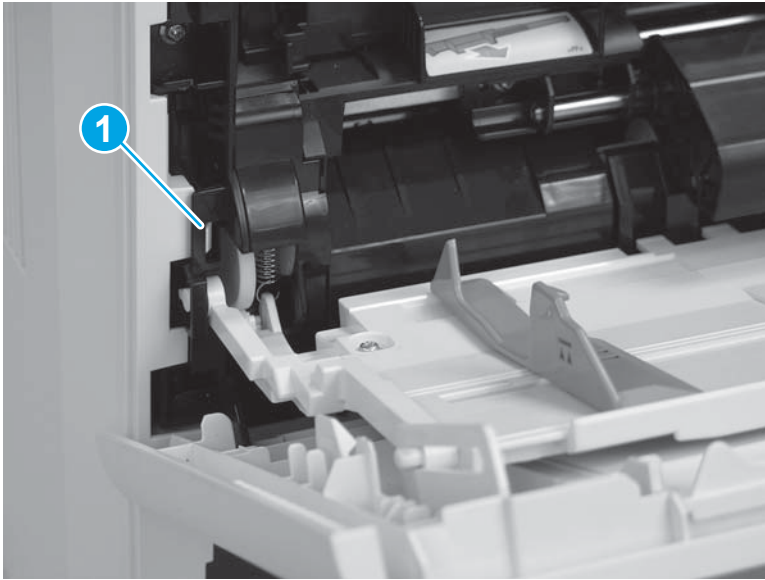
3. Release one tab (callout 1) on the top of the cover.

Figure 1-248 Release one tab



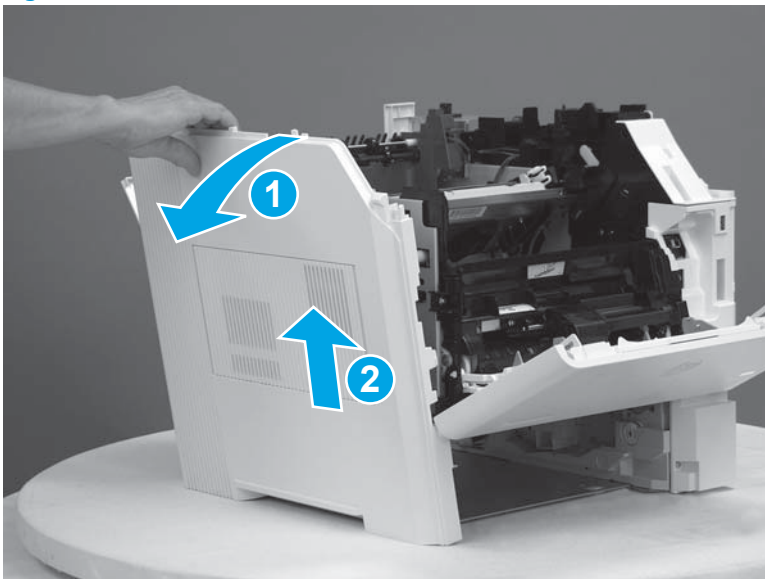
4. Release one tab (callout 1) on the front of the cover.

Figure 1-249 Release one tab



5. Rotate the top of the cover away (callout 1) from the printer, and then lift the cover up (callout 2) to remove it.

Figure 1-250 Remove the cover



Step 10: Unpack the replacement left cover

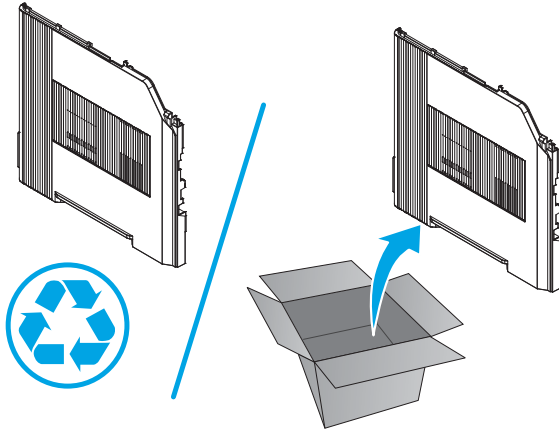
Unpack the replacement part from the packaging.

<http://www8.hp.com/us/en/hp-information/environment/product-recycling.html>



NOTE: HP recommends responsible disposal of the defective part.

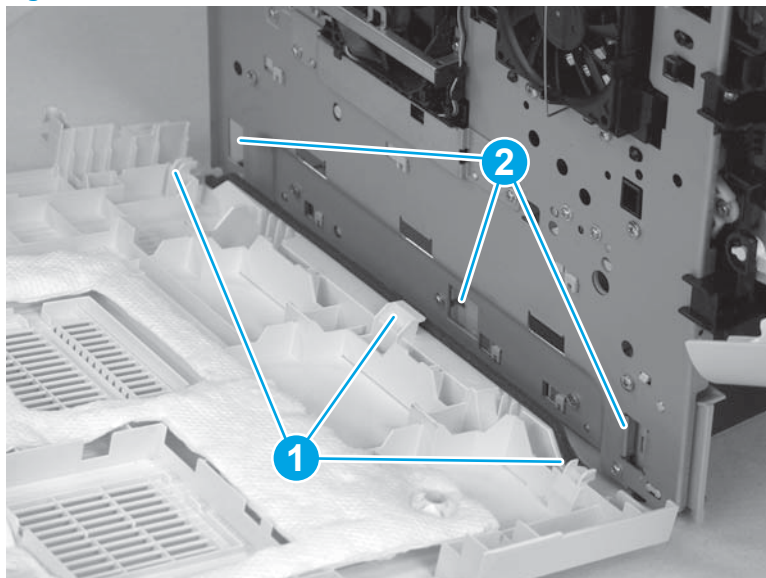
Figure 1-251 Recycle and unpack



Step 11: Install the left cover

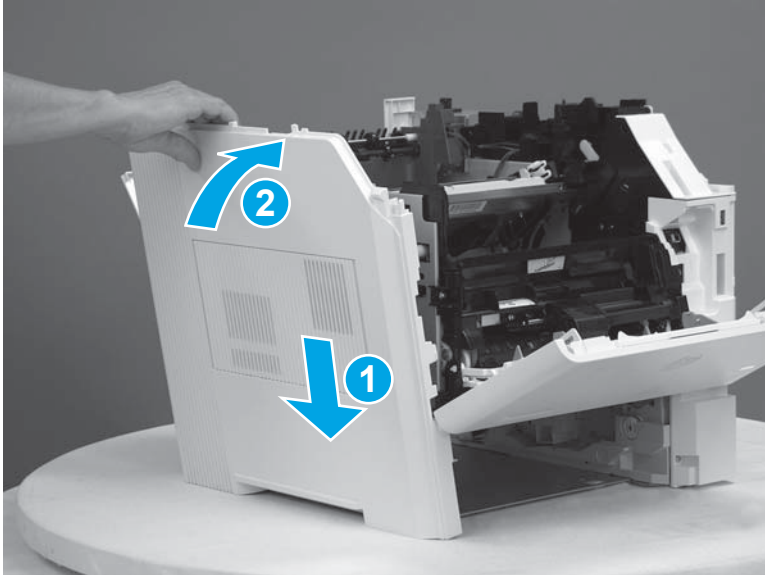
1. Note the location of the tabs (callout 1) on the bottom of the left cover that will fit into the slots (callout 2) in the sheet-metal frame.

Figure 1-252 Note location of tabs



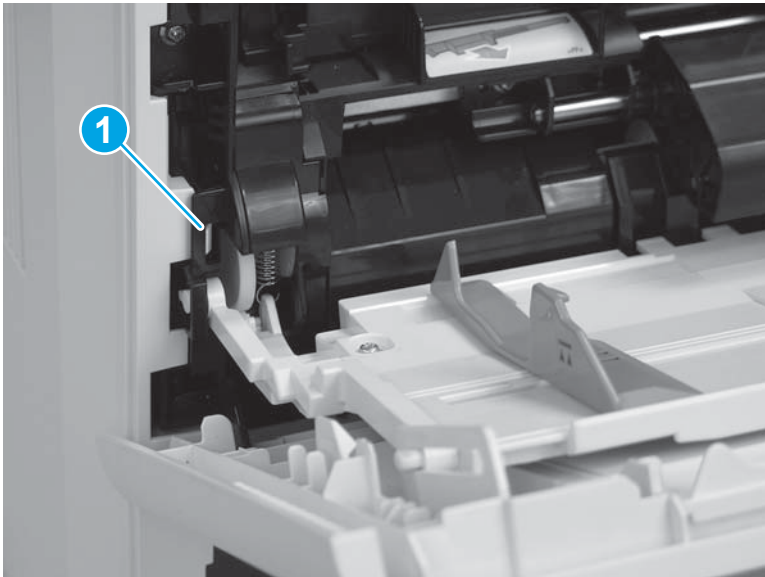
2. Position the tabs in the slots mentioned in the previous step (callout 1), and then rotate the left cover toward the printer (callout 2).

Figure 1-253 Rotate the cover into place



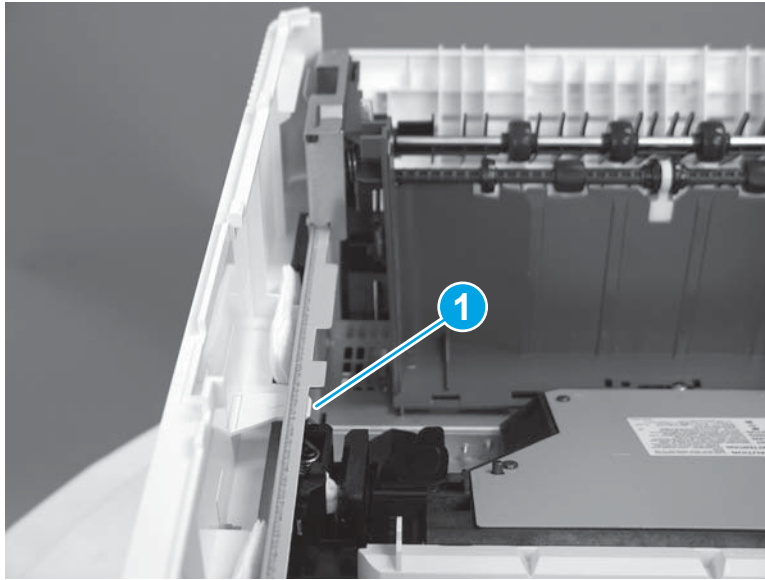
3. Make sure that the tab (callout 1) on the front of the cover snaps into place.

Figure 1-254 Install one tab



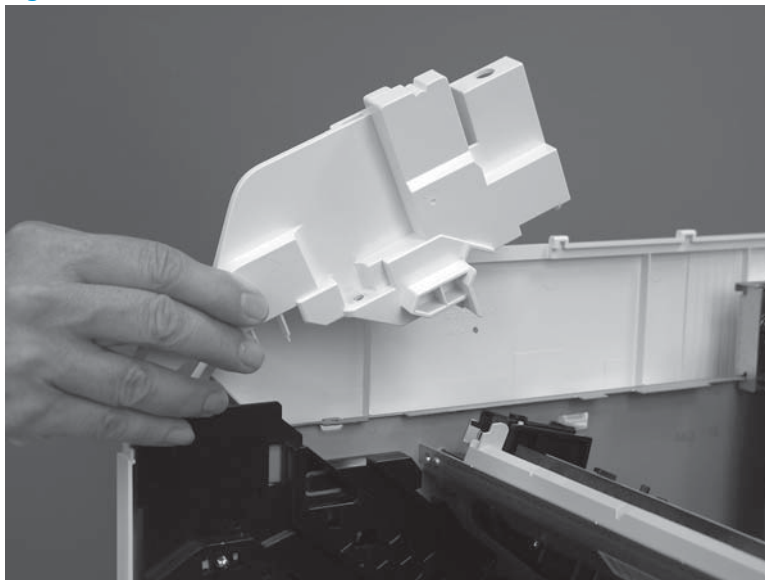
4. Make sure that the tab (callout 1) on the top of the cover snaps into place.

Figure 1-255 Install one tab



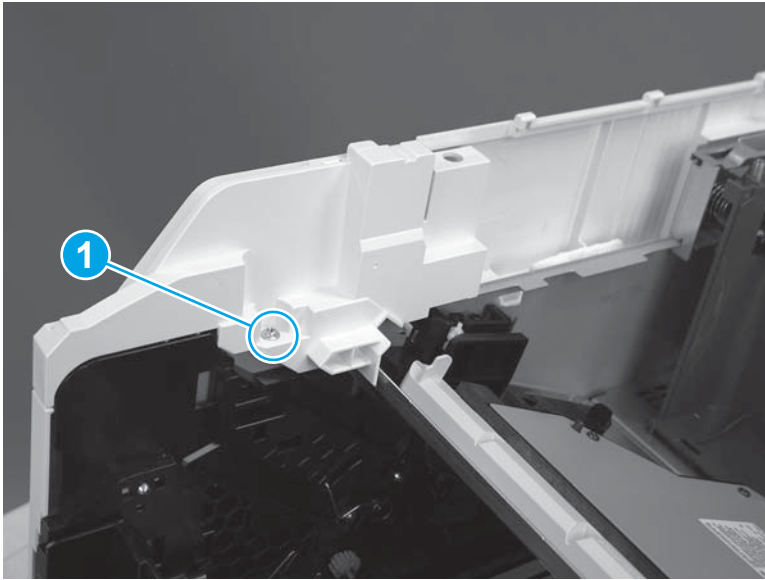
5. Position the left front inside cover on the printer.

Figure 1-256 Install the left front inside cover



6. Install one screw (callout 1).

Figure 1-257 Install one screw



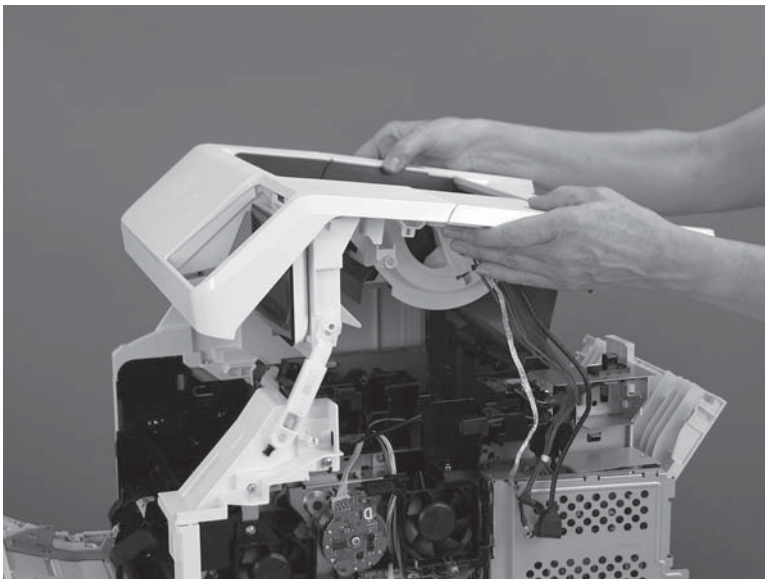
Step 12: Install the top cover (M605x, M606x only)



NOTE: For the M604n/dn, M605n/dn, or M606dn product, skip this step and go to [Step 13: Install the top cover \(M604n/dn, M605n/dn, M606dn only\) on page 175.](#)

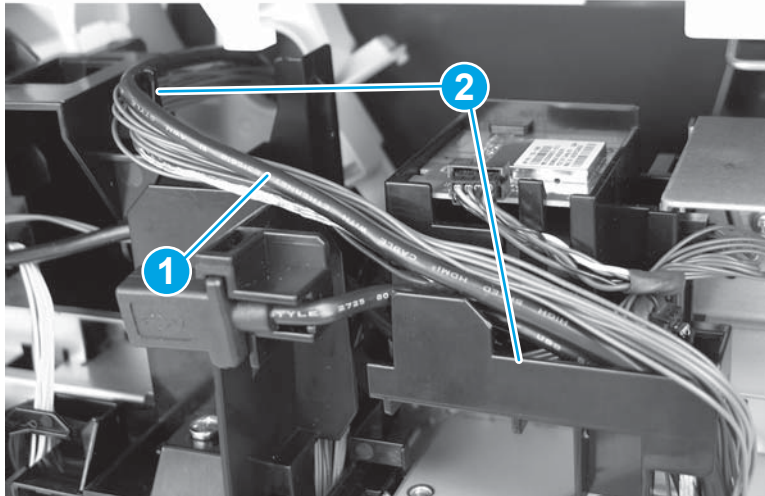
1. Lower the top cover onto the printer.

Figure 1-258 Lower the top cover



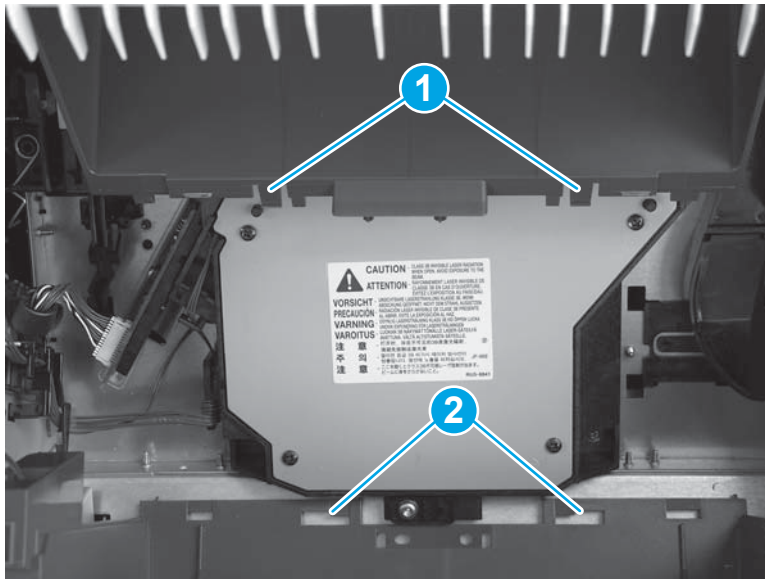
2. On the right side of the printer, make sure that the wire harness and cables (callout 1) are properly routed through the guides (callout 2).

Figure 1-259 Install cables in guides



3. Install two tabs (callout 1) on the top output bin into two slots (callout 2) in the printer. Make sure that the tabs snap into place.

Figure 1-260 Install two tabs



4. Install one screw (callout 1) on the left side of the printer.


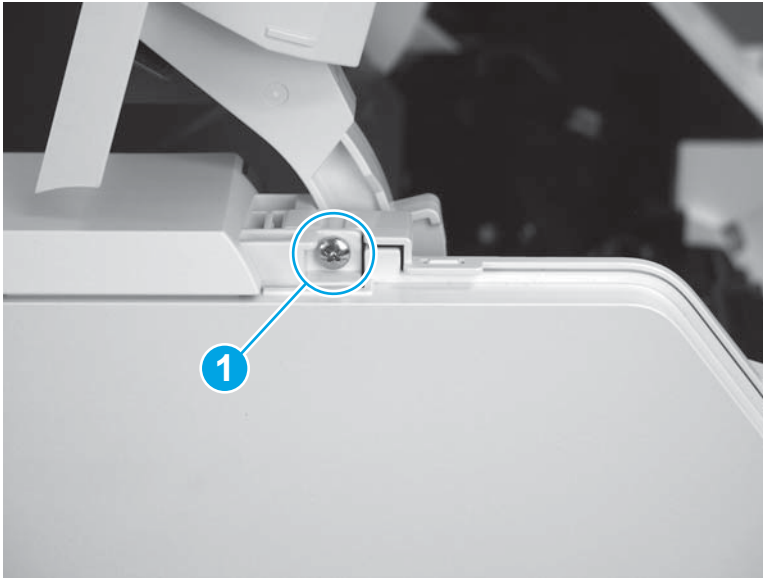
 **Reinstallation tip:** This screw is larger than the screws removed from the top of the printer. Make sure to install the correct screw.

Figure 1-261 Install one screw



5. Install one screw (callout 1) on the right side of the printer.


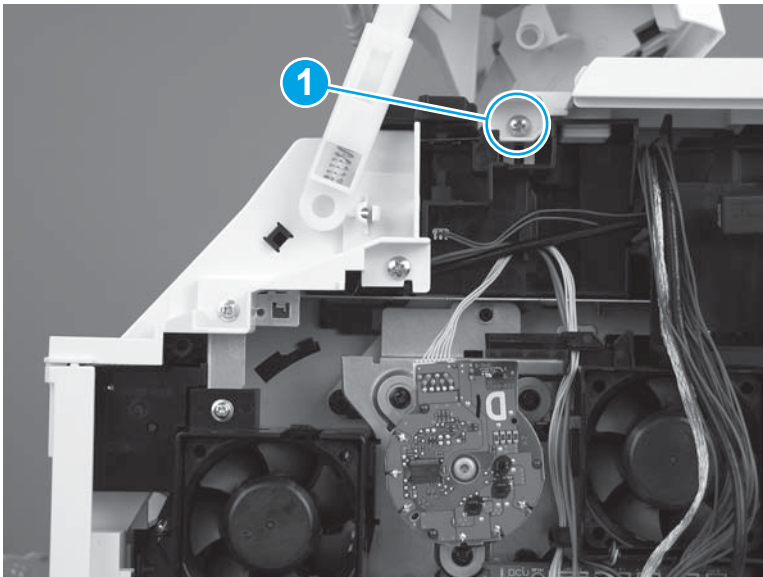
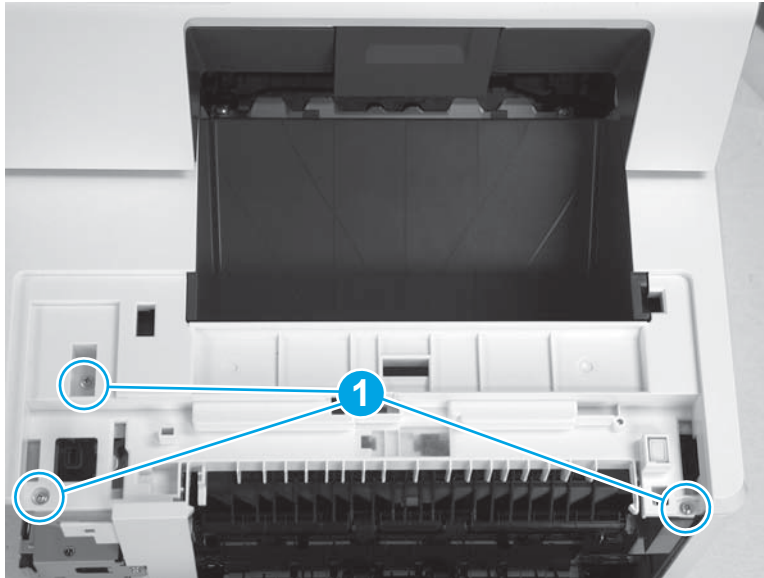
 **Reinstallation tip:** This screw is larger than the screws removed from the top of the printer. Make sure to install the correct screw.

Figure 1-262 Install one screw



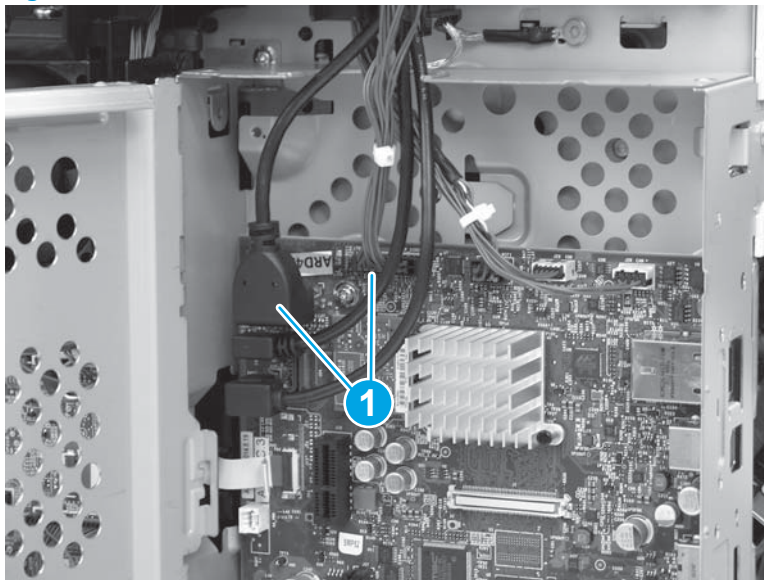
6. Install three screws (callout 1) on the top of the printer.

Figure 1-263 Install three screws



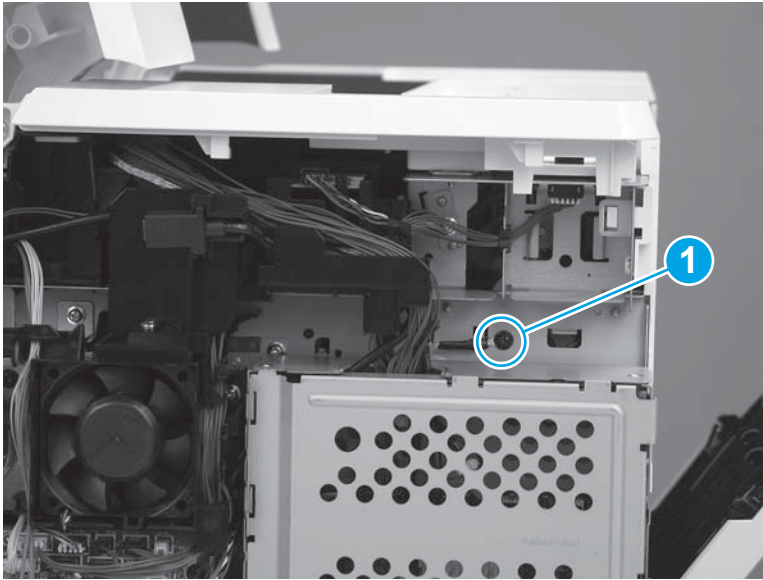
7. Connect two connectors (callout 1).

Figure 1-264 Connect two connectors



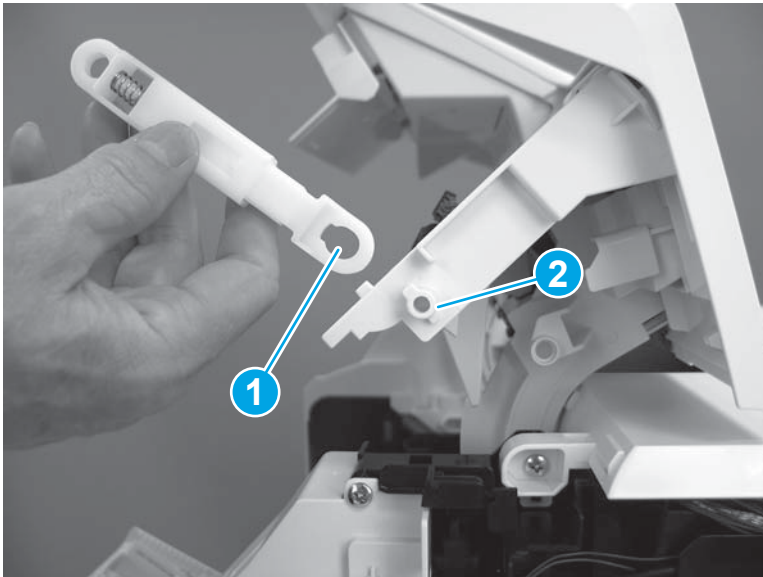
8. Install one screw to attach the ground wire (callout 1).

Figure 1-265 Install the ground wire




9. If the toner-cartridge door hinge comes off of the top cover, reattach the hinge by sliding the hole (callout 1) in the hinge onto the tab (callout 2) on the top cover.

Figure 1-266 Reattach the door hinge

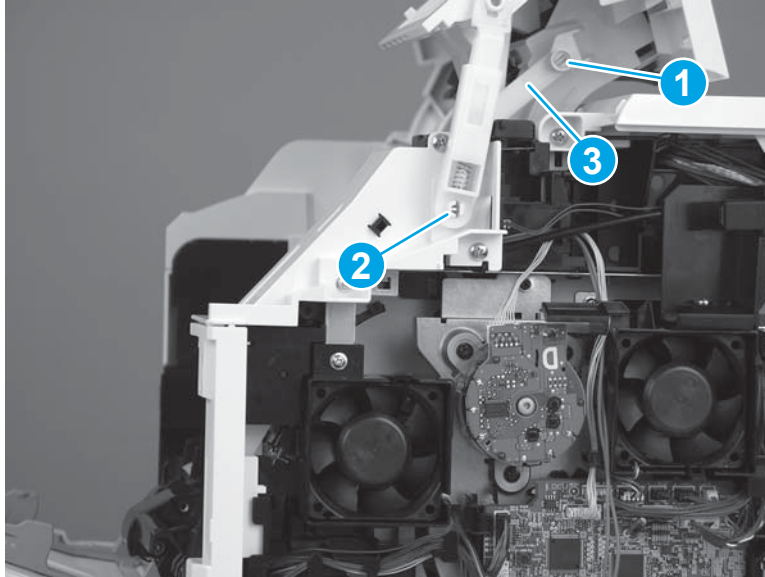


10. Install the toner-cartridge drive-arm (callout 1) and the toner-cartridge door hinge (callout 2) by pressing them onto the tabs.

 **NOTE:** It might be necessary to lift the drive arm (callout 3) up in order to reattach it.

 **CAUTION:** The toner-cartridge drive-arm tabs break easily.

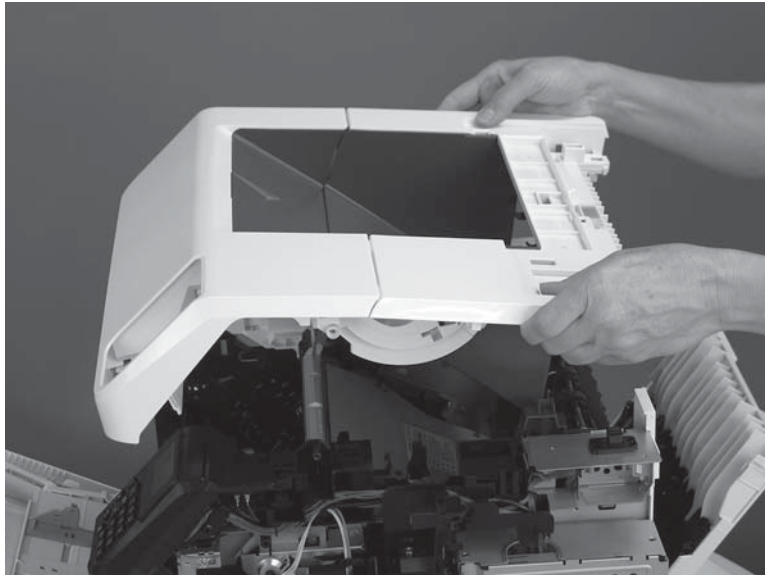
Figure 1-267 Install the drive-arm and door hinge tabs



Step 13: Install the top cover (M604n/dn, M605n/dn, M606dn only)

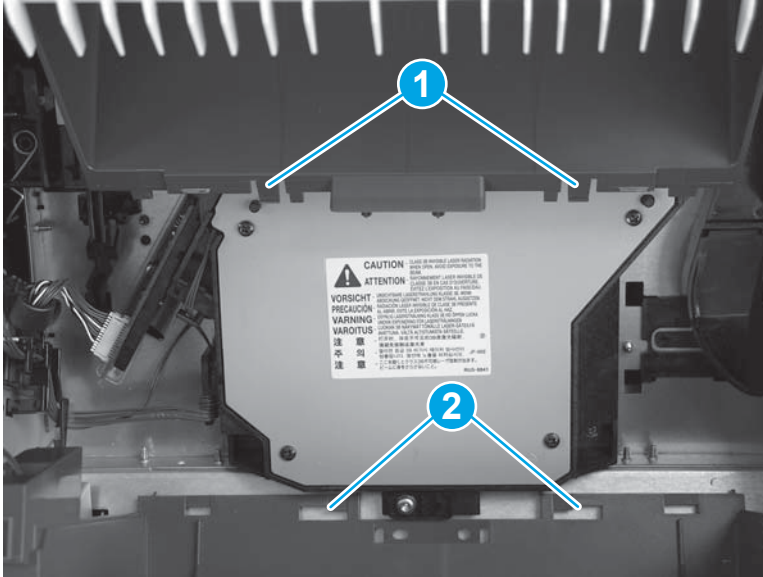
1. Lower the top cover onto the printer.

Figure 1-268 Lower the top cover



2. Install two tabs (callout 1) on the top output bin into two slots (callout 2) in the printer. Make sure that the tabs snap into place.

Figure 1-269 Install two tabs



3. Install one screw (callout 1) on the left side of the printer.


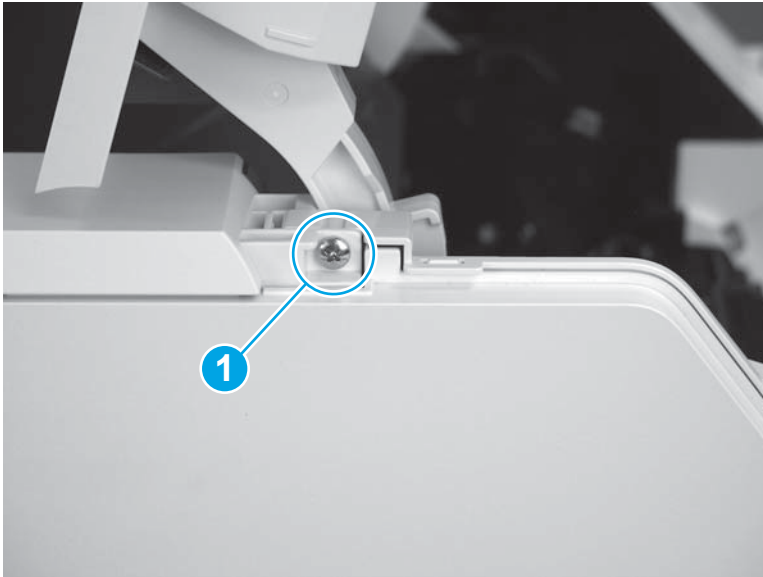
 **Reinstallation tip:** This screw is larger than the screws removed from the top of the printer. Make sure to install the correct screw.

Figure 1-270 Install one screw



4. Install one screw (callout 1) on the right side of the printer.


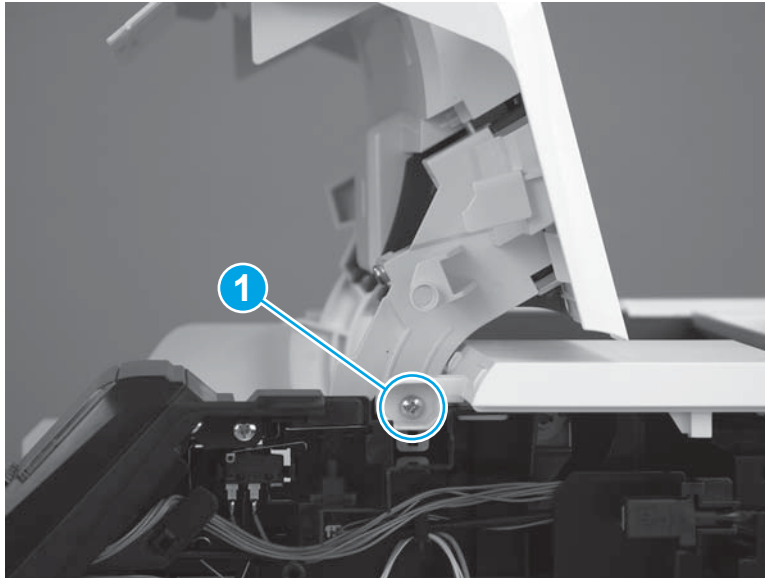
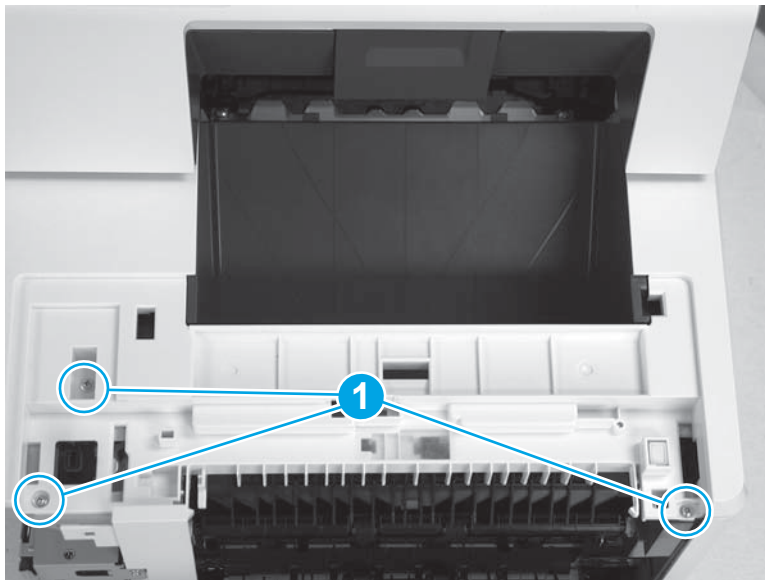
 **Reinstallation tip:** This screw is larger than the screws removed from the top of the printer. Make sure to install the correct screw.

Figure 1-271 Install one screw



5. Install three screws (callout 1) on the top of the printer.

Figure 1-272 Install three screws

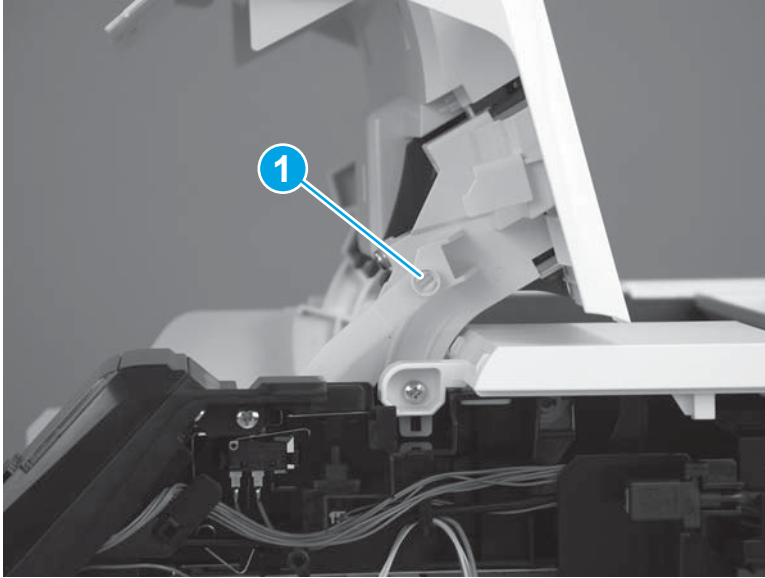


6. Install the toner-cartridge drive-arm (callout 1) by pressing it onto the tabs.

 **NOTE:** It might be necessary to lift the drive arm up in order to reattach it.

 **CAUTION:** The toner-cartridge drive-arm tabs break easily.

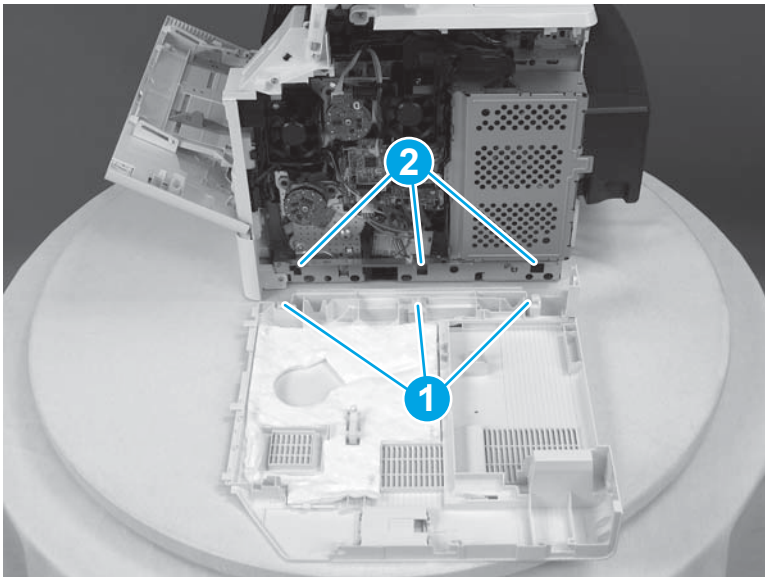
Figure 1-273 Install the drive-arm tabs



Step 14: Install the right cover

1. Note the location of the tabs (callout 1) on the cover that will fit into the slots (callout 2) on the printer.

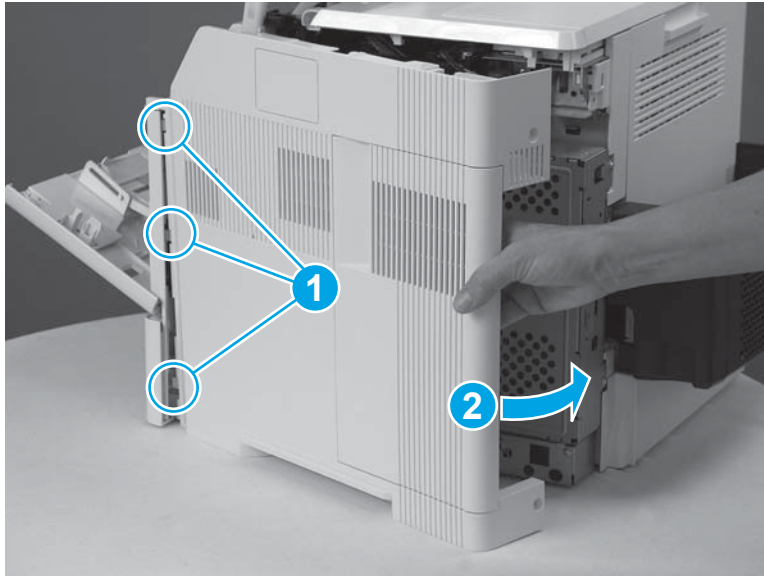
Figure 1-274 Note location of tabs



2. Position the front tabs on the right cover slightly behind the right front cover (callout 1), and then rotate the back edge of the cover toward the printer (callout 2).

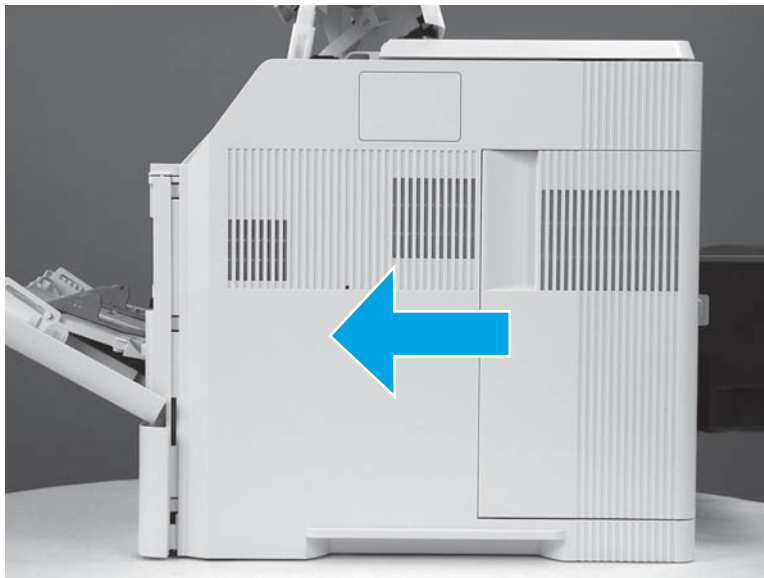
 **NOTE:** The tabs and slots mentioned in the previous step will engage as the cover is rotated into place.

Figure 1-275 Position the front tabs



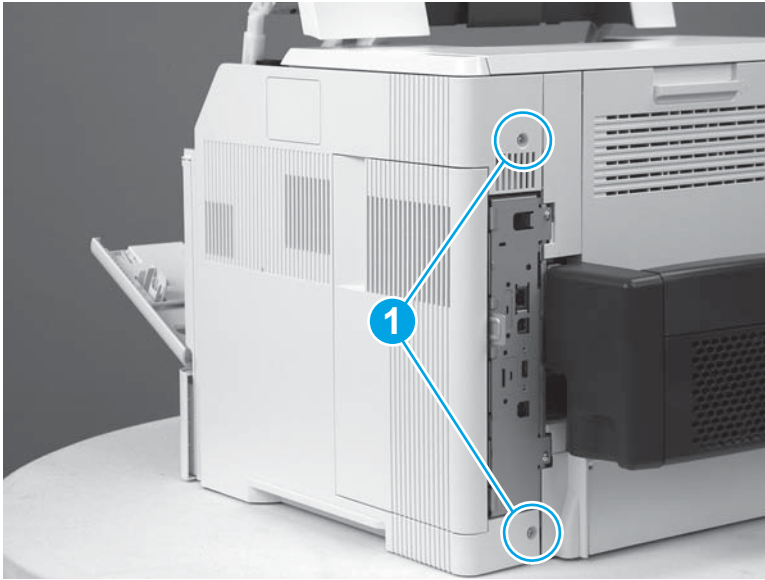
3. Slide the cover toward the front of the printer to install it.

Figure 1-276 Slide the cover



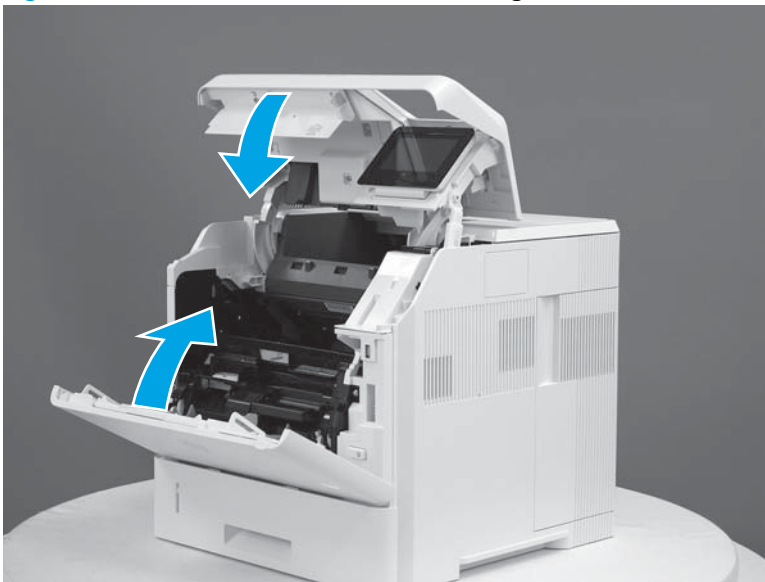
4. Install two screws (callout 1).

Figure 1-277 Install two screws



5. Close the front cover and the cartridge door.

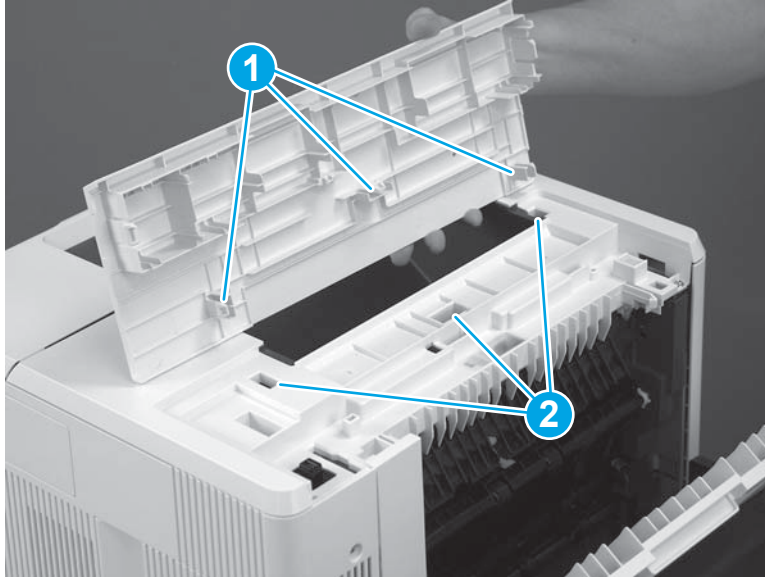
Figure 1-278 Close the front cover and cartridge door



Step 15: Install the top accessory cover

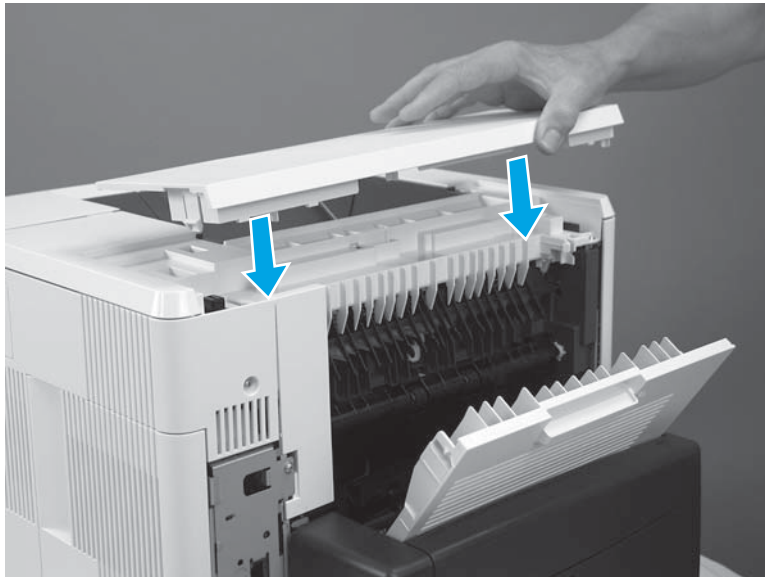
1. Align the tabs (callout 1) on the top accessory cover with the slots (callout 2) in the top cover.

Figure 1-279 Align the tabs and slots



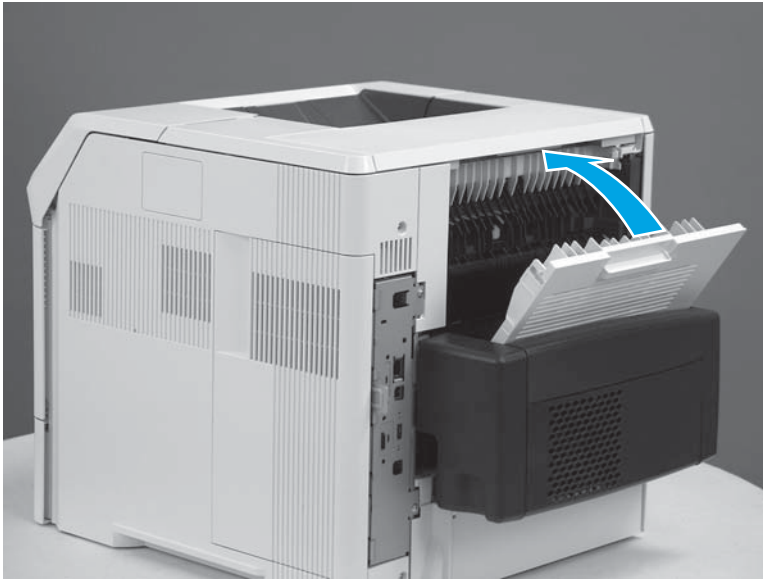
2. Place the top accessory on top of the printer, and then press down to install it.

Figure 1-280 Install the top accessory cover



3. Close the rear output bin.

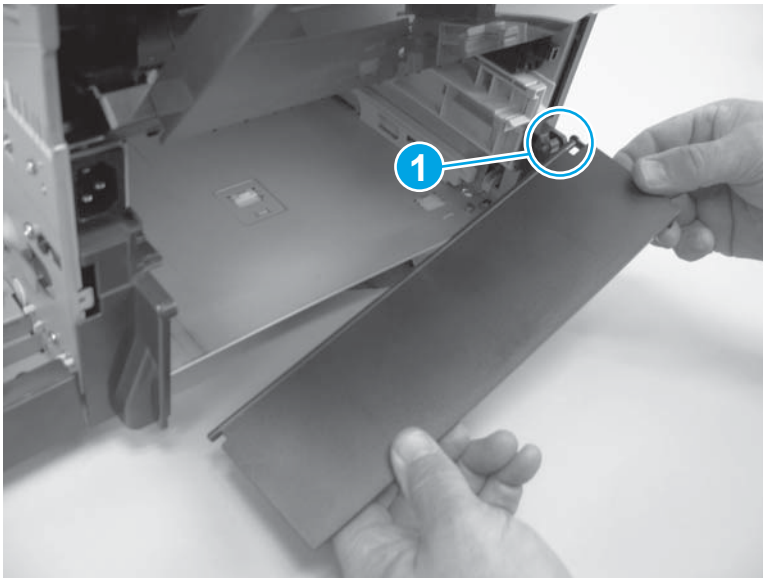
Figure 1-281 Close the rear output bin



Step 16: Install the Tray 2 extension door

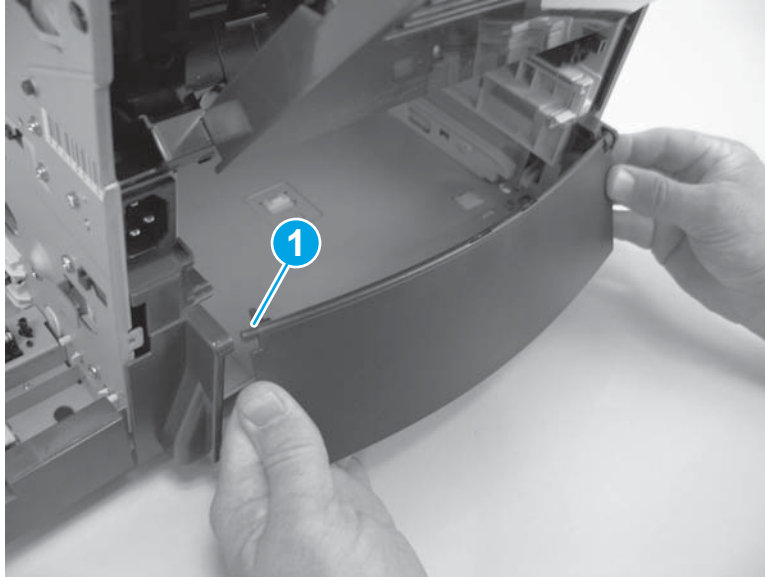
1. Rotate the Tray 2 extension door to the horizontal position, and then install the keyed hinge pin (callout 1).

Figure 1-282 Install the keyed hinge pin




2. Carefully flex the Tray 2 extension door, and then install the hinge pin (callout 1) near the power-cord side of the printer.

Figure 1-283 Install the hinge pin

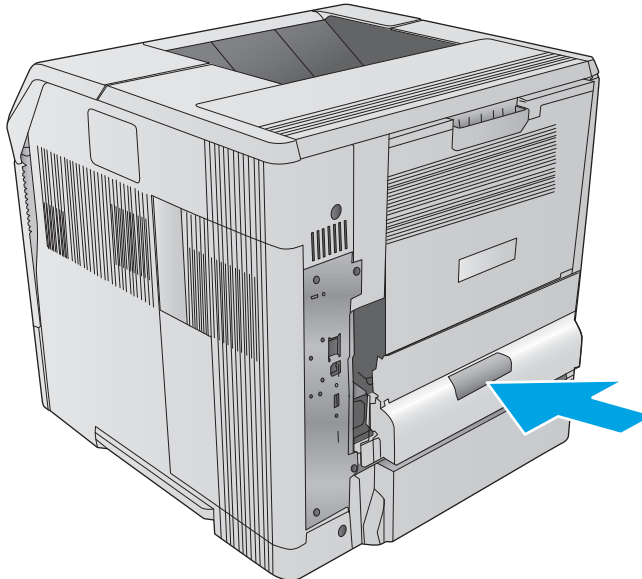


Step 17: Install the duplex accessory cover


 **NOTE:** If the duplex accessory cover was not removed, skip this step and go to [Step 18: Install the duplex accessory on page 183](#).

- ▲ Slide the duplex accessory cover straight into the printer to install it.

Figure 1-284 Install the duplex accessory cover

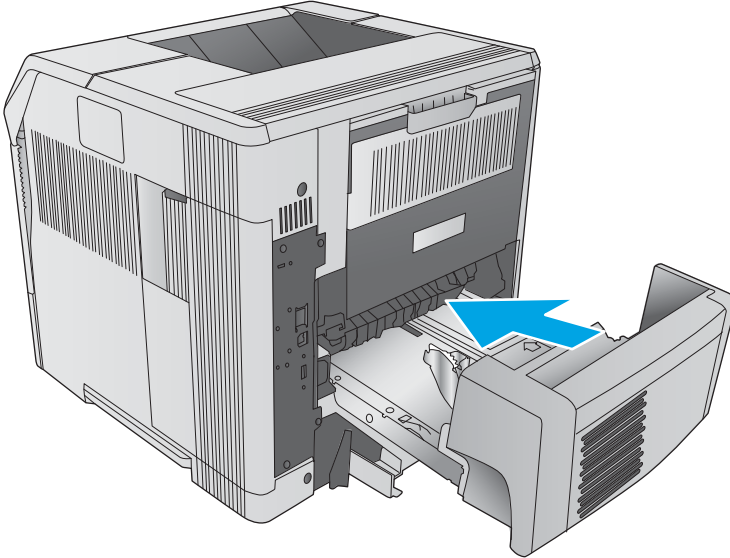


Step 18: Install the duplex accessory

 **NOTE:** If the optional duplex accessory was not removed, skip this step.

- ▲ Slide the duplex accessory straight into the printer to install it.

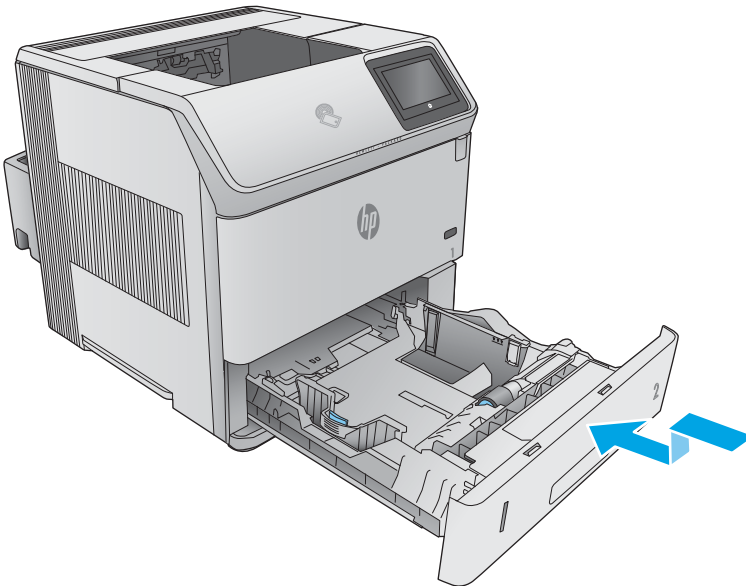
Figure 1-285 Install the duplex accessory



Step 19: Install the tray

- ▲ Lift the tray up slightly and install the back edge of the tray into the tray cavity. Lower the tray, and then slide it into the printer.

Figure 1-286 Install the tray



Removal and replacement: Right front cover

- [Introduction](#)
- [Step 1: Remove the tray](#)
- [Step 2: Remove the right cover](#)
- [Step 3: Remove the front cover](#)
- [Step 4: Remove the right front cover](#)
- [Step 5: Unpack the replacement right front cover](#)
- [Step 6: Install the right front cover](#)
- [Step 7: Install the front cover](#)
- [Step 8: Install the right cover](#)
- [Step 9: Install the tray](#)


Introduction

This document provides the procedures to remove and replace the right front cover.

Before performing service

Turn the printer power off

- Disconnect the power cable.

 **WARNING!** To avoid damage to the printer, turn the printer off, wait 30 seconds, and then remove the power cord before attempting to service the printer.

Use the table below to identify the correct part number for your printer. To order the part, go to www.hp.com/buy/parts.

Right front cover part number	
RC4-5837-000CN	Right front cover

Required tools


- #2 Phillips screwdriver with a magnetic tip

After performing service

Make sure that the right front cover is fully seated after replacing it.

Turn the printer power on

- Connect the power cable.
- Use the power switch to turn the power on.


 **NOTE:** If the power switch does not turn the power on, make sure that the cable from the right front cover to the DC controller is installed and fully seated on the DC controller.

Post service test

Make sure that the printer initializes to a **Ready** state.

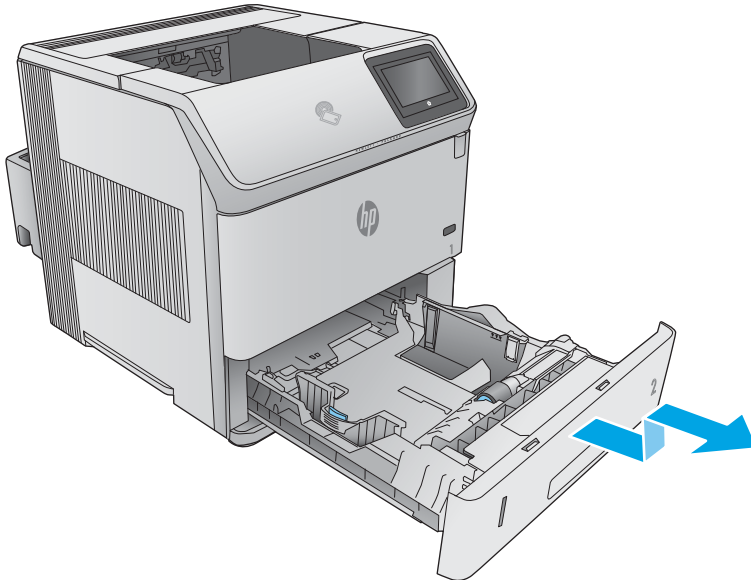
Print a configuration page to make sure that the printer is functioning correctly.

Step 1: Remove the tray

 **NOTE:** The procedure to replace the tray for Trays 3-6 is the same as for Tray 2. Only Tray 2 is shown here.

- ▲ Pull the tray out, slightly lift up, and then pull it completely out of the printer to remove it.

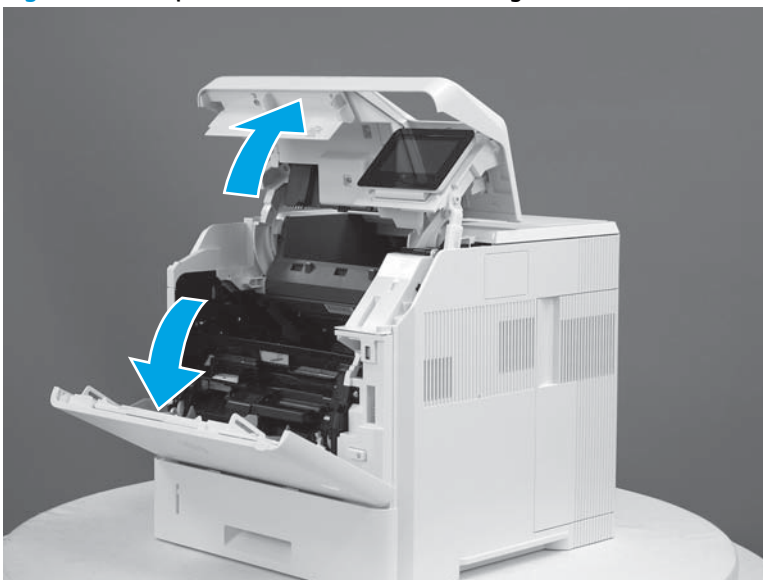
Figure 1-287 Remove the tray



Step 2: Remove the right cover

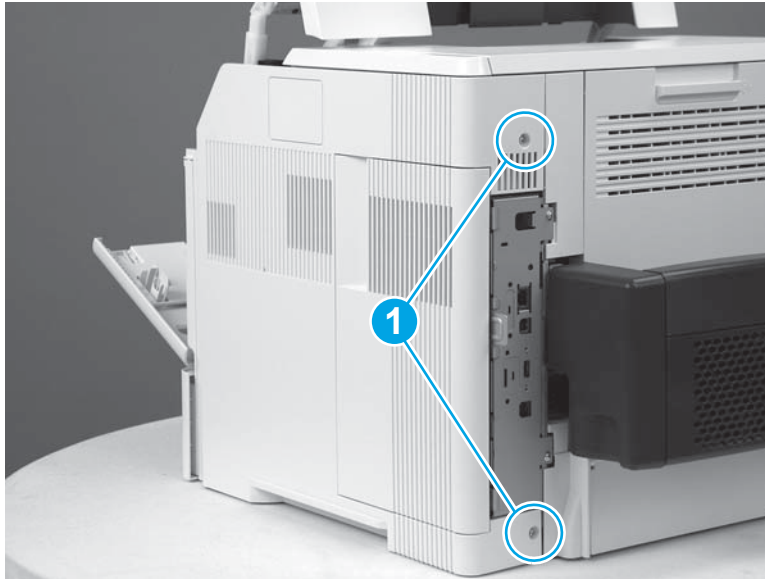
1. Open the front cover and the cartridge door.

Figure 1-288 Open the front cover and cartridge door



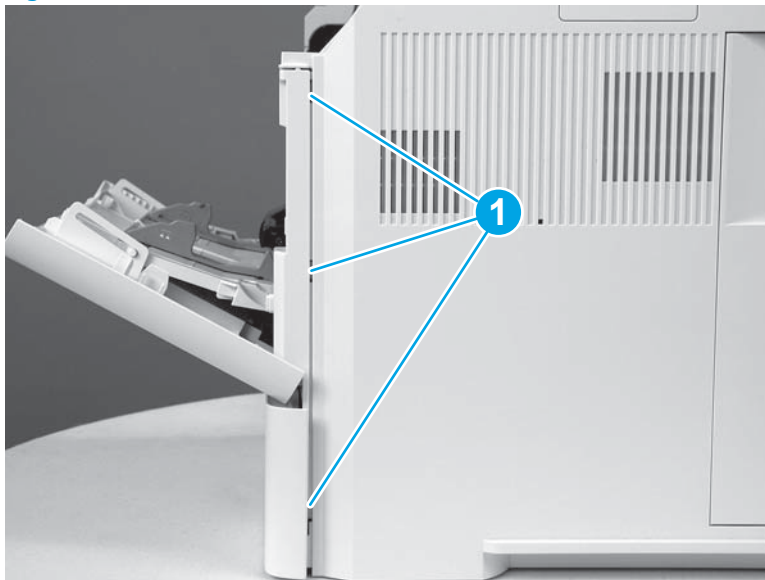
2. Remove two screws (callout 1).

Figure 1-289 Remove two screws



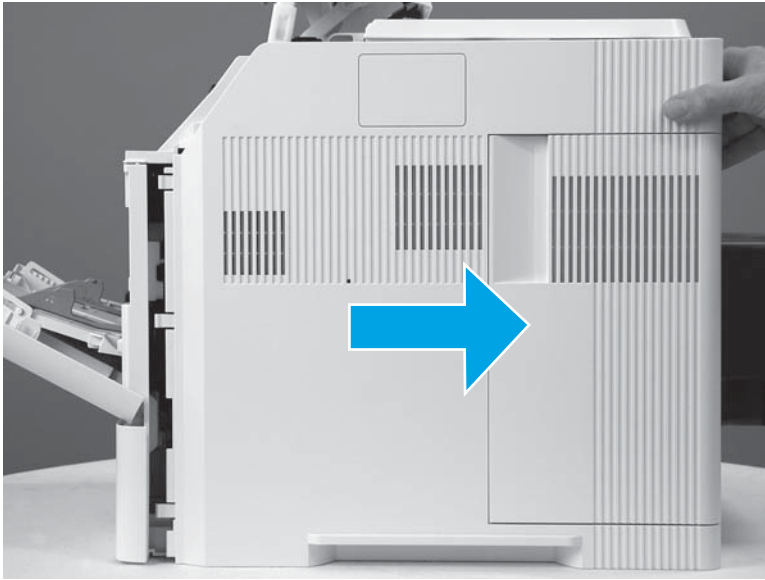
3. Release three tabs (callout 1).

Figure 1-290 Release three tabs



4. Slide the cover toward the rear of the printer to remove it.

Figure 1-291 Remove the cover



Step 3: Remove the front cover

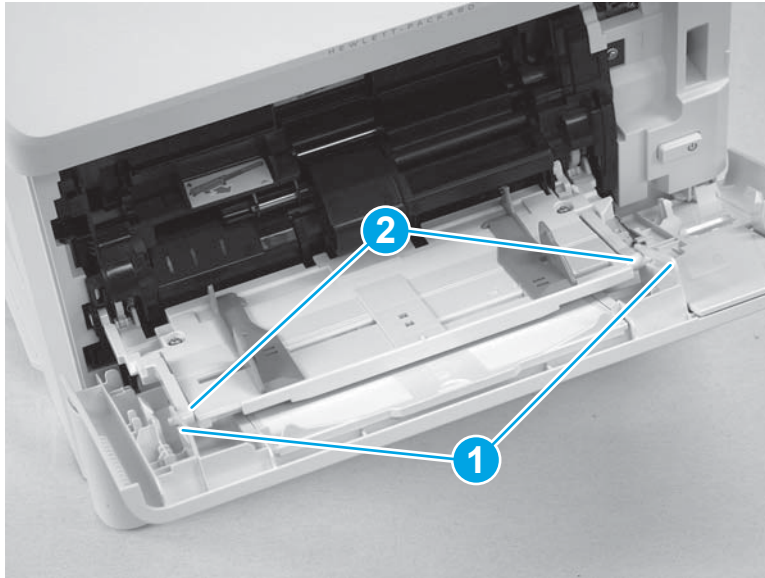
1. Open the front cover

Figure 1-292 Open the front cover



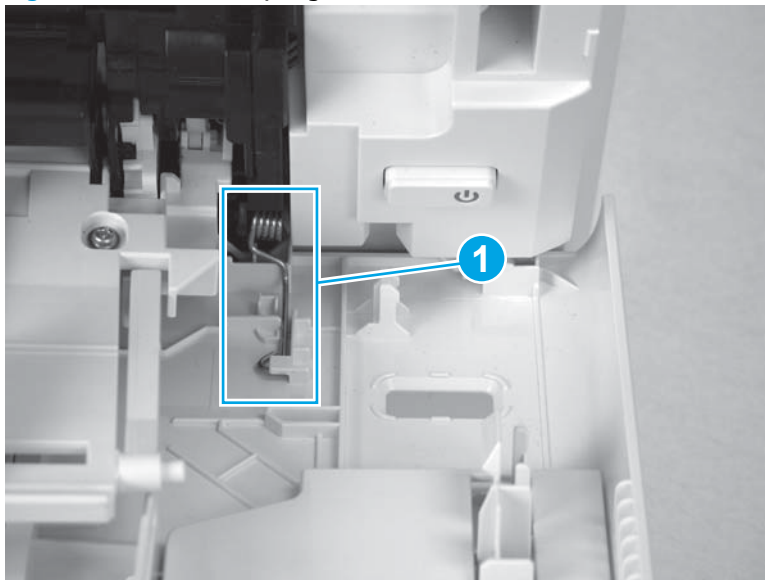
2. Gently pry the front-cover retainers (callout 1) off of the Tray 1 arms (callout 2).

Figure 1-293 Release retainers



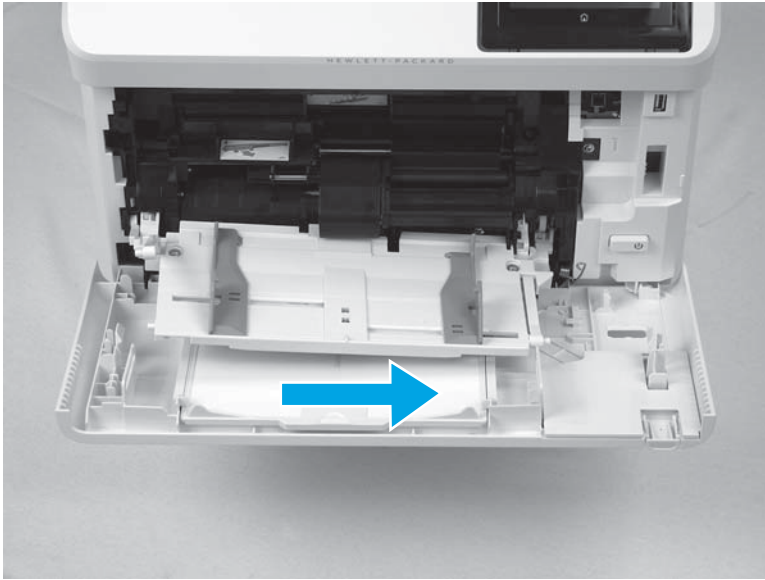
3. Use needle-nose pliers to release one spring (callout 1).

Figure 1-294 Release spring



4. Slide the front cover toward the right side of the printer to remove it.

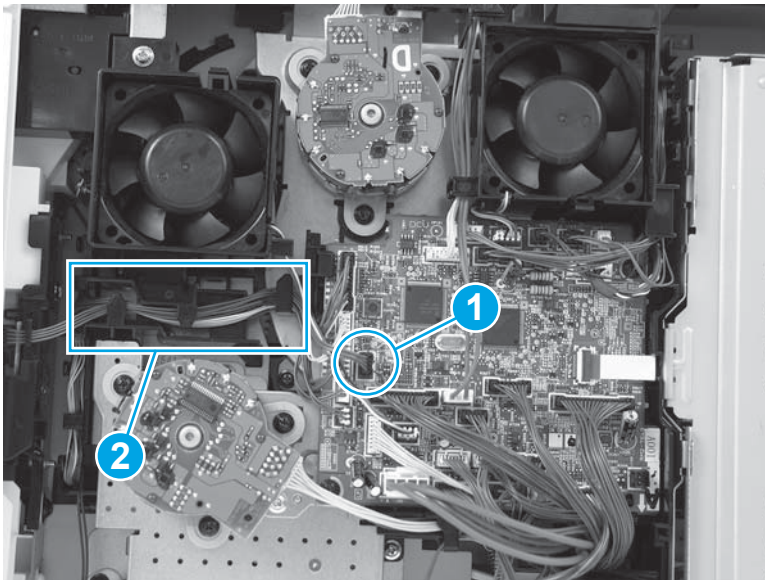
Figure 1-295 Remove the cover



Step 4: Remove the right front cover

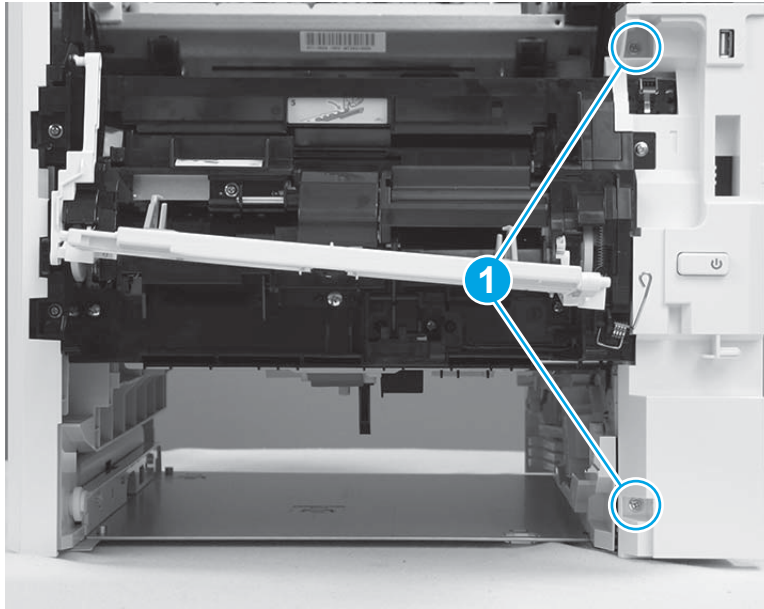
1. Disconnect one connector (callout 1) on the DC controller (J32), and then release the wire harness from the guide (callout 2).

Figure 1-296 Disconnect one connector



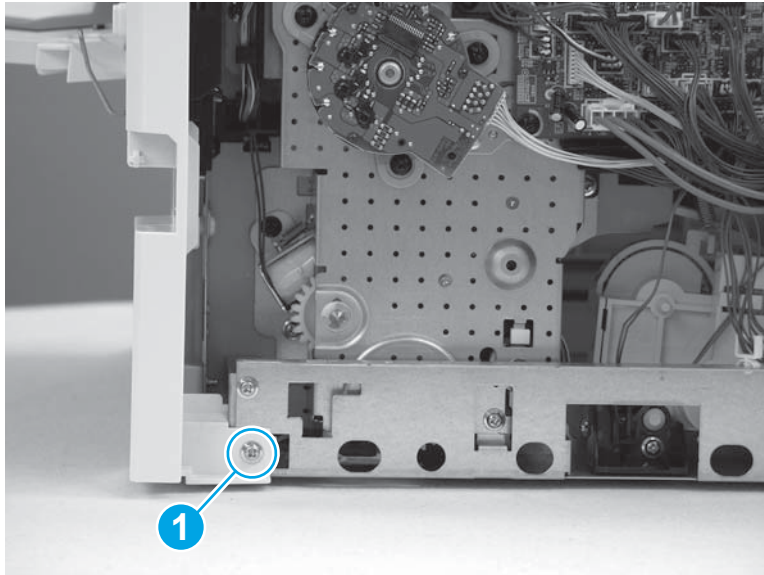
2. Remove two screws (callout 1).

Figure 1-297 Remove two screws



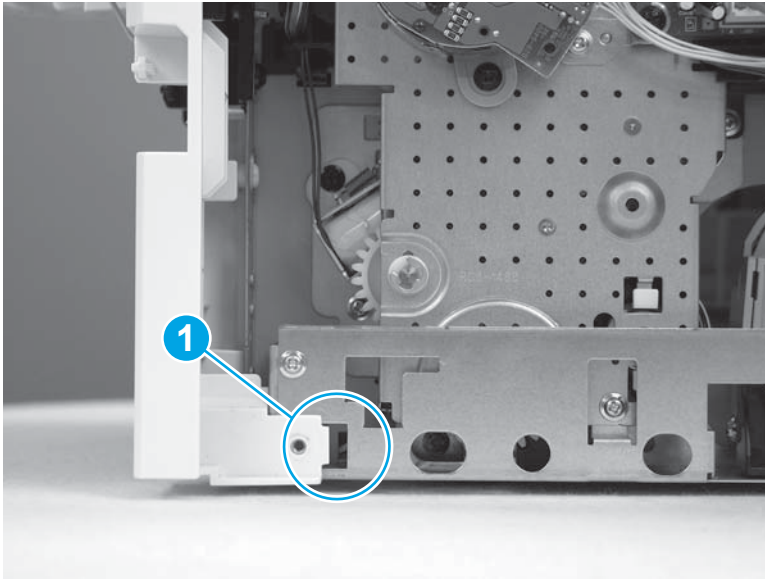
3. Remove one screw (callout 1).

Figure 1-298 Remove one screw



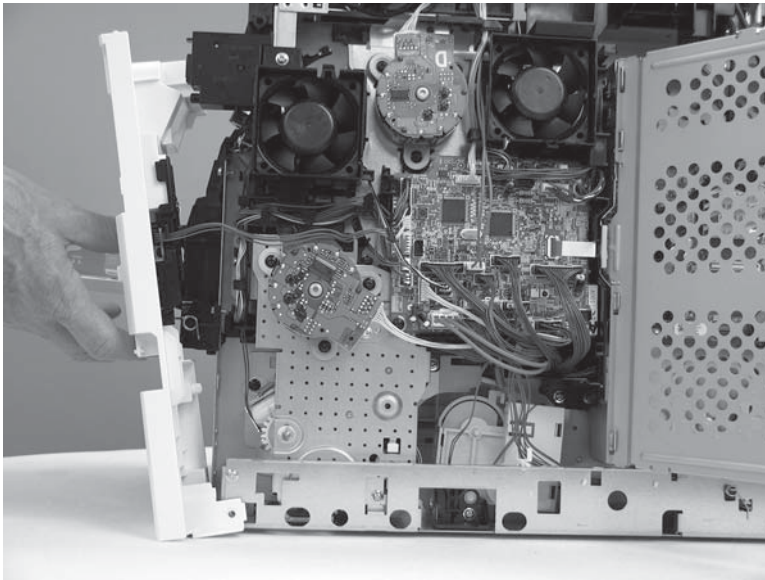
4. Release one tab (callout 1).

Figure 1-299 Release one tab



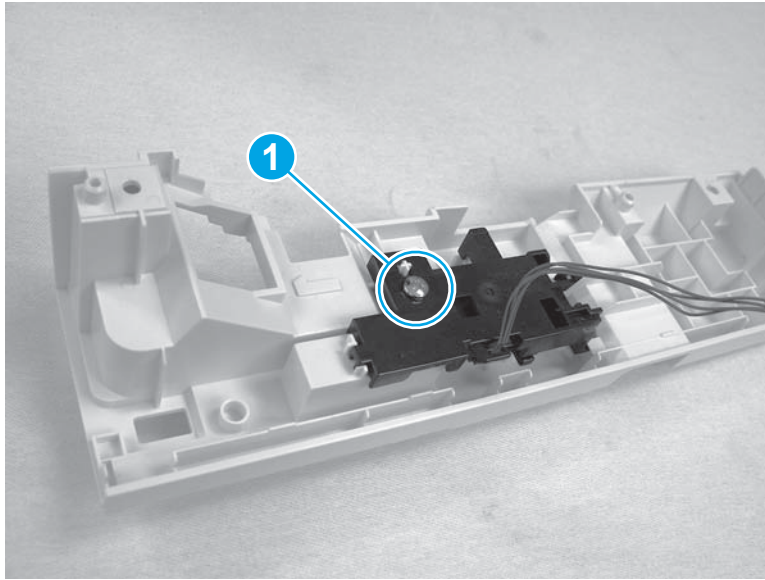
5. Remove the right front cover.

Figure 1-300 Remove the right front cover



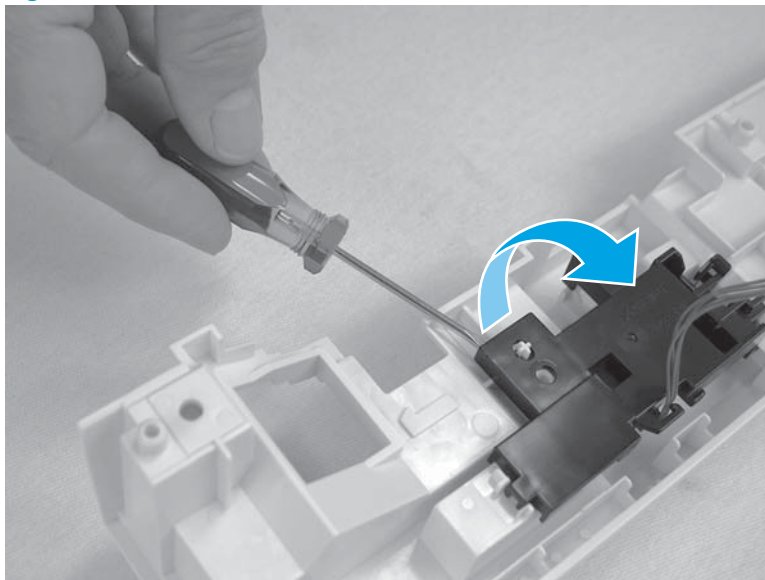
6. On the back of the right front cover, remove one screw (callout 1).

Figure 1-301 Remove one screw



7. Use a small, flat-blade screwdriver to release the switch PCA from the right front cover.

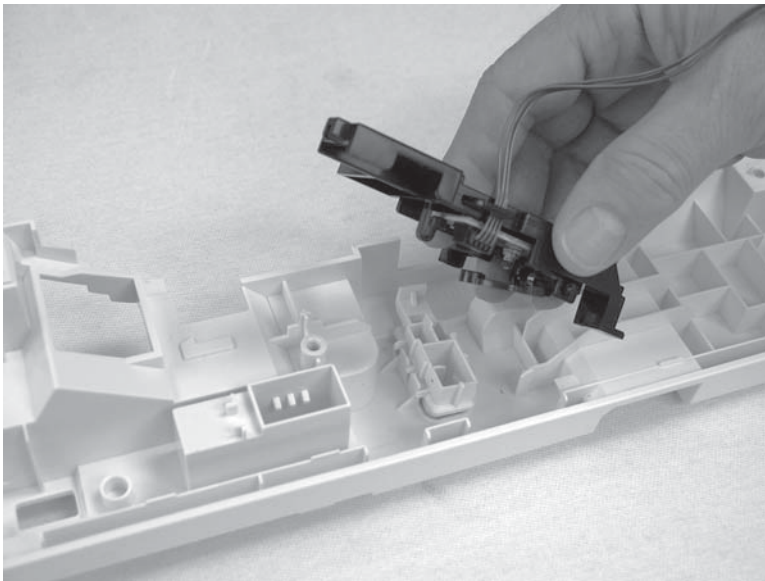
Figure 1-302 Release the switch PCA



8. Remove the switch PCA.

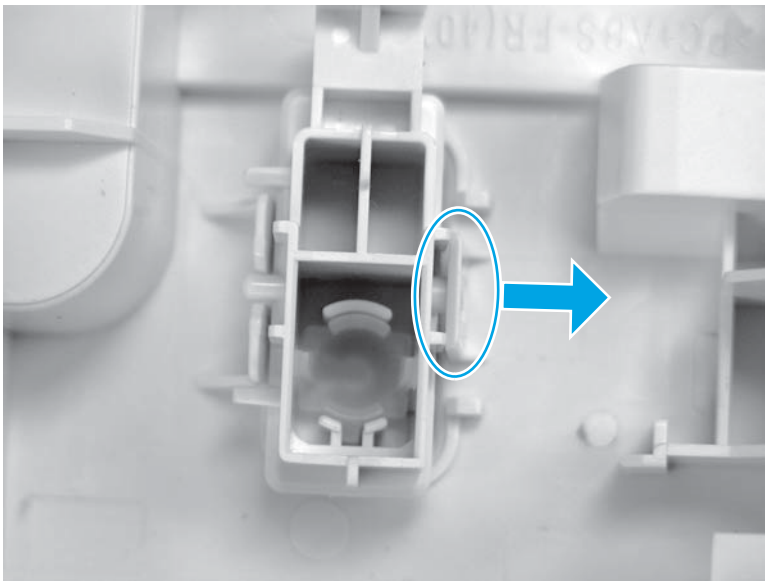
 **NOTE:** Save this component for installation on the new right front cover.

Figure 1-303 Remove the switch PCA



9. On the back of the right front cover, flex one retainer to release one hinge pin.

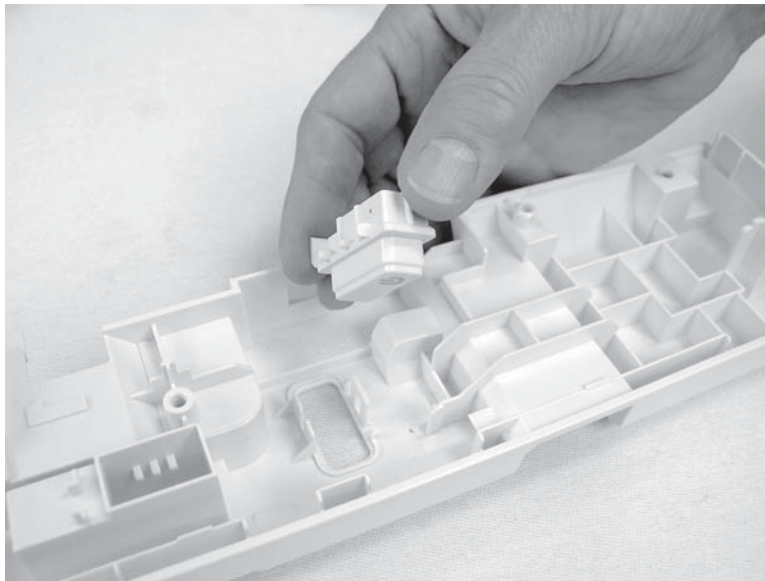
Figure 1-304 Release one hinge pin



10. Remove the switch button.

 **NOTE:** Save this component for installation on the new right front cover.

Figure 1-305 Remove the switch button



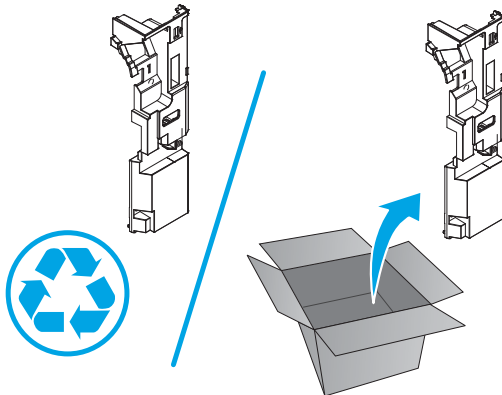
Step 5: Unpack the replacement right front cover

Unpack the replacement part from the packaging.

<http://www8.hp.com/us/en/hp-information/environment/product-recycling.html>

 **NOTE:** HP recommends responsible disposal of the defective part.

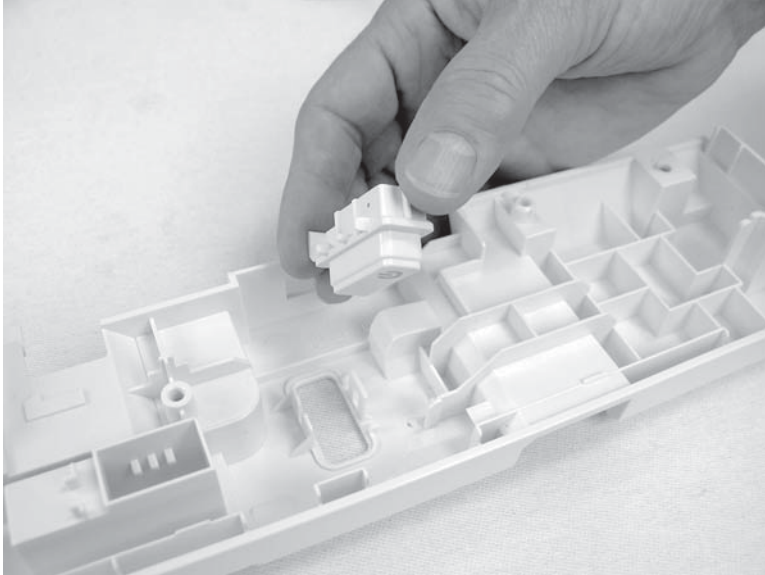
Figure 1-306 Recycle and unpack



Step 6: Install the right front cover

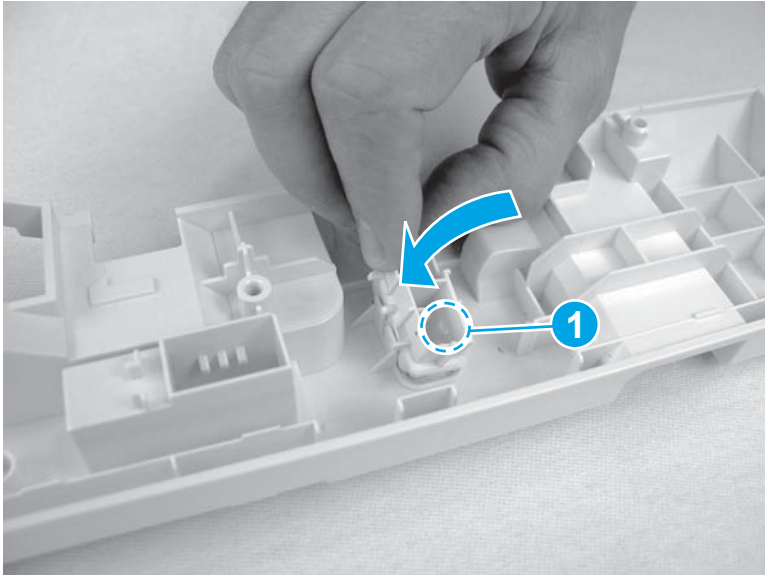
1. Position the switch button on the back of the new right front cover.

Figure 1-307 Position the switch button



2. Install the hinge pin in the slot (callout 1), and then rotate the switch button down to install it.

Figure 1-308 Install the switch button



3. Before installing the switch PCA in the following steps, hold the right front cover away from a flat surface so that the switch button is fully seated in the cover. The switch PCA will not install correctly if the switch button is not fully seated.

Figure 1-309 Switch button seated correctly

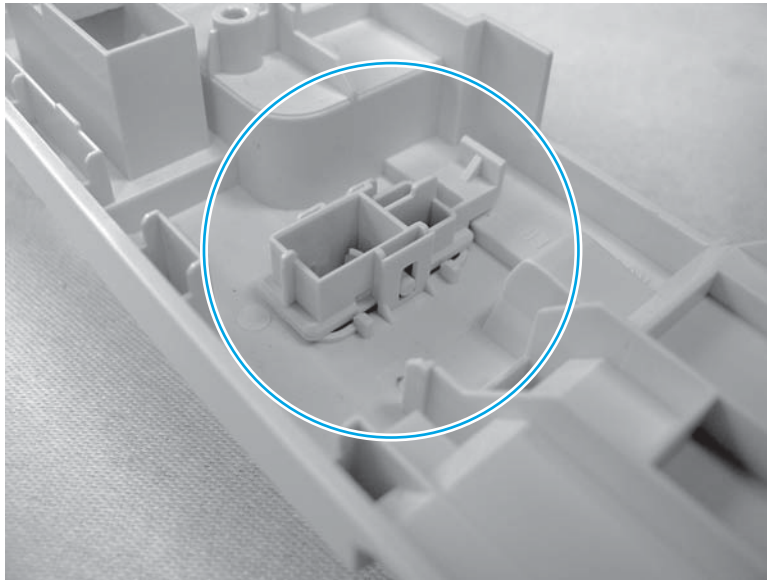
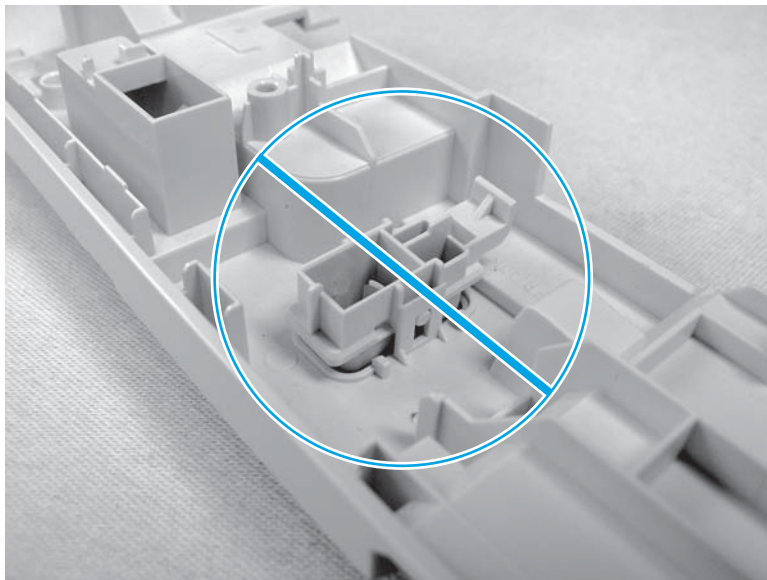
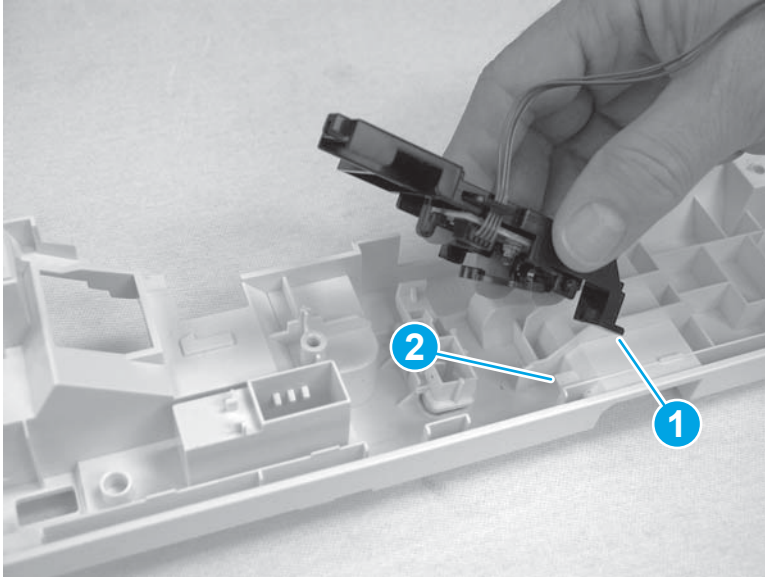


Figure 1-310 Switch button seated incorrectly



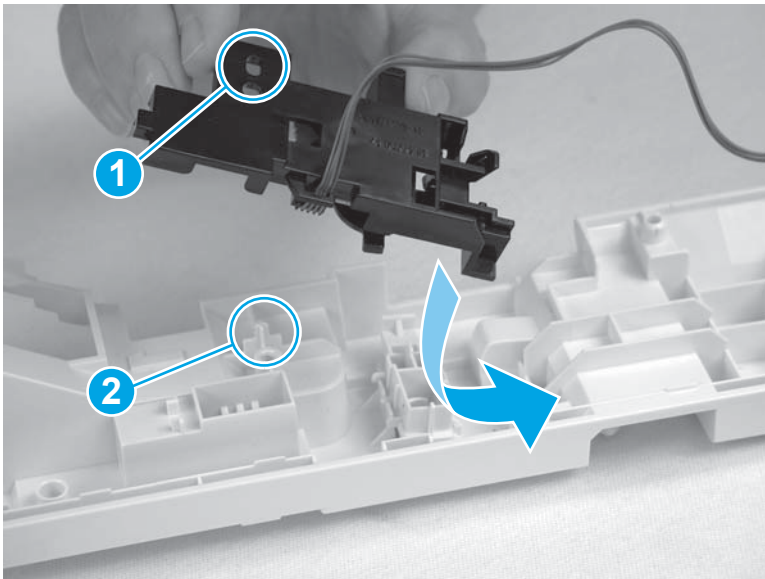
4. When installing the switch PCA in the next step, position the corner of the switch PCA (callout 1) under the tab on the right front cover (callout 2).

Figure 1-311 Position the switch PCA



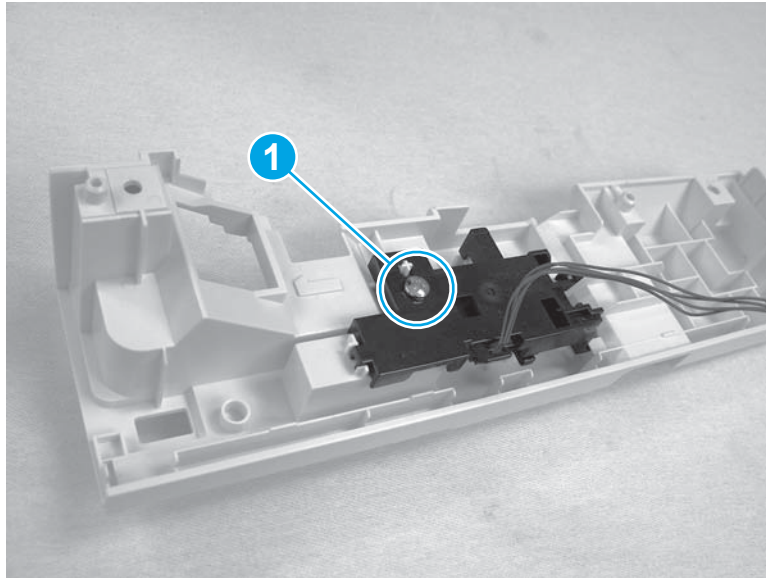
5. Slide the switch PCA into position until the hole (callout 1) on the switch PCA aligns with the post (callout 2) on the right front cover. Press down until the switch PCA snaps into place..

Figure 1-312 Install the switch PCA



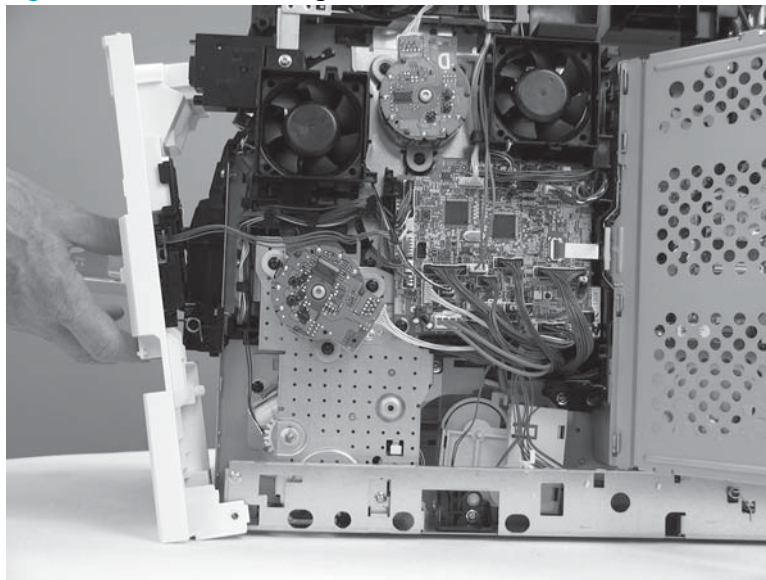
6. Install one screw (callout 1).

Figure 1-313 Install one screw



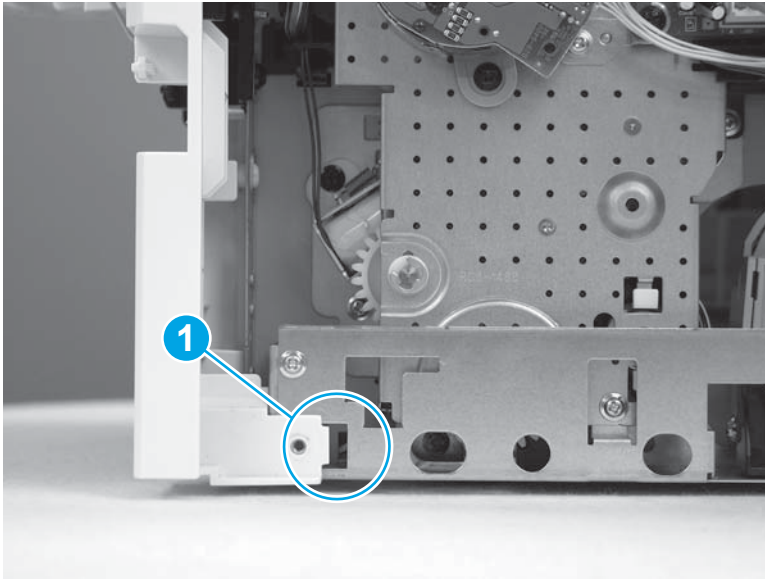
7. Position the right front cover on the printer.

Figure 1-314 Position the right front cover



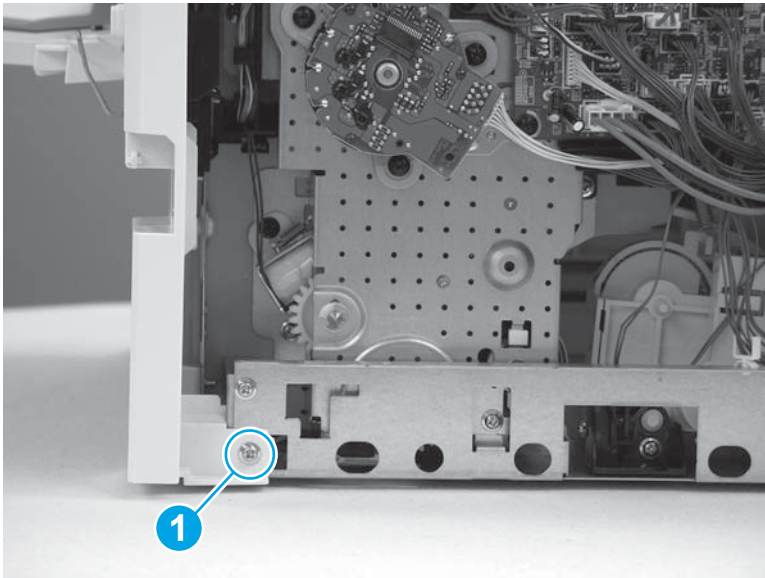
8. Install one tab (callout 1).

Figure 1-315 Install one tab



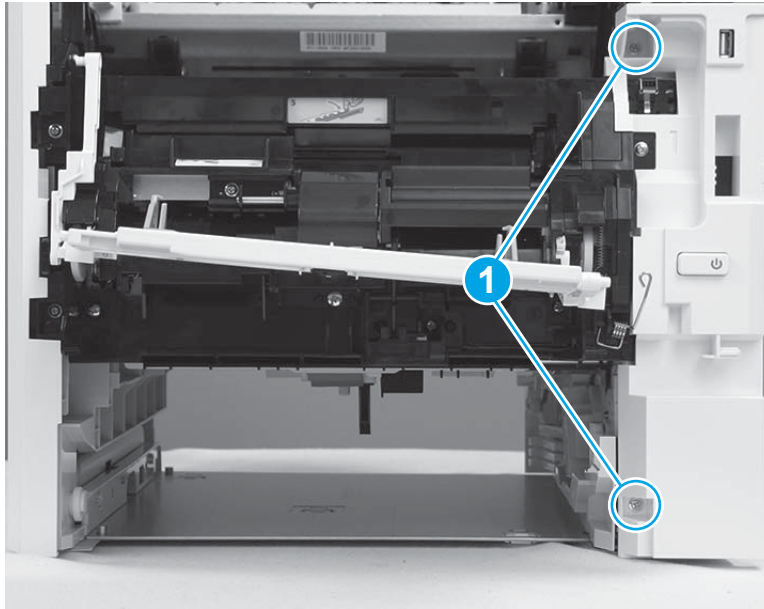
9. Install one screw (callout 1).

Figure 1-316 Install one screw



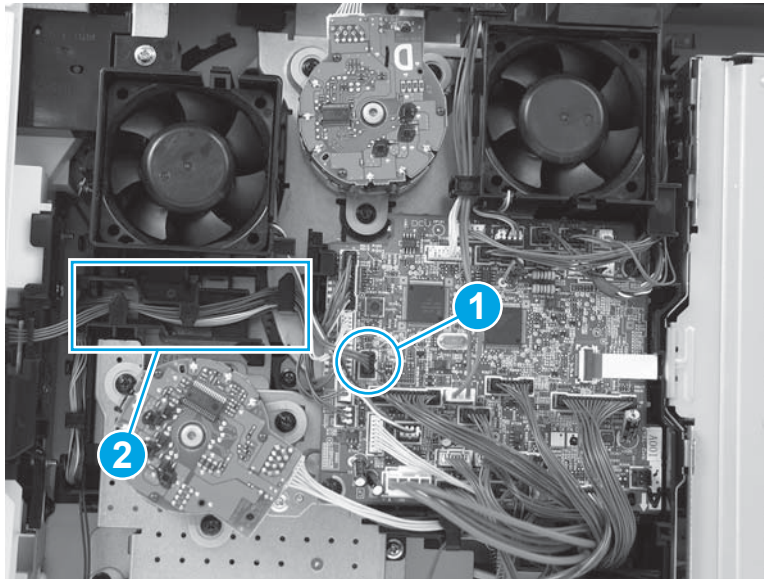
10. Install two screws (callout 1).

Figure 1-317 Install two screws



11. Connect one connector (callout 1) on the DC controller (J32), and then install the wire harness in the guide (callout 2).

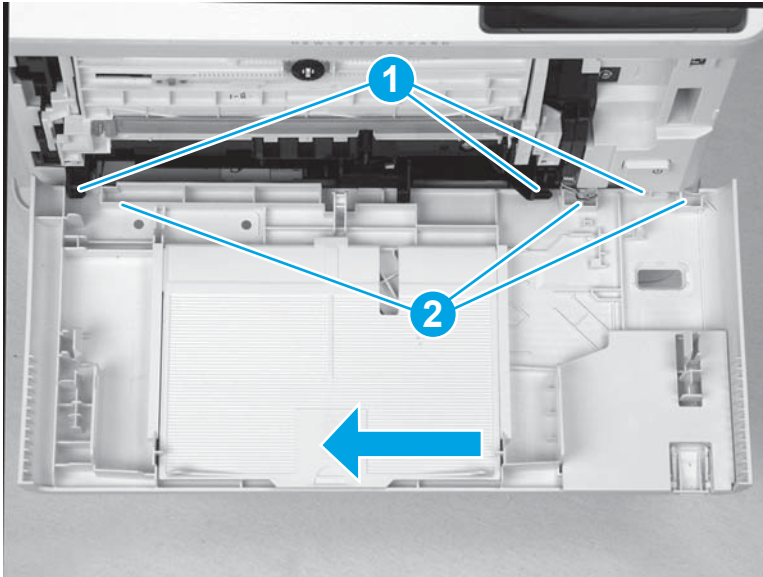
Figure 1-318 Connect one connector



Step 7: Install the front cover

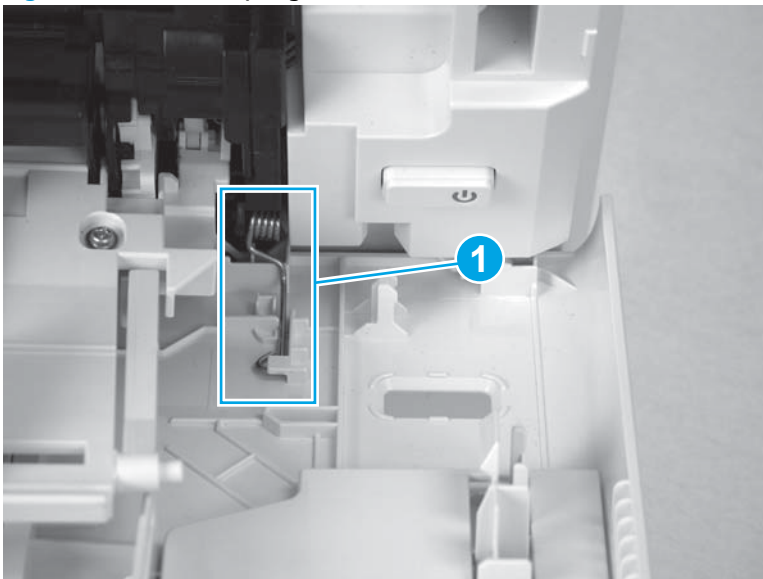
1. Align the pins (callout 1) on the printer with the holes (callout 2) on the front cover, and then slide the front cover toward the left side of the printer to install it.

Figure 1-319 Install the cover



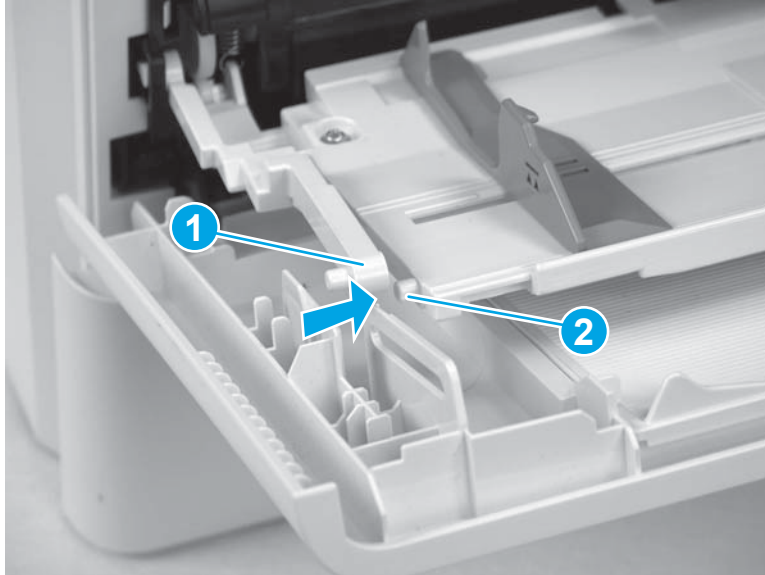
2. Use needle-nose pliers to install one spring (callout 1).

Figure 1-320 Install spring



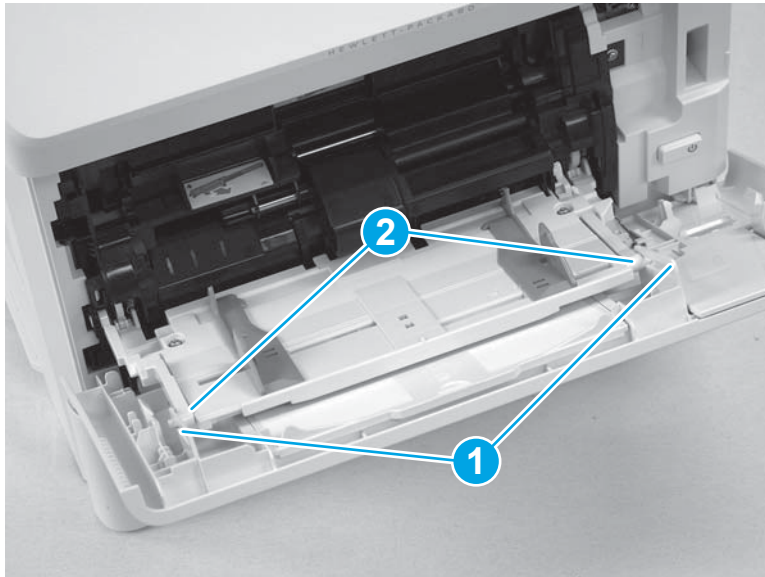
3. The hinge arm (callout 1) might become dislodged from the Tray 1 pin (callout 2). Make sure that the hinge arm fits securely on the pin.

Figure 1-321 Check arm installation



4. Gently flex the front-cover retainers (callout 1) outward to install them on the Tray 1 arms (callout 2).

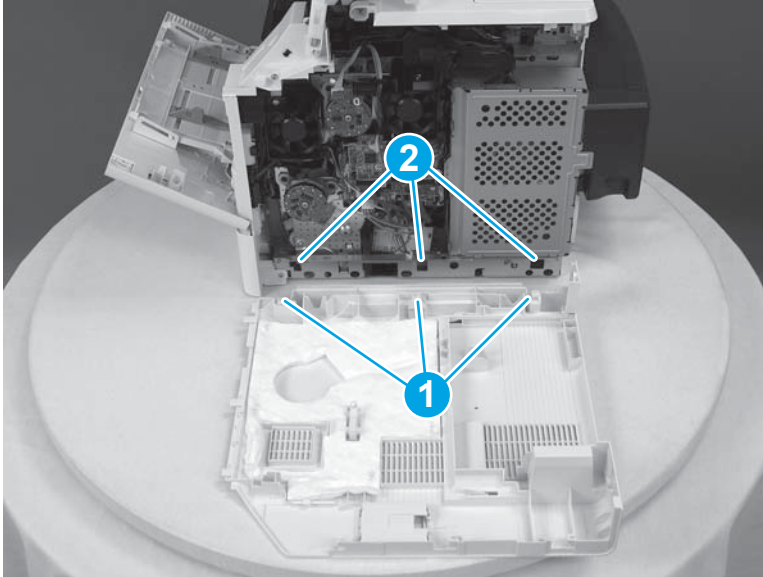
Figure 1-322 Install retainers



Step 8: Install the right cover

1. Note the location of the tabs (callout 1) on the cover that will fit into the slots (callout 2) on the printer.

Figure 1-323 Note location of tabs

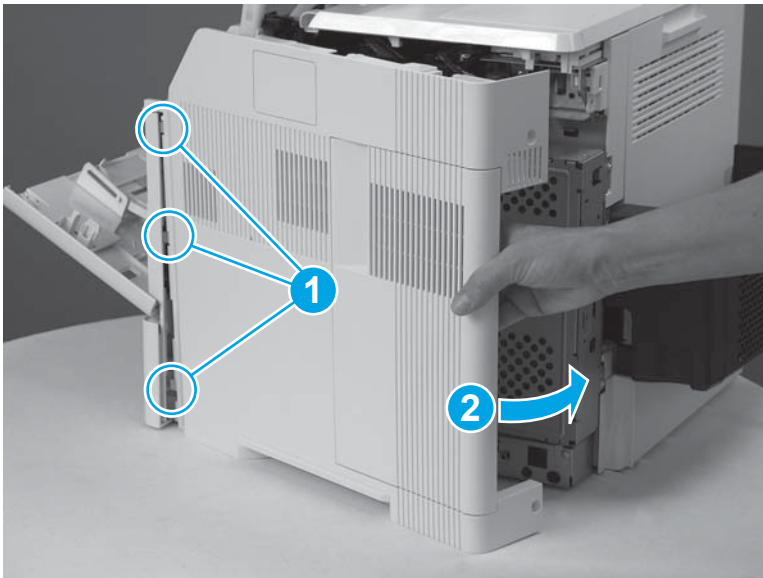


2. Position the front tabs on the right cover slightly behind the right front cover (callout 1), and then rotate the back edge of the cover toward the printer (callout 2).



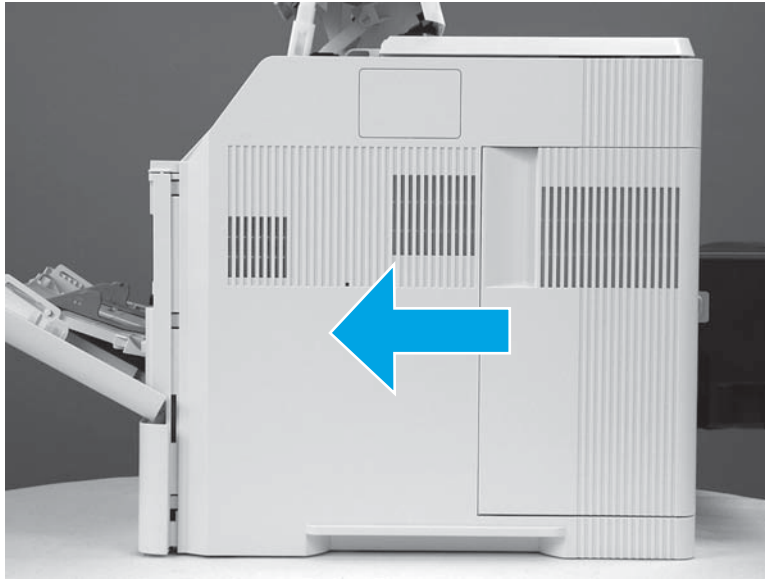
NOTE: The tabs and slots mentioned in the previous step will engage as the cover is rotated into place.

Figure 1-324 Position the front tabs



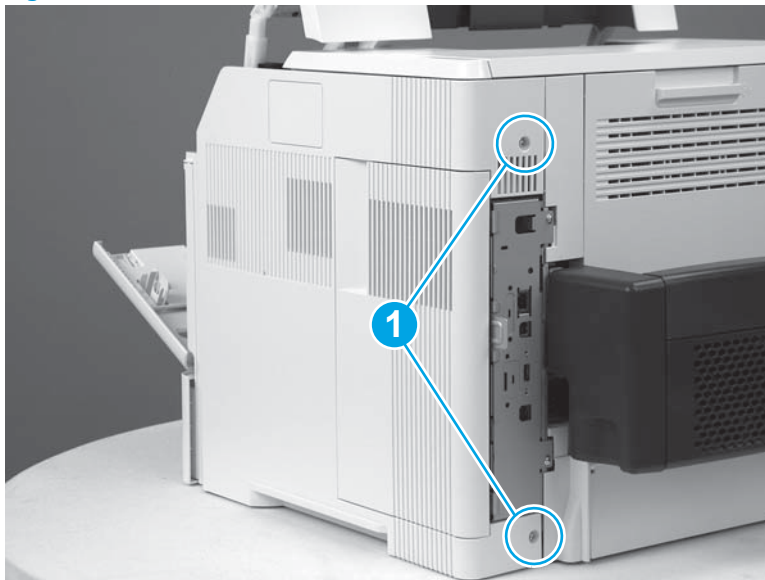
3. Slide the cover toward the front of the printer to install it.

Figure 1-325 Slide the cover



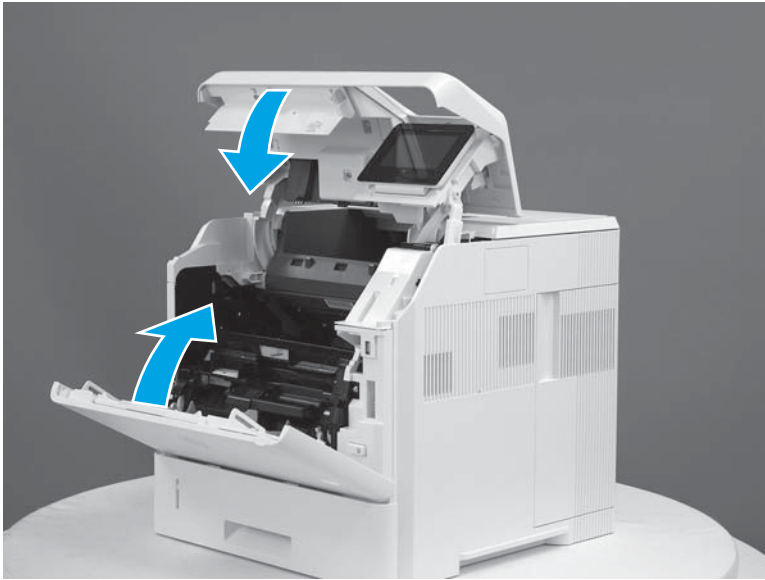
4. Install two screws (callout 1).

Figure 1-326 Install two screws



5. Close the front cover and the cartridge door.

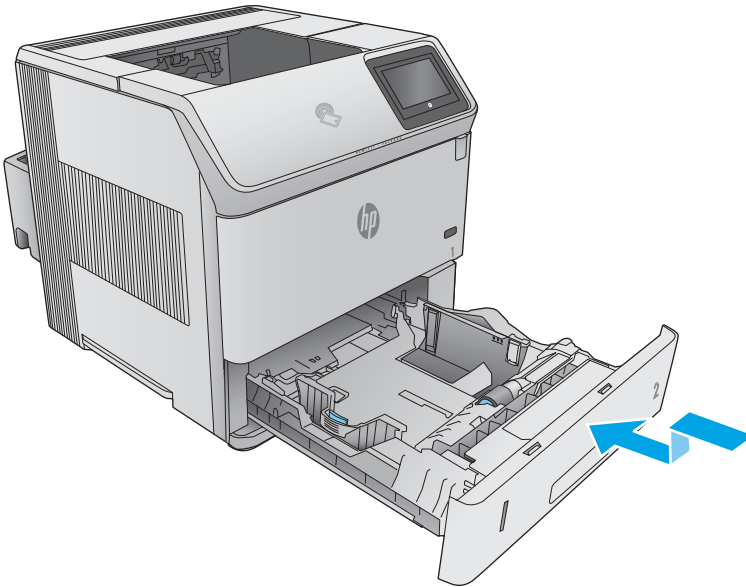
Figure 1-327 Close the front cover and cartridge door



Step 9: Install the tray

- ▲ Lift the tray up slightly and install the back edge of the tray into the tray cavity. Lower the tray, and then slide it into the printer.

Figure 1-328 Install the tray



Removal and replacement: Right rear cover

- [Introduction](#)
- [Step 1: Remove the duplex accessory](#)
- [Step 2: Remove the duplex accessory cover](#)
- [Step 3: Remove the top accessory cover](#)
- [Step 4: Remove the right cover](#)
- [Step 5: Remove the right rear cover](#)
- [Step 6: Unpack the replacement right rear cover](#)
- [Step 7: Install the right rear cover](#)
- [Step 8: Install the right cover](#)
- [Step 9: Install the top accessory cover](#)
- [Step 10: Install the duplex accessory cover](#)
- [Step 11: Install the duplex accessory](#)


Introduction

This document provides the procedures to remove and replace the right rear cover.

Before performing service

Turn the printer power off

- Disconnect the power cable.

 **WARNING!** To avoid damage to the printer, turn the printer off, wait 30 seconds, and then remove the power cord before attempting to service the printer.

- Disconnect all network cables.

Use the table below to identify the correct part number for your printer. To order the part, go to www.hp.com/buy/parts.

Right rear cover part number	
RC4-5804-000CN	Right rear cover

Required tools

- #2 Phillips screwdriver with a magnetic tip


After performing service

Make sure that the right rear cover is fully seated after replacing it.

Turn the printer power on

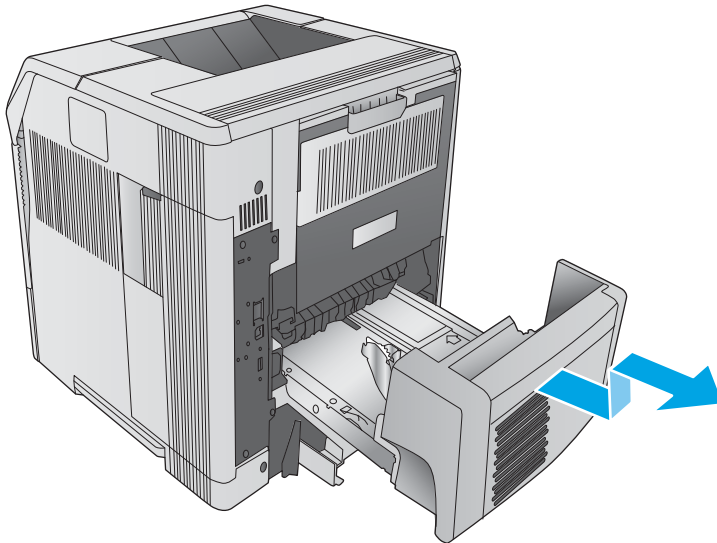
- Connect the power cable.
- Use the power switch to turn the power on.

Step 1: Remove the duplex accessory


 **NOTE:** If the optional duplex accessory is not installed, skip this step and go to [Step 2: Remove the duplex accessory cover on page 208](#).

- ▲ Slightly lift up on the duplex accessory, and then pull it completely out of the printer to remove it.

Figure 1-329 Remove the duplex accessory

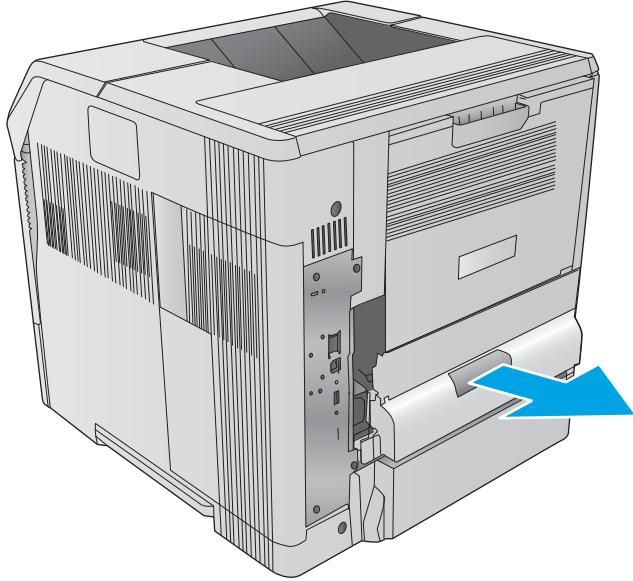


Step 2: Remove the duplex accessory cover

 **NOTE:** If the duplex accessory cover is not installed, skip this step and go to [Step 3: Remove the top accessory cover on page 209](#).

- ▲ Pull the duplex accessory cover straight out of the printer to remove it.

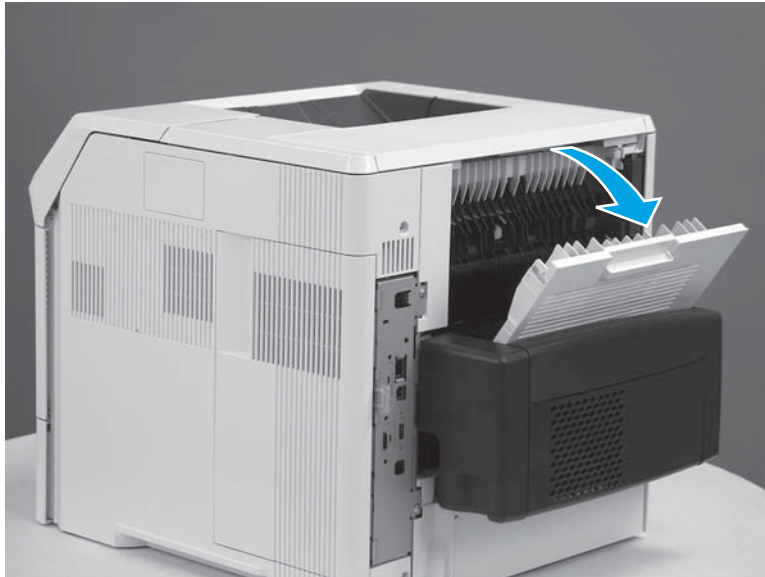
Figure 1-330 Remove the duplex accessory cover



Step 3: Remove the top accessory cover

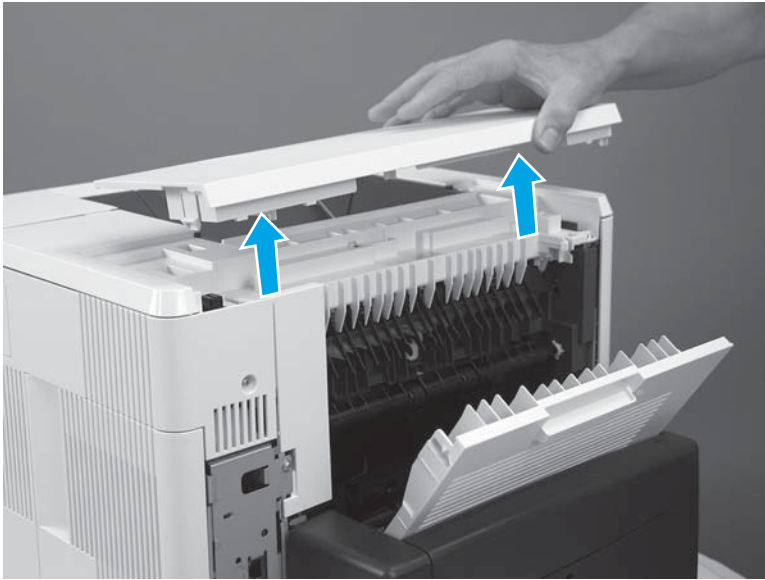
1. Open the rear output bin.

Figure 1-331 Open the rear output bin



2. Lift the top accessory cover up and off of the printer.

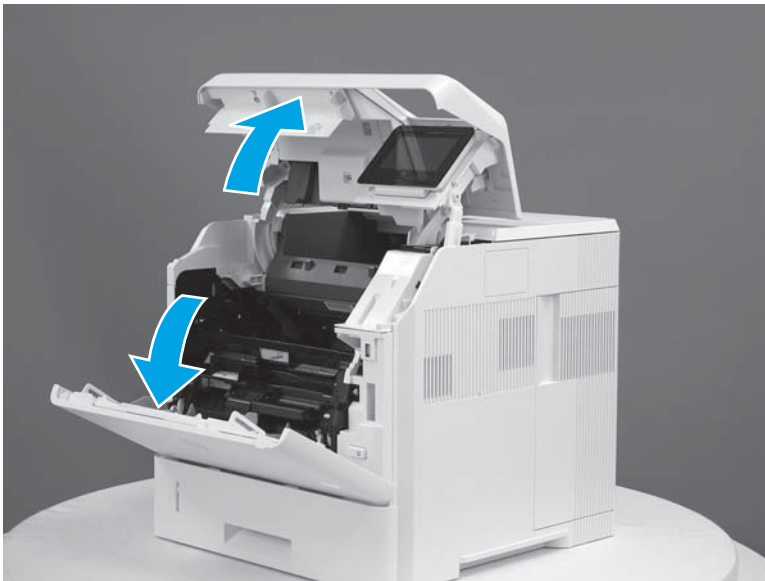
Figure 1-332 Remove top accessory cover



Step 4: Remove the right cover

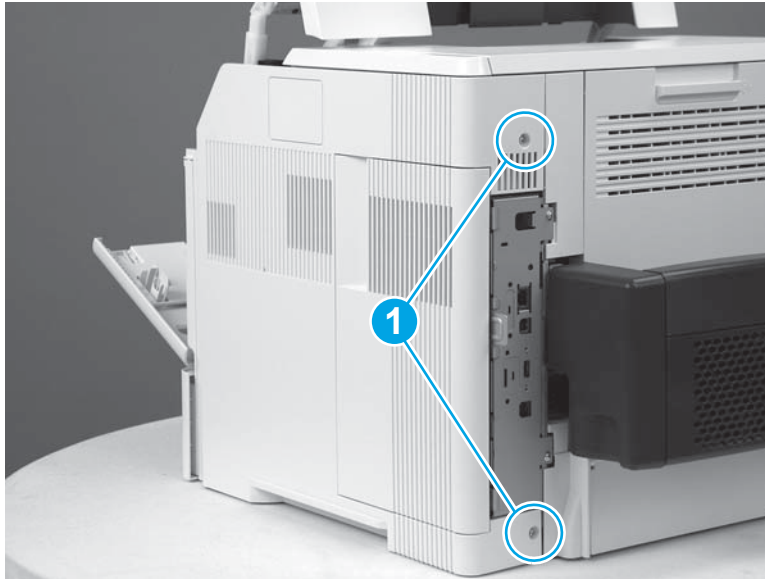
1. Open the front cover and the cartridge door.

Figure 1-333 Open the front cover and cartridge door



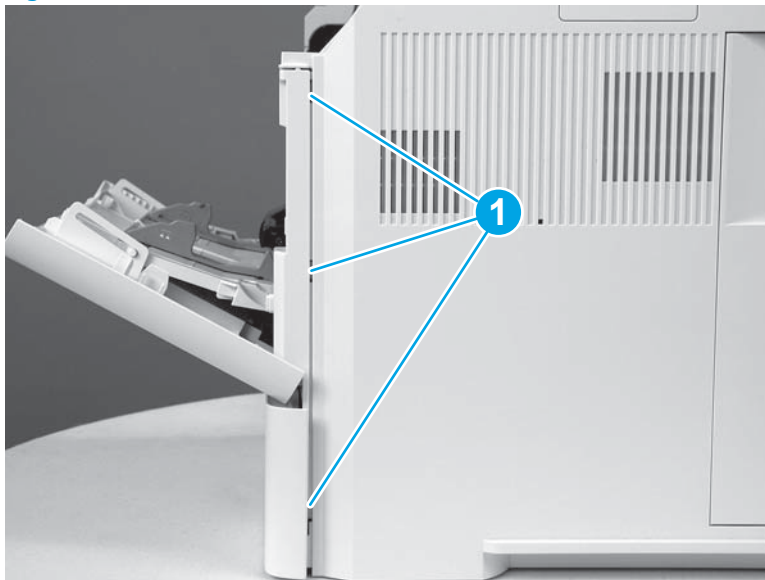
2. Remove two screws (callout 1).

Figure 1-334 Remove two screws



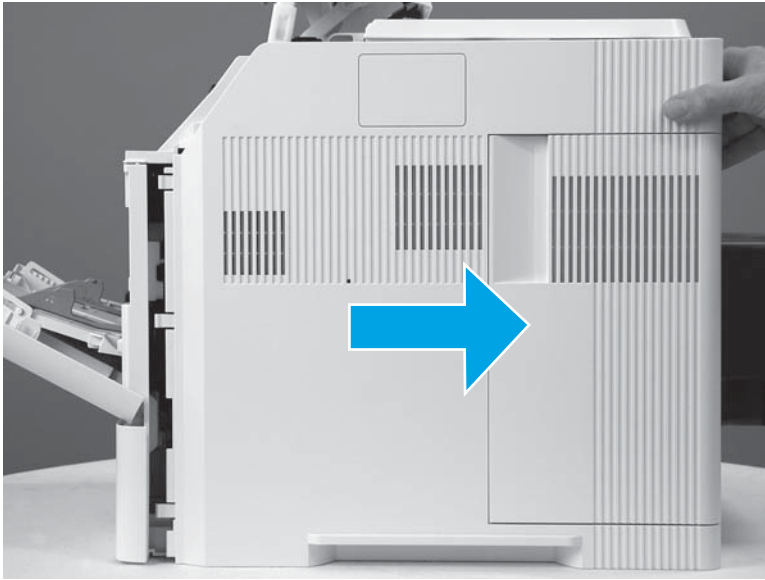
3. Release three tabs (callout 1).

Figure 1-335 Release three tabs



4. Slide the cover toward the rear of the printer to remove it.

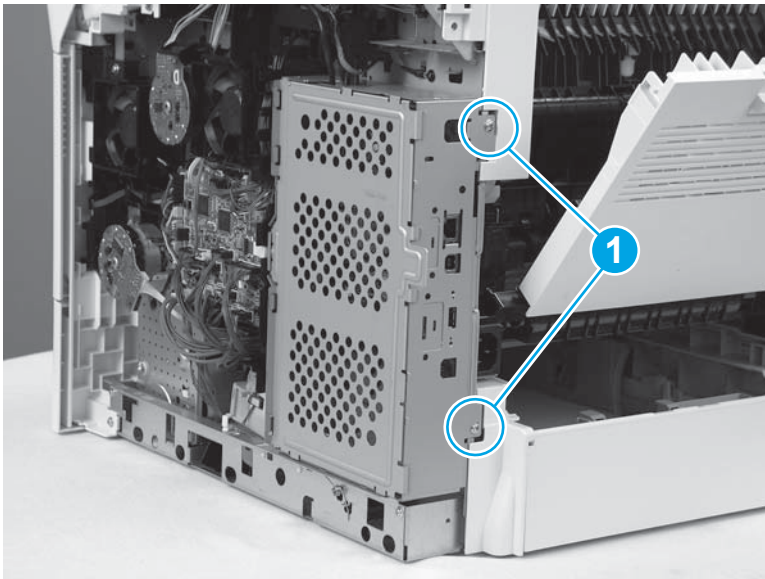
Figure 1-336 Remove the cover



Step 5: Remove the right rear cover

1. Remove two screws (callout 1).

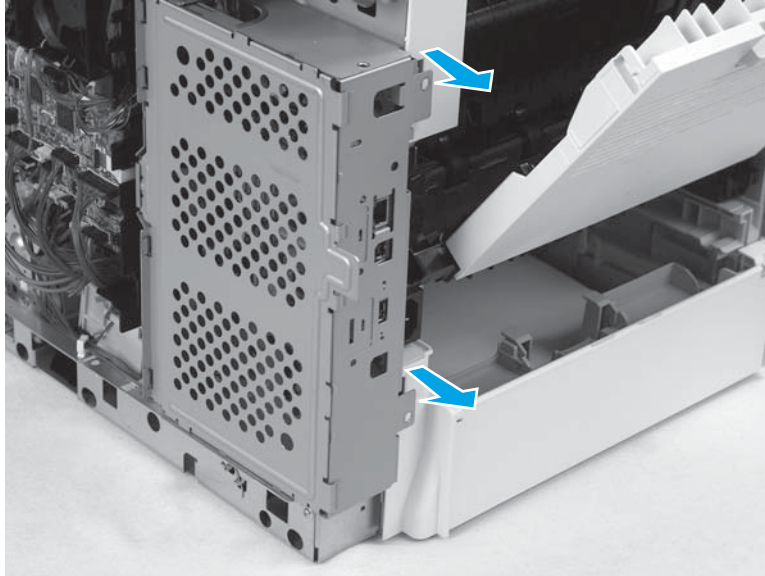
Figure 1-337 Remove two screws



- Slide the formatter case about 6.35 mm (.25 in) toward the rear of the printer.

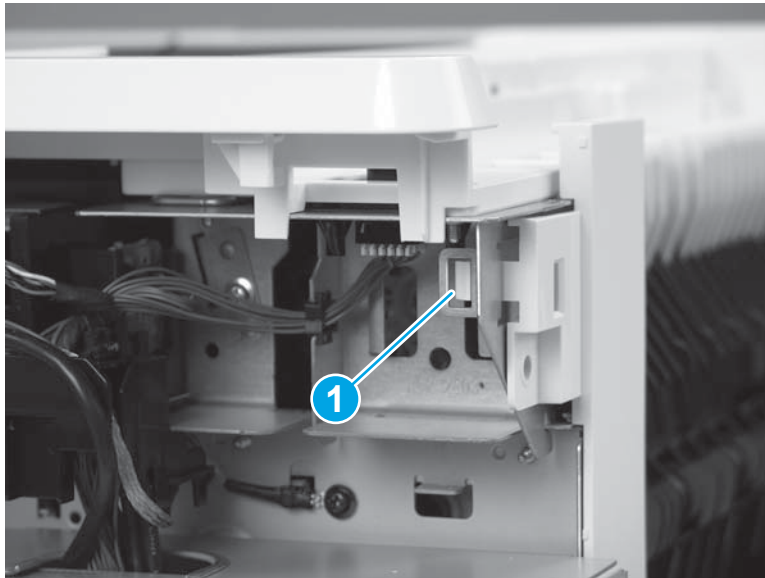
CAUTION: The formatter is still connected to the printer by several cables. **To avoid damaging the printer, do not slide the formatter case all of the way out of the printer.**

Figure 1-338 Slide the formatter case



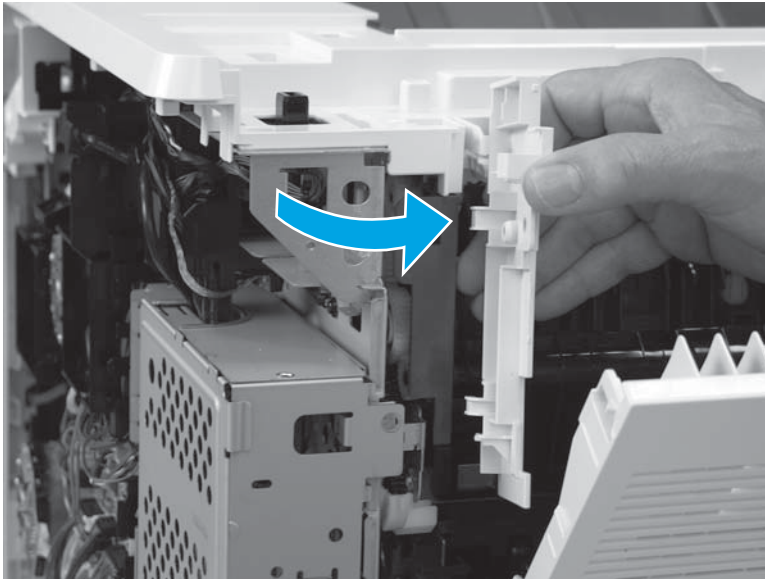
- Release one tab (callout 1).

Figure 1-339 Release one tab



4. Rotate the right rear cover toward the rear output bin to remove it.

Figure 1-340 Rotate the cover



Step 6: Unpack the replacement right rear cover

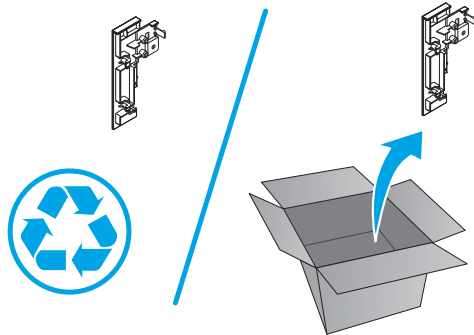
Unpack the replacement part from the packaging.

<http://www8.hp.com/us/en/hp-information/environment/product-recycling.html>



NOTE: HP recommends responsible disposal of the defective part.

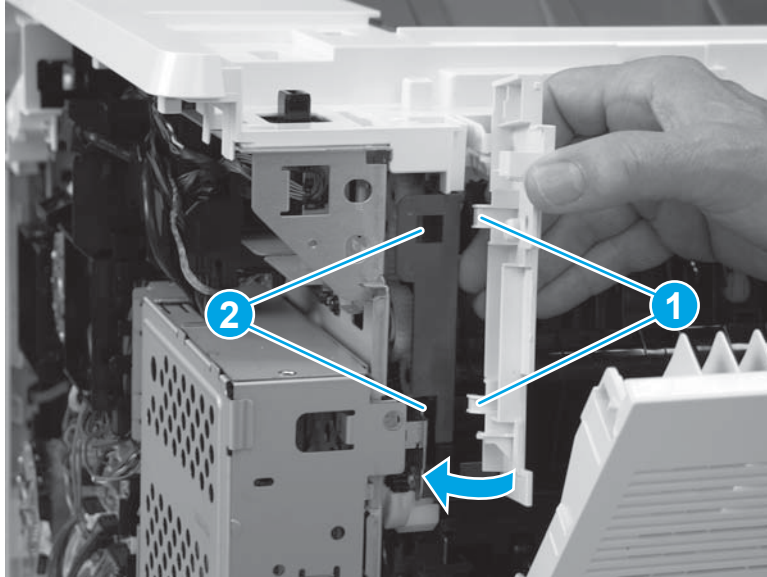
Figure 1-341 Recycle and unpack



Step 7: Install the right rear cover

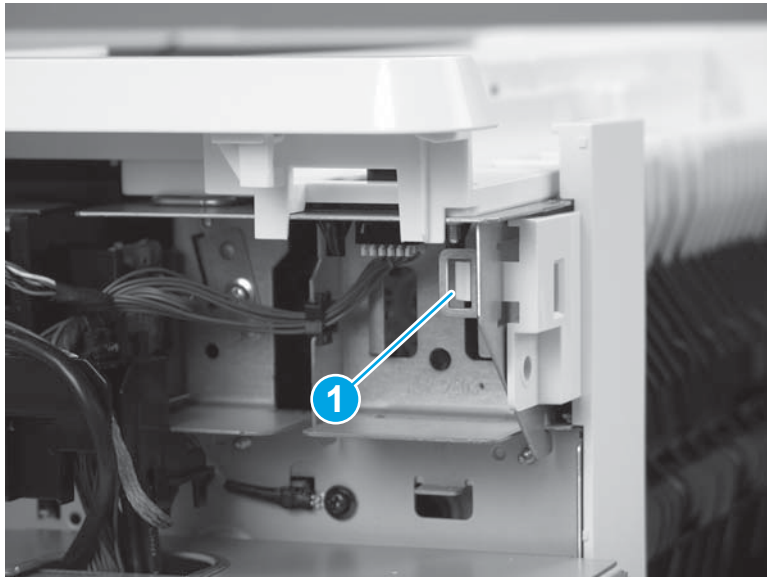
1. Insert the tabs (callout 1) on the right rear cover into the slots (callout 2) on the printer. Rotate the cover toward the right side of the printer.

Figure 1-342 Position the tabs and rotate



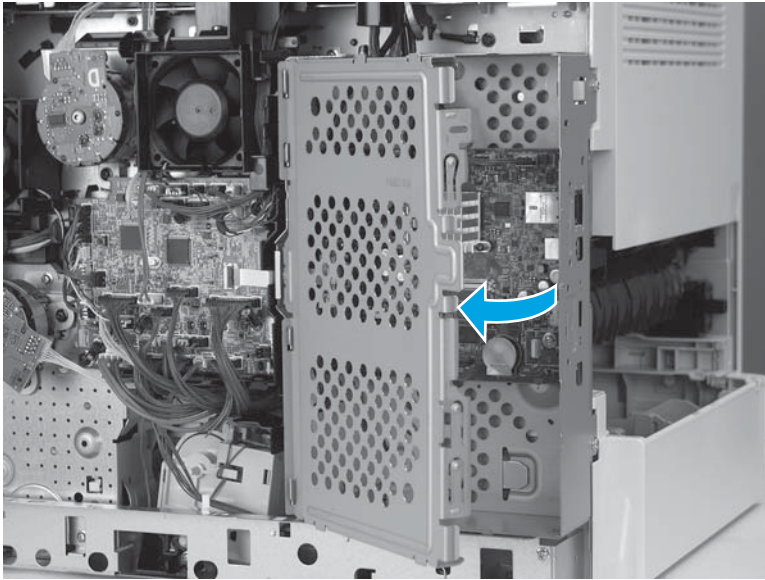
2. Make sure that the tab (callout 1) snaps into place.

Figure 1-343 Install one tab



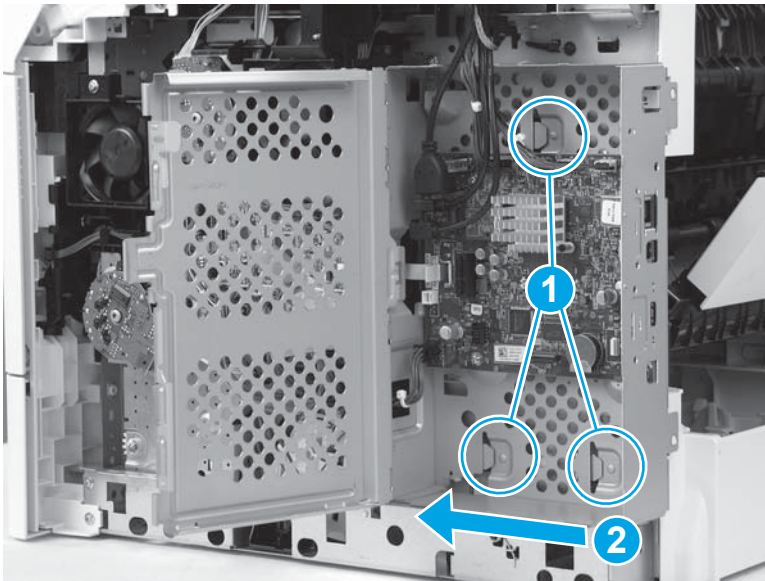
3. Open the formatter case door.

Figure 1-344 Open the formatter case door



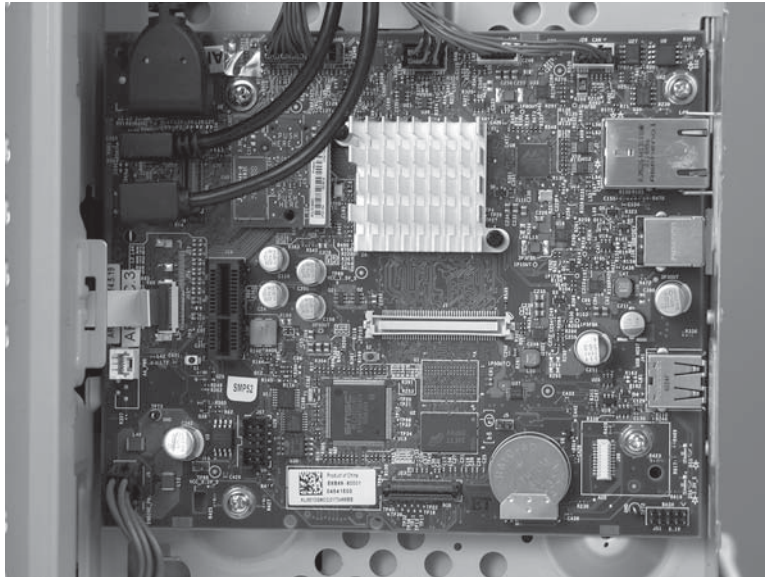
4. Before sliding the formatter case into place, make sure that the metal tabs on the printer are positioned into the slots on the formatter case (callout 1), and then slide the formatter case toward the front of the printer (callout 2) to install it.

Figure 1-345 Slide the formatter case into place



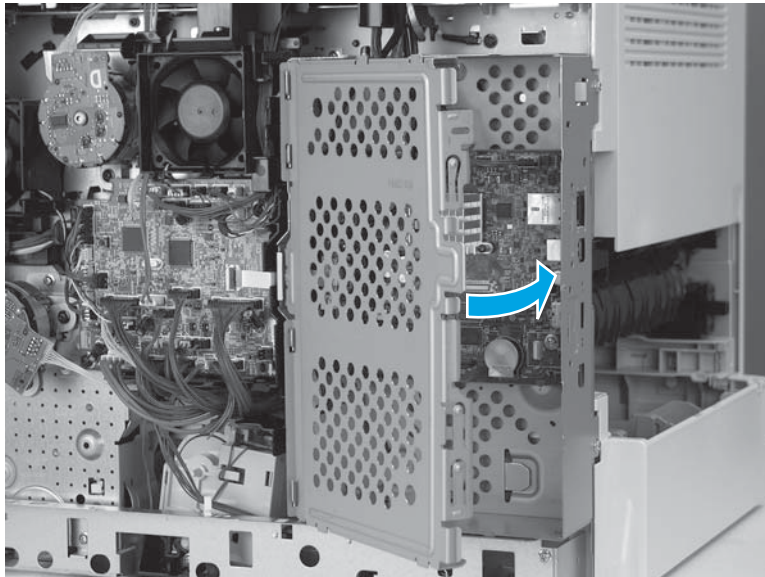
5. Make sure that all of the cables and wire harnesses are seated securely in their connectors on the formatter.

Figure 1-346 Check connectors



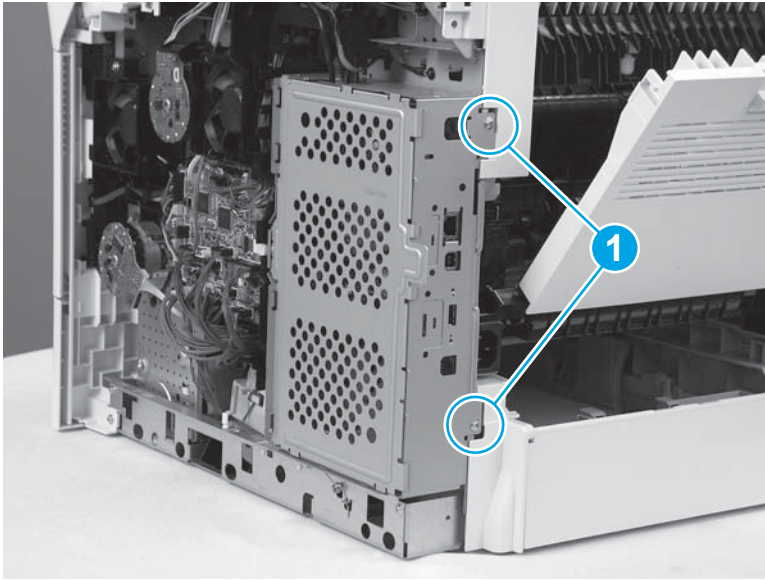
6. Close the formatter case door.

Figure 1-347 Close the formatter case door



7. Install two screws (callout 1).

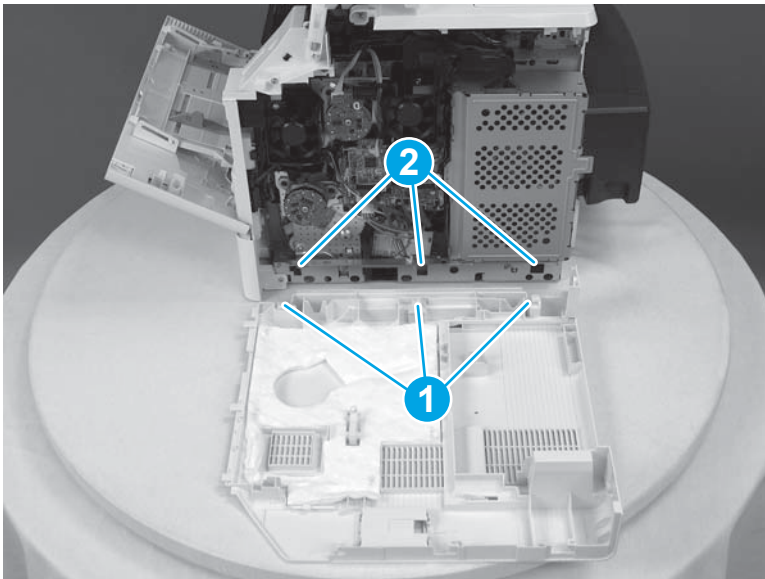
Figure 1-348 Install two screws



Step 8: Install the right cover

1. Note the location of the tabs (callout 1) on the cover that will fit into the slots (callout 2) on the printer.

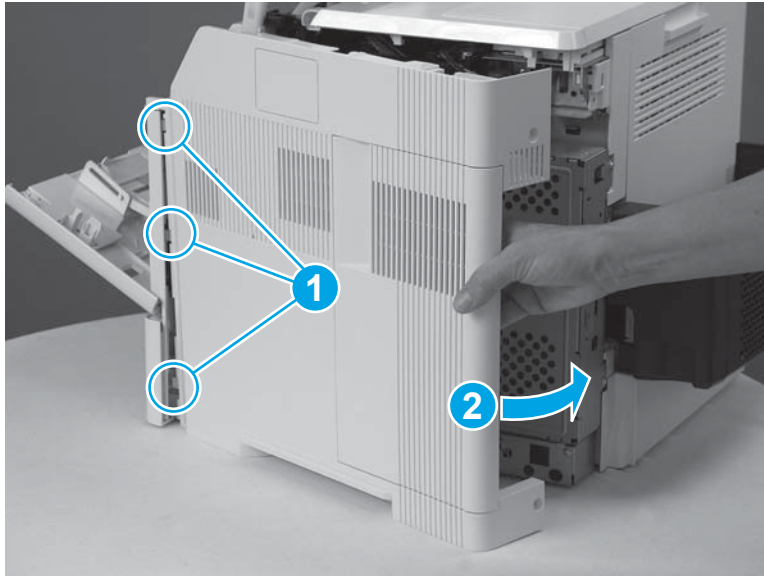
Figure 1-349 Note location of tabs



2. Position the front tabs on the right cover slightly behind the right front cover (callout 1), and then rotate the back edge of the cover toward the printer (callout 2).

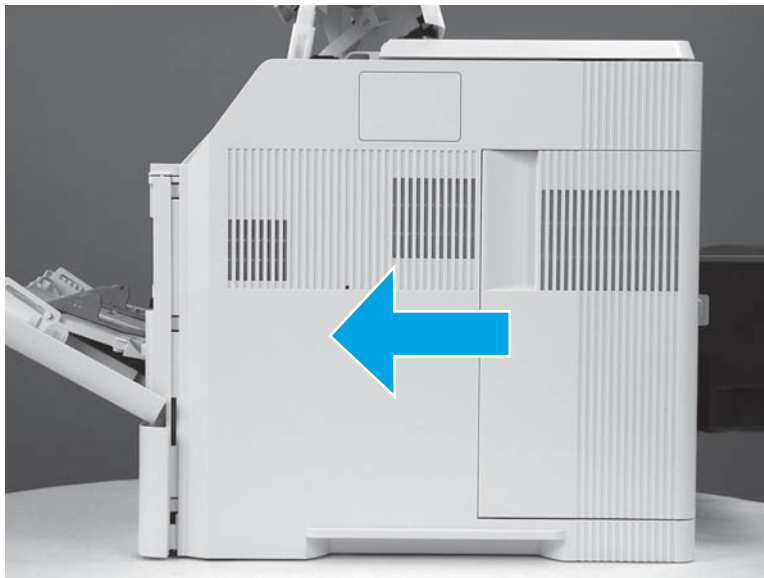
 **NOTE:** The tabs and slots mentioned in the previous step will engage as the cover is rotated into place.

Figure 1-350 Position the front tabs



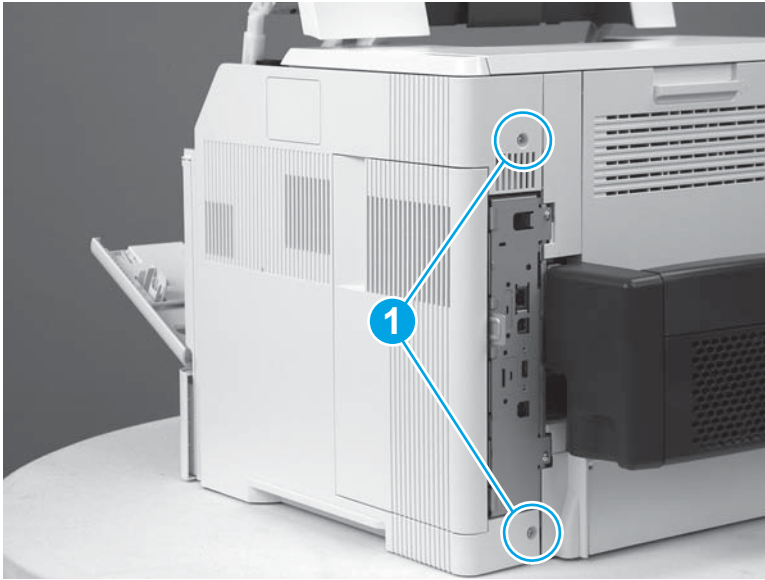
3. Slide the cover toward the front of the printer to install it.

Figure 1-351 Slide the cover



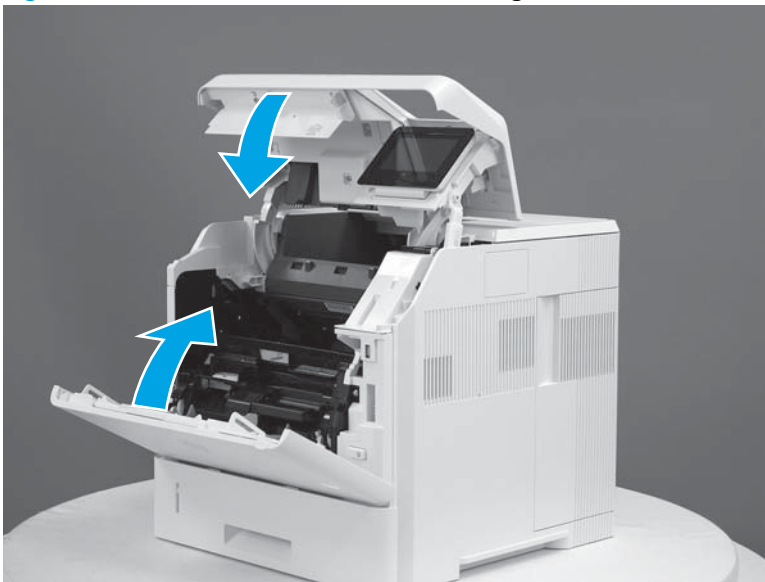
4. Install two screws (callout 1).

Figure 1-352 Install two screws



5. Close the front cover and the cartridge door.

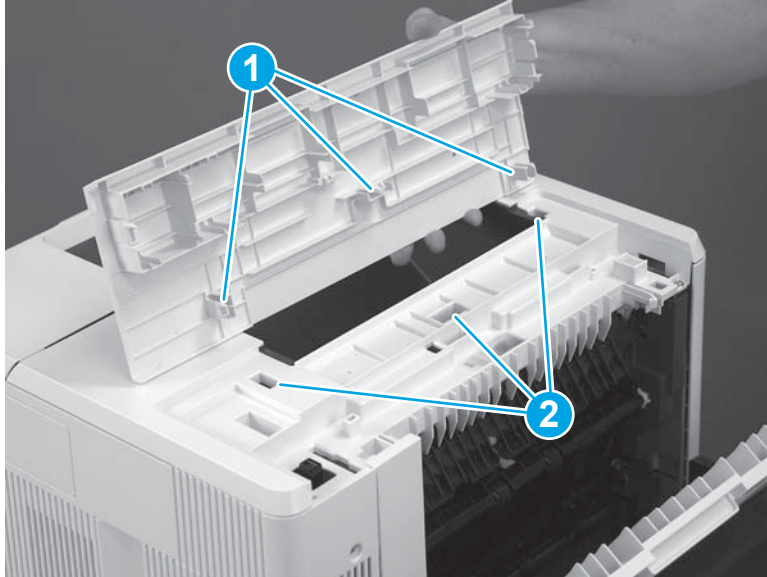
Figure 1-353 Close the front cover and cartridge door



Step 9: Install the top accessory cover

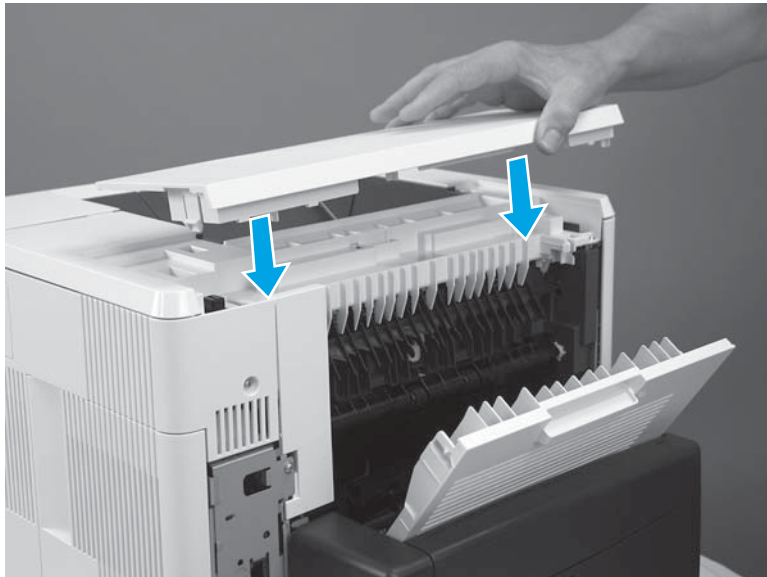
1. Align the tabs (callout 1) on the top accessory cover with the slots (callout 2) in the top cover.

Figure 1-354 Align the tabs and slots



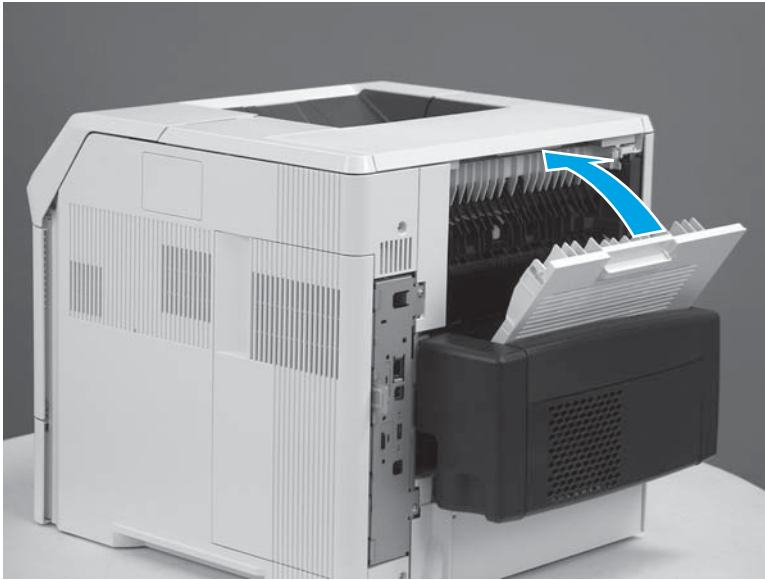
2. Place the top accessory on top of the printer, and then press down to install it.

Figure 1-355 Install the top accessory cover



3. Close the rear output bin.

Figure 1-356 Close the rear output bin



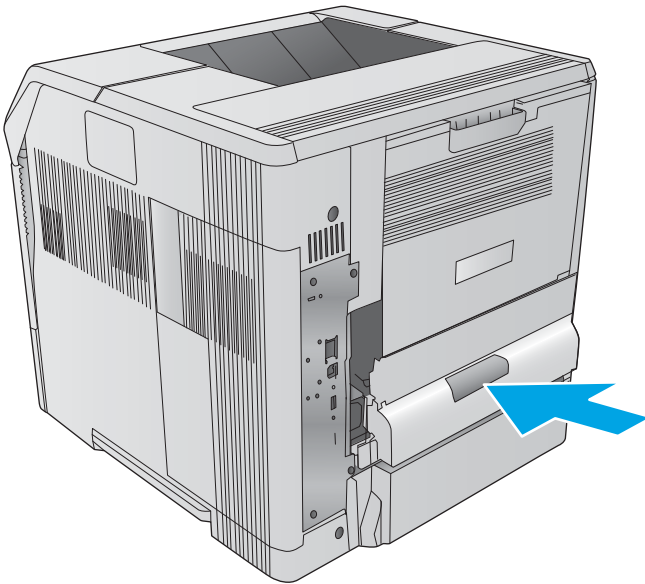
Step 10: Install the duplex accessory cover



NOTE: If the duplex accessory cover was not removed, skip this step and go to [Step 11: Install the duplex accessory on page 222](#).

- ▲ Slide the duplex accessory cover straight into the printer to install it.

Figure 1-357 Install the duplex accessory cover



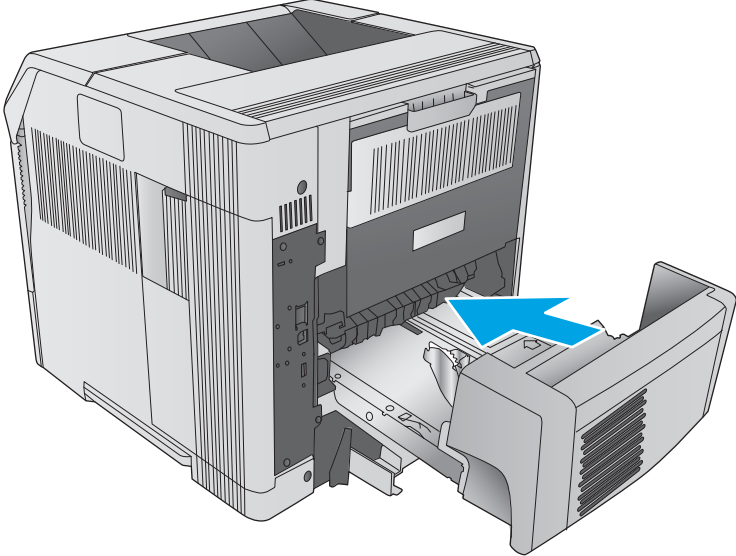
Step 11: Install the duplex accessory



NOTE: If the optional duplex accessory was not removed, skip this step.

- ▲ Slide the duplex accessory straight into the printer to install it.

Figure 1-358 Install the duplex accessory



Removal and replacement: Top cover (M605x, M606x)

- [Introduction](#)
- [Step 1: Remove the toner cartridge](#)
- [Step 2: Remove the control panel \(M605x, M606x\)](#)
- [Step 3: Remove the top accessory cover](#)
- [Step 4: Remove the right cover](#)
- [Step 5: Remove the top cover](#)
- [Step 6: Unpack the replacement top cover](#)
- [Step 7: Install the top cover](#)
- [Step 8: Install the right cover](#)
- [Step 9: Install the top accessory cover](#)
- [Step 10: Install the control panel \(M605x, M606x\)](#)
- [Step 11: Install the toner cartridge](#)


Introduction

This document provides the procedures to remove and replace the top cover (M605x, M606x).

Before performing service

Turn the printer power off

- Disconnect the power cable.

 **WARNING!** To avoid damage to the printer, turn the printer off, wait 30 seconds, and then remove the power cord before attempting to service the printer.

Use the table below to identify the correct part number for your printer. To order the part, go to www.hp.com/buy/parts.

Top cover (M605x, M606x) part number	
RM2-6306-000CN	Top cover (M605x, M606x)

Required tools

- #2 Phillips screwdriver with a magnetic tip
- Needle-nose pliers

After performing service

Make sure that the top cover is fully seated after replacing it.

Turn the printer power on

- Connect the power cable.
- Use the power switch to turn the power on.

Post service test

Make sure that the control panel display illuminates and the startup screens display as the printer initializes.

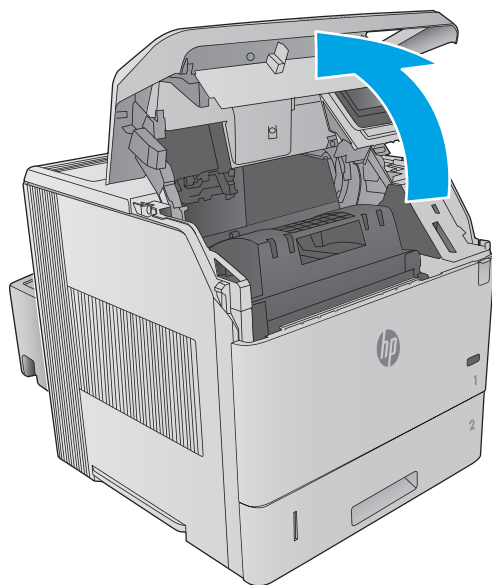
When the printer reaches the **Ready** state, make sure that the control panel works correctly by scrolling through the control panel menus.

Print a configuration page to make sure that the printer is functioning correctly.

Step 1: Remove the toner cartridge

1. Open the cartridge door.

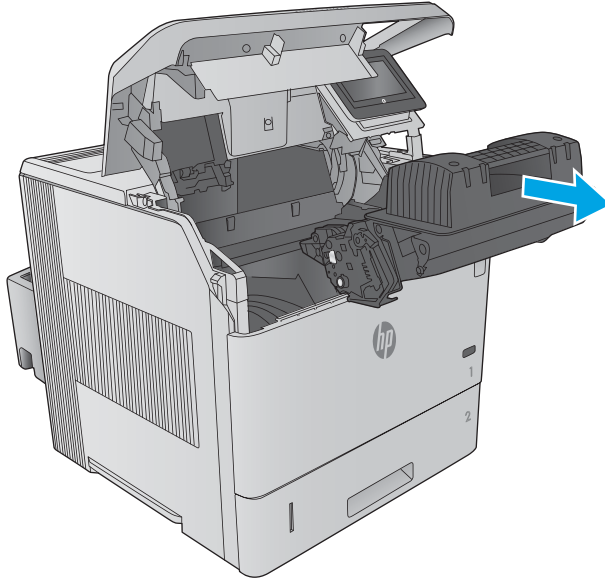
Figure 1-359 Open the cartridge door



2. Firmly grasp the toner cartridge and pull it up and out of the printer.

⚠ CAUTION: Do not expose the toner cartridge to bright light or direct sunlight for long periods of time. This can damage the cartridge, which will result in print-quality defects. If the cartridge must be removed from the printer for an extended amount of time, cover it and keep it out of bright light or direct sunlight.

Figure 1-360 Remove the toner cartridge



Step 2: Remove the control panel (M605x, M606x)

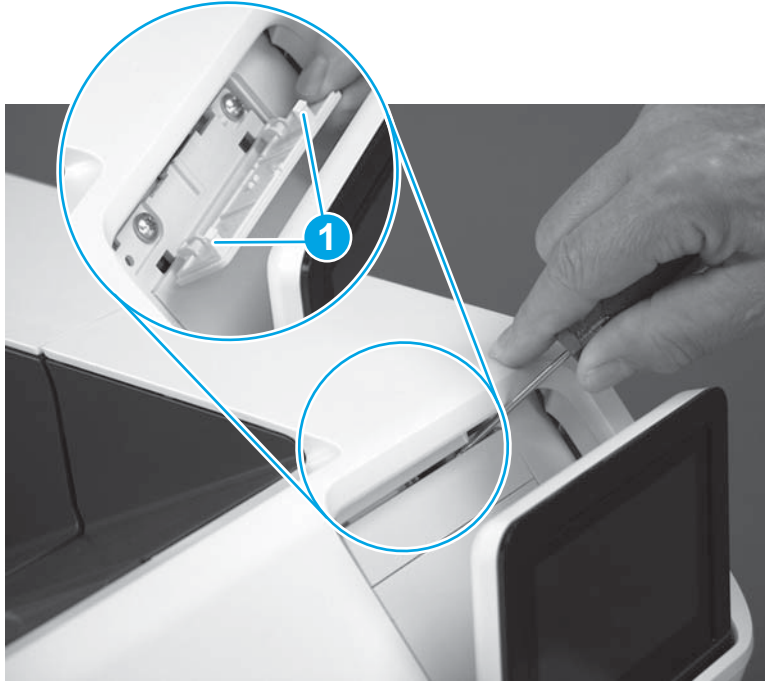
1. Tilt the control panel up.

Figure 1-361 Tilt the control panel up



2. Before proceeding, take note of the location of the tabs (callout 1) on the control-panel screws cover. Use a small flat-blade screwdriver to release these tabs at the top of the cover.

Figure 1-362 Release tabs



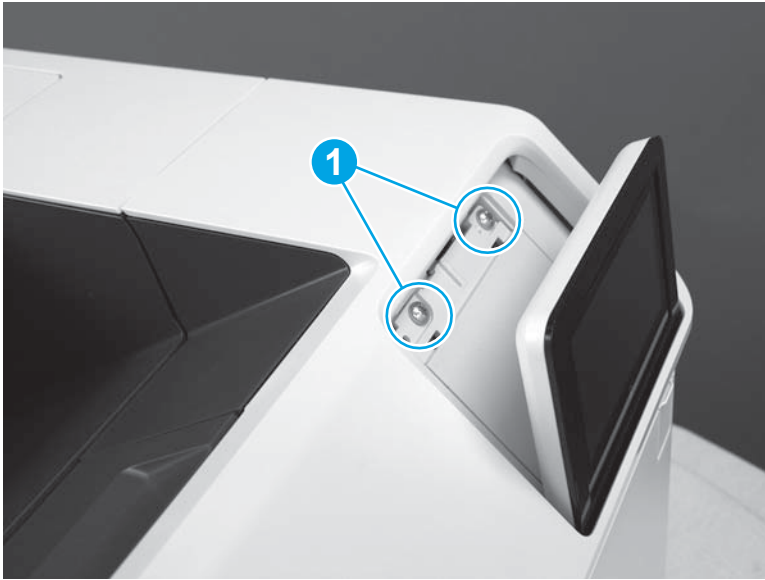
3. Rotate the cover away from the control panel base to remove it.

Figure 1-363 Rotate cover away



4. Remove two screws (callout 1).

Figure 1-364 Remove two screws



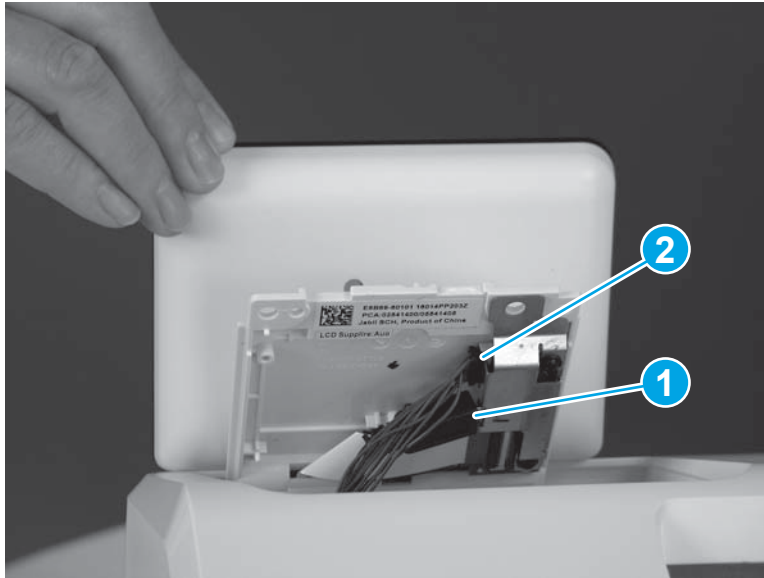
5. Rotate the control-panel base toward the front of the printer.

Figure 1-365 Rotate the control panel base



6. Disconnect one USB cable (callout 1), and one connector (callout 2).

Figure 1-366 Disconnect connectors



7. Remove the control panel.

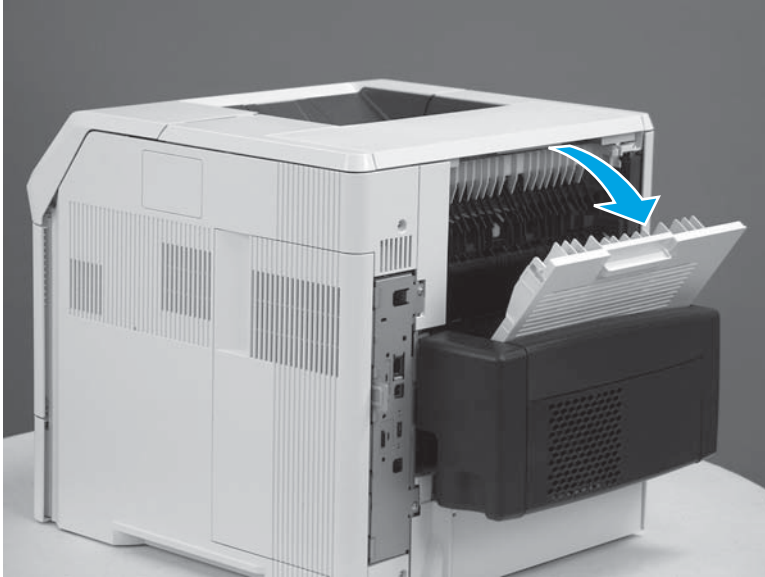
Figure 1-367 Remove the control panel



Step 3: Remove the top accessory cover

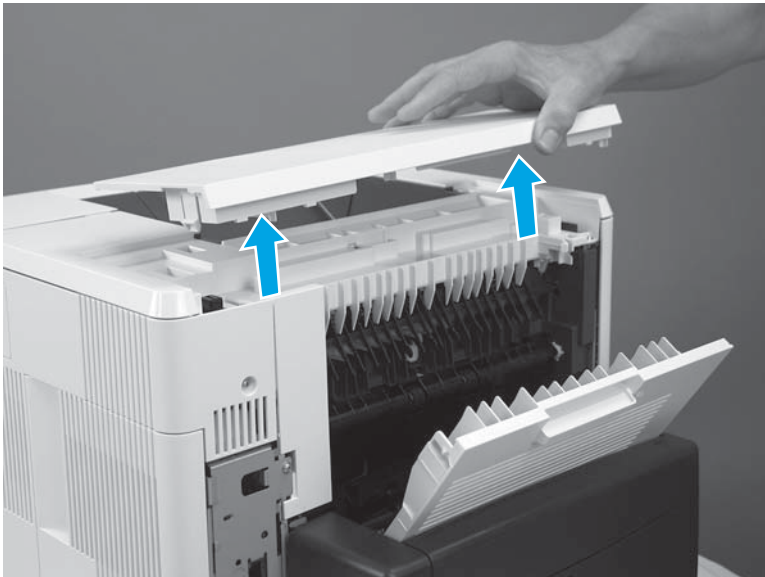
1. Open the rear output bin.

Figure 1-368 Open the rear output bin



2. Lift the top accessory cover up and off of the printer.

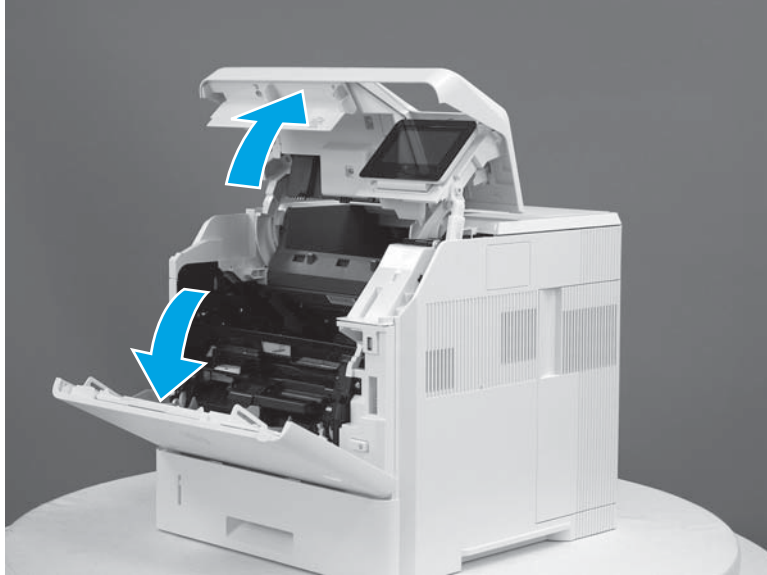
Figure 1-369 Remove top accessory cover



Step 4: Remove the right cover

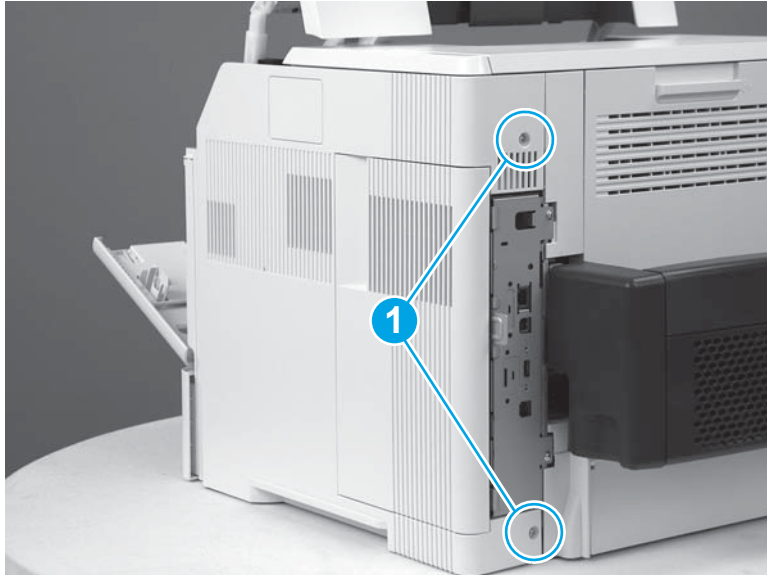
1. Open the front cover and the cartridge door.

Figure 1-370 Open the front cover and cartridge door



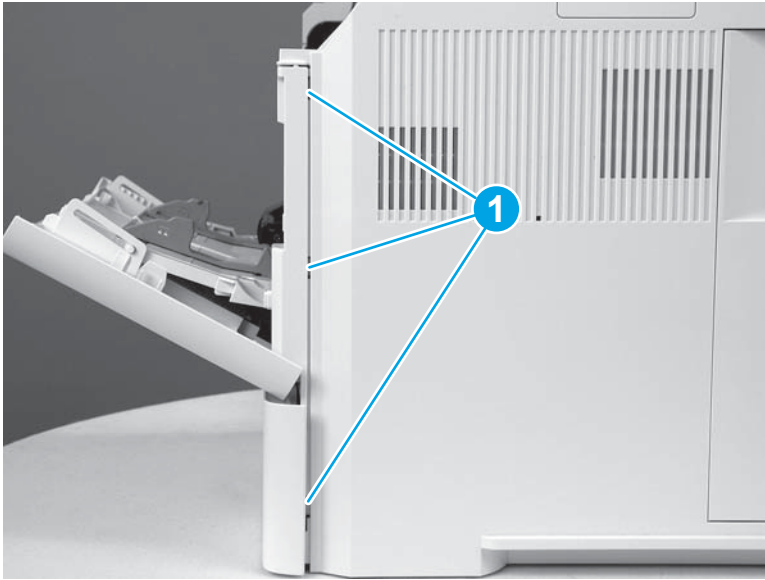
2. Remove two screws (callout 1).

Figure 1-371 Remove two screws



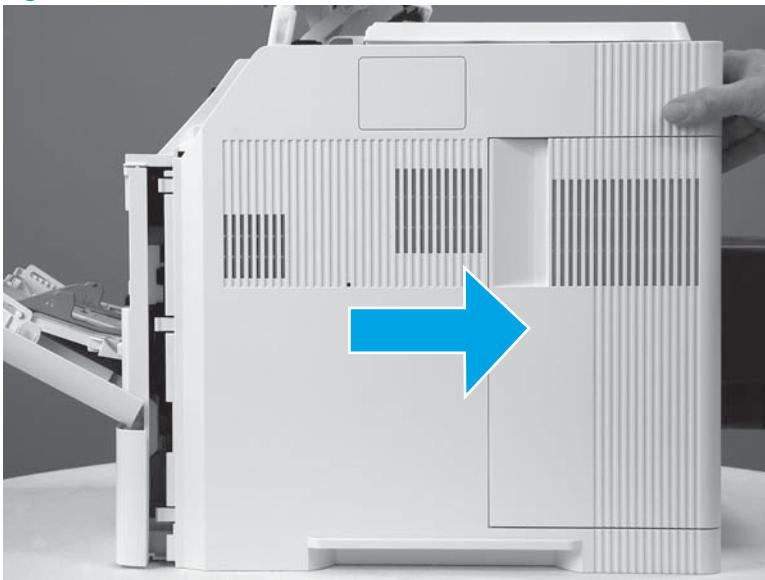
3. Release three tabs (callout 1).

Figure 1-372 Release three tabs



4. Slide the cover toward the rear of the printer to remove it.

Figure 1-373 Remove the cover



Step 5: Remove the top cover

1. Use needle-nose pliers to release the toner-cartridge drive-arm tabs (callout 1) and the toner-cartridge door hinge tabs (callout 2).

 **CAUTION:** The toner-cartridge drive-arm tabs break easily.


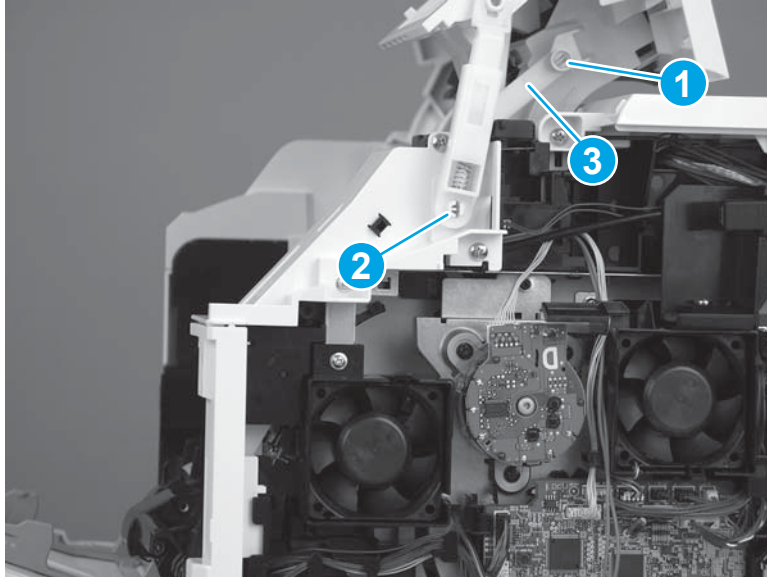
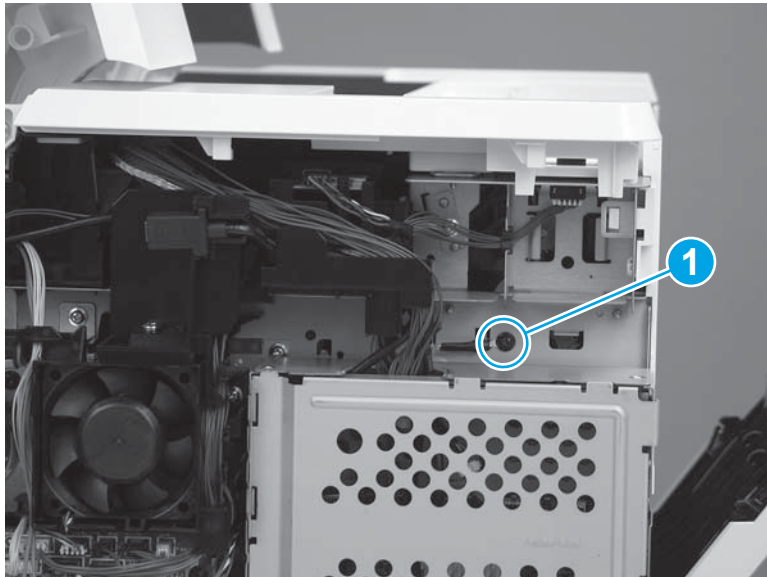
 **TIP:** Push the toner-cartridge drive-arm (callout 3) back into the printer to avoid damaging it when you remove the top cover.

Figure 1-374 Release the drive-arm and door hinge tabs



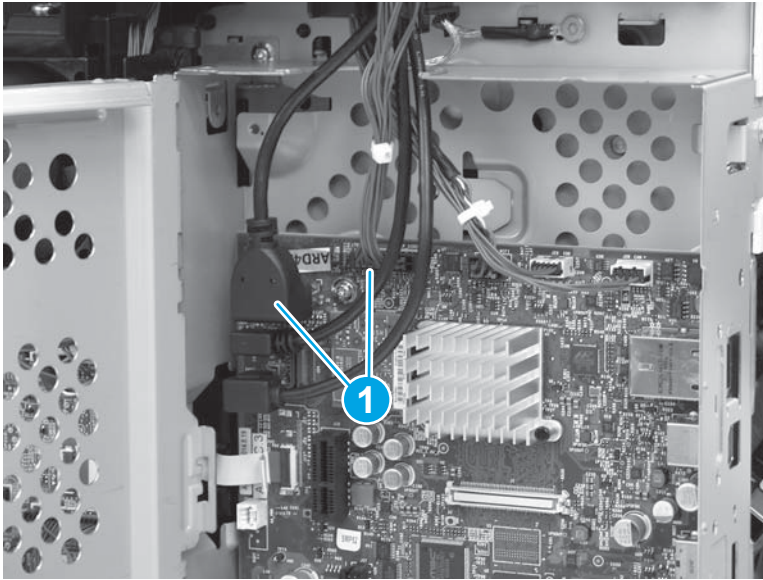
2. Remove one screw (callout 1), and then release the ground wire.

Figure 1-375 Release the ground wire



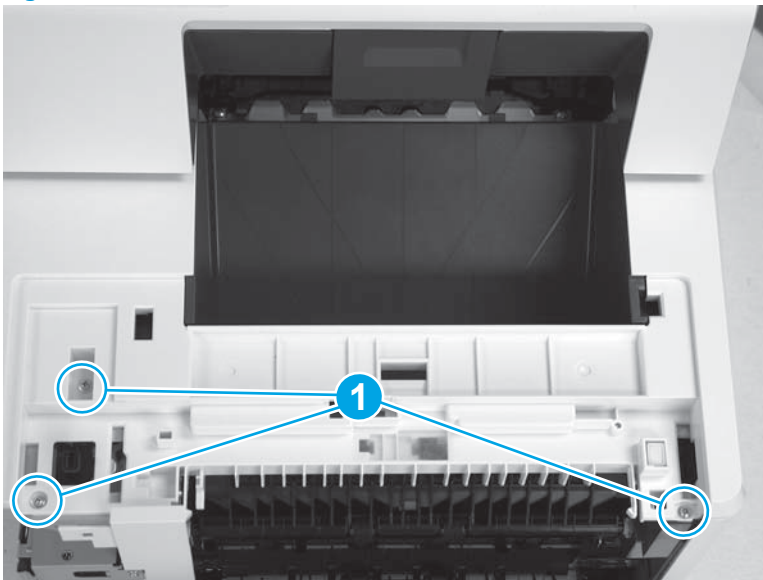
3. Open the formatter case door, and then disconnect two connectors (callout 1).

Figure 1-376 Disconnect two connectors



4. Remove three screws (callout 1) on the top of the printer.

Figure 1-377 Remove three screws



5. Remove one screw (callout 1) on the right side of the printer.


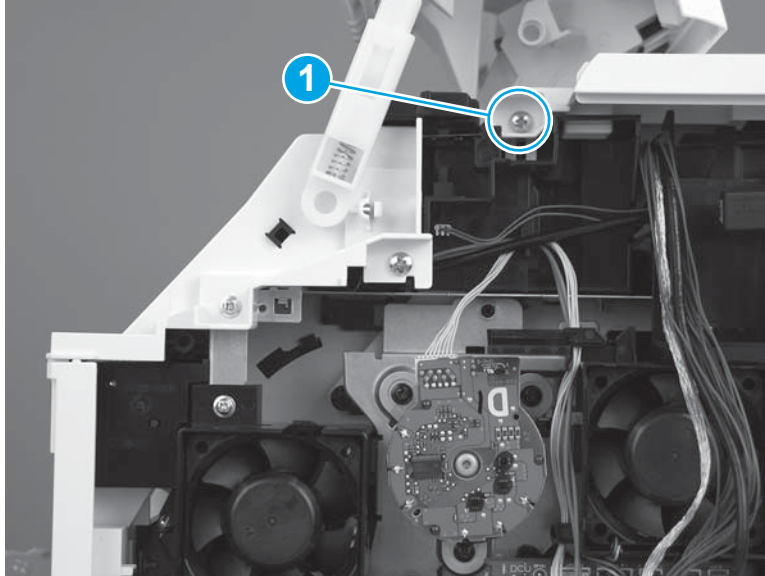
 **Reinstallation tip:** This screw is larger than the screws removed from the top of the printer. Make sure to install the correct screw when reassembling.

Figure 1-378 Remove one screw



6. Remove one screw (callout 1) on the left side of the printer.


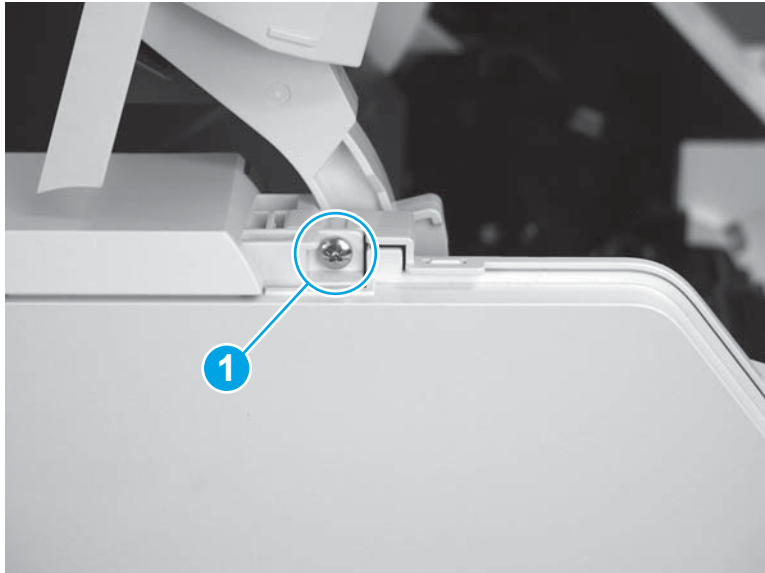
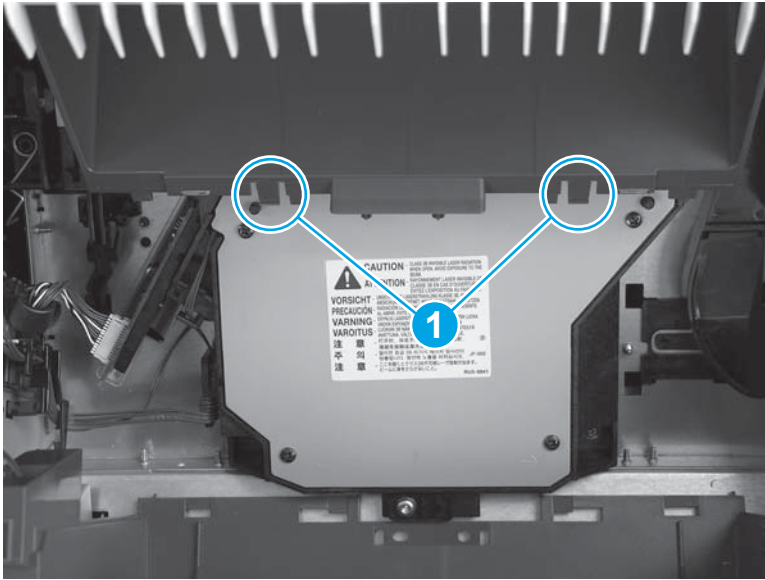
 **Reinstallation tip:** This screw is larger than the screws removed from the top of the printer. Make sure to install the correct screw when reassembling.

Figure 1-379 Remove one screw



7. Note the location of two tabs on the top output bin (callout 1). These tabs are released in the next step.

Figure 1-380 Location of two tabs



8. Release two tabs (callout 1) on the top output bin.


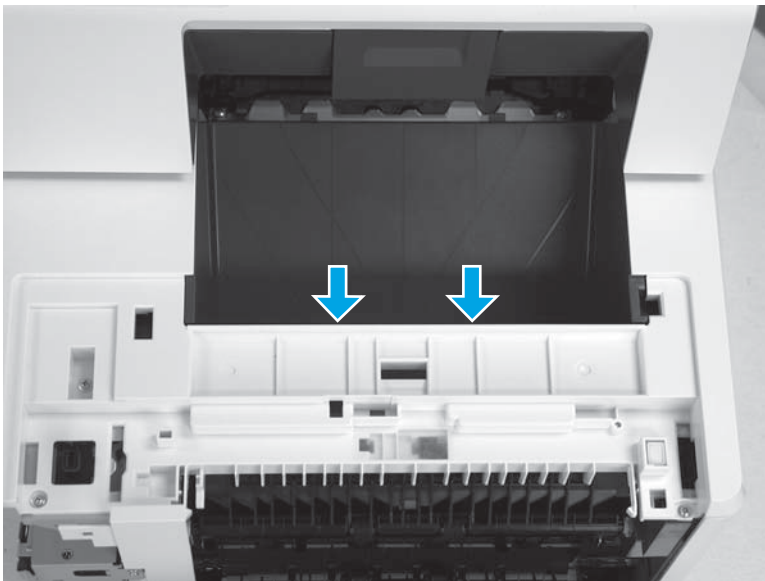
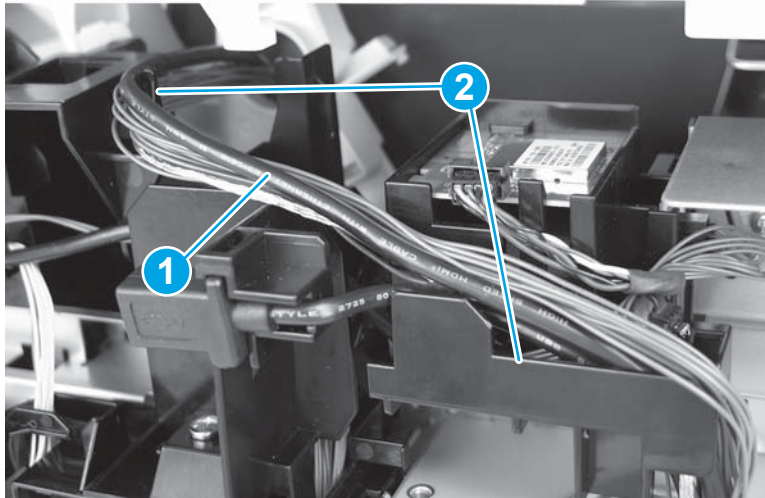
 **Reinstallation tip:** Make sure that these tabs are fully seated when the top cover is reinstalled.

Figure 1-381 Release two tabs



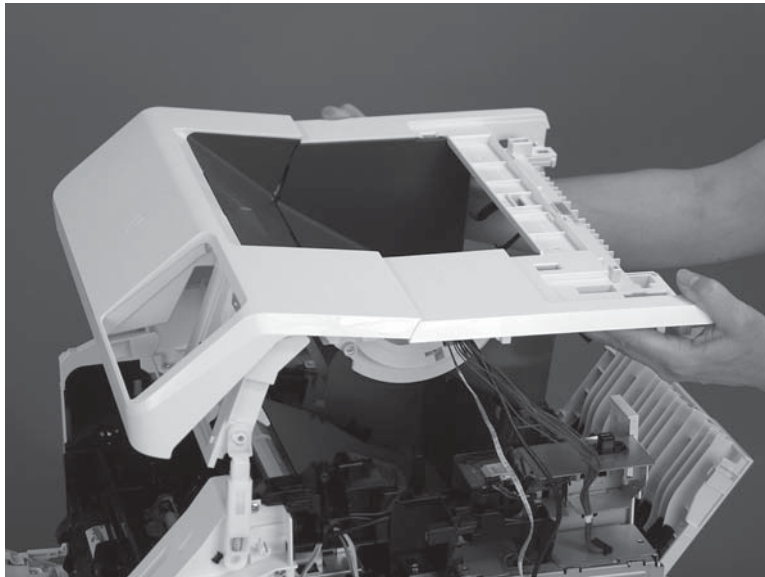
9. On the right side of the printer, release the wire harness and cables (callout 1) from the guides (callout 2).

Figure 1-382 Release cables from guides



10. Lift the top cover up and off of the printer to remove it.

Figure 1-383 Remove the top cover



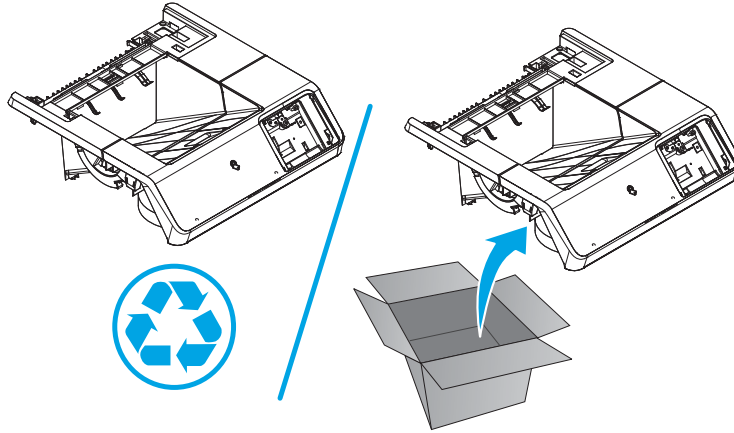
Step 6: Unpack the replacement top cover

Unpack the replacement part from the packaging.

<http://www8.hp.com/us/en/hp-information/environment/product-recycling.html>

 **NOTE:** HP recommends responsible disposal of the defective part.

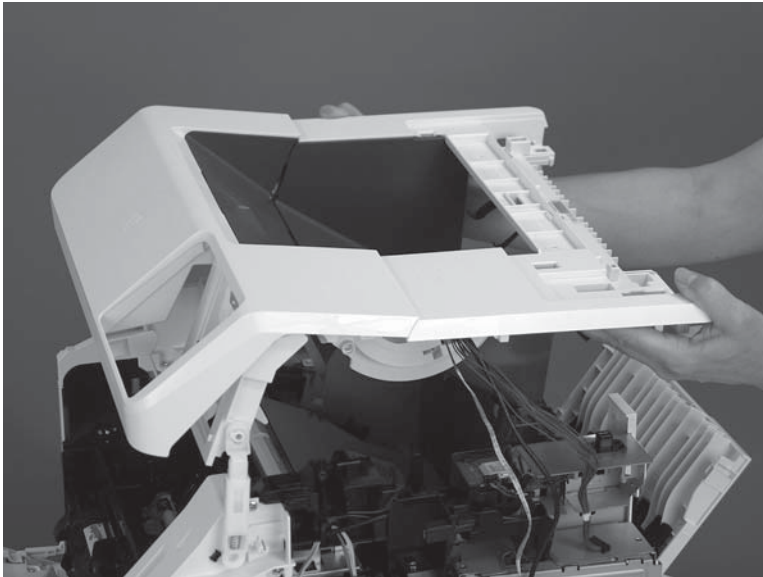
Figure 1-384 Recycle and unpack



Step 7: Install the top cover

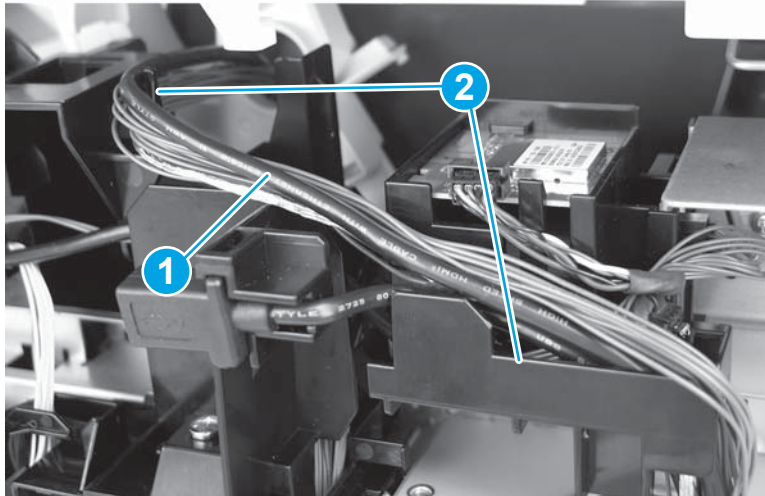
1. Lower the top cover onto the printer.

Figure 1-385 Lower the top cover



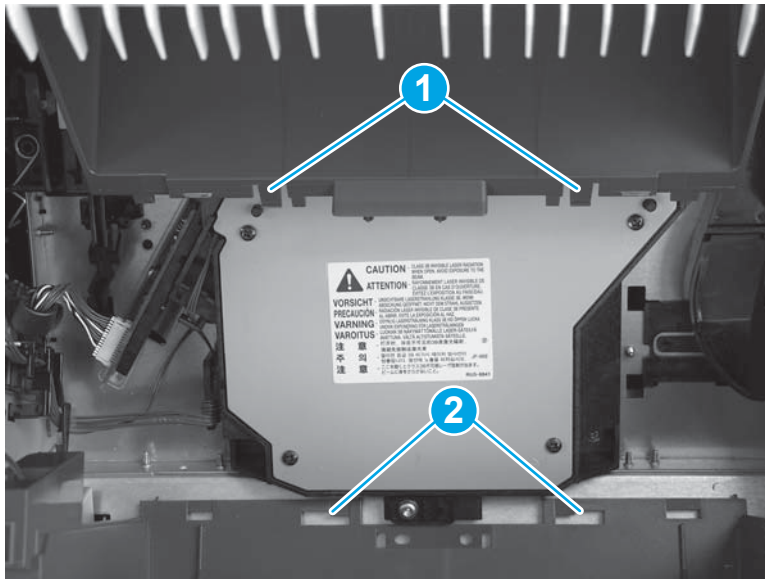
2. On the right side of the printer, make sure that the wire harness and cables (callout 1) are properly routed through the guides (callout 2).

Figure 1-386 Install cables in guides



3. Install two tabs (callout 1) on the top output bin into two slots (callout 2) in the printer. Make sure that the tabs snap into place.

Figure 1-387 Install two tabs



4. Install one screw (callout 1) on the left side of the printer.


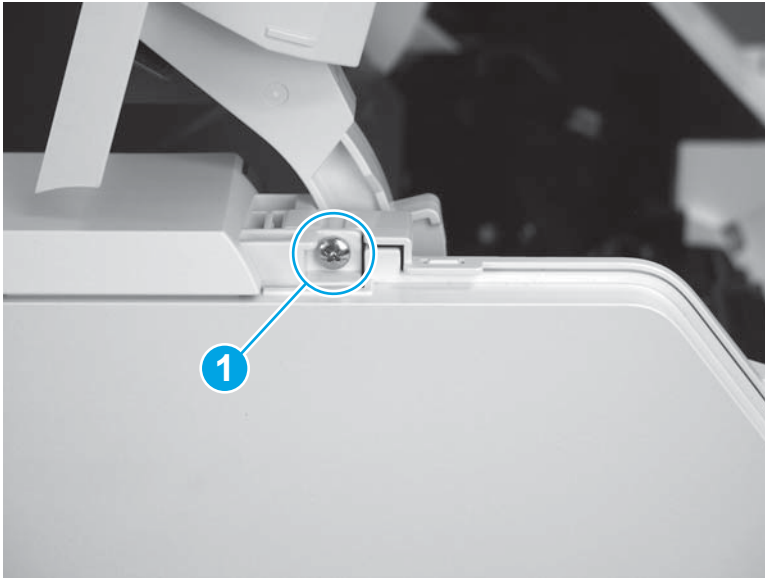
 **Reinstallation tip:** This screw is larger than the screws removed from the top of the printer. Make sure to install the correct screw.

Figure 1-388 Install one screw



5. Install one screw (callout 1) on the right side of the printer.


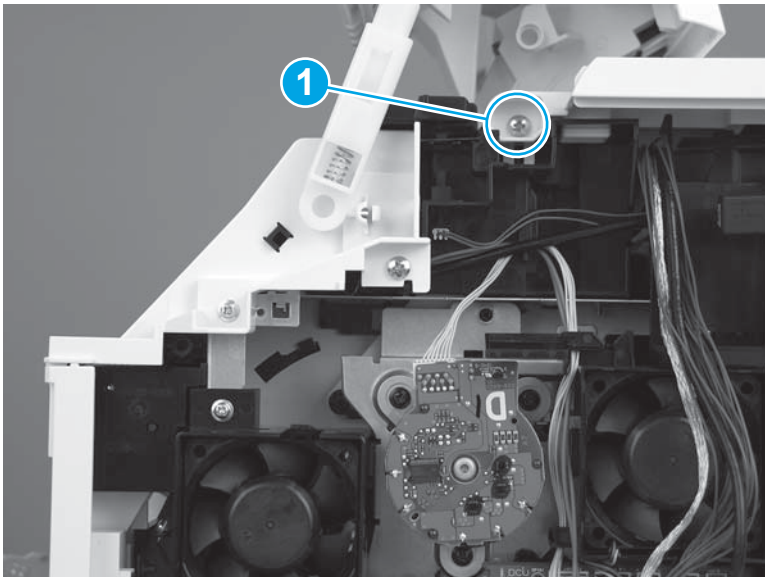
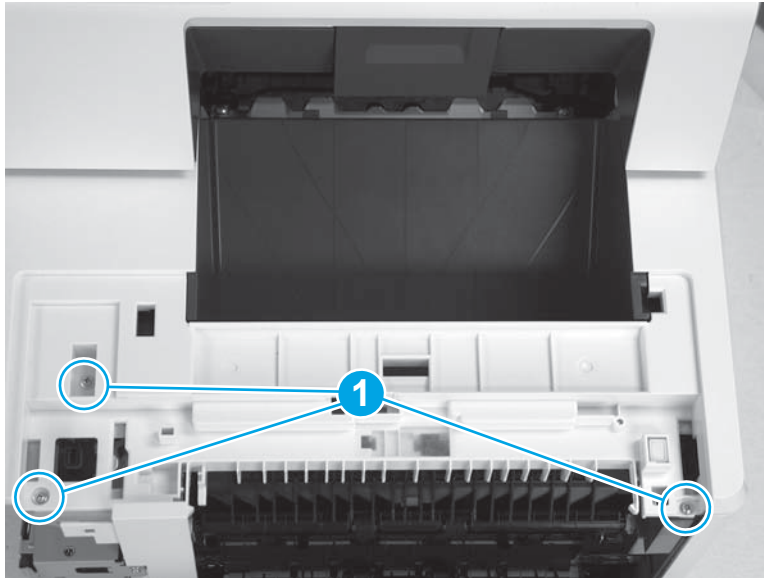
 **Reinstallation tip:** This screw is larger than the screws removed from the top of the printer. Make sure to install the correct screw.

Figure 1-389 Install one screw



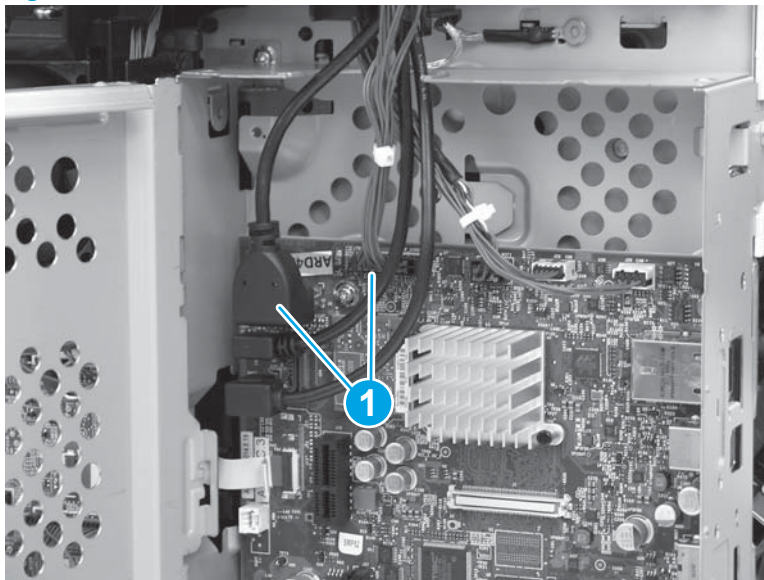
6. Install three screws (callout 1) on the top of the printer.

Figure 1-390 Install three screws



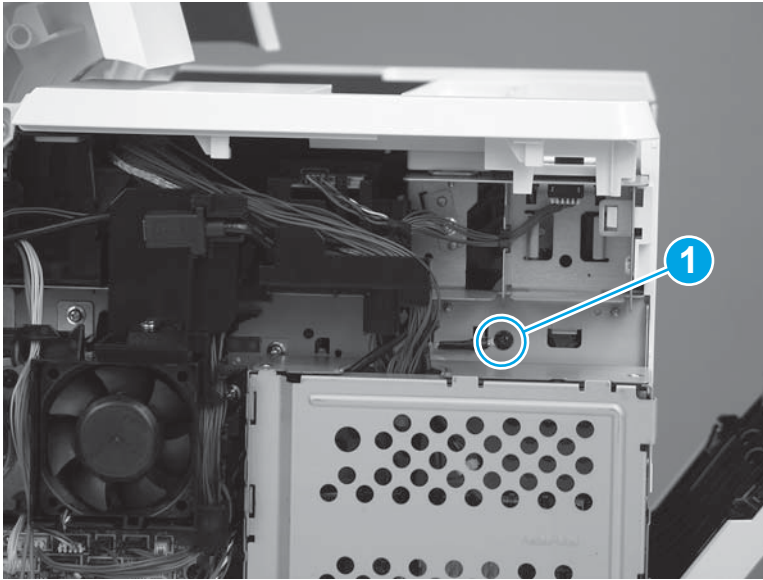
7. Connect two connectors (callout 1).

Figure 1-391 Connect two connectors



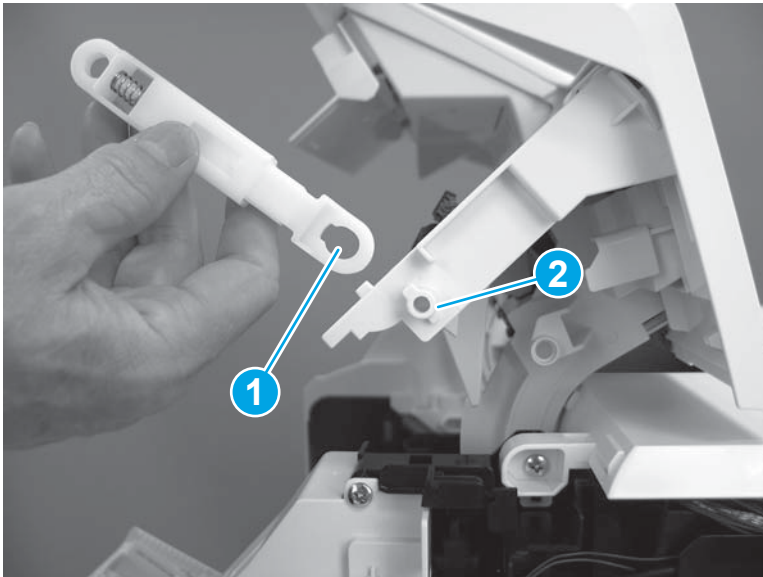
8. Install one screw to attach the ground wire (callout 1).

Figure 1-392 Install the ground wire




9. If the toner-cartridge door hinge comes off of the top cover, reattach the hinge by sliding the hole (callout 1) in the hinge onto the tab (callout 2) on the top cover.

Figure 1-393 Reattach the door hinge

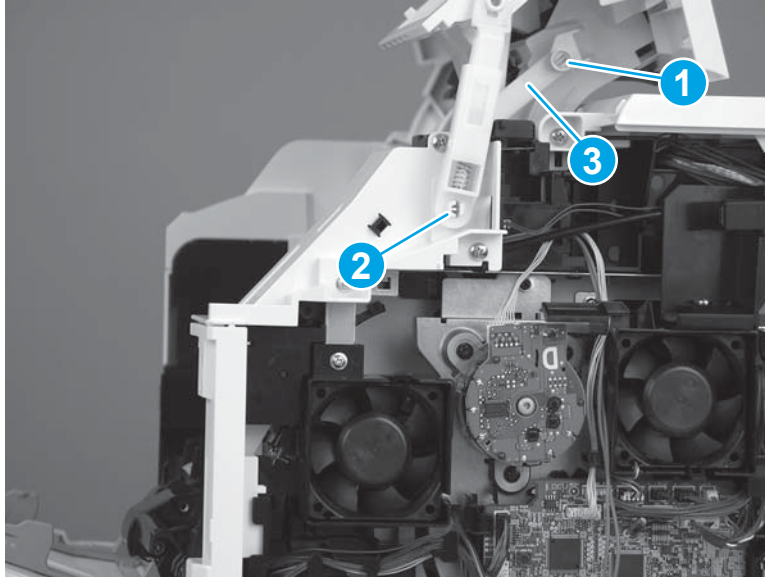


10. Install the toner-cartridge drive-arm (callout 1) and the toner-cartridge door hinge (callout 2) by pressing them onto the tabs.

 **NOTE:** It might be necessary to lift the drive arm (callout 3) up in order to reattach it.

 **CAUTION:** The toner-cartridge drive-arm tabs break easily.

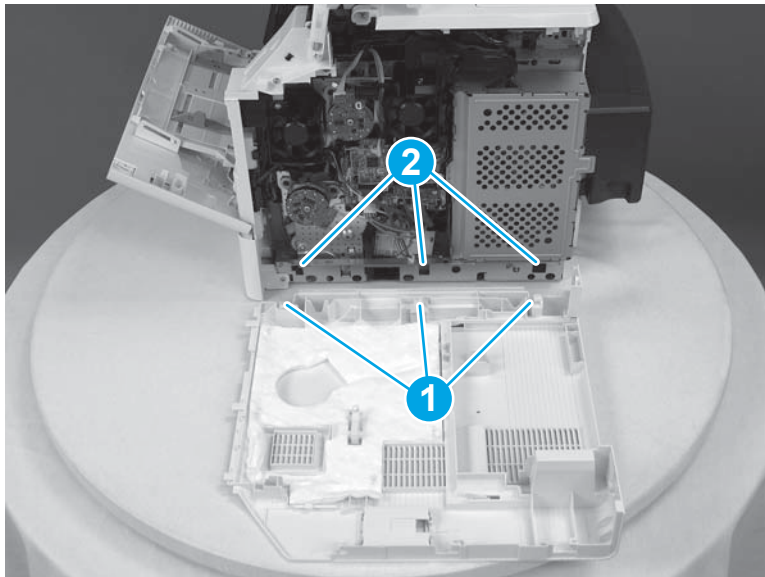
Figure 1-394 Install the drive-arm and door hinge tabs



Step 8: Install the right cover

1. Note the location of the tabs (callout 1) on the cover that will fit into the slots (callout 2) on the printer.

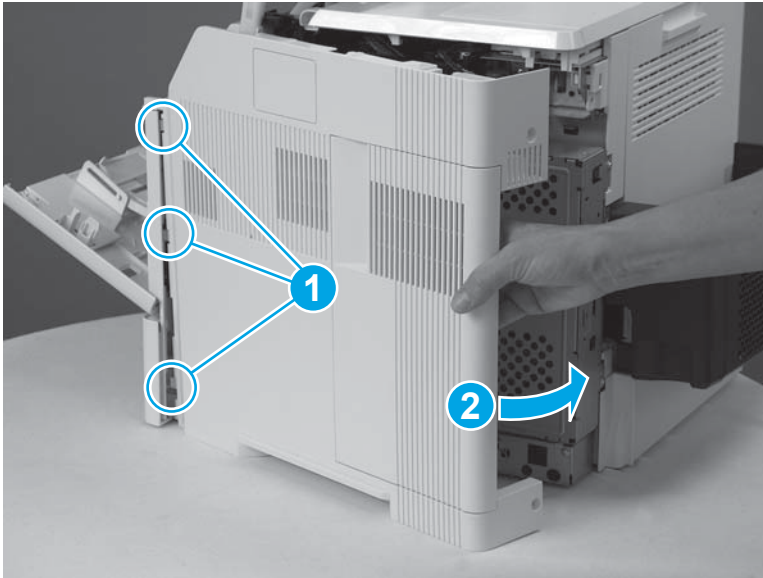
Figure 1-395 Note location of tabs



2. Position the front tabs on the right cover slightly behind the right front cover (callout 1), and then rotate the back edge of the cover toward the printer (callout 2).

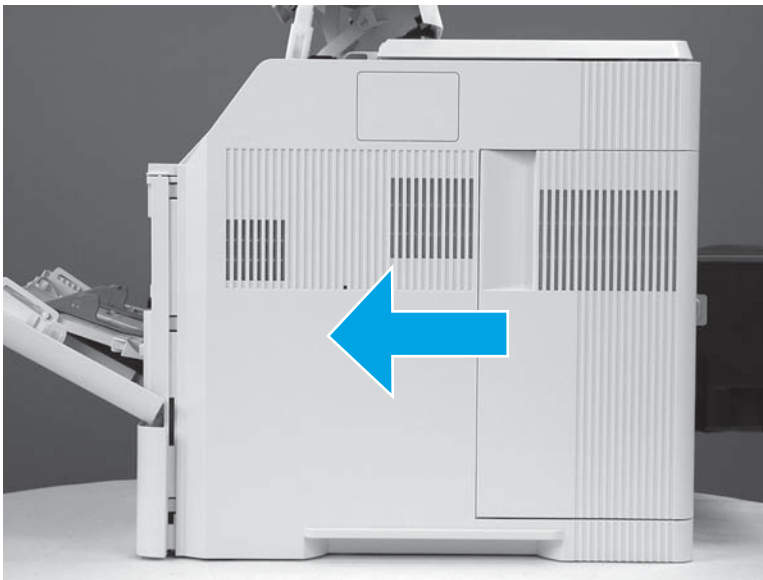
 **NOTE:** The tabs and slots mentioned in the previous step will engage as the cover is rotated into place.

Figure 1-396 Position the front tabs



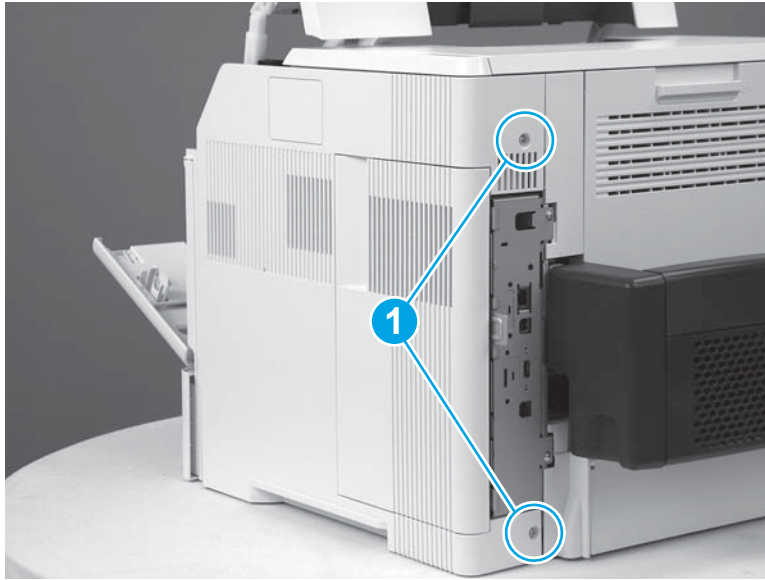
3. Slide the cover toward the front of the printer to install it.

Figure 1-397 Slide the cover



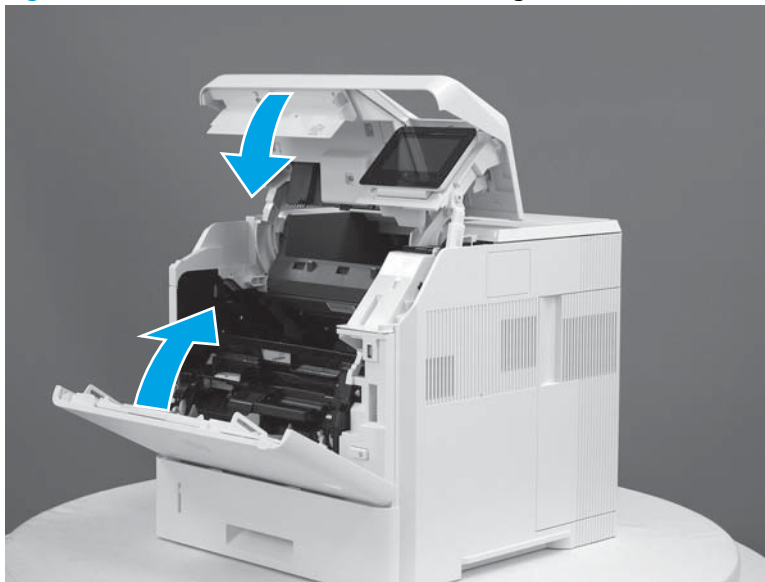
4. Install two screws (callout 1).

Figure 1-398 Install two screws



5. Close the front cover and the cartridge door.

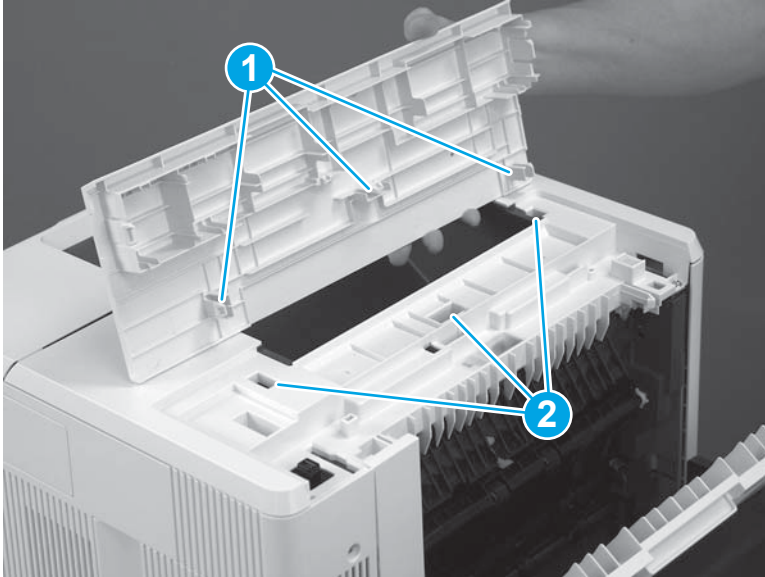
Figure 1-399 Close the front cover and cartridge door



Step 9: Install the top accessory cover

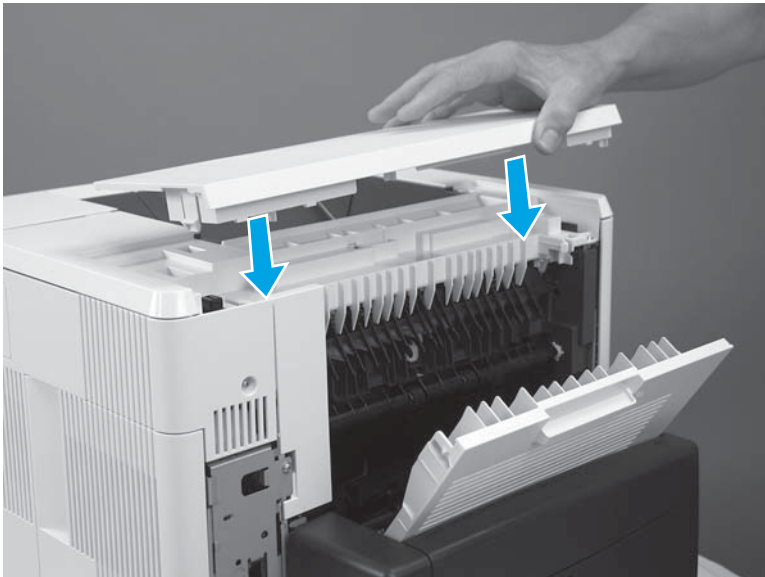
1. Align the tabs (callout 1) on the top accessory cover with the slots (callout 2) in the top cover.

Figure 1-400 Align the tabs and slots



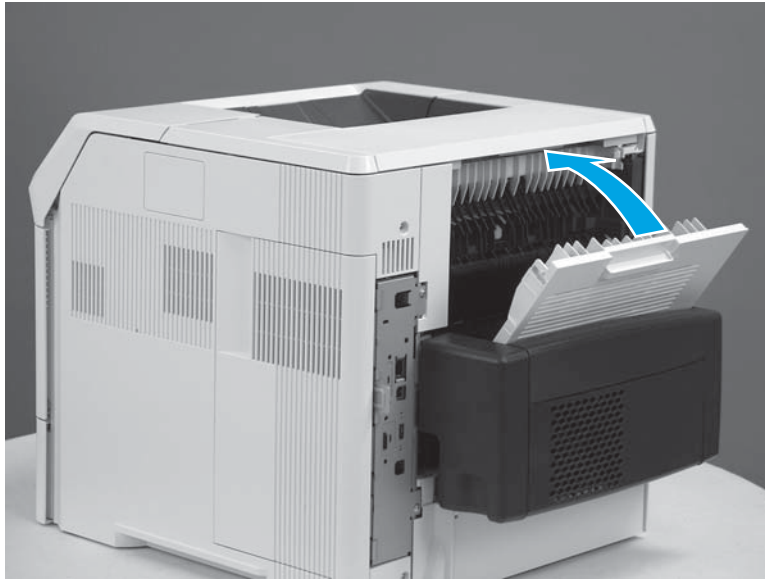
2. Place the top accessory on top of the printer, and then press down to install it.

Figure 1-401 Install the top accessory cover



3. Close the rear output bin.

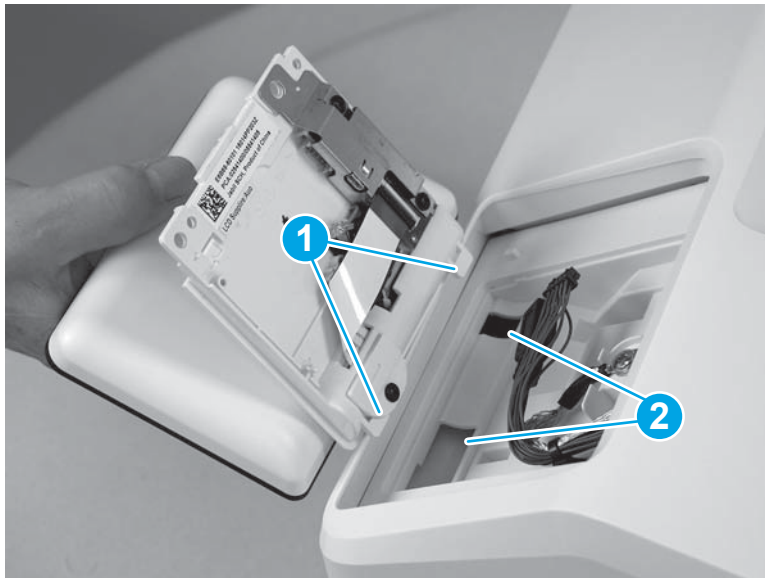
Figure 1-402 Close the rear output bin



Step 10: Install the control panel (M605x, M606x)

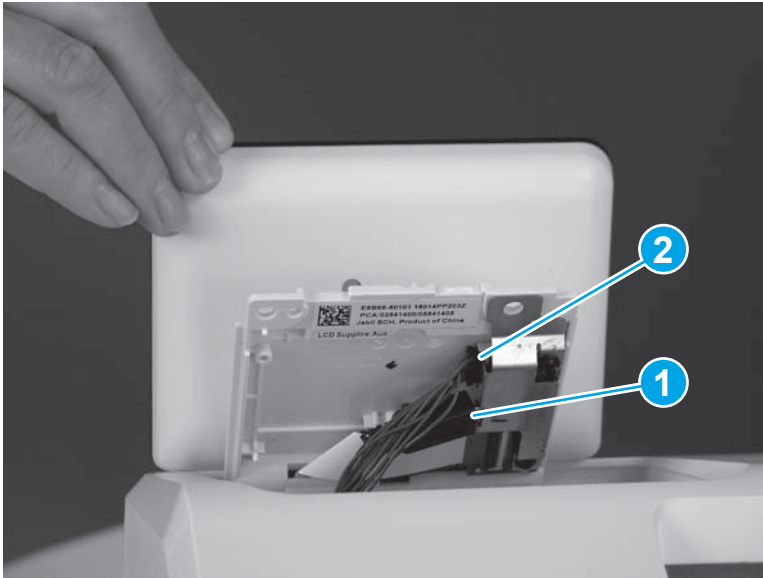
1. Open the replacement control panel, and then position the tabs (callout 1) on the control panel in the slots (callout 2) in the printer.

Figure 1-403 Reinstall the control panel



2. Connect one USB cable (callout 1), and one connector (callout 2).

Figure 1-404 Connect connectors



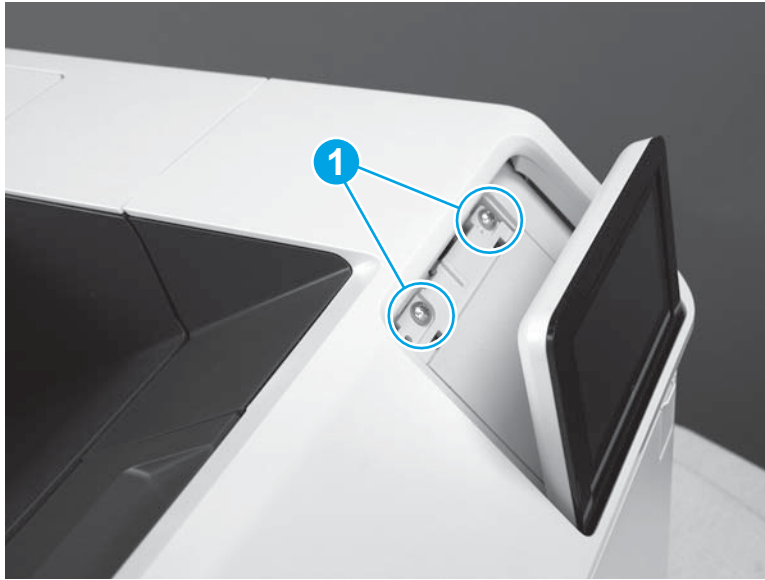
3. Rotate the control-panel base down onto the printer.

Figure 1-405 Rotate the control-panel base down



4. Install two screws (callout 1).

Figure 1-406 Install two screws

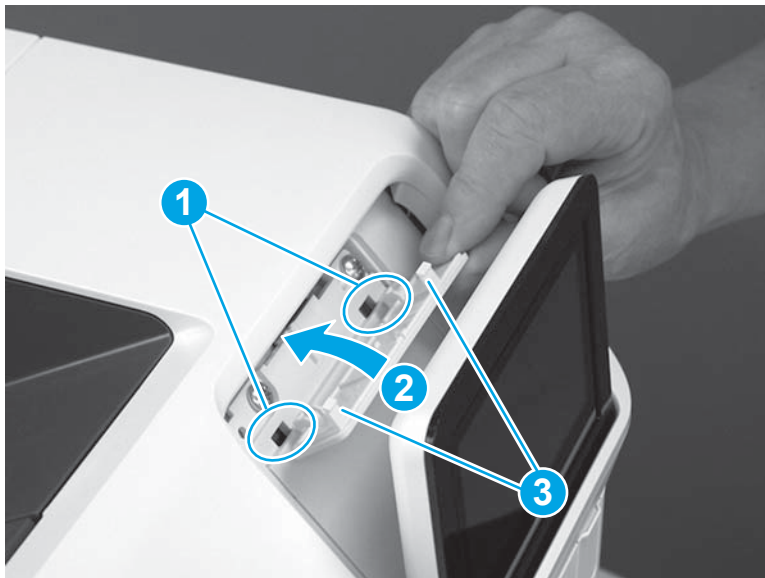


5. Position the screw cover mounting feet into the slots in the top cover (callout 1), and then rotate the cover toward the control-panel base (callout 2) to install it.



NOTE: Make sure that the tabs on the cover (callout 3) snap into place.

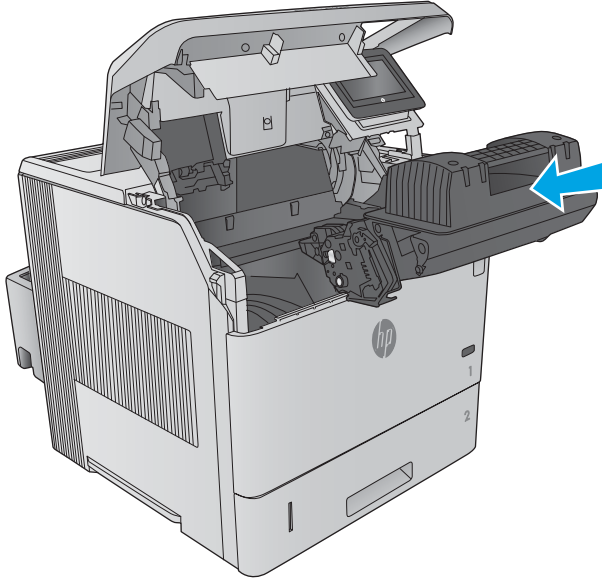
Figure 1-407 Install screw cover



Step 11: Install the toner cartridge

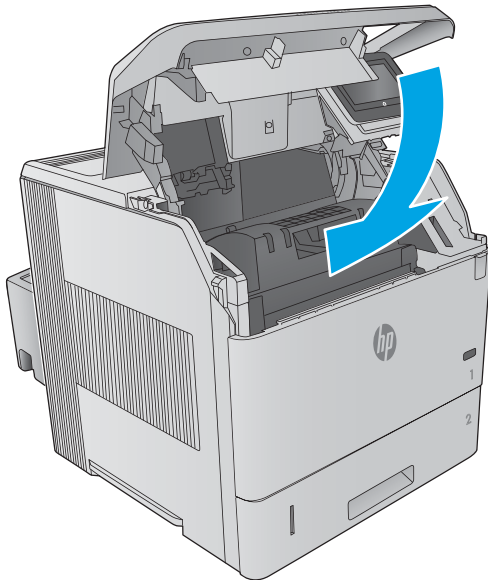
1. Install the toner cartridge.

Figure 1-408 Install the toner cartridge



2. Close the cartridge door.

Figure 1-409 Close the cartridge door



Removal and replacement: Top cover (M604n/dn, M605n/dn, M606dn)

- [Introduction](#)
- [Step 1: Remove the toner cartridge](#)
- [Step 2: Remove the top accessory cover](#)
- [Step 3: Remove the right cover](#)
- [Step 4: Remove the top cover](#)
- [Step 5: Unpack the replacement top cover](#)
- [Step 6: Install the top cover](#)
- [Step 7: Install the right cover](#)
- [Step 8: Install the top accessory cover](#)
- [Step 9: Install the toner cartridge](#)

Introduction

This document provides the procedures to remove and replace the top cover (M604n/dn, M605n/dn, M606dn)

Before performing service

Turn the printer power off

- Disconnect the power cable.

⚠ WARNING! To avoid damage to the printer, turn the printer off, wait 30 seconds, and then remove the power cord before attempting to service the printer.

Use the table below to identify the correct part number for your printer. To order the part, go to www.hp.com/buy/parts.

Top cover part numbers	
RM2-6919-000CN	Top cover (M604n/dn)
RM2-6307-000CN	Top cover (M605n/dn, M606dn)

Required tools

- #2 Phillips screwdriver with a magnetic tip
- Needle-nose pliers

After performing service

Make sure that the top cover is fully seated after replacing it.

Turn the printer power on

- Connect the power cable.
- Use the power switch to turn the power on.

Post service test

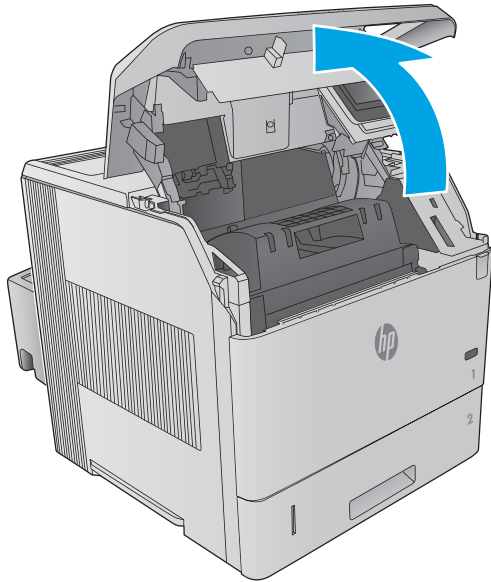
Make sure that the printer initializes to a **Ready** state.

Print a configuration page to make sure that the printer is functioning correctly.

Step 1: Remove the toner cartridge

1. Open the cartridge door.

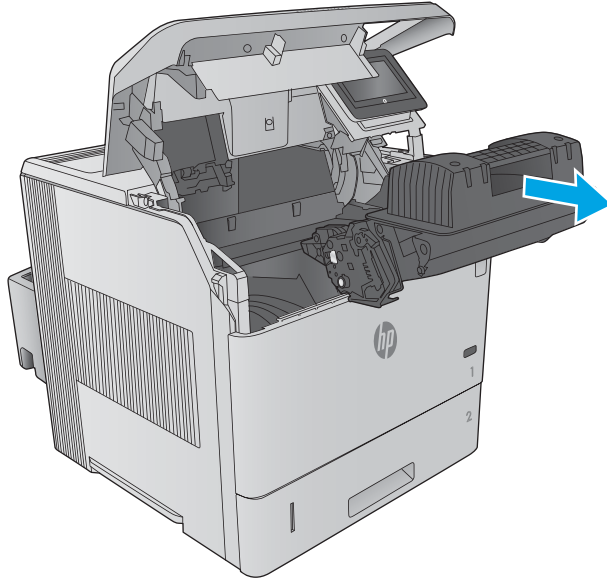
Figure 1-410 Open the cartridge door



2. Firmly grasp the toner cartridge and pull it up and out of the printer.

⚠ CAUTION: Do not expose the toner cartridge to bright light or direct sunlight for long periods of time. This can damage the cartridge, which will result in print-quality defects. If the cartridge must be removed from the printer for an extended amount of time, cover it and keep it out of bright light or direct sunlight.

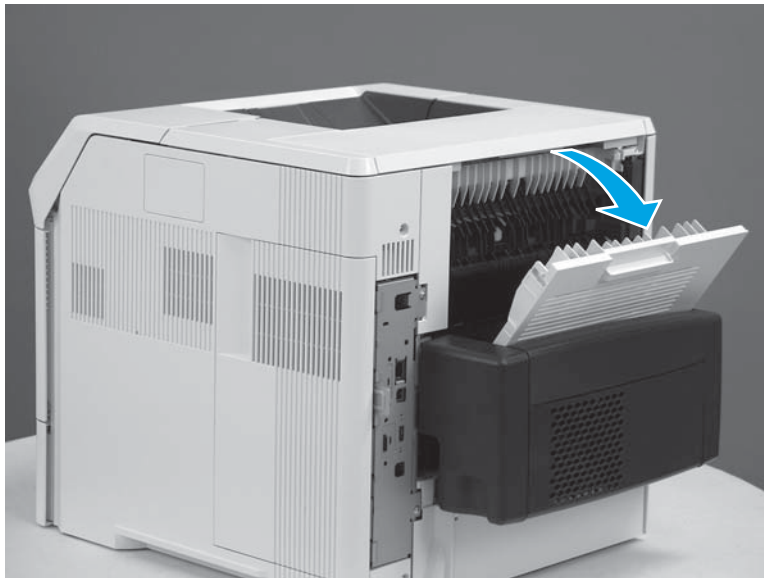
Figure 1-411 Remove the toner cartridge



Step 2: Remove the top accessory cover

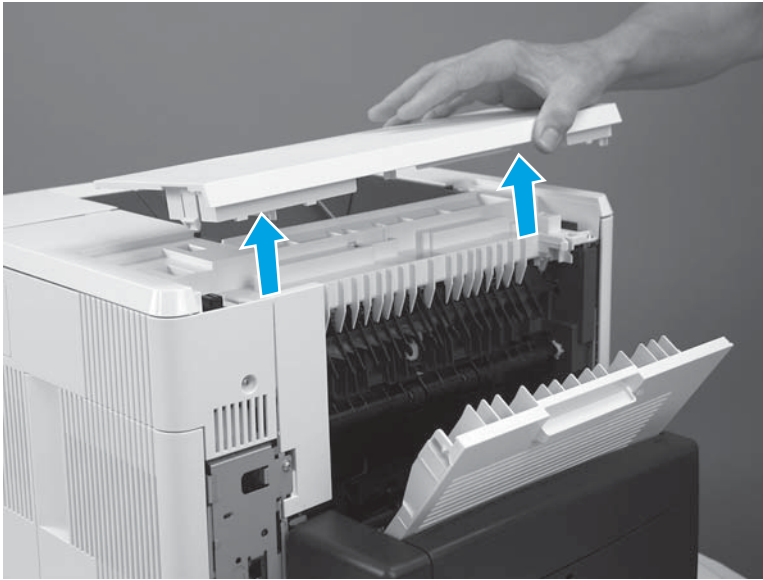
1. Open the rear output bin.

Figure 1-412 Open the rear output bin



2. Lift the top accessory cover up and off of the printer.

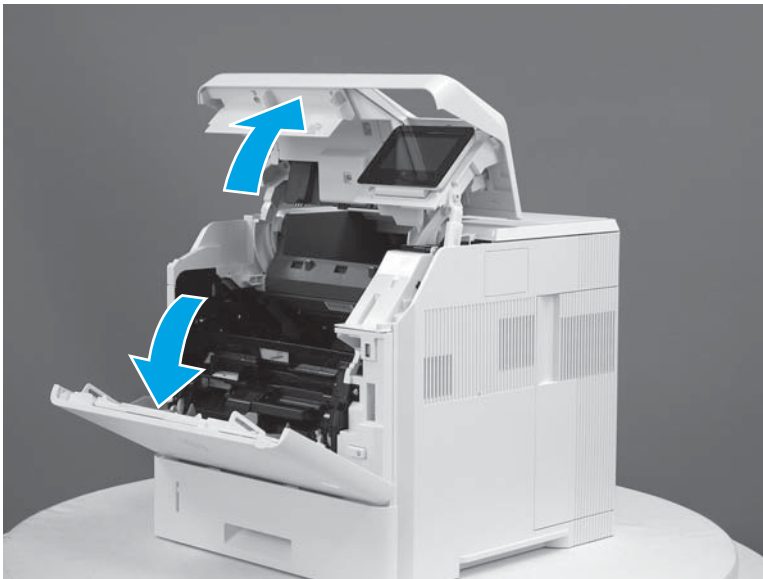
Figure 1-413 Remove top accessory cover



Step 3: Remove the right cover

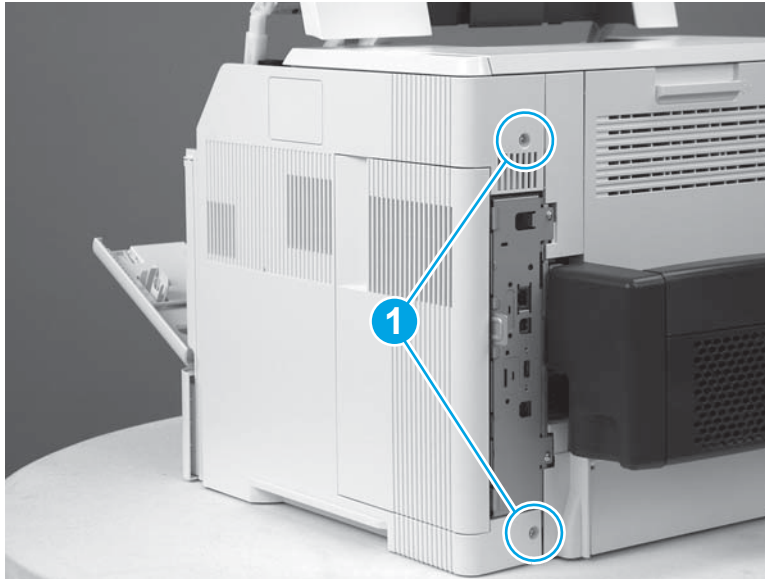
1. Open the front cover and the cartridge door.

Figure 1-414 Open the front cover and cartridge door



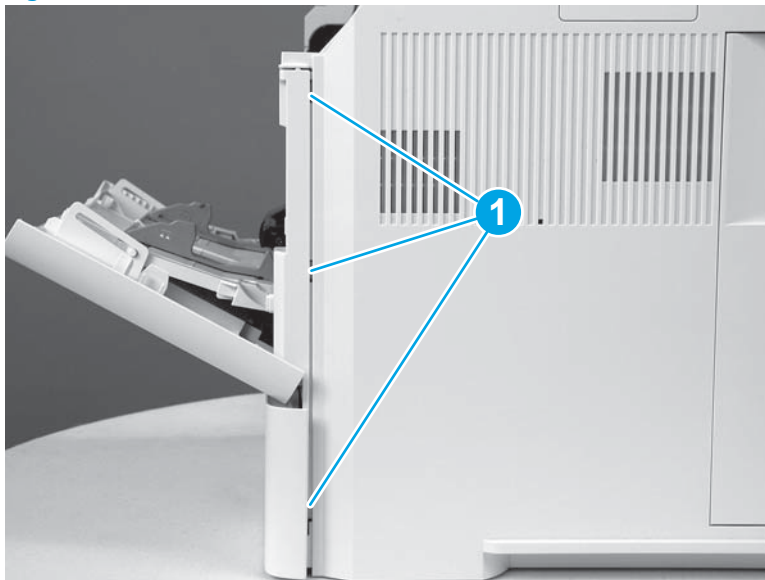
2. Remove two screws (callout 1).

Figure 1-415 Remove two screws



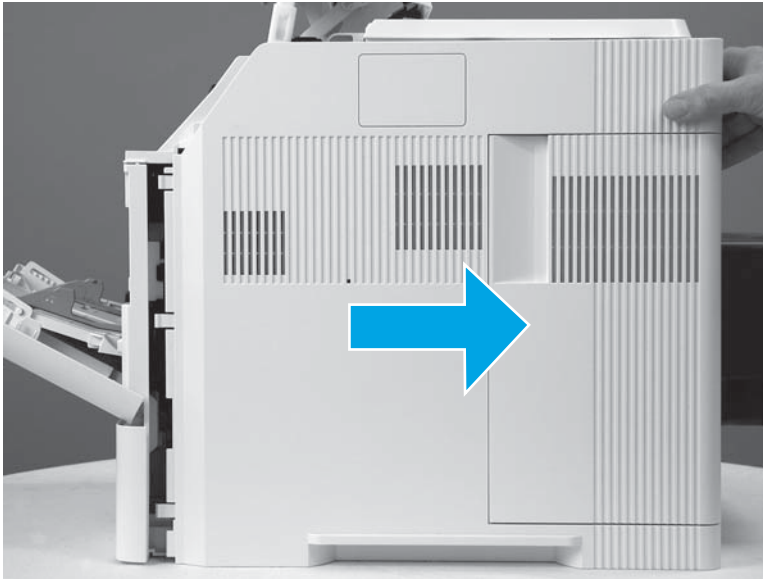
3. Release three tabs (callout 1).

Figure 1-416 Release three tabs



4. Slide the cover toward the rear of the printer to remove it.

Figure 1-417 Remove the cover



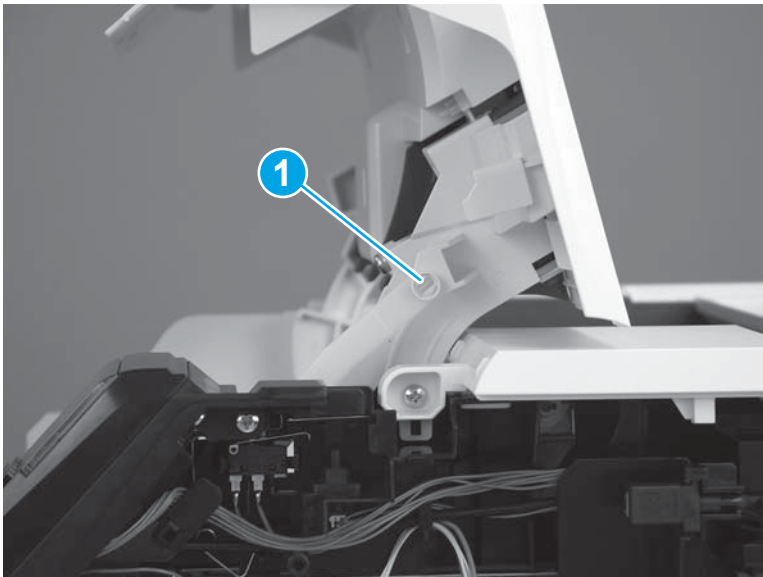
Step 4: Remove the top cover

1. Use needle-nose pliers to release the toner-cartridge drive-arm tabs (callout 1).

CAUTION: The toner-cartridge drive-arm tabs break easily.

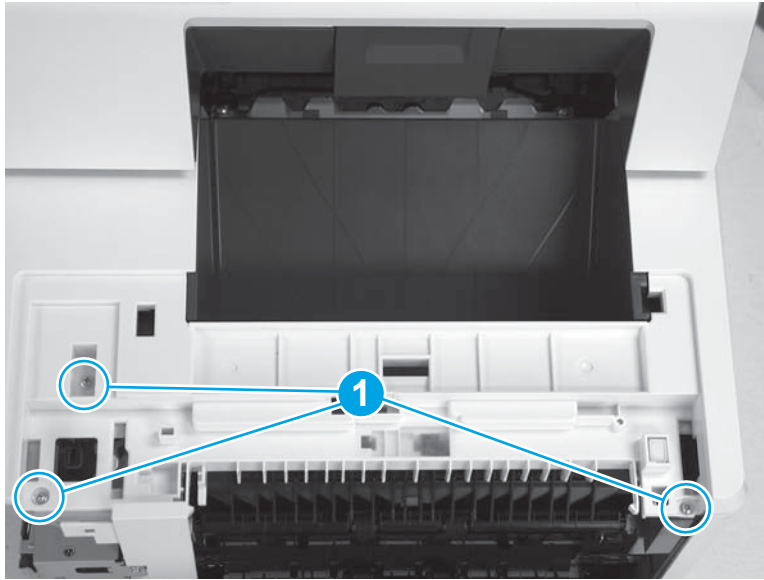
TIP: Push the toner-cartridge drive-arm back into the printer to avoid damaging it when you remove the top cover.

Figure 1-418 Release the drive-arm tabs



2. Remove three screws (callout 1) on the top of the printer.

Figure 1-419 Remove three screws



3. Remove one screw (callout 1) on the right side of the printer.


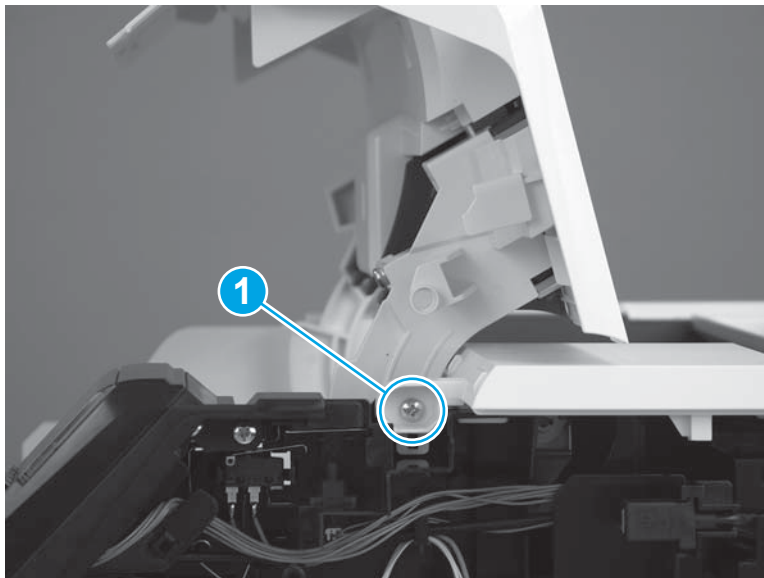
 **Reinstallation tip:** This screw is larger than the screws removed from the top of the printer. Make sure to install the correct screw when reassembling.

Figure 1-420 Remove one screw



4. Remove one screw (callout 1) on the left side of the printer.


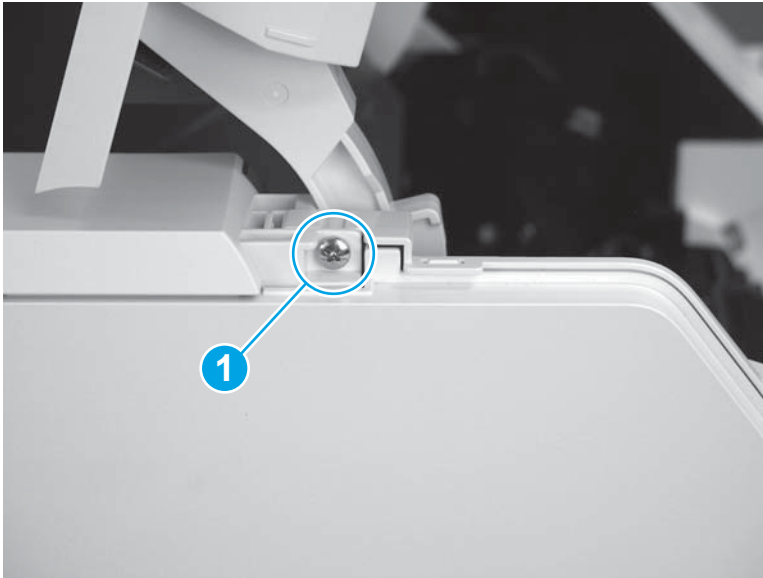
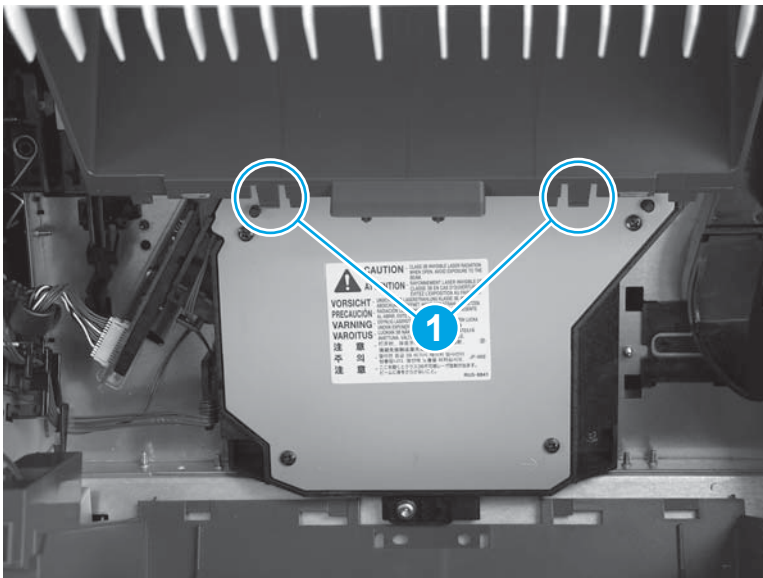
 **Reinstallation tip:** This screw is larger than the screws removed from the top of the printer. Make sure to install the correct screw when reassembling.

Figure 1-421 Remove one screw



5. Note the location of two tabs on the top output bin (callout 1). These tabs are released in the next step.

Figure 1-422 Location of two tabs



6. Release two tabs (callout 1) on the top output bin.


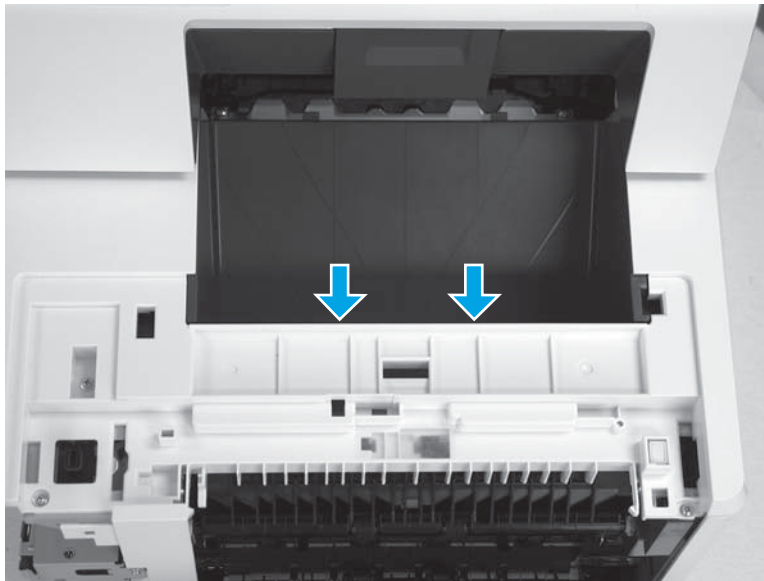
 **Reinstallation tip:** Make sure that these tabs are fully seated when the top cover is reinstalled.

Figure 1-423 Release two tabs



7. Lift the top cover up and off of the printer to remove it.

Figure 1-424 Remove the top cover



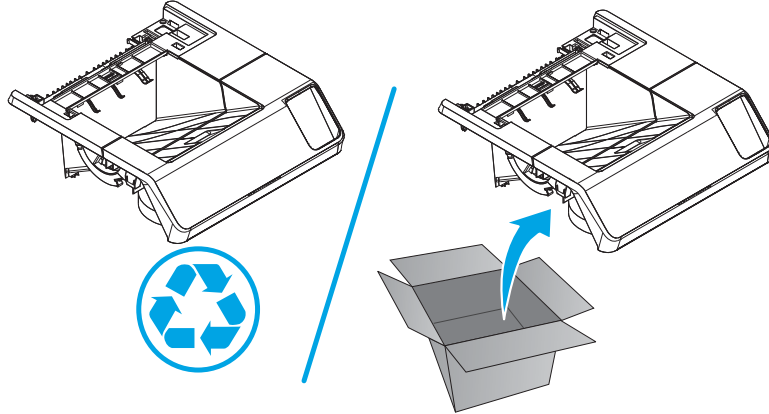
Step 5: Unpack the replacement top cover

Unpack the replacement part from the packaging.

<http://www8.hp.com/us/en/hp-information/environment/product-recycling.html>

 **NOTE:** HP recommends responsible disposal of the defective part.

Figure 1-425 Recycle and unpack



Step 6: Install the top cover

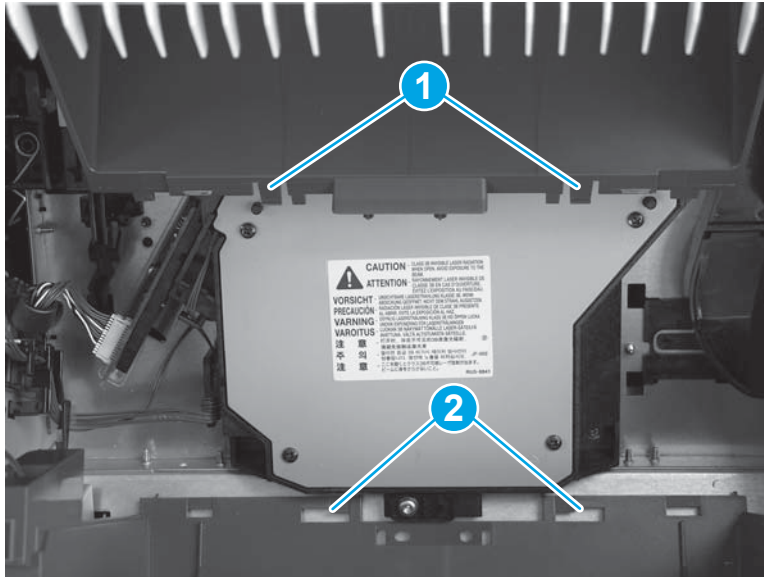
1. Lower the top cover onto the printer.

Figure 1-426 Lower the top cover



2. Install two tabs (callout 1) on the top output bin into two slots (callout 2) in the printer. Make sure that the tabs snap into place.

Figure 1-427 Install two tabs



3. Install one screw (callout 1) on the left side of the printer.


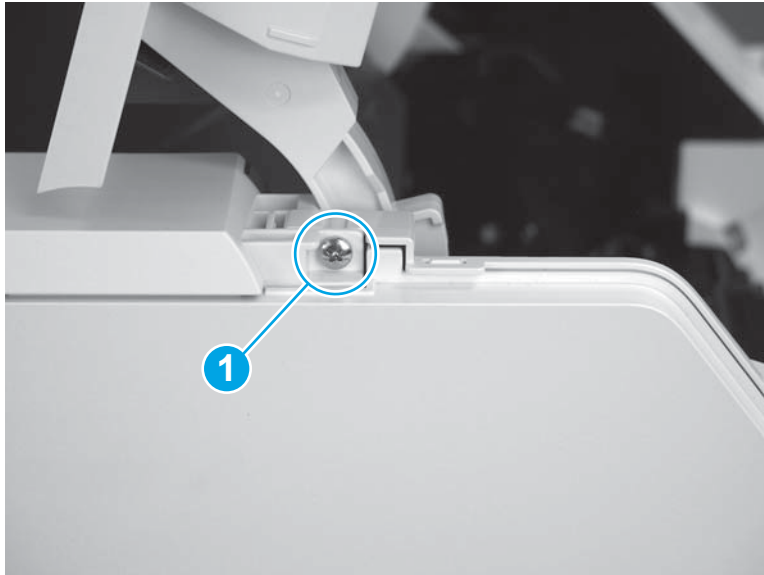
 **Reinstallation tip:** This screw is larger than the screws removed from the top of the printer. Make sure to install the correct screw.

Figure 1-428 Install one screw



4. Install one screw (callout 1) on the right side of the printer.


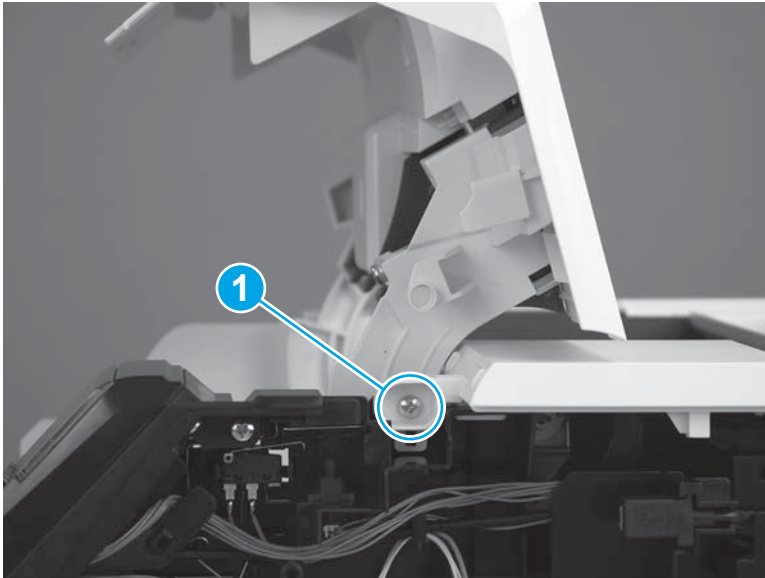
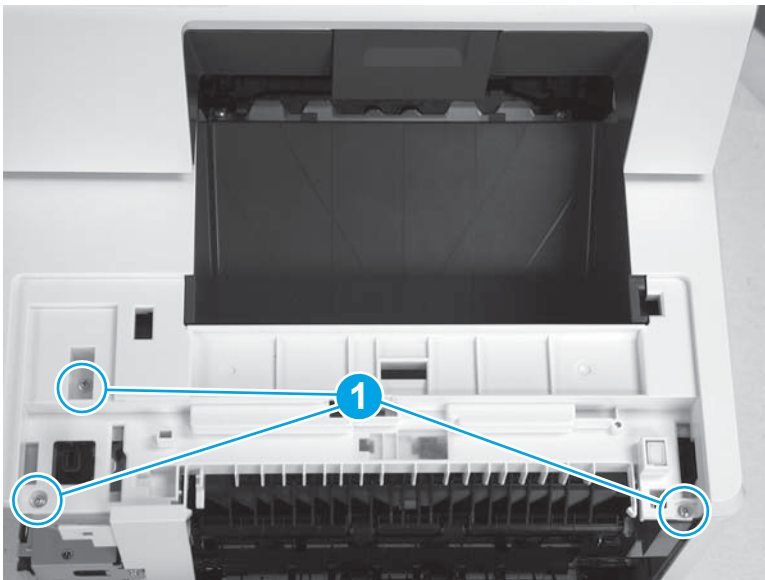
 **Reinstallation tip:** This screw is larger than the screws removed from the top of the printer. Make sure to install the correct screw.

Figure 1-429 Install one screw



5. Install three screws (callout 1) on the top of the printer.

Figure 1-430 Install three screws

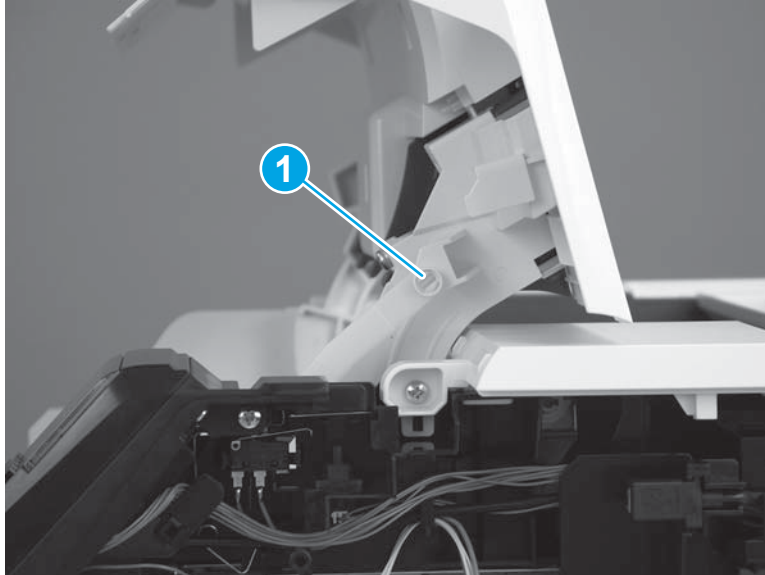


6. Install the toner-cartridge drive-arm (callout 1) by pressing it onto the tabs.

 **NOTE:** It might be necessary to lift the drive arm up in order to reattach it.

 **CAUTION:** The toner-cartridge drive-arm tabs break easily.

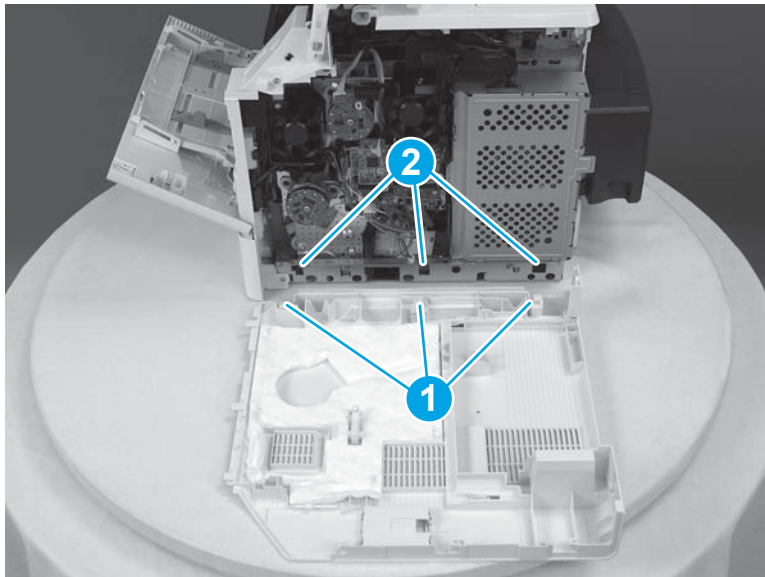
Figure 1-431 Install the drive-arm tabs



Step 7: Install the right cover

1. Note the location of the tabs (callout 1) on the cover that will fit into the slots (callout 2) on the printer.

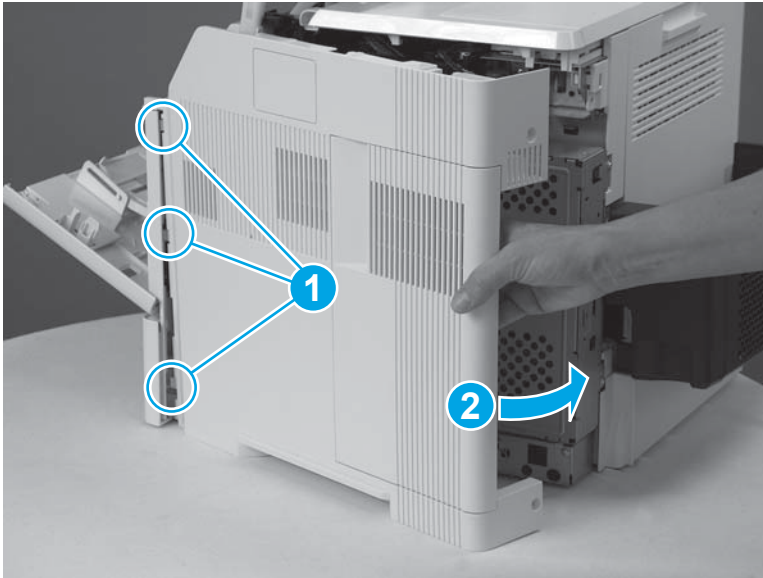
Figure 1-432 Note location of tabs



2. Position the front tabs on the right cover slightly behind the right front cover (callout 1), and then rotate the back edge of the cover toward the printer (callout 2).

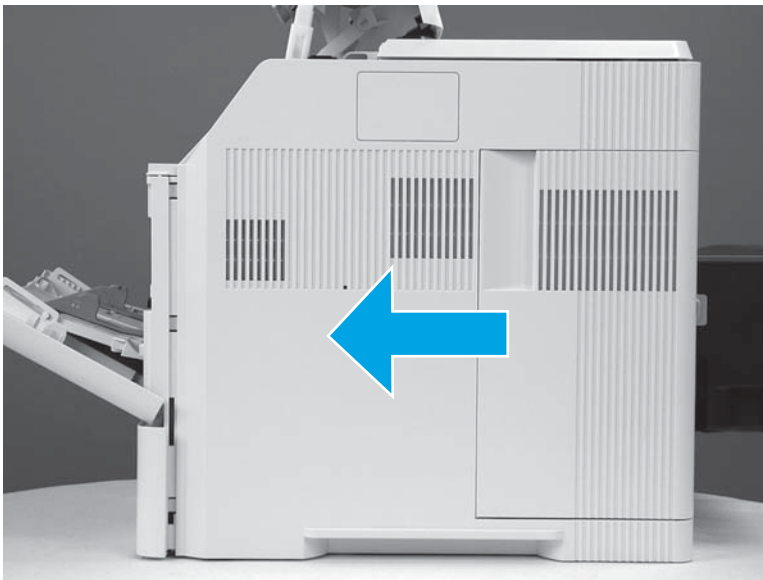
 **NOTE:** The tabs and slots mentioned in the previous step will engage as the cover is rotated into place.

Figure 1-433 Position the front tabs



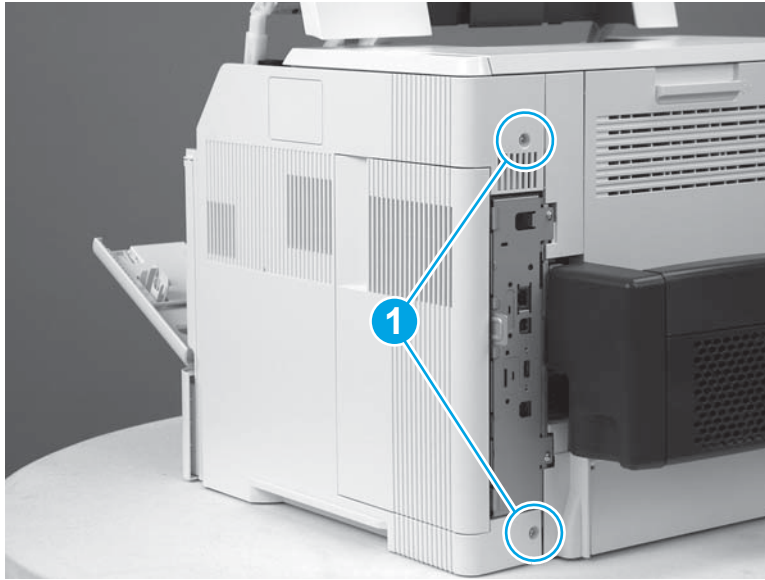
3. Slide the cover toward the front of the printer to install it.

Figure 1-434 Slide the cover



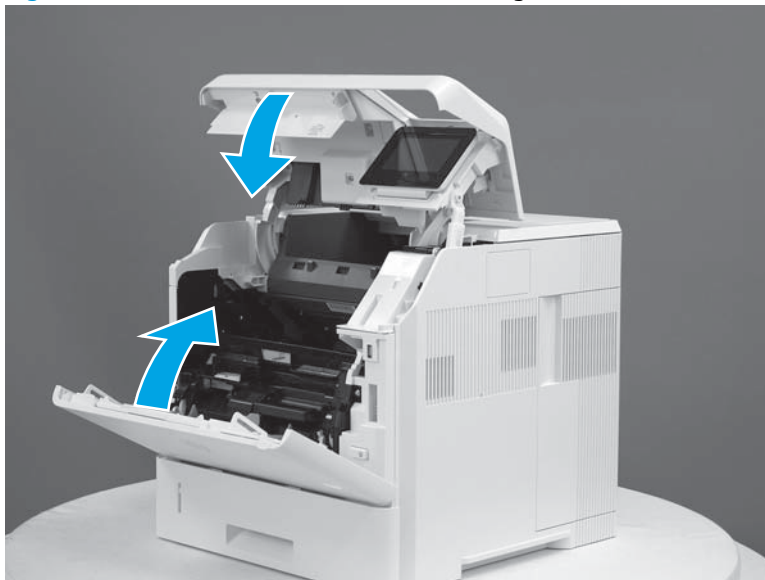
4. Install two screws (callout 1).

Figure 1-435 Install two screws



5. Close the front cover and the cartridge door.

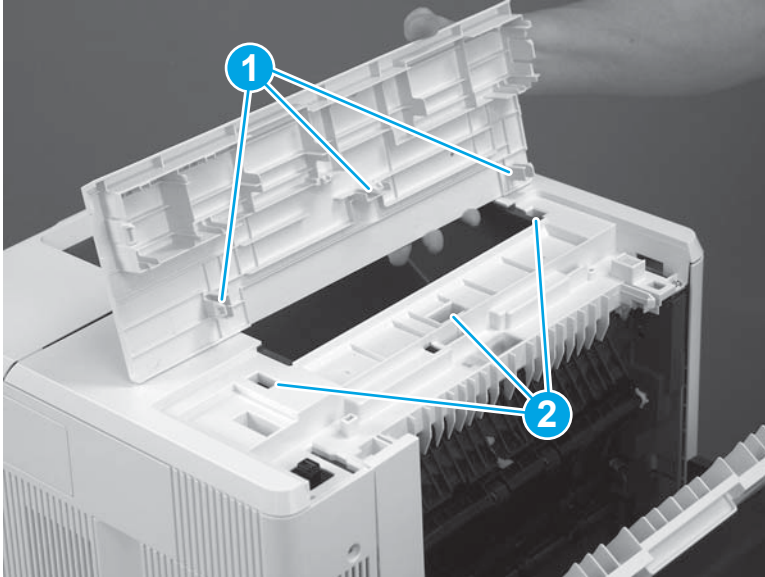
Figure 1-436 Close the front cover and cartridge door



Step 8: Install the top accessory cover

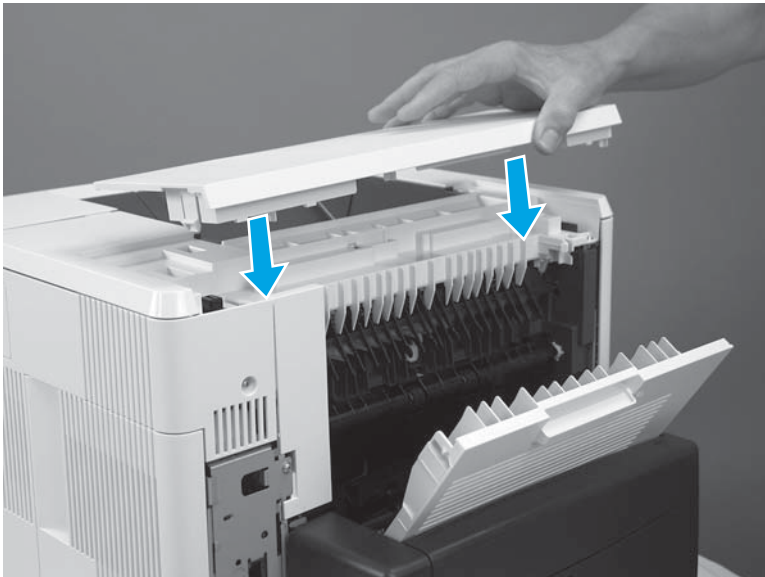
1. Align the tabs (callout 1) on the top accessory cover with the slots (callout 2) in the top cover.

Figure 1-437 Align the tabs and slots



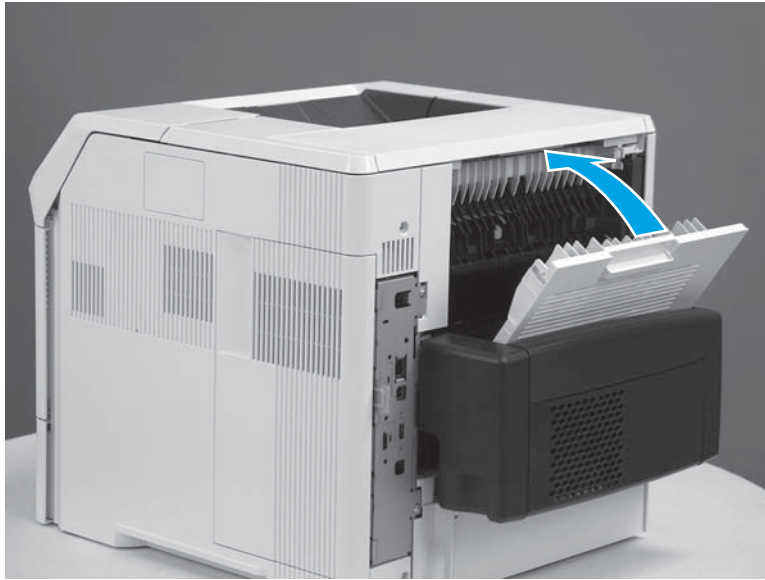
2. Place the top accessory on top of the printer, and then press down to install it.

Figure 1-438 Install the top accessory cover



3. Close the rear output bin.

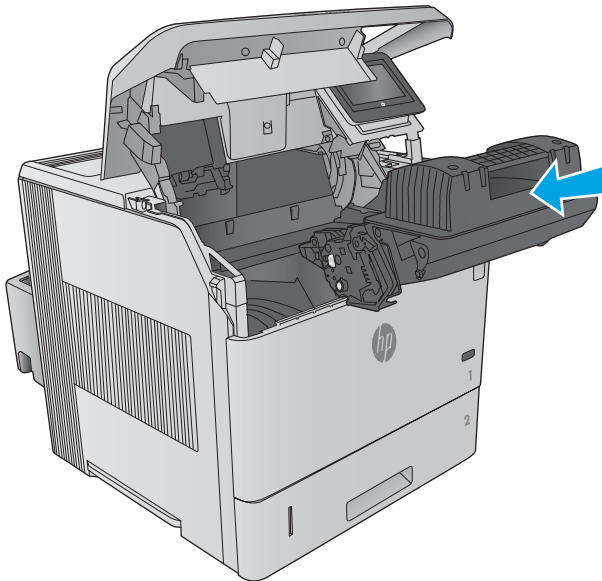
Figure 1-439 Close the rear output bin



Step 9: Install the toner cartridge

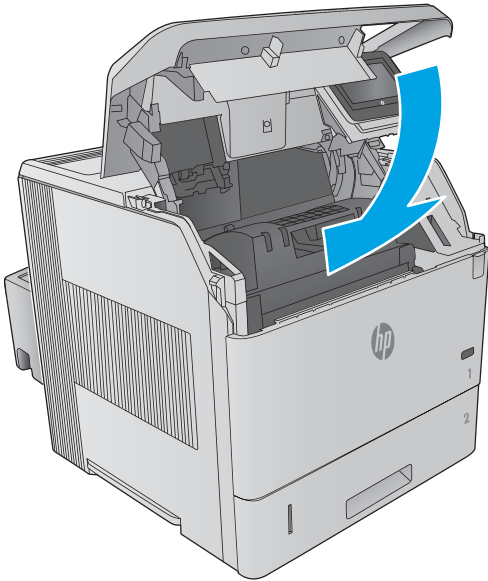
1. Install the toner cartridge.

Figure 1-440 Install the toner cartridge



2. Close the cartridge door.

Figure 1-441 Close the cartridge door



Removal and replacement: Control panel (M604n/dn, M605n/dn, M606dn)

- [Introduction](#)
- [Step 1: Remove the right cover](#)
- [Step 2: Remove the control panel](#)
- [Step 3: Unpack the replacement control panel](#)
- [Step 4: Install the control panel](#)
- [Step 5: Install the right cover](#)


Introduction

This document provides the procedures to remove and replace the control panel for the M604n/dn, M605n/dn, and M606dn models.

Before performing service

Turn the printer power off

- Disconnect the power cable.

 **WARNING!** To avoid damage to the printer, turn the printer off, wait 30 seconds, and then remove the power cord before attempting to service the printer.

Use the table below to identify the correct part number for your printer. To order the part, go to www.hp.com/buy/parts.

Control panel (M604n/dn, M605n/dn, M606dn) part number	
RM2-7682-000CN	Control panel (M604n/dn, M605n/dn, M606dn)

Required tools

- #2 Phillips screwdriver with a magnetic tip

After performing service

Turn the printer power on

- Connect the power cable.
- Use the power switch to turn the power on.

Post service test

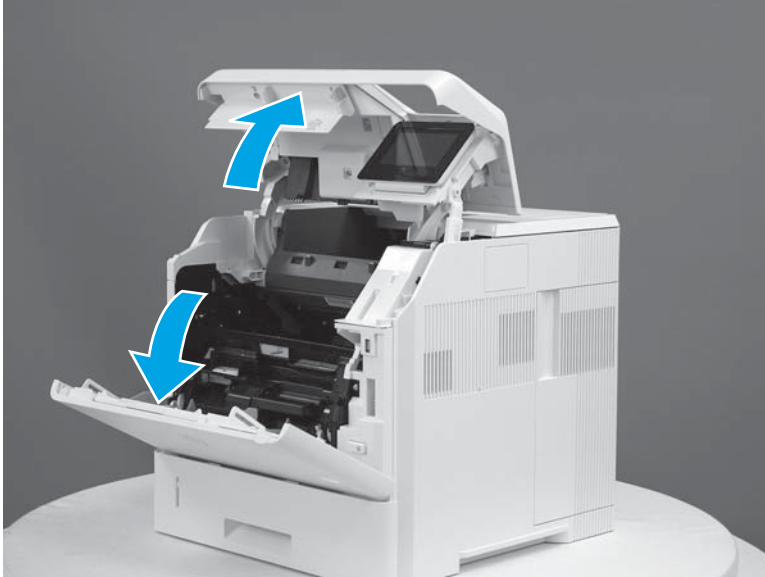
Make sure that the control panel display illuminates and the startup screens display as the printer initializes.

When the printer reaches the **Ready** state, make sure that the control panel buttons work correctly by scrolling through the control panel menus.

Step 1: Remove the right cover

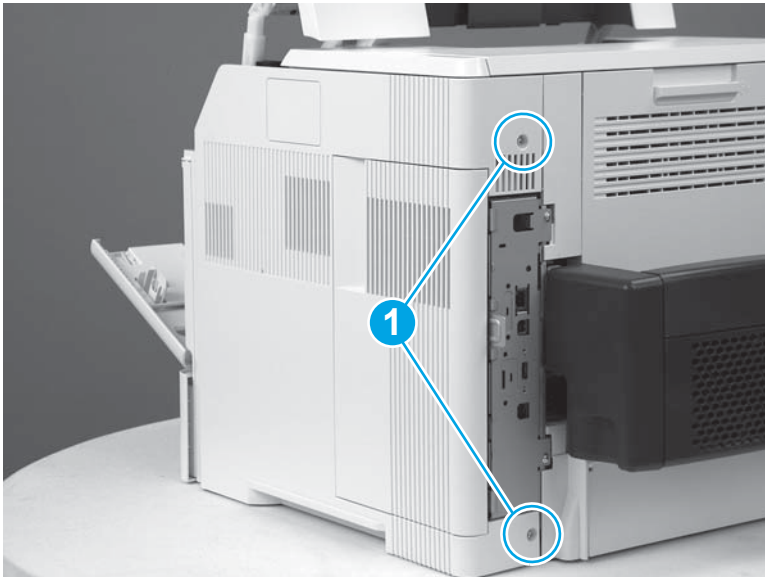
1. Open the front cover and the cartridge door.

Figure 1-442 Open the front cover and cartridge door



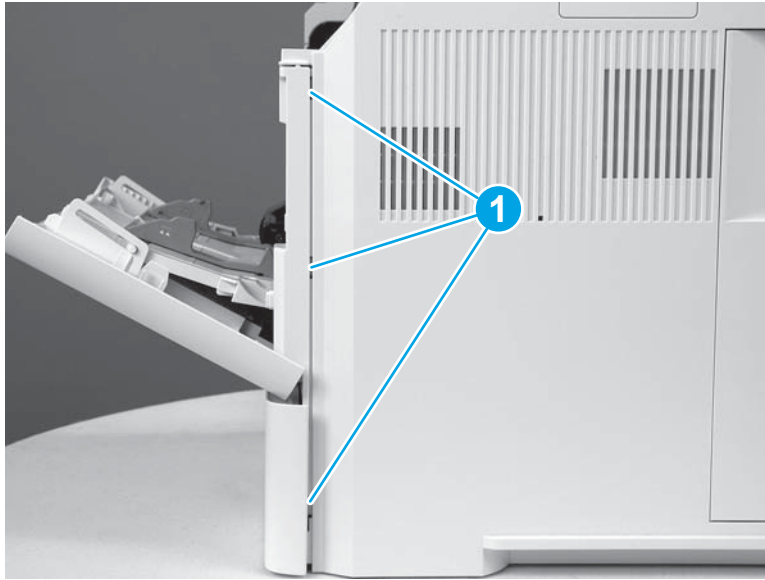
2. Remove two screws (callout 1).

Figure 1-443 Remove two screws



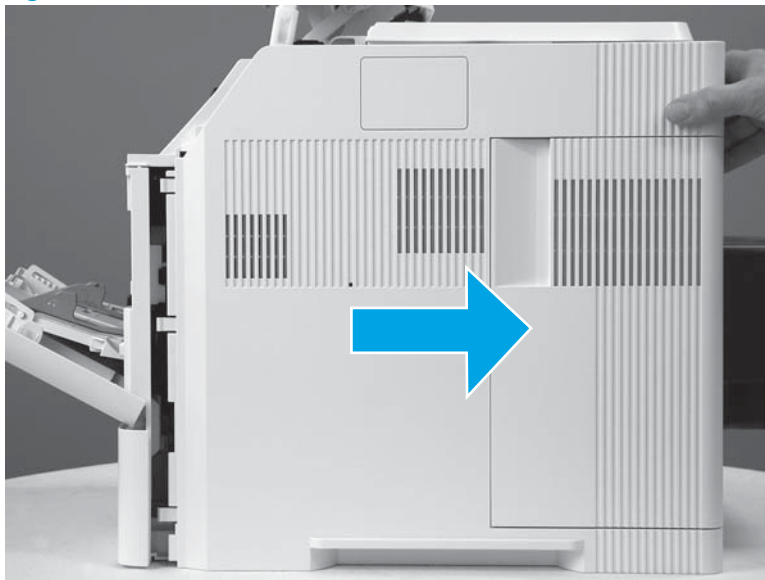
3. Release three tabs (callout 1).

Figure 1-444 Release three tabs



4. Slide the cover toward the rear of the printer to remove it.

Figure 1-445 Remove the cover



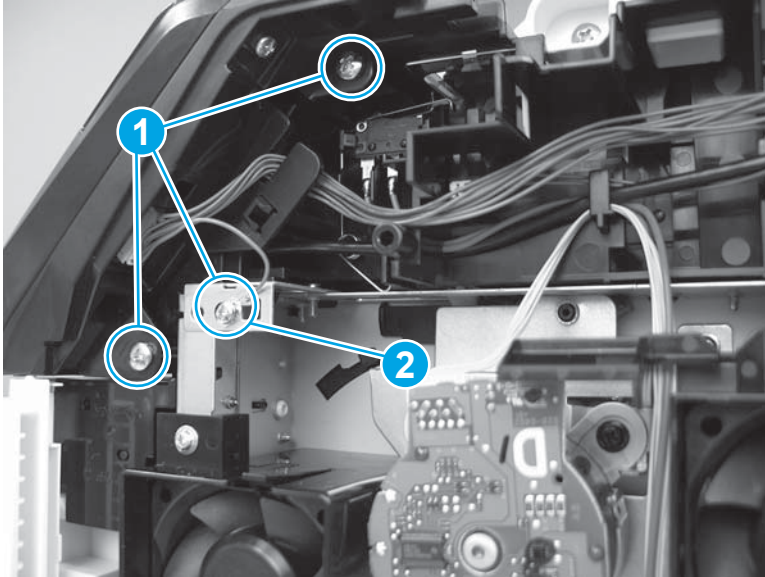
Step 2: Remove the control panel

1. Remove three screws (callout 1).



NOTE: One of these screws (callout 2) retains a ground wire.

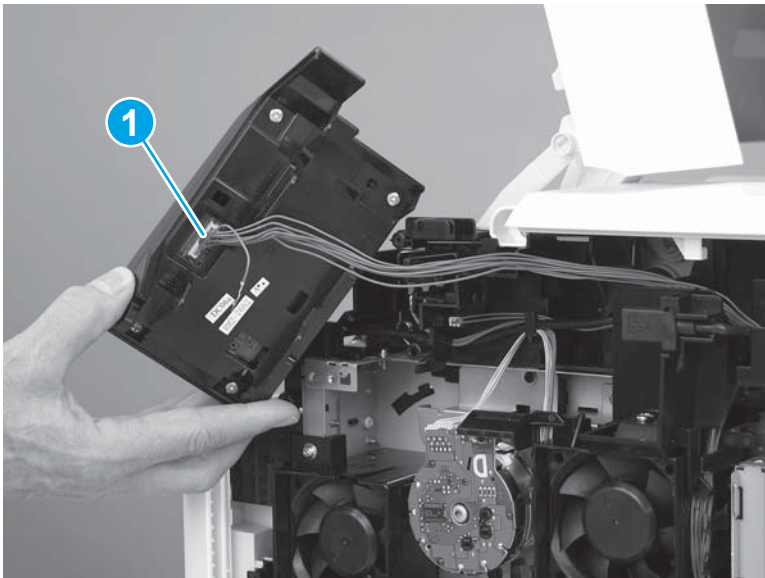
Figure 1-446 Remove three screws



2. Carefully slide the control panel toward the right side of the printer, lift it slightly, and then disconnect one connector (callout 1) on the back.

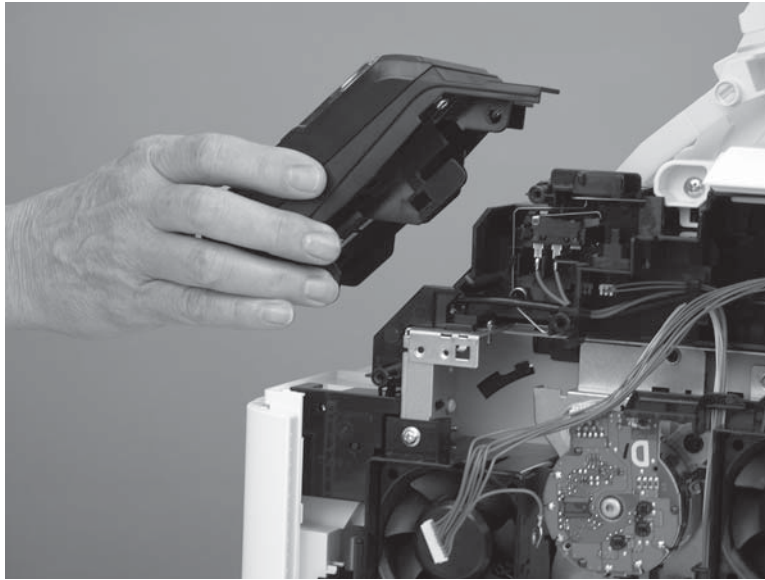
⚠ CAUTION: Do not completely remove the control panel until the connector is disconnected.

Figure 1-447 Disconnect one connector



3. Remove the control panel.

Figure 1-448 Remove the control panel



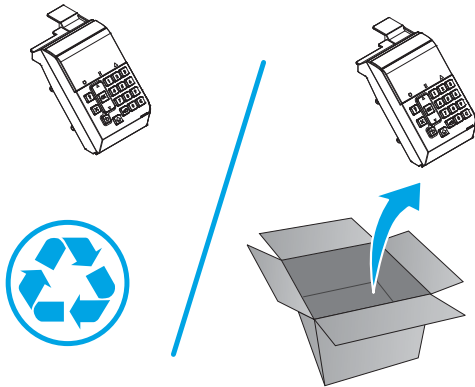
Step 3: Unpack the replacement control panel

Unpack the replacement part from the packaging.

<http://www8.hp.com/us/en/hp-information/environment/product-recycling.html>

 **NOTE:** HP recommends responsible disposal of the defective part.

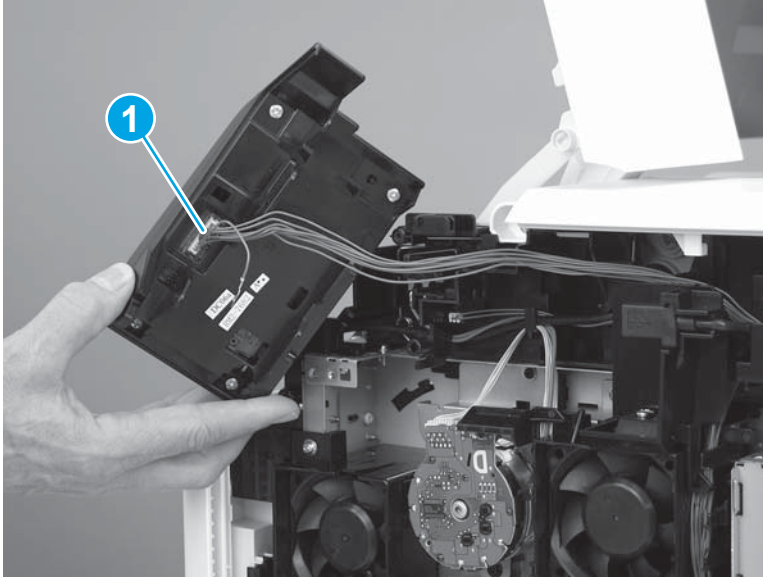
Figure 1-449 Recycle and unpack



Step 4: Install the control panel

1. Connect one connector (callout 1).

Figure 1-450 Connect one connector

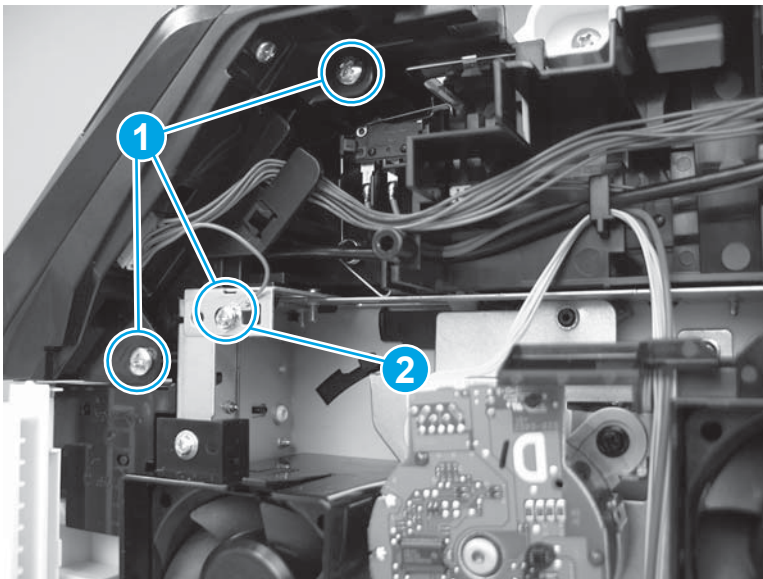


2. Install three screws (callout 1).



NOTE: Make sure that the ground wire from the connector is installed under the screw (callout 2).

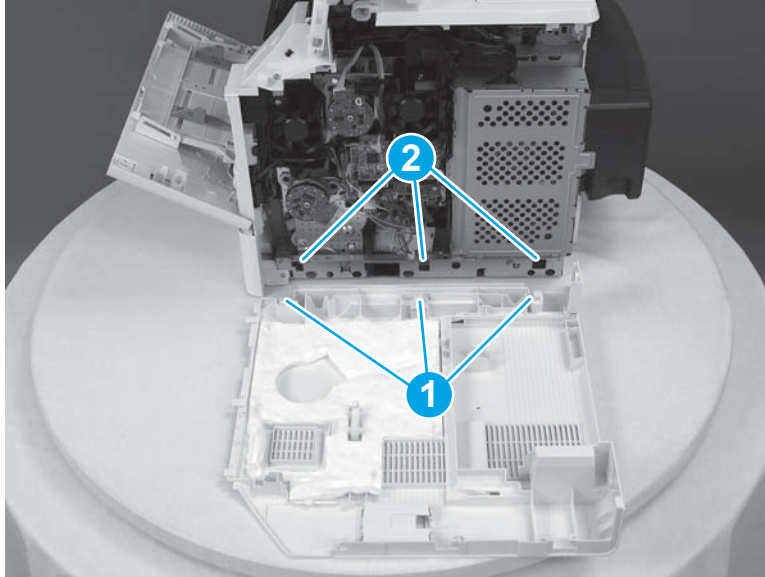
Figure 1-451 Install three screws



Step 5: Install the right cover

1. Note the location of the tabs (callout 1) on the cover that will fit into the slots (callout 2) on the printer.

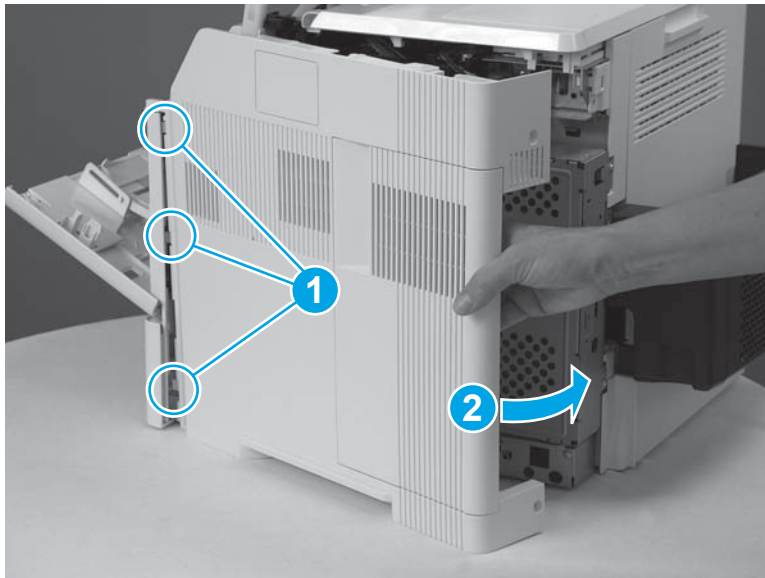
Figure 1-452 Note location of tabs



2. Position the front tabs on the right cover slightly behind the right front cover (callout 1), and then rotate the back edge of the cover toward the printer (callout 2).

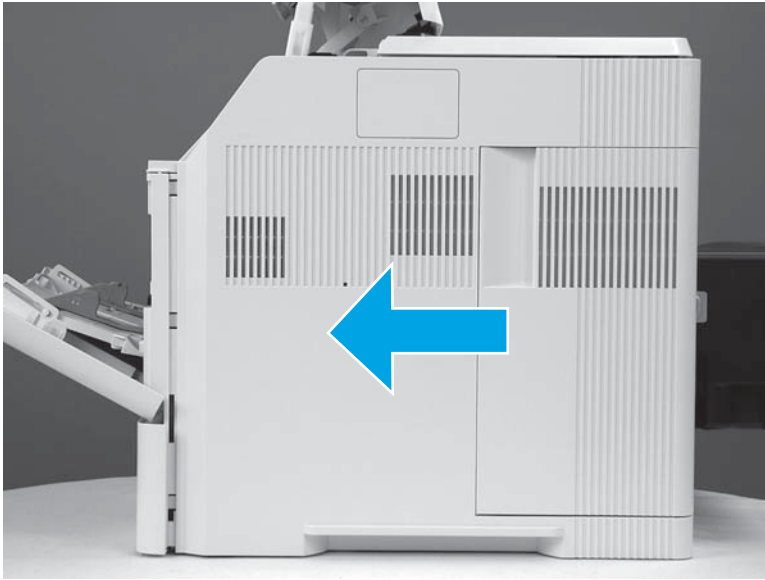
 **NOTE:** The tabs and slots mentioned in the previous step will engage as the cover is rotated into place.

Figure 1-453 Position the front tabs



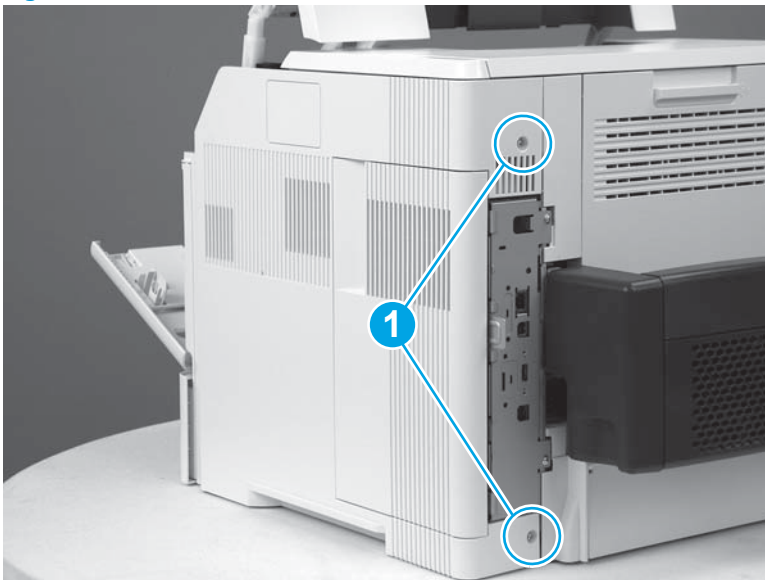
3. Slide the cover toward the front of the printer to install it.

Figure 1-454 Slide the cover



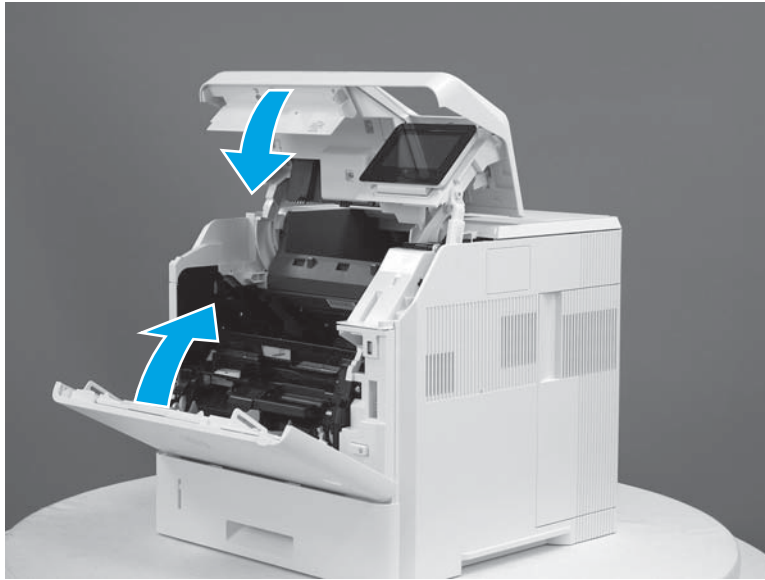
4. Install two screws (callout 1).

Figure 1-455 Install two screws



5. Close the front cover and the cartridge door.

Figure 1-456 Close the front cover and cartridge door



Removal and replacement: Internal parts and assemblies

- [Removal and replacement: Formatter](#)
- [Removal and replacement: Registration assembly](#)
- [Removal and replacement: Easy-access USB port and cable](#)
- [Removal and replacement: Fan FN101](#)
- [Removal and replacement: Fan FN102](#)
- [Removal and replacement: Fan FN103](#)
- [Removal and replacement: Fan FN104](#)
- [Removal and replacement: Pickup motor](#)
- [Removal and replacement: Drum motor](#)
- [Removal and replacement: Lifter motor assembly](#)
- [Removal and replacement: DC controller](#)
- [Removal and replacement: Pickup drive assembly](#)
- [Removal and replacement: Fuser motor](#)
- [Removal and replacement: Drum drive assembly](#)
- [Removal and replacement: Environmental sensor](#)
- [Removal and replacement: Power supply](#)
- [Removal and replacement: Feed-guide assembly](#)
- [Removal and replacement: Tray 1 paper-pickup assembly](#)
- [Removal and replacement: Feed roller assembly](#)
- [Removal and replacement: Laser/scanner](#)
- [Removal and replacement: Paper-delivery assembly](#)
- [Removal and replacement: Paper feed shaft gear \(gear, 18T\)](#)
- [Removal and replacement: Paper feed shaft assembly](#)
- [Removal and replacement: Pickup drive assembly gear \(gear, 23T\)](#)
- [Removal and replacement: Pickup drive assembly solenoid](#)
- [Removal and replacement: Pickup drive assembly drive-gear shaft](#)
- [Removal and replacement: Paper-delivery drive assembly](#)
- [Removal and replacement: Tag holder assembly](#)
- [Removal and replacement: Size-detect assembly \(Tray 2\)](#)
- [Removal and replacement: Lower input accessory connector](#)

- [Removal and replacement: Memory PCA \(island of data\)](#)
- [Removal and replacement: Wireless PCA](#)
- [Removal and replacement: Near field communication \(NFC\) PCA](#)
- [Removal and replacement: Fuser drive assembly](#)

Removal and replacement: Formatter

- [Introduction](#)
- [Step 1: Remove the formatter cover](#)
- [Step 2: Remove the formatter case door](#)
- [Step 3: Remove the embedded MultiMedia Card \(eMMC\)](#)
- [Step 4: Remove the hard-disk drive \(HDD\)](#)
- [Step 5: Remove the memory DIMM](#)
- [Step 6: Remove the trusted platform module \(TPM\)](#)
- [Step 7: Remove the formatter](#)
- [Step 8: Unpack the replacement formatter](#)
- [Step 9: Install the formatter](#)
- [Step 10: Install the trusted platform module \(TPM\)](#)
- [Step 11: Install the memory DIMM](#)
- [Step 12: Install the hard-disk drive \(HDD\)](#)
- [Step 13: Install the eMMC](#)
- [Step 14: Install the formatter case door](#)
- [Step 15: Install the formatter cover](#)


Introduction

This document provides the procedures to remove and replace the formatter.



Before performing service


Turn the printer power off

- Disconnect the power cable.

 **WARNING!** To avoid damage to the printer, turn the printer off, wait 30 seconds, and then remove the power cord before attempting to service the printer.

- Disconnect all network cables.

 **CAUTION:**  This part contains components that are electrostatic discharge (ESD) sensitive. To reduce the possibility of ESD damage, always touch the sheet-metal chassis to ground yourself before touching an ESD-sensitive part.

 **IMPORTANT:** Do not replace the formatter, DC controller, and eMMC PCA or hard-disk drive simultaneously during a single printer servicing. Doing so might cause the printer to become unstable or inoperable.

Use the table below to identify the correct part number for your printer. To order the part, go to www.hp.com/buy/parts.

Formatter part number

E6B69-60001Formatter

Required tools

- #2 Phillips screwdriver with a magnetic tip

After performing service**Turn the printer power on**

- Connect the power cable.
- Use the power switch to turn the power on.

Post service test

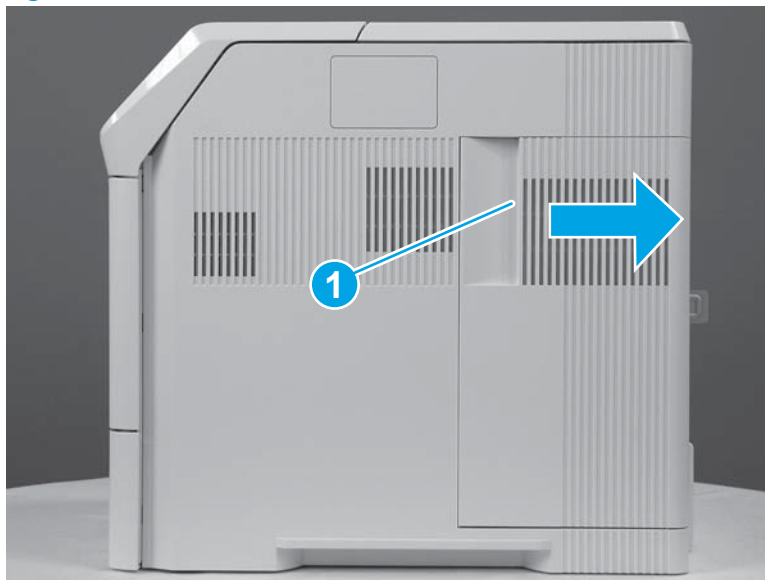
Make sure that the printer initializes to a **Ready** state.

Print a configuration page to make sure that the printer is functioning correctly.

Step 1: Remove the formatter cover

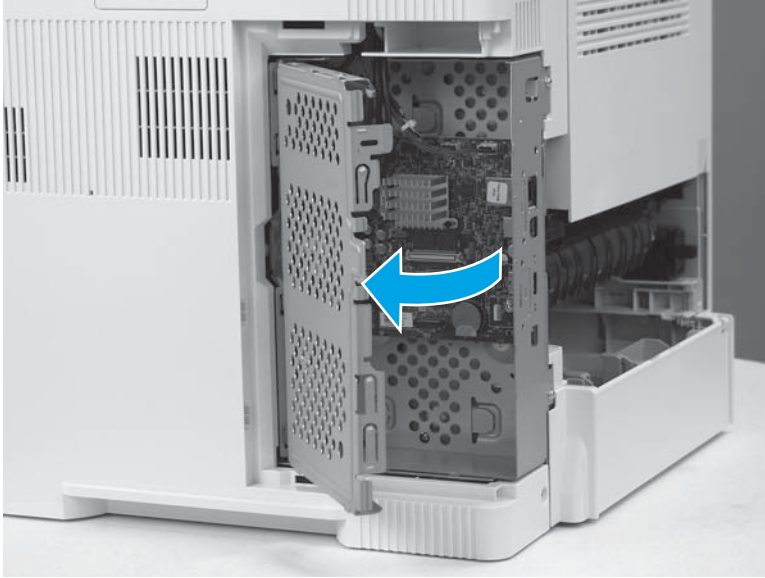
1. Grasp the handle on the formatter cover (callout 1), and then slide the cover toward the rear of the printer to remove it.

Figure 1-457 Remove the formatter cover



2. Open the formatter case door.

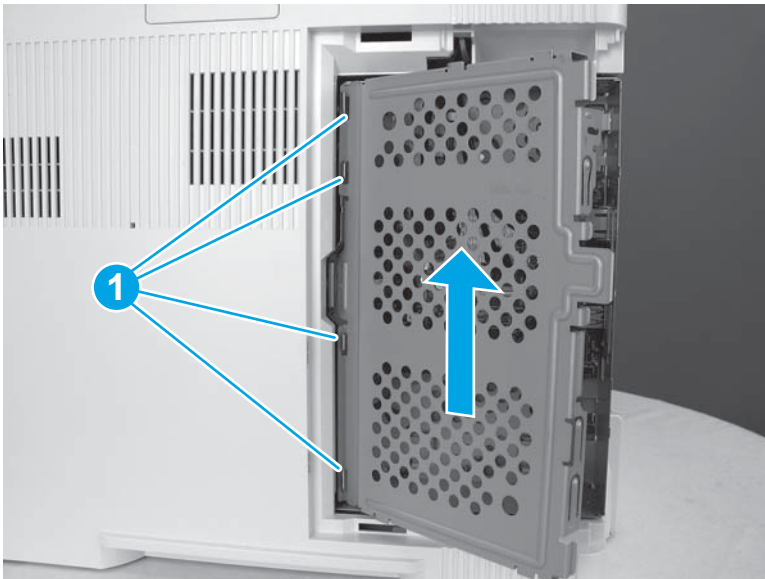
Figure 1-458 Open the formatter case door



Step 2: Remove the formatter case door

- ▲ Lift the door up to disengage the slots on the door with the tabs on the formatter case (callout 1).

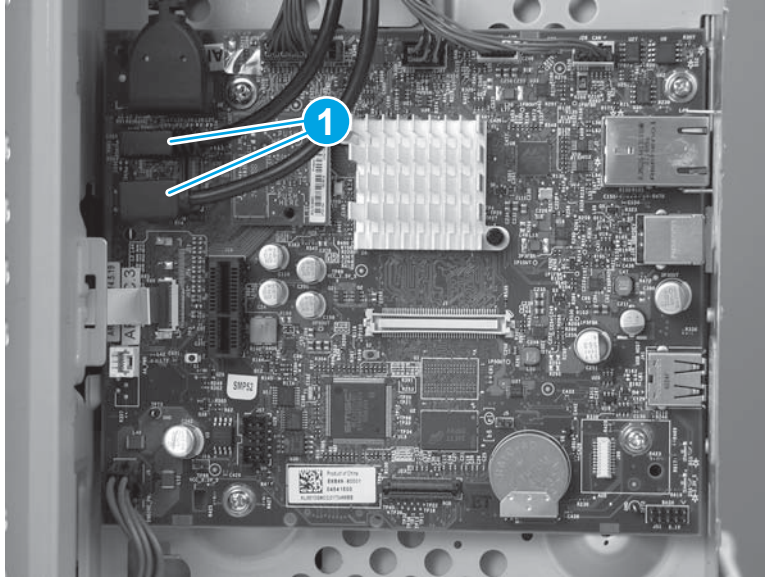
Figure 1-459 Remove the formatter case door



Step 3: Remove the embedded MultiMedia Card (eMMC)

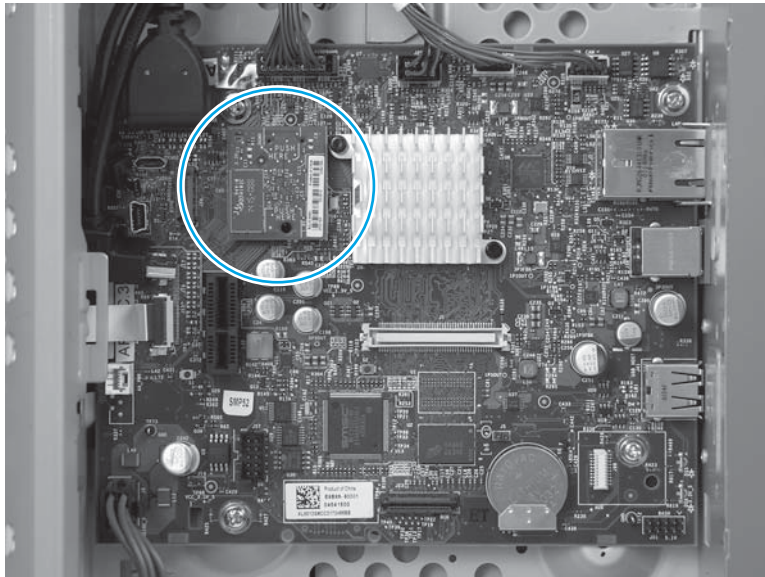
1. Disconnect two connectors (callout 1).

Figure 1-460 Disconnect two connectors



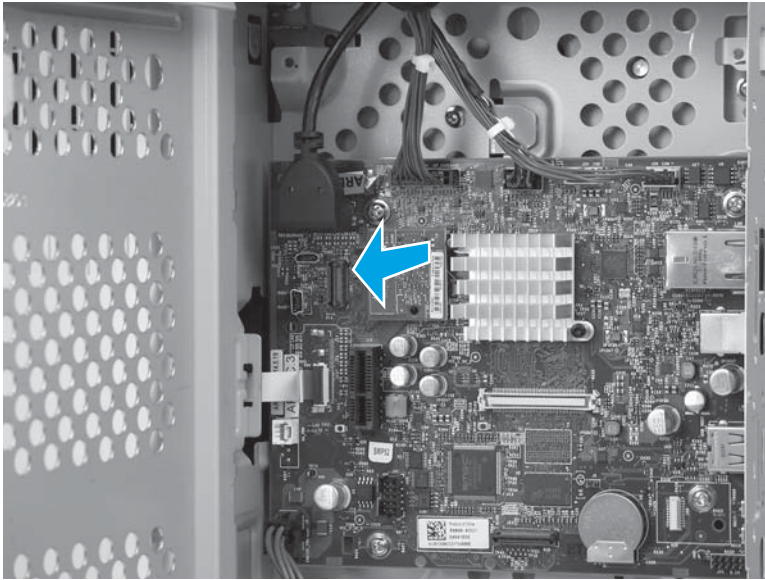
2. Locate the eMMC component on the formatter.

Figure 1-461 Locate the eMMC component



3. Pull the eMMC straight off of the formatter to remove it.

Figure 1-462 Remove the eMMC



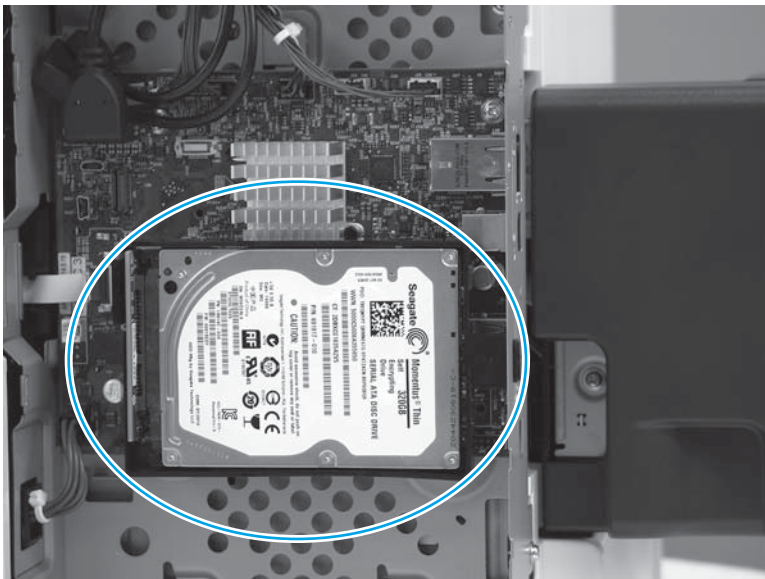
Step 4: Remove the hard-disk drive (HDD)



NOTE: If the optional HDD is not installed, skip this step and go to [Step 5: Remove the memory DIMM on page 285](#).

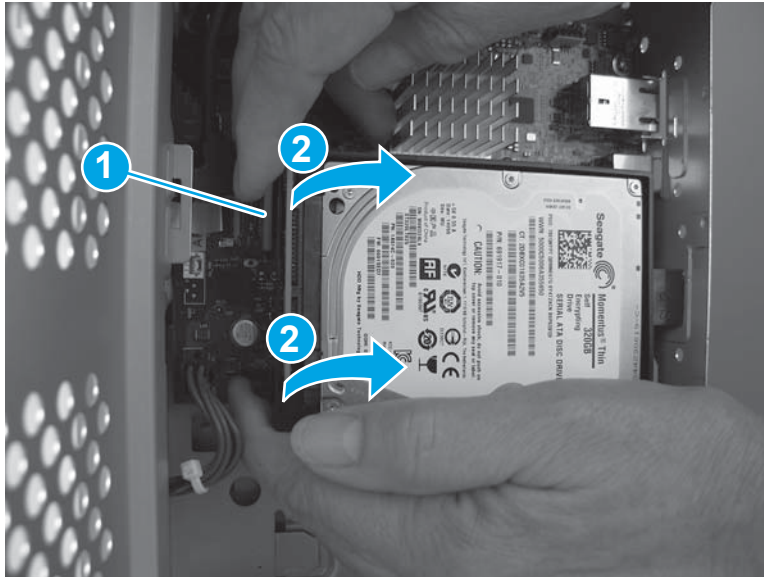
1. Locate the hard-disk drive (HDD) on the formatter.

Figure 1-463 Locate the hard-disk drive



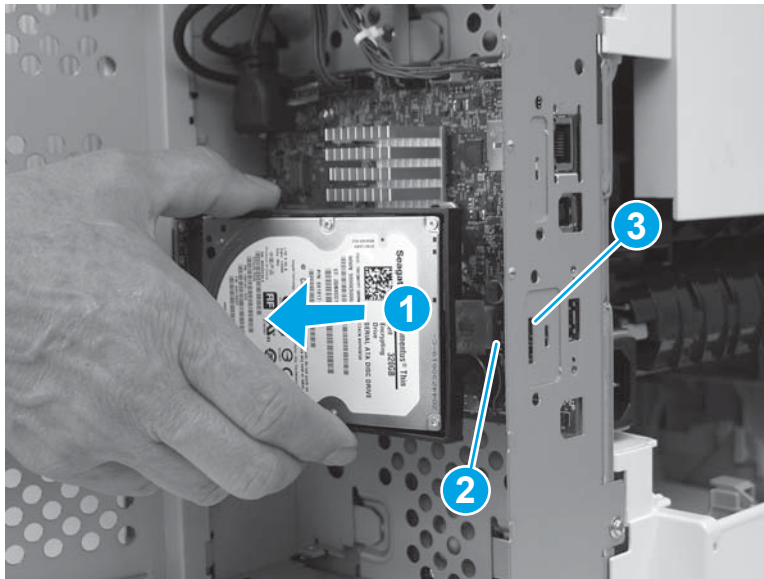
2. Release one tab (callout 1), grasp the HDD mounting bracket, and then rotate the connector end of the bracket up (callout 2) and away from the formatter to release it.

Figure 1-464 Release the HDD




3. Slide the HDD toward the front of the printer (callout 1) to release one tab (callout 2) from the slot (callout 3) in the formatter case, and then remove the HDD.

Figure 1-465 Remove HDD

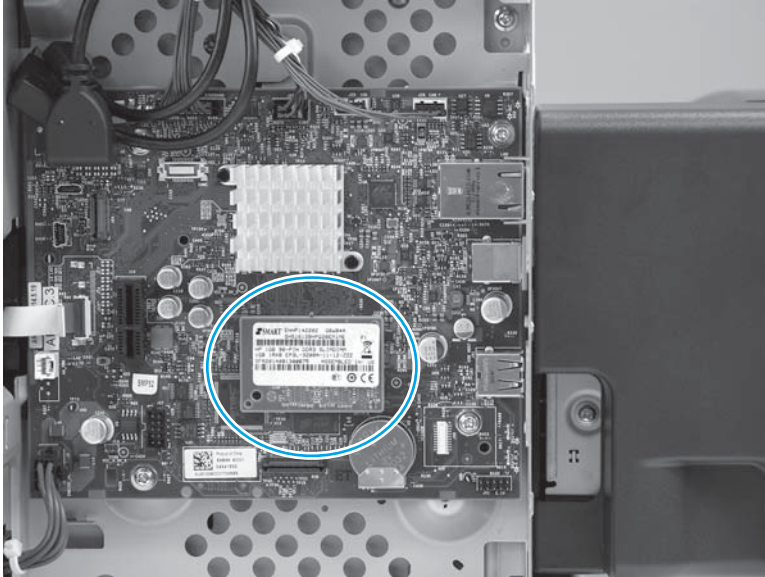


Step 5: Remove the memory DIMM

 **NOTE:** If the optional memory DIMM is not installed, skip this step and go to [Step 6: Remove the trusted platform module \(TPM\) on page 286](#).

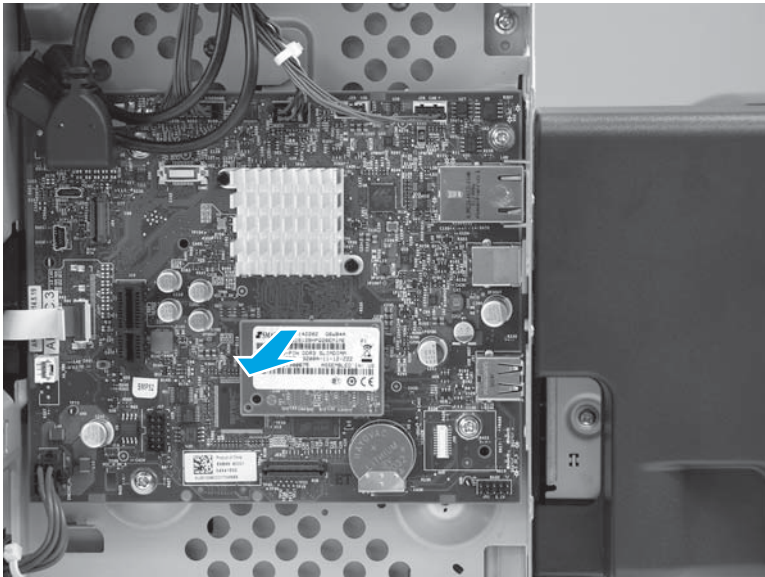
1. Locate the memory DIMM installed on the formatter.

Figure 1-466 Locate the DIMM




2. Pull the DIMM straight off of the formatter to remove it.

Figure 1-467 Remove the DIMM

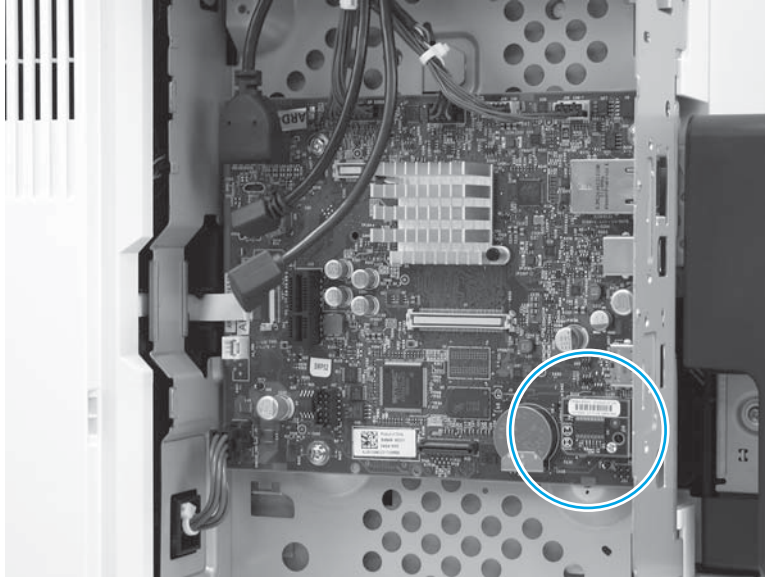


Step 6: Remove the trusted platform module (TPM)

 **NOTE:** If the optional TPM is not installed, skip this step and go to [Step 7: Remove the formatter on page 287](#).

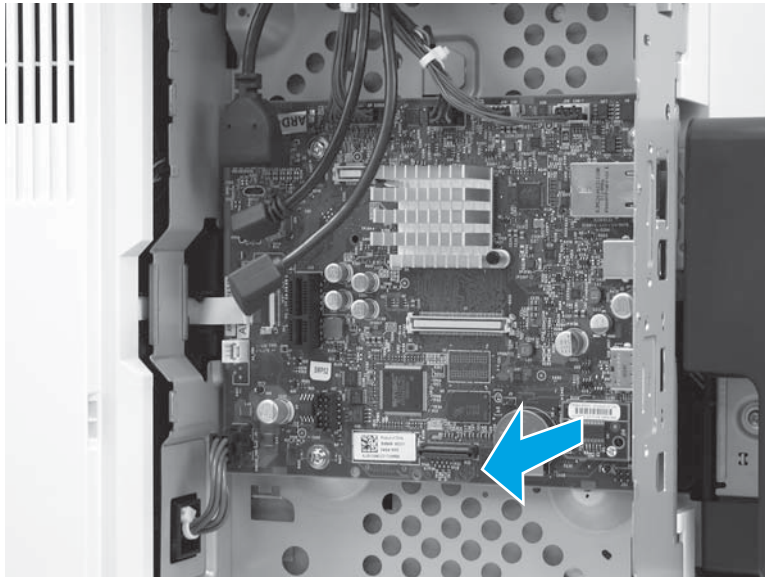
1. Locate the trusted platform module (TPM) installed on the formatter.

Figure 1-468 Locate the TPM



2. Pull the TPM straight off of the formatter to remove it.

Figure 1-469 Remove the TPM



Step 7: Remove the formatter

1. Locate the flat cable connector (callout 1) on the formatter.


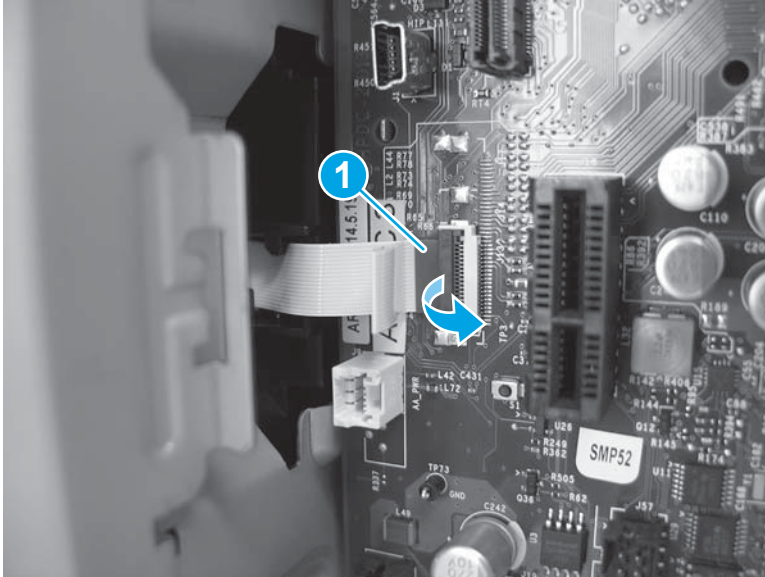
 **IMPORTANT:** This connector is a Zero Insertion Force (ZIF) connector that uses a hinged retainer to secure a flat cable. The hinged retainer must be opened to release the flat cable.

Figure 1-470 ZIF connector

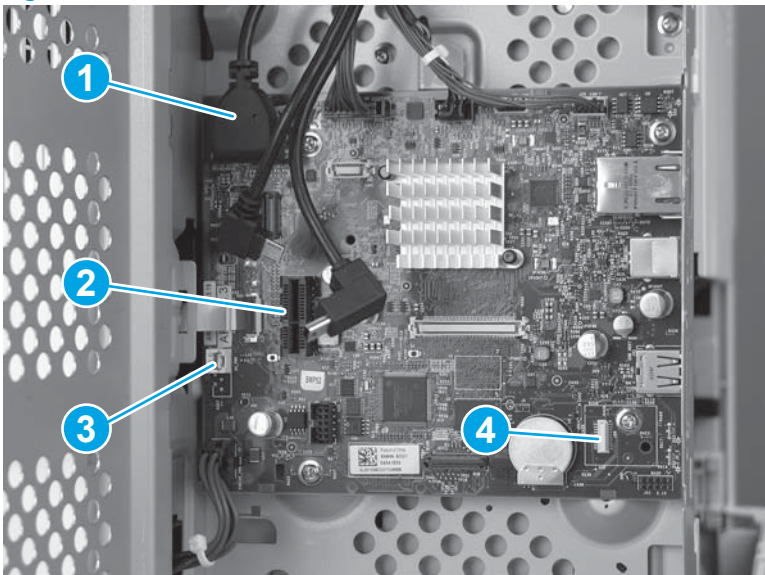


2. Disconnect all of the remaining connectors on the formatter.

The following connectors are empty:

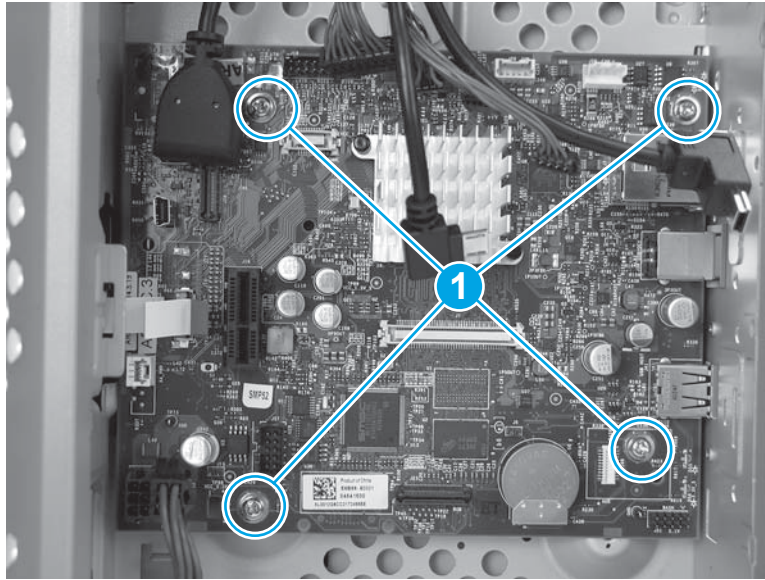
- J23, J25, J51, and J57
- J3 (callout 1): This connector is empty on the M604n/dn, M605n/dn, and M606dn models. It holds the touchscreen cable on the M605x and M606x models.
- J18 (callout 2): This connector is empty unless the optional hard-disk-drive (HDD) is installed.
- J9 (callout 3): This connector is empty unless the optional two internal USB ports accessory is installed.
- J98 (callout 4): This connector is empty unless the optional trusted platform module (TPM) is installed.

Figure 1-471 Disconnect all connectors



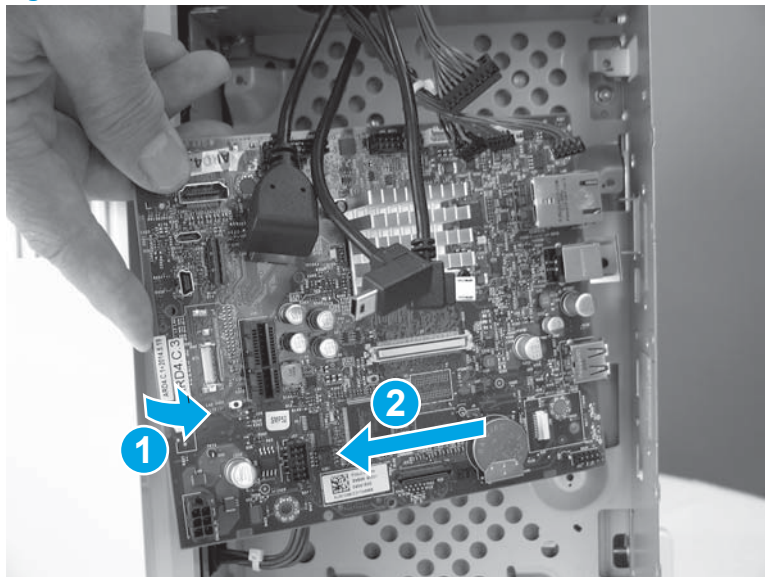
3. Remove four screws (callout 1).

Figure 1-472 Remove four screws




4. Rotate the front edge of the formatter away from the formatter case (callout 1), and then slide the formatter toward the front of the printer (callout 2) to remove it.

Figure 1-473 Remove the formatter



Step 8: Unpack the replacement formatter

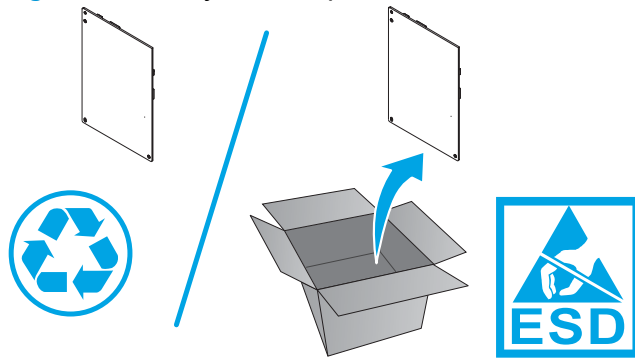
Unpack the replacement assembly from the packaging.

CAUTION:  This part contains components that are electrostatic discharge (ESD) sensitive. To reduce the possibility of ESD damage, always touch the sheet-metal chassis to ground yourself before touching an ESD-sensitive part.

<http://www8.hp.com/us/en/hp-information/environment/product-recycling.html>

 **NOTE:** HP recommends responsible disposal of the defective assembly.

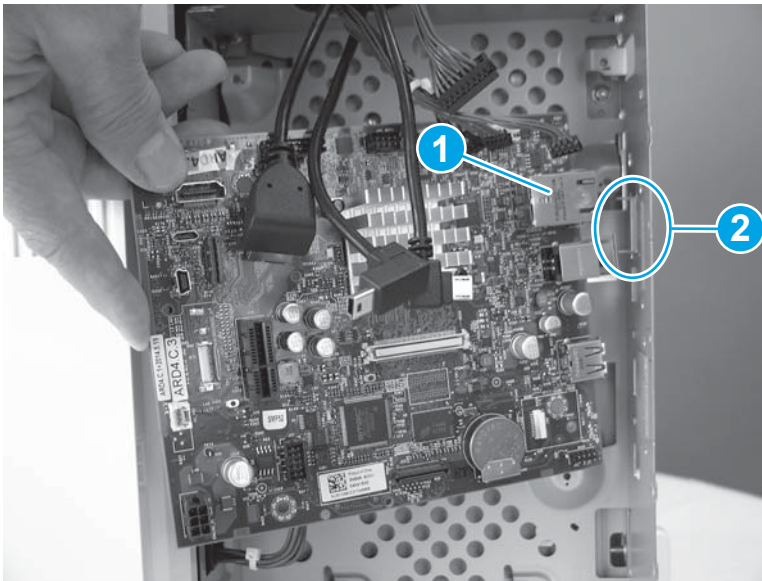
Figure 1-474 Recycle and unpack



Step 9: Install the formatter

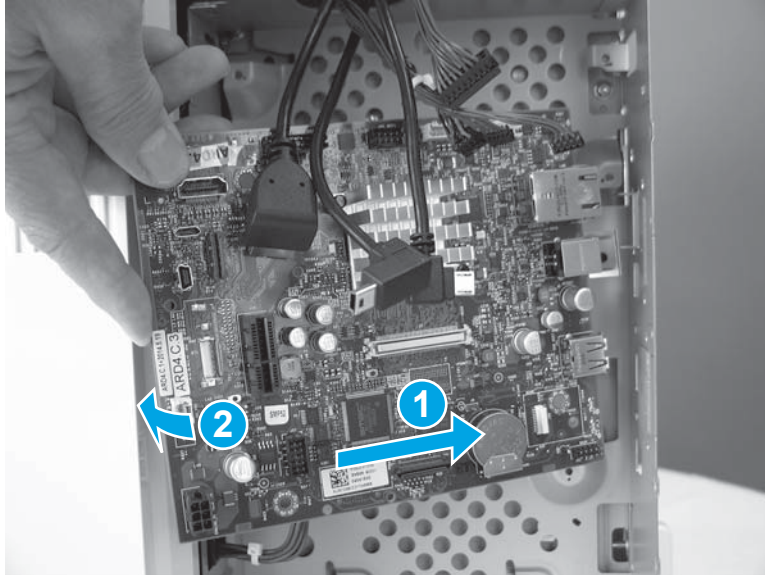
1. Note that the network port (callout 1) on the formatter slides between the brackets (callout 2) on the formatter case. Make sure that the port is positioned between these brackets when installing the formatter.

Figure 1-475 Network port install note



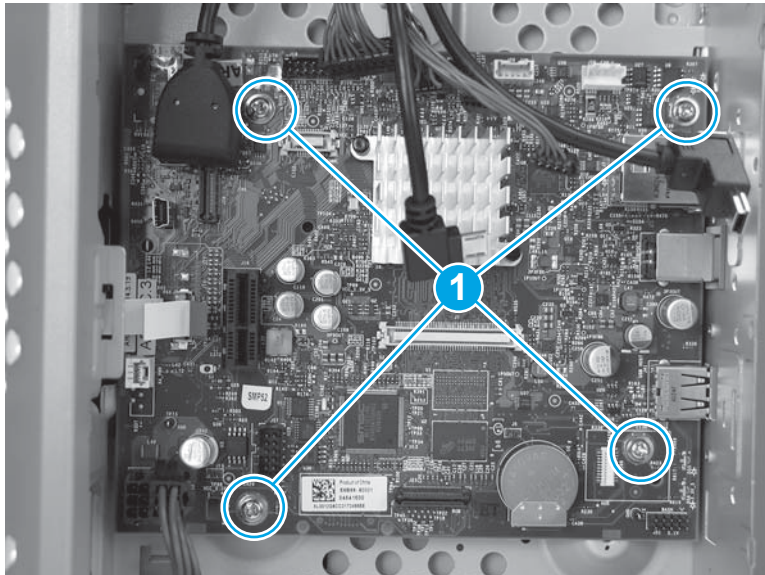
2. Position the formatter in the formatter case. Slide the formatter toward the back of the printer (callout 1), and then rotate the front edge of the formatter (callout 2) toward the formatter case.

Figure 1-476 Install the formatter



3. Install four screws (callout 1).

Figure 1-477 Install four screws



4. Locate the flat cable connector (callout 1) on the formatter.


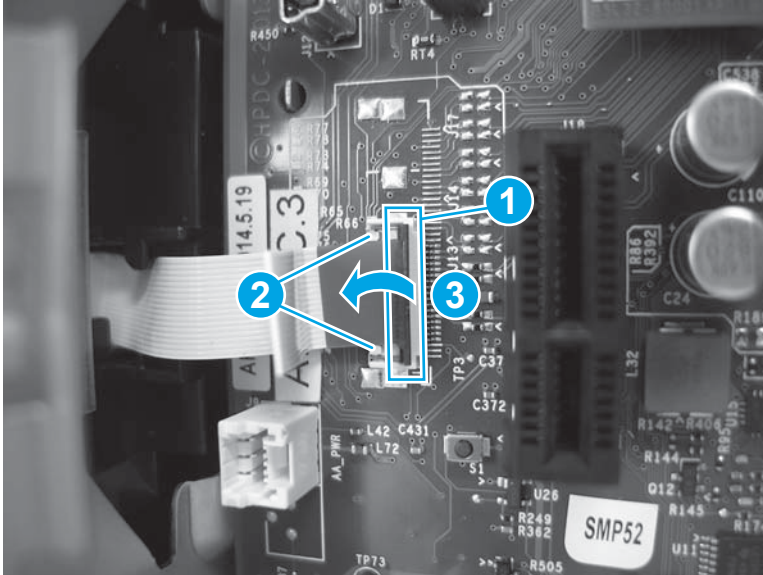
 **IMPORTANT:** The flat cable connector is a Zero Insertion Force (ZIF) connector that uses a hinged retainer to secure a flat cable. When the flat cable is reinstalled, fully insert the flat cable in the connector between the two white pins (callout 2). Close the hinged retainer (callout 3) to lock the flat cable into the connector and provide proper electrical contact. If the flat cable is not locked into the connector, no electrical contact will occur.

Figure 1-478 ZIF connector



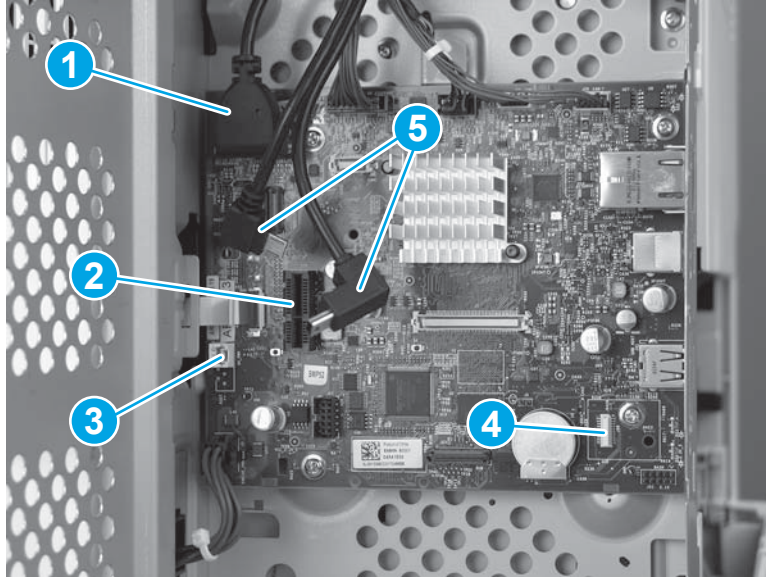
5. Connect all of the connectors on the formatter.

The following connectors are empty:

- J23, J25, J51, and J57
- J3 (callout 1): This connector is empty on the M604n/dn, M605n/dn, and M606dn models. It holds the touchscreen cable on the M605x and M606x models.
- J18 (callout 2): This connector is empty unless the optional hard-disk-drive (HDD) is installed.
- J9 (callout 3): This connector is empty unless the optional two internal USB ports accessory is installed.
- J98 (callout 4): This connector is empty unless the optional trusted platform module (TPM) is installed.

 **NOTE:** Two connectors (callout 5) will be reconnected after the eMMC component is installed.

Figure 1-479 Disconnect all connectors

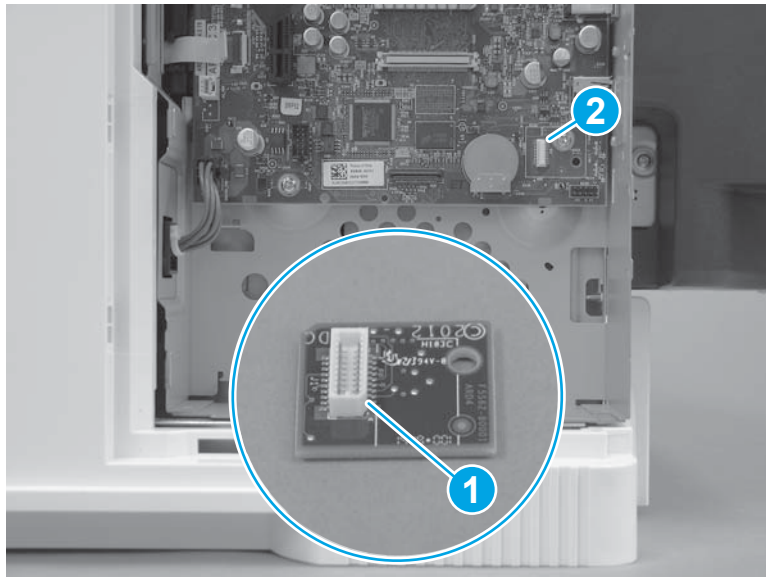


Step 10: Install the trusted platform module (TPM)

 **NOTE:** If the optional TPM was not removed, skip this step and go to [Step 11: Install the memory DIMM on page 294](#).

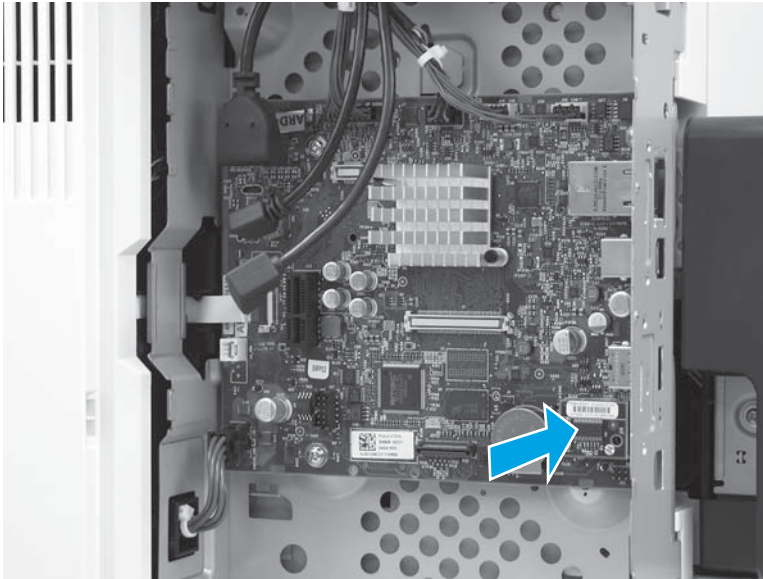
1. Note that the TPM connector (callout 1) is keyed, and can only be installed in one direction on the formatter connector (callout 2).

Figure 1-480 TPM connector



2. Align the connector on the TPM with the connector on the formatter, and then push the TPM onto the formatter to install it. Verify that the TPM is fully seated in the connector.

Figure 1-481 Install the TPM



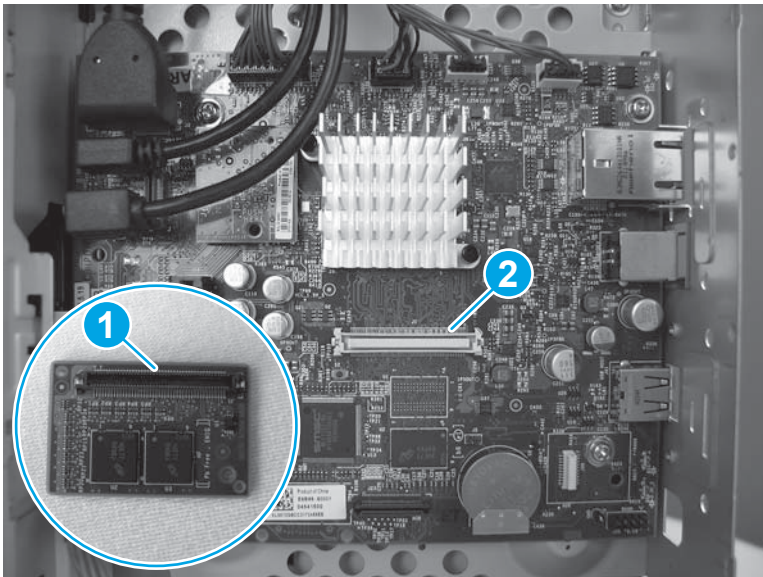
Step 11: Install the memory DIMM



NOTE: If the optional memory DIMM was not removed, skip this step and go to [Step 6: Install the hard-disk drive \(HDD\) on page 81](#).

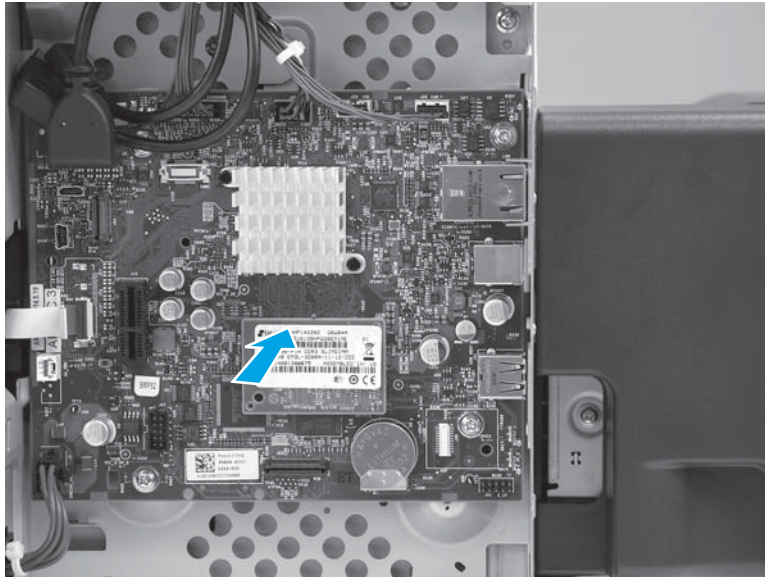
1. Note that the DIMM connector (callout 1) is keyed, and can only be installed in one direction in the formatter connector (callout 2).

Figure 1-482 DIMM connector




2. Align the connector on the DIMM with the connector on the formatter, and then push the DIMM onto the formatter to install it. Verify that the DIMM is fully seated in the connector.

Figure 1-483 Install the DIMM



Step 12: Install the hard-disk drive (HDD)

 **NOTE:** If the optional HDD was not removed, skip this step and go to [Step 13: Install the eMMC on page 296](#).

1. Install the tab (callout 1) on the HDD bracket into the slot (callout 2) on the formatter case, and then slide the HDD toward the back of the printer (callout 3).


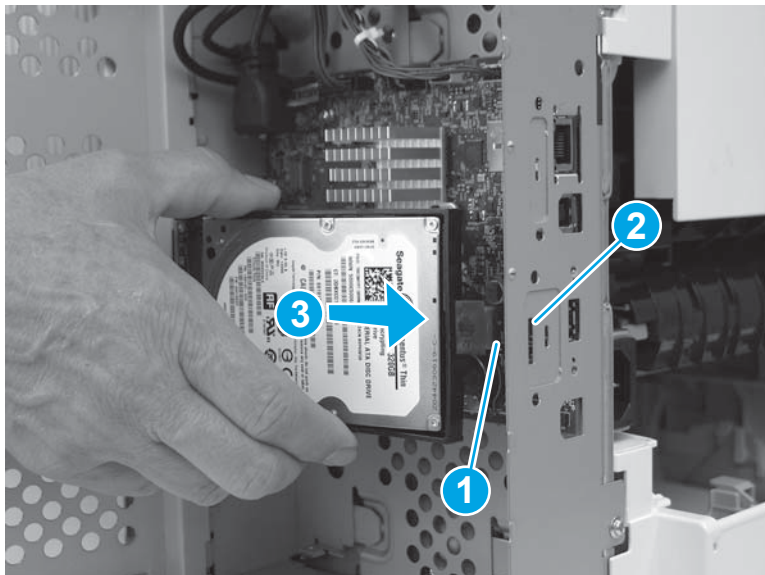
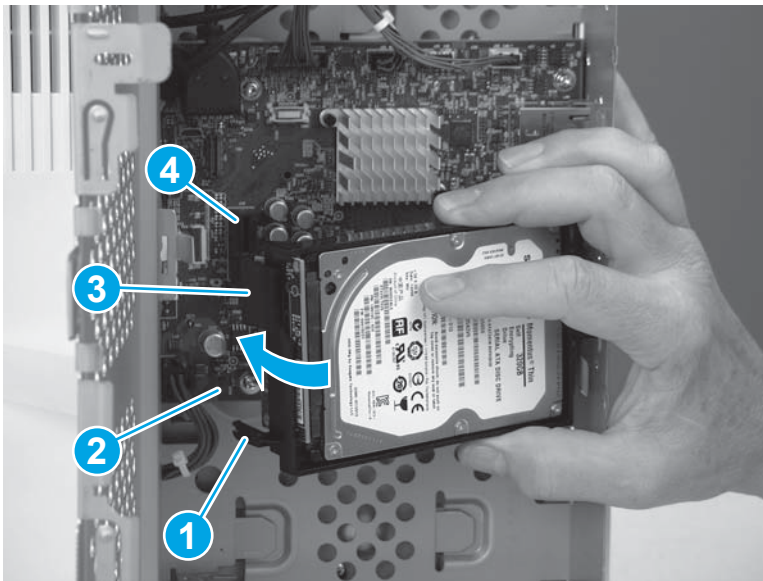
 **TIP:** If this is the first time the HDD is being installed, remove the pre-scored label that covers the slot in the chassis (callout 2).

Figure 1-484 Install the tab



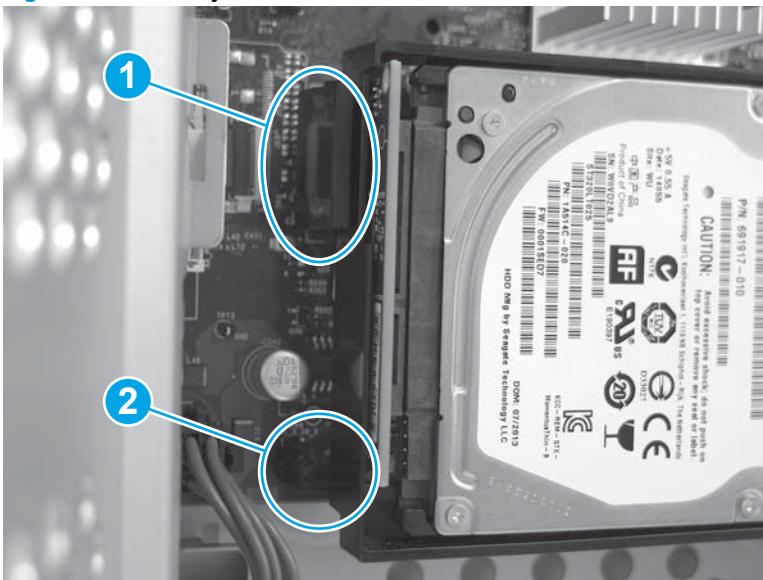
2. Rotate the HDD down toward the formatter and press down. Make sure that the retainer tab (callout 1) latches into the hole (callout 2) on the formatter, and that the connector latch (callout 3) snaps into the connector (callout 4).

Figure 1-485 Install the HDD



3. Verify that the HDD is fully seated in the connector (callout 1) and that the retainer tab (callout 2) is latched.

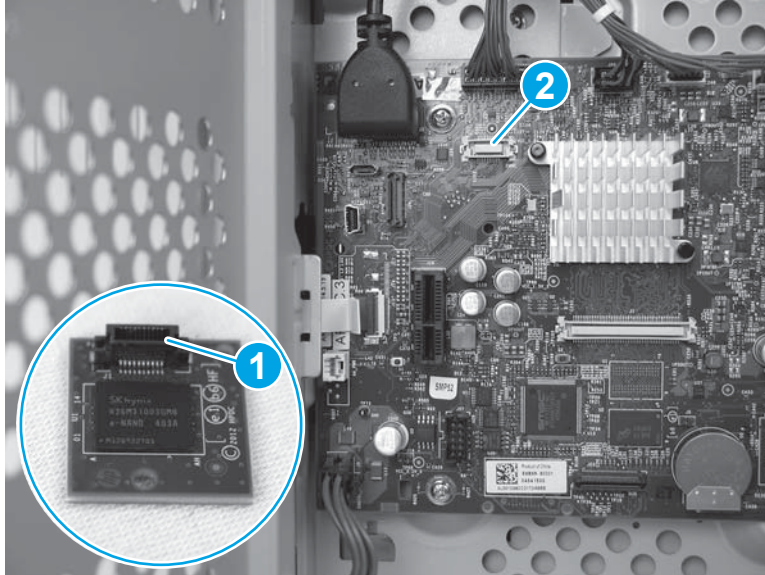
Figure 1-486 Verify HDD installation



Step 13: Install the eMMC

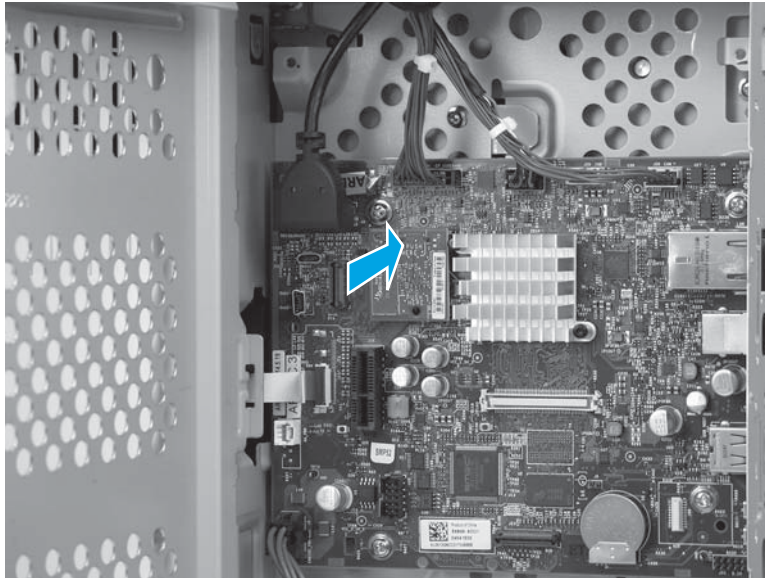
1. Before installing the new eMMC component, note that the eMMC connector (callout 1) is keyed, and can only be installed in one direction onto the formatter connector (callout 2).

Figure 1-487 eMMC connector



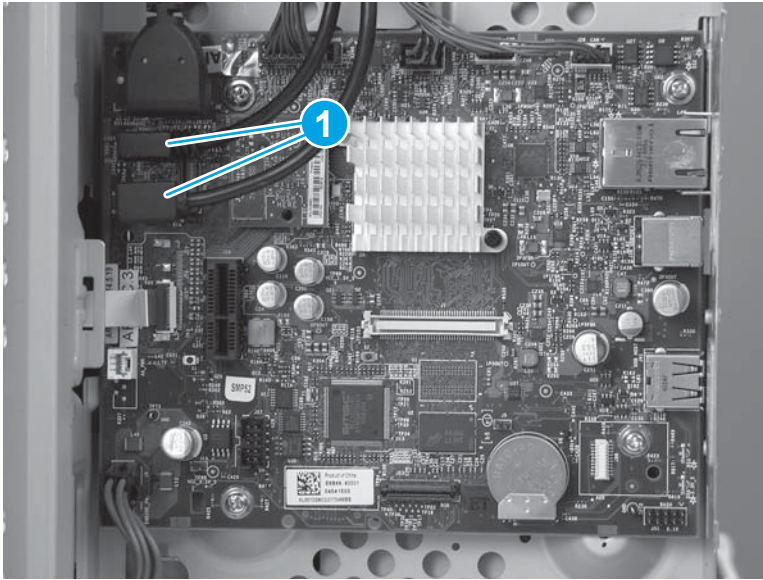
2. Align the connector on the eMMC with the connector on the formatter, and then push the eMMC onto the formatter to install it. Verify that the eMMC is fully seated in the connector.

Figure 1-488 Install eMMC



3. Connect two connectors (callout 1).

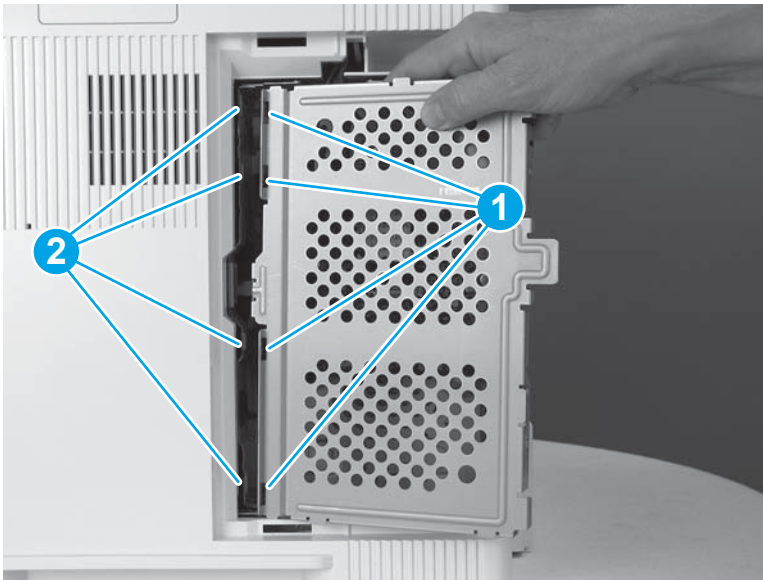
Figure 1-489 Connect two connectors



Step 14: Install the formatter case door

- ▲ Position the slots in the door (callout 1) over the tabs on the formatter case (callout 2), and then install the door.

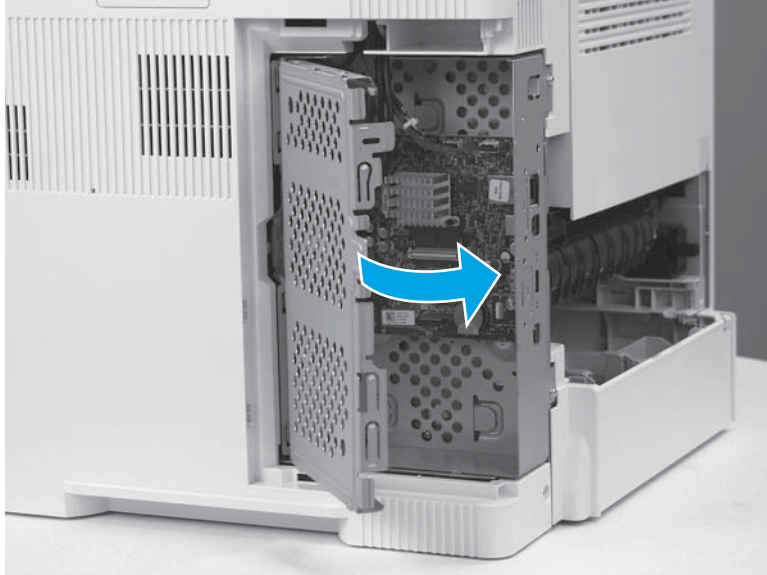
Figure 1-490 Install the door



Step 15: Install the formatter cover

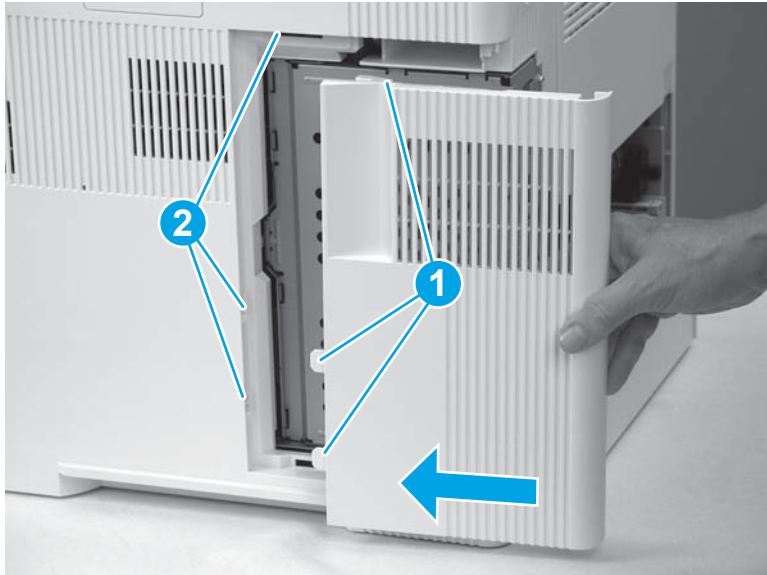
1. Close the formatter case door.

Figure 1-491 Close the formatter case door



2. Align the tabs (callout 1) on the formatter cover with the slots (callout 2) in the right cover, and then slide the formatter cover toward the front of the printer to install it.

Figure 1-492 Align the tabs and slots



Removal and replacement: Registration assembly

- [Introduction](#)
- [Step 1: Remove the toner cartridge](#)
- [Step 2: Remove the registration assembly](#)
- [Step 3: Unpack the replacement registration assembly](#)
- [Step 4: Install the registration assembly](#)
- [Step 5: Install the toner cartridge](#)

Introduction

This document provides the procedures to remove and replace the registration assembly.



NOTE: The printer might appear different from some of the figures below; however, the procedures in this section are correct for this printer.

Before performing service

Turn the printer power off

- Disconnect the power cable.



WARNING! To avoid damage to the printer, turn the printer off, wait 30 seconds, and then remove the power cord before attempting to service the printer.

Use the table below to identify the correct part number for your printer. To order the part, go to www.hp.com/buy/parts.

Registration assembly part number	
RM1-8413-000CN	Registration assembly

Required tools

- #2 Phillips screwdriver with a magnetic tip

After performing service

Turn the printer power on

- Connect the power cable.
- Use the power switch to turn the power on.

Post service test

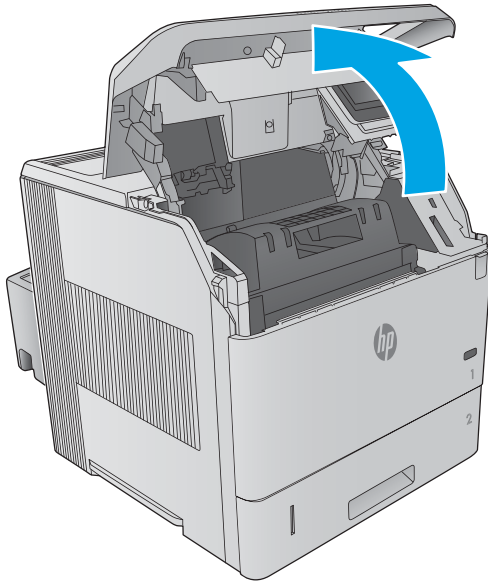
Make sure that the printer initializes to a **Ready** state.

Print a configuration page to make sure that the printer is functioning correctly.

Step 1: Remove the toner cartridge

1. Open the cartridge door.

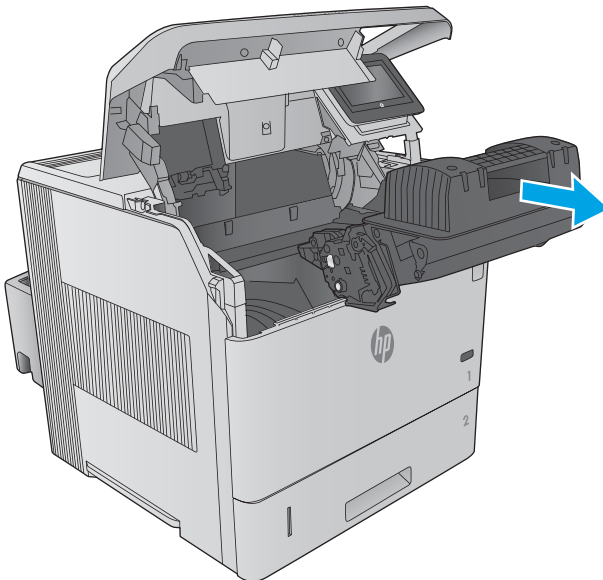
Figure 1-493 Open the cartridge door



2. Firmly grasp the toner cartridge and pull it up and out of the printer.

CAUTION: Do not expose the toner cartridge to bright light or direct sunlight for long periods of time. This can damage the cartridge, which will result in print-quality defects. If the cartridge must be removed from the printer for an extended amount of time, cover it and keep it out of bright light or direct sunlight.

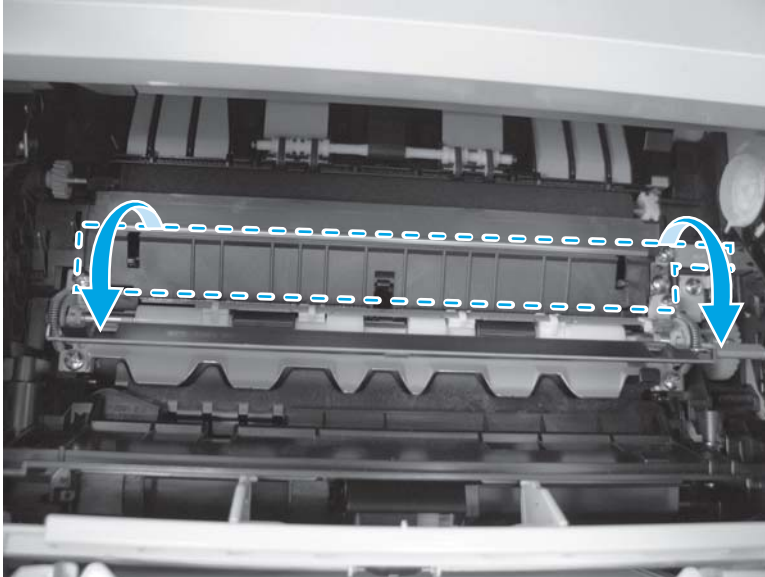
Figure 1-494 Remove the toner cartridge



Step 2: Remove the registration assembly

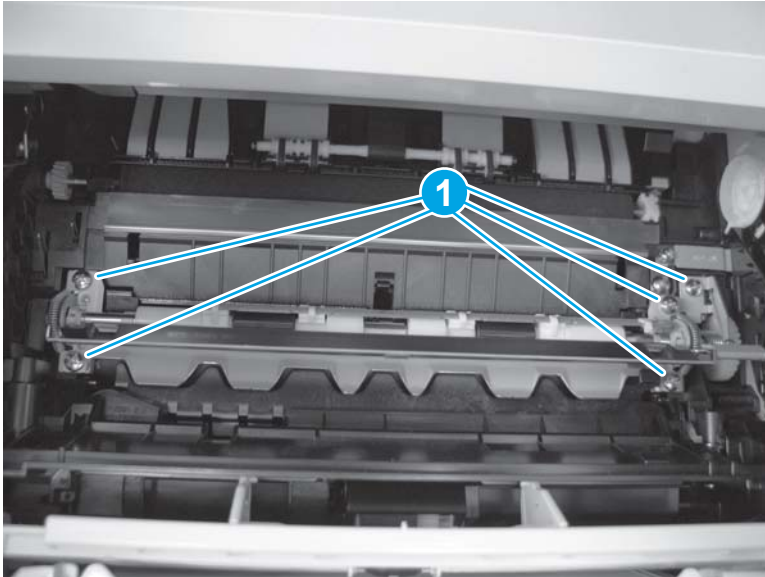
1. Open the registration-roller plate to gain access to the screws.

Figure 1-495 Open the registration-roller plate



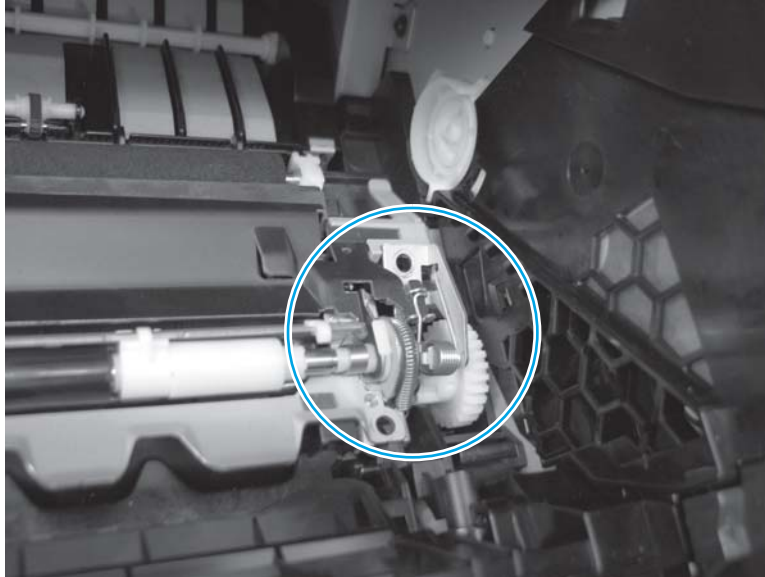
2. Remove five screws (callout 1).

Figure 1-496 Remove five screws



3. Locate the grounding plate at the right side of the registration assembly. The plate is not captive when you remove the assembly. Do not lose the grounding plate.

Figure 1-497 Locate the grounding plate



4. Lift the registration assembly out of the printer.

Figure 1-498 Remove the registration assembly



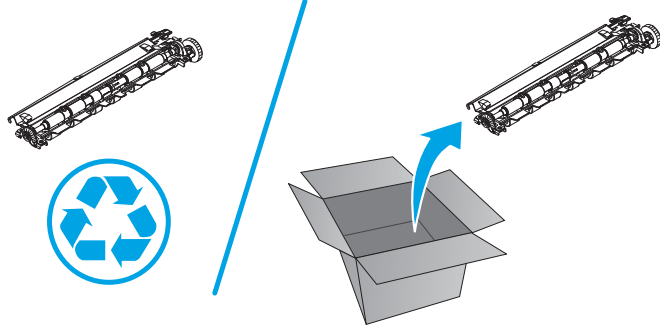
Step 3: Unpack the replacement registration assembly

Unpack the replacement part from the packaging.

<http://www8.hp.com/us/en/hp-information/environment/product-recycling.html>

 **NOTE:** HP recommends responsible disposal of the defective part.

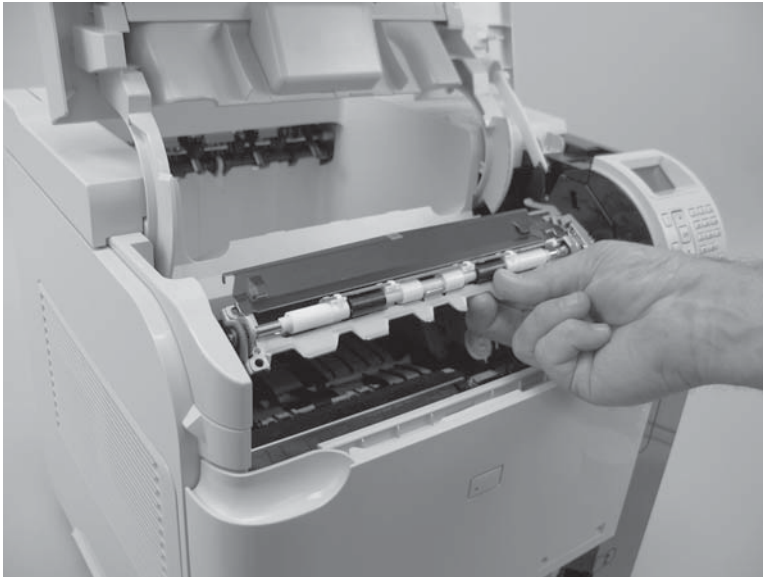
Figure 1-499 Recycle and unpack



Step 4: Install the registration assembly

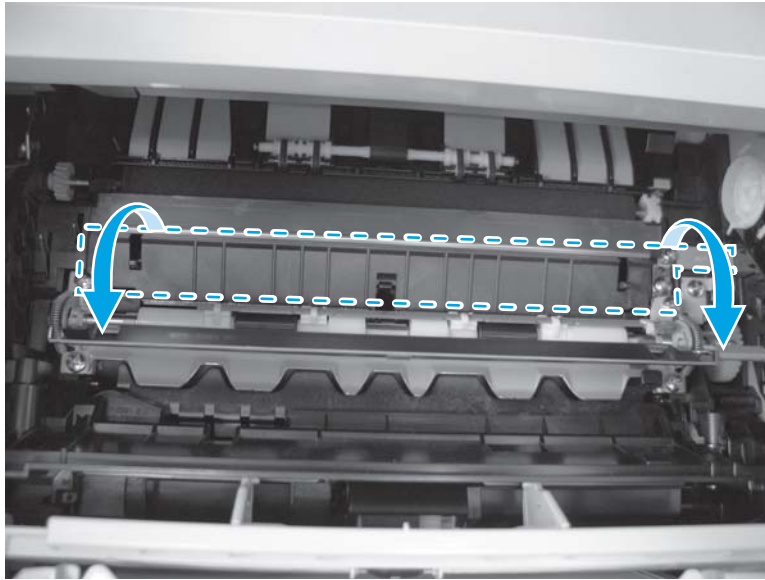
1. Position the registration assembly in the printer.

Figure 1-500 Position the registration assembly



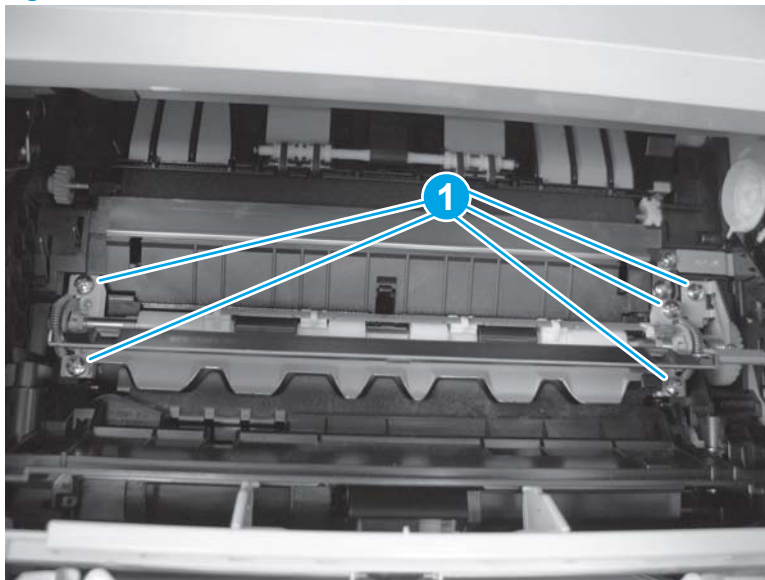
2. Open the registration-roller plate to gain access to the mounting holes.

Figure 1-501 Open the registration-roller plate



3. Install five screws (callout 1).

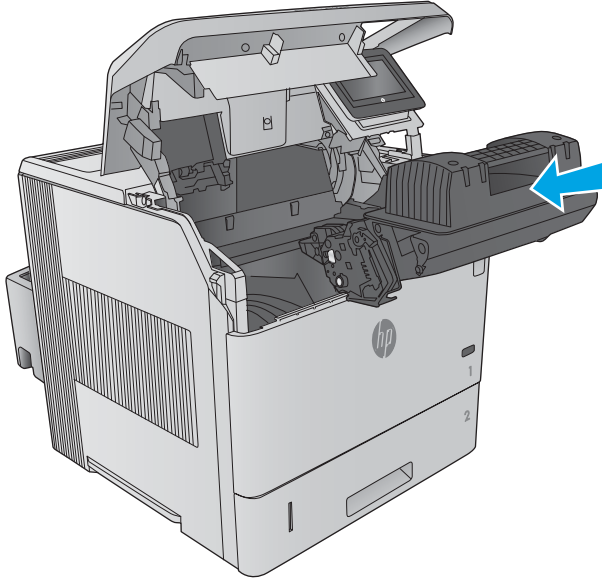
Figure 1-502 Install five screws



Step 5: Install the toner cartridge

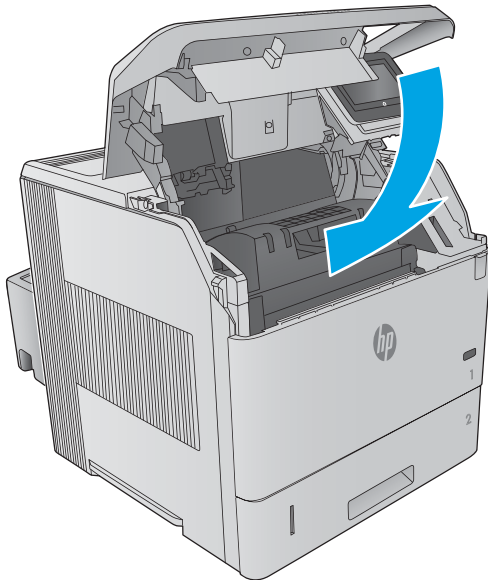
1. Install the toner cartridge.

Figure 1-503 Install the toner cartridge



2. Close the cartridge door.

Figure 1-504 Close the cartridge door



Removal and replacement: Easy-access USB port and cable

- [Introduction](#)
- [Step 1: Remove the right cover](#)
- [Step 2: Remove the control panel \(M604n/dn, M605n/dn, M606dn only\)](#)
- [Step 3: Remove the front cover](#)
- [Step 4: Remove the right front cover](#)
- [Step 5: Remove the easy-access USB port and cable](#)
- [Step 6: Unpack the replacement easy-access USB port and cable](#)
- [Step 7: Install the easy-access USB port and cable](#)
- [Step 8: Install the right front cover](#)
- [Step 9: Install the front cover](#)
- [Step 10: Install the control panel \(M604n/dn, M605n/dn, M606dn only\)](#)
- [Step 11: Install the right cover](#)


Introduction

This document provides the procedures to remove and replace the easy-access USB port and cable.

Before performing service

Turn the printer power off

- Disconnect the power cable.

 **WARNING!** To avoid damage to the printer, turn the printer off, wait 30 seconds, and then remove the power cord before attempting to service the printer.

Use the table below to identify the correct part number for your printer. To order the part, go to www.hp.com/buy/parts.

Easy-access USB port and cable part number	
RM2-6328-000CN	USB cable assembly

Required tools

- #2 Phillips screwdriver with a magnetic tip

After performing service

Turn the printer power on

- Connect the power cable.
- Use the power switch to turn the power on.

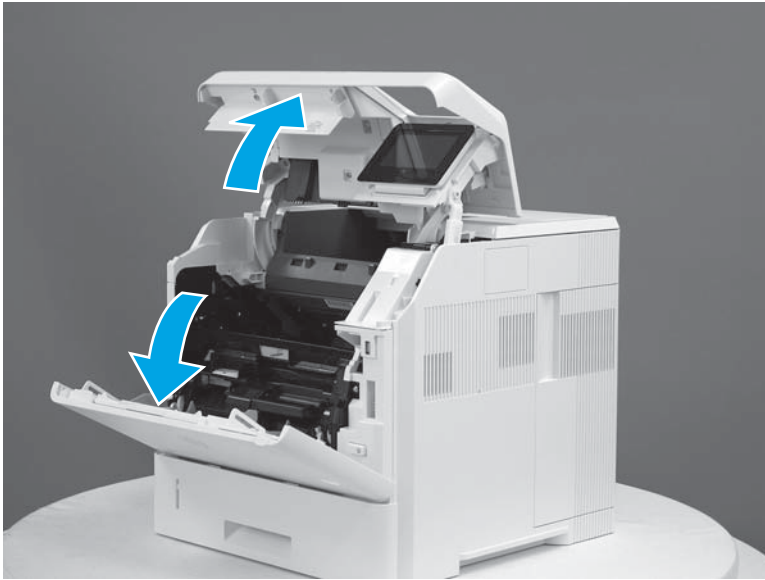
Post service test

Connect a USB device to the USB port and verify that the printer can successfully access the device.

Step 1: Remove the right cover

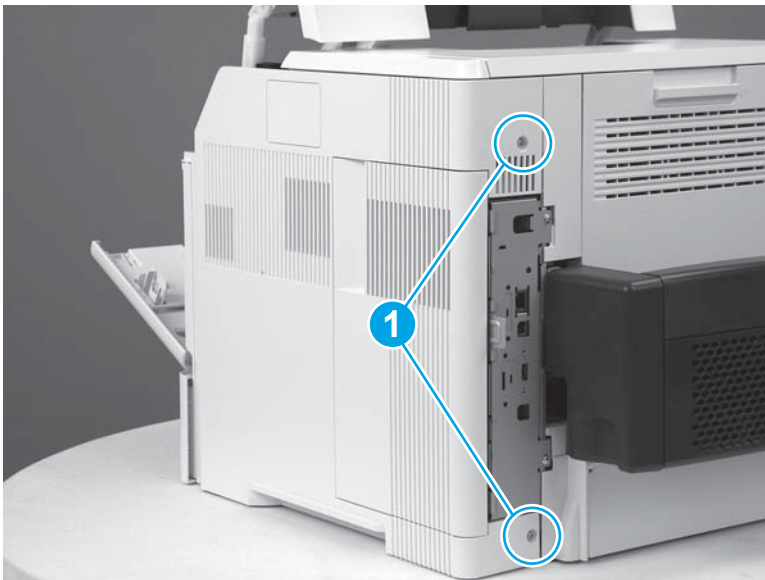
1. Open the front cover and the cartridge door.

Figure 1-505 Open the front cover and cartridge door



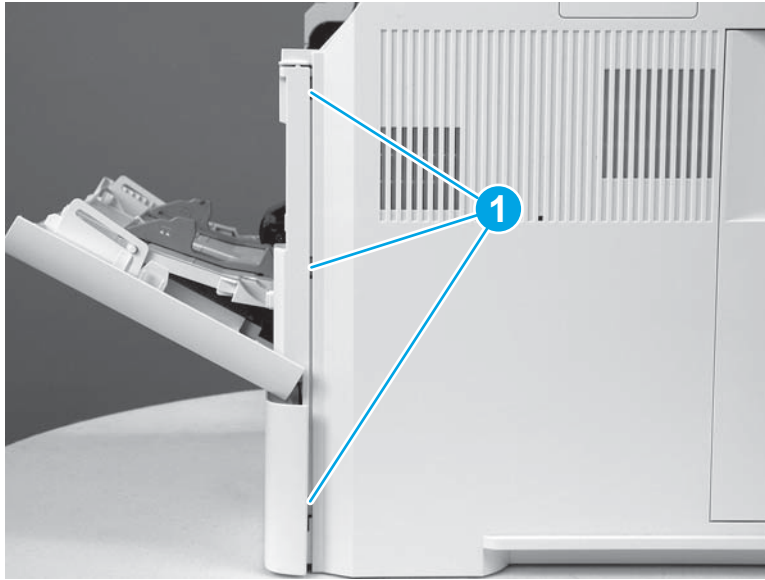
2. Remove two screws (callout 1).

Figure 1-506 Remove two screws



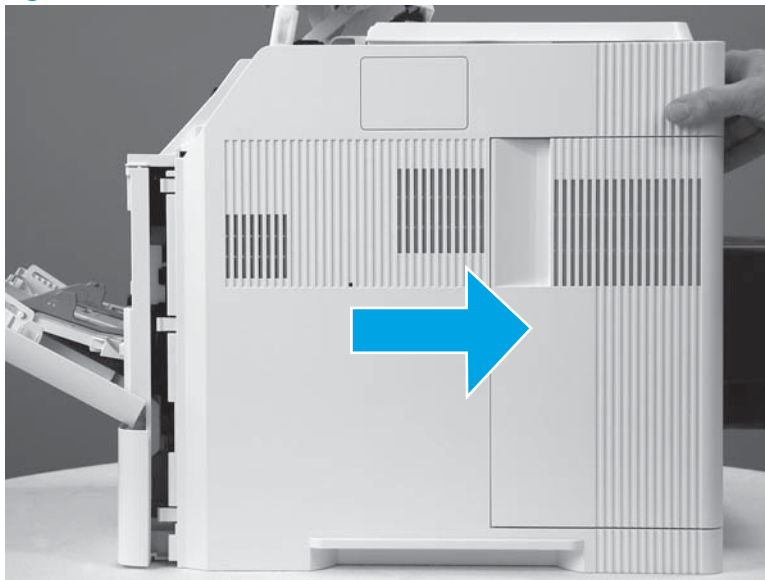
3. Release three tabs (callout 1).

Figure 1-507 Release three tabs



4. Slide the cover toward the rear of the printer to remove it.

Figure 1-508 Remove the cover



Step 2: Remove the control panel (M604n/dn, M605n/dn, M606dn only)

1. Remove three screws (callout 1).


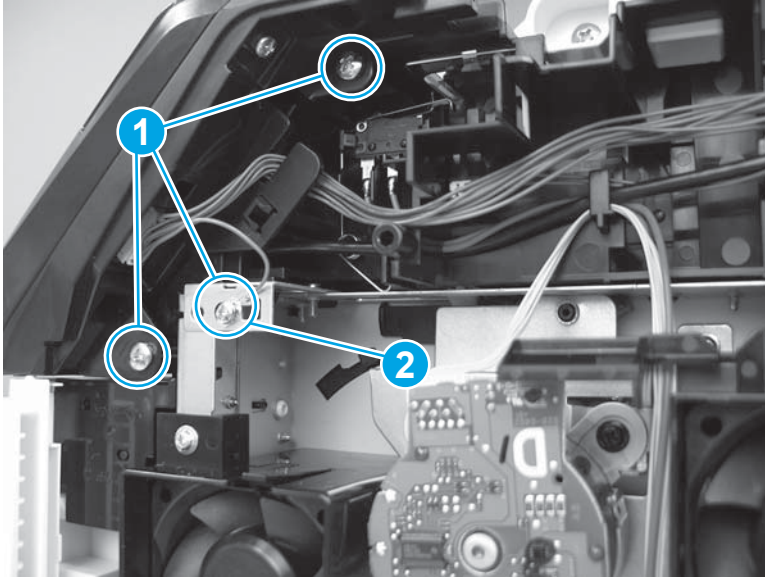
 **NOTE:** One of these screws (callout 2) retains a ground wire.

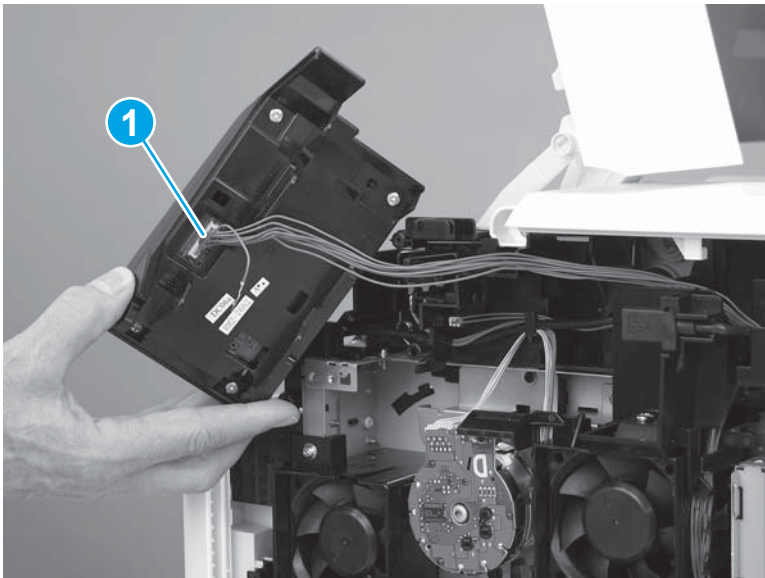
Figure 1-509 Remove three screws



2. Carefully slide the control panel toward the right side of the printer, lift it slightly, and then disconnect one connector (callout 1) on the back.

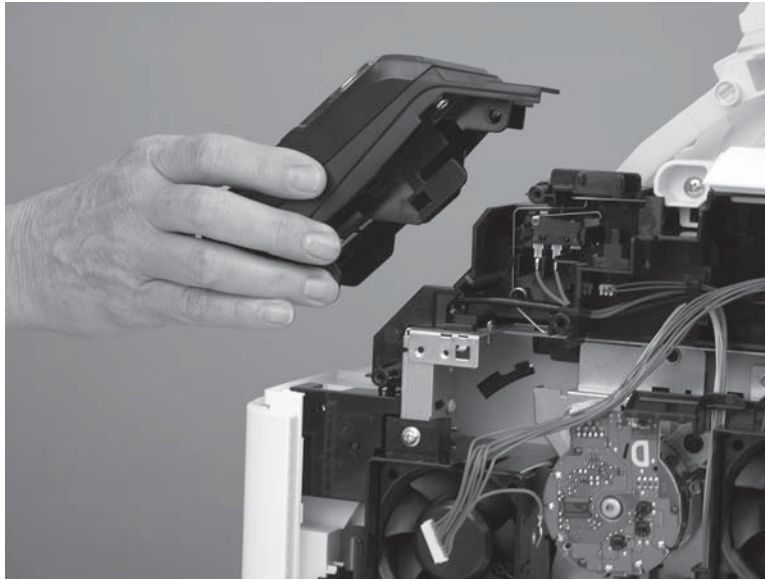
⚠ CAUTION: Do not completely remove the control panel until the connector is disconnected.

Figure 1-510 Disconnect one connector



3. Remove the control panel.

Figure 1-511 Remove the control panel



Step 3: Remove the front cover

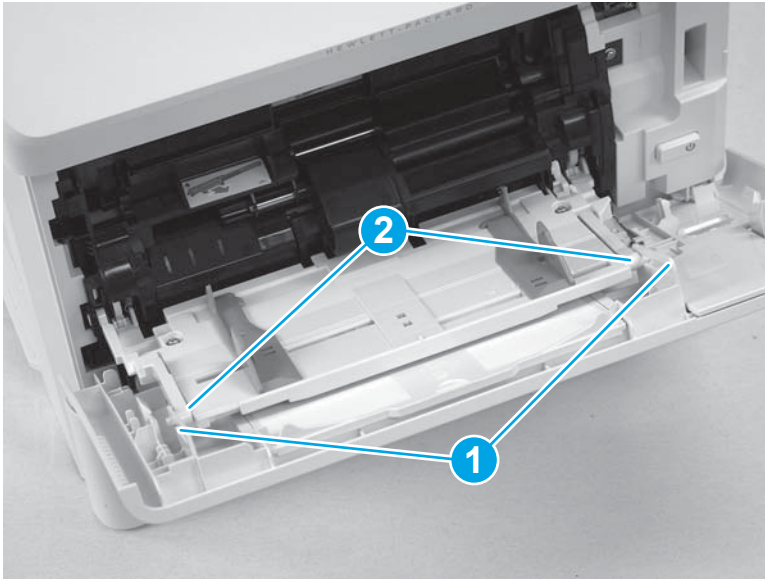
1. Open the front cover

Figure 1-512 Open the front cover



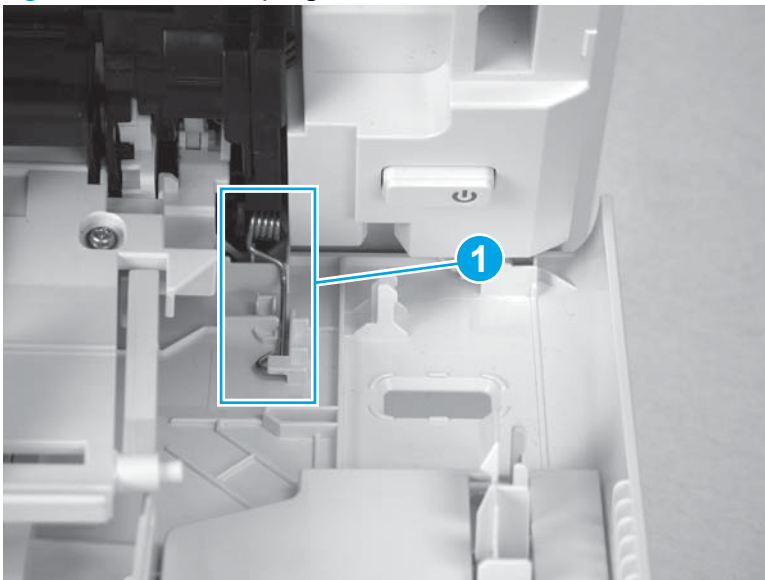
2. Gently pry the front-cover retainers (callout 1) off of the Tray 1 arms (callout 2).

Figure 1-513 Release retainers



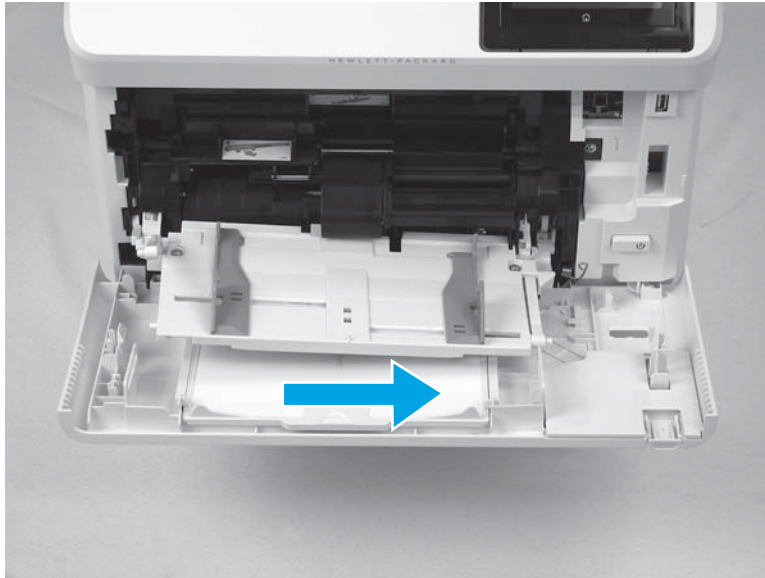
3. Use needle-nose pliers to release one spring (callout 1).

Figure 1-514 Release spring



4. Slide the front cover toward the right side of the printer to remove it.

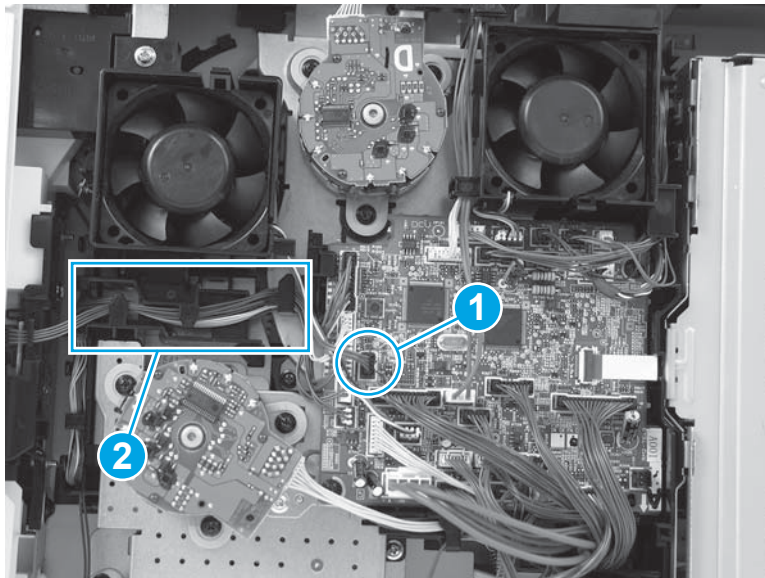
Figure 1-515 Remove the cover



Step 4: Remove the right front cover

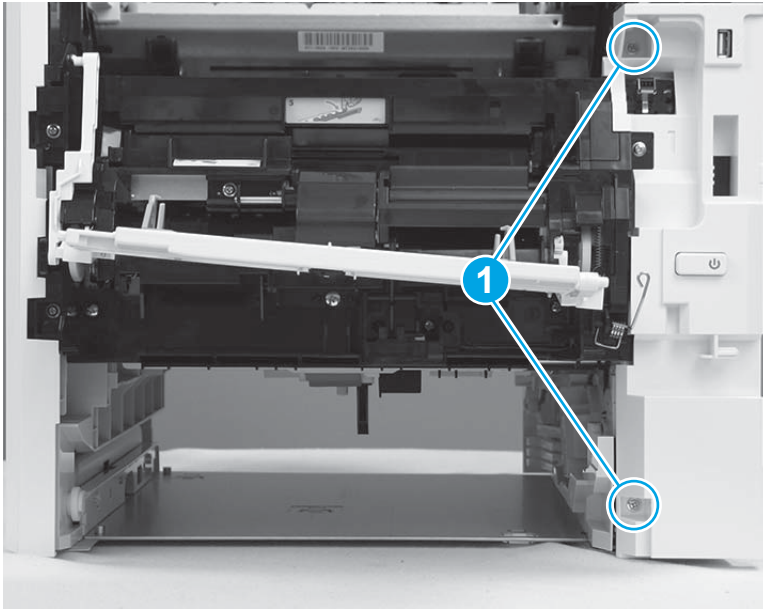
1. Disconnect one connector (callout 1) on the DC controller (J32), and then release the wire harness from the guide (callout 2).

Figure 1-516 Disconnect one connector



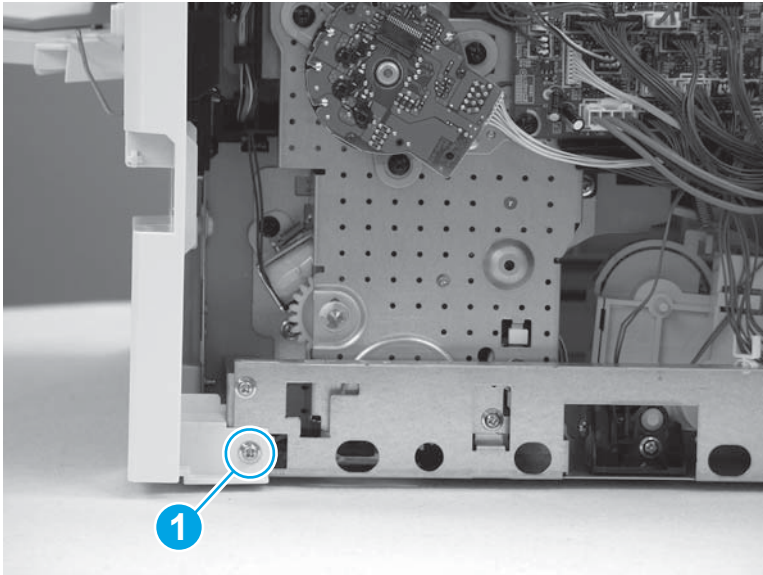
2. Remove two screws (callout 1).

Figure 1-517 Remove two screws



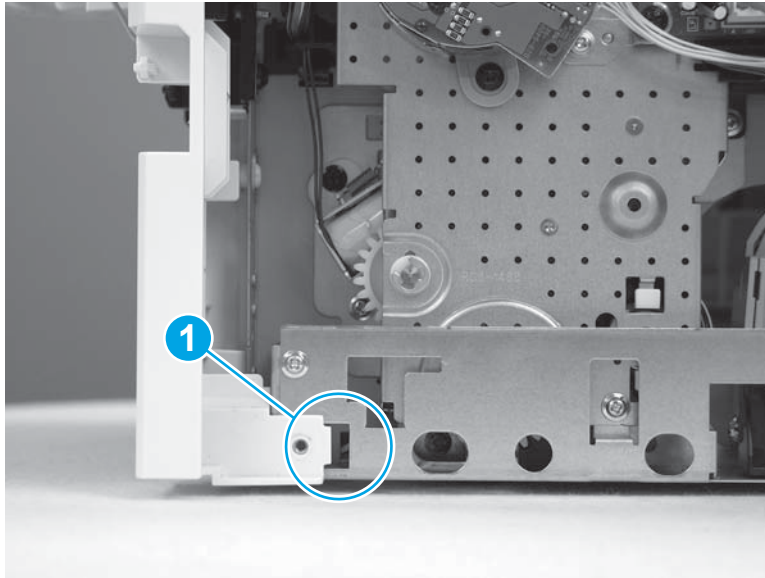
3. Remove one screw (callout 1).

Figure 1-518 Remove one screw



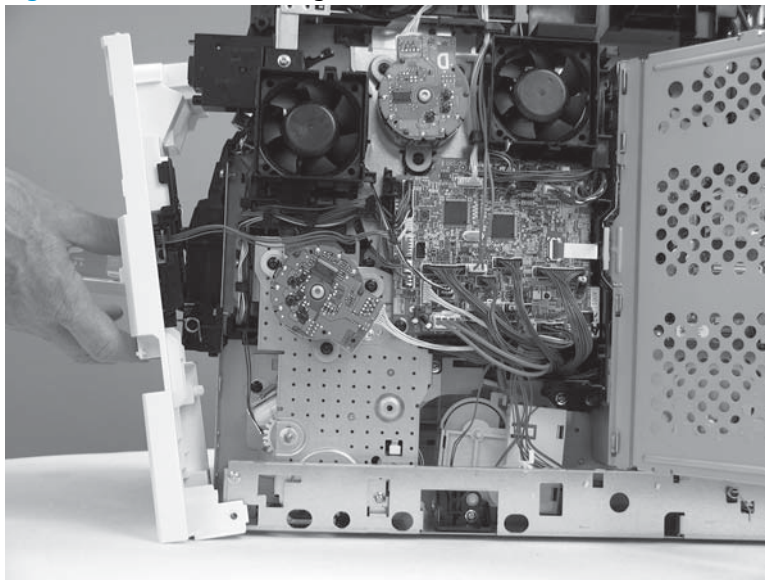
4. Release one tab (callout 1).

Figure 1-519 Release one tab



5. Remove the right front cover.

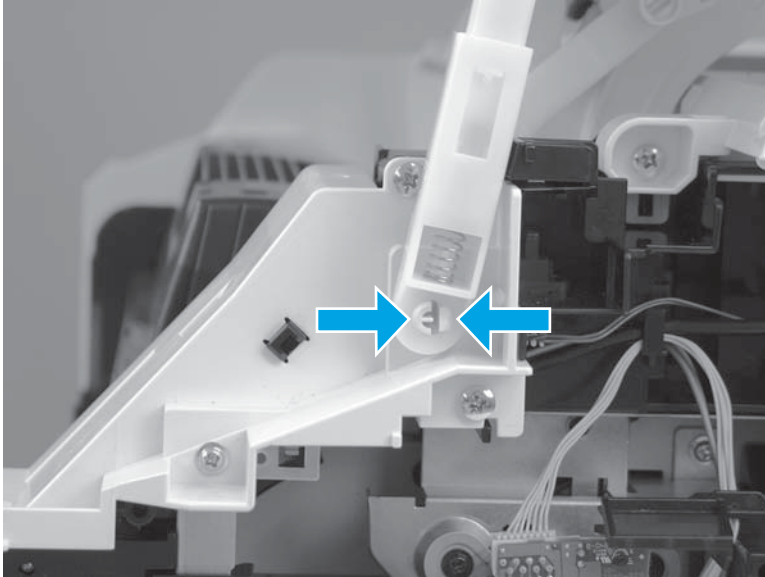
Figure 1-520 Remove the right front cover



Step 5: Remove the easy-access USB port and cable

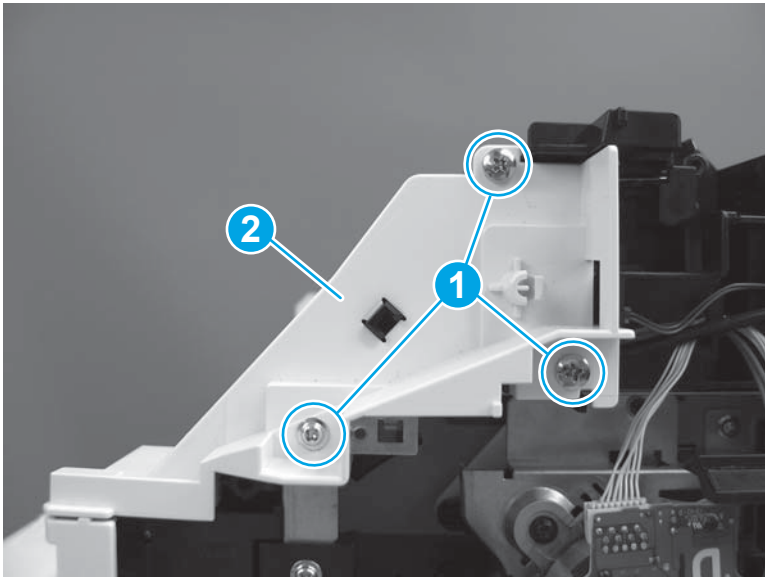
1. **M605x and M60X only:** Use needle-nose pliers to release the toner-cartridge door hinge tabs (callout 1).

Figure 1-521 Release door hinge tabs



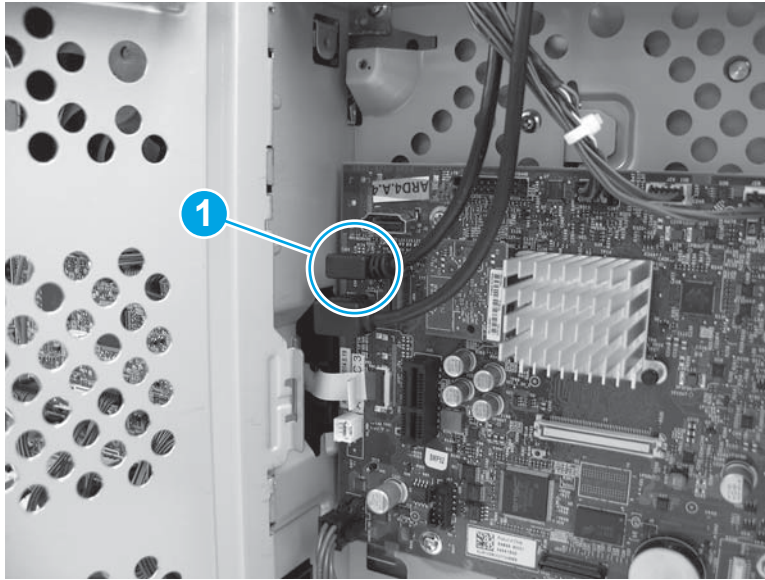
- 2. M605x and M60X only:** Remove three screws (callout 1), and then remove the right top cover (callout 2).

Figure 1-522 Remove right top cover



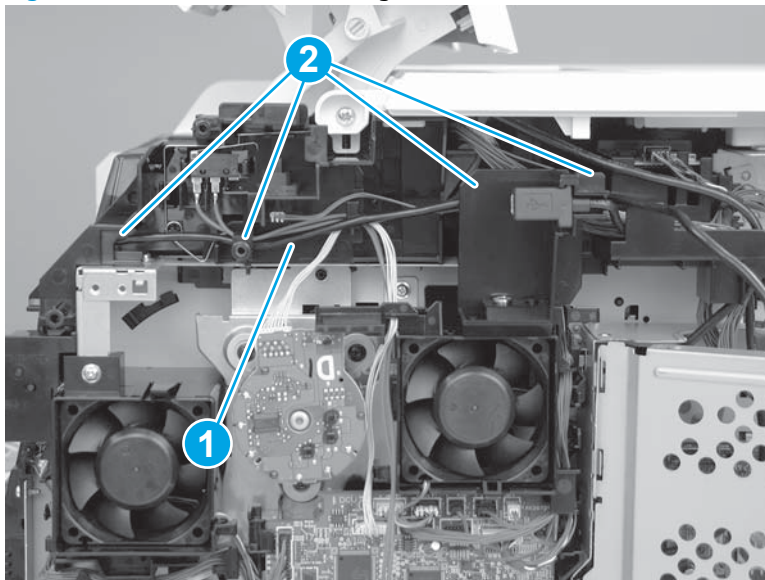
3. Open the formatter case door, and then disconnect one connector (callout 1).

Figure 1-523 Disconnect one connector



4. Remove the cable (callout 1) from the guides (callout 2).

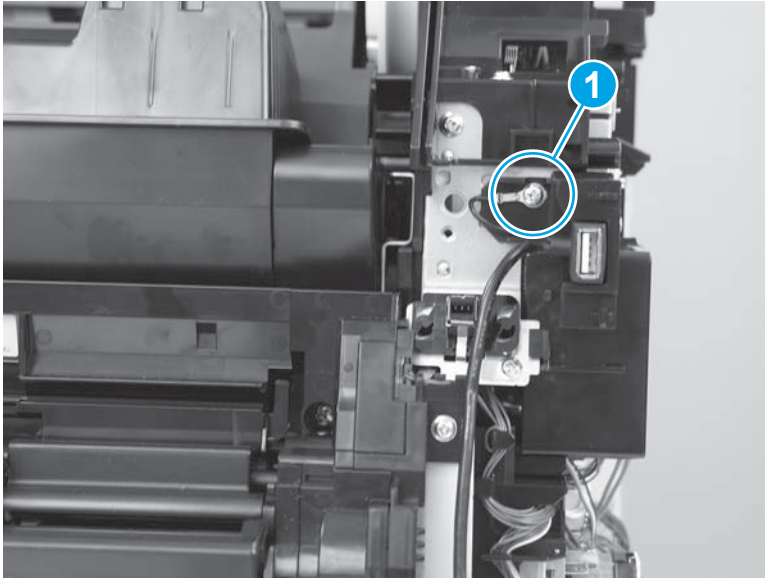
Figure 1-524 Remove cable from guides



5. Remove one screw (callout 1).

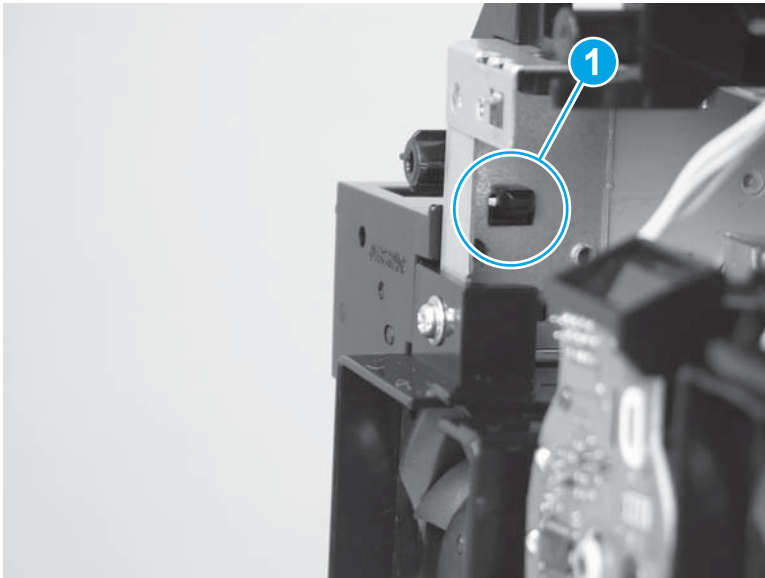
 **NOTE:** This screw retains one ground wire.

Figure 1-525 Remove one screw



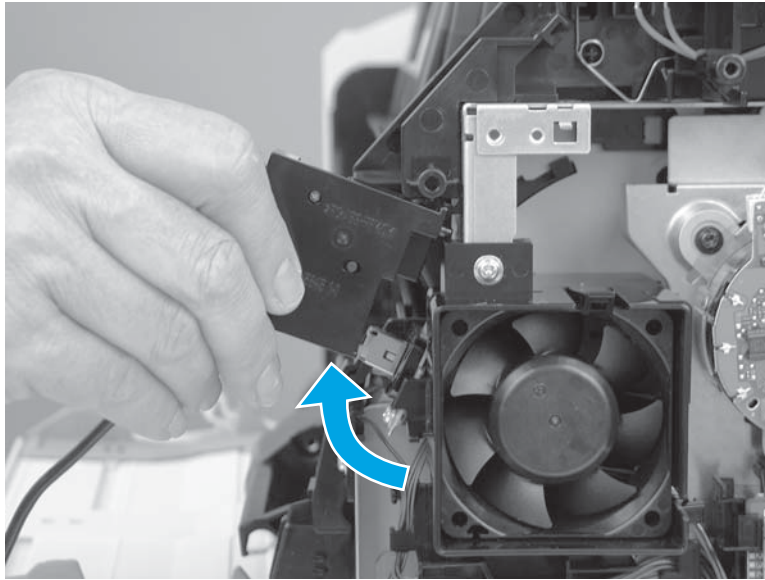
6. Locate the tab (callout 1) on the back side of the USB port. This tab secures the USB port to the chassis. Press on this tab to release the USB port from the printer.

Figure 1-526 Press on the tab



7. Rotate the USB port away from the printer to remove it.

Figure 1-527 Remove the USB port



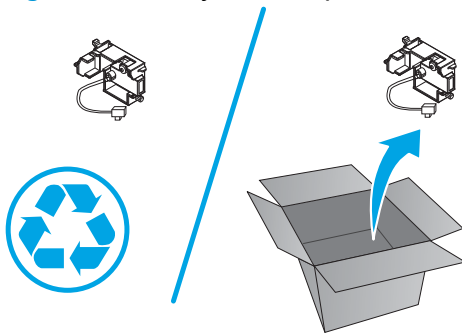
Step 6: Unpack the replacement easy-access USB port and cable

Unpack the replacement part from the packaging.

<http://www8.hp.com/us/en/hp-information/environment/product-recycling.html>

 **NOTE:** HP recommends responsible disposal of the defective part.

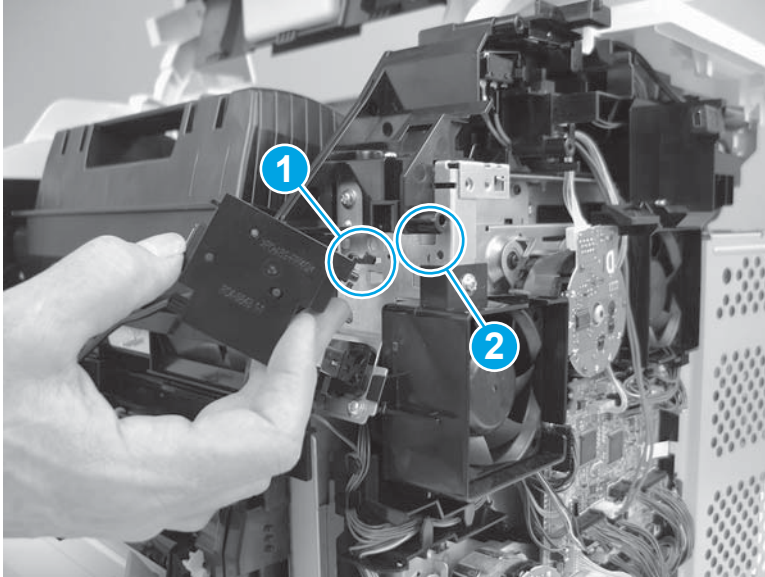
Figure 1-528 Recycle and unpack



Step 7: Install the easy-access USB port and cable

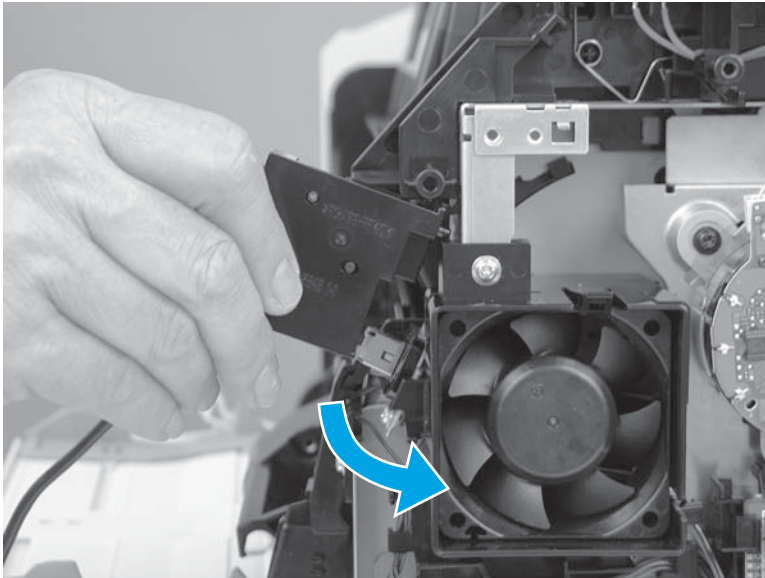
1. Make note of the location of the tab (callout 1) on the back of the USB port and the corresponding slot (callout 2) in the printer.

Figure 1-529 Note tab and slot locations



2. Rotate the top of the USB port toward the printer to engage the tab shown in the previous step, and then press the USB port into place.

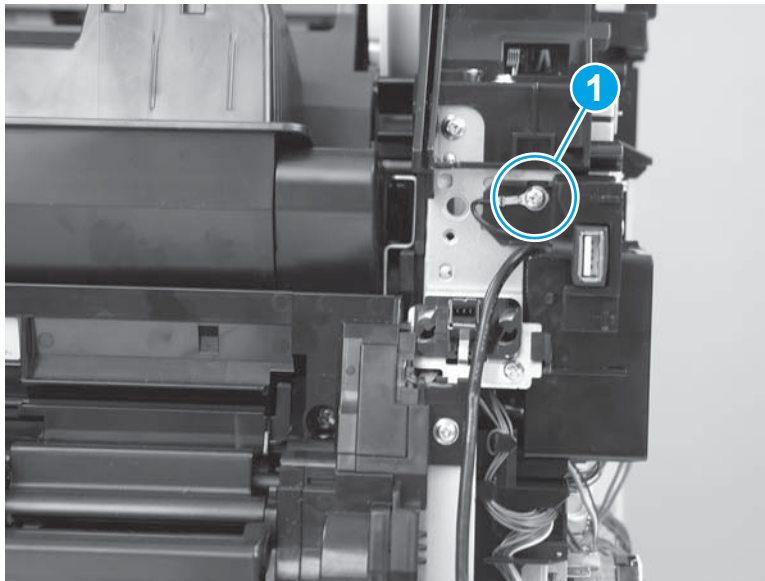
Figure 1-530 Install USB port



3. Install one screw (callout 1).

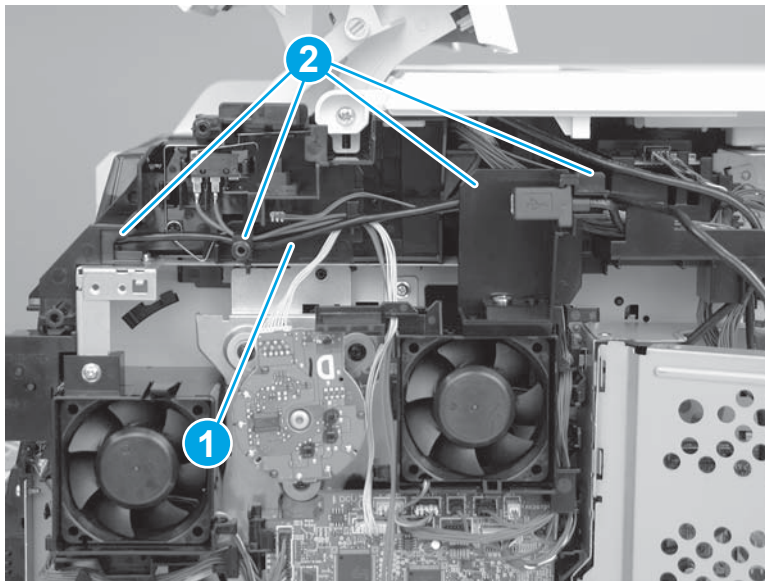
 **NOTE:** Make sure that the ground wire is secured with this screw.

Figure 1-531 Install one screw



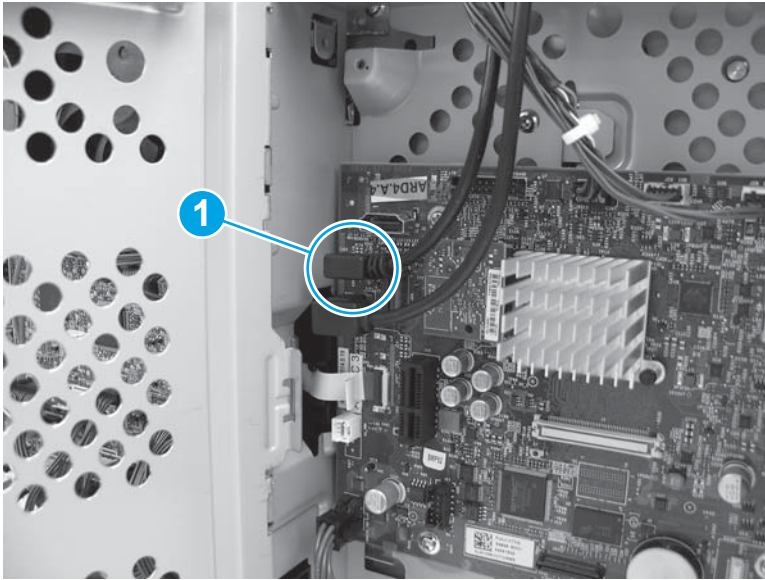
4. Install the cable (callout 1) in the guides (callout 2).

Figure 1-532 Install cable in guides



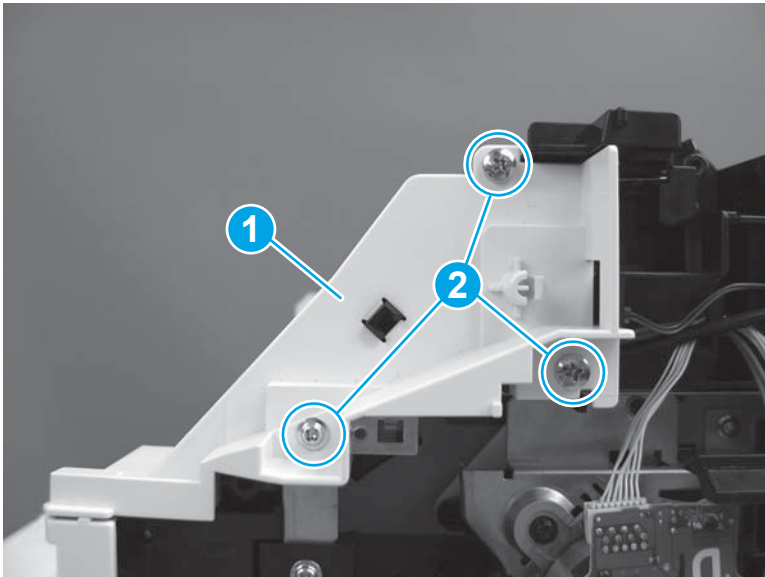
5. Connect one connector (callout 1).

Figure 1-533 Connect one connector



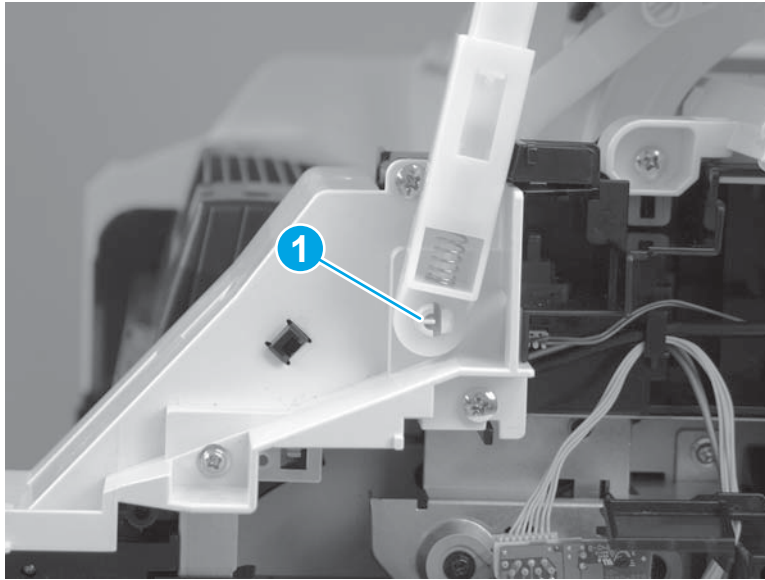
6. **M605x and M60X only:** Position the right top cover (callout 1) onto the printer, and then install three screws (callout 2).

Figure 1-534 Position right top cover



7. **M605x and M60X only:** Install the toner-cartridge door hinge (callout 1) by pressing it onto the tabs.

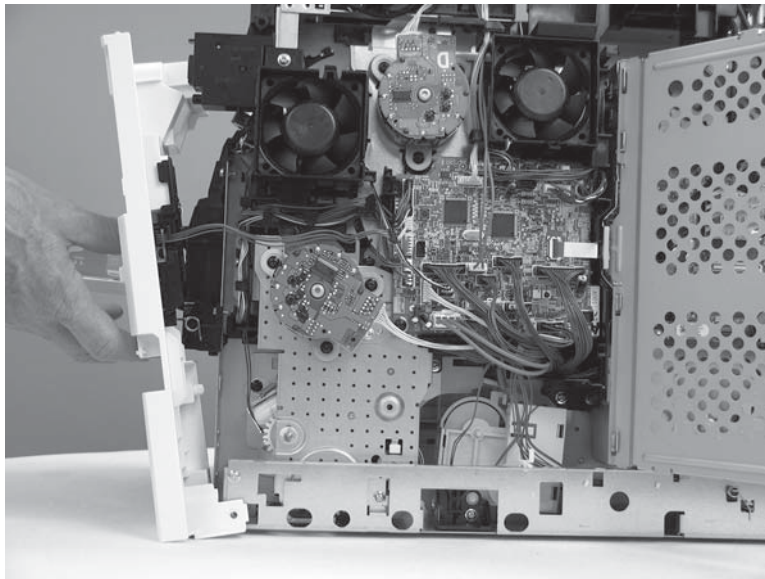
Figure 1-535 Install door hinge tabs



Step 8: Install the right front cover

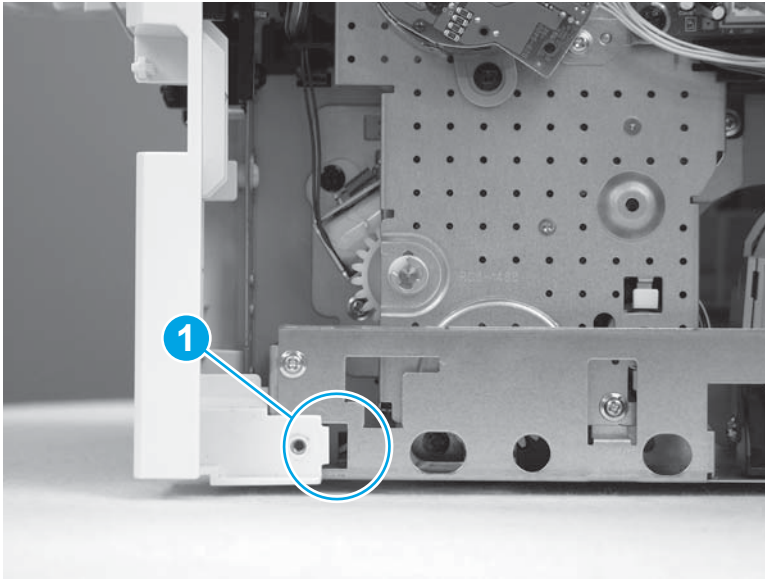
1. Position the right front cover on the printer.

Figure 1-536 Position the right front cover



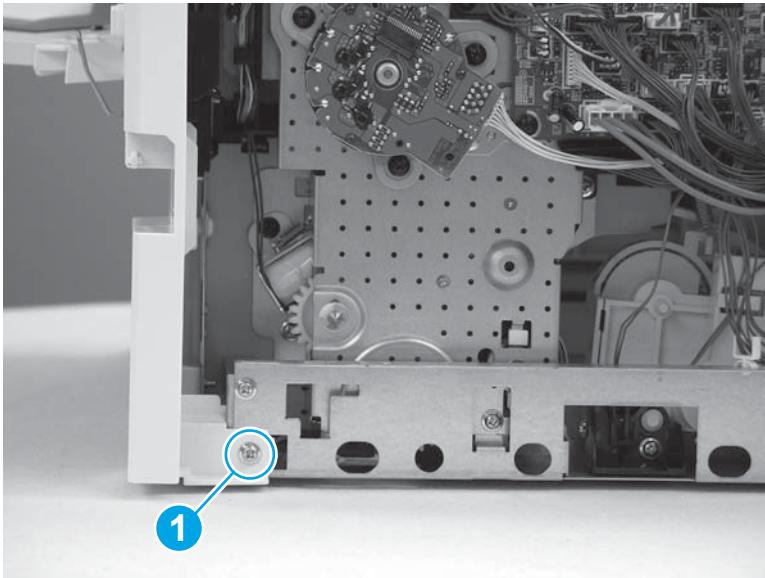
2. Install one tab (callout 1).

Figure 1-537 Install one tab



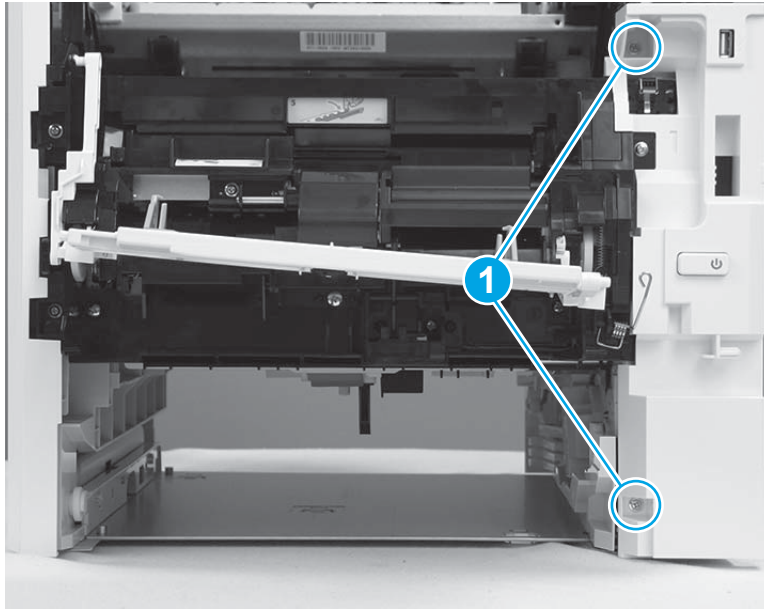
3. Install one screw (callout 1).

Figure 1-538 Install one screw



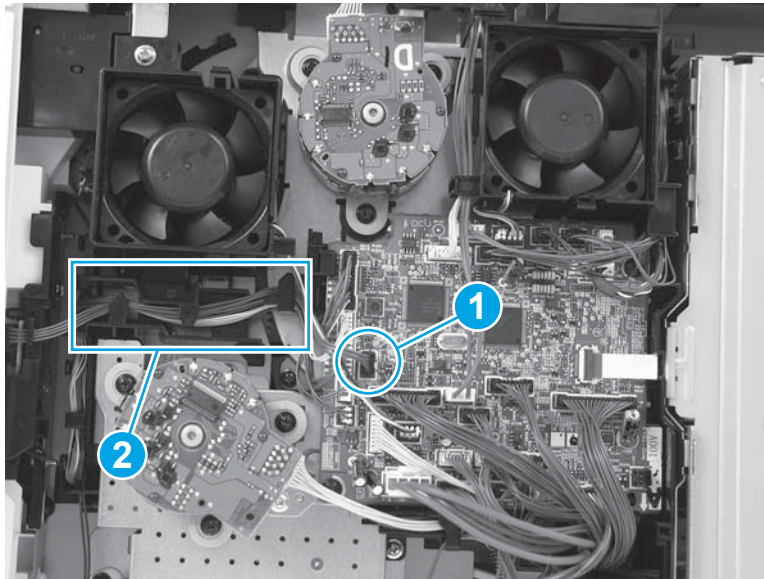
4. Install two screws (callout 1).

Figure 1-539 Install two screws



5. Connect one connector (callout 1) on the DC controller (J32), and then install the wire harness in the guide (callout 2).

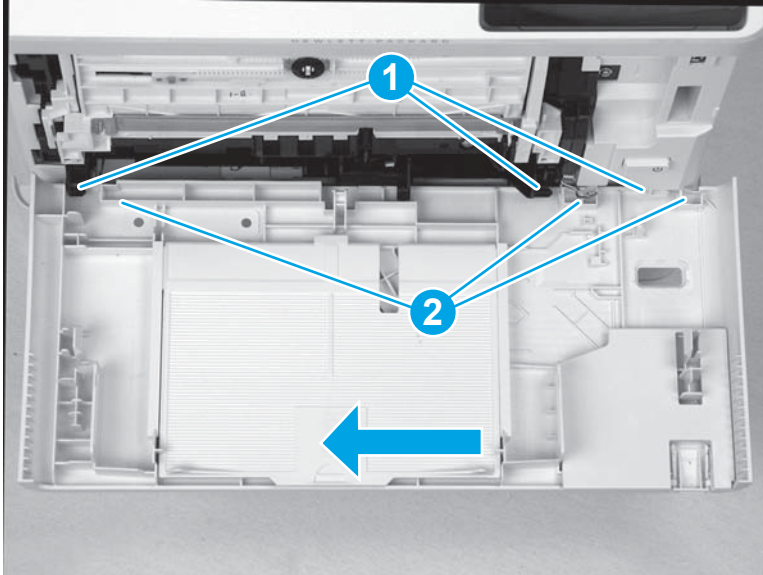
Figure 1-540 Connect one connector



Step 9: Install the front cover

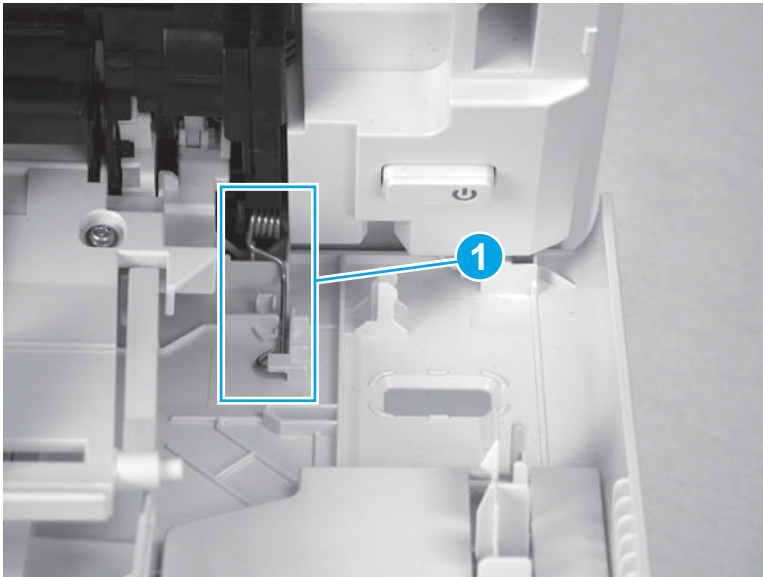
1. Align the pins (callout 1) on the printer with the holes (callout 2) on the front cover, and then slide the front cover toward the left side of the printer to install it.

Figure 1-541 Install the cover



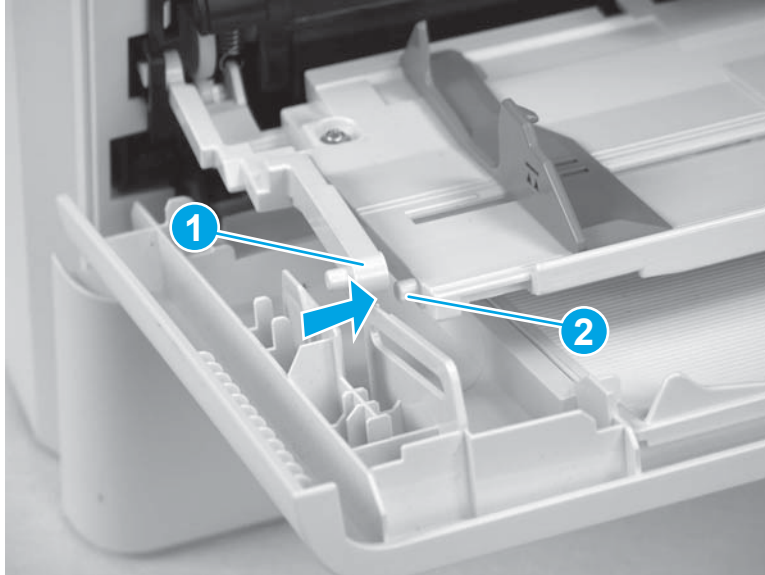
2. Use needle-nose pliers to install one spring (callout 1).

Figure 1-542 Install spring



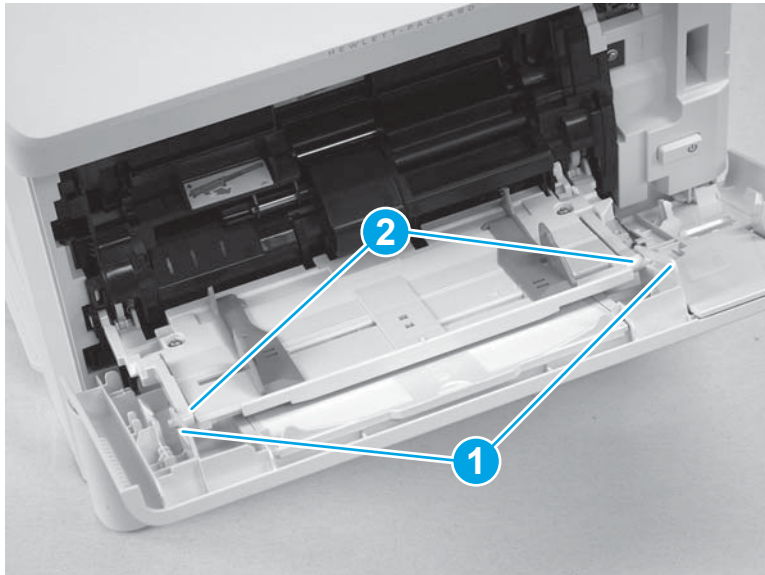
3. The hinge arm (callout 1) might become dislodged from the Tray 1 pin (callout 2). Make sure that the hinge arm fits securely on the pin.

Figure 1-543 Check arm installation



4. Gently flex the front-cover retainers (callout 1) outward to install them on the Tray 1 arms (callout 2).

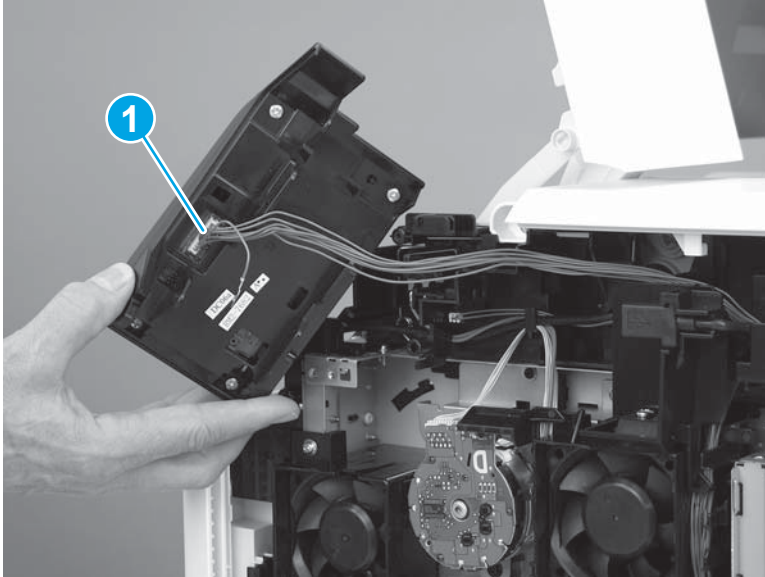
Figure 1-544 Install retainers



Step 10: Install the control panel (M604n/dn, M605n/dn, M606dn only)

1. Connect one connector (callout 1).

Figure 1-545 Connect one connector

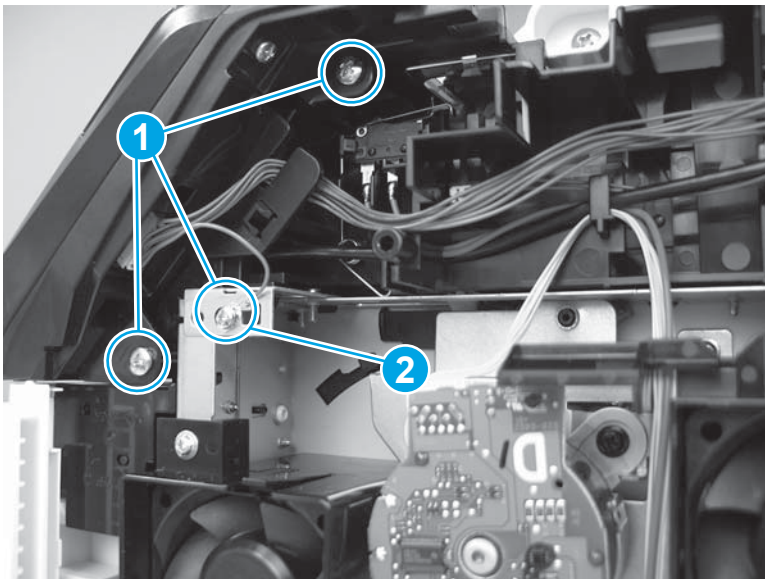


2. Install three screws (callout 1).



NOTE: Make sure that the ground wire from the connector is installed under the screw (callout 2).

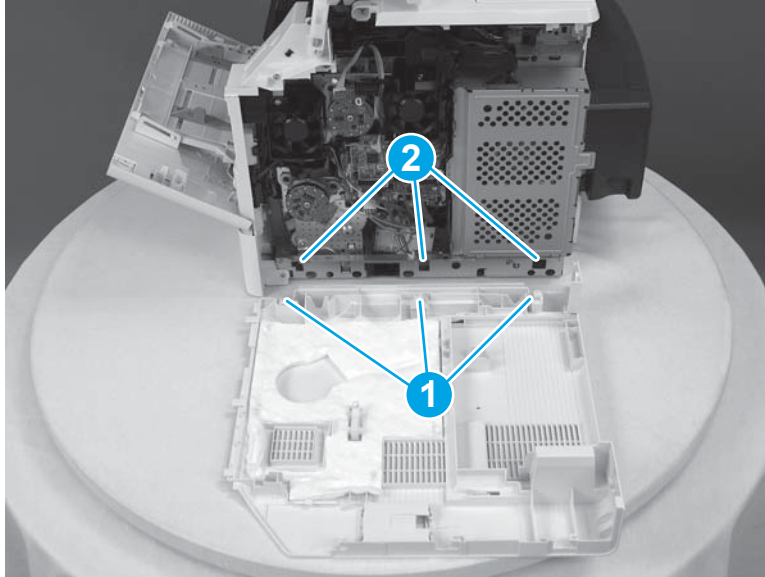
Figure 1-546 Install three screws



Step 11: Install the right cover

1. Note the location of the tabs (callout 1) on the cover that will fit into the slots (callout 2) on the printer.

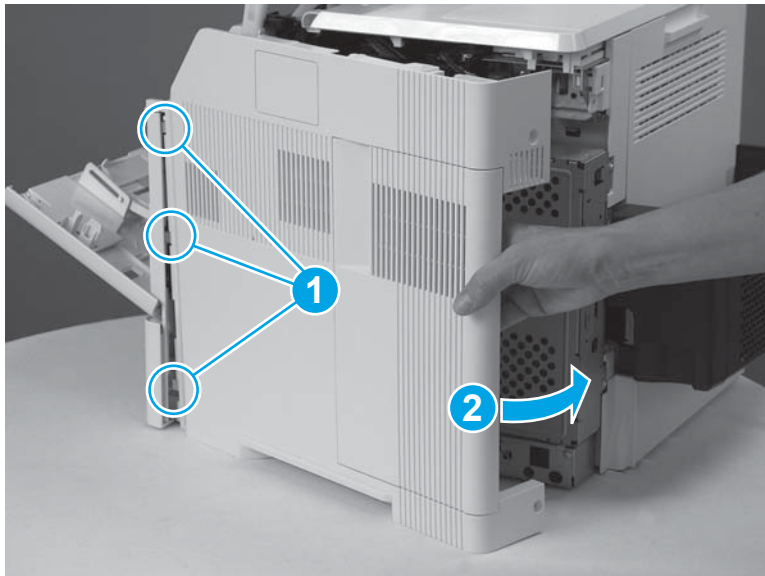
Figure 1-547 Note location of tabs



2. Position the front tabs on the right cover slightly behind the right front cover (callout 1), and then rotate the back edge of the cover toward the printer (callout 2).

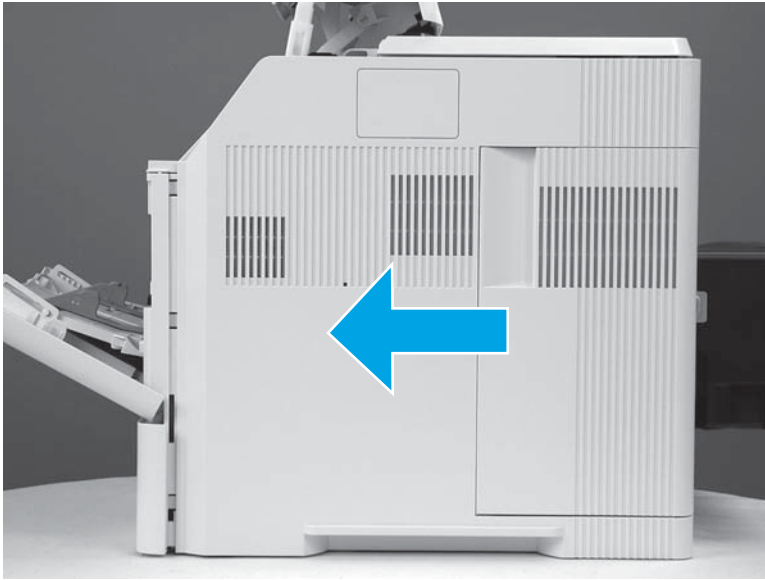
 **NOTE:** The tabs and slots mentioned in the previous step will engage as the cover is rotated into place.

Figure 1-548 Position the front tabs



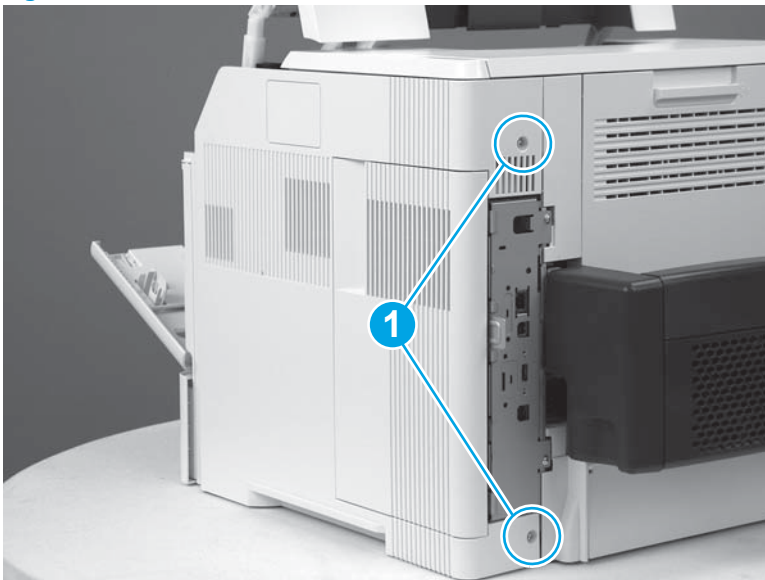
3. Slide the cover toward the front of the printer to install it.

Figure 1-549 Slide the cover



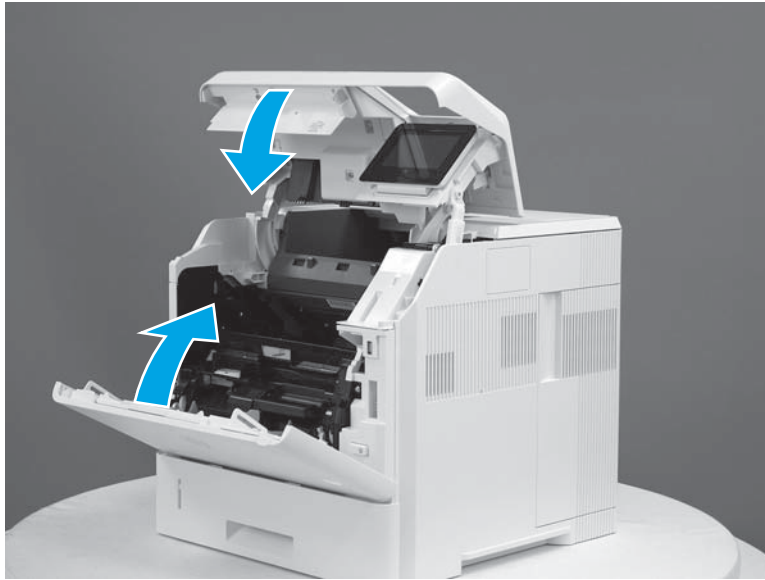
4. Install two screws (callout 1).

Figure 1-550 Install two screws



5. Close the front cover and the cartridge door.

Figure 1-551 Close the front cover and cartridge door



Removal and replacement: Fan FN101

- [Introduction](#)
- [Step 1: Remove the duplex accessory](#)
- [Step 2: Remove the duplex accessory cover](#)
- [Step 3: Remove the Tray 2 extension door](#)
- [Step 4: Remove the top accessory cover](#)
- [Step 5: Remove the right cover](#)
- [Step 6: Remove the top cover \(M604n/dn, M605n/dn, M606dn only\)](#)
- [Step 7: Remove the top cover \(M605x, M606x only\)](#)
- [Step 8: Remove the left cover](#)
- [Step 9: Remove the fan FN101](#)
- [Step 10: Unpack the replacement fan FN101](#)
- [Step 11: Install the fan FN101](#)
- [Step 12: Install the left cover](#)
- [Step 13: Install the top cover \(M605x, M606x only\)](#)
- [Step 14: Install the top cover \(M604n/dn, M605n/dn, M606dn only\)](#)
- [Step 15: Install the right cover](#)
- [Step 16: Install the top accessory cover](#)
- [Step 17: Install the Tray 2 extension door](#)
- [Step 18: Install the duplex accessory cover](#)
- [Step 19: Install the duplex accessory](#)


Introduction

This document provides the procedures to remove and replace the fan FN101.

Before performing service

Turn the printer power off

- Disconnect the power cable.

 **WARNING!** To avoid damage to the printer, turn the printer off, wait 30 seconds, and then remove the power cord before attempting to service the printer.

Use the table below to identify the correct part number for your printer. To order the part, go to www.hp.com/buy/parts.

Fan FN101 part number

RK2-1988-000CN

Fan FN101

Required tools

- #2 Phillips screwdriver with a magnetic tip

After performing service

Turn the printer power on

- Connect the power cable.
- Use the power switch to turn the power on.

Post service test

Make sure that the printer initializes to a **Ready** state.

Print a configuration page to make sure that the printer is functioning correctly.

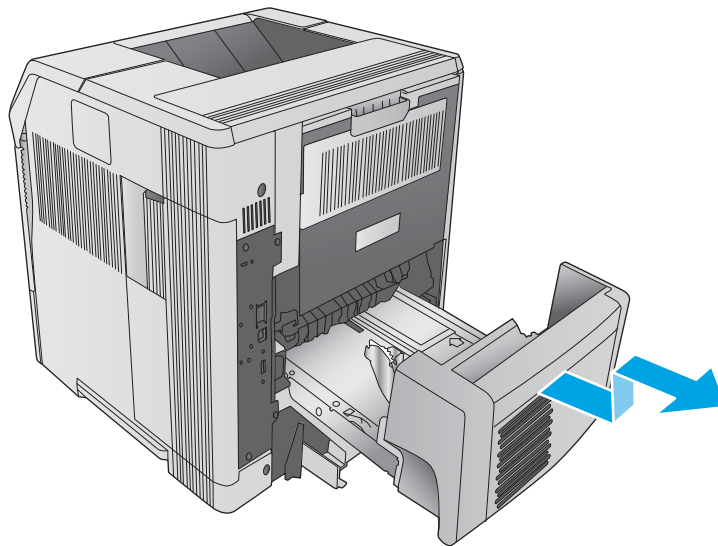
Step 1: Remove the duplex accessory



NOTE: If the optional duplex accessory is not installed, skip this step and go to [Step 2: Remove the duplex accessory cover on page 333](#).

- ▲ Slightly lift up on the duplex accessory, and then pull it completely out of the printer to remove it.

Figure 1-552 Remove the duplex accessory



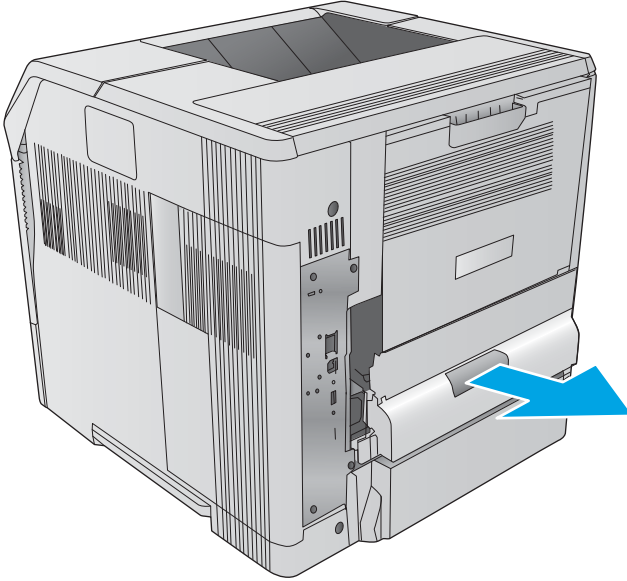
Step 2: Remove the duplex accessory cover



NOTE: If the duplex accessory cover is not installed, skip this step and go to [Step 3: Remove the Tray 2 extension door on page 334](#).

- ▲ Pull the duplex accessory cover straight out of the printer to remove it.

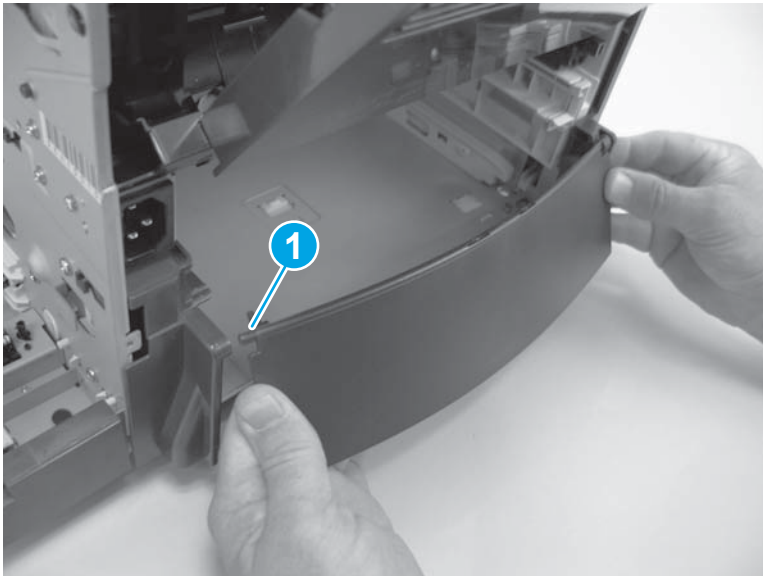
Figure 1-553 Remove the duplex accessory cover



Step 3: Remove the Tray 2 extension door

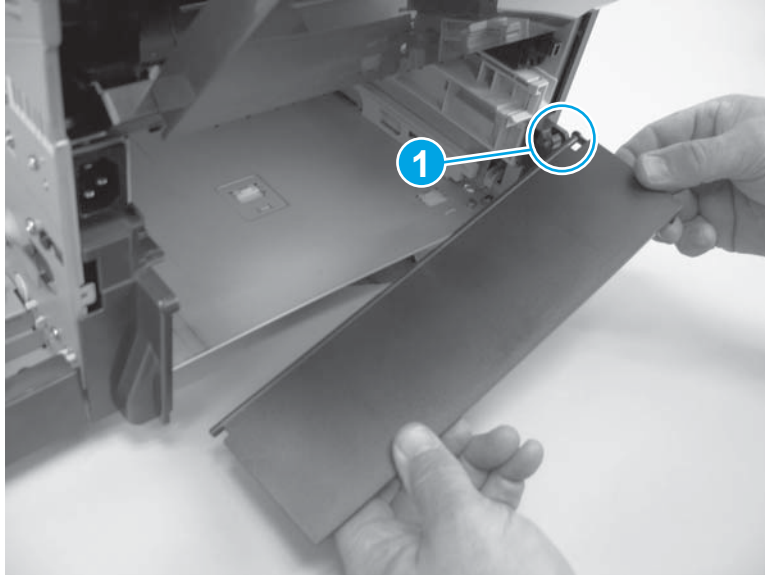
1. Carefully flex the Tray 2 extension door to release the hinge pin (callout 1) near the power-cord side of the printer.

Figure 1-554 Release the hinge pin



2. Rotate the Tray 2 extension door to the horizontal position, and then pull up on the keyed hinge pin (callout 1) to release the door. Remove the Tray 2 extension door.

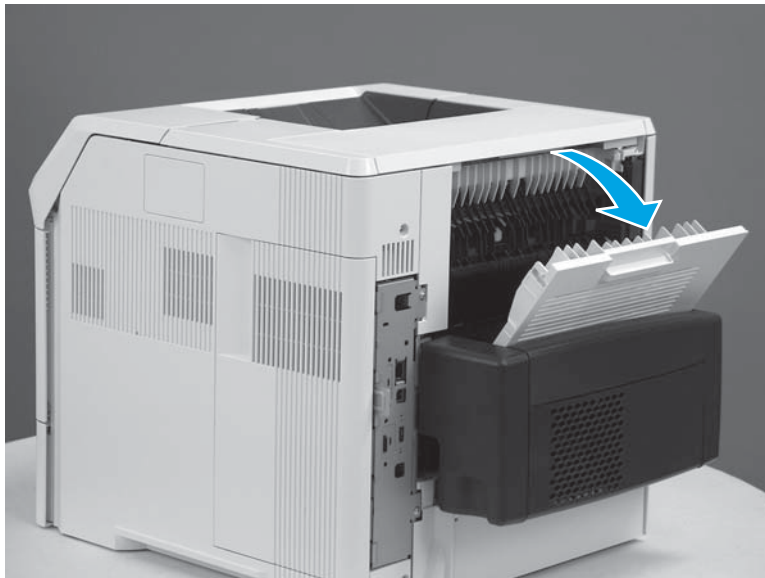
Figure 1-555 Remove the Tray 2 extension door



Step 4: Remove the top accessory cover

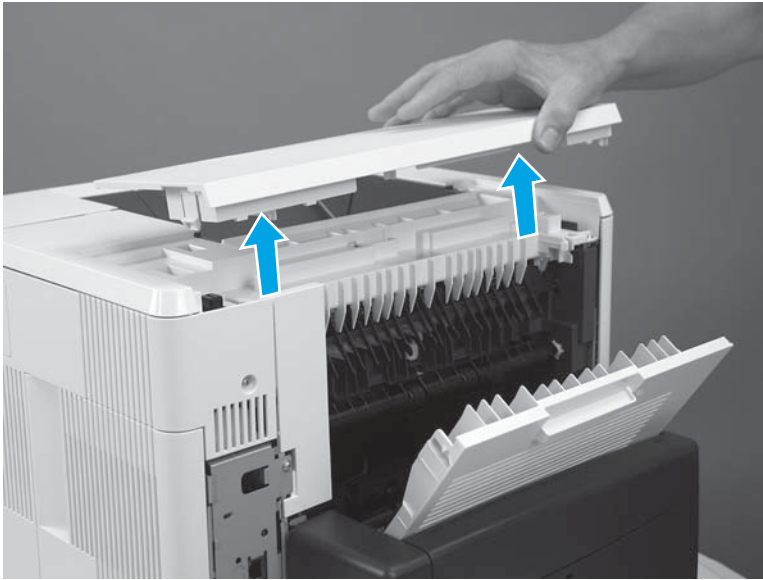
1. Open the rear output bin.

Figure 1-556 Open the rear output bin



2. Lift the top accessory cover up and off of the printer.

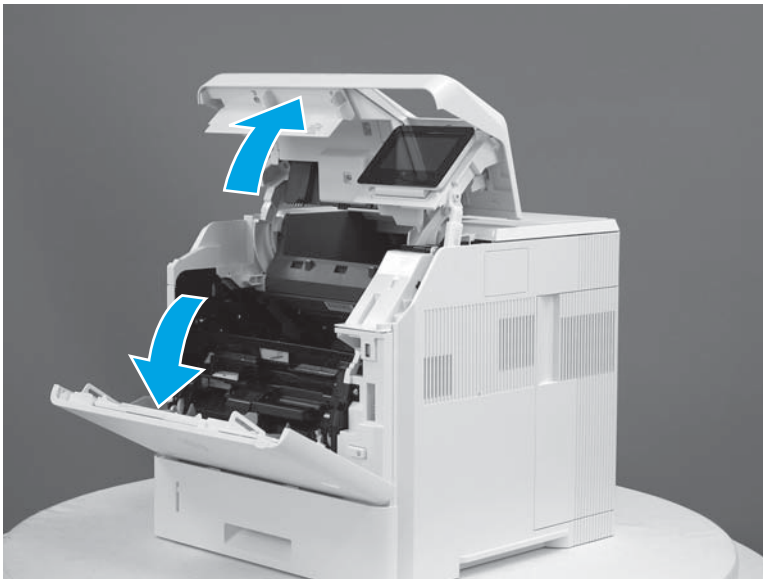
Figure 1-557 Remove top accessory cover



Step 5: Remove the right cover

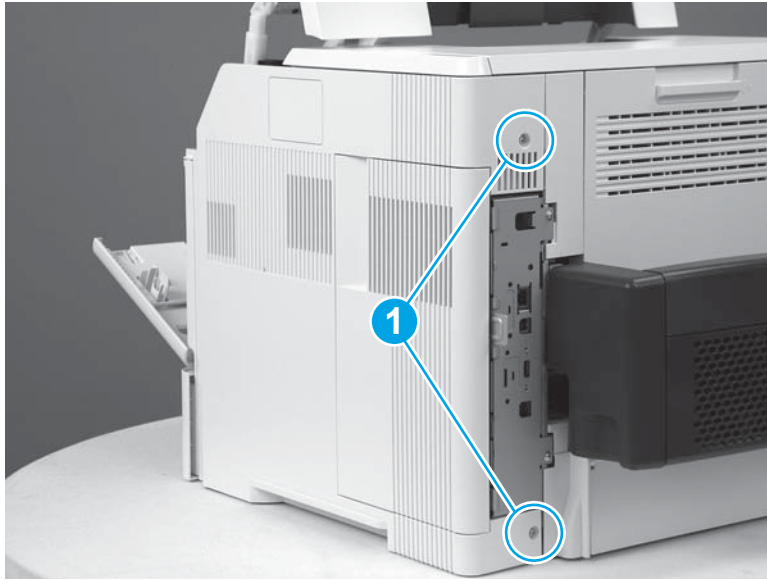
1. Open the front cover and the cartridge door.

Figure 1-558 Open the front cover and cartridge door



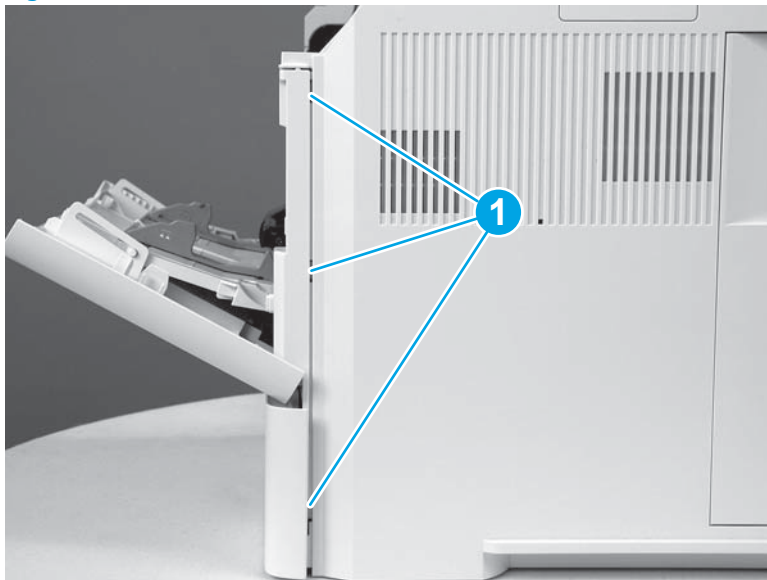
2. Remove two screws (callout 1).

Figure 1-559 Remove two screws



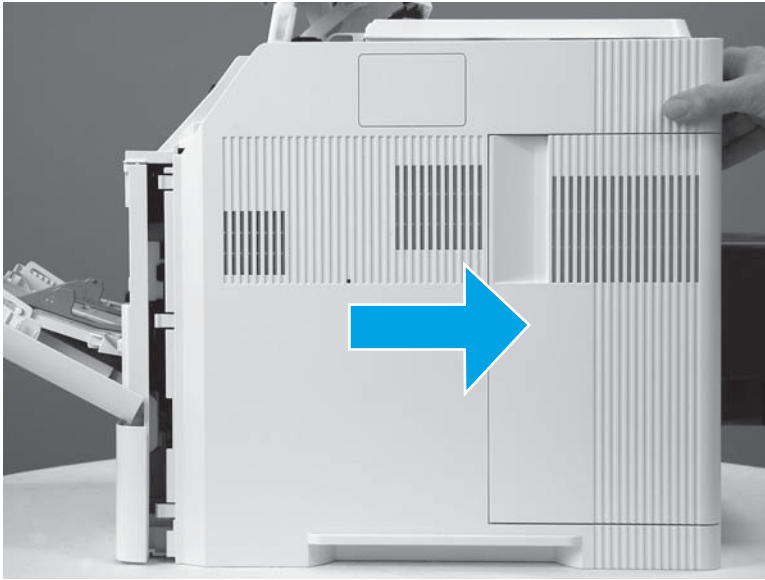
3. Release three tabs (callout 1).

Figure 1-560 Release three tabs



4. Slide the cover toward the rear of the printer to remove it.

Figure 1-561 Remove the cover



Step 6: Remove the top cover (M604n/dn, M605n/dn, M606dn only)



NOTE: For the M605x or M606x product, skip this step and go to [Step 7: Remove the top cover \(M605x, M606x only\) on page 341](#).

1. Use needle-nose pliers to release the toner-cartridge drive-arm tabs (callout 1).

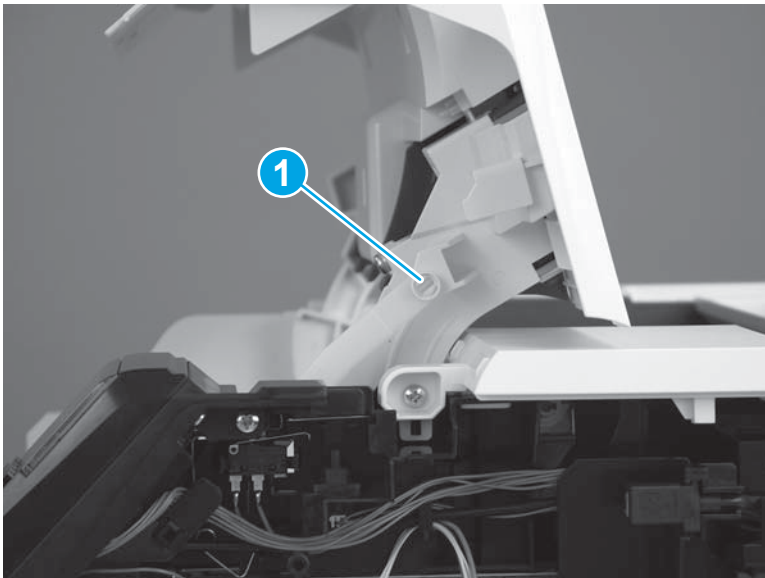


CAUTION: The toner-cartridge drive-arm tabs break easily.



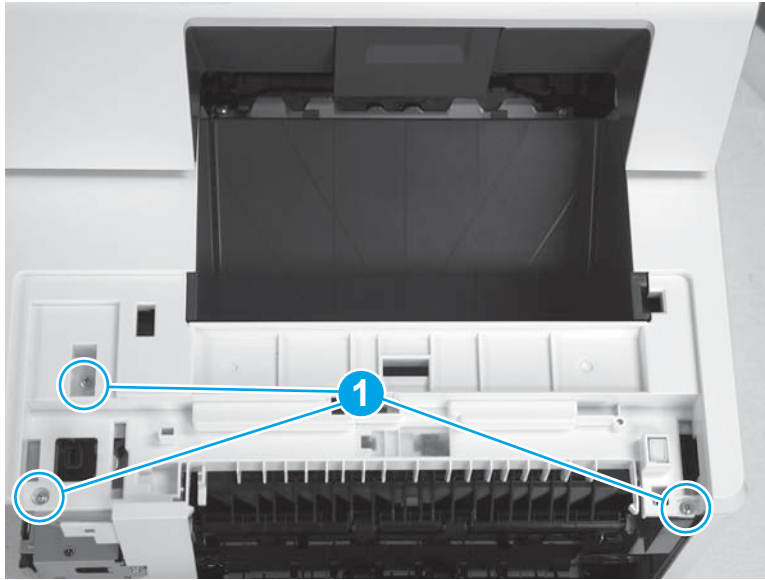
TIP: Push the toner-cartridge drive-arm back into the printer to avoid damaging it when you remove the top cover.

Figure 1-562 Release the drive-arm tabs



2. Remove three screws (callout 1) on the top of the printer.

Figure 1-563 Remove three screws



3. Remove one screw (callout 1) on the right side of the printer.


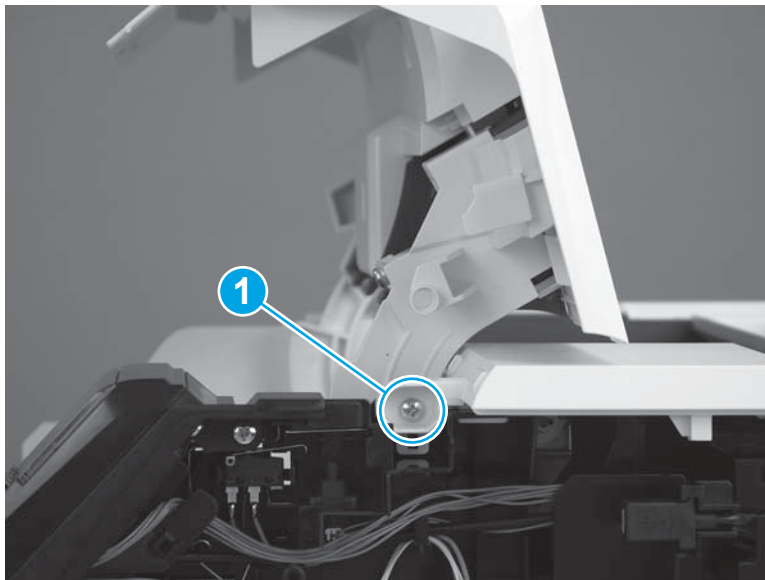
 **Reinstallation tip:** This screw is larger than the screws removed from the top of the printer. Make sure to install the correct screw when reassembling.

Figure 1-564 Remove one screw



4. Remove one screw (callout 1) on the left side of the printer.


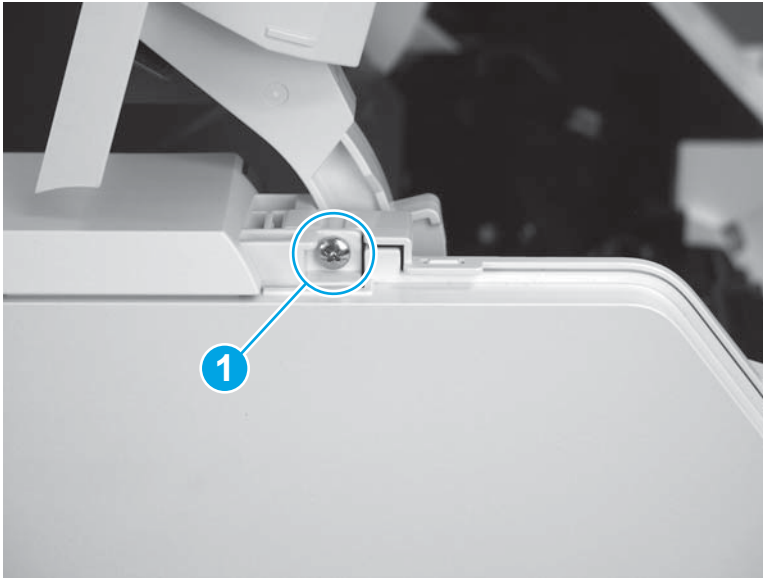
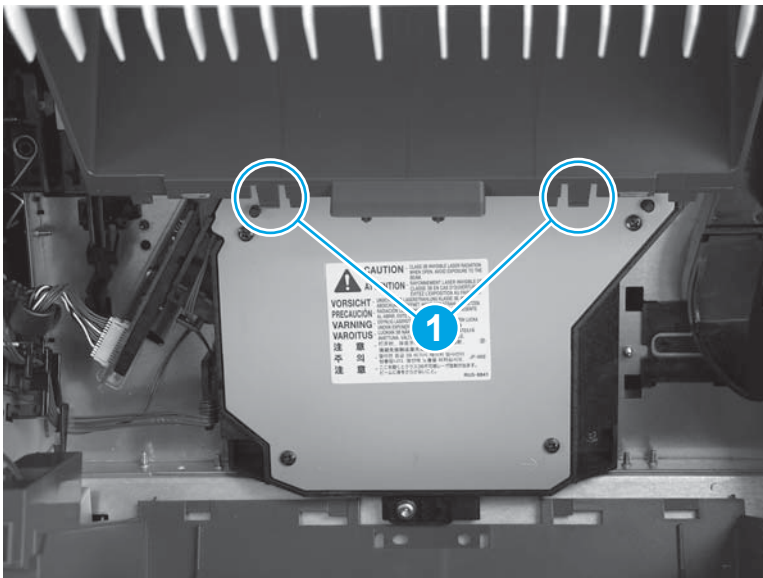
 **Reinstallation tip:** This screw is larger than the screws removed from the top of the printer. Make sure to install the correct screw when reassembling.

Figure 1-565 Remove one screw



5. Note the location of two tabs on the top output bin (callout 1). These tabs are released in the next step.

Figure 1-566 Location of two tabs



6. Release two tabs (callout 1) on the top output bin.


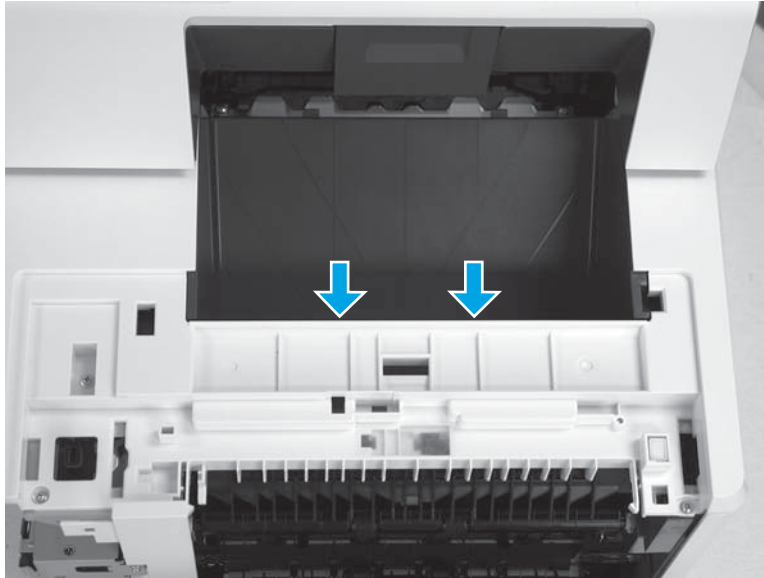
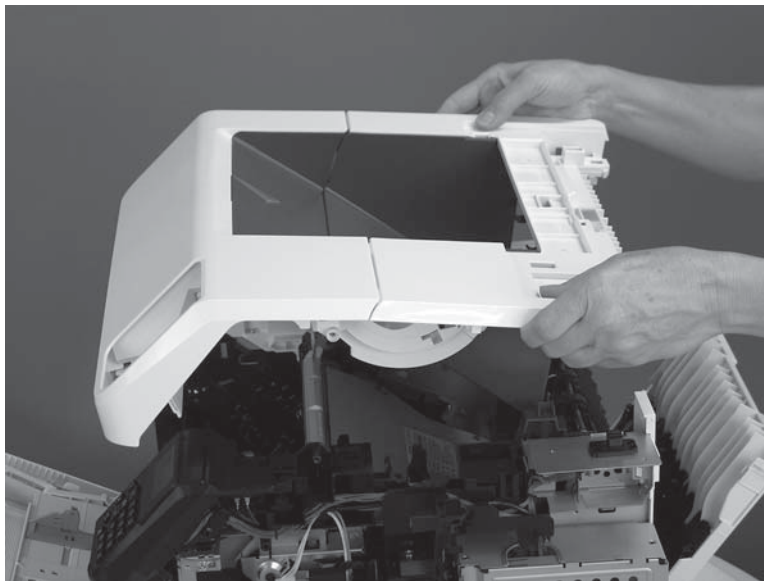
 **Reinstallation tip:** Make sure that these tabs are fully seated when the top cover is reinstalled.

Figure 1-567 Release two tabs




7. Lift the top cover up and off of the printer to remove it.

Figure 1-568 Remove the top cover



Step 7: Remove the top cover (M605x, M606x only)

 **NOTE:** If servicing the M604n/dn, M605n/dn, or M606dn, skip this step and go to [Step 8: Remove the left cover on page 346](#).

1. Use needle-nose pliers to release the toner-cartridge drive-arm tabs (callout 1) and the toner-cartridge door hinge tabs (callout 2).

 **CAUTION:** The toner-cartridge drive-arm tabs break easily.


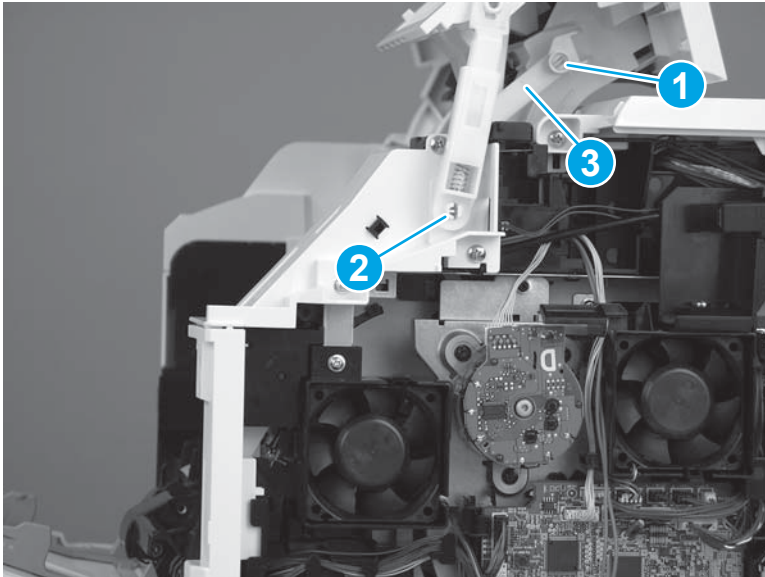
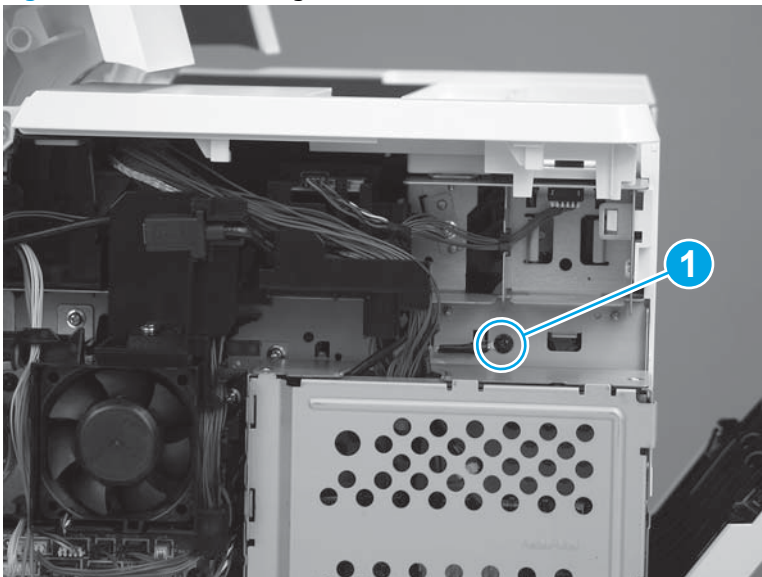
 **TIP:** Push the toner-cartridge drive-arm (callout 3) back into the printer to avoid damaging it when you remove the top cover.

Figure 1-569 Release the drive-arm and door hinge tabs



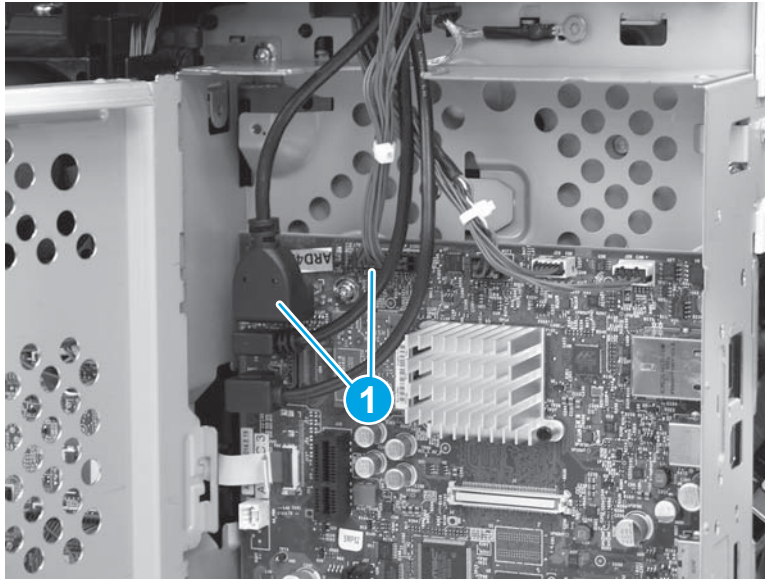
2. Remove one screw, and then release the ground wire (callout 1).

Figure 1-570 Release the ground wire



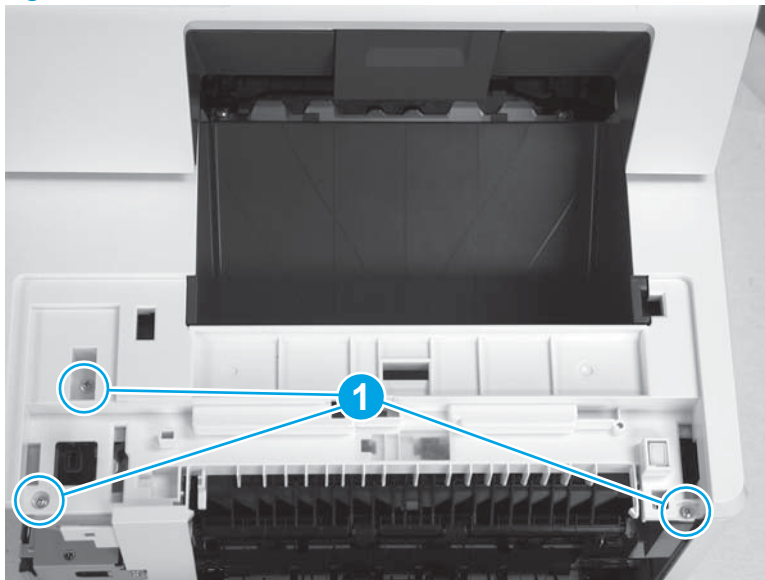
3. Open the formatter case door, and then disconnect two connectors (callout 1).

Figure 1-571 Disconnect two connectors



4. Remove three screws (callout 1) on the top of the printer.

Figure 1-572 Remove three screws



5. Remove one screw (callout 1) on the right side of the printer.


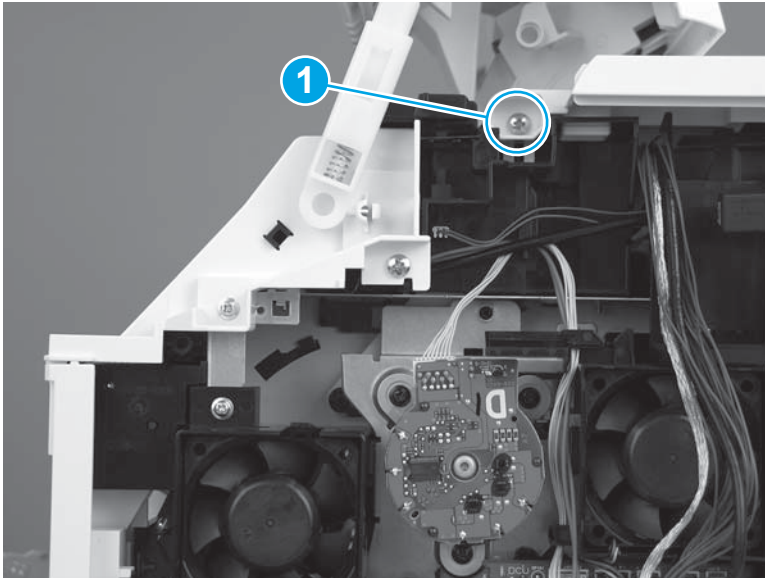
 **Reinstallation tip:** This screw is larger than the screws removed from the top of the printer. Make sure to install the correct screw when reassembling.

Figure 1-573 Remove one screw



6. Remove one screw (callout 1) on the left side of the printer.


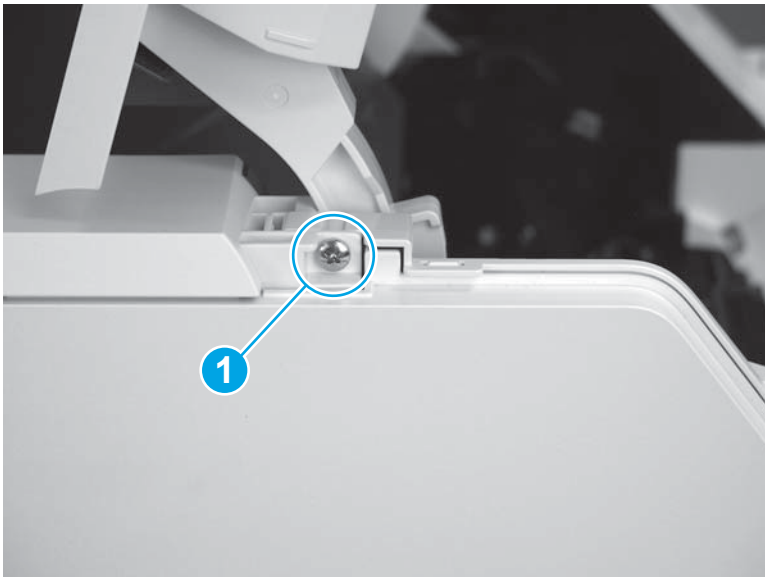
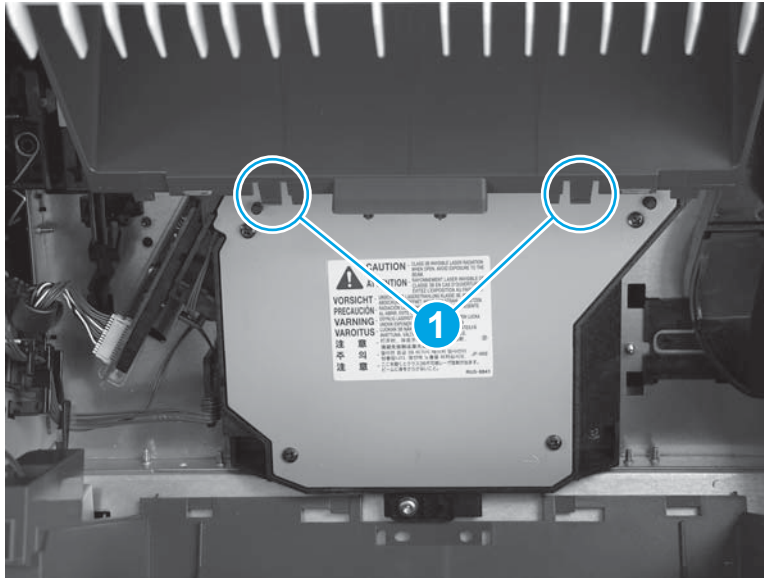
 **Reinstallation tip:** This screw is larger than the screws removed from the top of the printer. Make sure to install the correct screw when reassembling.

Figure 1-574 Remove one screw



7. Note the location of two tabs on the top output bin (callout 1). These tabs are released in the next step.

Figure 1-575 Location of two tabs



8. Release two tabs (callout 1) on the top output bin.


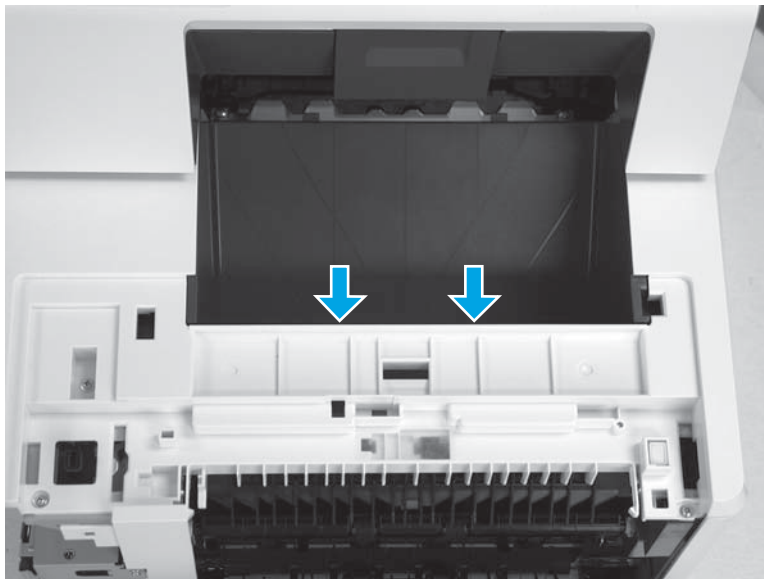
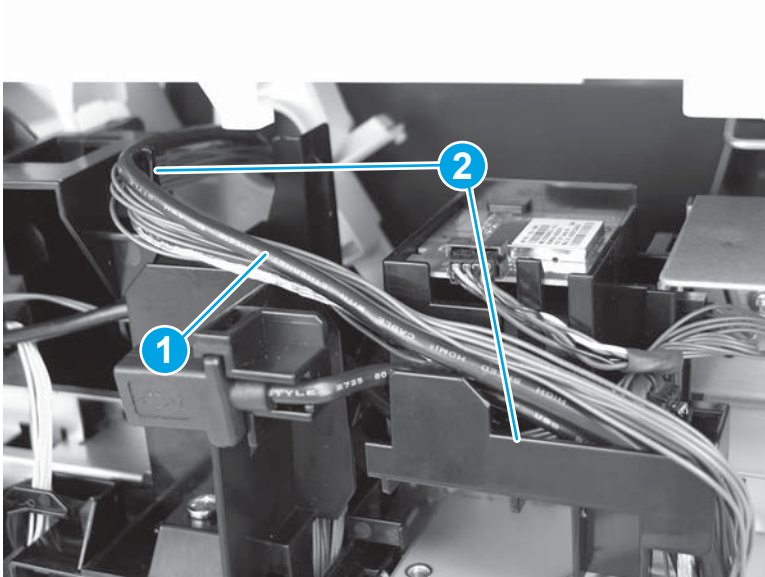
 **Reinstallation tip:** Make sure that these tabs are fully seated when the top cover is reinstalled.

Figure 1-576 Release two tabs



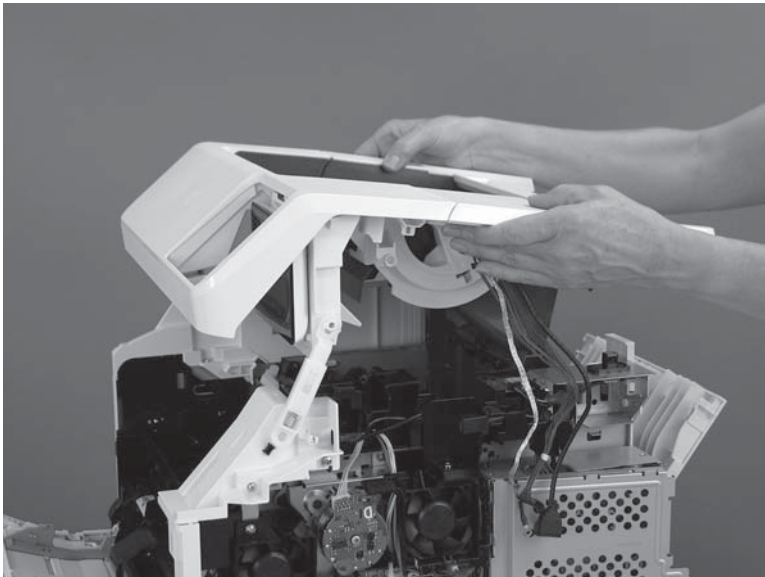
9. On the right side of the printer, release the wire harness and cables (callout 1) from the guides (callout 2).

Figure 1-577 Release cables from guides



10. Lift the top cover up and off of the printer to remove it.

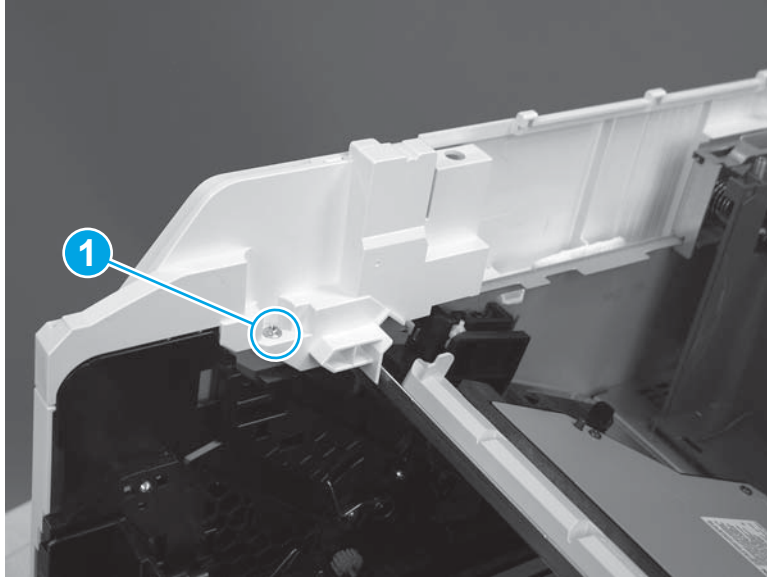
Figure 1-578 Remove the top cover



Step 8: Remove the left cover

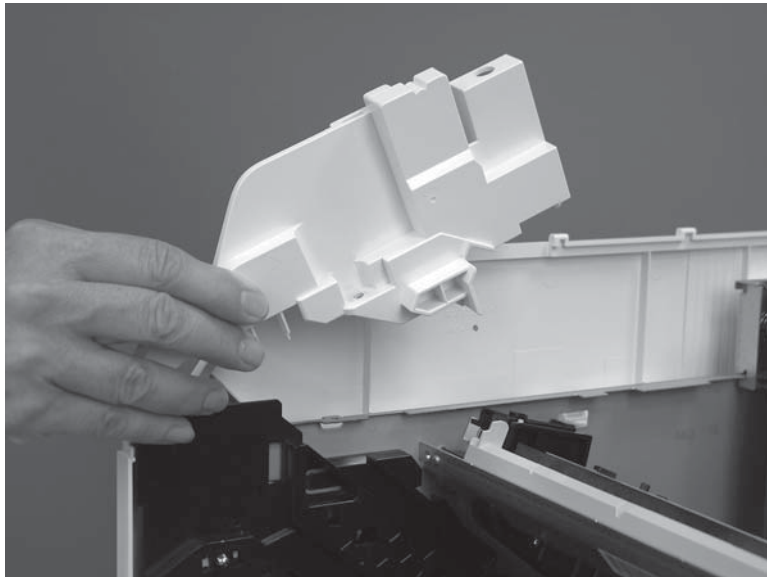
1. Remove one screw (callout 1).

Figure 1-579 Remove one screw



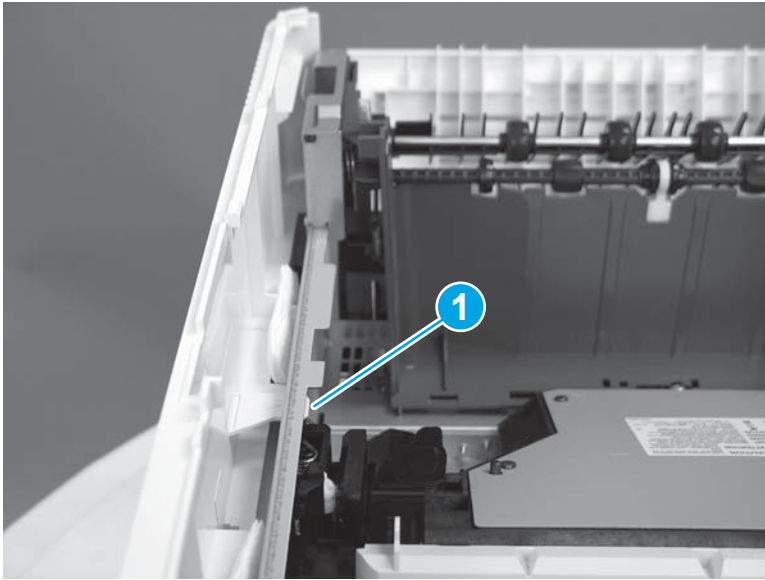
2. Remove the left front inside cover.

Figure 1-580 Remove the left front inside cover



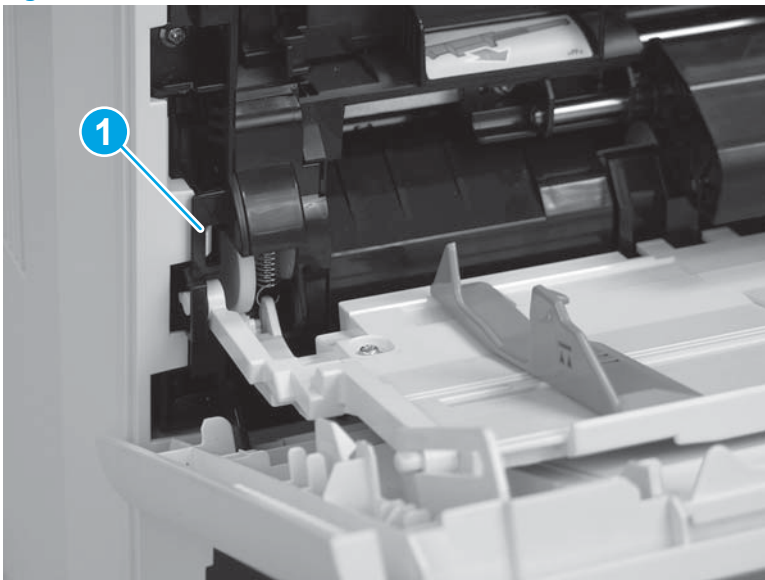
3. Release one tab (callout 1) on the top of the cover.

Figure 1-581 Release one tab



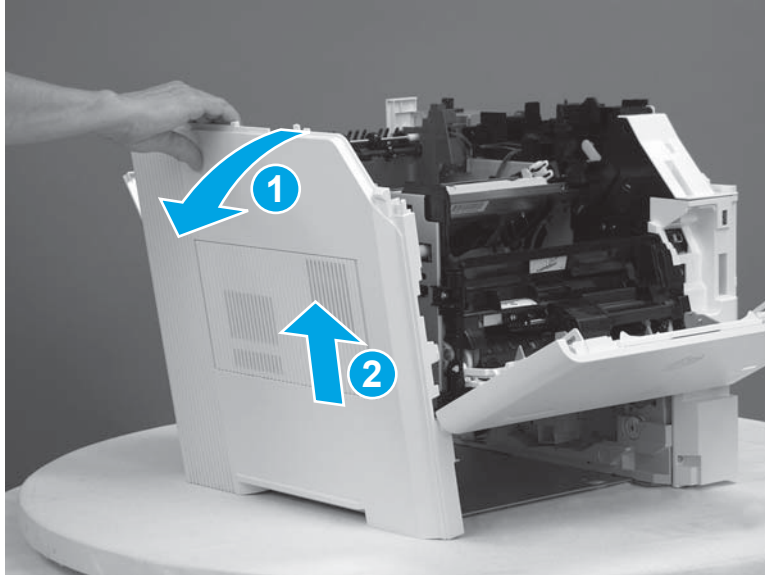
4. Release one tab (callout 1) on the front of the cover.

Figure 1-582 Release one tab



5. Rotate the top of the cover away (callout 1) from the printer, and then lift the cover up (callout 2) to remove it.

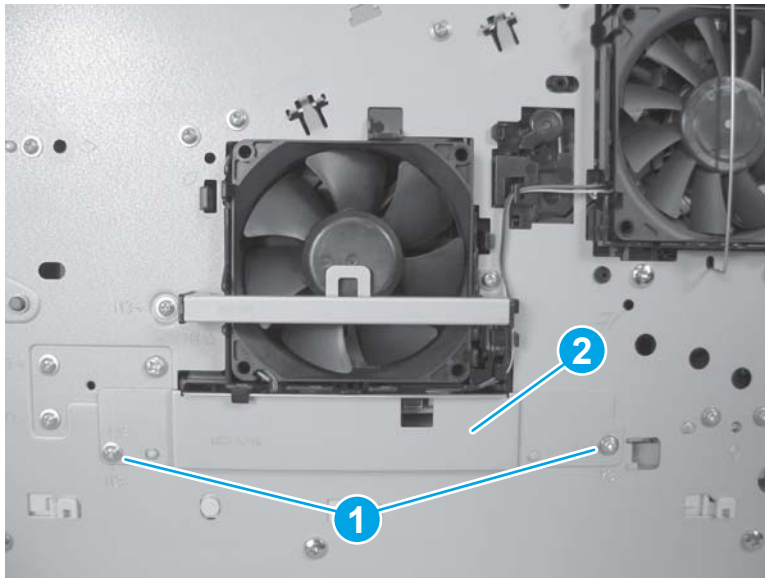
Figure 1-583 Remove the cover



Step 9: Remove the fan FN101

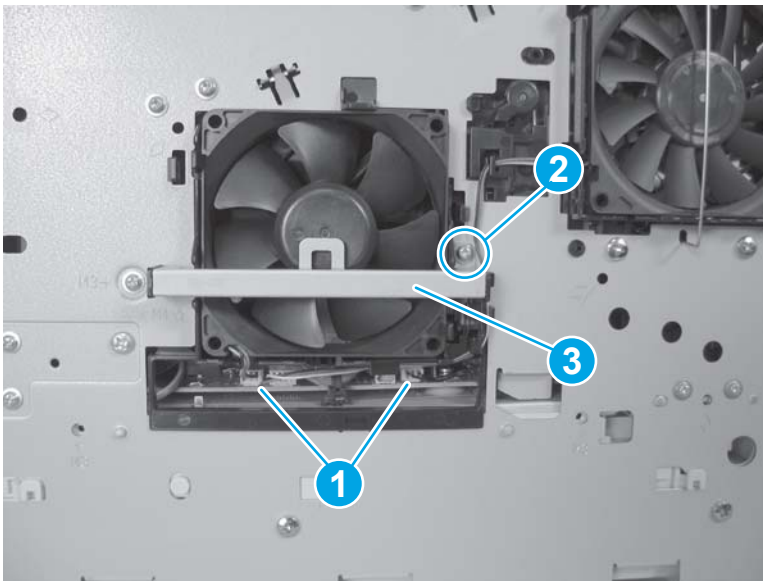
1. Remove two screws (callout 1), and then remove the sheet-metal plate (callout 2).

Figure 1-584 Remove two screws and the sheet-metal plate



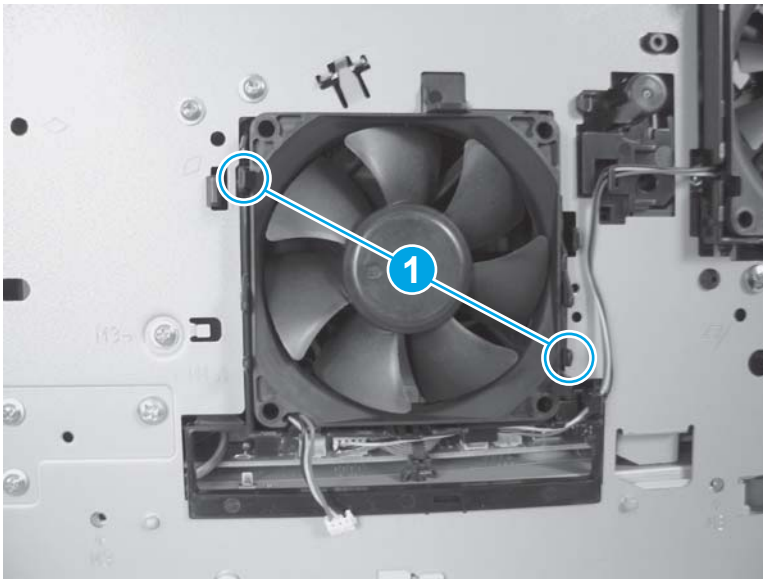
2. Disconnect two connectors (callout 1), and then remove one screw (callout 2). Slide the environmental sensor bar (callout 3) to the right to release it, and then lift the environmental sensor bar away from the printer.

Figure 1-585 Disconnect two connectors and remove one screw



3. Release two tabs (callout 1), and then remove the fan.

Figure 1-586 Remove the fan



Step 10: Unpack the replacement fan FN101

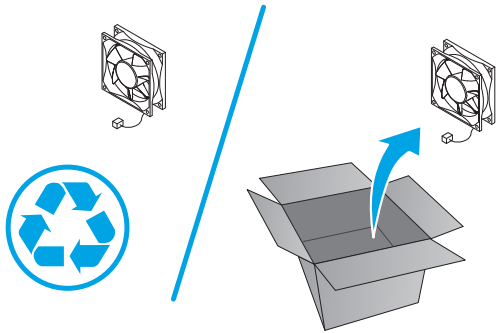
Unpack the replacement part from the packaging.

<http://www8.hp.com/us/en/hp-information/environment/product-recycling.html>



NOTE: HP recommends responsible disposal of the defective part.

Figure 1-587 Recycle and unpack



Step 11: Install the fan FN101

1. Position the fan on the printer and engage two tabs (callout 1).


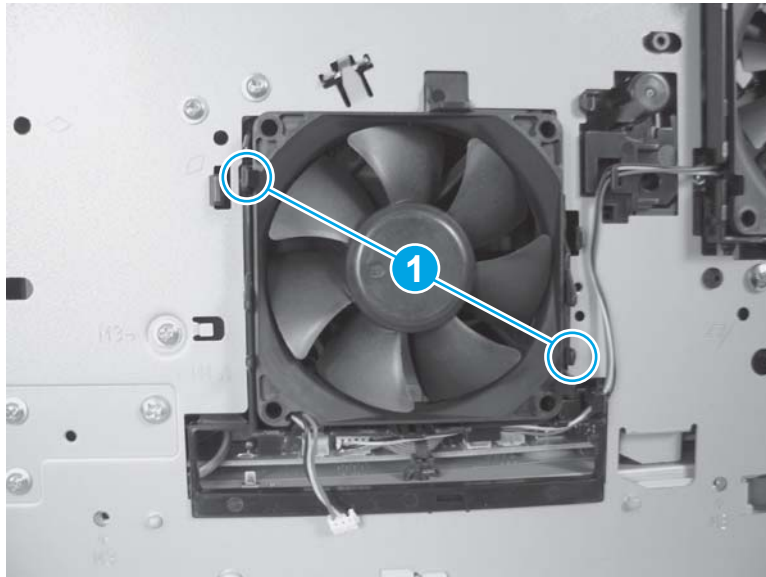
 **TIP:** When you reinstall the fan, the air must flow into the printer. Verify that the airflow arrows that are embossed on the fan body point *into* the printer.

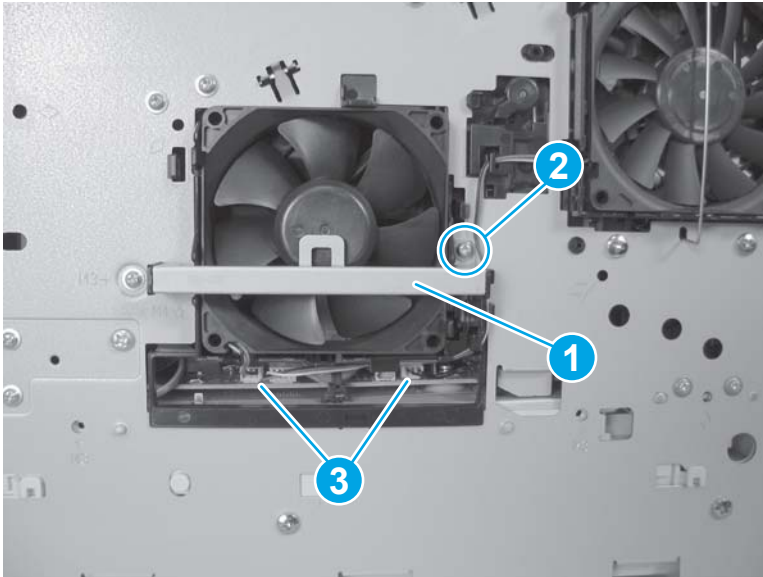
Figure 1-588 Position the fan



2. Slide the environmental bar (callout 1) to the left to install it on the printer chassis. Install one screw (callout 2), and then connect two connectors (callout 3).

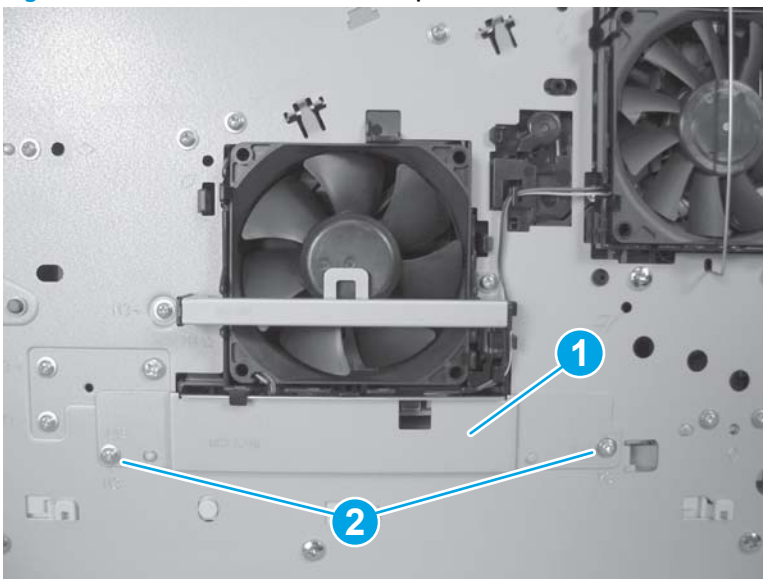
⚠ CAUTION: Do not apply too much pressure to the wire-harness connectors when connecting them to the power supply. Applying too much pressure might snap off the soldered connectors on the power supply.

Figure 1-589 Connect two connectors and install one screw



3. Position the sheet-metal plate (callout 1) on the printer, and then install two screws (callout 2).

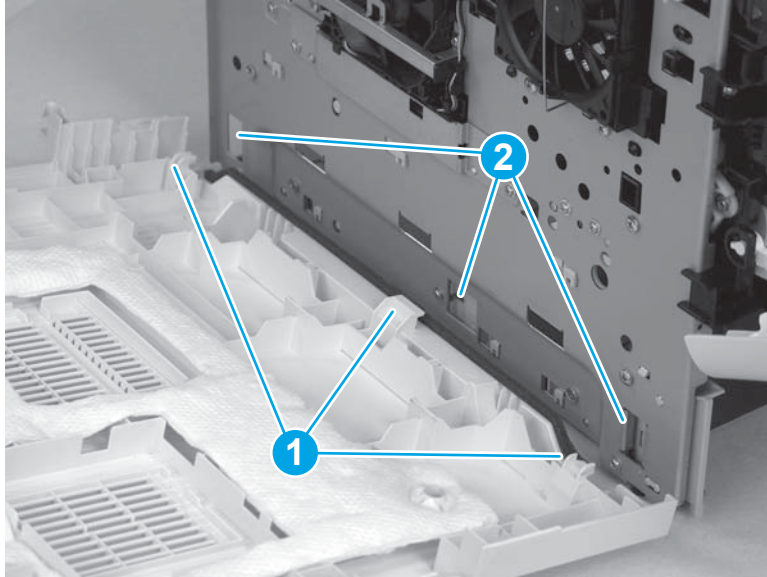
Figure 1-590 Install the sheet-metal plate



Step 12: Install the left cover

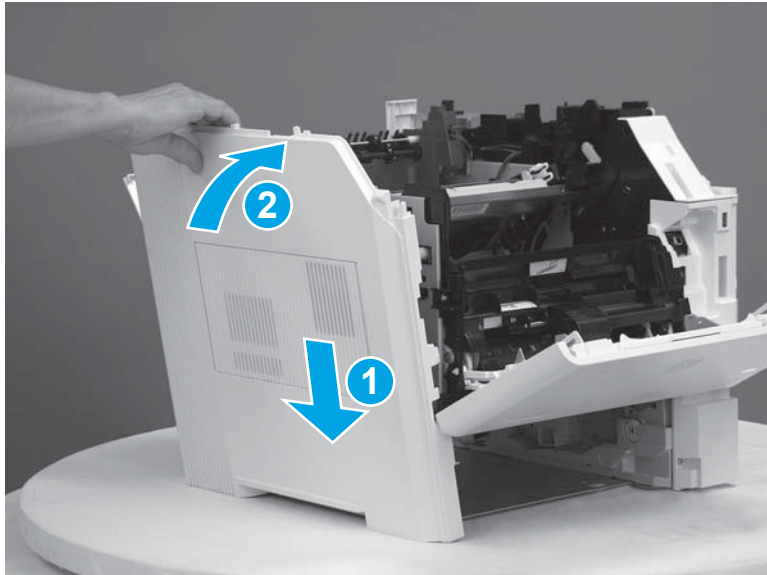
1. Note the location of the tabs (callout 1) on the bottom of the left cover that will fit into the slots (callout 2) in the sheet-metal frame.

Figure 1-591 Note location of tabs



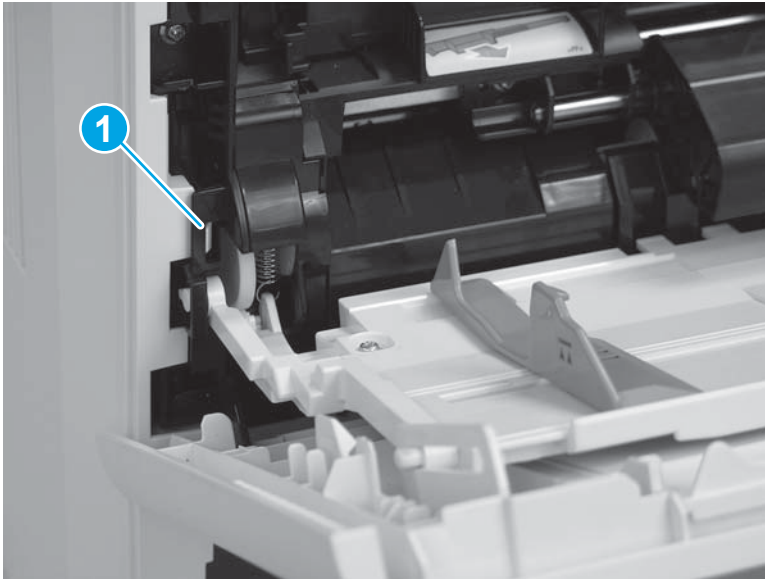
2. Position the tabs in the slots mentioned in the previous step (callout 1), and then rotate the left cover toward the printer (callout 2).

Figure 1-592 Rotate the cover into place



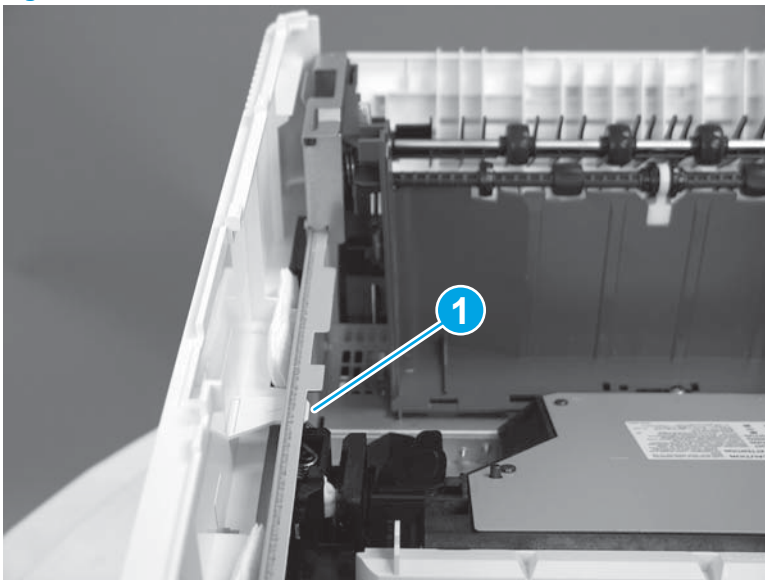
3. Make sure that the tab (callout 1) on the front of the cover snaps into place.

Figure 1-593 Install one tab



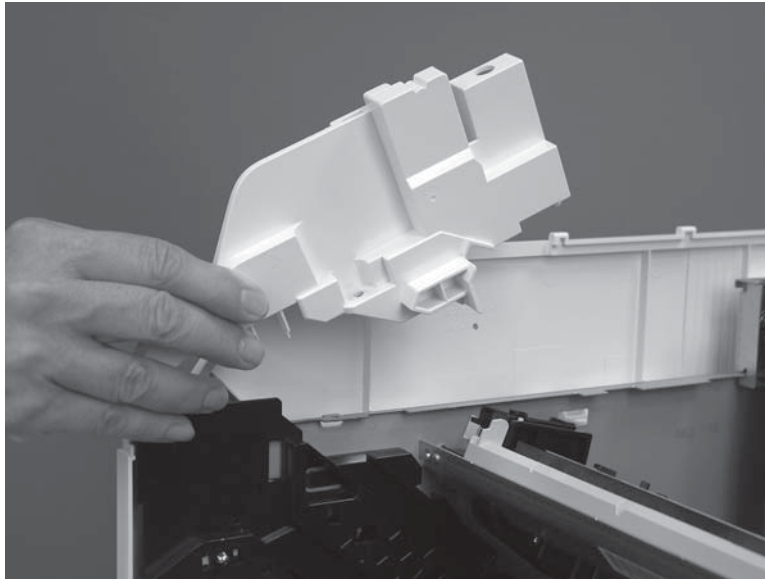
4. Make sure that the tab (callout 1) on the top of the cover snaps into place.

Figure 1-594 Install one tab



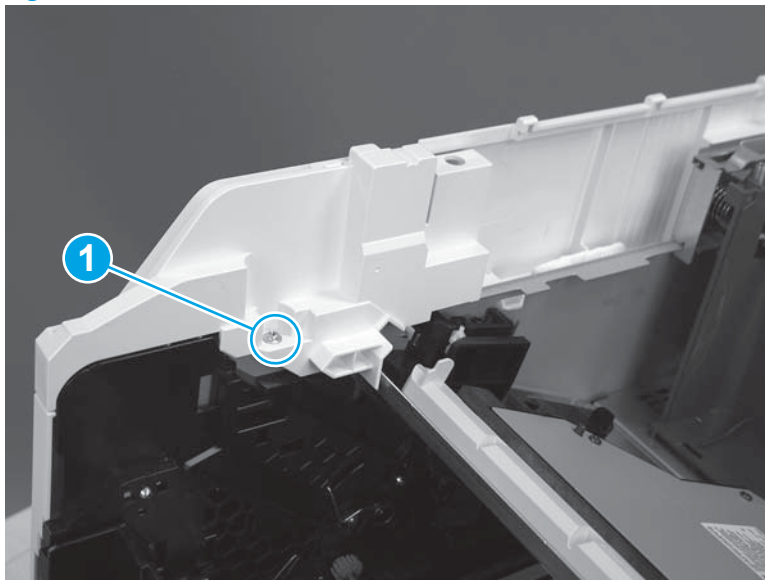
5. Position the left front inside cover on the printer.

Figure 1-595 Install the left front inside cover



6. Install one screw (callout 1).

Figure 1-596 Install one screw

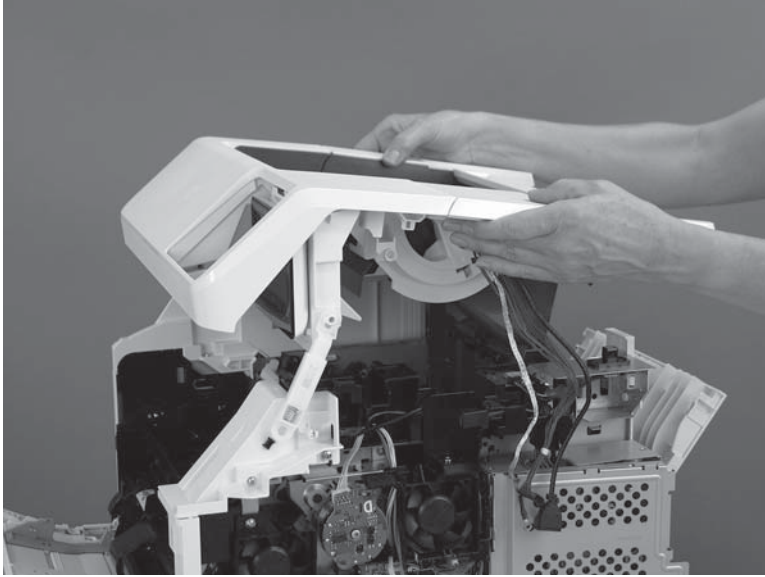


Step 13: Install the top cover (M605x, M606x only)

 **NOTE:** For the M604n/dn, M605n/dn, or M606dn product, skip this step and go to [Step 14: Install the top cover \(M604n/dn, M605n/dn, M606dn only\) on page 360.](#)

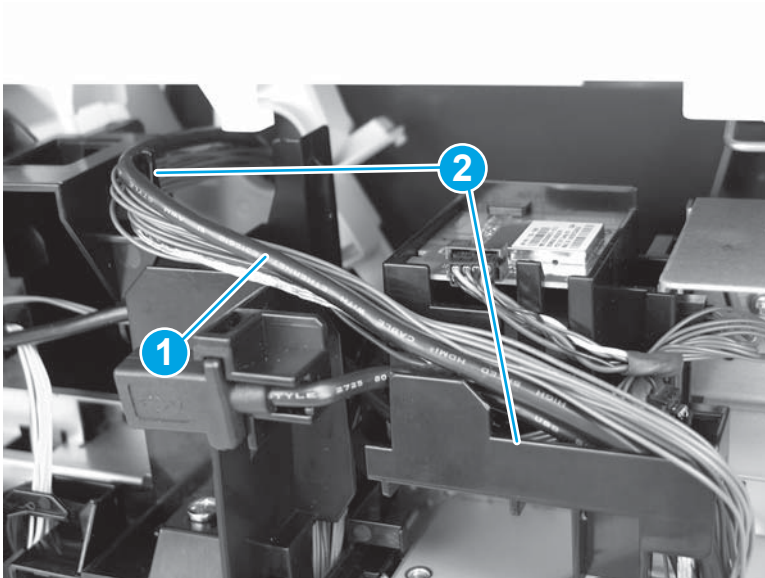
1. Lower the top cover onto the printer.

Figure 1-597 Lower the top cover



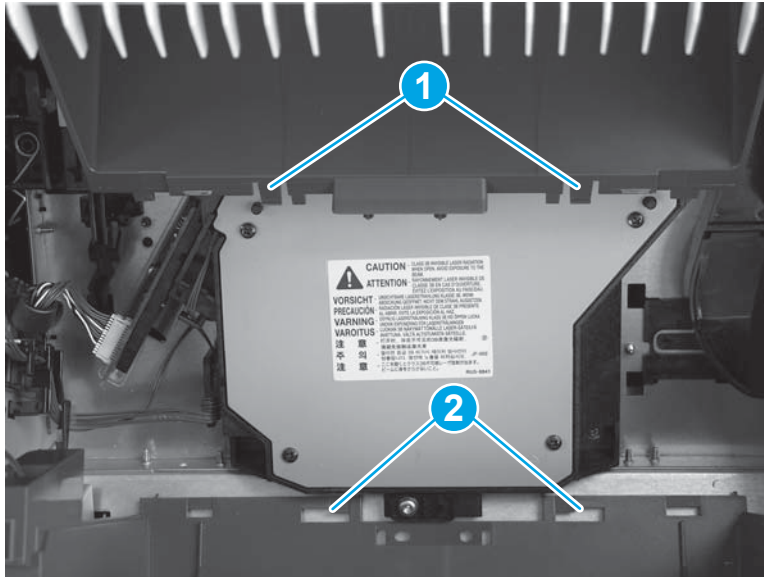
2. On the right side of the printer, make sure that the wire harness and cables (callout 1) are properly routed through the guides (callout 2).

Figure 1-598 Install cables in guides



3. Install two tabs (callout 1) on the top output bin into two slots (callout 2) in the printer. Make sure that the tabs snap into place.

Figure 1-599 Install two tabs



4. Install one screw (callout 1) on the left side of the printer.


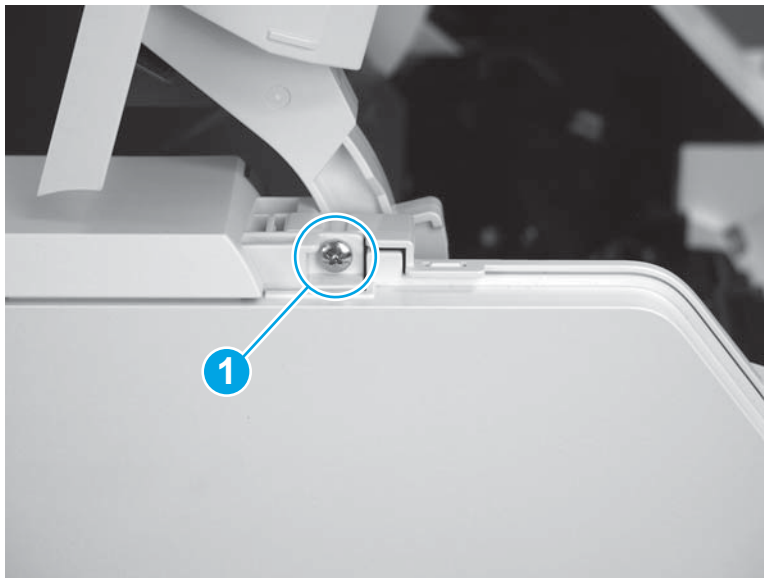
 **Reinstallation tip:** This screw is larger than the screws removed from the top of the printer. Make sure to install the correct screw.

Figure 1-600 Install one screw



5. Install one screw (callout 1) on the right side of the printer.


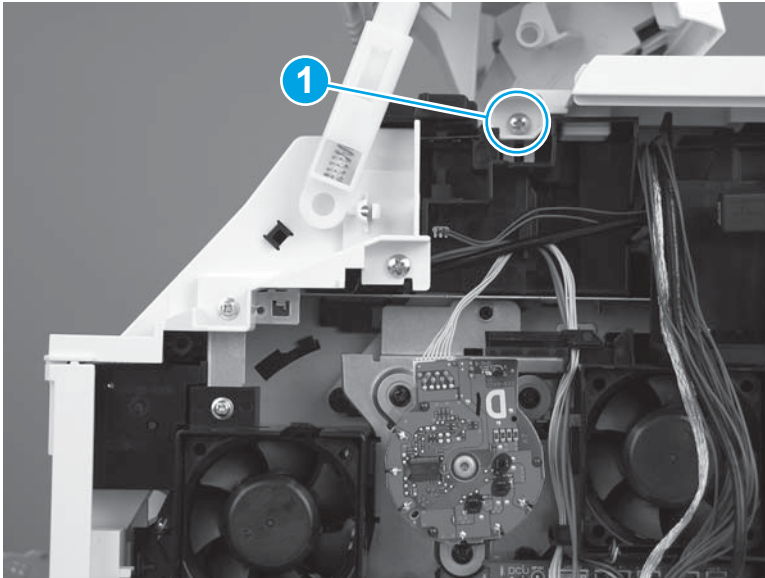
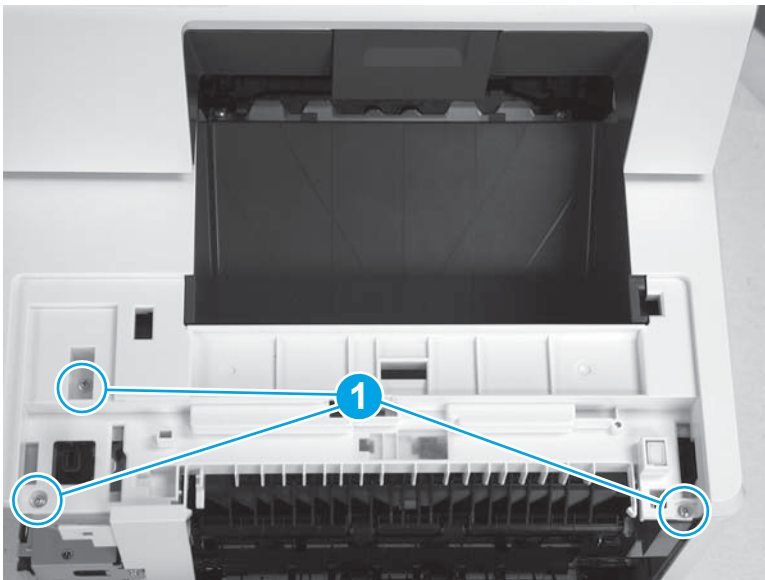
 **Reinstallation tip:** This screw is larger than the screws removed from the top of the printer. Make sure to install the correct screw.

Figure 1-601 Install one screw



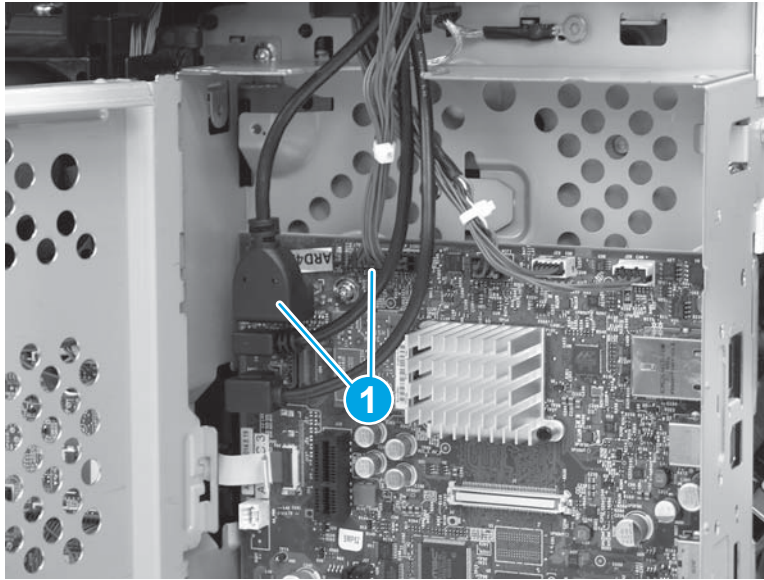
6. Install three screws (callout 1) on the top of the printer.

Figure 1-602 Install three screws



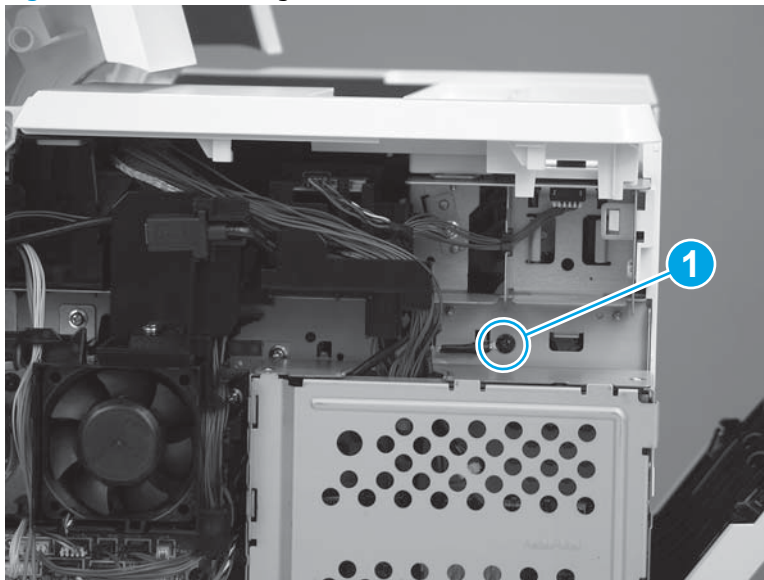
7. Connect two connectors (callout 1).

Figure 1-603 Connect two connectors



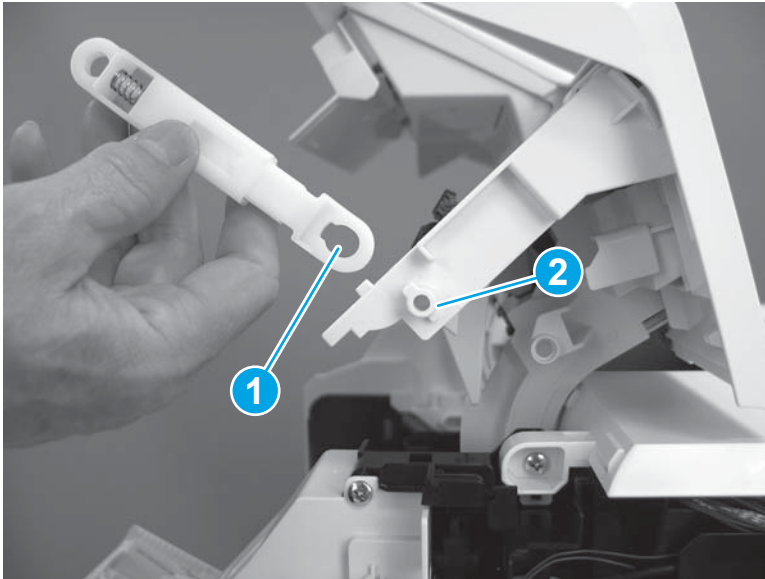
8. Install one screw to attach the ground wire (callout 1).

Figure 1-604 Install the ground wire




9. If the toner-cartridge door hinge comes off of the top cover, reattach the hinge by sliding the hole (callout 1) in the hinge onto the tab (callout 2) on the top cover.

Figure 1-605 Reattach the door hinge

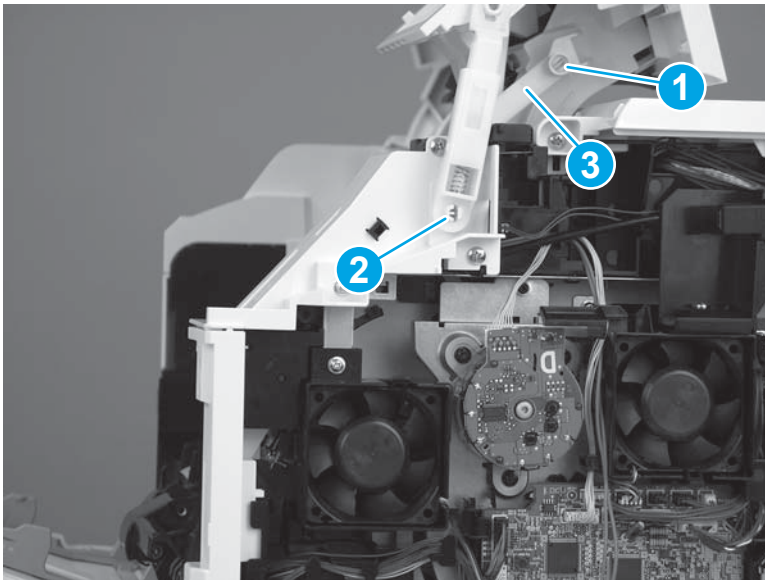


10. Install the toner-cartridge drive-arm (callout 1) and the toner-cartridge door hinge (callout 2) by pressing them onto the tabs.

 **NOTE:** It might be necessary to lift the drive arm (callout 3) up in order to reattach it.

 **CAUTION:** The toner-cartridge drive-arm tabs break easily.

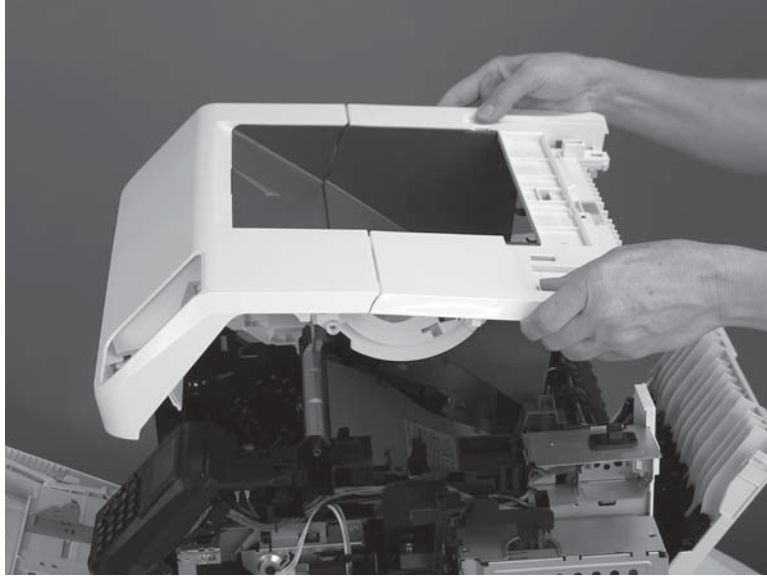
Figure 1-606 Install the drive-arm and door hinge tabs



Step 14: Install the top cover (M604n/dn, M605n/dn, M606dn only)

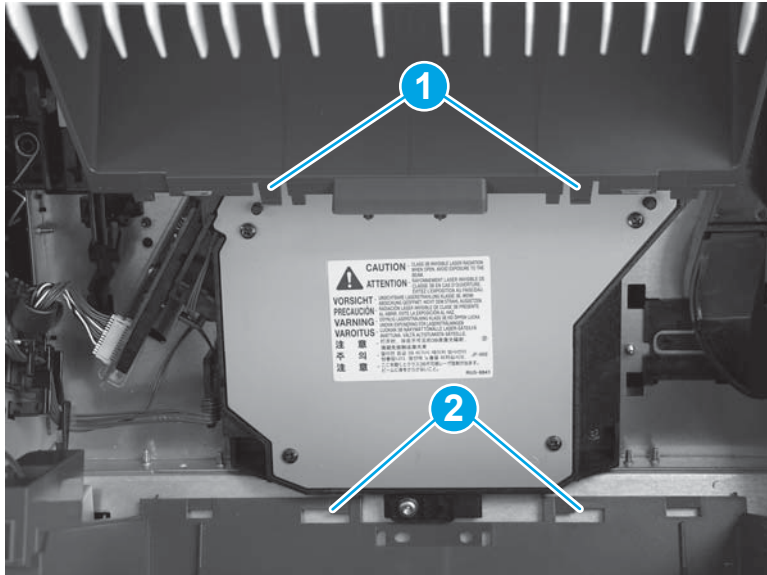
1. Lower the top cover onto the printer.

Figure 1-607 Lower the top cover



2. Install two tabs (callout 1) on the top output bin into two slots (callout 2) in the printer. Make sure that the tabs snap into place.

Figure 1-608 Install two tabs



3. Install one screw (callout 1) on the left side of the printer.


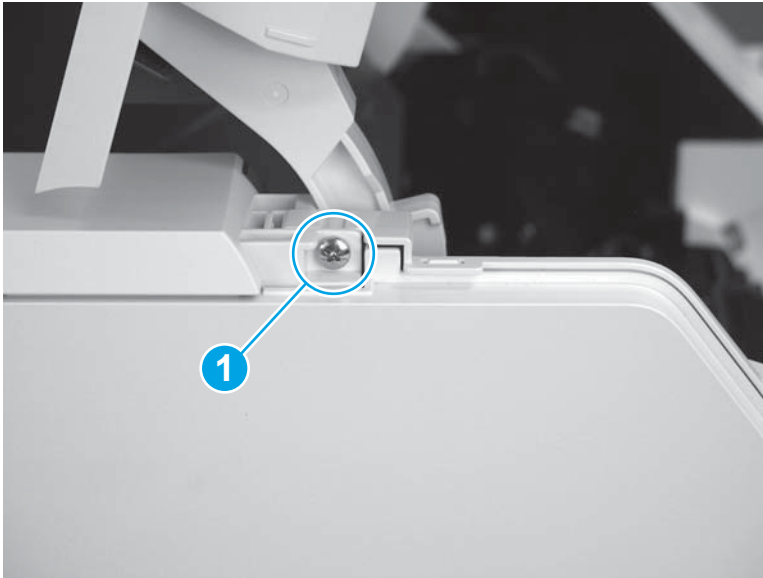
 **Reinstallation tip:** This screw is larger than the screws removed from the top of the printer. Make sure to install the correct screw.

Figure 1-609 Install one screw



4. Install one screw (callout 1) on the right side of the printer.


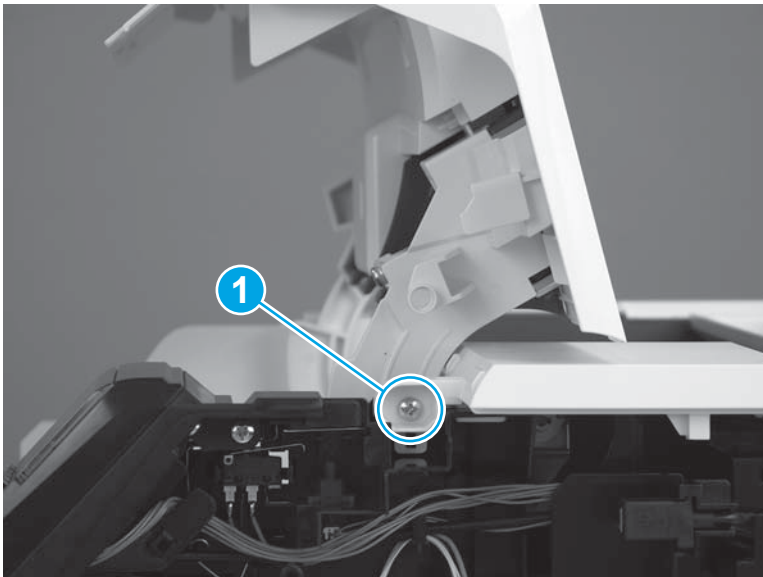
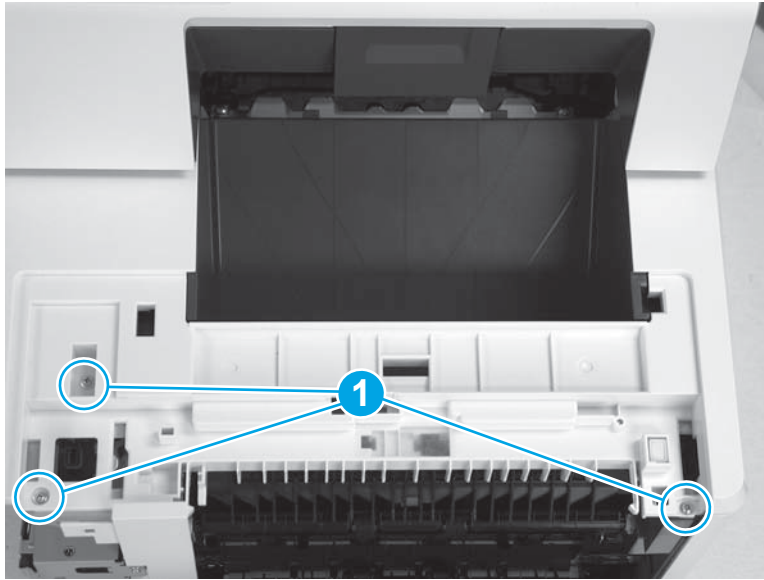
 **Reinstallation tip:** This screw is larger than the screws removed from the top of the printer. Make sure to install the correct screw.

Figure 1-610 Install one screw



5. Install three screws (callout 1) on the top of the printer.

Figure 1-611 Install three screws

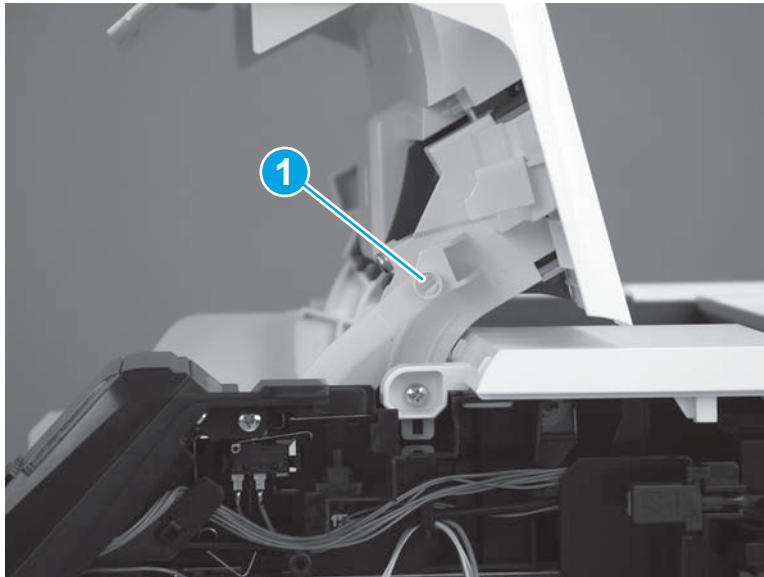


6. Install the toner-cartridge drive-arm (callout 1) by pressing it onto the tabs.

 **NOTE:** It might be necessary to lift the drive arm up in order to reattach it.

 **CAUTION:** The toner-cartridge drive-arm tabs break easily.

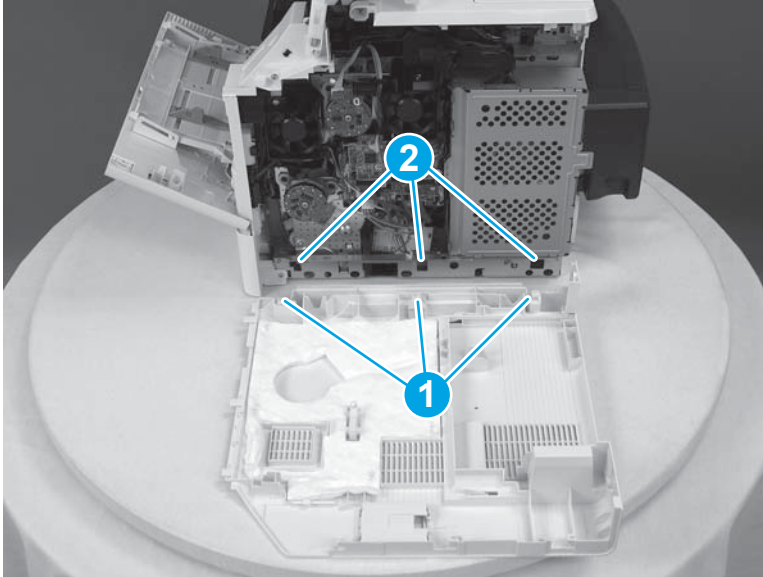
Figure 1-612 Install the drive-arm tabs



Step 15: Install the right cover

1. Note the location of the tabs (callout 1) on the cover that will fit into the slots (callout 2) on the printer.

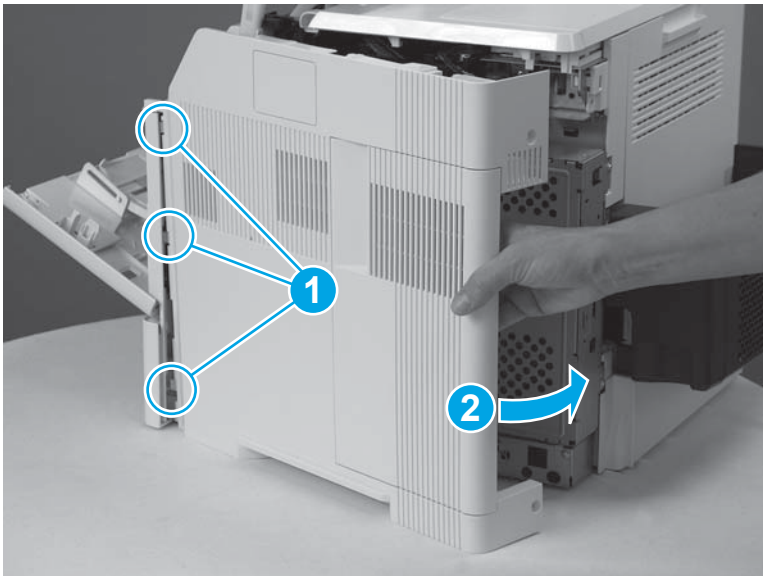
Figure 1-613 Note location of tabs



2. Position the front tabs on the right cover slightly behind the right front cover (callout 1), and then rotate the back edge of the cover toward the printer (callout 2).

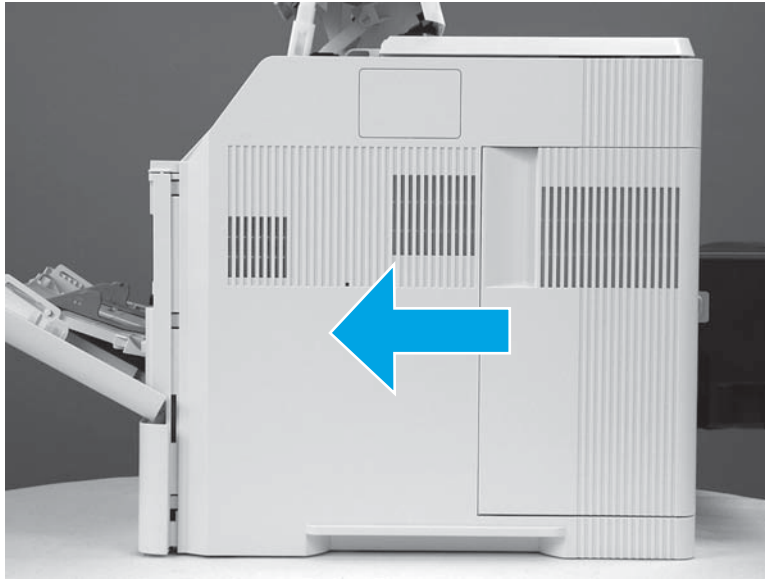
 **NOTE:** The tabs and slots mentioned in the previous step will engage as the cover is rotated into place.

Figure 1-614 Position the front tabs



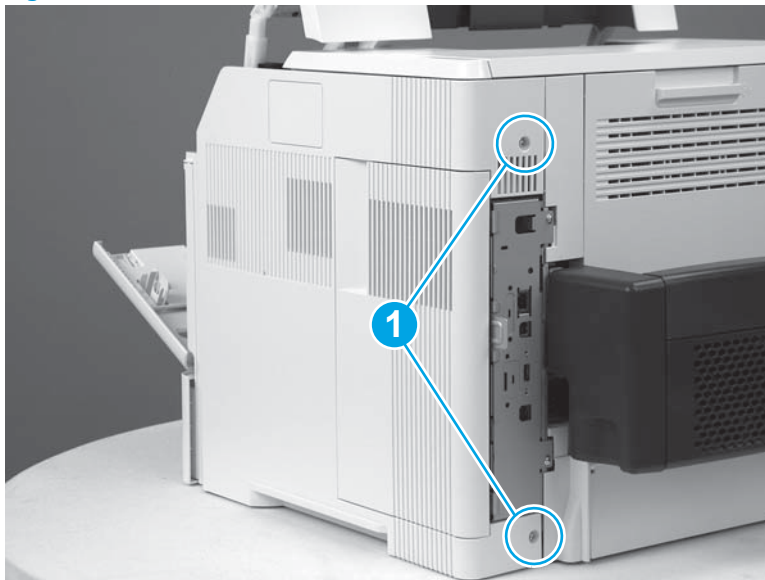
3. Slide the cover toward the front of the printer to install it.

Figure 1-615 Slide the cover



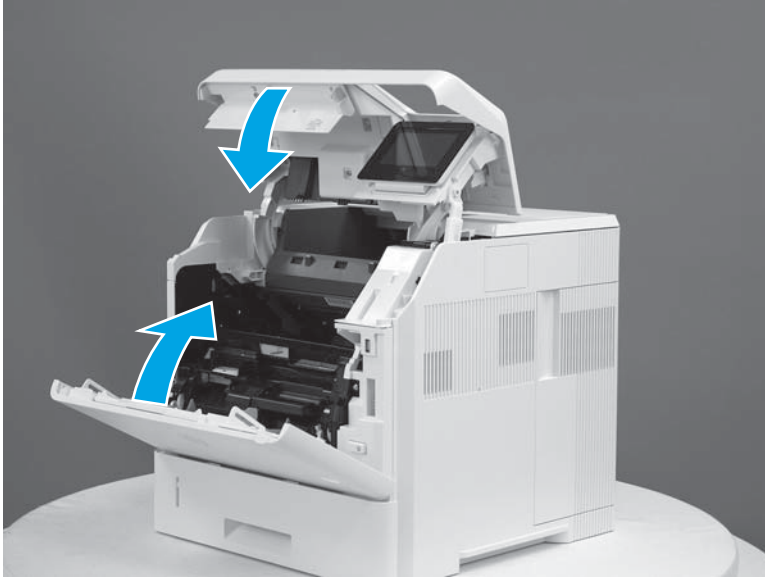
4. Install two screws (callout 1).

Figure 1-616 Install two screws



5. Close the front cover and the cartridge door.

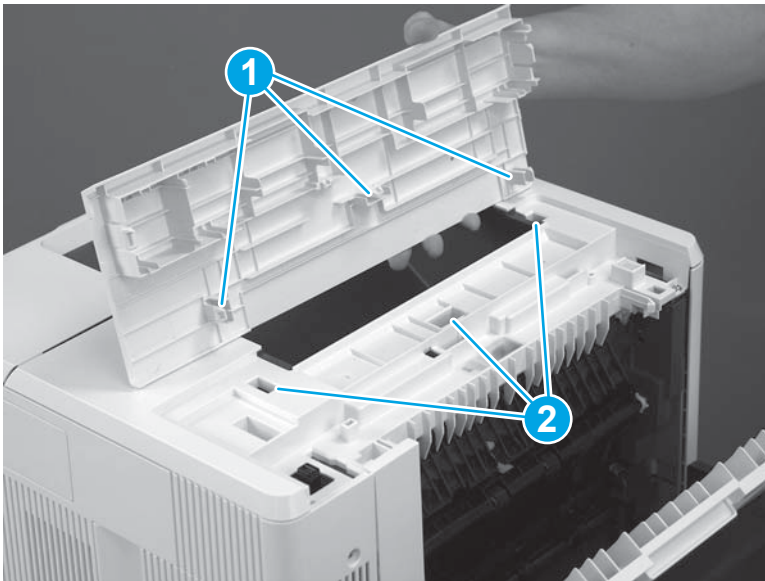
Figure 1-617 Close the front cover and cartridge door



Step 16: Install the top accessory cover

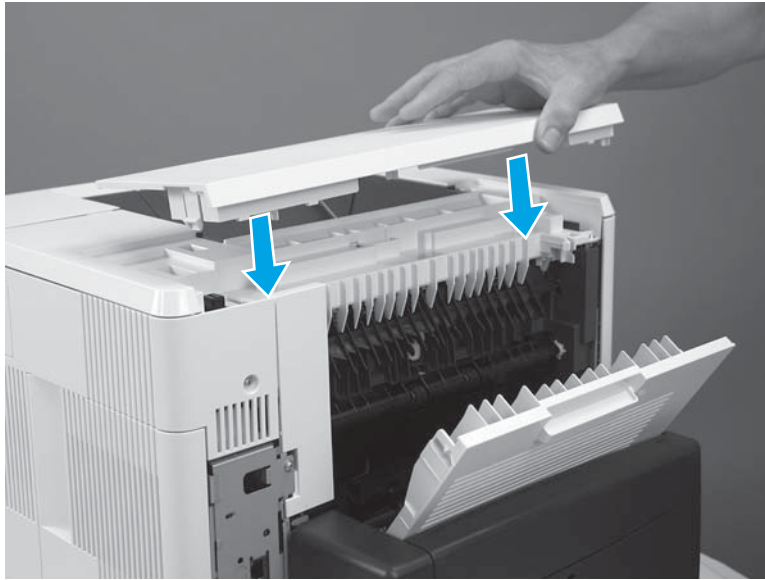
1. Align the tabs (callout 1) on the top accessory cover with the slots (callout 2) in the top cover.

Figure 1-618 Align the tabs and slots



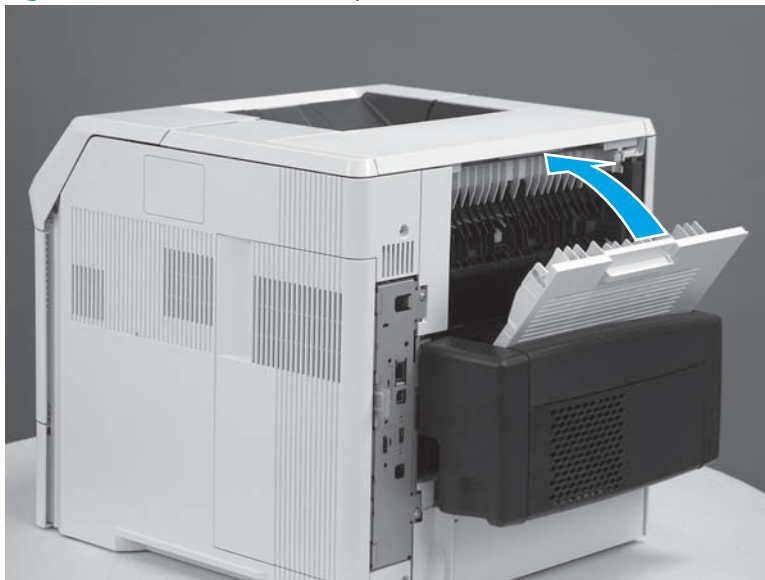
2. Place the top accessory on top of the printer, and then press down to install it.

Figure 1-619 Install the top accessory cover



3. Close the rear output bin.

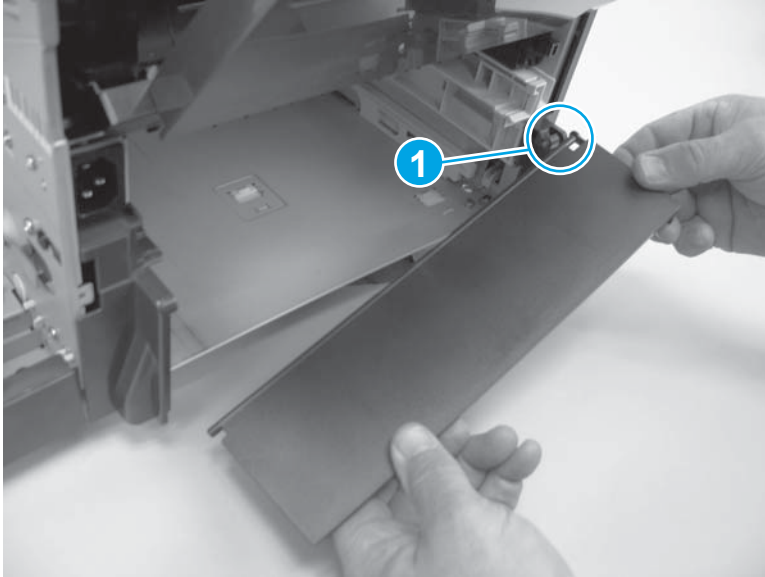
Figure 1-620 Close the rear output bin



Step 17: Install the Tray 2 extension door

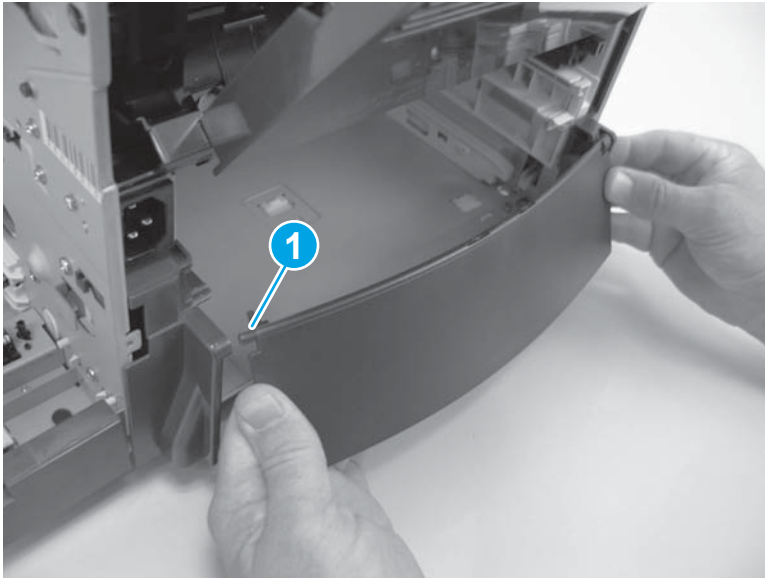
1. Rotate the Tray 2 extension door to the horizontal position, and then install the keyed hinge pin (callout 1).

Figure 1-621 Install the keyed hinge pin



2. Carefully flex the Tray 2 extension door, and then install the hinge pin (callout 1) near the power-cord side of the printer.

Figure 1-622 Install the hinge pin



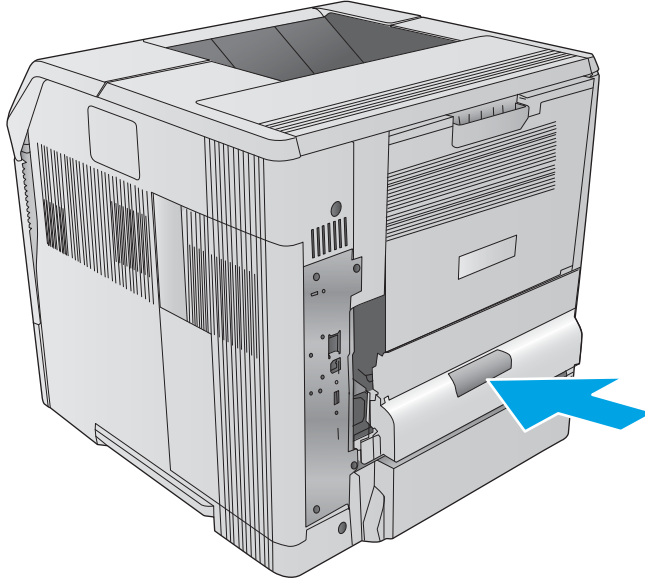
Step 18: Install the duplex accessory cover



NOTE: If the duplex accessory cover was not removed, skip this step and go to [Step 19: Install the duplex accessory on page 369](#).

- ▲ Slide the duplex accessory cover straight into the printer to install it.

Figure 1-623 Install the duplex accessory cover

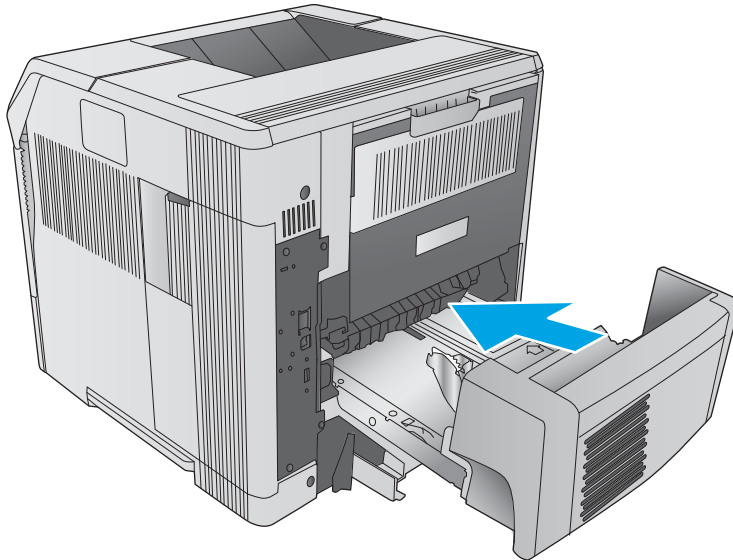


Step 19: Install the duplex accessory

 **NOTE:** If the optional duplex accessory was not removed, skip this step.

- ▲ Slide the duplex accessory straight into the printer to install it.

Figure 1-624 Install the duplex accessory



Removal and replacement: Fan FN102

- [Introduction](#)
- [Step 1: Remove the right cover](#)
- [Step 2: Remove the fan FN102](#)
- [Step 3: Unpack the replacement fan FN102](#)
- [Step 4: Install the fan FN102](#)
- [Step 5: Install the right cover](#)


Introduction

This document provides the procedures to remove and replace the fan FN102.

Before performing service

Turn the printer power off

- Disconnect the power cable.

 **WARNING!** To avoid damage to the printer, turn the printer off, wait 30 seconds, and then remove the power cord before attempting to service the printer.

Use the table below to identify the correct part number for your printer. To order the part, go to www.hp.com/buy/parts.

Fan FN102 part number	
RK2-1989-000CN	Fan FN102

Required tools

- #2 Phillips screwdriver with a magnetic tip

After performing service

Turn the printer power on

- Connect the power cable.
- Use the power switch to turn the power on.

Post service test

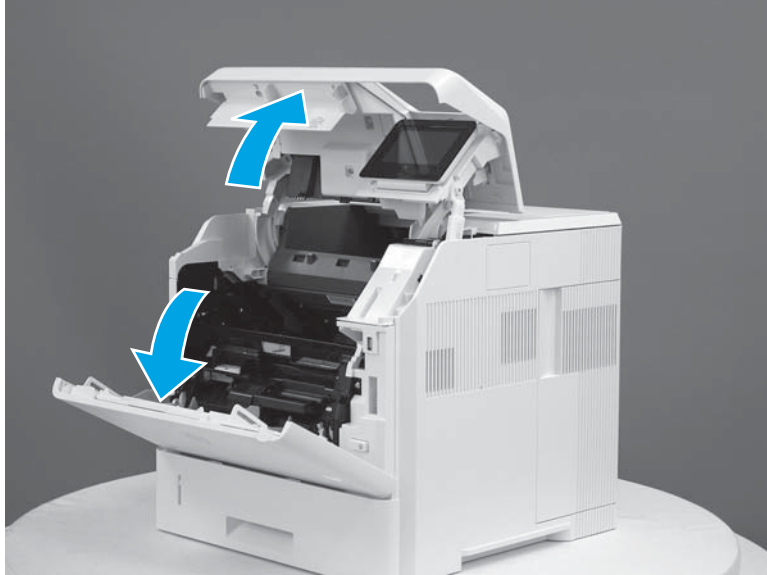
Make sure that the printer initializes to a **Ready** state.

Print a configuration page to make sure that the printer is functioning correctly.

Step 1: Remove the right cover

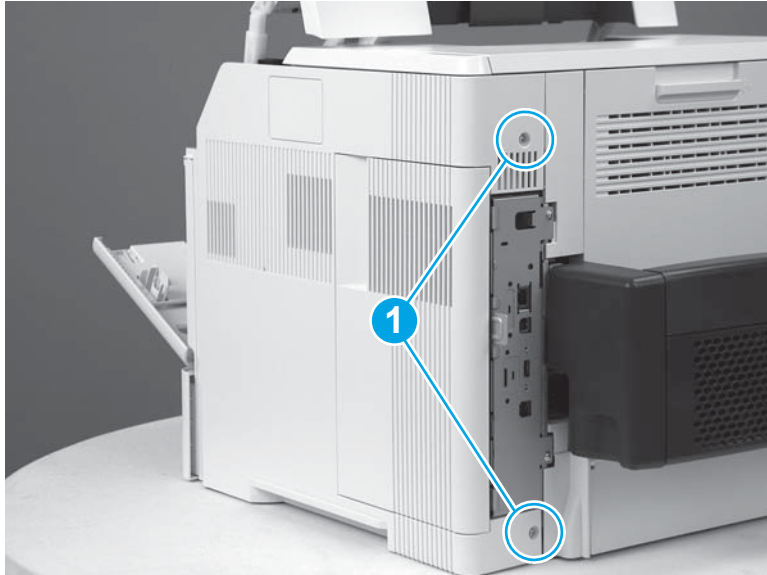
1. Open the front cover and the cartridge door.

Figure 1-625 Open the front cover and cartridge door



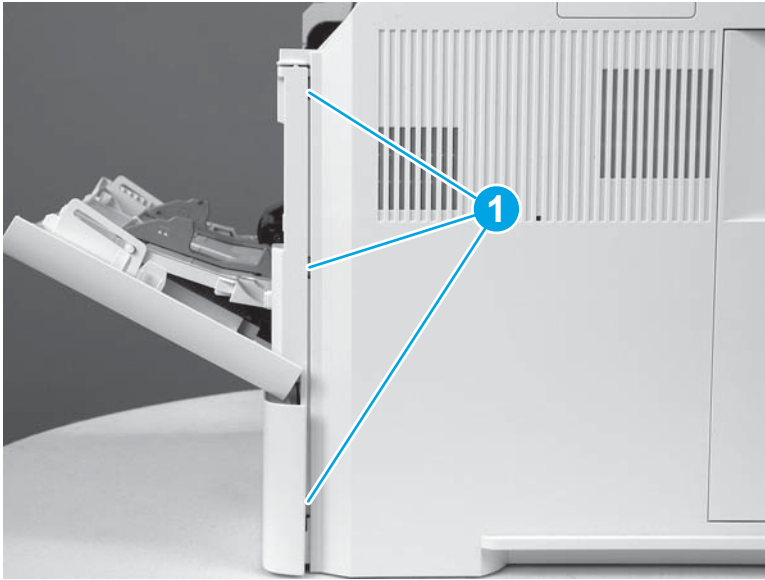
2. Remove two screws (callout 1).

Figure 1-626 Remove two screws



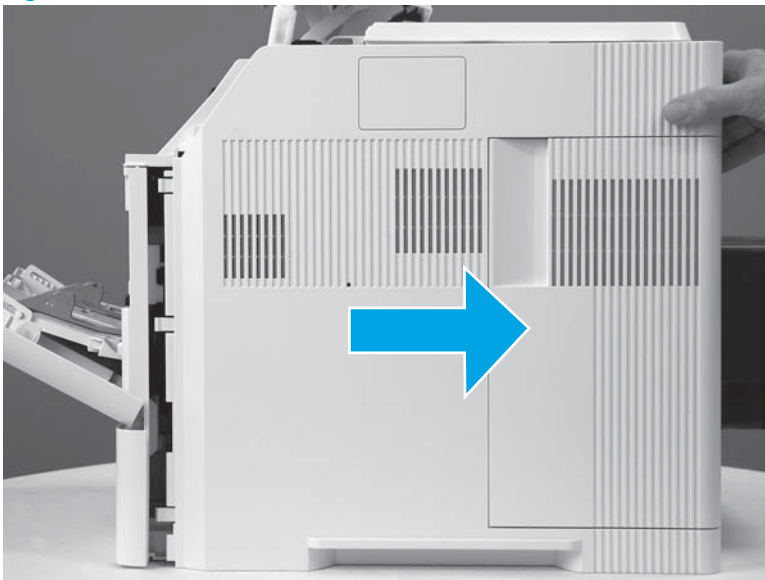
3. Release three tabs (callout 1).

Figure 1-627 Release three tabs



4. Slide the cover toward the rear of the printer to remove it.

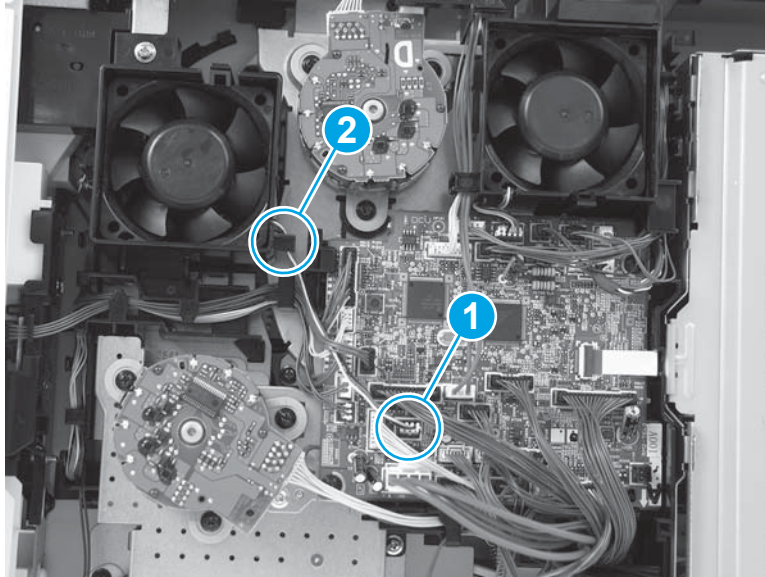
Figure 1-628 Remove the cover



Step 2: Remove the fan FN102

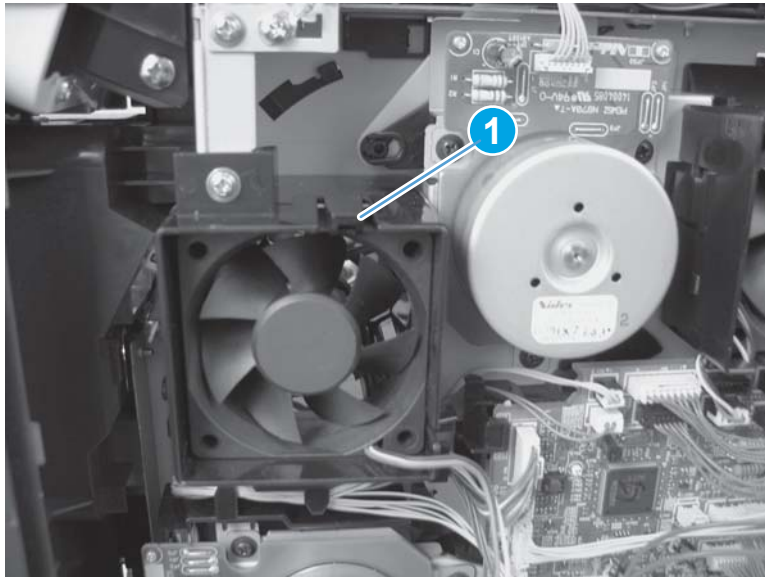
1. Disconnect one connector (callout 1; J75), and then release the wire harness from the retainer (callout 2) on the fan duct.

Figure 1-629 Disconnect one connector



2. Release one tab (callout 1), and then remove the fan.

Figure 1-630 Remove fan



Step 3: Unpack the replacement fan FN102

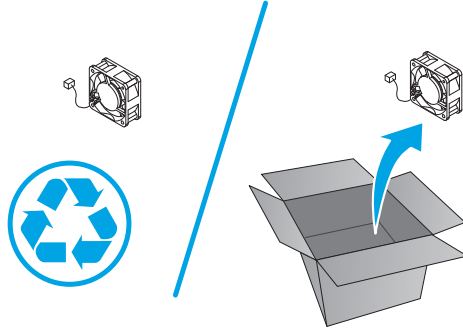
Unpack the replacement part from the packaging.

<http://www8.hp.com/us/en/hp-information/environment/product-recycling.html>



NOTE: HP recommends responsible disposal of the defective part.

Figure 1-631 Recycle and unpack



Step 4: Install the fan FN102

1. Install fan FN102 in the duct. Make sure that the tab (callout 1) snaps into place.


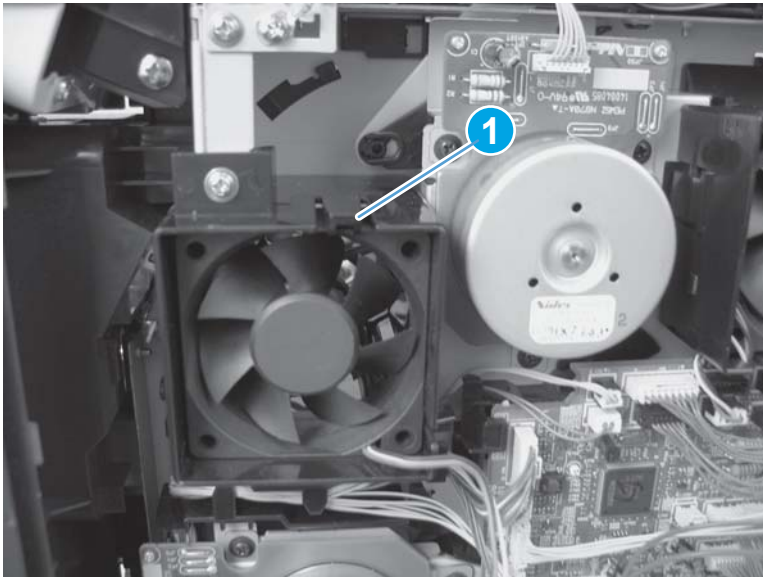
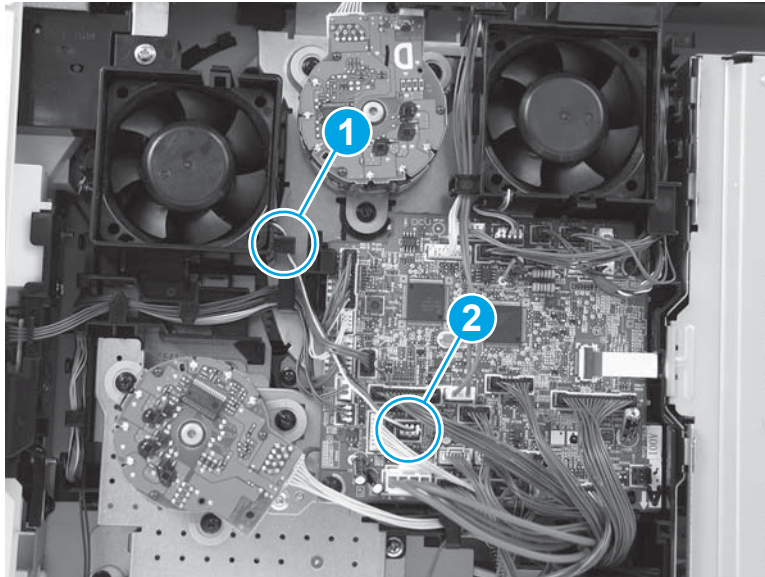
 **TIP:** When you reinstall the fan, the air must flow into the printer. Verify that the airflow arrows that are embossed on the fan body point *into* the printer.

Figure 1-632 Install fan



2. Reinstall the wire harness around the retainer (callout 1), and then connect one connector (callout 2; J75).

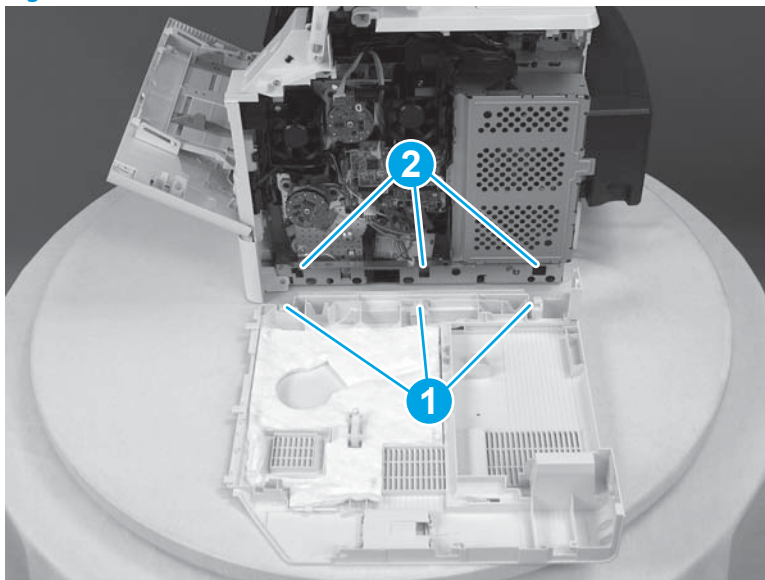
Figure 1-633 Connect one connector



Step 5: Install the right cover

1. Note the location of the tabs (callout 1) on the cover that will fit into the slots (callout 2) on the printer.

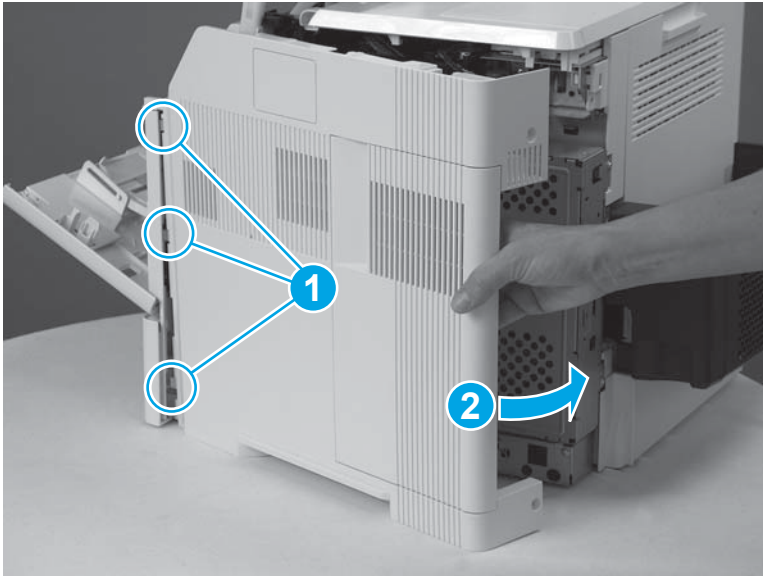
Figure 1-634 Note location of tabs



2. Position the front tabs on the right cover slightly behind the right front cover (callout 1), and then rotate the back edge of the cover toward the printer (callout 2).

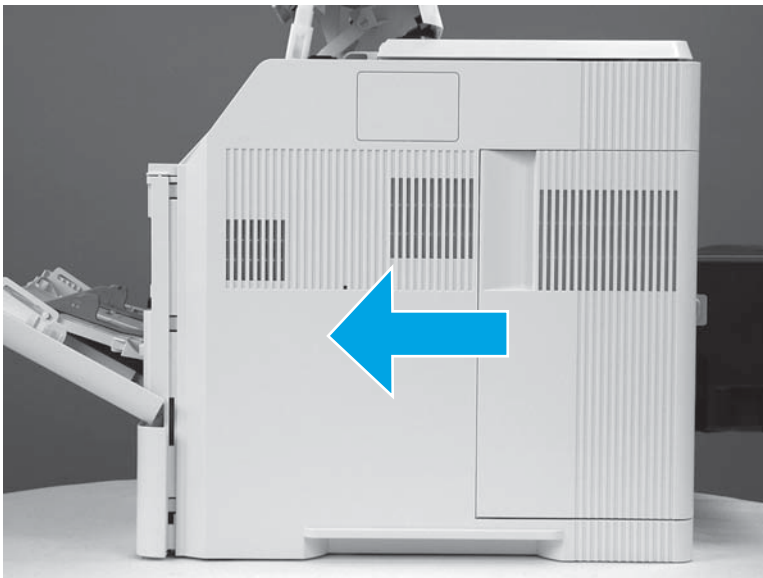
 **NOTE:** The tabs and slots mentioned in the previous step will engage as the cover is rotated into place.

Figure 1-635 Position the front tabs



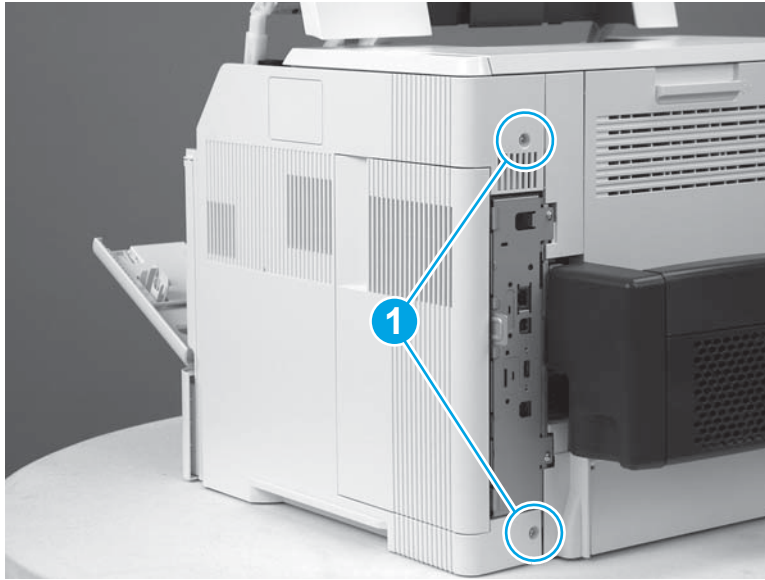
3. Slide the cover toward the front of the printer to install it.

Figure 1-636 Slide the cover



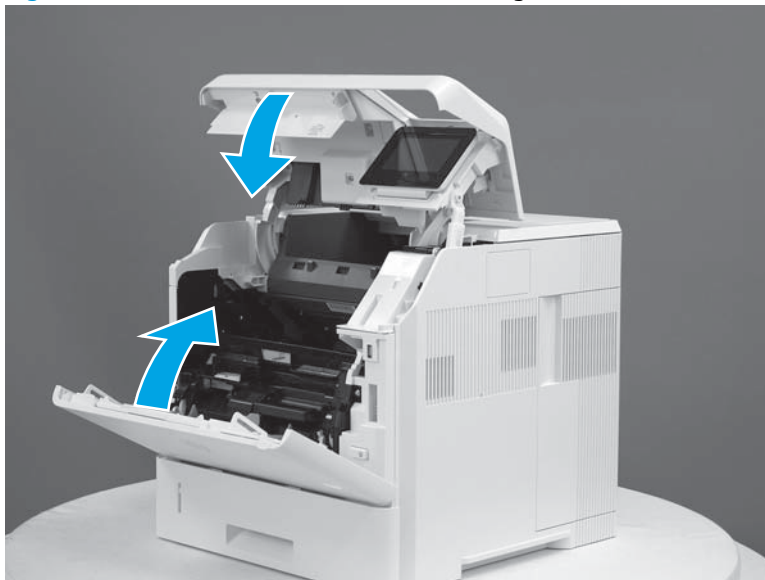
4. Install two screws (callout 1).

Figure 1-637 Install two screws



5. Close the front cover and the cartridge door.

Figure 1-638 Close the front cover and cartridge door



Removal and replacement: Fan FN103

- [Introduction](#)
- [Step 1: Remove the duplex accessory](#)
- [Step 2: Remove the duplex accessory cover](#)
- [Step 3: Remove the Tray 2 extension door](#)
- [Step 4: Remove the top accessory cover](#)
- [Step 5: Remove the right cover](#)
- [Step 6: Remove the top cover \(M604n/dn, M605n/dn, M606dn only\)](#)
- [Step 7: Remove the top cover \(M605x, M606x only\)](#)
- [Step 8: Remove the left cover](#)
- [Step 9: Remove the fan FN103](#)
- [Step 10: Unpack the replacement fan FN103](#)
- [Step 11: Install the fan FN103](#)
- [Step 12: Install the left cover](#)
- [Step 13: Install the top cover \(M605x, M606x only\)](#)
- [Step 14: Install the top cover \(M604n/dn, M605n/dn, M606dn only\)](#)
- [Step 15: Install the right cover](#)
- [Step 16: Install the top accessory cover](#)
- [Step 17: Install the Tray 2 extension door](#)
- [Step 18: Install the duplex accessory cover](#)
- [Step 19: Install the duplex accessory](#)


Introduction

This document provides the procedures to remove and replace the fan FN103.

Before performing service

Turn the printer power off

- Disconnect the power cable.

 **WARNING!** To avoid damage to the printer, turn the printer off, wait 30 seconds, and then remove the power cord before attempting to service the printer.

Use the table below to identify the correct part number for your printer. To order the part, go to www.hp.com/buy/parts.

Fan FN103 part number

RK2-3244-000CN

Fan FN103

Required tools

- #2 Phillips screwdriver with a magnetic tip

After performing service

Turn the printer power on


- Connect the power cable.
- Use the power switch to turn the power on.

Post service test

Make sure that the printer initializes to a **Ready** state.

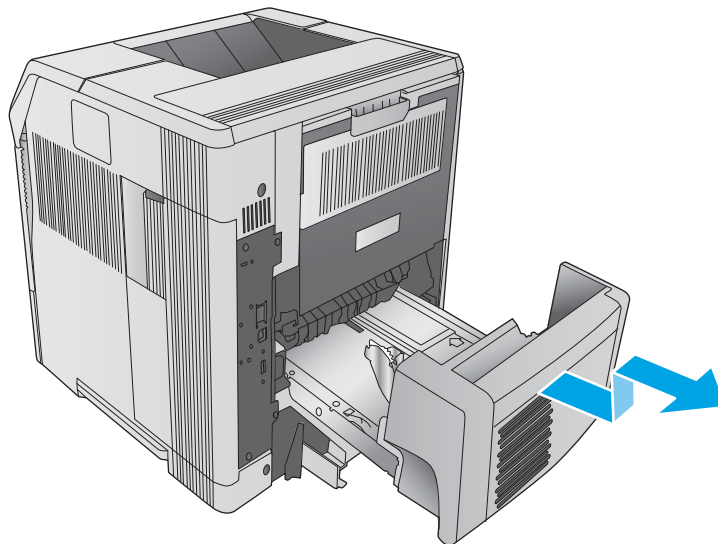
Print a configuration page to make sure that the printer is functioning correctly.

Step 1: Remove the duplex accessory


 **NOTE:** If the optional duplex accessory is not installed, skip this step and go to [Step 2: Remove the duplex accessory cover on page 379](#).

- ▲ Slightly lift up on the duplex accessory, and then pull it completely out of the printer to remove it.

Figure 1-639 Remove the duplex accessory

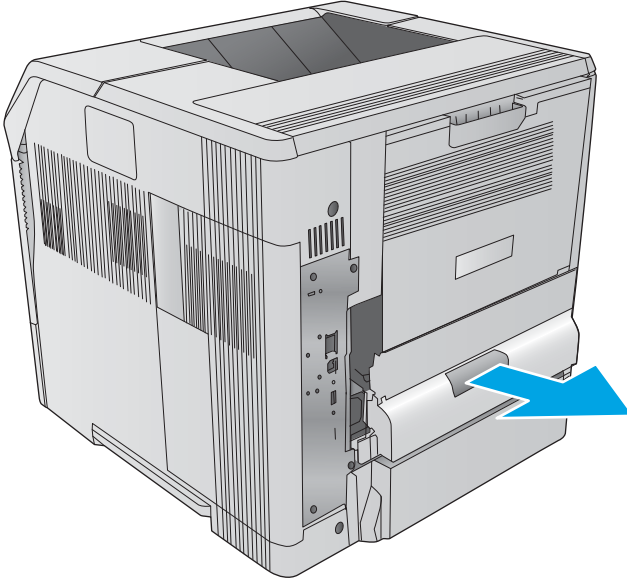


Step 2: Remove the duplex accessory cover

 **NOTE:** If the duplex accessory cover is not installed, skip this step and go to [Step 3: Remove the Tray 2 extension door on page 380](#).

- ▲ Pull the duplex accessory cover straight out of the printer to remove it.

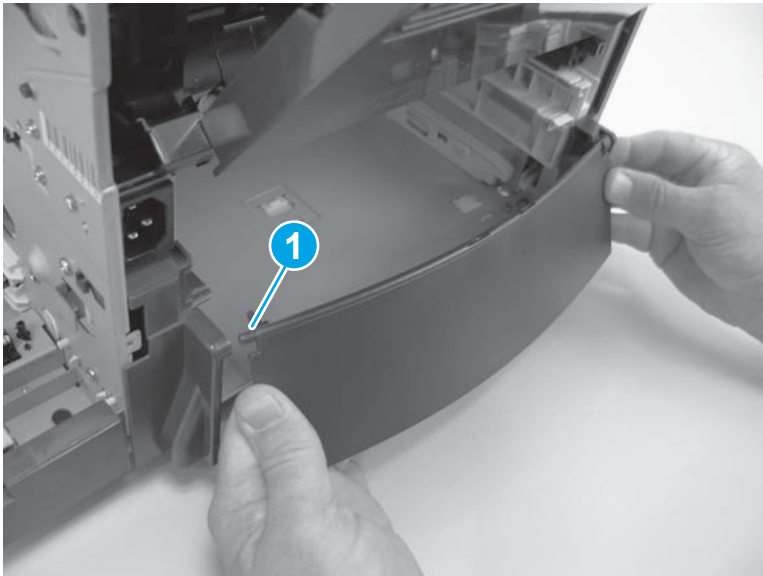
Figure 1-640 Remove the duplex accessory cover



Step 3: Remove the Tray 2 extension door

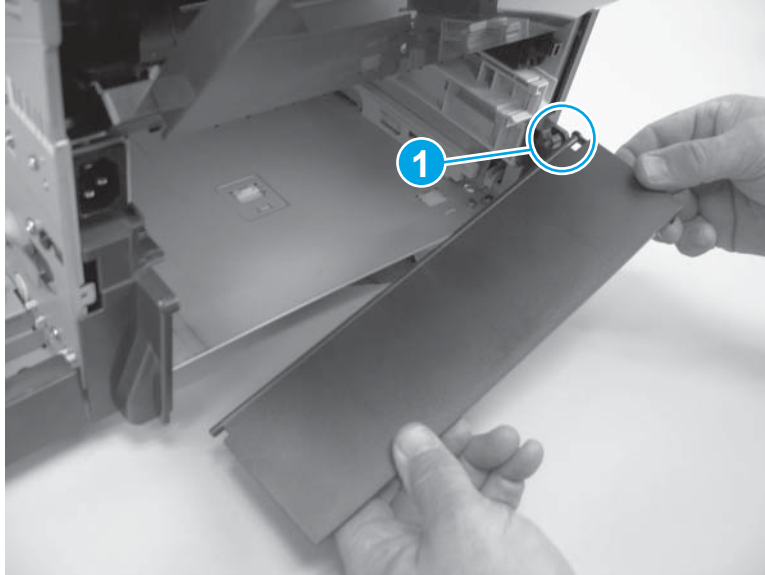
1. Carefully flex the Tray 2 extension door to release the hinge pin (callout 1) near the power-cord side of the printer.

Figure 1-641 Release the hinge pin



2. Rotate the Tray 2 extension door to the horizontal position, and then pull up on the keyed hinge pin (callout 1) to release the door. Remove the Tray 2 extension door.

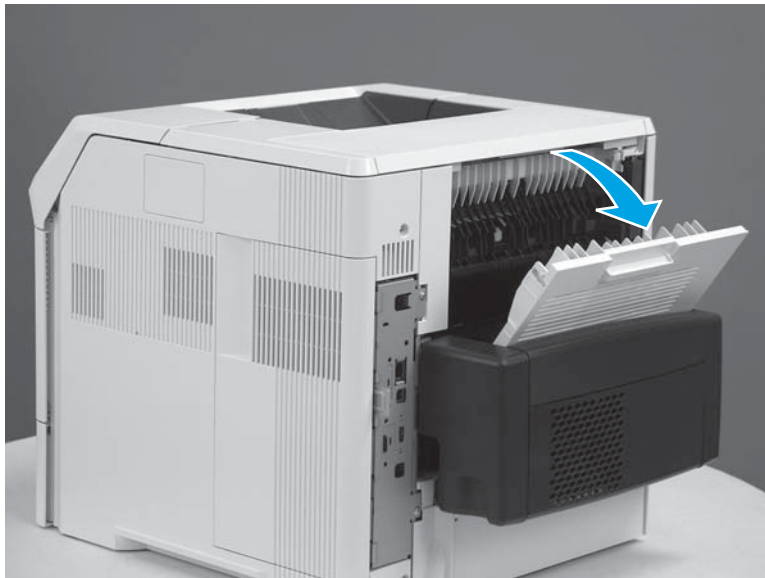
Figure 1-642 Remove the Tray 2 extension door



Step 4: Remove the top accessory cover

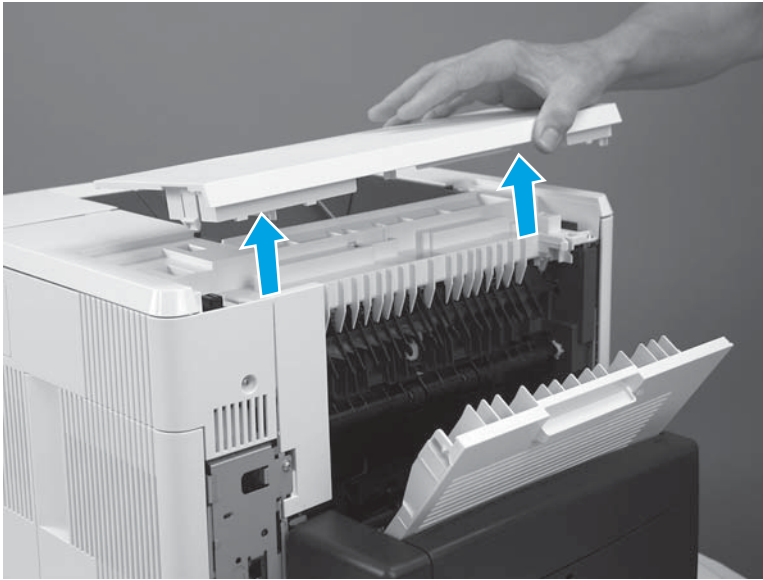
1. Open the rear output bin.

Figure 1-643 Open the rear output bin



2. Lift the top accessory cover up and off of the printer.

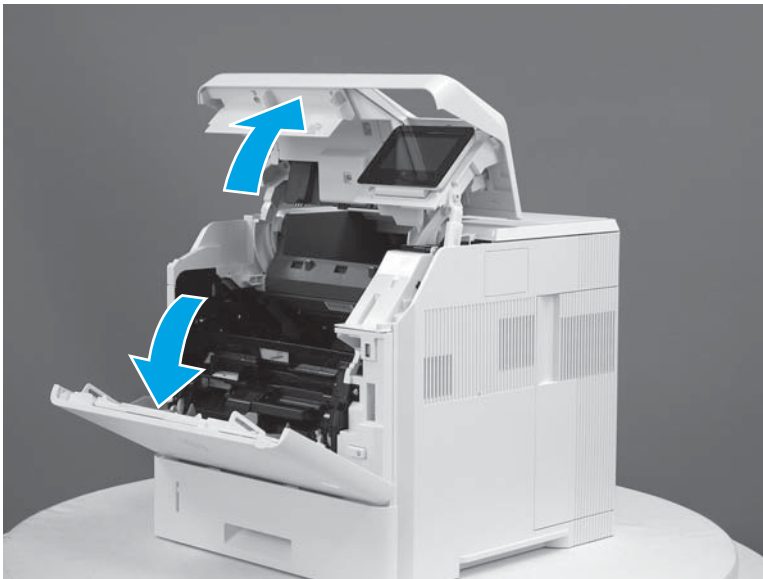
Figure 1-644 Remove top accessory cover



Step 5: Remove the right cover

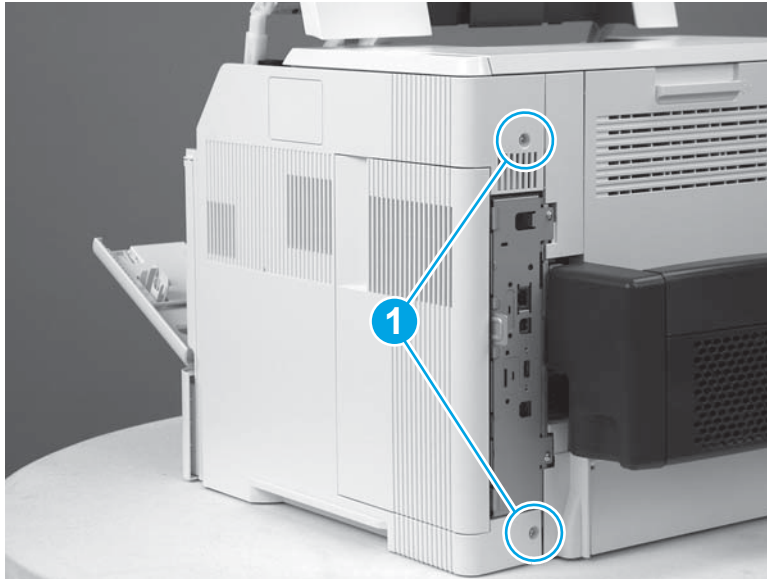
1. Open the front cover and the cartridge door.

Figure 1-645 Open the front cover and cartridge door



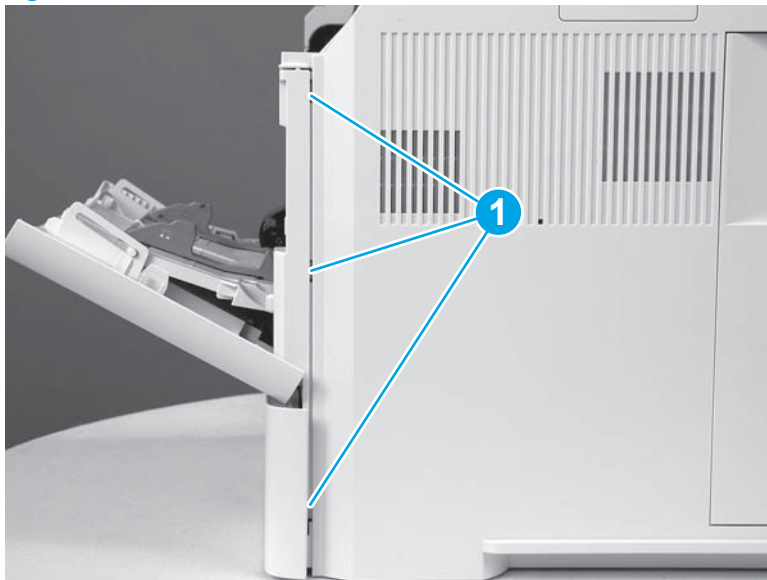
2. Remove two screws (callout 1).

Figure 1-646 Remove two screws



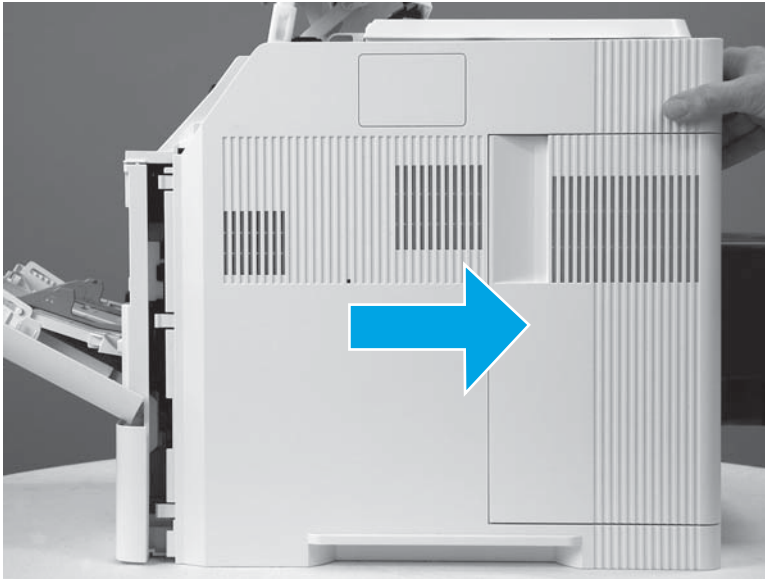
3. Release three tabs (callout 1).

Figure 1-647 Release three tabs



4. Slide the cover toward the rear of the printer to remove it.

Figure 1-648 Remove the cover



Step 6: Remove the top cover (M604n/dn, M605n/dn, M606dn only)



NOTE: For the M605x or M606x product, skip this step and go to [Step 7: Remove the top cover \(M605x, M606x only\) on page 387](#).

1. Use needle-nose pliers to release the toner-cartridge drive-arm tabs (callout 1).

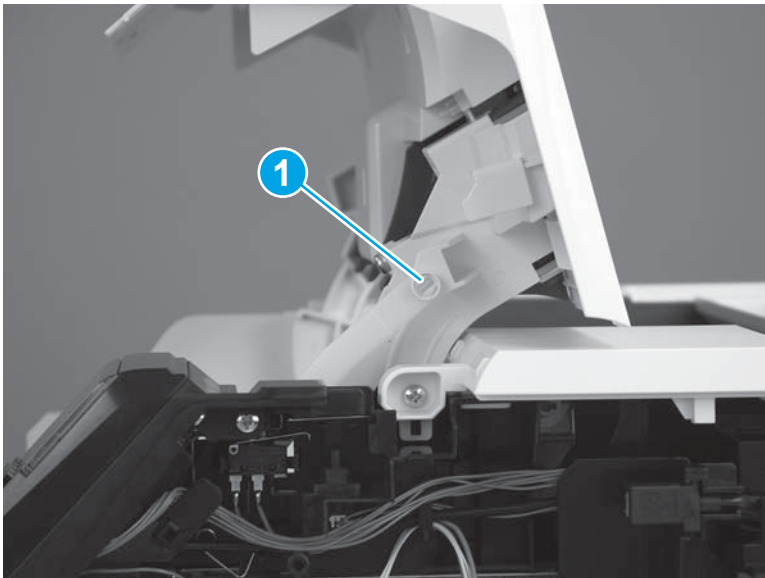


CAUTION: The toner-cartridge drive-arm tabs break easily.



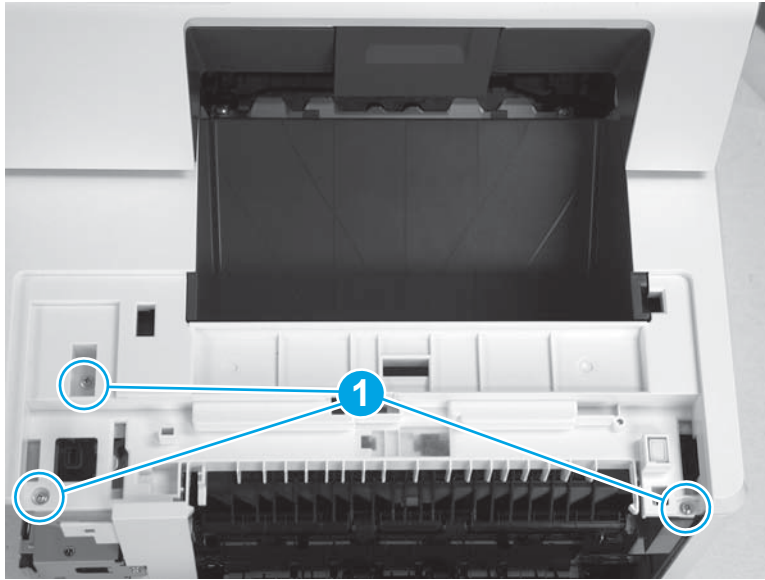
TIP: Push the toner-cartridge drive-arm back into the printer to avoid damaging it when you remove the top cover.

Figure 1-649 Release the drive-arm tabs



2. Remove three screws (callout 1) on the top of the printer.

Figure 1-650 Remove three screws



3. Remove one screw (callout 1) on the right side of the printer.


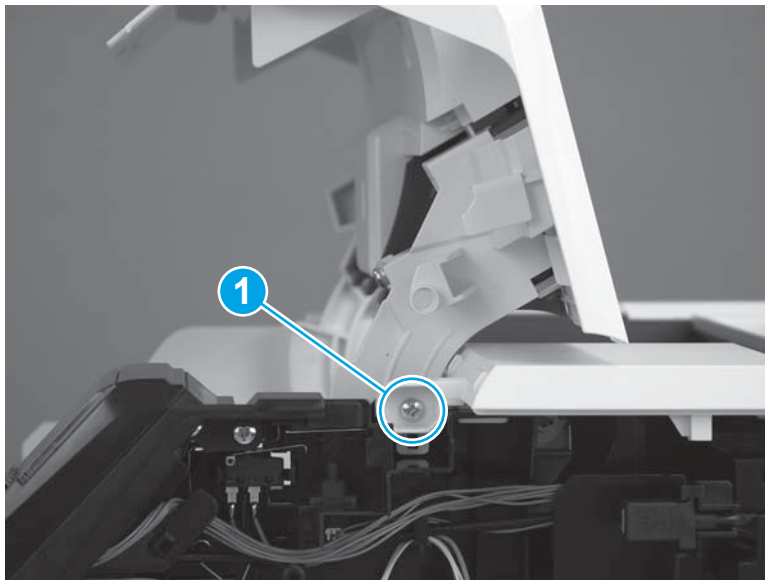
 **Reinstallation tip:** This screw is larger than the screws removed from the top of the printer. Make sure to install the correct screw when reassembling.

Figure 1-651 Remove one screw



4. Remove one screw (callout 1) on the left side of the printer.


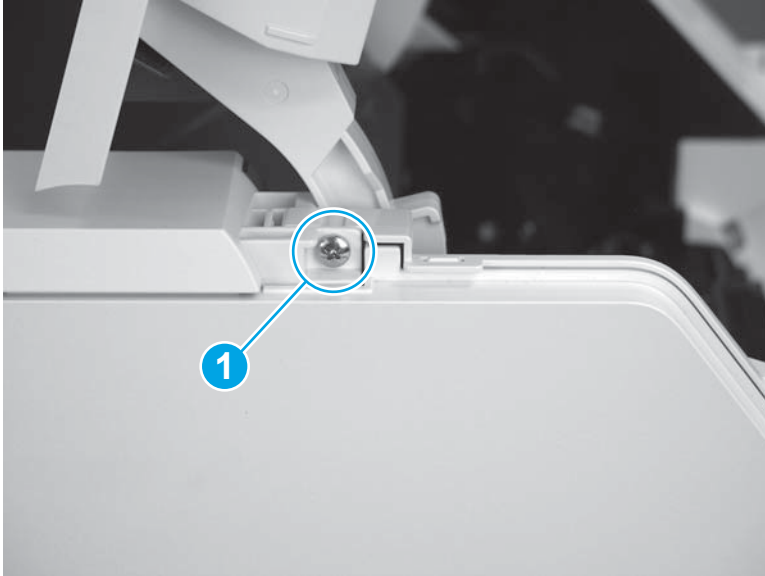
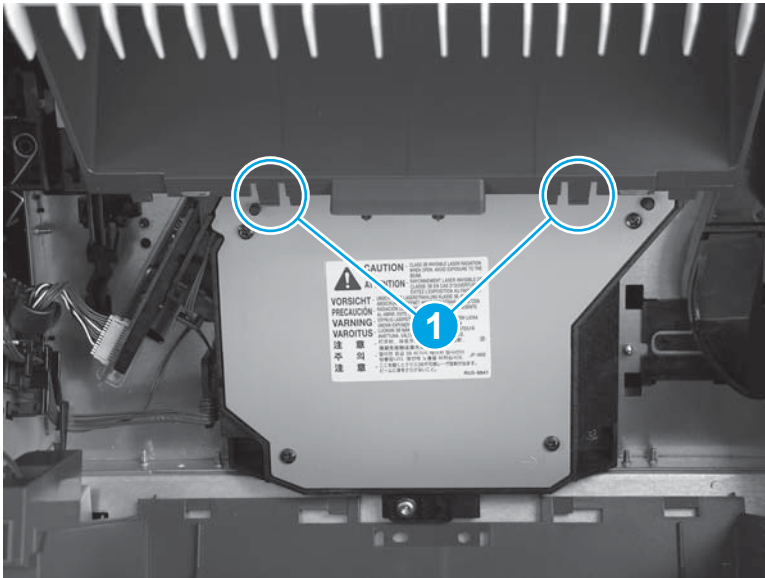
 **Reinstallation tip:** This screw is larger than the screws removed from the top of the printer. Make sure to install the correct screw when reassembling.

Figure 1-652 Remove one screw



5. Note the location of two tabs on the top output bin (callout 1). These tabs are released in the next step.

Figure 1-653 Location of two tabs



6. Release two tabs (callout 1) on the top output bin.


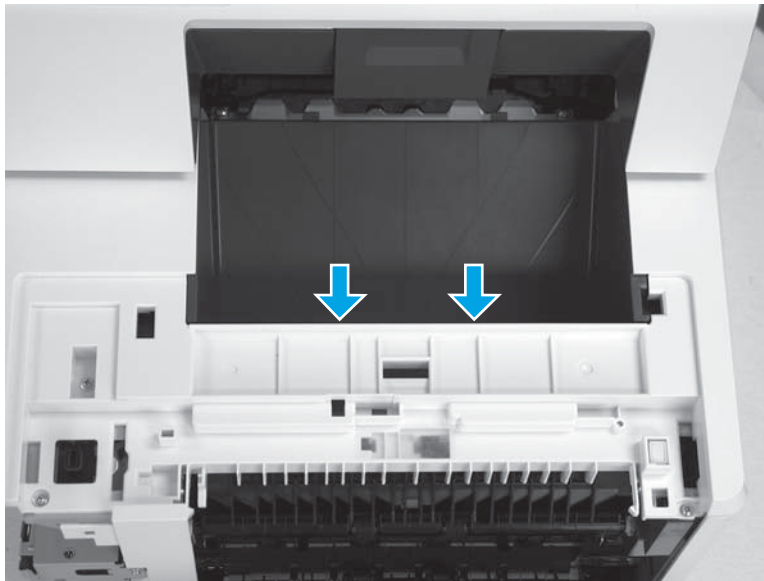
 **Reinstallation tip:** Make sure that these tabs are fully seated when the top cover is reinstalled.

Figure 1-654 Release two tabs



7. Lift the top cover up and off of the printer to remove it.

Figure 1-655 Remove the top cover



Step 7: Remove the top cover (M605x, M606x only)

1. Use needle-nose pliers to release the toner-cartridge drive-arm tabs (callout 1) and the toner-cartridge door hinge tabs (callout 2).

 **CAUTION:** The toner-cartridge drive-arm tabs break easily.


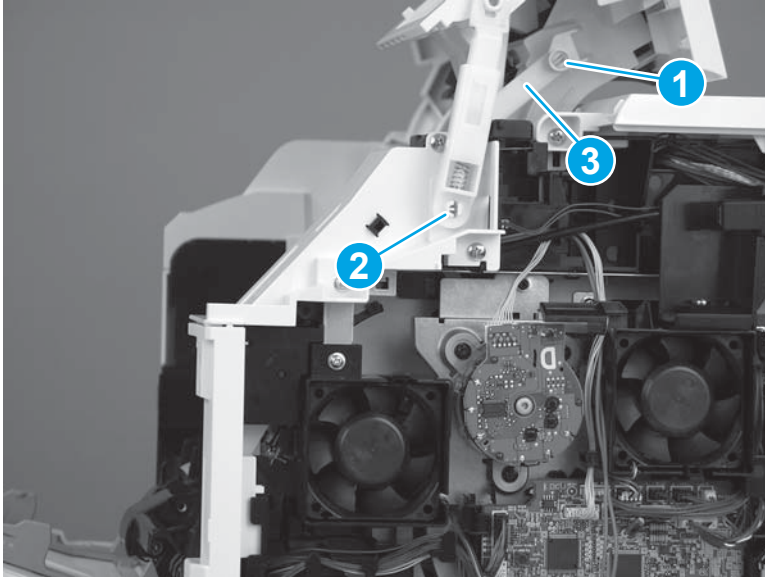
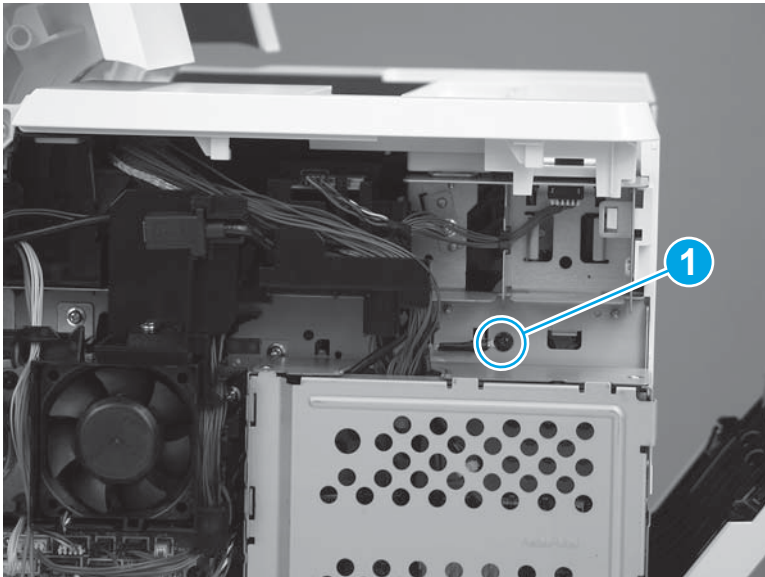
 **TIP:** Push the toner-cartridge drive-arm (callout 3) back into the printer to avoid damaging it when you remove the top cover.

Figure 1-656 Release the drive-arm and door hinge tabs



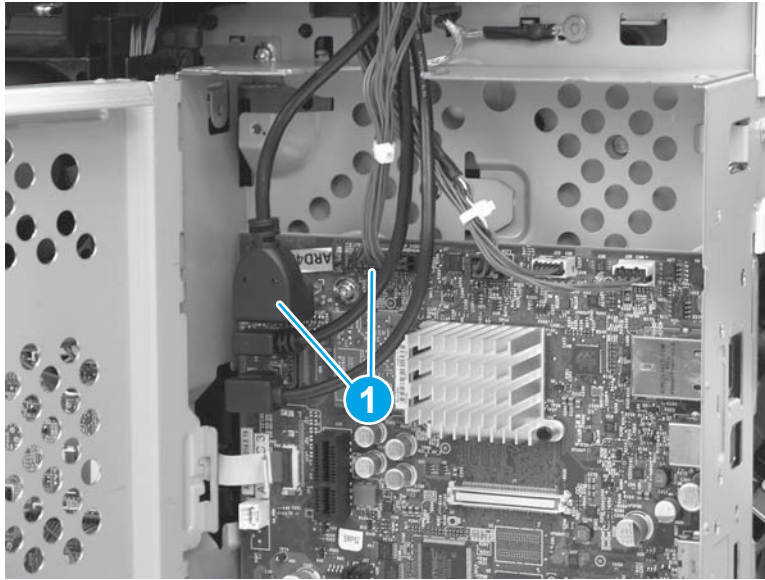
2. Remove one screw, and then release the ground wire (callout 1).

Figure 1-657 Release the ground wire



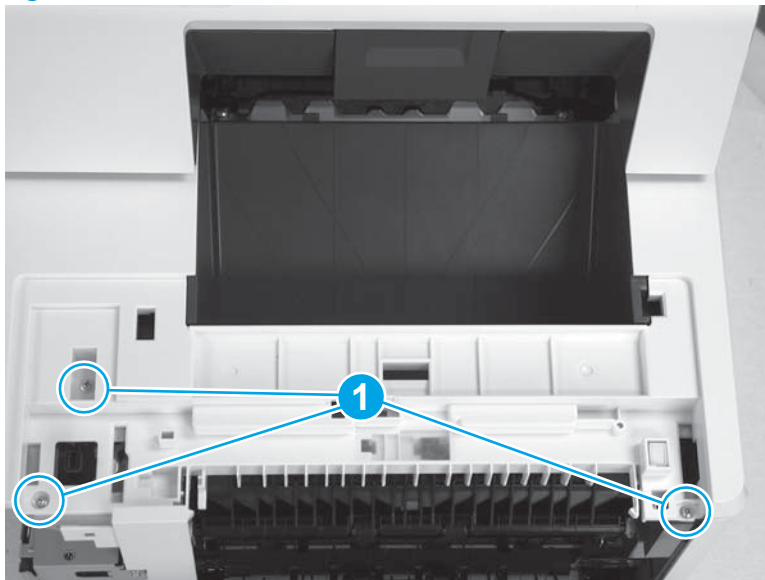
3. Open the formatter case door, and then disconnect two connectors (callout 1).

Figure 1-658 Disconnect two connectors



4. Remove three screws (callout 1) on the top of the printer.

Figure 1-659 Remove three screws



5. Remove one screw (callout 1) on the right side of the printer.


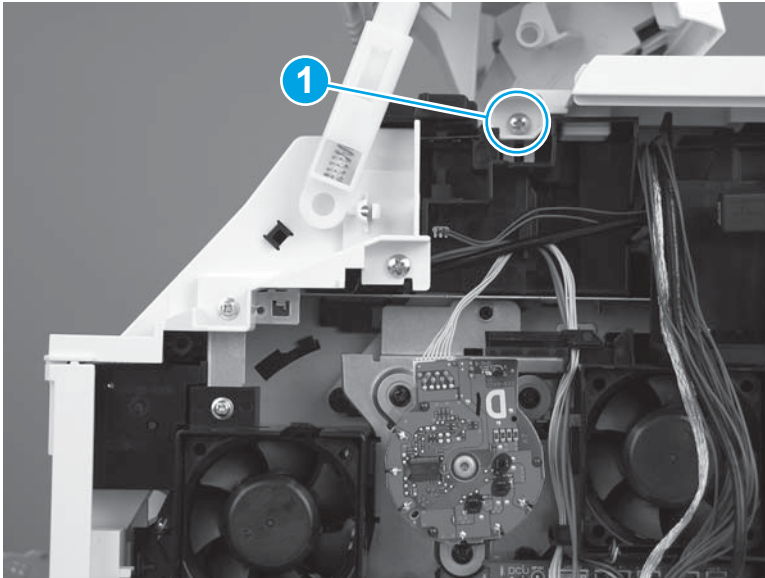
 **Reinstallation tip:** This screw is larger than the screws removed from the top of the printer. Make sure to install the correct screw when reassembling.

Figure 1-660 Remove one screw



6. Remove one screw (callout 1) on the left side of the printer.


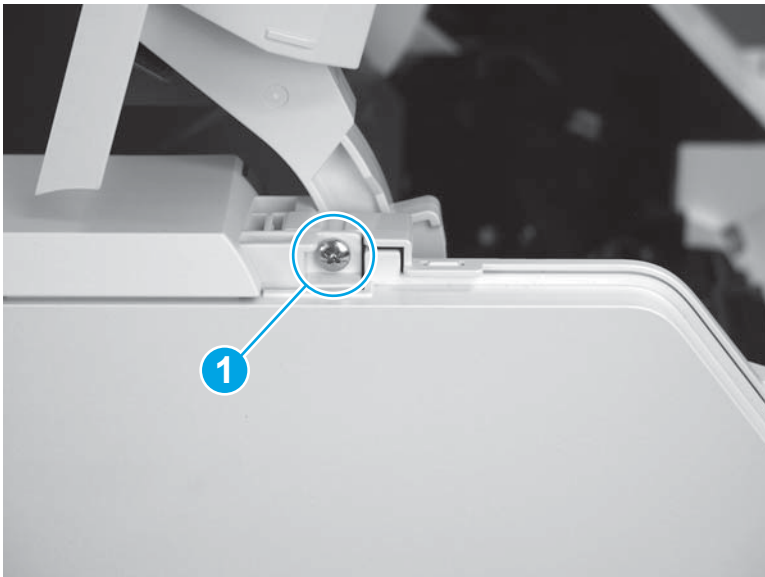
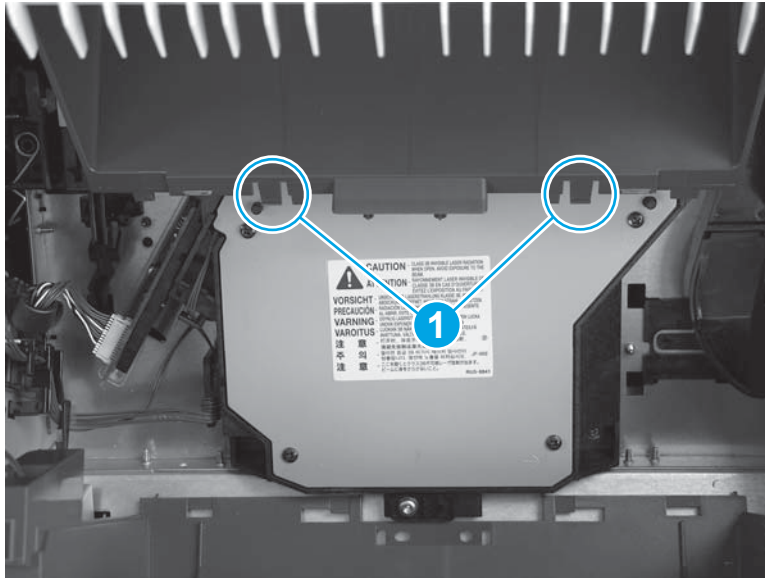
 **Reinstallation tip:** This screw is larger than the screws removed from the top of the printer. Make sure to install the correct screw when reassembling.

Figure 1-661 Remove one screw



7. Note the location of two tabs on the top output bin (callout 1). These tabs are released in the next step.

Figure 1-662 Location of two tabs



8. Release two tabs (callout 1) on the top output bin.


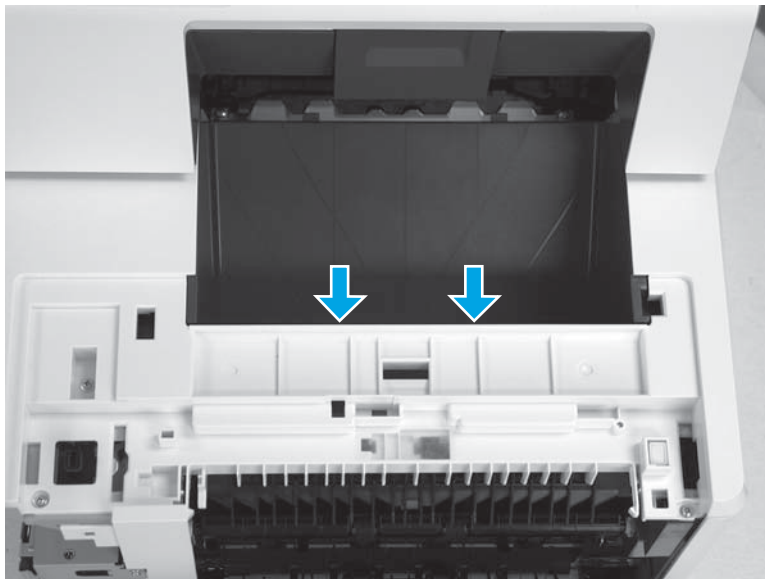
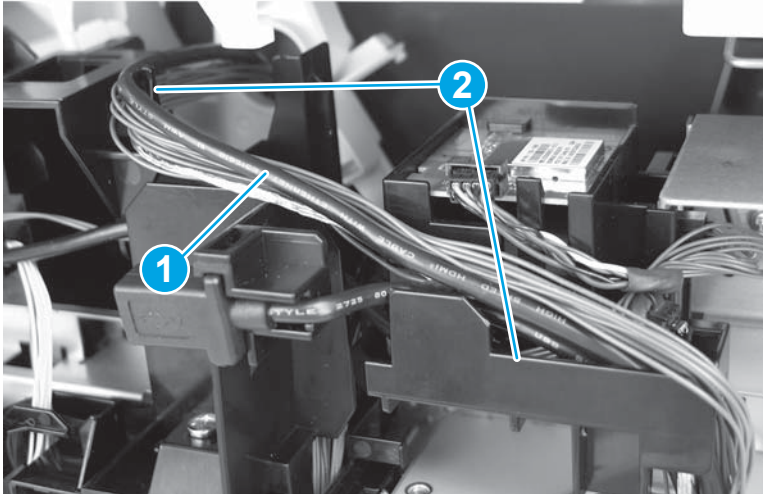
 **Reinstallation tip:** Make sure that these tabs are fully seated when the top cover is reinstalled.

Figure 1-663 Release two tabs



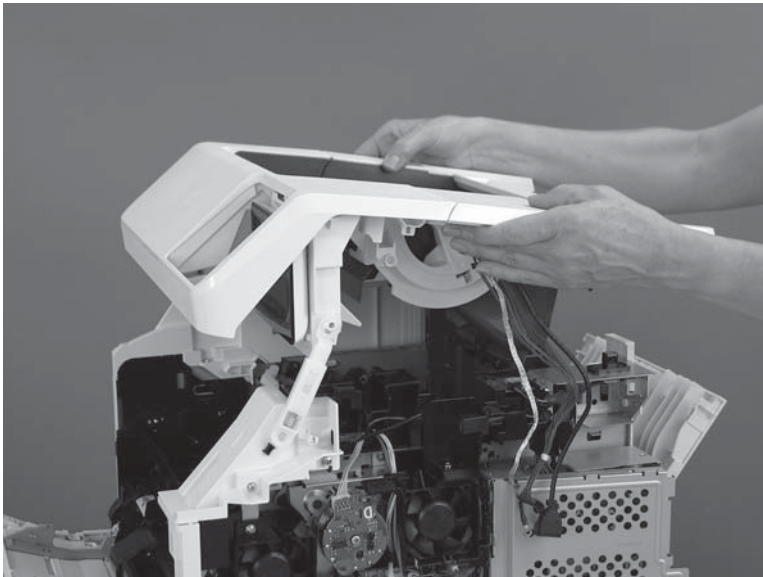
9. On the right side of the printer, release the wire harness and cables (callout 1) from the guides (callout 2).

Figure 1-664 Release cables from guides



10. Lift the top cover up and off of the printer to remove it.

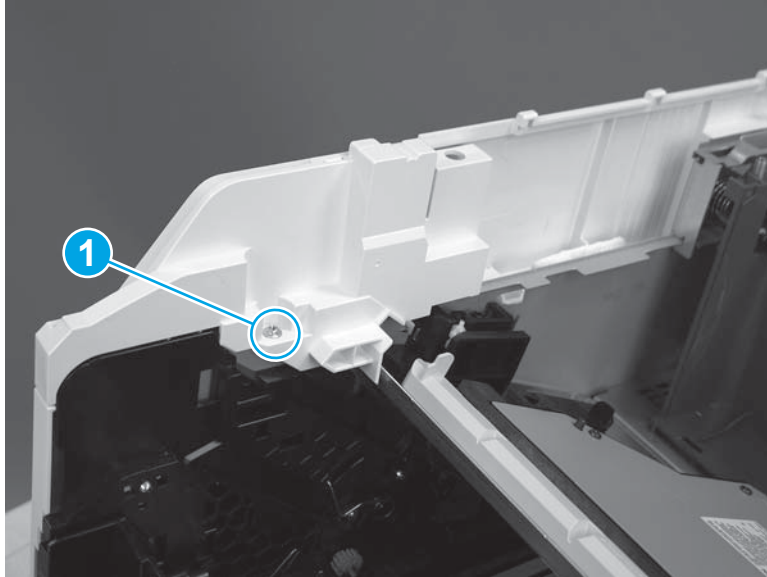
Figure 1-665 Remove the top cover



Step 8: Remove the left cover

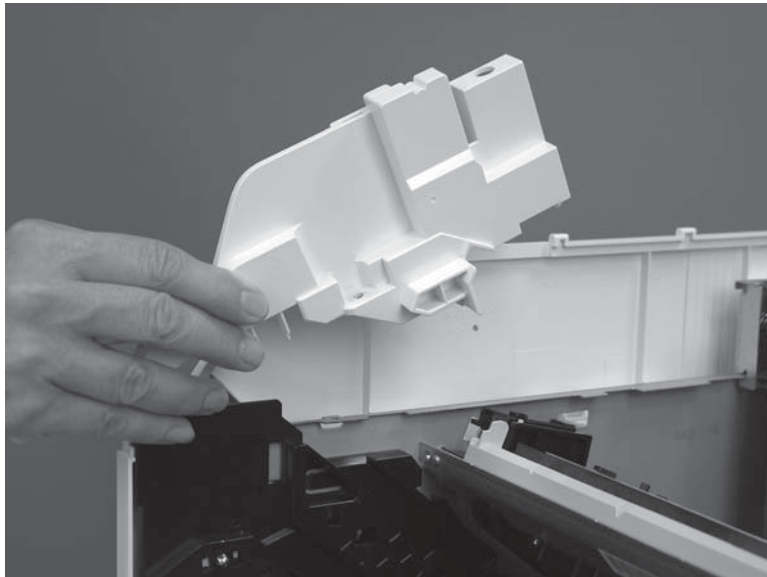
1. Remove one screw (callout 1).

Figure 1-666 Remove one screw



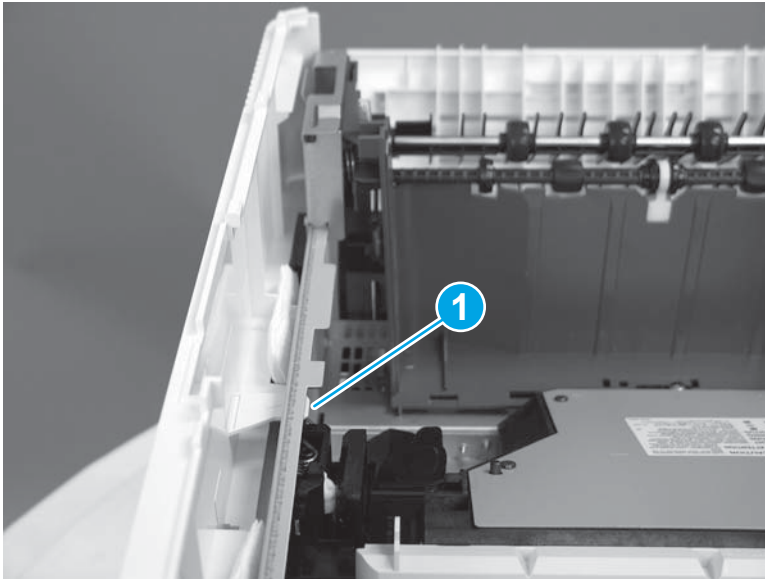
2. Remove the left front inside cover.

Figure 1-667 Remove the left front inside cover



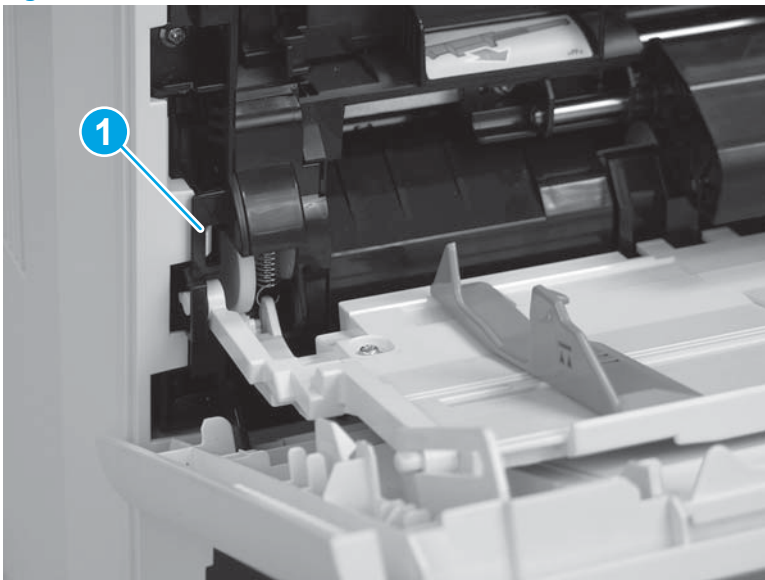
3. Release one tab (callout 1) on the top of the cover.

Figure 1-668 Release one tab



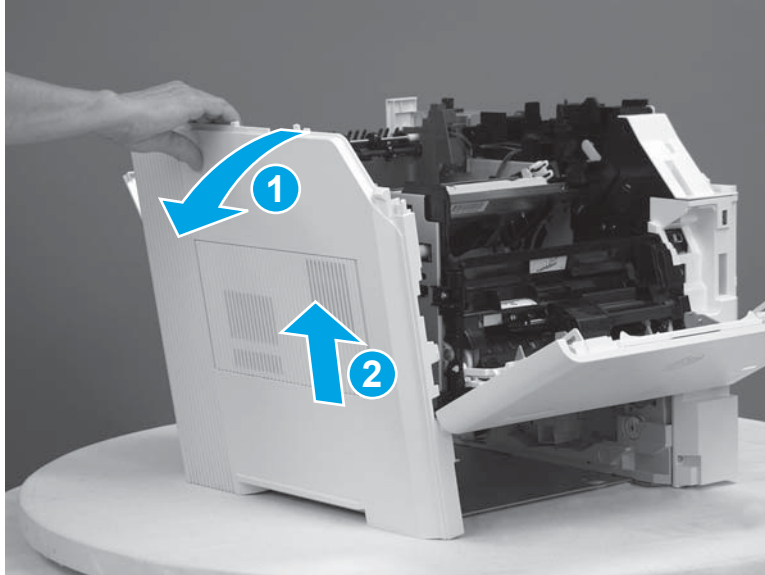
4. Release one tab (callout 1) on the front of the cover.

Figure 1-669 Release one tab



5. Rotate the top of the cover away (callout 1) from the printer, and then lift the cover up (callout 2) to remove it.

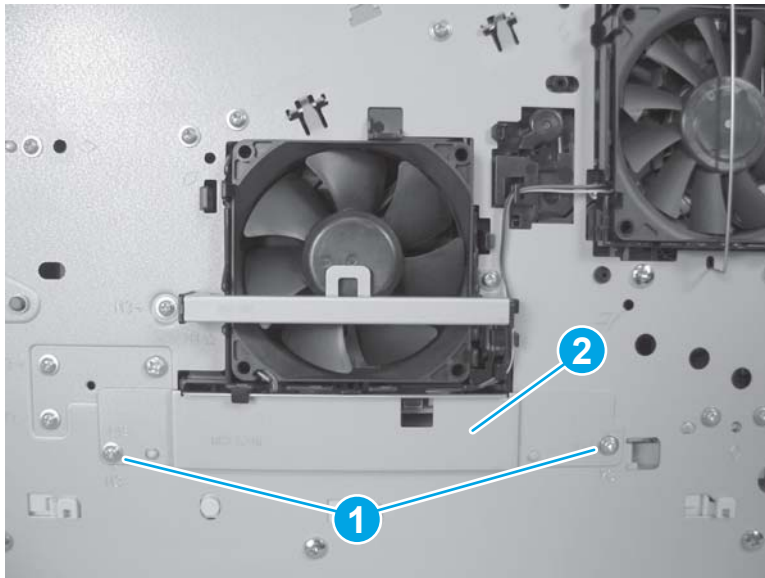
Figure 1-670 Remove the cover



Step 9: Remove the fan FN103

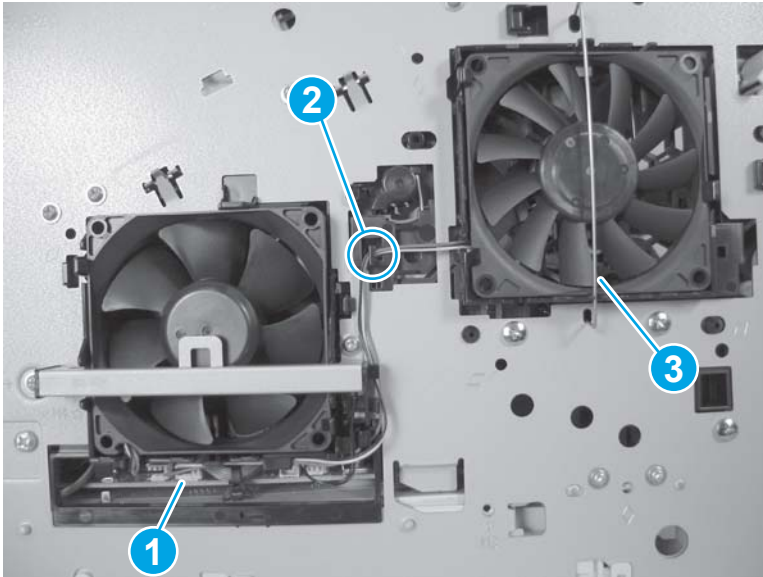
1. Remove two screws (callout 1), and then remove the sheet-metal plate (callout 2).

Figure 1-671 Remove two screws and the sheet-metal plate



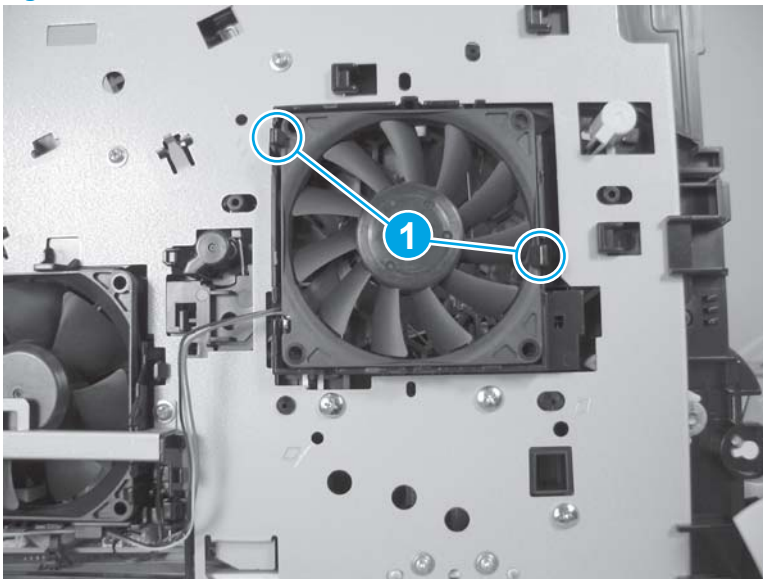
2. Disconnect one connector (callout 1), and then release the wire harness from the retainer (callout 2). Unhook and remove the fan clip (callout 3).

Figure 1-672 Disconnect one connector, release the wire harness, and remove the fan clip



3. Release two tabs (callout 1), and then remove the fan.

Figure 1-673 Remove the fan



Step 10: Unpack the replacement fan FN103

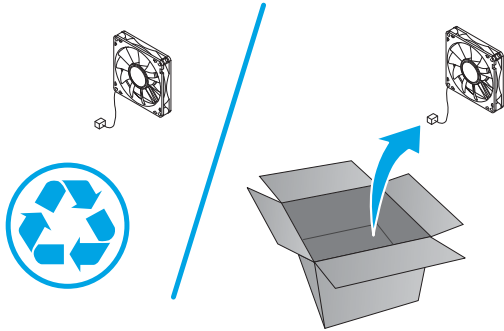
Unpack the replacement part from the packaging.

<http://www8.hp.com/us/en/hp-information/environment/product-recycling.html>



NOTE: HP recommends responsible disposal of the defective part.

Figure 1-674 Recycle and unpack



Step 11: Install the fan FN103

1. Position the fan on the printer and engage two tabs (callout 1).


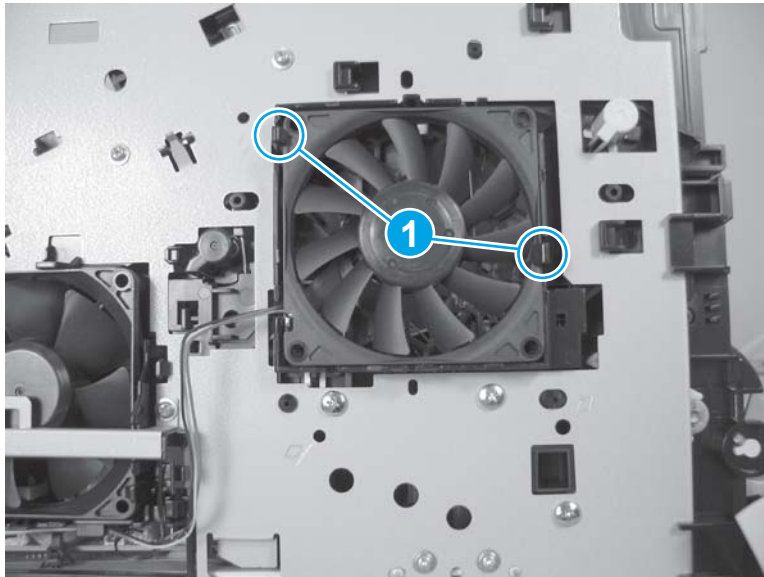
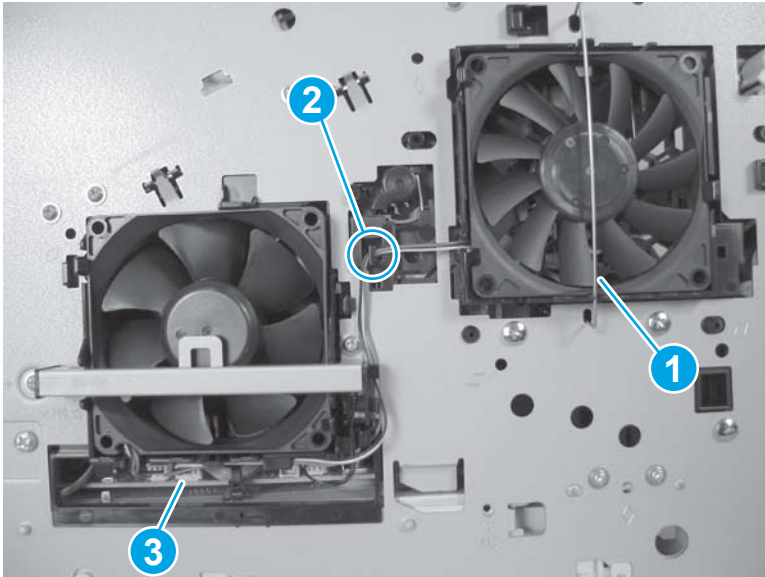
 **TIP:** When you reinstall the fan, the air must flow into the printer. Verify that the airflow arrows that are embossed on the fan body point *into* the printer.

Figure 1-675 Position the fan



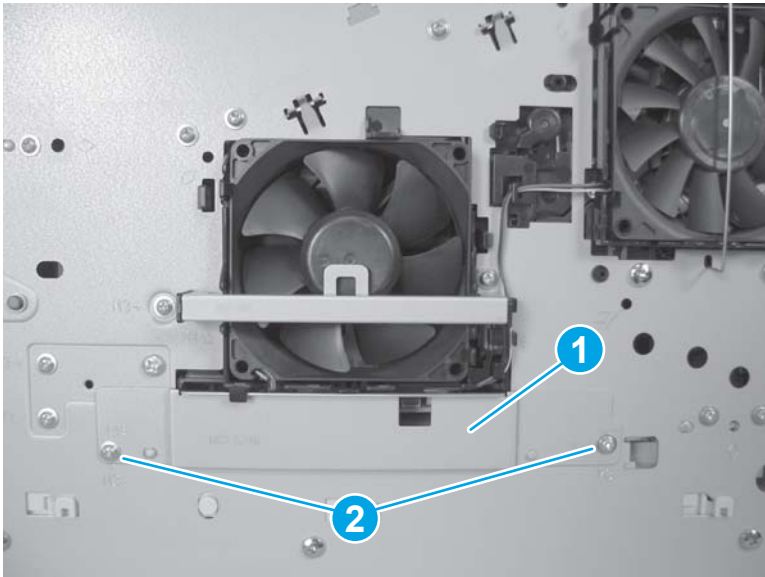
2. Install the fan clip (callout 1), install the wire harness in the retainer (callout 2), and then connect one connector (callout 3).

Figure 1-676 Install the fan clip, install the wire harness in the retainer, and connect one connector



3. Position the sheet-metal plate (callout 1) on the printer, and then install two screws (callout 2).

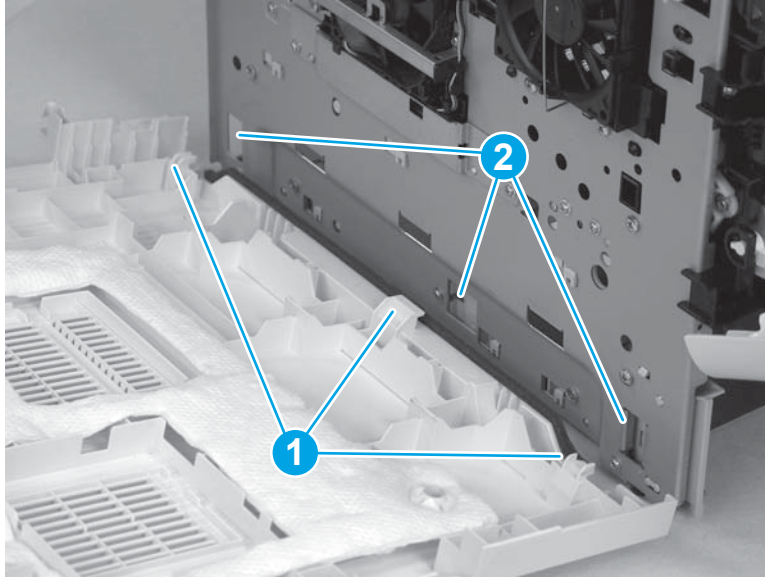
Figure 1-677 Install the sheet-metal plate



Step 12: Install the left cover

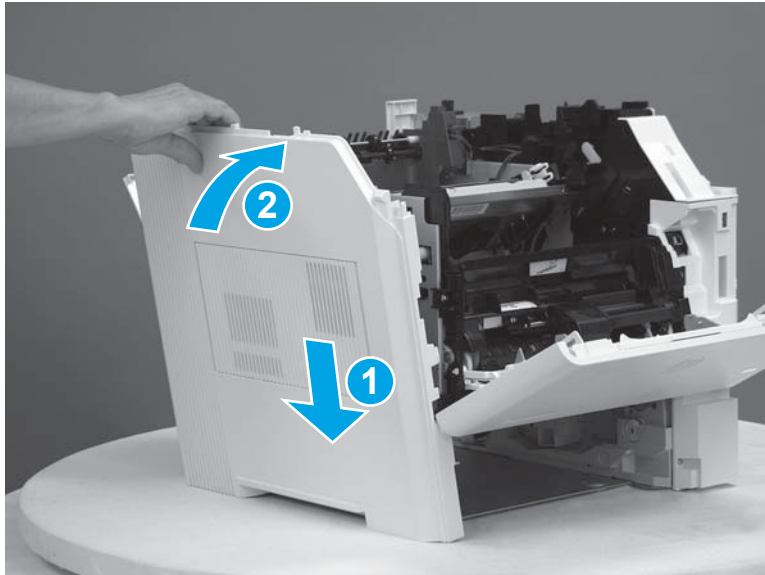
1. Note the location of the tabs (callout 1) on the bottom of the left cover that will fit into the slots (callout 2) in the sheet-metal frame.

Figure 1-678 Note location of tabs



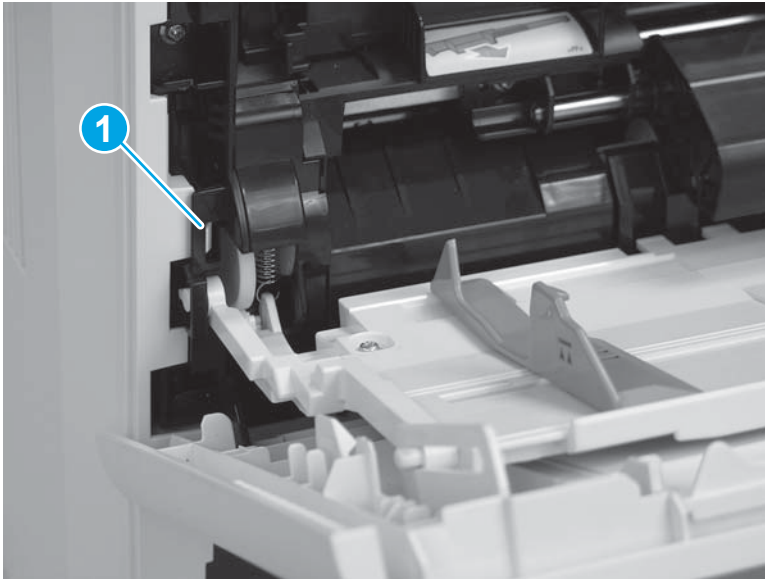
2. Position the tabs in the slots mentioned in the previous step (callout 1), and then rotate the left cover toward the printer (callout 2).

Figure 1-679 Rotate the cover into place



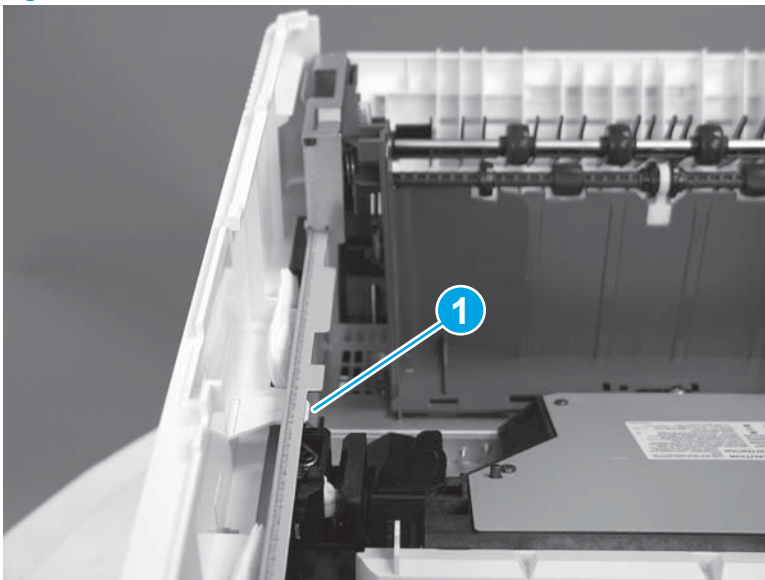
3. Make sure that the tab (callout 1) on the front of the cover snaps into place.

Figure 1-680 Install one tab



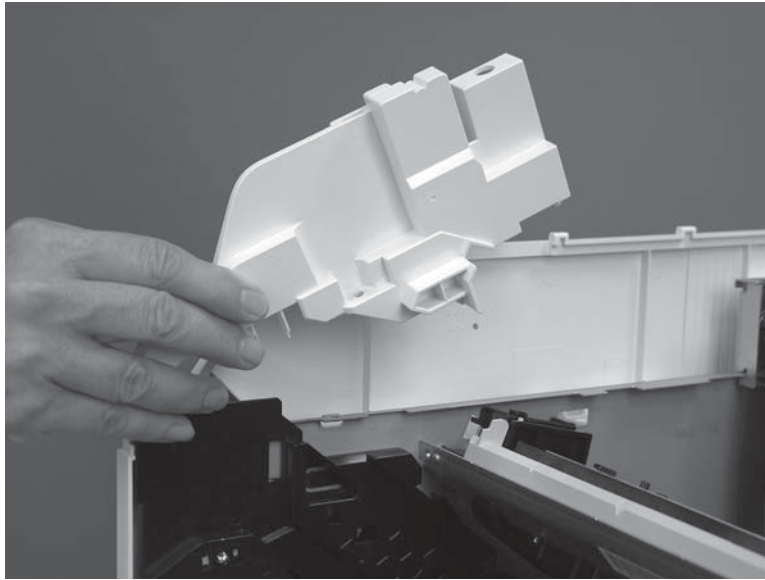
4. Make sure that the tab (callout 1) on the top of the cover snaps into place.

Figure 1-681 Install one tab



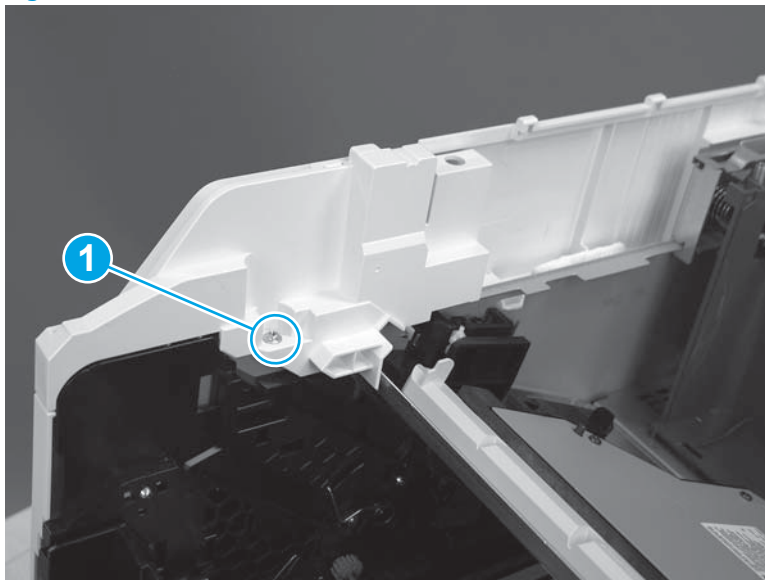
5. Position the left front inside cover on the printer.

Figure 1-682 Install the left front inside cover



6. Install one screw (callout 1).

Figure 1-683 Install one screw

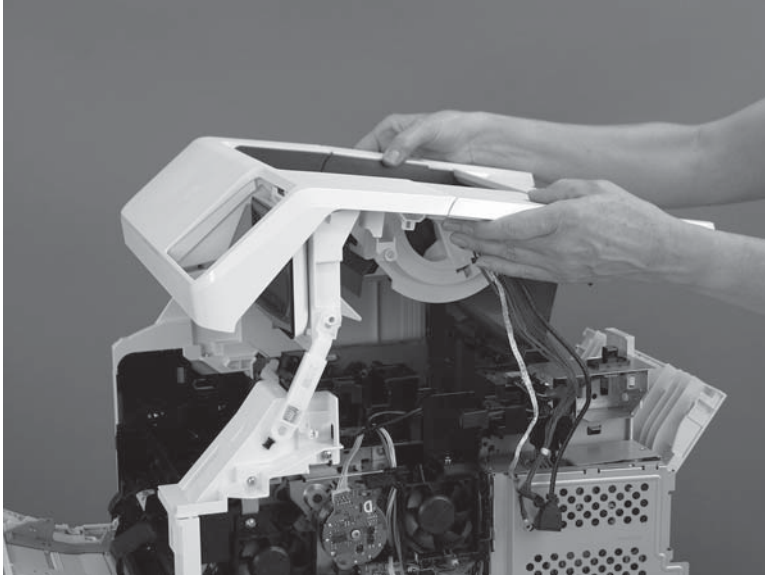


Step 13: Install the top cover (M605x, M606x only)

 **NOTE:** For the M604n/dn, M605n/dn, or M606dn product, skip this step and go to [Step 14: Install the top cover \(M604n/dn, M605n/dn, M606dn only\) on page 406.](#)

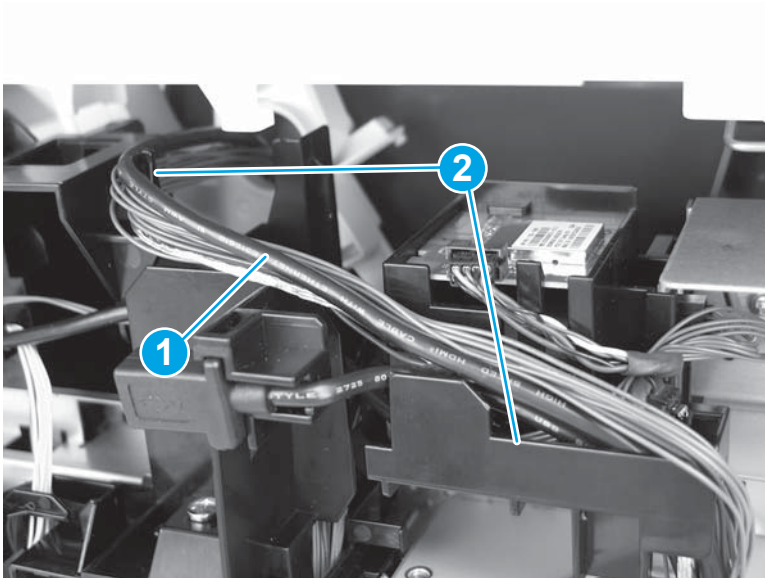
1. Lower the top cover onto the printer.

Figure 1-684 Lower the top cover



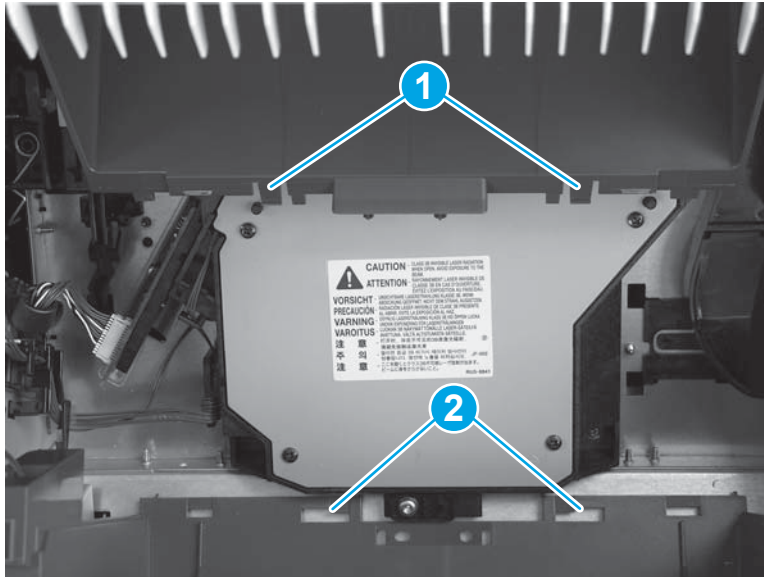
2. On the right side of the printer, make sure that the wire harness and cables (callout 1) are properly routed through the guides (callout 2).

Figure 1-685 Install cables in guides



3. Install two tabs (callout 1) on the top output bin into two slots (callout 2) in the printer. Make sure that the tabs snap into place.

Figure 1-686 Install two tabs



4. Install one screw (callout 1) on the left side of the printer.


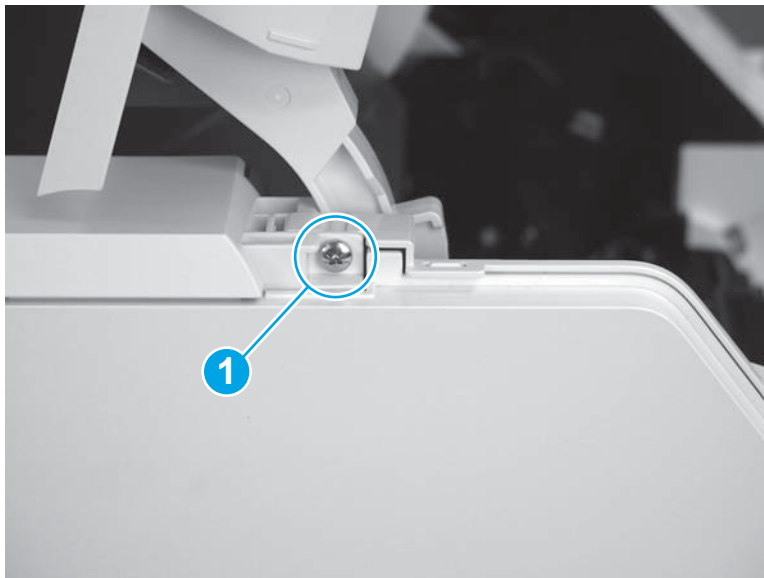
 **Reinstallation tip:** This screw is larger than the screws removed from the top of the printer. Make sure to install the correct screw.

Figure 1-687 Install one screw



5. Install one screw (callout 1) on the right side of the printer.


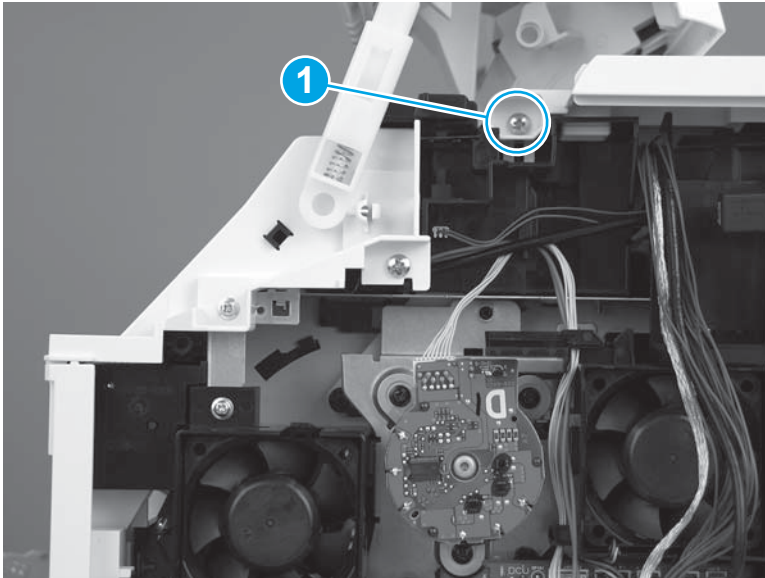
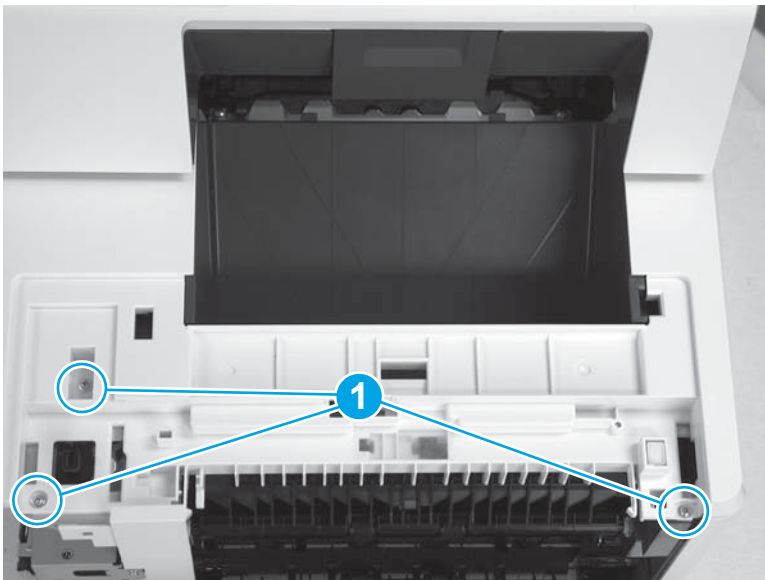
 **Reinstallation tip:** This screw is larger than the screws removed from the top of the printer. Make sure to install the correct screw.

Figure 1-688 Install one screw



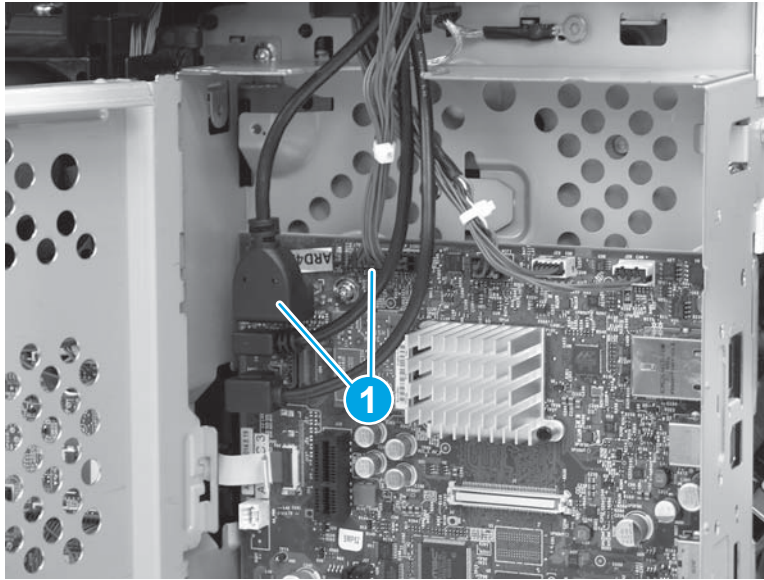
6. Install three screws (callout 1) on the top of the printer.

Figure 1-689 Install three screws



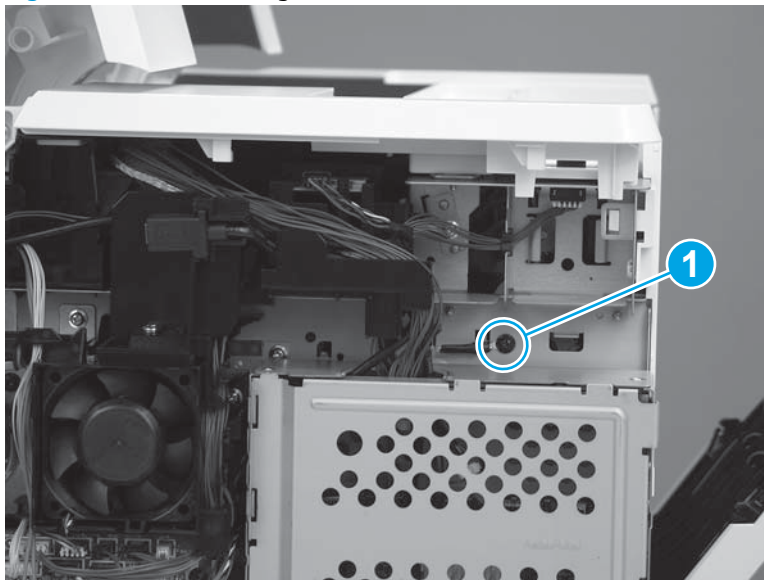
7. Connect two connectors (callout 1).

Figure 1-690 Connect two connectors



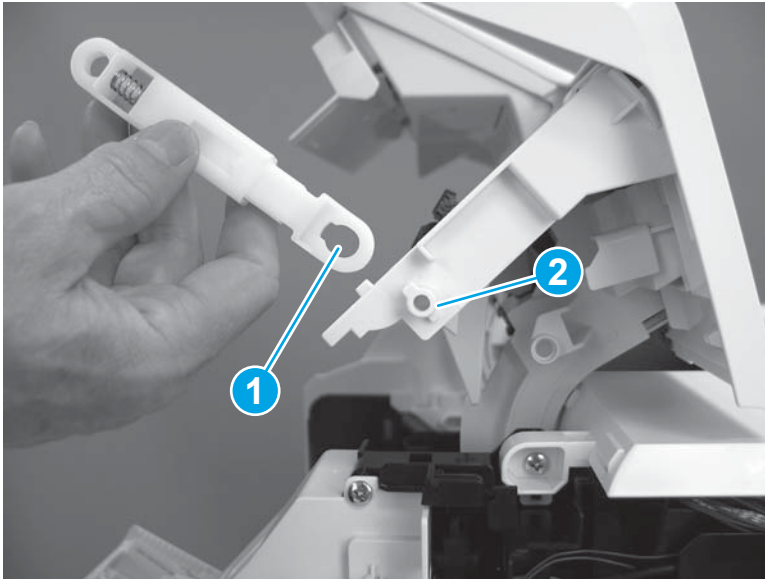
8. Install one screw to attach the ground wire (callout 1).

Figure 1-691 Install the ground wire



9. If the toner-cartridge door hinge comes off of the top cover, reattach the hinge by sliding the hole (callout 1) in the hinge onto the tab (callout 2) on the top cover.

Figure 1-692 Reattach the door hinge

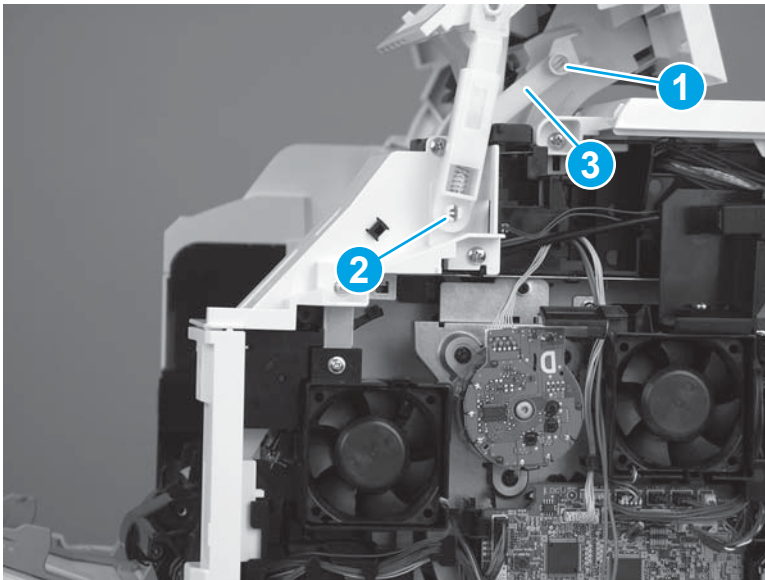


10. Install the toner-cartridge drive-arm (callout 1) and the toner-cartridge door hinge (callout 2) by pressing them onto the tabs.

 **NOTE:** It might be necessary to lift the drive arm (callout 3) up in order to reattach it.

 **CAUTION:** The toner-cartridge drive-arm tabs break easily.

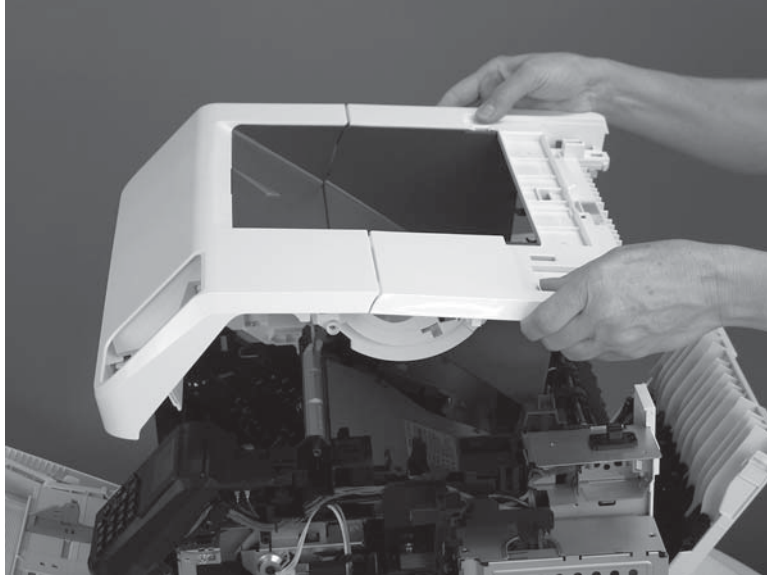
Figure 1-693 Install the drive-arm and door hinge tabs



Step 14: Install the top cover (M604n/dn, M605n/dn, M606dn only)

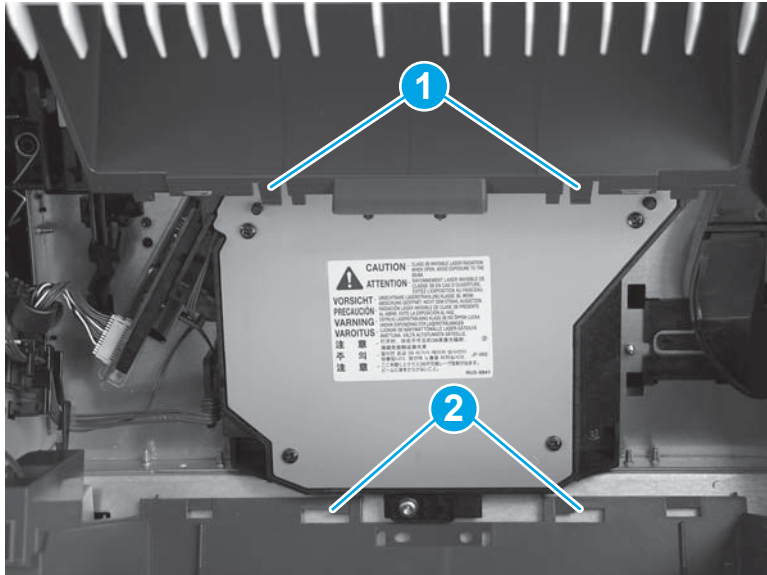
1. Lower the top cover onto the printer.

Figure 1-694 Lower the top cover



2. Install two tabs (callout 1) on the top output bin into two slots (callout 2) in the printer. Make sure that the tabs snap into place.

Figure 1-695 Install two tabs



3. Install one screw (callout 1) on the left side of the printer.


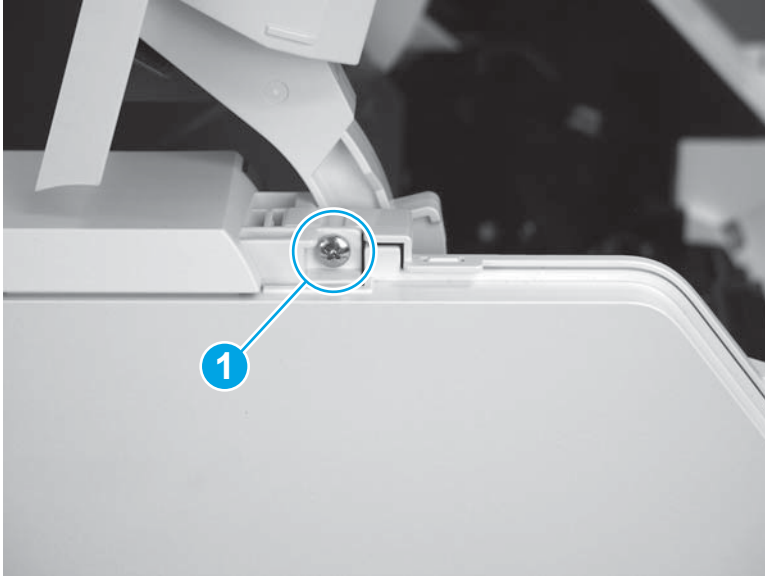
 **Reinstallation tip:** This screw is larger than the screws removed from the top of the printer. Make sure to install the correct screw.

Figure 1-696 Install one screw



4. Install one screw (callout 1) on the right side of the printer.


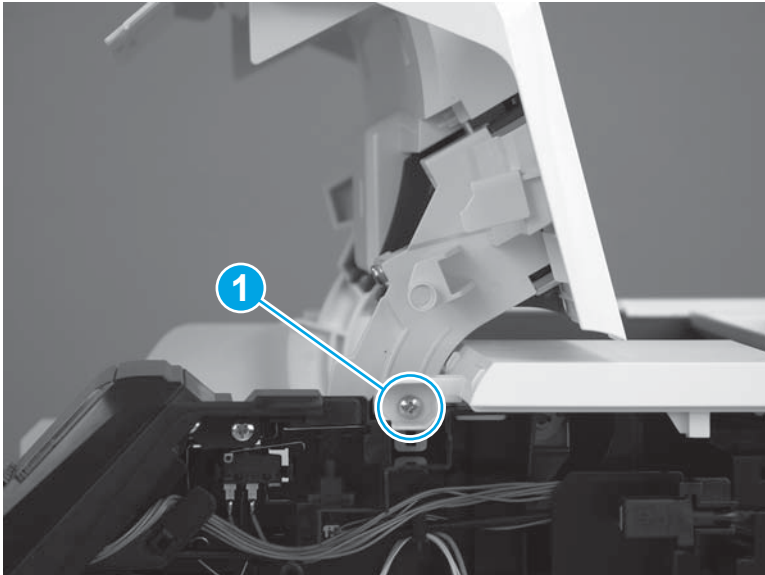
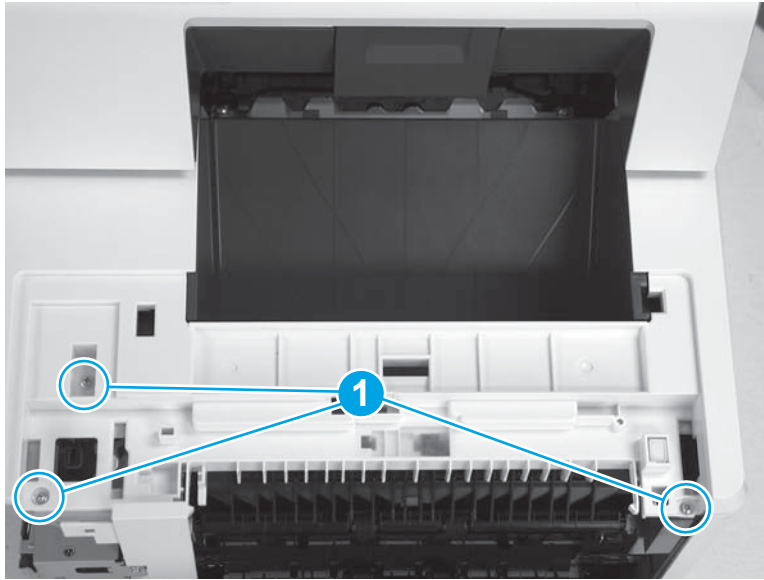
 **Reinstallation tip:** This screw is larger than the screws removed from the top of the printer. Make sure to install the correct screw.

Figure 1-697 Install one screw



5. Install three screws (callout 1) on the top of the printer.

Figure 1-698 Install three screws

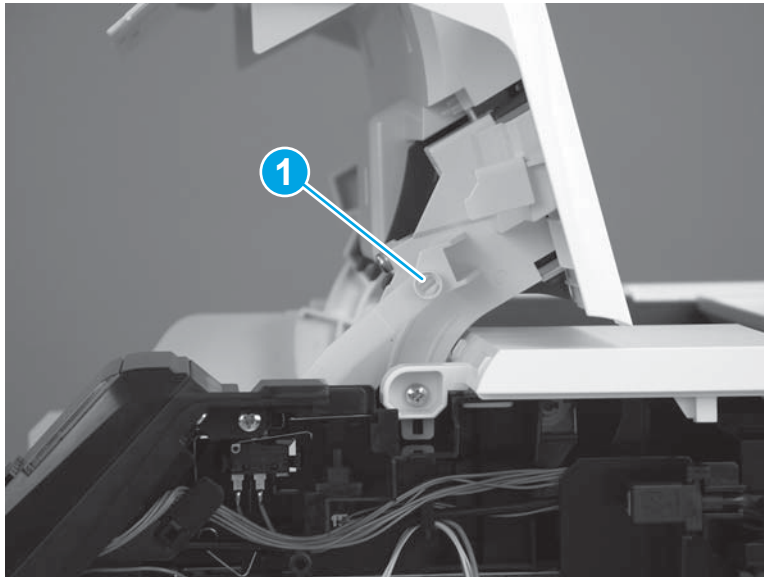


6. Install the toner-cartridge drive-arm (callout 1) by pressing it onto the tabs.

 **NOTE:** It might be necessary to lift the drive arm up in order to reattach it.

 **CAUTION:** The toner-cartridge drive-arm tabs break easily.

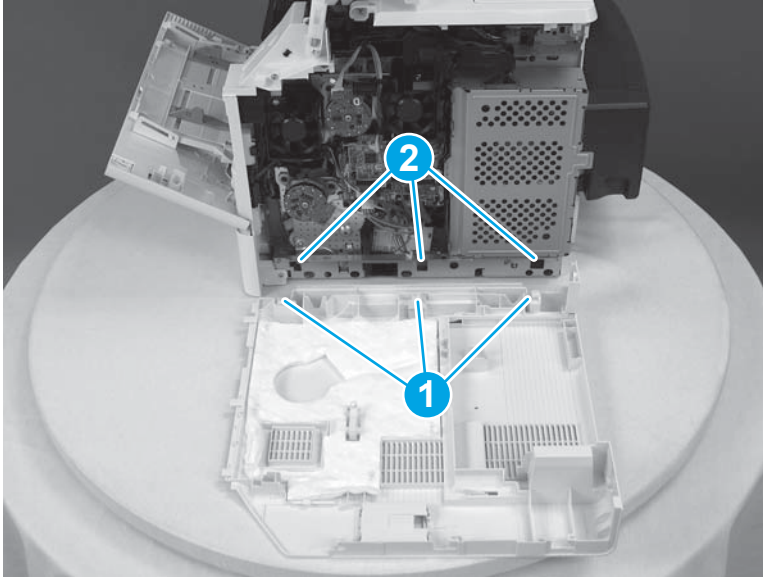
Figure 1-699 Install the drive-arm tabs



Step 15: Install the right cover

1. Note the location of the tabs (callout 1) on the cover that will fit into the slots (callout 2) on the printer.

Figure 1-700 Note location of tabs

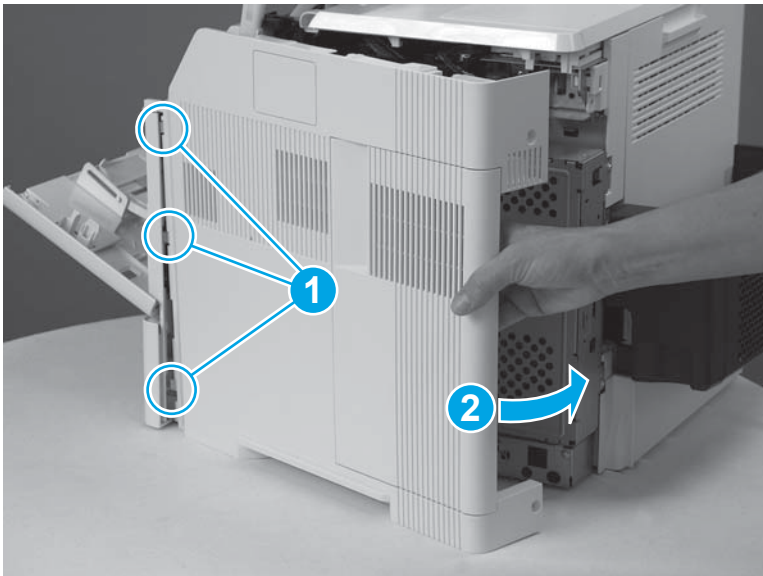


2. Position the front tabs on the right cover slightly behind the right front cover (callout 1), and then rotate the back edge of the cover toward the printer (callout 2).



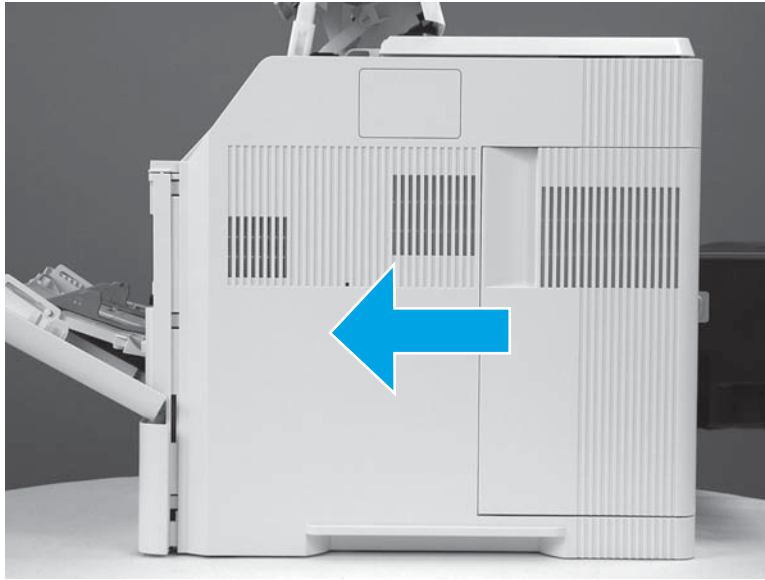
NOTE: The tabs and slots mentioned in the previous step will engage as the cover is rotated into place.

Figure 1-701 Position the front tabs



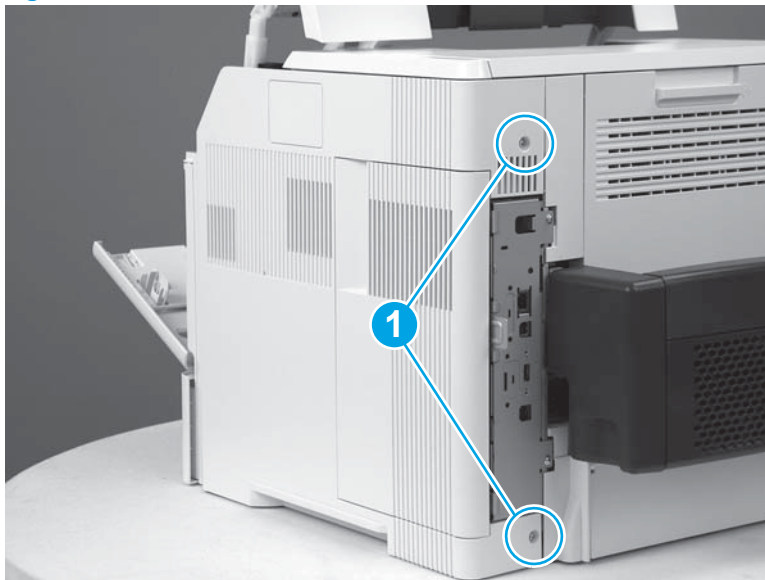
3. Slide the cover toward the front of the printer to install it.

Figure 1-702 Slide the cover



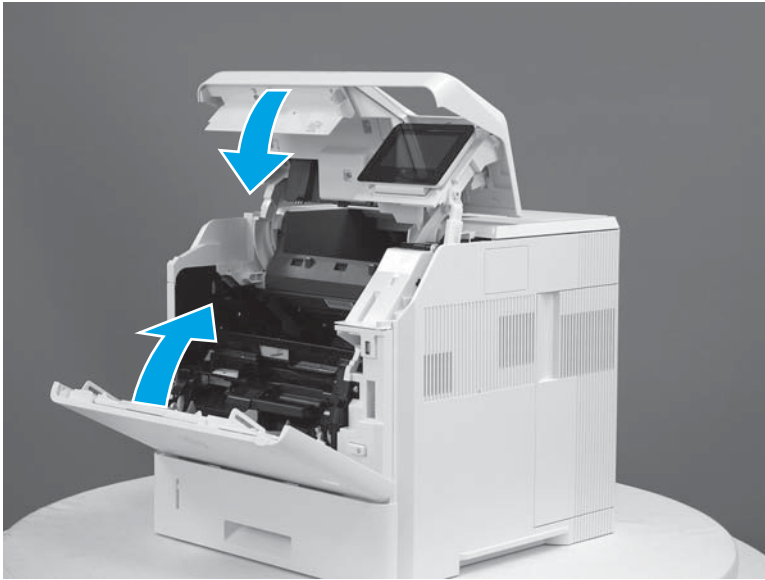
4. Install two screws (callout 1).

Figure 1-703 Install two screws



5. Close the front cover and the cartridge door.

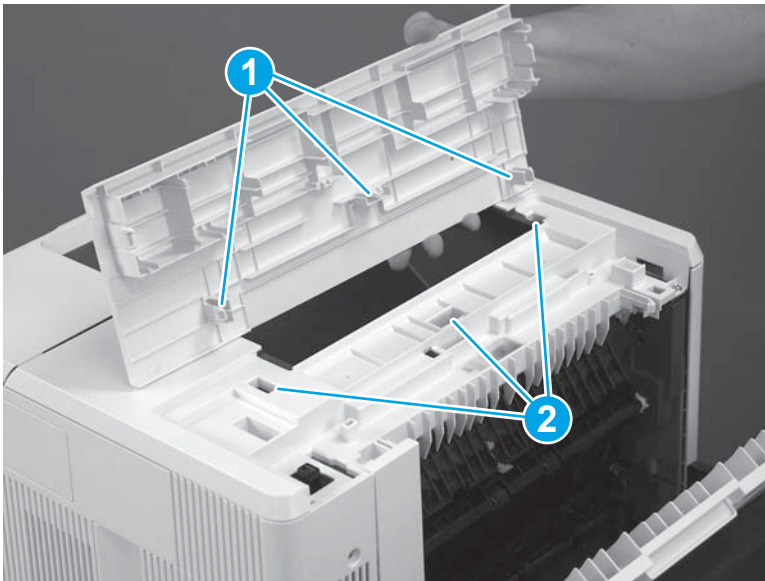
Figure 1-704 Close the front cover and cartridge door



Step 16: Install the top accessory cover

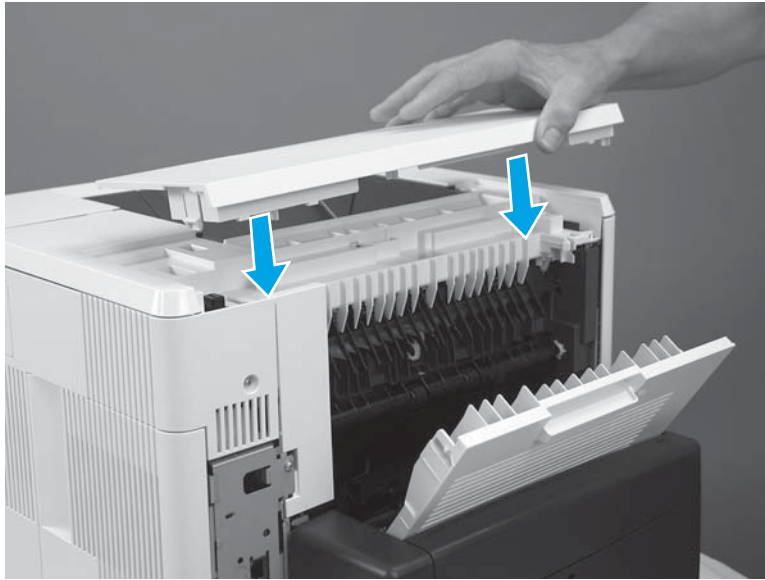
1. Align the tabs (callout 1) on the top accessory cover with the slots (callout 2) in the top cover.

Figure 1-705 Align the tabs and slots



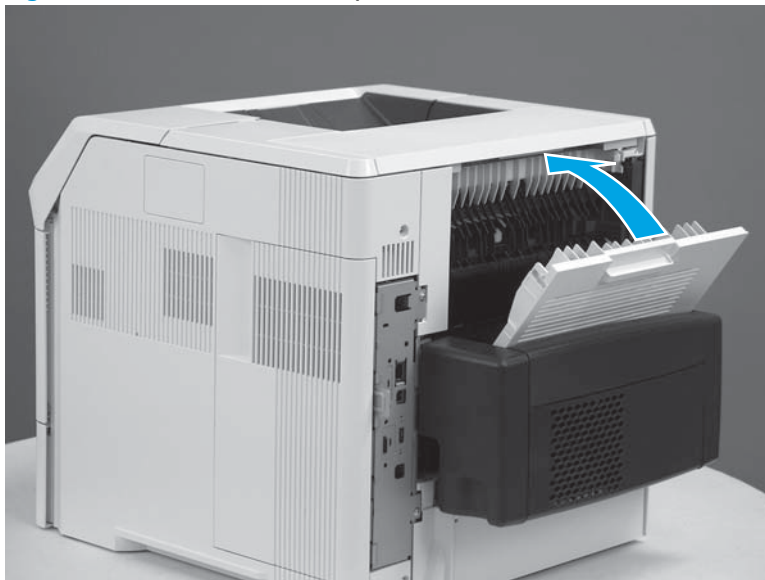
2. Place the top accessory on top of the printer, and then press down to install it.

Figure 1-706 Install the top accessory cover



3. Close the rear output bin.

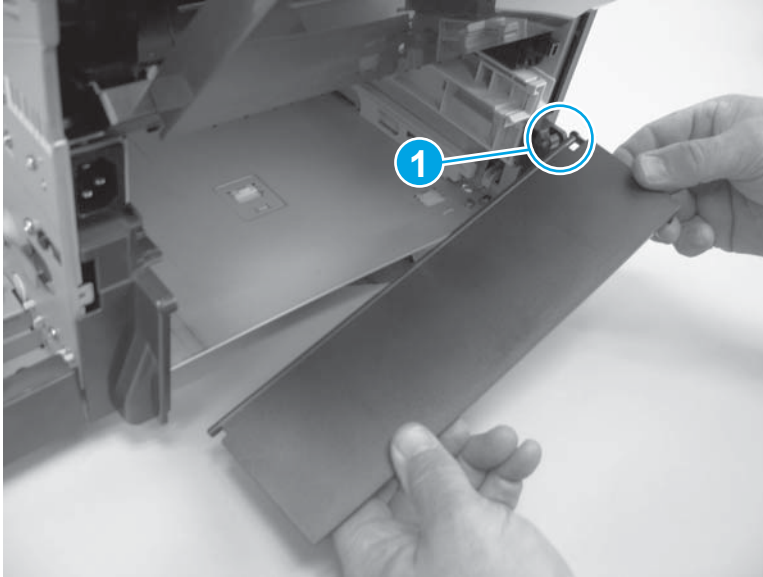
Figure 1-707 Close the rear output bin



Step 17: Install the Tray 2 extension door

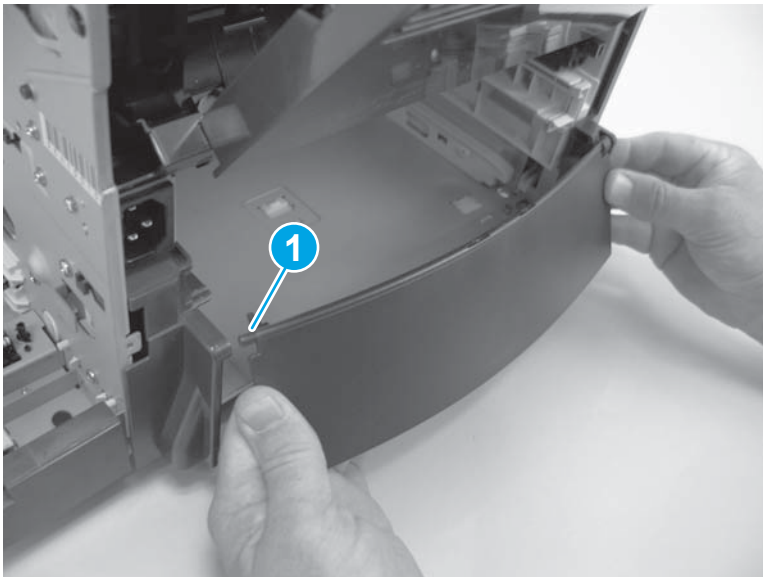
1. Rotate the Tray 2 extension door to the horizontal position, and then install the keyed hinge pin (callout 1).

Figure 1-708 Install the keyed hinge pin



2. Carefully flex the Tray 2 extension door, and then install the hinge pin (callout 1) near the power-cord side of the printer.

Figure 1-709 Install the hinge pin



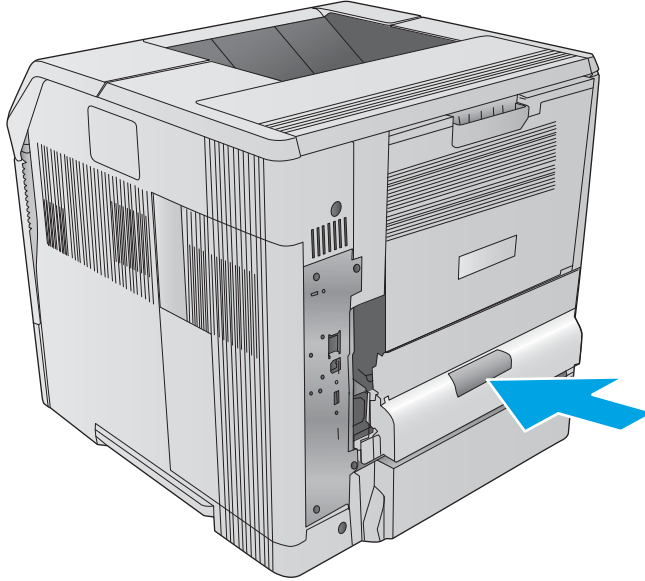
Step 18: Install the duplex accessory cover



NOTE: If the duplex accessory cover was not removed, skip this step and go to [Step 19: Install the duplex accessory on page 415](#).

- ▲ Slide the duplex accessory cover straight into the printer to install it.

Figure 1-710 Install the duplex accessory cover

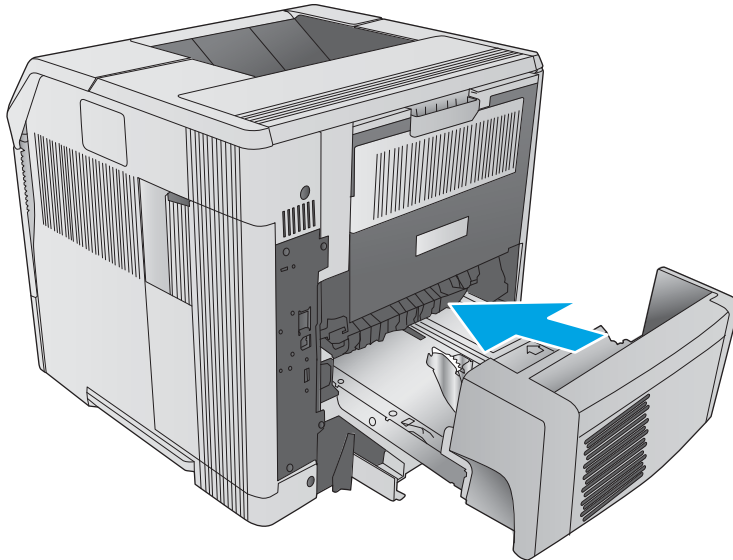


Step 19: Install the duplex accessory

 **NOTE:** If the optional duplex accessory was not removed, skip this step.

- ▲ Slide the duplex accessory straight into the printer to install it.

Figure 1-711 Install the duplex accessory



Removal and replacement: Fan FN104

- [Introduction](#)
- [Step 1: Remove the right cover](#)
- [Step 2: Remove the fan FN104](#)
- [Step 3: Unpack the replacement fan FN104](#)
- [Step 4: Install the fan FN104](#)
- [Step 5: Install the right cover](#)


Introduction

This document provides the procedures to remove and replace the fan FN104.

Before performing service

Turn the printer power off

- Disconnect the power cable.

 **WARNING!** To avoid damage to the printer, turn the printer off, wait 30 seconds, and then remove the power cord before attempting to service the printer.

Use the table below to identify the correct part number for your printer. To order the part, go to www.hp.com/buy/parts.

Fan FN104 part number	
RK2-1992-000CN	Fan FN104

Required tools

- #2 Phillips screwdriver with a magnetic tip

After performing service

Turn the printer power on

- Connect the power cable.
- Use the power switch to turn the power on.

Post service test

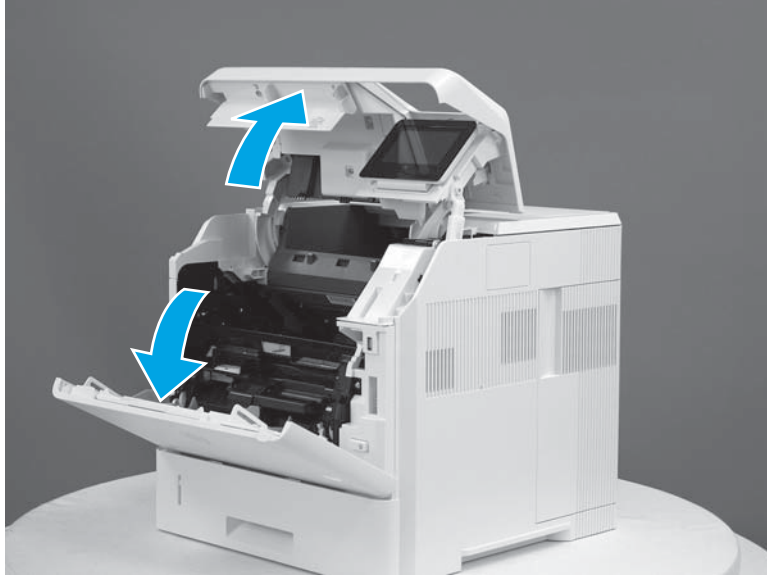
Make sure that the printer initializes to a **Ready** state.

Print a configuration page to make sure that the printer is functioning correctly.

Step 1: Remove the right cover

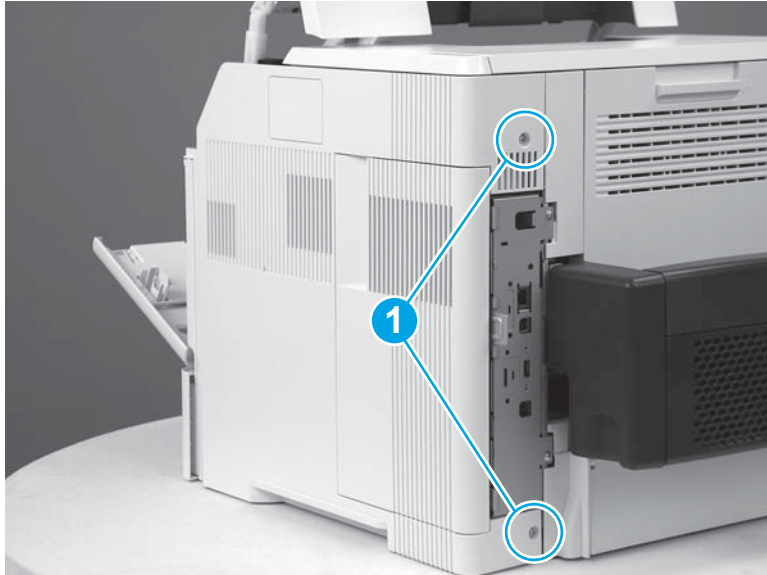
1. Open the front cover and the cartridge door.

Figure 1-712 Open the front cover and cartridge door



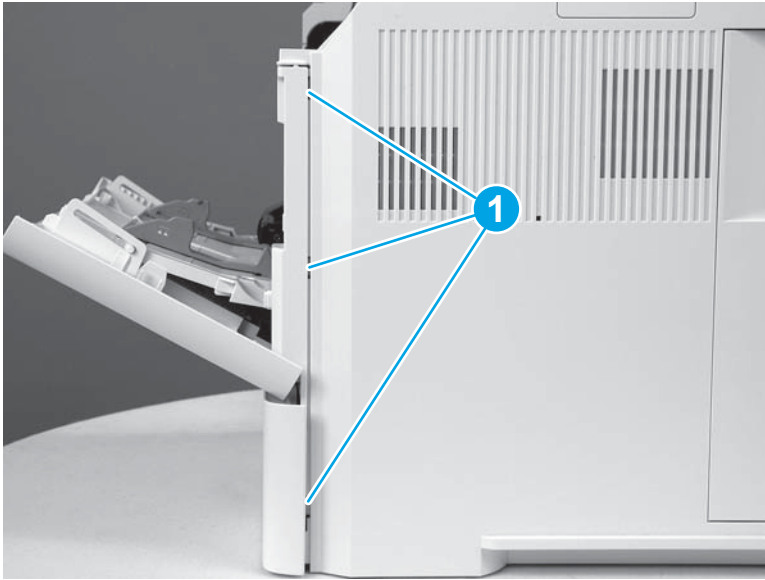
2. Remove two screws (callout 1).

Figure 1-713 Remove two screws



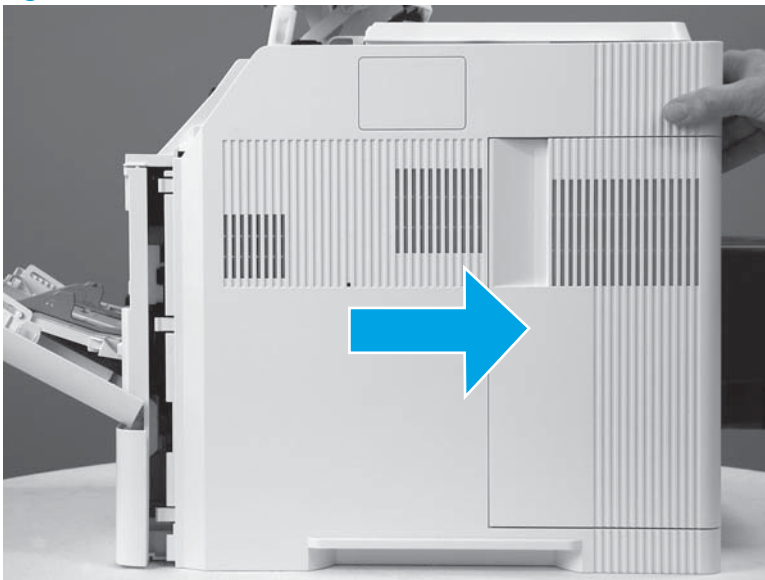
3. Release three tabs (callout 1).

Figure 1-714 Release three tabs



4. Slide the cover toward the rear of the printer to remove it.

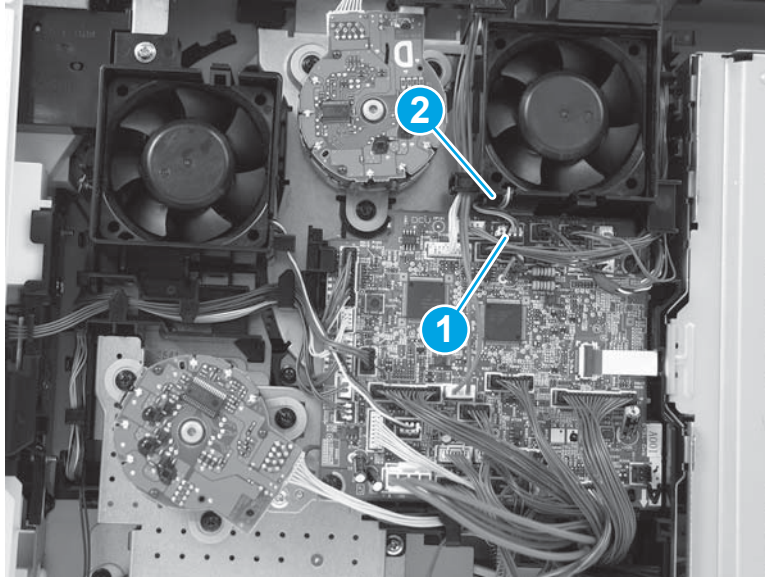
Figure 1-715 Remove the cover



Step 2: Remove the fan FN104

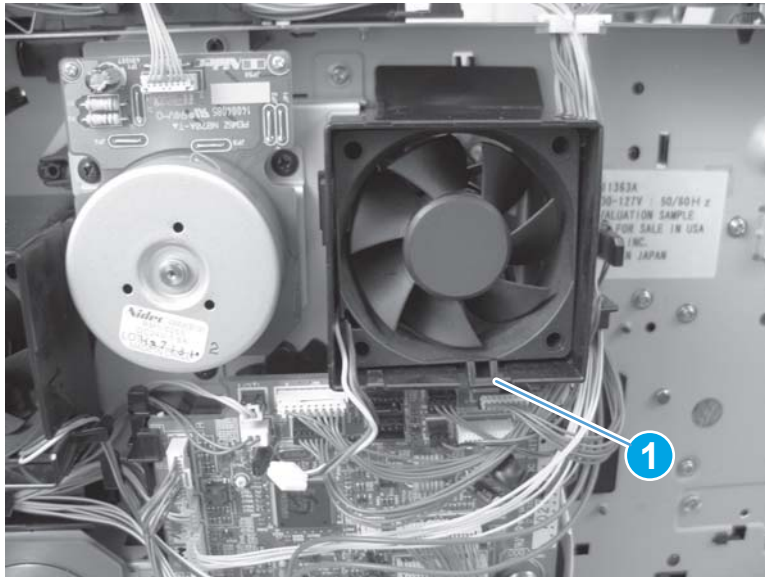
1. Disconnect one connector (callout 1; J79), and then release the wire harness from the retainer (callout 2) on the fan duct.

Figure 1-716 Disconnect one connector



2. Release one tab (callout 1), and then remove the fan.

Figure 1-717 Remove fan



Step 3: Unpack the replacement fan FN104

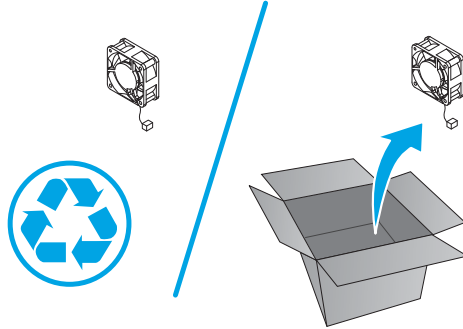
Unpack the replacement part from the packaging.

<http://www8.hp.com/us/en/hp-information/environment/product-recycling.html>



NOTE: HP recommends responsible disposal of the defective part.

Figure 1-718 Recycle and unpack



Step 4: Install the fan FN104

1. Install fan FN104 in the duct. Make sure that the tab (callout 1) snaps into place.


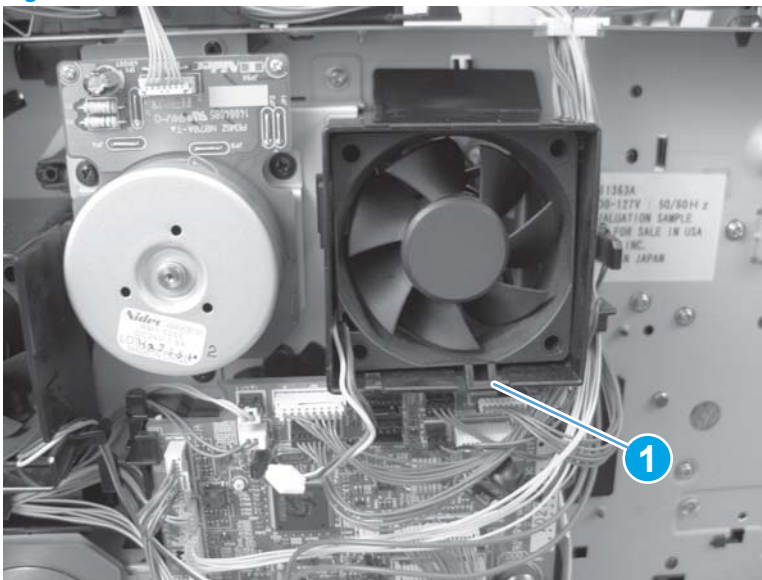
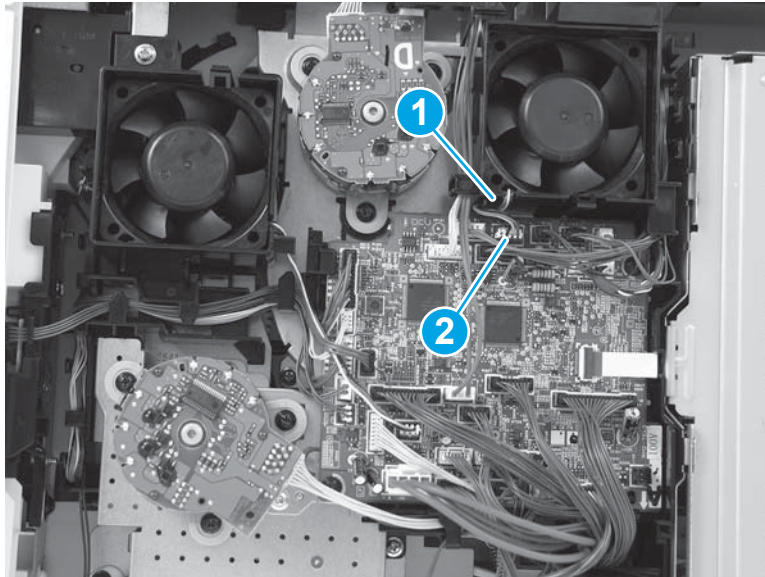
 **TIP:** When you reinstall the fan, the air must flow into the printer. Verify that the airflow arrows that are embossed on the fan body point *into* the printer.

Figure 1-719 Install fan



2. Reinstall the wire harness around the retainer (callout 1), and then connect one connector (callout 2; J79) to the DC controller.

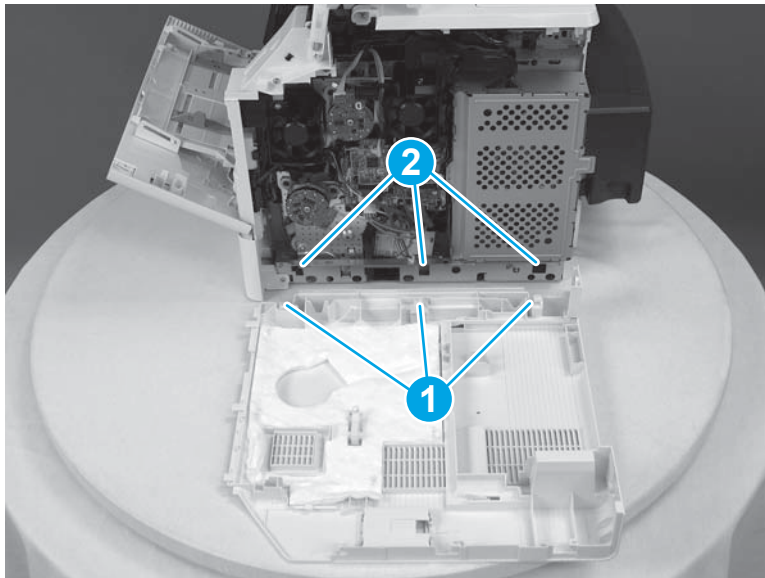
Figure 1-720 Connect one connector



Step 5: Install the right cover

1. Note the location of the tabs (callout 1) on the cover that will fit into the slots (callout 2) on the printer.

Figure 1-721 Note location of tabs



2. Position the front tabs on the right cover slightly behind the right front cover (callout 1), and then rotate the back edge of the cover toward the printer (callout 2).


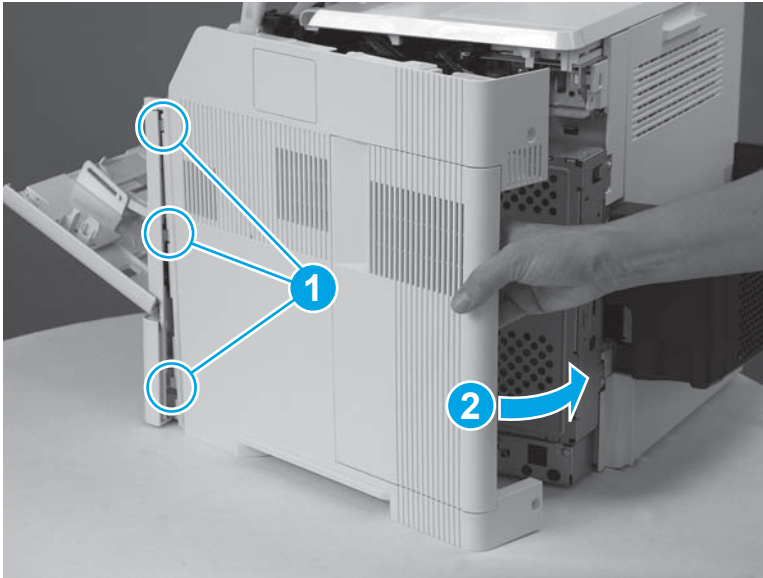
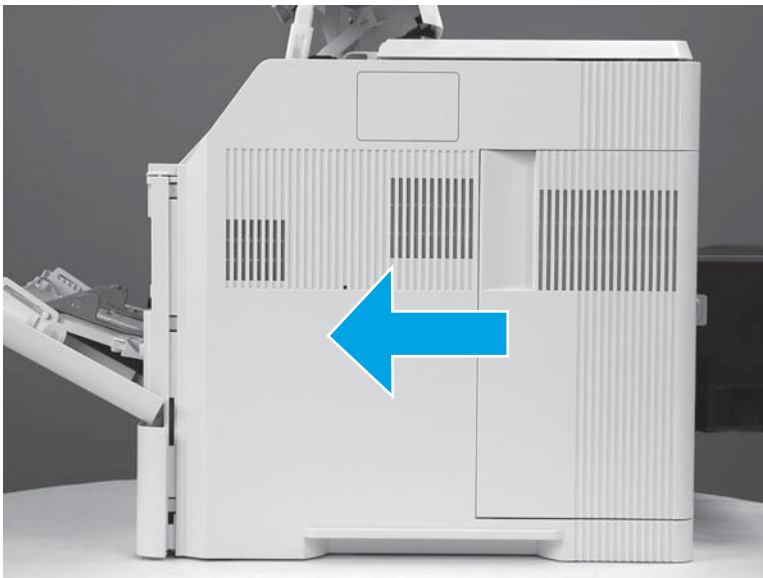
 **NOTE:** The tabs and slots mentioned in the previous step will engage as the cover is rotated into place.

Figure 1-722 Position the front tabs



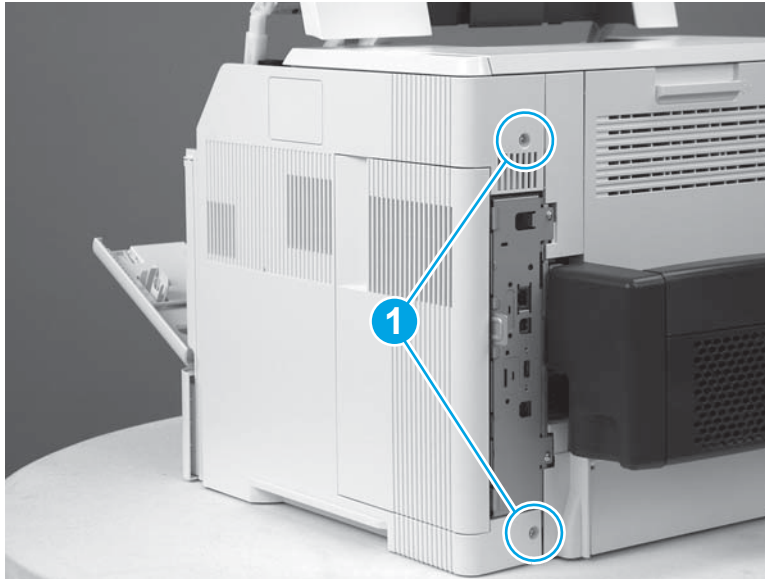
3. Slide the cover toward the front of the printer to install it.

Figure 1-723 Slide the cover



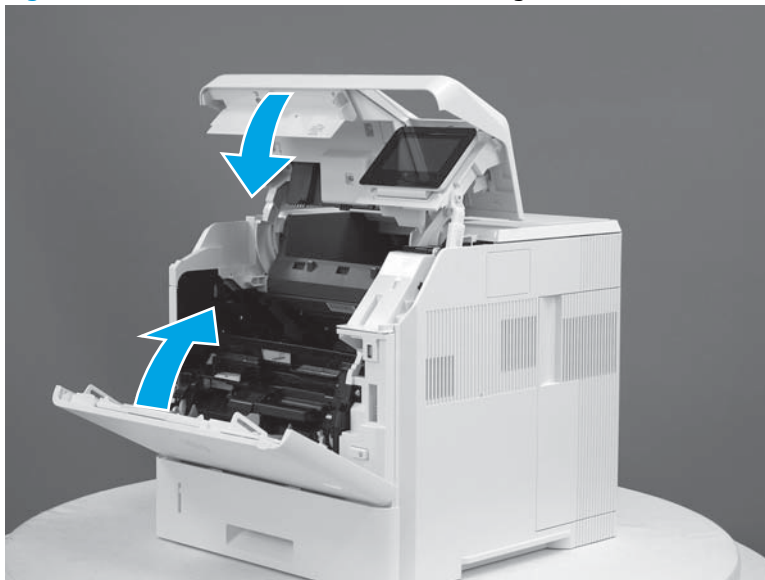
4. Install two screws (callout 1).

Figure 1-724 Install two screws



5. Close the front cover and the cartridge door.

Figure 1-725 Close the front cover and cartridge door



Removal and replacement: Pickup motor

- [Introduction](#)
- [Step 1: Remove the right cover](#)
- [Step 2: Remove the pickup motor](#)
- [Step 3: Unpack the replacement pickup motor](#)
- [Step 4: Install the pickup motor](#)
- [Step 5: Install the right cover](#)


Introduction

This document provides the procedures to remove and replace the pickup motor.

Before performing service

Turn the printer power off

- Disconnect the power cable.

 **WARNING!** To avoid damage to the printer, turn the printer off, wait 30 seconds, and then remove the power cord before attempting to service the printer.

Use the table below to identify the correct part number for your printer. To order the part, go to www.hp.com/buy/parts.

Pickup motor part number	
RM1-8285-000CN	Paper feed motor

Required tools

- #2 Phillips screwdriver with a magnetic tip

After performing service

Turn the printer power on

- Connect the power cable.
- Use the power switch to turn the power on.

Post service test

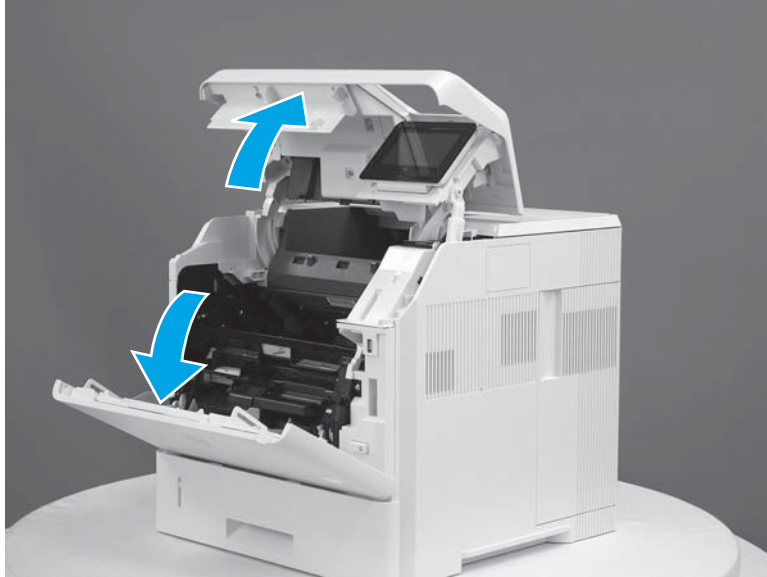
Make sure that the printer initializes to a **Ready** state.

Print a configuration page to make sure that the printer is functioning correctly.

Step 1: Remove the right cover

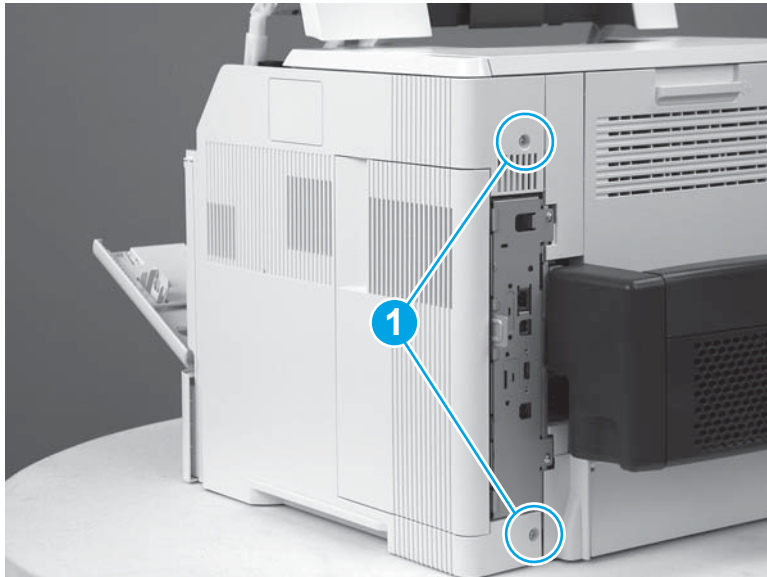
1. Open the front cover and the cartridge door.

Figure 1-726 Open the front cover and cartridge door



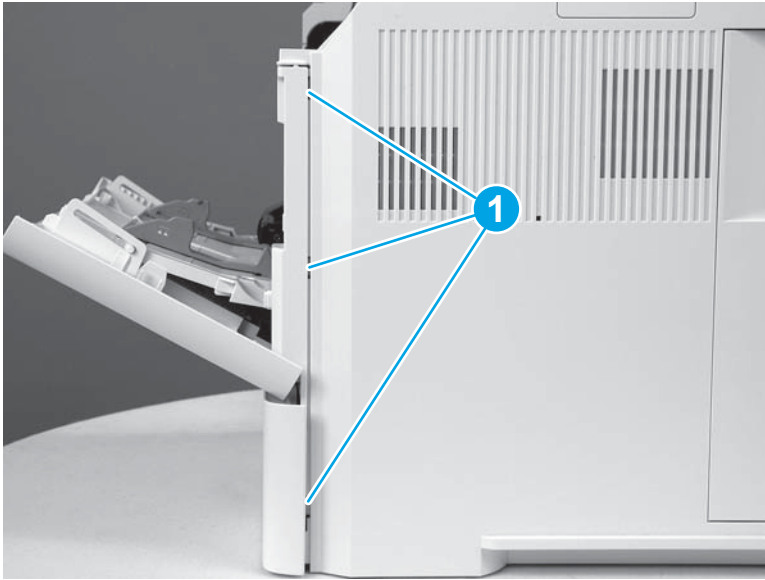
2. Remove two screws (callout 1).

Figure 1-727 Remove two screws



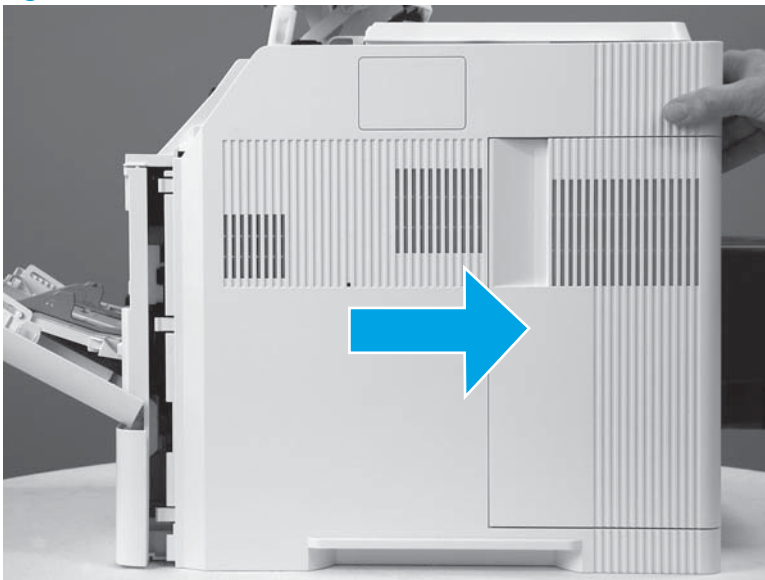
3. Release three tabs (callout 1).

Figure 1-728 Release three tabs



4. Slide the cover toward the rear of the printer to remove it.

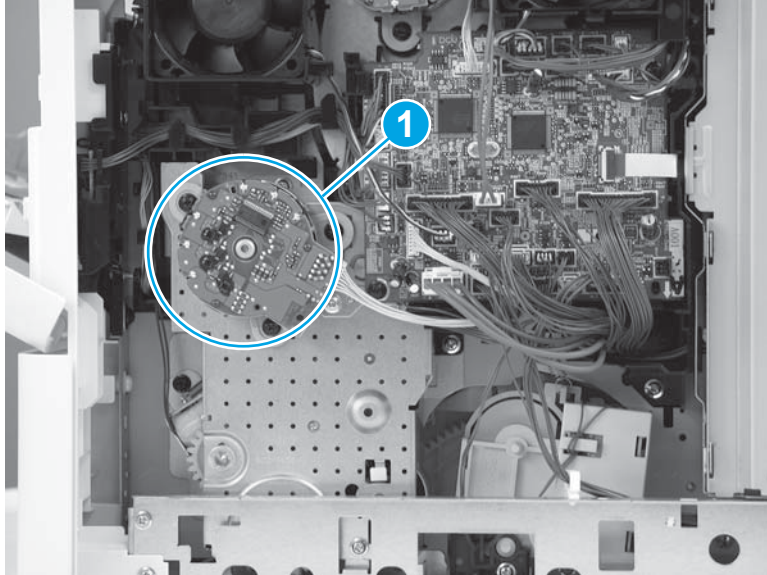
Figure 1-729 Remove the cover



Step 2: Remove the pickup motor

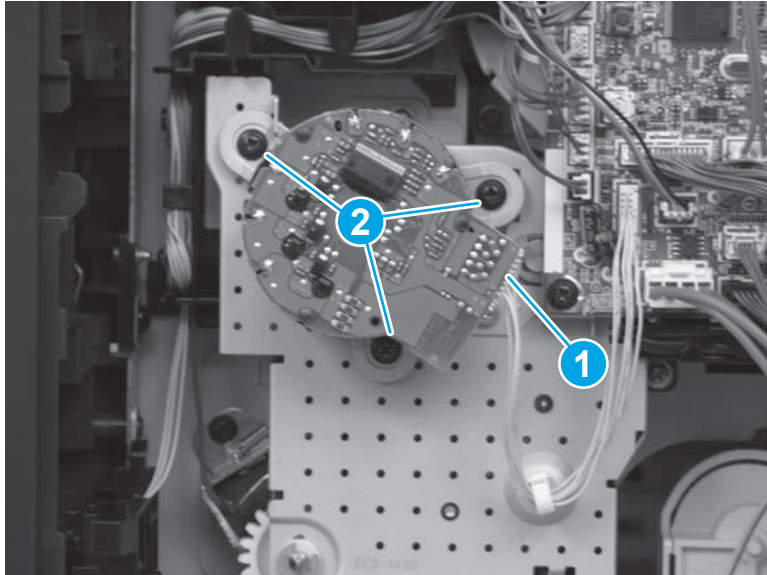
1. Locate the pickup motor (callout 1)

Figure 1-730 Locate the pickup motor



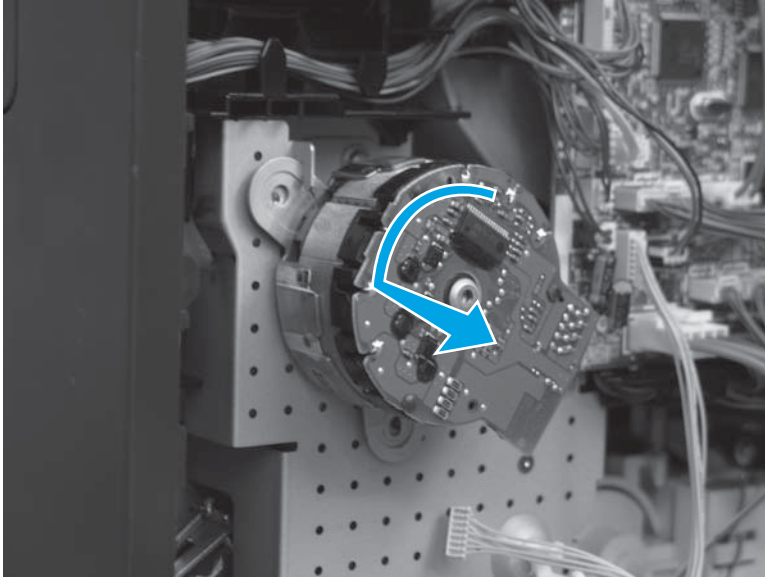
2. Disconnect one connector (callout 1), and then remove three screws (callout 2).

Figure 1-731 Disconnect one connector and remove three screws



3. Rotate the motor towards the front of the printer to release it, and then remove the motor.

Figure 1-732 Release the motor



Step 3: Unpack the replacement pickup motor

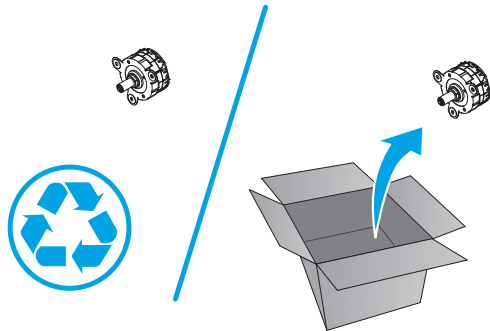
Unpack the replacement part from the packaging.

<http://www8.hp.com/us/en/hp-information/environment/product-recycling.html>



NOTE: HP recommends responsible disposal of the defective part.

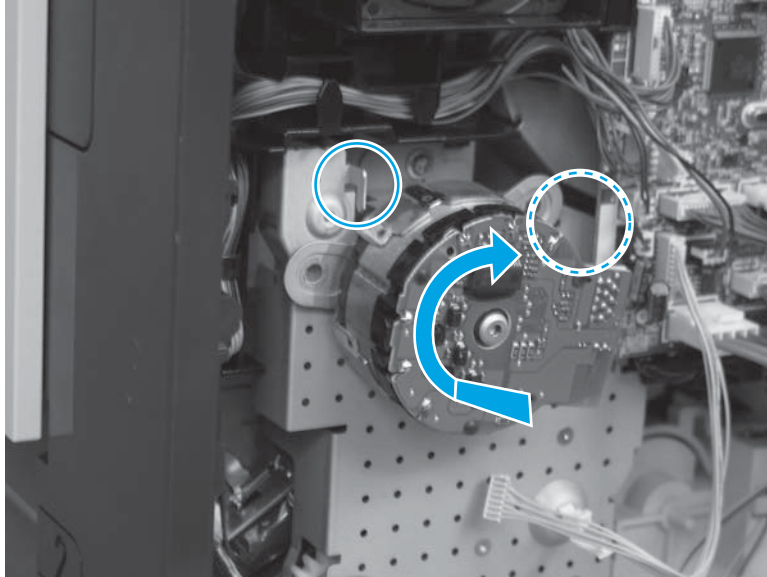
Figure 1-733 Recycle and unpack



Step 4: Install the pickup motor

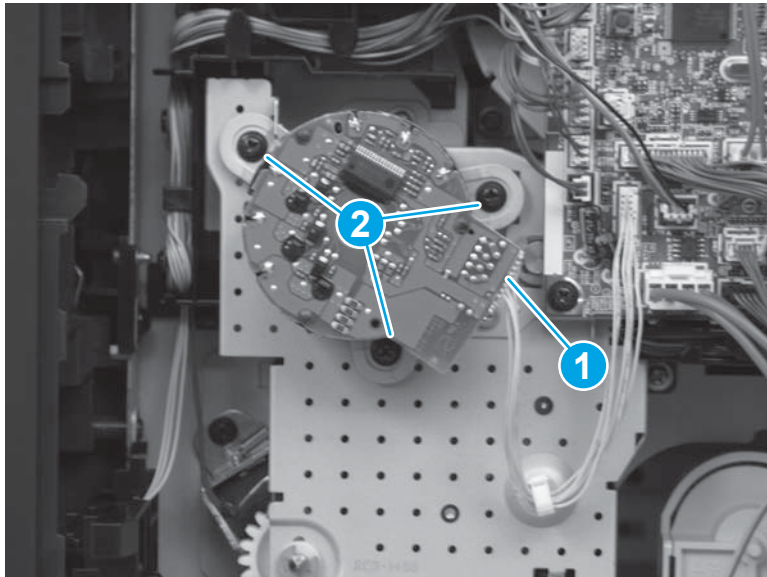
1. Position the motor on the printer chassis, and then rotate it toward the back of the printer to engage the tabs on the chassis with the motor mounting bracket.

Figure 1-734 Install the pickup motor



2. Connect one connector (callout 1), and then install three screws (callout 2).

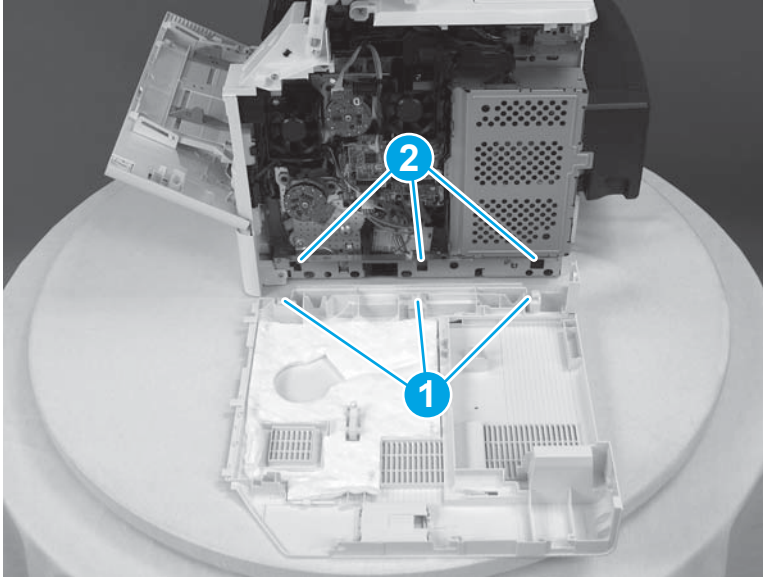
Figure 1-735 Connect one connector and install three screws



Step 5: Install the right cover

1. Note the location of the tabs (callout 1) on the cover that will fit into the slots (callout 2) on the printer.

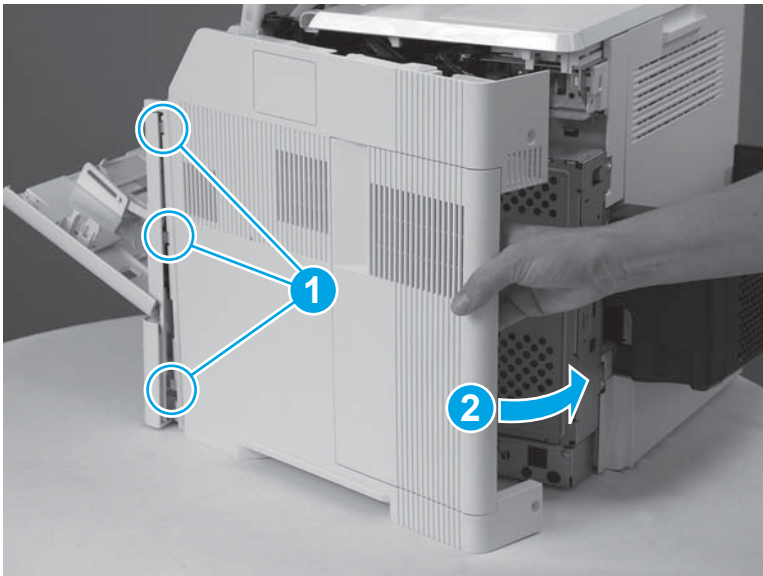
Figure 1-736 Note location of tabs



2. Position the front tabs on the right cover slightly behind the right front cover (callout 1), and then rotate the back edge of the cover toward the printer (callout 2).

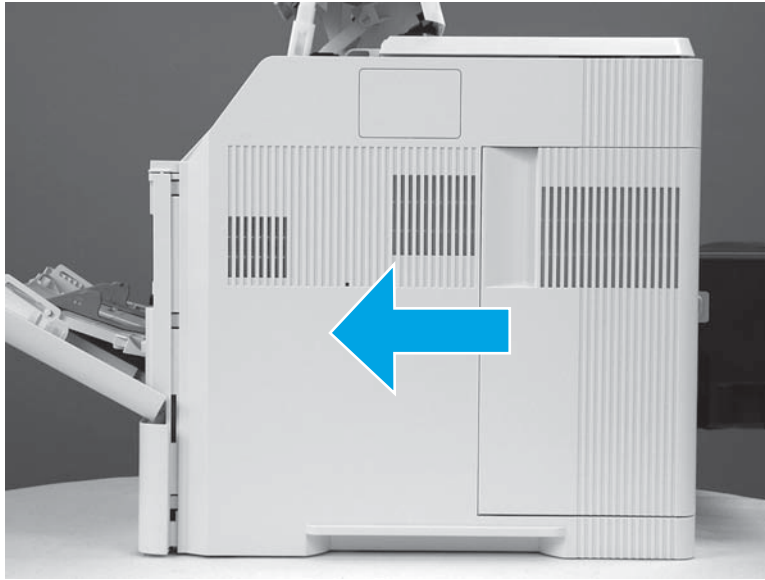
 **NOTE:** The tabs and slots mentioned in the previous step will engage as the cover is rotated into place.

Figure 1-737 Position the front tabs



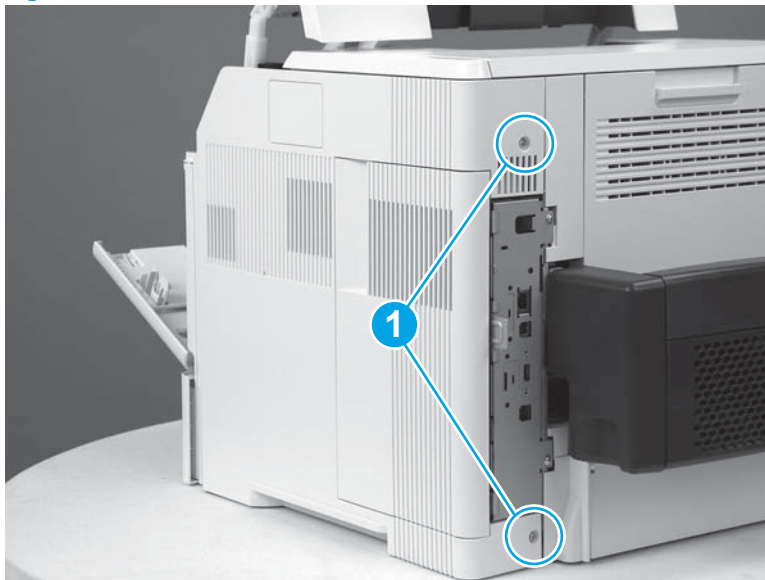
3. Slide the cover toward the front of the printer to install it.

Figure 1-738 Slide the cover



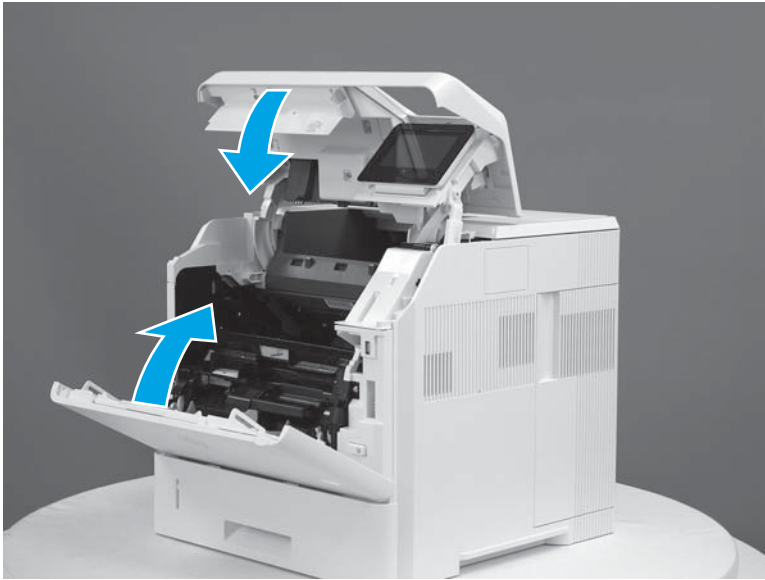
4. Install two screws (callout 1).

Figure 1-739 Install two screws



5. Close the front cover and the cartridge door.

Figure 1-740 Close the front cover and cartridge door



Removal and replacement: Drum motor

- [Introduction](#)
- [Step 1: Remove the right cover](#)
- [Step 2: Remove the drum motor](#)
- [Step 3: Unpack the replacement drum motor](#)
- [Step 4: Install the drum motor](#)
- [Step 5: Install the right cover](#)


Introduction

This document provides the procedures to remove and replace the drum motor.

Before performing service

Turn the printer power off

- Disconnect the power cable.

 **WARNING!** To avoid damage to the printer, turn the printer off, wait 30 seconds, and then remove the power cord before attempting to service the printer.

Use the table below to identify the correct part number for your printer. To order the part, go to www.hp.com/buy/parts.

Drum motor part number	
RM1-8358-000CN	Drum motor

Required tools

- #2 Phillips screwdriver with a magnetic tip

After performing service

Turn the printer power on

- Connect the power cable.
- Use the power switch to turn the power on.

Post service test

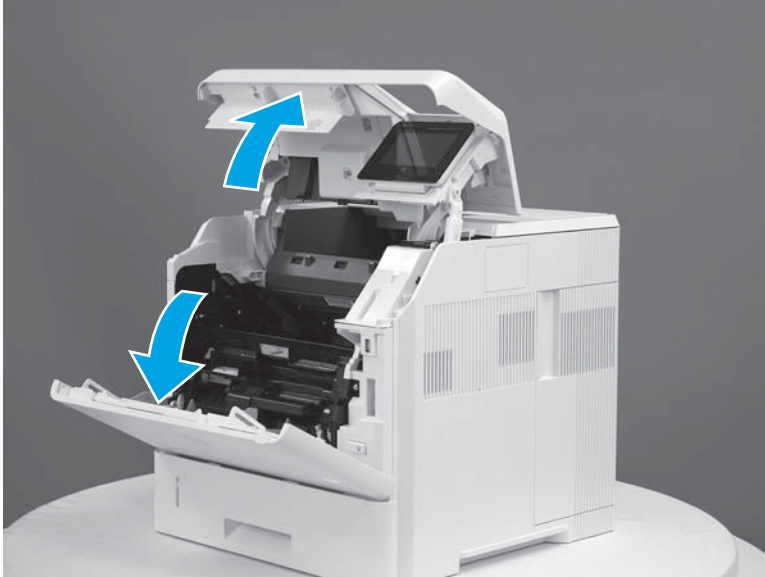
Make sure that the printer initializes to a **Ready** state.

Print a configuration page to make sure that the printer is functioning correctly.

Step 1: Remove the right cover

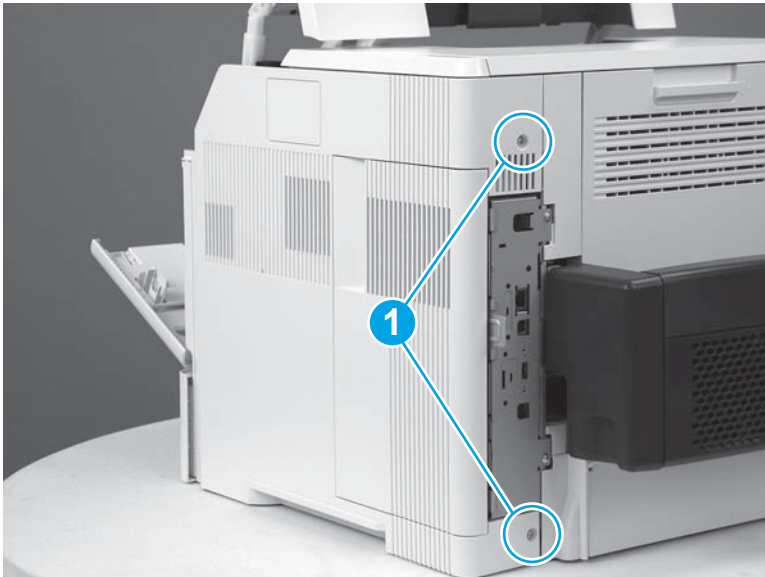
1. Open the front cover and the cartridge door.

Figure 1-741 Open the front cover and cartridge door



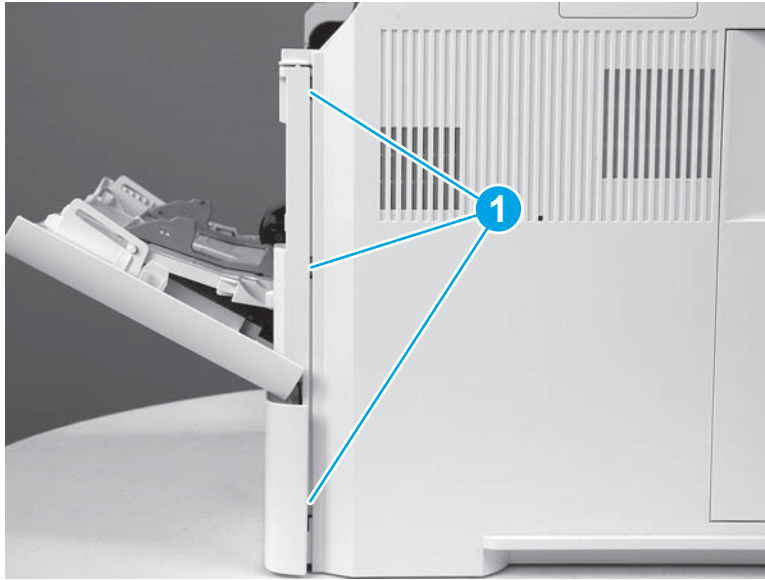
2. Remove two screws (callout 1).

Figure 1-742 Remove two screws



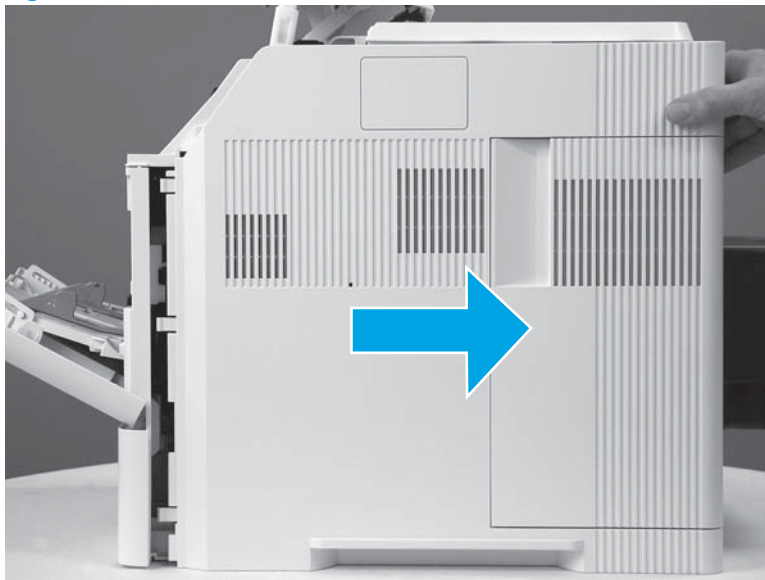
3. Release three tabs (callout 1).

Figure 1-743 Release three tabs



4. Slide the cover toward the rear of the printer to remove it.

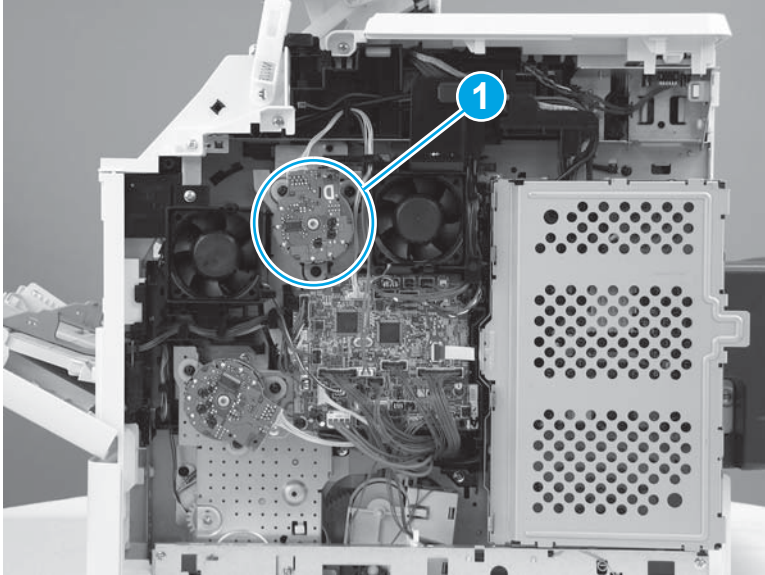
Figure 1-744 Remove the cover



Step 2: Remove the drum motor

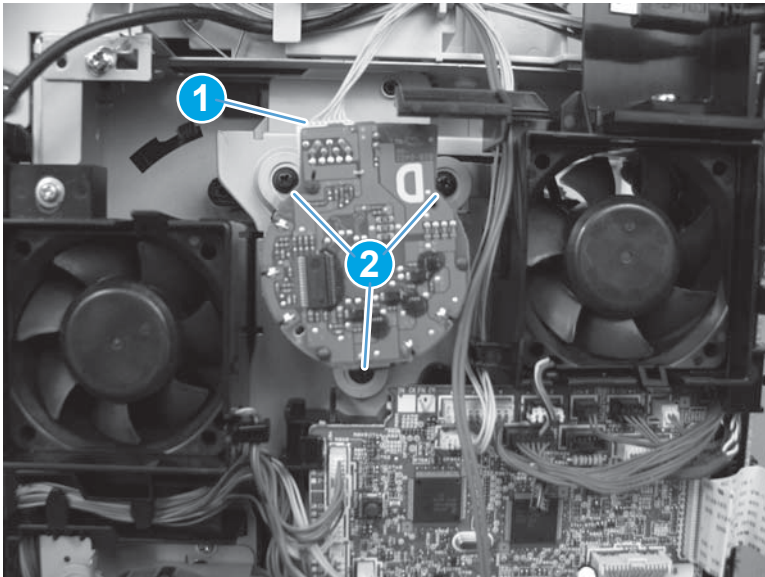
1. Locate the drum motor (callout 1)

Figure 1-745 Locate the drum motor



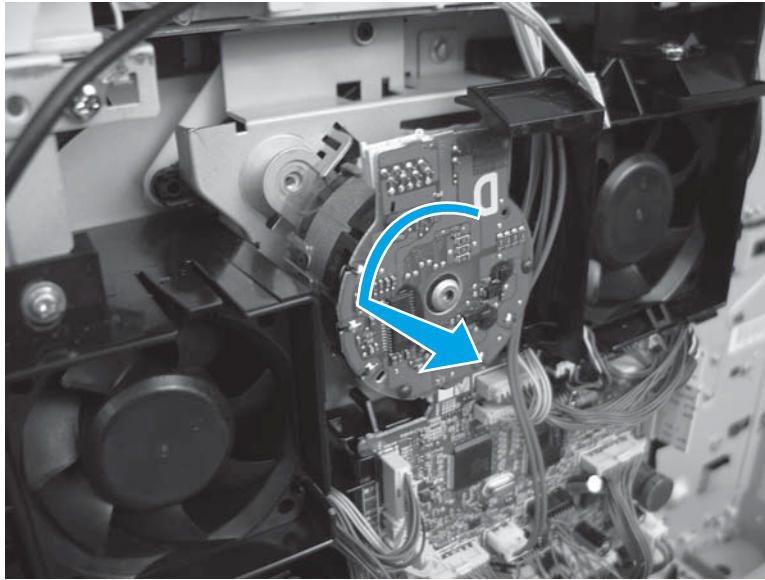
2. Disconnect one connector (callout 1), and then remove three screws (callout 2).

Figure 1-746 Disconnect one connector and remove three screws



3. Rotate the motor towards the front of the printer to release it, and then remove the motor.

Figure 1-747 Release the motor



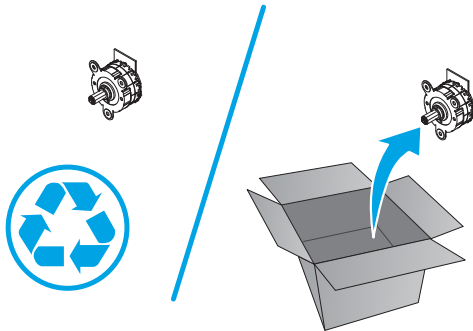
Step 3: Unpack the replacement drum motor

Unpack the replacement part from the packaging.

<http://www8.hp.com/us/en/hp-information/environment/product-recycling.html>

 **NOTE:** HP recommends responsible disposal of the defective part.

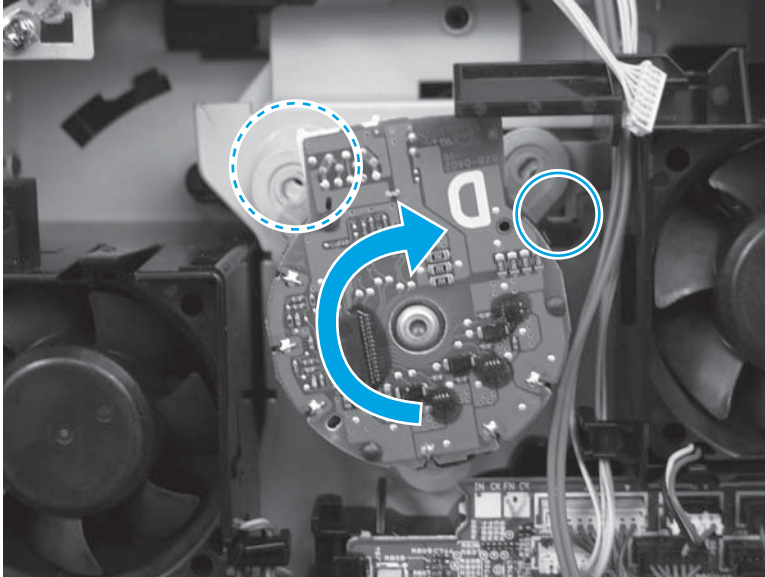
Figure 1-748 Recycle and unpack



Step 4: Install the drum motor

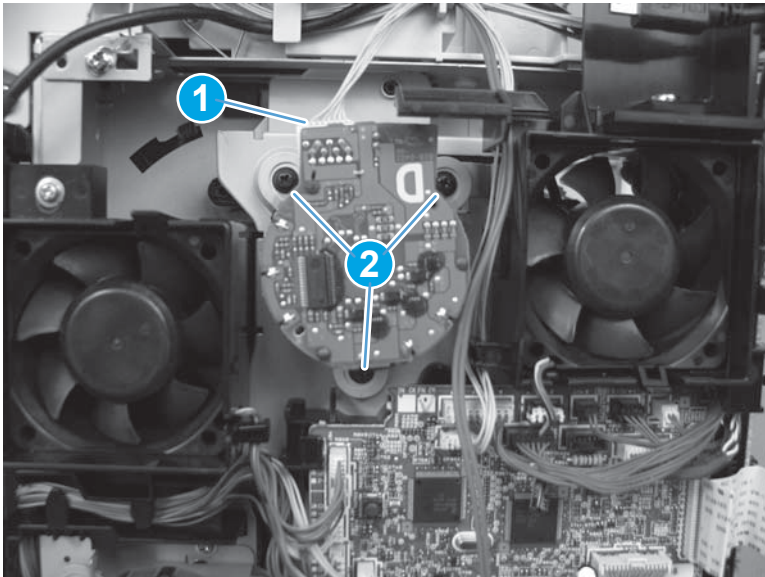
1. Position the motor on the printer chassis, and then rotate it toward the back of the printer to engage the tabs on the chassis with the motor mounting bracket.

Figure 1-749 Install the drum motor



2. Connect one connector (callout 1), and then install three screws (callout 2).

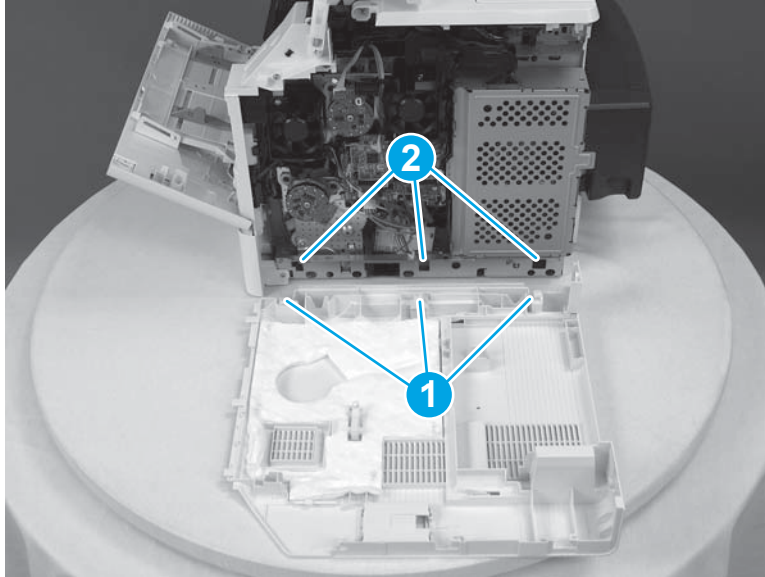
Figure 1-750 Connect one connector and install three screws



Step 5: Install the right cover

1. Note the location of the tabs (callout 1) on the cover that will fit into the slots (callout 2) on the printer.

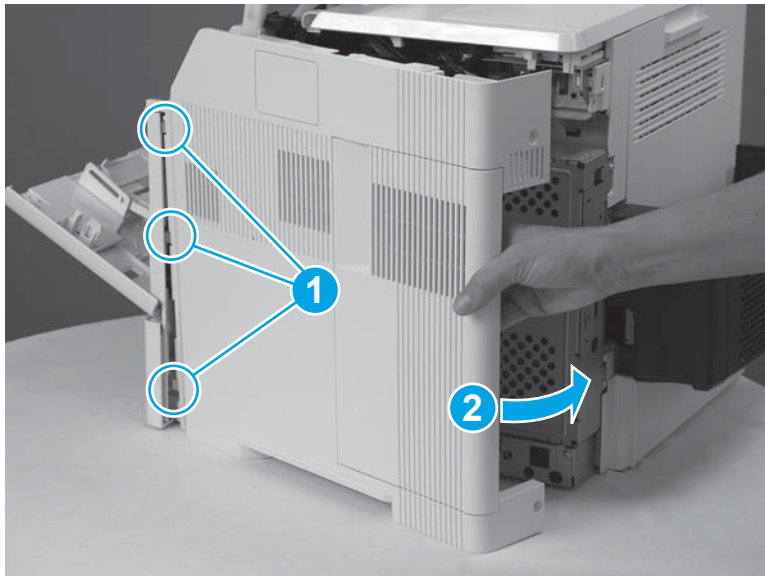
Figure 1-751 Note location of tabs



2. Position the front tabs on the right cover slightly behind the right front cover (callout 1), and then rotate the back edge of the cover toward the printer (callout 2).

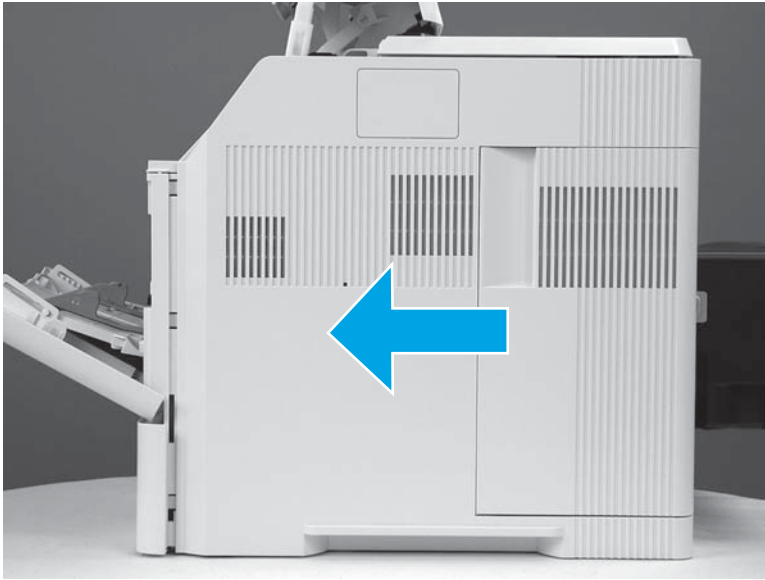
 **NOTE:** The tabs and slots mentioned in the previous step will engage as the cover is rotated into place.

Figure 1-752 Position the front tabs



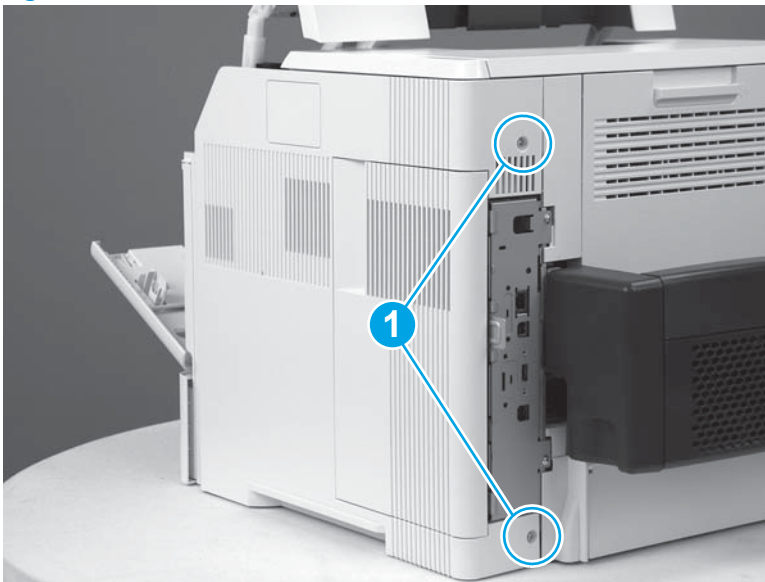
3. Slide the cover toward the front of the printer to install it.

Figure 1-753 Slide the cover



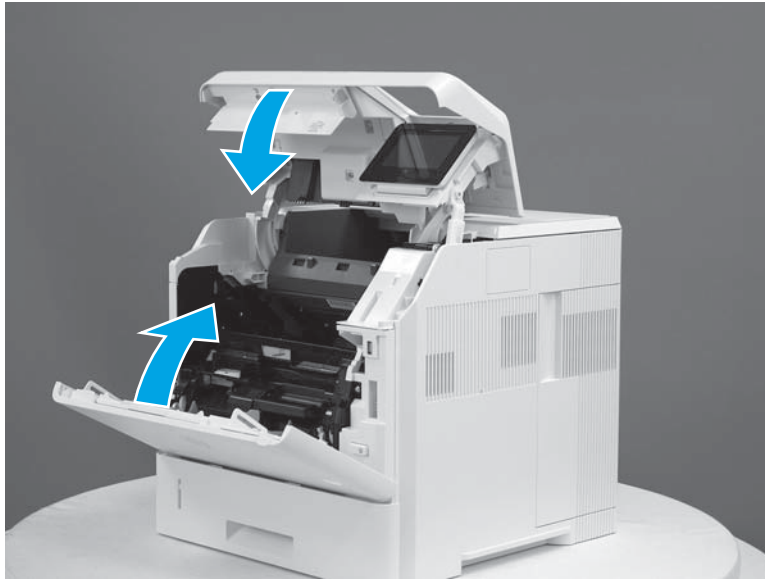
4. Install two screws (callout 1).

Figure 1-754 Install two screws



5. Close the front cover and the cartridge door.

Figure 1-755 Close the front cover and cartridge door



Removal and replacement: Lifter motor assembly

- [Introduction](#)
- [Step 1: Remove the right cover](#)
- [Step 2: Remove the lifter motor assembly](#)
- [Step 3: Unpack the replacement lifter drive assembly](#)
- [Step 4: Install the lifter motor assembly](#)
- [Step 5: Install the right cover](#)


Introduction

This document provides the procedures to remove and replace the lifter drive assembly.

Before performing service

Turn the printer power off

- Disconnect the power cable.

 **WARNING!** To avoid damage to the printer, turn the printer off, wait 30 seconds, and then remove the power cord before attempting to service the printer.

Use the table below to identify the correct part number for your printer. To order the part, go to www.hp.com/buy/parts.

Lifter drive assembly part number	
-----------------------------------	--

RM2-6335-000CN	Lifter drive assembly
----------------	-----------------------

Required tools

- #2 Phillips screwdriver with a magnetic tip
- Hemostats (if available)

After performing service

Turn the printer power on

- Connect the power cable.
- Use the power switch to turn the power on.

Post service test

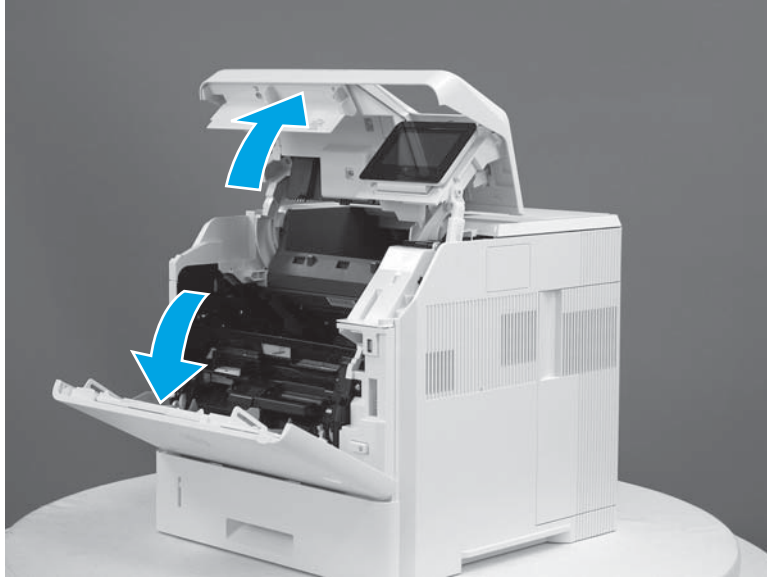
Make sure that the printer initializes to a **Ready** state.

Print a configuration page to make sure that the printer is functioning correctly.

Step 1: Remove the right cover

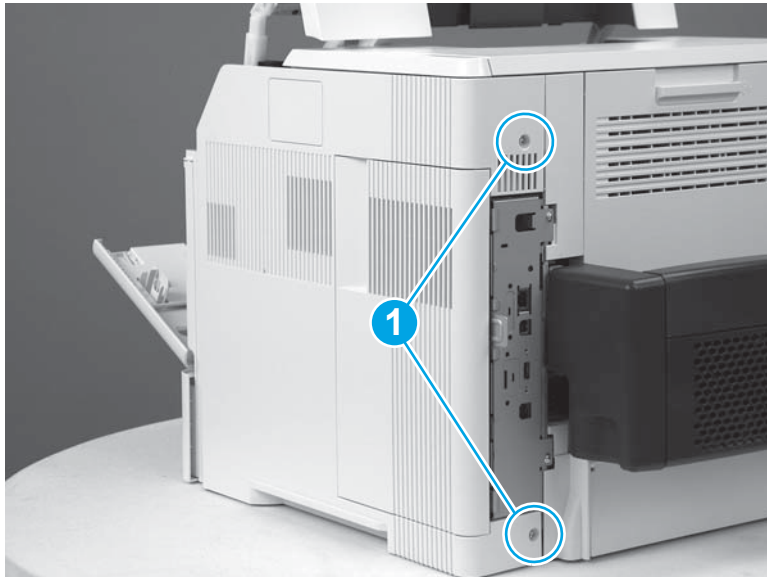
1. Open the front cover and the cartridge door.

Figure 1-756 Open the front cover and cartridge door



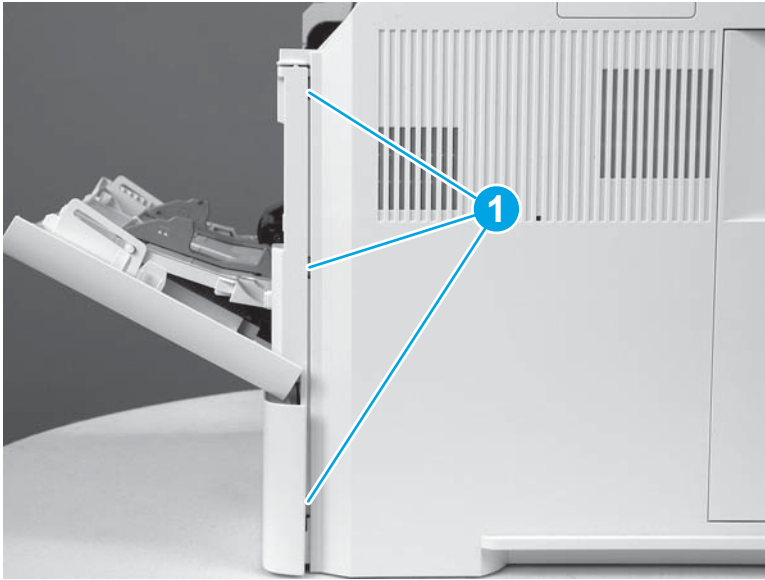
2. Remove two screws (callout 1).

Figure 1-757 Remove two screws



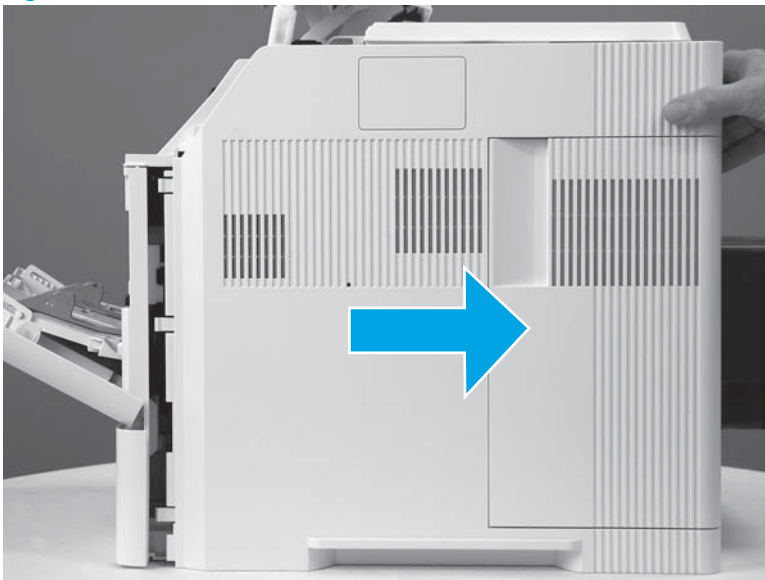
3. Release three tabs (callout 1).

Figure 1-758 Release three tabs



4. Slide the cover toward the rear of the printer to remove it.

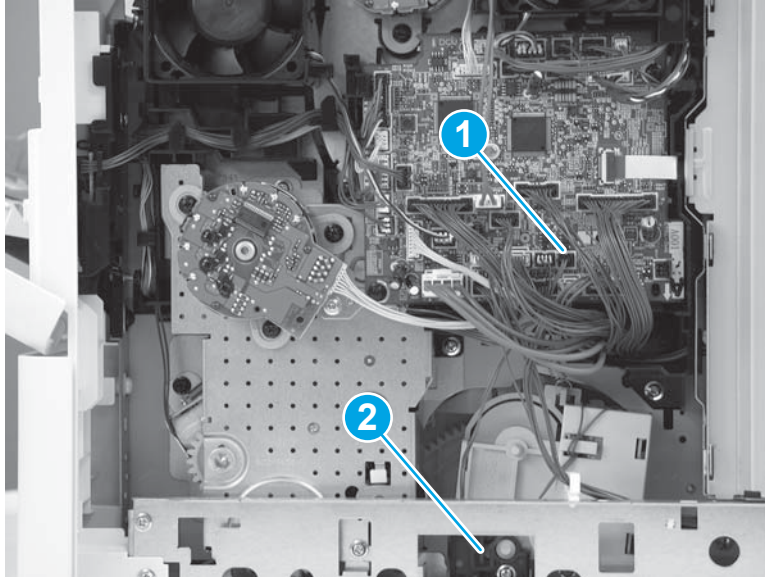
Figure 1-759 Remove the cover



Step 2: Remove the lifter motor assembly

1. Disconnect one connector (callout 1; J73), and then release the wire harness from one retainer (callout 2).

Figure 1-760 Disconnect one connector



2. Release one spring (callout 1).

 **TIP:** Use hemostats (if available) to release the spring.

TIP: Release the spring from the lower hook.


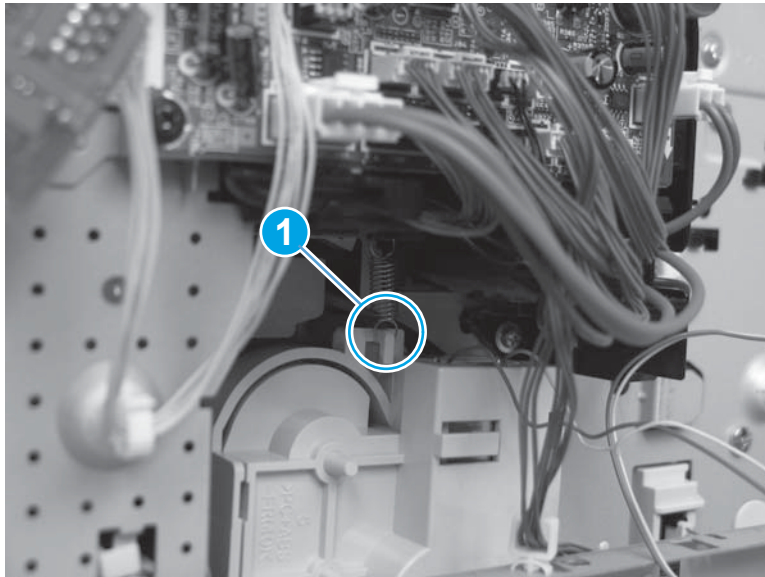
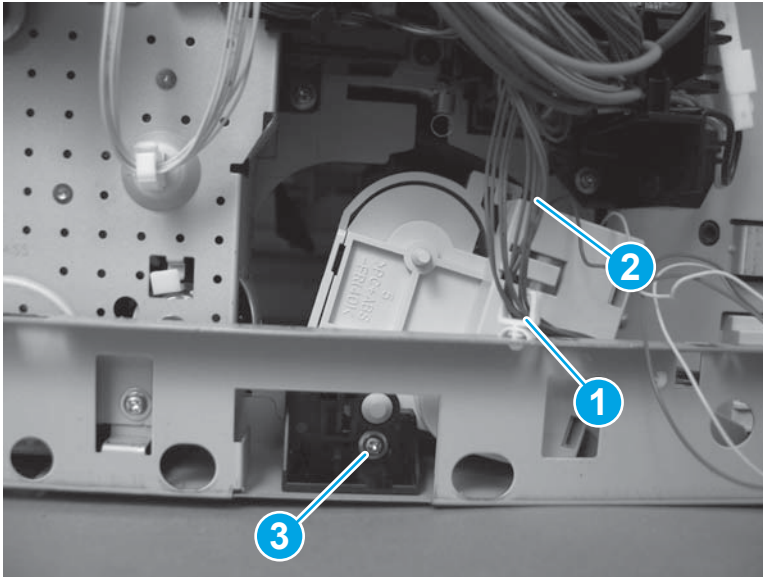
 **NOTE:** The spring is not captive. Do not lose the spring.

Figure 1-761 Release one spring



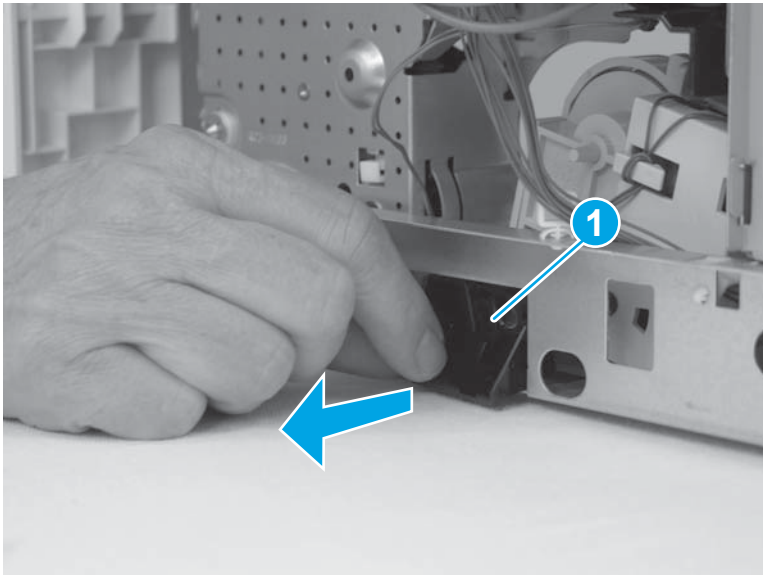
3. Release the wire-harness retainer (callout 1), move the wire harness (callout 2) out of the way, and then remove one screw (callout 3).

Figure 1-762 Remove one screw



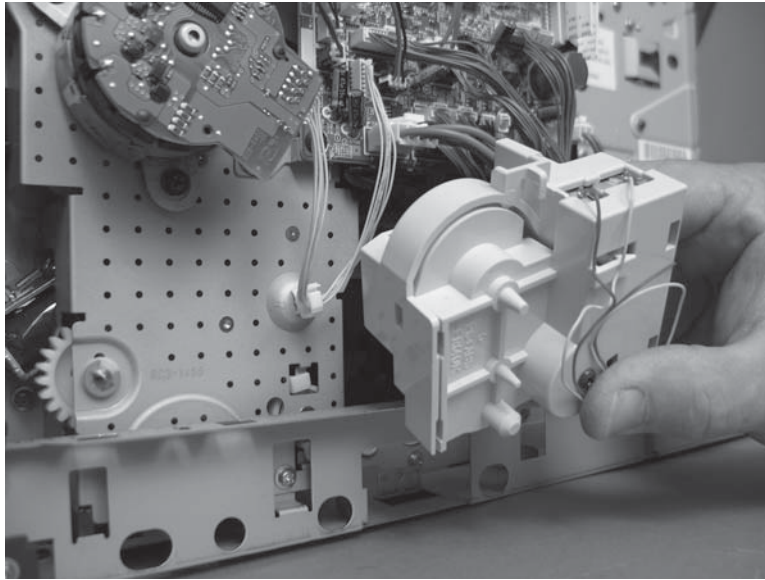
4. Remove the black bracket (callout 1) by sliding it away from the lifter drive.

Figure 1-763 Remove the black bracket



5. Remove the lifter-motor assembly.

Figure 1-764 Remove the lifter-motor assembly



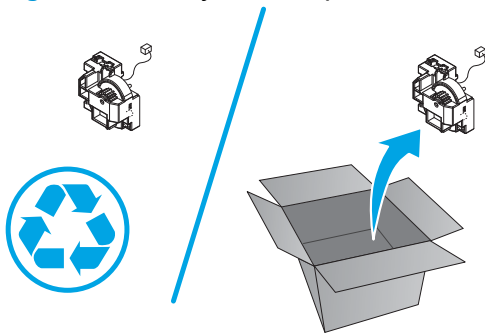
Step 3: Unpack the replacement lifter drive assembly

Unpack the replacement part from the packaging.

<http://www8.hp.com/us/en/hp-information/environment/product-recycling.html>

 **NOTE:** HP recommends responsible disposal of the defective part.

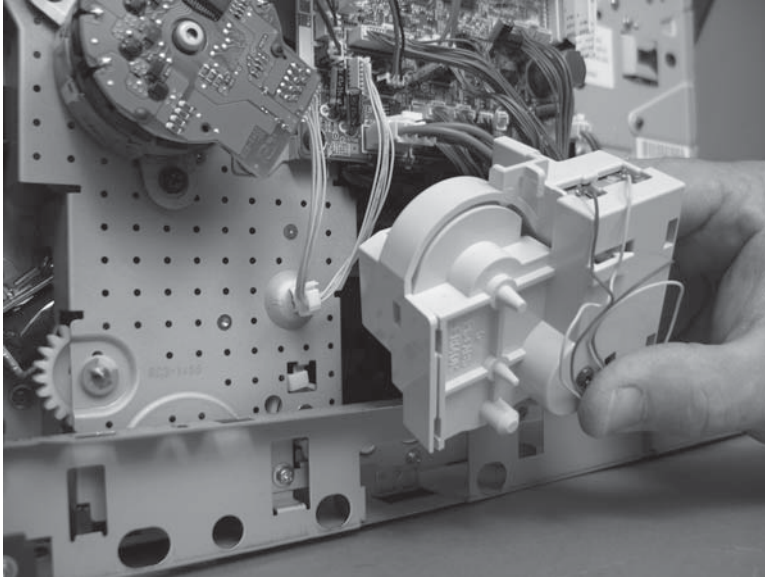
Figure 1-765 Recycle and unpack



Step 4: Install the lifter motor assembly

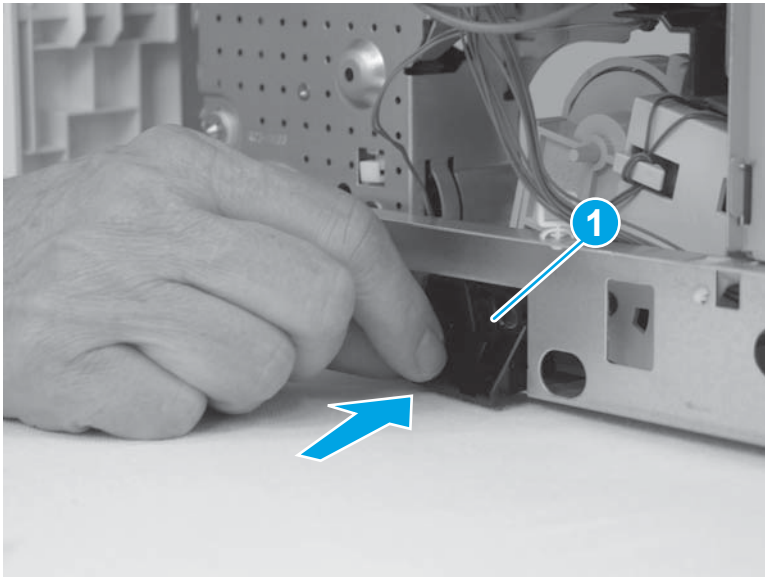
1. Position the lifter-motor assembly in the printer.

Figure 1-766 Position the lifter-motor assembly



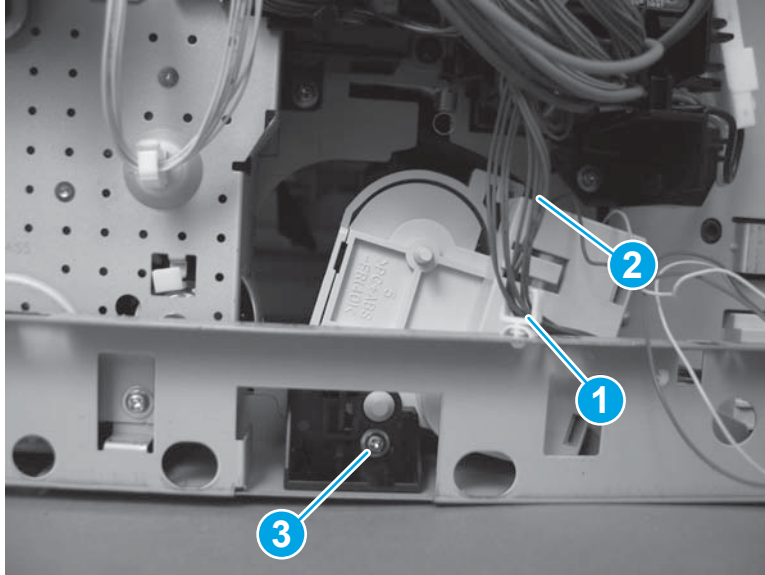
2. Install the black bracket (callout 1) by sliding it toward the lifter drive.

Figure 1-767 Install the black bracket



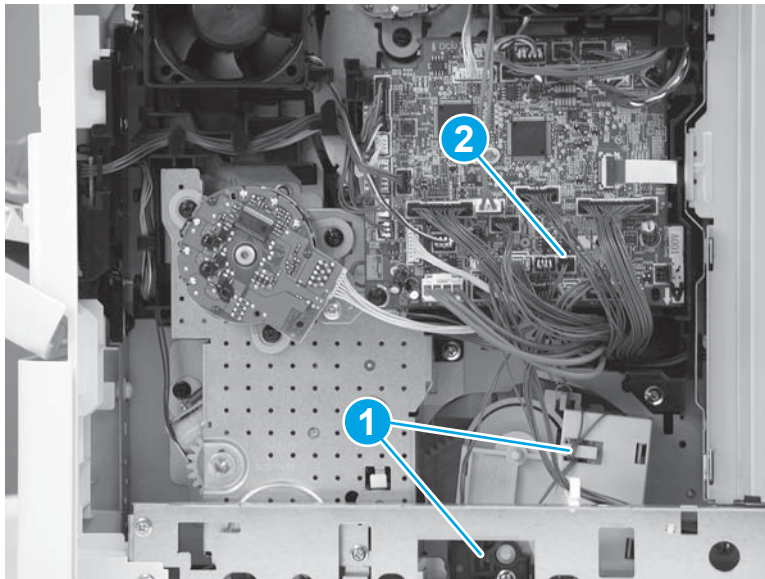
3. Open the wire-harness retainer (callout 1), install the wire harness (callout 2) in the retainer, and then install one screw (callout 3).

Figure 1-768 Install one screw



4. Install the wire harness around two retainers (callout 1), and then connect one connector (callout 2; J73).

Figure 1-769 Connect one connector

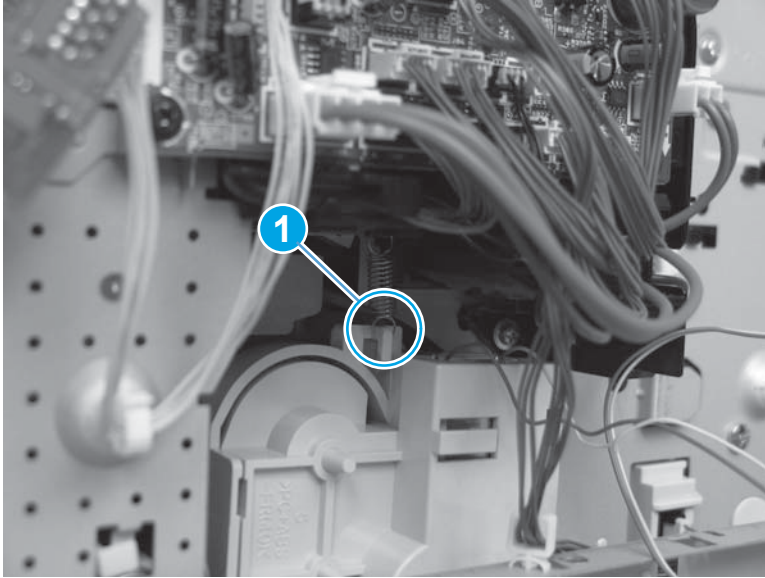


5. Attach one spring (callout 1).

 **TIP:** Use hemostats (if available) to attach the spring.

 **NOTE:** The spring is not captive. Do not lose the spring.

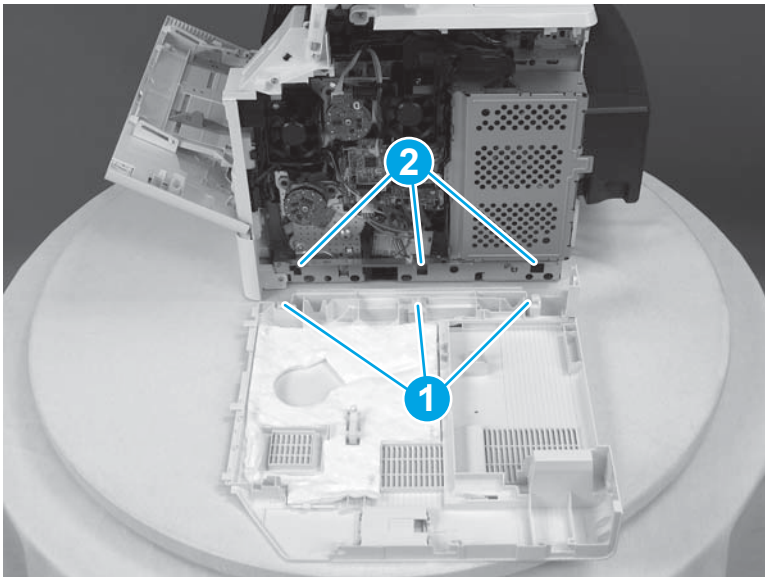
Figure 1-770 Attach one spring



Step 5: Install the right cover

1. Note the location of the tabs (callout 1) on the cover that will fit into the slots (callout 2) on the printer.

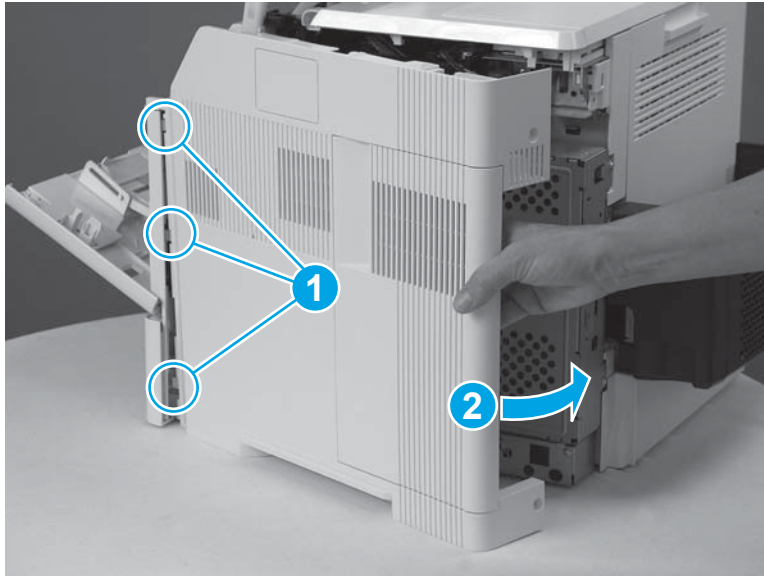
Figure 1-771 Note location of tabs



2. Position the front tabs on the right cover slightly behind the right front cover (callout 1), and then rotate the back edge of the cover toward the printer (callout 2).

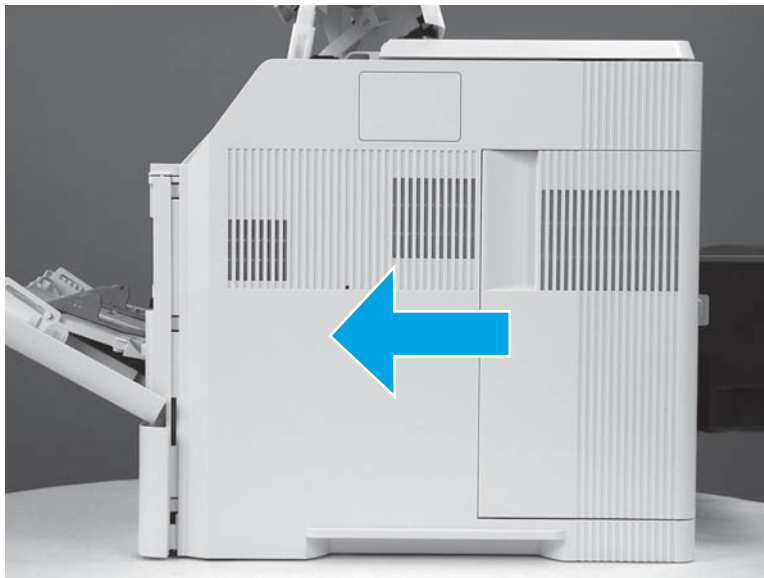
 **NOTE:** The tabs and slots mentioned in the previous step will engage as the cover is rotated into place.

Figure 1-772 Position the front tabs



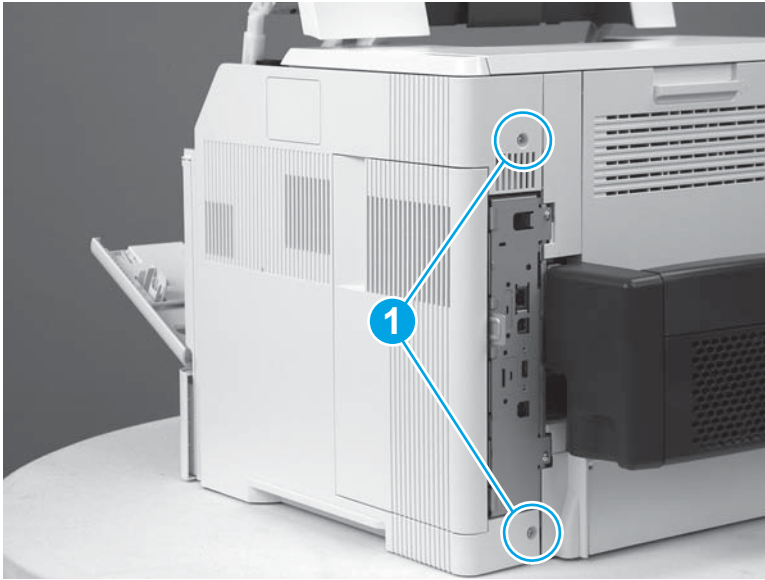
3. Slide the cover toward the front of the printer to install it.

Figure 1-773 Slide the cover



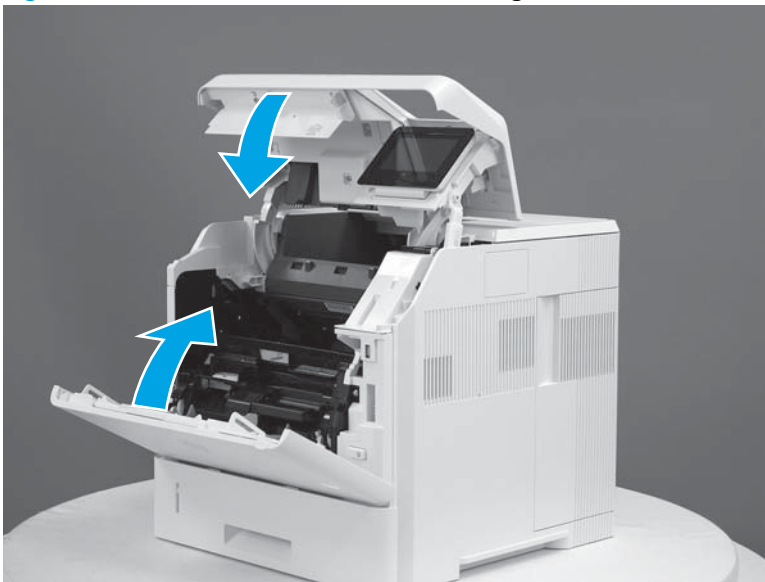
4. Install two screws (callout 1).

Figure 1-774 Install two screws



5. Close the front cover and the cartridge door.

Figure 1-775 Close the front cover and cartridge door



Removal and replacement: DC controller

- [Introduction](#)
- [Step 1: Remove the right cover](#)
- [Step 2: Remove the DC controller](#)
- [Step 3: Unpack the replacement DC controller](#)
- [Step 4: Install the DC controller](#)
- [Step 5: Install the right cover](#)


Introduction



This document provides the procedures to remove and replace the DC controller.


Before performing service

Turn the printer power off

- Disconnect the power cable.

 **WARNING!** To avoid damage to the printer, turn the printer off, wait 30 seconds, and then remove the power cord before attempting to service the printer.

 **CAUTION:**  This part contains components that are electrostatic discharge (ESD) sensitive. To reduce the possibility of ESD damage, always touch the sheet-metal chassis to ground yourself before touching an ESD-sensitive part.

 **IMPORTANT:** Do not replace the formatter, DC controller, and eMMC PCA or hard-disk drive simultaneously during a single printer servicing. Doing so might cause the printer to become unstable or inoperable.

Use the table below to identify the correct part number for your printer. To order the part, go to www.hp.com/buy/parts.

DC controller part number	
RM2-7643-000CN	DC controller

Required tools

- #2 Phillips screwdriver with a magnetic tip

After performing service

Turn the printer power on

- Connect the power cable.
- Use the power switch to turn the power on.

Post service test

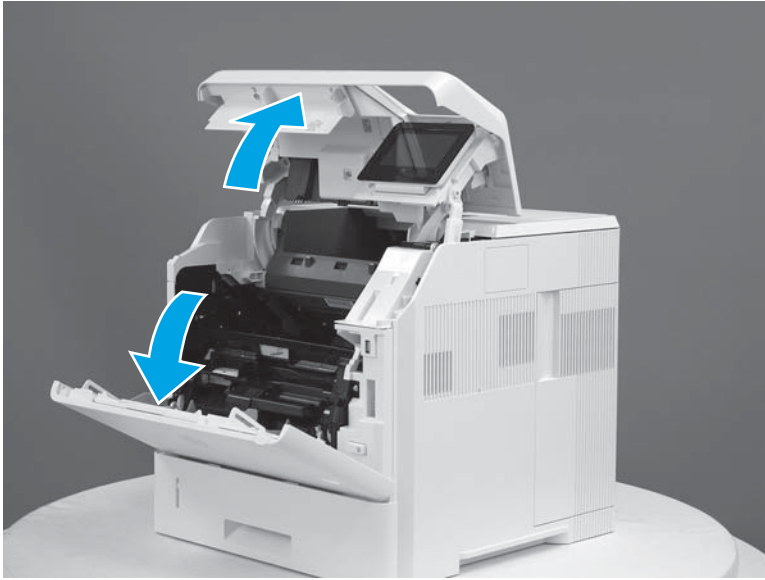
Make sure that the printer initializes to a **Ready** state.

Print a configuration page to make sure that the printer is functioning correctly.

Step 1: Remove the right cover

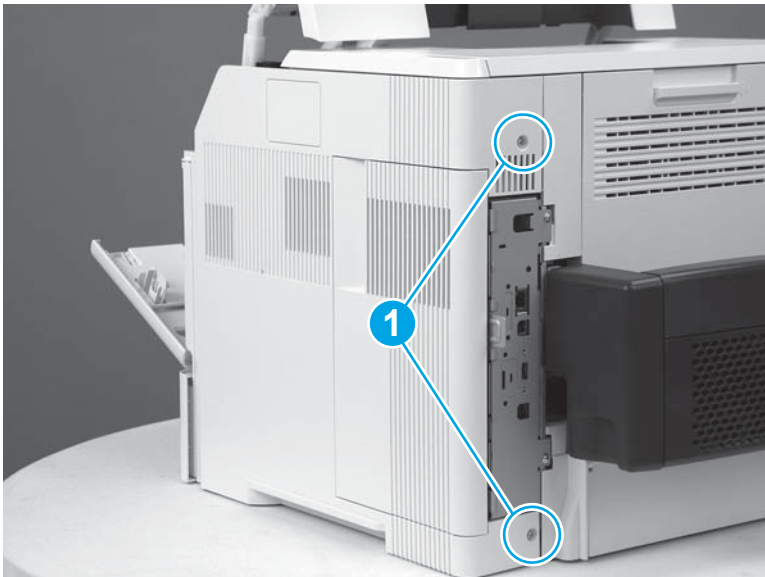
1. Open the front cover and the cartridge door.

Figure 1-776 Open the front cover and cartridge door



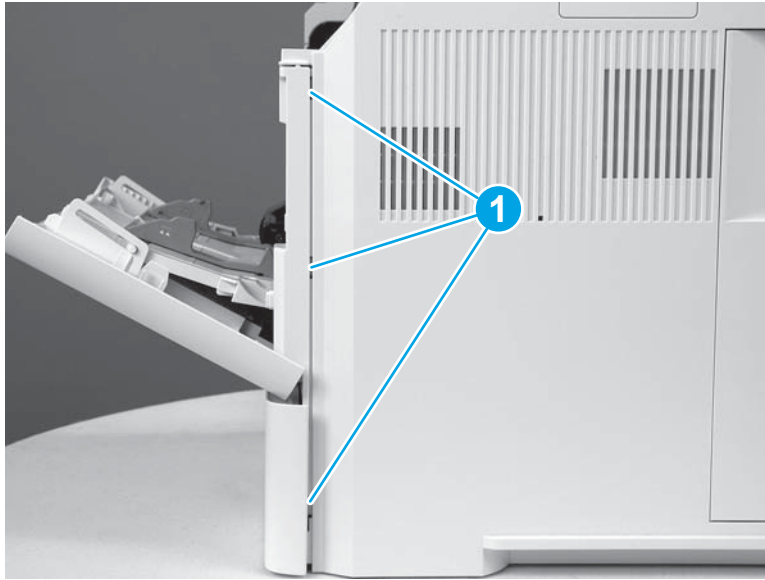
2. Remove two screws (callout 1).

Figure 1-777 Remove two screws



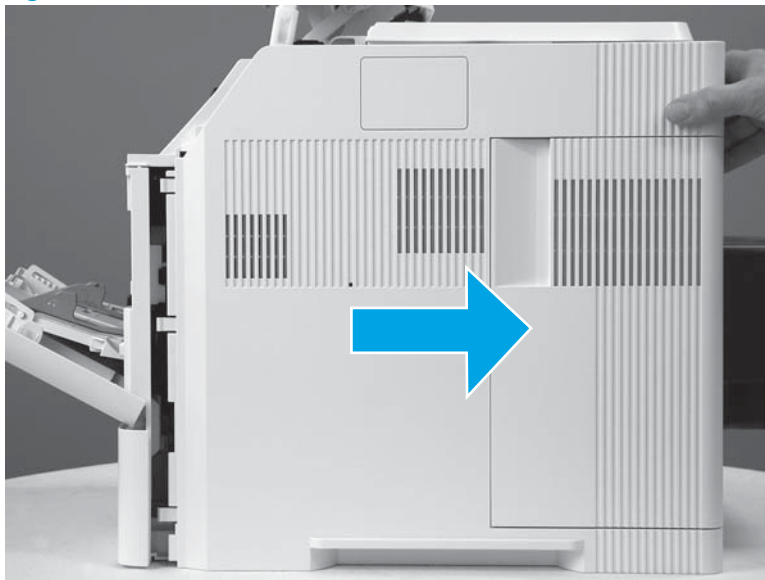
3. Release three tabs (callout 1).

Figure 1-778 Release three tabs



4. Slide the cover toward the rear of the printer to remove it.

Figure 1-779 Remove the cover



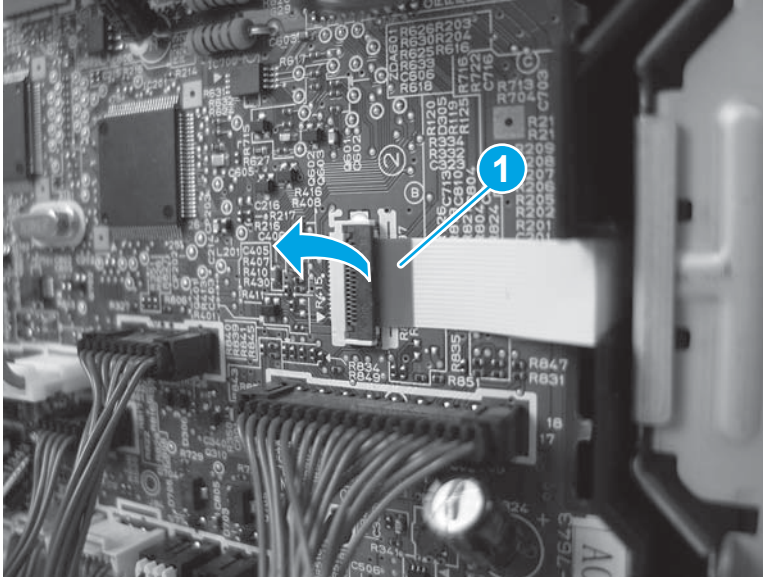
Step 2: Remove the DC controller

1. Locate the flat cable connector (callout 1) on the DC controller.



IMPORTANT: This connector is a Zero Insertion Force (ZIF) connector that uses a hinged retainer to secure a flat cable. The hinged retainer must be opened to release the flat cable.

Figure 1-780 ZIF connector



2. Disconnect all of the connectors (callout 1) on the DC controller.
 - 29 wire-harness connectors
 - 1 flat cable


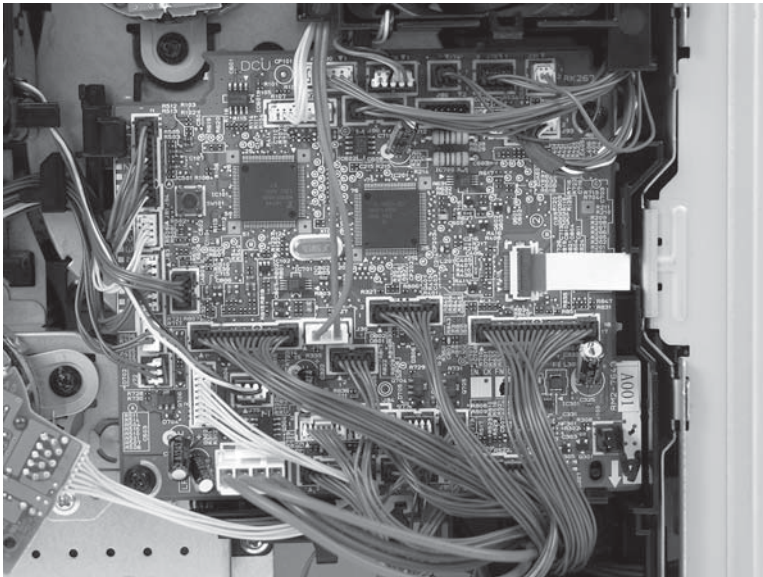
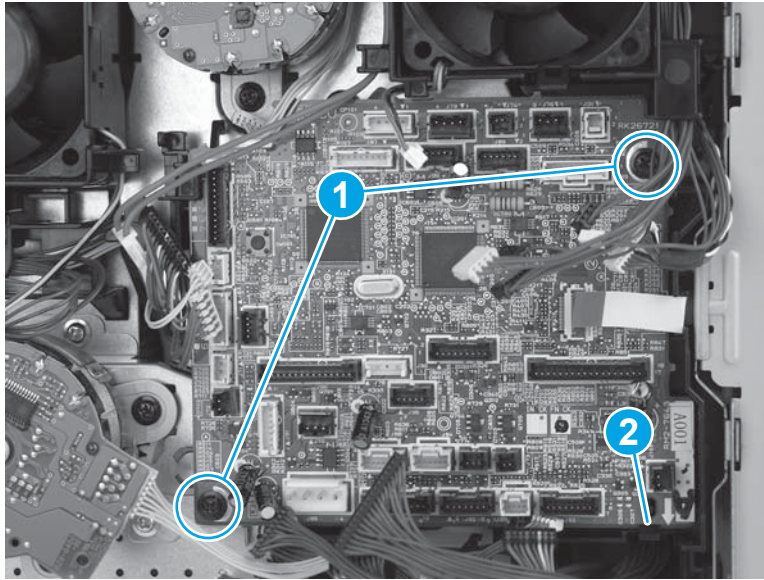
 **Reinstallation tip:** When the DC controller is reinstalled, connectors J80 and J100 are empty.

Figure 1-781 Disconnect the connectors



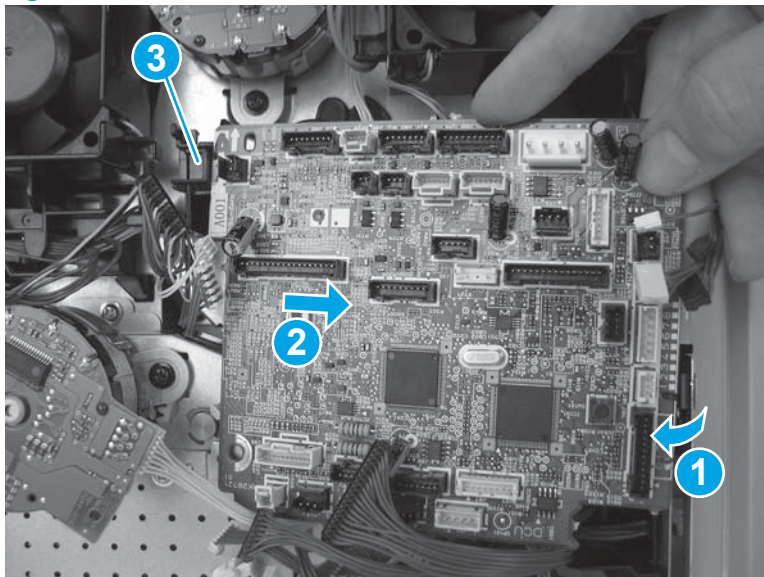
3. Remove two screws (callout 1), and then release one tab (callout 2).

Figure 1-782 Remove two screws and release one tab




4. Rotate the DC controller away from the printer (callout 1), slide the DC controller toward the rear of the printer (callout 2) to release one tab (callout 3), and then remove the DC controller.

Figure 1-783 Remove the DC controller



Step 3: Unpack the replacement DC controller

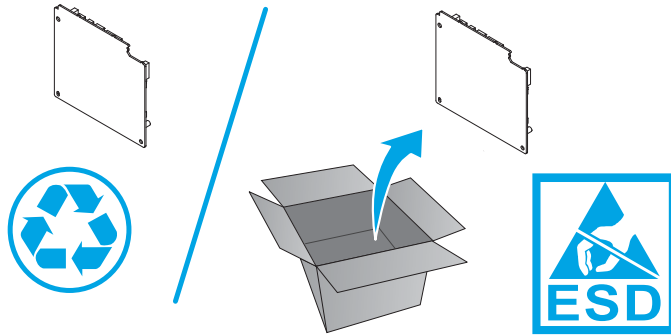
Unpack the replacement part from the packaging.

CAUTION:  This part contains components that are electrostatic discharge (ESD) sensitive. To reduce the possibility of ESD damage, always touch the sheet-metal chassis to ground yourself before touching an ESD-sensitive part.

<http://www8.hp.com/us/en/hp-information/environment/product-recycling.html>

 **NOTE:** HP recommends responsible disposal of the defective part.

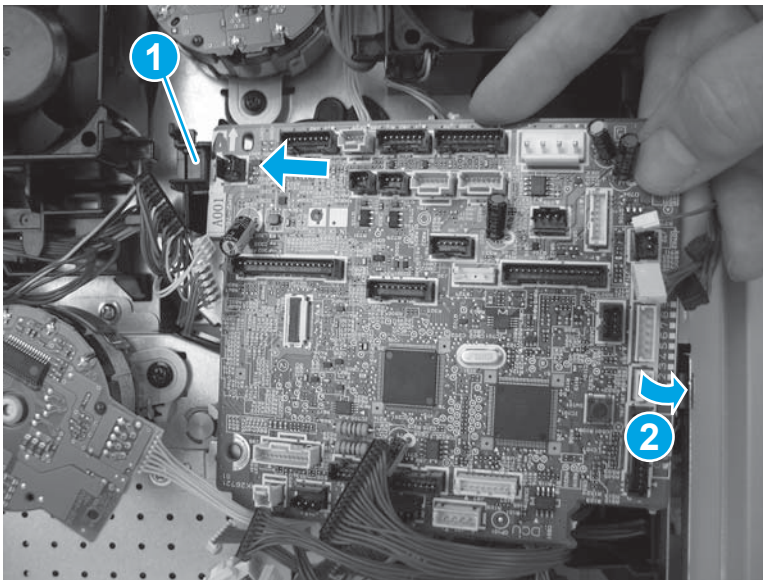
Figure 1-784 Recycle and unpack



Step 4: Install the DC controller

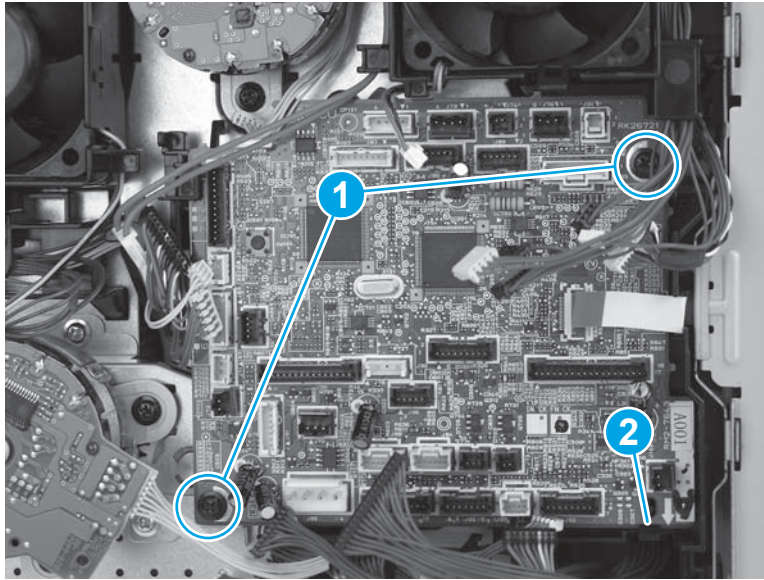
1. Position the DC controller under the tab (callout 1), and then rotate it (callout 2) toward the printer.

Figure 1-785 Position the DC controller on the printer



2. Install two screws (callout 1). Make sure that the tab (callout 2) is snapped into place.

Figure 1-786 Install two screws

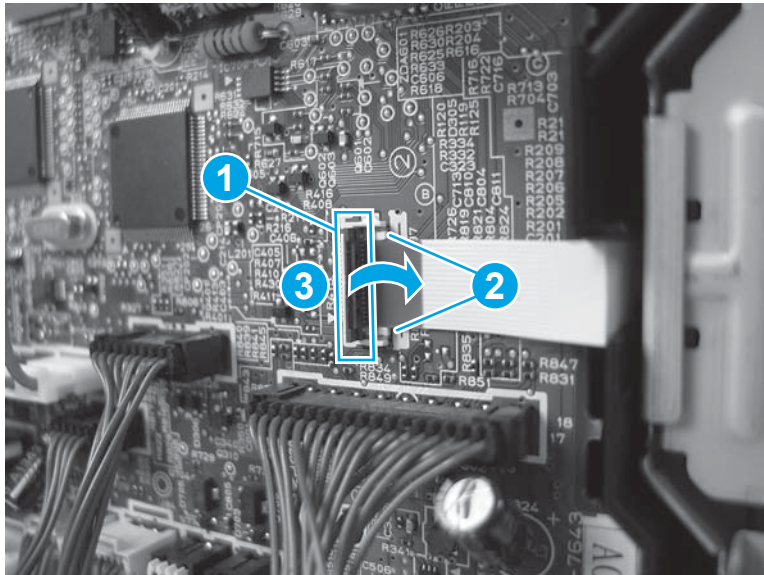


3. Locate the flat cable connector (callout 1) on the DC controller.



IMPORTANT: The flat cable connector is a Zero Insertion Force (ZIF) connector that uses a hinged retainer to secure a flat cable. When the flat cable is reinstalled, fully insert the flat cable in the connector between the two white pins (callout 2). Close the hinged retainer (callout 3) to lock the flat cable into the connector and provide proper electrical contact. If the flat cable is not locked into the connector, no electrical contact will occur.

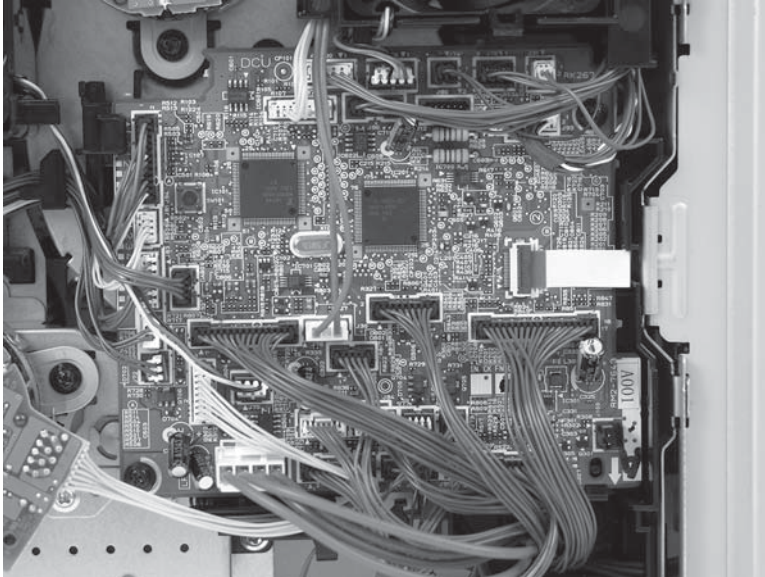
Figure 1-787 ZIF connector



4. Connect all of the connectors on the DC controller.
 - 29 wire-harness connectors
 - 1 flat cable

 **Reinstallation tip:** Connectors J80 and J100 are empty.

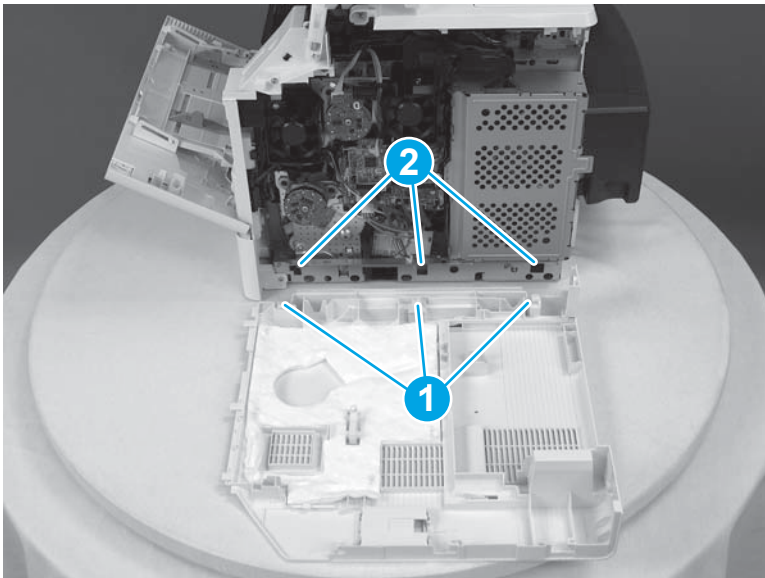
Figure 1-788 Connect the connectors



Step 5: Install the right cover

1. Note the location of the tabs (callout 1) on the cover that will fit into the slots (callout 2) on the printer.

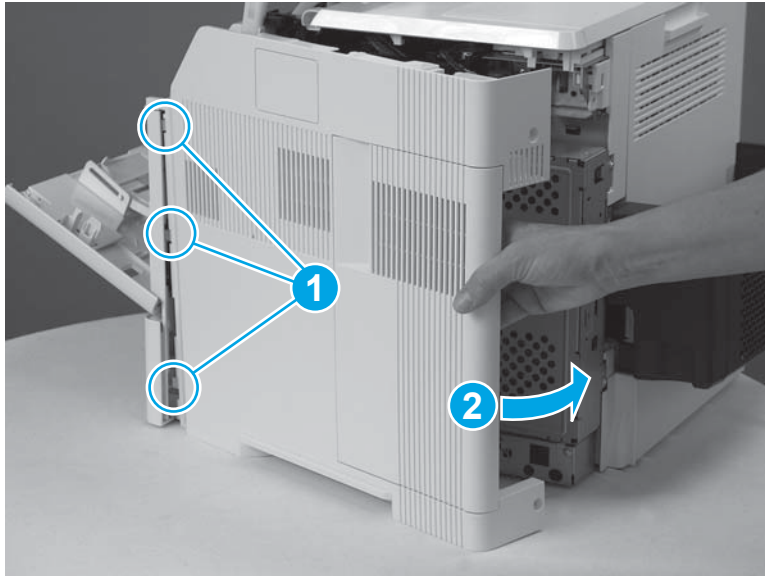
Figure 1-789 Note location of tabs



2. Position the front tabs on the right cover slightly behind the right front cover (callout 1), and then rotate the back edge of the cover toward the printer (callout 2).

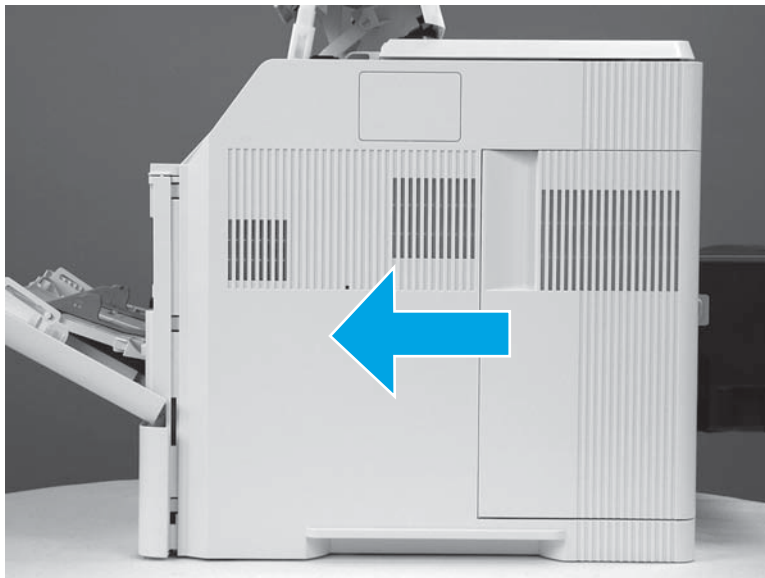
 **NOTE:** The tabs and slots mentioned in the previous step will engage as the cover is rotated into place.

Figure 1-790 Position the front tabs



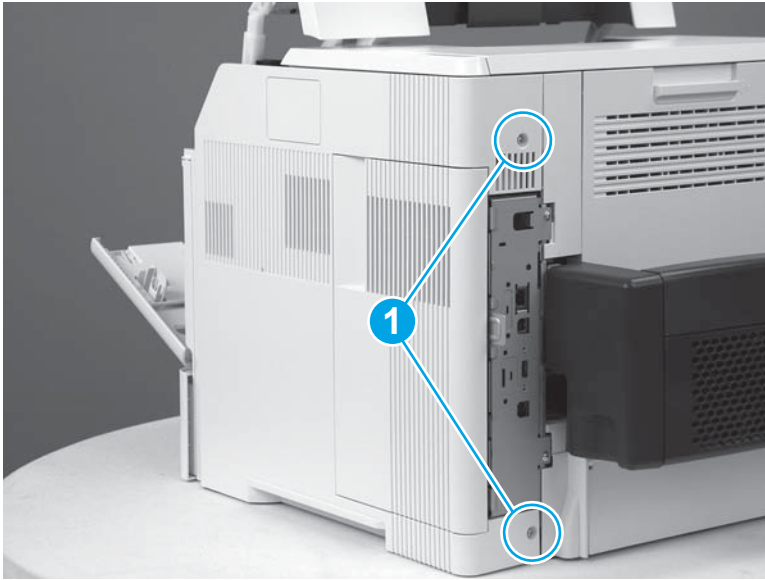
3. Slide the cover toward the front of the printer to install it.

Figure 1-791 Slide the cover



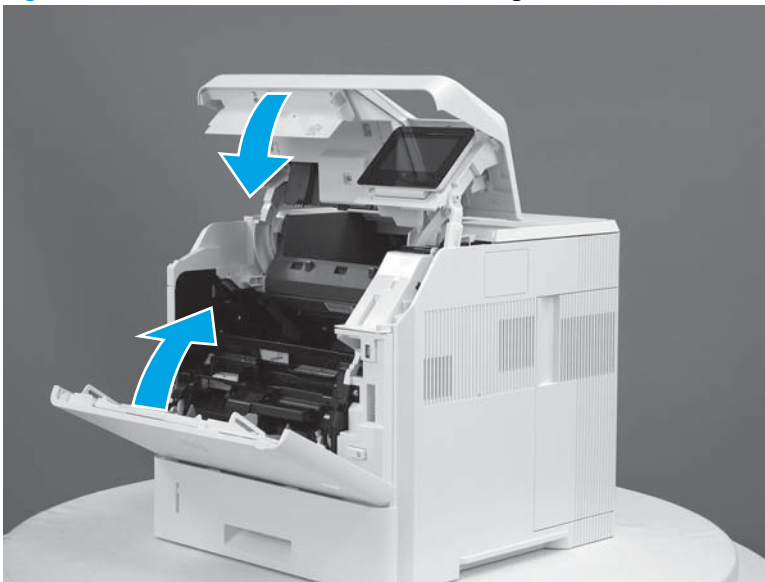
4. Install two screws (callout 1).

Figure 1-792 Install two screws



5. Close the front cover and the cartridge door.

Figure 1-793 Close the front cover and cartridge door



Removal and replacement: Pickup drive assembly

- [Introduction](#)
- [Step 1: Remove the right cover](#)
- [Step 2: Remove the DC controller](#)
- [Step 3: Remove the pickup motor](#)
- [Step 4: Remove the pickup drive assembly](#)
- [Step 5: Unpack the replacement pickup drive assembly](#)
- [Step 6: Install the pickup drive assembly](#)
- [Step 7: Install the pickup motor](#)
- [Step 8: Install the DC controller](#)
- [Step 9: Install the right cover](#)

Introduction

This document provides the procedures to remove and replace the pickup drive assembly.



NOTE: The printer might appear different from some of the figures below; however, the procedures in this section are correct for this printer.

Before performing service

Turn the printer power off

- Disconnect the power cable.



WARNING! To avoid damage to the printer, turn the printer off, wait 30 seconds, and then remove the power cord before attempting to service the printer.

Use the table below to identify the correct part number for your printer. To order the part, go to www.hp.com/buy/parts.

Pickup drive assembly part number	
RM1-8415-000CN	Paper pickup drive assembly

Required tools

- #2 Phillips screwdriver with a magnetic tip

After performing service

Turn the printer power on

- Connect the power cable.
- Use the power switch to turn the power on.

Post service test

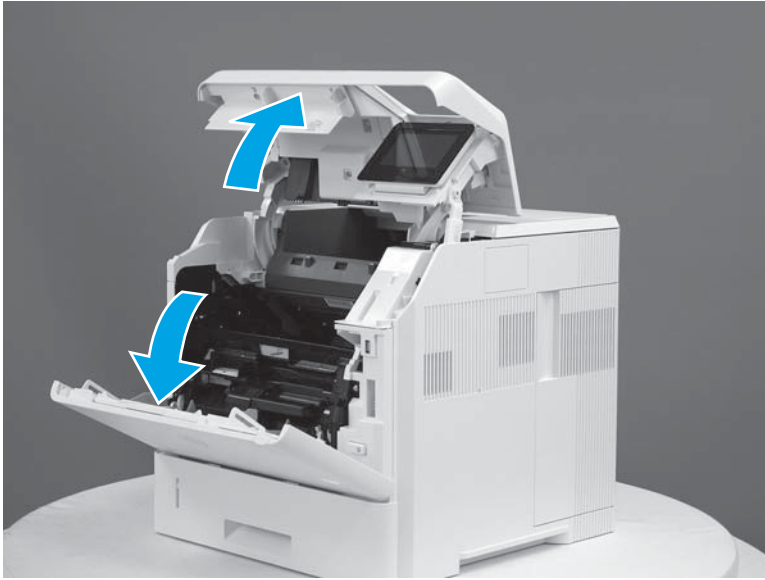
Make sure that the printer initializes to a **Ready** state.

Print a configuration page to make sure that the printer is functioning correctly.

Step 1: Remove the right cover

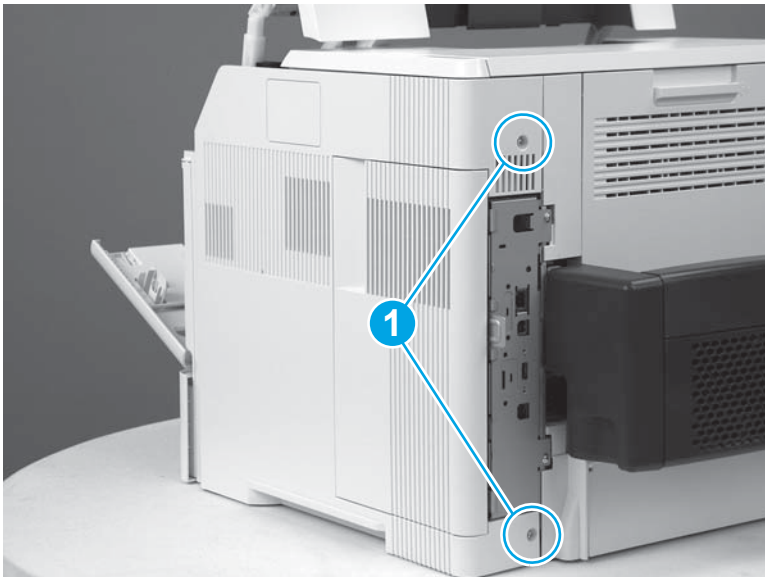
1. Open the front cover and the cartridge door.

Figure 1-794 Open the front cover and cartridge door



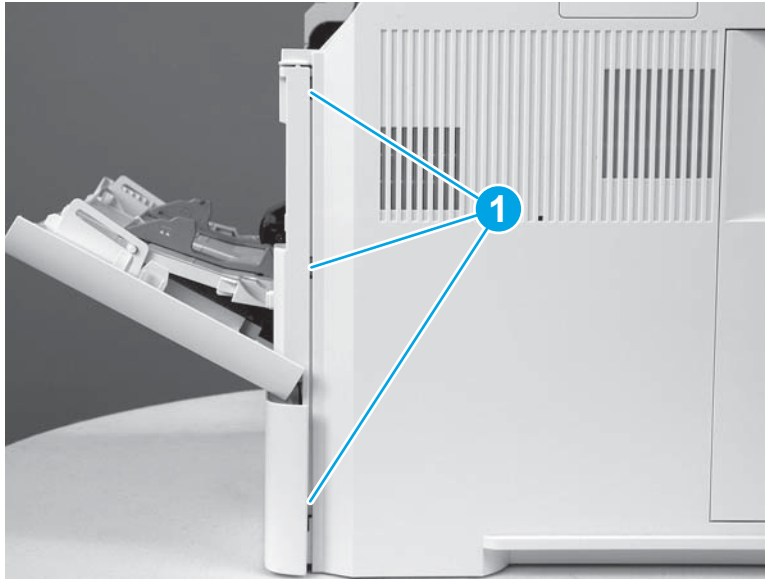
2. Remove two screws (callout 1).

Figure 1-795 Remove two screws



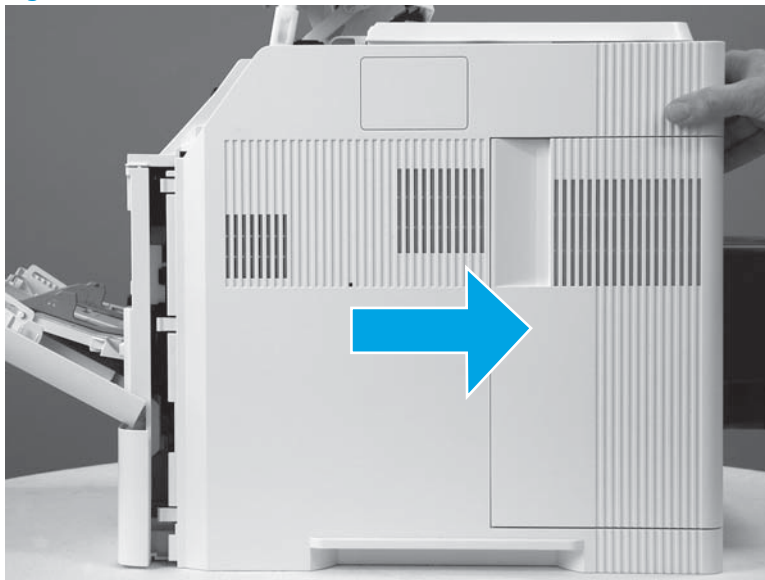
3. Release three tabs (callout 1).

Figure 1-796 Release three tabs



4. Slide the cover toward the rear of the printer to remove it.

Figure 1-797 Remove the cover



Step 2: Remove the DC controller

 **TIP:** The pickup-motor wire harness is disconnected from the motor. Leave the wire harness connected to the DC controller so it is not lost when the DC controller is removed.

1. Locate the flat cable connector (callout 1) on the DC controller.


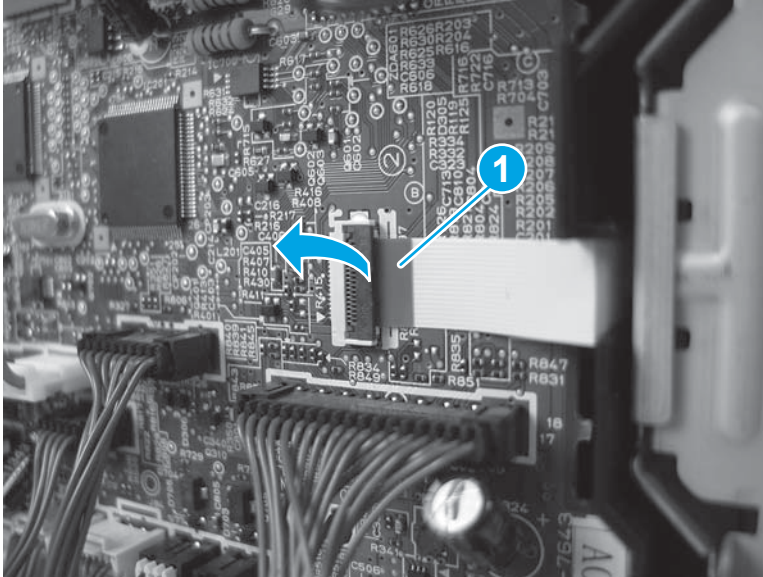
 **IMPORTANT:** This connector is a Zero Insertion Force (ZIF) connector that uses a hinged retainer to secure a flat cable. The hinged retainer must be opened to release the flat cable.

Figure 1-798 ZIF connector



2. Disconnect all of the connectors (callout 1) on the DC controller.
 - 29 wire-harness connectors
 - 1 flat cable


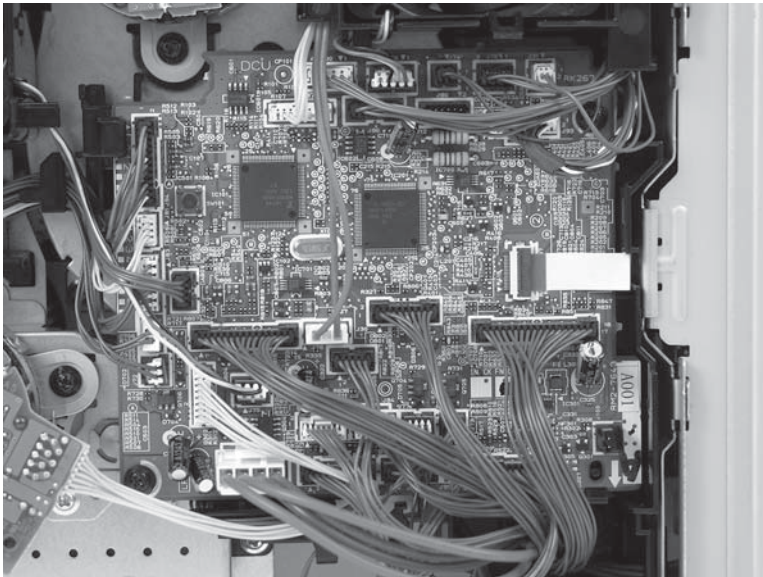
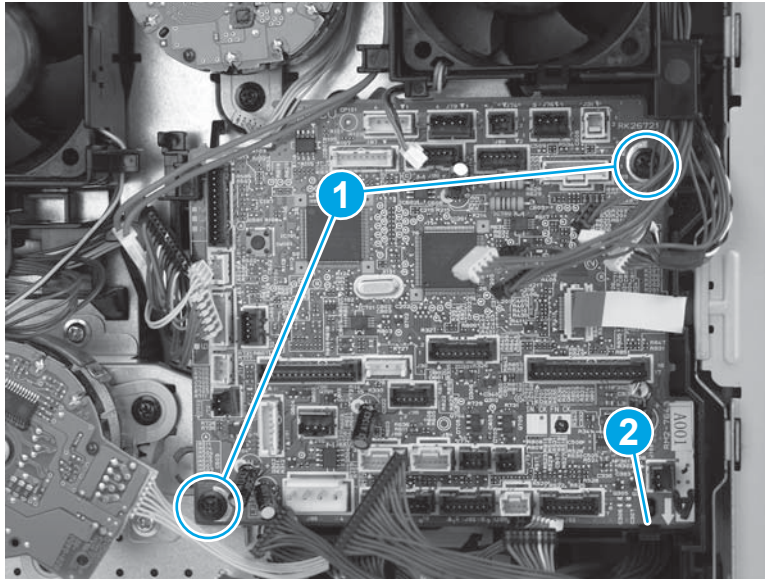
 **Reinstallation tip:** When the DC controller is reinstalled, connectors J80 and J100 are empty.

Figure 1-799 Disconnect the connectors



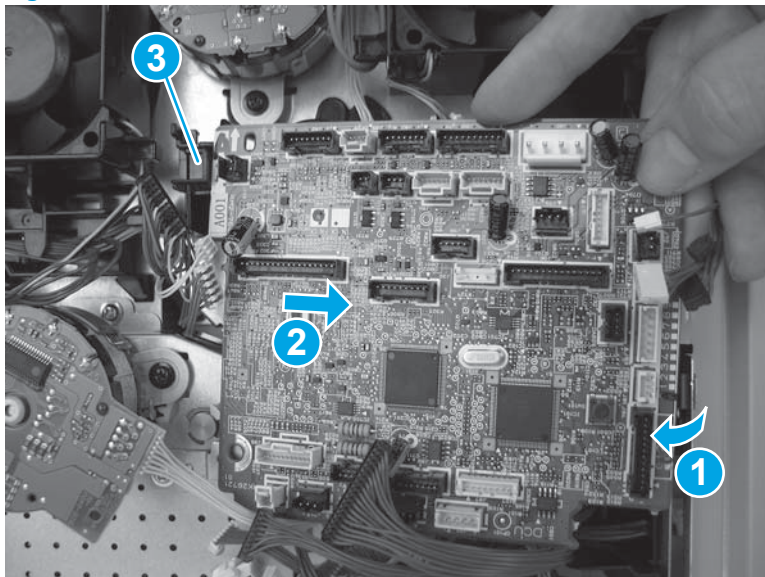
3. Remove two screws (callout 1), and then release one tab (callout 2).

Figure 1-800 Remove two screws and release one tab



4. Rotate the DC controller away from the printer (callout 1), slide the DC controller toward the rear of the printer (callout 2) to release one tab (callout 3), and then remove the DC controller.

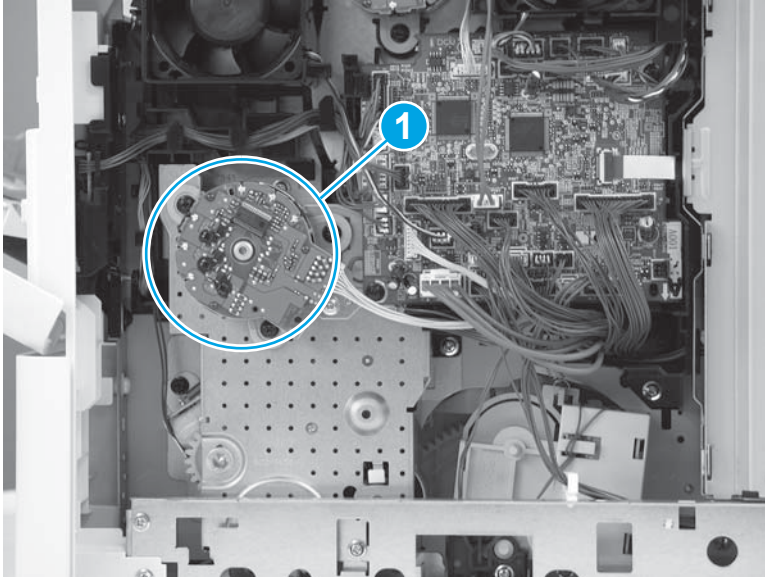
Figure 1-801 Remove the DC controller



Step 3: Remove the pickup motor

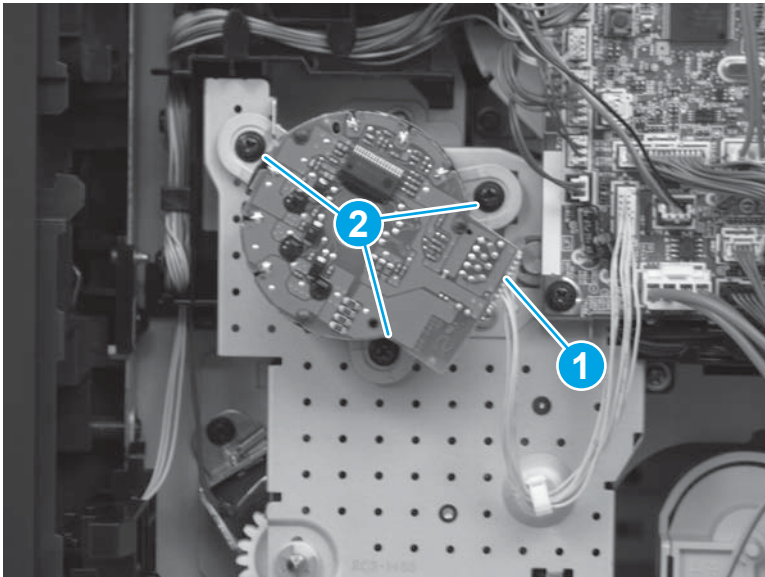
1. Locate the pickup motor (callout 1)

Figure 1-802 Locate the pickup motor



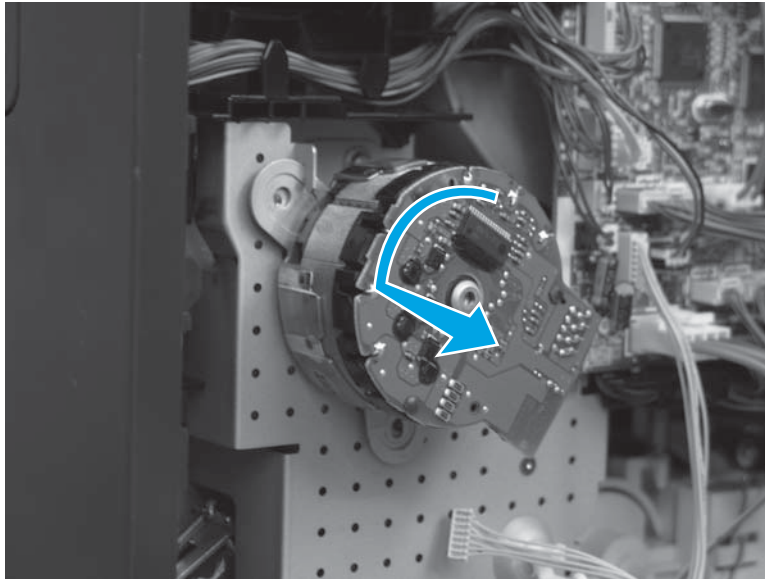
2. Disconnect one connector (callout 1), and then remove three screws (callout 2).

Figure 1-803 Disconnect one connector and remove three screws



3. Rotate the motor towards the front of the printer to release it, and then remove the motor.

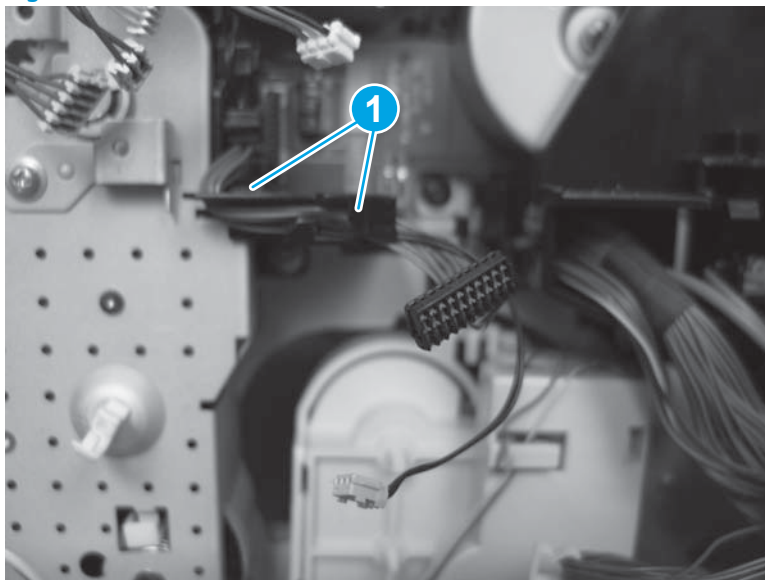
Figure 1-804 Release the motor



Step 4: Remove the pickup drive assembly

1. Release the wire harnesses from the retainer (callout 1) located on the lifter-motor side of the pickup drive assembly.

Figure 1-805 Release wire harnesses from the retainer



2. Release the solenoid wire harness (callout 1) from the retainer (callout 2).


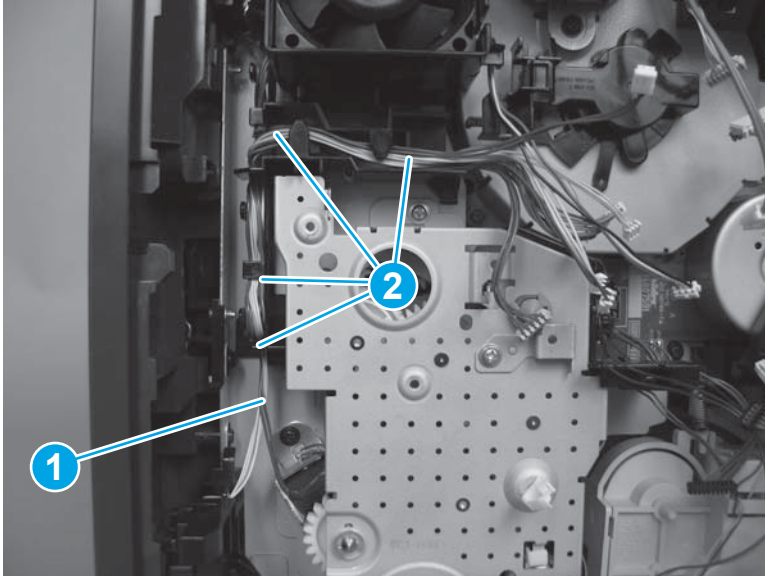
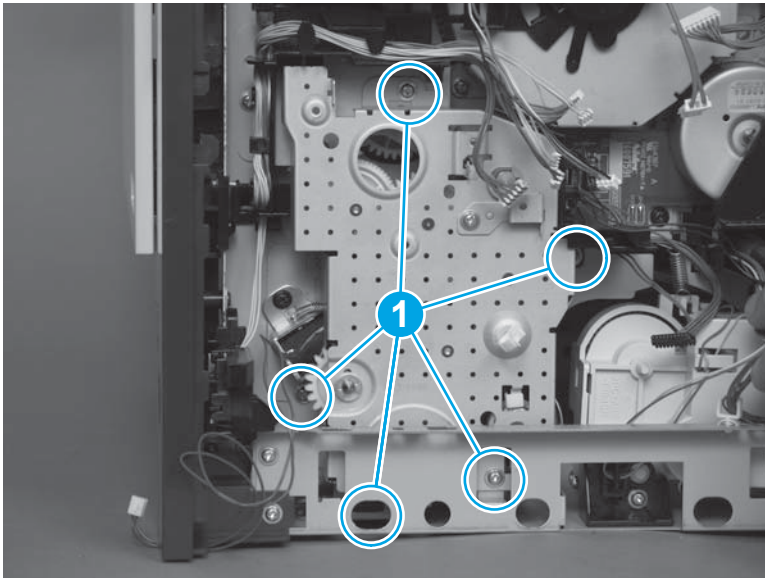
 **TIP:** Do not damage the wire harness when removing it from the retainer. It might be easier to remove all of the wire harnesses together to release the solenoid wire harness.

Figure 1-806 Release the wire harness from the retainer



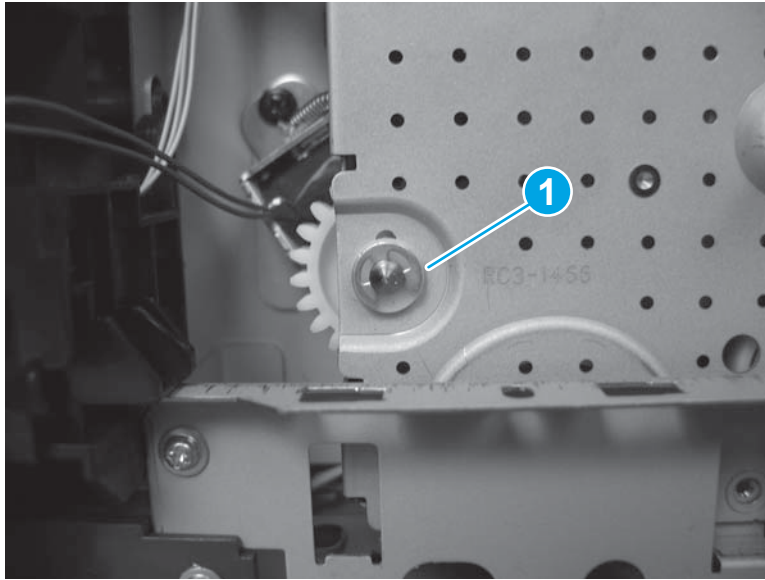
3. Remove five screws (callout 1).

Figure 1-807 Remove five screws



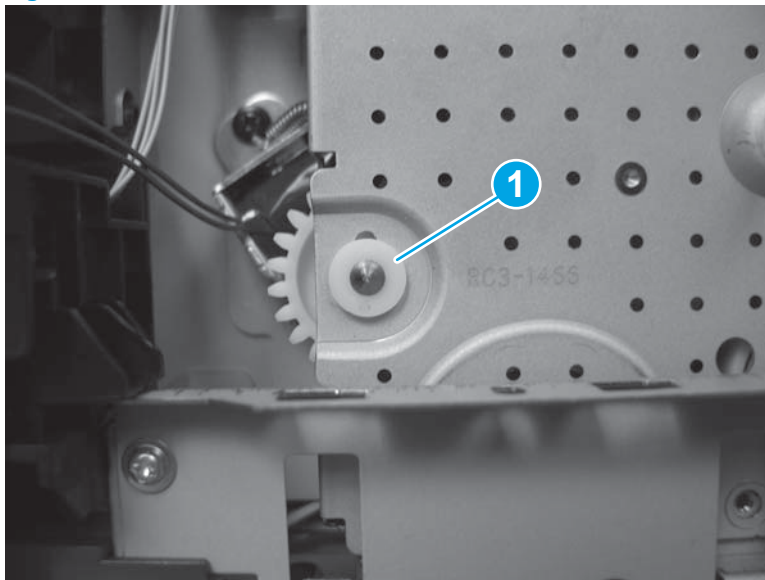
4. Remove one e-clip (callout 1).

Figure 1-808 Remove one e-clip



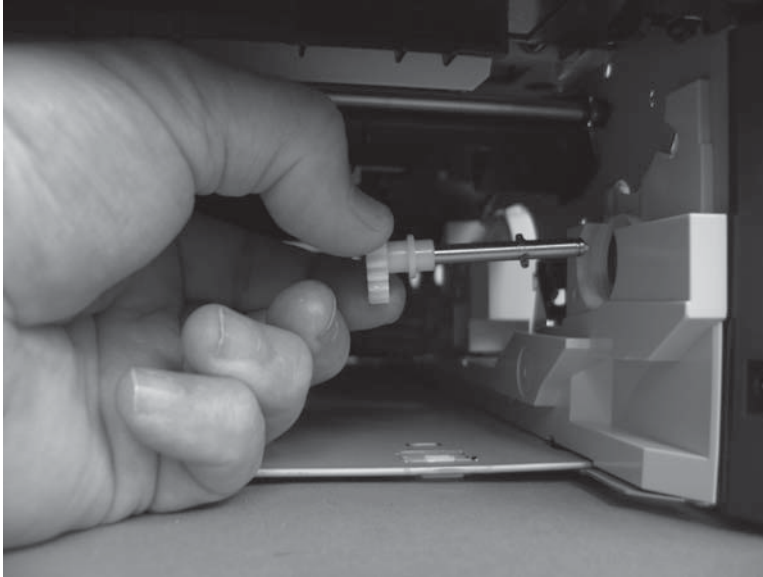
5. Remove one shaft collar (callout 1).

Figure 1-809 Remove one shaft collar



6. Push the drive-gear shaft (located where the e-clip and shaft collar were removed in the previous steps) into the Tray 2 cavity, and then remove it.

Figure 1-810 Remove the drive-gear shaft



7. Two gears located inside the assembly are not captive. Do not lose these gears when handling the assembly. If the gears are dislodged, use the figure below to correctly reinstall them.


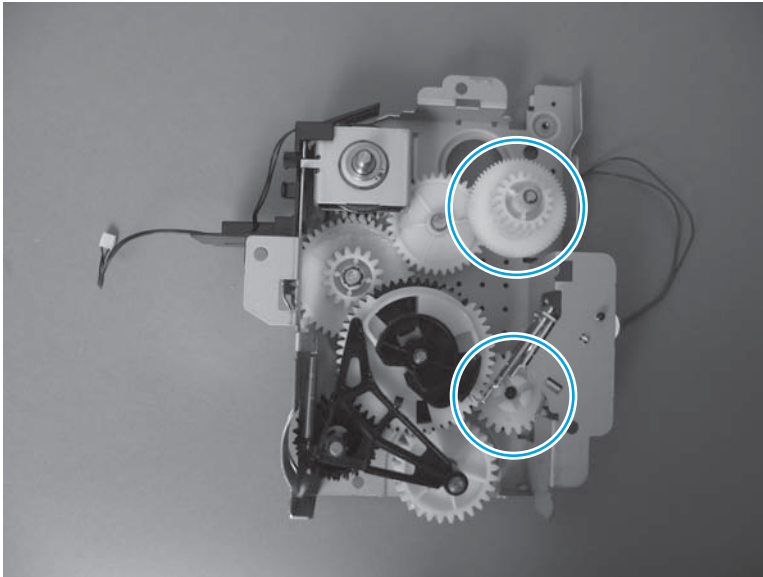
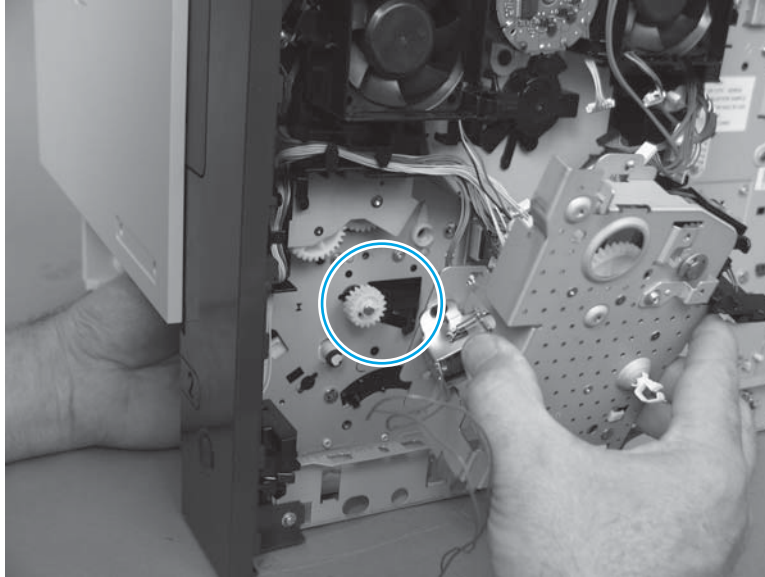
 **IMPORTANT:** Do not remove the grease from the gears when handling the assembly or the gears.

Figure 1-811 Two gears are not captive



8. Reach inside the printer and push the rear Tray 2 feed roller up into its raised position (this disengages the roller-lifting arm from the clutch gear), and then remove the pickup drive assembly.

Figure 1-812 Remove the pickup drive assembly



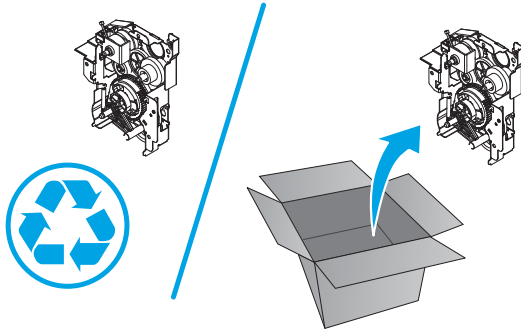
Step 5: Unpack the replacement pickup drive assembly

Unpack the replacement part from the packaging.

<http://www8.hp.com/us/en/hp-information/environment/product-recycling.html>

 **NOTE:** HP recommends responsible disposal of the defective part.

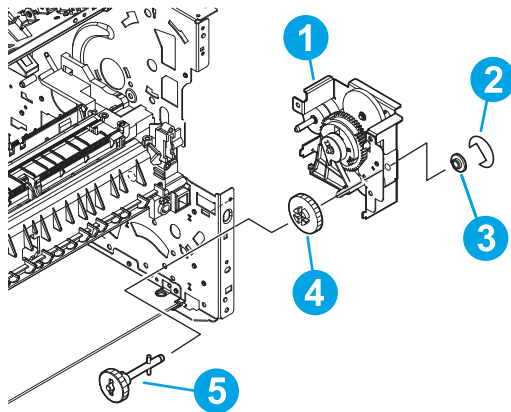
Figure 1-813 Recycle and unpack



Step 6: Install the pickup drive assembly

1. When you install the pickup drive assembly gears and shaft, verify that the gears are seated on the shaft-locking bars and that the shaft collars are correctly positioned in the paper-pickup drive-gear

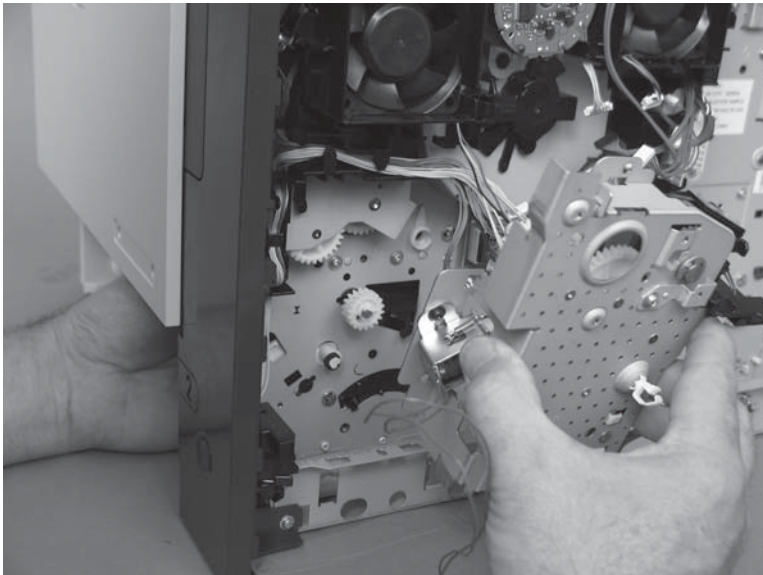
Table 1-1 Pickup drive assembly



1	Pickup drive unit
2	E-clip
3	Bushing
4	23T gear
5	Retard roller drive shaft

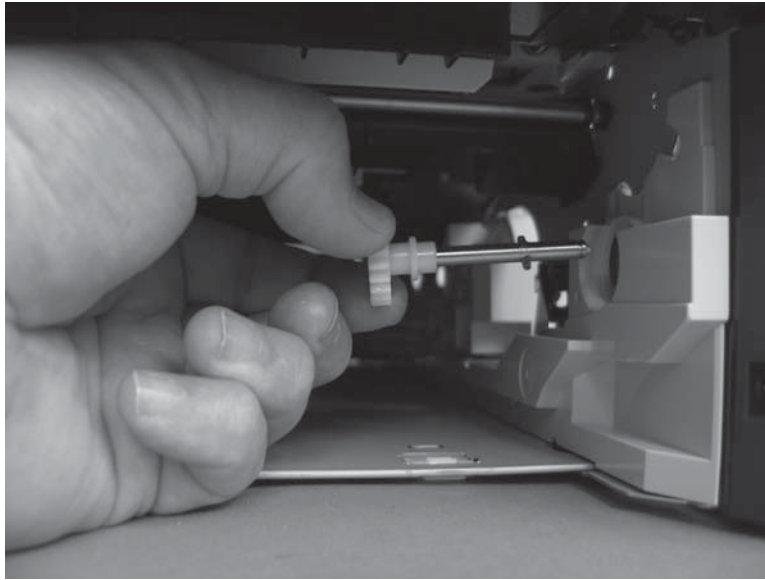
2. Reach inside the printer and push the rear Tray 2 feed roller up into its raised position, and then position the pickup drive assembly on the printer.

Figure 1-814 Install the pickup drive assembly



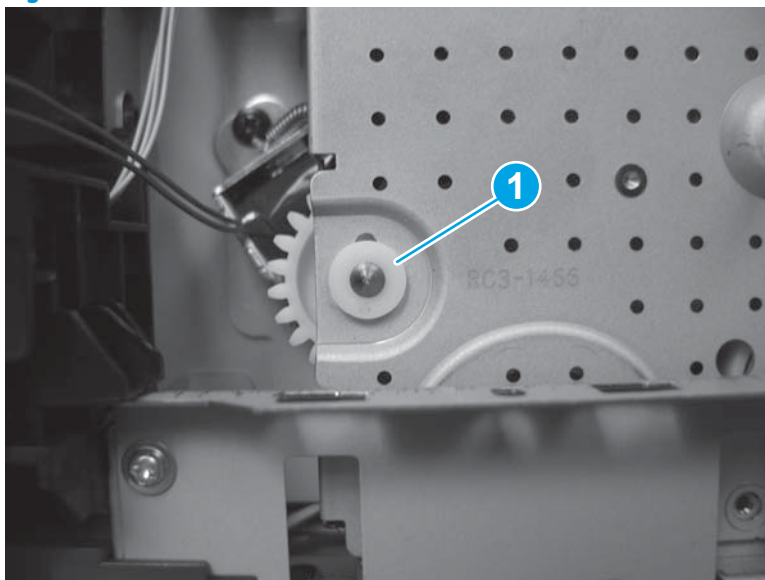
3. From inside the Tray 2 cavity, install the drive-gear shaft into the pickup drive assembly.

Figure 1-815 Install the drive-gear shaft



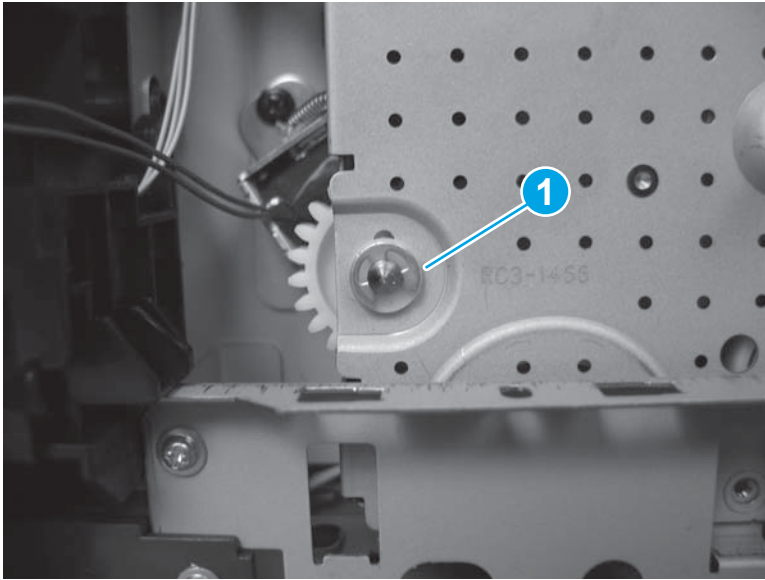
4. Install one shaft collar (callout 1).

Figure 1-816 Install one shaft collar



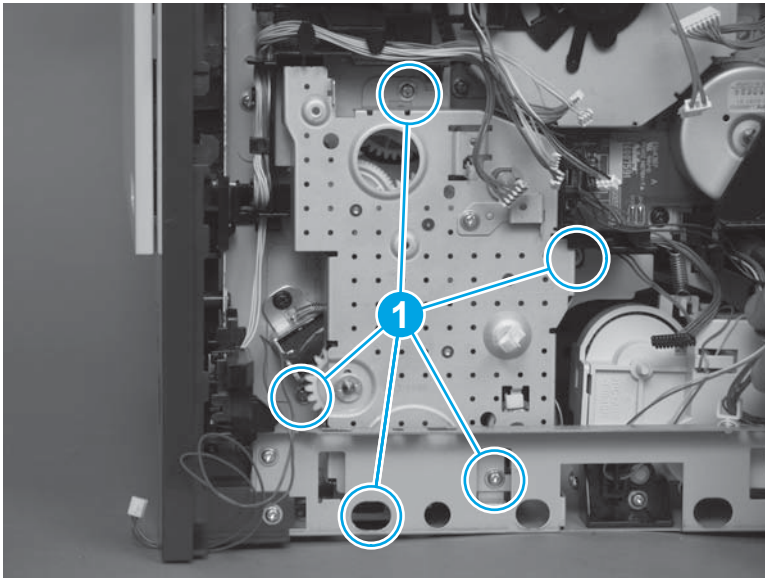
5. Install one e-clip (callout 1).

Figure 1-817 Install one e-clip



6. Install five screws (callout 1).

Figure 1-818 Remove five screws



7. Install the solenoid wire harness (callout 1) in the retainer (callout 2).


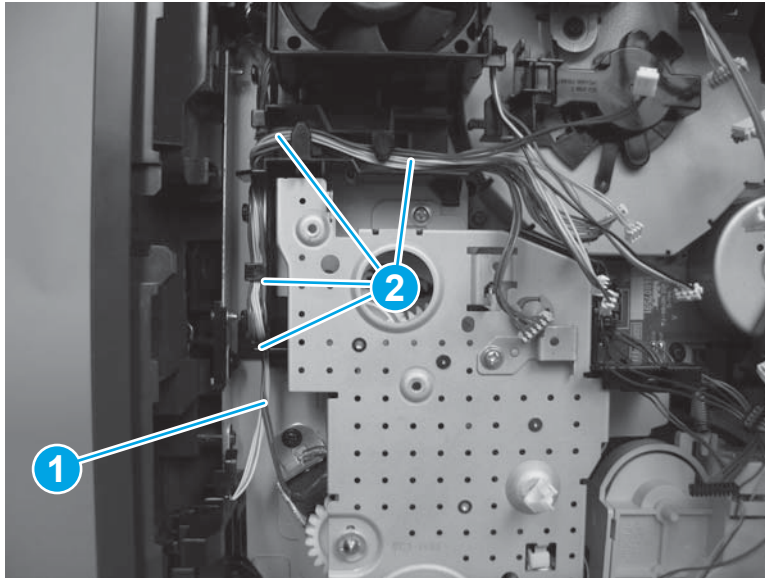
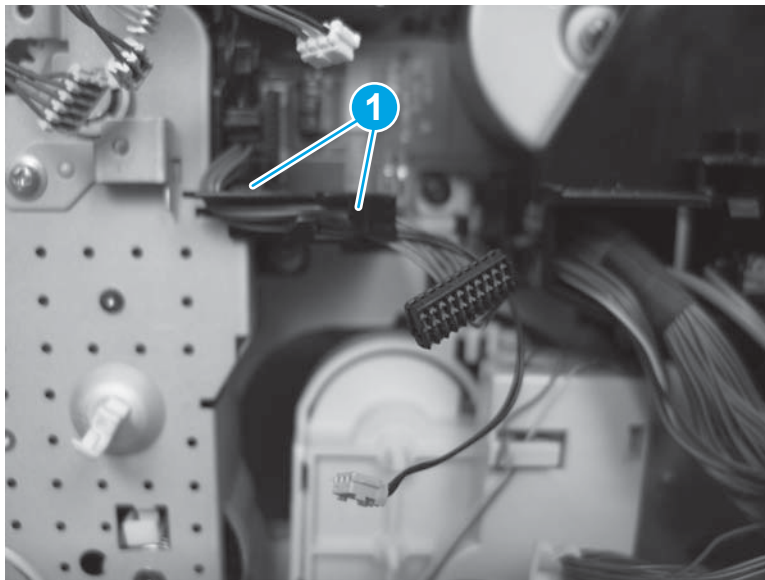
 **TIP:** If you removed all the wire harnesses from the retainer when removing the pickup drive assembly, reinstall these wire harnesses in the retainer now.

Figure 1-819 Install the wire harnesses in the retainer



8. Install the wire harnesses in the retainer (callout 1) located on the lifter-motor side of the pickup drive assembly.

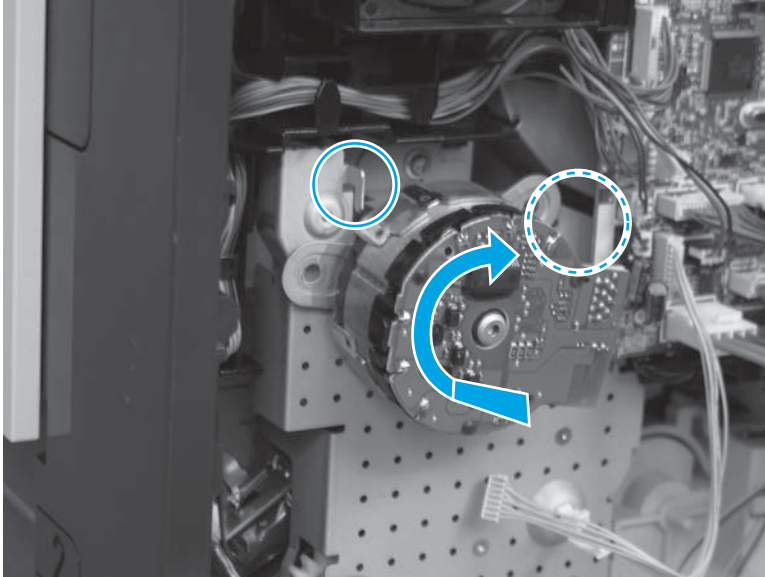
Figure 1-820 Install the wire harnesses in the retainer



Step 7: Install the pickup motor

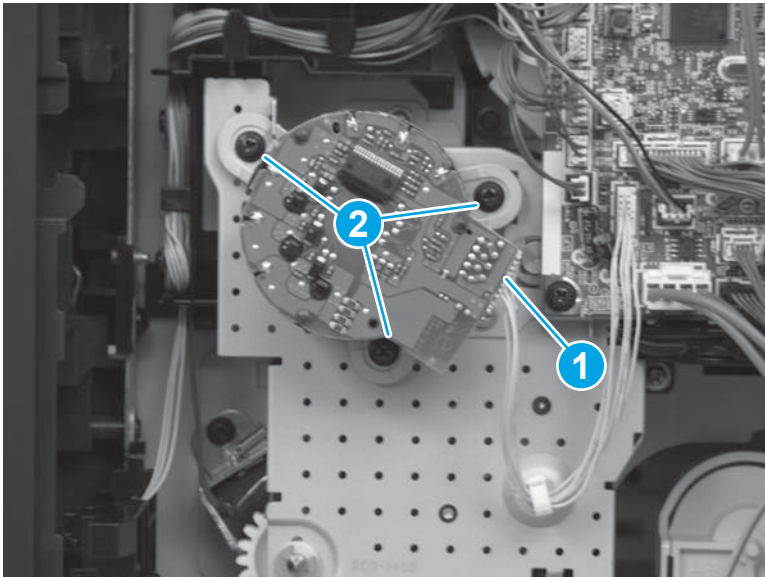
1. Position the motor on the printer chassis, and then rotate it toward the back of the printer to engage the tabs on the chassis with the motor mounting bracket.

Figure 1-821 Install the pickup motor



2. Connect one connector (callout 1), and then install three screws (callout 2).

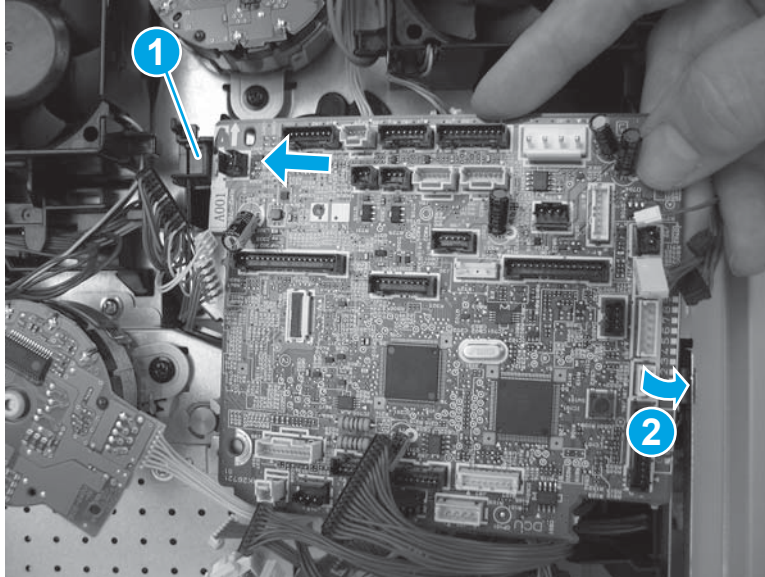
Figure 1-822 Connect one connector and install three screws



Step 8: Install the DC controller

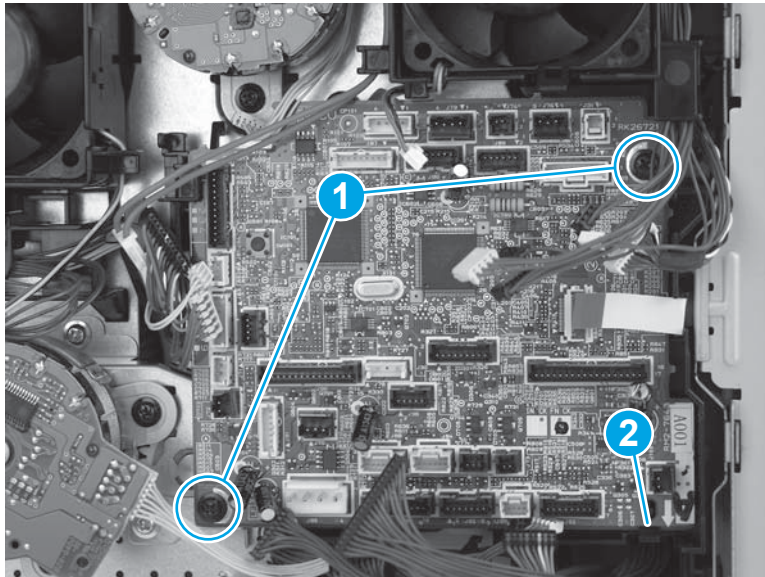
1. Position the DC controller under the tab (callout 1), and then rotate it (callout 2) toward the printer.

Figure 1-823 Position the DC controller on the printer



2. Install two screws (callout 1). Make sure that the tab (callout 2) is snapped into place.

Figure 1-824 Install two screws



3. Locate the flat cable connector (callout 1) on the DC controller.


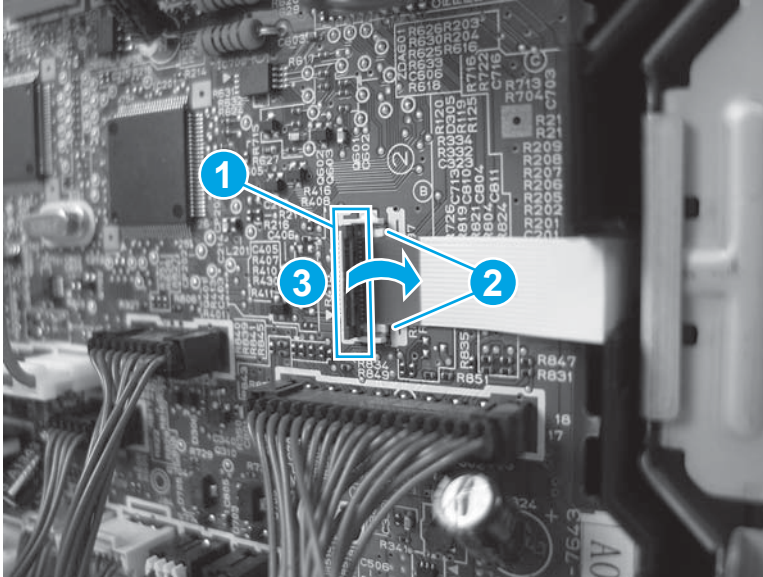
 **IMPORTANT:** The flat cable connector is a Zero Insertion Force (ZIF) connector that uses a hinged retainer to secure a flat cable. When the flat cable is reinstalled, fully insert the flat cable in the connector between the two white pins (callout 2). Close the hinged retainer (callout 3) to lock the flat cable into the connector and provide proper electrical contact. If the flat cable is not locked into the connector, no electrical contact will occur.

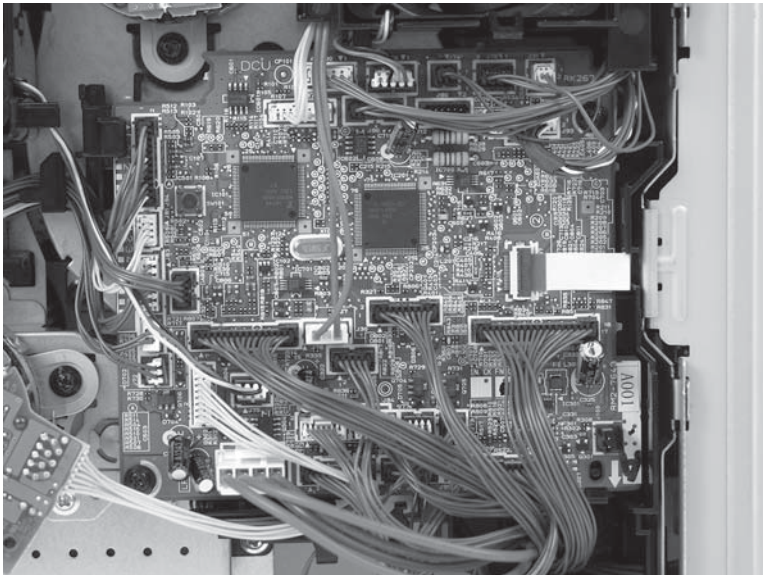
Figure 1-825 ZIF connector



4. Connect all of the connectors on the DC controller.
 - 29 wire-harness connectors
 - 1 flat cable

 **Reinstallation tip:** Connectors J80 and J100 are empty.

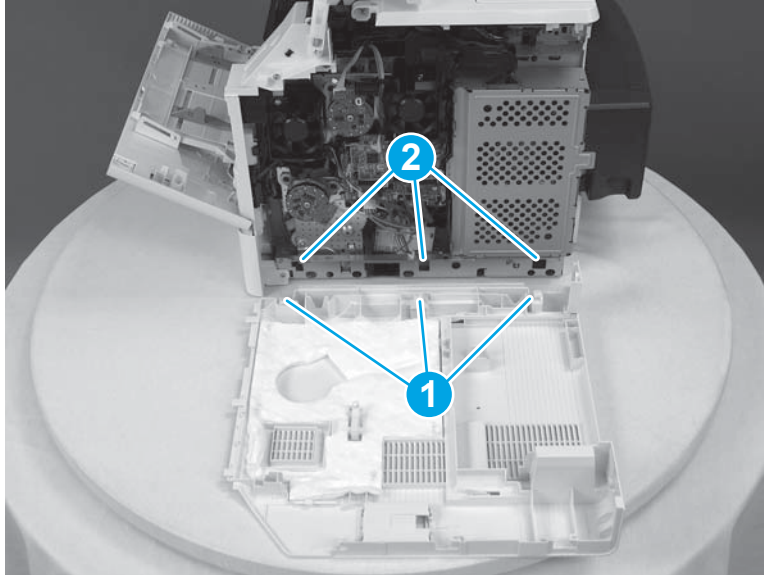
Figure 1-826 Connect the connectors



Step 9: Install the right cover

1. Note the location of the tabs (callout 1) on the cover that will fit into the slots (callout 2) on the printer.

Figure 1-827 Note location of tabs



2. Position the front tabs on the right cover slightly behind the right front cover (callout 1), and then rotate the back edge of the cover toward the printer (callout 2).


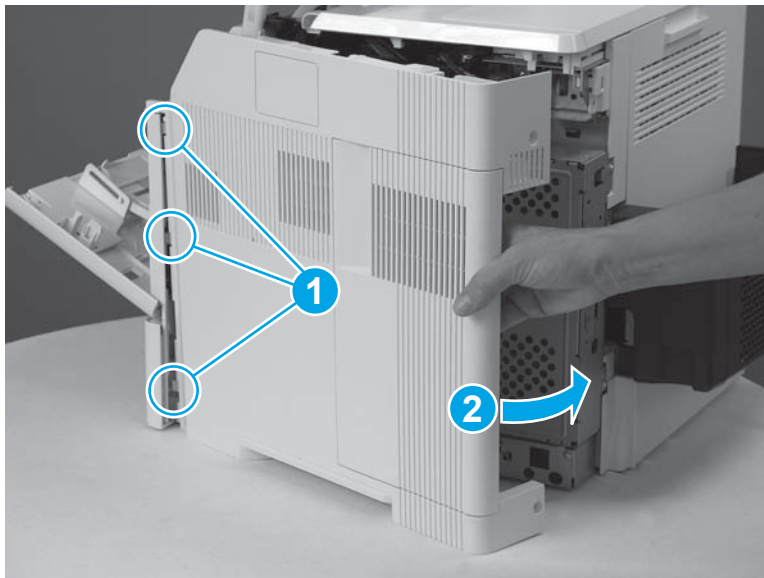
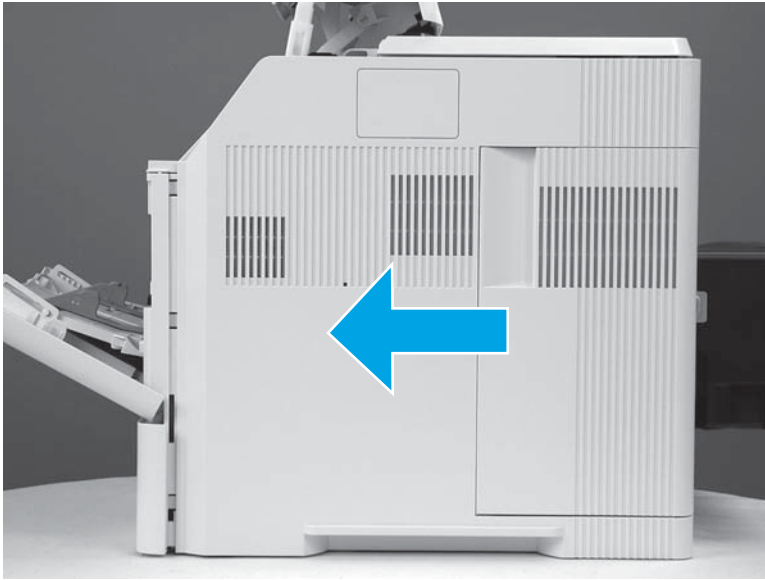
 **NOTE:** The tabs and slots mentioned in the previous step will engage as the cover is rotated into place.

Figure 1-828 Position the front tabs



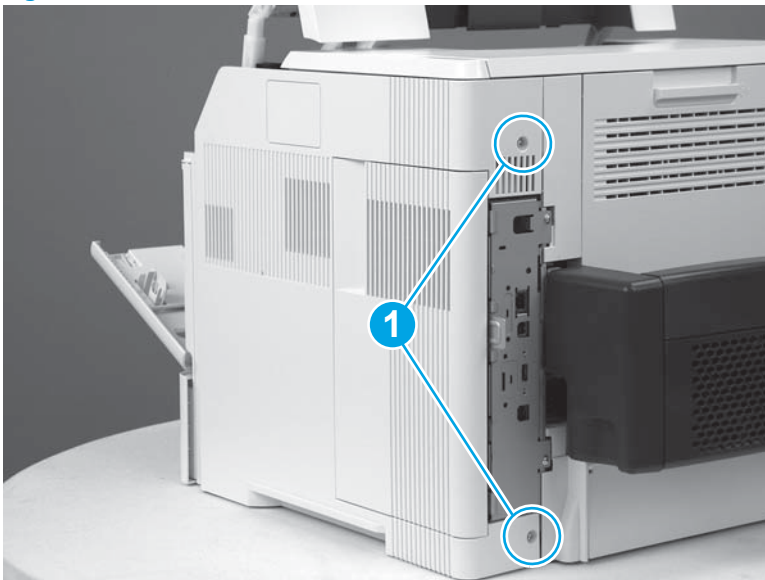
3. Slide the cover toward the front of the printer to install it.

Figure 1-829 Slide the cover



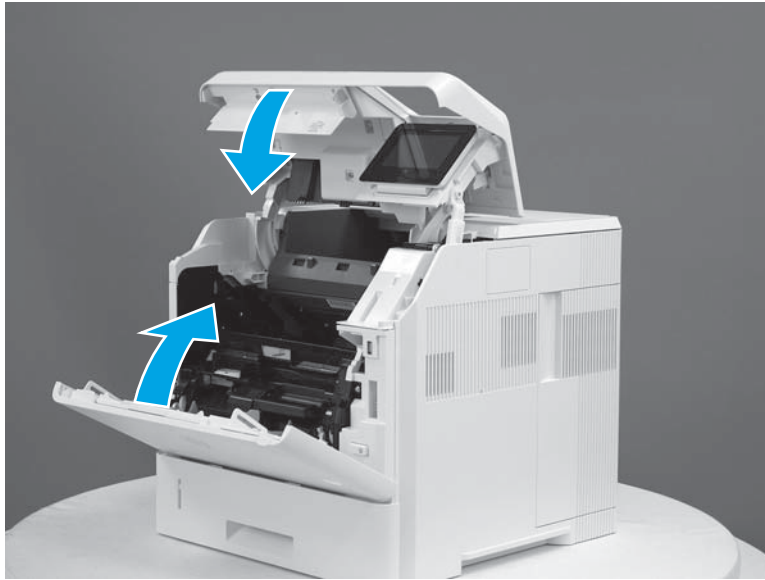
4. Install two screws (callout 1).

Figure 1-830 Install two screws



5. Close the front cover and the cartridge door.

Figure 1-831 Close the front cover and cartridge door



Removal and replacement: Fuser motor

- [Introduction](#)
- [Step 1: Remove the right cover](#)
- [Step 2: Remove the DC controller](#)
- [Step 3: Remove the formatter and formatter case](#)
- [Step 4: Remove the fuser motor](#)
- [Step 5: Unpack the replacement fuser motor](#)
- [Step 6: Install the fuser motor](#)
- [Step 7: Install the DC controller](#)
- [Step 8: Install the formatter and formatter case](#)
- [Step 9: Install the right cover](#)


Introduction

This document provides the procedures to remove and replace the fuser motor.

Before performing service

Turn the printer power off

- Disconnect the power cable.

 **WARNING!** To avoid damage to the printer, turn the printer off, wait 30 seconds, and then remove the power cord before attempting to service the printer.

Use the table below to identify the correct part number for your printer. To order the part, go to www.hp.com/buy/parts.

Fuser motor part number	
RM1-8928-000CN	Fuser motor

Required tools

- #2 Phillips screwdriver with a magnetic tip

After performing service

Turn the printer power on

- Connect the power cable.
- Use the power switch to turn the power on.

Post service test

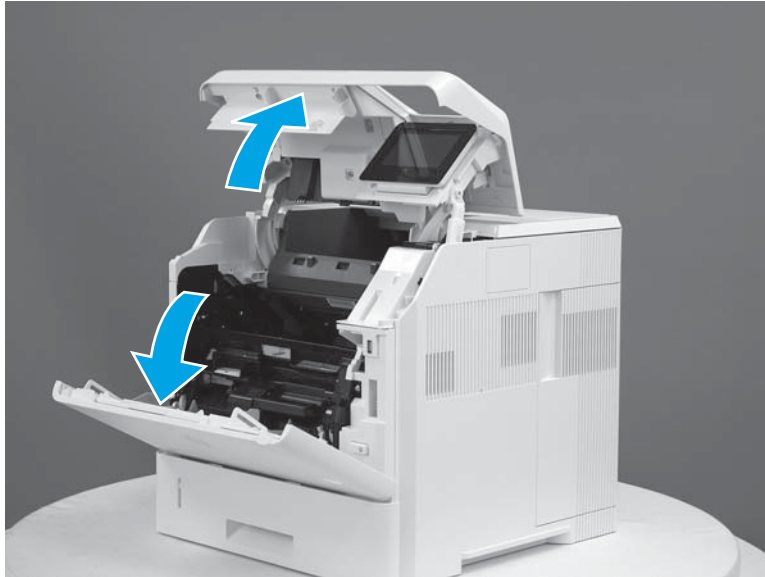
Make sure that the printer initializes to a **Ready** state.

Print a configuration page to make sure that the printer is functioning correctly.

Step 1: Remove the right cover

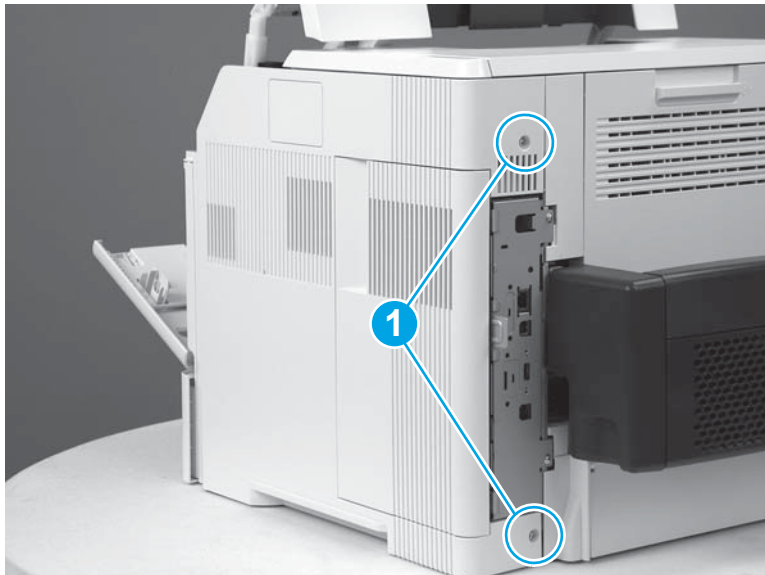
1. Open the front cover and the cartridge door.

Figure 1-832 Open the front cover and cartridge door



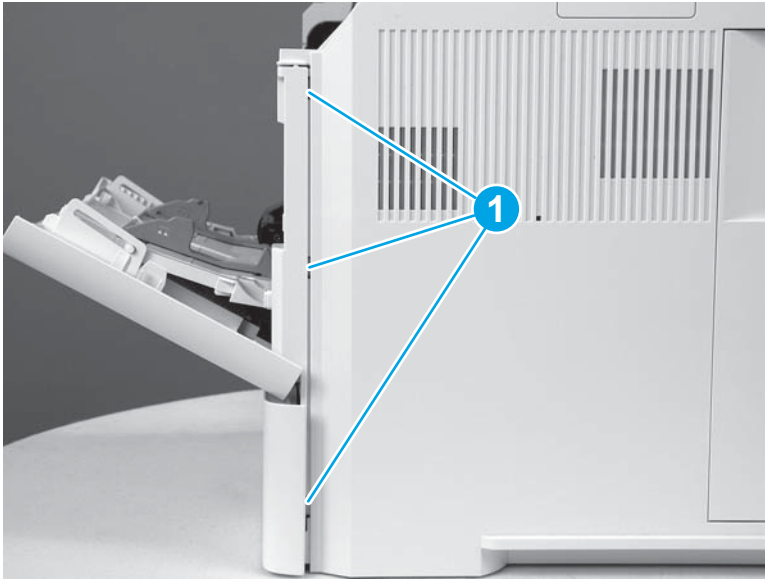
2. Remove two screws (callout 1).

Figure 1-833 Remove two screws



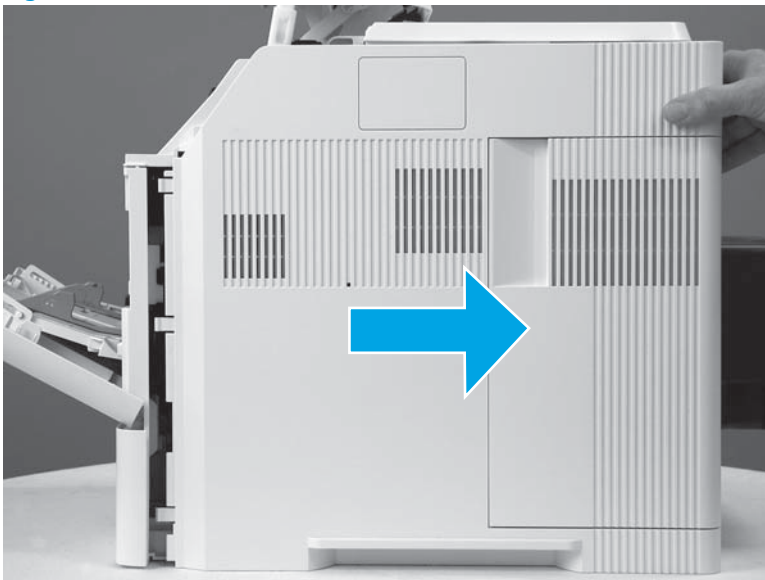
3. Release three tabs (callout 1).

Figure 1-834 Release three tabs



4. Slide the cover toward the rear of the printer to remove it.

Figure 1-835 Remove the cover



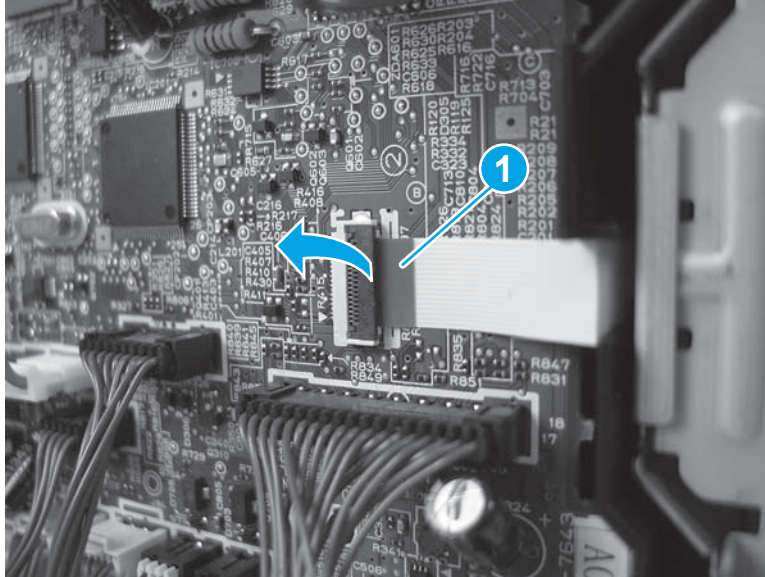
Step 2: Remove the DC controller

1. Locate the flat cable connector (callout 1) on the DC controller.



IMPORTANT: This connector is a Zero Insertion Force (ZIF) connector that uses a hinged retainer to secure a flat cable. The hinged retainer must be opened to release the flat cable.

Figure 1-836 ZIF connector



2. Disconnect all of the connectors (callout 1) on the DC controller.

- 29 wire-harness connectors
- 1 flat cable


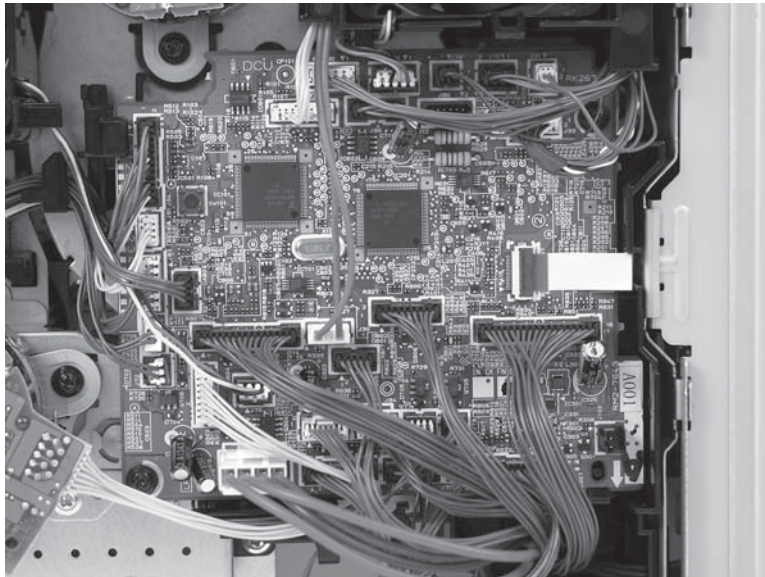
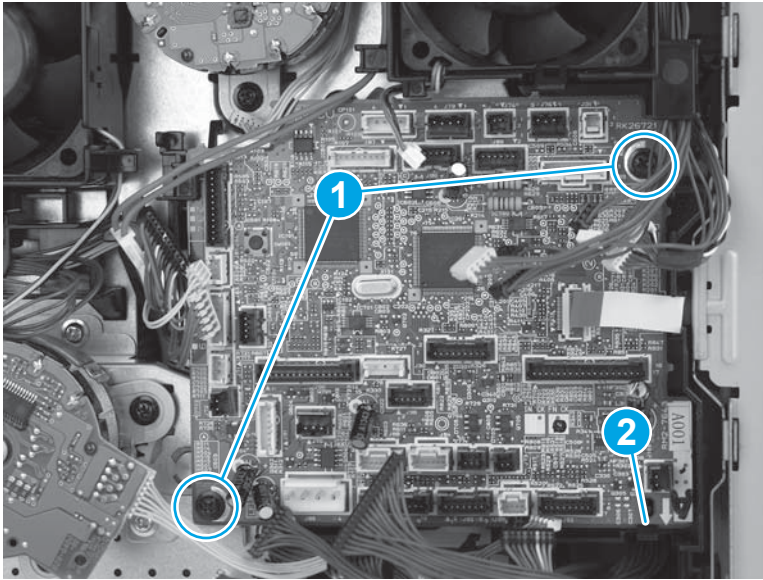
 **Reinstallation tip:** When the DC controller is reinstalled, connectors J80 and J100 are empty.

Figure 1-837 Disconnect the connectors



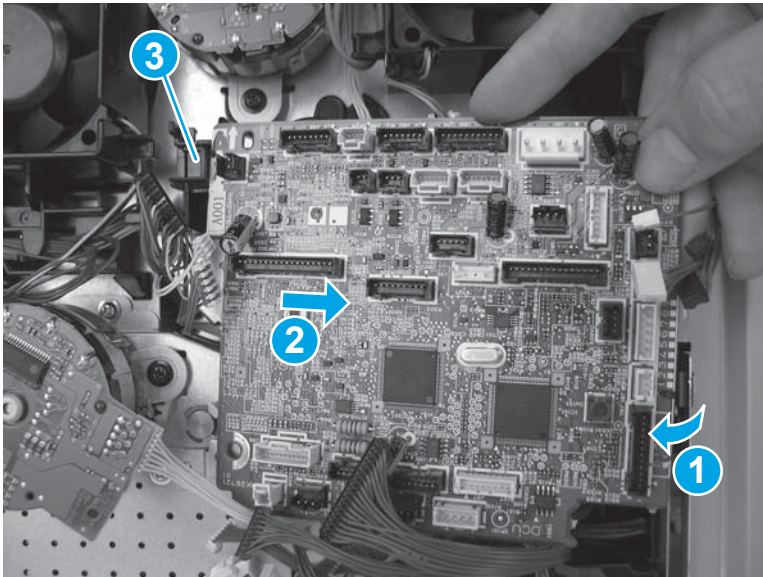
3. Remove two screws (callout 1), and then release one tab (callout 2).

Figure 1-838 Remove two screws and release one tab



4. Rotate the DC controller away from the printer (callout 1), slide the DC controller toward the rear of the printer (callout 2) to release one tab (callout 3), and then remove the DC controller.

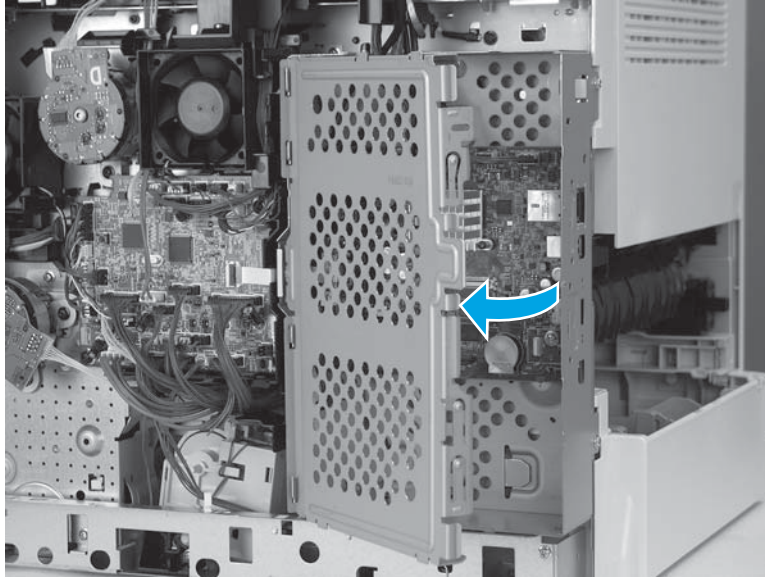
Figure 1-839 Remove the DC controller



Step 3: Remove the formatter and formatter case

1. Open the formatter case door.

Figure 1-840 Open the formatter case door



2. Locate the flat cable connector (callout 1) on the formatter.


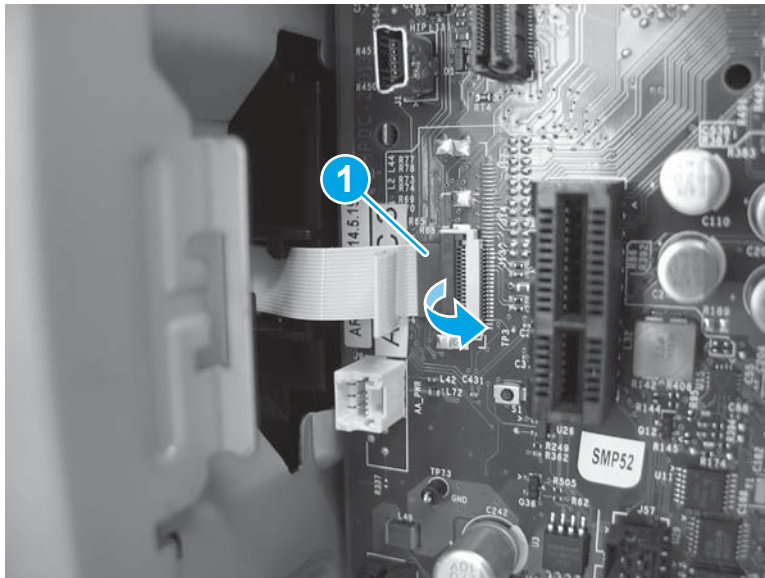
 **IMPORTANT:** This connector is a Zero Insertion Force (ZIF) connector that uses a hinged retainer to secure a flat cable. The hinged retainer must be opened to release the flat cable.

Figure 1-841 ZIF connector



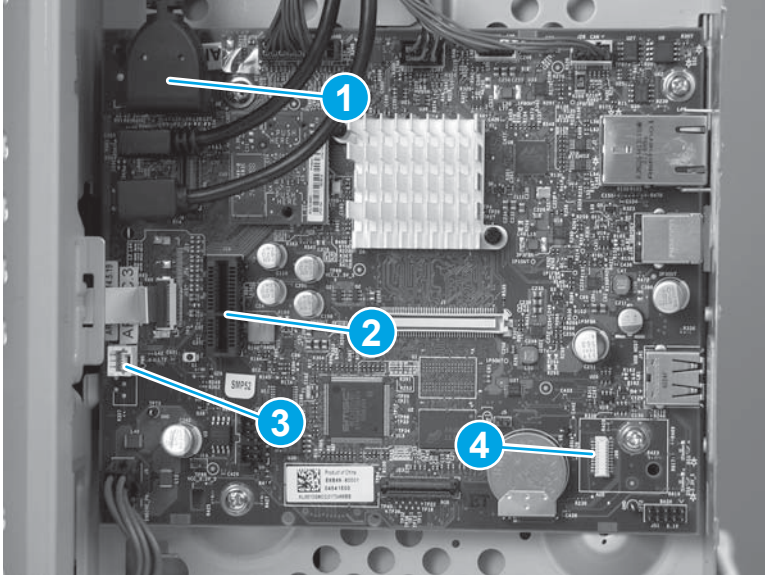
3. Disconnect all of the connectors on the formatter.

The following connectors are empty:

- J23, J25, J51, and J57
- J3 (callout 1): This connector is empty on the M604n/dn, M605n/dn, and M606dn models. It holds the touchscreen cable on the M605x and M606x models.
- J18 (callout 2): This connector is empty unless the optional hard-disk drive (HDD) is installed.

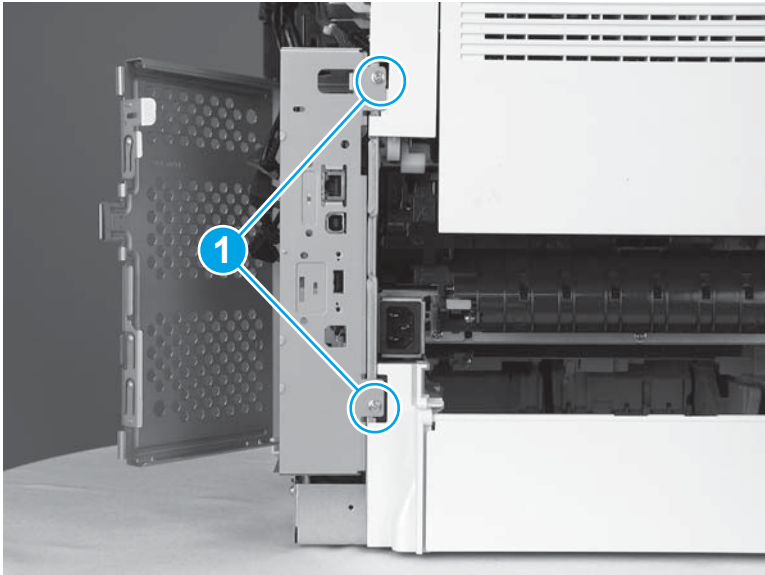
- J9 (callout 3): This connector is empty unless the optional two internal USB ports accessory is installed.
- J98 (callout 4): This connector is empty unless the optional trusted platform module (TPM) is installed.

Figure 1-842 Disconnect all connectors



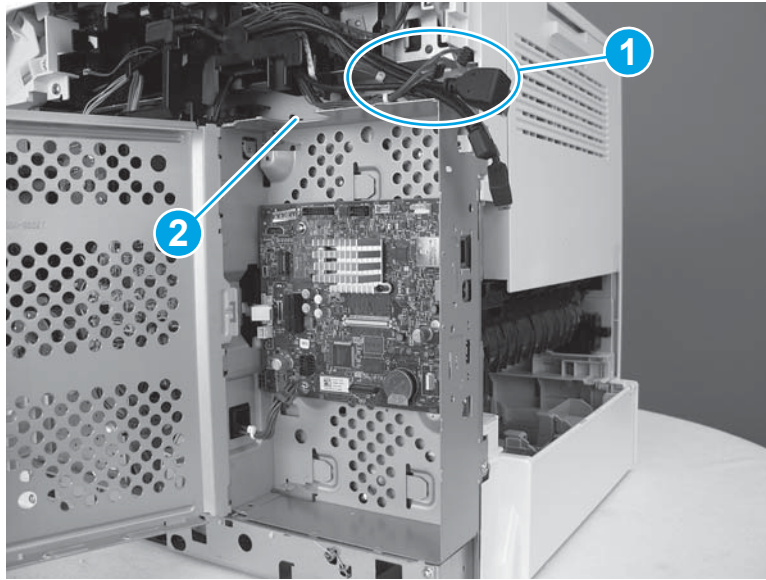
4. Remove two screws (callout 1).

Figure 1-843 Remove two screws



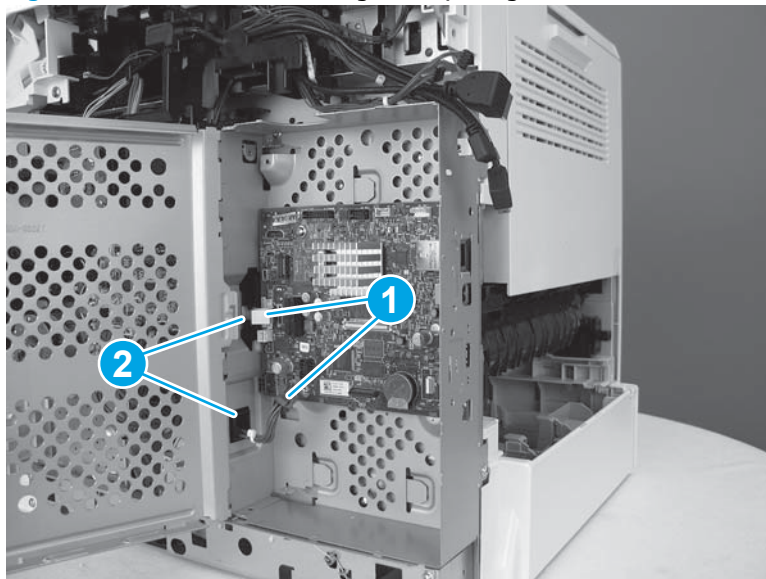
5. Remove the wires and cables (callout 1) from the opening (callout 2) in the top of the formatter case.

Figure 1-844 Remove the wires from the formatter case



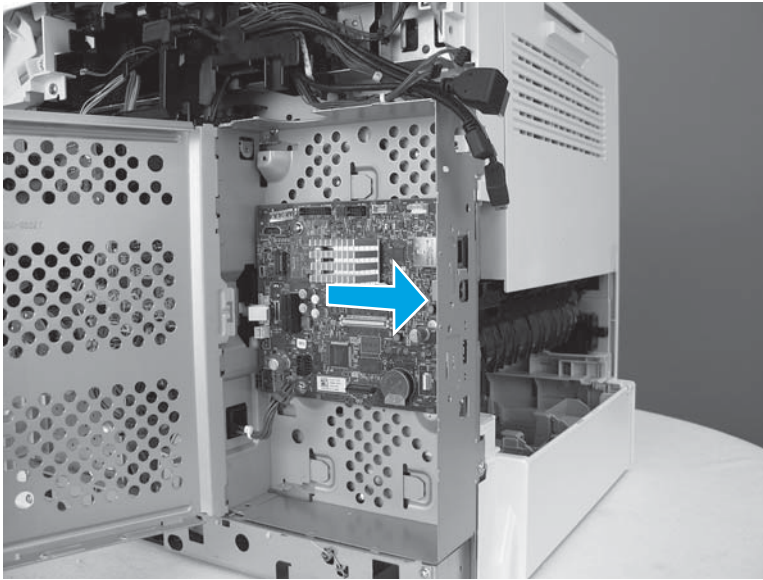
6. When removing the formatter case in the next step, make sure that the flat cable and wire harness (callout 1) slide through the openings (callout 2) in the formatter case.

Figure 1-845 Feed cables through the openings



7. Slide the formatter case toward the back of the printer to remove it.

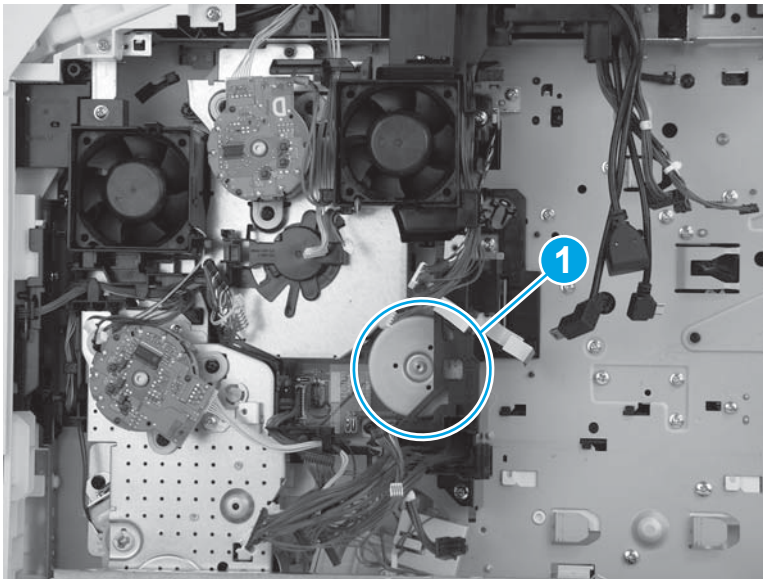
Figure 1-846 Remove formatter case



Step 4: Remove the fuser motor

1. Locate the fuser motor (callout 1).

Figure 1-847 Locate the fuser motor



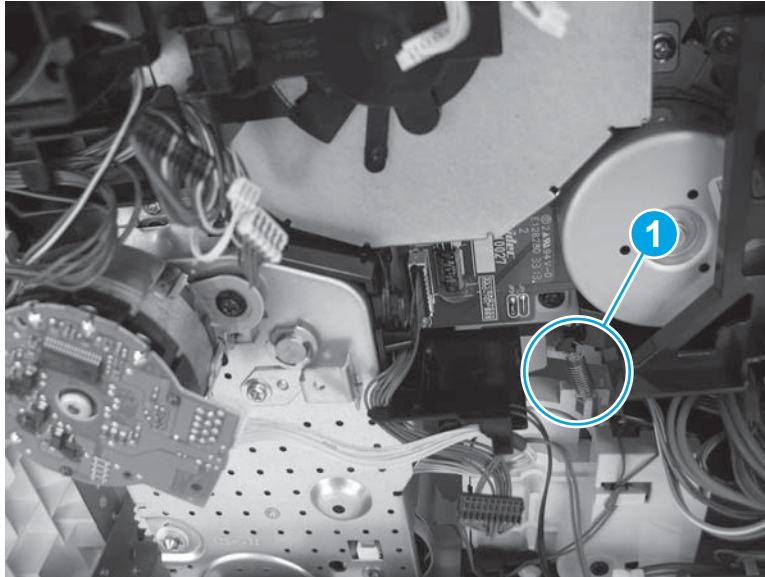
2. Release one spring (callout 1).

 **TIP:** Use hemostats (if available) to release the spring.

TIP: Release the spring from the lower hook.

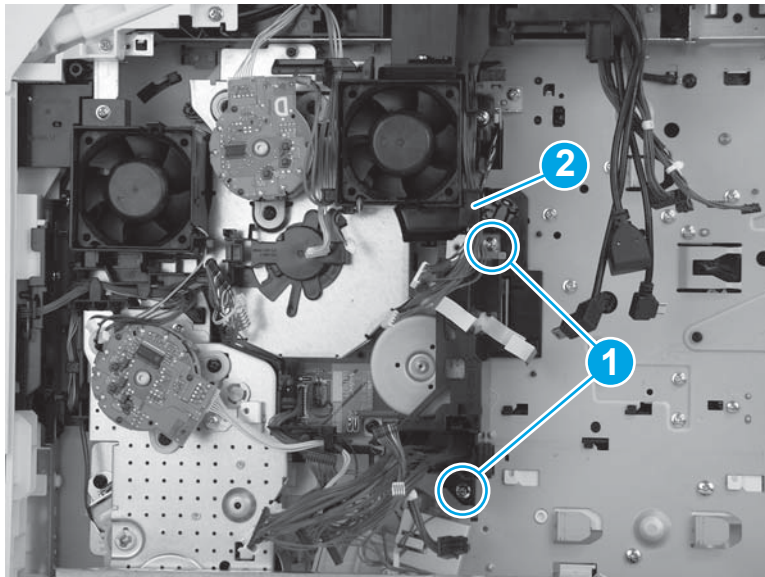
 **NOTE:** The spring is not captive. Do not lose the spring.

Figure 1-848 Release one spring



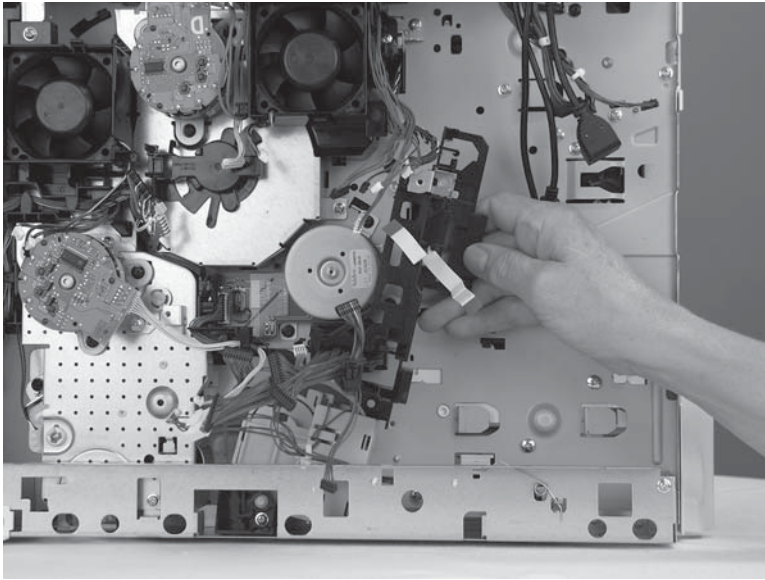
3. Remove two screws (callout 1), and then release the wire harness from the guide (callout 2).

Figure 1-849 Remove two screws



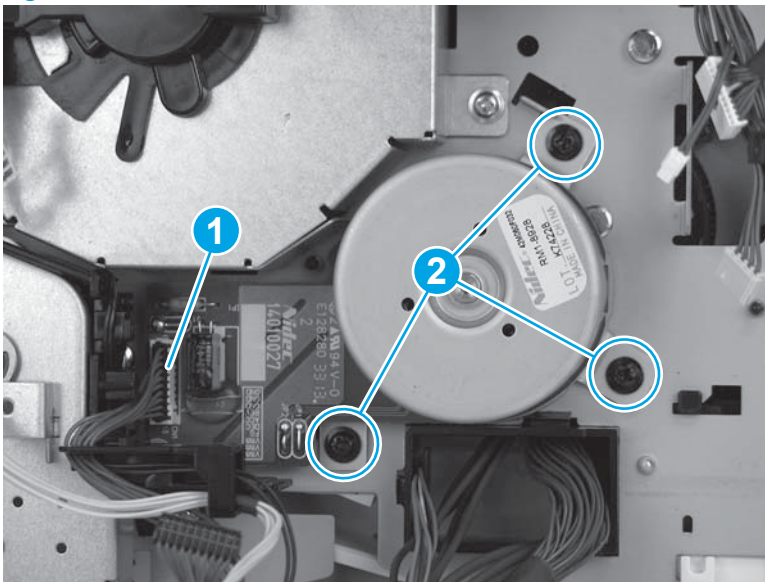
4. Remove the bracket.

Figure 1-850 Remove the bracket



5. Disconnect one connector (callout 1), remove three screws (callout 2), and then remove the fuser motor.

Figure 1-851 Remove the fuser motor



Step 5: Unpack the replacement fuser motor

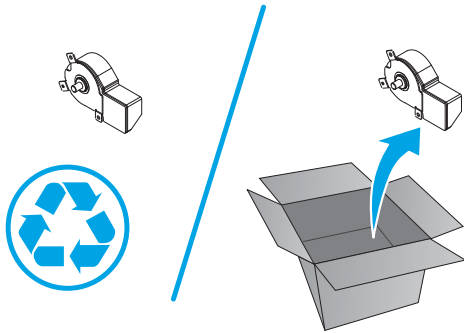
Unpack the replacement part from the packaging.

<http://www8.hp.com/us/en/hp-information/environment/product-recycling.html>



NOTE: HP recommends responsible disposal of the defective part.

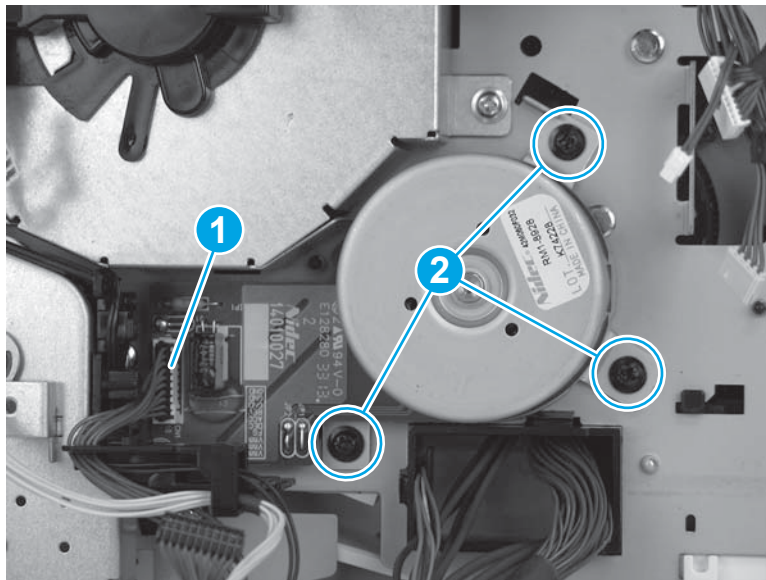
Figure 1-852 Recycle and unpack



Step 6: Install the fuser motor

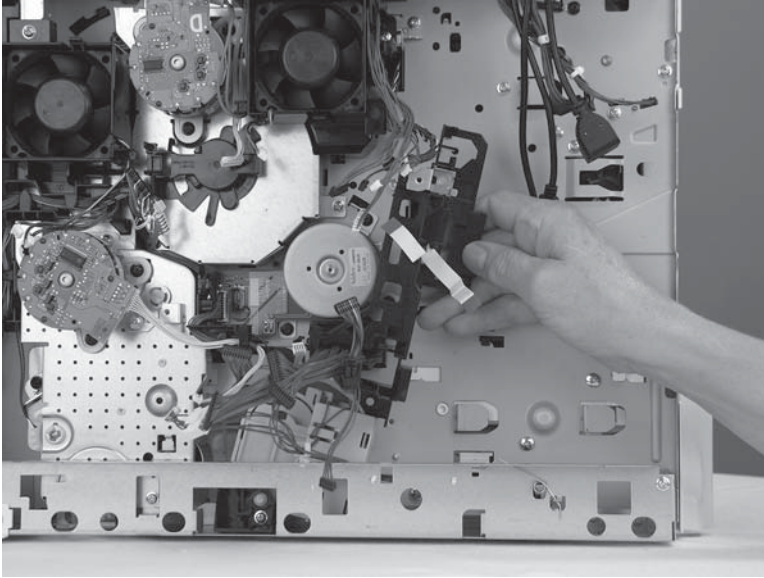
1. Position the fuser motor on the printer. Connect one connector (callout 1), and then install three screws (callout 2).

Figure 1-853 Install the fuser motor



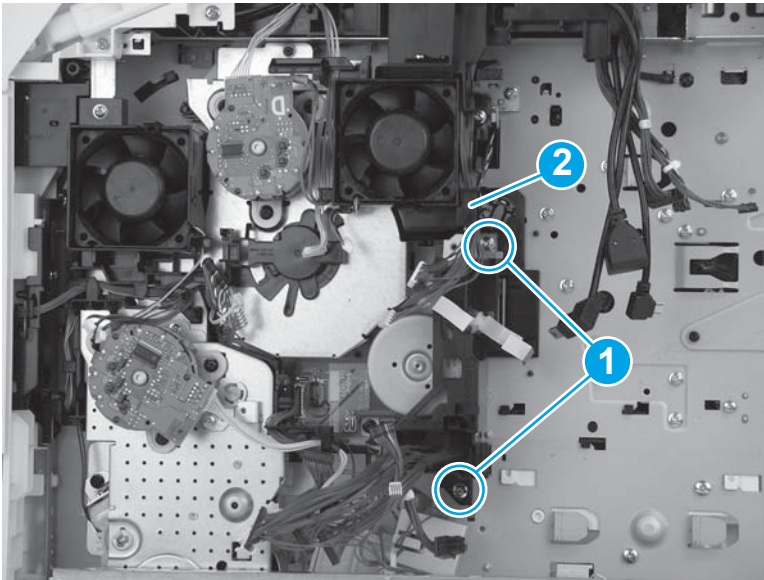
2. Position the bracket over the fuser motor.

Figure 1-854 Position the bracket



3. Install two screws (callout 1), and then install the wire harness in the guide (callout 2).

Figure 1-855 Install two screws



4. Attach one spring (callout 1).

 **TIP:** Use hemostats (if available) to attach the spring.


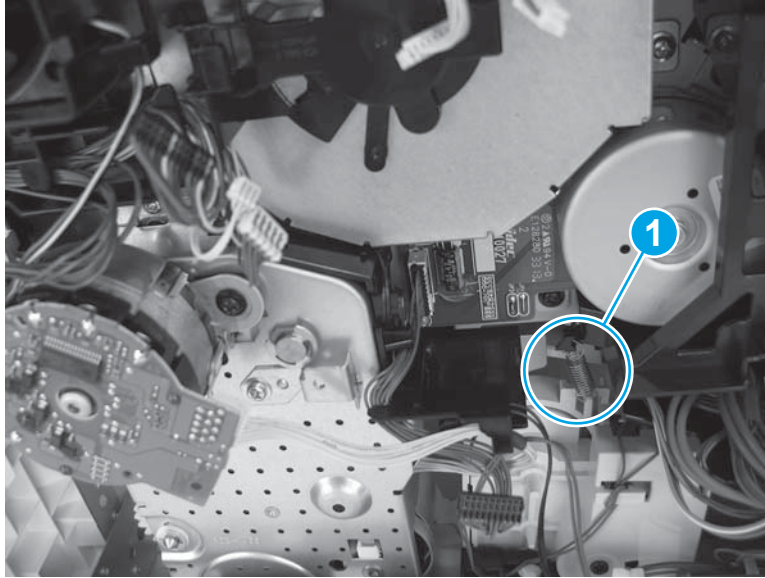
 **NOTE:** The spring is not captive. Do not lose the spring.

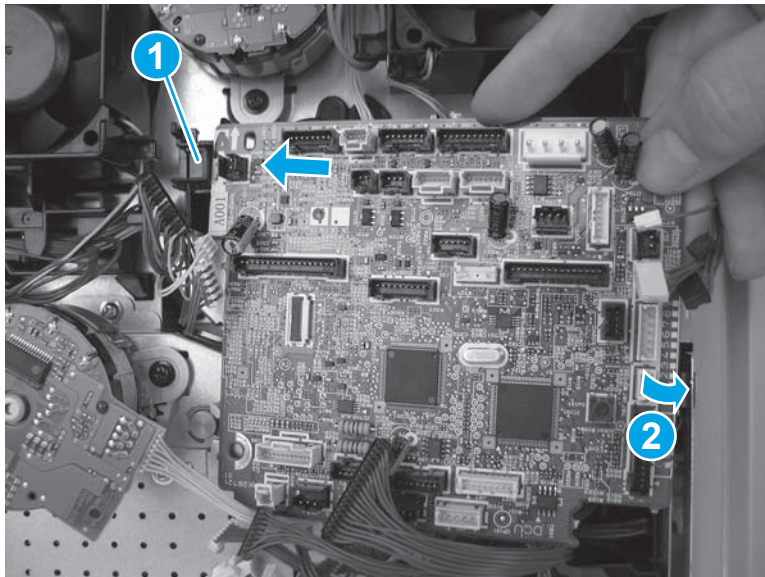
Figure 1-856 Attach one spring



Step 7: Install the DC controller

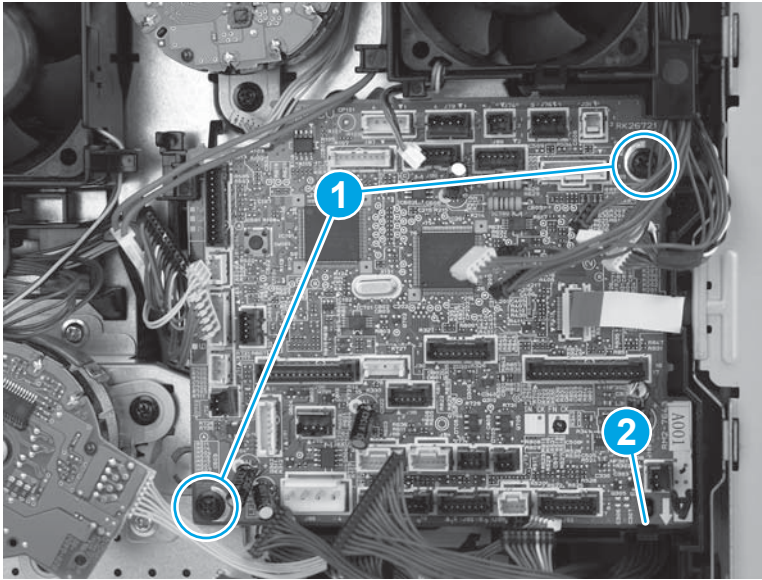
1. Position the DC controller under the tab (callout 1), and then rotate it (callout 2) toward the printer.

Figure 1-857 Position the DC controller on the printer



2. Install two screws (callout 1). Make sure that the tab (callout 2) is snapped into place.

Figure 1-858 Install two screws

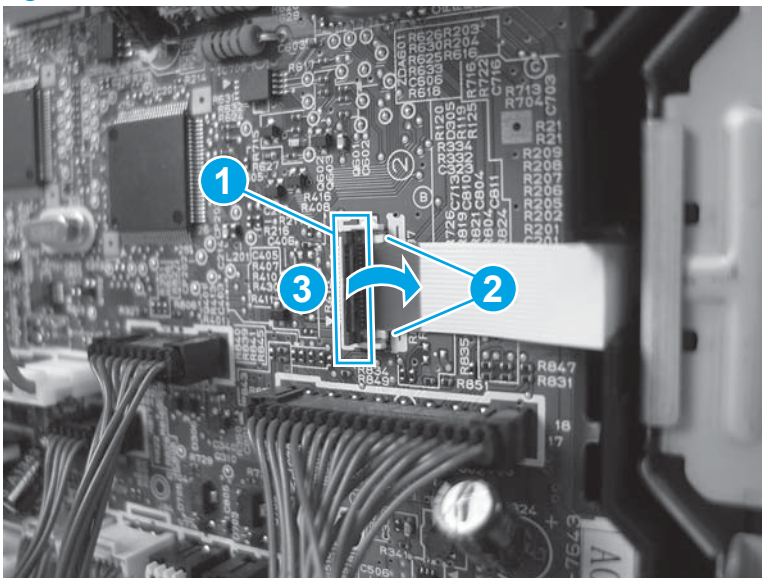


3. Locate the flat cable connector (callout 1) on the DC controller.



IMPORTANT: The flat cable connector is a Zero Insertion Force (ZIF) connector that uses a hinged retainer to secure a flat cable. When the flat cable is reinstalled, fully insert the flat cable in the connector between the two white pins (callout 2). Close the hinged retainer (callout 3) to lock the flat cable into the connector and provide proper electrical contact. If the flat cable is not locked into the connector, no electrical contact will occur.

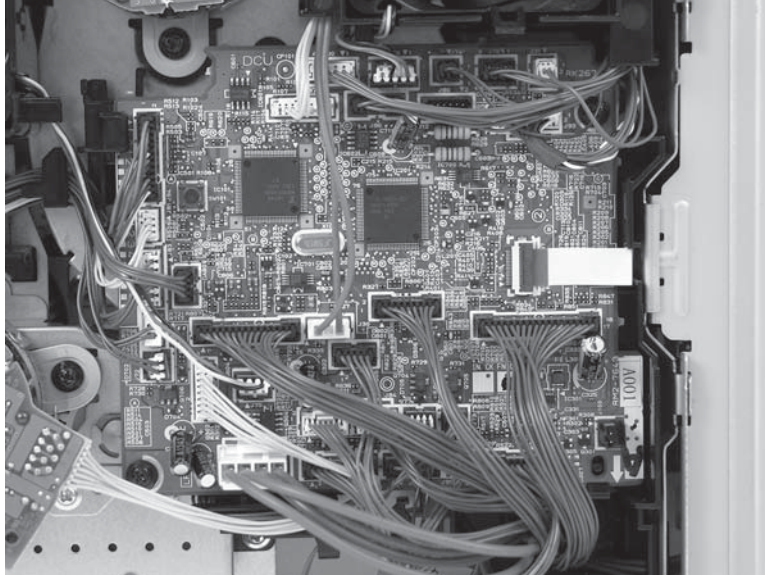
Figure 1-859 ZIF connector



4. Connect all of the connectors on the DC controller.
 - 29 wire-harness connectors
 - 1 flat cable

 **Reinstallation tip:** Connectors J80 and J100 are empty.

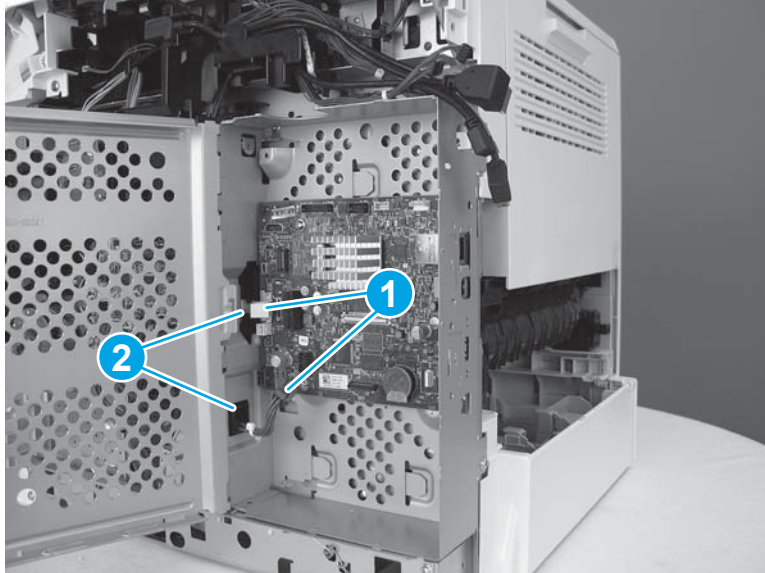
Figure 1-860 Connect the connectors



Step 8: Install the formatter and formatter case

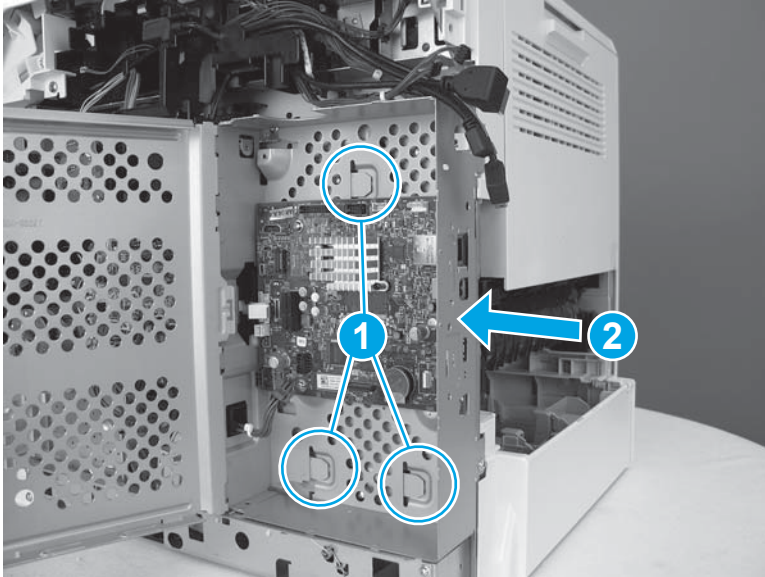
1. Position the formatter case on the printer. Make sure that the flat cable and wire harness (callout 1) are positioned through the openings (callout 2) in the formatter case.

Figure 1-861 Position the formatter case



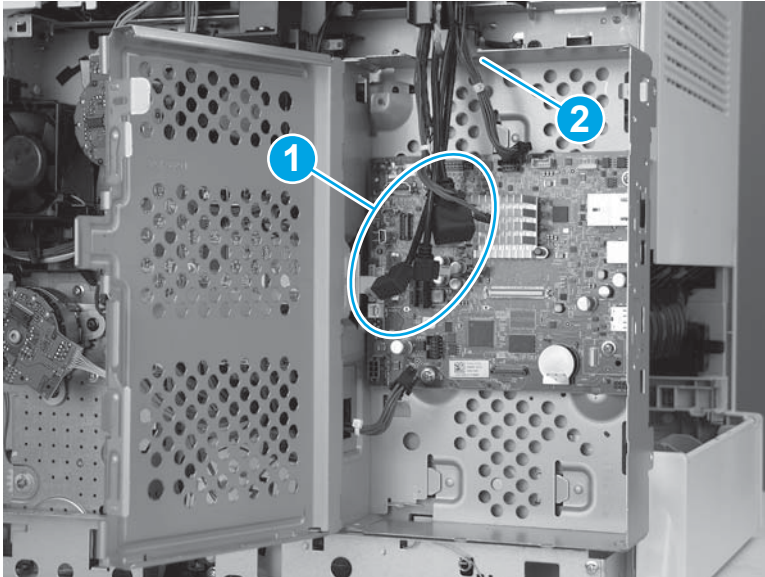
2. Make sure that the metal tabs on the printer are positioned into the slots on the formatter case (callout 1), and then slide the formatter case toward the front of the printer (callout 2) to install it.

Figure 1-862 Install the formatter case



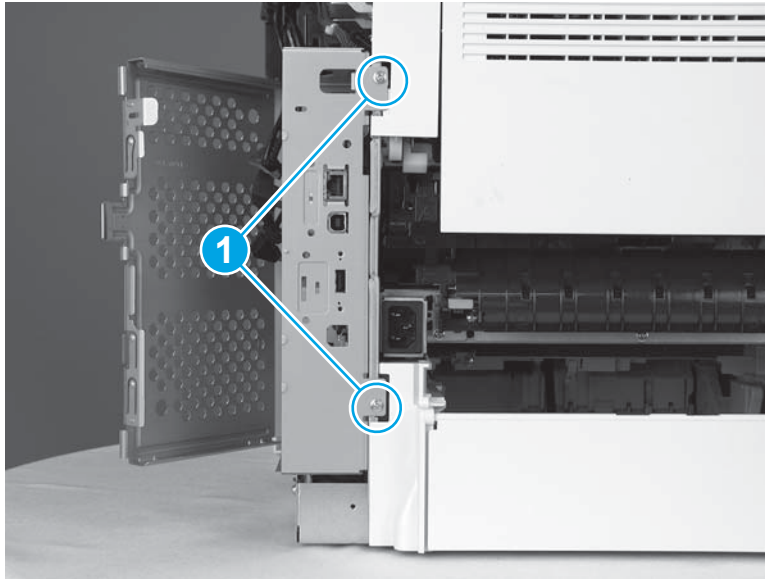
3. Position the wires and cables (callout 1) in the opening (callout 2) in the top of the formatter case.

Figure 1-863 Position the wires in the formatter case



4. Install two screws (callout 1).

Figure 1-864 Install two screws



5. Locate the flat cable connector (callout 1) on the formatter.


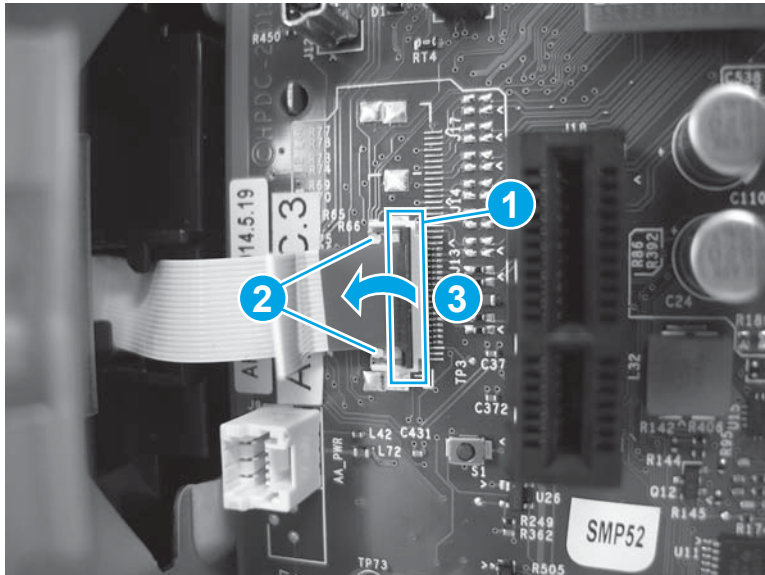
 **IMPORTANT:** The flat cable connector is a Zero Insertion Force (ZIF) connector that uses a hinged retainer to secure a flat cable. When the flat cable is reinstalled, fully insert the flat cable in the connector between the two white pins (callout 2). Close the hinged retainer (callout 3) to lock the flat cable into the connector and provide proper electrical contact. If the flat cable is not locked into the connector, no electrical contact will occur.

Figure 1-865 ZIF connector

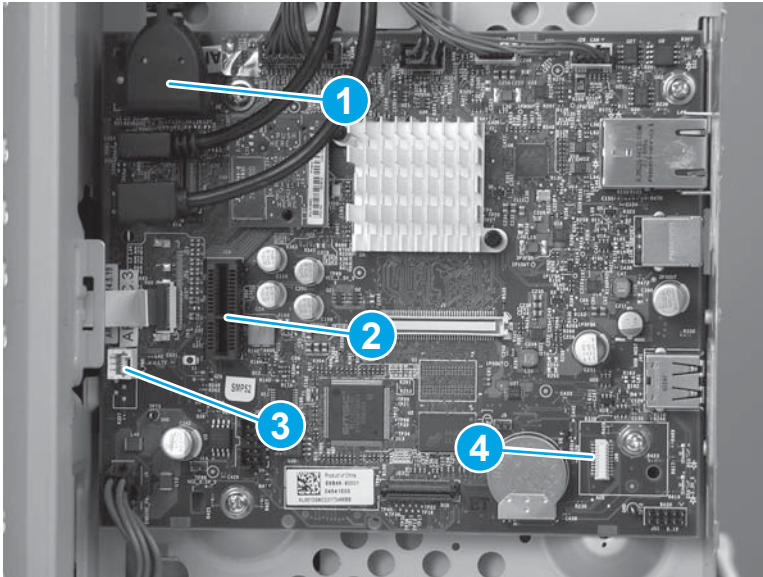


6. Connect all of the connectors on the formatter.

The following connectors are empty:

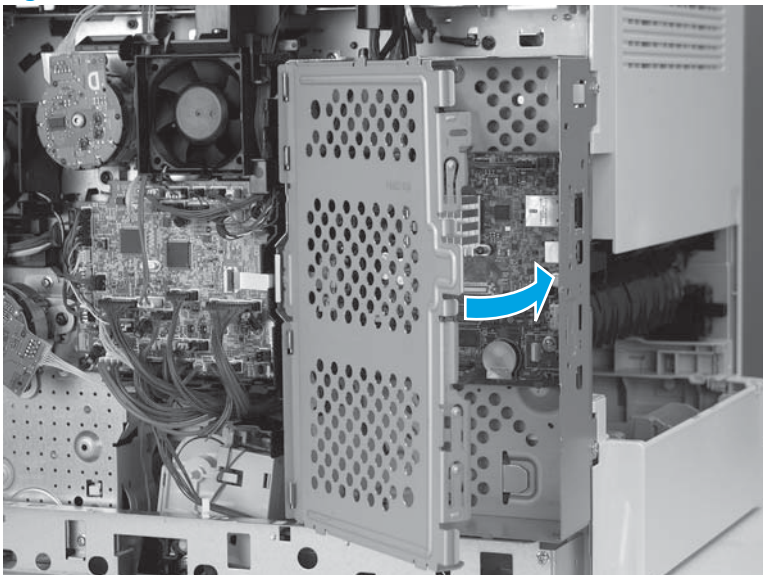
- J23, J25, J51, and J57
- J3 (callout 1): This connector is empty on the M604n/dn, M605n/dn, and M606dn models. It holds the touchscreen cable on the M605x and M606x models.
- J18 (callout 2): This connector is empty unless the optional hard-disk-drive (HDD) is installed.
- J9 (callout 3): This connector is empty unless the optional two internal USB ports accessory is installed.
- J98 (callout 4): This connector is empty unless the optional trusted platform module (TPM) is installed.

Figure 1-866 Connect all connectors



7. Close the formatter case door.

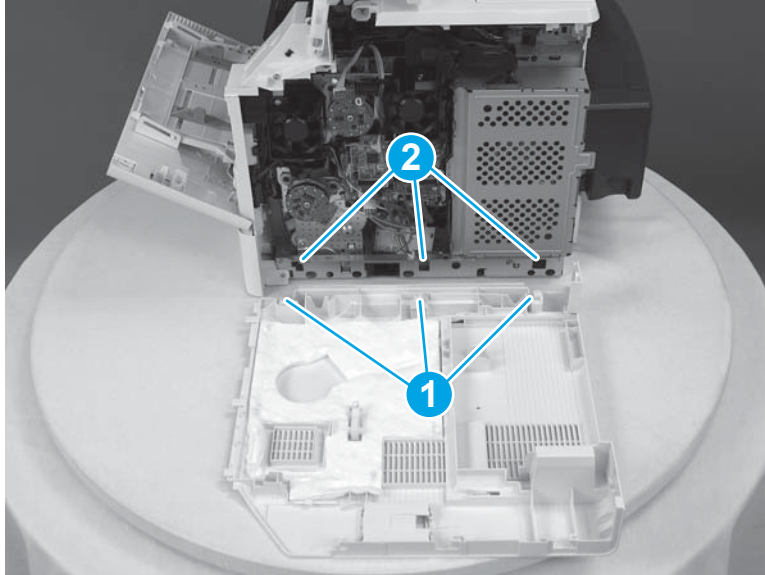
Figure 1-867 Close the formatter case door



Step 9: Install the right cover

1. Note the location of the tabs (callout 1) on the cover that will fit into the slots (callout 2) on the printer.

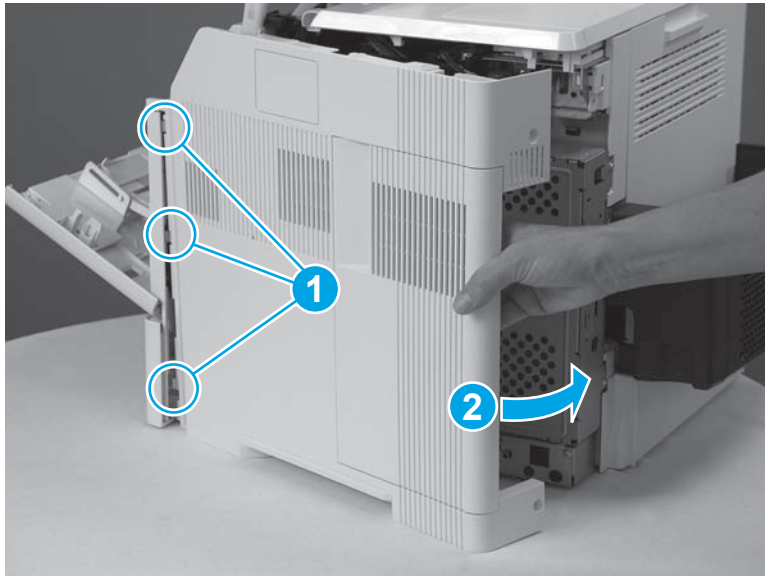
Figure 1-868 Note location of tabs



2. Position the front tabs on the right cover slightly behind the right front cover (callout 1), and then rotate the back edge of the cover toward the printer (callout 2).

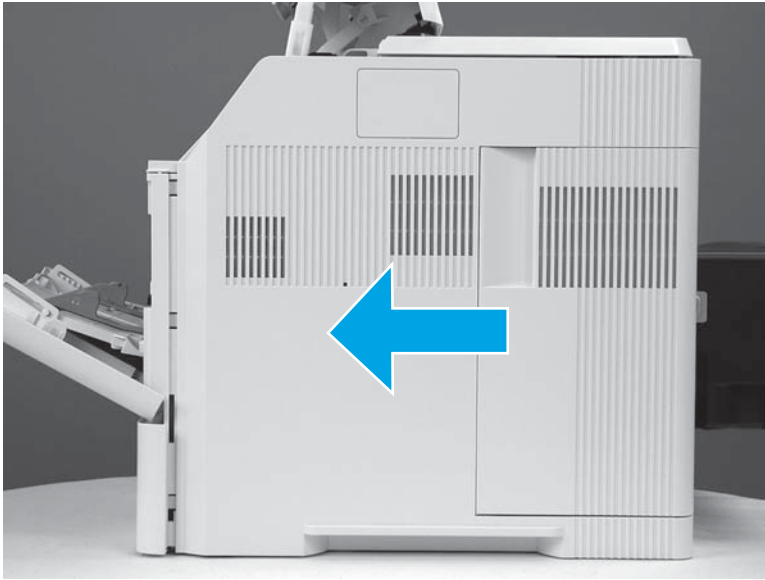
 **NOTE:** The tabs and slots mentioned in the previous step will engage as the cover is rotated into place.

Figure 1-869 Position the front tabs



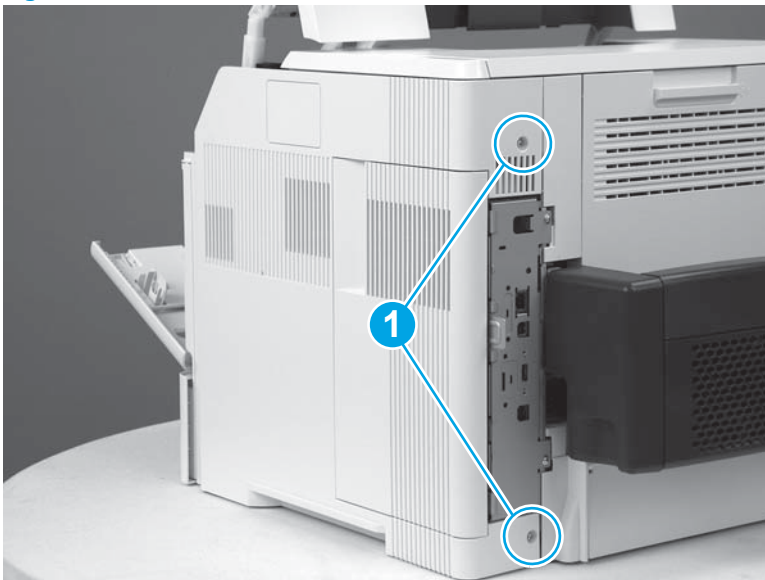
3. Slide the cover toward the front of the printer to install it.

Figure 1-870 Slide the cover



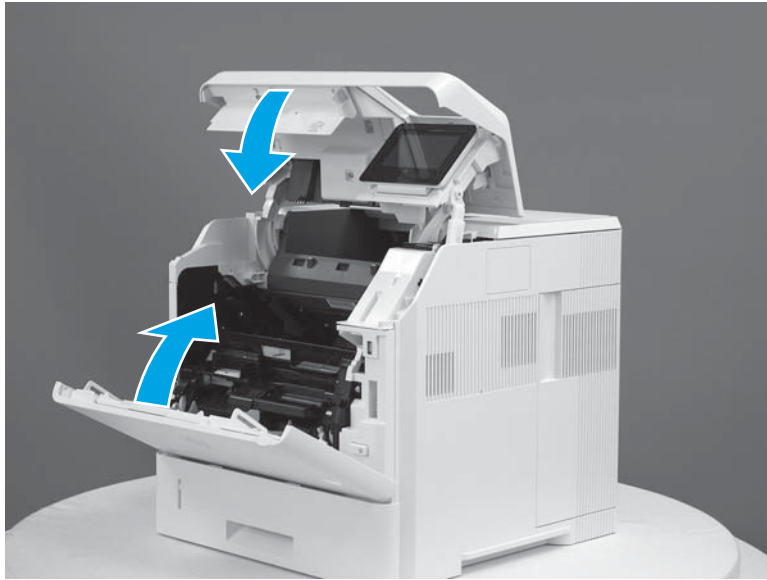
4. Install two screws (callout 1).

Figure 1-871 Install two screws



5. Close the front cover and the cartridge door.

Figure 1-872 Close the front cover and cartridge door



Removal and replacement: Drum drive assembly

- [Introduction](#)
- [Step 1: Remove the right cover](#)
- [Step 2: Remove the top accessory cover](#)
- [Step 3: Remove the top cover \(M604n/dn, M605n/dn, M606dn only\)](#)
- [Step 4: Remove the top cover \(M605x, M606x only\)](#)
- [Step 5: Remove the formatter and formatter case](#)
- [Step 6: Remove the DC controller](#)
- [Step 7: Remove the drum motor](#)
- [Step 8: Remove the drum drive assembly](#)
- [Step 9: Unpack the replacement drum drive assembly](#)
- [Step 10: Install the drum drive assembly](#)
- [Step 11: Install the drum motor](#)
- [Step 12: Install the DC controller](#)
- [Step 13: Install the formatter and formatter case](#)
- [Step 14: Install the top cover \(M605x, M606x only\)](#)
- [Step 15: Install the top cover \(M604n/dn, M605n/dn, M606dn only\)](#)
- [Step 16: Install the top accessory cover](#)
- [Step 17: Install the right cover](#)


Introduction

This document provides the procedures to remove and replace the drum drive assembly.

Before performing service

Turn the printer power off

- Disconnect the power cable.

 **WARNING!** To avoid damage to the printer, turn the printer off, wait 30 seconds, and then remove the power cord before attempting to service the printer.

Use the table below to identify the correct part number for your printer. To order the part, go to www.hp.com/buy/parts.

Drum drive assembly part number	
---------------------------------	--

RM2-6920-000CN	Drum drive assembly
----------------	---------------------

Required tools

- #2 Phillips screwdriver with a magnetic tip

After performing service

Turn the printer power on

- Connect the power cable.
- Use the power switch to turn the power on.

Post service test

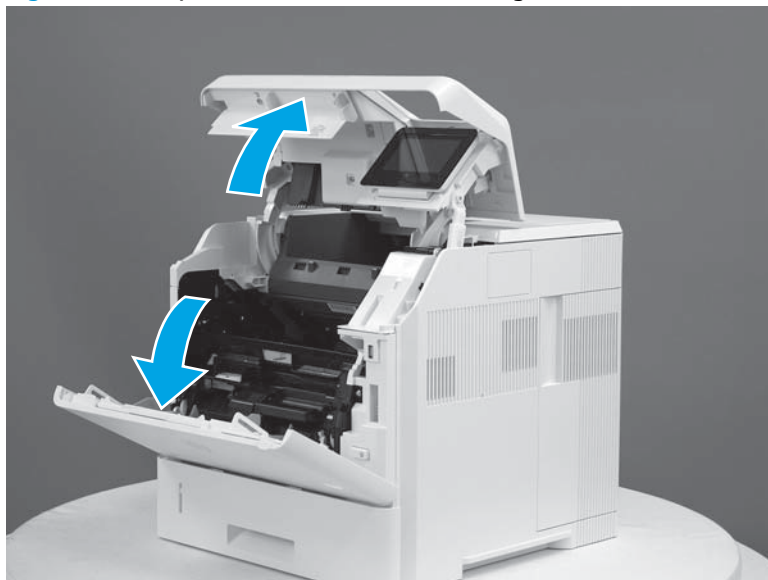
Make sure that the printer initializes to a **Ready** state.

Print a configuration page to make sure that the printer is functioning correctly.

Step 1: Remove the right cover

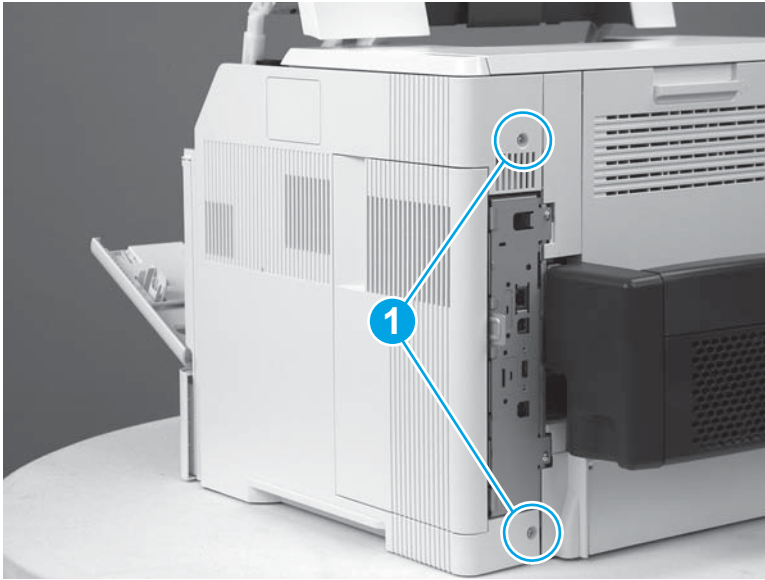
1. Open the front cover and the cartridge door.

Figure 1-873 Open the front cover and cartridge door



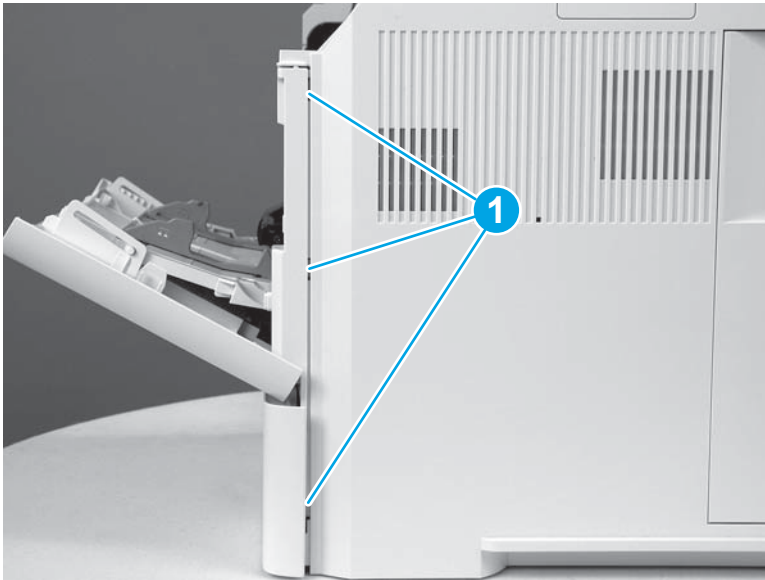
2. Remove two screws (callout 1).

Figure 1-874 Remove two screws



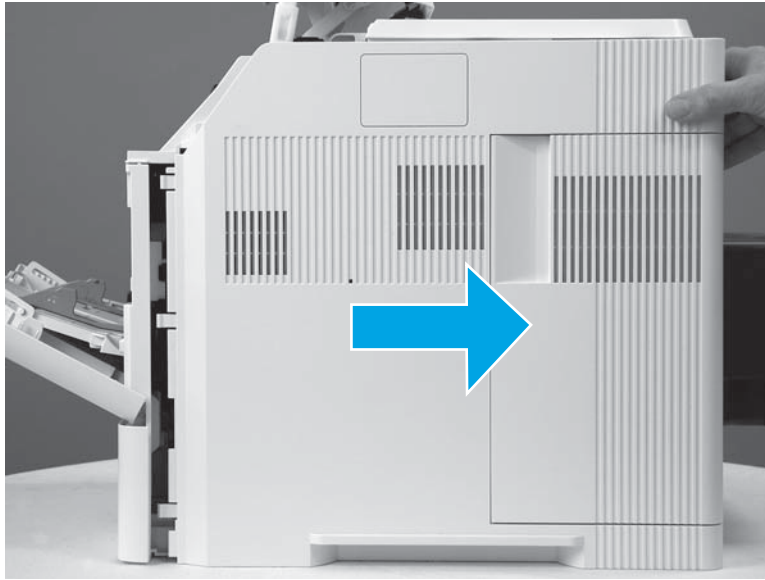
3. Release three tabs (callout 1).

Figure 1-875 Release three tabs



4. Slide the cover toward the rear of the printer to remove it.

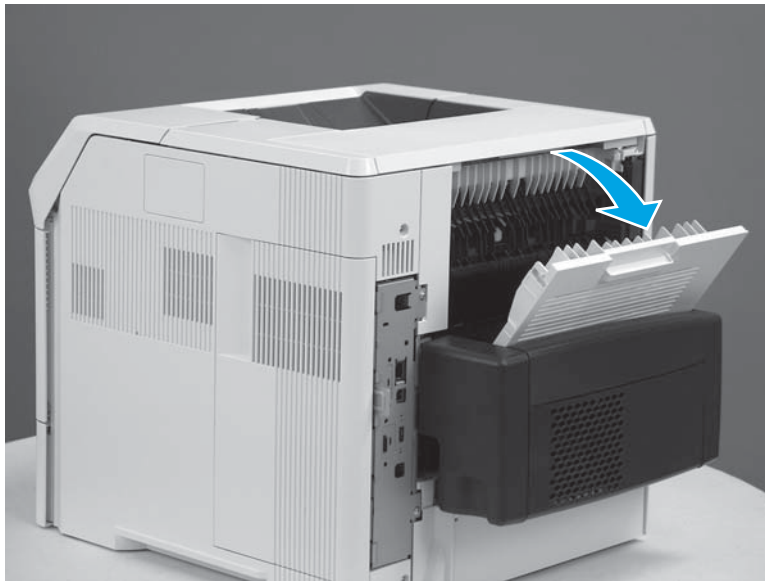
Figure 1-876 Remove the cover



Step 2: Remove the top accessory cover

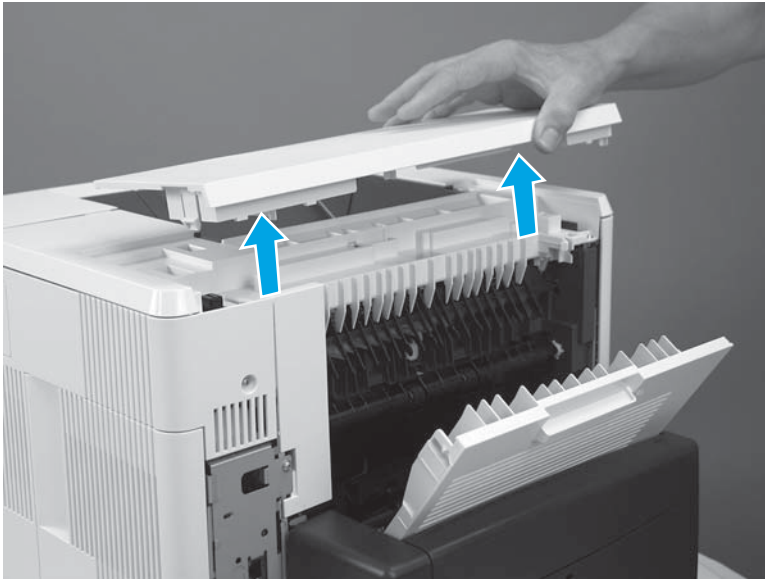
1. Open the rear output bin.

Figure 1-877 Open the rear output bin



2. Lift the top accessory cover up and off of the printer.

Figure 1-878 Remove top accessory cover



Step 3: Remove the top cover (M604n/dn, M605n/dn, M606dn only)



NOTE: For the M605x or M606x product, skip this step and go to [Step 4: Remove the top cover \(M605x, M606x only\) on page 513](#).

1. Use needle-nose pliers to release the toner-cartridge drive-arm tabs (callout 1).

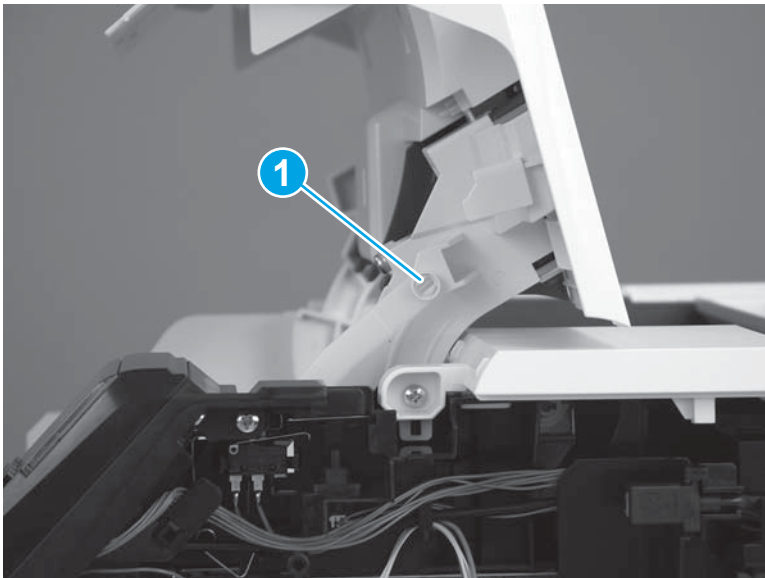


CAUTION: The toner-cartridge drive-arm tabs break easily.



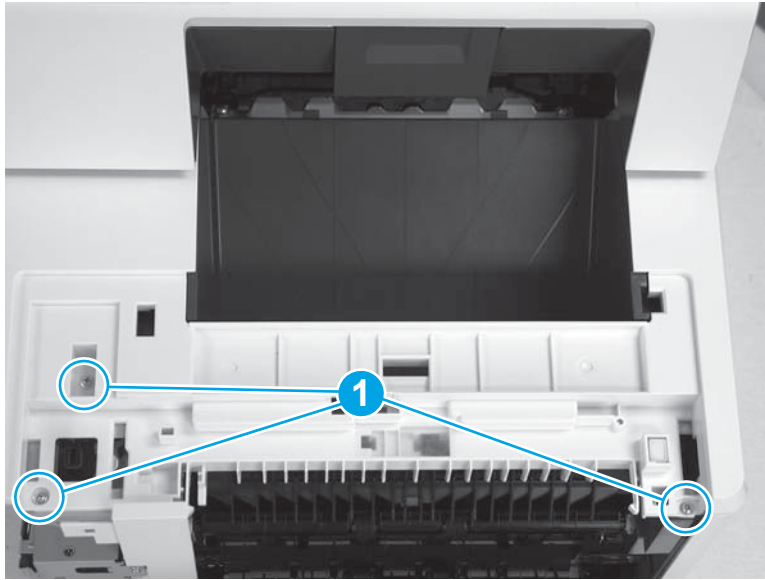
TIP: Push the toner-cartridge drive-arm back into the printer to avoid damaging it when you remove the top cover.

Figure 1-879 Release the drive-arm tabs



2. Remove three screws (callout 1) on the top of the printer.

Figure 1-880 Remove three screws



3. Remove one screw (callout 1) on the right side of the printer.


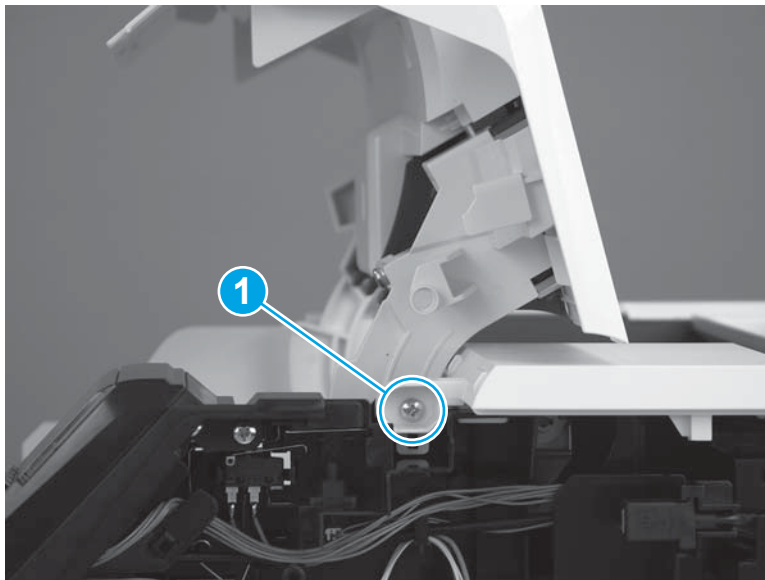
 **Reinstallation tip:** This screw is larger than the screws removed from the top of the printer. Make sure to install the correct screw when reassembling.

Figure 1-881 Remove one screw



4. Remove one screw (callout 1) on the left side of the printer.


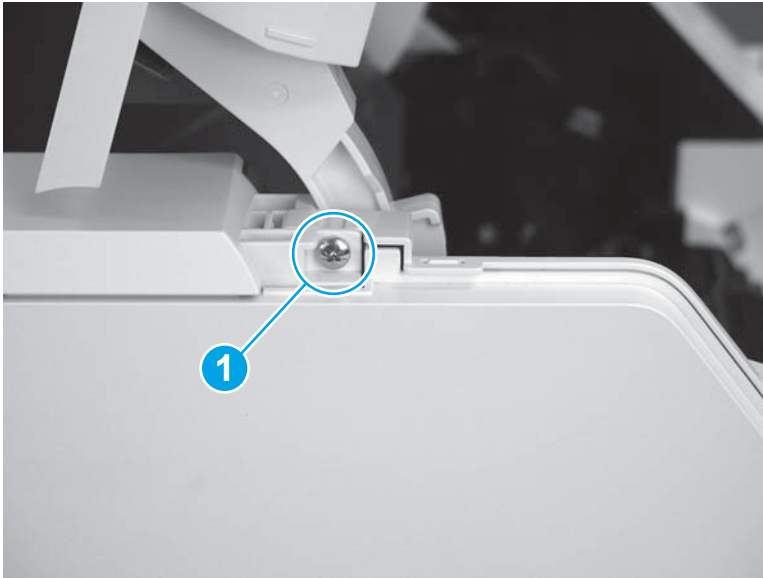
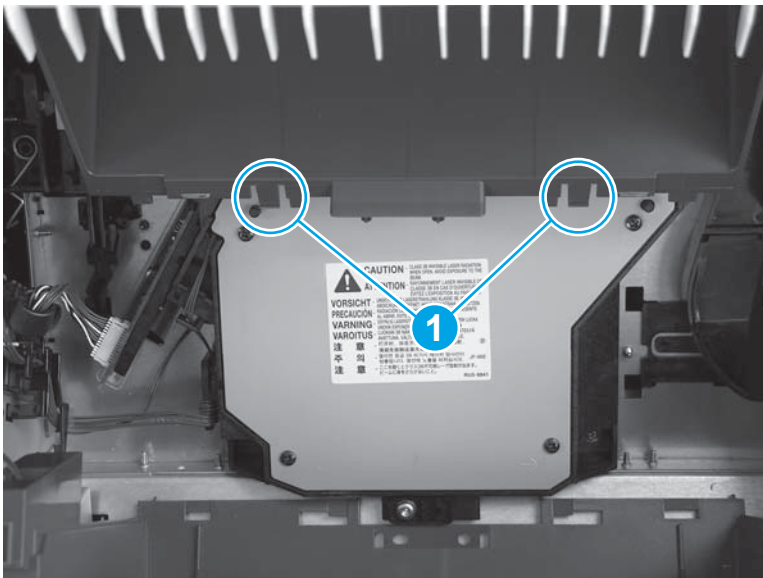
 **Reinstallation tip:** This screw is larger than the screws removed from the top of the printer. Make sure to install the correct screw when reassembling.

Figure 1-882 Remove one screw



5. Note the location of two tabs on the top output bin (callout 1). These tabs are released in the next step.

Figure 1-883 Location of two tabs



6. Release two tabs (callout 1) on the top output bin.


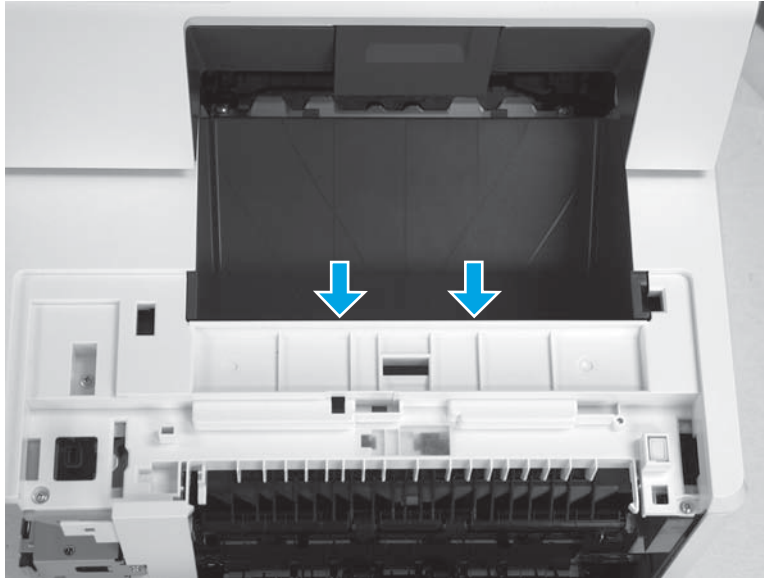
 **Reinstallation tip:** Make sure that these tabs are fully seated when the top cover is reinstalled.

Figure 1-884 Release two tabs



7. Lift the top cover up and off of the printer to remove it.

Figure 1-885 Remove the top cover



Step 4: Remove the top cover (M605x, M606x only)

1. Use needle-nose pliers to release the toner-cartridge drive-arm tabs (callout 1) and the toner-cartridge door hinge tabs (callout 2).

 **CAUTION:** The toner-cartridge drive-arm tabs break easily.


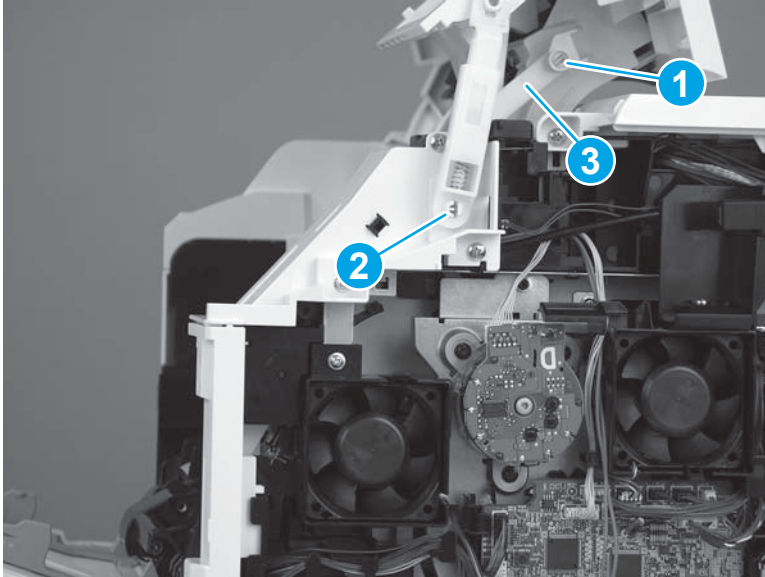
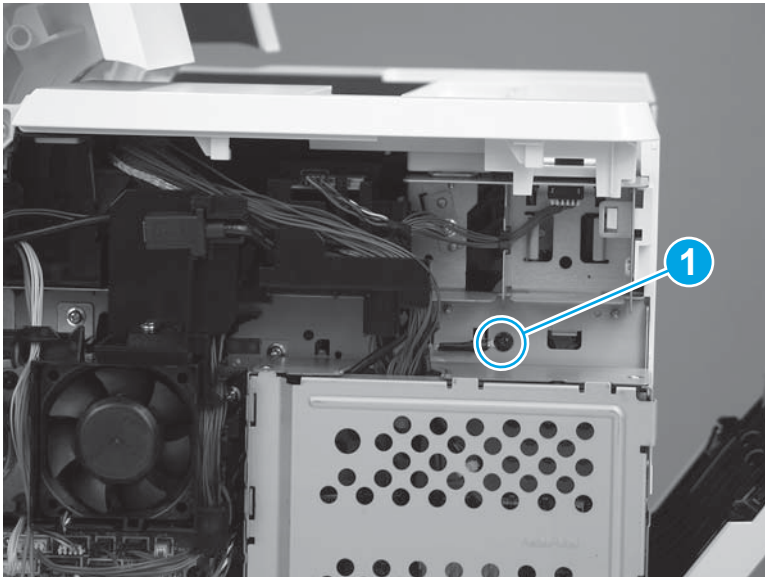
 **TIP:** Push the toner-cartridge drive-arm (callout 3) back into the printer to avoid damaging it when you remove the top cover.

Figure 1-886 Release the drive-arm and door hinge tabs



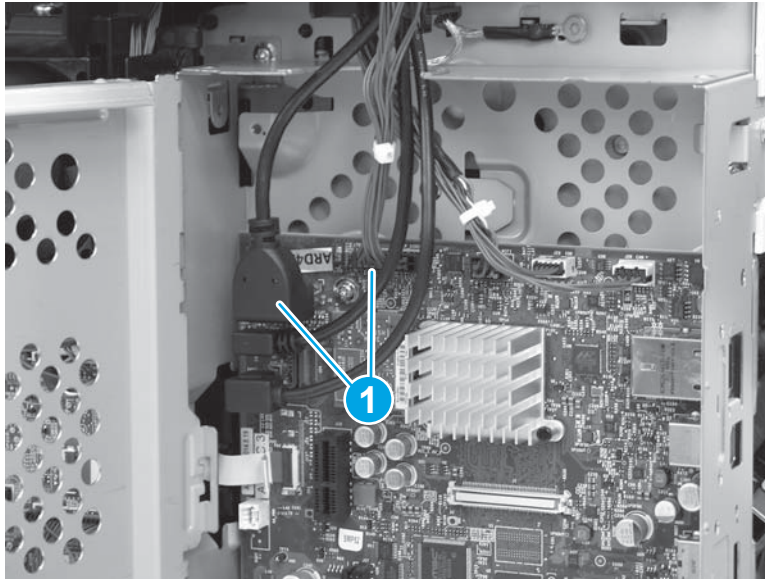
2. Remove one screw, and then release the ground wire (callout 1).

Figure 1-887 Release the ground wire



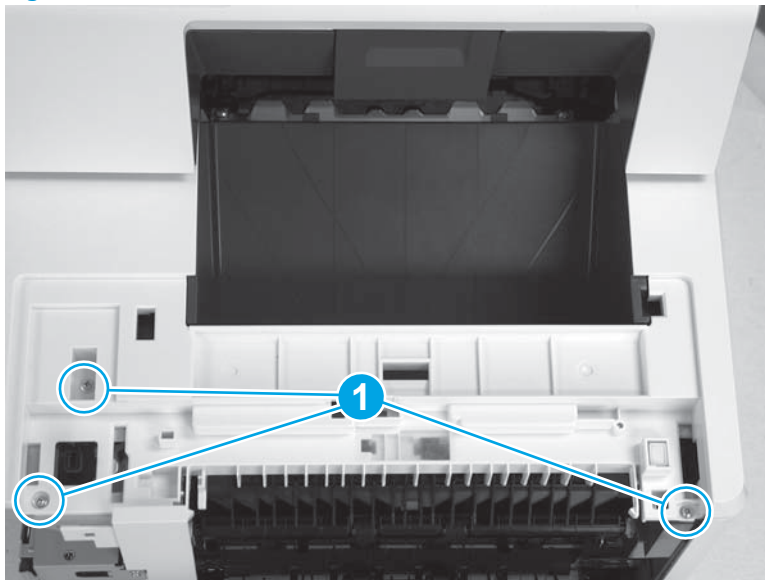
3. Open the formatter case door, and then disconnect two connectors (callout 1).

Figure 1-888 Disconnect two connectors



4. Remove three screws (callout 1) on the top of the printer.

Figure 1-889 Remove three screws



5. Remove one screw (callout 1) on the right side of the printer.


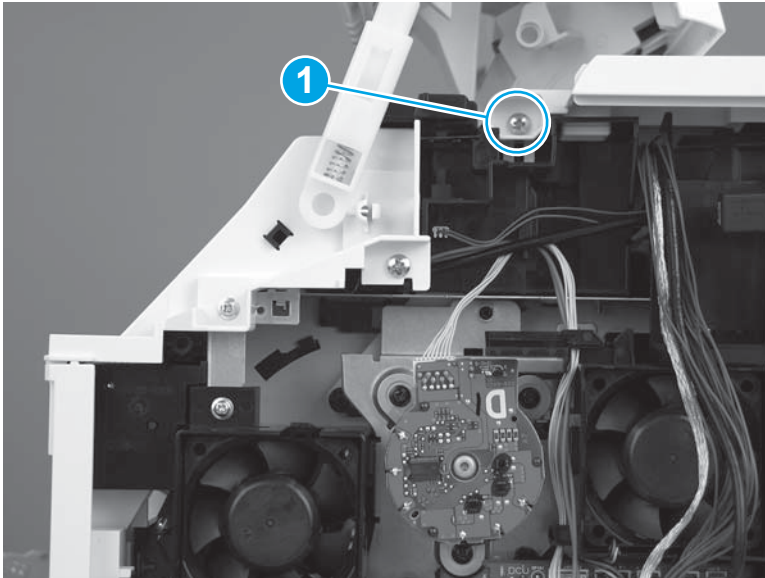
 **Reinstallation tip:** This screw is larger than the screws removed from the top of the printer. Make sure to install the correct screw when reassembling.

Figure 1-890 Remove one screw



6. Remove one screw (callout 1) on the left side of the printer.


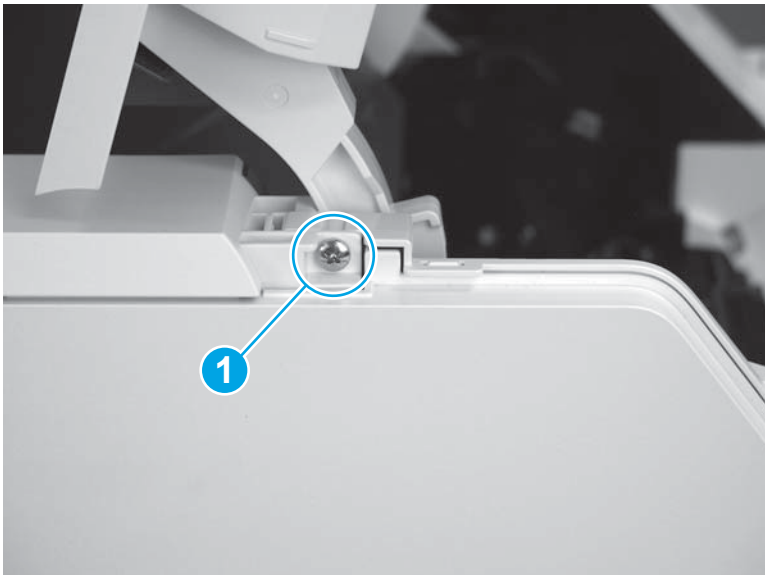
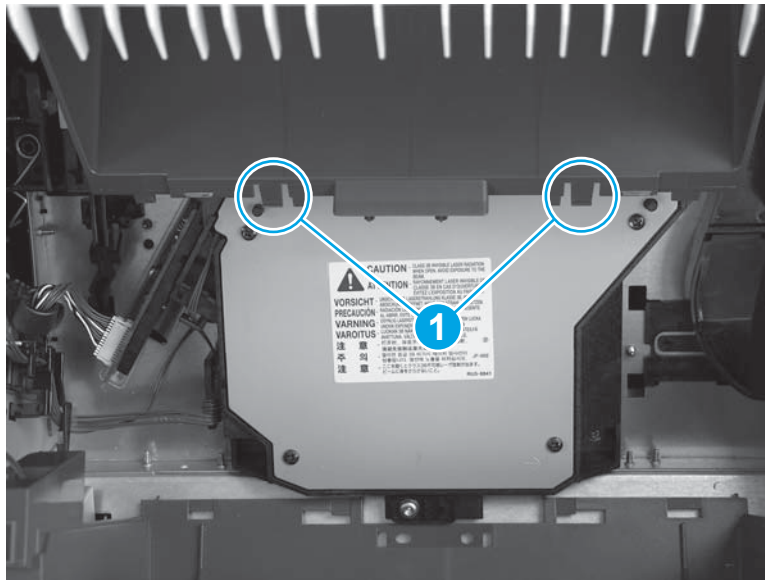
 **Reinstallation tip:** This screw is larger than the screws removed from the top of the printer. Make sure to install the correct screw when reassembling.

Figure 1-891 Remove one screw



7. Note the location of two tabs on the top output bin (callout 1). These tabs are released in the next step.

Figure 1-892 Location of two tabs



8. Release two tabs (callout 1) on the top output bin.


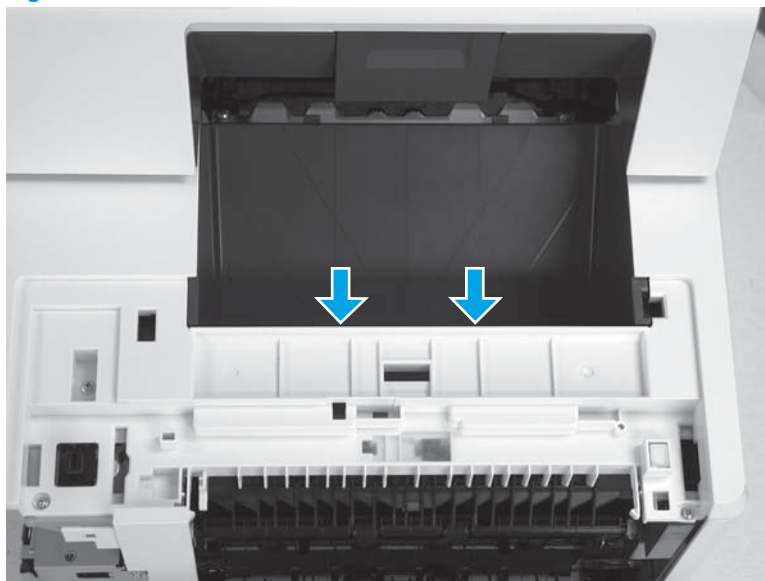
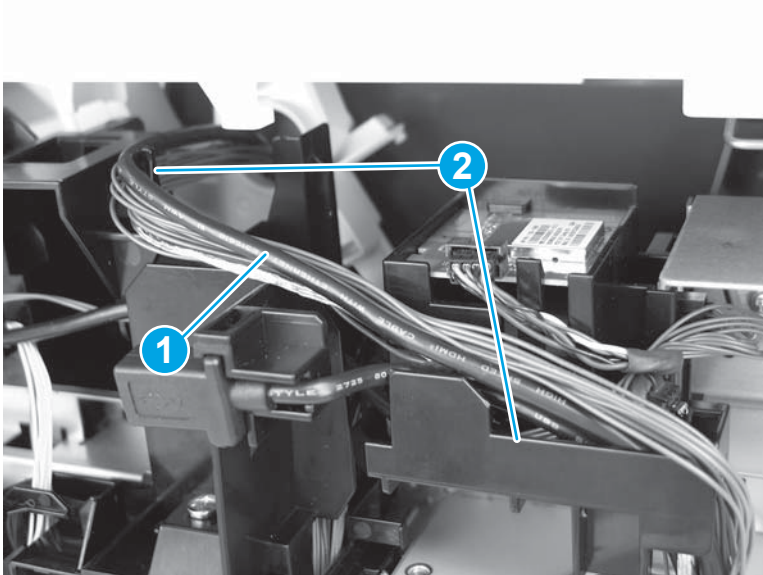
 **Reinstallation tip:** Make sure that these tabs are fully seated when the top cover is reinstalled.

Figure 1-893 Release two tabs



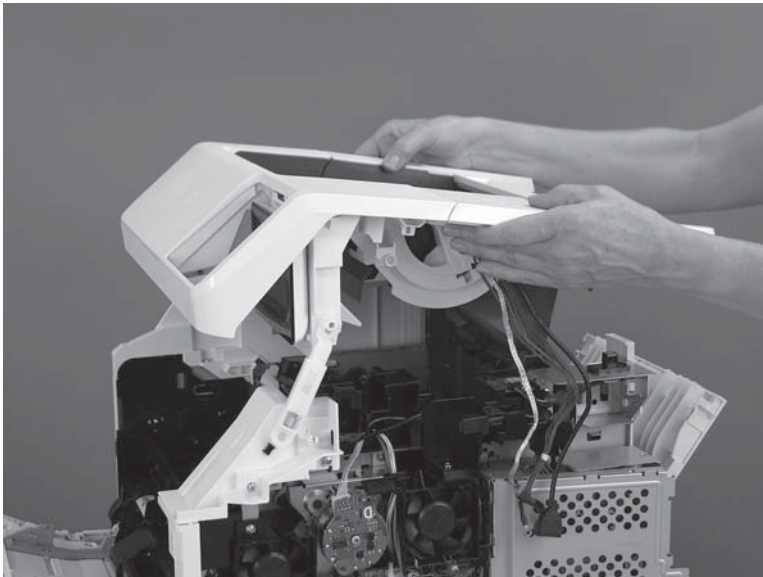
9. On the right side of the printer, release the wire harness and cables (callout 1) from the guides (callout 2).

Figure 1-894 Release cables from guides



10. Lift the top cover up and off of the printer to remove it.

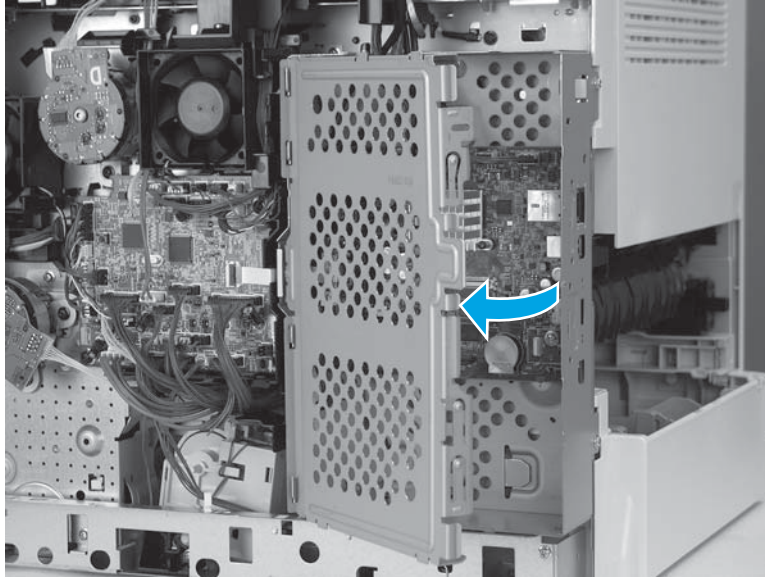
Figure 1-895 Remove the top cover



Step 5: Remove the formatter and formatter case

1. Open the formatter case door.

Figure 1-896 Open the formatter case door

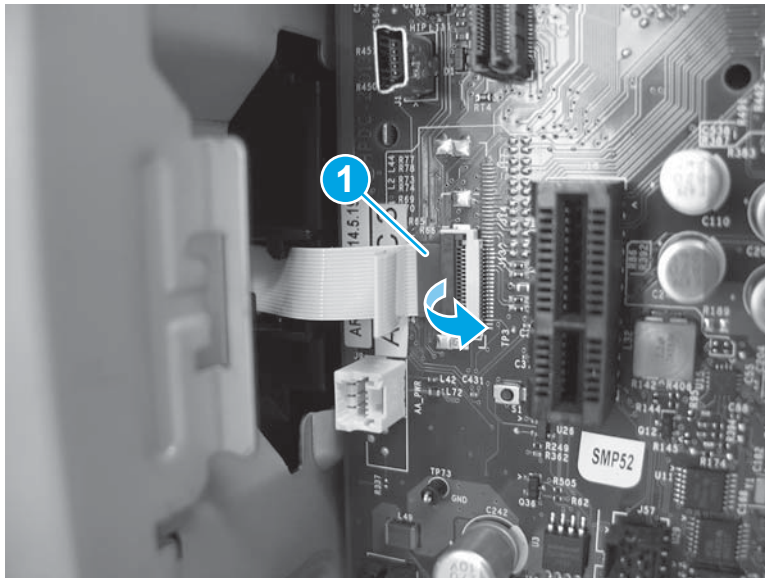


2. Locate the flat cable connector (callout 1) on the formatter.



IMPORTANT: This connector is a Zero Insertion Force (ZIF) connector that uses a hinged retainer to secure a flat cable. The hinged retainer must be opened to release the flat cable.

Figure 1-897 ZIF connector



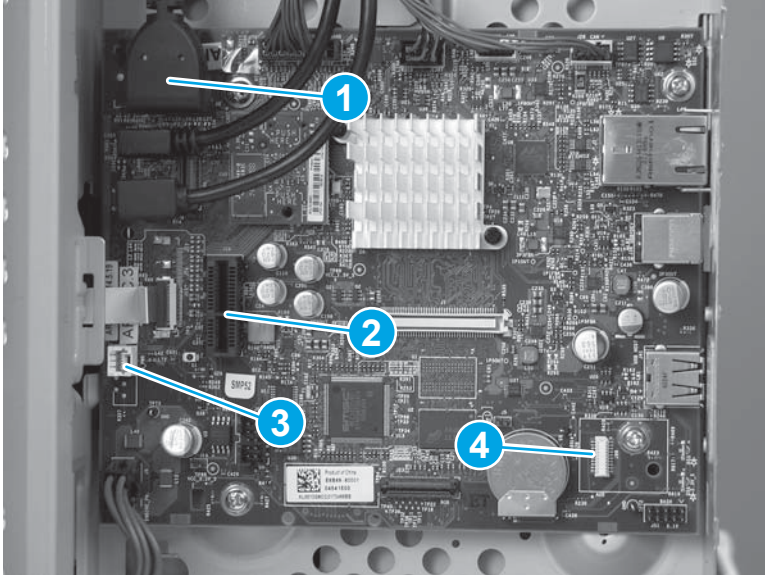
3. Disconnect all of the connectors on the formatter.

The following connectors are empty:

- J23, J25, J51, and J57
- J3 (callout 1): This connector is empty on the M604n/dn, M605n/dn, and M606dn models. It holds the touchscreen cable on the M605x and M606x models.
- J18 (callout 2): This connector is empty unless the optional hard-disk drive (HDD) is installed.

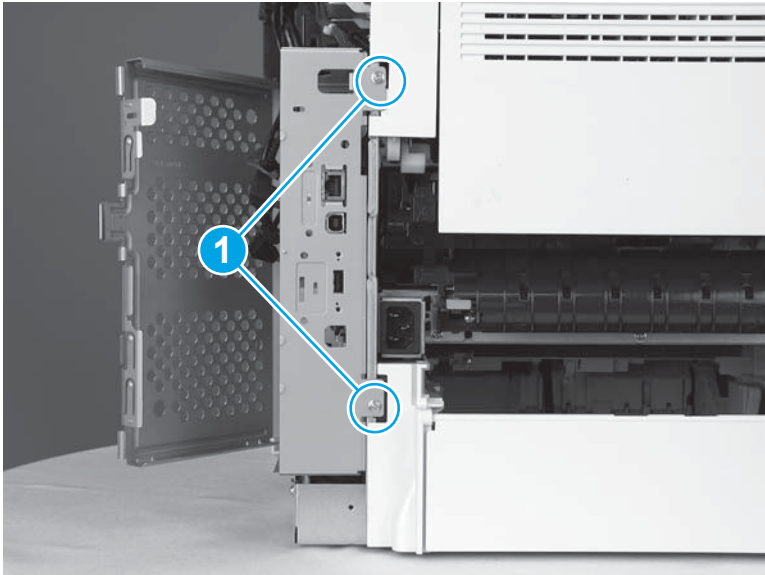
- J9 (callout 3): This connector is empty unless the optional two internal USB ports accessory is installed.
- J98 (callout 4): This connector is empty unless the optional trusted platform module (TPM) is installed.

Figure 1-898 Disconnect all connectors



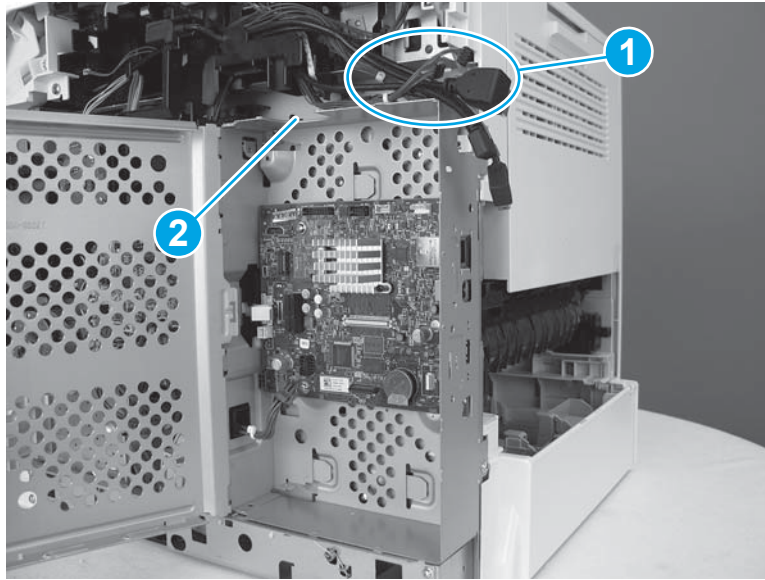
4. Remove two screws (callout 1).

Figure 1-899 Remove two screws



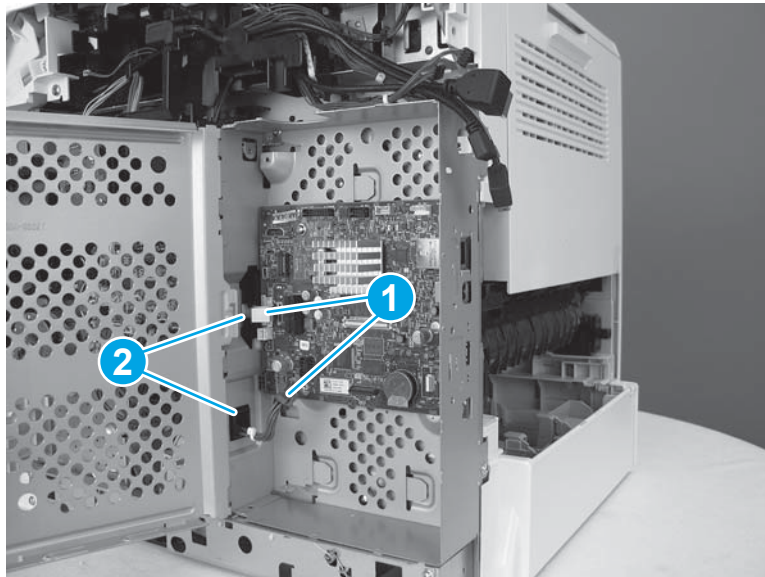
5. Remove the wires and cables (callout 1) from the opening (callout 2) in the top of the formatter case.

Figure 1-900 Remove the wires from the formatter case



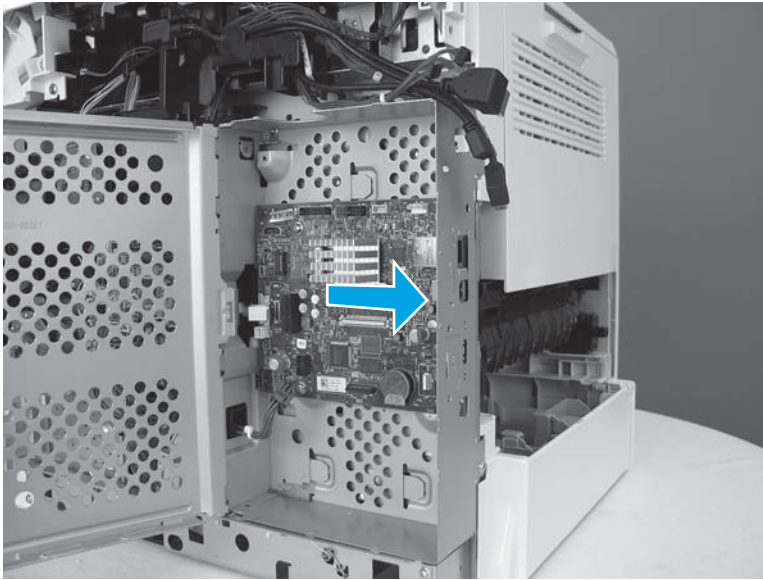
6. When removing the formatter case in the next step, make sure that the flat cable and wire harness (callout 1) slide through the openings (callout 2) in the formatter case.

Figure 1-901 Feed cables through the openings



7. Slide the formatter case toward the back of the printer to remove it.

Figure 1-902 Remove formatter case



Step 6: Remove the DC controller

1. Locate the flat cable connector (callout 1) on the DC controller.


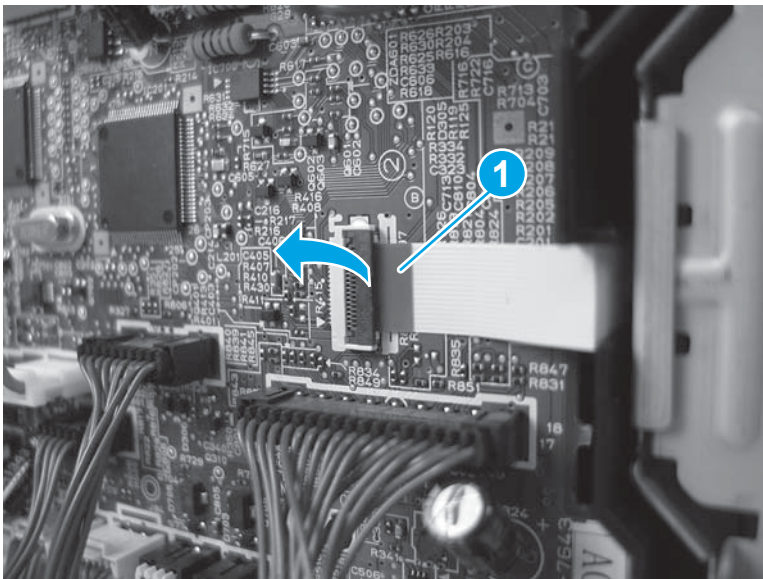
 **IMPORTANT:** This connector is a Zero Insertion Force (ZIF) connector that uses a hinged retainer to secure a flat cable. The hinged retainer must be opened to release the flat cable.

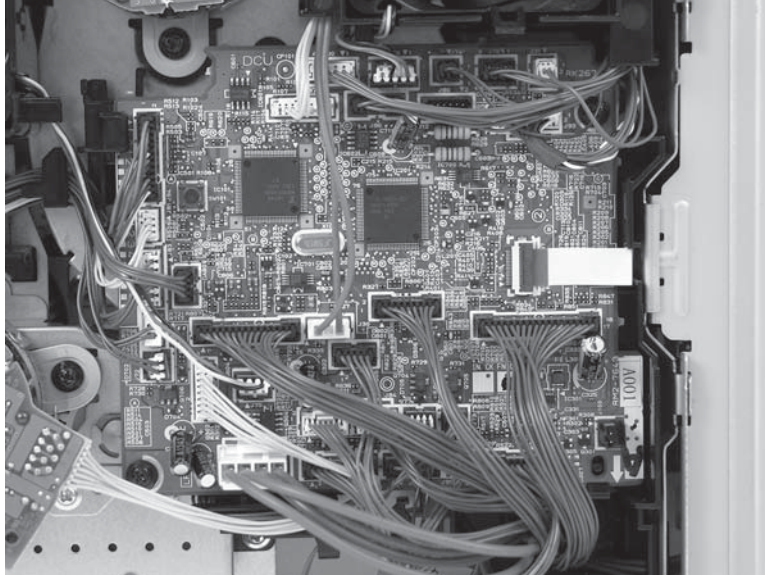
Figure 1-903 ZIF connector



2. Disconnect all of the connectors (callout 1) on the DC controller.
 - 29 wire-harness connectors
 - 1 flat cable

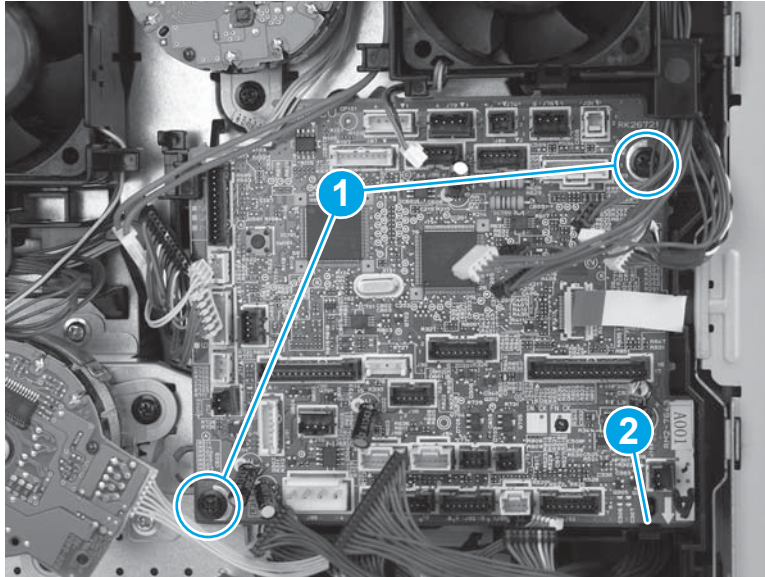
 **Reinstallation tip:** When the DC controller is reinstalled, connectors J80 and J100 are empty.

Figure 1-904 Disconnect the connectors



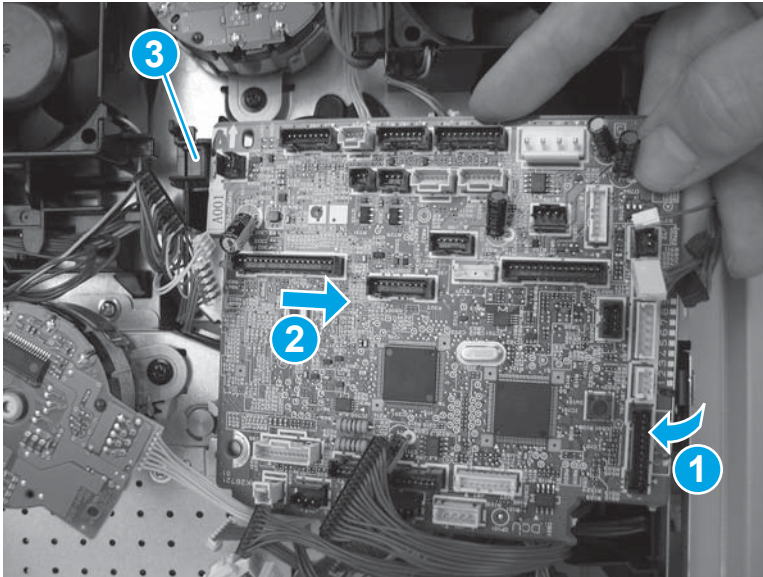
3. Remove two screws (callout 1), and then release one tab (callout 2).

Figure 1-905 Remove two screws and release one tab



4. Rotate the DC controller away from the printer (callout 1), slide the DC controller toward the rear of the printer (callout 2) to release one tab (callout 3), and then remove the DC controller.

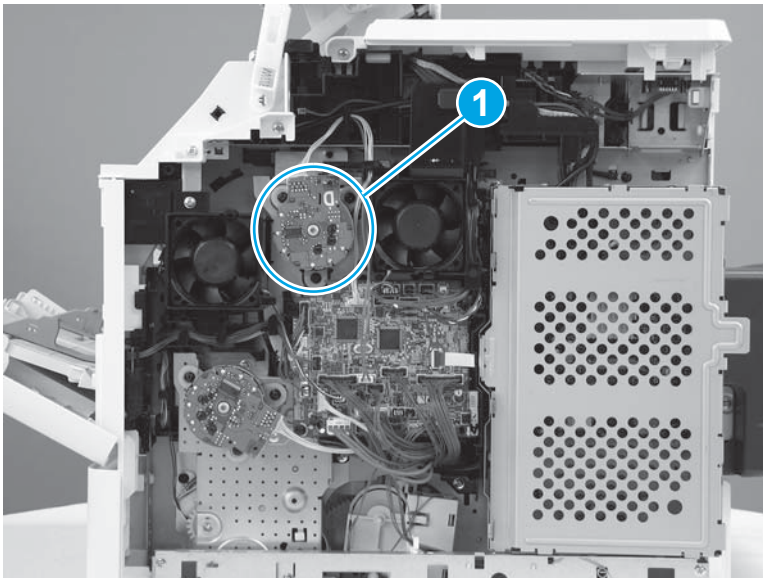
Figure 1-906 Remove the DC controller



Step 7: Remove the drum motor

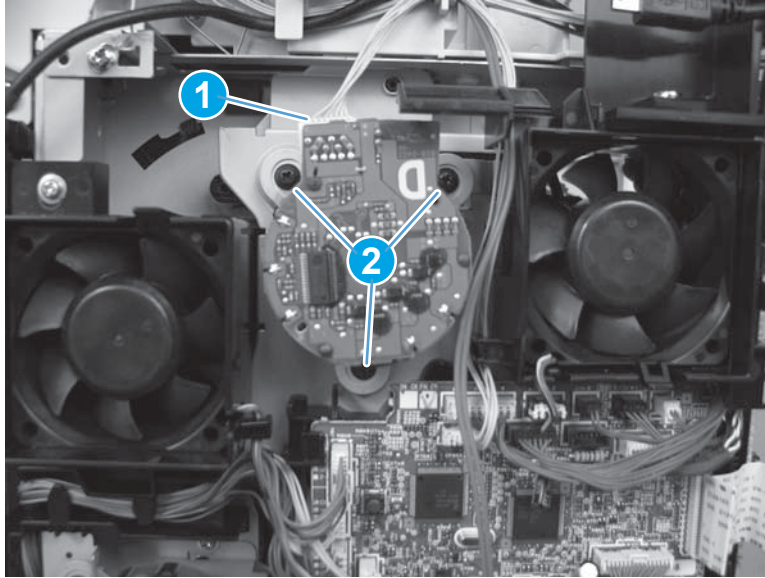
1. Locate the drum motor (callout 1)

Figure 1-907 Locate the drum motor



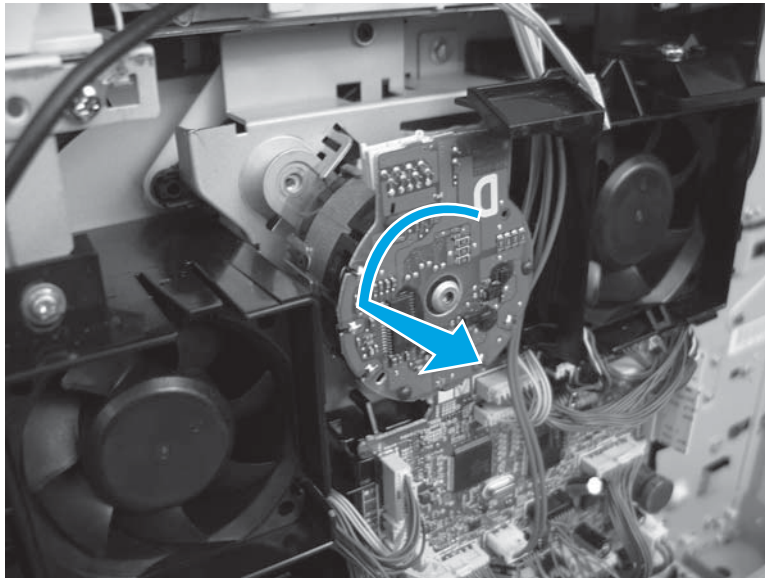
2. Disconnect one connector (callout 1), and then remove three screws (callout 2).

Figure 1-908 Disconnect one connector and remove three screws



3. Rotate the motor towards the front of the printer to release it, and then remove the motor.

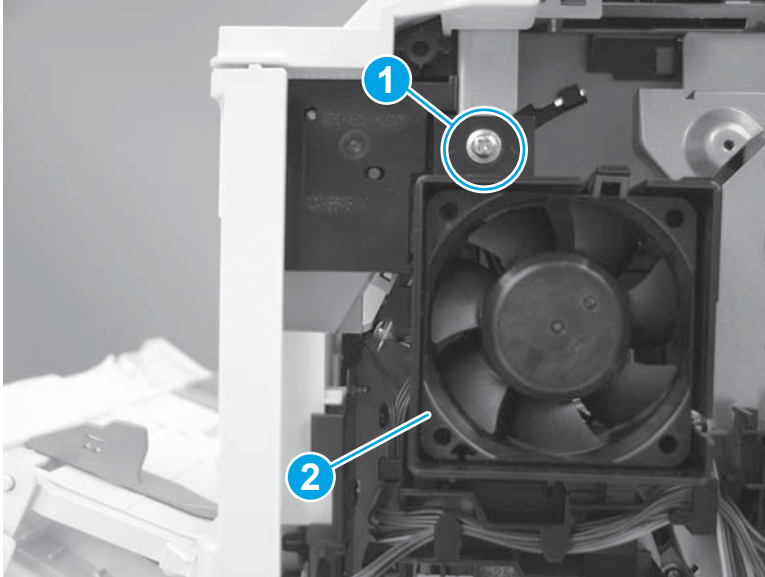
Figure 1-909 Release the motor



Step 8: Remove the drum drive assembly

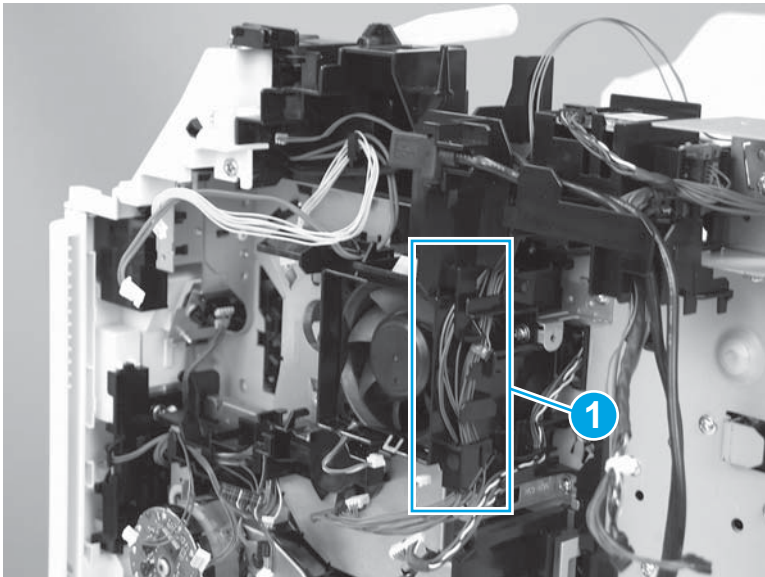
1. Remove one screw (callout 1), and then remove fan FN102 and the fan duct (callout 2).

Figure 1-910 Remove one screw



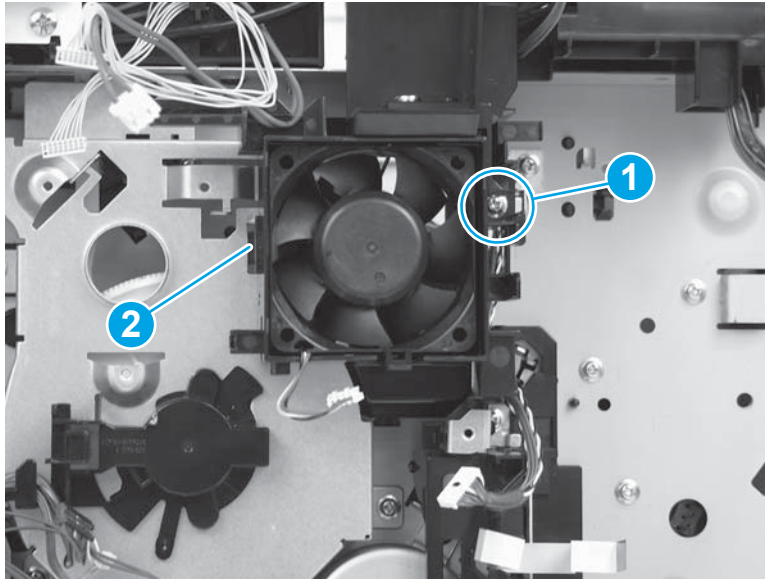
2. Release the wire harnesses from the retainer on the fan FN104 duct (callout 1).

Figure 1-911 Release the wire harnesses



3. Remove one screw (callout 1), and then release one tab (callout 2).

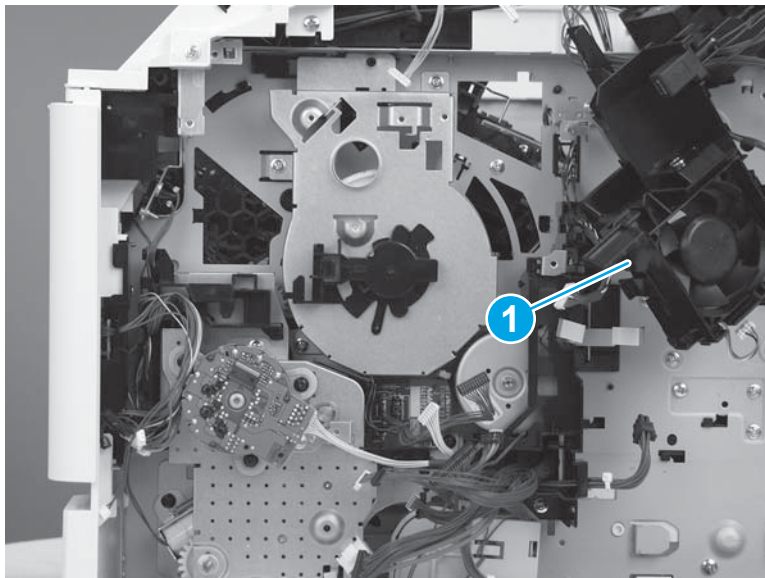
Figure 1-912 Remove one screw and release one tab



4. Gently move the fan duct (callout 1) aside in order to access the drum drive assembly screws.

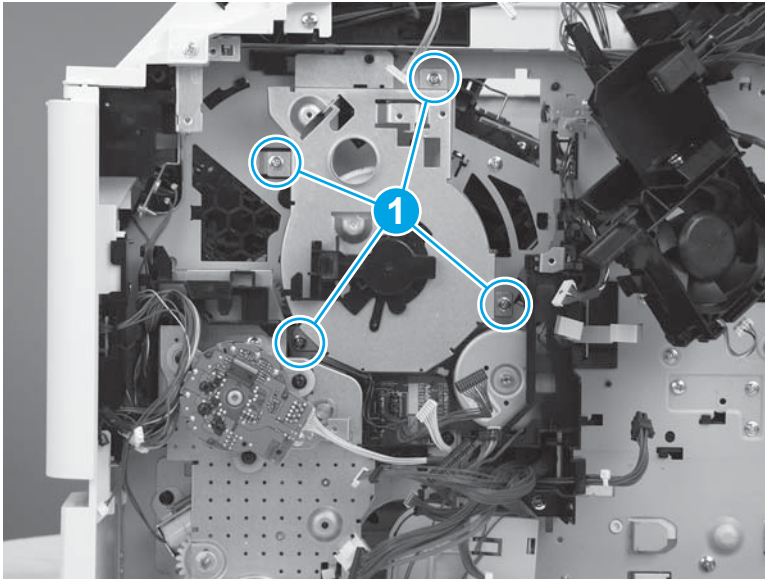
⚠ CAUTION: Do not completely remove the fan duct. The wire harnesses in the fan duct guides are still attached to the printer.

Figure 1-913 Move the fan duct aside



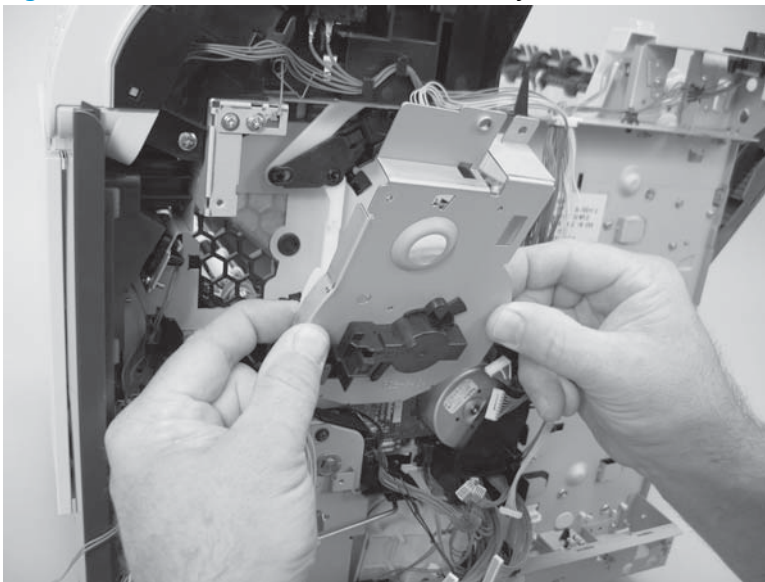
5. Remove four screws (callout 1).

Figure 1-914 Remove four screws



6. Carefully remove the drum-drive assembly.

Figure 1-915 Remove the drum-drive assembly



Step 9: Unpack the replacement drum drive assembly

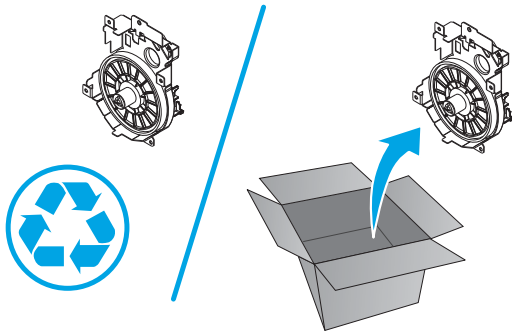
Unpack the replacement part from the packaging.

<http://www8.hp.com/us/en/hp-information/environment/product-recycling.html>



NOTE: HP recommends responsible disposal of the defective part.

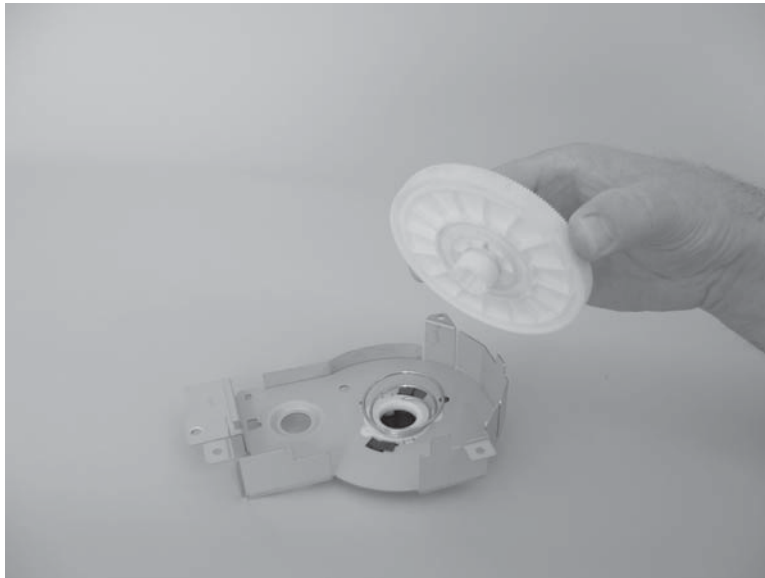
Figure 1-916 Recycle and unpack



Step 10: Install the drum drive assembly

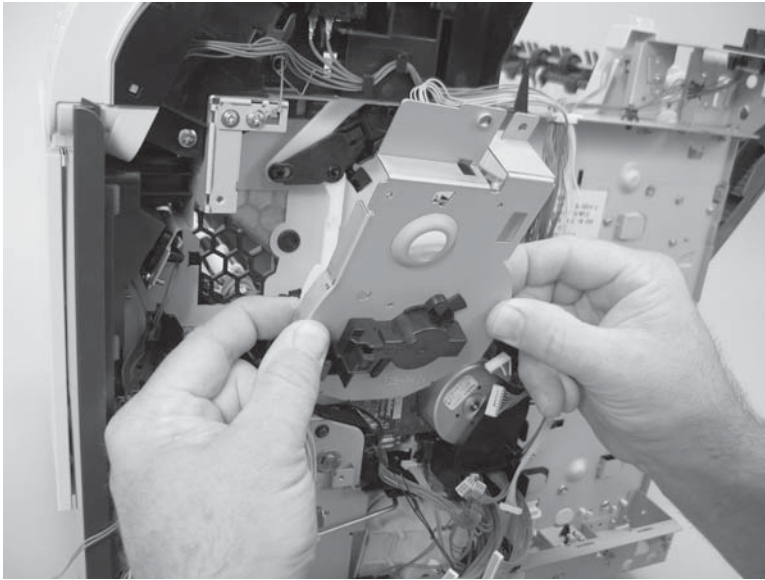
1. When the drum-drive assembly is reinstalled, make sure that the spring is correctly positioned in the assembly.

Figure 1-917 Correct spring position



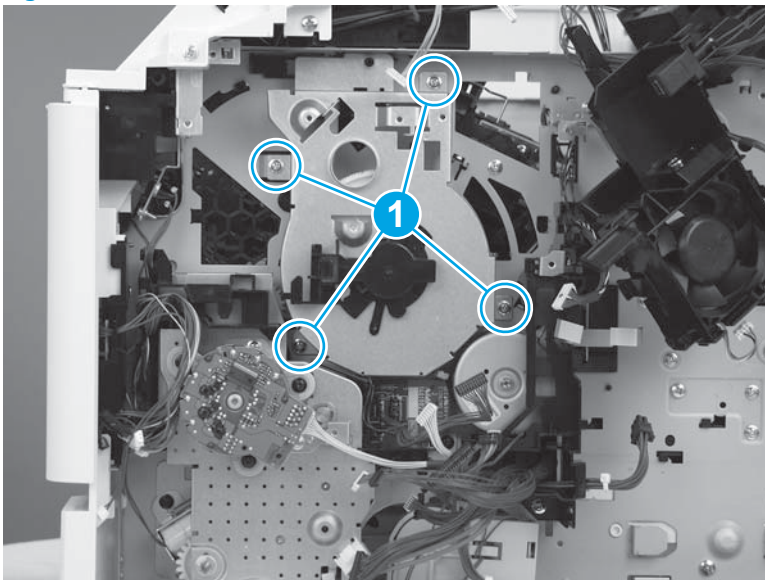
2. Position the drum-drive assembly on the printer.

Figure 1-918 Position the drum-drive assembly



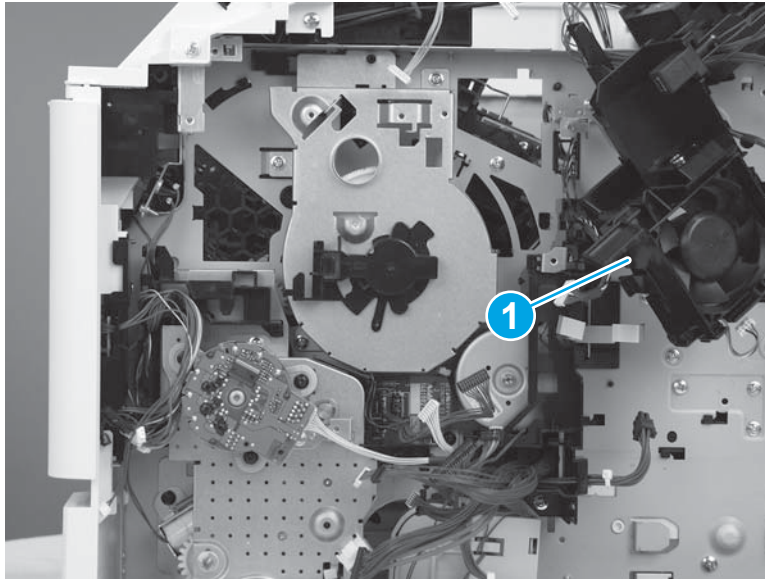
3. Install four screws (callout 1).

Figure 1-919 Install four screws



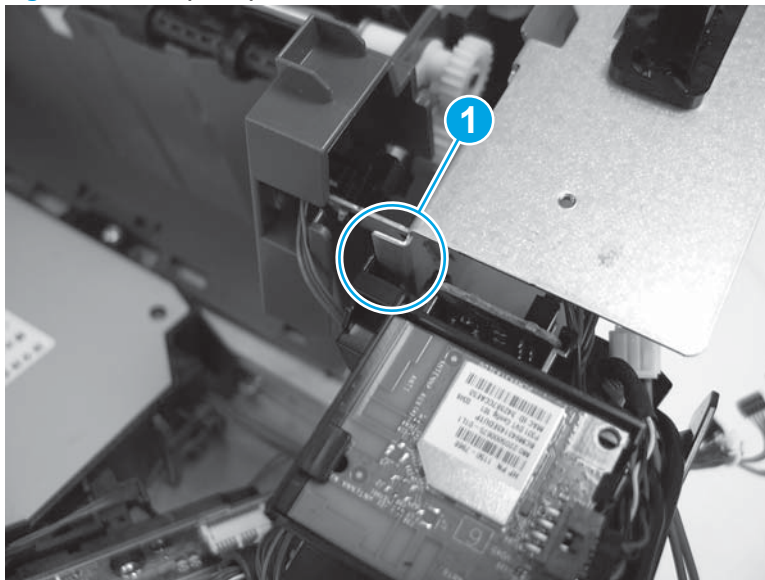
4. Position the fan duct (callout 1) on the printer.

Figure 1-920 Position the fan duct



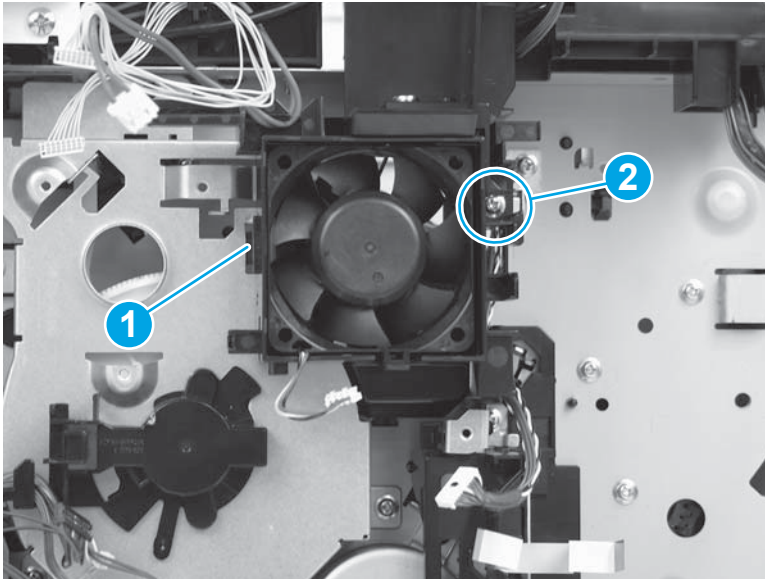
5. Make sure that the tab on top of the printer (callout 1) fits securely around the sheet metal frame.

Figure 1-921 Top tab position



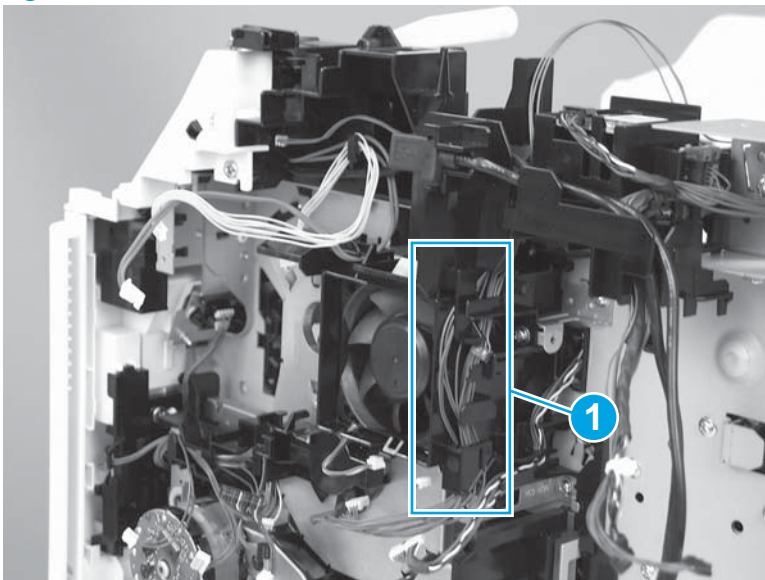
6. Make sure that the tab (callout 1) is snapped into place, and then install one screw (callout 2).

Figure 1-922 Install one tab and one screw



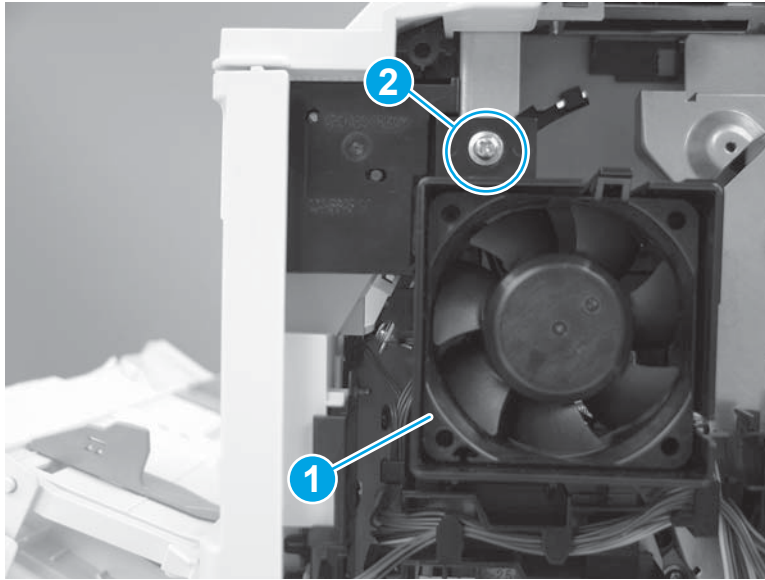
7. Install the wire harnesses in the retainer on the fan FN104 duct (callout 1).

Figure 1-923 Install the wire harnesses



8. Position the fan FN102 duct (callout 1) on the printer, and then install one screw (callout 2).

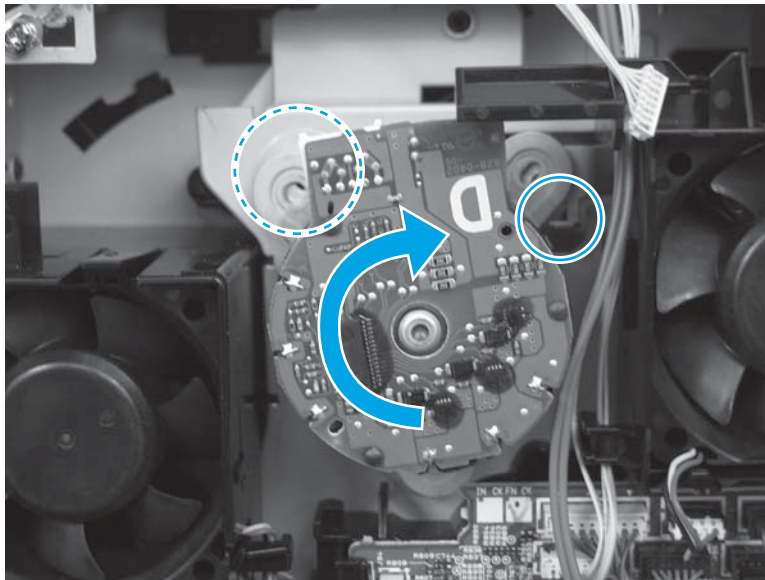
Figure 1-924 Install one screw



Step 11: Install the drum motor

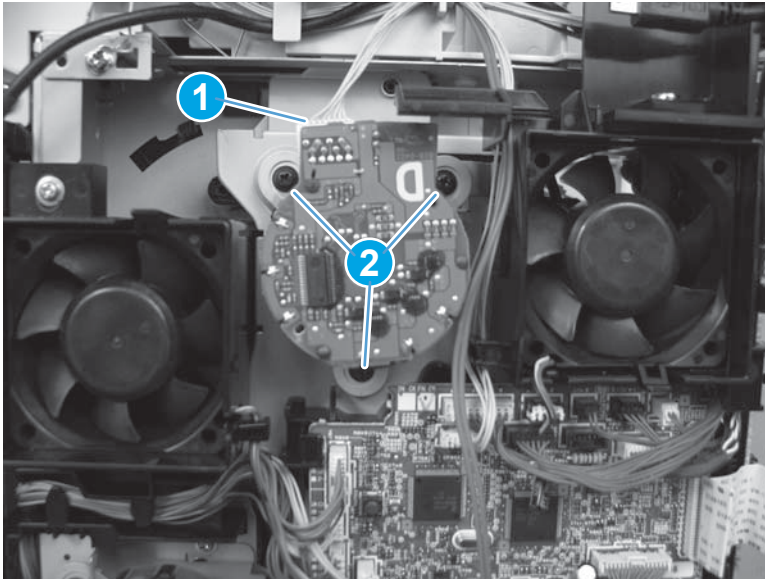
1. Position the motor on the printer chassis, and then rotate it toward the back of the printer to engage the tabs on the chassis with the motor mounting bracket.

Figure 1-925 Install the drum motor



2. Connect one connector (callout 1), and then install three screws (callout 2).

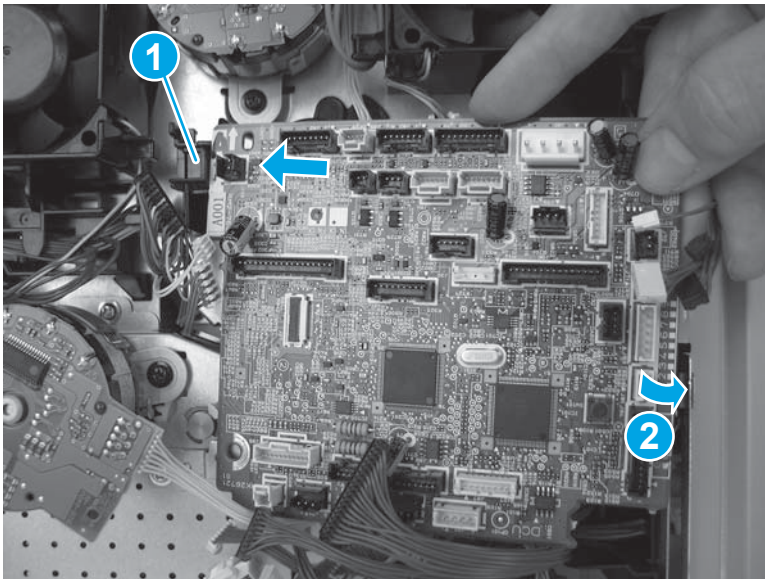
Figure 1-926 Connect one connector and install three screws



Step 12: Install the DC controller

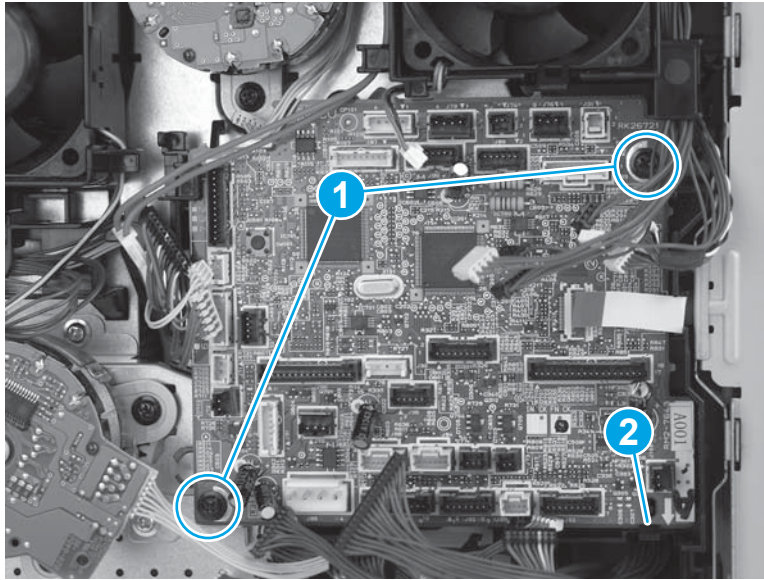
1. Position the DC controller under the tab (callout 1), and then rotate it (callout 2) toward the printer.

Figure 1-927 Position the DC controller on the printer



2. Install two screws (callout 1). Make sure that the tab (callout 2) is snapped into place.

Figure 1-928 Install two screws

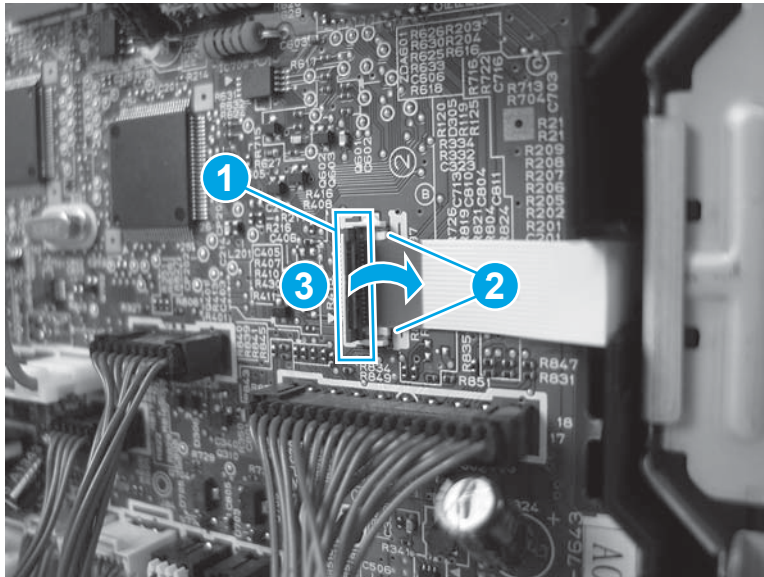


3. Locate the flat cable connector (callout 1) on the DC controller.



IMPORTANT: The flat cable connector is a Zero Insertion Force (ZIF) connector that uses a hinged retainer to secure a flat cable. When the flat cable is reinstalled, fully insert the flat cable in the connector between the two white pins (callout 2). Close the hinged retainer (callout 3) to lock the flat cable into the connector and provide proper electrical contact. If the flat cable is not locked into the connector, no electrical contact will occur.

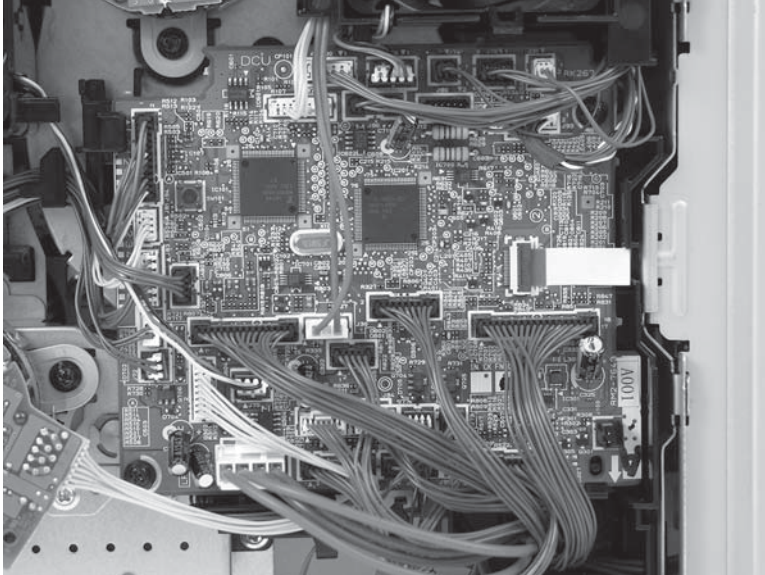
Figure 1-929 ZIF connector



4. Connect all of the connectors on the DC controller.
 - 29 wire-harness connectors
 - 1 flat cable

 **Reinstallation tip:** Connectors J80 and J100 are empty.

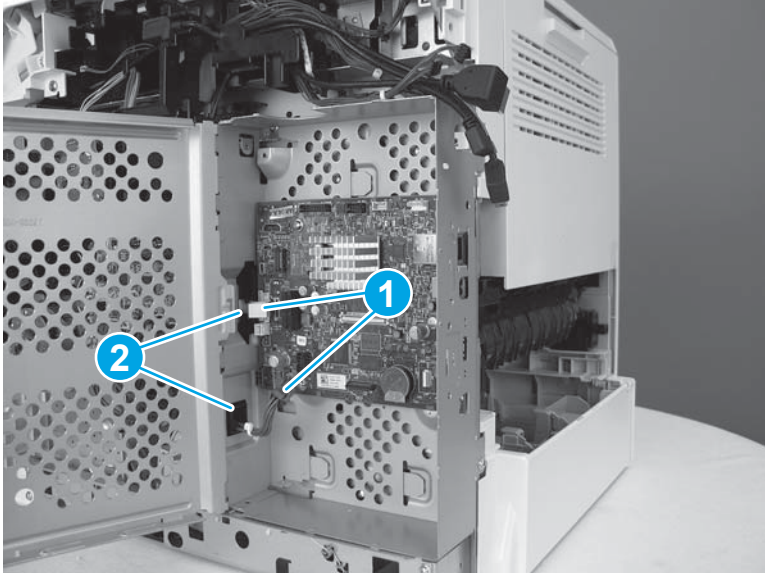
Figure 1-930 Connect the connectors



Step 13: Install the formatter and formatter case

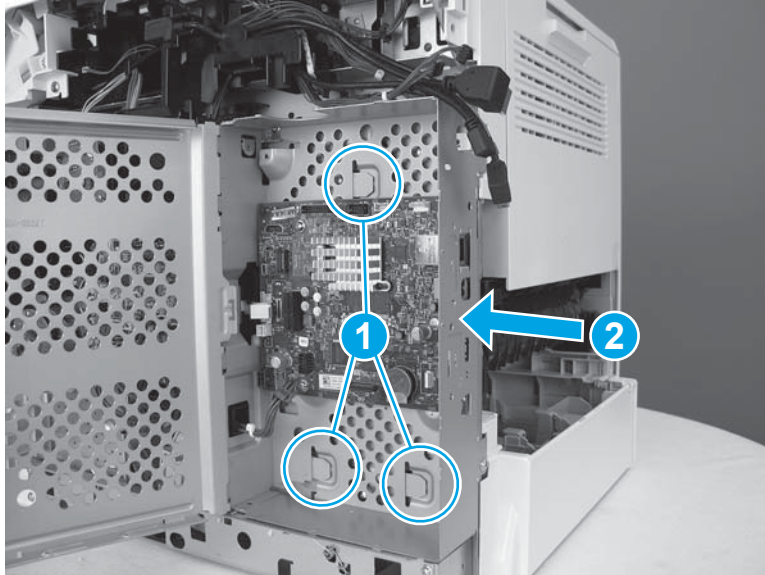
1. Position the formatter case on the printer. Make sure that the flat cable and wire harness (callout 1) are positioned through the openings (callout 2) in the formatter case.

Figure 1-931 Position the formatter case



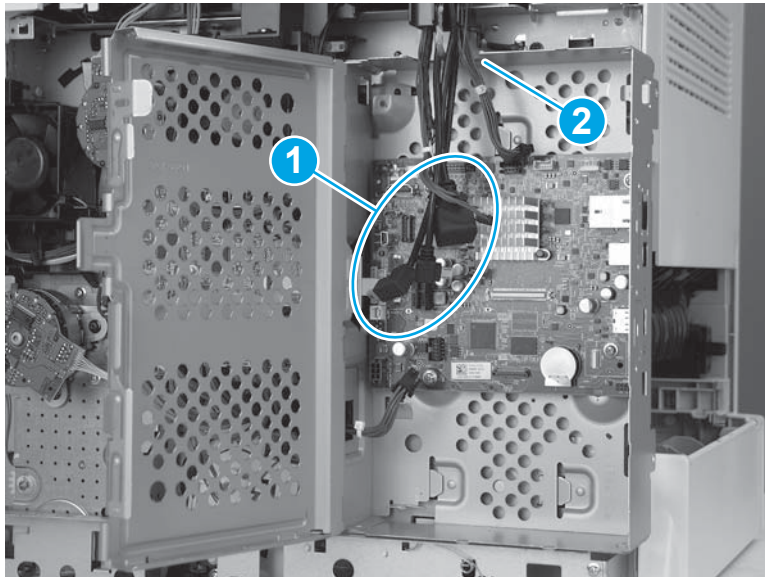
2. Make sure that the metal tabs on the printer are positioned into the slots on the formatter case (callout 1), and then slide the formatter case toward the front of the printer (callout 2) to install it.

Figure 1-932 Install the formatter case



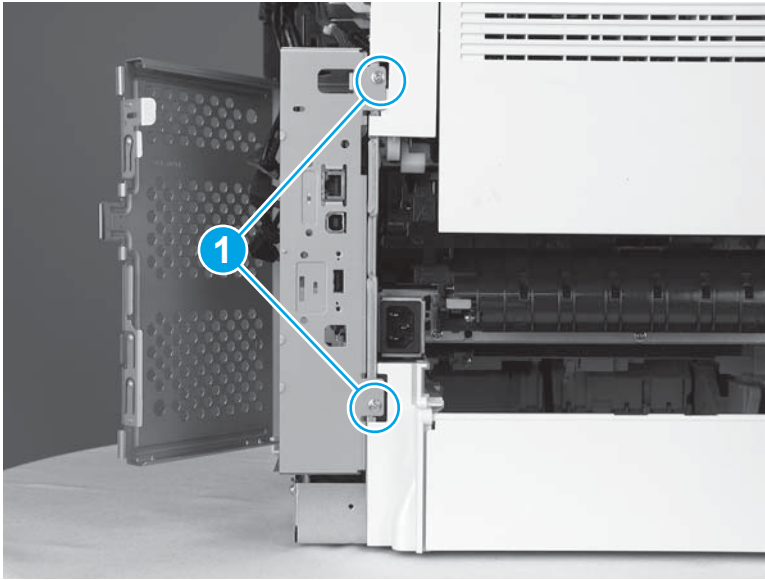
3. Position the wires and cables (callout 1) in the opening (callout 2) in the top of the formatter case.

Figure 1-933 Position the wires in the formatter case



4. Install two screws (callout 1).

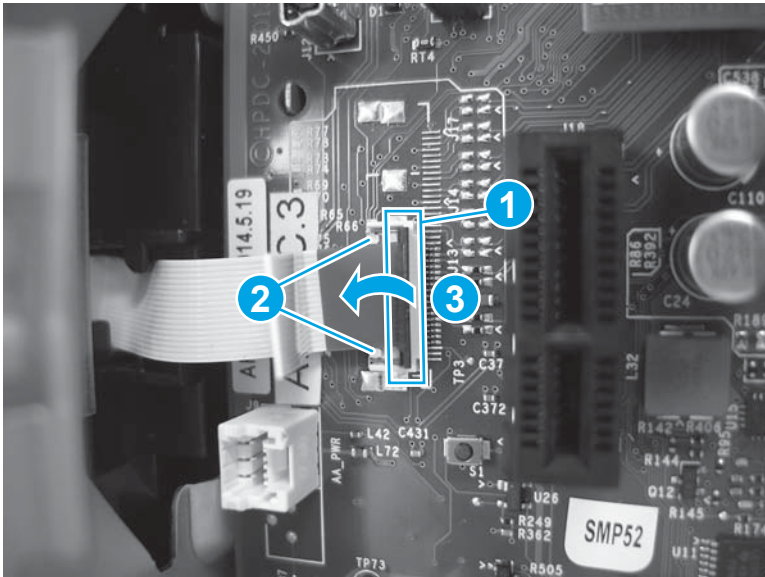
Figure 1-934 Install two screws



5. Locate the flat cable connector (callout 1) on the formatter.

IMPORTANT: The flat cable connector is a Zero Insertion Force (ZIF) connector that uses a hinged retainer to secure a flat cable. When the flat cable is reinstalled, fully insert the flat cable in the connector between the two white pins (callout 2). Close the hinged retainer (callout 3) to lock the flat cable into the connector and provide proper electrical contact. If the flat cable is not locked into the connector, no electrical contact will occur.

Figure 1-935 ZIF connector

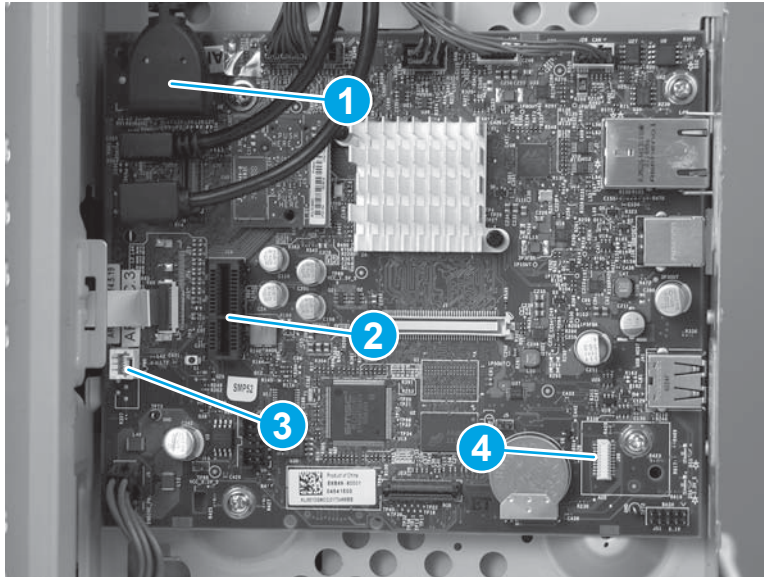


6. Connect all of the connectors on the formatter.

The following connectors are empty:

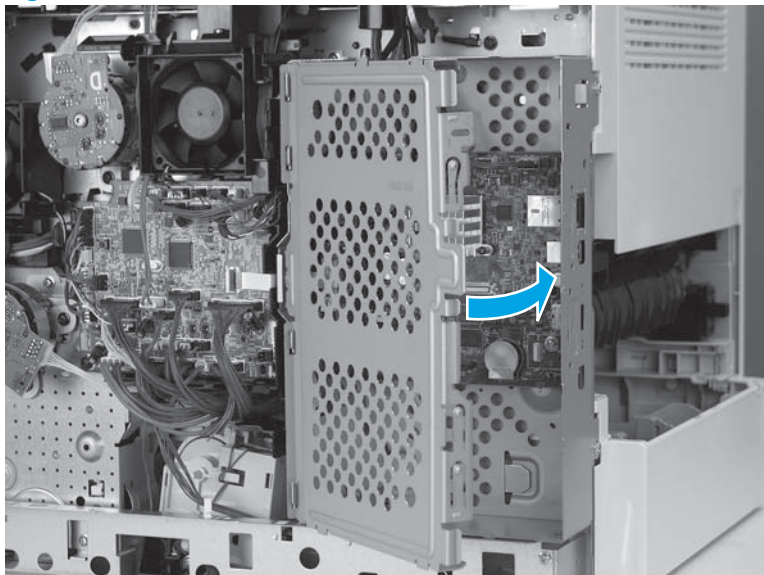
- J23, J25, J51, and J57
- J3 (callout 1): This connector is empty on the M604n/dn, M605n/dn, and M606dn models. It holds the touchscreen cable on the M605x and M606x models.
- J18 (callout 2): This connector is empty unless the optional hard-disk-drive (HDD) is installed.
- J9 (callout 3): This connector is empty unless the optional two internal USB ports accessory is installed.
- J98 (callout 4): This connector is empty unless the optional trusted platform module (TPM) is installed.

Figure 1-936 Connect all connectors



7. Close the formatter case door.

Figure 1-937 Close the formatter case door

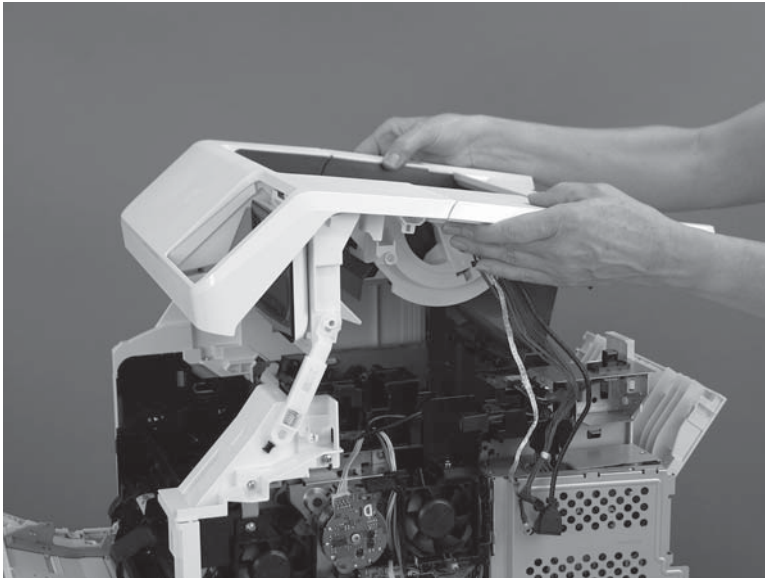


Step 14: Install the top cover (M605x, M606x only)

 **NOTE:** For the M604n/dn, M605n/dn, or M606dn product, skip this step and go to [Step 15: Install the top cover \(M604n/dn, M605n/dn, M606dn only\)](#) on page 544.

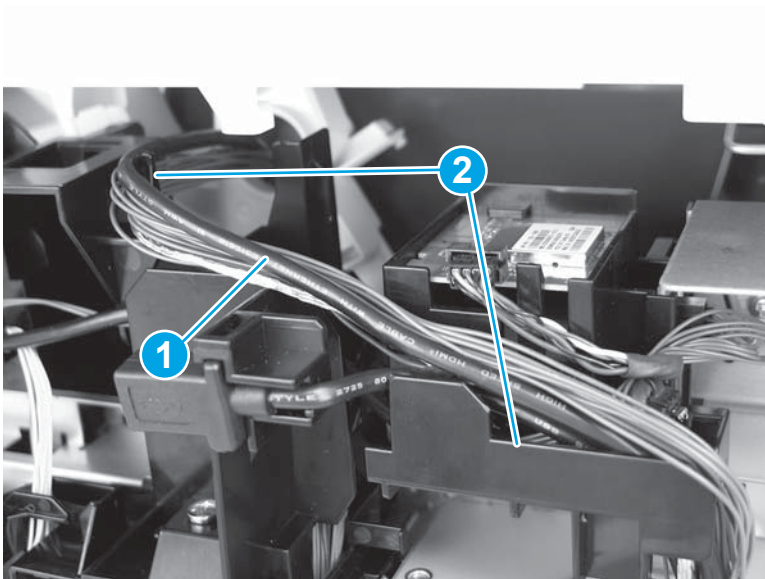
1. Lower the top cover onto the printer.

Figure 1-938 Lower the top cover



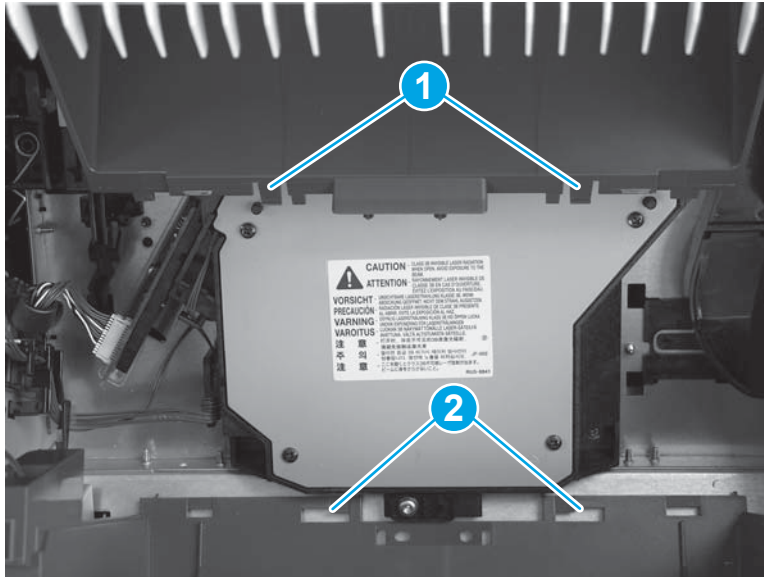
2. On the right side of the printer, make sure that the wire harness and cables (callout 1) are properly routed through the guides (callout 2).

Figure 1-939 Install cables in guides



3. Install two tabs (callout 1) on the top output bin into two slots (callout 2) in the printer. Make sure that the tabs snap into place.

Figure 1-940 Install two tabs



4. Install one screw (callout 1) on the left side of the printer.


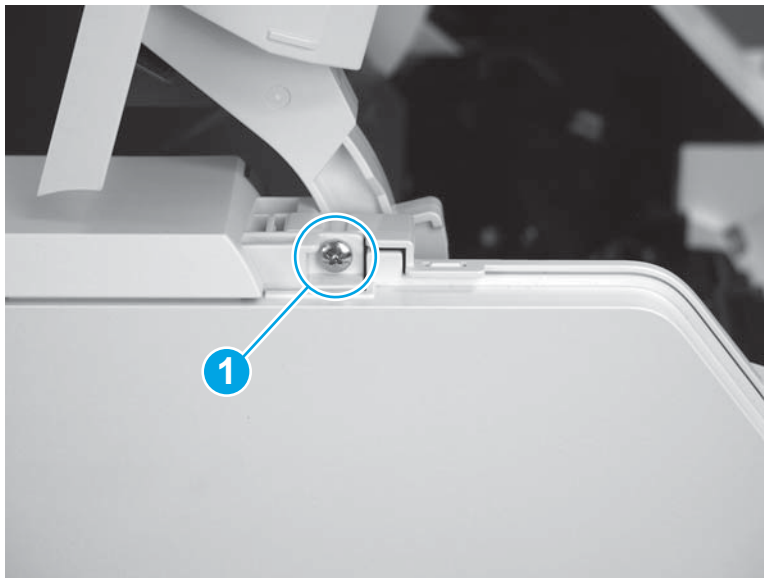
 **Reinstallation tip:** This screw is larger than the screws removed from the top of the printer. Make sure to install the correct screw.

Figure 1-941 Install one screw



5. Install one screw (callout 1) on the right side of the printer.


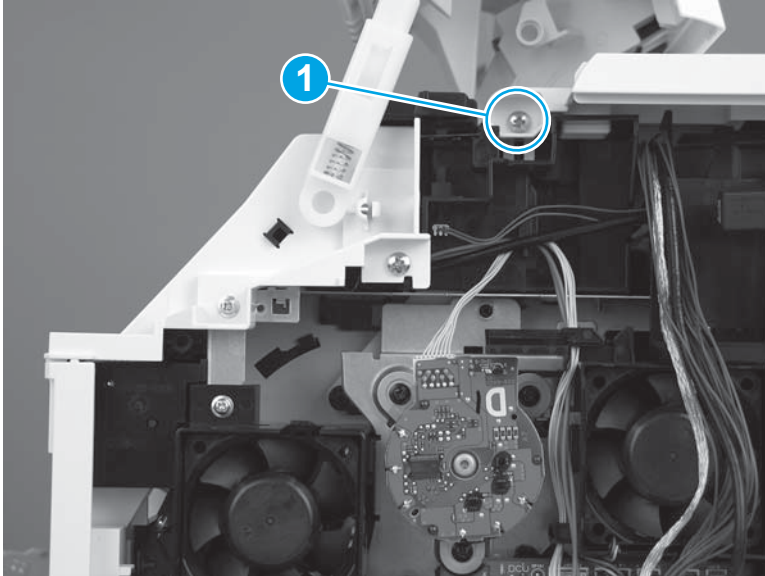
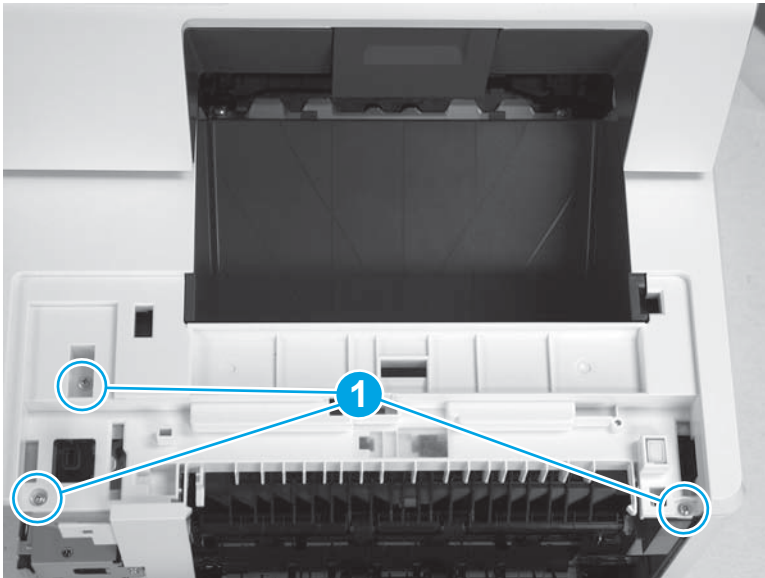
 **Reinstallation tip:** This screw is larger than the screws removed from the top of the printer. Make sure to install the correct screw.

Figure 1-942 Install one screw



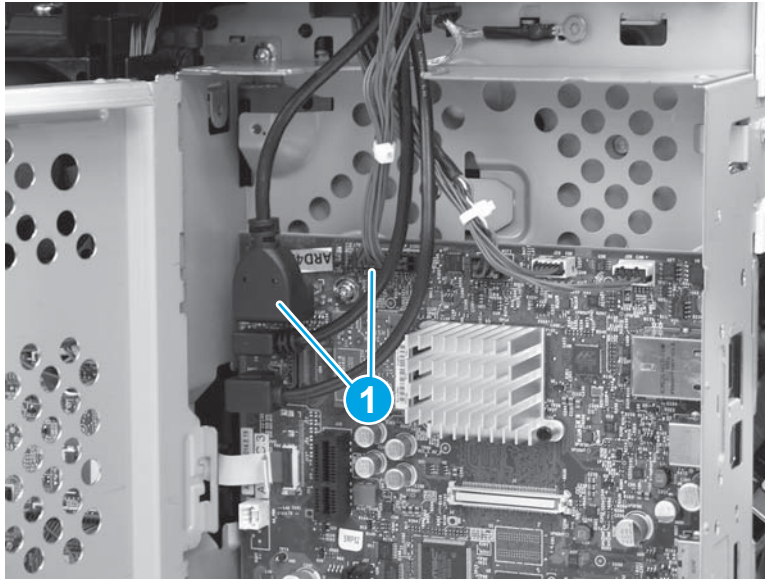
6. Install three screws (callout 1) on the top of the printer.

Figure 1-943 Install three screws



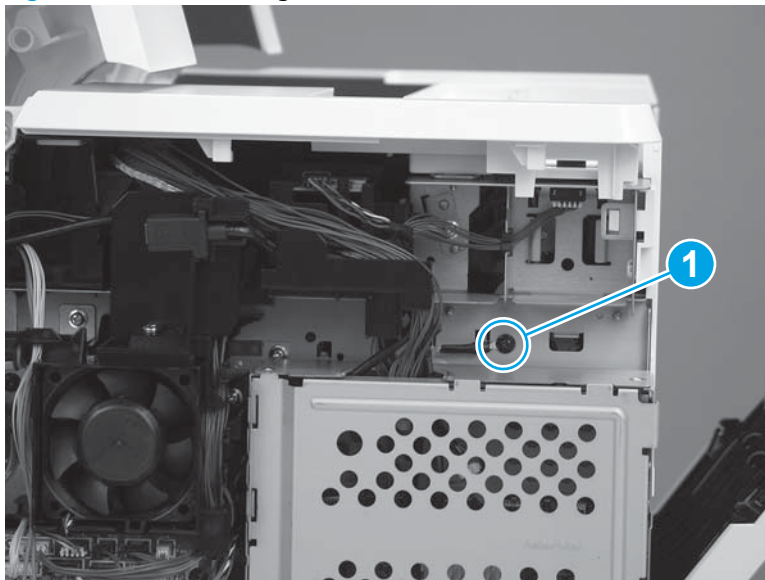
7. Connect two connectors (callout 1).

Figure 1-944 Connect two connectors



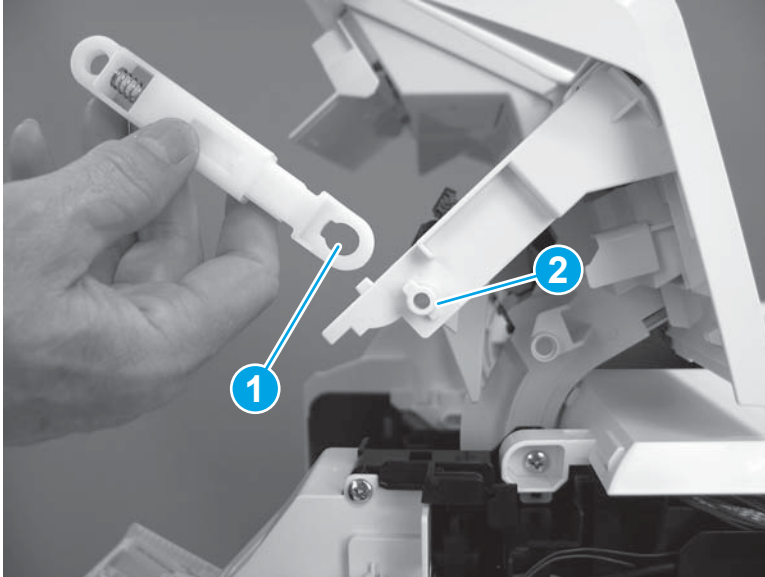
8. Install one screw to attach the ground wire (callout 1).

Figure 1-945 Install the ground wire



9. If the toner-cartridge door hinge comes off of the top cover, reattach the hinge by sliding the hole (callout 1) in the hinge onto the tab (callout 2) on the top cover.

Figure 1-946 Reattach the door hinge

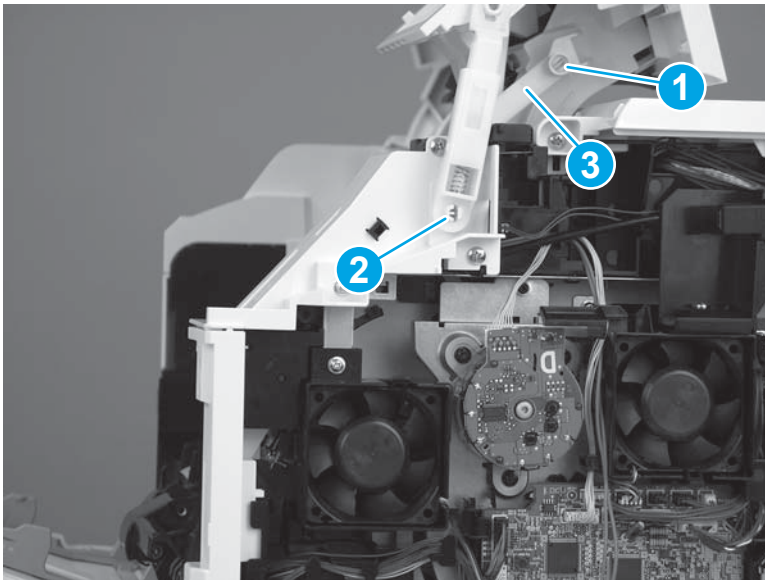


10. Install the toner-cartridge drive-arm (callout 1) and the toner-cartridge door hinge (callout 2) by pressing them onto the tabs.

 **NOTE:** It might be necessary to lift the drive arm (callout 3) up in order to reattach it.

 **CAUTION:** The toner-cartridge drive-arm tabs break easily.

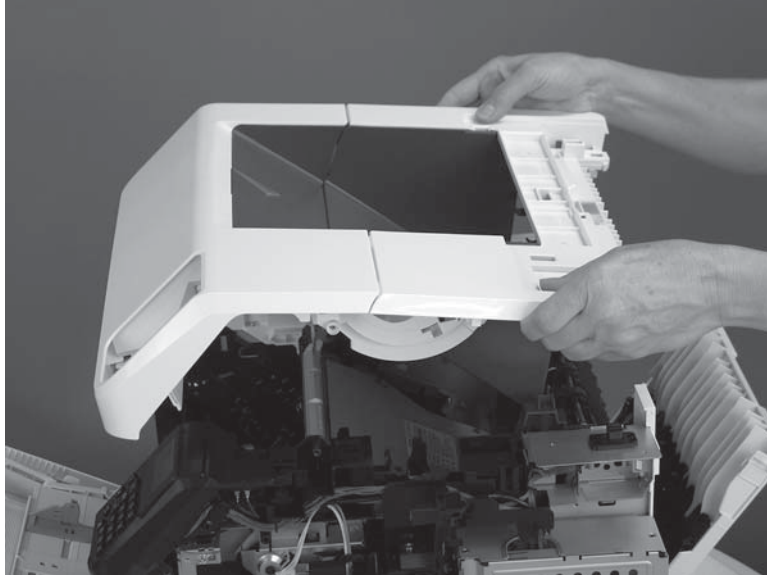
Figure 1-947 Install the drive-arm and door hinge tabs



Step 15: Install the top cover (M604n/dn, M605n/dn, M606dn only)

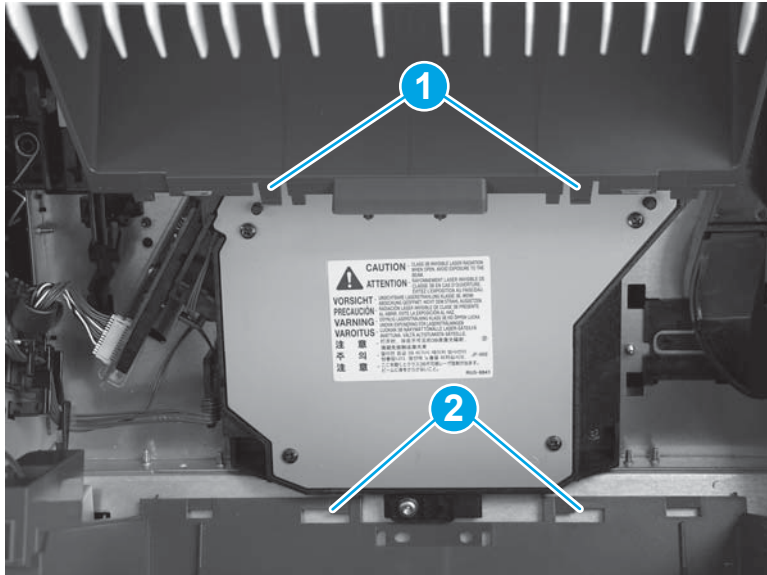
1. Lower the top cover onto the printer.

Figure 1-948 Lower the top cover



2. Install two tabs (callout 1) on the top output bin into two slots (callout 2) in the printer. Make sure that the tabs snap into place.

Figure 1-949 Install two tabs



3. Install one screw (callout 1) on the left side of the printer.


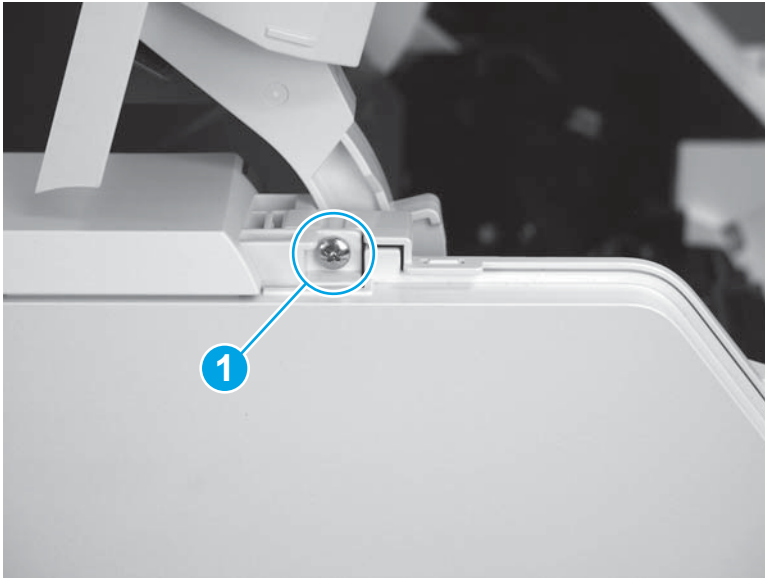
 **Reinstallation tip:** This screw is larger than the screws removed from the top of the printer. Make sure to install the correct screw.

Figure 1-950 Install one screw



4. Install one screw (callout 1) on the right side of the printer.


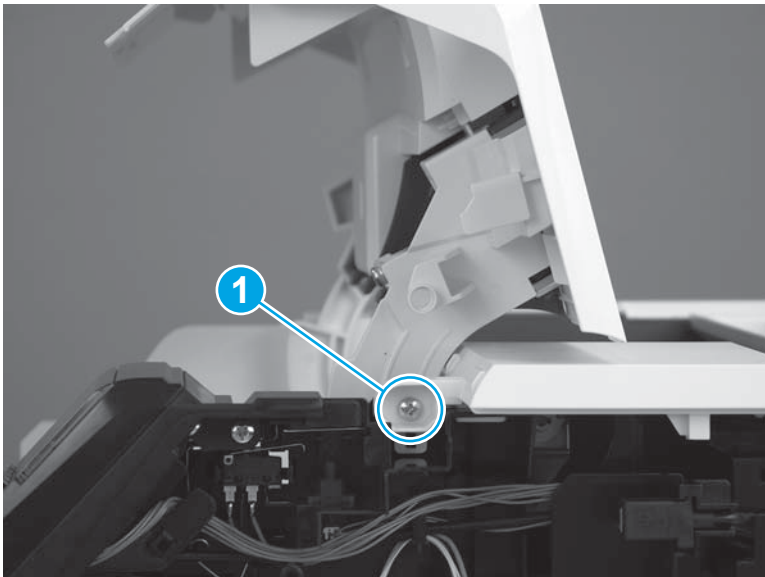
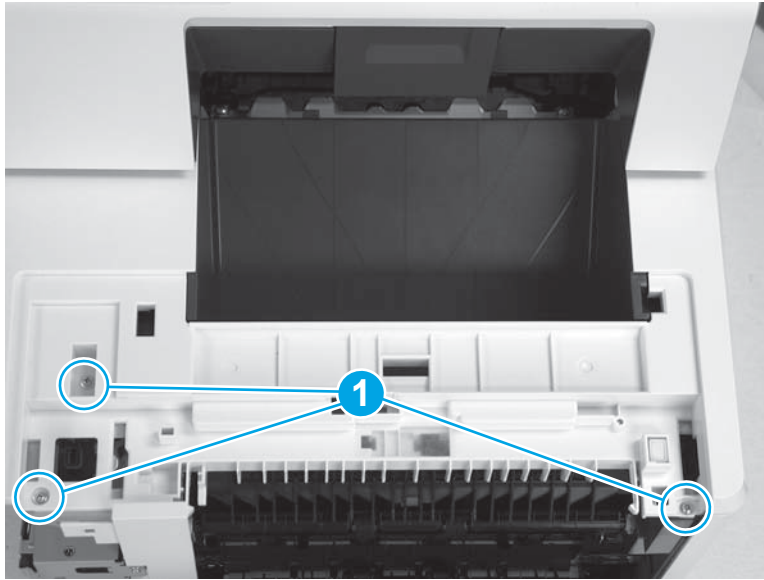
 **Reinstallation tip:** This screw is larger than the screws removed from the top of the printer. Make sure to install the correct screw.

Figure 1-951 Install one screw



5. Install three screws (callout 1) on the top of the printer.

Figure 1-952 Install three screws

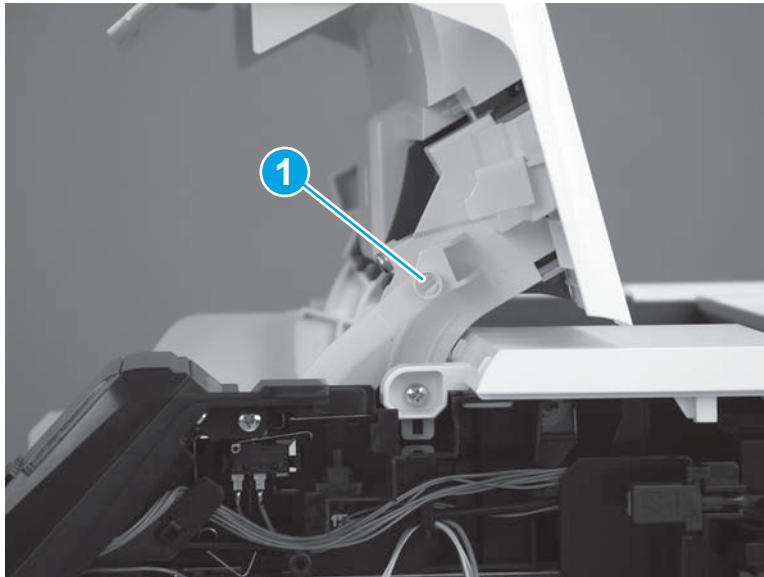


6. Install the toner-cartridge drive-arm (callout 1) by pressing it onto the tabs.

 **NOTE:** It might be necessary to lift the drive arm up in order to reattach it.

 **CAUTION:** The toner-cartridge drive-arm tabs break easily.

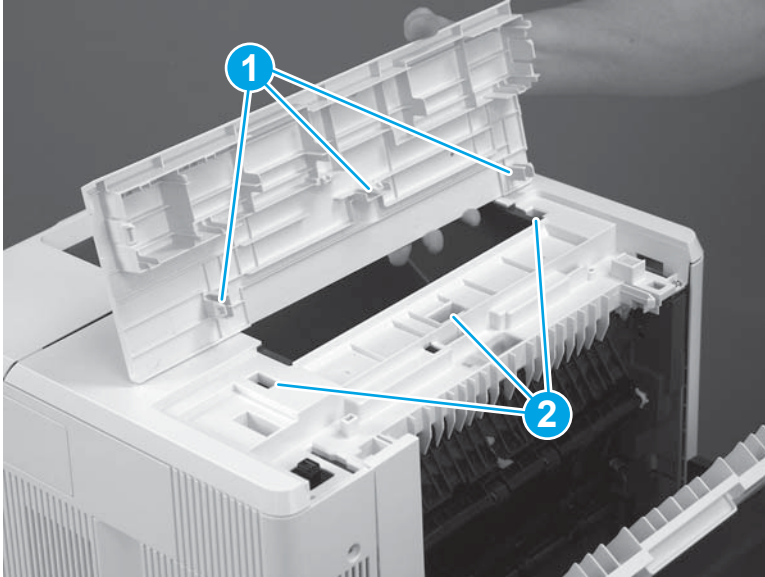
Figure 1-953 Install the drive-arm tabs



Step 16: Install the top accessory cover

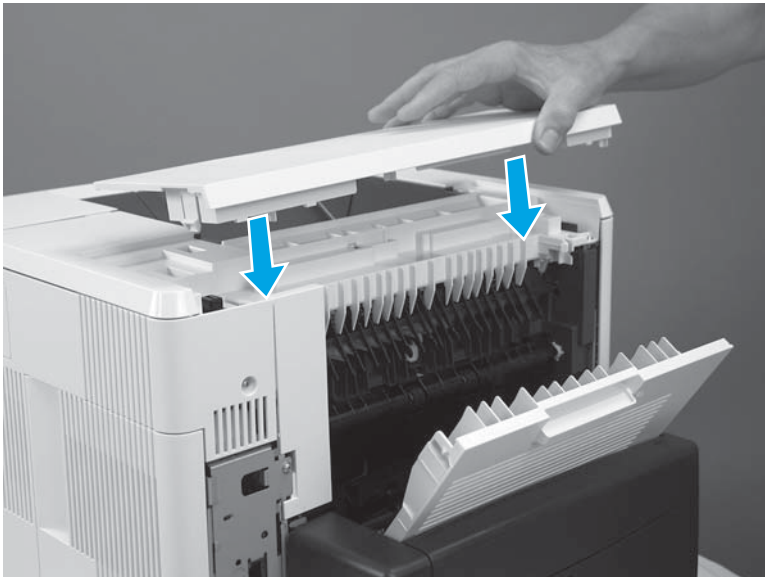
1. Align the tabs (callout 1) on the top accessory cover with the slots (callout 2) in the top cover.

Figure 1-954 Align the tabs and slots



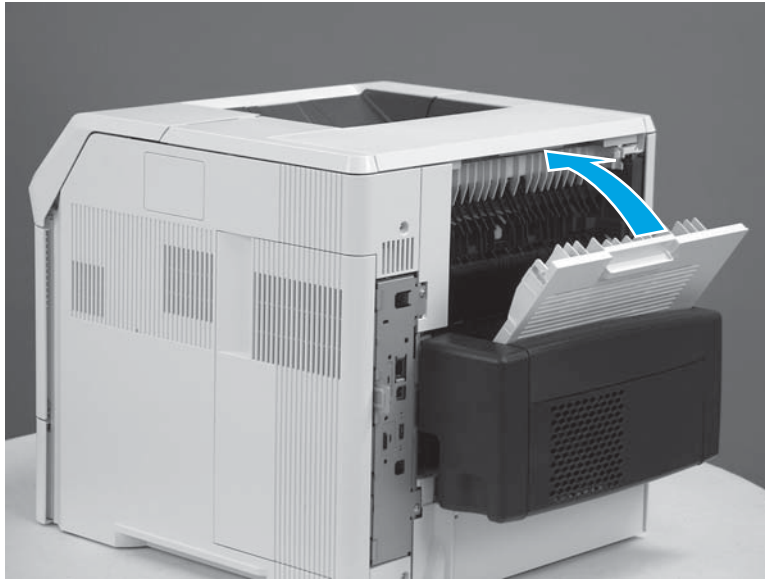
2. Place the top accessory on top of the printer, and then press down to install it.

Figure 1-955 Install the top accessory cover



3. Close the rear output bin.

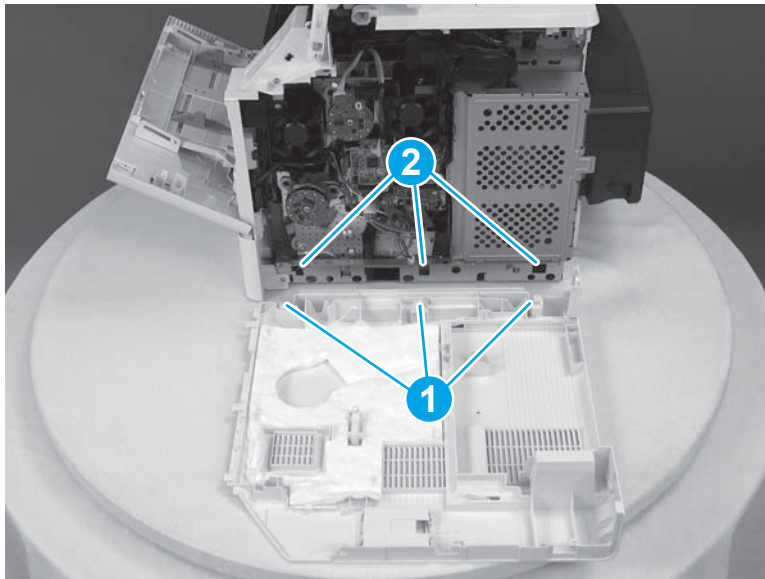
Figure 1-956 Close the rear output bin



Step 17: Install the right cover

1. Note the location of the tabs (callout 1) on the cover that will fit into the slots (callout 2) on the printer.

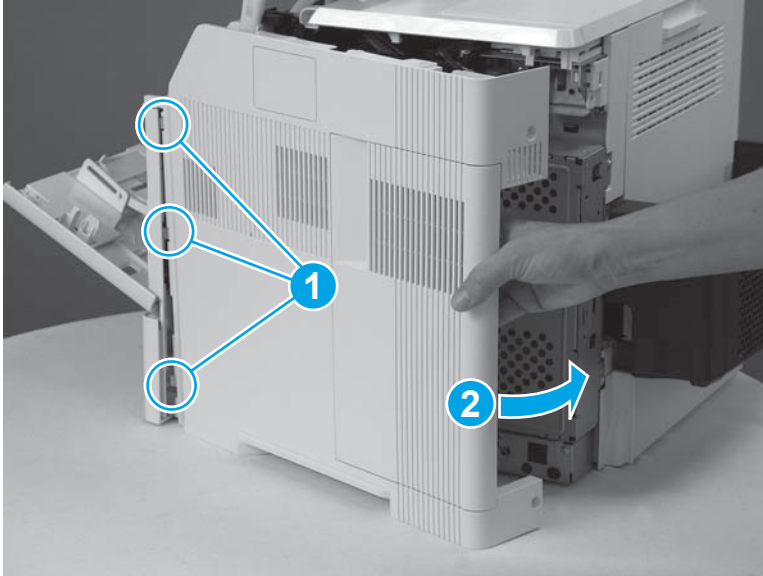
Figure 1-957 Note location of tabs



2. Position the front tabs on the right cover slightly behind the right front cover (callout 1), and then rotate the back edge of the cover toward the printer (callout 2).

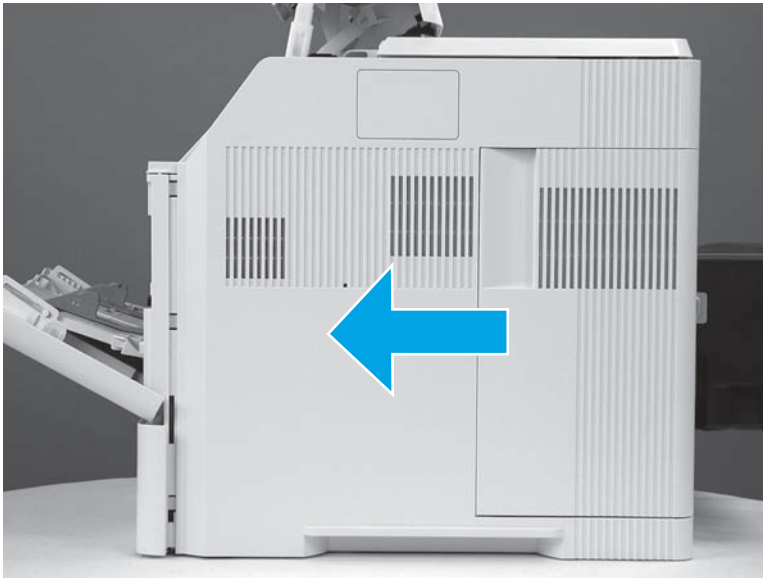
 **NOTE:** The tabs and slots mentioned in the previous step will engage as the cover is rotated into place.

Figure 1-958 Position the front tabs



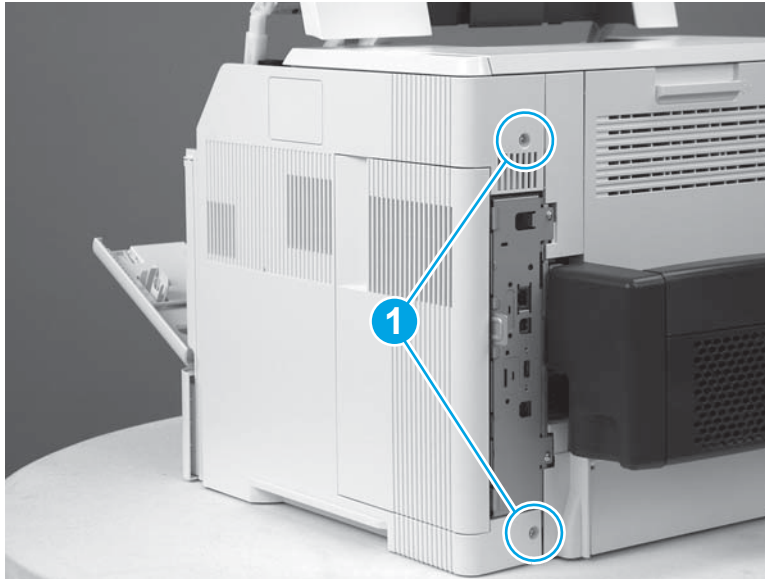
3. Slide the cover toward the front of the printer to install it.

Figure 1-959 Slide the cover



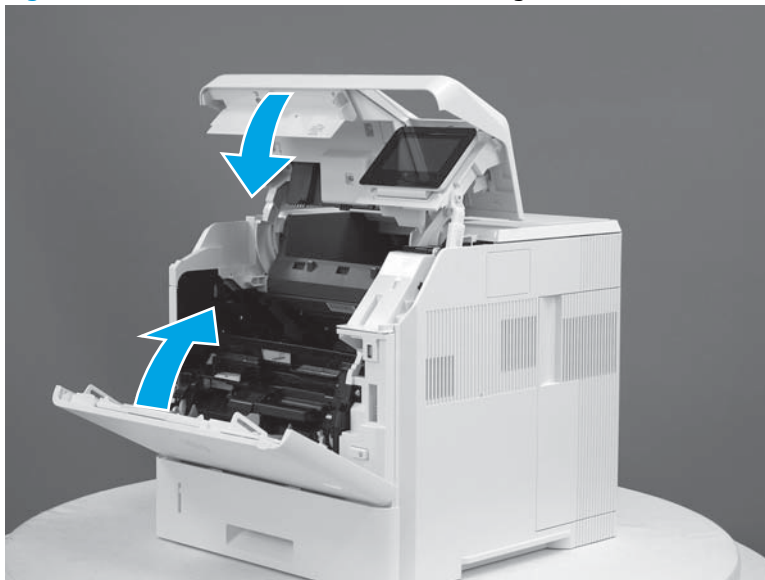
4. Install two screws (callout 1).

Figure 1-960 Install two screws



5. Close the front cover and the cartridge door.

Figure 1-961 Close the front cover and cartridge door



Removal and replacement: Environmental sensor

- [Introduction](#)
- [Step 1: Remove the duplex accessory](#)
- [Step 2: Remove the duplex accessory cover](#)
- [Step 3: Remove the Tray 2 extension door](#)
- [Step 4: Remove the top accessory cover](#)
- [Step 5: Remove the right cover](#)
- [Step 6: Remove the top cover \(M604n/dn, M605n/dn, M606dn only\)](#)
- [Step 7: Remove the top cover \(M605x, M606x only\)](#)
- [Step 8: Remove the left cover](#)
- [Step 9: Remove the environmental sensor](#)
- [Step 10: Unpack the replacement environmental sensor](#)
- [Step 11: Install the environmental sensor](#)
- [Step 12: Install the left cover](#)
- [Step 13: Install the top cover \(M605x, M606x only\)](#)
- [Step 14: Install the top cover \(M604n/dn, M605n/dn, M606dn only\)](#)
- [Step 15: Install the right cover](#)
- [Step 16: Install the top accessory cover](#)
- [Step 17: Install the Tray 2 extension door](#)
- [Step 18: Install the duplex accessory cover](#)
- [Step 19: Install the duplex accessory](#)


Introduction

This document provides the procedures to remove and replace the environmental sensor.

Before performing service

Turn the printer power off

- Disconnect the power cable.

 **WARNING!** To avoid damage to the printer, turn the printer off, wait 30 seconds, and then remove the power cord before attempting to service the printer.

Use the table below to identify the correct part number for your printer. To order the part, go to www.hp.com/buy/parts.

Environmental sensor part number

RM1-8438-000CN

Environmental sensor

Required tools

- #2 Phillips screwdriver with a magnetic tip

After performing service**Turn the printer power on**

- Connect the power cable.
- Use the power switch to turn the power on.

Post service test

Make sure that the printer initializes to a **Ready** state.

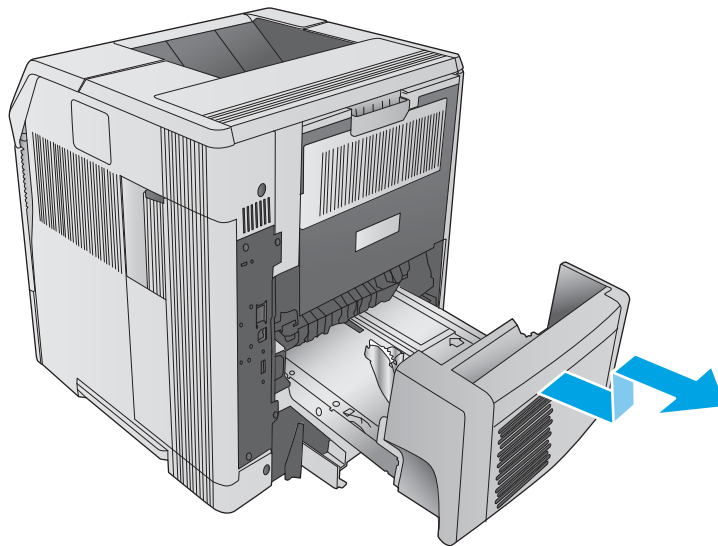
Print a configuration page to make sure that the printer is functioning correctly.

Step 1: Remove the duplex accessory

NOTE: If the optional duplex accessory is not installed, skip this step and go to [Step 2: Remove the duplex accessory cover on page 553](#).

- ▲ Slightly lift up on the duplex accessory, and then pull it completely out of the printer to remove it.

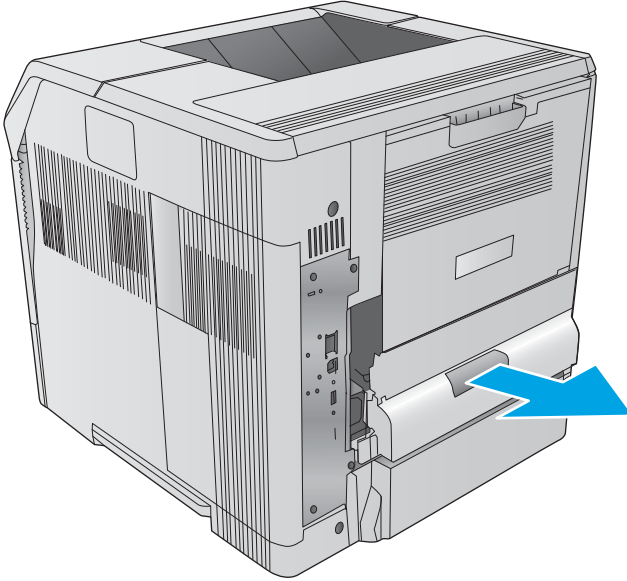
Figure 1-962 Remove the duplex accessory

**Step 2: Remove the duplex accessory cover**

NOTE: If the duplex accessory cover is not installed, skip this step and go to [Step 3: Remove the Tray 2 extension door on page 554](#).

- ▲ Pull the duplex accessory cover straight out of the printer to remove it.

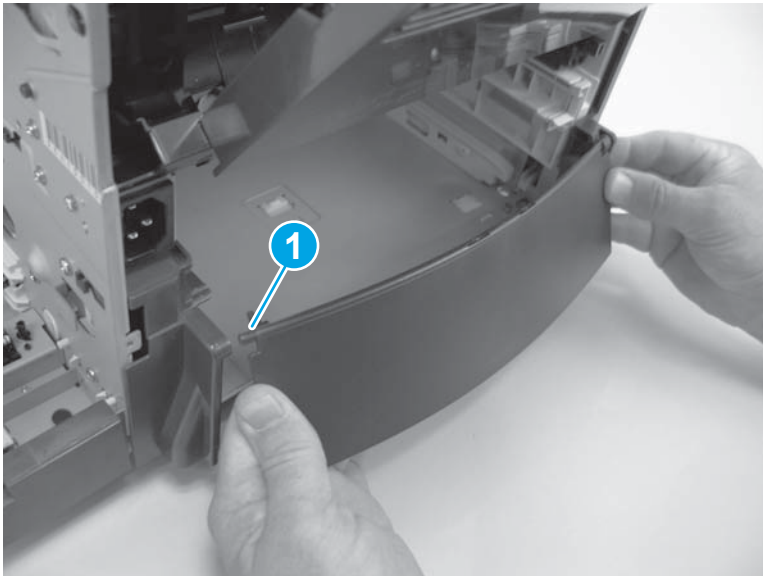
Figure 1-963 Remove the duplex accessory cover



Step 3: Remove the Tray 2 extension door

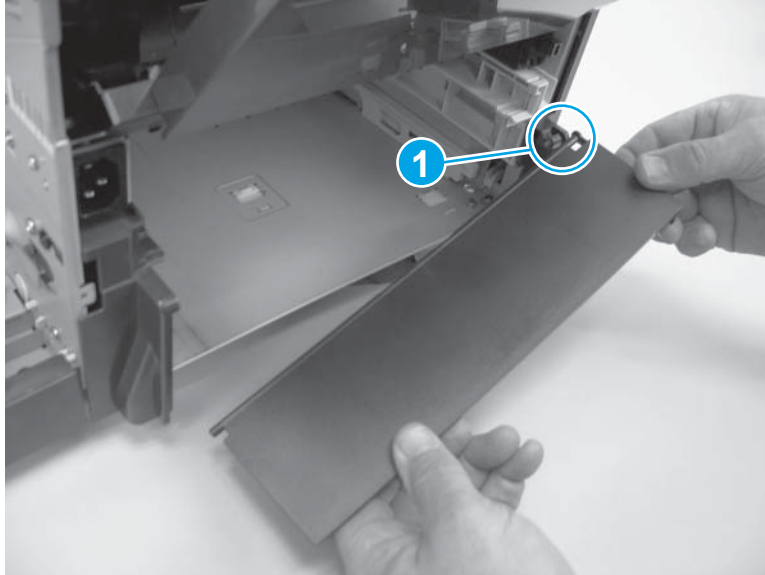
1. Carefully flex the Tray 2 extension door to release the hinge pin (callout 1) near the power-cord side of the printer.

Figure 1-964 Release the hinge pin



2. Rotate the Tray 2 extension door to the horizontal position, and then pull up on the keyed hinge pin (callout 1) to release the door. Remove the Tray 2 extension door.

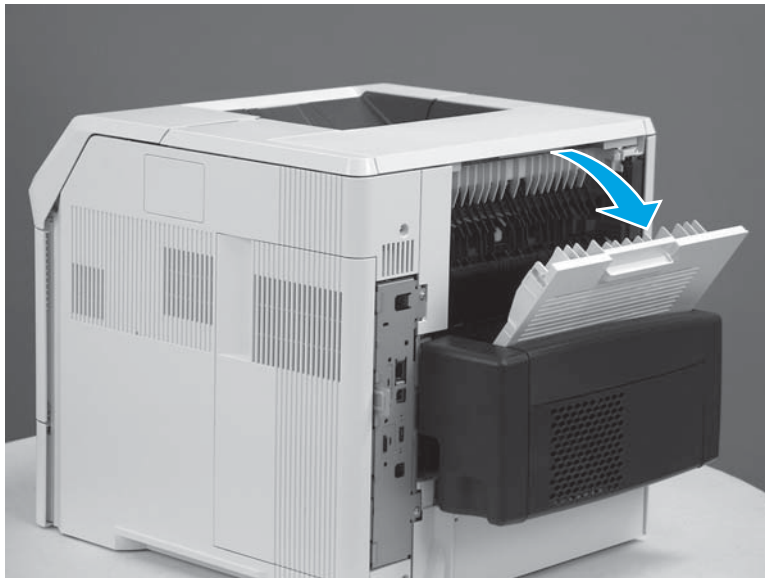
Figure 1-965 Remove the Tray 2 extension door



Step 4: Remove the top accessory cover

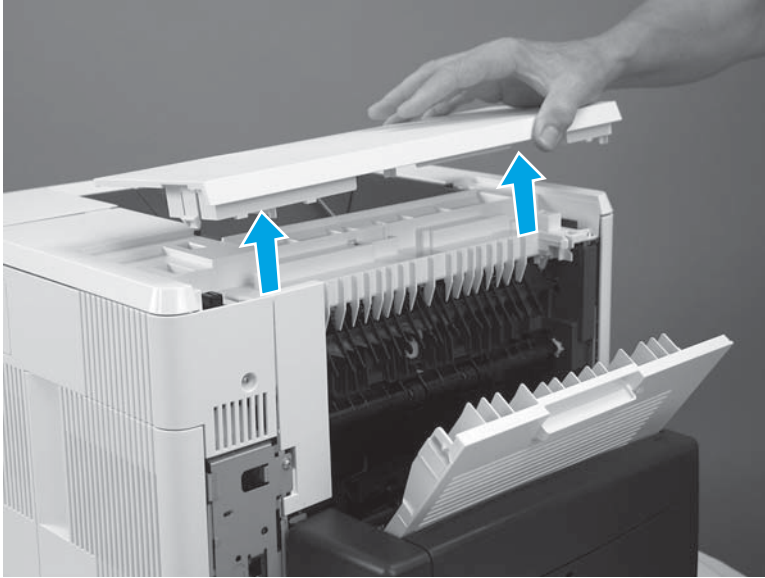
1. Open the rear output bin.

Figure 1-966 Open the rear output bin



2. Lift the top accessory cover up and off of the printer.

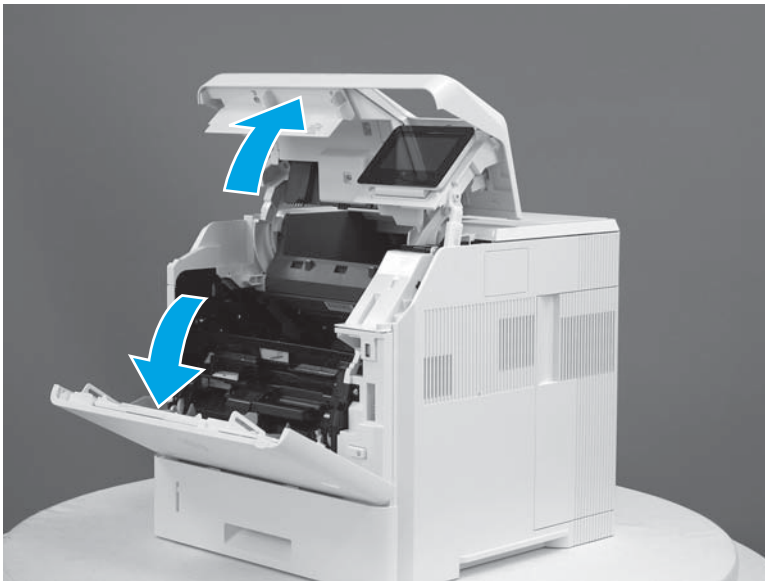
Figure 1-967 Remove top accessory cover



Step 5: Remove the right cover

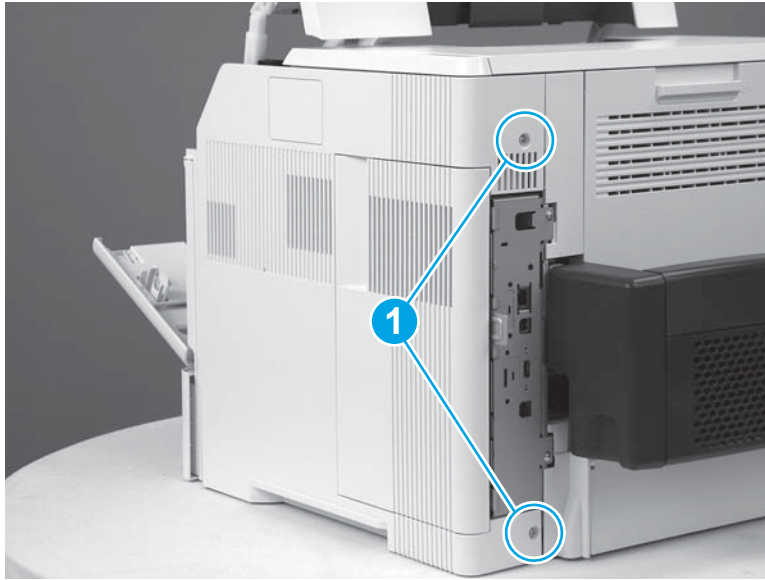
1. Open the front cover and the cartridge door.

Figure 1-968 Open the front cover and cartridge door



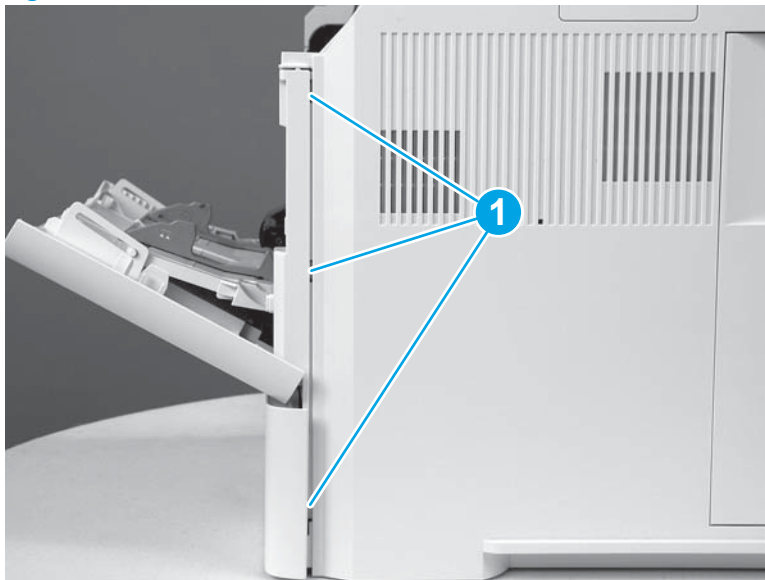
2. Remove two screws (callout 1).

Figure 1-969 Remove two screws



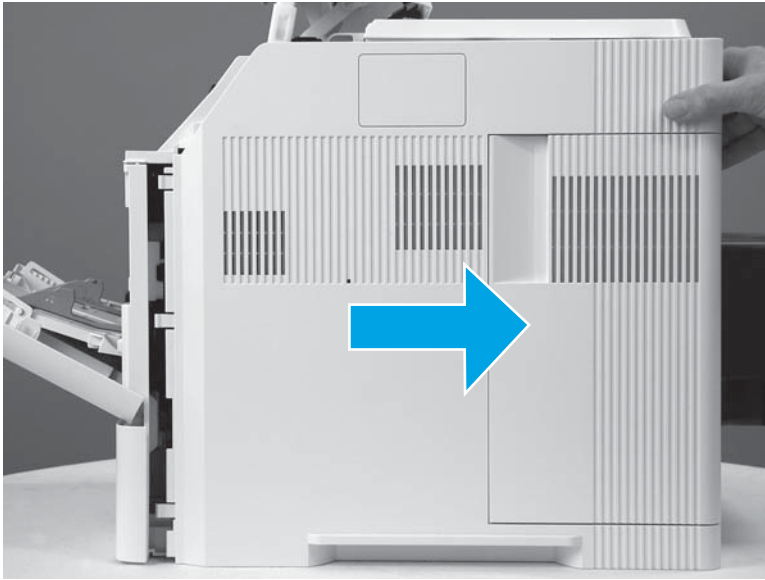
3. Release three tabs (callout 1).

Figure 1-970 Release three tabs



4. Slide the cover toward the rear of the printer to remove it.

Figure 1-971 Remove the cover



Step 6: Remove the top cover (M604n/dn, M605n/dn, M606dn only)



NOTE: For the M605x or M606x product, skip this step and go to [Step 7: Remove the top cover \(M605x, M606x only\) on page 561](#).

1. Use needle-nose pliers to release the toner-cartridge drive-arm tabs (callout 1).

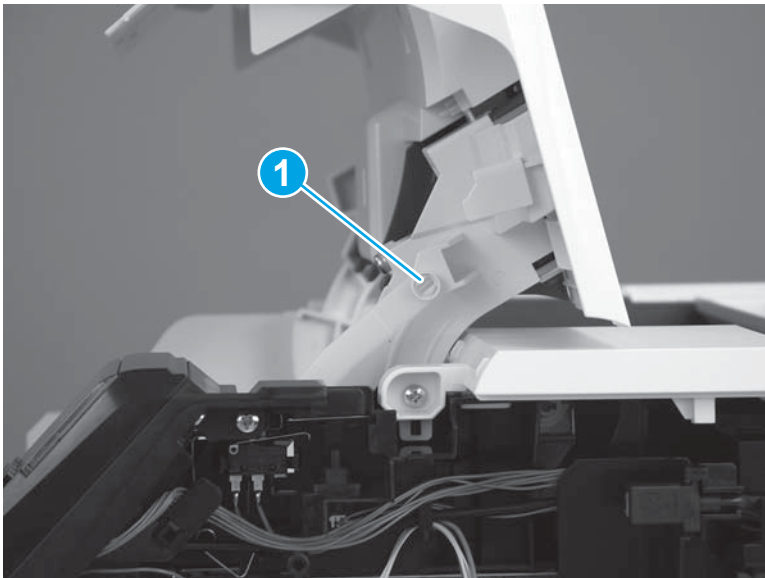


CAUTION: The toner-cartridge drive-arm tabs break easily.



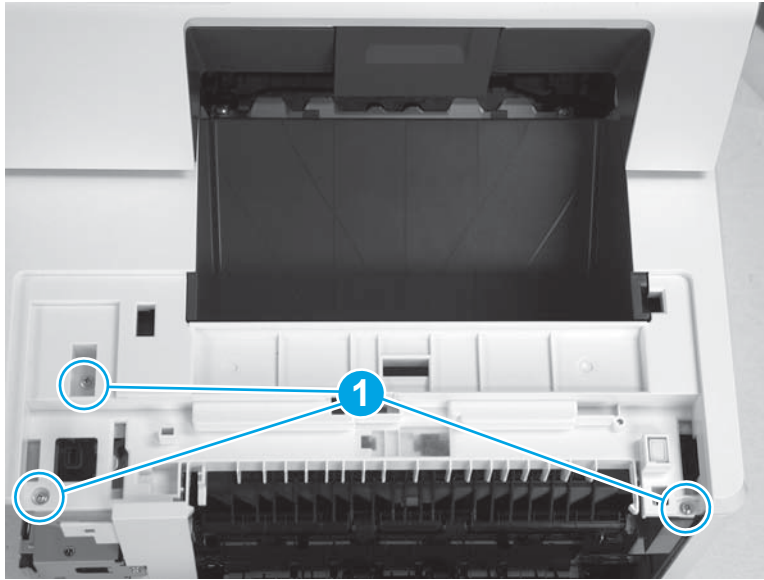
TIP: Push the toner-cartridge drive-arm back into the printer to avoid damaging it when you remove the top cover.

Figure 1-972 Release the drive-arm tabs



2. Remove three screws (callout 1) on the top of the printer.

Figure 1-973 Remove three screws



3. Remove one screw (callout 1) on the right side of the printer.


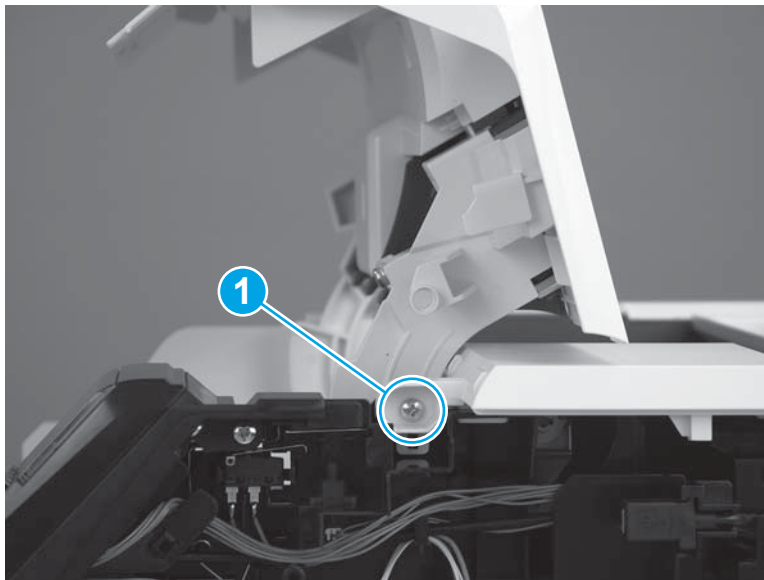
 **Reinstallation tip:** This screw is larger than the screws removed from the top of the printer. Make sure to install the correct screw when reassembling.

Figure 1-974 Remove one screw



4. Remove one screw (callout 1) on the left side of the printer.


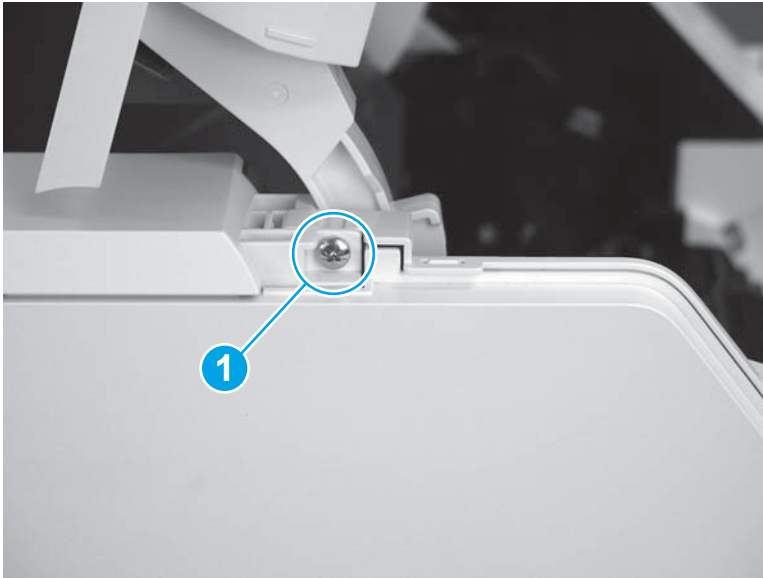
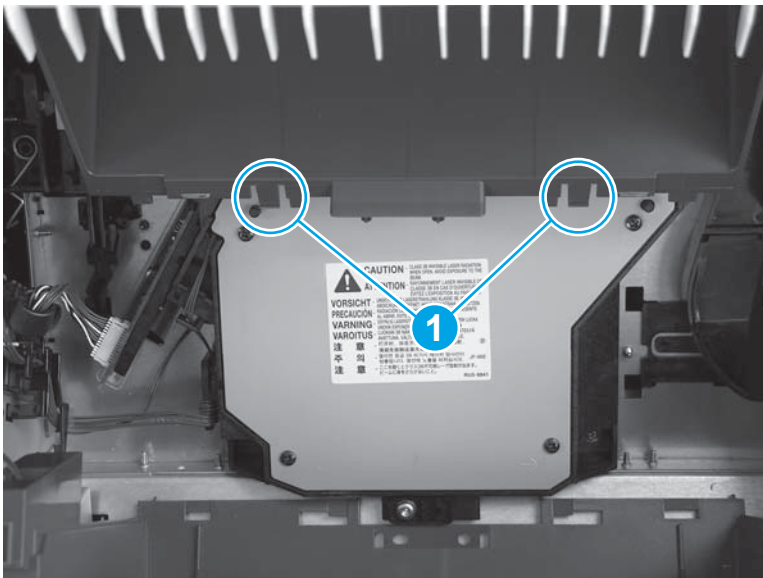
 **Reinstallation tip:** This screw is larger than the screws removed from the top of the printer. Make sure to install the correct screw when reassembling.

Figure 1-975 Remove one screw



5. Note the location of two tabs on the top output bin (callout 1). These tabs are released in the next step.

Figure 1-976 Location of two tabs



6. Release two tabs (callout 1) on the top output bin.


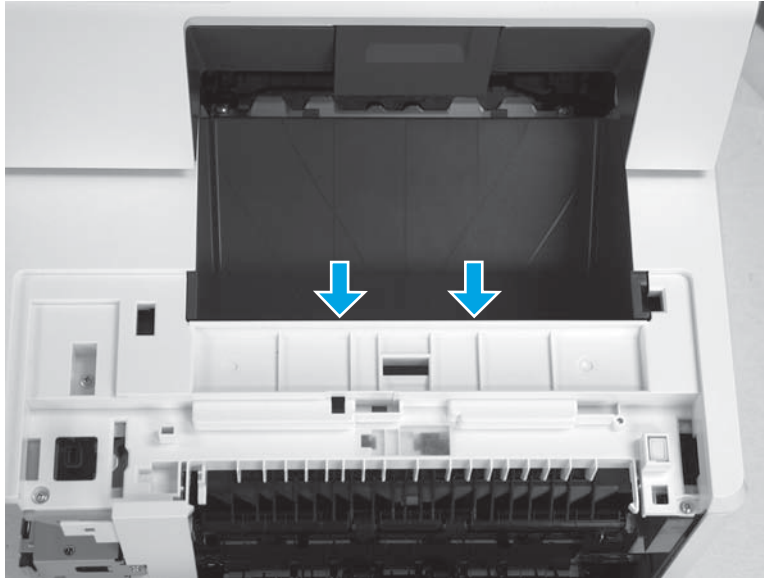
 **Reinstallation tip:** Make sure that these tabs are fully seated when the top cover is reinstalled.

Figure 1-977 Release two tabs



7. Lift the top cover up and off of the printer to remove it.

Figure 1-978 Remove the top cover



Step 7: Remove the top cover (M605x, M606x only)

1. Use needle-nose pliers to release the toner-cartridge drive-arm tabs (callout 1) and the toner-cartridge door hinge tabs (callout 2).

 **CAUTION:** The toner-cartridge drive-arm tabs break easily.


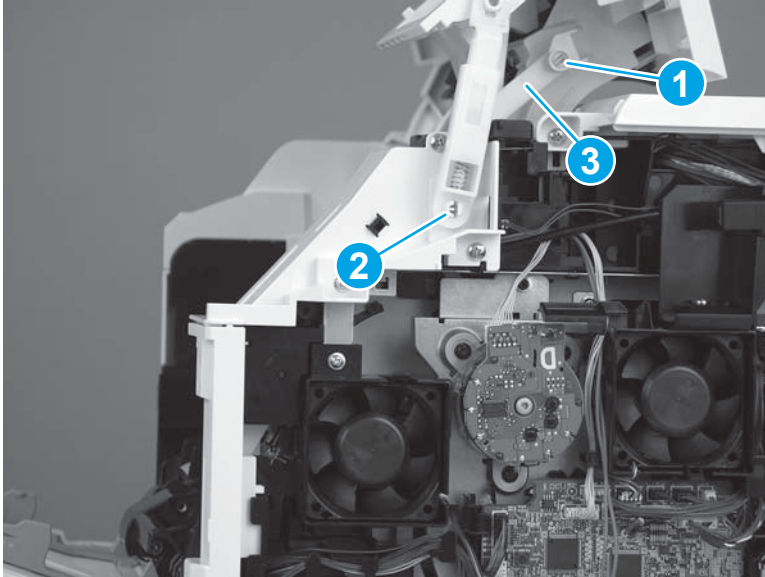
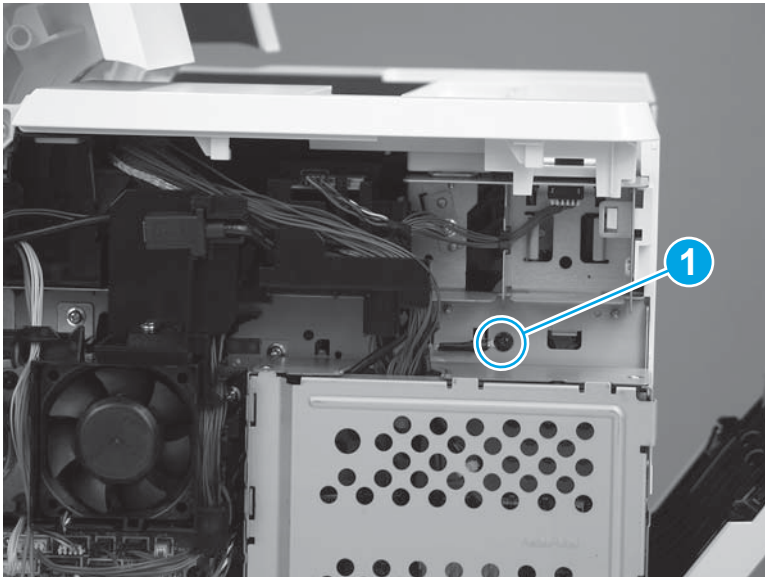
 **TIP:** Push the toner-cartridge drive-arm (callout 3) back into the printer to avoid damaging it when you remove the top cover.

Figure 1-979 Release the drive-arm and door hinge tabs



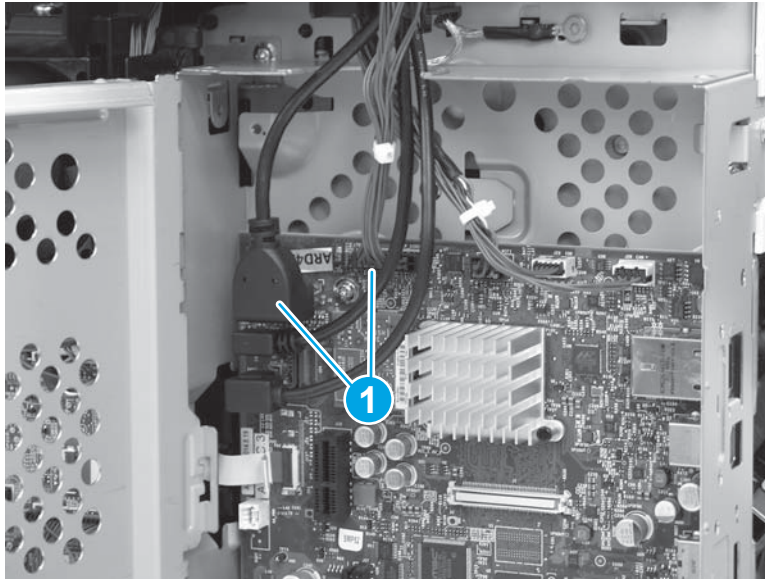
2. Remove one screw, and then release the ground wire (callout 1).

Figure 1-980 Release the ground wire



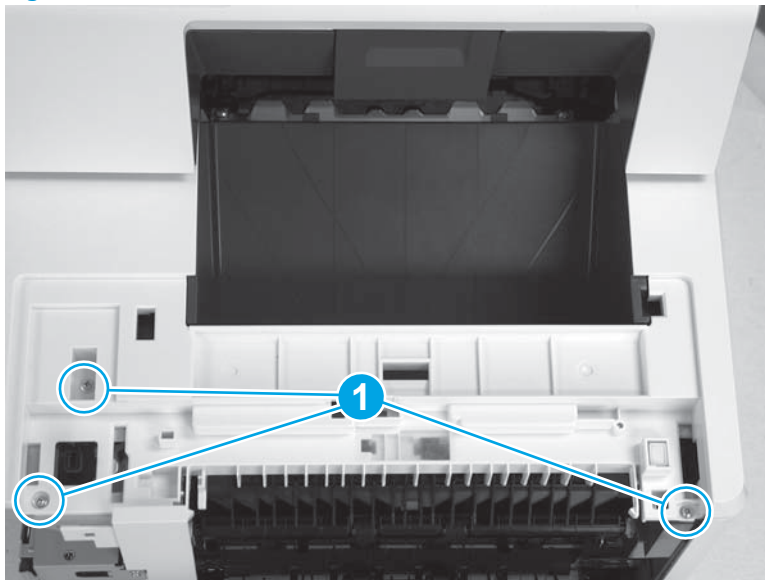
3. Open the formatter case door, and then disconnect two connectors (callout 1).

Figure 1-981 Disconnect two connectors



4. Remove three screws (callout 1) on the top of the printer.

Figure 1-982 Remove three screws



5. Remove one screw (callout 1) on the right side of the printer.


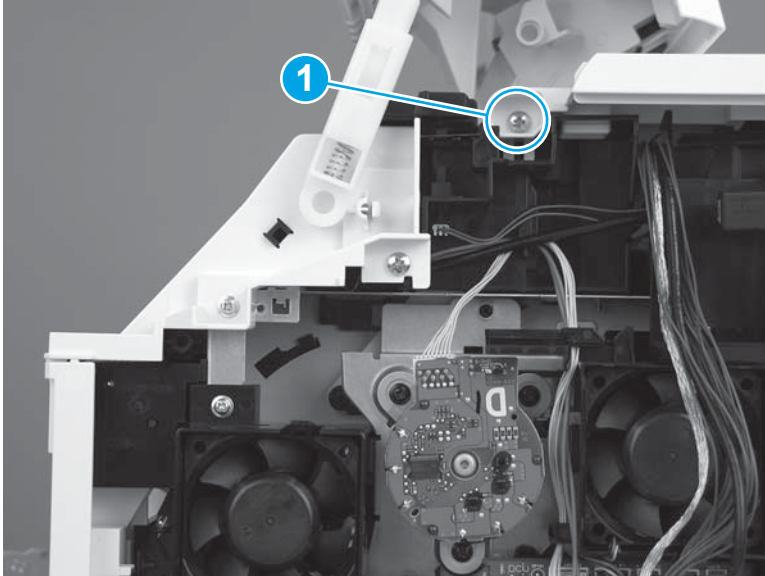
 **Reinstallation tip:** This screw is larger than the screws removed from the top of the printer. Make sure to install the correct screw when reassembling.

Figure 1-983 Remove one screw



6. Remove one screw (callout 1) on the left side of the printer.


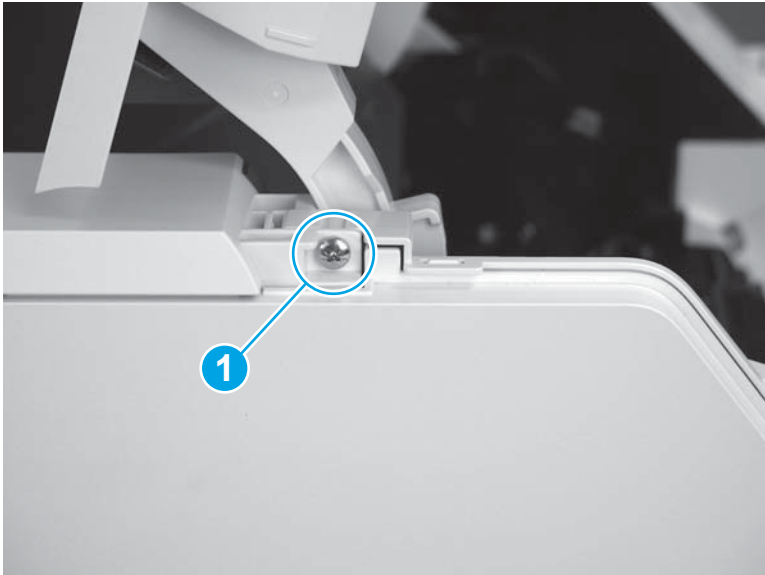
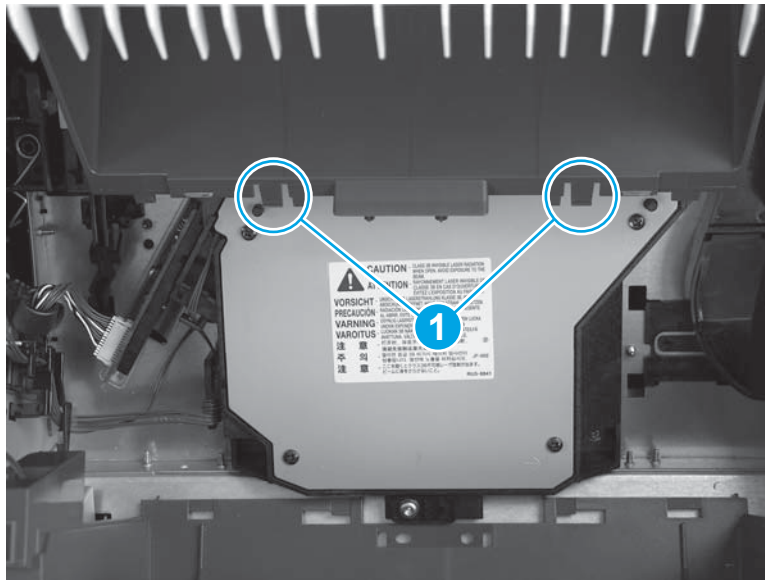
 **Reinstallation tip:** This screw is larger than the screws removed from the top of the printer. Make sure to install the correct screw when reassembling.

Figure 1-984 Remove one screw



7. Note the location of two tabs on the top output bin (callout 1). These tabs are released in the next step.

Figure 1-985 Location of two tabs



8. Release two tabs (callout 1) on the top output bin.


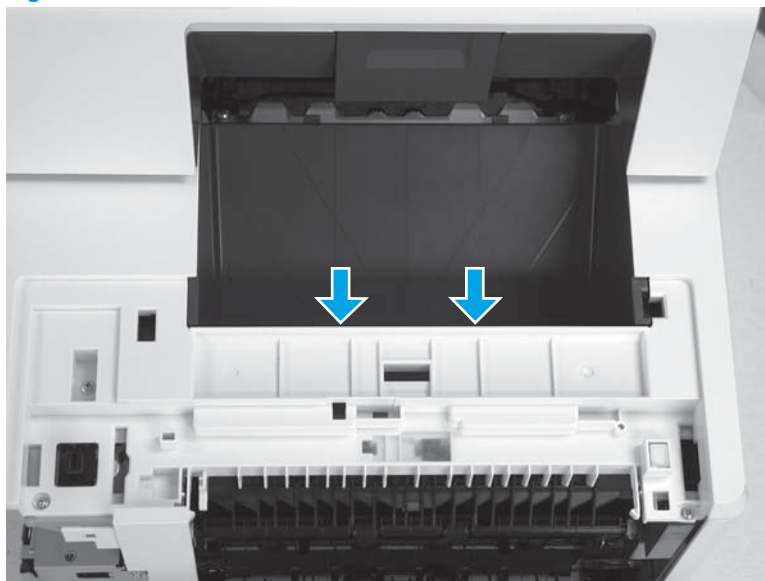
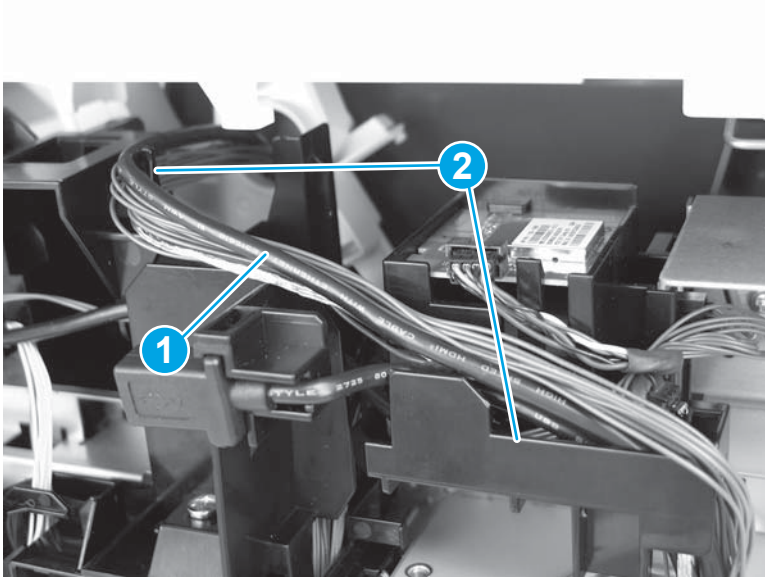
 **Reinstallation tip:** Make sure that these tabs are fully seated when the top cover is reinstalled.

Figure 1-986 Release two tabs



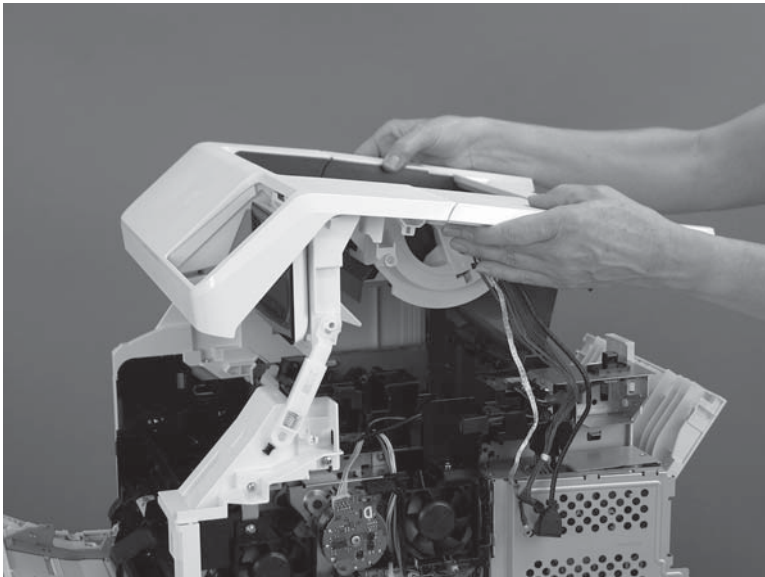
9. On the right side of the printer, release the wire harness and cables (callout 1) from the guides (callout 2).

Figure 1-987 Release cables from guides



10. Lift the top cover up and off of the printer to remove it.

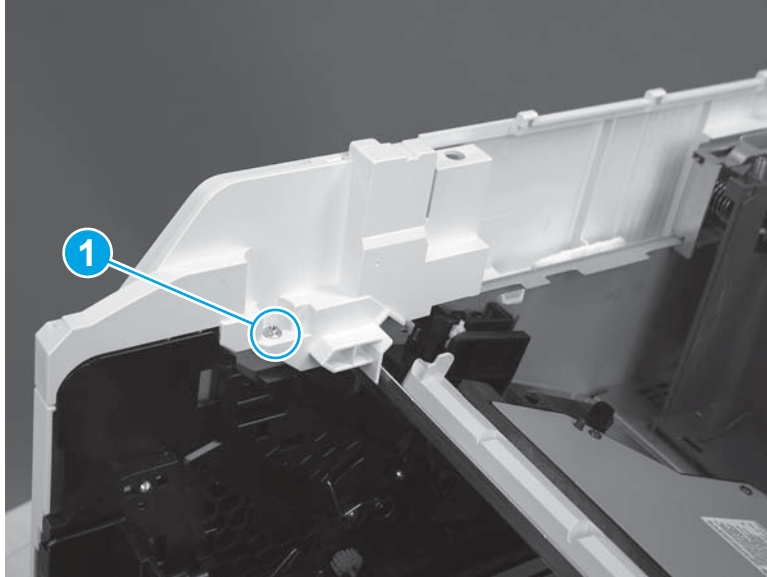
Figure 1-988 Remove the top cover



Step 8: Remove the left cover

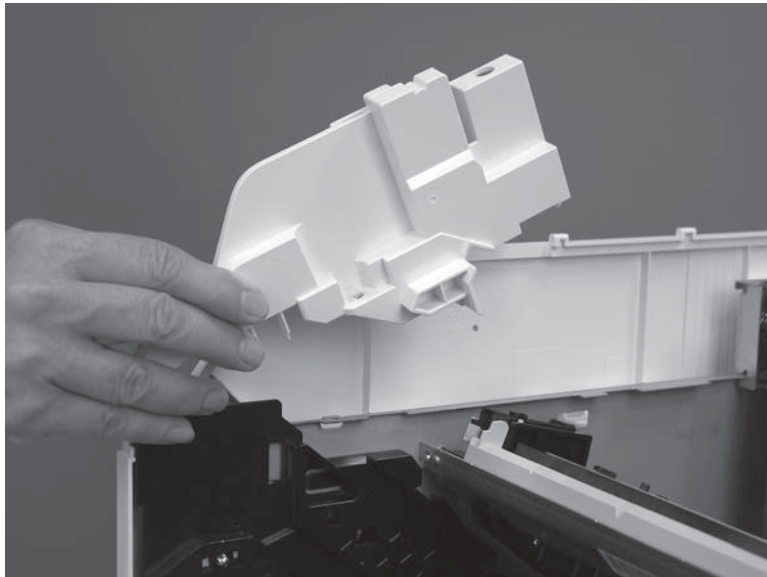
1. Remove one screw (callout 1).

Figure 1-989 Remove one screw



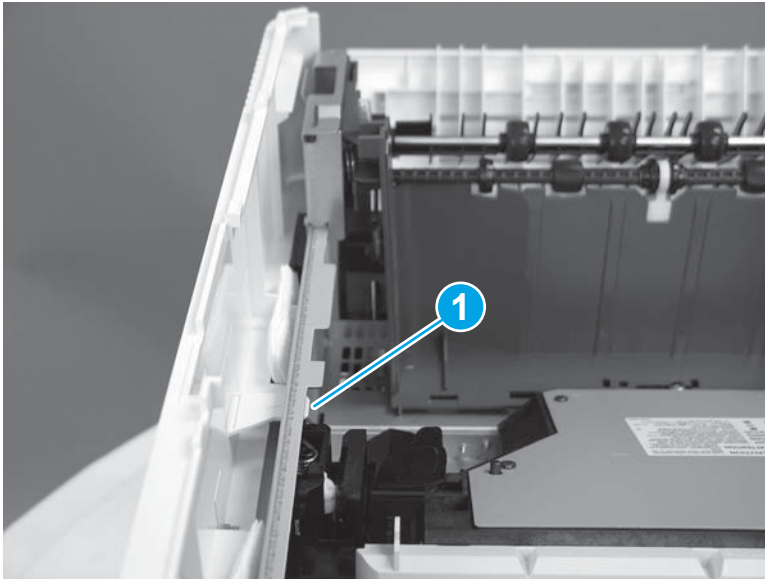
2. Remove the left front inside cover.

Figure 1-990 Remove the left front inside cover



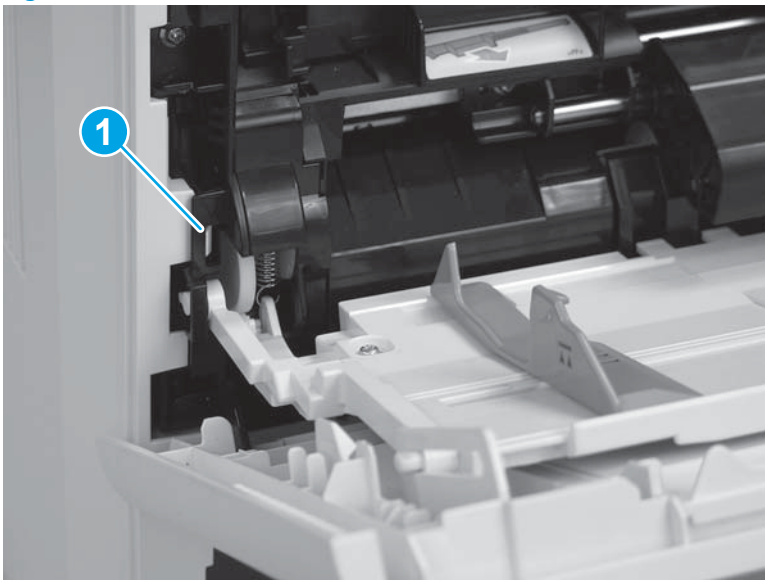
3. Release one tab (callout 1) on the top of the cover.

Figure 1-991 Release one tab



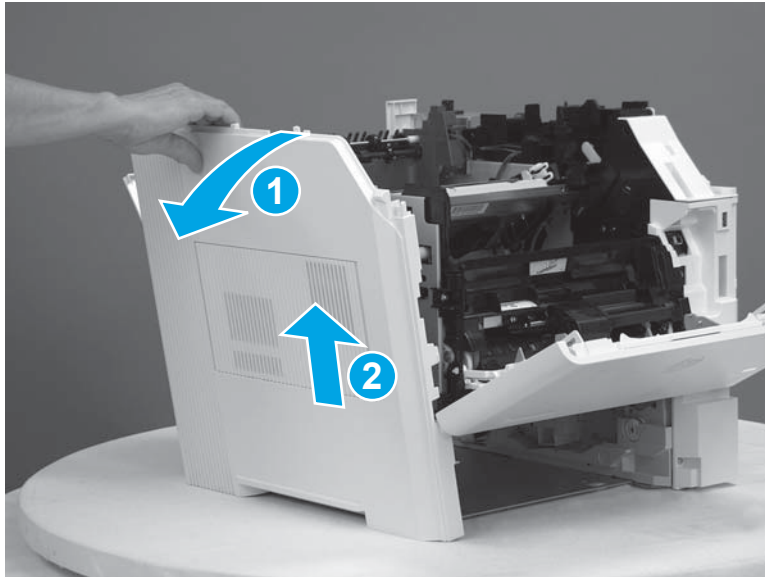
4. Release one tab (callout 1) on the front of the cover.

Figure 1-992 Release one tab



5. Rotate the top of the cover away (callout 1) from the printer, and then lift the cover up (callout 2) to remove it.

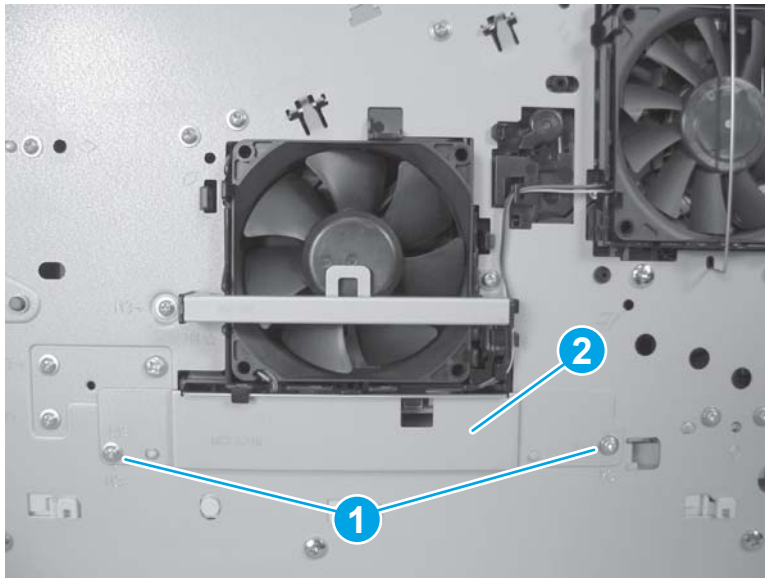
Figure 1-993 Remove the cover



Step 9: Remove the environmental sensor

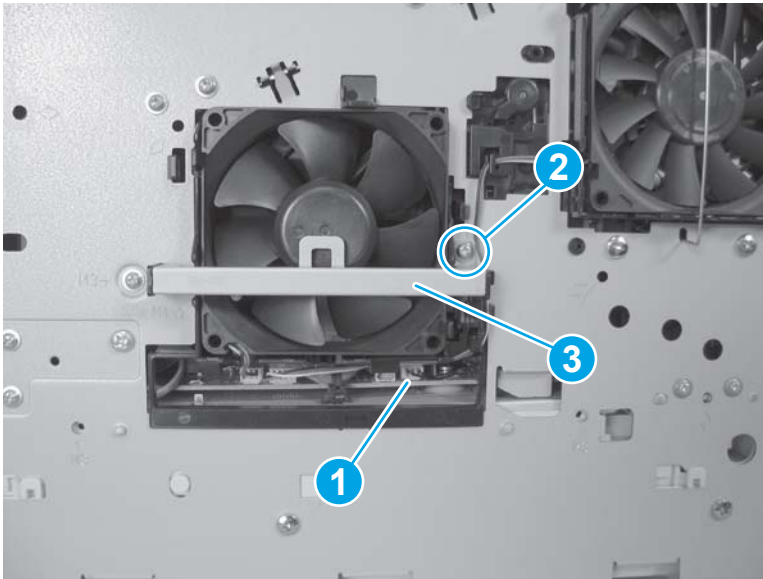
1. Remove two screws (callout 1), and then remove the sheet-metal plate (callout 2).

Figure 1-994 Remove two screws and the sheet-metal plate



2. Disconnect one connector (callout 1), and then remove one screw (callout 2). Slide the environmental sensor bar (callout 3) to the right to release it, and then lift the environmental sensor bar away from the printer.

Figure 1-995 Disconnect one connector and remove one screw



Step 10: Unpack the replacement environmental sensor

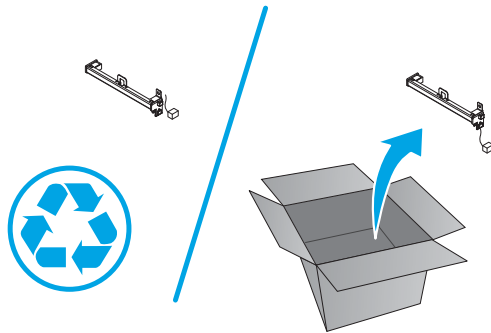
Unpack the replacement part from the packaging.

<http://www8.hp.com/us/en/hp-information/environment/product-recycling.html>



NOTE: HP recommends responsible disposal of the defective part.

Figure 1-996 Recycle and unpack



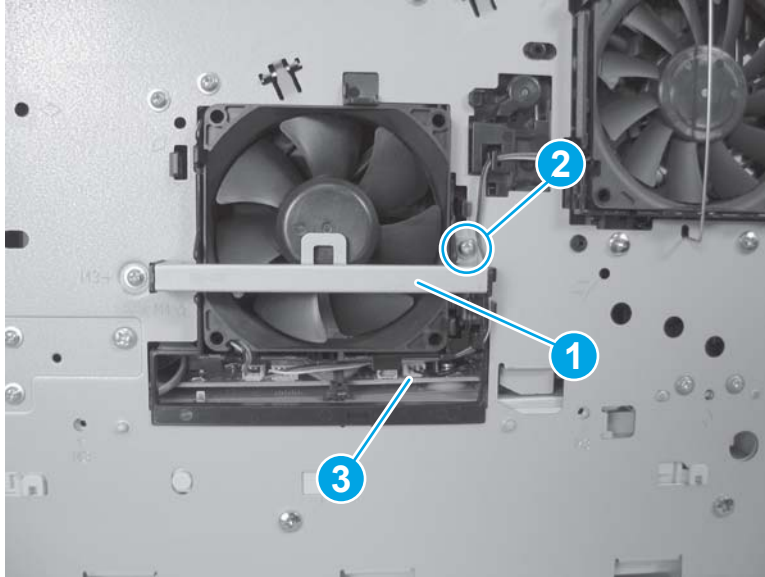
Step 11: Install the environmental sensor

1. Slide the environmental sensor bar (callout 1) to the left to install it on the printer chassis. Install one screw (callout 2), and then connect one connector (callout 3).



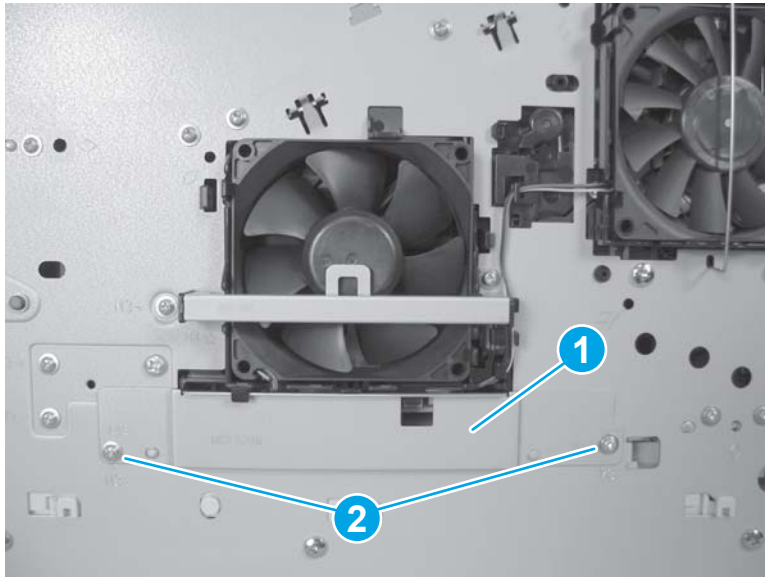
CAUTION: Do not apply too much pressure to the wire-harness connector when connecting it to the power supply. Applying too much pressure might snap off the soldered connectors on the power supply.

Figure 1-997 Connect one connector and install one screw



2. Position the sheet-metal plate (callout 1) on the printer, and then install two screws (callout 2).

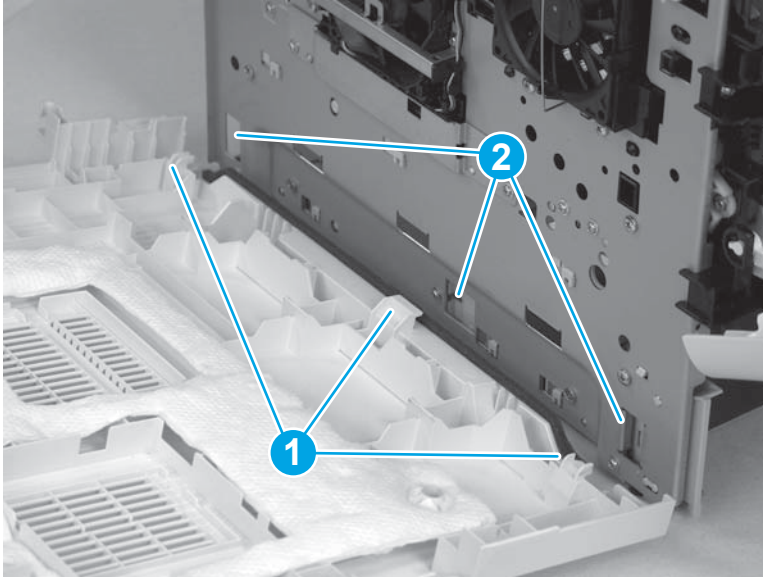
Figure 1-998 Install the sheet-metal plate



Step 12: Install the left cover

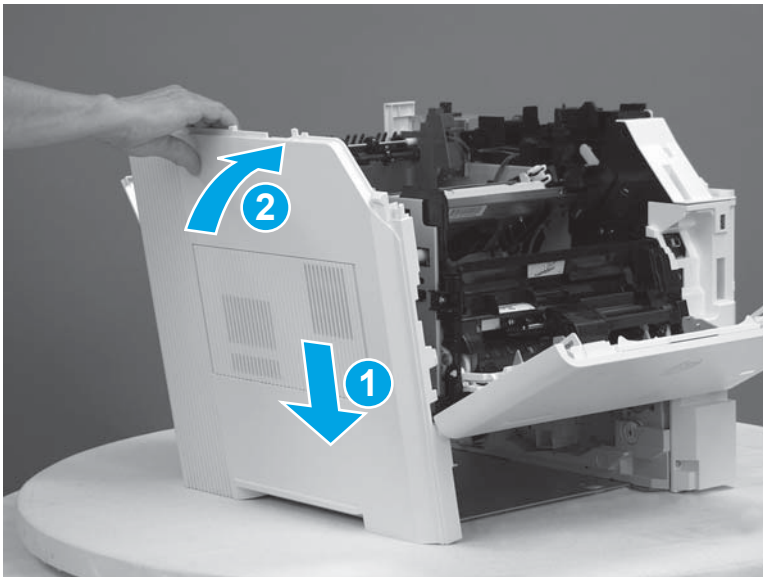
1. Note the location of the tabs (callout 1) on the bottom of the left cover that will fit into the slots (callout 2) in the sheet-metal frame.

Figure 1-999 Note location of tabs



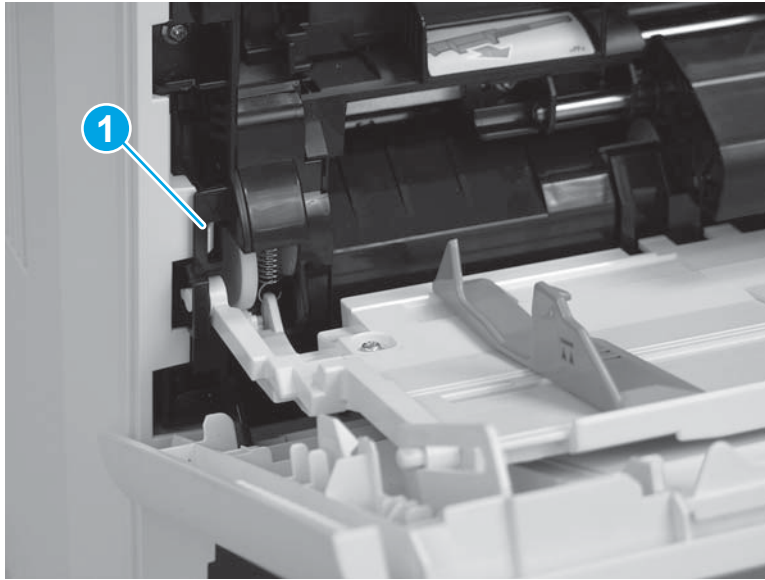
2. Position the tabs in the slots mentioned in the previous step (callout 1), and then rotate the left cover toward the printer (callout 2).

Figure 1-1000 Rotate the cover into place



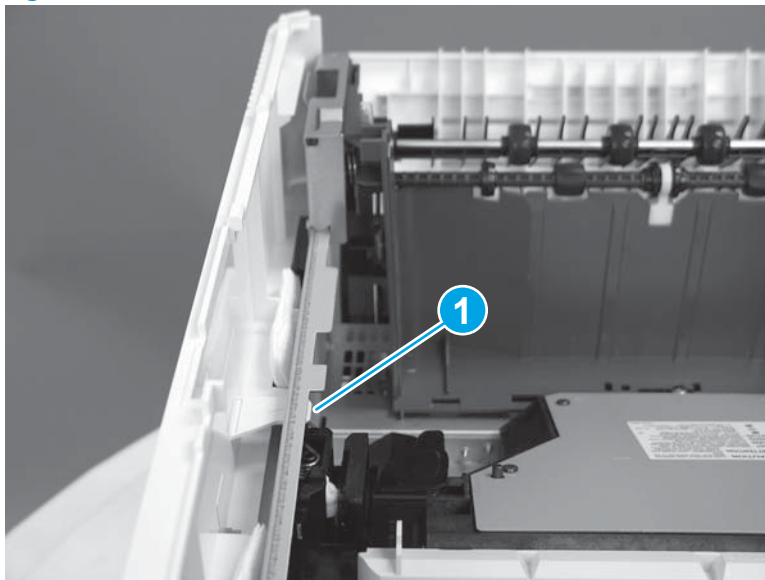
3. Make sure that the tab (callout 1) on the front of the cover snaps into place.

Figure 1-1001 Install one tab



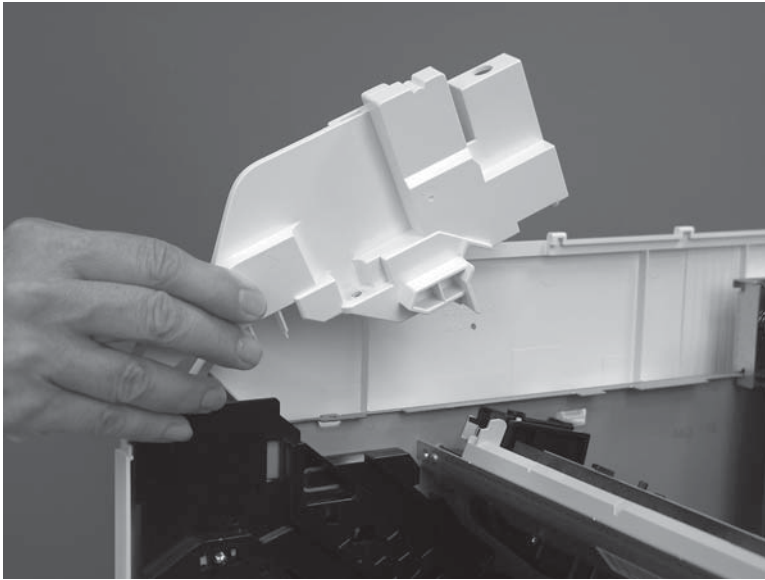
4. Make sure that the tab (callout 1) on the top of the cover snaps into place.

Figure 1-1002 Install one tab



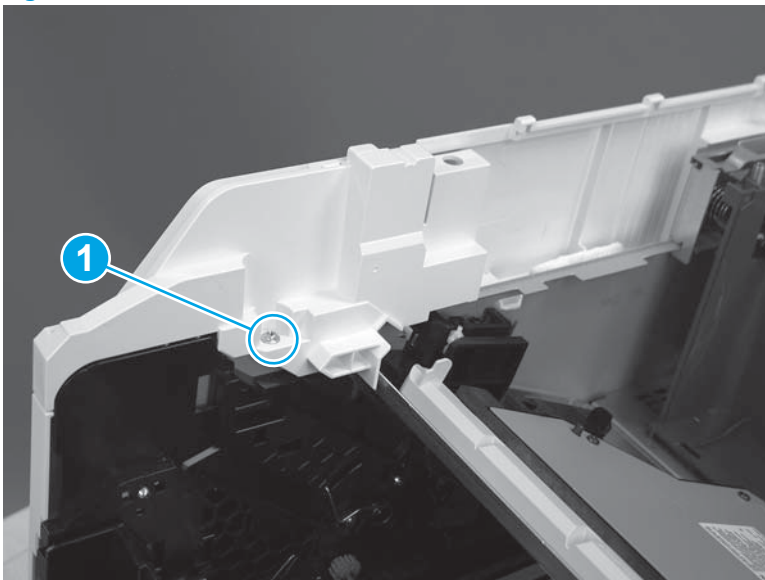
5. Position the left front inside cover on the printer.

Figure 1-1003 Install the left front inside cover



6. Install one screw (callout 1).

Figure 1-1004 Install one screw



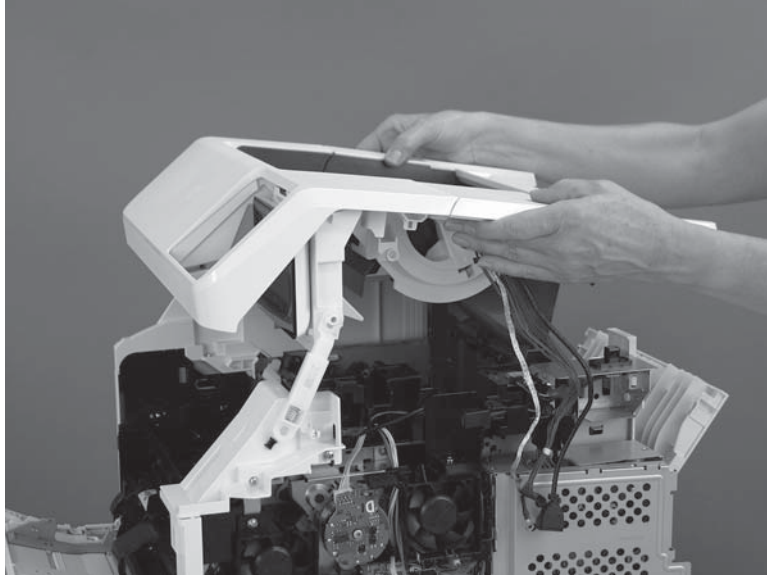
Step 13: Install the top cover (M605x, M606x only)



NOTE: For the M604n/dn, M605n/dn, or M606dn product, skip this step and go to [Step 14: Install the top cover \(M604n/dn, M605n/dn, M606dn only\) on page 579.](#)

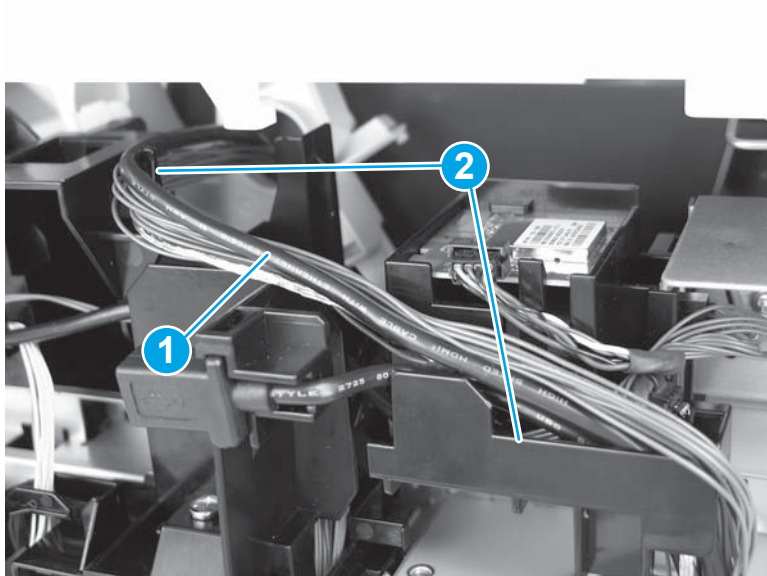
1. Lower the top cover onto the printer.

Figure 1-1005 Lower the top cover



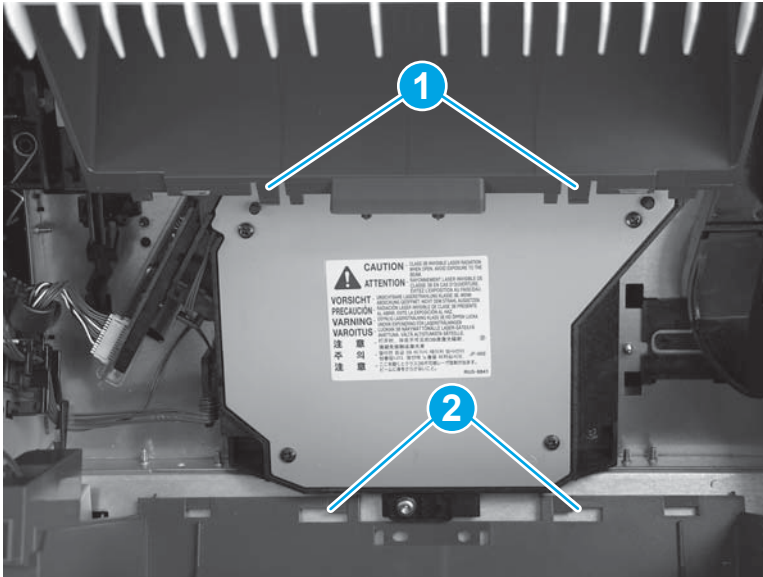
2. On the right side of the printer, make sure that the wire harness and cables (callout 1) are properly routed through the guides (callout 2).

Figure 1-1006 Install cables in guides



3. Install two tabs (callout 1) on the top output bin into two slots (callout 2) in the printer. Make sure that the tabs snap into place.

Figure 1-1007 Install two tabs



4. Install one screw (callout 1) on the left side of the printer.


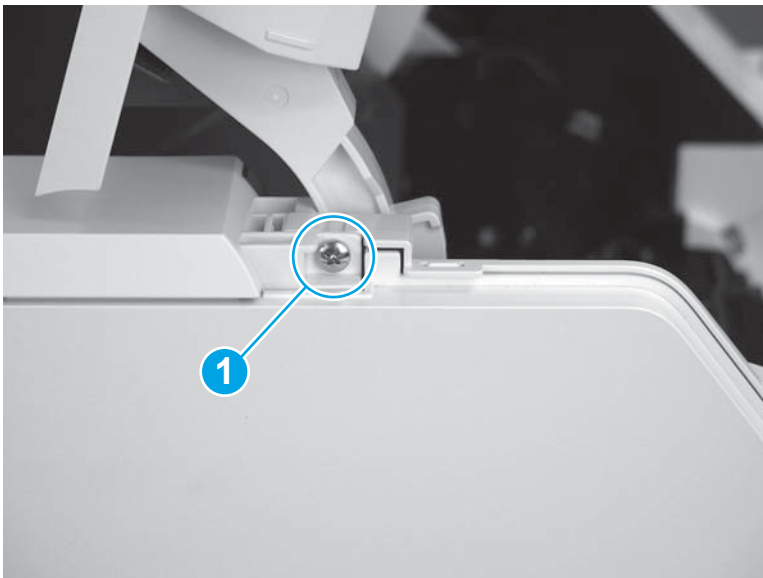
 **Reinstallation tip:** This screw is larger than the screws removed from the top of the printer. Make sure to install the correct screw.

Figure 1-1008 Install one screw



5. Install one screw (callout 1) on the right side of the printer.


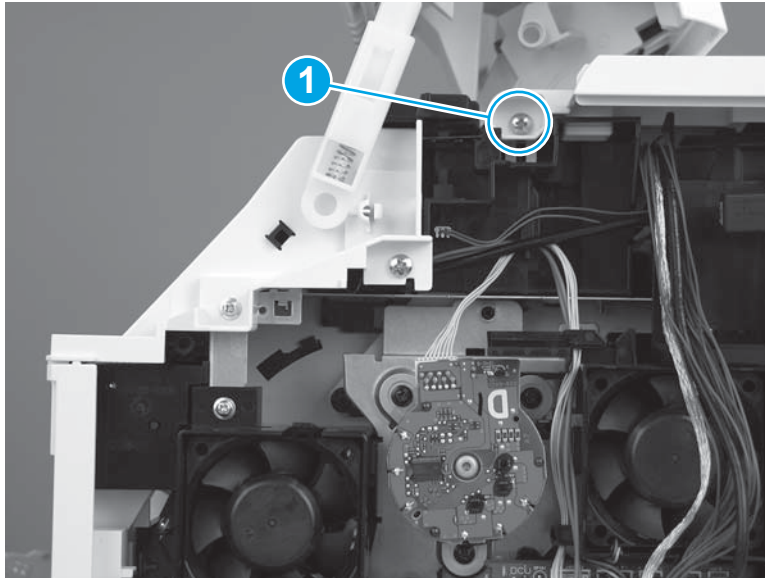
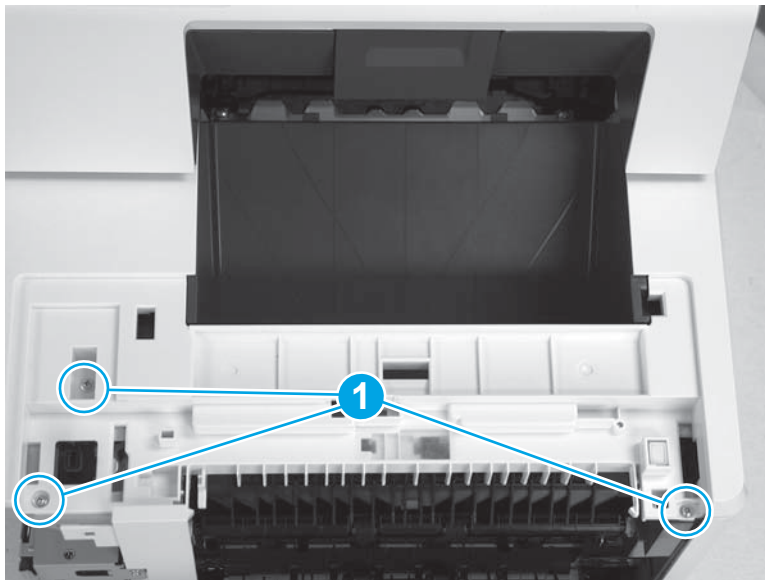
 **Reinstallation tip:** This screw is larger than the screws removed from the top of the printer. Make sure to install the correct screw.

Figure 1-1009 Install one screw



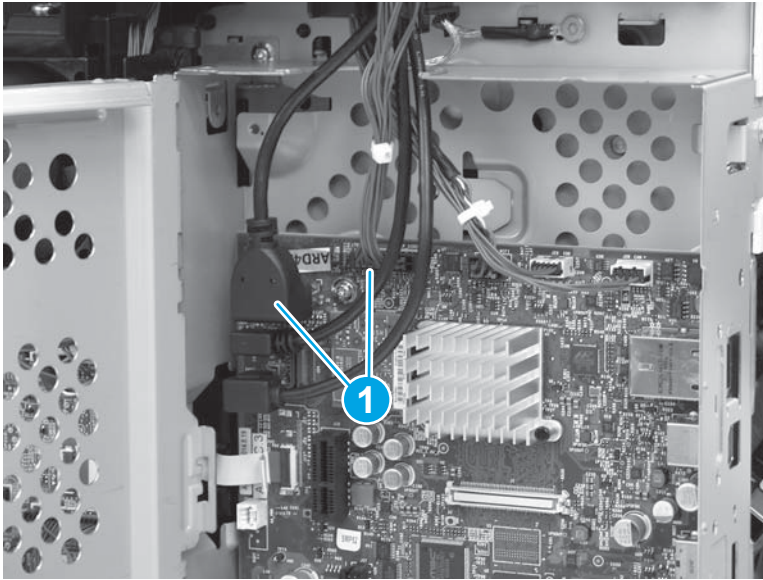
6. Install three screws (callout 1) on the top of the printer.

Figure 1-1010 Install three screws



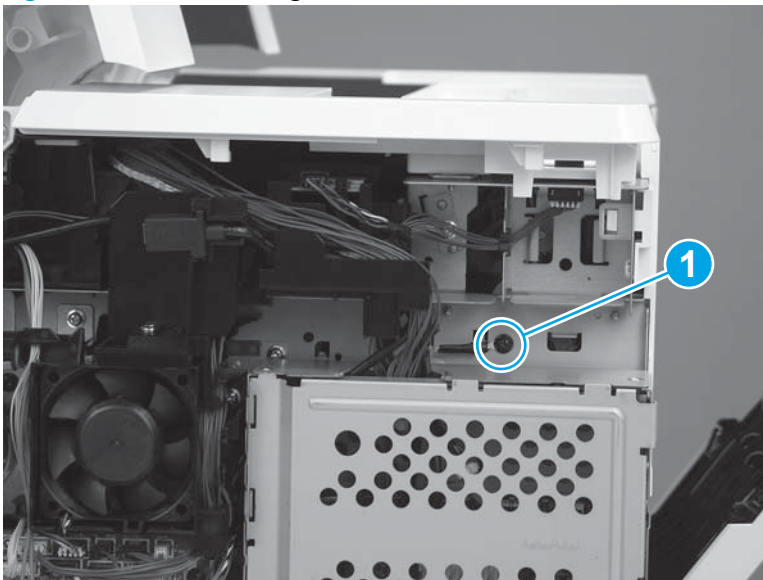
7. Connect two connectors (callout 1).

Figure 1-1011 Connect two connectors



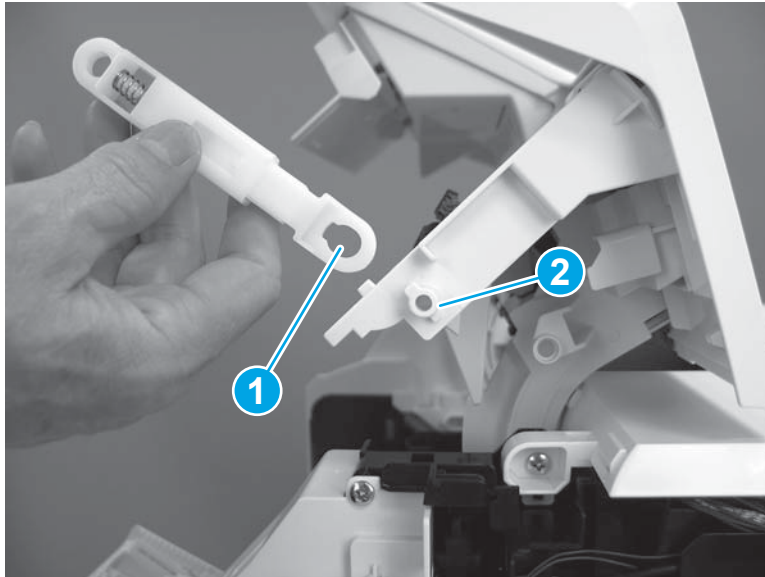
8. Install one screw to attach the ground wire (callout 1).

Figure 1-1012 Install the ground wire



9. If the toner-cartridge door hinge comes off of the top cover, reattach the hinge by sliding the hole (callout 1) in the hinge onto the tab (callout 2) on the top cover.

Figure 1-1013 Reattach the door hinge

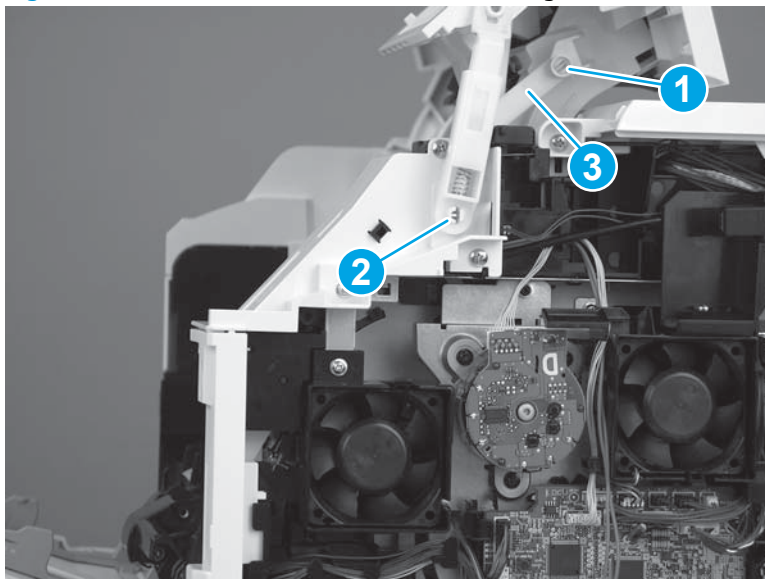


10. Install the toner-cartridge drive-arm (callout 1) and the toner-cartridge door hinge (callout 2) by pressing them onto the tabs.

 **NOTE:** It might be necessary to lift the drive arm (callout 3) up in order to reattach it.

 **CAUTION:** The toner-cartridge drive-arm tabs break easily.

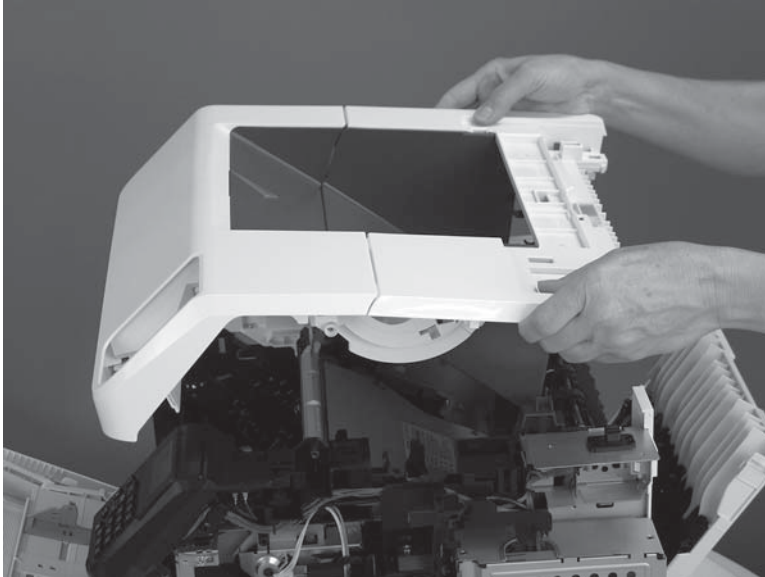
Figure 1-1014 Install the drive-arm and door hinge tabs



Step 14: Install the top cover (M604n/dn, M605n/dn, M606dn only)

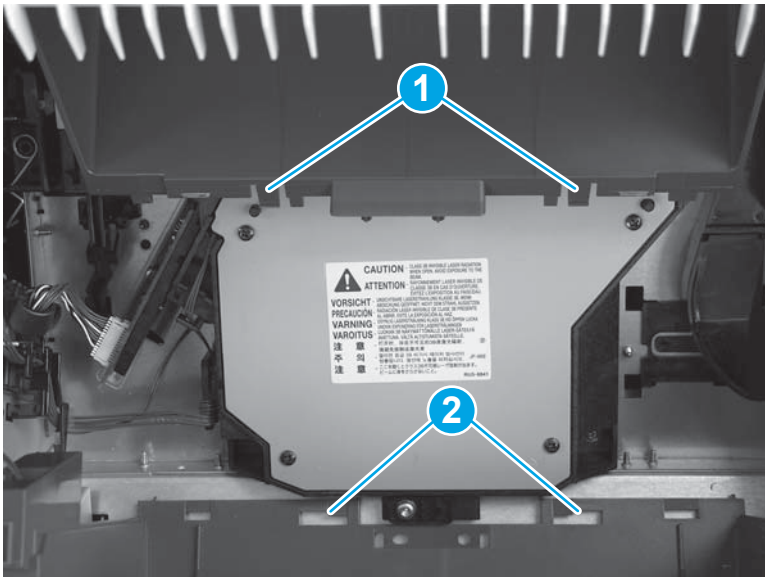
1. Lower the top cover onto the printer.

Figure 1-1015 Lower the top cover



2. Install two tabs (callout 1) on the top output bin into two slots (callout 2) in the printer. Make sure that the tabs snap into place.

Figure 1-1016 Install two tabs



3. Install one screw (callout 1) on the left side of the printer.


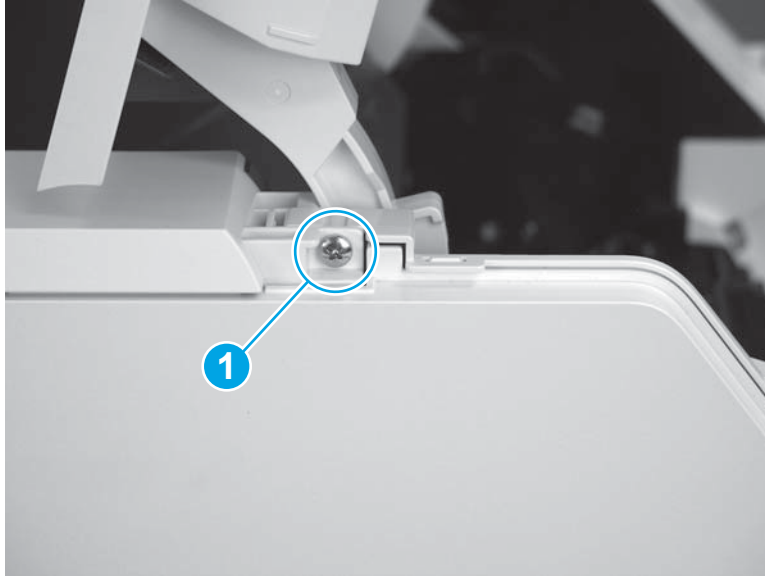
 **Reinstallation tip:** This screw is larger than the screws removed from the top of the printer. Make sure to install the correct screw.

Figure 1-1017 Install one screw



4. Install one screw (callout 1) on the right side of the printer.


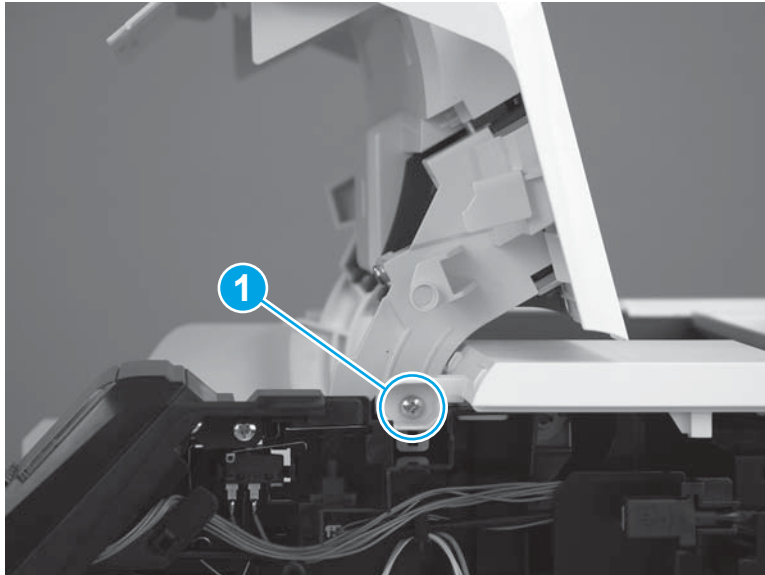
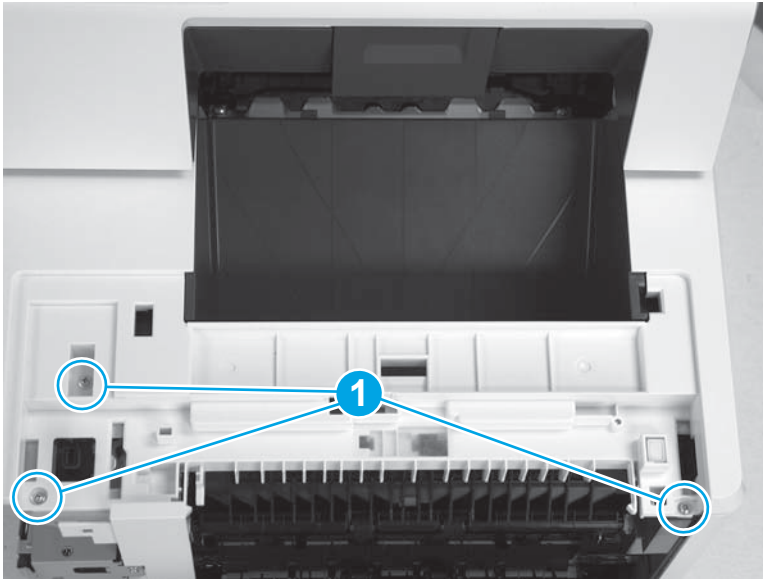
 **Reinstallation tip:** This screw is larger than the screws removed from the top of the printer. Make sure to install the correct screw.

Figure 1-1018 Install one screw



5. Install three screws (callout 1) on the top of the printer.

Figure 1-1019 Install three screws

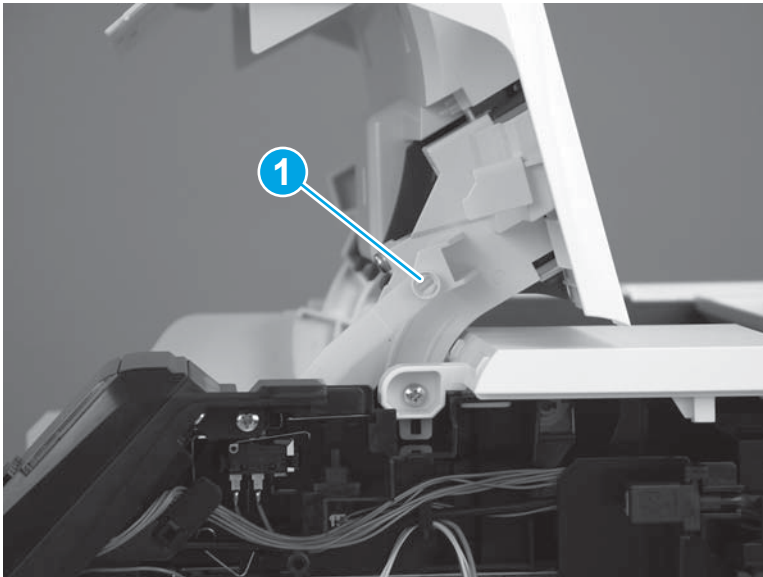


6. Install the toner-cartridge drive-arm (callout 1) by pressing it onto the tabs.

 **NOTE:** It might be necessary to lift the drive arm up in order to reattach it.

 **CAUTION:** The toner-cartridge drive-arm tabs break easily.

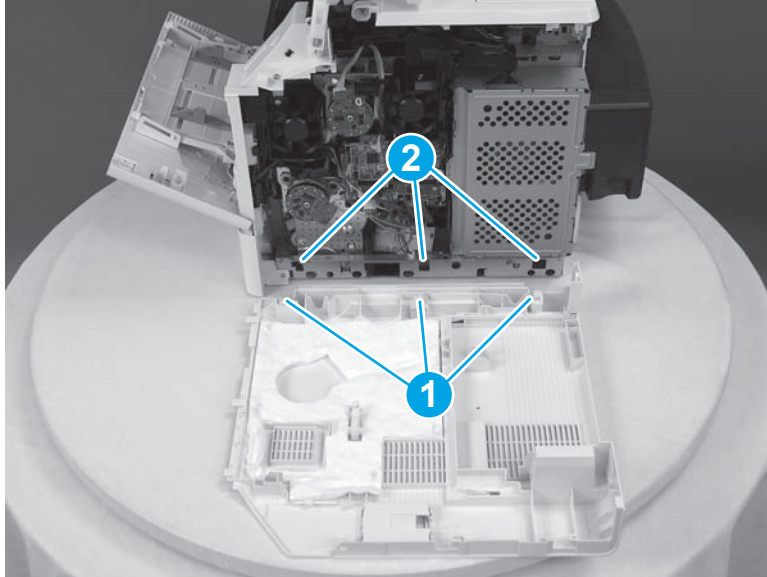
Figure 1-1020 Install the drive-arm tabs



Step 15: Install the right cover

1. Note the location of the tabs (callout 1) on the cover that will fit into the slots (callout 2) on the printer.

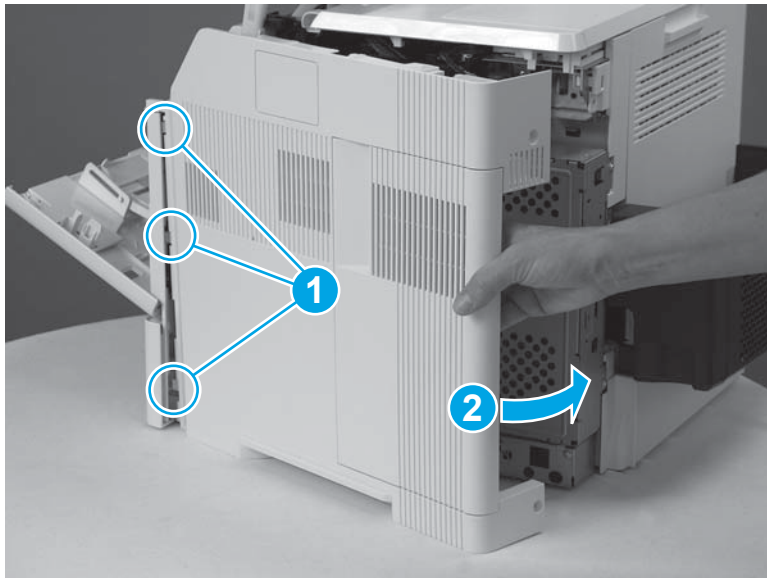
Figure 1-1021 Note location of tabs



2. Position the front tabs on the right cover slightly behind the right front cover (callout 1), and then rotate the back edge of the cover toward the printer (callout 2).

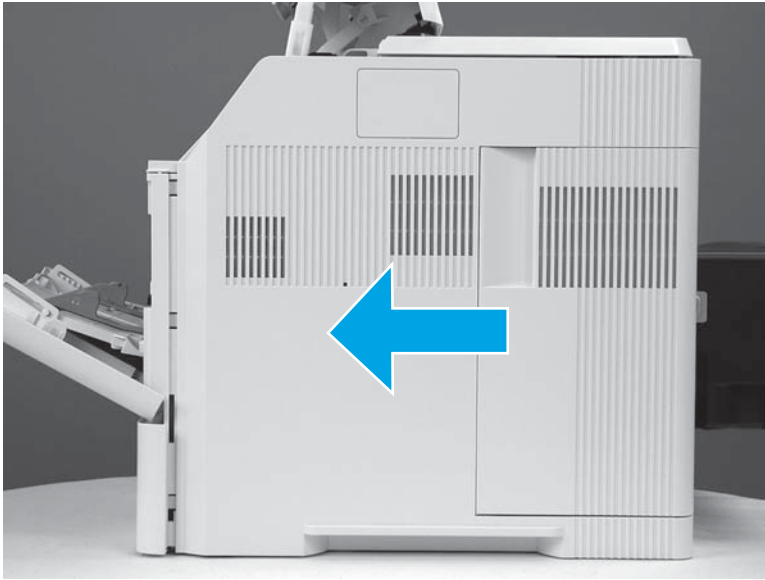
 **NOTE:** The tabs and slots mentioned in the previous step will engage as the cover is rotated into place.

Figure 1-1022 Position the front tabs



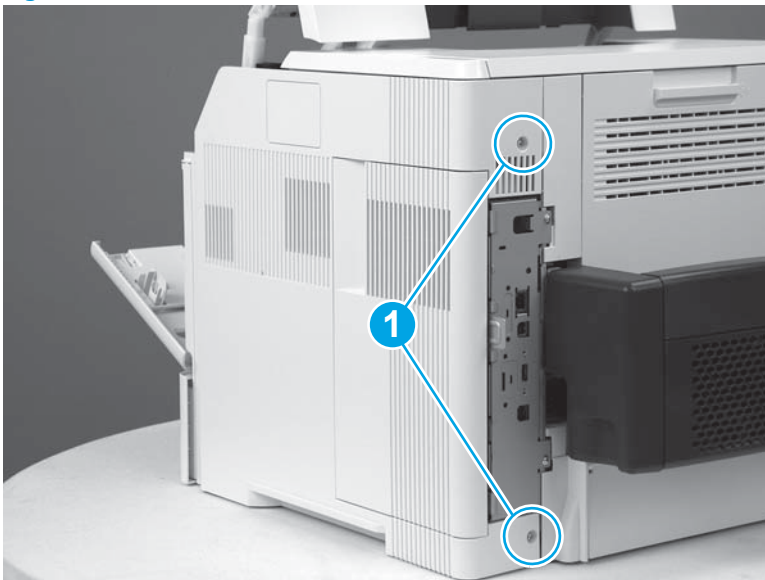
3. Slide the cover toward the front of the printer to install it.

Figure 1-1023 Slide the cover



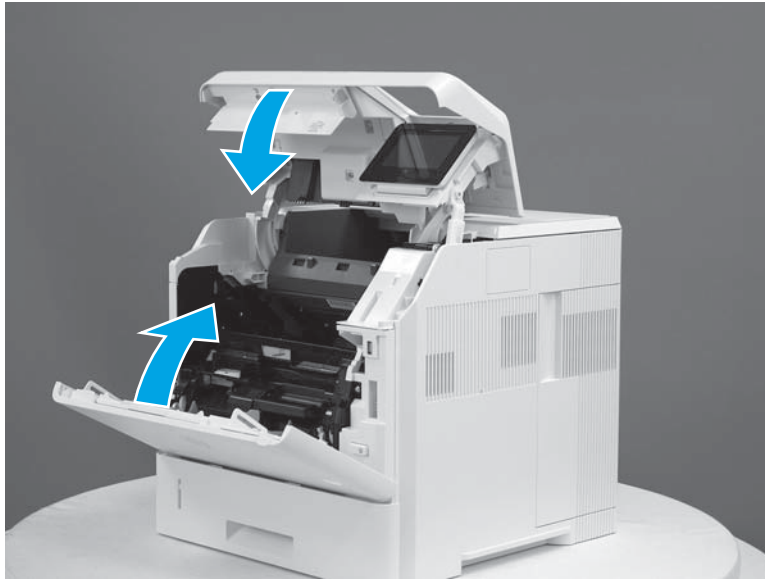
4. Install two screws (callout 1).

Figure 1-1024 Install two screws



5. Close the front cover and the cartridge door.

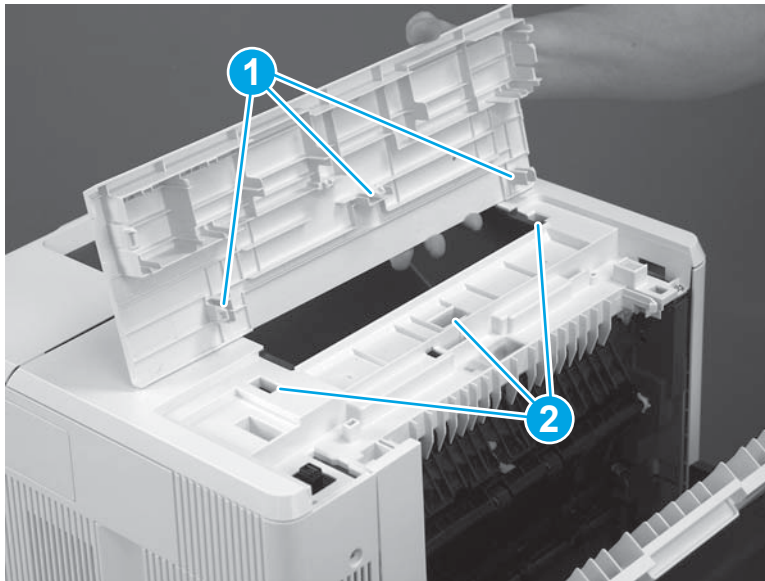
Figure 1-1025 Close the front cover and cartridge door



Step 16: Install the top accessory cover

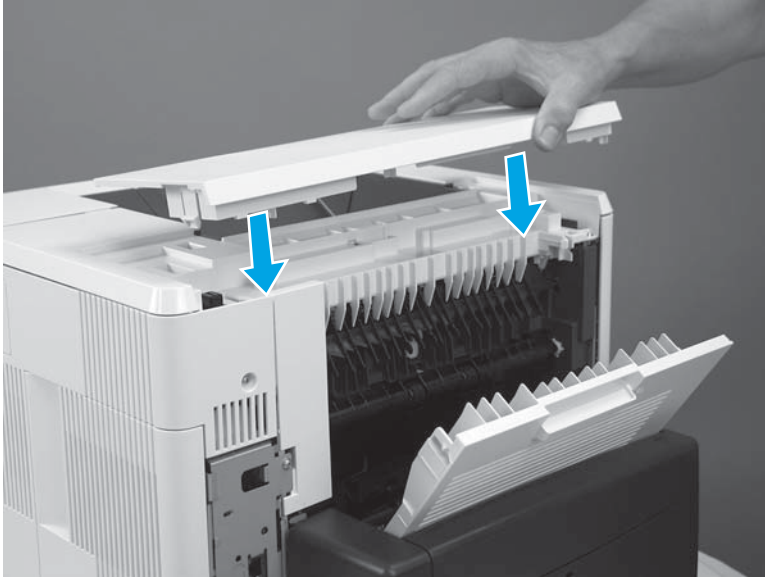
1. Align the tabs (callout 1) on the top accessory cover with the slots (callout 2) in the top cover.

Figure 1-1026 Align the tabs and slots



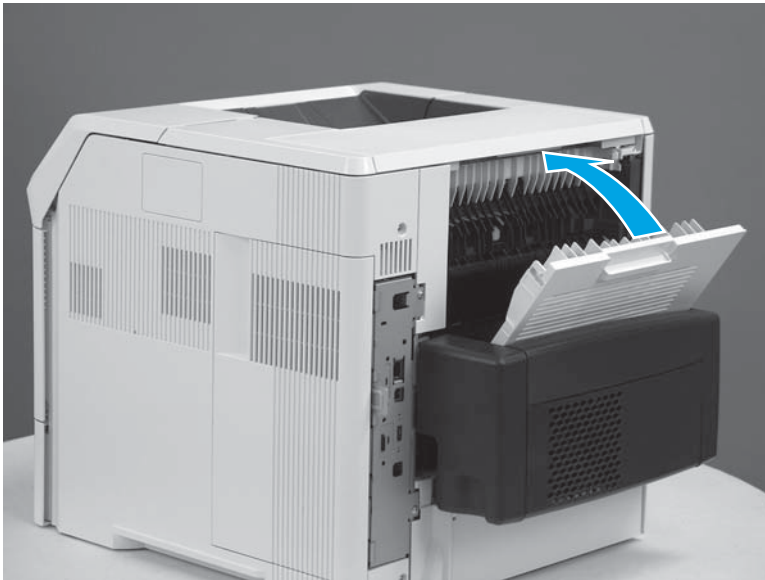
2. Place the top accessory on top of the printer, and then press down to install it.

Figure 1-1027 Install the top accessory cover



3. Close the rear output bin.

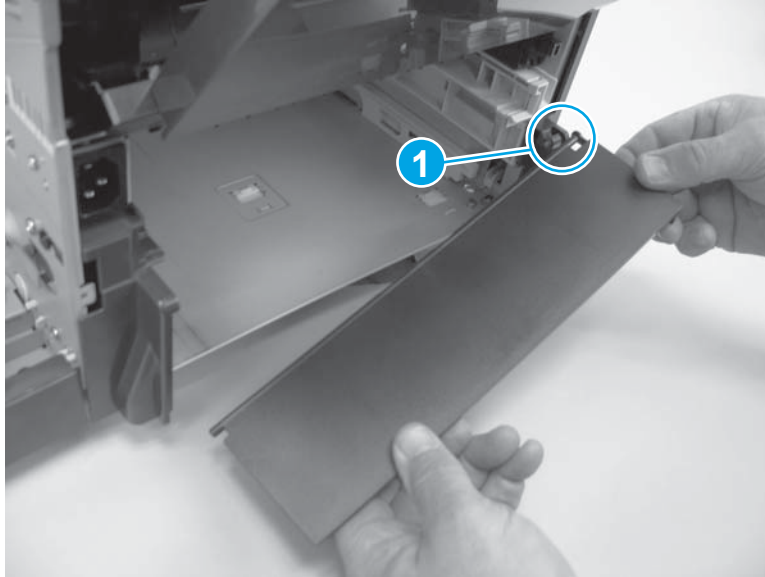
Figure 1-1028 Close the rear output bin



Step 17: Install the Tray 2 extension door

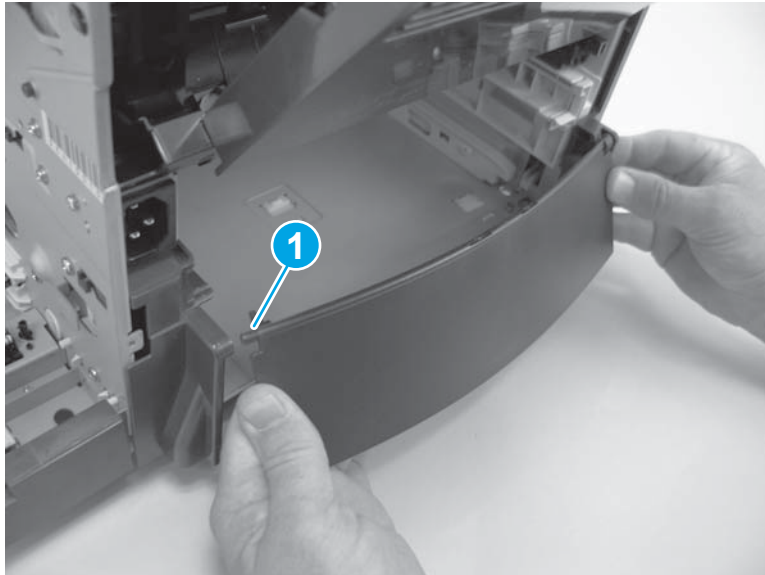
1. Rotate the Tray 2 extension door to the horizontal position, and then install the keyed hinge pin (callout 1).

Figure 1-1029 Install the keyed hinge pin



2. Carefully flex the Tray 2 extension door, and then install the hinge pin (callout 1) near the power-cord side of the printer.

Figure 1-1030 Install the hinge pin



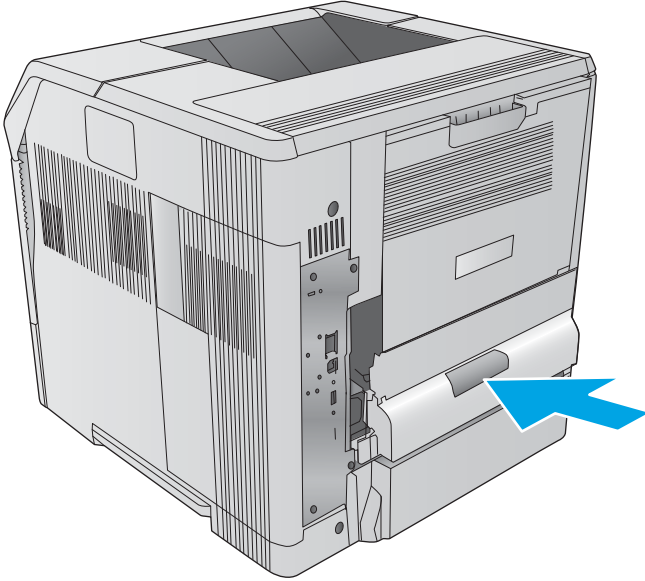
Step 18: Install the duplex accessory cover



NOTE: If the duplex accessory cover was not removed, skip this step and go to [Step 19: Install the duplex accessory on page 588](#).

- ▲ Slide the duplex accessory cover straight into the printer to install it.

Figure 1-1031 Install the duplex accessory cover



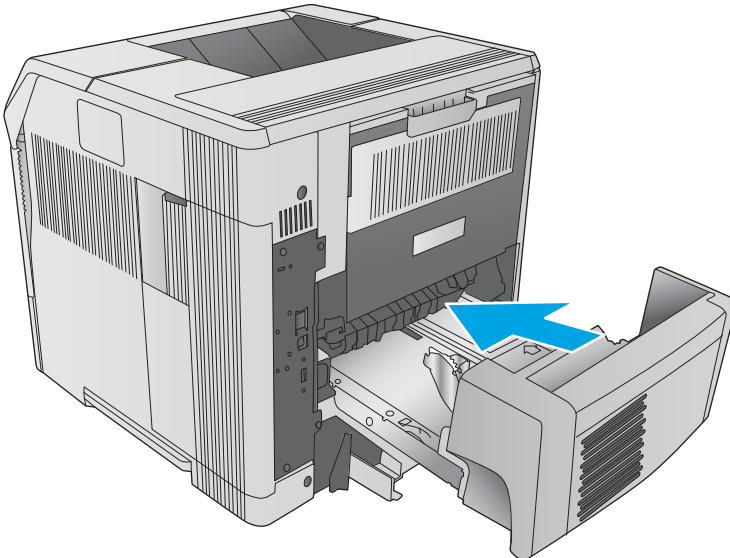
Step 19: Install the duplex accessory



NOTE: If the optional duplex accessory was not removed, skip this step.

- ▲ Slide the duplex accessory straight into the printer to install it.

Figure 1-1032 Install the duplex accessory



Removal and replacement: Power supply

- [Introduction](#)
- [Step 1: Remove the duplex accessory](#)
- [Step 2: Remove the duplex accessory cover](#)
- [Step 3: Remove the Tray 2 extension door](#)
- [Step 4: Remove the rear output bin](#)
- [Step 5: Remove the fuser](#)
- [Step 6: Remove the right cover](#)
- [Step 7: Remove the top accessory cover](#)
- [Step 8: Remove the top cover \(M604n/dn, M605n/dn, M606dn only\)](#)
- [Step 9: Remove the top cover \(M605x, M606x only\)](#)
- [Step 10: Remove the left cover](#)
- [Step 11: Remove the formatter and formatter case](#)
- [Step 12: Remove the power supply](#)
- [Step 13: Remove the feed-guide assembly](#)
- [Step 14: Unpack the replacement power supply](#)
- [Step 15: Install the feed-guide assembly](#)
- [Step 16: Install the power supply](#)
- [Step 17: Install the formatter and formatter case](#)
- [Step 18: Install the left cover](#)
- [Step 19: Install the top cover \(M605x, M606x only\)](#)
- [Step 20: Install the top cover \(M604n/dn, M605n/dn, M606dn only\)](#)
- [Step 21: Install the top accessory cover](#)
- [Step 22: Install the right cover](#)
- [Step 23: Install the fuser](#)
- [Step 24: Install the rear output bin](#)
- [Step 25: Install the Tray 2 extension door](#)
- [Step 26: Install the duplex accessory cover](#)
- [Step 27: Install the duplex accessory](#)


Introduction



This document provides the procedures to remove and replace the power supply.

Before performing service

Turn the printer power off

- Disconnect the power cable.

 **WARNING!** To avoid damage to the printer, turn the printer off, wait 30 seconds, and then remove the power cord before attempting to service the printer.

 **CAUTION:**  This part contains components that are electrostatic discharge (ESD) sensitive. To reduce the possibility of ESD damage, always touch the sheet-metal chassis to ground yourself before touching an ESD-sensitive part.

Use the table below to identify the correct part number for your printer. To order the part, go to www.hp.com/buy/parts.

Power supply part numbers

RM2-6301-000CN	Power supply (110V)
-----------------------	---------------------

RM2-6349-000CN	Power supply (220V)
-----------------------	---------------------

Required tools

- #2 Phillips screwdriver with a magnetic tip

After performing service

Turn the printer power on


- Connect the power cable.
- Use the power switch to turn the power on.

Post service test

Make sure that the printer initializes to a **Ready** state.

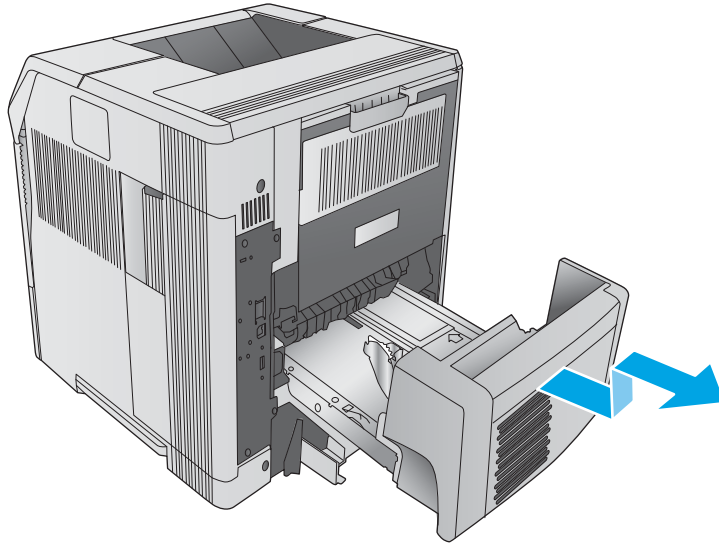
Print a configuration page to make sure that the printer is functioning correctly.

Step 1: Remove the duplex accessory


 **NOTE:** If the optional duplex accessory is not installed, skip this step and go to [Step 2: Remove the duplex accessory cover on page 591](#).

- ▲ Slightly lift up on the duplex accessory, and then pull it completely out of the printer to remove it.

Figure 1-1033 Remove the duplex accessory

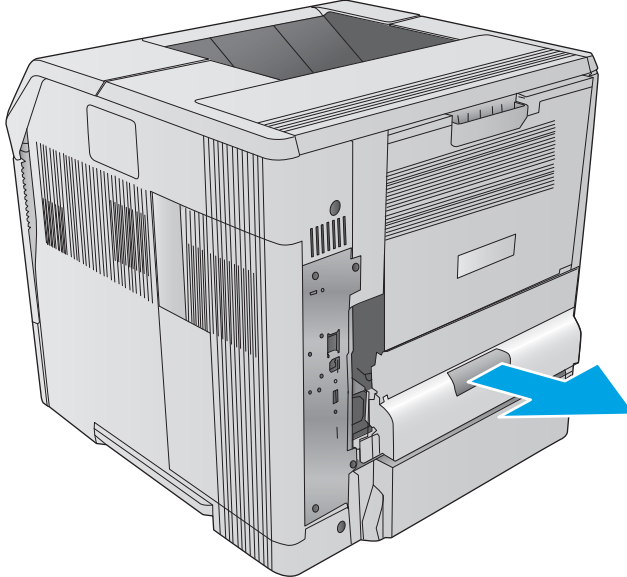


Step 2: Remove the duplex accessory cover

 **NOTE:** If the duplex accessory cover is not installed, skip this step and go to [Step 3: Remove the Tray 2 extension door on page 591](#).

- ▲ Pull the duplex accessory cover straight out of the printer to remove it.

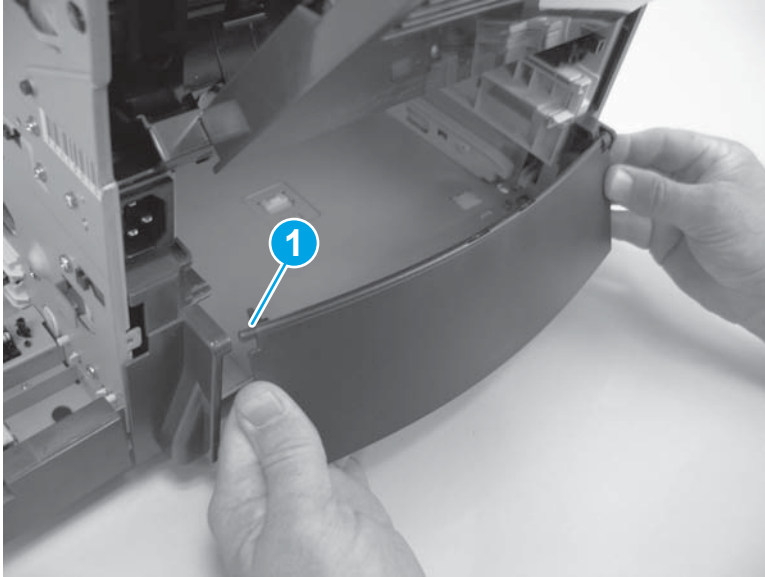
Figure 1-1034 Remove the duplex accessory cover



Step 3: Remove the Tray 2 extension door

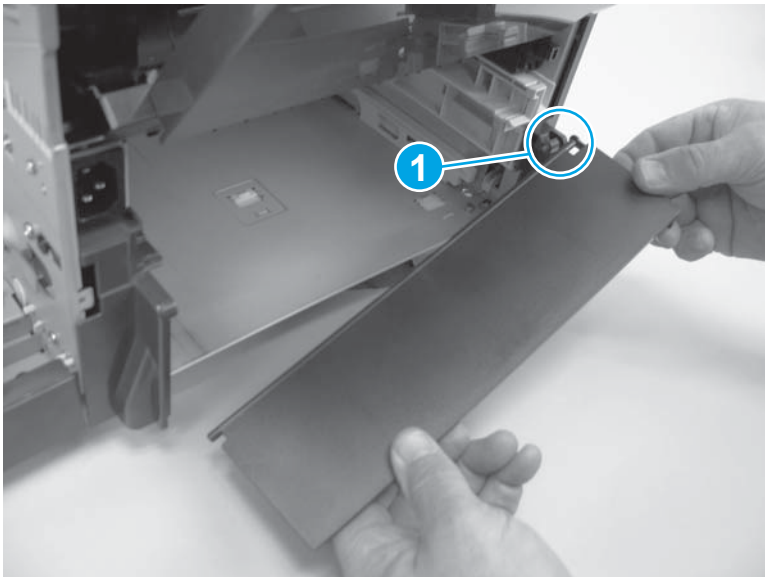
1. Carefully flex the Tray 2 extension door to release the hinge pin (callout 1) near the power-cord side of the printer.

Figure 1-1035 Release the hinge pin



2. Rotate the Tray 2 extension door to the horizontal position, and then pull up on the keyed hinge pin (callout 1) to release the door. Remove the Tray 2 extension door.

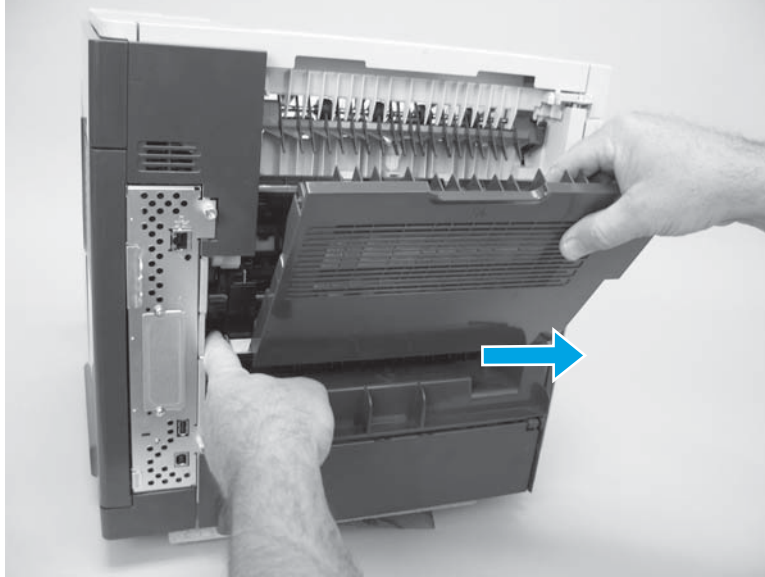
Figure 1-1036 Remove the Tray 2 extension door



Step 4: Remove the rear output bin

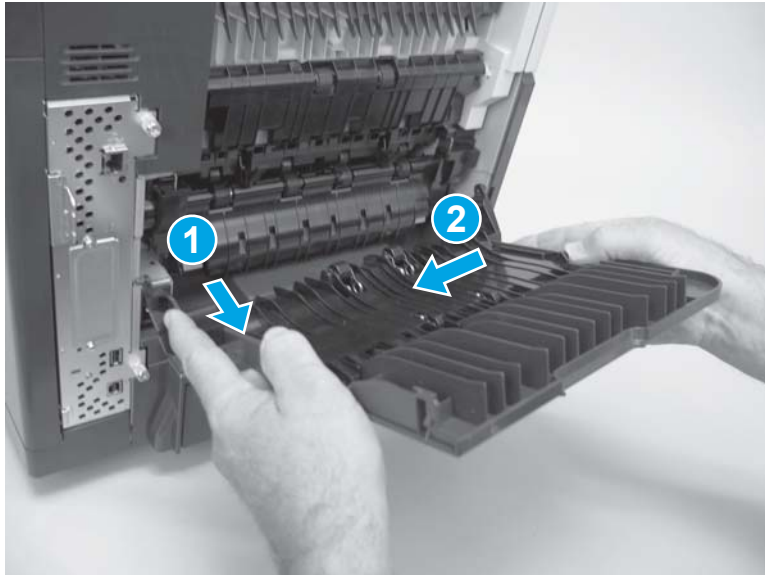
1. Open the rear output bin, and then squeeze the hinge pin out of its mounting hole.

Figure 1-1037 Release the hinge pin



2. Rotate the output bin away from the printer (callout 1) until the right hinge pin is released, and then slide the output bin to the left (callout 2) to remove it.

Figure 1-1038 Remove the output bin

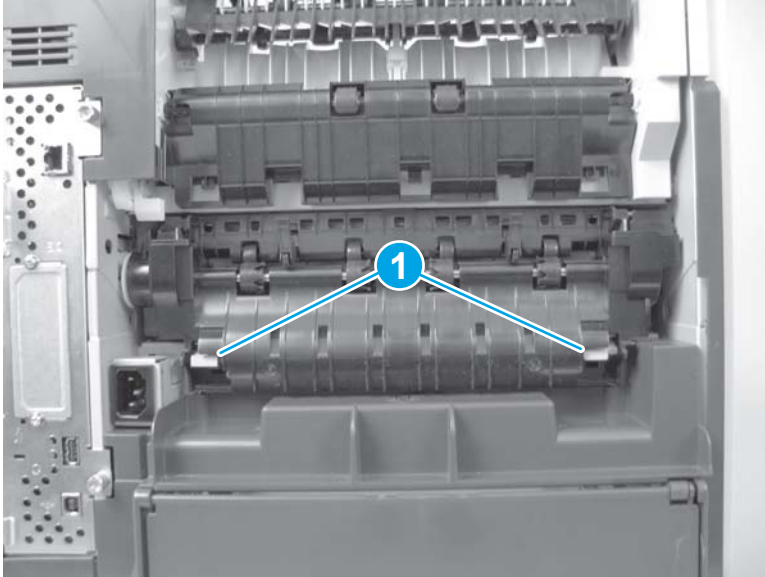


Step 5: Remove the fuser

WARNING! The fuser might be very hot. After turning off the printer power, allow the fuser to cool for at least 5 minutes before removing it.

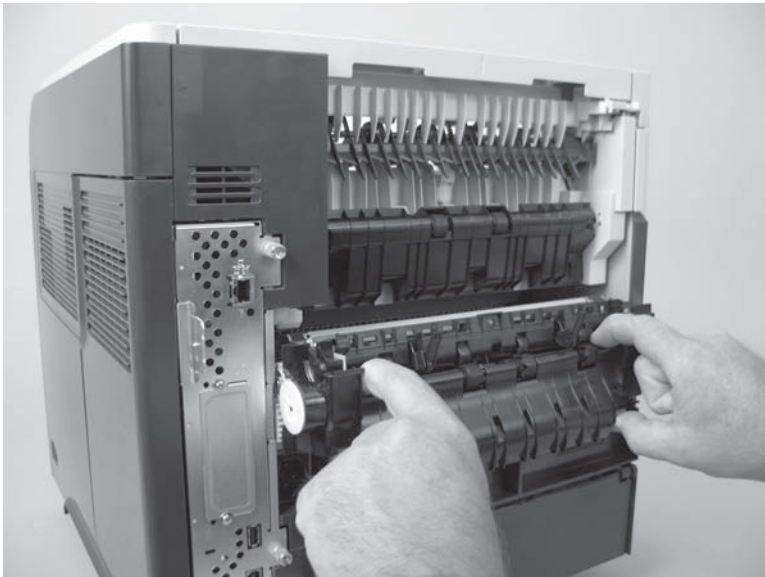
1. Squeeze the blue fuser-release tabs (callout 1).

Figure 1-1039 Squeeze the blue fuser-release tabs



2. Pull the fuser straight back and out of the printer.

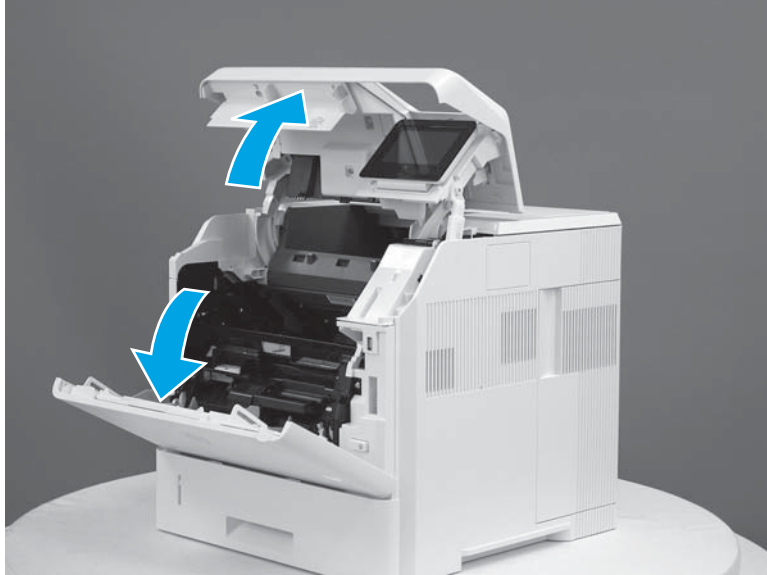
Figure 1-1040 Remove the fuser



Step 6: Remove the right cover

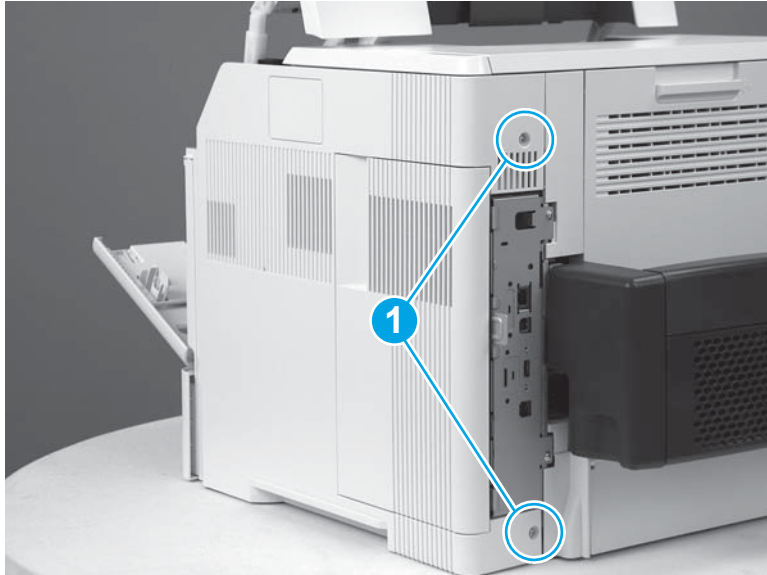
1. Open the front cover and the cartridge door.

Figure 1-1041 Open the front cover and cartridge door



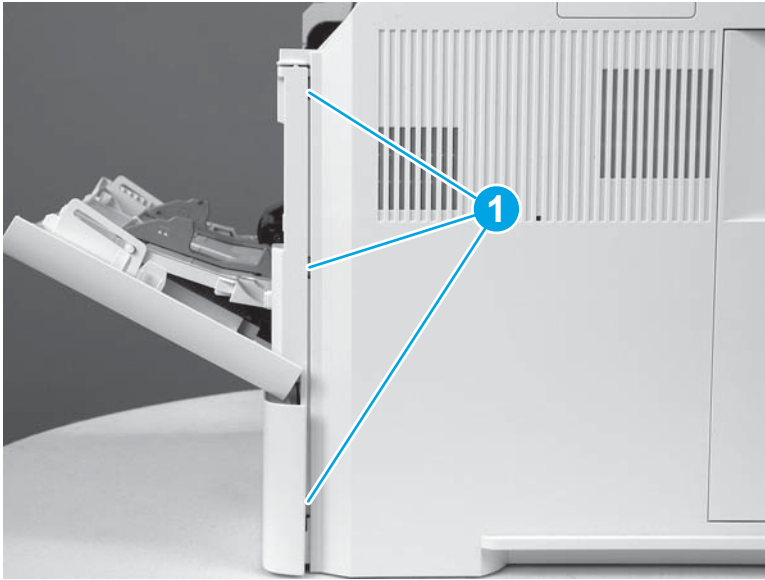
2. Remove two screws (callout 1).

Figure 1-1042 Remove two screws



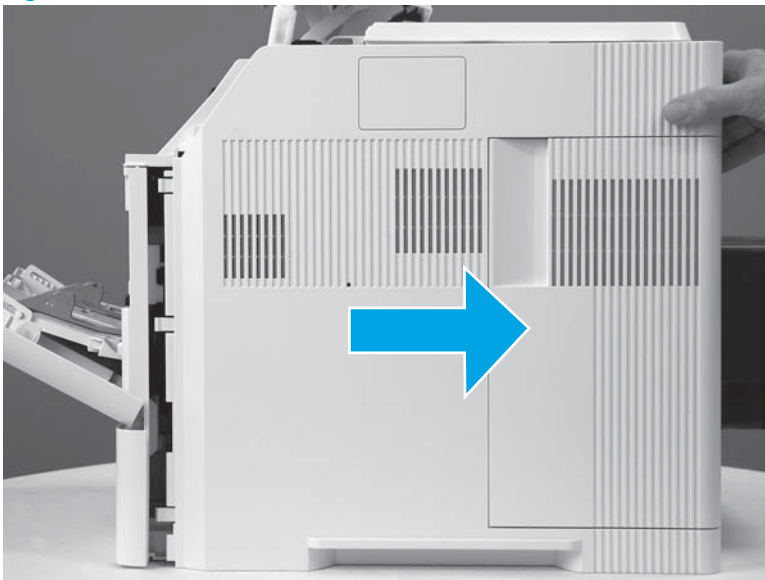
3. Release three tabs (callout 1).

Figure 1-1043 Release three tabs



4. Slide the cover toward the rear of the printer to remove it.

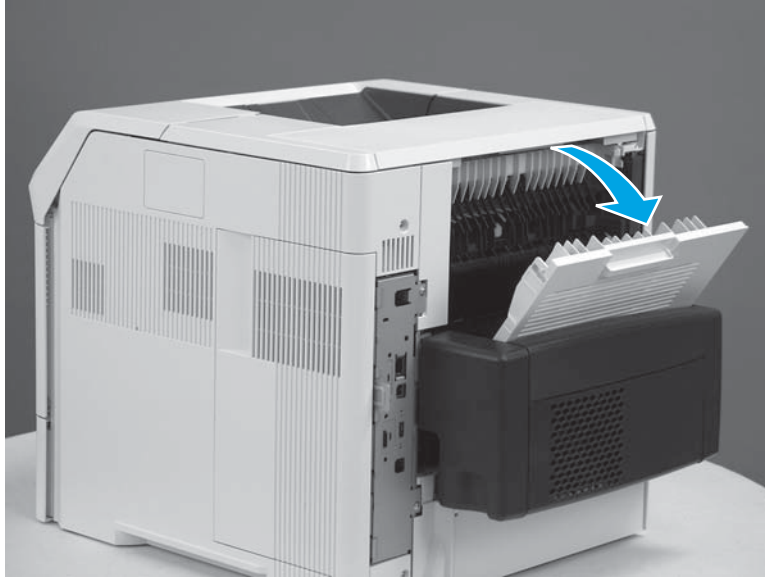
Figure 1-1044 Remove the cover



Step 7: Remove the top accessory cover

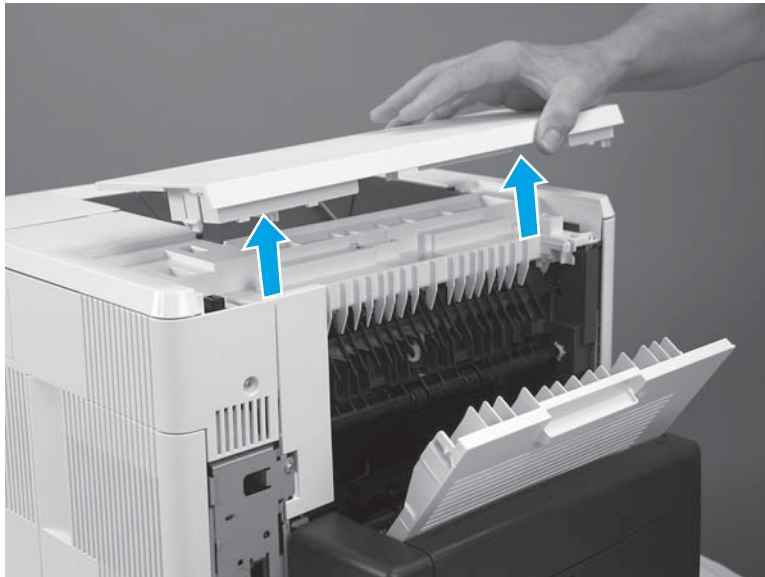
1. Open the rear output bin.

Figure 1-1045 Open the rear output bin




2. Lift the top accessory cover up and off of the printer.

Figure 1-1046 Remove top accessory cover



Step 8: Remove the top cover (M604n/dn, M605n/dn, M606dn only)

 **NOTE:** For the M605x or M606x product, skip this step and go to [Step 9: Remove the top cover \(M605x, M606x only\)](#) on page 601.

1. Use needle-nose pliers to release the toner-cartridge drive-arm tabs (callout 1).

 **CAUTION:** The toner-cartridge drive-arm tabs break easily.


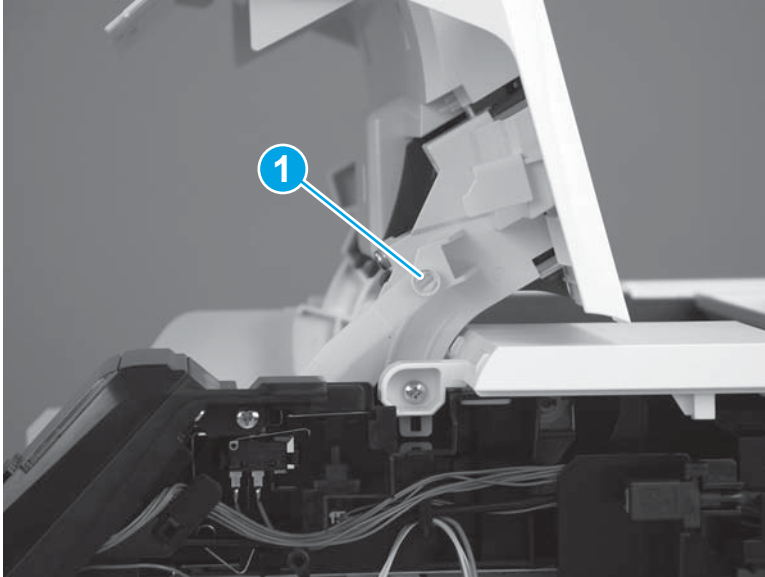
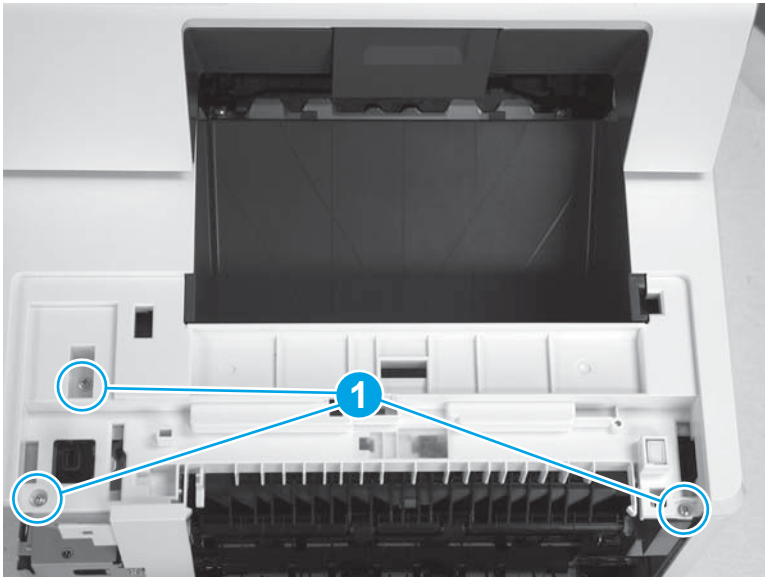
 **TIP:** Push the toner-cartridge drive-arm back into the printer to avoid damaging it when you remove the top cover.

Figure 1-1047 Release the drive-arm tabs



2. Remove three screws (callout 1) on the top of the printer.

Figure 1-1048 Remove three screws



3. Remove one screw (callout 1) on the right side of the printer.


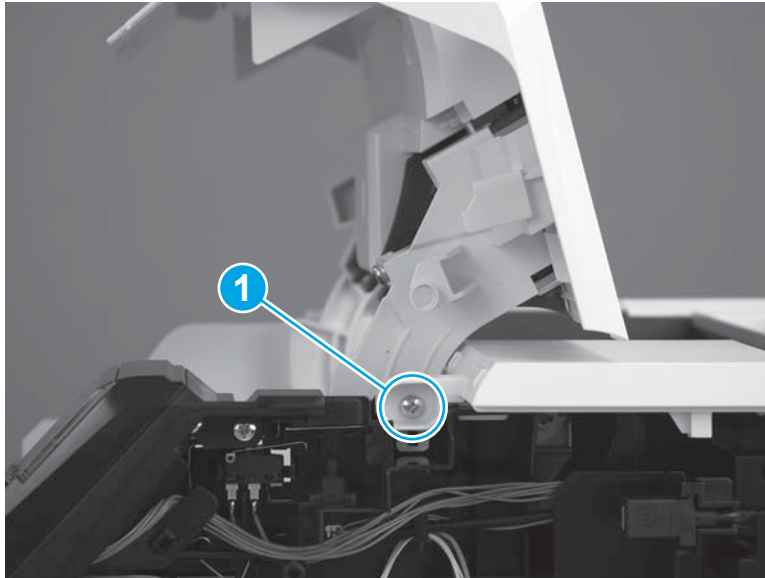
 **Reinstallation tip:** This screw is larger than the screws removed from the top of the printer. Make sure to install the correct screw when reassembling.

Figure 1-1049 Remove one screw



4. Remove one screw (callout 1) on the left side of the printer.


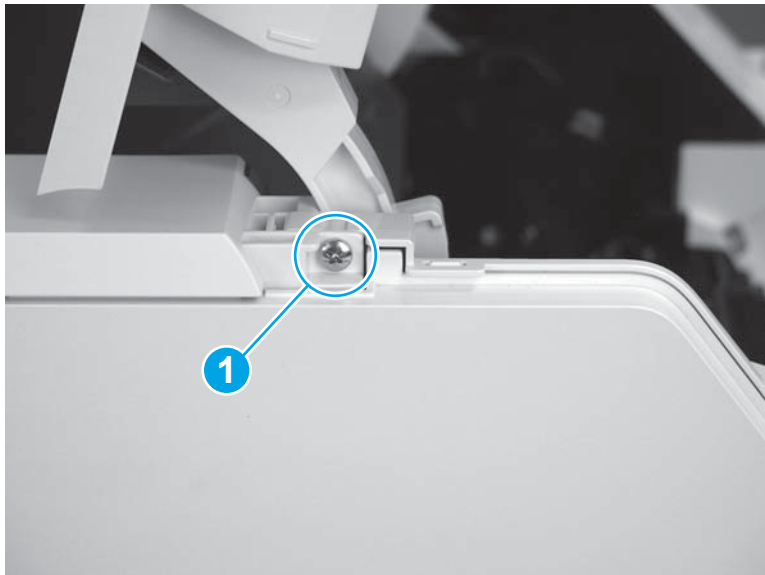
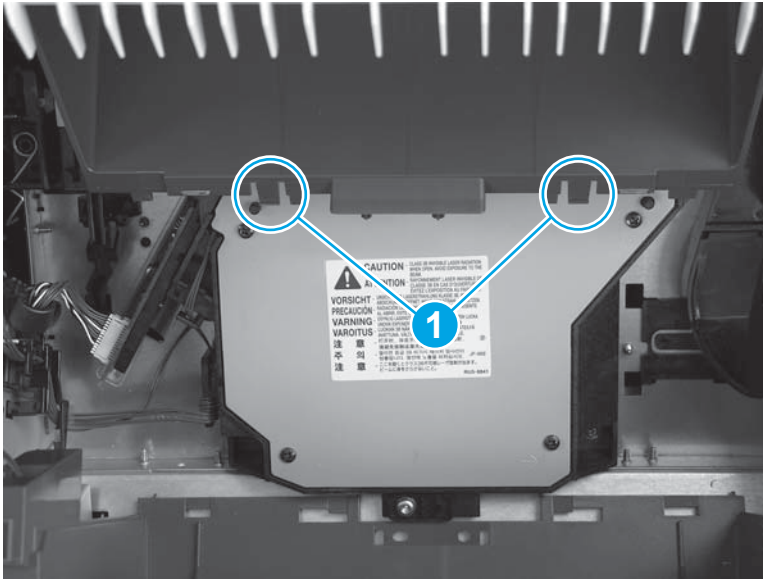
 **Reinstallation tip:** This screw is larger than the screws removed from the top of the printer. Make sure to install the correct screw when reassembling.

Figure 1-1050 Remove one screw



5. Note the location of two tabs on the top output bin (callout 1). These tabs are released in the next step.

Figure 1-1051 Location of two tabs



6. Release two tabs (callout 1) on the top output bin.


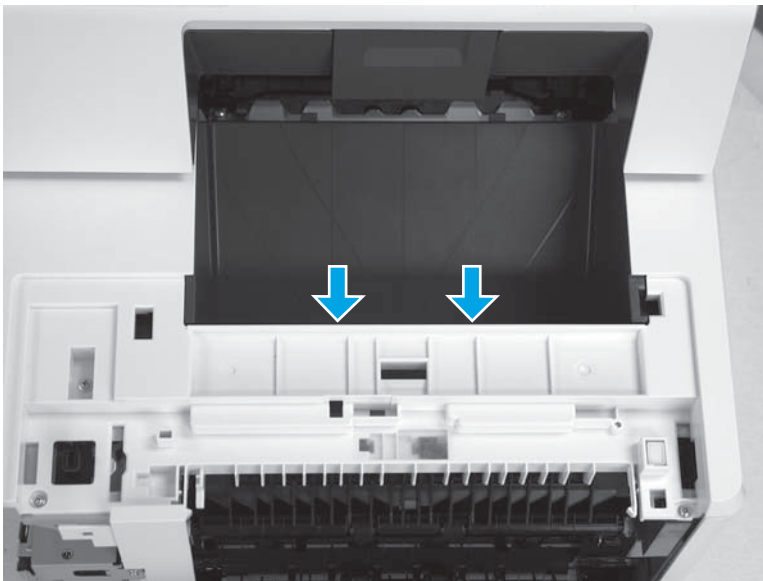
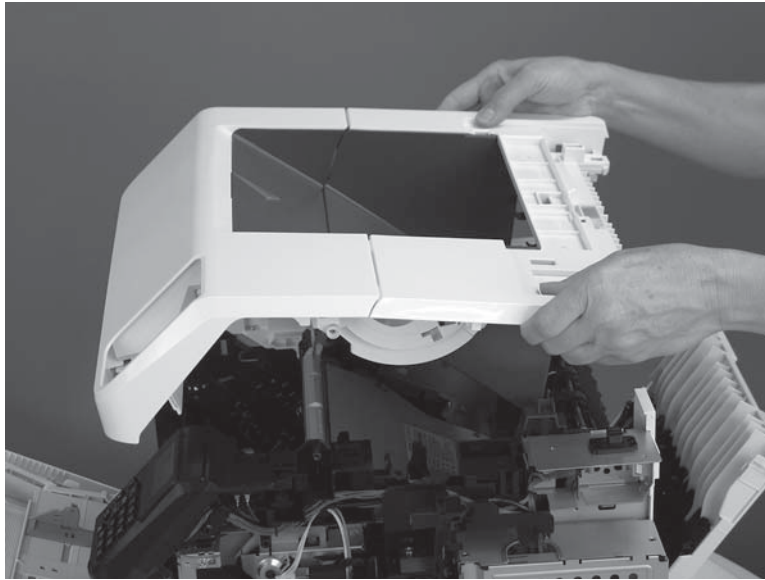
 **Reinstallation tip:** Make sure that these tabs are fully seated when the top cover is reinstalled.

Figure 1-1052 Release two tabs



7. Lift the top cover up and off of the printer to remove it.

Figure 1-1053 Remove the top cover



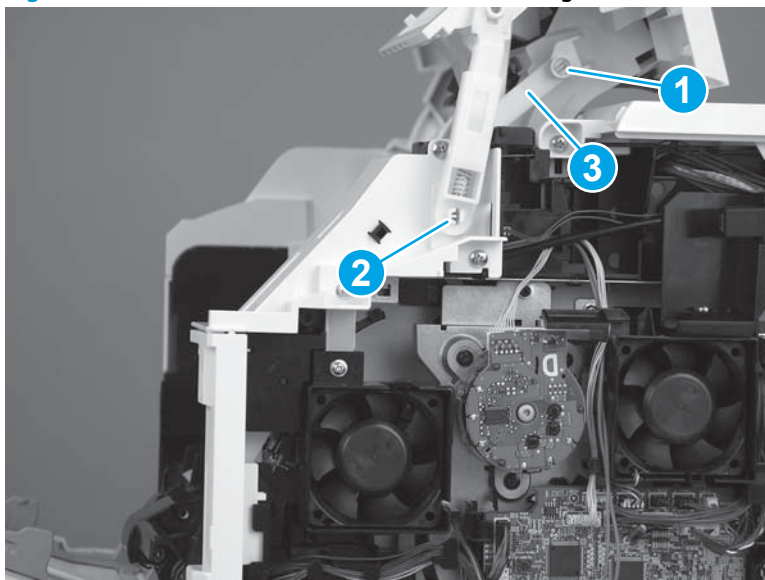
Step 9: Remove the top cover (M605x, M606x only)

1. Use needle-nose pliers to release the toner-cartridge drive-arm tabs (callout 1) and the toner-cartridge door hinge tabs (callout 2).

⚠ CAUTION: The toner-cartridge drive-arm tabs break easily.

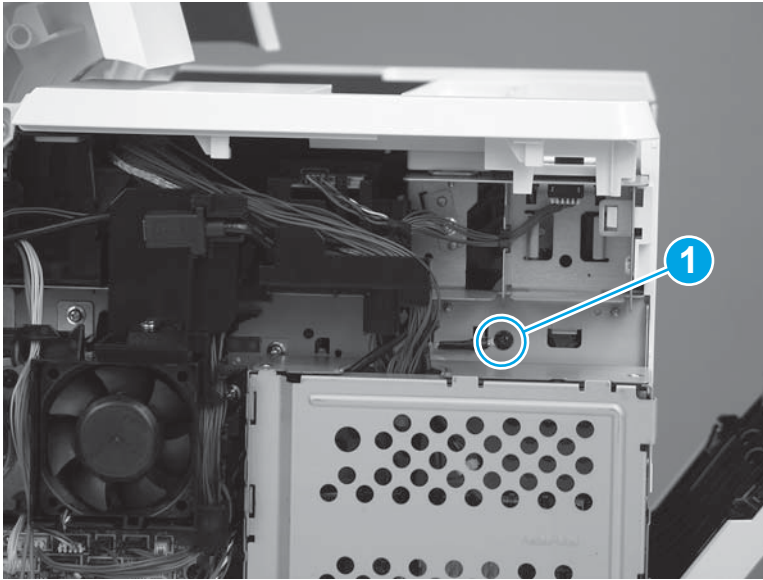
💡 TIP: Push the toner-cartridge drive-arm (callout 3) back into the printer to avoid damaging it when you remove the top cover.

Figure 1-1054 Release the drive-arm and door hinge tabs



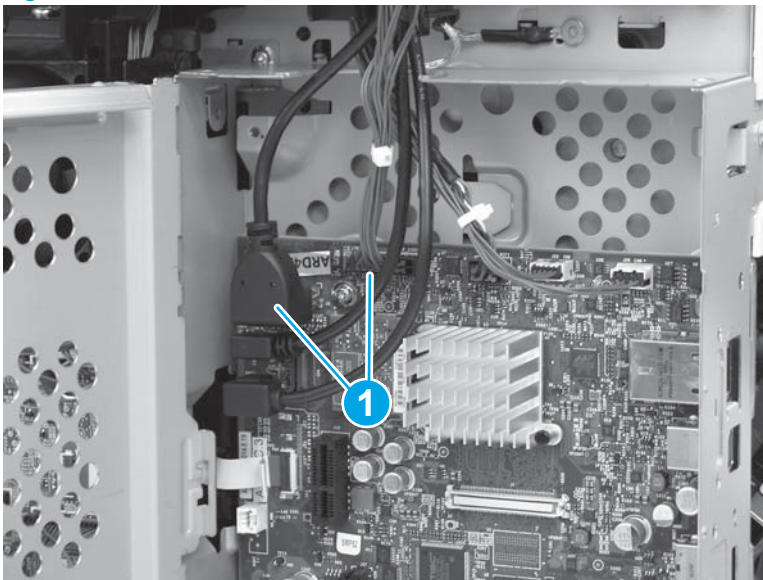
2. Remove one screw, and then release the ground wire (callout 1).

Figure 1-1055 Release the ground wire



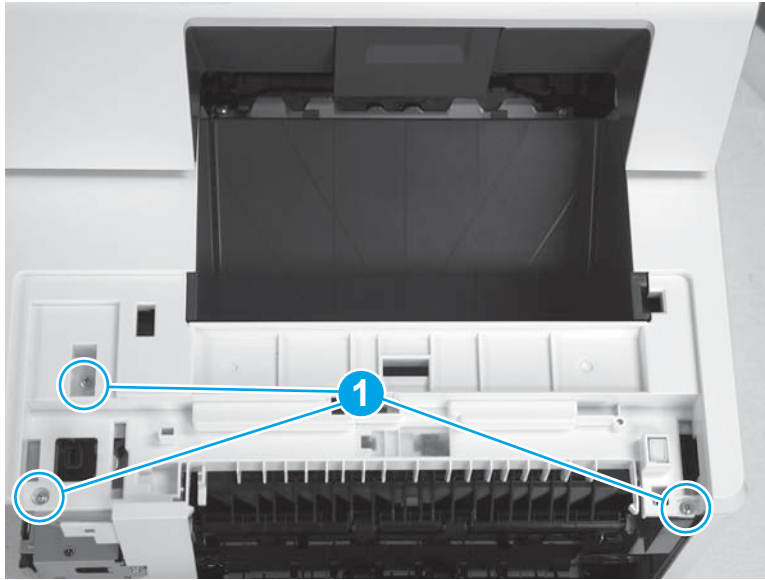
3. Open the formatter case door, and then disconnect two connectors (callout 1).

Figure 1-1056 Disconnect two connectors



4. Remove three screws (callout 1) on the top of the printer.

Figure 1-1057 Remove three screws



5. Remove one screw (callout 1) on the right side of the printer.


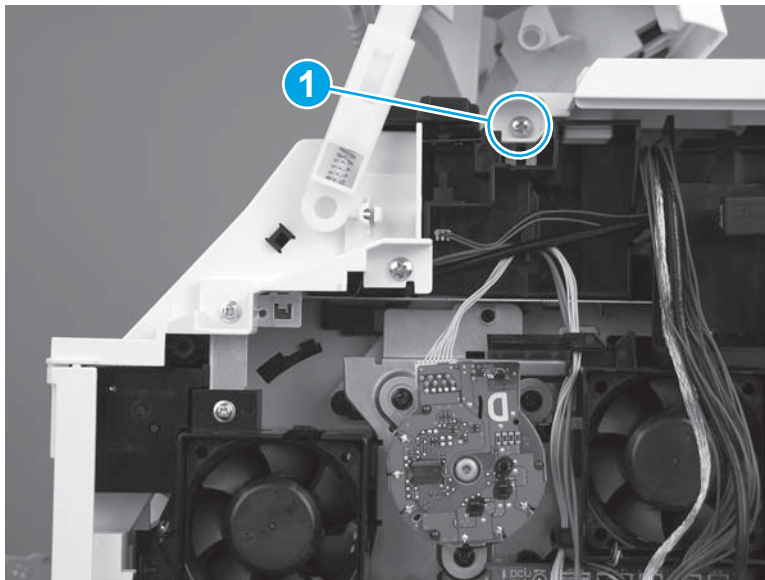
 **Reinstallation tip:** This screw is larger than the screws removed from the top of the printer. Make sure to install the correct screw when reassembling.

Figure 1-1058 Remove one screw



6. Remove one screw (callout 1) on the left side of the printer.


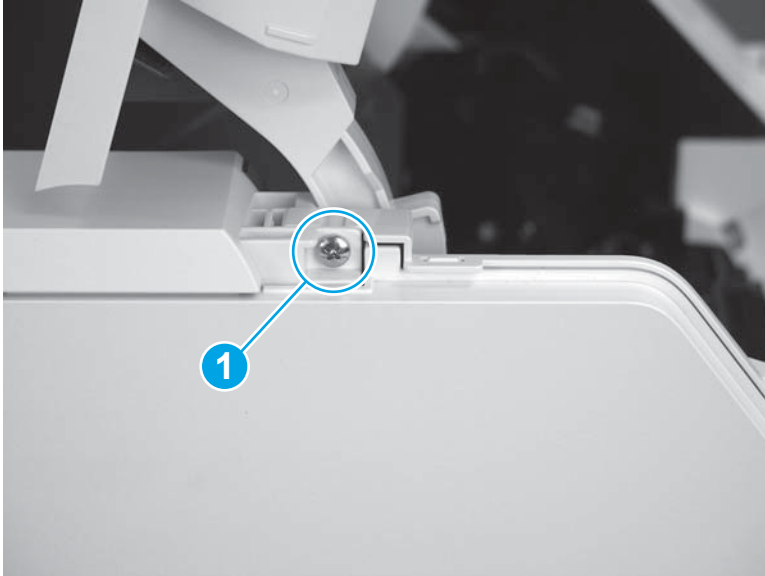
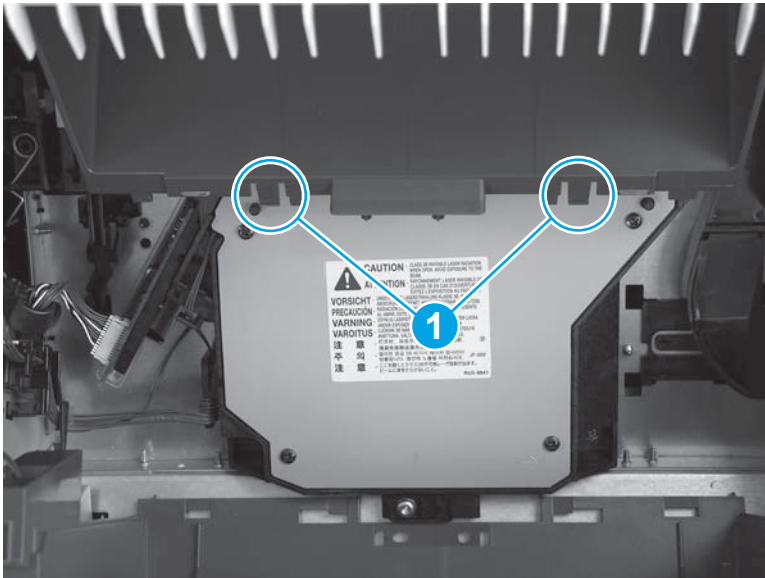
 **Reinstallation tip:** This screw is larger than the screws removed from the top of the printer. Make sure to install the correct screw when reassembling.

Figure 1-1059 Remove one screw



7. Note the location of two tabs on the top output bin (callout 1). These tabs are released in the next step.

Figure 1-1060 Location of two tabs



8. Release two tabs (callout 1) on the top output bin.


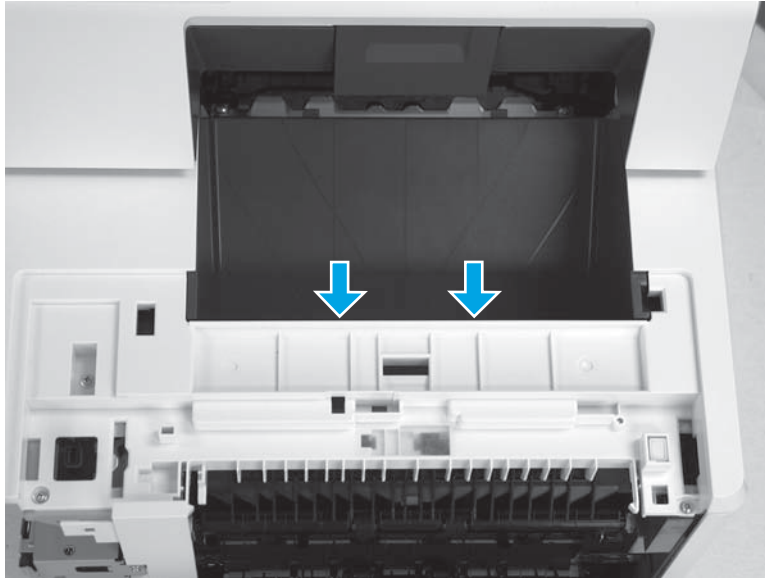
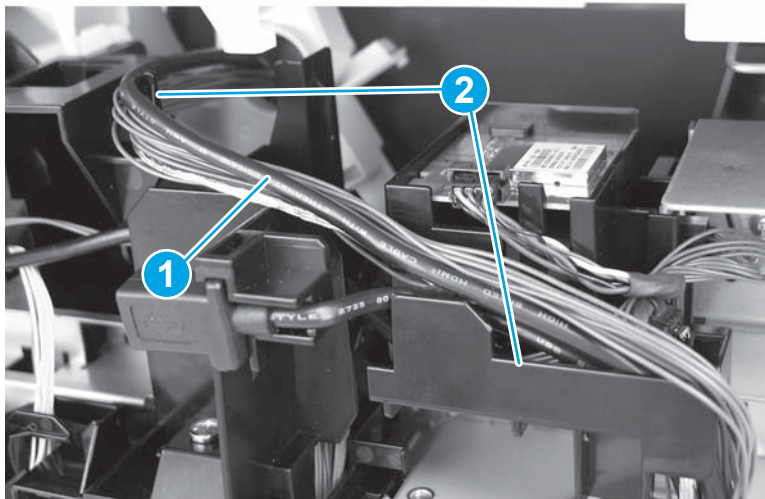
 **Reinstallation tip:** Make sure that these tabs are fully seated when the top cover is reinstalled.

Figure 1-1061 Release two tabs



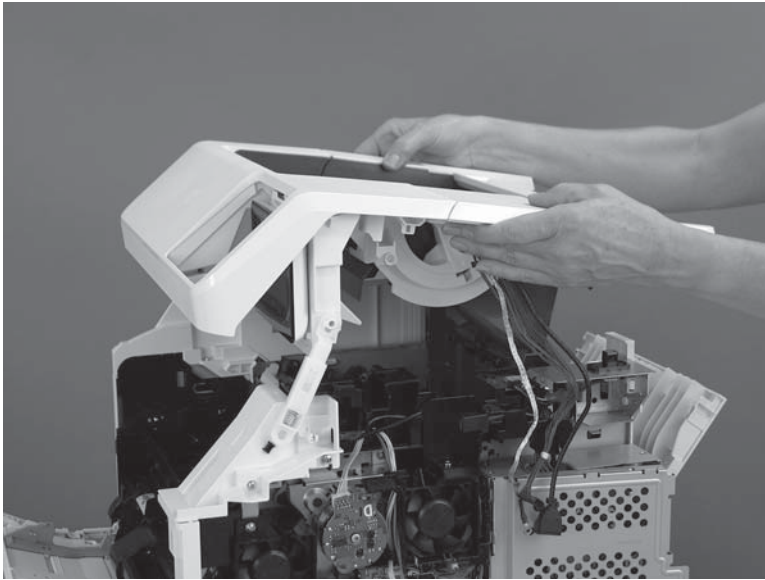
9. On the right side of the printer, release the wire harness and cables (callout 1) from the guides (callout 2).

Figure 1-1062 Release cables from guides



10. Lift the top cover up and off of the printer to remove it.

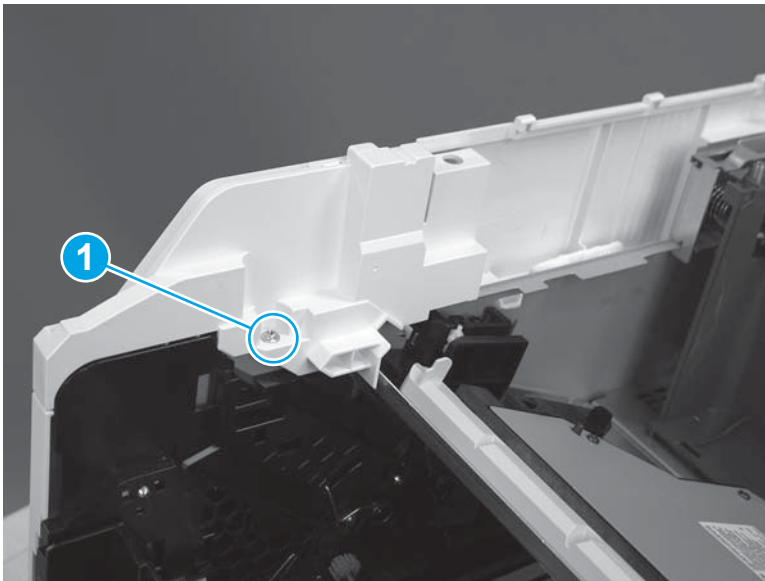
Figure 1-1063 Remove the top cover



Step 10: Remove the left cover

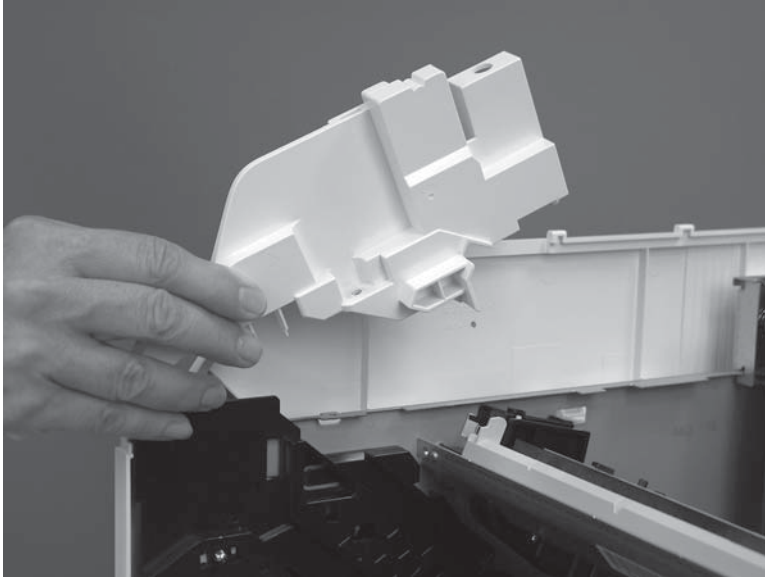
1. Remove one screw (callout 1).

Figure 1-1064 Remove one screw



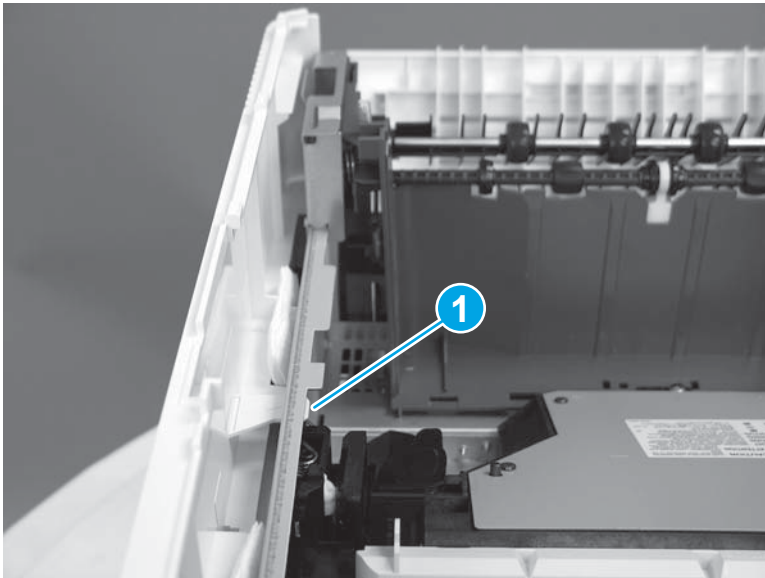
2. Remove the left front inside cover.

Figure 1-1065 Remove the left front inside cover



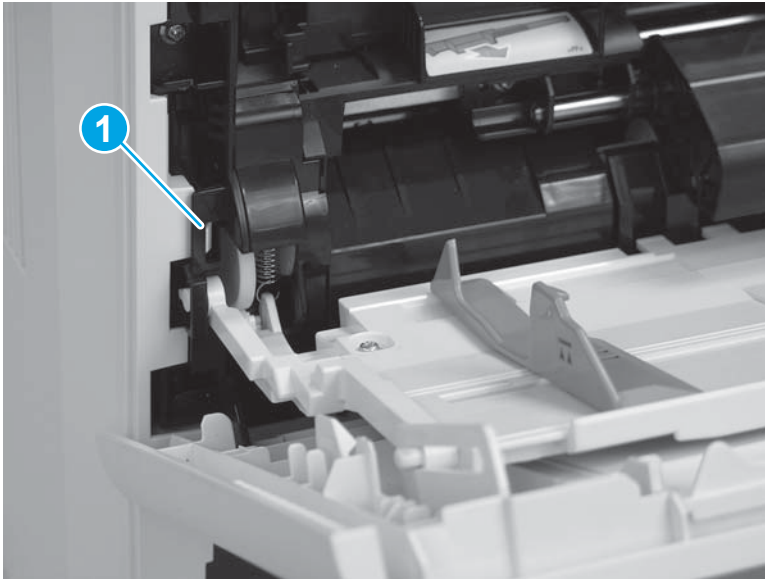
3. Release one tab (callout 1) on the top of the cover.

Figure 1-1066 Release one tab



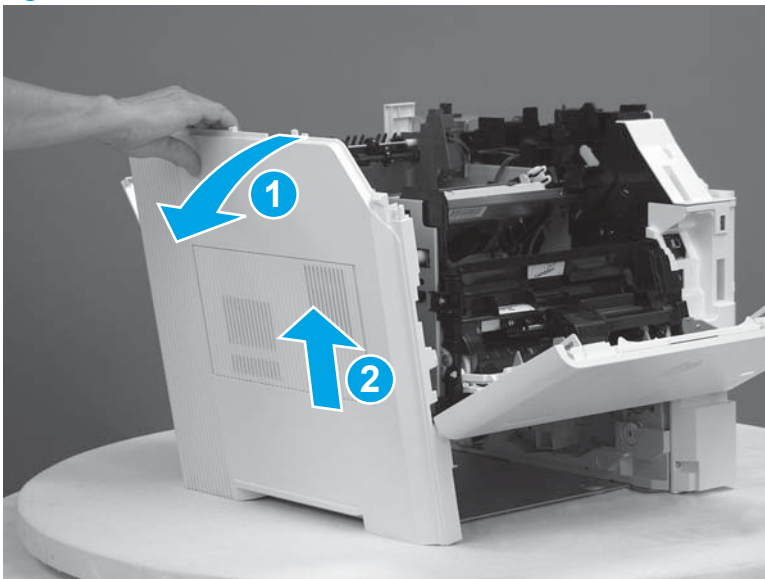
4. Release one tab (callout 1) on the front of the cover.

Figure 1-1067 Release one tab



5. Rotate the top of the cover away (callout 1) from the printer, and then lift the cover up (callout 2) to remove it.

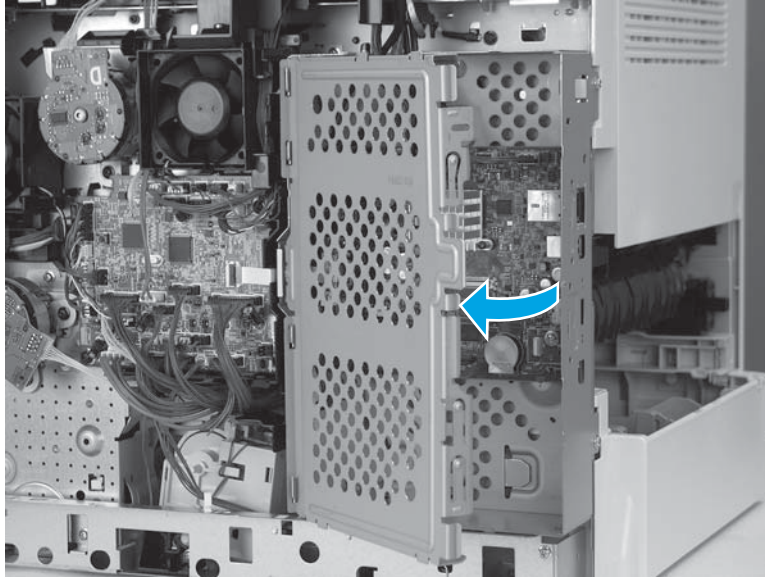
Figure 1-1068 Remove the cover



Step 11: Remove the formatter and formatter case

1. Open the formatter case door.

Figure 1-1069 Open the formatter case door



2. Locate the flat cable connector (callout 1) on the formatter.


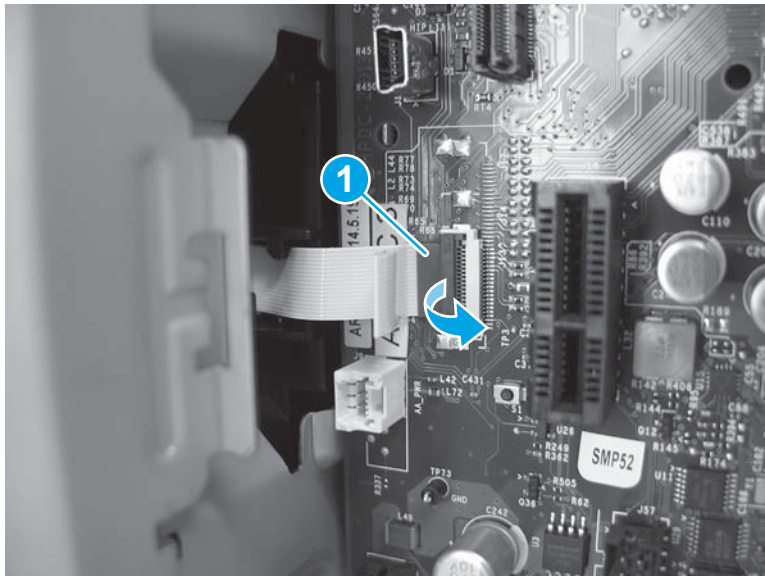
 **IMPORTANT:** This connector is a Zero Insertion Force (ZIF) connector that uses a hinged retainer to secure a flat cable. The hinged retainer must be opened to release the flat cable.

Figure 1-1070 ZIF connector



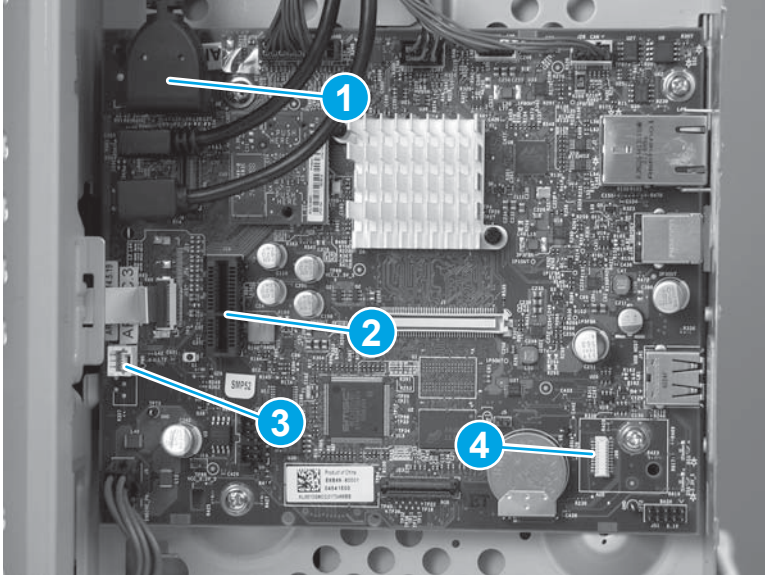
3. Disconnect all of the connectors on the formatter.

The following connectors are empty:

- J23, J25, J51, and J57
- J3 (callout 1): This connector is empty on the M604n/dn, M605n/dn, and M606dn models. It holds the touchscreen cable on the M605x and M606x models.
- J18 (callout 2): This connector is empty unless the optional hard-disk drive (HDD) is installed.

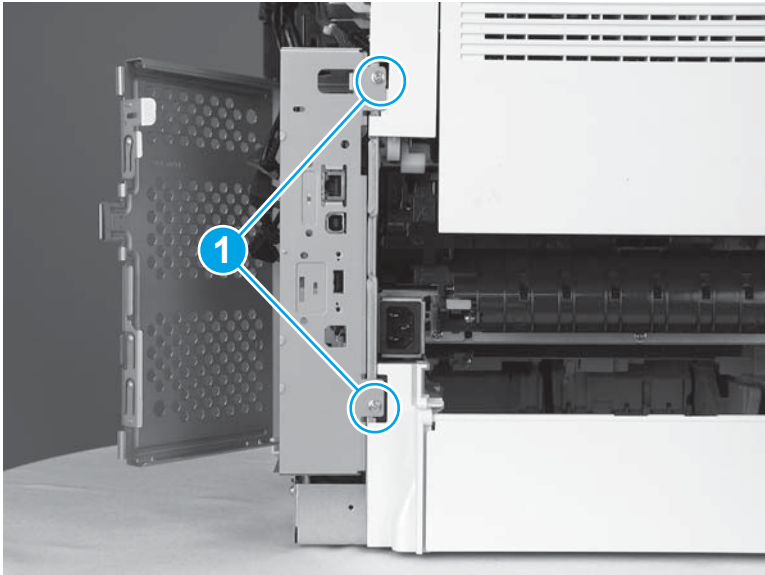
- J9 (callout 3): This connector is empty unless the optional two internal USB ports accessory is installed.
- J98 (callout 4): This connector is empty unless the optional trusted platform module (TPM) is installed.

Figure 1-1071 Disconnect all connectors



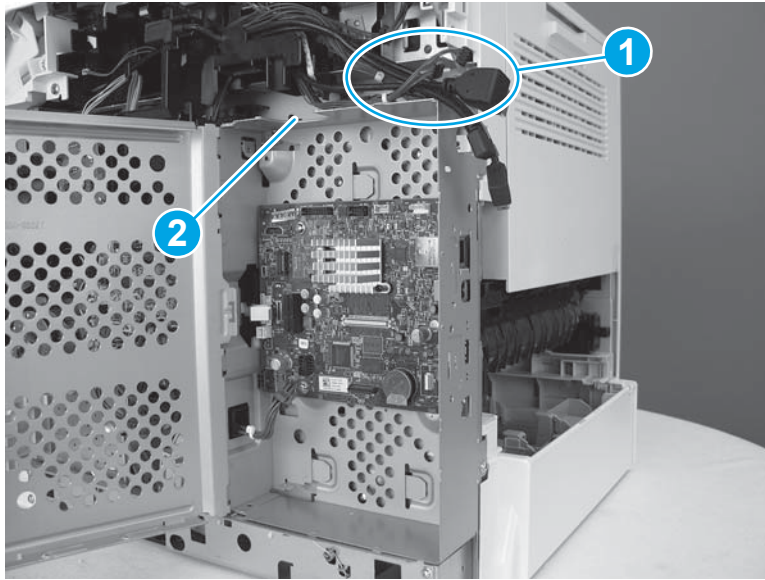
4. Remove two screws (callout 1).

Figure 1-1072 Remove two screws



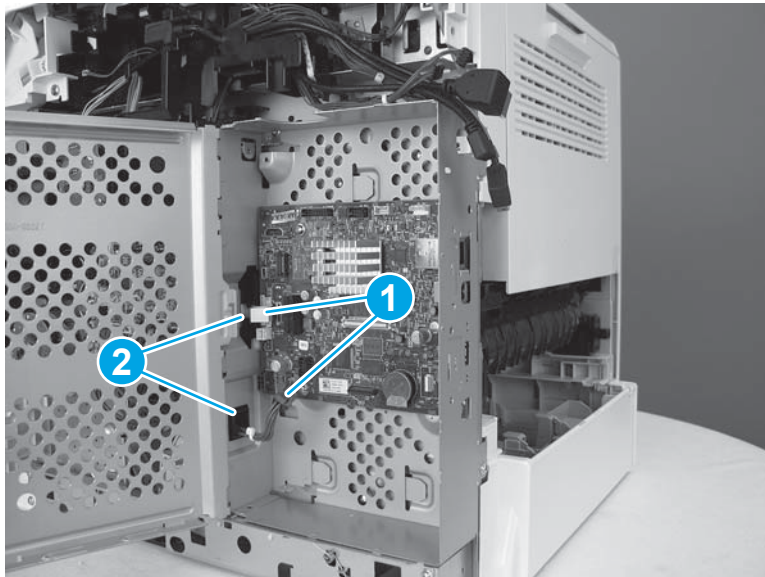
5. Remove the wires and cables (callout 1) from the opening (callout 2) in the top of the formatter case.

Figure 1-1073 Remove the wires from the formatter case



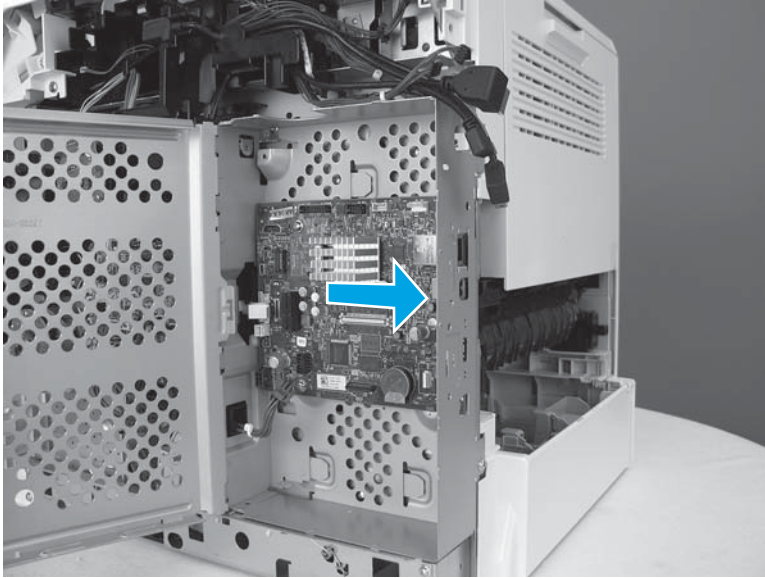
6. When removing the formatter case in the next step, make sure that the flat cable and wire harness (callout 1) slide through the openings (callout 2) in the formatter case.

Figure 1-1074 Feed cables through the openings



7. Slide the formatter case toward the back of the printer to remove it.

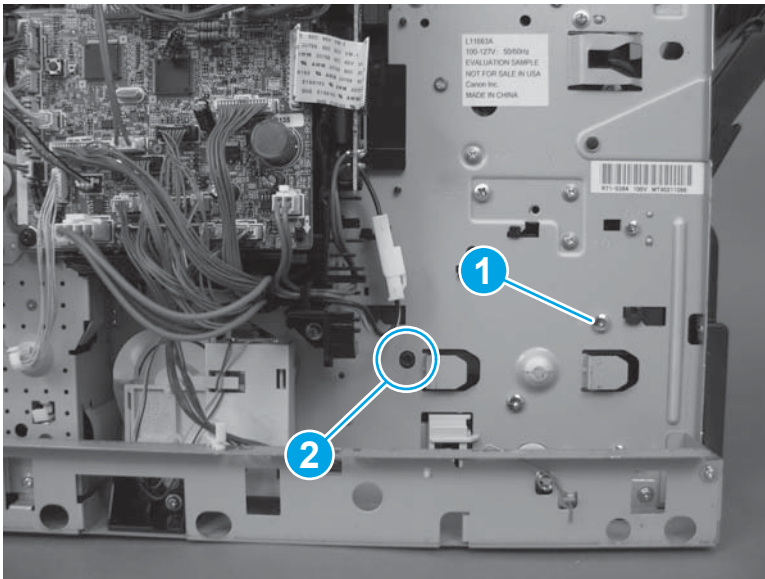
Figure 1-1075 Remove formatter case



Step 12: Remove the power supply

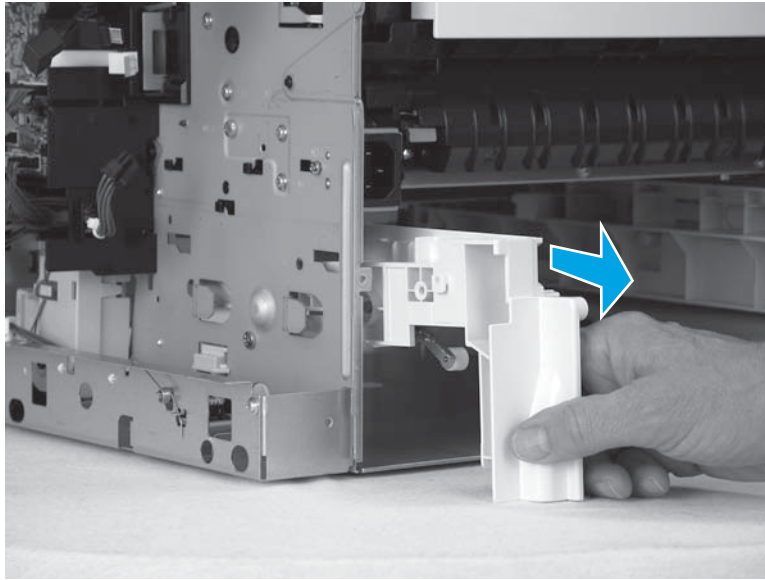
1. Remove one screw (callout 1), and then release one tab (callout 2).

Figure 1-1076 Remove one screw and release one tab



2. Slide the tray guide towards the rear of the printer to remove it.

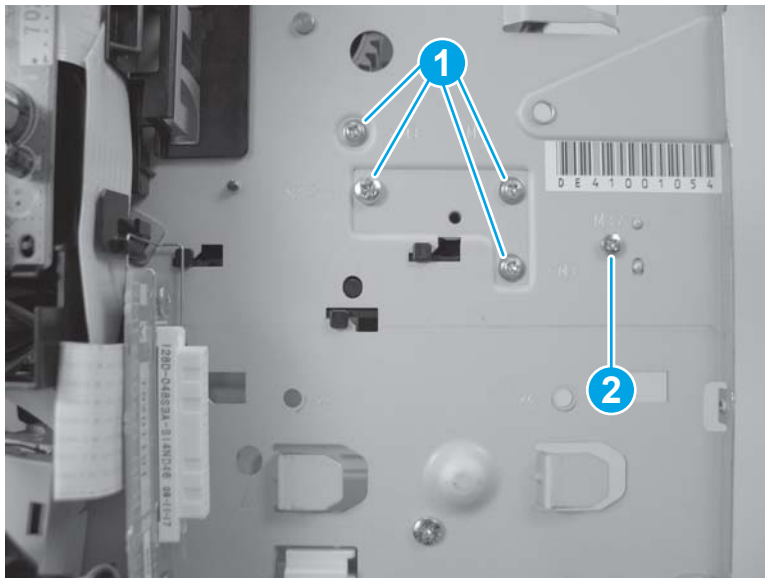
Figure 1-1077 Remove the tray guide



3. Remove four screws (callout 1) and one grounding screw (callout 2).

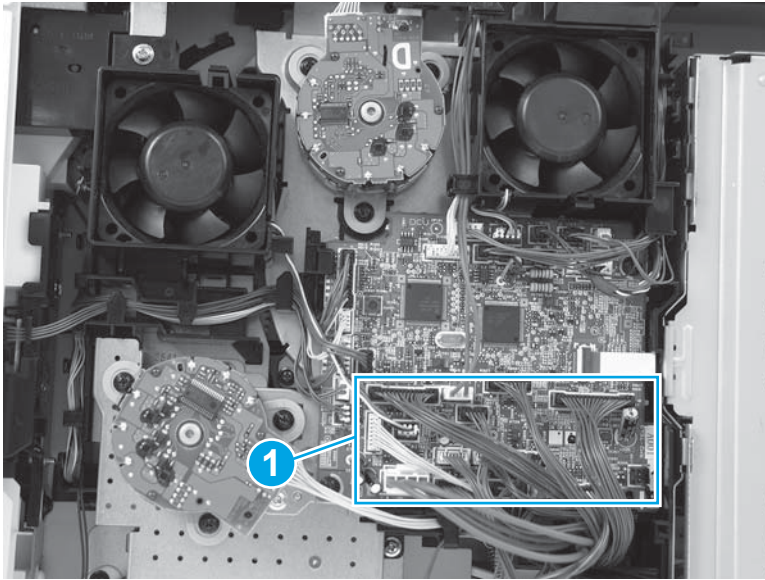
⚠ WARNING! When reinstalling the power supply, you must use a grounding screw to secure the AC outlet to the printer chassis.

Figure 1-1078 Remove four screws and grounding screw



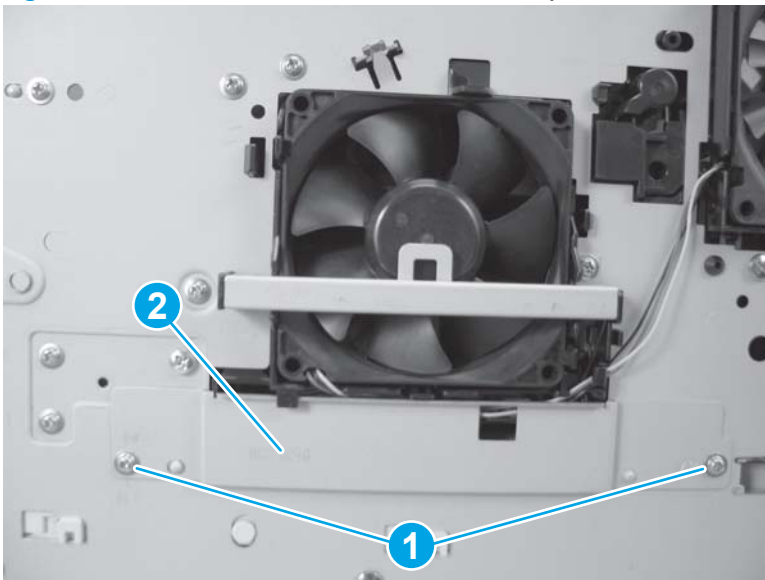
4. Disconnect seven wire-harness connectors (callout 1; J30, J82, J84, J85, J95, J96, and J98).

Figure 1-1079 Disconnect seven wire-harness connectors



5. Remove two screws (printer left side; callout 1) and then remove the fan-cover plate (callout 2).

Figure 1-1080 Remove two screws and fan cover plate



6. Disconnect three wire-harness connectors (printer left side; callout 1) and then remove four screws (callout 2).


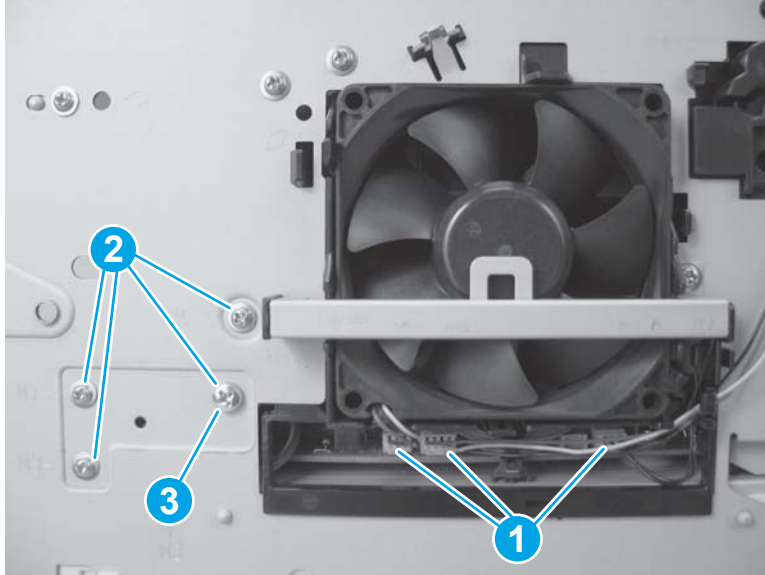
 **Reinstallation tip:** One screw (callout 3) is a different type than the others. Make sure that you replace the screws in the correct position.

Figure 1-1081 Disconnect three connectors and remove four screws



7. Feed the cables that were disconnected earlier through the opening in the right side of the chassis under the power-supply assembly.

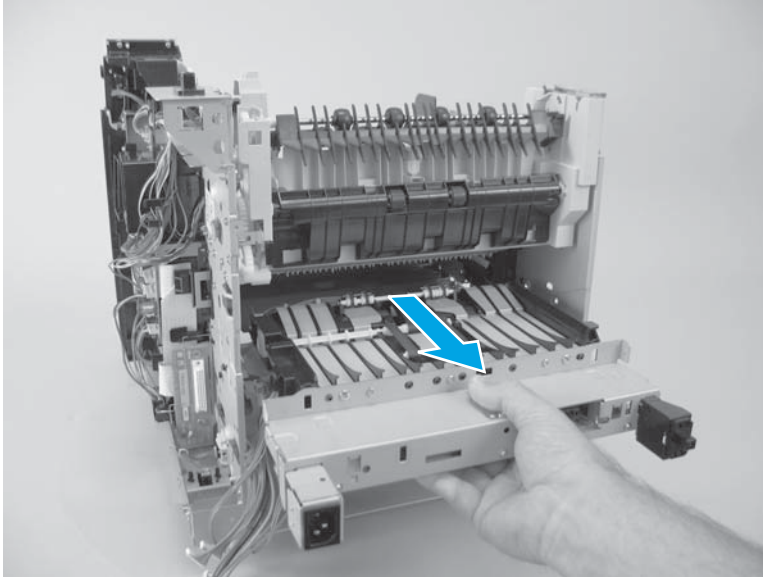
Figure 1-1082 Feed the cables through the opening



8. Grasp the power-supply assembly, lift it up slightly, and then pull it straight out of the chassis to remove it.

⚠ CAUTION: Make sure that the four rubber belts and plastic rollers on the feed-guide assembly (mounted to the top of the power supply) remain in place. These belts and rollers can easily become dislodged and you might lose them.

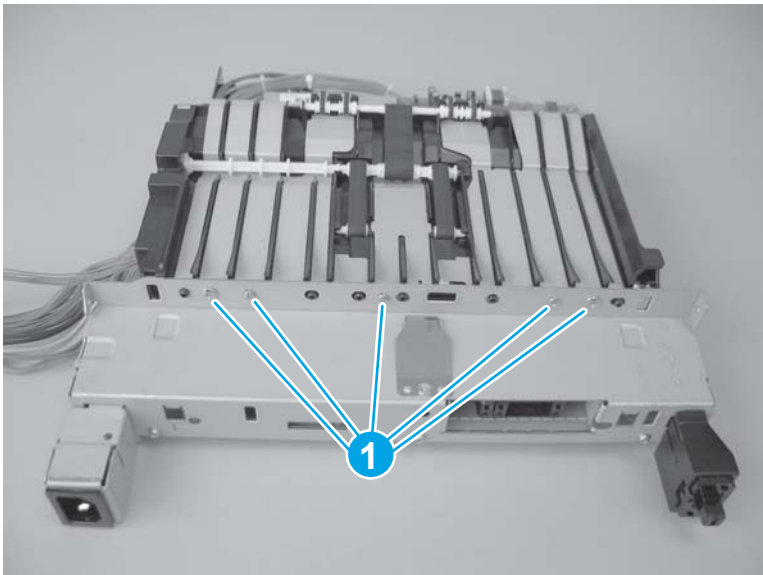
Figure 1-1083 Remove the power supply



Step 13: Remove the feed-guide assembly

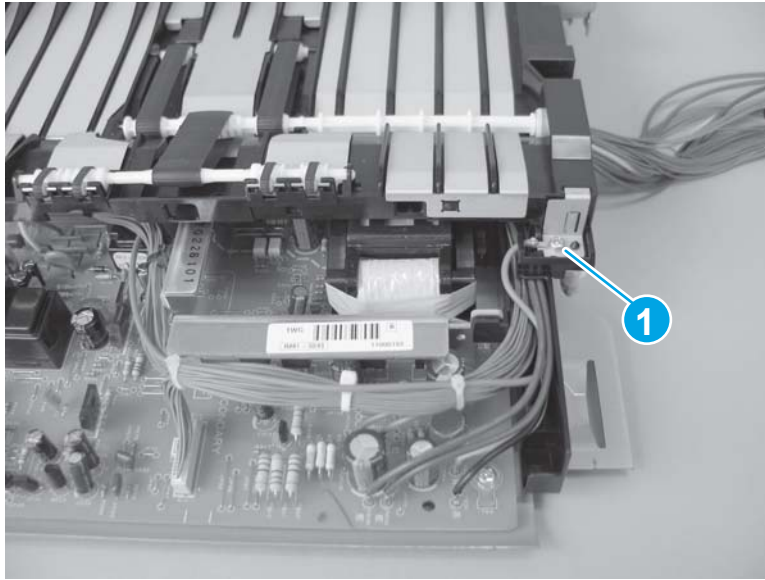
1. Remove five screws (callout 1).

Figure 1-1084 Remove five screws



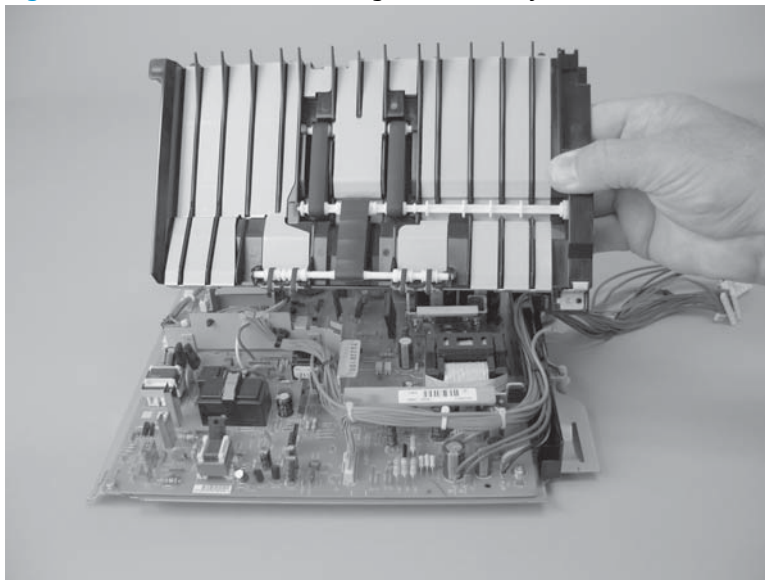
2. Remove one screw (callout 1).

Figure 1-1085 Remove one screw




3. Remove the feed-guide assembly.

Figure 1-1086 Remove the feed-guide assembly



Step 14: Unpack the replacement power supply

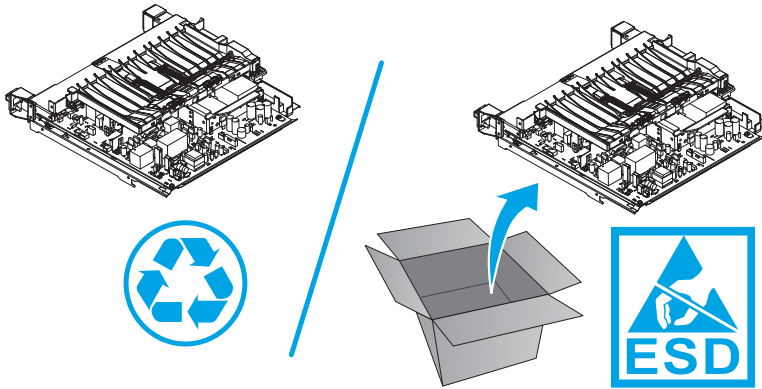
Unpack the replacement part from the packaging.

CAUTION:  This part contains components that are electrostatic discharge (ESD) sensitive. To reduce the possibility of ESD damage, always touch the sheet-metal chassis to ground yourself before touching an ESD-sensitive part.

<http://www8.hp.com/us/en/hp-information/environment/product-recycling.html>

 **NOTE:** HP recommends responsible disposal of the defective part.

Figure 1-1087 Recycle and unpack



Step 15: Install the feed-guide assembly

1. When you reinstall the feed-guide assembly, make sure that the support foot is correctly positioned on the power supply.


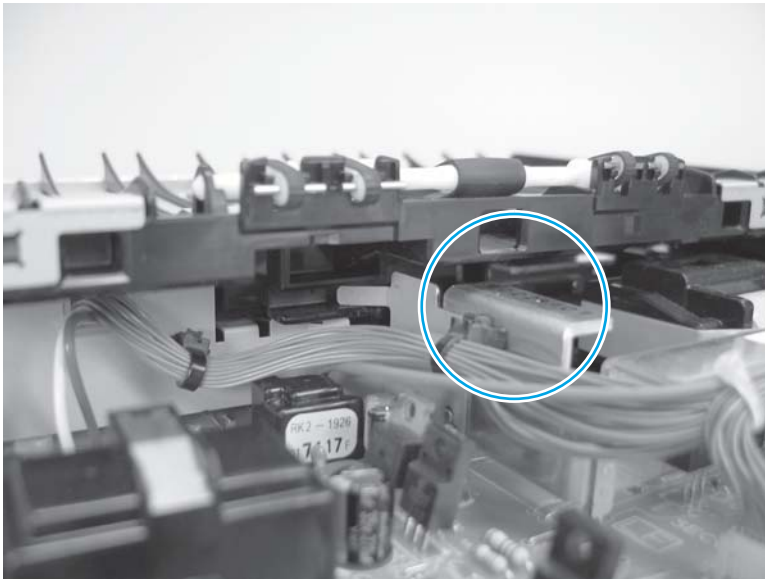
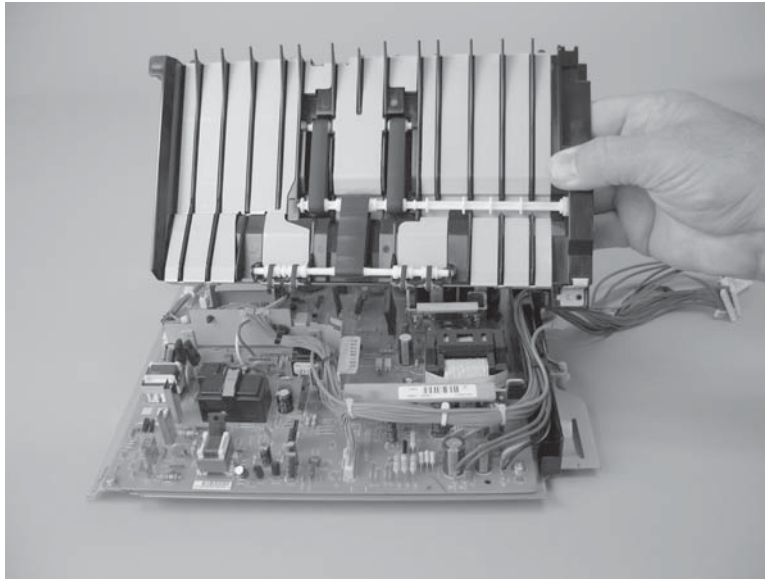
 **CAUTION:** Make sure that the four rubber belts and plastic rollers on the feed-guide assembly remain in place. These belts and rollers can easily become dislodged and you might lose them.

Figure 1-1088 Support foot



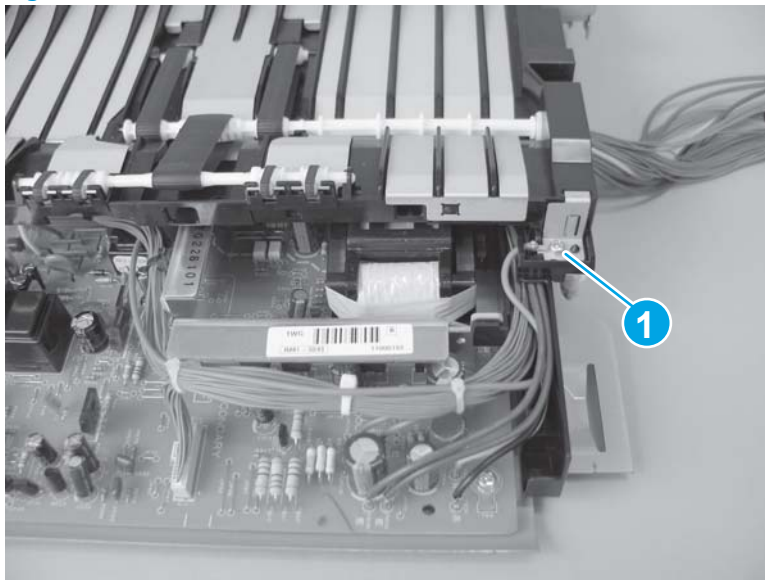
2. Position the feed-guide assembly on the power supply.

Figure 1-1089 Position the feed-guide assembly



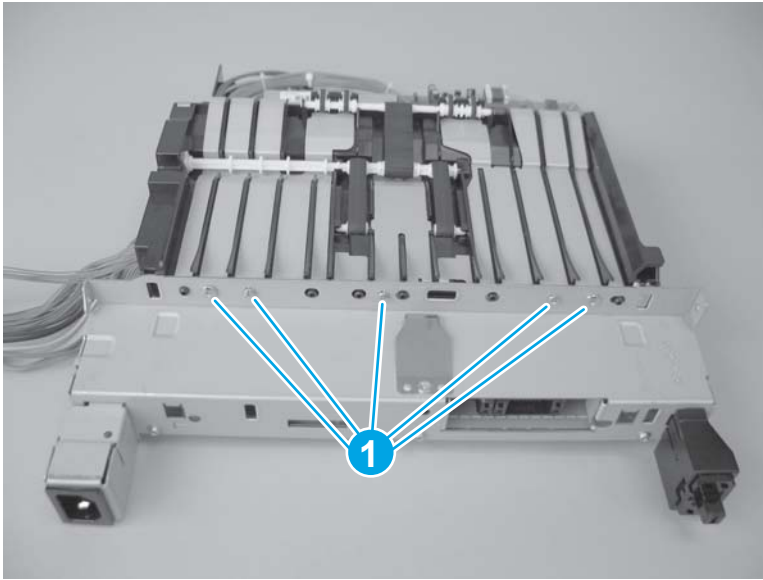
3. Install one screw (callout 1).

Figure 1-1090 Install one screw



4. Install five screws (callout 1).

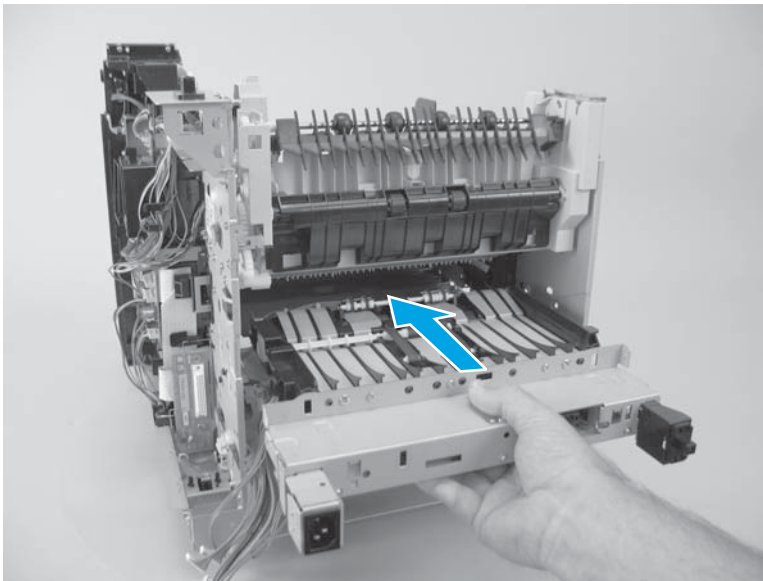
Figure 1-1091 Install five screws



Step 16: Install the power supply

1. Slide the power-supply assembly into the printer.

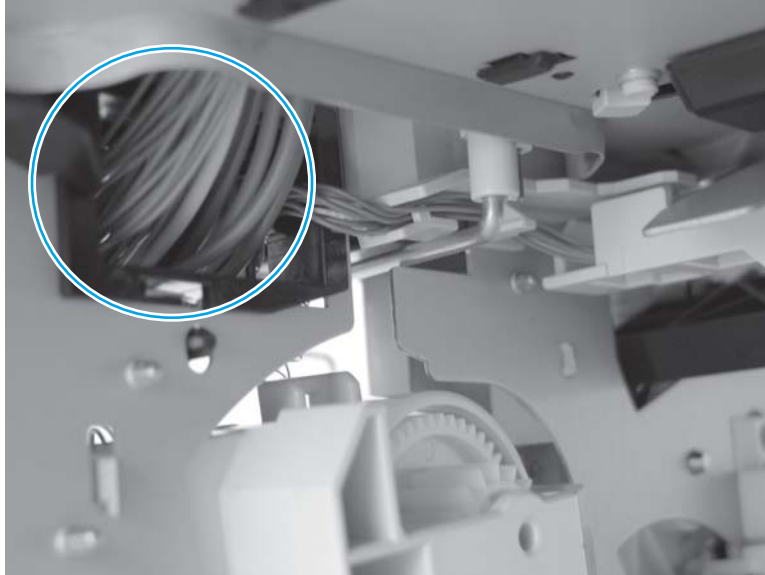
Figure 1-1092 Install the power supply



2. Install the cables into the opening in the right side of the chassis under the power-supply assembly.

CAUTION: Make sure that the four rubber belts and plastic rollers on the feed-guide assembly (mounted to the top of the power supply) remain in place. These belts and rollers can easily become dislodged and you might lose them.

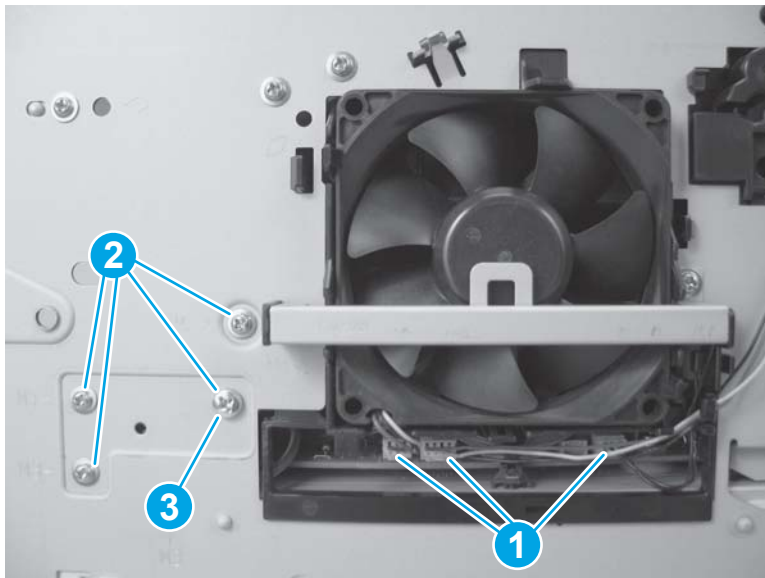
Figure 1-1093 Install the cables



3. Connect three wire-harness connectors (printer left side; callout 1) and then install four screws (callout 2).

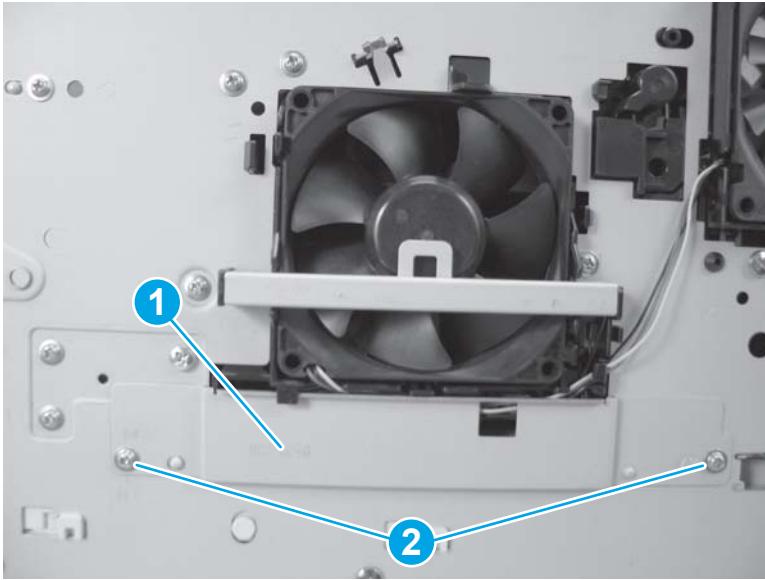
NOTE: One screw (callout 3) is a different type than the others. Make sure that you replace the screws in the correct position.

Figure 1-1094 Connect three connectors and install four screws



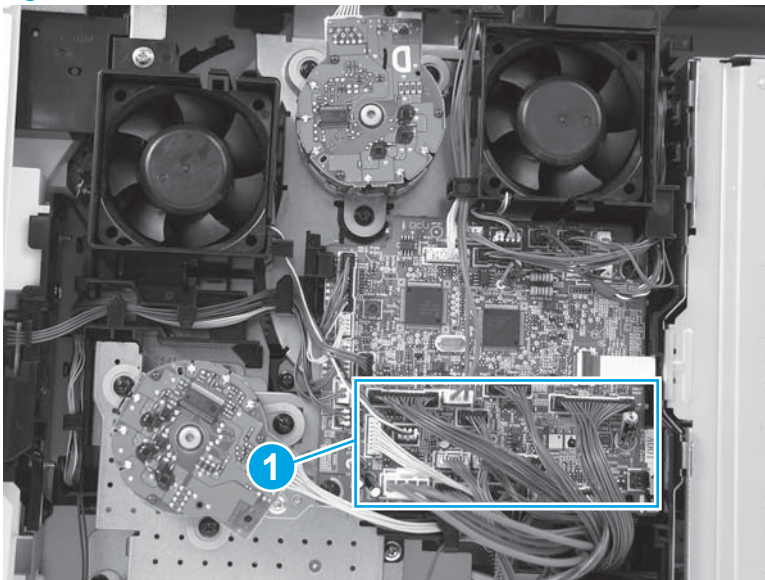
4. Position the fan-cover plate (callout 1) on the printer, and then install two screws (callout 2).

Figure 1-1095 Install the fan cover plate



5. Connect seven wire-harness connectors (callout 1; J30, J82, J84, J85, J95, J96, and J98).

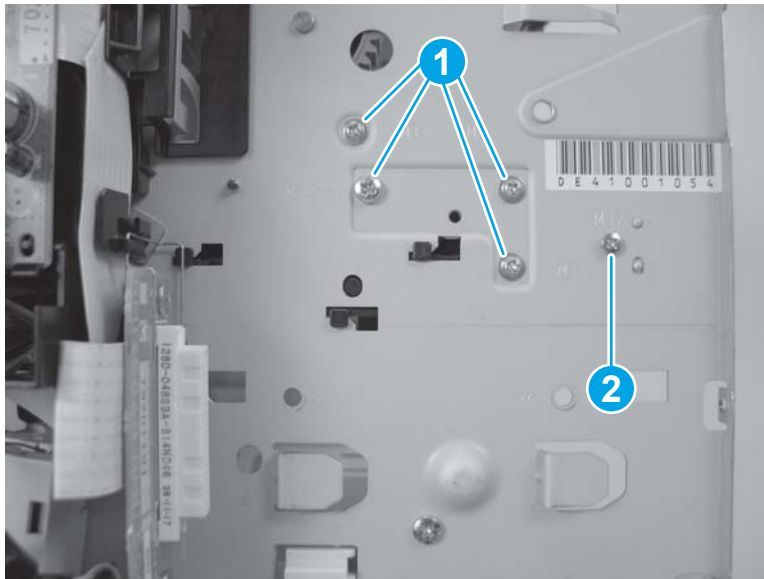
Figure 1-1096 Connect seven wire-harness connectors



6. Install four screws (callout 1) and one grounding screw (callout 2).

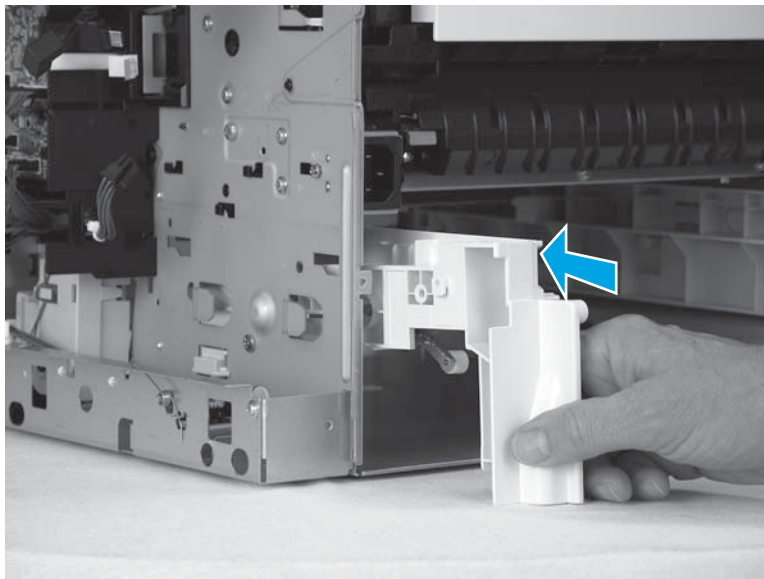
⚠ WARNING! You must use a grounding screw to secure the AC outlet to the printer chassis.

Figure 1-1097 Install four screws and grounding screw



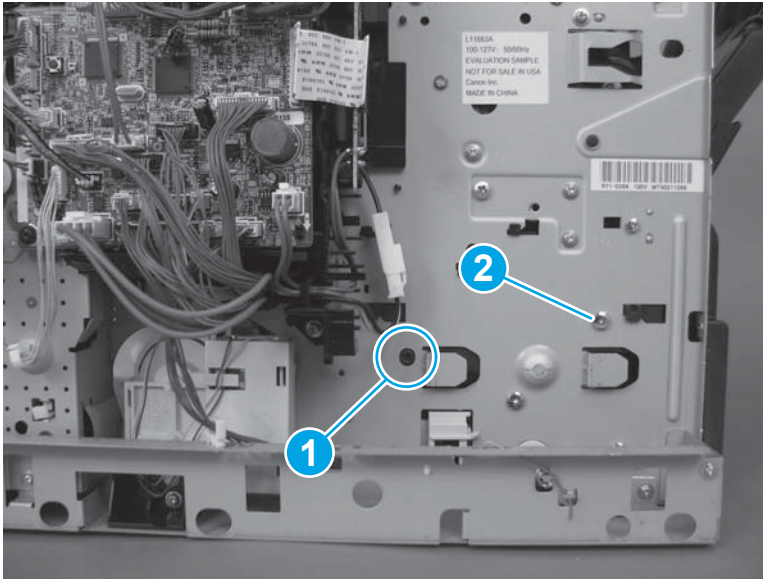
7. Position the power-supply PCA guide inside the printer.

Figure 1-1098 Install the power-supply PCA guide



8. Install one tab (callout 1), and then install one screw (callout 2).

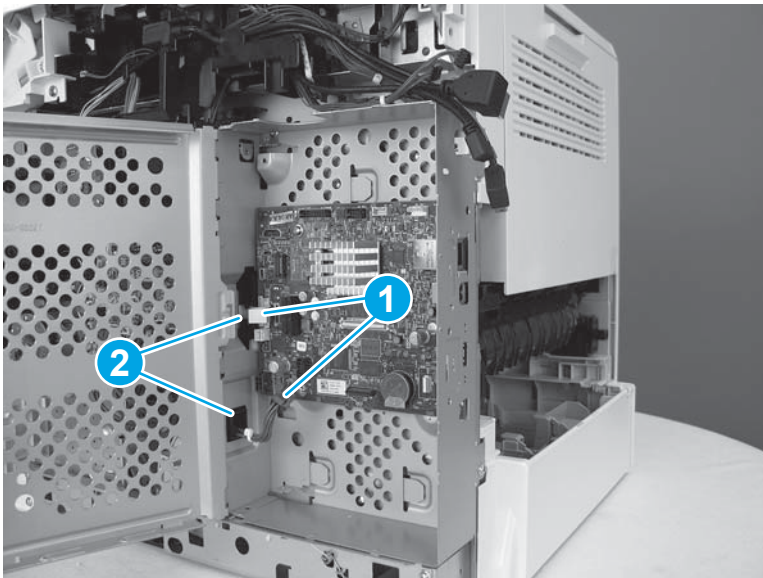
Figure 1-1099 Install one tab and one screw



Step 17: Install the formatter and formatter case

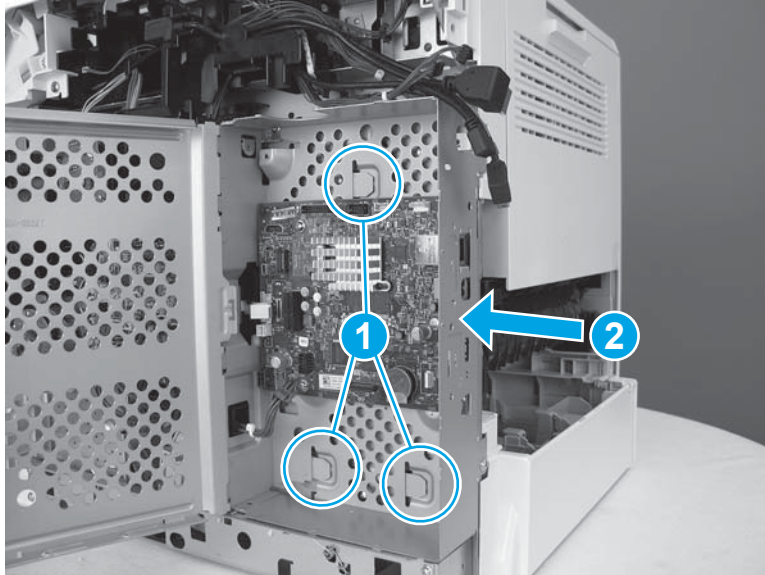
1. Position the formatter case on the printer. Make sure that the flat cable and wire harness (callout 1) are positioned through the openings (callout 2) in the formatter case.

Figure 1-1100 Position the formatter case



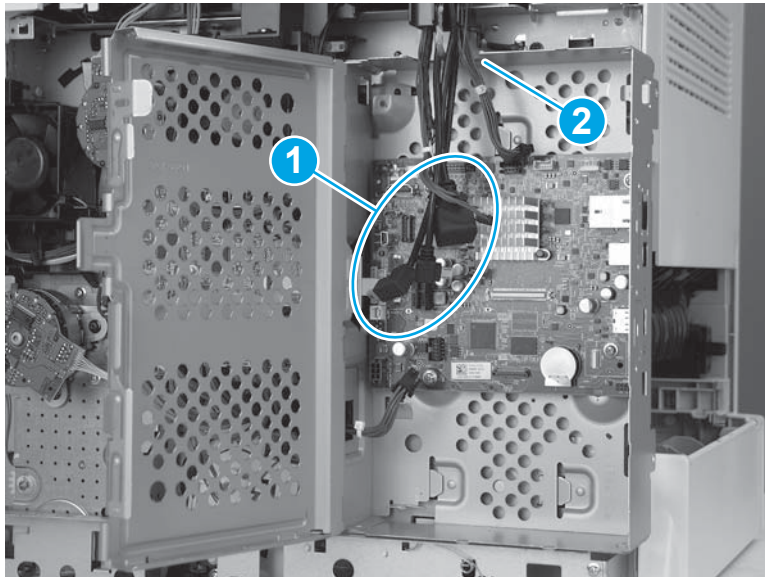
2. Make sure that the metal tabs on the printer are positioned into the slots on the formatter case (callout 1), and then slide the formatter case toward the front of the printer (callout 2) to install it.

Figure 1-1101 Install the formatter case



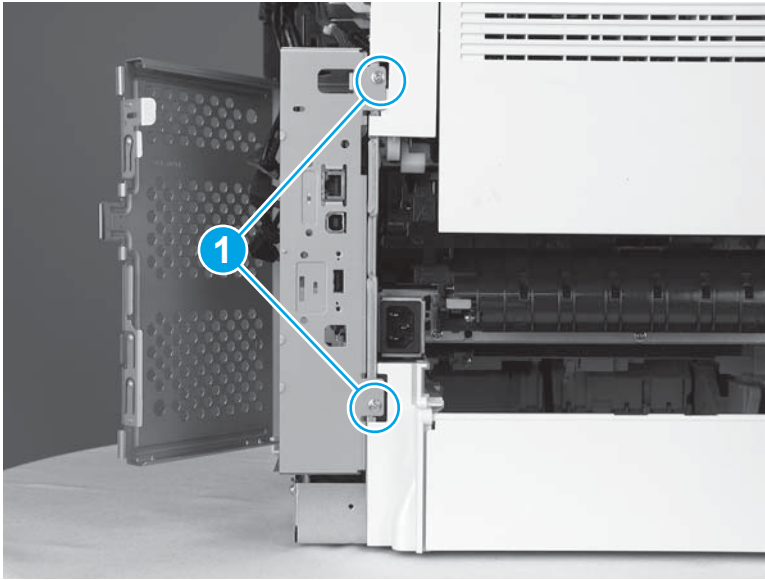
3. Position the wires and cables (callout 1) in the opening (callout 2) in the top of the formatter case.

Figure 1-1102 Position the wires in the formatter case



4. Install two screws (callout 1).

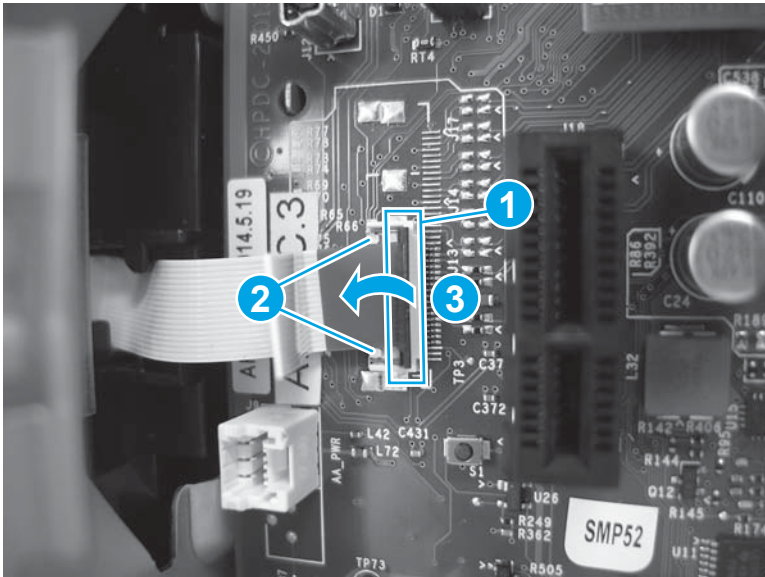
Figure 1-1103 Install two screws



5. Locate the flat cable connector (callout 1) on the formatter.

IMPORTANT: The flat cable connector is a Zero Insertion Force (ZIF) connector that uses a hinged retainer to secure a flat cable. When the flat cable is reinstalled, fully insert the flat cable in the connector between the two white pins (callout 2). Close the hinged retainer (callout 3) to lock the flat cable into the connector and provide proper electrical contact. If the flat cable is not locked into the connector, no electrical contact will occur.

Figure 1-1104 ZIF connector

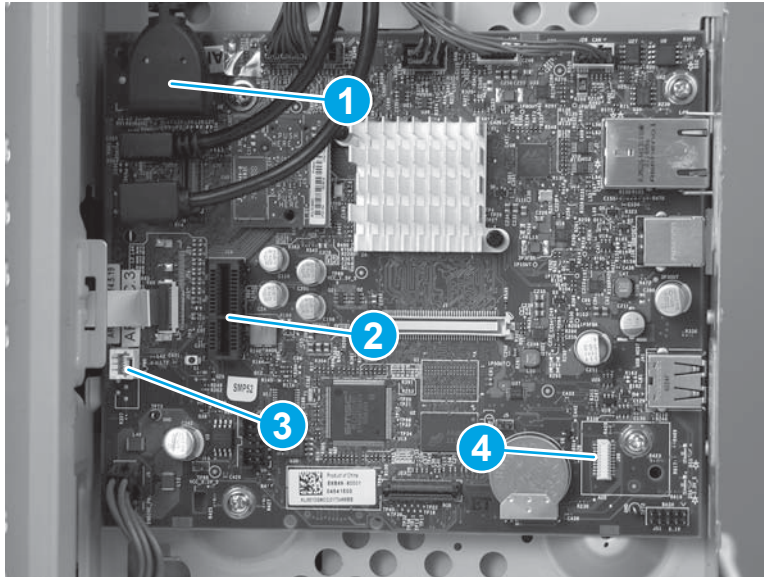


6. Connect all of the connectors on the formatter.

The following connectors are empty:

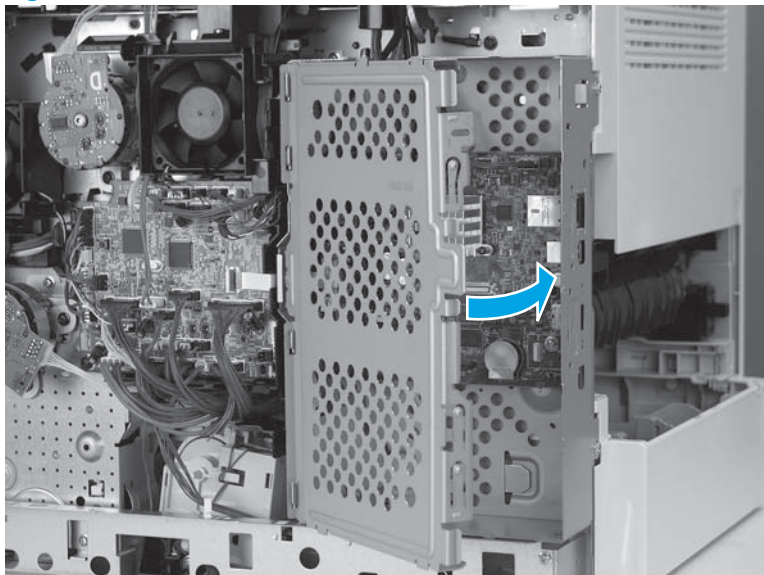
- J23, J25, J51, and J57
- J3 (callout 1): This connector is empty on the M604n/dn, M605n/dn, and M606dn models. It holds the touchscreen cable on the M605x and M606x models.
- J18 (callout 2): This connector is empty unless the optional hard-disk-drive (HDD) is installed.
- J9 (callout 3): This connector is empty unless the optional two internal USB ports accessory is installed.
- J98 (callout 4): This connector is empty unless the optional trusted platform module (TPM) is installed.

Figure 1-1105 Connect all connectors



7. Close the formatter case door.

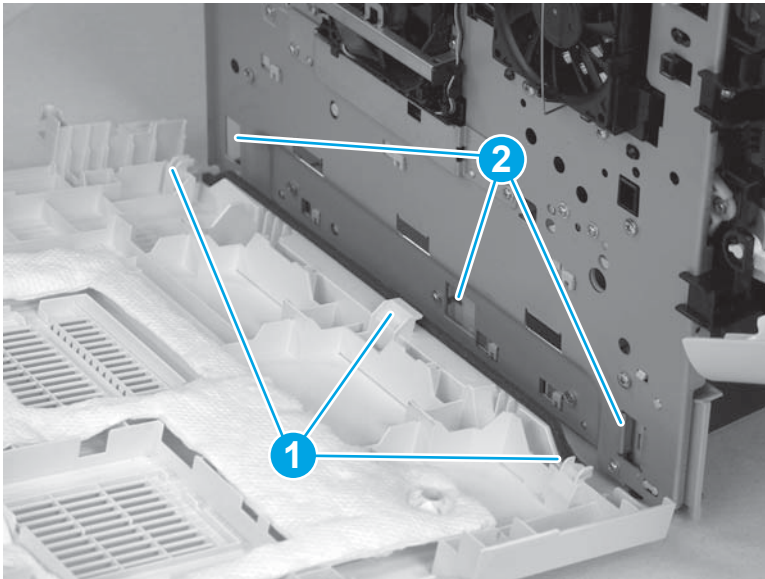
Figure 1-1106 Close the formatter case door



Step 18: Install the left cover

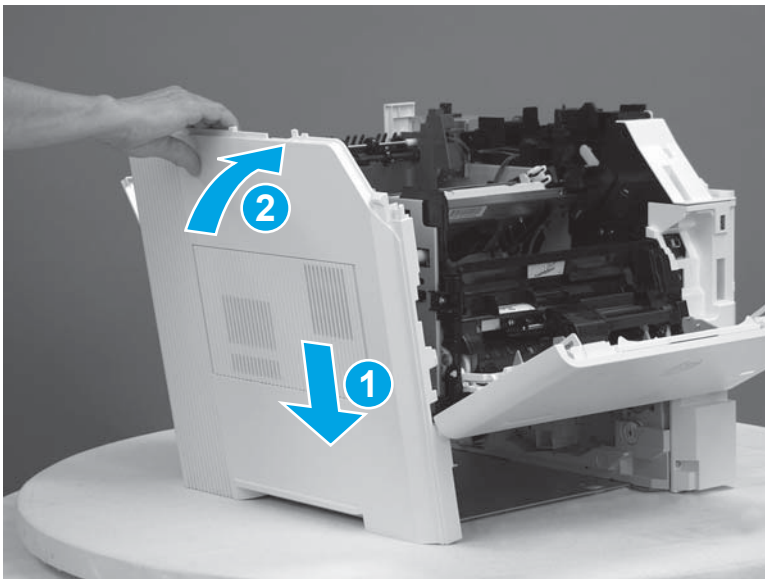
1. Note the location of the tabs (callout 1) on the bottom of the left cover that will fit into the slots (callout 2) in the sheet-metal frame.

Figure 1-1107 Note location of tabs



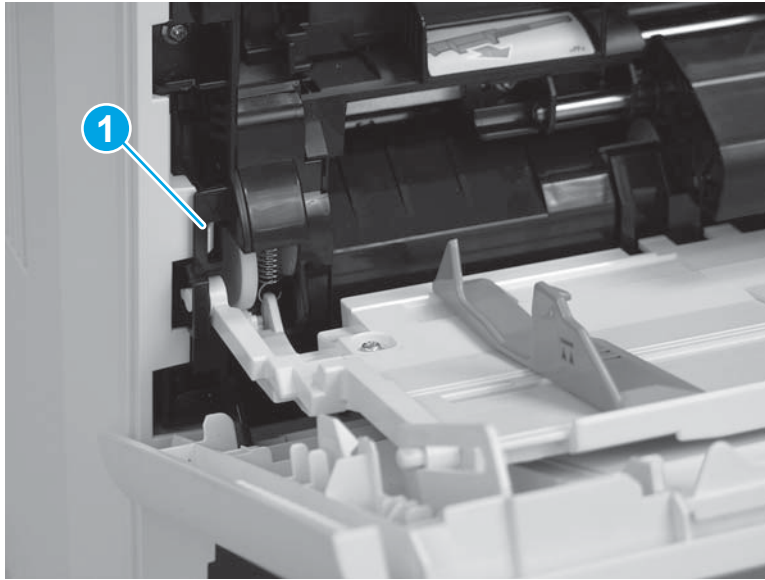
2. Position the tabs in the slots mentioned in the previous step (callout 1), and then rotate the left cover toward the printer (callout 2).

Figure 1-1108 Rotate the cover into place



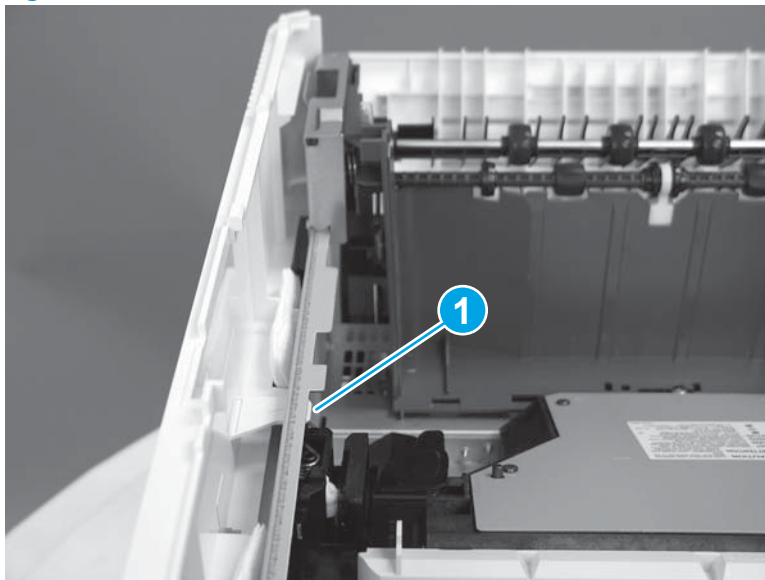
3. Make sure that the tab (callout 1) on the front of the cover snaps into place.

Figure 1-1109 Install one tab



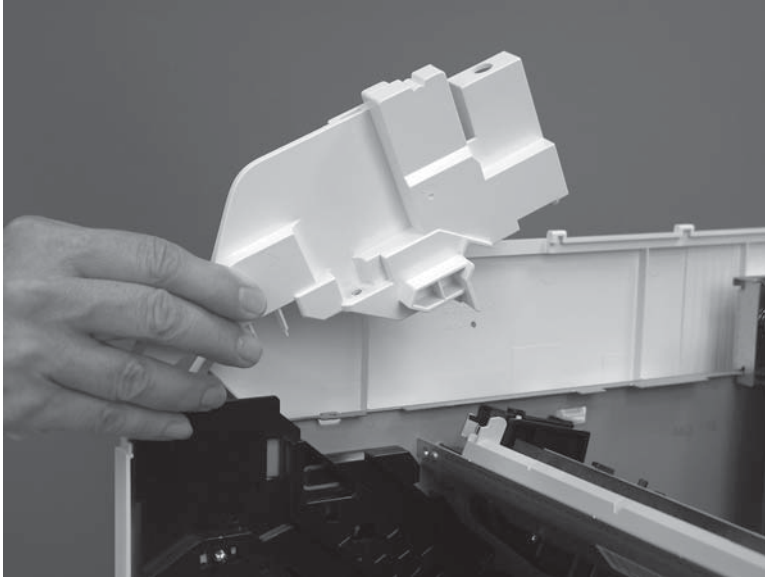
4. Make sure that the tab (callout 1) on the top of the cover snaps into place.

Figure 1-1110 Install one tab



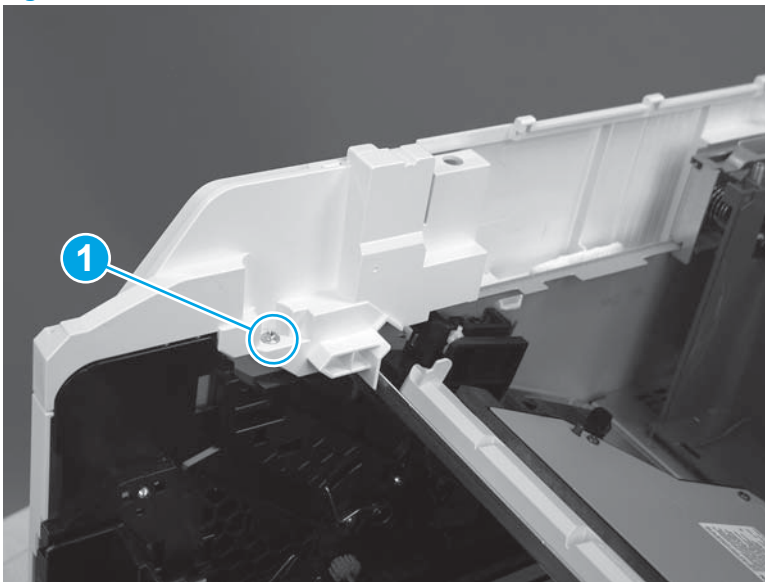
5. Position the left front inside cover on the printer.

Figure 1-1111 Install the left front inside cover



6. Install one screw (callout 1).

Figure 1-1112 Install one screw



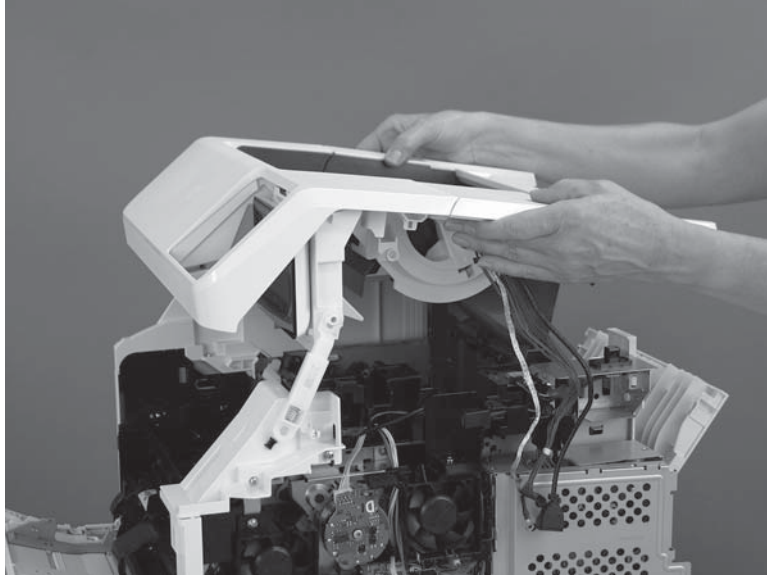
Step 19: Install the top cover (M605x, M606x only)



NOTE: For the M604n/dn, M605n/dn, or M606dn product, skip this step and go to [Step 20: Install the top cover \(M604n/dn, M605n/dn, M606dn only\) on page 635](#).

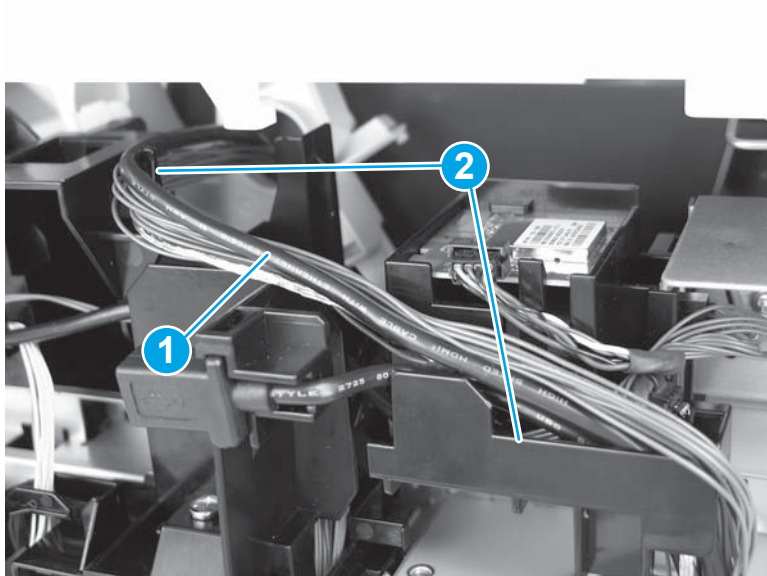
1. Lower the top cover onto the printer.

Figure 1-1113 Lower the top cover



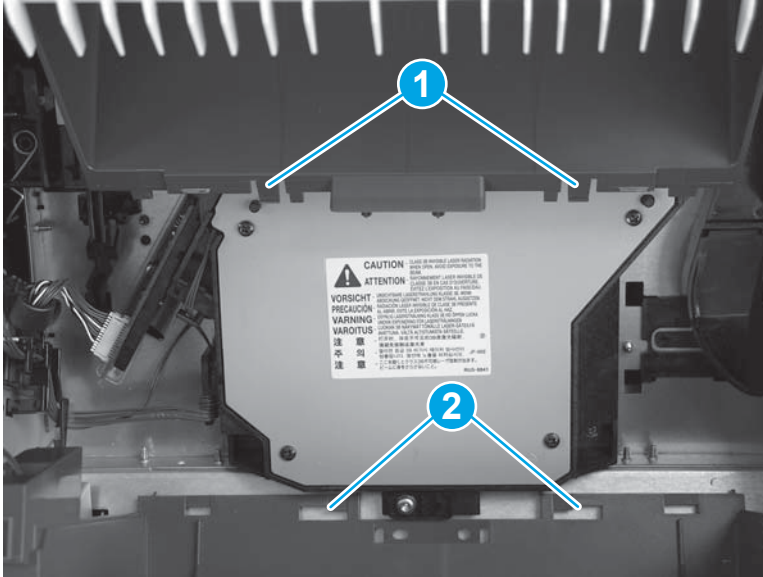
2. On the right side of the printer, make sure that the wire harness and cables (callout 1) are properly routed through the guides (callout 2).

Figure 1-1114 Install cables in guides



3. Install two tabs (callout 1) on the top output bin into two slots (callout 2) in the printer. Make sure that the tabs snap into place.

Figure 1-1115 Install two tabs



4. Install one screw (callout 1) on the left side of the printer.


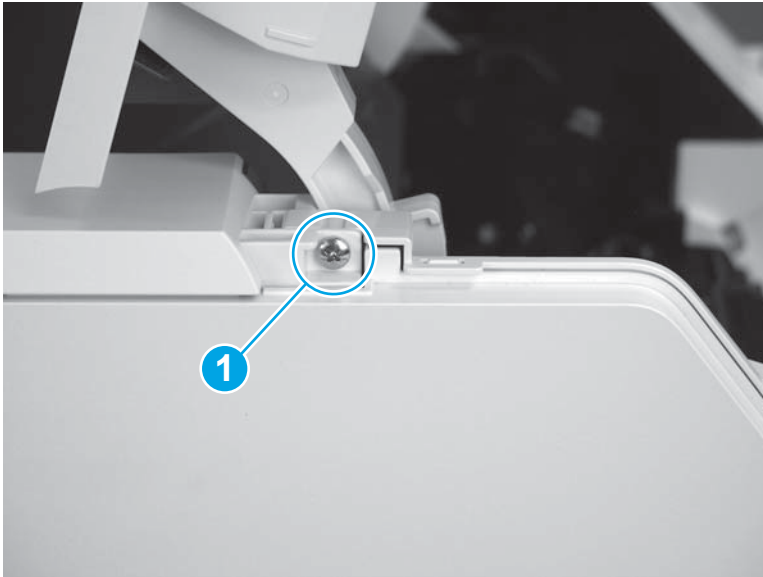
 **Reinstallation tip:** This screw is larger than the screws removed from the top of the printer. Make sure to install the correct screw.

Figure 1-1116 Install one screw



5. Install one screw (callout 1) on the right side of the printer.


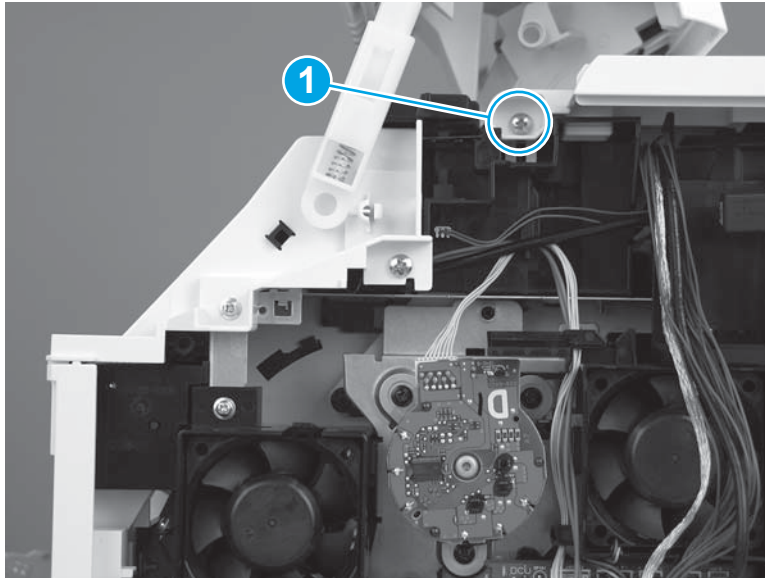
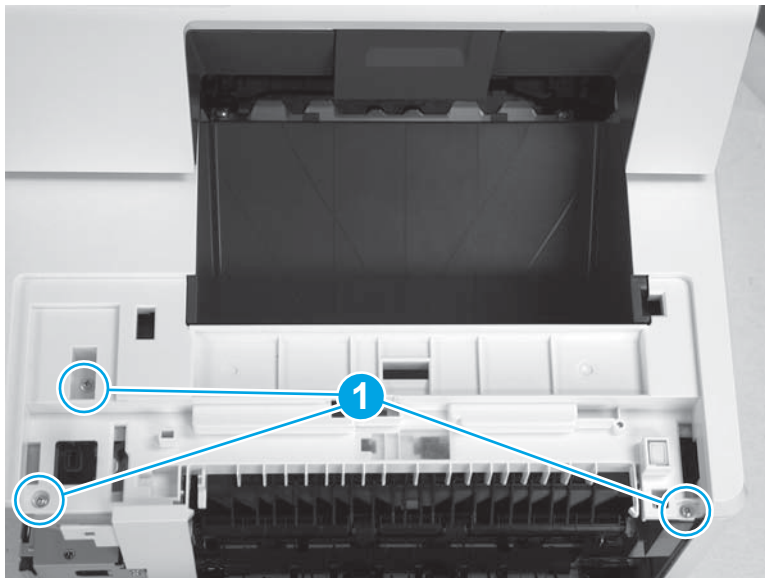
 **Reinstallation tip:** This screw is larger than the screws removed from the top of the printer. Make sure to install the correct screw.

Figure 1-1117 Install one screw



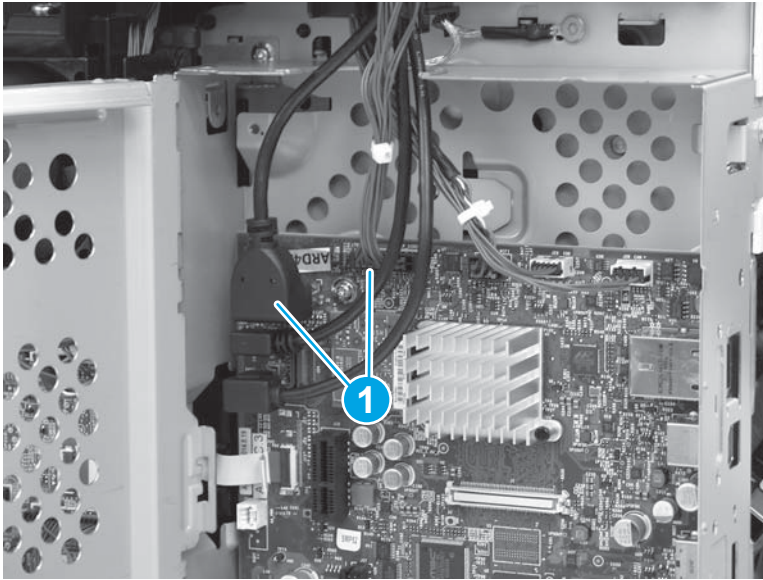
6. Install three screws (callout 1) on the top of the printer.

Figure 1-1118 Install three screws



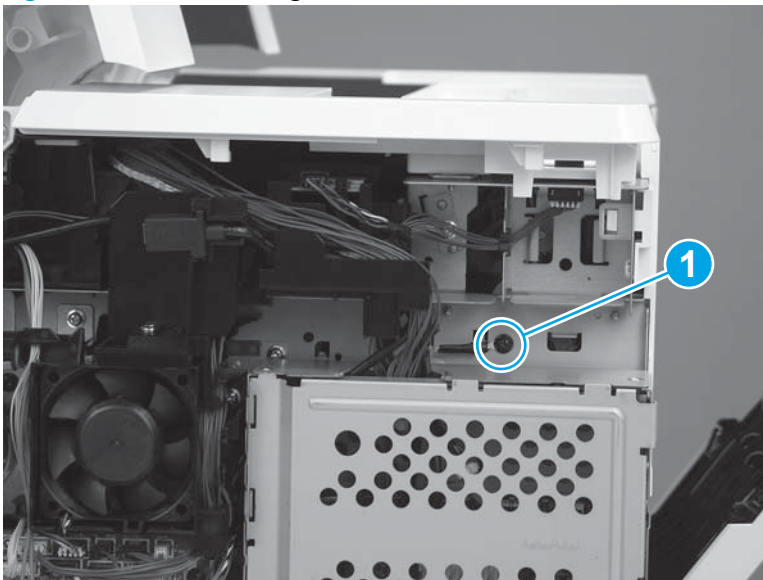
7. Connect two connectors (callout 1).

Figure 1-1119 Connect two connectors



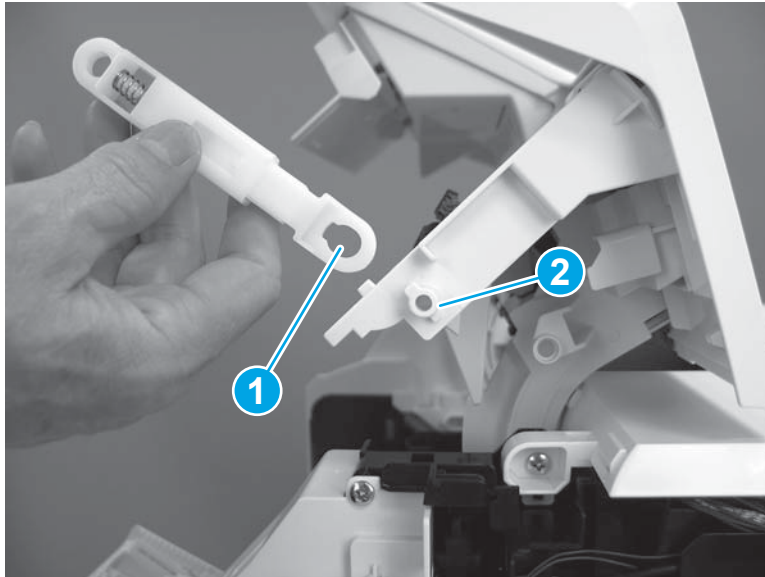
8. Install one screw to attach the ground wire (callout 1).

Figure 1-1120 Install the ground wire



9. If the toner-cartridge door hinge comes off of the top cover, reattach the hinge by sliding the hole (callout 1) in the hinge onto the tab (callout 2) on the top cover.

Figure 1-1121 Reattach the door hinge

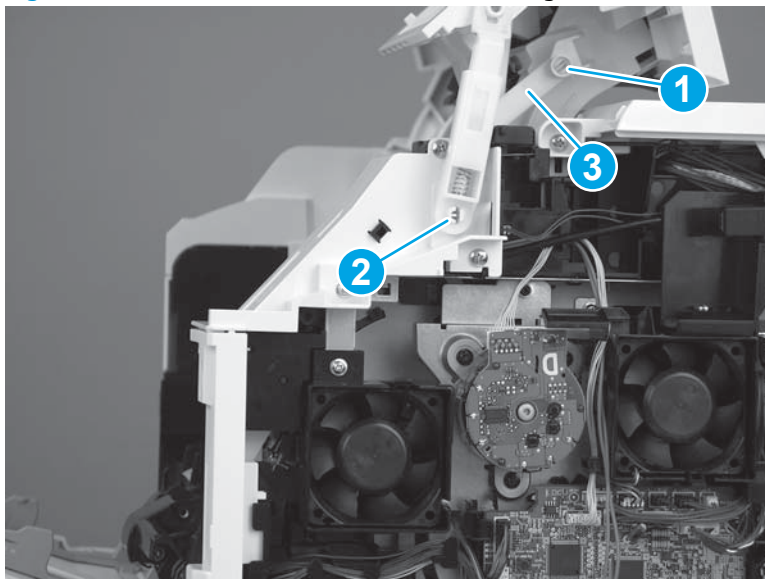


10. Install the toner-cartridge drive-arm (callout 1) and the toner-cartridge door hinge (callout 2) by pressing them onto the tabs.

 **NOTE:** It might be necessary to lift the drive arm (callout 3) up in order to reattach it.

 **CAUTION:** The toner-cartridge drive-arm tabs break easily.

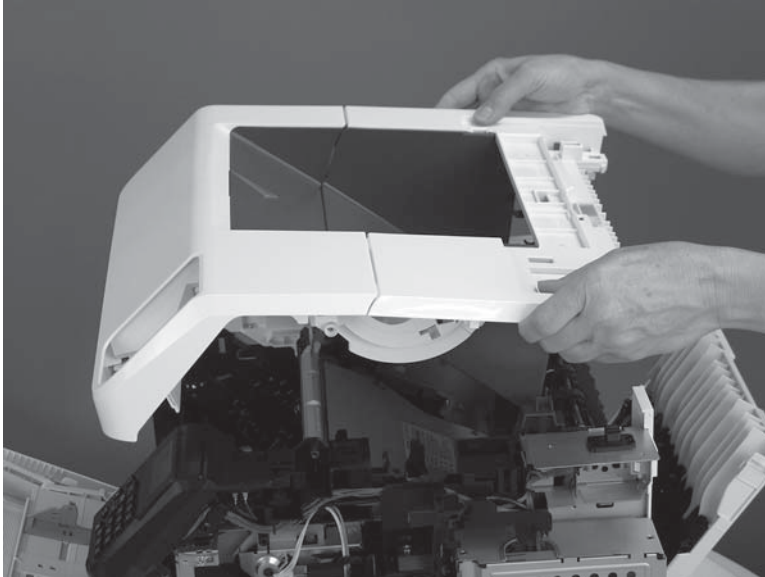
Figure 1-1122 Install the drive-arm and door hinge tabs



Step 20: Install the top cover (M604n/dn, M605n/dn, M606dn only)

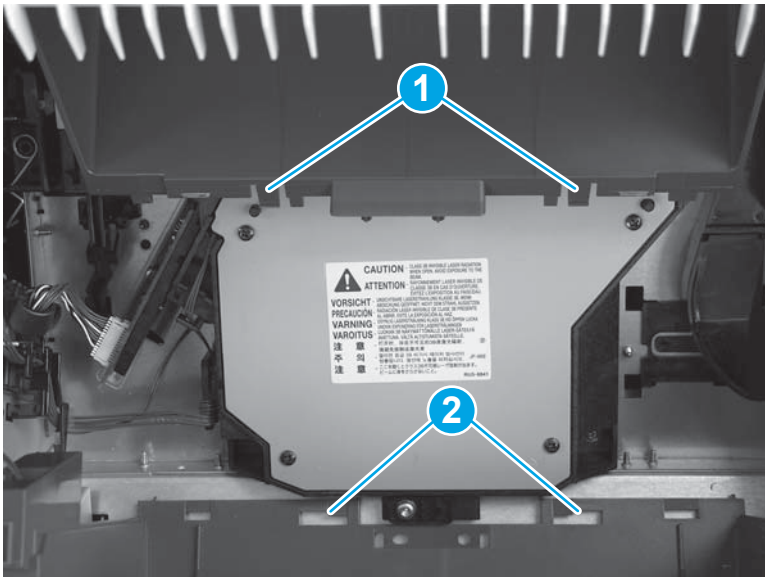
1. Lower the top cover onto the printer.

Figure 1-1123 Lower the top cover



2. Install two tabs (callout 1) on the top output bin into two slots (callout 2) in the printer. Make sure that the tabs snap into place.

Figure 1-1124 Install two tabs



3. Install one screw (callout 1) on the left side of the printer.


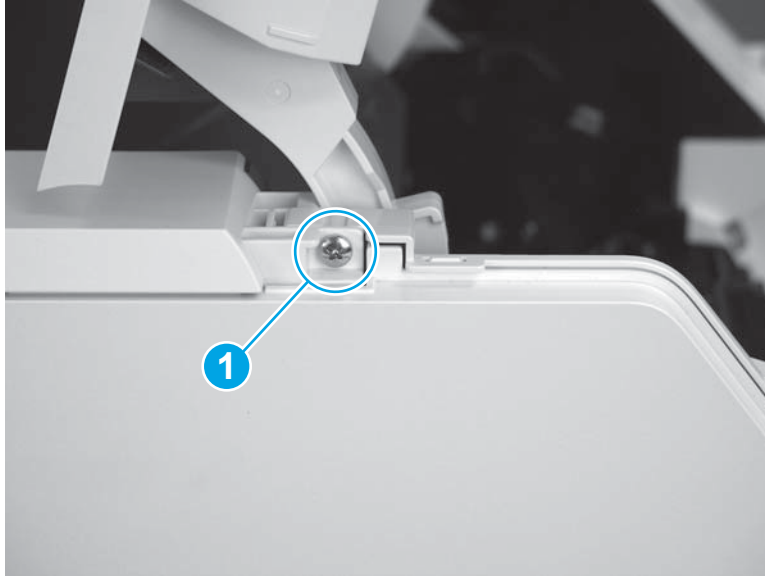
 **Reinstallation tip:** This screw is larger than the screws removed from the top of the printer. Make sure to install the correct screw.

Figure 1-1125 Install one screw



4. Install one screw (callout 1) on the right side of the printer.


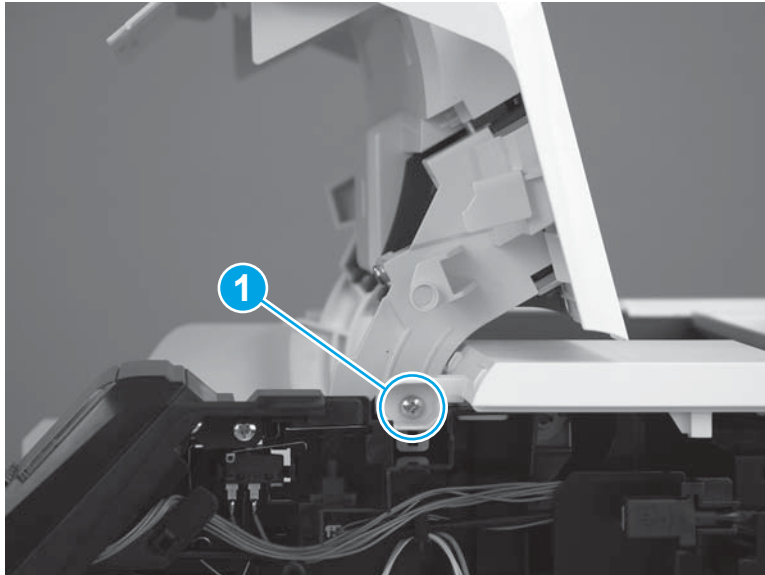
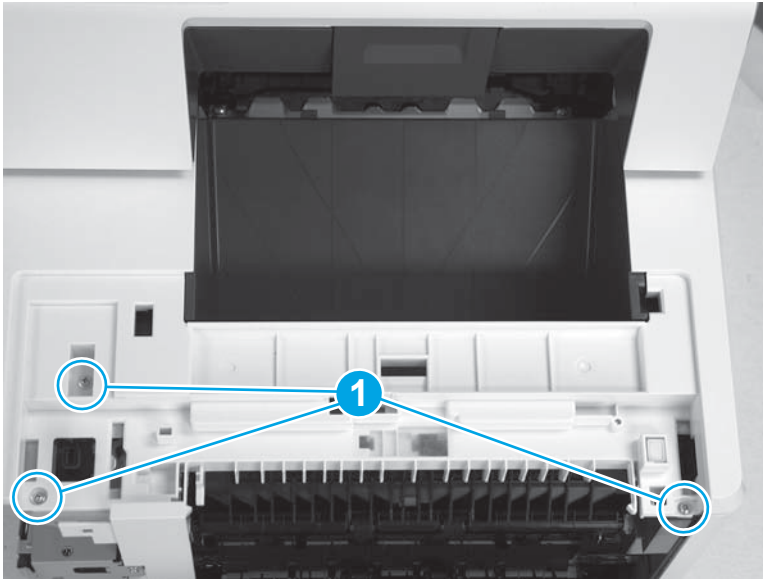
 **Reinstallation tip:** This screw is larger than the screws removed from the top of the printer. Make sure to install the correct screw.

Figure 1-1126 Install one screw



5. Install three screws (callout 1) on the top of the printer.

Figure 1-1127 Install three screws

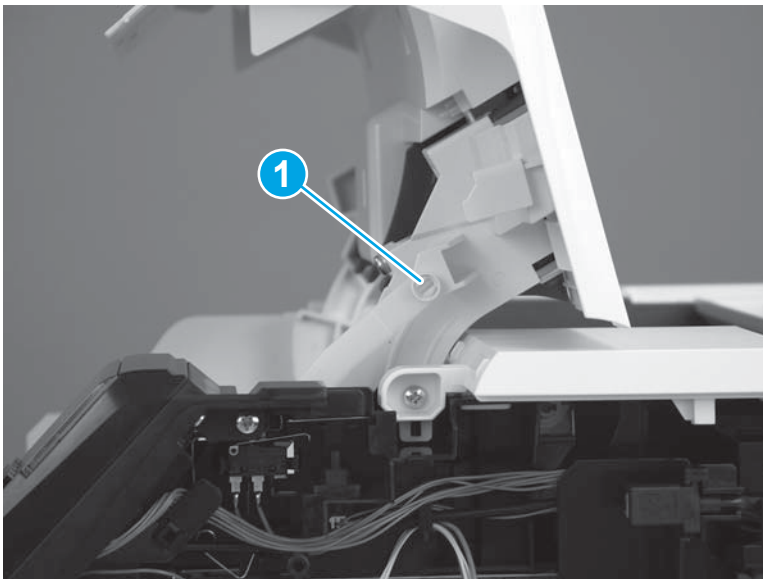


6. Install the toner-cartridge drive-arm (callout 1) by pressing it onto the tabs.

 **NOTE:** It might be necessary to lift the drive arm up in order to reattach it.

 **CAUTION:** The toner-cartridge drive-arm tabs break easily.

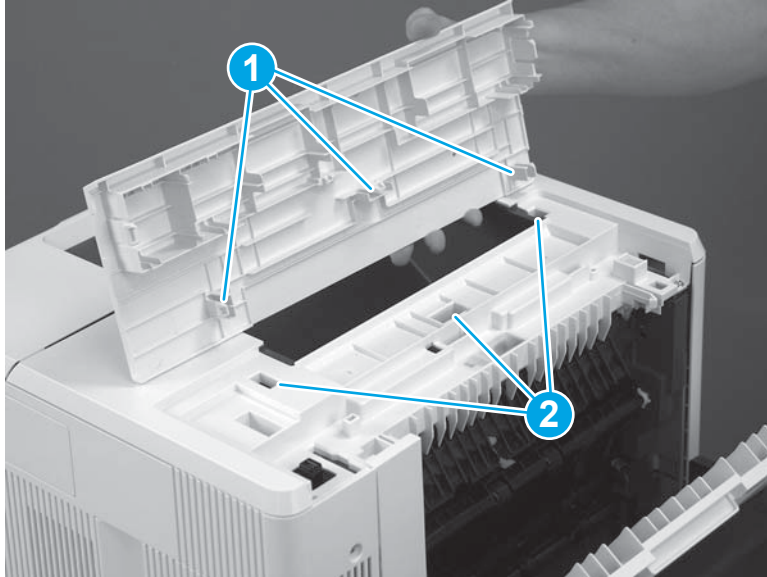
Figure 1-1128 Install the drive-arm tabs



Step 21: Install the top accessory cover

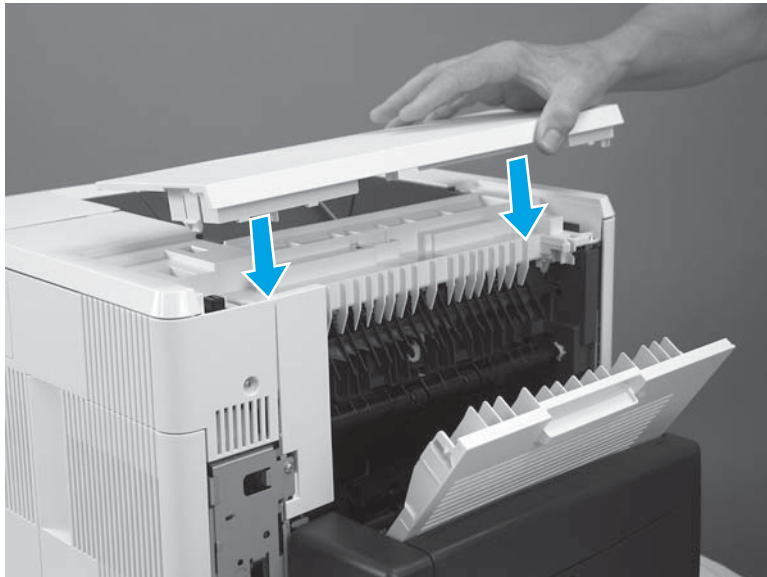
1. Align the tabs (callout 1) on the top accessory cover with the slots (callout 2) in the top cover.

Figure 1-1129 Align the tabs and slots



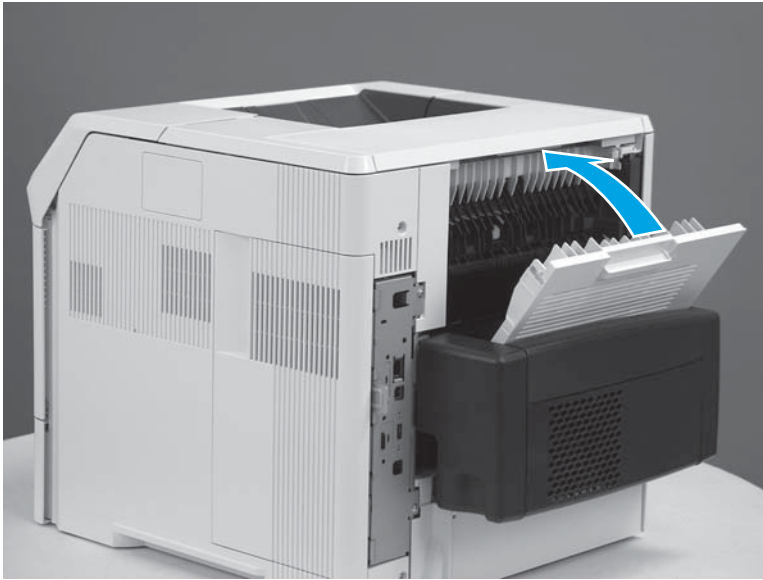
2. Place the top accessory on top of the printer, and then press down to install it.

Figure 1-1130 Install the top accessory cover



3. Close the rear output bin.

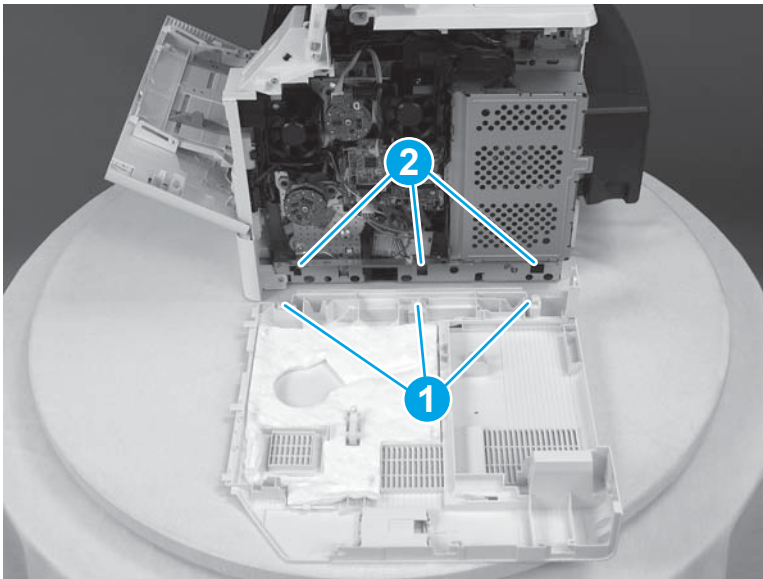
Figure 1-1131 Close the rear output bin



Step 22: Install the right cover

1. Note the location of the tabs (callout 1) on the cover that will fit into the slots (callout 2) on the printer.

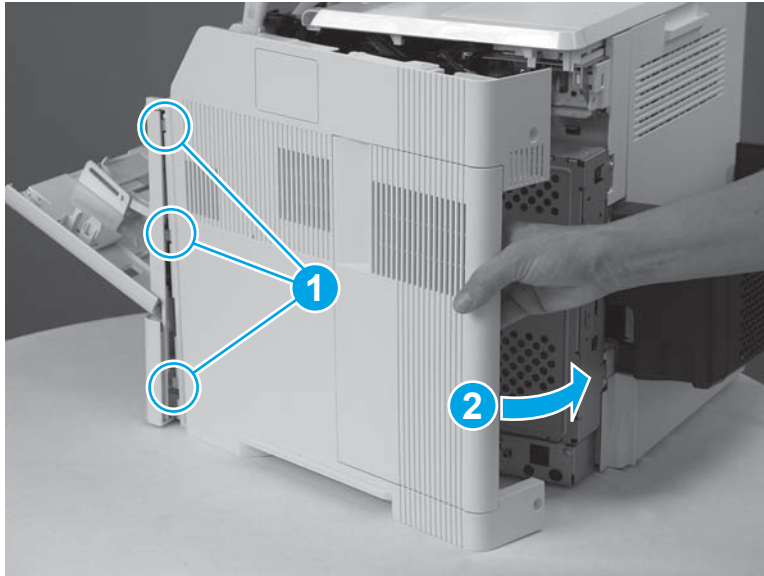
Figure 1-1132 Note location of tabs



2. Position the front tabs on the right cover slightly behind the right front cover (callout 1), and then rotate the back edge of the cover toward the printer (callout 2).

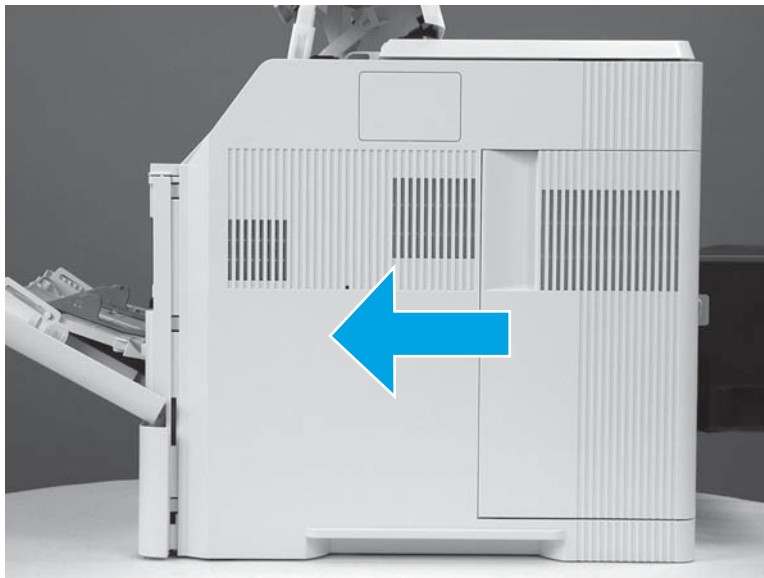
 **NOTE:** The tabs and slots mentioned in the previous step will engage as the cover is rotated into place.

Figure 1-1133 Position the front tabs



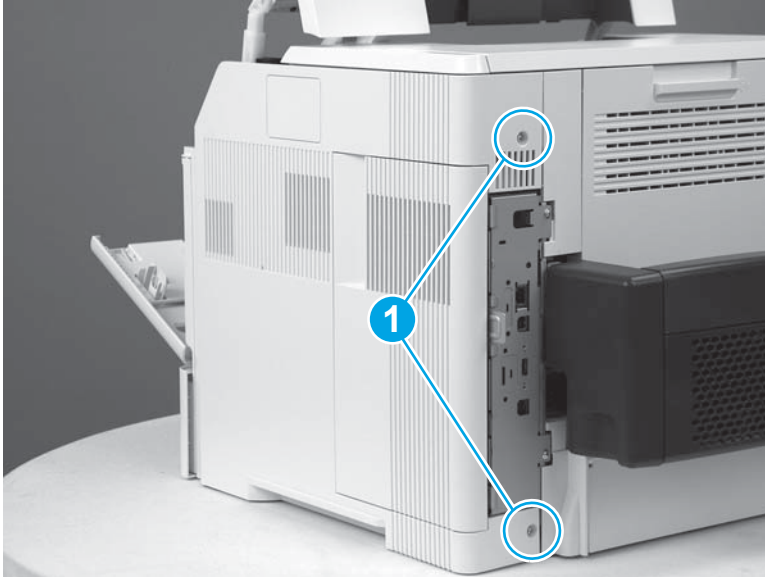
3. Slide the cover toward the front of the printer to install it.

Figure 1-1134 Slide the cover



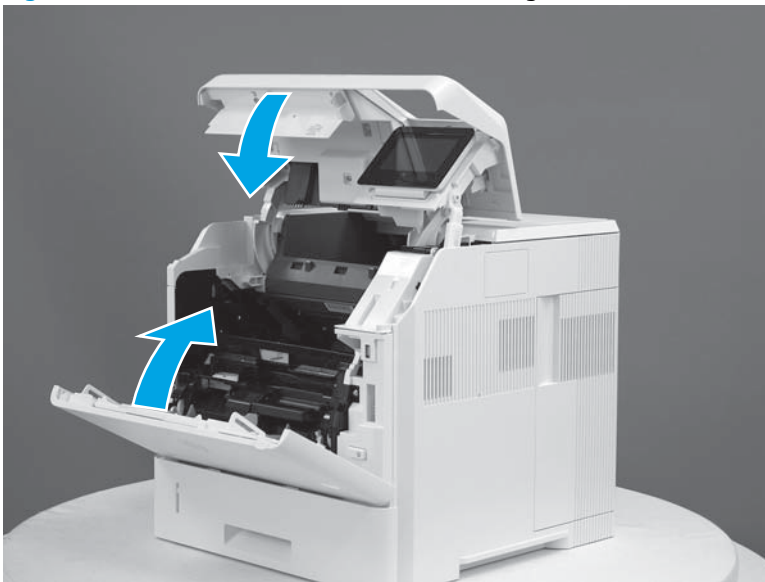
4. Install two screws (callout 1).

Figure 1-1135 Install two screws



5. Close the front cover and the cartridge door.

Figure 1-1136 Close the front cover and cartridge door



Step 23: Install the fuser

- ▲ Position the fuser on the printer, and then push it toward the printer to install it.

CAUTION: Do not drop or jar the fuser. It can easily be damaged if it is mishandled.

TIP: Make sure that the fuser is fully seated into the printer. You should hear both sides snap into place.

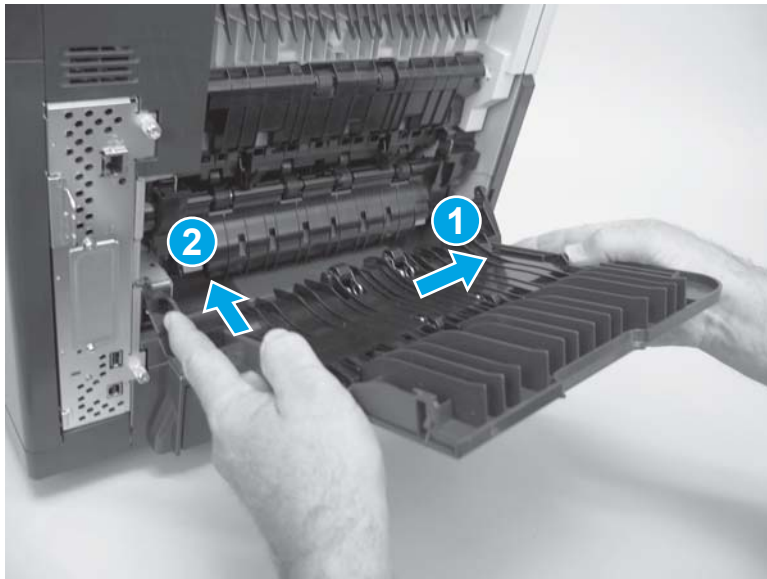
Figure 1-1137 Install the fuser



Step 24: Install the rear output bin

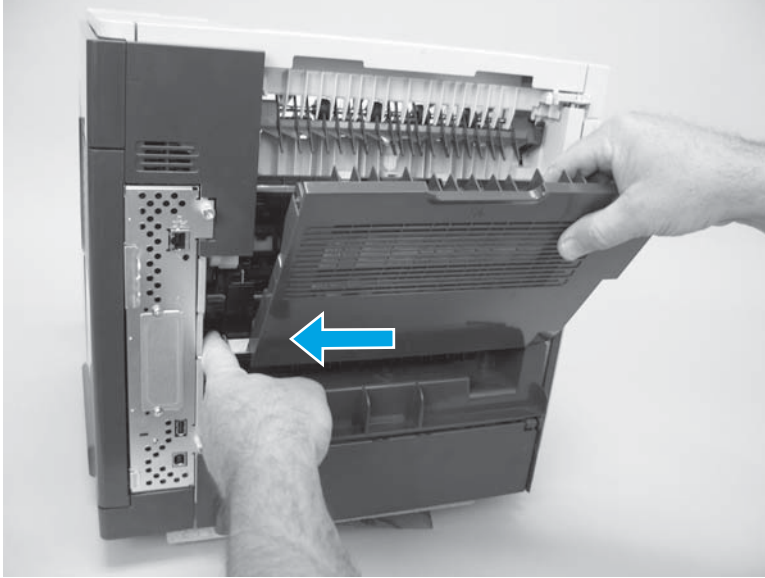
1. Install the right hinge pin (callout 1), and then rotate the output bin toward the printer (callout 2).

Figure 1-1138 Position the output bin



2. Make sure that the left hinge pin is installed in the mounting hole.

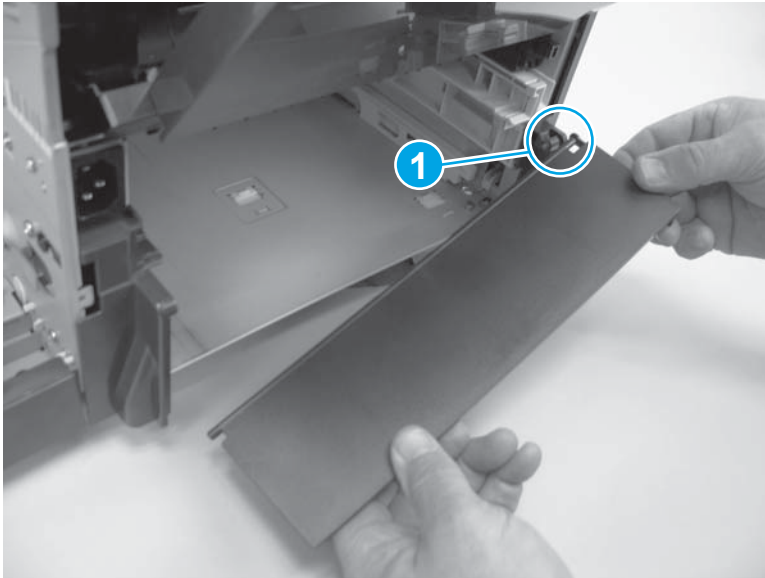
Figure 1-1139 Install left hinge pin



Step 25: Install the Tray 2 extension door

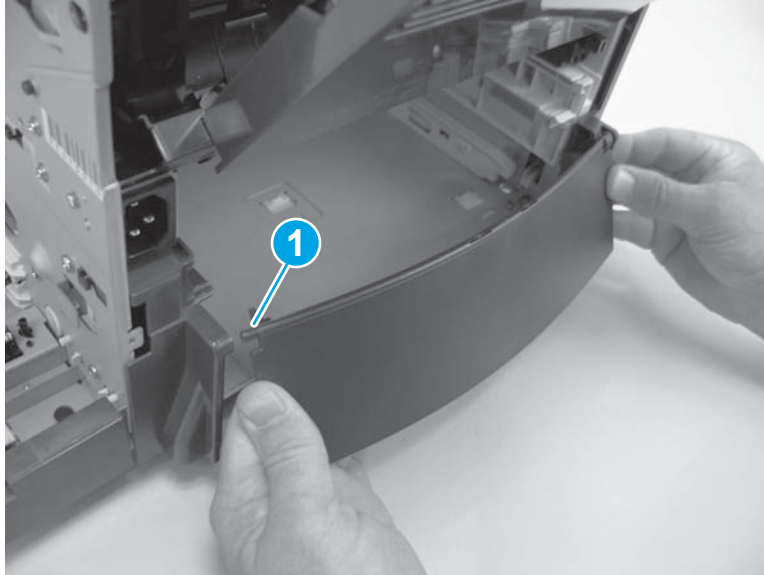
1. Rotate the Tray 2 extension door to the horizontal position, and then install the keyed hinge pin (callout 1).

Figure 1-1140 Install the keyed hinge pin




2. Carefully flex the Tray 2 extension door, and then install the hinge pin (callout 1) near the power-cord side of the printer.

Figure 1-1141 Install the hinge pin

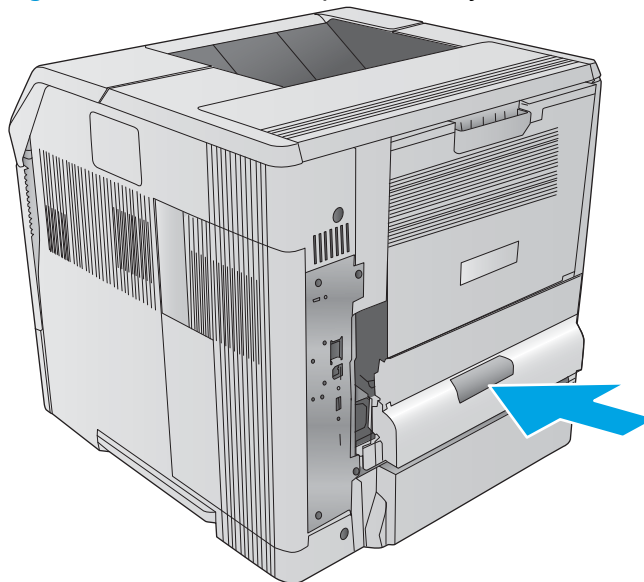


Step 26: Install the duplex accessory cover


 **NOTE:** If the duplex accessory cover was not removed, skip this step and go to [Step 27: Install the duplex accessory on page 645](#).

- ▲ Slide the duplex accessory cover straight into the printer to install it.

Figure 1-1142 Install the duplex accessory cover

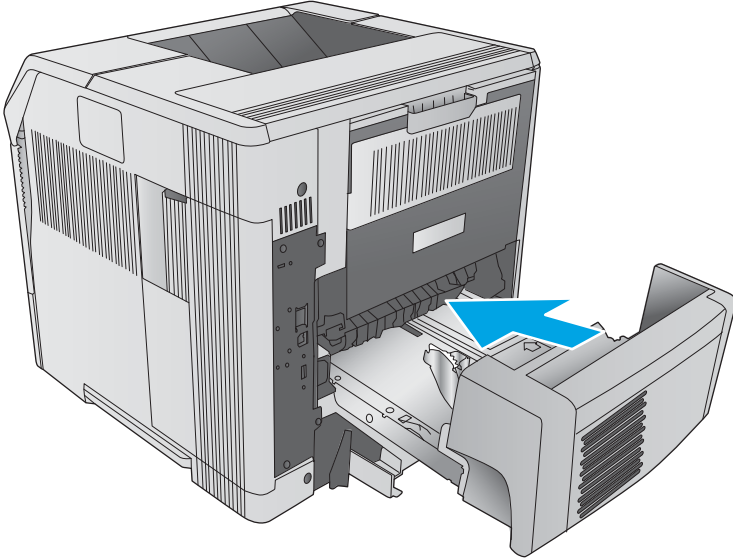


Step 27: Install the duplex accessory

 **NOTE:** If the optional duplex accessory was not removed, skip this step.

- ▲ Slide the duplex accessory straight into the printer to install it.

Figure 1-1143 Install the duplex accessory



Removal and replacement: Feed-guide assembly

- [Introduction](#)
- [Step 1: Remove the duplex accessory](#)
- [Step 2: Remove the duplex accessory cover](#)
- [Step 3: Remove the Tray 2 extension door](#)
- [Step 4: Remove the rear output bin](#)
- [Step 5: Remove the fuser](#)
- [Step 6: Remove the right cover](#)
- [Step 7: Remove the top accessory cover](#)
- [Step 8: Remove the top cover \(M604n/dn, M605n/dn, M606dn only\)](#)
- [Step 9: Remove the top cover \(M605x, M606x only\)](#)
- [Step 10: Remove the left cover](#)
- [Step 11: Remove the formatter and formatter case](#)
- [Step 12: Remove the power supply](#)
- [Step 13: Remove the feed-guide assembly](#)
- [Step 14: Unpack the replacement feed-guide assembly](#)
- [Step 15: Install the feed-guide assembly](#)
- [Step 16: Install the power supply](#)
- [Step 17: Install the formatter and formatter case](#)
- [Step 18: Install the left cover](#)
- [Step 19: Install the top cover \(M605x, M606x only\)](#)
- [Step 20: Install the top cover \(M604n/dn, M605n/dn, M606dn only\)](#)
- [Step 21: Install the top accessory cover](#)
- [Step 22: Install the right cover](#)
- [Step 23: Install the fuser](#)
- [Step 24: Install the rear output bin](#)
- [Step 25: Install the Tray 2 extension door](#)
- [Step 26: Install the duplex accessory cover](#)
- [Step 27: Install the duplex accessory](#)


Introduction

This document provides the procedures to remove and replace the feed-guide assembly.

Before performing service

Turn the printer power off

- Disconnect the power cable.

 **WARNING!** To avoid damage to the printer, turn the printer off, wait 30 seconds, and then remove the power cord before attempting to service the printer.

- Disconnect all network cables.

Use the table below to identify the correct part number for your printer. To order the part, go to www.hp.com/buy/parts.

Feed-guide assembly part number	
RM1-4548-000CN	Paper feed assembly

Required tools

- #2 Phillips screwdriver with a magnetic tip

After performing service

Turn the printer power on

- Connect the power cable.
- Use the power switch to turn the power on.

Post service test

Make sure that the printer initializes to a **Ready** state.

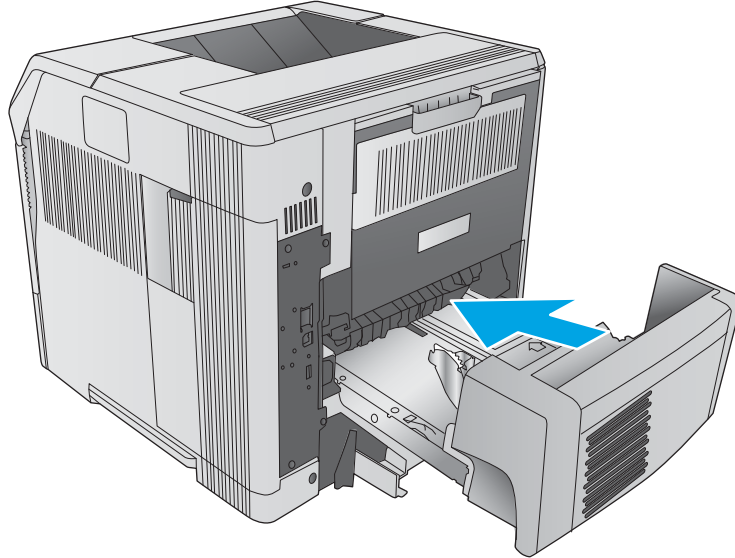
Print a configuration page to make sure that the printer is functioning correctly.

Step 1: Remove the duplex accessory


 **NOTE:** If the optional duplex accessory is not installed, skip this step and go to [Step 2: Remove the duplex accessory cover on page 649](#).

- ▲ Slide the duplex accessory straight into the printer to install it.

Figure 1-1144 Install the duplex accessory

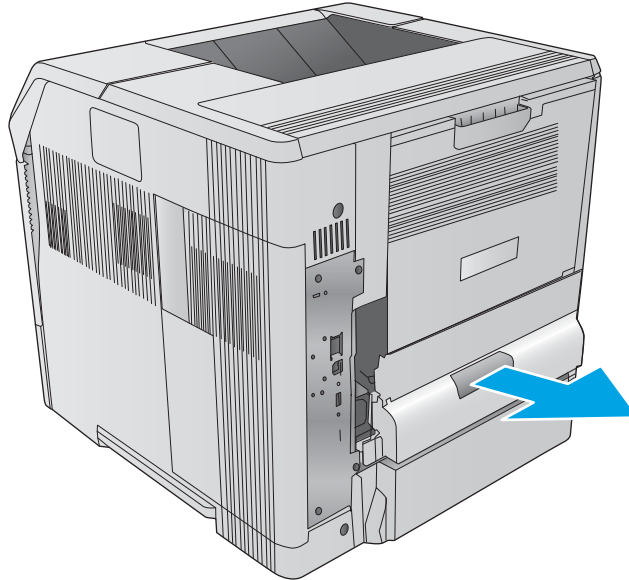


Step 2: Remove the duplex accessory cover

 **NOTE:** If the duplex accessory cover is not installed, skip this step and go to [Step 3: Remove the Tray 2 extension door on page 649](#).

- ▲ Pull the duplex accessory cover straight out of the printer to remove it.

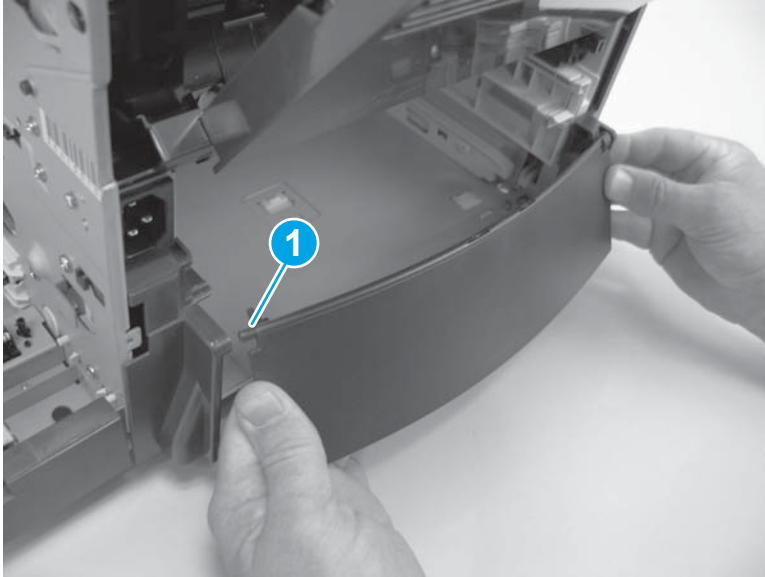
Figure 1-1145 Remove the duplex accessory cover



Step 3: Remove the Tray 2 extension door

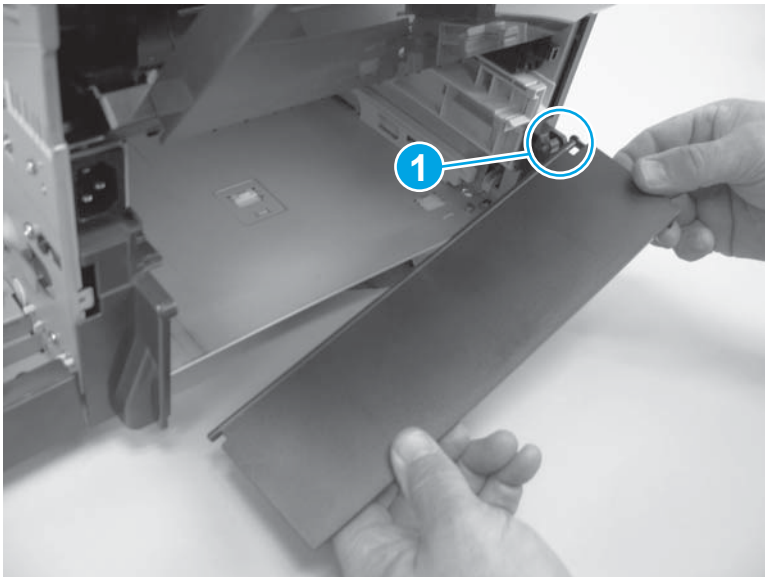
1. Carefully flex the Tray 2 extension door to release the hinge pin (callout 1) near the power-cord side of the printer.

Figure 1-1146 Release the hinge pin



2. Rotate the Tray 2 extension door to the horizontal position, and then pull up on the keyed hinge pin (callout 1) to release the door. Remove the Tray 2 extension door.

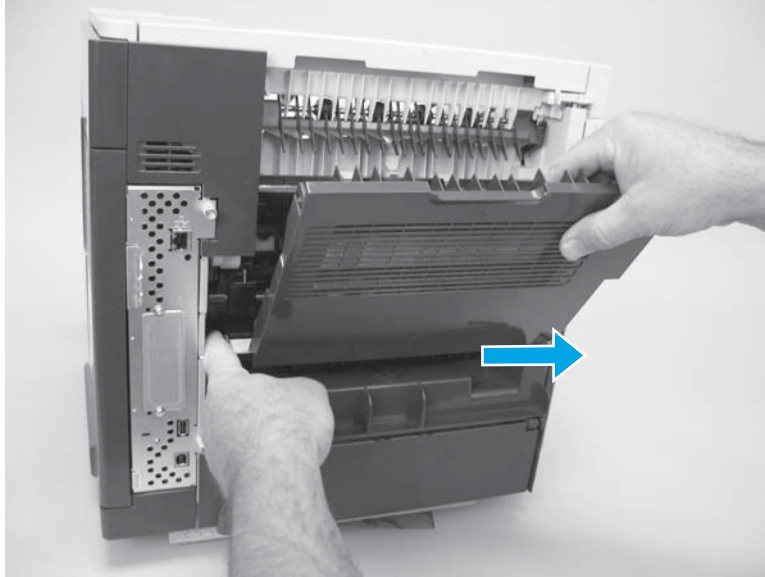
Figure 1-1147 Remove the Tray 2 extension door



Step 4: Remove the rear output bin

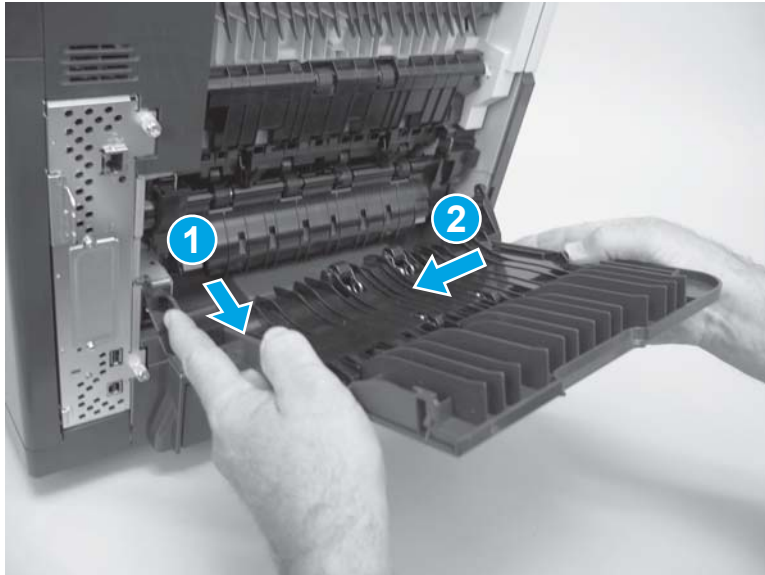
1. Open the rear output bin, and then squeeze the hinge pin out of its mounting hole.

Figure 1-1148 Release the hinge pin



2. Rotate the output bin away from the printer (callout 1) until the right hinge pin is released, and then slide the output bin to the left (callout 2) to remove it.

Figure 1-1149 Remove the output bin

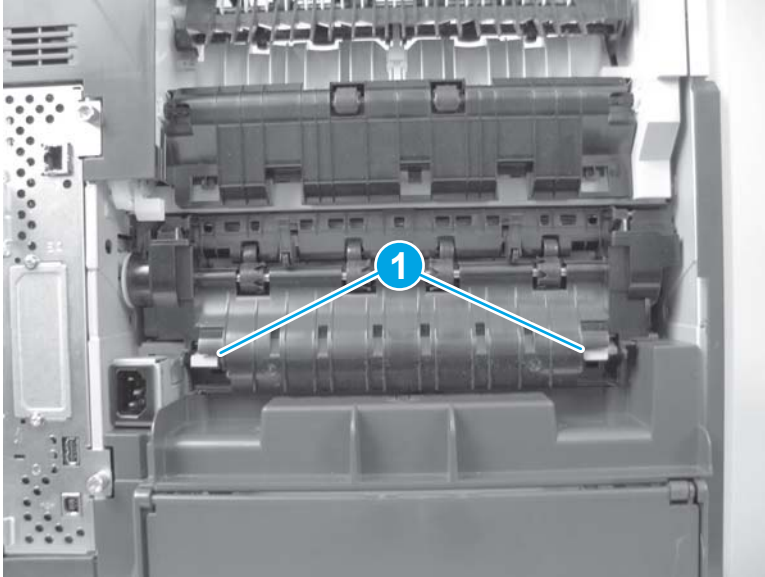


Step 5: Remove the fuser

⚠ WARNING! The fuser might be very hot. After turning off the printer power, allow the fuser to cool for at least 5 minutes before removing it.

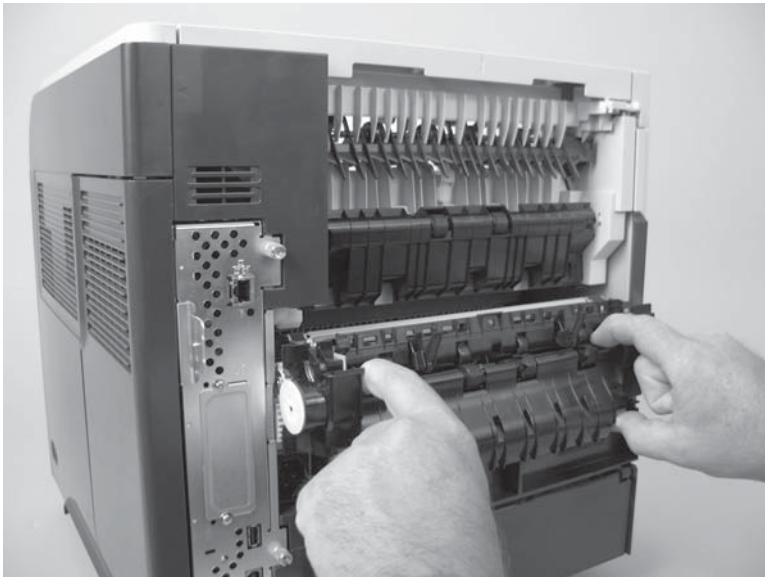
1. Squeeze the blue fuser-release tabs (callout 1).

Figure 1-1150 Squeeze the blue fuser-release tabs



2. Pull the fuser straight back and out of the printer.

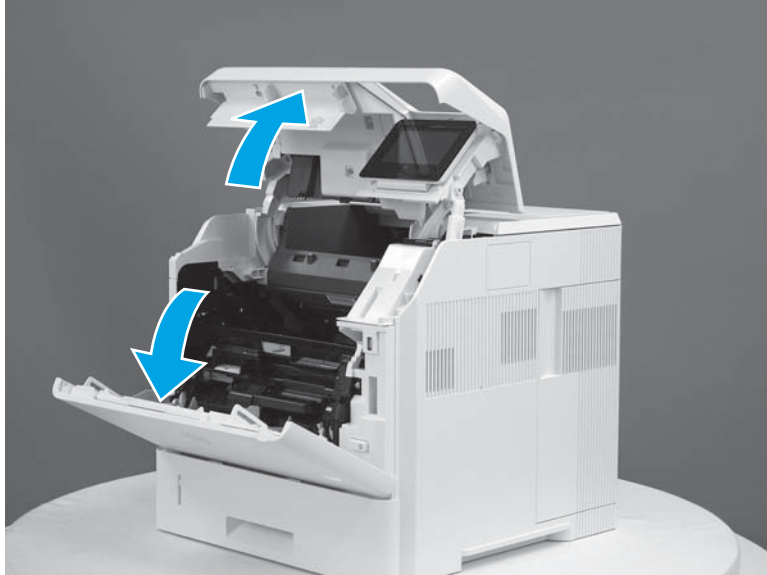
Figure 1-1151 Remove the fuser



Step 6: Remove the right cover

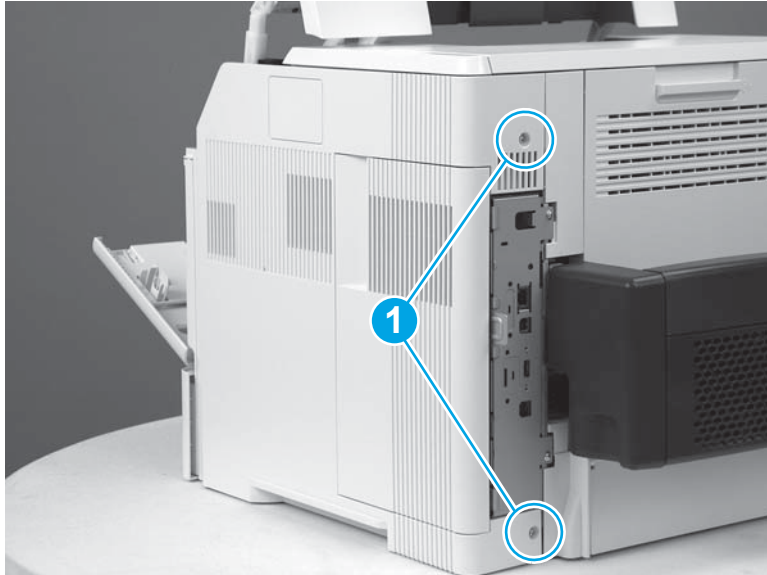
1. Open the front cover and the cartridge door.

Figure 1-1152 Open the front cover and cartridge door



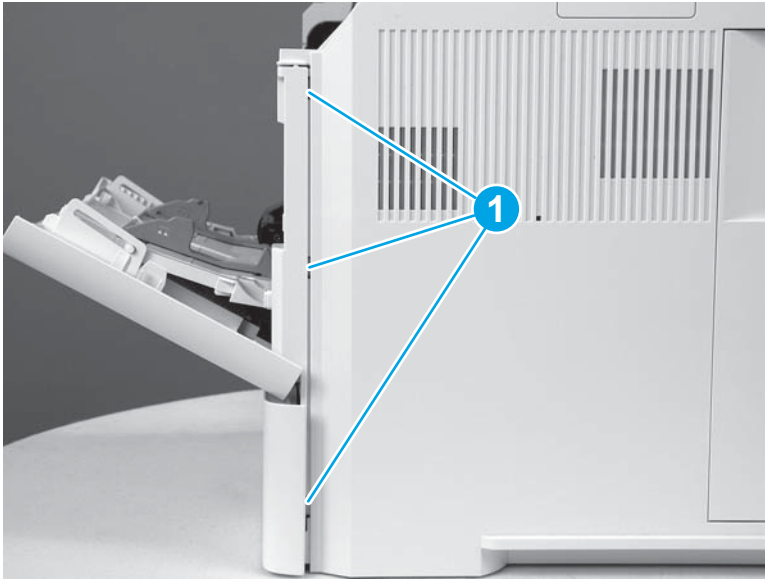
2. Remove two screws (callout 1).

Figure 1-1153 Remove two screws



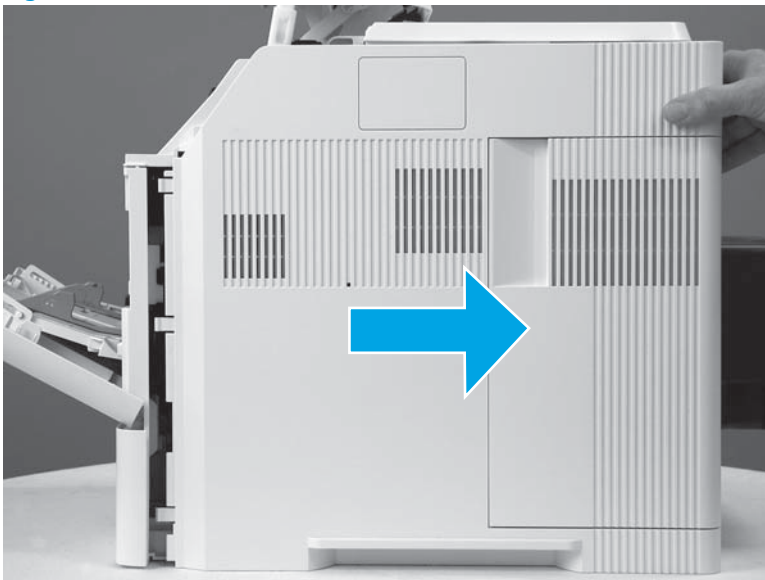
3. Release three tabs (callout 1).

Figure 1-1154 Release three tabs



4. Slide the cover toward the rear of the printer to remove it.

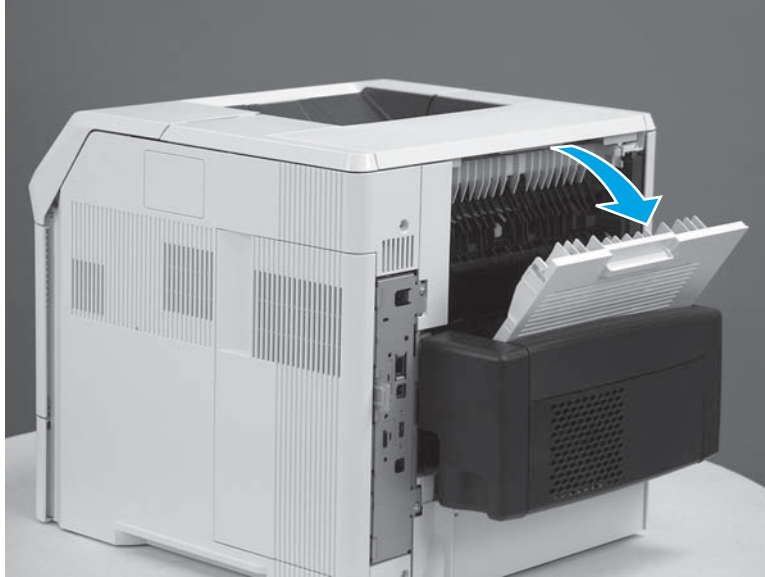
Figure 1-1155 Remove the cover



Step 7: Remove the top accessory cover

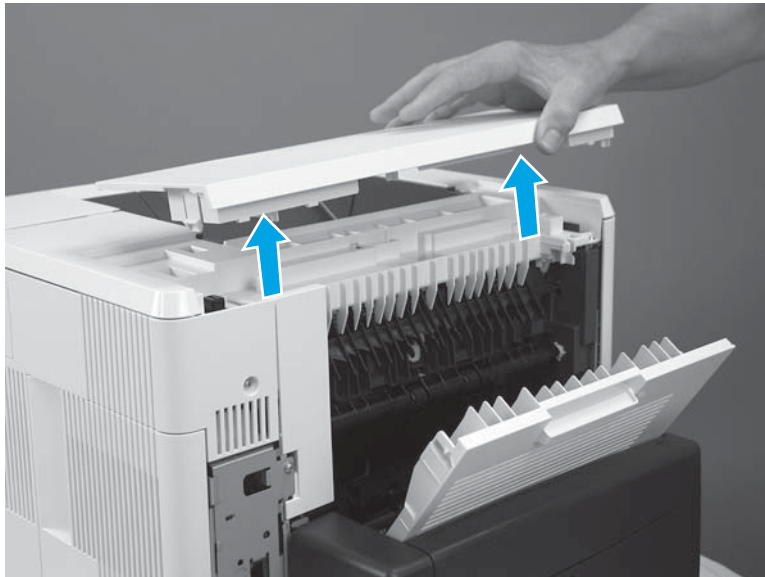
1. Open the rear output bin.

Figure 1-1156 Open the rear output bin




2. Lift the top accessory cover up and off of the printer.

Figure 1-1157 Remove top accessory cover



Step 8: Remove the top cover (M604n/dn, M605n/dn, M606dn only)

 **NOTE:** For the M605x or M606x, skip this step and go to [Step 9: Remove the top cover \(M605x, M606x only\) on page 659](#).

1. Use needle-nose pliers to release the toner-cartridge drive-arm tabs (callout 1).

 **CAUTION:** The toner-cartridge drive-arm tabs break easily.


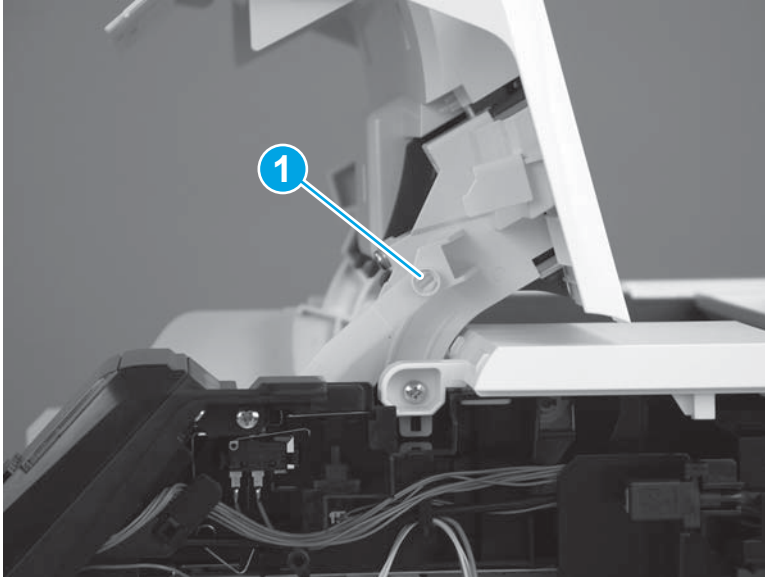
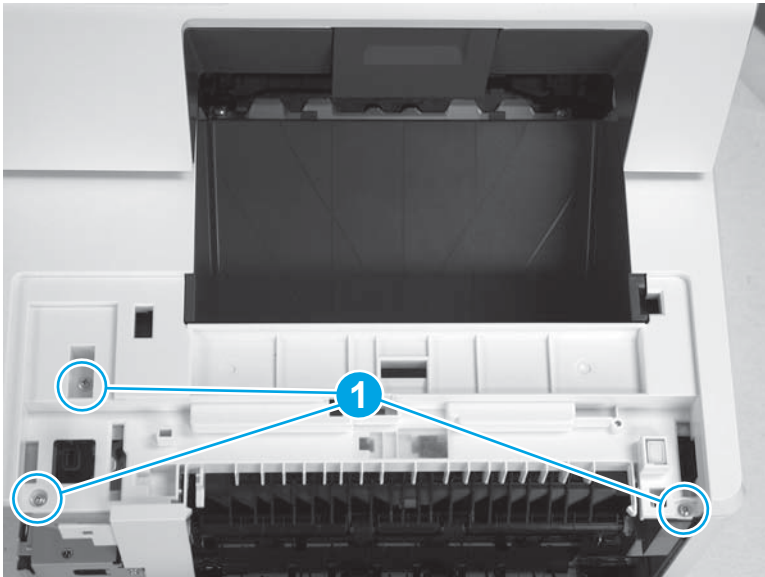
 **TIP:** Push the toner-cartridge drive-arm back into the printer to avoid damaging it when you remove the top cover.

Figure 1-1158 Release the drive-arm tabs



2. Remove three screws (callout 1) on the top of the printer.

Figure 1-1159 Remove three screws



3. Remove one screw (callout 1) on the right side of the printer.


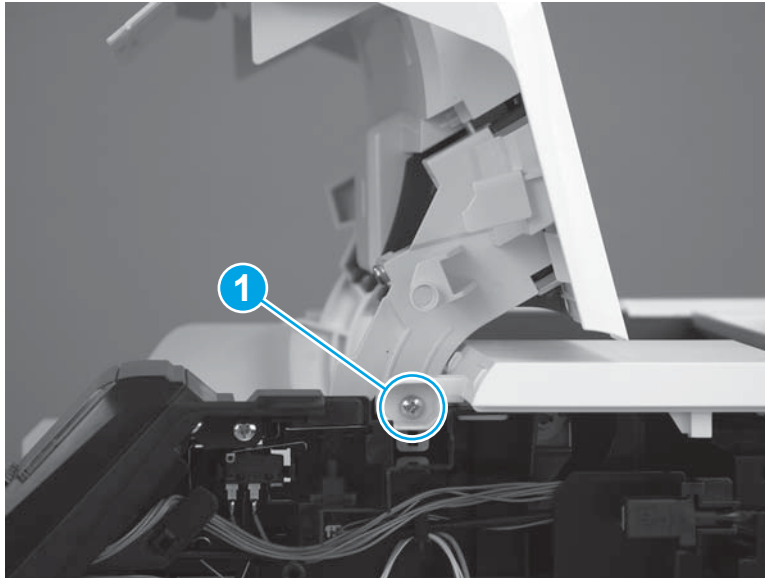
 **Reinstallation tip:** This screw is larger than the screws removed from the top of the printer. Make sure to install the correct screw when reassembling.

Figure 1-1160 Remove one screw



4. Remove one screw (callout 1) on the left side of the printer.


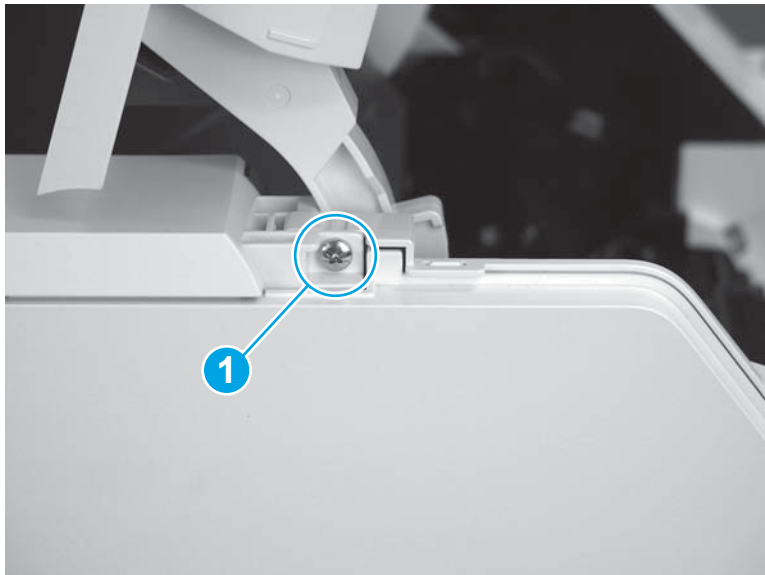
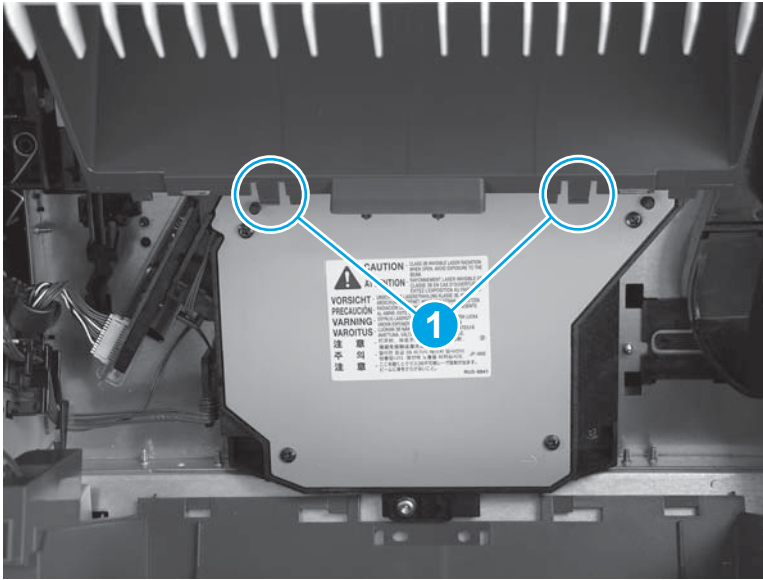
 **Reinstallation tip:** This screw is larger than the screws removed from the top of the printer. Make sure to install the correct screw when reassembling.

Figure 1-1161 Remove one screw



5. Note the location of two tabs on the top output bin (callout 1). These tabs are released in the next step.

Figure 1-1162 Location of two tabs



6. Release two tabs (callout 1) on the top output bin.


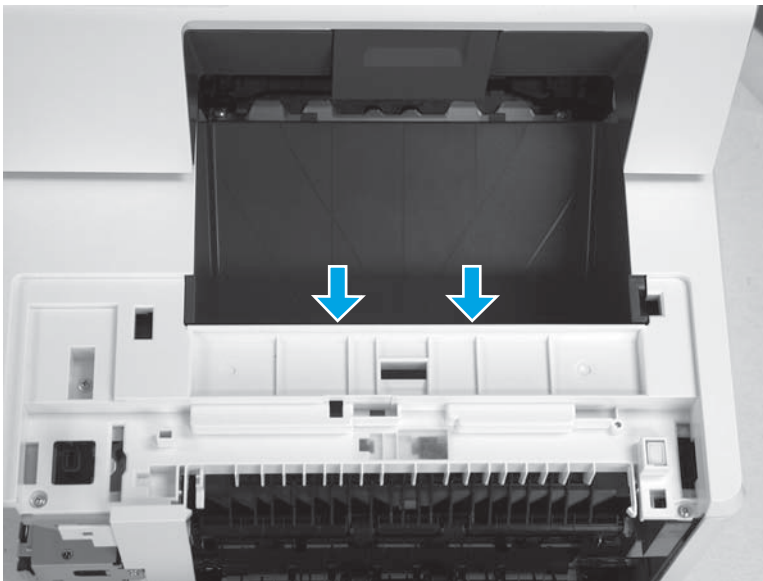
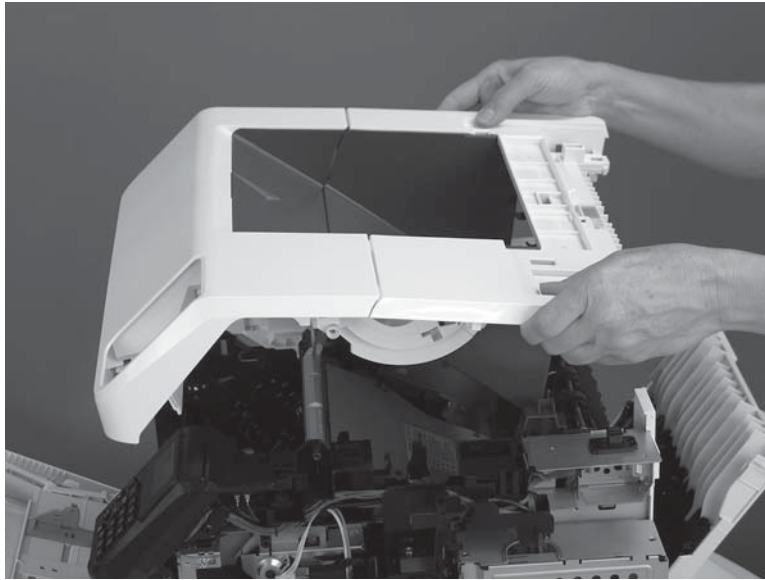
 **Reinstallation tip:** Make sure that these tabs are fully seated when the top cover is reinstalled.

Figure 1-1163 Release two tabs



7. Lift the top cover up and off of the printer to remove it.

Figure 1-1164 Remove the top cover



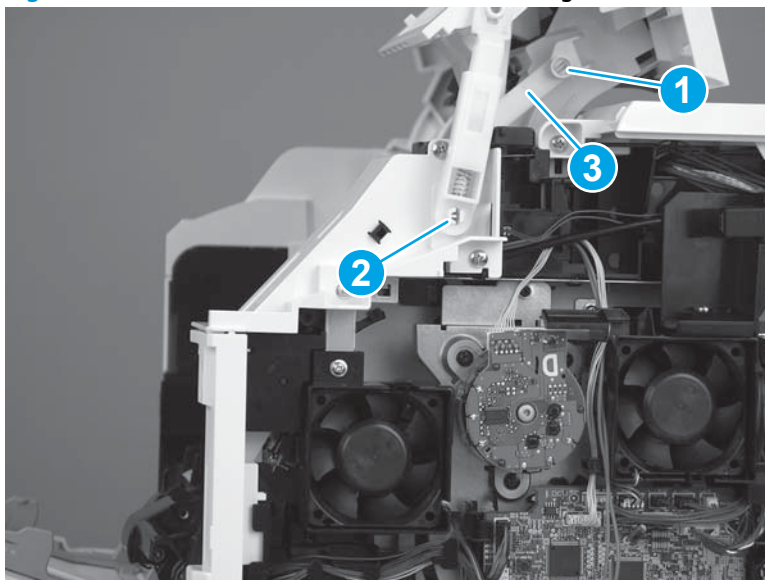
Step 9: Remove the top cover (M605x, M606x only)

1. Use needle-nose pliers to release the toner-cartridge drive-arm tabs (callout 1) and the toner-cartridge door hinge tabs (callout 2).

CAUTION: The toner-cartridge drive-arm tabs break easily.

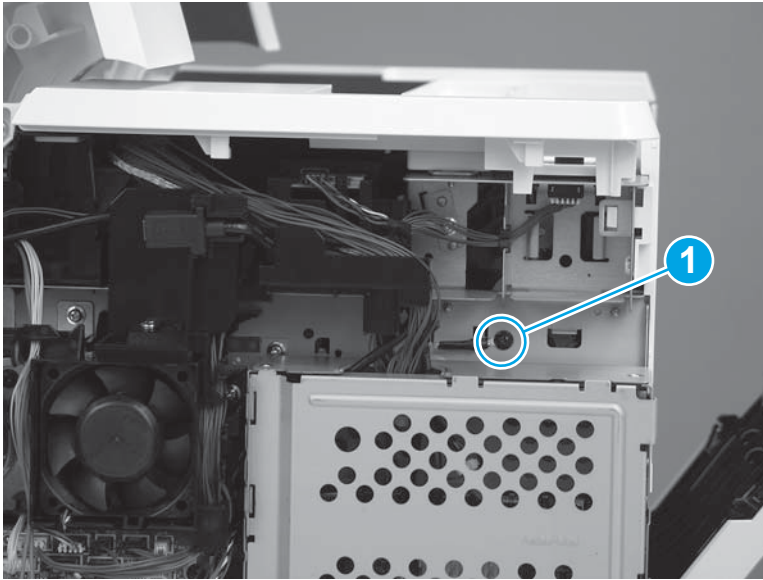
TIP: Push the toner-cartridge drive-arm (callout 3) back into the printer to avoid damaging it when you remove the top cover.

Figure 1-1165 Release the drive-arm and door hinge tabs



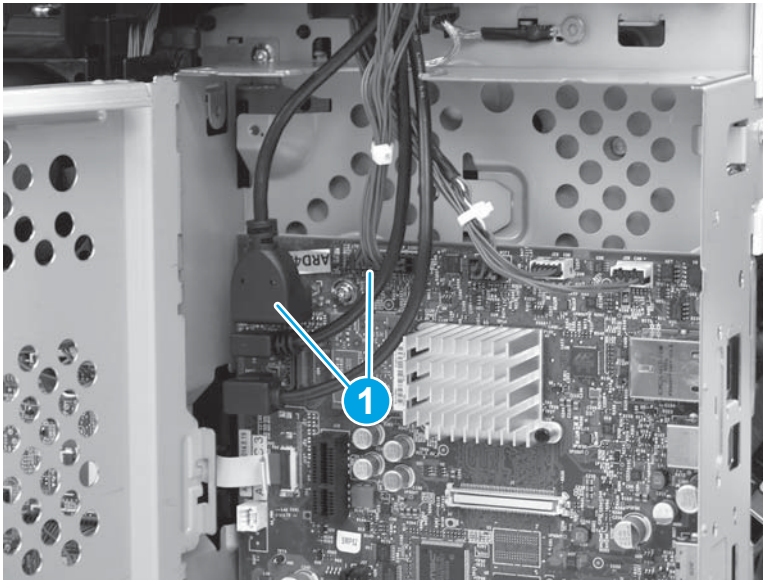
2. Remove one screw, and then release the ground wire (callout 1).

Figure 1-1166 Release the ground wire



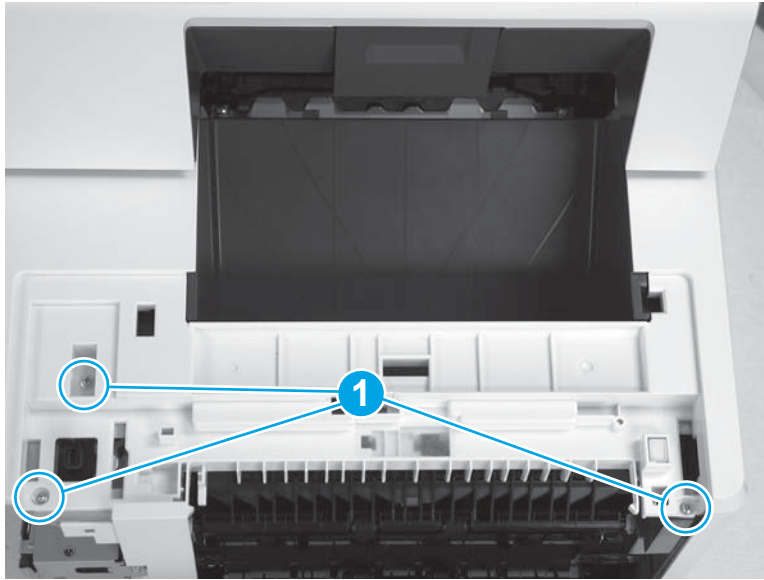
3. Open the formatter case door, and then disconnect two connectors (callout 1).

Figure 1-1167 Disconnect two connectors



4. Remove three screws (callout 1) on the top of the printer.

Figure 1-1168 Remove three screws



5. Remove one screw (callout 1) on the right side of the printer.


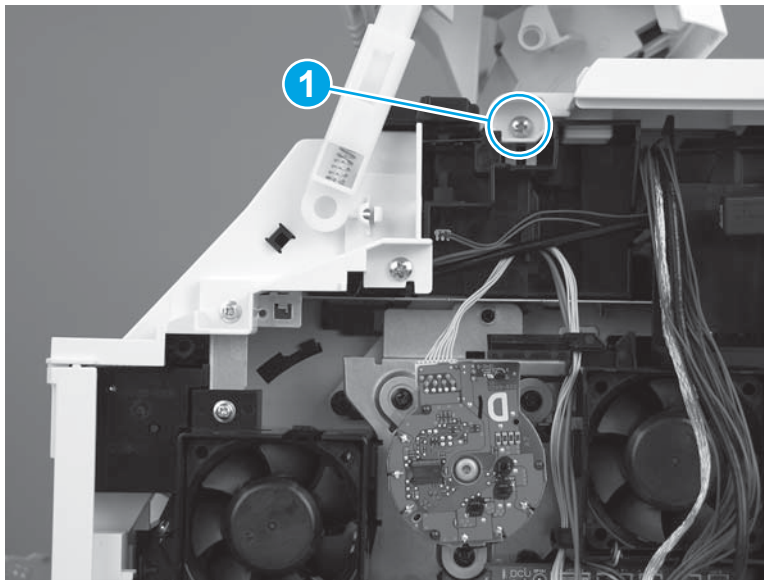
 **Reinstallation tip:** This screw is larger than the screws removed from the top of the printer. Make sure to install the correct screw when reassembling.

Figure 1-1169 Remove one screw



6. Remove one screw (callout 1) on the left side of the printer.


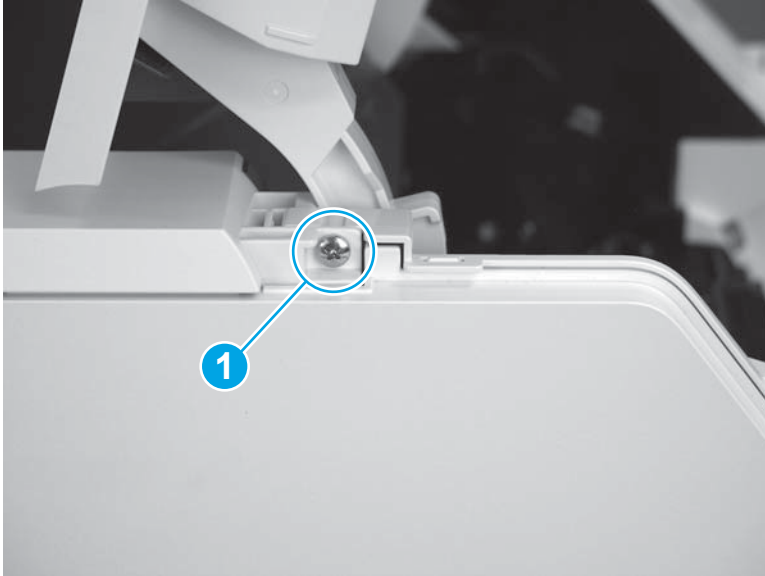
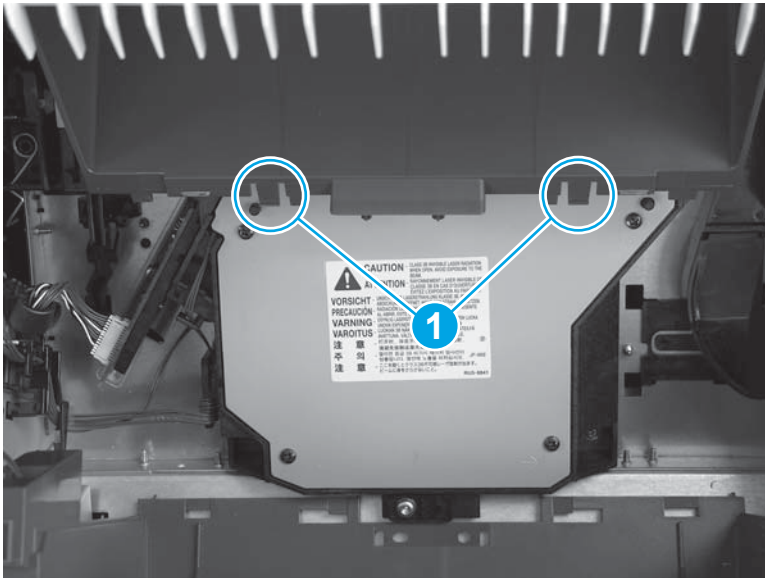
 **Reinstallation tip:** This screw is larger than the screws removed from the top of the printer. Make sure to install the correct screw when reassembling.

Figure 1-1170 Remove one screw



7. Note the location of two tabs on the top output bin (callout 1). These tabs are released in the next step.

Figure 1-1171 Location of two tabs



8. Release two tabs (callout 1) on the top output bin.


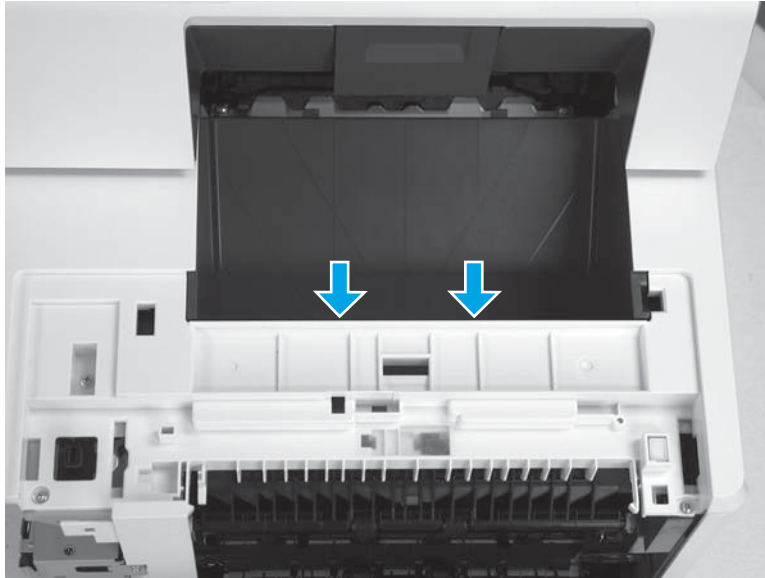
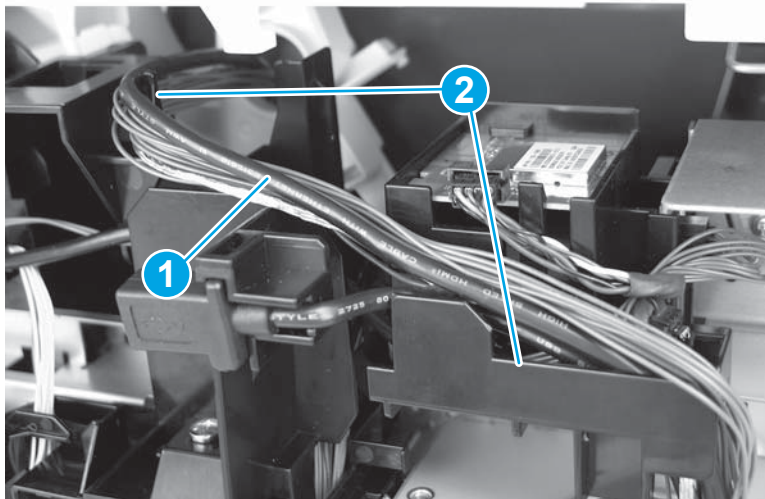
 **Reinstallation tip:** Make sure that these tabs are fully seated when the top cover is reinstalled.

Figure 1-1172 Release two tabs



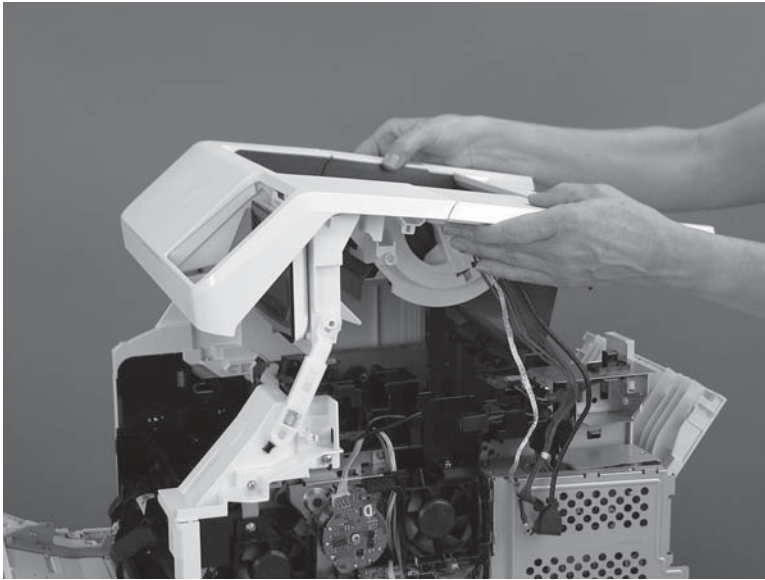
9. On the right side of the printer, release the wire harness and cables (callout 1) from the guides (callout 2).

Figure 1-1173 Release cables from guides



10. Lift the top cover up and off of the printer to remove it.

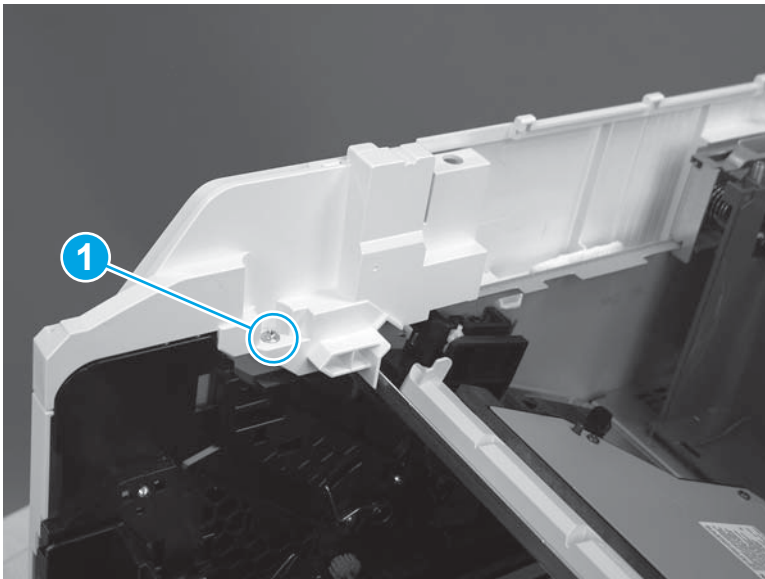
Figure 1-1174 Remove the top cover



Step 10: Remove the left cover

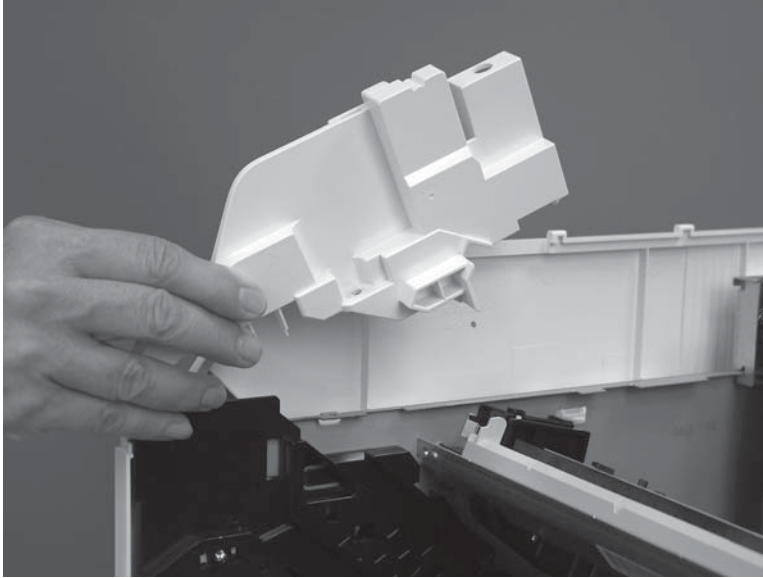
1. Remove one screw (callout 1).

Figure 1-1175 Remove one screw



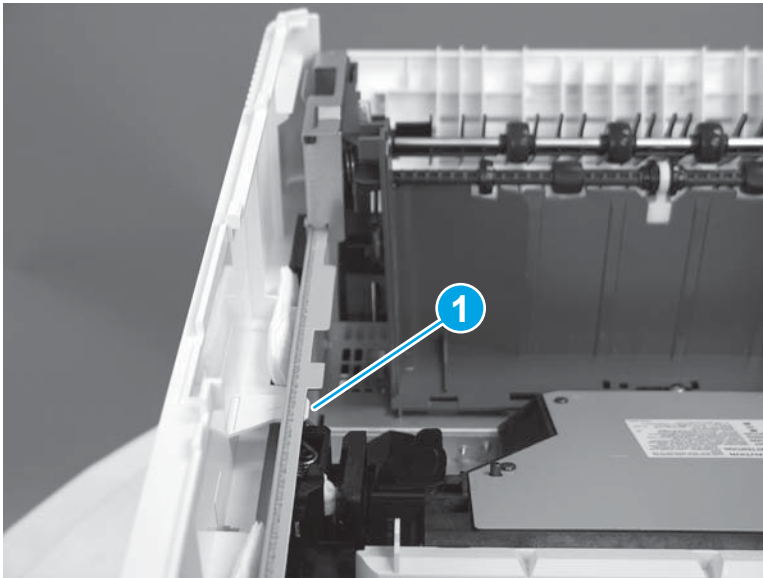
2. Remove the left front inside cover.

Figure 1-1176 Remove the left front inside cover



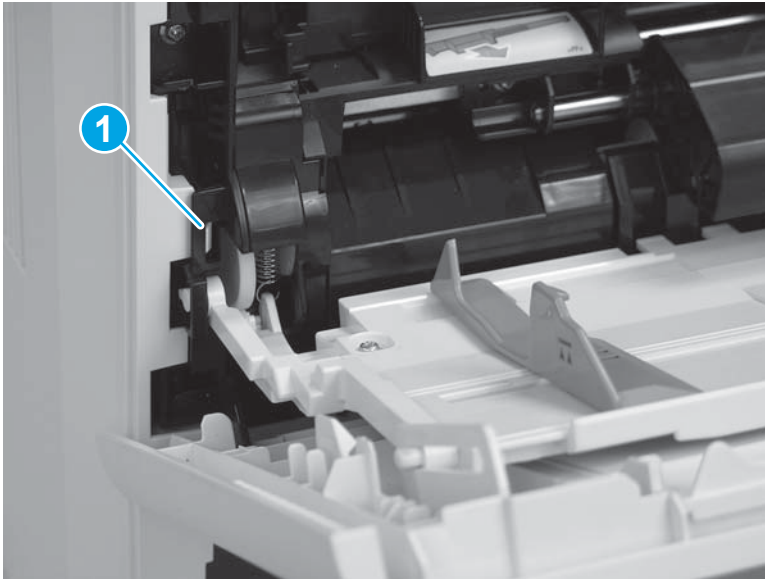
3. Release one tab (callout 1) on the top of the cover.

Figure 1-1177 Release one tab



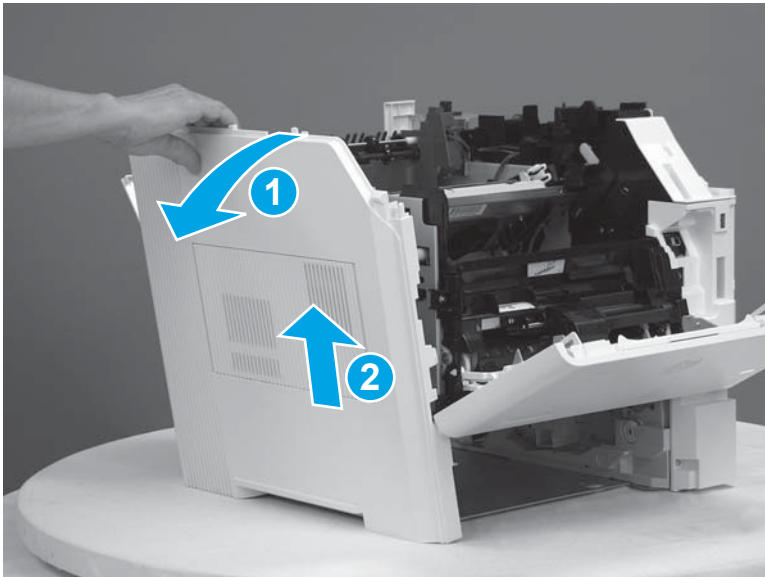
4. Release one tab (callout 1) on the front of the cover.

Figure 1-1178 Release one tab



5. Rotate the top of the cover away (callout 1) from the printer, and then lift the cover up (callout 2) to remove it.

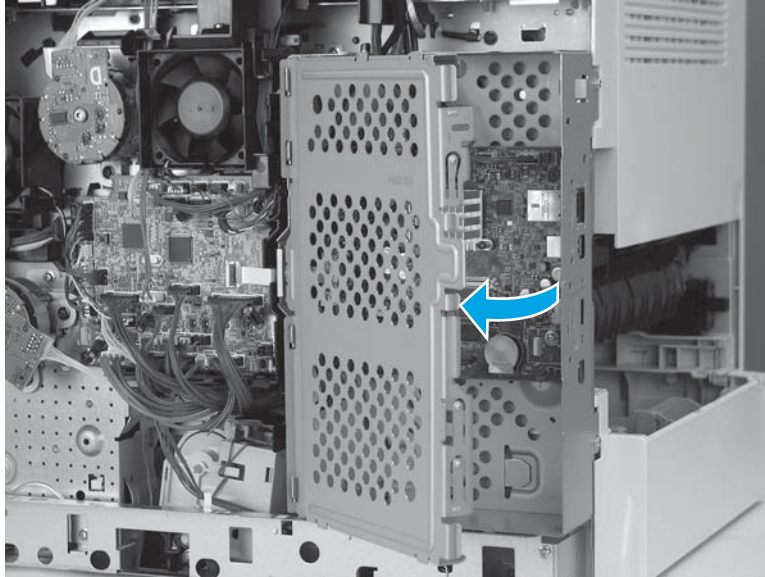
Figure 1-1179 Remove the cover



Step 11: Remove the formatter and formatter case

1. Open the formatter case door.

Figure 1-1180 Open the formatter case door



2. Locate the flat cable connector (callout 1) on the formatter.


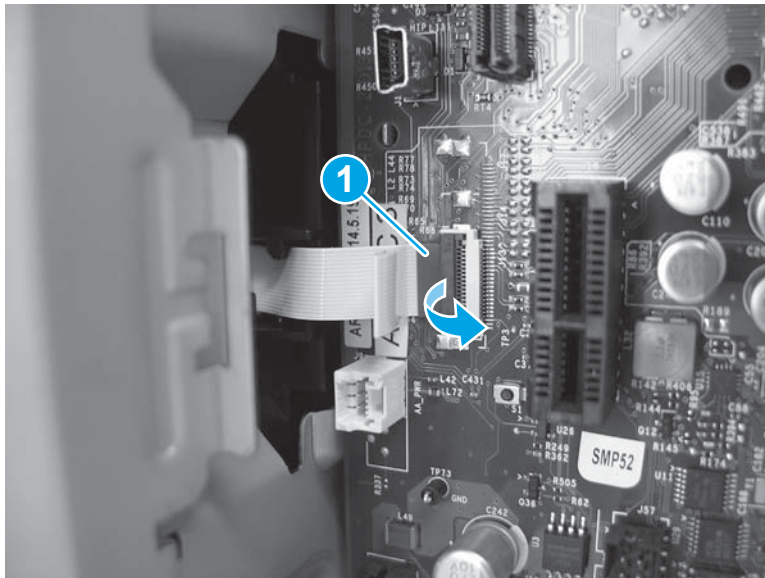
 **IMPORTANT:** This connector is a Zero Insertion Force (ZIF) connector that uses a hinged retainer to secure a flat cable. The hinged retainer must be opened to release the flat cable.

Figure 1-1181 ZIF connector



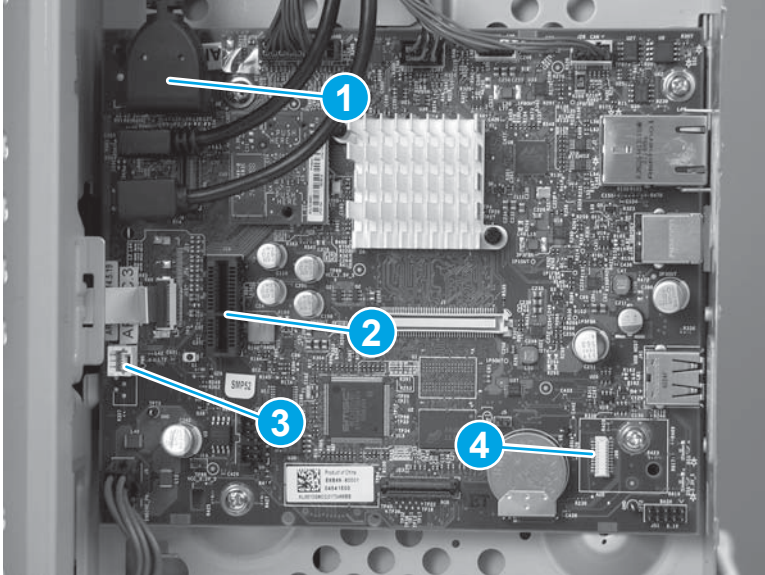
3. Disconnect all of the connectors on the formatter.

The following connectors are empty:

- J23, J25, J51, and J57
- J3 (callout 1): This connector is empty on the M604n/dn, M605n/dn, and M606dn models. It holds the touchscreen cable on the M605x and M606x models.
- J18 (callout 2): This connector is empty unless the optional hard-disk drive (HDD) is installed.

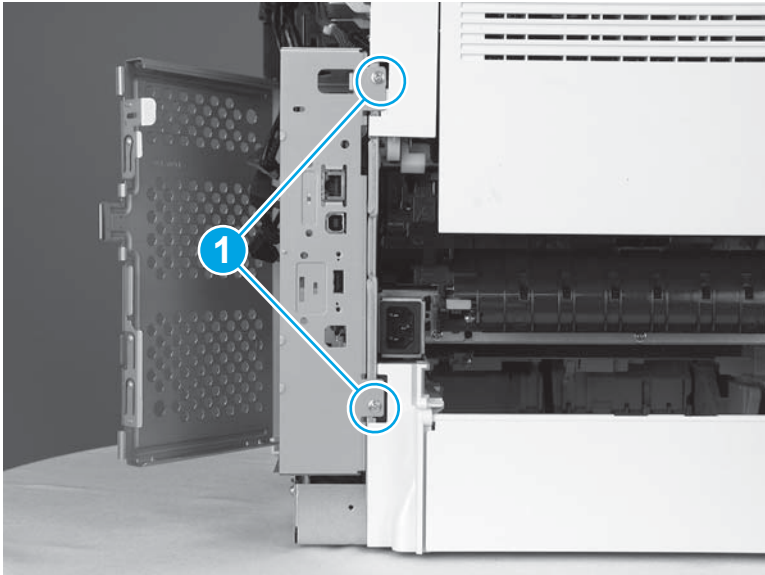
- J9 (callout 3): This connector is empty unless the optional two internal USB ports accessory is installed.
- J98 (callout 4): This connector is empty unless the optional trusted platform module (TPM) is installed.

Figure 1-1182 Disconnect all connectors



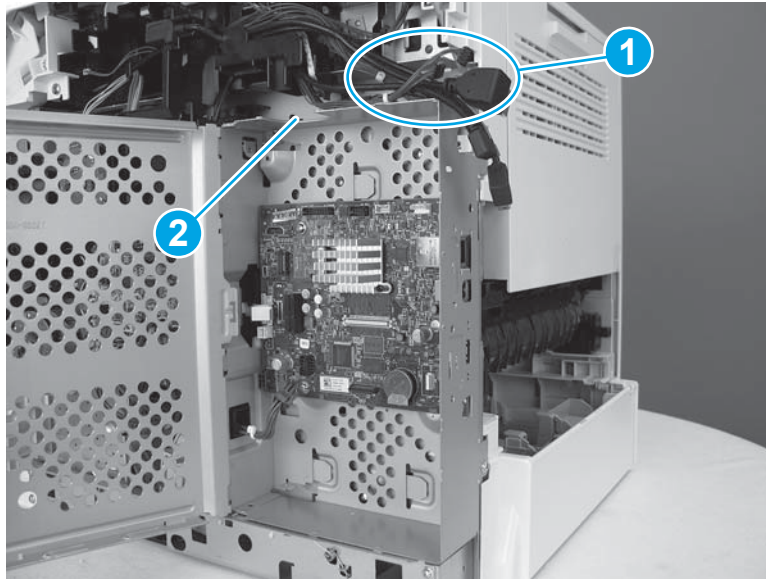
4. Remove two screws (callout 1).

Figure 1-1183 Remove two screws



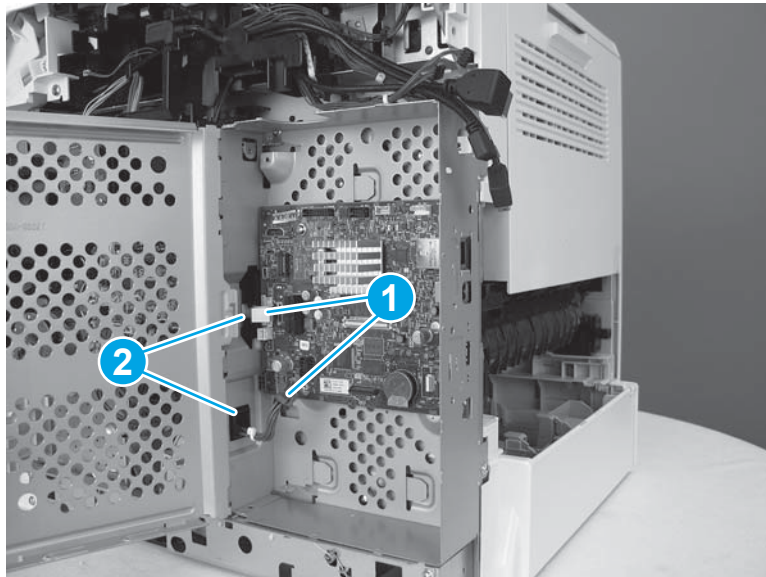
5. Remove the wires and cables (callout 1) from the opening (callout 2) in the top of the formatter case.

Figure 1-1184 Remove the wires from the formatter case



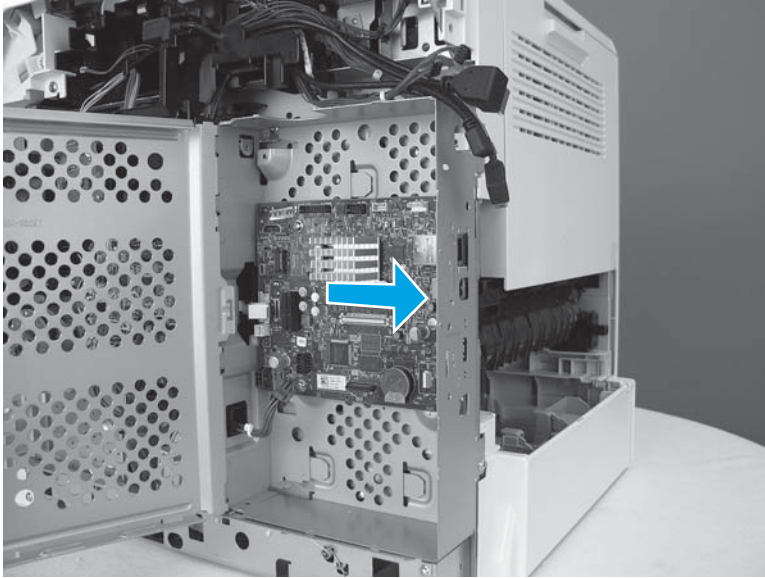
6. When removing the formatter case in the next step, make sure that the flat cable and wire harness (callout 1) slide through the openings (callout 2) in the formatter case.

Figure 1-1185 Feed cables through the openings



7. Slide the formatter case toward the back of the printer to remove it.

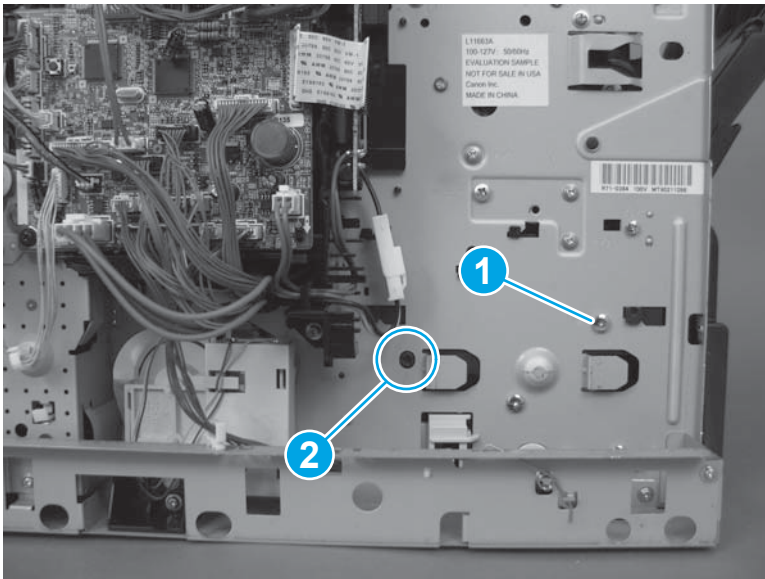
Figure 1-1186 Remove formatter case



Step 12: Remove the power supply

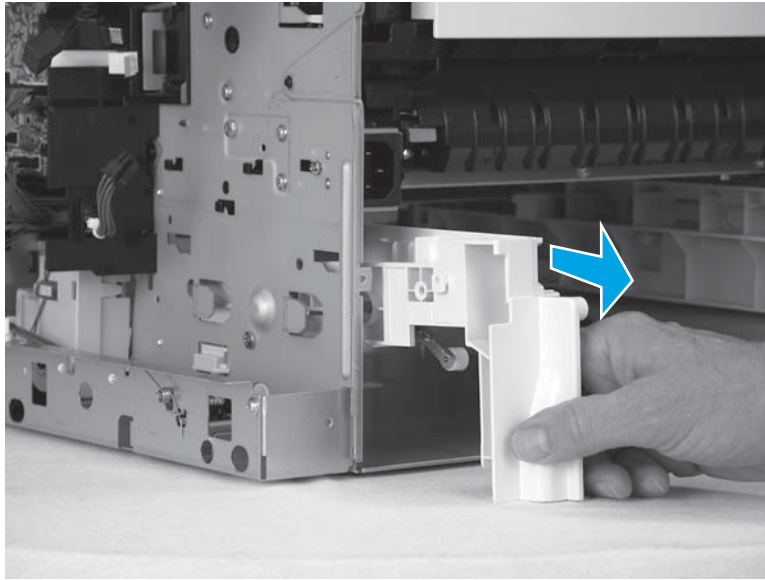
1. Remove one screw (callout 1), and then release one tab (callout 2).

Figure 1-1187 Remove one screw and release one tab



2. Slide the tray guide towards the rear of the printer to remove it.

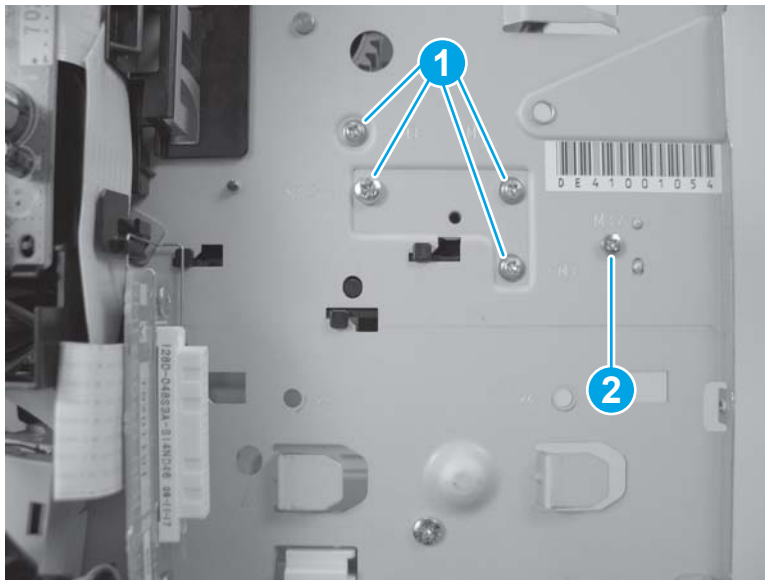
Figure 1-1188 Remove the tray guide



3. Remove four screws (callout 1) and one grounding screw (callout 2).

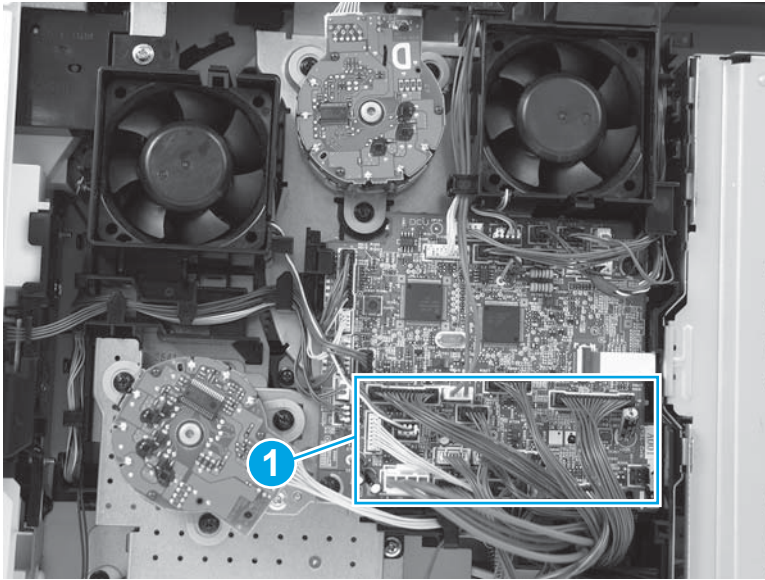
⚠ WARNING! When reinstalling the power supply, you must use a grounding screw to secure the AC outlet to the printer chassis.

Figure 1-1189 Remove four screws and grounding screw



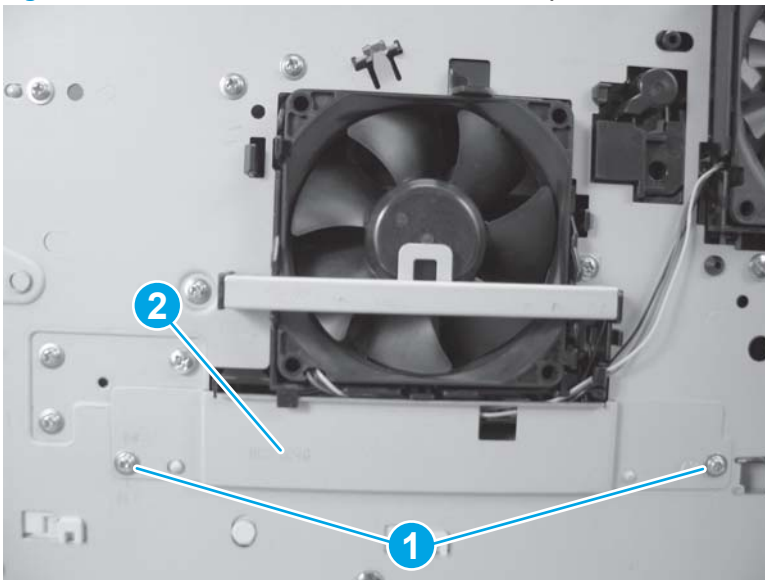
4. Disconnect seven wire-harness connectors (callout 1; J30, J82, J84, J85, J95, J96, and J98).

Figure 1-1190 Disconnect seven wire-harness connectors



5. Remove two screws (printer left side; callout 1) and then remove the fan-cover plate (callout 2).

Figure 1-1191 Remove two screws and fan cover plate



6. Disconnect three wire-harness connectors (printer left side; callout 1) and then remove four screws (callout 2).


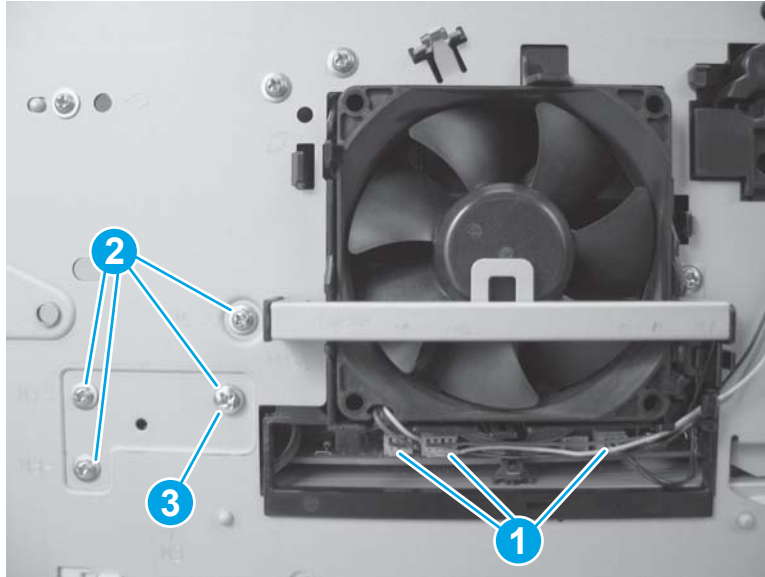
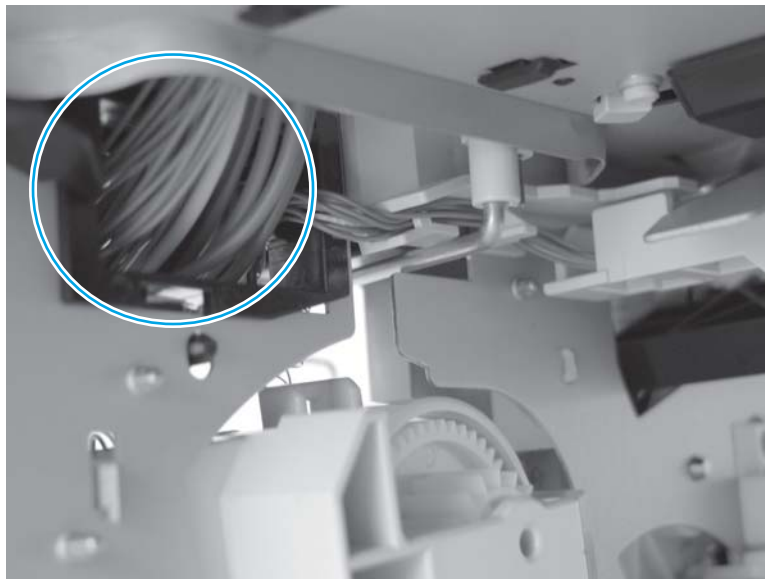
 **Reinstallation tip:** One screw (callout 3) is a different type than the others. Make sure that you replace the screws in the correct position.

Figure 1-1192 Disconnect three connectors and remove four screws



7. Feed the cables that were disconnected earlier through the opening in the right side of the chassis under the power-supply assembly.

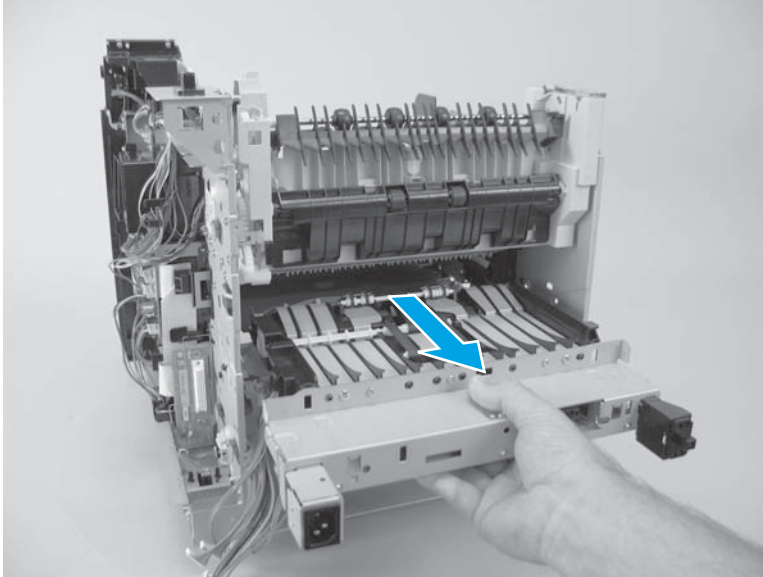
Figure 1-1193 Feed the cables through the opening



8. Grasp the power-supply assembly, lift it up slightly, and then pull it straight out of the chassis to remove it.

⚠ CAUTION: Make sure that the four rubber belts and plastic rollers on the feed-guide assembly (mounted to the top of the power supply) remain in place. These belts and rollers can easily become dislodged and you might lose them.

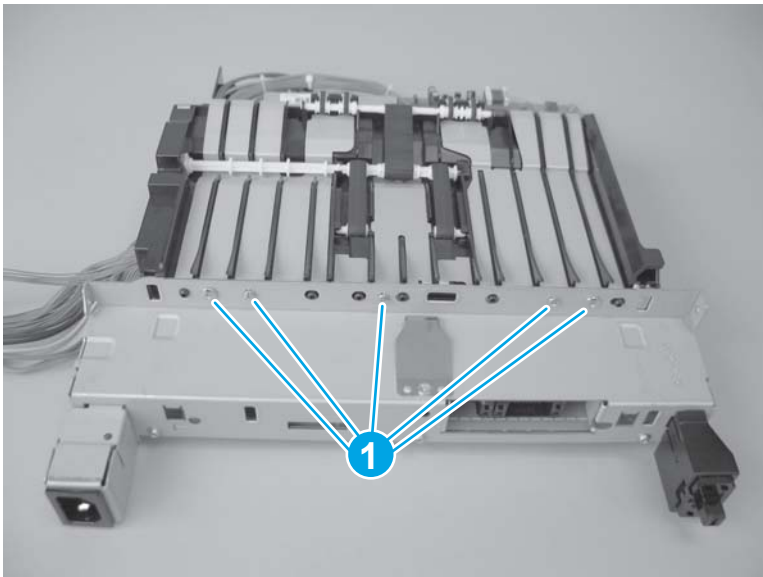
Figure 1-1194 Remove the power supply



Step 13: Remove the feed-guide assembly

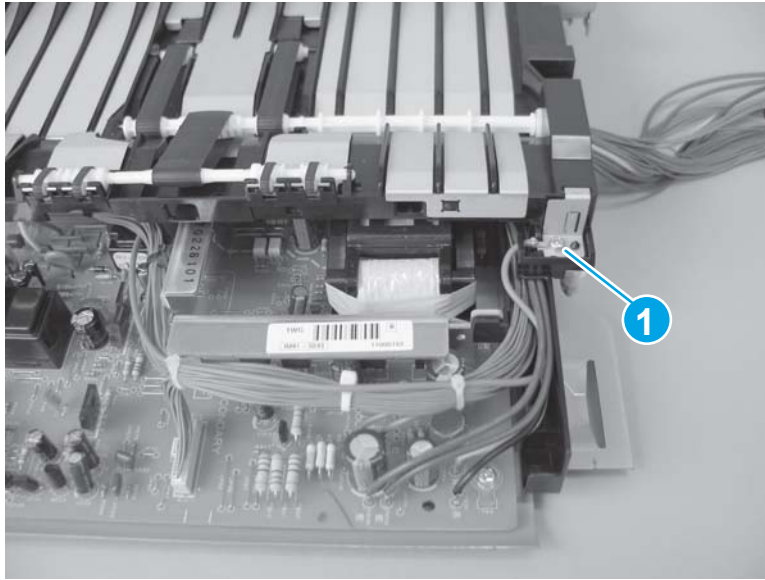
1. Remove five screws (callout 1).

Figure 1-1195 Remove five screws



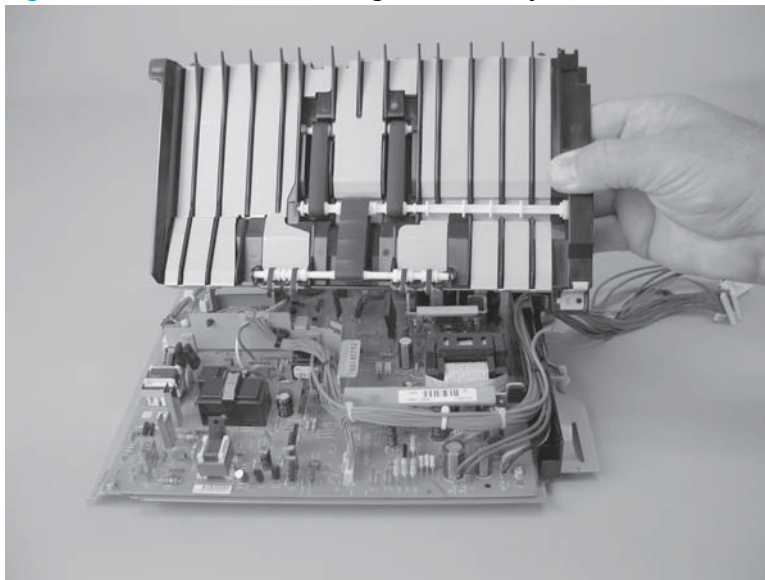
2. Remove one screw (callout 1).

Figure 1-1196 Remove one screw



3. Remove the feed-guide assembly.

Figure 1-1197 Remove the feed-guide assembly



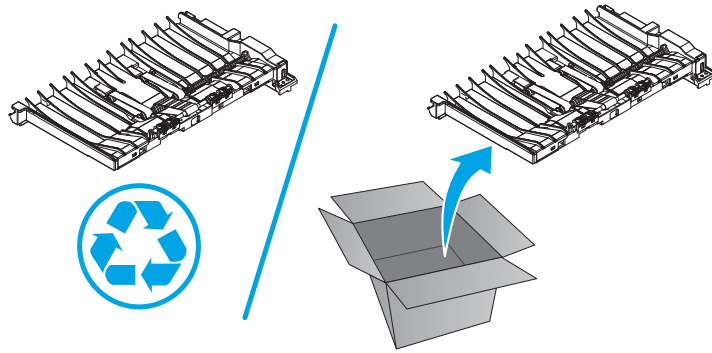
Step 14: Unpack the replacement feed-guide assembly

Unpack the replacement part from the packaging.

<http://www8.hp.com/us/en/hp-information/environment/product-recycling.html>

 **NOTE:** HP recommends responsible disposal of the defective part.

Figure 1-1198 Recycle and unpack

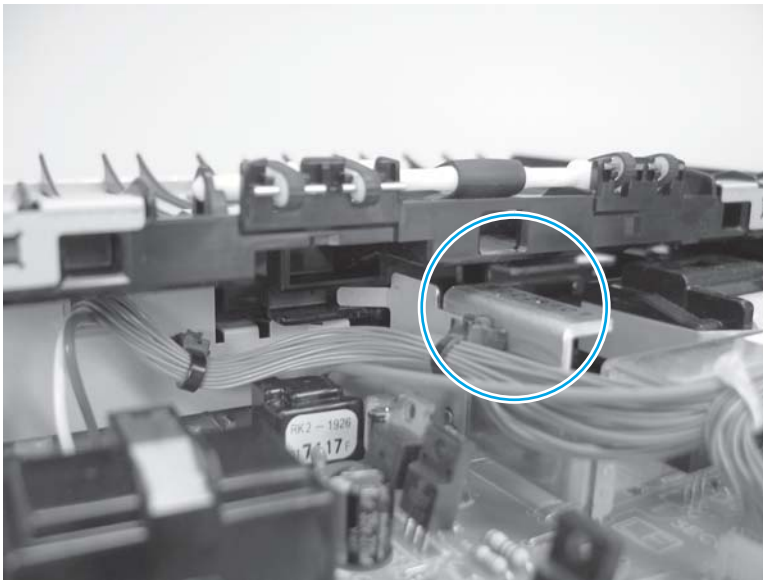


Step 15: Install the feed-guide assembly

1. When you reinstall the feed-guide assembly, make sure that the support foot is correctly positioned on the power supply.

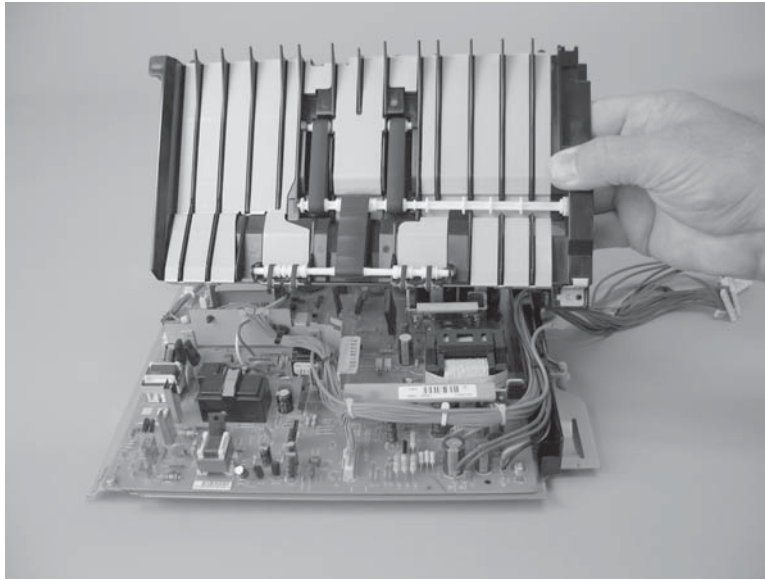
⚠ CAUTION: Make sure that the four rubber belts and plastic rollers on the feed-guide assembly remain in place. These belts and rollers can easily become dislodged and you might lose them.

Figure 1-1199 Support foot



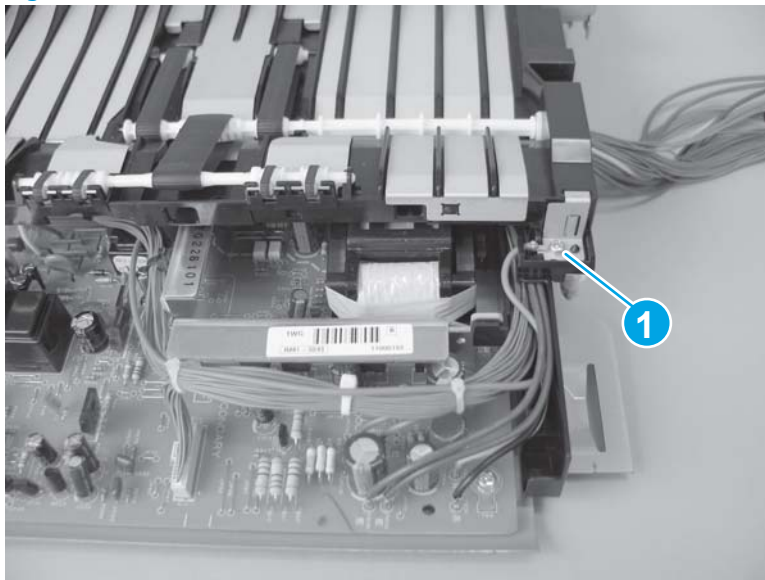
2. Position the feed-guide assembly on the power supply.

Figure 1-1200 Position the feed-guide assembly



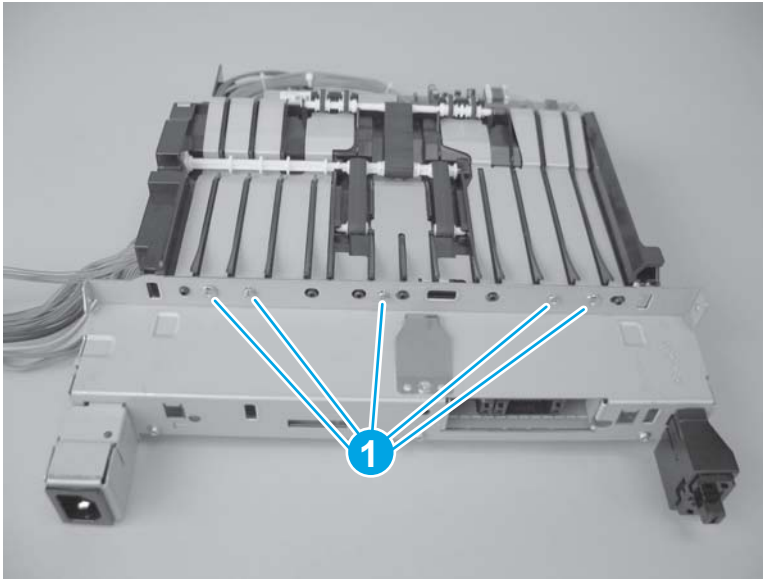
3. Install one screw (callout 1).

Figure 1-1201 Install one screw



4. Install five screws (callout 1).

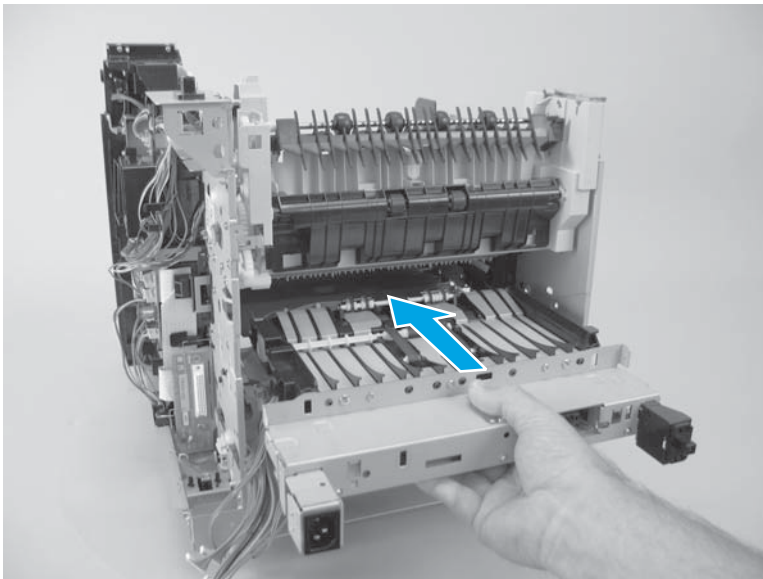
Figure 1-1202 Install five screws



Step 16: Install the power supply

1. Slide the power-supply assembly into the printer.

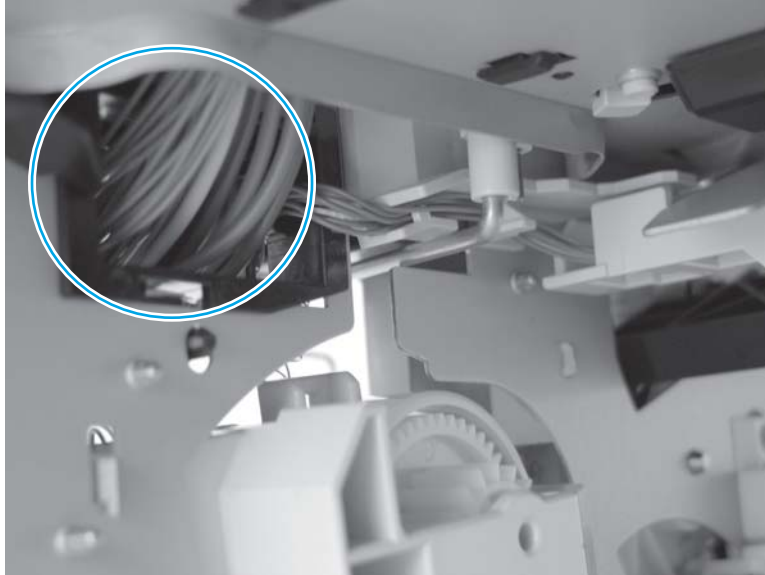
Figure 1-1203 Install the power supply



2. Install the cables into the opening in the right side of the chassis under the power-supply assembly.

CAUTION: Make sure that the four rubber belts and plastic rollers on the feed-guide assembly (mounted to the top of the power supply) remain in place. These belts and rollers can easily become dislodged and you might lose them.

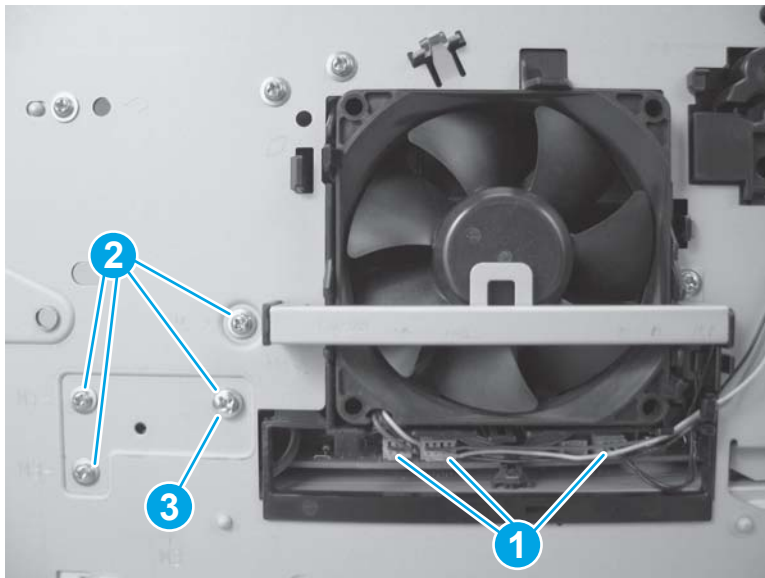
Figure 1-1204 Install the cables



3. Connect three wire-harness connectors (printer left side; callout 1) and then install four screws (callout 2).

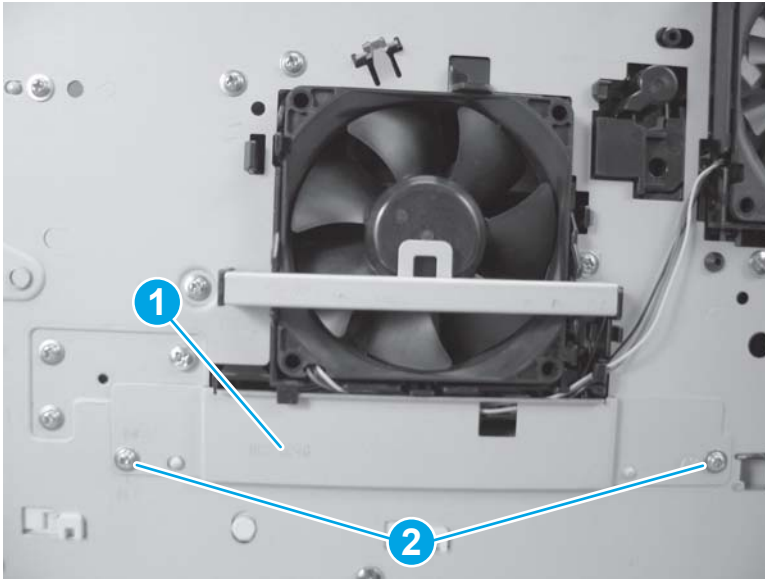
NOTE: One screw (callout 3) is a different type than the others. Make sure that you replace the screws in the correct position.

Figure 1-1205 Connect three connectors and install four screws



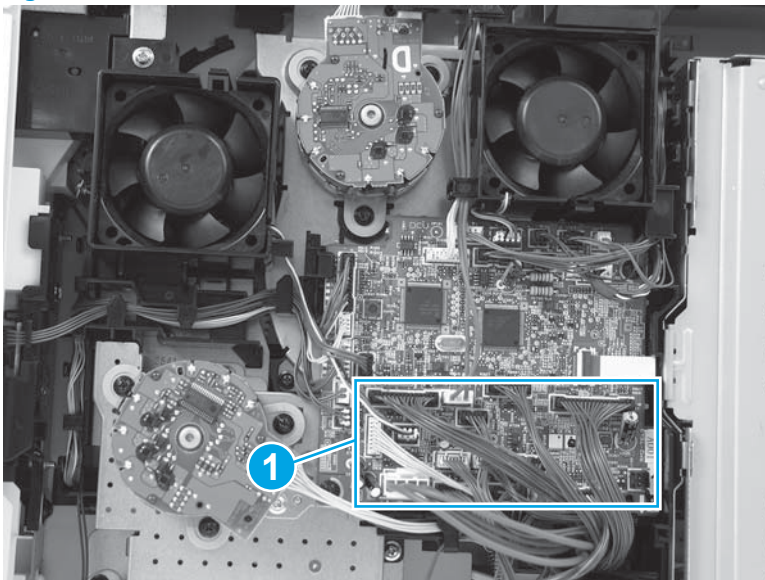
4. Position the fan-cover plate (callout 1) on the printer, and then install two screws (callout 2).

Figure 1-1206 Install the fan cover plate



5. Connect seven wire-harness connectors (callout 1; J30, J82, J84, J85, J95, J96, and J98).

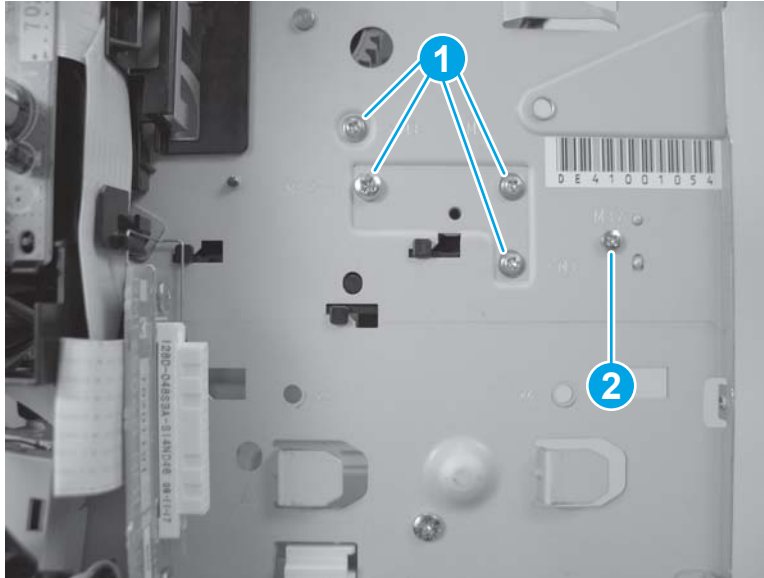
Figure 1-1207 Connect seven wire-harness connectors



6. Install four screws (callout 1) and one grounding screw (callout 2).

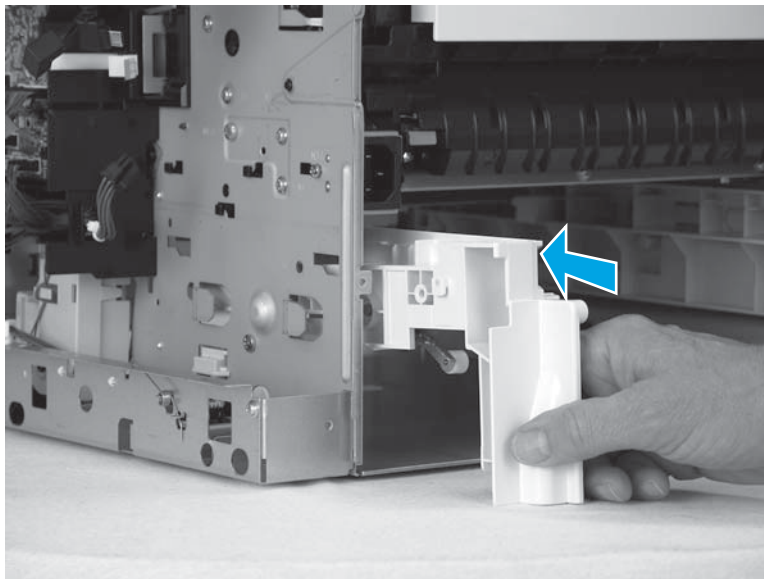
⚠ WARNING! You must use a grounding screw to secure the AC outlet to the printer chassis.

Figure 1-1208 Install four screws and grounding screw



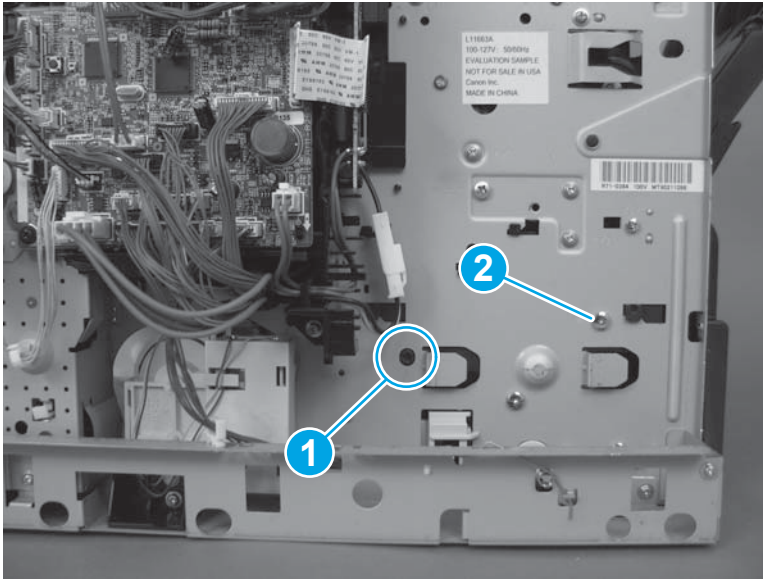
7. Position the power-supply PCA guide inside the printer.

Figure 1-1209 Install the power-supply PCA guide



8. Install one tab (callout 1), and then install one screw (callout 2).

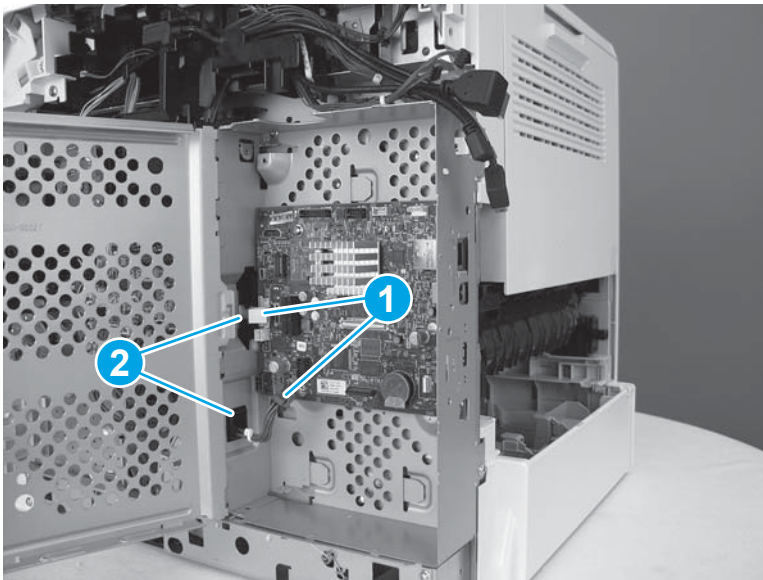
Figure 1-1210 Install one tab and one screw



Step 17: Install the formatter and formatter case

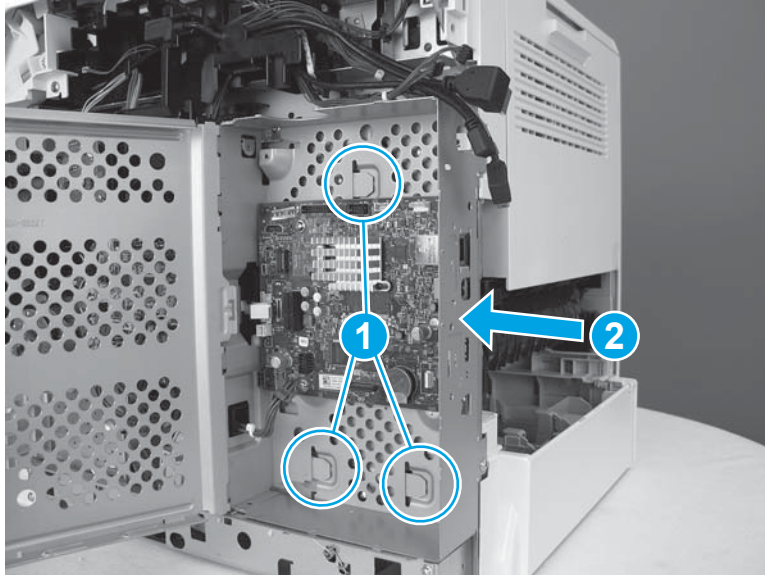
1. Position the formatter case on the printer. Make sure that the flat cable and wire harness (callout 1) are positioned through the openings (callout 2) in the formatter case.

Figure 1-1211 Position the formatter case



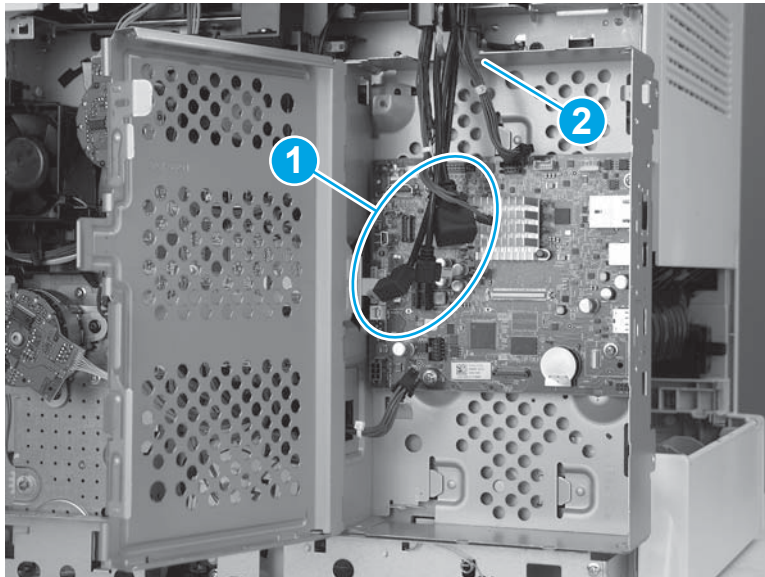
2. Make sure that the metal tabs on the printer are positioned into the slots on the formatter case (callout 1), and then slide the formatter case toward the front of the printer (callout 2) to install it.

Figure 1-1212 Install the formatter case



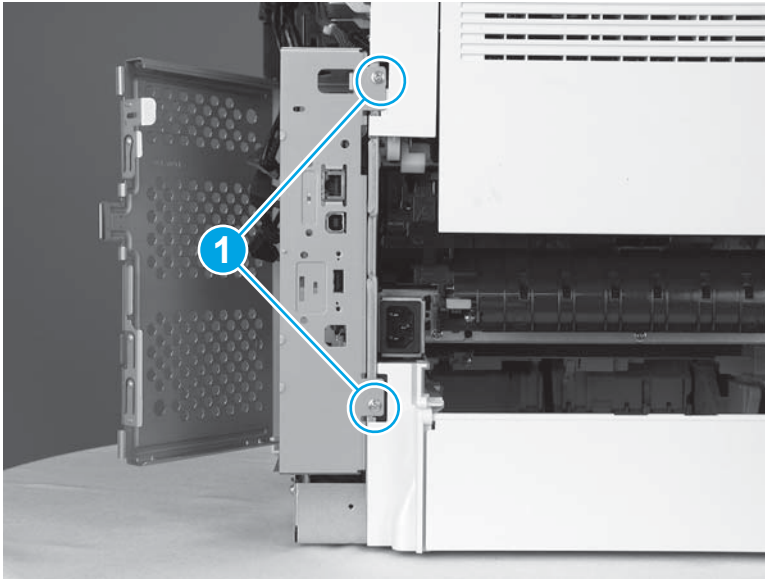
3. Position the wires and cables (callout 1) in the opening (callout 2) in the top of the formatter case.

Figure 1-1213 Position the wires in the formatter case



4. Install two screws (callout 1).

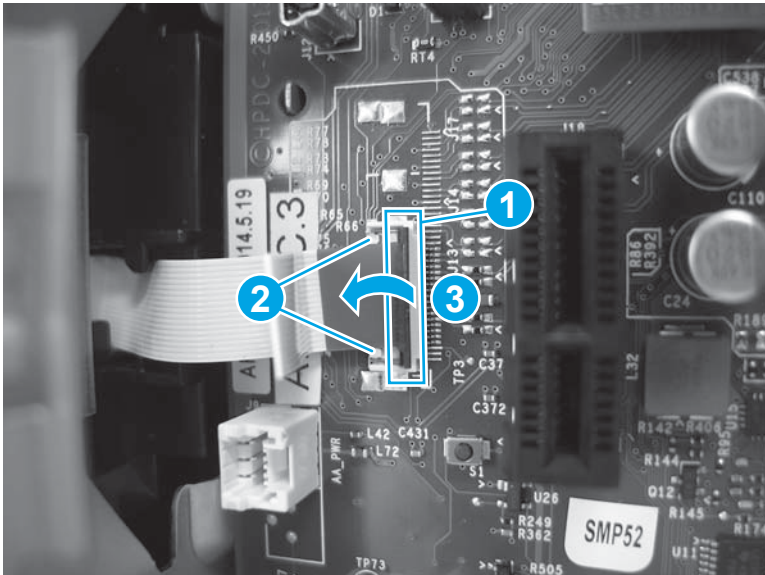
Figure 1-1214 Install two screws



5. Locate the flat cable connector (callout 1) on the formatter.

IMPORTANT: The flat cable connector is a Zero Insertion Force (ZIF) connector that uses a hinged retainer to secure a flat cable. When the flat cable is reinstalled, fully insert the flat cable in the connector between the two white pins (callout 2). Close the hinged retainer (callout 3) to lock the flat cable into the connector and provide proper electrical contact. If the flat cable is not locked into the connector, no electrical contact will occur.

Figure 1-1215 ZIF connector

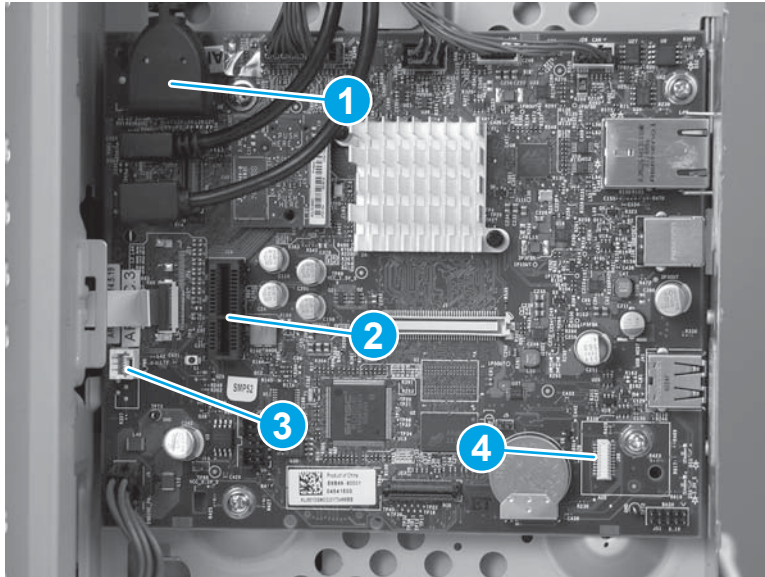


6. Connect all of the connectors on the formatter.

The following connectors are empty:

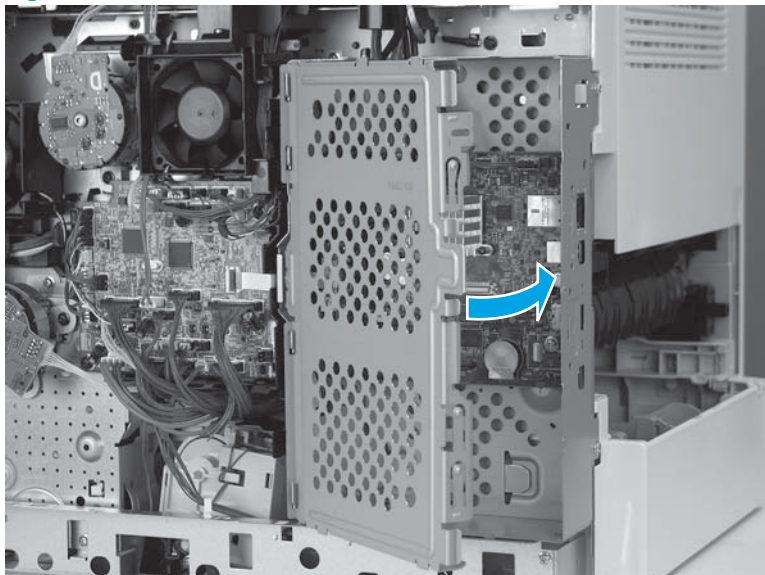
- J23, J25, J51, and J57
- J3 (callout 1): This connector is empty on the M604n/dn, M605n/dn, and M606dn models. It holds the touchscreen cable on the M605x and M606x models.
- J18 (callout 2): This connector is empty unless the optional hard-disk-drive (HDD) is installed.
- J9 (callout 3): This connector is empty unless the optional two internal USB ports accessory is installed.
- J98 (callout 4): This connector is empty unless the optional trusted platform module (TPM) is installed.

Figure 1-1216 Connect all connectors



7. Close the formatter case door.

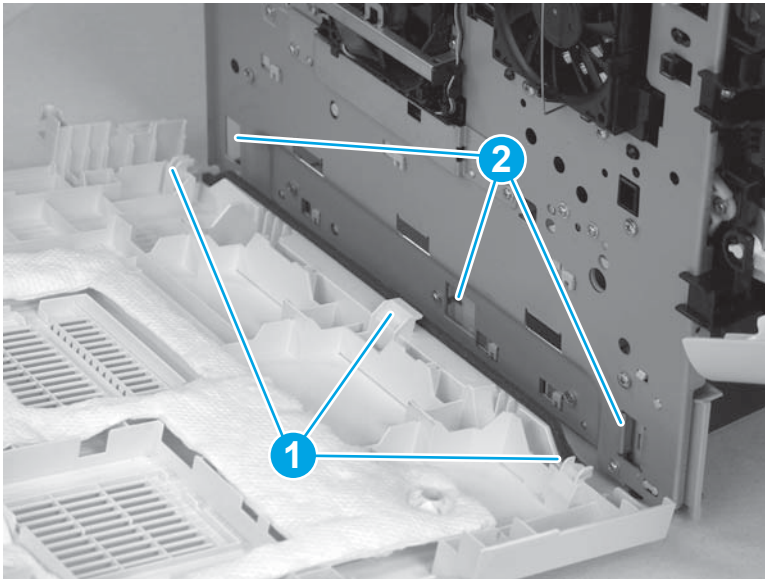
Figure 1-1217 Close the formatter case door



Step 18: Install the left cover

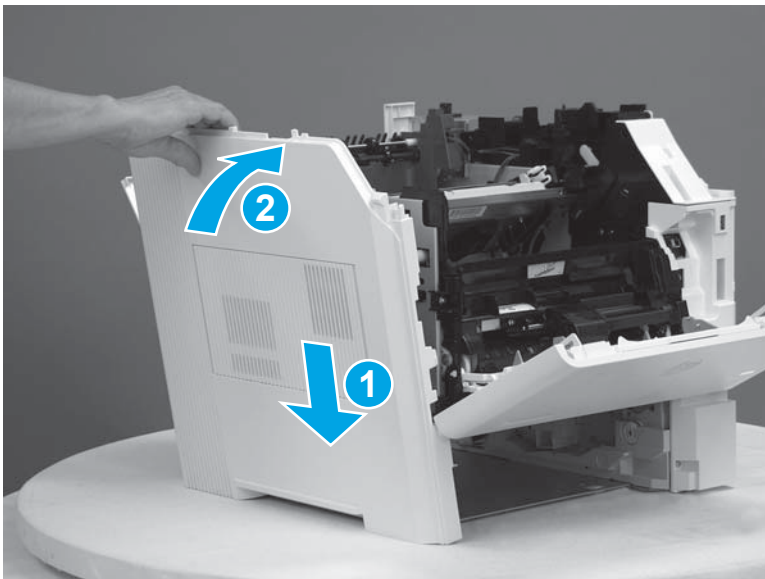
1. Note the location of the tabs (callout 1) on the bottom of the left cover that will fit into the slots (callout 2) in the sheet-metal frame.

Figure 1-1218 Note location of tabs



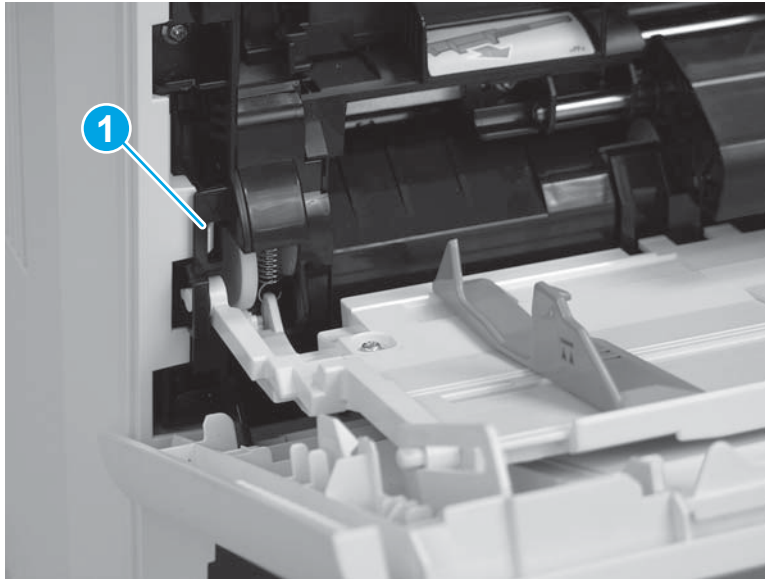
2. Position the tabs in the slots mentioned in the previous step (callout 1), and then rotate the left cover toward the printer (callout 2).

Figure 1-1219 Rotate the cover into place



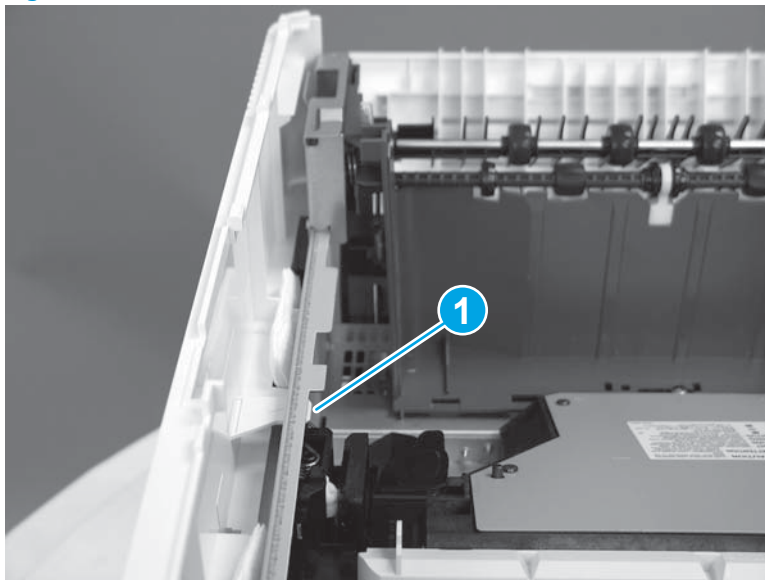
3. Make sure that the tab (callout 1) on the front of the cover snaps into place.

Figure 1-1220 Install one tab



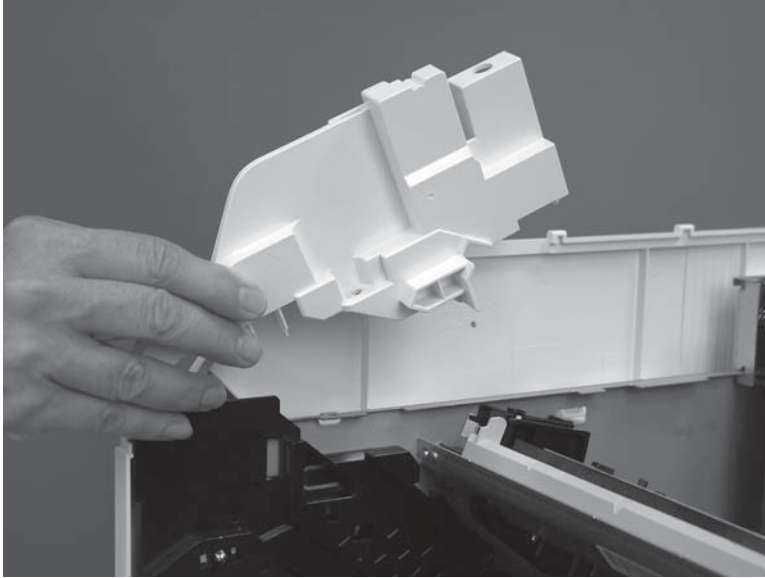
4. Make sure that the tab (callout 1) on the top of the cover snaps into place.

Figure 1-1221 Install one tab



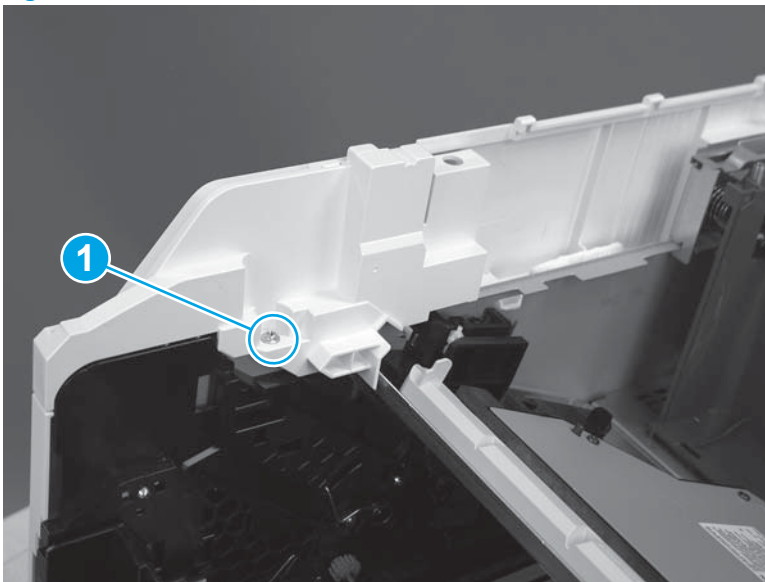
5. Position the left front inside cover on the printer.

Figure 1-1222 Install the left front inside cover



6. Install one screw (callout 1).

Figure 1-1223 Install one screw



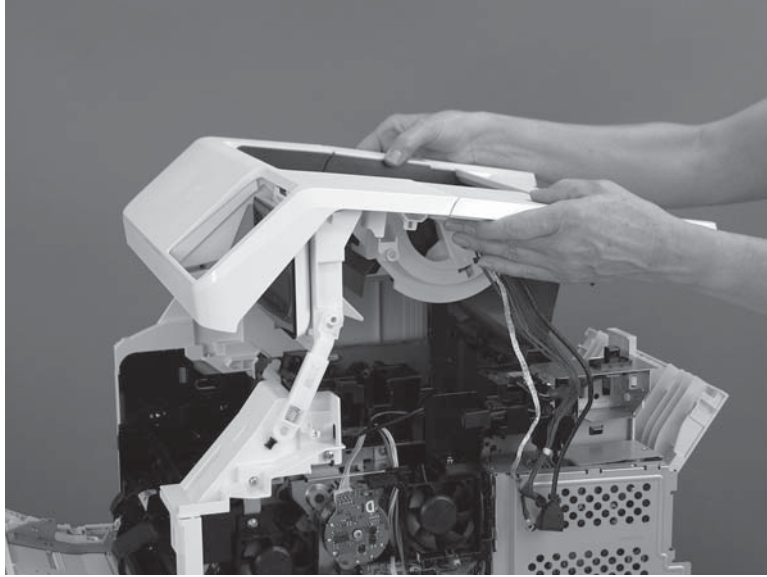
Step 19: Install the top cover (M605x, M606x only)



NOTE: For the M604n/dn, M605n/dn, or M606dn product, skip this step and go to [Step 20: Install the top cover \(M604n/dn, M605n/dn, M606dn only\) on page 693](#).

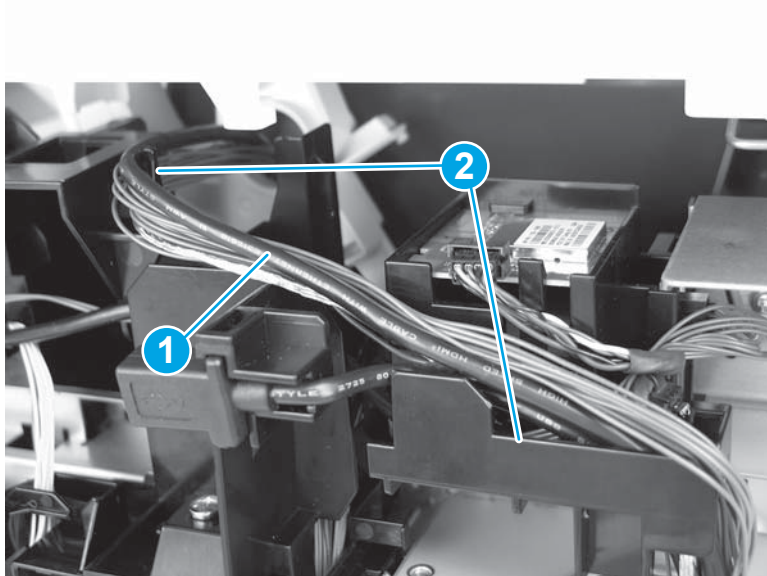
1. Lower the top cover onto the printer.

Figure 1-1224 Lower the top cover



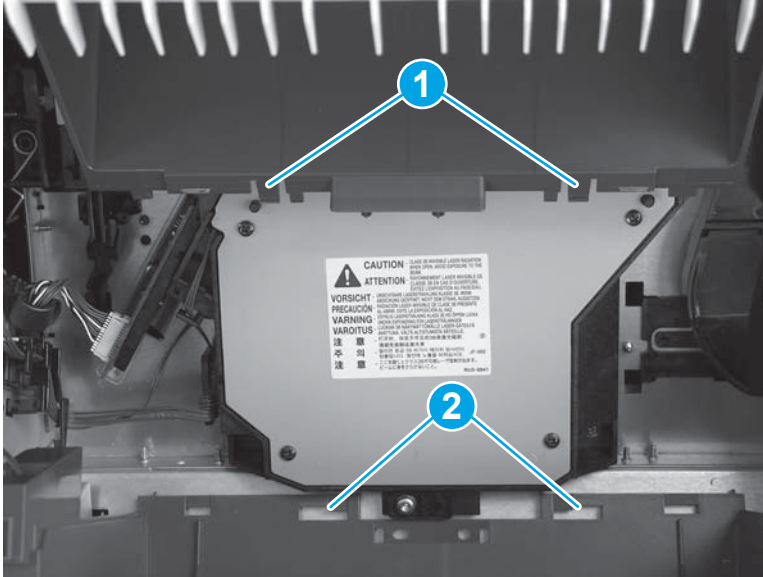
2. On the right side of the printer, make sure that the wire harness and cables (callout 1) are properly routed through the guides (callout 2).

Figure 1-1225 Install cables in guides



3. Install two tabs (callout 1) on the top output bin into two slots (callout 2) in the printer. Make sure that the tabs snap into place.

Figure 1-1226 Install two tabs



4. Install one screw (callout 1) on the left side of the printer.


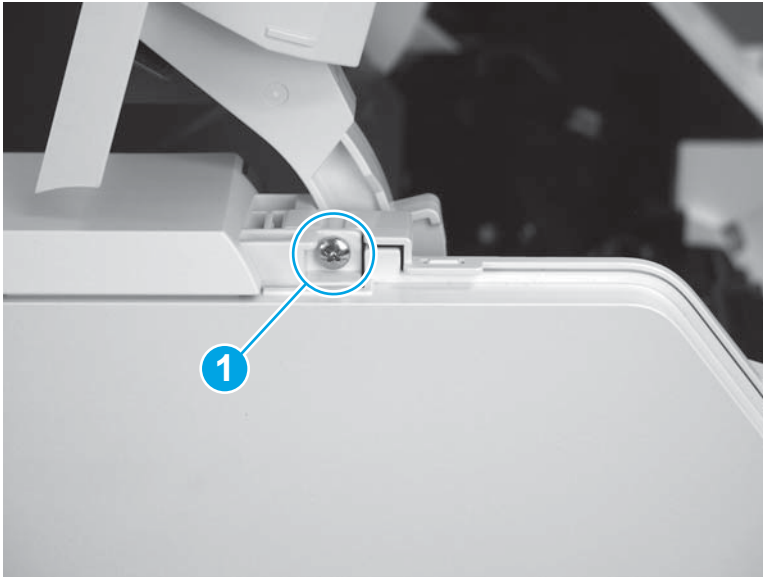
 **Reinstallation tip:** This screw is larger than the screws removed from the top of the printer. Make sure to install the correct screw.

Figure 1-1227 Install one screw



5. Install one screw (callout 1) on the right side of the printer.


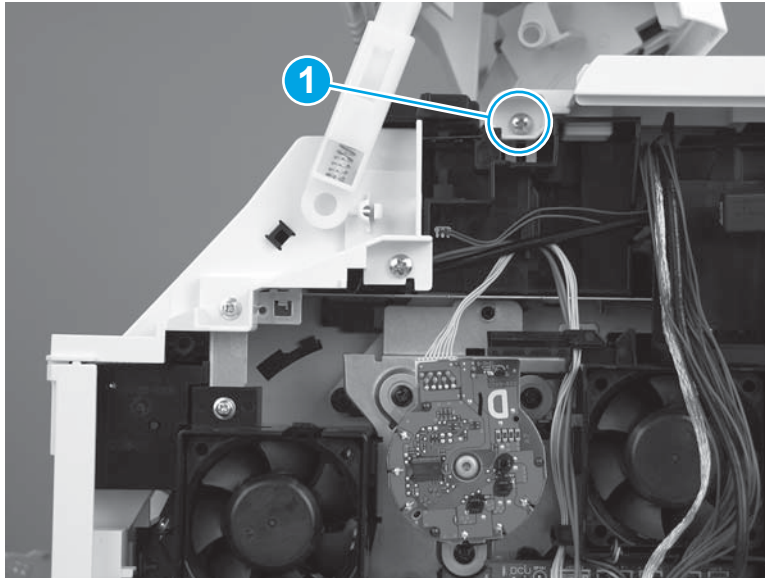
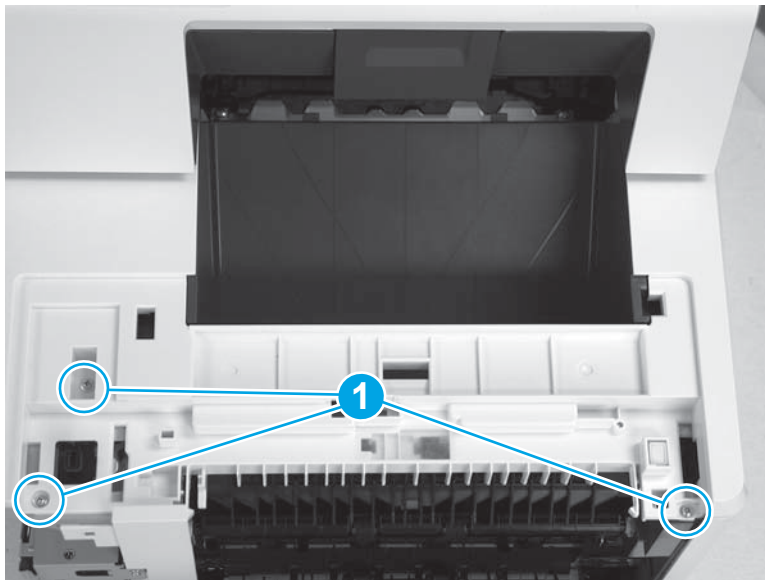
 **Reinstallation tip:** This screw is larger than the screws removed from the top of the printer. Make sure to install the correct screw.

Figure 1-1228 Install one screw



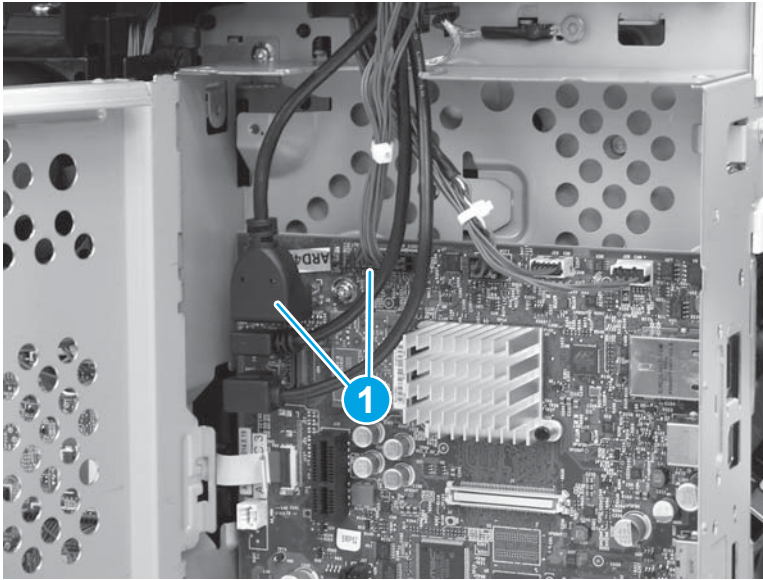
6. Install three screws (callout 1) on the top of the printer.

Figure 1-1229 Install three screws



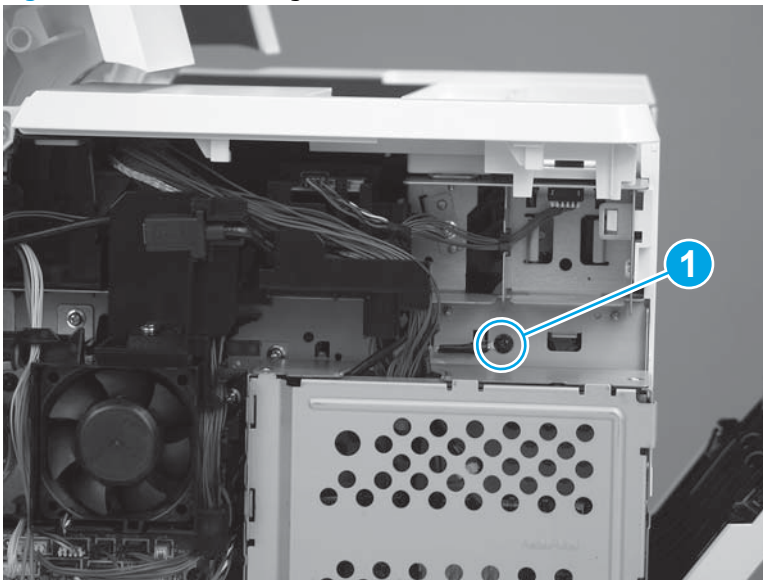
7. Connect two connectors (callout 1).

Figure 1-1230 Connect two connectors



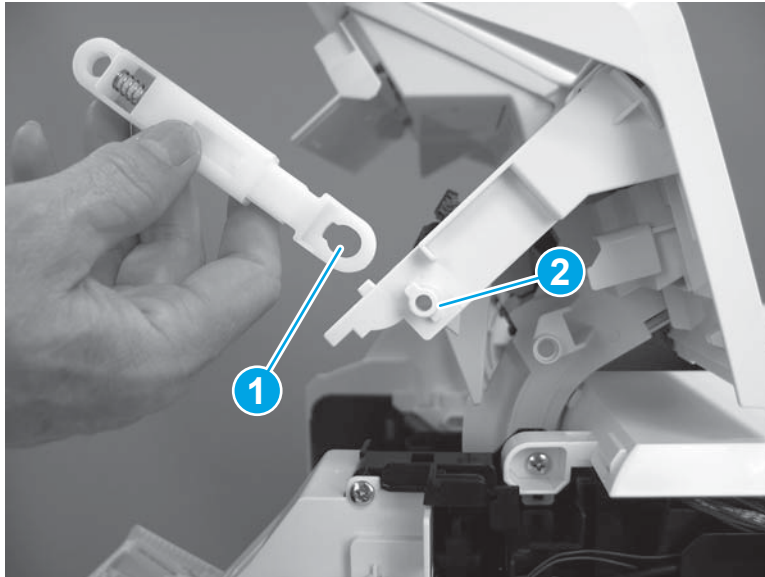
8. Install one screw to attach the ground wire (callout 1).

Figure 1-1231 Install the ground wire



9. If the toner-cartridge door hinge comes off of the top cover, reattach the hinge by sliding the hole (callout 1) in the hinge onto the tab (callout 2) on the top cover.

Figure 1-1232 Reattach the door hinge

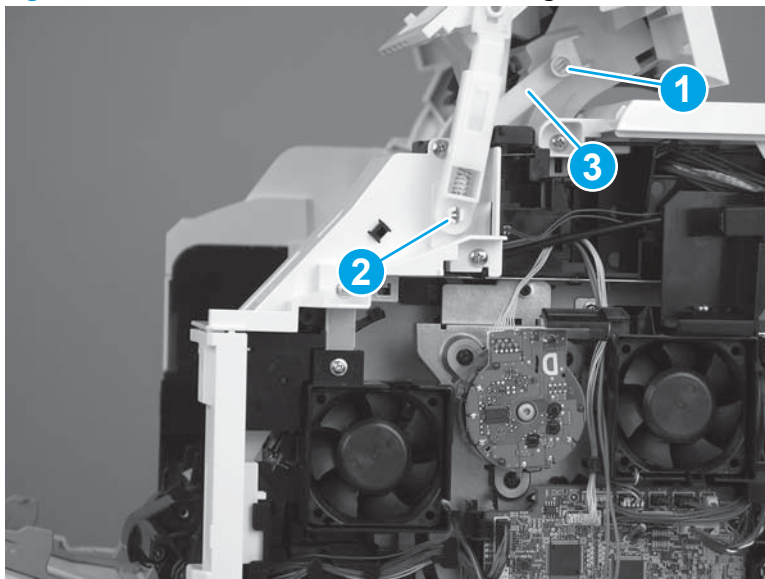


10. Install the toner-cartridge drive-arm (callout 1) and the toner-cartridge door hinge (callout 2) by pressing them onto the tabs.

 **NOTE:** It might be necessary to lift the drive arm (callout 3) up in order to reattach it.

 **CAUTION:** The toner-cartridge drive-arm tabs break easily.

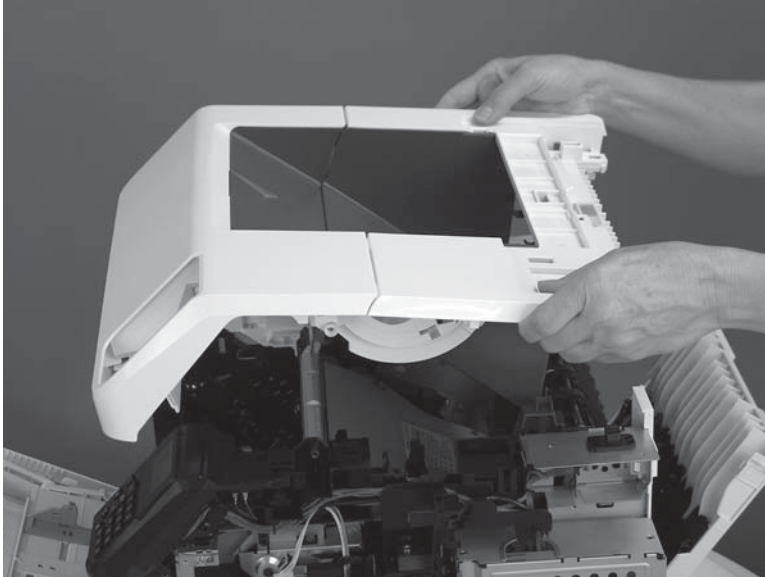
Figure 1-1233 Install the drive-arm and door hinge tabs



Step 20: Install the top cover (M604n/dn, M605n/dn, M606dn only)

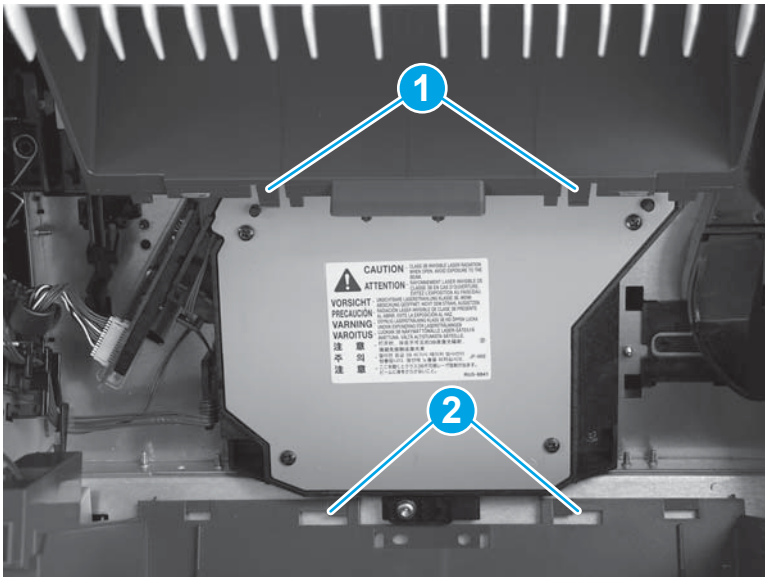
1. Lower the top cover onto the printer.

Figure 1-1234 Lower the top cover



2. Install two tabs (callout 1) on the top output bin into two slots (callout 2) in the printer. Make sure that the tabs snap into place.

Figure 1-1235 Install two tabs



3. Install one screw (callout 1) on the left side of the printer.


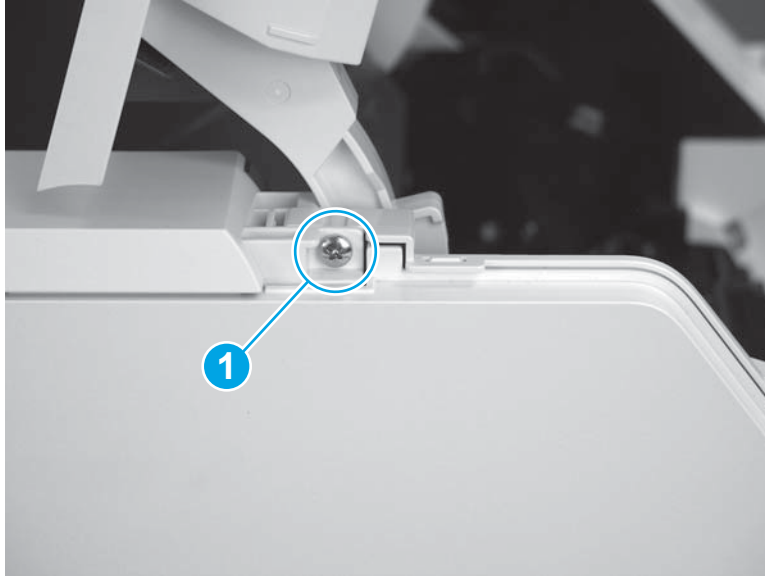
 **Reinstallation tip:** This screw is larger than the screws removed from the top of the printer. Make sure to install the correct screw.

Figure 1-1236 Install one screw



4. Install one screw (callout 1) on the right side of the printer.


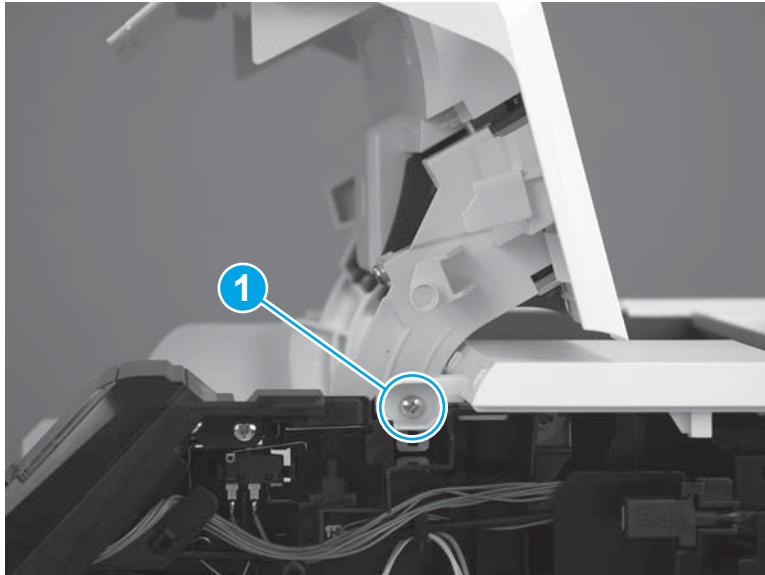
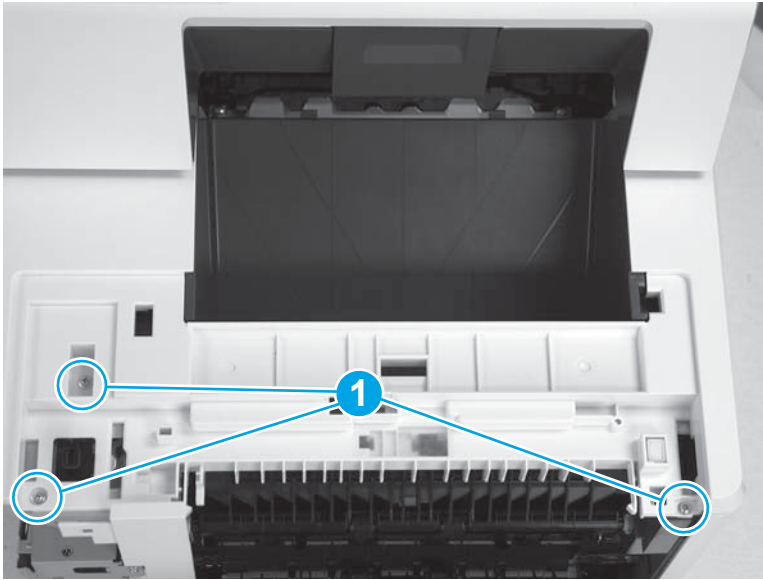
 **Reinstallation tip:** This screw is larger than the screws removed from the top of the printer. Make sure to install the correct screw.

Figure 1-1237 Install one screw



5. Install three screws (callout 1) on the top of the printer.

Figure 1-1238 Install three screws

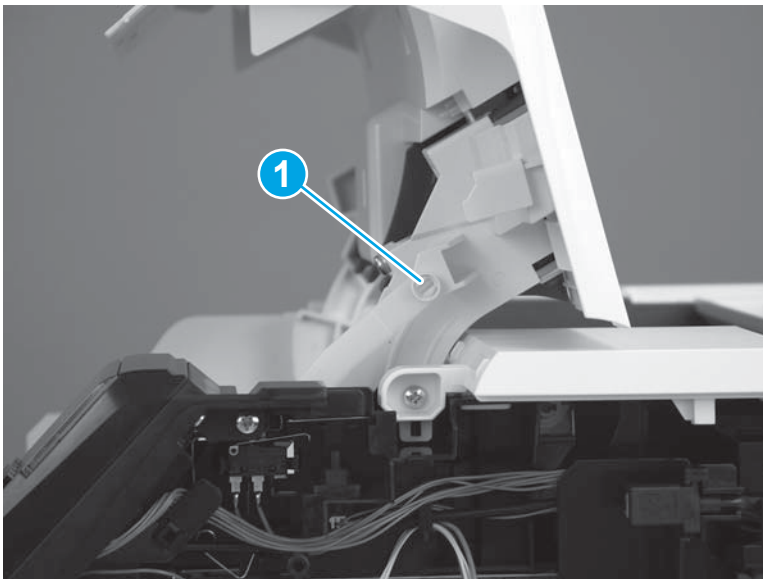


6. Install the toner-cartridge drive-arm (callout 1) by pressing it onto the tabs.

 **NOTE:** It might be necessary to lift the drive arm up in order to reattach it.

 **CAUTION:** The toner-cartridge drive-arm tabs break easily.

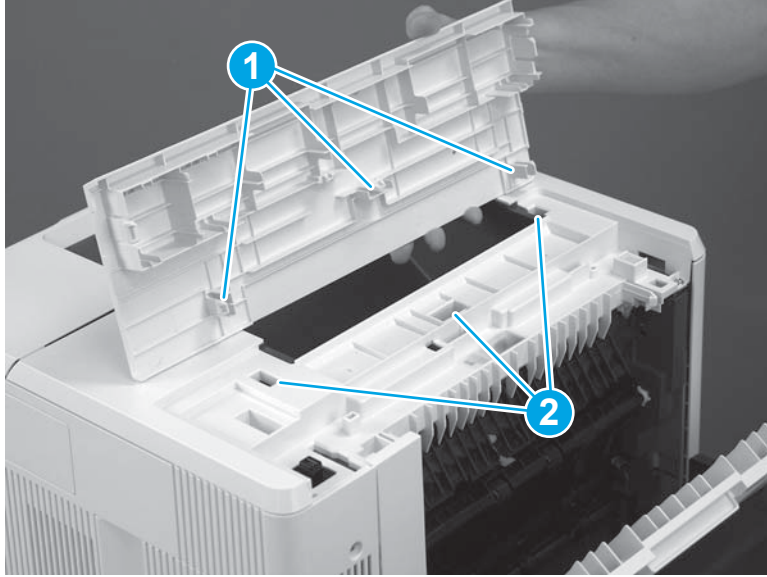
Figure 1-1239 Install the drive-arm tabs



Step 21: Install the top accessory cover

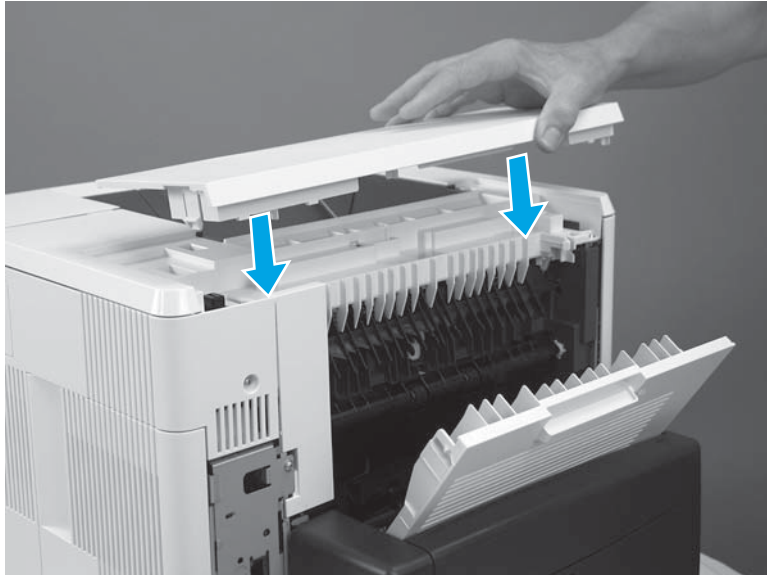
1. Align the tabs (callout 1) on the top accessory cover with the slots (callout 2) in the top cover.

Figure 1-1240 Align the tabs and slots



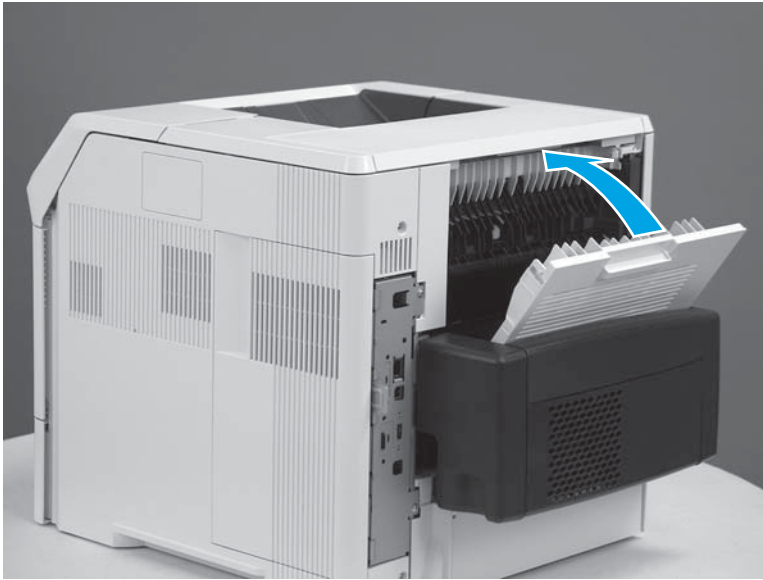
2. Place the top accessory on top of the printer, and then press down to install it.

Figure 1-1241 Install the top accessory cover



3. Close the rear output bin.

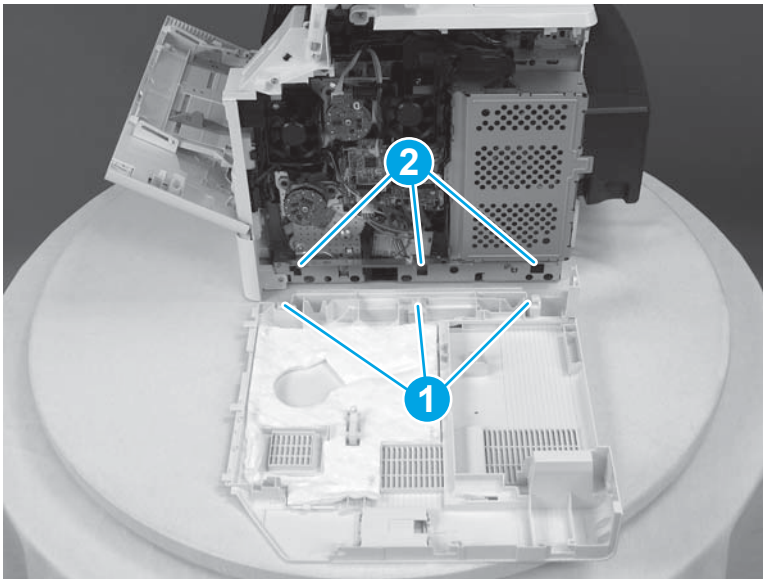
Figure 1-1242 Close the rear output bin



Step 22: Install the right cover

1. Note the location of the tabs (callout 1) on the cover that will fit into the slots (callout 2) on the printer.

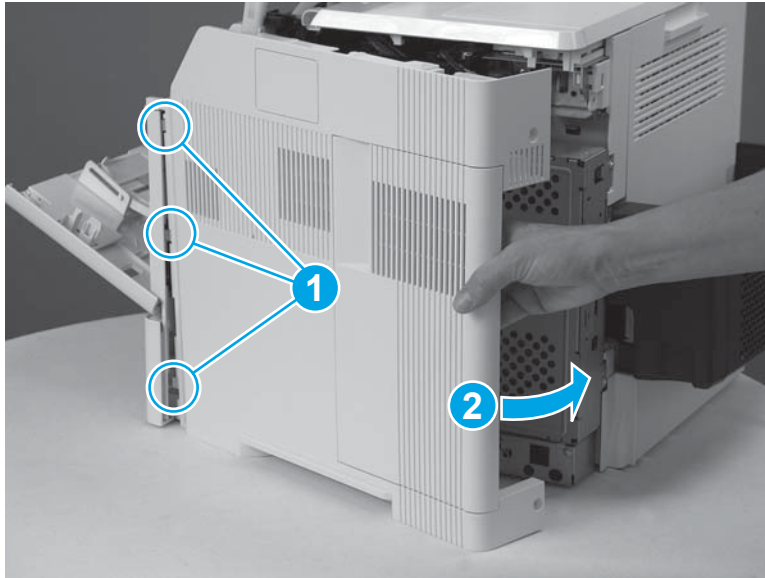
Figure 1-1243 Note location of tabs



2. Position the front tabs on the right cover slightly behind the right front cover (callout 1), and then rotate the back edge of the cover toward the printer (callout 2).

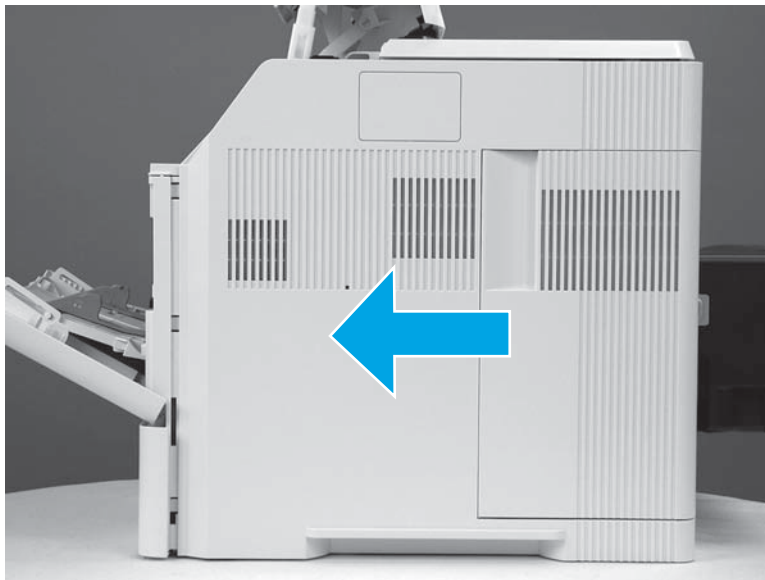
 **NOTE:** The tabs and slots mentioned in the previous step will engage as the cover is rotated into place.

Figure 1-1244 Position the front tabs



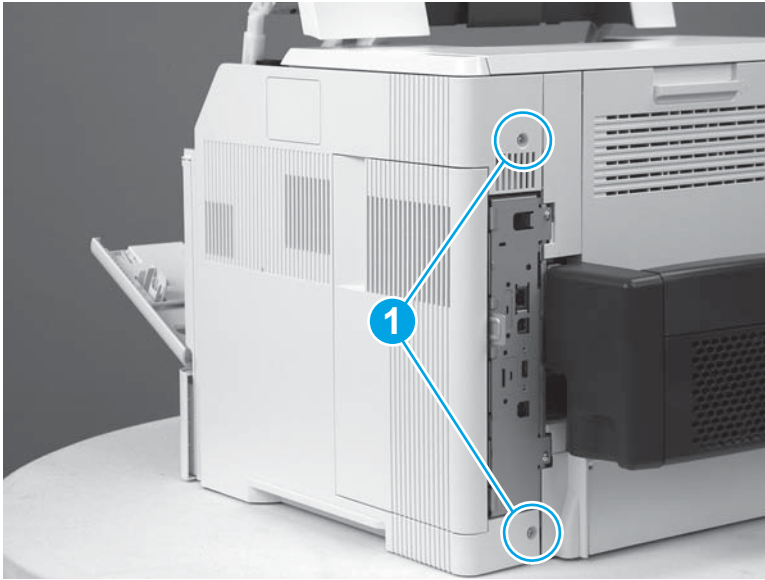
3. Slide the cover toward the front of the printer to install it.

Figure 1-1245 Slide the cover



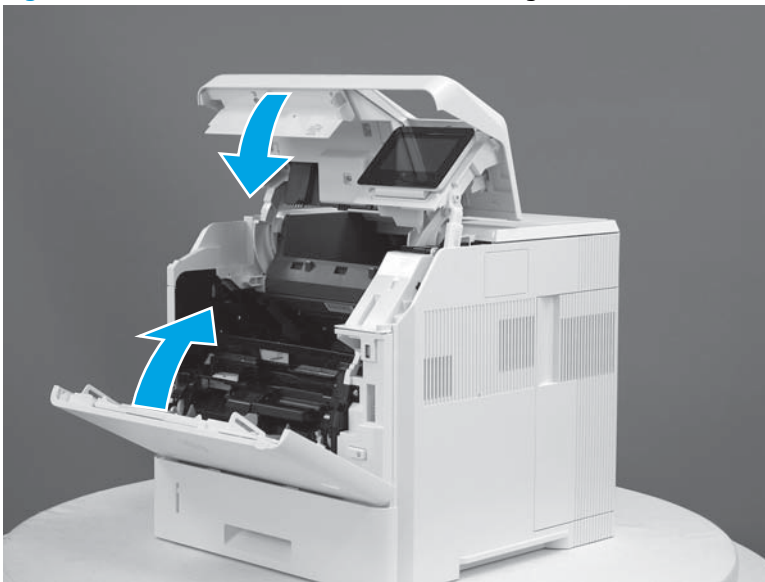
4. Install two screws (callout 1).

Figure 1-1246 Install two screws



5. Close the front cover and the cartridge door.

Figure 1-1247 Close the front cover and cartridge door



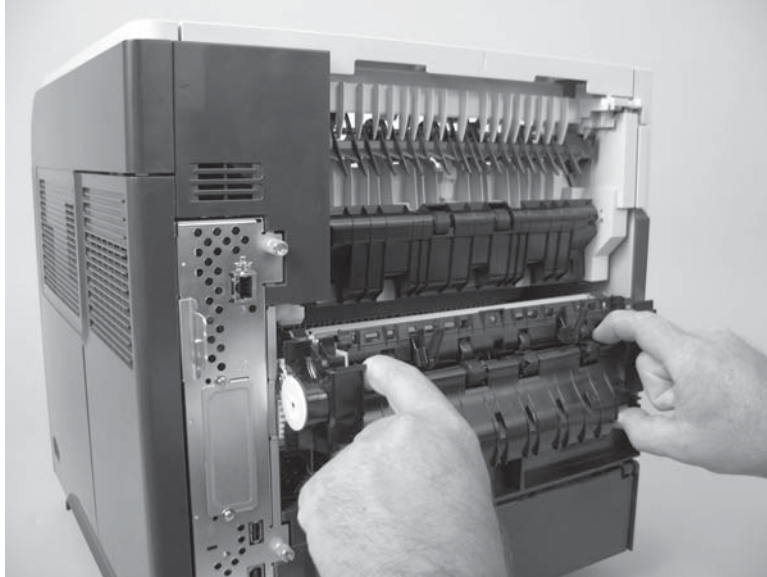
Step 23: Install the fuser

- ▲ Position the fuser on the printer, and then push it toward the printer to install it.

CAUTION: Do not drop or jar the fuser. It can easily be damaged if it is mishandled.

TIP: Make sure that the fuser is fully seated into the printer. You should hear both sides snap into place.

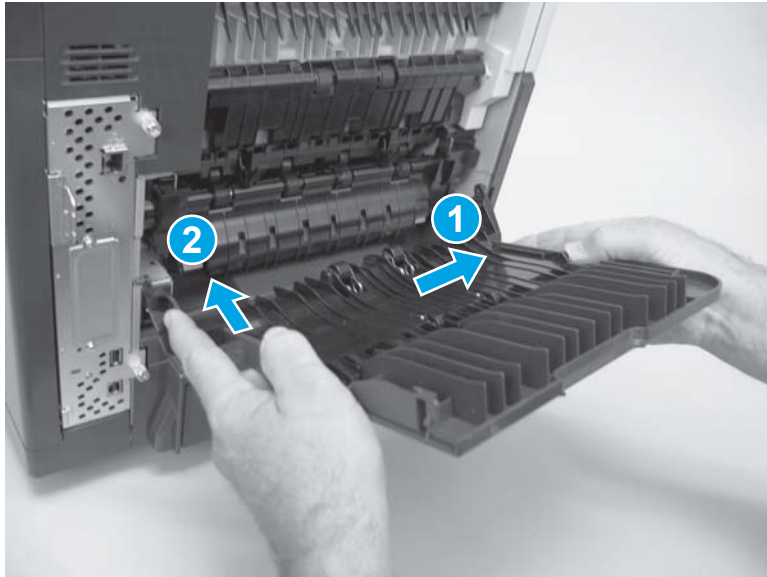
Figure 1-1248 Install the fuser



Step 24: Install the rear output bin

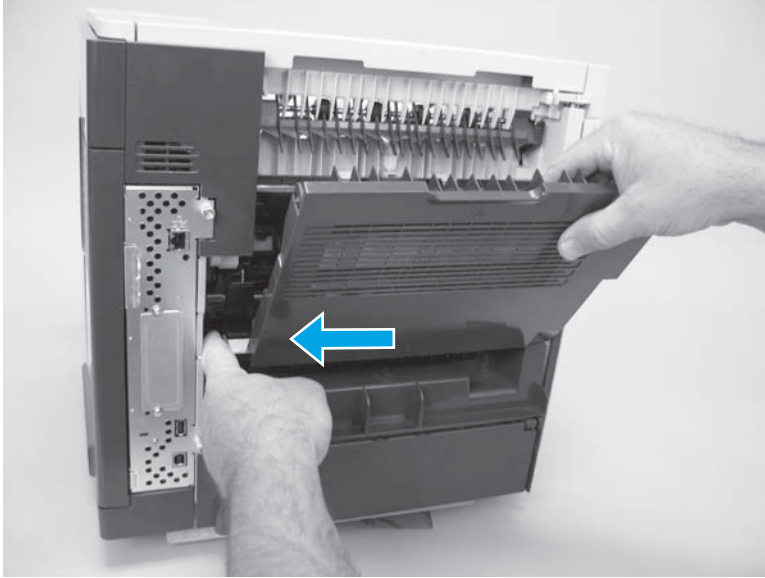
1. Install the right hinge pin (callout 1), and then rotate the output bin toward the printer (callout 2).

Figure 1-1249 Position the output bin



2. Make sure that the left hinge pin is installed in the mounting hole.

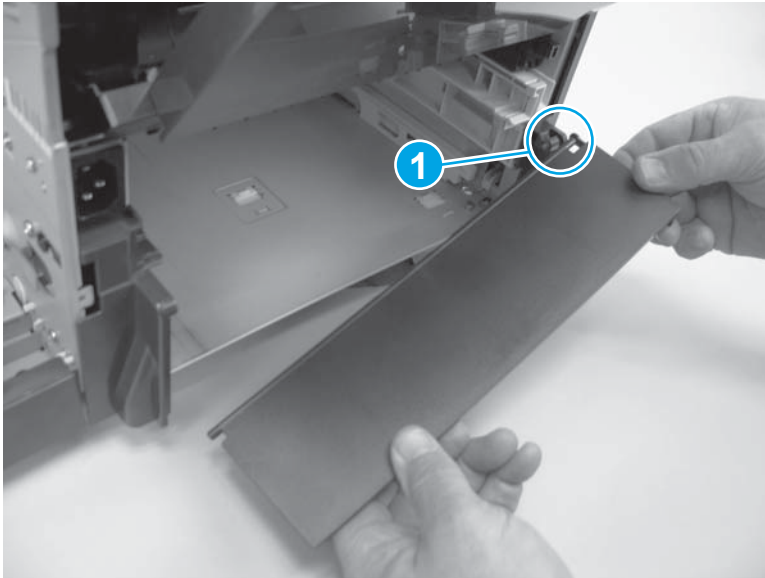
Figure 1-1250 Install left hinge pin



Step 25: Install the Tray 2 extension door

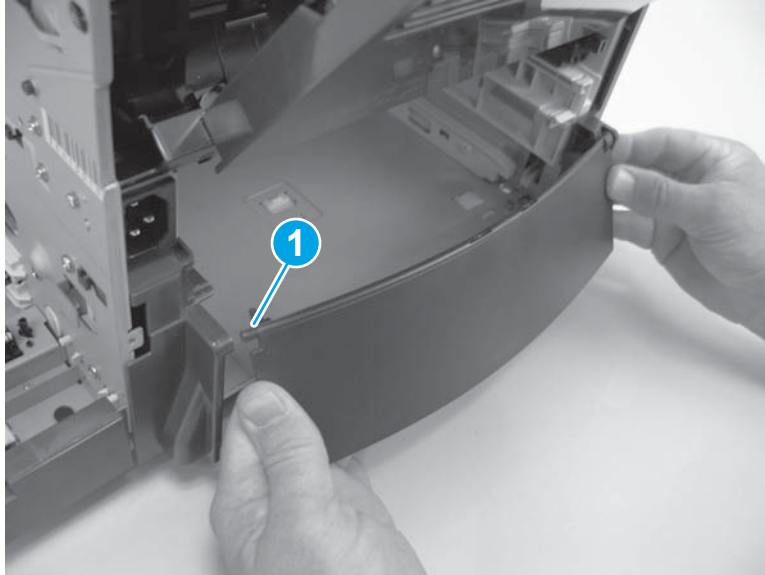
1. Rotate the Tray 2 extension door to the horizontal position, and then install the keyed hinge pin (callout 1).

Figure 1-1251 Install the keyed hinge pin




2. Carefully flex the Tray 2 extension door, and then install the hinge pin (callout 1) near the power-cord side of the printer.

Figure 1-1252 Install the hinge pin

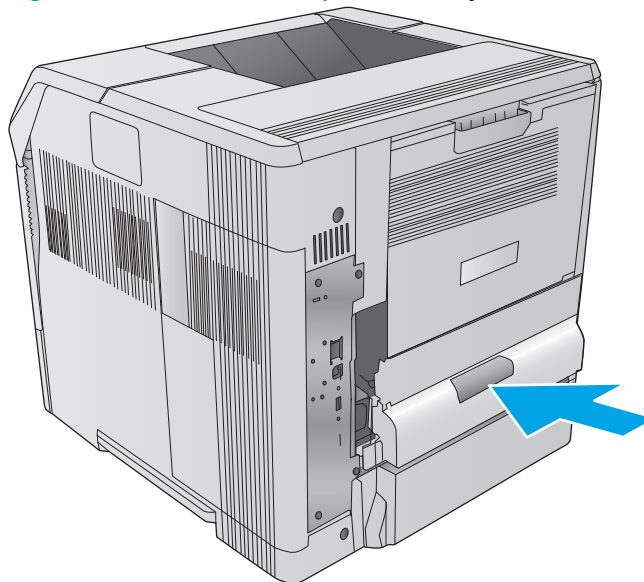


Step 26: Install the duplex accessory cover


 **NOTE:** If the duplex accessory cover was not removed, skip this step and go to [Step 27: Install the duplex accessory on page 703](#).

- ▲ Slide the duplex accessory cover straight into the printer to install it.

Figure 1-1253 Install the duplex accessory cover

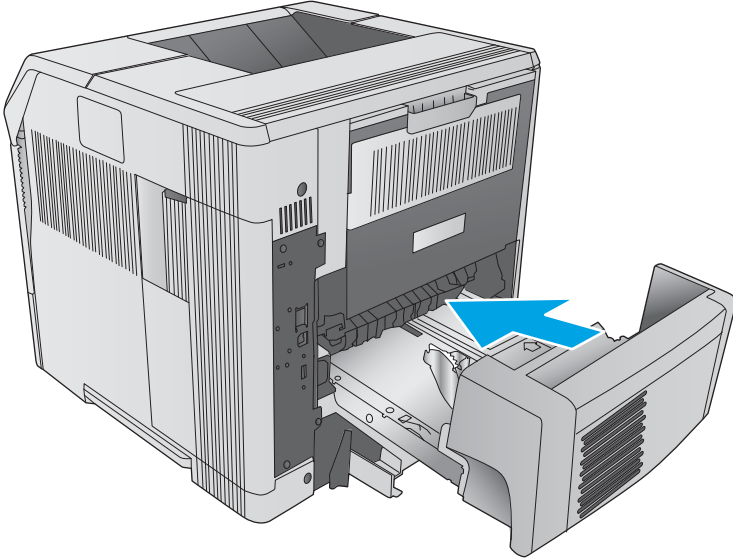


Step 27: Install the duplex accessory

 **NOTE:** If the optional duplex accessory was not removed, skip this step.

- ▲ Slide the duplex accessory straight into the printer to install it.

Figure 1-1254 Install the duplex accessory



Removal and replacement: Tray 1 paper-pickup assembly

- [Introduction](#)
- [Step 1: Remove the duplex accessory](#)
- [Step 2: Remove the duplex accessory cover](#)
- [Step 3: Remove the Tray 2 extension door](#)
- [Step 4: Remove the right cover](#)
- [Step 5: Remove the top accessory cover](#)
- [Step 6: Remove the top cover \(M604n/dn, M605n/dn, M606dn only\)](#)
- [Step 7: Remove the top cover \(M605x, M606x only\)](#)
- [Step 8: Remove the left cover](#)
- [Step 9: Remove the front cover](#)
- [Step 10: Remove the right front cover](#)
- [Step 11: Remove the Tray 1 paper-pickup assembly](#)
- [Step 12: Unpack the replacement Tray 1 paper-pickup assembly](#)
- [Step 13: Install the Tray 1 paper-pickup assembly](#)
- [Step 14: Install the right front cover](#)
- [Step 15: Install the front cover](#)
- [Step 16: Install the left cover](#)
- [Step 17: Install the top cover \(M605x, M606x only\)](#)
- [Step 18: Install the top cover \(M604n/dn, M605n/dn, M606dn only\)](#)
- [Step 19: Install the top accessory cover](#)
- [Step 20: Install the right cover](#)
- [Step 21: Install the Tray 2 extension door](#)
- [Step 22: Install the duplex accessory cover](#)
- [Step 23: Install the duplex accessory](#)

Introduction

This document provides the procedures to remove and replace the Tray 1 paper-pickup assembly.

Before performing service

Turn the printer power off

- Disconnect the power cable.

⚠ WARNING! To avoid damage to the printer, turn the printer off, wait 30 seconds, and then remove the power cord before attempting to service the printer.

Use the table below to identify the correct part number for your printer. To order the part, go to www.hp.com/buy/parts.

Tray 1 paper-pickup assembly part number	
RM2-6323-000CN	Tray 1 paper-pickup assembly

Required tools

- #2 Phillips screwdriver with a magnetic tip

After performing service

Turn the printer power on

- Connect the power cable.
- Use the power switch to turn the power on.

Post service test

Make sure that the printer initializes to a **Ready** state.

Print a page from Tray 1 to make sure that the printer is functioning correctly.

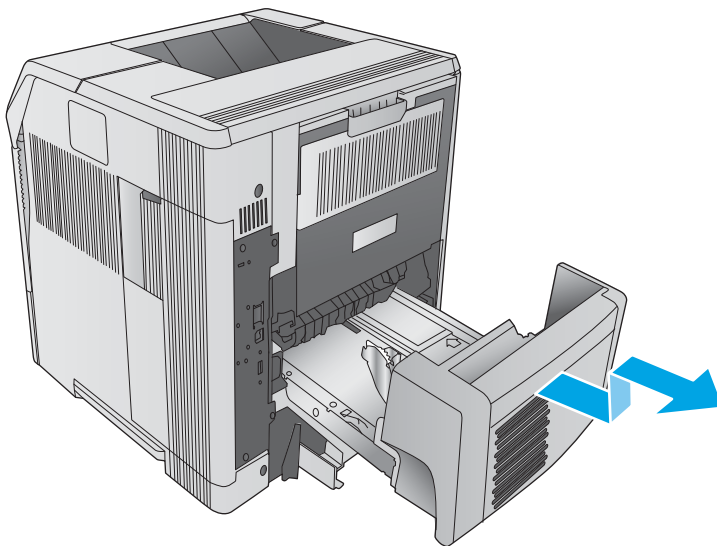
Step 1: Remove the duplex accessory




NOTE: If the optional duplex accessory is not installed, skip this step and go to [Step 2: Remove the duplex accessory cover on page 707](#).

- ▲ Slightly lift up on the duplex accessory, and then pull it completely out of the printer to remove it.

Figure 1-1255 Remove the duplex accessory

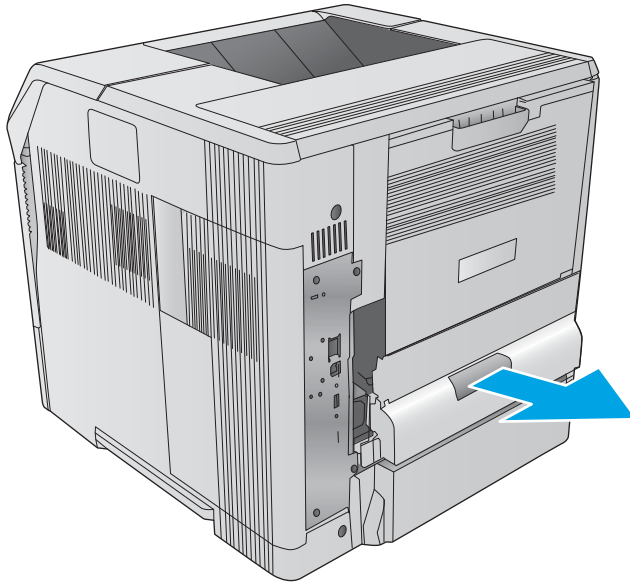


Step 2: Remove the duplex accessory cover

 **NOTE:** If the duplex accessory cover is not installed, skip this step and go to [Step 3: Remove the Tray 2 extension door on page 707](#).

- ▲ Pull the duplex accessory cover straight out of the printer to remove it.

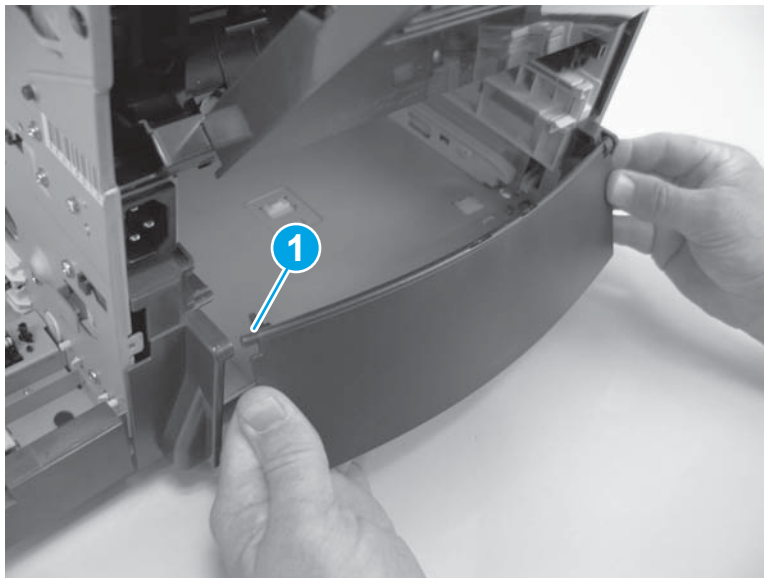
Figure 1-1256 Remove the duplex accessory cover



Step 3: Remove the Tray 2 extension door

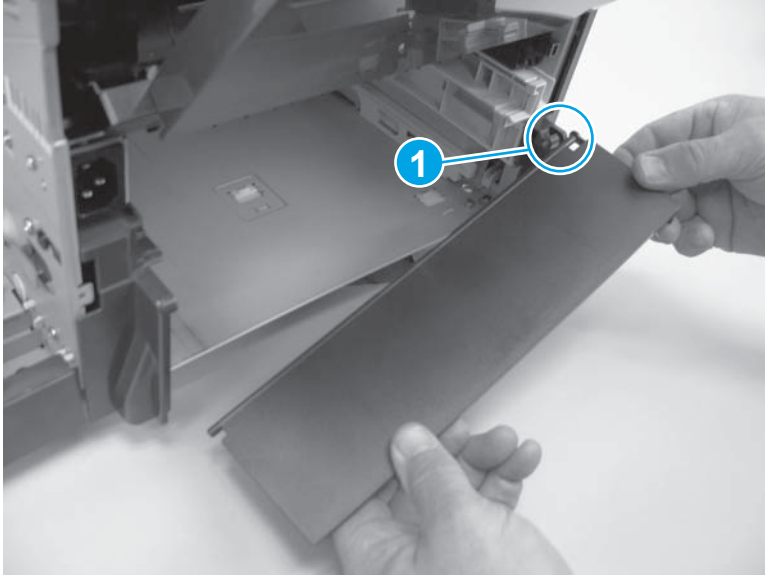
1. Carefully flex the Tray 2 extension door to release the hinge pin (callout 1) near the power-cord side of the printer.

Figure 1-1257 Release the hinge pin



2. Rotate the Tray 2 extension door to the horizontal position, and then pull up on the keyed hinge pin (callout 1) to release the door. Remove the Tray 2 extension door.

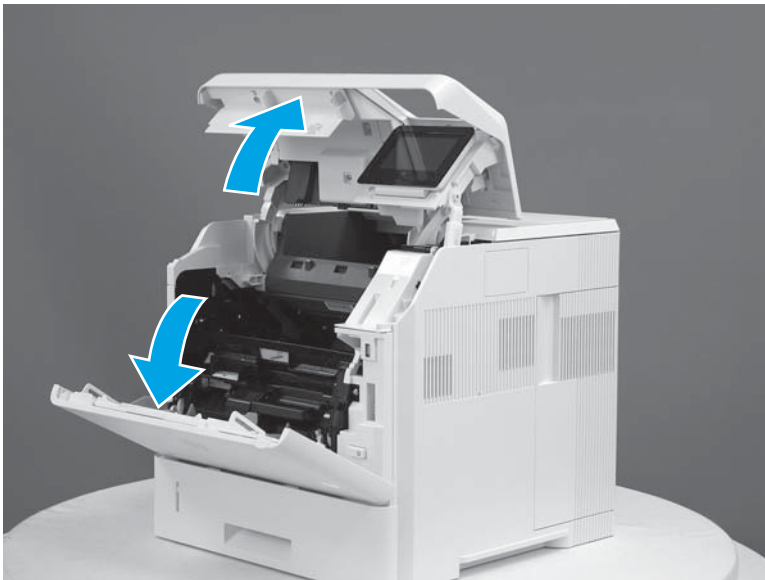
Figure 1-1258 Remove the Tray 2 extension door



Step 4: Remove the right cover

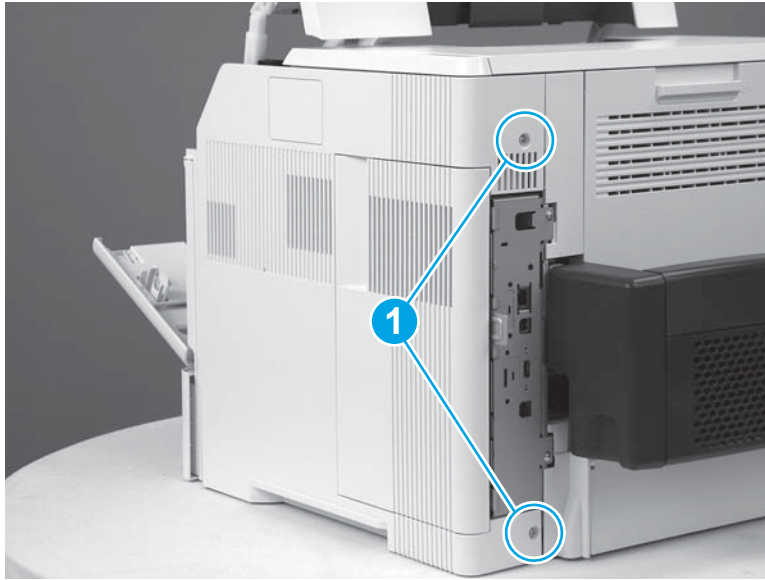
1. Open the front cover and the cartridge door.

Figure 1-1259 Open the front cover and cartridge door



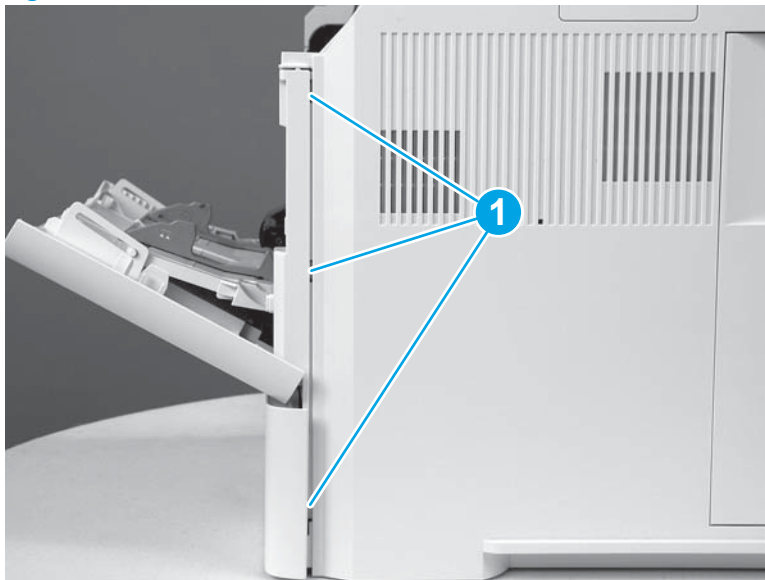
2. Remove two screws (callout 1).

Figure 1-1260 Remove two screws



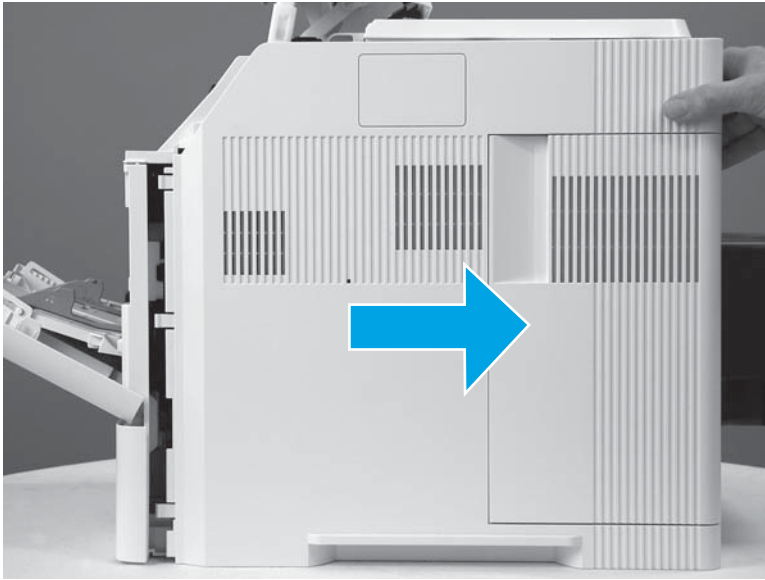
3. Release three tabs (callout 1).

Figure 1-1261 Release three tabs



4. Slide the cover toward the rear of the printer to remove it.

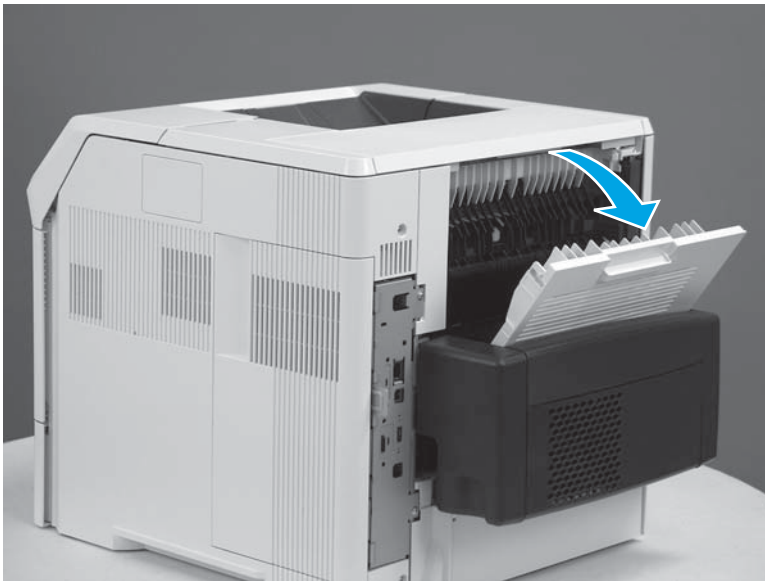
Figure 1-1262 Remove the cover



Step 5: Remove the top accessory cover

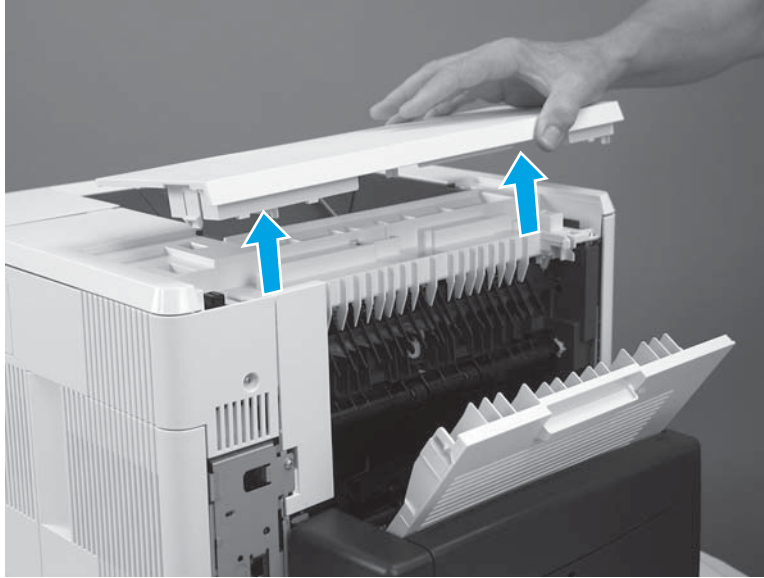
1. Open the rear output bin.

Figure 1-1263 Open the rear output bin




2. Lift the top accessory cover up and off of the printer.

Figure 1-1264 Remove top accessory cover



Step 6: Remove the top cover (M604n/dn, M605n/dn, M606dn only)

 **NOTE:** For the M605x or M606x product, skip this step and go to [Step 7: Remove the top cover \(M605x, M606x only\)](#) on page 714.

1. Use needle-nose pliers to release the toner-cartridge drive-arm tabs (callout 1).

 **CAUTION:** The toner-cartridge drive-arm tabs break easily.


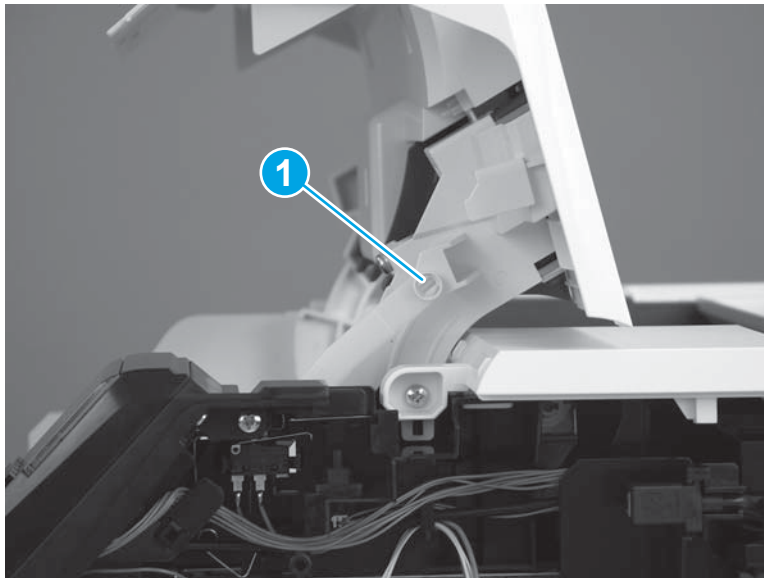
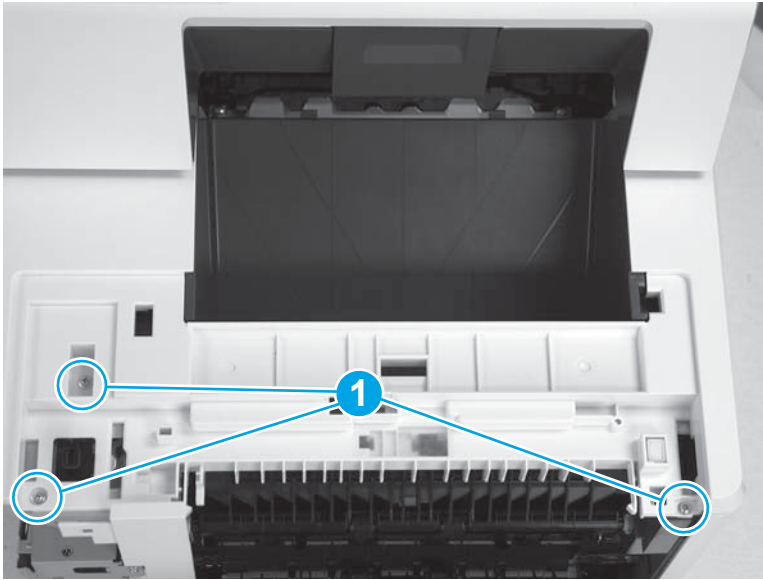
 **TIP:** Push the toner-cartridge drive-arm back into the printer to avoid damaging it when you remove the top cover.

Figure 1-1265 Release the drive-arm tabs



2. Remove three screws (callout 1) on the top of the printer.

Figure 1-1266 Remove three screws



3. Remove one screw (callout 1) on the right side of the printer.


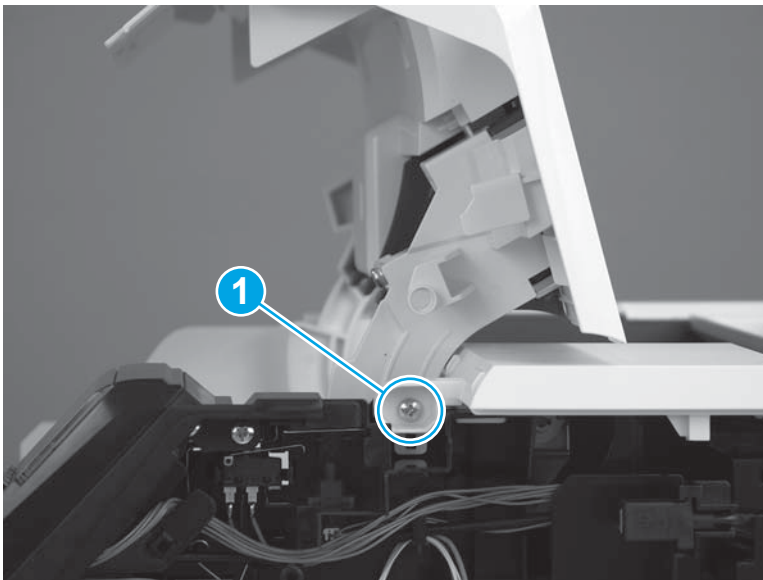
 **Reinstallation tip:** This screw is larger than the screws removed from the top of the printer. Make sure to install the correct screw when reassembling.

Figure 1-1267 Remove one screw



4. Remove one screw (callout 1) on the left side of the printer.


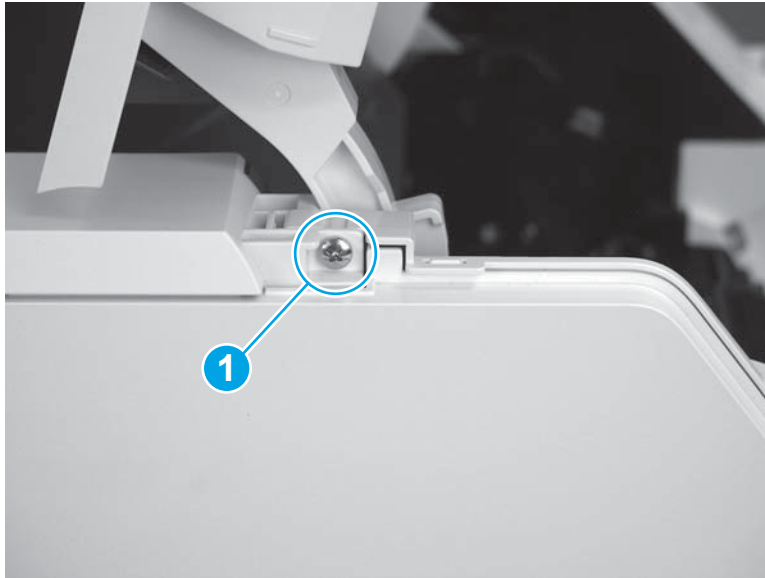
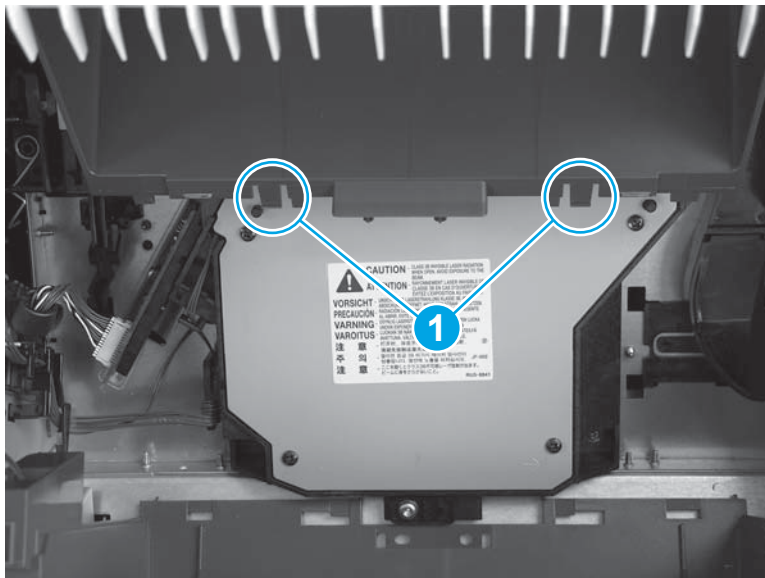
 **Reinstallation tip:** This screw is larger than the screws removed from the top of the printer. Make sure to install the correct screw when reassembling.

Figure 1-1268 Remove one screw



5. Note the location of two tabs on the top output bin (callout 1). These tabs are released in the next step.

Figure 1-1269 Location of two tabs



6. Release two tabs (callout 1) on the top output bin.


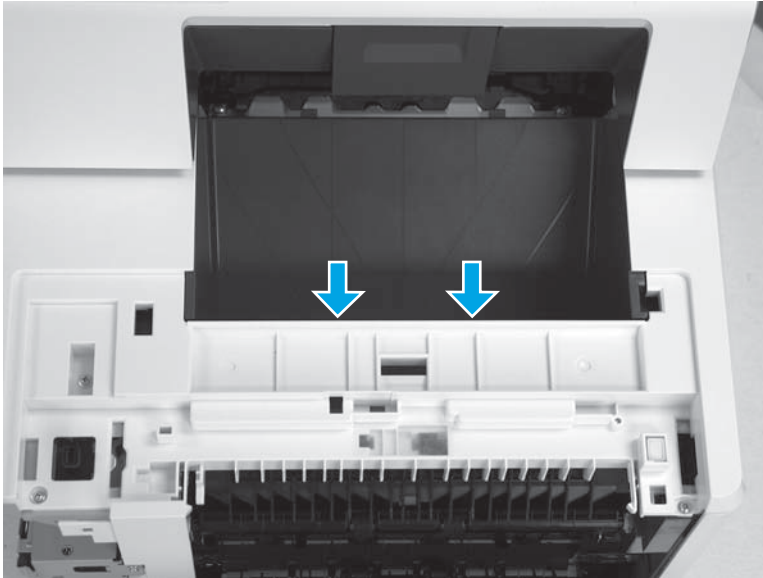
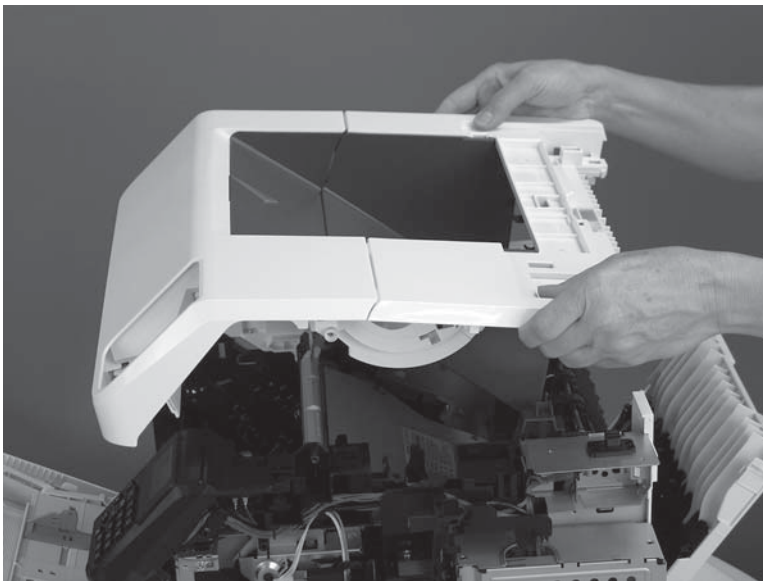
 **Reinstallation tip:** Make sure that these tabs are fully seated when the top cover is reinstalled.

Figure 1-1270 Release two tabs



7. Lift the top cover up and off of the printer to remove it.

Figure 1-1271 Remove the top cover



Step 7: Remove the top cover (M605x, M606x only)

1. Use needle-nose pliers to release the toner-cartridge drive-arm tabs (callout 1) and the toner-cartridge door hinge tabs (callout 2).

 **CAUTION:** The toner-cartridge drive-arm tabs break easily.


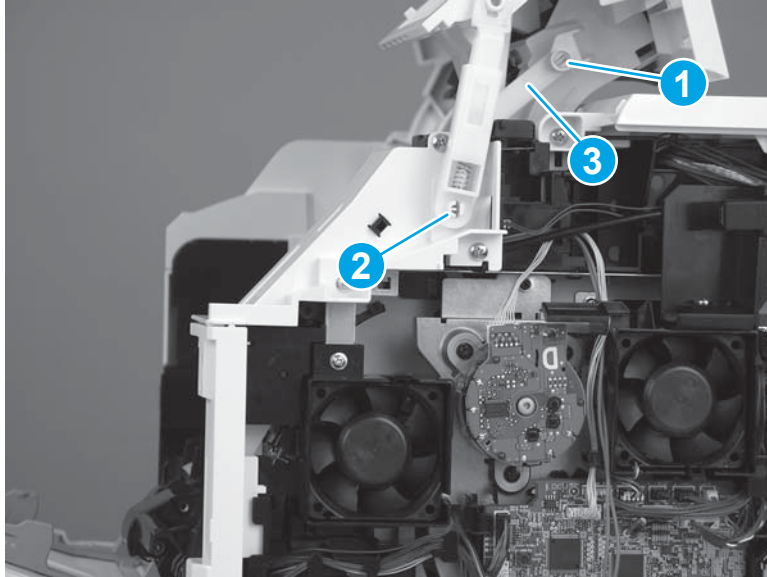
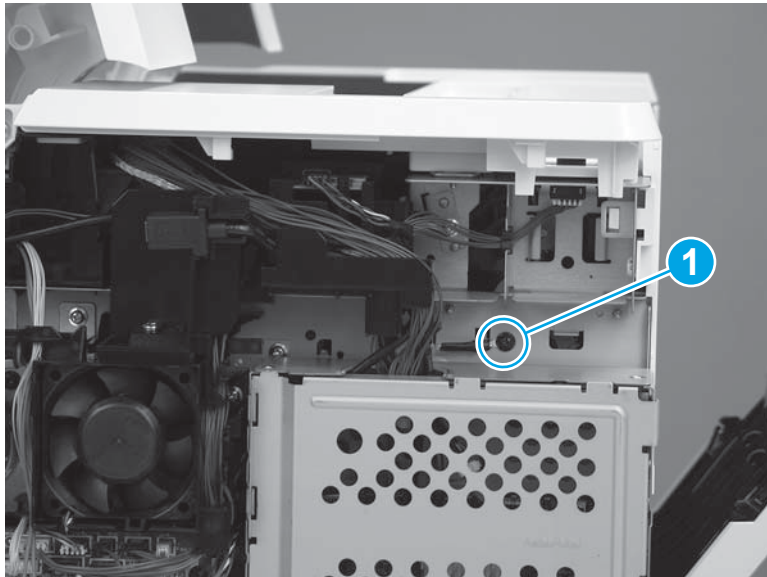
 **TIP:** Push the toner-cartridge drive-arm (callout 3) back into the printer to avoid damaging it when you remove the top cover.

Figure 1-1272 Release the drive-arm and door hinge tabs



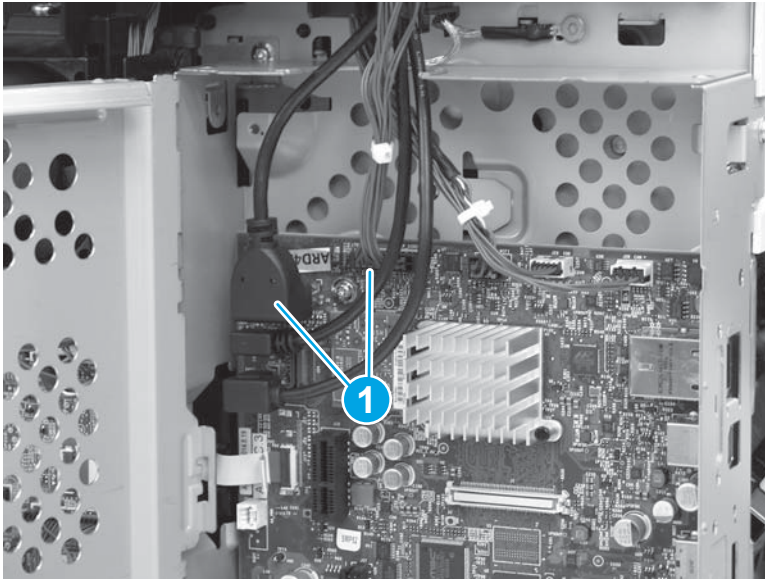
2. Remove one screw, and then release the ground wire (callout 1).

Figure 1-1273 Release the ground wire



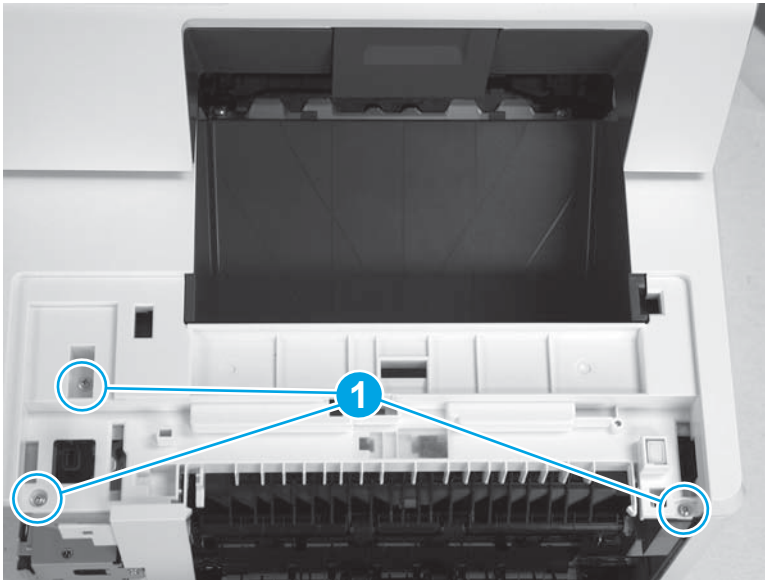
3. Open the formatter case door, and then disconnect two connectors (callout 1).

Figure 1-1274 Disconnect two connectors



4. Remove three screws (callout 1) on the top of the printer.

Figure 1-1275 Remove three screws



5. Remove one screw (callout 1) on the right side of the printer.


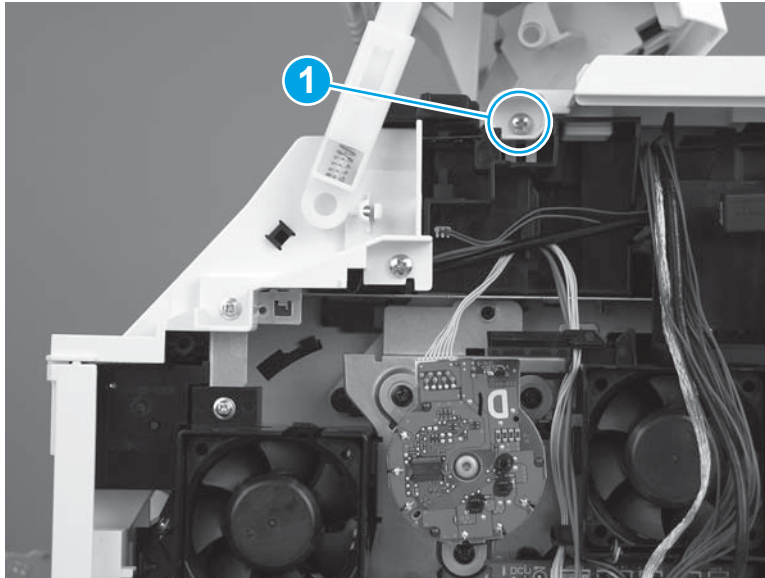
 **Reinstallation tip:** This screw is larger than the screws removed from the top of the printer. Make sure to install the correct screw when reassembling.

Figure 1-1276 Remove one screw



6. Remove one screw (callout 1) on the left side of the printer.


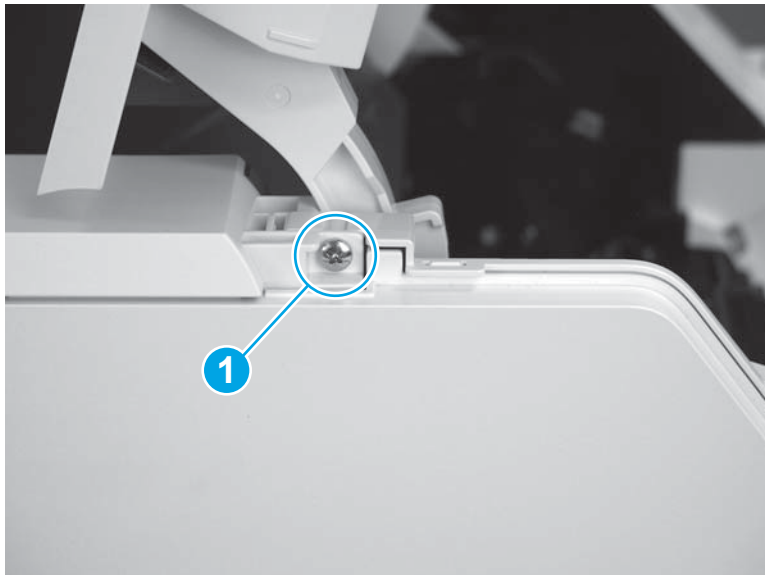
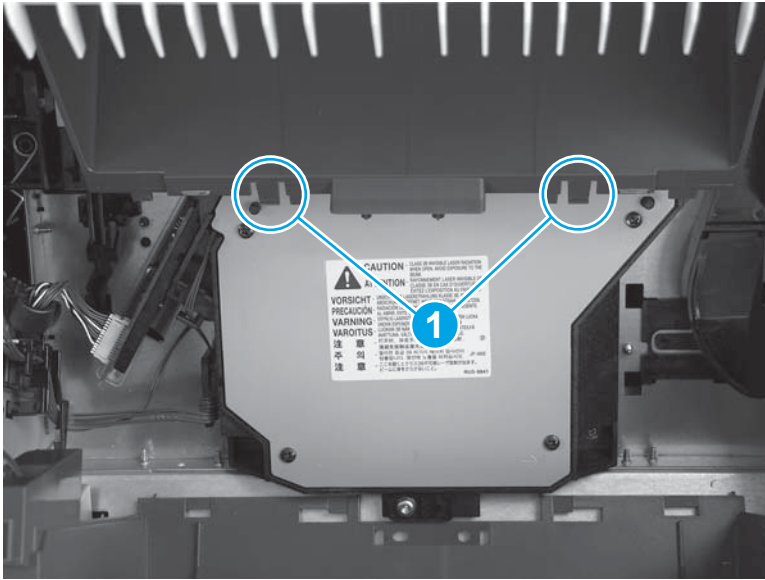
 **Reinstallation tip:** This screw is larger than the screws removed from the top of the printer. Make sure to install the correct screw when reassembling.

Figure 1-1277 Remove one screw



7. Note the location of two tabs on the top output bin (callout 1). These tabs are released in the next step.

Figure 1-1278 Location of two tabs



8. Release two tabs (callout 1) on the top output bin.


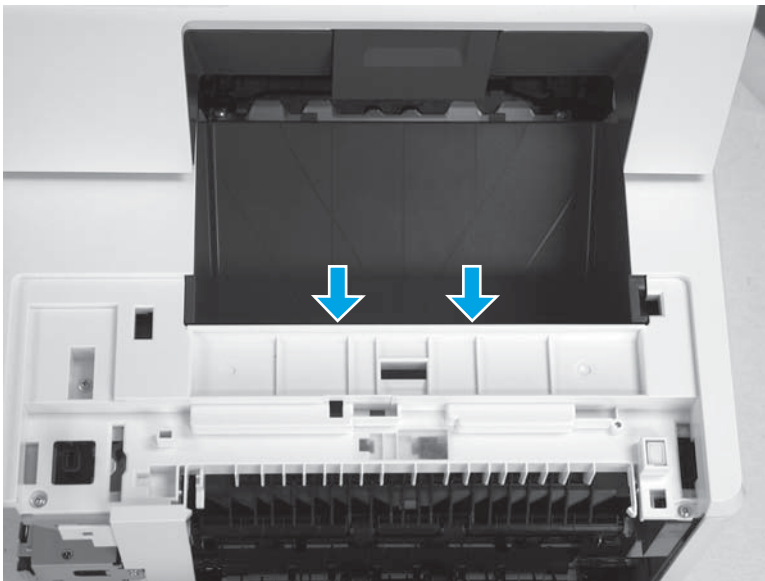
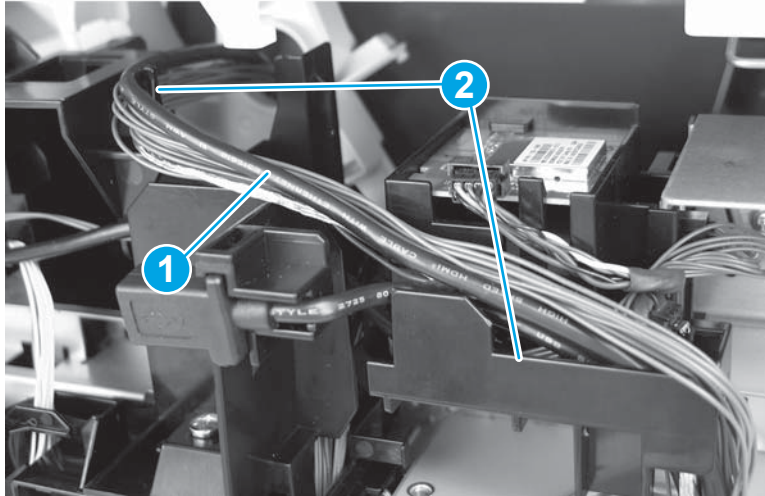
 **Reinstallation tip:** Make sure that these tabs are fully seated when the top cover is reinstalled.

Figure 1-1279 Release two tabs



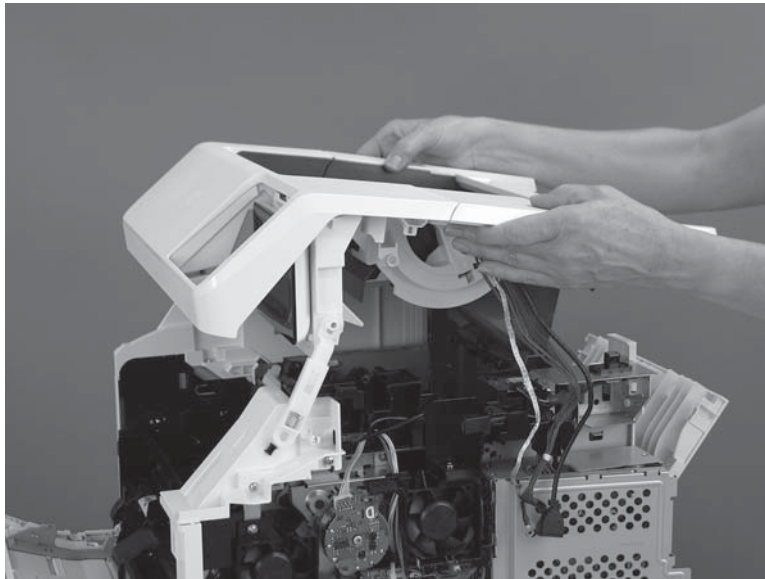
9. On the right side of the printer, release the wire harness and cables (callout 1) from the guides (callout 2).

Figure 1-1280 Release cables from guides



10. Lift the top cover up and off of the printer to remove it.

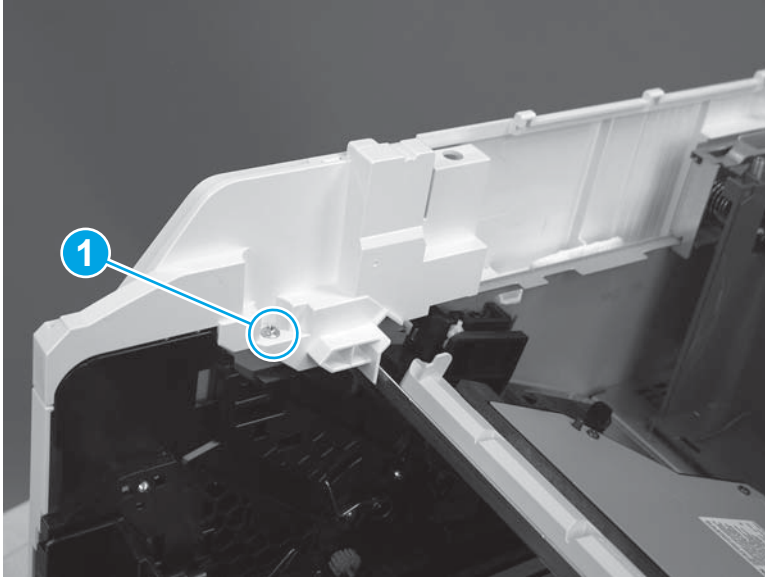
Figure 1-1281 Remove the top cover



Step 8: Remove the left cover

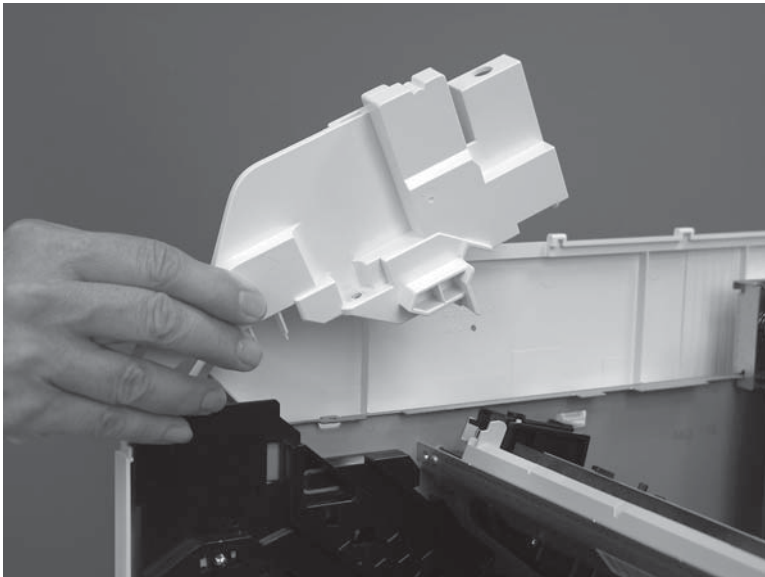
1. Remove one screw (callout 1).

Figure 1-1282 Remove one screw



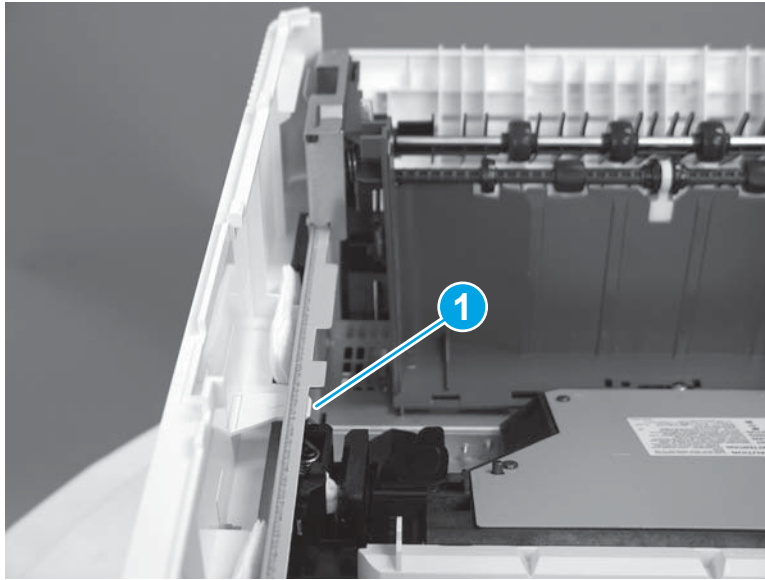
2. Remove the left front inside cover.

Figure 1-1283 Remove the left front inside cover



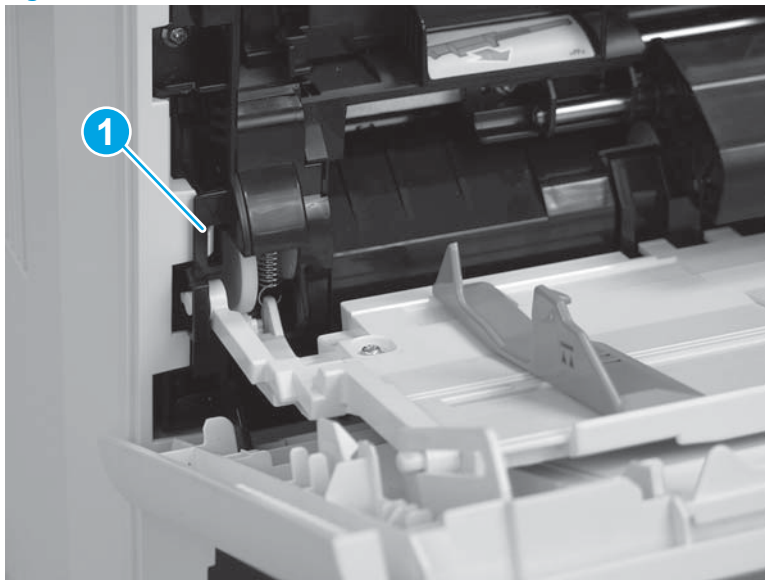
3. Release one tab (callout 1) on the top of the cover.

Figure 1-1284 Release one tab



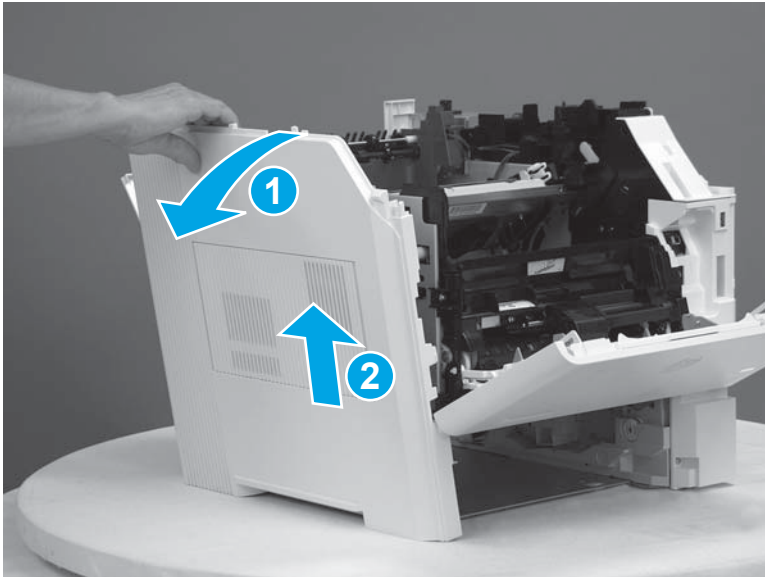
4. Release one tab (callout 1) on the front of the cover.

Figure 1-1285 Release one tab



5. Rotate the top of the cover away (callout 1) from the printer, and then lift the cover up (callout 2) to remove it.

Figure 1-1286 Remove the cover



Step 9: Remove the front cover

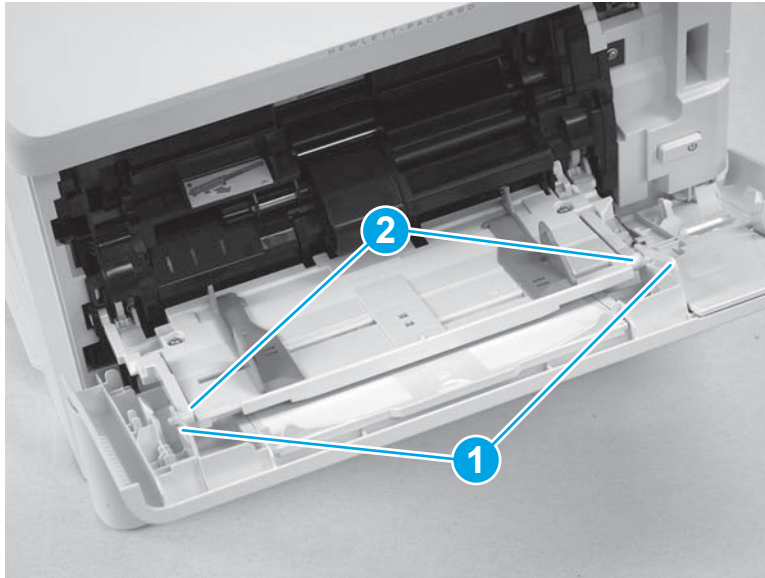
1. Open the front cover

Figure 1-1287 Open the front cover



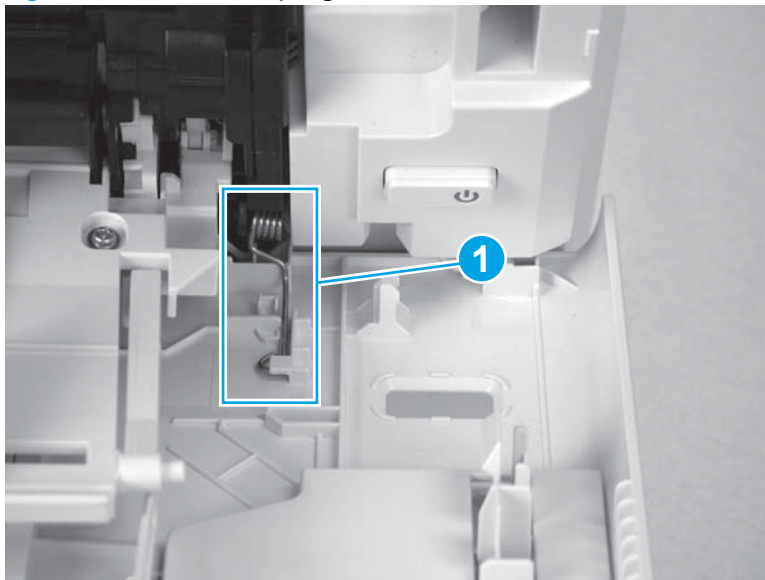
2. Gently pry the front-cover retainers (callout 1) off of the Tray 1 arms (callout 2).

Figure 1-1288 Release retainers



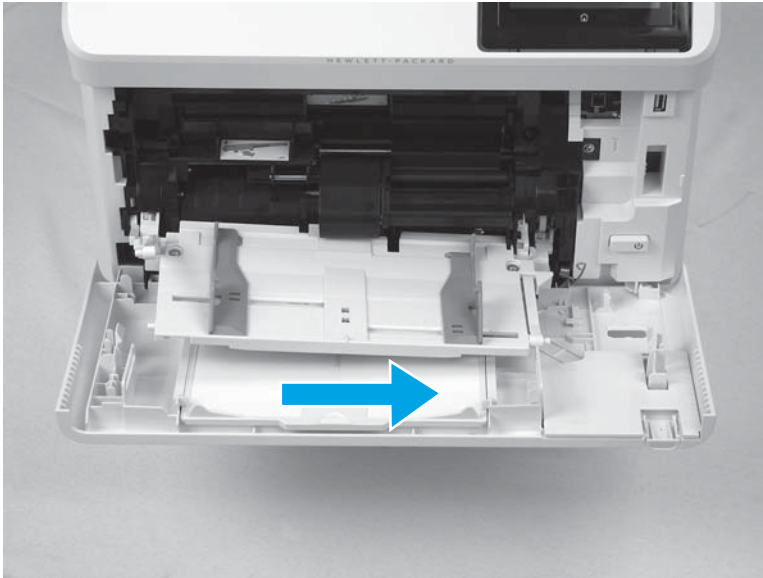
3. Use needle-nose pliers to release one spring (callout 1).

Figure 1-1289 Release spring



4. Slide the front cover toward the right side of the printer to remove it.

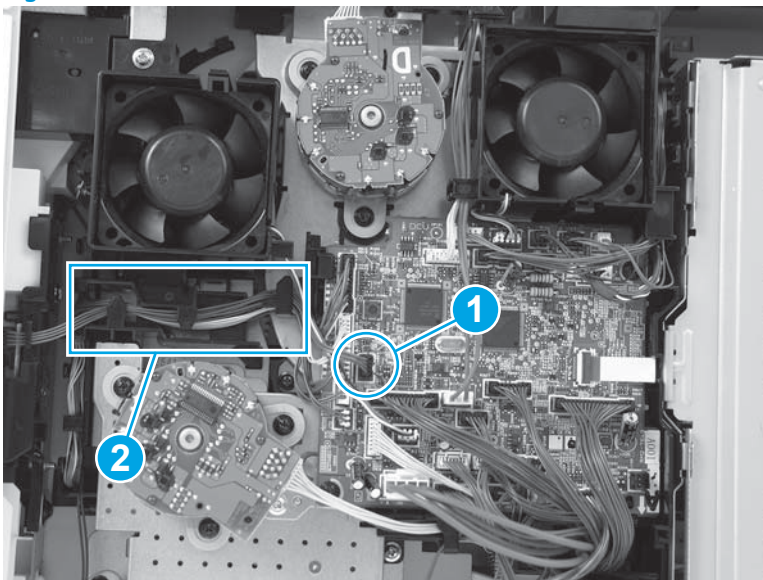
Figure 1-1290 Remove the cover



Step 10: Remove the right front cover

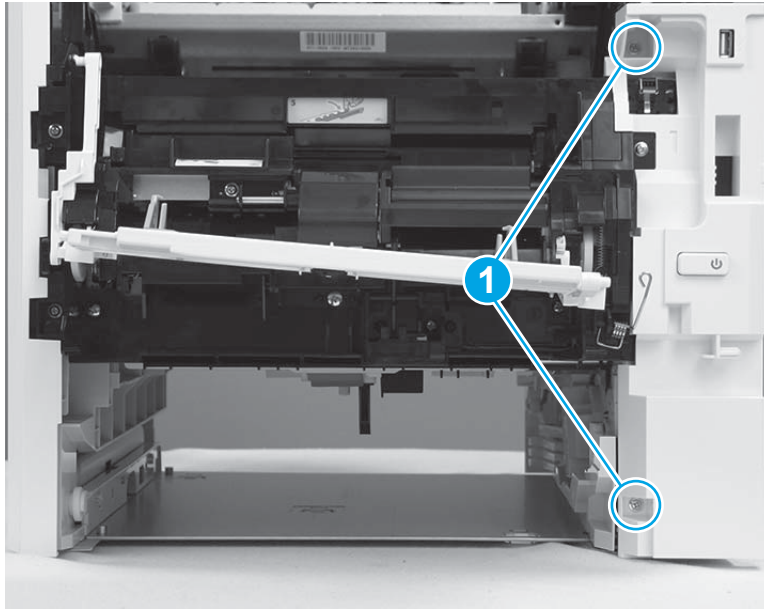
1. Disconnect one connector (callout 1) on the DC controller (J32), and then release the wire harness from the guide (callout 2).

Figure 1-1291 Disconnect one connector



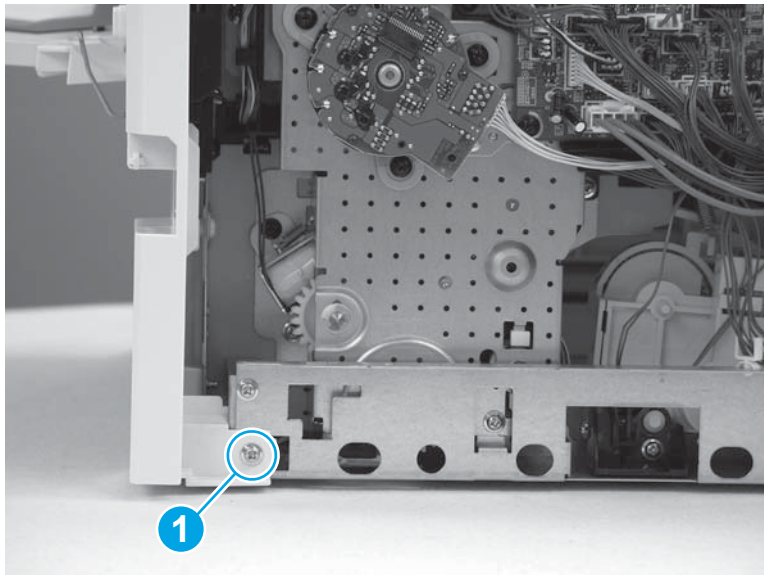
2. Remove two screws (callout 1).

Figure 1-1292 Remove two screws



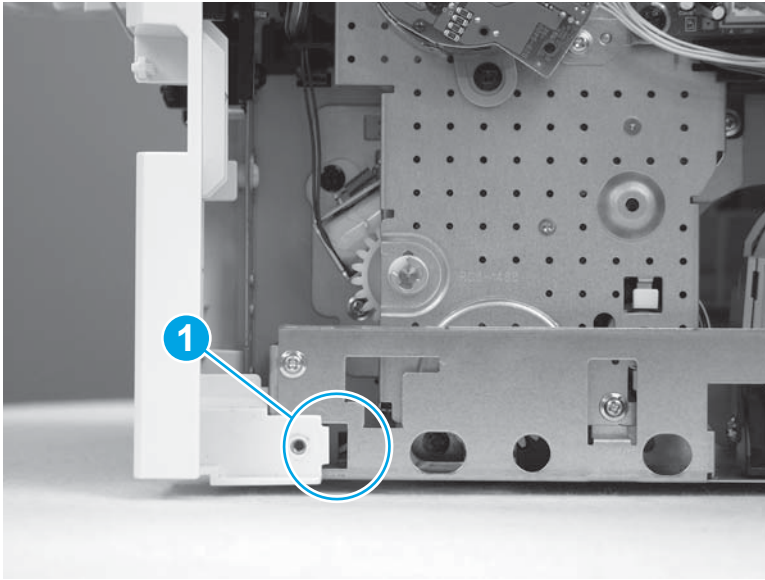
3. Remove one screw (callout 1).

Figure 1-1293 Remove one screw



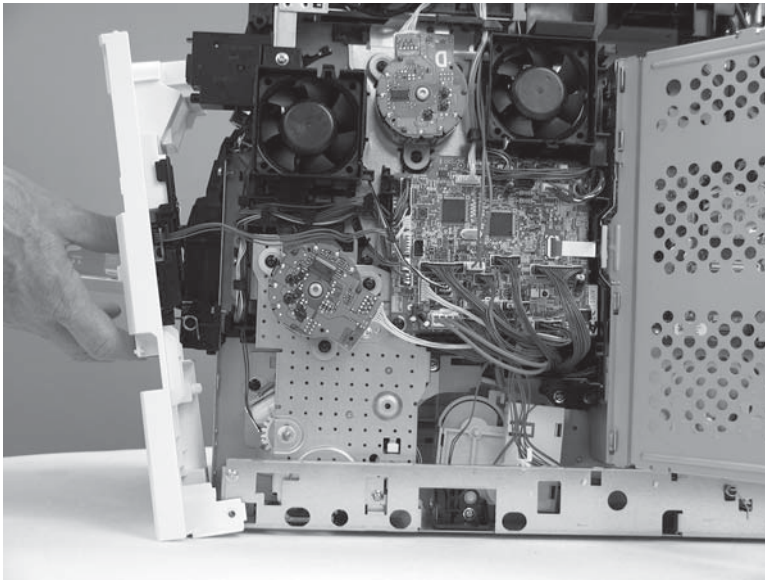
4. Release one tab (callout 1).

Figure 1-1294 Release one tab



5. Remove the right front cover.

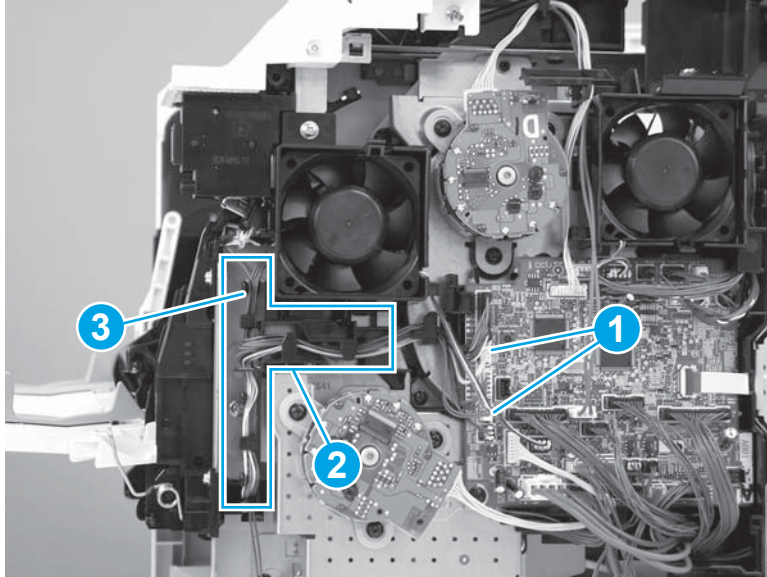
Figure 1-1295 Remove the right front cover



Step 11: Remove the Tray 1 paper-pickup assembly

1. Disconnect two wire-harness connectors (callout 1; J71, and J81), release the wire harnesses from the guides (callout 2), and then unwrap one wire harness from the guide (callout 3).

Figure 1-1296 Disconnect two connectors and release wire harness from guides



2. Remove eight screws (callout 1).


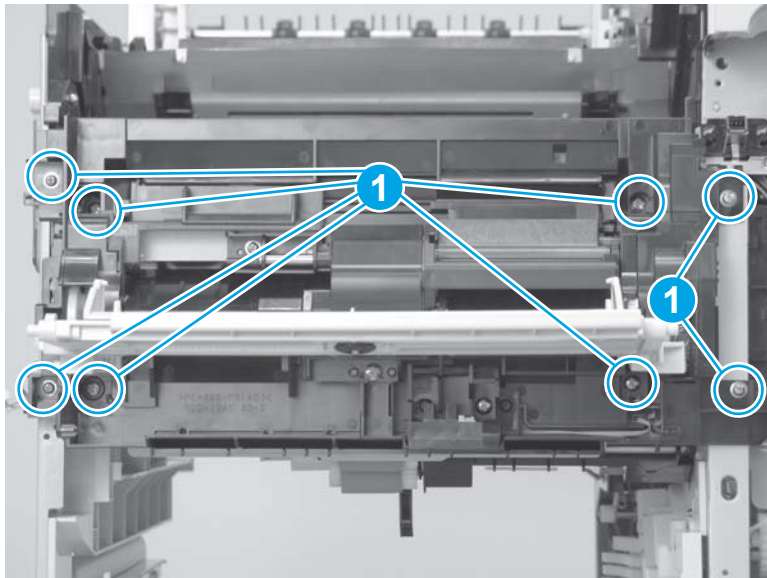
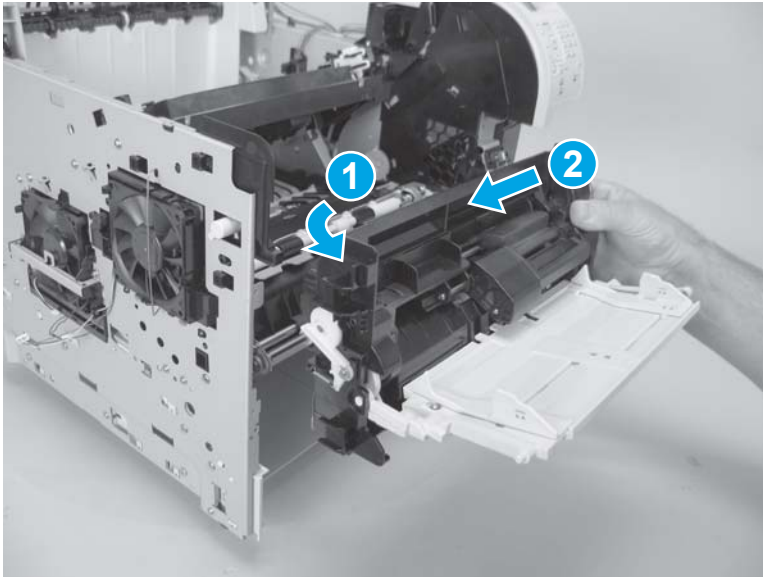
 **NOTE:** The four outside screws on the assembly are a different type than the others. Make sure that you replace the screws in the correct position.

Figure 1-1297 Remove eight screws



3. Rotate the left side of the assembly away from the chassis, and then slide the assembly toward the left side of the printer to remove it

Figure 1-1298 Remove the Tray 1 paper-pickup assembly



Step 12: Unpack the replacement Tray 1 paper-pickup assembly

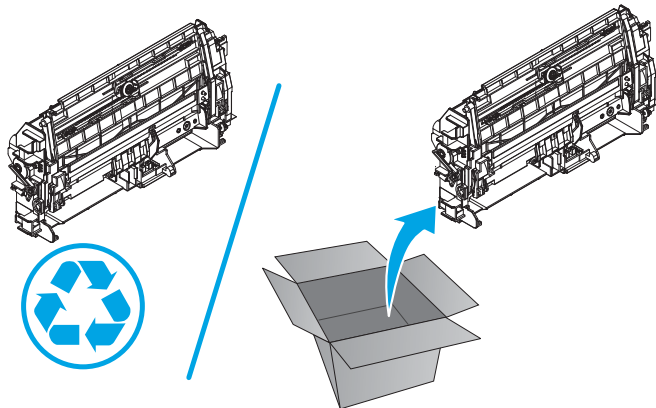
Unpack the replacement part from the packaging.

<http://www8.hp.com/us/en/hp-information/environment/product-recycling.html>



NOTE: HP recommends responsible disposal of the defective part.

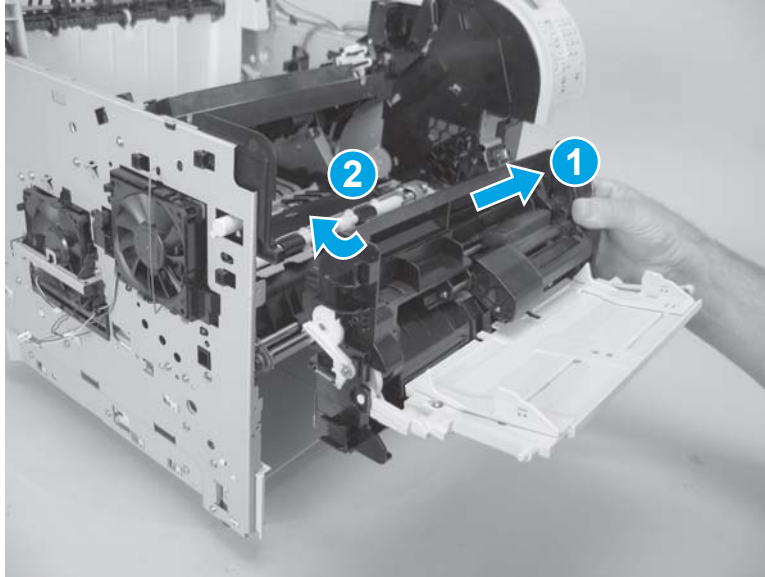
Figure 1-1299 Recycle and unpack



Step 13: Install the Tray 1 paper-pickup assembly

1. Slide the assembly toward the right side of the printer (callout 1), and then rotate the left side of the assembly toward the chassis (callout 2).

Figure 1-1300 Position the Tray 1 paper-pickup assembly



2. Install eight screws (callout 1).


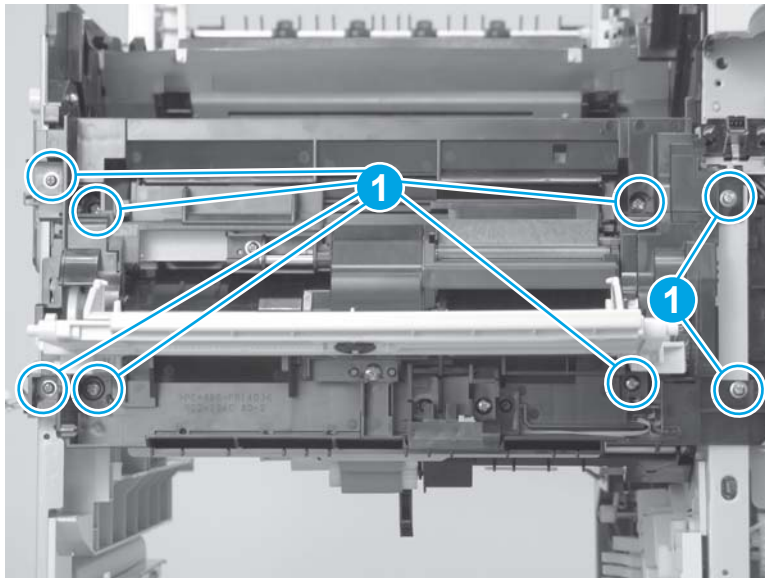
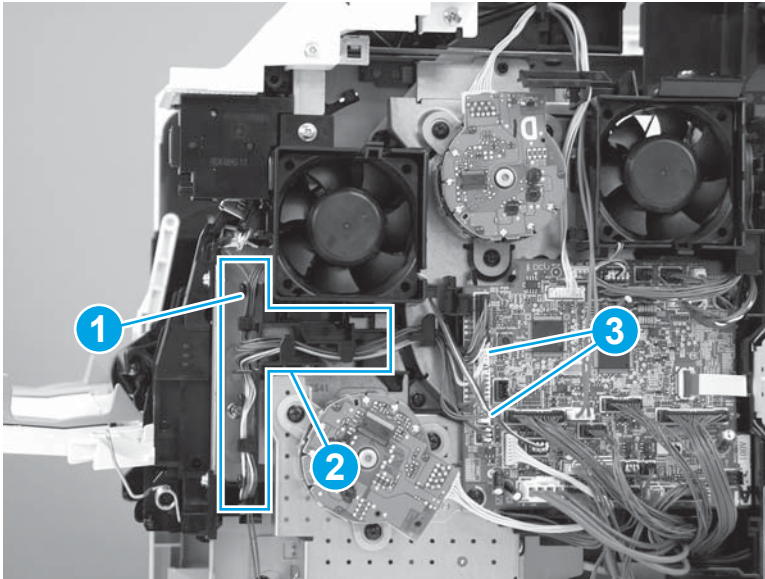
 **NOTE:** The four outside screws on the assembly are a different type than the others. Make sure that you replace the screws in the correct position.

Figure 1-1301 Install eight screws



3. Wrap one wire harness around the guide (callout 1), install the wire harnesses in the guides (callout 2), and then connect two wire-harness connectors (callout 3; J71, and J81).

Figure 1-1302 Connect two connectors and install wire harnesses in guides



Step 14: Install the right front cover

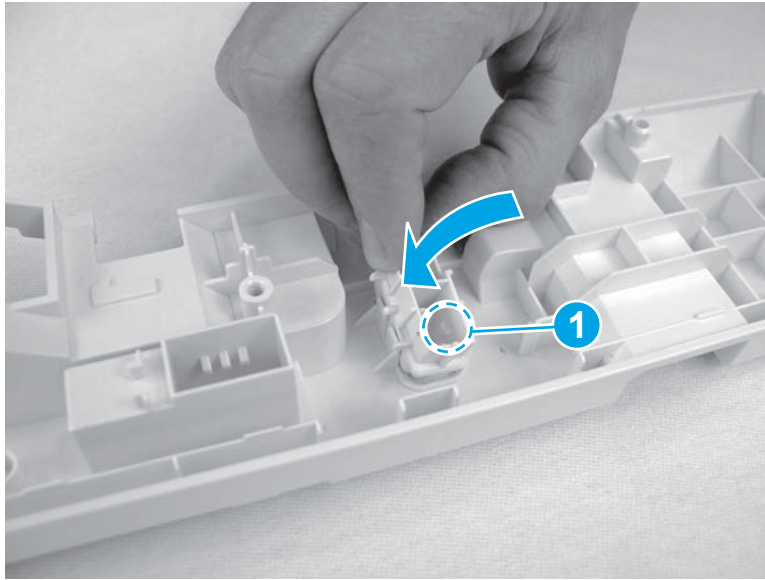
1. Position the switch button on the back of the new right front cover.

Figure 1-1303 Position the switch button



2. Install the hinge pin in the slot (callout 1), and then rotate the switch button down to install it.

Figure 1-1304 Install the switch button



3. Before installing the switch PCA in the following steps, hold the right front cover away from a flat surface so that the switch button is fully seated in the cover. The switch PCA will not install correctly if the switch button is not fully seated.

Figure 1-1305 Switch button seated correctly

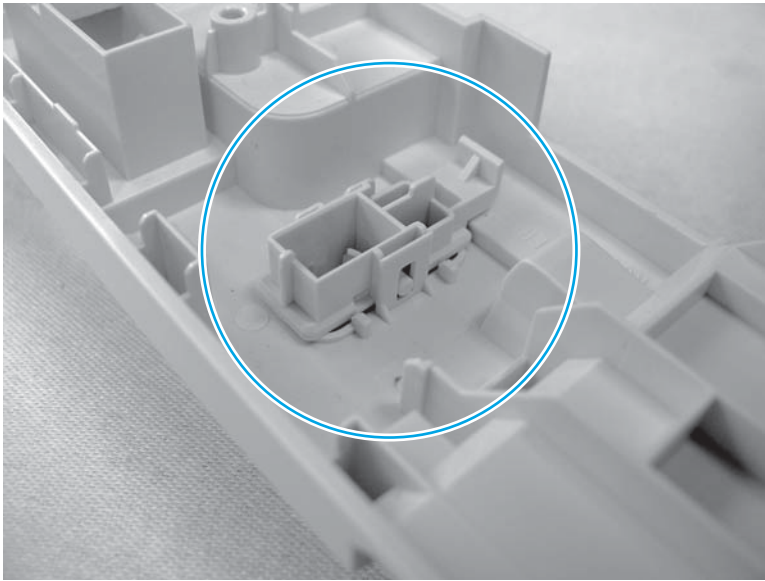
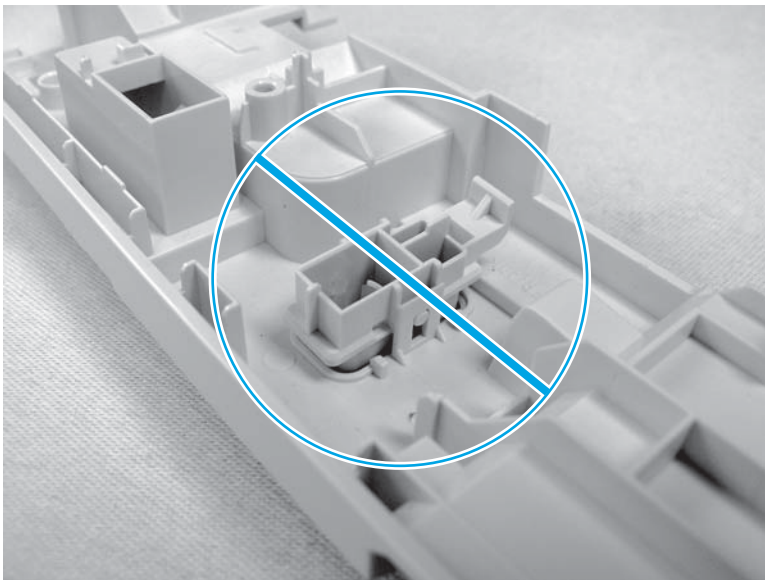
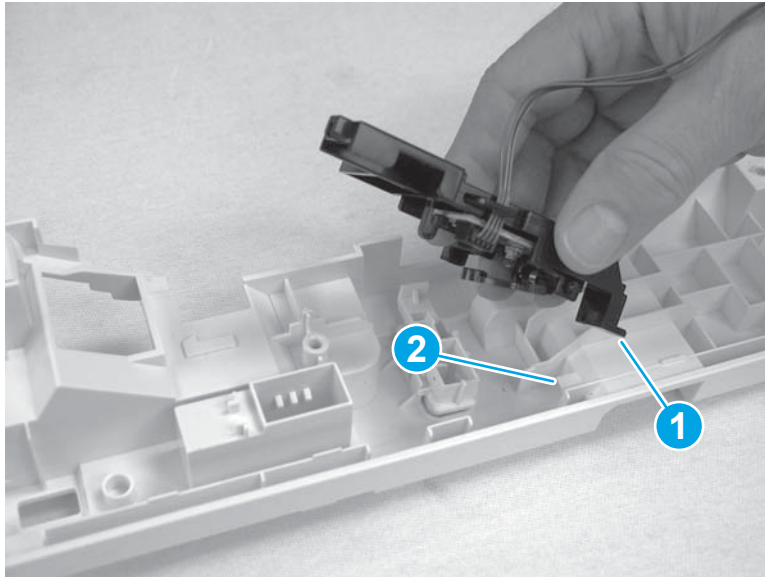


Figure 1-1306 Switch button seated incorrectly



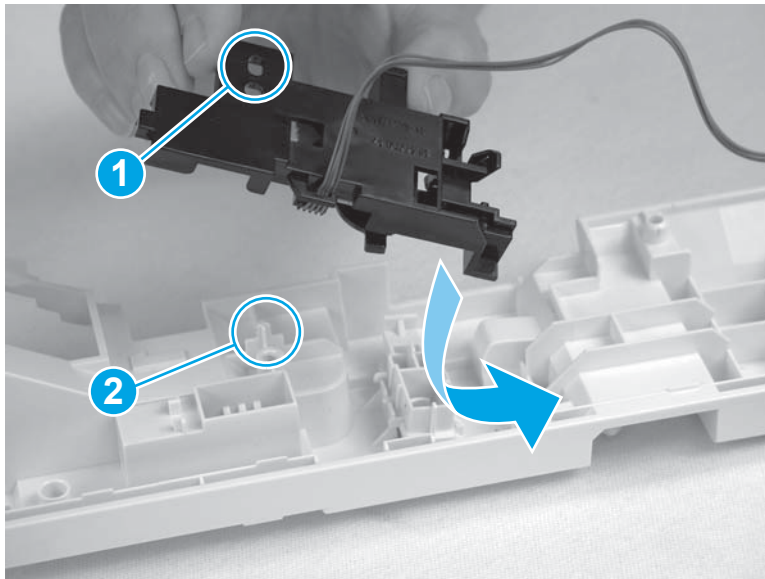
4. When installing the switch PCA in the next step, position the corner of the switch PCA (callout 1) under the tab on the right front cover (callout 2).

Figure 1-1307 Position the switch PCA



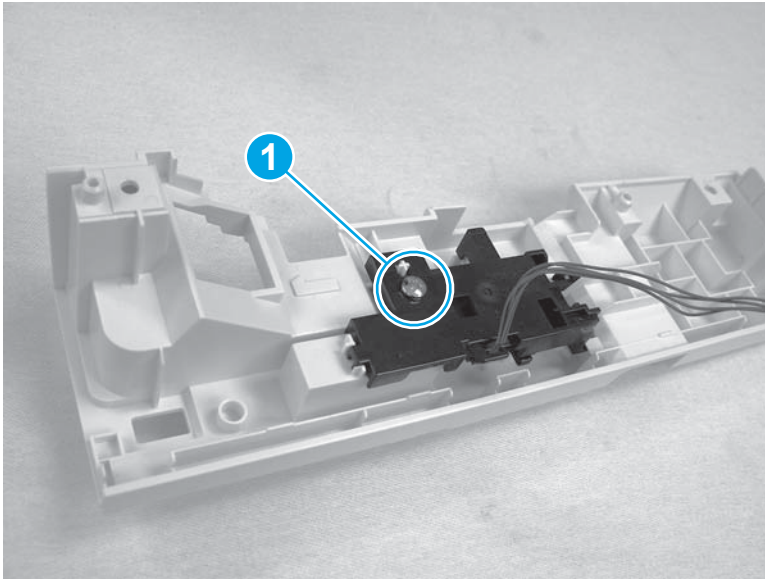
5. Slide the switch PCA into position until the hole (callout 1) on the switch PCA aligns with the post (callout 2) on the right front cover. Press down until the switch PCA snaps into place..

Figure 1-1308 Install the switch PCA



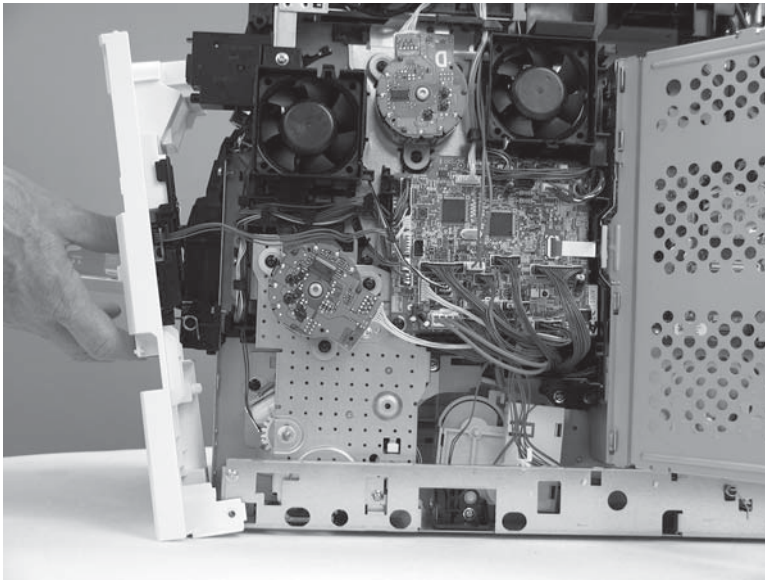
6. Install one screw (callout 1).

Figure 1-1309 Install one screw



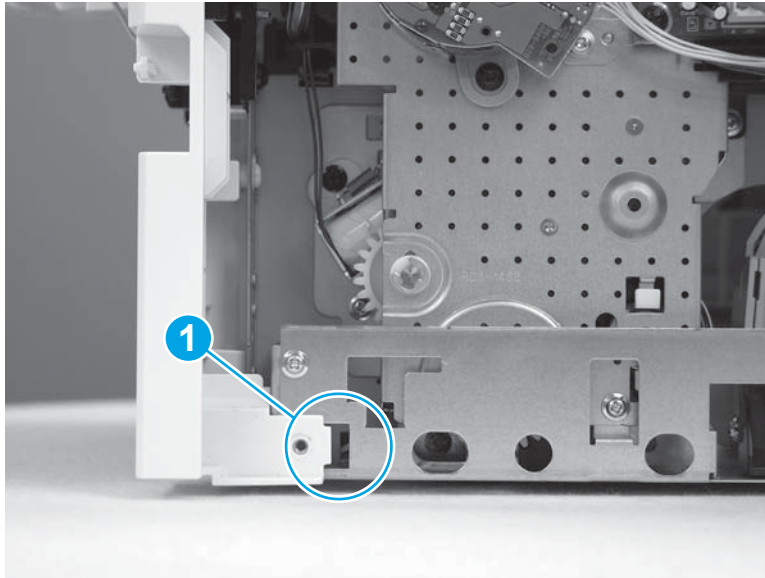
7. Position the right front cover on the printer.

Figure 1-1310 Position the right front cover



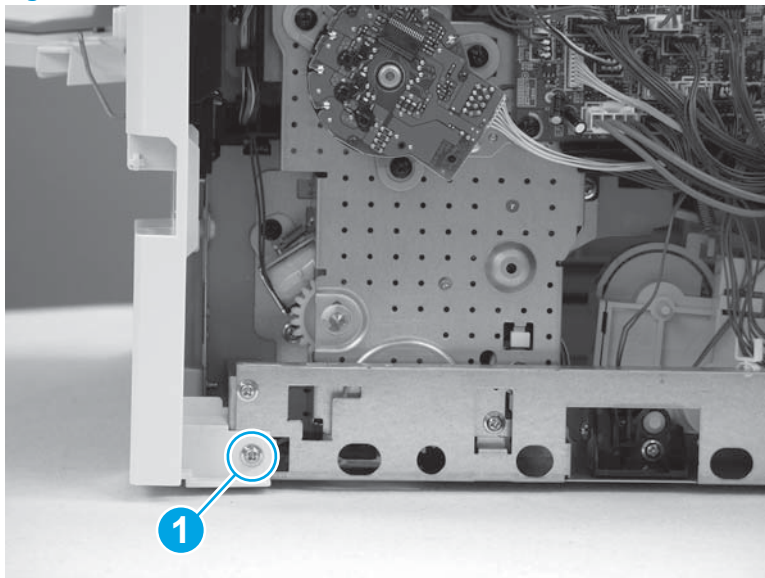
8. Install one tab (callout 1).

Figure 1-1311 Install one tab



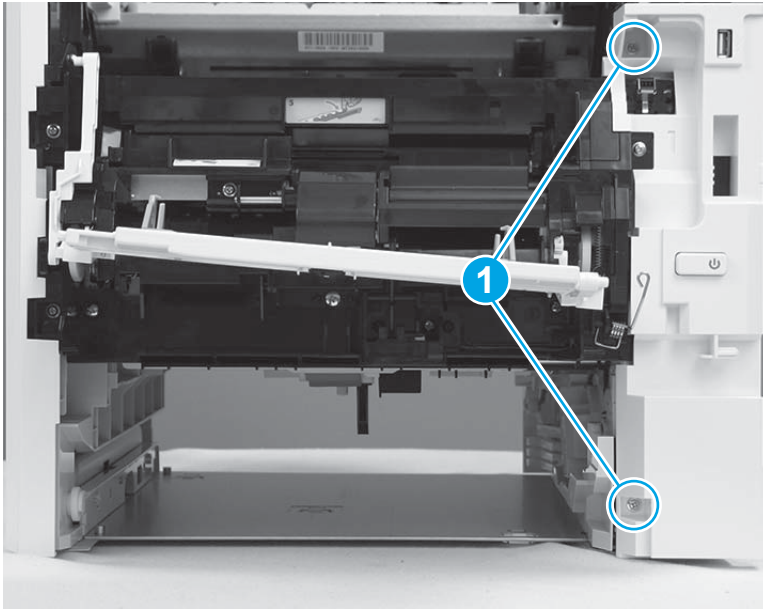
9. Install one screw (callout 1).

Figure 1-1312 Install one screw



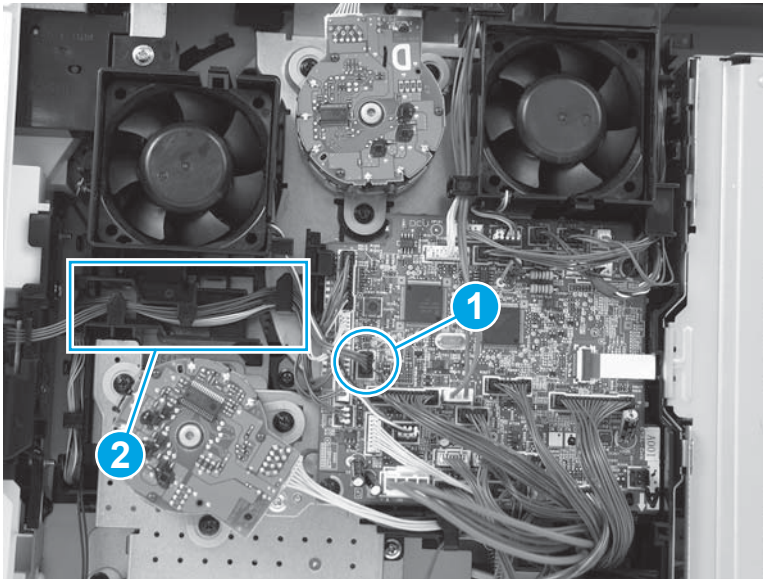
10. Install two screws (callout 1).

Figure 1-1313 Install two screws



11. Connect one connector (callout 1) on the DC controller (J32), and then install the wire harness in the guide (callout 2).

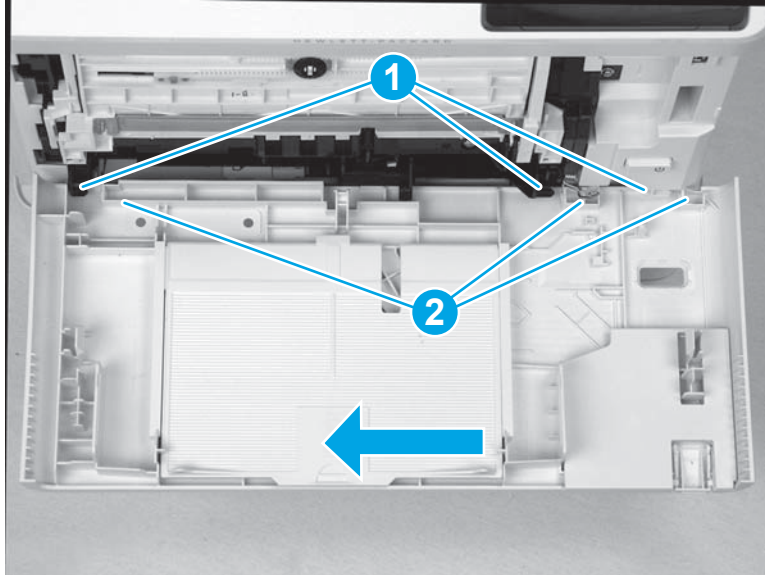
Figure 1-1314 Connect one connector



Step 15: Install the front cover

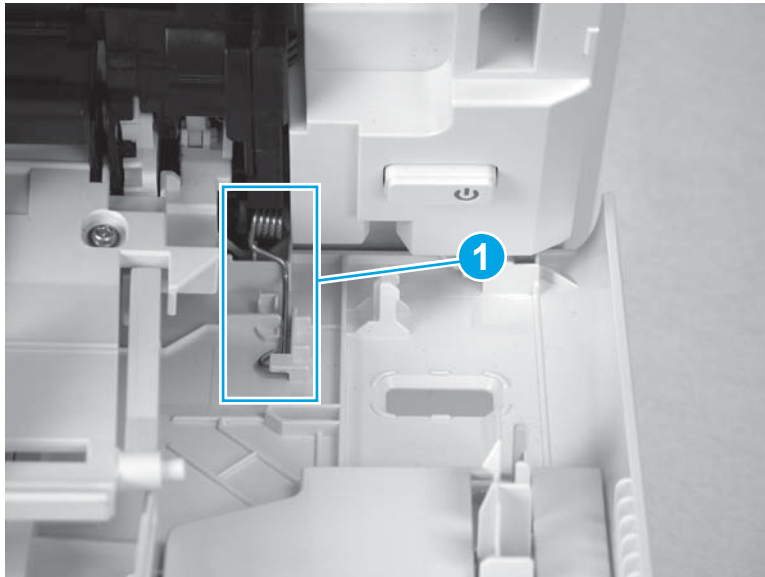
1. Align the pins (callout 1) on the printer with the holes (callout 2) on the front cover, and then slide the front cover toward the left side of the printer to install it.

Figure 1-1315 Install the cover



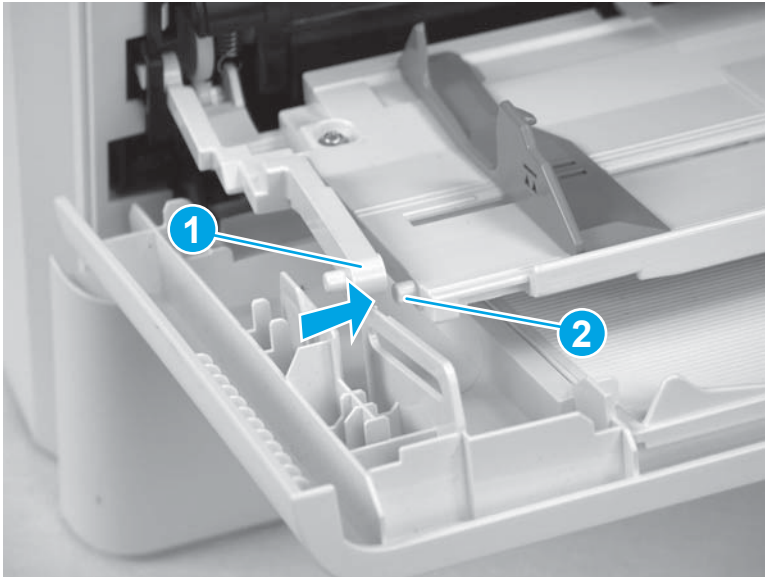
2. Use needle-nose pliers to install one spring (callout 1).

Figure 1-1316 Install spring



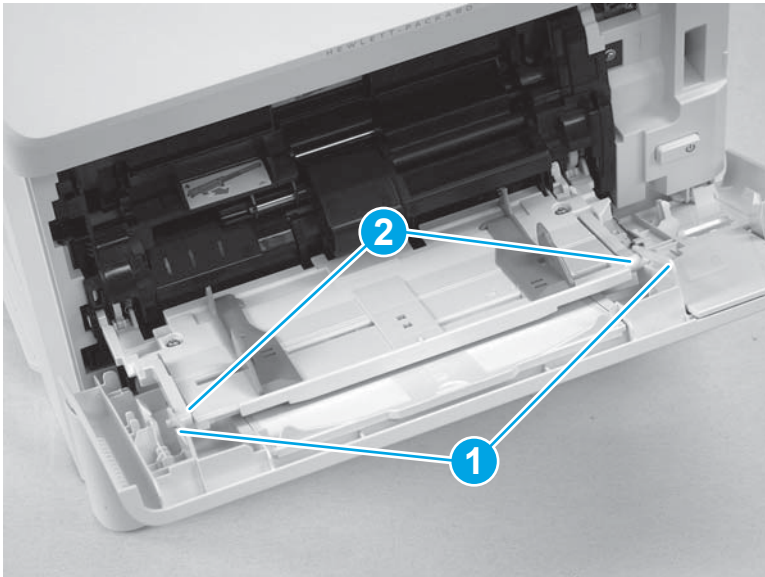
3. The hinge arm (callout 1) might become dislodged from the Tray 1 pin (callout 2). Make sure that the hinge arm fits securely on the pin.

Figure 1-1317 Check arm installation



4. Gently flex the front-cover retainers (callout 1) outward to install them on the Tray 1 arms (callout 2).

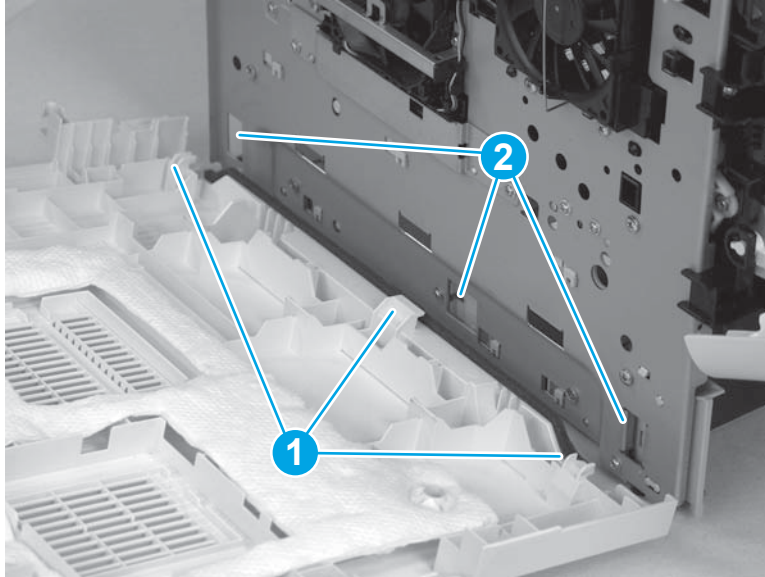
Figure 1-1318 Install retainers



Step 16: Install the left cover

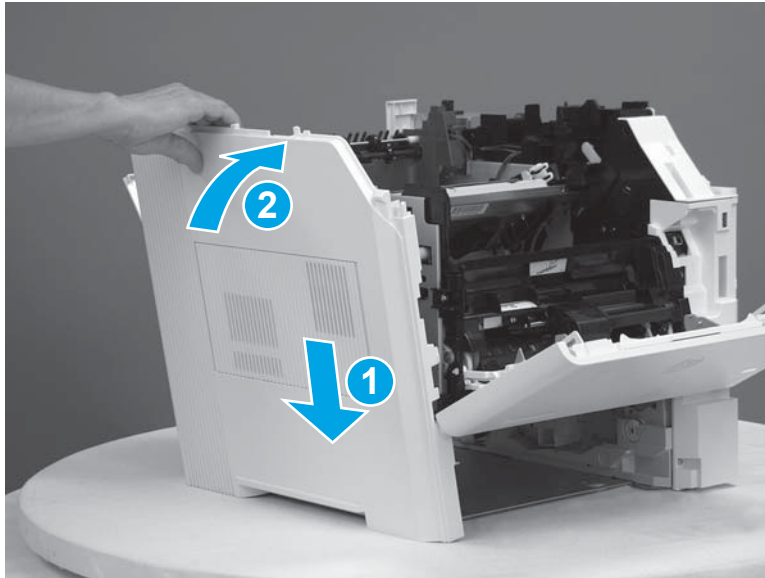
1. Note the location of the tabs (callout 1) on the bottom of the left cover that will fit into the slots (callout 2) in the sheet-metal frame.

Figure 1-1319 Note location of tabs



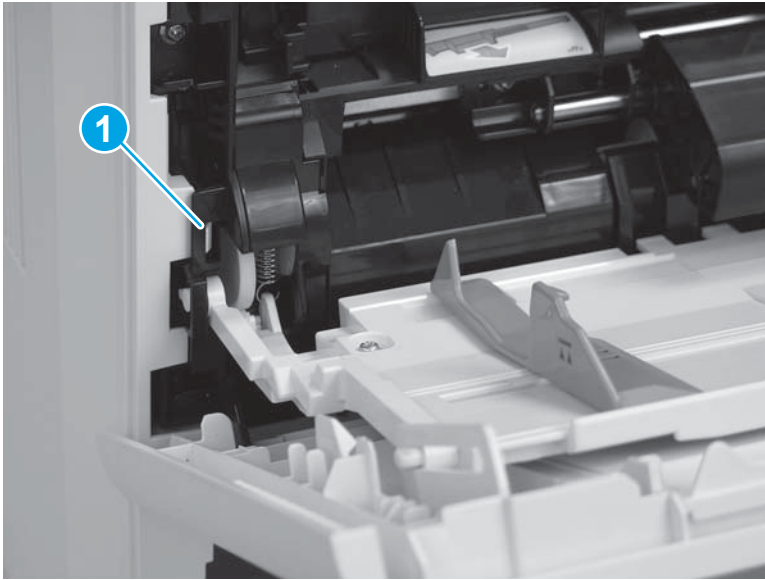
2. Position the tabs in the slots mentioned in the previous step (callout 1), and then rotate the left cover toward the printer (callout 2).

Figure 1-1320 Rotate the cover into place



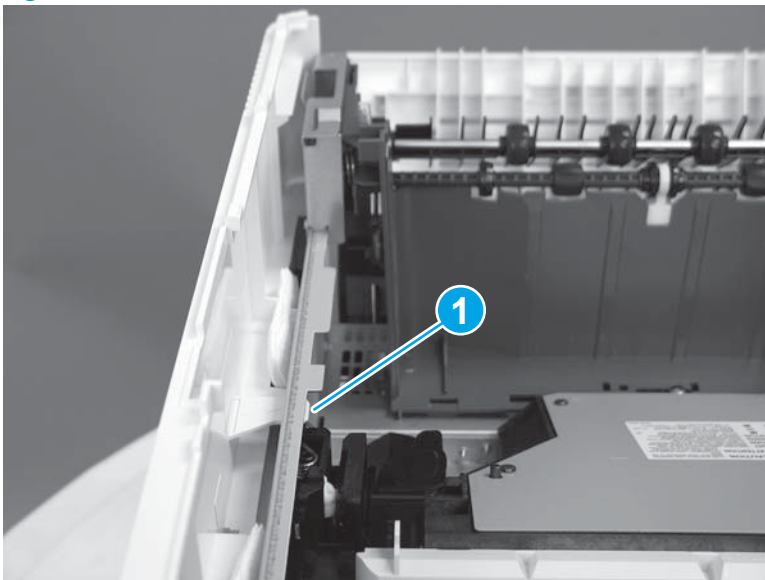
3. Make sure that the tab (callout 1) on the front of the cover snaps into place.

Figure 1-1321 Install one tab



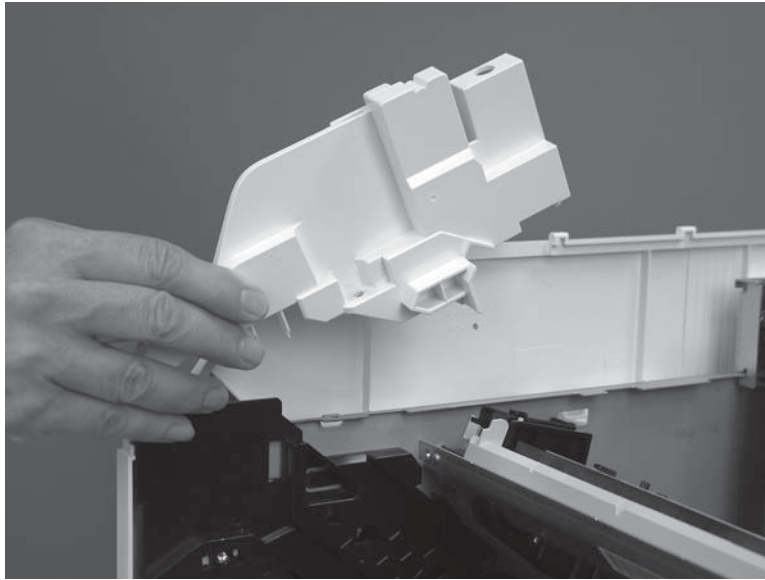
4. Make sure that the tab (callout 1) on the top of the cover snaps into place.

Figure 1-1322 Install one tab



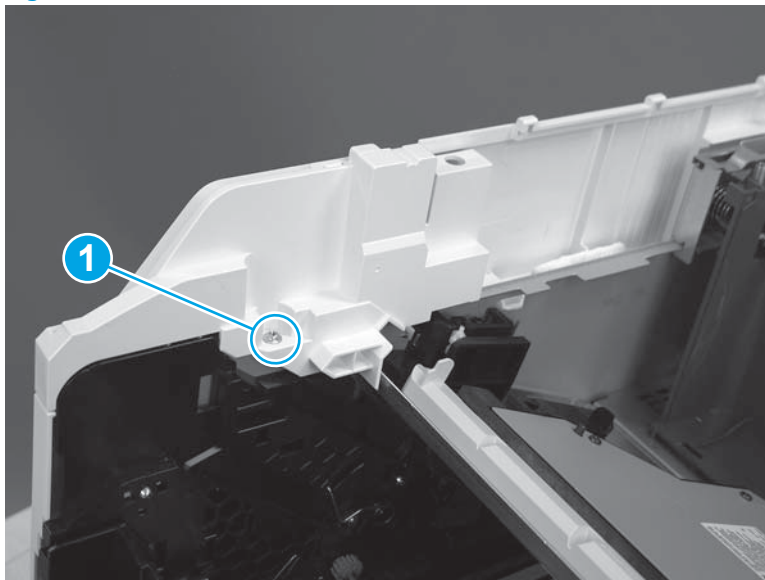
5. Position the left front inside cover on the printer.

Figure 1-1323 Install the left front inside cover



6. Install one screw (callout 1).

Figure 1-1324 Install one screw

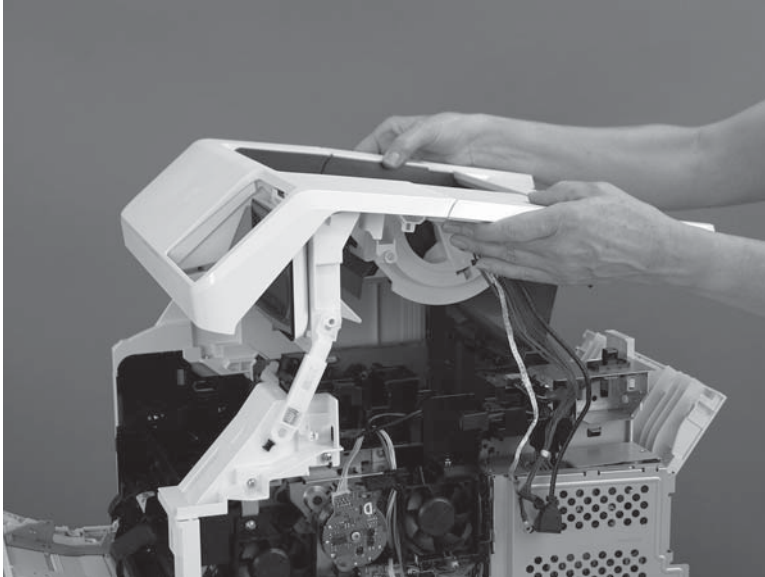


Step 17: Install the top cover (M605x, M606x only)

 **NOTE:** For the M604n/dn, M605n/dn, or M606dn product, skip this step and go to [Step 18: Install the top cover \(M604n/dn, M605n/dn, M606dn only\)](#) on page 746.

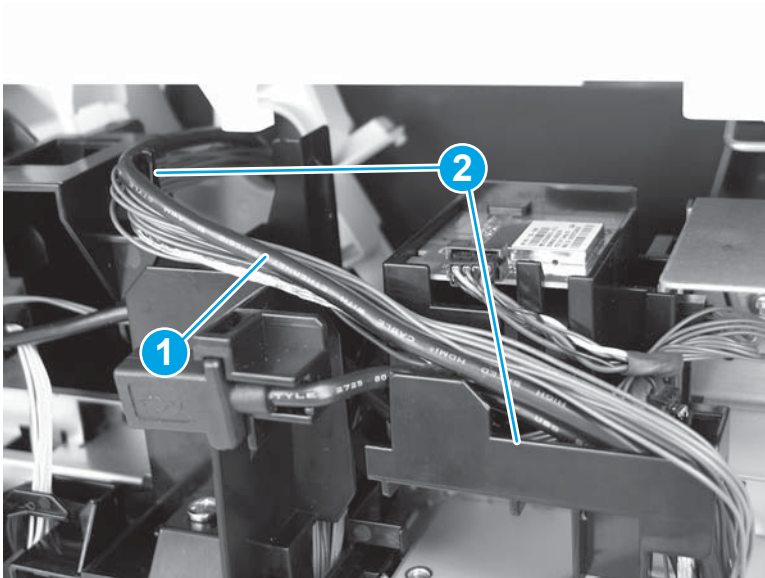
1. Lower the top cover onto the printer.

Figure 1-1325 Lower the top cover



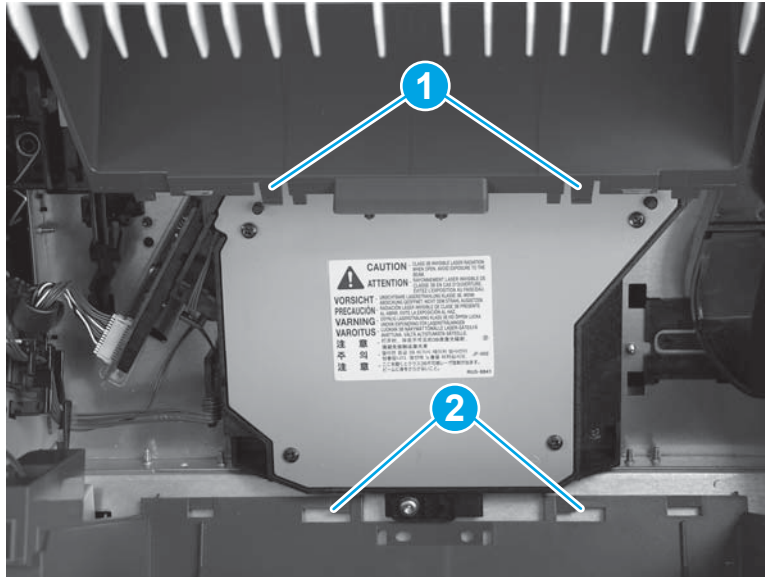
2. On the right side of the printer, make sure that the wire harness and cables (callout 1) are properly routed through the guides (callout 2).

Figure 1-1326 Install cables in guides



3. Install two tabs (callout 1) on the top output bin into two slots (callout 2) in the printer. Make sure that the tabs snap into place.

Figure 1-1327 Install two tabs



4. Install one screw (callout 1) on the left side of the printer.


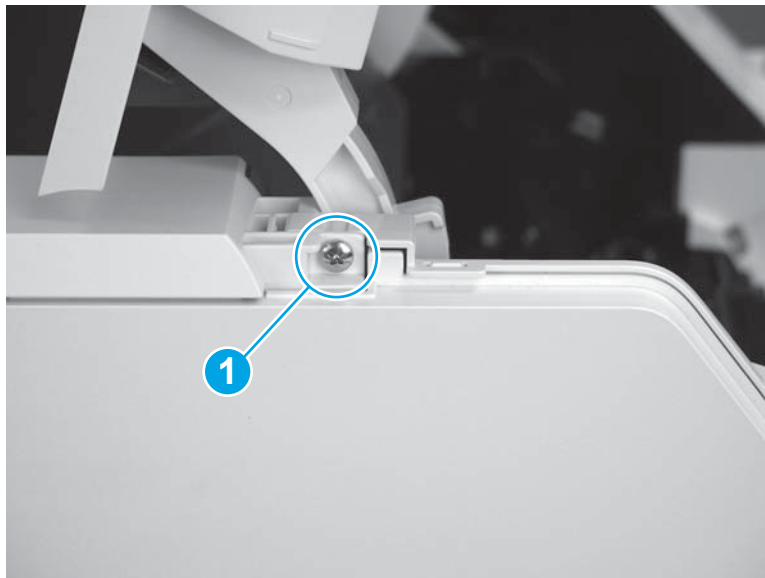
 **Reinstallation tip:** This screw is larger than the screws removed from the top of the printer. Make sure to install the correct screw.

Figure 1-1328 Install one screw



5. Install one screw (callout 1) on the right side of the printer.


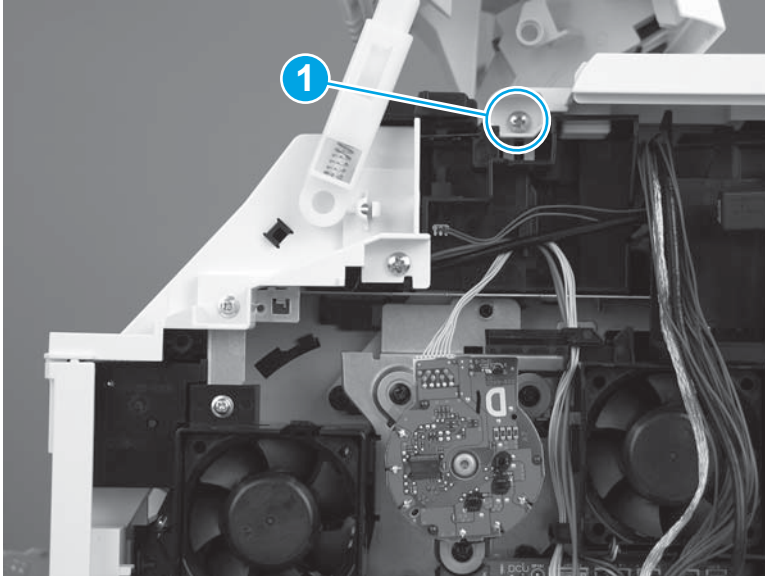
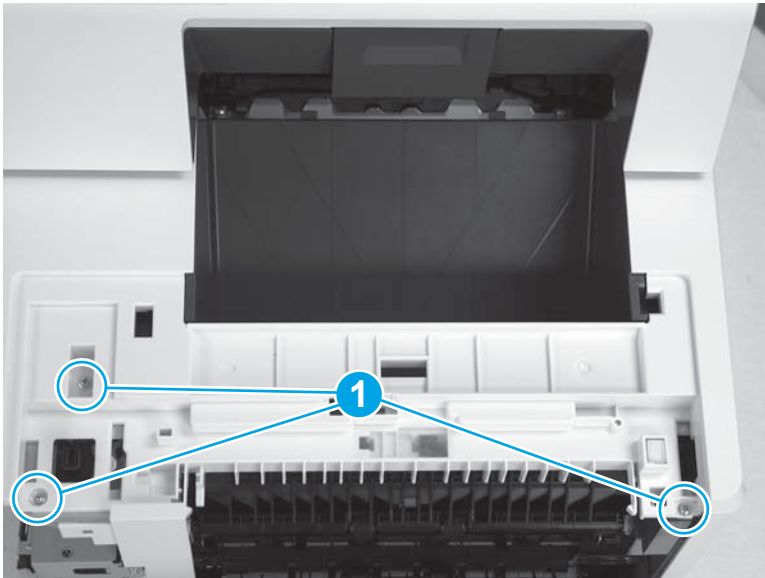
 **Reinstallation tip:** This screw is larger than the screws removed from the top of the printer. Make sure to install the correct screw.

Figure 1-1329 Install one screw



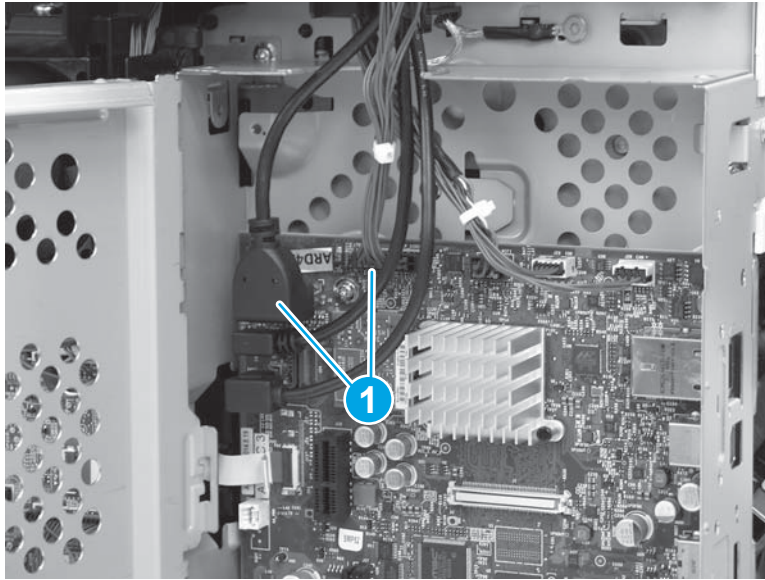
6. Install three screws (callout 1) on the top of the printer.

Figure 1-1330 Install three screws



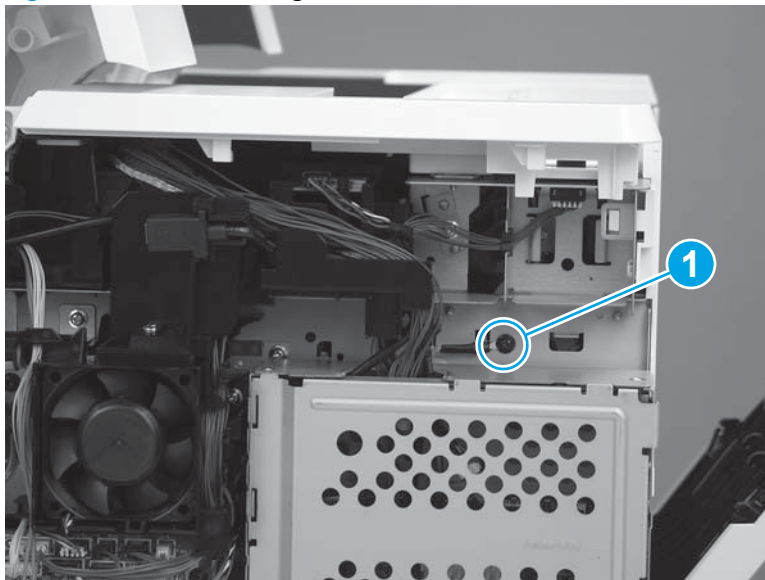
7. Connect two connectors (callout 1).

Figure 1-1331 Connect two connectors



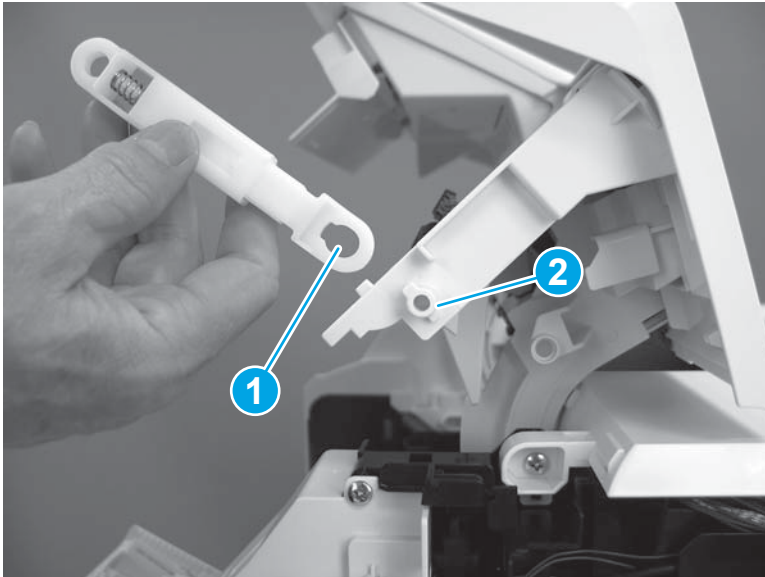
8. Install one screw to attach the ground wire (callout 1).

Figure 1-1332 Install the ground wire




9. If the toner-cartridge door hinge comes off of the top cover, reattach the hinge by sliding the hole (callout 1) in the hinge onto the tab (callout 2) on the top cover.

Figure 1-1333 Reattach the door hinge

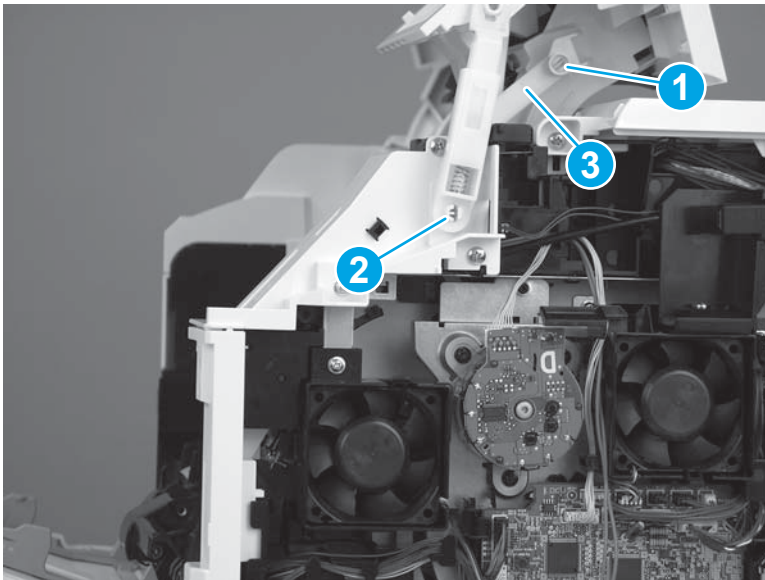


10. Install the toner-cartridge drive-arm (callout 1) and the toner-cartridge door hinge (callout 2) by pressing them onto the tabs.

 **NOTE:** It might be necessary to lift the drive arm (callout 3) up in order to reattach it.

 **CAUTION:** The toner-cartridge drive-arm tabs break easily.

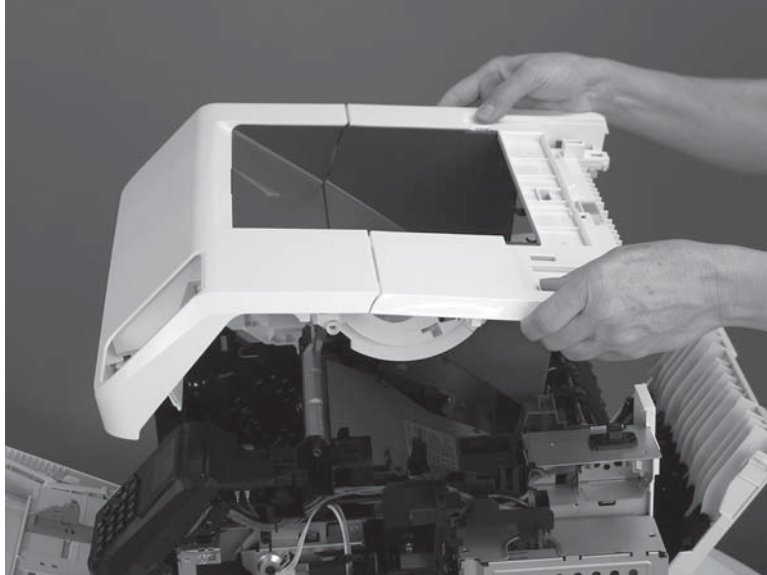
Figure 1-1334 Install the drive-arm and door hinge tabs



Step 18: Install the top cover (M604n/dn, M605n/dn, M606dn only)

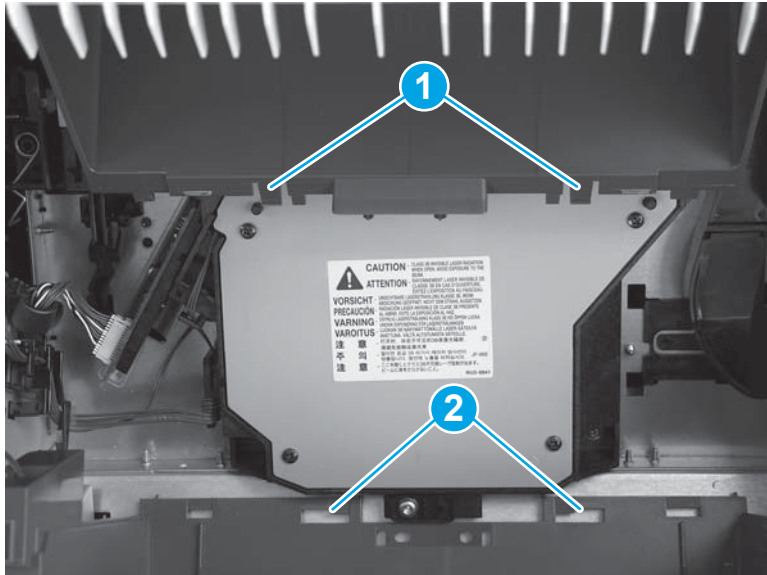
1. Lower the top cover onto the printer.

Figure 1-1335 Lower the top cover



2. Install two tabs (callout 1) on the top output bin into two slots (callout 2) in the printer. Make sure that the tabs snap into place.

Figure 1-1336 Install two tabs



3. Install one screw (callout 1) on the left side of the printer.


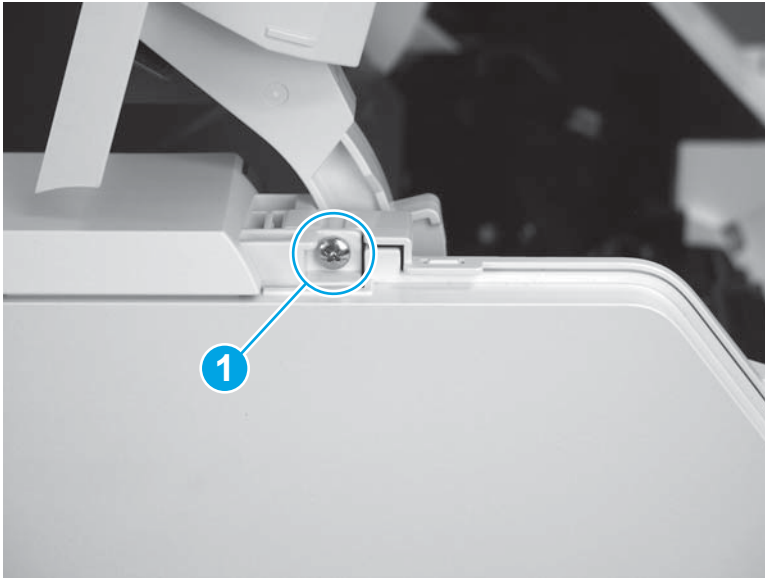
 **Reinstallation tip:** This screw is larger than the screws removed from the top of the printer. Make sure to install the correct screw.

Figure 1-1337 Install one screw



4. Install one screw (callout 1) on the right side of the printer.


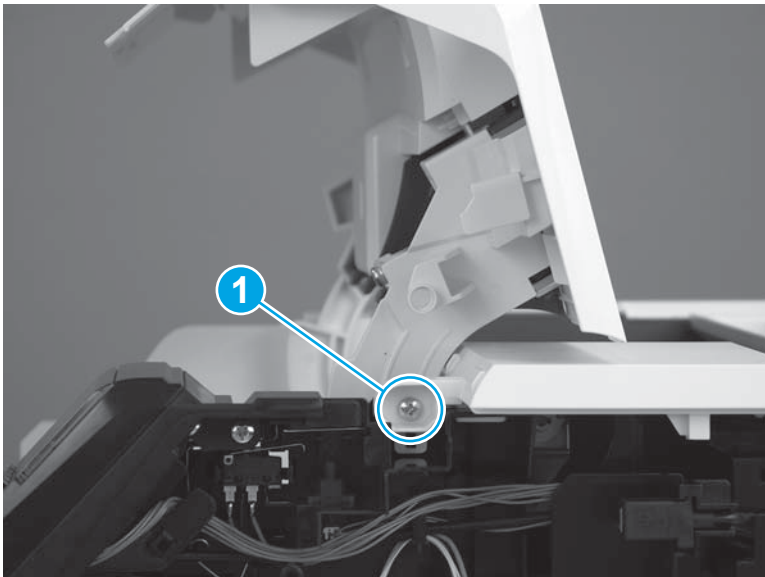
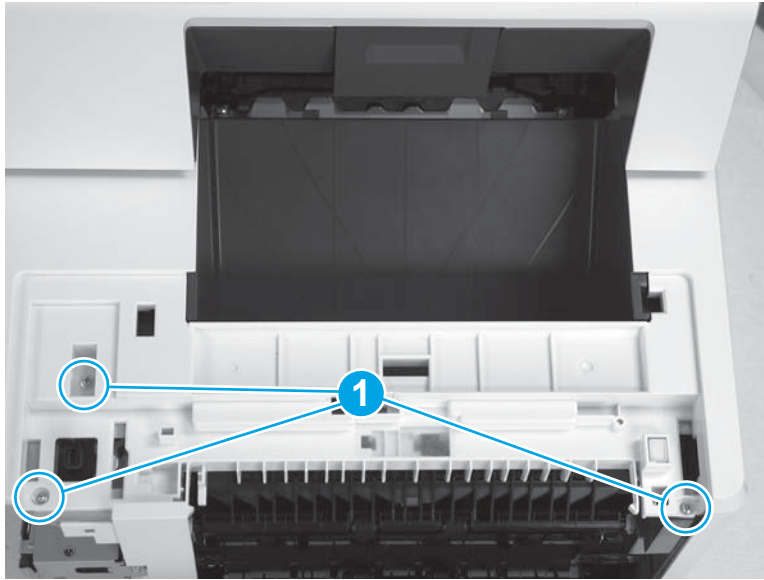
 **Reinstallation tip:** This screw is larger than the screws removed from the top of the printer. Make sure to install the correct screw.

Figure 1-1338 Install one screw



5. Install three screws (callout 1) on the top of the printer.

Figure 1-1339 Install three screws

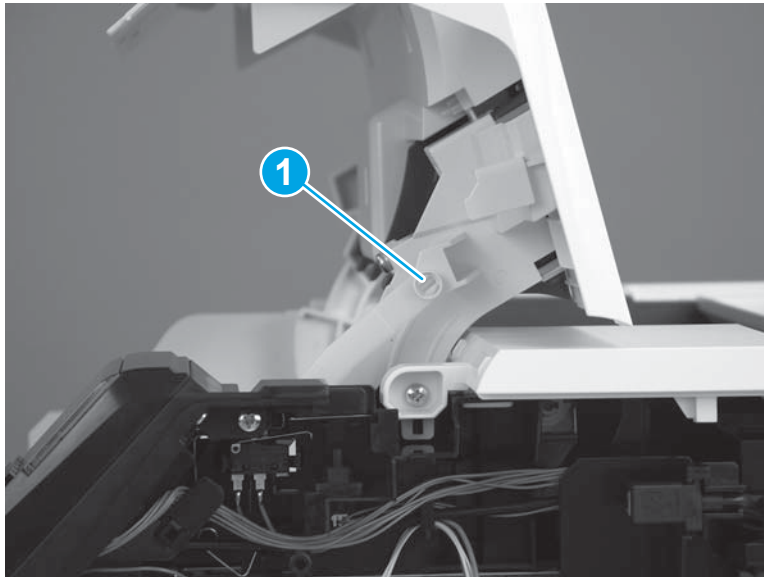


6. Install the toner-cartridge drive-arm (callout 1) by pressing it onto the tabs.

 **NOTE:** It might be necessary to lift the drive arm up in order to reattach it.

 **CAUTION:** The toner-cartridge drive-arm tabs break easily.

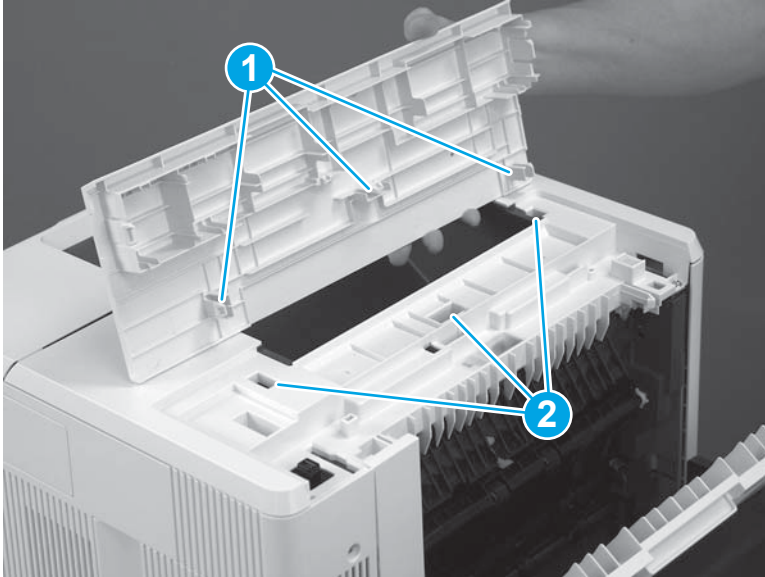
Figure 1-1340 Install the drive-arm tabs



Step 19: Install the top accessory cover

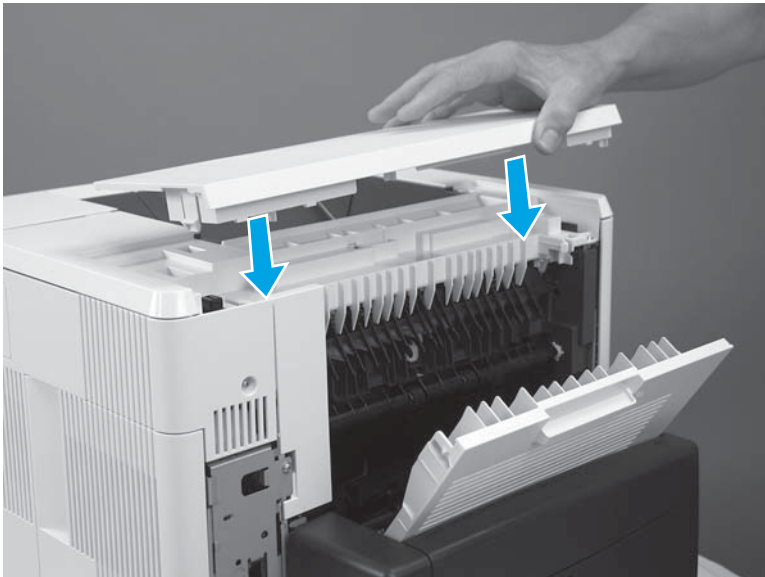
1. Align the tabs (callout 1) on the top accessory cover with the slots (callout 2) in the top cover.

Figure 1-1341 Align the tabs and slots



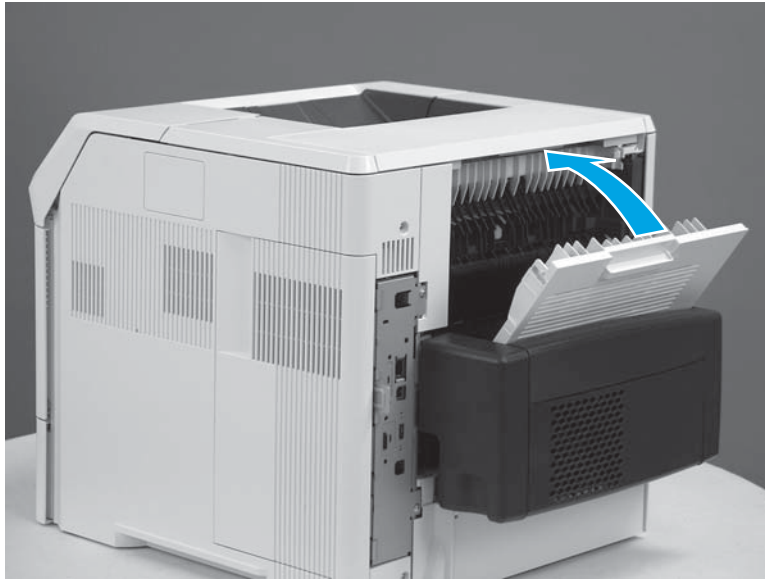
2. Place the top accessory on top of the printer, and then press down to install it.

Figure 1-1342 Install the top accessory cover



3. Close the rear output bin.

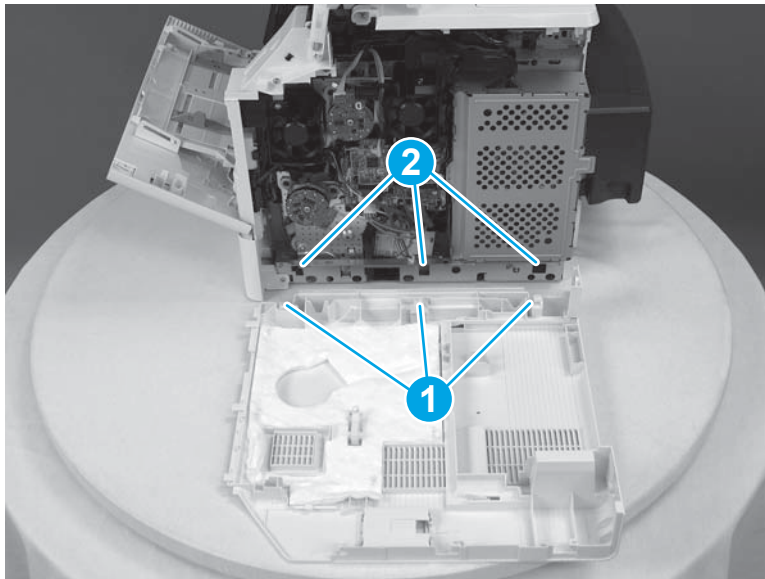
Figure 1-1343 Close the rear output bin



Step 20: Install the right cover

1. Note the location of the tabs (callout 1) on the cover that will fit into the slots (callout 2) on the printer.

Figure 1-1344 Note location of tabs



2. Position the front tabs on the right cover slightly behind the right front cover (callout 1), and then rotate the back edge of the cover toward the printer (callout 2).


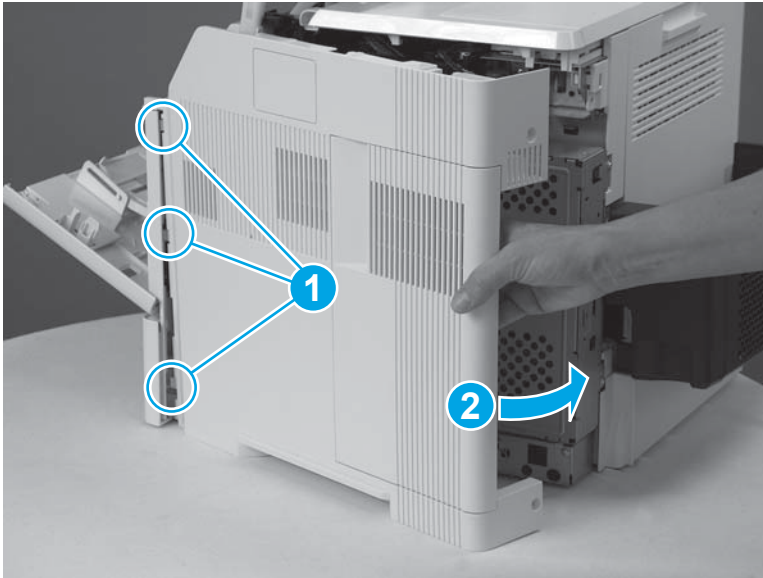
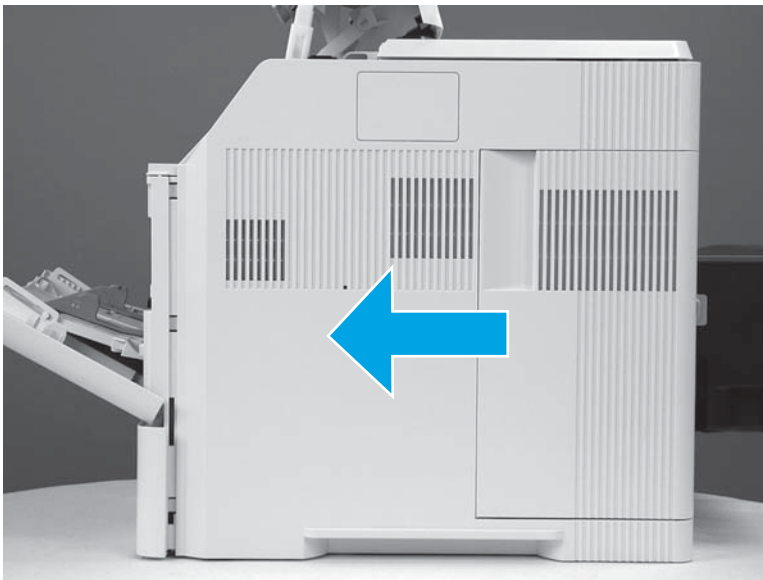
 **NOTE:** The tabs and slots mentioned in the previous step will engage as the cover is rotated into place.

Figure 1-1345 Position the front tabs



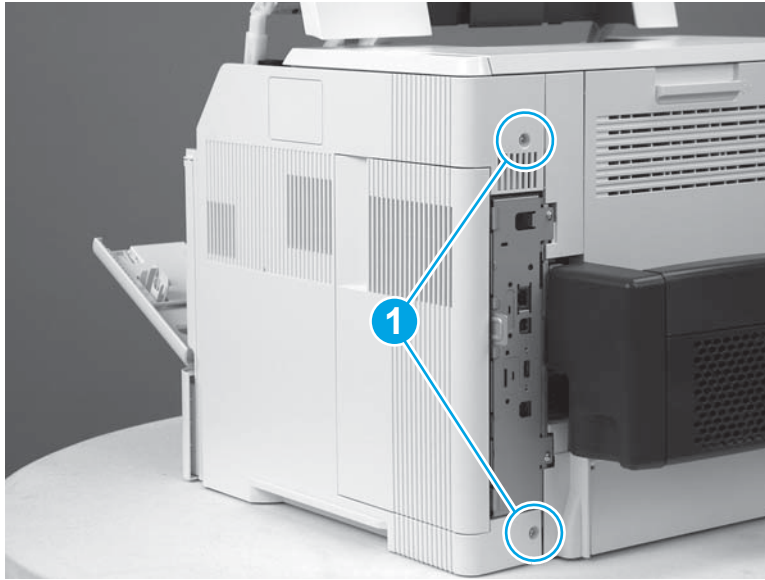
3. Slide the cover toward the front of the printer to install it.

Figure 1-1346 Slide the cover



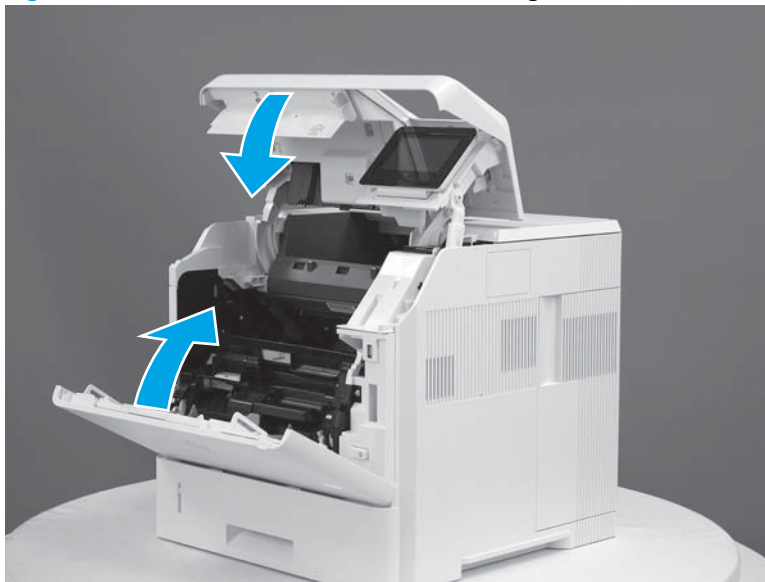
4. Install two screws (callout 1).

Figure 1-1347 Install two screws



5. Close the front cover and the cartridge door.

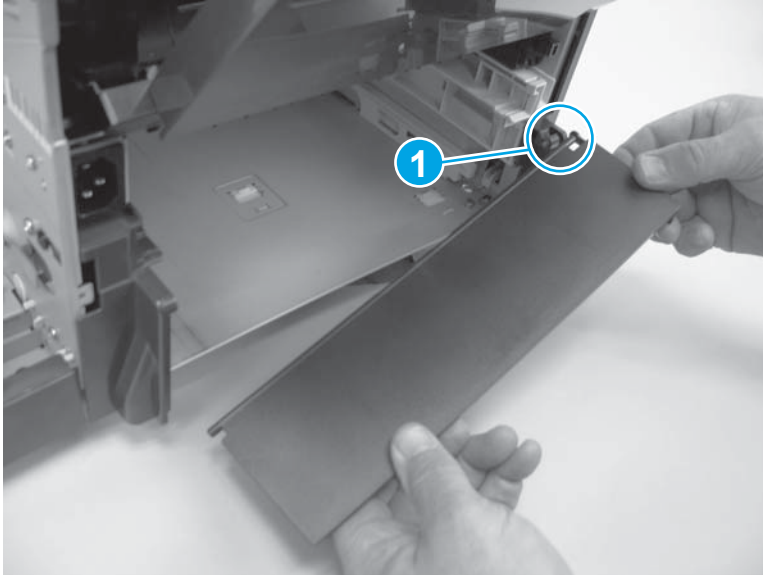
Figure 1-1348 Close the front cover and cartridge door



Step 21: Install the Tray 2 extension door

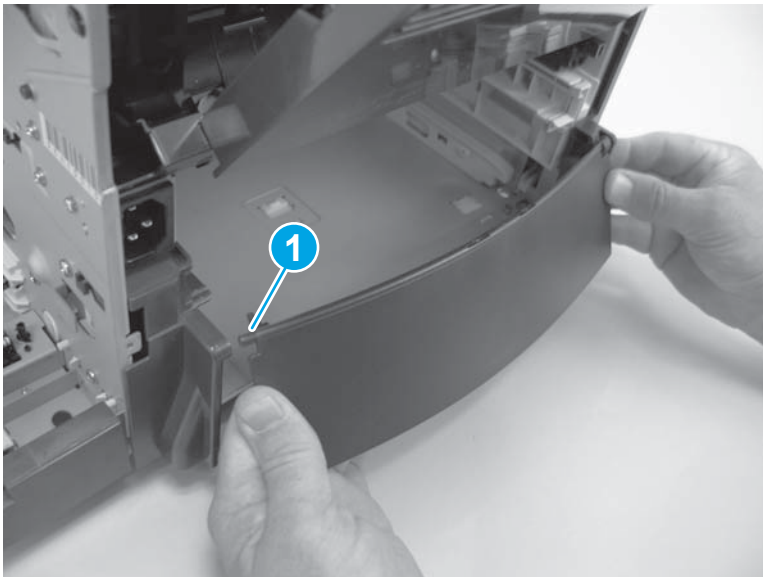
1. Rotate the Tray 2 extension door to the horizontal position, and then install the keyed hinge pin (callout 1).

Figure 1-1349 Install the keyed hinge pin



2. Carefully flex the Tray 2 extension door, and then install the hinge pin (callout 1) near the power-cord side of the printer.

Figure 1-1350 Install the hinge pin



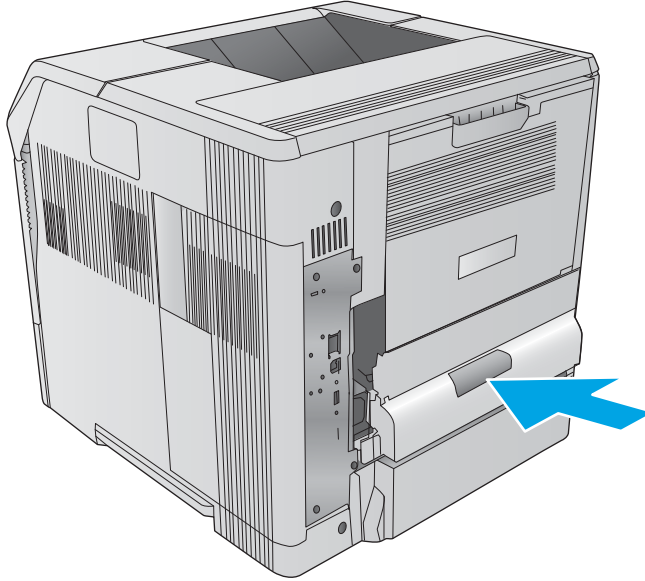
Step 22: Install the duplex accessory cover



NOTE: If the duplex accessory cover was not removed, skip this step and go to [Step 23: Install the duplex accessory on page 755](#).

- ▲ Slide the duplex accessory cover straight into the printer to install it.

Figure 1-1351 Install the duplex accessory cover

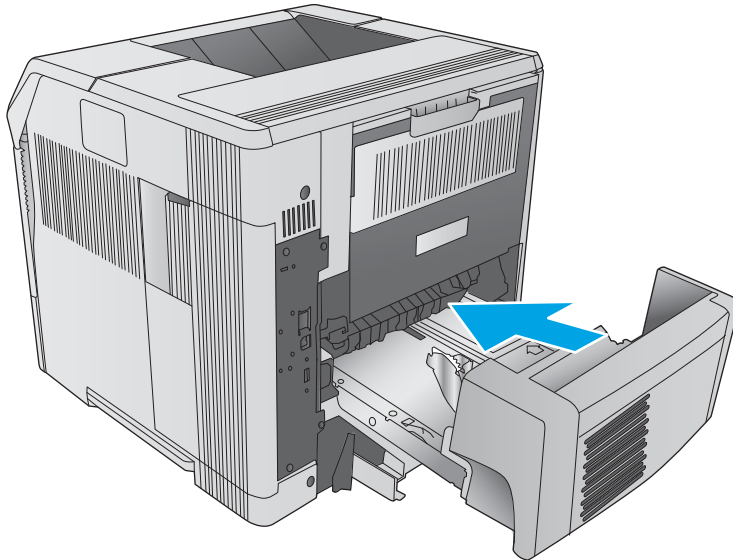


Step 23: Install the duplex accessory

 **NOTE:** If the optional duplex accessory was not removed, skip this step.

- ▲ Slide the duplex accessory straight into the printer to install it.

Figure 1-1352 Install the duplex accessory



Removal and replacement: Feed roller assembly

- [Introduction](#)
- [Step 1: Remove the duplex accessory](#)
- [Step 2: Remove the duplex accessory cover](#)
- [Step 3: Remove the Tray 2 extension door](#)
- [Step 4: Remove the right cover](#)
- [Step 5: Remove the top accessory cover](#)
- [Step 6: Remove the top cover \(M604n/dn, M605n/dn, M606dn only\)](#)
- [Step 7: Remove the top cover \(M605x, M606x only\)](#)
- [Step 8: Remove the left cover](#)
- [Step 9: Remove the front cover](#)
- [Step 10: Remove the right front cover](#)
- [Step 11: Remove the Tray 1 paper-pickup assembly](#)
- [Step 12: Remove the feed roller assembly](#)
- [Step 13: Unpack the replacement feed roller assembly](#)
- [Step 14: Install the feed roller assembly](#)
- [Step 15: Install the Tray 1 paper-pickup assembly](#)
- [Step 16: Install the right front cover](#)
- [Step 17: Install the front cover](#)
- [Step 18: Install the left cover](#)
- [Step 19: Install the top cover \(M605x, M606x only\)](#)
- [Step 20: Install the top cover \(M604n/dn, M605n/dn, M606dn only\)](#)
- [Step 21: Install the top accessory cover](#)
- [Step 22: Install the right cover](#)
- [Step 23: Install the Tray 2 extension door](#)
- [Step 24: Install the duplex accessory cover](#)
- [Step 25: Install the duplex accessory](#)


Introduction

This document provides the procedures to remove and replace the feed roller assembly.

Before performing service

Turn the printer power off

- Disconnect the power cable.

 **WARNING!** To avoid damage to the printer, turn the printer off, wait 30 seconds, and then remove the power cord before attempting to service the printer.

- Disconnect all network cables.

Use the table below to identify the correct part number for your printer. To order the part, go to www.hp.com/buy/parts.

Feed roller assembly part number	
RM1-8411-010CN	Paper feed roller assembly

Required tools

- #2 Phillips screwdriver with a magnetic tip

After performing service

Turn the printer power on

- Connect the power cable.
- Use the power switch to turn the power on.

Post service test

Make sure that the printer initializes to a **Ready** state.

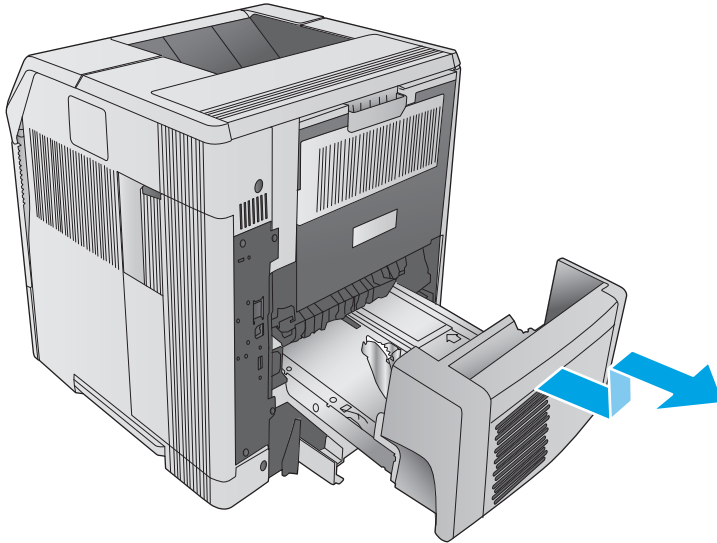
Print a configuration page to make sure that the printer is functioning correctly.

Step 1: Remove the duplex accessory


 **NOTE:** If the optional duplex accessory is not installed, skip this step and go to [Step 2: Remove the duplex accessory cover on page 758](#).

- ▲ Slightly lift up on the duplex accessory, and then pull it completely out of the printer to remove it.

Figure 1-1353 Remove the duplex accessory

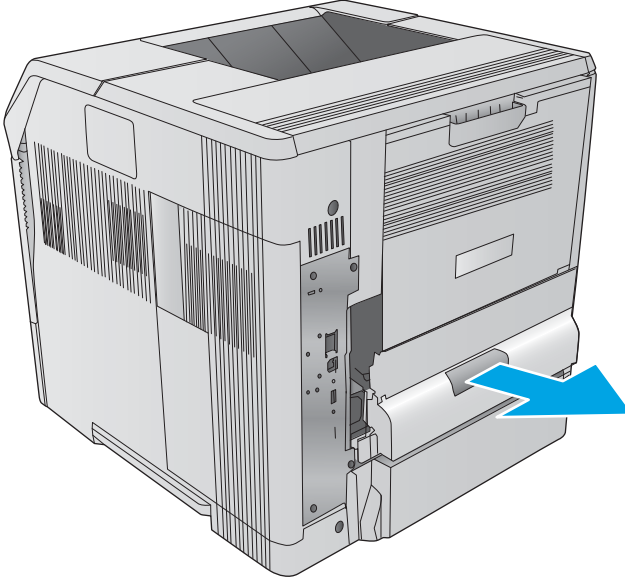


Step 2: Remove the duplex accessory cover

 **NOTE:** If the duplex accessory cover is not installed, skip this step and go to [Step 3: Remove the Tray 2 extension door on page 758](#).

- ▲ Pull the duplex accessory cover straight out of the printer to remove it.

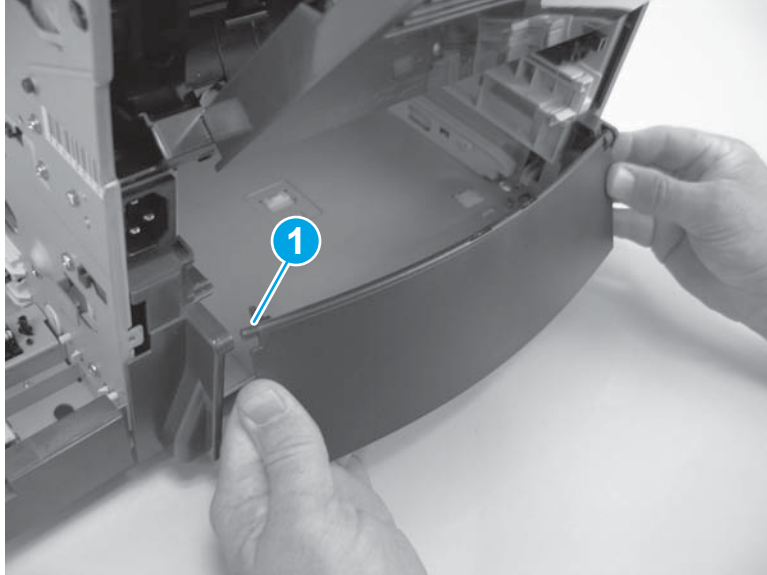
Figure 1-1354 Remove the duplex accessory cover



Step 3: Remove the Tray 2 extension door

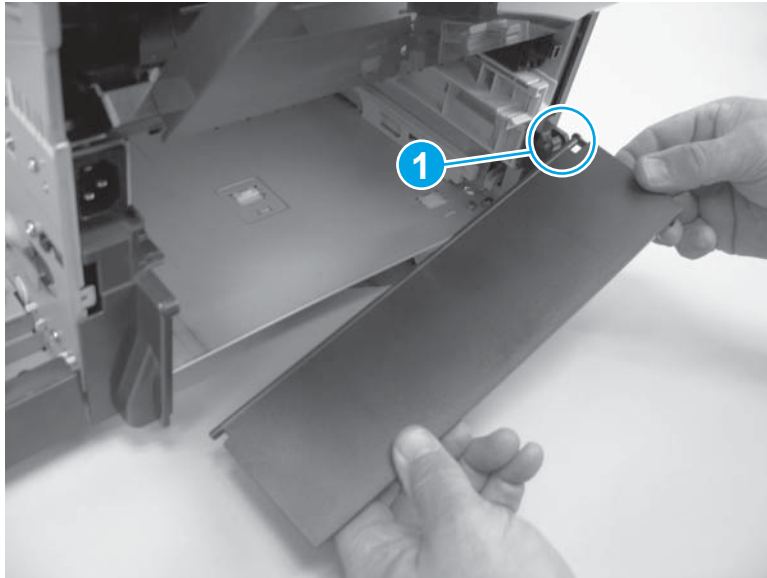
1. Carefully flex the Tray 2 extension door to release the hinge pin (callout 1) near the power-cord side of the printer.

Figure 1-1355 Release the hinge pin



2. Rotate the Tray 2 extension door to the horizontal position, and then pull up on the keyed hinge pin (callout 1) to release the door. Remove the Tray 2 extension door.

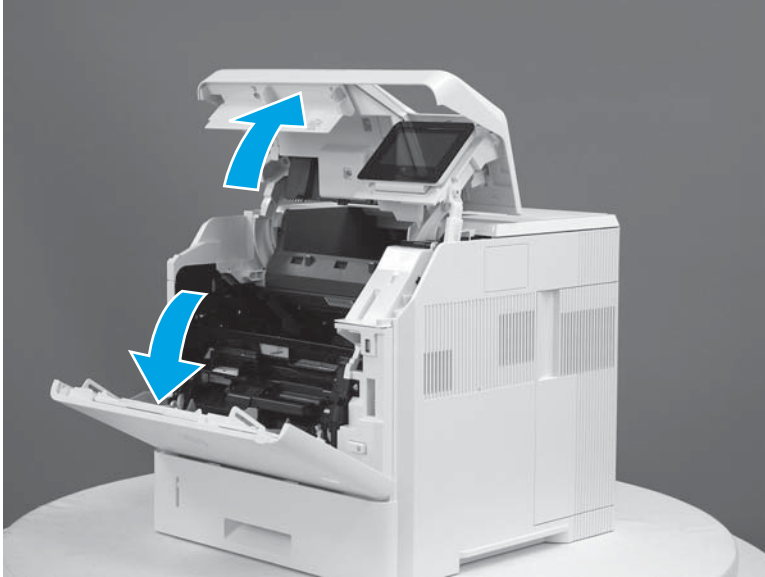
Figure 1-1356 Remove the Tray 2 extension door



Step 4: Remove the right cover

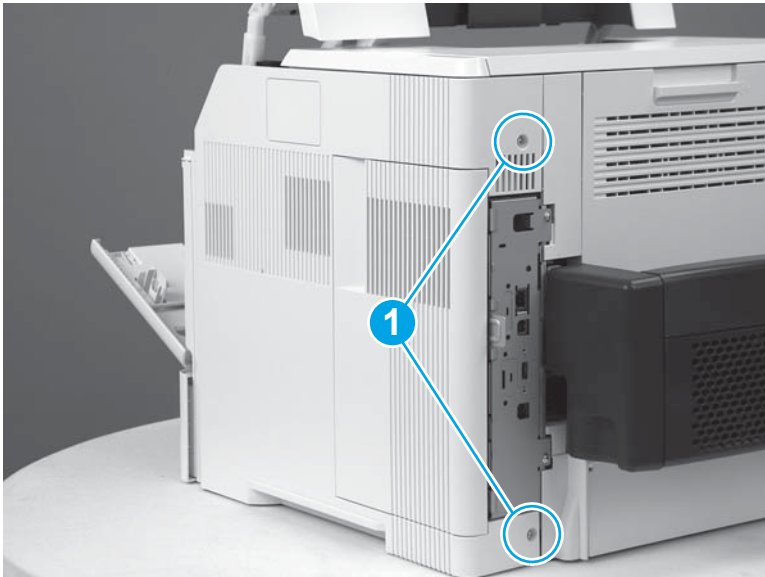
1. Open the front cover and the cartridge door.

Figure 1-1357 Open the front cover and cartridge door



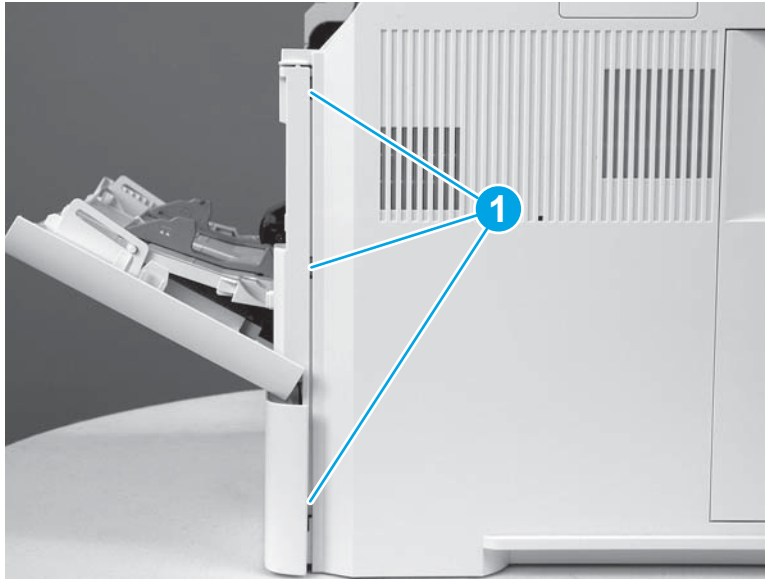
2. Remove two screws (callout 1).

Figure 1-1358 Remove two screws



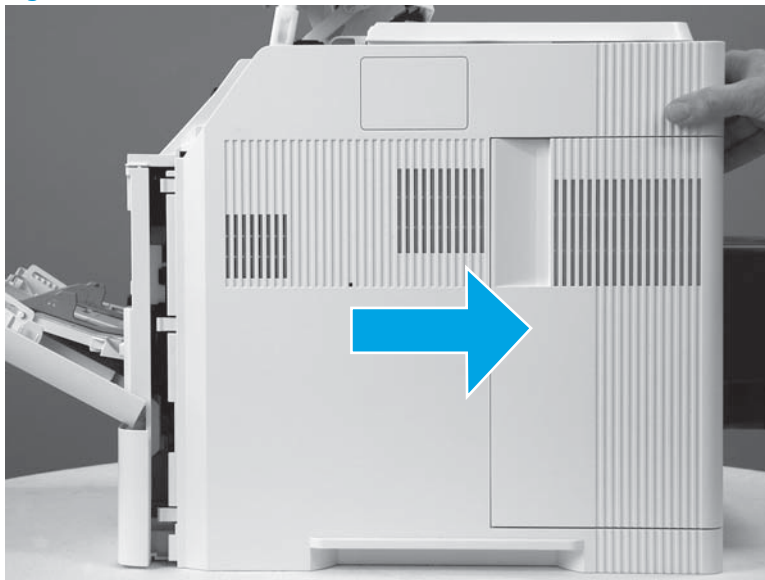
3. Release three tabs (callout 1).

Figure 1-1359 Release three tabs



4. Slide the cover toward the rear of the printer to remove it.

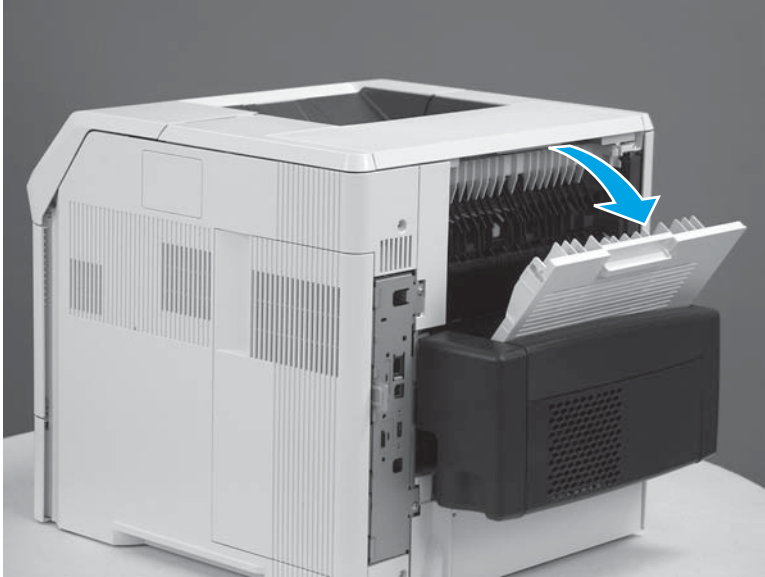
Figure 1-1360 Remove the cover



Step 5: Remove the top accessory cover

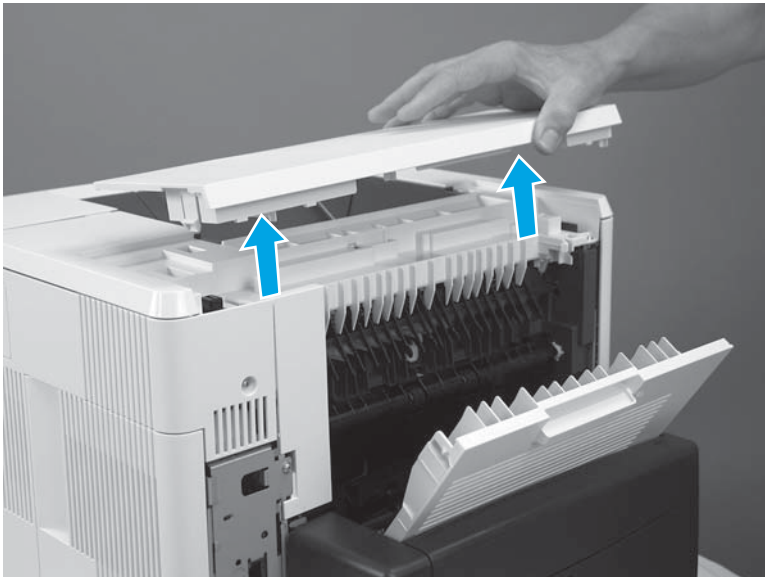
1. Open the rear output bin.

Figure 1-1361 Open the rear output bin




2. Lift the top accessory cover up and off of the printer.

Figure 1-1362 Remove top accessory cover



Step 6: Remove the top cover (M604n/dn, M605n/dn, M606dn only)

 **NOTE:** For the M605x or M606x product, skip this step and go to [Step 7: Remove the top cover \(M605x, M606x only\) on page 766](#).

1. Use needle-nose pliers to release the toner-cartridge drive-arm tabs (callout 1).

 **CAUTION:** The toner-cartridge drive-arm tabs break easily.


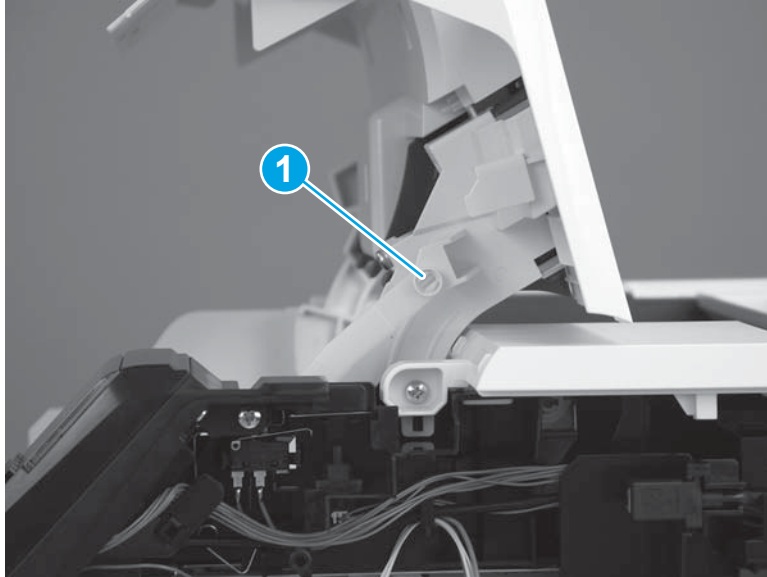
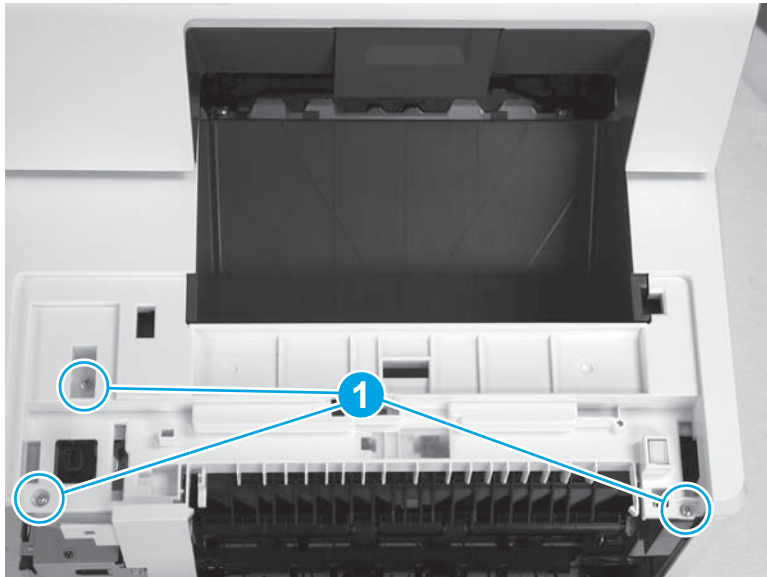
 **TIP:** Push the toner-cartridge drive-arm back into the printer to avoid damaging it when you remove the top cover.

Figure 1-1363 Release the drive-arm tabs



2. Remove three screws (callout 1) on the top of the printer.

Figure 1-1364 Remove three screws



3. Remove one screw (callout 1) on the right side of the printer.


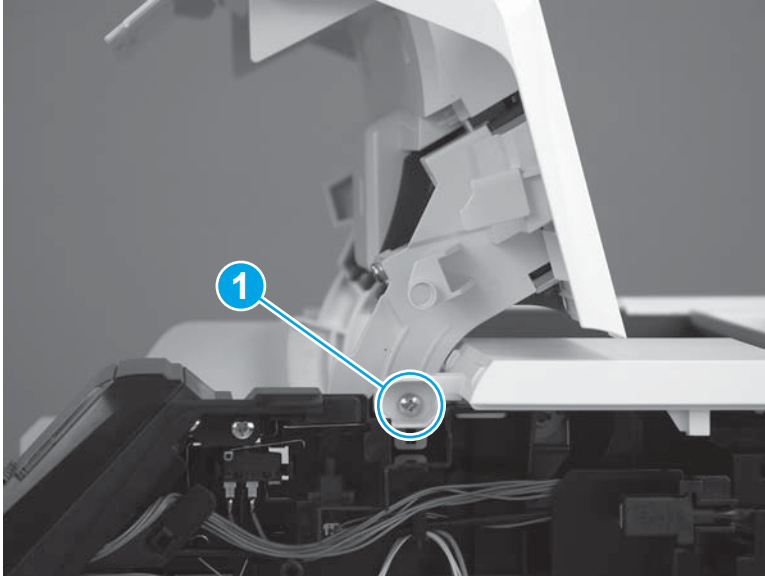
 **Reinstallation tip:** This screw is larger than the screws removed from the top of the printer. Make sure to install the correct screw when reassembling.

Figure 1-1365 Remove one screw



4. Remove one screw (callout 1) on the left side of the printer.


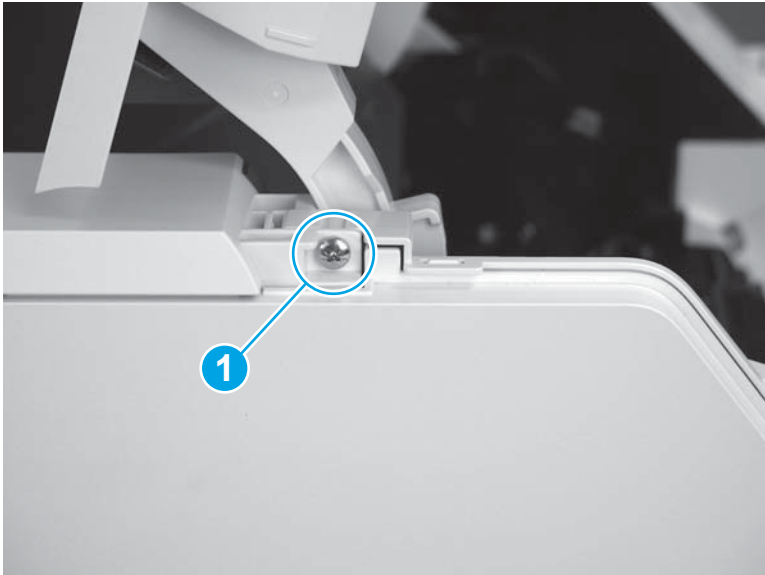
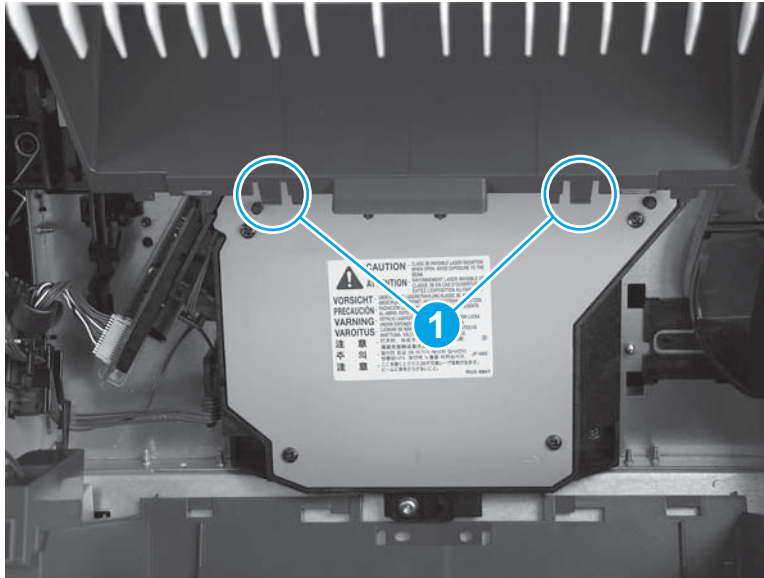
 **Reinstallation tip:** This screw is larger than the screws removed from the top of the printer. Make sure to install the correct screw when reassembling.

Figure 1-1366 Remove one screw



5. Note the location of two tabs on the top output bin (callout 1). These tabs are released in the next step.

Figure 1-1367 Location of two tabs



6. Release two tabs (callout 1) on the top output bin.


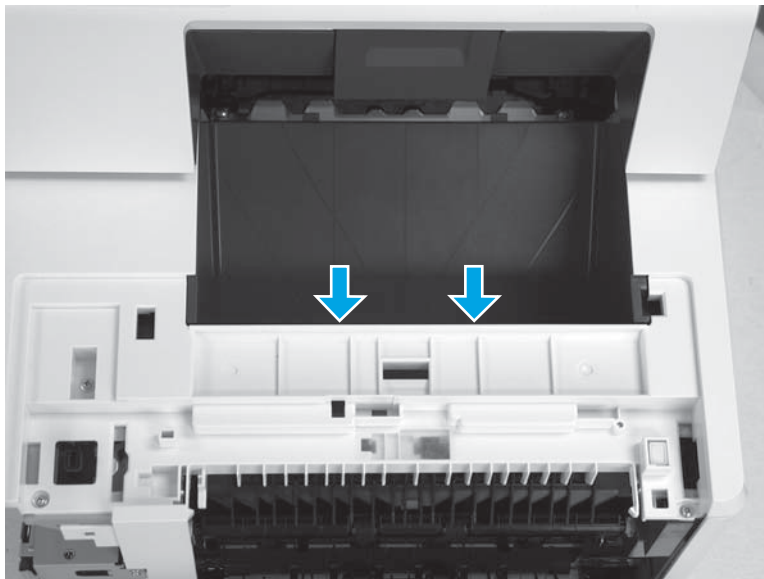
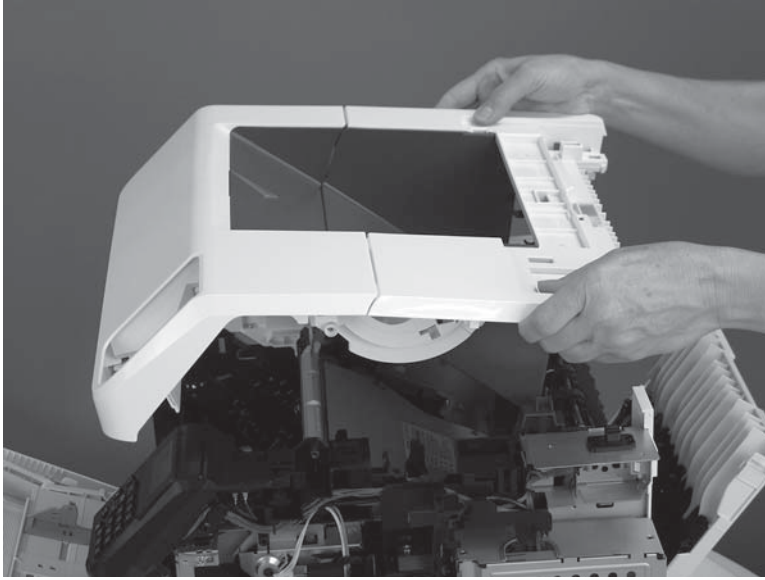
 **Reinstallation tip:** Make sure that these tabs are fully seated when the top cover is reinstalled.

Figure 1-1368 Release two tabs



7. Lift the top cover up and off of the printer to remove it.

Figure 1-1369 Remove the top cover



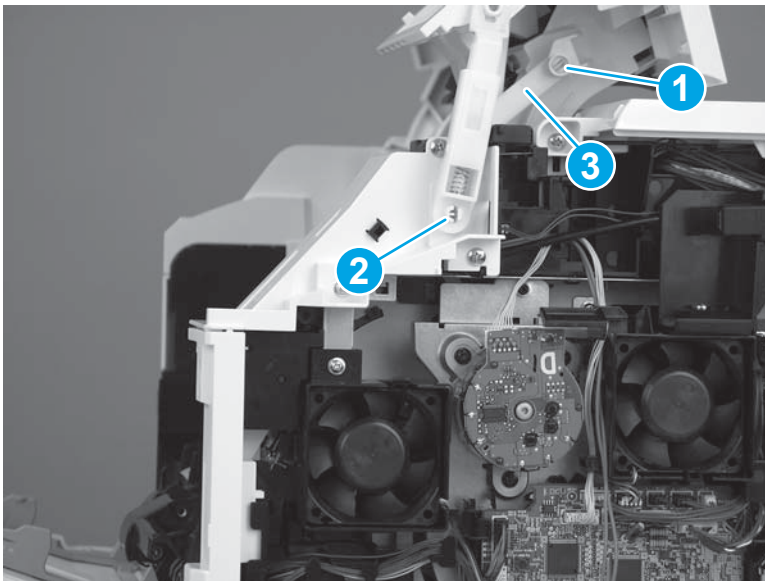
Step 7: Remove the top cover (M605x, M606x only)

1. Use needle-nose pliers to release the toner-cartridge drive-arm tabs (callout 1) and the toner-cartridge door hinge tabs (callout 2).

CAUTION: The toner-cartridge drive-arm tabs break easily.

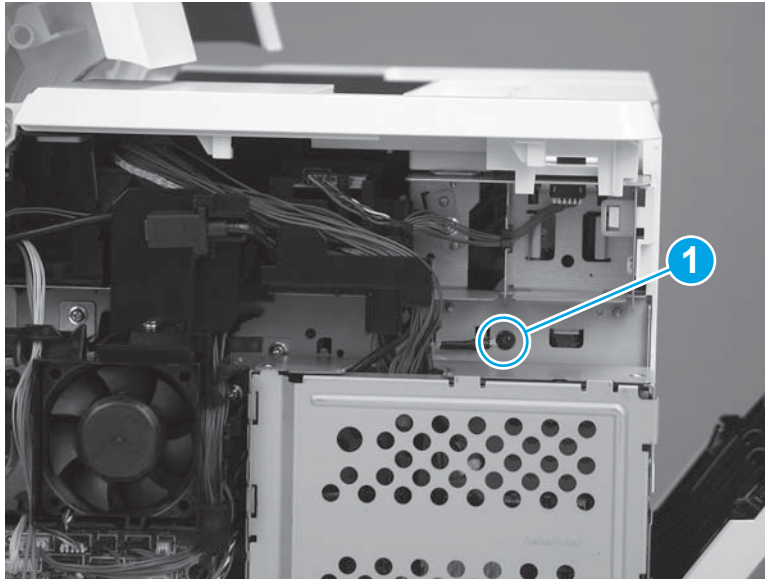
TIP: Push the toner-cartridge drive-arm (callout 3) back into the printer to avoid damaging it when you remove the top cover.

Figure 1-1370 Release the drive-arm and door hinge tabs



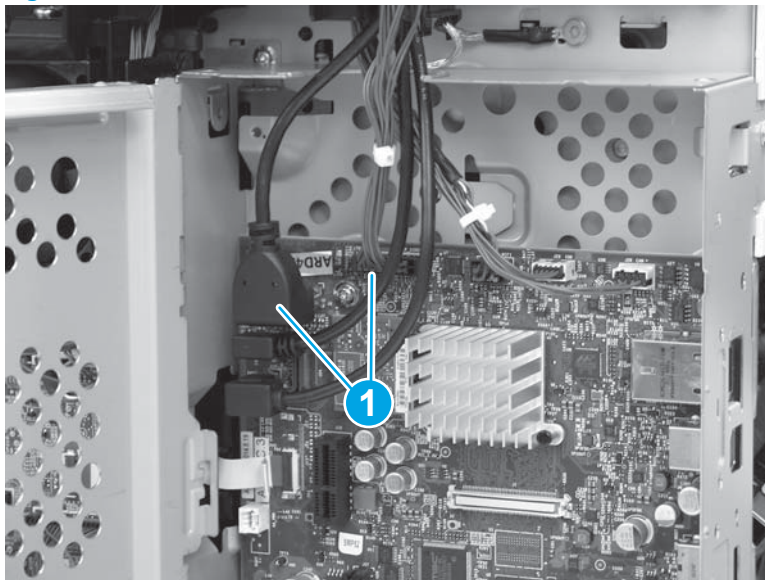
2. Remove one screw, and then release the ground wire (callout 1).

Figure 1-1371 Release the ground wire



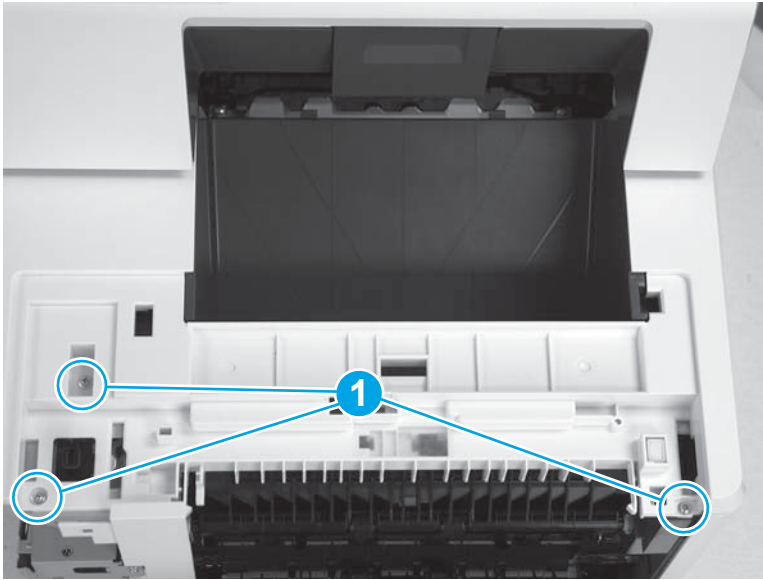
3. Open the formatter case door, and then disconnect two connectors (callout 1).

Figure 1-1372 Disconnect two connectors



4. Remove three screws (callout 1) on the top of the printer.

Figure 1-1373 Remove three screws



5. Remove one screw (callout 1) on the right side of the printer.


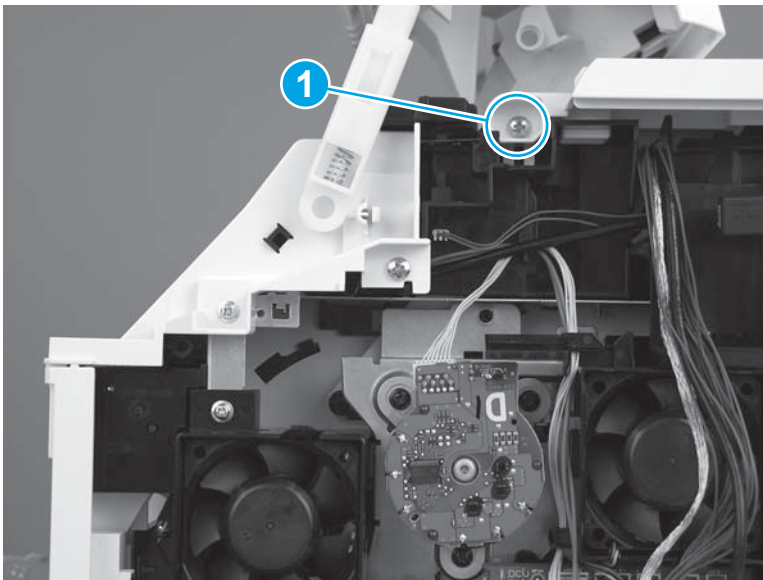
 **Reinstallation tip:** This screw is larger than the screws removed from the top of the printer. Make sure to install the correct screw when reassembling.

Figure 1-1374 Remove one screw



6. Remove one screw (callout 1) on the left side of the printer.


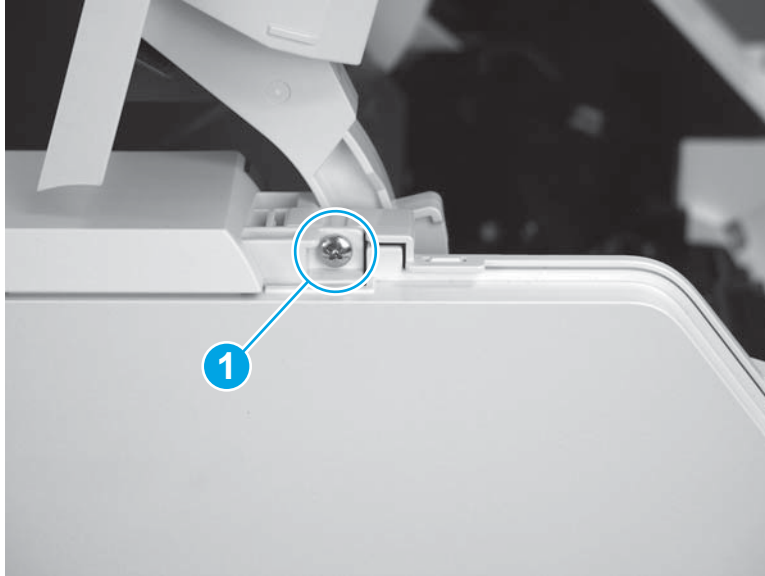
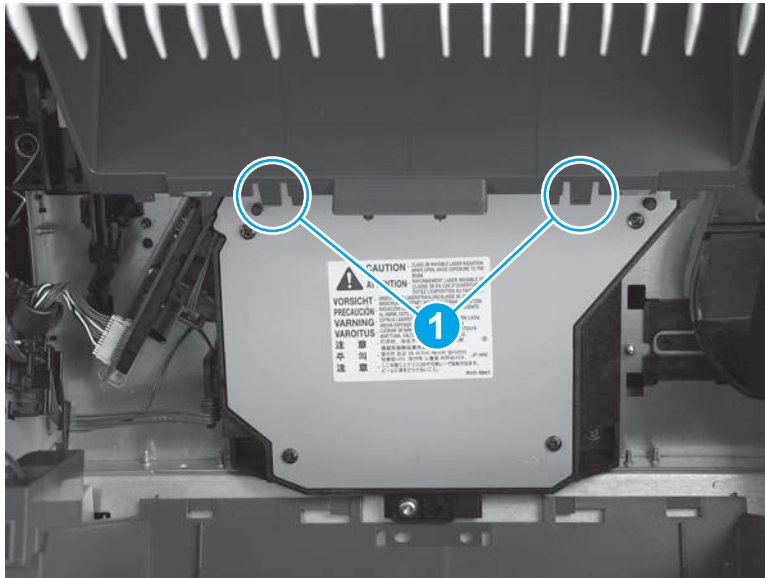
 **Reinstallation tip:** This screw is larger than the screws removed from the top of the printer. Make sure to install the correct screw when reassembling.

Figure 1-1375 Remove one screw



7. Note the location of two tabs on the top output bin (callout 1). These tabs are released in the next step.

Figure 1-1376 Location of two tabs



8. Release two tabs (callout 1) on the top output bin.


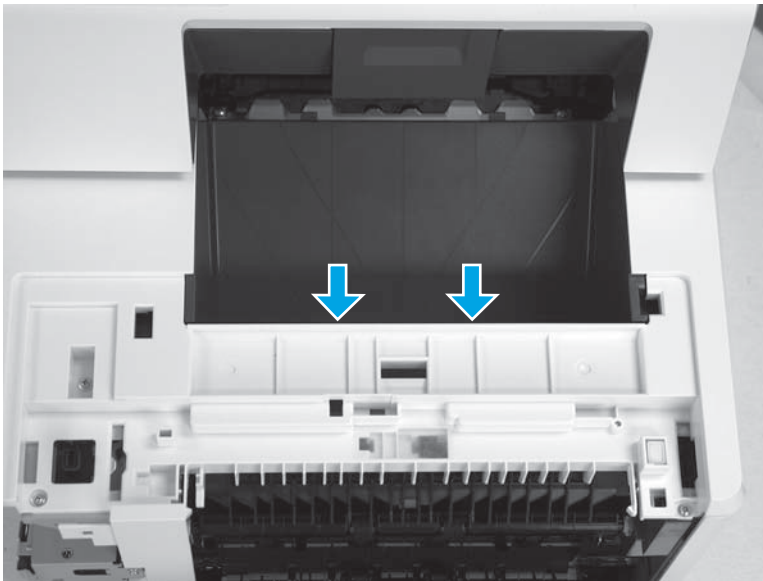
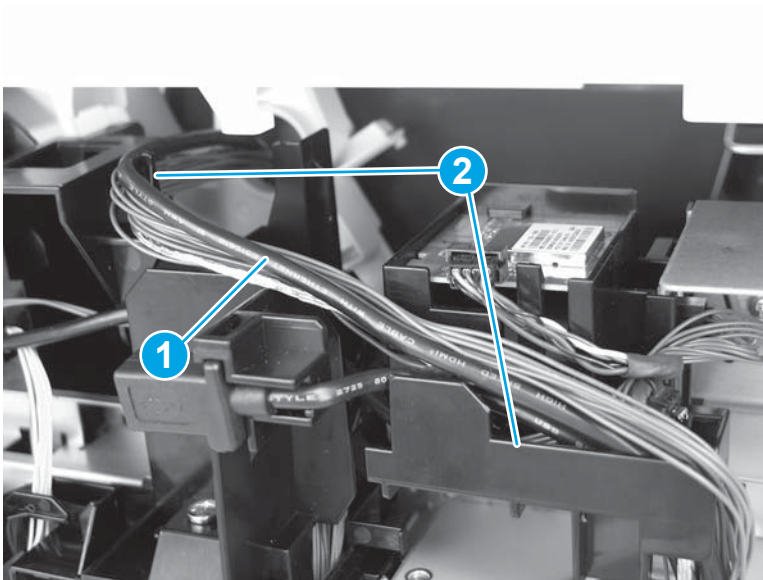
 **Reinstallation tip:** Make sure that these tabs are fully seated when the top cover is reinstalled.

Figure 1-1377 Release two tabs



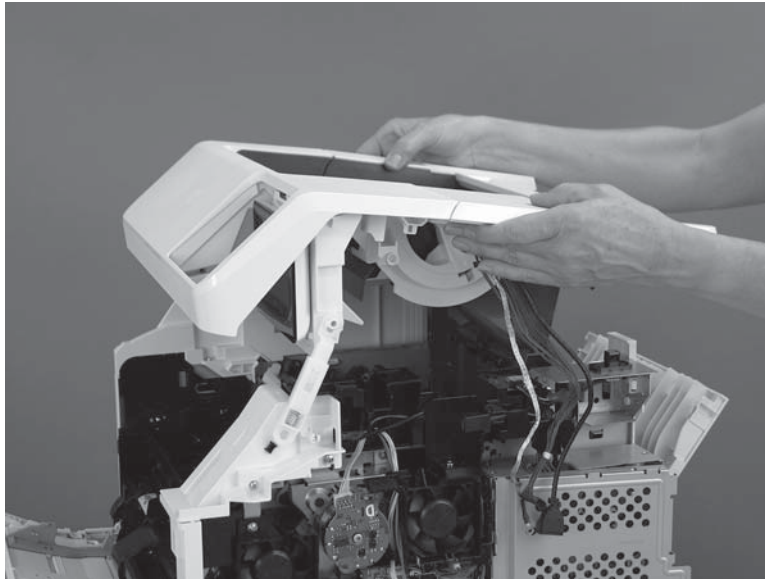
9. On the right side of the printer, release the wire harness and cables (callout 1) from the guides (callout 2).

Figure 1-1378 Release cables from guides



10. Lift the top cover up and off of the printer to remove it.

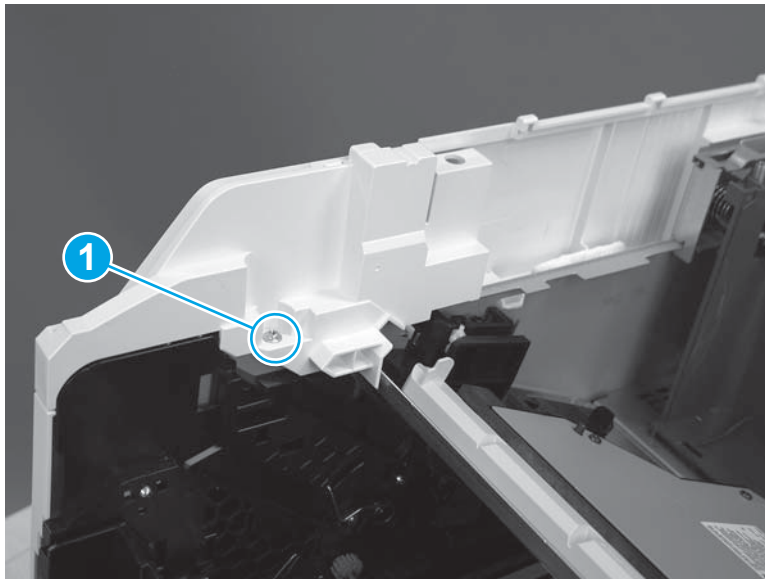
Figure 1-1379 Remove the top cover



Step 8: Remove the left cover

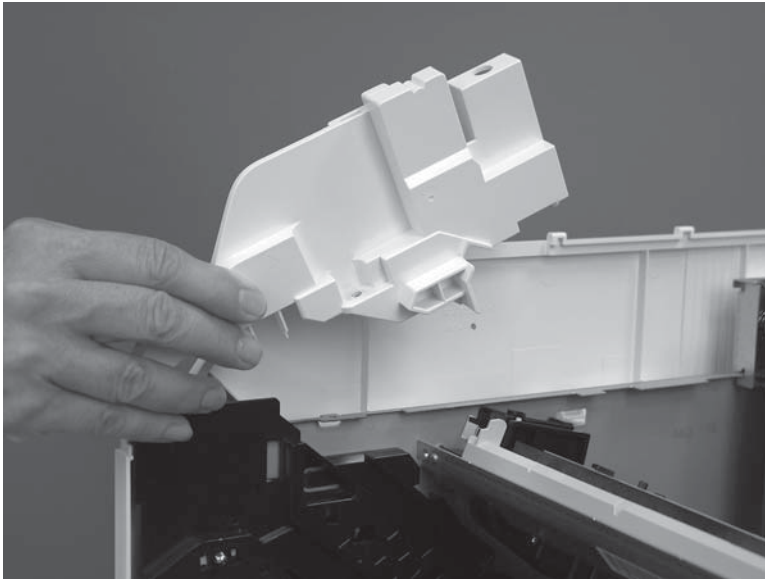
1. Remove one screw (callout 1).

Figure 1-1380 Remove one screw



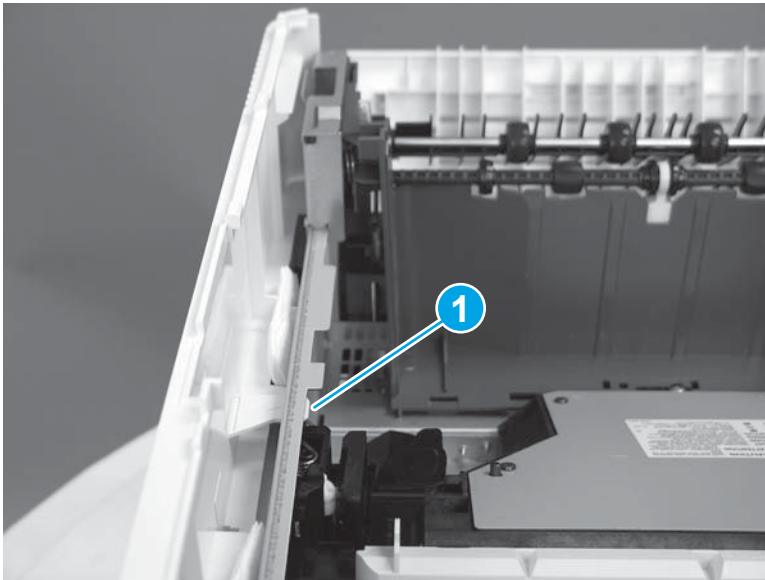
2. Remove the left front inside cover.

Figure 1-1381 Remove the left front inside cover



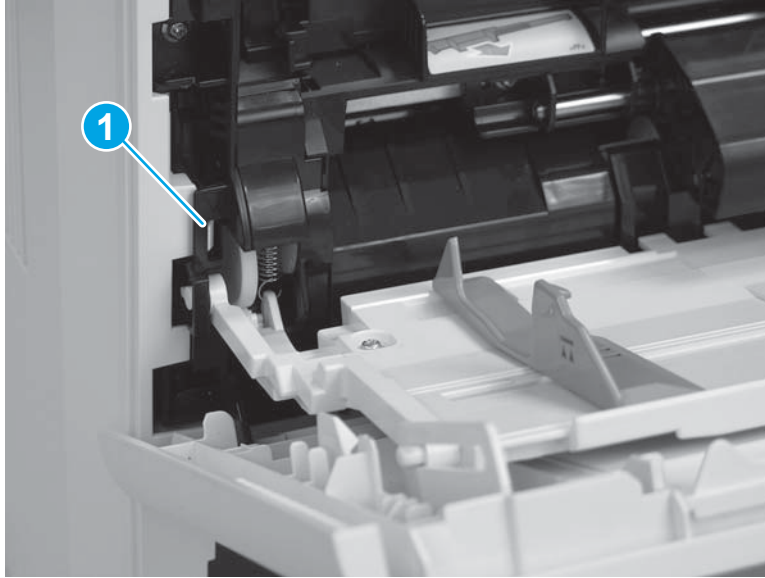
3. Release one tab (callout 1) on the top of the cover.

Figure 1-1382 Release one tab



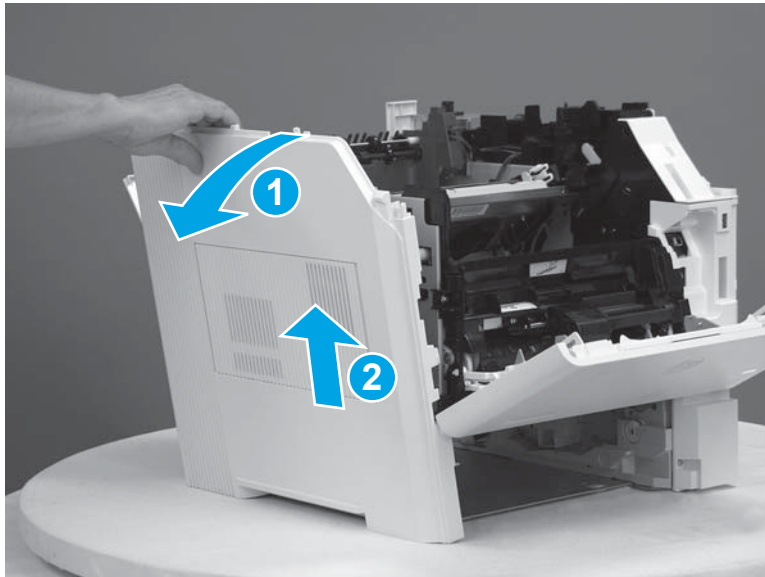
4. Release one tab (callout 1) on the front of the cover.

Figure 1-1383 Release one tab



5. Rotate the top of the cover away (callout 1) from the printer, and then lift the cover up (callout 2) to remove it.

Figure 1-1384 Remove the cover



Step 9: Remove the front cover

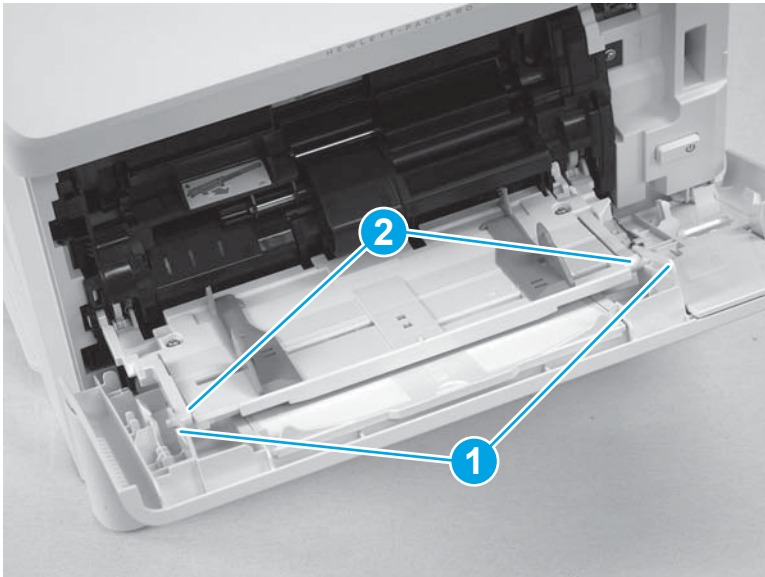
1. Open the front cover

Figure 1-1385 Open the front cover



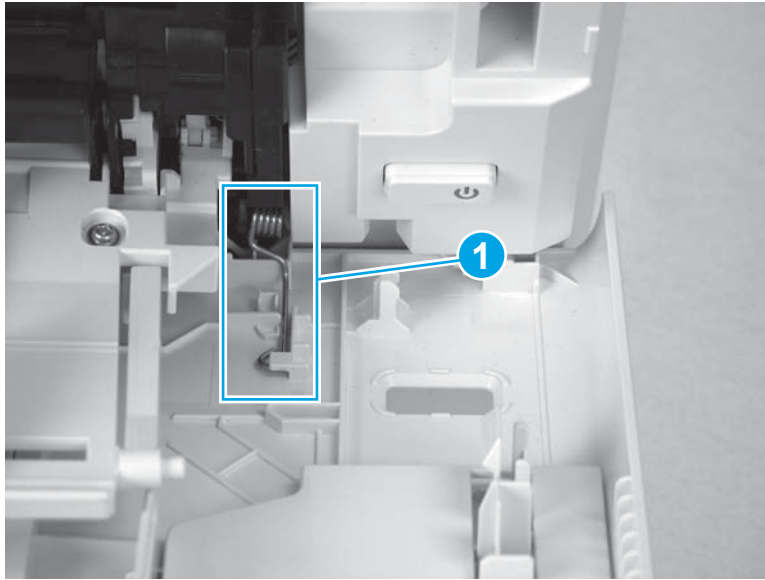
2. Gently pry the front-cover retainers (callout 1) off of the Tray 1 arms (callout 2).

Figure 1-1386 Release retainers



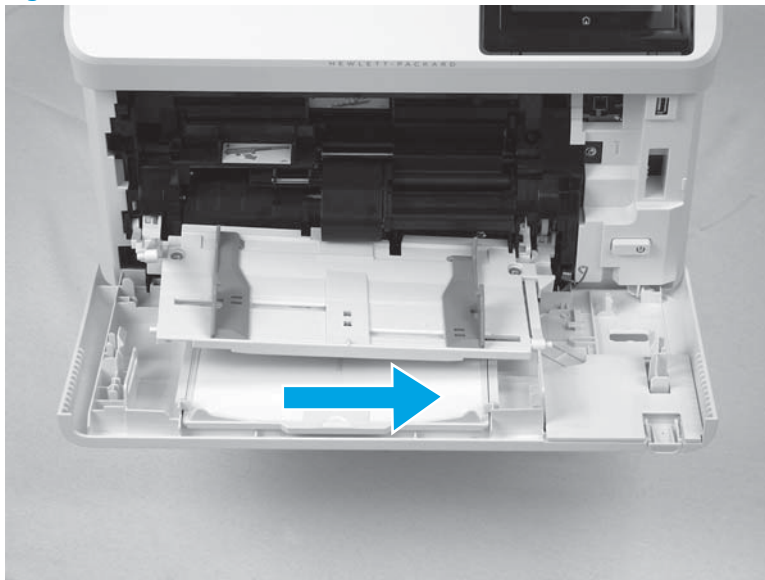
3. Use needle-nose pliers to release one spring (callout 1).

Figure 1-1387 Release spring



4. Slide the front cover toward the right side of the printer to remove it.

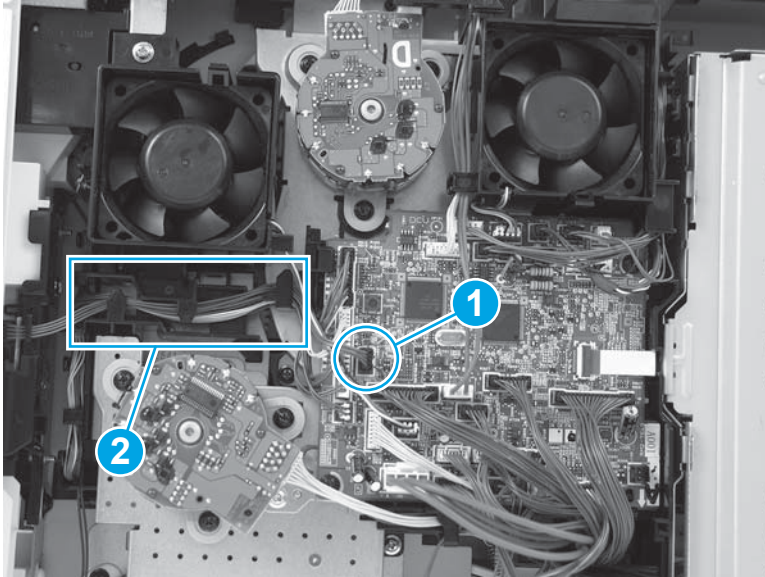
Figure 1-1388 Remove the cover



Step 10: Remove the right front cover

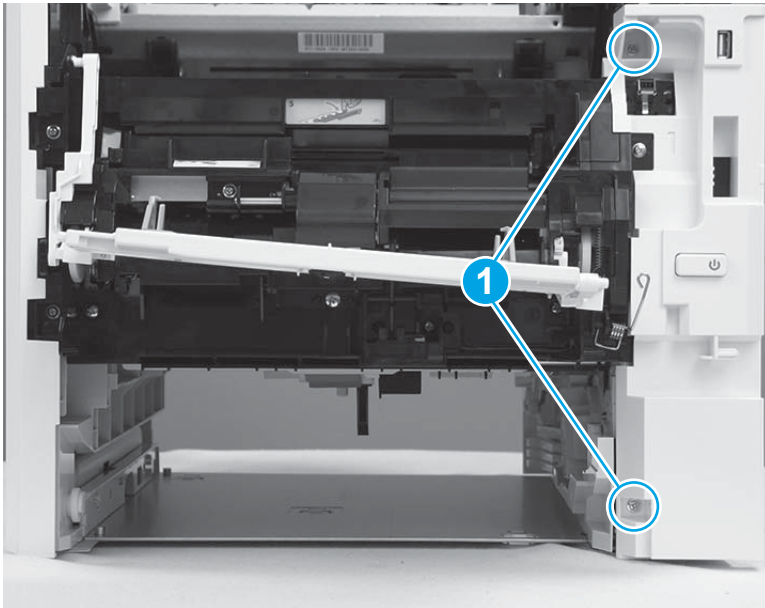
1. Disconnect one connector (callout 1) on the DC controller (J32), and then release the wire harness from the guide (callout 2).

Figure 1-1389 Disconnect one connector



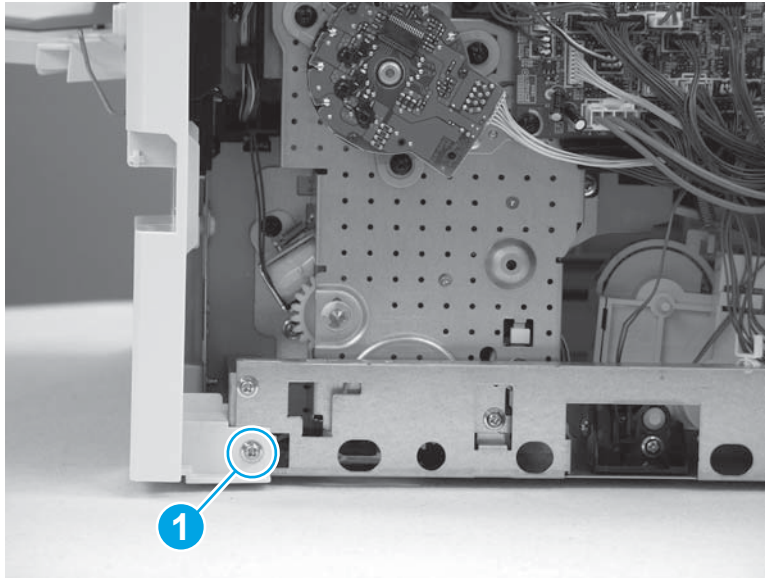
2. Remove two screws (callout 1).

Figure 1-1390 Remove two screws



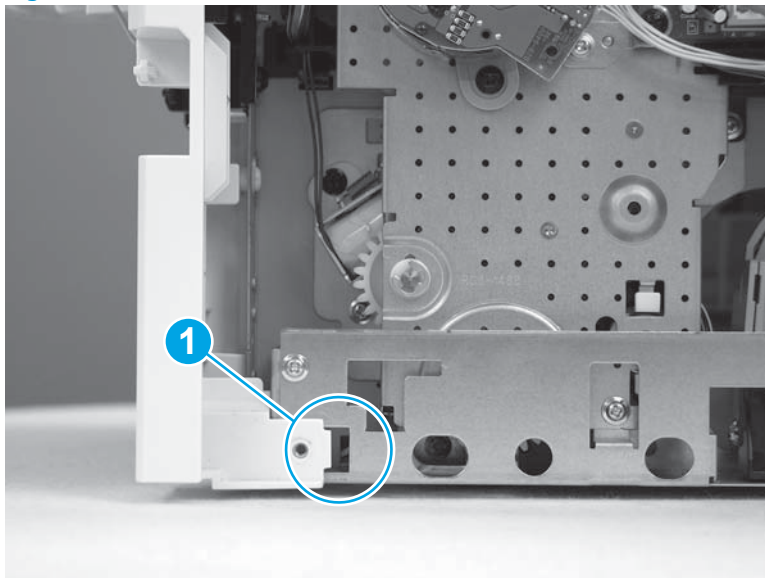
3. Remove one screw (callout 1).

Figure 1-1391 Remove one screw



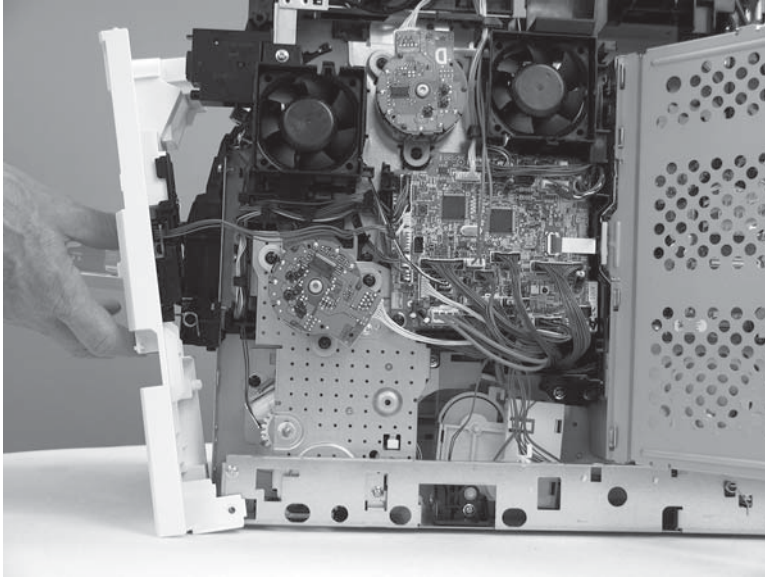
4. Release one tab (callout 1).

Figure 1-1392 Release one tab



5. Remove the right front cover.

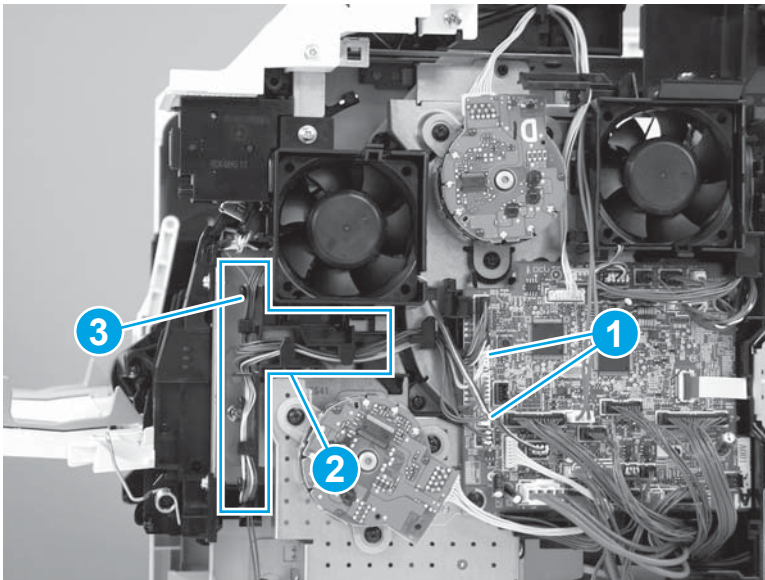
Figure 1-1393 Remove the right front cover



Step 11: Remove the Tray 1 paper-pickup assembly

1. Disconnect two wire-harness connectors (callout 1; J71, and J81), release the wire harnesses from the guides (callout 2), and then unwrap one wire harness from the guide (callout 3).

Figure 1-1394 Disconnect two connectors and release wire harness from guides



2. Remove eight screws (callout 1).


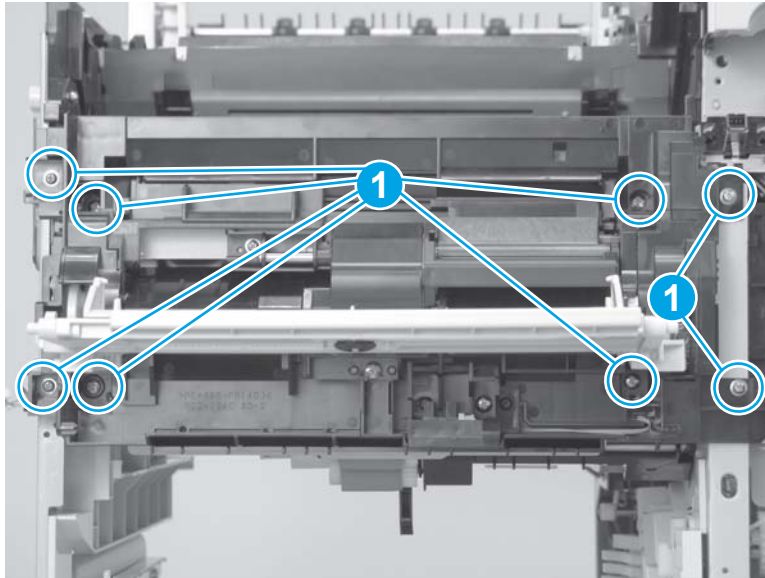
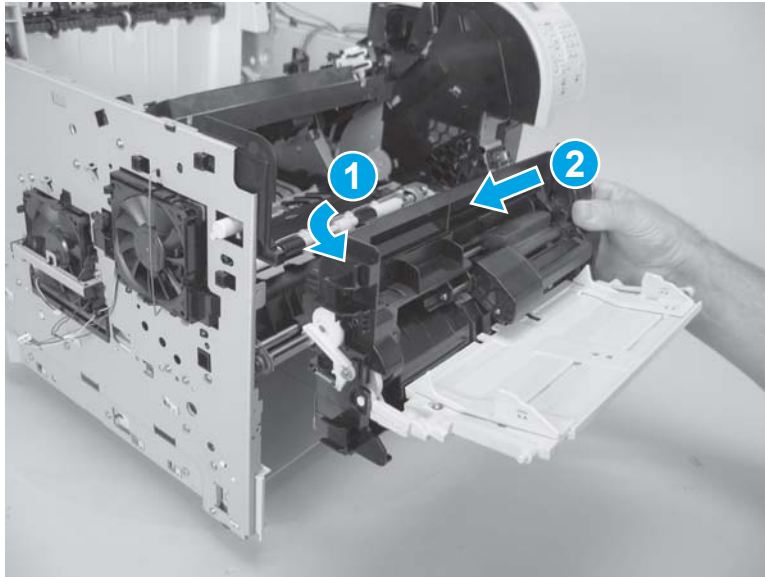
 **NOTE:** The four outside screws on the assembly are a different type than the others. Make sure that you replace the screws in the correct position.

Figure 1-1395 Remove eight screws



3. Rotate the left side of the assembly away from the chassis, and then slide the assembly toward the left side of the printer to remove it

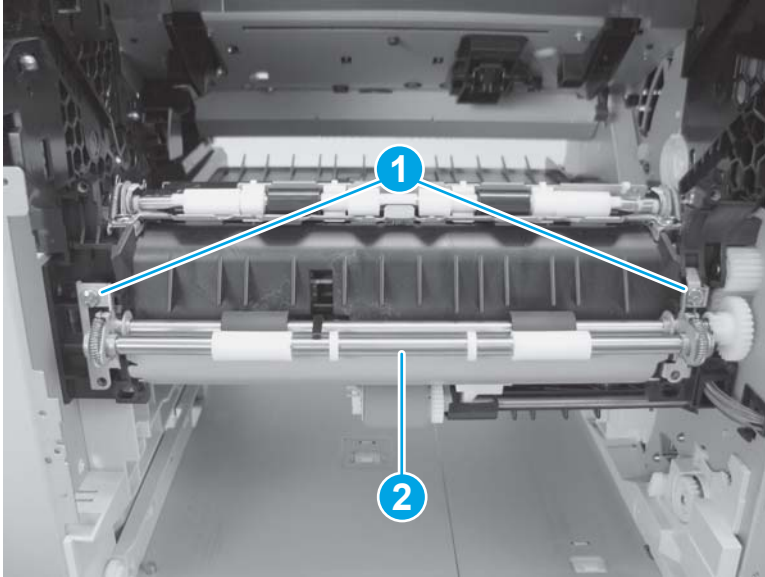
Figure 1-1396 Remove the Tray 1 paper-pickup assembly



Step 12: Remove the feed roller assembly

- ▲ Remove two screws (callout 1), and then remove the feed-roller assembly (callout 2).

Figure 1-1397 Remove two screws and the feed-roller assembly



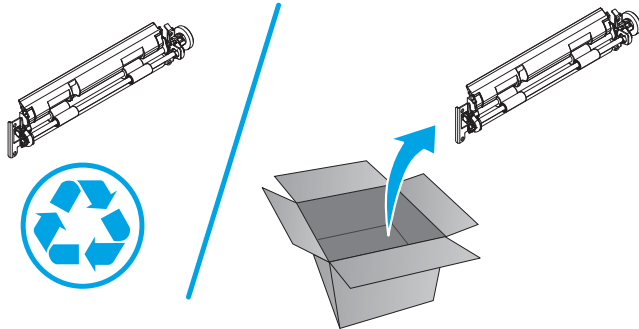
Step 13: Unpack the replacement feed roller assembly

Unpack the replacement part from the packaging.

<http://www8.hp.com/us/en/hp-information/environment/product-recycling.html>

 **NOTE:** HP recommends responsible disposal of the defective part.

Figure 1-1398 Recycle and unpack



Step 14: Install the feed roller assembly

▲ Position the feed-roller assembly (callout 1) on the printer, and then install two screws (callout 2).


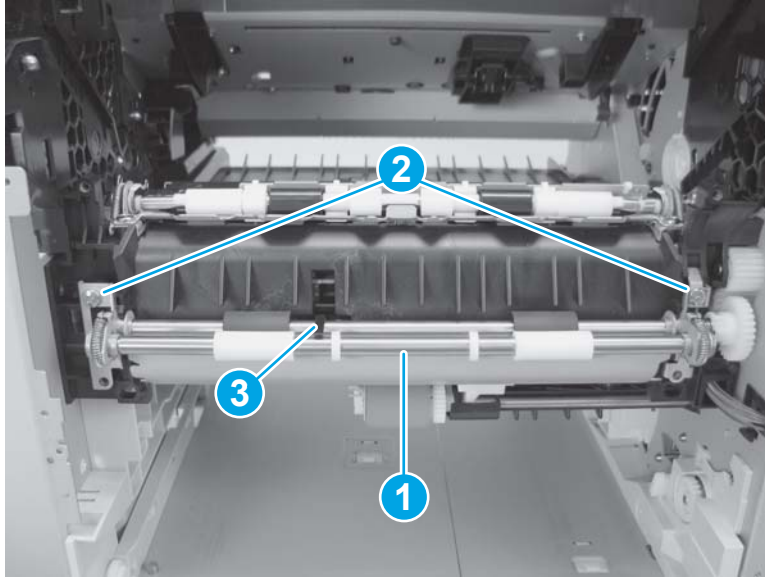
 **CAUTION:** Be careful not to break the pre-feed sensor (callout 3). Make sure that the sensor is positioned correctly when reinstalling the feed-roller assembly.

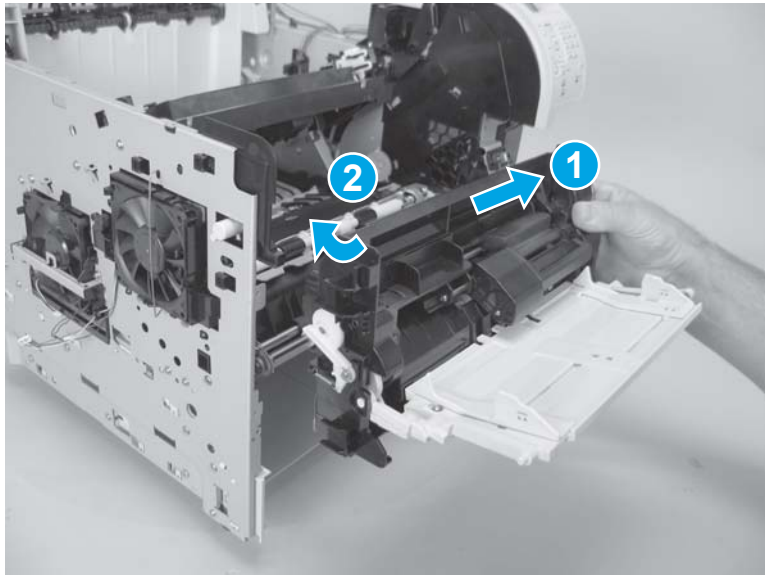
Figure 1-1399 Install two screws and the feed-roller assembly



Step 15: Install the Tray 1 paper-pickup assembly

1. Slide the assembly toward the right side of the printer (callout 1), and then rotate the left side of the assembly toward the chassis (callout 2).

Figure 1-1400 Position the Tray 1 paper-pickup assembly



2. Install eight screws (callout 1).


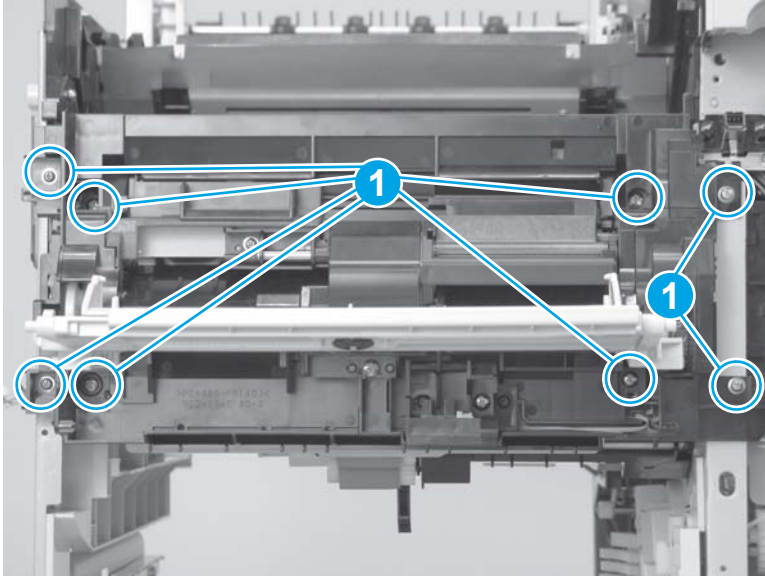
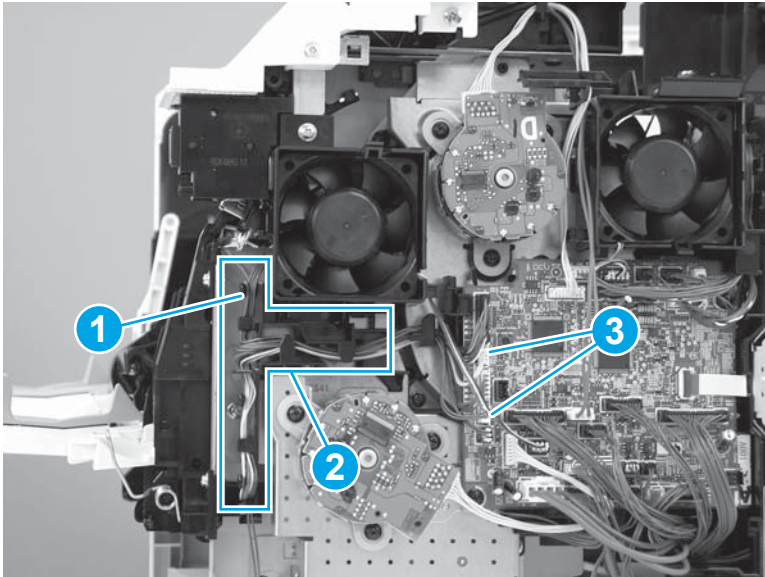
 **NOTE:** The four outside screws on the assembly are a different type than the others. Make sure that you replace the screws in the correct position.

Figure 1-1401 Install eight screws



3. Wrap one wire harness around the guide (callout 1), install the wire harnesses in the guides (callout 2), and then connect two wire-harness connectors (callout 3; J71, and J81).

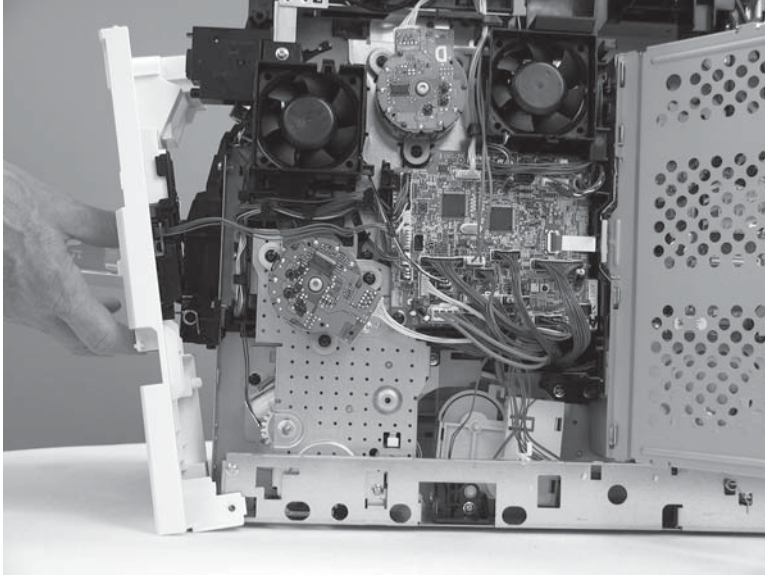
Figure 1-1402 Connect two connectors and install wire harnesses in guides



Step 16: Install the right front cover

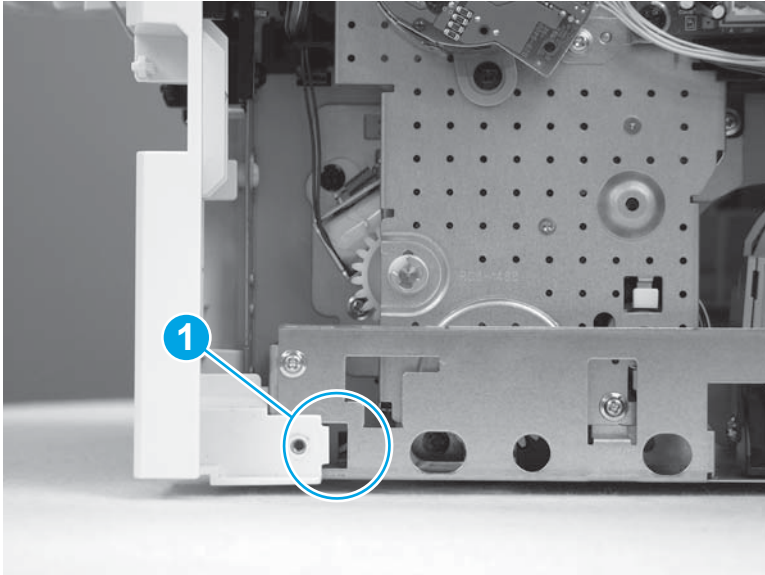
1. Position the right front cover on the printer.

Figure 1-1403 Position the right front cover



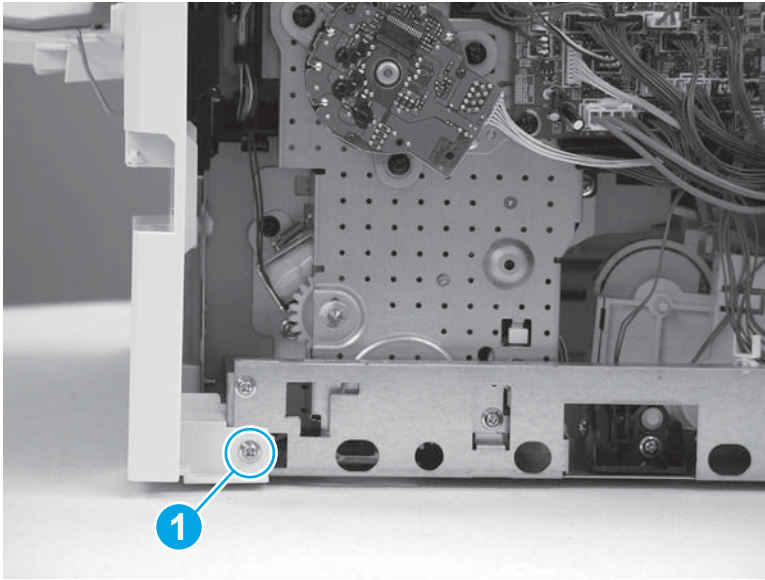
2. Install one tab (callout 1).

Figure 1-1404 Install one tab



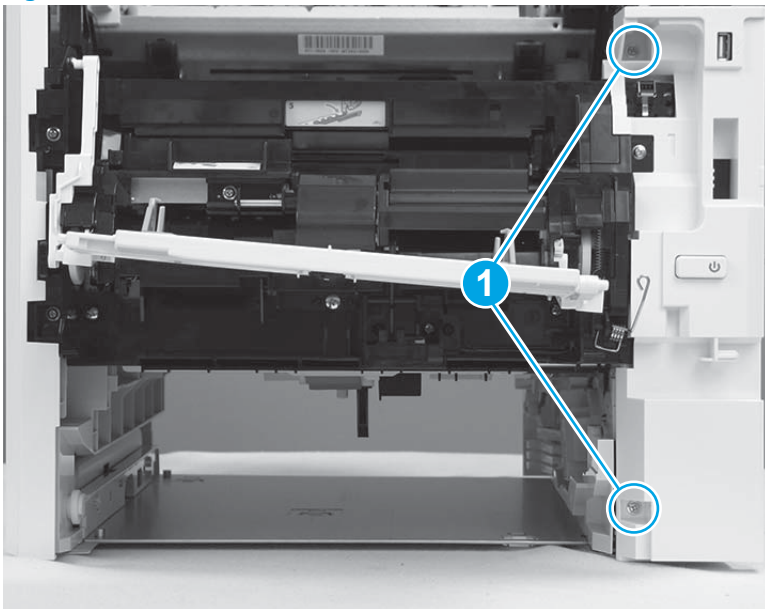
3. Install one screw (callout 1).

Figure 1-1405 Install one screw



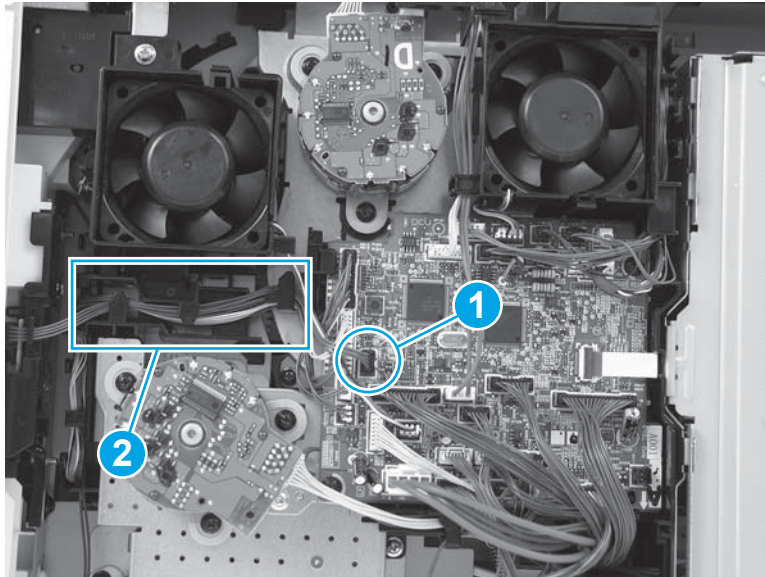
4. Install two screws (callout 1).

Figure 1-1406 Install two screws



5. Connect one connector (callout 1) on the DC controller (J32), and then install the wire harness in the guide (callout 2).

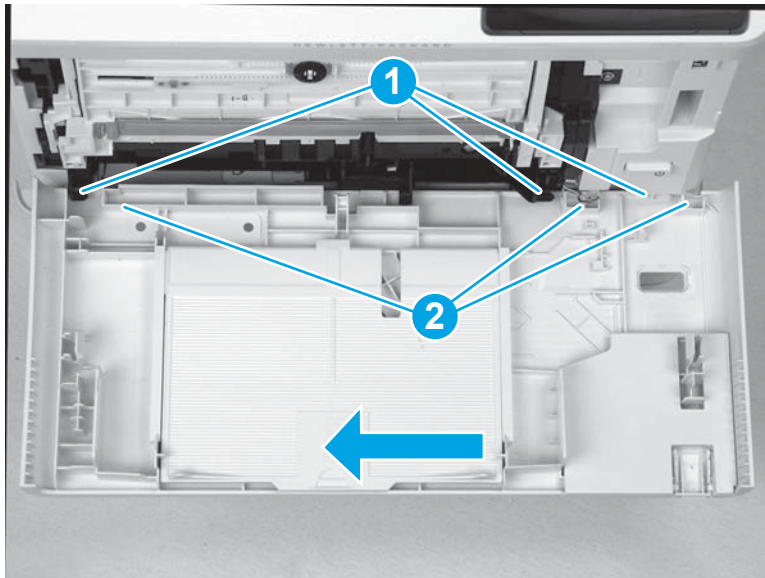
Figure 1-1407 Connect one connector



Step 17: Install the front cover

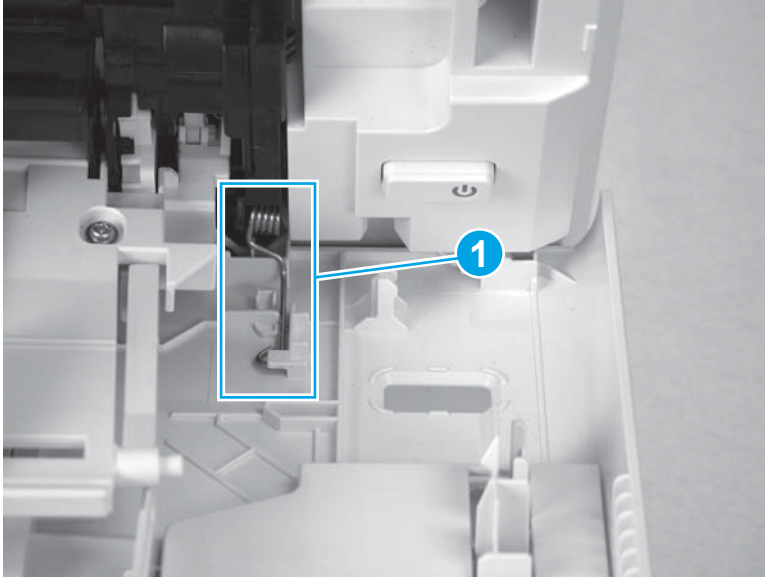
1. Align the pins (callout 1) on the printer with the holes (callout 2) on the front cover, and then slide the front cover toward the left side of the printer to install it.

Figure 1-1408 Install the cover



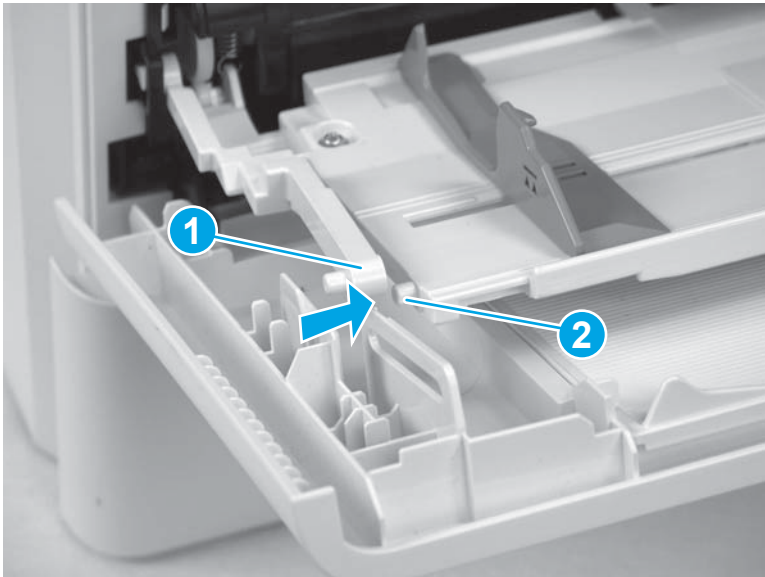
2. Use needle-nose pliers to install one spring (callout 1).

Figure 1-1409 Install spring



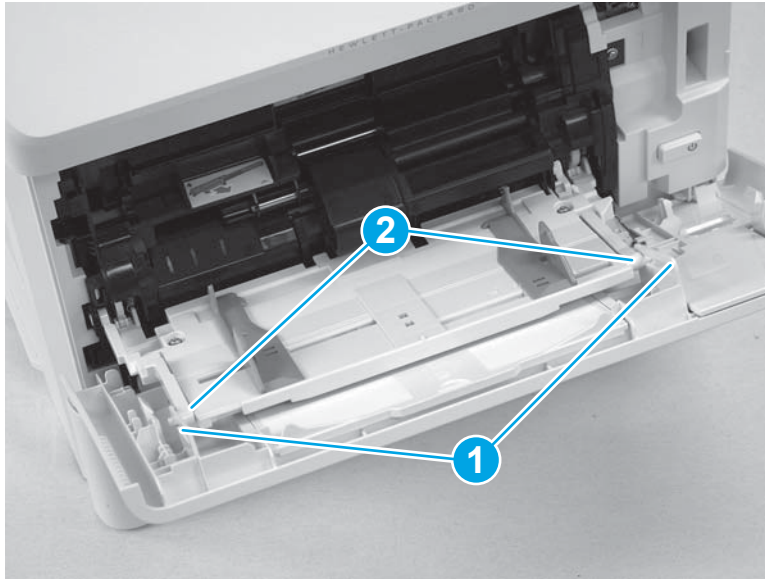
3. The hinge arm (callout 1) might become dislodged from the Tray 1 pin (callout 2). Make sure that the hinge arm fits securely on the pin.

Figure 1-1410 Check arm installation



4. Gently flex the front-cover retainers (callout 1) outward to install them on the Tray 1 arms (callout 2).

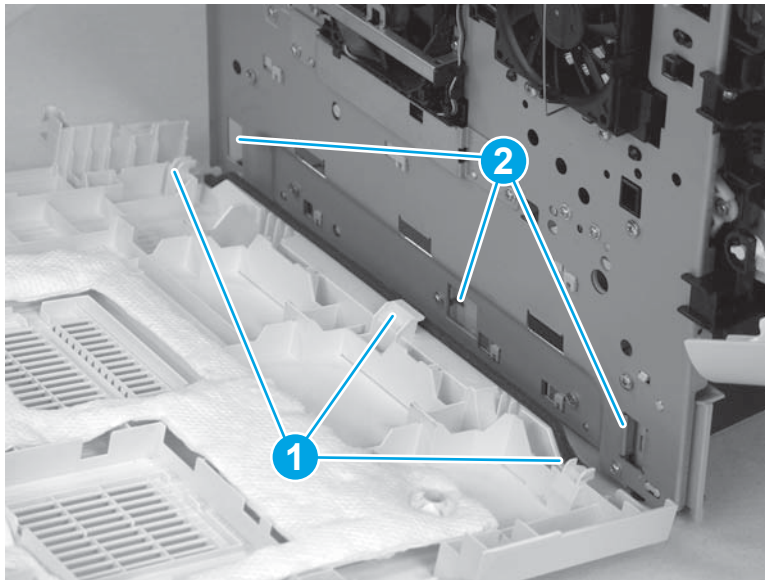
Figure 1-1411 Install retainers



Step 18: Install the left cover

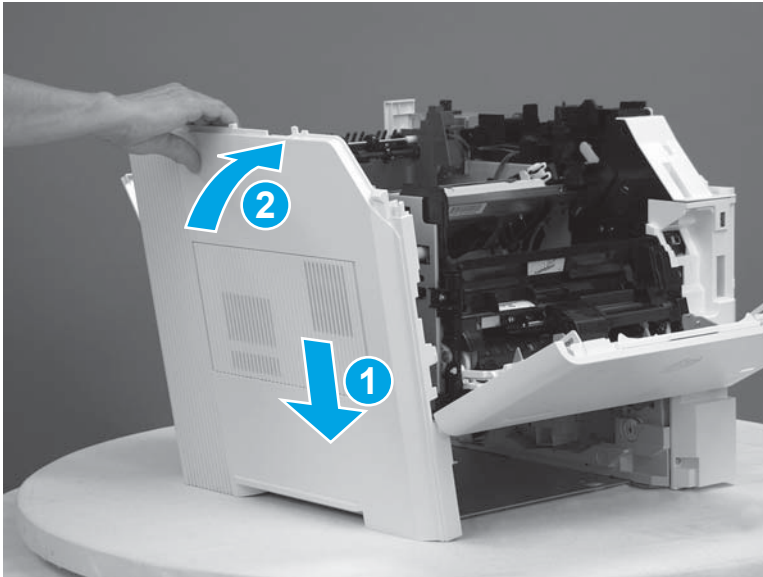
1. Note the location of the tabs (callout 1) on the bottom of the left cover that will fit into the slots (callout 2) in the sheet-metal frame.

Figure 1-1412 Note location of tabs



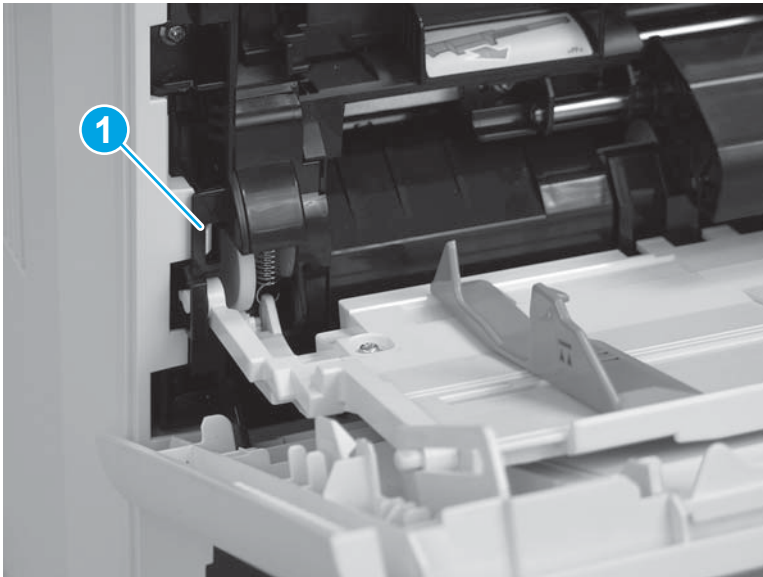
2. Position the tabs in the slots mentioned in the previous step (callout 1), and then rotate the left cover toward the printer (callout 2).

Figure 1-1413 Rotate the cover into place



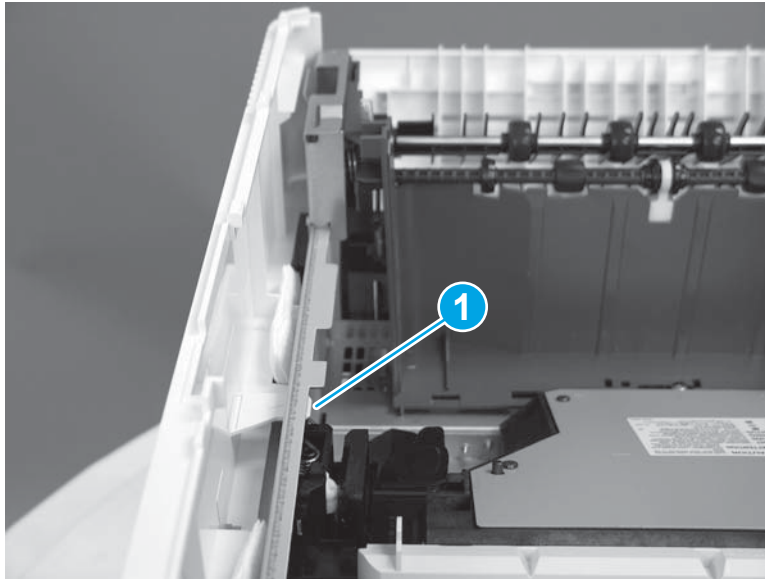
3. Make sure that the tab (callout 1) on the front of the cover snaps into place.

Figure 1-1414 Install one tab



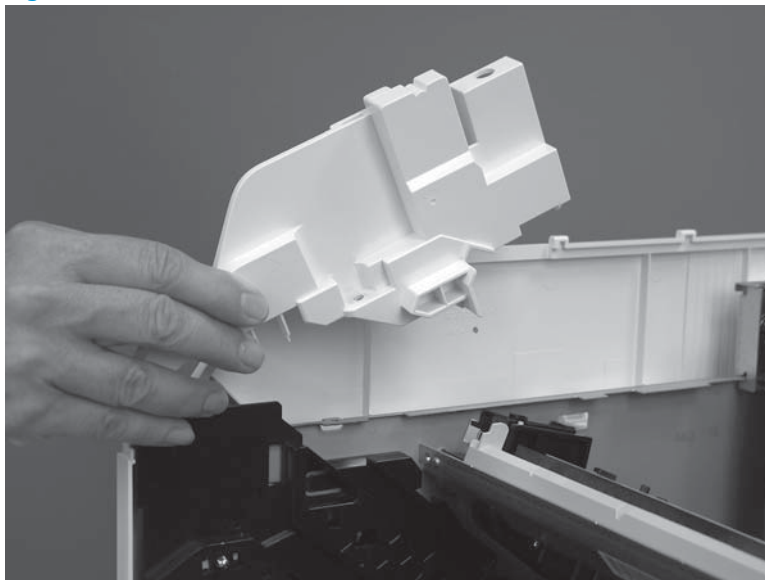
4. Make sure that the tab (callout 1) on the top of the cover snaps into place.

Figure 1-1415 Install one tab



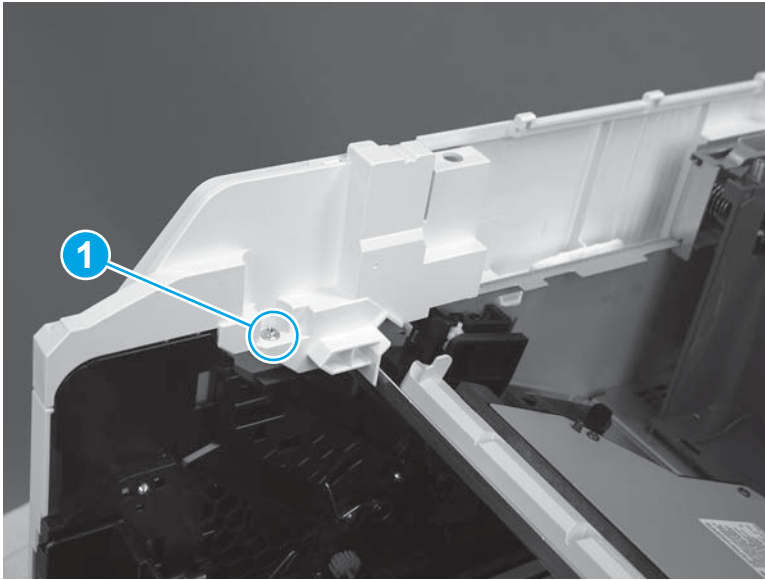
5. Position the left front inside cover on the printer.

Figure 1-1416 Install the left front inside cover



6. Install one screw (callout 1).

Figure 1-1417 Install one screw

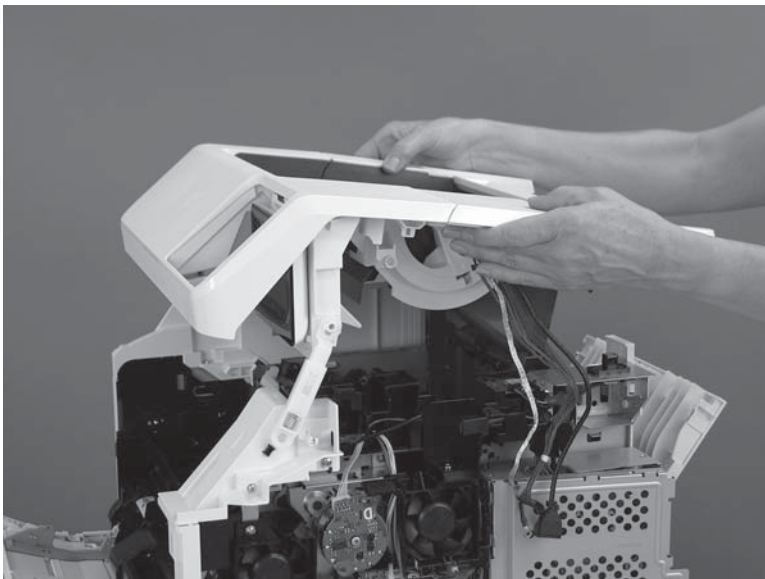


Step 19: Install the top cover (M605x, M606x only)

 **NOTE:** For the M604n/dn, M605n/dn, or M606dn product, skip this step and go to [Step 20: Install the top cover \(M604n/dn, M605n/dn, M606dn only\) on page 795.](#)

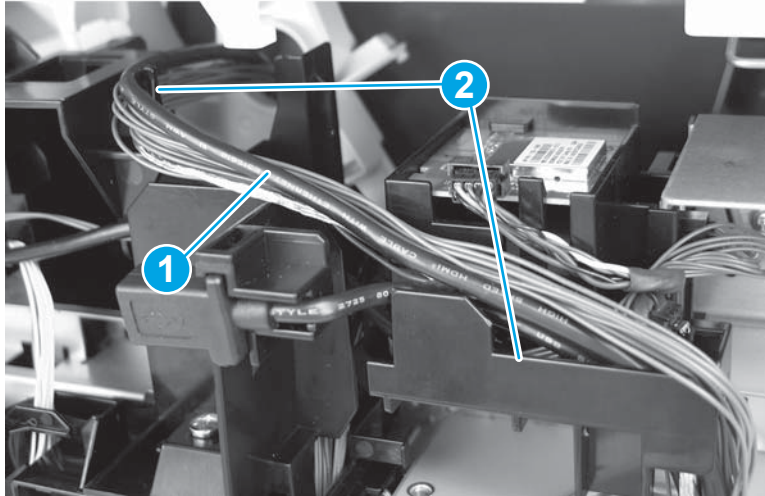
1. Lower the top cover onto the printer.

Figure 1-1418 Lower the top cover



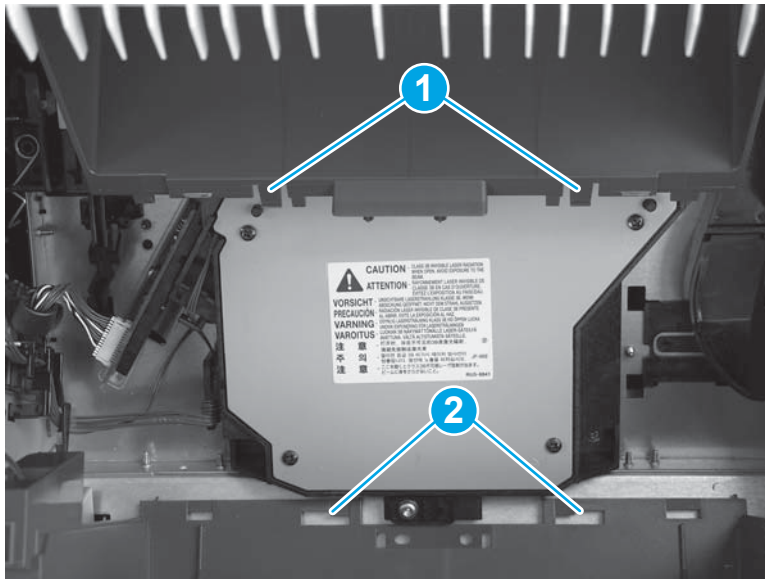
2. On the right side of the printer, make sure that the wire harness and cables (callout 1) are properly routed through the guides (callout 2).

Figure 1-1419 Install cables in guides



3. Install two tabs (callout 1) on the top output bin into two slots (callout 2) in the printer. Make sure that the tabs snap into place.

Figure 1-1420 Install two tabs



4. Install one screw (callout 1) on the left side of the printer.


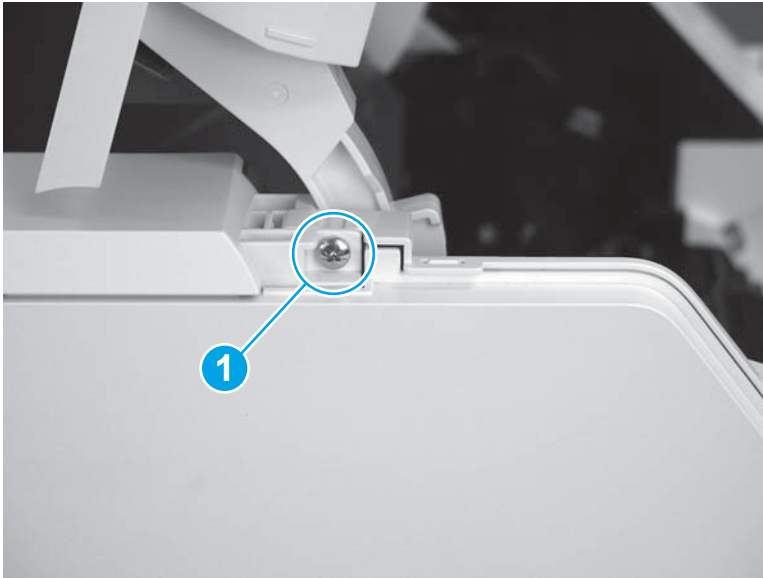
 **Reinstallation tip:** This screw is larger than the screws removed from the top of the printer. Make sure to install the correct screw.

Figure 1-1421 Install one screw



5. Install one screw (callout 1) on the right side of the printer.


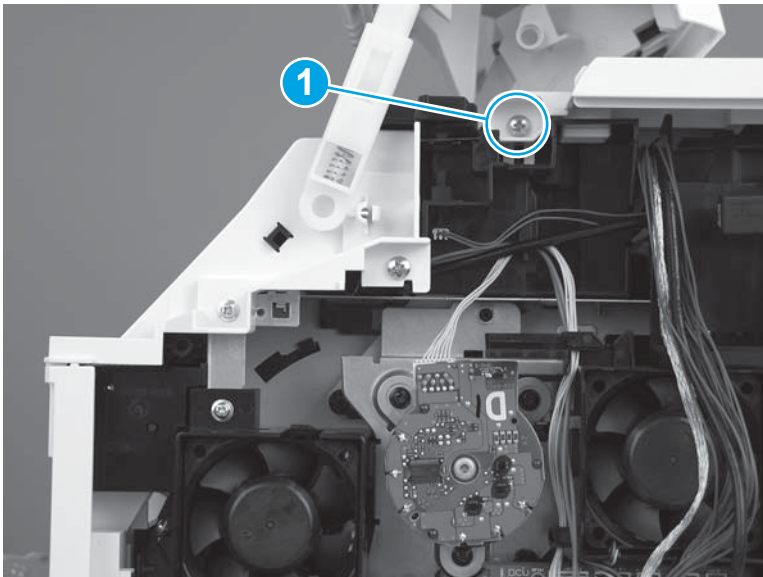
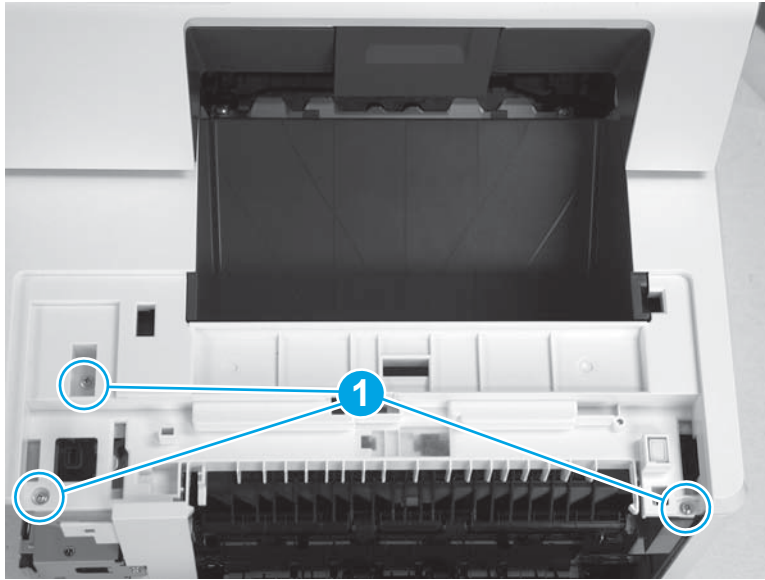
 **Reinstallation tip:** This screw is larger than the screws removed from the top of the printer. Make sure to install the correct screw.

Figure 1-1422 Install one screw



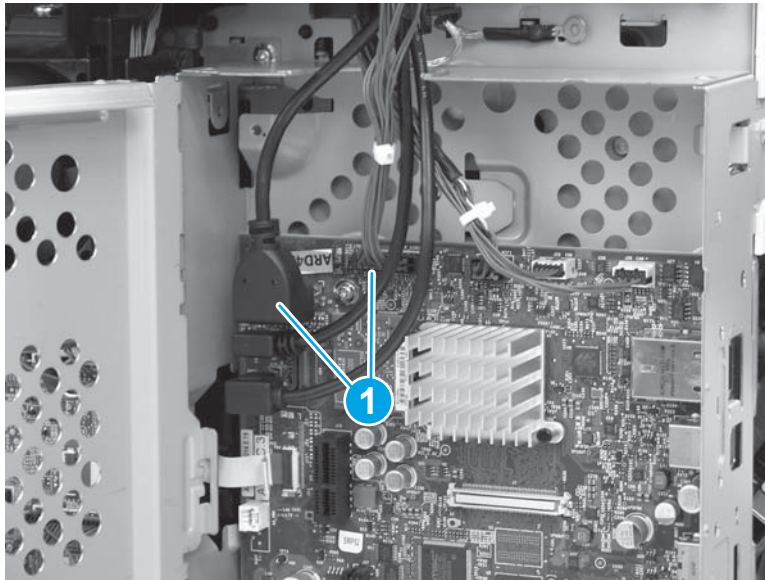
6. Install three screws (callout 1) on the top of the printer.

Figure 1-1423 Install three screws



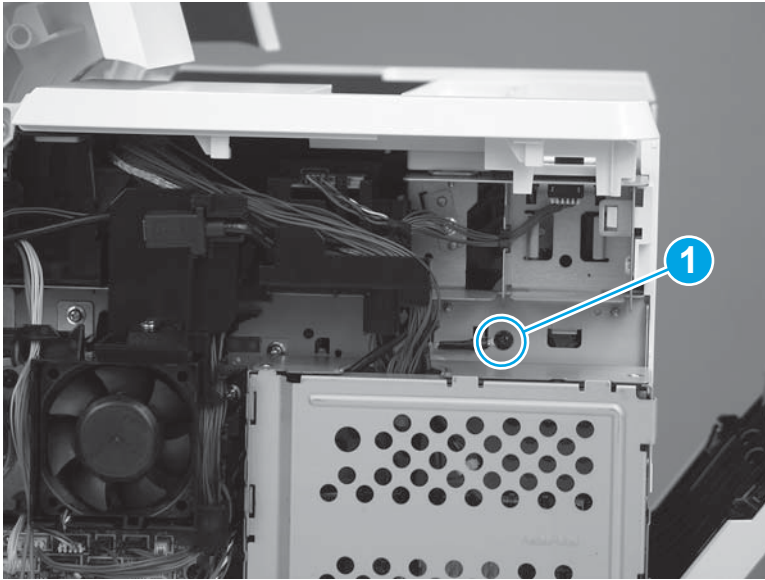
7. Connect two connectors (callout 1).

Figure 1-1424 Connect two connectors



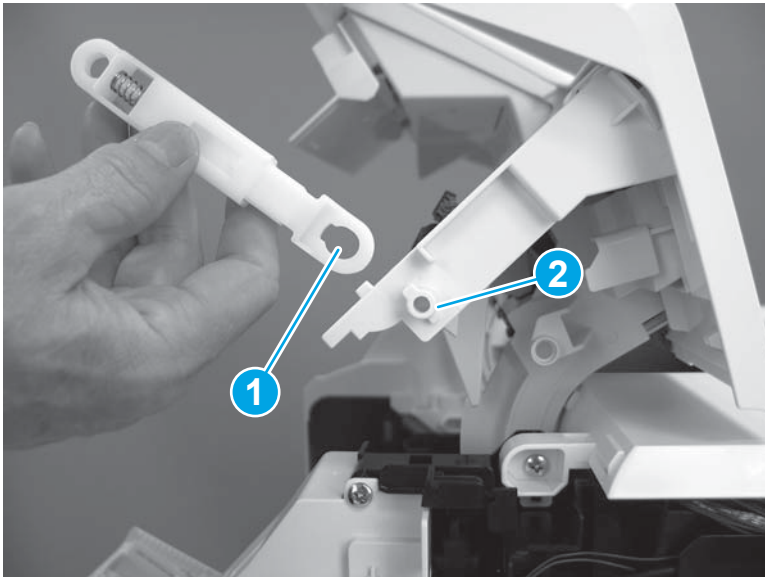
8. Install one screw to attach the ground wire (callout 1).

Figure 1-1425 Install the ground wire



9. If the toner-cartridge door hinge comes off of the top cover, reattach the hinge by sliding the hole (callout 1) in the hinge onto the tab (callout 2) on the top cover.

Figure 1-1426 Reattach the door hinge

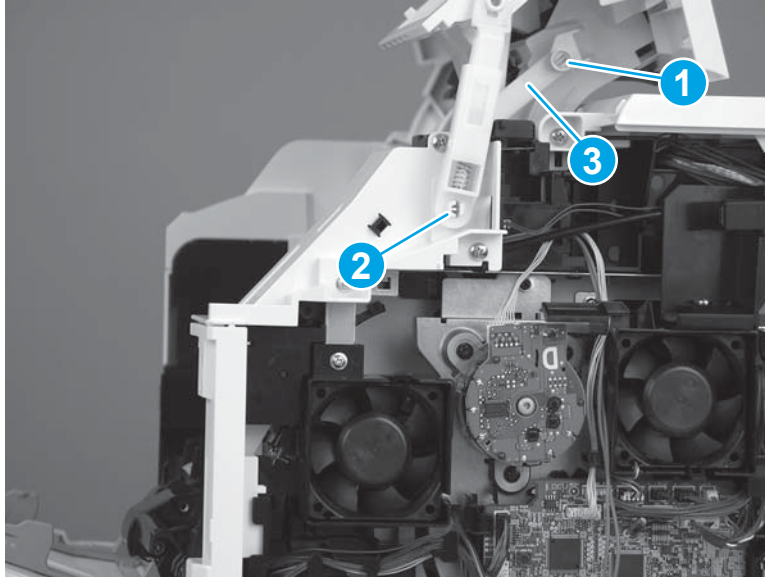


10. Install the toner-cartridge drive-arm (callout 1) and the toner-cartridge door hinge (callout 2) by pressing them onto the tabs.

 **NOTE:** It might be necessary to lift the drive arm (callout 3) up in order to reattach it.

 **CAUTION:** The toner-cartridge drive-arm tabs break easily.

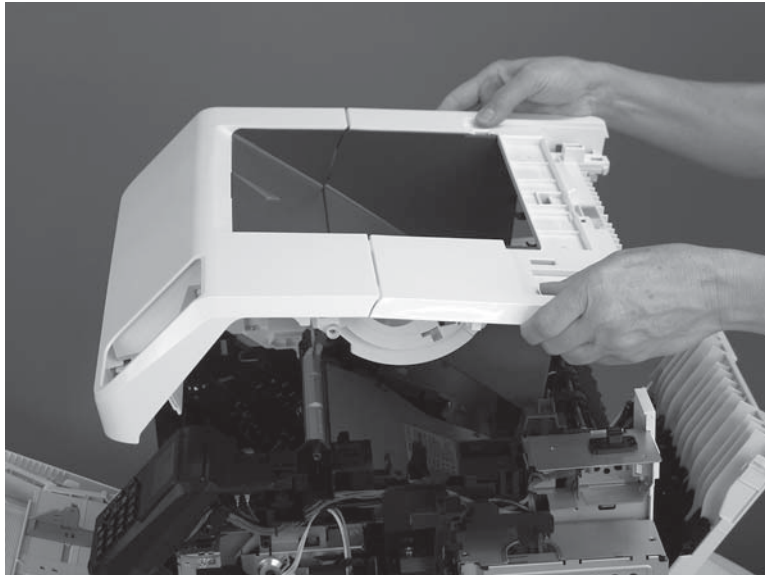
Figure 1-1427 Install the drive-arm and door hinge tabs



Step 20: Install the top cover (M604n/dn, M605n/dn, M606dn only)

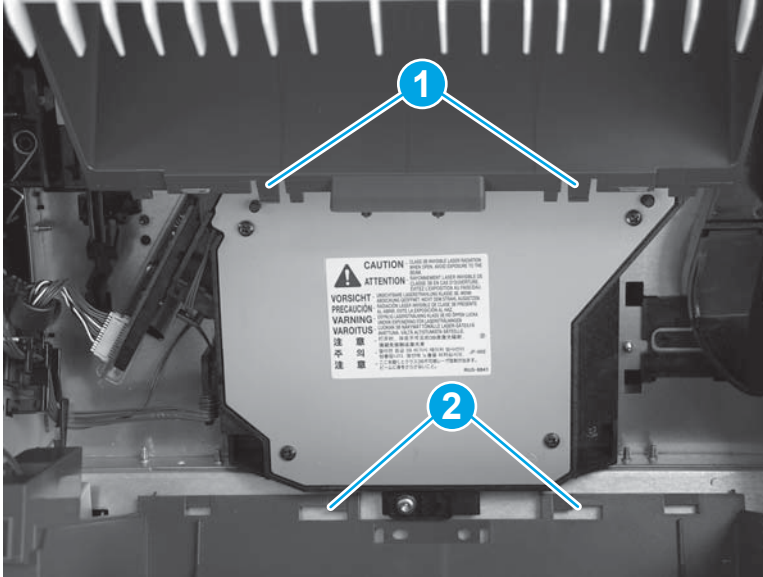
1. Lower the top cover onto the printer.

Figure 1-1428 Lower the top cover



2. Install two tabs (callout 1) on the top output bin into two slots (callout 2) in the printer. Make sure that the tabs snap into place.

Figure 1-1429 Install two tabs



3. Install one screw (callout 1) on the left side of the printer.


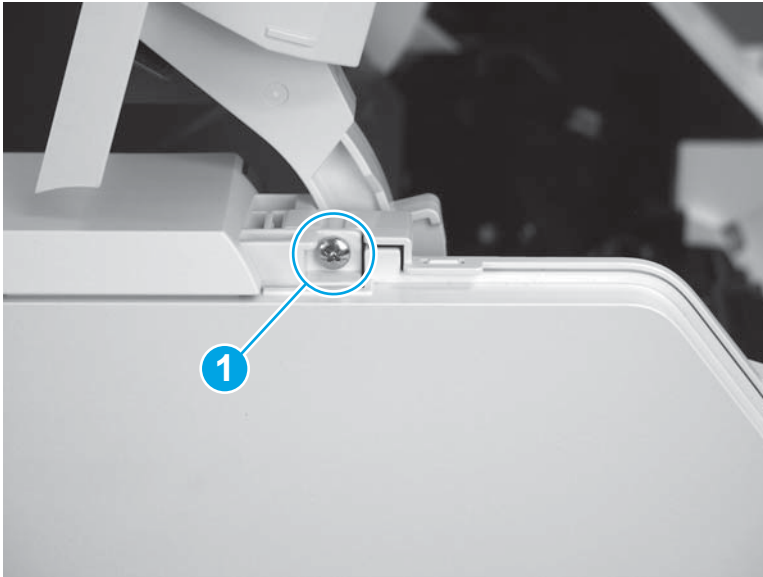
 **Reinstallation tip:** This screw is larger than the screws removed from the top of the printer. Make sure to install the correct screw.

Figure 1-1430 Install one screw



4. Install one screw (callout 1) on the right side of the printer.


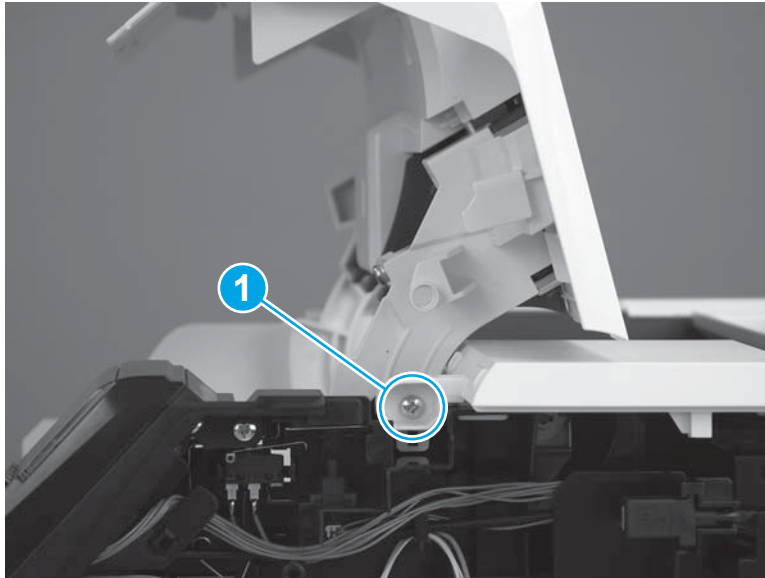
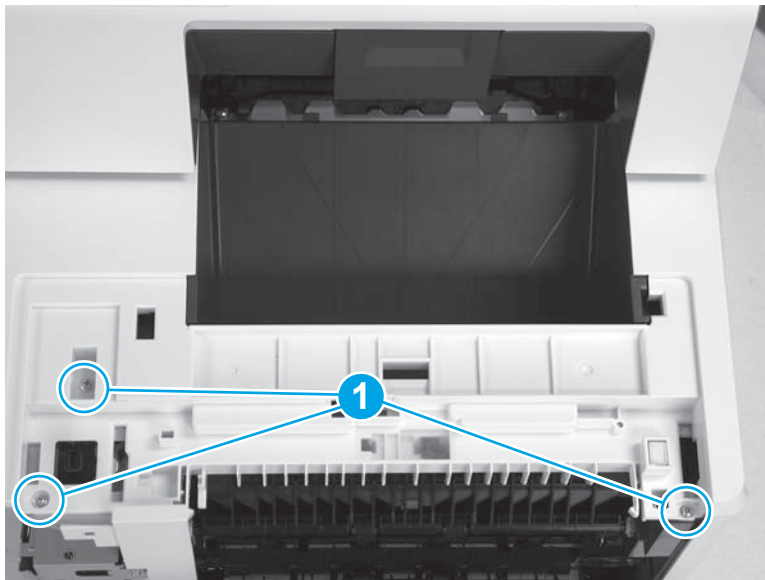
 **Reinstallation tip:** This screw is larger than the screws removed from the top of the printer. Make sure to install the correct screw.

Figure 1-1431 Install one screw



5. Install three screws (callout 1) on the top of the printer.

Figure 1-1432 Install three screws

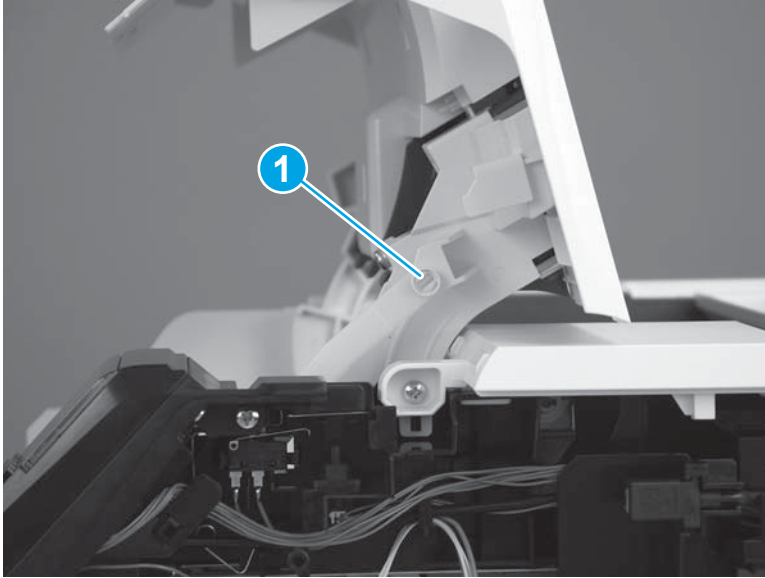


6. Install the toner-cartridge drive-arm (callout 1) by pressing it onto the tabs.

 **NOTE:** It might be necessary to lift the drive arm up in order to reattach it.

 **CAUTION:** The toner-cartridge drive-arm tabs break easily.

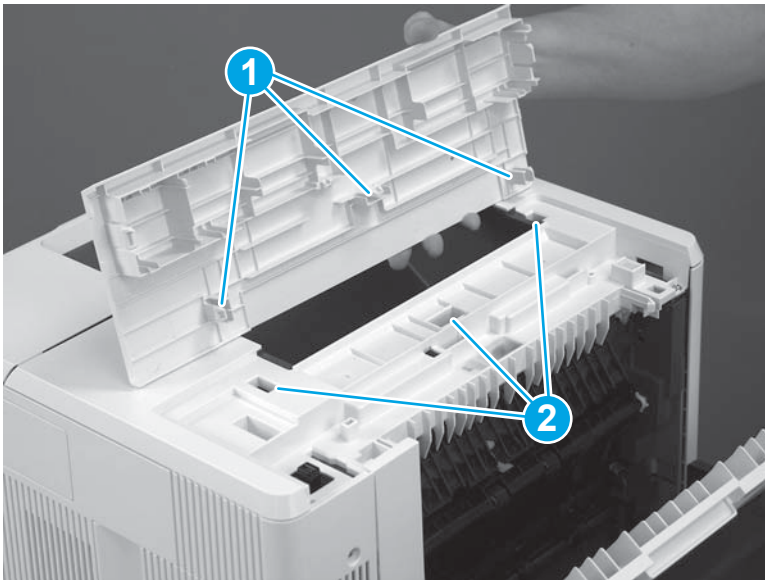
Figure 1-1433 Install the drive-arm tabs



Step 21: Install the top accessory cover

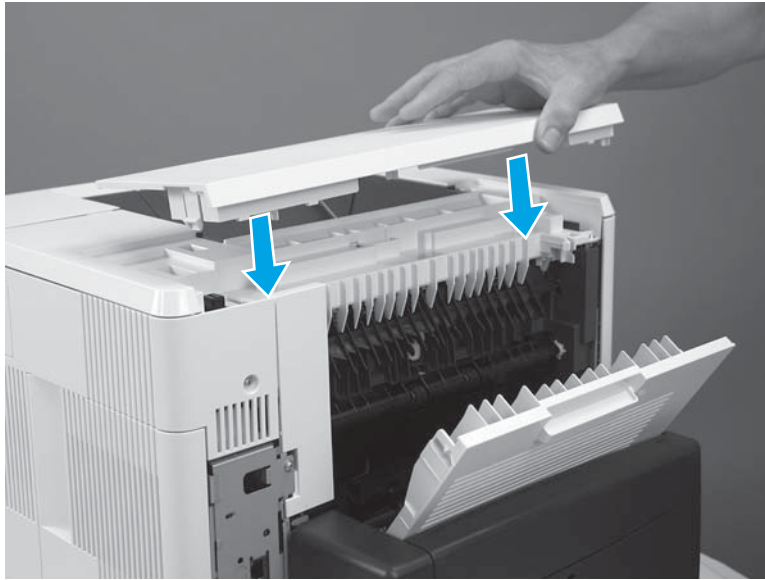
1. Align the tabs (callout 1) on the top accessory cover with the slots (callout 2) in the top cover.

Figure 1-1434 Align the tabs and slots



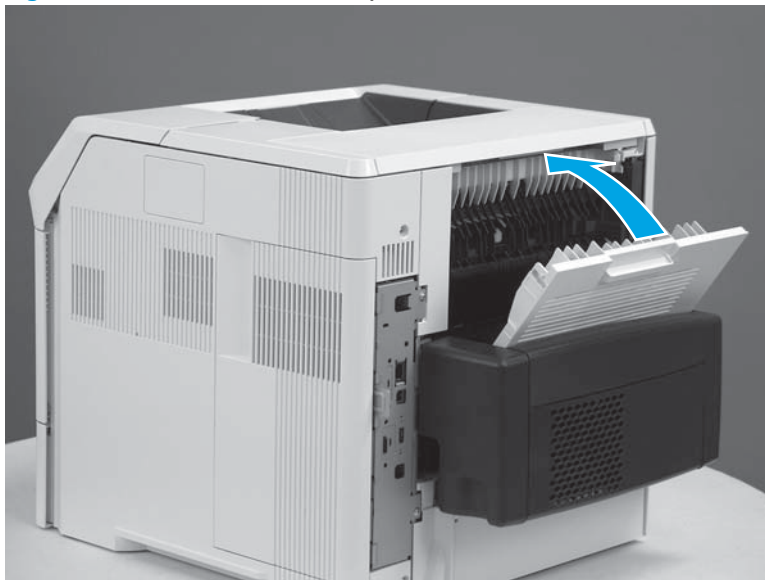
2. Place the top accessory on top of the printer, and then press down to install it.

Figure 1-1435 Install the top accessory cover



3. Close the rear output bin.

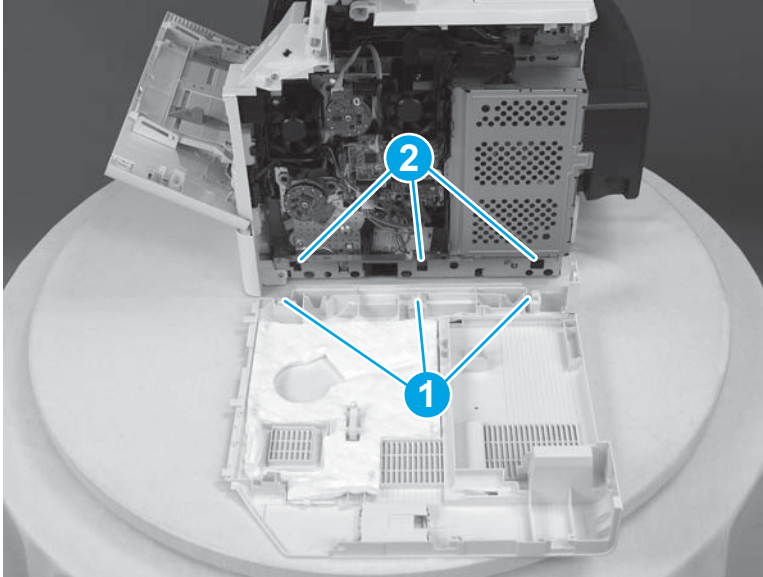
Figure 1-1436 Close the rear output bin



Step 22: Install the right cover

1. Note the location of the tabs (callout 1) on the cover that will fit into the slots (callout 2) on the printer.

Figure 1-1437 Note location of tabs

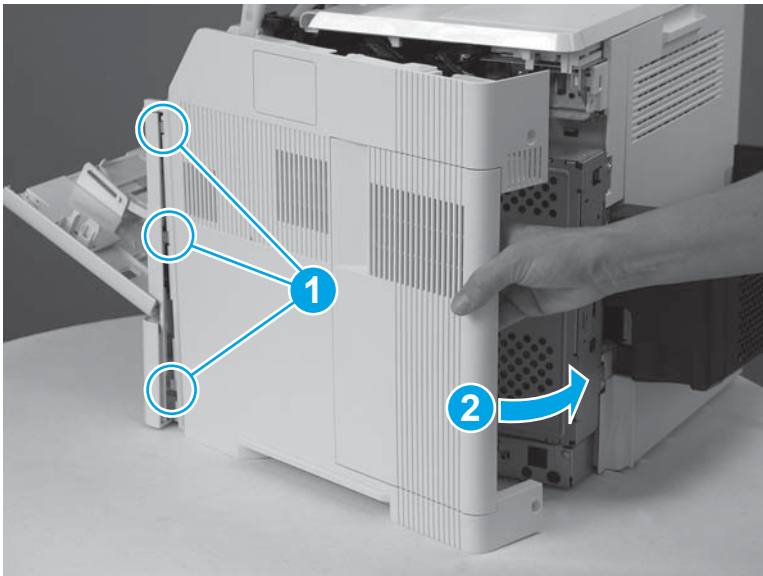


2. Position the front tabs on the right cover slightly behind the right front cover (callout 1), and then rotate the back edge of the cover toward the printer (callout 2).



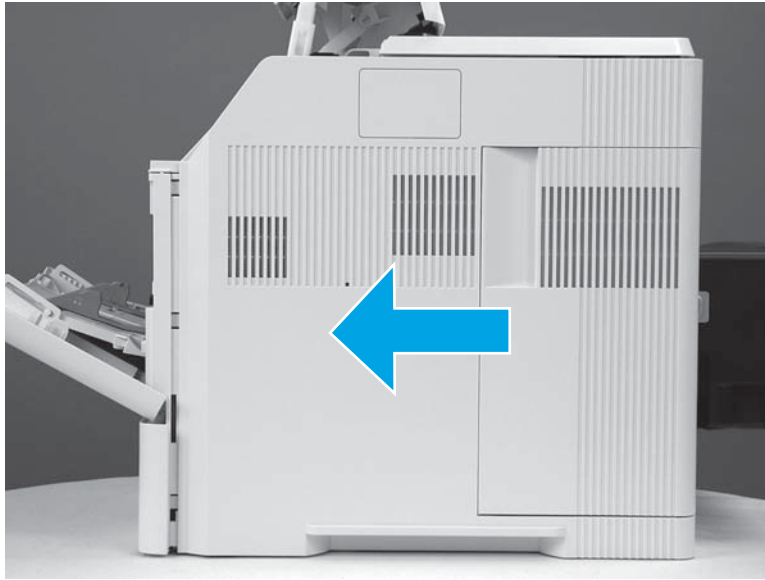
NOTE: The tabs and slots mentioned in the previous step will engage as the cover is rotated into place.

Figure 1-1438 Position the front tabs



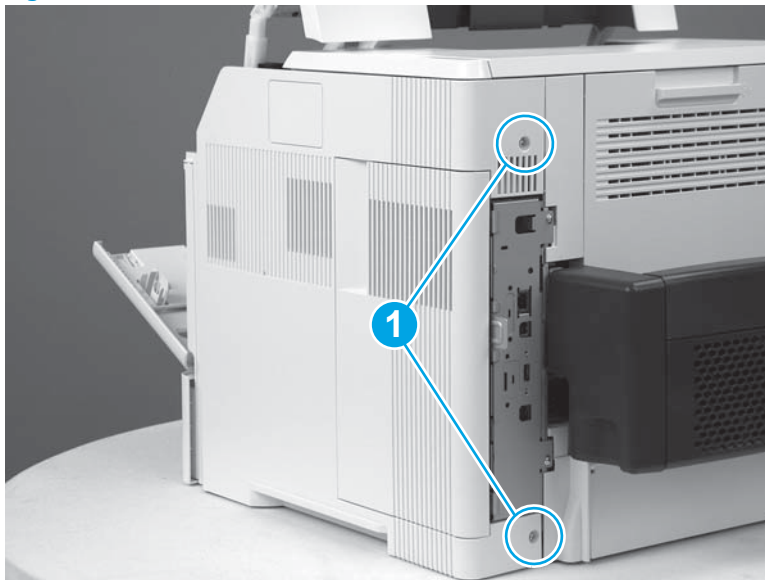
3. Slide the cover toward the front of the printer to install it.

Figure 1-1439 Slide the cover



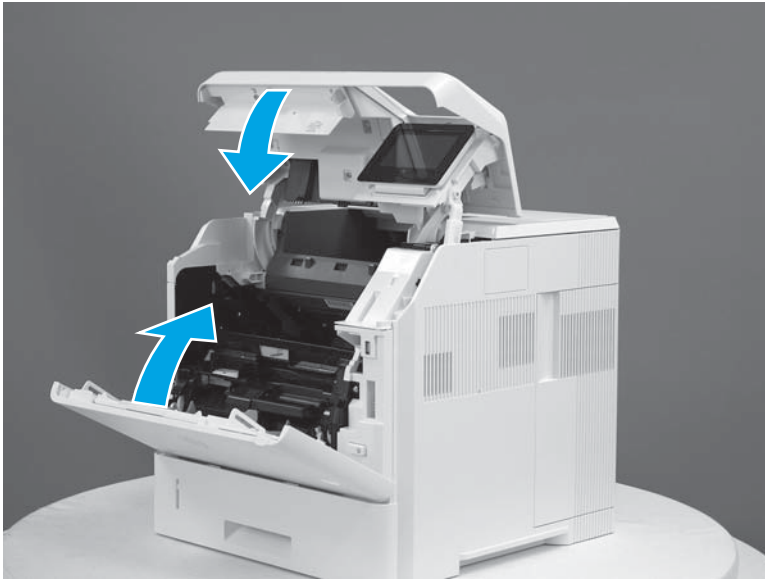
4. Install two screws (callout 1).

Figure 1-1440 Install two screws



5. Close the front cover and the cartridge door.

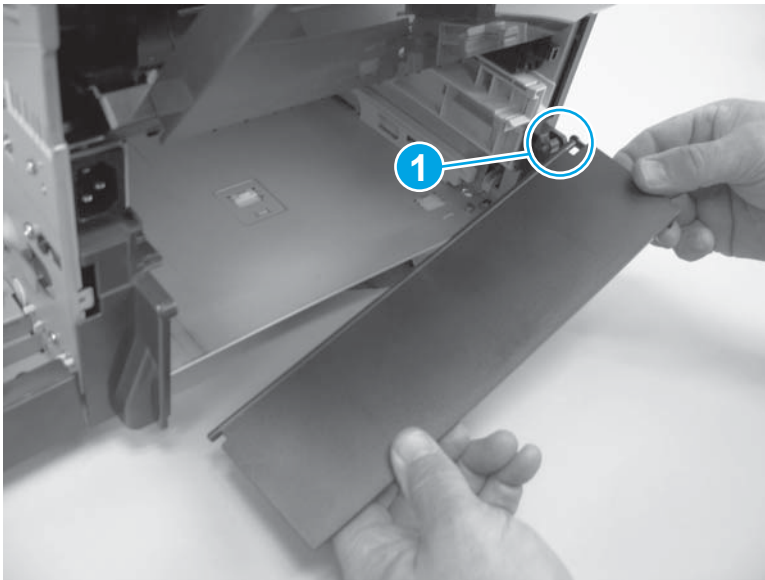
Figure 1-1441 Close the front cover and cartridge door



Step 23: Install the Tray 2 extension door

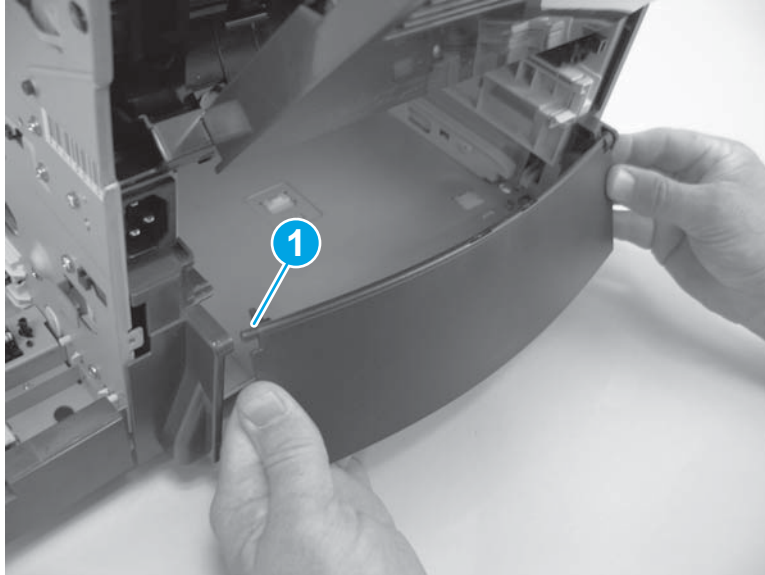
1. Rotate the Tray 2 extension door to the horizontal position, and then install the keyed hinge pin (callout 1).

Figure 1-1442 Install the keyed hinge pin




2. Carefully flex the Tray 2 extension door, and then install the hinge pin (callout 1) near the power-cord side of the printer.

Figure 1-1443 Install the hinge pin

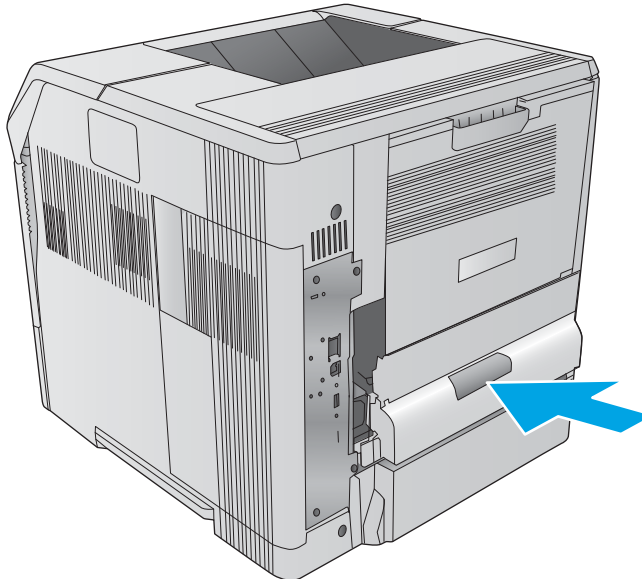


Step 24: Install the duplex accessory cover


 **NOTE:** If the duplex accessory cover was not removed, skip this step and go to [Step 25: Install the duplex accessory on page 803](#).

- ▲ Slide the duplex accessory cover straight into the printer to install it.

Figure 1-1444 Install the duplex accessory cover

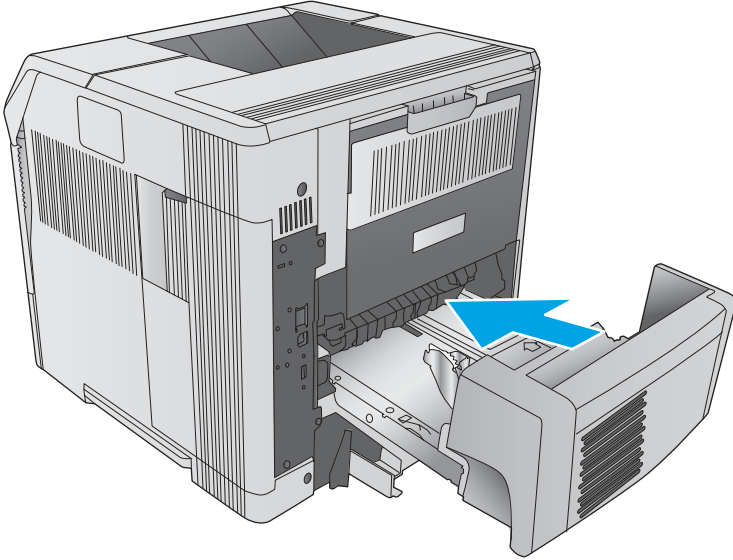


Step 25: Install the duplex accessory

 **NOTE:** If the optional duplex accessory was not removed, skip this step.

- ▲ Slide the duplex accessory straight into the printer to install it.

Figure 1-1445 Install the duplex accessory



Removal and replacement: Laser/scanner

- [Introduction](#)
- [Step 1: Remove the duplex accessory](#)
- [Step 2: Remove the duplex accessory cover](#)
- [Step 3: Remove the right cover](#)
- [Step 4: Remove the top accessory cover](#)
- [Step 5: Remove the top cover \(M604n/dn, M605n/dn, M606dn only\)](#)
- [Step 6: Remove the top cover \(M605x, M606x only\)](#)
- [Step 7: Remove the laser/scanner](#)
- [Step 8: Unpack the replacement laser/scanner](#)
- [Step 9: Install the laser/scanner](#)
- [Step 10: Install the top cover \(M605x, M606x only\)](#)
- [Step 11: Install the top cover \(M604n/dn, M605n/dn, M606dn only\)](#)
- [Step 12: Install the top accessory cover](#)
- [Step 13: Install the right cover](#)
- [Step 14: Install the duplex accessory cover](#)
- [Step 15: Install the duplex accessory](#)

Introduction

This document provides the procedures to remove and replace the laser/scanner.

Before performing service

Turn the printer power off

- Disconnect the power cable.

⚠ WARNING! To avoid damage to the printer, turn the printer off, wait 30 seconds, and then remove the power cord before attempting to service the printer.

Use the table below to identify the correct part number for your printer. To order the part, go to www.hp.com/buy/parts.

Laser/scanner part number	
RM1-8406-000CN	Laser/scanner

Required tools

- #2 Phillips screwdriver with a magnetic tip

After performing service

Turn the printer power on


- Connect the power cable.
- Use the power switch to turn the power on.

Post service test

Make sure that the printer initializes to a **Ready** state.

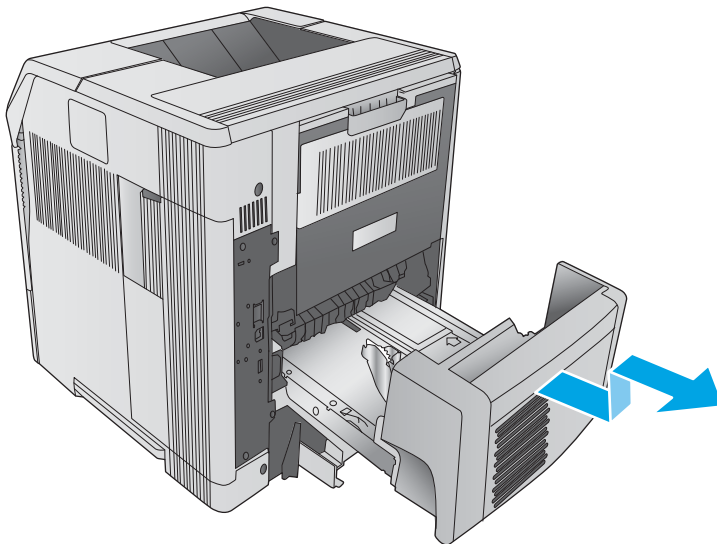
Print a configuration page to make sure that the printer is functioning correctly.

Step 1: Remove the duplex accessory


 **NOTE:** If the optional duplex accessory is not installed, skip this step and go to [Step 2: Remove the duplex accessory cover on page 806](#).

- ▲ Slightly lift up on the duplex accessory, and then pull it completely out of the printer to remove it.

Figure 1-1446 Remove the duplex accessory

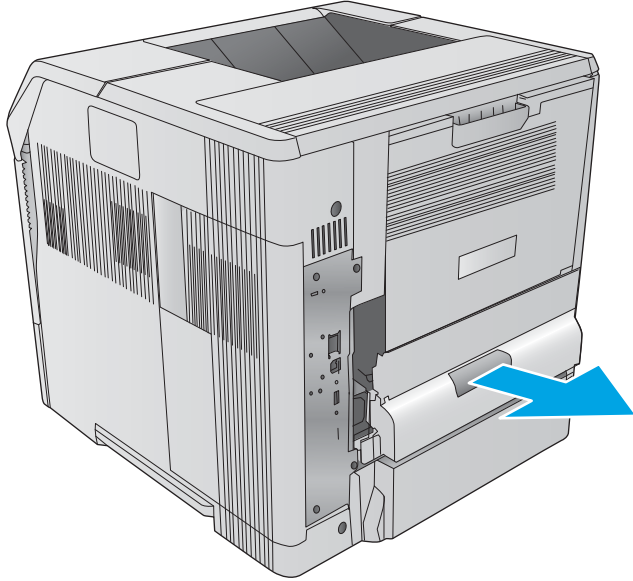


Step 2: Remove the duplex accessory cover

 **NOTE:** If the duplex accessory cover is not installed, skip this step and go to [Step 3: Remove the right cover on page 807](#).

- ▲ Pull the duplex accessory cover straight out of the printer to remove it.

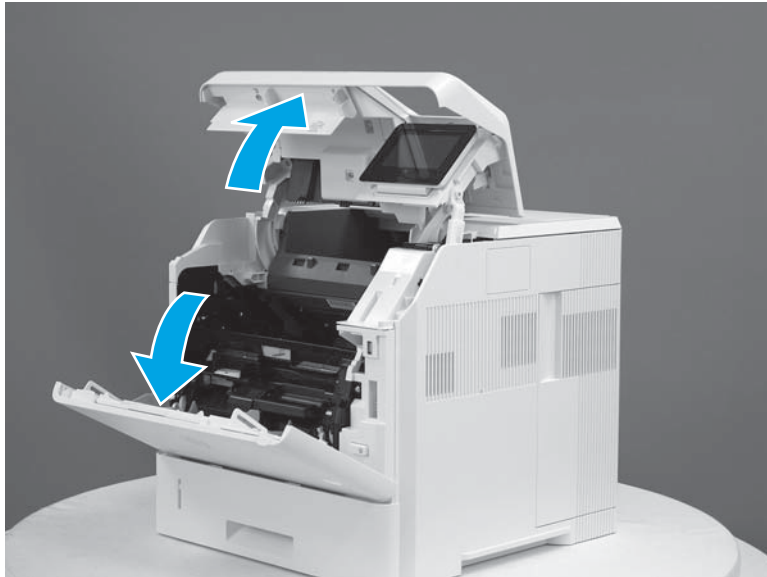
Figure 1-1447 Remove the duplex accessory cover



Step 3: Remove the right cover

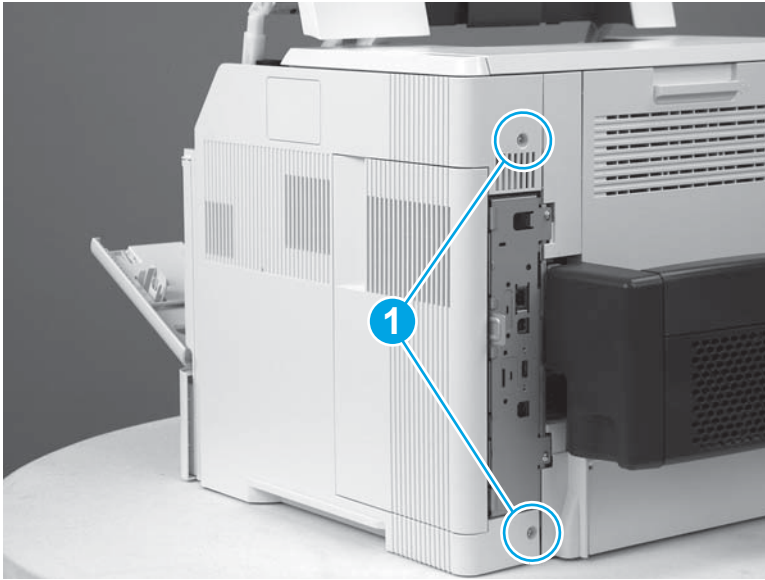
1. Open the front cover and the cartridge door.

Figure 1-1448 Open the front cover and cartridge door



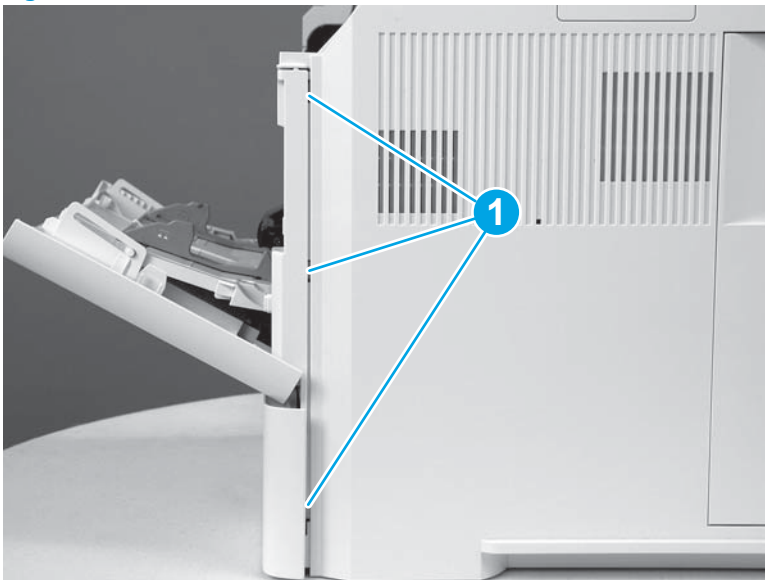
2. Remove two screws (callout 1).

Figure 1-1449 Remove two screws



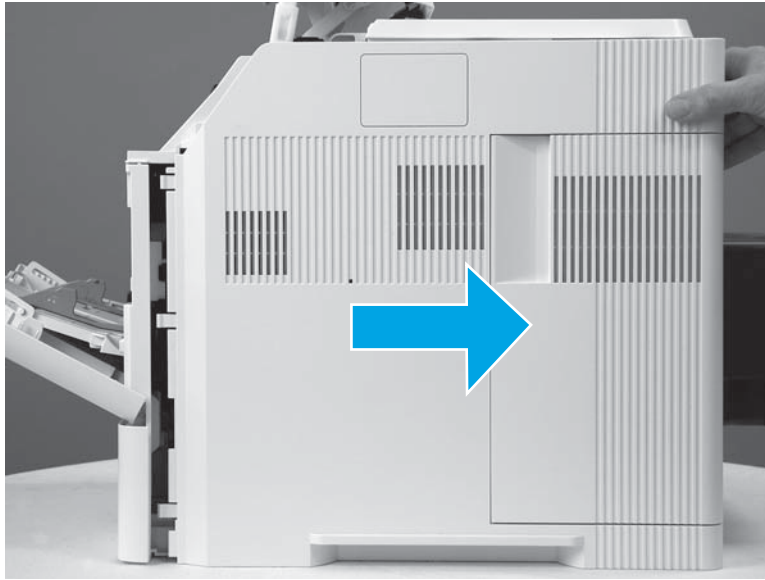
3. Release three tabs (callout 1).

Figure 1-1450 Release three tabs



4. Slide the cover toward the rear of the printer to remove it.

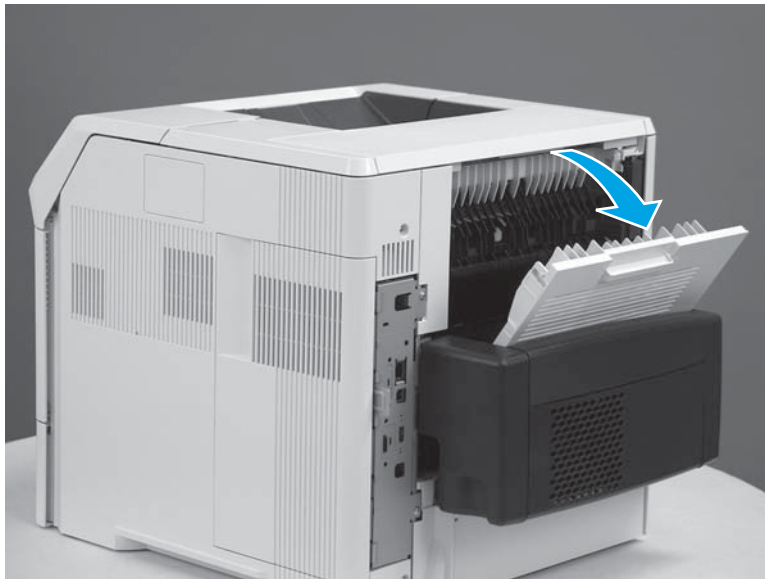
Figure 1-1451 Remove the cover



Step 4: Remove the top accessory cover

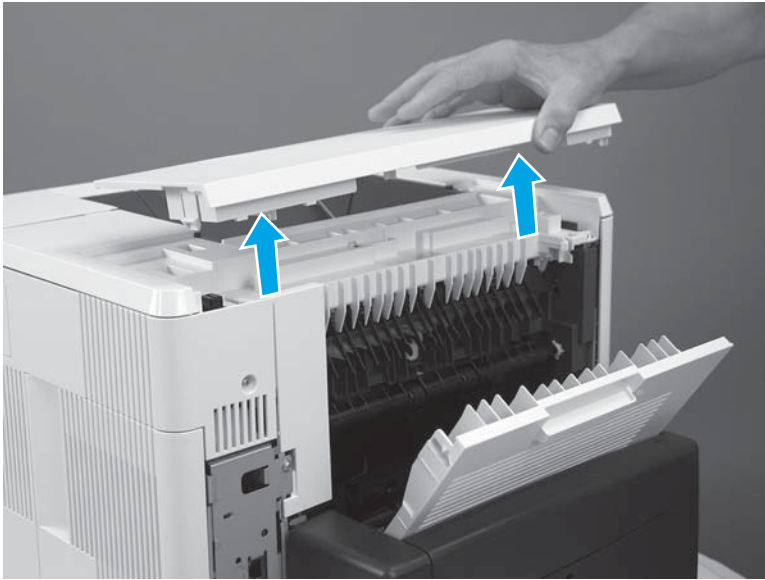
1. Open the rear output bin.

Figure 1-1452 Open the rear output bin



2. Lift the top accessory cover up and off of the printer.

Figure 1-1453 Remove top accessory cover



Step 5: Remove the top cover (M604n/dn, M605n/dn, M606dn only)



NOTE: For the M605x or M606x, product, skip this step and go to [Step 6: Remove the top cover \(M605x, M606x only\) on page 813](#).

1. Use needle-nose pliers to release the toner-cartridge drive-arm tabs (callout 1).

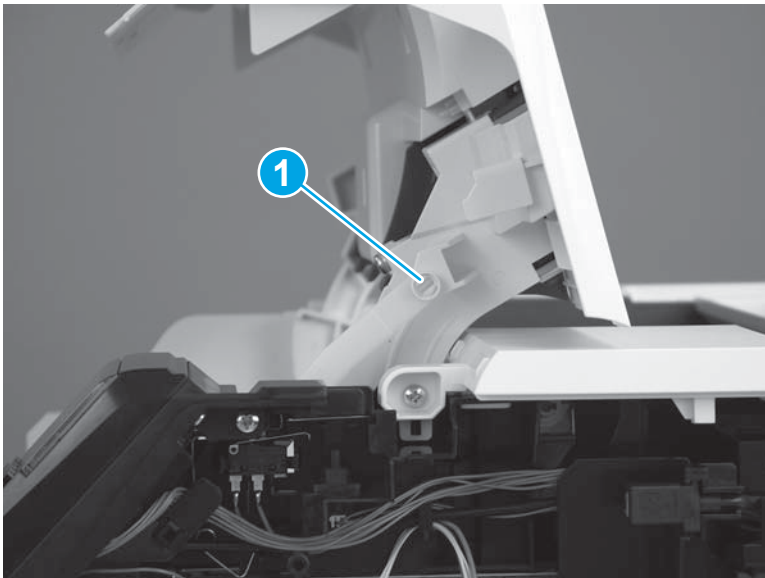


CAUTION: The toner-cartridge drive-arm tabs break easily.



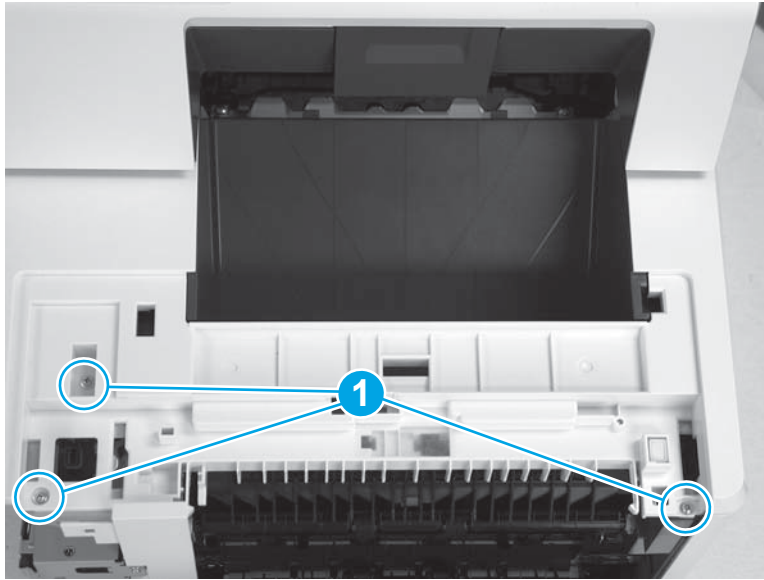
TIP: Push the toner-cartridge drive-arm back into the printer to avoid damaging it when you remove the top cover.

Figure 1-1454 Release the drive-arm tabs



2. Remove three screws (callout 1) on the top of the printer.

Figure 1-1455 Remove three screws



3. Remove one screw (callout 1) on the right side of the printer.


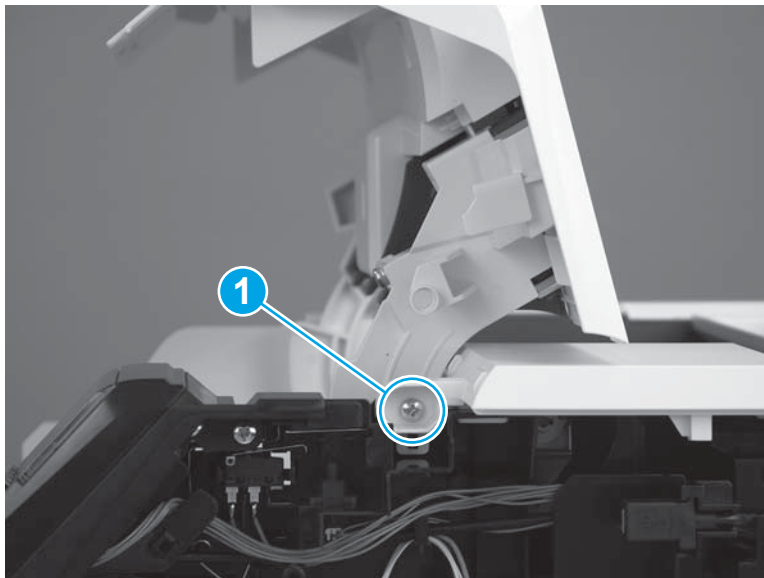
 **Reinstallation tip:** This screw is larger than the screws removed from the top of the printer. Make sure to install the correct screw when reassembling.

Figure 1-1456 Remove one screw



4. Remove one screw (callout 1) on the left side of the printer.


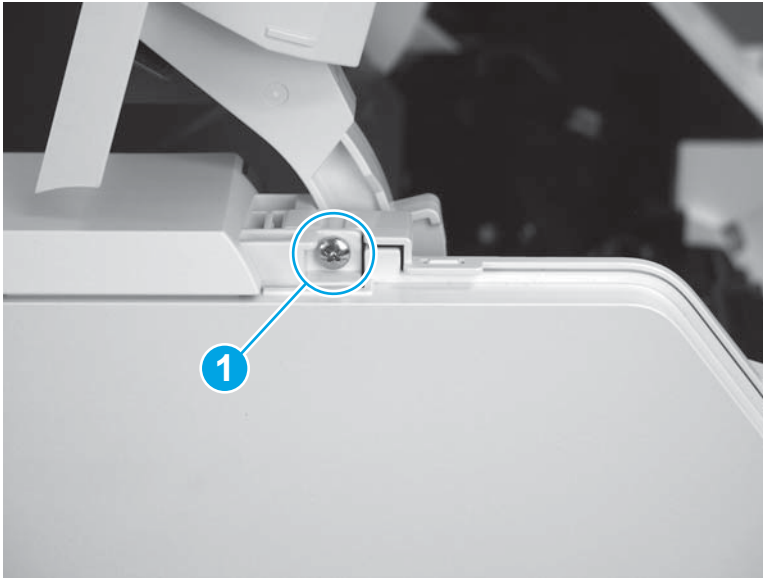
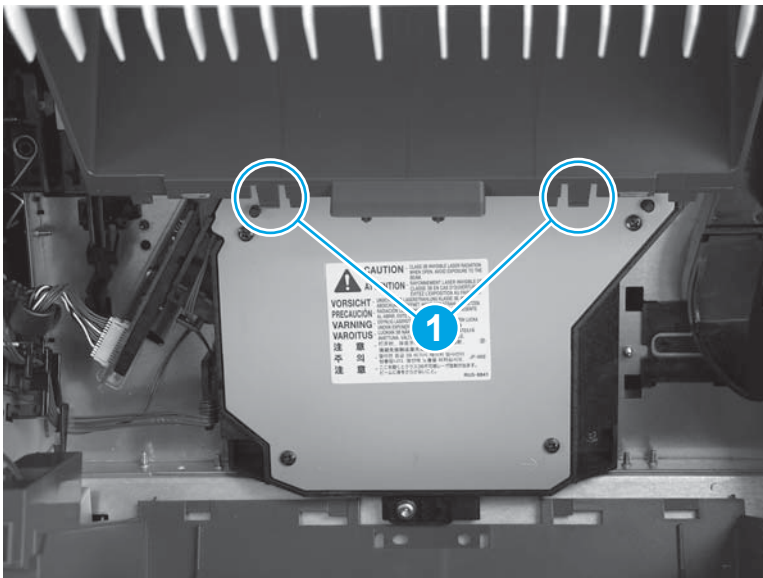
 **Reinstallation tip:** This screw is larger than the screws removed from the top of the printer. Make sure to install the correct screw when reassembling.

Figure 1-1457 Remove one screw



5. Note the location of two tabs on the top output bin (callout 1). These tabs are released in the next step.

Figure 1-1458 Location of two tabs



6. Release two tabs (callout 1) on the top output bin.


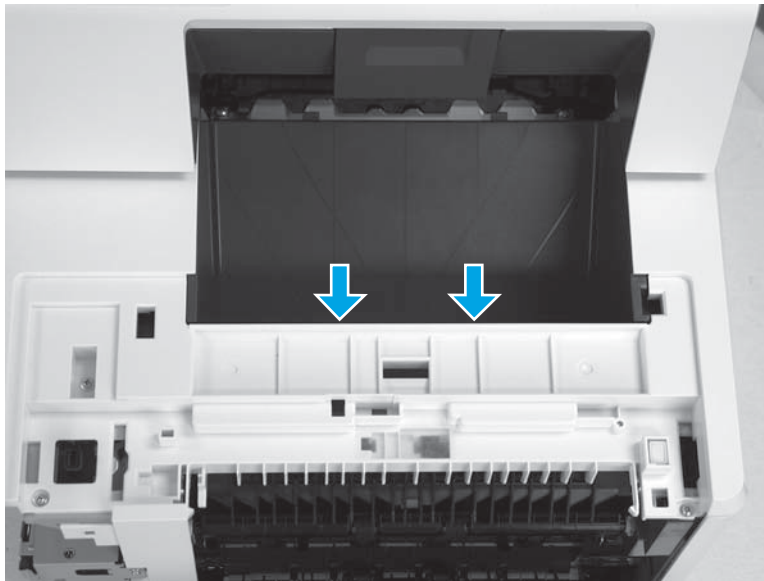
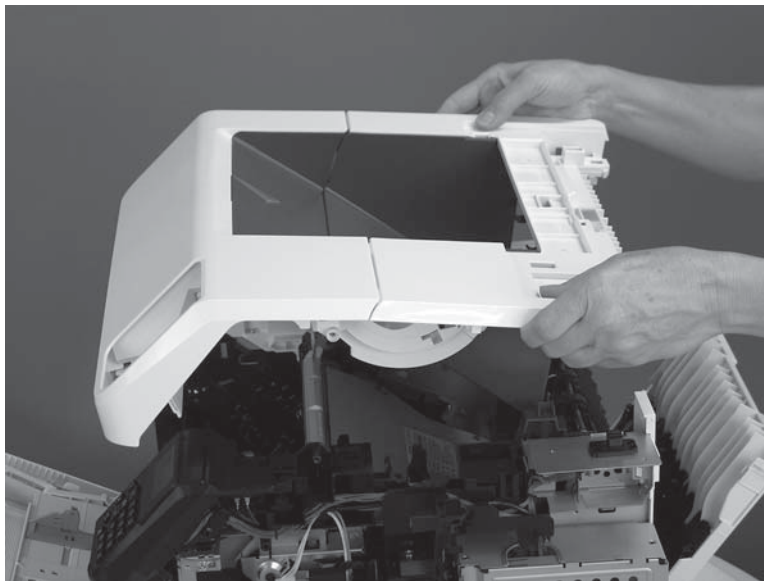
 **Reinstallation tip:** Make sure that these tabs are fully seated when the top cover is reinstalled.

Figure 1-1459 Release two tabs



7. Lift the top cover up and off of the printer to remove it.

Figure 1-1460 Remove the top cover



Step 6: Remove the top cover (M605x, M606x only)

1. Use needle-nose pliers to release the toner-cartridge drive-arm tabs (callout 1) and the toner-cartridge door hinge tabs (callout 2).

 **CAUTION:** The toner-cartridge drive-arm tabs break easily.


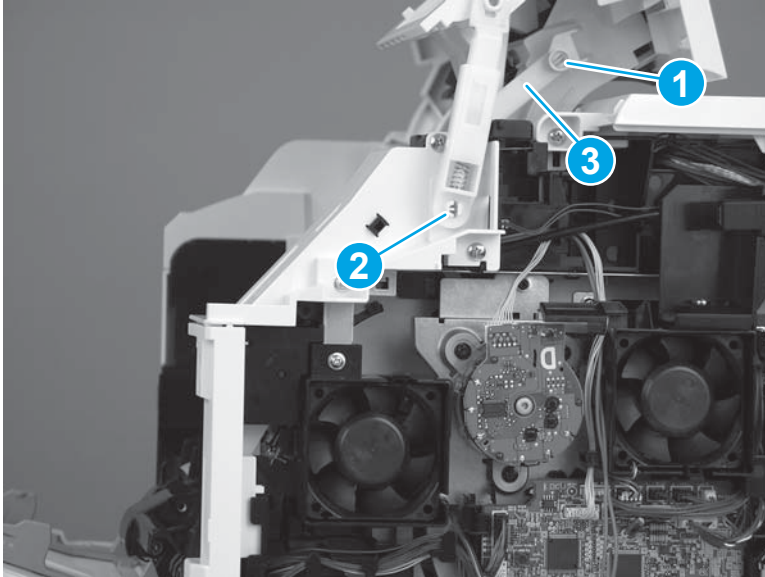
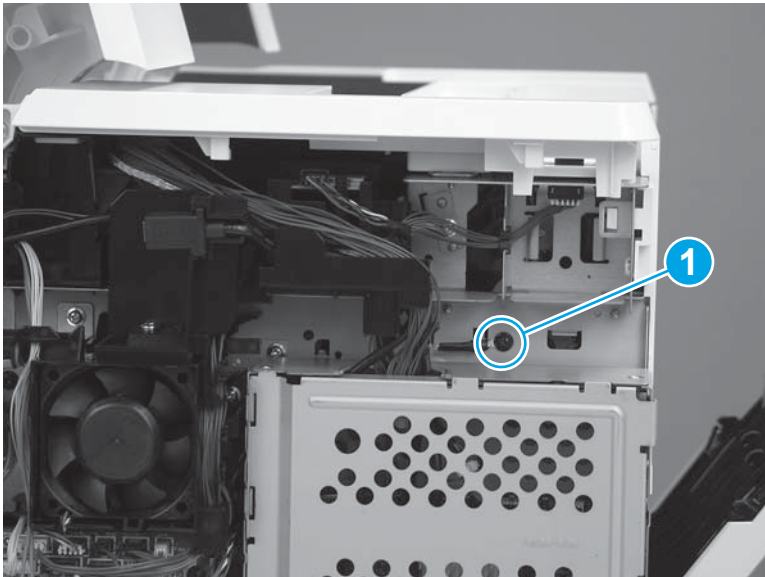
 **TIP:** Push the toner-cartridge drive-arm (callout 3) back into the printer to avoid damaging it when you remove the top cover.

Figure 1-1461 Release the drive-arm and door hinge tabs



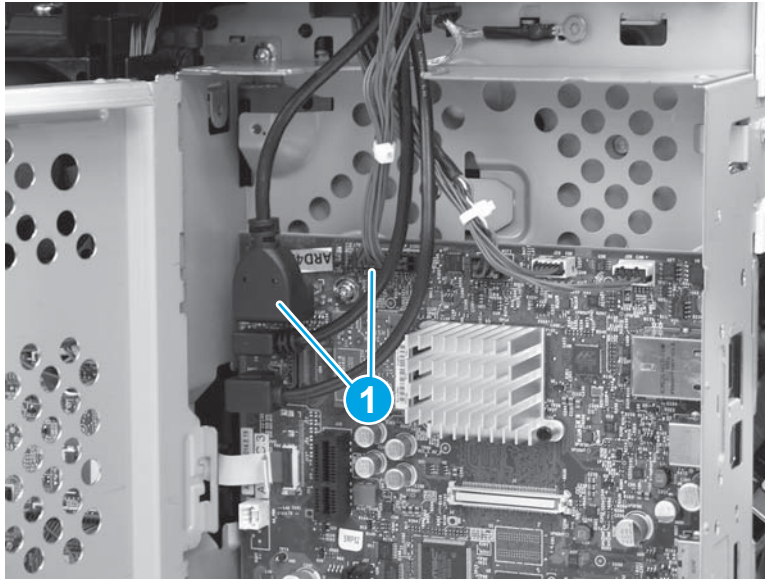
2. Remove one screw, and then release the ground wire (callout 1).

Figure 1-1462 Release the ground wire



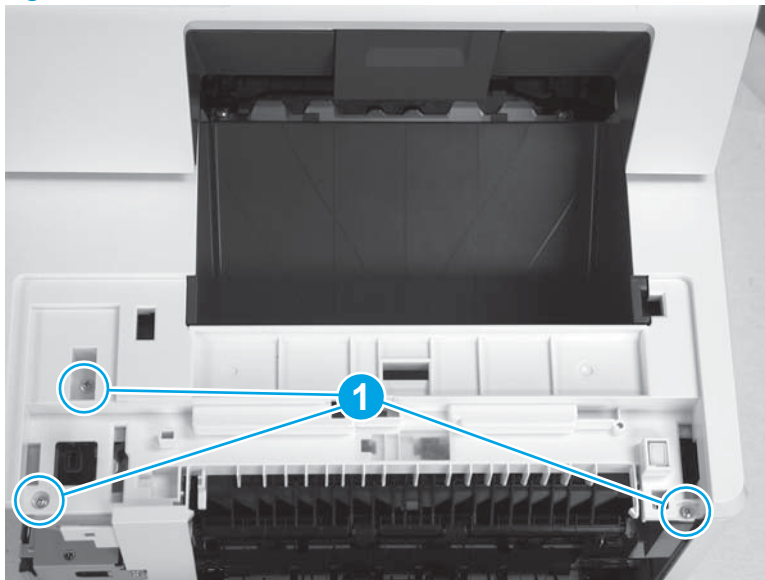
3. Open the formatter case door, and then disconnect two connectors (callout 1).

Figure 1-1463 Disconnect two connectors



4. Remove three screws (callout 1) on the top of the printer.

Figure 1-1464 Remove three screws



5. Remove one screw (callout 1) on the right side of the printer.


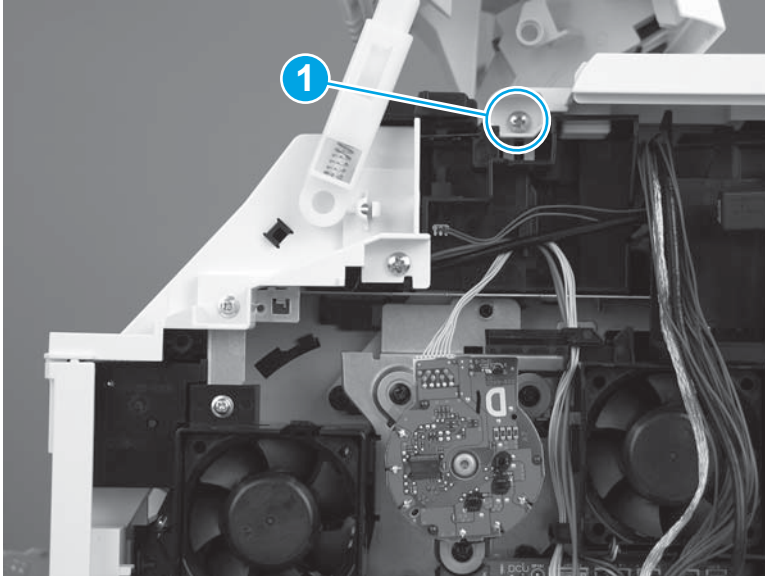
 **Reinstallation tip:** This screw is larger than the screws removed from the top of the printer. Make sure to install the correct screw when reassembling.

Figure 1-1465 Remove one screw



6. Remove one screw (callout 1) on the left side of the printer.


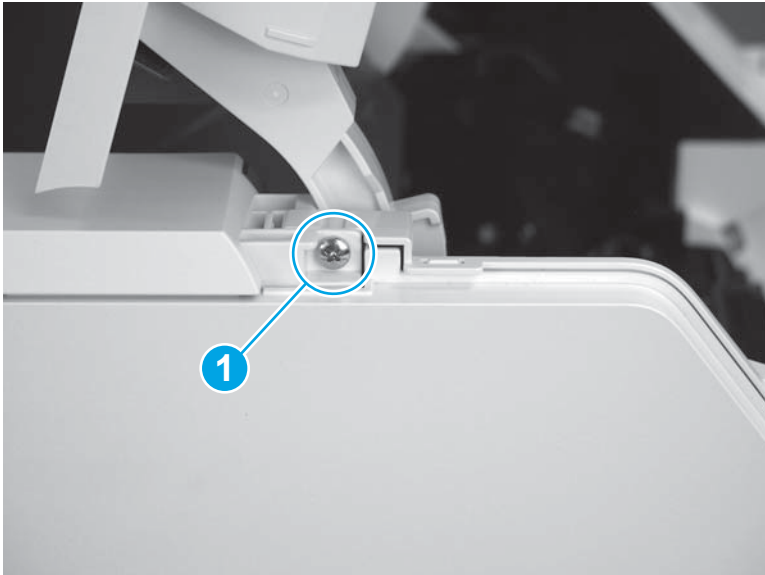
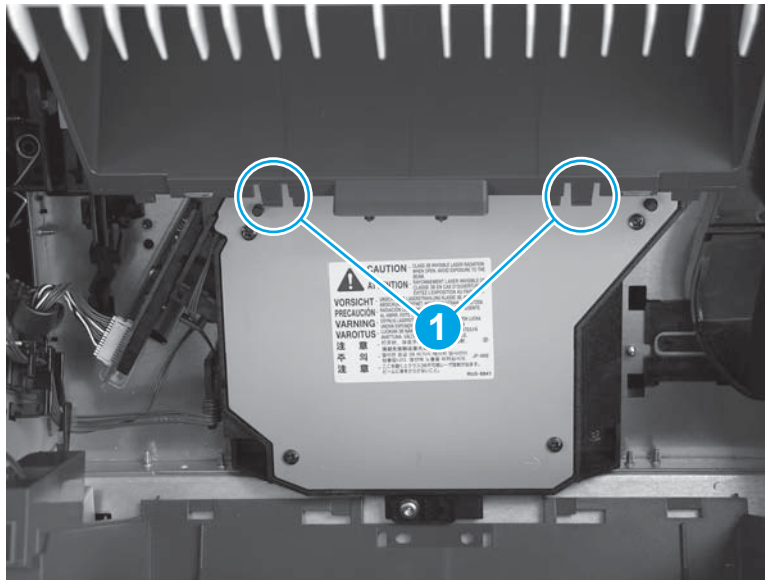
 **Reinstallation tip:** This screw is larger than the screws removed from the top of the printer. Make sure to install the correct screw when reassembling.

Figure 1-1466 Remove one screw



7. Note the location of two tabs on the top output bin (callout 1). These tabs are released in the next step.

Figure 1-1467 Location of two tabs



8. Release two tabs (callout 1) on the top output bin.


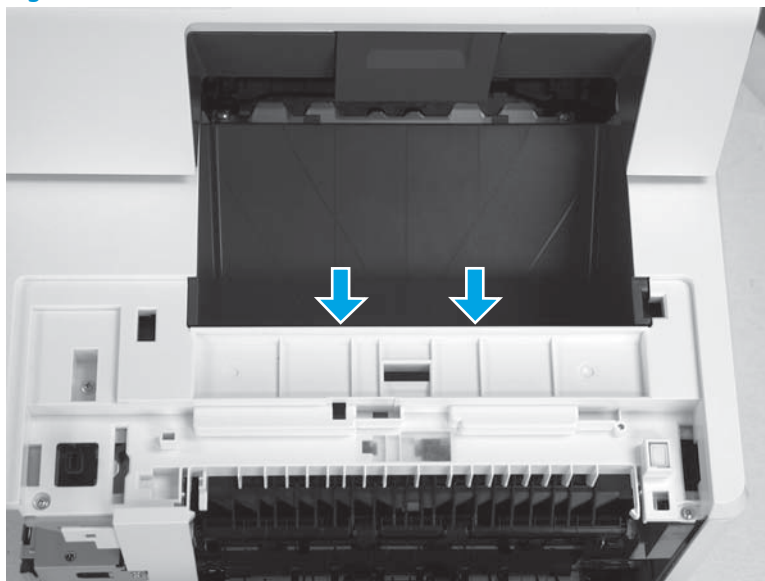
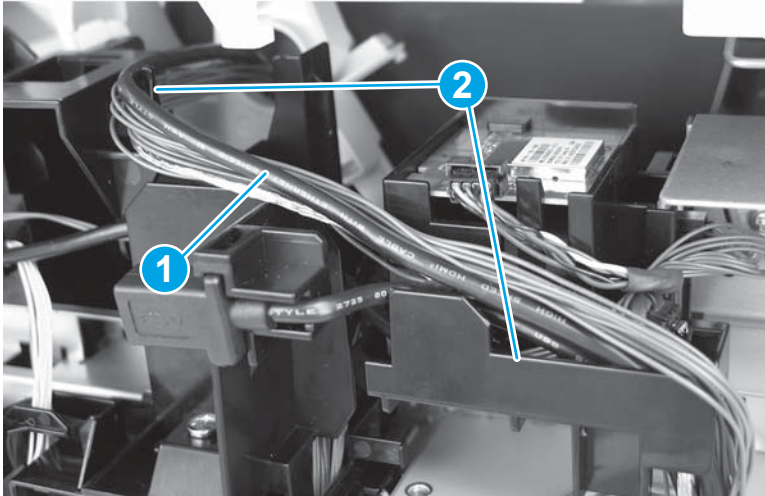
 **Reinstallation tip:** Make sure that these tabs are fully seated when the top cover is reinstalled.

Figure 1-1468 Release two tabs



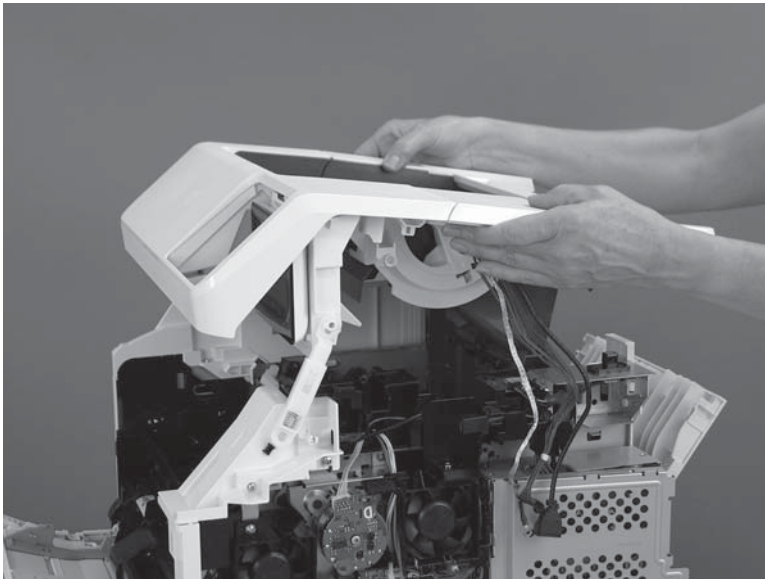
9. On the right side of the printer, release the wire harness and cables (callout 1) from the guides (callout 2).

Figure 1-1469 Release cables from guides



10. Lift the top cover up and off of the printer to remove it.

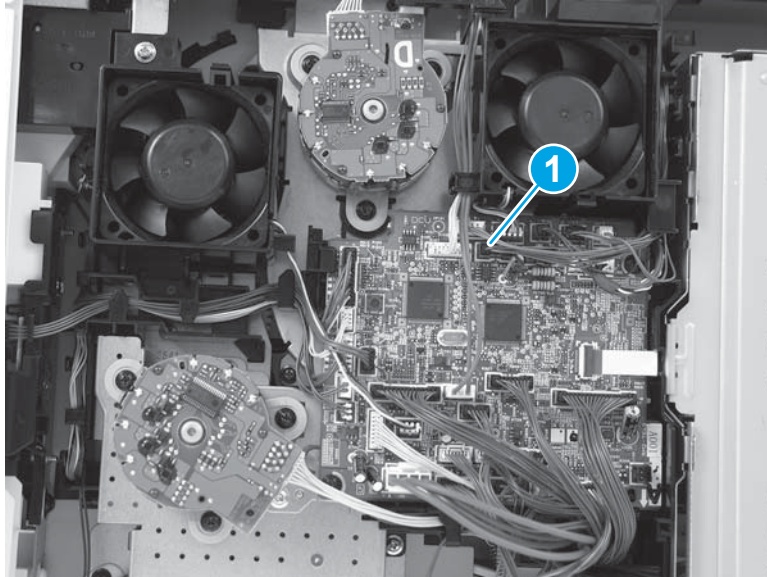
Figure 1-1470 Remove the top cover



Step 7: Remove the laser/scanner

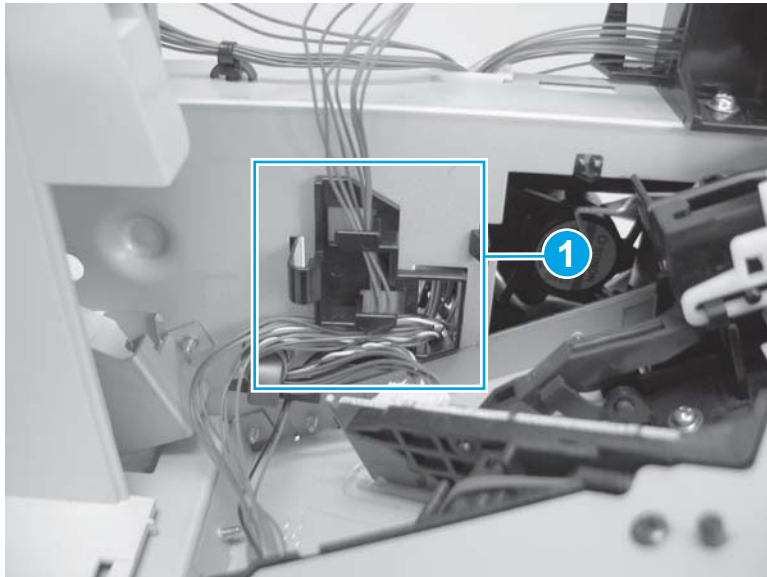
1. Disconnect one connector (callout 1; J86) from the DC controller.

Figure 1-1471 Disconnect one connector



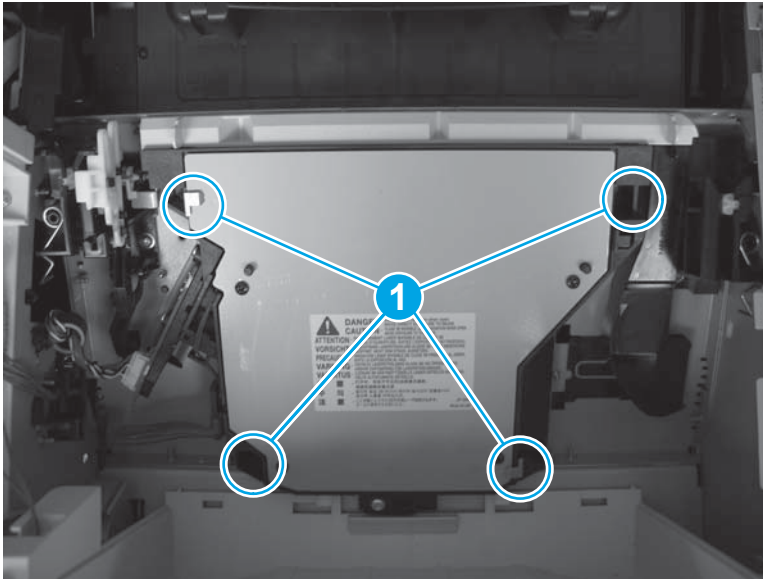
2. Release the laser/scanner wire-harness from the wire guide (callout 1).

Figure 1-1472 Release the laser/scanner wire-harness



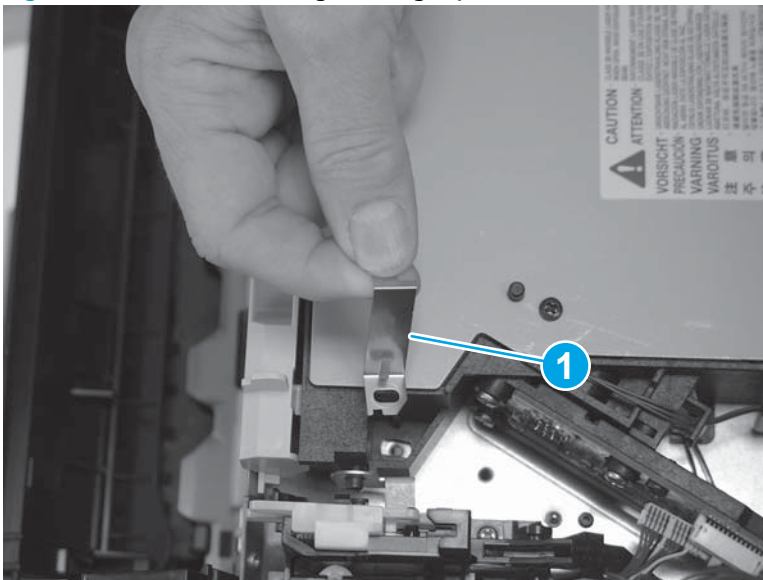
3. Remove four screws (callout 1).

Figure 1-1473 Remove four screws



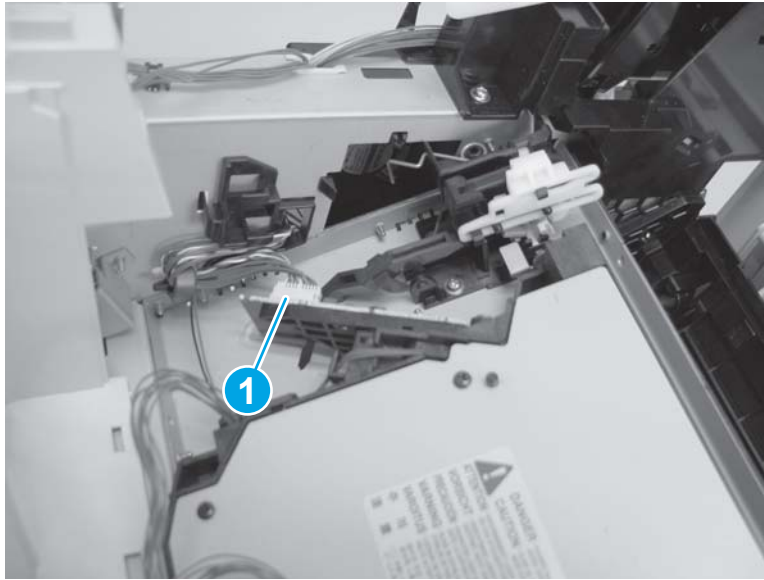
4. Remove one grounding clip (callout 1).

Figure 1-1474 Remove one grounding clip



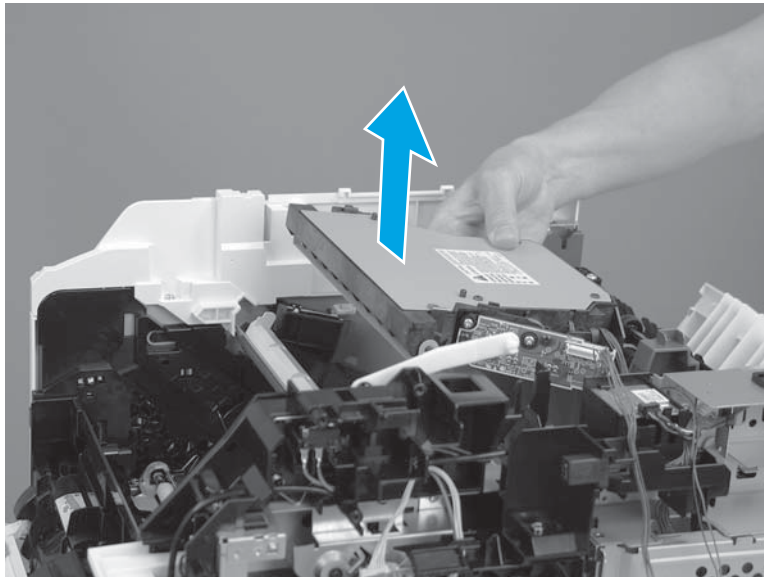
5. Disconnect one connector (callout 1).

Figure 1-1475 Disconnect one connector



6. Carefully lift the laser/scanner up and out of the printer. Make sure that the laser/scanner does not catch or snag the wires along the bottom of the assembly when you remove it.

Figure 1-1476 Remove the laser/scanner



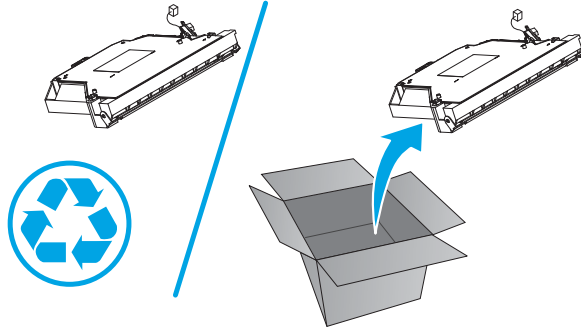
Step 8: Unpack the replacement laser/scanner

Unpack the replacement part from the packaging.

<http://www8.hp.com/us/en/hp-information/environment/product-recycling.html>

 **NOTE:** HP recommends responsible disposal of the defective part.

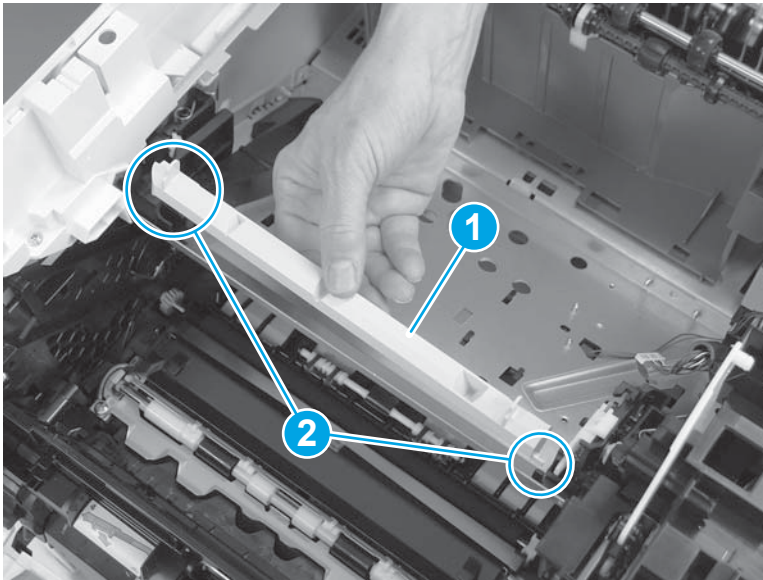
Figure 1-1477 Recycle and unpack



Step 9: Install the laser/scanner

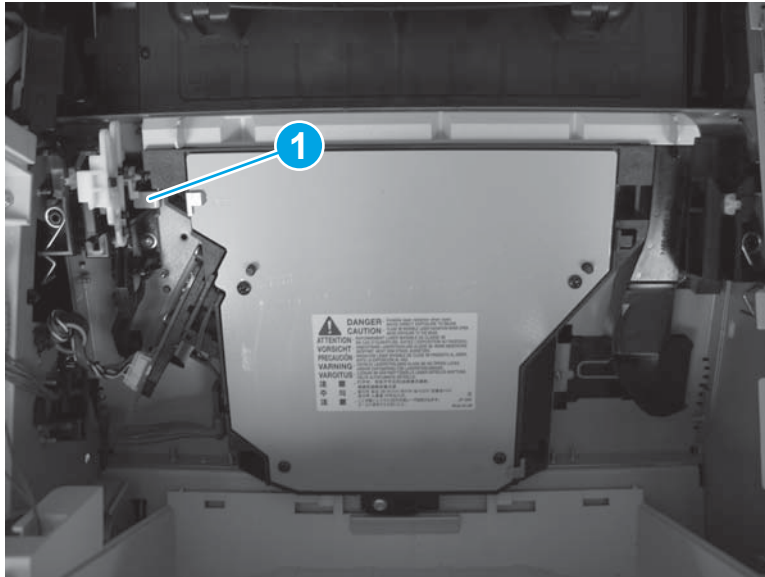
1. Position the air duct (callout 1) so that each end (callout 2) fits correctly over the plastic locator tabs on the printer.

Figure 1-1478 Position the air duct



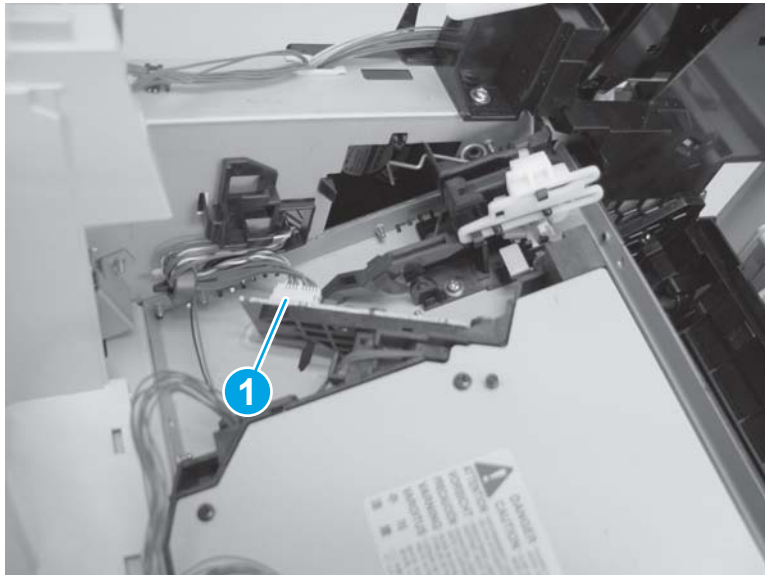
2. Position the laser scanner in the printer. Make sure that the laser/scanner shutter (callout 1) moves freely.

Figure 1-1479 Install the laser/scanner and check the shutter



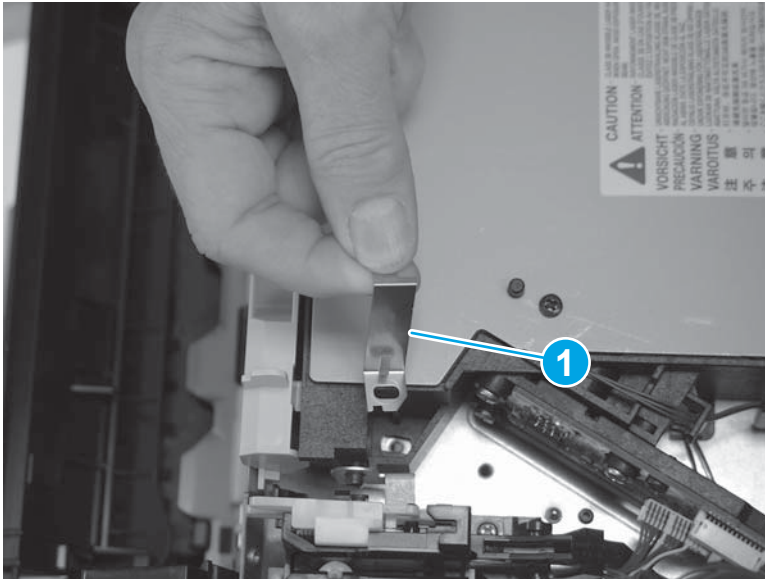
3. Connect one connector (callout 1).

Figure 1-1480 Connect one connector



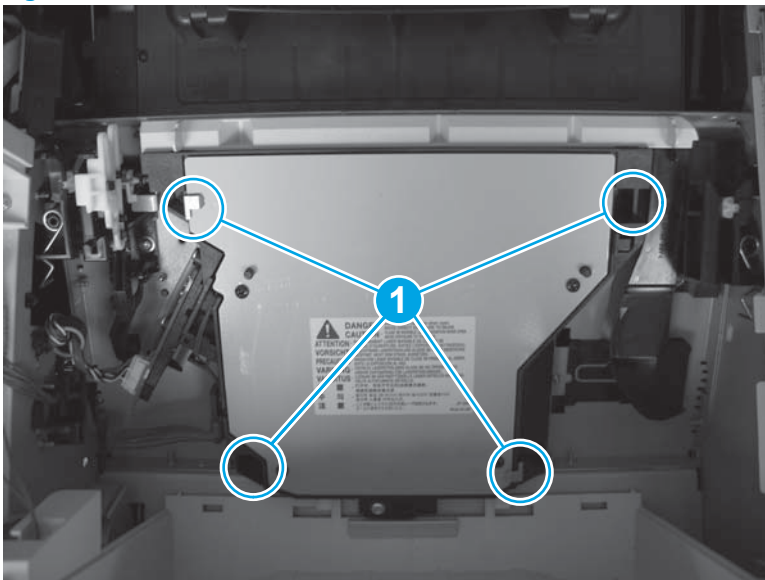
4. Install the grounding clip (callout 1) above the screw mounting hole.

Figure 1-1481 Install the grounding clip



5. Install four screws (callout 1).

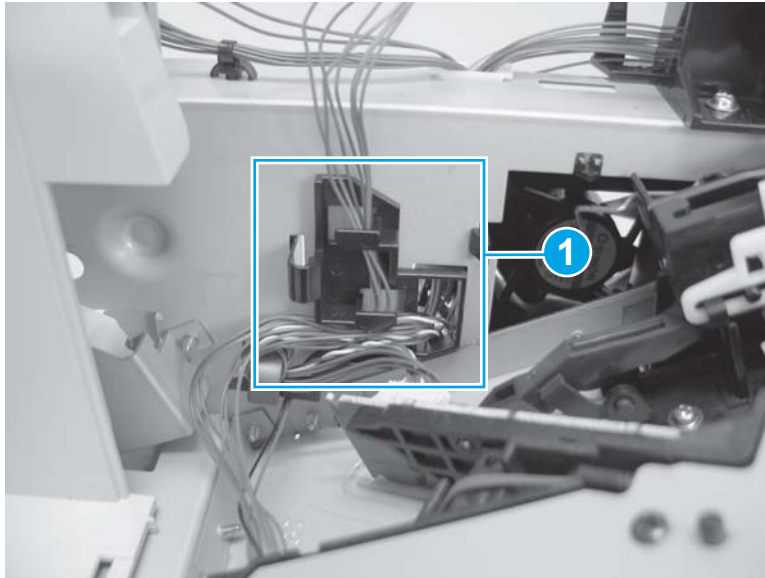
Figure 1-1482 Install four screws



6. Install the laser/scanner wire-harness in the wire guide (callout 1).

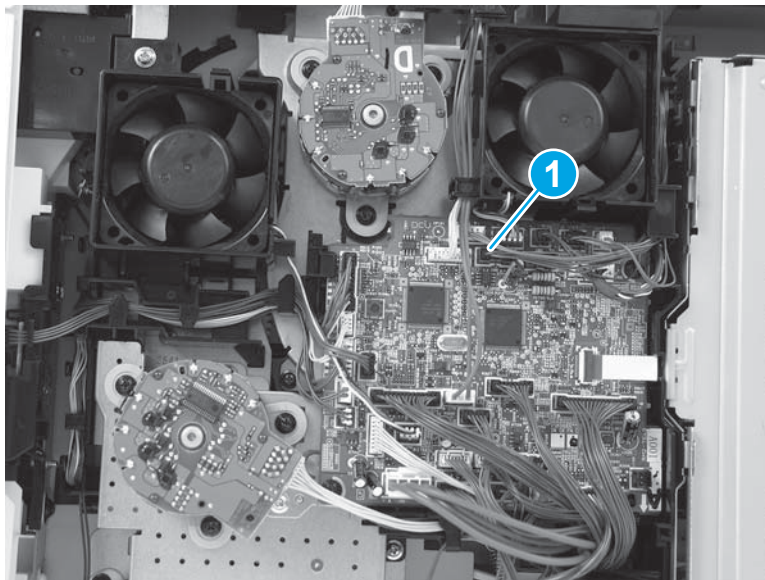
CAUTION: Make sure that the wire-harnesses are correctly routed through the wire guides. If the wire-harnesses are not correctly routed, they can be damaged when the top cover is installed.

Figure 1-1483 Install the laser/scanner wire-harness in the wire guide



7. Connect one connector (callout 1; J86).

Figure 1-1484 Connect one connector

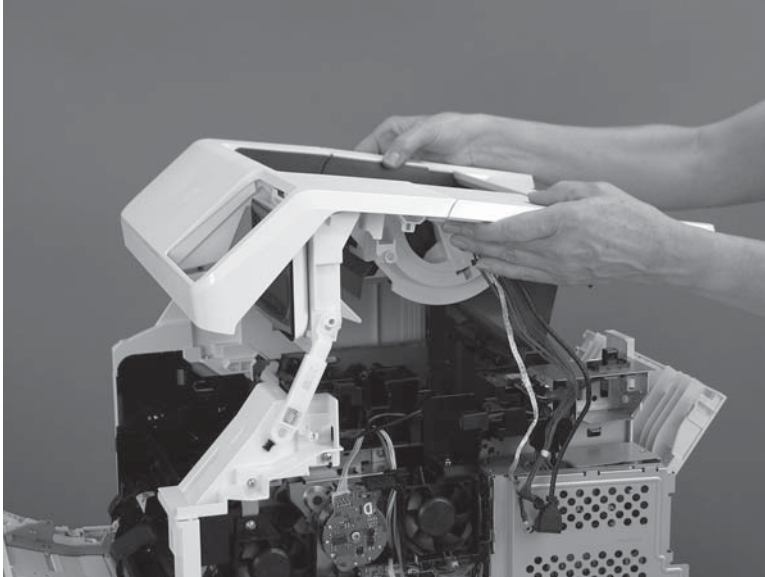


Step 10: Install the top cover (M605x, M606x only)

NOTE: For the M604n/dn, M605n/dn, or M606dn product, skip this step and go to [Step 11: Install the top cover \(M604n/dn, M605n/dn, M606dn only\)](#) on page 830.

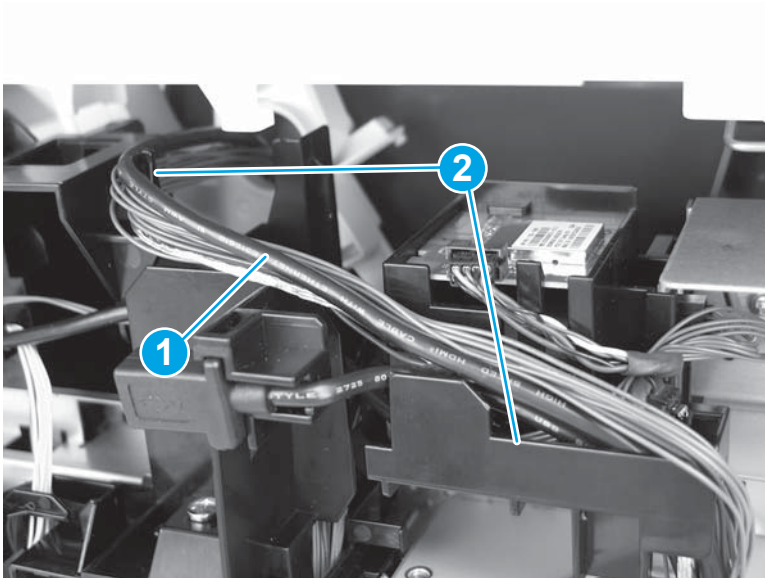
1. Lower the top cover onto the printer.

Figure 1-1485 Lower the top cover



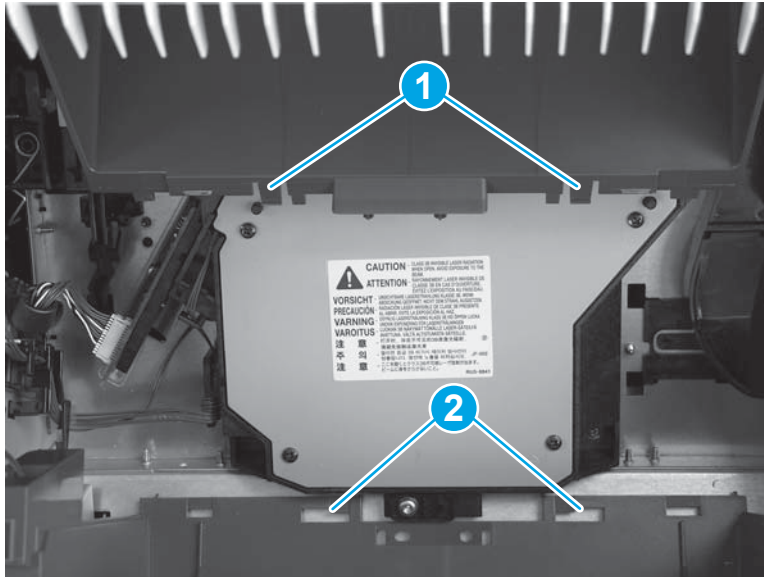
2. On the right side of the printer, make sure that the wire harness and cables (callout 1) are properly routed through the guides (callout 2).

Figure 1-1486 Install cables in guides



3. Install two tabs (callout 1) on the top output bin into two slots (callout 2) in the printer. Make sure that the tabs snap into place.

Figure 1-1487 Install two tabs



4. Install one screw (callout 1) on the left side of the printer.


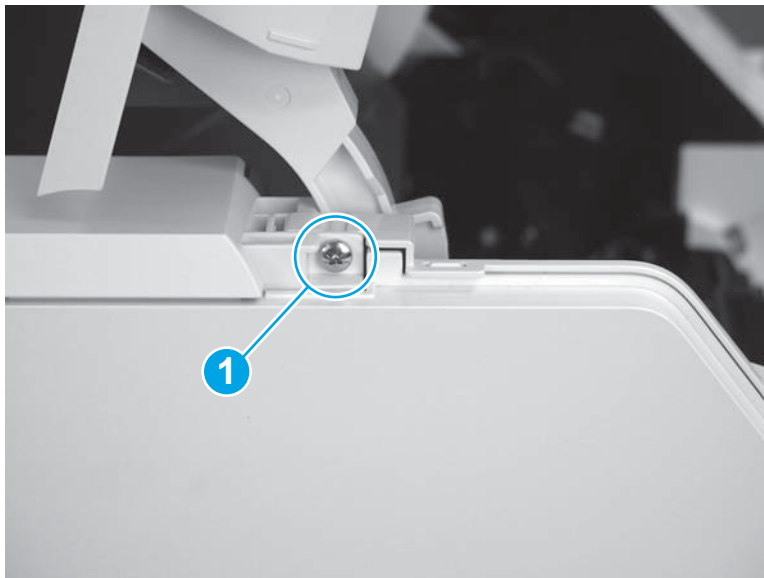
 **Reinstallation tip:** This screw is larger than the screws removed from the top of the printer. Make sure to install the correct screw.

Figure 1-1488 Install one screw



5. Install one screw (callout 1) on the right side of the printer.


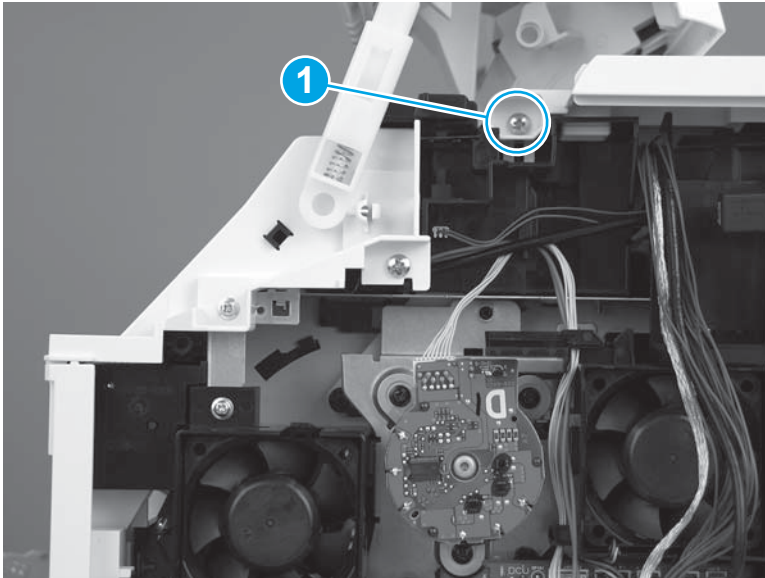
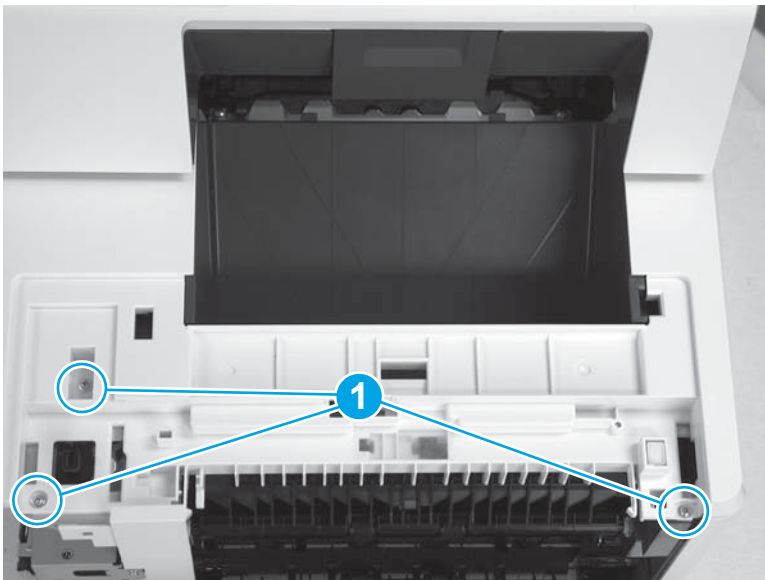
 **Reinstallation tip:** This screw is larger than the screws removed from the top of the printer. Make sure to install the correct screw.

Figure 1-1489 Install one screw



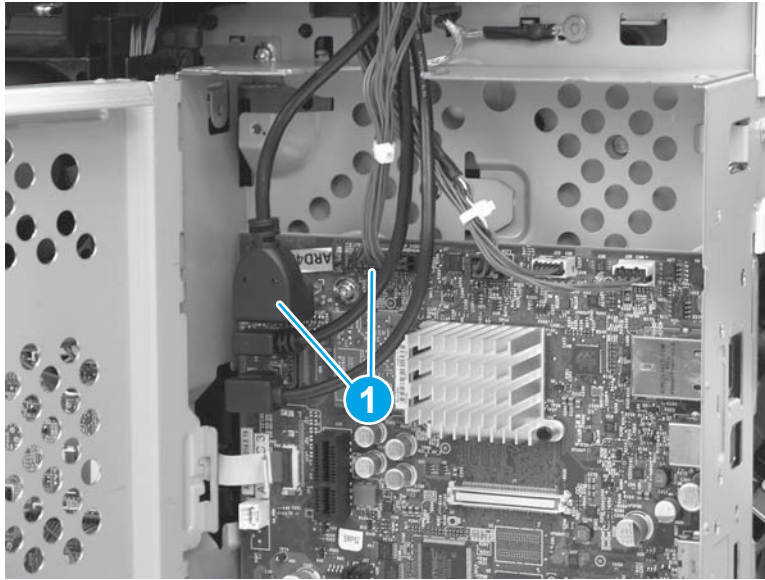
6. Install three screws (callout 1) on the top of the printer.

Figure 1-1490 Install three screws



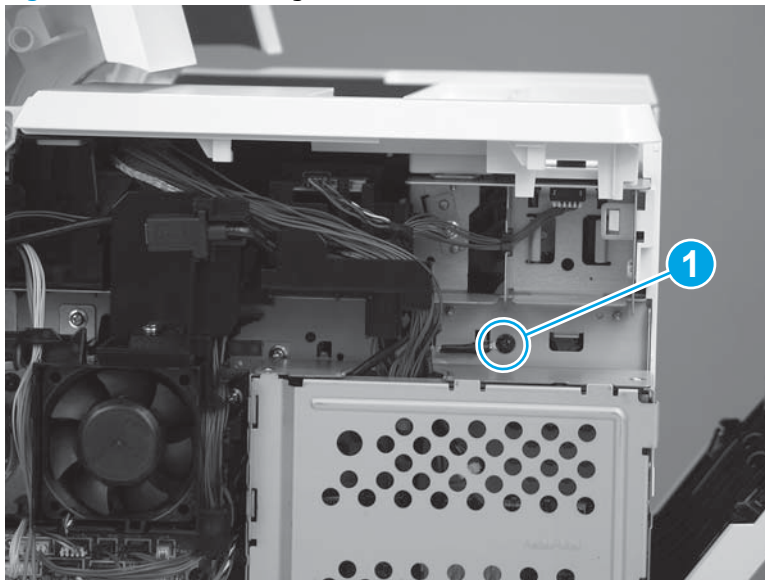
7. Connect two connectors (callout 1).

Figure 1-1491 Connect two connectors



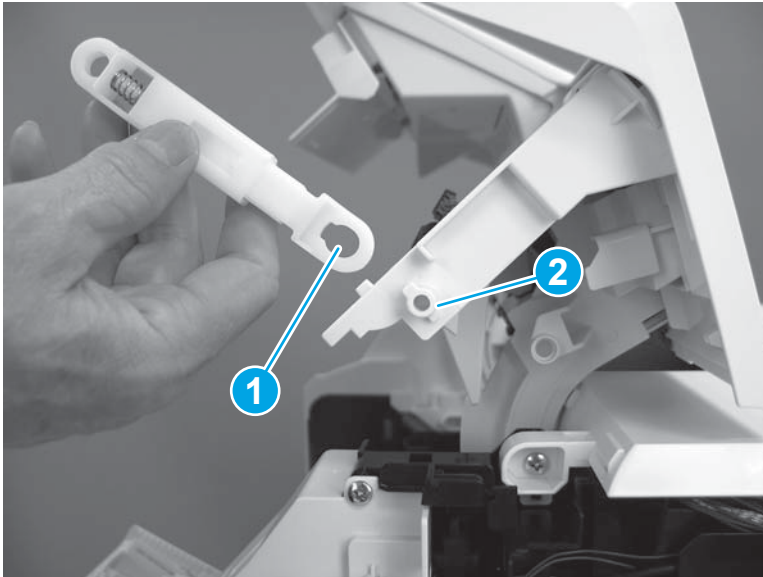
8. Install one screw to attach the ground wire (callout 1).

Figure 1-1492 Install the ground wire




9. If the toner-cartridge door hinge comes off of the top cover, reattach the hinge by sliding the hole (callout 1) in the hinge onto the tab (callout 2) on the top cover.

Figure 1-1493 Reattach the door hinge

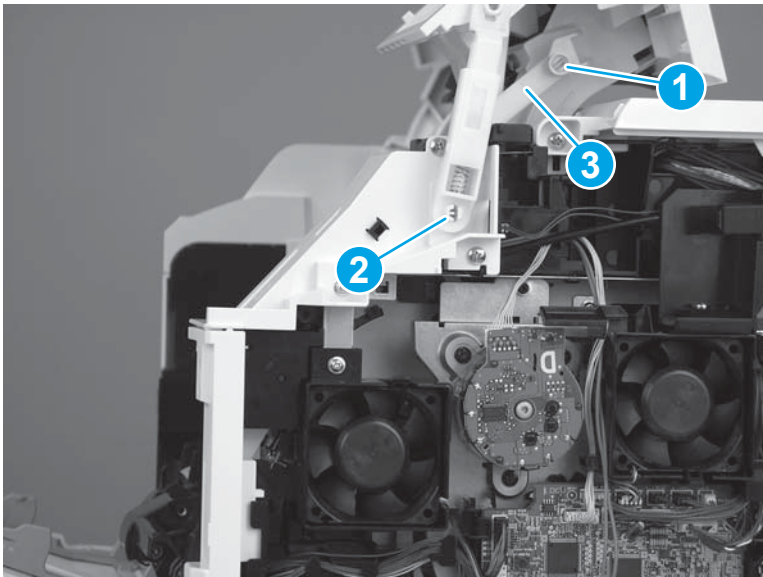


10. Install the toner-cartridge drive-arm (callout 1) and the toner-cartridge door hinge (callout 2) by pressing them onto the tabs.

 **NOTE:** It might be necessary to lift the drive arm (callout 3) up in order to reattach it.

 **CAUTION:** The toner-cartridge drive-arm tabs break easily.

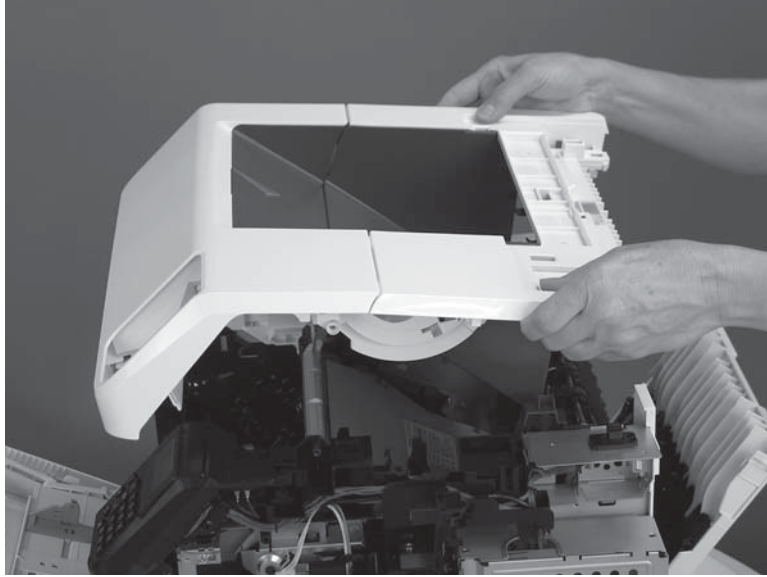
Figure 1-1494 Install the drive-arm and door hinge tabs



Step 11: Install the top cover (M604n/dn, M605n/dn, M606dn only)

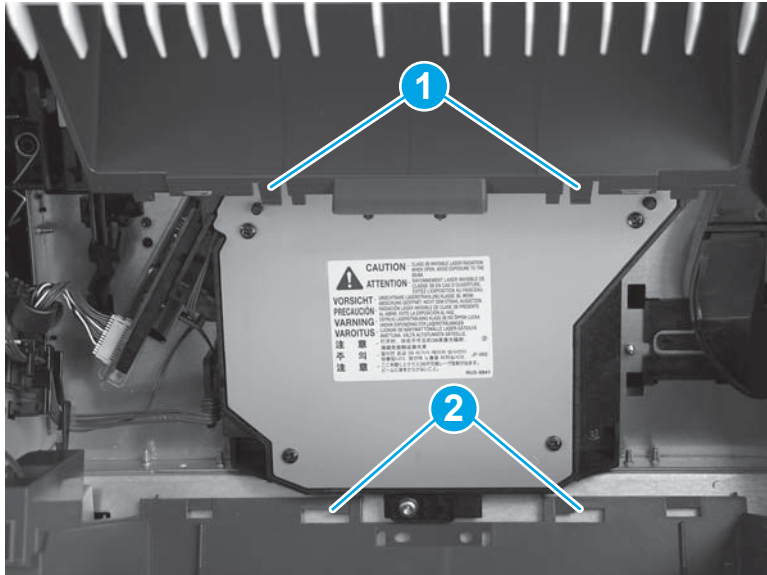
1. Lower the top cover onto the printer.

Figure 1-1495 Lower the top cover



2. Install two tabs (callout 1) on the top output bin into two slots (callout 2) in the printer. Make sure that the tabs snap into place.

Figure 1-1496 Install two tabs



3. Install one screw (callout 1) on the left side of the printer.


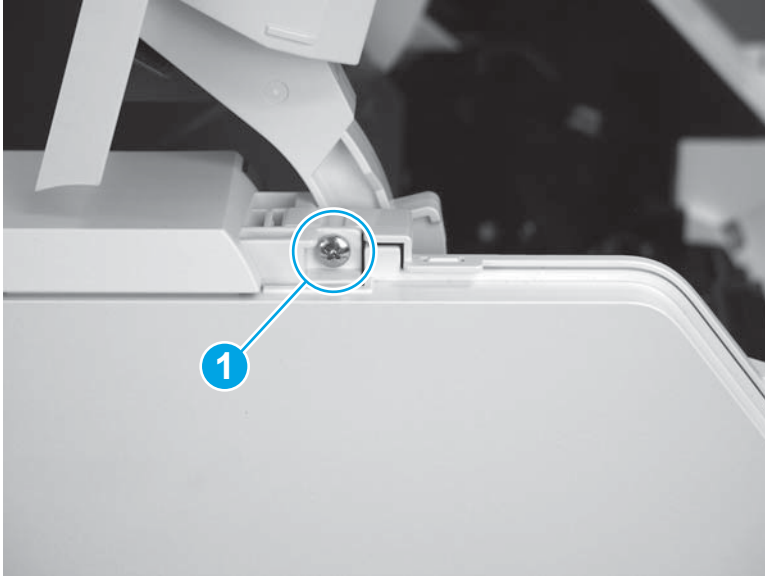
 **Reinstallation tip:** This screw is larger than the screws removed from the top of the printer. Make sure to install the correct screw.

Figure 1-1497 Install one screw



4. Install one screw (callout 1) on the right side of the printer.


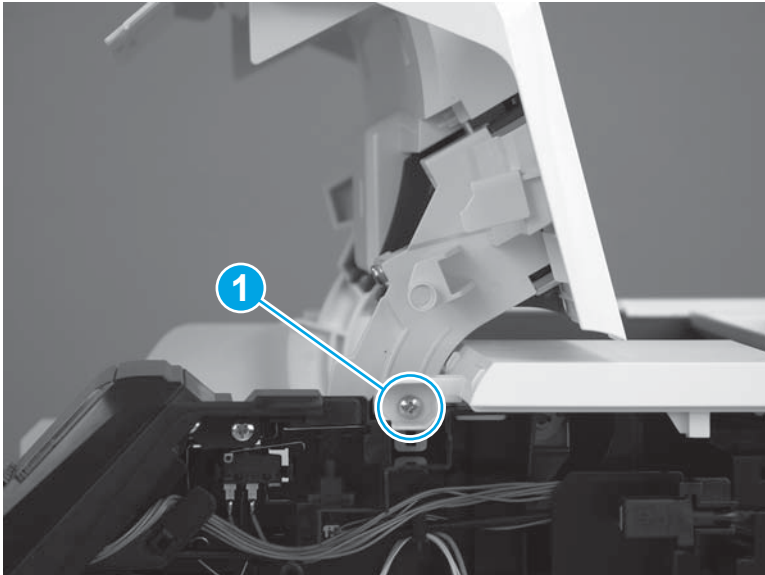
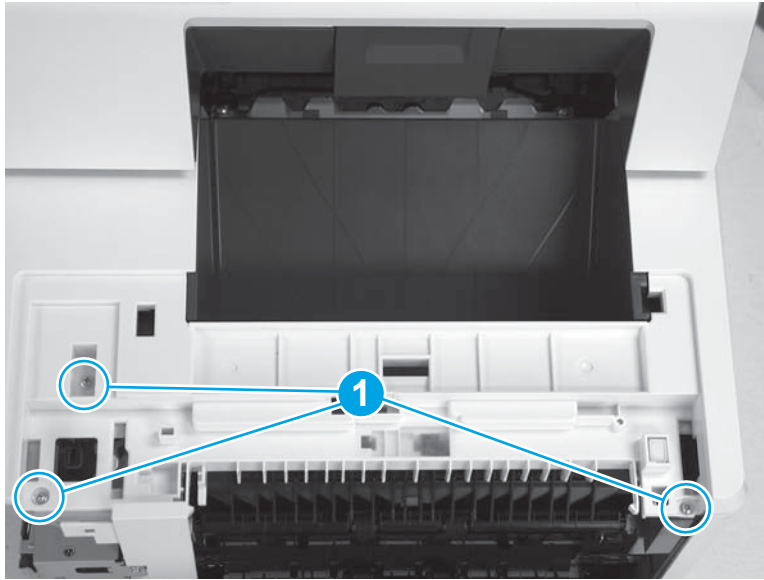
 **Reinstallation tip:** This screw is larger than the screws removed from the top of the printer. Make sure to install the correct screw.

Figure 1-1498 Install one screw



5. Install three screws (callout 1) on the top of the printer.

Figure 1-1499 Install three screws

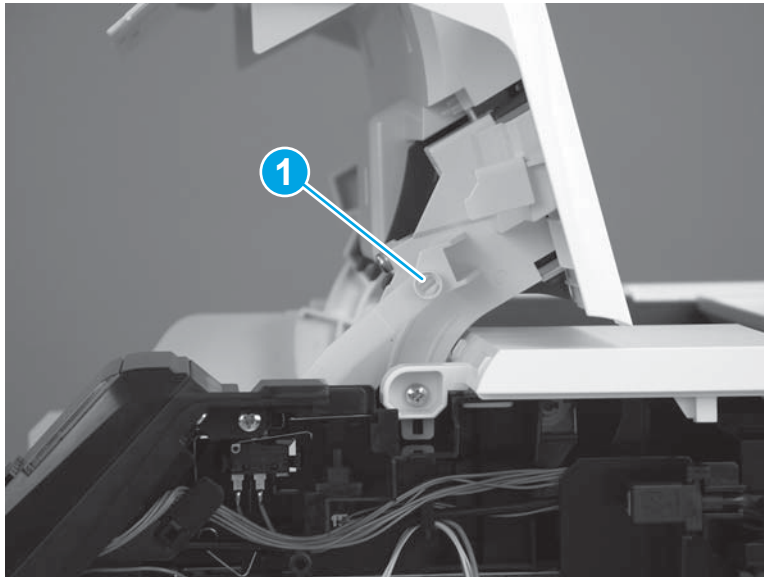


6. Install the toner-cartridge drive-arm (callout 1) by pressing it onto the tabs.

 **NOTE:** It might be necessary to lift the drive arm up in order to reattach it.

 **CAUTION:** The toner-cartridge drive-arm tabs break easily.

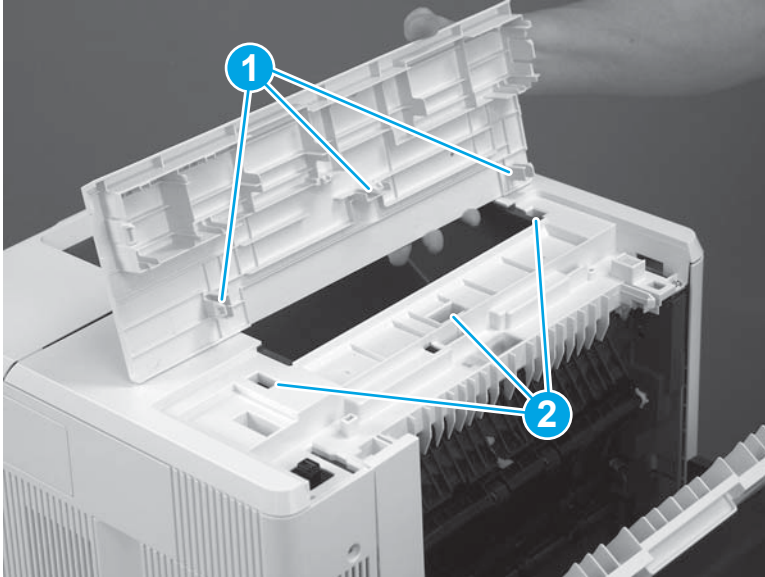
Figure 1-1500 Install the drive-arm tabs



Step 12: Install the top accessory cover

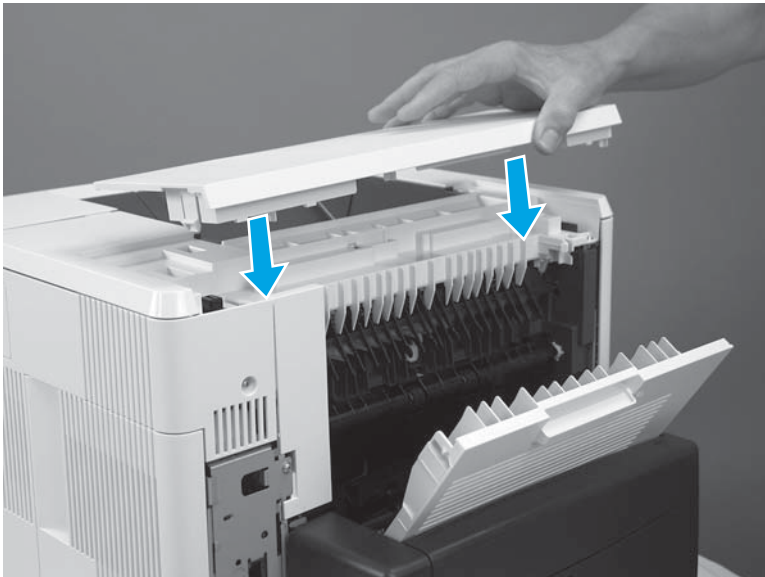
1. Align the tabs (callout 1) on the top accessory cover with the slots (callout 2) in the top cover.

Figure 1-1501 Align the tabs and slots



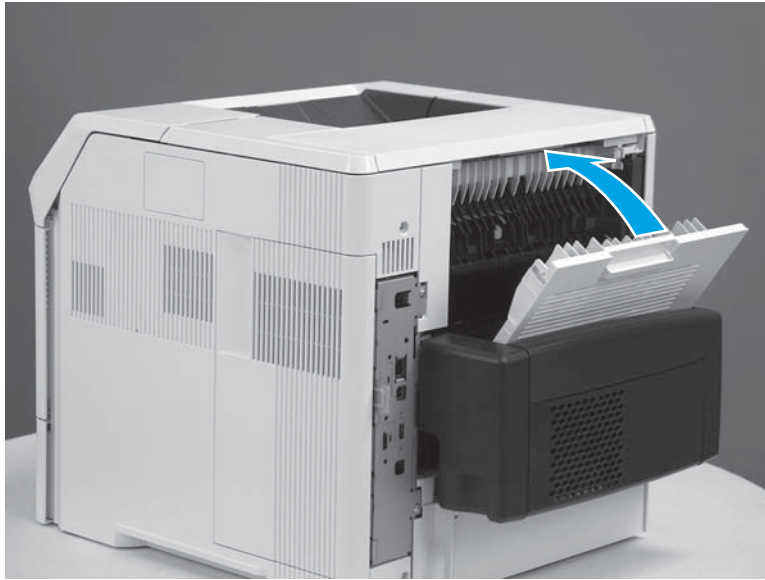
2. Place the top accessory on top of the printer, and then press down to install it.

Figure 1-1502 Install the top accessory cover



3. Close the rear output bin.

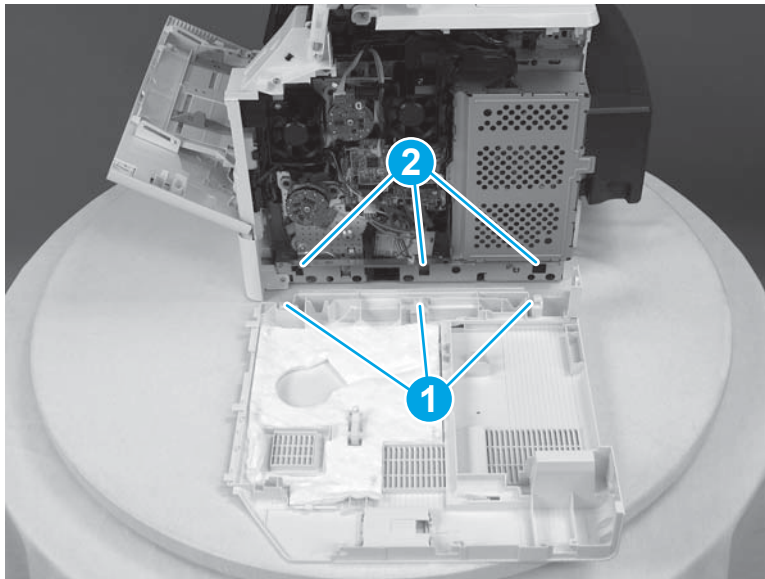
Figure 1-1503 Close the rear output bin



Step 13: Install the right cover

1. Note the location of the tabs (callout 1) on the cover that will fit into the slots (callout 2) on the printer.

Figure 1-1504 Note location of tabs



2. Position the front tabs on the right cover slightly behind the right front cover (callout 1), and then rotate the back edge of the cover toward the printer (callout 2).


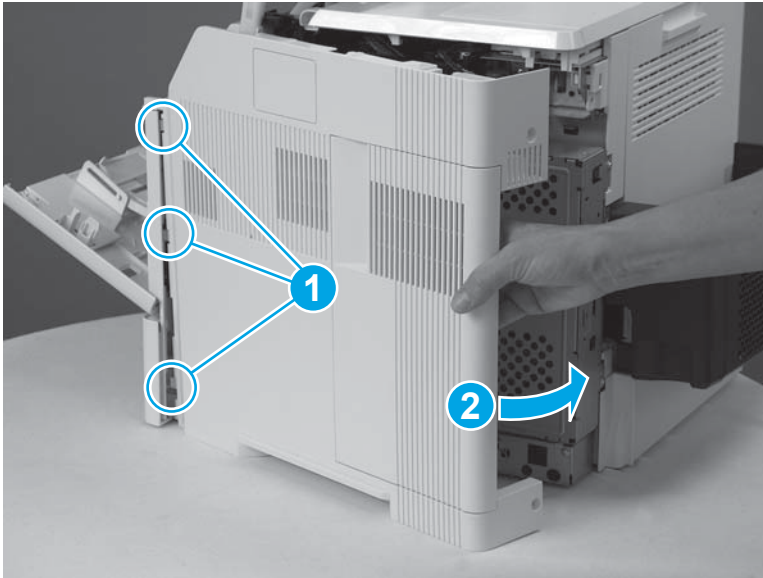
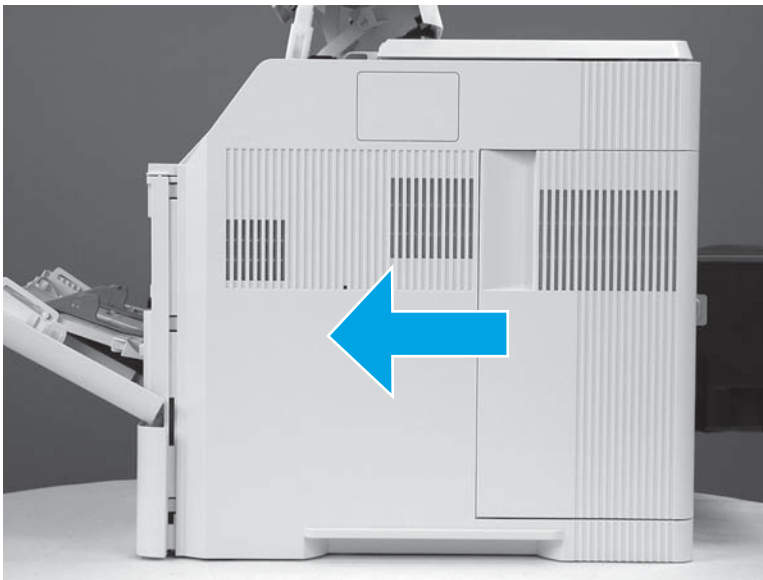
 **NOTE:** The tabs and slots mentioned in the previous step will engage as the cover is rotated into place.

Figure 1-1505 Position the front tabs



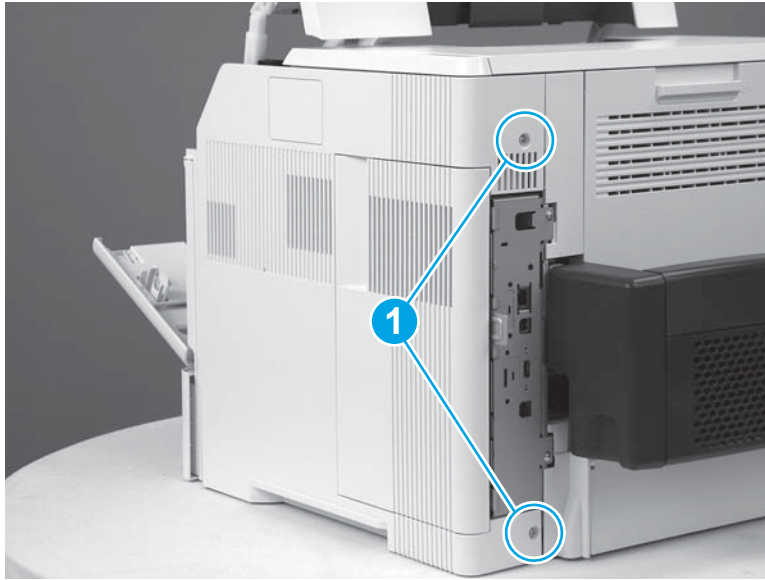
3. Slide the cover toward the front of the printer to install it.

Figure 1-1506 Slide the cover



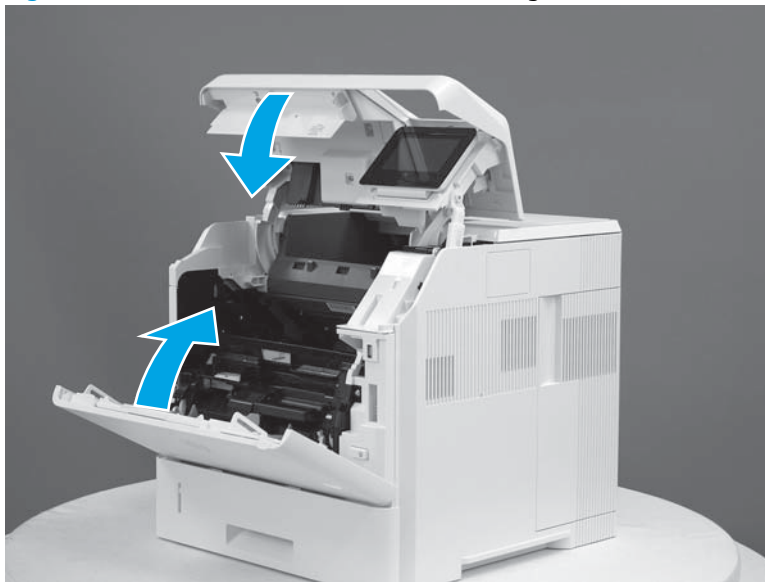
4. Install two screws (callout 1).

Figure 1-1507 Install two screws




5. Close the front cover and the cartridge door.

Figure 1-1508 Close the front cover and cartridge door

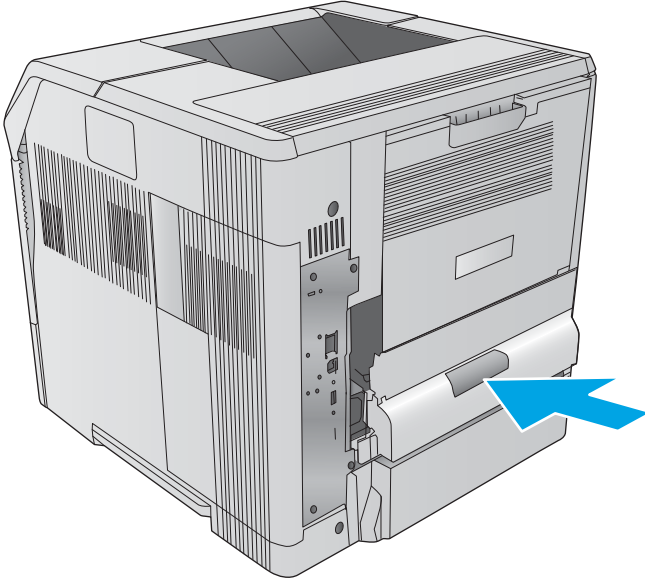


Step 14: Install the duplex accessory cover

 **NOTE:** If the duplex accessory cover was not removed, skip this step and go to [Step 15: Install the duplex accessory on page 838](#).

- ▲ Slide the duplex accessory cover straight into the printer to install it.

Figure 1-1509 Install the duplex accessory cover



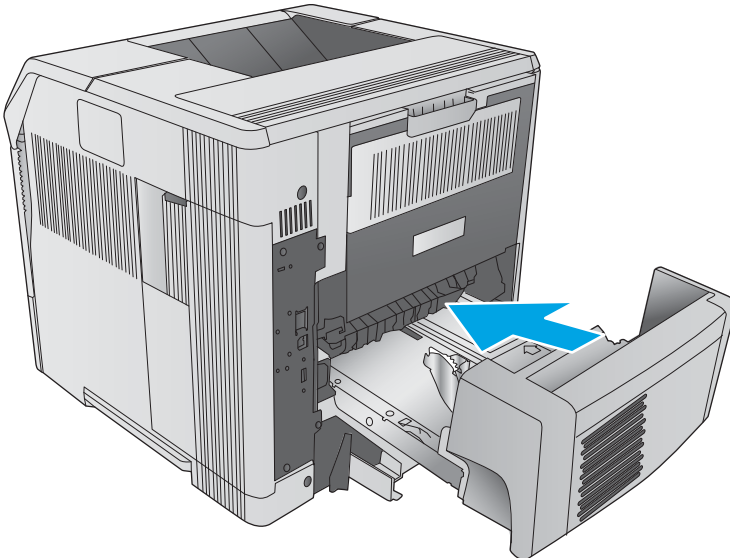
Step 15: Install the duplex accessory



NOTE: If the optional duplex accessory was not removed, skip this step.

- ▲ Slide the duplex accessory straight into the printer to install it.

Figure 1-1510 Install the duplex accessory



Removal and replacement: Paper-delivery assembly

- [Introduction](#)
- [Step 1: Remove the duplex accessory](#)
- [Step 2: Remove the duplex accessory cover](#)
- [Step 3: Remove the rear output bin](#)
- [Step 4: Remove the right cover](#)
- [Step 5: Remove the top accessory cover](#)
- [Step 6: Remove the top cover \(M604n/dn, M605n/dn, M606dn only\)](#)
- [Step 7: Remove the top cover \(M605x, M606x only\)](#)
- [Step 8: Remove the right rear cover](#)
- [Step 9: Remove the paper-delivery assembly](#)
- [Step 10: Unpack the replacement paper-delivery assembly](#)
- [Step 11: Install the paper-delivery assembly](#)
- [Step 12: Install the right rear cover](#)
- [Step 13: Install the top cover \(M605x, M606x only\)](#)
- [Step 14: Install the top cover \(M604n/dn, M605n/dn, M606dn only\)](#)
- [Step 15: Install the top accessory cover](#)
- [Step 16: Install the right cover](#)
- [Step 17: Install the rear output bin](#)
- [Step 18: Install the duplex accessory cover](#)
- [Step 19: Install the duplex accessory](#)

Introduction

This document provides the procedures to remove and replace the paper-delivery assembly.

Before performing service

Turn the printer power off

- Disconnect the power cable.

⚠ WARNING! To avoid damage to the printer, turn the printer off, wait 30 seconds, and then remove the power cord before attempting to service the printer.

Use the table below to identify the correct part number for your printer. To order the part, go to www.hp.com/buy/parts.

Required tools

- #2 Phillips screwdriver with a magnetic tip

After performing service

Turn the printer power on

- Connect the power cable.
- Use the power switch to turn the power on.

Post service test

Make sure that the printer initializes to a **Ready** state.

Print a configuration page to make sure that the printer is functioning correctly.

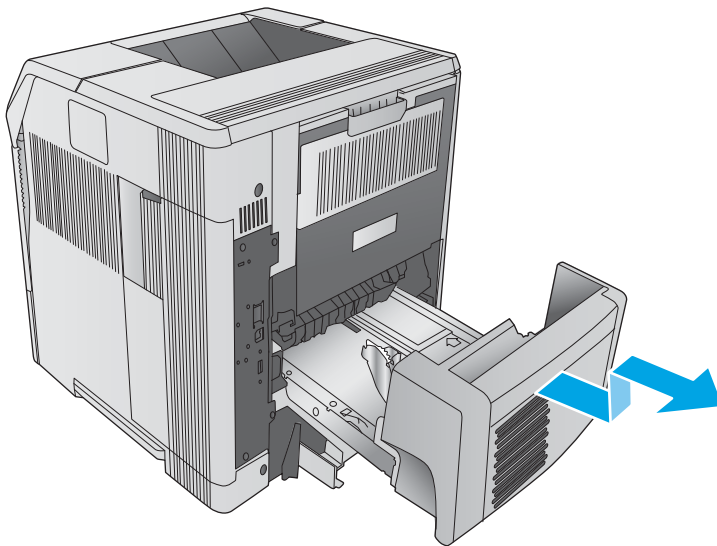
Step 1: Remove the duplex accessory



NOTE: If the optional duplex accessory is not installed, skip this step and go to [Step 2: Remove the duplex accessory cover on page 840](#).

- ▲ Slightly lift up on the duplex accessory, and then pull it completely out of the printer to remove it.

Figure 1-1511 Remove the duplex accessory



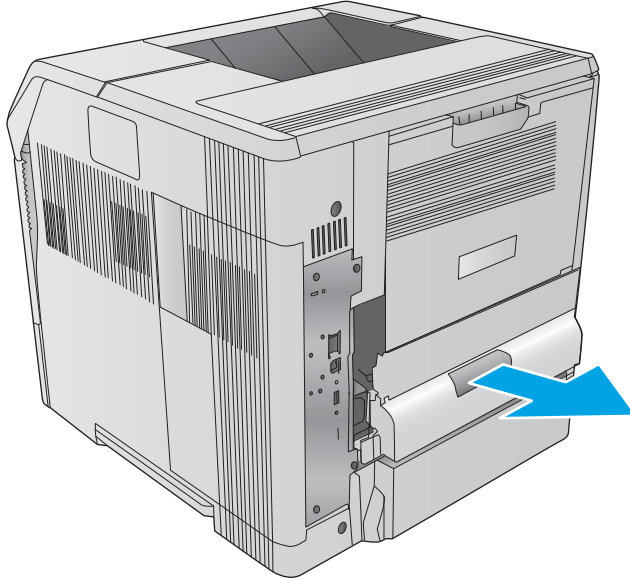
Step 2: Remove the duplex accessory cover



NOTE: If the duplex accessory cover is not installed, skip this step and go to [Step 3: Remove the rear output bin on page 841](#).

- ▲ Pull the duplex accessory cover straight out of the printer to remove it.

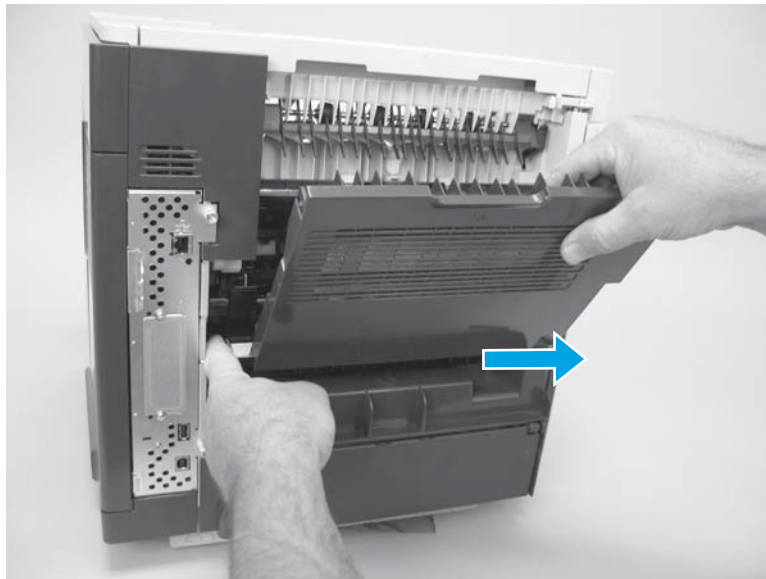
Figure 1-1512 Remove the duplex accessory cover



Step 3: Remove the rear output bin

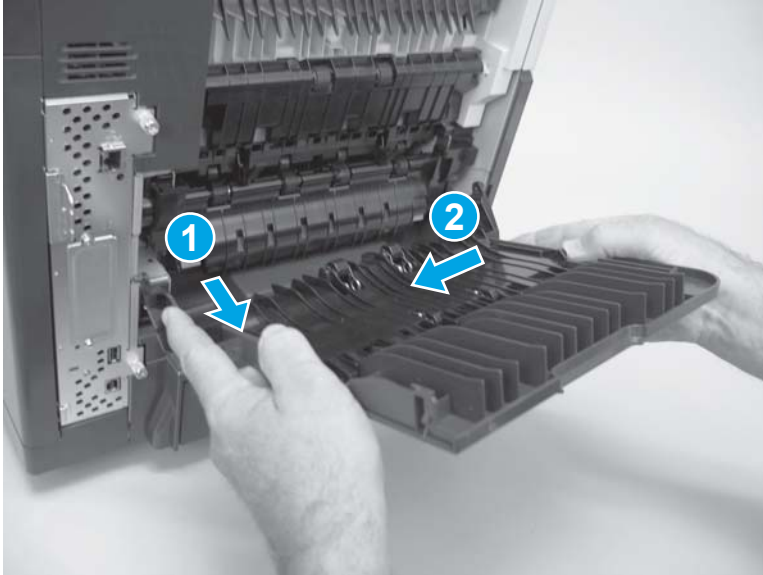
1. Open the rear output bin, and then squeeze the hinge pin out of its mounting hole.

Figure 1-1513 Release the hinge pin



2. Rotate the output bin away from the printer (callout 1) until the right hinge pin is released, and then slide the output bin to the left (callout 2) to remove it.

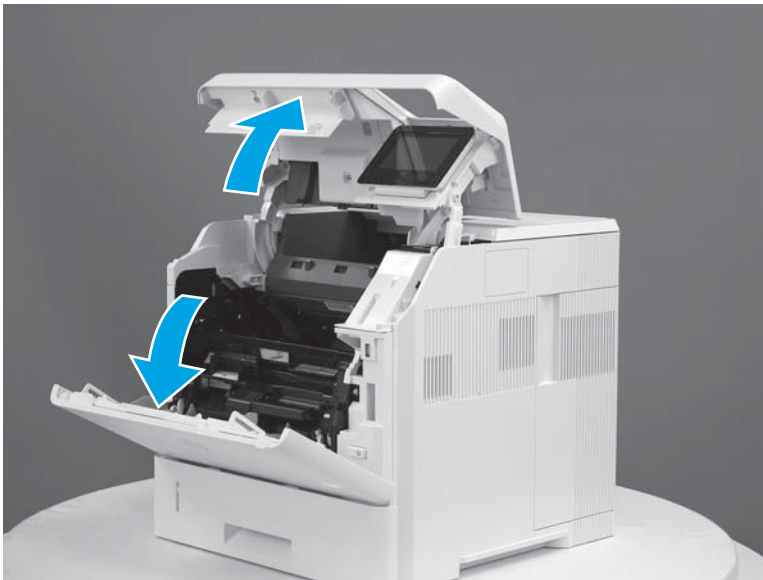
Figure 1-1514 Remove the output bin



Step 4: Remove the right cover

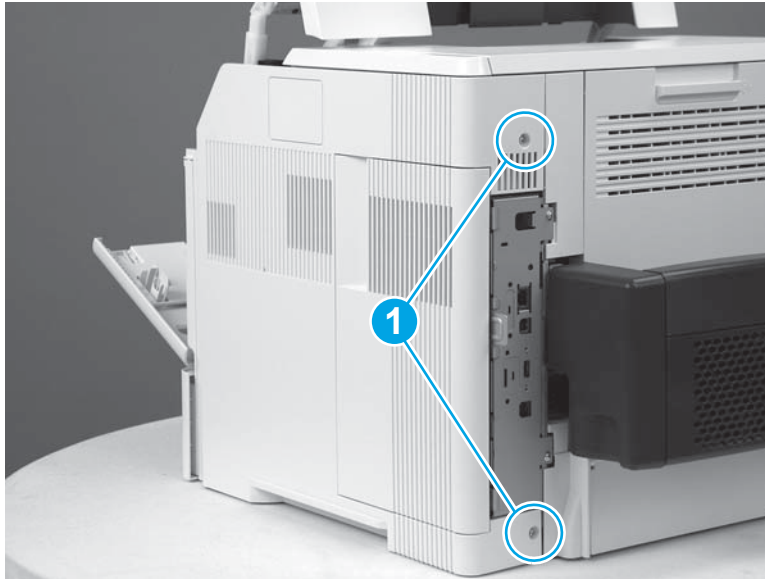
1. Open the front cover and the cartridge door.

Figure 1-1515 Open the front cover and cartridge door



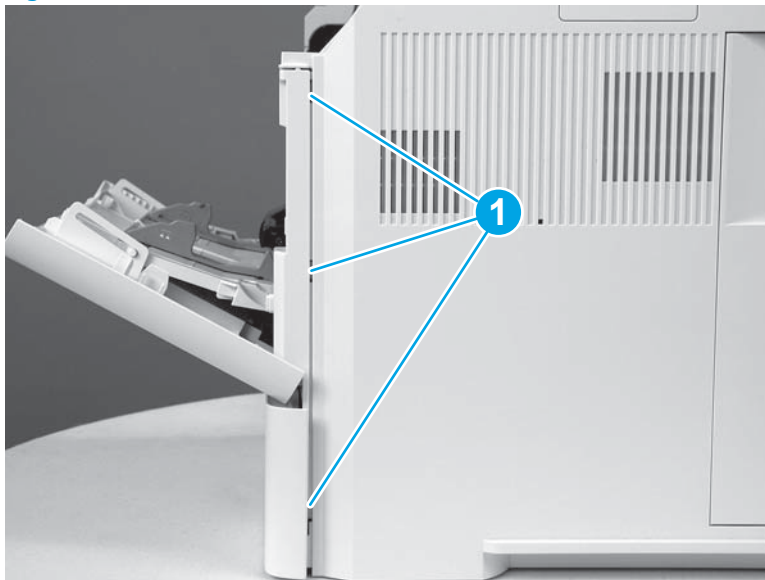
2. Remove two screws (callout 1).

Figure 1-1516 Remove two screws



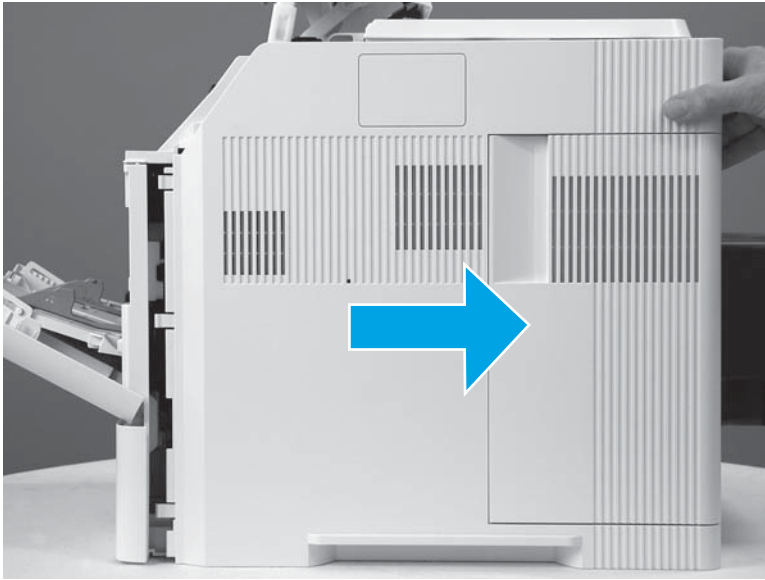
3. Release three tabs (callout 1).

Figure 1-1517 Release three tabs



4. Slide the cover toward the rear of the printer to remove it.

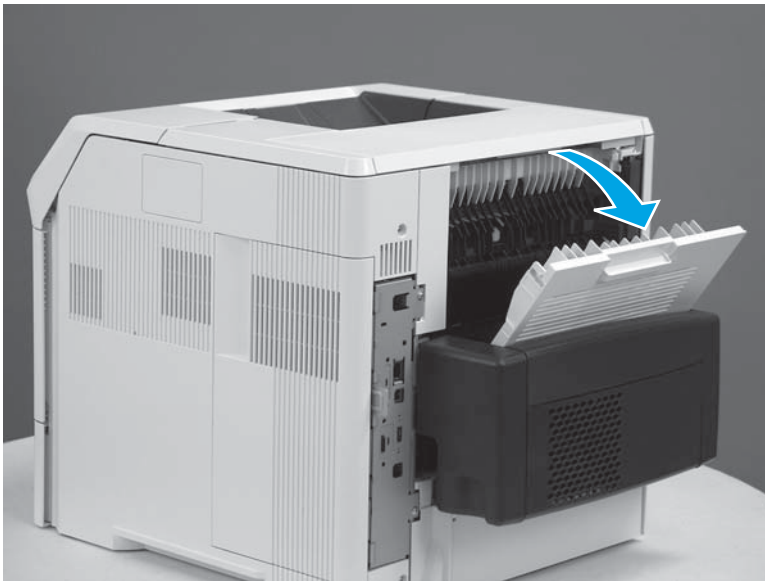
Figure 1-1518 Remove the cover



Step 5: Remove the top accessory cover

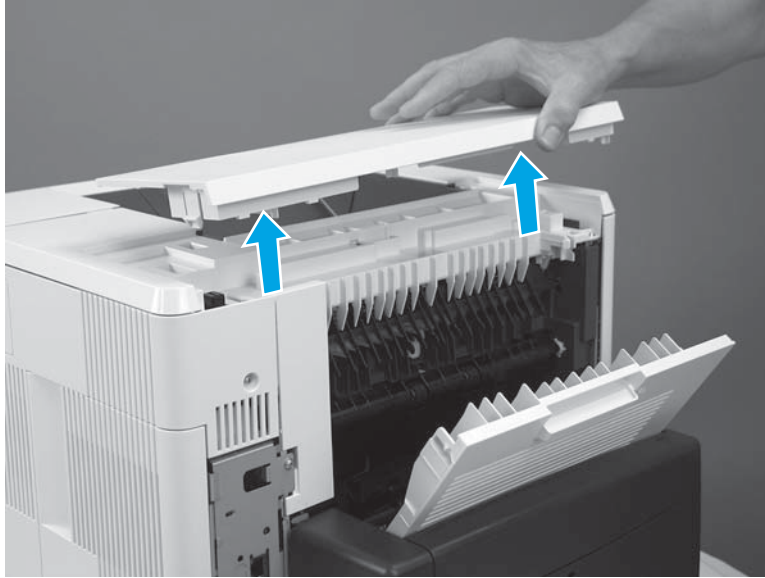
1. Open the rear output bin.

Figure 1-1519 Open the rear output bin




2. Lift the top accessory cover up and off of the printer.

Figure 1-1520 Remove top accessory cover



Step 6: Remove the top cover (M604n/dn, M605n/dn, M606dn only)

 **NOTE:** For the M605x or M606x product, skip this step and go to [Step 7: Remove the top cover \(M605x, M606x only\)](#) on page 848.

1. Use needle-nose pliers to release the toner-cartridge drive-arm tabs (callout 1).

 **CAUTION:** The toner-cartridge drive-arm tabs break easily.


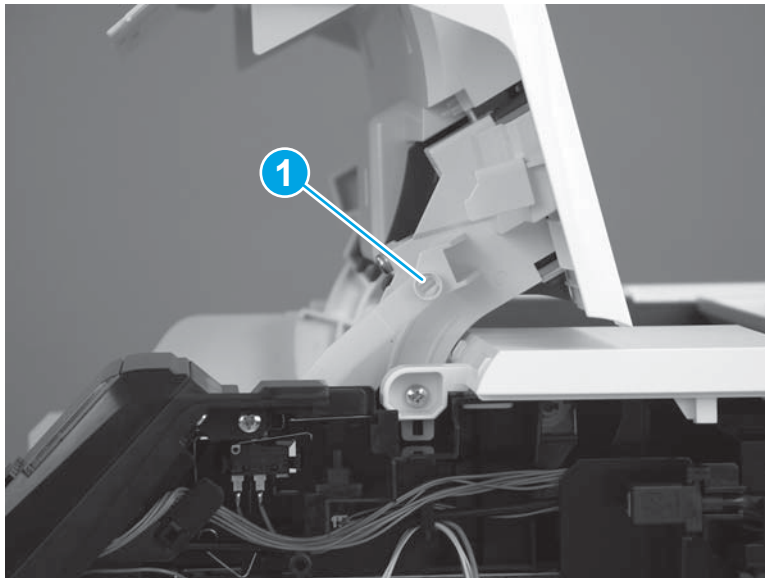
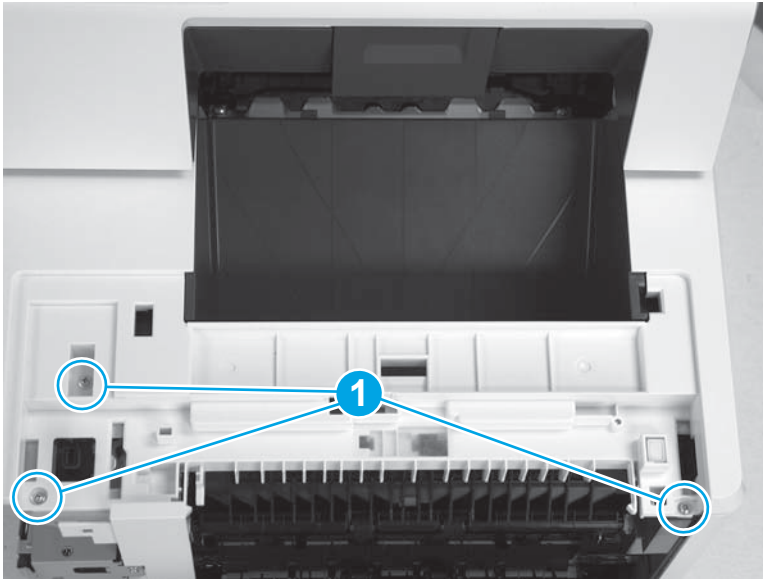
 **TIP:** Push the toner-cartridge drive-arm back into the printer to avoid damaging it when you remove the top cover.

Figure 1-1521 Release the drive-arm tabs



2. Remove three screws (callout 1) on the top of the printer.

Figure 1-1522 Remove three screws



3. Remove one screw (callout 1) on the right side of the printer.


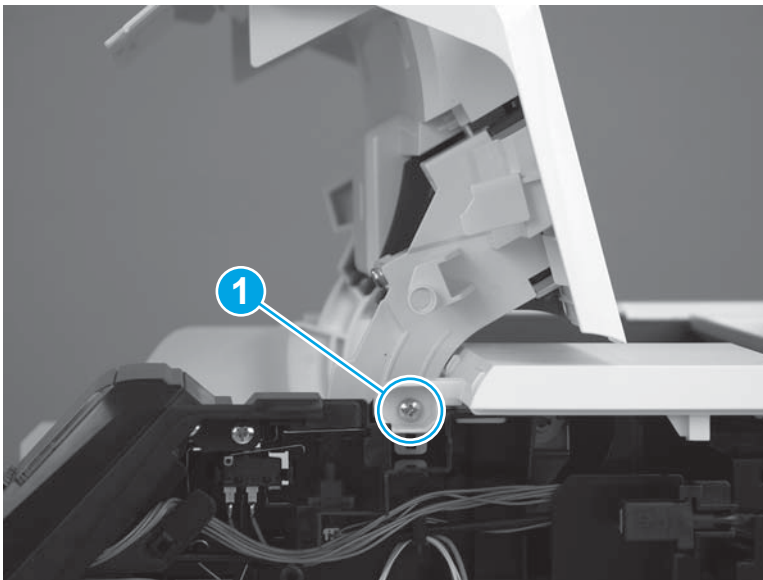
 **Reinstallation tip:** This screw is larger than the screws removed from the top of the printer. Make sure to install the correct screw when reassembling.

Figure 1-1523 Remove one screw



4. Remove one screw (callout 1) on the left side of the printer.


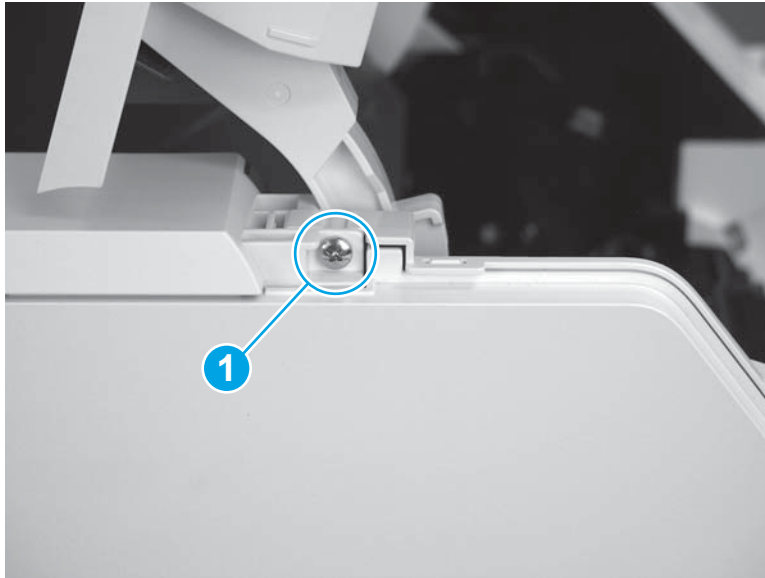
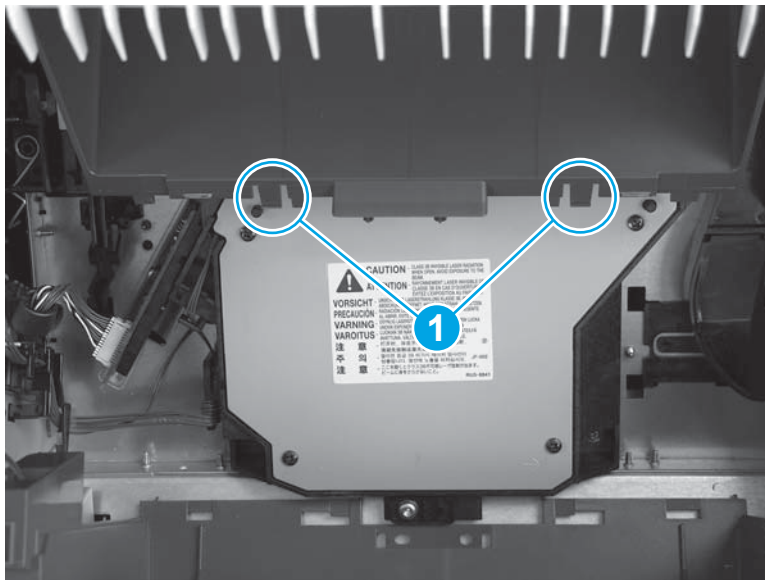
 **Reinstallation tip:** This screw is larger than the screws removed from the top of the printer. Make sure to install the correct screw when reassembling.

Figure 1-1524 Remove one screw



5. Note the location of two tabs on the top output bin (callout 1). These tabs are released in the next step.

Figure 1-1525 Location of two tabs



6. Release two tabs (callout 1) on the top output bin.


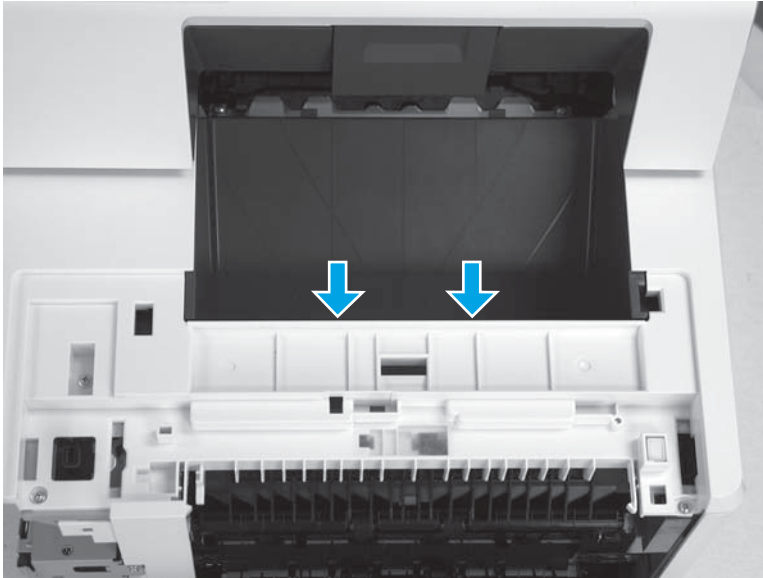
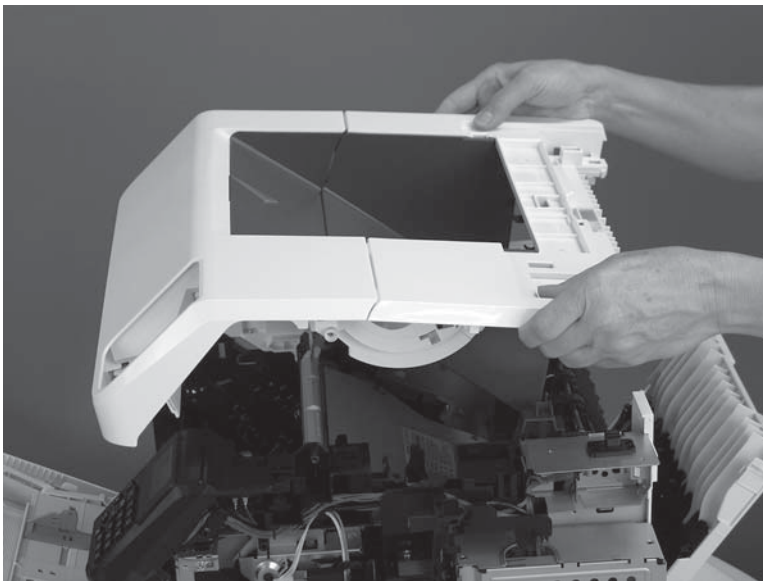
 **Reinstallation tip:** Make sure that these tabs are fully seated when the top cover is reinstalled.

Figure 1-1526 Release two tabs



7. Lift the top cover up and off of the printer to remove it.

Figure 1-1527 Remove the top cover



Step 7: Remove the top cover (M605x, M606x only)

1. Use needle-nose pliers to release the toner-cartridge drive-arm tabs (callout 1) and the toner-cartridge door hinge tabs (callout 2).

 **CAUTION:** The toner-cartridge drive-arm tabs break easily.


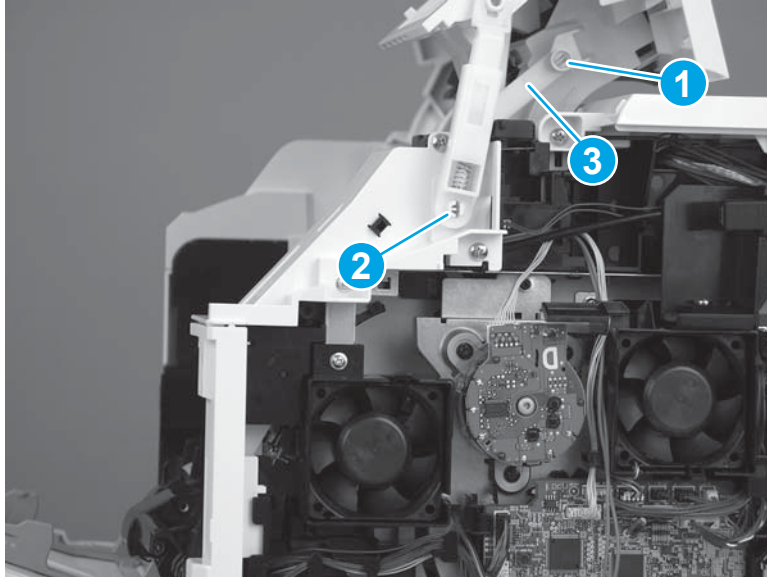
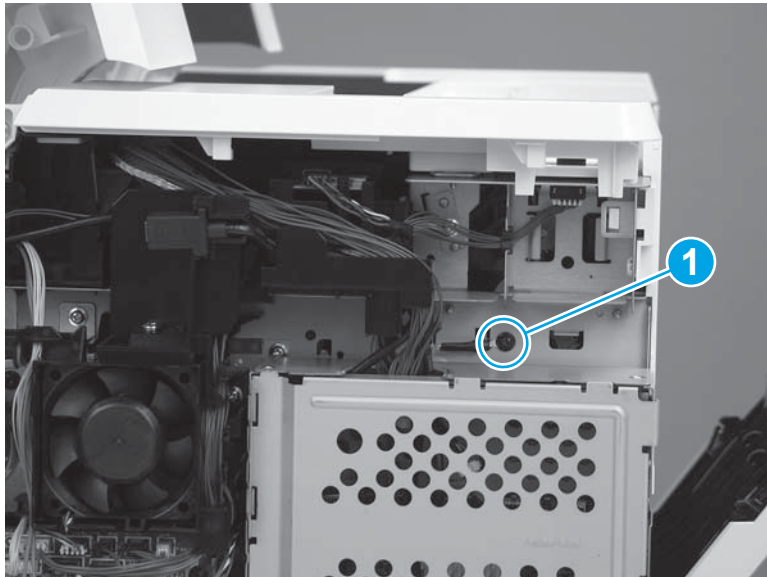
 **TIP:** Push the toner-cartridge drive-arm (callout 3) back into the printer to avoid damaging it when you remove the top cover.

Figure 1-1528 Release the drive-arm and door hinge tabs



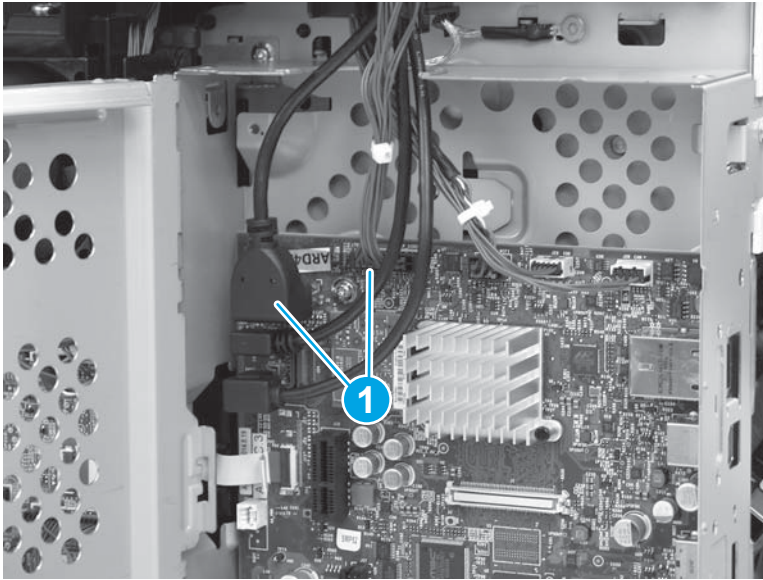
2. Remove one screw, and then release the ground wire (callout 1).

Figure 1-1529 Release the ground wire



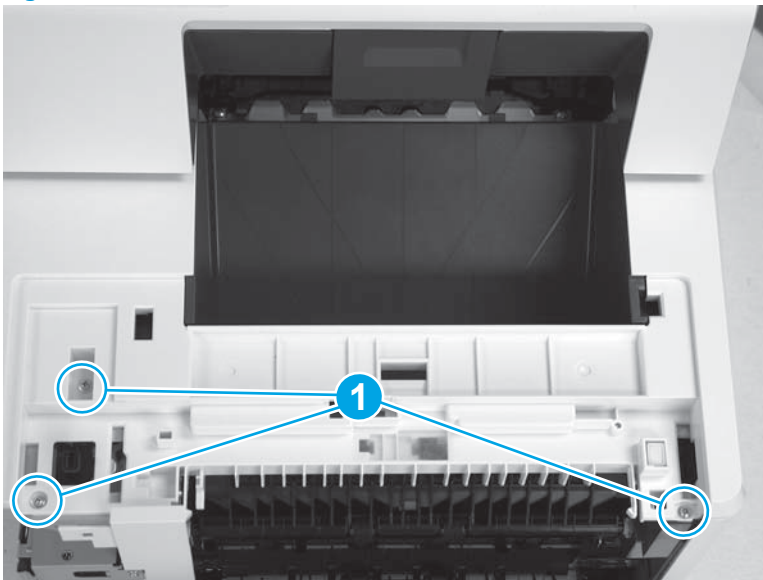
3. Open the formatter case door, and then disconnect two connectors (callout 1).

Figure 1-1530 Disconnect two connectors



4. Remove three screws (callout 1) on the top of the printer.

Figure 1-1531 Remove three screws



5. Remove one screw (callout 1) on the right side of the printer.


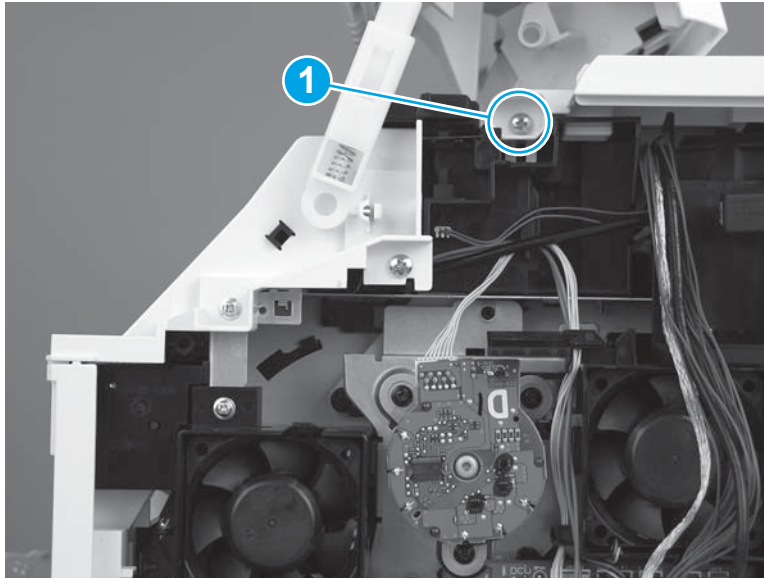
 **Reinstallation tip:** This screw is larger than the screws removed from the top of the printer. Make sure to install the correct screw when reassembling.

Figure 1-1532 Remove one screw



6. Remove one screw (callout 1) on the left side of the printer.


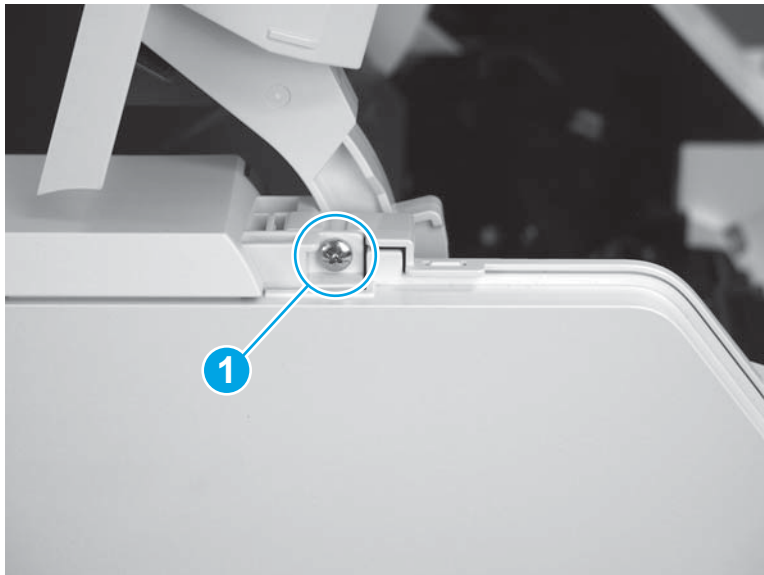
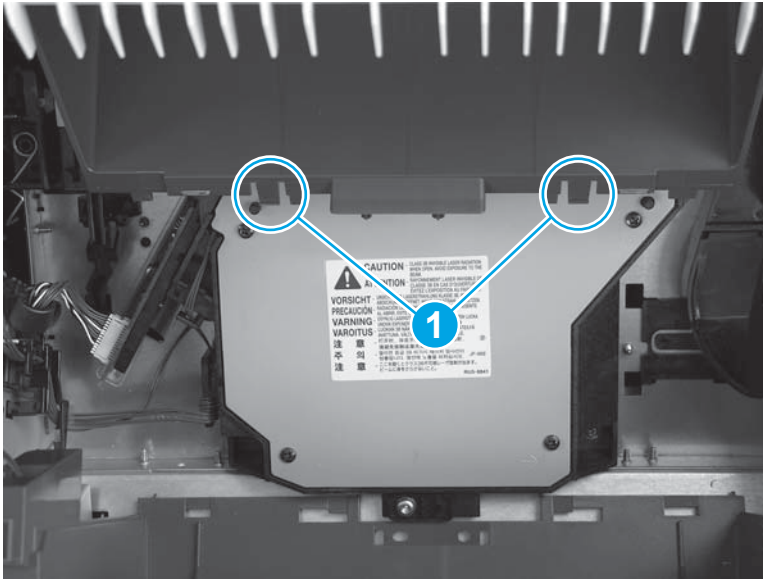
 **Reinstallation tip:** This screw is larger than the screws removed from the top of the printer. Make sure to install the correct screw when reassembling.

Figure 1-1533 Remove one screw



7. Note the location of two tabs on the top output bin (callout 1). These tabs are released in the next step.

Figure 1-1534 Location of two tabs



8. Release two tabs (callout 1) on the top output bin.


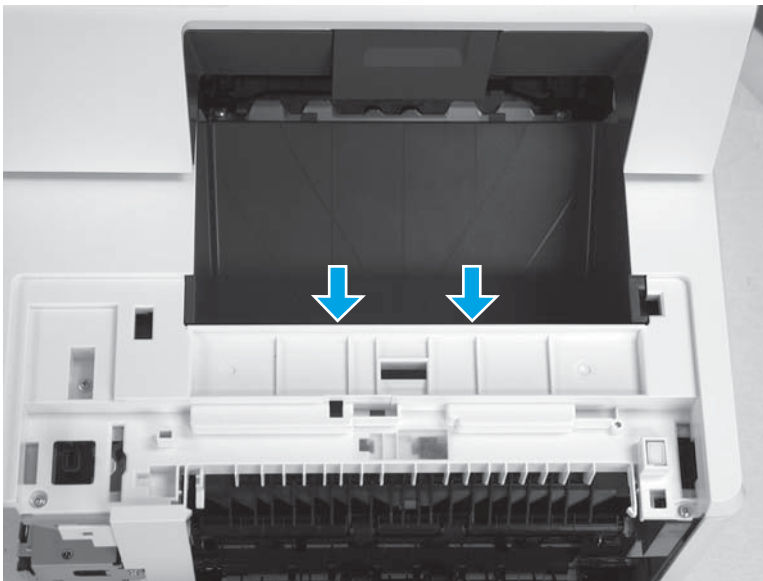
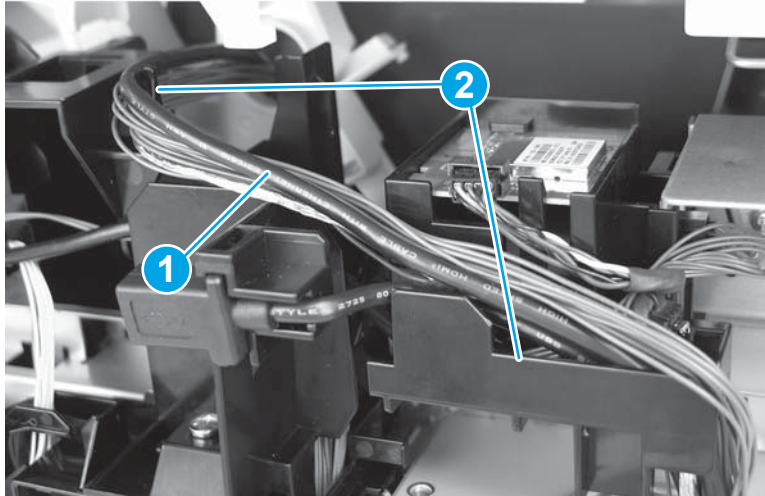
 **Reinstallation tip:** Make sure that these tabs are fully seated when the top cover is reinstalled.

Figure 1-1535 Release two tabs



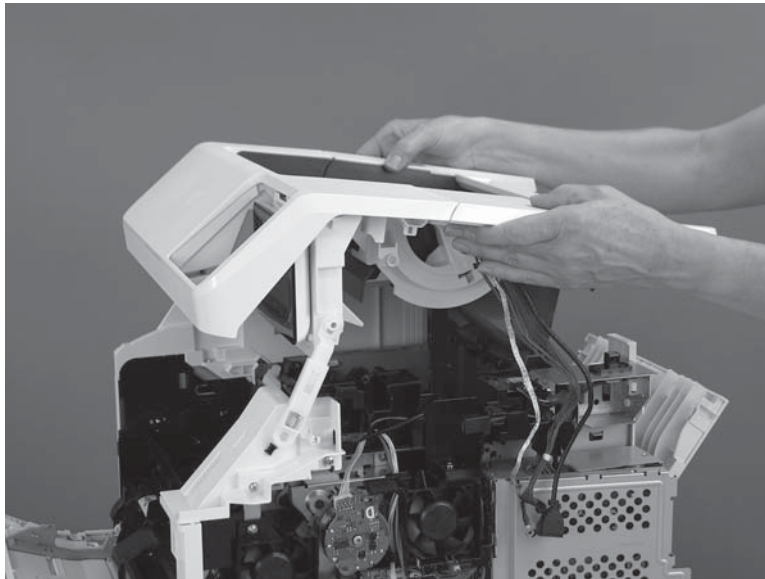
9. On the right side of the printer, release the wire harness and cables (callout 1) from the guides (callout 2).

Figure 1-1536 Release cables from guides



10. Lift the top cover up and off of the printer to remove it.

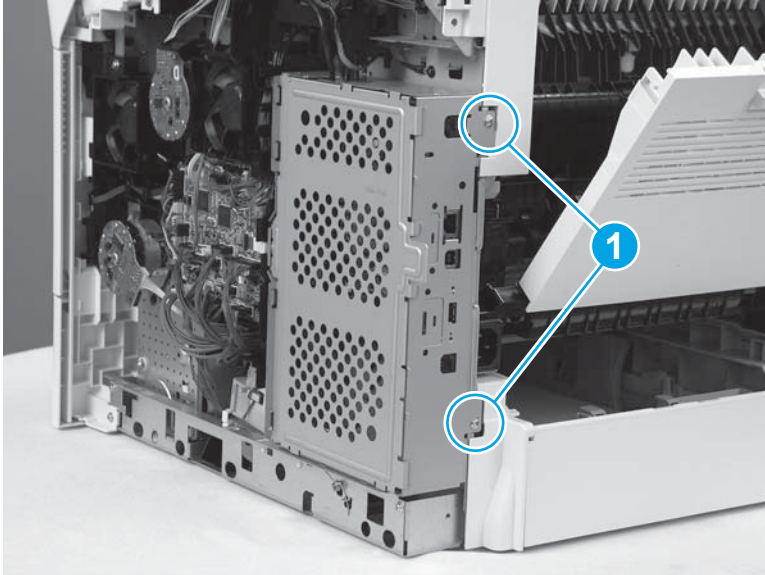
Figure 1-1537 Remove the top cover



Step 8: Remove the right rear cover

1. Remove two screws (callout 1).

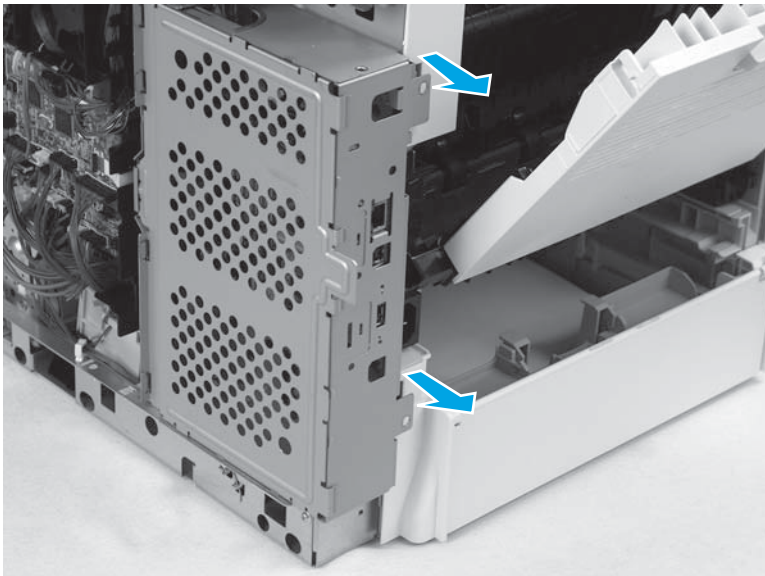
Figure 1-1538 Remove two screws



2. Slide the formatter case about 6.35 mm (.25 in) toward the rear of the printer.

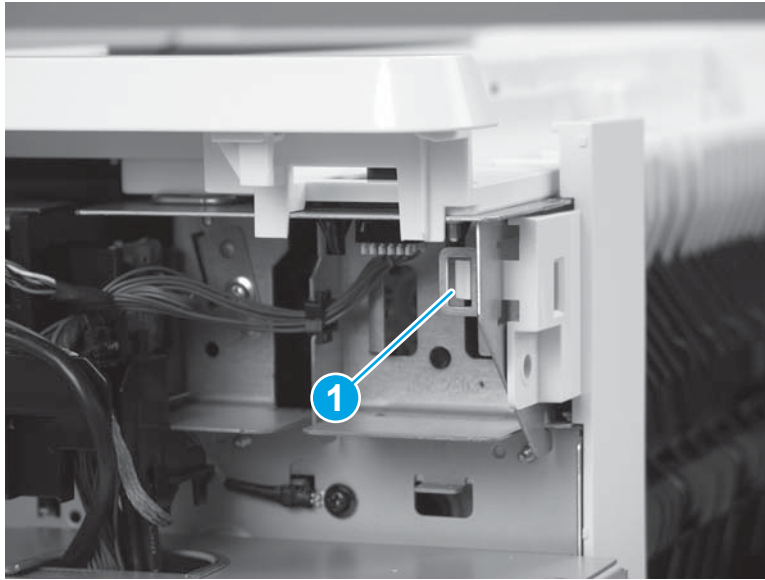
⚠ CAUTION: The formatter is still connected to the printer by several cables. **To avoid damaging the printer, do not slide the formatter case all of the way out of the printer.**

Figure 1-1539 Slide the formatter case



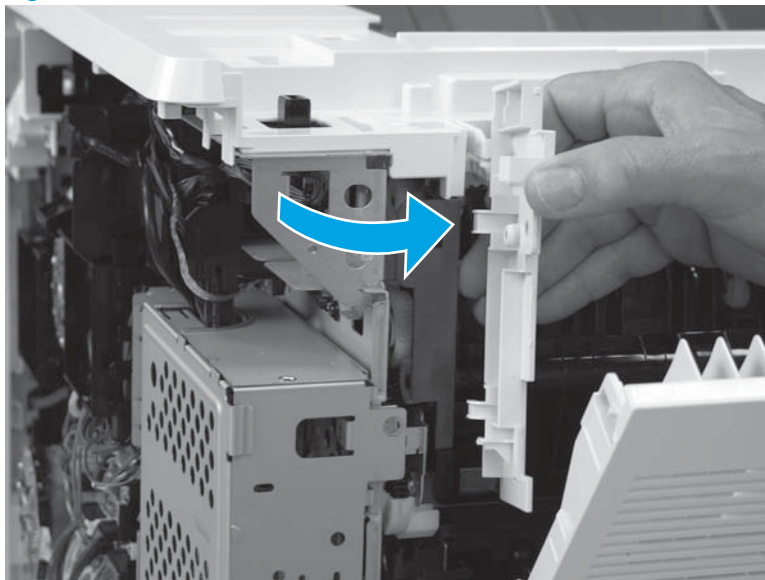
3. Release one tab (callout 1).

Figure 1-1540 Release one tab



4. Rotate the right rear cover toward the rear output bin to remove it.

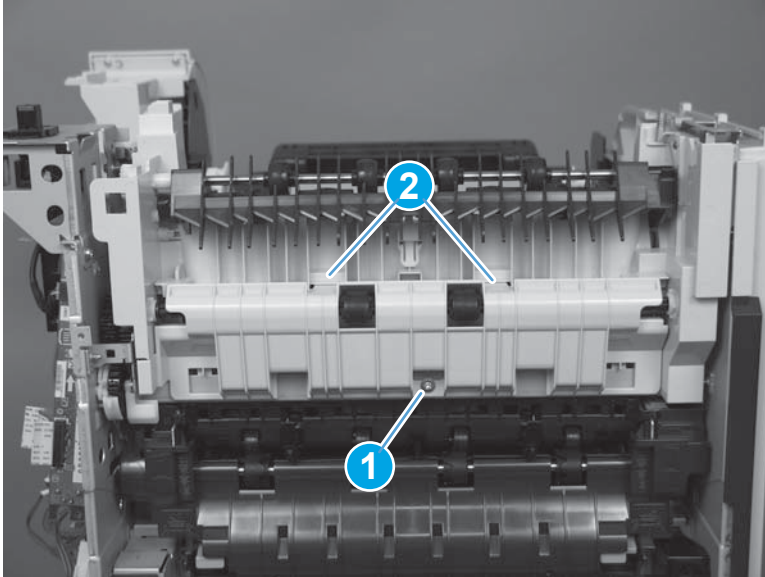
Figure 1-1541 Rotate the cover



Step 9: Remove the paper-delivery assembly

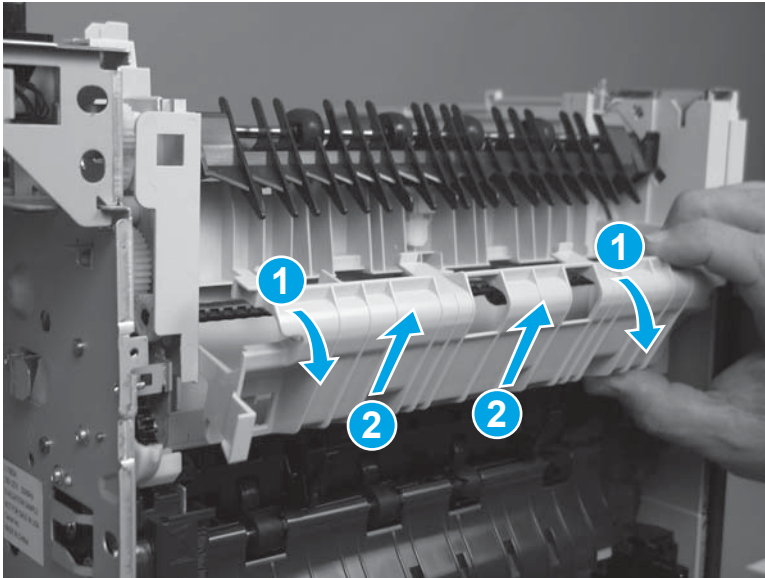
1. Remove one screw (callout 1), and then release two tabs (callout 2).

Figure 1-1542 Remove one screw and release two tabs



2. Rotate the top of the guide away from the printer (callout 1), push up on the guide to release it (callout 2), and then remove the guide.

Figure 1-1543 Remove the guide



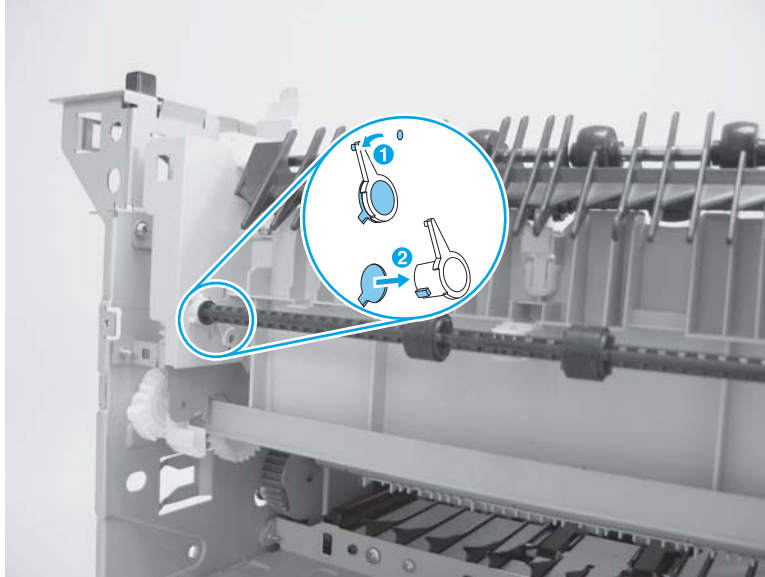
3. Use a small flat-blade screwdriver to release the locking pin on the shaft lock, and then rotate the lock counter clockwise until the inner retaining tab (gear side) aligns with the hole in the paper-delivery assembly frame.

Slide the shaft lock to the right and remove it to release the gear shaft from the paper-delivery assembly.

CAUTION: Do not break the shaft lock. A replacement is not provided with a new paper-delivery assembly.

NOTE: Save the shaft lock for installation on the replacement paper-delivery assembly.

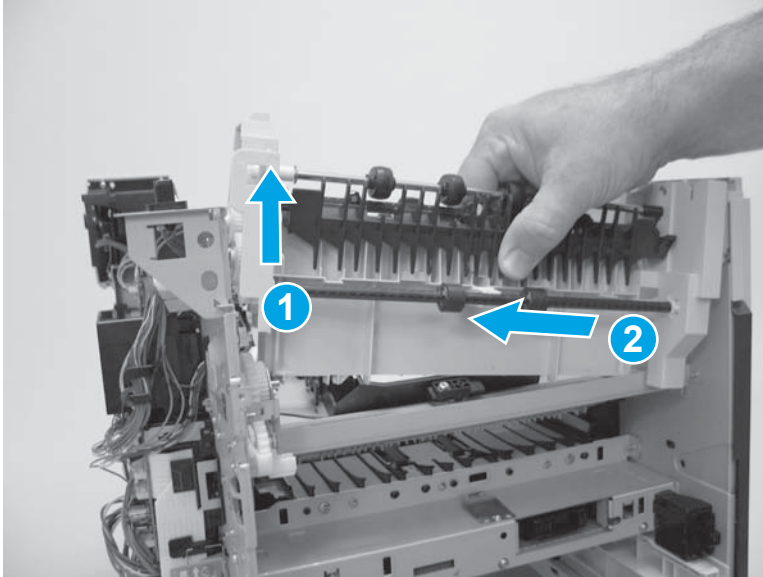
Figure 1-1544 Remove the shaft lock



4. Lift up the gear end of the paper-delivery assembly slightly, and then slide the assembly toward the formatter-side of the printer to remove it.

⚠ CAUTION: The output-bin-sensor cable is routed through a notch on the paper-delivery assembly at the gear end of the assembly. When you remove the assembly, carefully remove the cable from the notch to avoid damage to the cable.

Figure 1-1545 Remove the paper-delivery assembly



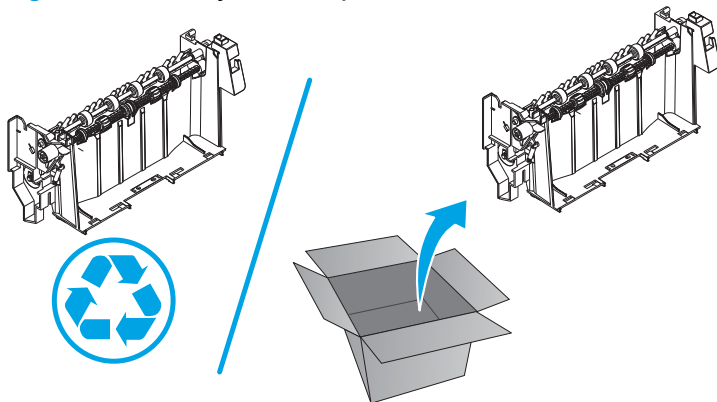
Step 10: Unpack the replacement paper-delivery assembly

Unpack the replacement part from the packaging.

<http://www8.hp.com/us/en/hp-information/environment/product-recycling.html>

📄 NOTE: HP recommends responsible disposal of the defective part.

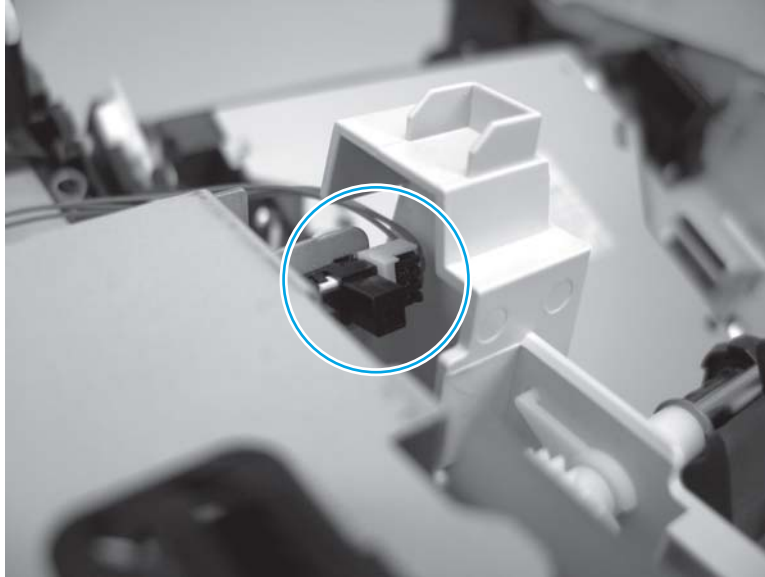
Figure 1-1546 Recycle and unpack



Step 11: Install the paper-delivery assembly

1. Make sure that the output-bin sensor is not dislodged when the paper-deliver assembly is reinstalled.

Figure 1-1547 Check the output-bin sensor



2. Position the right side of the paper-delivery assembly against the printer (callout 1), and then lower the gear end of the assembly into place (callout 2).


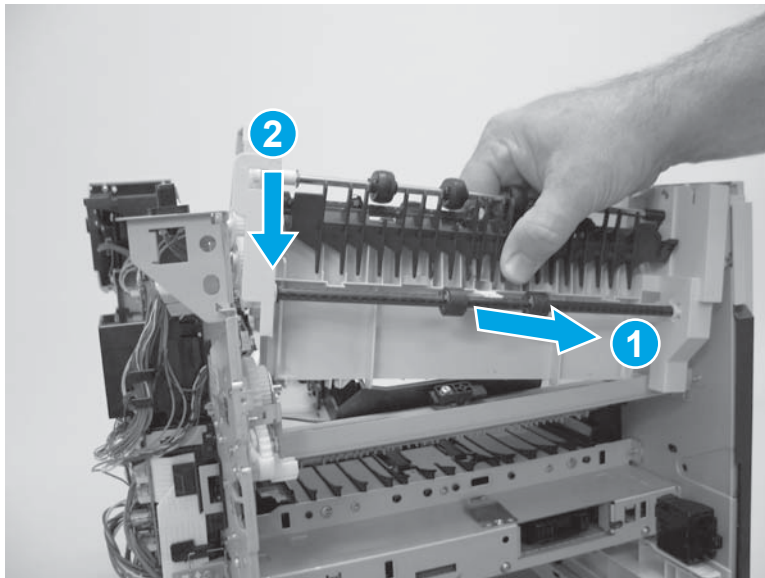
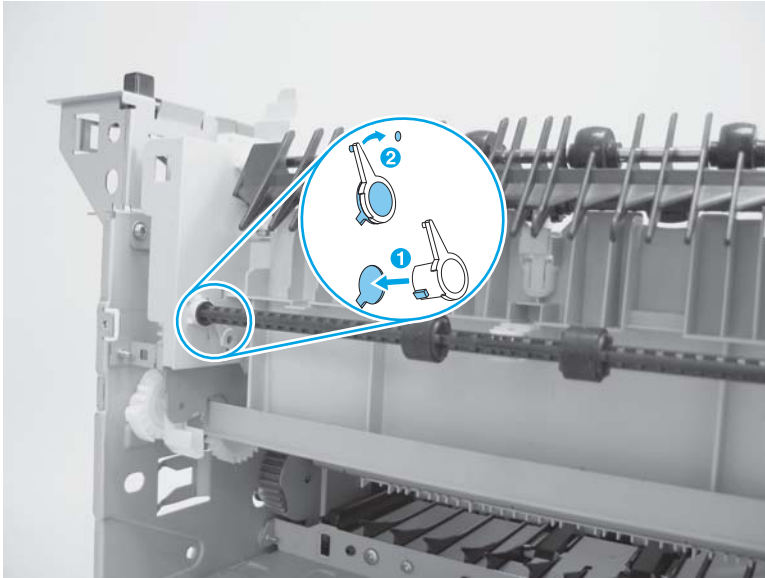
 **NOTE:** Make sure that the output-bin-sensor cable is routed through the notch on the paper-delivery assembly at the gear end of the assembly.

Figure 1-1548 Position the paper-delivery assembly



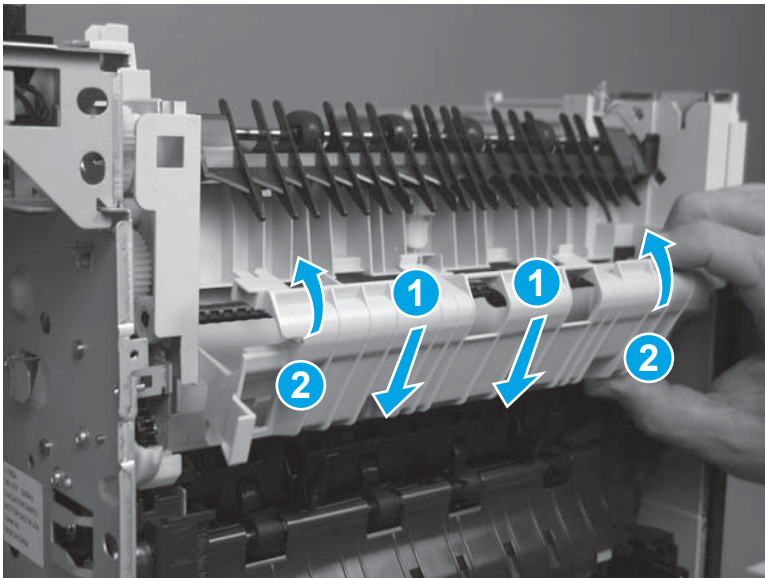
3. To install the shaft lock on the replacement paper-delivery assembly, position the lock on the paper-delivery assembly so that the inner retaining tab (gear side) aligns with the hole in the paper-delivery assembly frame. Rotate the lock to the right until the locking pin on the shaft lock is fully seated in the hole on the paper-delivery assembly.

Figure 1-1549 Install the shaft lock



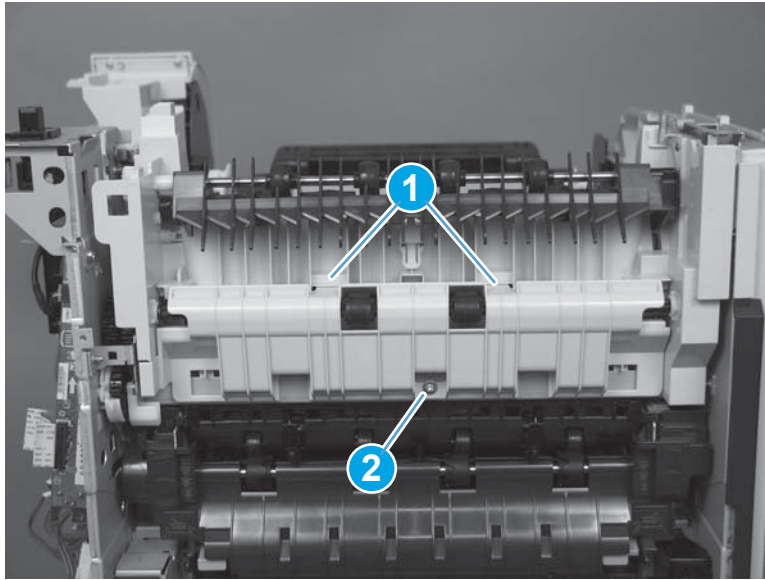
4. Position the lower edge of the guide in the printer (callout 1), and then rotate the top of the guide toward the printer (callout 2) to install it.

Figure 1-1550 Install the guide



5. Install two tabs (callout 1), and then install one screw (callout 2).

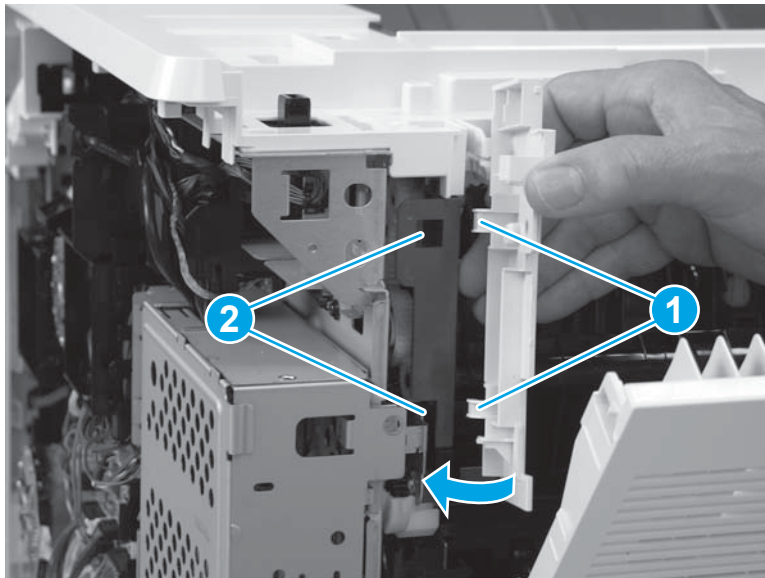
Figure 1-1551 Remove one screw and release two tabs



Step 12: Install the right rear cover

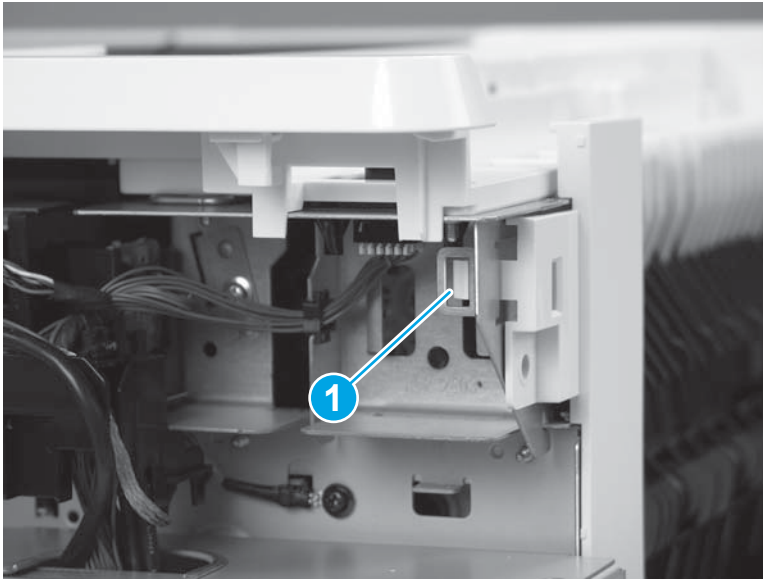
1. Insert the tabs (callout 1) on the right rear cover into the slots (callout 2) on the printer. Rotate the cover toward the right side of the printer.

Figure 1-1552 Position the tabs and rotate



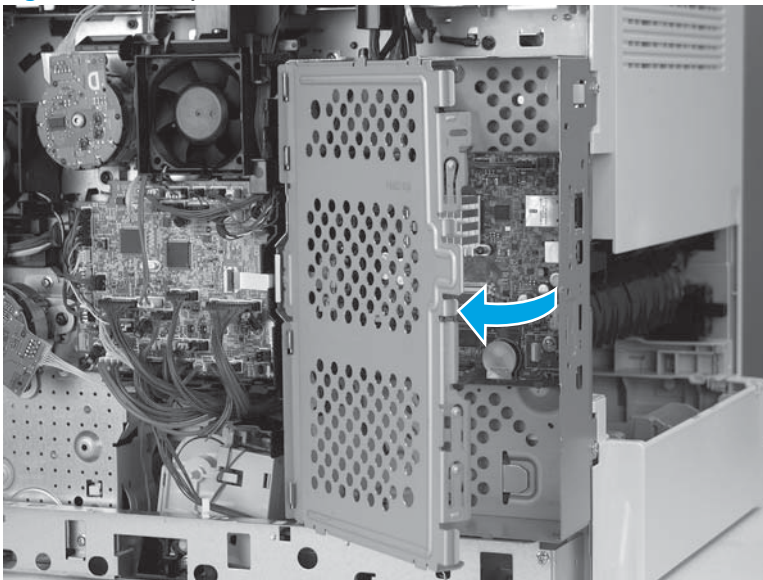
2. Make sure that the tab (callout 1) snaps into place.

Figure 1-1553 Install one tab



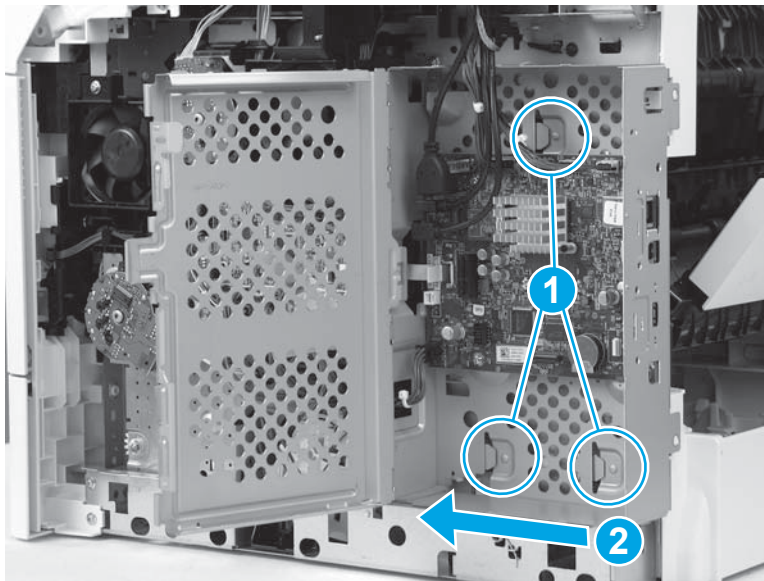
3. Open the formatter case door.

Figure 1-1554 Open the formatter case door



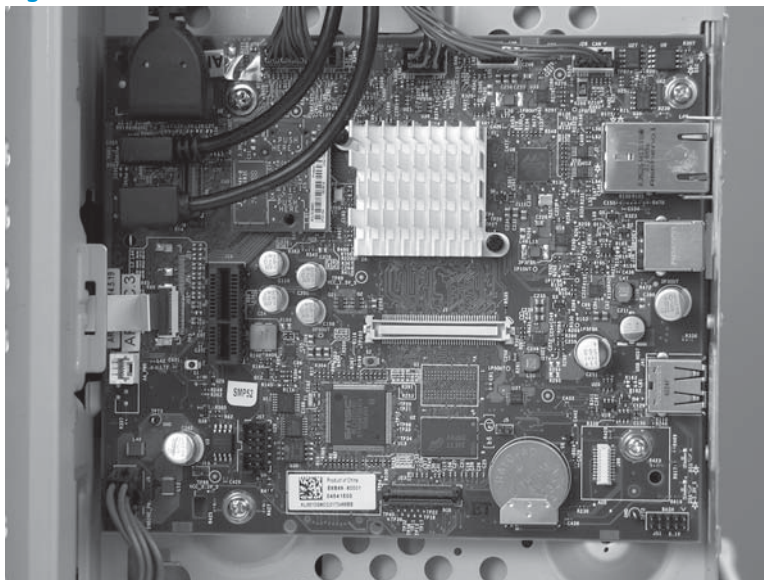
4. Before sliding the formatter case into place, make sure that the metal tabs on the printer are positioned into the slots on the formatter case (callout 1), and then slide the formatter case toward the front of the printer (callout 2) to install it.

Figure 1-1555 Slide the formatter case into place



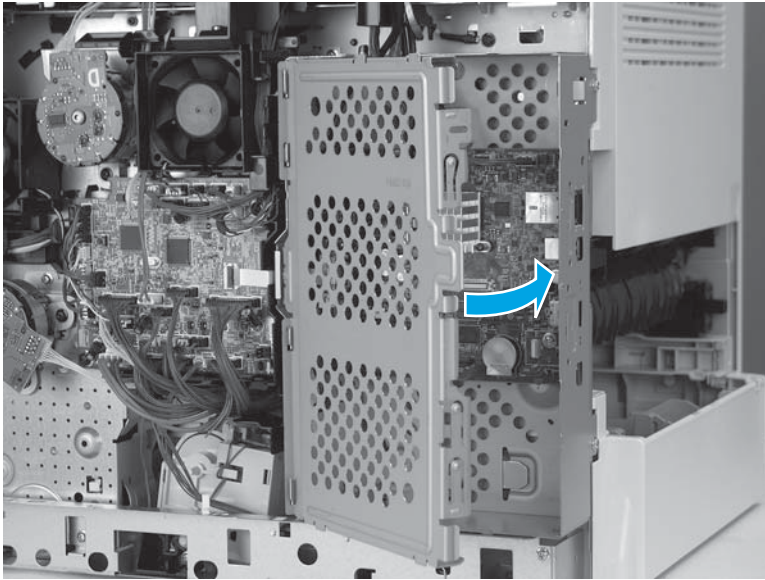
5. Make sure that all of the cables and wire harnesses are seated securely in their connectors on the formatter.

Figure 1-1556 Check connectors



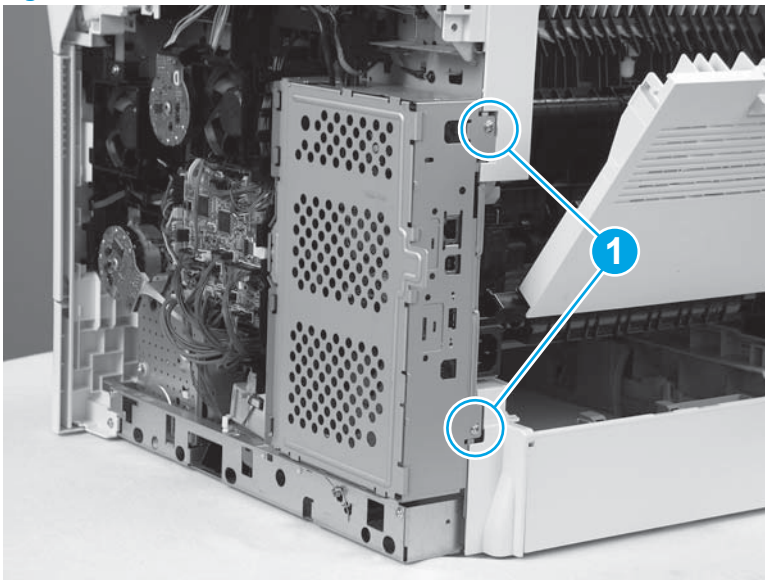
6. Close the formatter case door.

Figure 1-1557 Close the formatter case door




7. Install two screws (callout 1).

Figure 1-1558 Install two screws

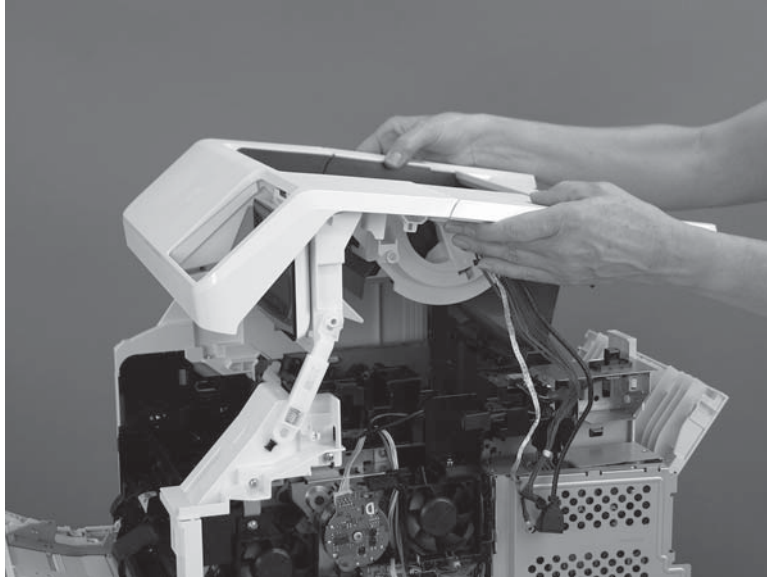


Step 13: Install the top cover (M605x, M606x only)

 **NOTE:** For the M604n/dn, M605n/dn, or M606dn product, skip this step and go to [Step 14: Install the top cover \(M604n/dn, M605n/dn, M606dn only\) on page 869.](#)

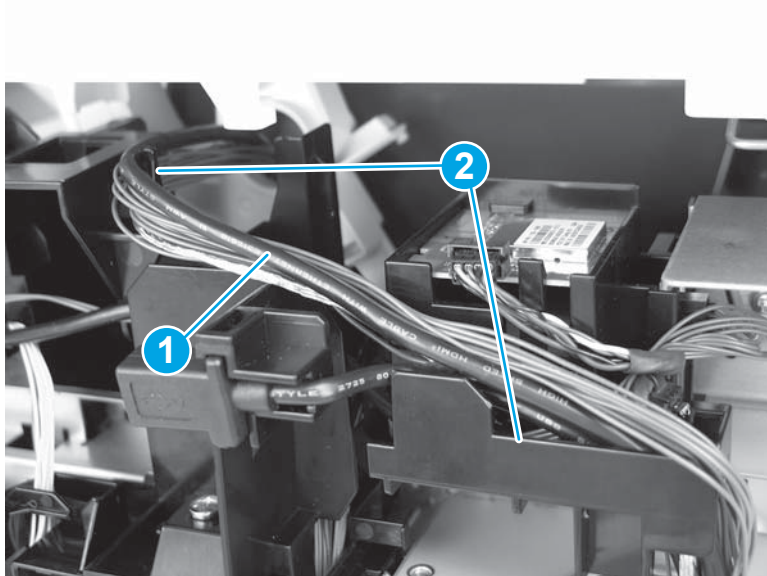
1. Lower the top cover onto the printer.

Figure 1-1559 Lower the top cover



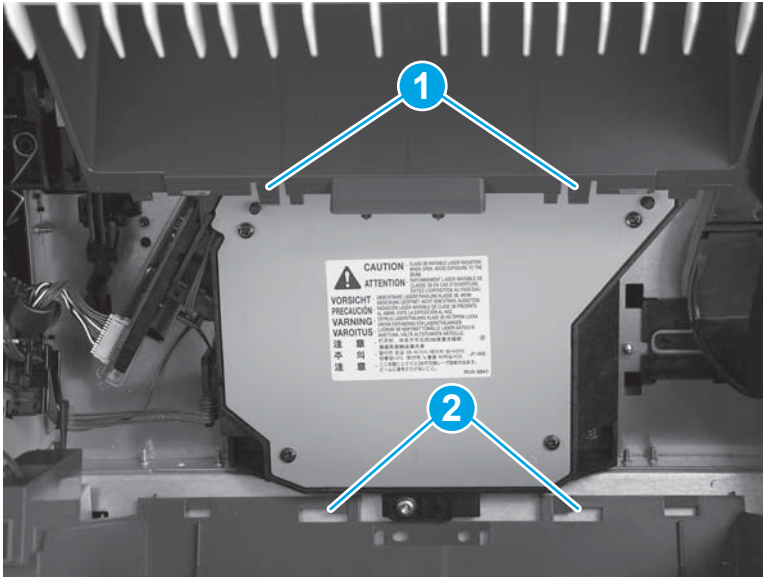
2. On the right side of the printer, make sure that the wire harness and cables (callout 1) are properly routed through the guides (callout 2).

Figure 1-1560 Install cables in guides



3. Install two tabs (callout 1) on the top output bin into two slots (callout 2) in the printer. Make sure that the tabs snap into place.

Figure 1-1561 Install two tabs



4. Install one screw (callout 1) on the left side of the printer.


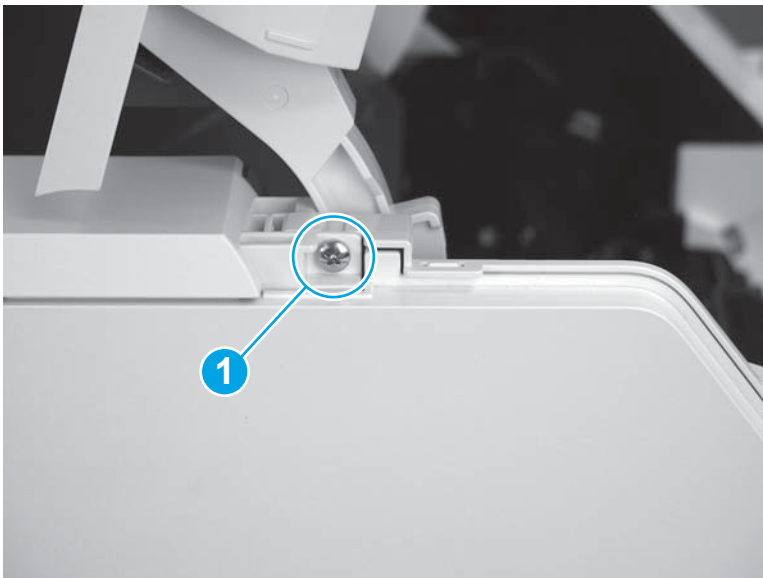
 **Reinstallation tip:** This screw is larger than the screws removed from the top of the printer. Make sure to install the correct screw.

Figure 1-1562 Install one screw



5. Install one screw (callout 1) on the right side of the printer.


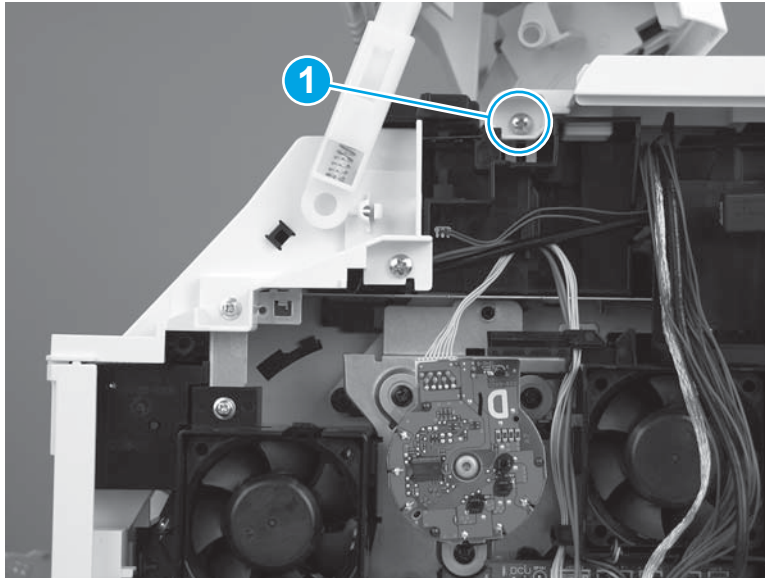
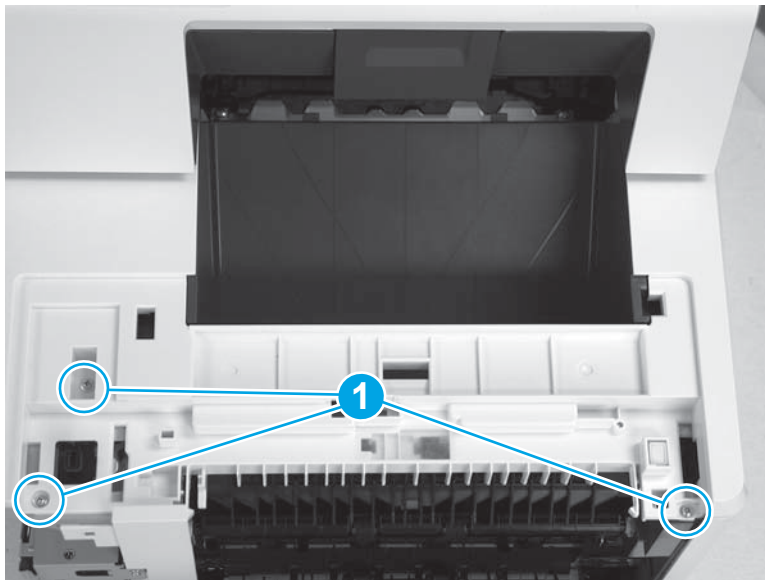
 **Reinstallation tip:** This screw is larger than the screws removed from the top of the printer. Make sure to install the correct screw.

Figure 1-1563 Install one screw



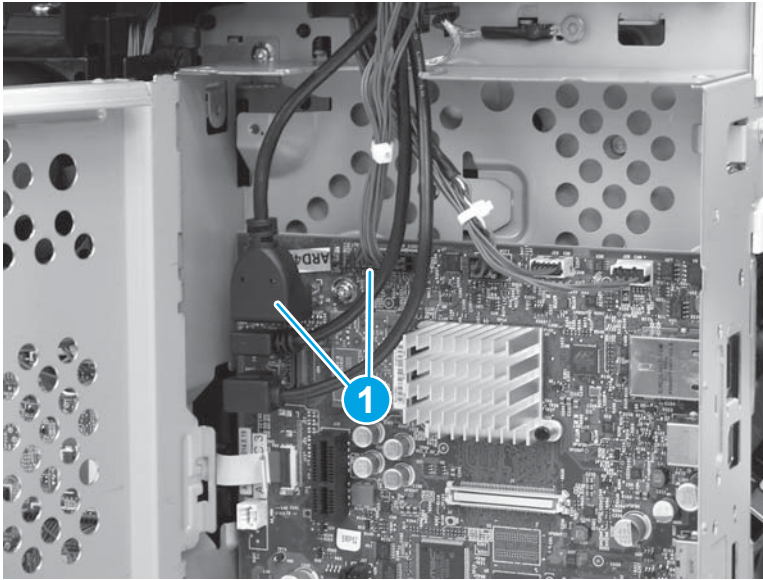
6. Install three screws (callout 1) on the top of the printer.

Figure 1-1564 Install three screws



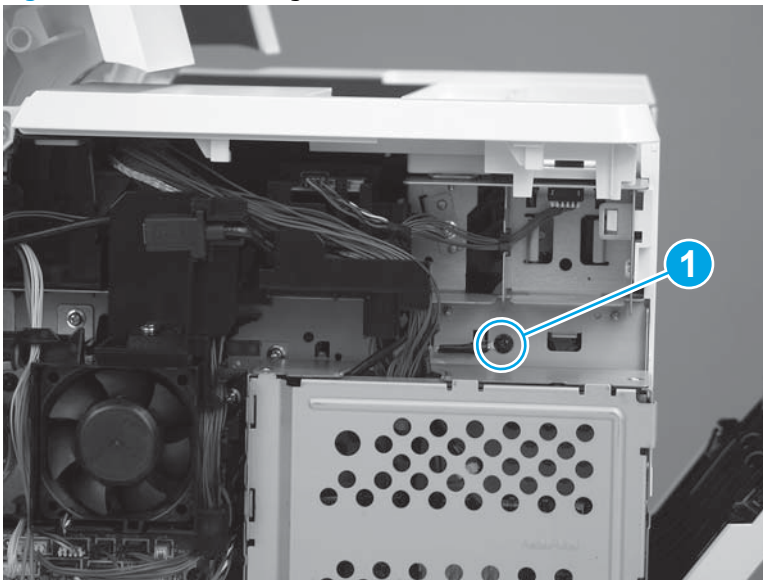
7. Connect two connectors (callout 1).

Figure 1-1565 Connect two connectors



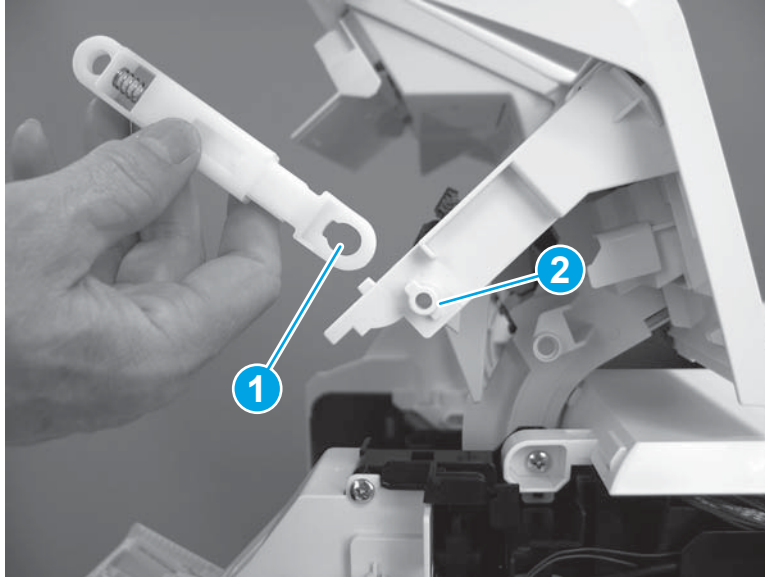
8. Install one screw to attach the ground wire (callout 1).

Figure 1-1566 Install the ground wire



9. If the toner-cartridge door hinge comes off of the top cover, reattach the hinge by sliding the hole (callout 1) in the hinge onto the tab (callout 2) on the top cover.

Figure 1-1567 Reattach the door hinge

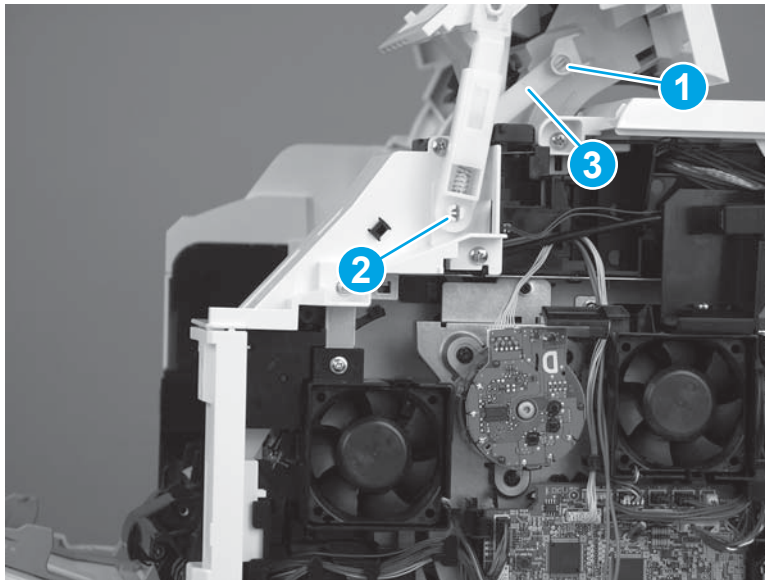


10. Install the toner-cartridge drive-arm (callout 1) and the toner-cartridge door hinge (callout 2) by pressing them onto the tabs.

 **NOTE:** It might be necessary to lift the drive arm (callout 3) up in order to reattach it.

 **CAUTION:** The toner-cartridge drive-arm tabs break easily.

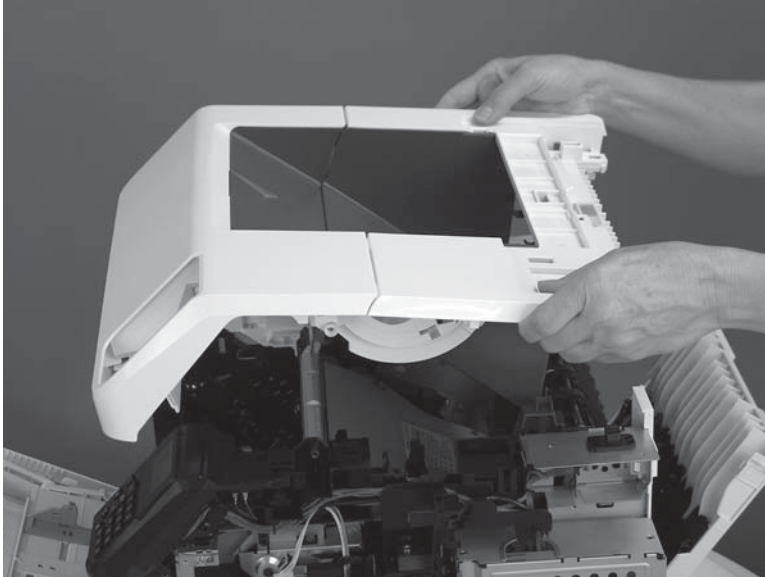
Figure 1-1568 Install the drive-arm and door hinge tabs



Step 14: Install the top cover (M604n/dn, M605n/dn, M606dn only)

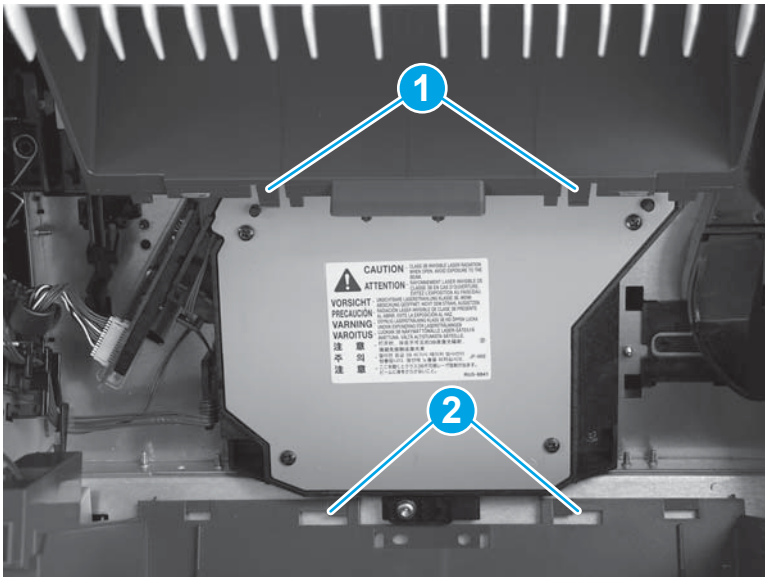
1. Lower the top cover onto the printer.

Figure 1-1569 Lower the top cover



2. Install two tabs (callout 1) on the top output bin into two slots (callout 2) in the printer. Make sure that the tabs snap into place.

Figure 1-1570 Install two tabs



3. Install one screw (callout 1) on the left side of the printer.


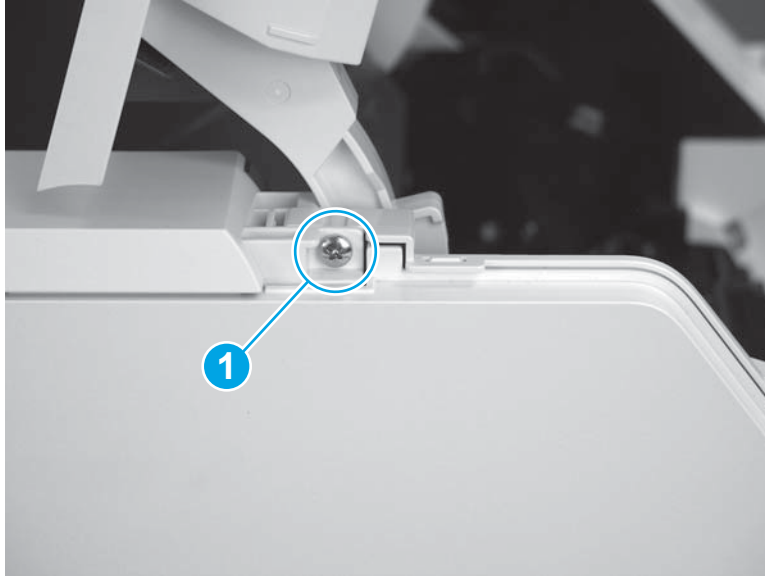
 **Reinstallation tip:** This screw is larger than the screws removed from the top of the printer. Make sure to install the correct screw.

Figure 1-1571 Install one screw



4. Install one screw (callout 1) on the right side of the printer.


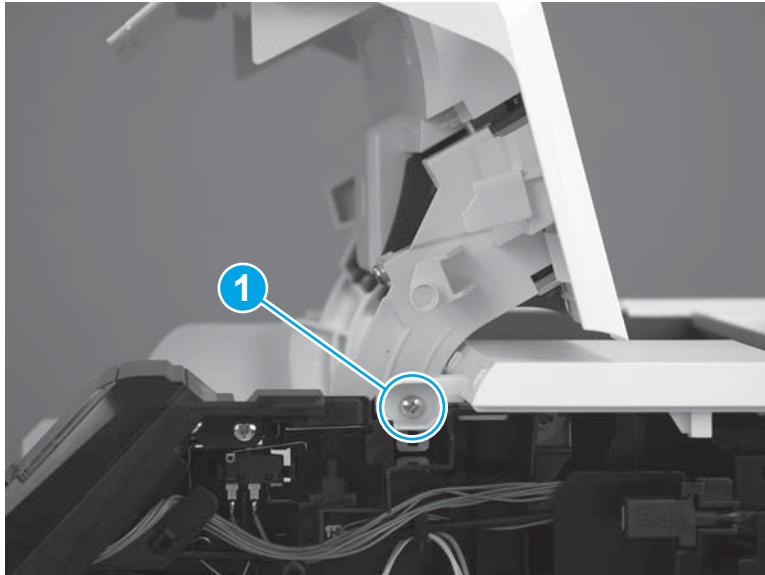
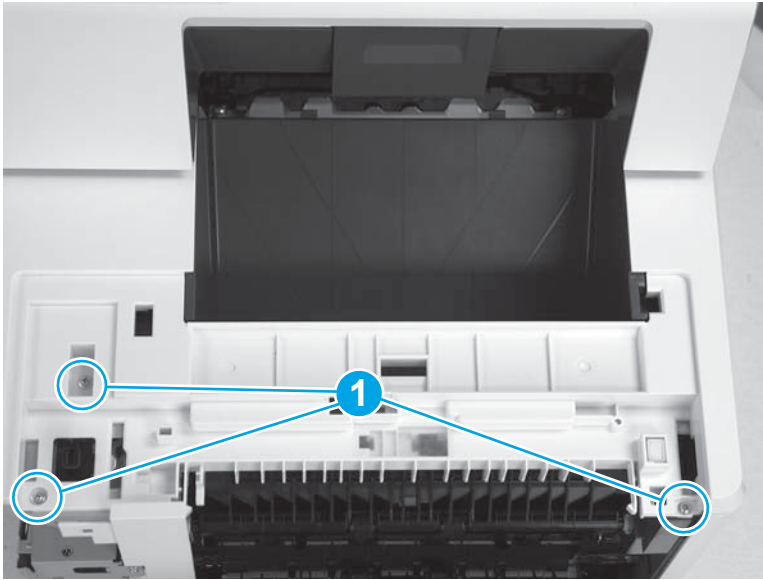
 **Reinstallation tip:** This screw is larger than the screws removed from the top of the printer. Make sure to install the correct screw.

Figure 1-1572 Install one screw



5. Install three screws (callout 1) on the top of the printer.

Figure 1-1573 Install three screws

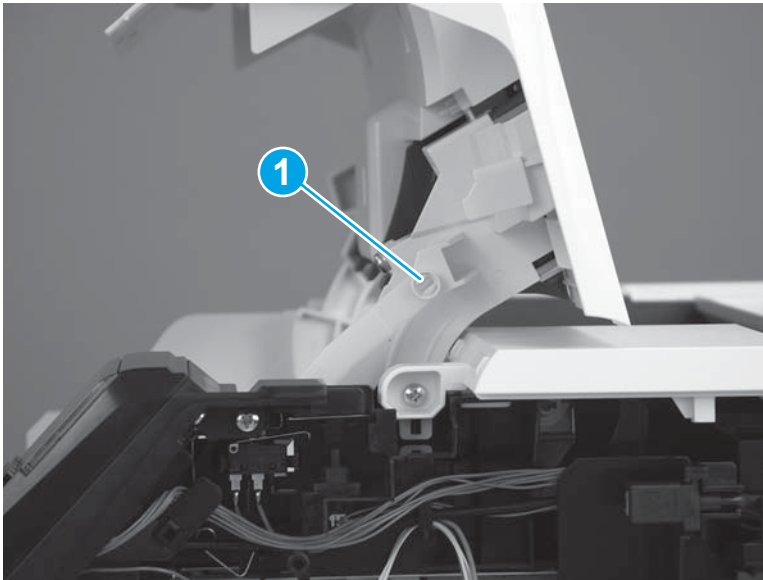


6. Install the toner-cartridge drive-arm (callout 1) by pressing it onto the tabs.

 **NOTE:** It might be necessary to lift the drive arm up in order to reattach it.

 **CAUTION:** The toner-cartridge drive-arm tabs break easily.

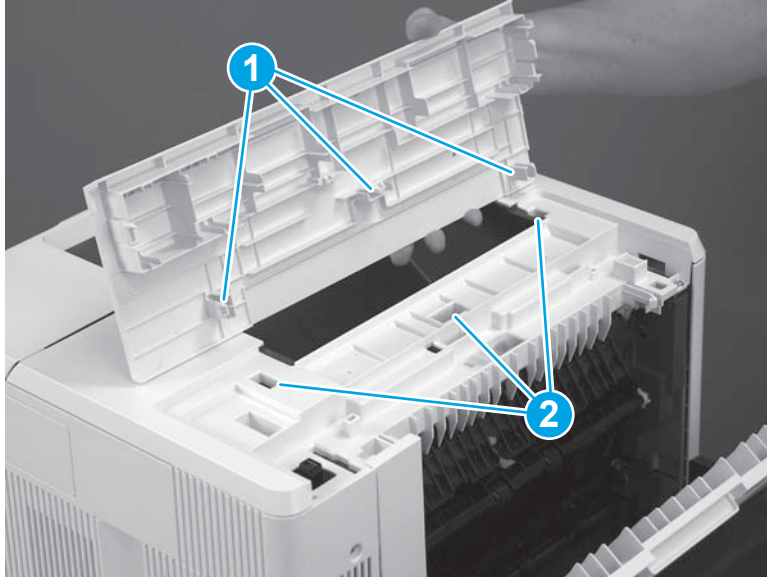
Figure 1-1574 Install the drive-arm tabs



Step 15: Install the top accessory cover

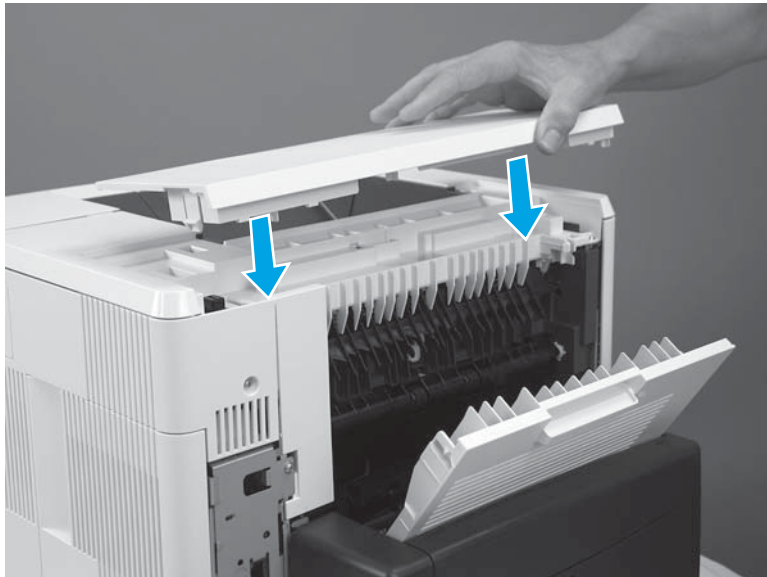
1. Align the tabs (callout 1) on the top accessory cover with the slots (callout 2) in the top cover.

Figure 1-1575 Align the tabs and slots



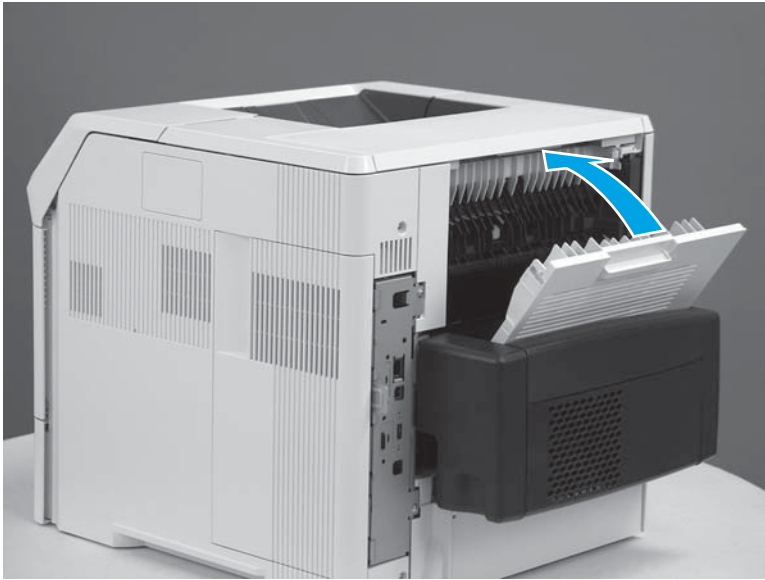
2. Place the top accessory on top of the printer, and then press down to install it.

Figure 1-1576 Install the top accessory cover



3. Close the rear output bin.

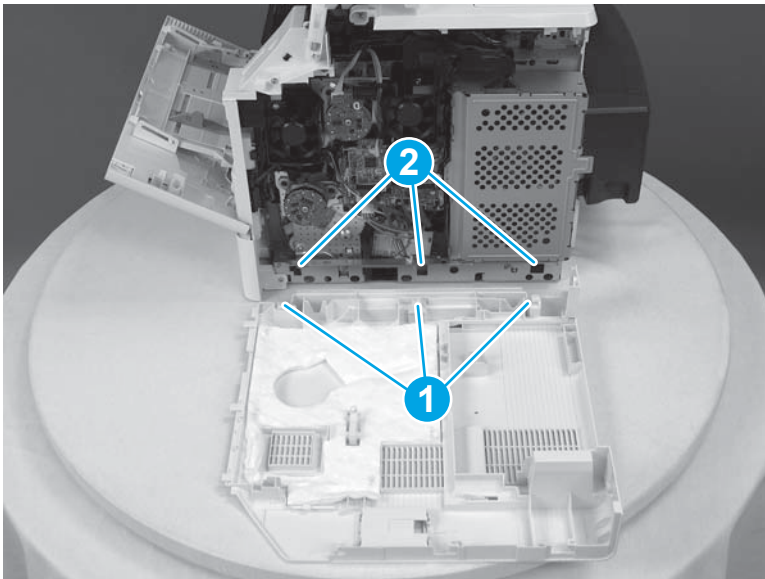
Figure 1-1577 Close the rear output bin



Step 16: Install the right cover

1. Note the location of the tabs (callout 1) on the cover that will fit into the slots (callout 2) on the printer.

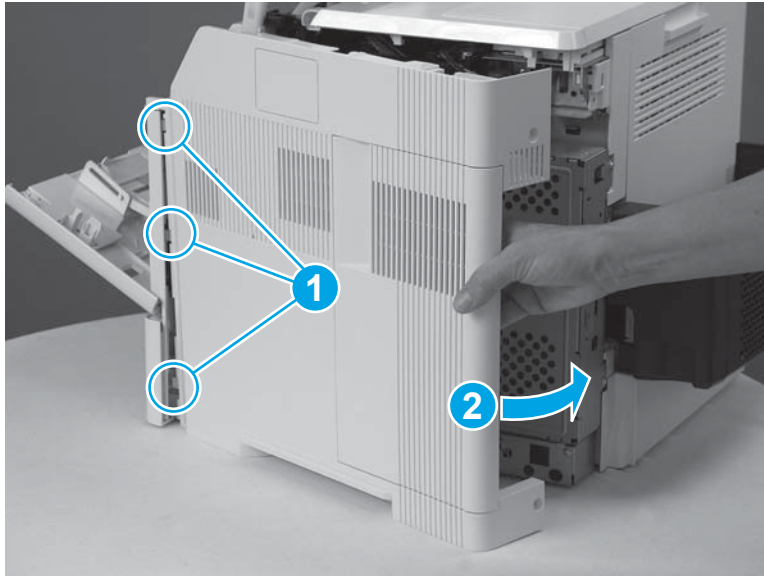
Figure 1-1578 Note location of tabs



2. Position the front tabs on the right cover slightly behind the right front cover (callout 1), and then rotate the back edge of the cover toward the printer (callout 2).

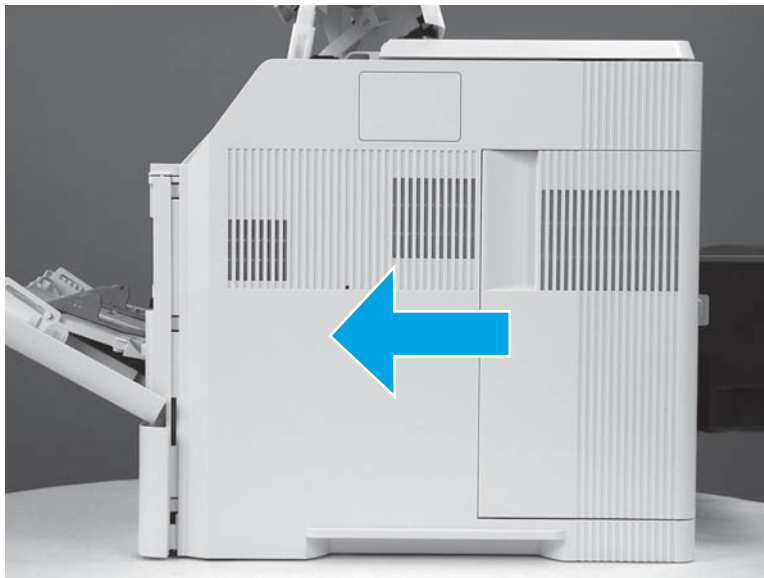
 **NOTE:** The tabs and slots mentioned in the previous step will engage as the cover is rotated into place.

Figure 1-1579 Position the front tabs



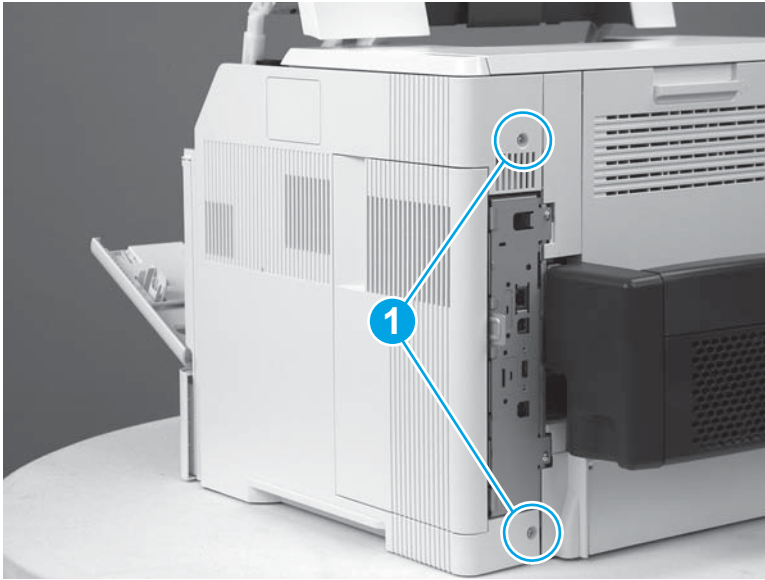
3. Slide the cover toward the front of the printer to install it.

Figure 1-1580 Slide the cover



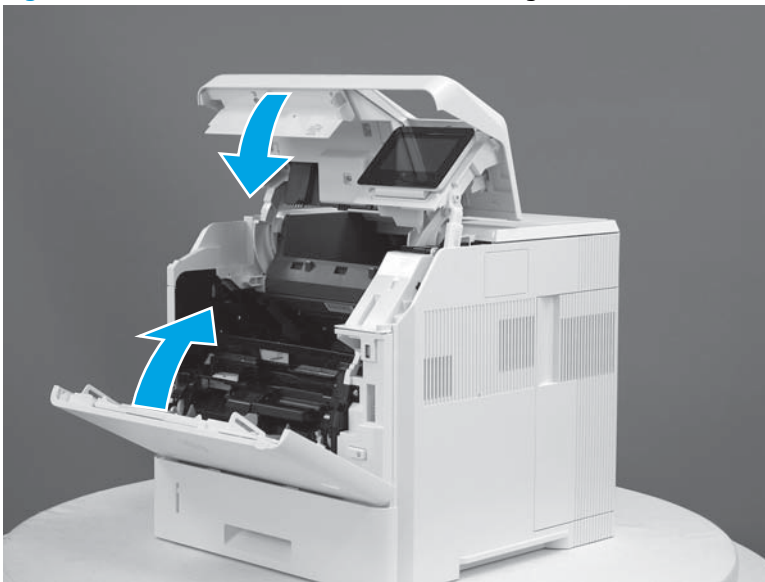
4. Install two screws (callout 1).

Figure 1-1581 Install two screws



5. Close the front cover and the cartridge door.

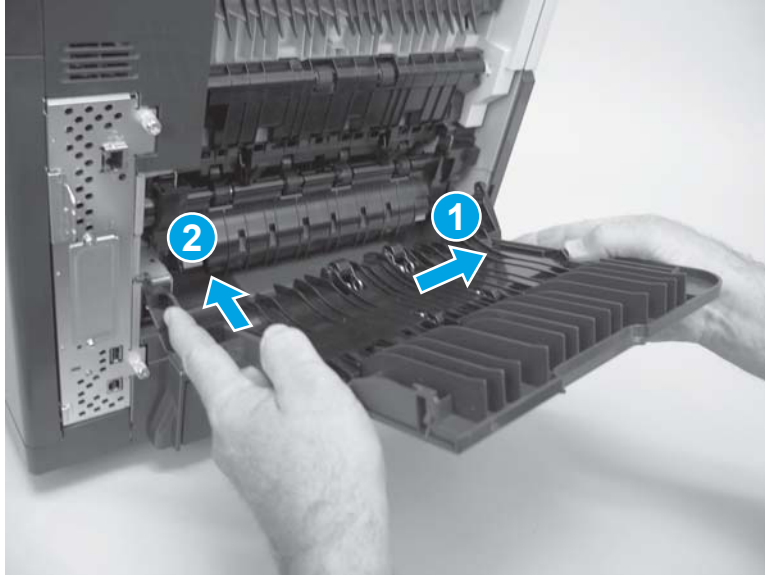
Figure 1-1582 Close the front cover and cartridge door



Step 17: Install the rear output bin

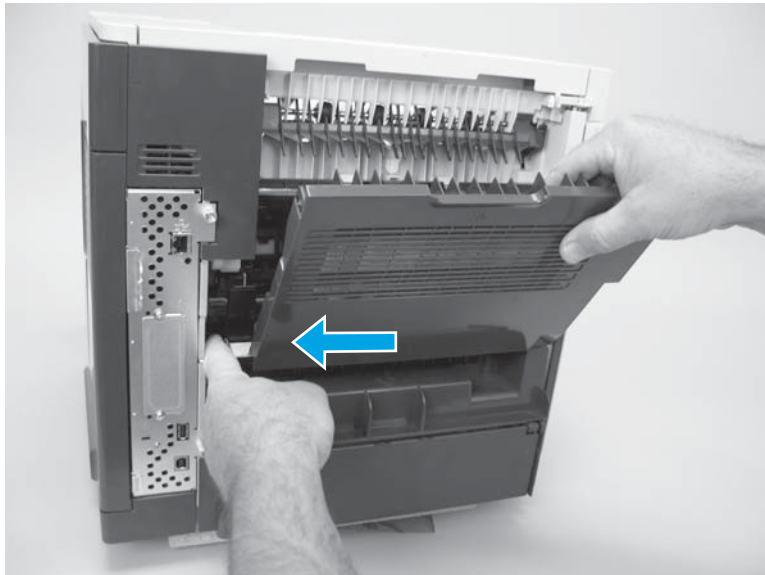
1. Install the right hinge pin (callout 1), and then rotate the output bin toward the printer (callout 2).

Figure 1-1583 Position the output bin



2. Make sure that the left hinge pin is installed in the mounting hole.

Figure 1-1584 Install left hinge pin



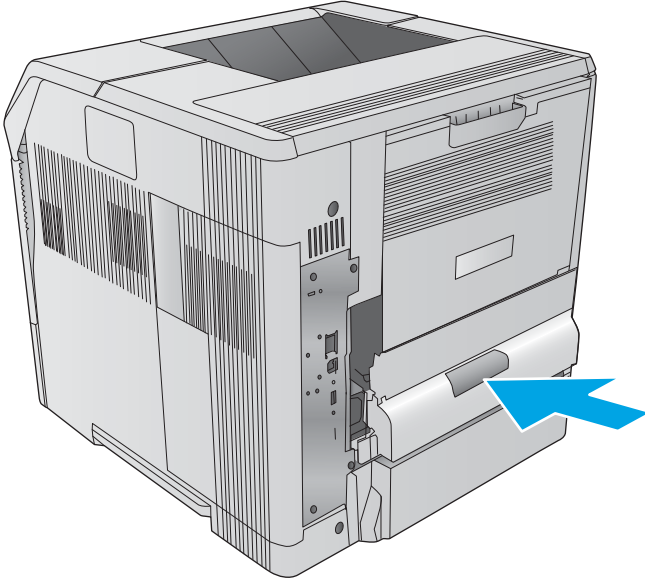
Step 18: Install the duplex accessory cover



NOTE: If the duplex accessory cover was not removed, skip this step and go to [Step 19: Install the duplex accessory on page 878](#).

- ▲ Slide the duplex accessory cover straight into the printer to install it.

Figure 1-1585 Install the duplex accessory cover



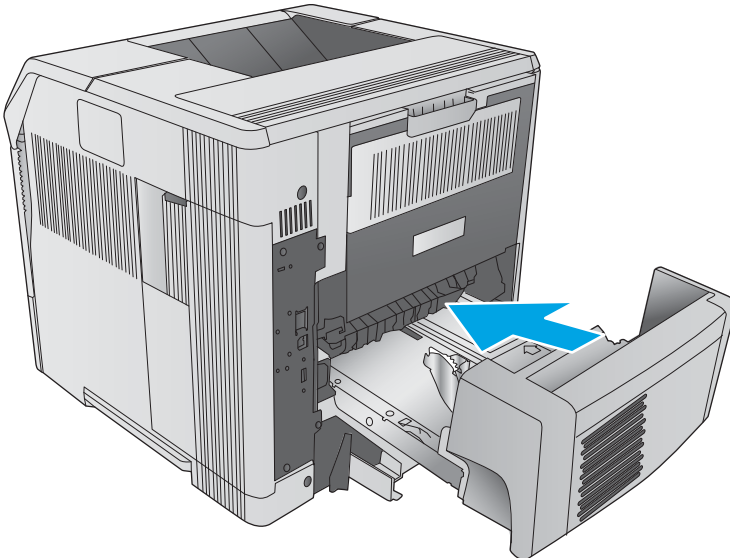
Step 19: Install the duplex accessory



NOTE: If the optional duplex accessory was not removed, skip this step.

- ▲ Slide the duplex accessory straight into the printer to install it.

Figure 1-1586 Install the duplex accessory



Removal and replacement: Paper feed shaft gear (gear, 18T)

- [Introduction](#)
- [Step 1: Remove the right cover](#)
- [Step 2: Remove the DC controller](#)
- [Step 3: Remove the pickup motor](#)
- [Step 4: Remove the pickup drive assembly](#)
- [Step 5: Remove the paper feed shaft gear](#)
- [Step 6: Unpack the replacement paper feed shaft gear](#)
- [Step 7: Install the paper feed shaft gear](#)
- [Step 8: Install the pickup drive assembly](#)
- [Step 9: Install the pickup motor](#)
- [Step 10: Install the DC controller](#)
- [Step 11: Install the right cover](#)


Introduction

This document provides the procedures to remove and replace the paper feed shaft gear.

Before performing service

Turn the printer power off

- Disconnect the power cable.

 **WARNING!** To avoid damage to the printer, turn the printer off, wait 30 seconds, and then remove the power cord before attempting to service the printer.

Use the table below to identify the correct part number for your printer, and then go to www.hp.com/buy/parts to order the kit.

Paper feed shaft gear part number	
RU5-0088-000CN	Gear, 18T

Required tools

- #2 Phillips screwdriver with a magnetic tip
- Small, flat-blade screwdriver

After performing service

Turn the printer power on

- Connect the power cable.
- Use the power switch to turn the power on.

Post service test

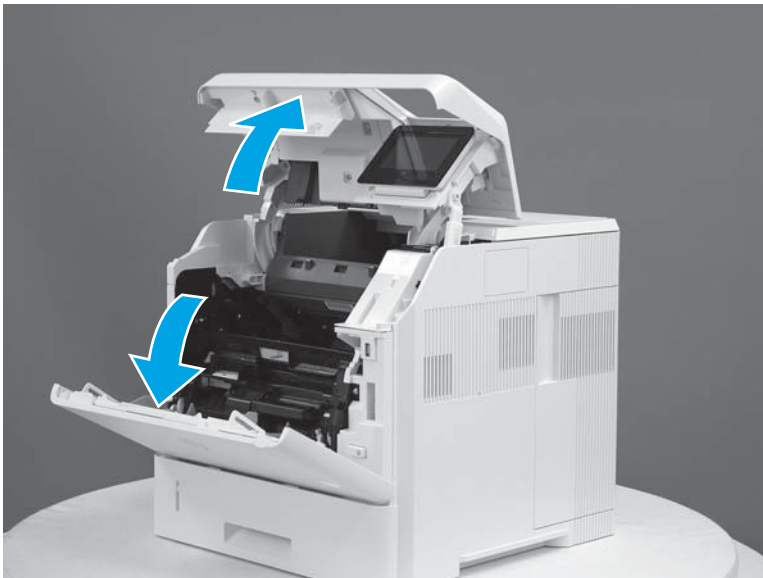
Make sure that the printer initializes to a **Ready** state.

Print a configuration page to make sure that the printer is functioning correctly.

Step 1: Remove the right cover

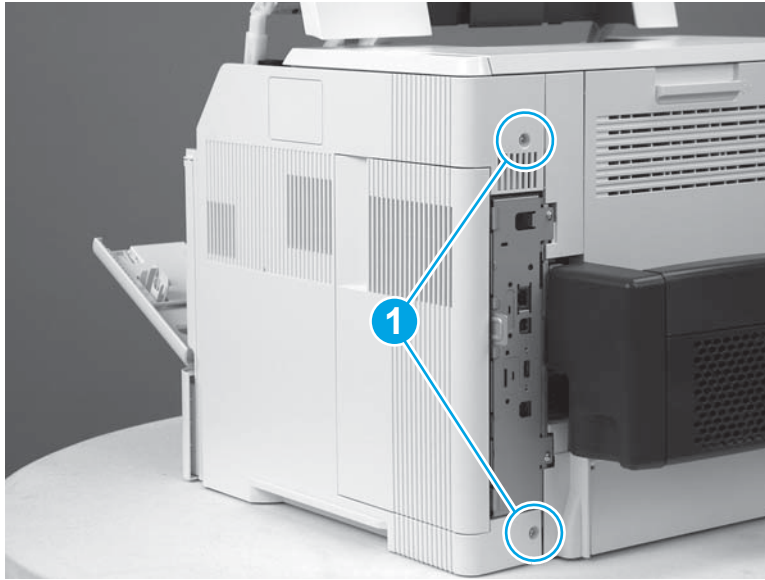
1. Open the front cover and the cartridge door.

Figure 1-1587 Open the front cover and cartridge door



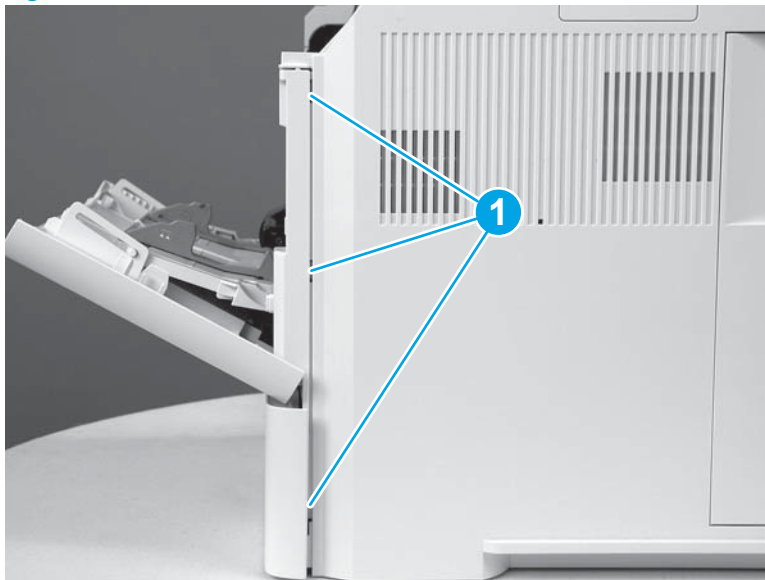
2. Remove two screws (callout 1).

Figure 1-1588 Remove two screws



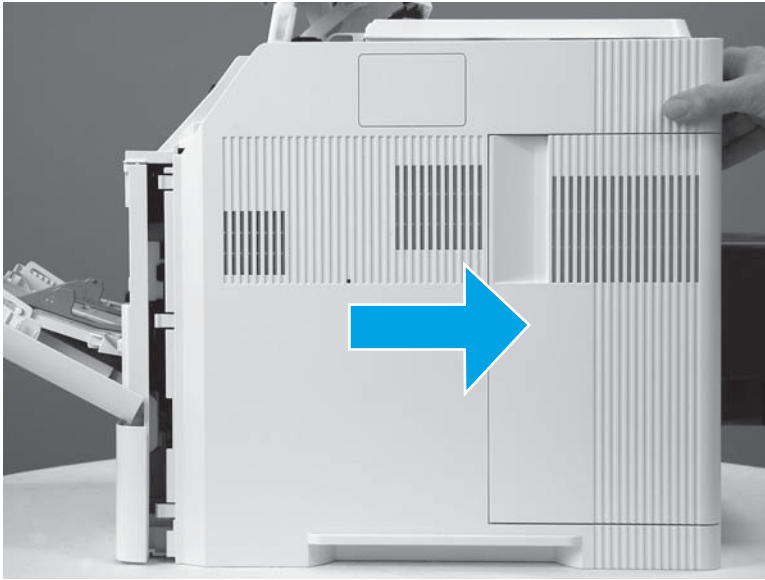
3. Release three tabs (callout 1).

Figure 1-1589 Release three tabs



- Slide the cover toward the rear of the printer to remove it.

Figure 1-1590 Remove the cover



Step 2: Remove the DC controller

- Locate the flat cable connector (callout 1) on the DC controller.


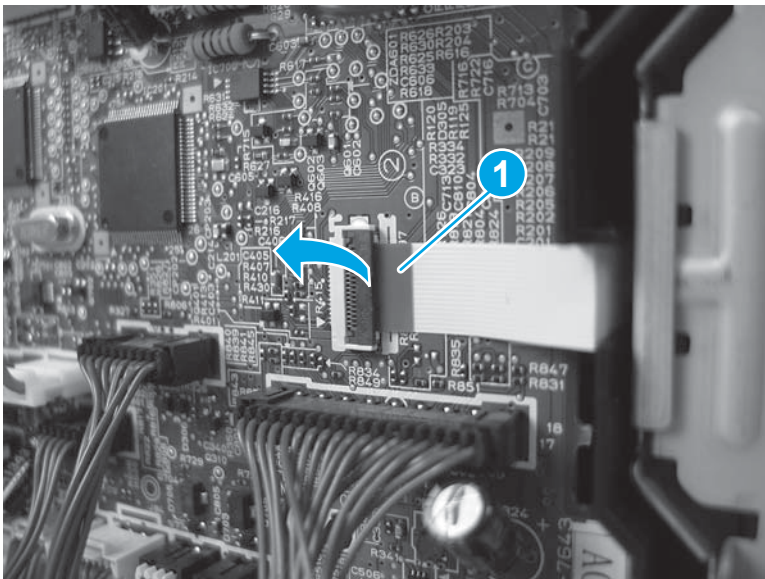
 **IMPORTANT:** This connector is a Zero Insertion Force (ZIF) connector that uses a hinged retainer to secure a flat cable. The hinged retainer must be opened to release the flat cable.

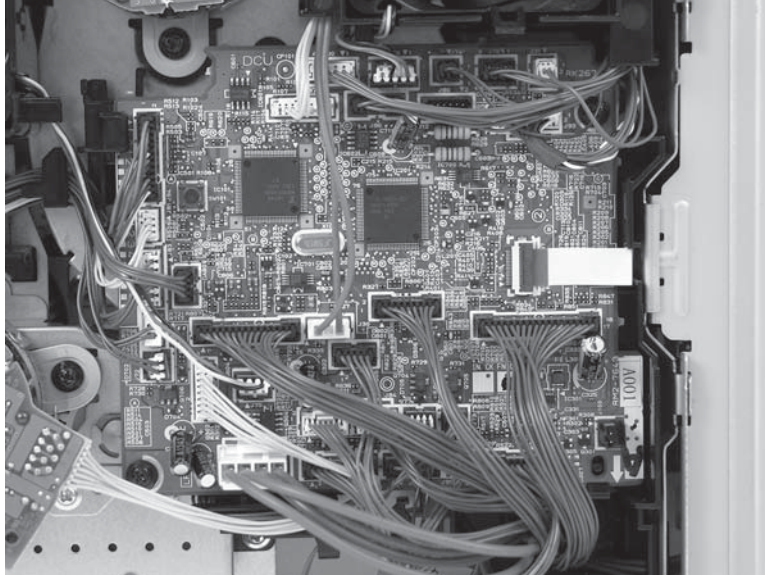
Figure 1-1591 ZIF connector



- Disconnect all of the connectors (callout 1) on the DC controller.
 - 29 wire-harness connectors
 - 1 flat cable

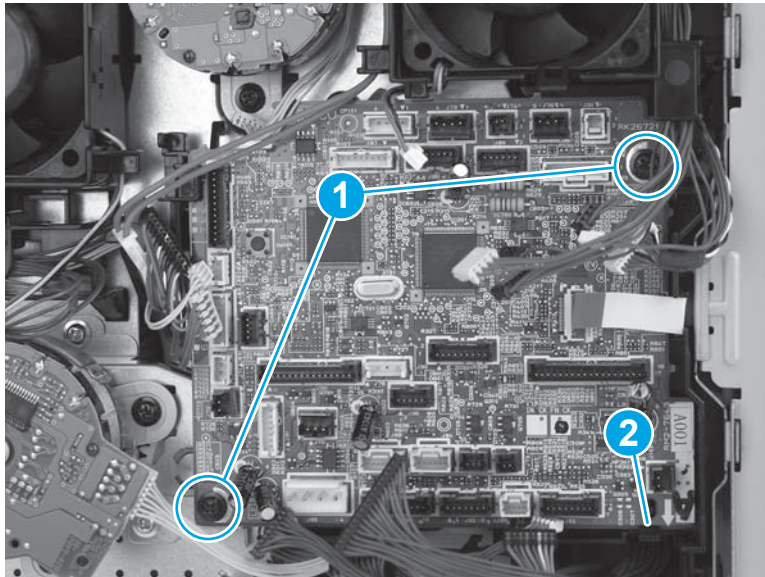
 **Reinstallation tip:** When the DC controller is reinstalled, connectors J80 and J100 are empty.

Figure 1-1592 Disconnect the connectors



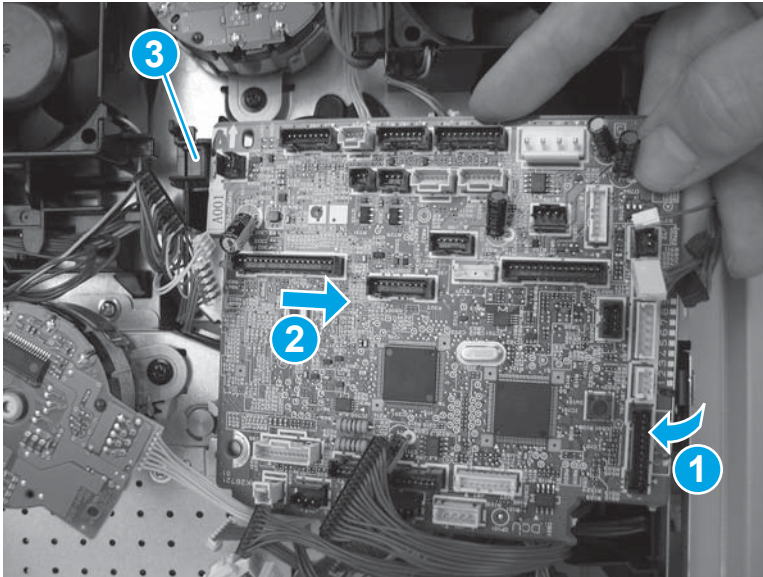
3. Remove two screws (callout 1), and then release one tab (callout 2).

Figure 1-1593 Remove two screws and release one tab



4. Rotate the DC controller away from the printer (callout 1), slide the DC controller toward the rear of the printer (callout 2) to release one tab (callout 3), and then remove the DC controller.

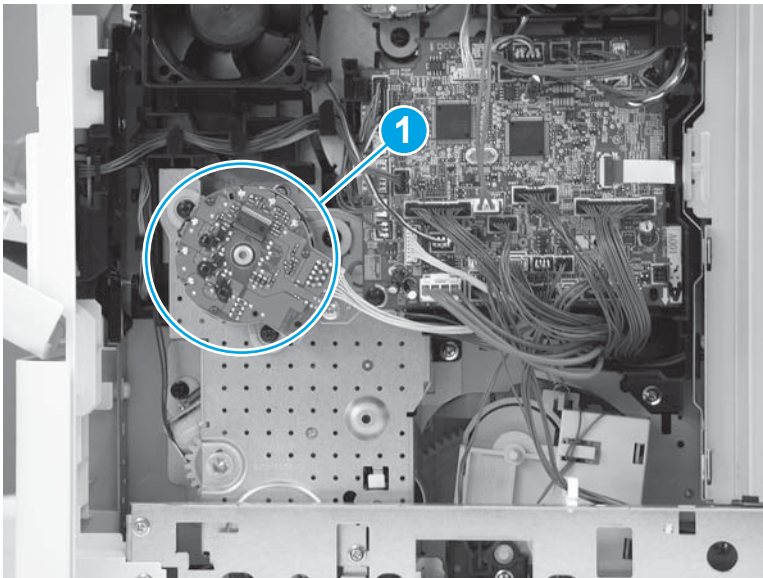
Figure 1-1594 Remove the DC controller



Step 3: Remove the pickup motor

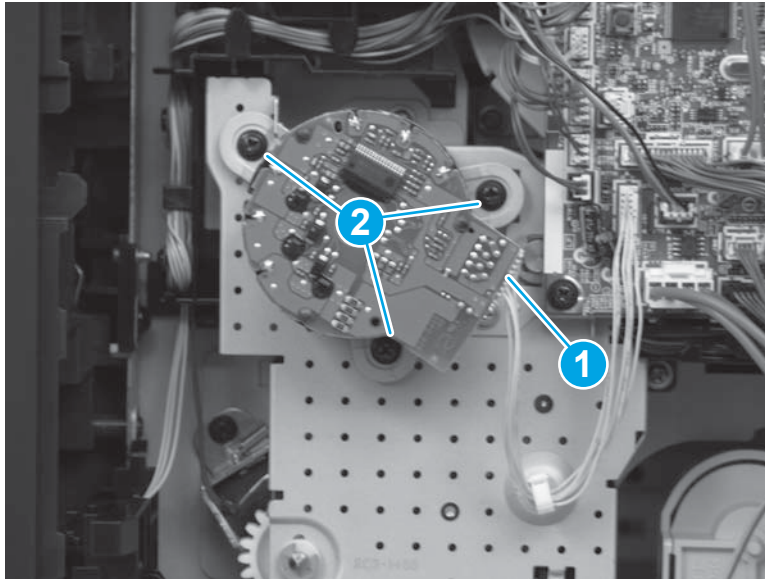
1. Locate the pickup motor (callout 1)

Figure 1-1595 Locate the pickup motor



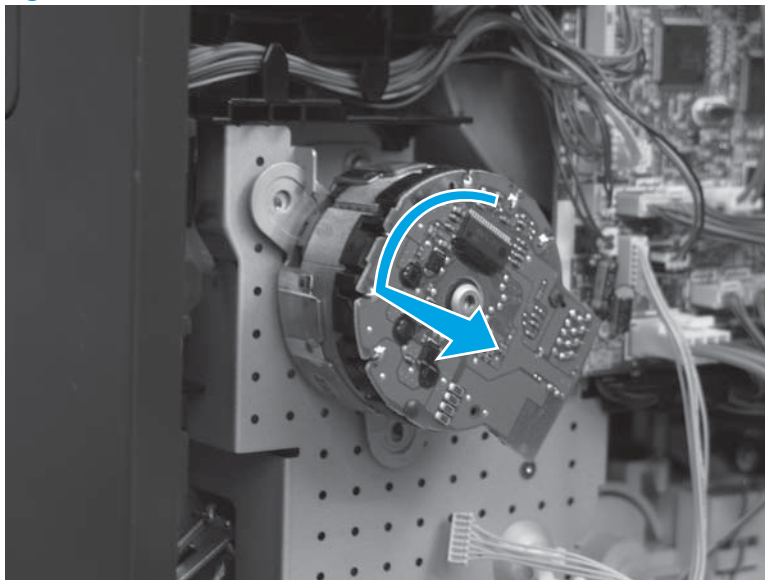
2. Disconnect one connector (callout 1), and then remove three screws (callout 2).

Figure 1-1596 Disconnect one connector and remove three screws



3. Rotate the motor towards the front of the printer to release it, and then remove the motor.

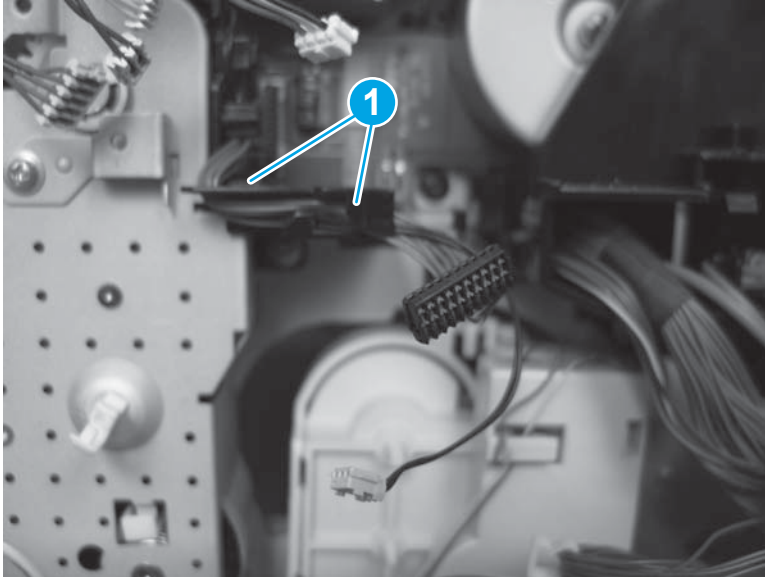
Figure 1-1597 Release the motor



Step 4: Remove the pickup drive assembly

1. Release the wire harnesses from the retainer (callout 1) located on the lifter-motor side of the pickup drive assembly.

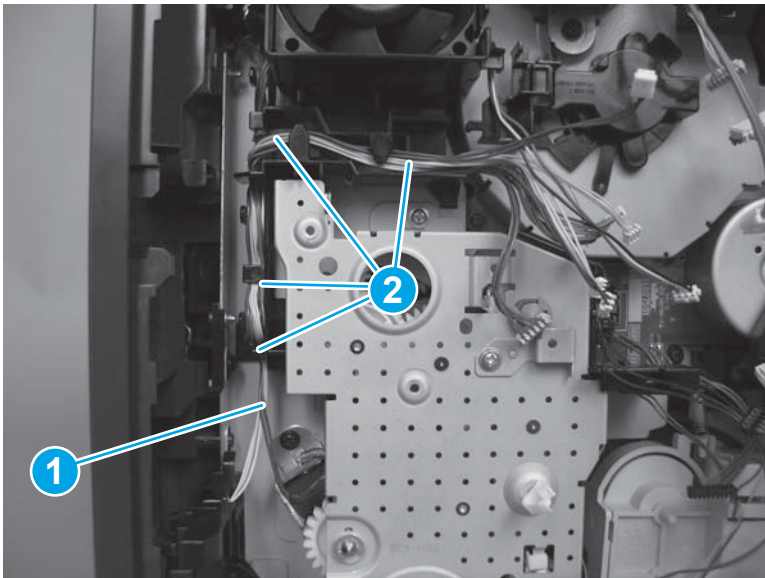
Figure 1-1598 Release wire harnesses from the retainer



2. Release the solenoid wire harness (callout 1) from the retainer (callout 2).

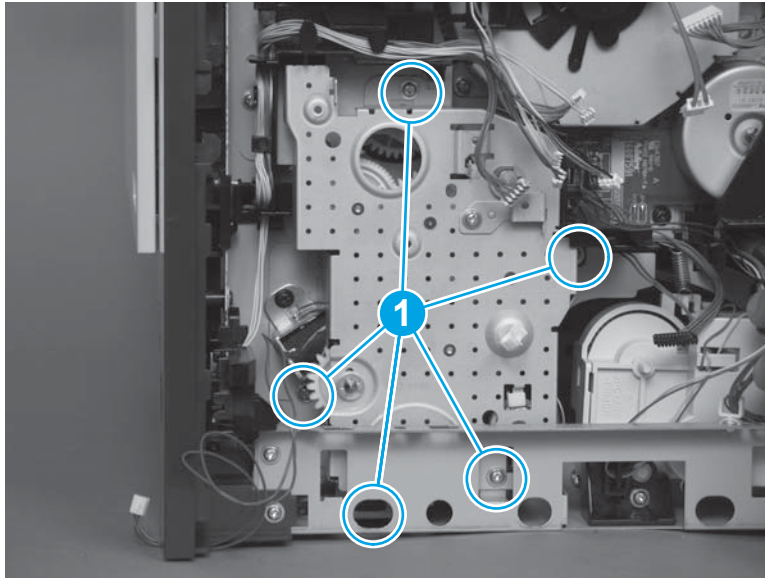
 **TIP:** Do not damage the wire harness when removing it from the retainer. It might be easier to remove all of the wire harnesses together to release the solenoid wire harness.

Figure 1-1599 Release the wire harness from the retainer



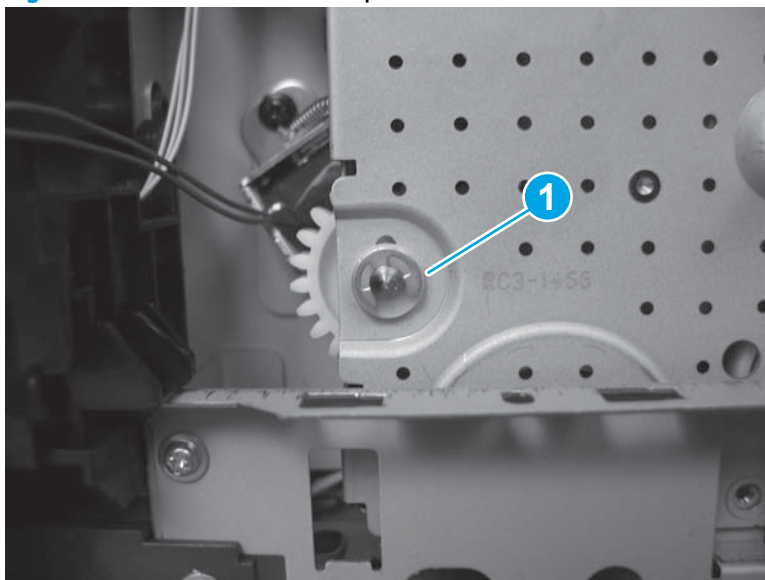
3. Remove five screws (callout 1).

Figure 1-1600 Remove five screws



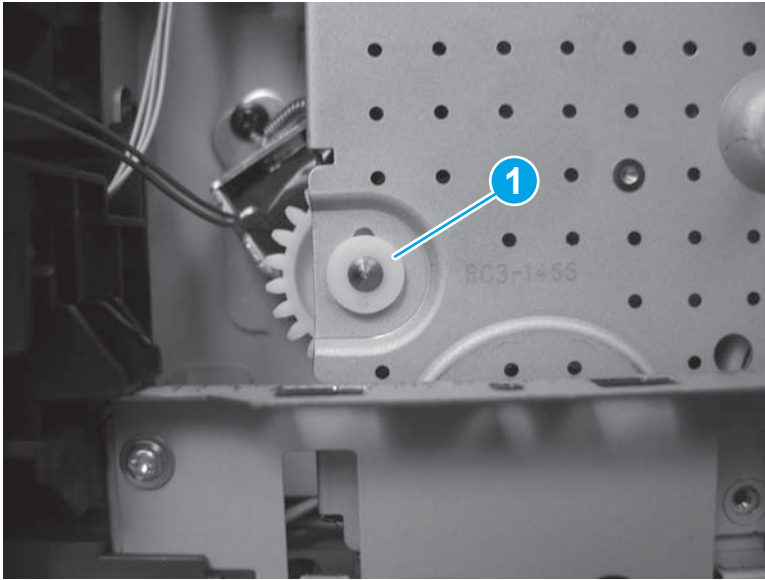
4. Remove one e-clip (callout 1).

Figure 1-1601 Remove one e-clip



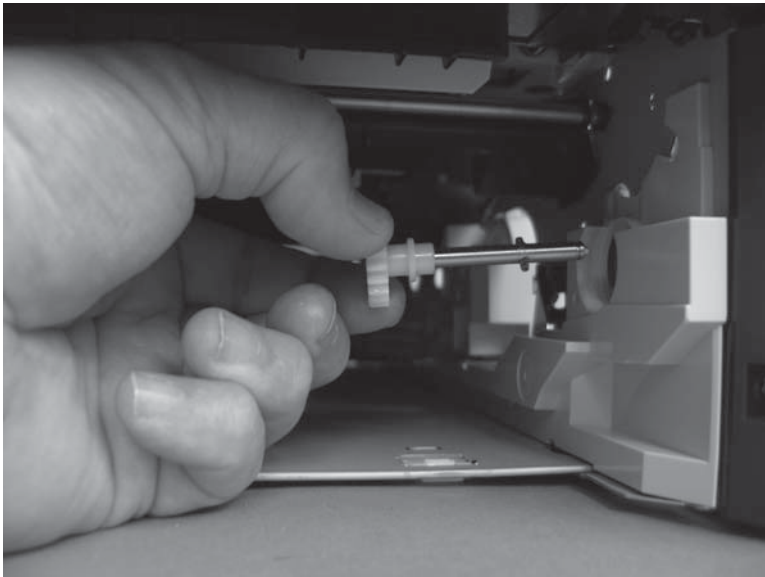
5. Remove one shaft collar (callout 1).

Figure 1-1602 Remove one shaft collar



6. Push the drive-gear shaft (located where the e-clip and shaft collar were removed in the previous steps) into the Tray 2 cavity, and then remove it.

Figure 1-1603 Remove the drive-gear shaft



7. Two gears located inside the assembly are not captive. Do not lose these gears when handling the assembly. If the gears are dislodged, use the figure below to correctly reinstall them.


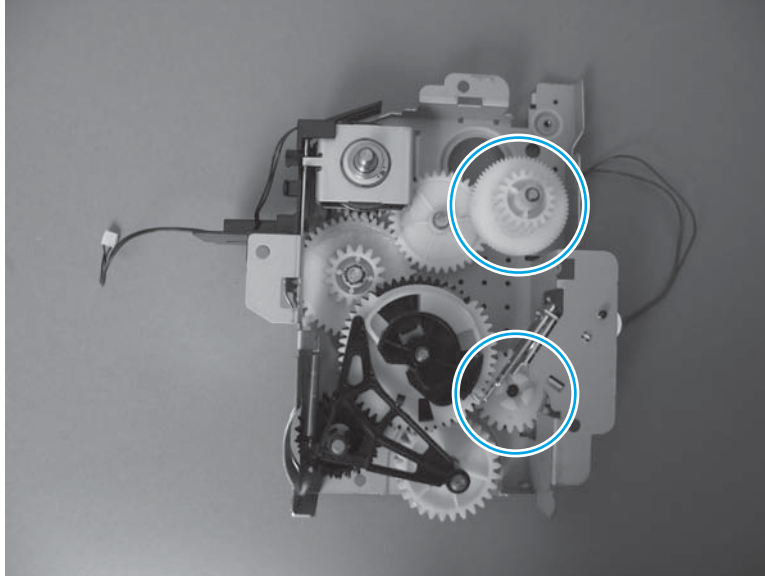
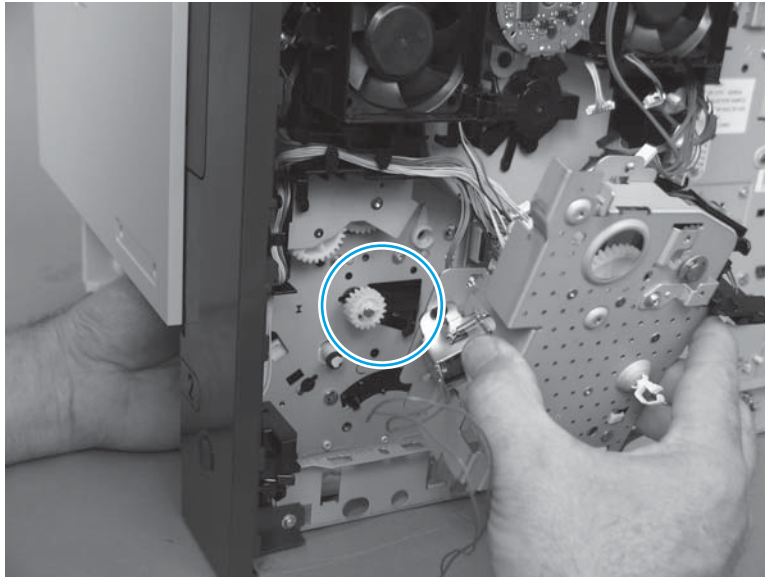
 **IMPORTANT:** Do not remove the grease from the gears when handling the assembly or the gears.

Figure 1-1604 Two gears are not captive



8. Reach inside the printer and push the rear Tray 2 feed roller up into its raised position (this disengages the roller-lifting arm from the clutch gear), and then remove the pickup drive assembly.

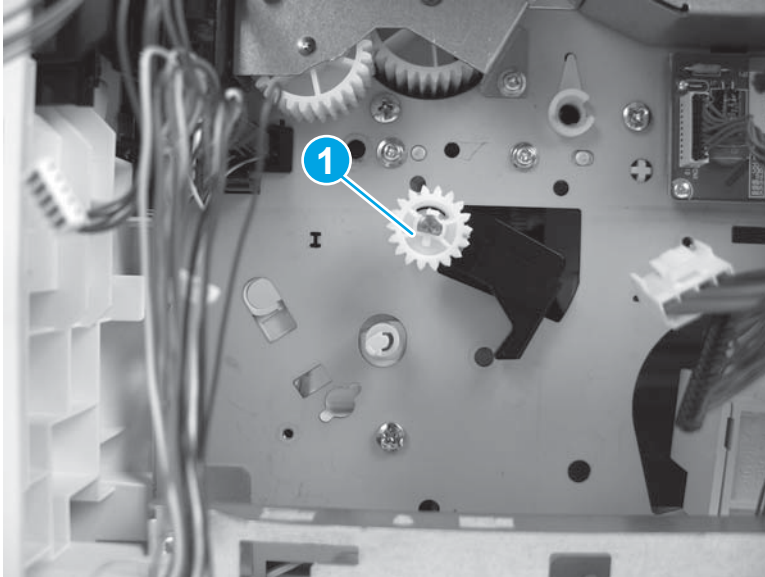
Figure 1-1605 Remove the pickup drive assembly



Step 5: Remove the paper feed shaft gear

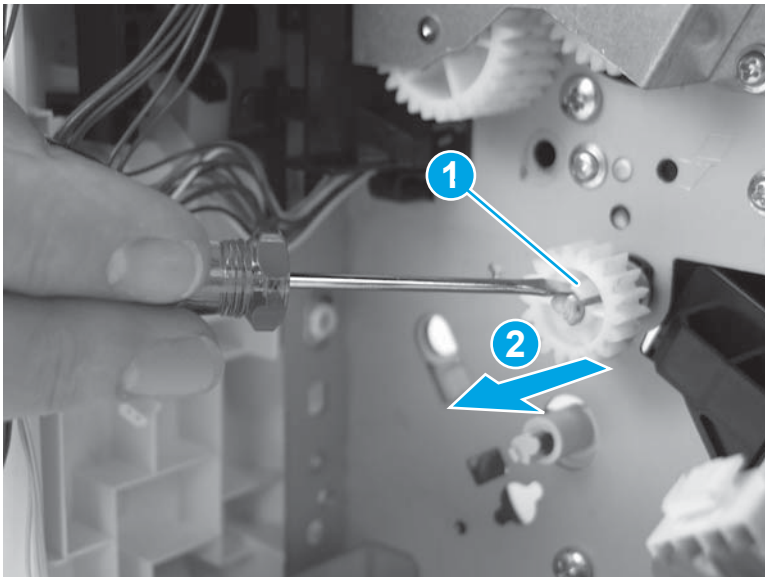
1. Locate the paper feed shaft gear (callout 1).

Figure 1-1606 Locate the paper feed shaft gear



2. Use a small, flat-blade screwdriver to release one locking tab (callout 1), and then slide the gear (callout 2) off of the shaft.

Figure 1-1607 Remove the gear



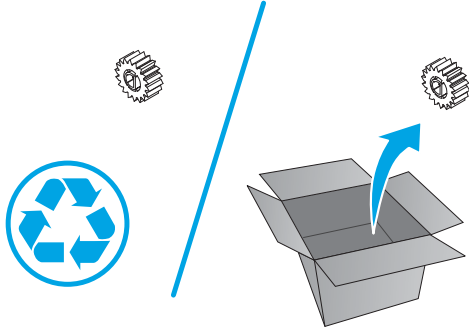
Step 6: Unpack the replacement paper feed shaft gear

Unpack the replacement part from the packaging.

<http://www8.hp.com/us/en/hp-information/environment/product-recycling.html>

 **NOTE:** HP recommends responsible disposal of the defective part.

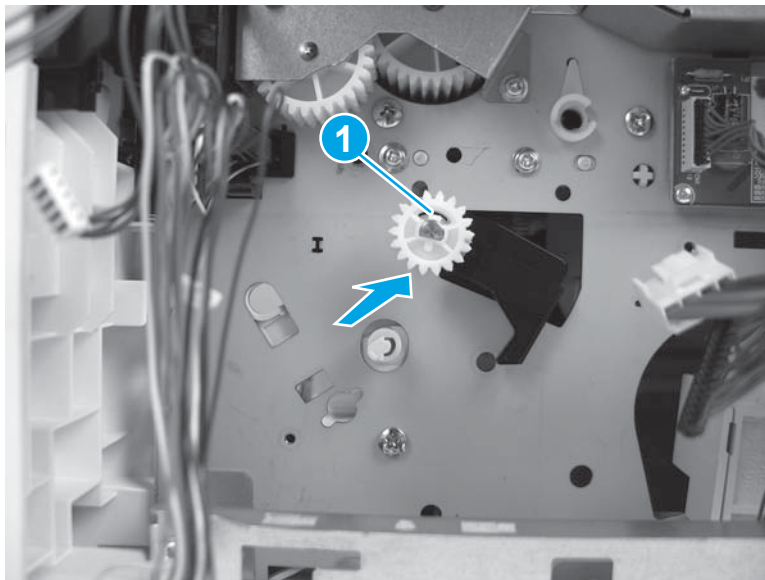
Figure 1-1608 Recycle and unpack



Step 7: Install the paper feed shaft gear

- ▲ Slide the gear onto the shaft. Make sure that the locking tab (callout 1) snaps into place.

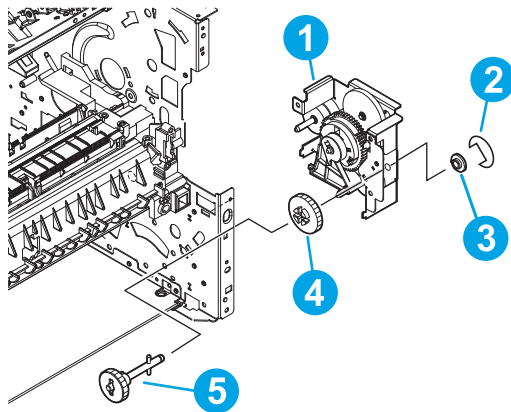
Figure 1-1609 Install the gear



Step 8: Install the pickup drive assembly

1. When you install the pickup drive assembly gears and shaft, verify that the gears are seated on the shaft-locking bars and that the shaft collars are correctly positioned in the paper-pickup drive-gear

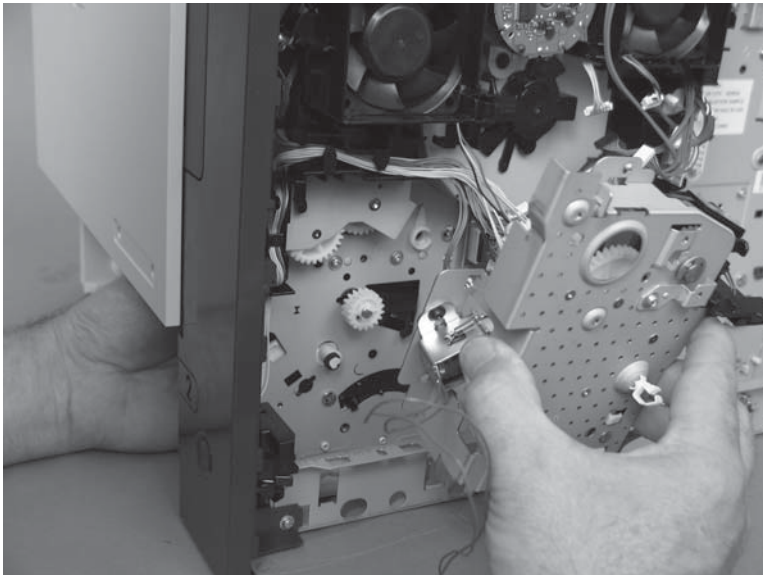
Table 1-2 Pickup drive assembly



1	Pickup drive unit
2	E-clip
3	Bushing
4	23T gear
5	Retard roller drive shaft

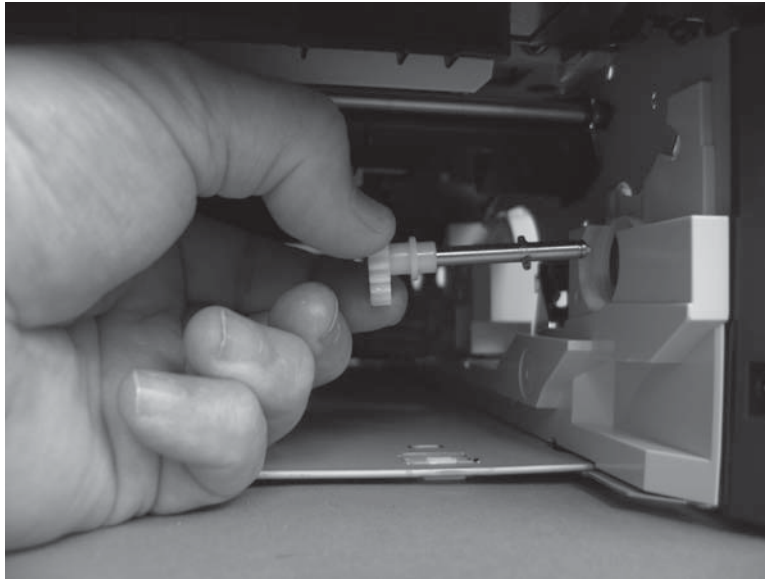
2. Reach inside the printer and push the rear Tray 2 feed roller up into its raised position, and then position the pickup drive assembly on the printer.

Figure 1-1610 Install the pickup drive assembly



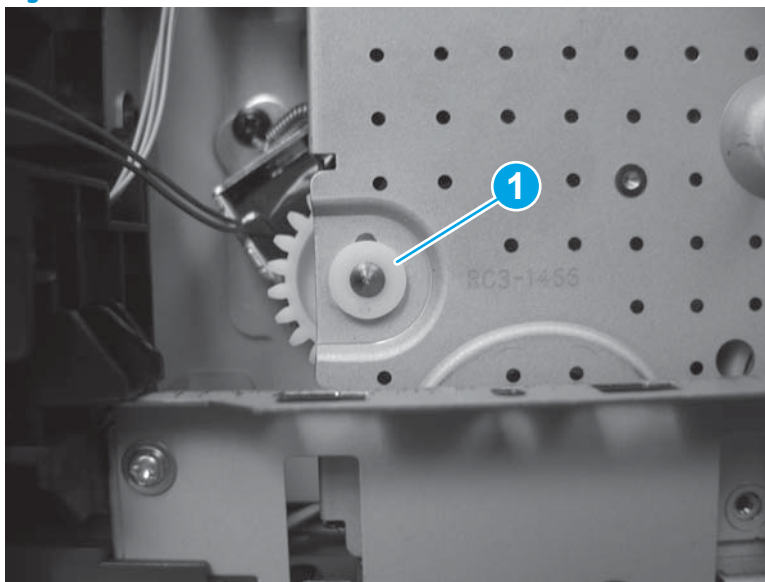
3. From inside the Tray 2 cavity, install the drive-gear shaft into the pickup drive assembly.

Figure 1-1611 Install the drive-gear shaft



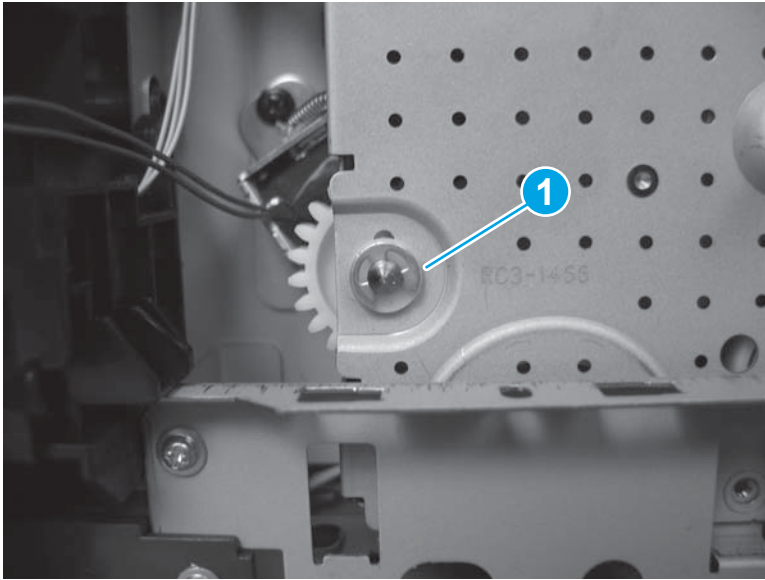
4. Install one shaft collar (callout 1).

Figure 1-1612 Install one shaft collar



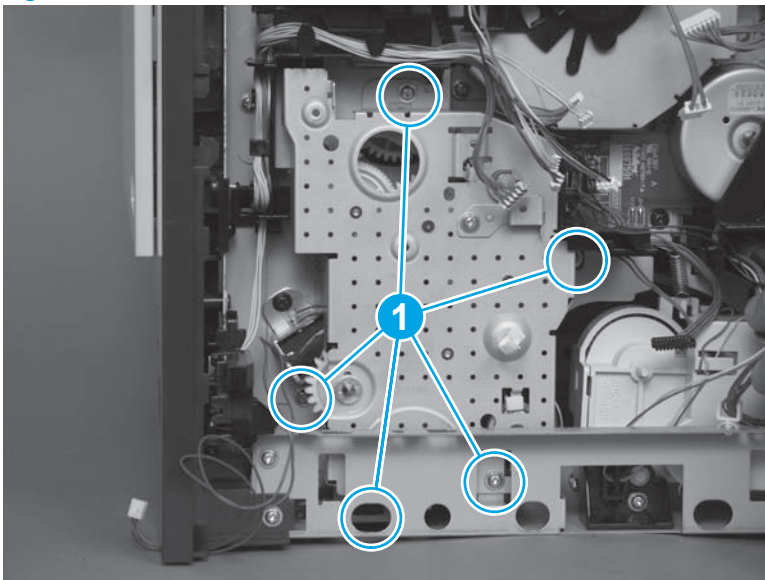
5. Install one e-clip (callout 1).

Figure 1-1613 Install one e-clip



6. Install five screws (callout 1).

Figure 1-1614 Remove five screws



7. Install the solenoid wire harness (callout 1) in the retainer (callout 2).


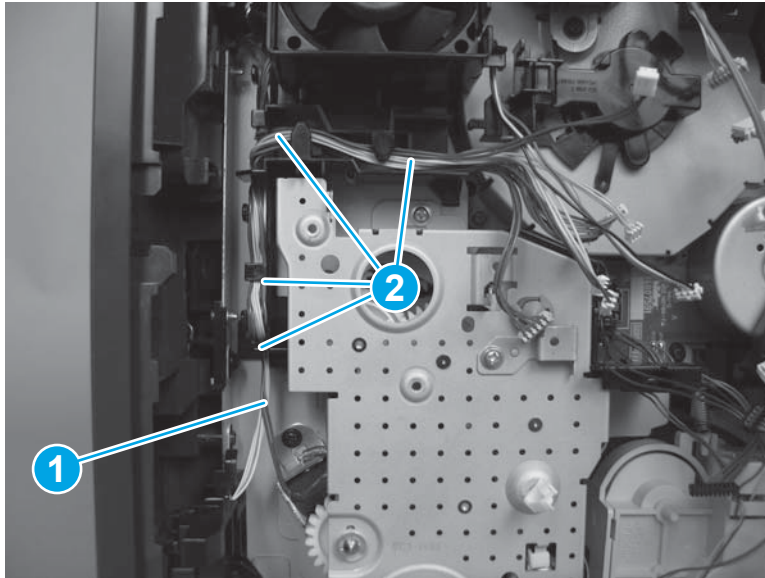
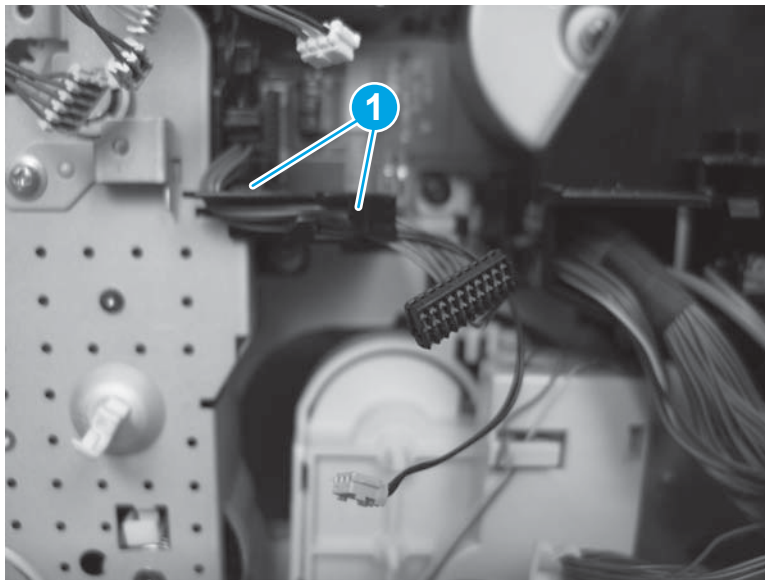
 **TIP:** If you removed all the wire harnesses from the retainer when removing the pickup drive assembly, reinstall these wire harnesses in the retainer now.

Figure 1-1615 Install the wire harnesses in the retainer



8. Install the wire harnesses in the retainer (callout 1) located on the lifter-motor side of the pickup drive assembly.

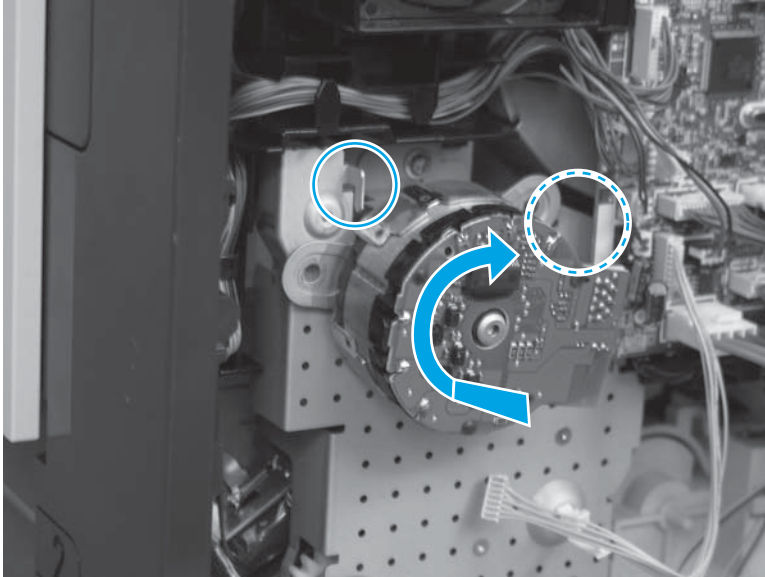
Figure 1-1616 Install the wire harnesses in the retainer



Step 9: Install the pickup motor

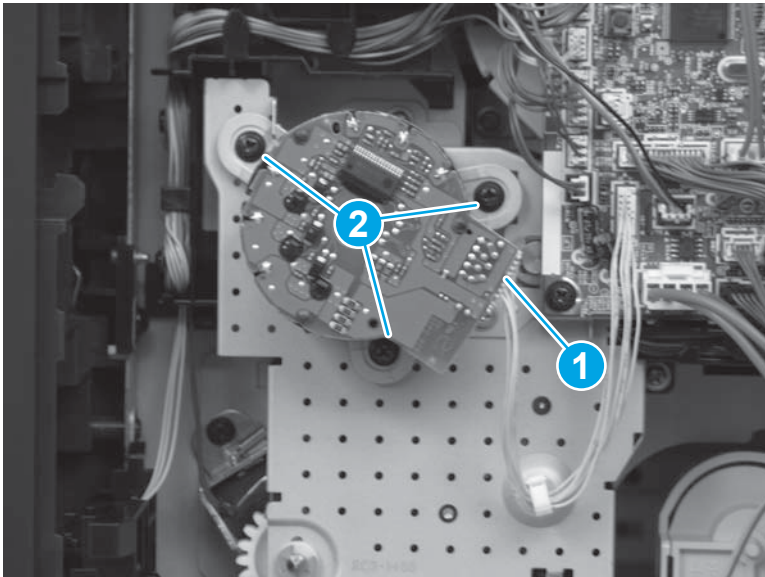
1. Position the motor on the printer chassis, and then rotate it toward the back of the printer to engage the tabs on the chassis with the motor mounting bracket.

Figure 1-1617 Install the pickup motor



2. Connect one connector (callout 1), and then install three screws (callout 2).

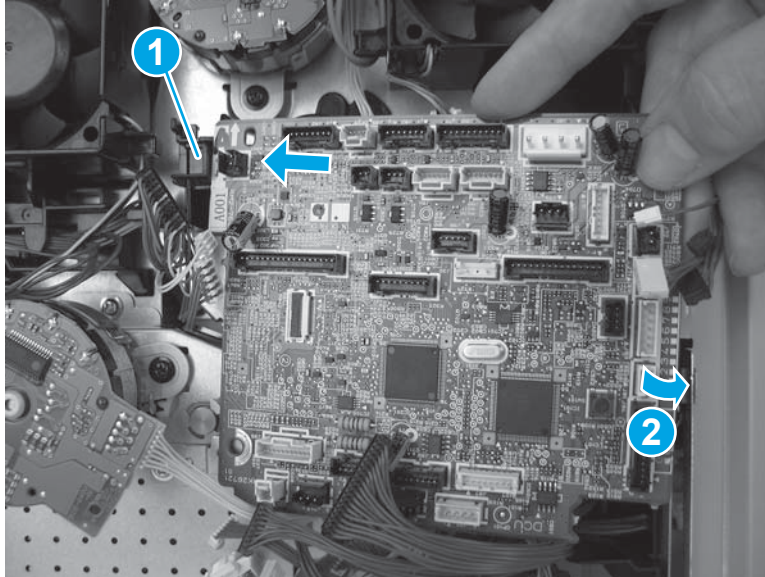
Figure 1-1618 Connect one connector and install three screws



Step 10: Install the DC controller

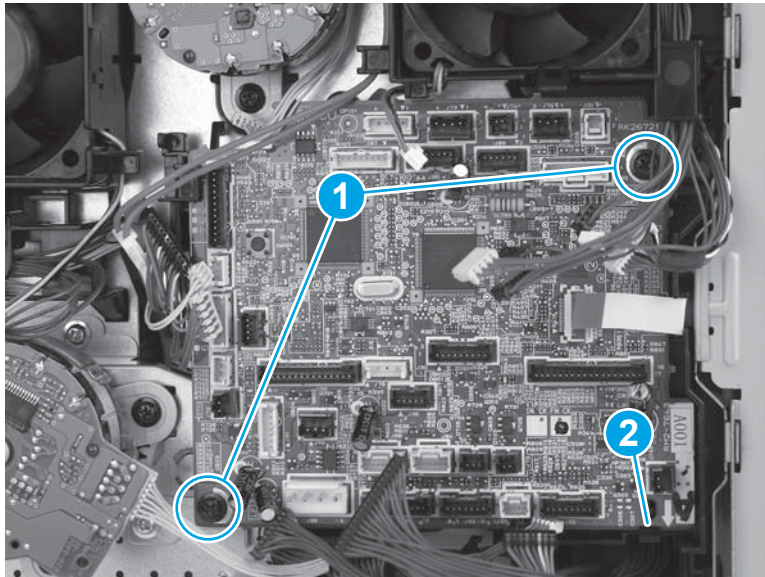
1. Position the DC controller under the tab (callout 1), and then rotate it (callout 2) toward the printer.

Figure 1-1619 Position the DC controller on the printer



2. Install two screws (callout 1). Make sure that the tab (callout 2) is snapped into place.

Figure 1-1620 Install two screws



3. Locate the flat cable connector (callout 1) on the DC controller.


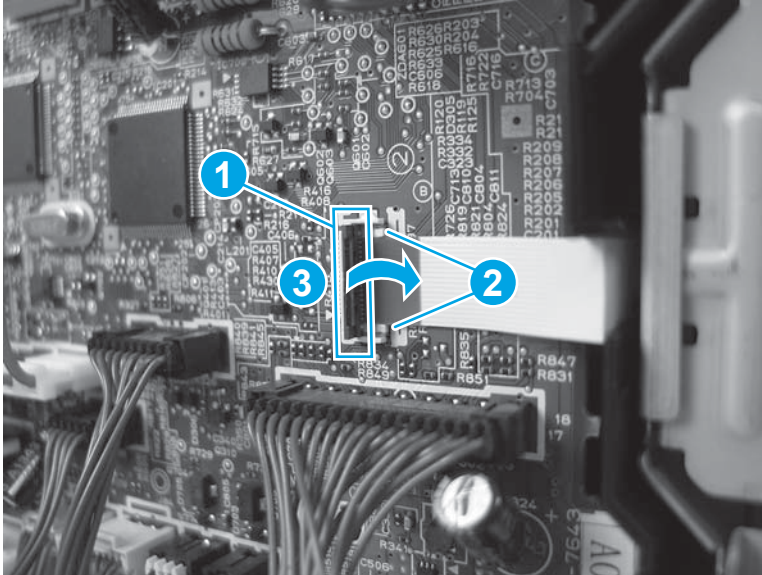
 **IMPORTANT:** The flat cable connector is a Zero Insertion Force (ZIF) connector that uses a hinged retainer to secure a flat cable. When the flat cable is reinstalled, fully insert the flat cable in the connector between the two white pins (callout 2). Close the hinged retainer (callout 3) to lock the flat cable into the connector and provide proper electrical contact. If the flat cable is not locked into the connector, no electrical contact will occur.

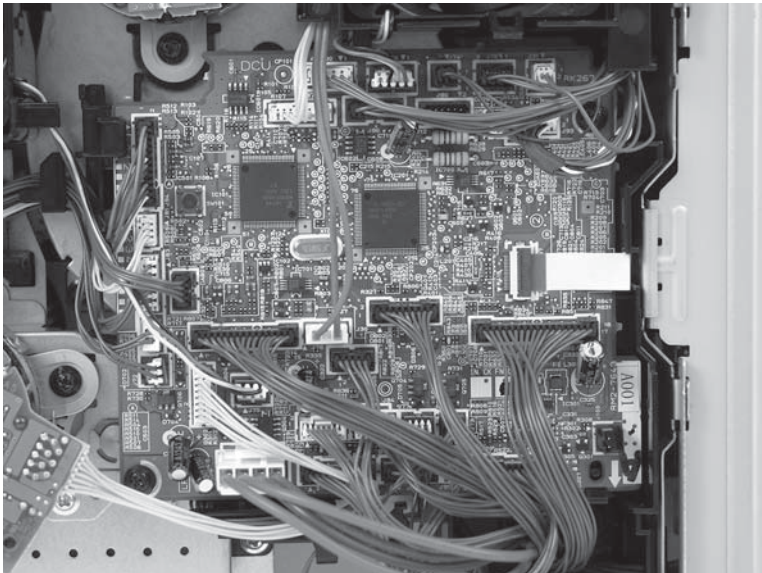
Figure 1-1621 ZIF connector



4. Connect all of the connectors on the DC controller.
 - 29 wire-harness connectors
 - 1 flat cable

 **Reinstallation tip:** Connectors J80 and J100 are empty.

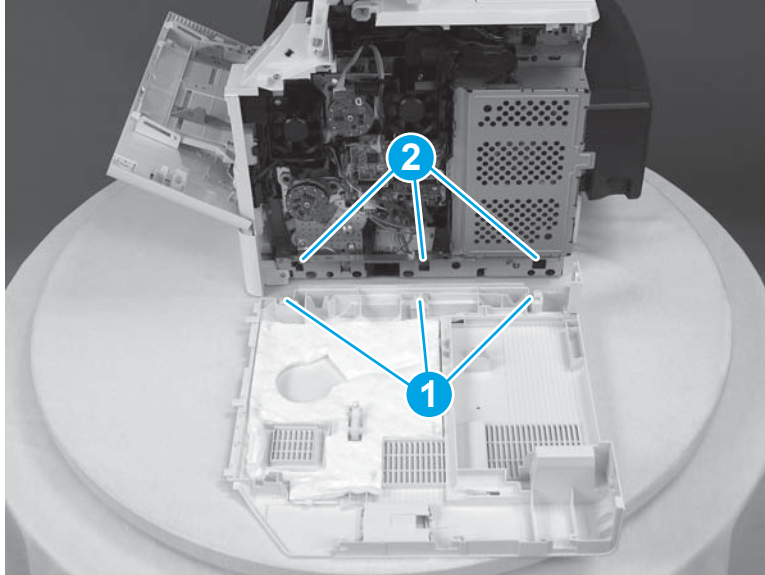
Figure 1-1622 Connect the connectors



Step 11: Install the right cover

1. Note the location of the tabs (callout 1) on the cover that will fit into the slots (callout 2) on the printer.

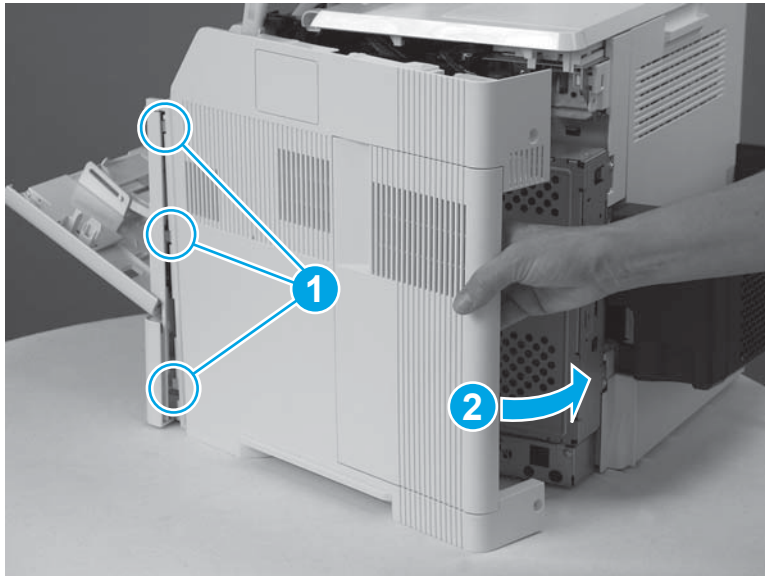
Figure 1-1623 Note location of tabs



2. Position the front tabs on the right cover slightly behind the right front cover (callout 1), and then rotate the back edge of the cover toward the printer (callout 2).

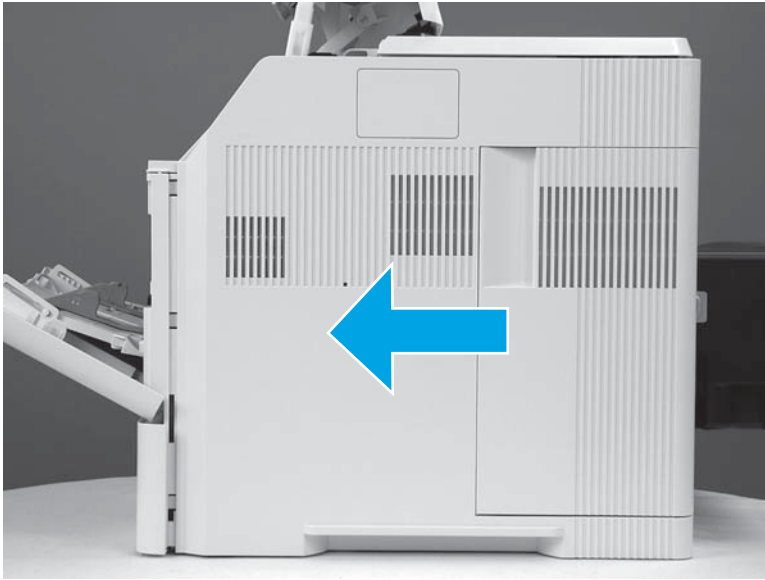
 **NOTE:** The tabs and slots mentioned in the previous step will engage as the cover is rotated into place.

Figure 1-1624 Position the front tabs



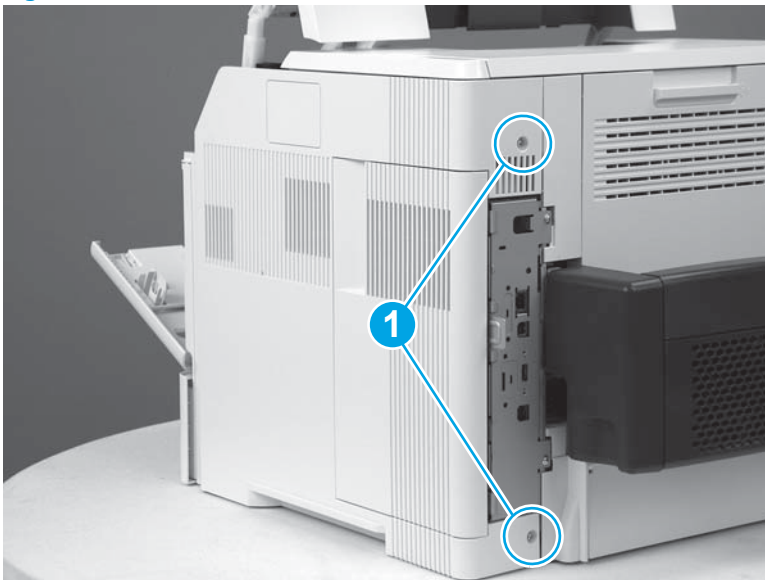
3. Slide the cover toward the front of the printer to install it.

Figure 1-1625 Slide the cover



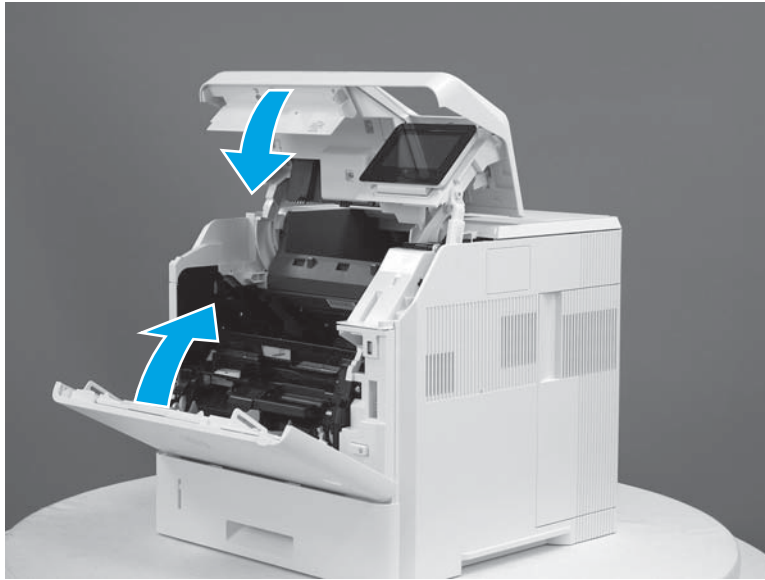
4. Install two screws (callout 1).

Figure 1-1626 Install two screws



5. Close the front cover and the cartridge door.

Figure 1-1627 Close the front cover and cartridge door



Removal and replacement: Paper feed shaft assembly

- [Introduction](#)
- [Step 1: Remove the right cover](#)
- [Step 2: Remove the DC controller](#)
- [Step 3: Remove the pickup motor](#)
- [Step 4: Remove the pickup drive assembly](#)
- [Step 5: Remove the paper feed shaft gear](#)
- [Step 6: Remove the paper feed shaft assembly](#)
- [Step 7: Unpack the replacement paper feed shaft assembly](#)
- [Step 8: Install the paper feed shaft assembly](#)
- [Step 9: Install the paper feed shaft gear](#)
- [Step 10: Install the pickup drive assembly](#)
- [Step 11: Install the pickup motor](#)
- [Step 12: Install the DC controller](#)
- [Step 13: Install the right cover](#)


Introduction

This document provides the procedures to remove and replace the paper feed shaft assembly.

Before performing service

Turn the printer power off

- Disconnect the power cable.

 **WARNING!** To avoid damage to the printer, turn the printer off, wait 30 seconds, and then remove the power cord before attempting to service the printer.

Use the table below to identify the correct part number for your printer, and then go to www.hp.com/buy/parts to order the kit.

Paper feed shaft assembly part number

RM1-8424-000CNPaper feed shaft assembly

Required tools

- #2 Phillips screwdriver with a magnetic tip
- Small, flat-blade screwdriver

After performing service

Turn the printer power on

- Connect the power cable.
- Use the power switch to turn the power on.

Post service test

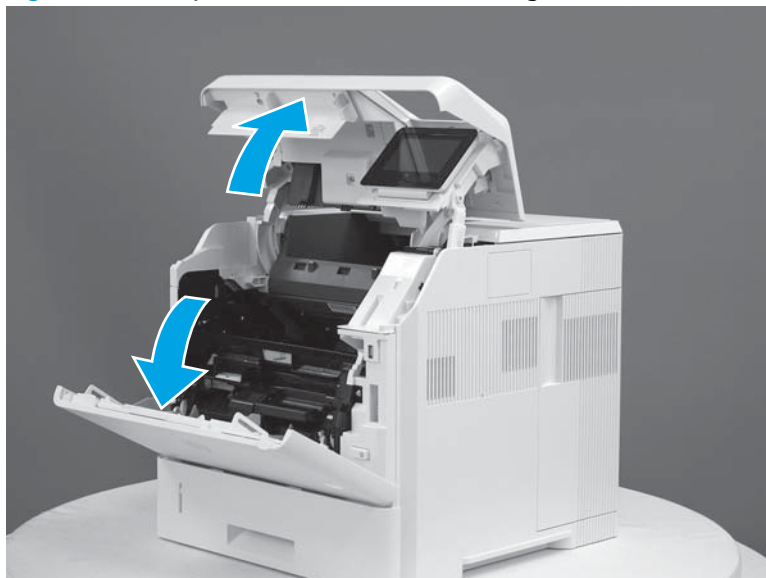
Make sure that the printer initializes to a **Ready** state.

Print a configuration page to make sure that the printer is functioning correctly.

Step 1: Remove the right cover

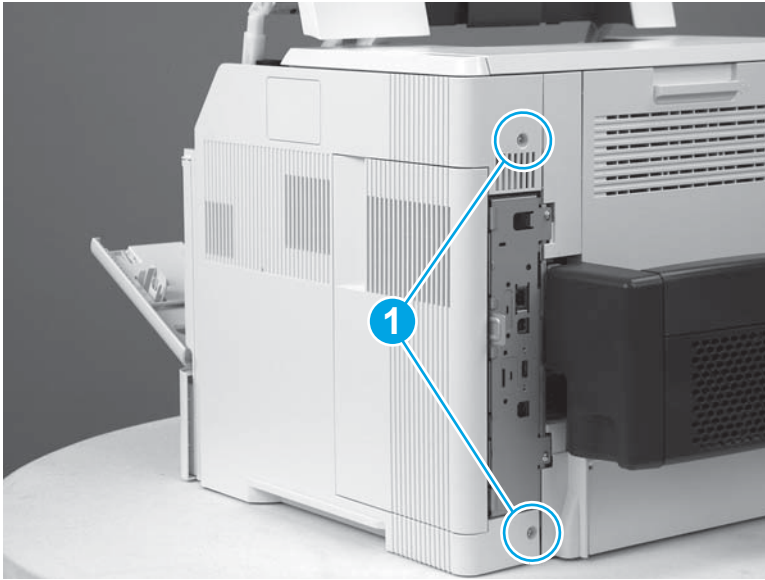
1. Open the front cover and the cartridge door.

Figure 1-1628 Open the front cover and cartridge door



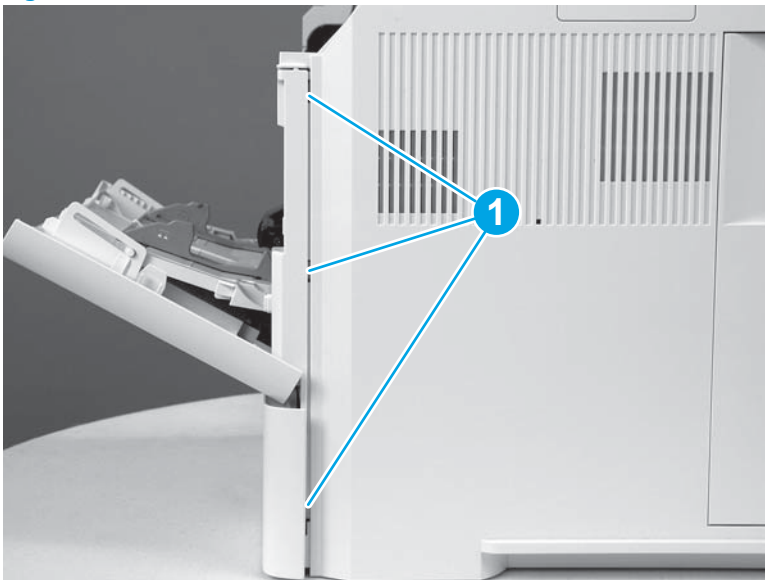
2. Remove two screws (callout 1).

Figure 1-1629 Remove two screws



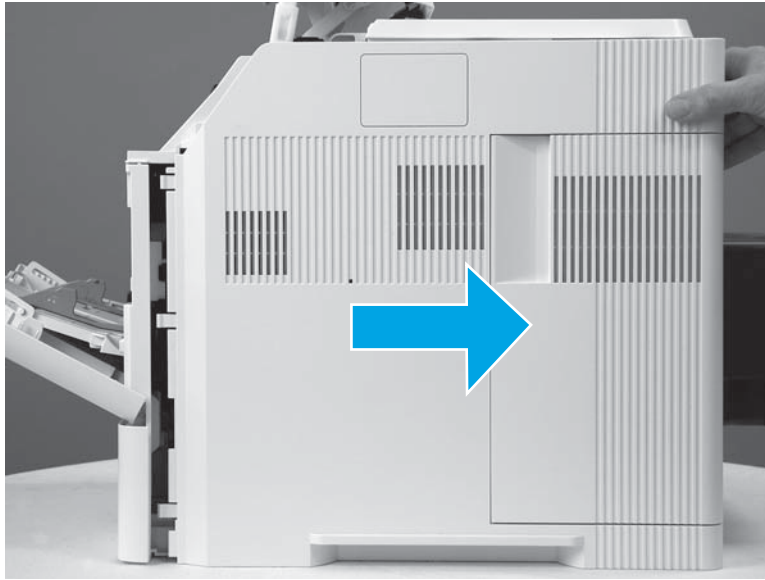
3. Release three tabs (callout 1).

Figure 1-1630 Release three tabs



4. Slide the cover toward the rear of the printer to remove it.

Figure 1-1631 Remove the cover



Step 2: Remove the DC controller

1. Locate the flat cable connector (callout 1) on the DC controller.


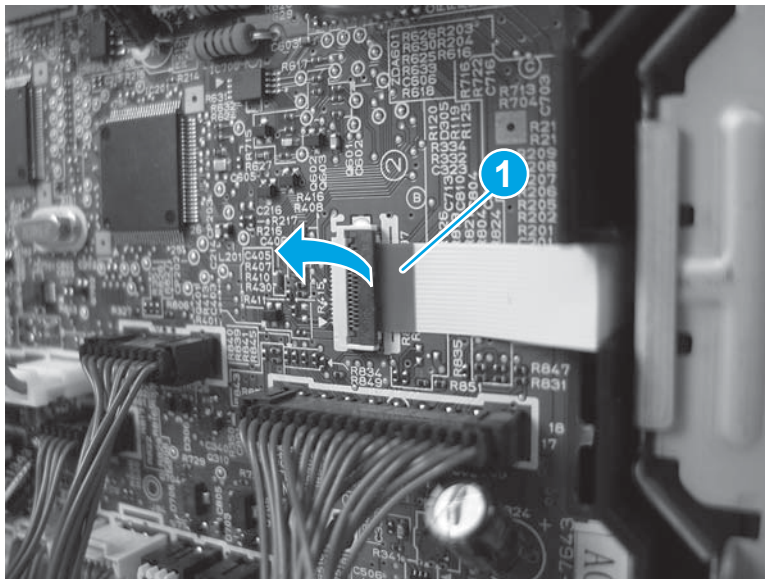
 **IMPORTANT:** This connector is a Zero Insertion Force (ZIF) connector that uses a hinged retainer to secure a flat cable. The hinged retainer must be opened to release the flat cable.

Figure 1-1632 ZIF connector



2. Disconnect all of the connectors (callout 1) on the DC controller.
 - 29 wire-harness connectors
 - 1 flat cable


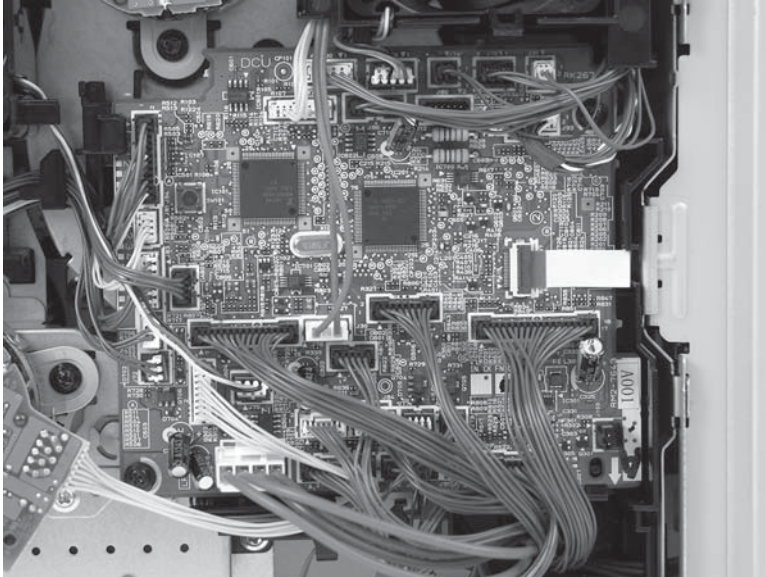
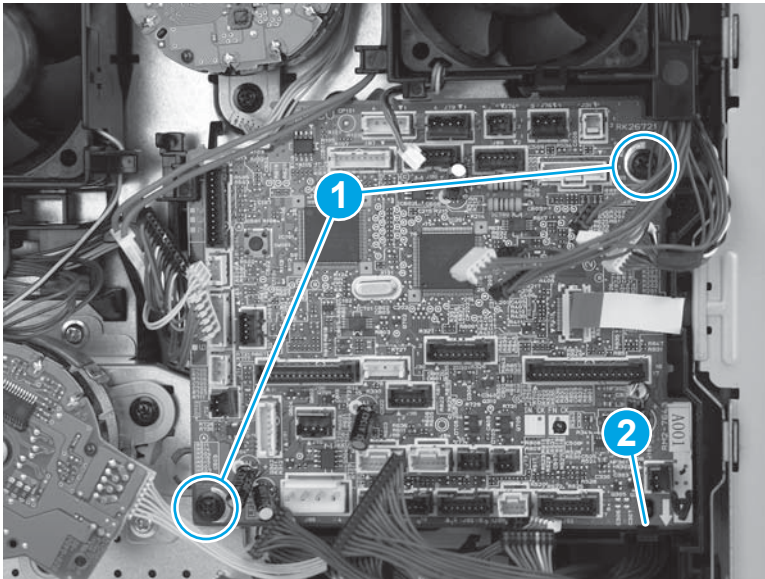
 **Reinstallation tip:** When the DC controller is reinstalled, connectors J80 and J100 are empty.

Figure 1-1633 Disconnect the connectors



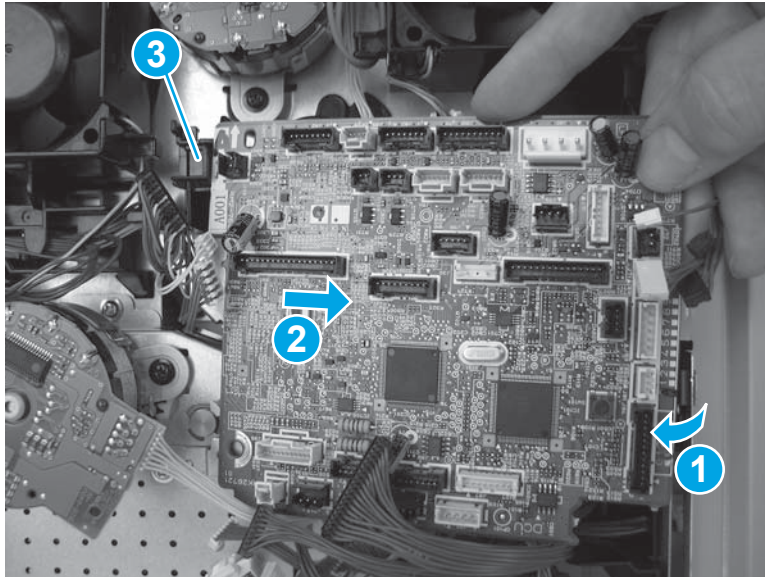
3. Remove two screws (callout 1), and then release one tab (callout 2).

Figure 1-1634 Remove two screws and release one tab



4. Rotate the DC controller away from the printer (callout 1), slide the DC controller toward the rear of the printer (callout 2) to release one tab (callout 3), and then remove the DC controller.

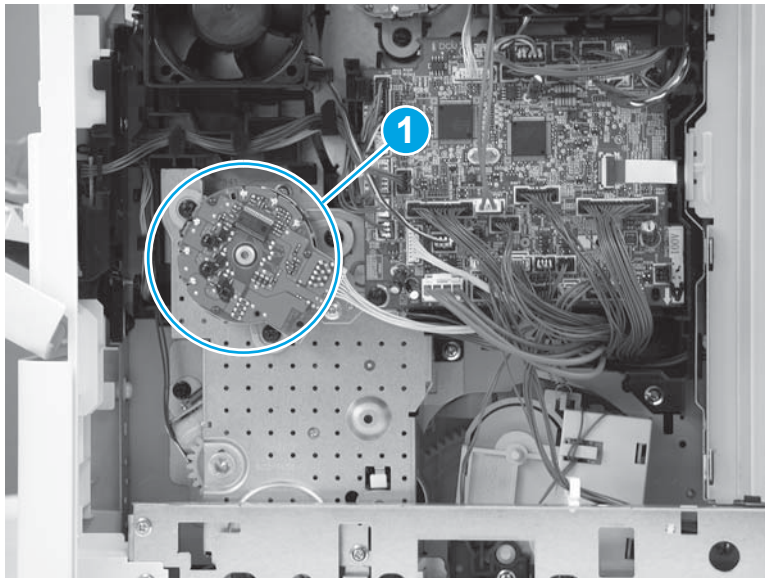
Figure 1-1635 Remove the DC controller



Step 3: Remove the pickup motor

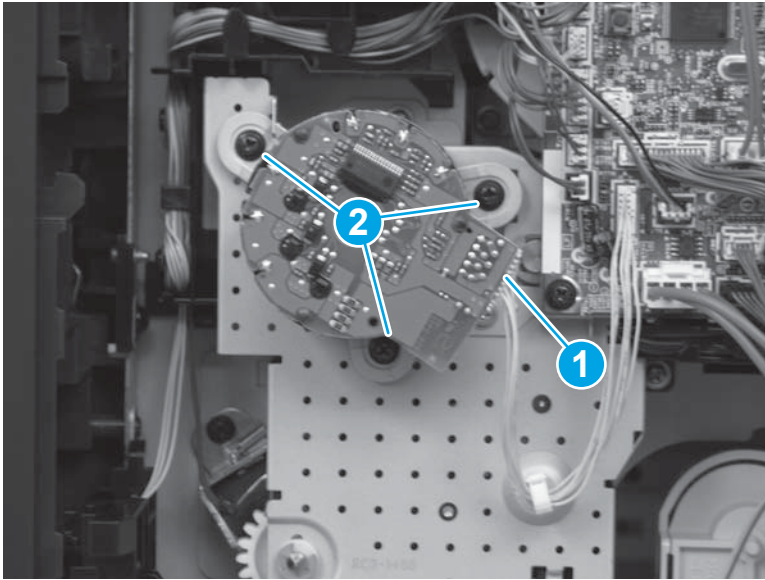
1. Locate the pickup motor (callout 1)

Figure 1-1636 Locate the pickup motor



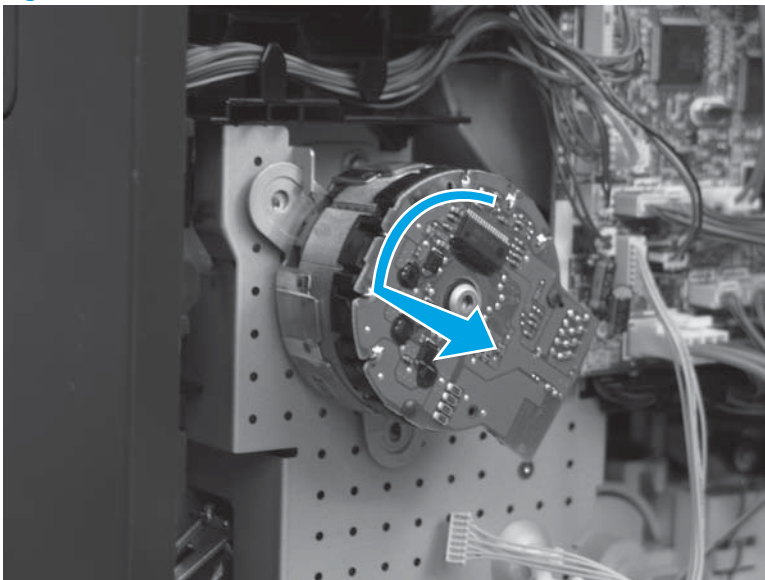
2. Disconnect one connector (callout 1), and then remove three screws (callout 2).

Figure 1-1637 Disconnect one connector and remove three screws



3. Rotate the motor towards the front of the printer to release it, and then remove the motor.

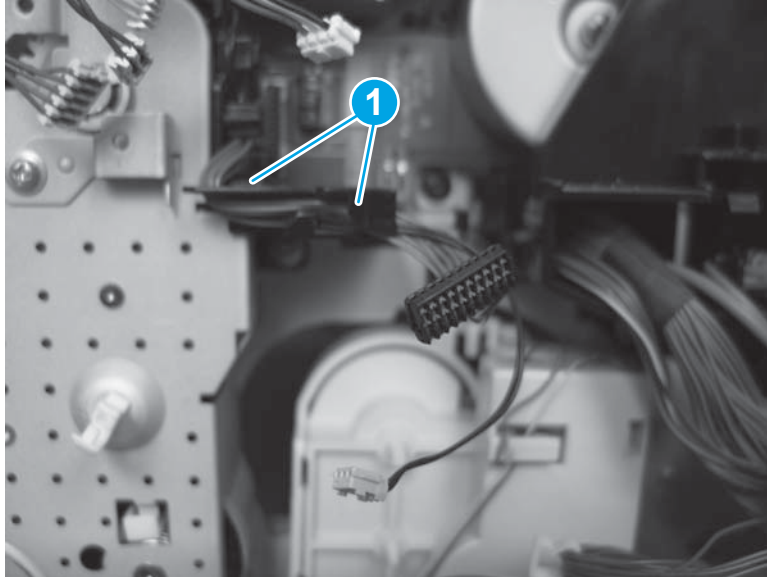
Figure 1-1638 Release the motor



Step 4: Remove the pickup drive assembly

1. Release the wire harnesses from the retainer (callout 1) located on the lifter-motor side of the pickup drive assembly.

Figure 1-1639 Release wire harnesses from the retainer



2. Release the solenoid wire harness (callout 1) from the retainer (callout 2).


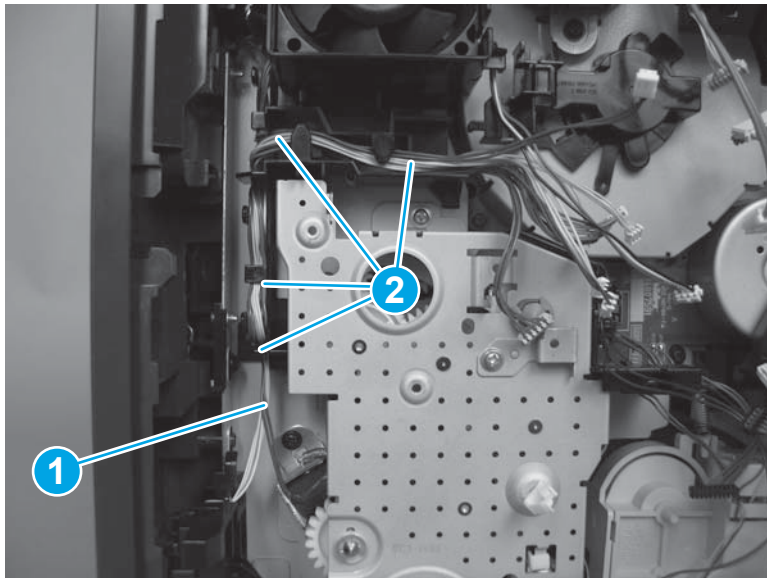
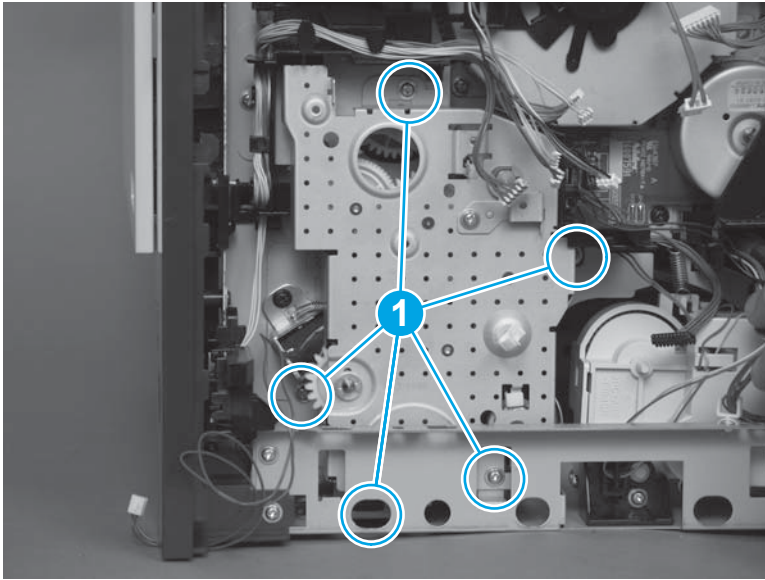
 **TIP:** Do not damage the wire harness when removing it from the retainer. It might be easier to remove all of the wire harnesses together to release the solenoid wire harness.

Figure 1-1640 Release the wire harness from the retainer



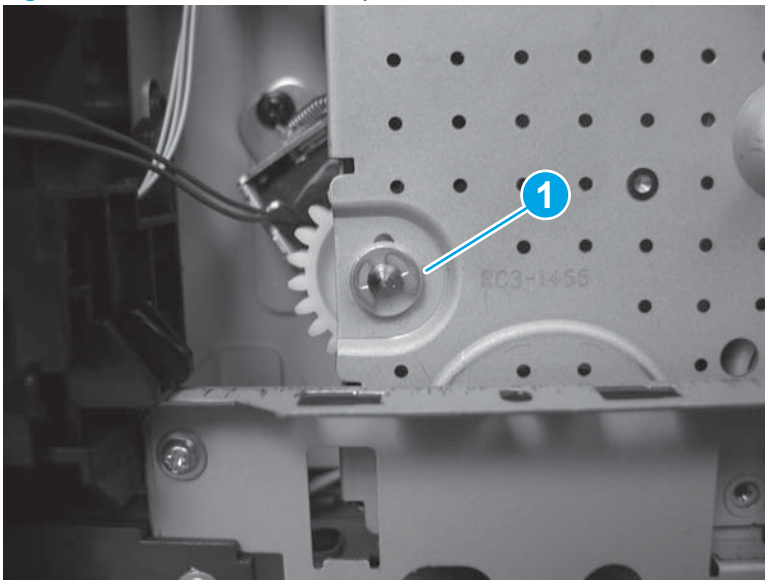
3. Remove five screws (callout 1).

Figure 1-1641 Remove five screws



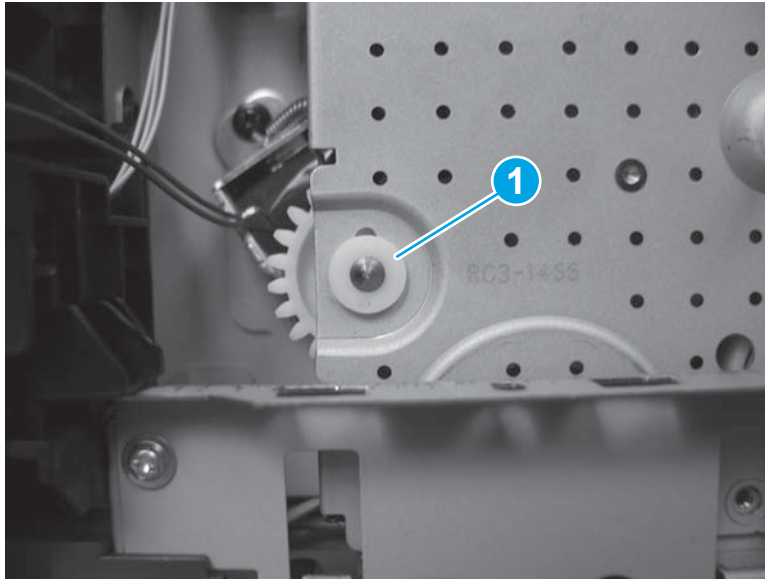
4. Remove one e-clip (callout 1).

Figure 1-1642 Remove one e-clip



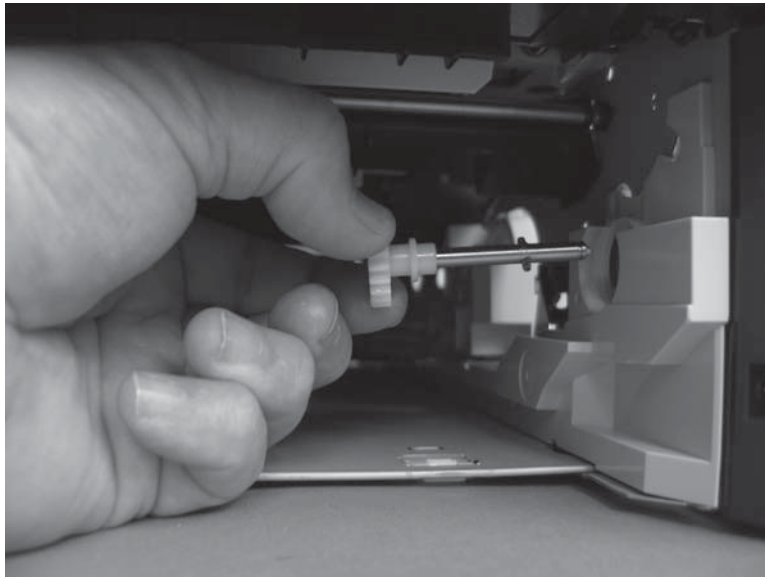
5. Remove one shaft collar (callout 1).

Figure 1-1643 Remove one shaft collar



6. Push the drive-gear shaft (located where the e-clip and shaft collar were removed in the previous steps) into the Tray 2 cavity, and then remove it.

Figure 1-1644 Remove the drive-gear shaft



7. Two gears located inside the assembly are not captive. Do not lose these gears when handling the assembly. If the gears are dislodged, use the figure below to correctly reinstall them.


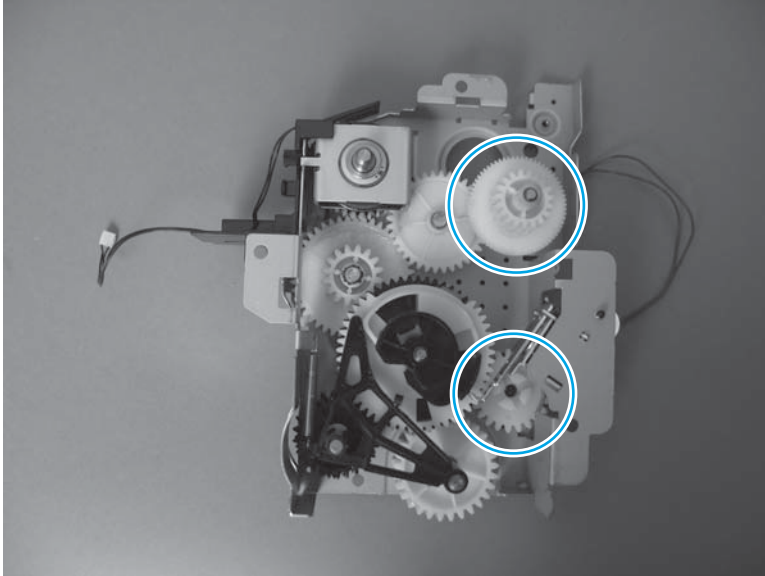
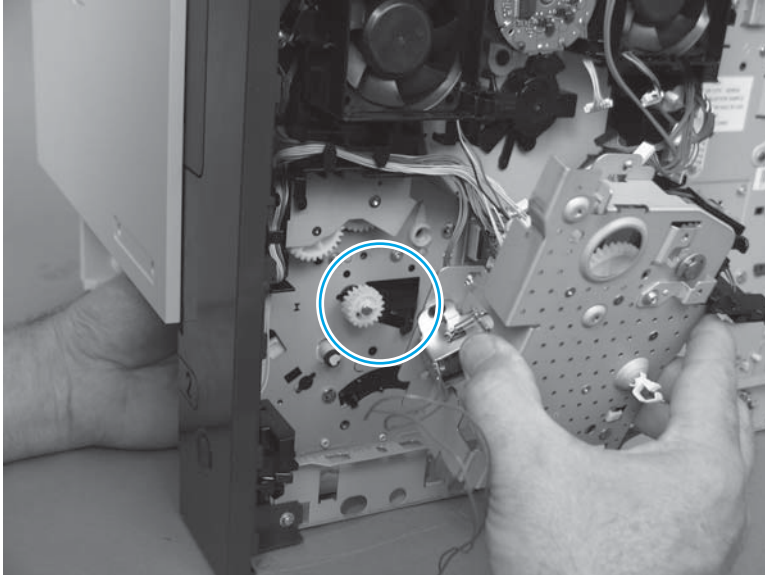
 **IMPORTANT:** Do not remove the grease from the gears when handling the assembly or the gears.

Figure 1-1645 Two gears are not captive



8. Reach inside the printer and push the rear Tray 2 feed roller up into its raised position (this disengages the roller-lifting arm from the clutch gear), and then remove the pickup drive assembly.

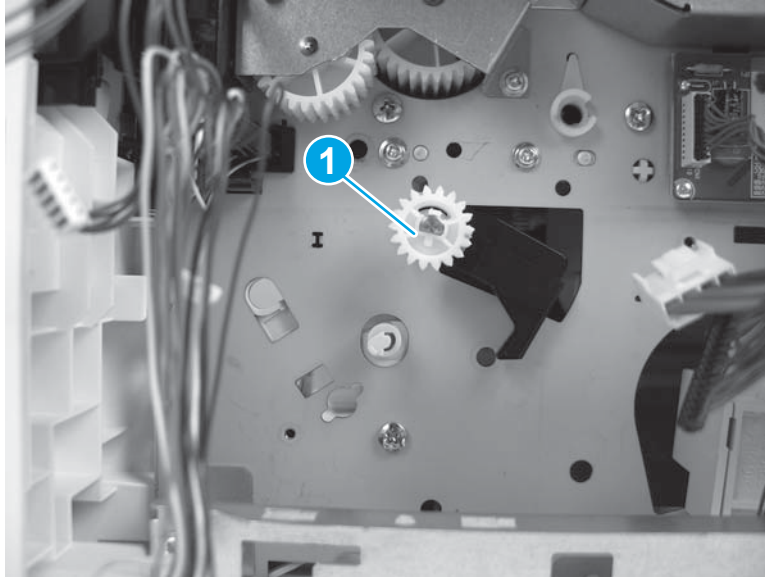
Figure 1-1646 Remove the pickup drive assembly



Step 5: Remove the paper feed shaft gear

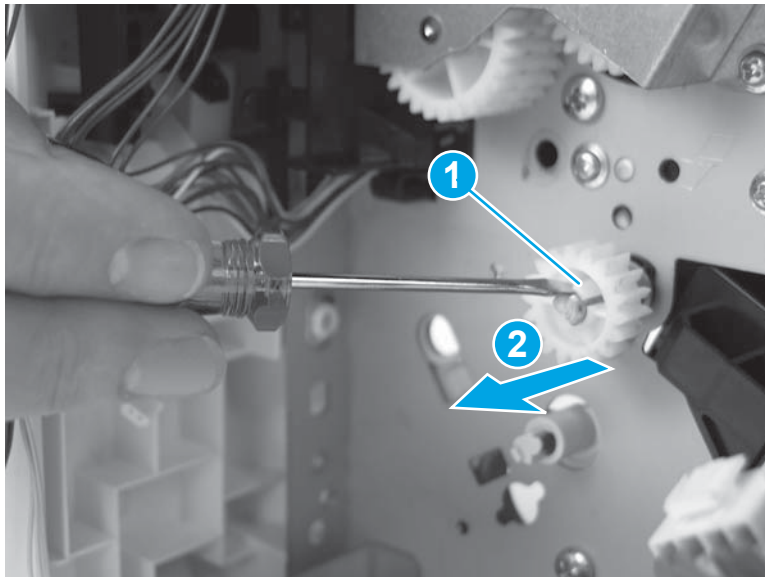
1. Locate the paper feed shaft gear (callout 1).

Figure 1-1647 Locate the paper feed shaft gear



2. Use a small, flat-blade screwdriver to release one locking tab (callout 1), and then slide the gear (callout 2) off of the shaft.

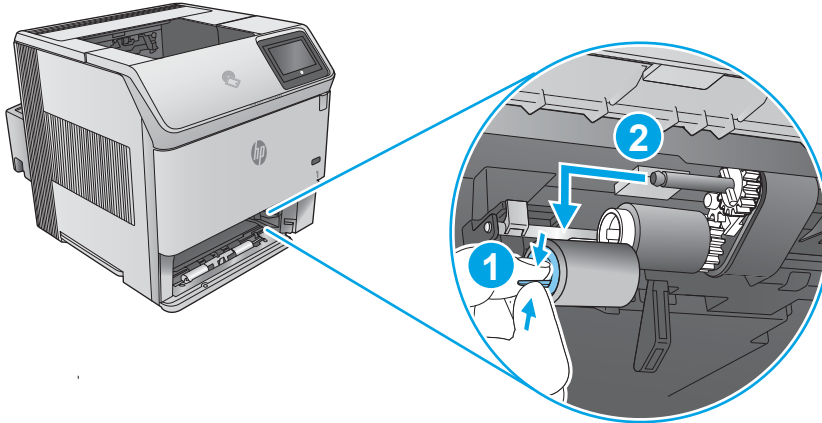
Figure 1-1648 Remove the gear



Step 6: Remove the paper feed shaft assembly

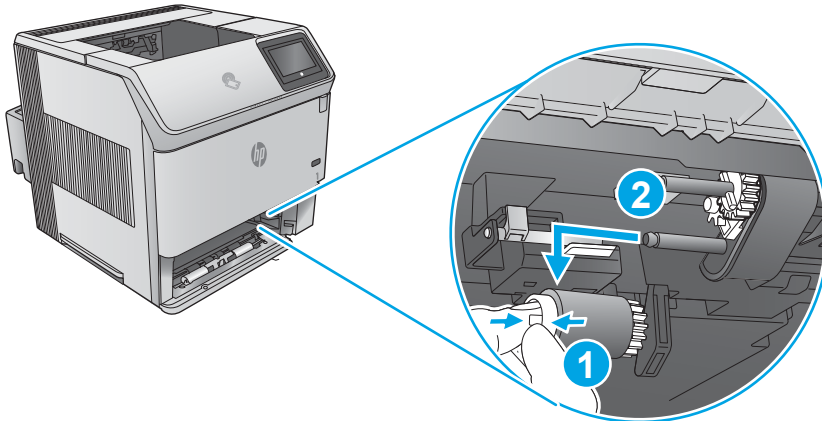
1. Inside the tray cavity, pinch the blue tab that is on the left side of the upper feed roller (callout 1), and then slide the roller off of the shaft (callout 2).

Figure 1-1649 Remove the feed roller



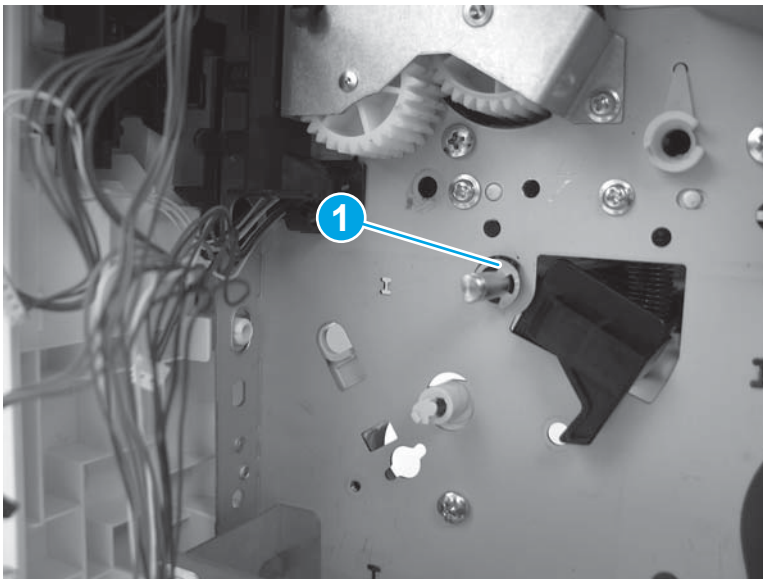
2. Pinch the blue tab that is on the left side of the lower pick roller (callout 1), and then slide the roller off of the shaft (callout 2).

Figure 1-1650 Remove the pick roller



3. Remove one e-clip (callout 1).

Figure 1-1651 Remove one e-clip



4. Remove one bushing (callout 1).


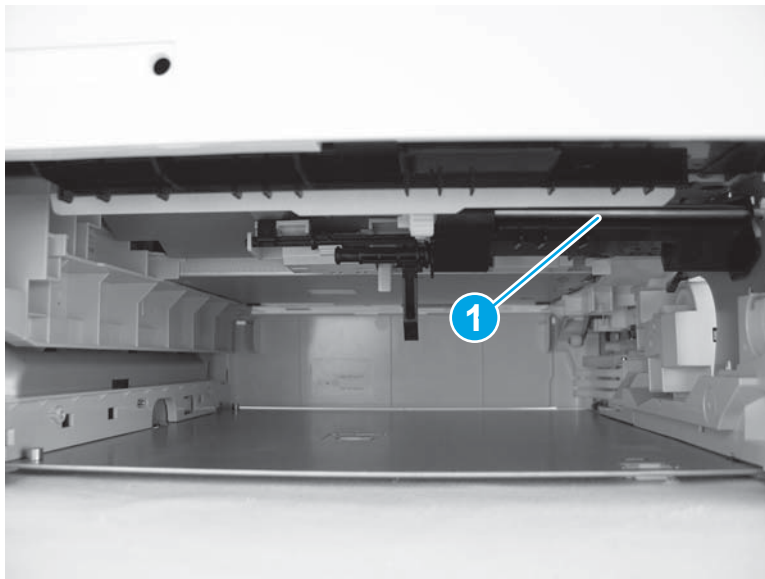
 **Reinstallation tip:** Note that the bushing is keyed when reinstalling in the sheet metal slot.

Figure 1-1652 Remove one bushing



5. Locate the paper feed shaft (callout 1) inside the tray cavity.

Figure 1-1653 Locate the paper feed shaft



6. Slide the paper feed shaft to the left to remove it.


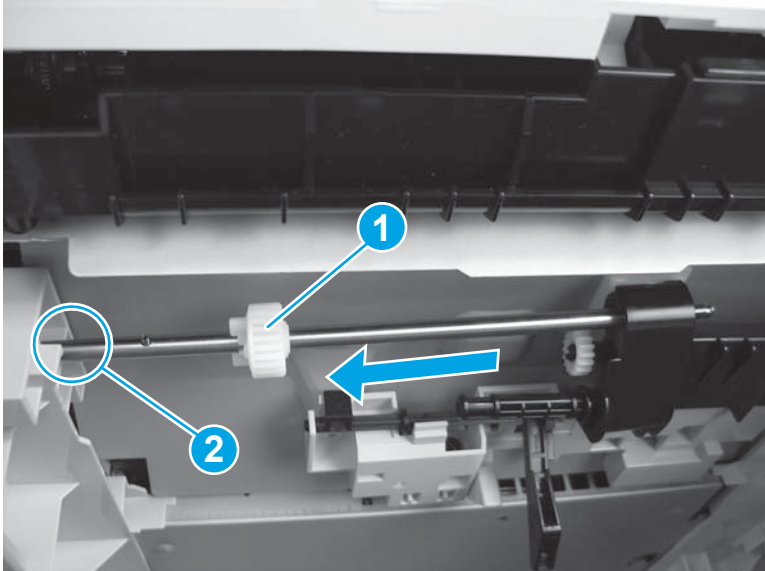
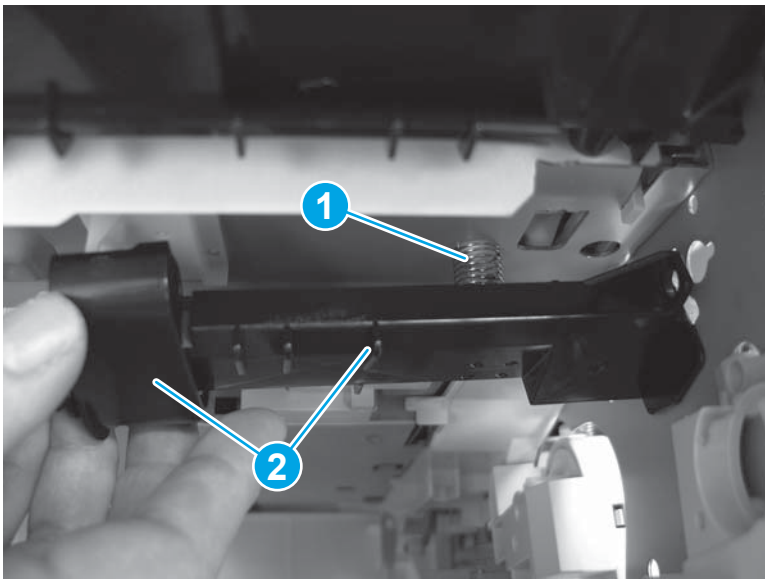
 **TIP:** Slide the white gear (callout 1) away from the end of the shaft. This provides more clearance around the end of the shaft (callout 2), which allows it to slide all the way into the cover in order to remove it.

Figure 1-1654 Remove the paper feed shaft



7. Note the location of one spring (callout 1). This spring is not captive when the covers are removed. Do not lose the spring. Remove the black plastic covers (callout 2).

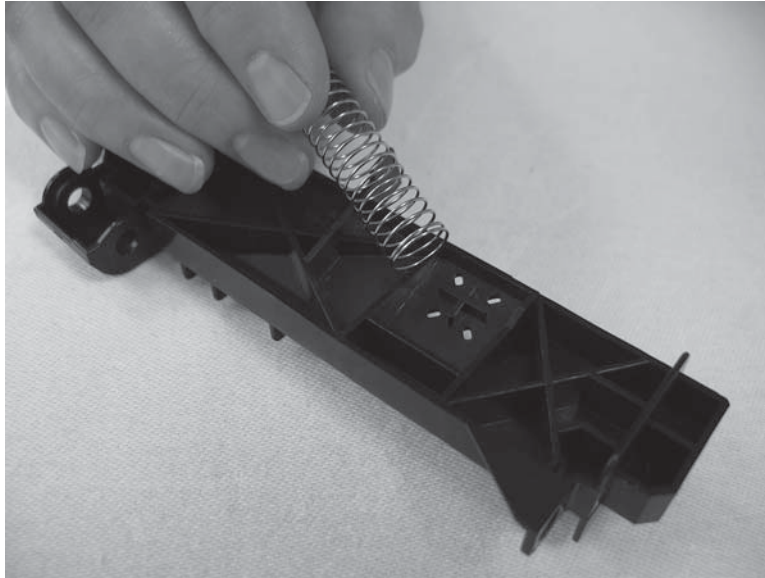
Figure 1-1655 Remove the covers



8. Remove the spring from the plastic cover.

 **NOTE:** Save this component for installation on the new paper feed shaft assembly cover.

Figure 1-1656 Remove one spring



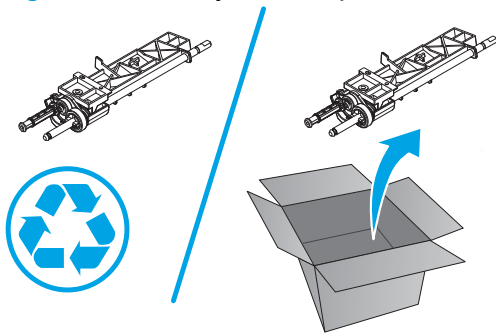
Step 7: Unpack the replacement paper feed shaft assembly

Unpack the replacement part from the packaging.

<http://www8.hp.com/us/en/hp-information/environment/product-recycling.html>

 **NOTE:** HP recommends responsible disposal of the defective part.

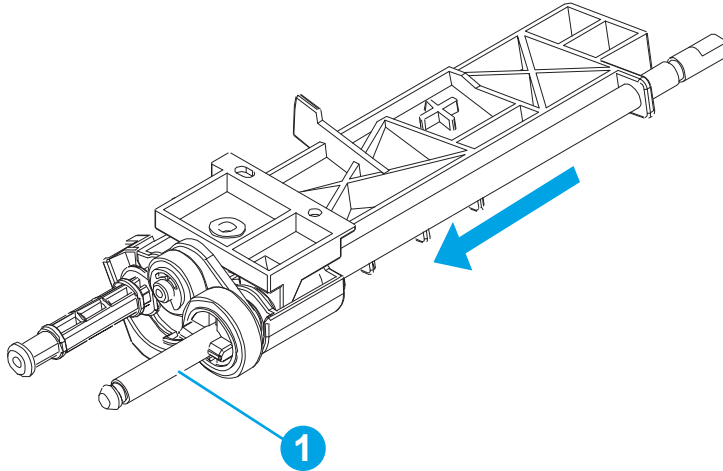
Figure 1-1657 Recycle and unpack



Step 8: Install the paper feed shaft assembly

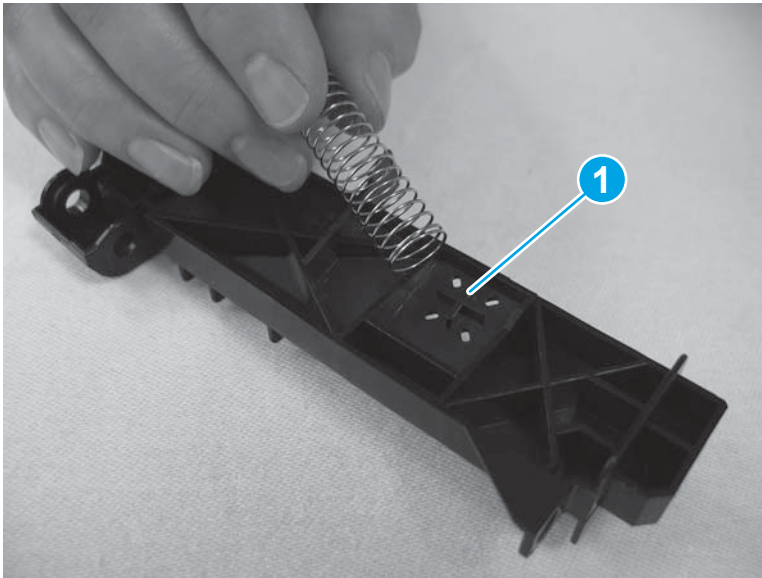
1. Remove the feed shaft (callout 1) from the new paper feed shaft assembly part and set it aside.

Figure 1-1658 Remove the feed shaft



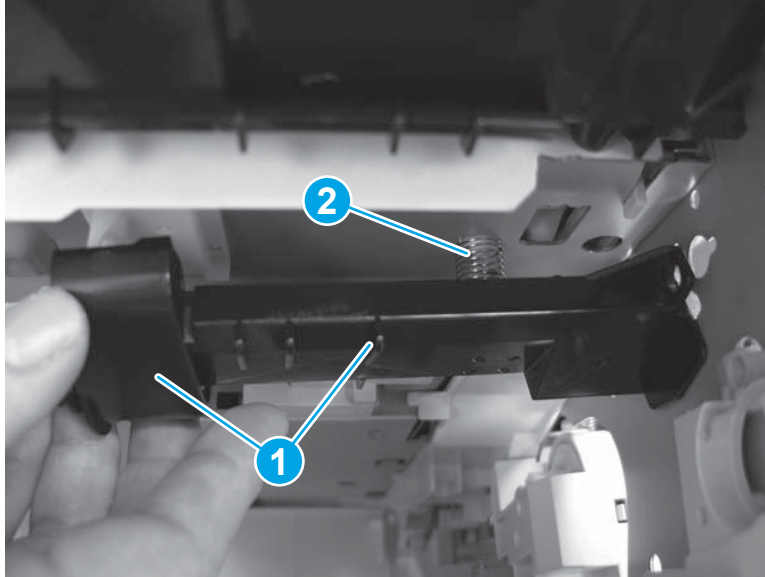
2. Install the spring over the locator tabs (callout 1) on the plastic cover of the new paper feed shaft assembly.

Figure 1-1659 Install one spring



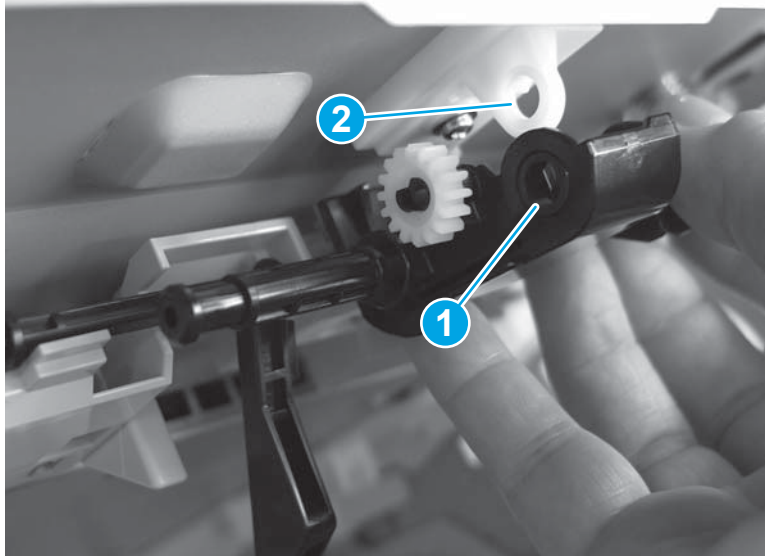
3. Position the covers (callout 1) inside the tray cavity. Make sure that the spring (callout 2) is in the correct position.

Figure 1-1660 Position the covers



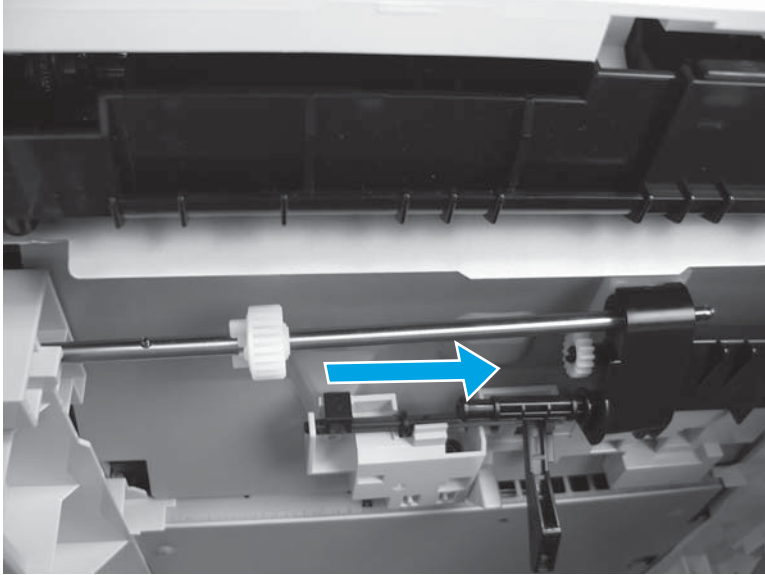
4. Align the hole (callout 1) in the cover with the hole (callout 2) on the printer.

Figure 1-1661 Align holes



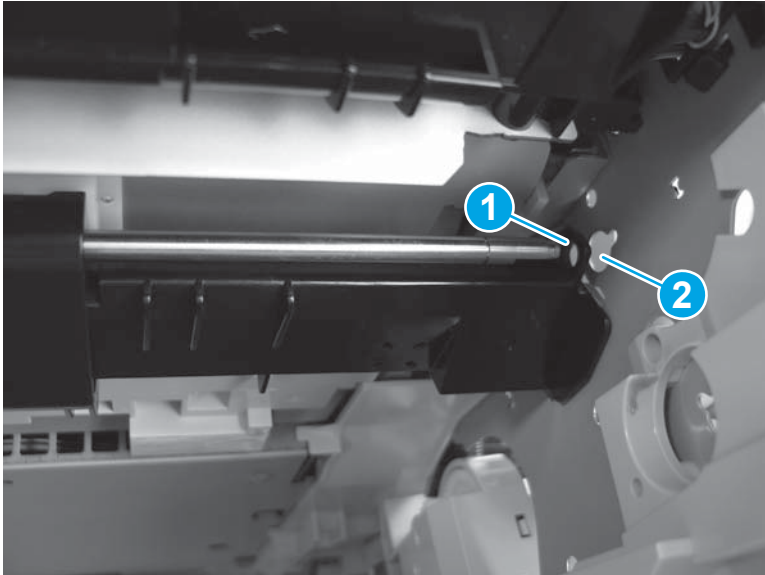
5. Begin installing the feed shaft by positioning it through the holes described in the previous step.

Figure 1-1662 Install the feed shaft



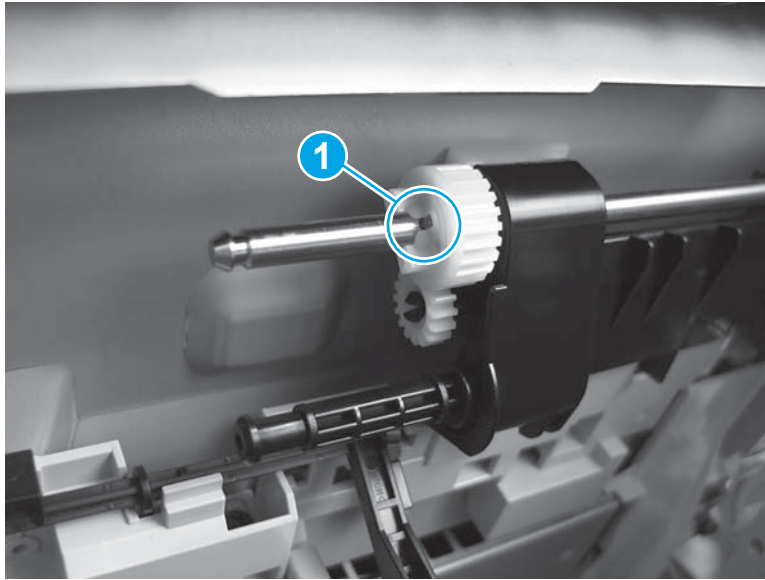
6. Continue sliding the feed shaft into position. Slide the end of the shaft through the hole (callout 1) in the cover, and then slide it through the hole (callout 2) in the sheet metal.

Figure 1-1663 Slide feed shaft into position



7. Make sure that the slots in the gear fit over the locking pins on the shaft (callout 1).

Figure 1-1664 Verify that the slots in the gear fit over the locking pins on the shaft



8. Install one bushing (callout 1) on the end of the shaft.


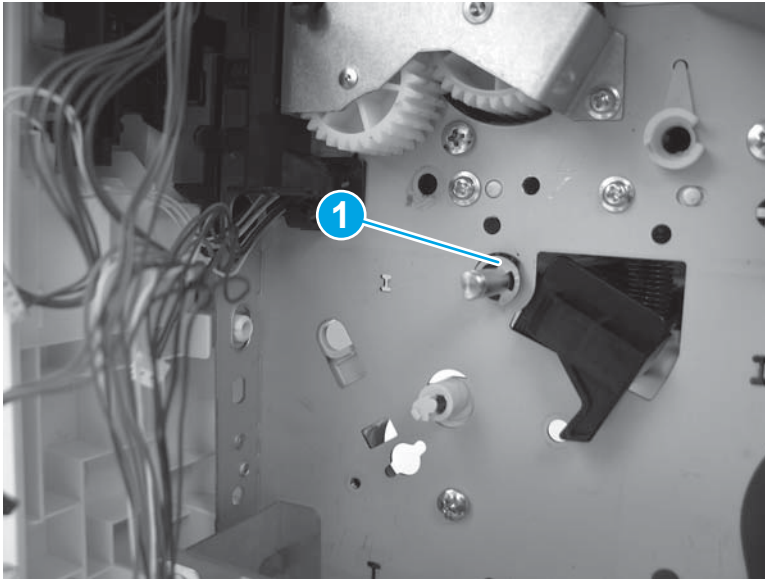
 **Reinstallation tip:** Note that the bushing is keyed.

Figure 1-1665 Install one bushing



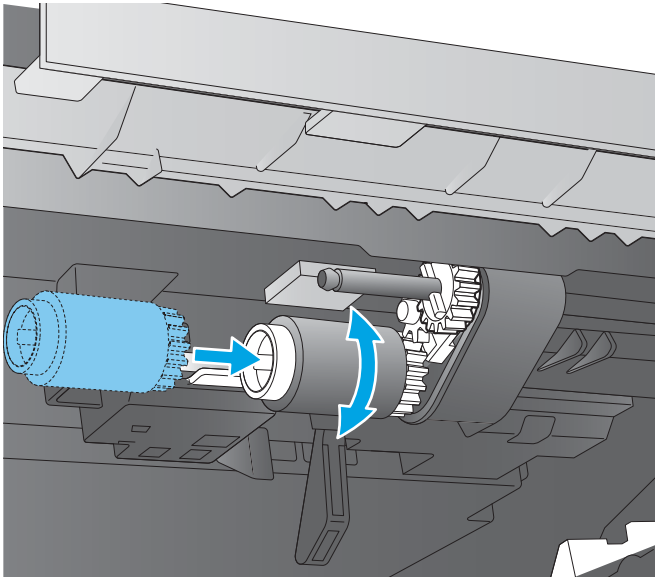
9. Install one e-clip (callout 1).

Figure 1-1666 Install one e-clip



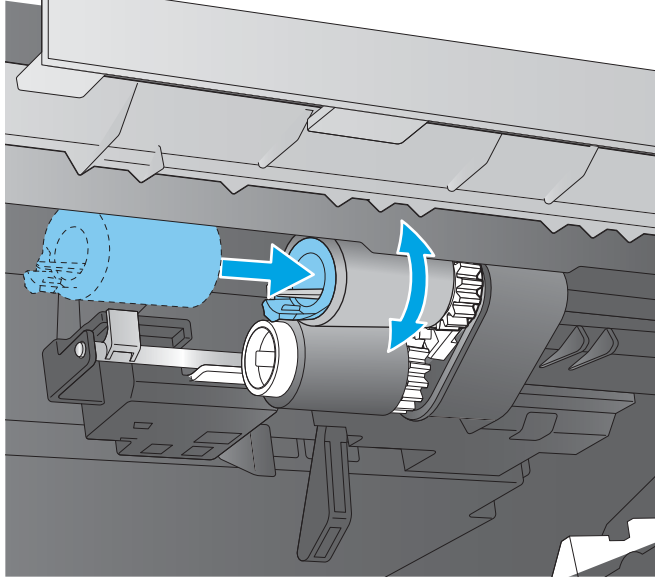
10. Inside the tray cavity, slide the lower pick roller onto the shaft. You might have to rotate the roller while sliding it onto the shaft to make sure it clicks into place.

Figure 1-1667 Install the pick roller



11. Slide the upper feed roller onto the shaft. You might have to rotate the roller while sliding it onto the shaft to make sure it clicks into place.

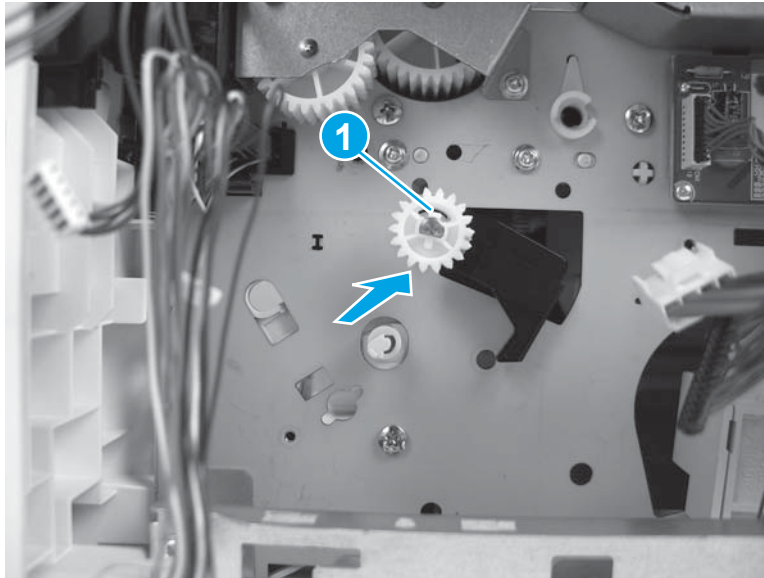
Figure 1-1668 Install the feed roller



Step 9: Install the paper feed shaft gear

- ▲ Slide the gear onto the shaft. Make sure that the locking tab (callout 1) snaps into place.

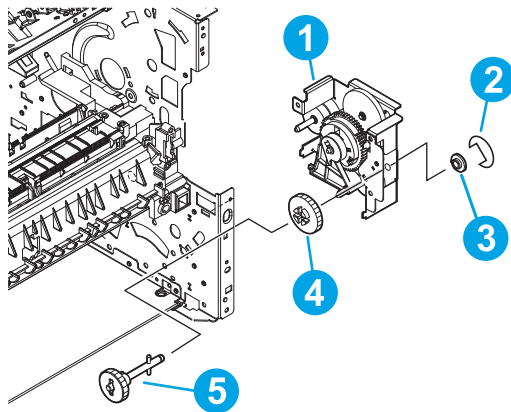
Figure 1-1669 Install the gear



Step 10: Install the pickup drive assembly

1. When you install the pickup drive assembly gears and shaft, verify that the gears are seated on the shaft-locking bars and that the shaft collars are correctly positioned in the paper-pickup drive-gear

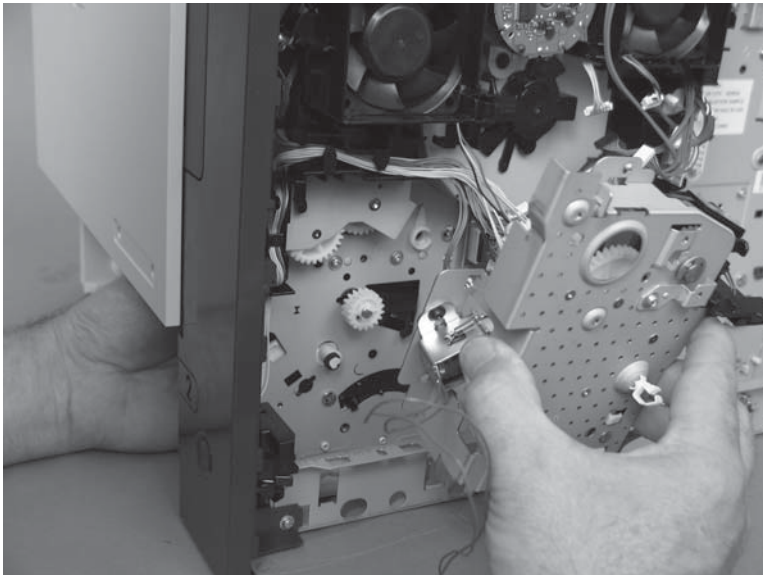
Table 1-3 Pickup drive assembly



1	Pickup drive unit
2	E-clip
3	Bushing
4	23T gear
5	Retard roller drive shaft

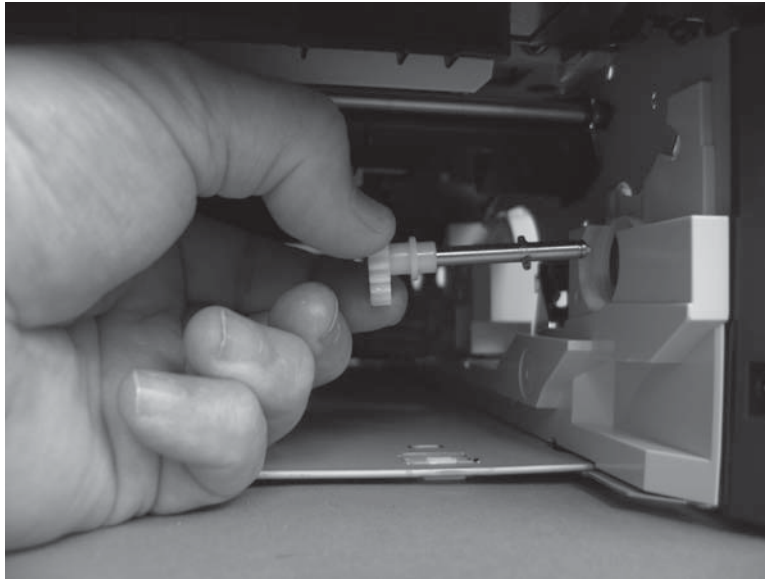
2. Reach inside the printer and push the rear Tray 2 feed roller up into its raised position, and then position the pickup drive assembly on the printer.

Figure 1-1670 Install the pickup drive assembly



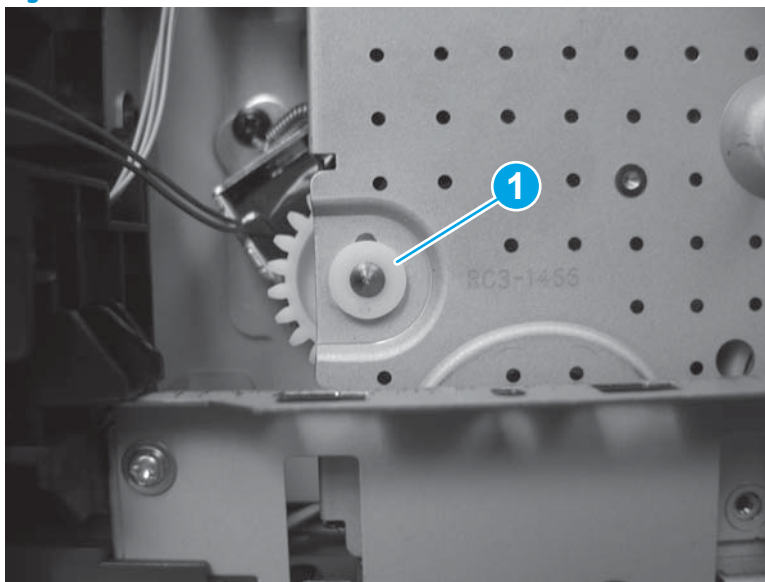
3. From inside the Tray 2 cavity, install the drive-gear shaft into the pickup drive assembly.

Figure 1-1671 Install the drive-gear shaft



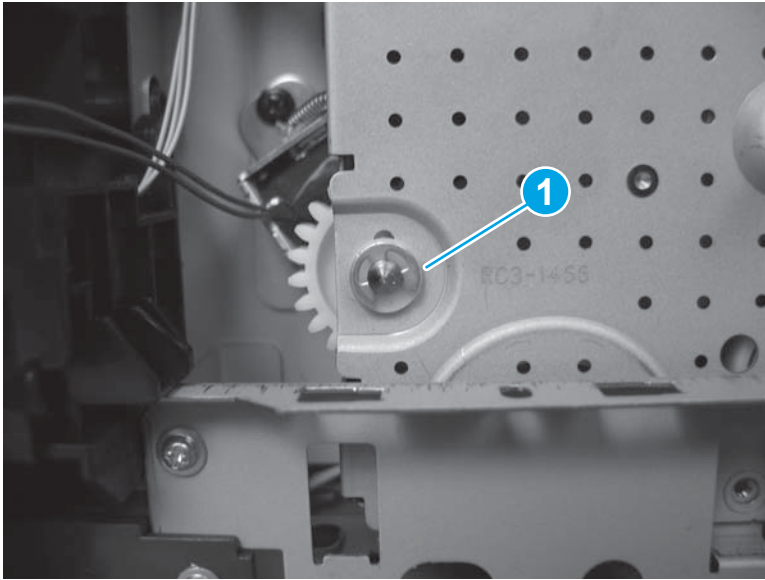
4. Install one shaft collar (callout 1).

Figure 1-1672 Install one shaft collar



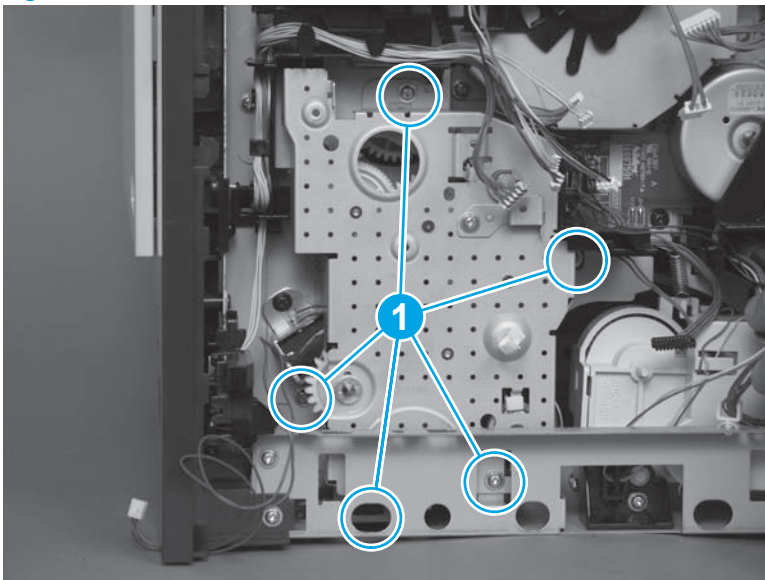
5. Install one e-clip (callout 1).

Figure 1-1673 Install one e-clip



6. Install five screws (callout 1).

Figure 1-1674 Remove five screws



7. Install the solenoid wire harness (callout 1) in the retainer (callout 2).


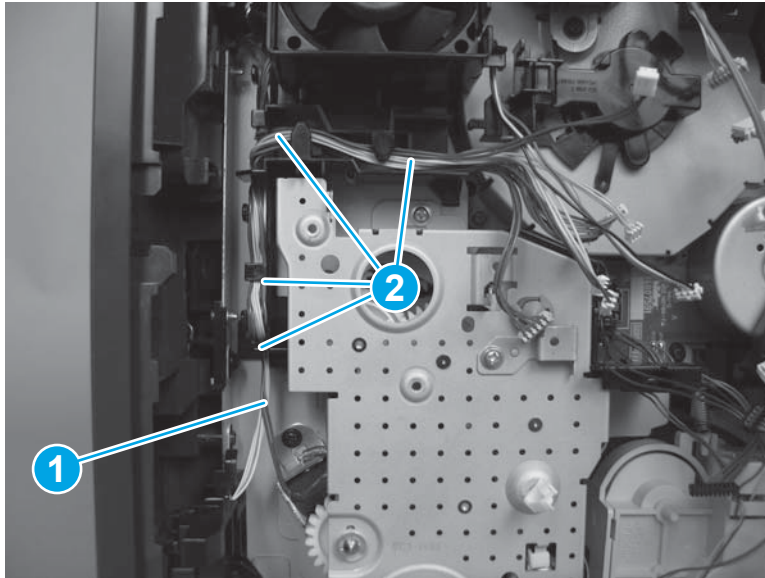
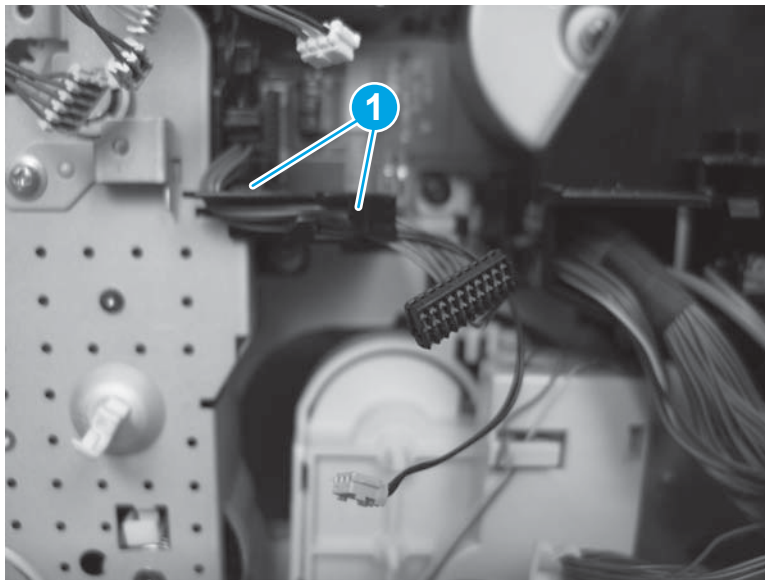
 **TIP:** If you removed all the wire harnesses from the retainer when removing the pickup drive assembly, reinstall these wire harnesses in the retainer now.

Figure 1-1675 Install the wire harnesses in the retainer



8. Install the wire harnesses in the retainer (callout 1) located on the lifter-motor side of the pickup drive assembly.

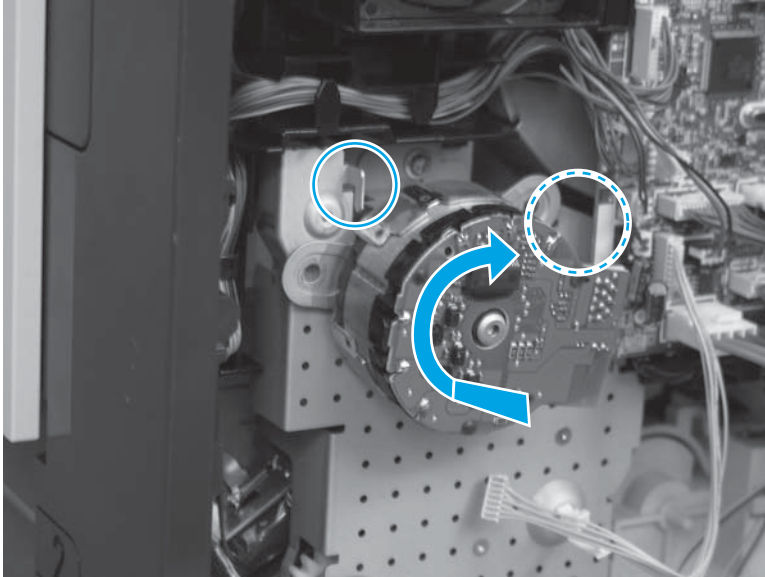
Figure 1-1676 Install the wire harnesses in the retainer



Step 11: Install the pickup motor

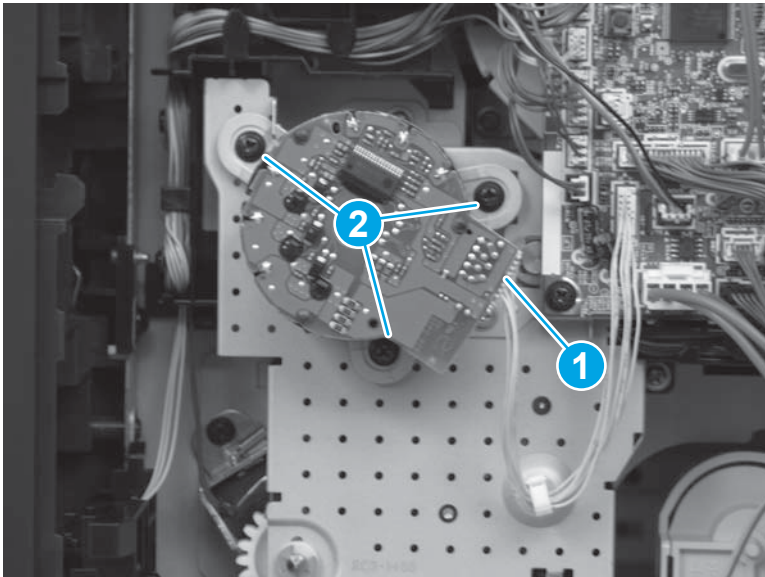
1. Position the motor on the printer chassis, and then rotate it toward the back of the printer to engage the tabs on the chassis with the motor mounting bracket.

Figure 1-1677 Install the pickup motor



2. Connect one connector (callout 1), and then install three screws (callout 2).

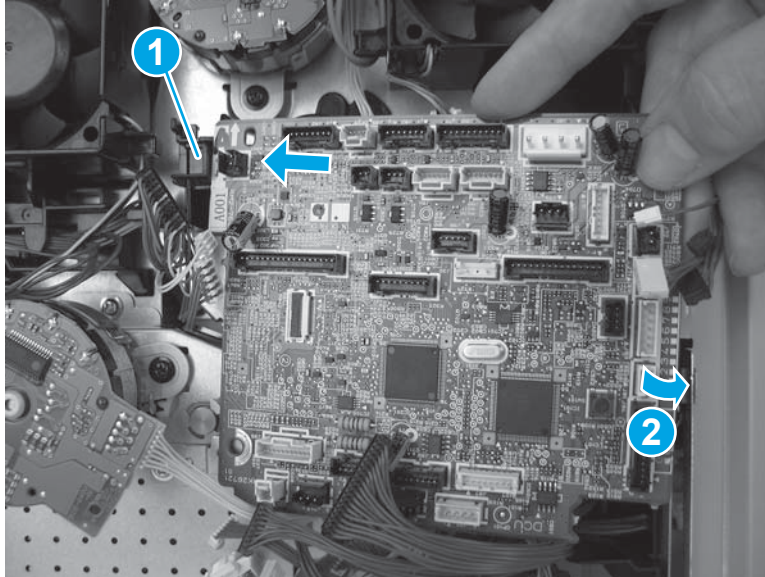
Figure 1-1678 Connect one connector and install three screws



Step 12: Install the DC controller

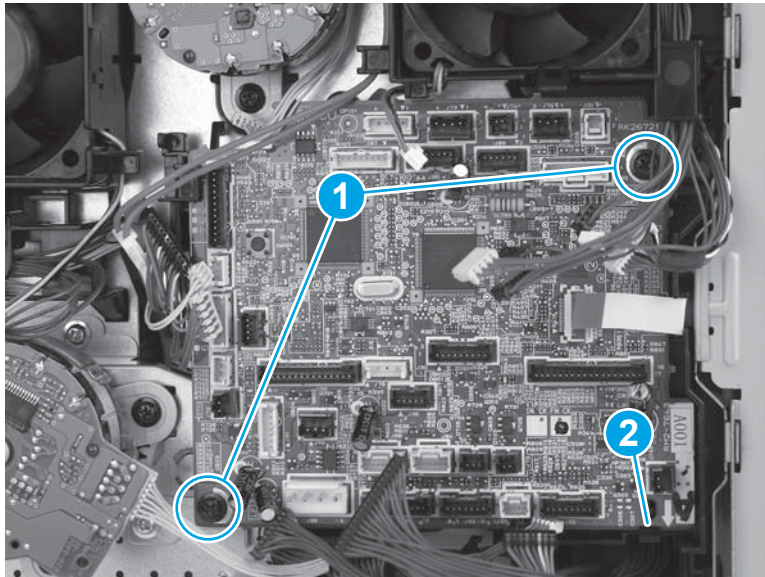
1. Position the DC controller under the tab (callout 1), and then rotate it (callout 2) toward the printer.

Figure 1-1679 Position the DC controller on the printer



2. Install two screws (callout 1). Make sure that the tab (callout 2) is snapped into place.

Figure 1-1680 Install two screws



3. Locate the flat cable connector (callout 1) on the DC controller.


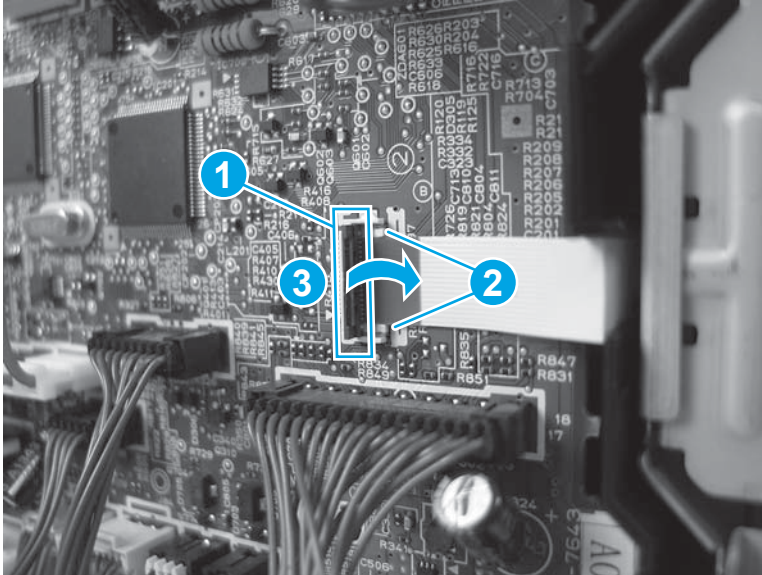
 **IMPORTANT:** The flat cable connector is a Zero Insertion Force (ZIF) connector that uses a hinged retainer to secure a flat cable. When the flat cable is reinstalled, fully insert the flat cable in the connector between the two white pins (callout 2). Close the hinged retainer (callout 3) to lock the flat cable into the connector and provide proper electrical contact. If the flat cable is not locked into the connector, no electrical contact will occur.

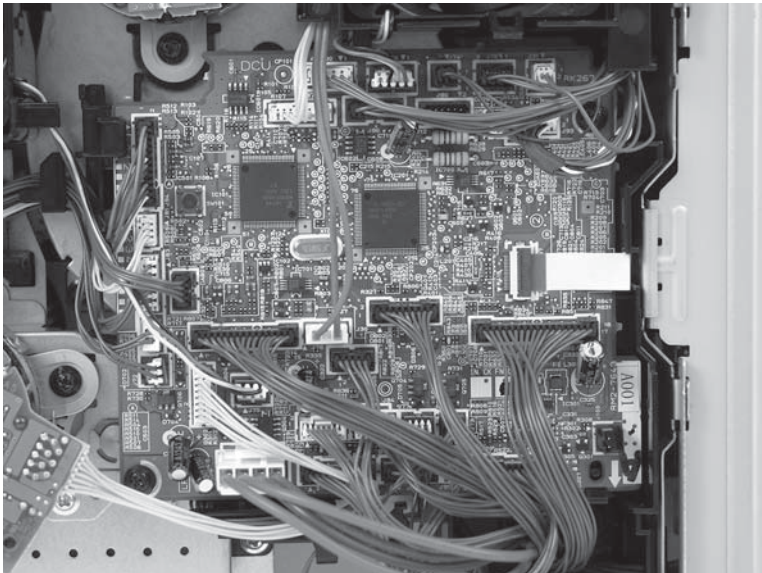
Figure 1-1681 ZIF connector



4. Connect all of the connectors on the DC controller.
 - 29 wire-harness connectors
 - 1 flat cable

 **Reinstallation tip:** Connectors J80 and J100 are empty.

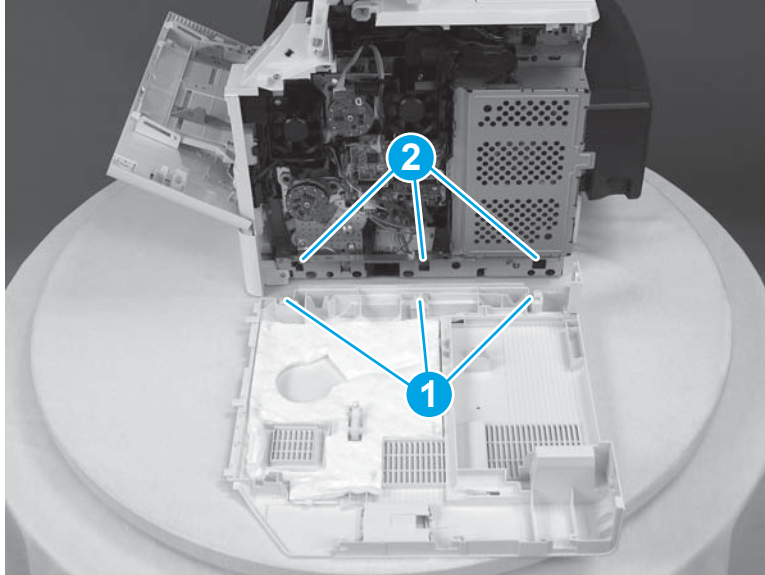
Figure 1-1682 Connect the connectors



Step 13: Install the right cover

1. Note the location of the tabs (callout 1) on the cover that will fit into the slots (callout 2) on the printer.

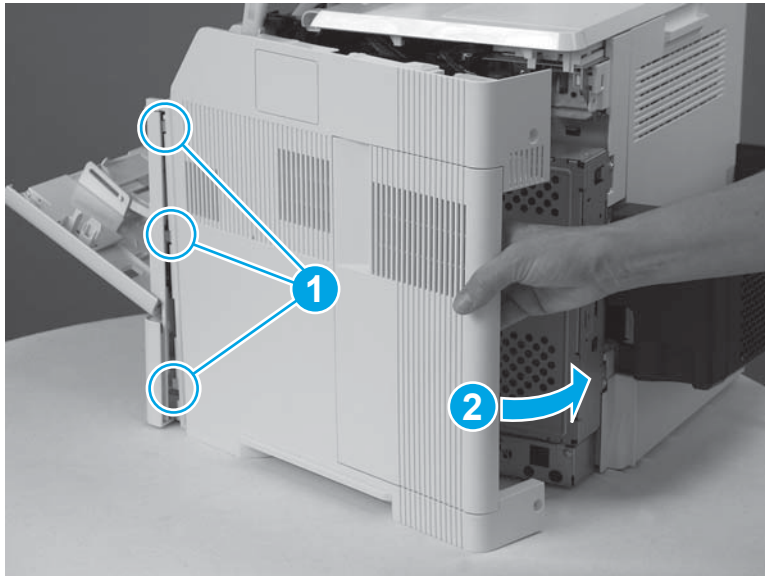
Figure 1-1683 Note location of tabs



2. Position the front tabs on the right cover slightly behind the right front cover (callout 1), and then rotate the back edge of the cover toward the printer (callout 2).

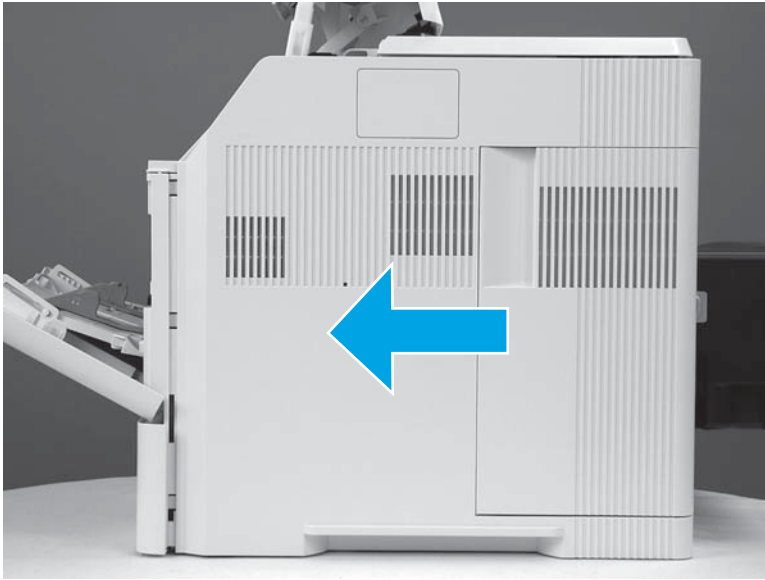
 **NOTE:** The tabs and slots mentioned in the previous step will engage as the cover is rotated into place.

Figure 1-1684 Position the front tabs



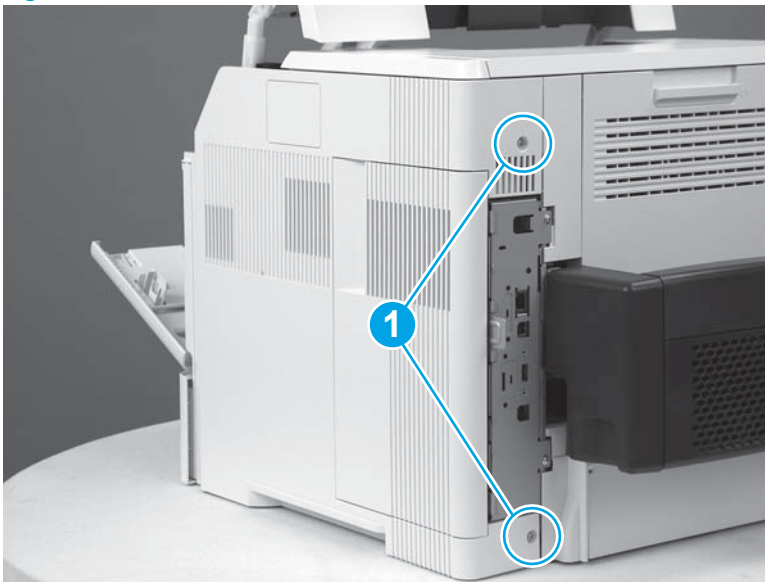
3. Slide the cover toward the front of the printer to install it.

Figure 1-1685 Slide the cover



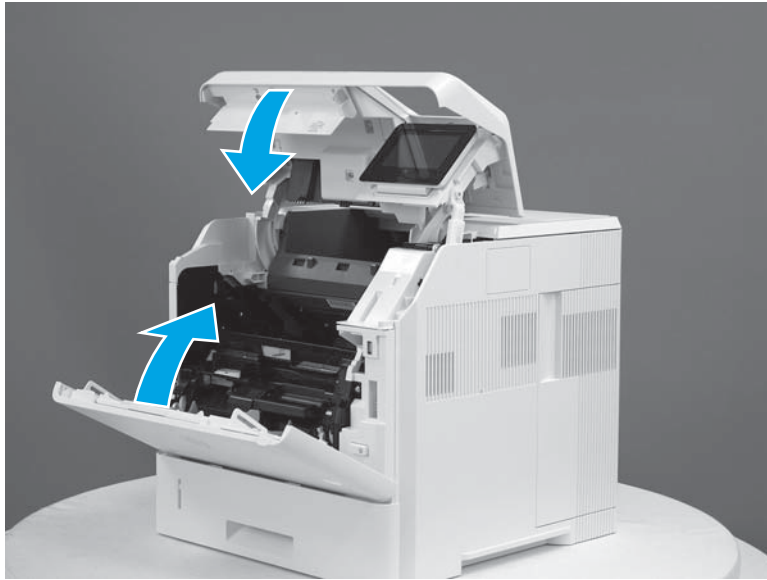
4. Install two screws (callout 1).

Figure 1-1686 Install two screws



5. Close the front cover and the cartridge door.

Figure 1-1687 Close the front cover and cartridge door



Removal and replacement: Pickup drive assembly gear (gear, 23T)

- [Introduction](#)
- [Step 1: Remove the right cover](#)
- [Step 2: Remove the DC controller](#)
- [Step 3: Remove the pickup motor](#)
- [Step 4: Remove the pickup drive assembly](#)
- [Step 5: Remove the pickup drive assembly gear](#)
- [Step 6: Unpack the replacement pickup drive assembly gear](#)
- [Step 7: Install the pickup drive assembly gear](#)
- [Step 8: Install the pickup drive assembly](#)
- [Step 9: Install the pickup motor](#)
- [Step 10: Install the DC controller](#)
- [Step 11: Install the right cover](#)


Introduction

This document provides the procedures to remove and replace the pickup drive assembly gear.

Before performing service

Turn the printer power off

- Disconnect the power cable.

 **WARNING!** To avoid damage to the printer, turn the printer off, wait 30 seconds, and then remove the power cord before attempting to service the printer.

Use the table below to identify the correct part number for your printer, and then go to www.hp.com/buy/parts to order the kit.

Pickup drive assembly gear part number	
RU5-0040-000CN	Gear, 23T

Required tools

- #2 Phillips screwdriver with a magnetic tip
- Small, flat-blade screwdriver

After performing service

Turn the printer power on

- Connect the power cable.
- Use the power switch to turn the power on.

Post service test

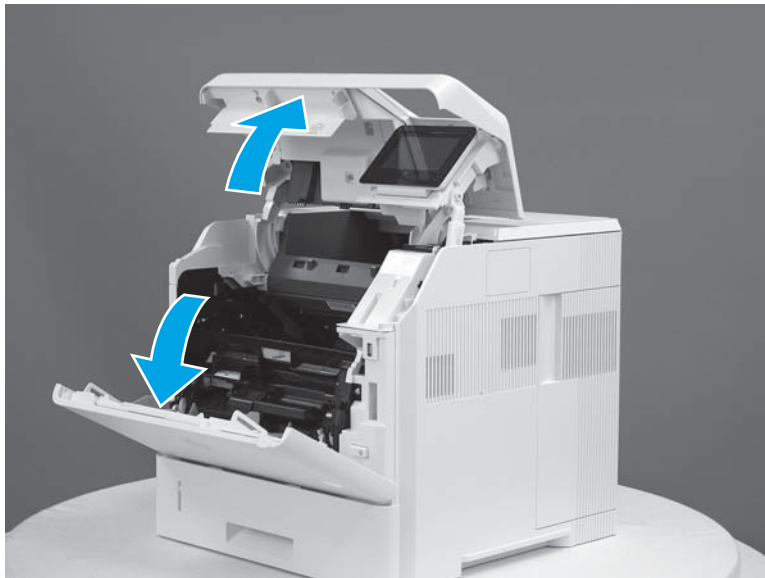
Make sure that the printer initializes to a **Ready** state.

Print a configuration page to make sure that the printer is functioning correctly.

Step 1: Remove the right cover

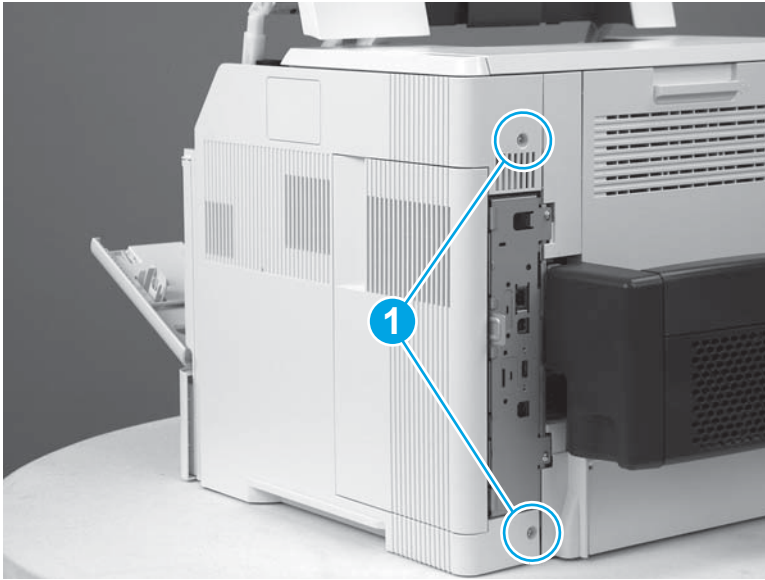
1. Open the front cover and the cartridge door.

Figure 1-1688 Open the front cover and cartridge door



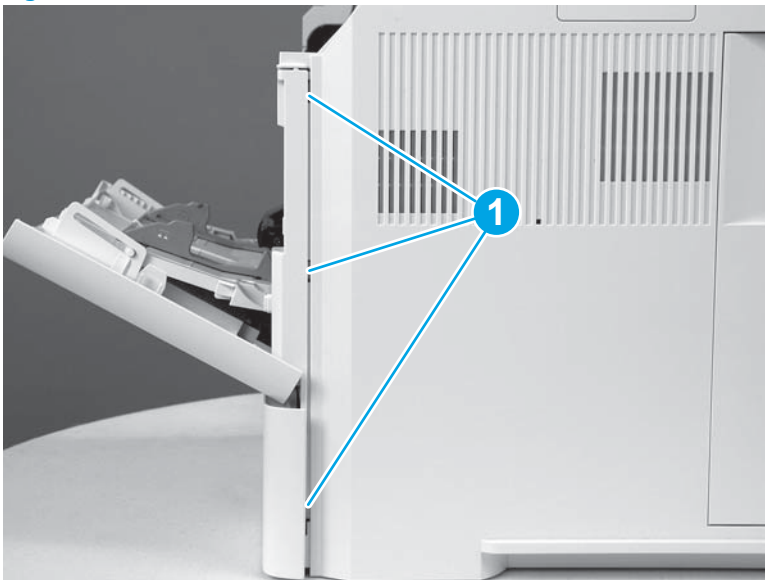
2. Remove two screws (callout 1).

Figure 1-1689 Remove two screws



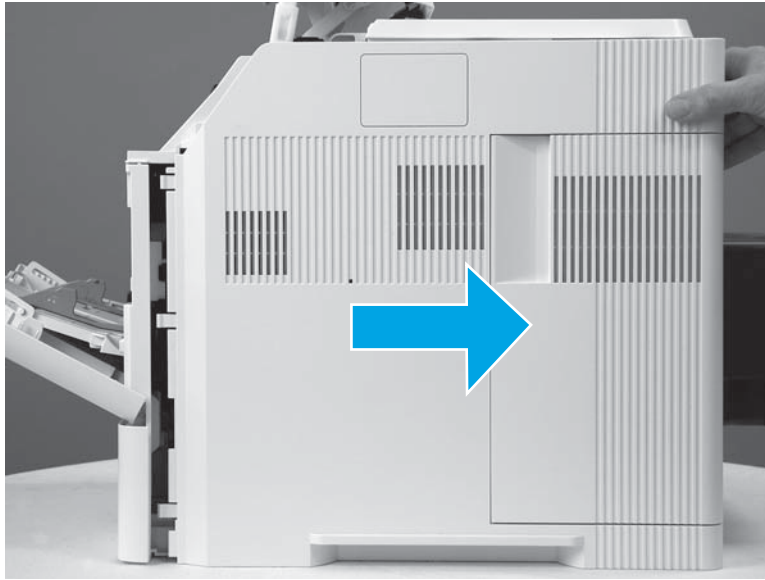
3. Release three tabs (callout 1).

Figure 1-1690 Release three tabs



4. Slide the cover toward the rear of the printer to remove it.

Figure 1-1691 Remove the cover



Step 2: Remove the DC controller

1. Locate the flat cable connector (callout 1) on the DC controller.


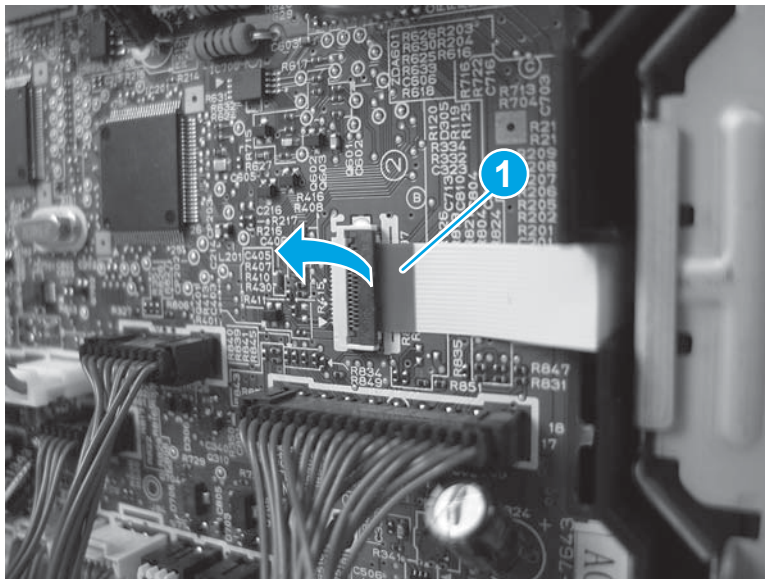
 **IMPORTANT:** This connector is a Zero Insertion Force (ZIF) connector that uses a hinged retainer to secure a flat cable. The hinged retainer must be opened to release the flat cable.

Figure 1-1692 ZIF connector



2. Disconnect all of the connectors (callout 1) on the DC controller.
 - 29 wire-harness connectors
 - 1 flat cable


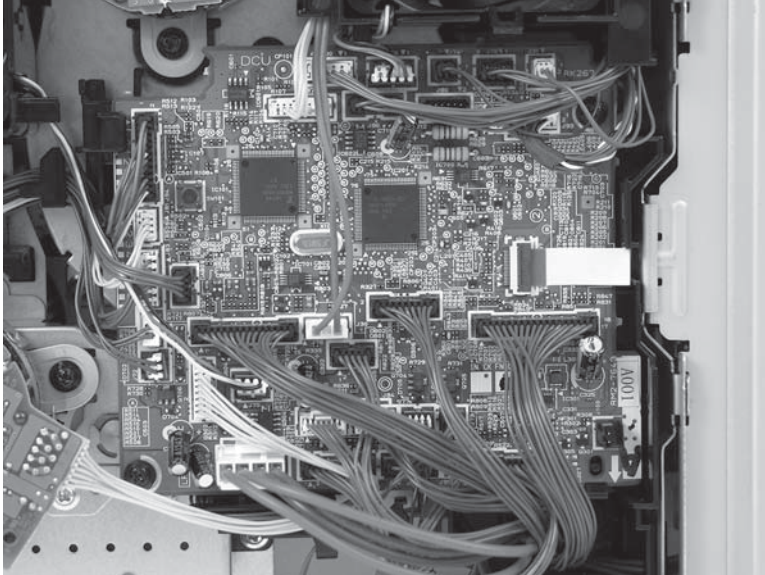
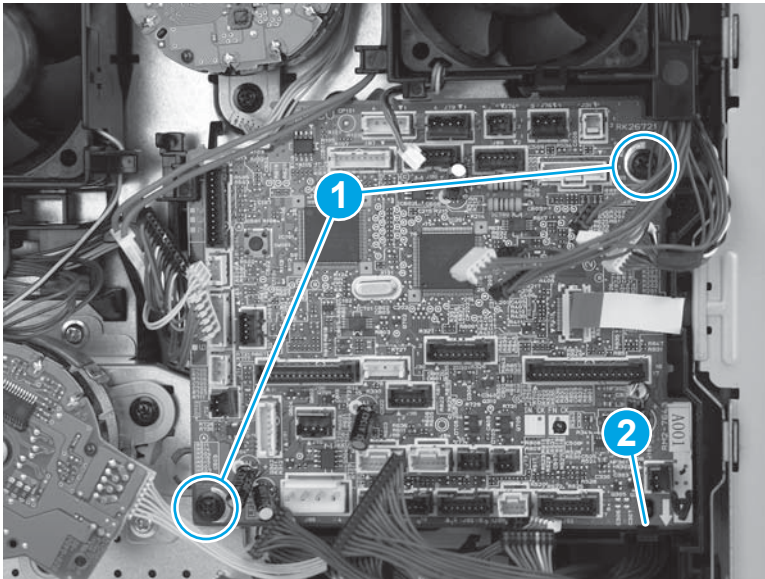
 **Reinstallation tip:** When the DC controller is reinstalled, connectors J80 and J100 are empty.

Figure 1-1693 Disconnect the connectors



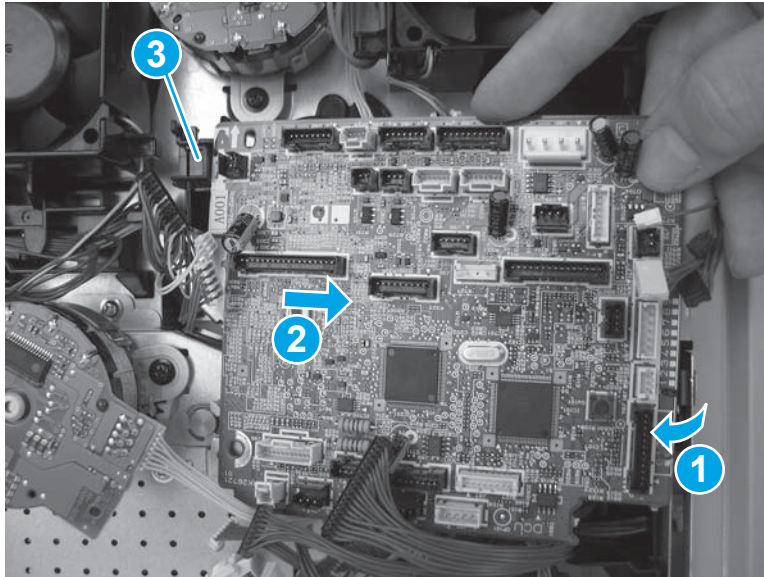
3. Remove two screws (callout 1), and then release one tab (callout 2).

Figure 1-1694 Remove two screws and release one tab



4. Rotate the DC controller away from the printer (callout 1), slide the DC controller toward the rear of the printer (callout 2) to release one tab (callout 3), and then remove the DC controller.

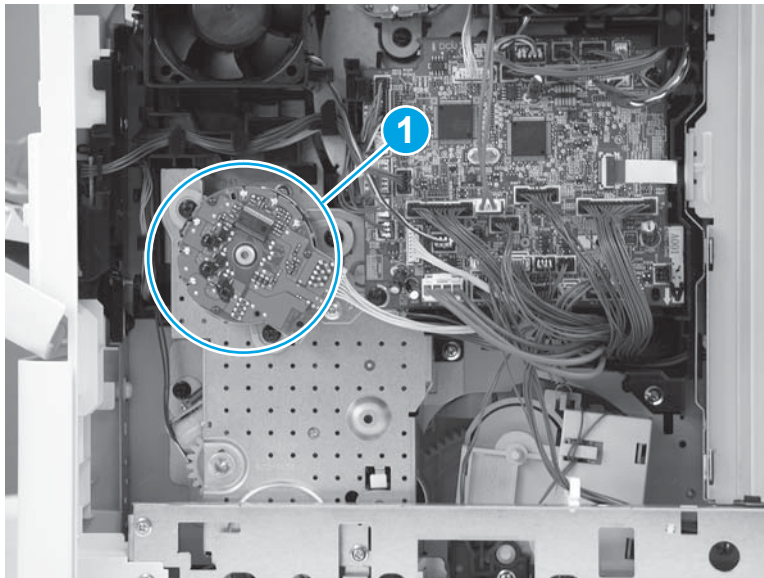
Figure 1-1695 Remove the DC controller



Step 3: Remove the pickup motor

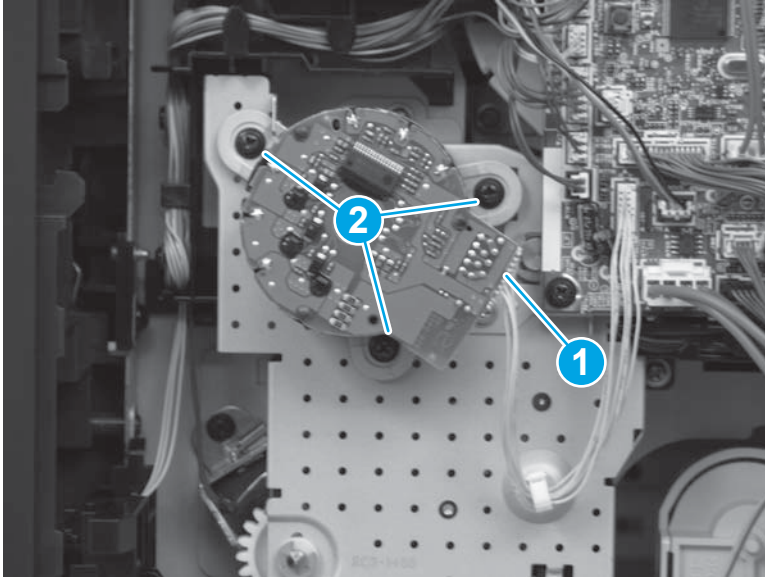
1. Locate the pickup motor (callout 1)

Figure 1-1696 Locate the pickup motor



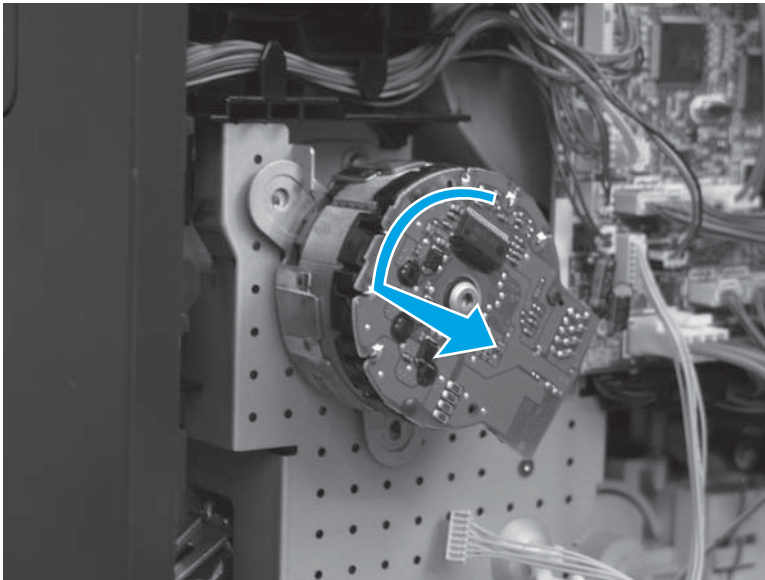
2. Disconnect one connector (callout 1), and then remove three screws (callout 2).

Figure 1-1697 Disconnect one connector and remove three screws



3. Rotate the motor towards the front of the printer to release it, and then remove the motor.

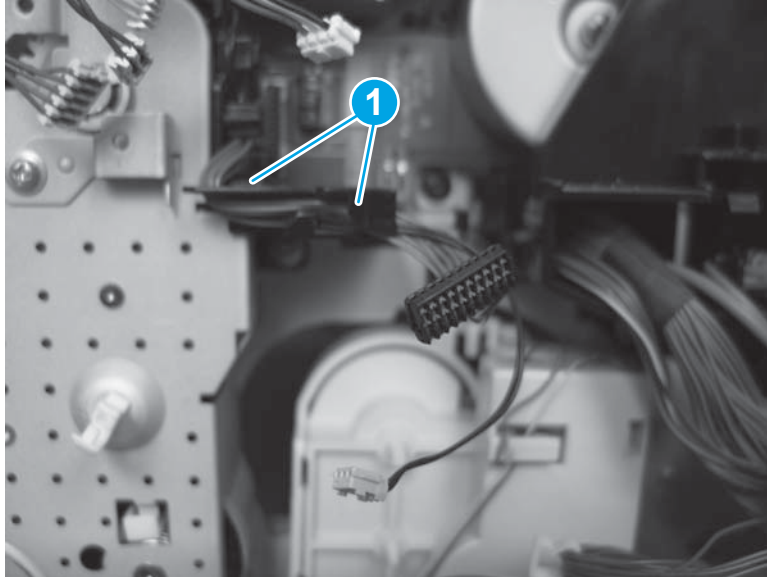
Figure 1-1698 Release the motor



Step 4: Remove the pickup drive assembly

1. Release the wire harnesses from the retainer (callout 1) located on the lifter-motor side of the pickup drive assembly.

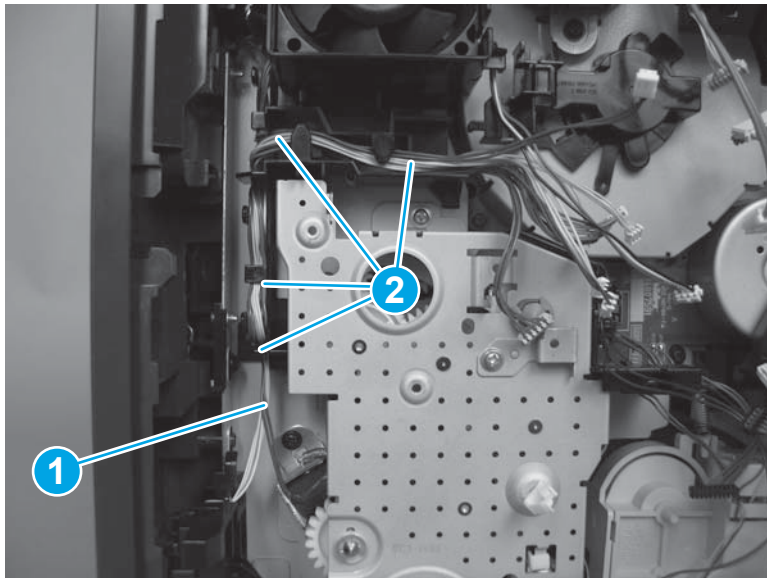
Figure 1-1699 Release wire harnesses from the retainer



2. Release the solenoid wire harness (callout 1) from the retainer (callout 2).

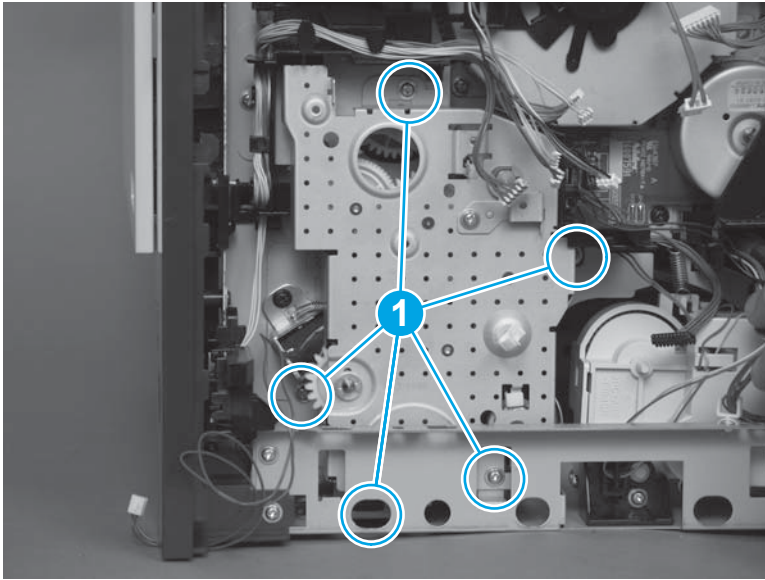
 **TIP:** Do not damage the wire harness when removing it from the retainer. It might be easier to remove all of the wire harnesses together to release the solenoid wire harness.

Figure 1-1700 Release the wire harness from the retainer



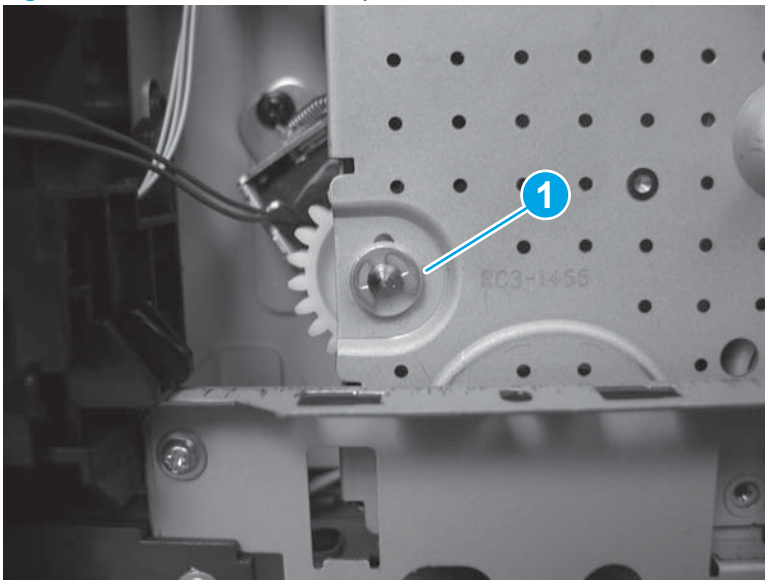
3. Remove five screws (callout 1).

Figure 1-1701 Remove five screws



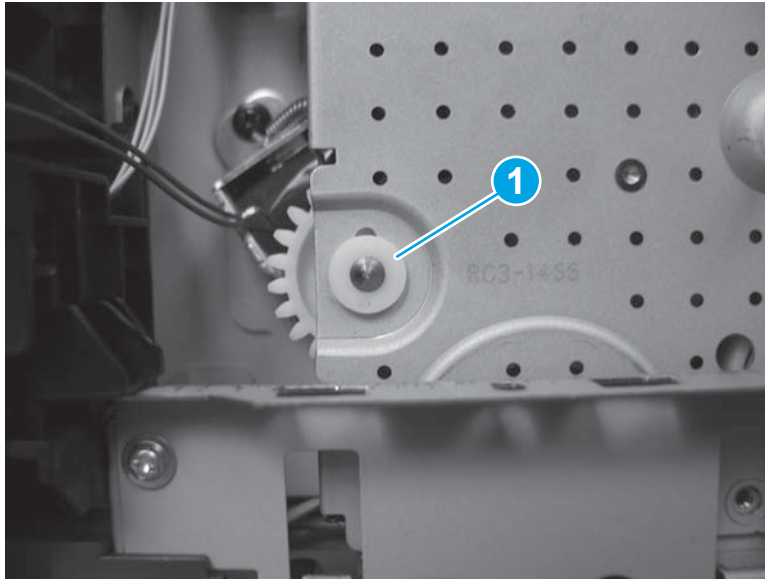
4. Remove one e-clip (callout 1).

Figure 1-1702 Remove one e-clip



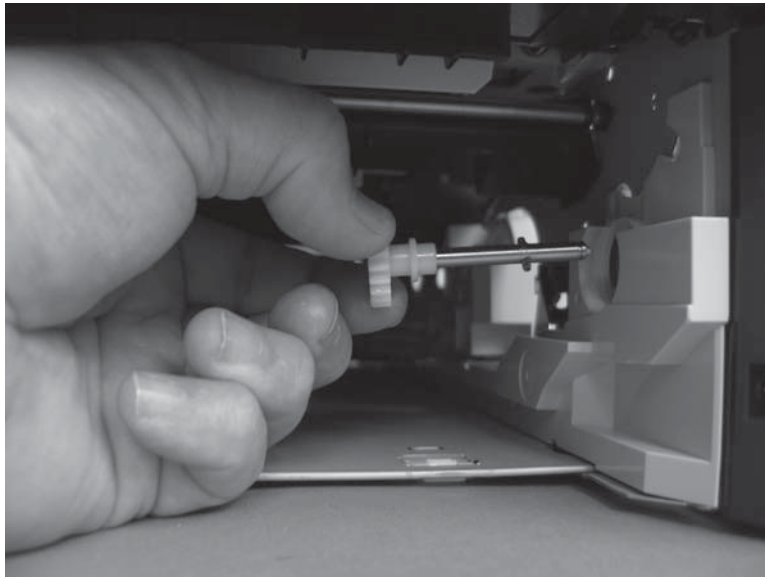
5. Remove one shaft collar (callout 1).

Figure 1-1703 Remove one shaft collar



6. Push the drive-gear shaft (located where the e-clip and shaft collar were removed in the previous steps) into the Tray 2 cavity, and then remove it.

Figure 1-1704 Remove the drive-gear shaft



7. Two gears located inside the assembly are not captive. Do not lose these gears when handling the assembly. If the gears are dislodged, use the figure below to correctly reinstall them.


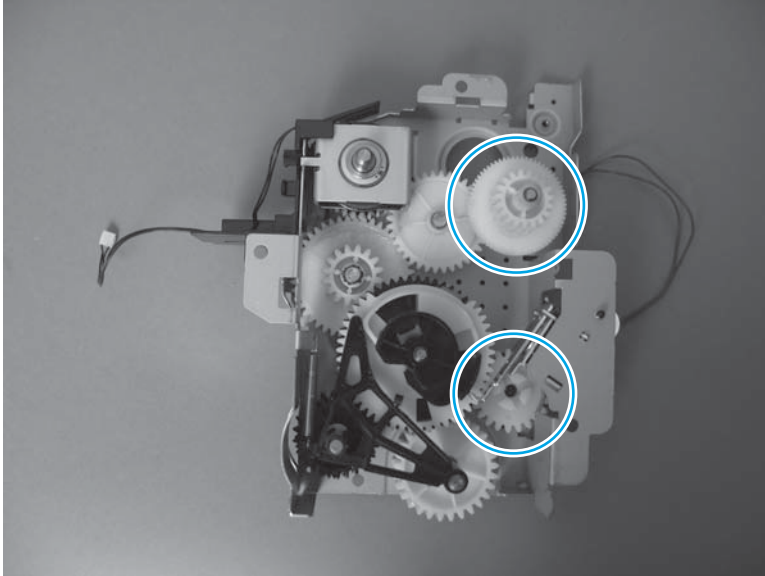
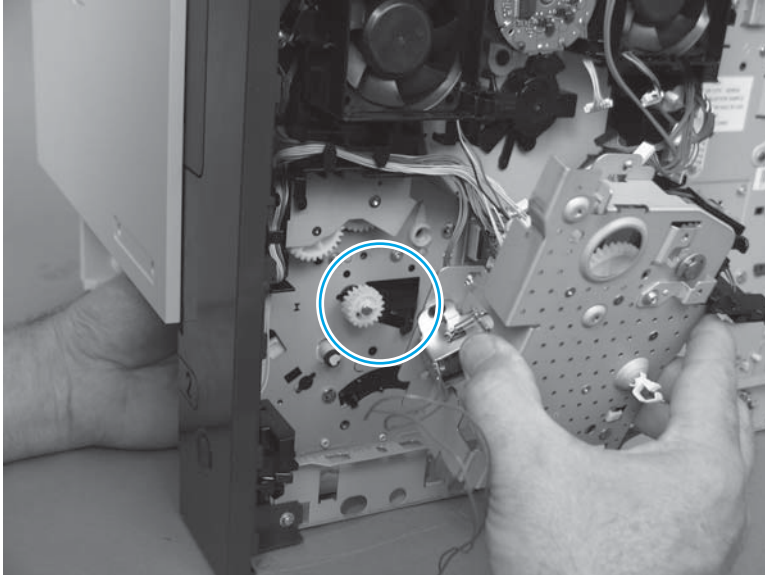
 **IMPORTANT:** Do not remove the grease from the gears when handling the assembly or the gears.

Figure 1-1705 Two gears are not captive



8. Reach inside the printer and push the rear Tray 2 feed roller up into its raised position (this disengages the roller-lifting arm from the clutch gear), and then remove the pickup drive assembly.

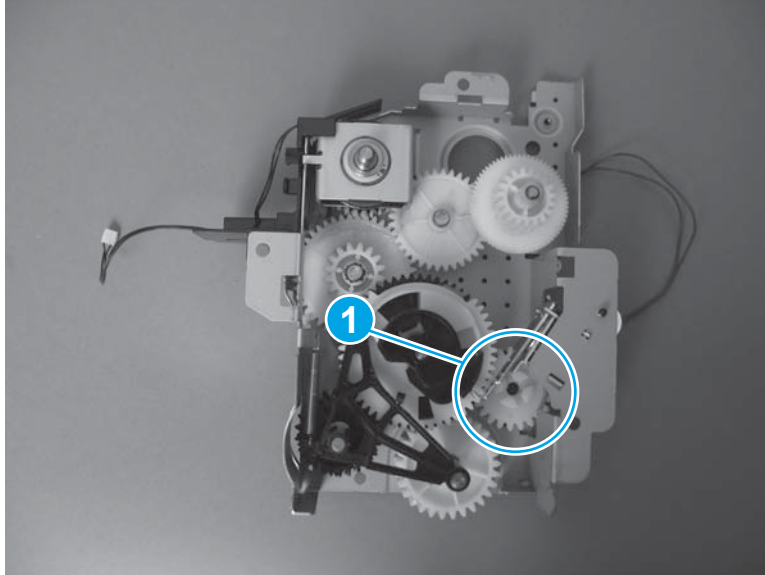
Figure 1-1706 Remove the pickup drive assembly



Step 5: Remove the pickup drive assembly gear

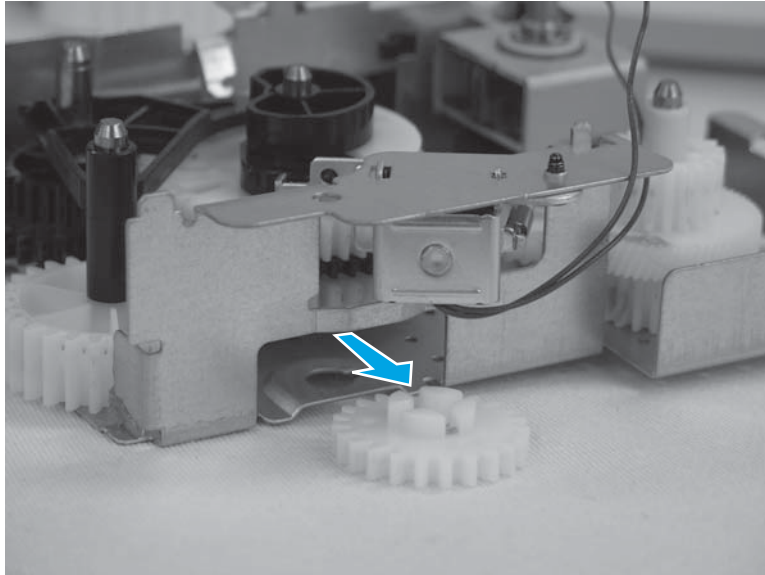
1. Locate the pickup drive assembly gear (callout 1) on the pickup drive assembly.

Figure 1-1707 Locate the pickup drive assembly gear



2. Remove the gear from the pickup drive assembly.

Figure 1-1708 Remove the gear



Step 6: Unpack the replacement pickup drive assembly gear

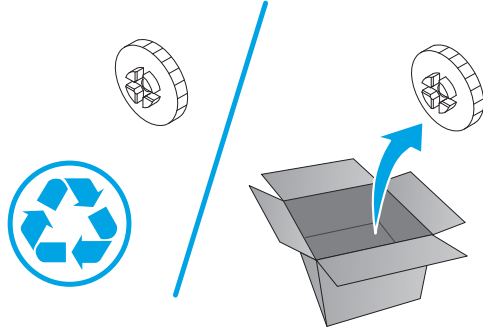
Unpack the replacement part from the packaging.

<http://www8.hp.com/us/en/hp-information/environment/product-recycling.html>



NOTE: HP recommends responsible disposal of the defective part.

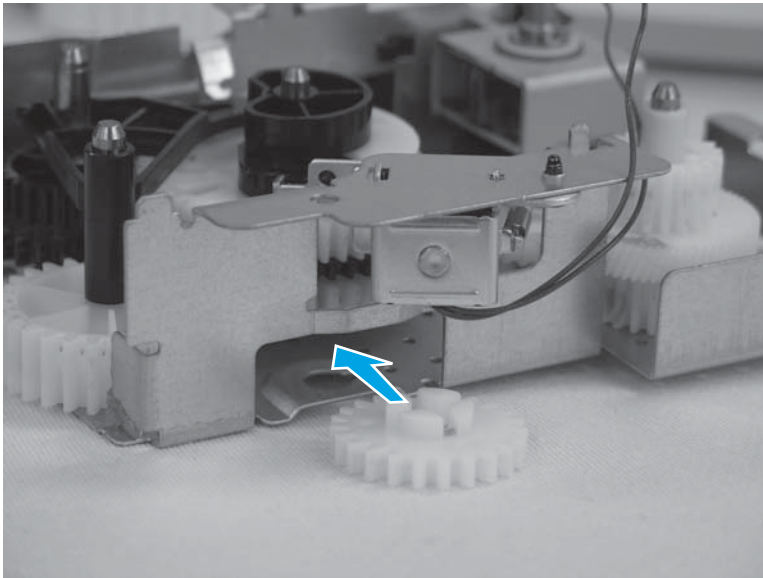
Figure 1-1709 Recycle and unpack



Step 7: Install the pickup drive assembly gear

- ▲ Install the gear in the pickup drive assembly. Make sure that the gear is seated in the hole in the sheet metal.

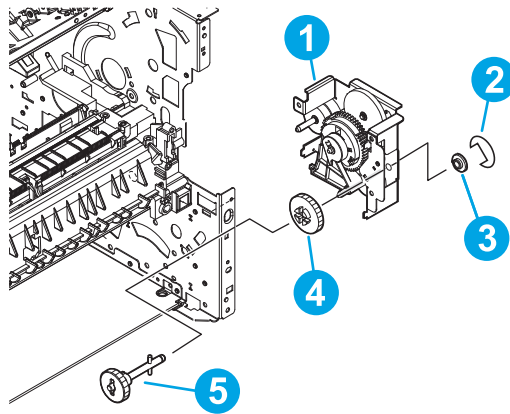
Figure 1-1710 Install the gear



Step 8: Install the pickup drive assembly

1. When you install the pickup drive assembly gears and shaft, verify that the gears are seated on the shaft-locking bars and that the shaft collars are correctly positioned in the paper-pickup drive-gear

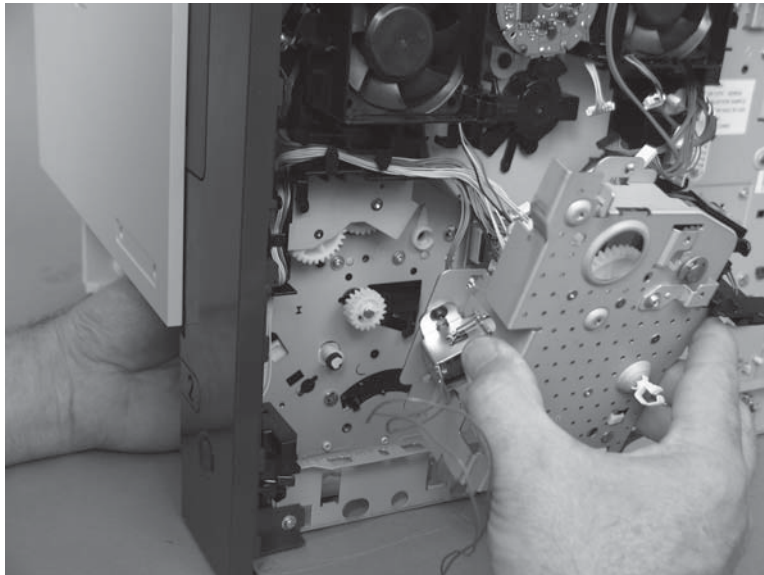
Table 1-4 Pickup drive assembly



1	Pickup drive unit
2	E-clip
3	Bushing
4	23T gear
5	Retard roller drive shaft

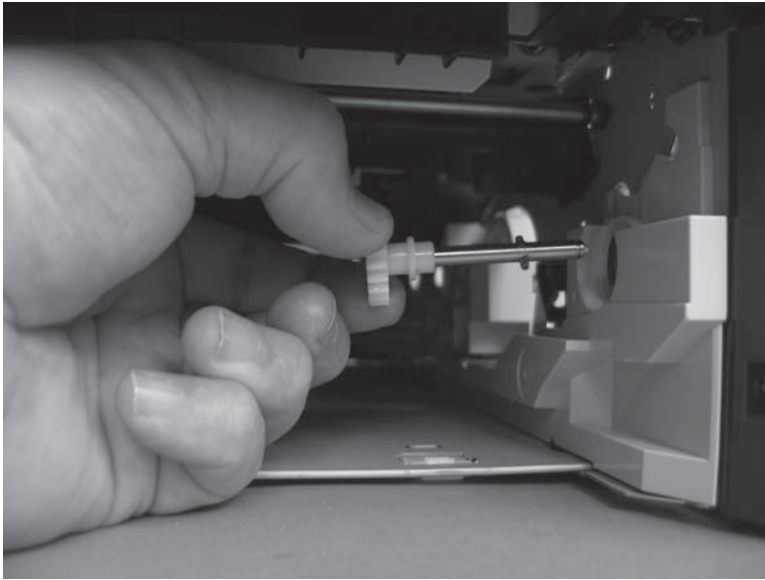
2. Reach inside the printer and push the rear Tray 2 feed roller up into its raised position, and then position the pickup drive assembly on the printer.

Figure 1-1711 Install the pickup drive assembly



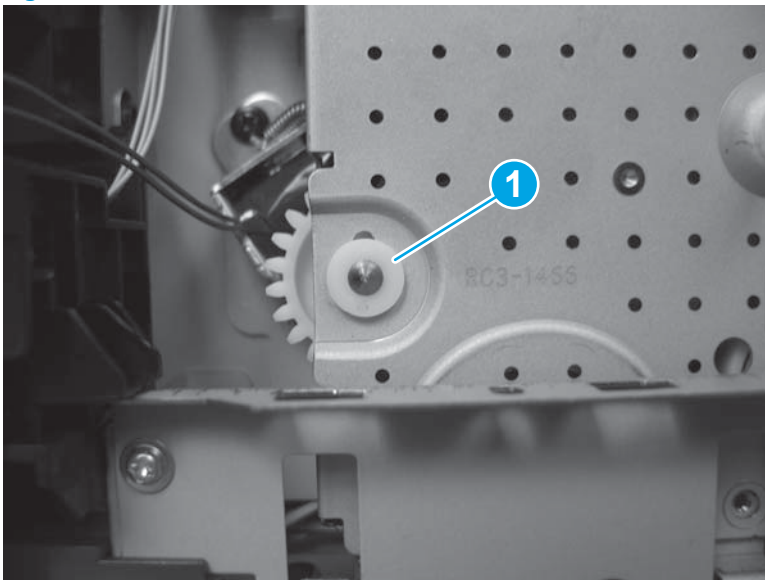
3. From inside the Tray 2 cavity, install the drive-gear shaft into the pickup drive assembly.

Figure 1-1712 Install the drive-gear shaft



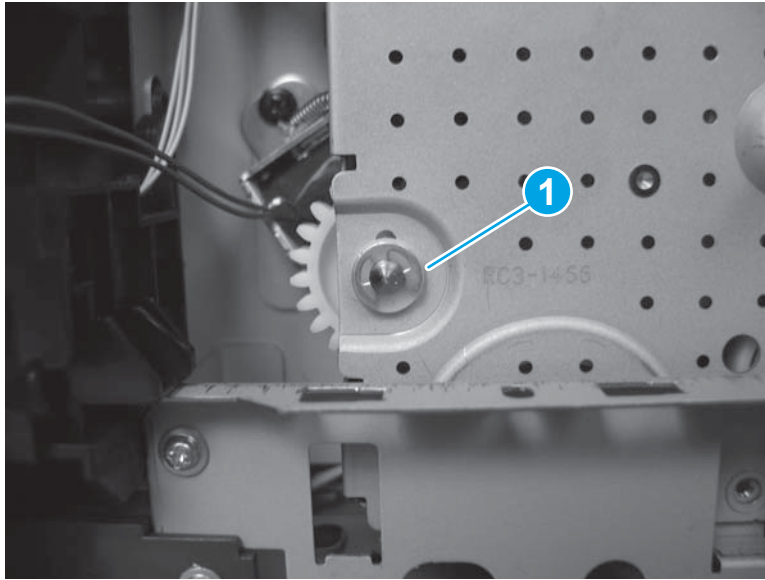
4. Install one shaft collar (callout 1).

Figure 1-1713 Install one shaft collar



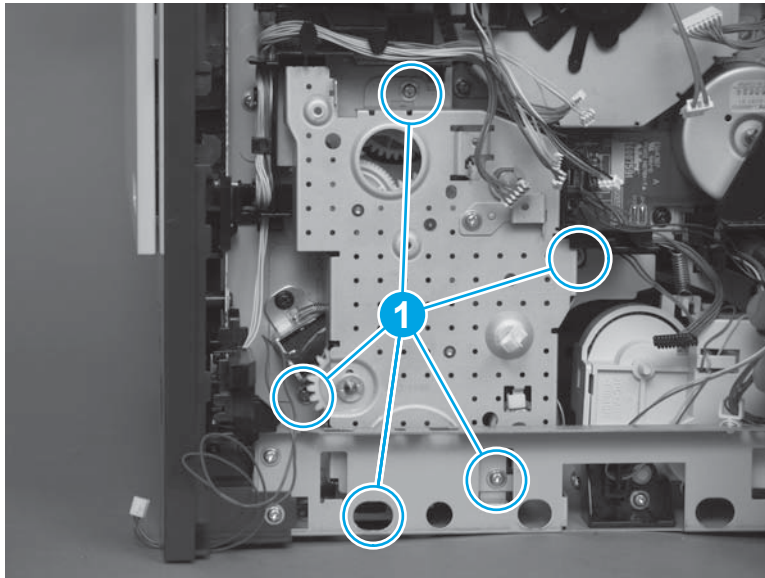
5. Install one e-clip (callout 1).

Figure 1-1714 Install one e-clip



6. Install five screws (callout 1).

Figure 1-1715 Remove five screws



7. Install the solenoid wire harness (callout 1) in the retainer (callout 2).


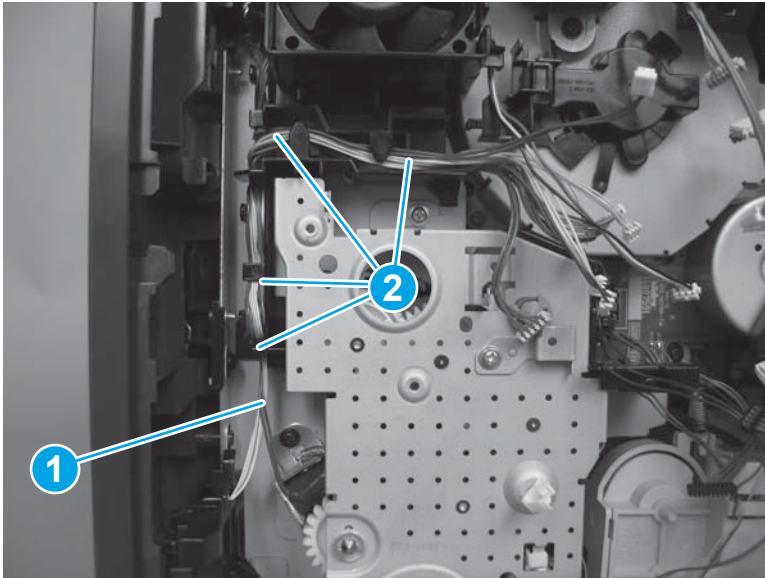
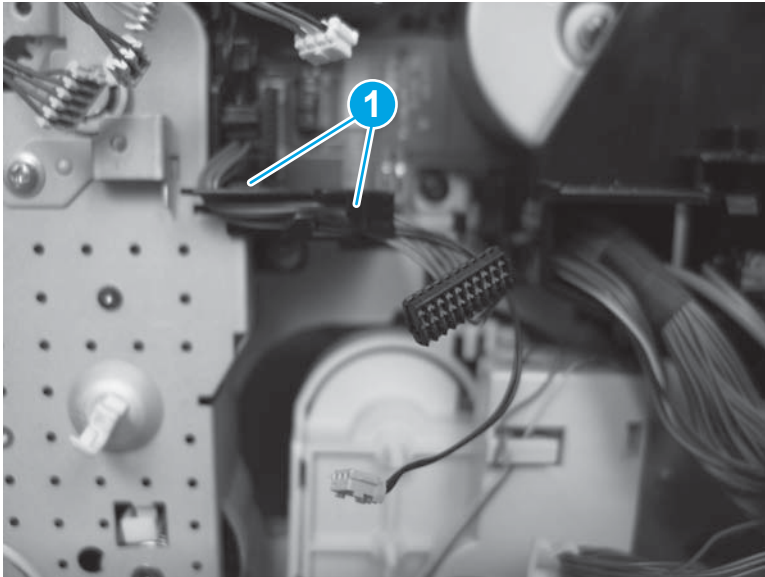
 **TIP:** If you removed all the wire harnesses from the retainer when removing the pickup drive assembly, reinstall these wire harnesses in the retainer now.

Figure 1-1716 Install the wire harnesses in the retainer



8. Install the wire harnesses in the retainer (callout 1) located on the lifter-motor side of the pickup drive assembly.

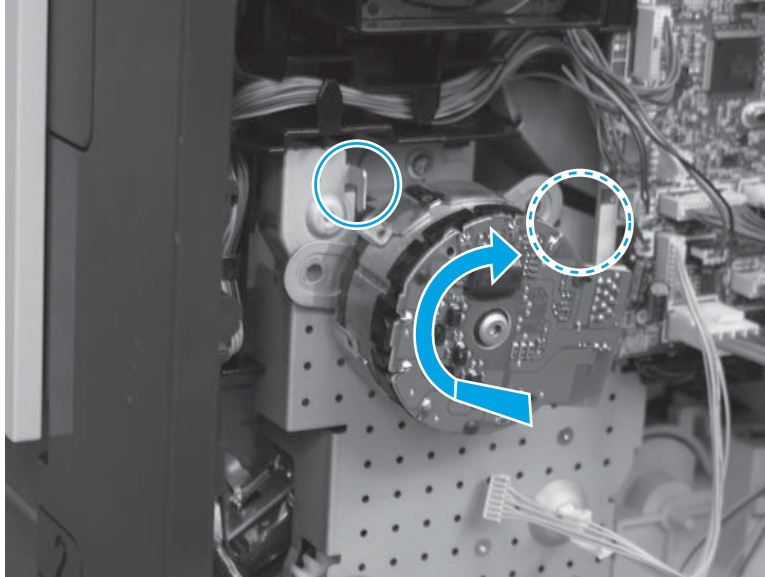
Figure 1-1717 Install the wire harnesses in the retainer



Step 9: Install the pickup motor

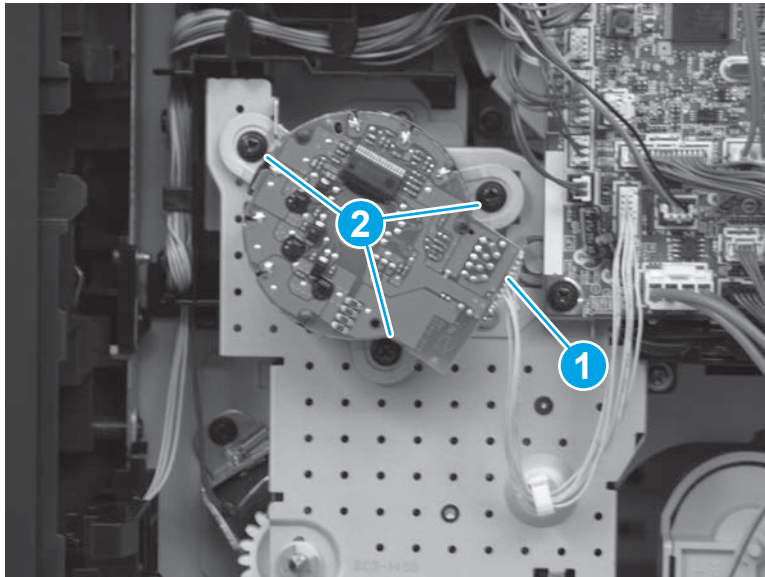
1. Position the motor on the printer chassis, and then rotate it toward the back of the printer to engage the tabs on the chassis with the motor mounting bracket.

Figure 1-1718 Install the pickup motor



2. Connect one connector (callout 1), and then install three screws (callout 2).

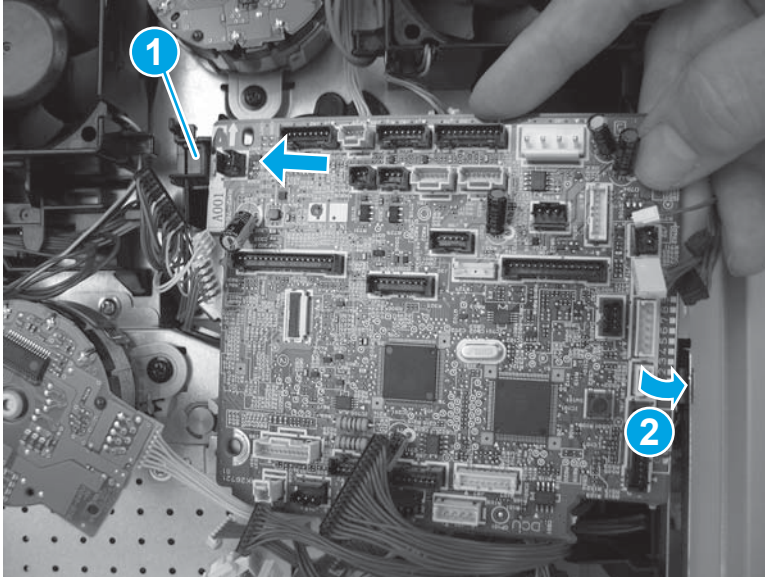
Figure 1-1719 Connect one connector and install three screws



Step 10: Install the DC controller

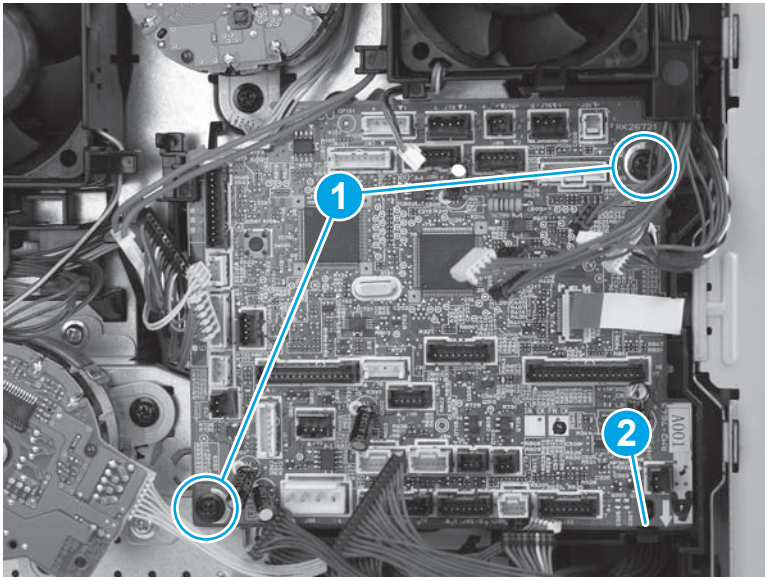
1. Position the DC controller under the tab (callout 1), and then rotate it (callout 2) toward the printer.

Figure 1-1720 Position the DC controller on the printer



2. Install two screws (callout 1). Make sure that the tab (callout 2) is snapped into place.

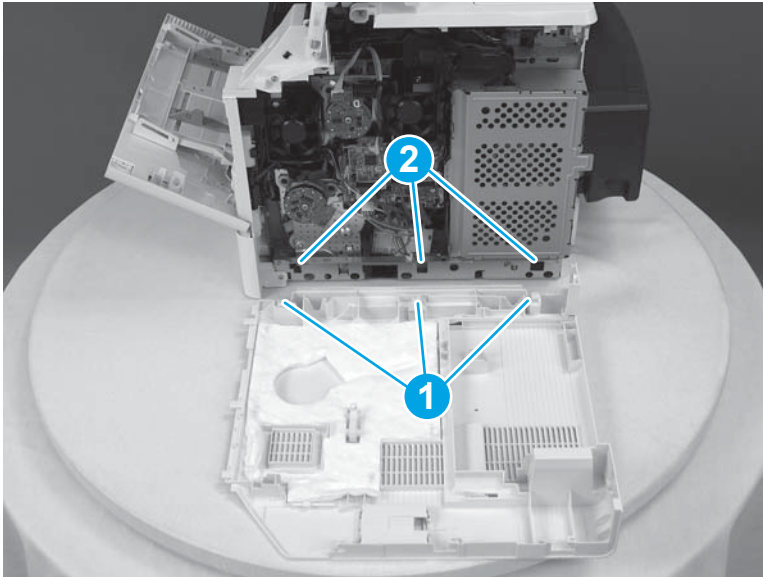
Figure 1-1721 Install two screws



Step 11: Install the right cover

1. Note the location of the tabs (callout 1) on the cover that will fit into the slots (callout 2) on the printer.

Figure 1-1724 Note location of tabs



2. Position the front tabs on the right cover slightly behind the right front cover (callout 1), and then rotate the back edge of the cover toward the printer (callout 2).


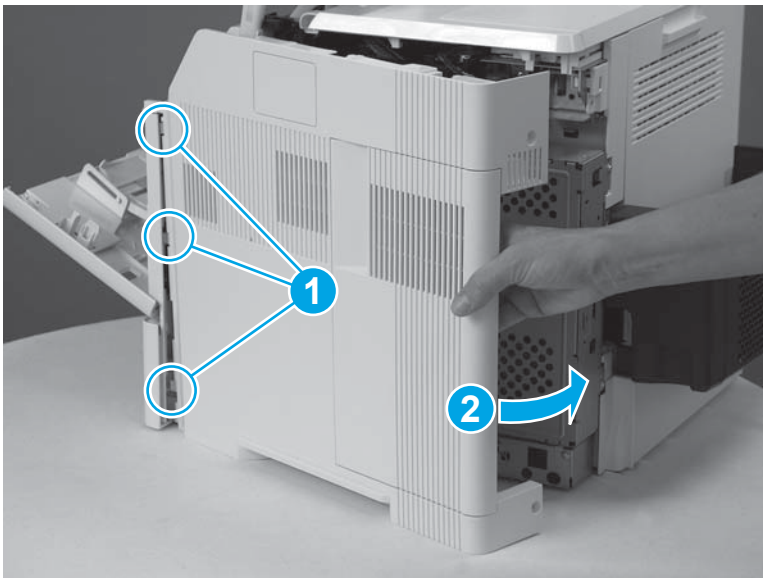
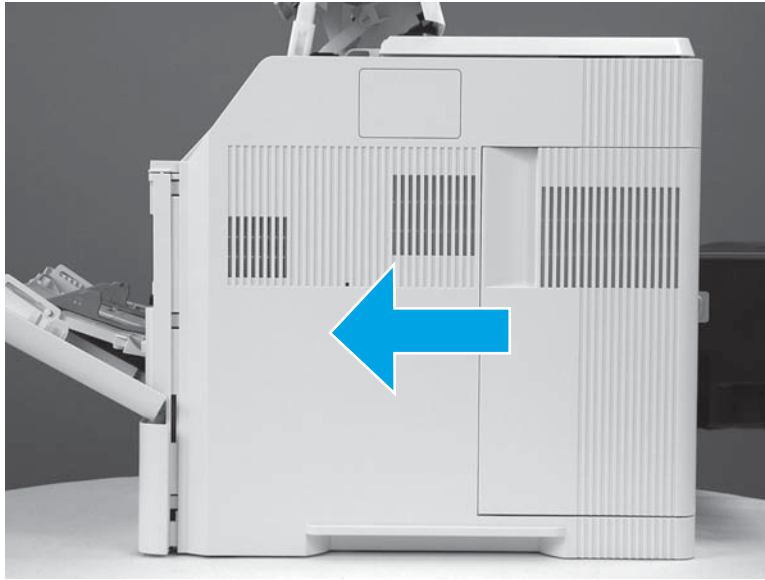
 **NOTE:** The tabs and slots mentioned in the previous step will engage as the cover is rotated into place.

Figure 1-1725 Position the front tabs



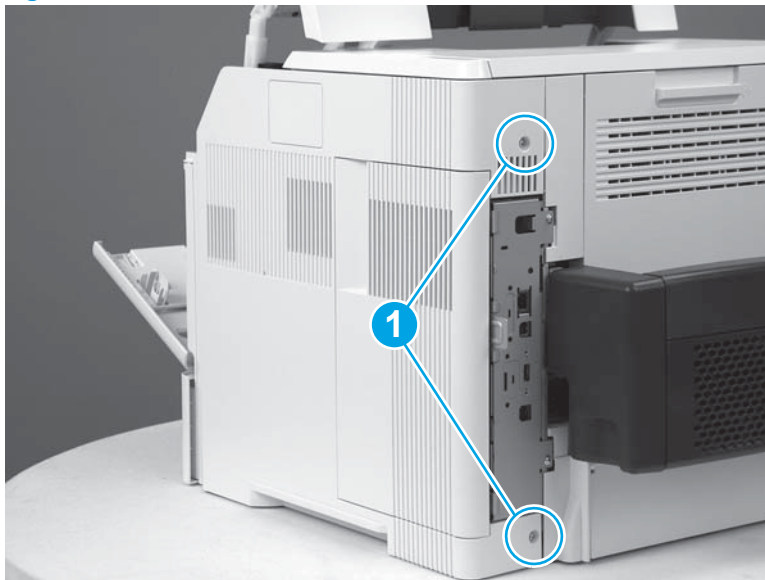
3. Slide the cover toward the front of the printer to install it.

Figure 1-1726 Slide the cover



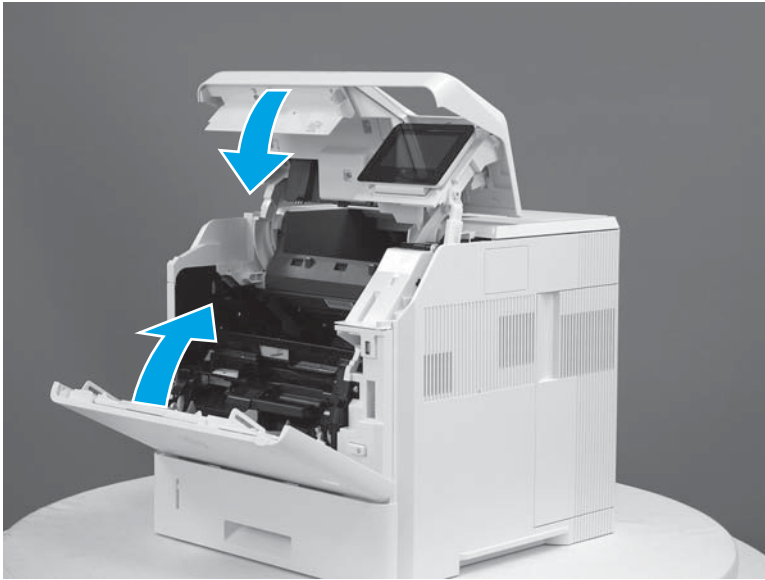
4. Install two screws (callout 1).

Figure 1-1727 Install two screws



5. Close the front cover and the cartridge door.

Figure 1-1728 Close the front cover and cartridge door



Removal and replacement: Pickup drive assembly solenoid

- [Introduction](#)
- [Step 1: Remove the right cover](#)
- [Step 2: Remove the DC controller](#)
- [Step 3: Remove the pickup motor](#)
- [Step 4: Remove the pickup drive assembly](#)
- [Step 5: Remove the pickup drive assembly solenoid](#)
- [Step 6: Unpack the replacement pickup drive assembly solenoid](#)
- [Step 7: Install the pickup drive assembly solenoid](#)
- [Step 8: Install the pickup drive assembly](#)
- [Step 9: Install the pickup motor](#)
- [Step 10: Install the DC controller](#)
- [Step 11: Install the right cover](#)

Introduction

This document provides the procedures to remove and replace the pickup drive assembly solenoid.

Before performing service

Turn the printer power off

- Disconnect the power cable.

⚠ WARNING! To avoid damage to the printer, turn the printer off, wait 30 seconds, and then remove the power cord before attempting to service the printer.

Use the table below to identify the correct part number for your printer, and then go to www.hp.com/buy/parts to order the kit.

Pickup drive assembly solenoid part number	
RL2-1409-000CN	Solenoid

Required tools

- #2 Phillips screwdriver with a magnetic tip
- Small, flat-blade screwdriver

After performing service

Turn the printer power on

- Connect the power cable.
- Use the power switch to turn the power on.

Post service test

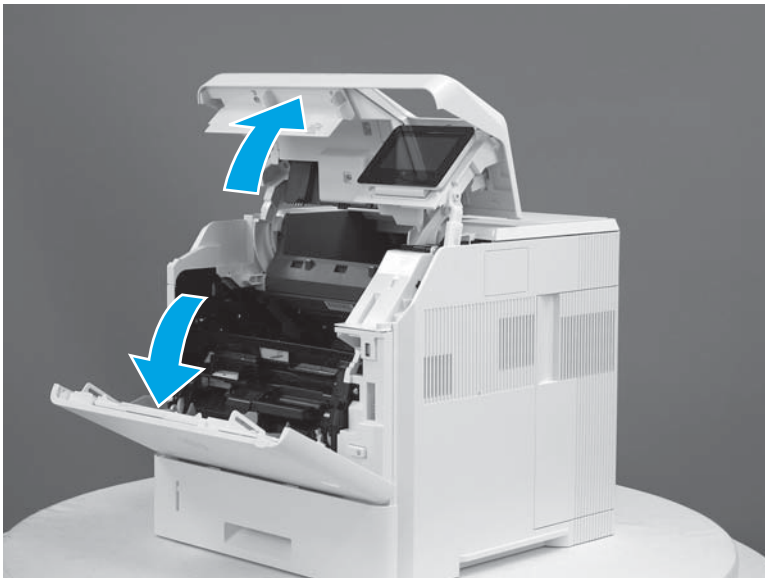
Make sure that the printer initializes to a **Ready** state.

Print a configuration page to make sure that the printer is functioning correctly.

Step 1: Remove the right cover

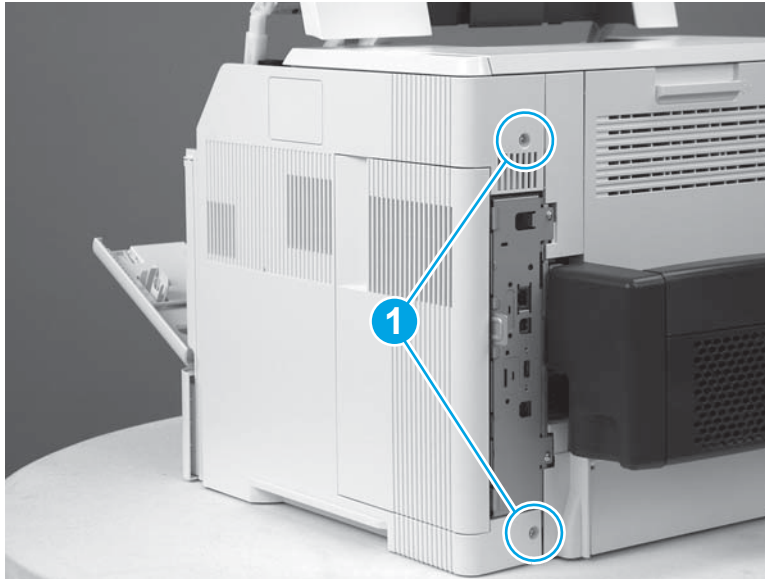
1. Open the front cover and the cartridge door.

Figure 1-1729 Open the front cover and cartridge door



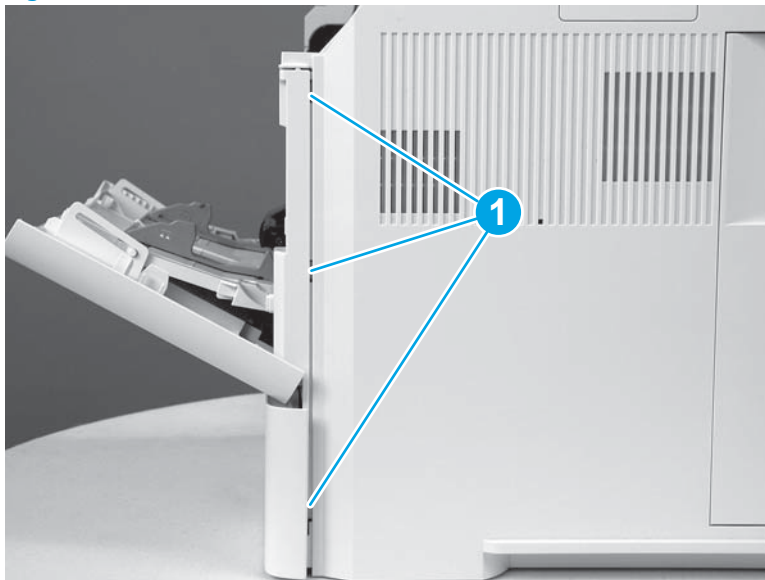
2. Remove two screws (callout 1).

Figure 1-1730 Remove two screws



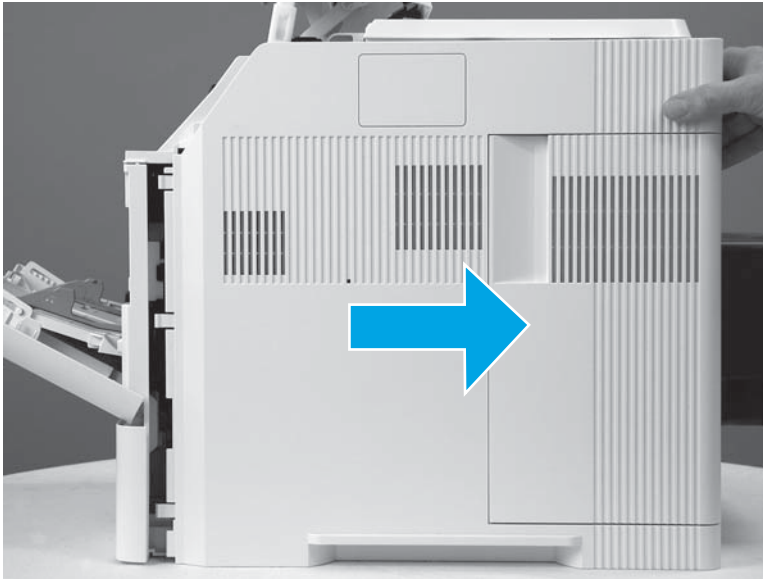
3. Release three tabs (callout 1).

Figure 1-1731 Release three tabs



- Slide the cover toward the rear of the printer to remove it.

Figure 1-1732 Remove the cover



Step 2: Remove the DC controller

- Locate the flat cable connector (callout 1) on the DC controller.


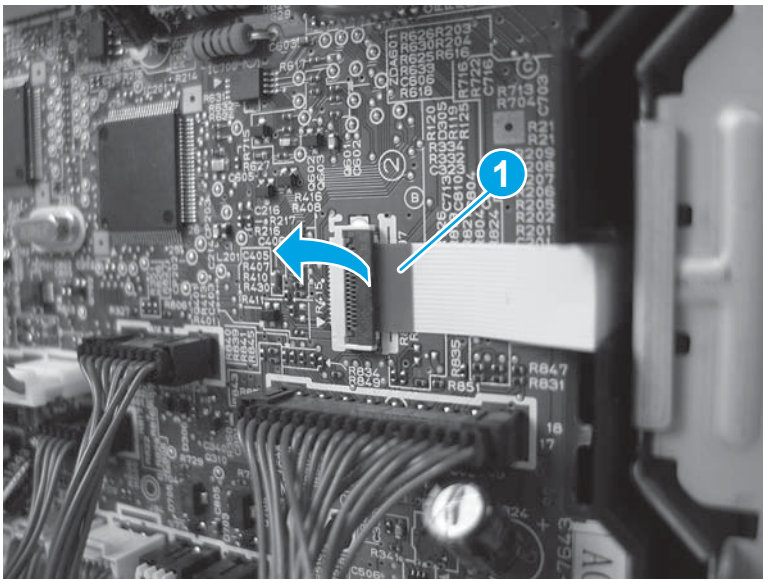
 **IMPORTANT:** This connector is a Zero Insertion Force (ZIF) connector that uses a hinged retainer to secure a flat cable. The hinged retainer must be opened to release the flat cable.

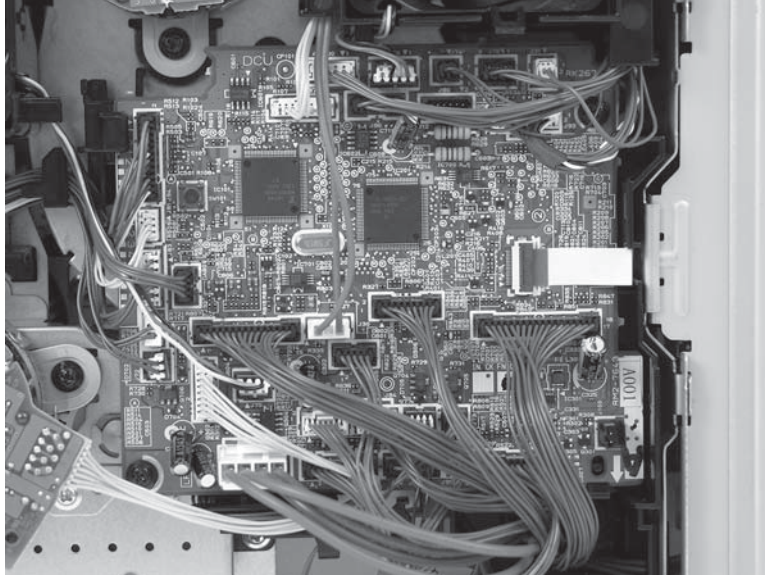
Figure 1-1733 ZIF connector



- Disconnect all of the connectors (callout 1) on the DC controller.
 - 29 wire-harness connectors
 - 1 flat cable

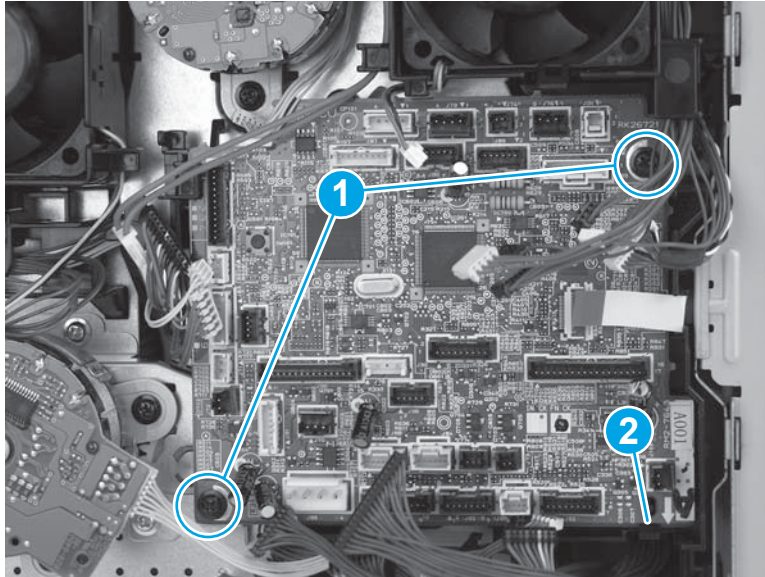
 **Reinstallation tip:** When the DC controller is reinstalled, connectors J80 and J100 are empty.

Figure 1-1734 Disconnect the connectors



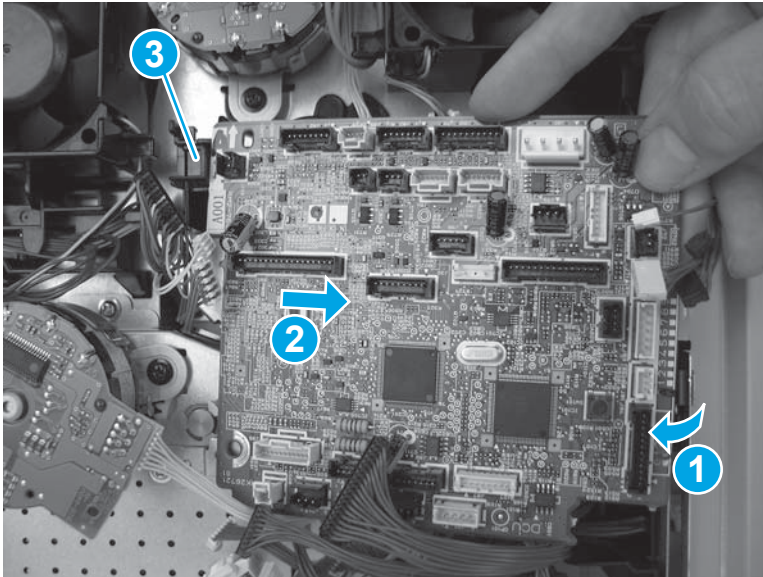
3. Remove two screws (callout 1), and then release one tab (callout 2).

Figure 1-1735 Remove two screws and release one tab



4. Rotate the DC controller away from the printer (callout 1), slide the DC controller toward the rear of the printer (callout 2) to release one tab (callout 3), and then remove the DC controller.

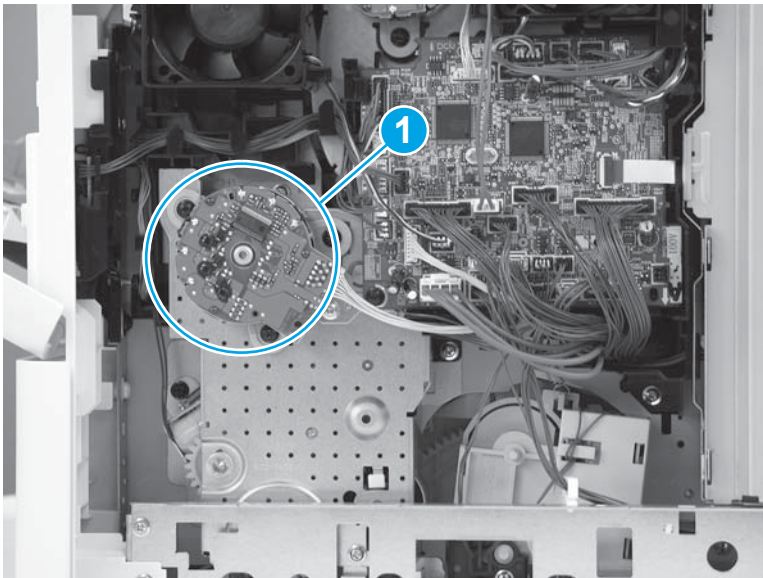
Figure 1-1736 Remove the DC controller



Step 3: Remove the pickup motor

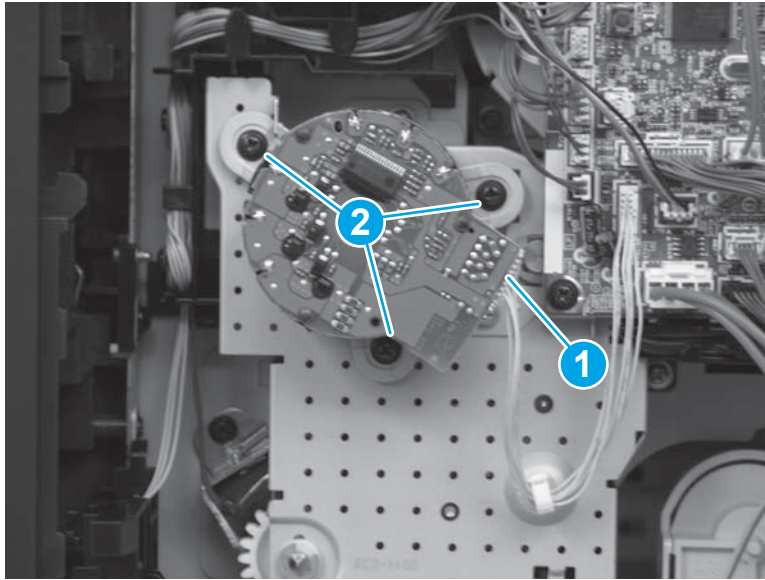
1. Locate the pickup motor (callout 1)

Figure 1-1737 Locate the pickup motor



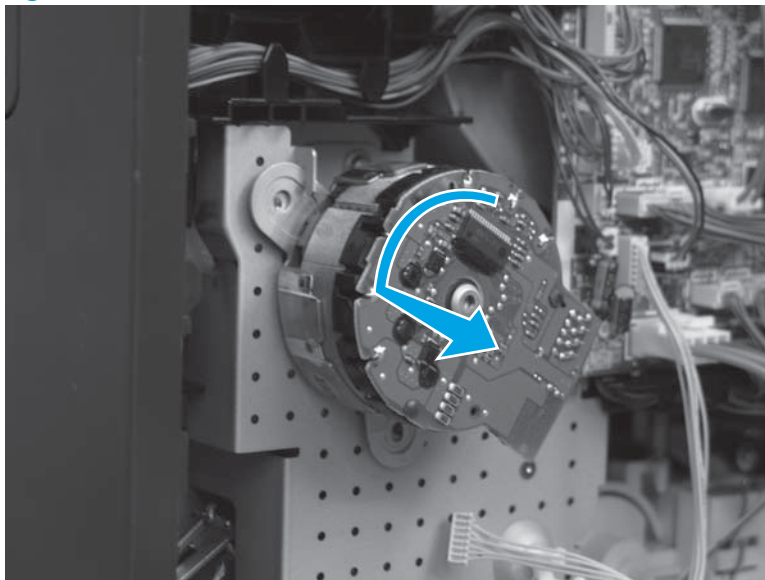
2. Disconnect one connector (callout 1), and then remove three screws (callout 2).

Figure 1-1738 Disconnect one connector and remove three screws



3. Rotate the motor towards the front of the printer to release it, and then remove the motor.

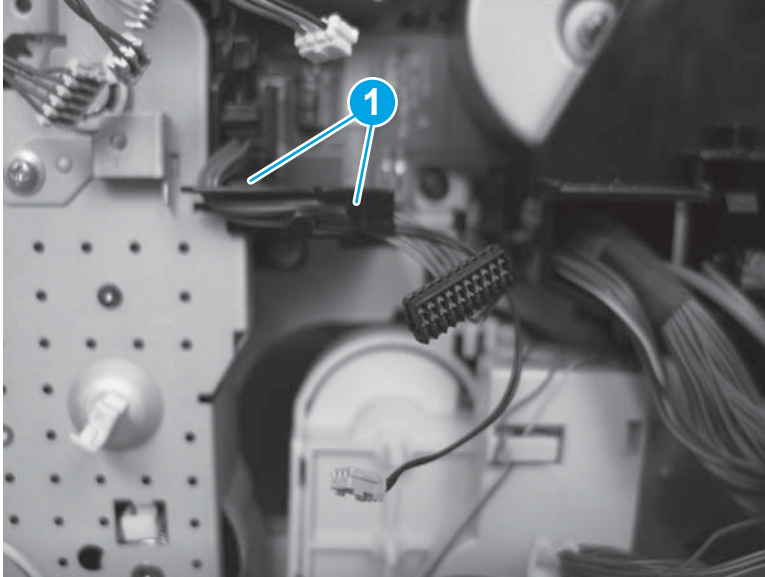
Figure 1-1739 Release the motor



Step 4: Remove the pickup drive assembly

1. Release the wire harnesses from the retainer (callout 1) located on the lifter-motor side of the pickup drive assembly.

Figure 1-1740 Release wire harnesses from the retainer



2. Release the solenoid wire harness (callout 1) from the retainer (callout 2).


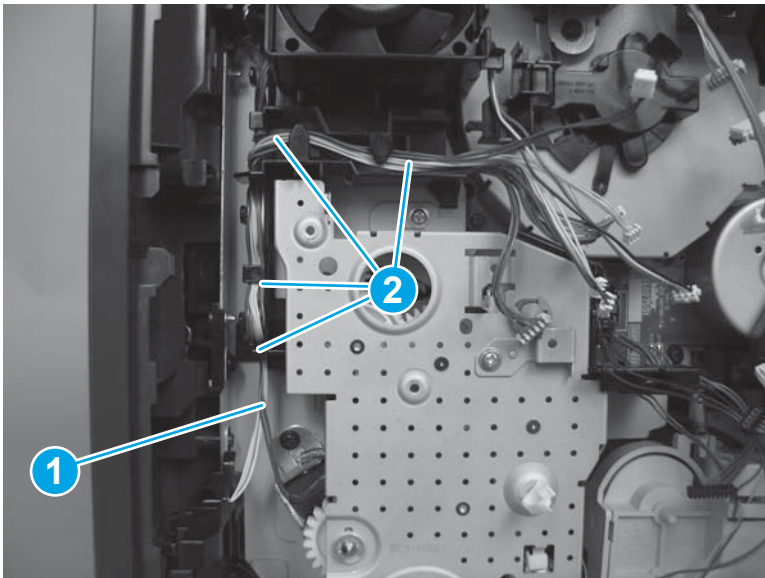
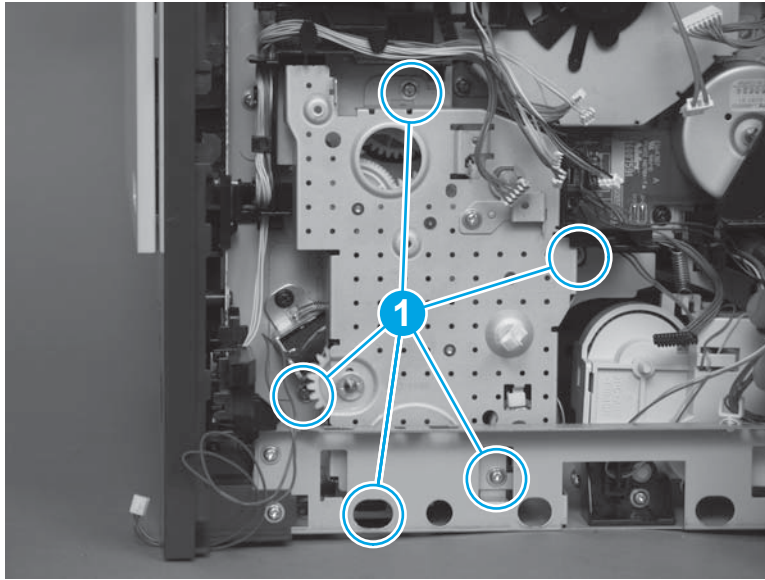
 **TIP:** Do not damage the wire harness when removing it from the retainer. It might be easier to remove all of the wire harnesses together to release the solenoid wire harness.

Figure 1-1741 Release the wire harness from the retainer



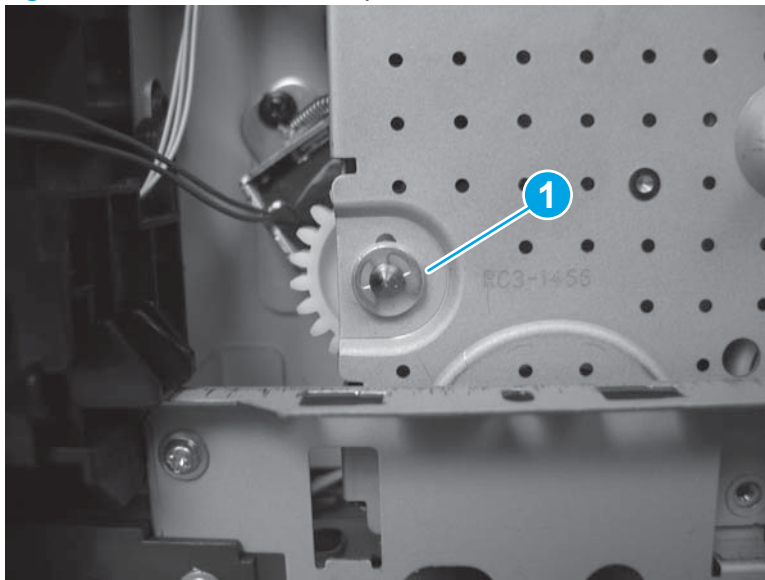
3. Remove five screws (callout 1).

Figure 1-1742 Remove five screws



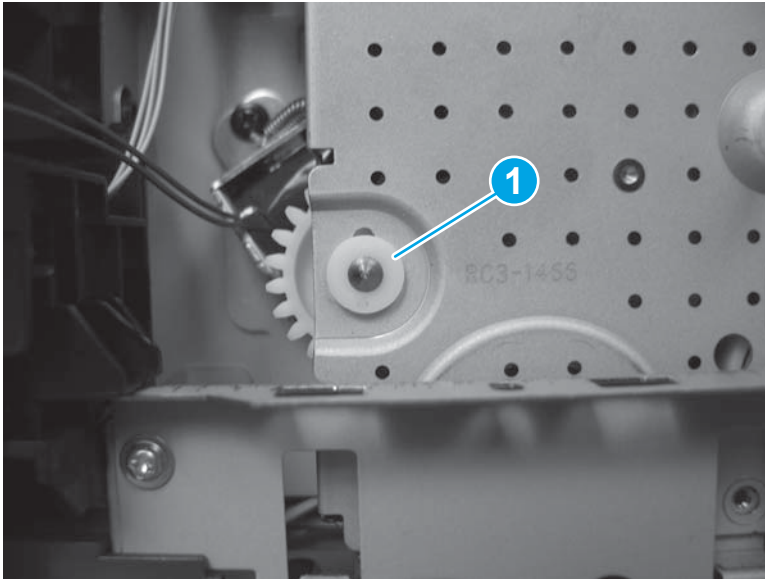
4. Remove one e-clip (callout 1).

Figure 1-1743 Remove one e-clip



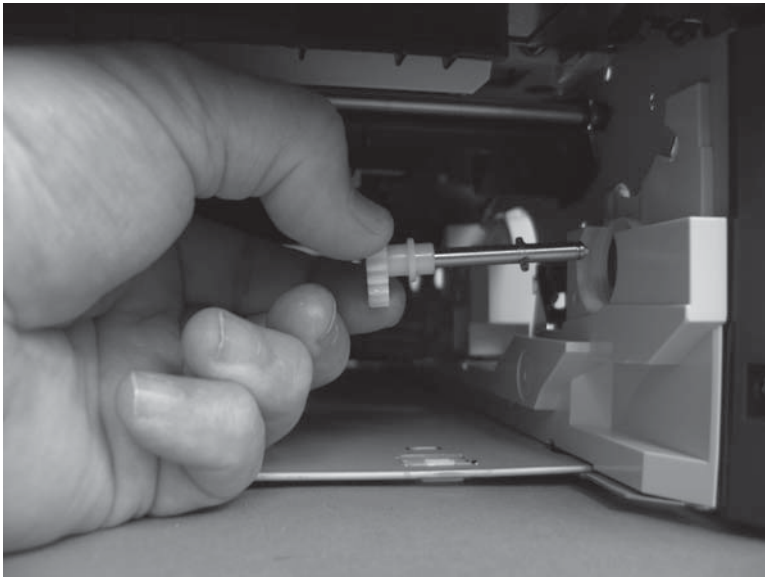
5. Remove one shaft collar (callout 1).

Figure 1-1744 Remove one shaft collar



6. Push the drive-gear shaft (located where the e-clip and shaft collar were removed in the previous steps) into the Tray 2 cavity, and then remove it.

Figure 1-1745 Remove the drive-gear shaft



7. Two gears located inside the assembly are not captive. Do not lose these gears when handling the assembly. If the gears are dislodged, use the figure below to correctly reinstall them.


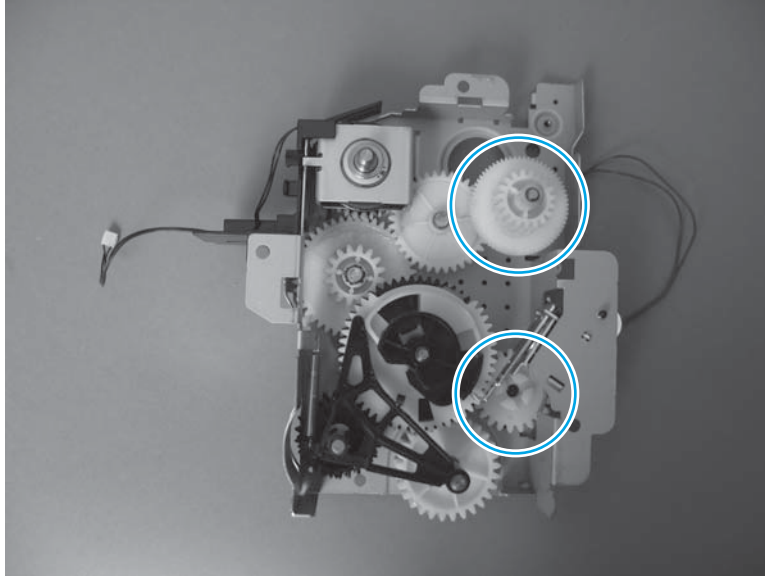
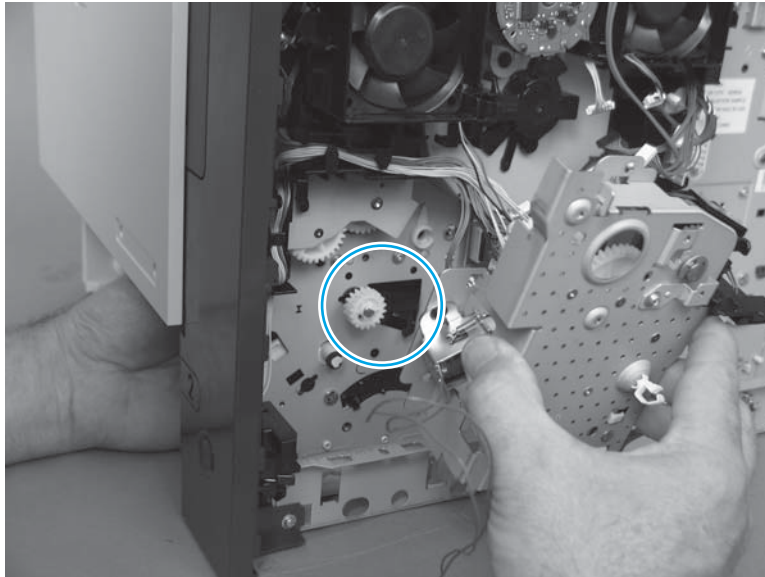
 **IMPORTANT:** Do not remove the grease from the gears when handling the assembly or the gears.

Figure 1-1746 Two gears are not captive



8. Reach inside the printer and push the rear Tray 2 feed roller up into its raised position (this disengages the roller-lifting arm from the clutch gear), and then remove the pickup drive assembly.

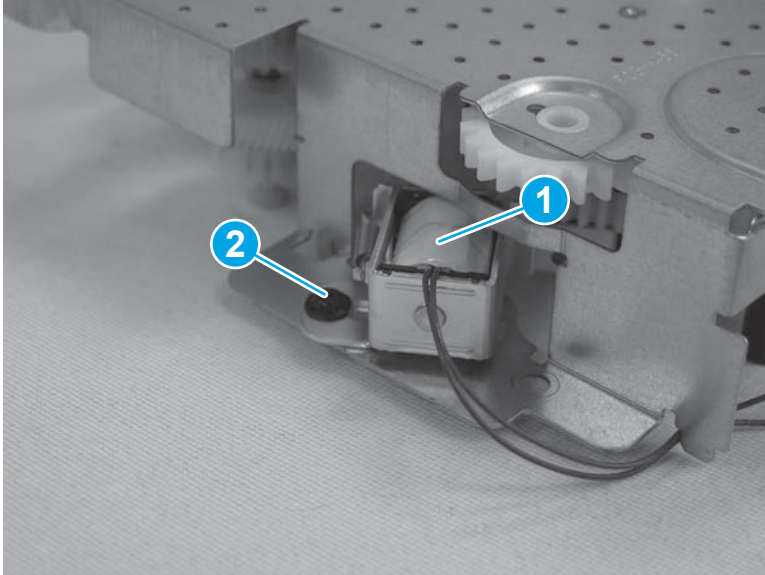
Figure 1-1747 Remove the pickup drive assembly



Step 5: Remove the pickup drive assembly solenoid

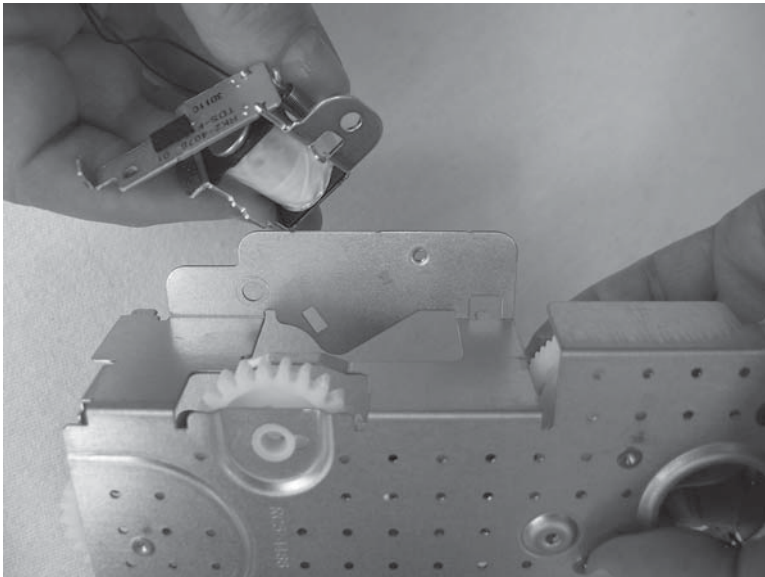
1. Locate the pickup drive assembly solenoid on the pickup drive assembly (callout 1), and then remove one screw (callout 2).

Figure 1-1748 Remove one screw



2. Remove the solenoid.

Figure 1-1749 Remove the solenoid



Step 6: Unpack the replacement pickup drive assembly solenoid

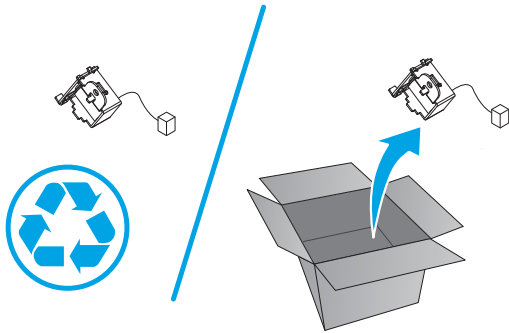
Unpack the replacement part from the packaging.

<http://www8.hp.com/us/en/hp-information/environment/product-recycling.html>



NOTE: HP recommends responsible disposal of the defective part.

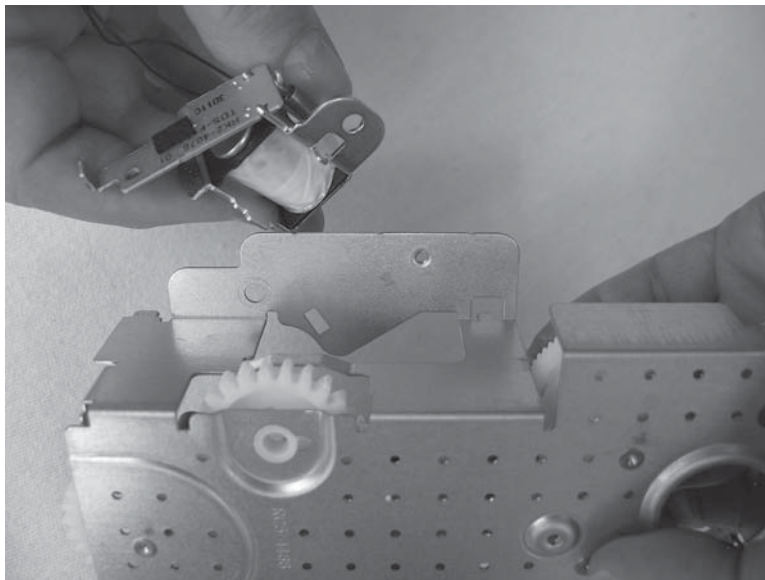
Figure 1-1750 Recycle and unpack



Step 7: Install the pickup drive assembly solenoid

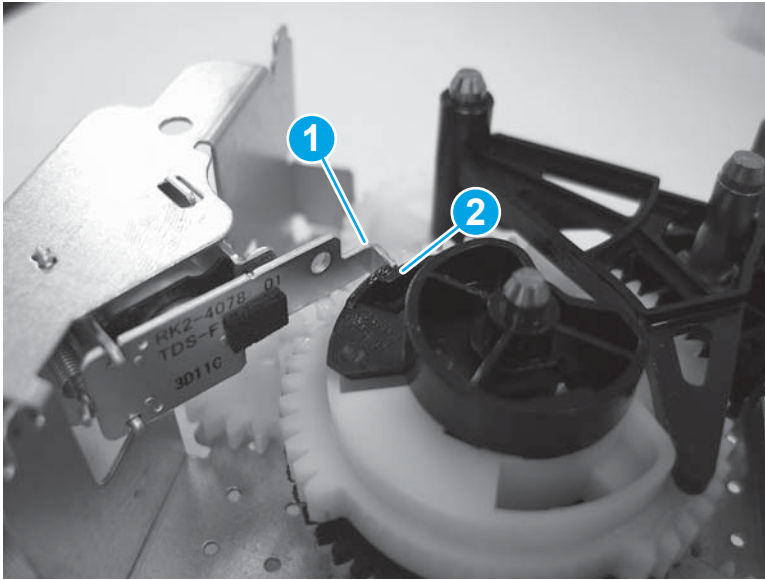
1. Install the solenoid on the pickup drive assembly.

Figure 1-1751 Install the solenoid



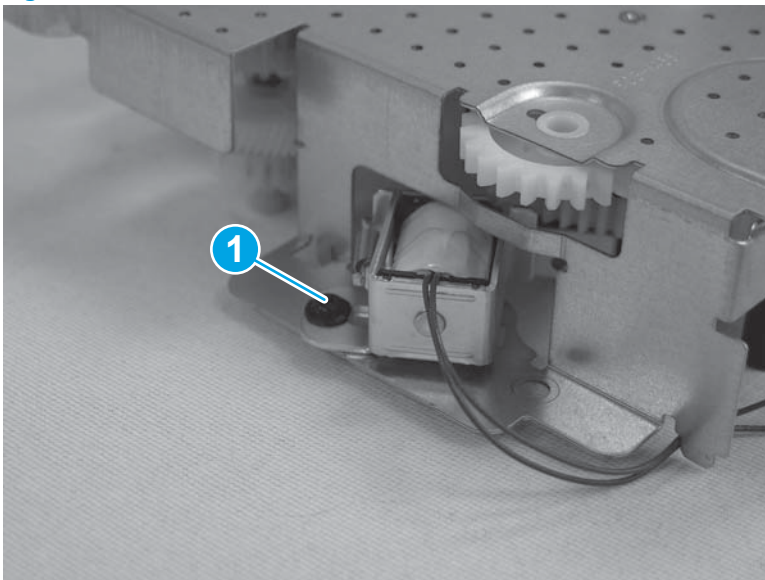
2. Make sure that the arm (callout 1) on the solenoid rests in the notch (callout 2) in the cam.

Figure 1-1752 Check the solenoid arm position



3. Install one screw (callout 1).

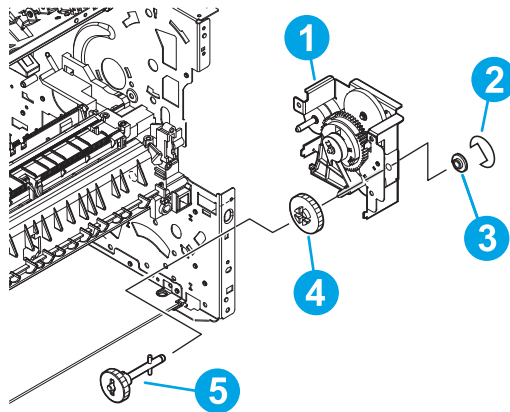
Figure 1-1753 Install one screw



Step 8: Install the pickup drive assembly

1. When you install the pickup drive assembly gears and shaft, verify that the gears are seated on the shaft-locking bars and that the shaft collars are correctly positioned in the paper-pickup drive-gear

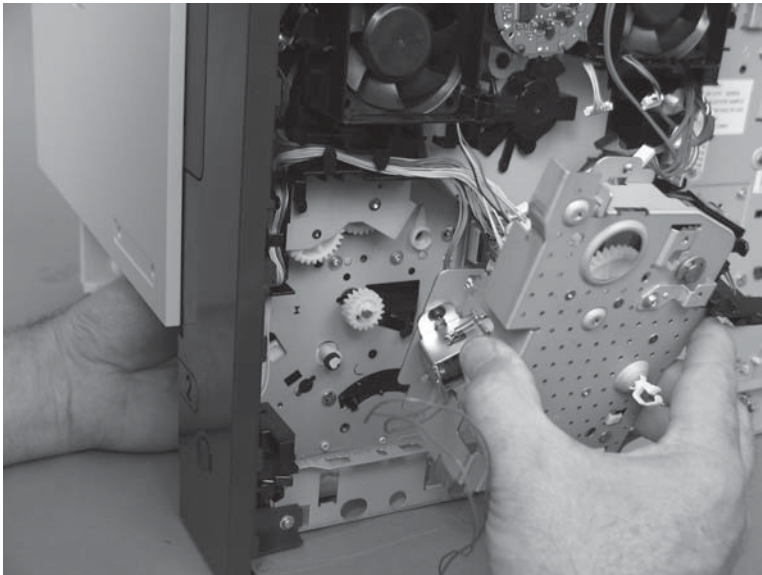
Table 1-5 Pickup drive assembly



1	Pickup drive unit
2	E-clip
3	Bushing
4	23T gear
5	Retard roller drive shaft

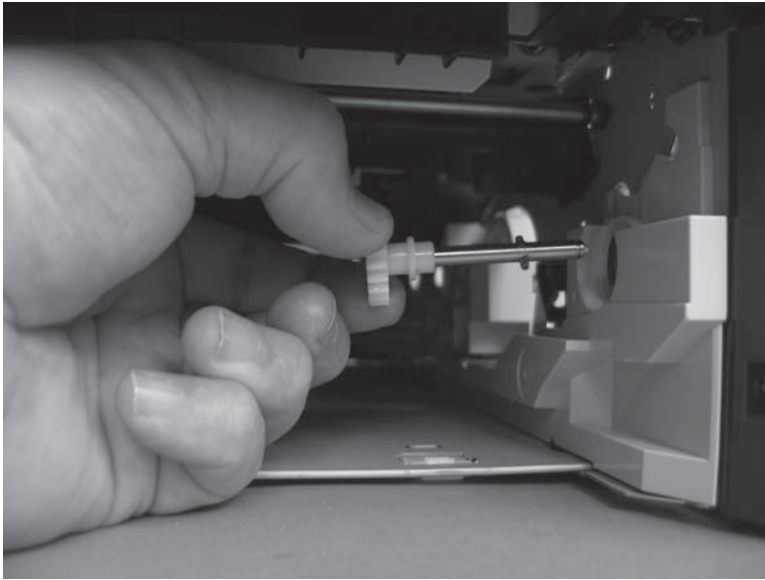
2. Reach inside the printer and push the rear Tray 2 feed roller up into its raised position, and then position the pickup drive assembly on the printer.

Figure 1-1754 Install the pickup drive assembly



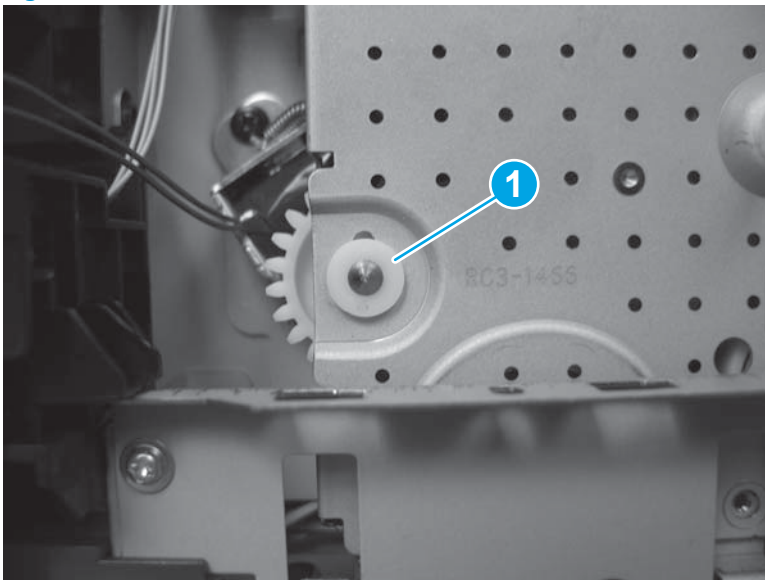
3. From inside the Tray 2 cavity, install the drive-gear shaft into the pickup drive assembly.

Figure 1-1755 Install the drive-gear shaft



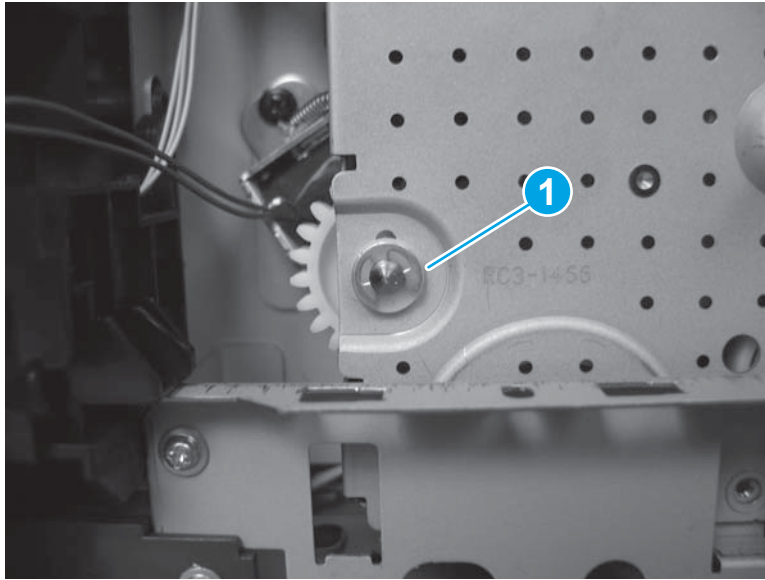
4. Install one shaft collar (callout 1).

Figure 1-1756 Install one shaft collar



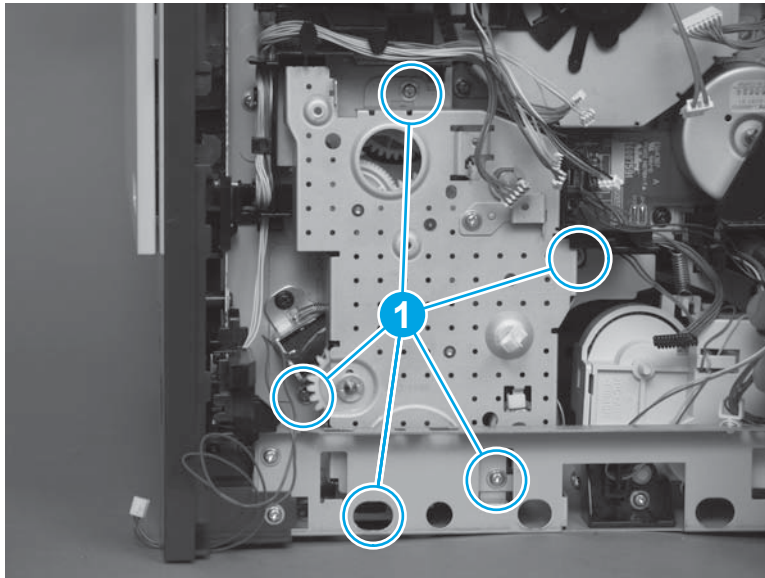
5. Install one e-clip (callout 1).

Figure 1-1757 Install one e-clip



6. Install five screws (callout 1).

Figure 1-1758 Remove five screws



7. Install the solenoid wire harness (callout 1) in the retainer (callout 2).


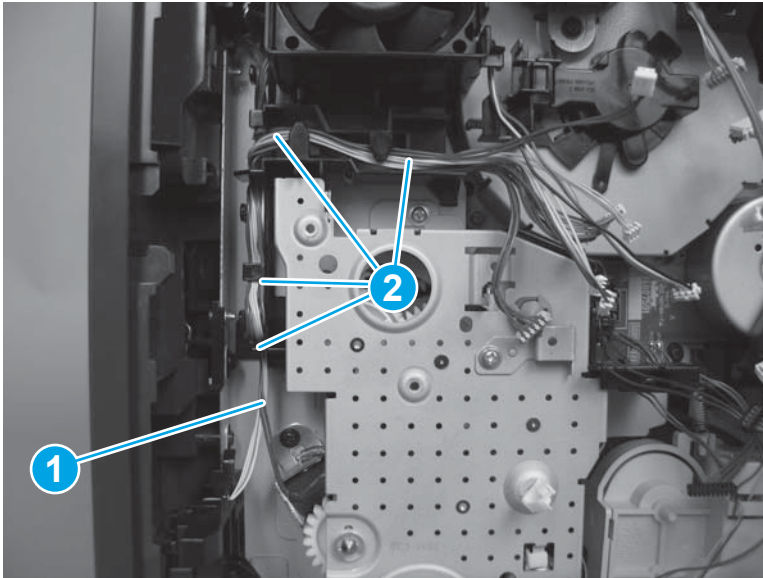
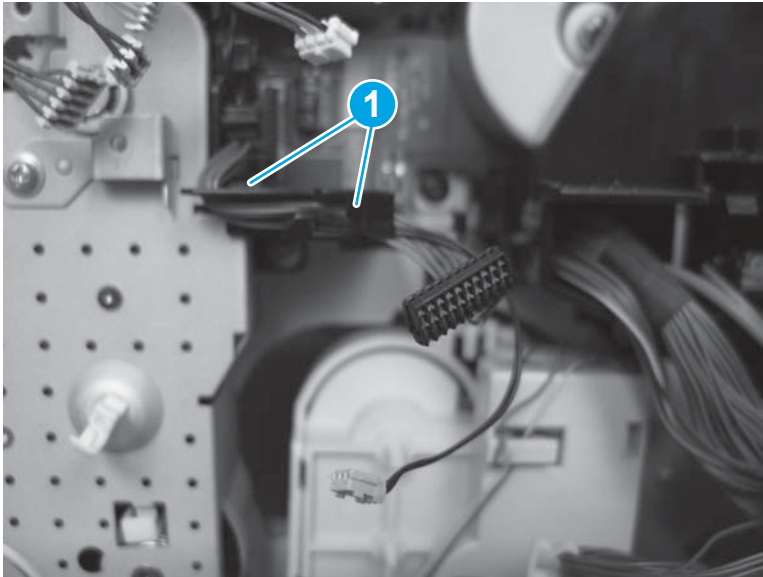
 **TIP:** If you removed all the wire harnesses from the retainer when removing the pickup drive assembly, reinstall these wire harnesses in the retainer now.

Figure 1-1759 Install the wire harnesses in the retainer



8. Install the wire harnesses in the retainer (callout 1) located on the lifter-motor side of the pickup drive assembly.

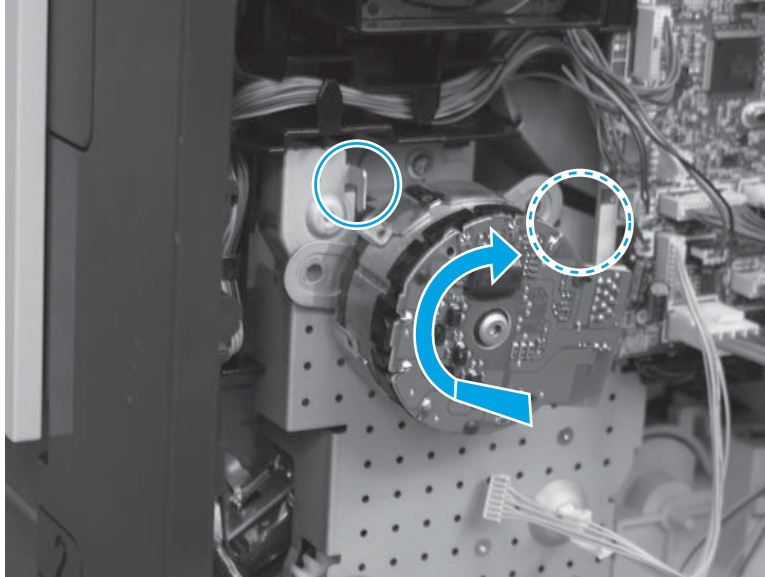
Figure 1-1760 Install the wire harnesses in the retainer



Step 9: Install the pickup motor

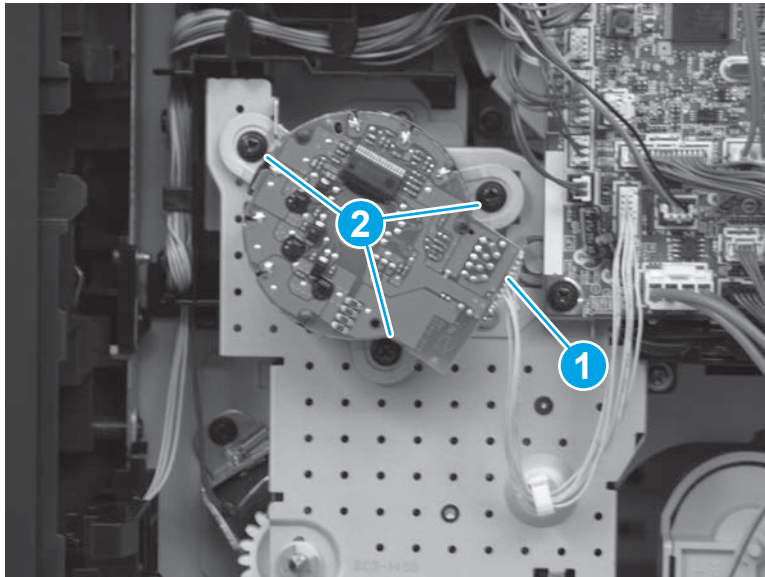
1. Position the motor on the printer chassis, and then rotate it toward the back of the printer to engage the tabs on the chassis with the motor mounting bracket.

Figure 1-1761 Install the pickup motor



2. Connect one connector (callout 1), and then install three screws (callout 2).

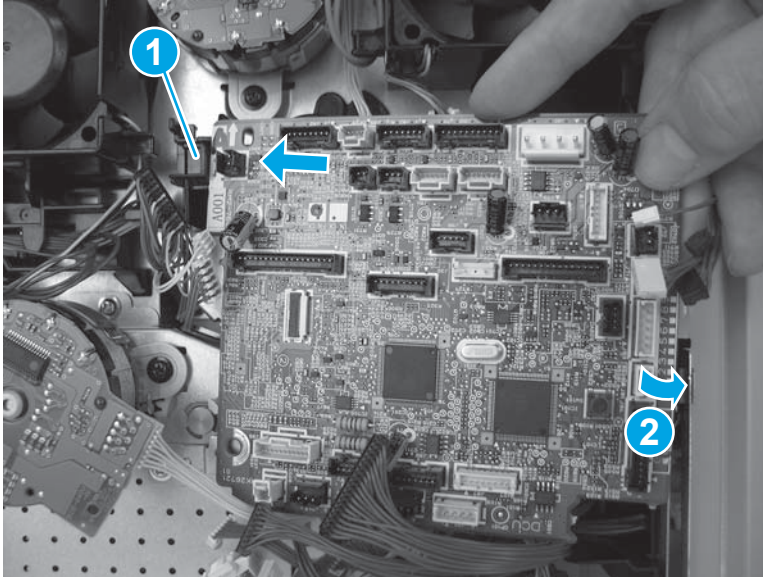
Figure 1-1762 Connect one connector and install three screws



Step 10: Install the DC controller

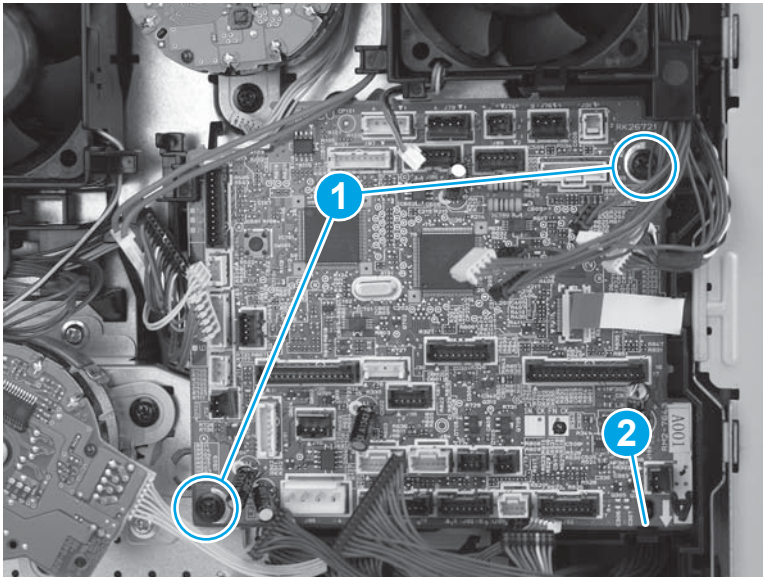
1. Position the DC controller under the tab (callout 1), and then rotate it (callout 2) toward the printer.

Figure 1-1763 Position the DC controller on the printer



2. Install two screws (callout 1). Make sure that the tab (callout 2) is snapped into place.

Figure 1-1764 Install two screws



3. Locate the flat cable connector (callout 1) on the DC controller.


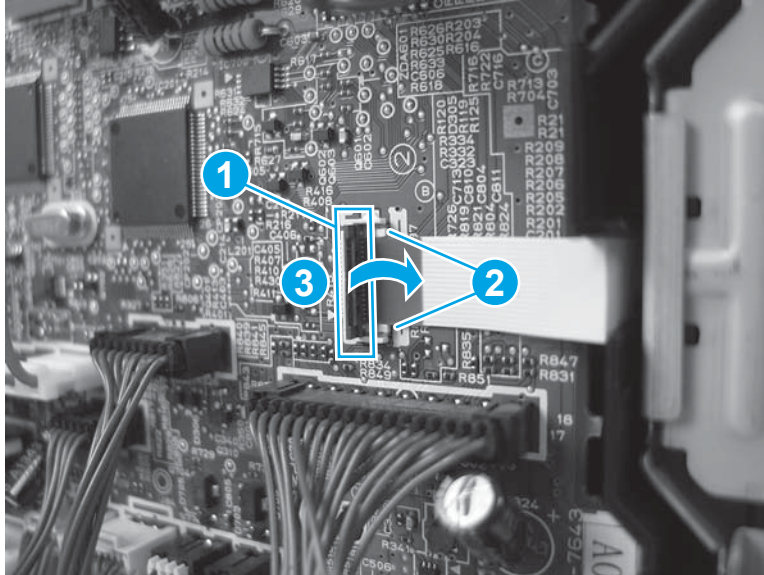
 **IMPORTANT:** The flat cable connector is a Zero Insertion Force (ZIF) connector that uses a hinged retainer to secure a flat cable. When the flat cable is reinstalled, fully insert the flat cable in the connector between the two white pins (callout 2). Close the hinged retainer (callout 3) to lock the flat cable into the connector and provide proper electrical contact. If the flat cable is not locked into the connector, no electrical contact will occur.

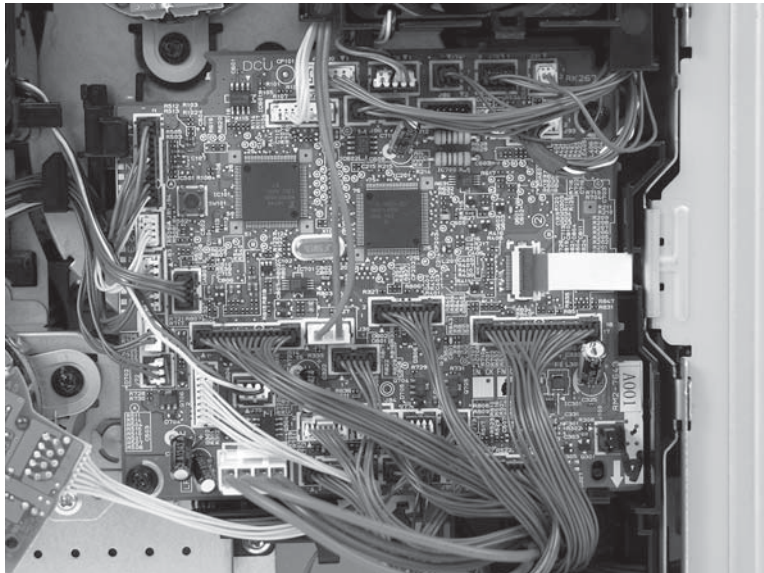
Figure 1-1765 ZIF connector



4. Connect all of the connectors on the DC controller.
 - 29 wire-harness connectors
 - 1 flat cable

 **Reinstallation tip:** Connectors J80 and J100 are empty.

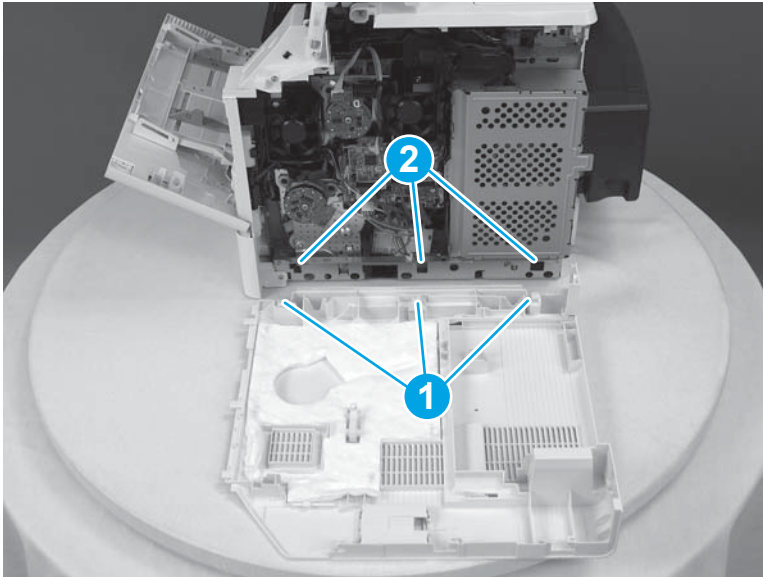
Figure 1-1766 Connect the connectors



Step 11: Install the right cover

1. Note the location of the tabs (callout 1) on the cover that will fit into the slots (callout 2) on the printer.

Figure 1-1767 Note location of tabs

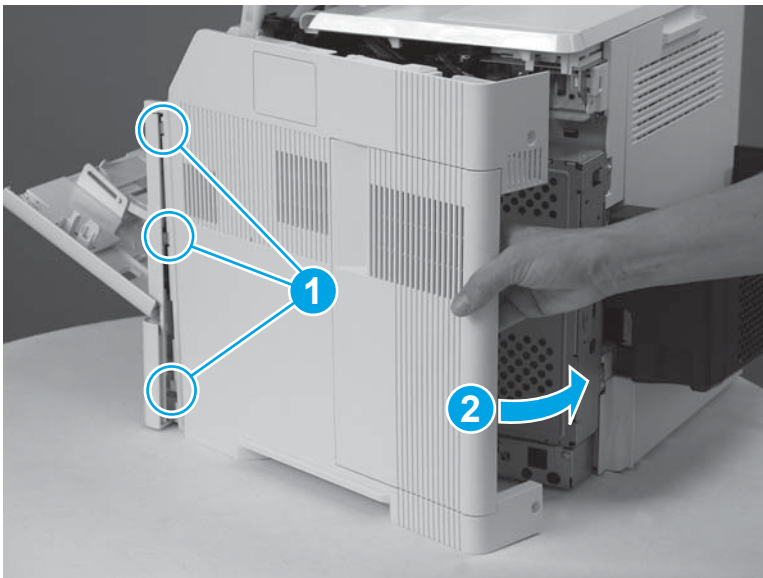


2. Position the front tabs on the right cover slightly behind the right front cover (callout 1), and then rotate the back edge of the cover toward the printer (callout 2).



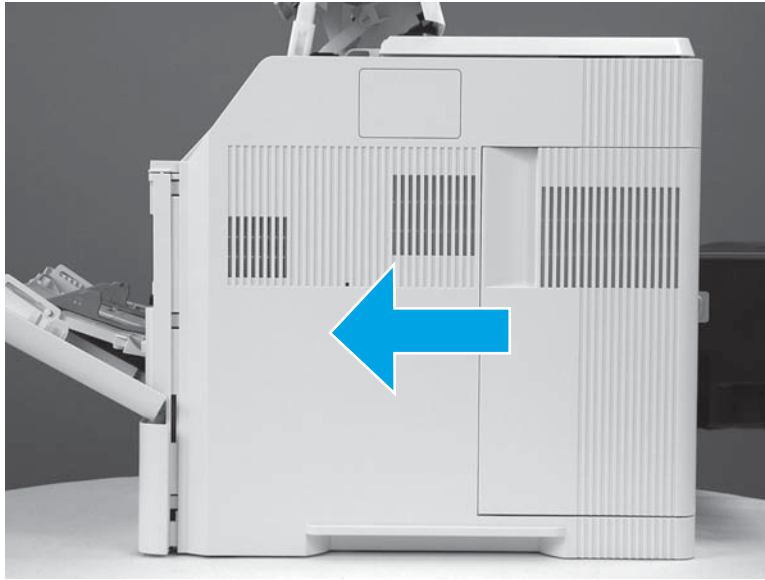
NOTE: The tabs and slots mentioned in the previous step will engage as the cover is rotated into place.

Figure 1-1768 Position the front tabs



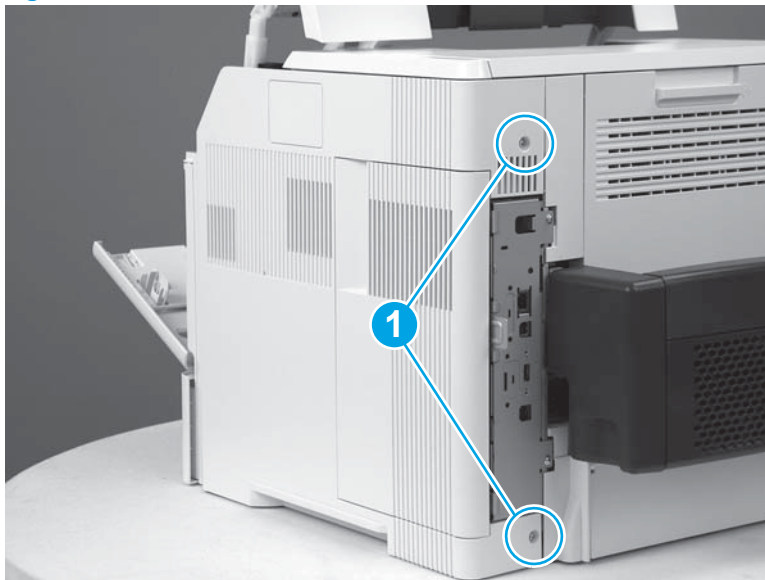
3. Slide the cover toward the front of the printer to install it.

Figure 1-1769 Slide the cover



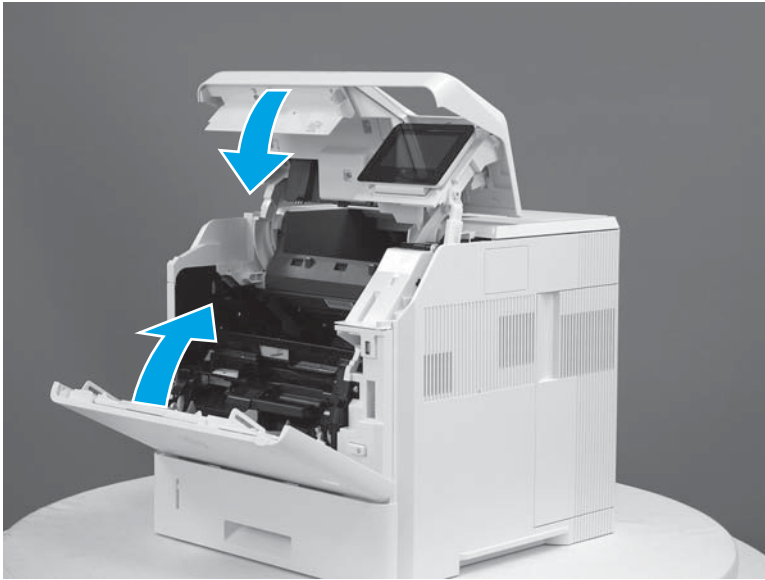
4. Install two screws (callout 1).

Figure 1-1770 Install two screws



5. Close the front cover and the cartridge door.

Figure 1-1771 Close the front cover and cartridge door



Removal and replacement: Pickup drive assembly drive-gear shaft

- [Introduction](#)
- [Step 1: Remove the right cover](#)
- [Step 2: Remove the pickup drive assembly drive-gear shaft](#)
- [Step 3: Unpack the replacement pickup drive assembly drive-gear shaft](#)
- [Step 4: Install the pickup drive assembly drive-gear shaft](#)
- [Step 5: Install the right cover](#)

Introduction

This document provides the procedures to remove and replace the pickup drive assembly drive-gear shaft.

Before performing service

Turn the printer power off

- Disconnect the power cable.

⚠ WARNING! To avoid damage to the printer, turn the printer off, wait 30 seconds, and then remove the power cord before attempting to service the printer.

Use the table below to identify the correct part number for your printer, and then go to www.hp.com/buy/parts to order the kit.

Pickup drive assembly drive-gear shaft part number	
RL1-3020-000CN	Shaft, retard drive

Required tools

- #2 Phillips screwdriver with a magnetic tip
- Small, flat-blade screwdriver

After performing service

Turn the printer power on

- Connect the power cable.
- Use the power switch to turn the power on.

Post service test

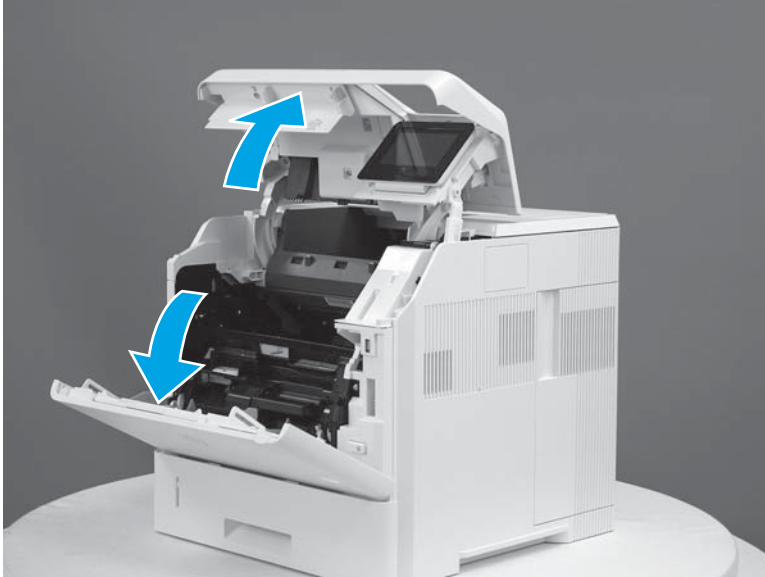
Make sure that the printer initializes to a **Ready** state.

Print a configuration page to make sure that the printer is functioning correctly.

Step 1: Remove the right cover

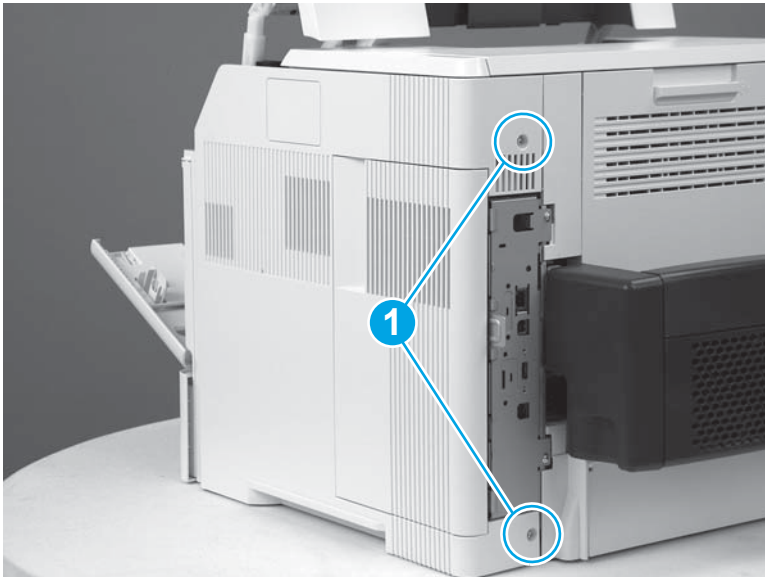
1. Open the front cover and the cartridge door.

Figure 1-1772 Open the front cover and cartridge door



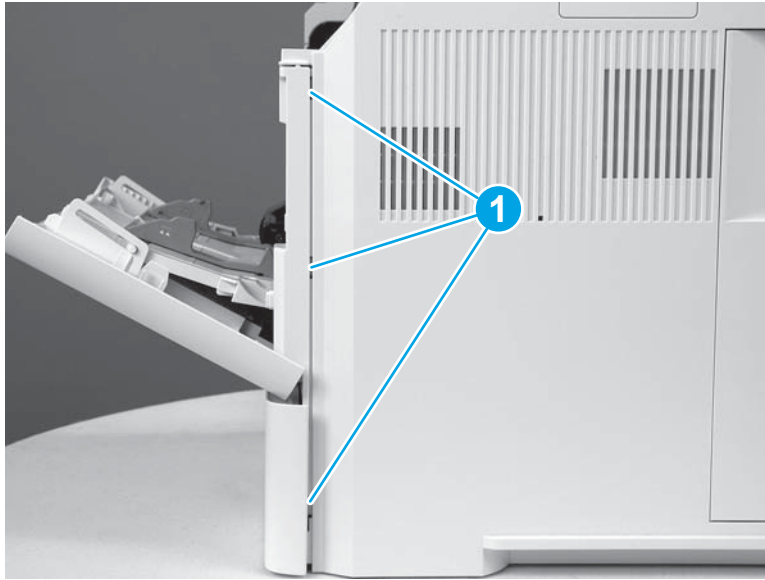
2. Remove two screws (callout 1).

Figure 1-1773 Remove two screws



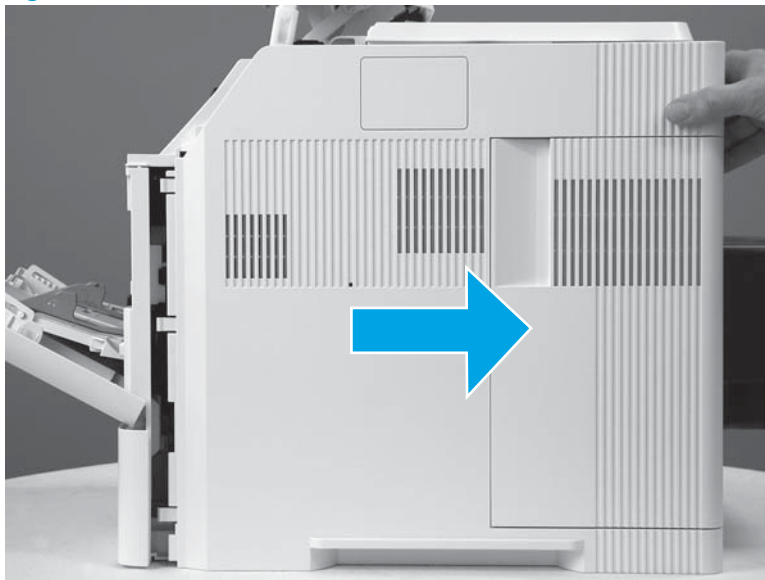
3. Release three tabs (callout 1).

Figure 1-1774 Release three tabs



4. Slide the cover toward the rear of the printer to remove it.

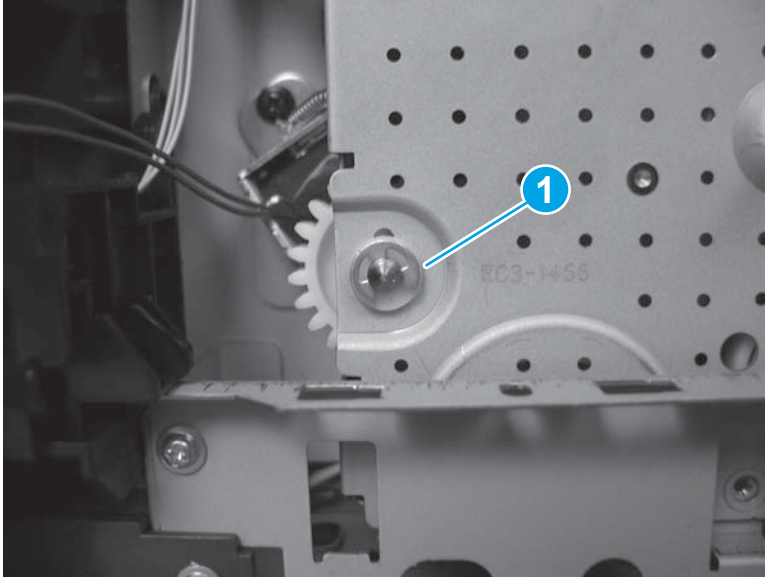
Figure 1-1775 Remove the cover



Step 2: Remove the pickup drive assembly drive-gear shaft

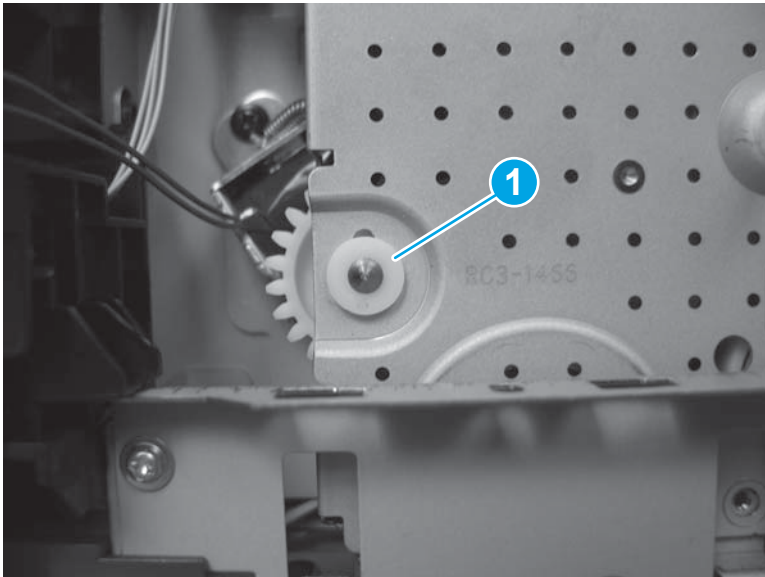
1. Remove one e-clip (callout 1).

Figure 1-1776 Remove one e-clip



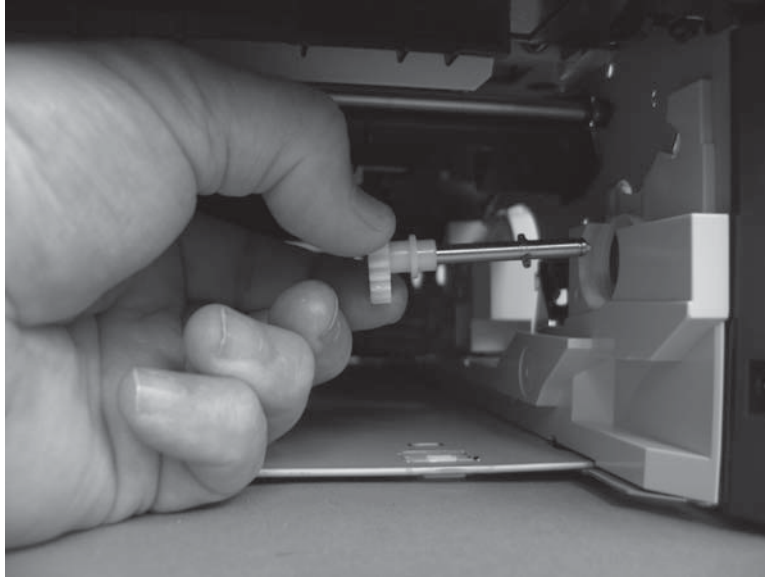
2. Remove one shaft collar (callout 1).

Figure 1-1777 Remove one shaft collar



3. Push the drive-gear shaft (located where the e-clip and shaft collar were removed in the previous steps) into the Tray 2 cavity, and then remove it.

Figure 1-1778 Remove the drive-gear shaft



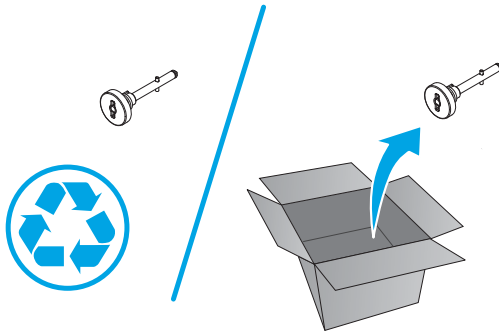
Step 3: Unpack the replacement pickup drive assembly drive-gear shaft

Unpack the replacement part from the packaging.

<http://www8.hp.com/us/en/hp-information/environment/product-recycling.html>

 **NOTE:** HP recommends responsible disposal of the defective part.

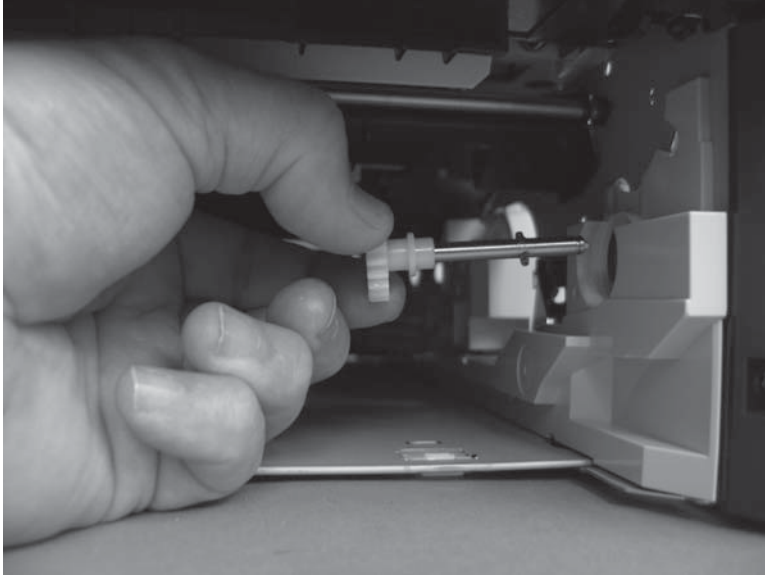
Figure 1-1779 Recycle and unpack



Step 4: Install the pickup drive assembly drive-gear shaft

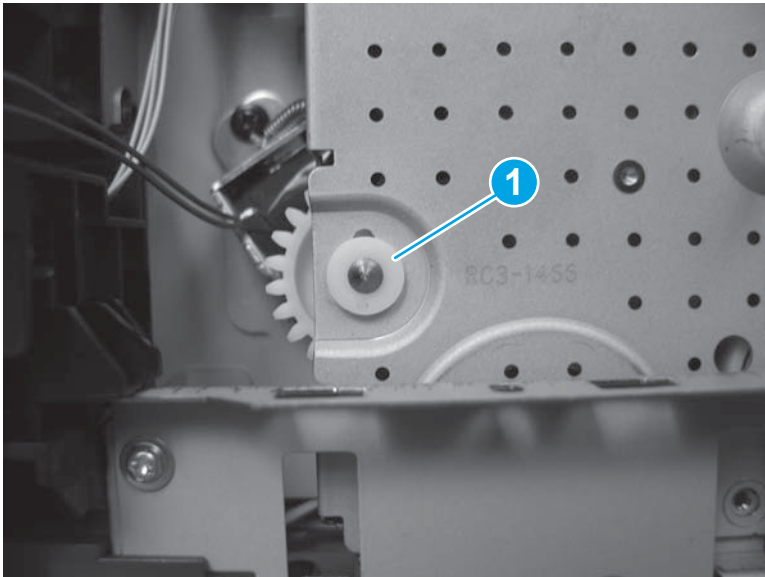
1. From inside the Tray 2 cavity, install the drive-gear shaft into the pickup drive assembly.

Figure 1-1780 Install the drive-gear shaft



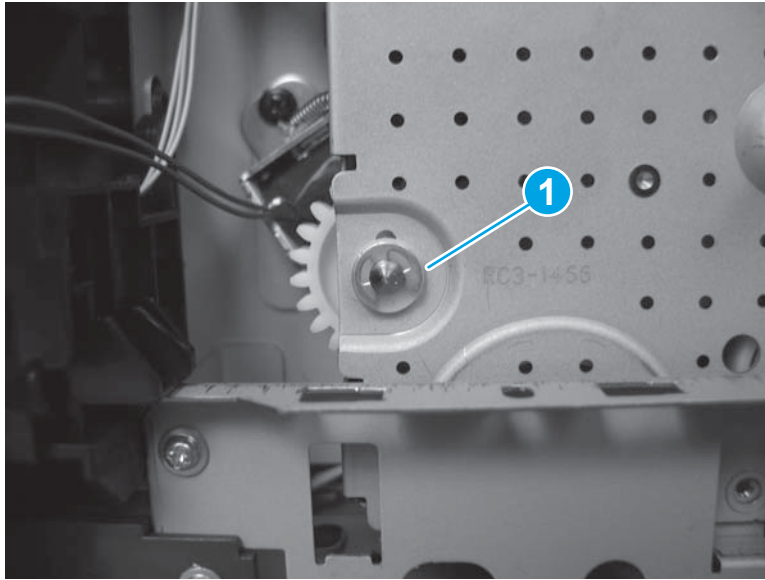
2. Install one shaft collar (callout 1).

Figure 1-1781 Install one shaft collar



3. Install one e-clip (callout 1).

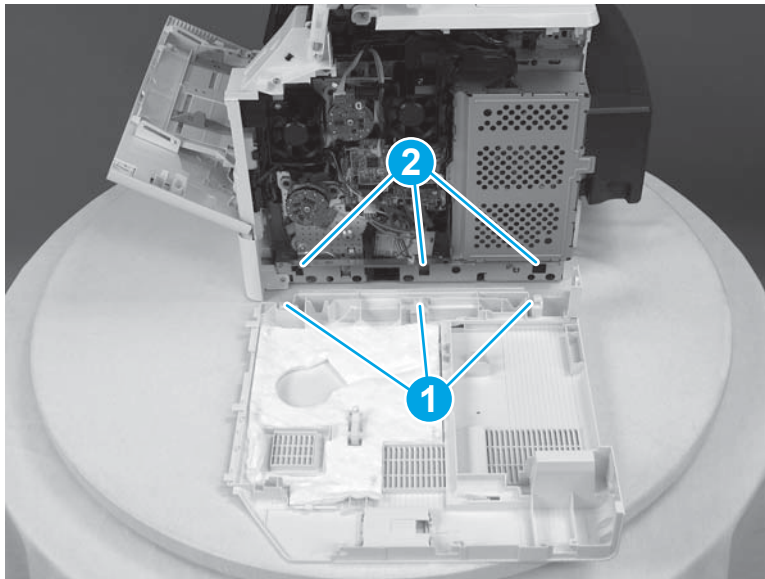
Figure 1-1782 Install one e-clip



Step 5: Install the right cover

1. Note the location of the tabs (callout 1) on the cover that will fit into the slots (callout 2) on the printer.

Figure 1-1783 Note location of tabs



2. Position the front tabs on the right cover slightly behind the right front cover (callout 1), and then rotate the back edge of the cover toward the printer (callout 2).


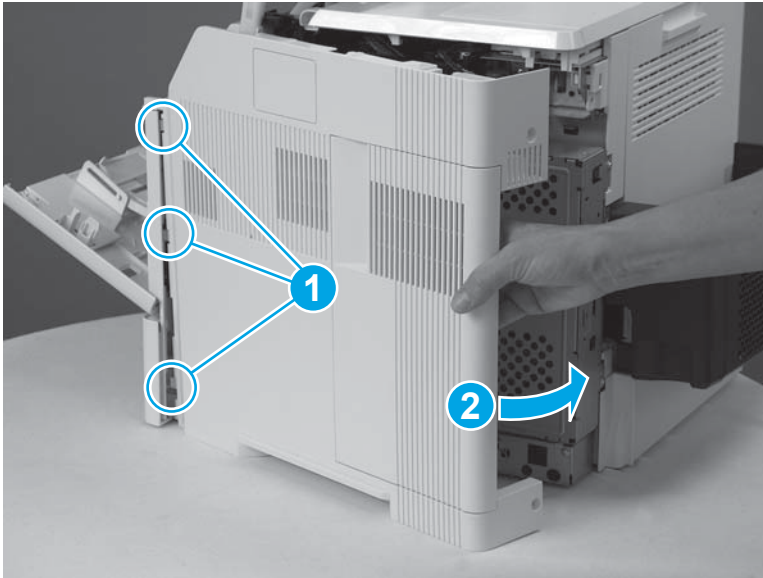
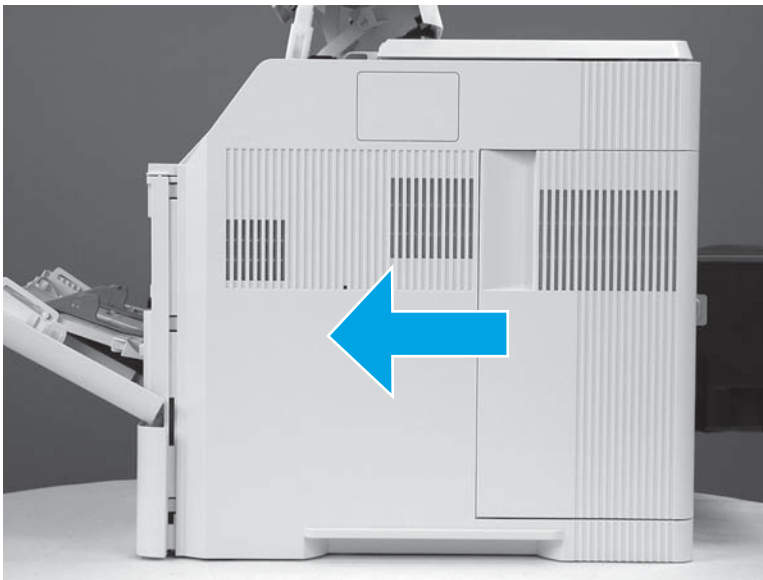
 **NOTE:** The tabs and slots mentioned in the previous step will engage as the cover is rotated into place.

Figure 1-1784 Position the front tabs



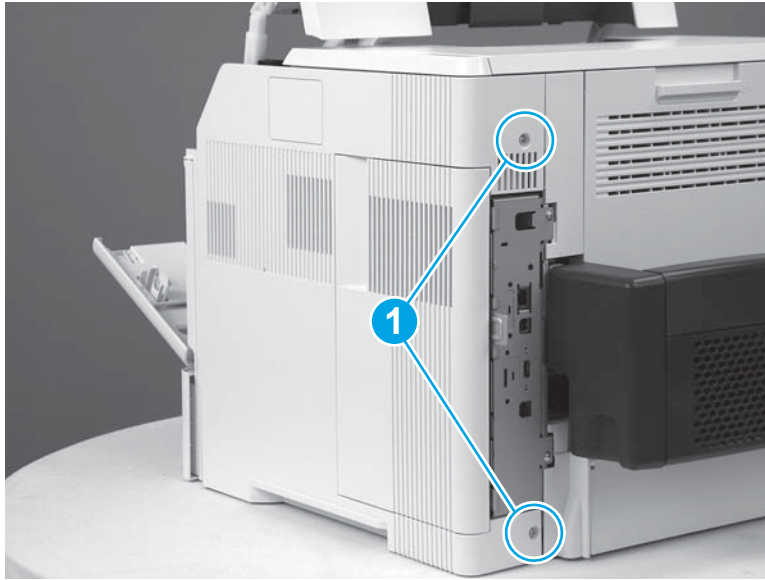
3. Slide the cover toward the front of the printer to install it.

Figure 1-1785 Slide the cover



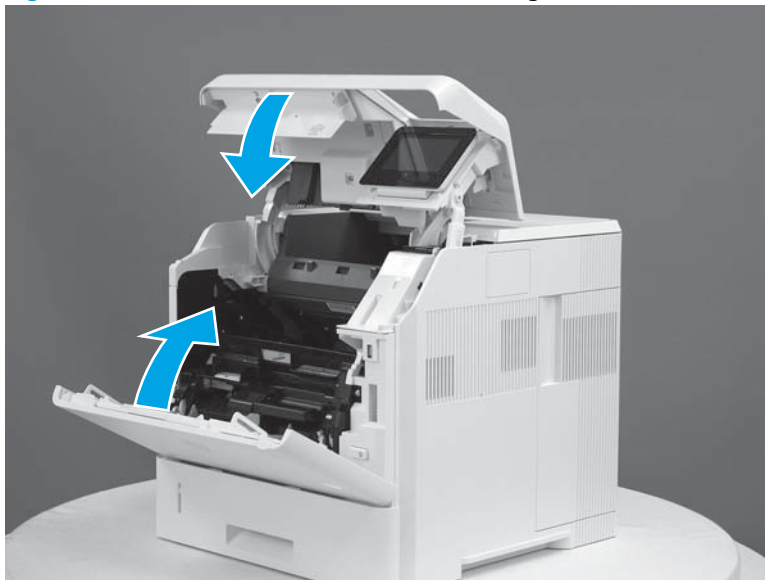
4. Install two screws (callout 1).

Figure 1-1786 Install two screws



5. Close the front cover and the cartridge door.

Figure 1-1787 Close the front cover and cartridge door



Removal and replacement: Paper-delivery drive assembly

- [Introduction](#)
- [Step 1: Remove the duplex accessory](#)
- [Step 2: Remove the duplex accessory cover](#)
- [Step 3: Remove the rear output bin](#)
- [Step 4: Remove the right cover](#)
- [Step 5: Remove the top accessory cover](#)
- [Step 6: Remove the top cover \(M604n/dn, M605n/dn, M606dn only\)](#)
- [Step 7: Remove the top cover \(M605x, M606x only\)](#)
- [Step 8: Remove the right rear cover](#)
- [Step 9: Remove the formatter and formatter case](#)
- [Step 10: Remove the paper-delivery assembly](#)
- [Step 11: Remove the paper-delivery drive assembly](#)
- [Step 12: Unpack the replacement paper-delivery drive assembly](#)
- [Step 13: Install the paper-delivery drive assembly](#)
- [Step 14: Install the paper-delivery assembly](#)
- [Step 15: Install the formatter and formatter case](#)
- [Step 16: Install the right rear cover](#)
- [Step 17: Install the top cover \(M605x, M606x only\)](#)
- [Step 18: Install the top cover \(M604n/dn, M605n/dn, M606dn only\)](#)
- [Step 19: Install the top accessory cover](#)
- [Step 20: Install the right cover](#)
- [Step 21: Install the rear output bin](#)
- [Step 22: Install the duplex accessory cover](#)
- [Step 23: Install the duplex accessory](#)

Introduction

This document provides the procedures to remove and replace the paper-delivery drive assembly.

Before performing service

Turn the printer power off

- Disconnect the power cable.

⚠ WARNING! To avoid damage to the printer, turn the printer off, wait 30 seconds, and then remove the power cord before attempting to service the printer.

Use the table below to identify the correct part number for your printer, and then go to www.hp.com/buy/parts to order the kit.

Paper-delivery drive assembly part number	
RM2-6318-000CN	Paper delivery drive assembly

Required tools

- #2 Phillips screwdriver with a magnetic tip
- Small, flat-blade screwdriver

After performing service

Turn the printer power on

- Connect the power cable.
- Use the power switch to turn the power on.

Post service test

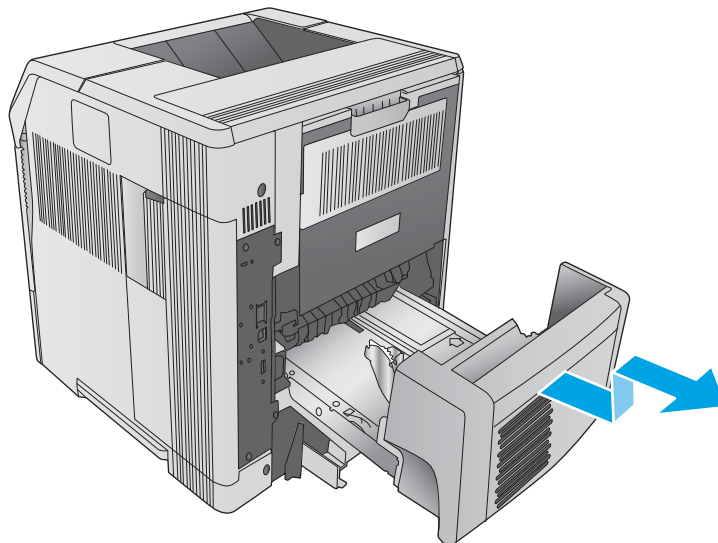
Make sure that the printer initializes to a **Ready** state.


Print a configuration page to make sure that the printer is functioning correctly.

Step 1: Remove the duplex accessory


- ▲ Slightly lift up on the duplex accessory, and then pull it completely out of the printer to remove it.

Figure 1-1788 Remove the duplex accessory



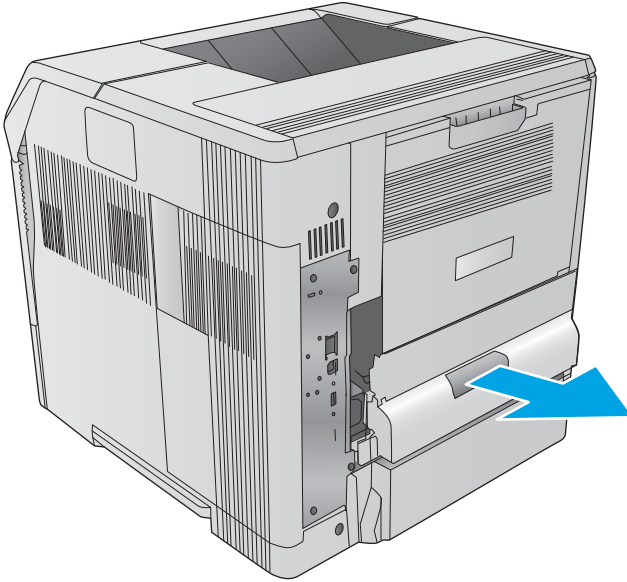
 **NOTE:** If the optional duplex accessory is not installed, skip this step and go to [Step 2: Remove the duplex accessory cover on page 992](#).

Step 2: Remove the duplex accessory cover

 **NOTE:** If the duplex accessory cover is not installed, skip this step and go to [Step 3: Remove the rear output bin on page 992](#).

- ▲ Pull the duplex accessory cover straight out of the printer to remove it.

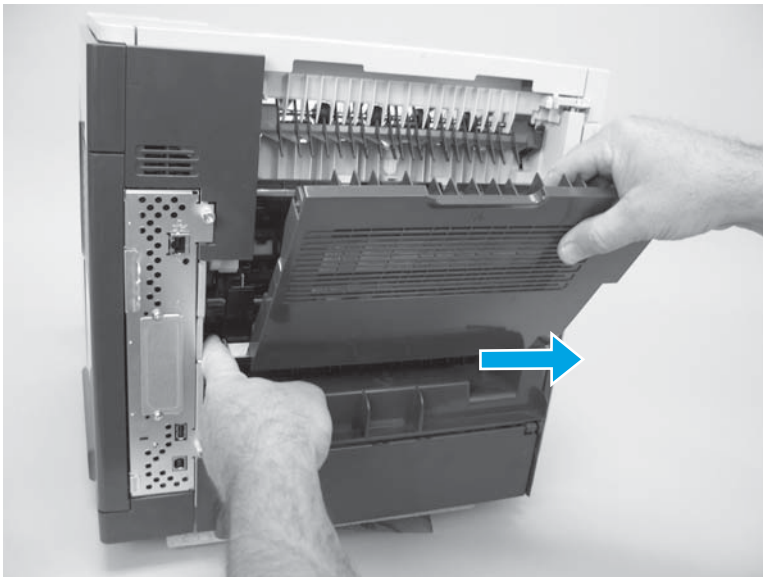
Figure 1-1789 Remove the duplex accessory cover



Step 3: Remove the rear output bin

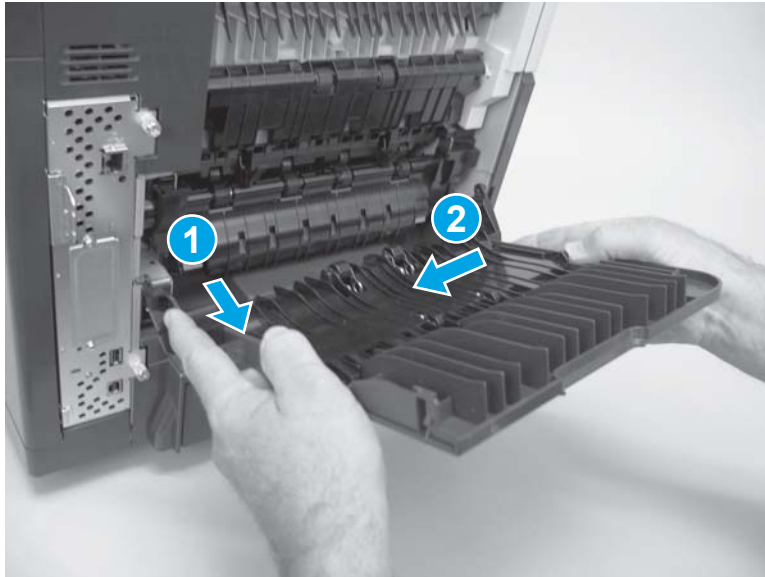
1. Open the rear output bin, and then squeeze the hinge pin out of its mounting hole.

Figure 1-1790 Release the hinge pin



2. Rotate the output bin away from the printer (callout 1) until the right hinge pin is released, and then slide the output bin to the left (callout 2) to remove it.

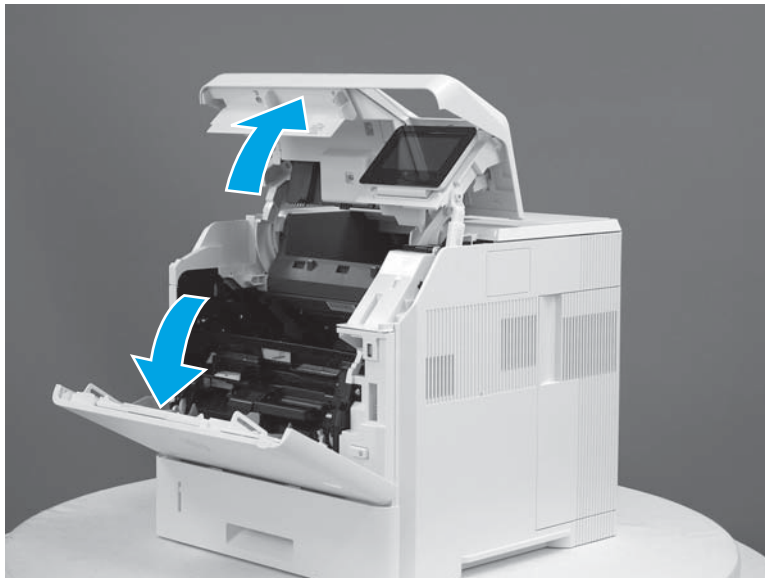
Figure 1-1791 Remove the output bin



Step 4: Remove the right cover

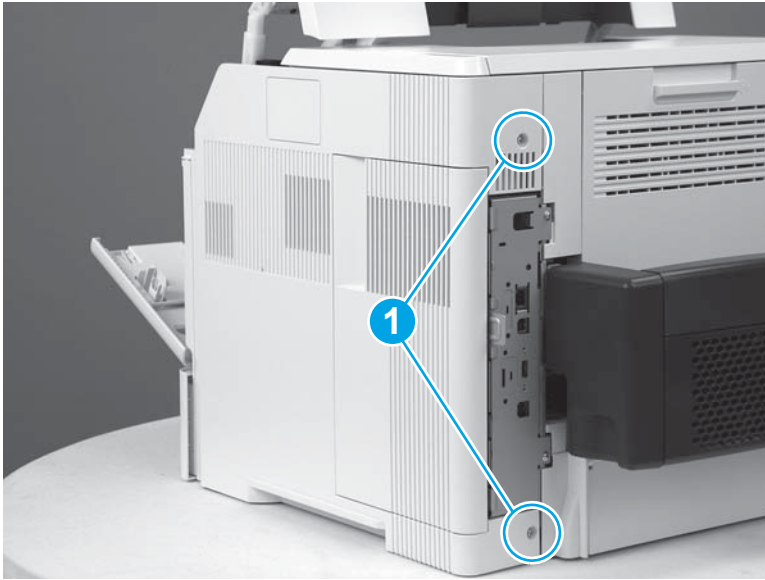
1. Open the front cover and the cartridge door.

Figure 1-1792 Open the front cover and cartridge door



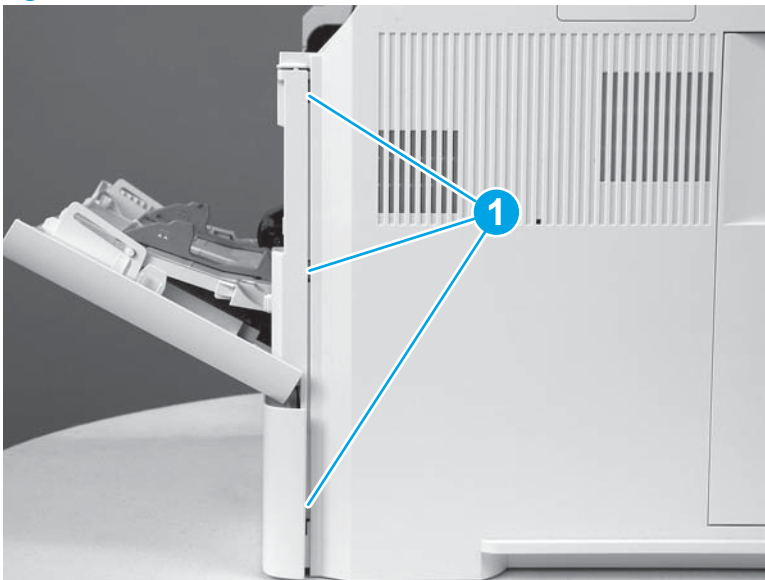
2. Remove two screws (callout 1).

Figure 1-1793 Remove two screws



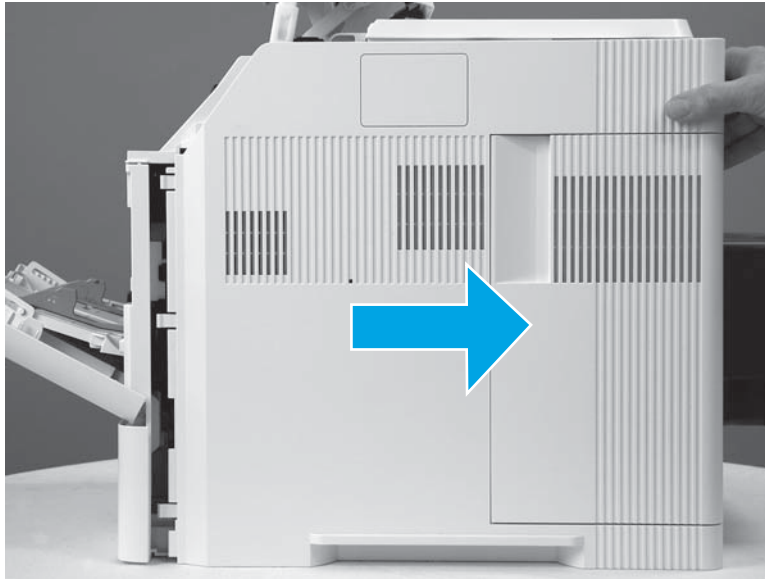
3. Release three tabs (callout 1).

Figure 1-1794 Release three tabs



4. Slide the cover toward the rear of the printer to remove it.

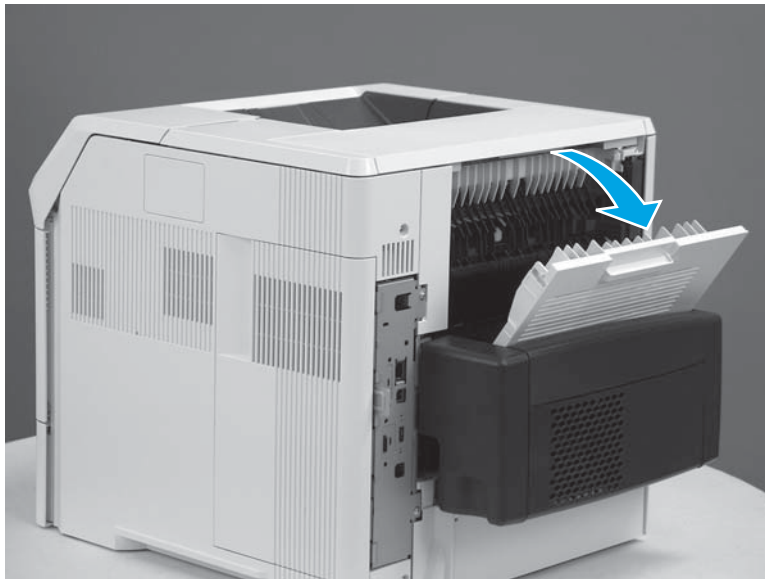
Figure 1-1795 Remove the cover



Step 5: Remove the top accessory cover

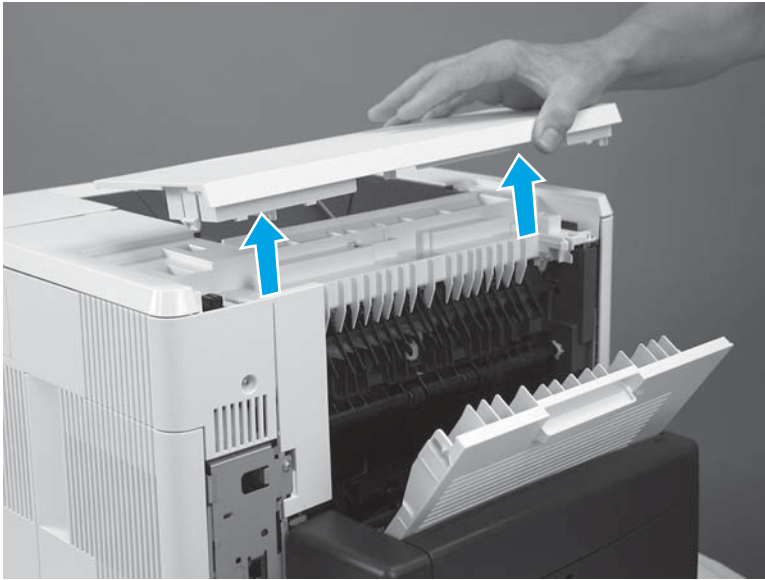
1. Open the rear output bin.

Figure 1-1796 Open the rear output bin



2. Lift the top accessory cover up and off of the printer.

Figure 1-1797 Remove top accessory cover



Step 6: Remove the top cover (M604n/dn, M605n/dn, M606dn only)



NOTE: For the M605x or M606x product, skip this step and go to [Step 7: Remove the top cover \(M605x, M606x only\) on page 999](#).

1. Use needle-nose pliers to release the toner-cartridge drive-arm tabs (callout 1).

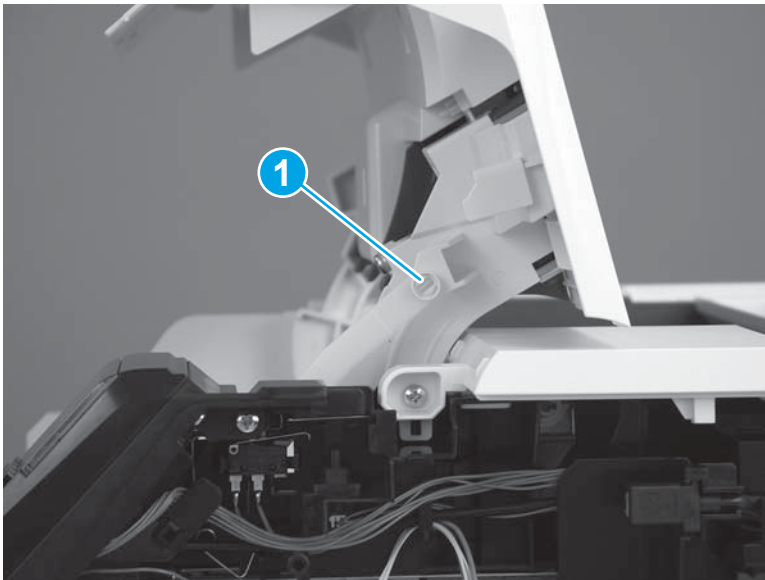


CAUTION: The toner-cartridge drive-arm tabs break easily.



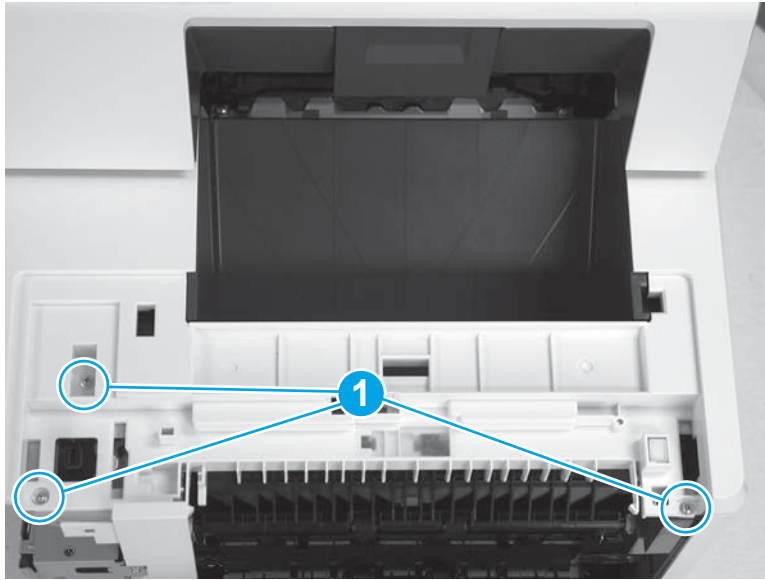
TIP: Push the toner-cartridge drive-arm back into the printer to avoid damaging it when you remove the top cover.

Figure 1-1798 Release the drive-arm tabs



2. Remove three screws (callout 1) on the top of the printer.

Figure 1-1799 Remove three screws



3. Remove one screw (callout 1) on the right side of the printer.


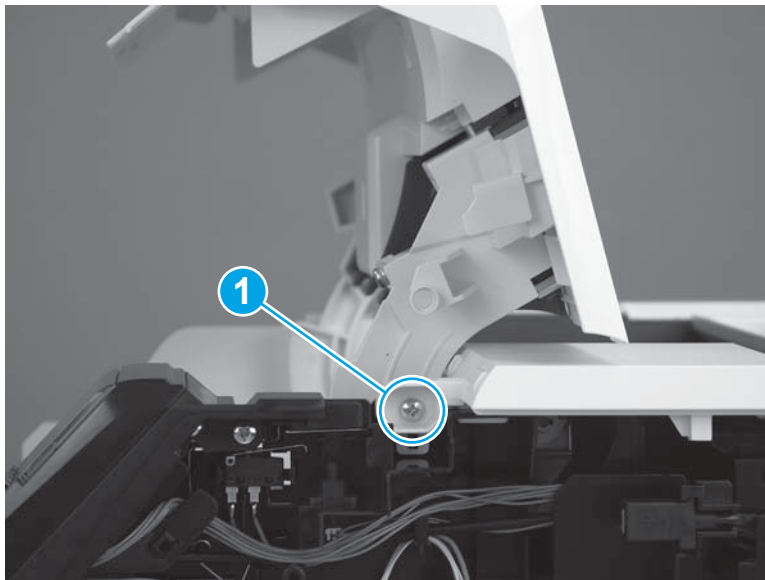
 **Reinstallation tip:** This screw is larger than the screws removed from the top of the printer. Make sure to install the correct screw when reassembling.

Figure 1-1800 Remove one screw



4. Remove one screw (callout 1) on the left side of the printer.


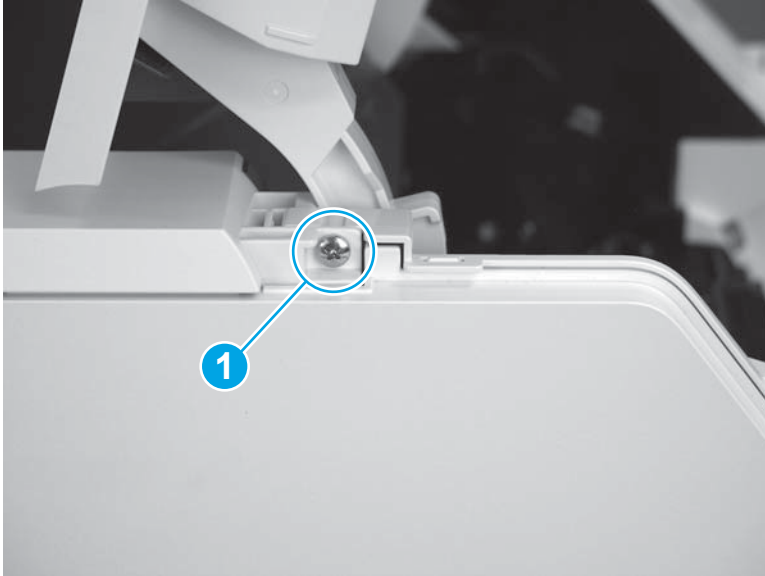
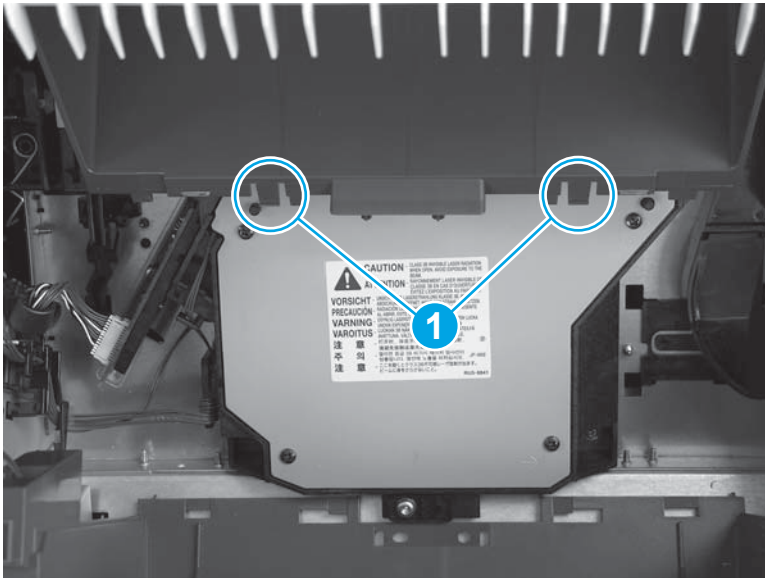
 **Reinstallation tip:** This screw is larger than the screws removed from the top of the printer. Make sure to install the correct screw when reassembling.

Figure 1-1801 Remove one screw



5. Note the location of two tabs on the top output bin (callout 1). These tabs are released in the next step.

Figure 1-1802 Location of two tabs



6. Release two tabs (callout 1) on the top output bin.


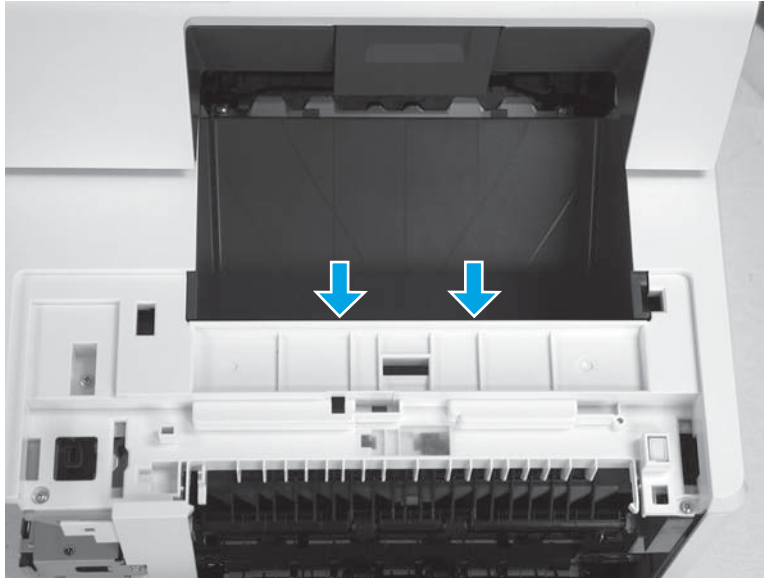
 **Reinstallation tip:** Make sure that these tabs are fully seated when the top cover is reinstalled.

Figure 1-1803 Release two tabs



7. Lift the top cover up and off of the printer to remove it.

Figure 1-1804 Remove the top cover



Step 7: Remove the top cover (M605x, M606x only)

1. Use needle-nose pliers to release the toner-cartridge drive-arm tabs (callout 1) and the toner-cartridge door hinge tabs (callout 2).

 **CAUTION:** The toner-cartridge drive-arm tabs break easily.


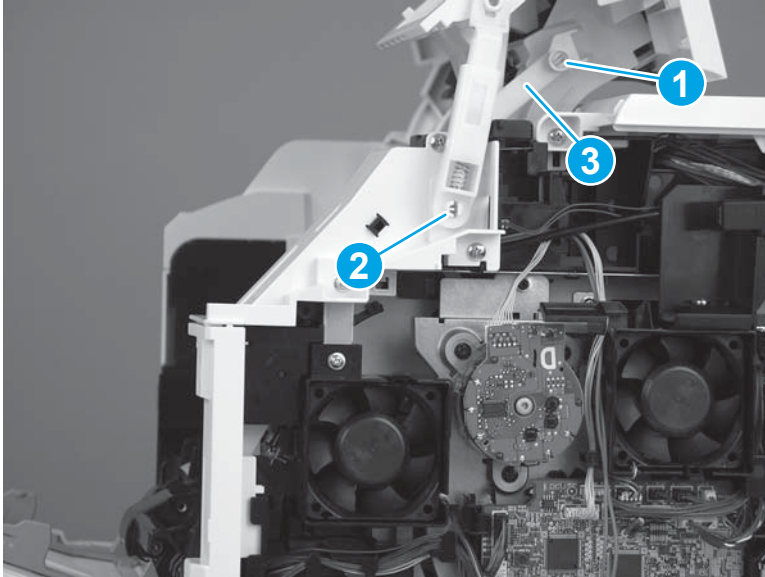
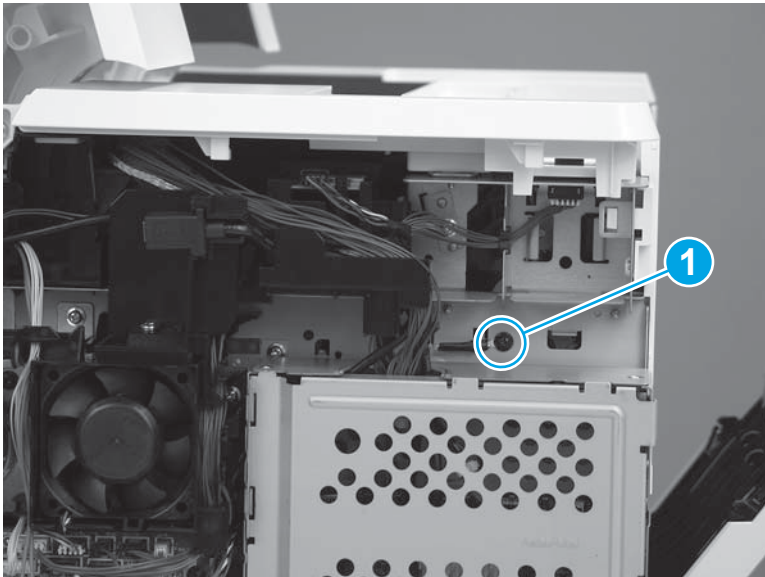
 **TIP:** Push the toner-cartridge drive-arm (callout 3) back into the printer to avoid damaging it when you remove the top cover.

Figure 1-1805 Release the drive-arm and door hinge tabs



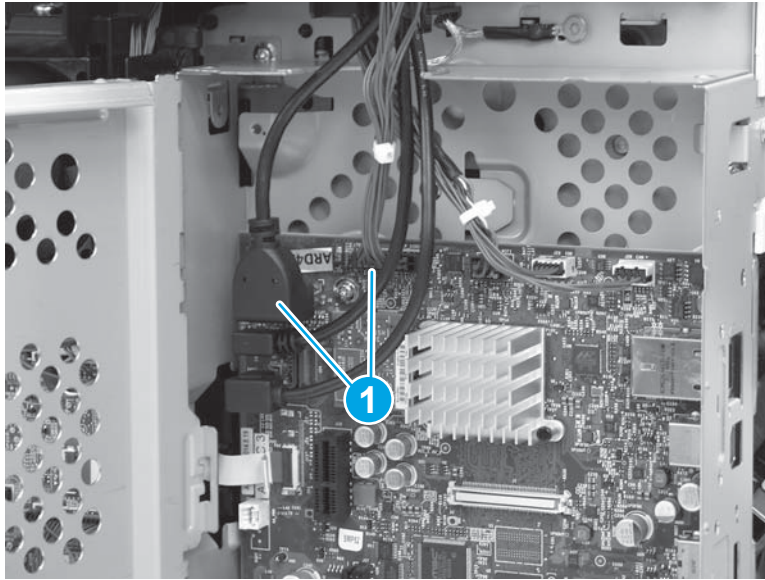
2. Remove one screw, and then release the ground wire (callout 1).

Figure 1-1806 Release the ground wire



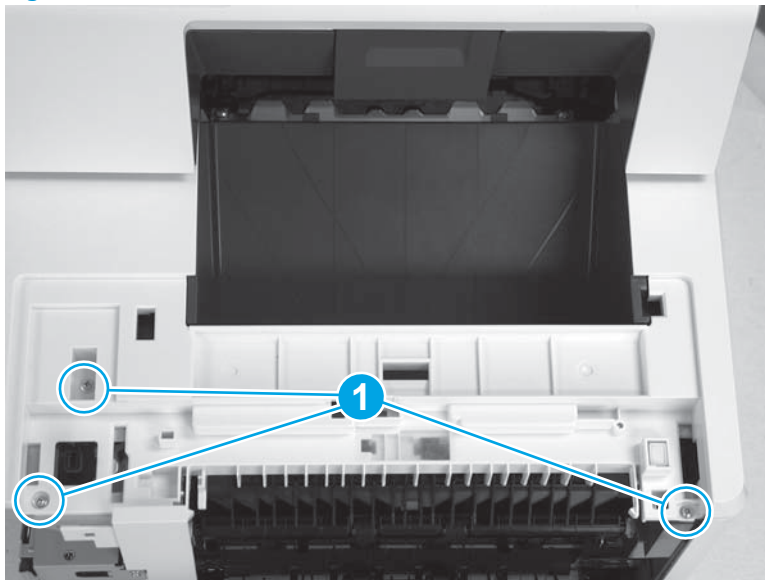
3. Open the formatter case door, and then disconnect two connectors (callout 1).

Figure 1-1807 Disconnect two connectors



4. Remove three screws (callout 1) on the top of the printer.

Figure 1-1808 Remove three screws



5. Remove one screw (callout 1) on the right side of the printer.


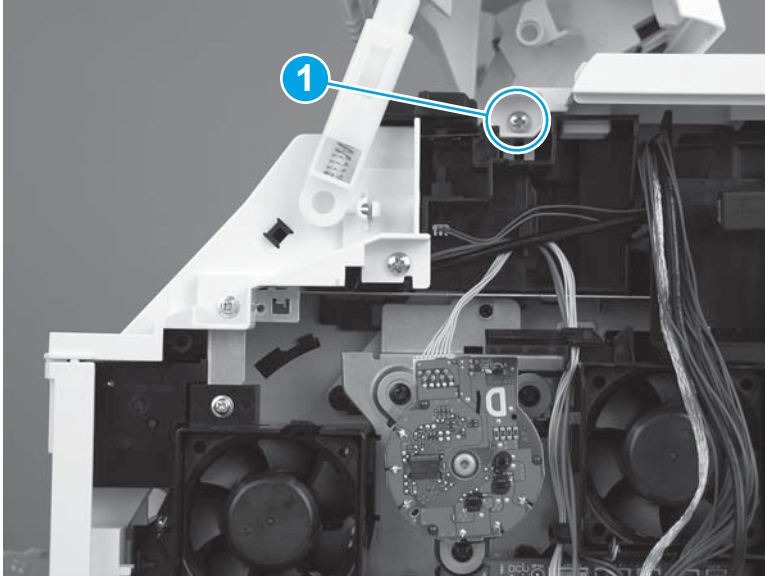
 **Reinstallation tip:** This screw is larger than the screws removed from the top of the printer. Make sure to install the correct screw when reassembling.

Figure 1-1809 Remove one screw



6. Remove one screw (callout 1) on the left side of the printer.


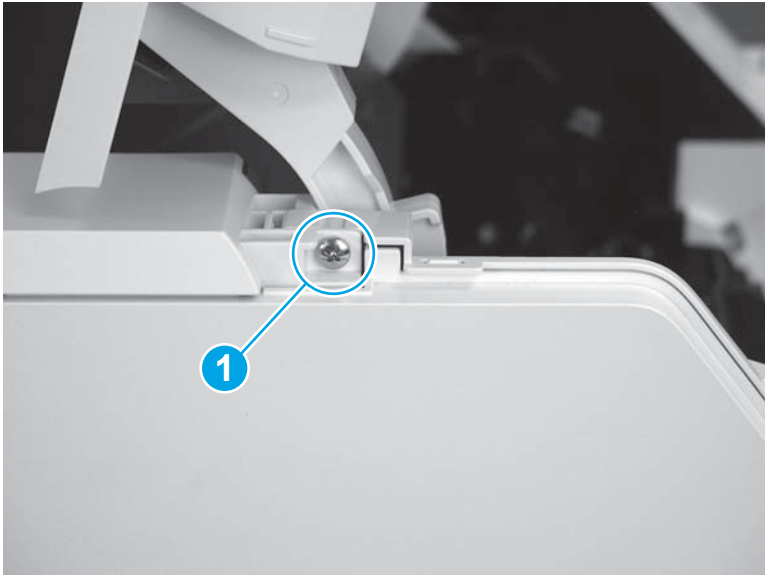
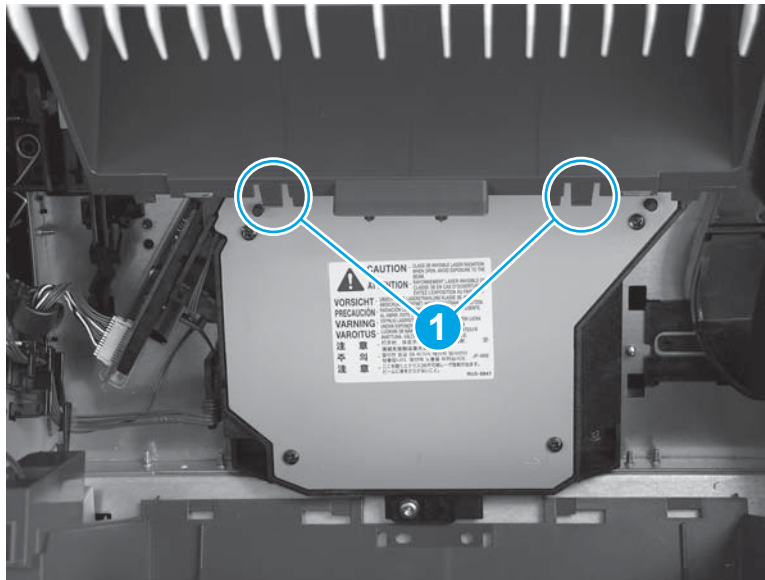
 **Reinstallation tip:** This screw is larger than the screws removed from the top of the printer. Make sure to install the correct screw when reassembling.

Figure 1-1810 Remove one screw



7. Note the location of two tabs on the top output bin (callout 1). These tabs are released in the next step.

Figure 1-1811 Location of two tabs



8. Release two tabs (callout 1) on the top output bin.


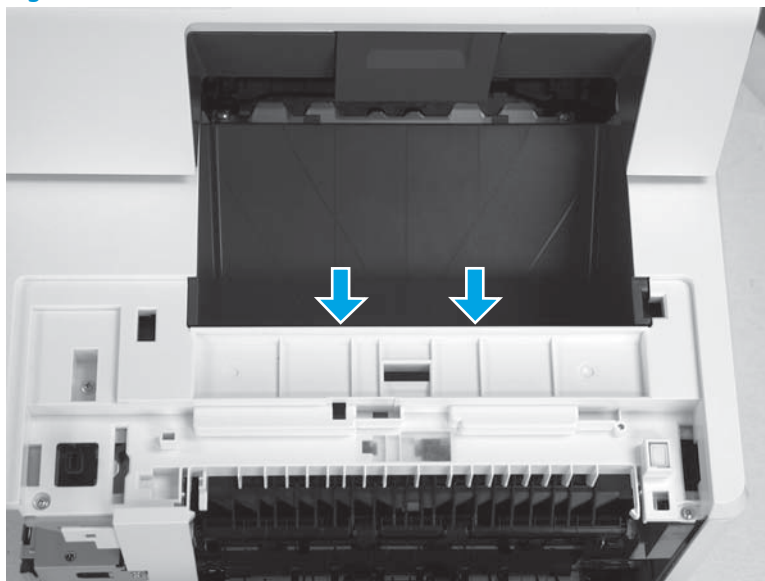
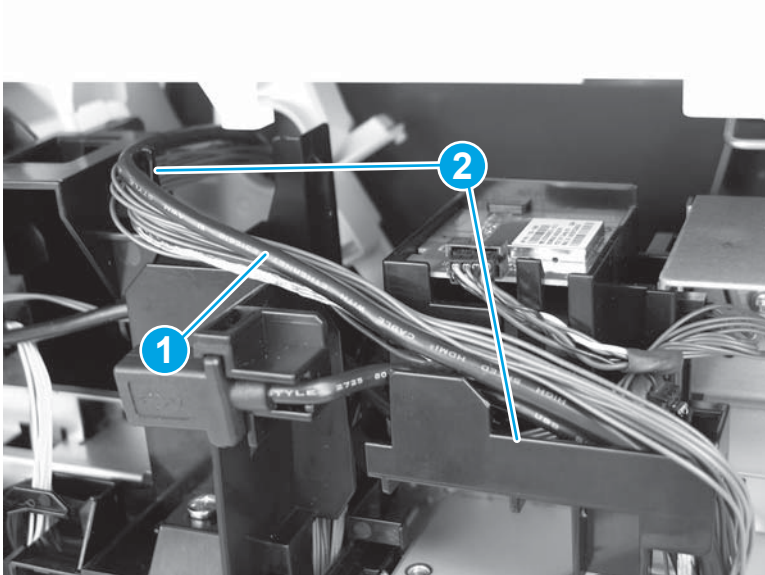
 **Reinstallation tip:** Make sure that these tabs are fully seated when the top cover is reinstalled.

Figure 1-1812 Release two tabs



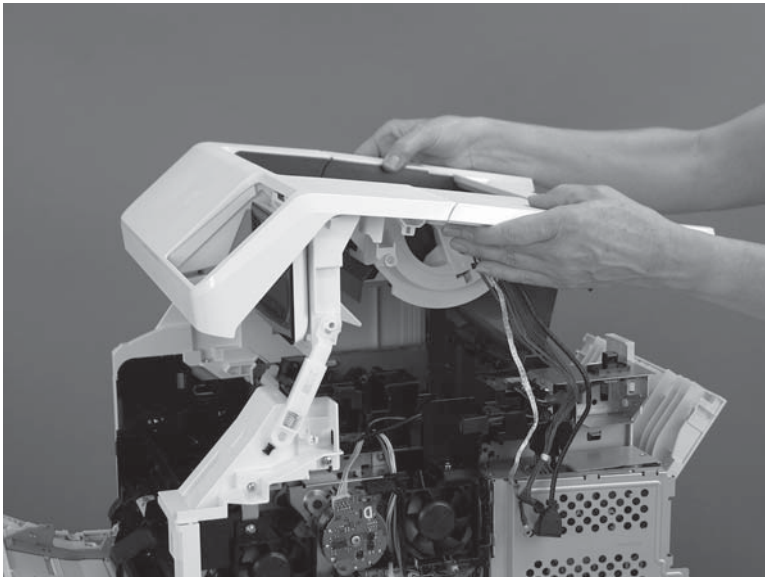
9. On the right side of the printer, release the wire harness and cables (callout 1) from the guides (callout 2).

Figure 1-1813 Release cables from guides



10. Lift the top cover up and off of the printer to remove it.

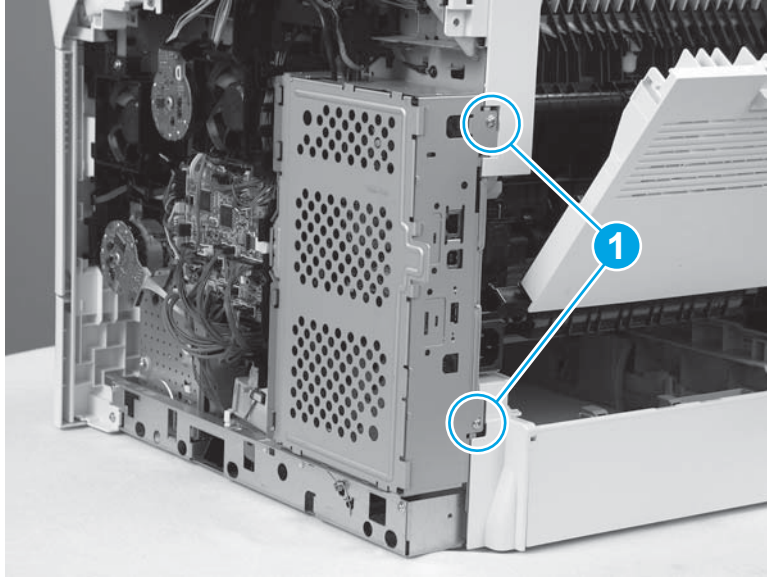
Figure 1-1814 Remove the top cover



Step 8: Remove the right rear cover

1. Remove two screws (callout 1).

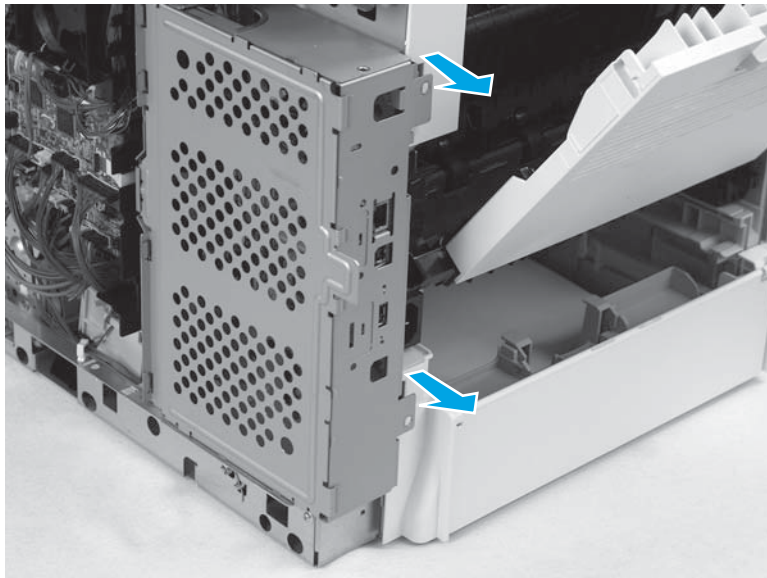
Figure 1-1815 Remove two screws



2. Slide the formatter case about 6.35 mm (.25 in) toward the rear of the printer.

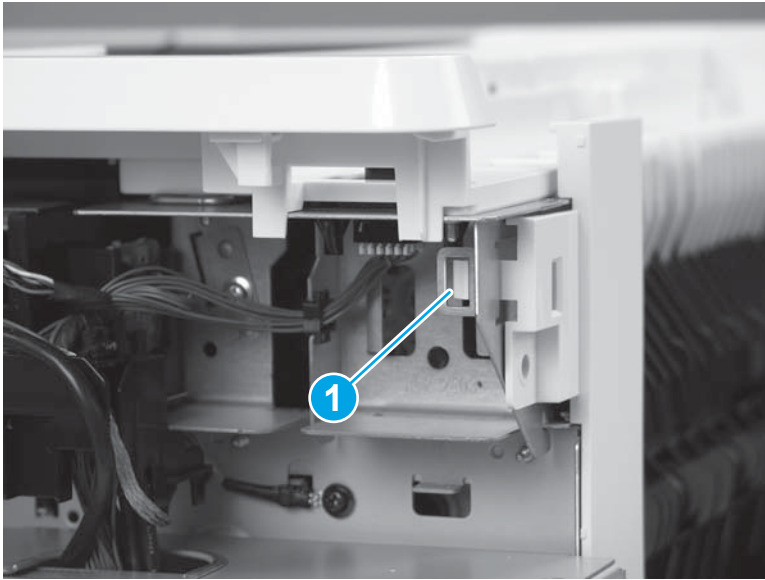
⚠ CAUTION: The formatter is still connected to the printer by several cables. **To avoid damaging the printer, do not slide the formatter case all of the way out of the printer.**

Figure 1-1816 Slide the formatter case



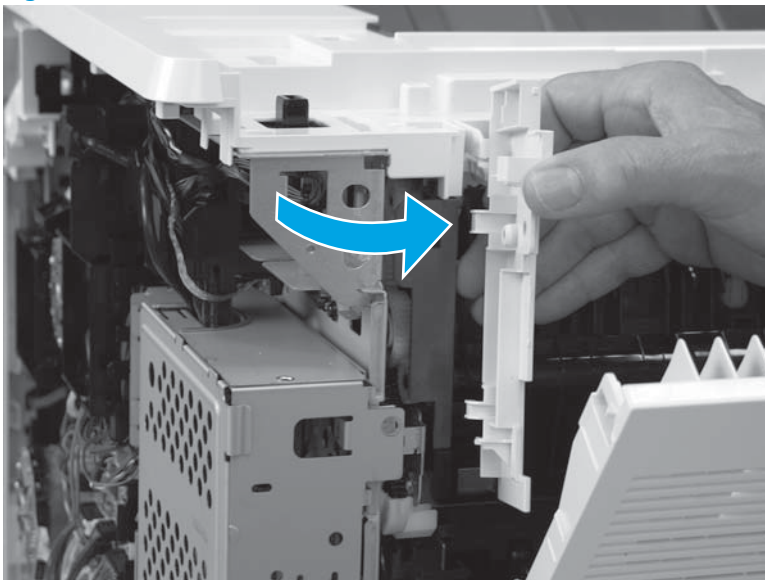
3. Release one tab (callout 1).

Figure 1-1817 Release one tab



4. Rotate the right rear cover toward the rear output bin to remove it.

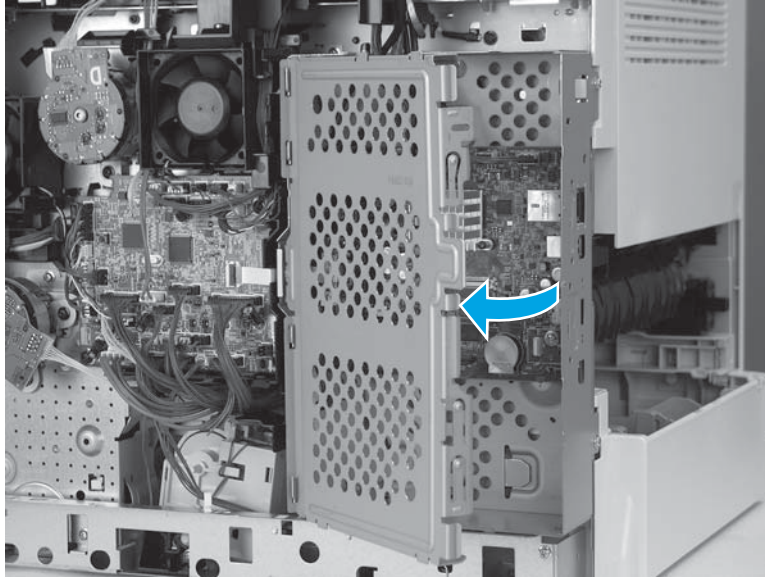
Figure 1-1818 Rotate the cover



Step 9: Remove the formatter and formatter case

1. Open the formatter case door.

Figure 1-1819 Open the formatter case door



2. Locate the flat cable connector (callout 1) on the formatter.


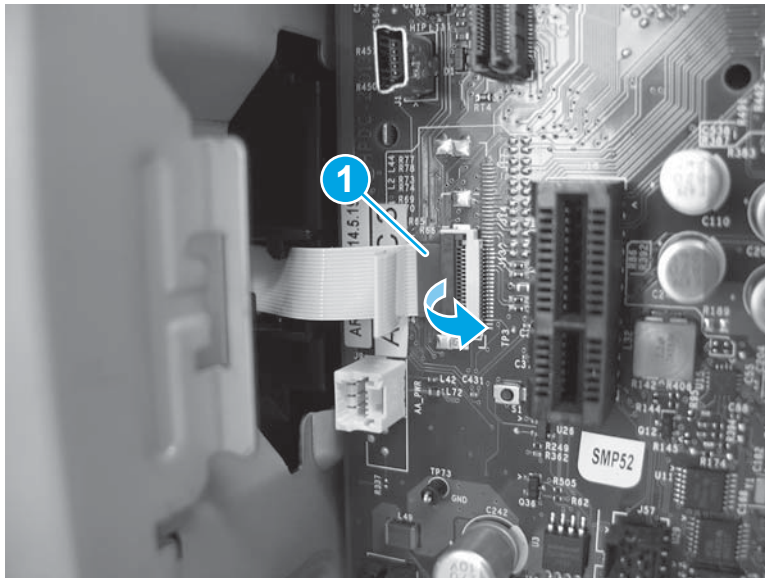
 **IMPORTANT:** This connector is a Zero Insertion Force (ZIF) connector that uses a hinged retainer to secure a flat cable. The hinged retainer must be opened to release the flat cable.

Figure 1-1820 ZIF connector



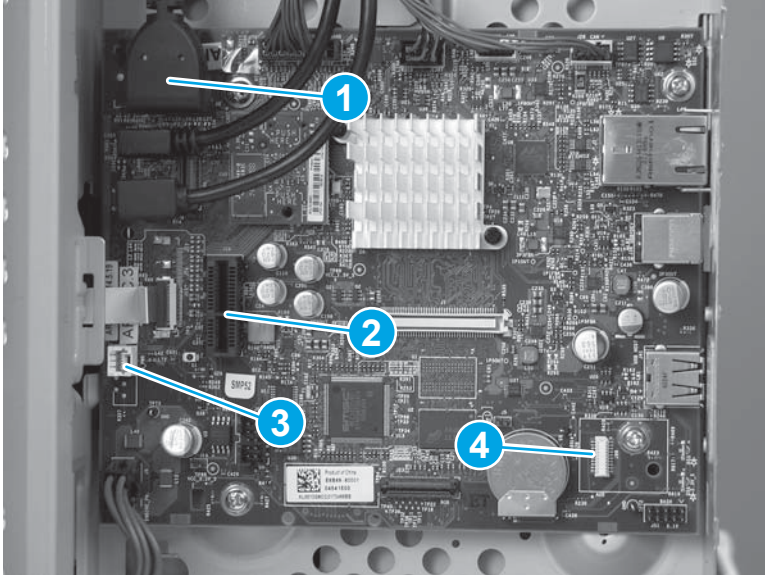
3. Disconnect all of the connectors on the formatter.

The following connectors are empty:

- J23, J25, J51, and J57
- J3 (callout 1): This connector is empty on the M604n/dn, M605n/dn, and M606dn models. It holds the touchscreen cable on the M605x and M606x models.
- J18 (callout 2): This connector is empty unless the optional hard-disk drive (HDD) is installed.

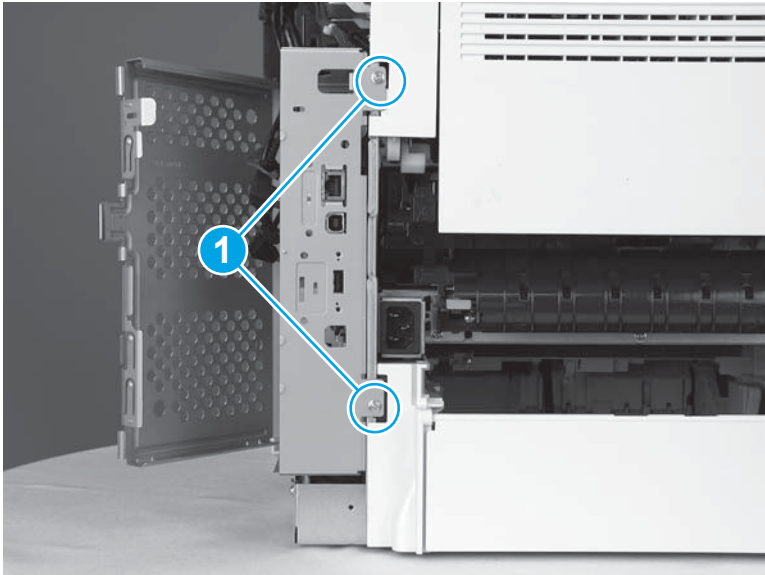
- J9 (callout 3): This connector is empty unless the optional two internal USB ports accessory is installed.
- J98 (callout 4): This connector is empty unless the optional trusted platform module (TPM) is installed.

Figure 1-1821 Disconnect all connectors



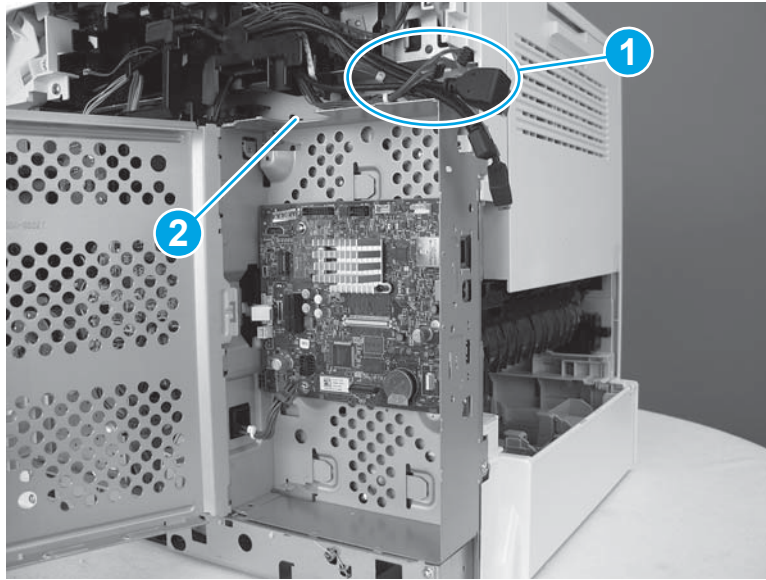
4. Remove two screws (callout 1).

Figure 1-1822 Remove two screws



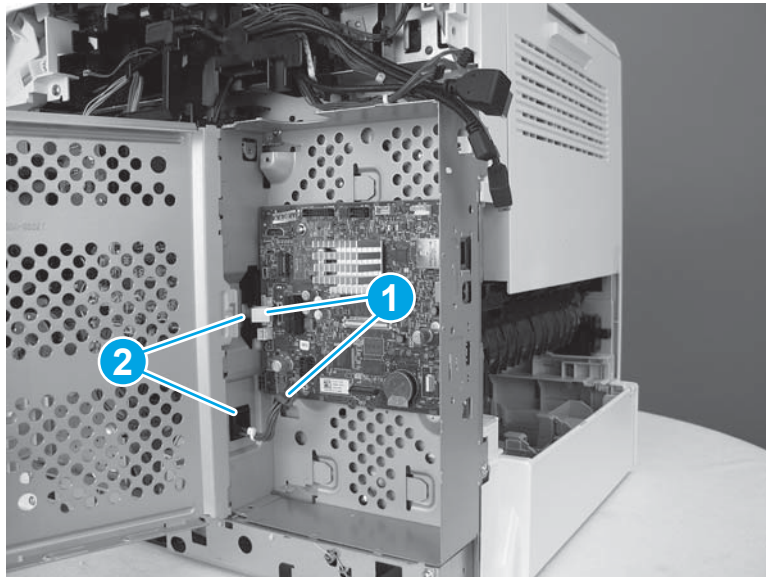
5. Remove the wires and cables (callout 1) from the opening (callout 2) in the top of the formatter case.

Figure 1-1823 Remove the wires from the formatter case



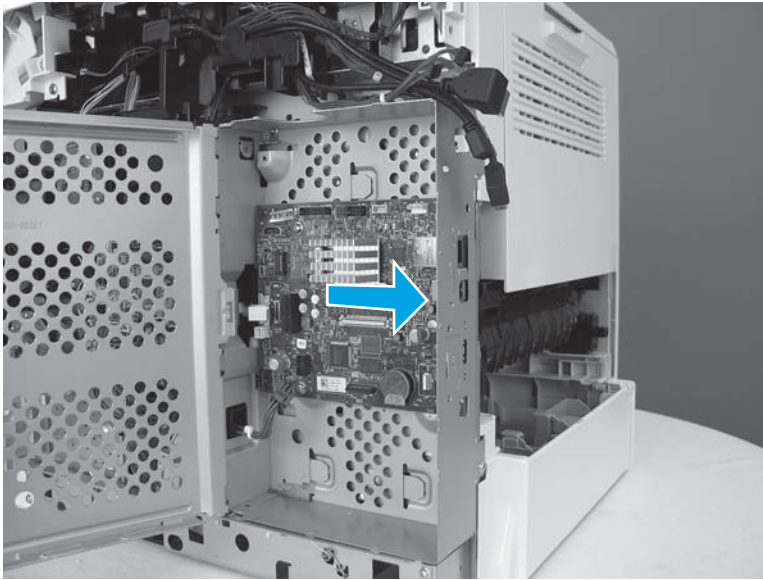
6. When removing the formatter case in the next step, make sure that the flat cable and wire harness (callout 1) slide through the openings (callout 2) in the formatter case.

Figure 1-1824 Feed cables through the openings



7. Slide the formatter case toward the back of the printer to remove it.

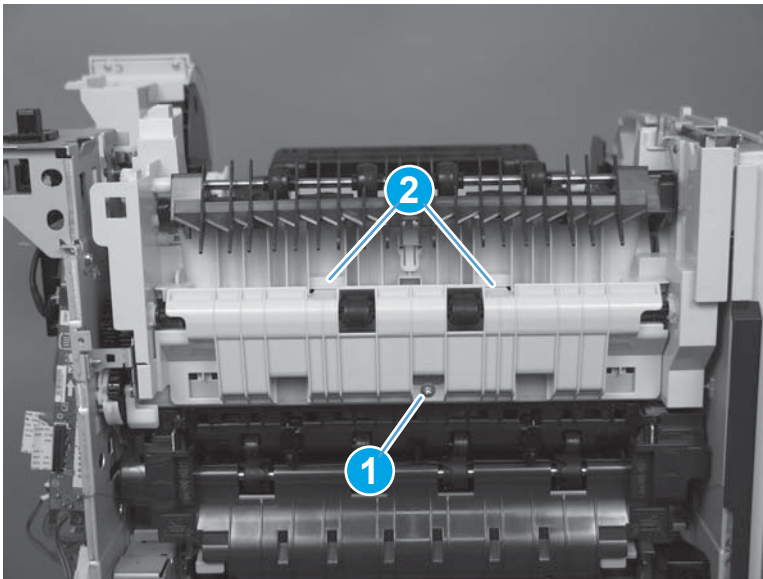
Figure 1-1825 Remove formatter case



Step 10: Remove the paper-delivery assembly

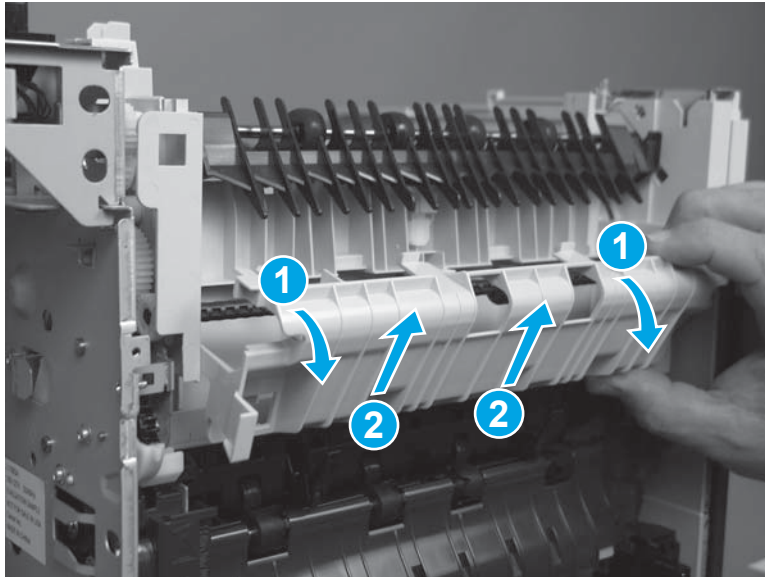
1. Remove one screw (callout 1), and then release two tabs (callout 2).

Figure 1-1826 Remove one screw and release two tabs



2. Rotate the top of the guide away from the printer (callout 1), push up on the guide to release it (callout 2), and then remove the guide.

Figure 1-1827 Remove the guide



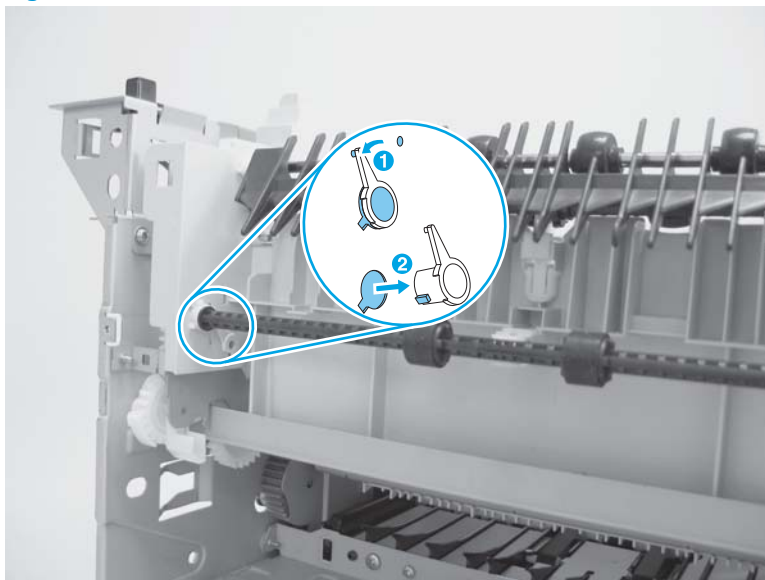
3. Use a small flat-blade screwdriver to release the locking pin on the shaft lock, and then rotate the lock counter clockwise until the inner retaining tab (gear side) aligns with the hole in the paper-delivery assembly frame.

Slide the shaft lock to the right and remove it to release the gear shaft from the paper-delivery assembly.

CAUTION: Do not break the shaft lock. A replacement is not provided with a new paper-delivery assembly.

NOTE: Save the shaft lock for installation on the replacement paper-delivery assembly.

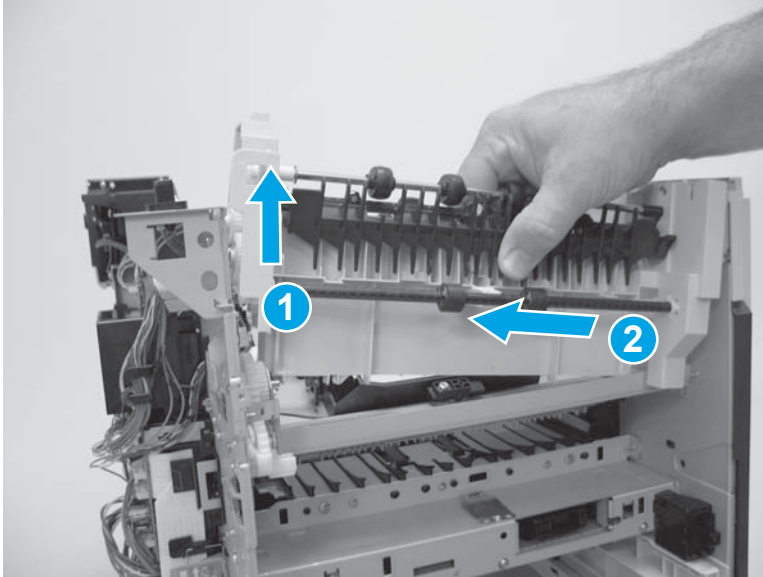
Figure 1-1828 Remove the shaft lock



4. Lift up the gear end of the paper-delivery assembly slightly, and then slide the assembly toward the formatter-side of the printer to remove it.

⚠ CAUTION: The output-bin-sensor cable is routed through a notch on the paper-delivery assembly at the gear end of the assembly. When you remove the assembly, carefully remove the cable from the notch to avoid damage to the cable.

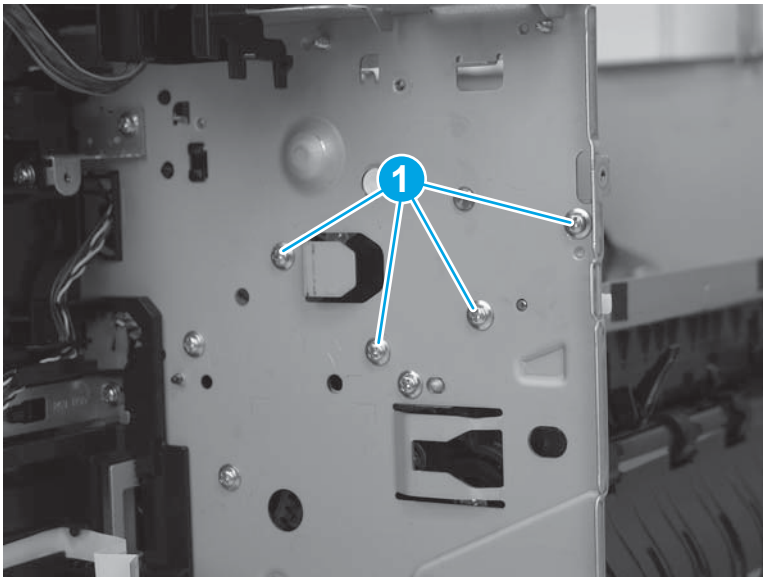
Figure 1-1829 Remove the paper-delivery assembly



Step 11: Remove the paper-delivery drive assembly

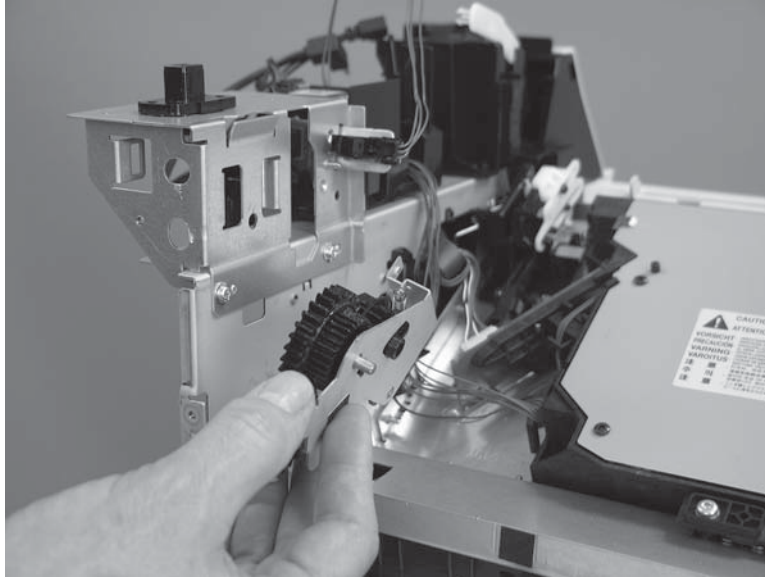
1. Remove four screws (callout 1).

Figure 1-1830 Remove four screws



2. Remove the paper-delivery drive assembly.

Figure 1-1831 Remove the paper-delivery drive assembly



Step 12: Unpack the replacement paper-delivery drive assembly

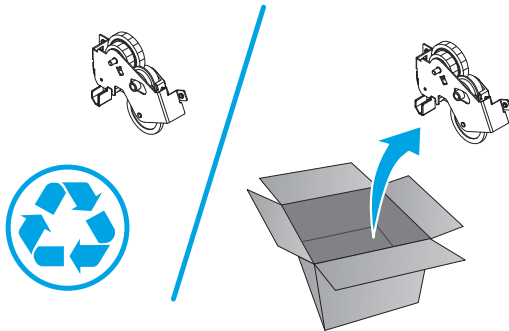
Unpack the replacement part from the packaging.

<http://www8.hp.com/us/en/hp-information/environment/product-recycling.html>



NOTE: HP recommends responsible disposal of the defective part.

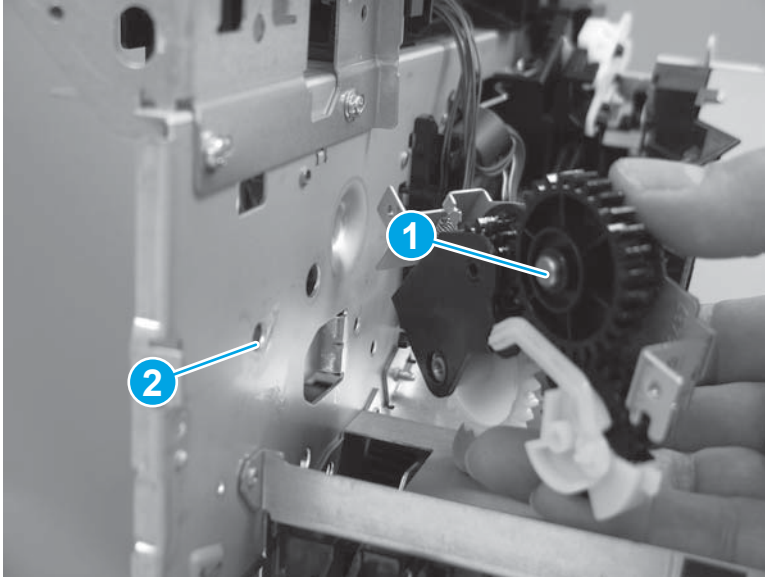
Figure 1-1832 Recycle and unpack



Step 13: Install the paper-delivery drive assembly

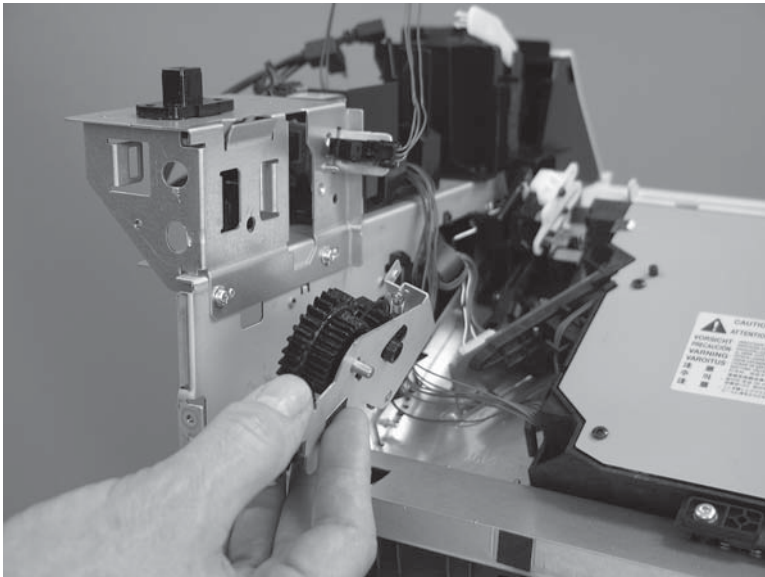
1. When installing the paper-delivery drive assembly in the next step, make sure that the end of the shaft (callout 1) fits in the hole (callout 2) in the printer.

Figure 1-1833 Position the paper-delivery drive assembly



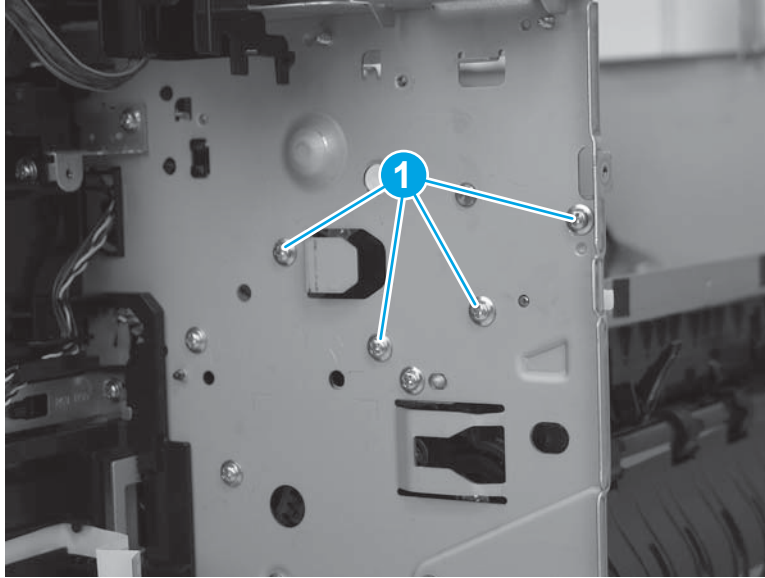
2. Install the paper-delivery drive assembly on the printer.

Figure 1-1834 Install the paper-delivery drive assembly



3. Install four screws (callout 1).

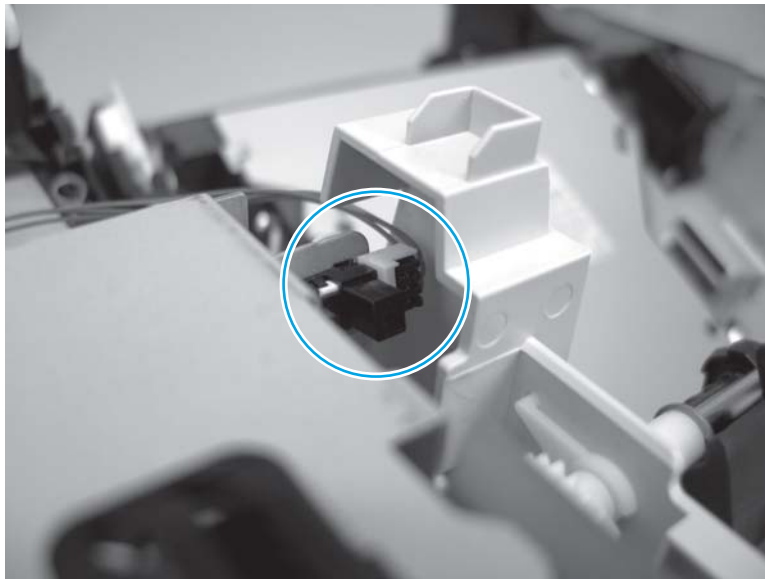
Figure 1-1835 Install four screws



Step 14: Install the paper-delivery assembly

1. Make sure that the output-bin sensor is not dislodged when the paper-deliver assembly is reinstalled.

Figure 1-1836 Check the output-bin sensor



2. Position the right side of the paper-delivery assembly against the printer (callout 1), and then lower the gear end of the assembly into place (callout 2).


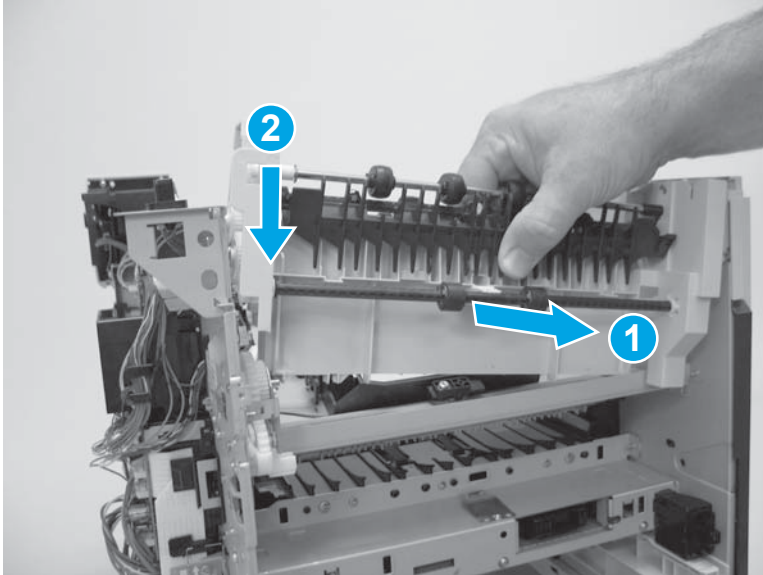
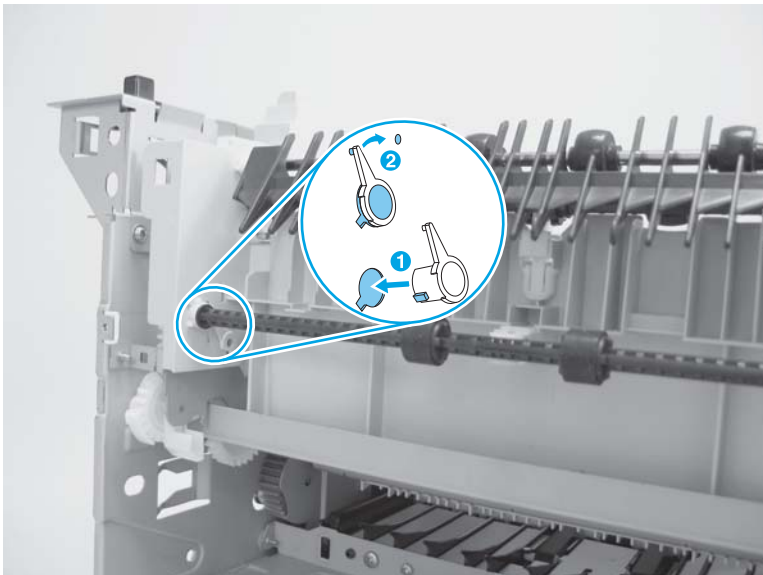
 **NOTE:** Make sure that the output-bin-sensor cable is routed through the notch on the paper-delivery assembly at the gear end of the assembly.

Figure 1-1837 Position the paper-delivery assembly



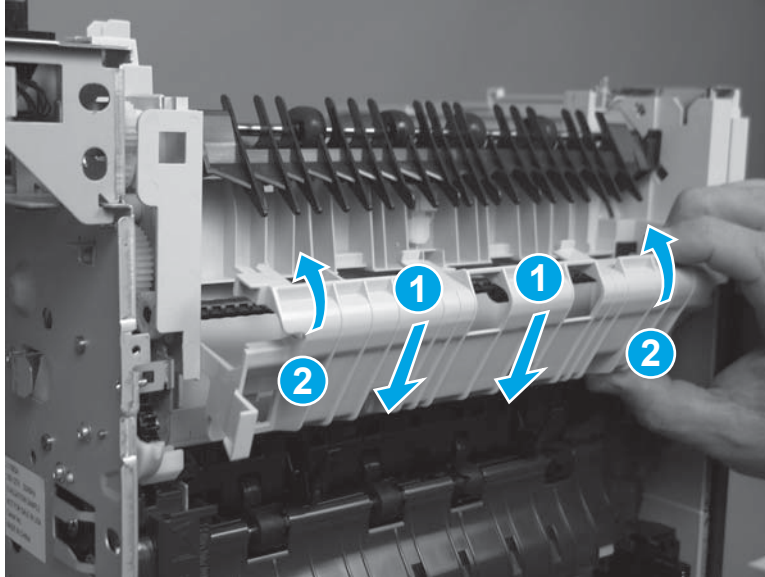
3. To install the shaft lock on the replacement paper-delivery assembly, position the lock on the paper-delivery assembly so that the inner retaining tab (gear side) aligns with the hole in the paper-delivery assembly frame. Rotate the lock to the right until the locking pin on the shaft lock is fully seated in the hole on the paper-delivery assembly.

Figure 1-1838 Install the shaft lock



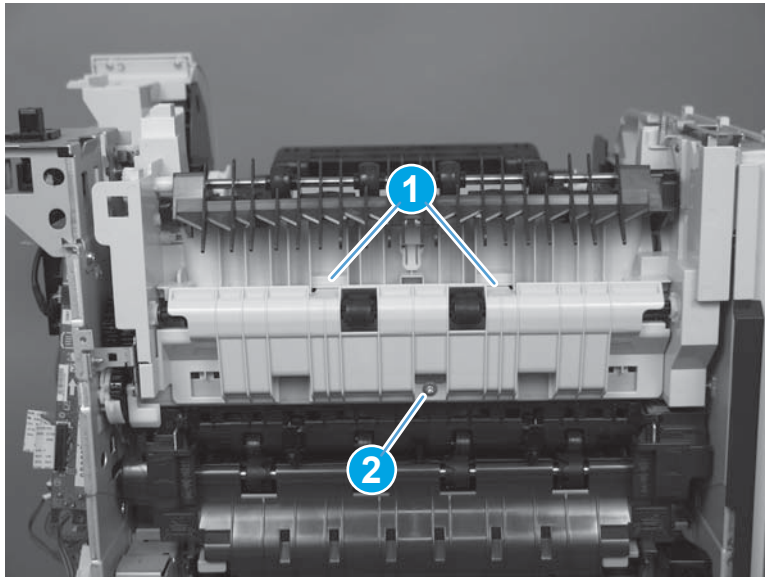
4. Position the lower edge of the guide in the printer (callout 1), and then rotate the top of the guide toward the printer (callout 2) to install it.

Figure 1-1839 Install the guide



5. Install two tabs (callout 1), and then install one screw (callout 2).

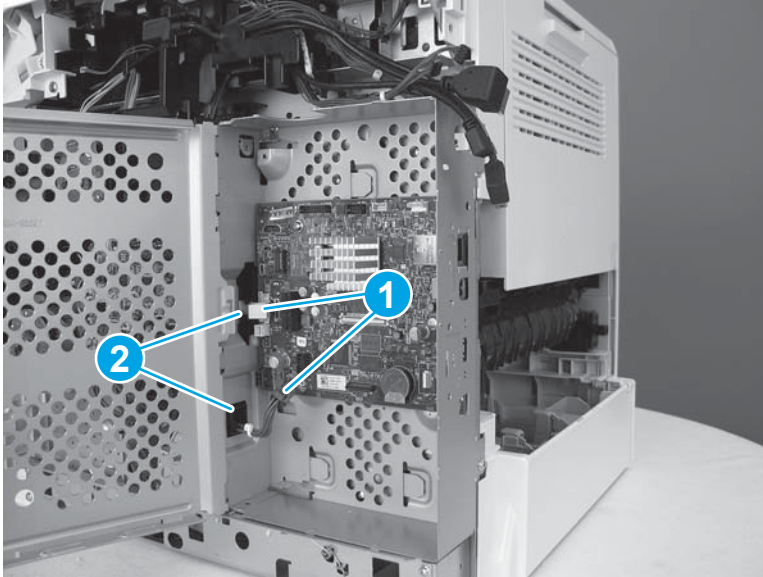
Figure 1-1840 Remove one screw and release two tabs



Step 15: Install the formatter and formatter case

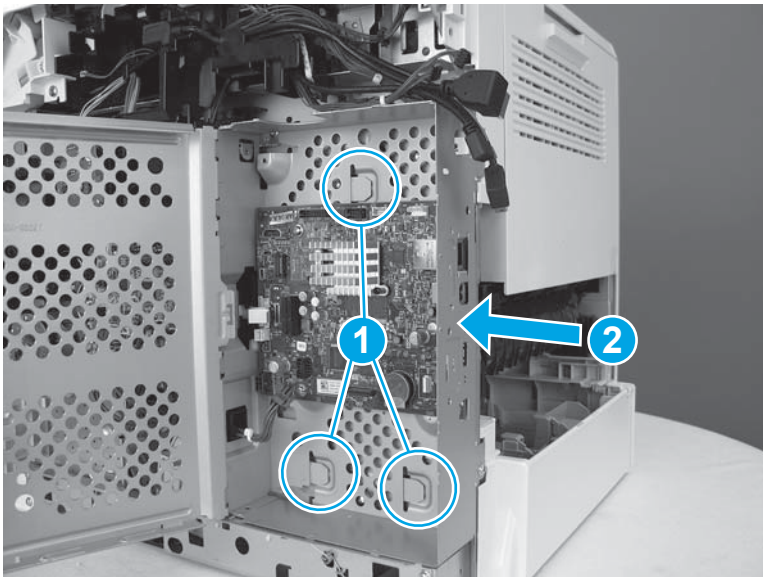
1. Position the formatter case on the printer. Make sure that the flat cable and wire harness (callout 1) are positioned through the openings (callout 2) in the formatter case.

Figure 1-1841 Position the formatter case



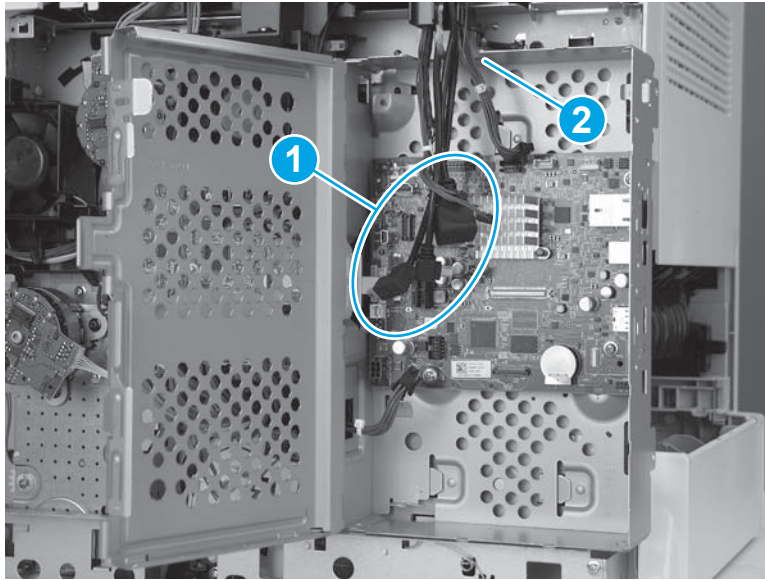
2. Make sure that the metal tabs on the printer are positioned into the slots on the formatter case (callout 1), and then slide the formatter case toward the front of the printer (callout 2) to install it.

Figure 1-1842 Install the formatter case



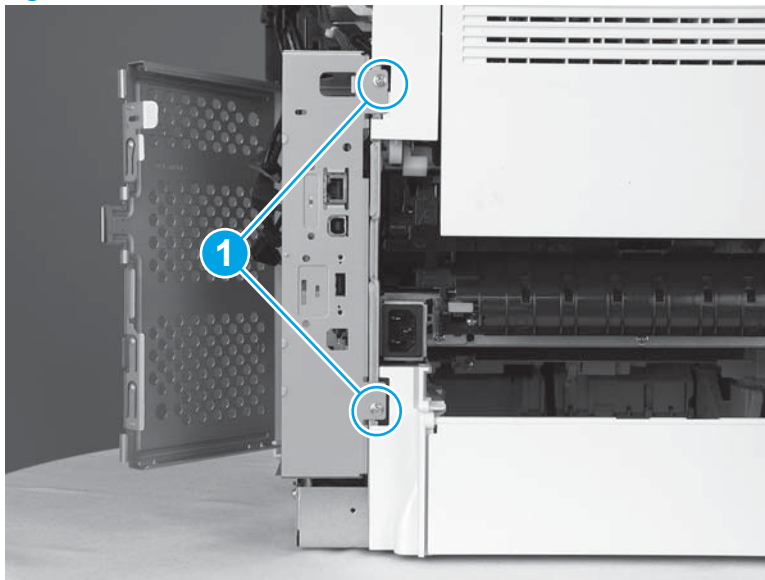
3. Position the wires and cables (callout 1) in the opening (callout 2) in the top of the formatter case.

Figure 1-1843 Position the wires in the formatter case



4. Install two screws (callout 1).

Figure 1-1844 Install two screws



5. Locate the flat cable connector (callout 1) on the formatter.


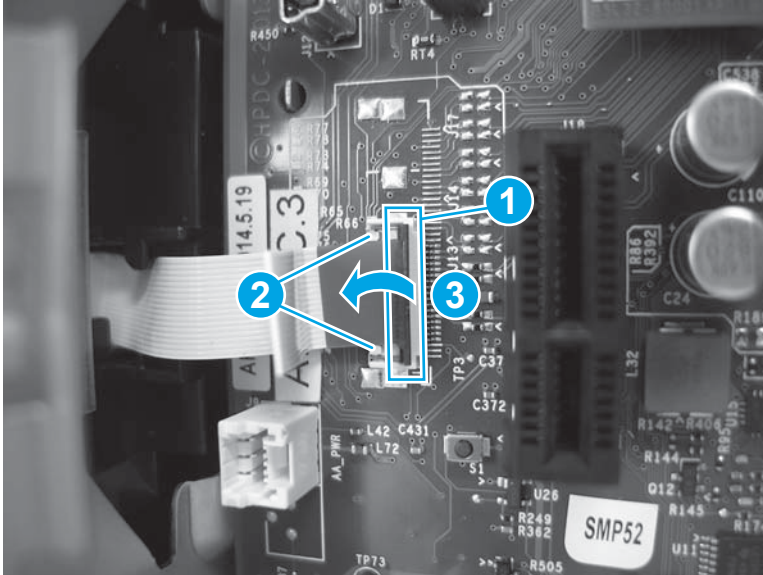
 **IMPORTANT:** The flat cable connector is a Zero Insertion Force (ZIF) connector that uses a hinged retainer to secure a flat cable. When the flat cable is reinstalled, fully insert the flat cable in the connector between the two white pins (callout 2). Close the hinged retainer (callout 3) to lock the flat cable into the connector and provide proper electrical contact. If the flat cable is not locked into the connector, no electrical contact will occur.

Figure 1-1845 ZIF connector

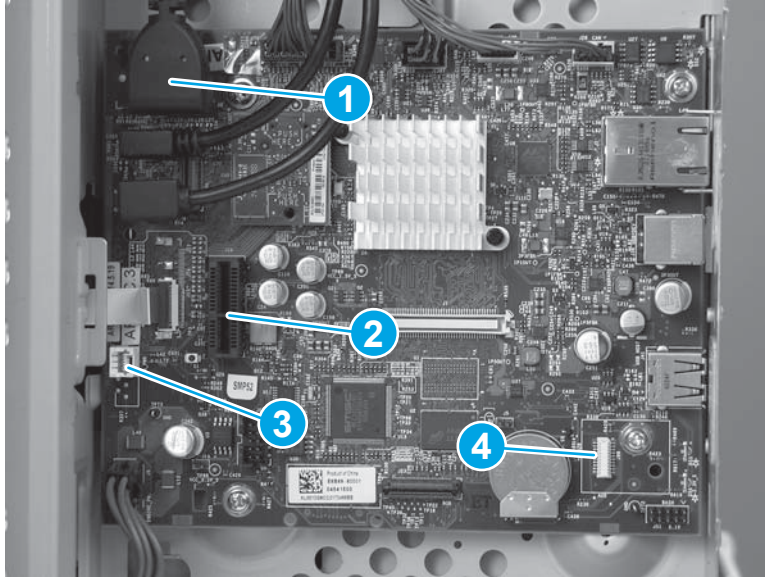


6. Connect all of the connectors on the formatter.

The following connectors are empty:

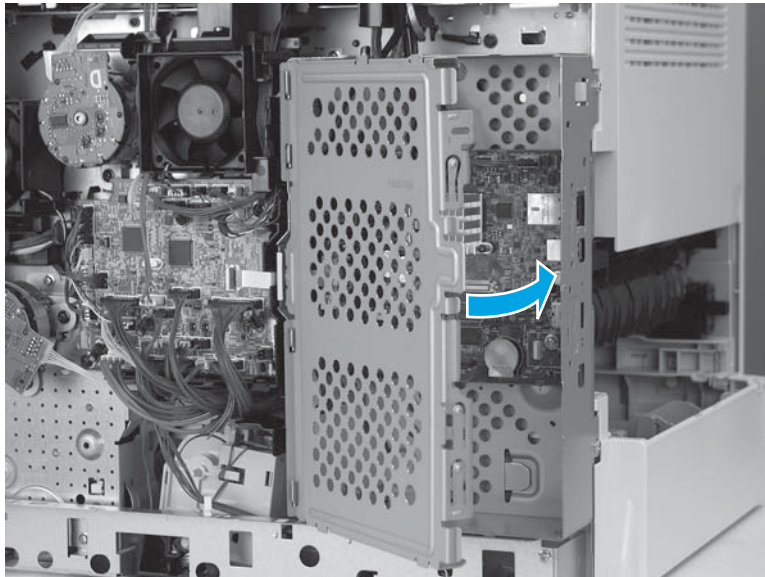
- J23, J25, J51, and J57
- J3 (callout 1): This connector is empty on the M604n/dn, M605n/dn, and M606dn models. It holds the touchscreen cable on the M605x and M606x models.
- J18 (callout 2): This connector is empty unless the optional hard-disk-drive (HDD) is installed.
- J9 (callout 3): This connector is empty unless the optional two internal USB ports accessory is installed.
- J98 (callout 4): This connector is empty unless the optional trusted platform module (TPM) is installed.

Figure 1-1846 Connect all connectors



7. Close the formatter case door.

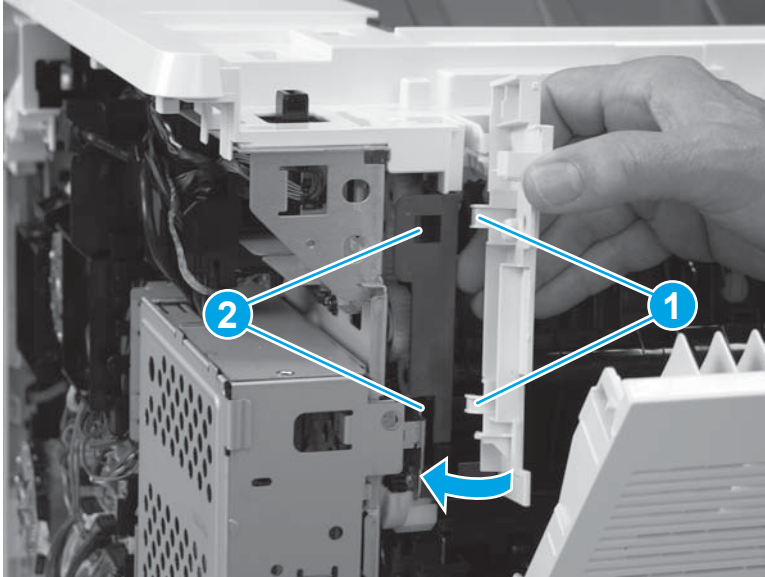
Figure 1-1847 Close the formatter case door



Step 16: Install the right rear cover

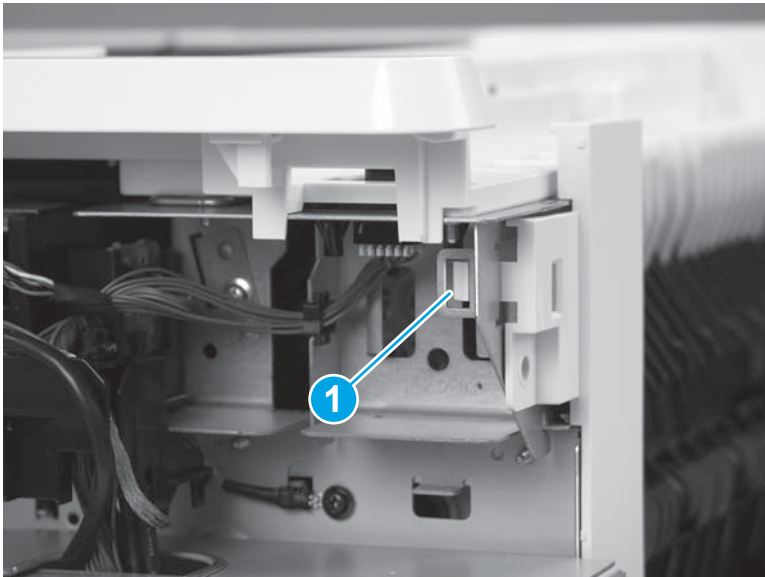
1. Insert the tabs (callout 1) on the right rear cover into the slots (callout 2) on the printer. Rotate the cover toward the right side of the printer.

Figure 1-1848 Position the tabs and rotate



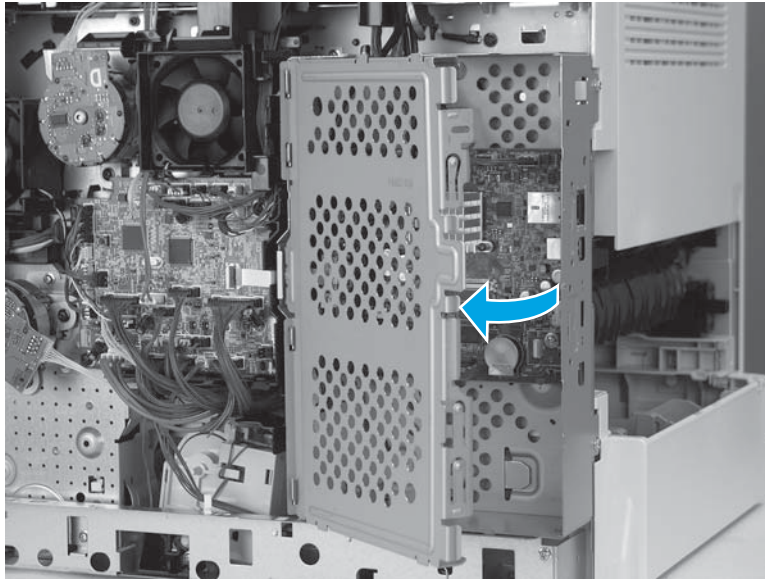
2. Make sure that the tab (callout 1) snaps into place.

Figure 1-1849 Install one tab



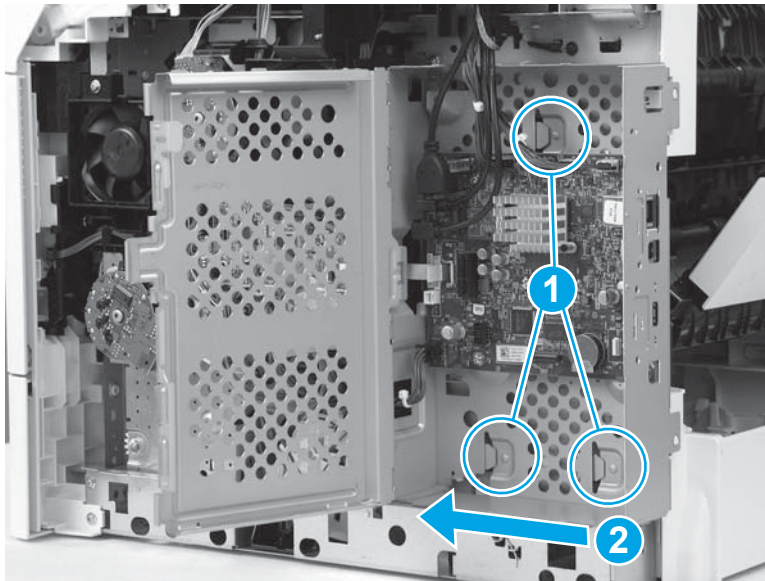
3. Open the formatter case door.

Figure 1-1850 Open the formatter case door



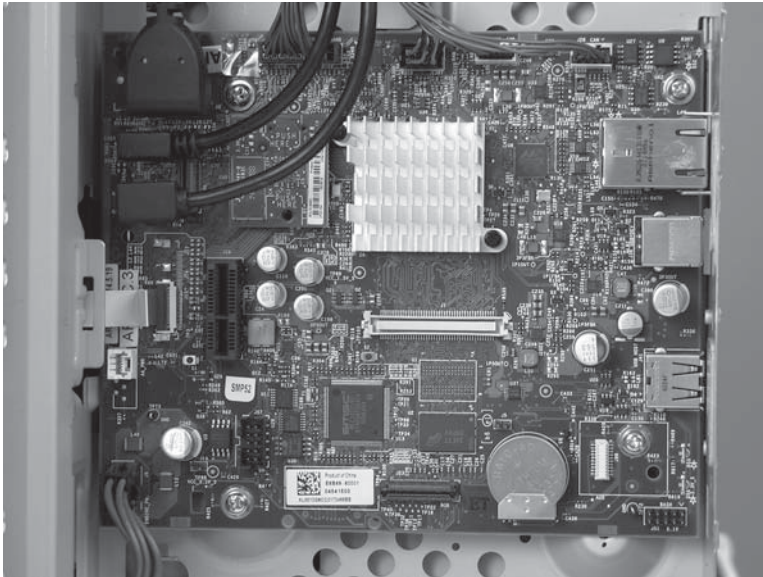
4. Before sliding the formatter case into place, make sure that the metal tabs on the printer are positioned into the slots on the formatter case (callout 1), and then slide the formatter case toward the front of the printer (callout 2) to install it.

Figure 1-1851 Slide the formatter case into place



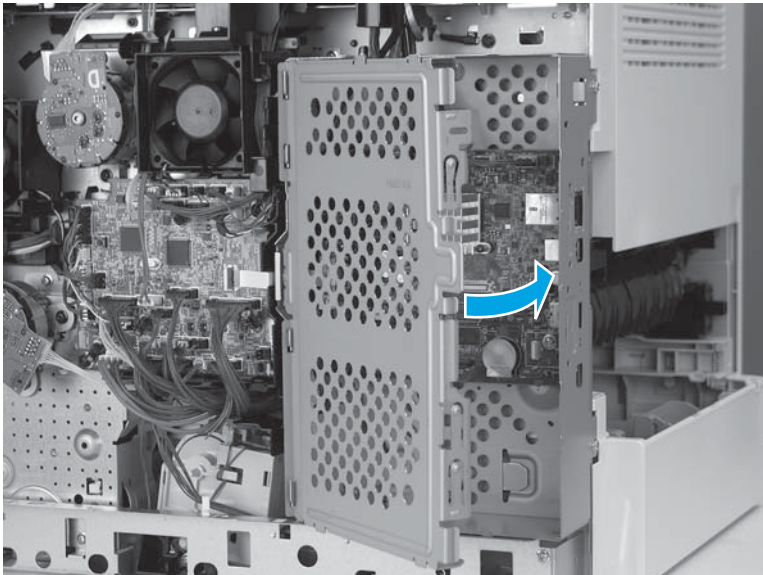
5. Make sure that all of the cables and wire harnesses are seated securely in their connectors on the formatter.

Figure 1-1852 Check connectors



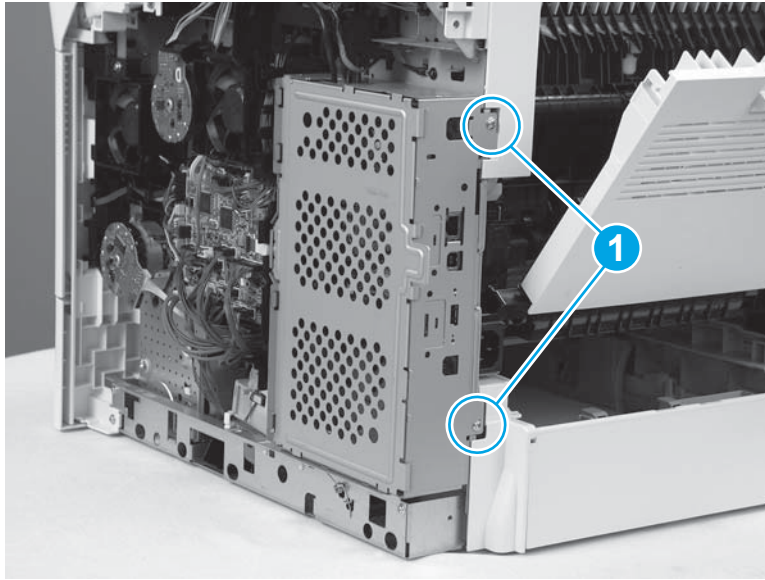
6. Close the formatter case door.

Figure 1-1853 Close the formatter case door



7. Install two screws (callout 1).

Figure 1-1854 Install two screws

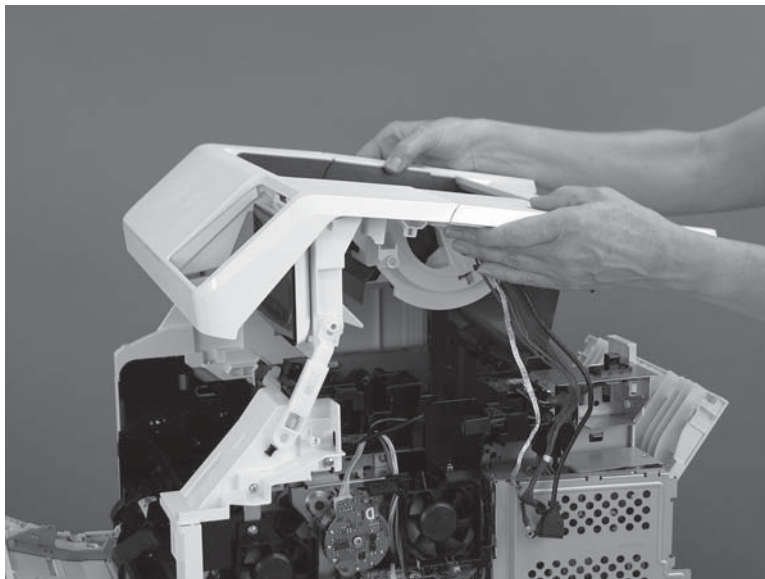


Step 17: Install the top cover (M605x, M606x only)

 **NOTE:** For the M604n/dn, M605n/dn, or M606dn product, skip this step and go to [Step 18: Install the top cover \(M604n/dn, M605n/dn, M606dn only\)](#) on page 1030.

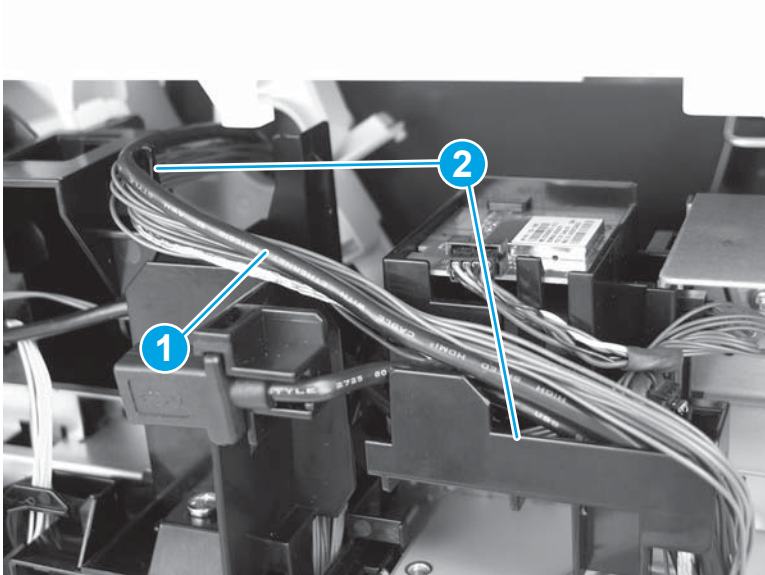
1. Lower the top cover onto the printer.

Figure 1-1855 Lower the top cover



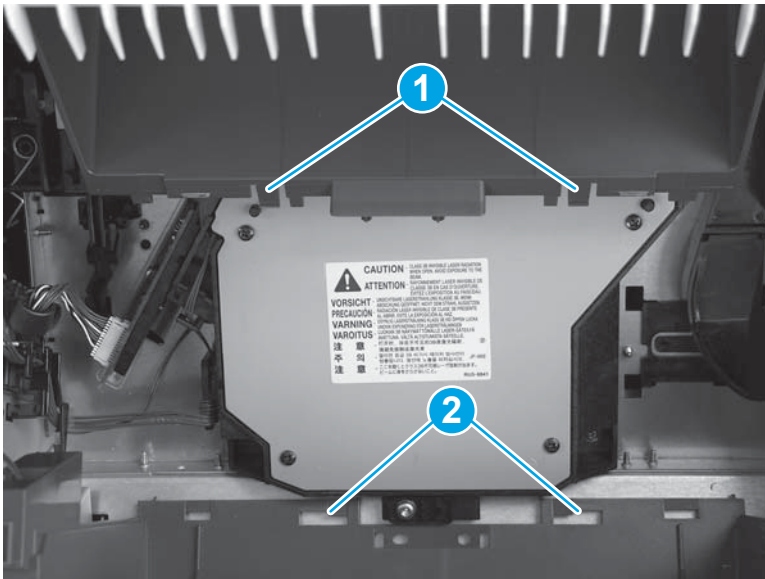
2. On the right side of the printer, make sure that the wire harness and cables (callout 1) are properly routed through the guides (callout 2).

Figure 1-1856 Install cables in guides



3. Install two tabs (callout 1) on the top output bin into two slots (callout 2) in the printer. Make sure that the tabs snap into place.

Figure 1-1857 Install two tabs



4. Install one screw (callout 1) on the left side of the printer.


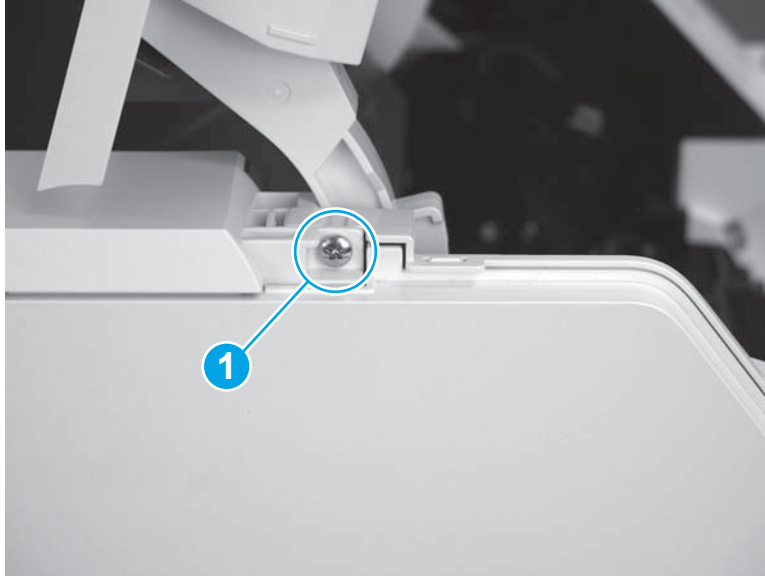
 **Reinstallation tip:** This screw is larger than the screws removed from the top of the printer. Make sure to install the correct screw.

Figure 1-1858 Install one screw



5. Install one screw (callout 1) on the right side of the printer.


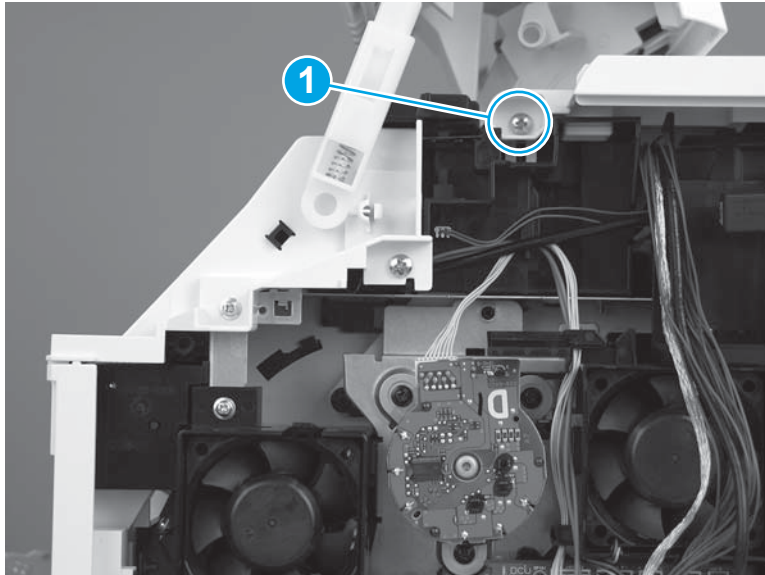
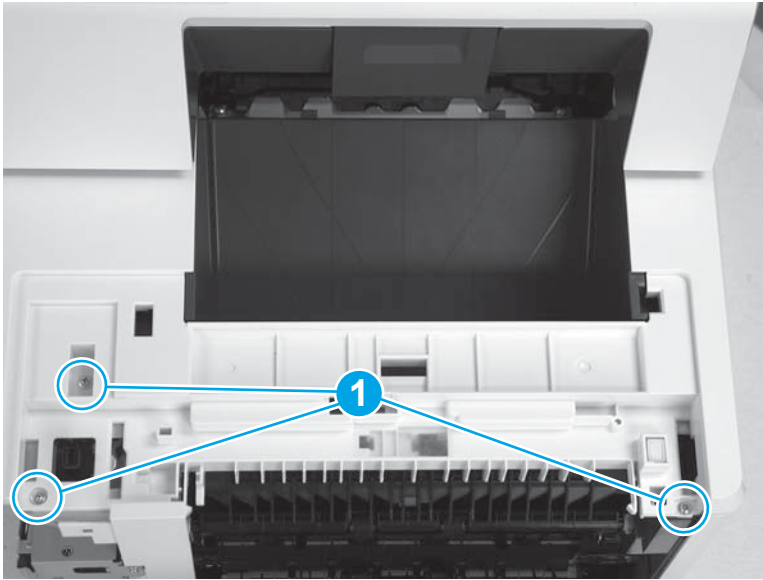
 **Reinstallation tip:** This screw is larger than the screws removed from the top of the printer. Make sure to install the correct screw.

Figure 1-1859 Install one screw



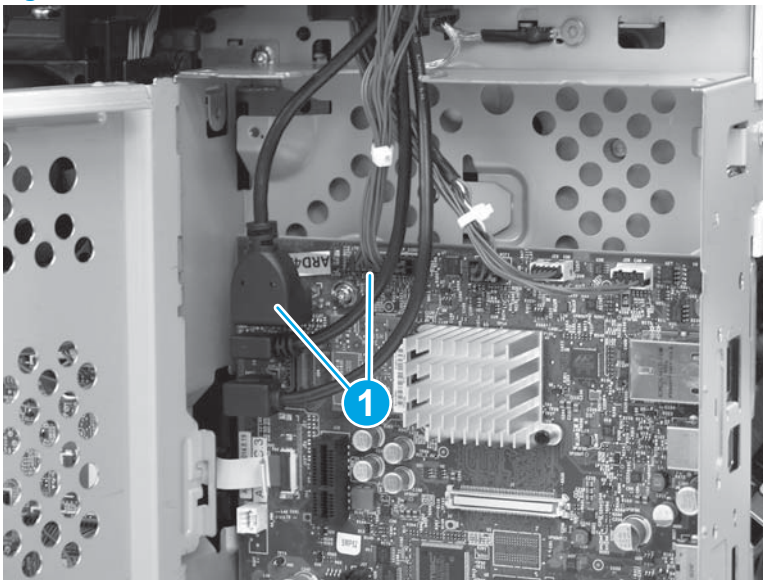
6. Install three screws (callout 1) on the top of the printer.

Figure 1-1860 Install three screws



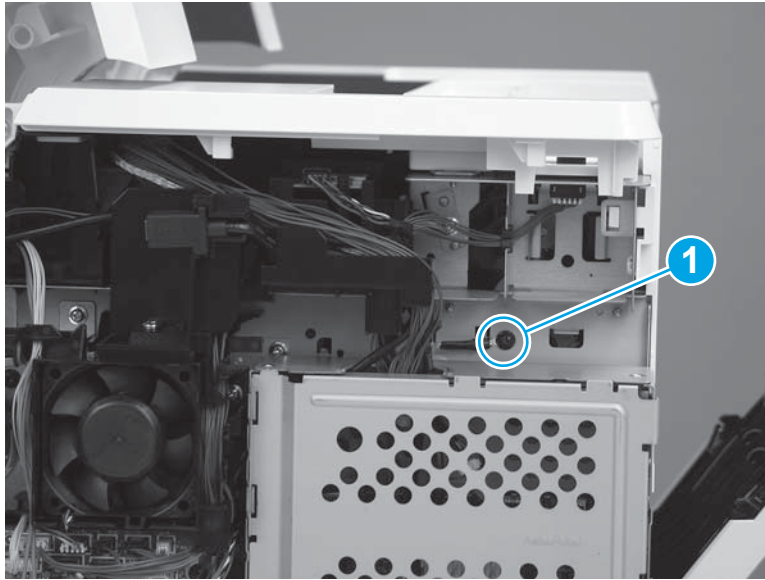
7. Connect two connectors (callout 1).

Figure 1-1861 Connect two connectors



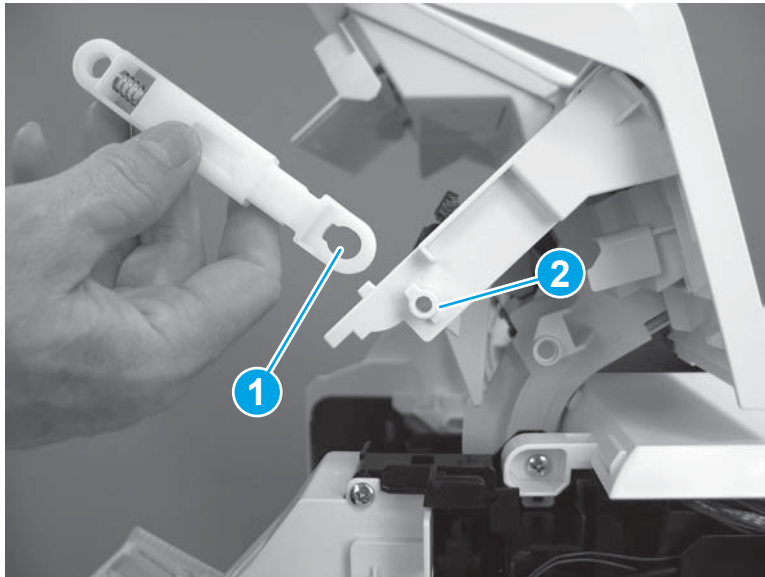
8. Install one screw to attach the ground wire (callout 1).

Figure 1-1862 Install the ground wire




9. If the toner-cartridge door hinge comes off of the top cover, reattach the hinge by sliding the hole (callout 1) in the hinge onto the tab (callout 2) on the top cover.

Figure 1-1863 Reattach the door hinge

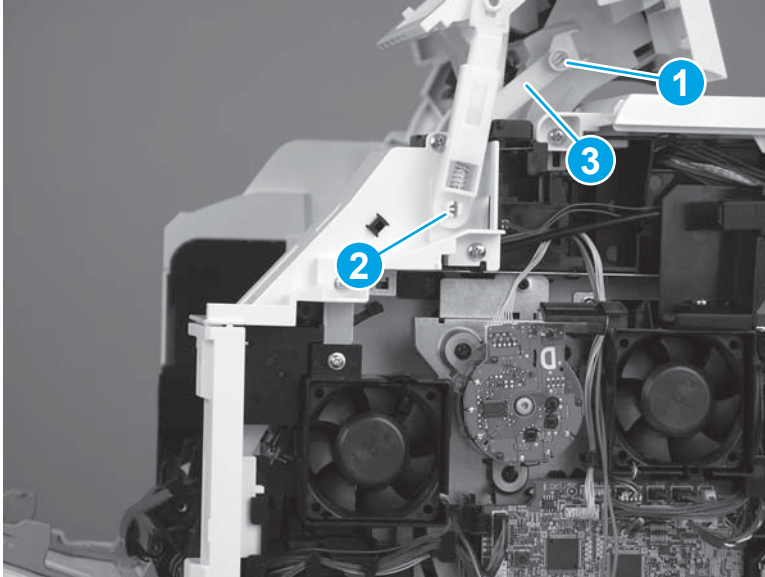


10. Install the toner-cartridge drive-arm (callout 1) and the toner-cartridge door hinge (callout 2) by pressing them onto the tabs.

 **NOTE:** It might be necessary to lift the drive arm (callout 3) up in order to reattach it.

 **CAUTION:** The toner-cartridge drive-arm tabs break easily.

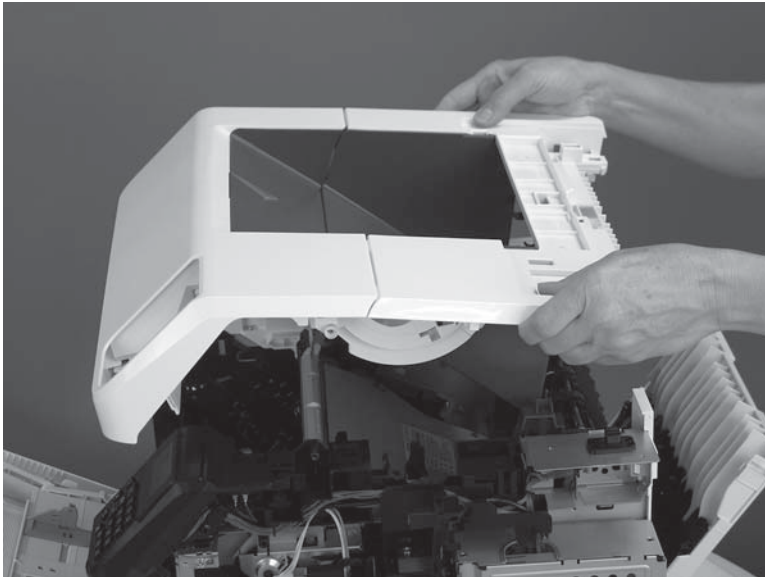
Figure 1-1864 Install the drive-arm and door hinge tabs



Step 18: Install the top cover (M604n/dn, M605n/dn, M606dn only)

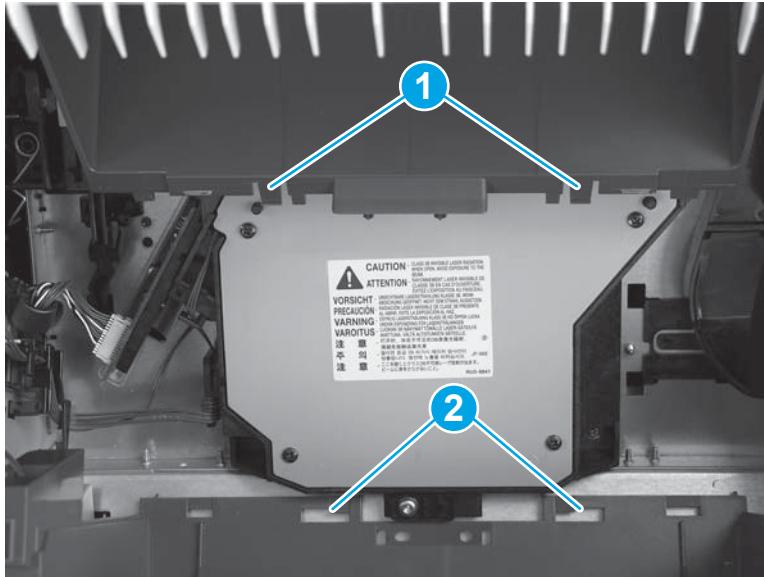
1. Lower the top cover onto the printer.

Figure 1-1865 Lower the top cover



2. Install two tabs (callout 1) on the top output bin into two slots (callout 2) in the printer. Make sure that the tabs snap into place.

Figure 1-1866 Install two tabs



3. Install one screw (callout 1) on the left side of the printer.


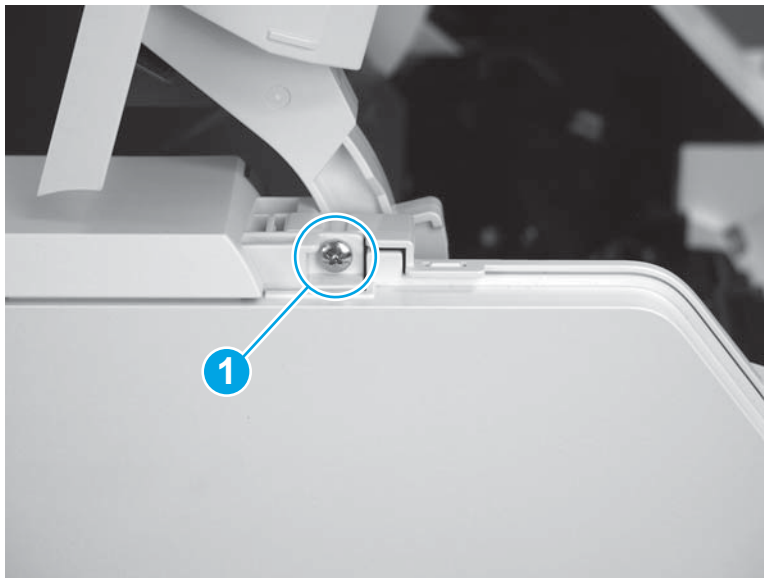
 **Reinstallation tip:** This screw is larger than the screws removed from the top of the printer. Make sure to install the correct screw.

Figure 1-1867 Install one screw



4. Install one screw (callout 1) on the right side of the printer.


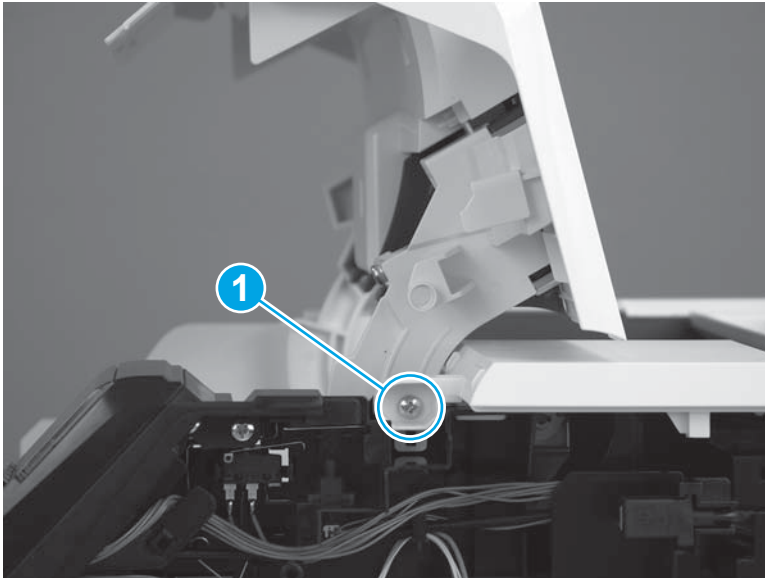
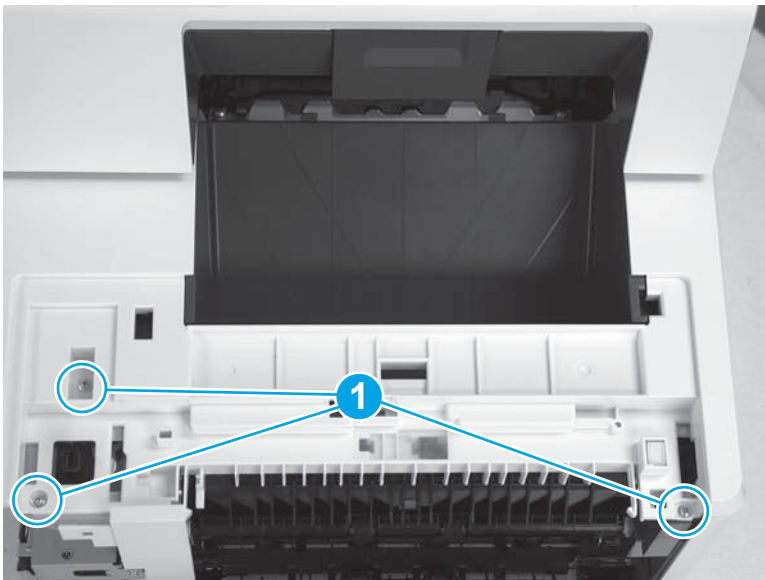
 **Reinstallation tip:** This screw is larger than the screws removed from the top of the printer. Make sure to install the correct screw.

Figure 1-1868 Install one screw



5. Install three screws (callout 1) on the top of the printer.

Figure 1-1869 Install three screws

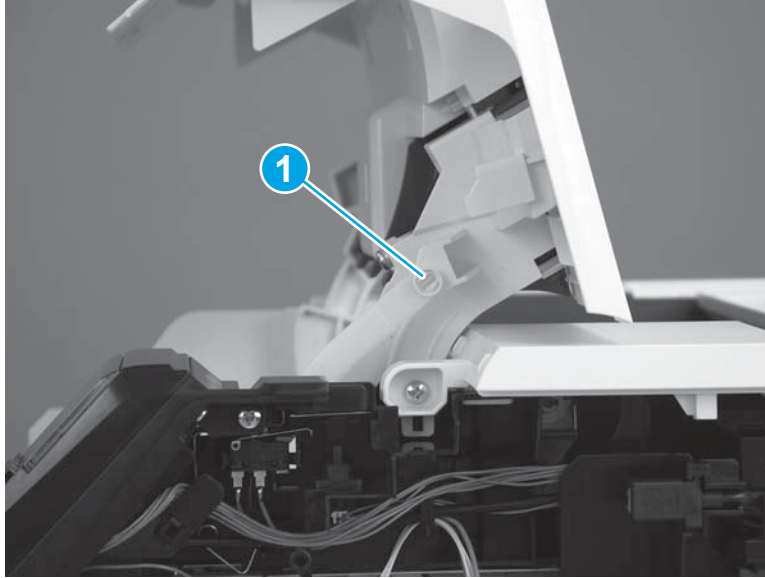


6. Install the toner-cartridge drive-arm (callout 1) by pressing it onto the tabs.

 **NOTE:** It might be necessary to lift the drive arm up in order to reattach it.

 **CAUTION:** The toner-cartridge drive-arm tabs break easily.

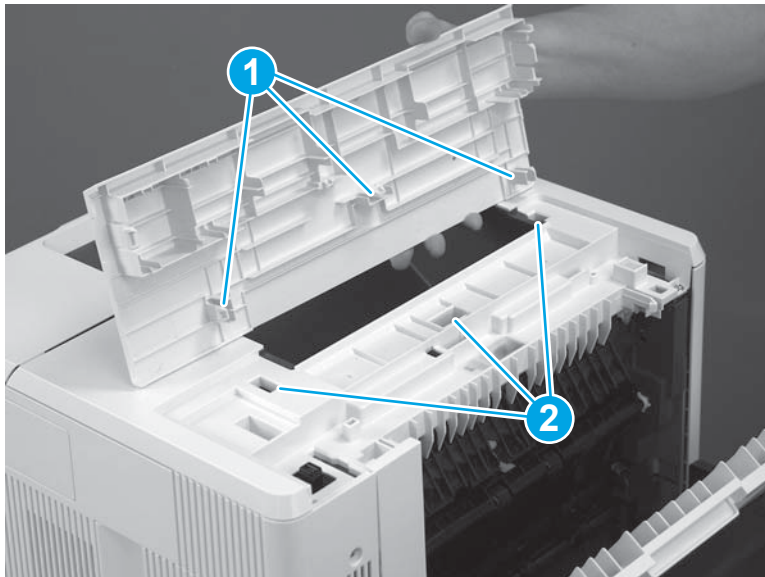
Figure 1-1870 Install the drive-arm tabs



Step 19: Install the top accessory cover

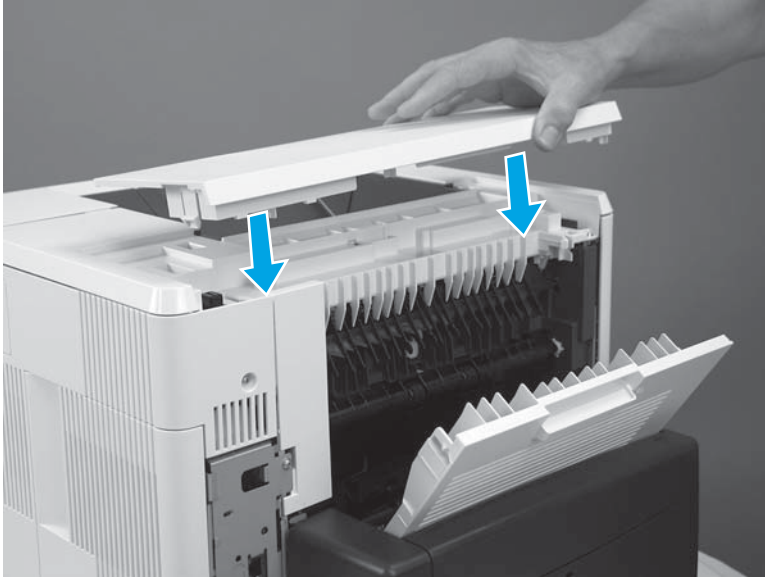
1. Align the tabs (callout 1) on the top accessory cover with the slots (callout 2) in the top cover.

Figure 1-1871 Align the tabs and slots



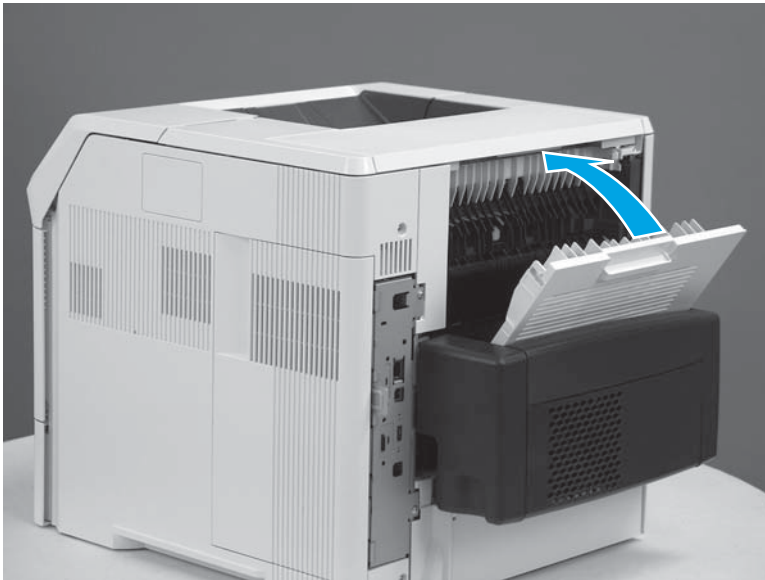
2. Place the top accessory on top of the printer, and then press down to install it.

Figure 1-1872 Install the top accessory cover



3. Close the rear output bin.

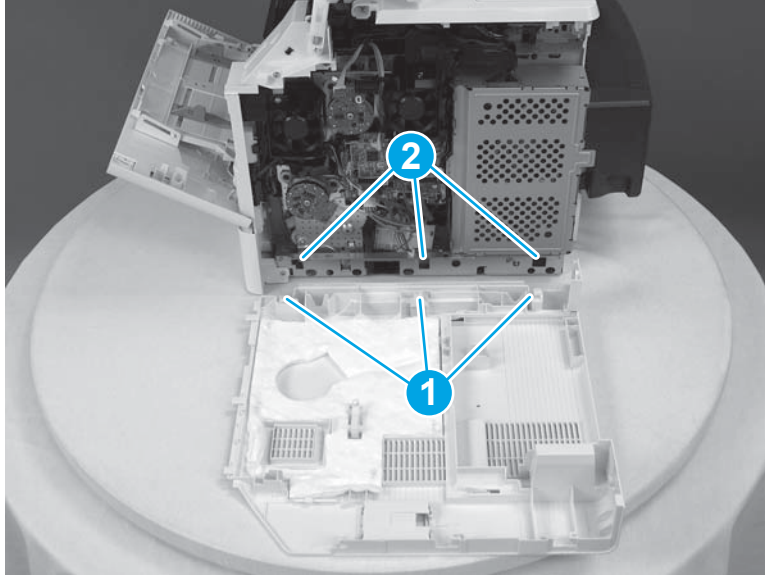
Figure 1-1873 Close the rear output bin



Step 20: Install the right cover

1. Note the location of the tabs (callout 1) on the cover that will fit into the slots (callout 2) on the printer.

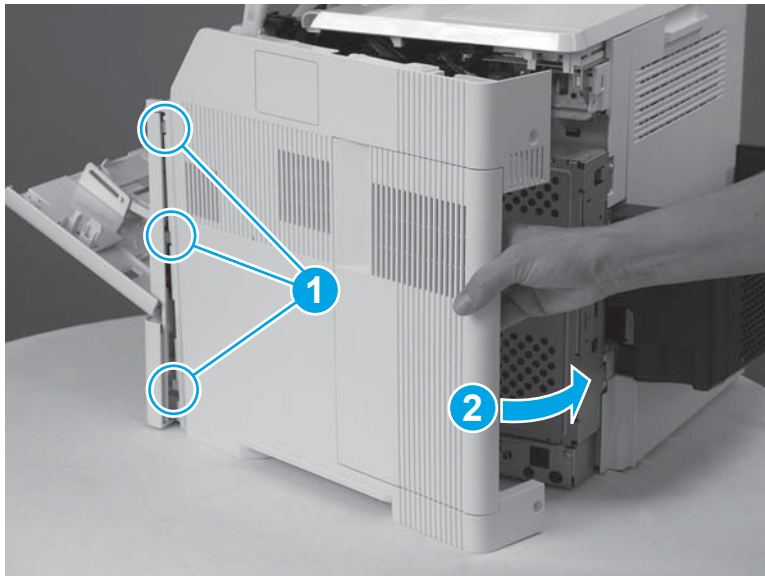
Figure 1-1874 Note location of tabs



2. Position the front tabs on the right cover slightly behind the right front cover (callout 1), and then rotate the back edge of the cover toward the printer (callout 2).

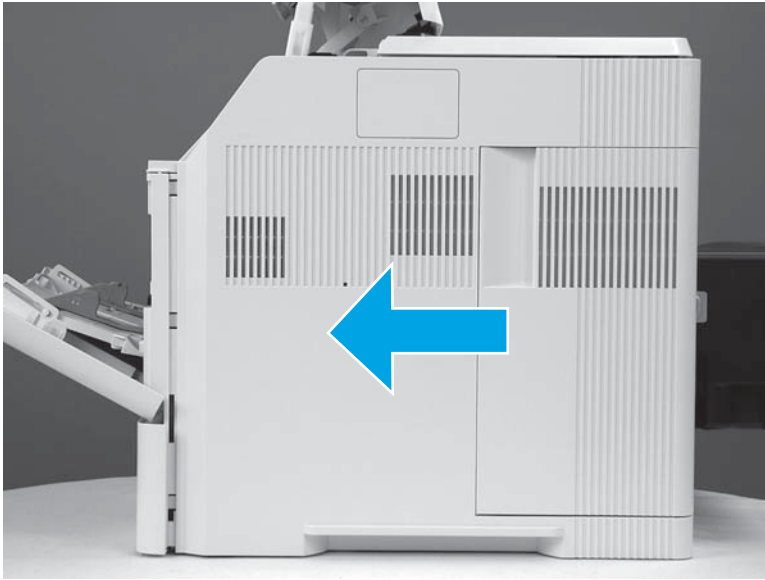
 **NOTE:** The tabs and slots mentioned in the previous step will engage as the cover is rotated into place.

Figure 1-1875 Position the front tabs



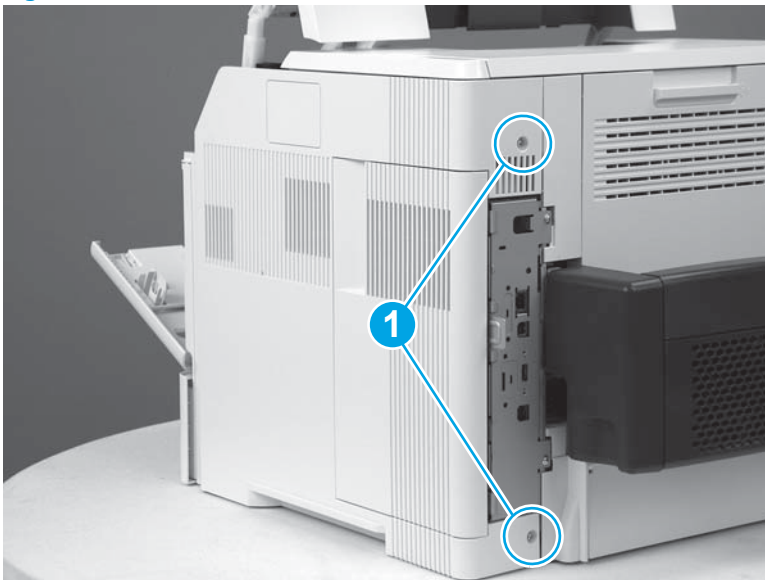
3. Slide the cover toward the front of the printer to install it.

Figure 1-1876 Slide the cover



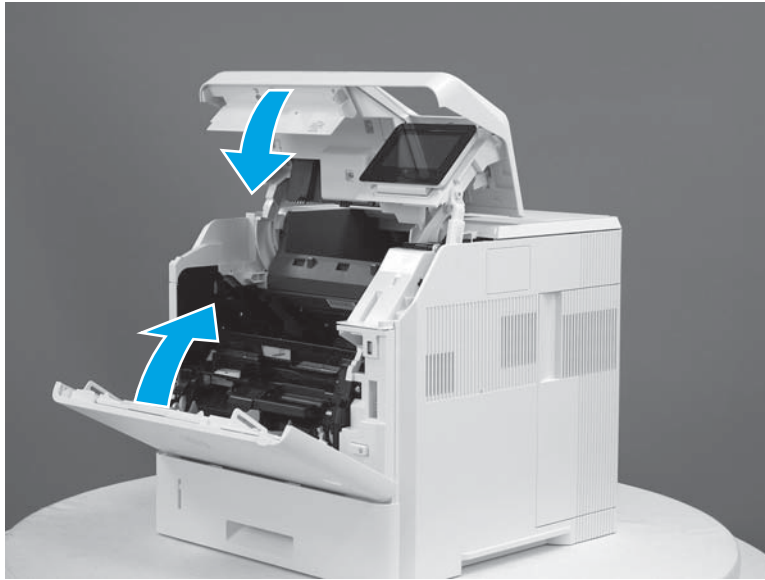
4. Install two screws (callout 1).

Figure 1-1877 Install two screws



5. Close the front cover and the cartridge door.

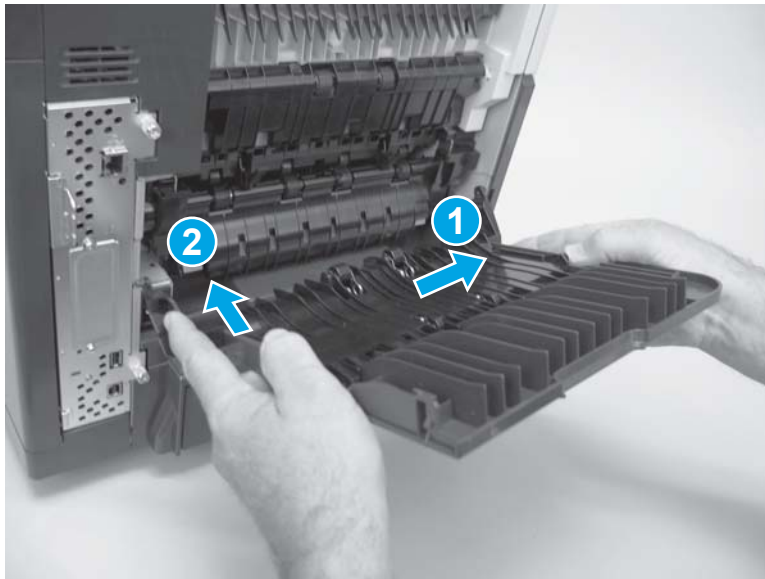
Figure 1-1878 Close the front cover and cartridge door



Step 21: Install the rear output bin

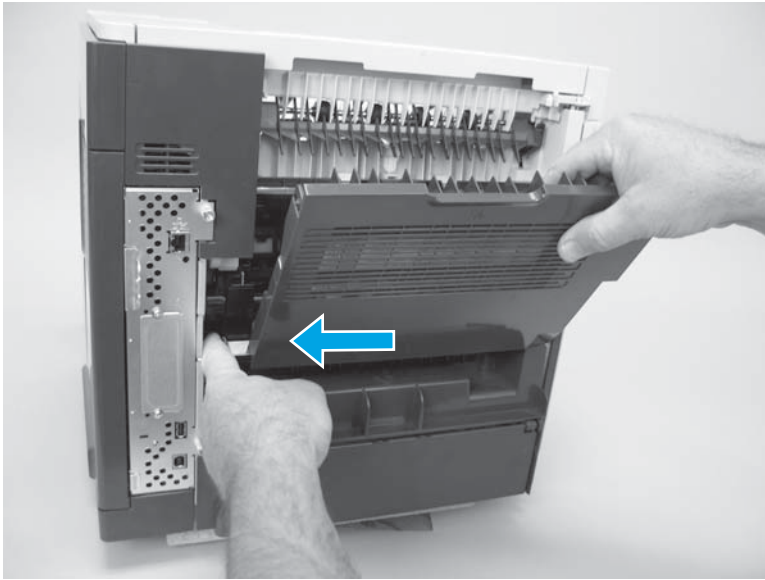
1. Install the right hinge pin (callout 1), and then rotate the output bin toward the printer (callout 2).

Figure 1-1879 Position the output bin



2. Make sure that the left hinge pin is installed in the mounting hole.

Figure 1-1880 Install left hinge pin



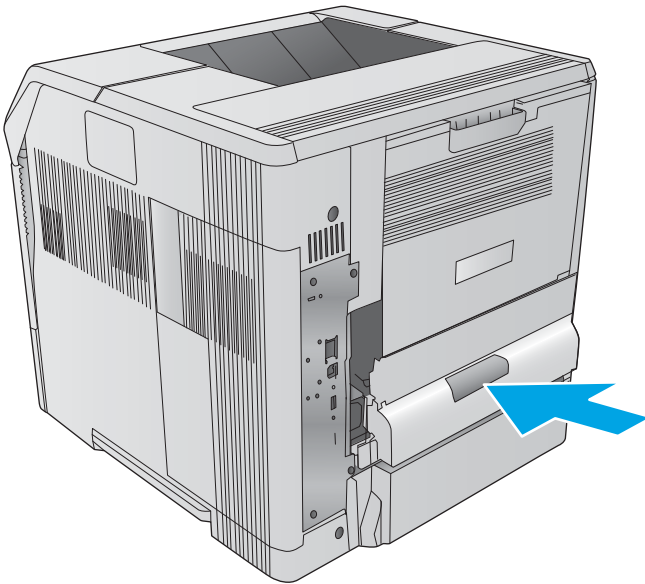
Step 22: Install the duplex accessory cover



NOTE: If the duplex accessory cover was not removed, skip this step and go to [Step 23: Install the duplex accessory on page 1038](#).

- ▲ Slide the duplex accessory cover straight into the printer to install it.

Figure 1-1881 Install the duplex accessory cover



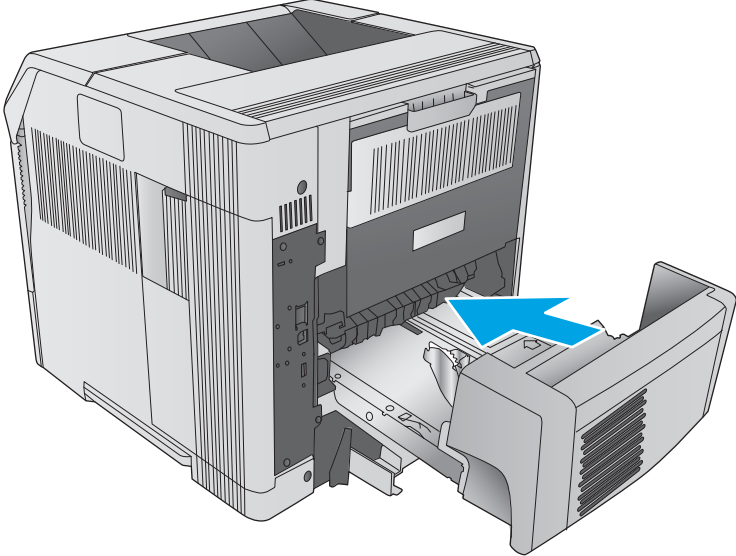
Step 23: Install the duplex accessory



NOTE: If the optional duplex accessory was not removed, skip this step.

- ▲ Slide the duplex accessory straight into the printer to install it.

Figure 1-1882 Install the duplex accessory



Removal and replacement: Tag holder assembly

- [Introduction](#)
- [Step 1: Remove the duplex accessory](#)
- [Step 2: Remove the duplex accessory cover](#)
- [Step 3: Remove the Tray 2 extension door](#)
- [Step 4: Remove the rear output bin](#)
- [Step 5: Remove the fuser](#)
- [Step 6: Remove the right cover](#)
- [Step 7: Remove the top accessory cover](#)
- [Step 8: Remove the top cover \(M604n/dn, M605n/dn, M606dn only\)](#)
- [Step 9: Remove the top cover \(M605x, M606x only\)](#)
- [Step 10: Remove the left cover](#)
- [Step 11: Remove the formatter and formatter case](#)
- [Step 12: Remove the power supply](#)
- [Step 13: Remove the laser/scanner](#)
- [Step 14: Remove the tag holder assembly](#)
- [Step 15: Unpack the replacement tag holder assembly](#)
- [Step 16: Install the tag holder assembly](#)
- [Step 17: Install the laser/scanner](#)
- [Step 18: Install the power supply](#)
- [Step 19: Install the formatter and formatter case](#)
- [Step 20: Install the left cover](#)
- [Step 21: Install the top cover \(M605x, M606x only\)](#)
- [Step 22: Install the top cover \(M604n/dn, M605n/dn, M606dn only\)](#)
- [Step 23: Install the top accessory cover](#)
- [Step 24: Install the right cover](#)
- [Step 25: Install the fuser](#)
- [Step 26: Install the rear output bin](#)
- [Step 27: Install the Tray 2 extension door](#)
- [Step 28: Install the duplex accessory cover](#)
- [Step 29: Install the duplex accessory](#)


Introduction

This document provides the procedures to remove and replace the tag holder assembly.

Before performing service

Turn the printer power off

- Disconnect the power cable.

 **WARNING!** To avoid damage to the printer, turn the printer off, wait 30 seconds, and then remove the power cord before attempting to service the printer.

Use the table below to identify the correct part number for your printer, and then go to www.hp.com/buy/parts to order the kit.

Tag holder assembly part number	
RM1-4539-000CN	Tag holder assembly

Required tools

- #2 Phillips screwdriver with a magnetic tip
- Small, flat-blade screwdriver
- Short-shaft screwdriver

After performing service

Turn the printer power on


- Connect the power cable.
- Use the power switch to turn the power on.

Post service test

Make sure that the printer initializes to a **Ready** state.

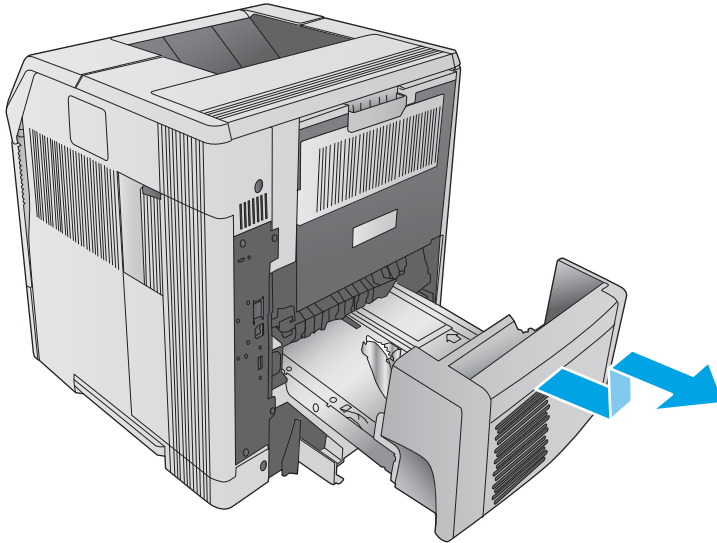
Print a configuration page to make sure that the printer is functioning correctly.

Step 1: Remove the duplex accessory


 **NOTE:** If the optional duplex accessory is not installed, skip this step and go to [Step 2: Remove the duplex accessory cover on page 1042](#).

- ▲ Slightly lift up on the duplex accessory, and then pull it completely out of the printer to remove it.

Figure 1-1883 Remove the duplex accessory

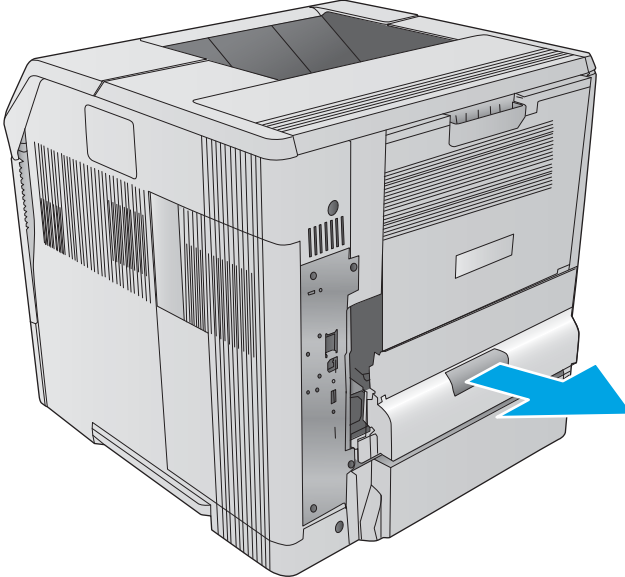


Step 2: Remove the duplex accessory cover

 **NOTE:** If the duplex accessory cover is not installed, skip this step and go to [Step 3: Remove the Tray 2 extension door on page 1042](#).

- ▲ Pull the duplex accessory cover straight out of the printer to remove it.

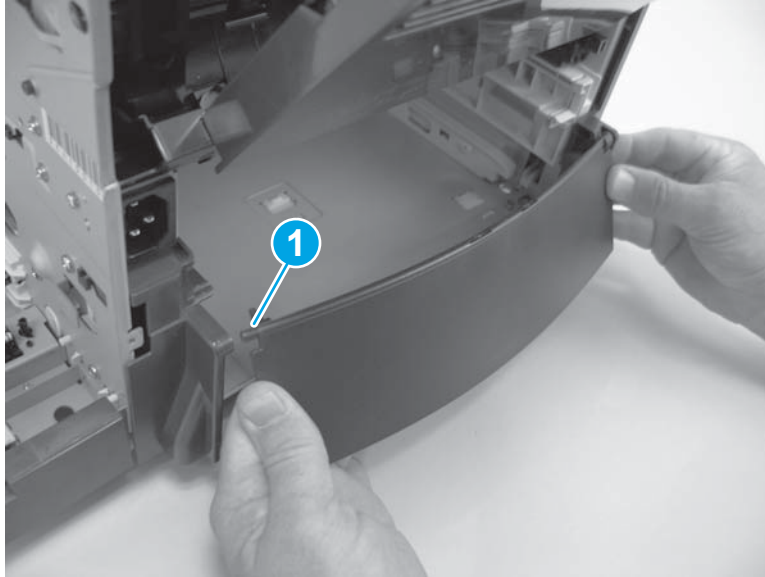
Figure 1-1884 Remove the duplex accessory cover



Step 3: Remove the Tray 2 extension door

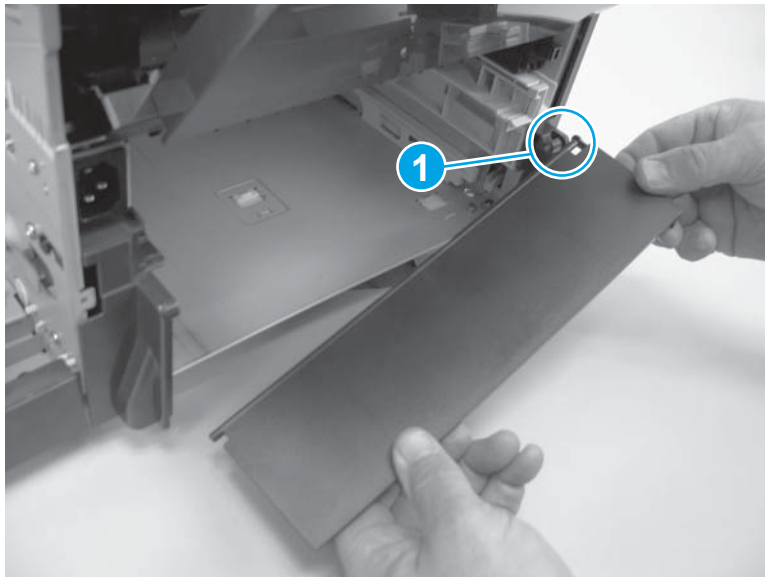
1. Carefully flex the Tray 2 extension door to release the hinge pin (callout 1) near the power-cord side of the printer.

Figure 1-1885 Release the hinge pin



2. Rotate the Tray 2 extension door to the horizontal position, and then pull up on the keyed hinge pin (callout 1) to release the door. Remove the Tray 2 extension door.

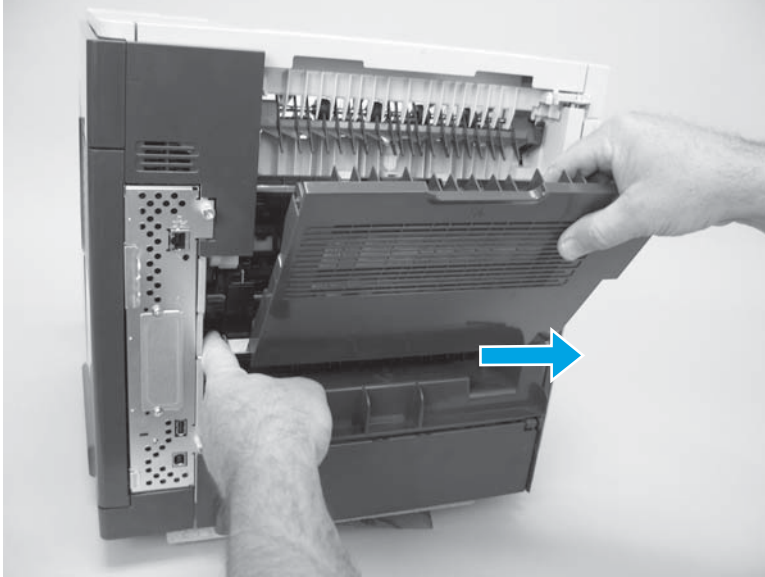
Figure 1-1886 Remove the Tray 2 extension door



Step 4: Remove the rear output bin

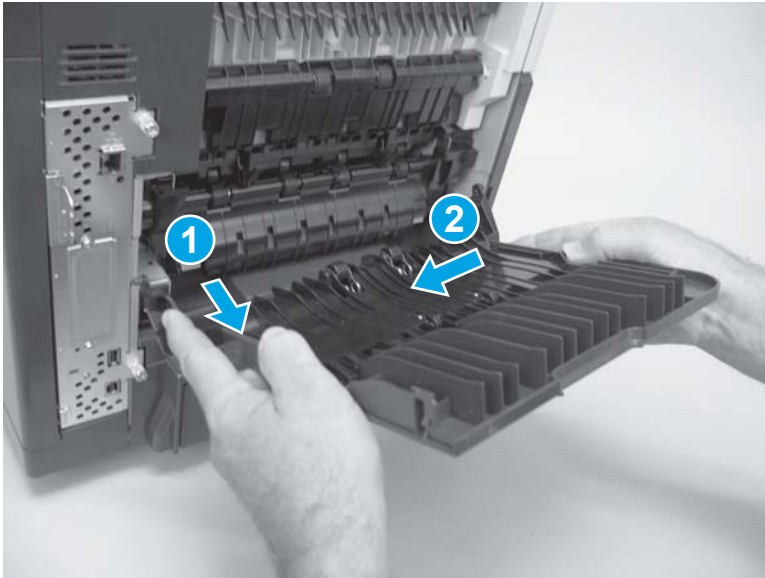
1. Open the rear output bin, and then squeeze the hinge pin out of its mounting hole.

Figure 1-1887 Release the hinge pin



2. Rotate the output bin away from the printer (callout 1) until the right hinge pin is released, and then slide the output bin to the left (callout 2) to remove it.

Figure 1-1888 Remove the output bin

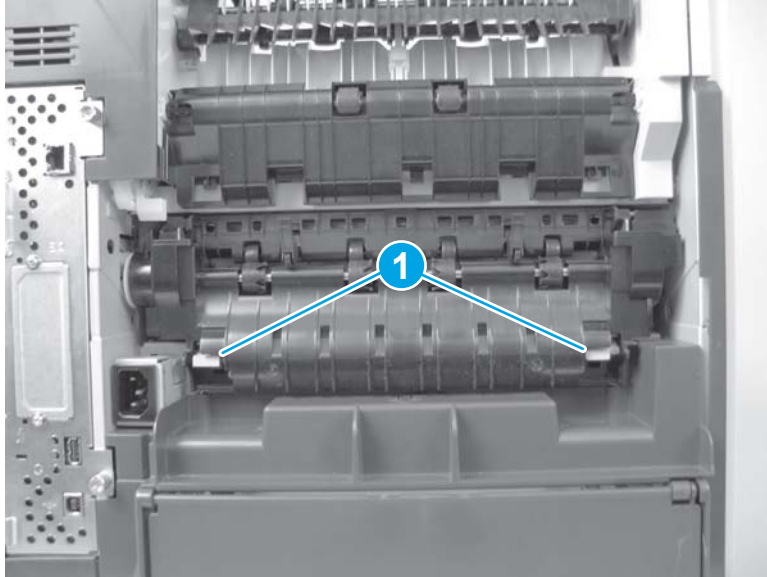


Step 5: Remove the fuser

⚠ WARNING! The fuser might be very hot. After turning off the printer power, allow the fuser to cool for at least 5 minutes before removing it.

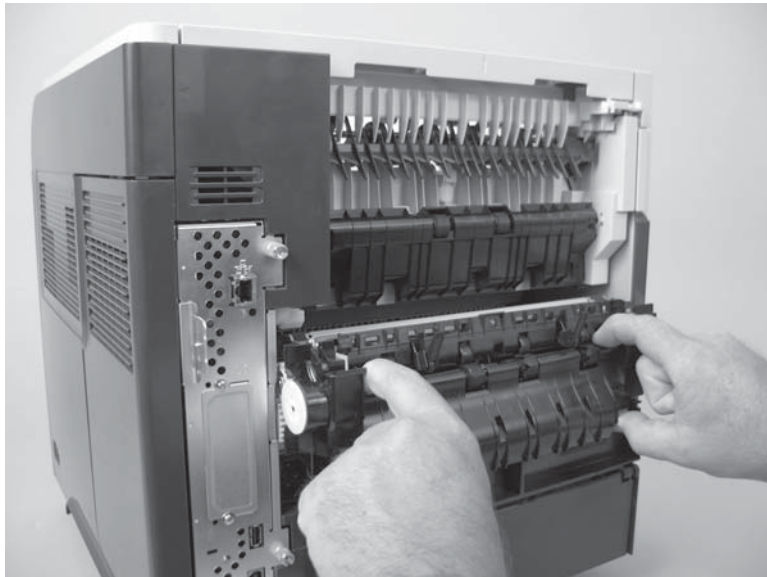
1. Squeeze the blue fuser-release tabs (callout 1).

Figure 1-1889 Squeeze the blue fuser-release tabs



2. Pull the fuser straight back and out of the printer.

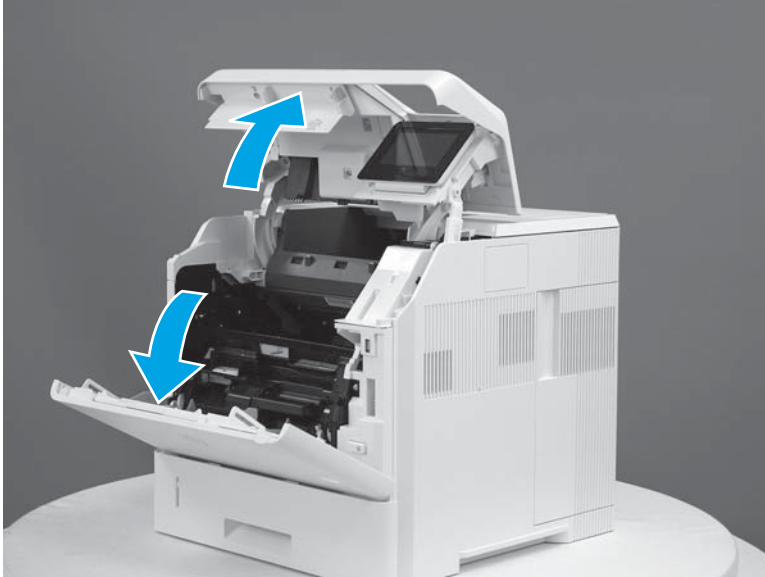
Figure 1-1890 Remove the fuser



Step 6: Remove the right cover

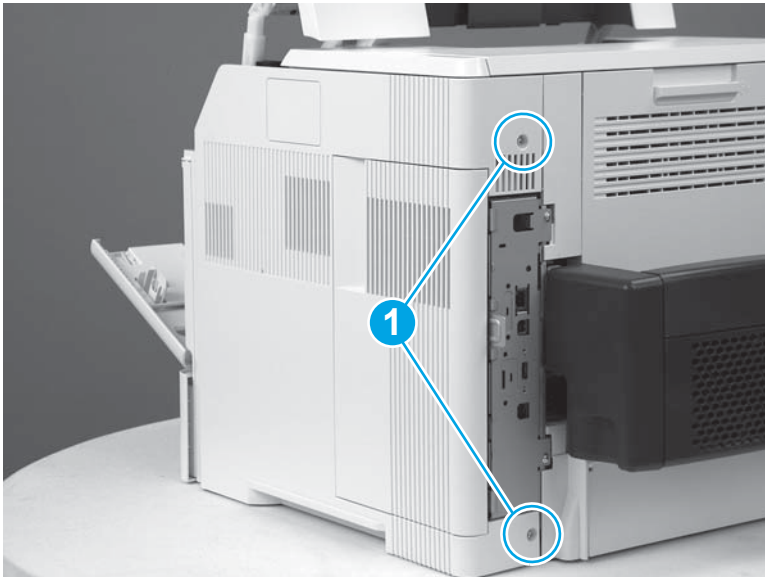
1. Open the front cover and the cartridge door.

Figure 1-1891 Open the front cover and cartridge door



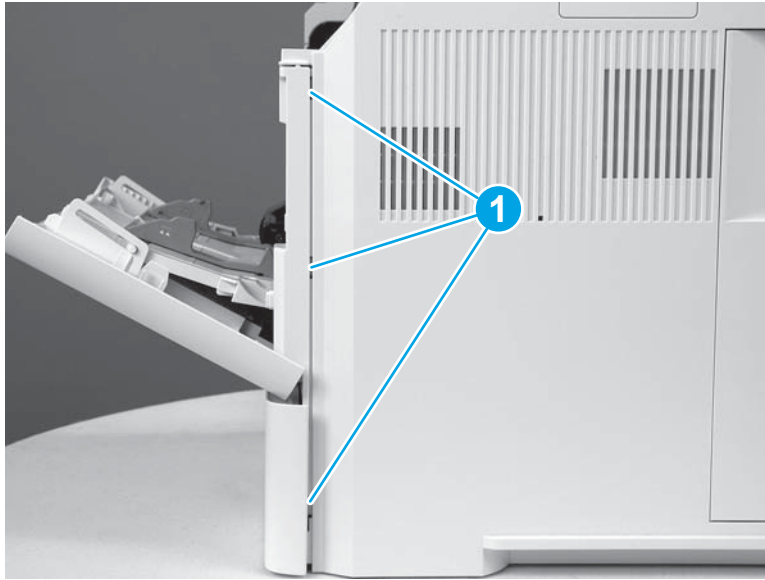
2. Remove two screws (callout 1).

Figure 1-1892 Remove two screws



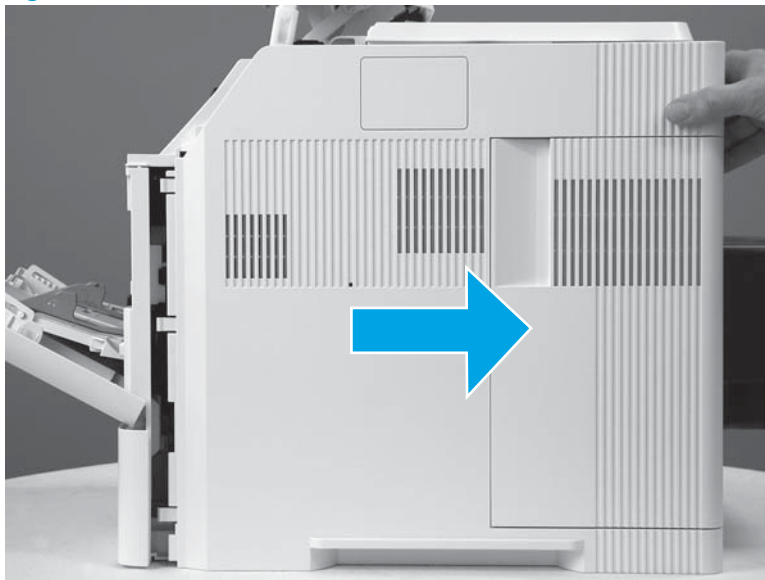
3. Release three tabs (callout 1).

Figure 1-1893 Release three tabs



4. Slide the cover toward the rear of the printer to remove it.

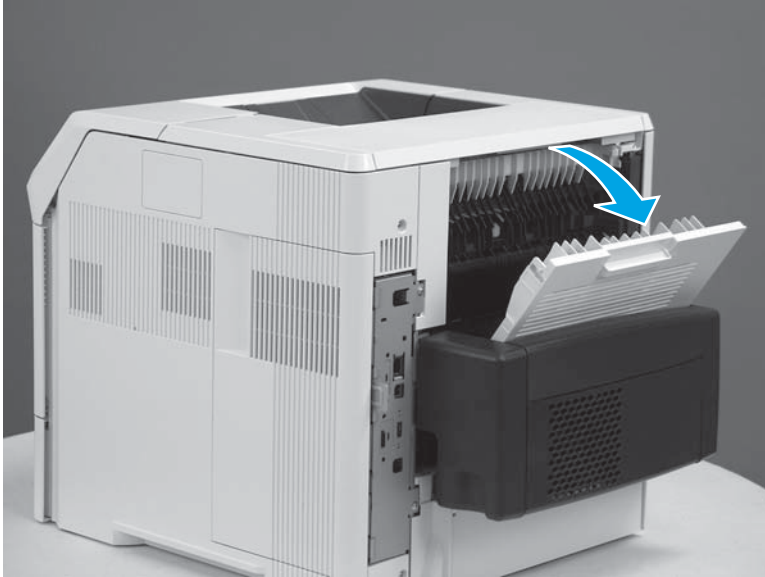
Figure 1-1894 Remove the cover



Step 7: Remove the top accessory cover

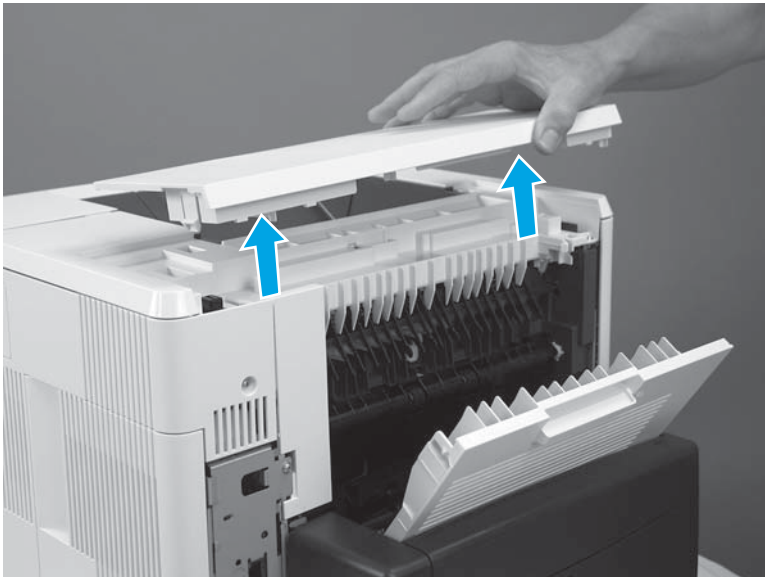
1. Open the rear output bin.

Figure 1-1895 Open the rear output bin




2. Lift the top accessory cover up and off of the printer.

Figure 1-1896 Remove top accessory cover



Step 8: Remove the top cover (M604n/dn, M605n/dn, M606dn only)

 **NOTE:** For the M605x or M606x, product, skip this step and go to [Step 9: Remove the top cover \(M605x, M606x only\) on page 1052.](#)

1. Use needle-nose pliers to release the toner-cartridge drive-arm tabs (callout 1).

 **CAUTION:** The toner-cartridge drive-arm tabs break easily.


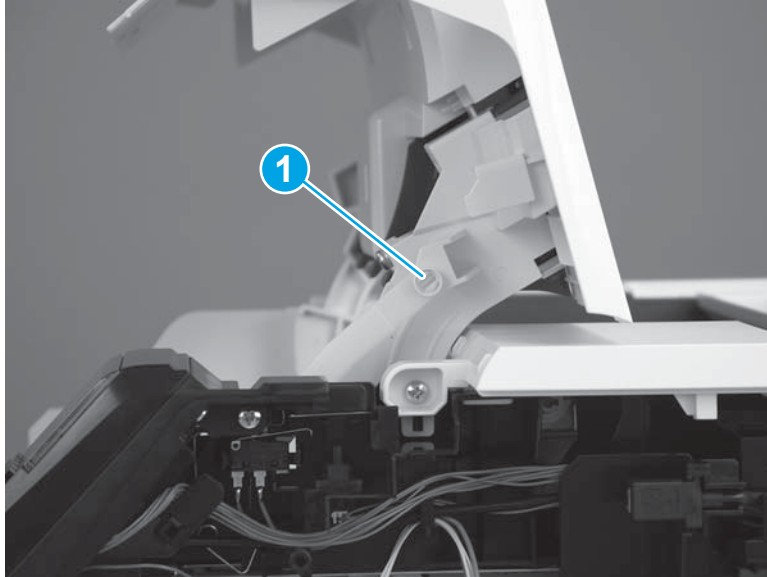
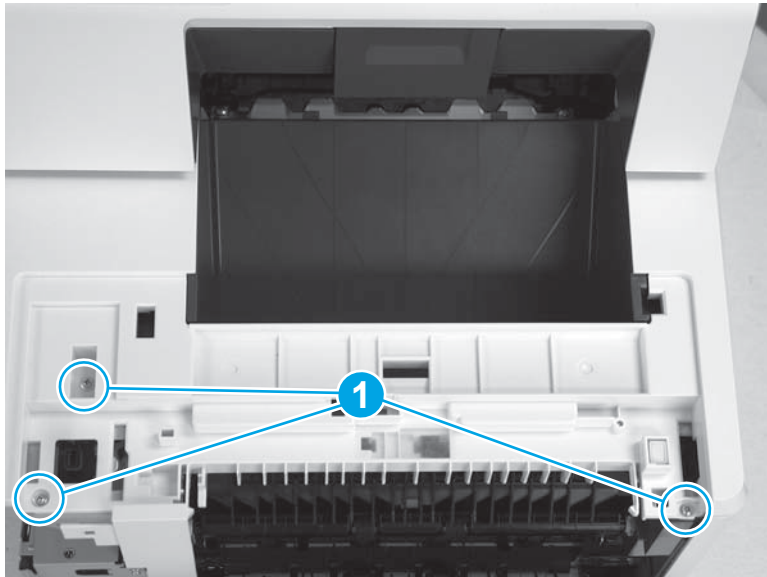
 **TIP:** Push the toner-cartridge drive-arm back into the printer to avoid damaging it when you remove the top cover.

Figure 1-1897 Release the drive-arm tabs



2. Remove three screws (callout 1) on the top of the printer.

Figure 1-1898 Remove three screws



3. Remove one screw (callout 1) on the right side of the printer.


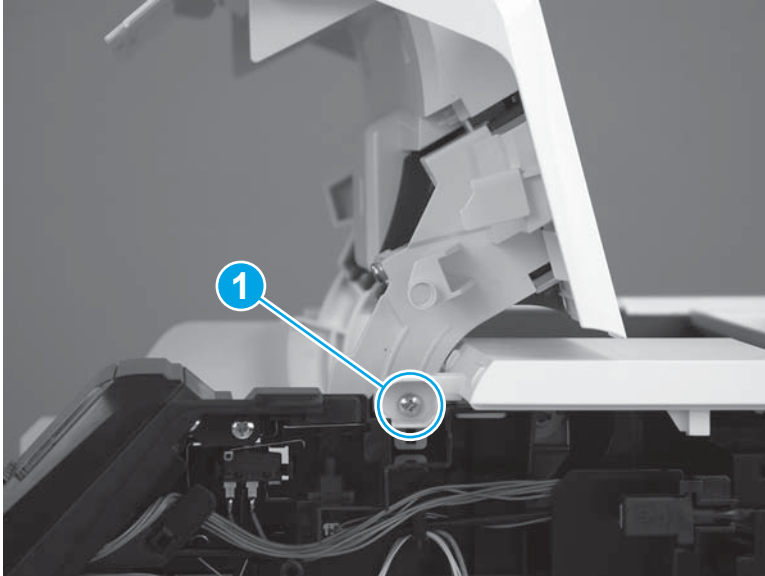
 **Reinstallation tip:** This screw is larger than the screws removed from the top of the printer. Make sure to install the correct screw when reassembling.

Figure 1-1899 Remove one screw



4. Remove one screw (callout 1) on the left side of the printer.


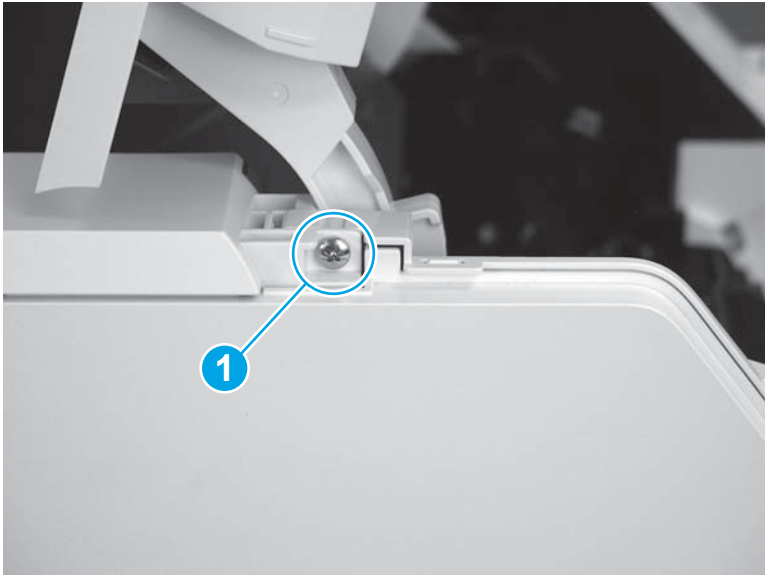
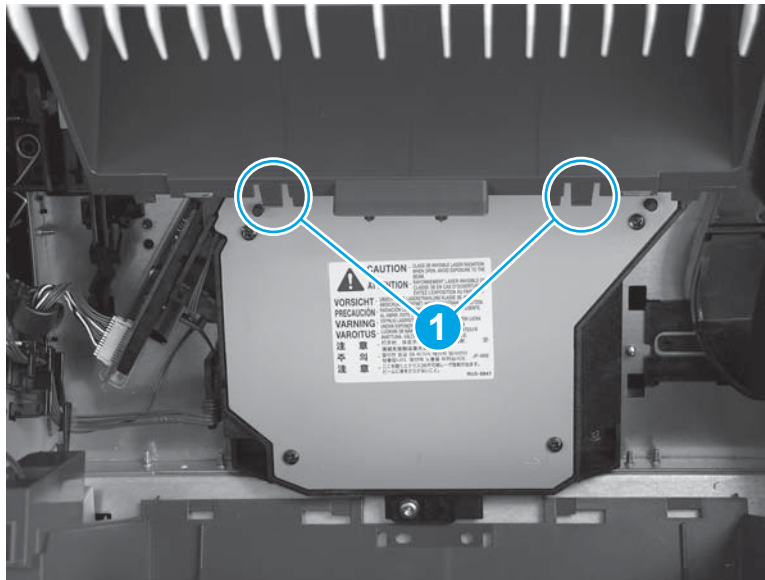
 **Reinstallation tip:** This screw is larger than the screws removed from the top of the printer. Make sure to install the correct screw when reassembling.

Figure 1-1900 Remove one screw



5. Note the location of two tabs on the top output bin (callout 1). These tabs are released in the next step.

Figure 1-1901 Location of two tabs



6. Release two tabs (callout 1) on the top output bin.


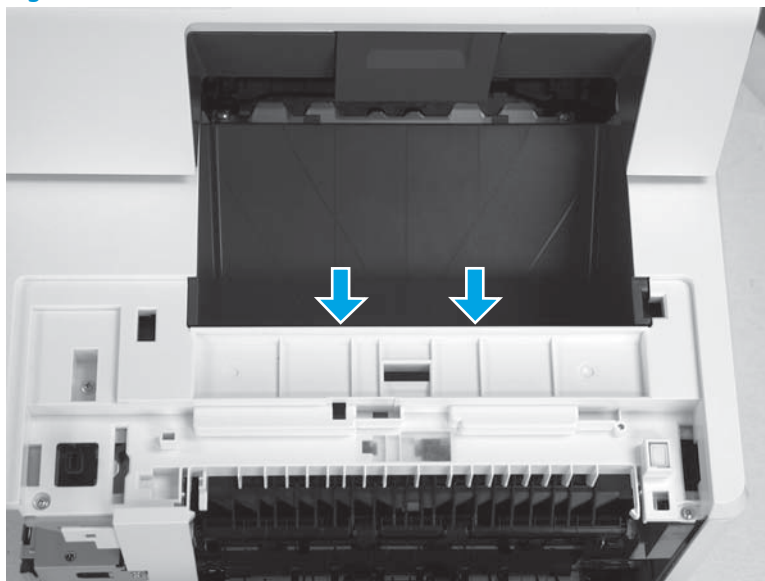
 **Reinstallation tip:** Make sure that these tabs are fully seated when the top cover is reinstalled.

Figure 1-1902 Release two tabs



7. Lift the top cover up and off of the printer to remove it.

Figure 1-1903 Remove the top cover



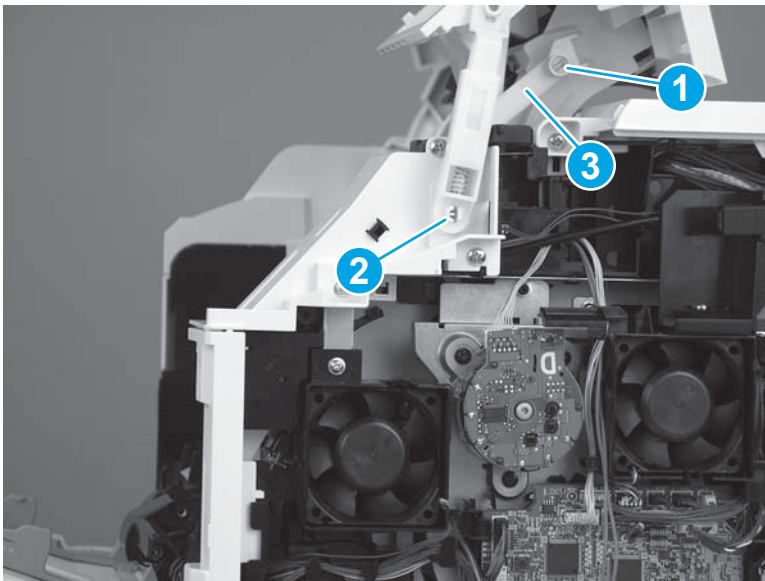
Step 9: Remove the top cover (M605x, M606x only)

1. Use needle-nose pliers to release the toner-cartridge drive-arm tabs (callout 1) and the toner-cartridge door hinge tabs (callout 2).

CAUTION: The toner-cartridge drive-arm tabs break easily.

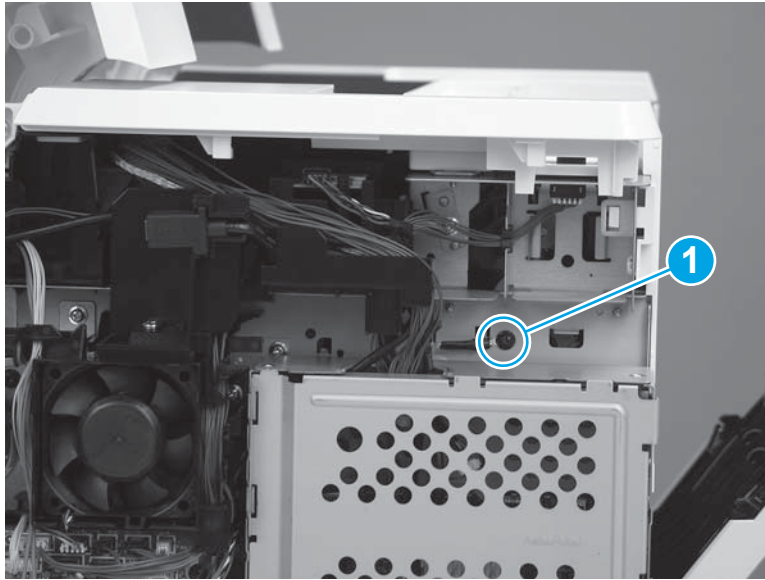
TIP: Push the toner-cartridge drive-arm (callout 3) back into the printer to avoid damaging it when you remove the top cover.

Figure 1-1904 Release the drive-arm and door hinge tabs



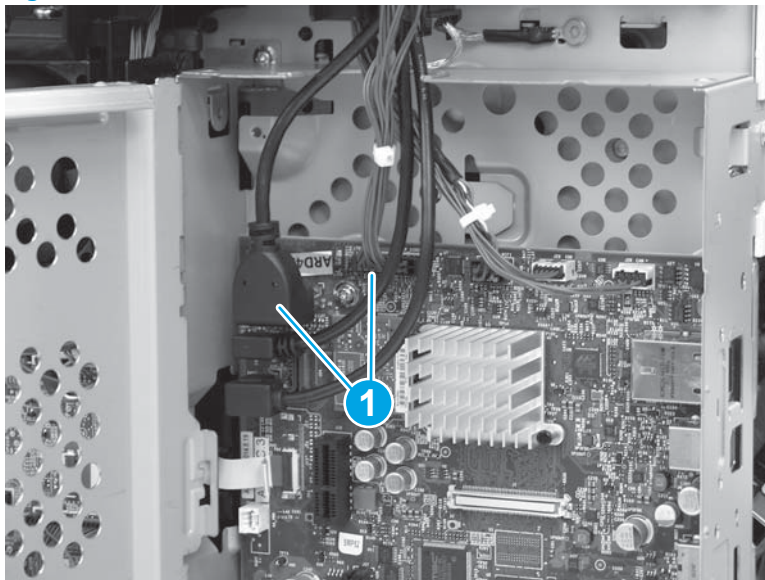
2. Remove one screw, and then release the ground wire (callout 1).

Figure 1-1905 Release the ground wire



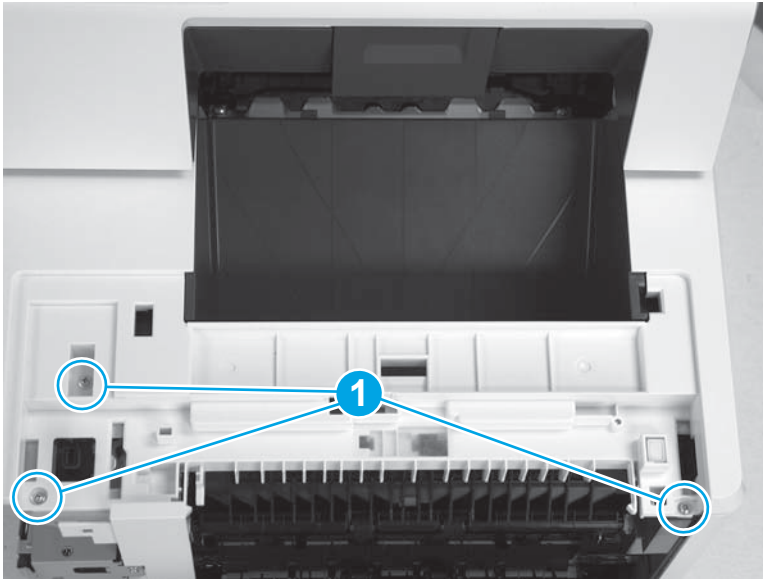
3. Open the formatter case door, and then disconnect two connectors (callout 1).

Figure 1-1906 Disconnect two connectors



4. Remove three screws (callout 1) on the top of the printer.

Figure 1-1907 Remove three screws



5. Remove one screw (callout 1) on the right side of the printer.


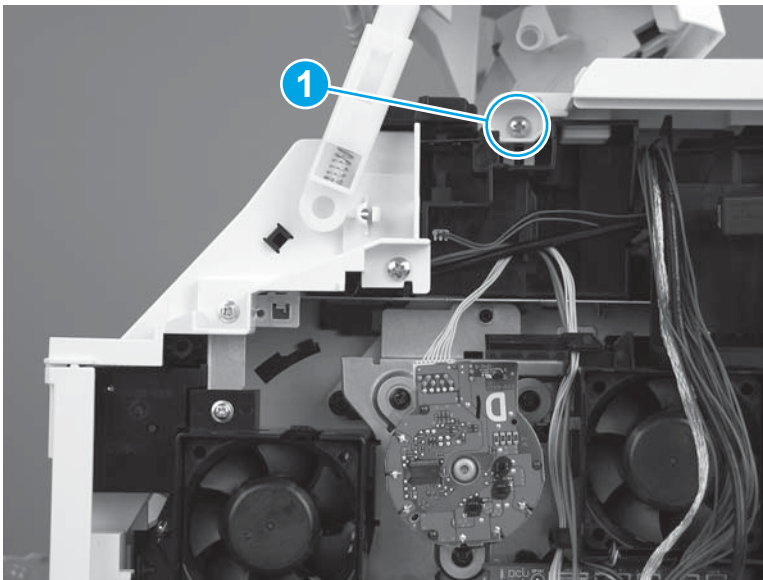
 **Reinstallation tip:** This screw is larger than the screws removed from the top of the printer. Make sure to install the correct screw when reassembling.

Figure 1-1908 Remove one screw



6. Remove one screw (callout 1) on the left side of the printer.


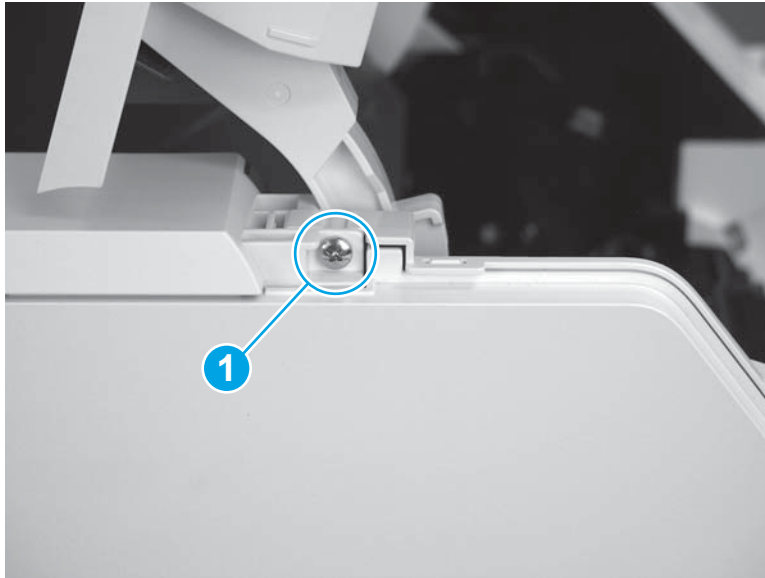
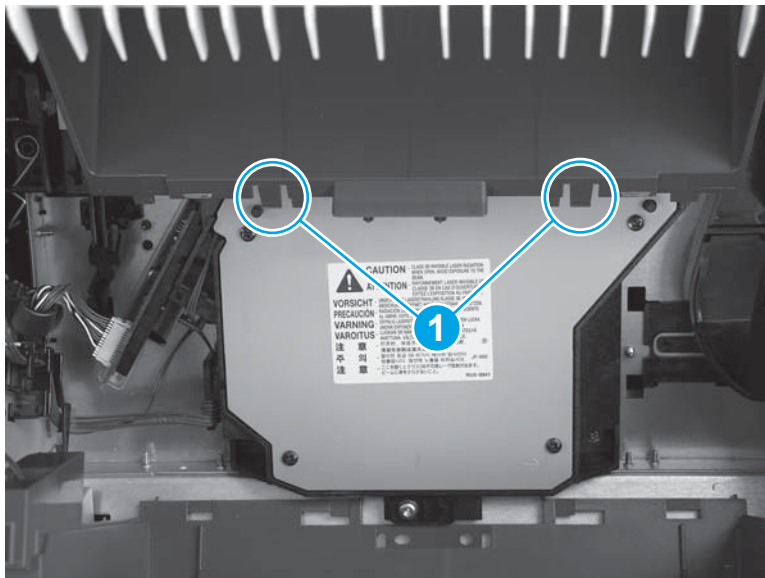
 **Reinstallation tip:** This screw is larger than the screws removed from the top of the printer. Make sure to install the correct screw when reassembling.

Figure 1-1909 Remove one screw



7. Note the location of two tabs on the top output bin (callout 1). These tabs are released in the next step.

Figure 1-1910 Location of two tabs



8. Release two tabs (callout 1) on the top output bin.


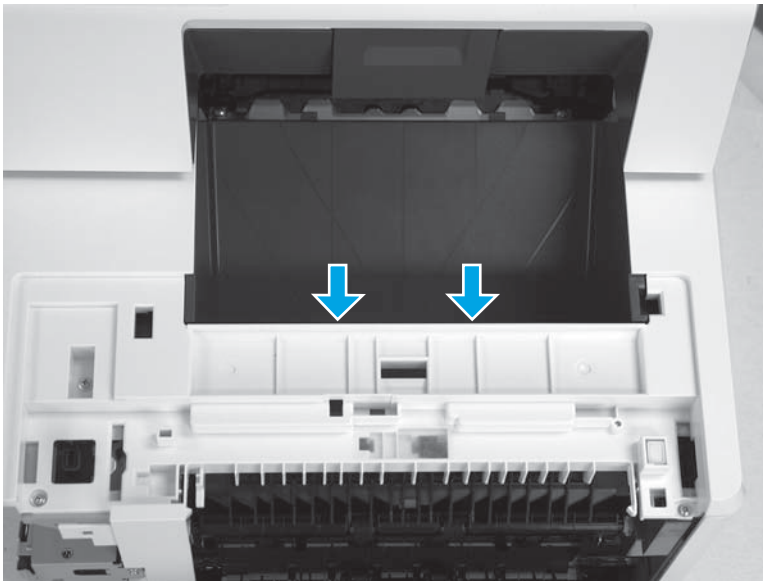
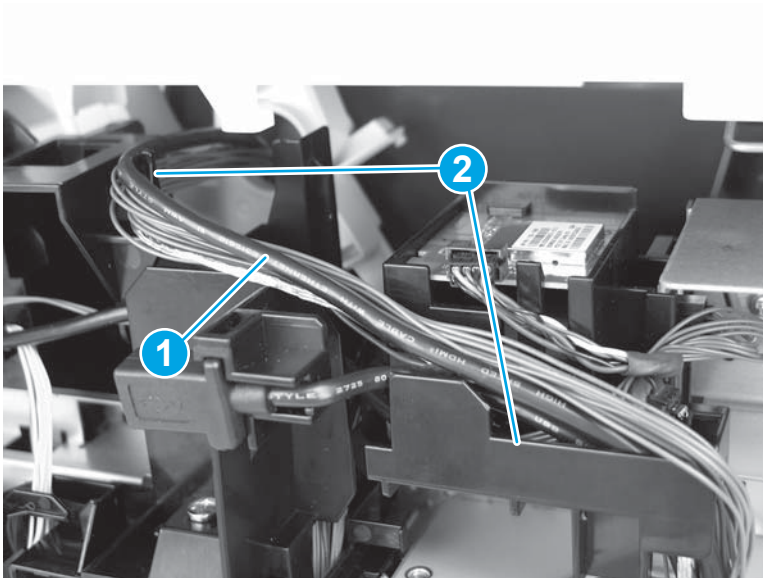
 **Reinstallation tip:** Make sure that these tabs are fully seated when the top cover is reinstalled.

Figure 1-1911 Release two tabs



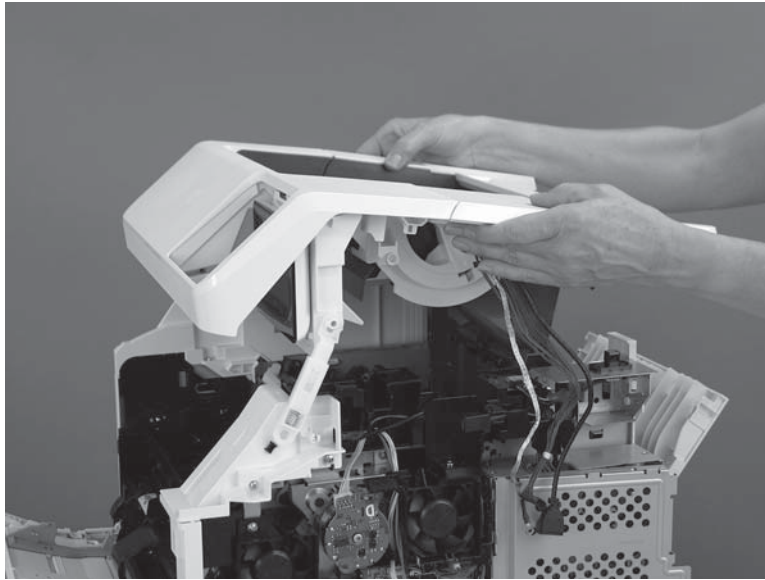
9. On the right side of the printer, release the wire harness and cables (callout 1) from the guides (callout 2).

Figure 1-1912 Release cables from guides



10. Lift the top cover up and off of the printer to remove it.

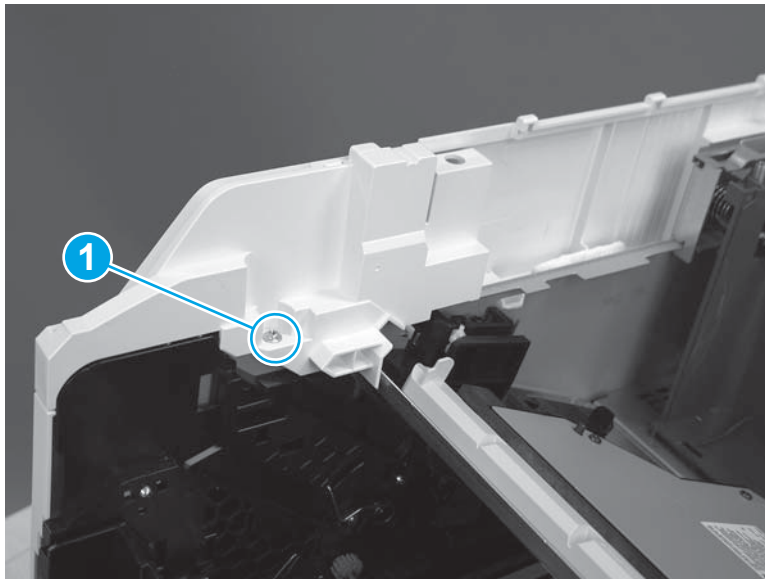
Figure 1-1913 Remove the top cover



Step 10: Remove the left cover

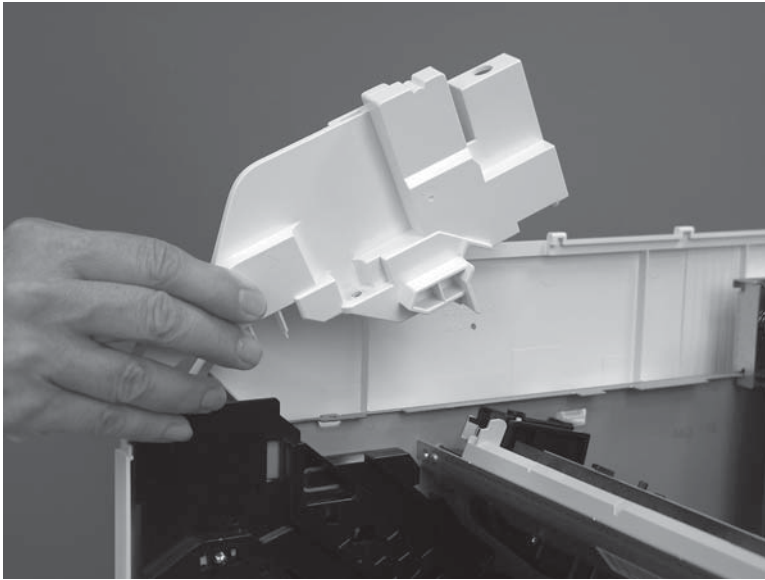
1. Remove one screw (callout 1).

Figure 1-1914 Remove one screw



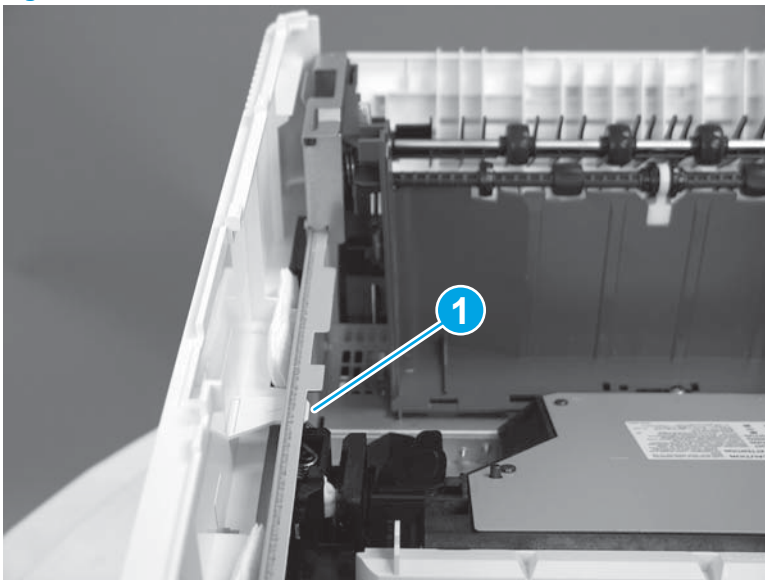
2. Remove the left front inside cover.

Figure 1-1915 Remove the left front inside cover



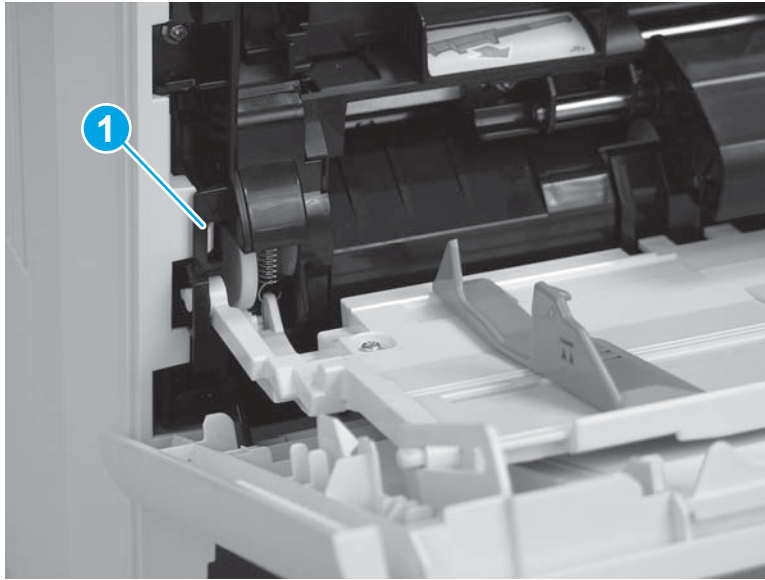
3. Release one tab (callout 1) on the top of the cover.

Figure 1-1916 Release one tab



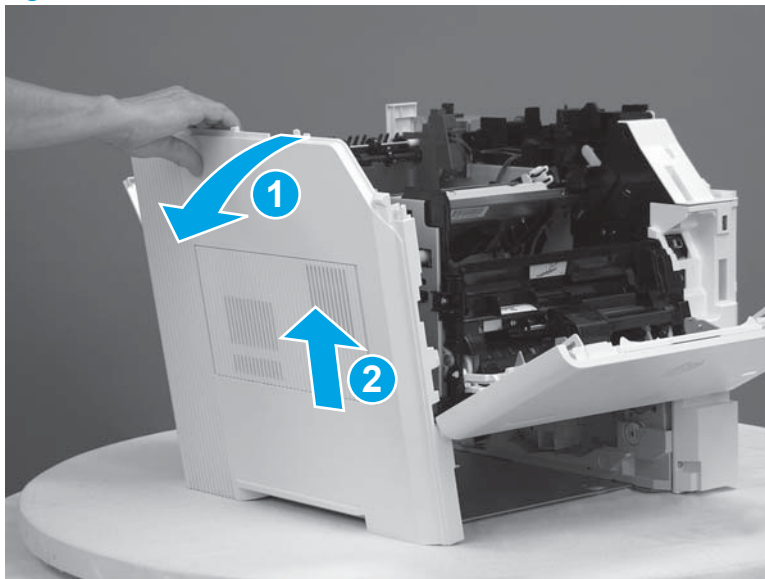
4. Release one tab (callout 1) on the front of the cover.

Figure 1-1917 Release one tab



5. Rotate the top of the cover away (callout 1) from the printer, and then lift the cover up (callout 2) to remove it.

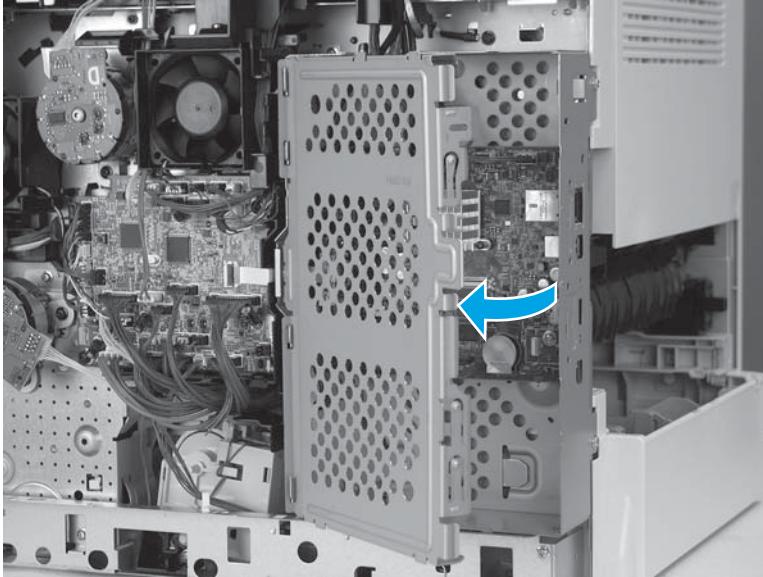
Figure 1-1918 Remove the cover



Step 11: Remove the formatter and formatter case

1. Open the formatter case door.

Figure 1-1919 Open the formatter case door



2. Locate the flat cable connector (callout 1) on the formatter.


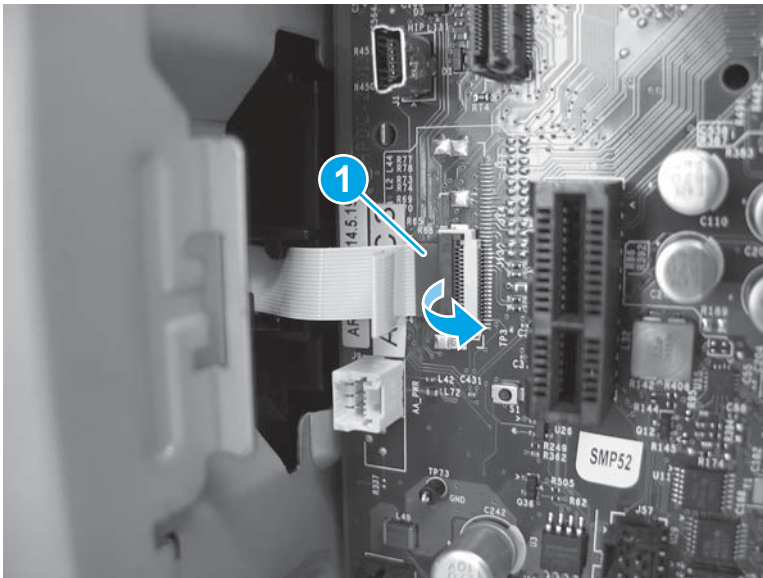
 **IMPORTANT:** This connector is a Zero Insertion Force (ZIF) connector that uses a hinged retainer to secure a flat cable. The hinged retainer must be opened to release the flat cable.

Figure 1-1920 ZIF connector



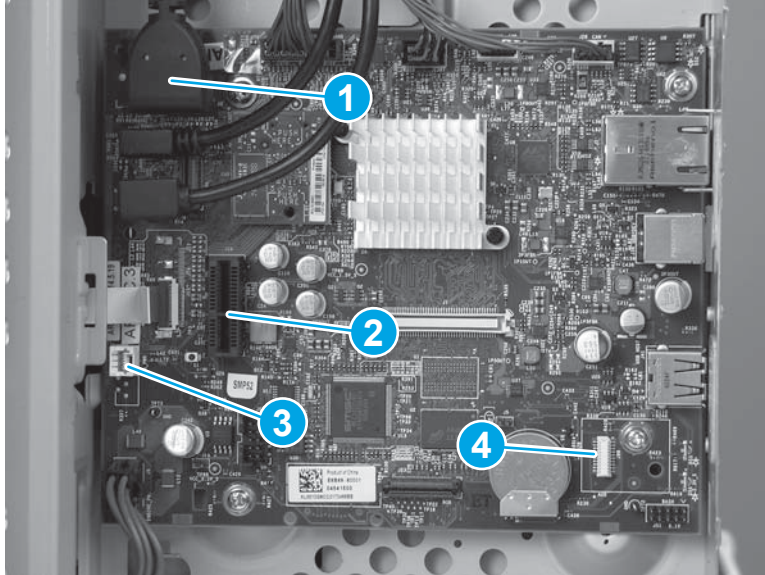
3. Disconnect all of the connectors on the formatter.

The following connectors are empty:

- J23, J25, J51, and J57
- J3 (callout 1): This connector is empty on the M604n/dn, M605n/dn, and M606dn models. It holds the touchscreen cable on the M605x and M606x models.
- J18 (callout 2): This connector is empty unless the optional hard-disk drive (HDD) is installed.

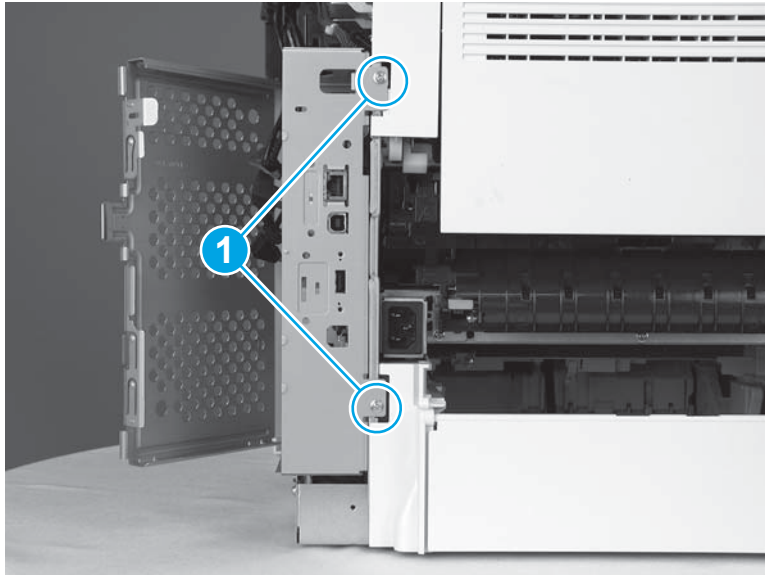
- J9 (callout 3): This connector is empty unless the optional two internal USB ports accessory is installed.
- J98 (callout 4): This connector is empty unless the optional trusted platform module (TPM) is installed.

Figure 1-1921 Disconnect all connectors



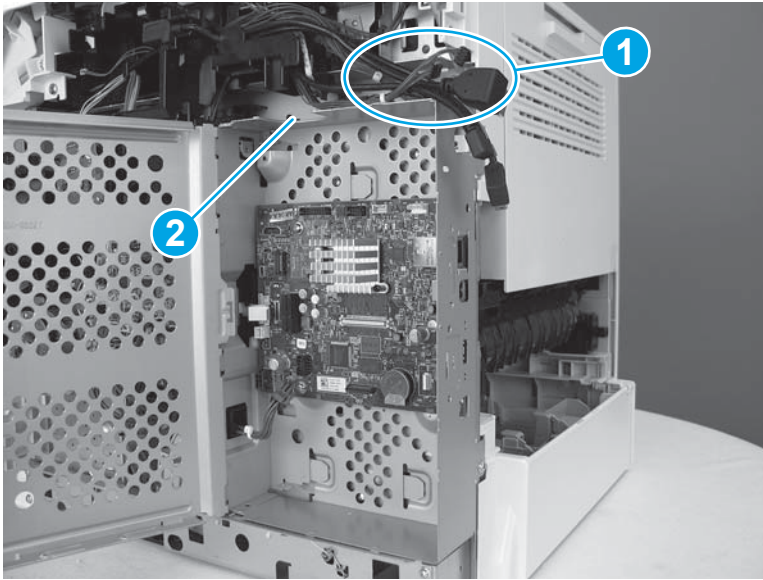
4. Remove two screws (callout 1).

Figure 1-1922 Remove two screws



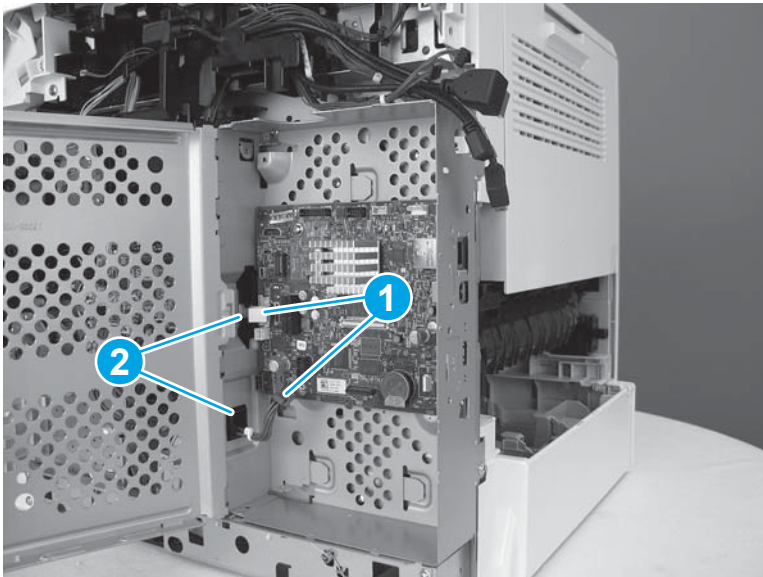
5. Remove the wires and cables (callout 1) from the opening (callout 2) in the top of the formatter case.

Figure 1-1923 Remove the wires from the formatter case



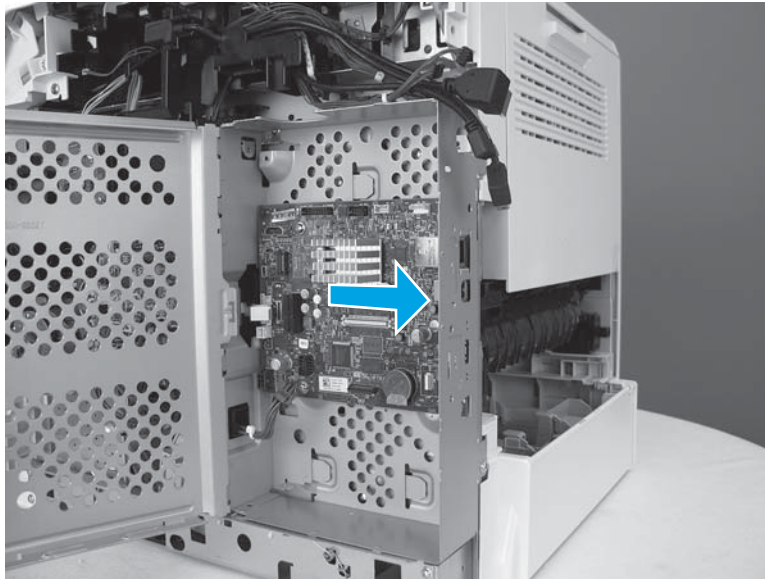
6. When removing the formatter case in the next step, make sure that the flat cable and wire harness (callout 1) slide through the openings (callout 2) in the formatter case.

Figure 1-1924 Feed cables through the openings



7. Slide the formatter case toward the back of the printer to remove it.

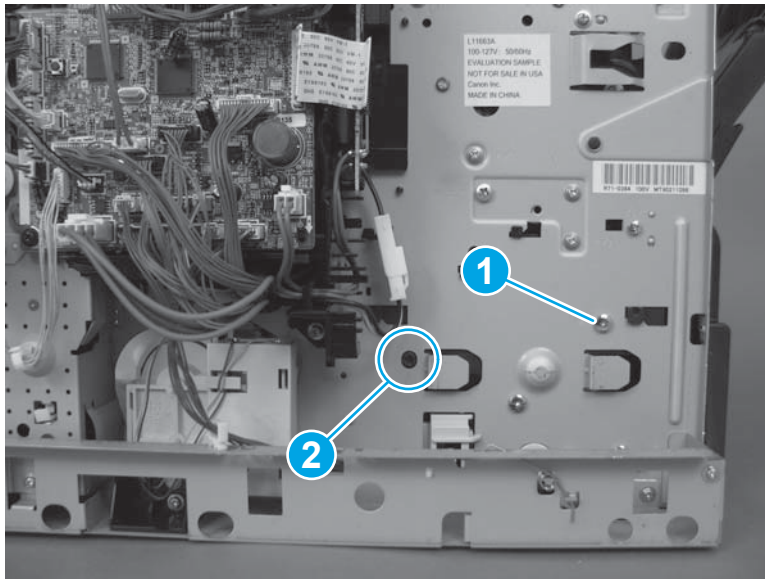
Figure 1-1925 Remove formatter case



Step 12: Remove the power supply

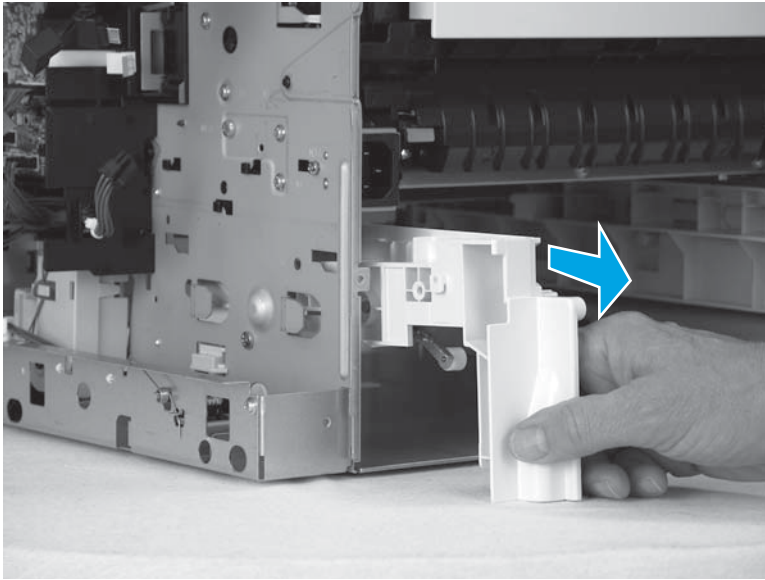
1. Remove one screw (callout 1), and then release one tab (callout 2).

Figure 1-1926 Remove one screw and release one tab



2. Slide the tray guide towards the rear of the printer to remove it.

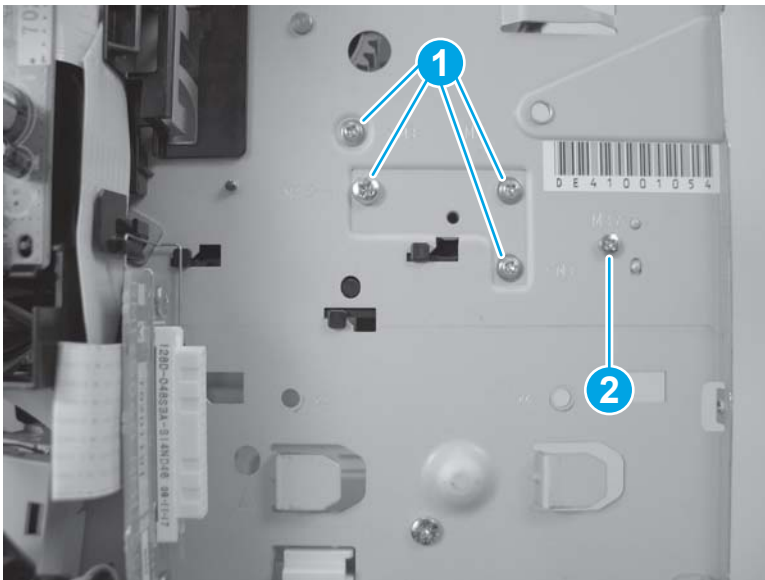
Figure 1-1927 Remove the tray guide



3. Remove four screws (callout 1) and one grounding screw (callout 2).

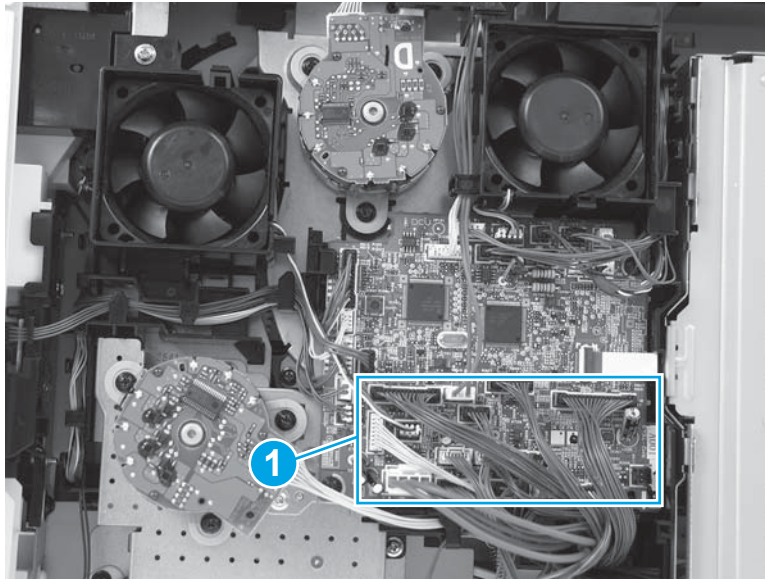
⚠ WARNING! When reinstalling the power supply, you must use a grounding screw to secure the AC outlet to the printer chassis.

Figure 1-1928 Remove four screws and grounding screw



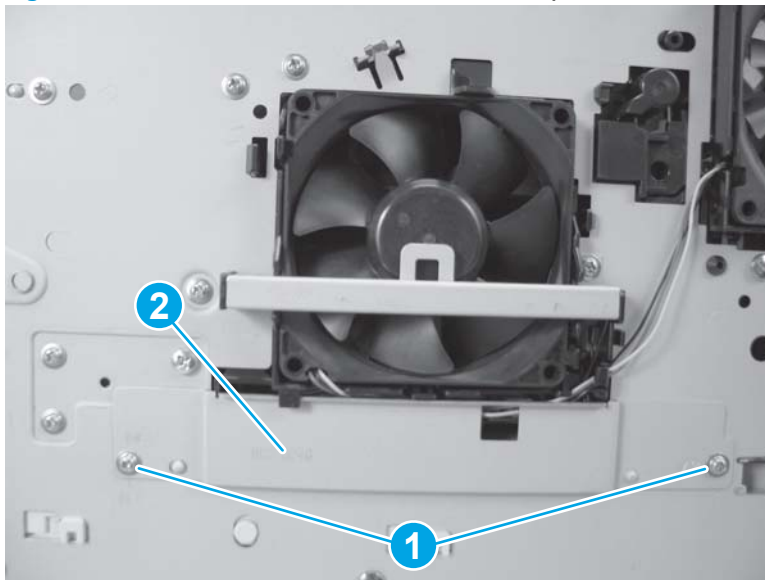
4. Disconnect seven wire-harness connectors (callout 1; J30, J82, J84, J85, J95, J96, and J98).

Figure 1-1929 Disconnect seven wire-harness connectors



5. Remove two screws (printer left side; callout 1) and then remove the fan-cover plate (callout 2).

Figure 1-1930 Remove two screws and fan cover plate



6. Disconnect three wire-harness connectors (printer left side; callout 1) and then remove four screws (callout 2).


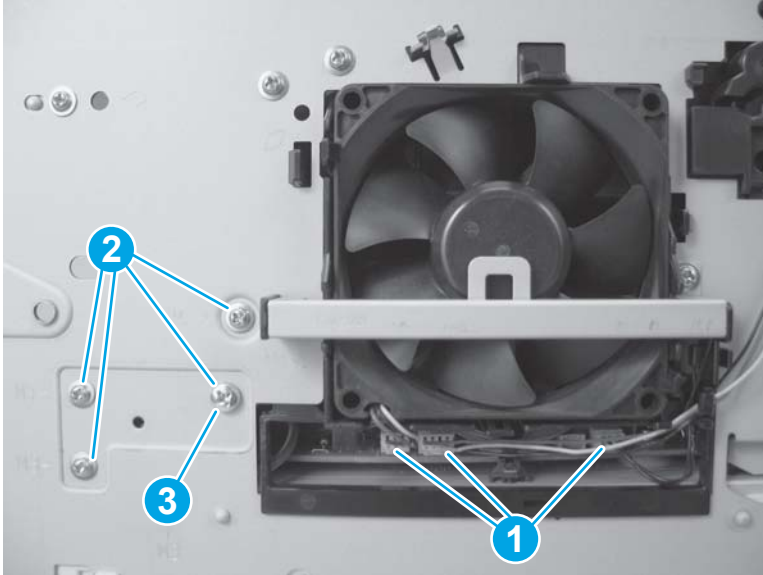
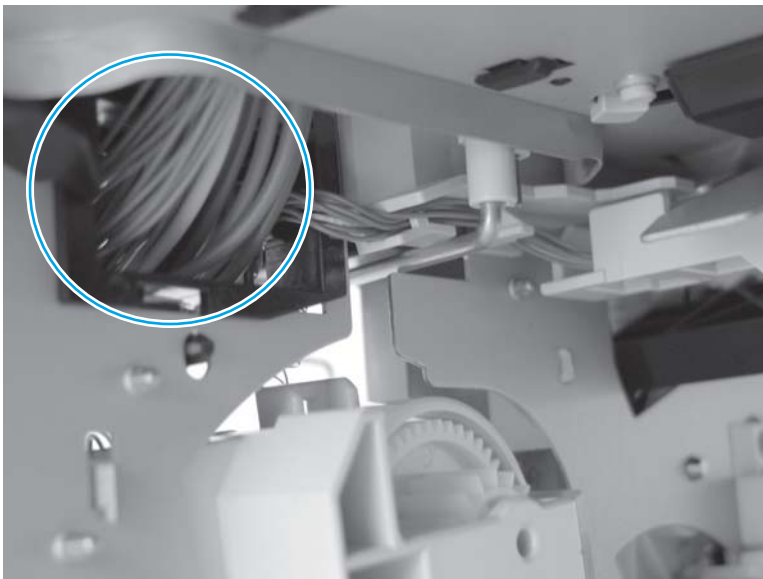
 **Reinstallation tip:** One screw (callout 3) is a different type than the others. Make sure that you replace the screws in the correct position.

Figure 1-1931 Disconnect three connectors and remove four screws



7. Feed the cables that were disconnected earlier through the opening in the right side of the chassis under the power-supply assembly.

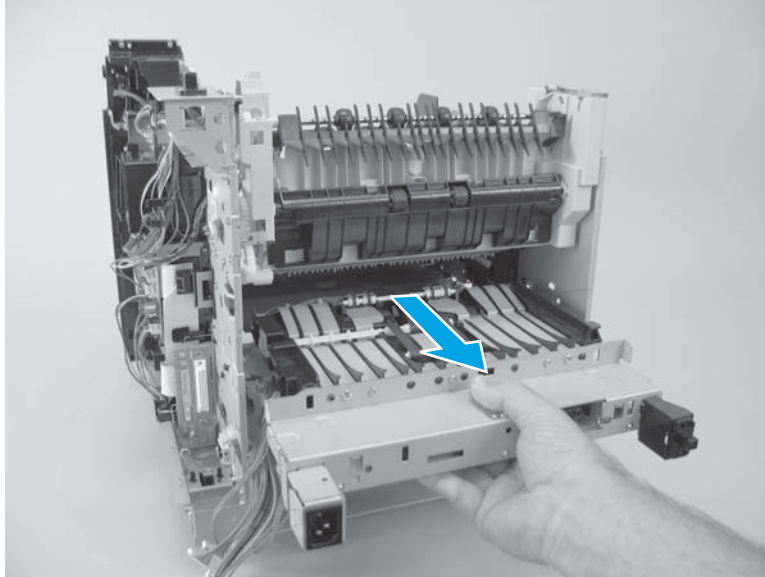
Figure 1-1932 Feed the cables through the opening



8. Grasp the power-supply assembly, lift it up slightly, and then pull it straight out of the chassis to remove it.

CAUTION: Make sure that the four rubber belts and plastic rollers on the feed-guide assembly (mounted to the top of the power supply) remain in place. These belts and rollers can easily become dislodged and you might lose them.

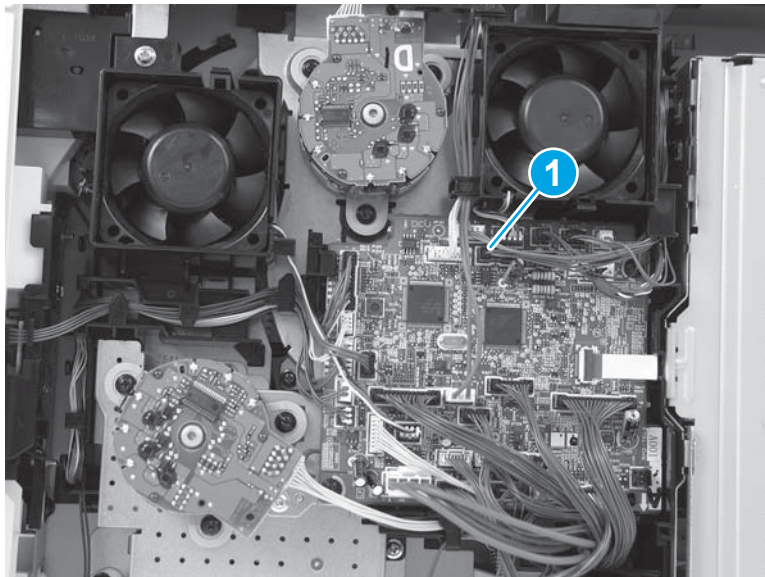
Figure 1-1933 Remove the power supply



Step 13: Remove the laser/scanner

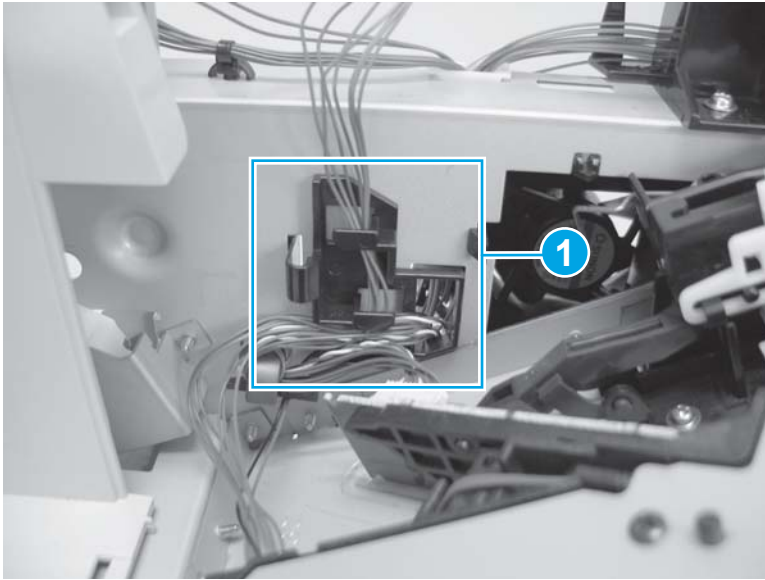
1. Disconnect one connector (callout 1; J86) from the DC controller.

Figure 1-1934 Disconnect one connector



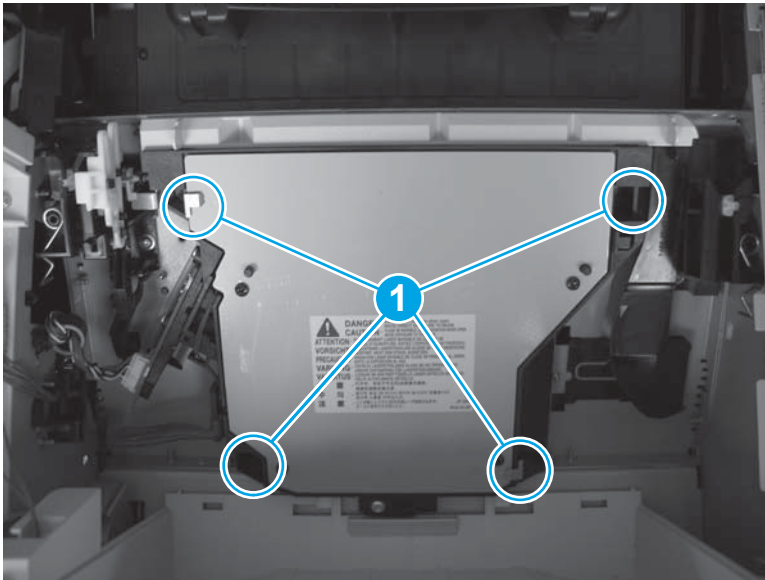
2. Release the laser/scanner wire-harness from the wire guide (callout 1).

Figure 1-1935 Release the laser/scanner wire-harness



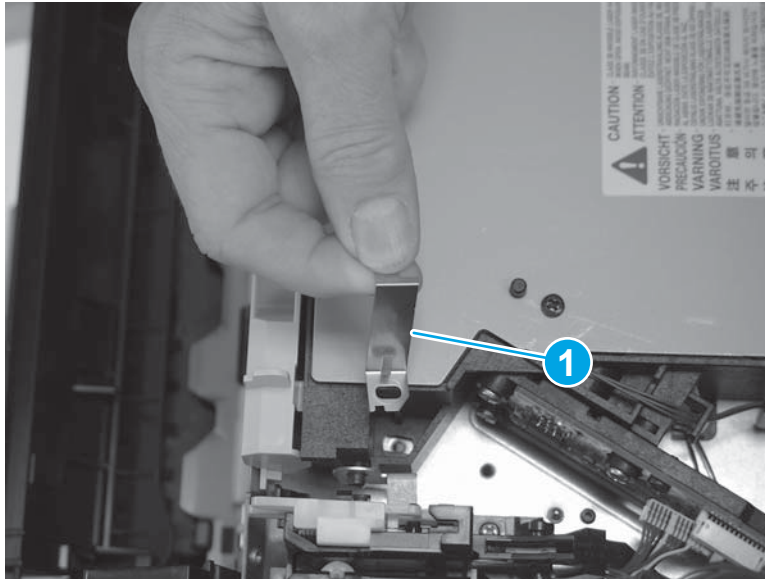
3. Remove four screws (callout 1).

Figure 1-1936 Remove four screws



4. Remove one grounding clip (callout 1).

Figure 1-1937 Remove one grounding clip



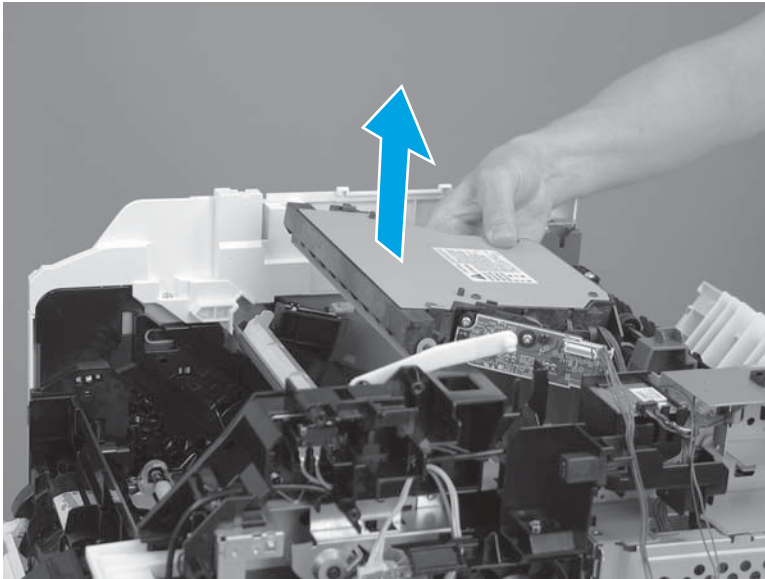
5. Disconnect one connector (callout 1).

Figure 1-1938 Disconnect one connector



6. Carefully lift the laser/scanner up and out of the printer. Make sure that the laser/scanner does not catch or snag the wires along the bottom of the assembly when you remove it.

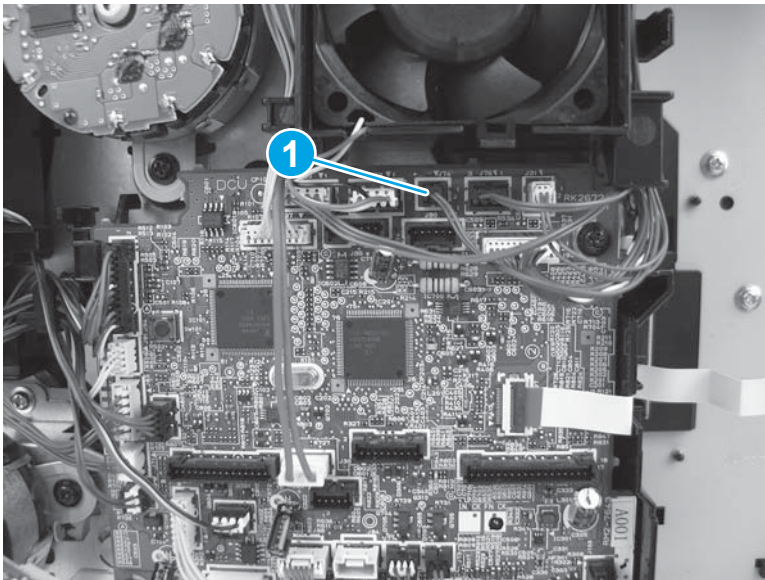
Figure 1-1939 Remove the laser/scanner



Step 14: Remove the tag holder assembly

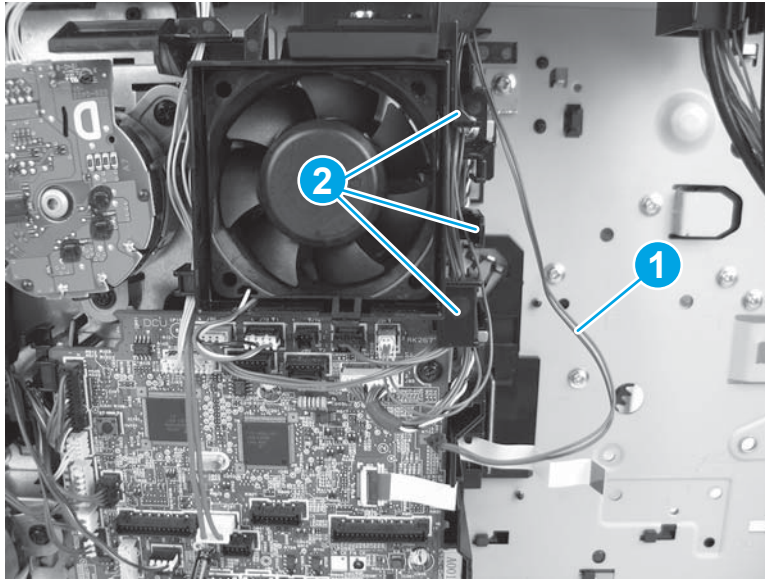
1. Disconnect one connector (J74; callout 1).

Figure 1-1940 Disconnect one connector



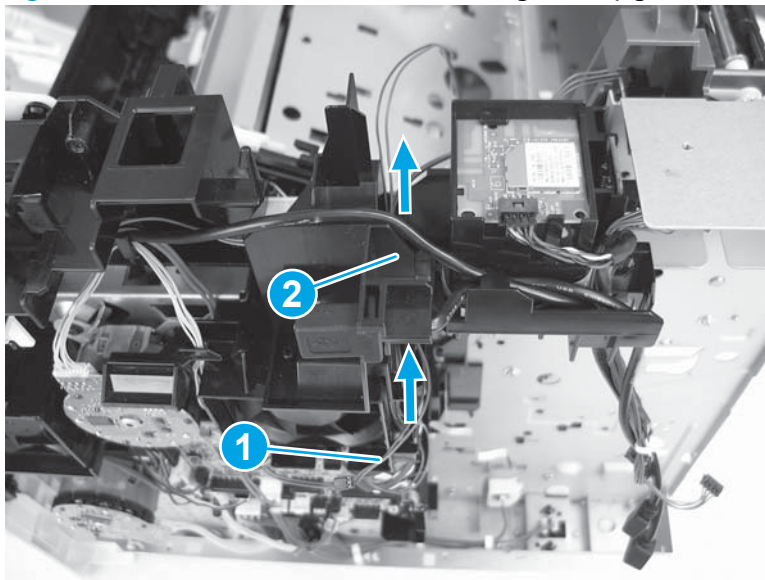
2. Remove the wire harness (callout 1) from the guides (callout 2).

Figure 1-1941 Remove the wire harness from the guides



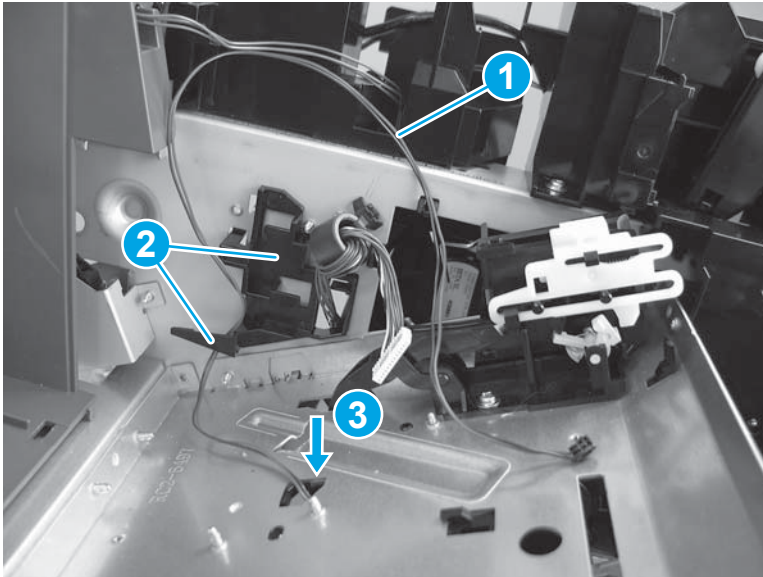
3. Remove the wire harness (callout 1) through the top guide (callout 2).

Figure 1-1942 Remove the wire harness through the top guide



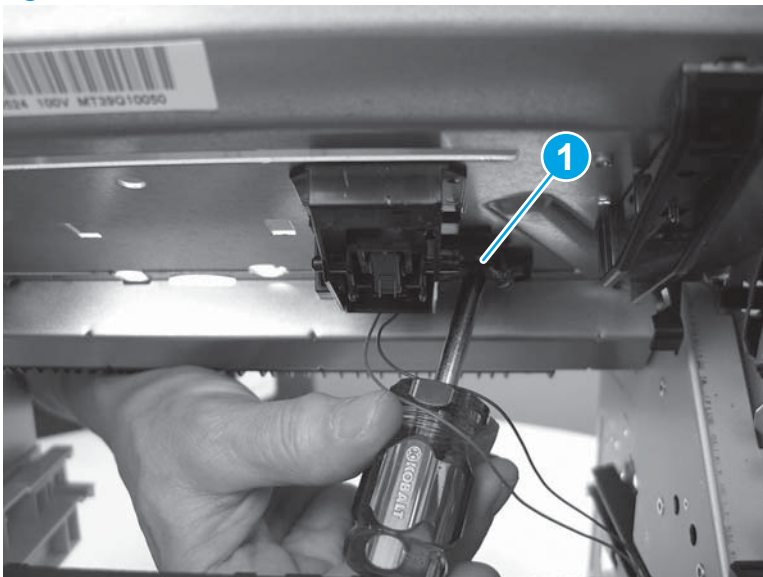
4. Remove the wire harness (callout 1) from the guides (callout 2), and then insert the wire harness and connector completely through the opening in the sheet metal (callout 3).

Figure 1-1943 Remove the wire harness from the guides and insert through opening



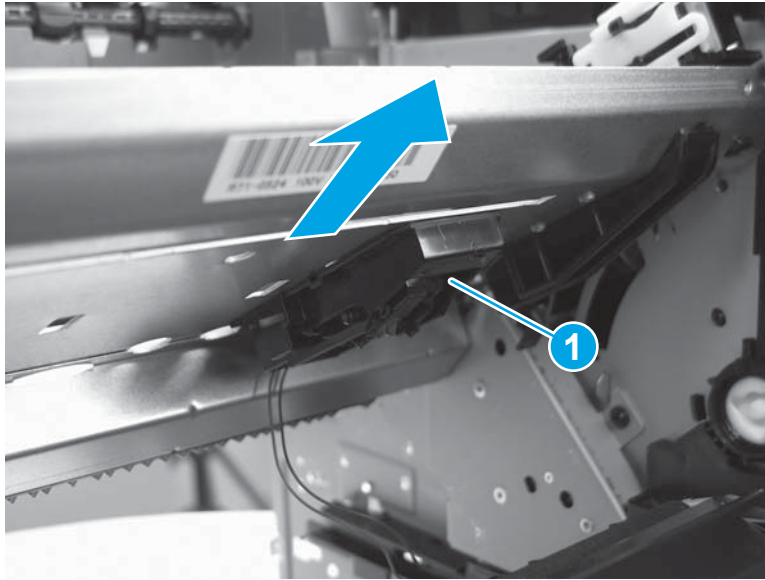
5. Inside the toner-cartridge cavity, use a short-shaft screwdriver to remove one screw (callout 1).

Figure 1-1944 Remove one screw



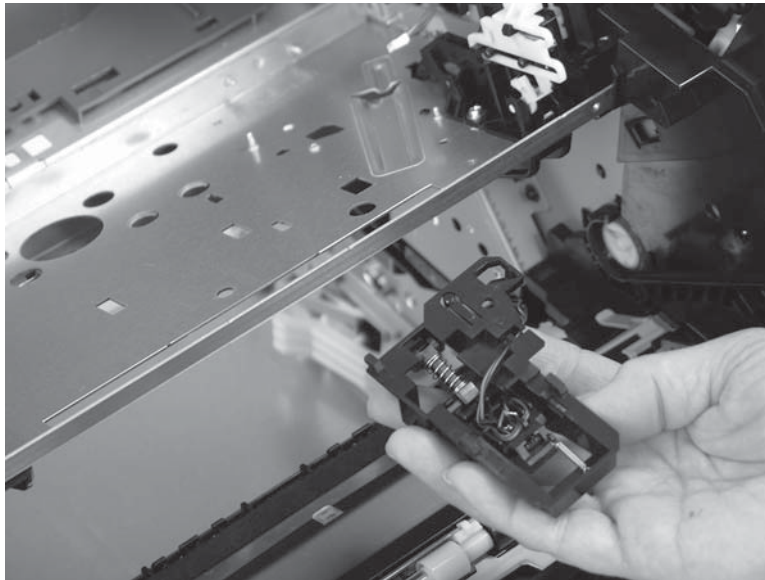
6. Slide the tag holder assembly (callout 1) away from the printer.

Figure 1-1945 Slide the tag holder assembly



7. Remove the tag holder assembly.

Figure 1-1946 Remove the tag holder assembly



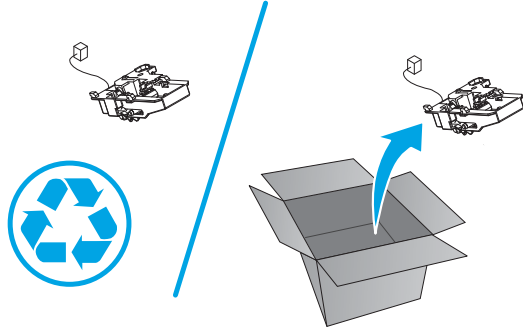
Step 15: Unpack the replacement tag holder assembly

Unpack the replacement part from the packaging.

<http://www8.hp.com/us/en/hp-information/environment/product-recycling.html>

 **NOTE:** HP recommends responsible disposal of the defective part.

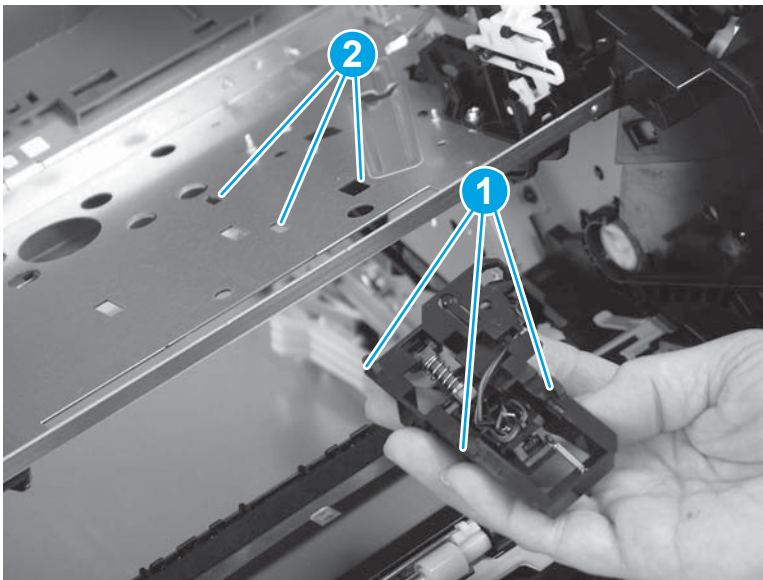
Figure 1-1947 Recycle and unpack



Step 16: Install the tag holder assembly

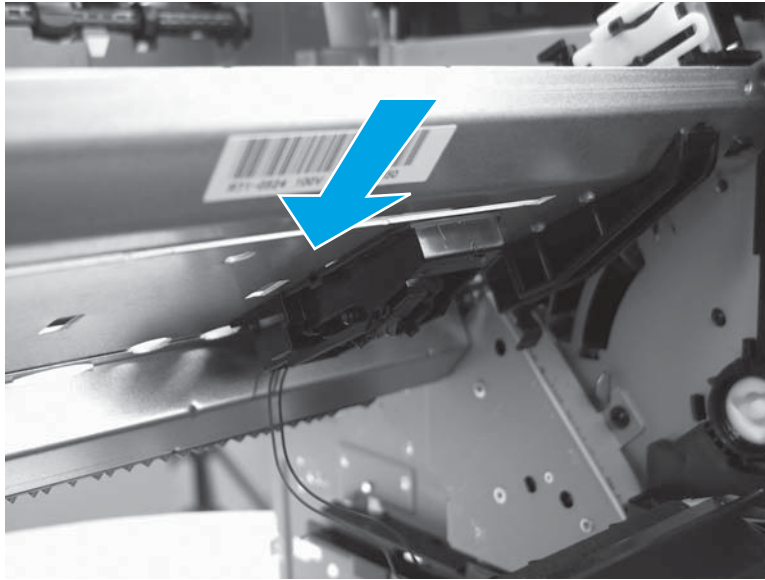
1. Align the tabs (callout 1) on the tag holder assembly with the slots (callout 2) in the printer.

Figure 1-1948 Align the tabs and slots



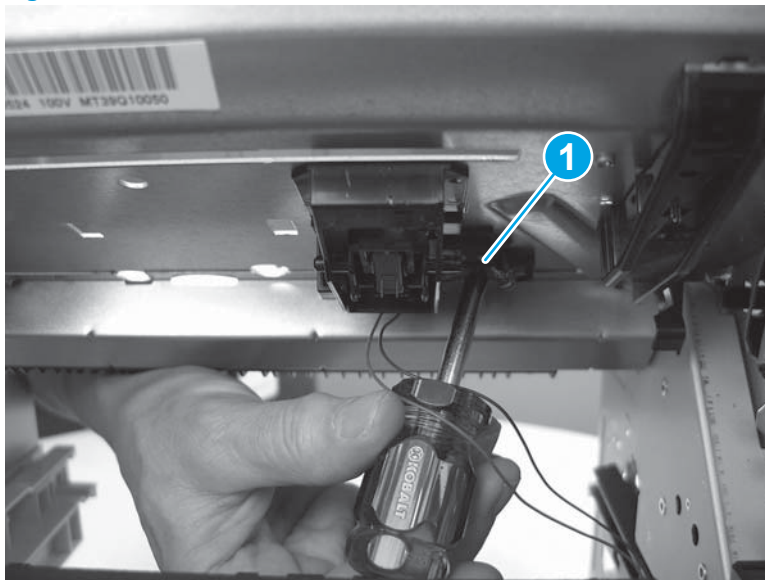
2. Slide the tag assembly into the printer to install it.

Figure 1-1949 Install the tag assembly



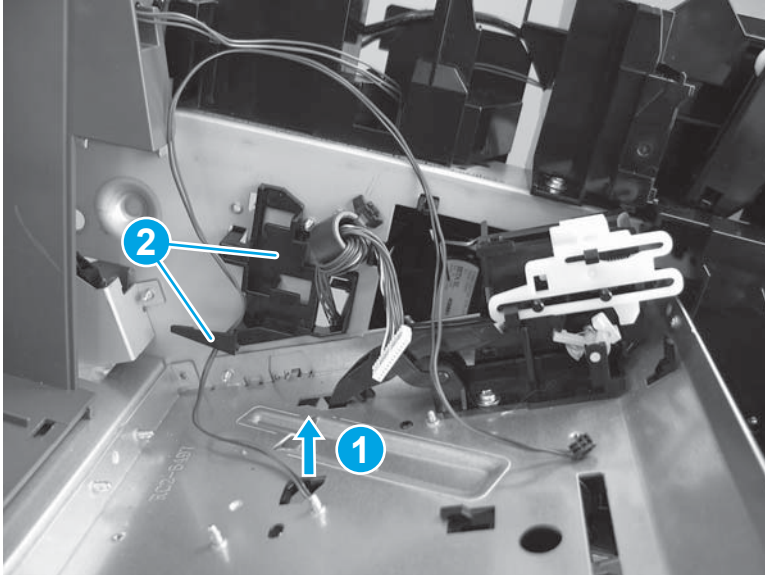
3. Inside the toner-cartridge cavity, use a short-shaft screwdriver to install one screw (callout 1).

Figure 1-1950 Install one screw



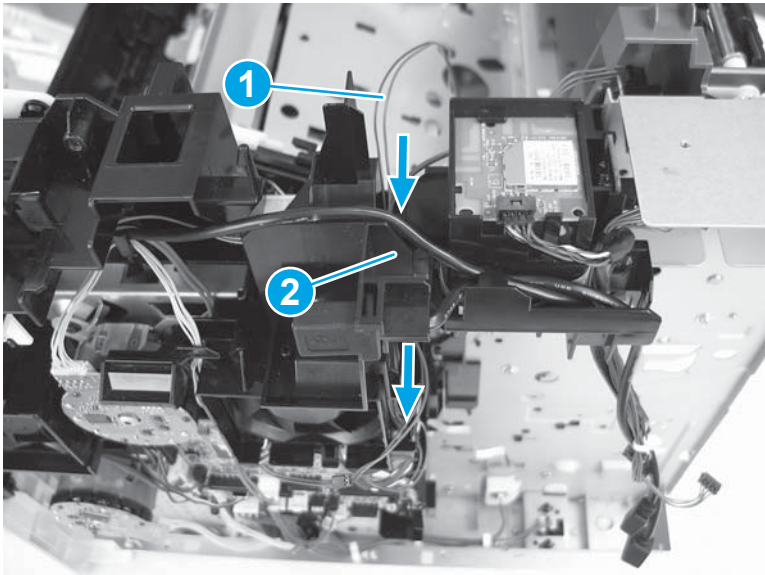
4. Insert the wire harness and connector through the opening in the sheet metal (callout 1), and then install the wire harness in the guides (callout 2).

Figure 1-1951 Insert the wire harness through the opening and install in the guides



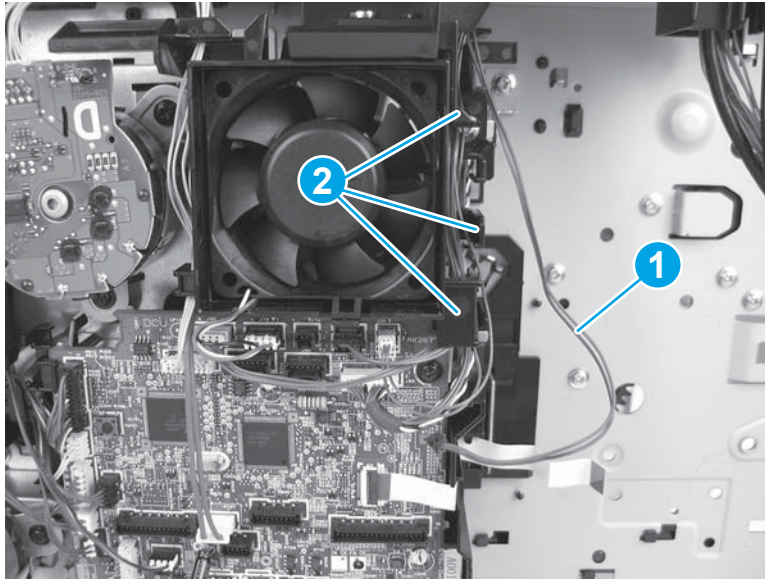
5. Install the wire harness (callout 1) through the top guide (callout 2).

Figure 1-1952 Install the wire harness through the top guide



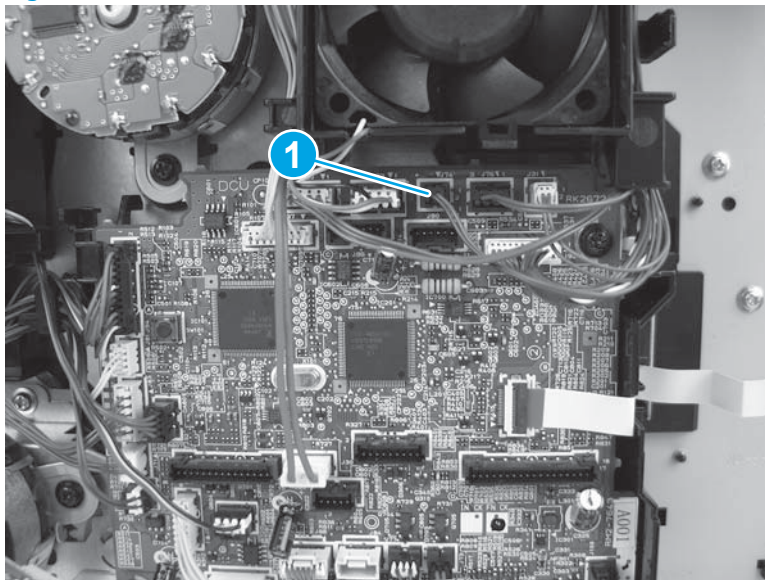
6. Install the wire harness (callout 1) in the guides (callout 2).

Figure 1-1953 Install the wire harness in the guides



7. Connect one connector (J74; callout 1).

Figure 1-1954 Connect one connector

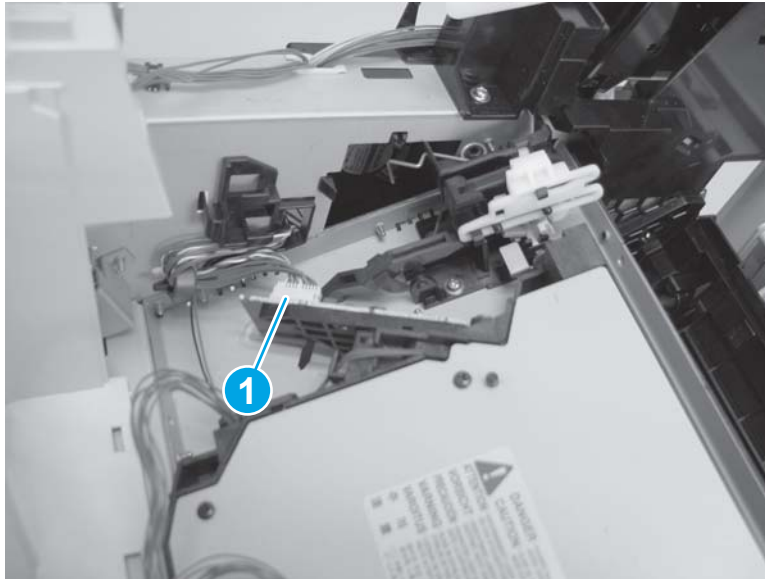


Step 17: Install the laser/scanner

1. Position the air duct (callout 1) so that each end (callout 2) fits correctly over the plastic locator tabs on the printer.

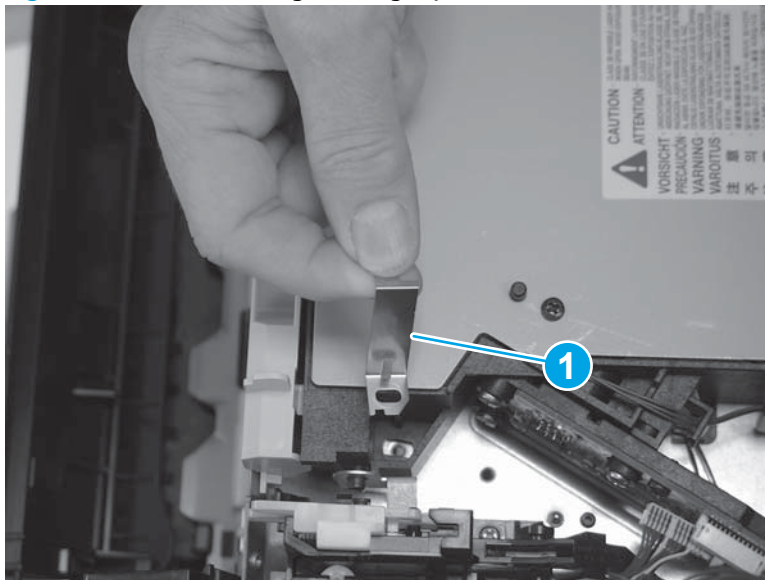
3. Connect one connector (callout 1).

Figure 1-1957 Connect one connector



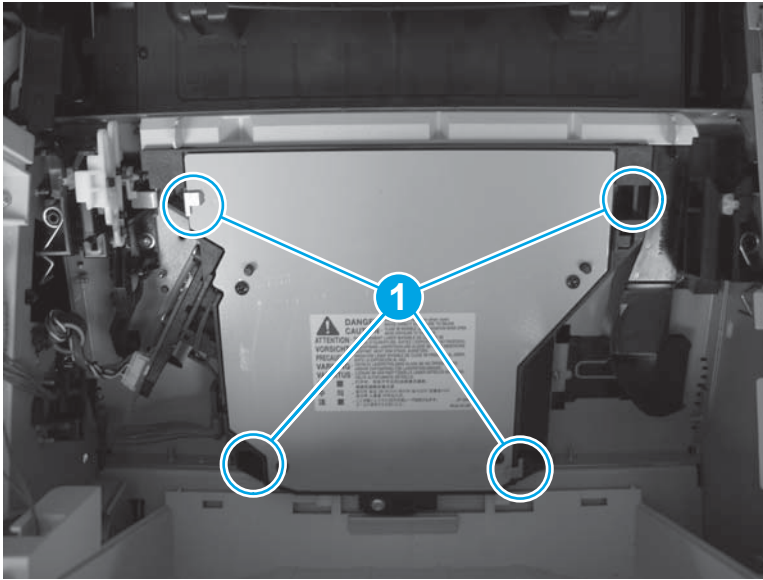
4. Install the grounding clip (callout 1) above the screw mounting hole.

Figure 1-1958 Install the grounding clip



5. Install four screws (callout 1).

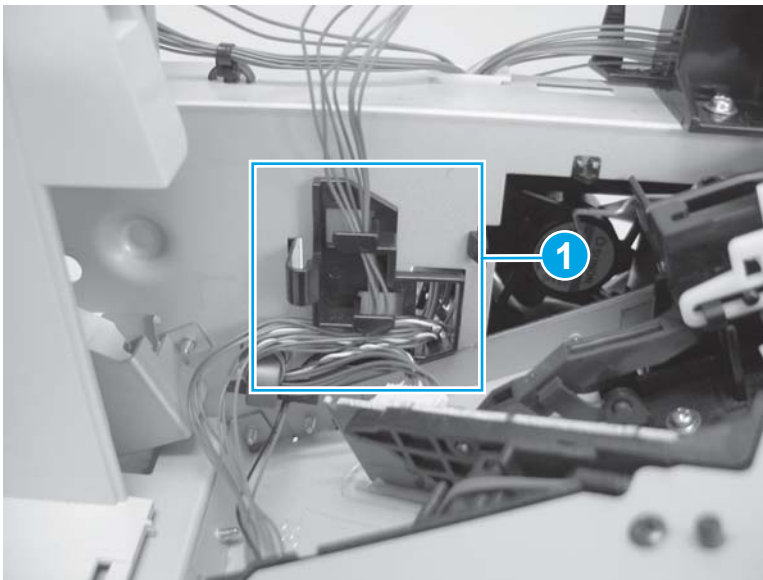
Figure 1-1959 Install four screws



6. Install the laser/scanner wire-harness in the wire guide (callout 1).

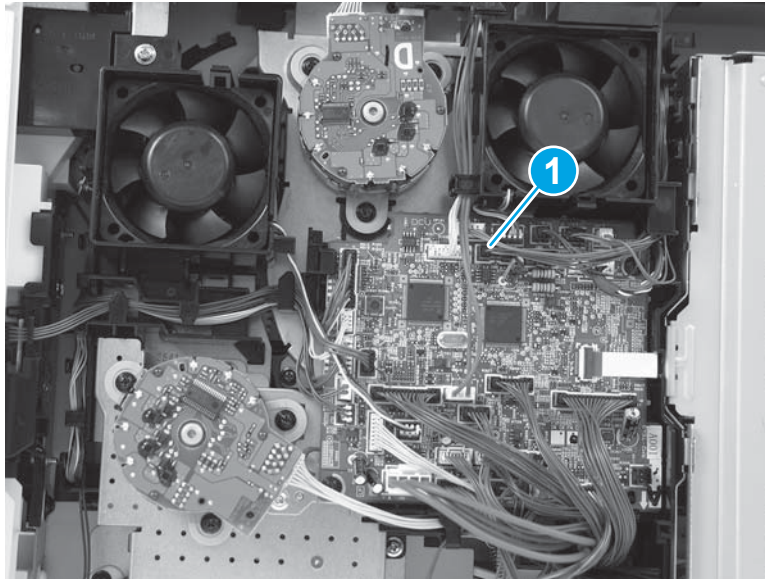
CAUTION: Make sure that the wire-harnesses are correctly routed through the wire guides. If the wire-harnesses are not correctly routed, they can be damaged when the top cover is installed.

Figure 1-1960 Install the laser/scanner wire-harness in the wire guide



7. Connect one connector (callout 1; J86).

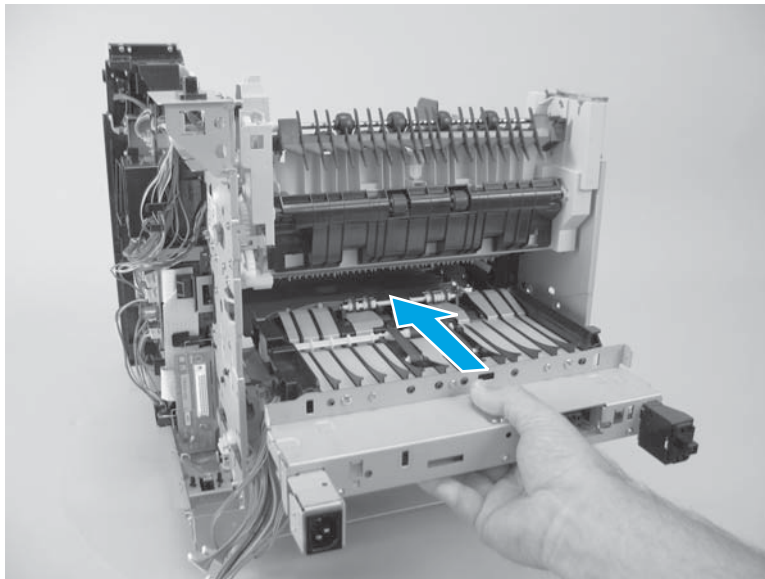
Figure 1-1961 Connect one connector



Step 18: Install the power supply

1. Slide the power-supply assembly into the printer.

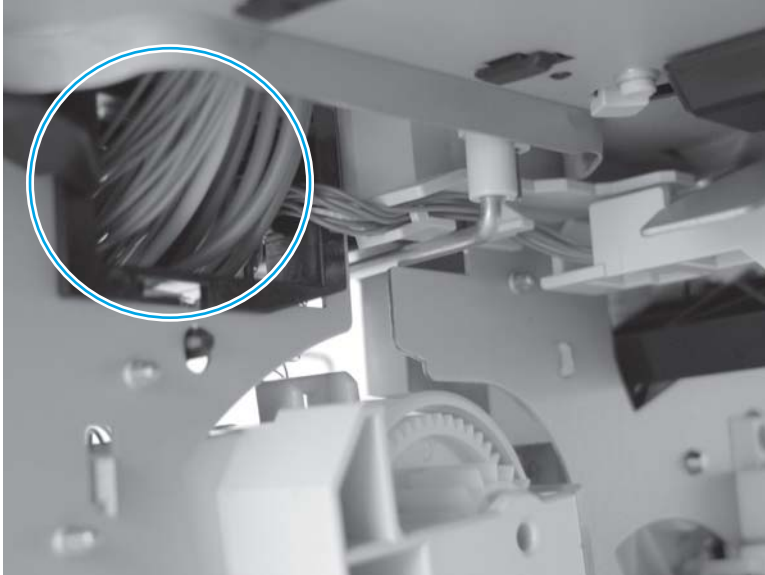
Figure 1-1962 Install the power supply



2. Install the cables into the opening in the right side of the chassis under the power-supply assembly.

CAUTION: Make sure that the four rubber belts and plastic rollers on the feed-guide assembly (mounted to the top of the power supply) remain in place. These belts and rollers can easily become dislodged and you might lose them.

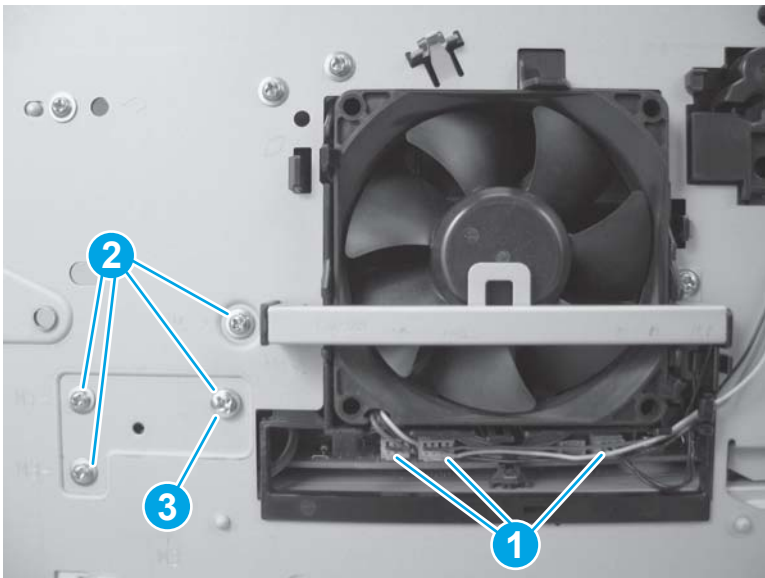
Figure 1-1963 Install the cables



3. Connect three wire-harness connectors (printer left side; callout 1) and then install four screws (callout 2).

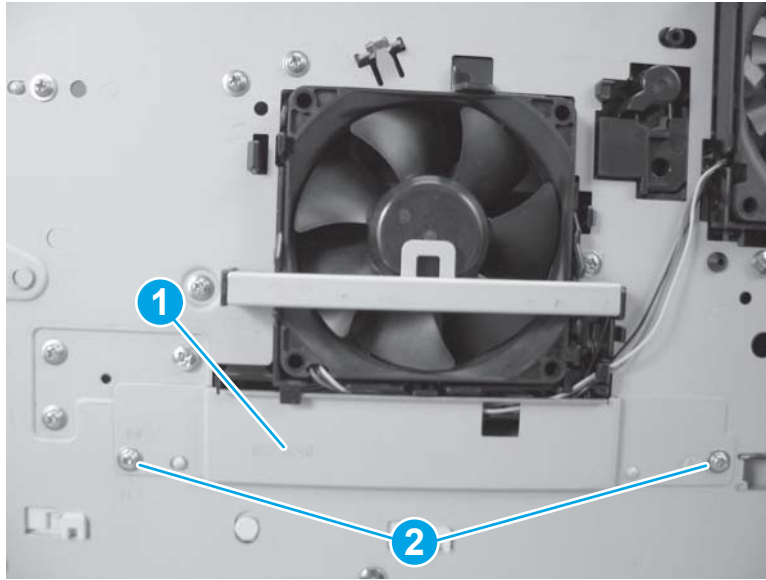
NOTE: One screw (callout 3) is a different type than the others. Make sure that you replace the screws in the correct position.

Figure 1-1964 Connect three connectors and install four screws



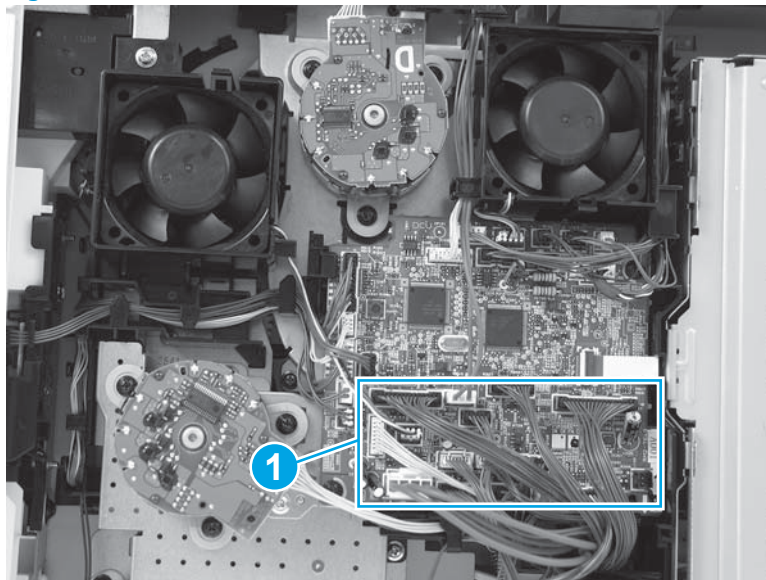
4. Position the fan-cover plate (callout 1) on the printer, and then install two screws (callout 2).

Figure 1-1965 Install the fan cover plate



5. Connect seven wire-harness connectors (callout 1; J30, J82, J84, J85, J95, J96, and J98).

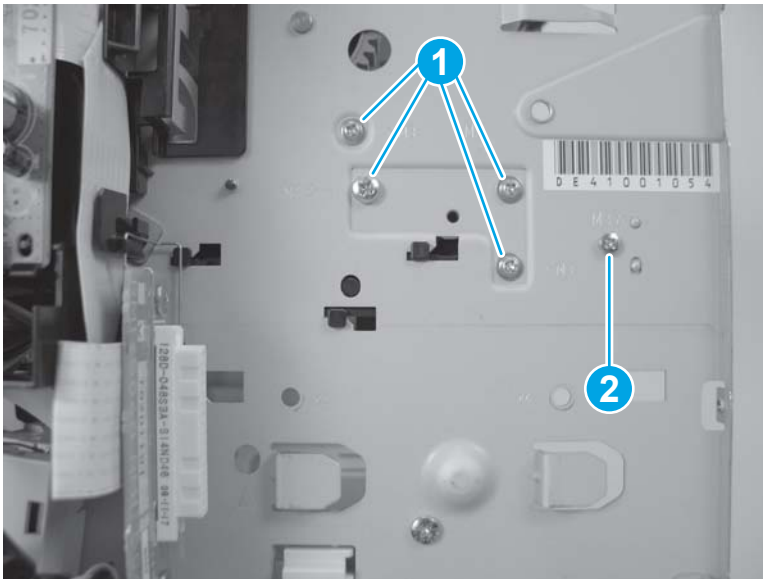
Figure 1-1966 Connect seven wire-harness connectors



6. Install four screws (callout 1) and one grounding screw (callout 2).

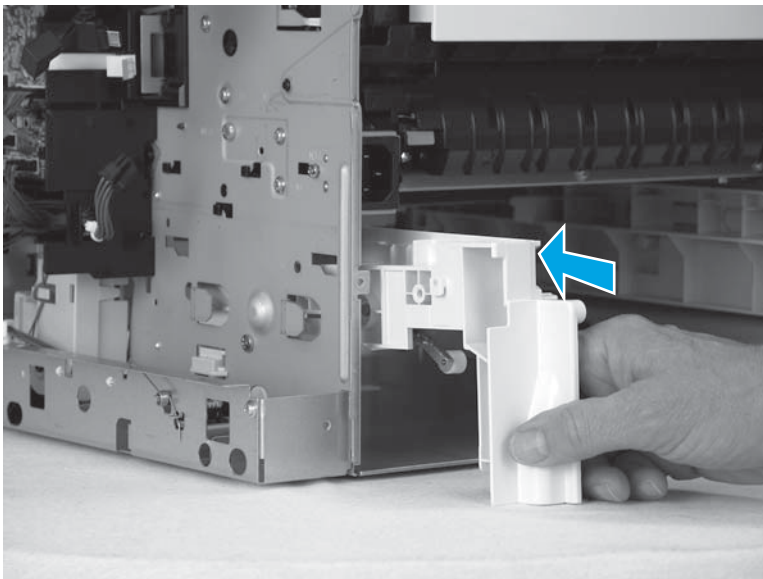
⚠ WARNING! You must use a grounding screw to secure the AC outlet to the printer chassis.

Figure 1-1967 Install four screws and grounding screw



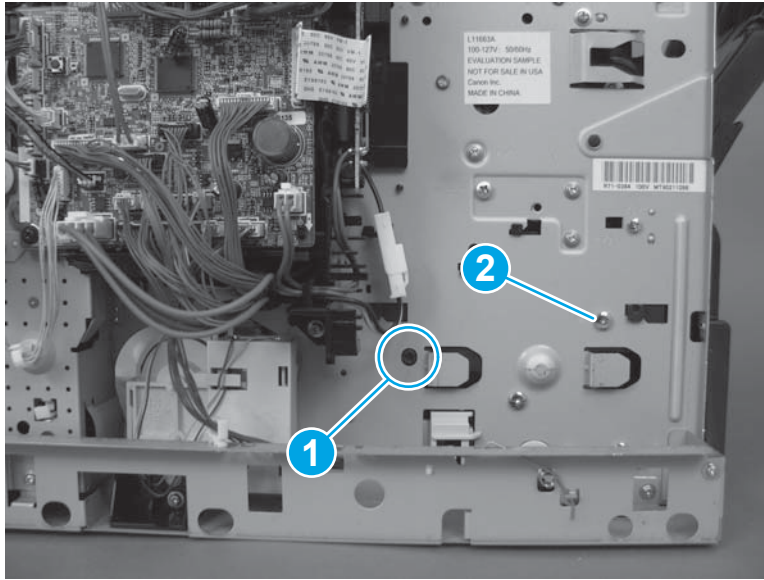
7. Position the power-supply PCA guide inside the printer.

Figure 1-1968 Install the power-supply PCA guide



8. Install one tab (callout 1), and then install one screw (callout 2).

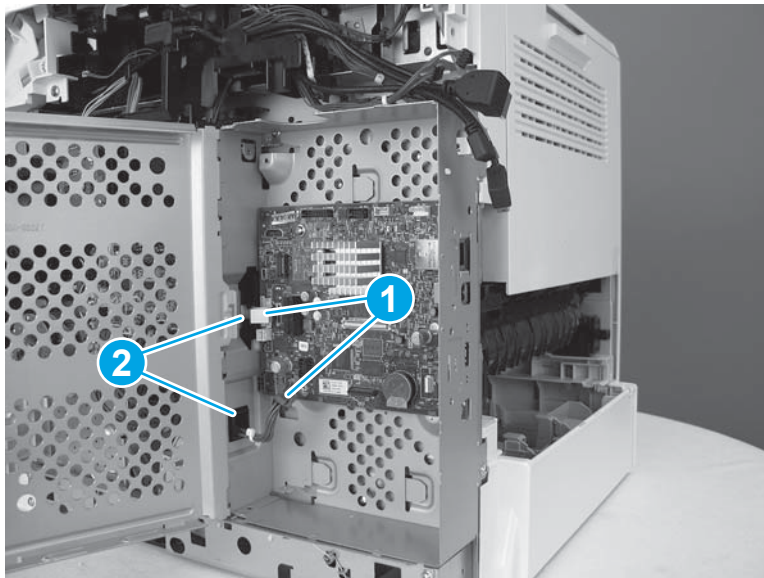
Figure 1-1969 Install one tab and one screw



Step 19: Install the formatter and formatter case

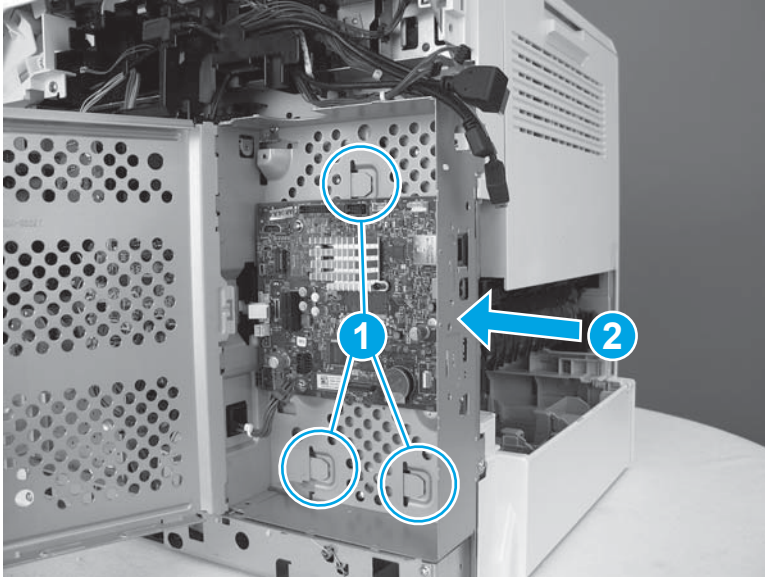
1. Position the formatter case on the printer. Make sure that the flat cable and wire harness (callout 1) are positioned through the openings (callout 2) in the formatter case.

Figure 1-1970 Position the formatter case



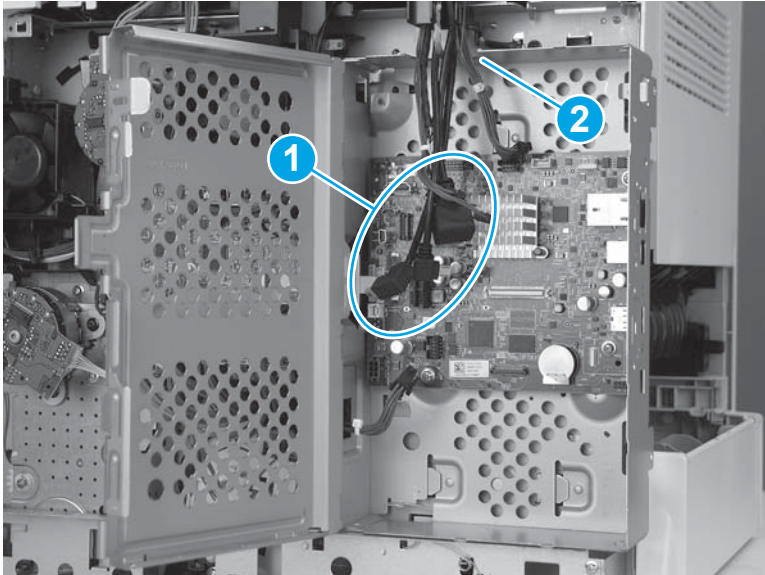
2. Make sure that the metal tabs on the printer are positioned into the slots on the formatter case (callout 1), and then slide the formatter case toward the front of the printer (callout 2) to install it.

Figure 1-1971 Install the formatter case



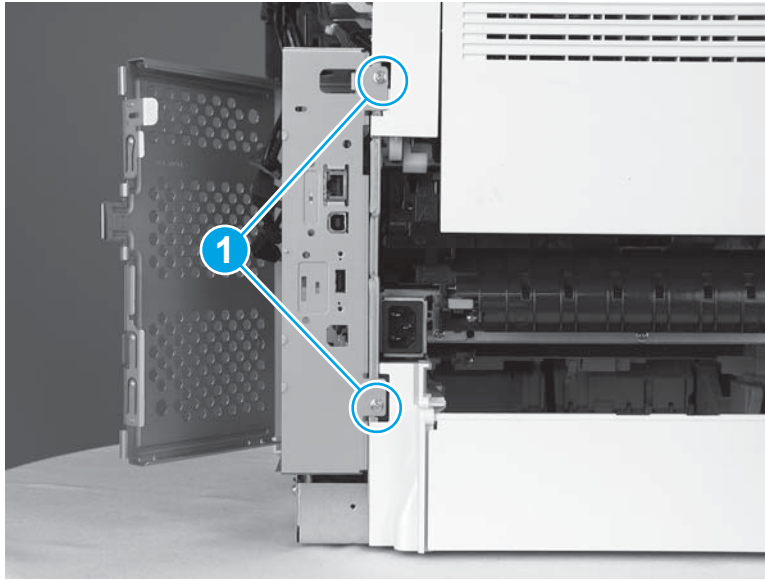
3. Position the wires and cables (callout 1) in the opening (callout 2) in the top of the formatter case.

Figure 1-1972 Position the wires in the formatter case



4. Install two screws (callout 1).

Figure 1-1973 Install two screws



5. Locate the flat cable connector (callout 1) on the formatter.


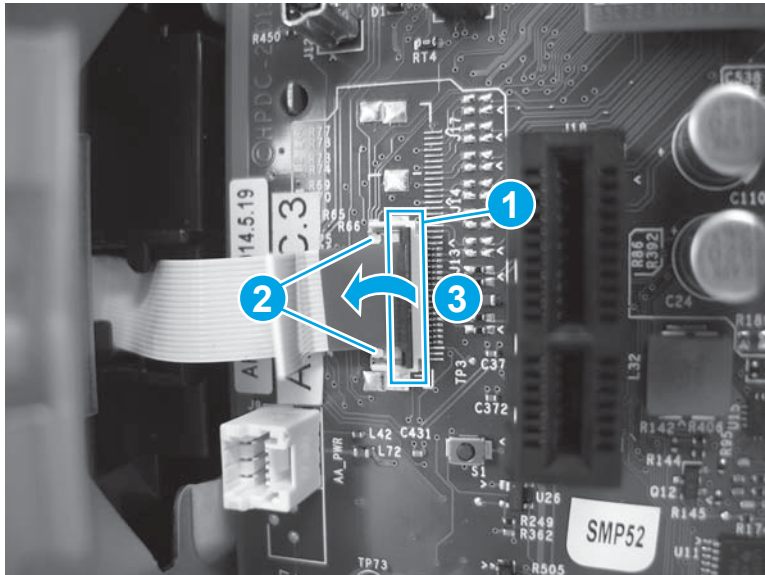
 **IMPORTANT:** The flat cable connector is a Zero Insertion Force (ZIF) connector that uses a hinged retainer to secure a flat cable. When the flat cable is reinstalled, fully insert the flat cable in the connector between the two white pins (callout 2). Close the hinged retainer (callout 3) to lock the flat cable into the connector and provide proper electrical contact. If the flat cable is not locked into the connector, no electrical contact will occur.

Figure 1-1974 ZIF connector

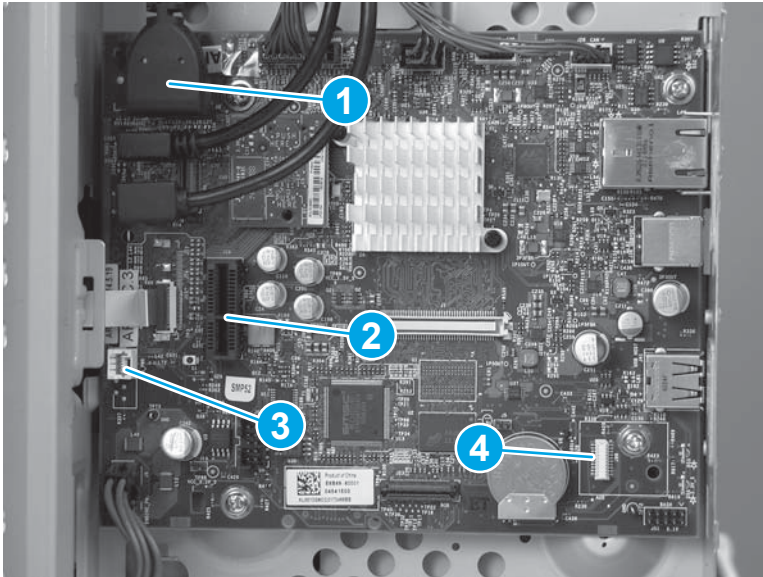


6. Connect all of the connectors on the formatter.

The following connectors are empty:

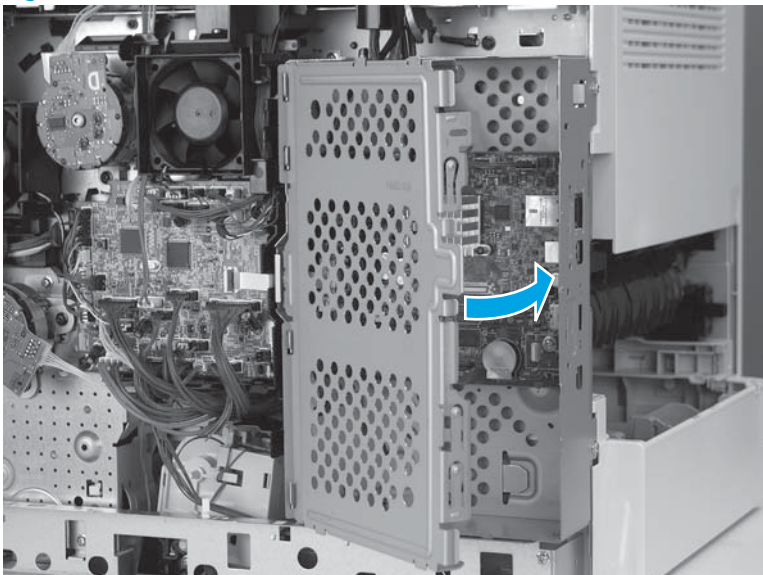
- J23, J25, J51, and J57
- J3 (callout 1): This connector is empty on the M604n/dn, M605n/dn, and M606dn models. It holds the touchscreen cable on the M605x and M606x models.
- J18 (callout 2): This connector is empty unless the optional hard-disk-drive (HDD) is installed.
- J9 (callout 3): This connector is empty unless the optional two internal USB ports accessory is installed.
- J98 (callout 4): This connector is empty unless the optional trusted platform module (TPM) is installed.

Figure 1-1975 Connect all connectors



7. Close the formatter case door.

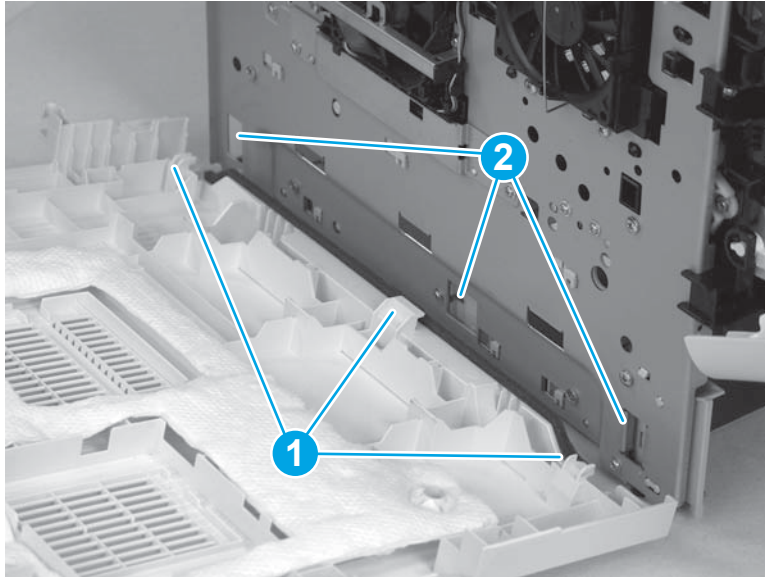
Figure 1-1976 Close the formatter case door



Step 20: Install the left cover

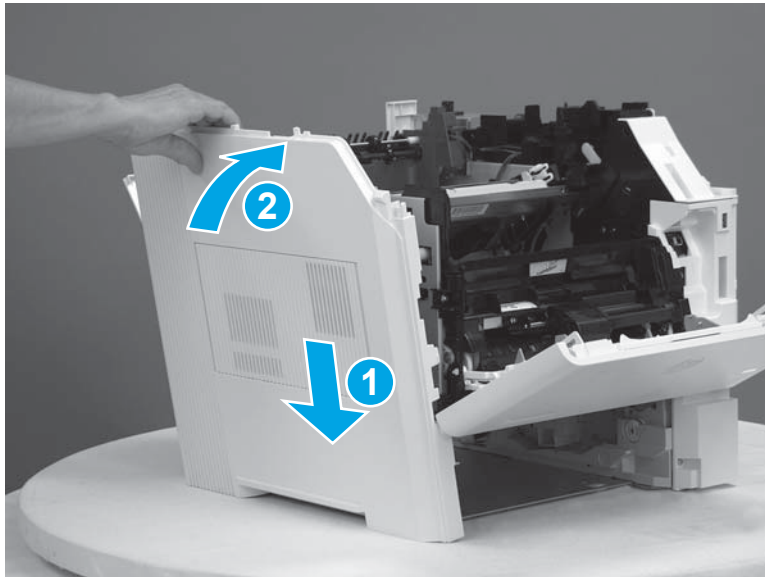
1. Note the location of the tabs (callout 1) on the bottom of the left cover that will fit into the slots (callout 2) in the sheet-metal frame.

Figure 1-1977 Note location of tabs



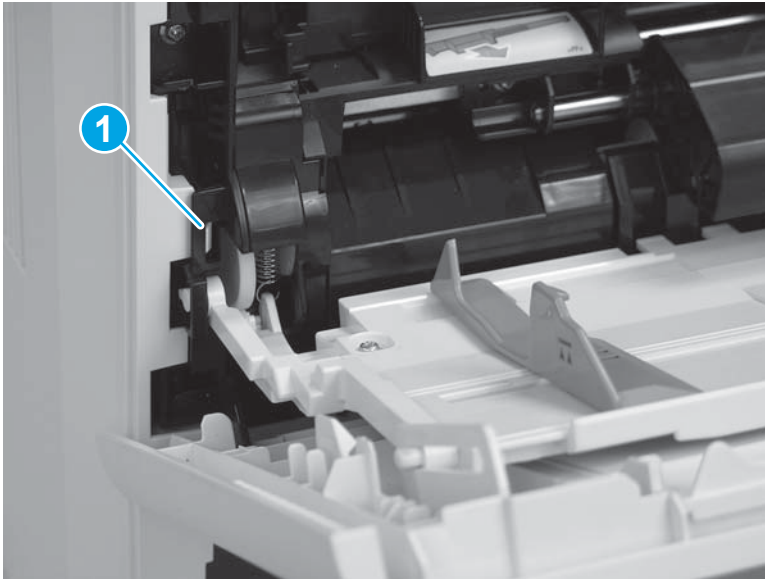
2. Position the tabs in the slots mentioned in the previous step (callout 1), and then rotate the left cover toward the printer (callout 2).

Figure 1-1978 Rotate the cover into place



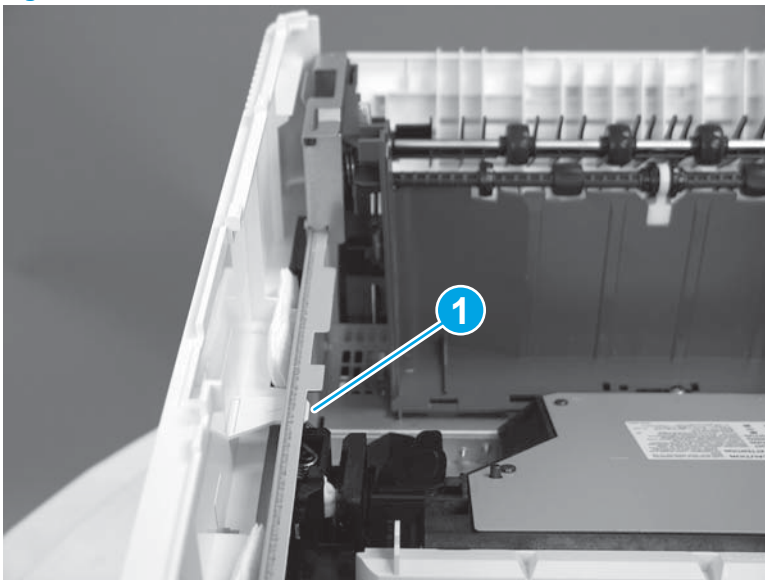
3. Make sure that the tab (callout 1) on the front of the cover snaps into place.

Figure 1-1979 Install one tab



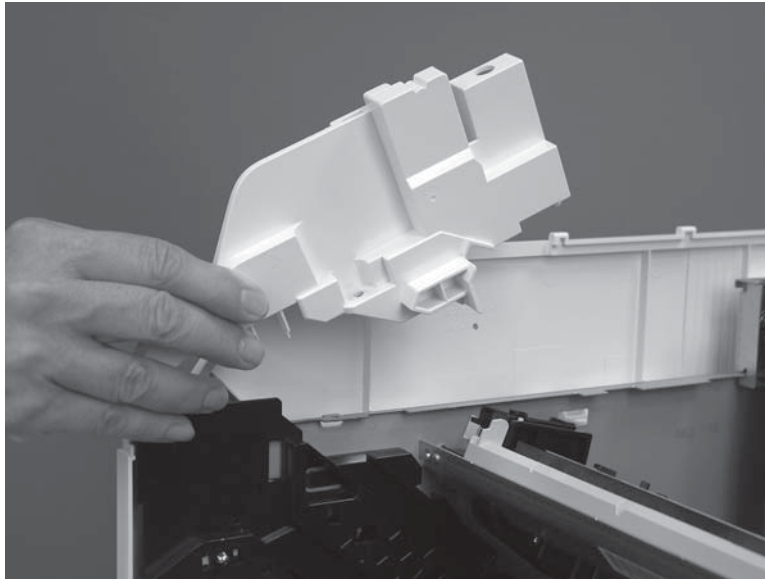
4. Make sure that the tab (callout 1) on the top of the cover snaps into place.

Figure 1-1980 Install one tab



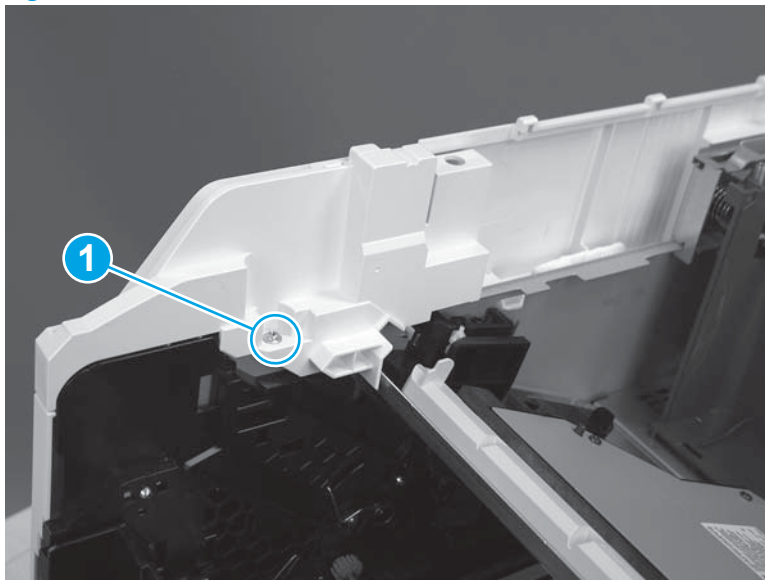
5. Position the left front inside cover on the printer.

Figure 1-1981 Install the left front inside cover



6. Install one screw (callout 1).

Figure 1-1982 Install one screw

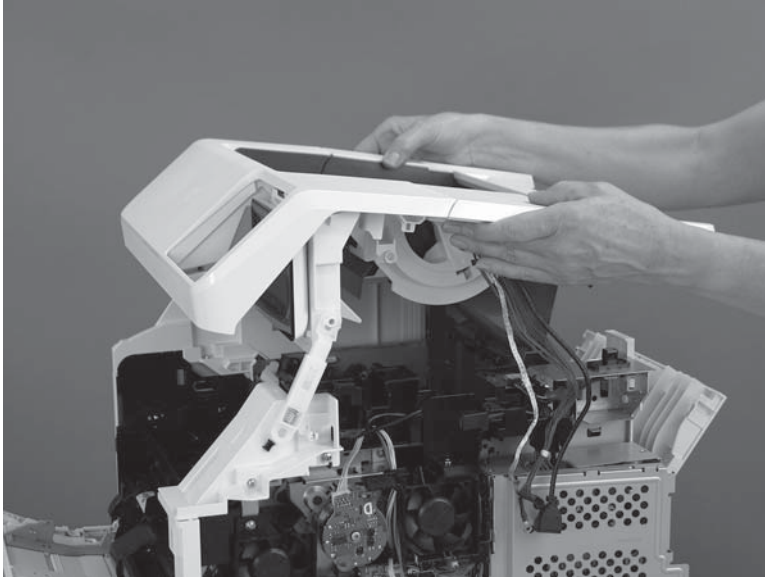


Step 21: Install the top cover (M605x, M606x only)

 **NOTE:** For the M604n/dn, M605n/dn, or M606dn product, skip this step and go to [Step 22: Install the top cover \(M604n/dn, M605n/dn, M606dn only\) on page 1096.](#)

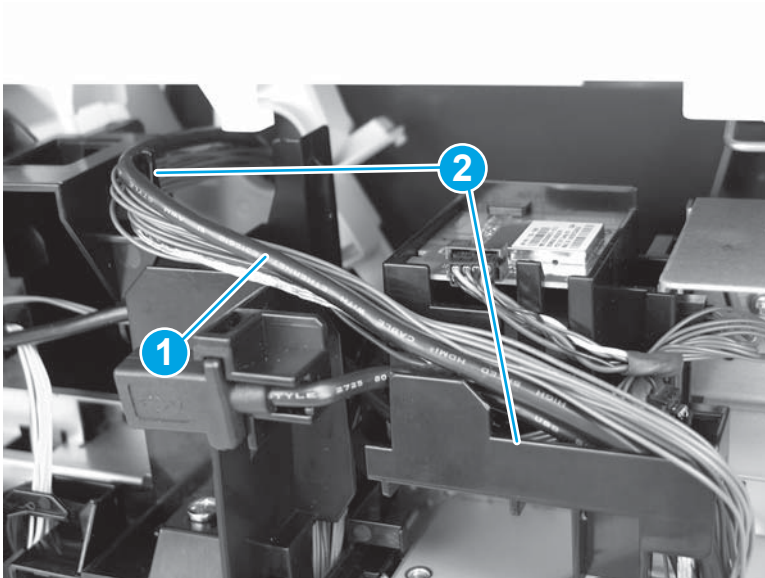
1. Lower the top cover onto the printer.

Figure 1-1983 Lower the top cover



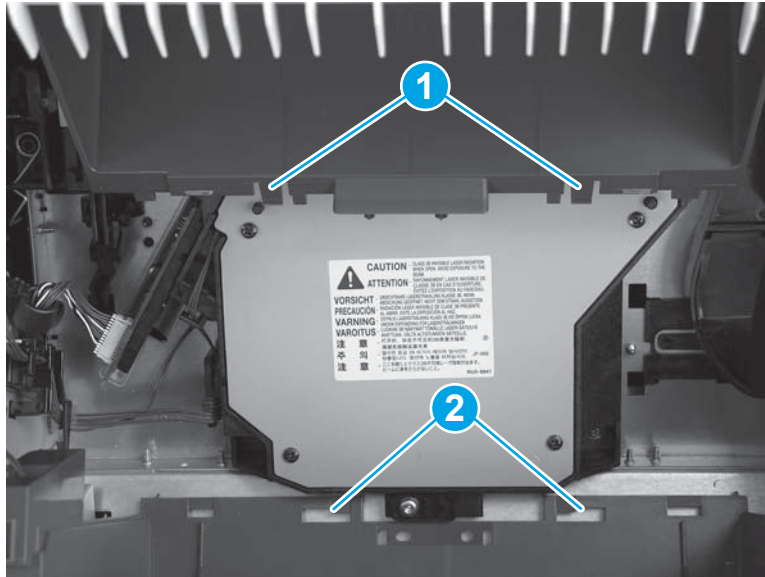
2. On the right side of the printer, make sure that the wire harness and cables (callout 1) are properly routed through the guides (callout 2).

Figure 1-1984 Install cables in guides



3. Install two tabs (callout 1) on the top output bin into two slots (callout 2) in the printer. Make sure that the tabs snap into place.

Figure 1-1985 Install two tabs



4. Install one screw (callout 1) on the left side of the printer.


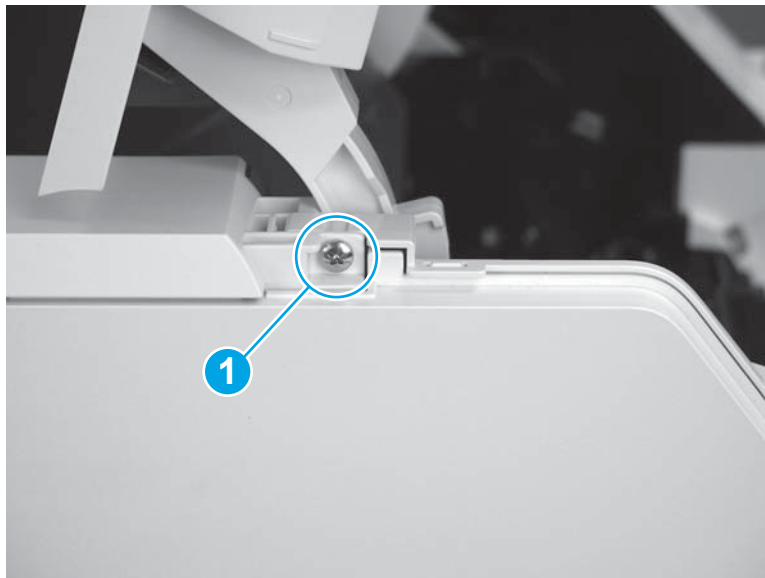
 **Reinstallation tip:** This screw is larger than the screws removed from the top of the printer. Make sure to install the correct screw.

Figure 1-1986 Install one screw



5. Install one screw (callout 1) on the right side of the printer.


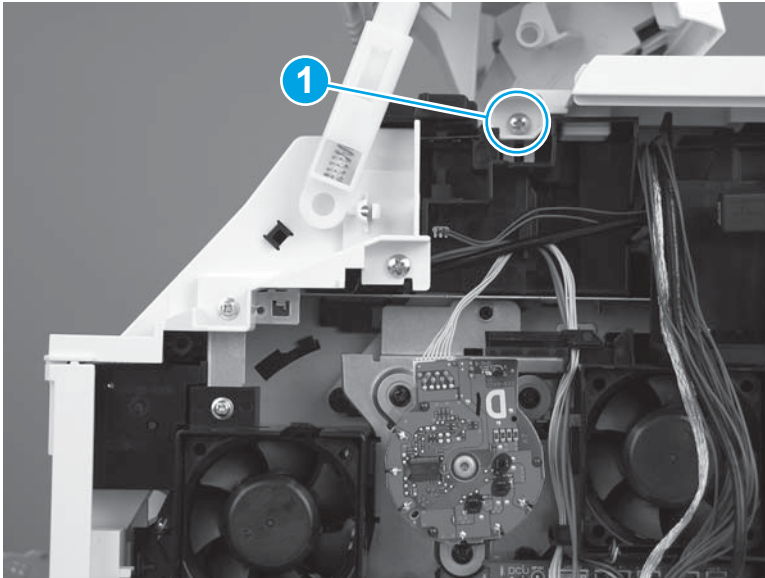
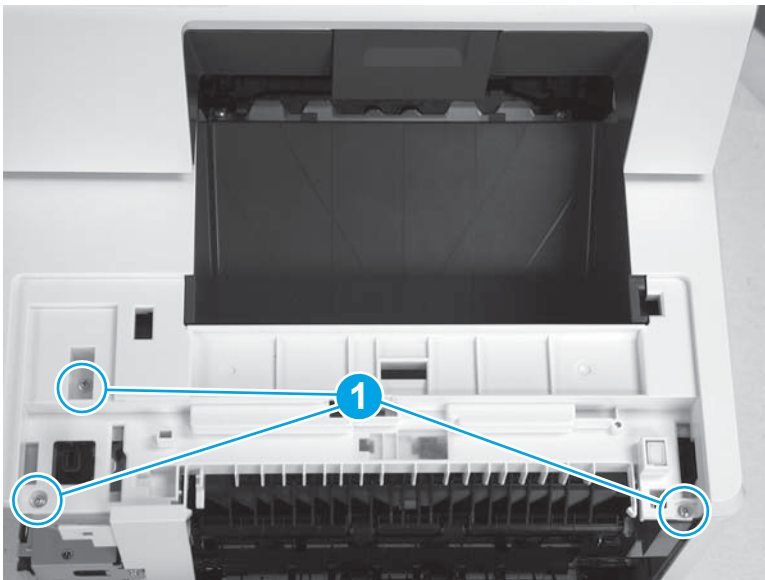
 **Reinstallation tip:** This screw is larger than the screws removed from the top of the printer. Make sure to install the correct screw.

Figure 1-1987 Install one screw



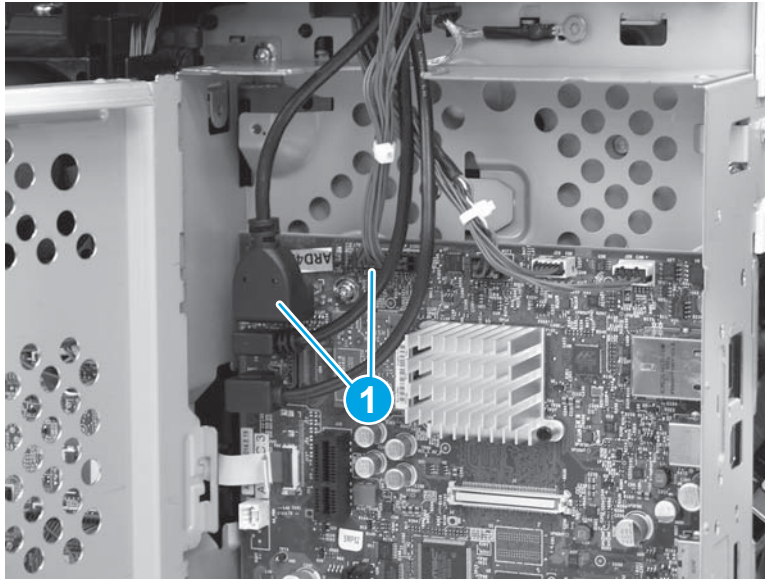
6. Install three screws (callout 1) on the top of the printer.

Figure 1-1988 Install three screws



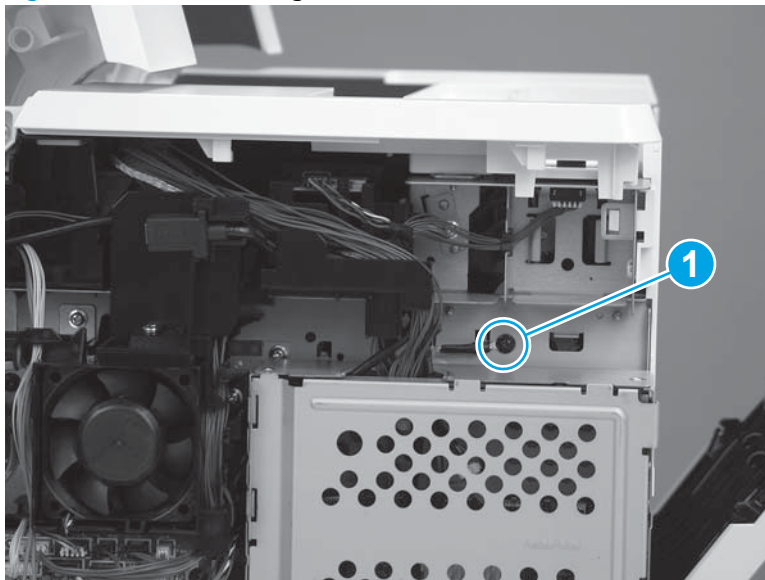
7. Connect two connectors (callout 1).

Figure 1-1989 Connect two connectors



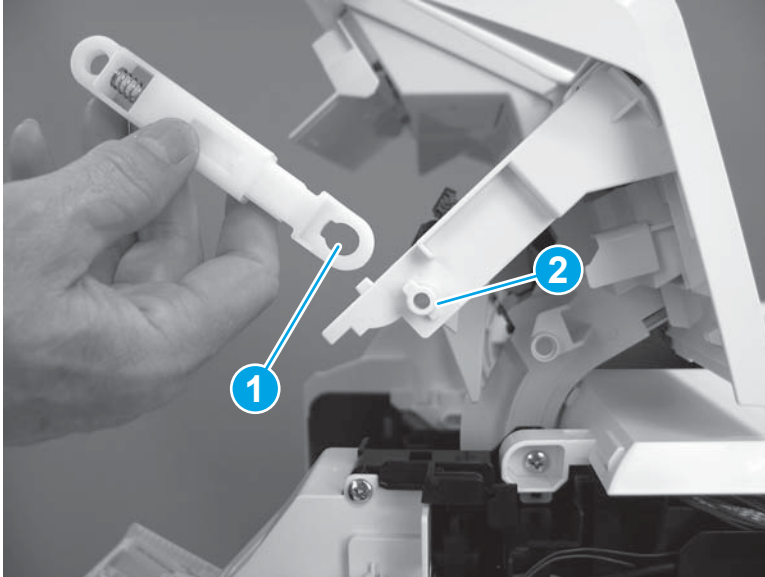
8. Install one screw to attach the ground wire (callout 1).

Figure 1-1990 Install the ground wire




9. If the toner-cartridge door hinge comes off of the top cover, reattach the hinge by sliding the hole (callout 1) in the hinge onto the tab (callout 2) on the top cover.

Figure 1-1991 Reattach the door hinge

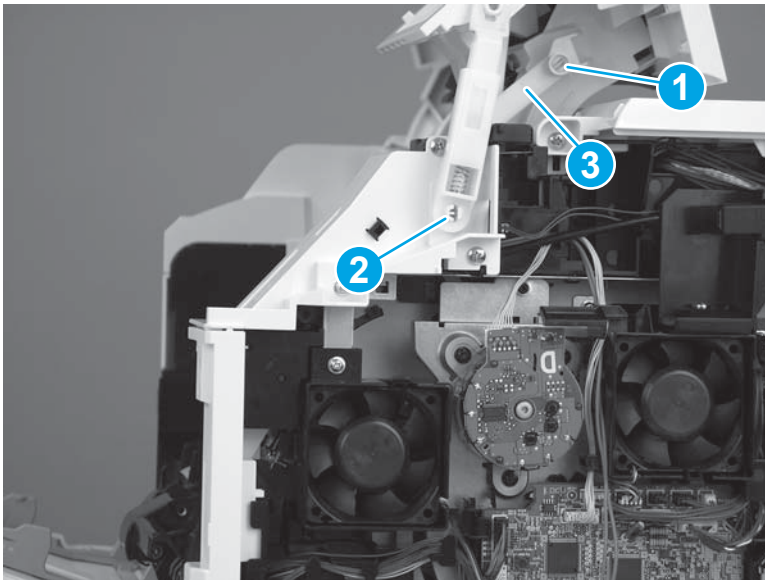


10. Install the toner-cartridge drive-arm (callout 1) and the toner-cartridge door hinge (callout 2) by pressing them onto the tabs.

 **NOTE:** It might be necessary to lift the drive arm (callout 3) up in order to reattach it.

 **CAUTION:** The toner-cartridge drive-arm tabs break easily.

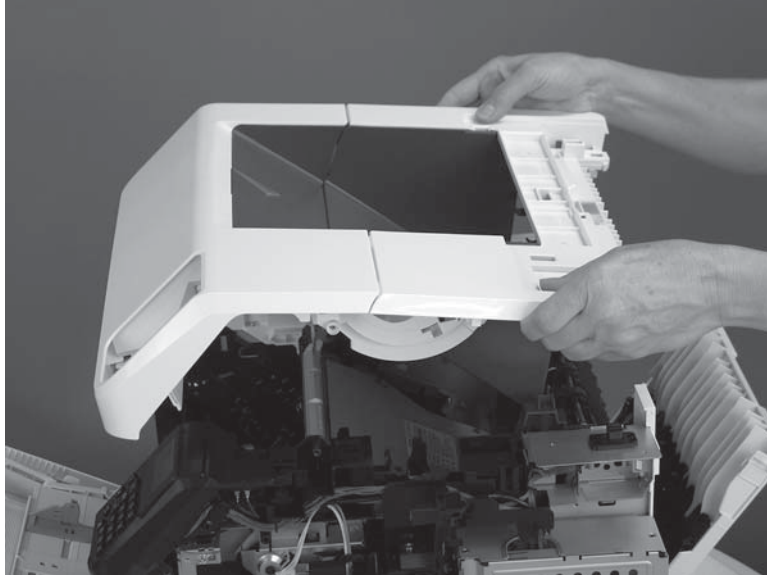
Figure 1-1992 Install the drive-arm and door hinge tabs



Step 22: Install the top cover (M604n/dn, M605n/dn, M606dn only)

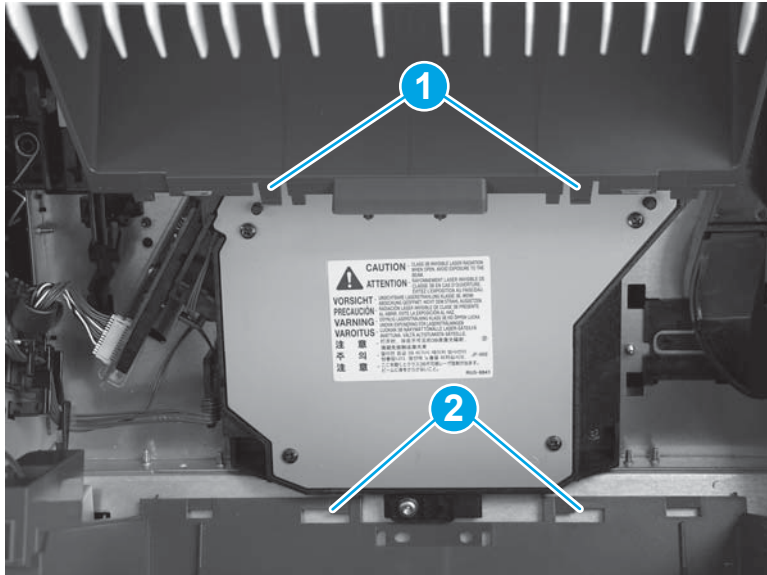
1. Lower the top cover onto the printer.

Figure 1-1993 Lower the top cover



2. Install two tabs (callout 1) on the top output bin into two slots (callout 2) in the printer. Make sure that the tabs snap into place.

Figure 1-1994 Install two tabs



3. Install one screw (callout 1) on the left side of the printer.


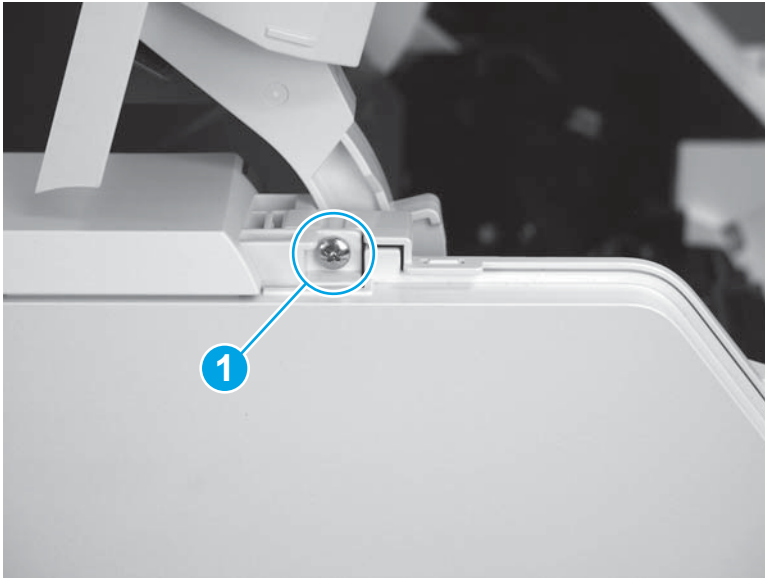
 **Reinstallation tip:** This screw is larger than the screws removed from the top of the printer. Make sure to install the correct screw.

Figure 1-1995 Install one screw



4. Install one screw (callout 1) on the right side of the printer.


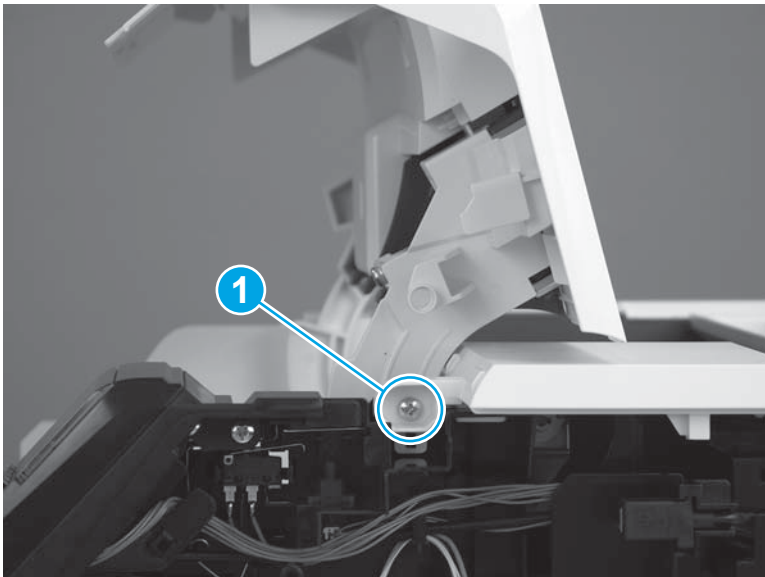
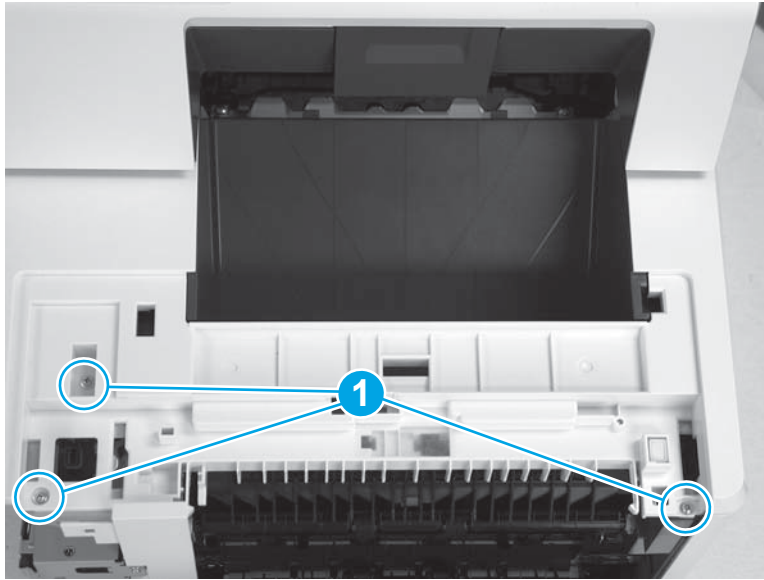
 **Reinstallation tip:** This screw is larger than the screws removed from the top of the printer. Make sure to install the correct screw.

Figure 1-1996 Install one screw



5. Install three screws (callout 1) on the top of the printer.

Figure 1-1997 Install three screws

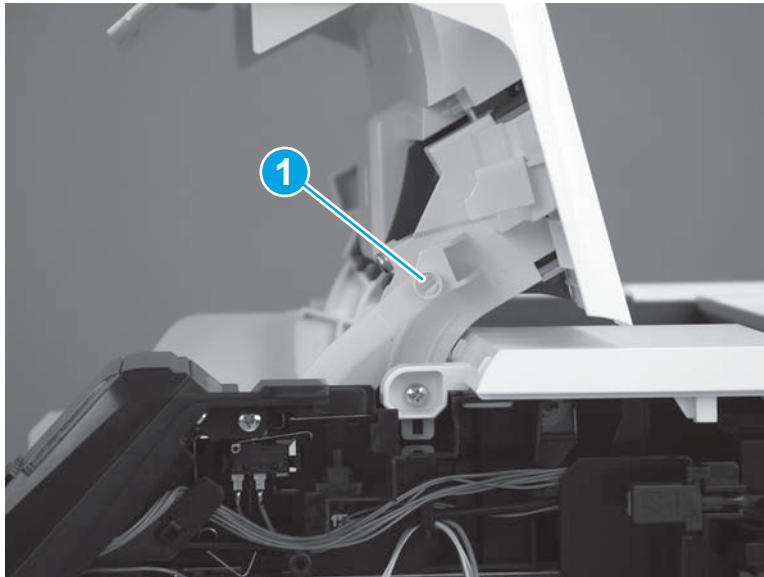


6. Install the toner-cartridge drive-arm (callout 1) by pressing it onto the tabs.

 **NOTE:** It might be necessary to lift the drive arm up in order to reattach it.

 **CAUTION:** The toner-cartridge drive-arm tabs break easily.

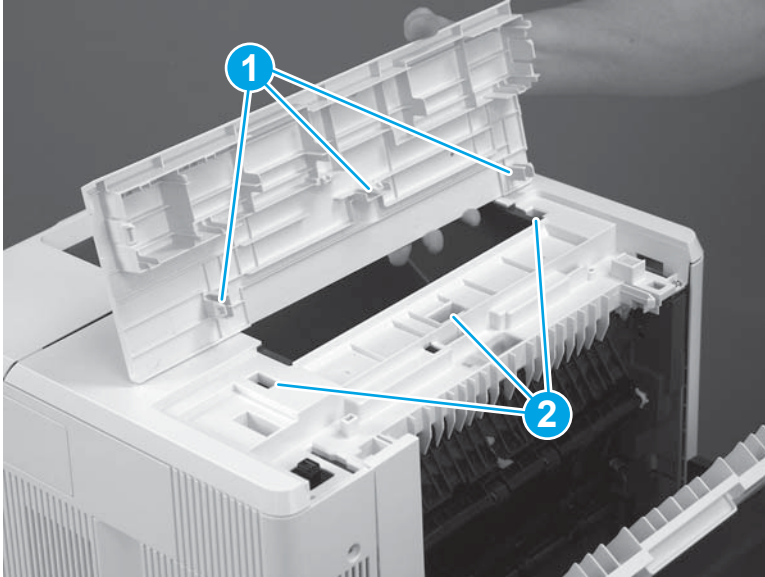
Figure 1-1998 Install the drive-arm tabs



Step 23: Install the top accessory cover

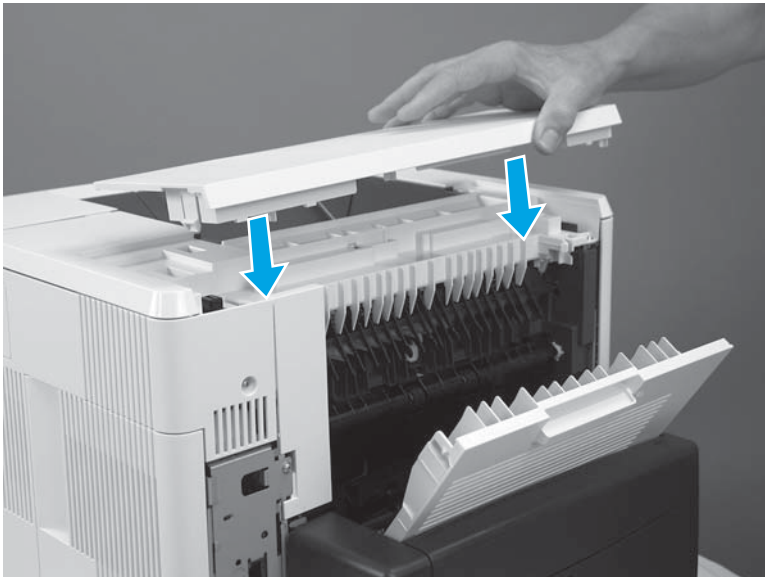
1. Align the tabs (callout 1) on the top accessory cover with the slots (callout 2) in the top cover.

Figure 1-1999 Align the tabs and slots



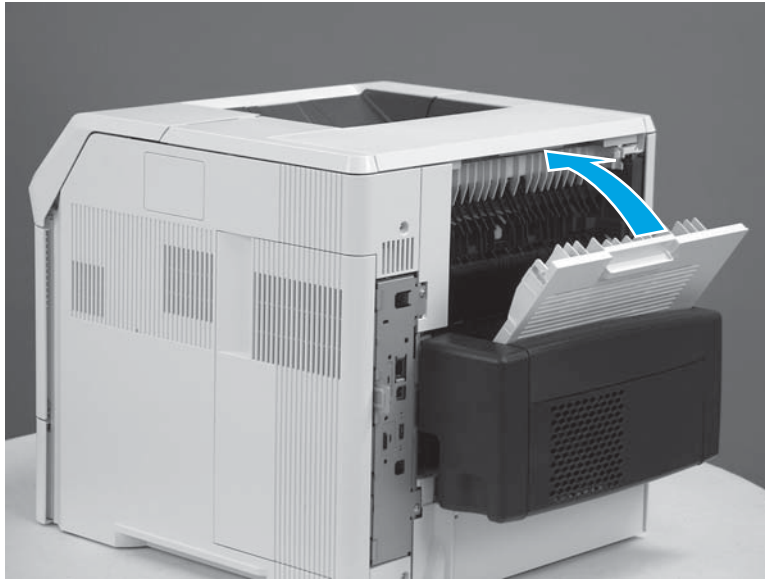
2. Place the top accessory on top of the printer, and then press down to install it.

Figure 1-2000 Install the top accessory cover



3. Close the rear output bin.

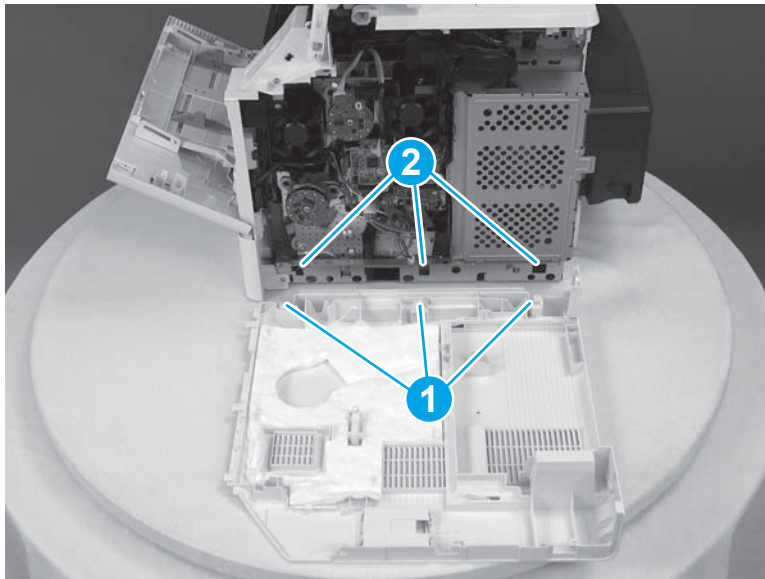
Figure 1-2001 Close the rear output bin



Step 24: Install the right cover

1. Note the location of the tabs (callout 1) on the cover that will fit into the slots (callout 2) on the printer.

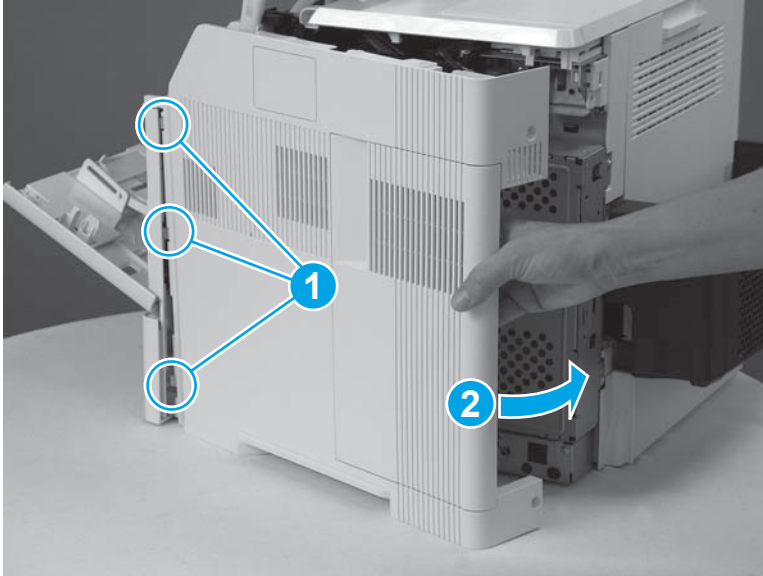
Figure 1-2002 Note location of tabs



2. Position the front tabs on the right cover slightly behind the right front cover (callout 1), and then rotate the back edge of the cover toward the printer (callout 2).

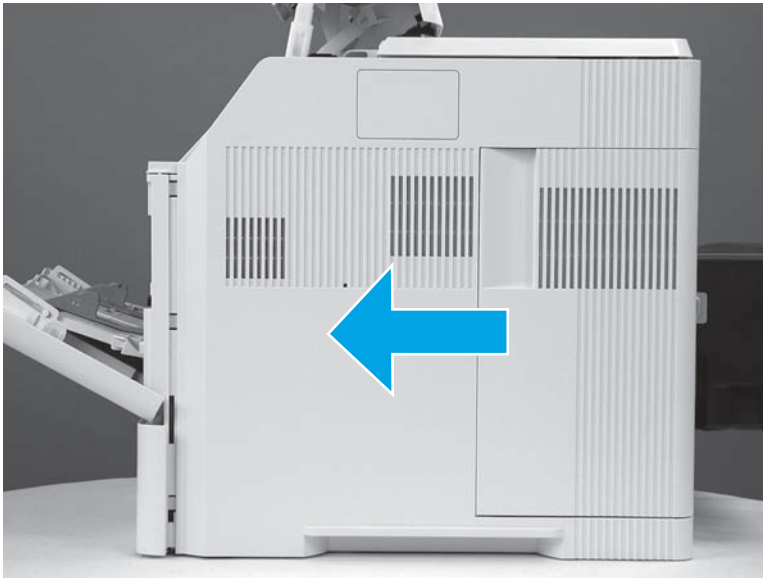
 **NOTE:** The tabs and slots mentioned in the previous step will engage as the cover is rotated into place.

Figure 1-2003 Position the front tabs



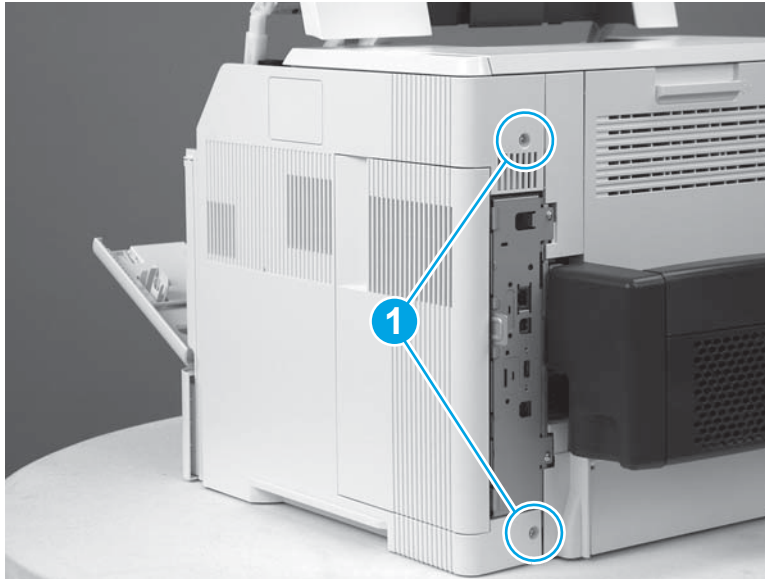
3. Slide the cover toward the front of the printer to install it.

Figure 1-2004 Slide the cover



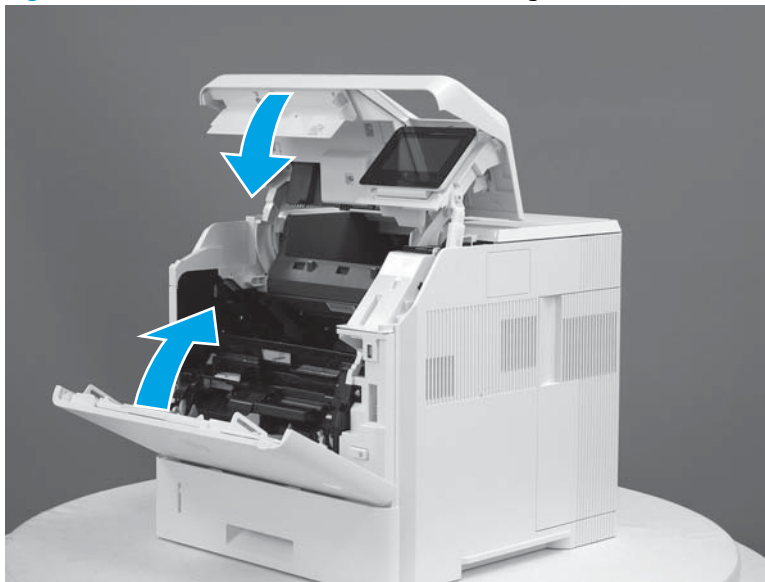
4. Install two screws (callout 1).

Figure 1-2005 Install two screws



5. Close the front cover and the cartridge door.

Figure 1-2006 Close the front cover and cartridge door



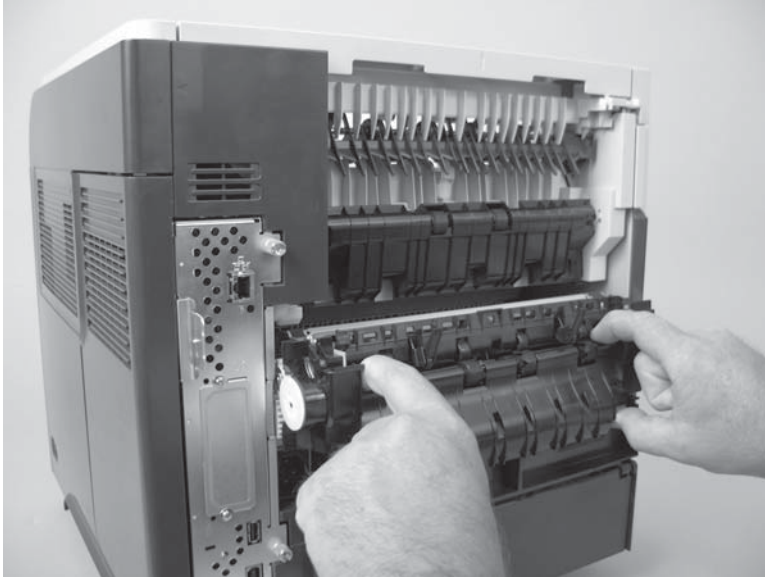
Step 25: Install the fuser

- ▲ Position the fuser on the printer, and then push it toward the printer to install it.

CAUTION: Do not drop or jar the fuser. It can easily be damaged if it is mishandled.

TIP: Make sure that the fuser is fully seated into the printer. You should hear both sides snap into place.

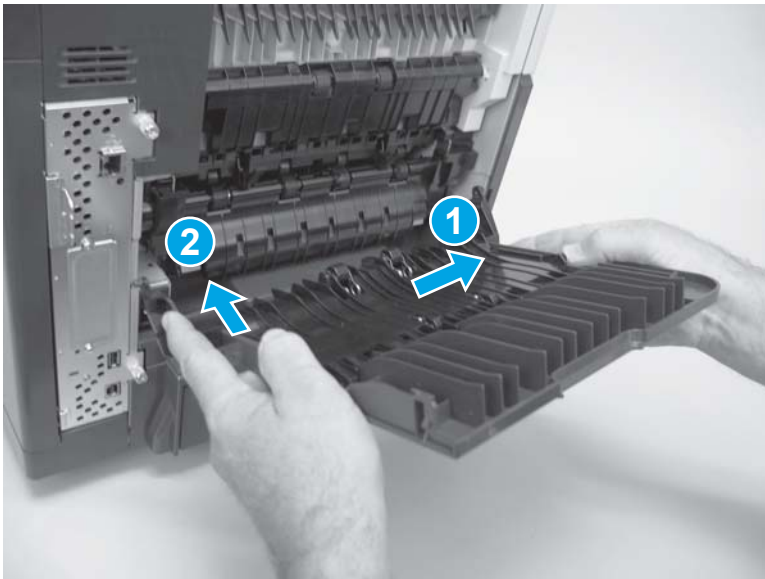
Figure 1-2007 Install the fuser



Step 26: Install the rear output bin

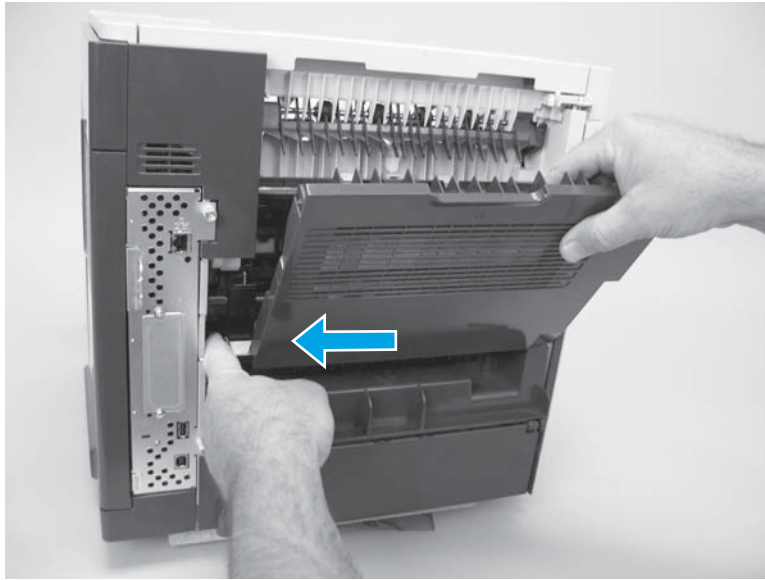
1. Install the right hinge pin (callout 1), and then rotate the output bin toward the printer (callout 2).

Figure 1-2008 Position the output bin



2. Make sure that the left hinge pin is installed in the mounting hole.

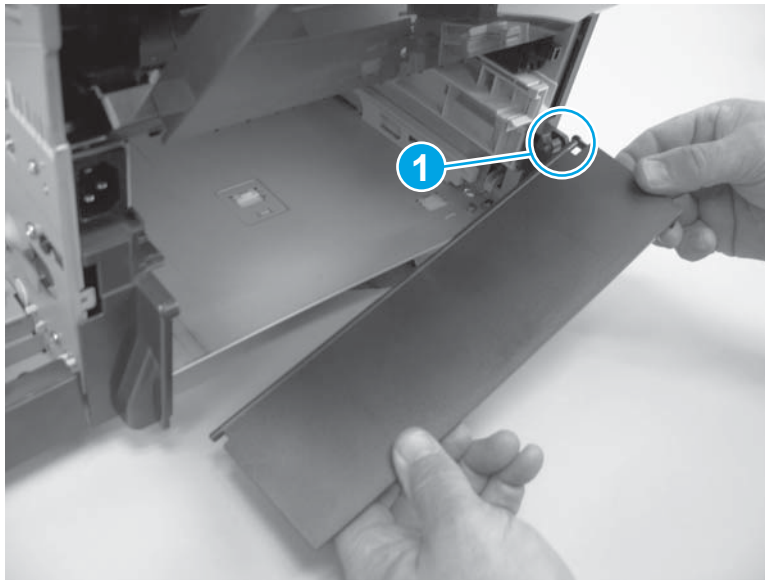
Figure 1-2009 Install left hinge pin



Step 27: Install the Tray 2 extension door

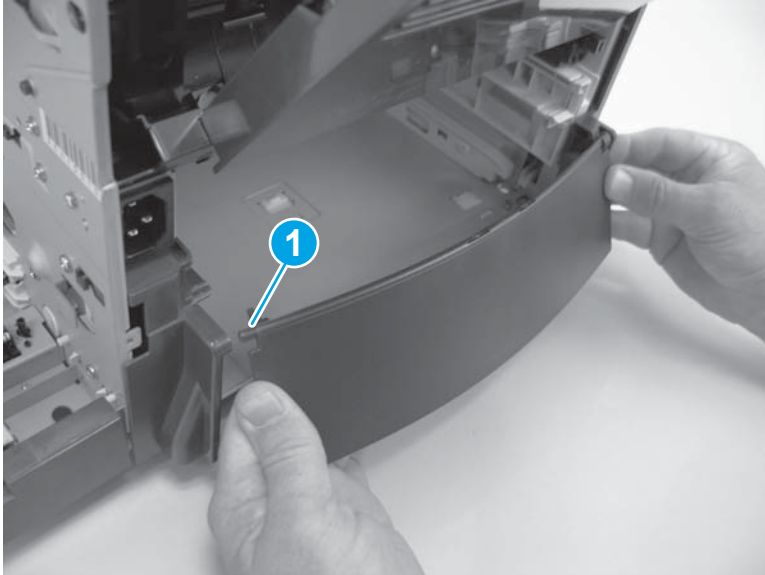
1. Rotate the Tray 2 extension door to the horizontal position, and then install the keyed hinge pin (callout 1).

Figure 1-2010 Install the keyed hinge pin




2. Carefully flex the Tray 2 extension door, and then install the hinge pin (callout 1) near the power-cord side of the printer.

Figure 1-2011 Install the hinge pin

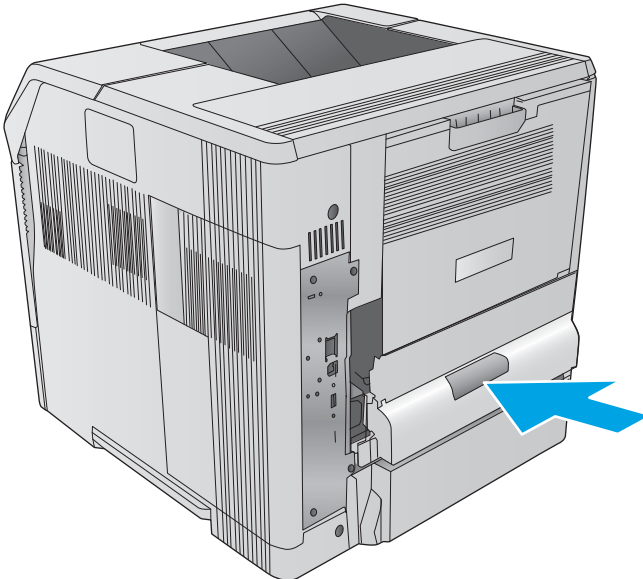


Step 28: Install the duplex accessory cover

 **NOTE:** If the duplex accessory cover was not removed, skip this step and go to [Step 29: Install the duplex accessory on page 1106](#).

- ▲ Slide the duplex accessory cover straight into the printer to install it.

Figure 1-2012 Install the duplex accessory cover

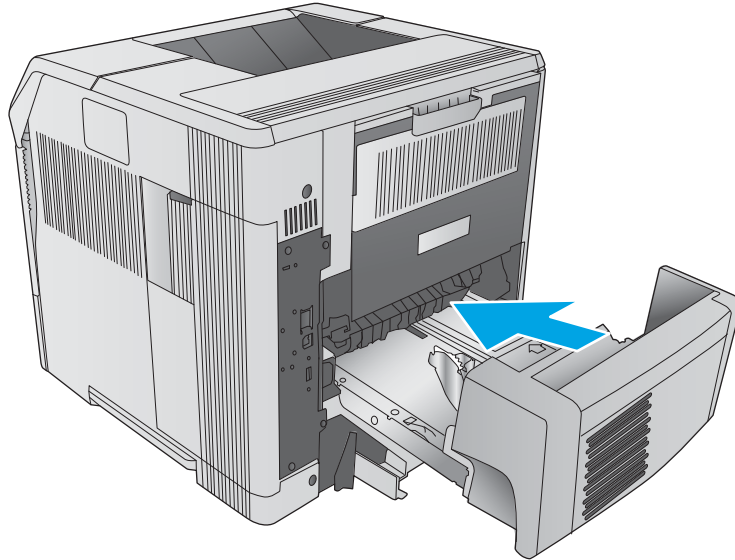


Step 29: Install the duplex accessory

 **NOTE:** If the optional duplex accessory was not removed, skip this step.

- ▲ Slide the duplex accessory straight into the printer to install it.

Figure 1-2013 Install the duplex accessory



Removal and replacement: Size-detect assembly (Tray 2)

- [Introduction](#)
- [Step 1: Remove the duplex accessory](#)
- [Step 2: Remove the duplex accessory cover](#)
- [Step 3: Remove the Tray 2 extension door](#)
- [Step 4: Remove the right cover](#)
- [Step 5: Remove the formatter and formatter case](#)
- [Step 6: Remove the size-detect assembly](#)
- [Step 7: Unpack the replacement size-detect assembly](#)
- [Step 8: Install the size-detect assembly](#)
- [Step 9: Install the formatter and formatter case](#)
- [Step 10: Install the right cover](#)
- [Step 11: Install the Tray 2 extension door](#)
- [Step 12: Install the duplex accessory cover](#)
- [Step 13: Install the duplex accessory](#)


Introduction

This document provides the procedures to remove and replace the size-detect assembly (Tray 2).

Before performing service

Turn the printer power off

- Disconnect the power cable.

 **WARNING!** To avoid damage to the printer, turn the printer off, wait 30 seconds, and then remove the power cord before attempting to service the printer.

Use the table below to identify the correct part number for your printer, and then go to www.hp.com/buy/parts to order the kit.

Size-detect assembly part number	
RM1-4525-000CN	Size detect assembly

Required tools

- #2 Phillips screwdriver with a magnetic tip

After performing service

Turn the printer power on


- Connect the power cable.
- Use the power switch to turn the power on.

Post service test

Make sure that the printer initializes to a **Ready** state.

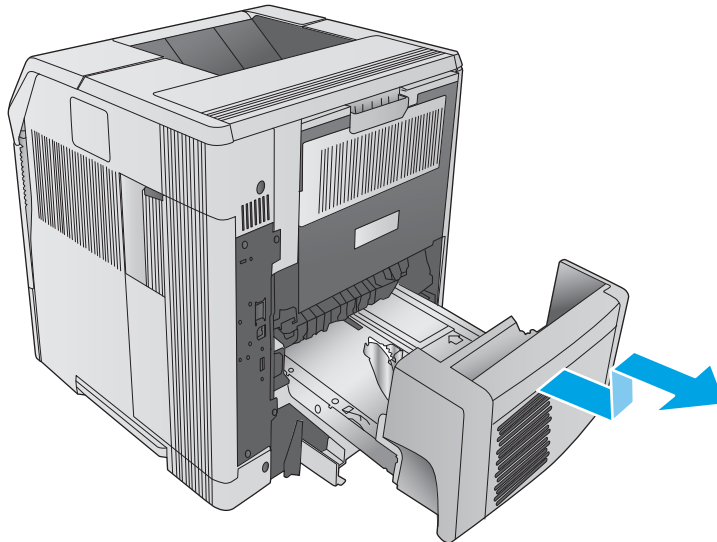
Print a configuration page to make sure that the printer is functioning correctly.

Step 1: Remove the duplex accessory


 **NOTE:** If the optional duplex accessory is not installed, skip this step and go to [Step 2: Remove the duplex accessory cover on page 1109](#).

- ▲ Slightly lift up on the duplex accessory, and then pull it completely out of the printer to remove it.

Figure 1-2014 Remove the duplex accessory

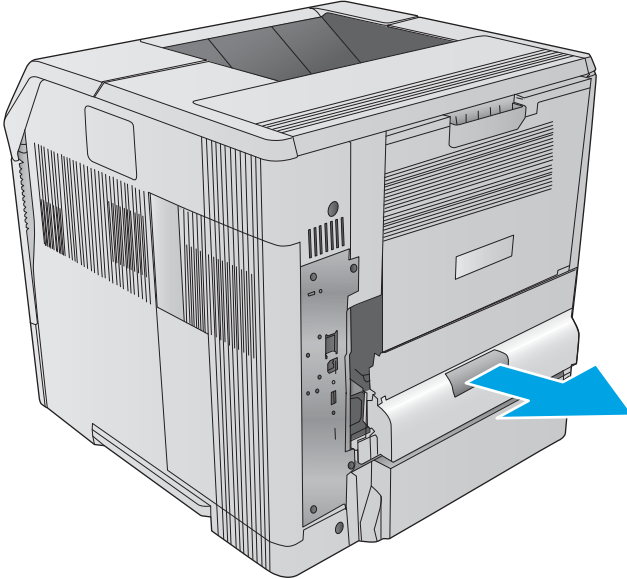


Step 2: Remove the duplex accessory cover

 **NOTE:** If the duplex accessory cover is not installed, skip this step and go to [Step 3: Remove the Tray 2 extension door on page 1110](#).

- ▲ Pull the duplex accessory cover straight out of the printer to remove it.

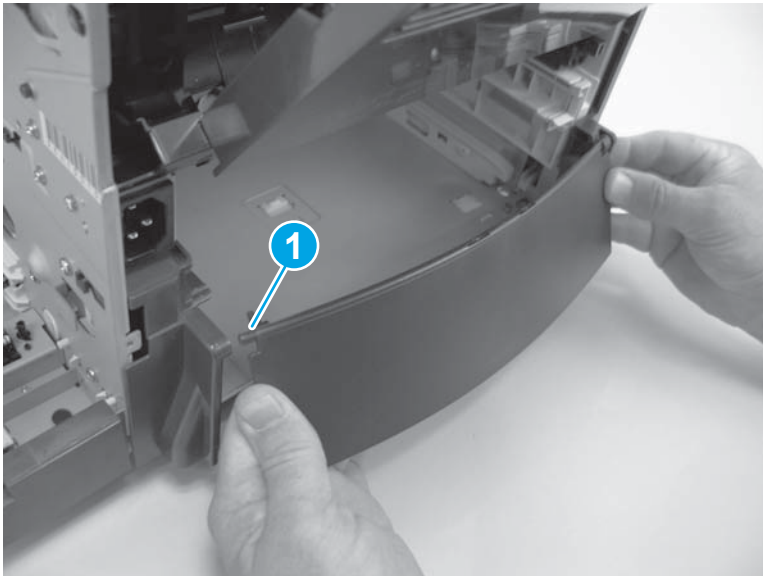
Figure 1-2015 Remove the duplex accessory cover



Step 3: Remove the Tray 2 extension door

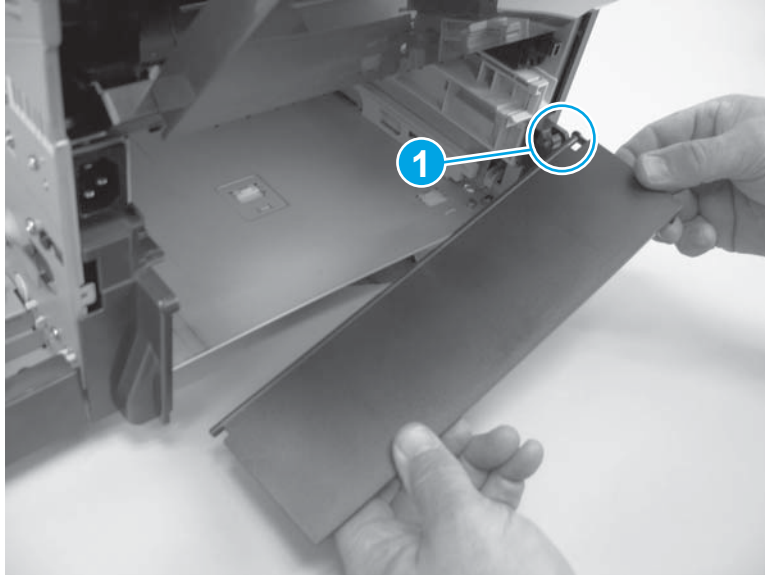
1. Carefully flex the Tray 2 extension door to release the hinge pin (callout 1) near the power-cord side of the printer.

Figure 1-2016 Release the hinge pin



2. Rotate the Tray 2 extension door to the horizontal position, and then pull up on the keyed hinge pin (callout 1) to release the door. Remove the Tray 2 extension door.

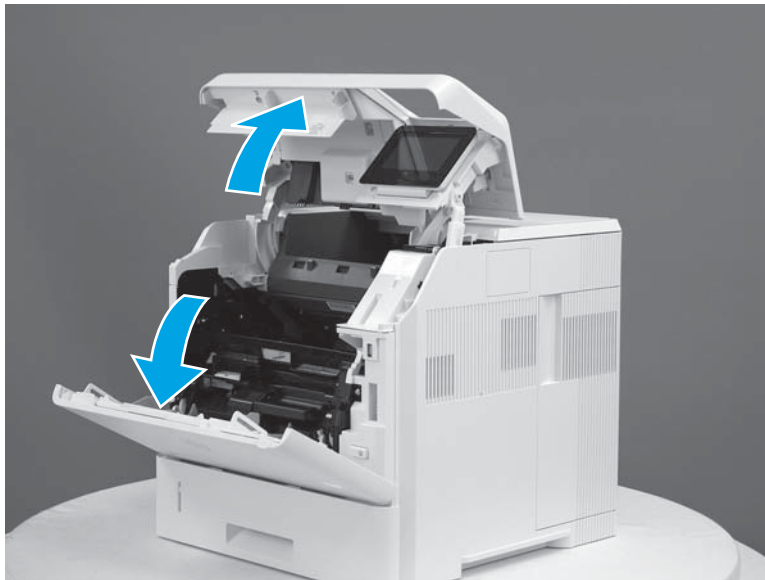
Figure 1-2017 Remove the Tray 2 extension door



Step 4: Remove the right cover

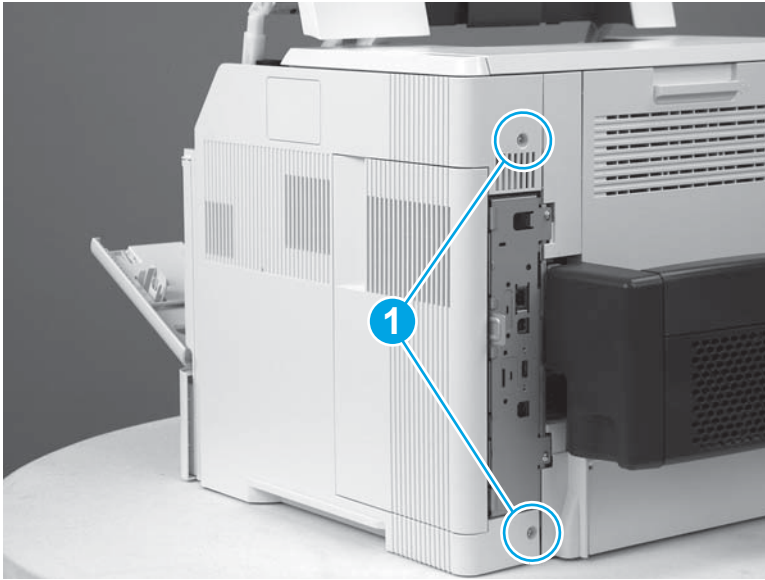
1. Open the front cover and the cartridge door.

Figure 1-2018 Open the front cover and cartridge door



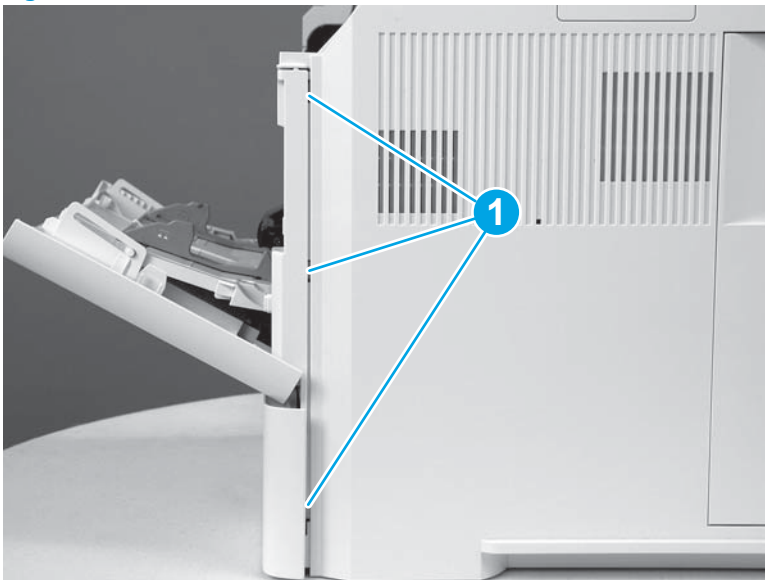
2. Remove two screws (callout 1).

Figure 1-2019 Remove two screws



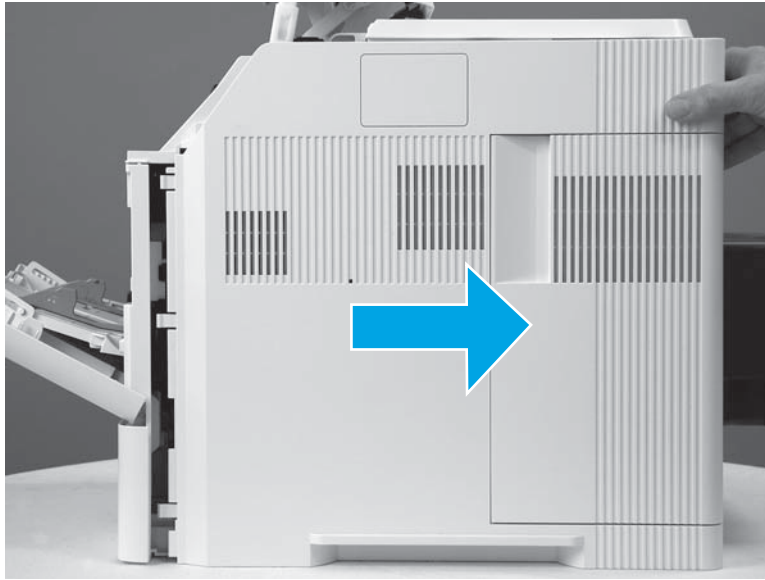
3. Release three tabs (callout 1).

Figure 1-2020 Release three tabs



4. Slide the cover toward the rear of the printer to remove it.

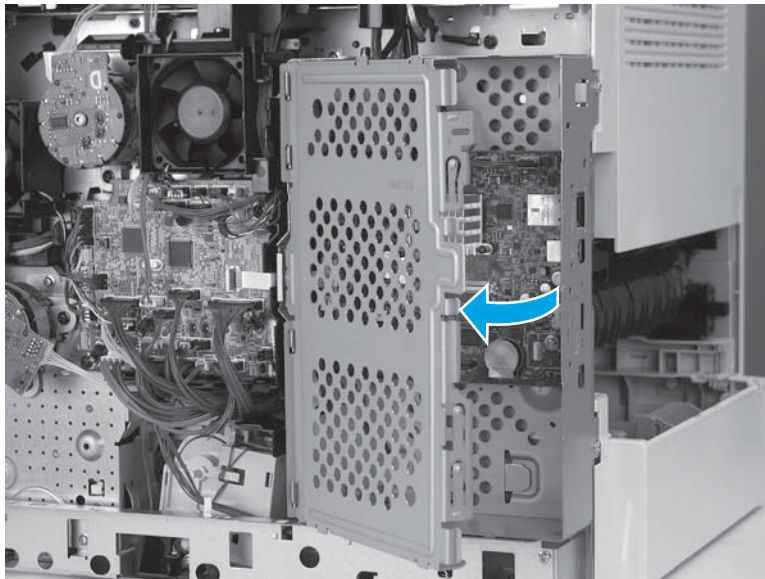
Figure 1-2021 Remove the cover



Step 5: Remove the formatter and formatter case

1. Open the formatter case door.

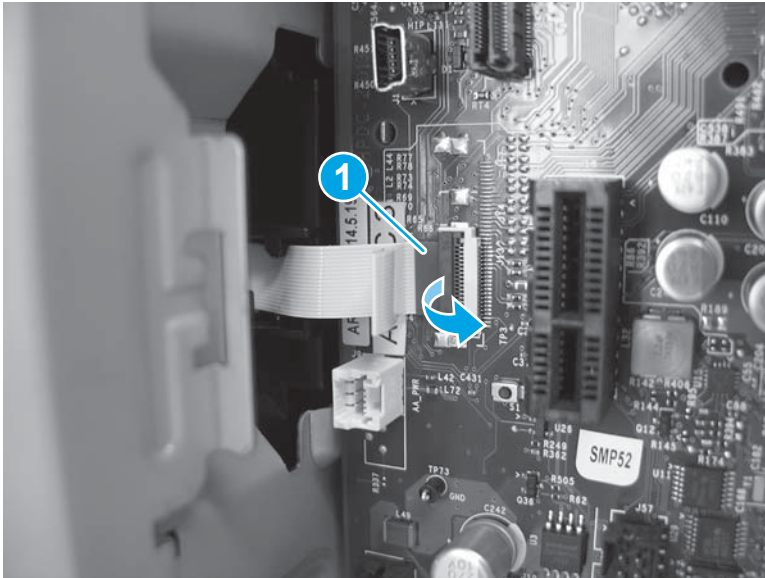
Figure 1-2022 Open the formatter case door



2. Locate the flat cable connector (callout 1) on the formatter.

 **IMPORTANT:** This connector is a Zero Insertion Force (ZIF) connector that uses a hinged retainer to secure a flat cable. The hinged retainer must be opened to release the flat cable.

Figure 1-2023 ZIF connector

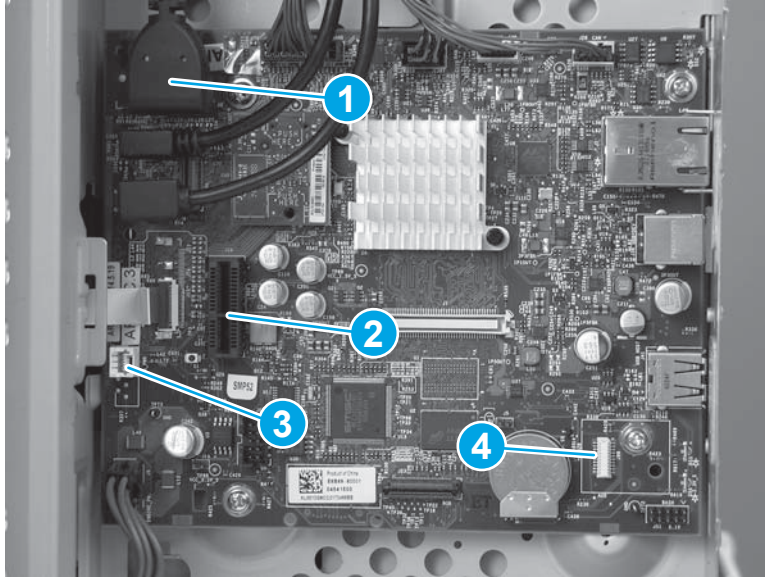


3. Disconnect all of the connectors on the formatter.

The following connectors are empty:

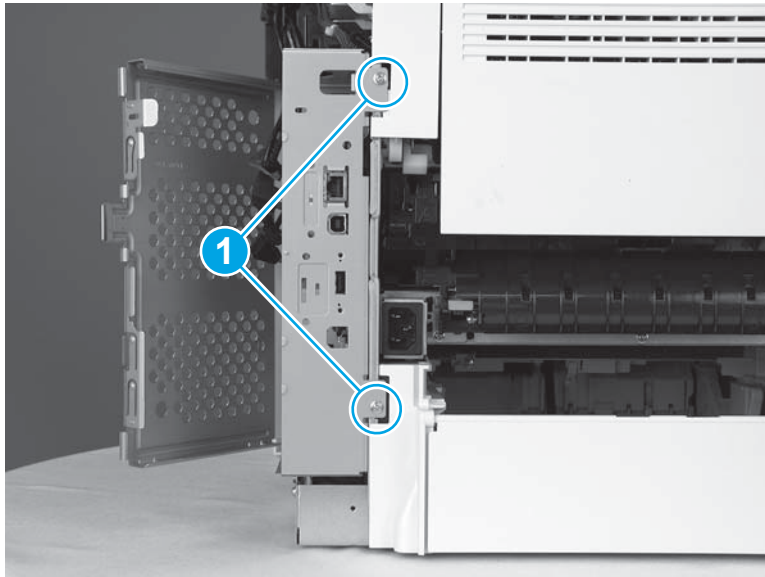
- J23, J25, J51, and J57
- J3 (callout 1): This connector is empty on the M604n/dn, M605n/dn, and M606dn models. It holds the touchscreen cable on the M605x and M606x models.
- J18 (callout 2): This connector is empty unless the optional hard-disk drive (HDD) is installed.
- J9 (callout 3): This connector is empty unless the optional two internal USB ports accessory is installed.
- J98 (callout 4): This connector is empty unless the optional trusted platform module (TPM) is installed.

Figure 1-2024 Disconnect all connectors



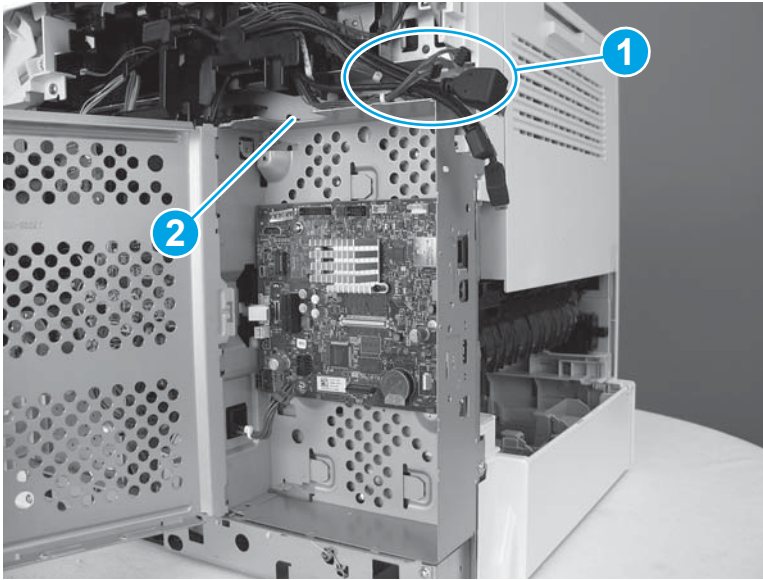
4. Remove two screws (callout 1).

Figure 1-2025 Remove two screws



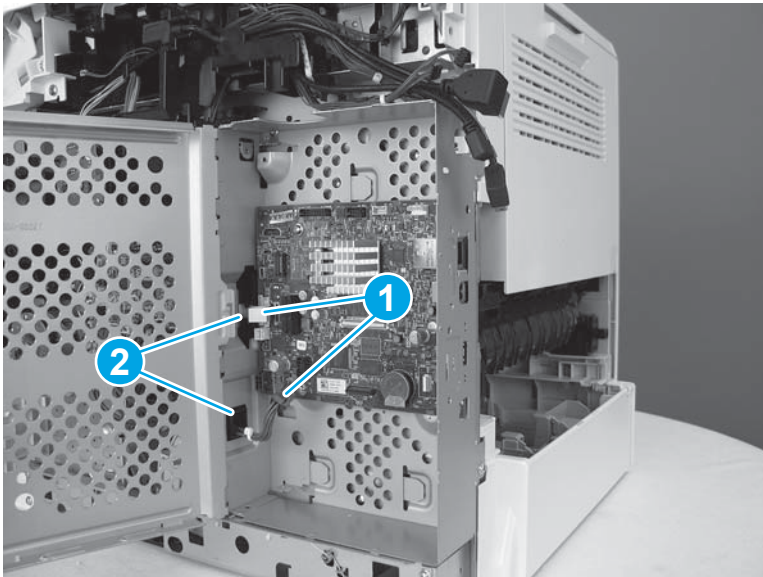
5. Remove the wires and cables (callout 1) from the opening (callout 2) in the top of the formatter case.

Figure 1-2026 Remove the wires from the formatter case



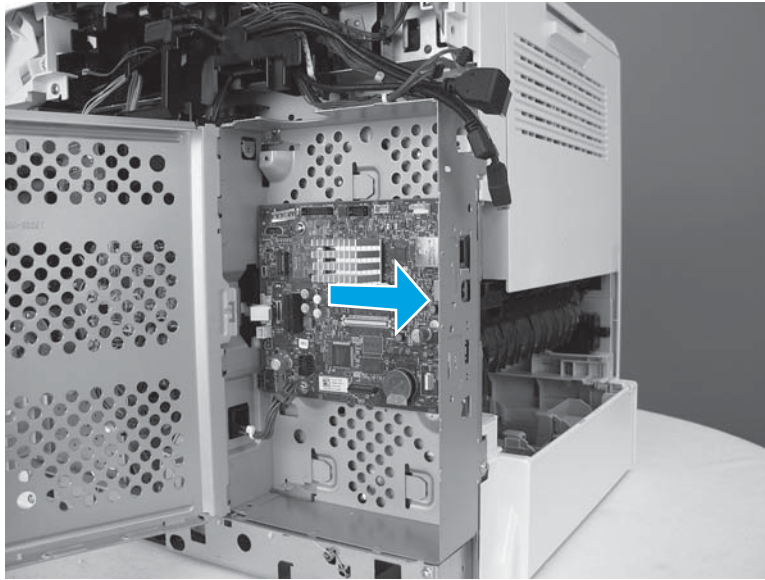
6. When removing the formatter case in the next step, make sure that the flat cable and wire harness (callout 1) slide through the openings (callout 2) in the formatter case.

Figure 1-2027 Feed cables through the openings



7. Slide the formatter case toward the back of the printer to remove it.

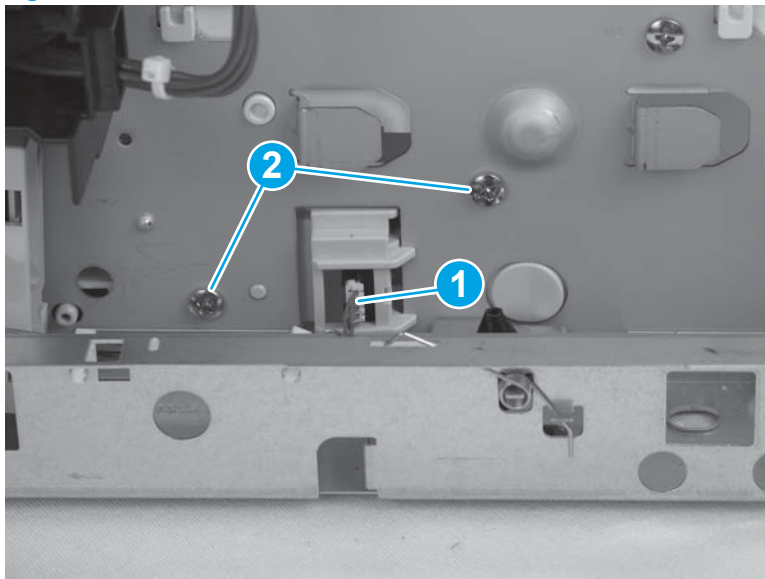
Figure 1-2028 Remove formatter case



Step 6: Remove the size-detect assembly

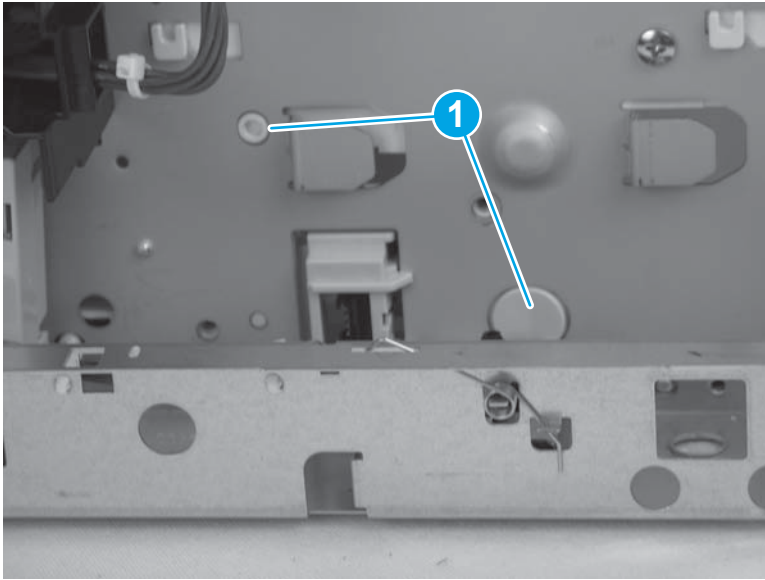
1. Disconnect one connector (callout 1), and then remove two screws (callout 2).

Figure 1-2029 Disconnect one connector and remove two screws



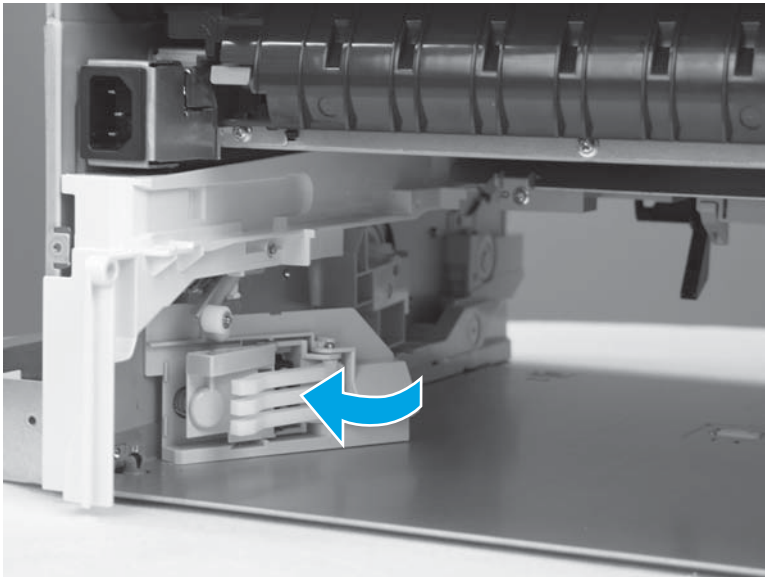
2. Release two tabs (callout 1).

Figure 1-2030 Release two tabs



3. Inside the Tray 2 cavity, rotate the size-detect assembly away from the sheet-metal frame, and then remove it.

Figure 1-2031 Rotate and remove the size-detect assembly



Step 7: Unpack the replacement size-detect assembly

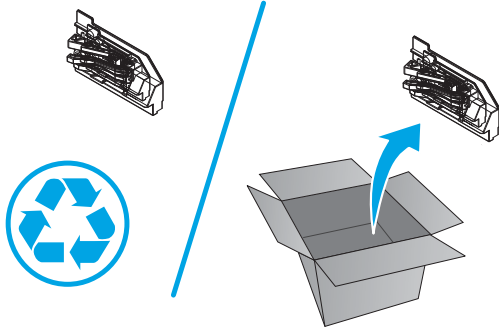
Unpack the replacement part from the packaging.

<http://www8.hp.com/us/en/hp-information/environment/product-recycling.html>



NOTE: HP recommends responsible disposal of the defective part.

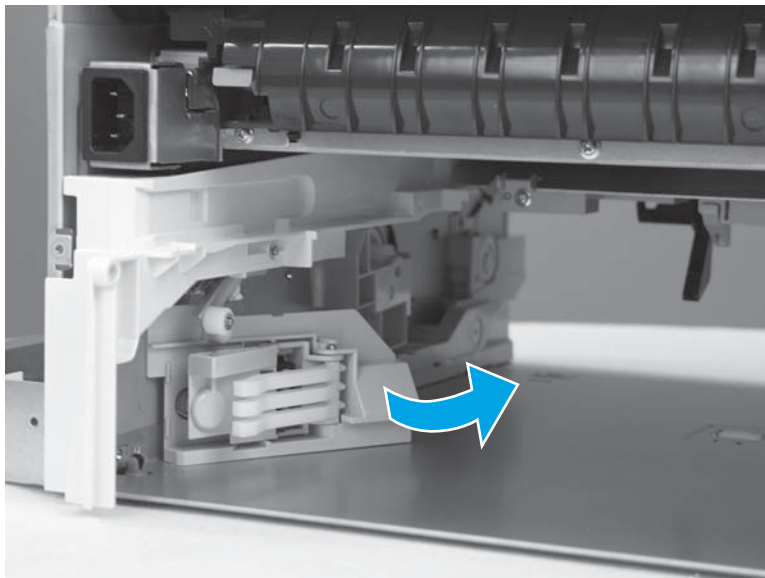
Figure 1-2032 Recycle and unpack



Step 8: Install the size-detect assembly

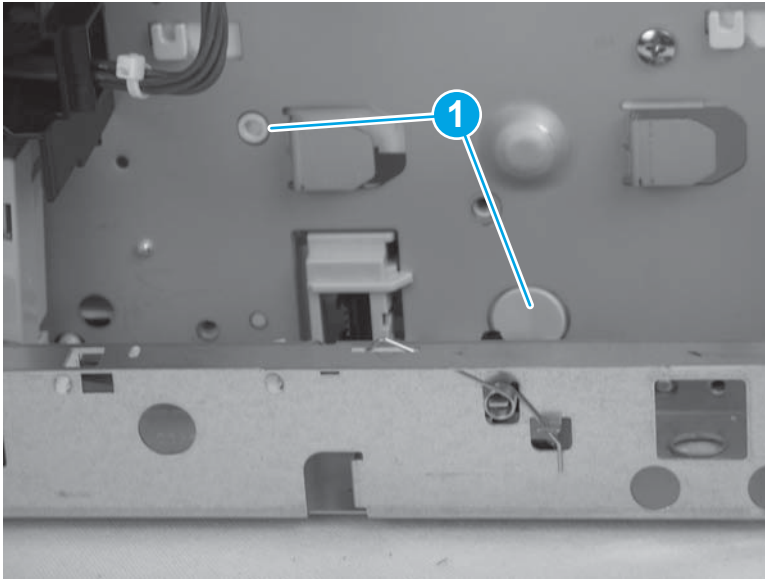
1. Inside the Tray 2 cavity, rotate the size-detect assembly toward the sheet-metal frame to install it.

Figure 1-2033 Install the size-detect assembly



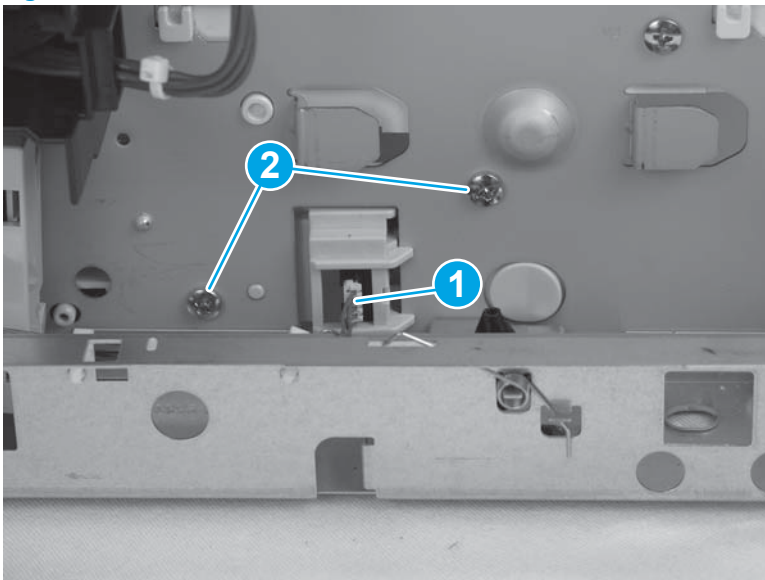
2. Make sure that two tabs (callout 1) are installed in the sheet metal frame.

Figure 1-2034 Install two tabs



3. Connect one connector (callout 1), and then install two screws (callout 2).

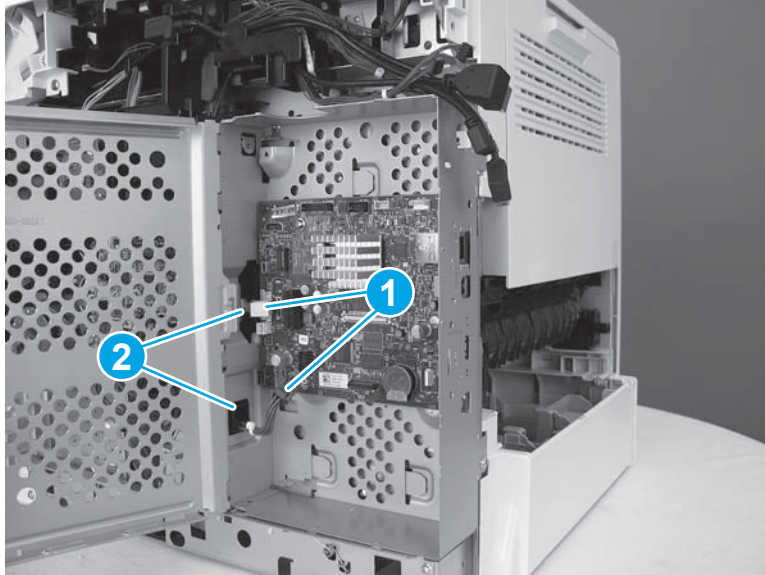
Figure 1-2035 Connect one connector and install two screws



Step 9: Install the formatter and formatter case

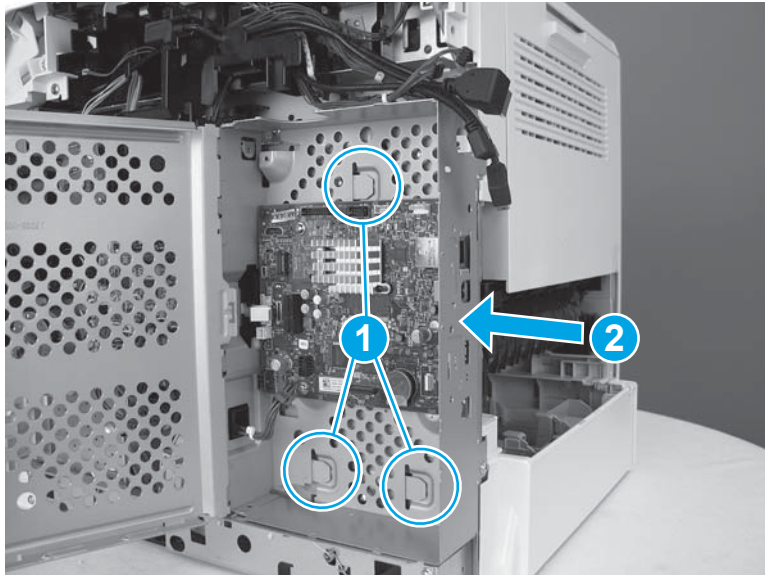
1. Position the formatter case on the printer. Make sure that the flat cable and wire harness (callout 1) are positioned through the openings (callout 2) in the formatter case.

Figure 1-2036 Position the formatter case



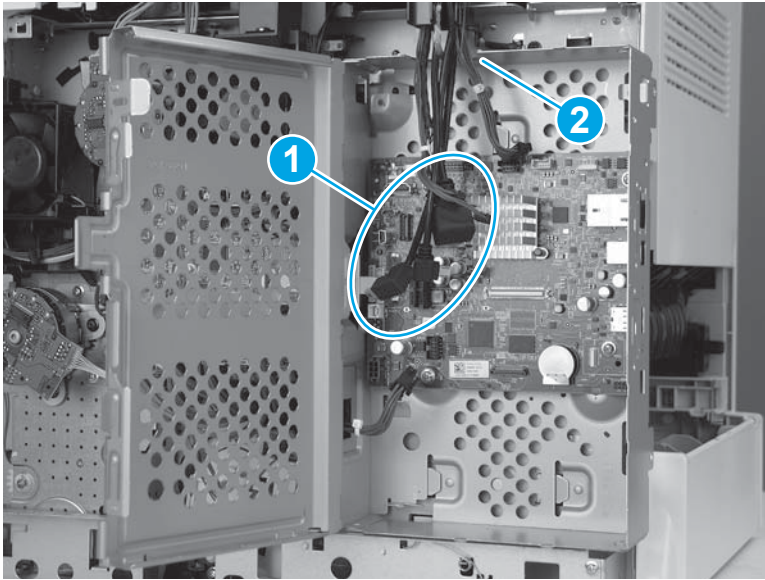
2. Make sure that the metal tabs on the printer are positioned into the slots on the formatter case (callout 1), and then slide the formatter case toward the front of the printer (callout 2) to install it.

Figure 1-2037 Install the formatter case



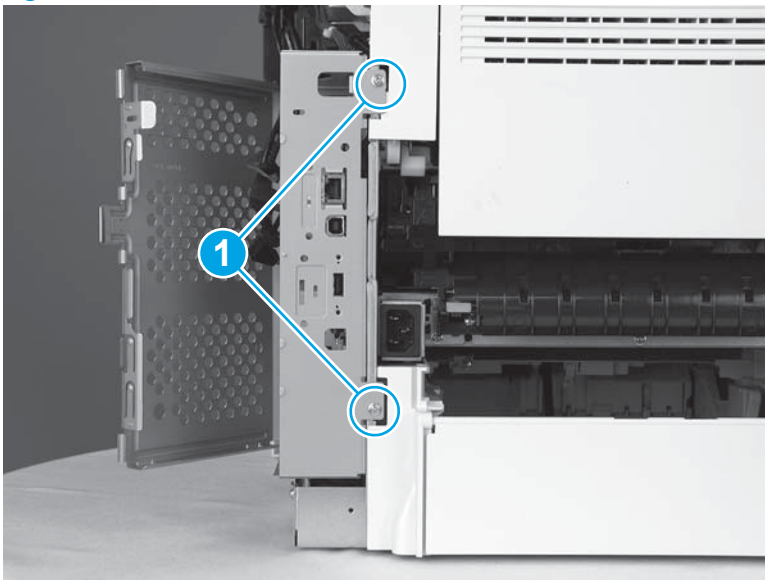
3. Position the wires and cables (callout 1) in the opening (callout 2) in the top of the formatter case.

Figure 1-2038 Position the wires in the formatter case



4. Install two screws (callout 1).

Figure 1-2039 Install two screws



5. Locate the flat cable connector (callout 1) on the formatter.


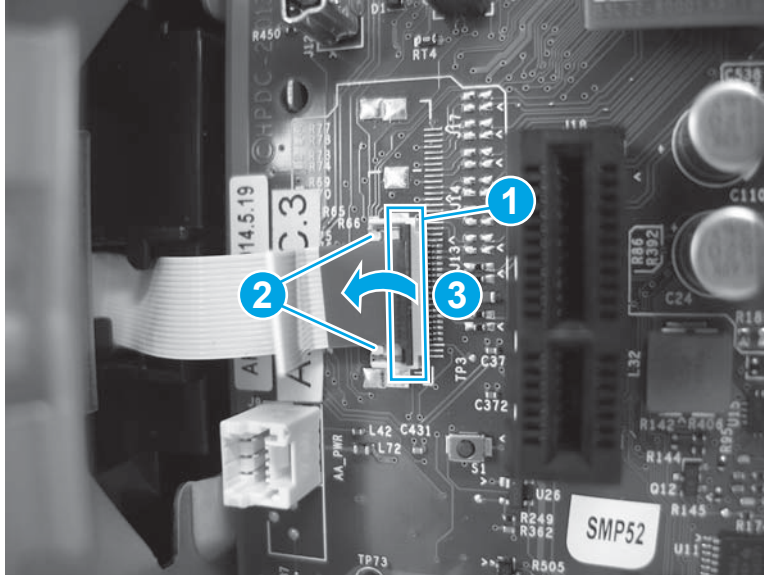
 **IMPORTANT:** The flat cable connector is a Zero Insertion Force (ZIF) connector that uses a hinged retainer to secure a flat cable. When the flat cable is reinstalled, fully insert the flat cable in the connector between the two white pins (callout 2). Close the hinged retainer (callout 3) to lock the flat cable into the connector and provide proper electrical contact. If the flat cable is not locked into the connector, no electrical contact will occur.

Figure 1-2040 ZIF connector

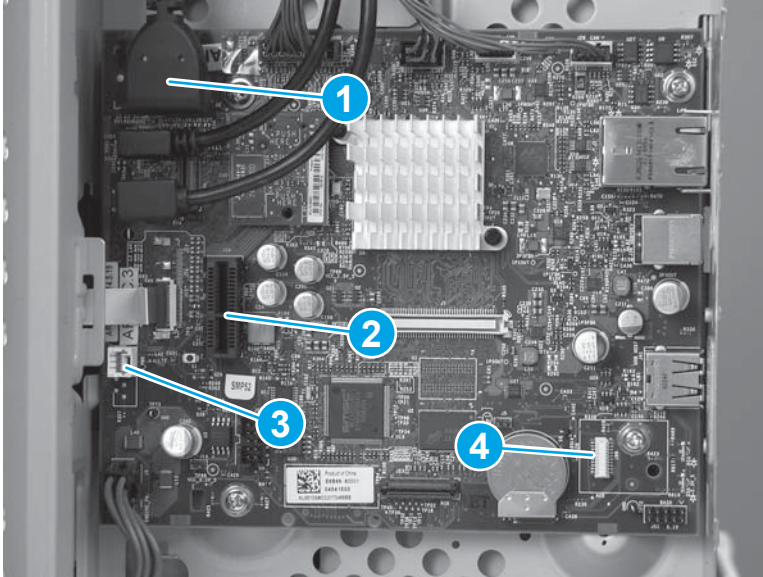


6. Connect all of the connectors on the formatter.

The following connectors are empty:

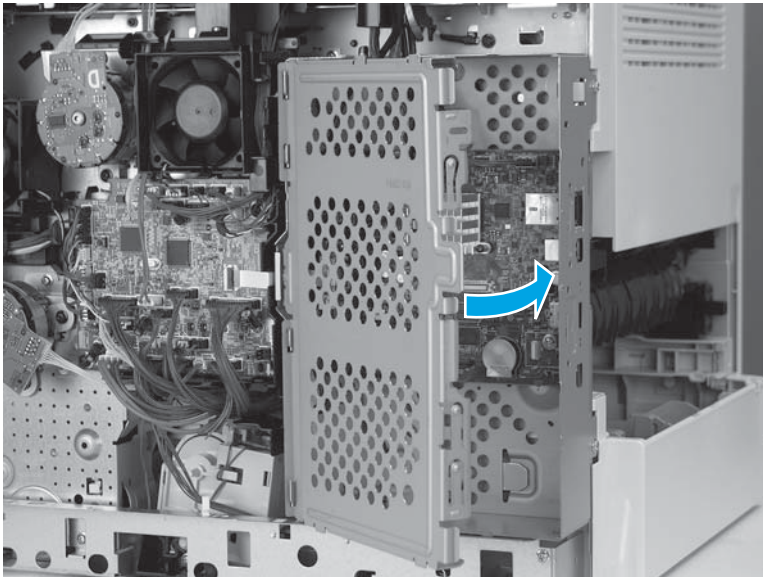
- J23, J25, J51, and J57
- J3 (callout 1): This connector is empty on the M604n/dn, M605n/dn, and M606dn models. It holds the touchscreen cable on the M605x and M606x models.
- J18 (callout 2): This connector is empty unless the optional hard-disk-drive (HDD) is installed.
- J9 (callout 3): This connector is empty unless the optional two internal USB ports accessory is installed.
- J98 (callout 4): This connector is empty unless the optional trusted platform module (TPM) is installed.

Figure 1-2041 Connect all connectors



7. Close the formatter case door.

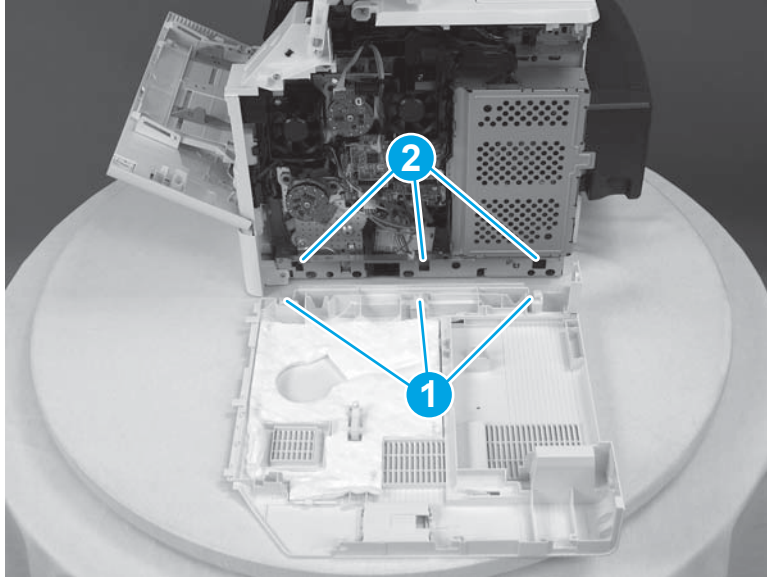
Figure 1-2042 Close the formatter case door



Step 10: Install the right cover

1. Note the location of the tabs (callout 1) on the cover that will fit into the slots (callout 2) on the printer.

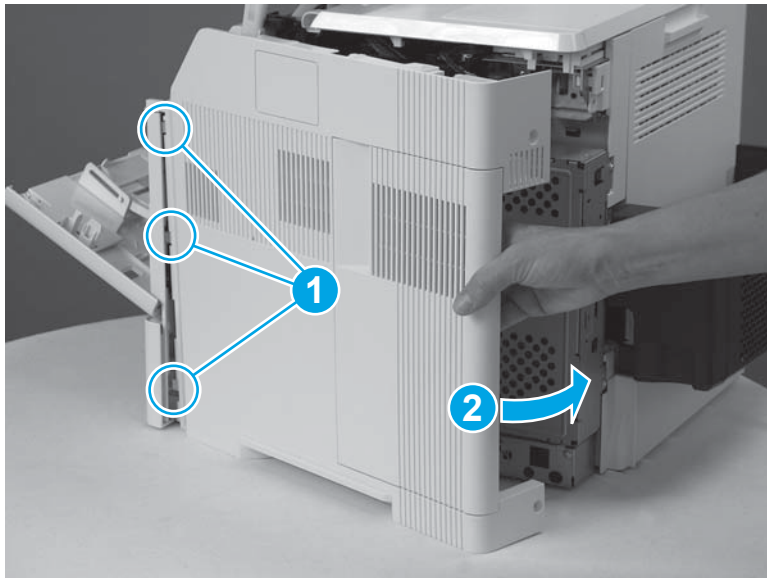
Figure 1-2043 Note location of tabs



2. Position the front tabs on the right cover slightly behind the right front cover (callout 1), and then rotate the back edge of the cover toward the printer (callout 2).

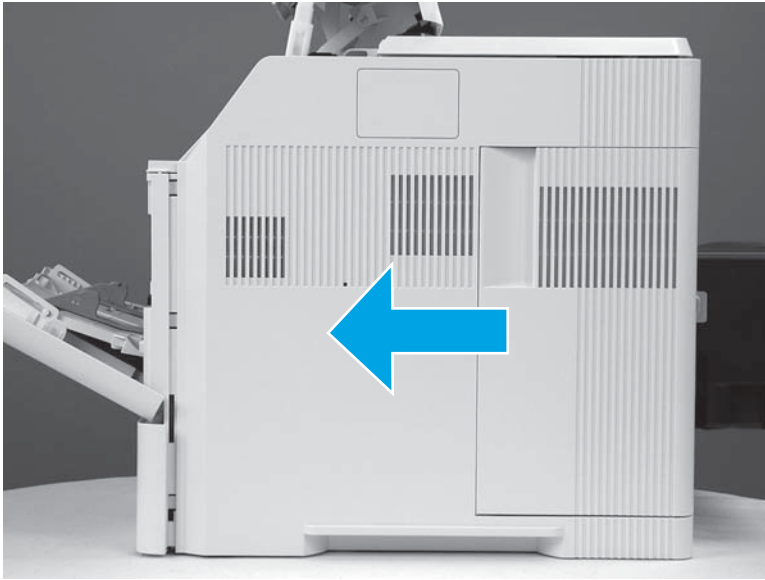
 **NOTE:** The tabs and slots mentioned in the previous step will engage as the cover is rotated into place.

Figure 1-2044 Position the front tabs



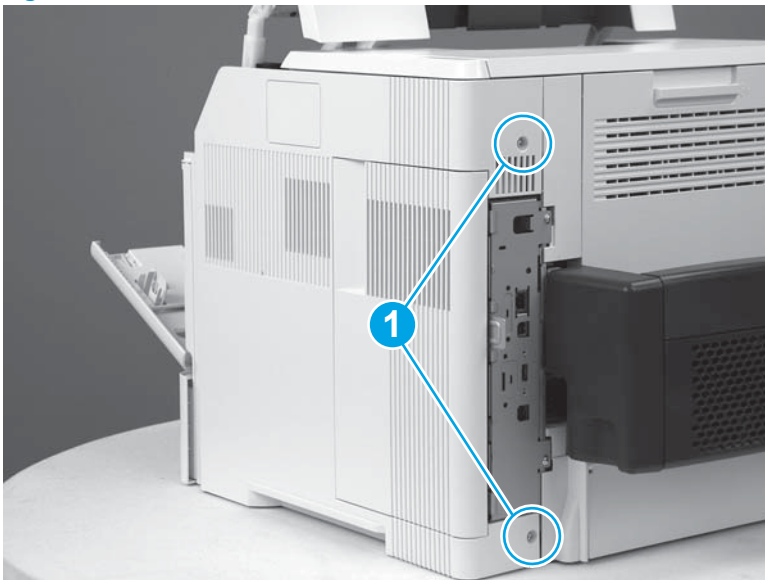
3. Slide the cover toward the front of the printer to install it.

Figure 1-2045 Slide the cover



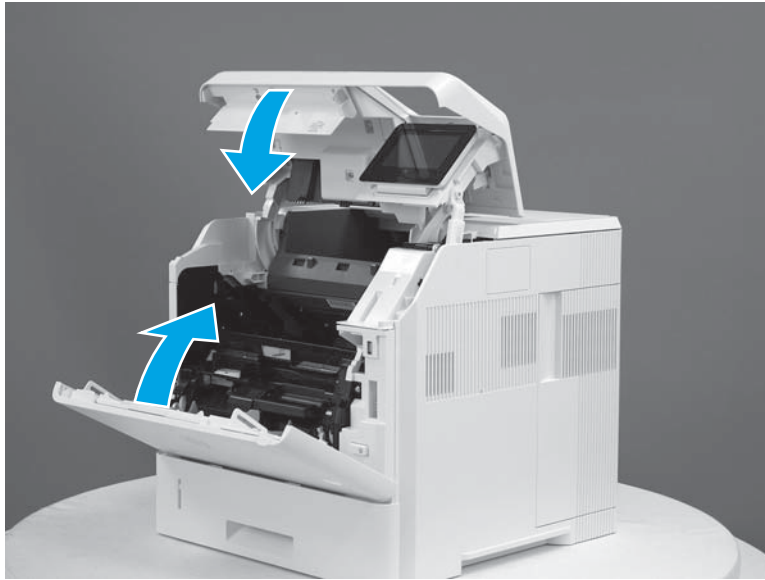
4. Install two screws (callout 1).

Figure 1-2046 Install two screws



5. Close the front cover and the cartridge door.

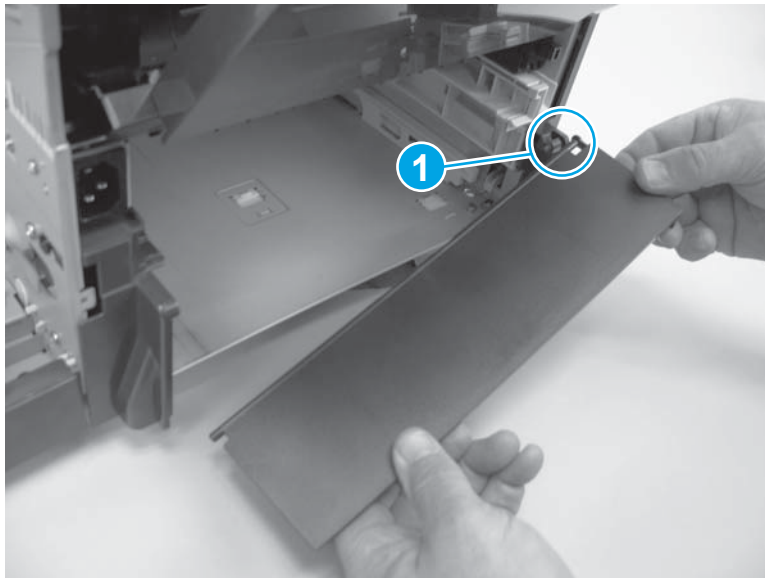
Figure 1-2047 Close the front cover and cartridge door



Step 11: Install the Tray 2 extension door

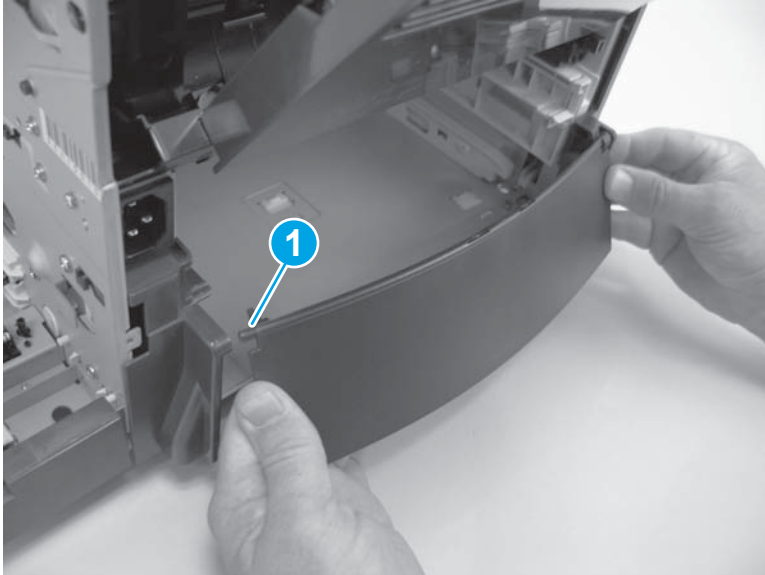
1. Rotate the Tray 2 extension door to the horizontal position, and then install the keyed hinge pin (callout 1).

Figure 1-2048 Install the keyed hinge pin




2. Carefully flex the Tray 2 extension door, and then install the hinge pin (callout 1) near the power-cord side of the printer.

Figure 1-2049 Install the hinge pin

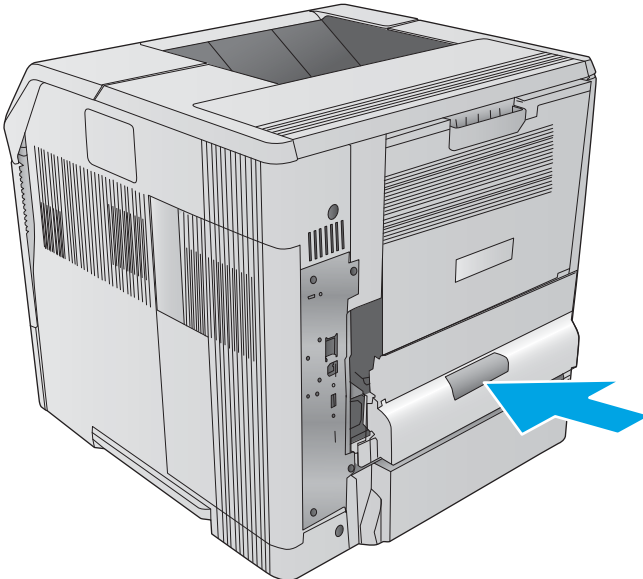


Step 12: Install the duplex accessory cover

 **NOTE:** If the duplex accessory cover was not removed, skip this step and go to [Step 13: Install the duplex accessory on page 1128](#).

- ▲ Slide the duplex accessory cover straight into the printer to install it.

Figure 1-2050 Install the duplex accessory cover

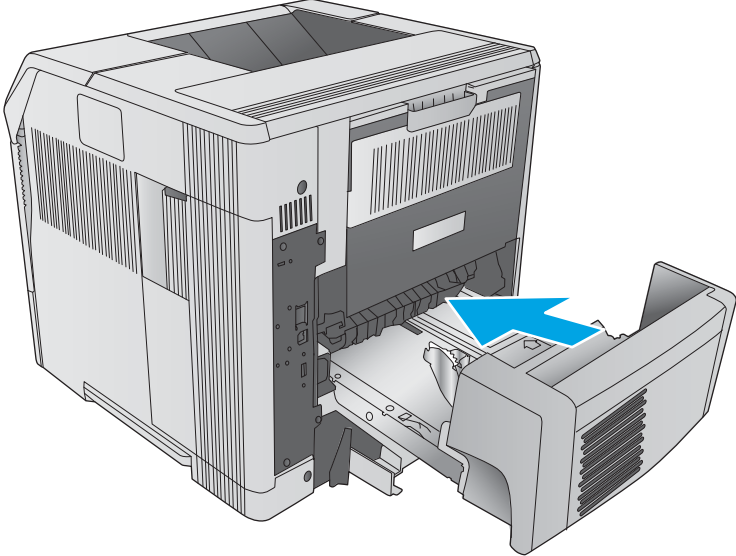


Step 13: Install the duplex accessory

 **NOTE:** If the optional duplex accessory was not removed, skip this step.

- ▲ Slide the duplex accessory straight into the printer to install it.

Figure 1-2051 Install the duplex accessory



Removal and replacement: Lower input accessory connector

- [Introduction](#)
- [Step 1: Remove the right cover](#)
- [Step 2: Remove the formatter and formatter case](#)
- [Step 3: Remove the lower input accessory connector](#)
- [Step 4: Unpack the lower input accessory connector](#)
- [Step 5: Install the lower input accessory connector](#)
- [Step 6: Install the formatter and formatter case](#)
- [Step 7: Install the right cover](#)


Introduction

This document provides the procedures to remove and replace the lower input accessory connector.

Before performing service

Turn the printer power off

- Disconnect the power cable.

 **WARNING!** To avoid damage to the printer, turn the printer off, wait 30 seconds, and then remove the power cord before attempting to service the printer.

Use the table below to identify the correct part number for your printer, and then go to www.hp.com/buy/parts to order the kit.

Lower input accessory connector part number

VS1-7500-006CNConnector, drawer, 6P

Required tools

- #2 Phillips screwdriver with a magnetic tip
- Needle-nose pliers

After performing service

Turn the printer power on

- Connect the power cable.
- Use the power switch to turn the power on.

Post service test

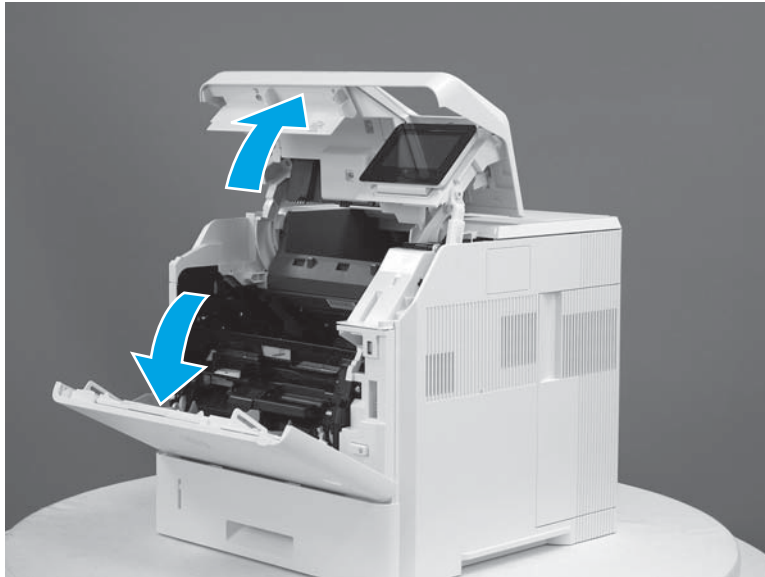
Make sure that the printer initializes to a **Ready** state.

Print a configuration page to make sure that the printer is functioning correctly.

Step 1: Remove the right cover

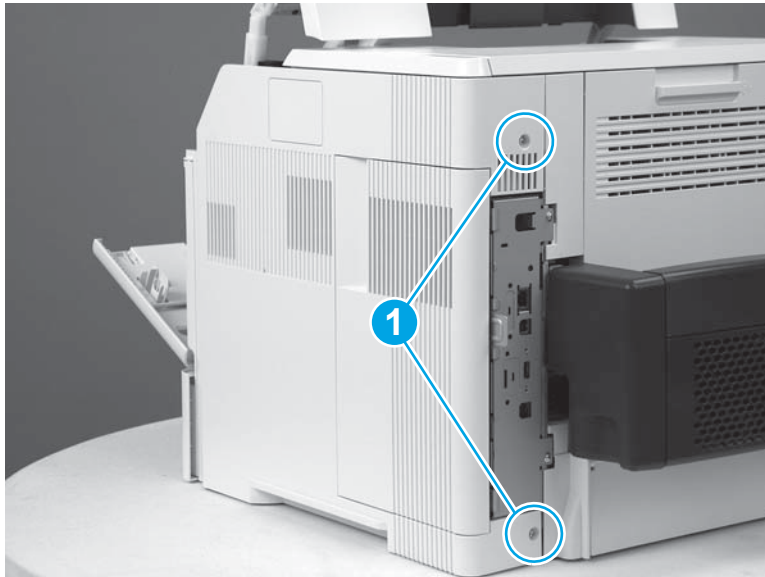
1. Open the front cover and the cartridge door.

Figure 1-2052 Open the front cover and cartridge door



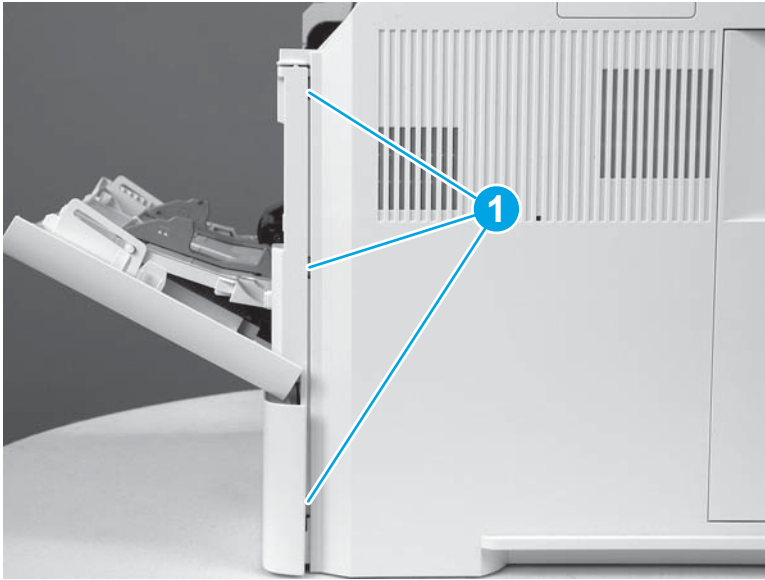
2. Remove two screws (callout 1).

Figure 1-2053 Remove two screws



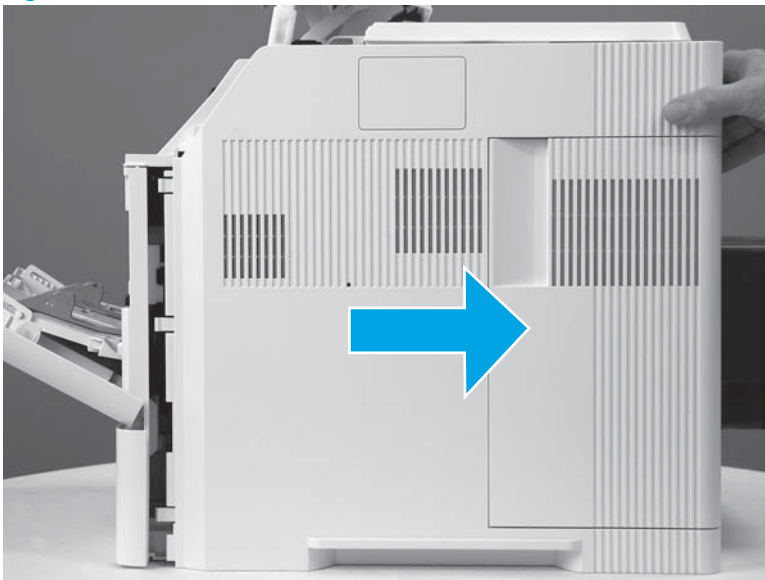
3. Release three tabs (callout 1).

Figure 1-2054 Release three tabs



4. Slide the cover toward the rear of the printer to remove it.

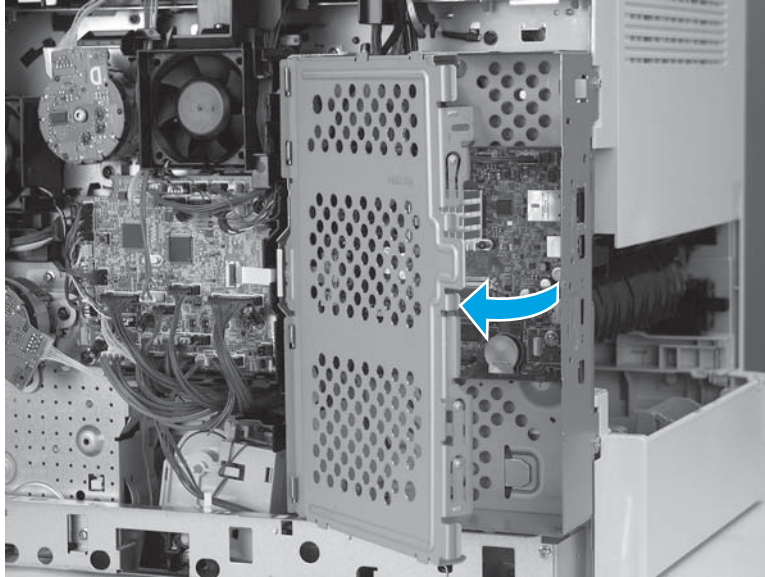
Figure 1-2055 Remove the cover



Step 2: Remove the formatter and formatter case

1. Open the formatter case door.

Figure 1-2056 Open the formatter case door



2. Locate the flat cable connector (callout 1) on the formatter.


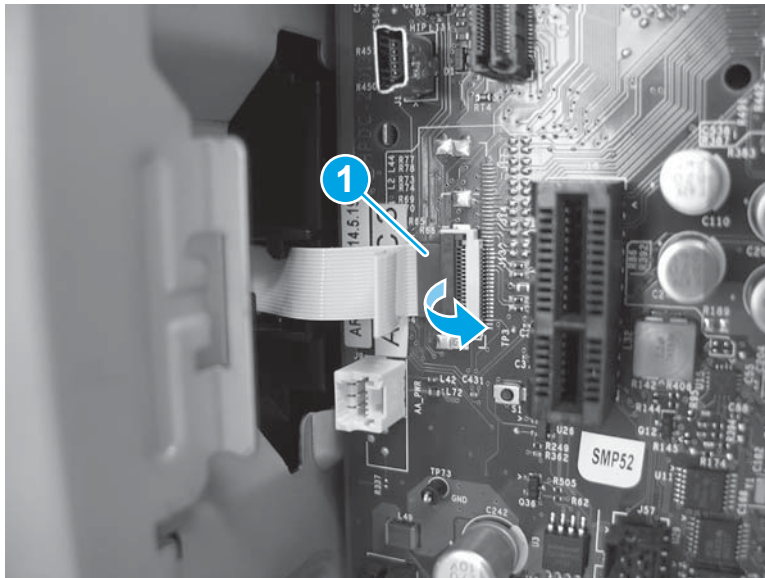
 **IMPORTANT:** This connector is a Zero Insertion Force (ZIF) connector that uses a hinged retainer to secure a flat cable. The hinged retainer must be opened to release the flat cable.

Figure 1-2057 ZIF connector



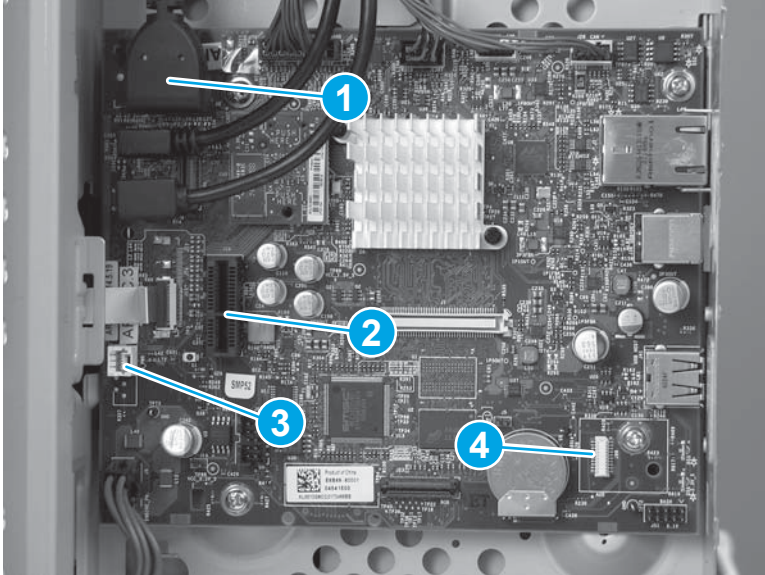
3. Disconnect all of the connectors on the formatter.

The following connectors are empty:

- J23, J25, J51, and J57
- J3 (callout 1): This connector is empty on the M604n/dn, M605n/dn, and M606dn models. It holds the touchscreen cable on the M605x and M606x models.
- J18 (callout 2): This connector is empty unless the optional hard-disk drive (HDD) is installed.

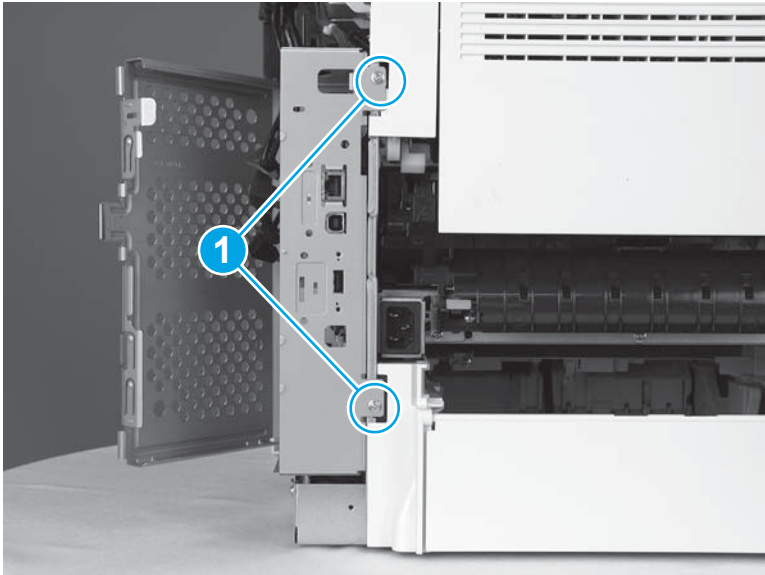
- J9 (callout 3): This connector is empty unless the optional two internal USB ports accessory is installed.
- J98 (callout 4): This connector is empty unless the optional trusted platform module (TPM) is installed.

Figure 1-2058 Disconnect all connectors



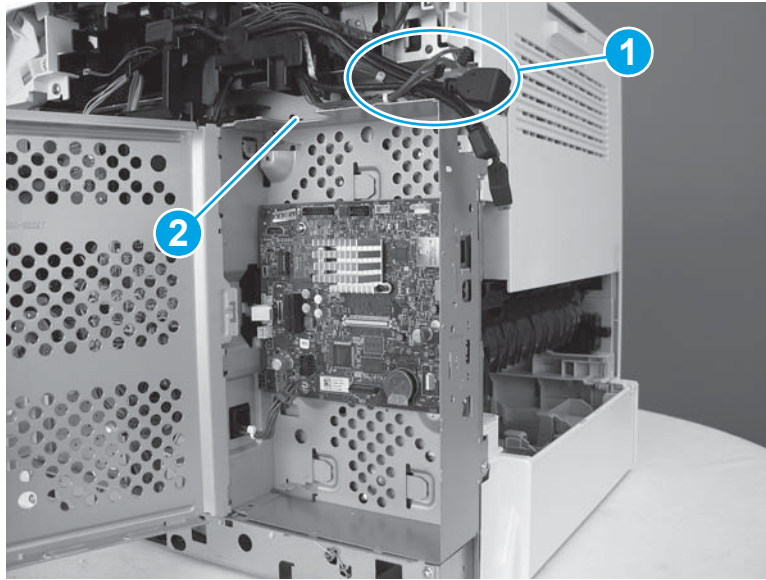
4. Remove two screws (callout 1).

Figure 1-2059 Remove two screws



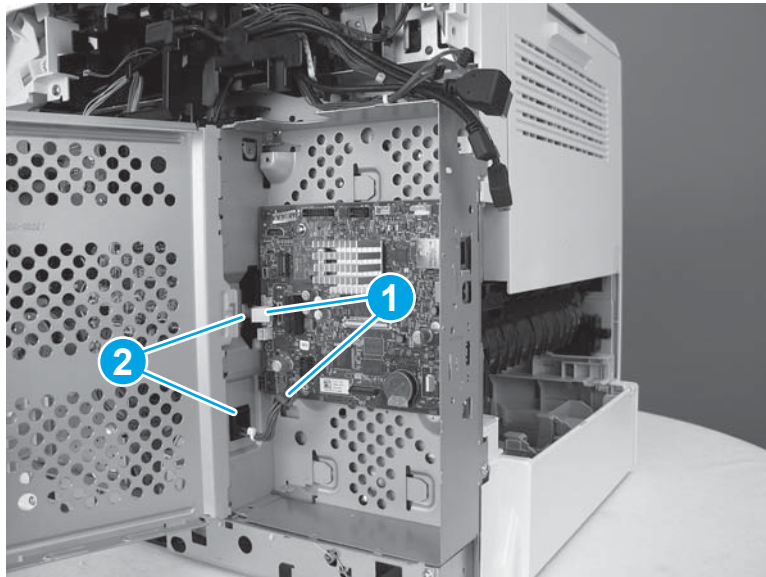
5. Remove the wires and cables (callout 1) from the opening (callout 2) in the top of the formatter case.

Figure 1-2060 Remove the wires from the formatter case



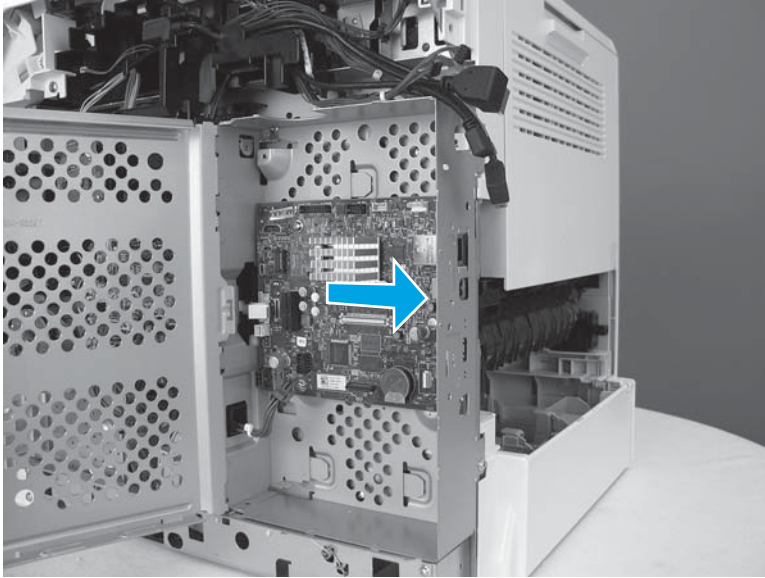
6. When removing the formatter case in the next step, make sure that the flat cable and wire harness (callout 1) slide through the openings (callout 2) in the formatter case.

Figure 1-2061 Feed cables through the openings



7. Slide the formatter case toward the back of the printer to remove it.

Figure 1-2062 Remove formatter case



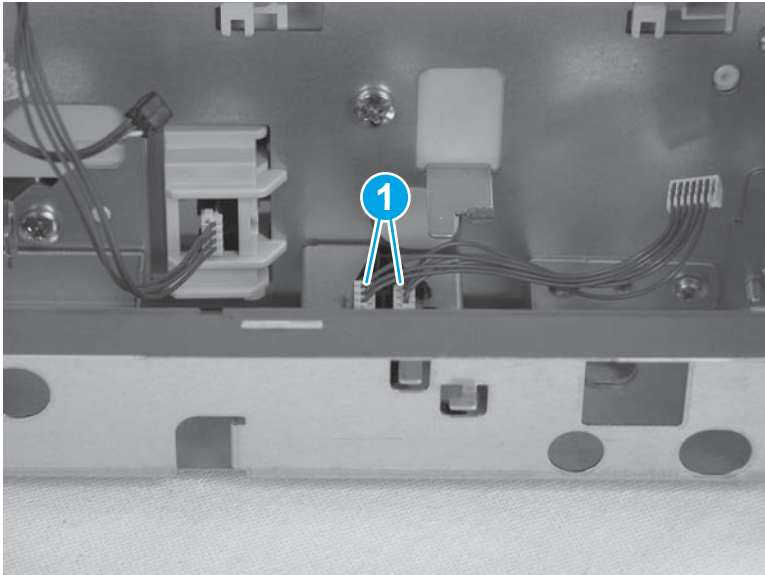
Step 3: Remove the lower input accessory connector

1. Disconnect two connectors (callout 1).



NOTE: The lower connector for the 500-sheet feeder is shown below. The wire harness connected to the lower input accessory connector might look slightly different, but the procedure is correct for all accessories.

Figure 1-2063 Disconnect two connectors



2. Use needle-nose pliers to compress the retaining sleeves around the two pegs (callout 1) on the connector, and then push the connector down through the sheet metal to remove it.


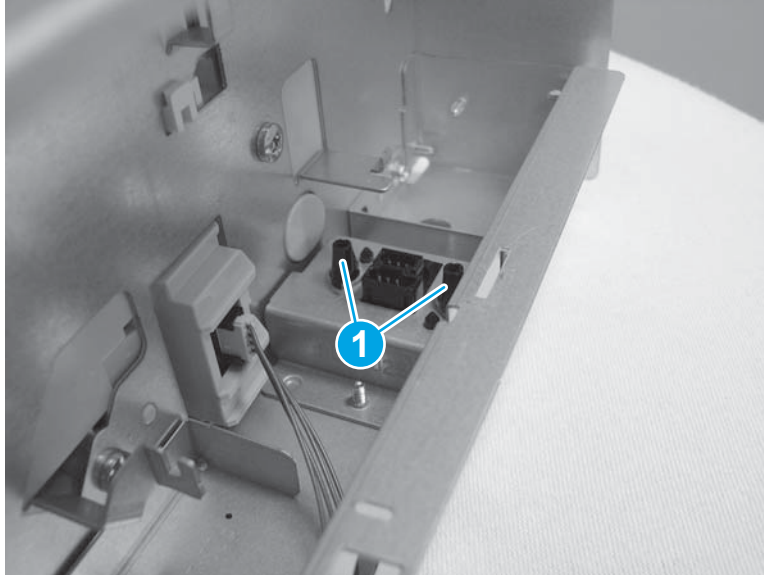
 **TIP:** Tilt the printer up in order to access the bottom of the printer. Rest the tilted printer on something solid, such as a book, while removing the connector.

Figure 1-2064 Compress the sleeves around the pegs



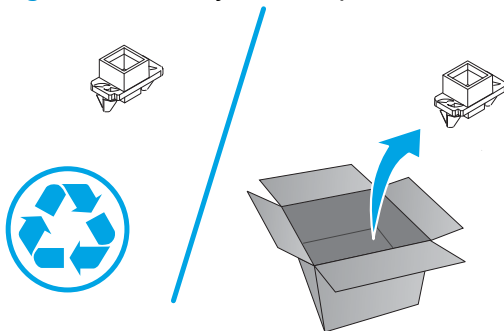
Step 4: Unpack the lower input accessory connector

Unpack the replacement part from the packaging.

<http://www8.hp.com/us/en/hp-information/environment/product-recycling.html>

 **NOTE:** HP recommends responsible disposal of the defective part.

Figure 1-2065 Recycle and unpack



Step 5: Install the lower input accessory connector

1. Install the connector through the holes in the sheet metal. Make sure that the connector (callout 1) is positioned correctly in the sheet metal hole, and that the pegs (callout 2) are fully installed through the holes


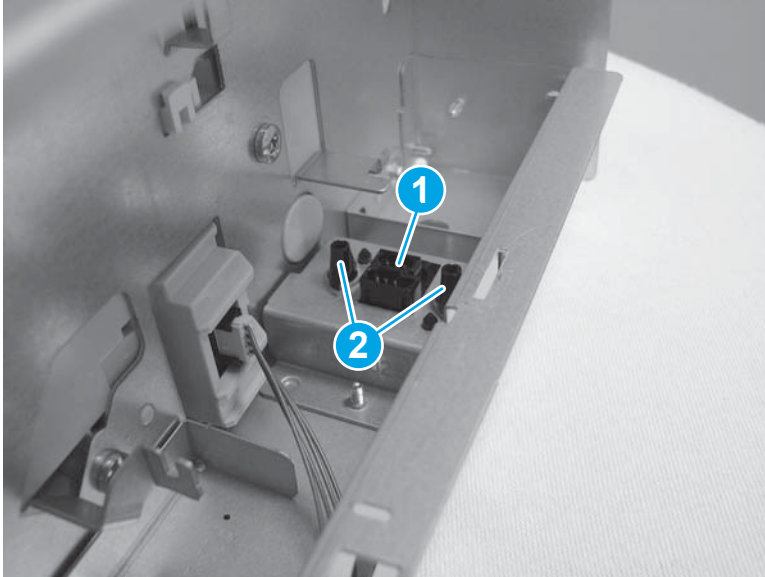
 **TIP:** Tilt the printer up in order to access the bottom of the printer. Rest the tilted printer on something solid, such as a book, while installing the connector.

Figure 1-2066 Install the connector

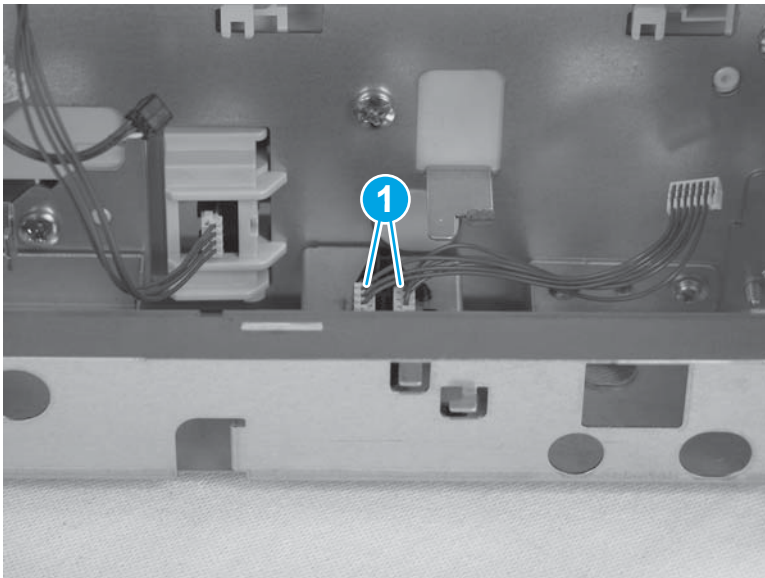


2. Connect two connectors (callout 1).



NOTE: The lower connector for the 500-sheet feeder is shown below. The wire harness connected to the lower input accessory connector might look slightly different, but the procedure is correct.

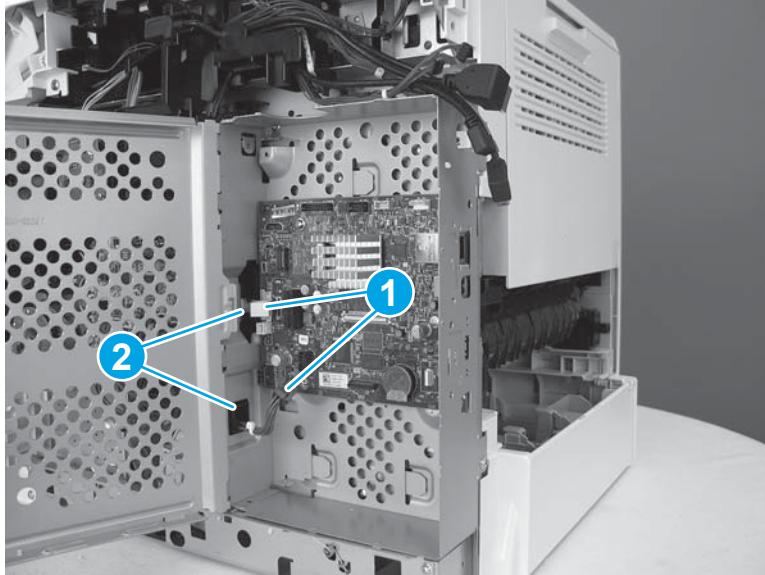
Figure 1-2067 Connect two connectors



Step 6: Install the formatter and formatter case

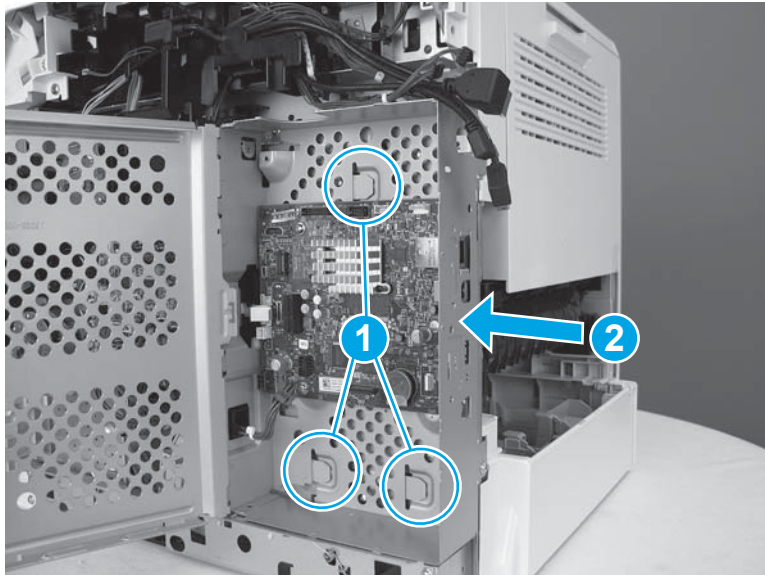
1. Position the formatter case on the printer. Make sure that the flat cable and wire harness (callout 1) are positioned through the openings (callout 2) in the formatter case.

Figure 1-2068 Position the formatter case



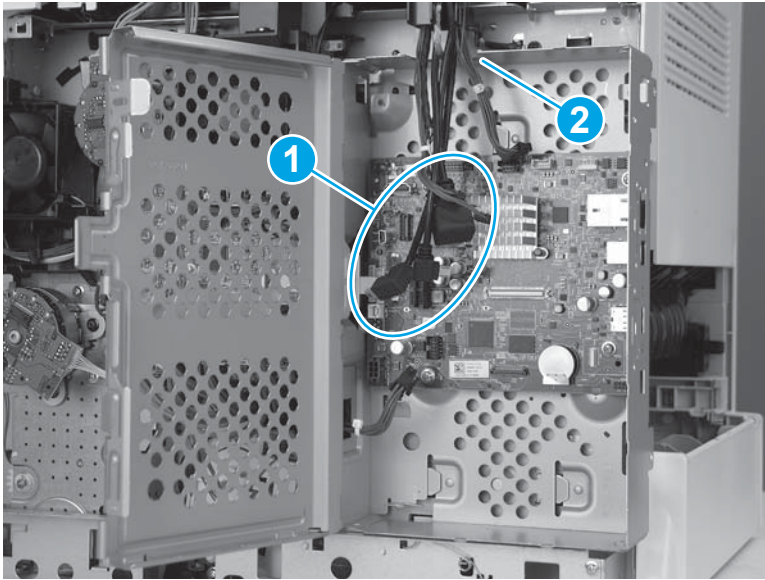
2. Make sure that the metal tabs on the printer are positioned into the slots on the formatter case (callout 1), and then slide the formatter case toward the front of the printer (callout 2) to install it.

Figure 1-2069 Install the formatter case



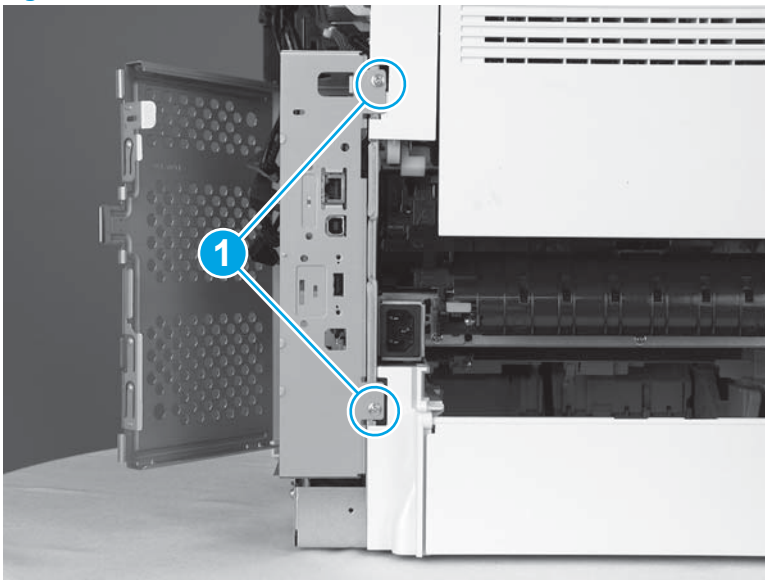
3. Position the wires and cables (callout 1) in the opening (callout 2) in the top of the formatter case.

Figure 1-2070 Position the wires in the formatter case



4. Install two screws (callout 1).

Figure 1-2071 Install two screws



5. Locate the flat cable connector (callout 1) on the formatter.


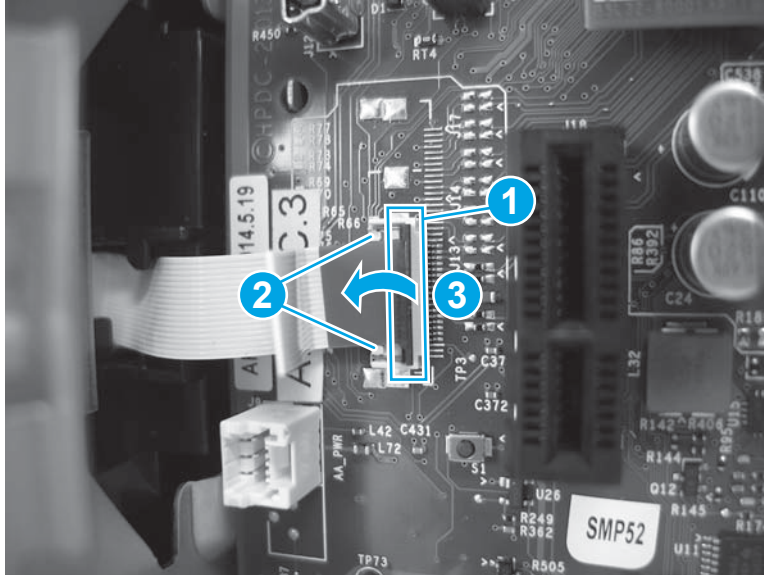
 **IMPORTANT:** The flat cable connector is a Zero Insertion Force (ZIF) connector that uses a hinged retainer to secure a flat cable. When the flat cable is reinstalled, fully insert the flat cable in the connector between the two white pins (callout 2). Close the hinged retainer (callout 3) to lock the flat cable into the connector and provide proper electrical contact. If the flat cable is not locked into the connector, no electrical contact will occur.

Figure 1-2072 ZIF connector

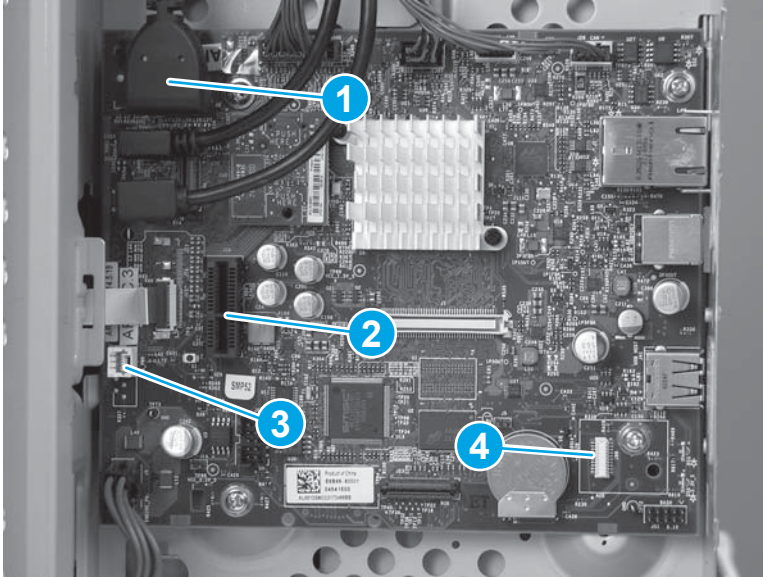


6. Connect all of the connectors on the formatter.

The following connectors are empty:

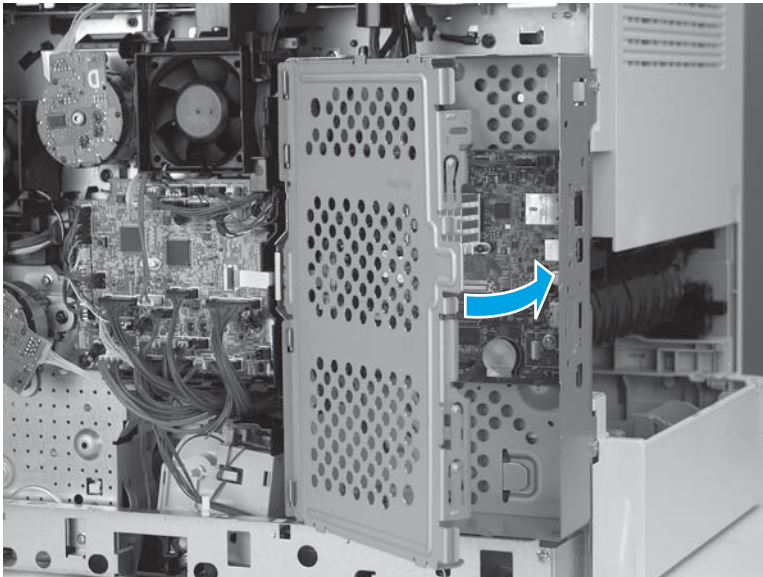
- J23, J25, J51, and J57
- J3 (callout 1): This connector is empty on the M604n/dn, M605n/dn, and M606dn models. It holds the touchscreen cable on the M605x and M606x models.
- J18 (callout 2): This connector is empty unless the optional hard-disk-drive (HDD) is installed.
- J9 (callout 3): This connector is empty unless the optional two internal USB ports accessory is installed.
- J98 (callout 4): This connector is empty unless the optional trusted platform module (TPM) is installed.

Figure 1-2073 Connect all connectors



7. Close the formatter case door.

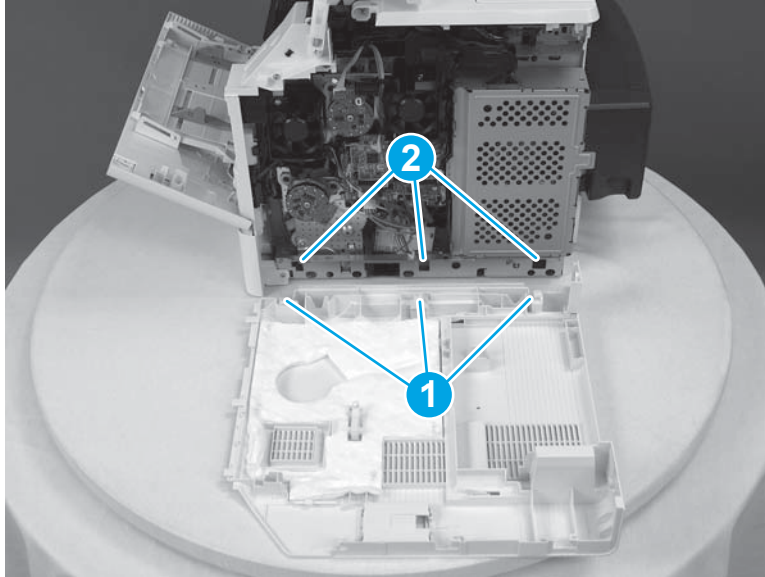
Figure 1-2074 Close the formatter case door



Step 7: Install the right cover

1. Note the location of the tabs (callout 1) on the cover that will fit into the slots (callout 2) on the printer.

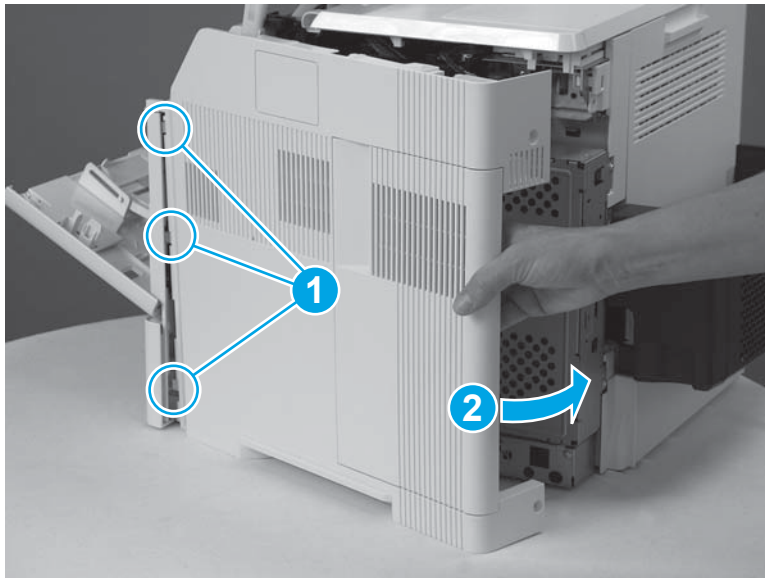
Figure 1-2075 Note location of tabs



2. Position the front tabs on the right cover slightly behind the right front cover (callout 1), and then rotate the back edge of the cover toward the printer (callout 2).

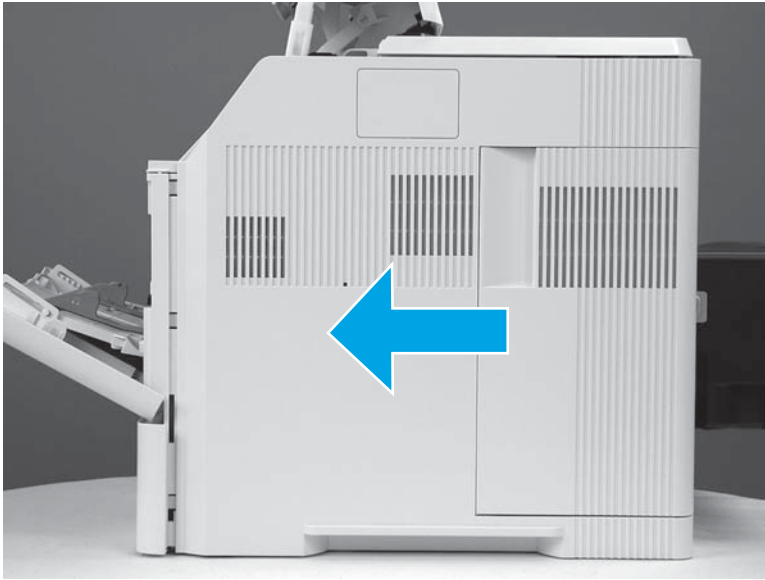
 **NOTE:** The tabs and slots mentioned in the previous step will engage as the cover is rotated into place.

Figure 1-2076 Position the front tabs



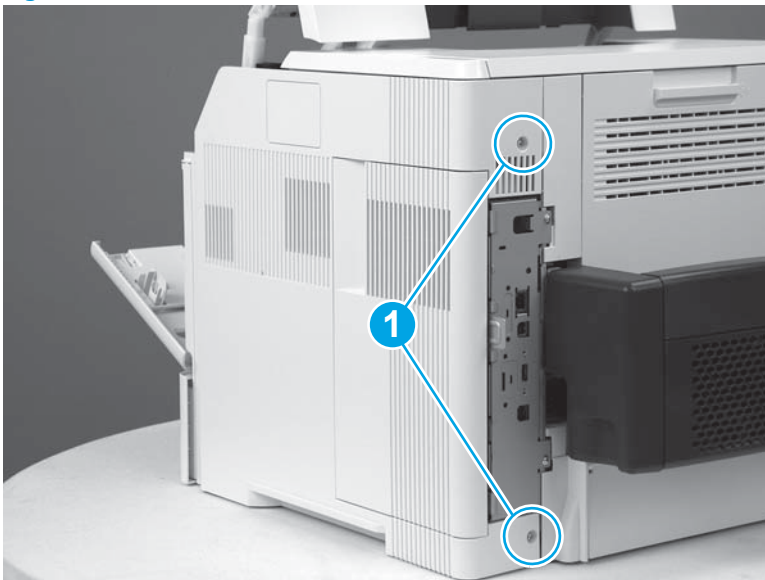
3. Slide the cover toward the front of the printer to install it.

Figure 1-2077 Slide the cover



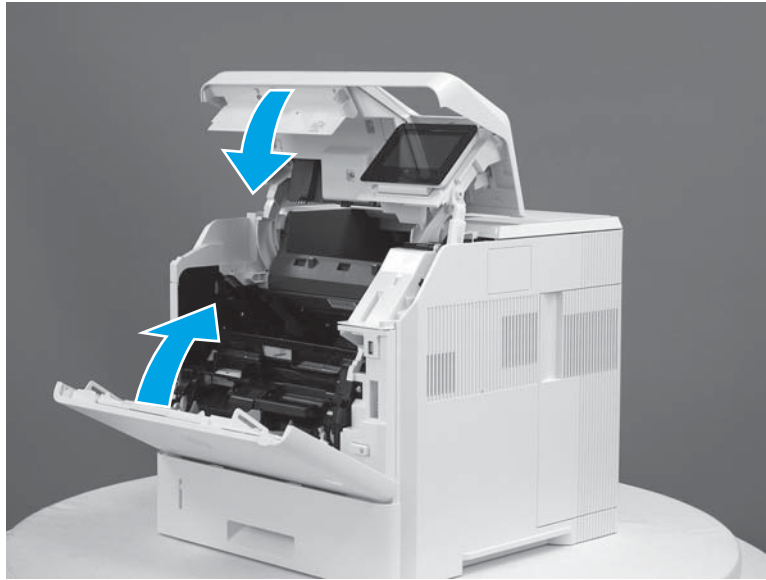
4. Install two screws (callout 1).

Figure 1-2078 Install two screws



5. Close the front cover and the cartridge door.

Figure 1-2079 Close the front cover and cartridge door



Removal and replacement: Memory PCA (island of data)

- [Introduction](#)
- [Step 1: Remove the right cover](#)
- [Step 2: Remove the top accessory cover](#)
- [Step 3: Remove the top cover \(M604n/dn, M605n/dn, M606dn only\)](#)
- [Step 4: Remove the top cover \(M605x, M606x only\)](#)
- [Step 5: Remove the memory PCA](#)
- [Step 6: Unpack the memory PCA](#)
- [Step 7: Install the memory PCA](#)
- [Step 8: Install the top cover \(M605x, M606x only\)](#)
- [Step 9: Install the top cover \(M604n/dn, M605n/dn, M606dn only\)](#)
- [Step 10: Install the top accessory cover](#)
- [Step 11: Install the right cover](#)


Introduction



This document provides the procedures to remove and replace the memory PCA (island of data).

Before performing service

Turn the printer power off

- Disconnect the power cable.

 **WARNING!** To avoid damage to the printer, turn the printer off, wait 30 seconds, and then remove the power cord before attempting to service the printer.

 **CAUTION:**  This part contains components that are electrostatic discharge (ESD) sensitive. To reduce the possibility of ESD damage, always touch the sheet-metal chassis to ground yourself before touching an ESD-sensitive part.

Use the table below to identify the correct part number for your printer, and then go to www.hp.com/buy/parts to order the kit.

Memory PCA part number

RM2-7645-000CN

PCA, memory (island of data)

Required tools

- #2 Phillips screwdriver with a magnetic tip
- Needle-nose pliers

After performing service

Turn the printer power on

- Connect the power cable.
- Use the power switch to turn the power on.

Post service test

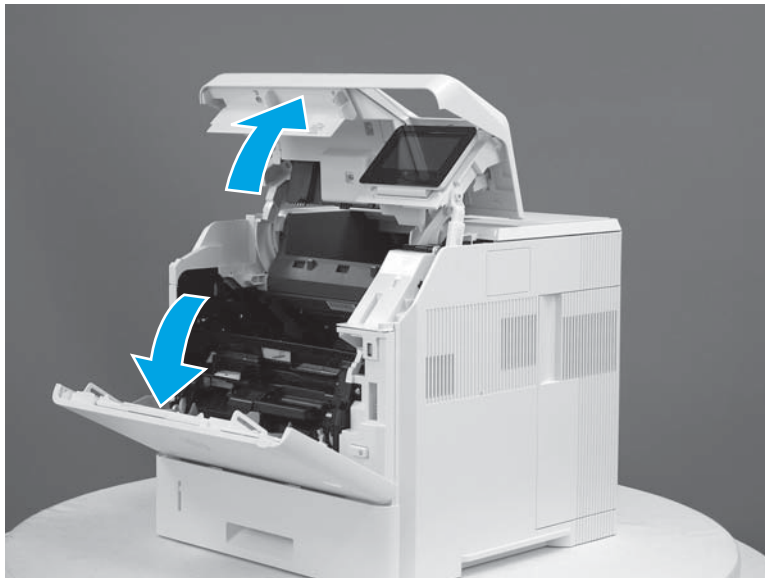
Make sure that the printer initializes to a **Ready** state.

Print a configuration page to make sure that the printer is functioning correctly.

Step 1: Remove the right cover

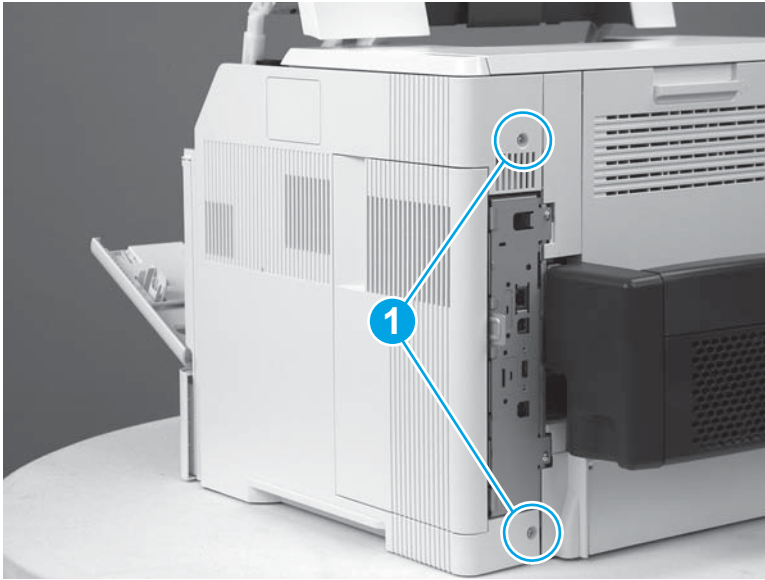
1. Open the front cover and the cartridge door.

Figure 1-2080 Open the front cover and cartridge door



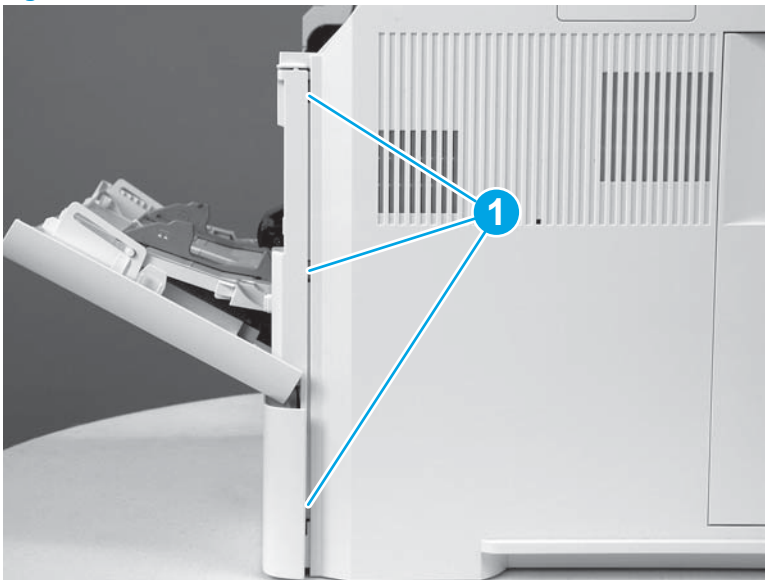
2. Remove two screws (callout 1).

Figure 1-2081 Remove two screws



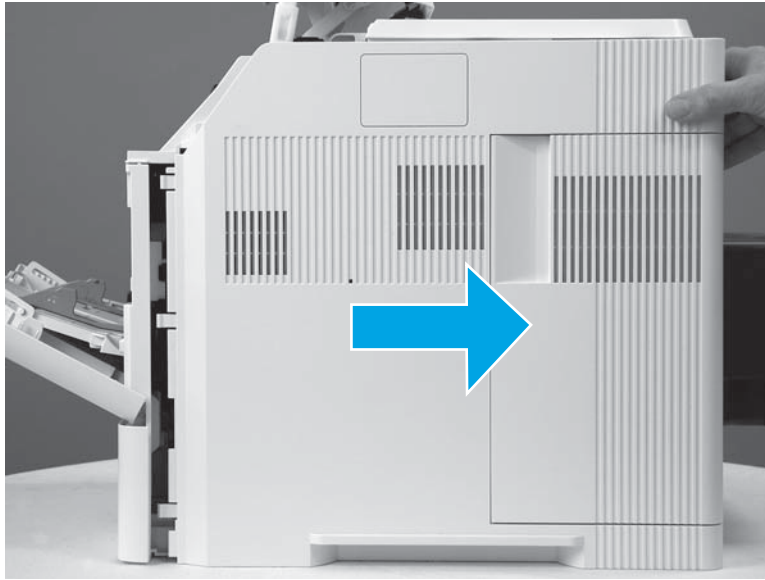
3. Release three tabs (callout 1).

Figure 1-2082 Release three tabs



4. Slide the cover toward the rear of the printer to remove it.

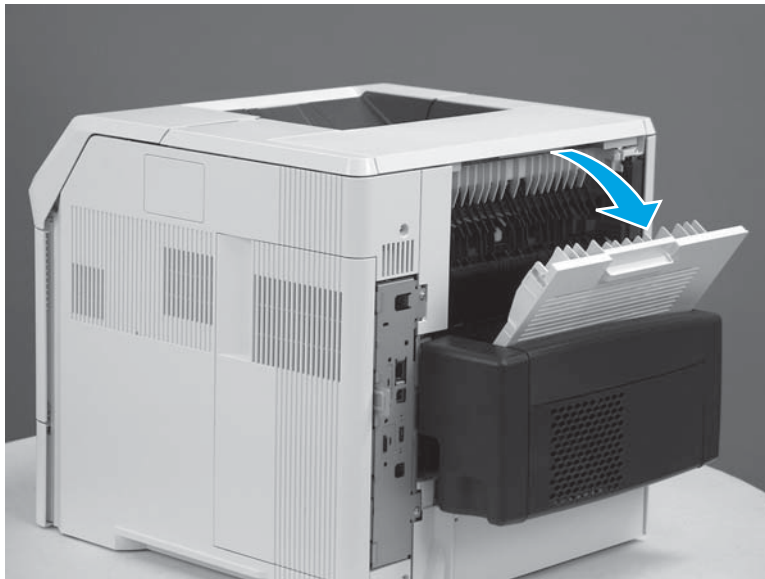
Figure 1-2083 Remove the cover



Step 2: Remove the top accessory cover

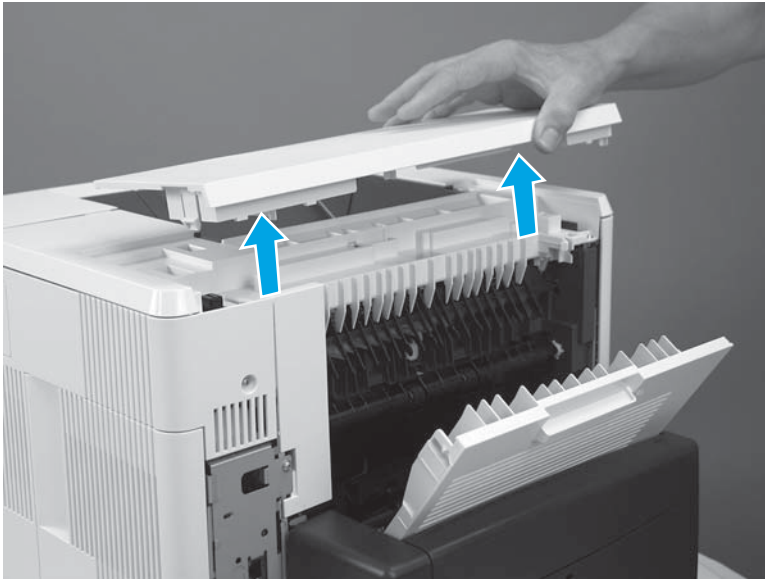
1. Open the rear output bin.

Figure 1-2084 Open the rear output bin



2. Lift the top accessory cover up and off of the printer.

Figure 1-2085 Remove top accessory cover



Step 3: Remove the top cover (M604n/dn, M605n/dn, M606dn only)



NOTE: For the M605x or M606x, product, skip this step and go to [Step 4: Remove the top cover \(M605x, M606x only\) on page 1153](#).

1. Use needle-nose pliers to release the toner-cartridge drive-arm tabs (callout 1).

 **CAUTION:** The toner-cartridge drive-arm tabs break easily.


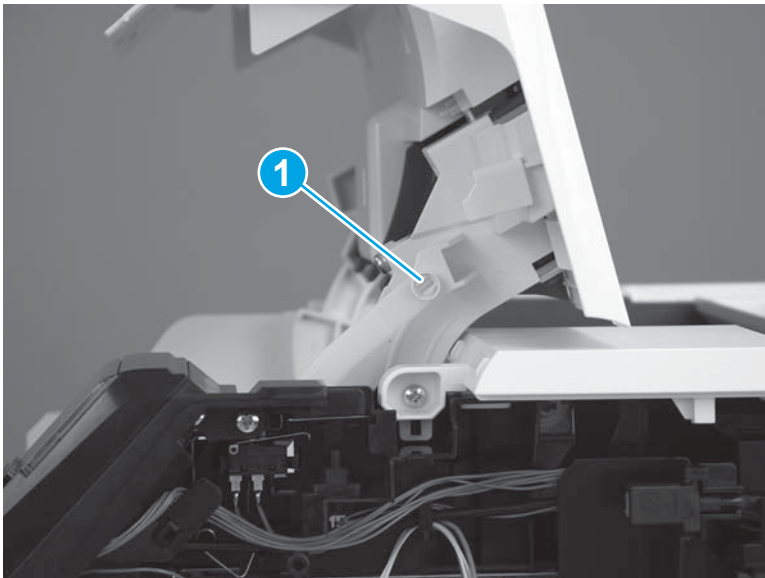
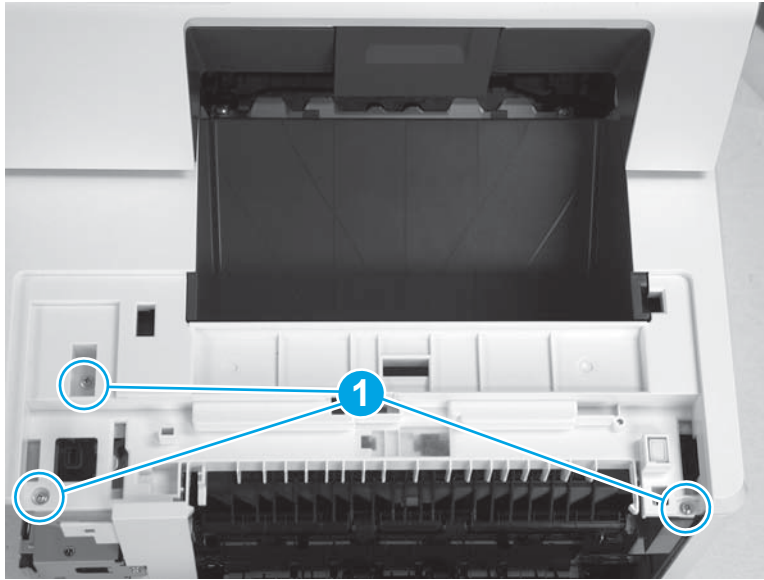
 **TIP:** Push the toner-cartridge drive-arm back into the printer to avoid damaging it when you remove the top cover.

Figure 1-2086 Release the drive-arm tabs



2. Remove three screws (callout 1) on the top of the printer.

Figure 1-2087 Remove three screws



3. Remove one screw (callout 1) on the right side of the printer.


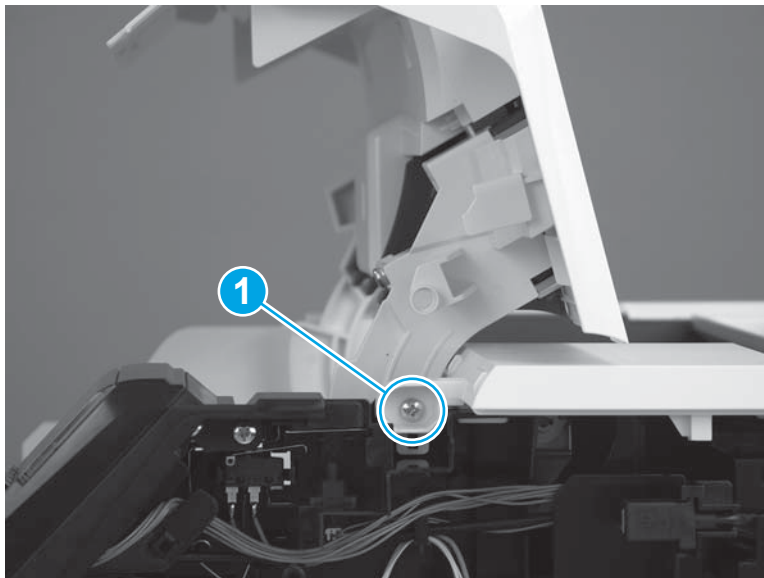
 **Reinstallation tip:** This screw is larger than the screws removed from the top of the printer. Make sure to install the correct screw when reassembling.

Figure 1-2088 Remove one screw



4. Remove one screw (callout 1) on the left side of the printer.


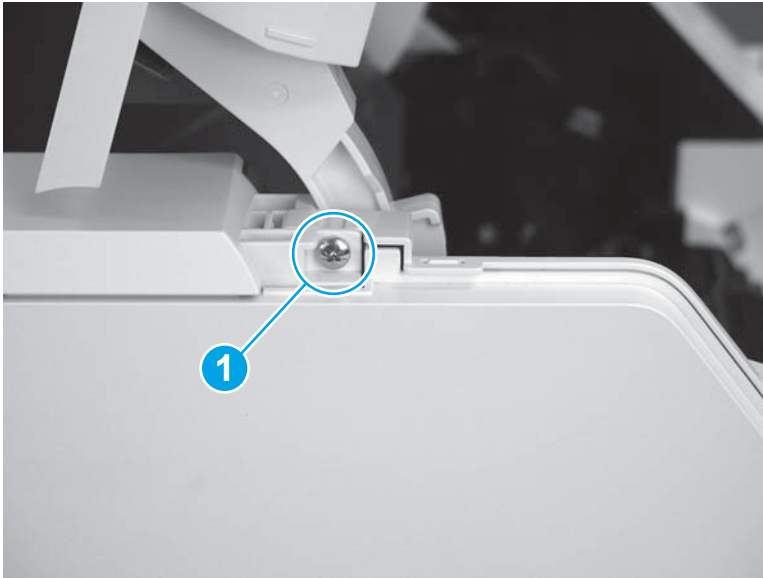
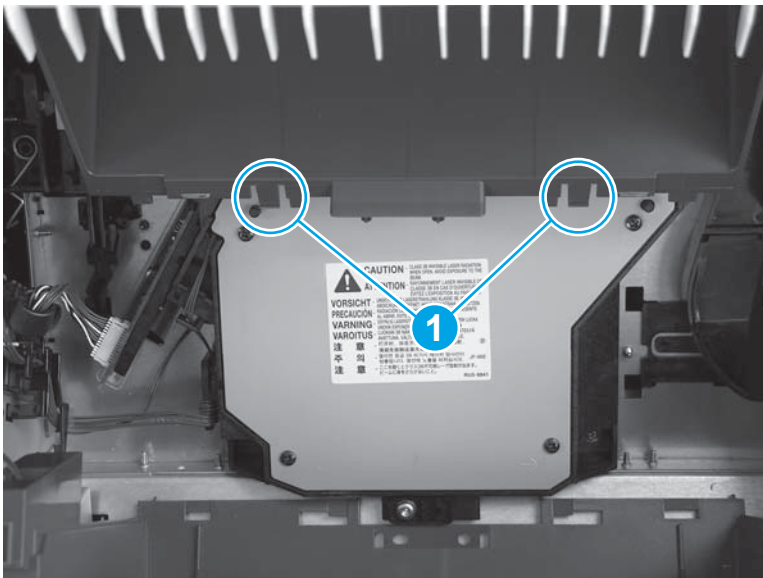
 **Reinstallation tip:** This screw is larger than the screws removed from the top of the printer. Make sure to install the correct screw when reassembling.

Figure 1-2089 Remove one screw



5. Note the location of two tabs on the top output bin (callout 1). These tabs are released in the next step.

Figure 1-2090 Location of two tabs



6. Release two tabs (callout 1) on the top output bin.


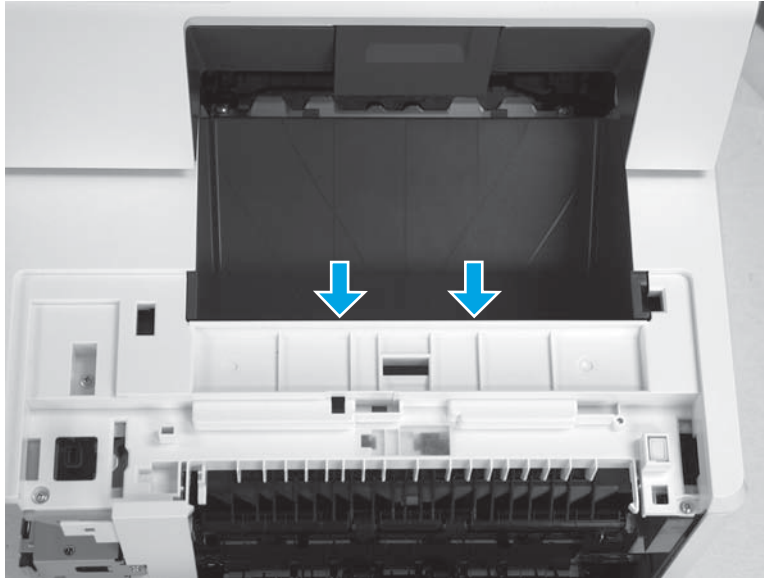
 **Reinstallation tip:** Make sure that these tabs are fully seated when the top cover is reinstalled.

Figure 1-2091 Release two tabs



7. Lift the top cover up and off of the printer to remove it.

Figure 1-2092 Remove the top cover



Step 4: Remove the top cover (M605x, M606x only)

1. Use needle-nose pliers to release the toner-cartridge drive-arm tabs (callout 1) and the toner-cartridge door hinge tabs (callout 2).

 **CAUTION:** The toner-cartridge drive-arm tabs break easily.


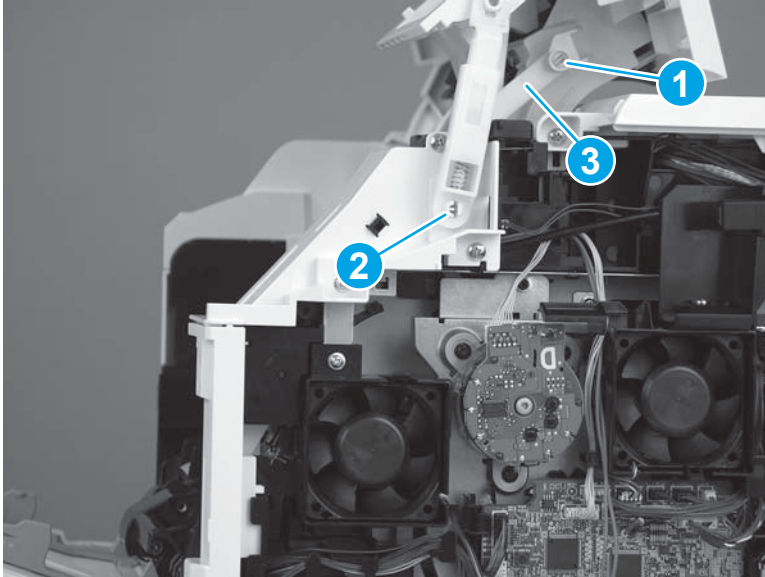
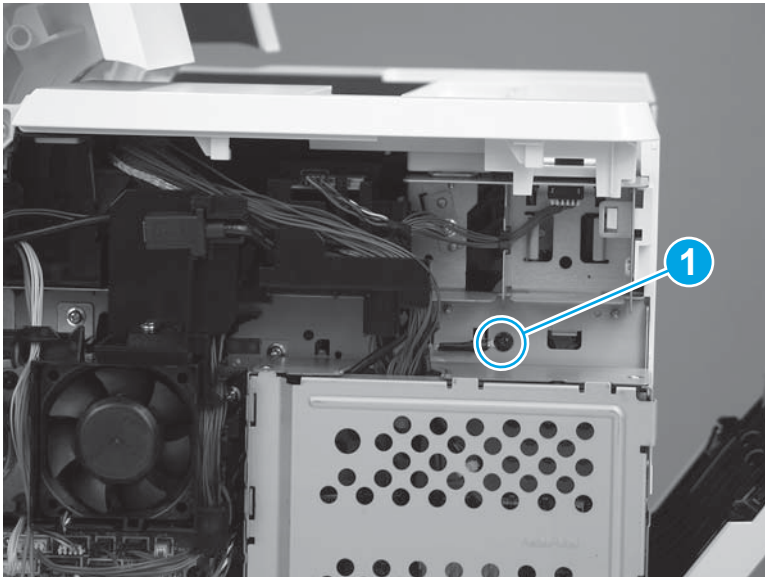
 **TIP:** Push the toner-cartridge drive-arm (callout 3) back into the printer to avoid damaging it when you remove the top cover.

Figure 1-2093 Release the drive-arm and door hinge tabs



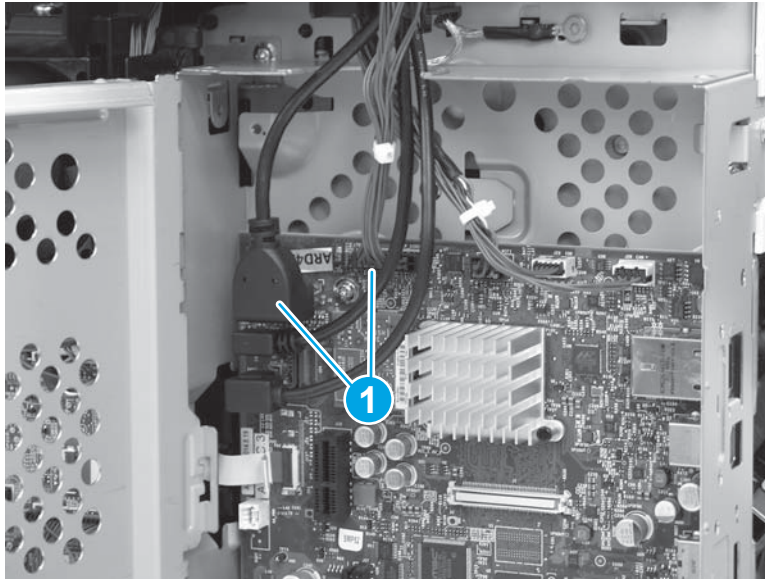
2. Remove one screw, and then release the ground wire (callout 1).

Figure 1-2094 Release the ground wire



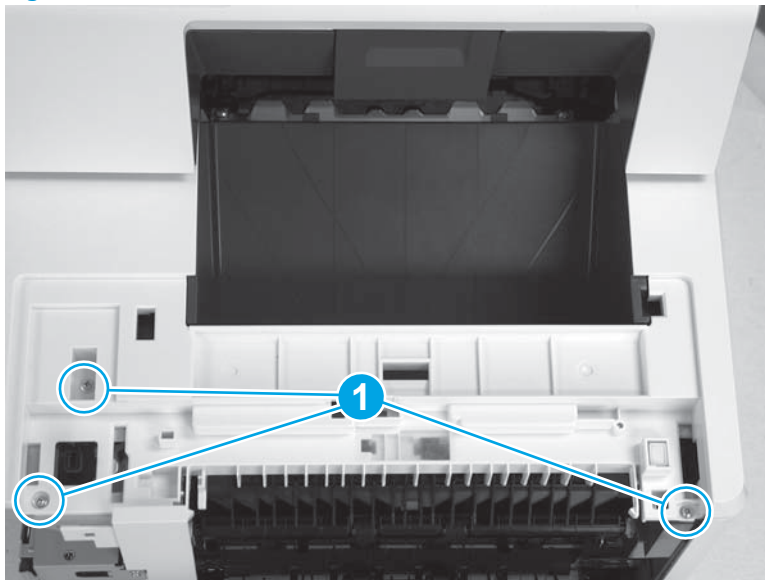
3. Open the formatter case door, and then disconnect two connectors (callout 1).

Figure 1-2095 Disconnect two connectors



4. Remove three screws (callout 1) on the top of the printer.

Figure 1-2096 Remove three screws



5. Remove one screw (callout 1) on the right side of the printer.


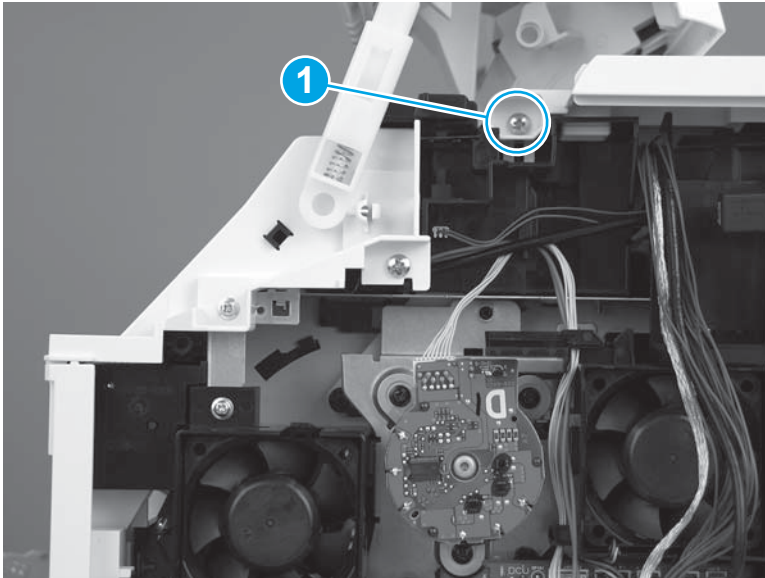
 **Reinstallation tip:** This screw is larger than the screws removed from the top of the printer. Make sure to install the correct screw when reassembling.

Figure 1-2097 Remove one screw



6. Remove one screw (callout 1) on the left side of the printer.


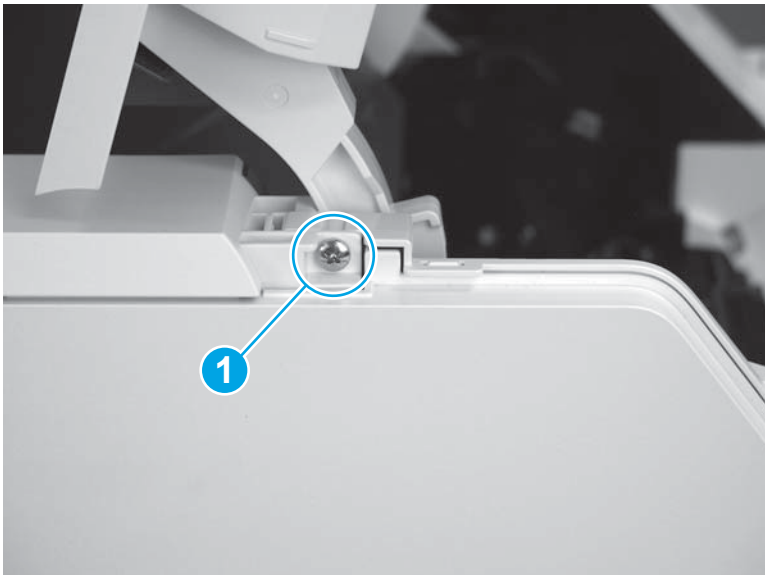
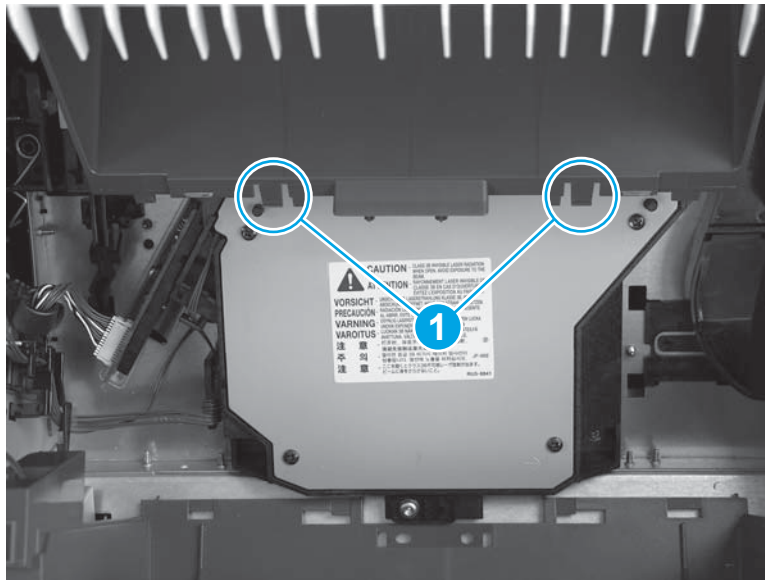
 **Reinstallation tip:** This screw is larger than the screws removed from the top of the printer. Make sure to install the correct screw when reassembling.

Figure 1-2098 Remove one screw



7. Note the location of two tabs on the top output bin (callout 1). These tabs are released in the next step.

Figure 1-2099 Location of two tabs



8. Release two tabs (callout 1) on the top output bin.


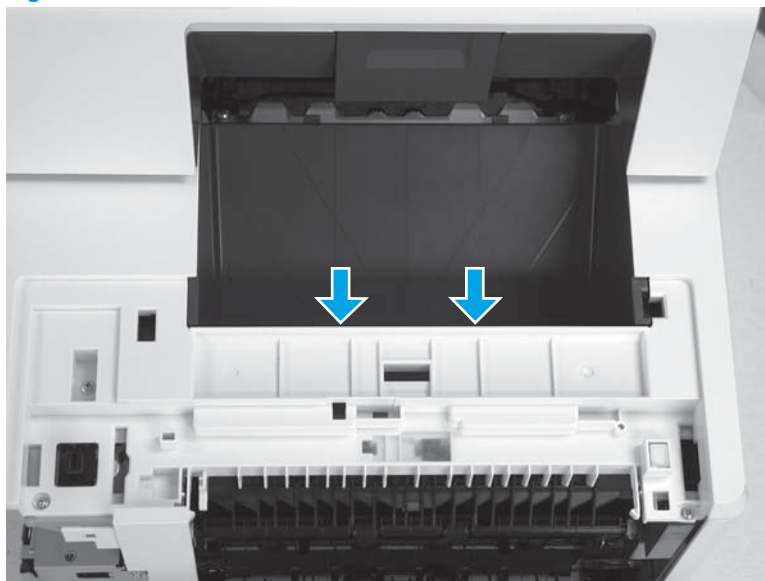
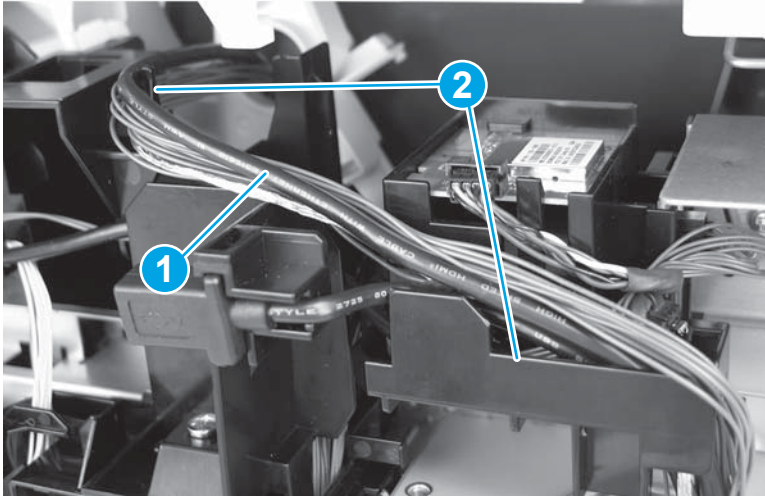
 **Reinstallation tip:** Make sure that these tabs are fully seated when the top cover is reinstalled.

Figure 1-2100 Release two tabs



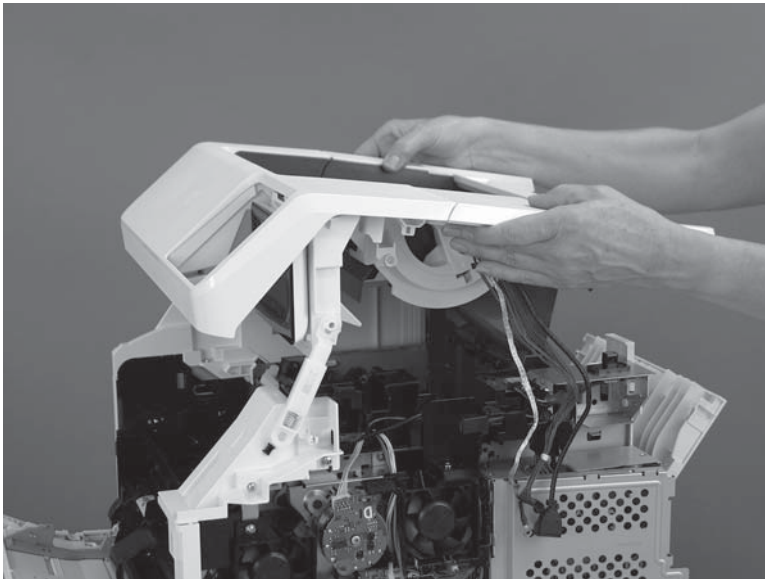
9. On the right side of the printer, release the wire harness and cables (callout 1) from the guides (callout 2).

Figure 1-2101 Release cables from guides



10. Lift the top cover up and off of the printer to remove it.

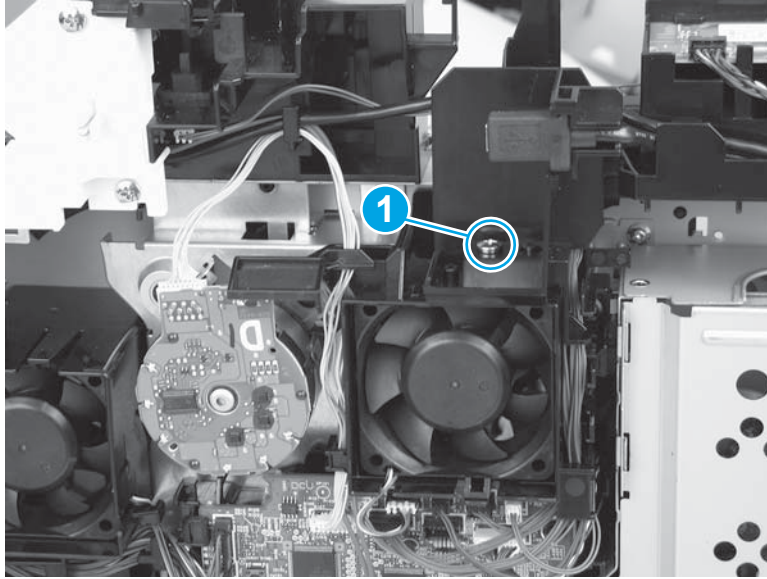
Figure 1-2102 Remove the top cover



Step 5: Remove the memory PCA

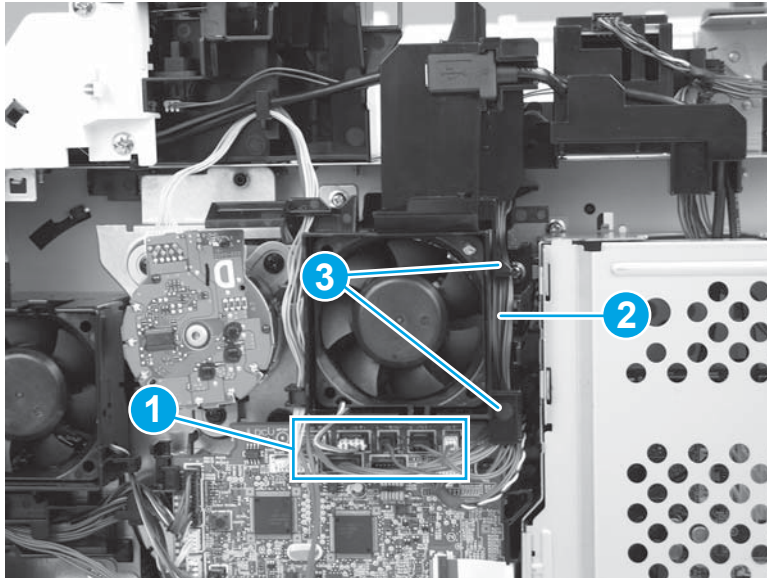
1. Remove one screw (callout 1).

Figure 1-2103 Remove one screw



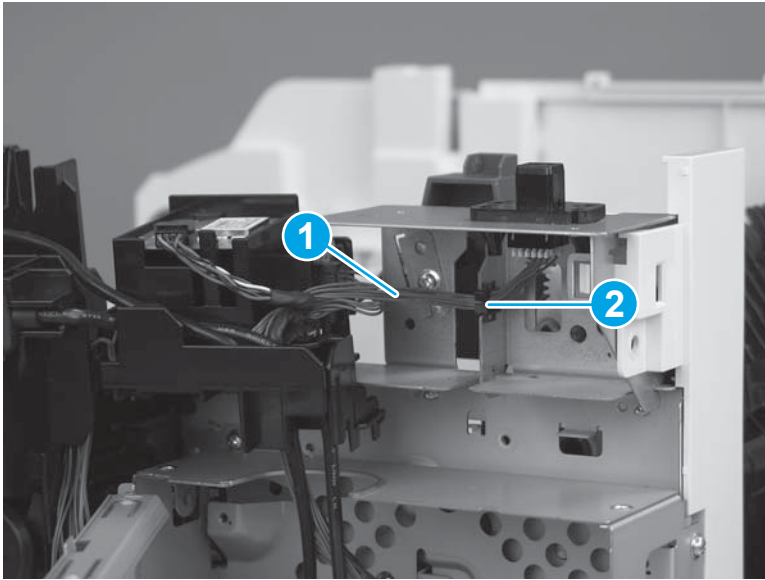
2. Disconnect six connectors (callout 1), and then release the wire harnesses (callout 2) from the guide (callout 3).

Figure 1-2104 Disconnect six connectors



3. Release the wire harness (callout 1) from one retainer (callout 2).

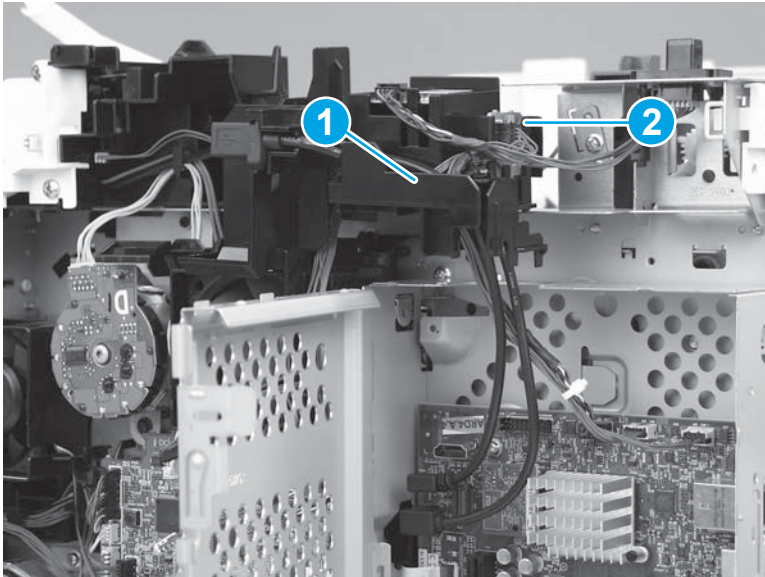
Figure 1-2105 Release the wire harness



4. Release the wire guide (callout 1) from the sheet-metal frame, and then rotate it slightly to access the memory PCA (callout 2).

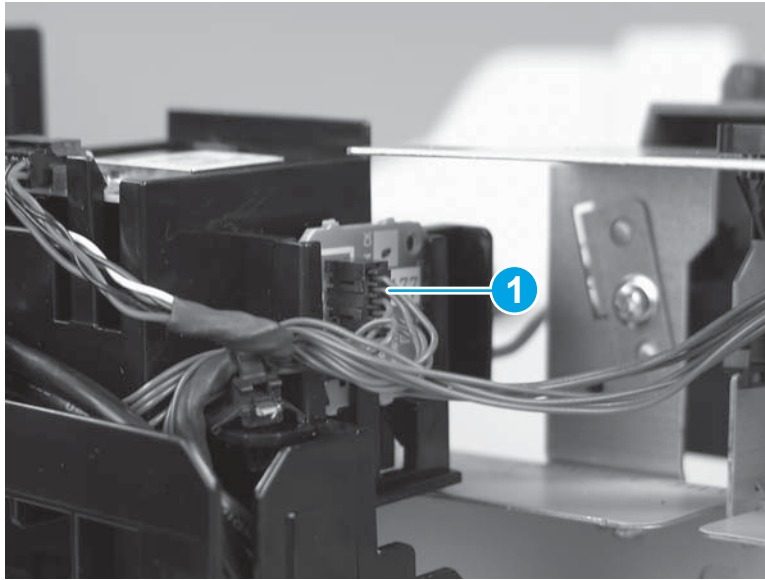
CAUTION: The wire guide is still attached to the printer by the wire harnesses. Do not attempt to completely remove the wire guide.

Figure 1-2106 Release the wire guide



5. Disconnect one connector (callout 1).

Figure 1-2107 Disconnect one connector



6. Release one tab (callout 1) while lifting the memory PCA up and out of the slot (callout 2).


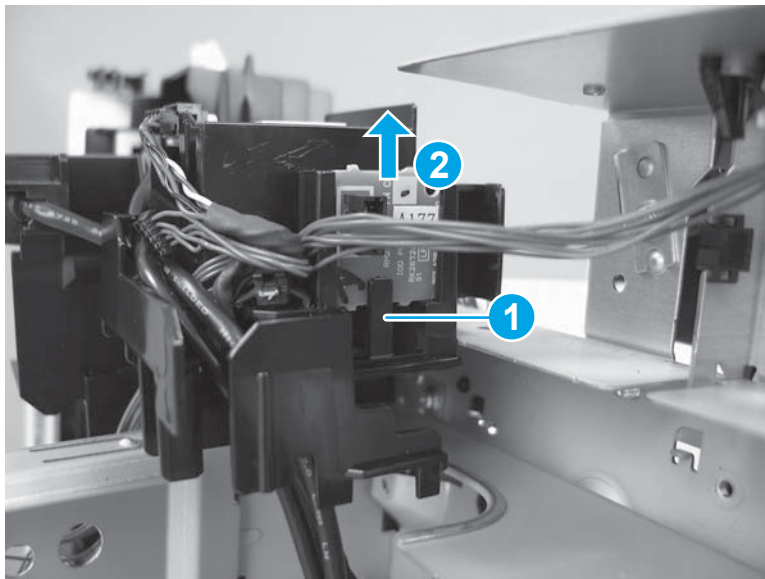
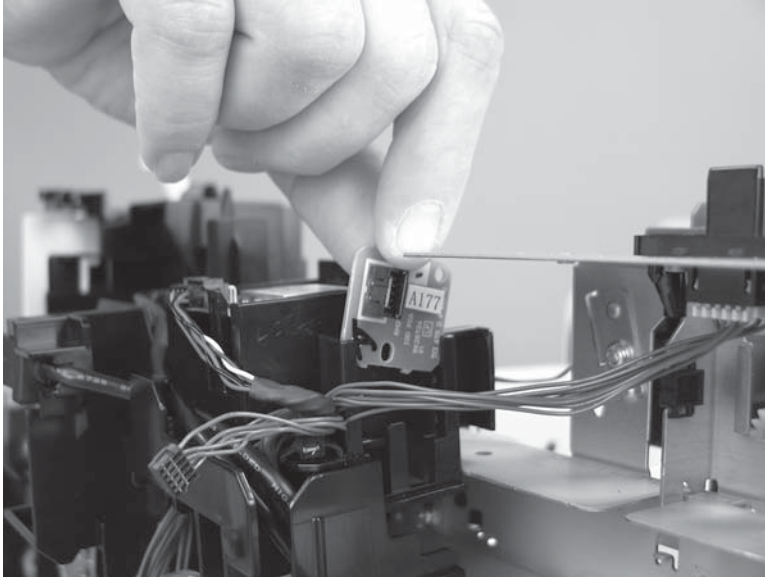
 **NOTE:** The tab fits through a hole in the memory PCA.

Figure 1-2108 Release one tab



7. Remove the memory PCA.



Figure 1-2109 Remove the memory PCA



Step 6: Unpack the memory PCA

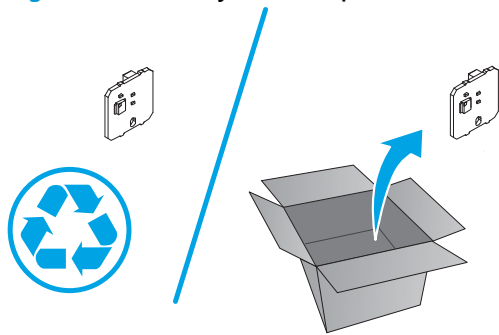
Unpack the replacement part from the packaging.

<http://www8.hp.com/us/en/hp-information/environment/product-recycling.html>

 **CAUTION:**  This part contains components that are electrostatic discharge (ESD) sensitive. To reduce the possibility of ESD damage, always touch the sheet-metal chassis to ground yourself before touching an ESD-sensitive part.

 **NOTE:** HP recommends responsible disposal of the defective part.

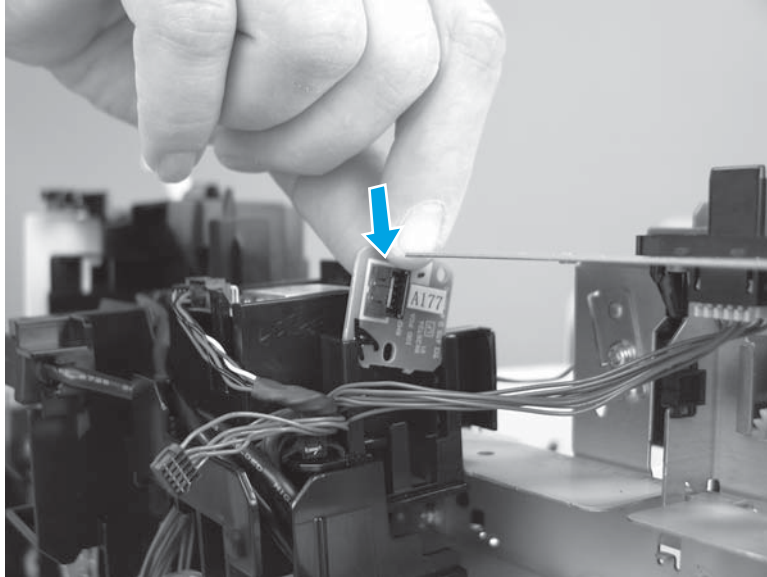
Figure 1-2110 Recycle and unpack



Step 7: Install the memory PCA

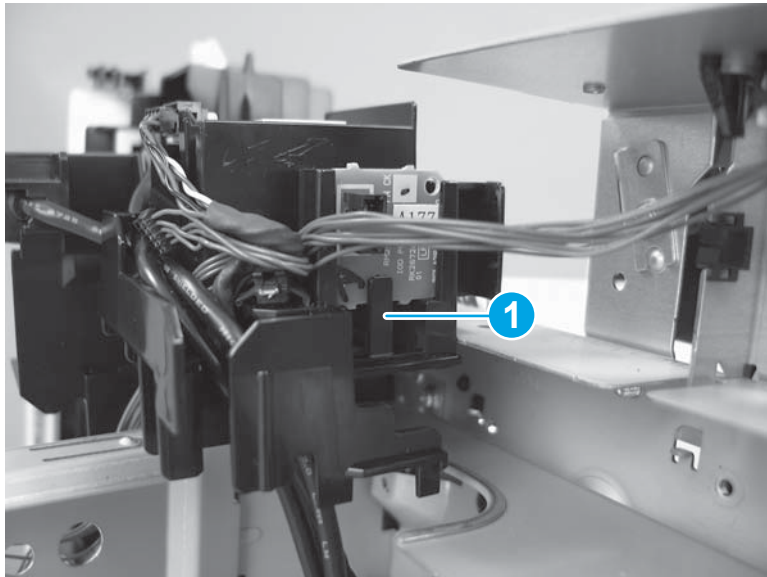
1. Install the memory PCA into the slot.

Figure 1-2111 Install the memory PCA



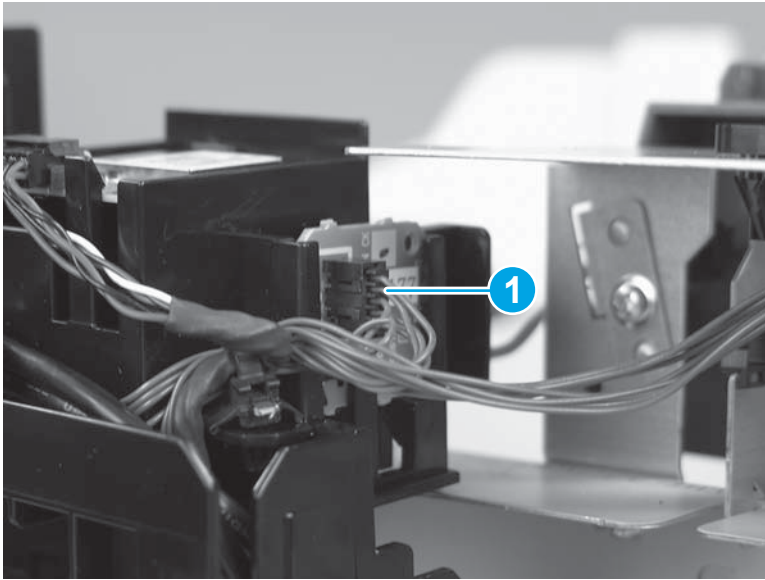
2. Make sure that the tab (callout 1) installs in the hole in the memory PCA.

Figure 1-2112 Release one tab



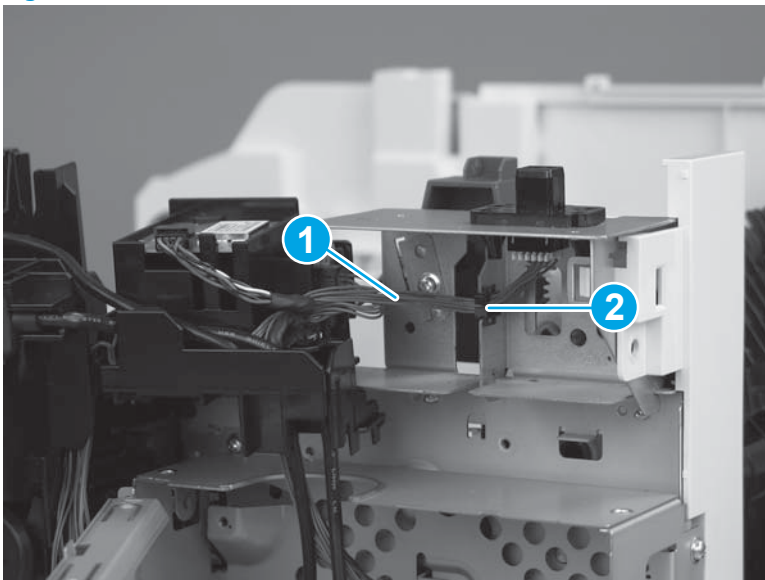
3. Connect one connector (callout 1).

Figure 1-2113 Connect one connector



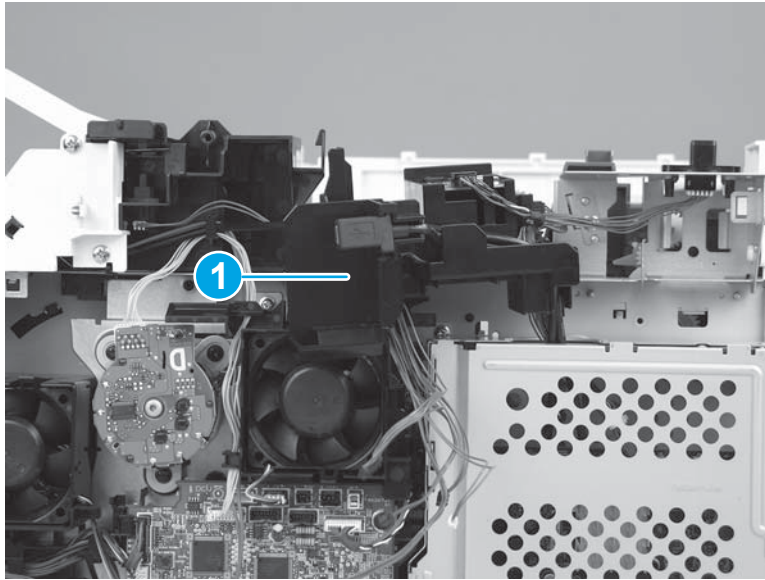
4. Install the wire harness (callout 1) into one retainer (callout 2).

Figure 1-2114 Install the wire harness in the retainer



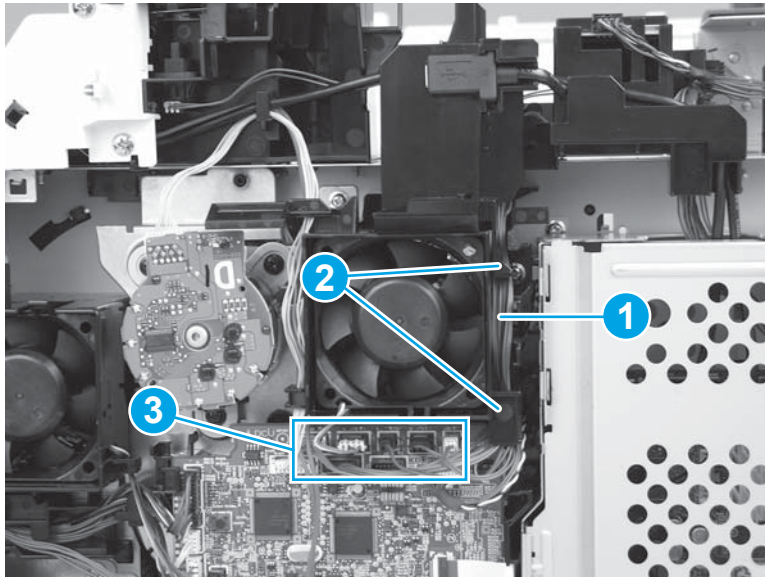
5. Position the wire guide (callout 1) on the sheet-metal frame..

Figure 1-2115 Position the wire guide



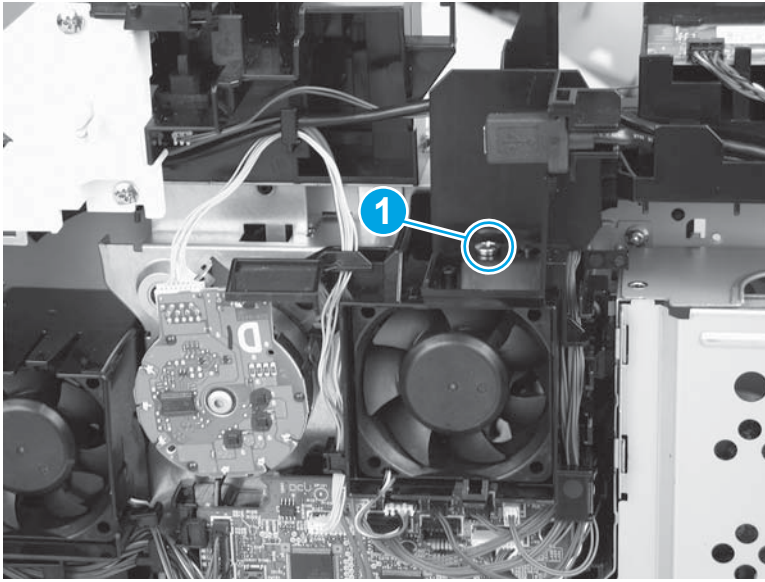
6. Install the wire harnesses (callout 1) into the guide (callout 2), and then connect five connectors (callout 3).

Figure 1-2116 Connect five connectors



7. Install one screw (callout 1).

Figure 1-2117 Install one screw



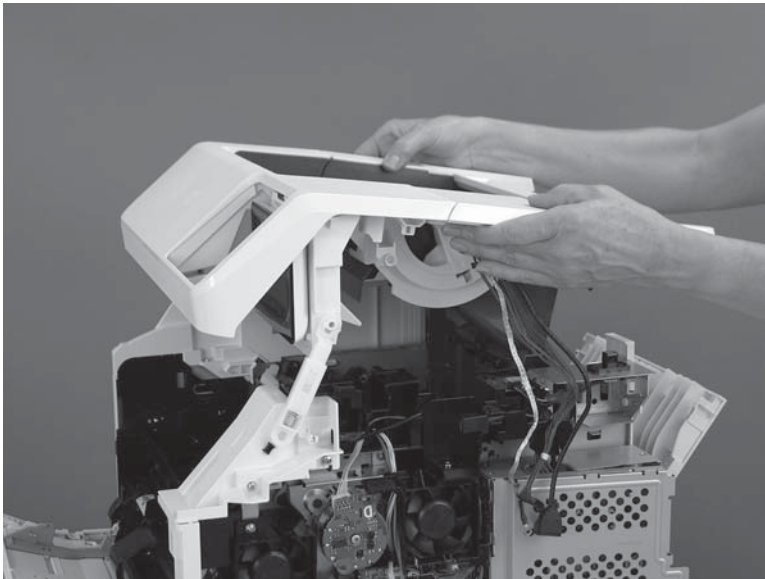
Step 8: Install the top cover (M605x, M606x only)



NOTE: For the M604n/dn, M605n/dn, or M606dn product, skip this step and go to [Step 9: Install the top cover \(M604n/dn, M605n/dn, M606dn only\) on page 1171](#).

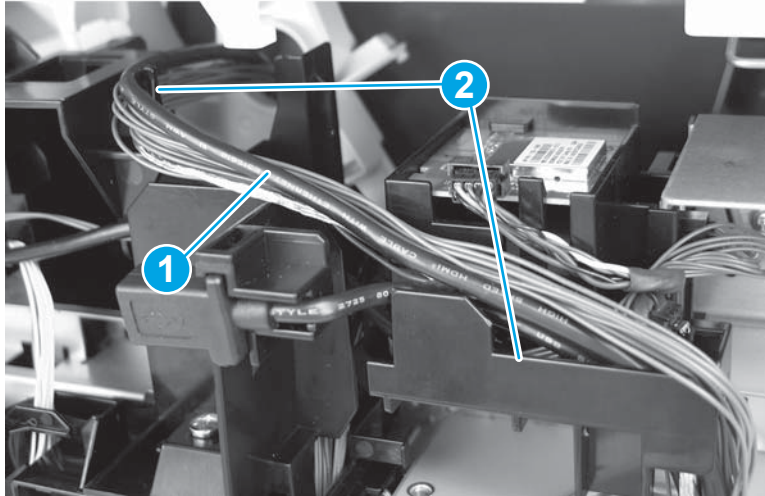
1. Lower the top cover onto the printer.

Figure 1-2118 Lower the top cover



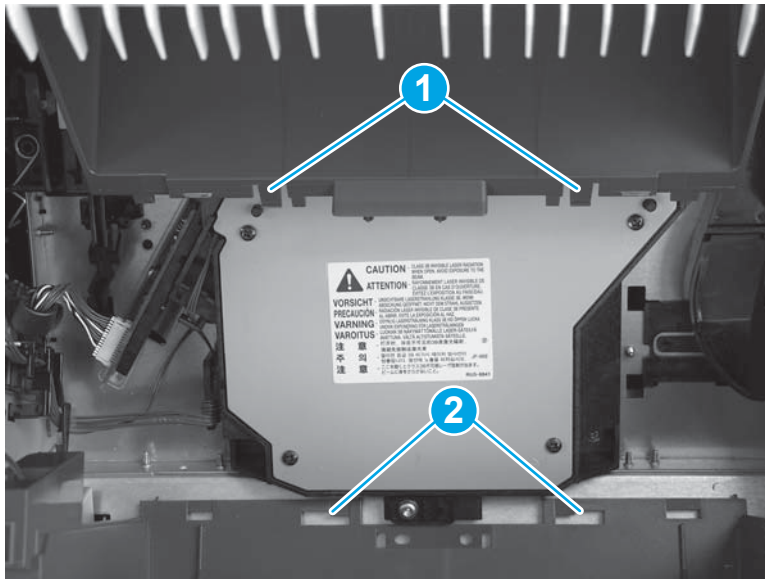
2. On the right side of the printer, make sure that the wire harness and cables (callout 1) are properly routed through the guides (callout 2).

Figure 1-2119 Install cables in guides



3. Install two tabs (callout 1) on the top output bin into two slots (callout 2) in the printer. Make sure that the tabs snap into place.

Figure 1-2120 Install two tabs



4. Install one screw (callout 1) on the left side of the printer.


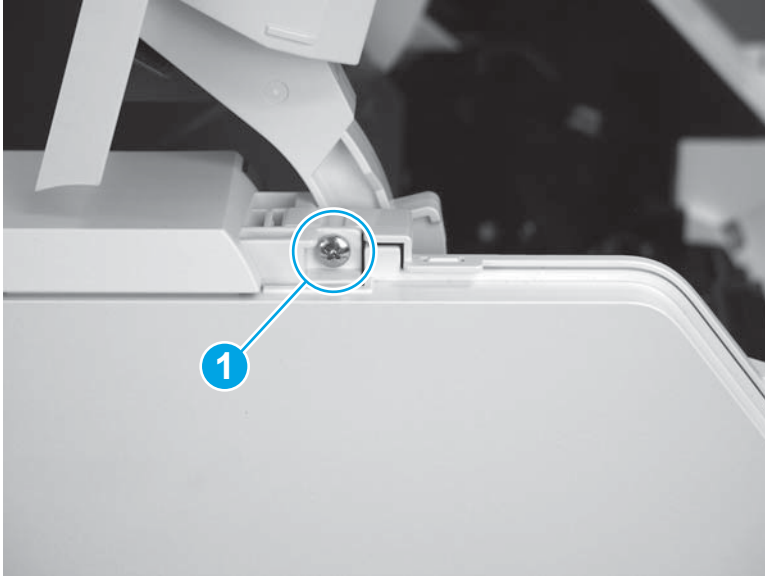
 **Reinstallation tip:** This screw is larger than the screws removed from the top of the printer. Make sure to install the correct screw.

Figure 1-2121 Install one screw



5. Install one screw (callout 1) on the right side of the printer.


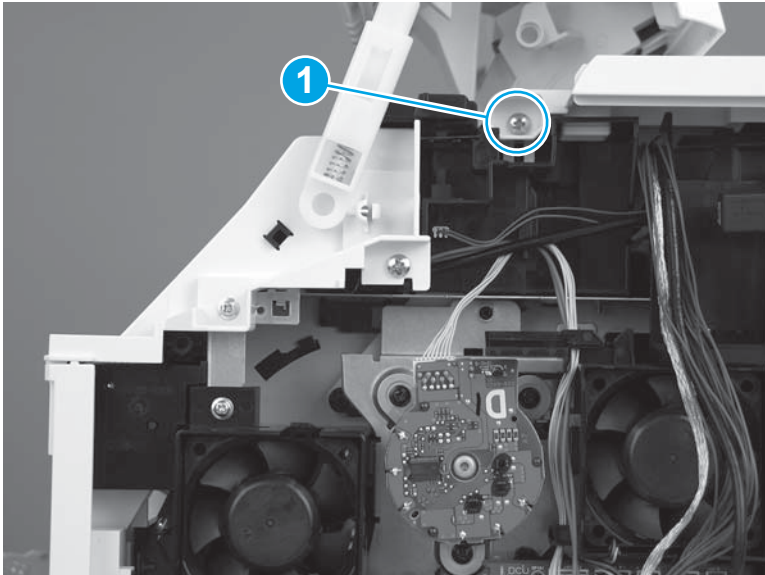
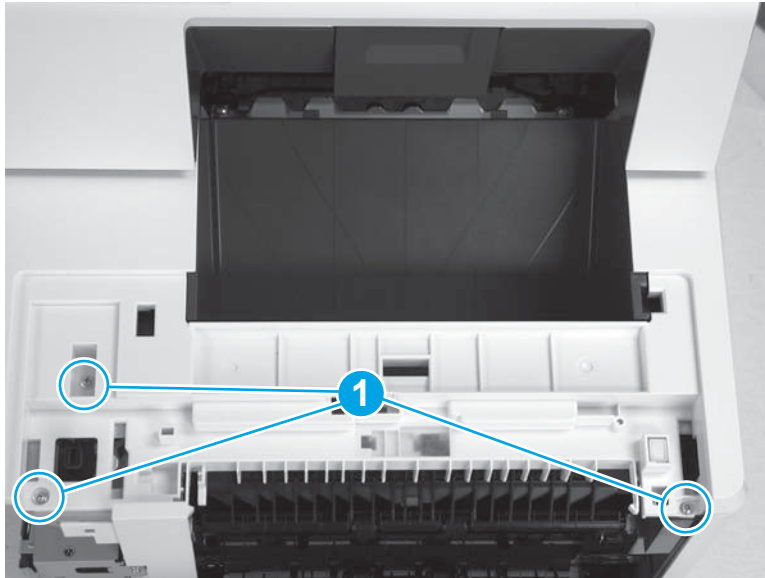
 **Reinstallation tip:** This screw is larger than the screws removed from the top of the printer. Make sure to install the correct screw.

Figure 1-2122 Install one screw



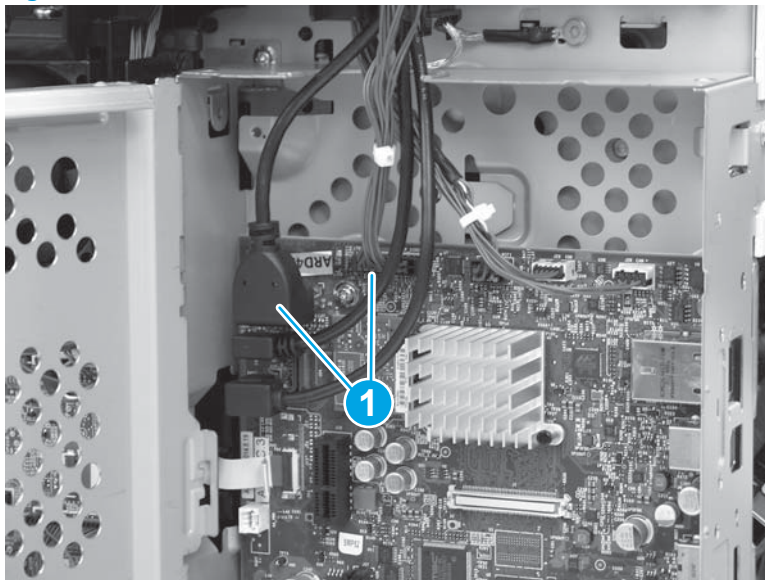
6. Install three screws (callout 1) on the top of the printer.

Figure 1-2123 Install three screws



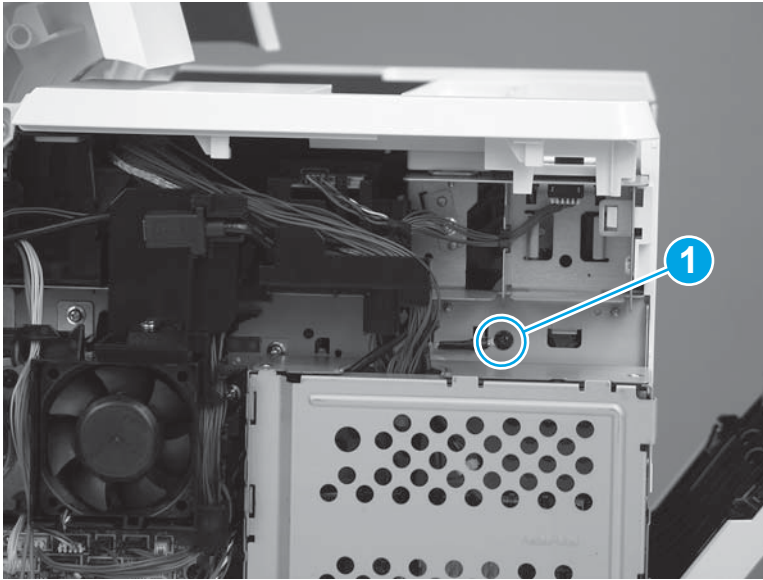
7. Connect two connectors (callout 1).

Figure 1-2124 Connect two connectors



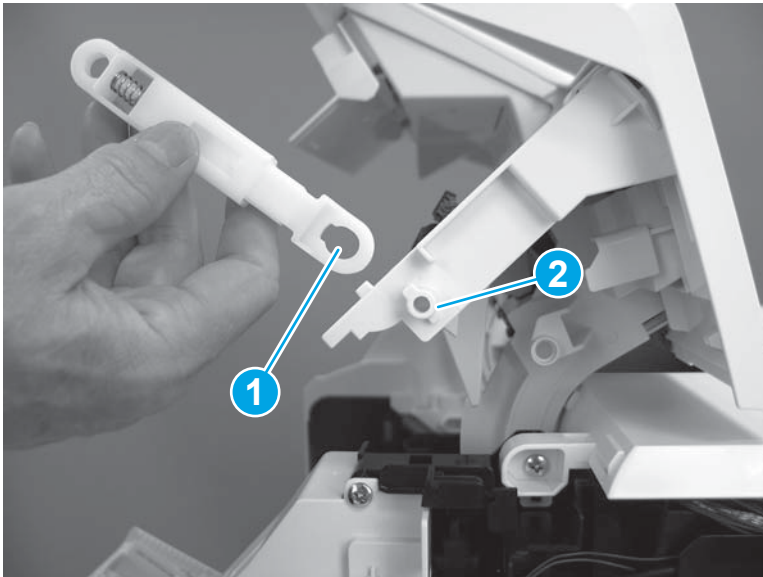
8. Install one screw to attach the ground wire (callout 1).

Figure 1-2125 Install the ground wire



9. If the toner-cartridge door hinge comes off of the top cover, reattach the hinge by sliding the hole (callout 1) in the hinge onto the tab (callout 2) on the top cover.

Figure 1-2126 Reattach the door hinge

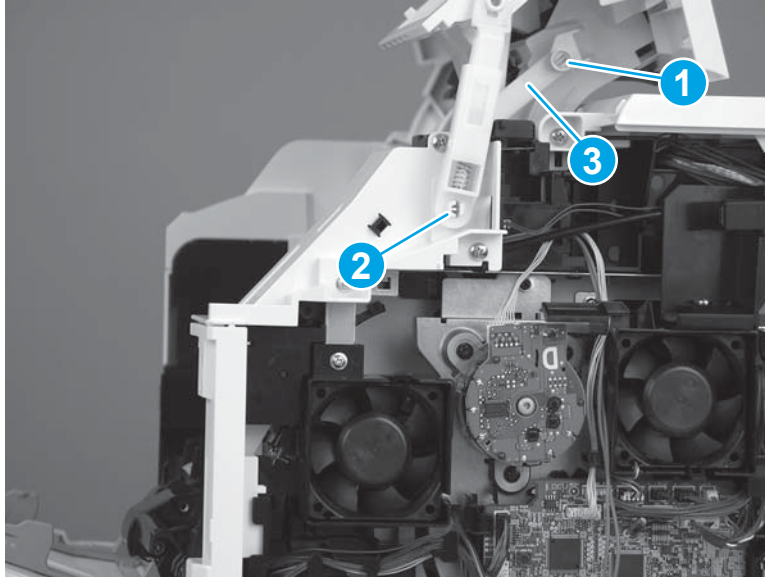


10. Install the toner-cartridge drive-arm (callout 1) and the toner-cartridge door hinge (callout 2) by pressing them onto the tabs.

 **NOTE:** It might be necessary to lift the drive arm (callout 3) up in order to reattach it.

 **CAUTION:** The toner-cartridge drive-arm tabs break easily.

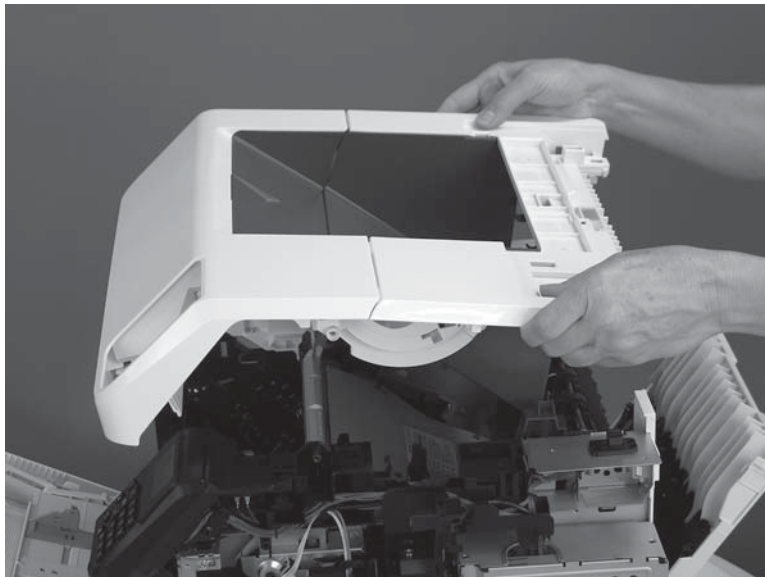
Figure 1-2127 Install the drive-arm and door hinge tabs



Step 9: Install the top cover (M604n/dn, M605n/dn, M606dn only)

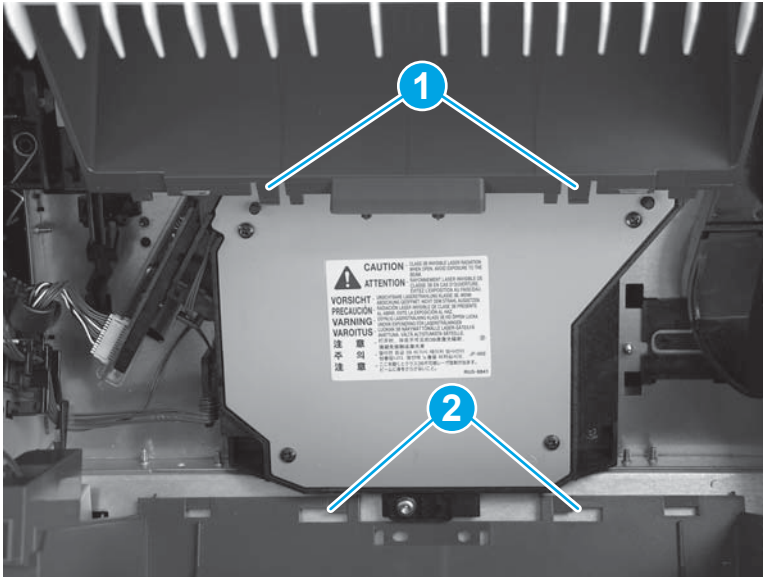
1. Lower the top cover onto the printer.

Figure 1-2128 Lower the top cover



2. Install two tabs (callout 1) on the top output bin into two slots (callout 2) in the printer. Make sure that the tabs snap into place.

Figure 1-2129 Install two tabs



3. Install one screw (callout 1) on the left side of the printer.


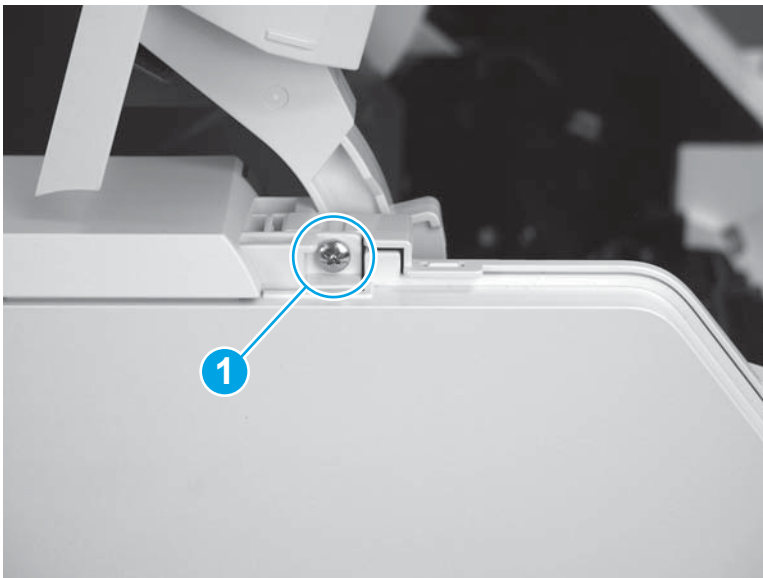
 **Reinstallation tip:** This screw is larger than the screws removed from the top of the printer. Make sure to install the correct screw.

Figure 1-2130 Install one screw



4. Install one screw (callout 1) on the right side of the printer.


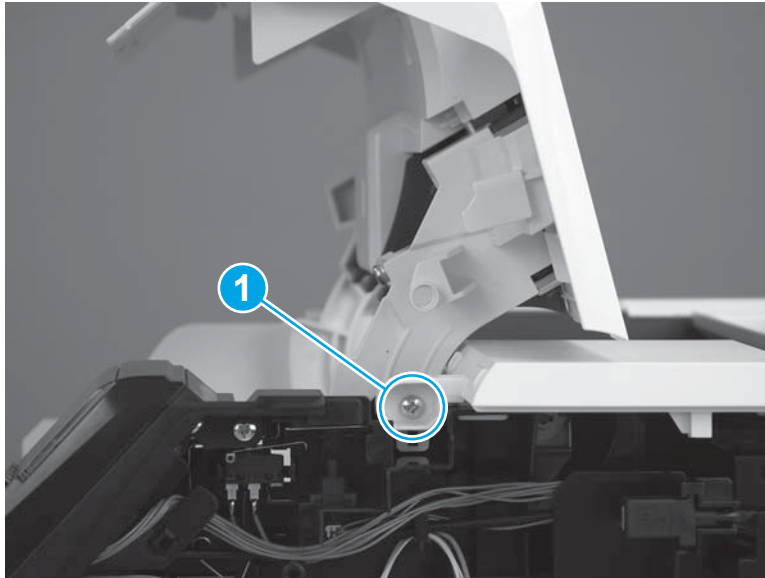
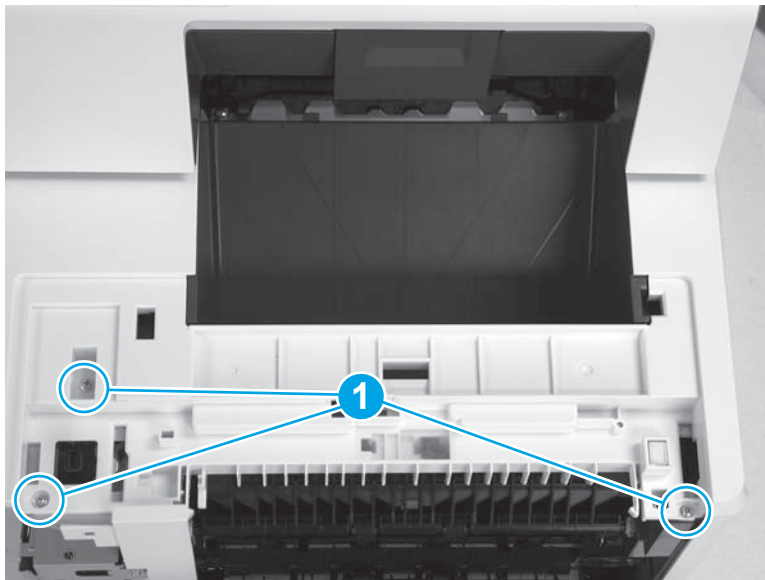
 **Reinstallation tip:** This screw is larger than the screws removed from the top of the printer. Make sure to install the correct screw.

Figure 1-2131 Install one screw



5. Install three screws (callout 1) on the top of the printer.

Figure 1-2132 Install three screws

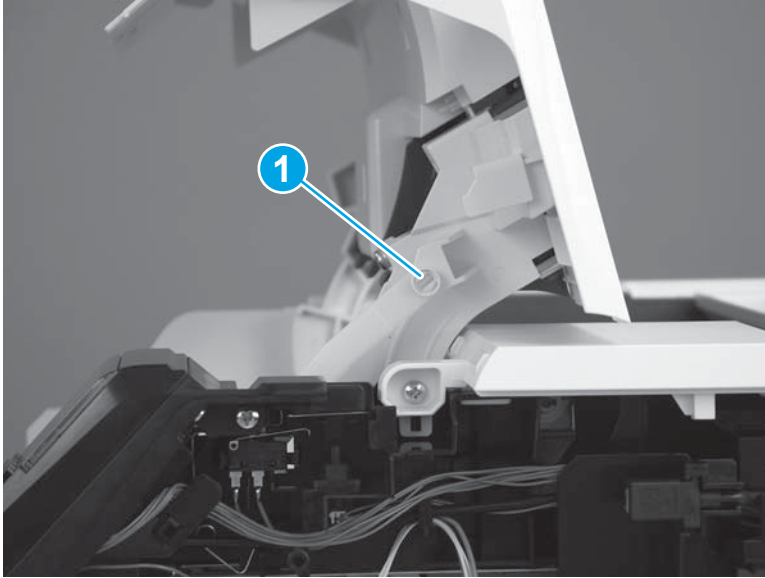


6. Install the toner-cartridge drive-arm (callout 1) by pressing it onto the tabs.

 **NOTE:** It might be necessary to lift the drive arm up in order to reattach it.

 **CAUTION:** The toner-cartridge drive-arm tabs break easily.

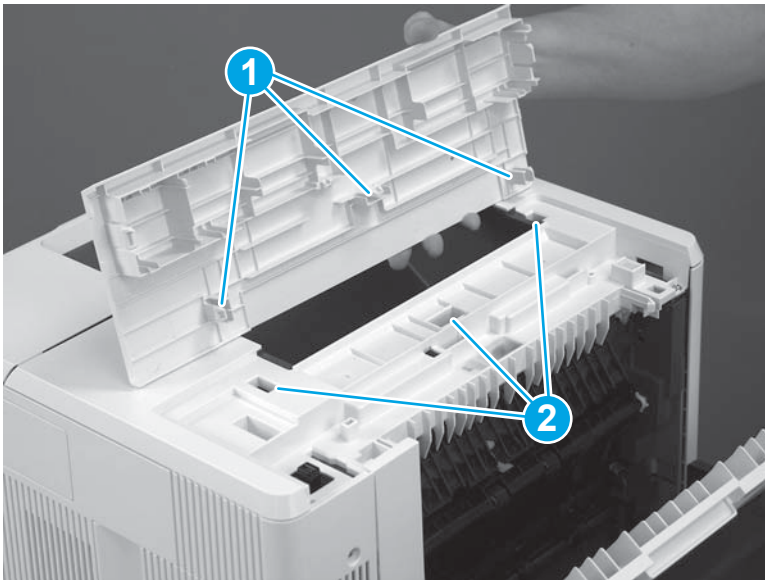
Figure 1-2133 Install the drive-arm tabs



Step 10: Install the top accessory cover

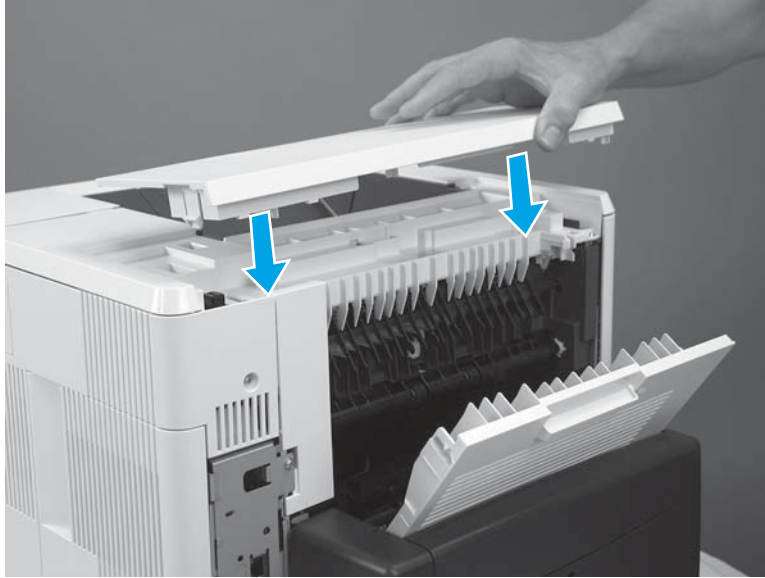
1. Align the tabs (callout 1) on the top accessory cover with the slots (callout 2) in the top cover.

Figure 1-2134 Align the tabs and slots



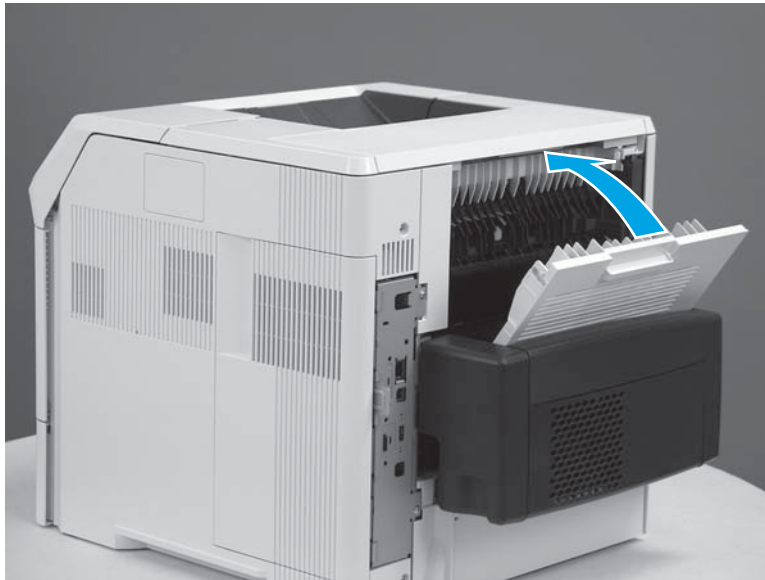
2. Place the top accessory on top of the printer, and then press down to install it.

Figure 1-2135 Install the top accessory cover



3. Close the rear output bin.

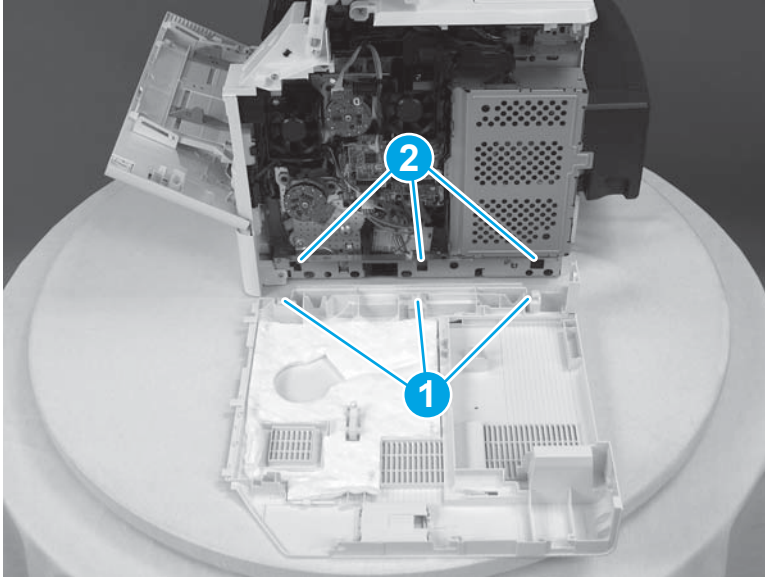
Figure 1-2136 Close the rear output bin



Step 11: Install the right cover

1. Note the location of the tabs (callout 1) on the cover that will fit into the slots (callout 2) on the printer.

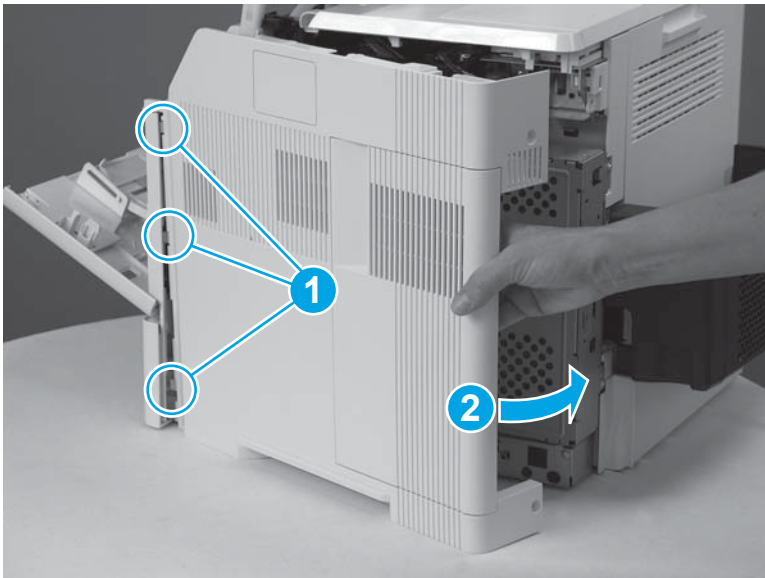
Figure 1-2137 Note location of tabs



2. Position the front tabs on the right cover slightly behind the right front cover (callout 1), and then rotate the back edge of the cover toward the printer (callout 2).

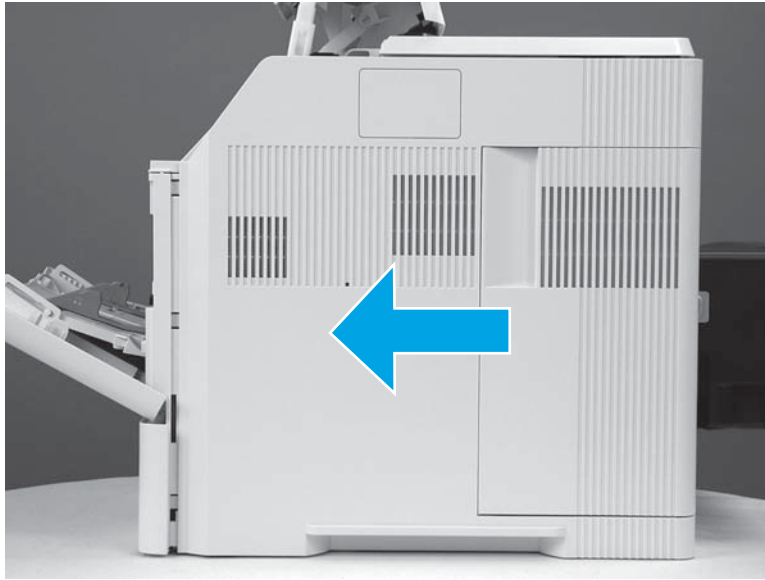
 **NOTE:** The tabs and slots mentioned in the previous step will engage as the cover is rotated into place.

Figure 1-2138 Position the front tabs



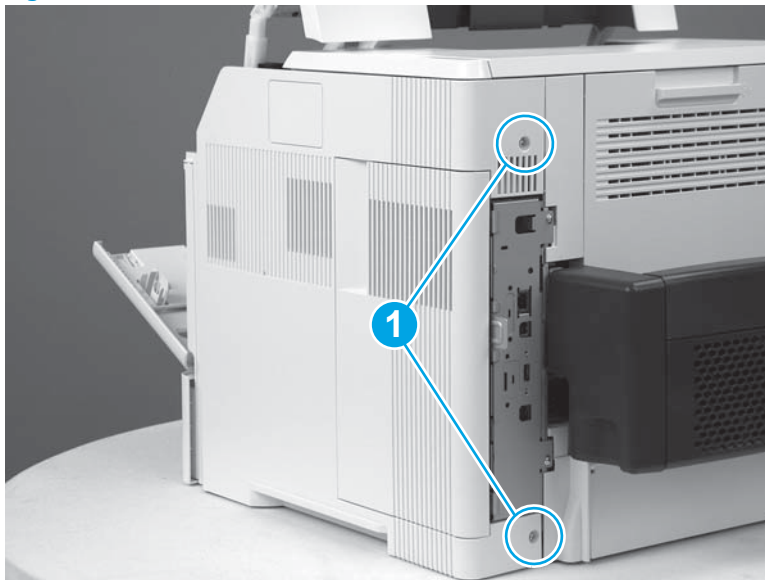
3. Slide the cover toward the front of the printer to install it.

Figure 1-2139 Slide the cover



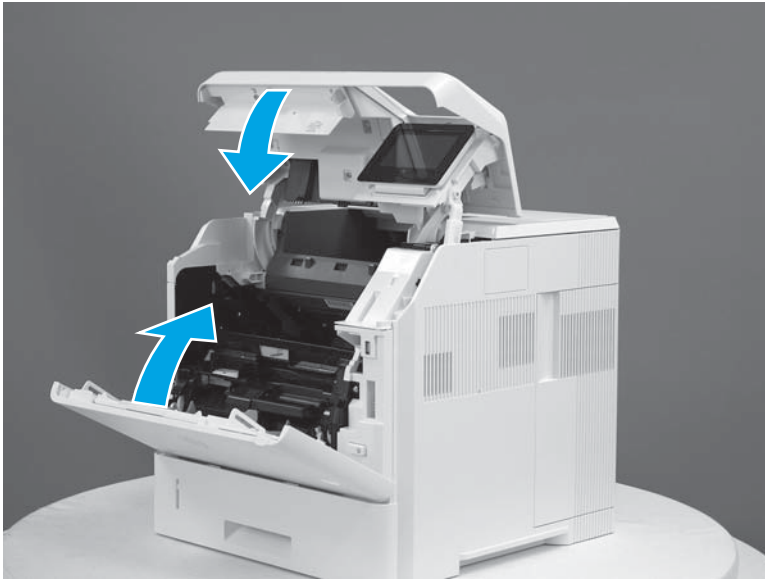
4. Install two screws (callout 1).

Figure 1-2140 Install two screws



5. Close the front cover and the cartridge door.

Figure 1-2141 Close the front cover and cartridge door



Removal and replacement: Wireless PCA

- [Introduction](#)
- [Step 1: Remove the right cover](#)
- [Step 2: Remove the top accessory cover](#)
- [Step 3: Remove the top cover \(M604n/dn, M605n/dn, M606dn only\)](#)
- [Step 4: Remove the top cover \(M605x, M606x only\)](#)
- [Step 5: Remove the wireless PCA](#)
- [Step 6: Unpack the wireless PCA](#)
- [Step 7: Install the wireless PCA](#)
- [Step 8: Install the top cover \(M605x, M606x only\)](#)
- [Step 9: Install the top cover \(M604n/dn, M605n/dn, M606dn only\)](#)
- [Step 10: Install the top accessory cover](#)
- [Step 11: Install the right cover](#)


Introduction



This document provides the procedures to remove and replace the wireless PCA.

Before performing service

Turn the printer power off

- Disconnect the power cable.

 **WARNING!** To avoid damage to the printer, turn the printer off, wait 30 seconds, and then remove the power cord before attempting to service the printer.

 **CAUTION:**  This part contains components that are electrostatic discharge (ESD) sensitive. To reduce the possibility of ESD damage, always touch the sheet-metal chassis to ground yourself before touching an ESD-sensitive part.

Use the table below to identify the correct part number for your printer, and then go to www.hp.com/buy/parts to order the kit.

Wireless PCA part number	
1150-7968	PCA, wireless

Required tools

- #2 Phillips screwdriver with a magnetic tip

After performing service

Turn the printer power on

- Connect the power cable.
- Use the power switch to turn the power on.

Post service test

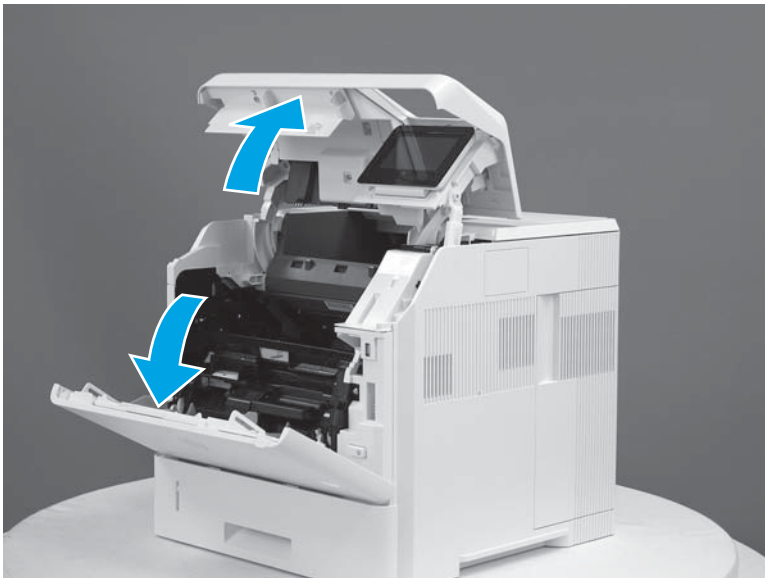
Make sure that the printer initializes to a **Ready** state.

Print a configuration page to make sure that the printer is functioning correctly.

Step 1: Remove the right cover

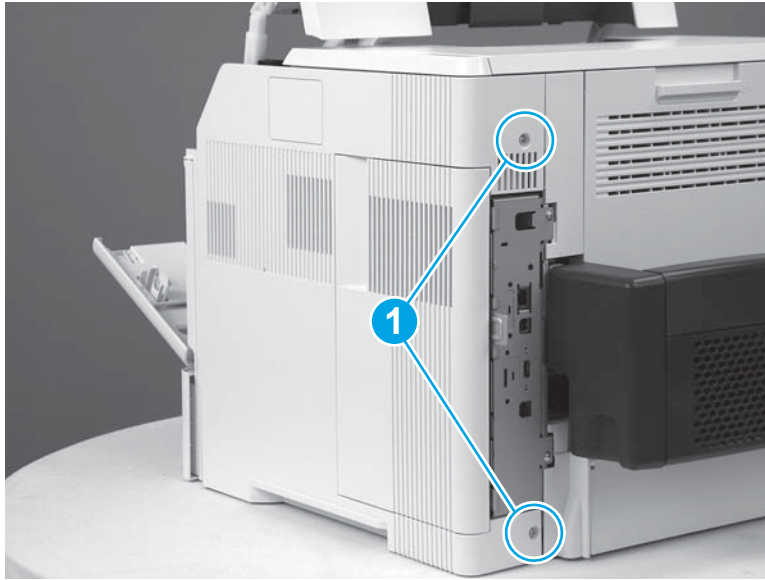
1. Open the front cover and the cartridge door.

Figure 1-2142 Open the front cover and cartridge door



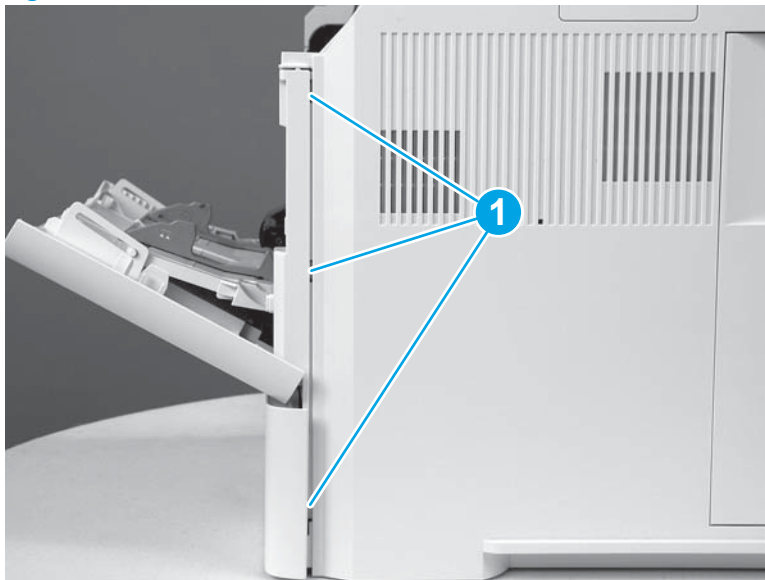
2. Remove two screws (callout 1).

Figure 1-2143 Remove two screws



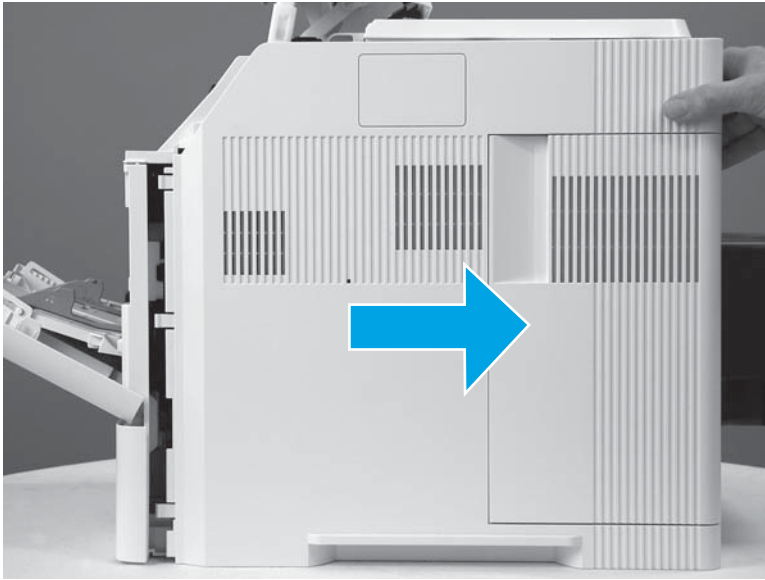
3. Release three tabs (callout 1).

Figure 1-2144 Release three tabs



4. Slide the cover toward the rear of the printer to remove it.

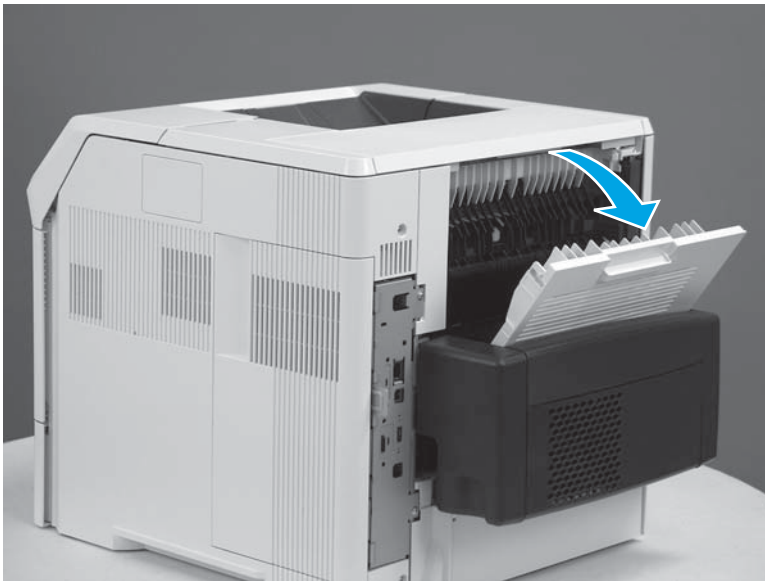
Figure 1-2145 Remove the cover



Step 2: Remove the top accessory cover

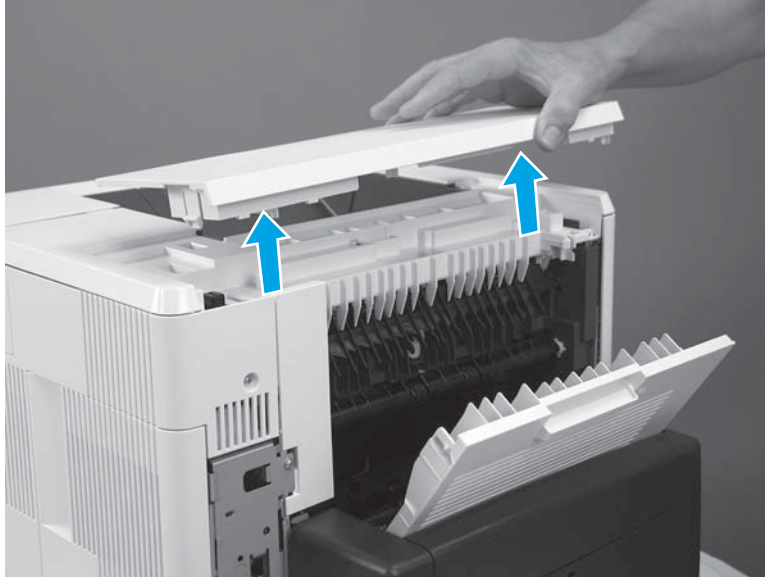
1. Open the rear output bin.

Figure 1-2146 Open the rear output bin




2. Lift the top accessory cover up and off of the printer.

Figure 1-2147 Remove top accessory cover



Step 3: Remove the top cover (M604n/dn, M605n/dn, M606dn only)

 **NOTE:** For the M605x or M606x, product, skip this step and go to [Step 4: Remove the top cover \(M605x, M606x only\)](#) on page 1186.

1. Use needle-nose pliers to release the toner-cartridge drive-arm tabs (callout 1).

 **CAUTION:** The toner-cartridge drive-arm tabs break easily.


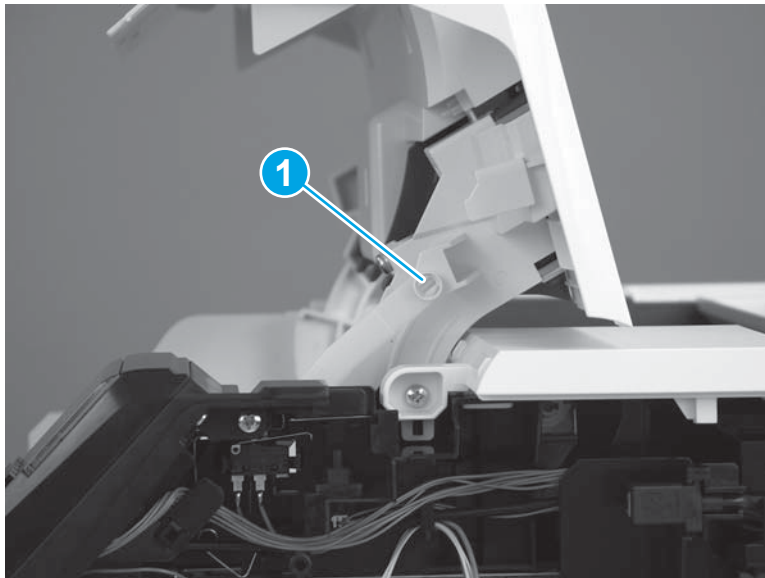
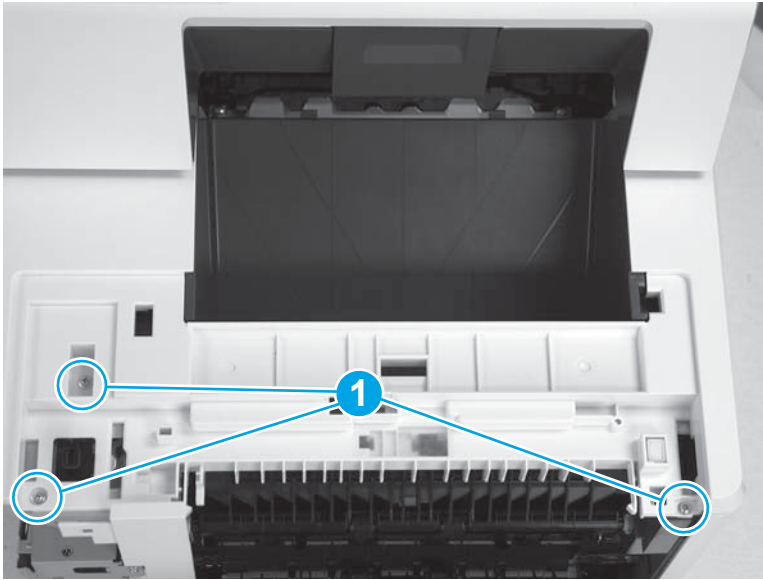
 **TIP:** Push the toner-cartridge drive-arm back into the printer to avoid damaging it when you remove the top cover.

Figure 1-2148 Release the drive-arm tabs



2. Remove three screws (callout 1) on the top of the printer.

Figure 1-2149 Remove three screws



3. Remove one screw (callout 1) on the right side of the printer.


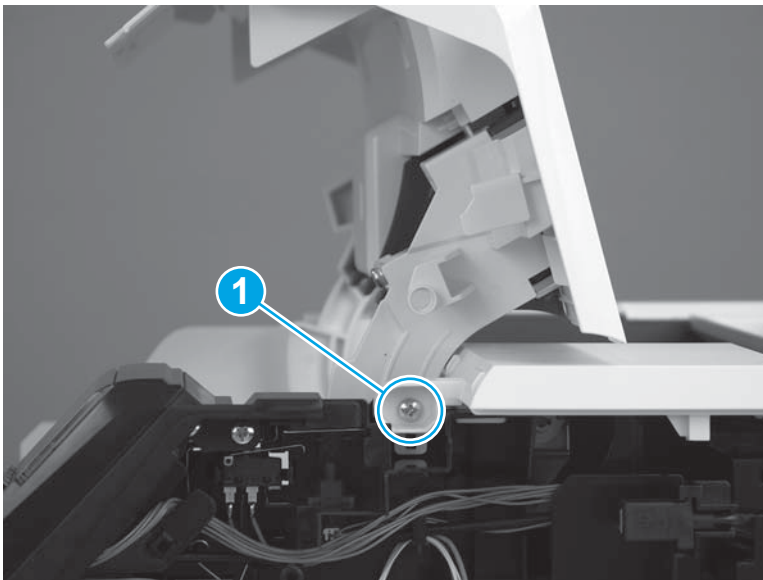
 **Reinstallation tip:** This screw is larger than the screws removed from the top of the printer. Make sure to install the correct screw when reassembling.

Figure 1-2150 Remove one screw



4. Remove one screw (callout 1) on the left side of the printer.


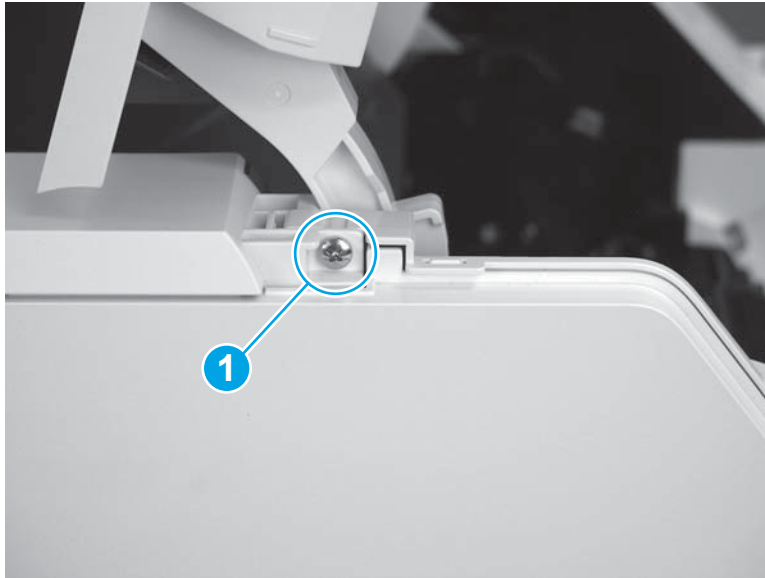
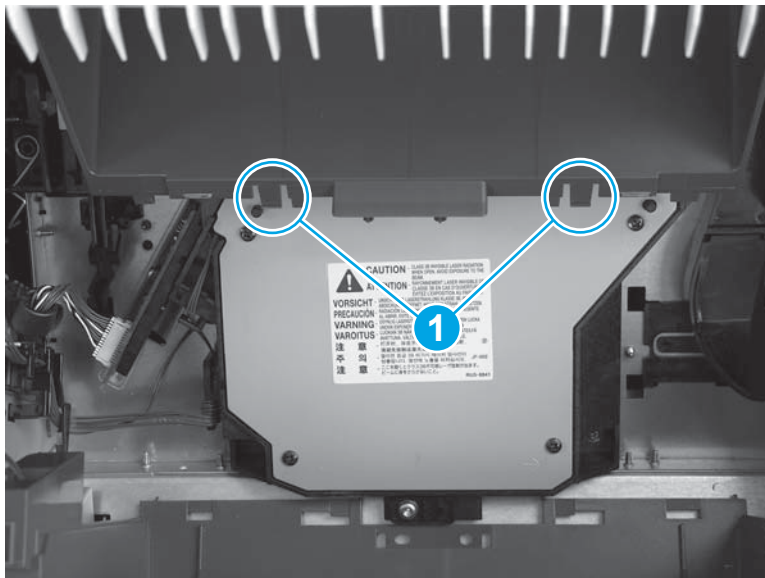
 **Reinstallation tip:** This screw is larger than the screws removed from the top of the printer. Make sure to install the correct screw when reassembling.

Figure 1-2151 Remove one screw



5. Note the location of two tabs on the top output bin (callout 1). These tabs are released in the next step.

Figure 1-2152 Location of two tabs



6. Release two tabs (callout 1) on the top output bin.


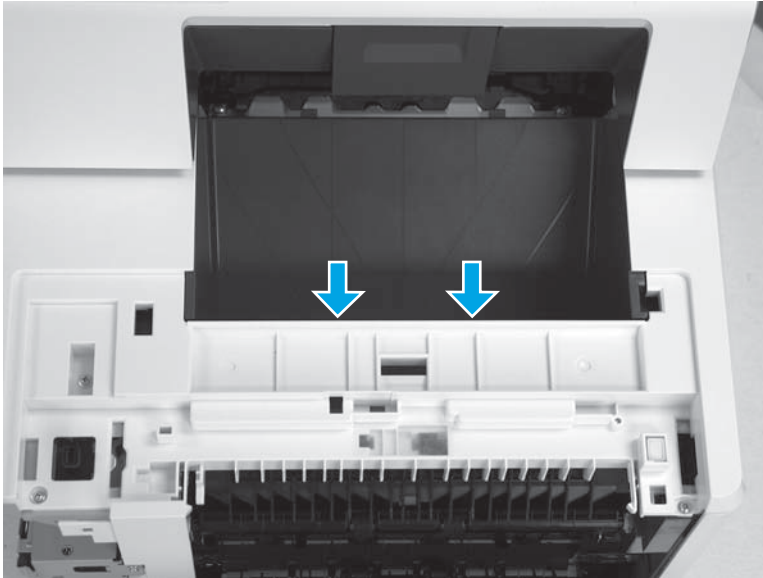
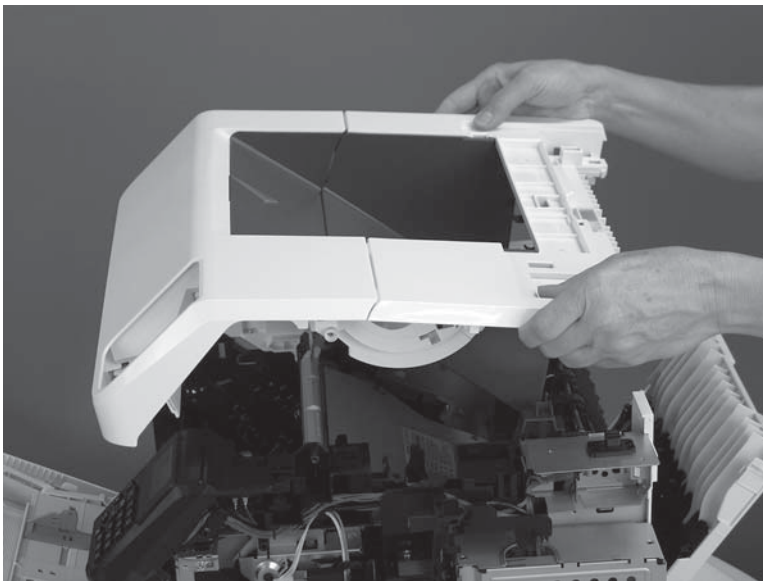
 **Reinstallation tip:** Make sure that these tabs are fully seated when the top cover is reinstalled.

Figure 1-2153 Release two tabs



7. Lift the top cover up and off of the printer to remove it.

Figure 1-2154 Remove the top cover



Step 4: Remove the top cover (M605x, M606x only)

1. Use needle-nose pliers to release the toner-cartridge drive-arm tabs (callout 1) and the toner-cartridge door hinge tabs (callout 2).

 **CAUTION:** The toner-cartridge drive-arm tabs break easily.


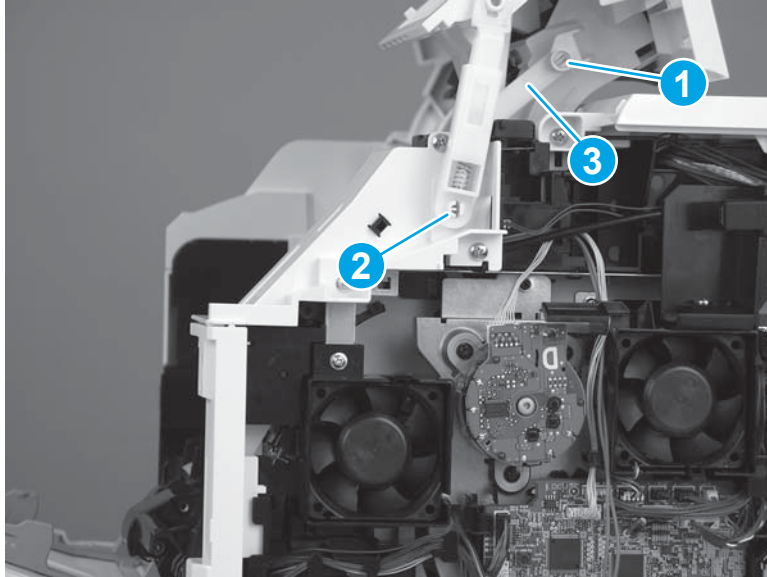
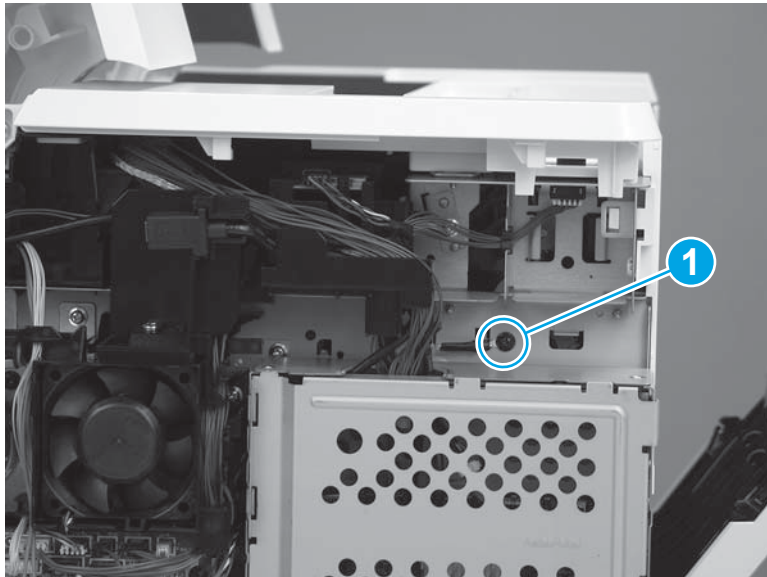
 **TIP:** Push the toner-cartridge drive-arm (callout 3) back into the printer to avoid damaging it when you remove the top cover.

Figure 1-2155 Release the drive-arm and door hinge tabs



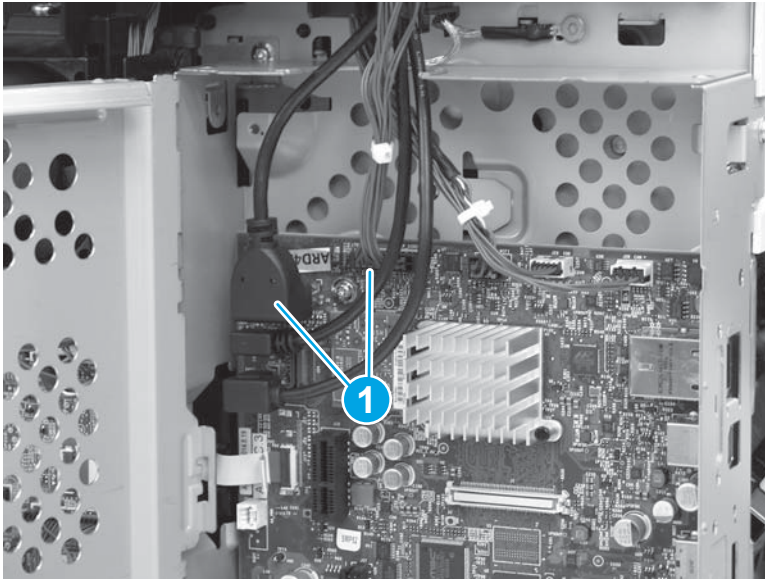
2. Remove one screw, and then release the ground wire (callout 1).

Figure 1-2156 Release the ground wire



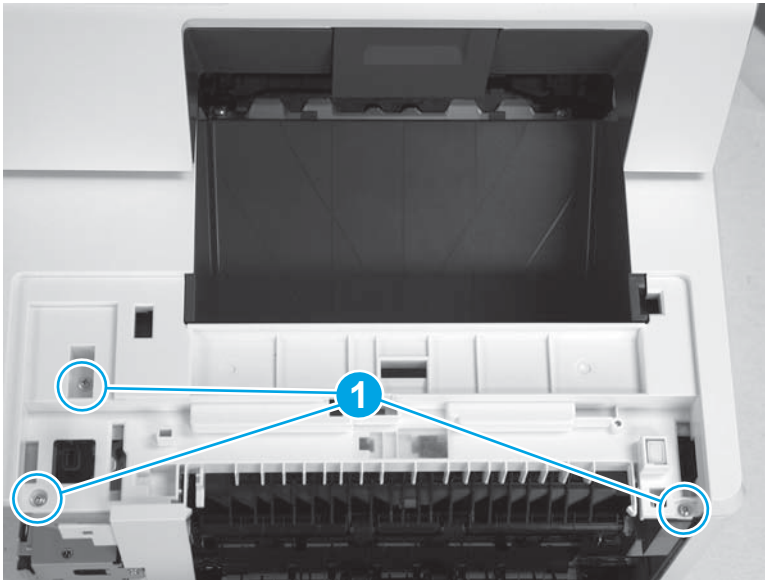
3. Open the formatter case door, and then disconnect two connectors (callout 1).

Figure 1-2157 Disconnect two connectors



4. Remove three screws (callout 1) on the top of the printer.

Figure 1-2158 Remove three screws



5. Remove one screw (callout 1) on the right side of the printer.


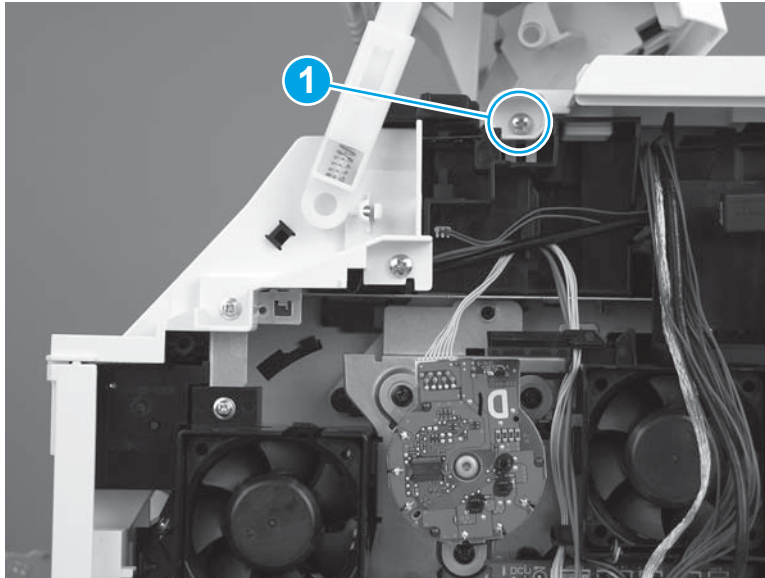
 **Reinstallation tip:** This screw is larger than the screws removed from the top of the printer. Make sure to install the correct screw when reassembling.

Figure 1-2159 Remove one screw



6. Remove one screw (callout 1) on the left side of the printer.


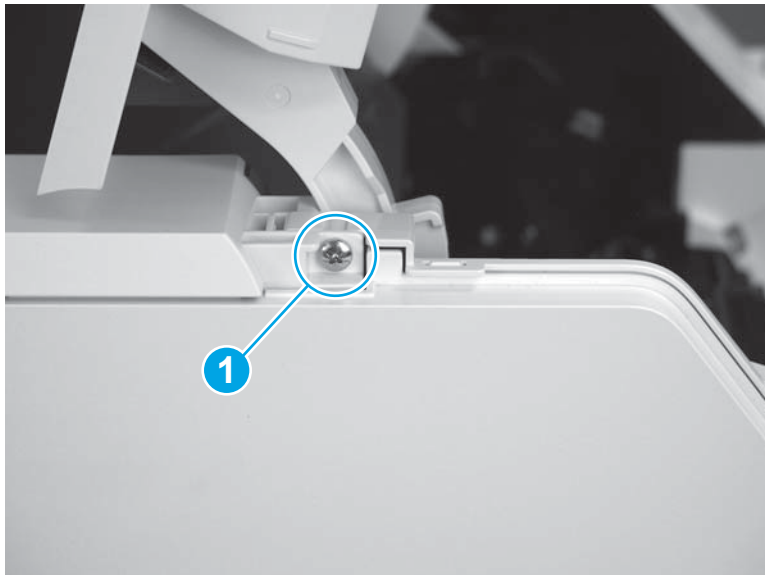
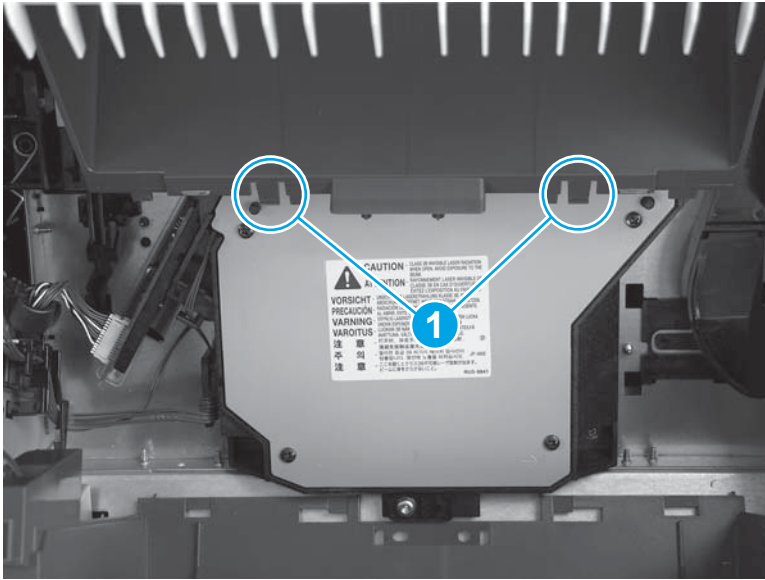
 **Reinstallation tip:** This screw is larger than the screws removed from the top of the printer. Make sure to install the correct screw when reassembling.

Figure 1-2160 Remove one screw



7. Note the location of two tabs on the top output bin (callout 1). These tabs are released in the next step.

Figure 1-2161 Location of two tabs



8. Release two tabs (callout 1) on the top output bin.


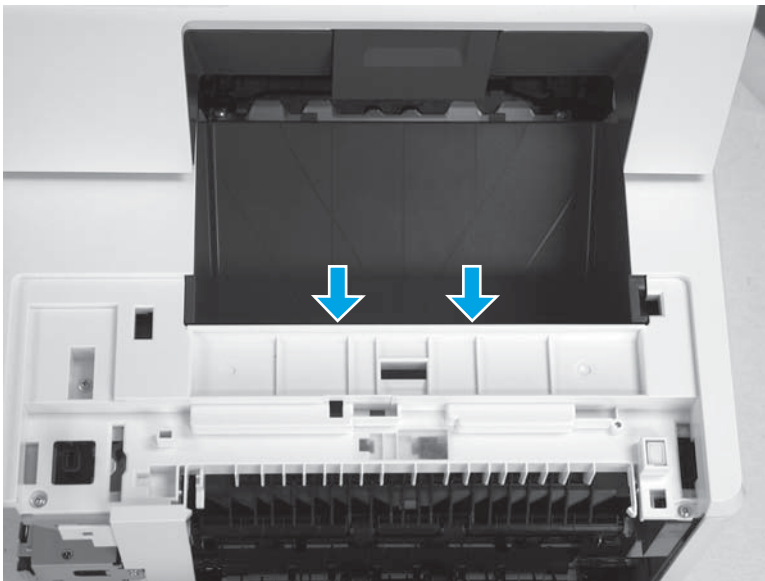
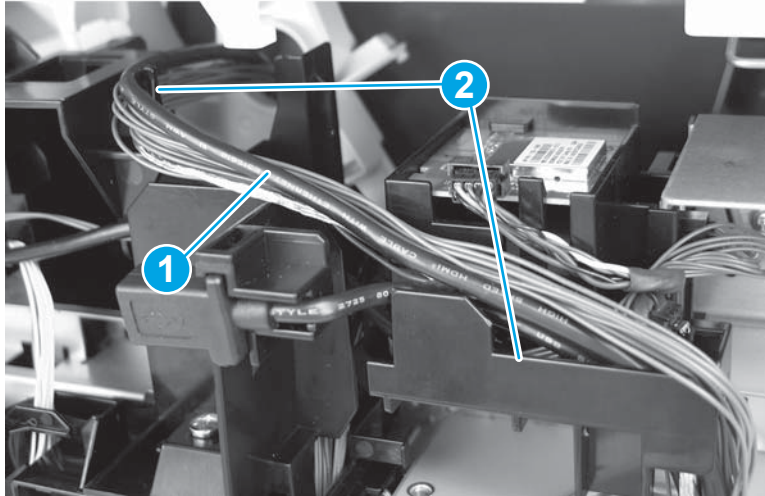
 **Reinstallation tip:** Make sure that these tabs are fully seated when the top cover is reinstalled.

Figure 1-2162 Release two tabs



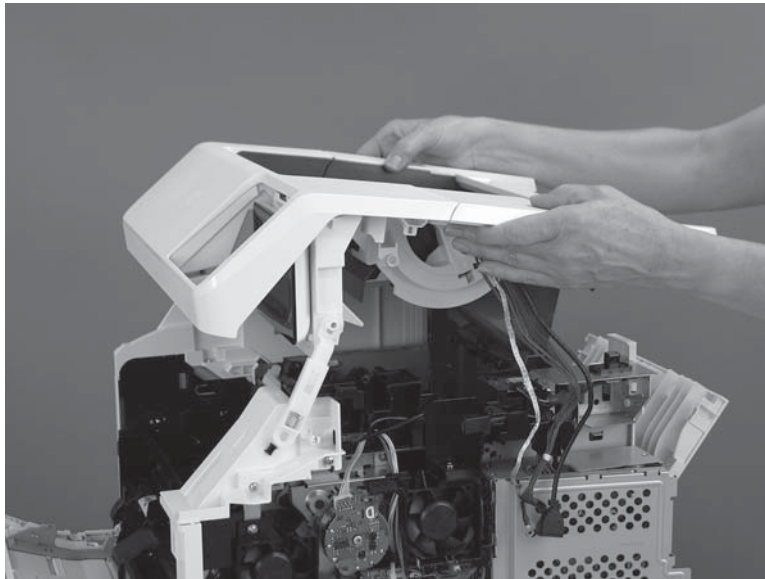
9. On the right side of the printer, release the wire harness and cables (callout 1) from the guides (callout 2).

Figure 1-2163 Release cables from guides



10. Lift the top cover up and off of the printer to remove it.

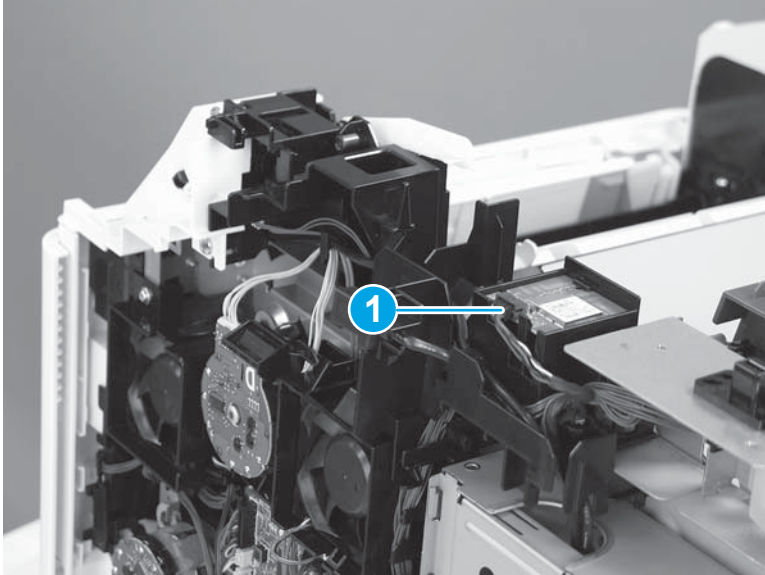
Figure 1-2164 Remove the top cover



Step 5: Remove the wireless PCA

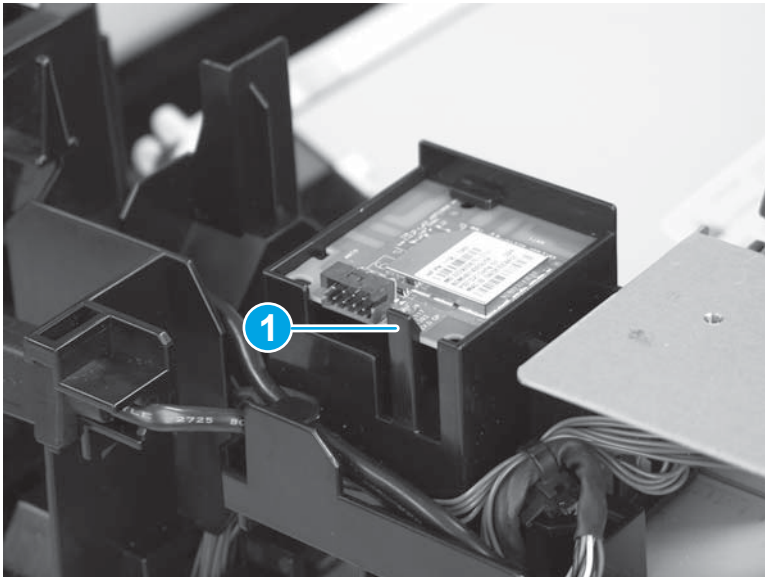
1. Disconnect one connector (callout 1).

Figure 1-2165 Disconnect one connector



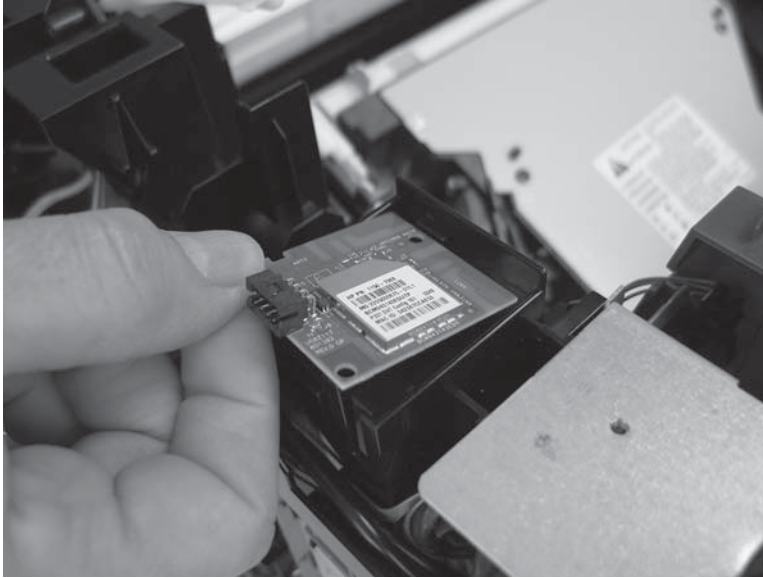
2. Release one tab (callout 1).

Figure 1-2166 Release one tab



3. Remove the wireless PCA.


Figure 1-2167 Remove the wireless PCA



Step 6: Unpack the wireless PCA

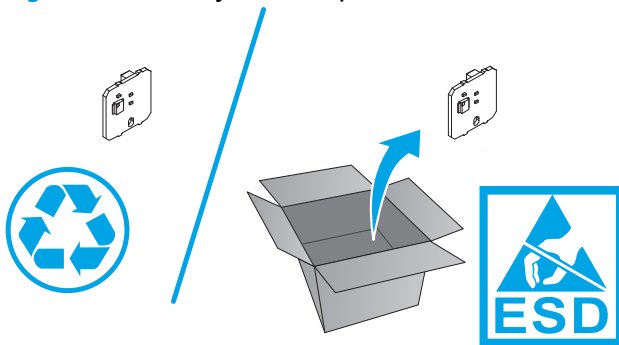
Unpack the replacement part from the packaging.

<http://www8.hp.com/us/en/hp-information/environment/product-recycling.html>

CAUTION:  This part contains components that are electrostatic discharge (ESD) sensitive. To reduce the possibility of ESD damage, always touch the sheet-metal chassis to ground yourself before touching an ESD-sensitive part.

NOTE:  HP recommends responsible disposal of the defective part.

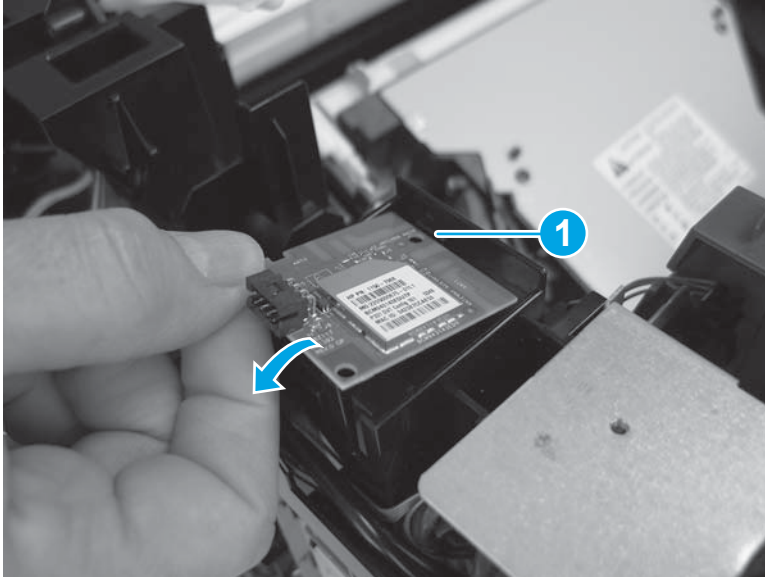
Figure 1-2168 Recycle and unpack



Step 7: Install the wireless PCA

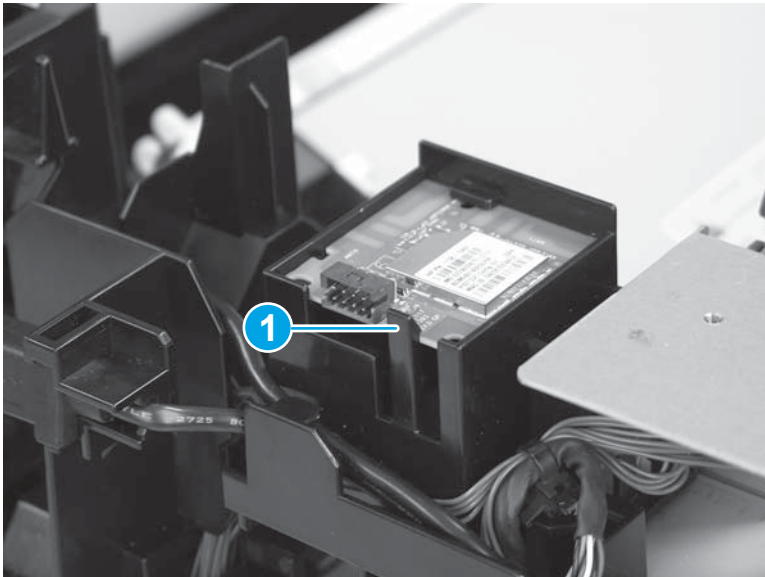
1. Insert the edge of the wireless PCA under the tab (callout 1), and then rotate the PCA down into position.

Figure 1-2169 Install the wireless PCA



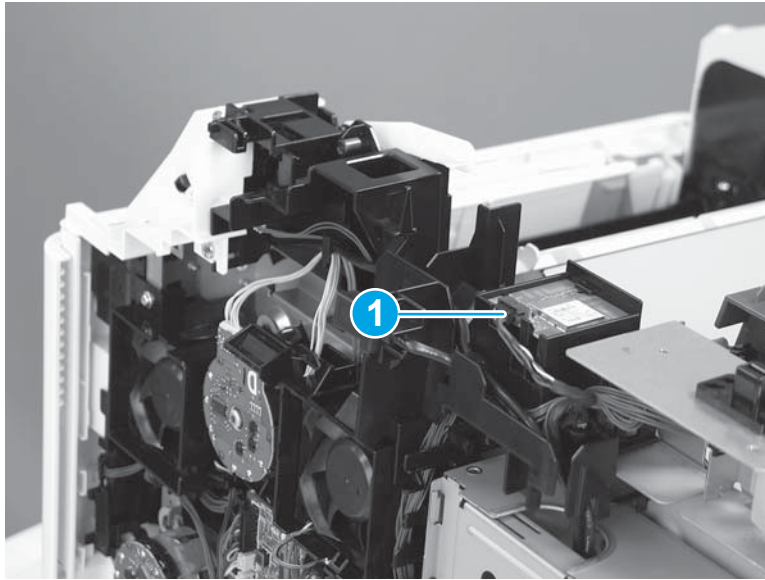
2. Make sure that the tab (callout 1) is snapped into place above the PCA

Figure 1-2170 Check one tab



3. Connect one connector (callout 1).

Figure 1-2171 Connect one connector

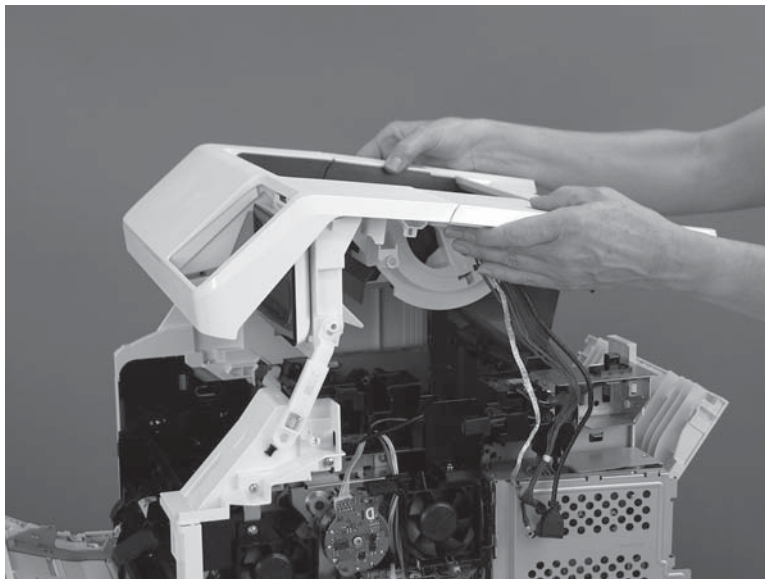


Step 8: Install the top cover (M605x, M606x only)

 **NOTE:** For the M604n/dn, M605n/dn, or M606dn product, skip this step and go to [Step 9: Install the top cover \(M604n/dn, M605n/dn, M606dn only\)](#) on page 1200.

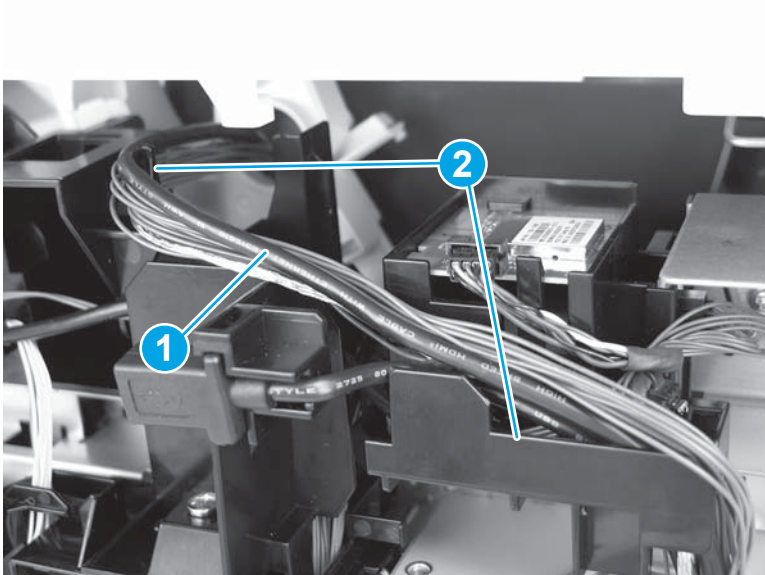
1. Lower the top cover onto the printer.

Figure 1-2172 Lower the top cover



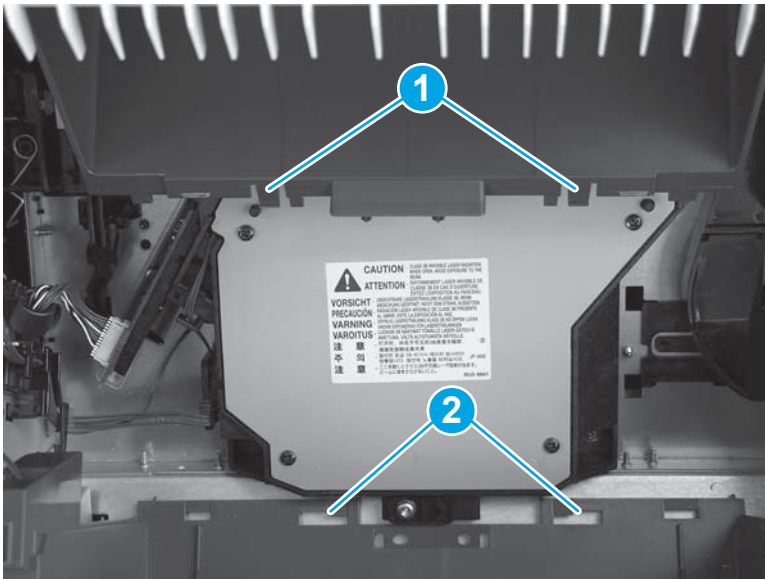
2. On the right side of the printer, make sure that the wire harness and cables (callout 1) are properly routed through the guides (callout 2).

Figure 1-2173 Install cables in guides



3. Install two tabs (callout 1) on the top output bin into two slots (callout 2) in the printer. Make sure that the tabs snap into place.

Figure 1-2174 Install two tabs



4. Install one screw (callout 1) on the left side of the printer.


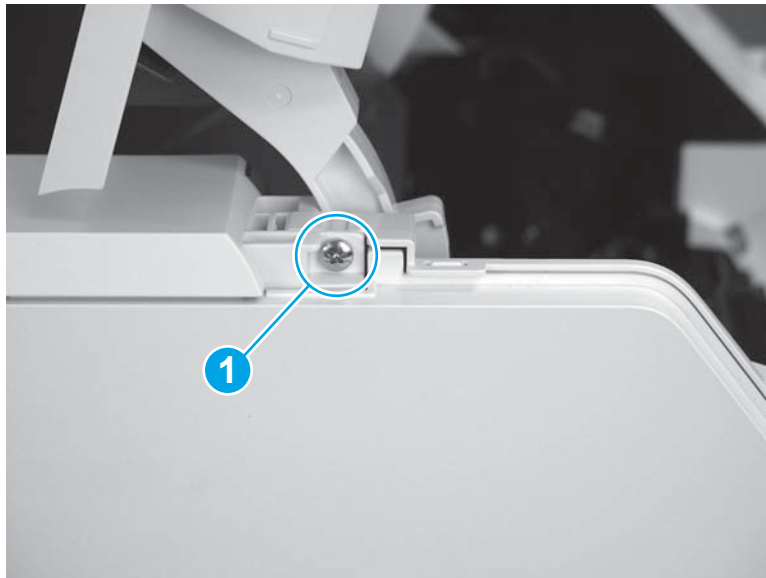
 **Reinstallation tip:** This screw is larger than the screws removed from the top of the printer. Make sure to install the correct screw.

Figure 1-2175 Install one screw



5. Install one screw (callout 1) on the right side of the printer.


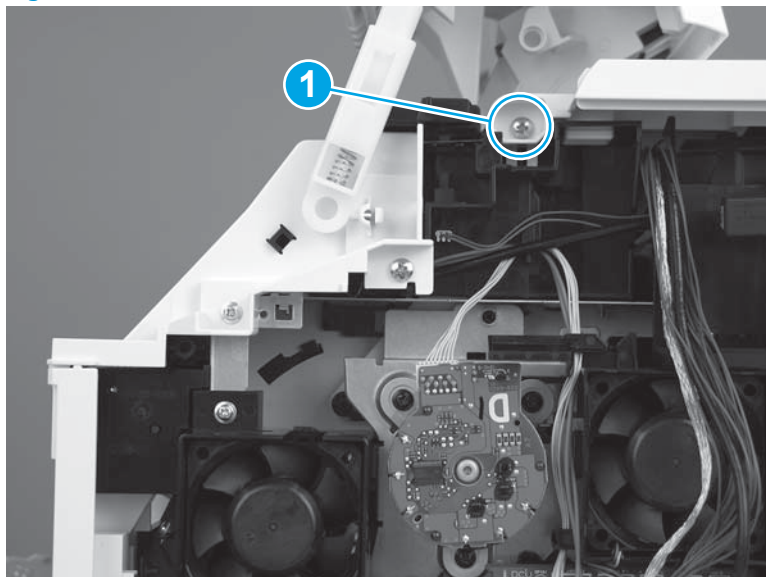
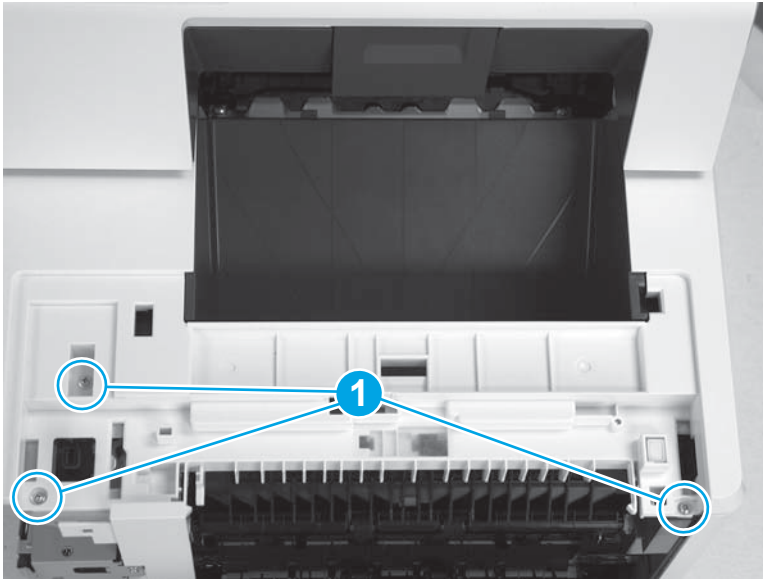
 **Reinstallation tip:** This screw is larger than the screws removed from the top of the printer. Make sure to install the correct screw.

Figure 1-2176 Install one screw



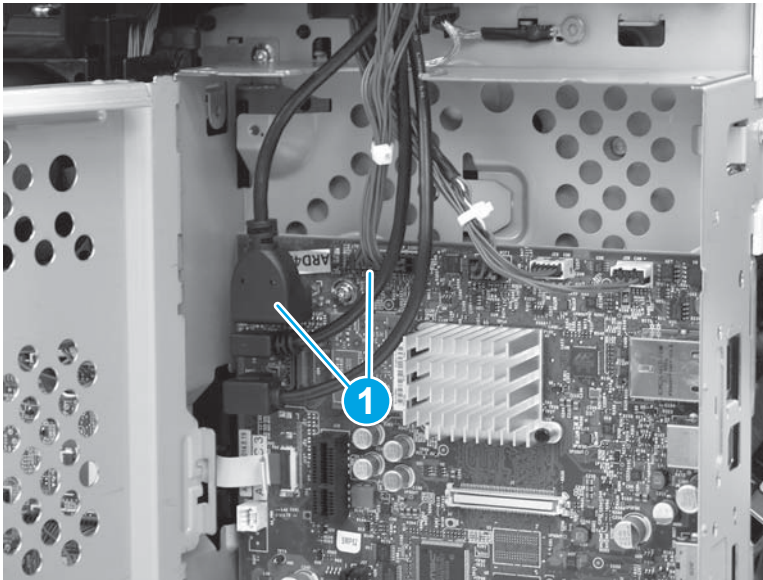
6. Install three screws (callout 1) on the top of the printer.

Figure 1-2177 Install three screws



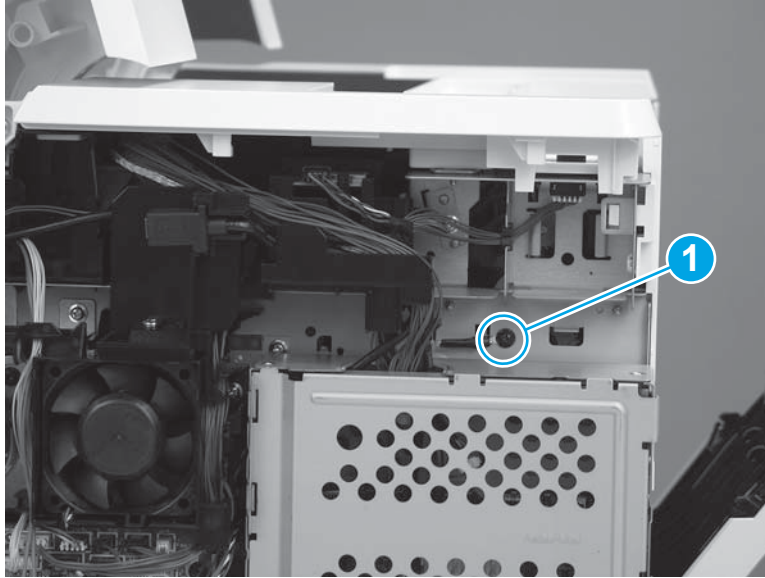
7. Connect two connectors (callout 1).

Figure 1-2178 Connect two connectors



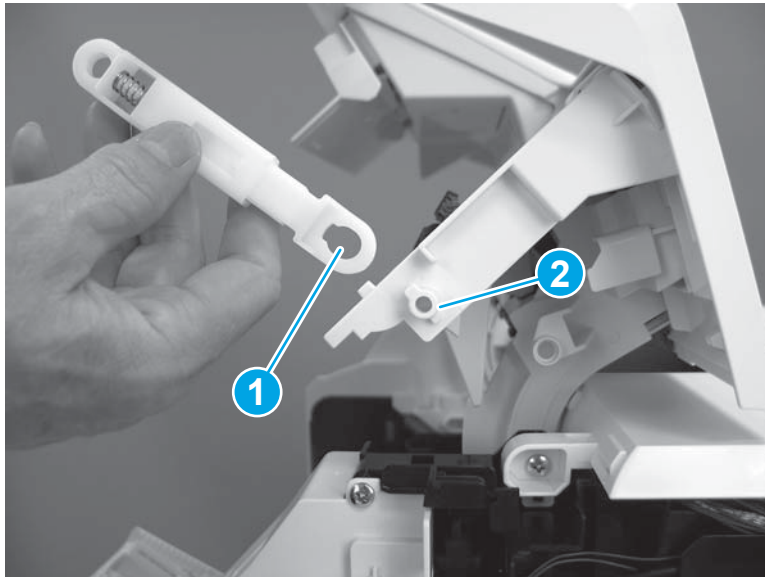
8. Install one screw to attach the ground wire (callout 1).

Figure 1-2179 Install the ground wire




9. If the toner-cartridge door hinge comes off of the top cover, reattach the hinge by sliding the hole (callout 1) in the hinge onto the tab (callout 2) on the top cover.

Figure 1-2180 Reattach the door hinge

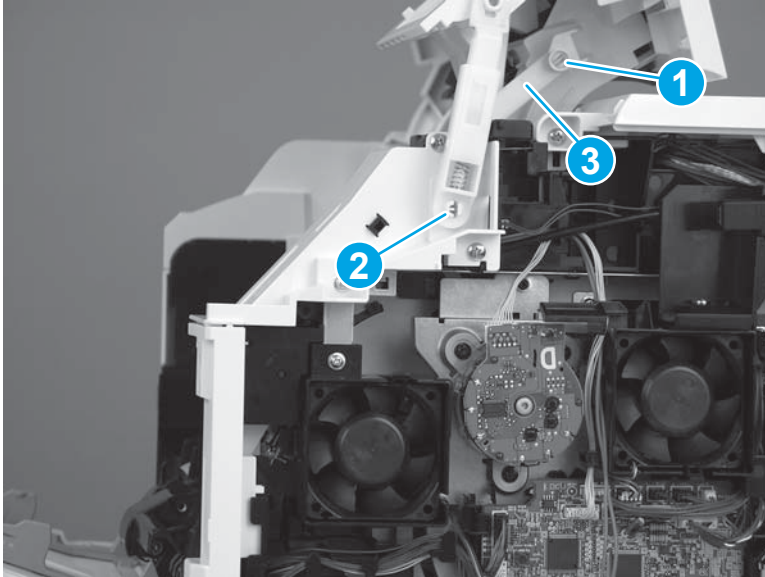


10. Install the toner-cartridge drive-arm (callout 1) and the toner-cartridge door hinge (callout 2) by pressing them onto the tabs.

 **NOTE:** It might be necessary to lift the drive arm (callout 3) up in order to reattach it.

 **CAUTION:** The toner-cartridge drive-arm tabs break easily.

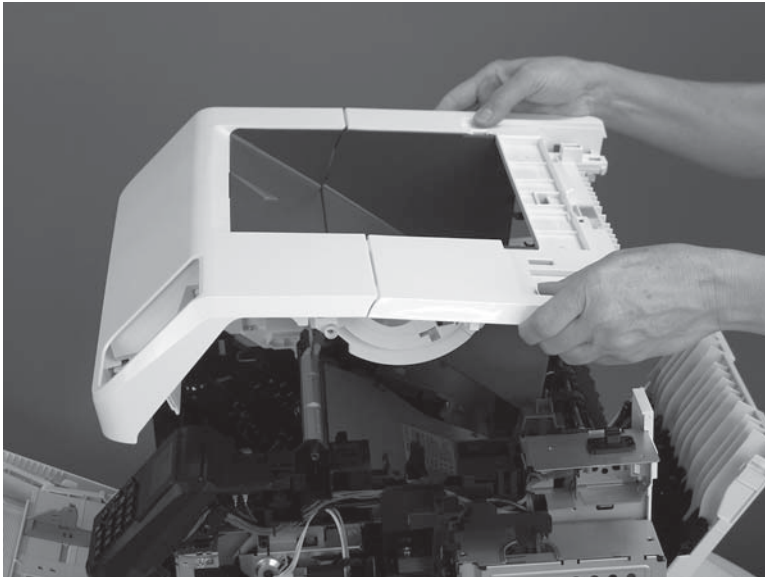
Figure 1-2181 Install the drive-arm and door hinge tabs



Step 9: Install the top cover (M604n/dn, M605n/dn, M606dn only)

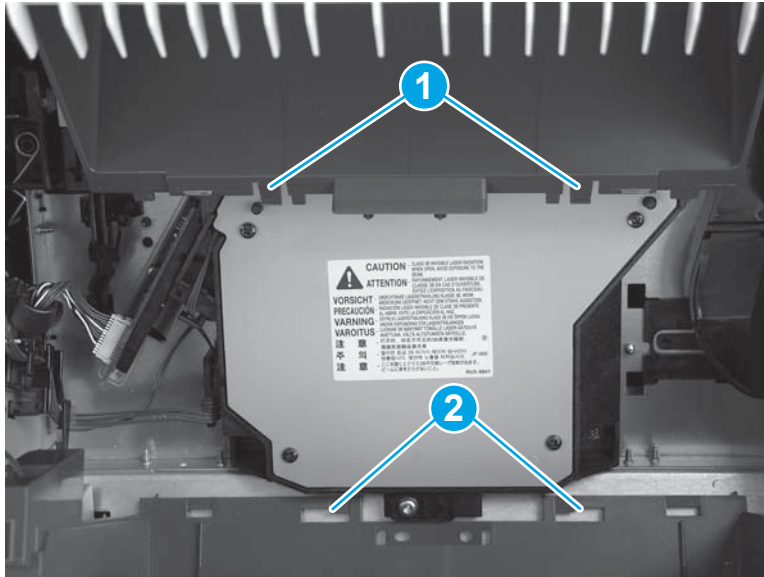
1. Lower the top cover onto the printer.

Figure 1-2182 Lower the top cover



2. Install two tabs (callout 1) on the top output bin into two slots (callout 2) in the printer. Make sure that the tabs snap into place.

Figure 1-2183 Install two tabs



3. Install one screw (callout 1) on the left side of the printer.


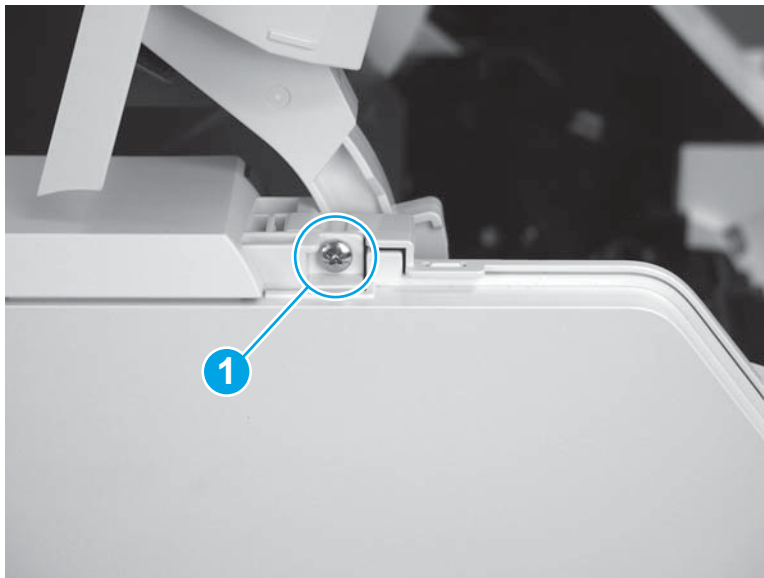
 **Reinstallation tip:** This screw is larger than the screws removed from the top of the printer. Make sure to install the correct screw.

Figure 1-2184 Install one screw



4. Install one screw (callout 1) on the right side of the printer.


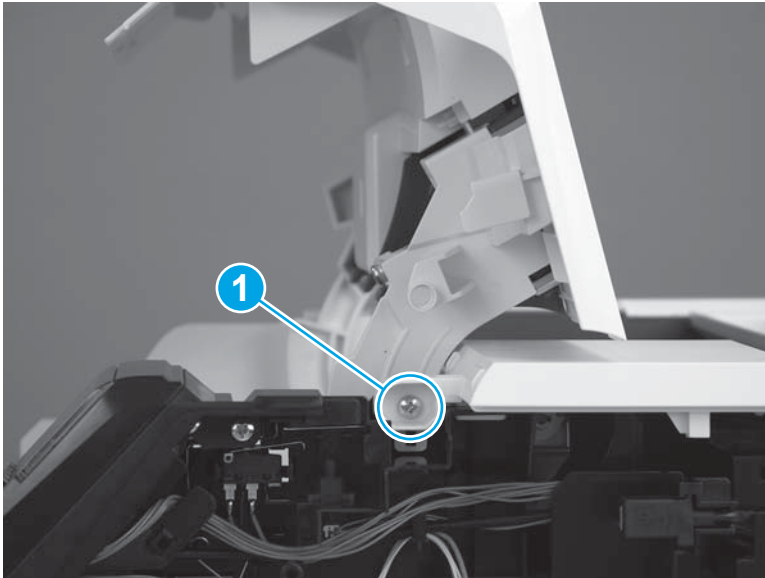
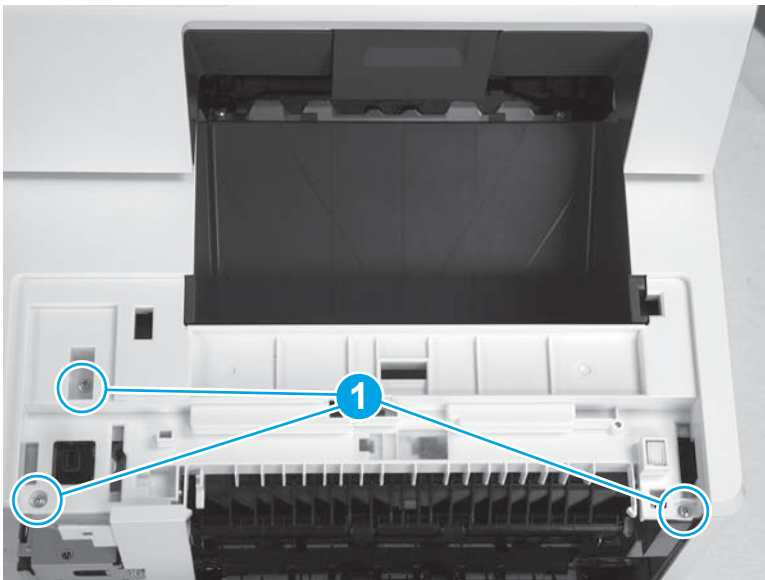
 **Reinstallation tip:** This screw is larger than the screws removed from the top of the printer. Make sure to install the correct screw.

Figure 1-2185 Install one screw



5. Install three screws (callout 1) on the top of the printer.

Figure 1-2186 Install three screws

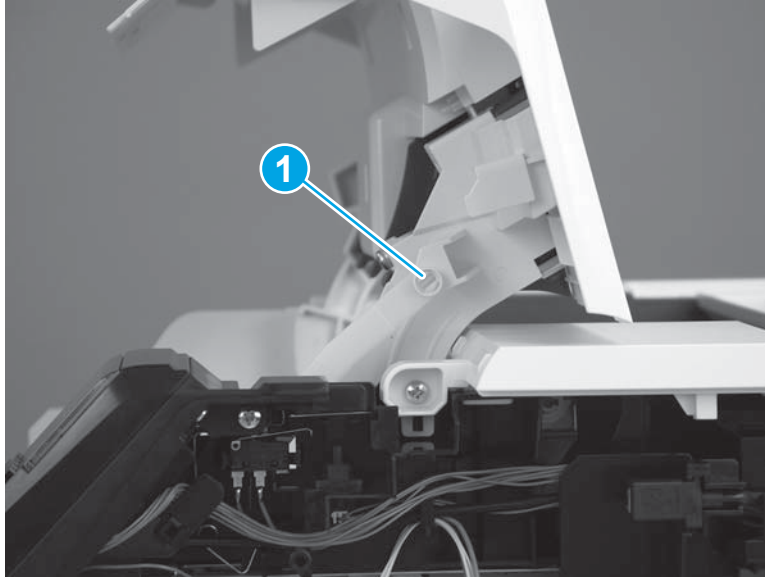


6. Install the toner-cartridge drive-arm (callout 1) by pressing it onto the tabs.

 **NOTE:** It might be necessary to lift the drive arm up in order to reattach it.

 **CAUTION:** The toner-cartridge drive-arm tabs break easily.

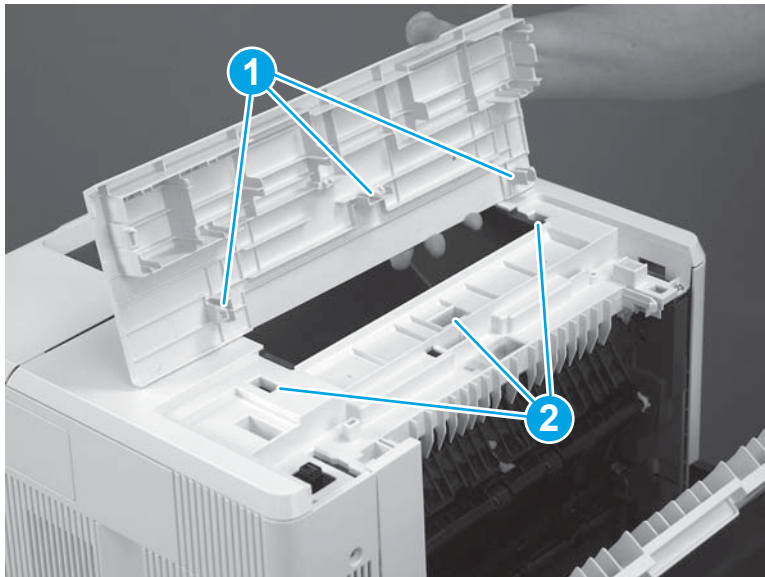
Figure 1-2187 Install the drive-arm tabs



Step 10: Install the top accessory cover

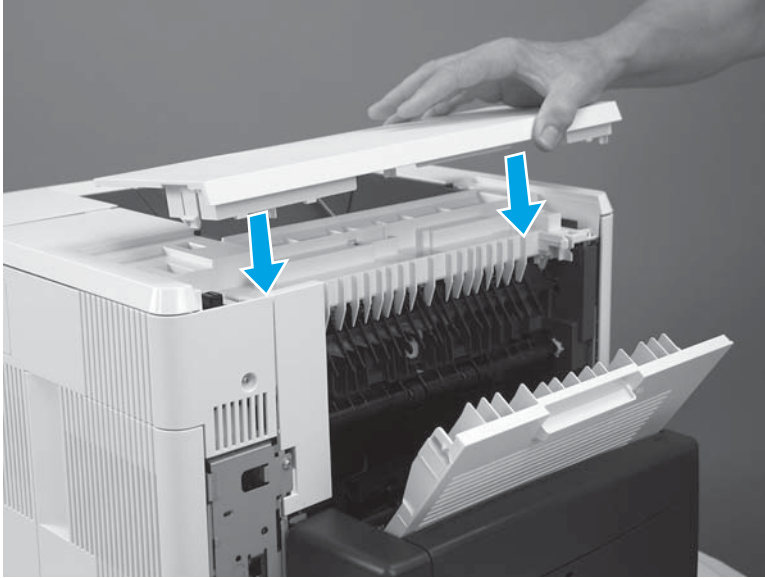
1. Align the tabs (callout 1) on the top accessory cover with the slots (callout 2) in the top cover.

Figure 1-2188 Align the tabs and slots



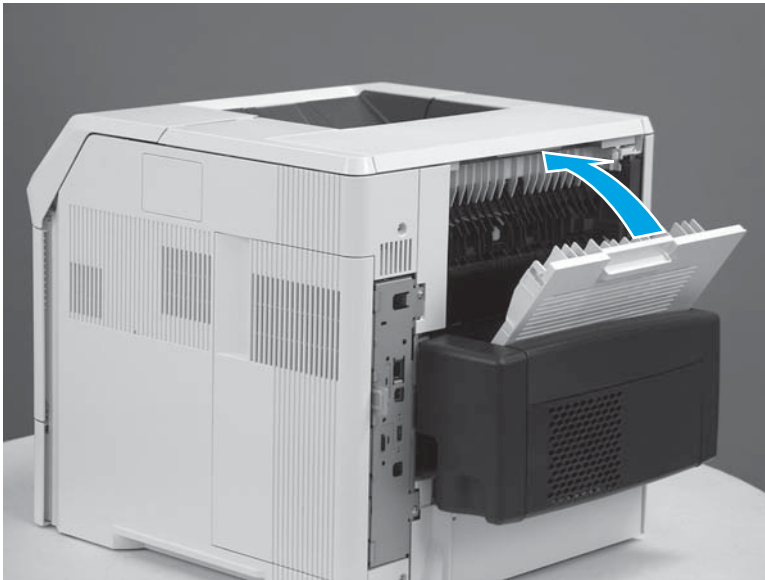
2. Place the top accessory on top of the printer, and then press down to install it.

Figure 1-2189 Install the top accessory cover



3. Close the rear output bin.

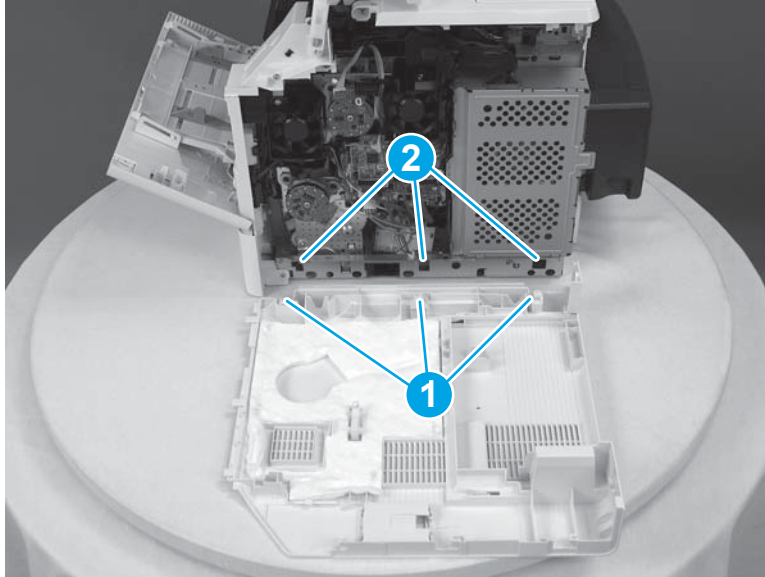
Figure 1-2190 Close the rear output bin



Step 11: Install the right cover

1. Note the location of the tabs (callout 1) on the cover that will fit into the slots (callout 2) on the printer.

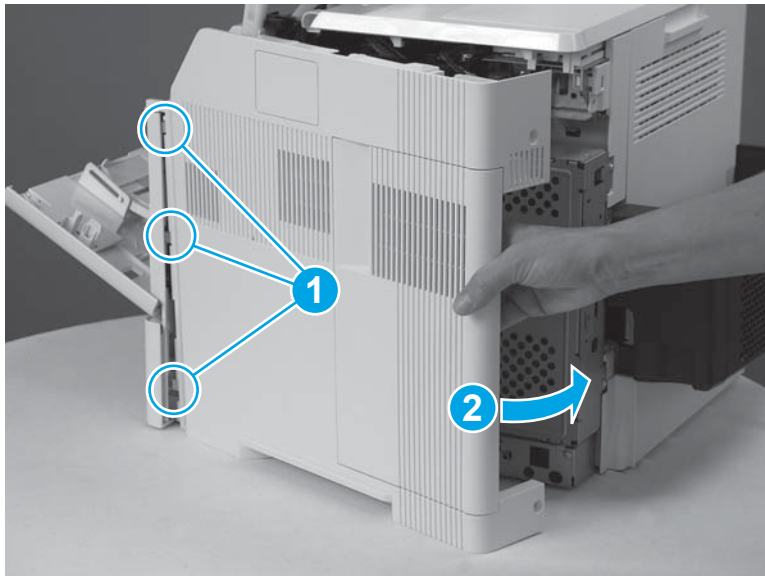
Figure 1-2191 Note location of tabs



2. Position the front tabs on the right cover slightly behind the right front cover (callout 1), and then rotate the back edge of the cover toward the printer (callout 2).

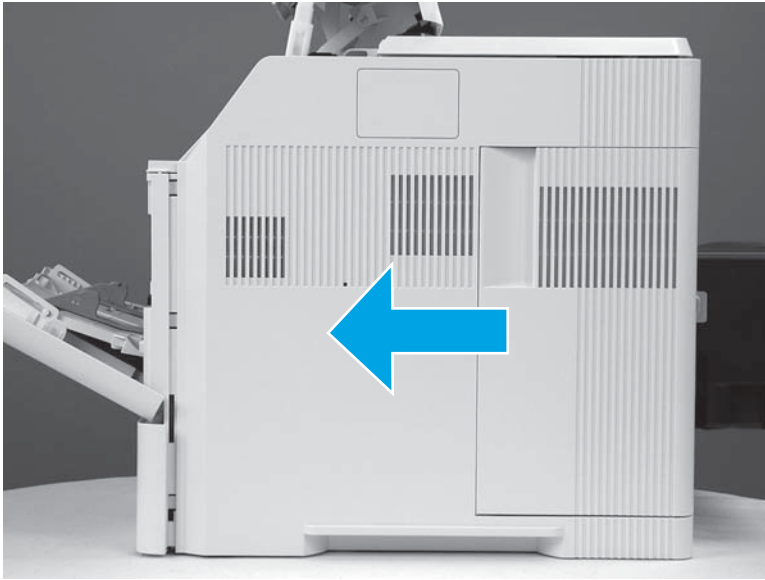
 **NOTE:** The tabs and slots mentioned in the previous step will engage as the cover is rotated into place.

Figure 1-2192 Position the front tabs



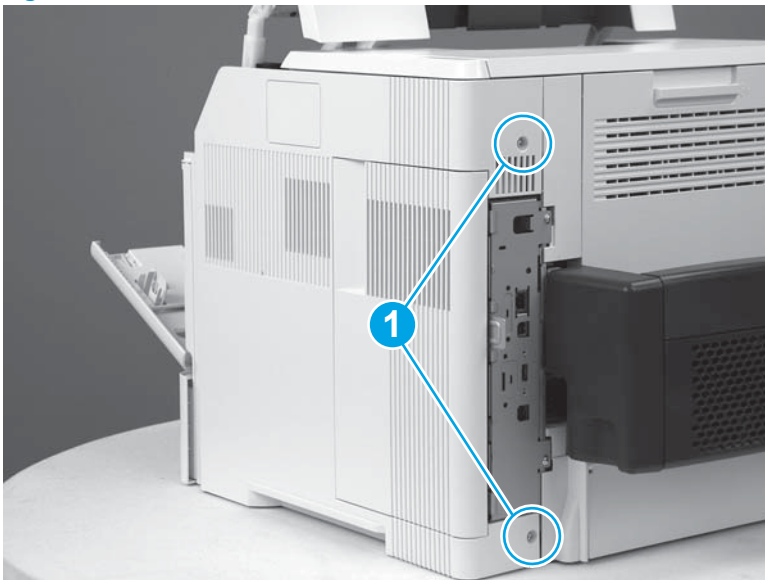
3. Slide the cover toward the front of the printer to install it.

Figure 1-2193 Slide the cover



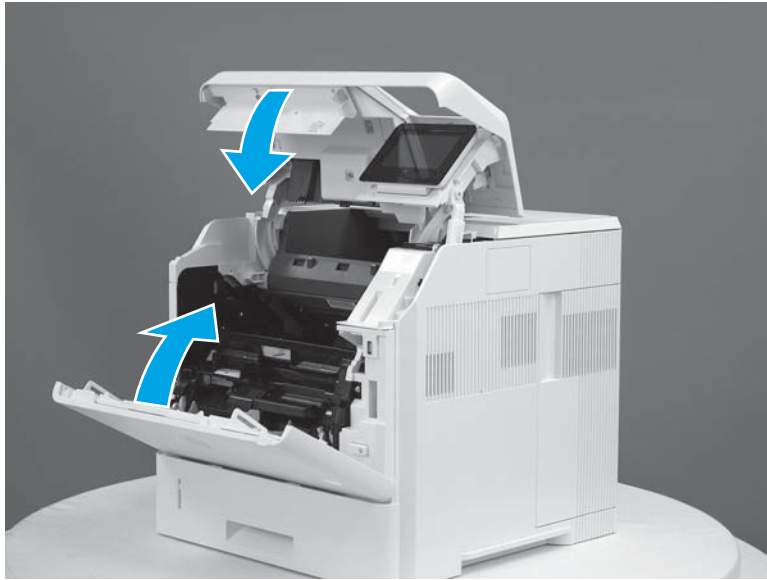
4. Install two screws (callout 1).

Figure 1-2194 Install two screws



5. Close the front cover and the cartridge door.

Figure 1-2195 Close the front cover and cartridge door



Removal and replacement: Near field communication (NFC) PCA

- [Introduction](#)
- [Step 1: Remove the NFC PCA](#)
- [Step 2: Unpack the NFC PCA](#)
- [Step 3: Install the NFC PCA](#)


Introduction



This document provides the procedures to remove and replace the near field communication (NFC) PCA.

Before performing service

Turn the printer power off

- Disconnect the power cable.

 **WARNING!** To avoid damage to the printer, turn the printer off, wait 30 seconds, and then remove the power cord before attempting to service the printer.

 **CAUTION:**  This part contains components that are electrostatic discharge (ESD) sensitive. To reduce the possibility of ESD damage, always touch the sheet-metal chassis to ground yourself before touching an ESD-sensitive part.

Use the table below to identify the correct part number for your printer, and then go to www.hp.com/buy/parts to order the kit.

Near field communication (NFC) PCA part number	
--	--

B5L24-60002

PCA, near field communication (NFC)

Required tools

- #2 Phillips screwdriver with a magnetic tip

After performing service

Turn the printer power on

- Connect the power cable.
- Use the power switch to turn the power on.

Post service test

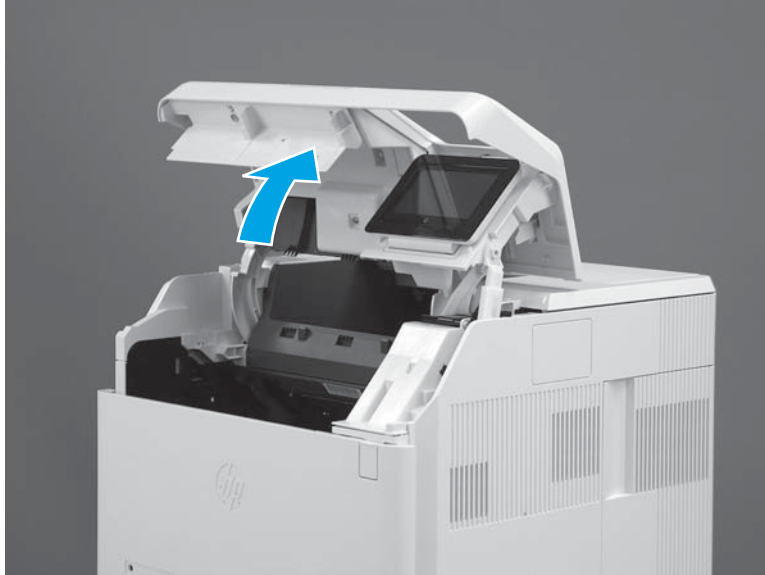
Make sure that the printer initializes to a **Ready** state.

Print a configuration page to make sure that the printer is functioning correctly.

Step 1: Remove the NFC PCA

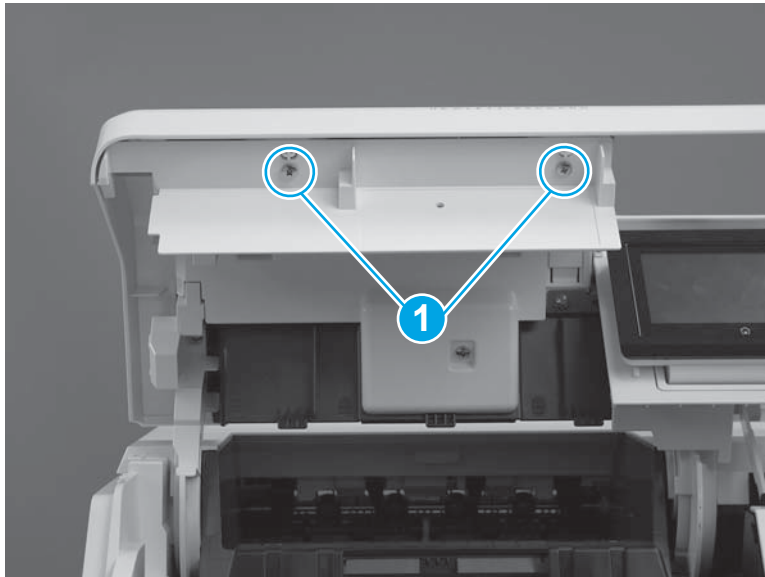
1. Open the cartridge door.

Figure 1-2196 Open the cartridge door



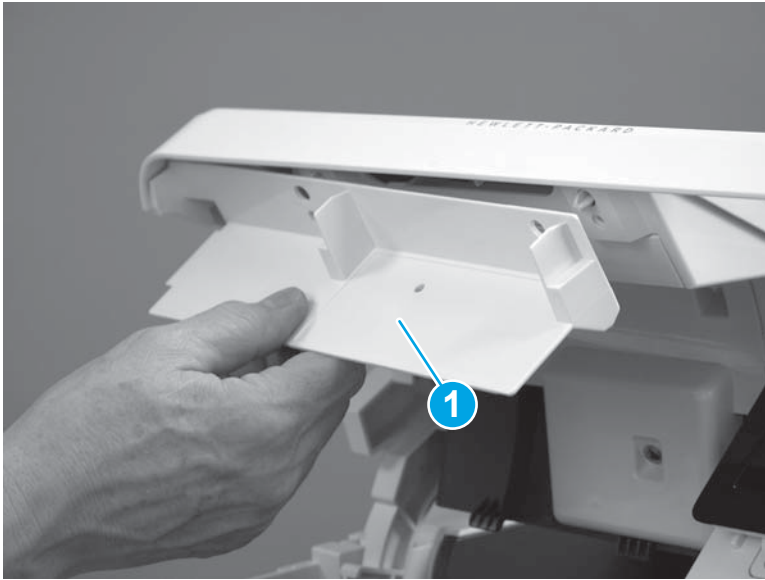
2. Remove two screws (callout 1).

Figure 1-2197 Remove two screws



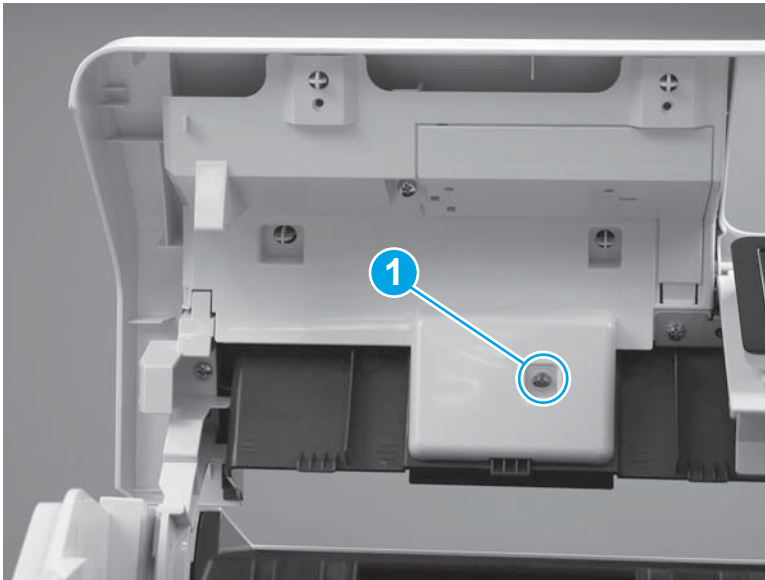
3. Remove one cover (callout 1).

Figure 1-2198 Remove one cover



4. Remove one screw (callout 1).

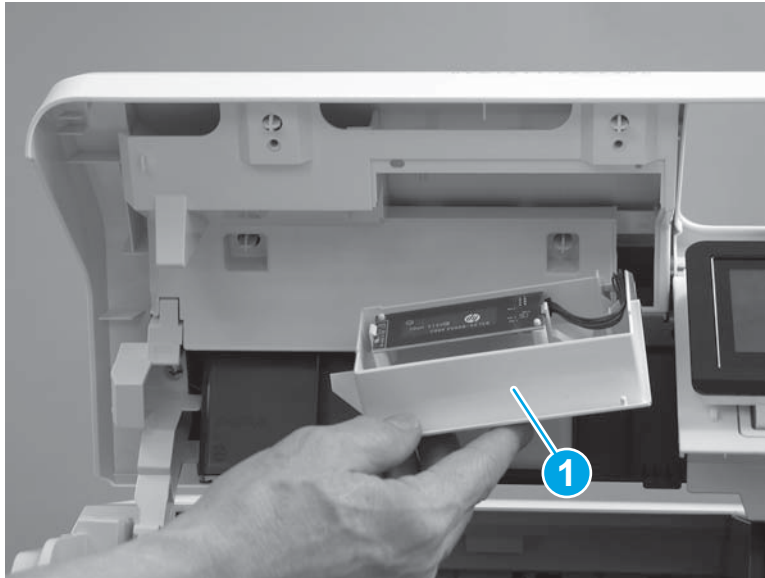
Figure 1-2199 Remove one screw



5. Rotate the cover (callout 1) away from the cartridge door.

CAUTION: The cover is still attached to the printer by the wire harness. Do not attempt to completely remove the cover.

Figure 1-2200 Rotate the cover away



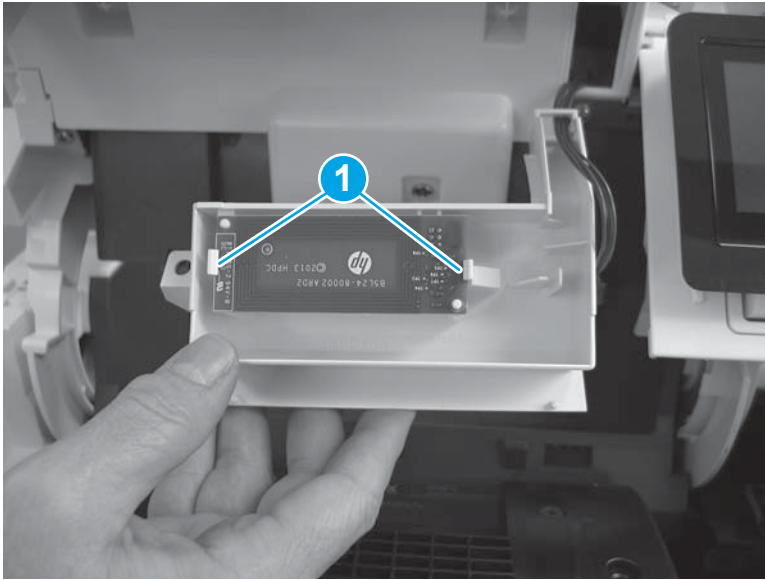
6. Disconnect one connector (callout 1).

Figure 1-2201 Disconnect one connector



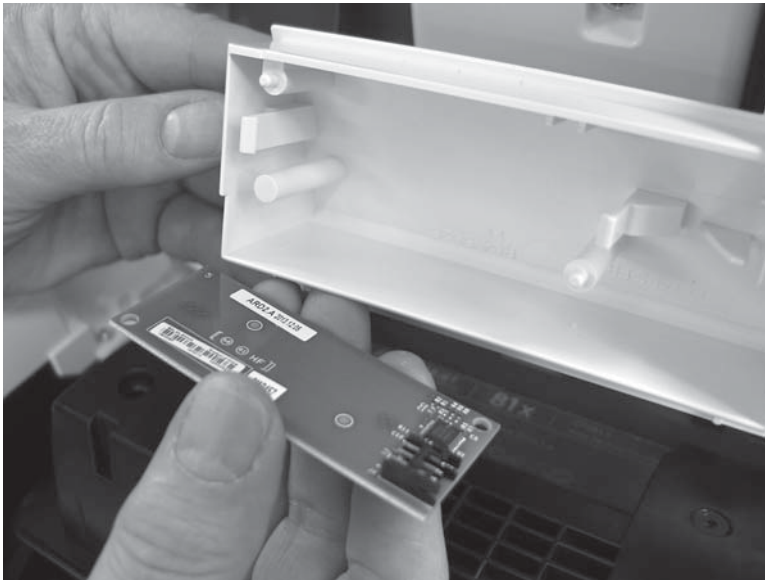
7. Release two tabs (callout 1).

Figure 1-2202 Release two tabs



8. Remove the NFC PCA.


Figure 1-2203 Remove the NFC PCA



Step 2: Unpack the NFC PCA

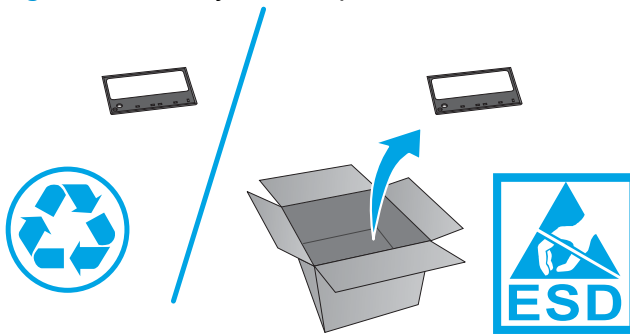
Unpack the replacement part from the packaging.

<http://www8.hp.com/us/en/hp-information/environment/product-recycling.html>

CAUTION:  This part contains components that are electrostatic discharge (ESD) sensitive. To reduce the possibility of ESD damage, always touch the sheet-metal chassis to ground yourself before touching an ESD-sensitive part.

 **NOTE:** HP recommends responsible disposal of the defective part.

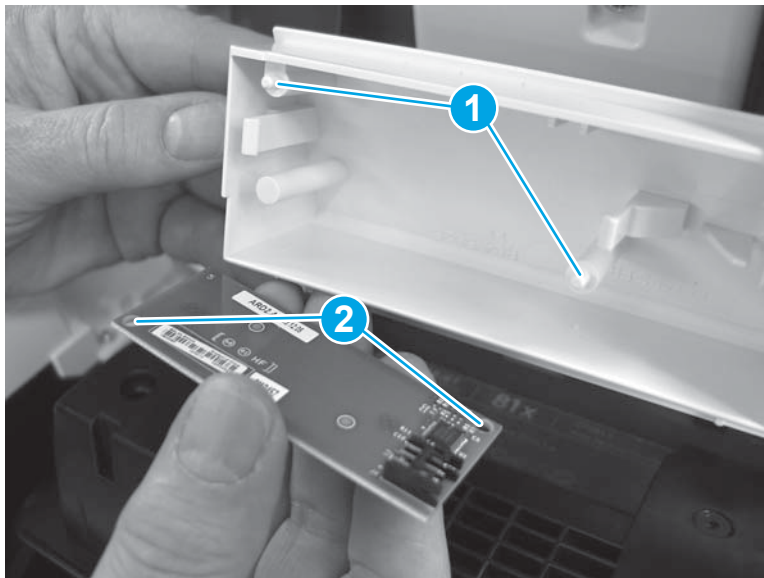
Figure 1-2204 Recycle and unpack



Step 3: Install the NFC PCA

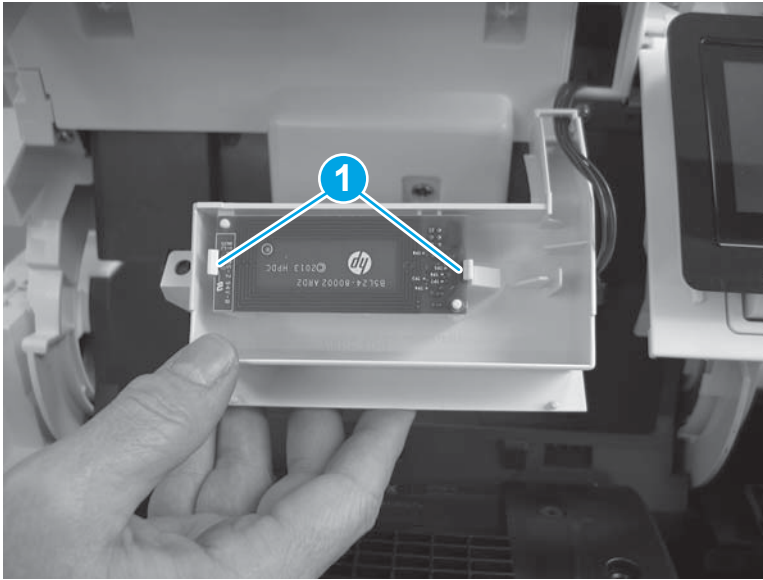
1. Align the tabs on the cover (callout 1) with the holes in the PCA (callout 2), and then rotate the PCA into position.

Figure 1-2205 Align the tabs and holes



2. Make sure that the tabs (callout 1) snap into place above the PCA

Figure 1-2206 Check the tabs



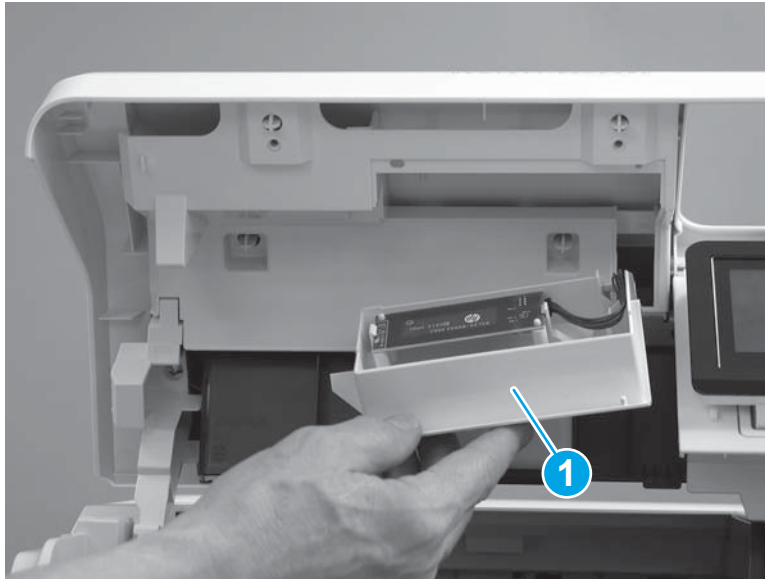
3. Connect one connector (callout 1).

Figure 1-2207 Connect one connector



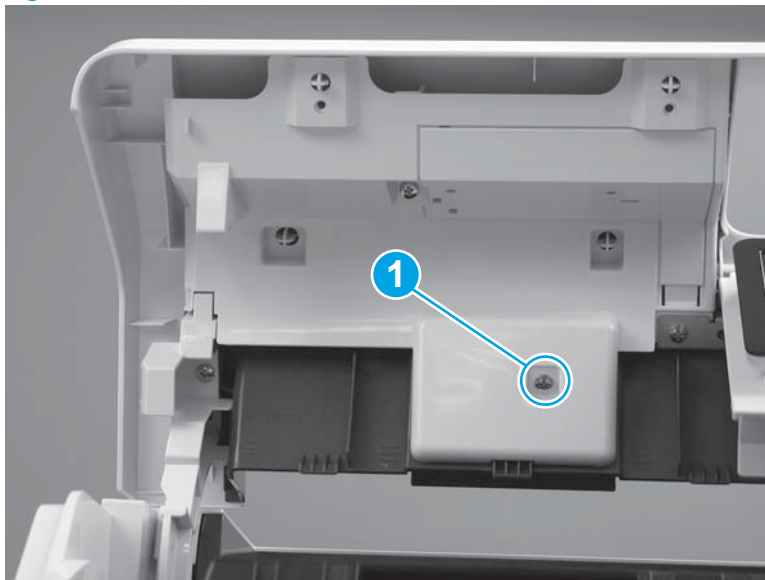
4. Position the cover on the front door.

Figure 1-2208 Position the cover



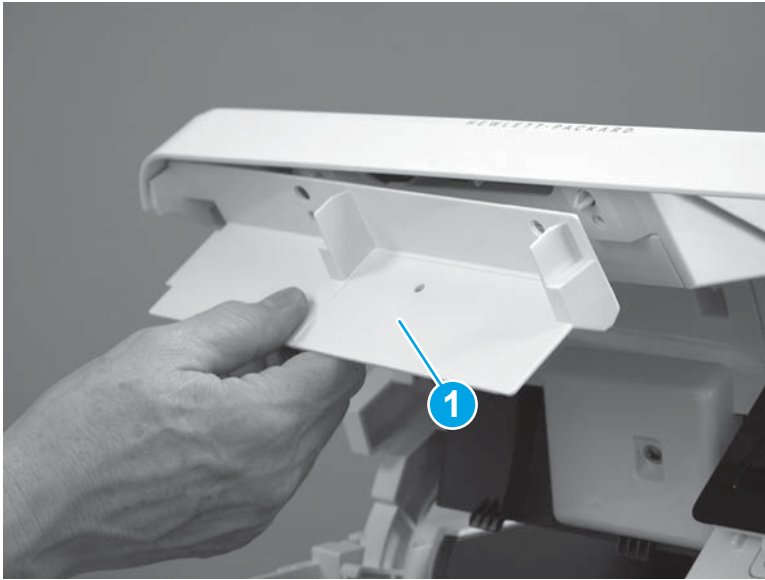
5. Install one screw (callout 1).

Figure 1-2209 Install one screw



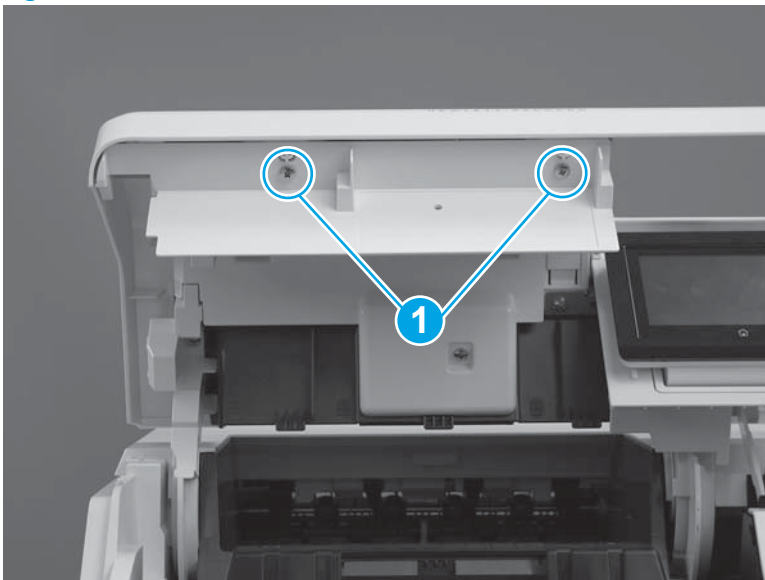
6. Position the cover (callout 1) on the front door.

Figure 1-2210 Position the cover



7. Install two screws (callout 1).

Figure 1-2211 Install two screws



Removal and replacement: Fuser drive assembly

- [Introduction](#)
- [Step 1: Remove the duplex accessory](#)
- [Step 2: Remove the duplex accessory cover](#)
- [Step 3: Remove the rear output bin](#)
- [Step 4: Remove the Tray 2 extension door](#)
- [Step 5: Remove the fuser](#)
- [Step 6: Remove the right cover](#)
- [Step 7: Remove the top accessory cover](#)
- [Step 8: Remove the top cover \(M604n/dn, M605n/dn, M606dn only\)](#)
- [Step 9: Remove the top cover \(M605x, M606x only\)](#)
- [Step 10: Remove the left cover](#)
- [Step 11: Remove the formatter and formatter case](#)
- [Step 12: Remove the power supply](#)
- [Step 13: Remove the fuser drive assembly](#)
- [Step 14: Unpack the replacement fuser drive assembly](#)
- [Step 15: Install the fuser drive assembly](#)
- [Step 16: Install the power supply](#)
- [Step 17: Install the formatter and formatter case](#)
- [Step 18: Install the left cover](#)
- [Step 19: Install the top cover \(M605x, M606x only\)](#)
- [Step 20: Install the top cover \(M604n/dn, M605n/dn, M606dn only\)](#)
- [Step 21: Install the top accessory cover](#)
- [Step 22: Install the right cover](#)
- [Step 23: Install the fuser](#)
- [Step 24: Tray 2 extension door](#)
- [Step 25: Install the rear output bin](#)
- [Step 26: Install the duplex accessory cover](#)
- [Step 27: Install the duplex accessory](#)

Introduction

This document provides the procedures to remove and replace the paper-delivery drive assembly.



IMPORTANT: The time required to remove and replace this part could exceed the maximum amount of time allowed for warranty repair. If the printer is under warranty, HP recommends replacement of the printer.



NOTE: The printer might appear different from some of the figures below; however, the procedures in this section are correct for this printer.

Before performing service

Turn the printer power off

- Disconnect the power cable.



WARNING! To avoid damage to the printer, turn the printer off, wait 30 seconds, and then remove the power cord before attempting to service the printer.

Use the table below to identify the correct part number for your printer, and then go to www.hp.com/buy/parts to order the kit.

Fuser drive assembly part numbers

RM2-6321-000CN

Fuser drive assembly

Required tools

- #2 Phillips screwdriver with a magnetic tip
- Small, flat-blade screwdriver

After performing service

Turn the printer power on

- Connect the power cable.
- Use the power switch to turn the power on.

Post service test

Make sure that the printer initializes to a **Ready** state.

Print a configuration page to make sure that the printer is functioning correctly.

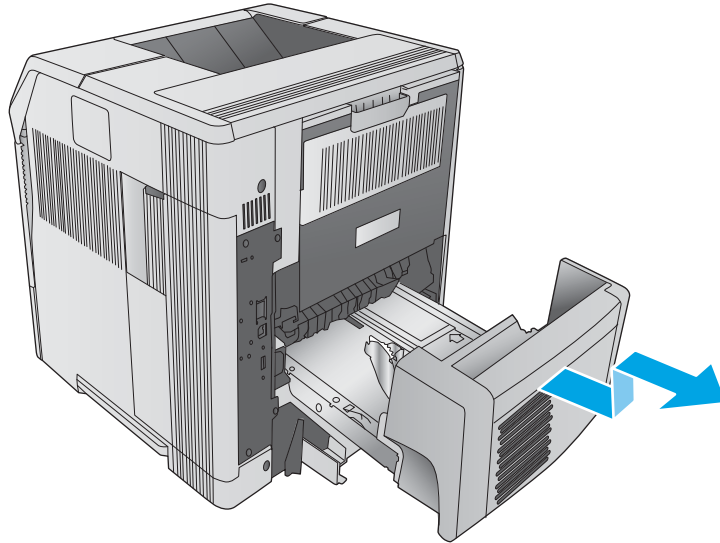
Step 1: Remove the duplex accessory




NOTE: If the optional duplex accessory is not installed, skip this step and go to [Step 2: Remove the duplex accessory cover on page 1219](#).

- ▲ Slightly lift up on the duplex accessory, and then pull it completely out of the printer to remove it.

Figure 1-2212 Remove the duplex accessory

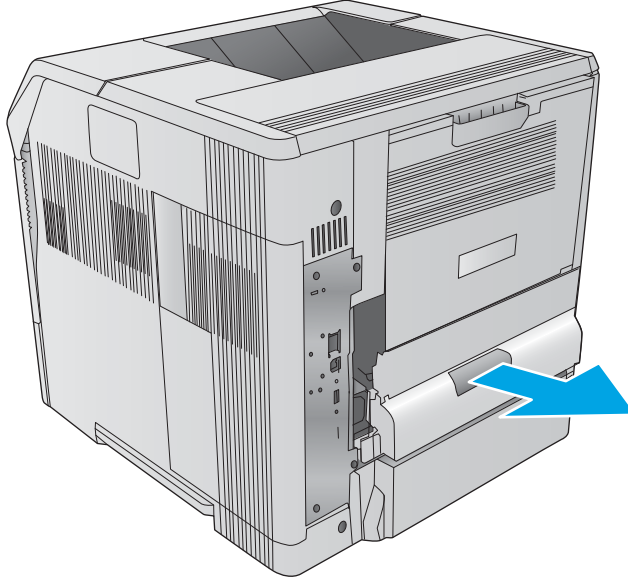


Step 2: Remove the duplex accessory cover

 **NOTE:** If the duplex accessory cover is not installed, skip this step and go to [Step 3: Remove the rear output bin on page 1219](#).

- ▲ Pull the duplex accessory cover straight out of the printer to remove it.

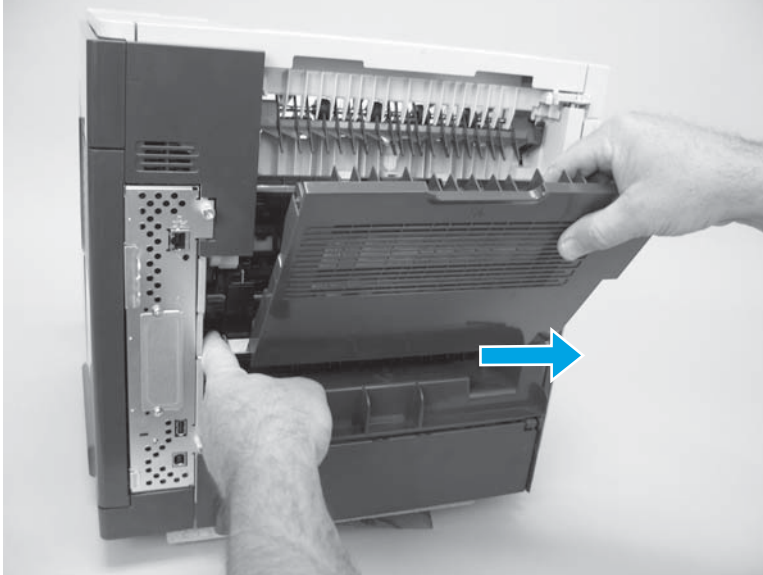
Figure 1-2213 Remove the duplex accessory cover



Step 3: Remove the rear output bin

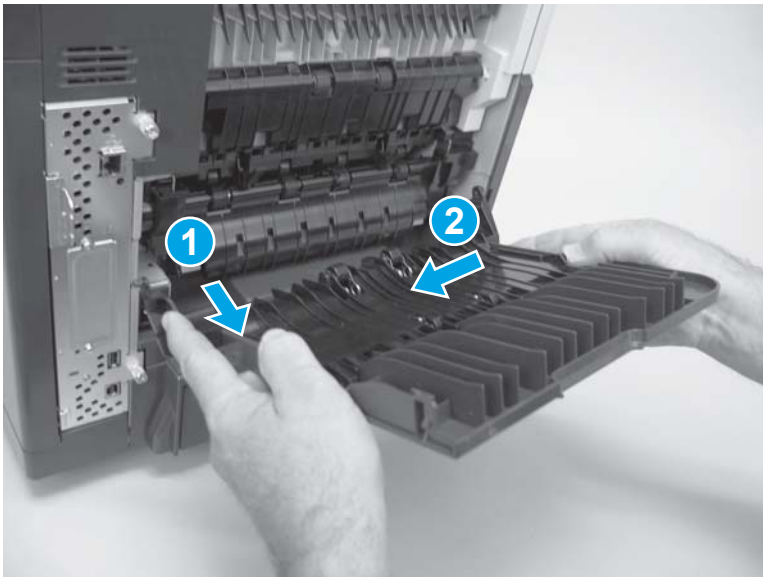
1. Open the rear output bin, and then squeeze the hinge pin out of its mounting hole.

Figure 1-2214 Release the hinge pin



2. Rotate the output bin away from the printer (callout 1) until the right hinge pin is released, and then slide the output bin to the left (callout 2) to remove it.

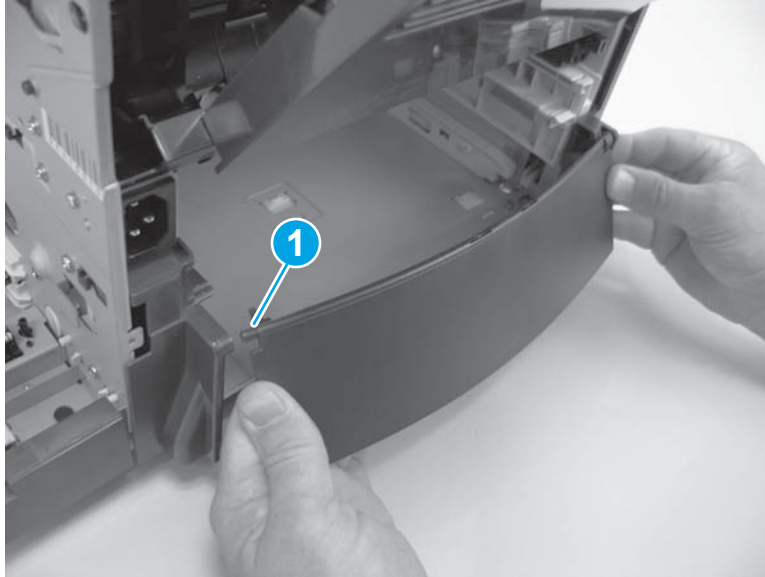
Figure 1-2215 Remove the output bin



Step 4: Remove the Tray 2 extension door

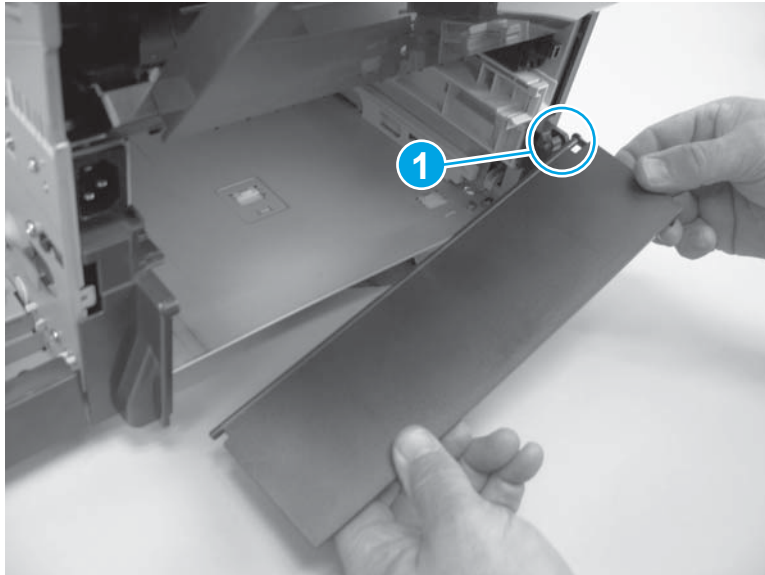
1. Carefully flex the Tray 2 extension door to release the hinge pin (callout 1) near the power-cord side of the printer.

Figure 1-2216 Release the hinge pin



2. Rotate the Tray 2 extension door to the horizontal position, and then pull up on the keyed hinge pin (callout 1) to release the door. Remove the Tray 2 extension door.

Figure 1-2217 Remove the Tray 2 extension door

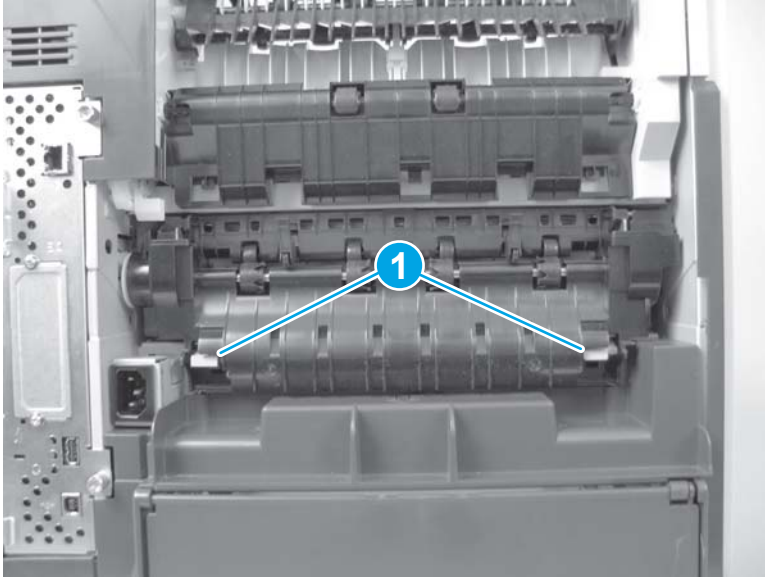


Step 5: Remove the fuser

⚠ WARNING! The fuser might be very hot. After turning off the printer power, allow the fuser to cool for at least 5 minutes before removing it.

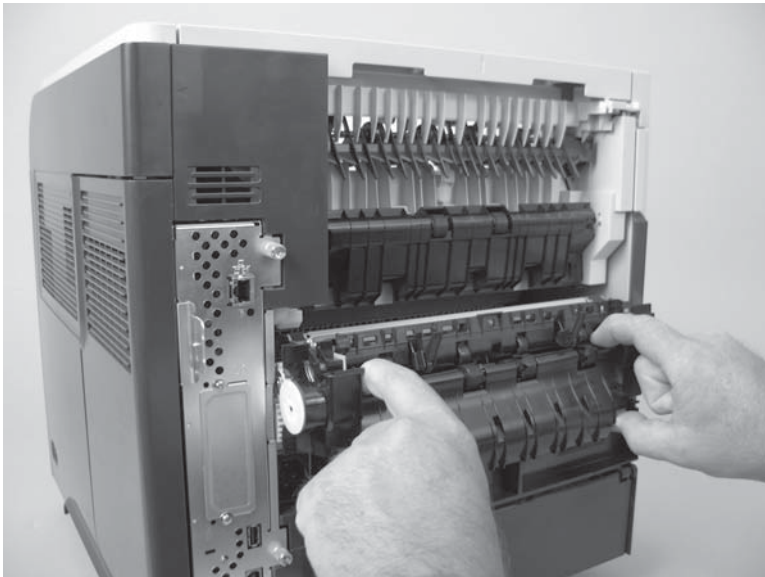
1. Squeeze the blue fuser-release tabs (callout 1).

Figure 1-2218 Squeeze the blue fuser-release tabs



2. Pull the fuser straight back and out of the printer.

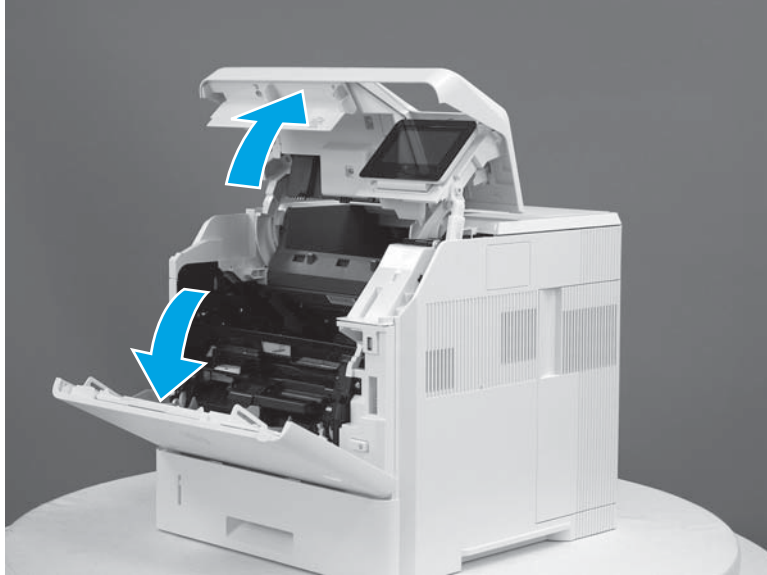
Figure 1-2219 Remove the fuser



Step 6: Remove the right cover

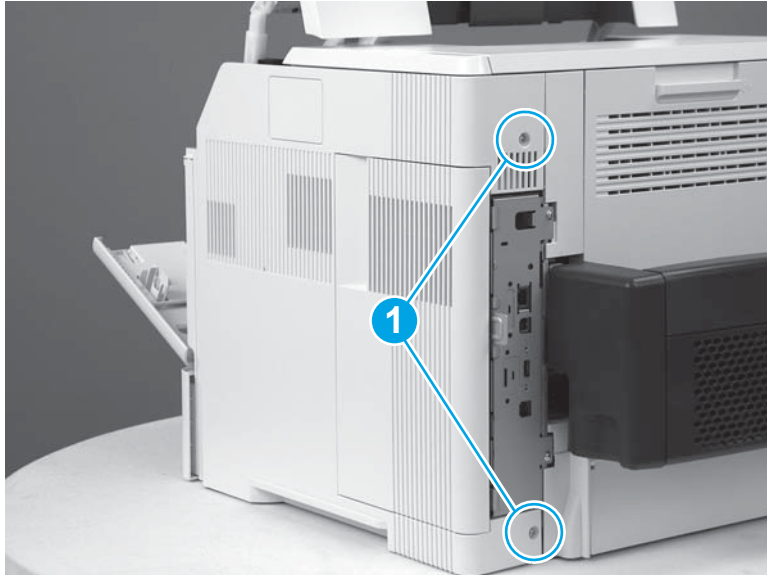
1. Open the front cover and the cartridge door.

Figure 1-2220 Open the front cover and cartridge door



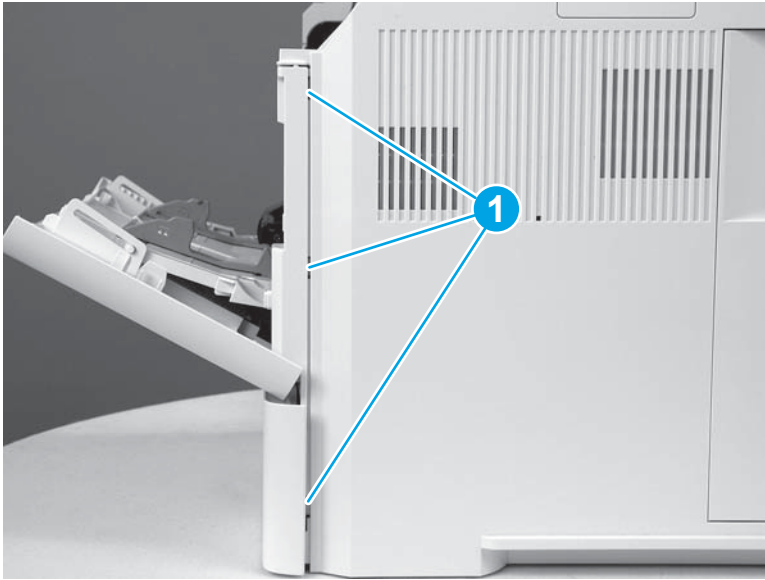
2. Remove two screws (callout 1).

Figure 1-2221 Remove two screws



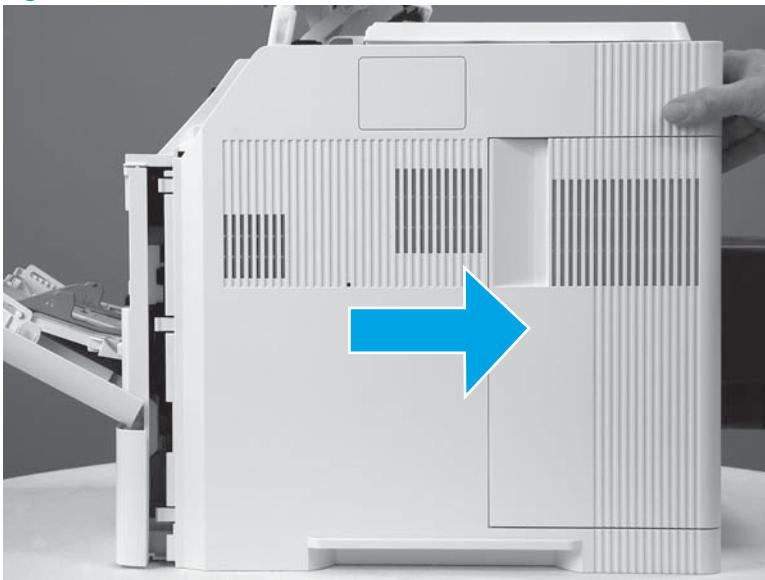
3. Release three tabs (callout 1).

Figure 1-2222 Release three tabs



4. Slide the cover toward the rear of the printer to remove it.

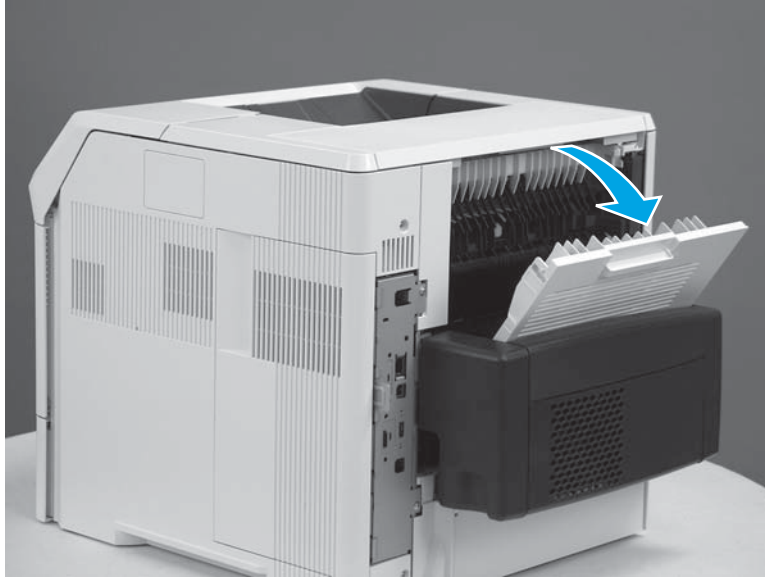
Figure 1-2223 Remove the cover



Step 7: Remove the top accessory cover

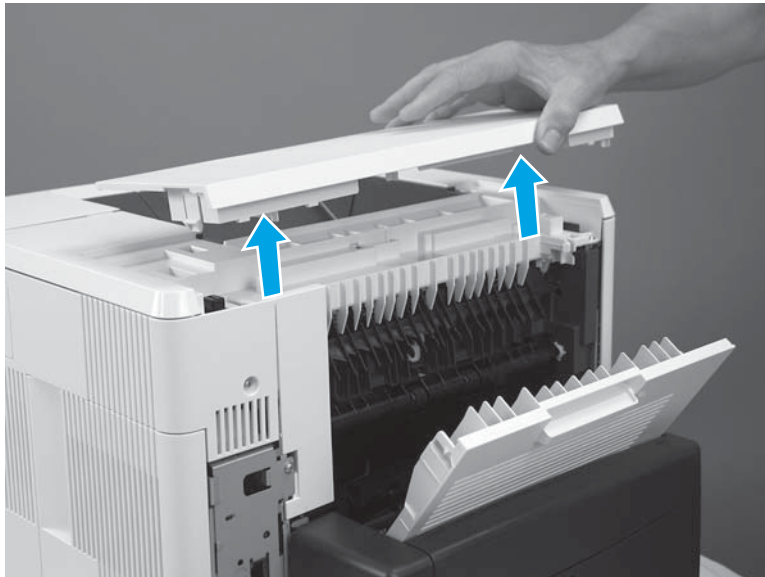
1. Open the rear output bin.

Figure 1-2224 Open the rear output bin




2. Lift the top accessory cover up and off of the printer.

Figure 1-2225 Remove top accessory cover



Step 8: Remove the top cover (M604n/dn, M605n/dn, M606dn only)

 **NOTE:** For the M605x or M606x, product, skip this step and go to [Step 9: Remove the top cover \(M605x, M606x only\)](#) on page 1229.

1. Use needle-nose pliers to release the toner-cartridge drive-arm tabs (callout 1).

 **CAUTION:** The toner-cartridge drive-arm tabs break easily.


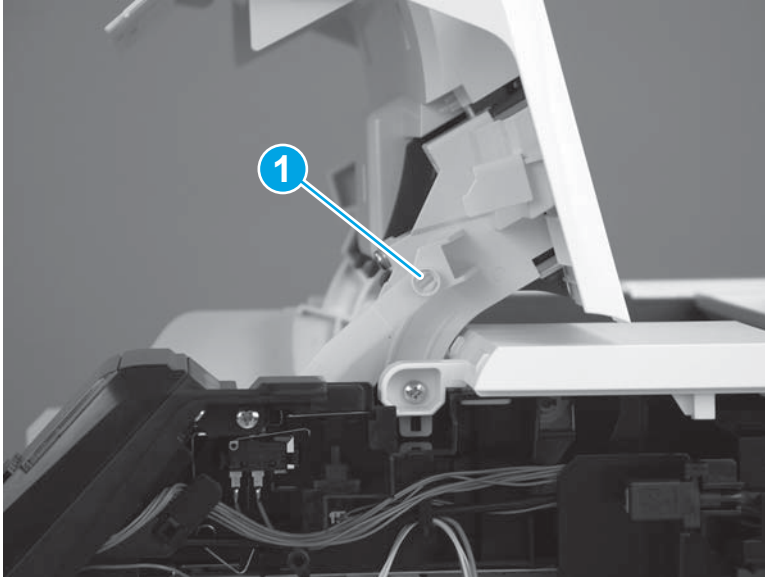
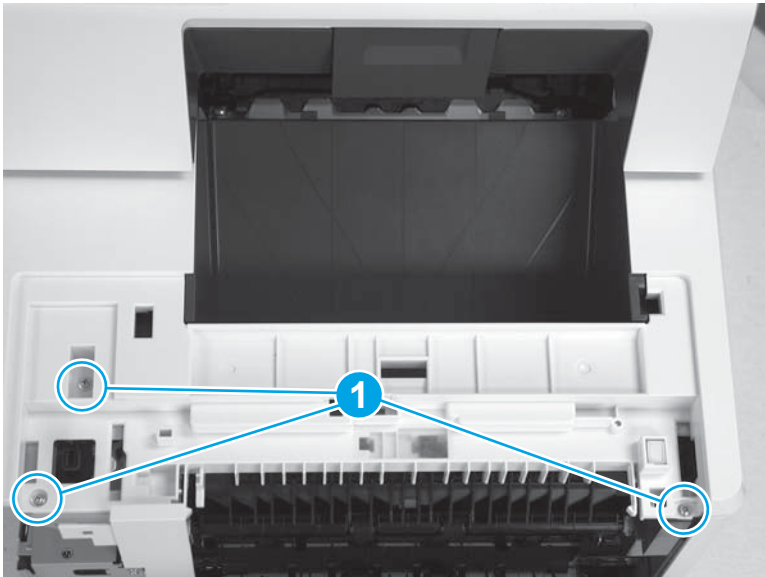
 **TIP:** Push the toner-cartridge drive-arm back into the printer to avoid damaging it when you remove the top cover.

Figure 1-2226 Release the drive-arm tabs



2. Remove three screws (callout 1) on the top of the printer.

Figure 1-2227 Remove three screws



3. Remove one screw (callout 1) on the right side of the printer.


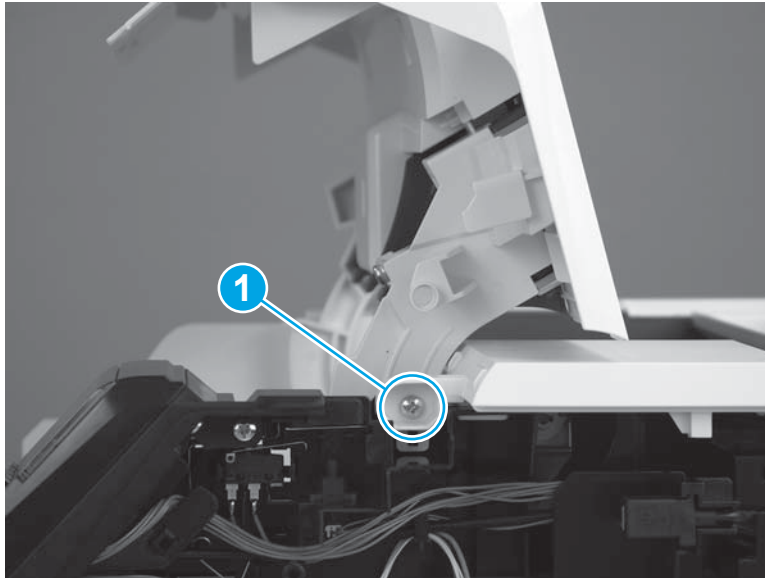
 **Reinstallation tip:** This screw is larger than the screws removed from the top of the printer. Make sure to install the correct screw when reassembling.

Figure 1-2228 Remove one screw



4. Remove one screw (callout 1) on the left side of the printer.


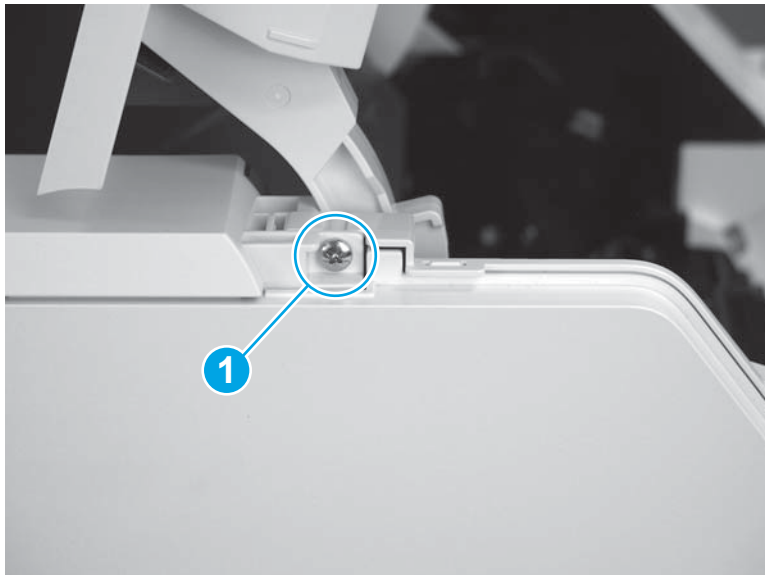
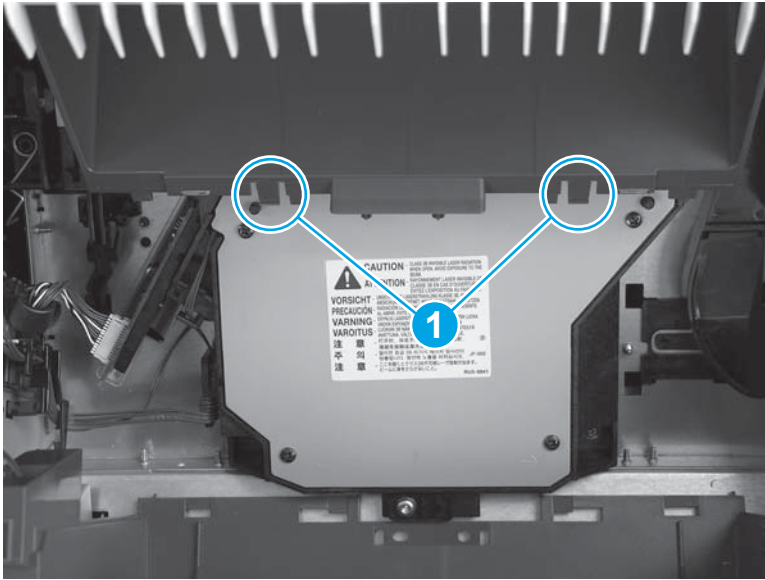
 **Reinstallation tip:** This screw is larger than the screws removed from the top of the printer. Make sure to install the correct screw when reassembling.

Figure 1-2229 Remove one screw



5. Note the location of two tabs on the top output bin (callout 1). These tabs are released in the next step.

Figure 1-2230 Location of two tabs



6. Release two tabs (callout 1) on the top output bin.


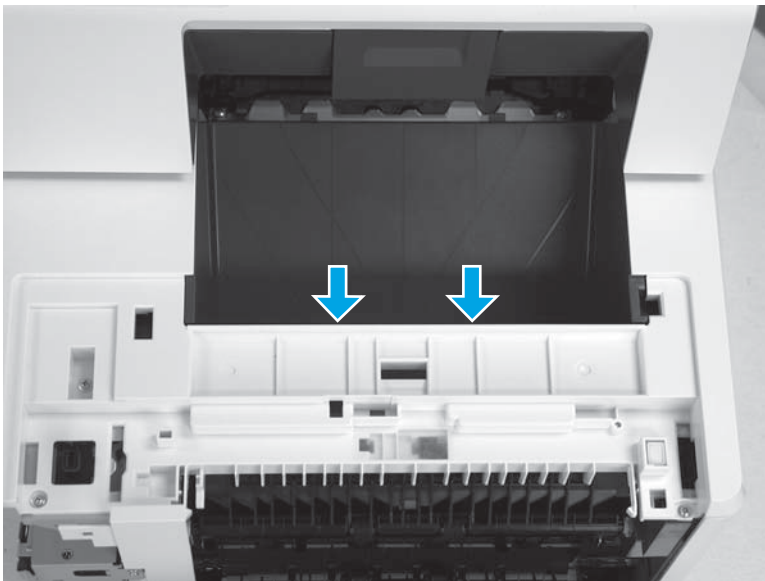
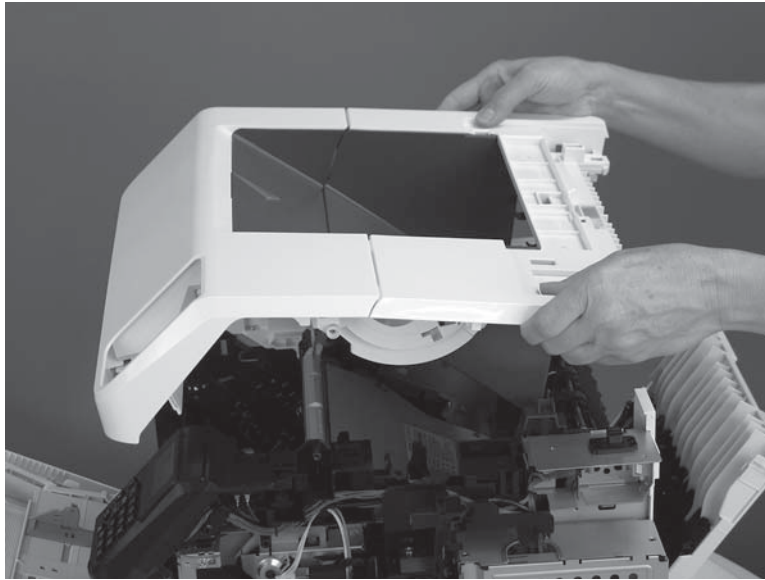
 **Reinstallation tip:** Make sure that these tabs are fully seated when the top cover is reinstalled.

Figure 1-2231 Release two tabs



7. Lift the top cover up and off of the printer to remove it.

Figure 1-2232 Remove the top cover



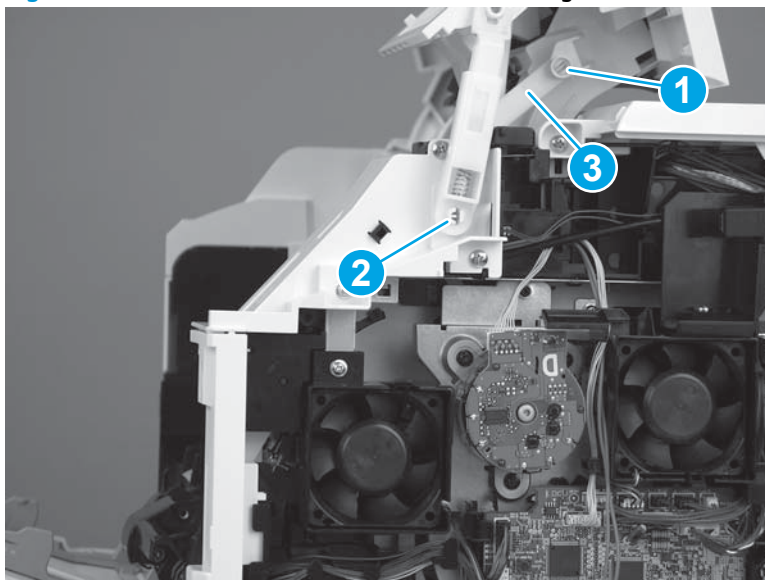
Step 9: Remove the top cover (M605x, M606x only)

1. Use needle-nose pliers to release the toner-cartridge drive-arm tabs (callout 1) and the toner-cartridge door hinge tabs (callout 2).

⚠ CAUTION: The toner-cartridge drive-arm tabs break easily.

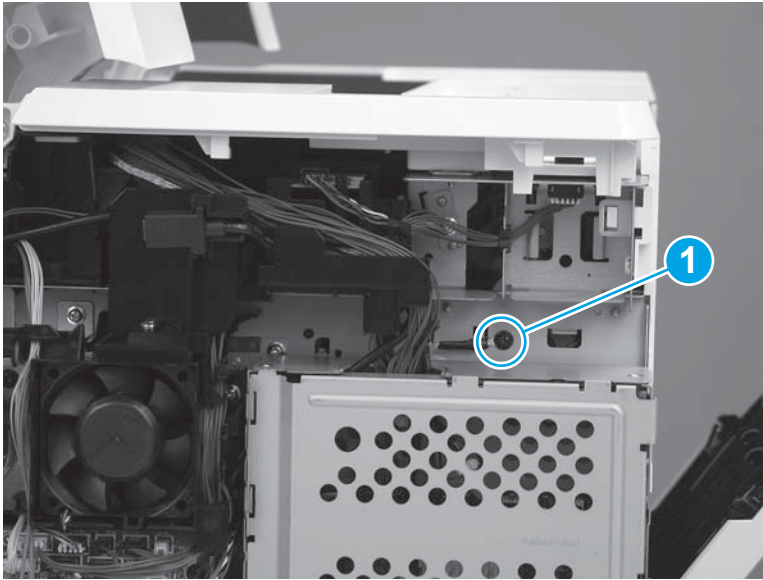
💡 TIP: Push the toner-cartridge drive-arm (callout 3) back into the printer to avoid damaging it when you remove the top cover.

Figure 1-2233 Release the drive-arm and door hinge tabs



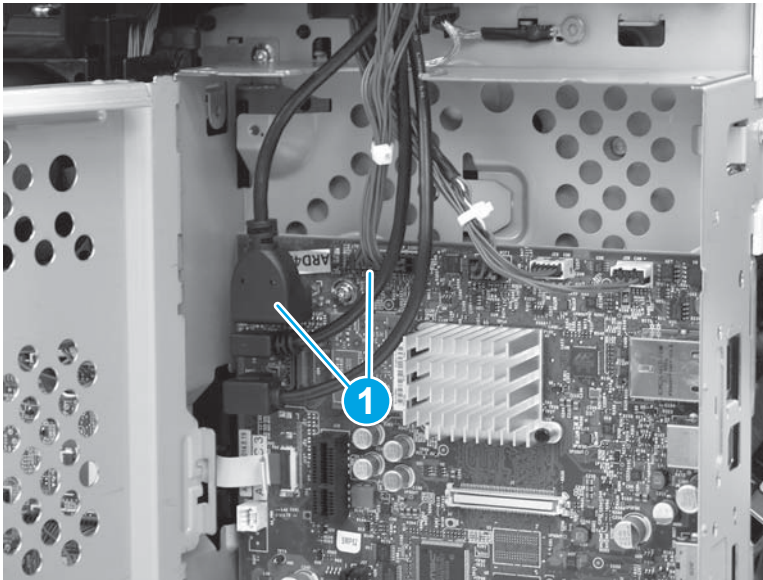
2. Remove one screw, and then release the ground wire (callout 1).

Figure 1-2234 Release the ground wire



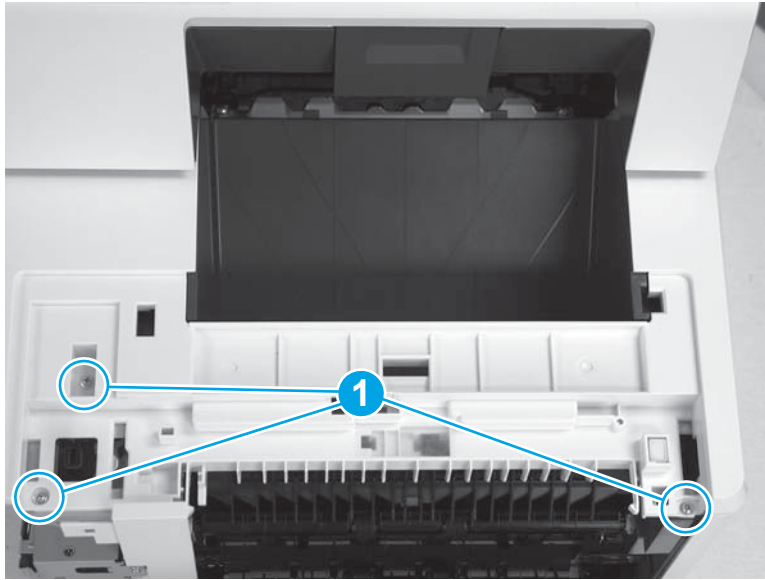
3. Open the formatter case door, and then disconnect two connectors (callout 1).

Figure 1-2235 Disconnect two connectors



4. Remove three screws (callout 1) on the top of the printer.

Figure 1-2236 Remove three screws



5. Remove one screw (callout 1) on the right side of the printer.


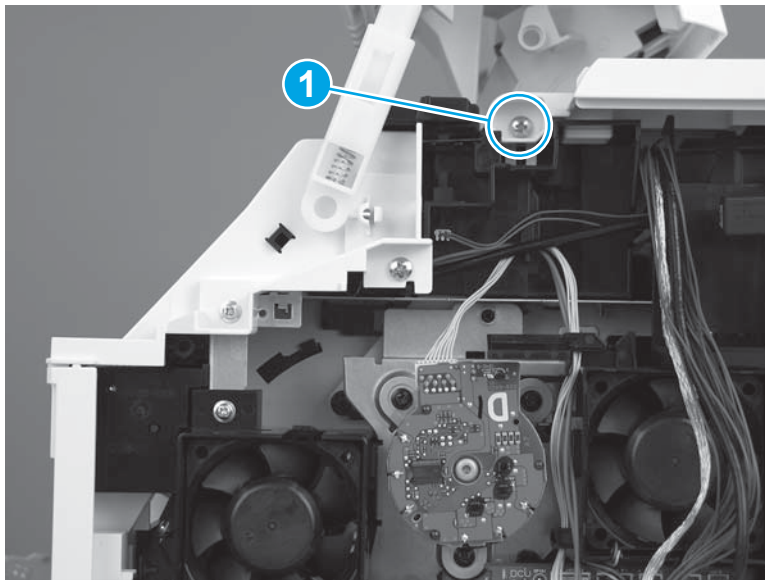
 **Reinstallation tip:** This screw is larger than the screws removed from the top of the printer. Make sure to install the correct screw when reassembling.

Figure 1-2237 Remove one screw



6. Remove one screw (callout 1) on the left side of the printer.


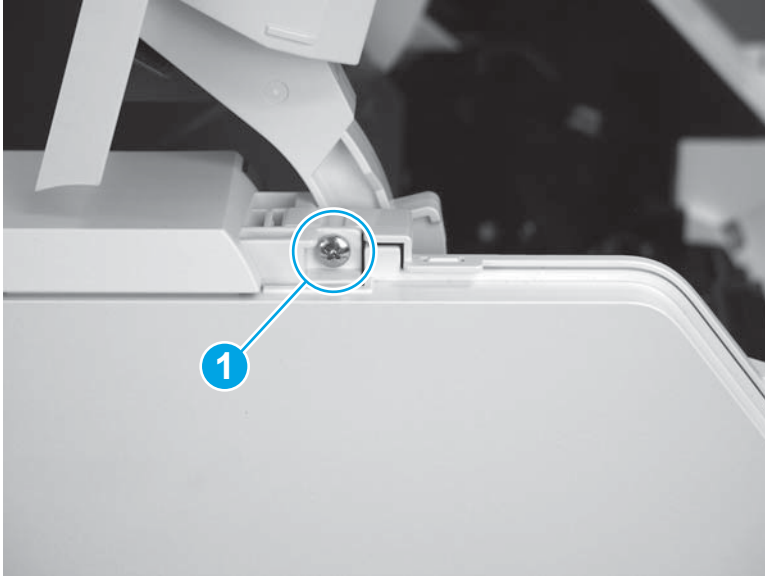
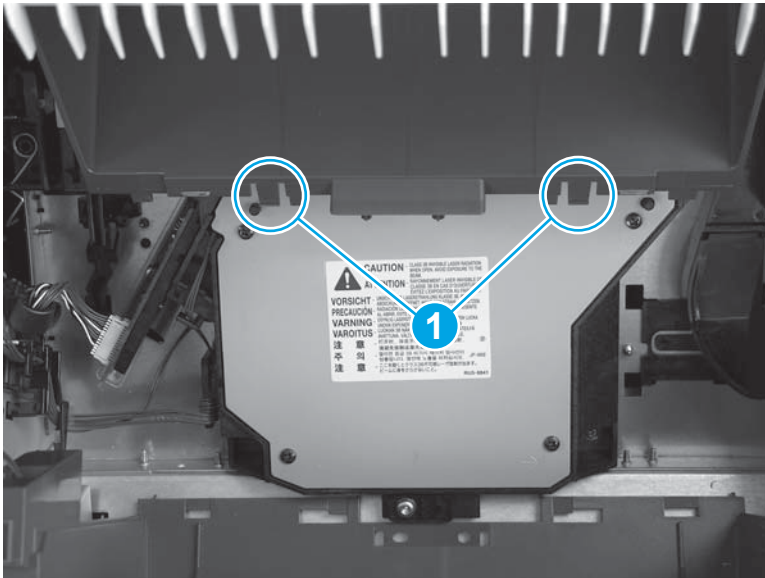
 **Reinstallation tip:** This screw is larger than the screws removed from the top of the printer. Make sure to install the correct screw when reassembling.

Figure 1-2238 Remove one screw



7. Note the location of two tabs on the top output bin (callout 1). These tabs are released in the next step.

Figure 1-2239 Location of two tabs



8. Release two tabs (callout 1) on the top output bin.


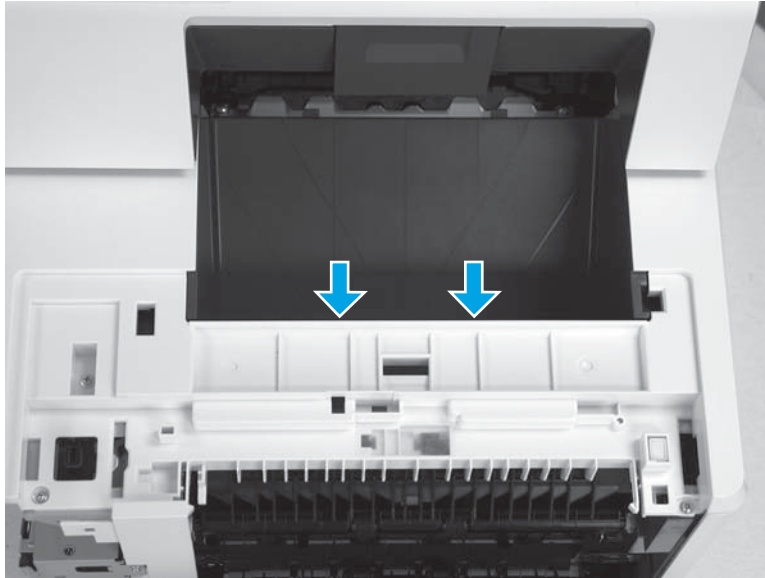
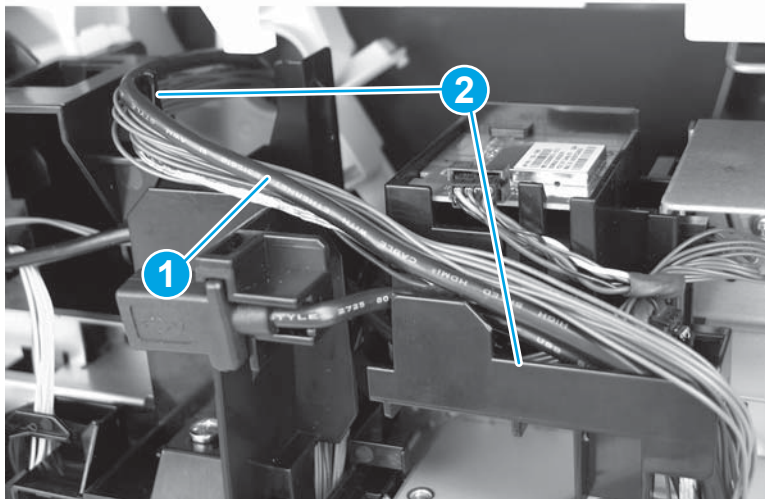
 **Reinstallation tip:** Make sure that these tabs are fully seated when the top cover is reinstalled.

Figure 1-2240 Release two tabs



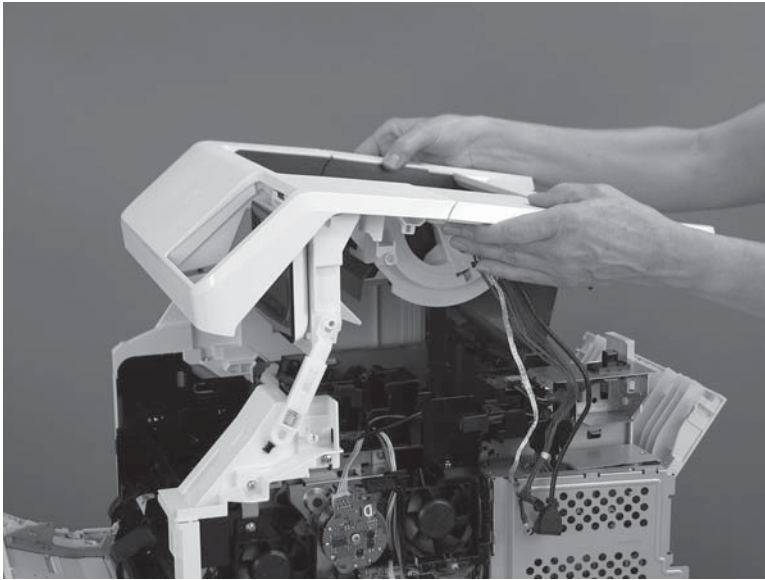
9. On the right side of the printer, release the wire harness and cables (callout 1) from the guides (callout 2).

Figure 1-2241 Release cables from guides



10. Lift the top cover up and off of the printer to remove it.

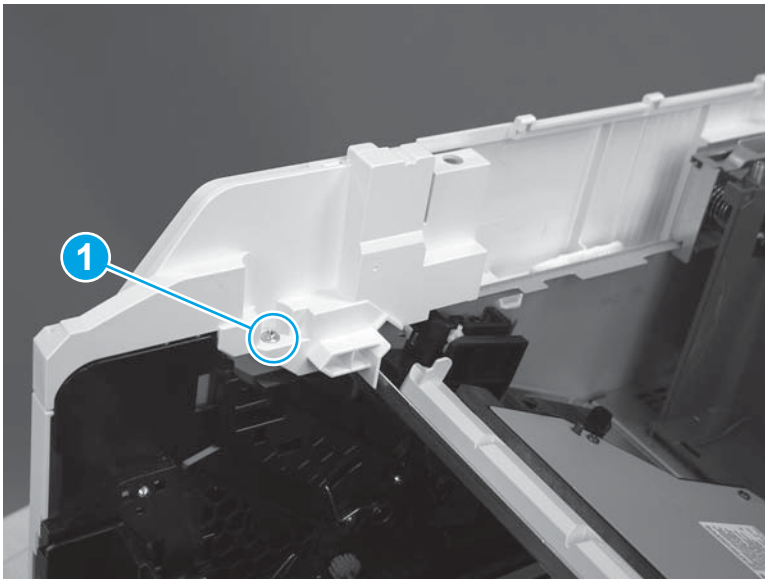
Figure 1-2242 Remove the top cover



Step 10: Remove the left cover

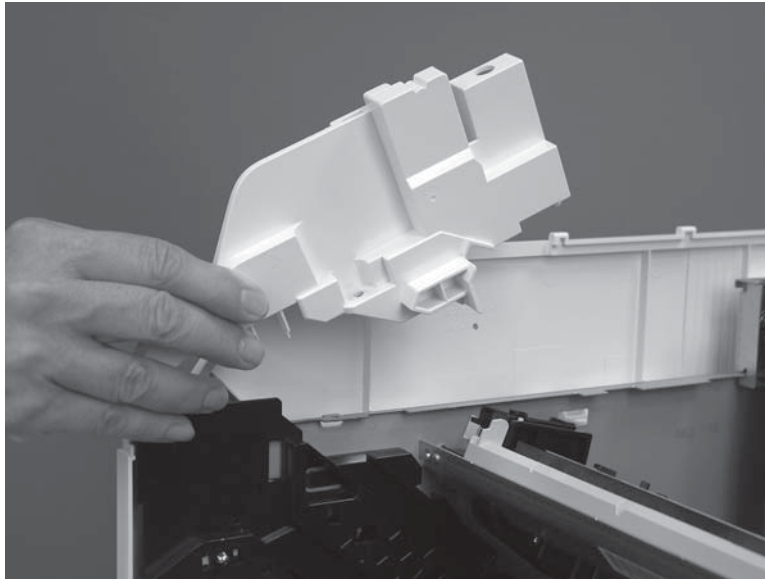
1. Remove one screw (callout 1).

Figure 1-2243 Remove one screw



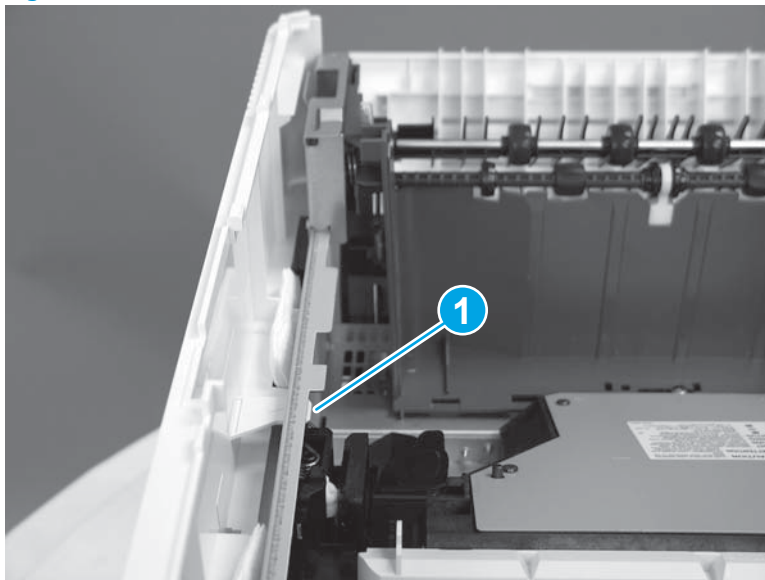
2. Remove the left front inside cover.

Figure 1-2244 Remove the left front inside cover



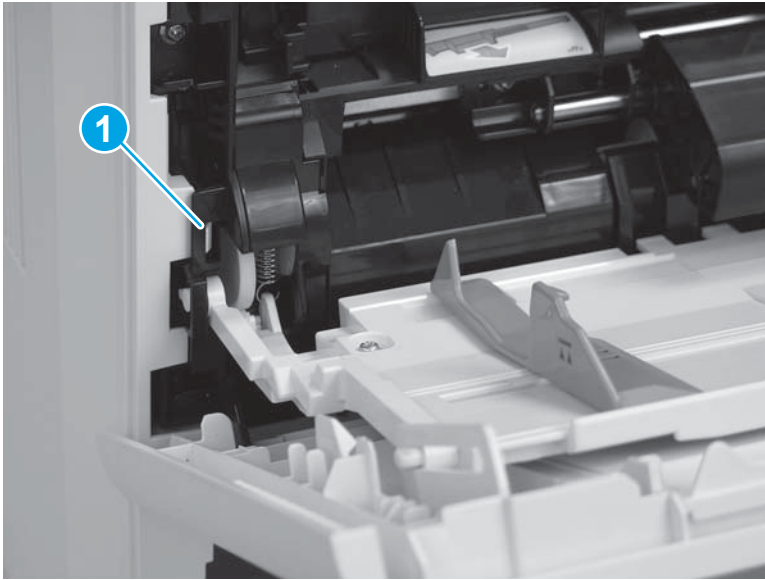
3. Release one tab (callout 1) on the top of the cover.

Figure 1-2245 Release one tab



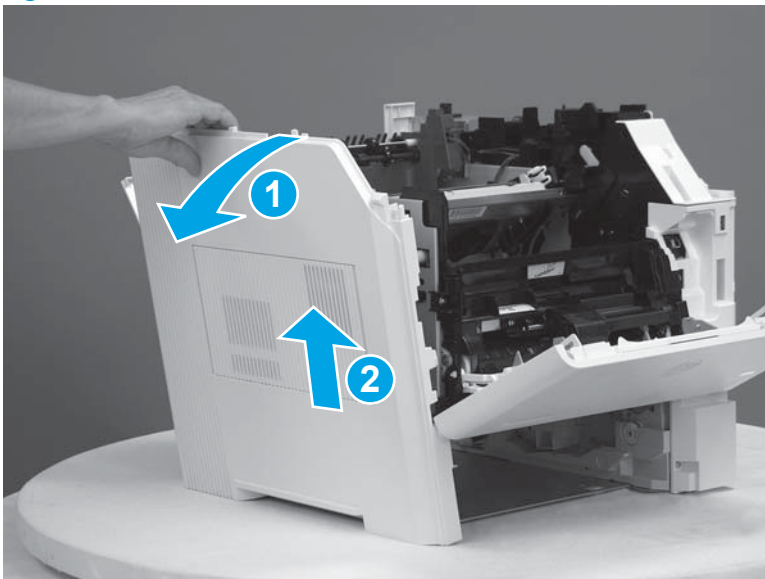
4. Release one tab (callout 1) on the front of the cover.

Figure 1-2246 Release one tab



5. Rotate the top of the cover away (callout 1) from the printer, and then lift the cover up (callout 2) to remove it.

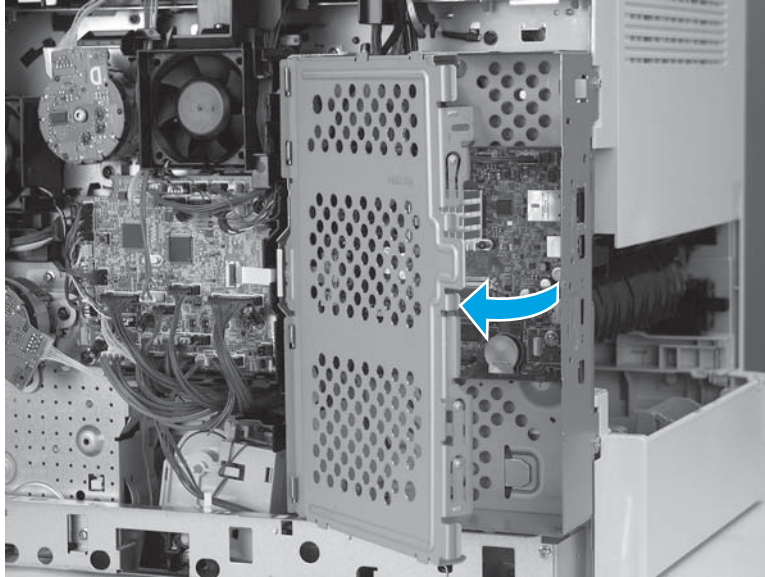
Figure 1-2247 Remove the cover



Step 11: Remove the formatter and formatter case

1. Open the formatter case door.

Figure 1-2248 Open the formatter case door



2. Locate the flat cable connector (callout 1) on the formatter.


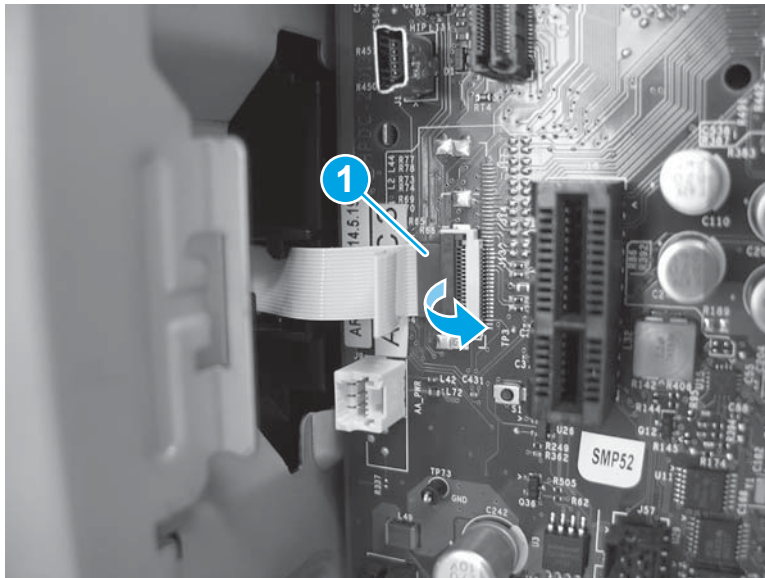
 **IMPORTANT:** This connector is a Zero Insertion Force (ZIF) connector that uses a hinged retainer to secure a flat cable. The hinged retainer must be opened to release the flat cable.

Figure 1-2249 ZIF connector



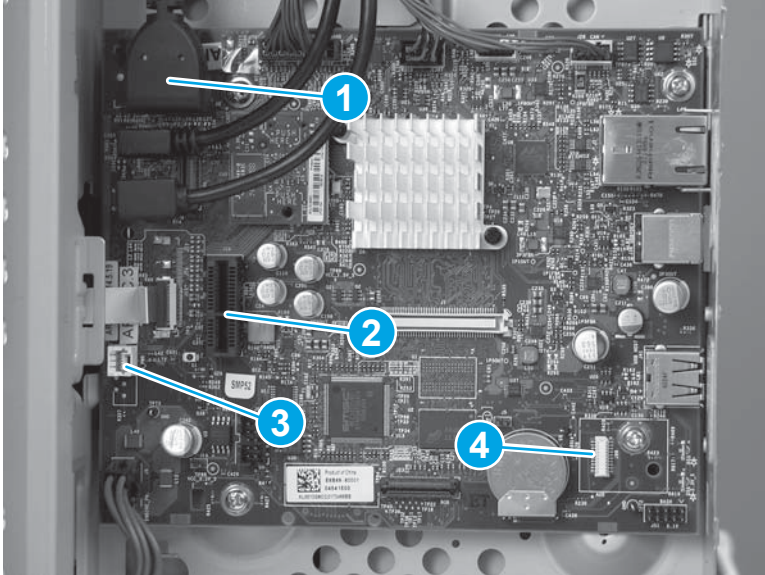
3. Disconnect all of the connectors on the formatter.

The following connectors are empty:

- J23, J25, J51, and J57
- J3 (callout 1): This connector is empty on the M604n/dn, M605n/dn, and M606dn models. It holds the touchscreen cable on the M605x and M606x models.
- J18 (callout 2): This connector is empty unless the optional hard-disk drive (HDD) is installed.

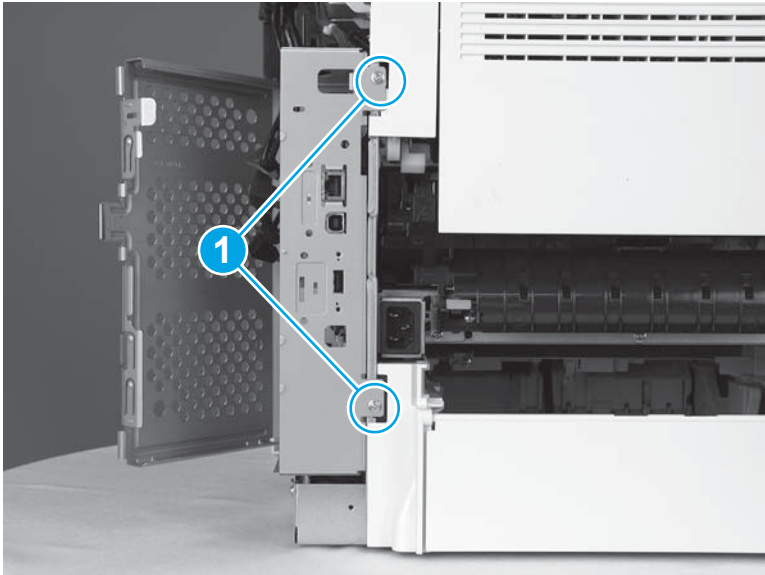
- J9 (callout 3): This connector is empty unless the optional two internal USB ports accessory is installed.
- J98 (callout 4): This connector is empty unless the optional trusted platform module (TPM) is installed.

Figure 1-2250 Disconnect all connectors



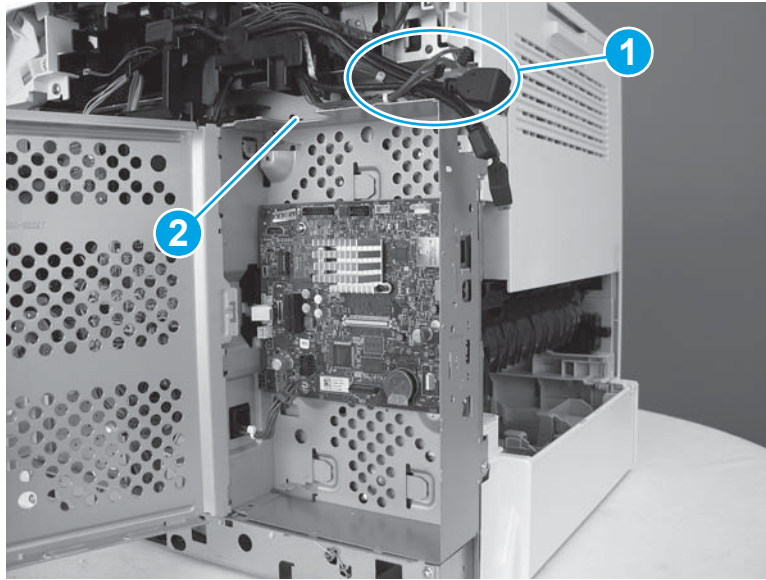
4. Remove two screws (callout 1).

Figure 1-2251 Remove two screws



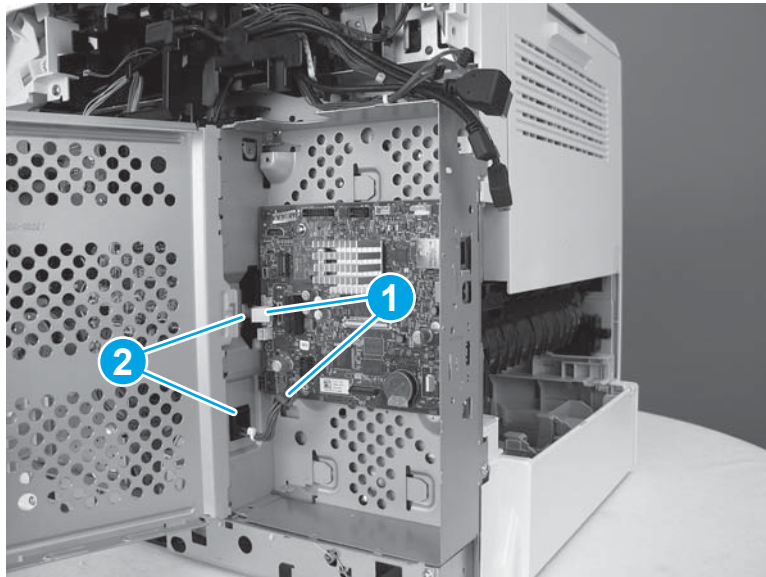
5. Remove the wires and cables (callout 1) from the opening (callout 2) in the top of the formatter case.

Figure 1-2252 Remove the wires from the formatter case



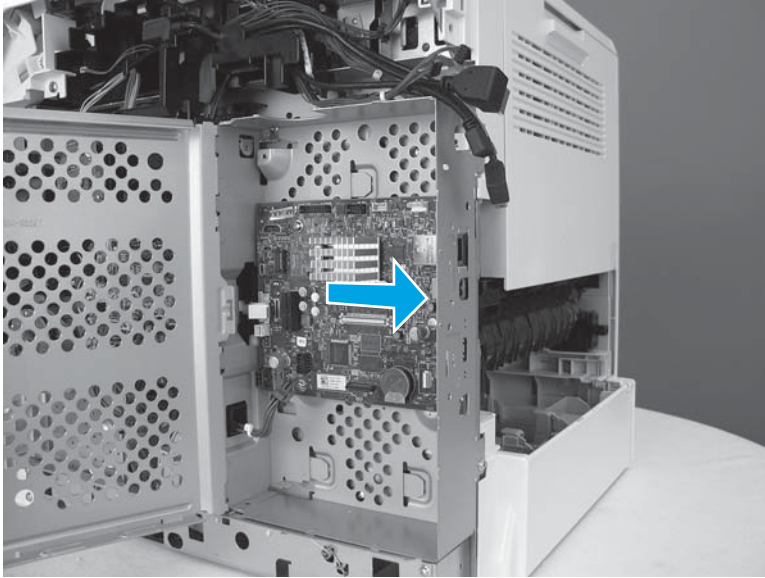
6. When removing the formatter case in the next step, make sure that the flat cable and wire harness (callout 1) slide through the openings (callout 2) in the formatter case.

Figure 1-2253 Feed cables through the openings



7. Slide the formatter case toward the back of the printer to remove it.

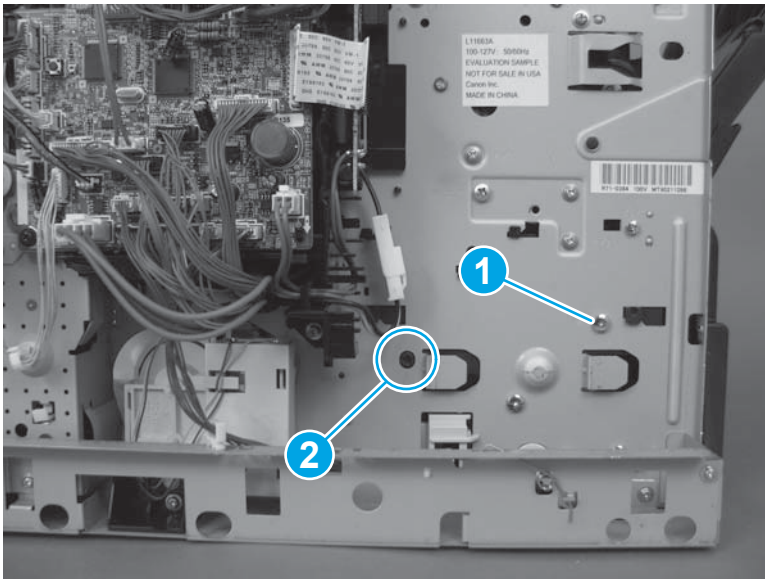
Figure 1-2254 Remove formatter case



Step 12: Remove the power supply

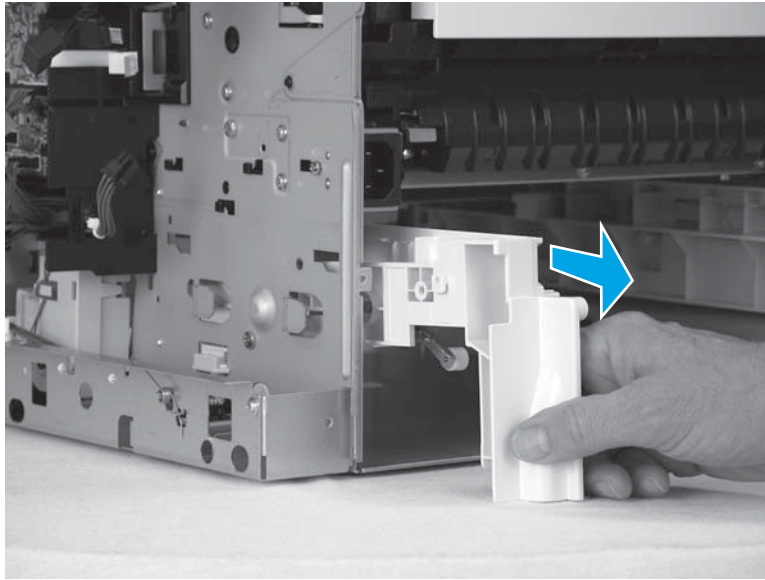
1. Remove one screw (callout 1), and then release one tab (callout 2).

Figure 1-2255 Remove one screw and release one tab



2. Slide the tray guide towards the rear of the printer to remove it.

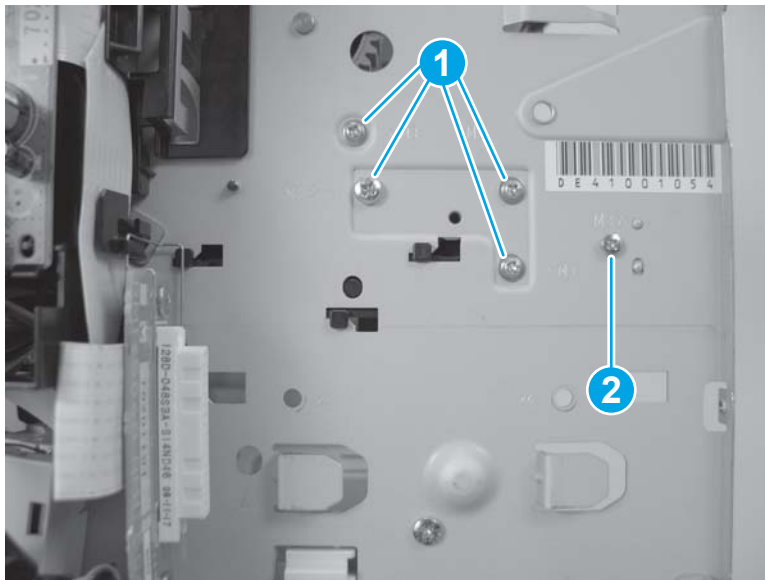
Figure 1-2256 Remove the tray guide



3. Remove four screws (callout 1) and one grounding screw (callout 2).

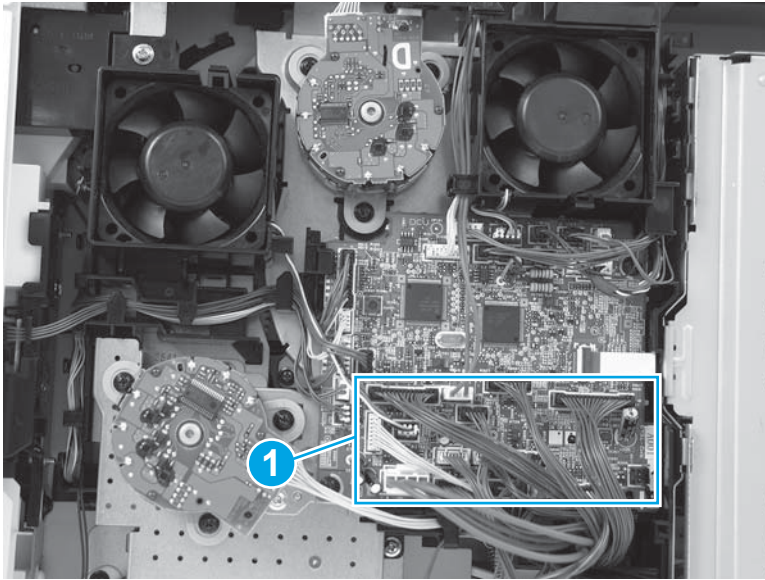
⚠ WARNING! When reinstalling the power supply, you must use a grounding screw to secure the AC outlet to the printer chassis.

Figure 1-2257 Remove four screws and grounding screw



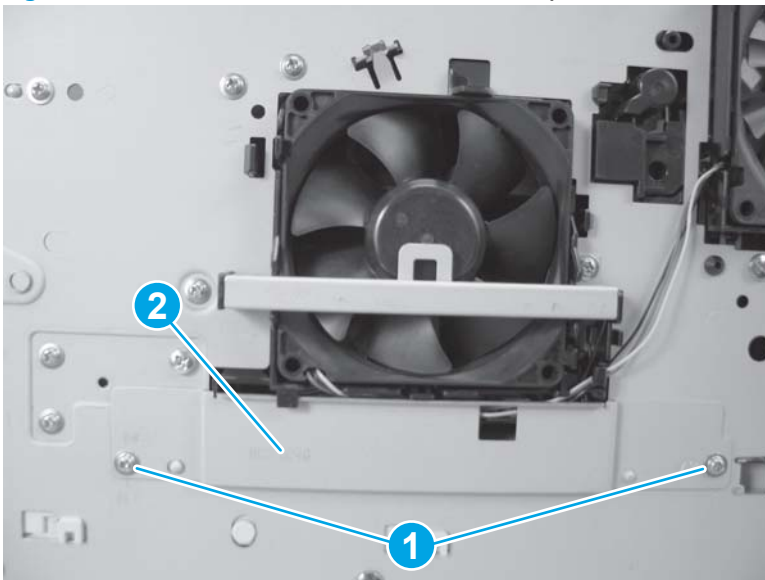
4. Disconnect seven wire-harness connectors (callout 1; J30, J82, J84, J85, J95, J96, and J98).

Figure 1-2258 Disconnect seven wire-harness connectors



5. Remove two screws (printer left side; callout 1) and then remove the fan-cover plate (callout 2).

Figure 1-2259 Remove two screws and fan cover plate



6. Disconnect three wire-harness connectors (printer left side; callout 1) and then remove four screws (callout 2).


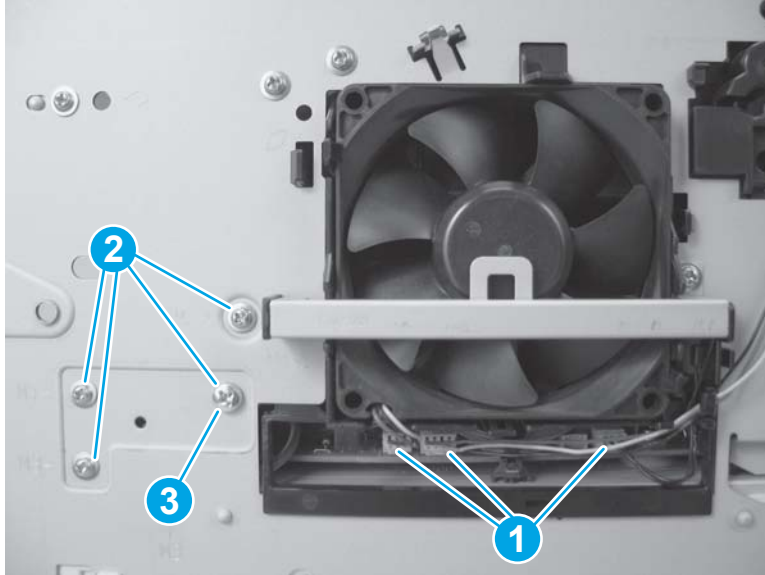
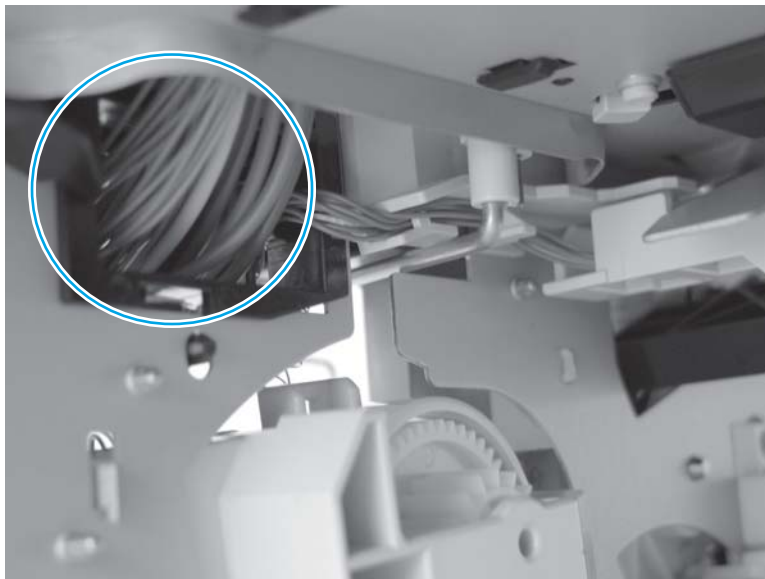
 **Reinstallation tip:** One screw (callout 3) is a different type than the others. Make sure that you replace the screws in the correct position.

Figure 1-2260 Disconnect three connectors and remove four screws



7. Feed the cables that were disconnected earlier through the opening in the right side of the chassis under the power-supply assembly.

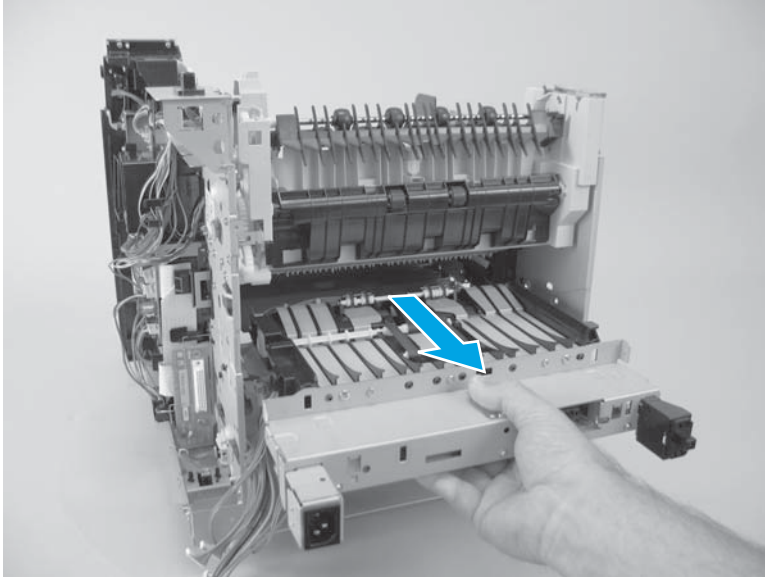
Figure 1-2261 Feed the cables through the opening



8. Grasp the power-supply assembly, lift it up slightly, and then pull it straight out of the chassis to remove it.

CAUTION: Make sure that the four rubber belts and plastic rollers on the feed-guide assembly (mounted to the top of the power supply) remain in place. These belts and rollers can easily become dislodged and you might lose them.

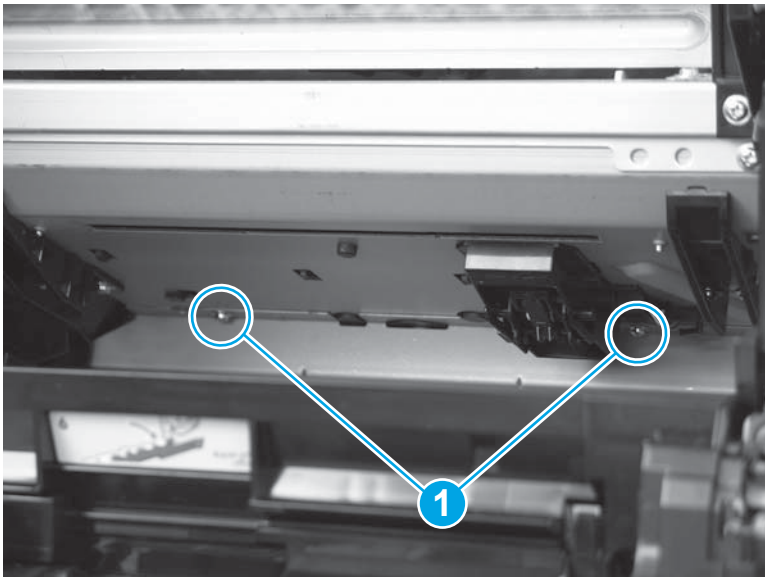
Figure 1-2262 Remove the power supply



Step 13: Remove the fuser drive assembly

1. At the front of the printer, inside the cartridge cavity, remove two screws (callout 1).

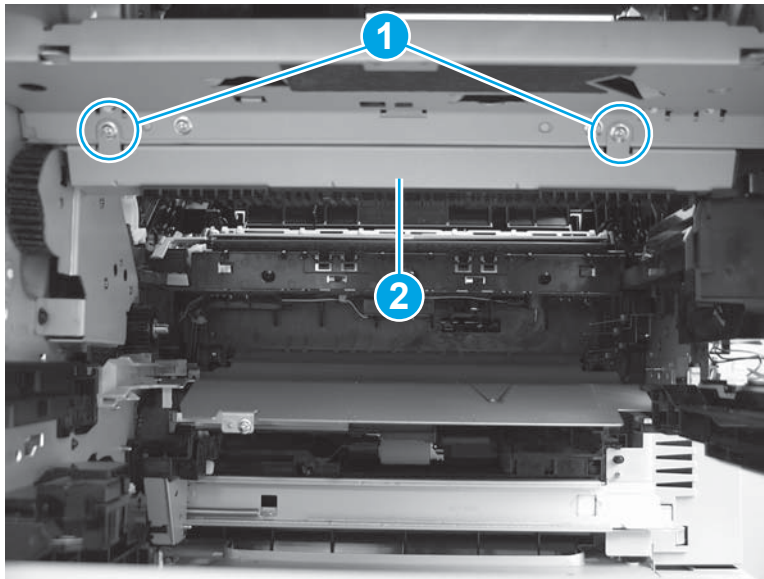
Figure 1-2263 Remove two screws



2. At the back of the printer, remove two screws (callout 1).

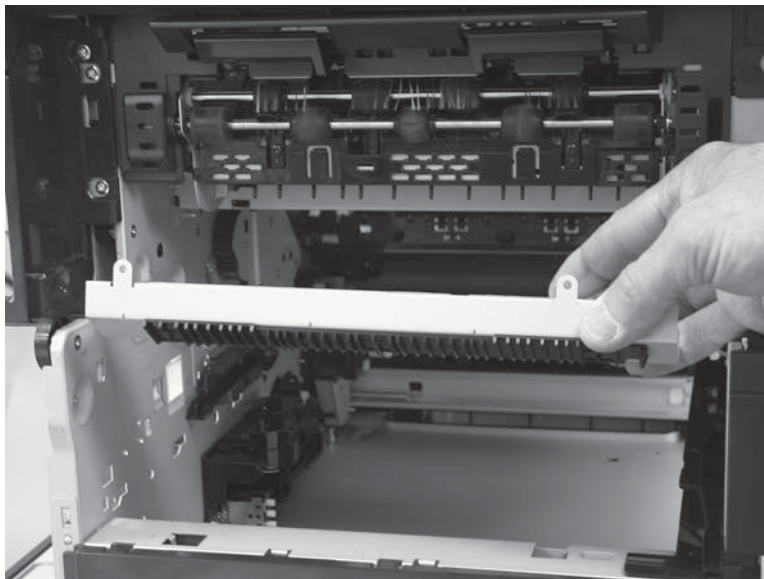
 **NOTE:** Support the sheet-metal crossbar (callout 2) when removing these screws.

Figure 1-2264 Remove two screws



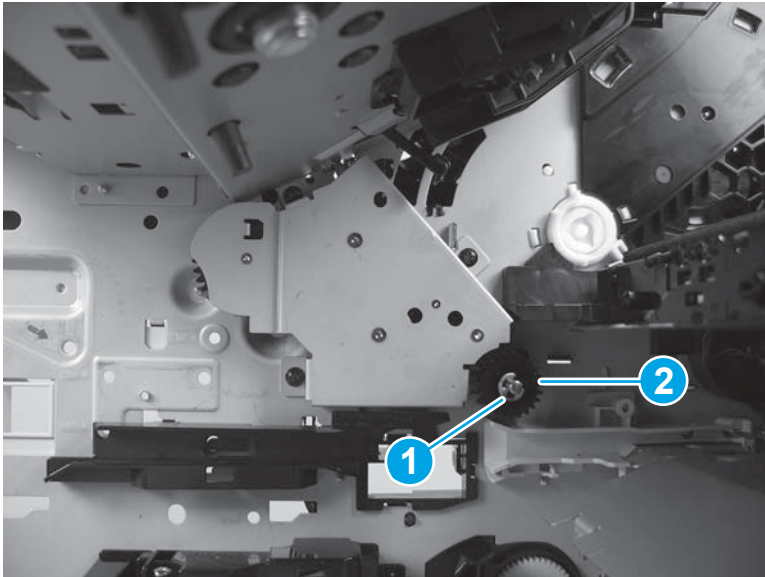
3. Remove the sheet-metal crossbar.

Figure 1-2265 Remove the sheet-metal crossbar



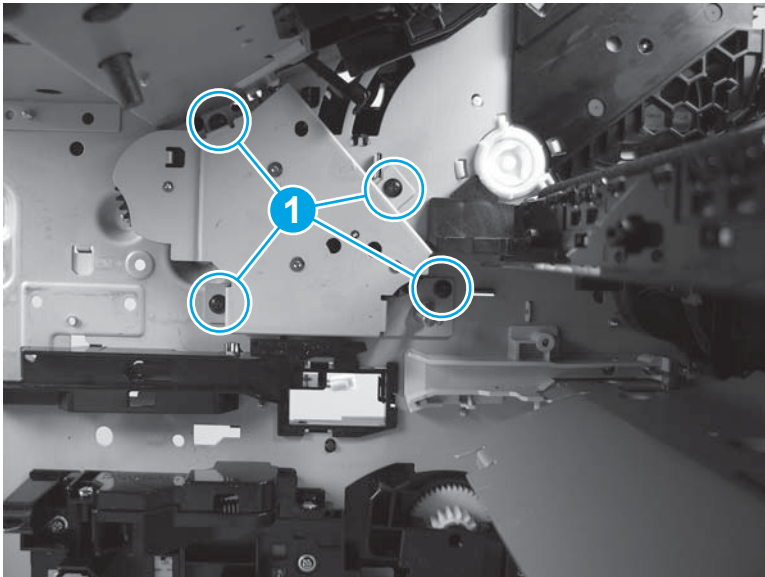
4. At the front of the printer, look into the chassis. Locate the fuser drive assembly on the right wall of the chassis, remove one e-ring (callout 1), and then remove one black gear (callout 2).

Figure 1-2266 Remove one gear



5. Remove four screws (callout 1).

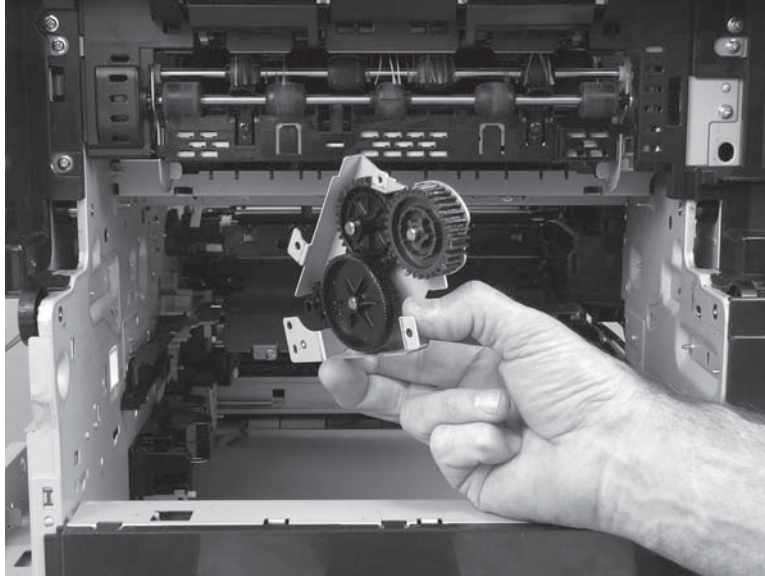
Figure 1-2267 Remove four screws



6. Remove the fuser drive assembly.

CAUTION: The gears on the assembly are not captive. Do not dislodge the gears when handling the assembly.

Figure 1-2268 Remove the fuser drive assembly



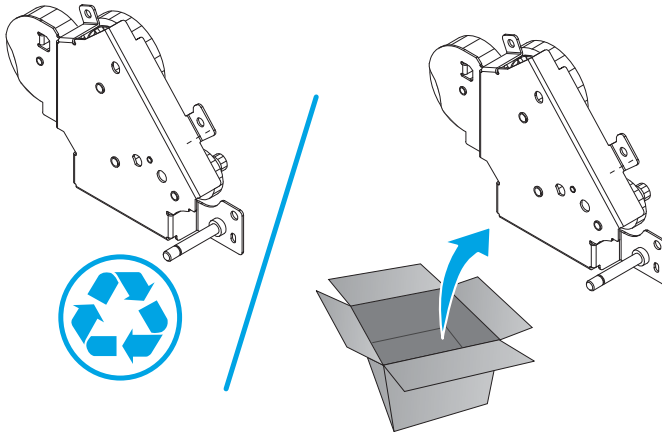
Step 14: Unpack the replacement fuser drive assembly

Unpack the replacement part from the packaging.

<http://www8.hp.com/us/en/hp-information/environment/product-recycling.html>

NOTE: HP recommends responsible disposal of the defective part.

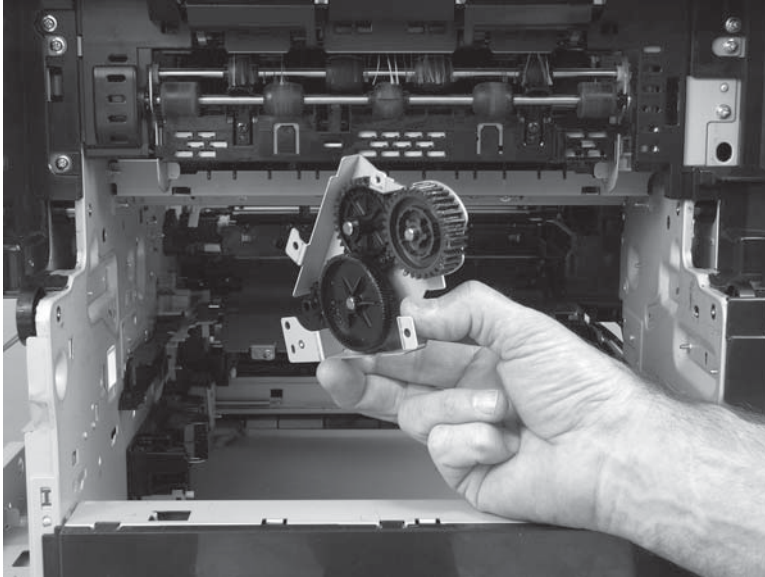
Figure 1-2269 Recycle and unpack



Step 15: Install the fuser drive assembly

1. Check the gears on the fuser drive assembly. If the gears are correctly installed, go to step 2. If the gears are dislodged see [Install the fuser drive gears on page 1248](#) below to install them.

Figure 1-2270 Check the gears



Install the fuser drive gears

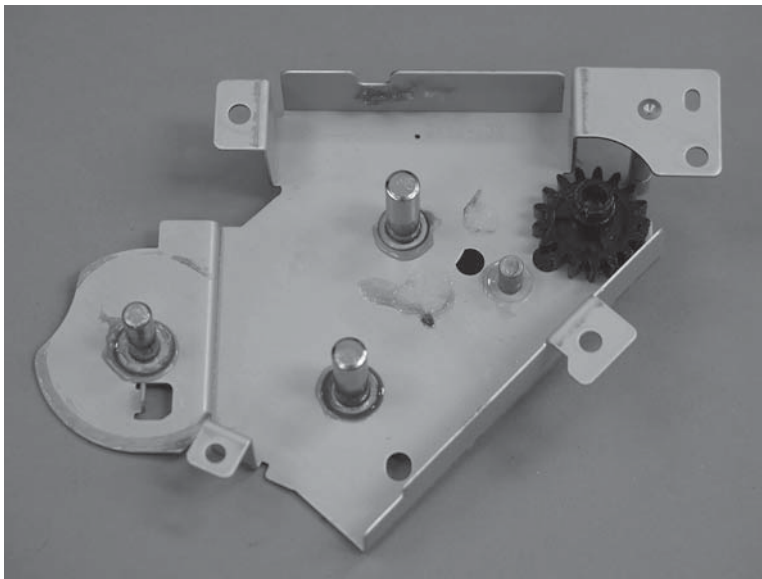
If the gears are correctly installed, skip the following steps and go to step 2.

- a. Position the sheet-metal bracket as show, and then install the first small gear—with the protruded portion of the gear face up—on the shaft.



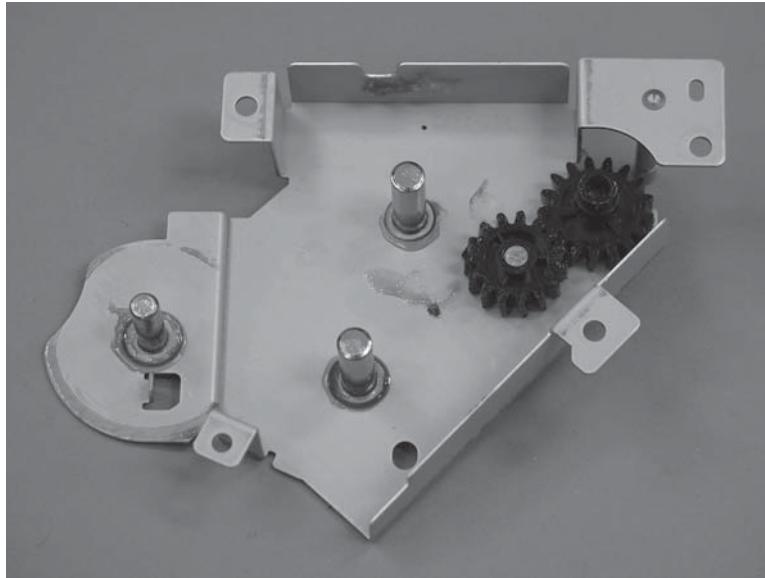
IMPORTANT: Do not remove the grease from the gears when handling them.

Figure 1-2271 Install one small gear



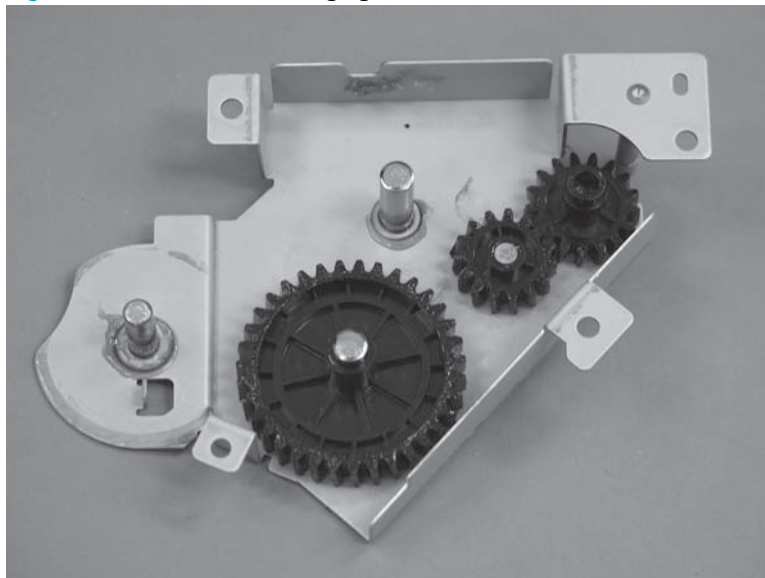
- b. Install the second small gear on the shaft.

Figure 1-2272 Install one small gear



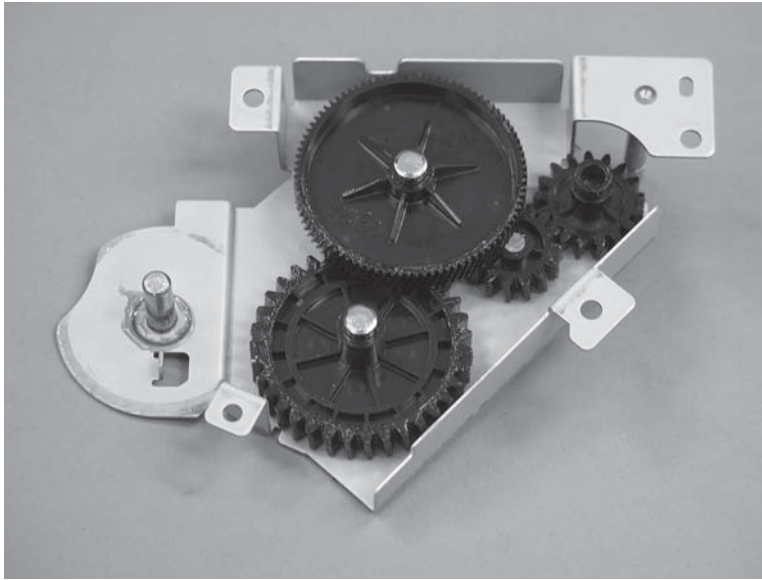
- c. Install the first large gear on the shaft.

Figure 1-2273 Install one large gear



- d. Install the second large gear on the shaft.

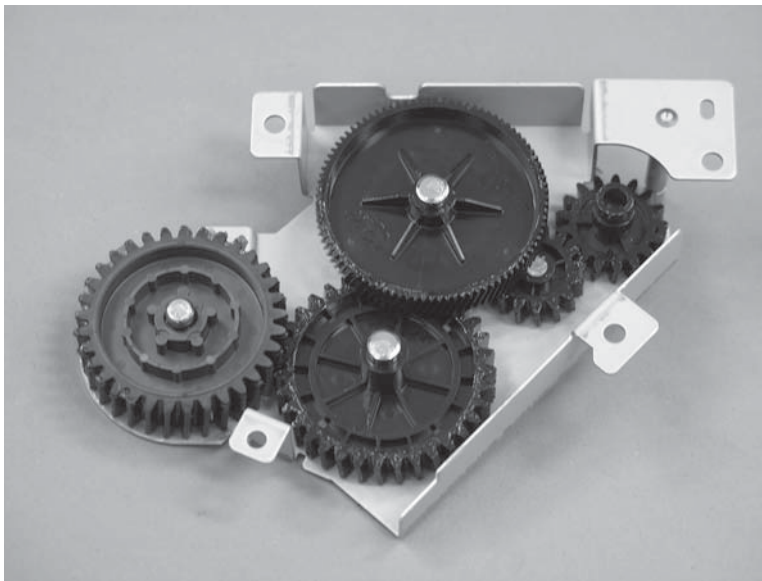
Figure 1-2274 Install one large gear



- e. Install the third large gear on the shaft.

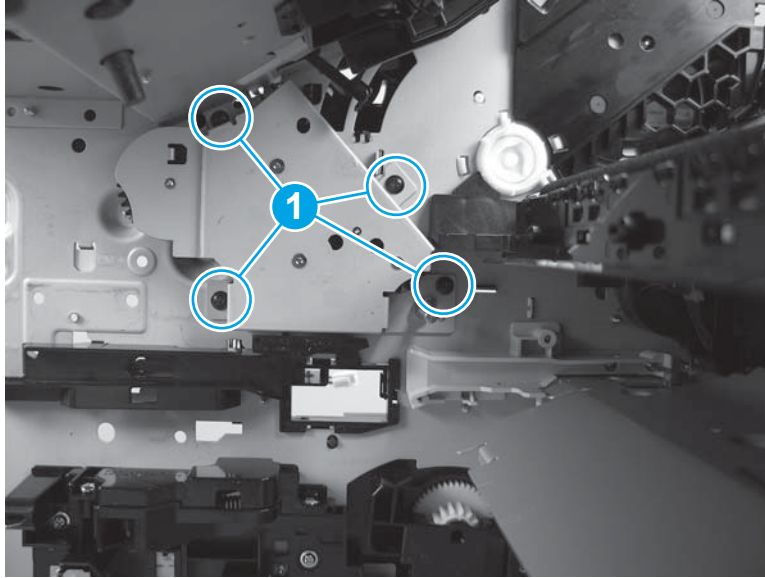
 **NOTE:** Correctly installed gears rotate freely.

Figure 1-2275 Install one large gear




2. Position the fuser drive assembly inside the chassis, and then install four screws (callout 1).

Figure 1-2276 Install four screws



3. Install one gear (callout 1), and then install one e-ring (callout 2).

 **TIP:** The protruded portion of the gear (callout 1) must face the chassis when reinstalling the gear.

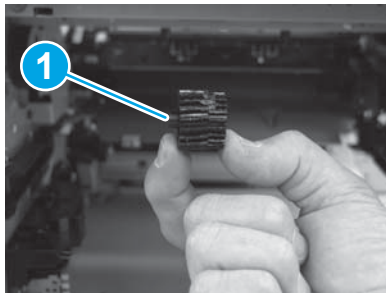
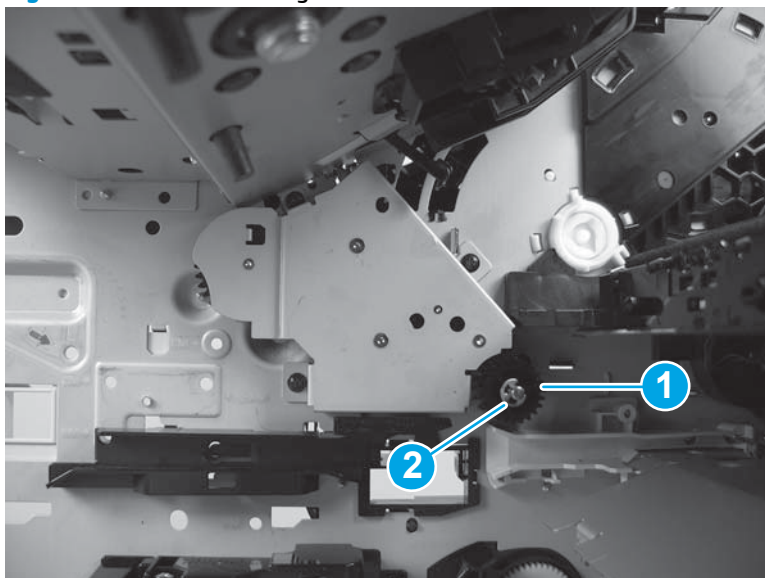
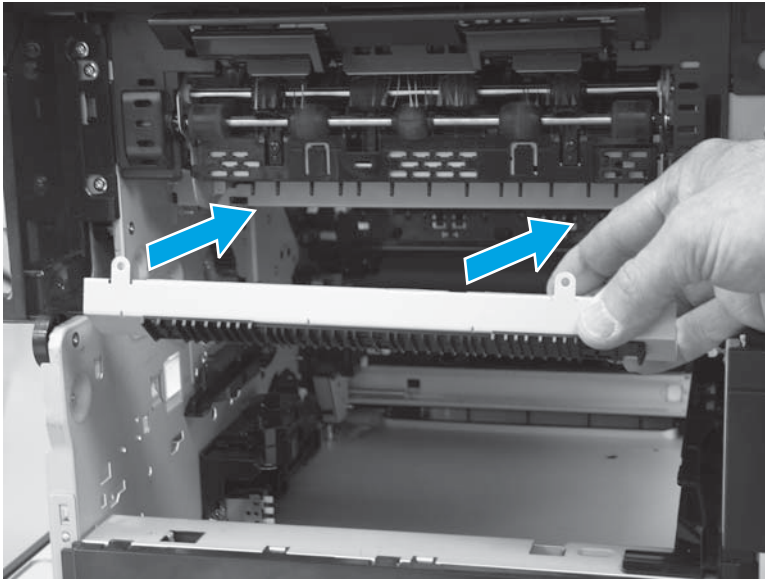


Figure 1-2277 Install one gear



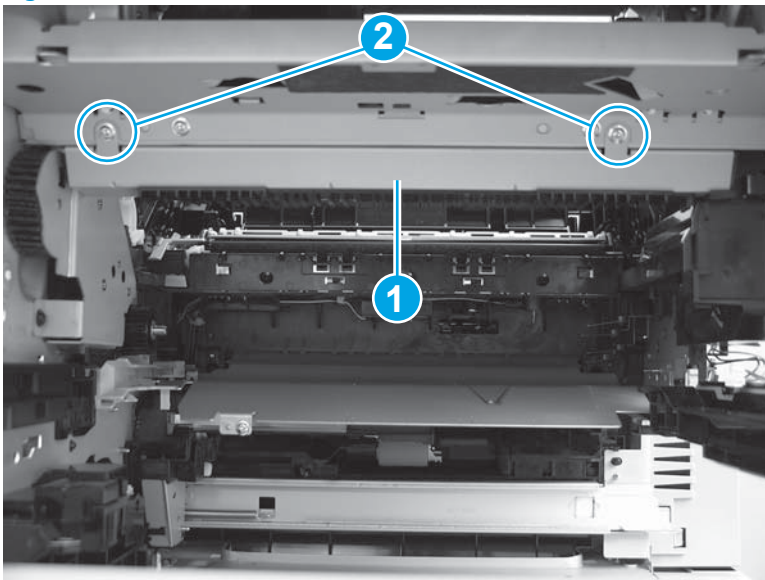
4. At the back of the printer, position the sheet-metal crossbar inside the chassis.

Figure 1-2278 Position the sheet-metal crossbar



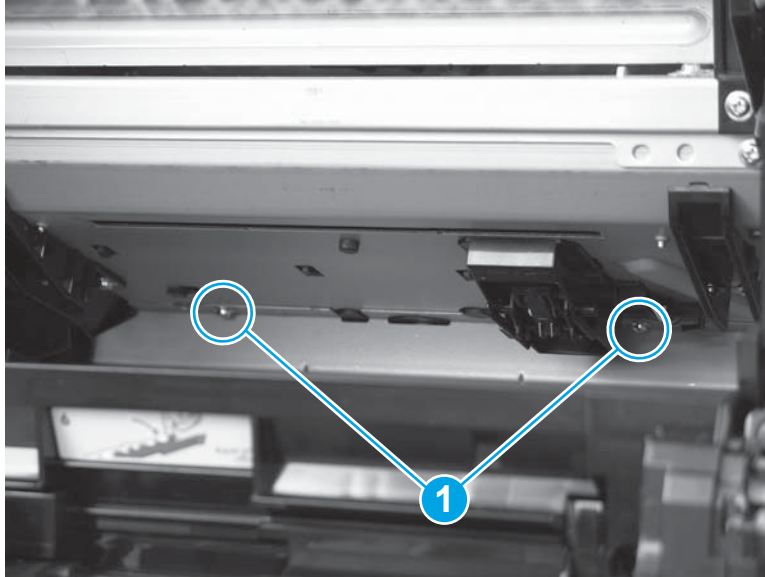
5. Support the sheet-metal crossbar (callout 1), and then install two screws (callout 2).

Figure 1-2279 Install the sheet-metal crossbar



6. At the front of the printer, look into the chassis, and then install two screws (callout 1) to secure the sheet-metal crossbar.

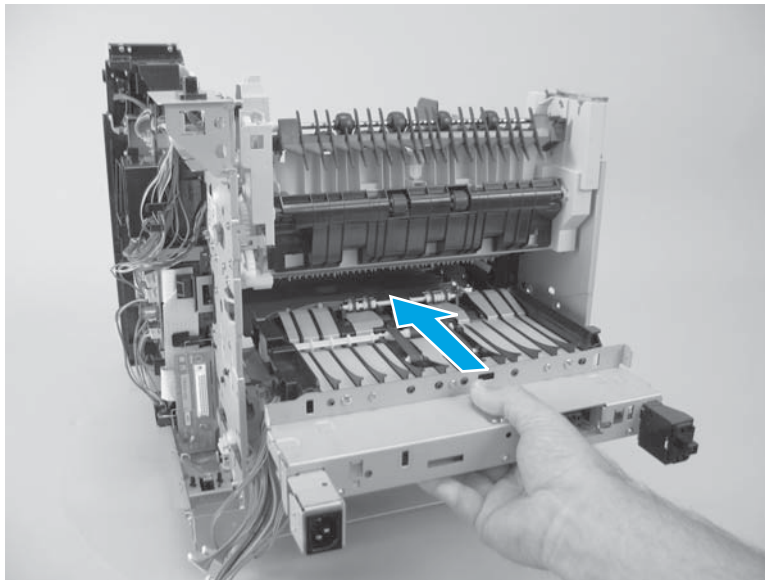
Figure 1-2280 Install two screws



Step 16: Install the power supply

1. Slide the power-supply assembly into the printer.

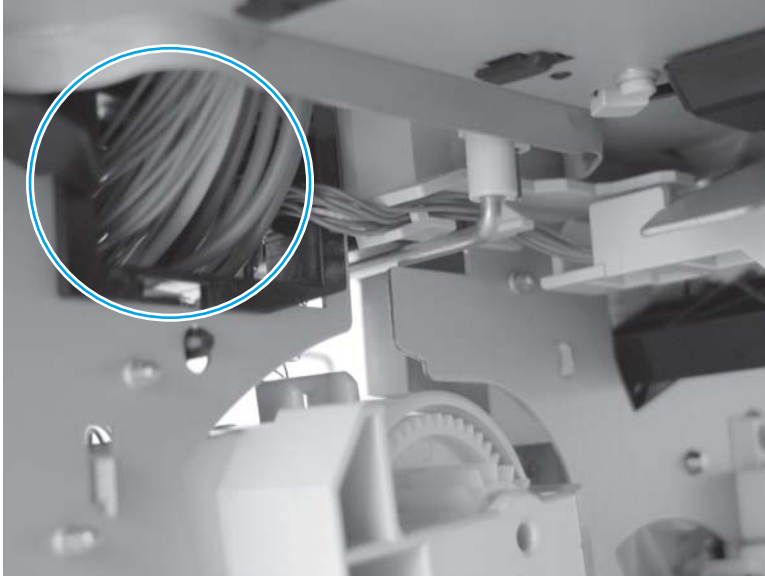
Figure 1-2281 Install the power supply



2. Install the cables into the opening in the right side of the chassis under the power-supply assembly.

CAUTION: Make sure that the four rubber belts and plastic rollers on the feed-guide assembly (mounted to the top of the power supply) remain in place. These belts and rollers can easily become dislodged and you might lose them.

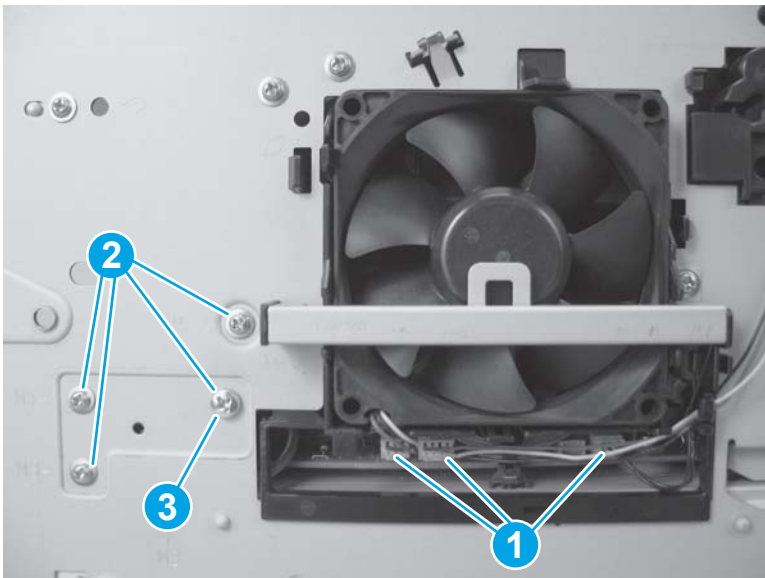
Figure 1-2282 Install the cables



3. Connect three wire-harness connectors (printer left side; callout 1) and then install four screws (callout 2).

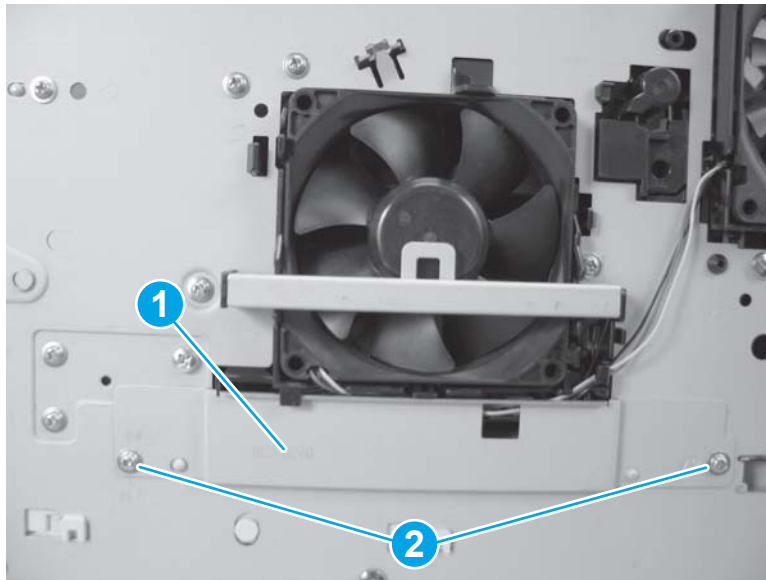
NOTE: One screw (callout 3) is a different type than the others. Make sure that you replace the screws in the correct position.

Figure 1-2283 Connect three connectors and install four screws



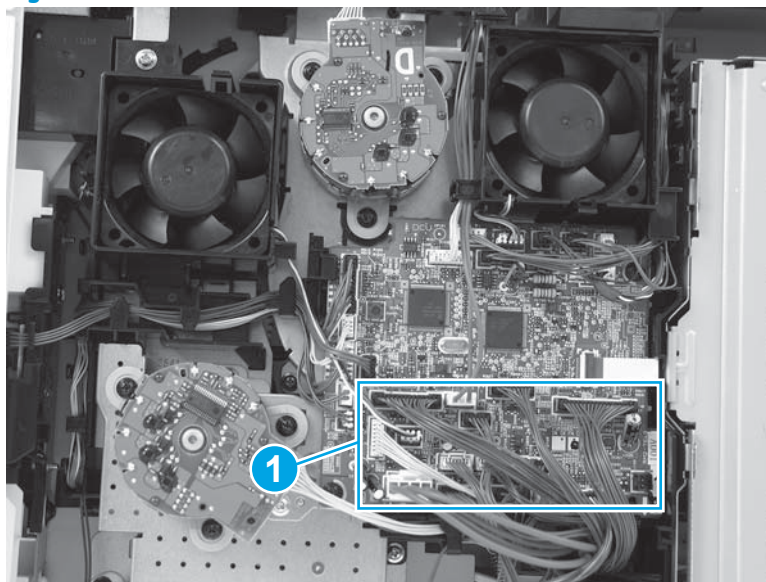
4. Position the fan-cover plate (callout 1) on the printer, and then install two screws (callout 2).

Figure 1-2284 Install the fan cover plate



5. Connect seven wire-harness connectors (callout 1; J30, J82, J84, J85, J95, J96, and J98).

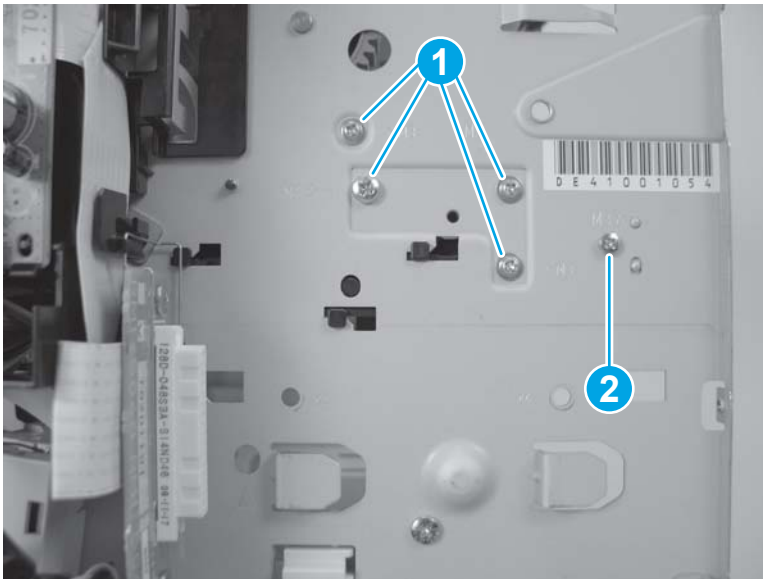
Figure 1-2285 Connect seven wire-harness connectors



6. Install four screws (callout 1) and one grounding screw (callout 2).

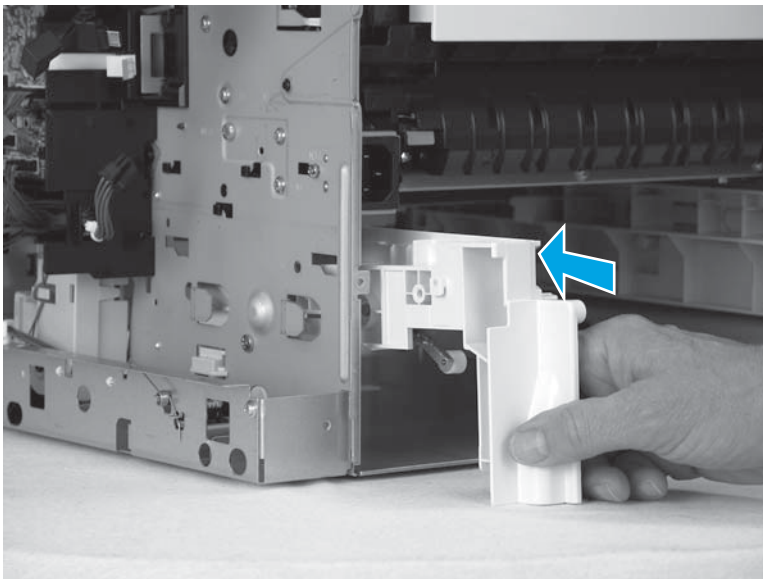
⚠ WARNING! You must use a grounding screw to secure the AC outlet to the printer chassis.

Figure 1-2286 Install four screws and grounding screw



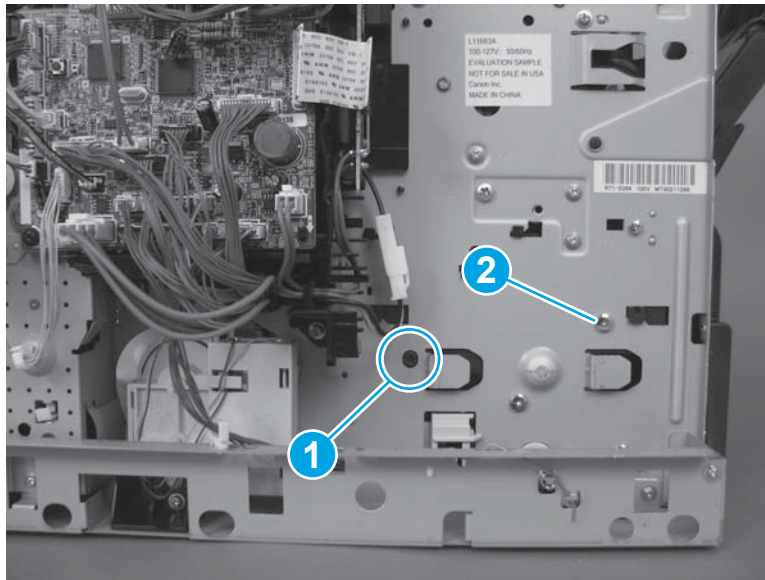
7. Position the power-supply PCA guide inside the printer.

Figure 1-2287 Install the power-supply PCA guide



8. Install one tab (callout 1), and then install one screw (callout 2).

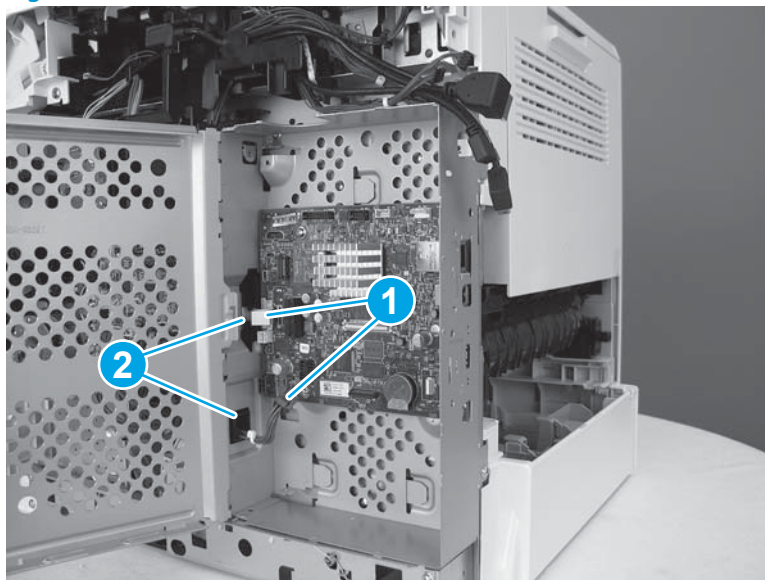
Figure 1-2288 Install one tab and one screw



Step 17: Install the formatter and formatter case

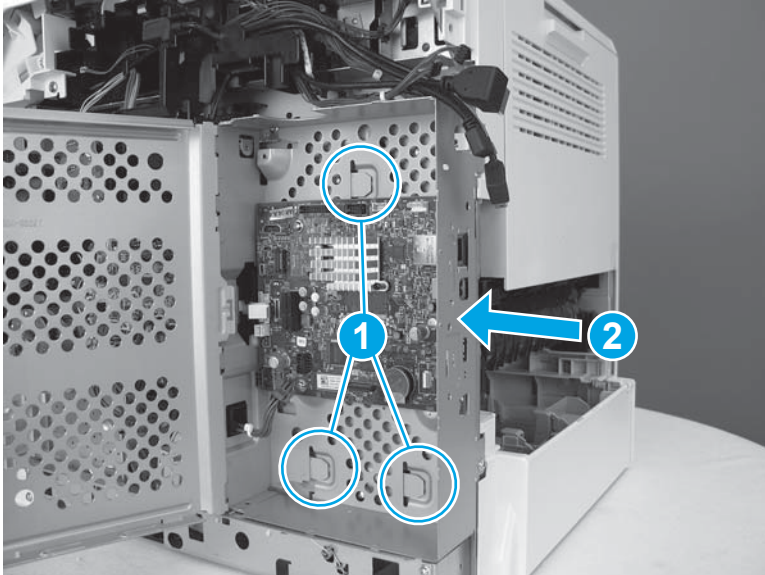
1. Position the formatter case on the printer. Make sure that the flat cable and wire harness (callout 1) are positioned through the openings (callout 2) in the formatter case.

Figure 1-2289 Position the formatter case



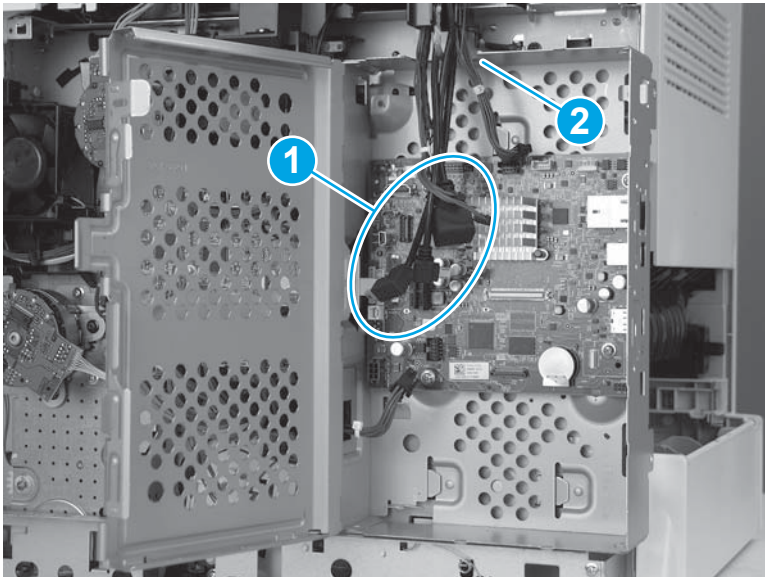
2. Make sure that the metal tabs on the printer are positioned into the slots on the formatter case (callout 1), and then slide the formatter case toward the front of the printer (callout 2) to install it.

Figure 1-2290 Install the formatter case



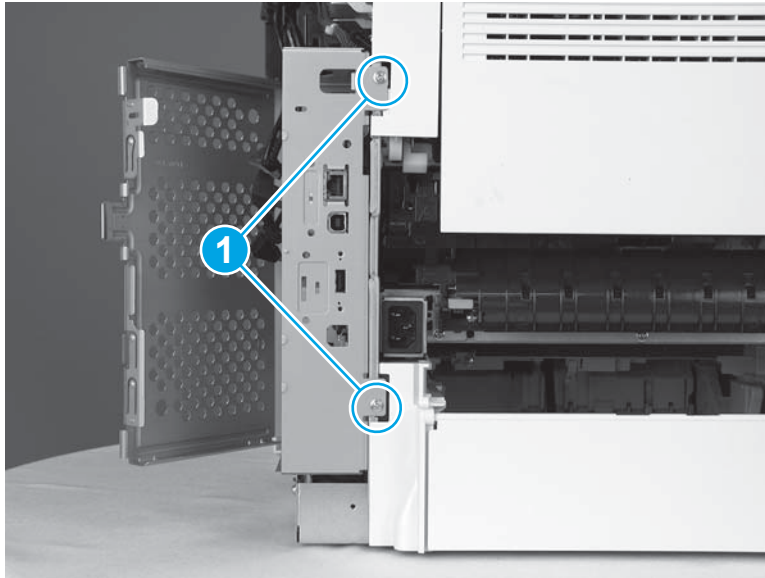
3. Position the wires and cables (callout 1) in the opening (callout 2) in the top of the formatter case.

Figure 1-2291 Position the wires in the formatter case



4. Install two screws (callout 1).

Figure 1-2292 Install two screws



5. Locate the flat cable connector (callout 1) on the formatter.


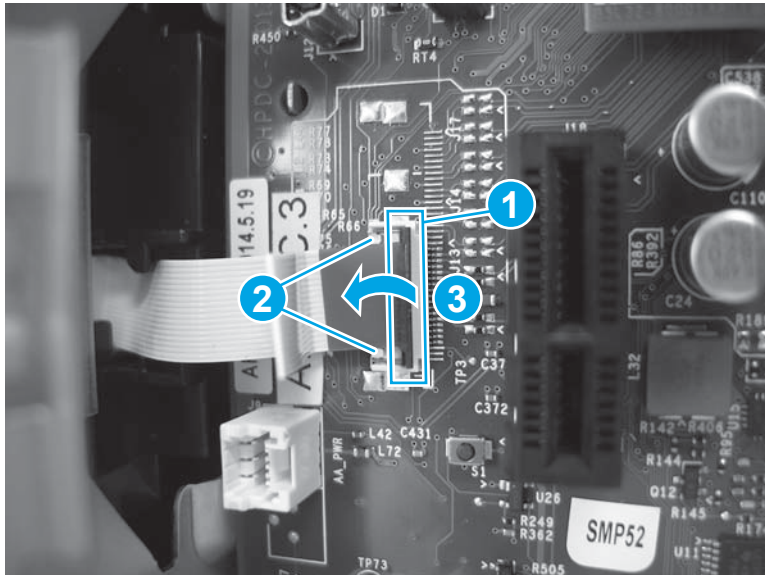
 **IMPORTANT:** The flat cable connector is a Zero Insertion Force (ZIF) connector that uses a hinged retainer to secure a flat cable. When the flat cable is reinstalled, fully insert the flat cable in the connector between the two white pins (callout 2). Close the hinged retainer (callout 3) to lock the flat cable into the connector and provide proper electrical contact. If the flat cable is not locked into the connector, no electrical contact will occur.

Figure 1-2293 ZIF connector

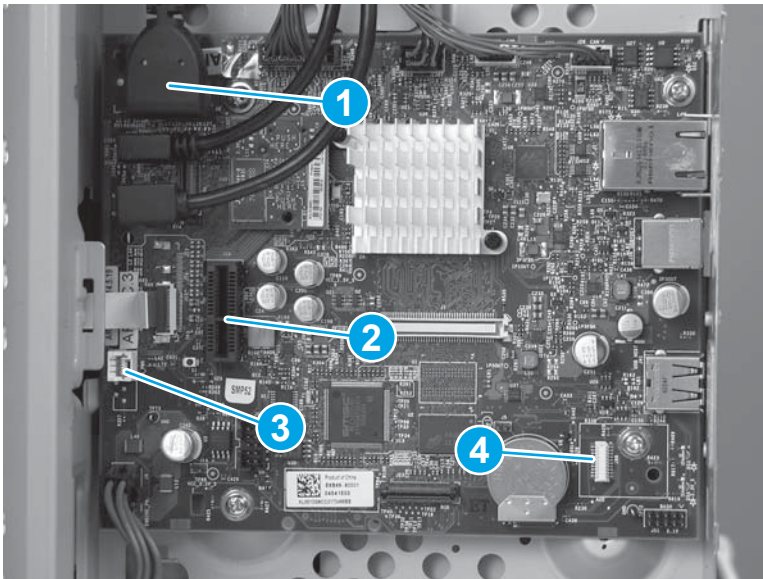


6. Connect all of the connectors on the formatter.

The following connectors are empty:

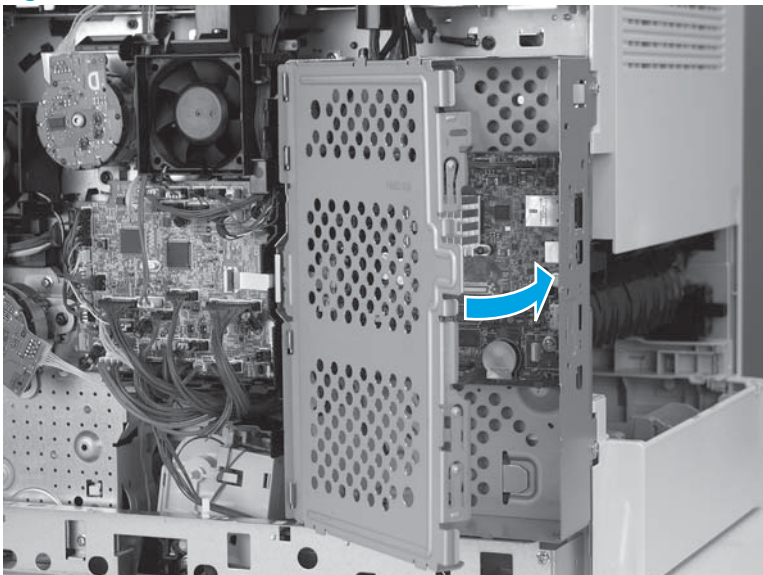
- J23, J25, J51, and J57
- J3 (callout 1): This connector is empty on the M604n/dn, M605n/dn, and M606dn models. It holds the touchscreen cable on the M605x and M606x models.
- J18 (callout 2): This connector is empty unless the optional hard-disk-drive (HDD) is installed.
- J9 (callout 3): This connector is empty unless the optional two internal USB ports accessory is installed.
- J98 (callout 4): This connector is empty unless the optional trusted platform module (TPM) is installed.

Figure 1-2294 Connect all connectors



7. Close the formatter case door.

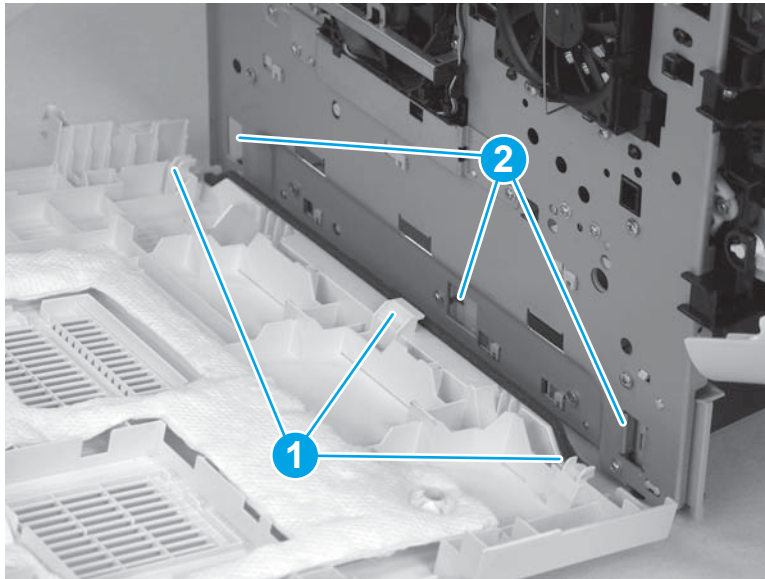
Figure 1-2295 Close the formatter case door



Step 18: Install the left cover

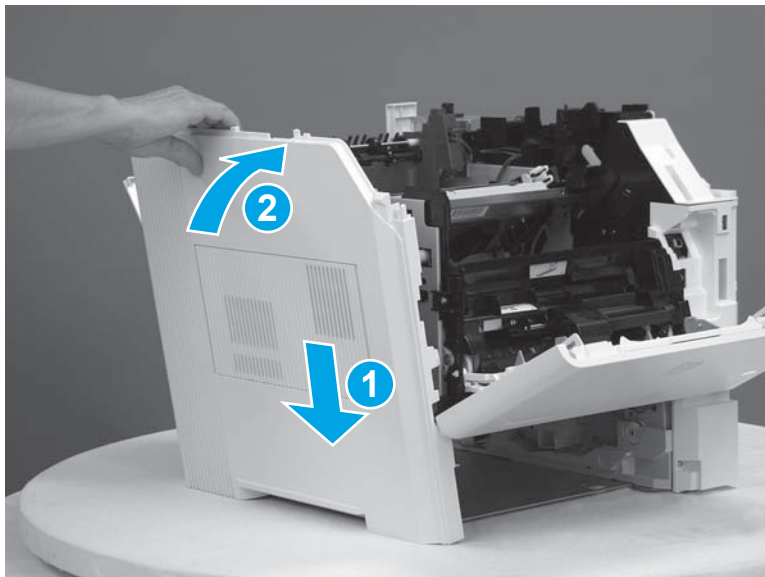
1. Note the location of the tabs (callout 1) on the bottom of the left cover that will fit into the slots (callout 2) in the sheet-metal frame.

Figure 1-2296 Note location of tabs



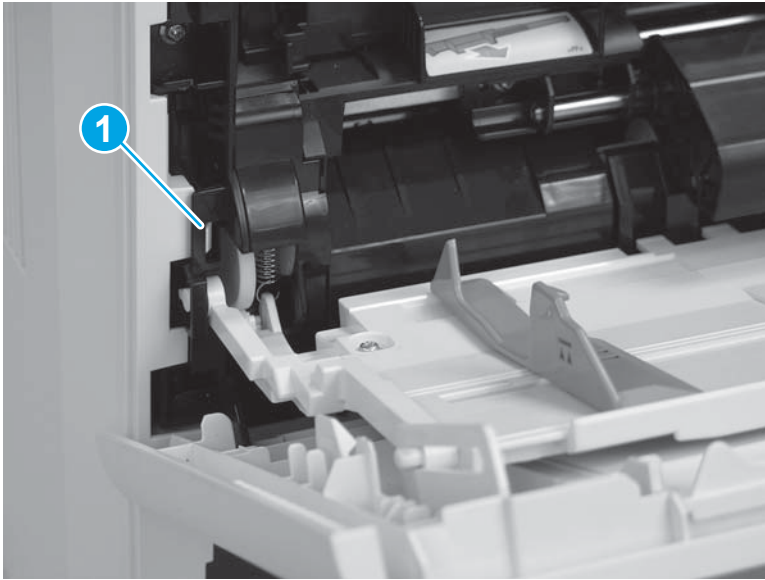
2. Position the tabs in the slots mentioned in the previous step (callout 1), and then rotate the left cover toward the printer (callout 2).

Figure 1-2297 Rotate the cover into place



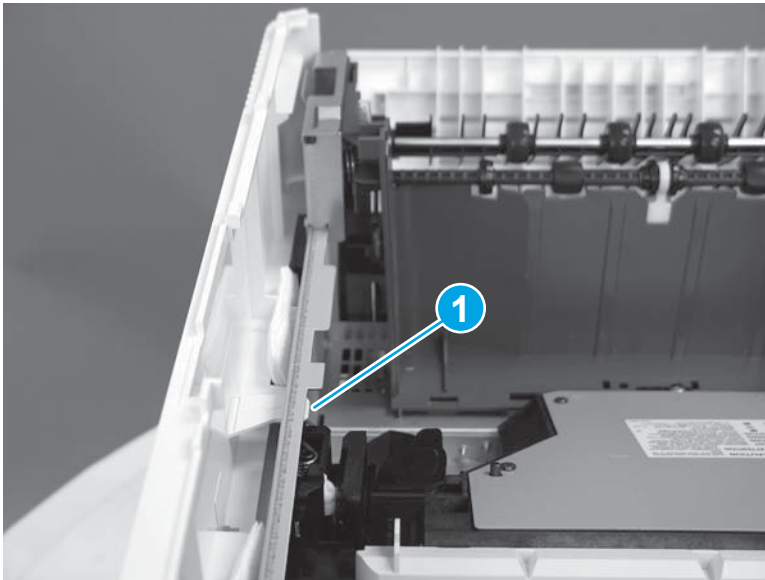
3. Make sure that the tab (callout 1) on the front of the cover snaps into place.

Figure 1-2298 Install one tab



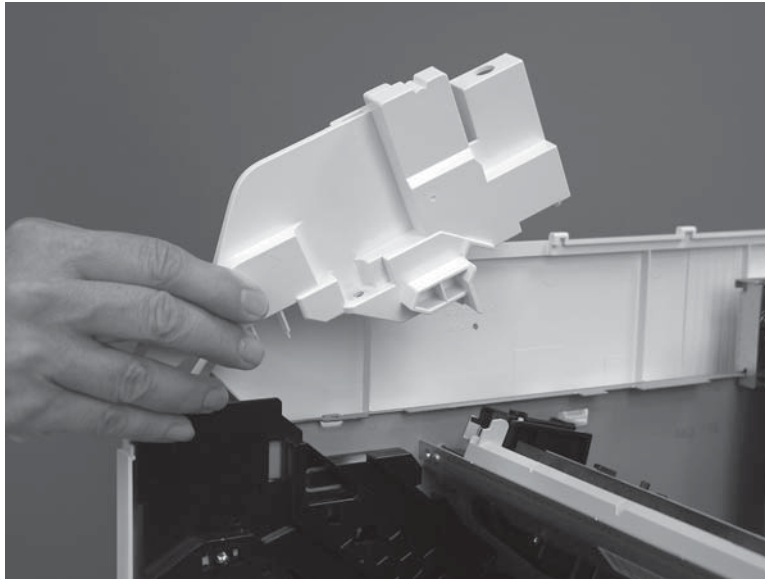
4. Make sure that the tab (callout 1) on the top of the cover snaps into place.

Figure 1-2299 Install one tab



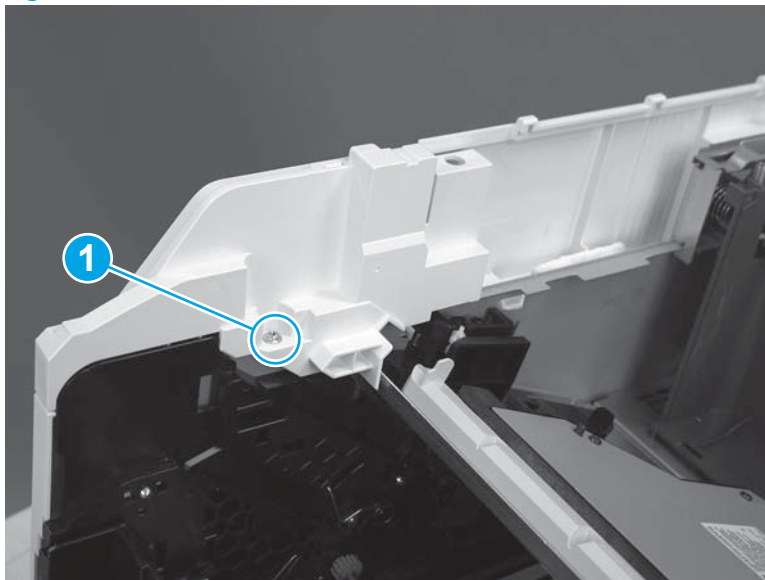
5. Position the left front inside cover on the printer.

Figure 1-2300 Install the left front inside cover



6. Install one screw (callout 1).

Figure 1-2301 Install one screw

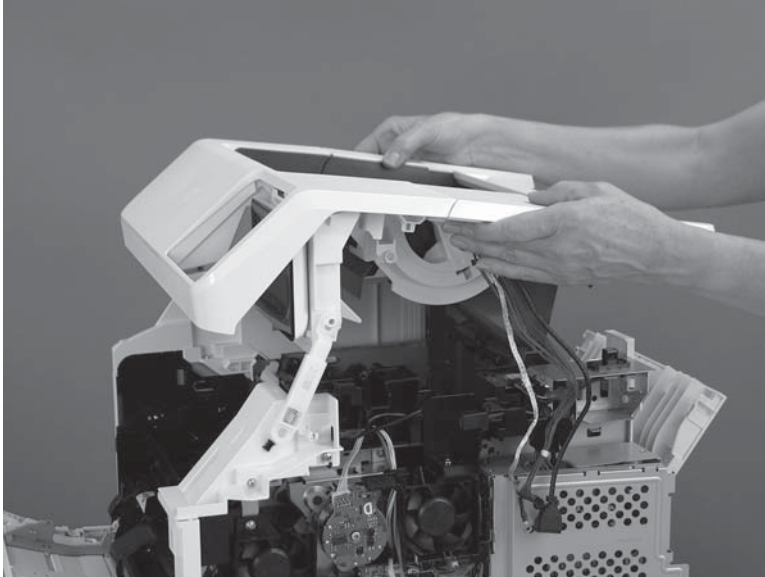


Step 19: Install the top cover (M605x, M606x only)

 **NOTE:** For the M604n/dn, M605n/dn, or M606dn product, skip this step and go to [Step 20: Install the top cover \(M604n/dn, M605n/dn, M606dn only\) on page 1268.](#)

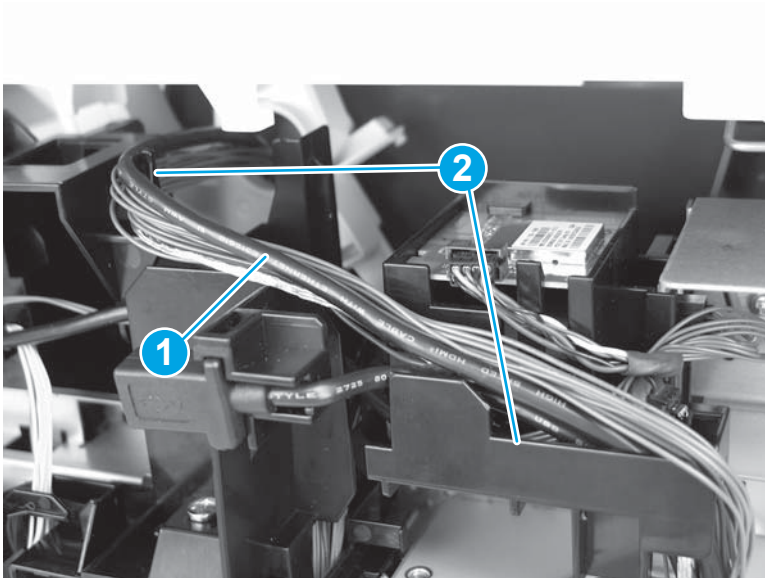
1. Lower the top cover onto the printer.

Figure 1-2302 Lower the top cover



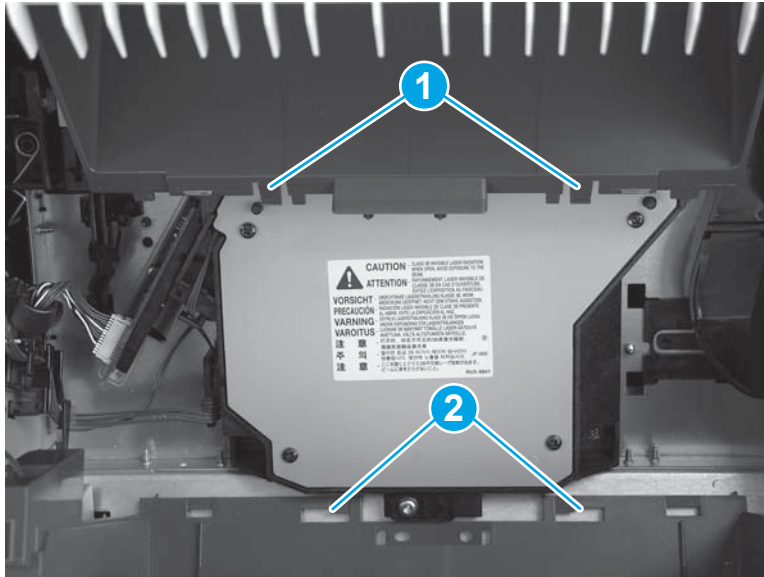
2. On the right side of the printer, make sure that the wire harness and cables (callout 1) are properly routed through the guides (callout 2).

Figure 1-2303 Install cables in guides



3. Install two tabs (callout 1) on the top output bin into two slots (callout 2) in the printer. Make sure that the tabs snap into place.

Figure 1-2304 Install two tabs



4. Install one screw (callout 1) on the left side of the printer.


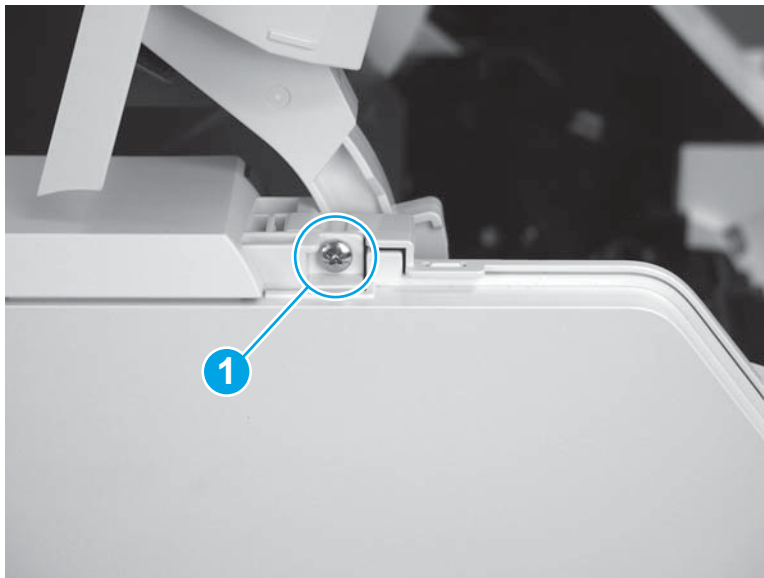
 **Reinstallation tip:** This screw is larger than the screws removed from the top of the printer. Make sure to install the correct screw.

Figure 1-2305 Install one screw



5. Install one screw (callout 1) on the right side of the printer.


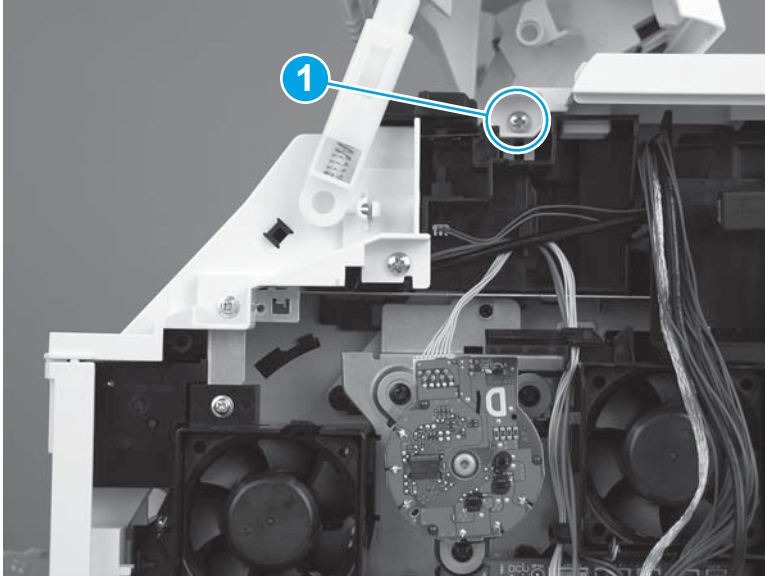
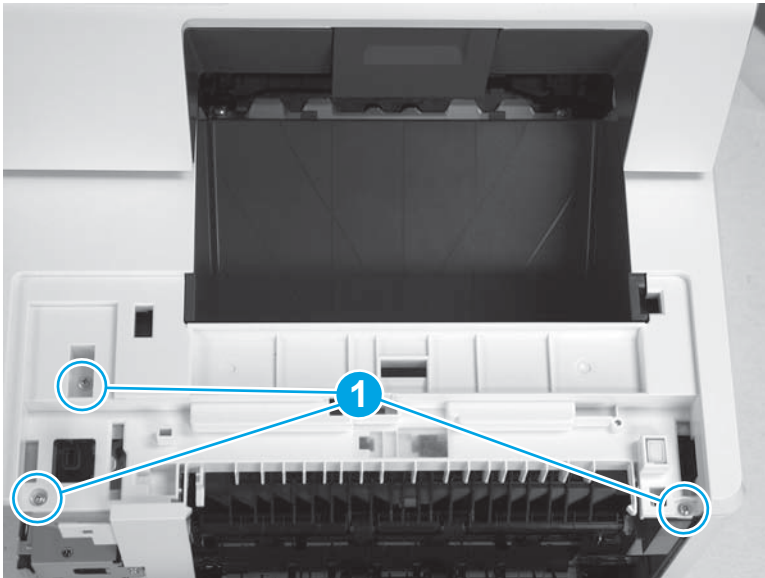
 **Reinstallation tip:** This screw is larger than the screws removed from the top of the printer. Make sure to install the correct screw.

Figure 1-2306 Install one screw



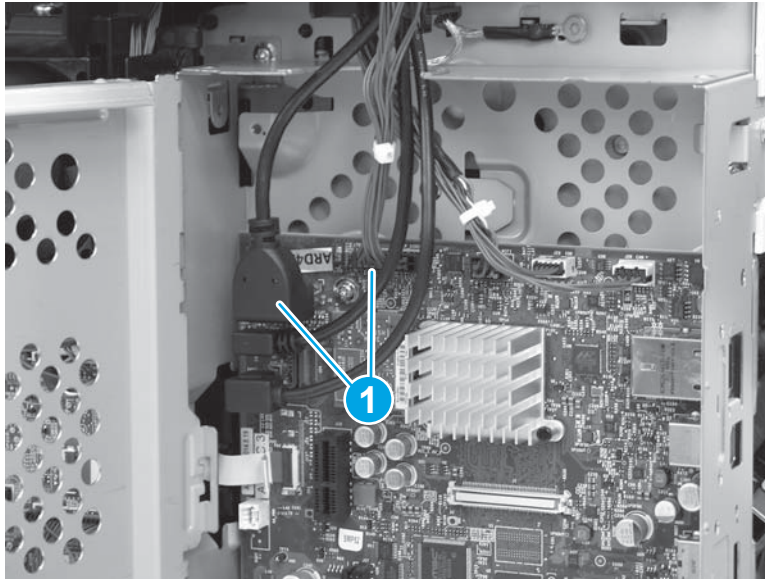
6. Install three screws (callout 1) on the top of the printer.

Figure 1-2307 Install three screws



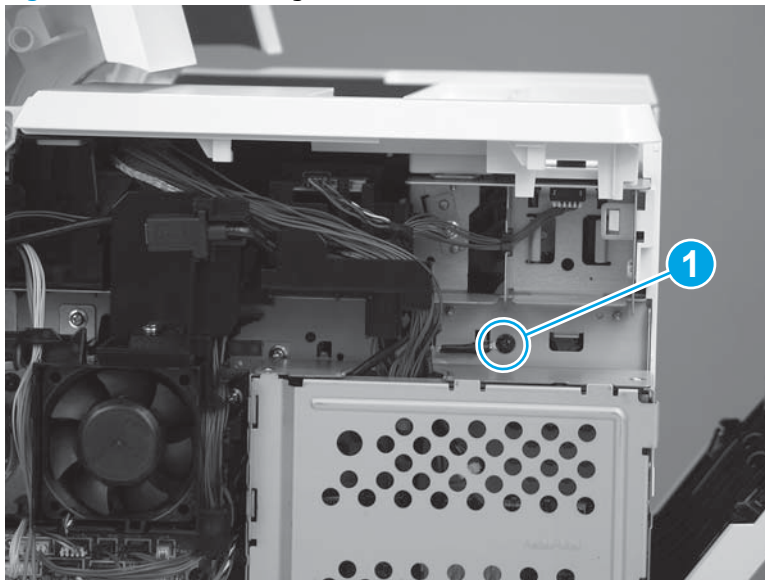
7. Connect two connectors (callout 1).

Figure 1-2308 Connect two connectors



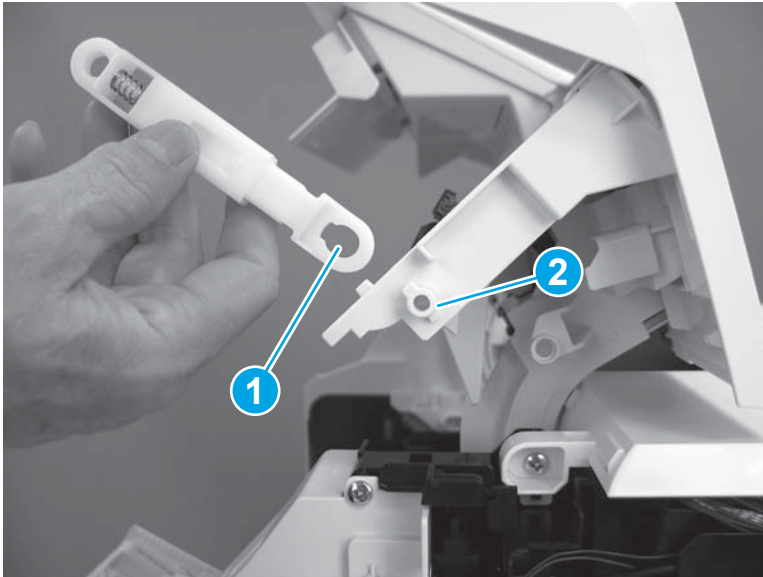
8. Install one screw to attach the ground wire (callout 1).

Figure 1-2309 Install the ground wire



9. If the toner-cartridge door hinge comes off of the top cover, reattach the hinge by sliding the hole (callout 1) in the hinge onto the tab (callout 2) on the top cover.

Figure 1-2310 Reattach the door hinge

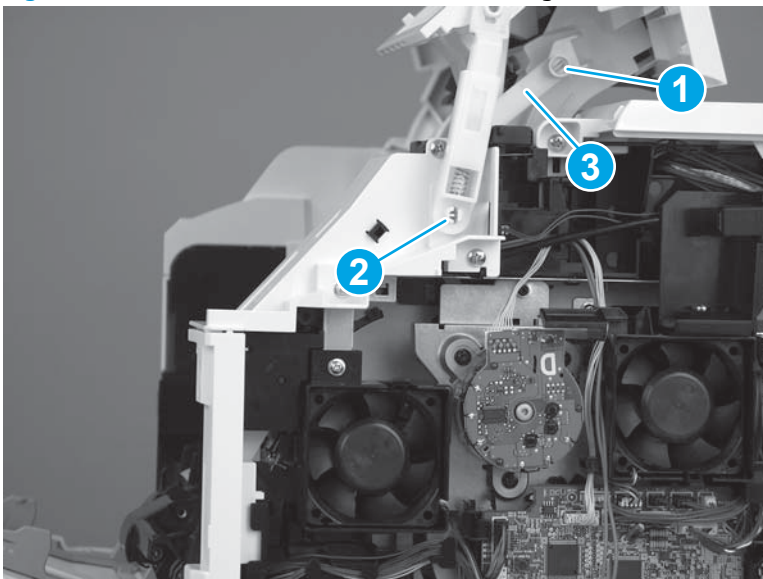


10. Install the toner-cartridge drive-arm (callout 1) and the toner-cartridge door hinge (callout 2) by pressing them onto the tabs.

 **NOTE:** It might be necessary to lift the drive arm (callout 3) up in order to reattach it.

 **CAUTION:** The toner-cartridge drive-arm tabs break easily.

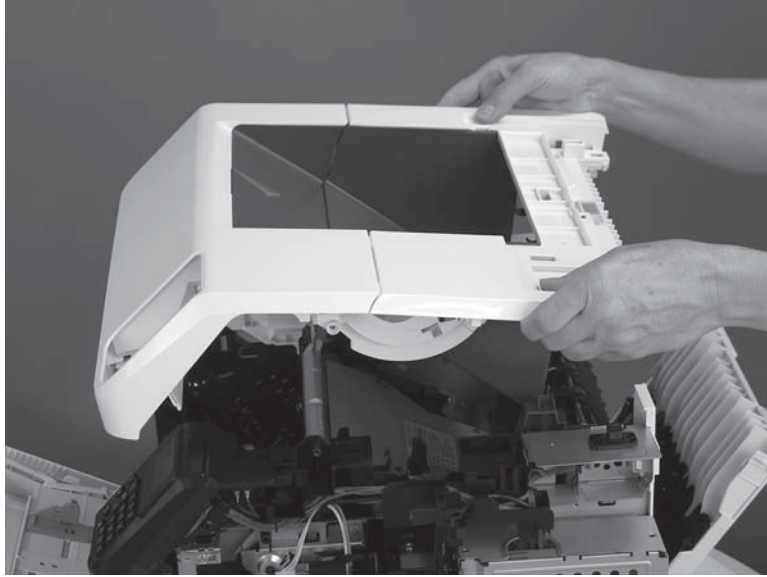
Figure 1-2311 Install the drive-arm and door hinge tabs



Step 20: Install the top cover (M604n/dn, M605n/dn, M606dn only)

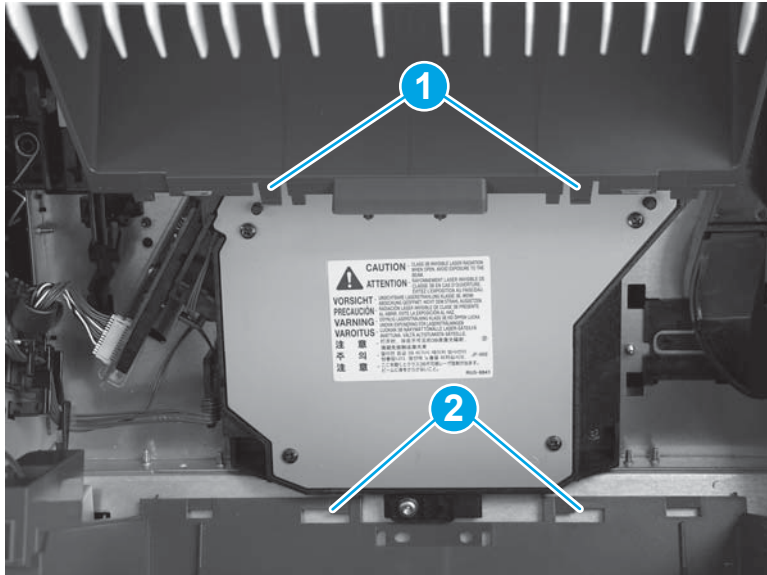
1. Lower the top cover onto the printer.

Figure 1-2312 Lower the top cover



2. Install two tabs (callout 1) on the top output bin into two slots (callout 2) in the printer. Make sure that the tabs snap into place.

Figure 1-2313 Install two tabs



3. Install one screw (callout 1) on the left side of the printer.


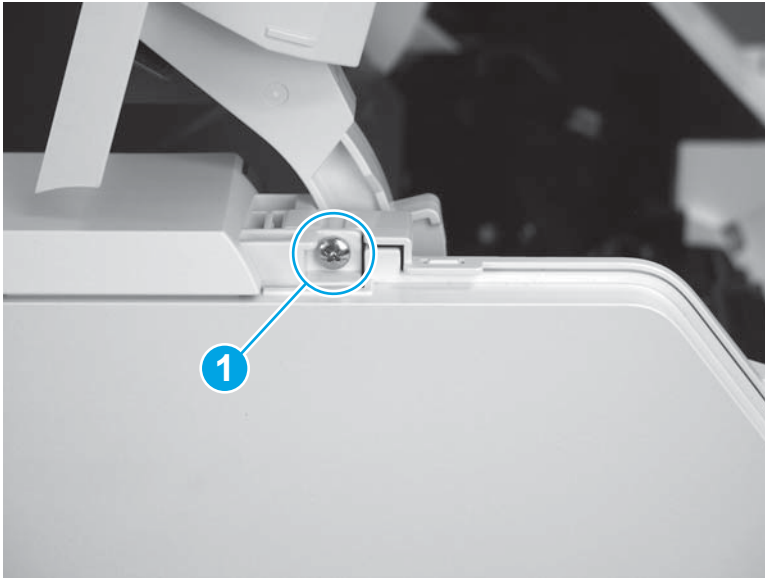
 **Reinstallation tip:** This screw is larger than the screws removed from the top of the printer. Make sure to install the correct screw.

Figure 1-2314 Install one screw



4. Install one screw (callout 1) on the right side of the printer.


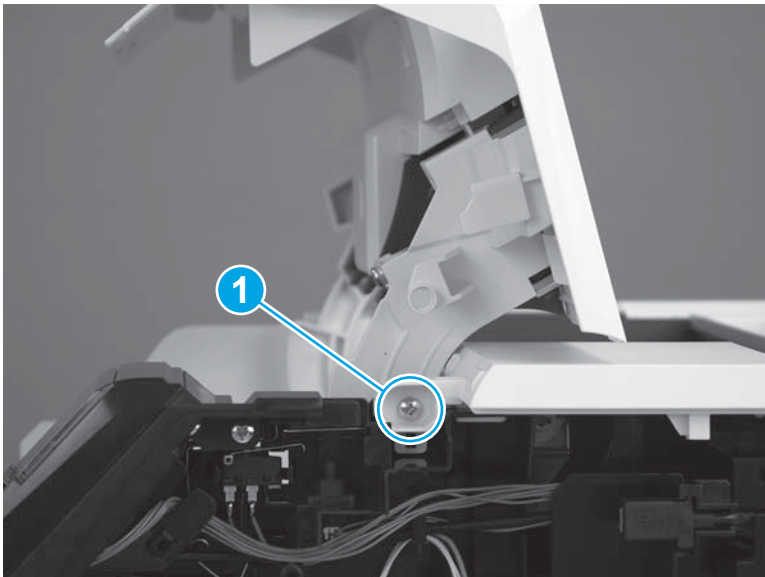
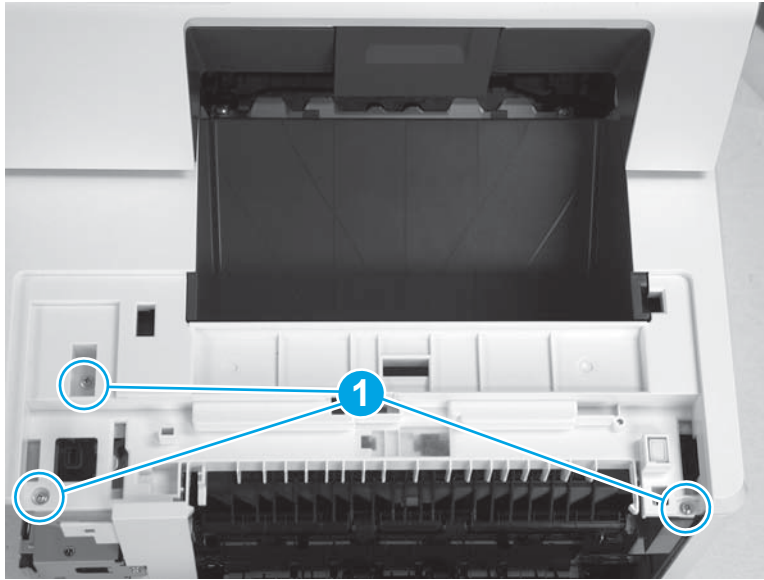
 **Reinstallation tip:** This screw is larger than the screws removed from the top of the printer. Make sure to install the correct screw.

Figure 1-2315 Install one screw



5. Install three screws (callout 1) on the top of the printer.

Figure 1-2316 Install three screws

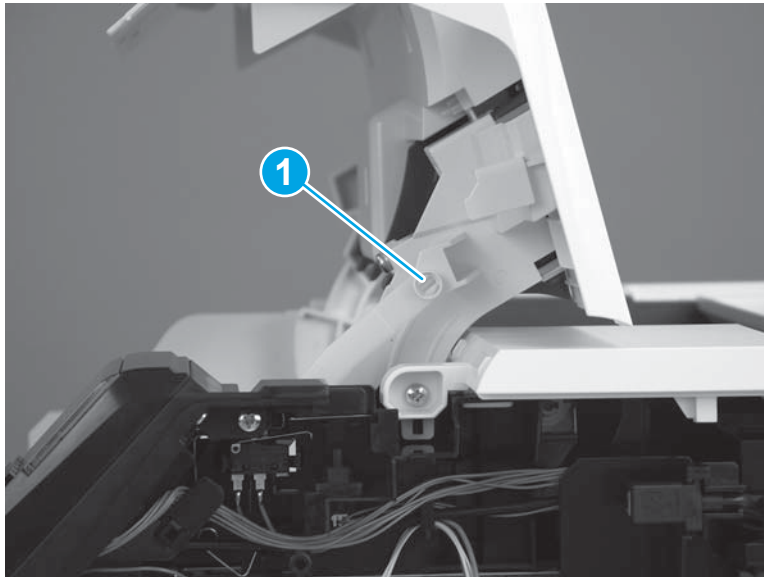


6. Install the toner-cartridge drive-arm (callout 1) by pressing it onto the tabs.

 **NOTE:** It might be necessary to lift the drive arm up in order to reattach it.

 **CAUTION:** The toner-cartridge drive-arm tabs break easily.

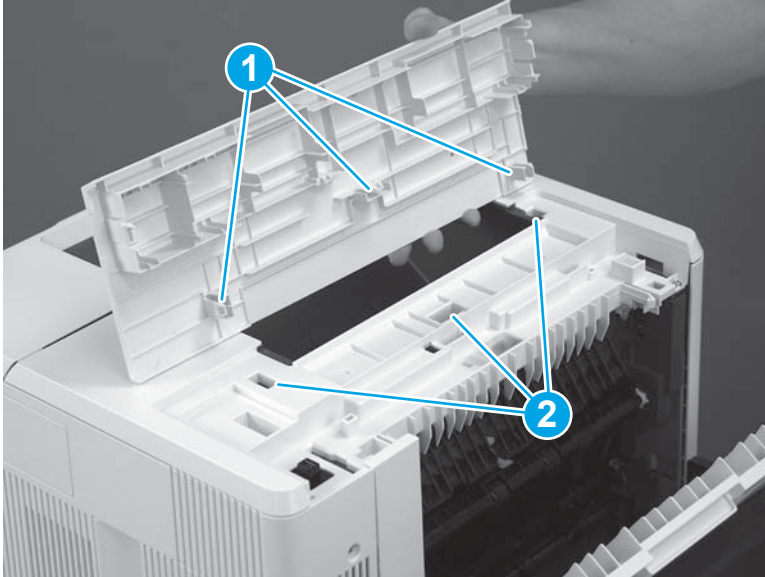
Figure 1-2317 Install the drive-arm tabs



Step 21: Install the top accessory cover

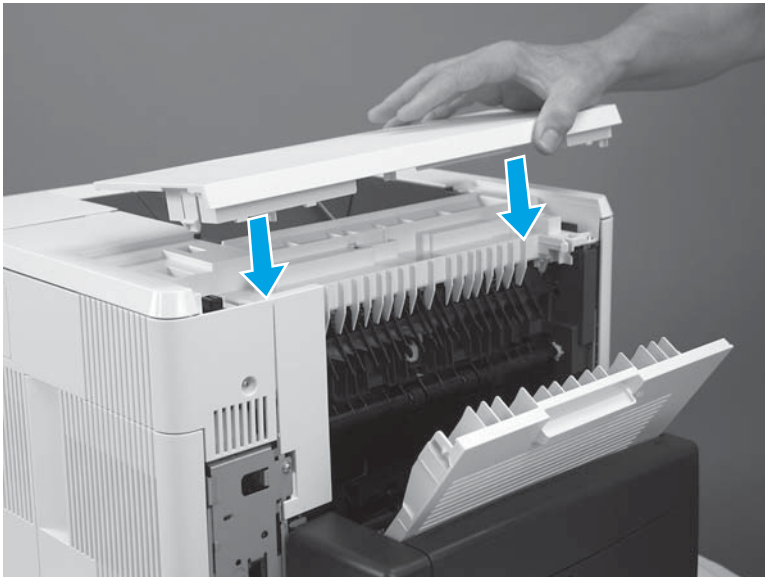
1. Align the tabs (callout 1) on the top accessory cover with the slots (callout 2) in the top cover.

Figure 1-2318 Align the tabs and slots



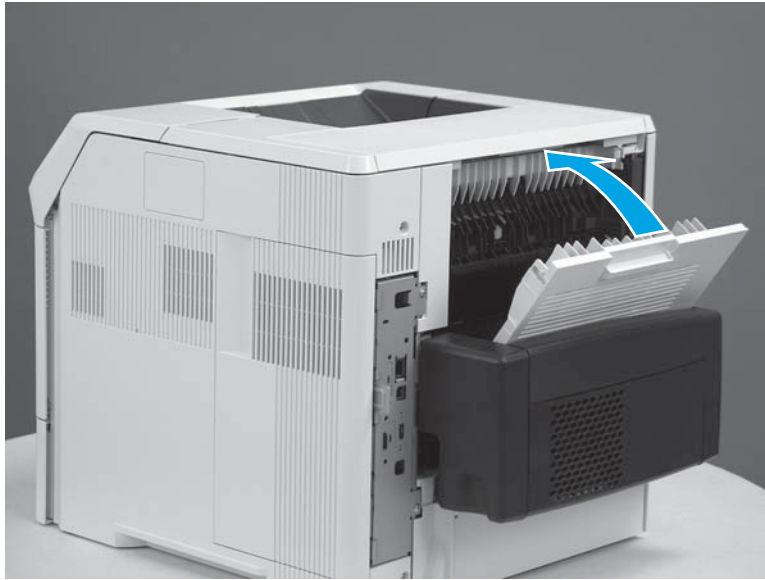
2. Place the top accessory on top of the printer, and then press down to install it.

Figure 1-2319 Install the top accessory cover



3. Close the rear output bin.

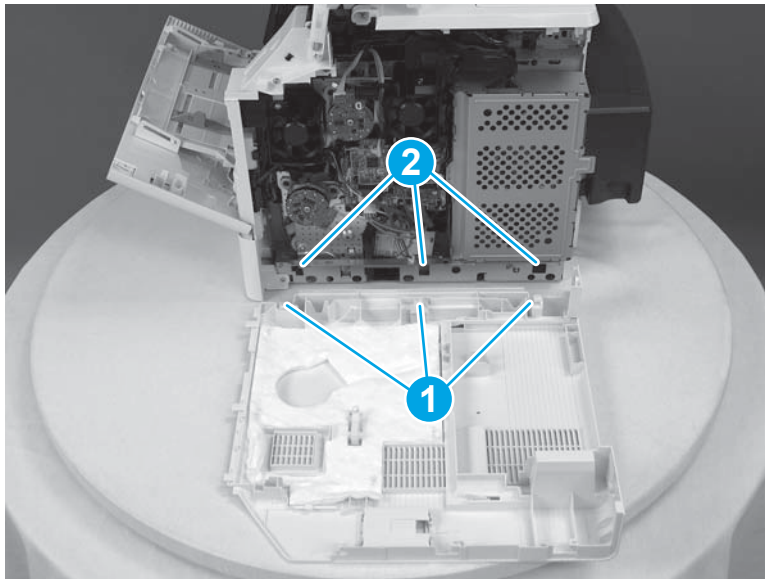
Figure 1-2320 Close the rear output bin



Step 22: Install the right cover

1. Note the location of the tabs (callout 1) on the cover that will fit into the slots (callout 2) on the printer.

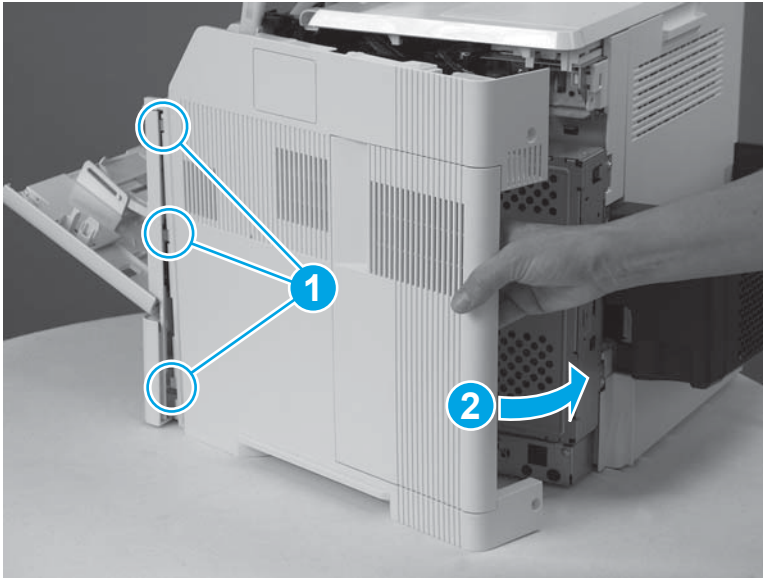
Figure 1-2321 Note location of tabs



2. Position the front tabs on the right cover slightly behind the right front cover (callout 1), and then rotate the back edge of the cover toward the printer (callout 2).

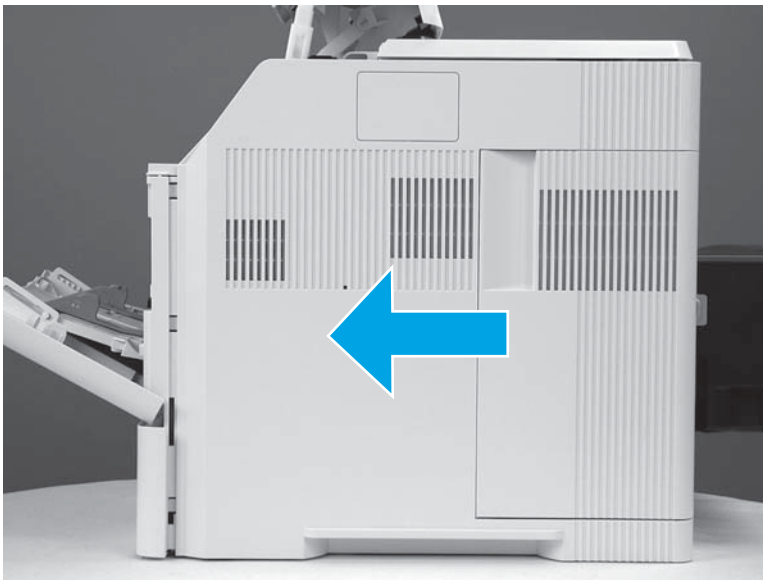
 **NOTE:** The tabs and slots mentioned in the previous step will engage as the cover is rotated into place.

Figure 1-2322 Position the front tabs



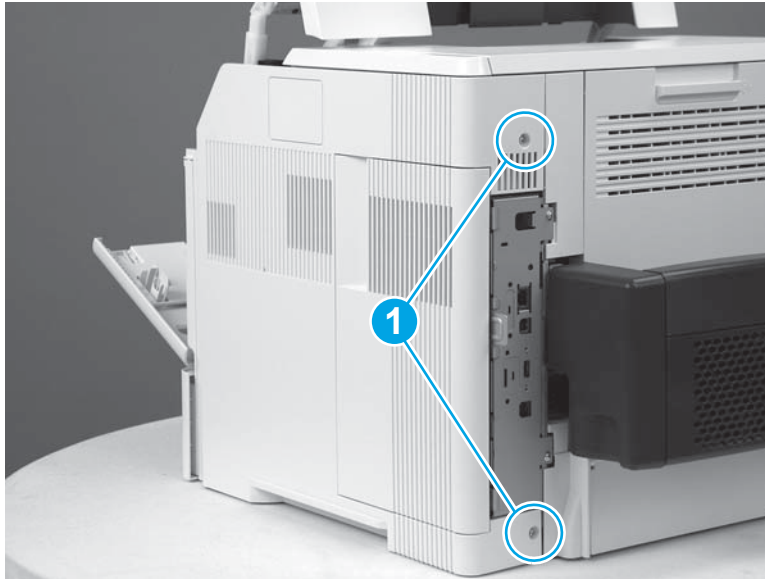
3. Slide the cover toward the front of the printer to install it.

Figure 1-2323 Slide the cover



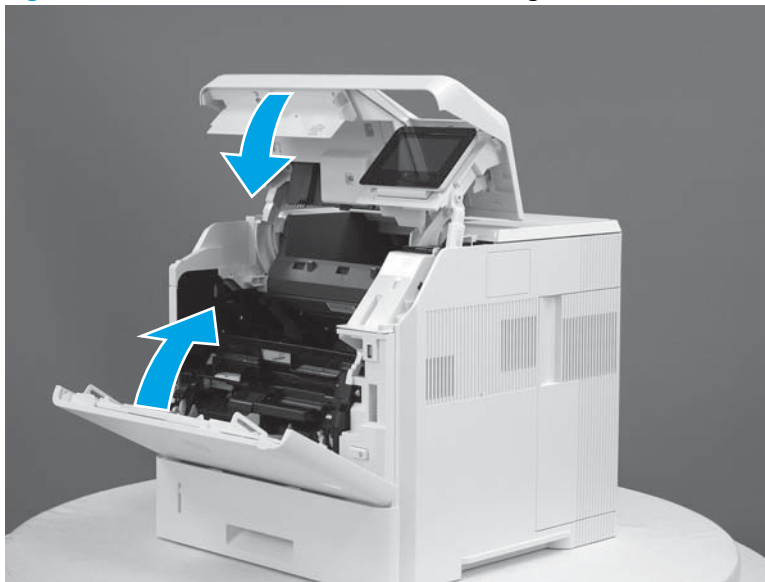
4. Install two screws (callout 1).

Figure 1-2324 Install two screws



5. Close the front cover and the cartridge door.

Figure 1-2325 Close the front cover and cartridge door



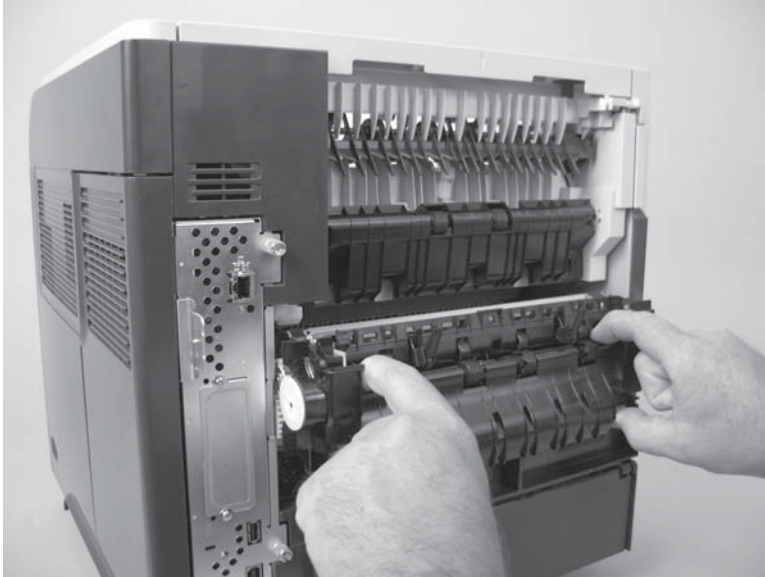
Step 23: Install the fuser

- ▲ Position the fuser on the printer, and then push it toward the printer to install it.

CAUTION: Do not drop or jar the fuser. It can easily be damaged if it is mishandled.

TIP: Make sure that the fuser is fully seated into the printer. You should hear both sides snap into place.

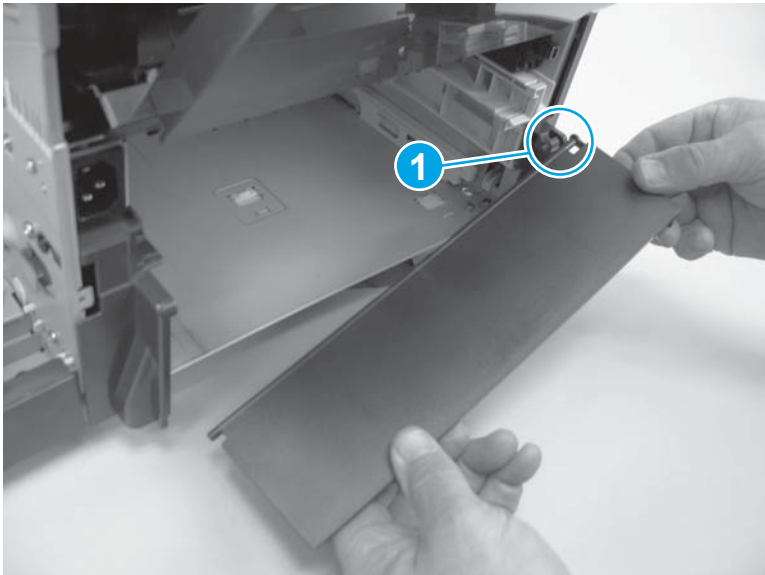
Figure 1-2326 Install the fuser



Step 24: Tray 2 extension door

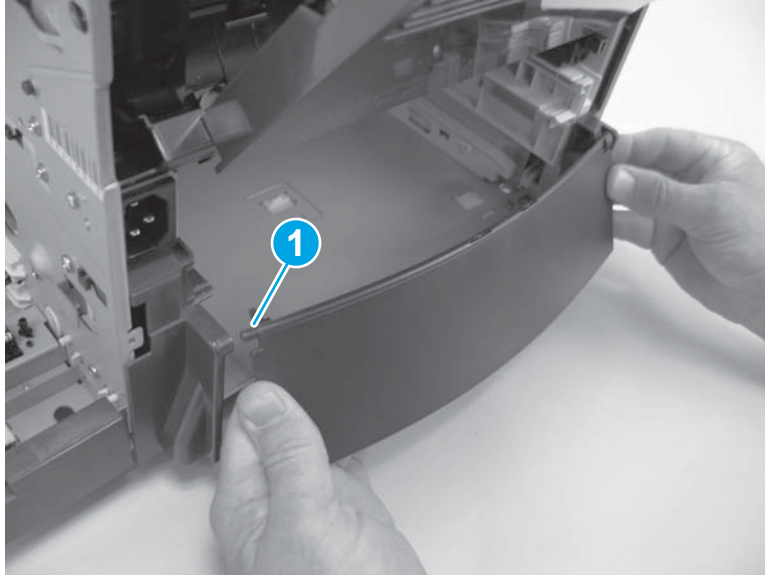
1. Rotate the Tray 2 extension door to the horizontal position, and then install the keyed hinge pin (callout 1).

Figure 1-2327 Install the keyed hinge pin



2. Carefully flex the Tray 2 extension door, and then install the hinge pin (callout 1) near the power-cord side of the printer.

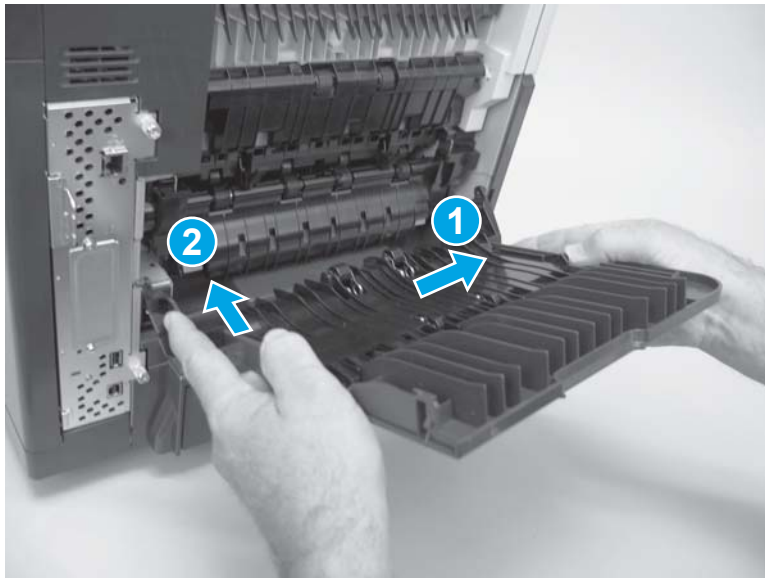
Figure 1-2328 Install the hinge pin



Step 25: Install the rear output bin

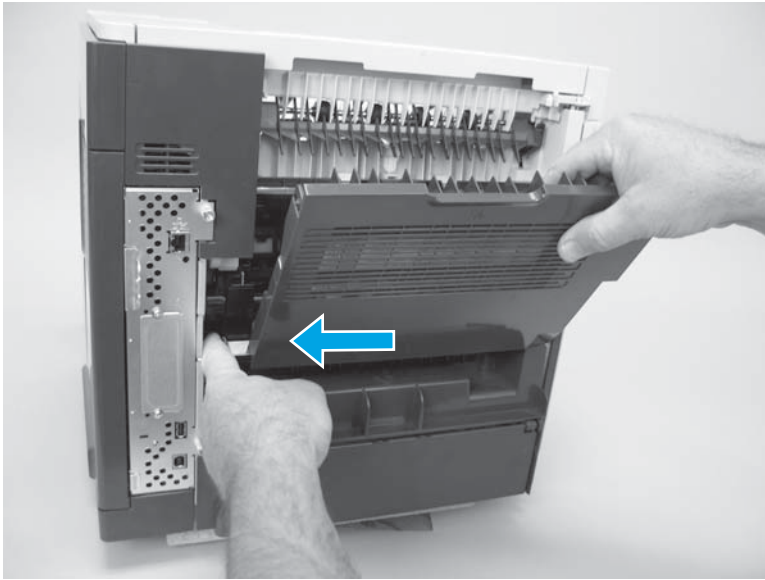
1. Install the right hinge pin (callout 1), and then rotate the output bin toward the printer (callout 2).

Figure 1-2329 Position the output bin



2. Make sure that the left hinge pin is installed in the mounting hole.

Figure 1-2330 Install left hinge pin



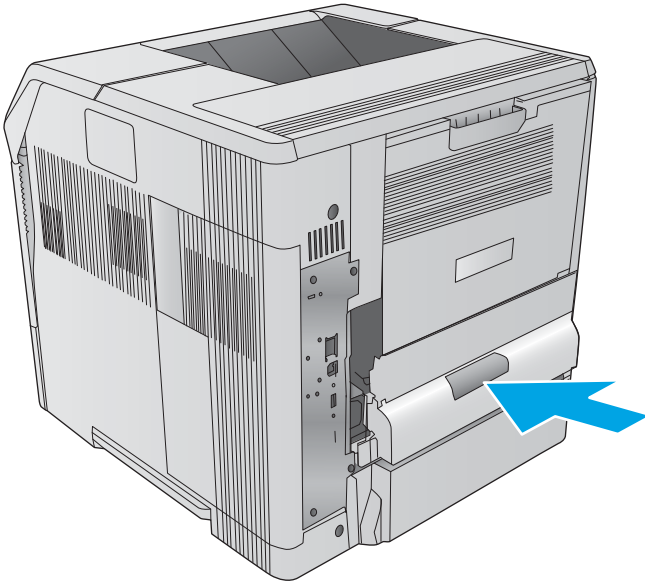
Step 26: Install the duplex accessory cover



NOTE: If the duplex accessory cover was not removed, skip this step and go to [Step 27: Install the duplex accessory on page 1278](#).

- ▲ Slide the duplex accessory cover straight into the printer to install it.

Figure 1-2331 Install the duplex accessory cover



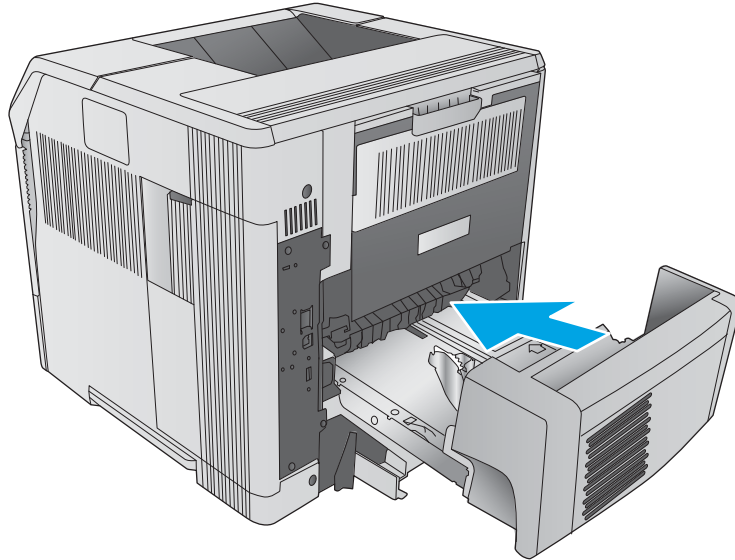
Step 27: Install the duplex accessory



NOTE: If the optional duplex accessory was not removed, skip this step.

- ▲ Slide the duplex accessory straight into the printer to install it.

Figure 1-2332 Install the duplex accessory



Removal and replacement: Trays

- [Removal and replacement: Trays 2-6](#)

Removal and replacement: Trays 2-6

- [Introduction](#)
- [Step 1: Remove the tray](#)
- [Step 2: Unpack the replacement tray](#)
- [Step 3: Install the tray](#)


Introduction

This document provides the procedures to remove and replace Trays 2-6.

Before performing service

Turn the printer power off

- Disconnect the power cable.

 **WARNING!** To avoid damage to the printer, turn the printer off, wait 30 seconds, and then remove the power cord before attempting to service the printer.

Use the table below to identify the correct part number for your printer. To order the part, go to www.hp.com/buy/parts.

Trays 2-5 part numbers	
RM2-6296-000CN	Cassette (Tray 2 only)
RM2-6275-000CN	Cassette (500-sheet feeder)

Required tools

- No special tools are required to install this part.

After performing service

Turn the printer power on


- Connect the power cable.
- Use the power switch to turn the power on.

Post service test

Make sure that the printer initializes to a **Ready** state.

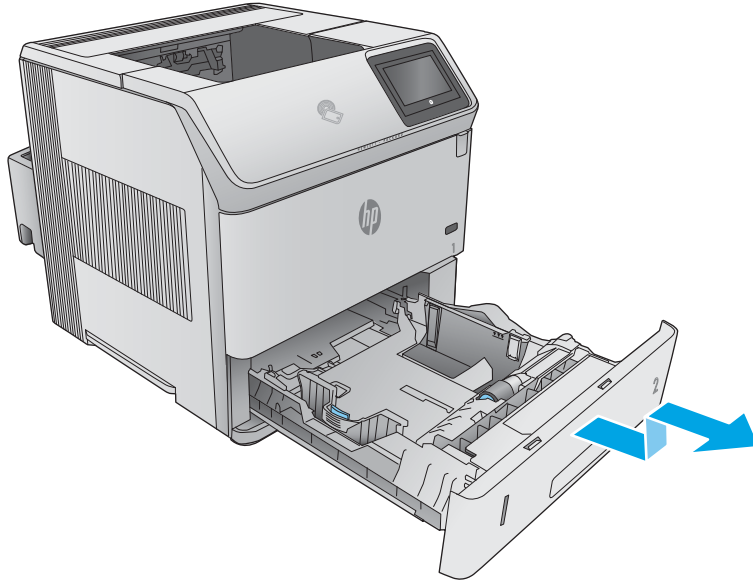
Print a configuration page to make sure that the printer is functioning correctly.

Step 1: Remove the tray

 **NOTE:** The procedure to replace the tray for Trays 3-5 is the same as for Tray 2. Only Tray 2 is shown here.

- ▲ Pull the tray out, slightly lift up, and then pull it completely out of the printer to remove it.

Figure 1-2333 Remove the tray



Step 2: Unpack the replacement tray

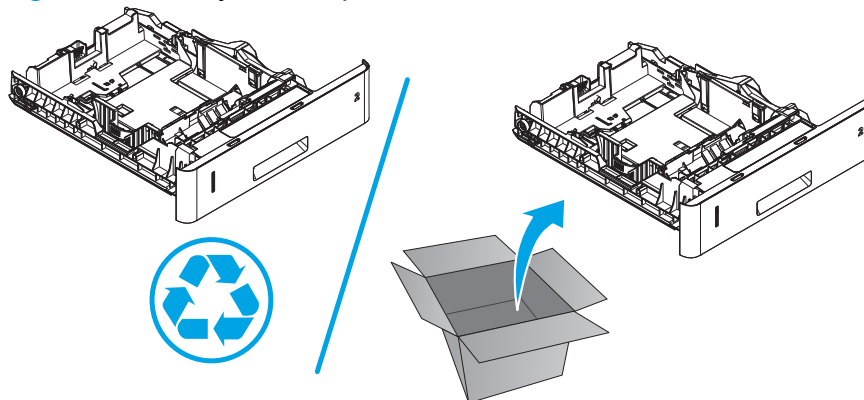
Unpack the replacement part from the packaging.

<http://www8.hp.com/us/en/hp-information/environment/product-recycling.html>



NOTE: HP recommends responsible disposal of the defective part.

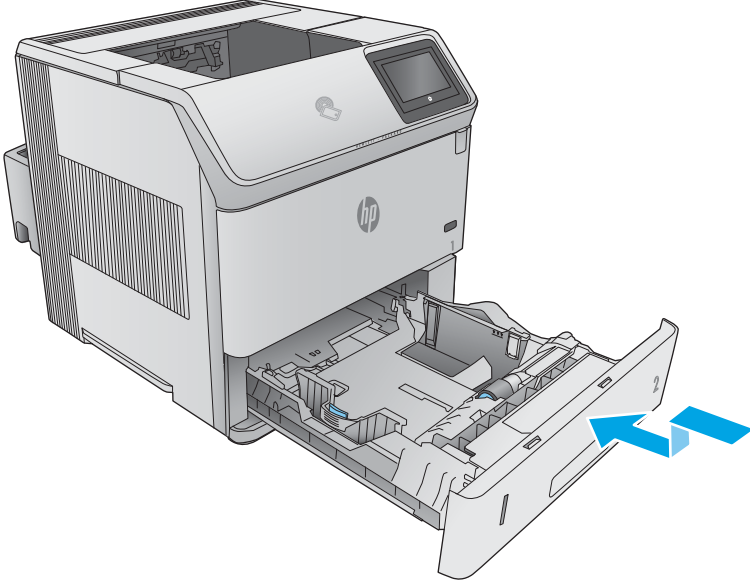
Figure 1-2334 Recycle and unpack



Step 3: Install the tray

- ▲ Lift the tray up slightly and install the back edge of the tray into the tray cavity. Lower the tray, and then slide it into the printer.

Figure 1-2335 Install the tray



Removal and replacement: Accessories

- [Removal and replacement: Duplex accessory](#)
- [500-sheet paper feeder](#)
- [1,500-sheet paper feeder](#)
- [5-bin mailbox](#)
- [Stacker and stapler/stacker](#)

Removal and replacement: Duplex accessory

- [Introduction](#)
- [Step 1: Remove the duplex accessory](#)
- [Step 2: Unpack the replacement duplex accessory](#)
- [Step 3: Install the duplex accessory](#)


Introduction

This document provides the procedures to remove and replace the duplex accessory.

Before performing service

Turn the printer power off

- Disconnect the power cable.

 **WARNING!** To avoid damage to the printer, turn the printer off, wait 30 seconds, and then remove the power cord before attempting to service the printer.

Use the table below to identify the correct part number for your printer. To order the part, go to www.hp.com/buy/parts.

Duplex accessory part number	
F2G69-67901	Duplex kit

Required tools

- No special tools are required to install this part.

After performing service

Turn the printer power on

- Connect the power cable.
- Use the power switch to turn the power on.

Post service test

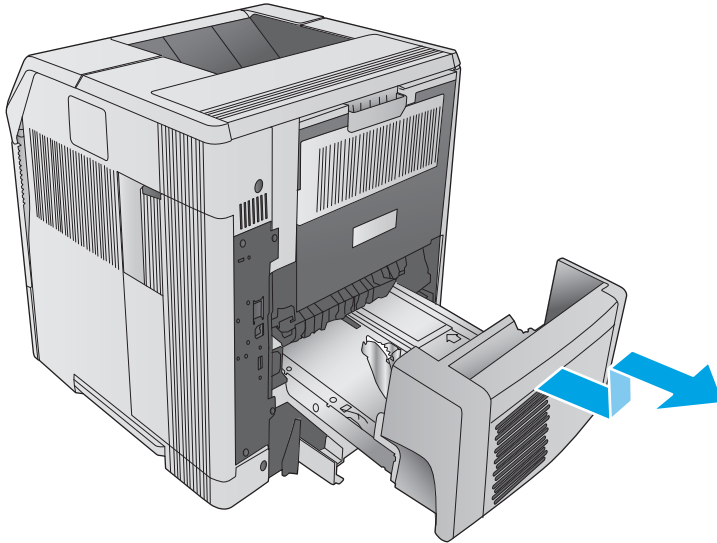
Make sure that the printer initializes to a **Ready** state.

Print a duplex page to make sure that the printer is functioning correctly.

Step 1: Remove the duplex accessory

- ▲ Slightly lift up on the duplex accessory, and then pull it completely out of the printer to remove it.

Figure 1-2336 Remove the duplex accessory



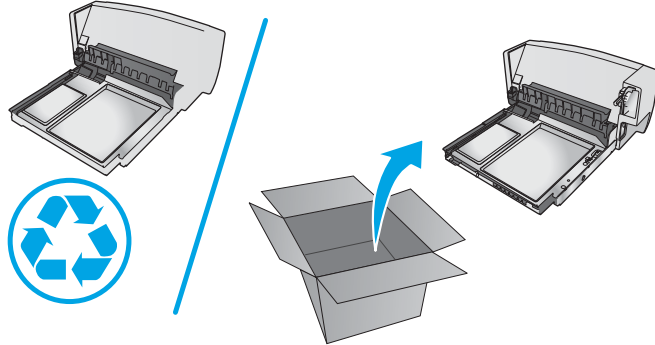
Step 2: Unpack the replacement duplex accessory

Unpack the replacement part from the packaging.

<http://www8.hp.com/us/en/hp-information/environment/product-recycling.html>

 **NOTE:** HP recommends responsible disposal of the defective part.

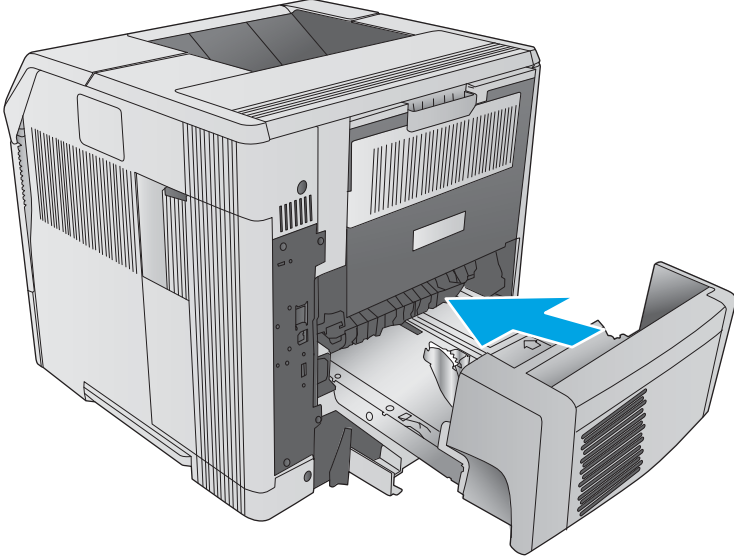
Figure 1-2337 Recycle and unpack



Step 3: Install the duplex accessory

▲ Slide the duplex accessory straight into the printer to install it.

Figure 1-2338 Install the duplex accessory



500-sheet paper feeder



NOTE: HP recommends removing the accessories from the product before servicing them.

- [Removal and replacement: Tray extension door \(500-sheet feeder\)](#)
- [Removal and replacement: Front right cover \(500-sheet feeder\)](#)
- [Removal and replacement: Right cover \(500-sheet feeder\)](#)
- [Removal and replacement: Upper connector \(500-sheet feeder\)](#)
- [Removal and replacement: Lower connector \(500-sheet feeder\)](#)
- [Removal and replacement: Size-detect assembly \(500-sheet feeder\)](#)
- [Removal and replacement: Lifter drive assembly \(500-sheet feeder\)](#)

Removal and replacement: Tray extension door (500-sheet feeder)

- [Introduction](#)
- [Step 1: Remove the tray \(500-sheet feeder\)](#)
- [Step 2: Remove the tray extension door](#)
- [Step 3: Unpack the replacement tray extension door](#)
- [Step 4: Install the tray extension door](#)
- [Step 5: Install the tray \(500-sheet feeder\)](#)

Introduction

This document provides the procedures to remove and replace the tray extension door for the 500-sheet feeder.

Before performing service

Turn the printer power off

- Lift the printer off of the 500-sheet paper feeder.

Use the table below to identify the correct part number for your printer. To order the part, go to www.hp.com/buy/parts.

Tray extension door part number	
RC4-5872-000CN	Cover, legal (500-sheet feeder)

Required tools

- No special tools are required to install this part.

After performing service

Turn the printer power on

- Connect the power cable.
- Use the power switch to turn the power on.

Post service test

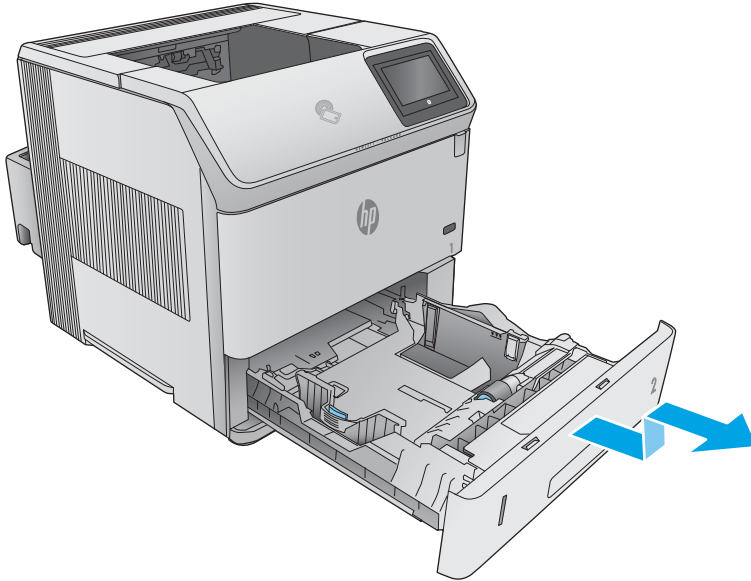
Make sure that the printer initializes to a **Ready** state.

Print a configuration page from the 500-sheet feeder to make sure that the printer is functioning correctly.


Step 1: Remove the tray (500-sheet feeder)

- ▲ Pull the tray out, slightly lift up, and then pull it completely out of the printer to remove it.

Figure 1-2339 Remove the tray

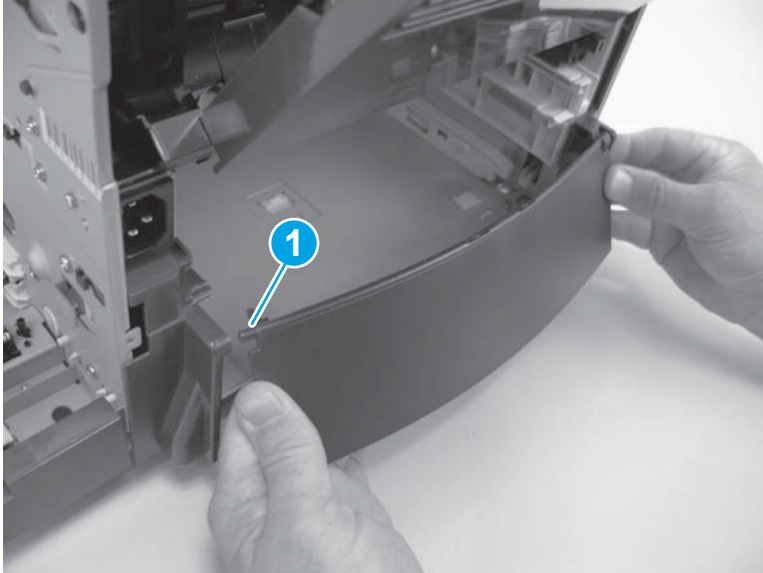


Step 2: Remove the tray extension door

 **NOTE:** The Tray 2 extension door is shown in the figures below. The procedure is also correct for the 500-sheet feeder tray extension door.

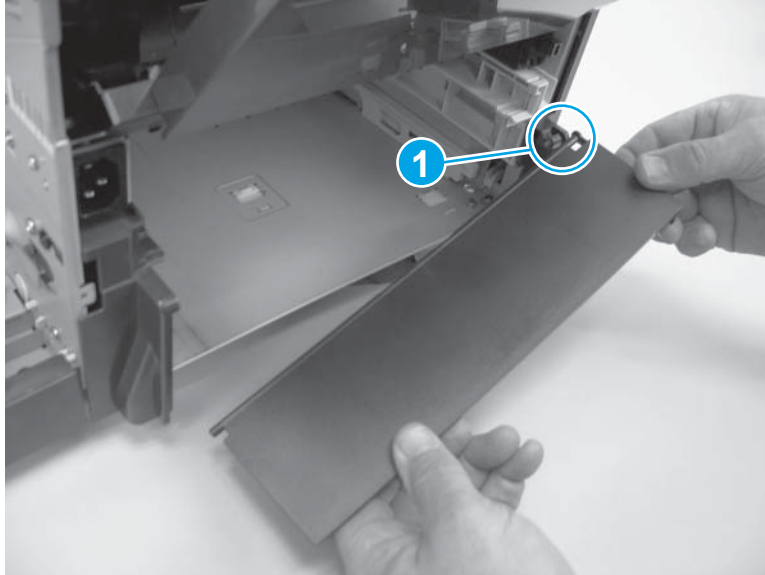
1. Carefully flex the tray extension door to release the hinge pin (callout 1).

Figure 1-2340 Release the hinge pin



2. Rotate the tray extension door to the horizontal position, and then pull up on the keyed hinge pin (callout 1) to release the door. Remove the tray extension door.

Figure 1-2341 Remove the tray extension door



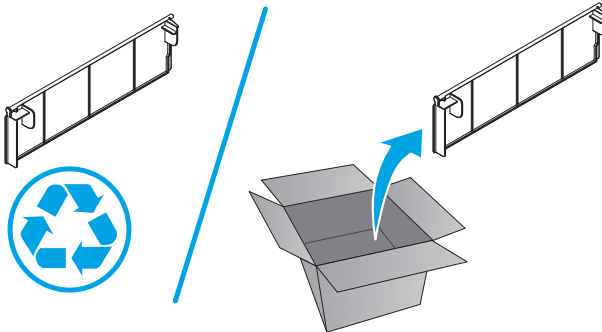
Step 3: Unpack the replacement tray extension door

Unpack the replacement part from the packaging.


<http://www8.hp.com/us/en/hp-information/environment/product-recycling.html>

 **NOTE:** HP recommends responsible disposal of the defective part.

Figure 1-2342 Recycle and unpack

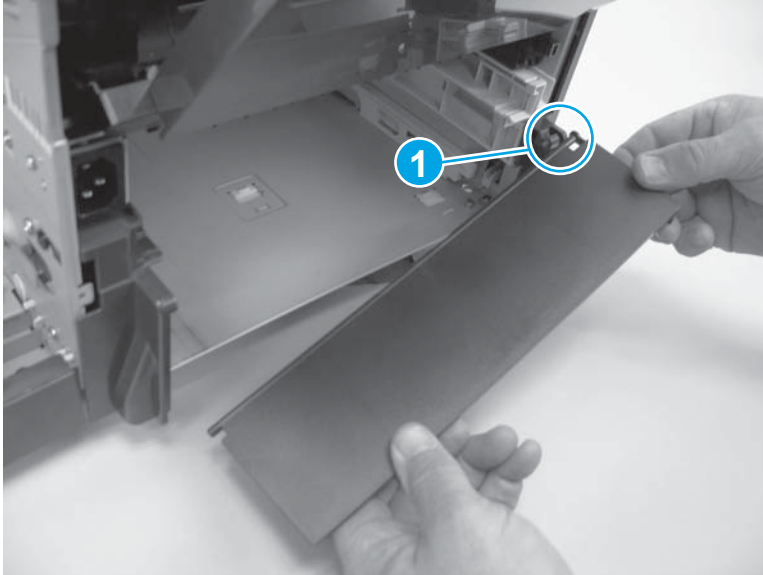


Step 4: Install the tray extension door

 **NOTE:** The Tray 2 extension door is shown in the figures below. The procedure is also correct for the 500-sheet feeder tray extension door.

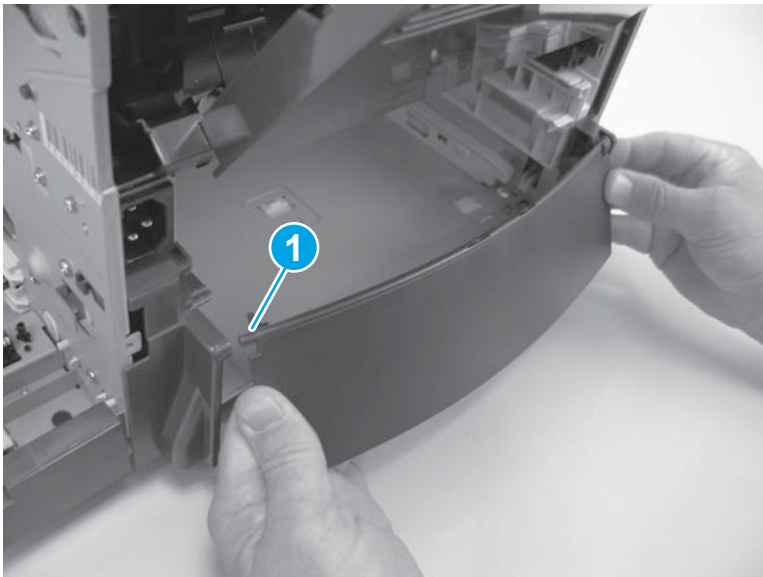
1. Rotate the Tray 2 extension door to the horizontal position, and then install the keyed hinge pin (callout 1).

Figure 1-2343 Install the keyed hinge pin



2. Carefully flex the Tray 2 extension door, and then install the hinge pin (callout 1) near the power-cord side of the printer.

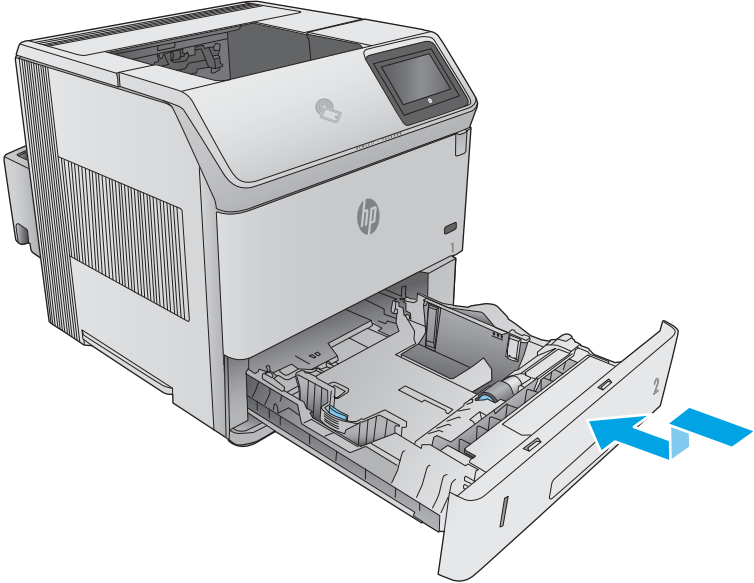
Figure 1-2344 Install the hinge pin



Step 5: Install the tray (500-sheet feeder)

- ▲ Lift the tray up slightly and install the back edge of the tray into the tray cavity. Lower the tray, and then slide it into the printer.

Figure 1-2345 Install the tray



Removal and replacement: Front right cover (500-sheet feeder)

- [Introduction](#)
- [Step 1: Remove the tray \(500-sheet feeder\)](#)
- [Step 2: Remove the front right cover](#)
- [Step 3: Unpack the replacement front right cover](#)
- [Step 4: Install the front right cover](#)
- [Step 5: Install the tray \(500-sheet feeder\)](#)

Introduction

This document provides the procedures to remove and replace the front right cover (500-sheet feeder).

Before performing service

Turn the printer power off

- Lift the printer off of the 500-sheet paper feeder.

Use the table below to identify the correct part number for your printer. To order the part, go to www.hp.com/buy/parts.

Front right cover (500-sheet feeder) part number	
RC4-5897-000CN	Cover, front right (500-sheet feeder)

Required tools

- #2 Phillips screwdriver with a magnetic tip

After performing service

Turn the printer power on

- Connect the power cable.
- Use the power switch to turn the power on.

Post service test

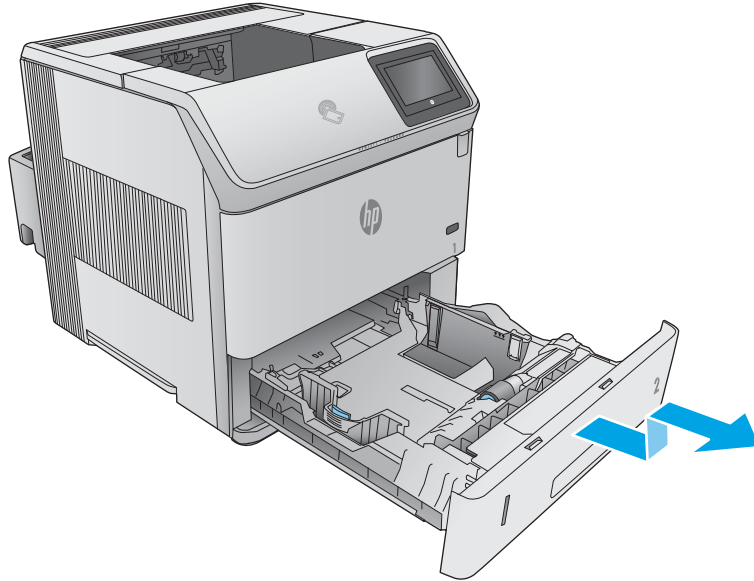
Make sure that the printer initializes to a **Ready** state.

Print a configuration page from the 500-sheet feeder to make sure that the printer is functioning correctly.

Step 1: Remove the tray (500-sheet feeder)

- ▲ Pull the tray out, slightly lift up, and then pull it completely out of the printer to remove it.

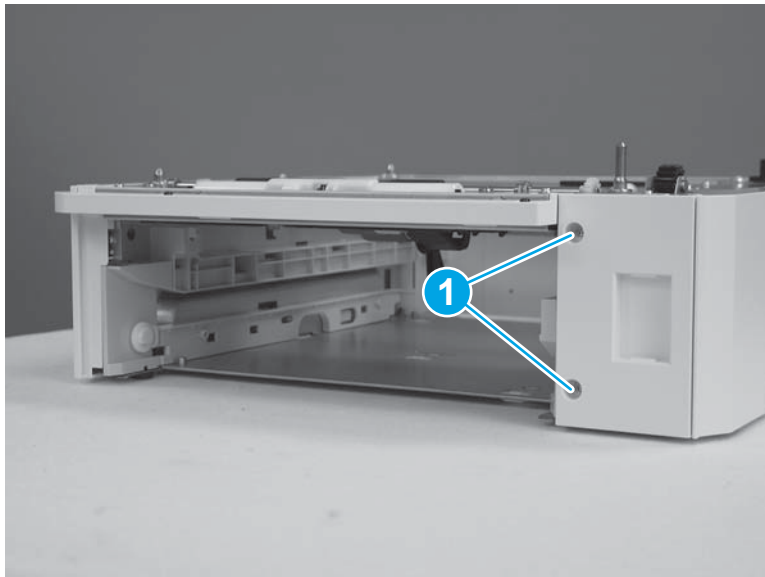
Figure 1-2346 Remove the tray



Step 2: Remove the front right cover

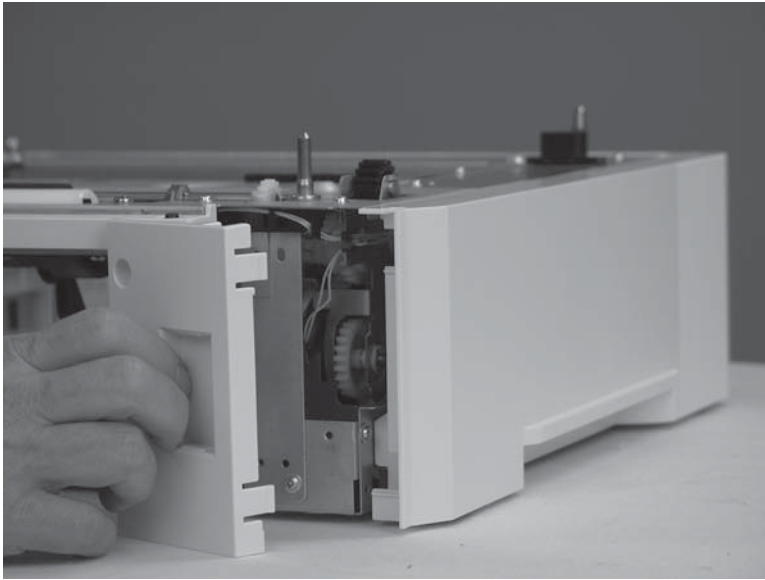
1. Remove two screws (callout 1).

Figure 1-2347 Remove two screws



2. Remove the front right cover.

Figure 1-2348 Remove the cover



Step 3: Unpack the replacement front right cover

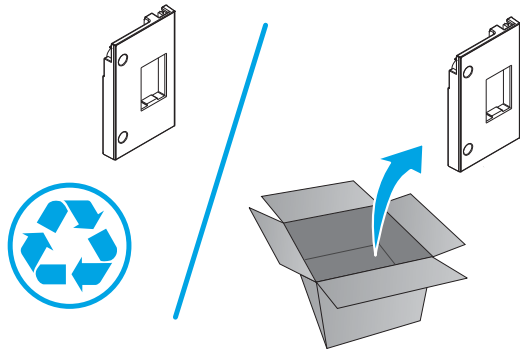
Unpack the replacement part from the packaging.

<http://www8.hp.com/us/en/hp-information/environment/product-recycling.html>



NOTE: HP recommends responsible disposal of the defective part.

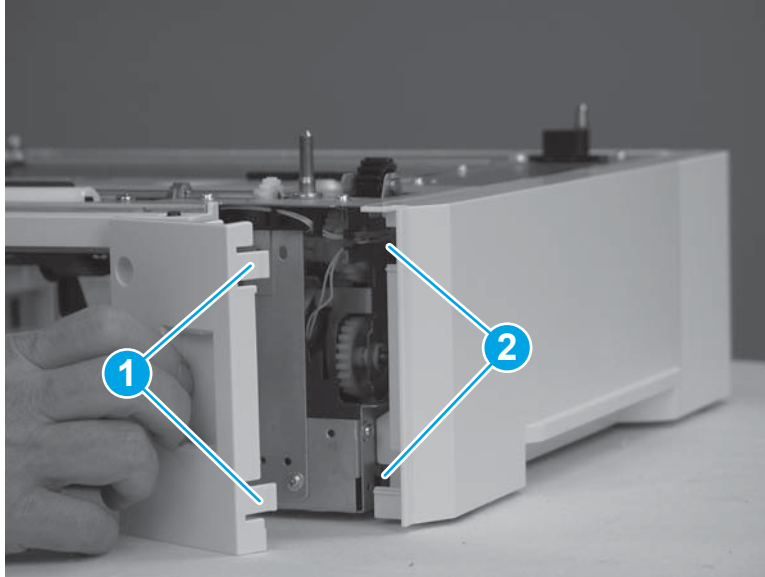
Figure 1-2349 Recycle and unpack



Step 4: Install the front right cover

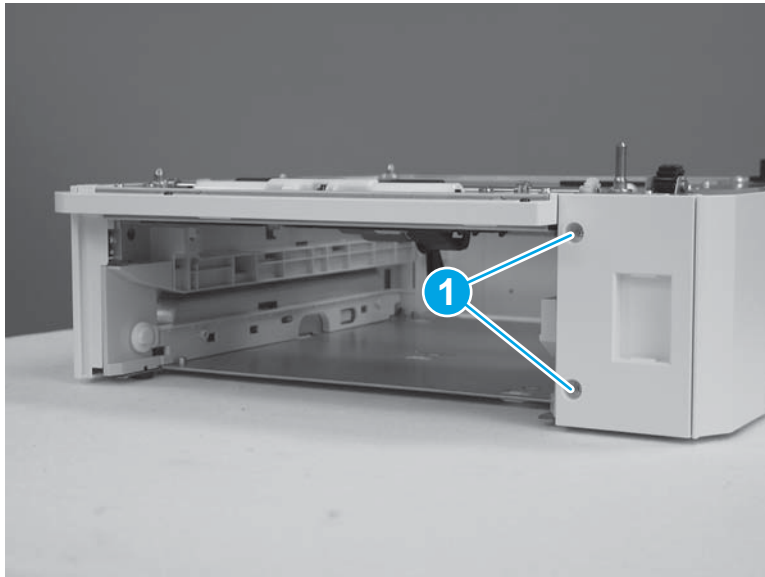
1. Install the tabs (callout 1) on the cover in the slots (callout 2) in the feeder.

Figure 1-2350 Install the tabs



2. Install two screws (callout 1).

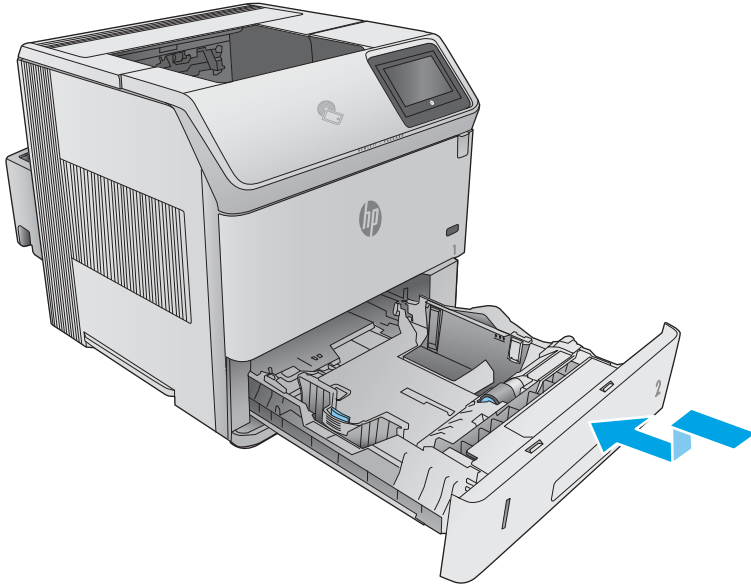
Figure 1-2351 Install two screws



Step 5: Install the tray (500-sheet feeder)

- ▲ Lift the tray up slightly and install the back edge of the tray into the tray cavity. Lower the tray, and then slide it into the printer.

Figure 1-2352 Install the tray



Removal and replacement: Right cover (500-sheet feeder)

- [Introduction](#)
- [Step 1: Remove the tray \(500-sheet feeder\)](#)
- [Step 2: Remove the front right cover \(500-sheet feeder\)](#)
- [Step 3: Remove the right cover](#)
- [Step 4: Unpack the replacement right cover](#)
- [Step 5: Install the right cover](#)
- [Step 6: Install the front right cover \(500-sheet feeder\)](#)
- [Step 7: Install the tray \(500-sheet feeder\)](#)

Introduction

This document provides the procedures to remove and replace the right cover (500-sheet feeder).

Before performing service

Turn the printer power off

- Lift the printer off of the 500-sheet paper feeder.

Use the table below to identify the correct part number for your printer. To order the part, go to www.hp.com/buy/parts.

Right cover (500-sheet feeder)part number	
RC4-5897-000CN	Cover, right (500-sheet feeder)

Required tools

- #2 Phillips screwdriver with a magnetic tip
- Flat-blade screwdriver

After performing service

Turn the printer power on

- Connect the power cable.
- Use the power switch to turn the power on.

Post service test

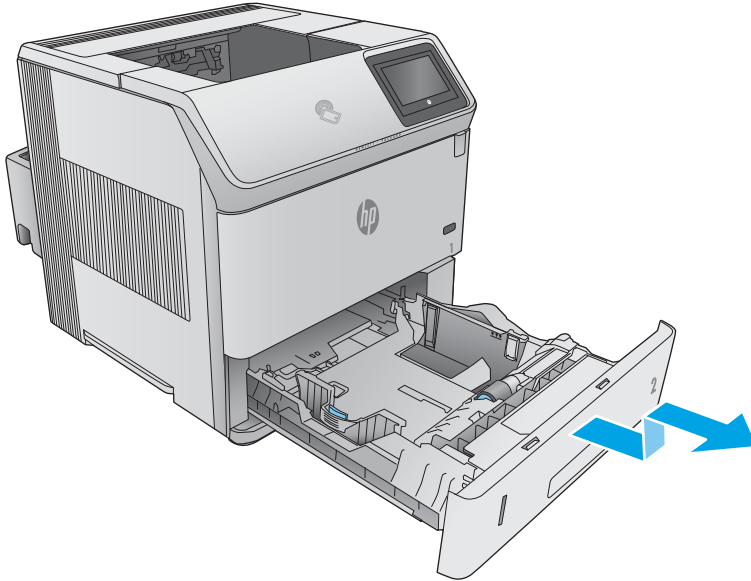
Make sure that the printer initializes to a **Ready** state.

Print a configuration page from the 500-sheet feeder to make sure that the printer is functioning correctly.

Step 1: Remove the tray (500-sheet feeder)

- ▲ Pull the tray out, slightly lift up, and then pull it completely out of the printer to remove it.

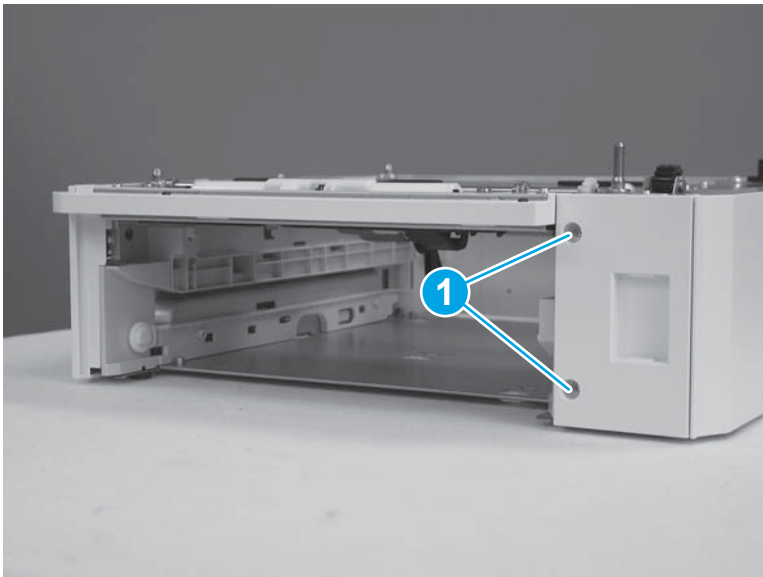
Figure 1-2353 Remove the tray



Step 2: Remove the front right cover (500-sheet feeder)

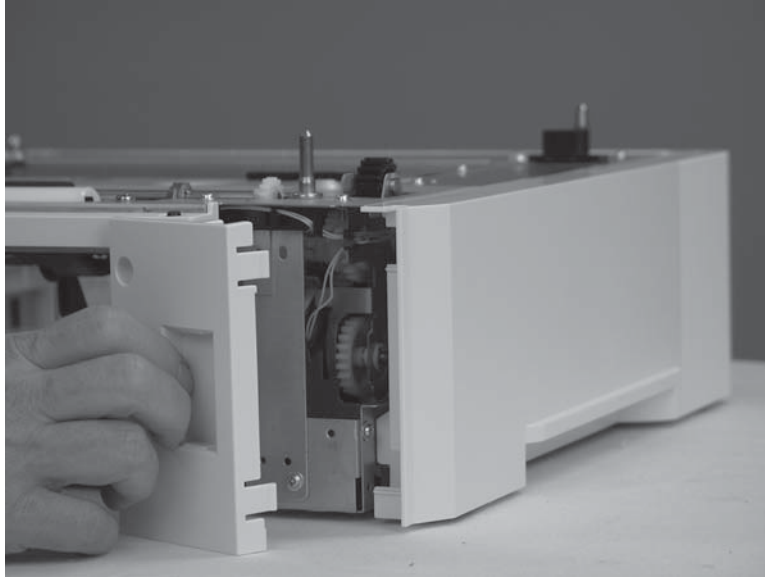
1. Remove two screws (callout 1).

Figure 1-2354 Remove two screws



2. Remove the front right cover.

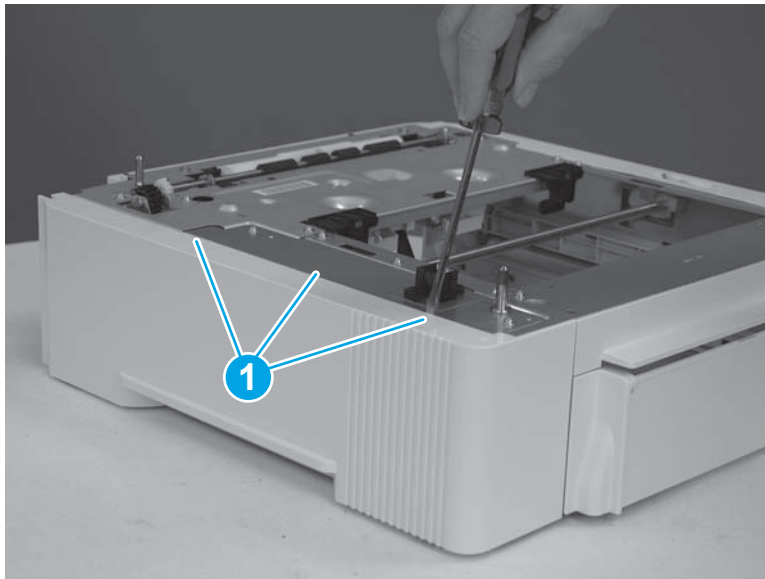
Figure 1-2355 Remove the cover



Step 3: Remove the right cover

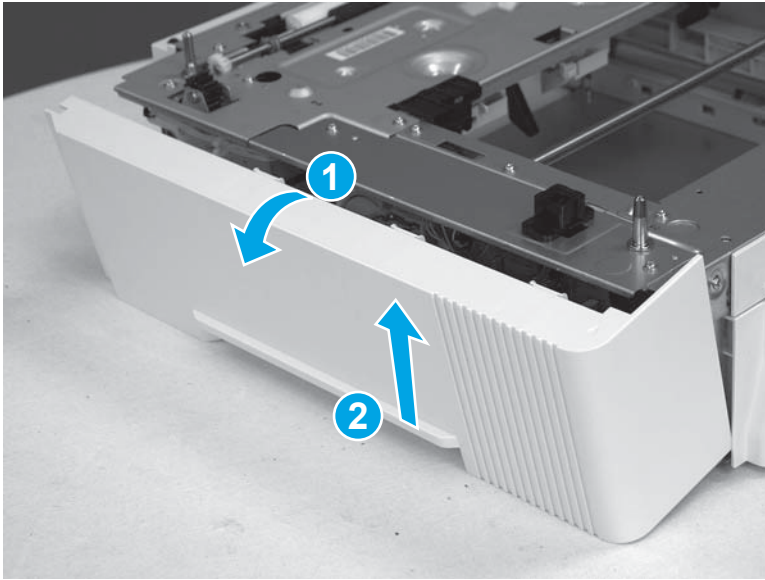
1. Use a flat-blade screwdriver to release three tabs (callout 1).

Figure 1-2356 Release three tabs



2. Rotate the cover away from the feeder (callout 1), and then lift up (callout 2) to remove it.

Figure 1-2357 Rotate and remove the cover



Step 4: Unpack the replacement right cover

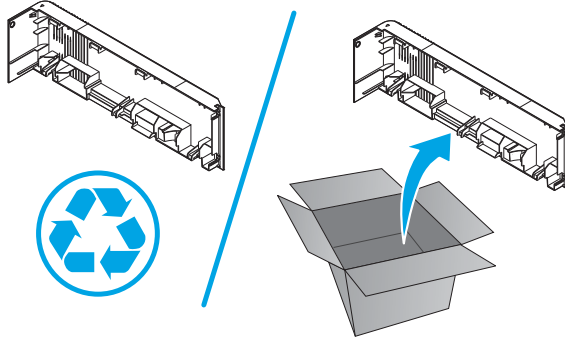
Unpack the replacement part from the packaging.

<http://www8.hp.com/us/en/hp-information/environment/product-recycling.html>



NOTE: HP recommends responsible disposal of the defective part.

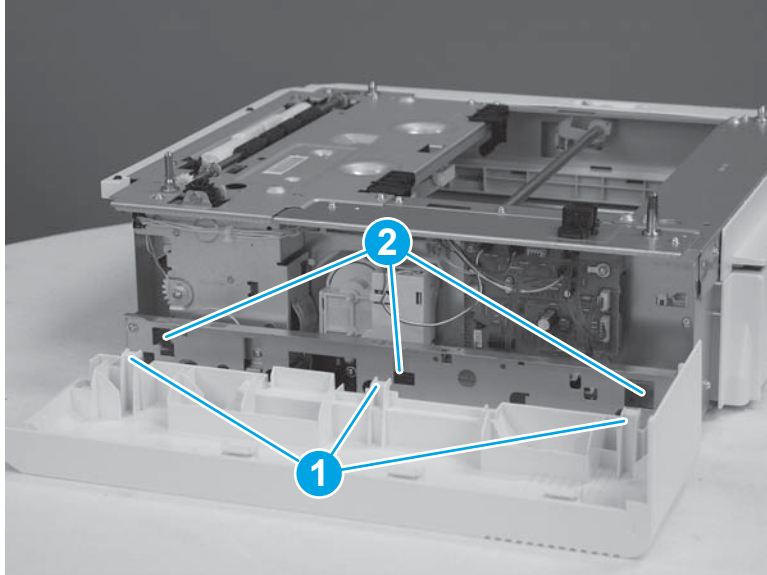
Figure 1-2358 Recycle and unpack



Step 5: Install the right cover

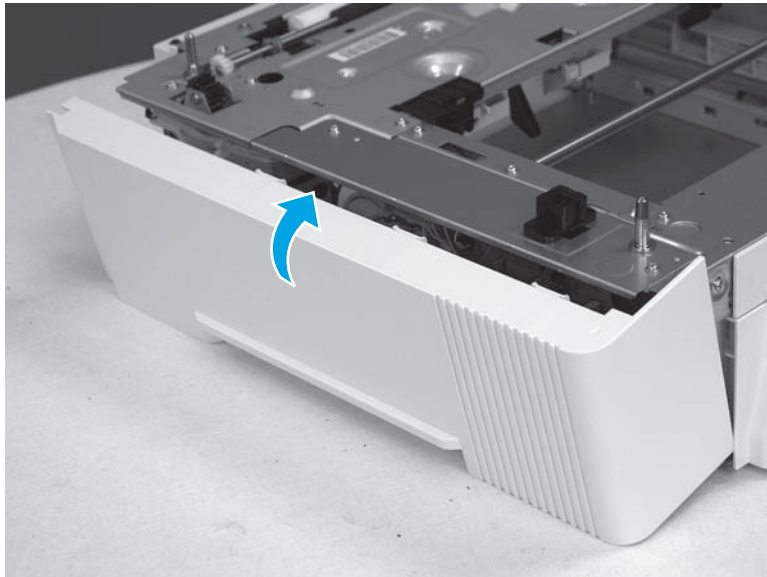
1. Install the tabs (callout 1) on the cover in the slots (callout 2) in the feeder.

Figure 1-2359 Install the tabs



2. Rotate the cover toward the feeder to install it.

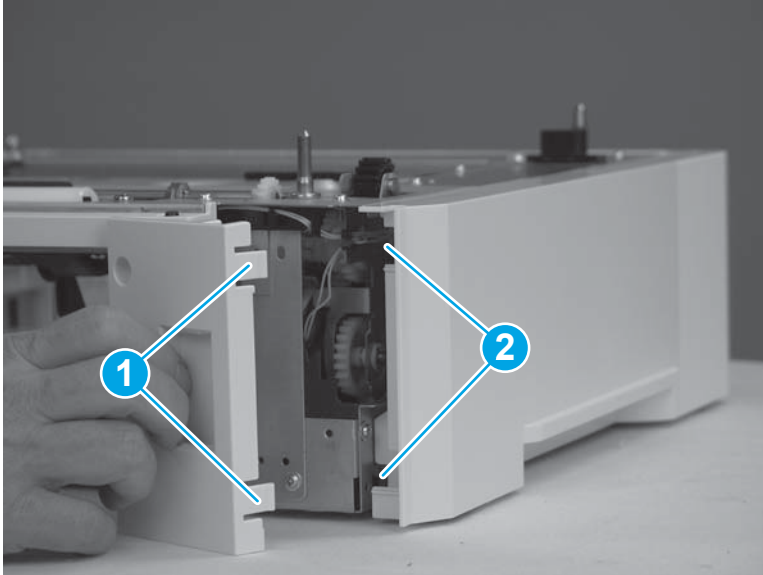
Figure 1-2360 Install the cover



Step 6: Install the front right cover (500-sheet feeder)

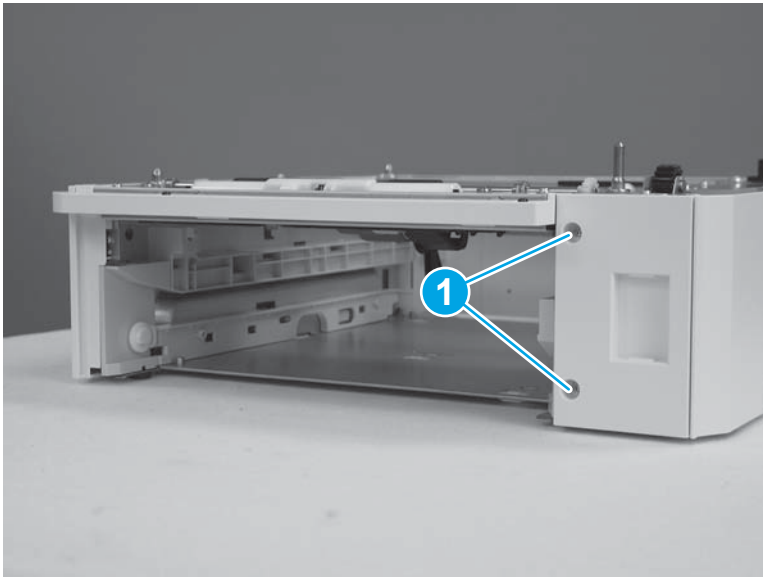
1. Install the tabs (callout 1) on the cover in the slots (callout 2) in the feeder.

Figure 1-2361 Install the tabs



2. Install two screws (callout 1).

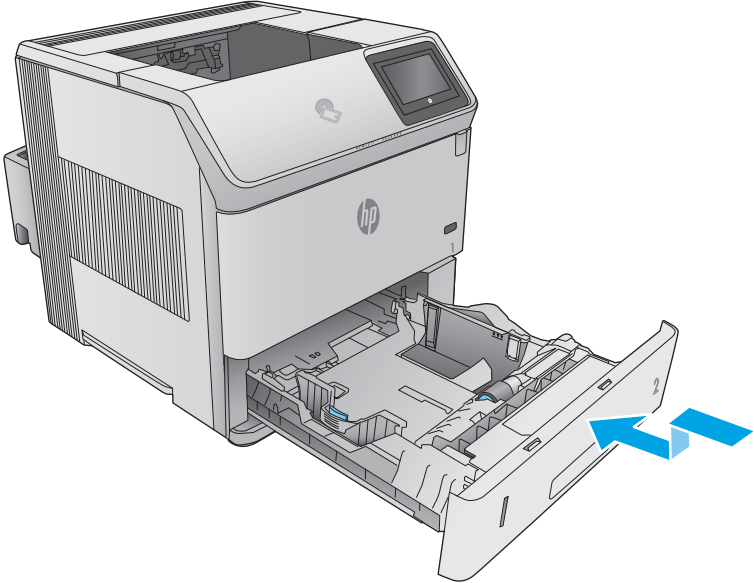
Figure 1-2362 Install two screws



Step 7: Install the tray (500-sheet feeder)

- ▲ Lift the tray up slightly and install the back edge of the tray into the tray cavity. Lower the tray, and then slide it into the printer.

Figure 1-2363 Install the tray



Removal and replacement: Upper connector (500-sheet feeder)

- [Introduction](#)
- [Step 1: Remove the tray \(500-sheet feeder\)](#)
- [Step 2: Remove the front right cover \(500-sheet feeder\)](#)
- [Step 3: Remove the right cover \(500-sheet feeder\)](#)
- [Step 4: Remove the upper connector](#)
- [Step 5: Unpack the replacement upper connector](#)
- [Step 6: Install the upper connector](#)
- [Step 7: Install the right cover \(500-sheet feeder\)](#)
- [Step 8: Install the front right cover \(500-sheet feeder\)](#)
- [Step 9: Install the tray \(500-sheet feeder\)](#)

Introduction

This document provides the procedures to remove and replace the upper connector on the 500-sheet feeder.

Before performing service

Turn the printer power off

- Lift the printer off of the 500-sheet paper feeder.

Use the table below to identify the correct part number for your printer. To order the part, go to www.hp.com/buy/parts.

Upper connector part number	
VS1-7500-006CN	Connector, drawer, 6P

Required tools

- #2 Phillips screwdriver with a magnetic tip
- Needle-nose pliers

After performing service

Turn the printer power on

- Connect the power cable.
- Use the power switch to turn the power on.

Post service test

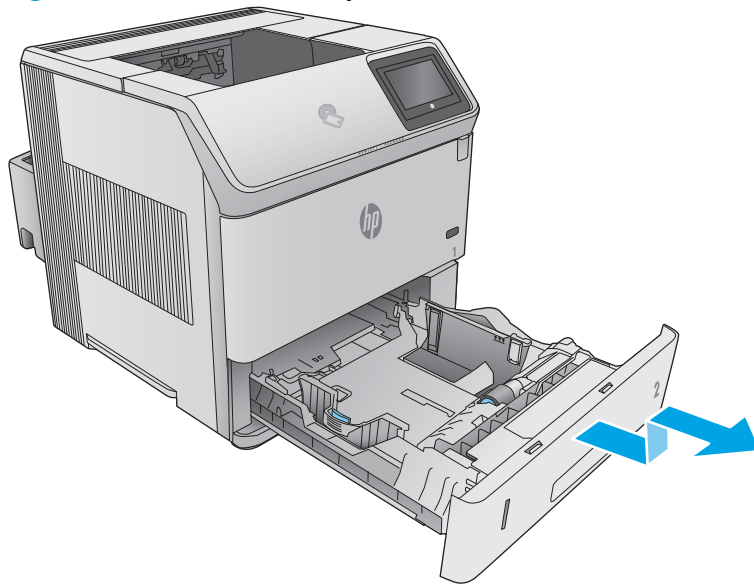
Make sure that the printer initializes to a **Ready** state.

Print a configuration page from the 500-sheet paper feeder to make sure that the printer is functioning correctly.

Step 1: Remove the tray (500-sheet feeder)

- ▲ Pull the tray out, slightly lift up, and then pull it completely out of the printer to remove it.

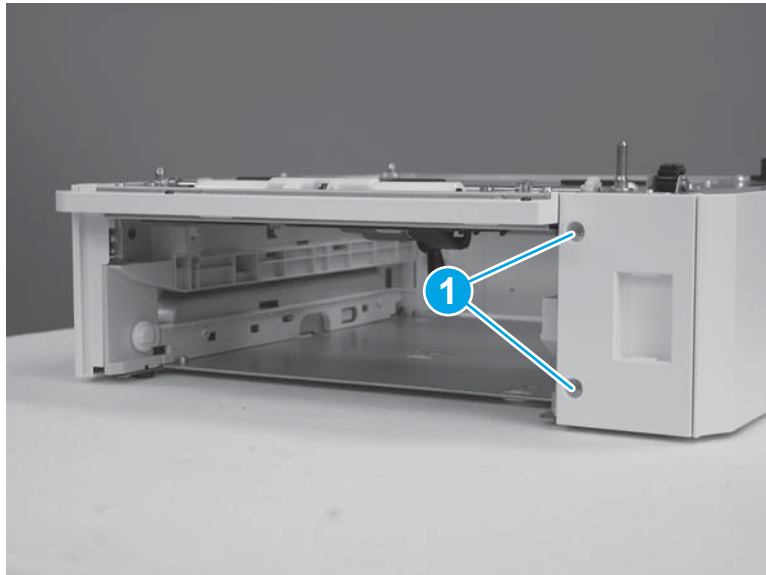
Figure 1-2364 Remove the tray



Step 2: Remove the front right cover (500-sheet feeder)

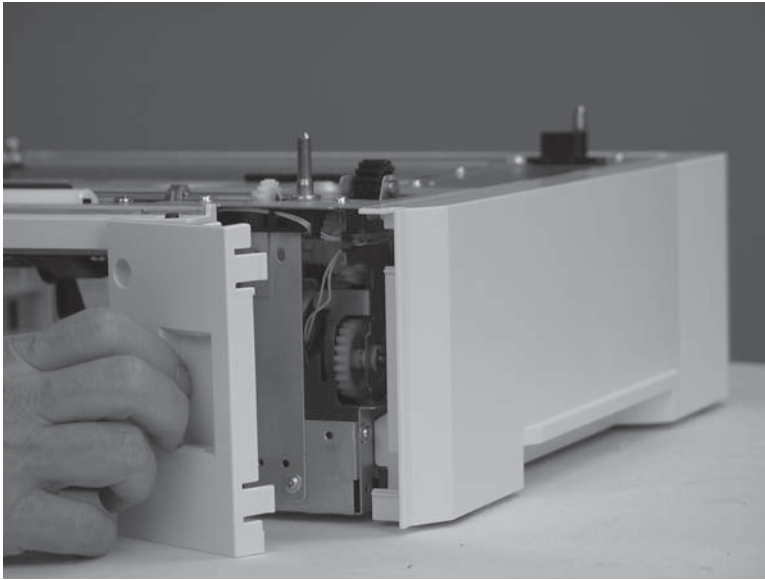
1. Remove two screws (callout 1).

Figure 1-2365 Remove two screws



2. Remove the front right cover.

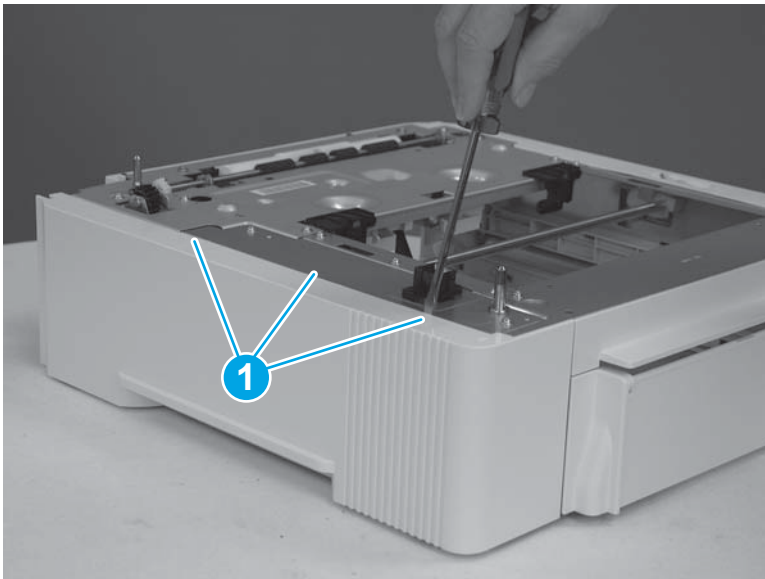
Figure 1-2366 Remove the cover



Step 3: Remove the right cover (500-sheet feeder)

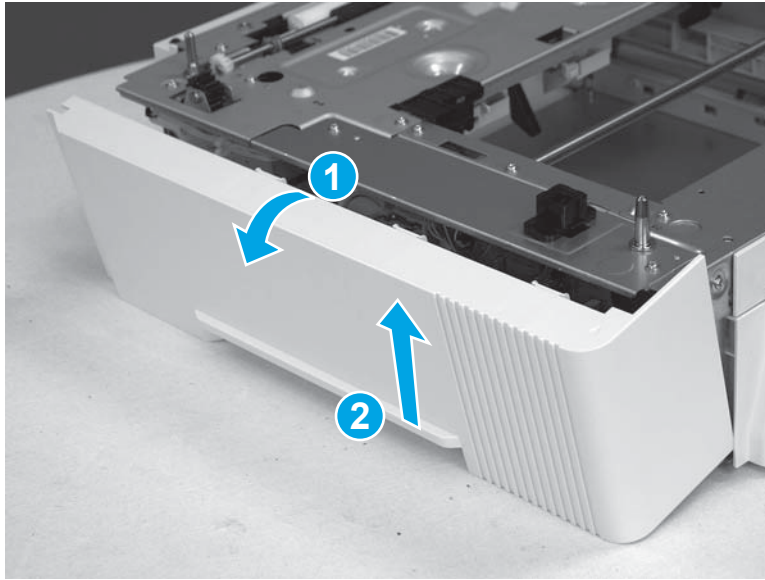
1. Use a flat-blade screwdriver to release three tabs (callout 1).

Figure 1-2367 Release three tabs



2. Rotate the cover away from the feeder (callout 1), and then lift up (callout 2) to remove it.

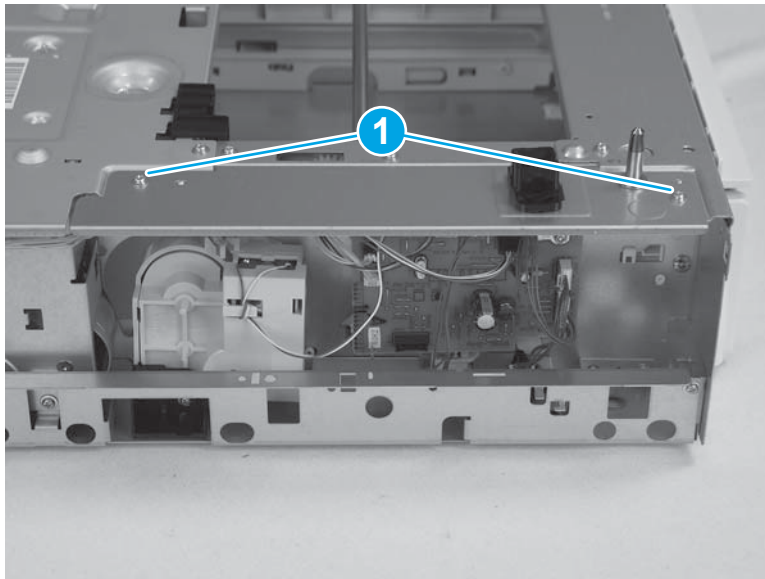
Figure 1-2368 Rotate and remove the cover



Step 4: Remove the upper connector

1. Remove two screws (callout 1).

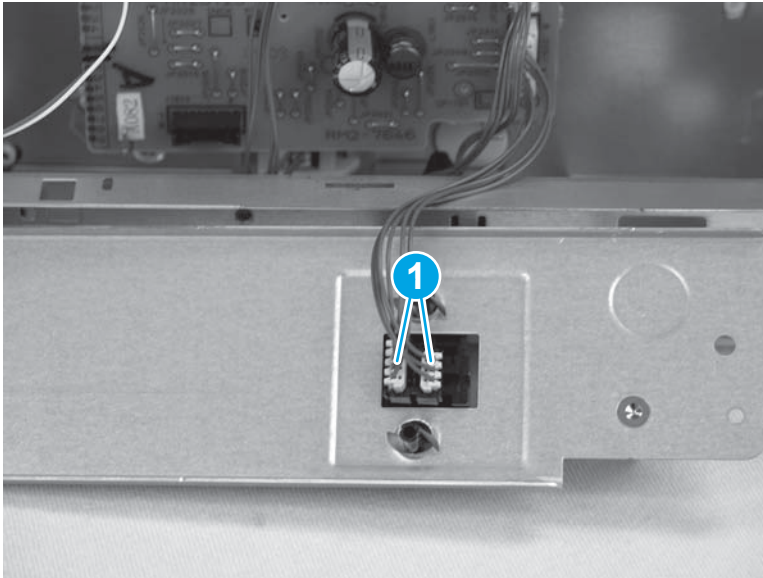
Figure 1-2369 Remove two screws



2. Rotate the sheet-metal plate away from the feeder, and then disconnect two connectors (callout 1) on the back of the plate.

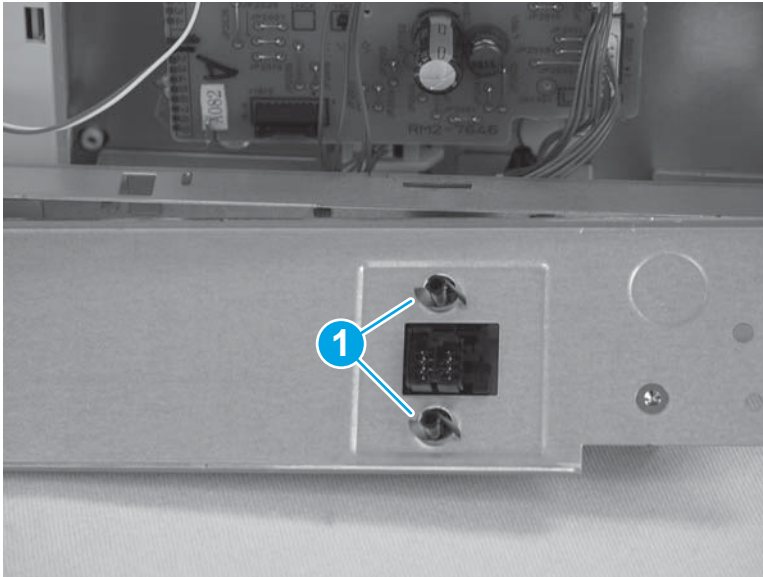
CAUTION: The sheet-metal plate is still attached to the feeder until the connectors are disconnected.

Figure 1-2370 Disconnect two connectors



3. Use needle-nose pliers to compress the retaining sleeves around the two pegs (callout 1) on the connector. Press the pegs through the holes to remove the connector.

Figure 1-2371 Compress the sleeves around the pegs



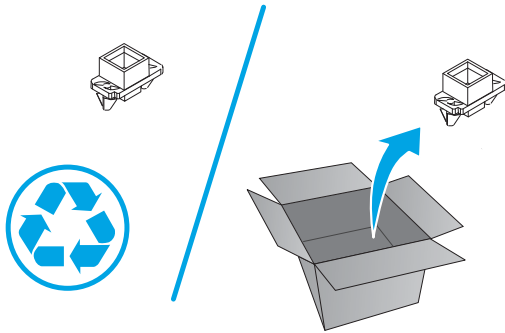
Step 5: Unpack the replacement upper connector

Unpack the replacement part from the packaging.

<http://www8.hp.com/us/en/hp-information/environment/product-recycling.html>

NOTE: HP recommends responsible disposal of the defective part.

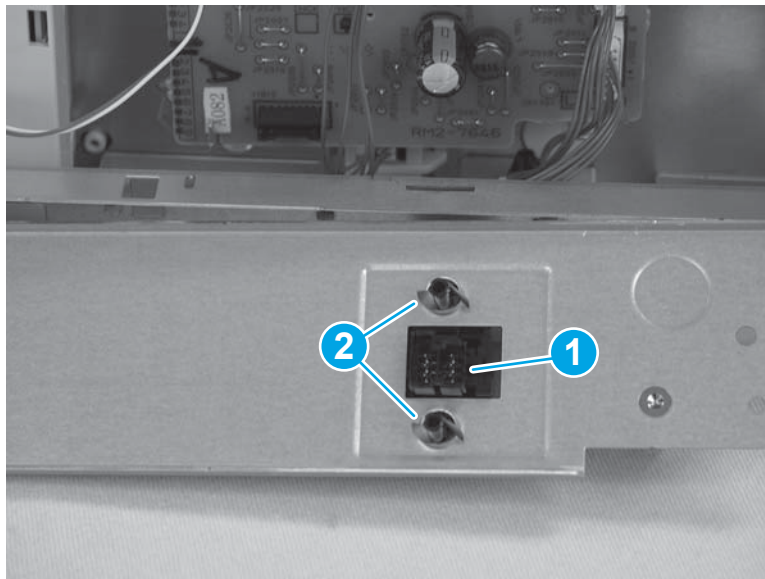
Figure 1-2372 Recycle and unpack



Step 6: Install the upper connector

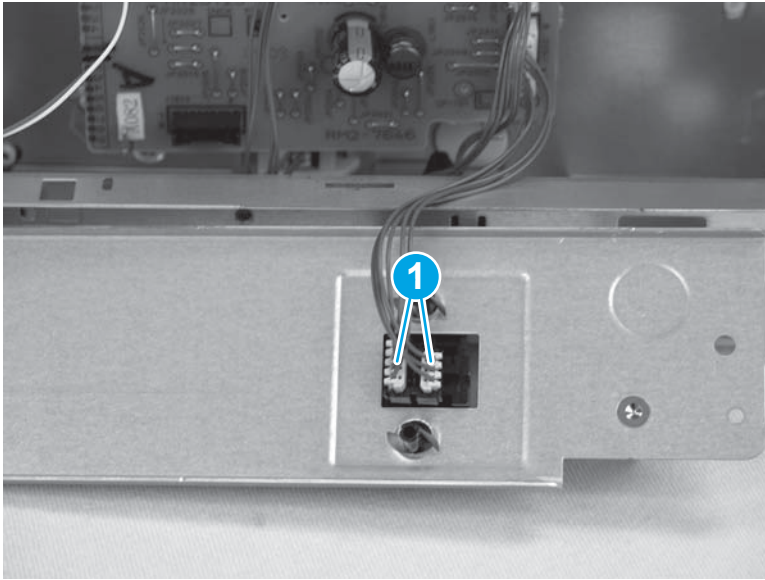
1. Install the upper connector in the sheet-metal plate. Make sure that the connector (callout 1) is positioned correctly in the sheet metal opening, and that the pegs (callout 2) are fully installed through the holes.

Figure 1-2373 Install the connector



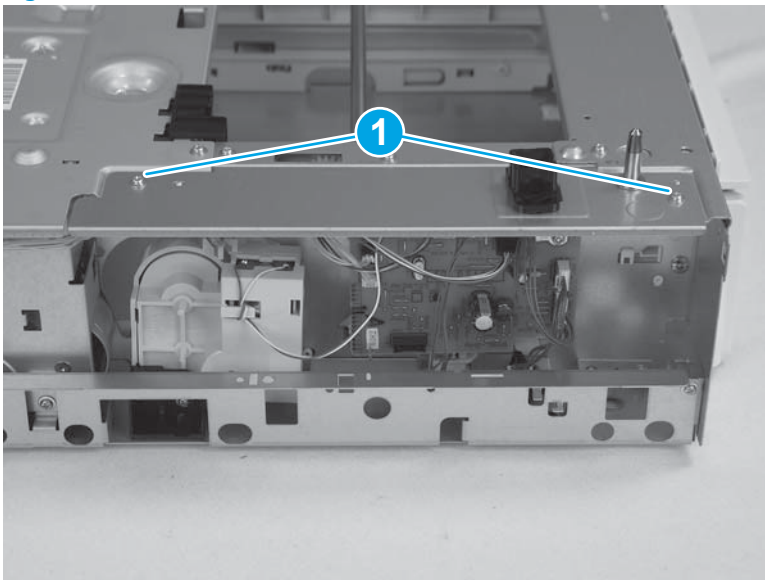
2. Connect two connectors (callout 1).

Figure 1-2374 Connect two connectors



3. Position the sheet metal plate on the feeder, and then install two screws (callout 1).

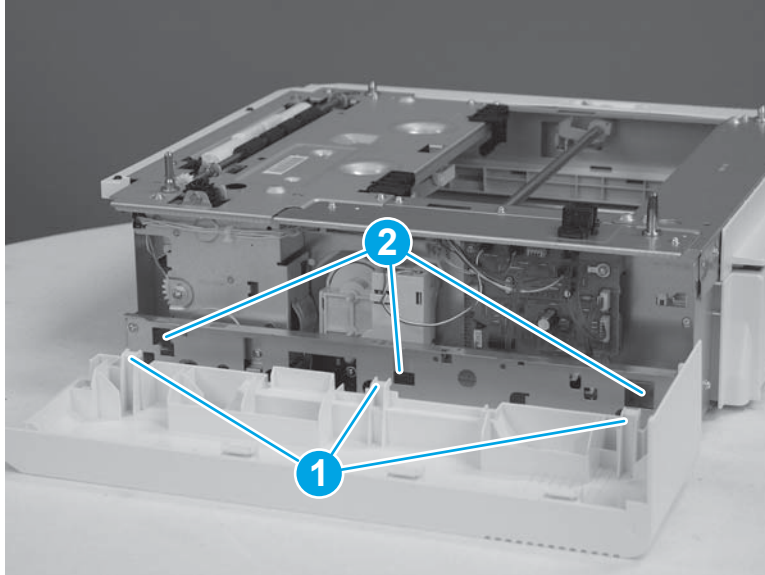
Figure 1-2375 Install two screws



Step 7: Install the right cover (500-sheet feeder)

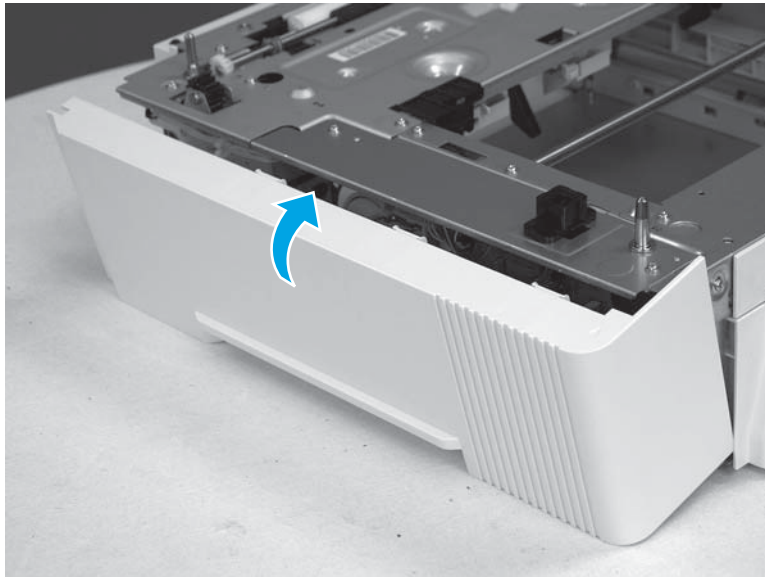
1. Install the tabs (callout 1) on the cover in the slots (callout 2) in the feeder.

Figure 1-2376 Install the tabs



2. Rotate the cover toward the feeder to install it.

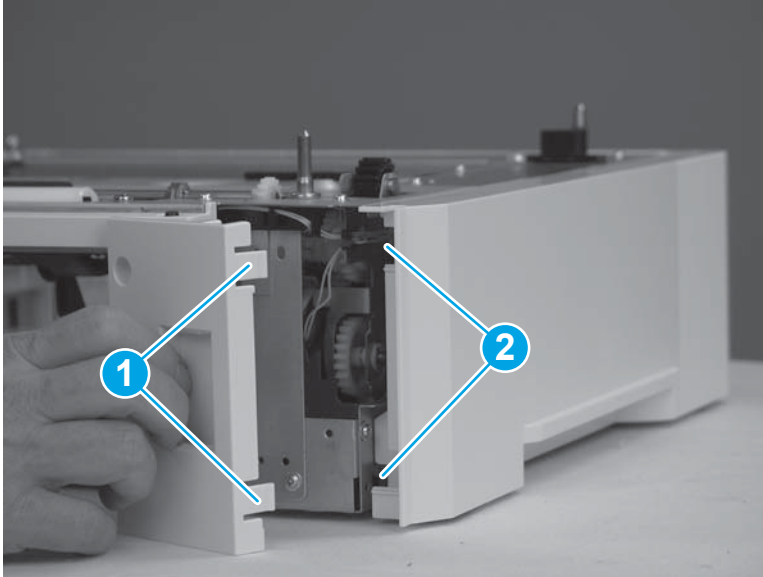
Figure 1-2377 Install the cover



Step 8: Install the front right cover (500-sheet feeder)

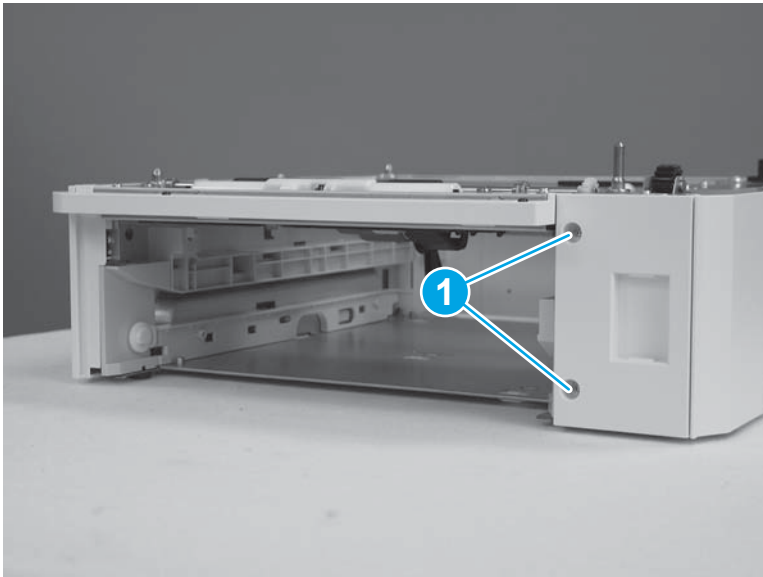
1. Install the tabs (callout 1) on the cover in the slots (callout 2) in the feeder.

Figure 1-2378 Install the tabs



2. Install two screws (callout 1).

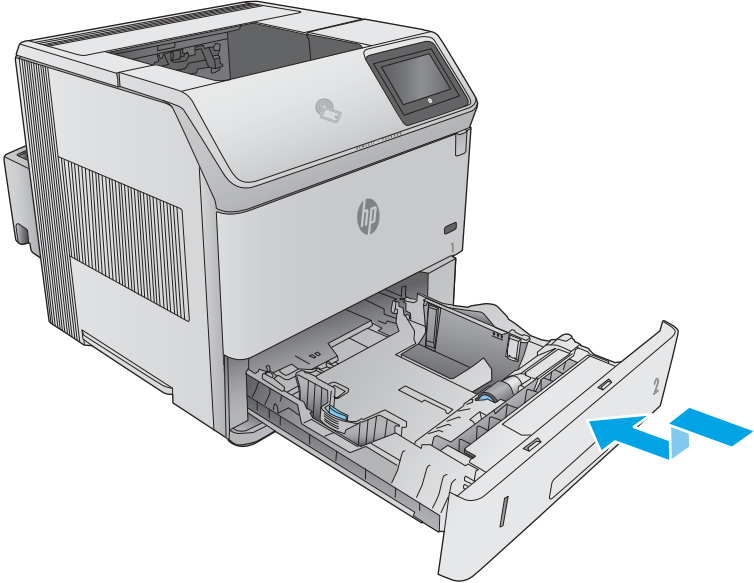
Figure 1-2379 Install two screws



Step 9: Install the tray (500-sheet feeder)

- ▲ Lift the tray up slightly and install the back edge of the tray into the tray cavity. Lower the tray, and then slide it into the printer.

Figure 1-2380 Install the tray



Removal and replacement: Lower connector (500-sheet feeder)

- [Introduction](#)
- [Step 1: Remove the tray \(500-sheet feeder\)](#)
- [Step 2: Remove the front right cover \(500-sheet feeder\)](#)
- [Step 3: Remove the right cover \(500-sheet feeder\)](#)
- [Step 4: Remove the lower connector](#)
- [Step 5: Unpack the replacement lower connector](#)
- [Step 6: Install the lower connector](#)
- [Step 7: Install the right cover \(500-sheet feeder\)](#)
- [Step 8: Install the front right cover \(500-sheet feeder\)](#)
- [Step 9: Install the tray \(500-sheet feeder\)](#)

Introduction

This document provides the procedures to remove and replace the lower connector on the 500-sheet feeder.

Before performing service

Turn the printer power off

- Lift the printer off of the 500-sheet paper feeder.

Use the table below to identify the correct part number for your printer. To order the part, go to www.hp.com/buy/parts.

Lower connector part number	
VS1-7500-006CN	Connector, drawer, 6P

Required tools

- #2 Phillips screwdriver with a magnetic tip
- Needle-nose pliers

After performing service

Turn the printer power on

- Connect the power cable.
- Use the power switch to turn the power on.

Post service test

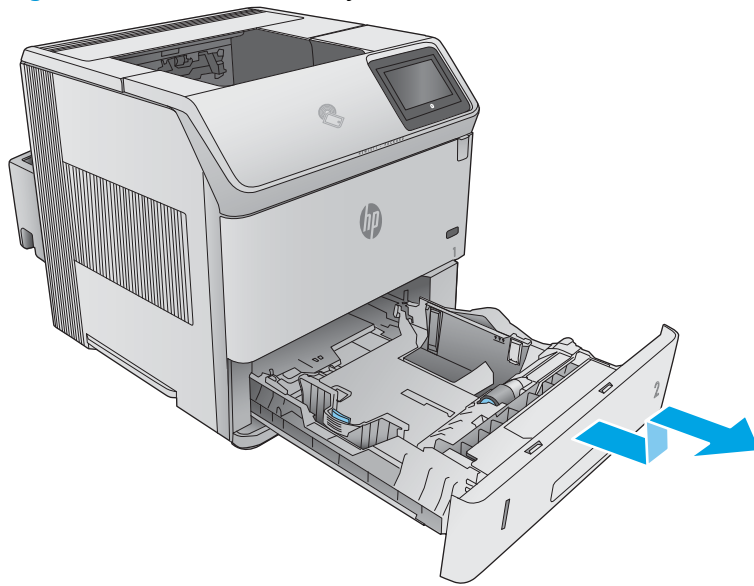
Make sure that the printer initializes to a **Ready** state.

Print a configuration page from the 500-sheet paper feeder to make sure that the printer is functioning correctly.

Step 1: Remove the tray (500-sheet feeder)

- ▲ Pull the tray out, slightly lift up, and then pull it completely out of the printer to remove it.

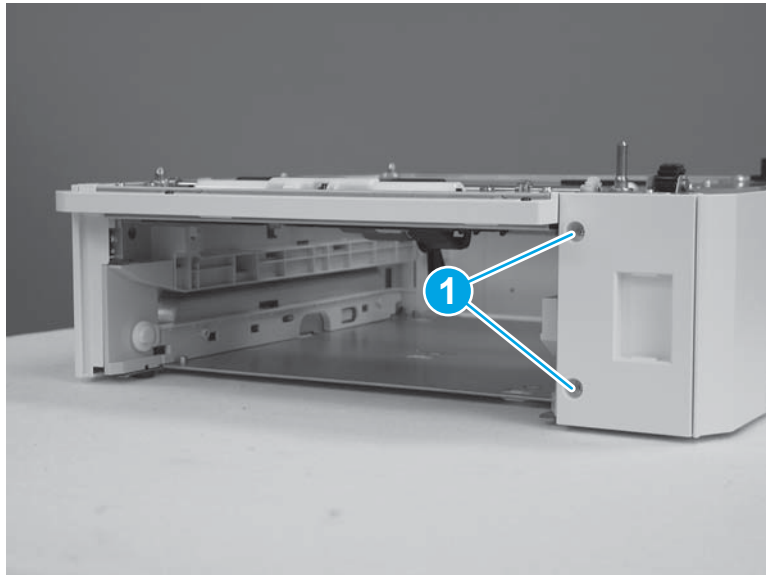
Figure 1-2381 Remove the tray



Step 2: Remove the front right cover (500-sheet feeder)

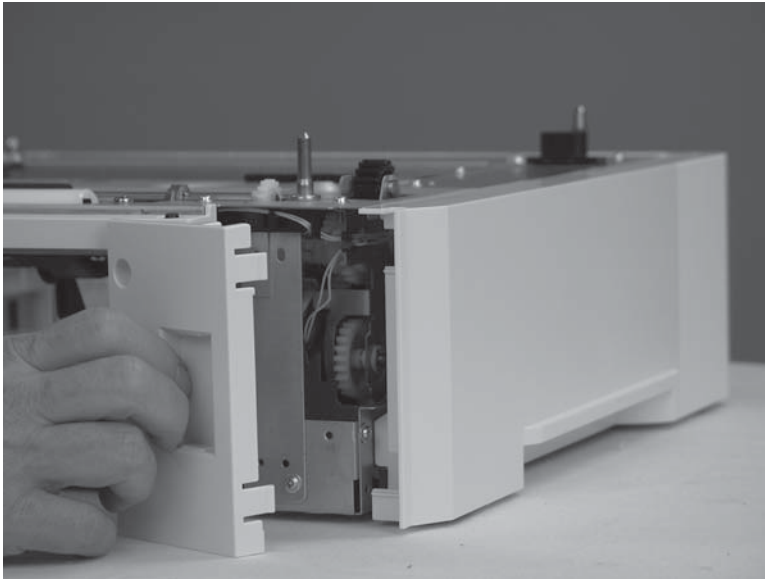
1. Remove two screws (callout 1).

Figure 1-2382 Remove two screws



2. Remove the front right cover.

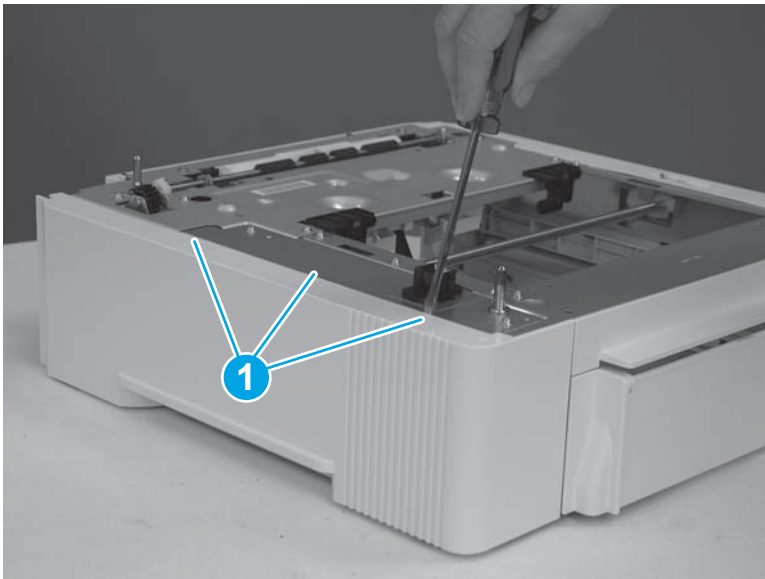
Figure 1-2383 Remove the cover



Step 3: Remove the right cover (500-sheet feeder)

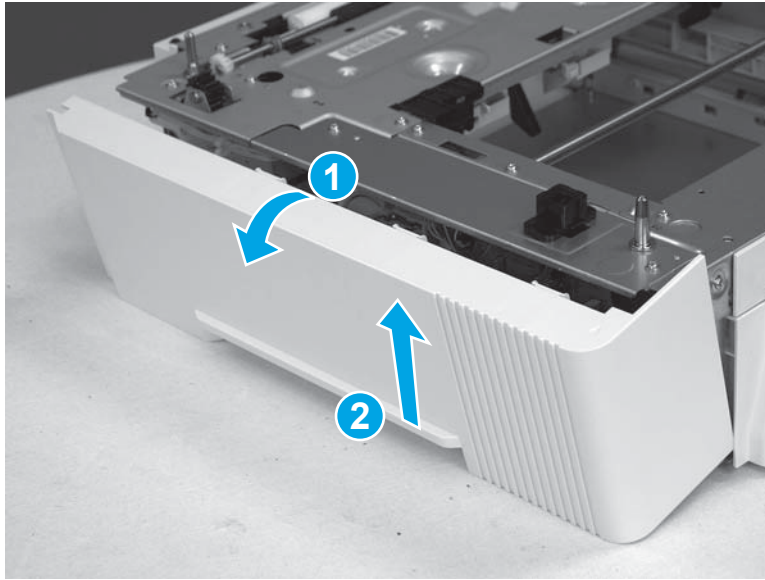
1. Use a flat-blade screwdriver to release three tabs (callout 1).

Figure 1-2384 Release three tabs



2. Rotate the cover away from the feeder (callout 1), and then lift up (callout 2) to remove it.

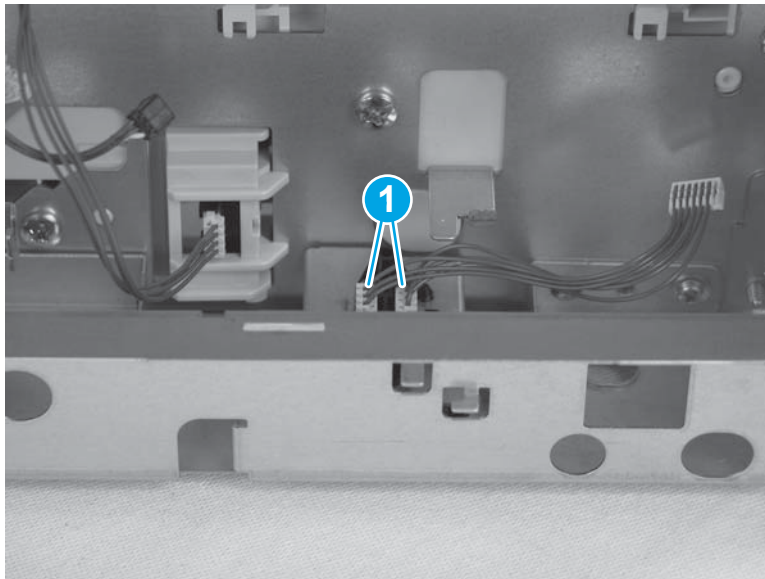
Figure 1-2385 Rotate and remove the cover



Step 4: Remove the lower connector

1. Disconnect two connectors (callout 1).

Figure 1-2386 Disconnect two connectors



2. Use needle-nose pliers to compress the retaining sleeves around the two pegs (callout 1) on the connector, and then push the connector down through the sheet metal to remove it.


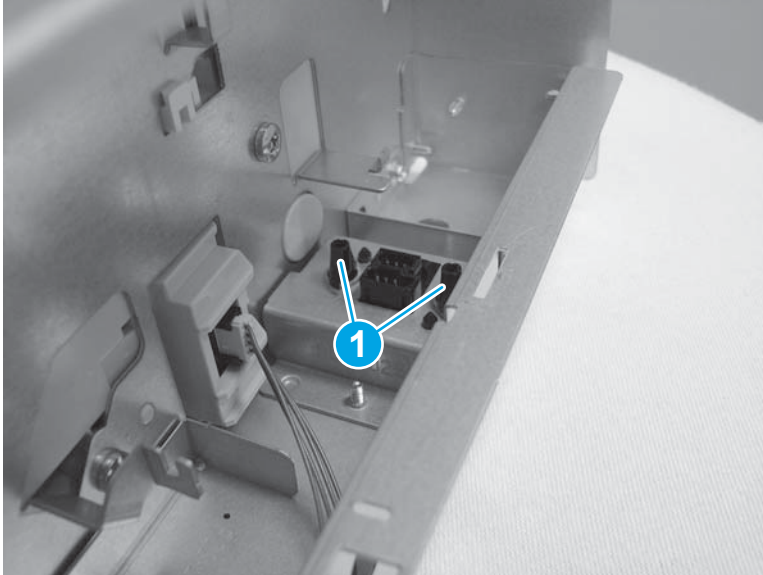
 **TIP:** Tilt the feeder up in order to access the bottom of the feeder. Rest the tilted feeder on something solid, such as a book, while removing the connector.

Figure 1-2387 Compress the sleeves around the pegs



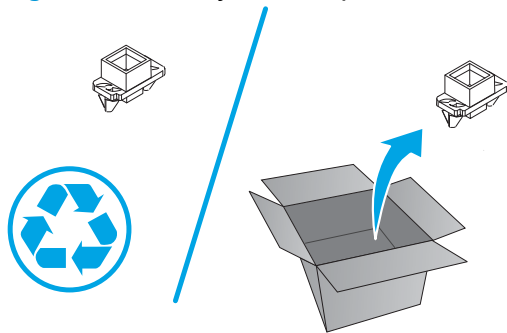
Step 5: Unpack the replacement lower connector

Unpack the replacement part from the packaging.

<http://www8.hp.com/us/en/hp-information/environment/product-recycling.html>

 **NOTE:** HP recommends responsible disposal of the defective part.

Figure 1-2388 Recycle and unpack



Step 6: Install the lower connector

1. Install the connector through the holes in the sheet metal. Make sure that the connector (callout 1) is positioned correctly in the sheet metal opening, and that the pegs (callout 2) are fully installed through the holes


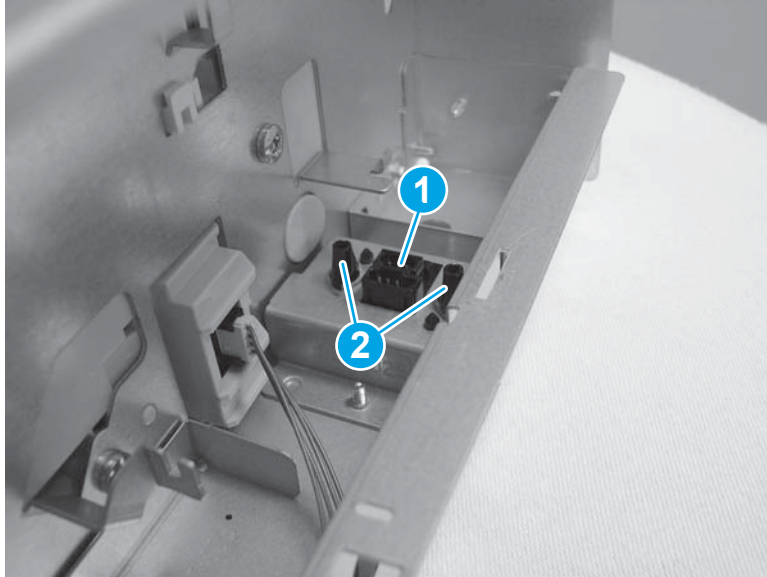
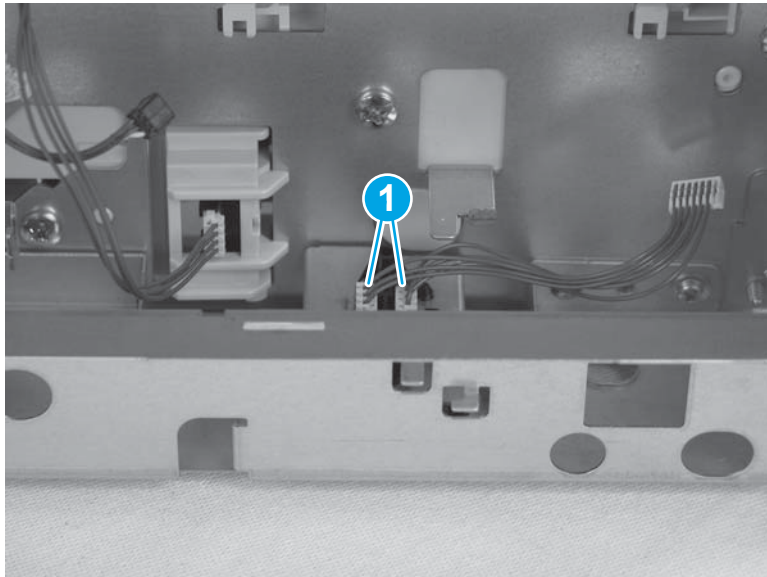
 **TIP:** Tilt the feeder up in order to access the bottom of the feeder. Rest the tilted feeder on something solid, such as a book, while installing the connector.

Figure 1-2389 Install the connector



2. Connect two connectors (callout 1).

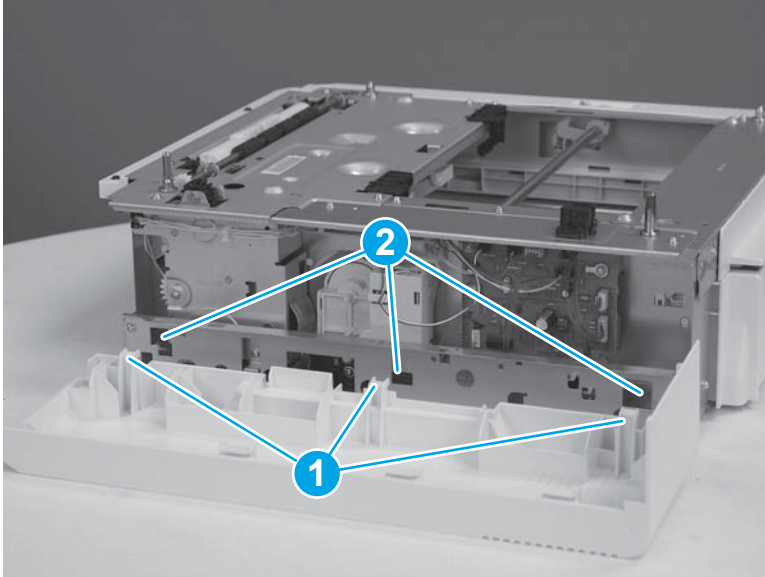
Figure 1-2390 Connect two connectors



Step 7: Install the right cover (500-sheet feeder)

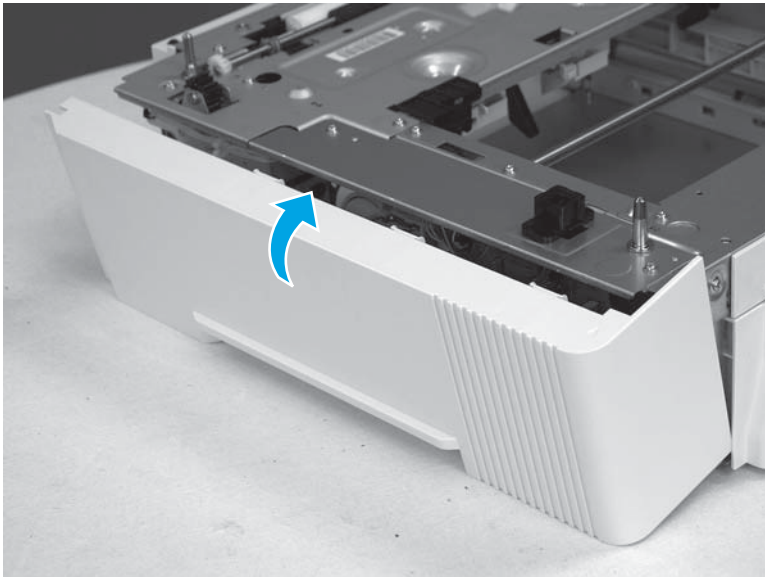
1. Install the tabs (callout 1) on the cover in the slots (callout 2) in the feeder.

Figure 1-2391 Install the tabs



2. Rotate the cover toward the feeder to install it.

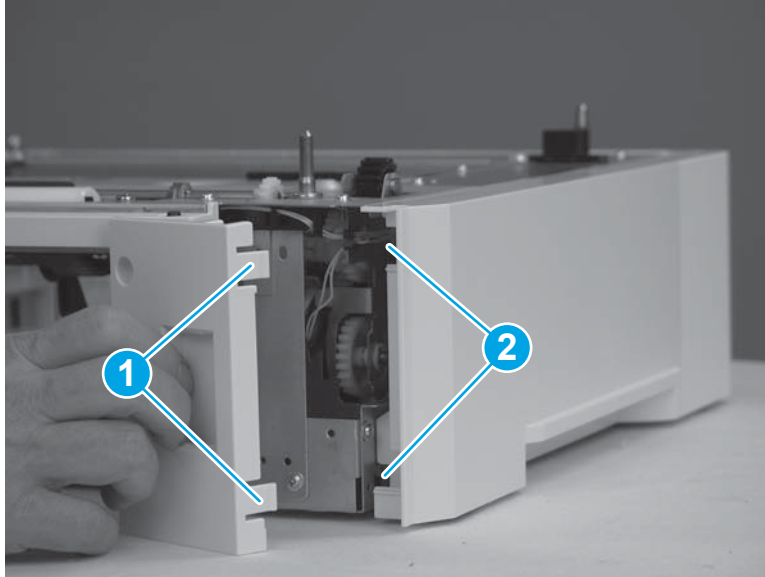
Figure 1-2392 Install the cover



Step 8: Install the front right cover (500-sheet feeder)

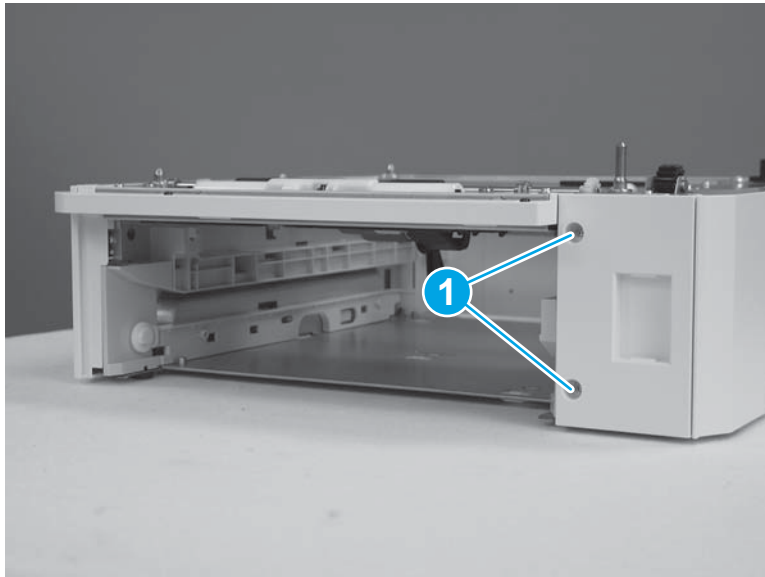
1. Install the tabs (callout 1) on the cover in the slots (callout 2) in the feeder.

Figure 1-2393 Install the tabs



2. Install two screws (callout 1).

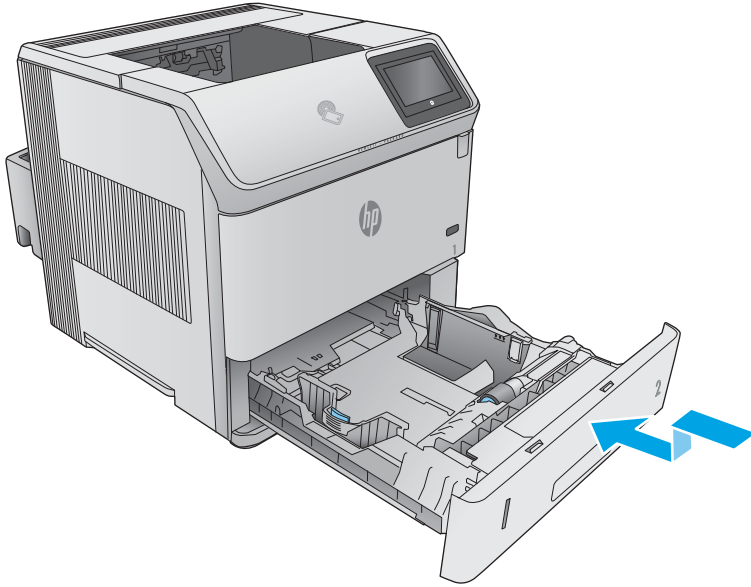
Figure 1-2394 Install two screws



Step 9: Install the tray (500-sheet feeder)

- ▲ Lift the tray up slightly and install the back edge of the tray into the tray cavity. Lower the tray, and then slide it into the printer.

Figure 1-2395 Install the tray



Removal and replacement: Size-detect assembly (500-sheet feeder)

- [Introduction](#)
- [Step 1: Remove the tray \(500-sheet feeder\)](#)
- [Step 2: Remove the tray extension door \(500-sheet feeder\)](#)
- [Step 3: Remove the front right cover \(500-sheet feeder\)](#)
- [Step 4: Remove the right cover \(500-sheet feeder\)](#)
- [Step 5: Remove the size-detect assembly](#)
- [Step 6: Unpack the replacement size-detect assembly](#)
- [Step 7: Install the size-detect assembly](#)
- [Step 8: Install the right cover \(500-sheet feeder\)](#)
- [Step 9: Install the front right cover \(500-sheet feeder\)](#)
- [Step 10: Install the tray extension door \(500-sheet feeder\)](#)
- [Step 11: Install the tray \(500-sheet feeder\)](#)


Introduction

This document provides the procedures to remove and replace the size-detect assembly for the 500-sheet feeder.

Before performing service

Turn the printer power off

- Disconnect the power cable.

 **WARNING!** To avoid damage to the printer, turn the printer off, wait 30 seconds, and then remove the power cord before attempting to service the printer.

- Lift the printer off of the 500-sheet paper feeder.

Use the table below to identify the correct part number for your printer, and then go to www.hp.com/buy/parts to order the kit.

Size-detect assembly part number	
RM1-4525-000CN	Size detect assembly

Required tools

- #2 Phillips screwdriver with a magnetic tip

After performing service

Turn the printer power on

- Connect the power cable.
- Use the power switch to turn the power on.

Post service test

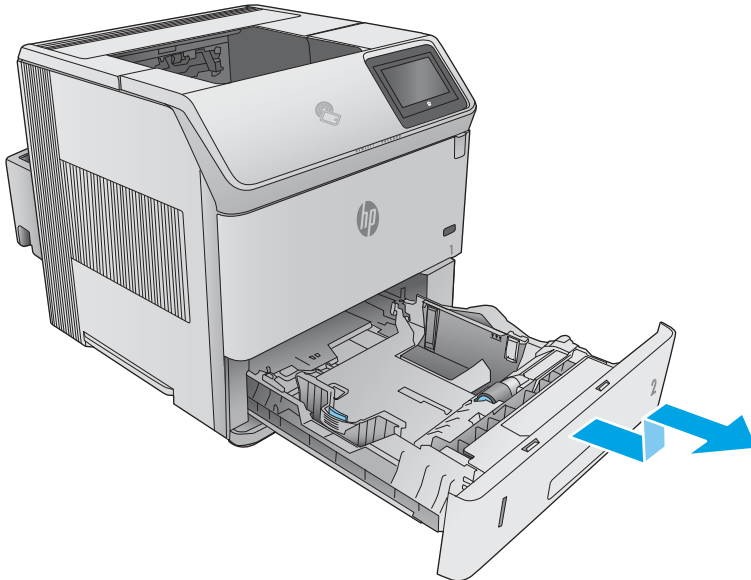
Make sure that the printer initializes to a **Ready** state.

Print a configuration page from the 500-sheet feeder to make sure that the printer is functioning correctly.

Step 1: Remove the tray (500-sheet feeder)

- ▲ Pull the tray out, slightly lift up, and then pull it completely out of the printer to remove it.

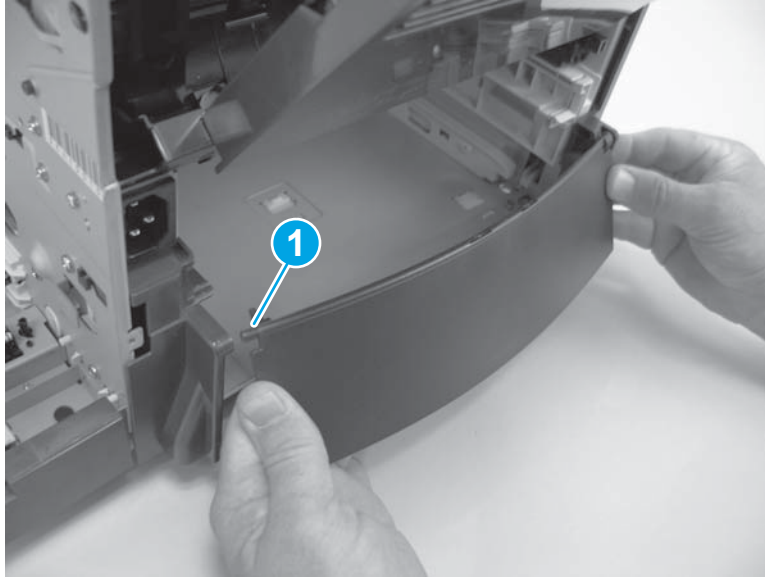
Figure 1-2396 Remove the tray



Step 2: Remove the tray extension door (500-sheet feeder)

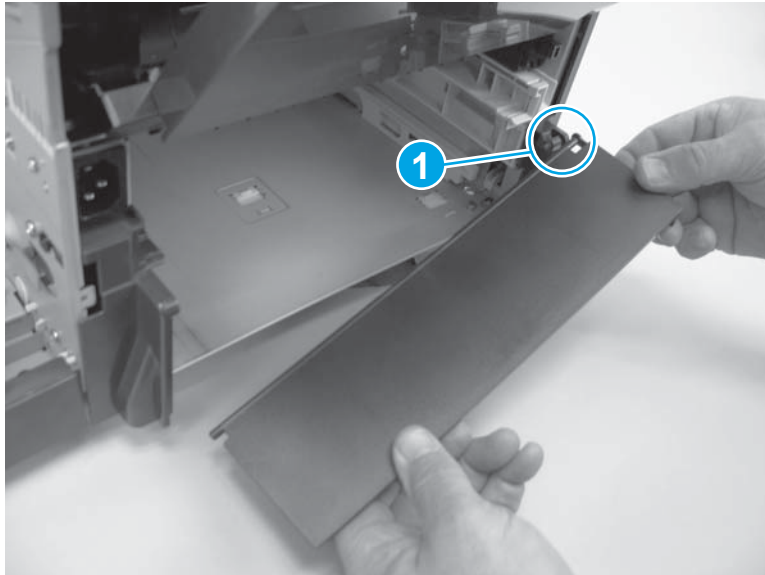
1. Carefully flex the tray extension door to release the hinge pin (callout 1).

Figure 1-2397 Release the hinge pin



2. Rotate the tray extension door to the horizontal position, and then pull up on the keyed hinge pin (callout 1) to release the door. Remove the tray extension door.

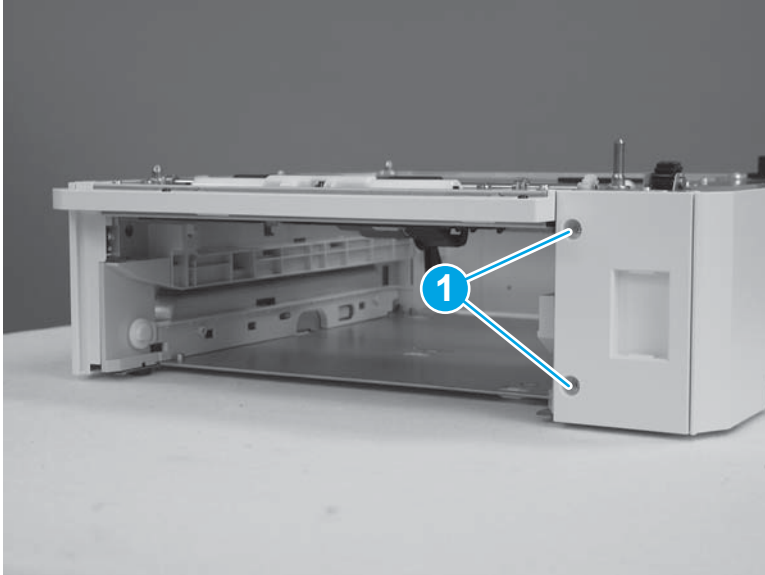
Figure 1-2398 Remove the tray extension door



Step 3: Remove the front right cover (500-sheet feeder)

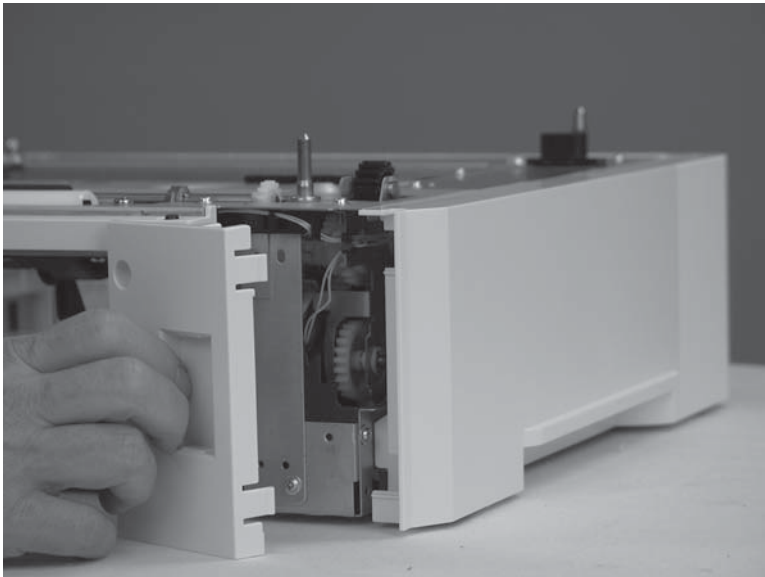
1. Remove two screws (callout 1).

Figure 1-2399 Remove two screws



2. Remove the front right cover.

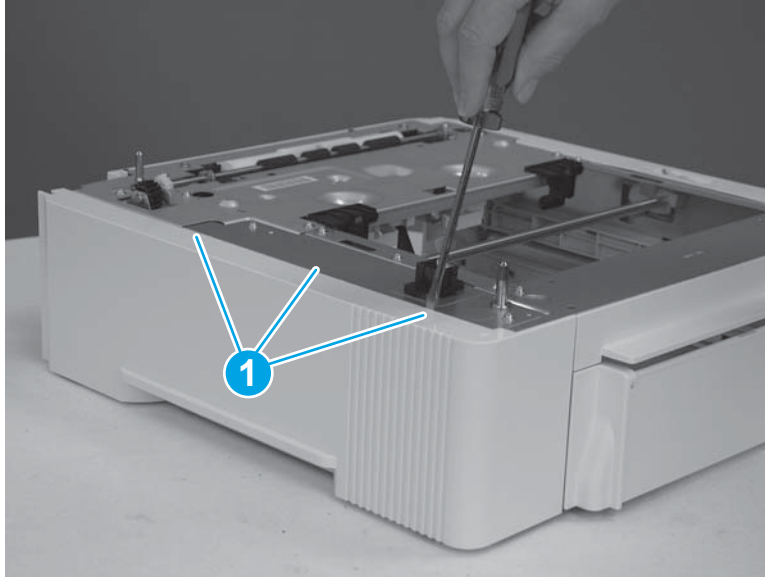
Figure 1-2400 Remove the cover



Step 4: Remove the right cover (500-sheet feeder)

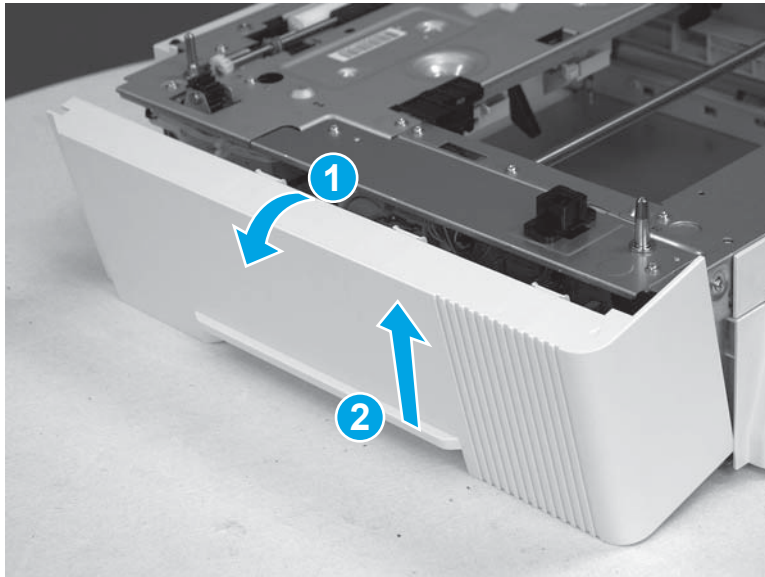
1. Use a flat-blade screwdriver to release three tabs (callout 1).

Figure 1-2401 Release three tabs




2. Rotate the cover away from the feeder (callout 1), and then lift up (callout 2) to remove it.

Figure 1-2402 Rotate and remove the cover

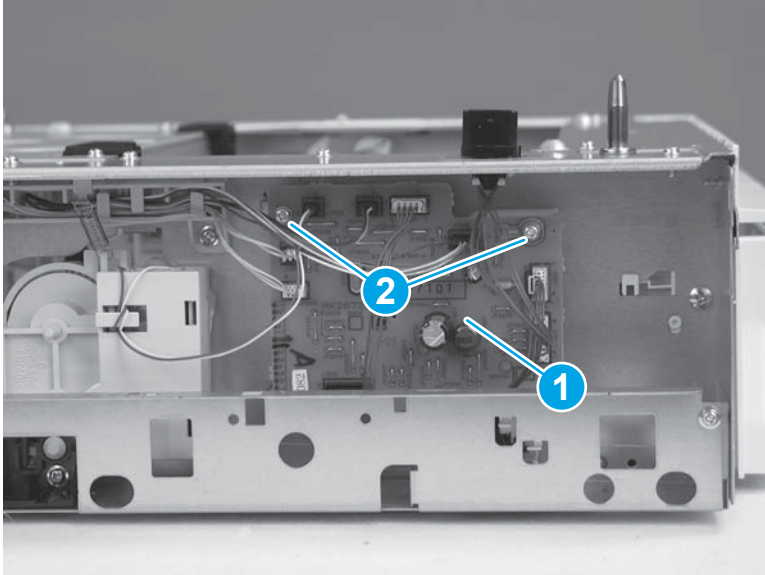


Step 5: Remove the size-detect assembly

 **NOTE:** Some of the figures in the following steps show the removal of the Tray 2 size-detect assembly. The procedure is also correct for the 500-sheet feeder size-detect assembly.

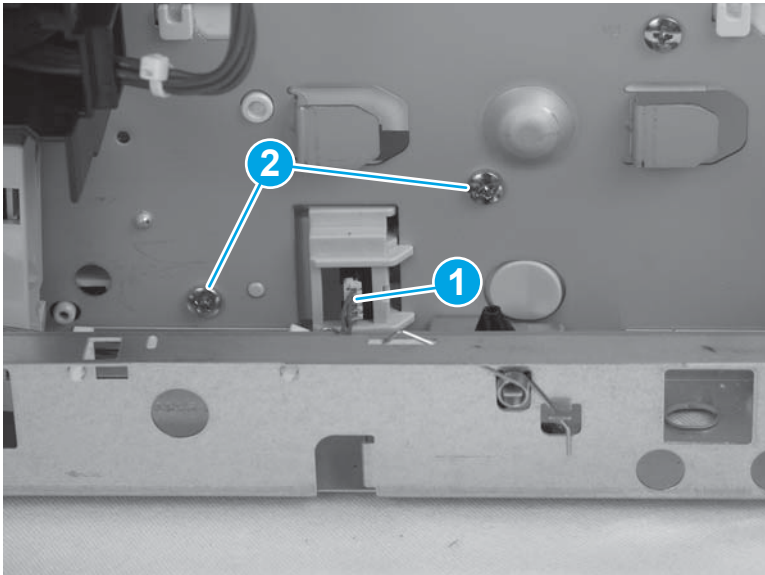
1. Disconnect all of the connectors on the PCA (callout 1), remove two screws (callout 2), and then remove the PCA.

Figure 1-2403 Remove the PCA



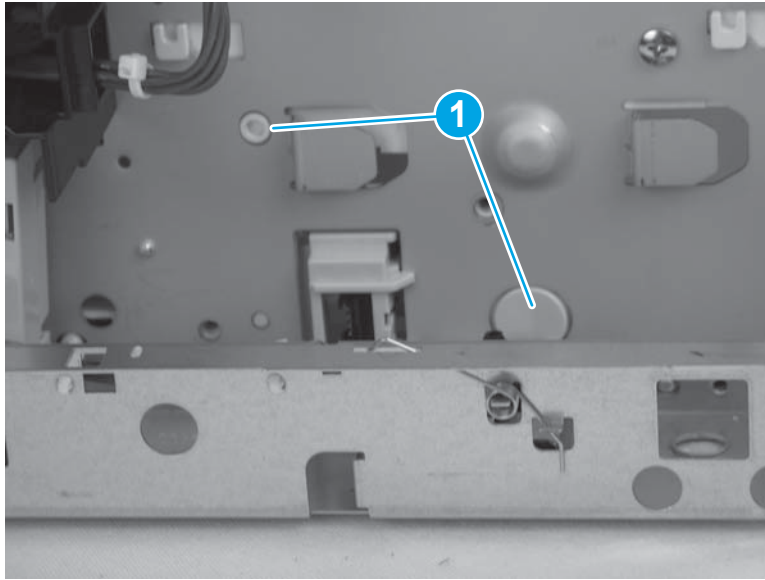
2. Disconnect one connector (callout 1), and then remove two screws (callout 2).

Figure 1-2404 Disconnect one connector and remove two screws



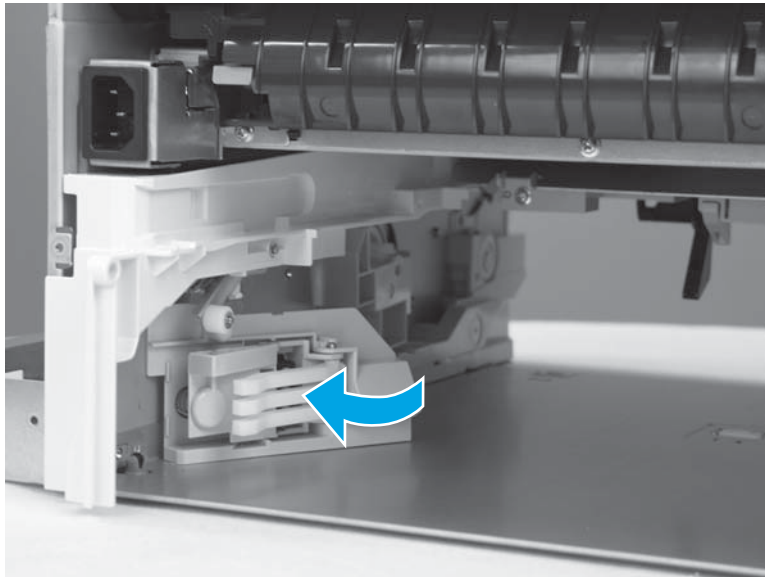
3. Release two tabs (callout 1).

Figure 1-2405 Release two tabs



4. Inside the 500-sheet feeder cavity, rotate the size-detect assembly away from the sheet-metal frame, and then remove it.

Figure 1-2406 Rotate and remove the size-detect assembly



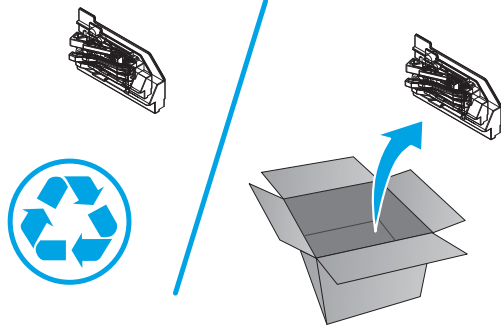
Step 6: Unpack the replacement size-detect assembly

Unpack the replacement part from the packaging.

<http://www8.hp.com/us/en/hp-information/environment/product-recycling.html>

 **NOTE:** HP recommends responsible disposal of the defective part.

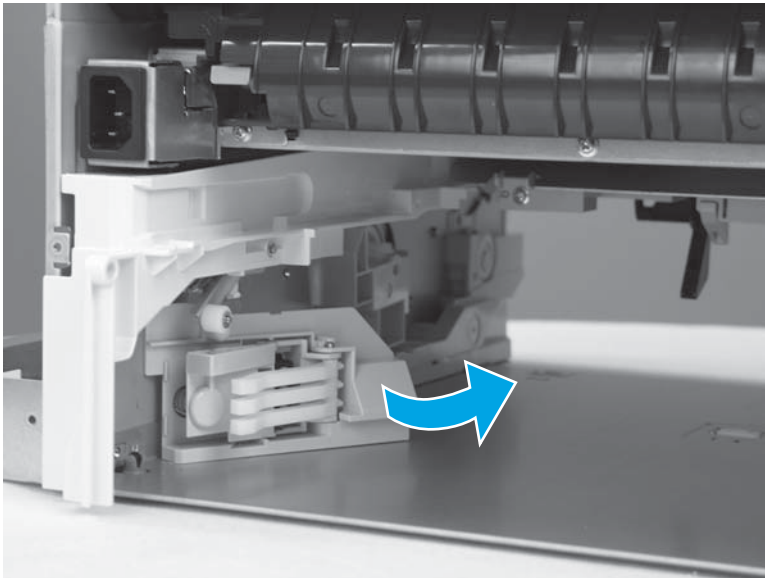
Figure 1-2407 Recycle and unpack



Step 7: Install the size-detect assembly

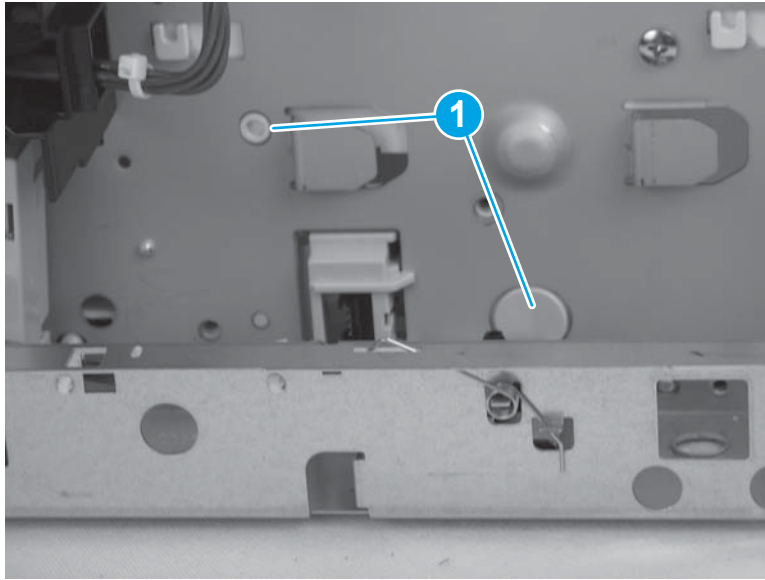
1. Inside the 500-sheet feeder cavity, rotate the size-detect assembly toward the sheet-metal frame to install it.

Figure 1-2408 Install the size-detect assembly



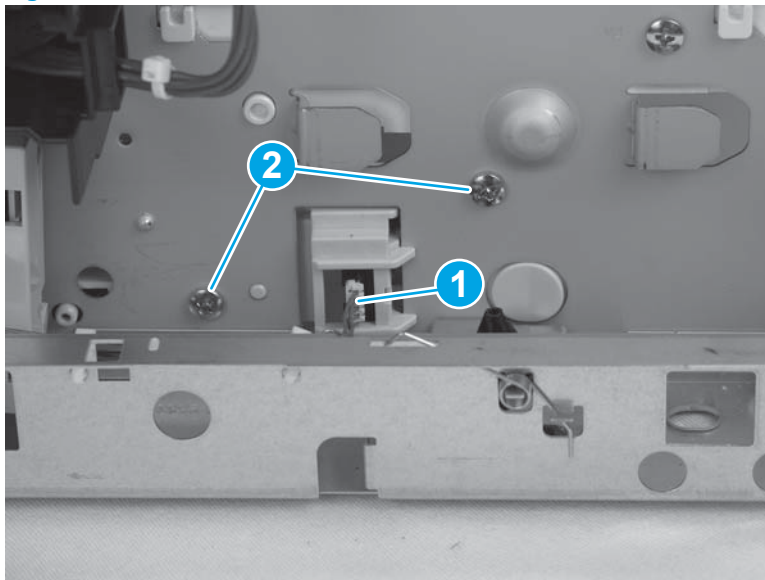
2. Make sure that two tabs (callout 1) are installed in the sheet metal frame.

Figure 1-2409 Install two tabs



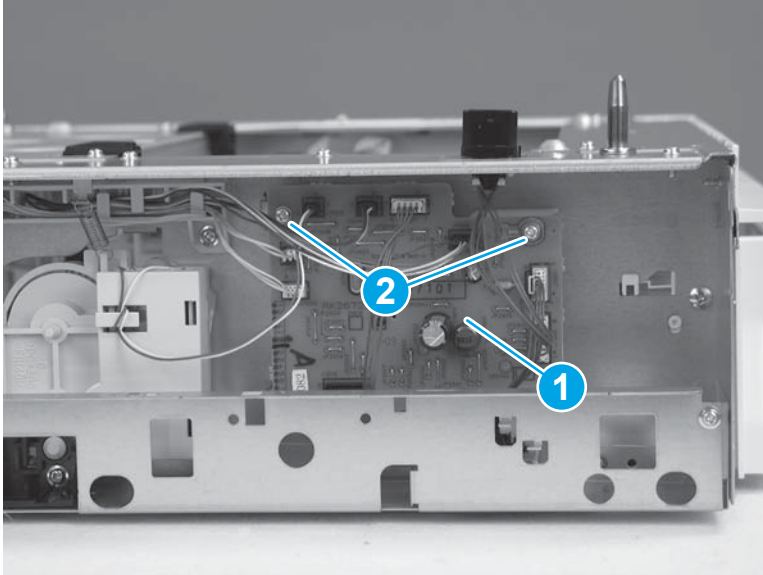
3. Connect one connector (callout 1), and then install two screws (callout 2).

Figure 1-2410 Connect one connector and install two screws



4. Install the PCA (callout 1), connect all of the connectors on the PCA, and then install two screws (callout 2).

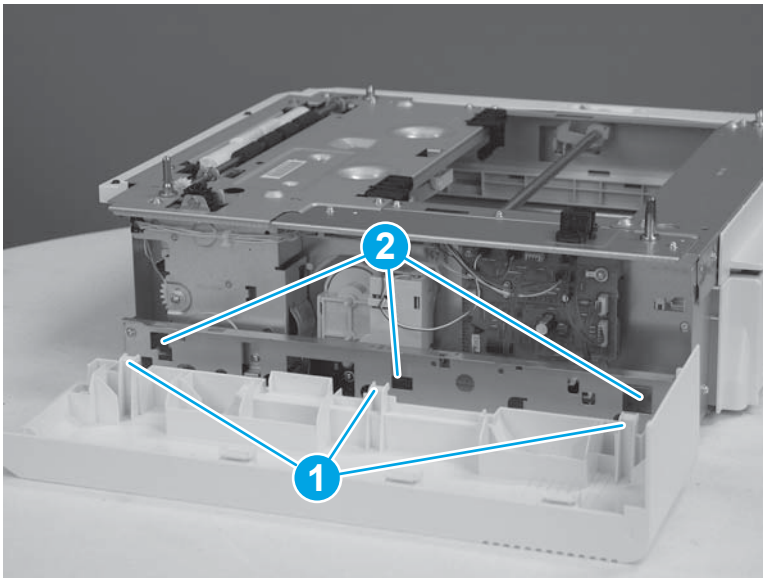
Figure 1-2411 Install the PCA



Step 8: Install the right cover (500-sheet feeder)

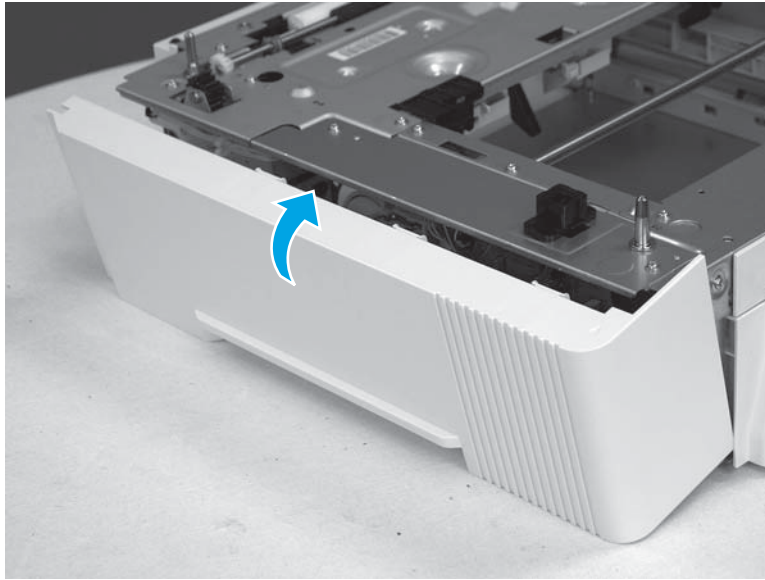
1. Install the tabs (callout 1) on the cover in the slots (callout 2) in the feeder.

Figure 1-2412 Install the tabs



2. Rotate the cover toward the feeder to install it.

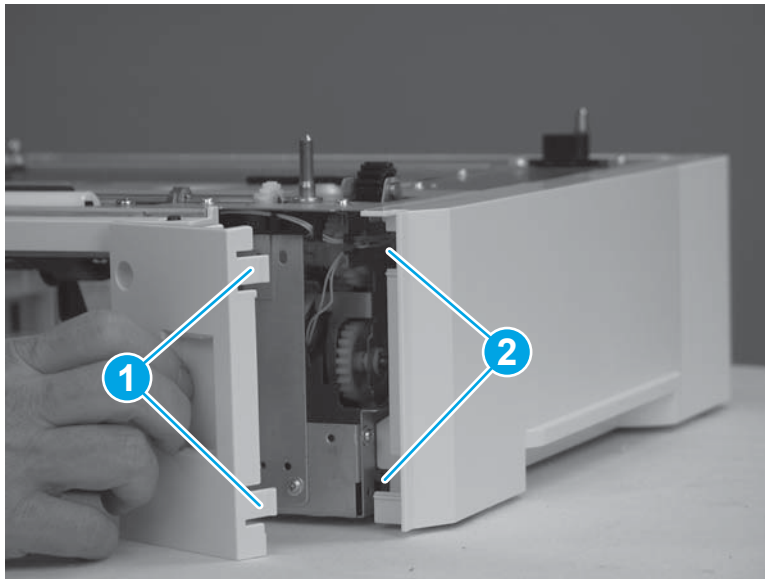
Figure 1-2413 Install the cover



Step 9: Install the front right cover (500-sheet feeder)

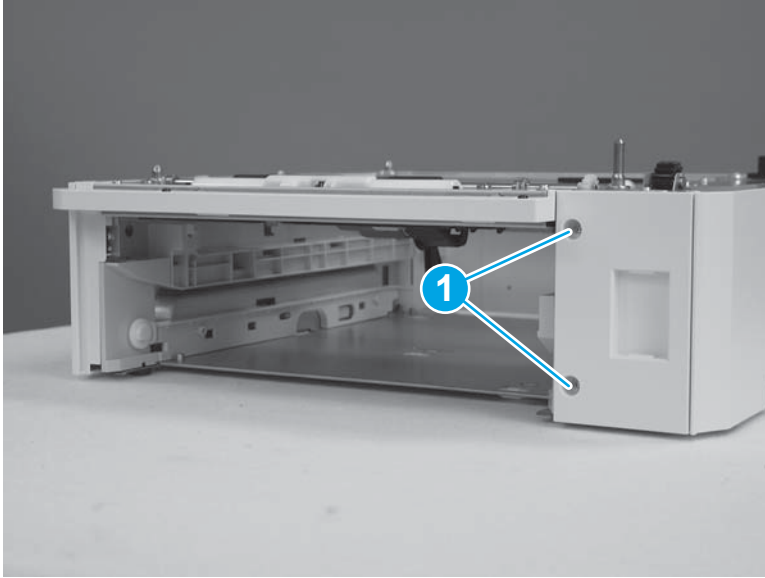
1. Install the tabs (callout 1) on the cover in the slots (callout 2) in the feeder.

Figure 1-2414 Install the tabs



2. Install two screws (callout 1).

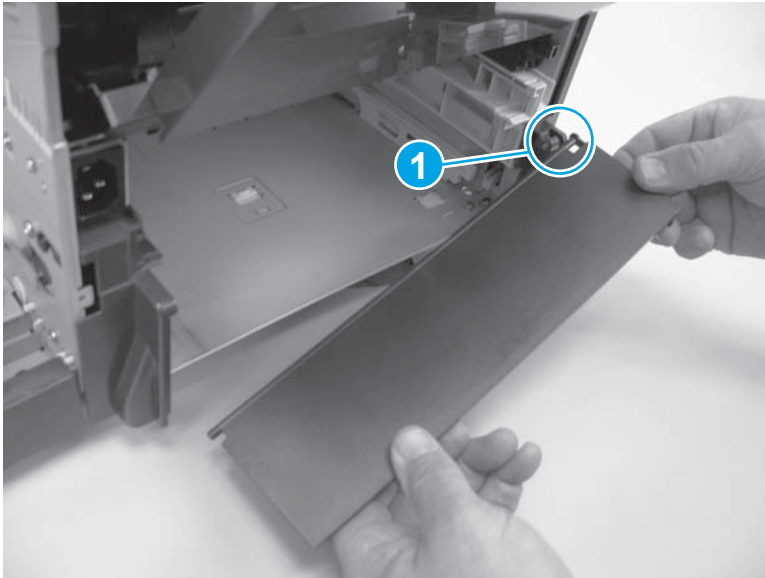
Figure 1-2415 Install two screws



Step 10: Install the tray extension door (500-sheet feeder)

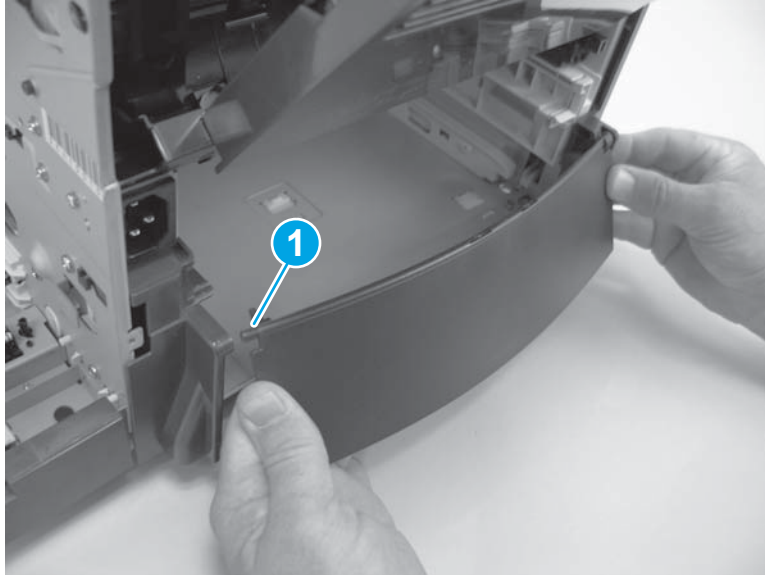
1. Rotate the Tray 2 extension door to the horizontal position, and then install the keyed hinge pin (callout 1).

Figure 1-2416 Install the keyed hinge pin



2. Carefully flex the Tray 2 extension door, and then install the hinge pin (callout 1) near the power-cord side of the printer.

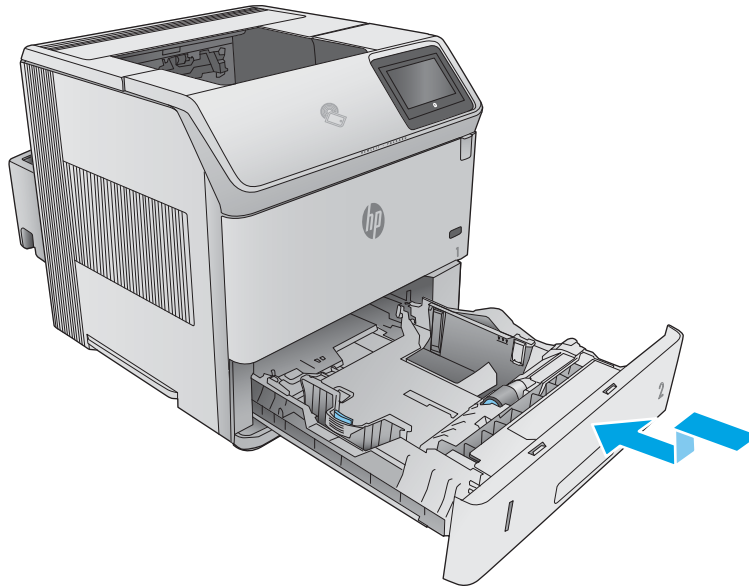
Figure 1-2417 Install the hinge pin



Step 11: Install the tray (500-sheet feeder)

- ▲ Lift the tray up slightly and install the back edge of the tray into the tray cavity. Lower the tray, and then slide it into the printer.

Figure 1-2418 Install the tray



Removal and replacement: Lifter drive assembly (500-sheet feeder)

- [Introduction](#)
- [Step 1: Remove the tray \(500-sheet feeder\)](#)
- [Step 2: Remove the front right cover \(500-sheet feeder\)](#)
- [Step 3: Remove the right cover \(500-sheet feeder\)](#)
- [Step 4: Remove the lifter drive assembly](#)
- [Step 6: Unpack the replacement lifter drive assembly](#)
- [Step 7: Install the lifter drive assembly](#)
- [Step 7: Install the right cover \(500-sheet feeder\)](#)
- [Step 8: Install the front right cover \(500-sheet feeder\)](#)
- [Step 9: Install the tray extension door \(500-sheet feeder\)](#)
- [Step 10: Install the tray \(500-sheet feeder\)](#)


Introduction

This document provides the procedures to remove and replace the lifter drive assembly for the 500-sheet feeder.

Before performing service

Turn the printer power off

- Disconnect the power cable.

 **WARNING!** To avoid damage to the printer, turn the printer off, wait 30 seconds, and then remove the power cord before attempting to service the printer.

- Lift the printer off of the 500-sheet paper feeder.

Use the table below to identify the correct part number for your printer, and then go to www.hp.com/buy/parts to order the kit.

Lifter drive assembly part number	
-----------------------------------	--

RM2-6278-000CN

Lifter drive assembly (500-sheet feeder)
--

Required tools

- #2 Phillips screwdriver with a magnetic tip

After performing service

Turn the printer power on

- Connect the power cable.
- Use the power switch to turn the power on.

Post service test

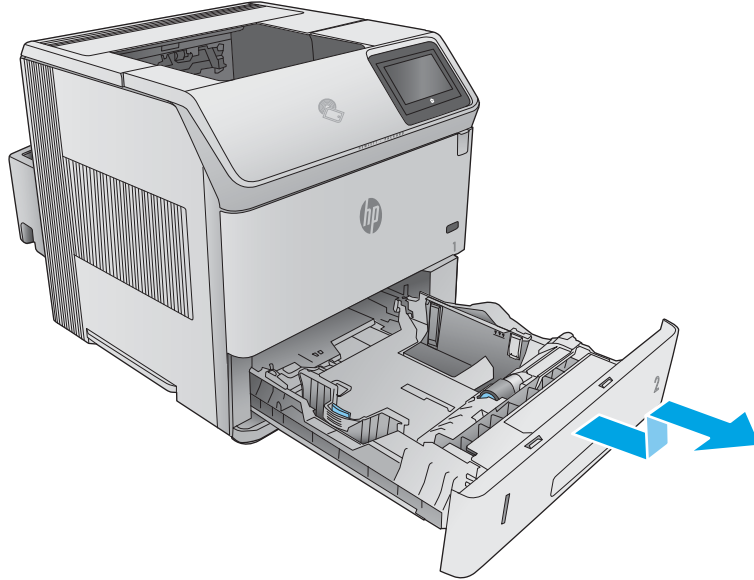
Make sure that the printer initializes to a **Ready** state.

Print a configuration page from the 500-sheet feeder to make sure that the printer is functioning correctly.

Step 1: Remove the tray (500-sheet feeder)

- ▲ Pull the tray out, slightly lift up, and then pull it completely out of the printer to remove it.

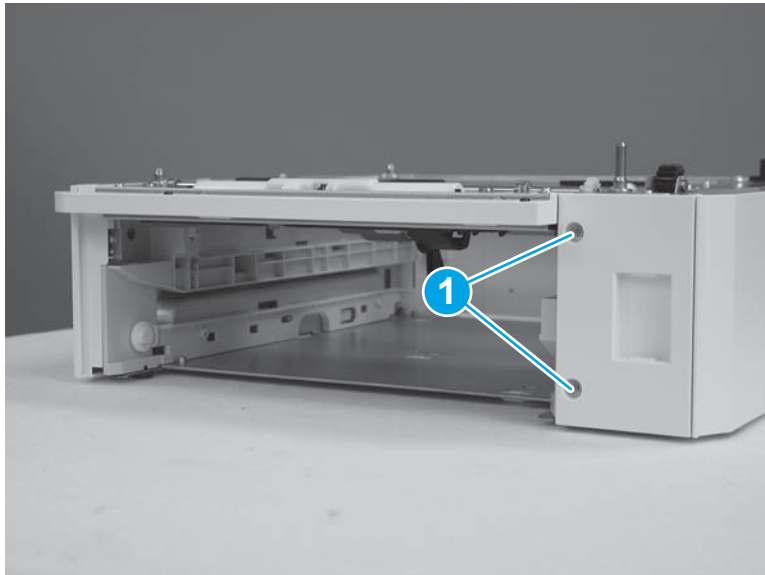
Figure 1-2419 Remove the tray



Step 2: Remove the front right cover (500-sheet feeder)

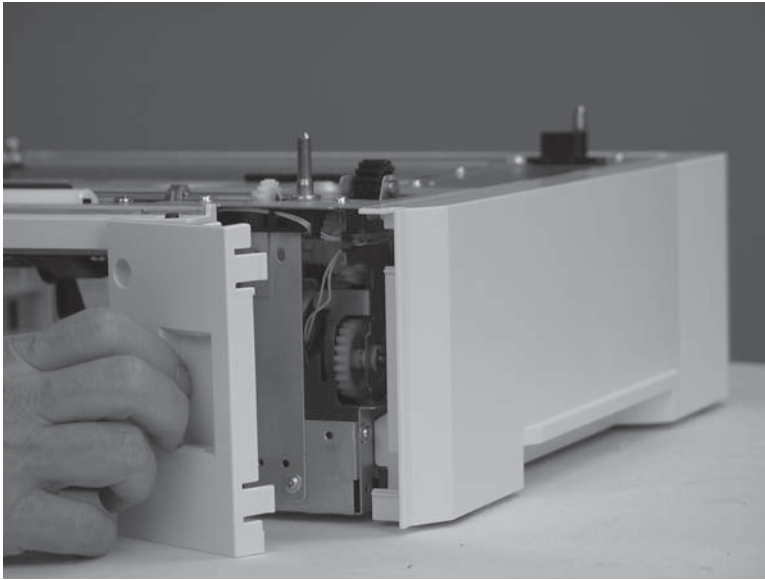
1. Remove two screws (callout 1).

Figure 1-2420 Remove two screws



2. Remove the front right cover.

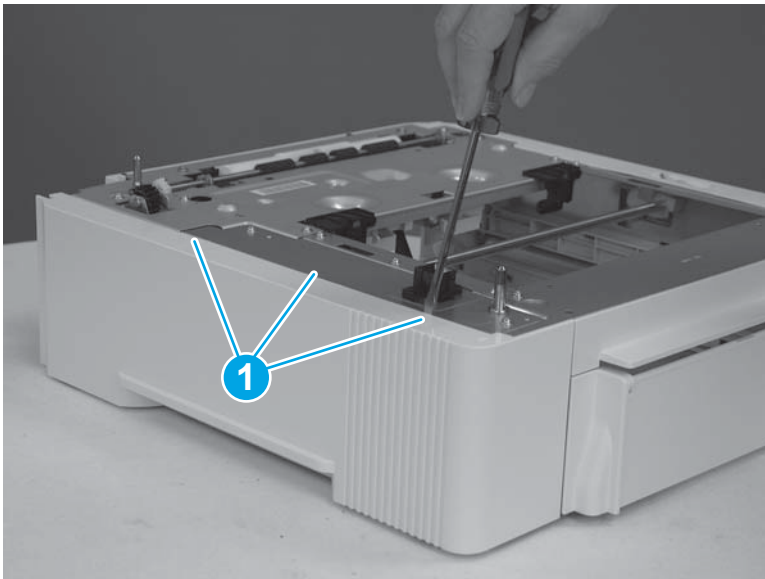
Figure 1-2421 Remove the cover



Step 3: Remove the right cover (500-sheet feeder)

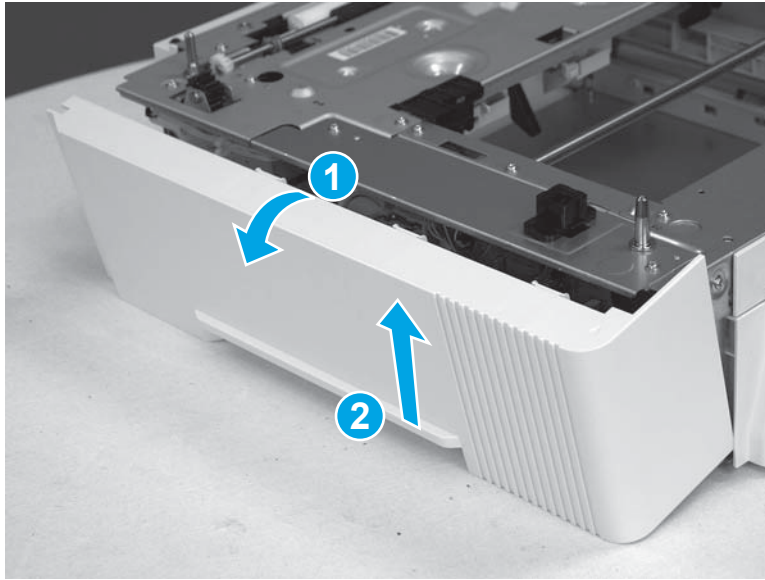
1. Use a flat-blade screwdriver to release three tabs (callout 1).

Figure 1-2422 Release three tabs



2. Rotate the cover away from the feeder (callout 1), and then lift up (callout 2) to remove it.

Figure 1-2423 Rotate and remove the cover

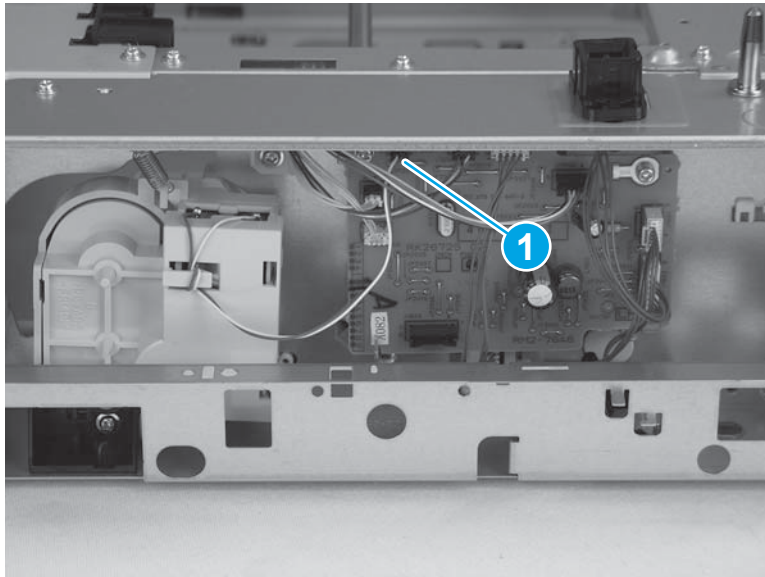


Step 4: Remove the lifter drive assembly


 **NOTE:** Some of the figures in the following steps show the removal of the Tray 2 lifter drive assembly. The procedure is also correct for the 500-sheet feeder lifter drive assembly.

1. Disconnect one connector (callout 1).

Figure 1-2424 Disconnect one connector



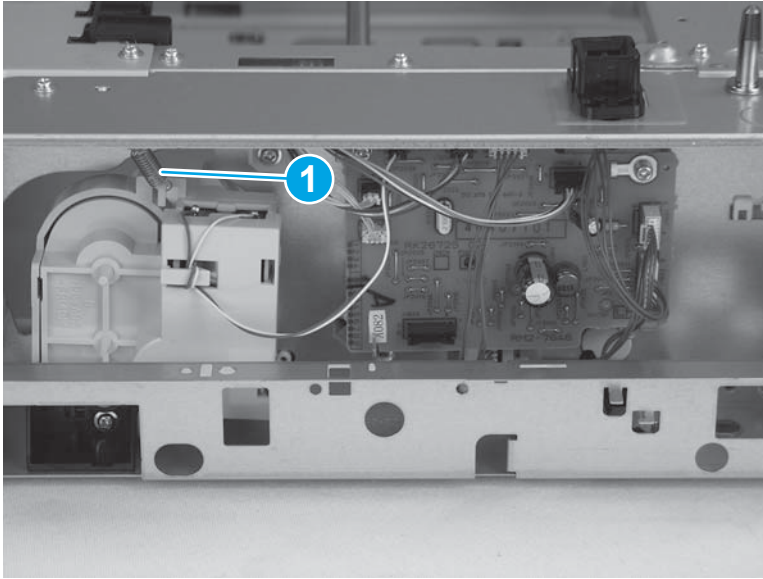
2. Release one spring (callout 1).

 **TIP:** Use hemostats (if available) to release the spring.

TIP: Release the spring from the lower hook.

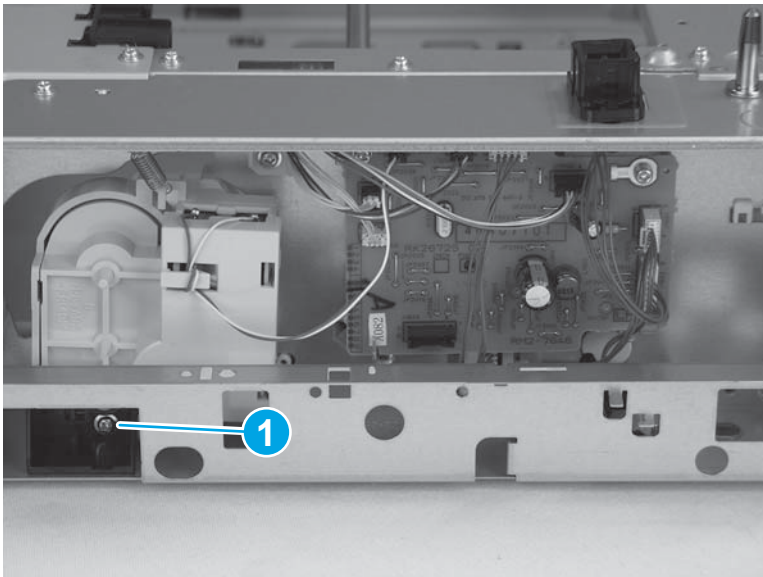
 **NOTE:** The spring is not captive. Do not lose the spring.

Figure 1-2425 Release one spring



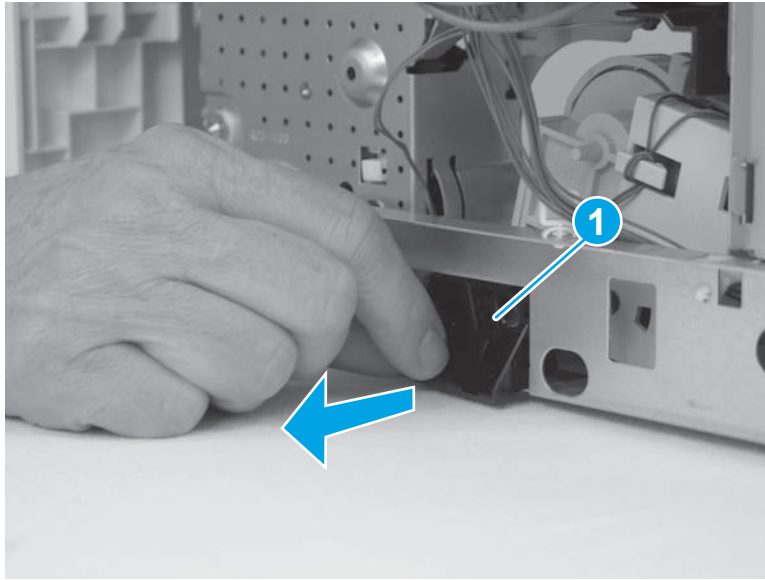
3. Remove one screw (callout 1).

Figure 1-2426 Remove one screw



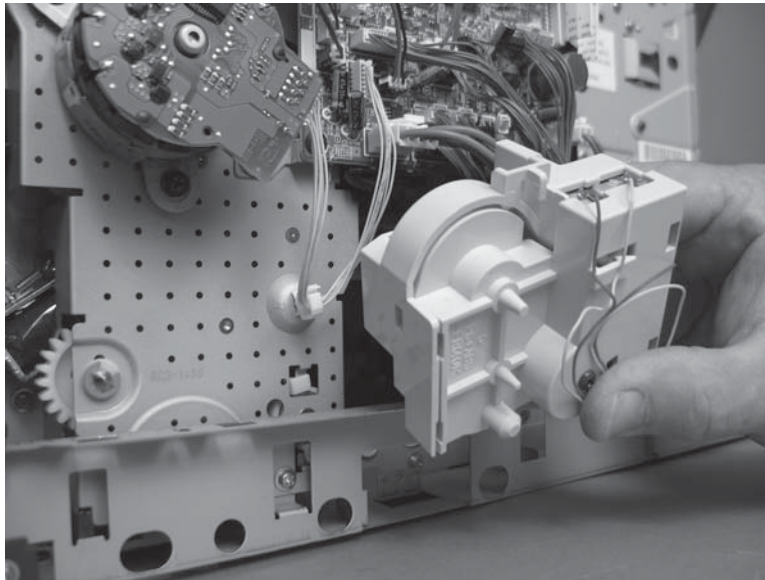
4. Remove the black bracket (callout 1) by sliding it away from the lifter drive.

Figure 1-2427 Remove the black bracket



5. Remove the lifter drive assembly.

Figure 1-2428 Remove the lifter drive assembly



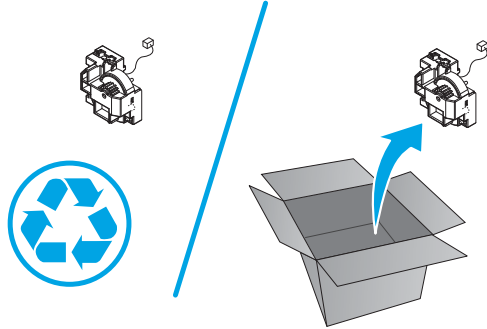
Step 6: Unpack the replacement lifter drive assembly

Unpack the replacement part from the packaging.


<http://www8.hp.com/us/en/hp-information/environment/product-recycling.html>

 **NOTE:** HP recommends responsible disposal of the defective part.

Figure 1-2429 Recycle and unpack

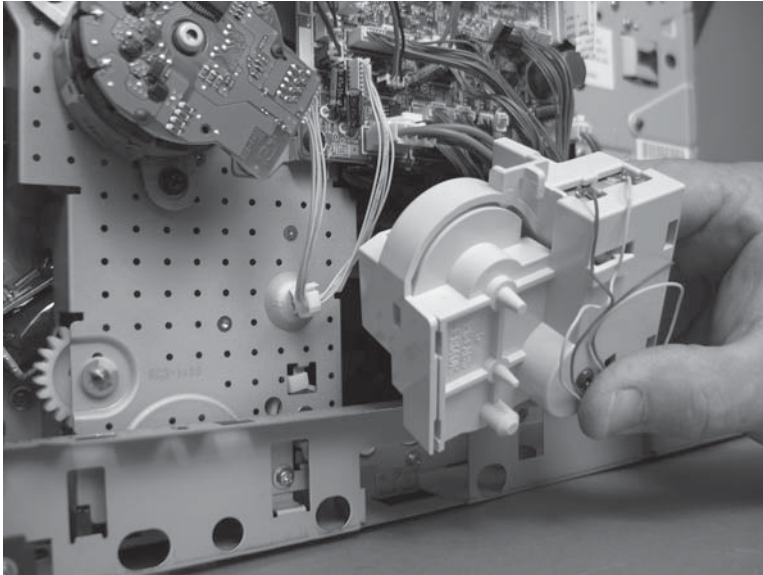


Step 7: Install the lifter drive assembly

 **NOTE:** Some of the figures in the following steps show the installation of the Tray 2 lifter drive assembly. The procedure is also correct for the 500-sheet feeder lifter drive assembly.

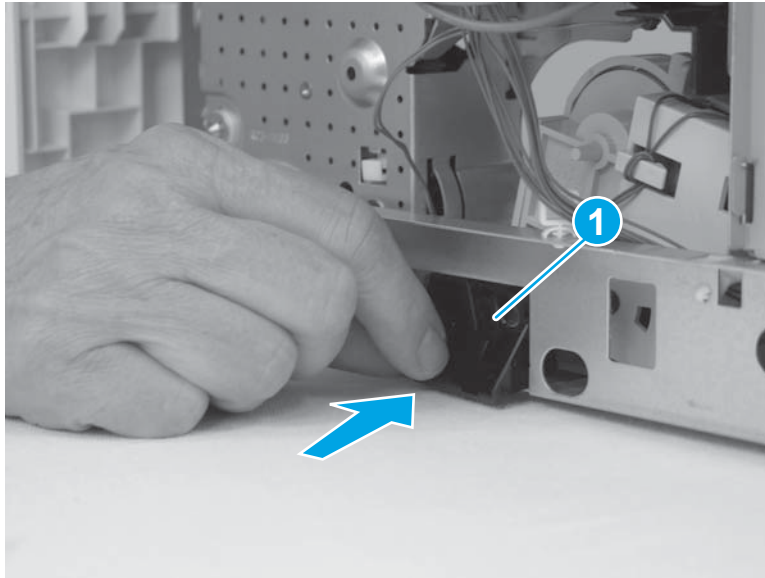
1. Position the lifter drive assembly in the printer.

Figure 1-2430 Position the lifter drive assembly



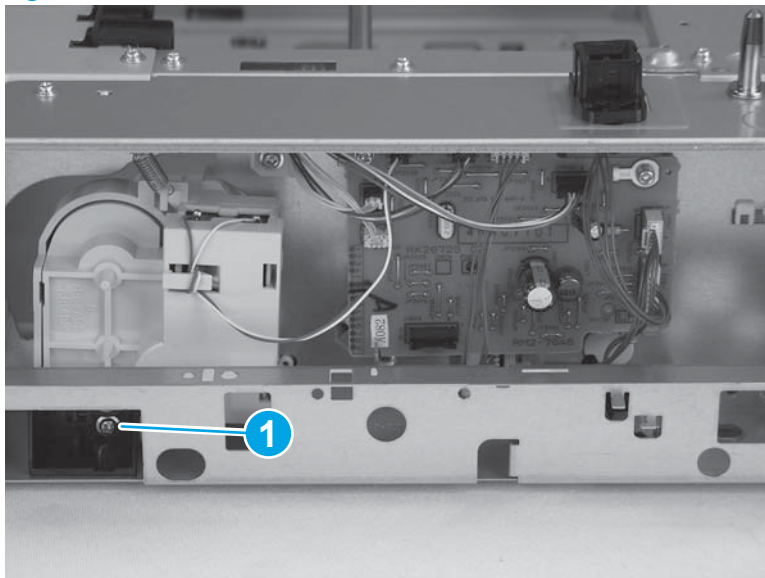
2. Install the black bracket (callout 1) by sliding it toward the lifter drive.

Figure 1-2431 Install the black bracket



3. Install one screw (callout 1).

Figure 1-2432 Install one screw

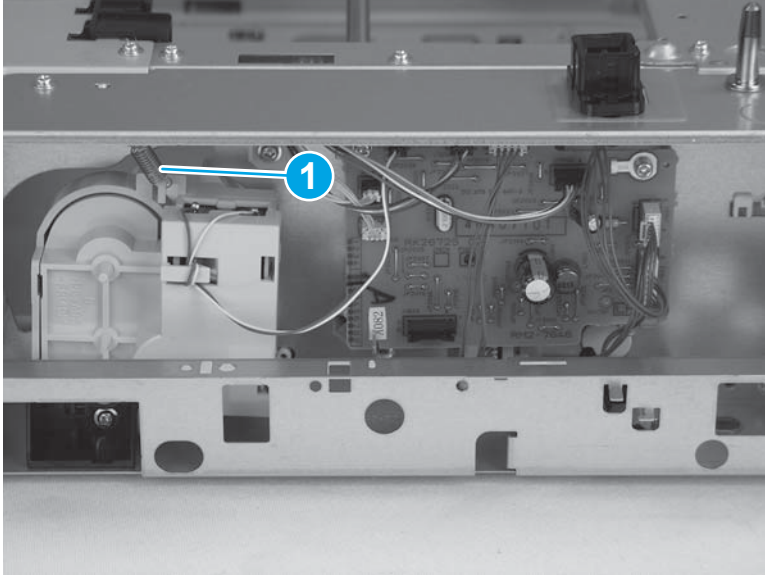


4. Attach one spring (callout 1).

 **TIP:** Use hemostats (if available) to attach the spring.

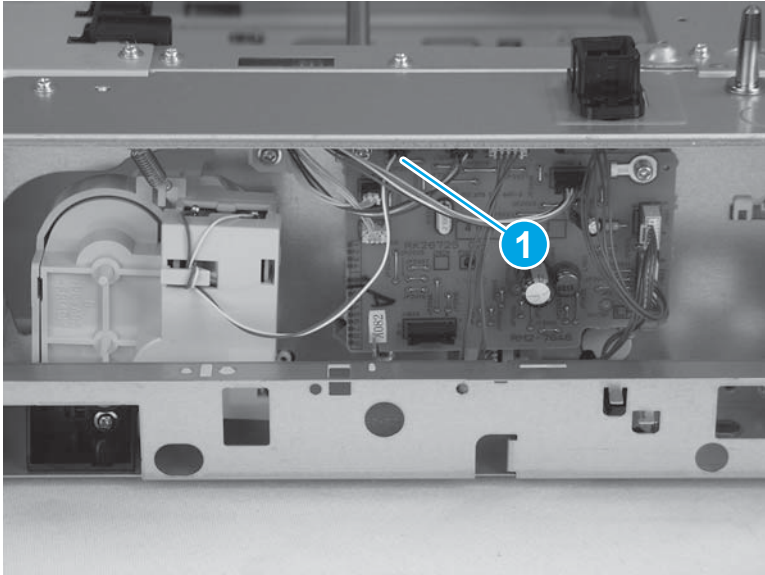
 **NOTE:** The spring is not captive. Do not lose the spring.

Figure 1-2433 Attach one spring



5. Connect one connector (callout 1).

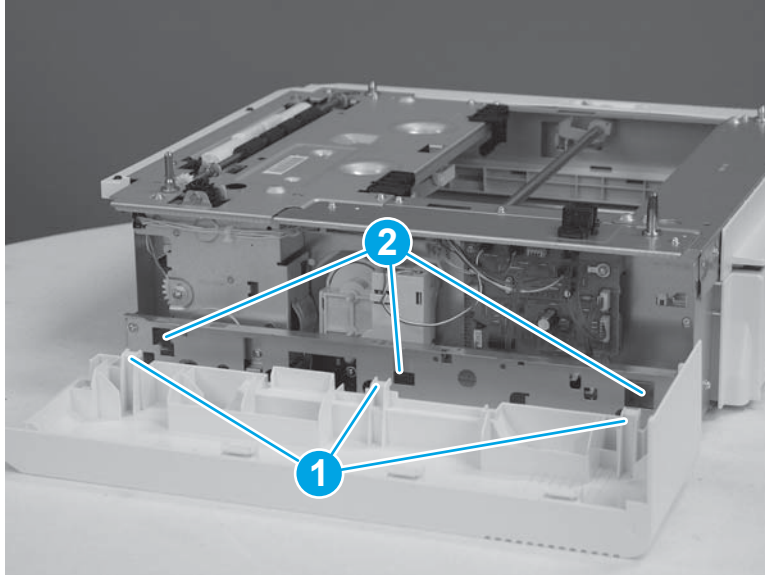
Figure 1-2434 Connect one connector



Step 7: Install the right cover (500-sheet feeder)

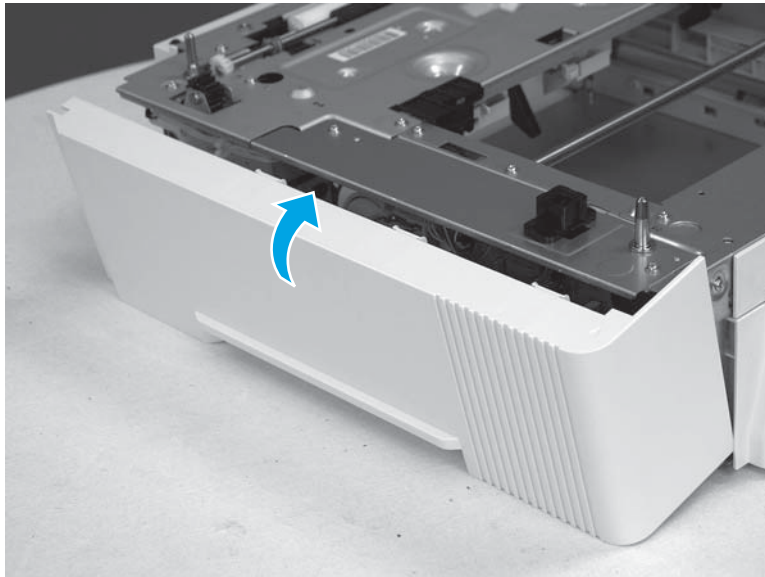
1. Install the tabs (callout 1) on the cover in the slots (callout 2) in the feeder.

Figure 1-2435 Install the tabs



2. Rotate the cover toward the feeder to install it.

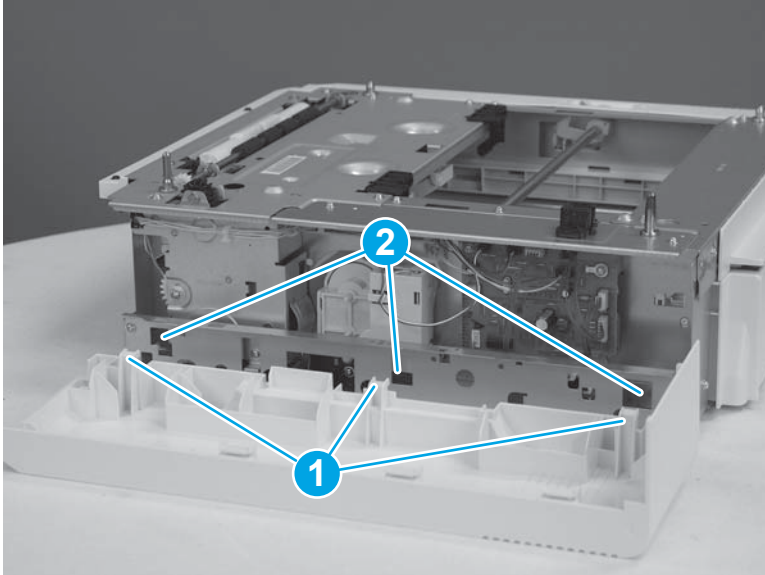
Figure 1-2436 Install the cover



Step 8: Install the front right cover (500-sheet feeder)

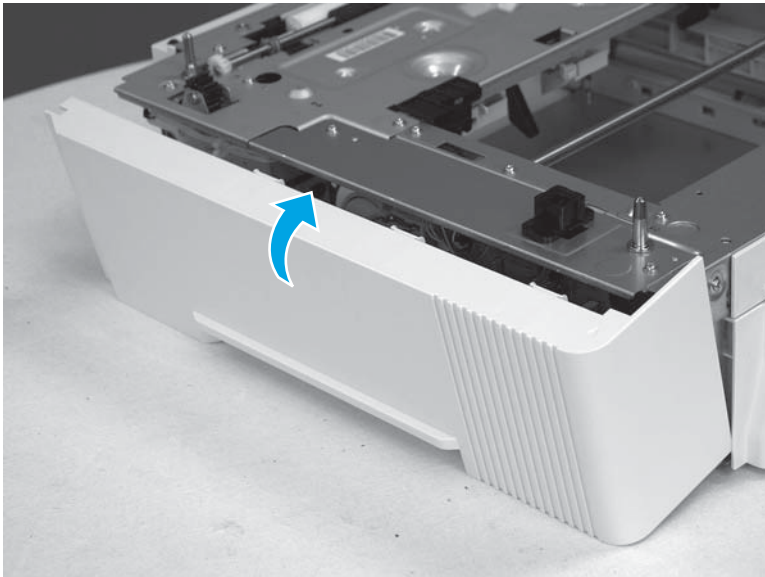
1. Install the tabs (callout 1) on the cover in the slots (callout 2) in the feeder.

Figure 1-2437 Install the tabs



2. Rotate the cover toward the feeder to install it.

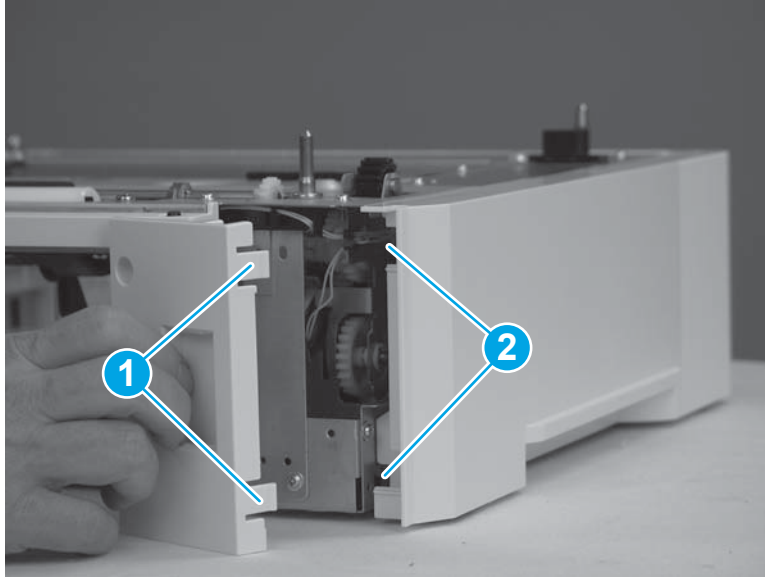
Figure 1-2438 Install the cover



Step 9: Install the tray extension door (500-sheet feeder)

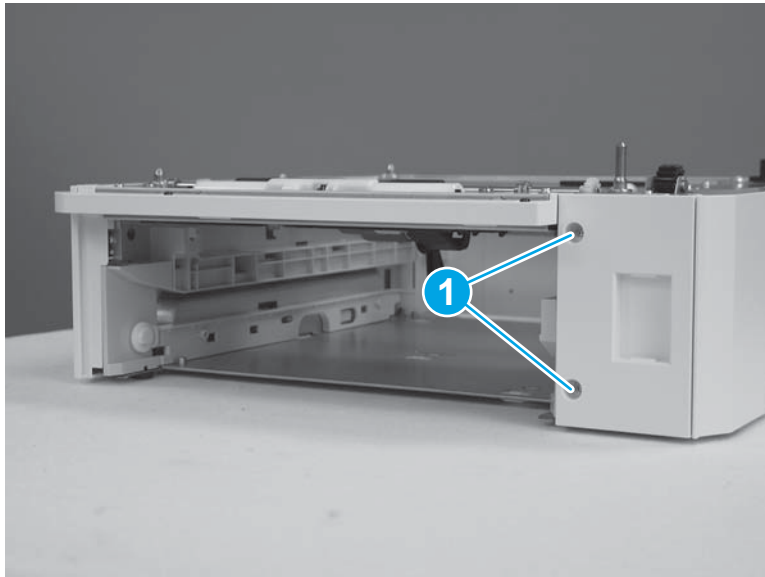
1. Install the tabs (callout 1) on the cover in the slots (callout 2) in the feeder.

Figure 1-2439 Install the tabs



2. Install two screws (callout 1).

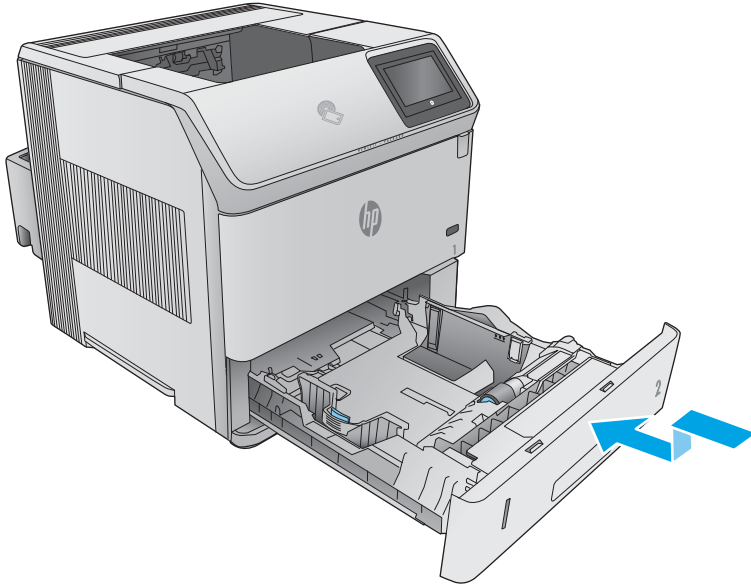
Figure 1-2440 Install two screws



Step 10: Install the tray (500-sheet feeder)

- ▲ Lift the tray up slightly and install the back edge of the tray into the tray cavity. Lower the tray, and then slide it into the printer.

Figure 1-2441 Install the tray



1,500-sheet paper feeder



NOTE: HP recommends removing the accessories from the product before servicing them.

- [Removal and replacement: Front door \(1,500-sheet feeder\)](#)
- [Removal and replacement: Rear cover \(1,500-sheet feeder\)](#)
- [Removal and replacement: Left cover \(1,500-sheet feeder\)](#)
- [Removal and replacement: Right cover \(1,500-sheet feeder\)](#)
- [Removal and replacement: Feeder motor \(1,500-sheet feeder\)](#)
- [Removal and replacement: PCA \(1,500-sheet feeder\)](#)
- [Removal and replacement: Lifter-drive assembly \(1,500-sheet feeder\)](#)
- [Removal and replacement: Upper connector \(1,500-sheet feeder\)](#)

Removal and replacement: Front door (1,500-sheet feeder)

- [Introduction](#)
- [Step 1: Remove the front door](#)
- [Step 2: Unpack the replacement front door](#)
- [Step 3: Install the front door](#)


Introduction

This document provides the procedures to remove and replace the front door for the 1,500-sheet feeder.

Before performing service

Turn the printer power off

- Disconnect the power cable.

 **WARNING!** To avoid damage to the printer, turn the printer off, wait 30 seconds, and then remove the power cord before attempting to service the printer.

- Lift the printer off of the 1,500-sheet paper feeder.

Use the table below to identify the correct part number for your printer. To order the part, go to www.hp.com/buy/parts.

Front door(1,500-sheet feeder) part number	
--	--

RM2-6037-000CN

Door, front (1,500-sheet feeder)

Required tools

- Small, flat-blade screwdriver

After performing service

Turn the printer power on

- Connect the power cable.
- Use the power switch to turn the power on.

Post service test

Make sure that the printer initializes to a **Ready** state.

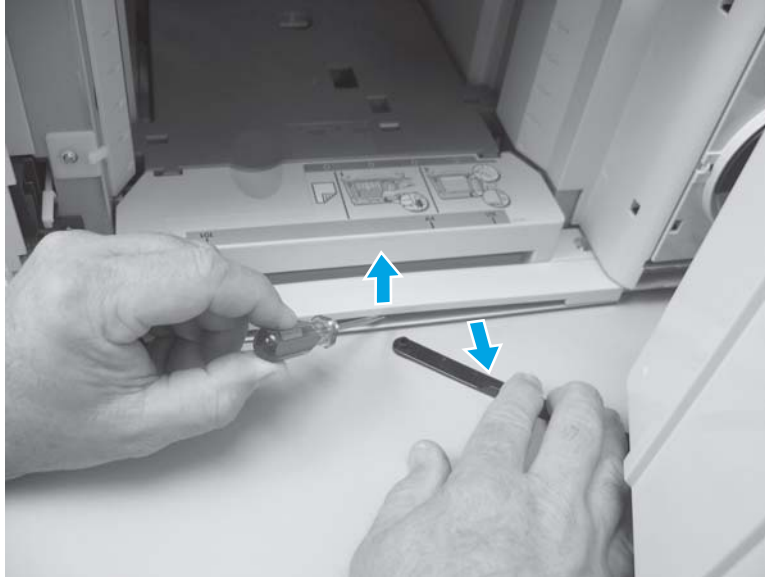
Print a page from the 1,500-sheet feeder to make sure that the printer is functioning correctly.

Step 1: Remove the front door

1. Open the front door.

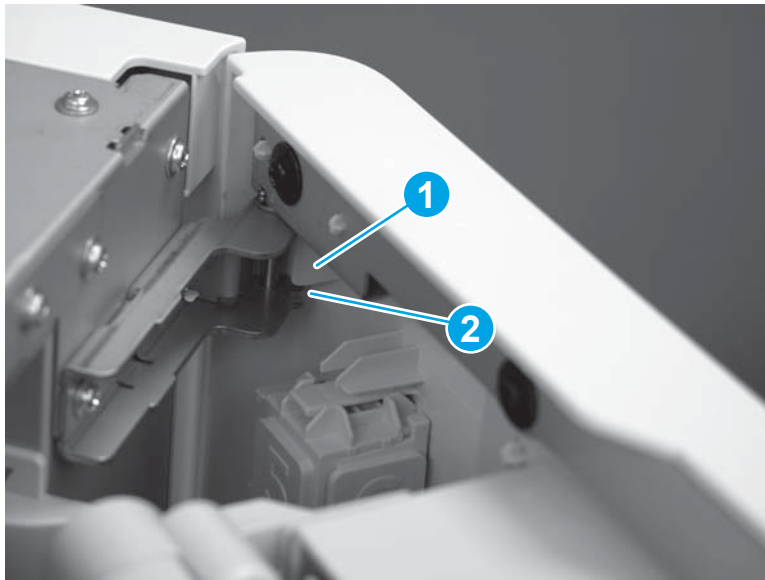
2. With the door open about halfway, gently pry open the door slide-bar slot with a small, flat-blade screwdriver, and then disengage the door slide-bar from the feeder.

Figure 1-2442 Disengage door slide bar



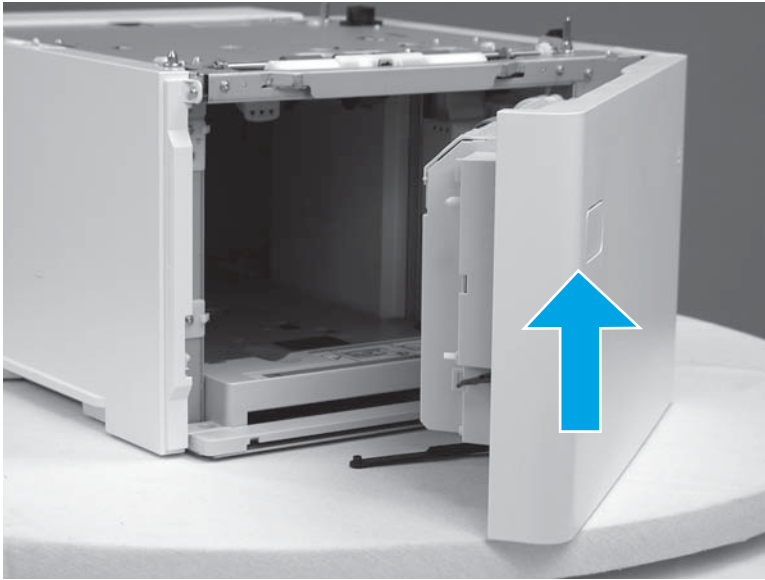
3. Inside the top of the door, note the location of the tab (callout 1) on the door and the notch (callout 2) on the metal bracket. When the door is open about halfway, the tab aligns with the notch and allows the door to be lifted and removed.

Figure 1-2443 Tab and notch locations



4. Close the door about halfway, and then lift the door straight up to remove it.

Figure 1-2444 Remove the front door



Step 2: Unpack the replacement front door

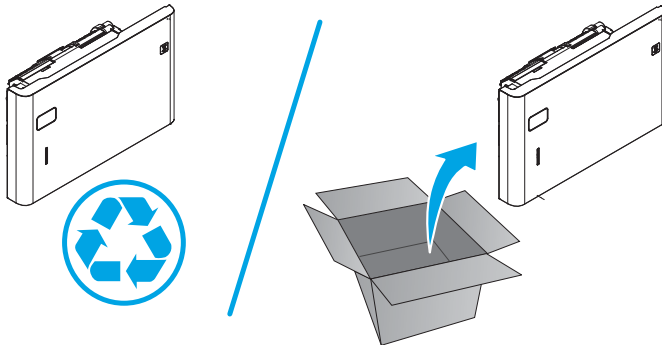
Unpack the replacement part from the packaging.

<http://www8.hp.com/us/en/hp-information/environment/product-recycling.html>



NOTE: HP recommends responsible disposal of the defective part.

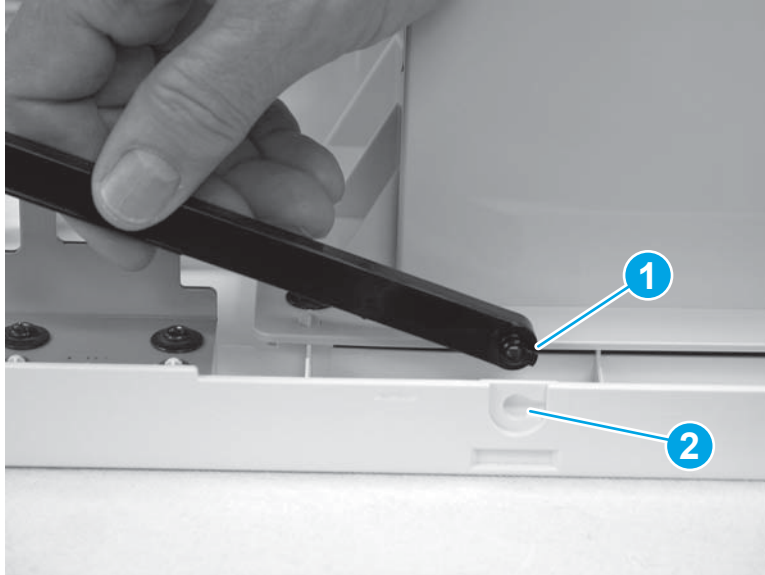
Figure 1-2445 Recycle and unpack



Step 3: Install the front door

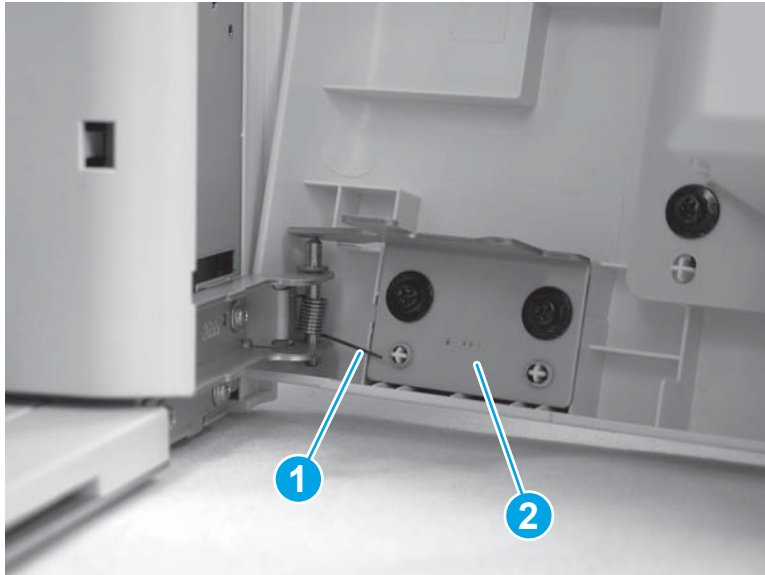
1. If the slide bar comes off of the door, reattach it by positioning the tab (callout 1) on the slide bar in the slot (callout 2) in the door.

Figure 1-2446 Reattach slide bar



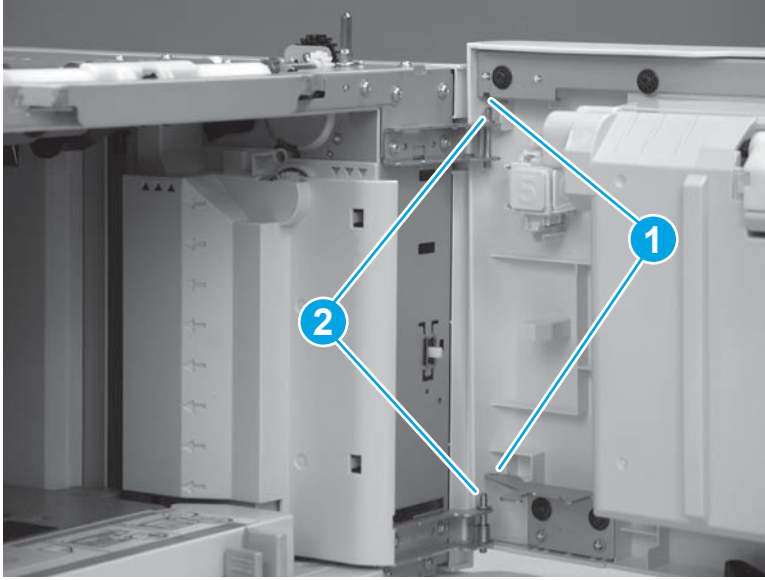
2. When installing the door, make sure that the spring (callout 1) is positioned in front of the metal plate (callout 2).

Figure 1-2447 Position the spring



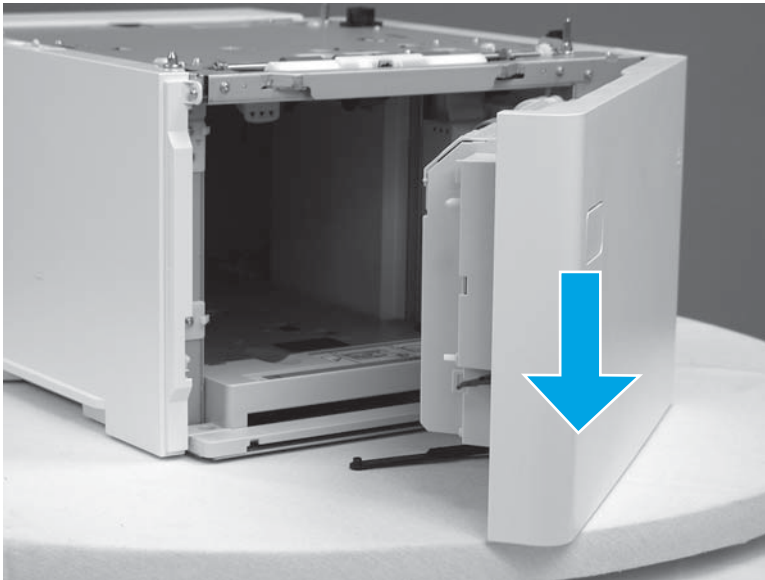
3. Position the door so that the holes (callout 1) in the door align with the pins (callout 2) on the feeder.

Figure 1-2448 Position the door



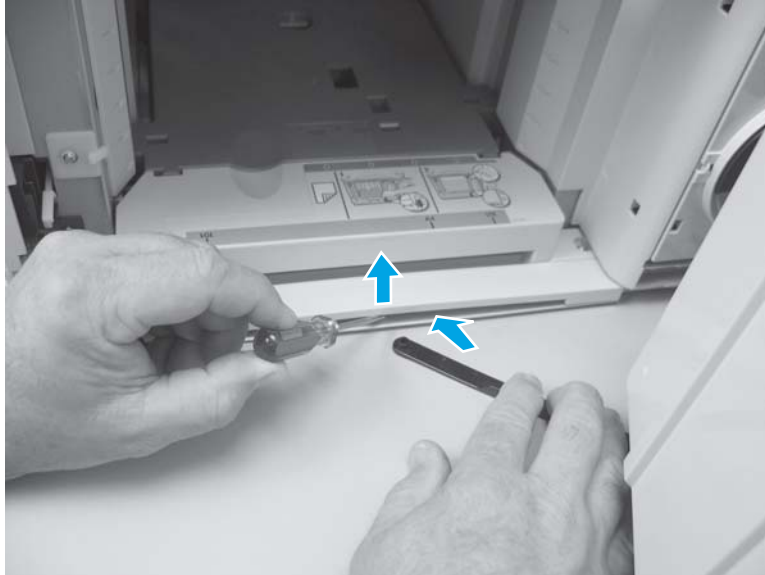
4. Close the door about halfway, and then lower the door onto the pins to install it.

Figure 1-2449 Install the front door



5. With the door open about halfway, gently pry open the door slide-bar slot with a small, flat-blade screwdriver, and then engage the door slide-bar with the feeder.

Figure 1-2450 Engage door slide bar



Removal and replacement: Rear cover (1,500-sheet feeder)

- [Introduction](#)
- [Step 1: Remove the rear cover](#)
- [Step 2: Unpack the replacement rear cover](#)
- [Step 3: Install the rear cover](#)


Introduction

This document provides the procedures to remove and replace the 1,500-sheet feeder rear cover.

Before performing service

Turn the printer power off

- Disconnect the power cable.

 **WARNING!** To avoid damage to the printer, turn the printer off, wait 30 seconds, and then remove the power cord before attempting to service the printer.

- Lift the printer off of the 1,500-sheet paper feeder.

Use the table below to identify the correct part number for your printer. To order the part, go to www.hp.com/buy/parts.

Rear cover (1,500-sheet feeder) part number	
RC4-5989-000CN	Cover, rear (1,500-sheet feeder)

Required tools

- No special tools are required to install this part.

After performing service

Turn the printer power on

- Connect the power cable.
- Use the power switch to turn the power on.

Post service test

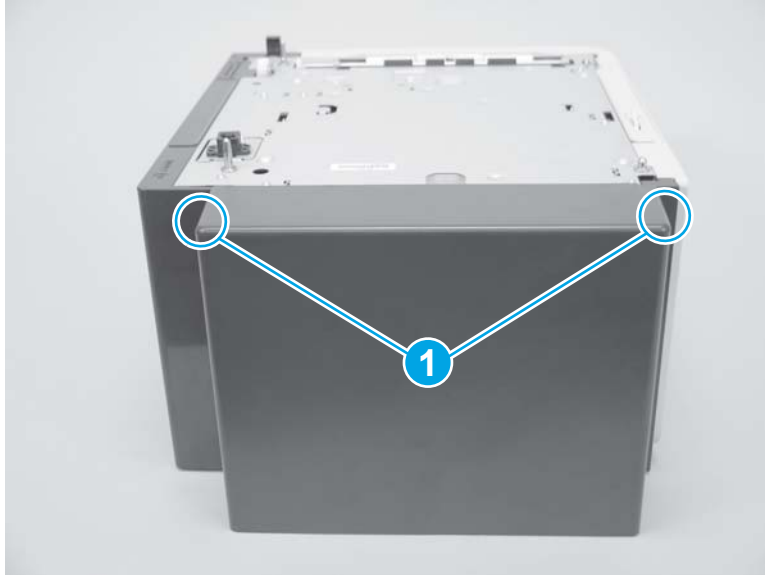
Make sure that the printer initializes to a **Ready** state.

Print a page from the 1,500-sheet feeder to make sure that the printer is functioning correctly.

Step 1: Remove the rear cover

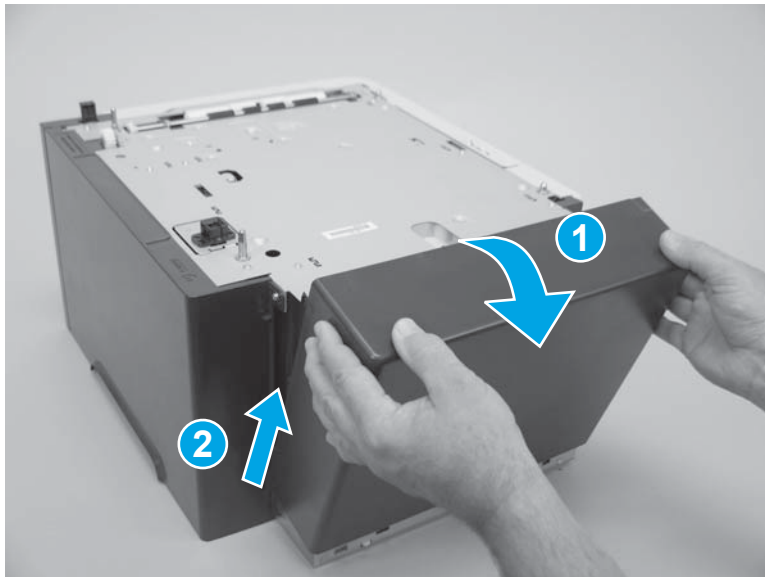
1. Release two tabs (callout 1).

Figure 1-2451 Release two tabs



2. Rotate the top of the cover away from the feeder (callout 1), and then lift up on the cover to release it (callout 2). Remove the cover.

Figure 1-2452 Remove the rear cover



Step 2: Unpack the replacement rear cover

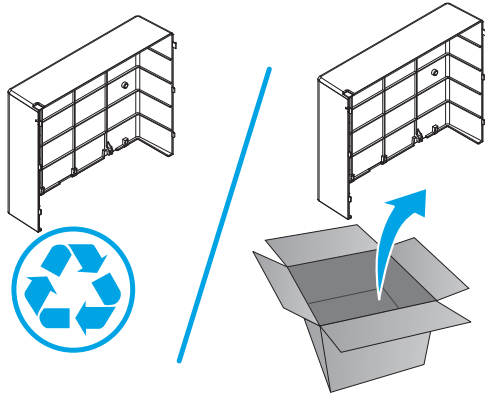
Unpack the replacement part from the packaging.

<http://www8.hp.com/us/en/hp-information/environment/product-recycling.html>



NOTE: HP recommends responsible disposal of the defective part.

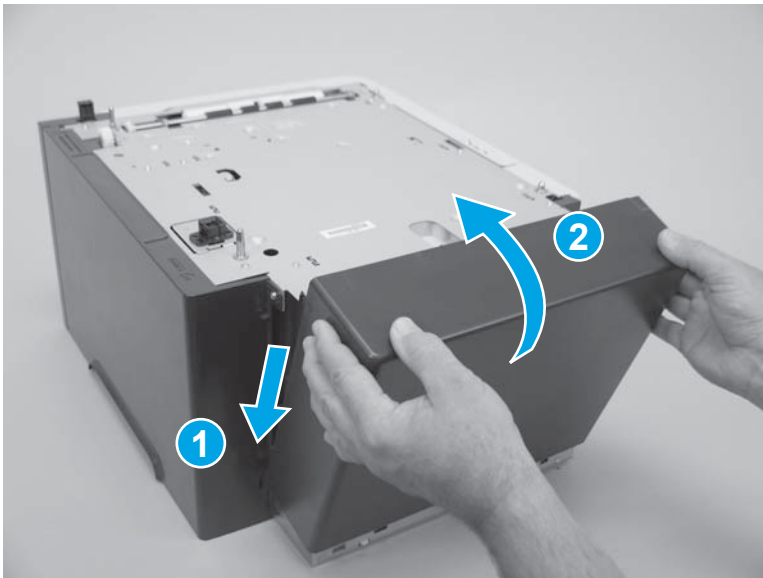
Figure 1-2453 Recycle and unpack



Step 3: Install the rear cover

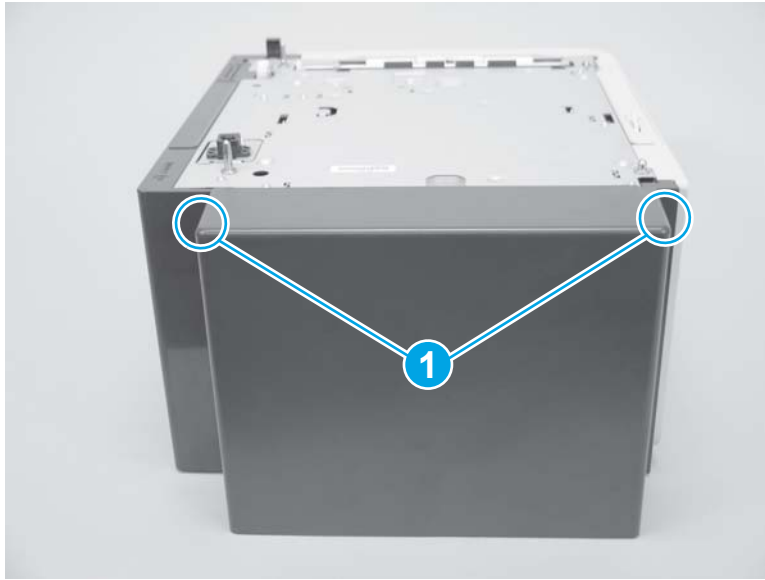
1. Position the lower edge of the cover on the feeder (callout 1), and then rotate the top of the cover toward the feeder (callout 2) to install it.

Figure 1-2454 Install the rear cover



2. Make sure that two tabs (callout 1) snap into place.

Figure 1-2455 Install two tabs



Removal and replacement: Left cover (1,500-sheet feeder)

- [Introduction](#)
- [Step 1: Remove the rear cover \(1,500-sheet feeder\)](#)
- [Step 2: Remove the left cover](#)
- [Step 3: Unpack the replacement left cover](#)
- [Step 4: Install the left cover](#)
- [Step 5: Install the rear cover \(1,500-sheet feeder\)](#)

Introduction

This document provides the procedures to remove and replace the left cover for the 1,500-sheet feeder.

Before performing service

Turn the printer power off

- Disconnect the power cable.

⚠ WARNING! To avoid damage to the printer, turn the printer off, wait 30 seconds, and then remove the power cord before attempting to service the printer.

- Lift the printer off of the 1,500-sheet paper feeder.

Use the table below to identify the correct part number for your printer. To order the part, go to www.hp.com/buy/parts.

Left cover (1,500-sheet feeder) part number	
RC4-5980-000CN	Cover, left (1,500-sheet feeder)

Required tools

- #2 Phillips screwdriver with a magnetic tip

After performing service

Turn the printer power on

- Connect the power cable.
- Use the power switch to turn the power on.

Post service test

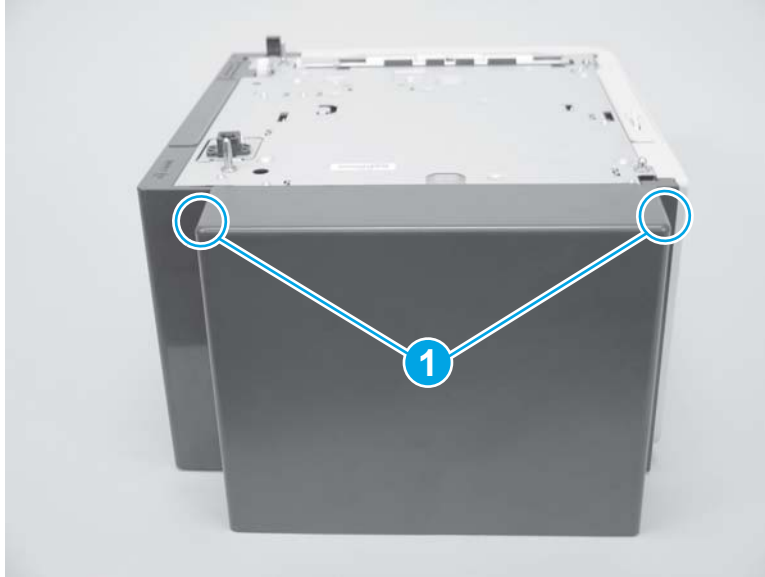
Make sure that the printer initializes to a **Ready** state.

Print a page from the 1,500-sheet feeder to make sure that the printer is functioning correctly.

Step 1: Remove the rear cover (1,500-sheet feeder)

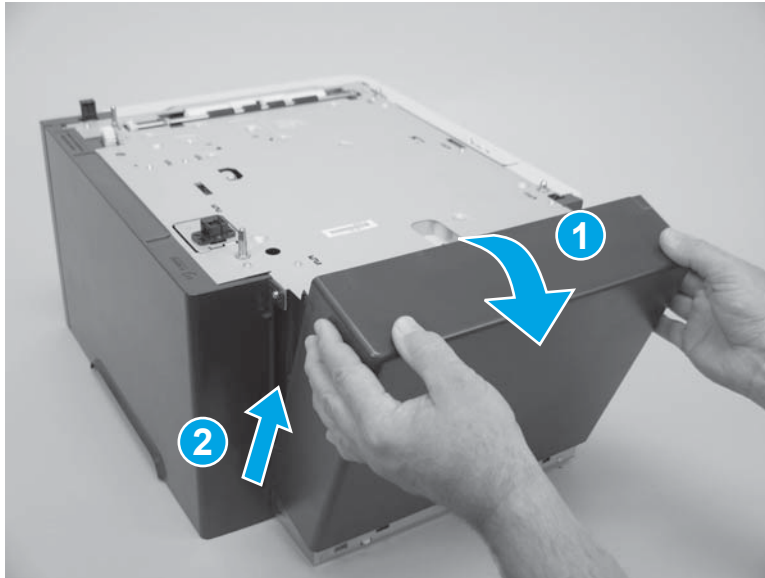
1. Release two tabs (callout 1).

Figure 1-2456 Release two tabs



2. Rotate the top of the cover away from the feeder (callout 1), and then lift up on the cover to release it (callout 2). Remove the cover.

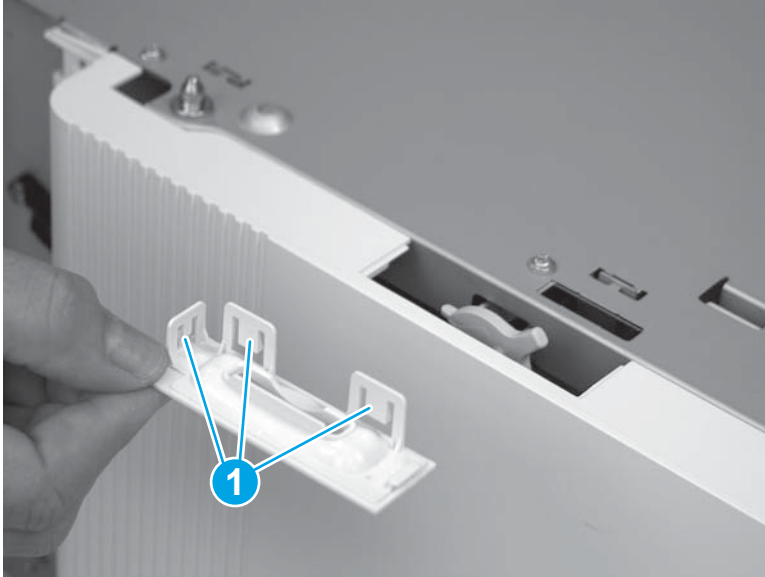
Figure 1-2457 Remove the rear cover



Step 2: Remove the left cover

1. Before removing the lock-mechanism cover, take note of the location of the retainer tabs (callout 1). The retaining tabs on this cover can break easily.

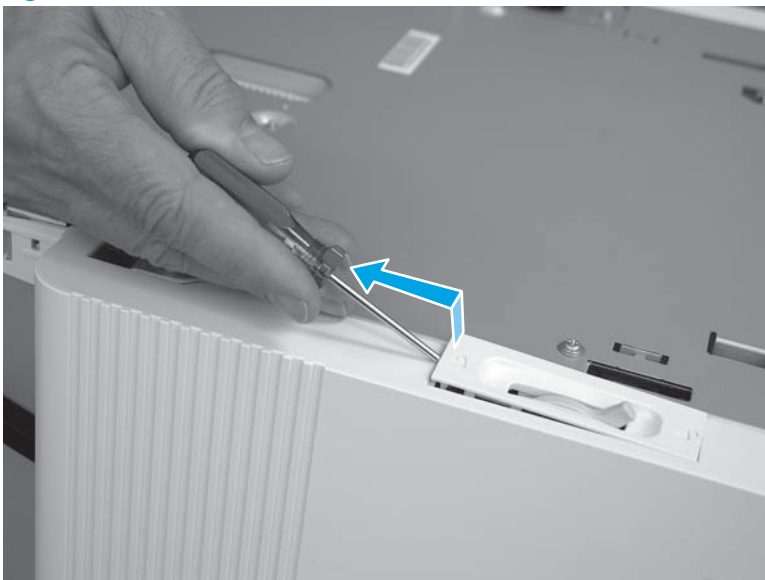
Figure 1-2458 Lock-mechanism cover tabs



2. *Slightly pry up on the lock-mechanism cover, and then slide it toward the rear of the feeder to release it. Remove the cover.*

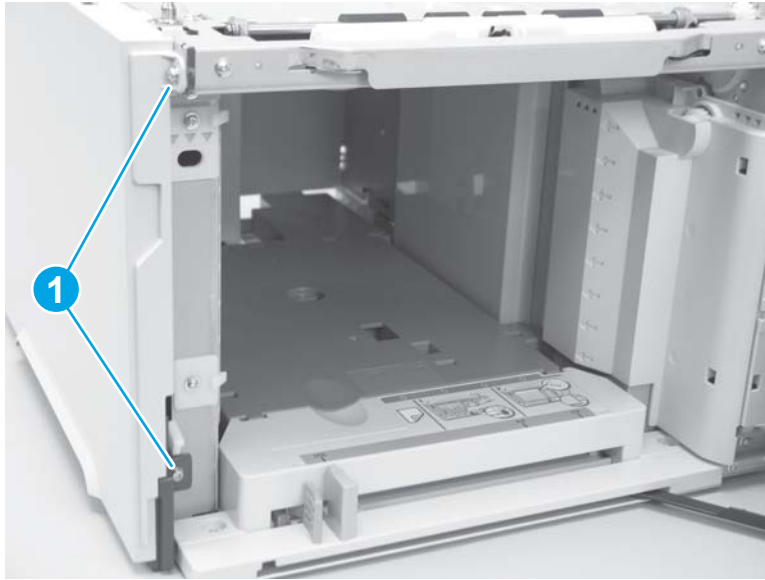
⚠ CAUTION: Do not pry this cover up more than is necessary for clearance when sliding it backward. The retaining tabs on this cover can break easily.

Figure 1-2459 Remove the lock-mechanism cover



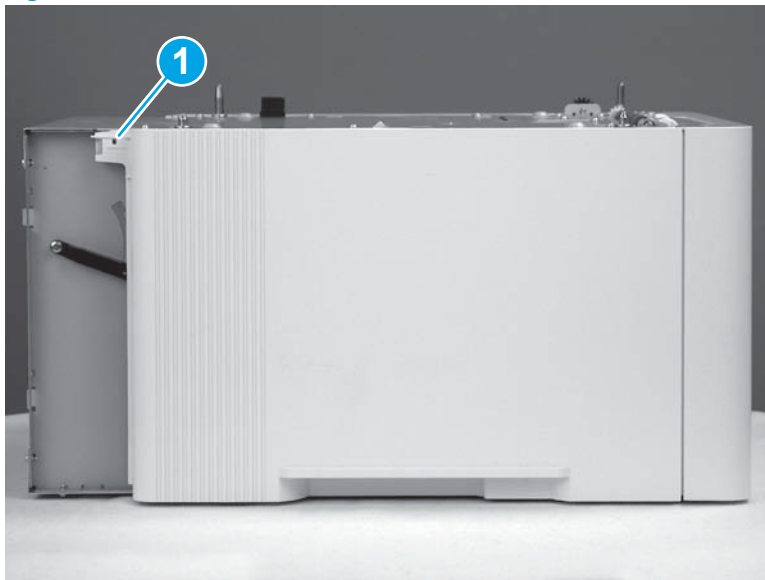
3. Open the feeder front door, and then remove two screws (callout 1).

Figure 1-2460 Remove two screws



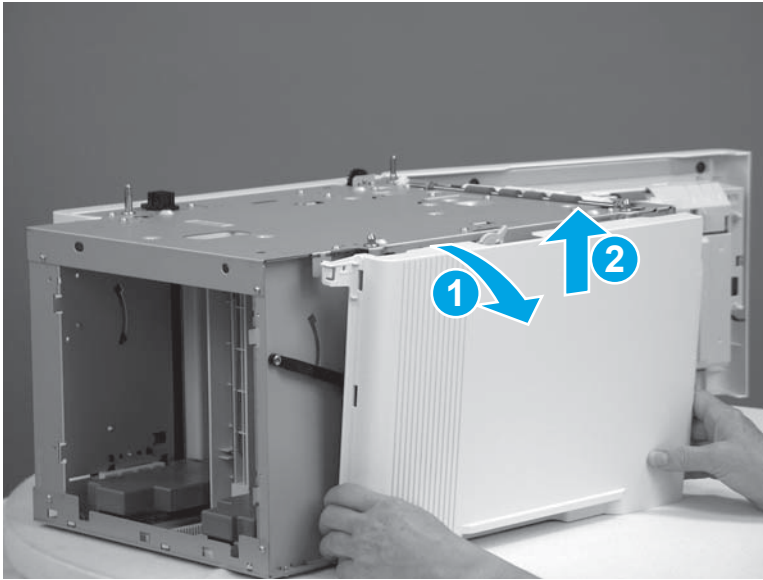
4. Release one tab (callout 1).

Figure 1-2461 Release one tab



5. Rotate the top of the cover away from the feeder (callout 1), and then lift it up (callout 2) to remove it.

Figure 1-2462 Remove the left cover



Step 3: Unpack the replacement left cover

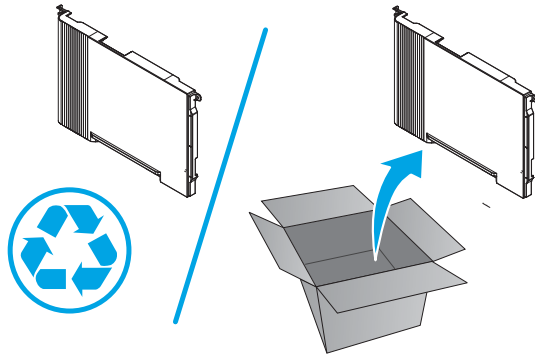
Unpack the replacement part from the packaging.

<http://www8.hp.com/us/en/hp-information/environment/product-recycling.html>



NOTE: HP recommends responsible disposal of the defective part.

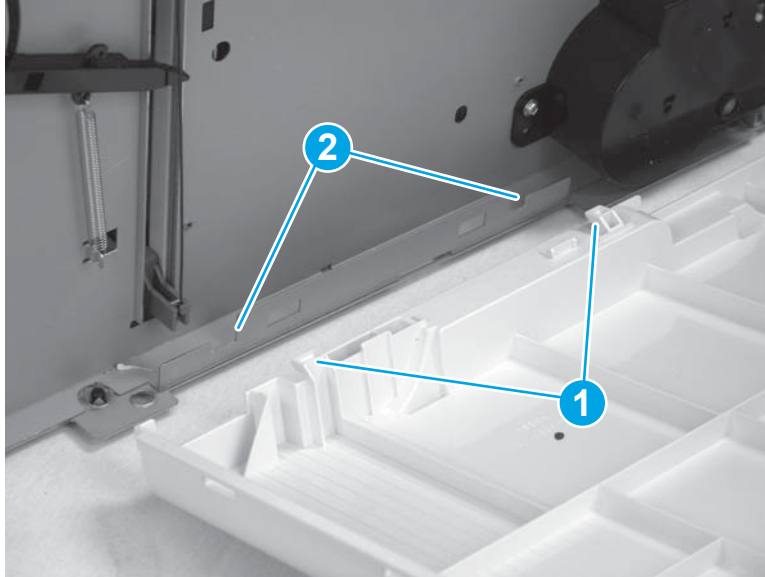
Figure 1-2463 Recycle and unpack



Step 4: Install the left cover

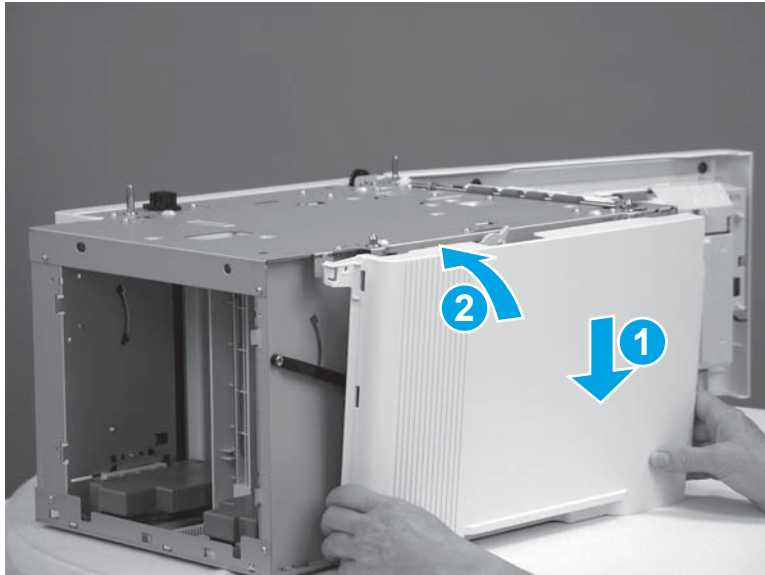
1. Note the location of the tabs (callout 1) on the cover and the notches (callout 2) on the feeder.

Figure 1-2464 Location of tabs and notches



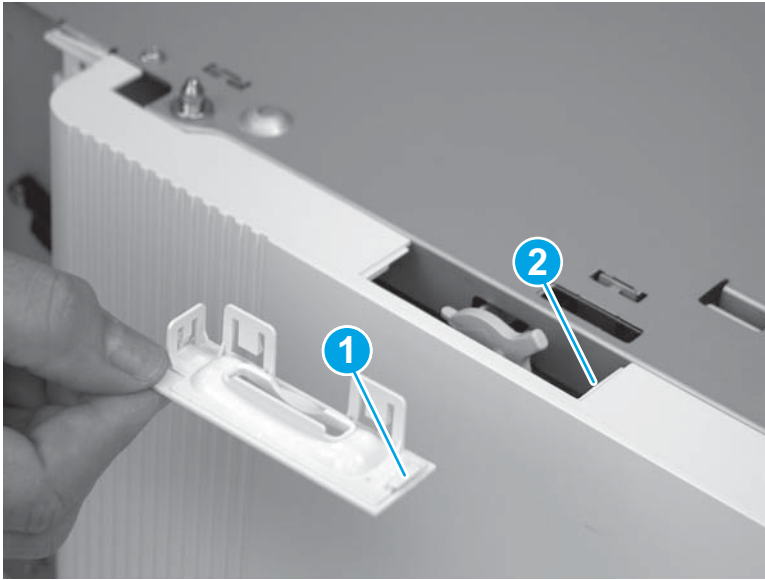
2. Seat the tabs on the bottom of the cover in the notches (callout 1) on the feeder (as described in the previous step), and then rotate (callout 2) the top of the cover toward the feeder to install it.

Figure 1-2465 Install the left cover



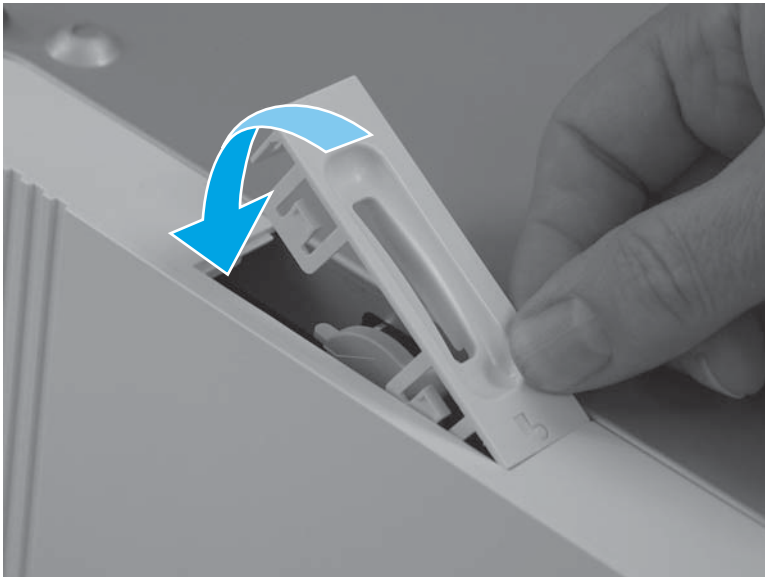
3. Position the tab (callout 1) on the lock-mechanism cover in the slot (callout 2) on the left cover.

Figure 1-2466 Position the tab



4. With the lock mechanism cover tab (mentioned in the previous step) in place, rotate the cover down, and then press until the tabs snap into place.

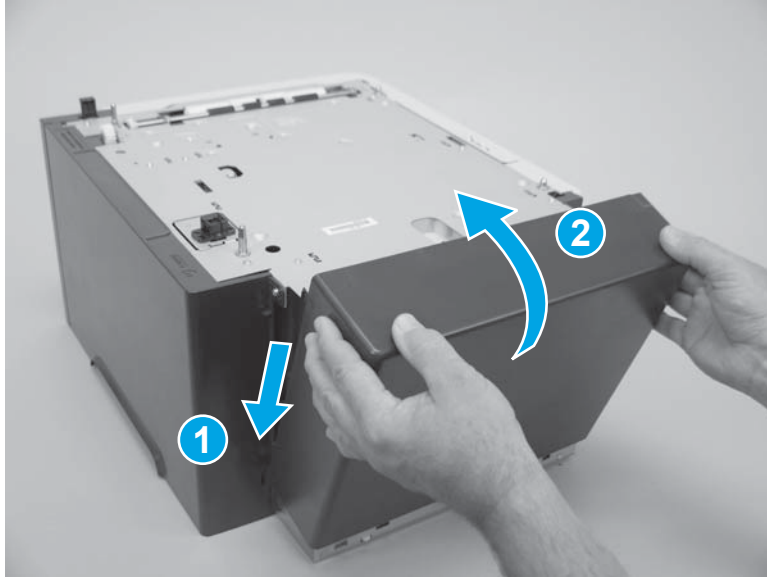
Figure 1-2467 Install the lock mechanism cover



Step 5: Install the rear cover (1,500-sheet feeder)

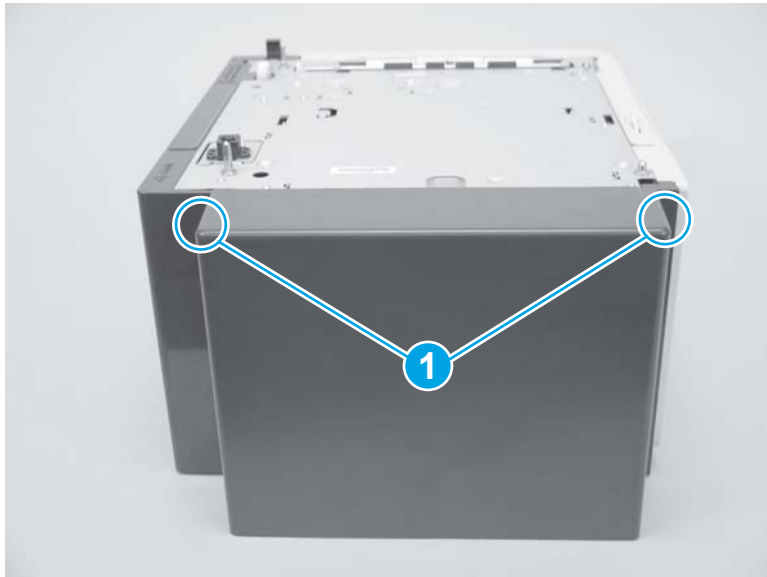
1. Position the lower edge of the cover on the feeder (callout 1), and then rotate the top of the cover toward the feeder (callout 2) to install it.

Figure 1-2468 Install the rear cover



2. Make sure that two tabs (callout 1) snap into place.

Figure 1-2469 Install two tabs



Removal and replacement: Right cover (1,500-sheet feeder)

- [Introduction](#)
- [Step 1: Remove the rear cover \(1,500-sheet feeder\)](#)
- [Step 2: Remove the right cover](#)
- [Step 3: Unpack the replacement right cover](#)
- [Step 4: Install the right cover](#)
- [Step 5: Install the rear cover \(1,500-sheet feeder\)](#)

Introduction

This document provides the procedures to remove and replace the right cover for the 1,500-sheet feeder.

Before performing service

Turn the printer power off

- Disconnect the power cable.

⚠ WARNING! To avoid damage to the printer, turn the printer off, wait 30 seconds, and then remove the power cord before attempting to service the printer.

- Lift the printer off of the 1,500-sheet paper feeder.

Use the table below to identify the correct part number for your printer. To order the part, go to www.hp.com/buy/parts.

1,500-sheet feeder right cover part number	
--	--

RC4-5981-000CN

Cover, right (1,500-sheet feeder)

Required tools

- #2 Phillips screwdriver with a magnetic tip

After performing service

Turn the printer power on

- Connect the power cable.
- Use the power switch to turn the power on.

Post service test

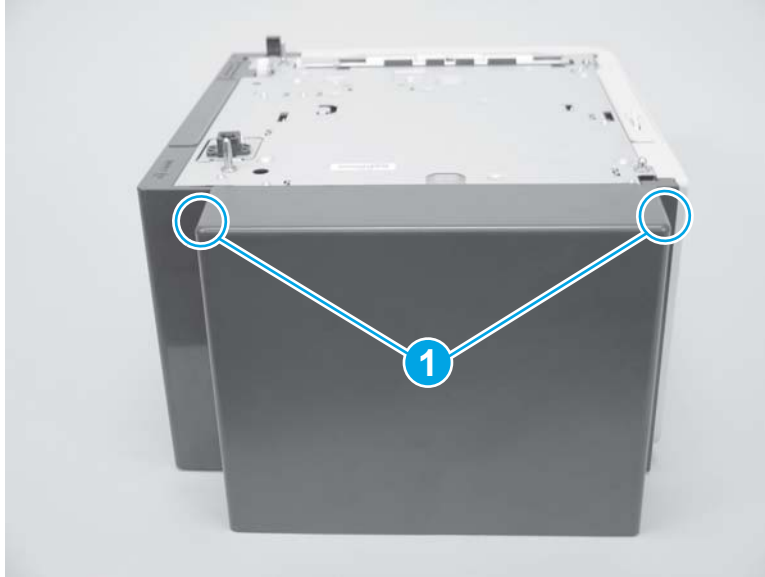
Make sure that the printer initializes to a **Ready** state.

Print a page from the 1,500-sheet feeder to make sure that the printer is functioning correctly.

Step 1: Remove the rear cover (1,500-sheet feeder)

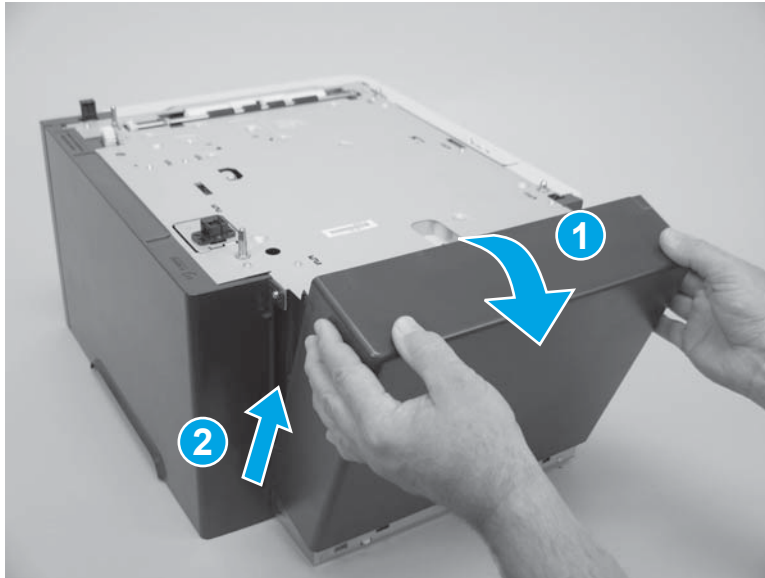
1. Release two tabs (callout 1).

Figure 1-2470 Release two tabs



2. Rotate the top of the cover away from the feeder (callout 1), and then lift up on the cover to release it (callout 2). Remove the cover.

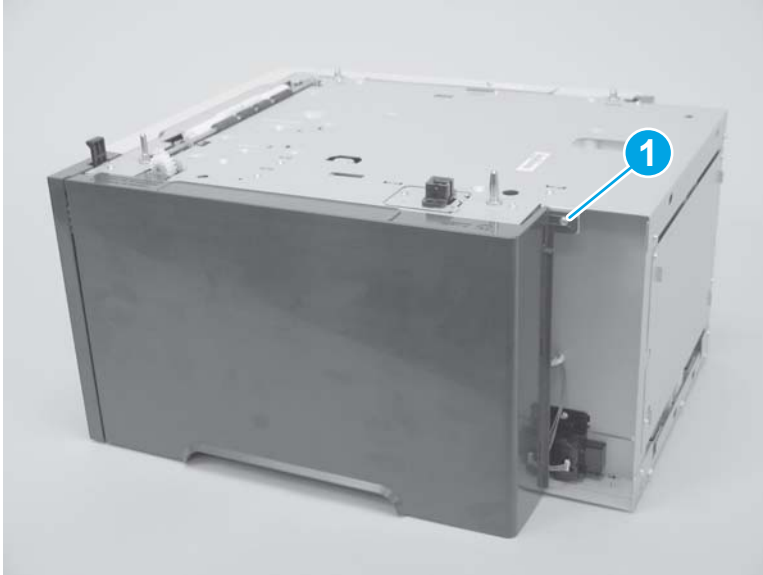
Figure 1-2471 Remove the rear cover



Step 2: Remove the right cover

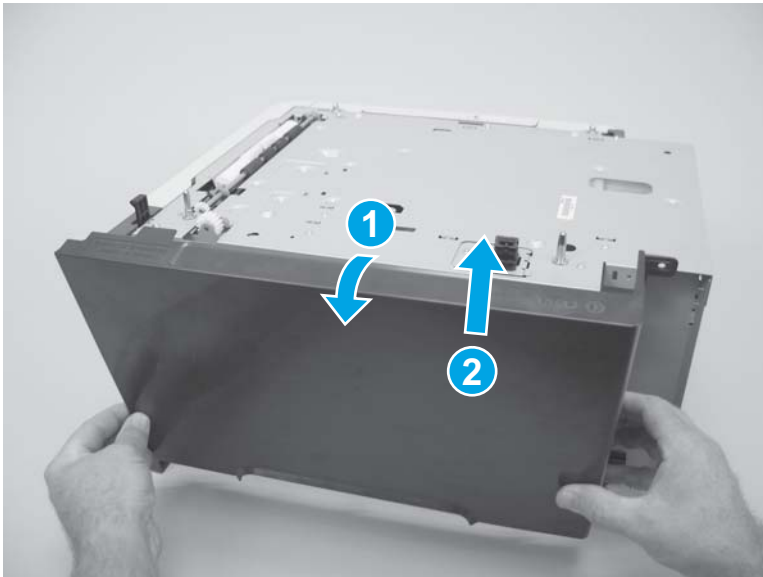
1. Remove one screw (callout 1).

Figure 1-2472 Remove one screw



2. Rotate the top of the cover away from the chassis (callout 1), and then lift it up (callout 2) to remove it.

Figure 1-2473 Remove the right cover



Step 3: Unpack the replacement right cover

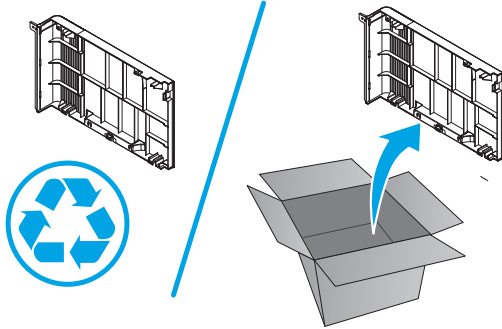
Unpack the replacement part from the packaging.

<http://www8.hp.com/us/en/hp-information/environment/product-recycling.html>



NOTE: HP recommends responsible disposal of the defective part.

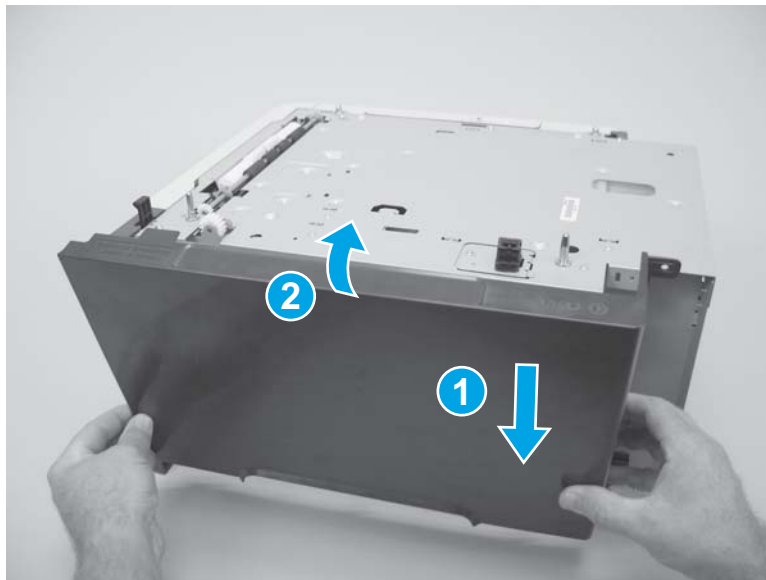
Figure 1-2474 Recycle and unpack



Step 4: Install the right cover

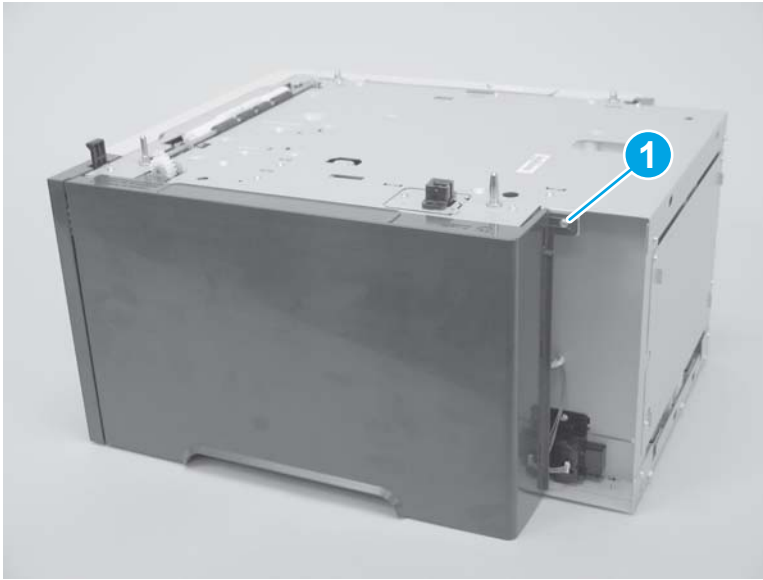
1. Lower the bottom of the cover into place (callout 1), and then rotate the top of the cover toward the feeder (callout 2) to install it.

Figure 1-2475 Install the right cover



2. Install one screw (callout 1).

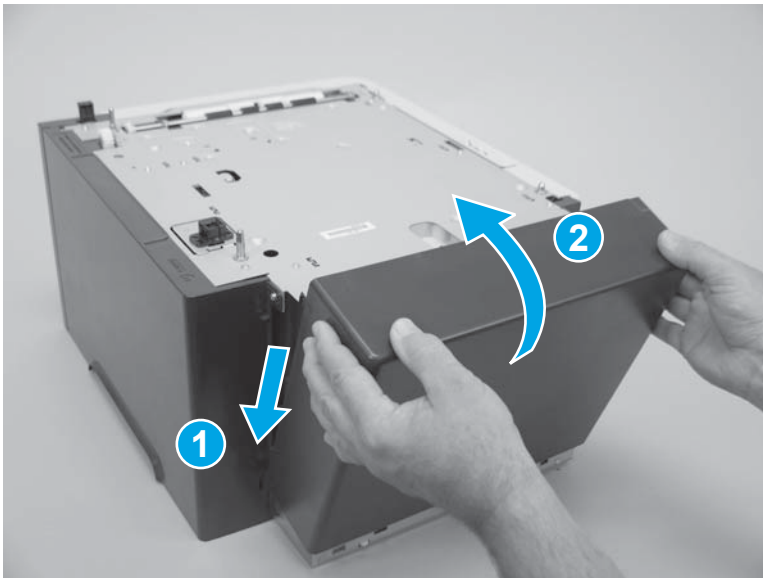
Figure 1-2476 Install one screw



Step 5: Install the rear cover (1,500-sheet feeder)

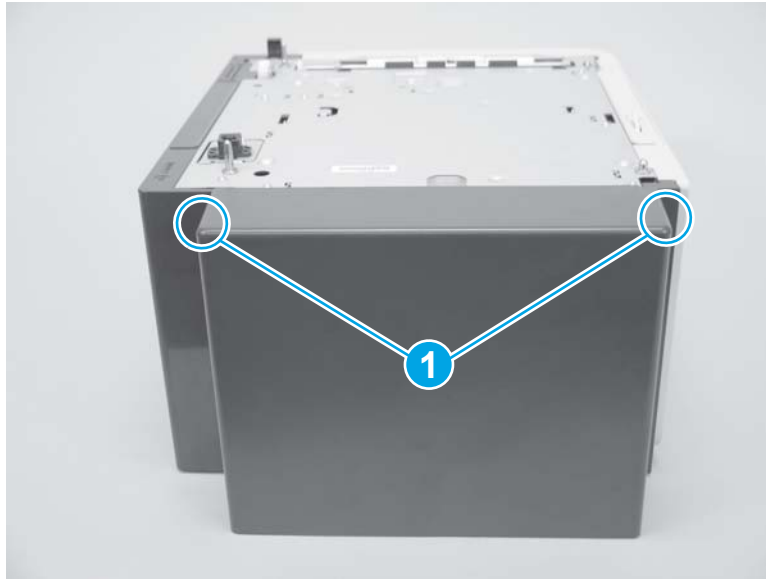
1. Position the lower edge of the cover on the feeder (callout 1), and then rotate the top of the cover toward the feeder (callout 2) to install it.

Figure 1-2477 Install the rear cover



2. Make sure that two tabs (callout 1) snap into place.

Figure 1-2478 Install two tabs



Removal and replacement: Feeder motor (1,500-sheet feeder)

- [Introduction](#)
- [Step 1: Remove the rear cover \(1,500-sheet feeder\)](#)
- [Step 2: Remove the right cover \(1,500-sheet feeder\)](#)
- [Step 3: Remove the feeder motor](#)
- [Step 4: Unpack the replacement feeder motor](#)
- [Step 5: Install the feeder motor](#)
- [Step 6: Install the right cover \(1,500-sheet feeder\)](#)
- [Step 7: Install the rear cover \(1,500-sheet feeder\)](#)


Introduction

This document provides the procedures to remove and replace the feeder motor for the 1,500-sheet feeder.

Before performing service

Turn the printer power off

- Disconnect the power cable.

 **WARNING!** To avoid damage to the printer, turn the printer off, wait 30 seconds, and then remove the power cord before attempting to service the printer.

- Lift the printer off of the 1,500-sheet paper feeder.

Use the table below to identify the correct part number for your printer. To order the part, go to www.hp.com/buy/parts.

Feeder motor (1,500-sheet feeder) part number

RH7-1603-020CNMotor

Required tools

- #2 Phillips screwdriver with a magnetic tip

After performing service

Turn the printer power on

- Connect the power cable.
- Use the power switch to turn the power on.

Post service test

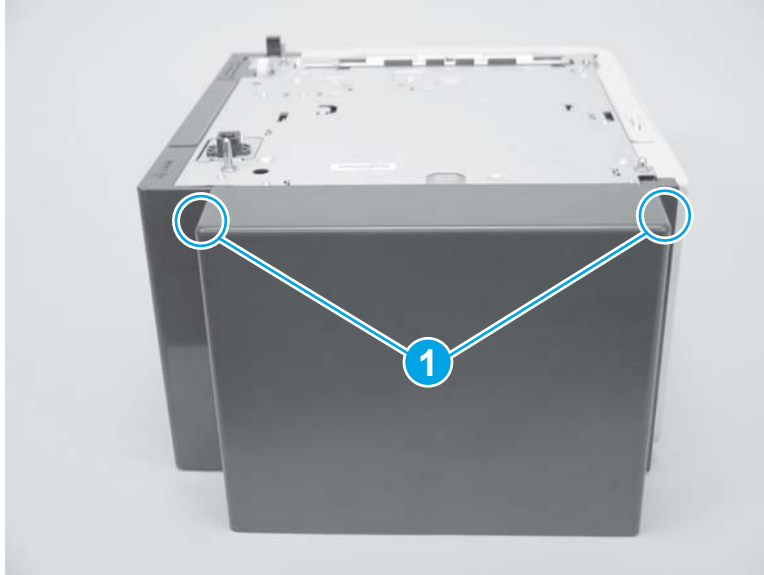
Make sure that the printer initializes to a **Ready** state.

Print a page from the 1,500-sheet feeder to make sure that the printer is functioning correctly.

Step 1: Remove the rear cover (1,500-sheet feeder)

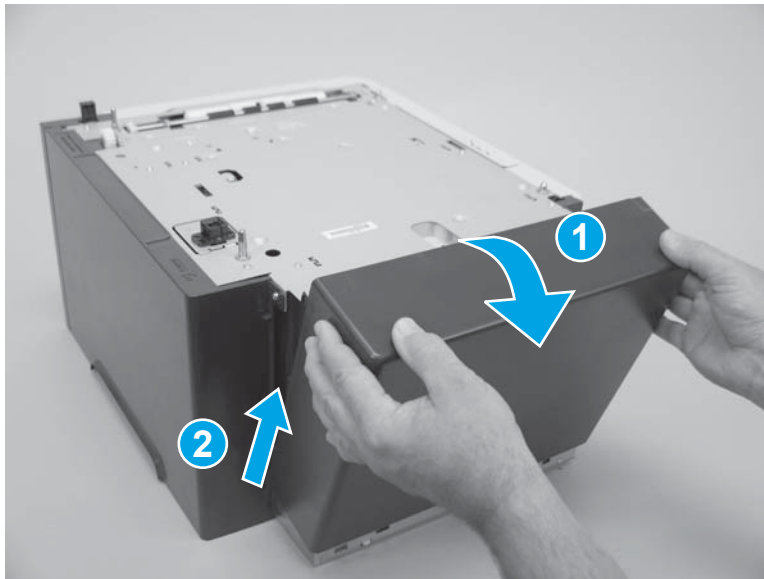
1. Release two tabs (callout 1).

Figure 1-2479 Release two tabs



2. Rotate the top of the cover away from the feeder (callout 1), and then lift up on the cover to release it (callout 2). Remove the cover.

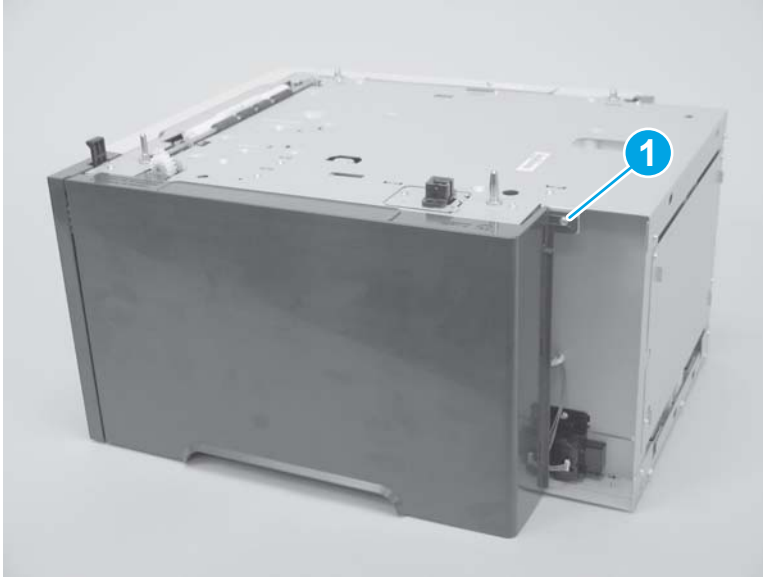
Figure 1-2480 Remove the rear cover



Step 2: Remove the right cover (1,500-sheet feeder)

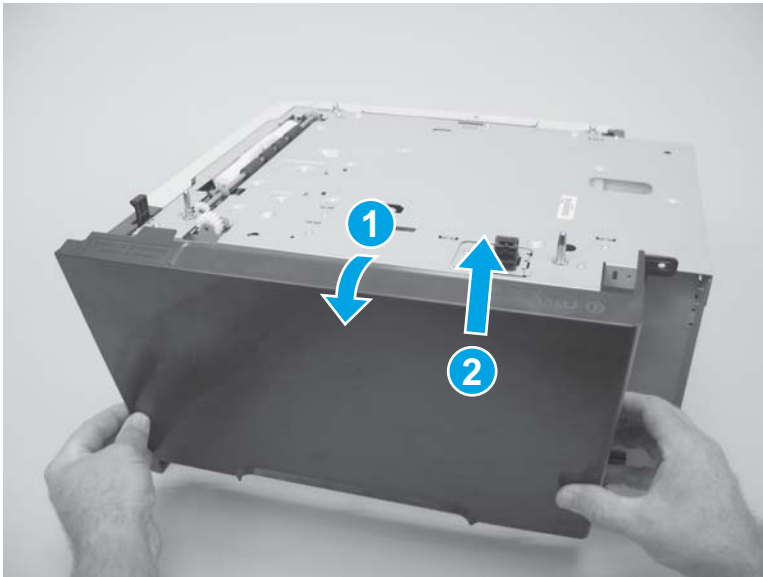
1. Remove one screw (callout 1).

Figure 1-2481 Remove one screw



2. Rotate the top of the cover away from the chassis (callout 1), and then lift it up (callout 2) to remove it.

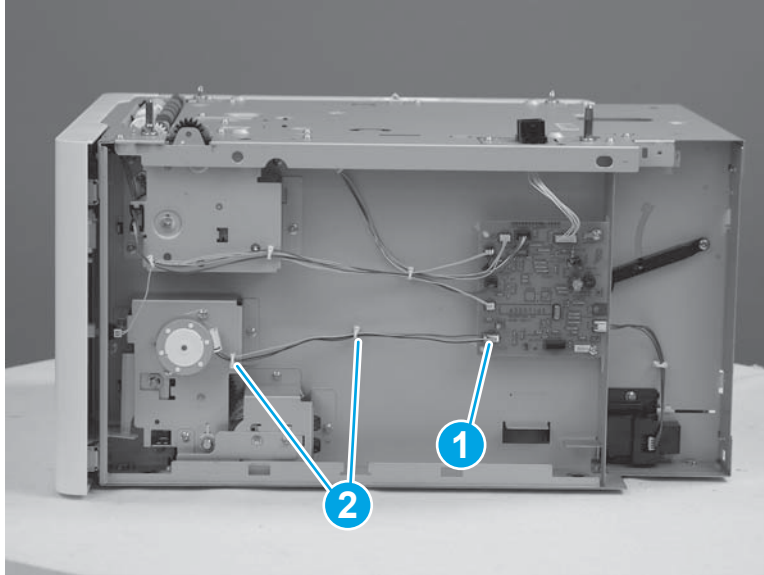
Figure 1-2482 Remove the right cover



Step 3: Remove the feeder motor

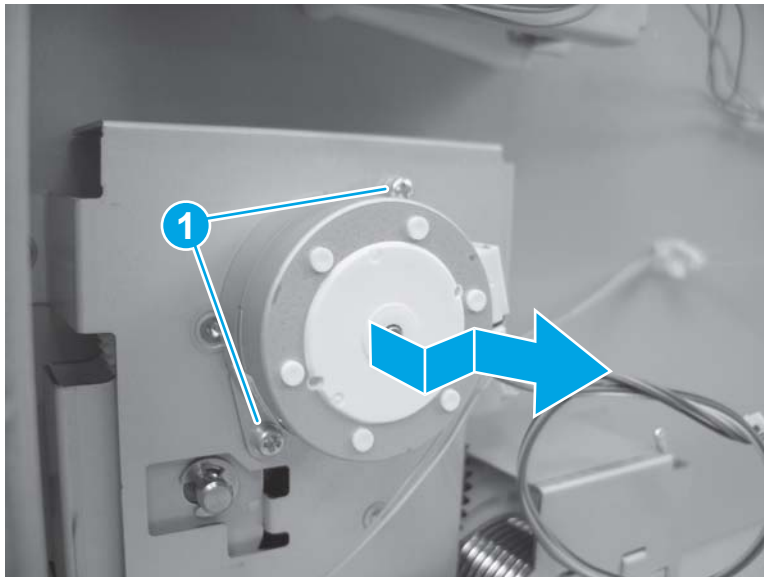
1. Disconnect one wire-harness connector (callout 1; J1703), and then release the wire harness from two retainers (callout 2).

Figure 1-2483 Disconnect wire harness



2. Remove two screws (callout 1). Slightly separate the motor from the feeder chassis, and then slide the motor toward the back of the paper feeder to remove the motor.

Figure 1-2484 Remove two screws



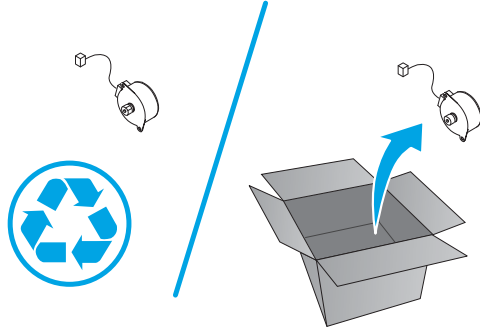
Step 4: Unpack the replacement feeder motor

Unpack the replacement part from the packaging.

<http://www8.hp.com/us/en/hp-information/environment/product-recycling.html>

 **NOTE:** HP recommends responsible disposal of the defective part.

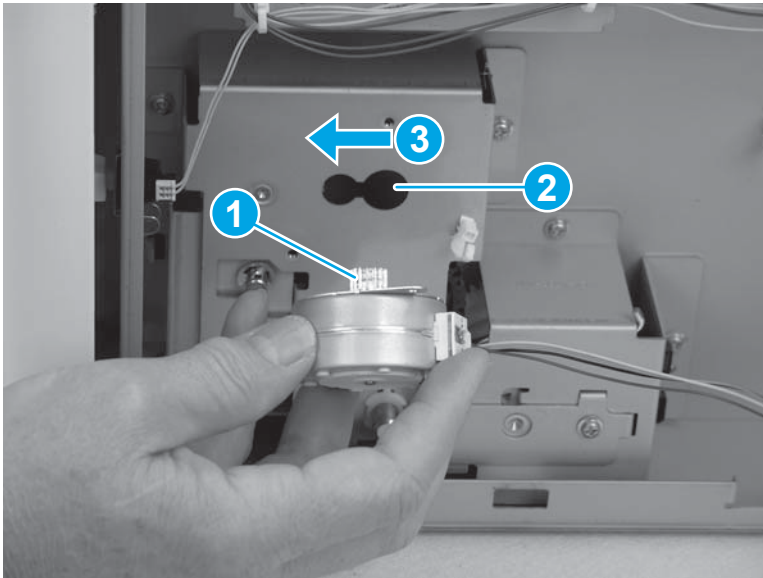
Figure 1-2485 Recycle and unpack



Step 5: Install the feeder motor

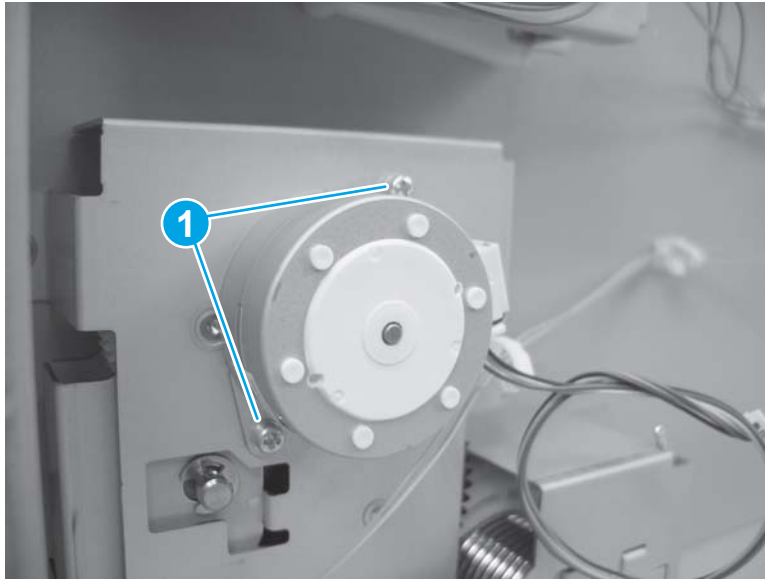
1. Install the gear (callout 1) on the motor in the large hole (callout 2) on the feeder. Slide the motor toward the front of the feeder (callout 3) to install it.

Figure 1-2486 Reinstall the motor



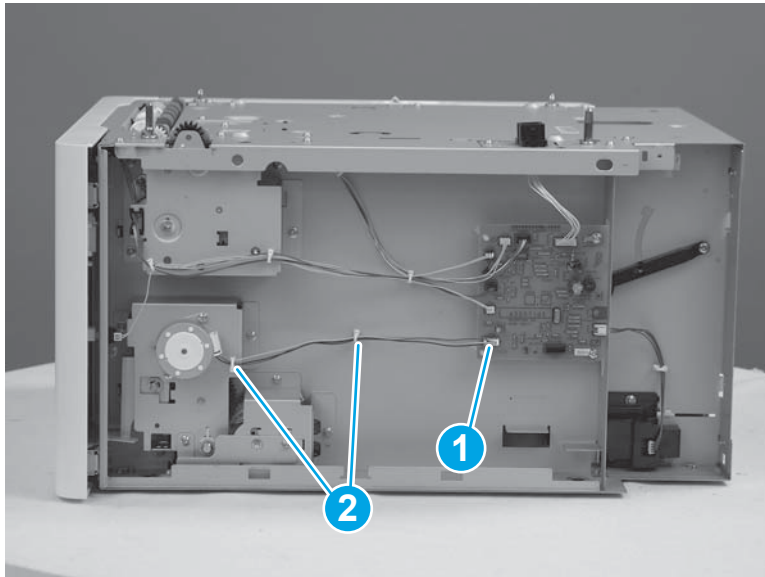
2. Install two screws (callout 1).

Figure 1-2487 Install two screws



3. Connect one wire-harness connector (callout 1; J1703), and then install the wire harness into two retainers (callout 2).

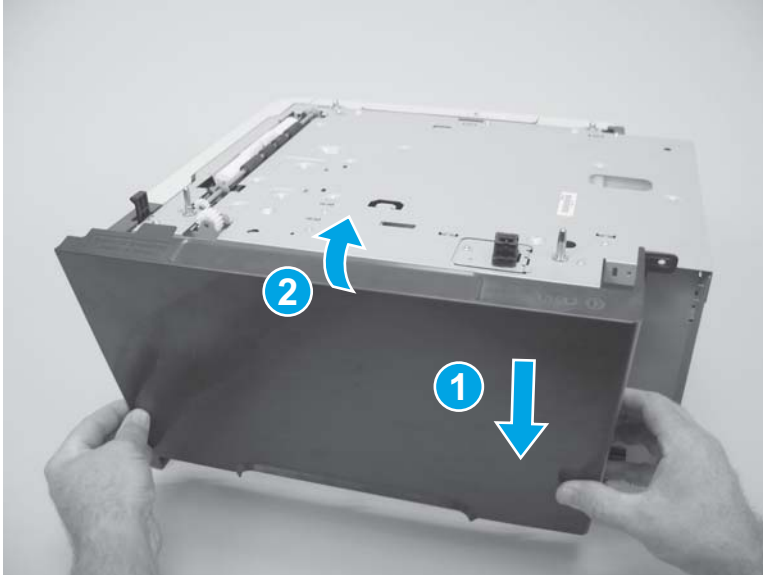
Figure 1-2488 Connect wire harness



Step 6: Install the right cover (1,500-sheet feeder)

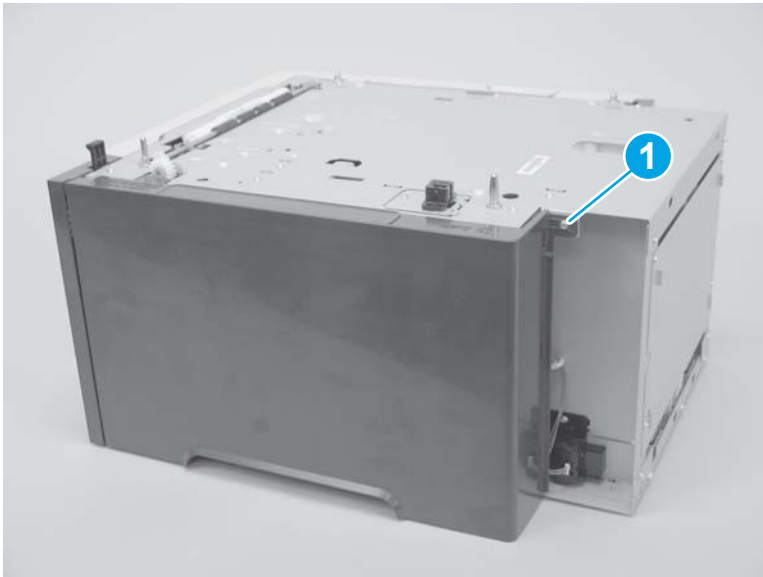
1. Lower the bottom of the cover into place (callout 1), and then rotate the top of the cover toward the feeder (callout 2) to install it.

Figure 1-2489 Install the right cover



2. Install one screw (callout 1).

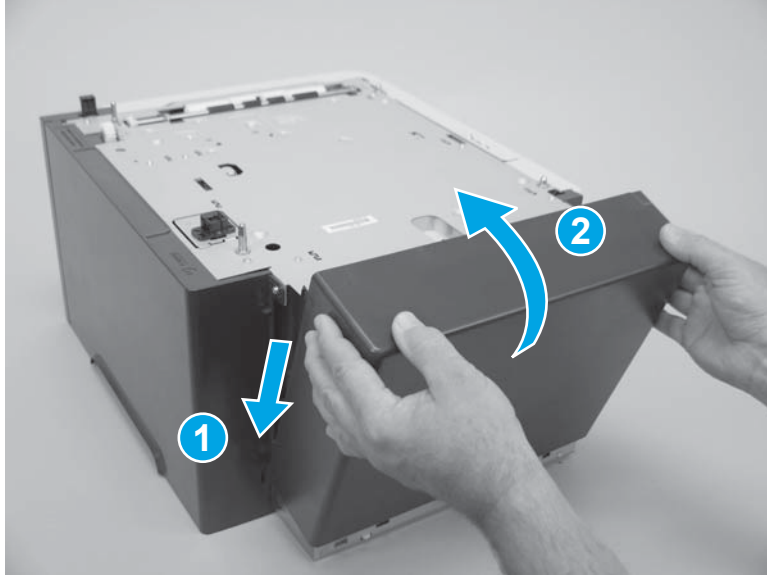
Figure 1-2490 Install one screw



Step 7: Install the rear cover (1,500-sheet feeder)

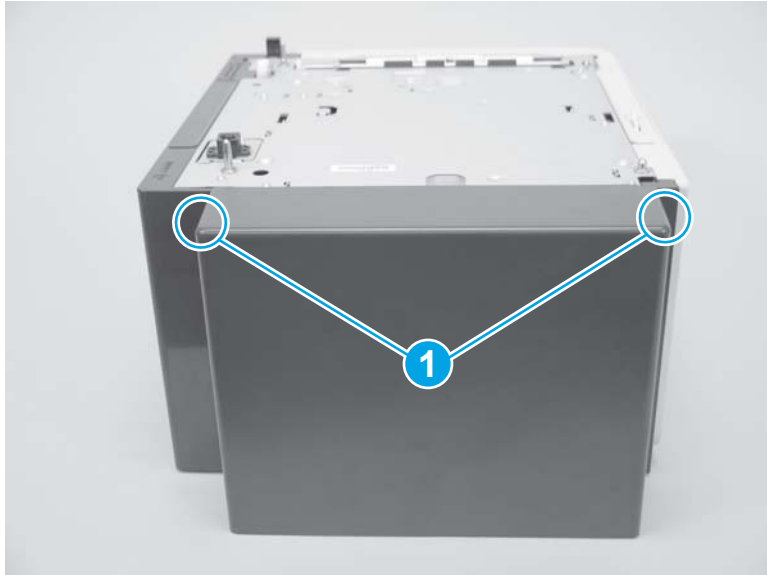
1. Position the lower edge of the cover on the feeder (callout 1), and then rotate the top of the cover toward the feeder (callout 2) to install it.

Figure 1-2491 Install the rear cover



2. Make sure that two tabs (callout 1) snap into place.

Figure 1-2492 Install two tabs



Removal and replacement: PCA (1,500-sheet feeder)

- [Introduction](#)
- [Step 1: Remove the rear cover \(1,500-sheet feeder\)](#)
- [Step 2: Remove the right cover \(1,500-sheet feeder\)](#)
- [Step 3: Remove the PCA](#)
- [Step 4: Unpack the replacement PCA](#)
- [Step 5: Install the PCA](#)
- [Step 6: Install the right cover \(1,500-sheet feeder\)](#)
- [Step 7: Install the rear cover \(1,500-sheet feeder\)](#)


Introduction

This document provides the procedures to remove and replace the PCA for the 1,500-sheet feeder.



Before performing service

Turn the printer power off

- Disconnect the power cable.

 **WARNING!** To avoid damage to the printer, turn the printer off, wait 30 seconds, and then remove the power cord before attempting to service the printer.

- Lift the printer off of the 1,500-sheet paper feeder.

 **CAUTION:**  This part contains components that are electrostatic discharge (ESD) sensitive. To reduce the possibility of ESD damage, always touch the sheet-metal chassis to ground yourself before touching an ESD-sensitive part.

Use the table below to identify the correct part number for your printer. To order the part, go to www.hp.com/buy/parts.

PCA (1,500-sheet feeder) part number

RM2-7647-000CN

PCA, paper deck (1,500-sheet feeder)

Required tools

- #2 Phillips screwdriver with a magnetic tip
- Needle-nose pliers

After performing service

Turn the printer power on

- Connect the power cable.
- Use the power switch to turn the power on.

Post service test

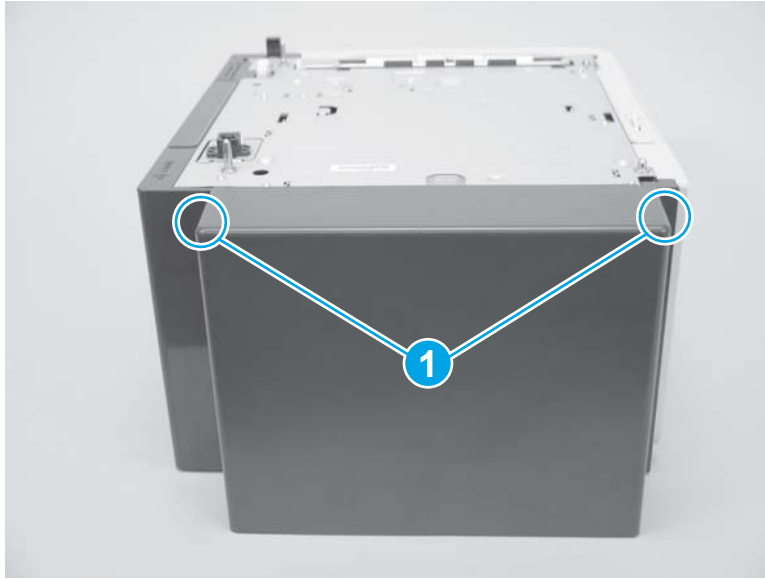
Make sure that the printer initializes to a **Ready** state.

Print a page from the 1,500-sheet feeder to make sure that the printer is functioning correctly.

Step 1: Remove the rear cover (1,500-sheet feeder)

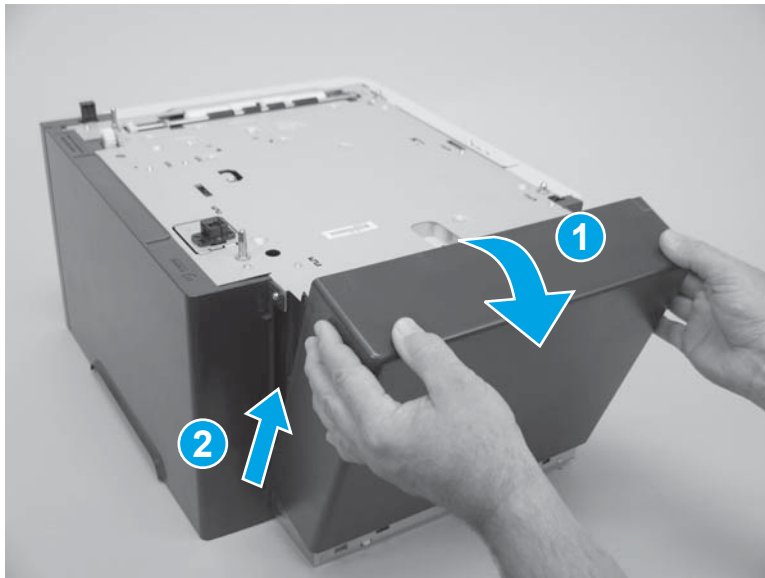
1. Release two tabs (callout 1).

Figure 1-2493 Release two tabs



2. Rotate the top of the cover away from the feeder (callout 1), and then lift up on the cover to release it (callout 2). Remove the cover.

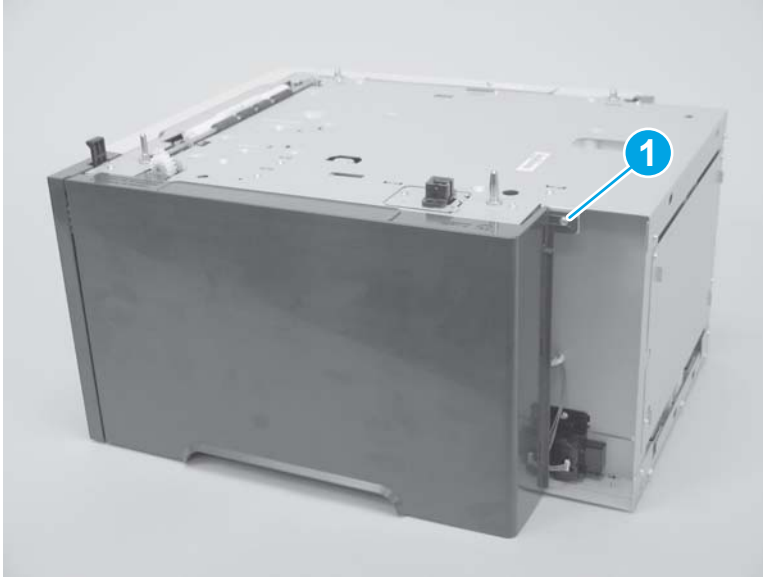
Figure 1-2494 Remove the rear cover



Step 2: Remove the right cover (1,500-sheet feeder)

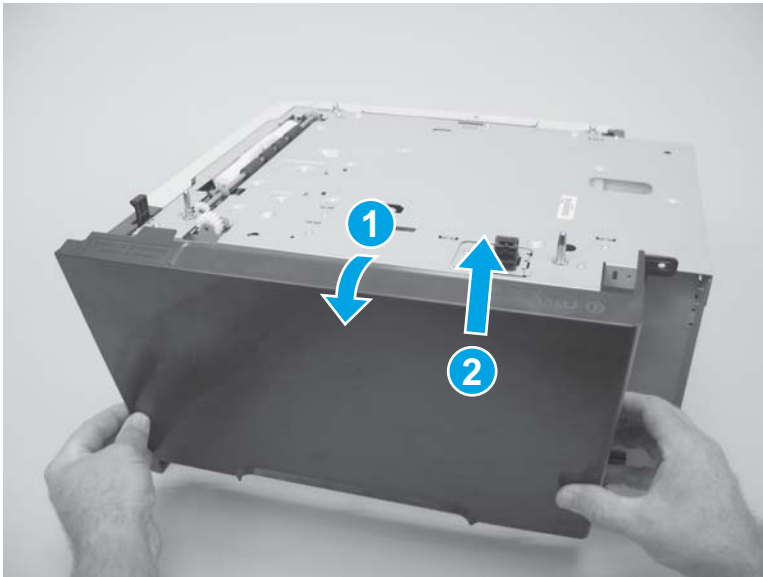
1. Remove one screw (callout 1).

Figure 1-2495 Remove one screw



2. Rotate the top of the cover away from the chassis (callout 1), and then lift it up (callout 2) to remove it.

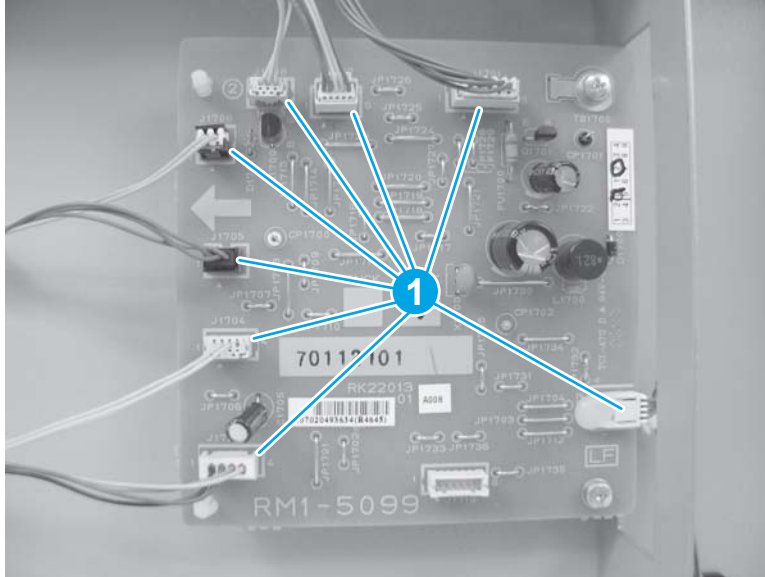
Figure 1-2496 Remove the right cover



Step 3: Remove the PCA

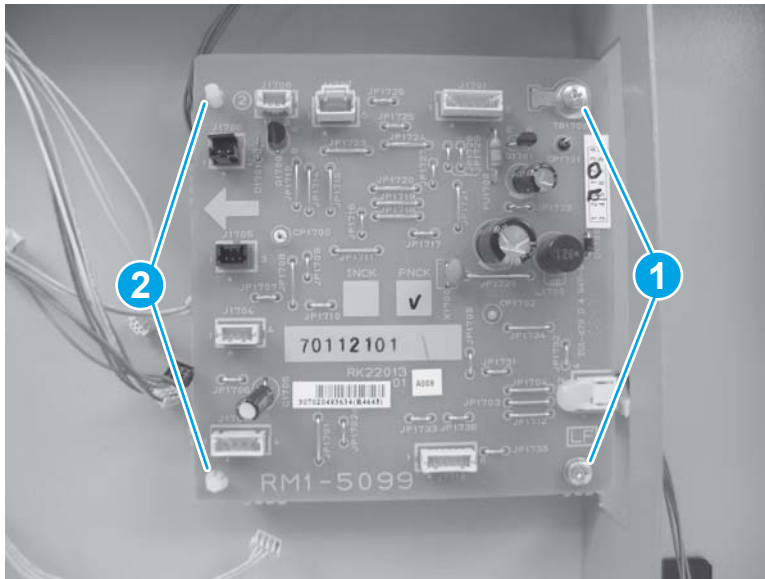
1. Disconnect eight connectors (callout 1).

Figure 1-2497 Disconnect eight connectors




2. Remove two screws (callout 1). Use needle-nose pliers to squeeze the top of one of the nylon PCA standoffs (callout 2). Gently pop the PCA off of the standoff. Repeat the procedure on the remaining standoff. Remove the PCA.

Figure 1-2498 Remove the PCA



Step 4: Unpack the replacement PCA

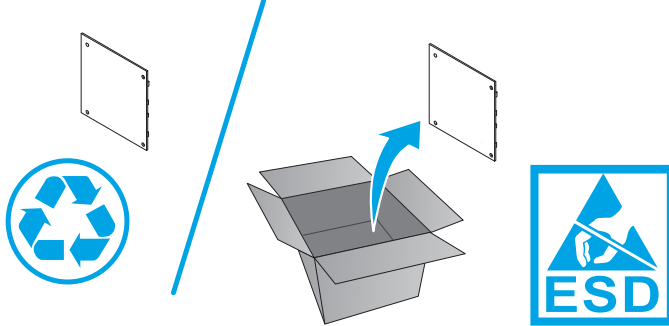
Unpack the replacement part from the packaging.

CAUTION:  This part contains components that are electrostatic discharge (ESD) sensitive. To reduce the possibility of ESD damage, always touch the sheet-metal chassis to ground yourself before touching an ESD-sensitive part.

<http://www8.hp.com/us/en/hp-information/environment/product-recycling.html>

 **NOTE:** HP recommends responsible disposal of the defective part.

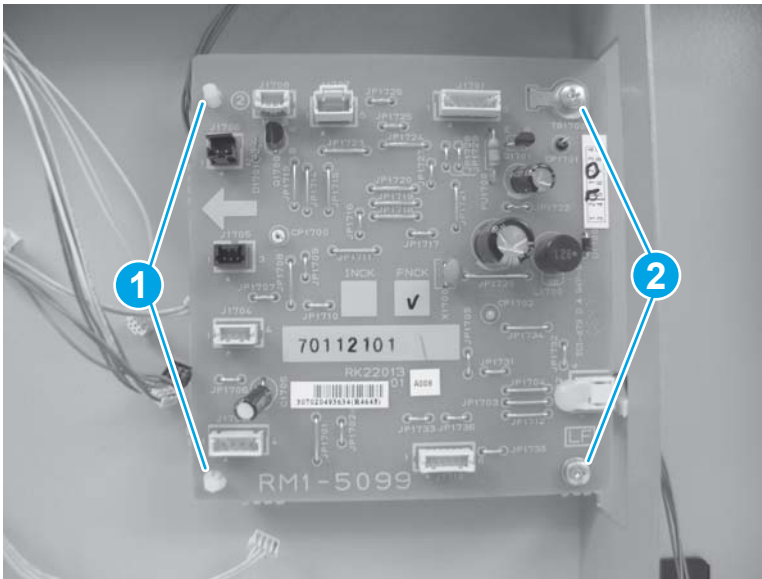
Figure 1-2499 Recycle and unpack



Step 5: Install the PCA

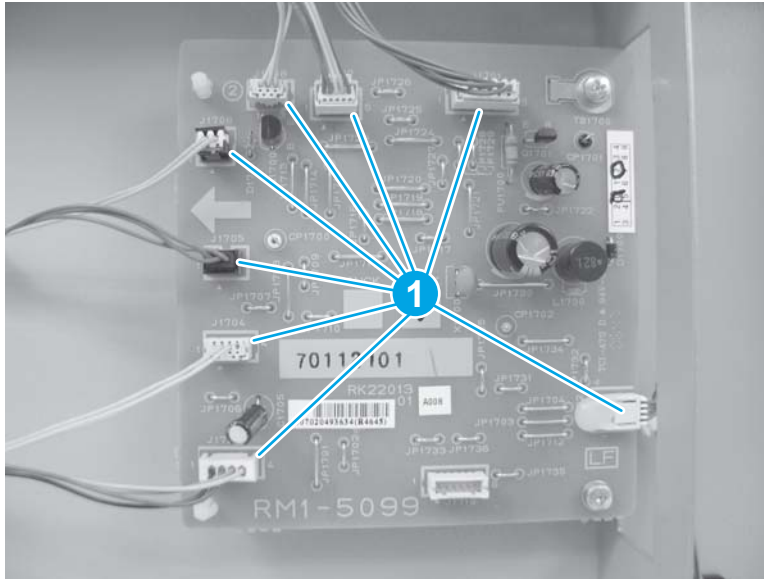
1. Gently install the PCA on the two nylon standoffs (callout 1). Install two screws (callout 2).

Figure 1-2500 Install the PCA



2. Connect eight connectors (callout 1).

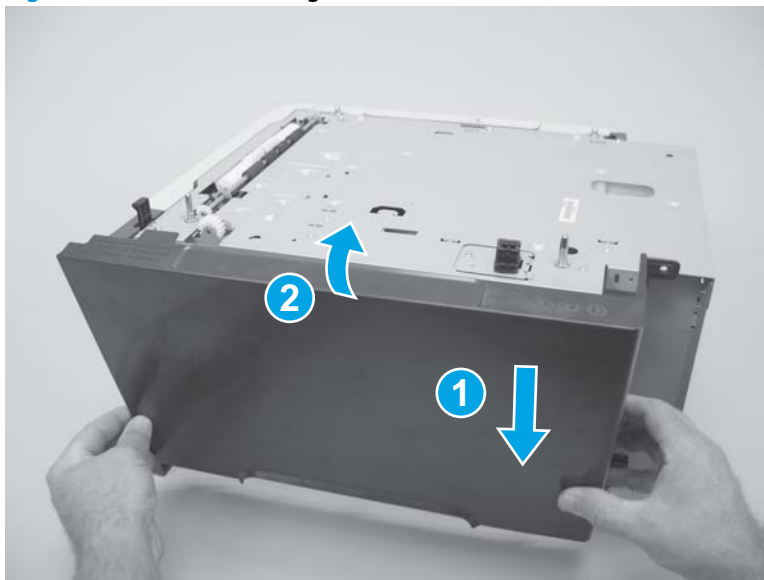
Figure 1-2501 Connect eight connectors



Step 6: Install the right cover (1,500-sheet feeder)

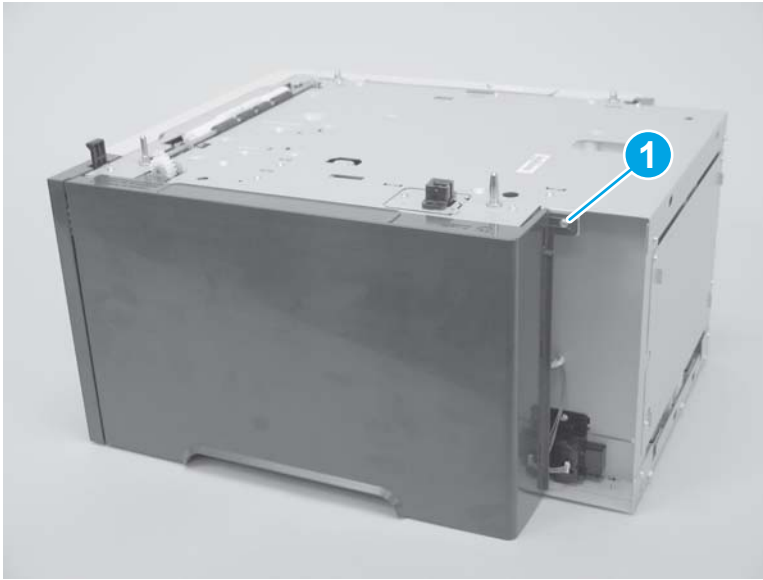
1. Lower the bottom of the cover into place (callout 1), and then rotate the top of the cover toward the feeder (callout 2) to install it.

Figure 1-2502 Install the right cover



2. Install one screw (callout 1).

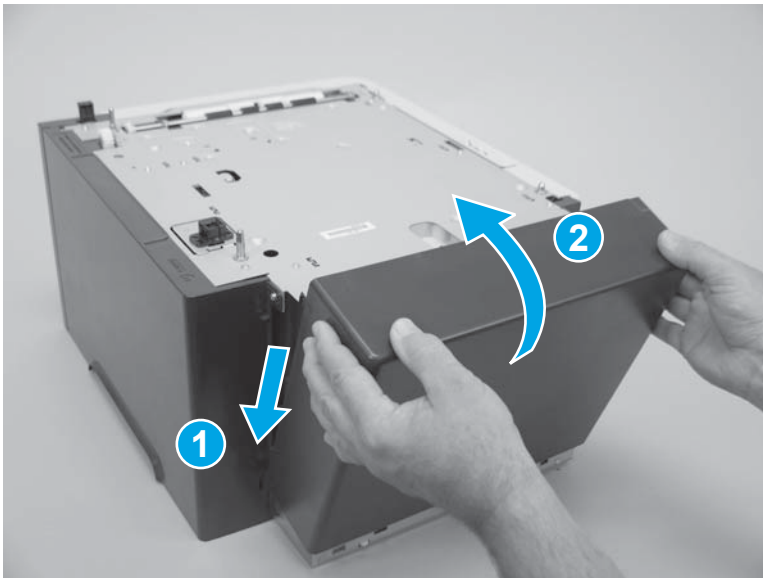
Figure 1-2503 Install one screw



Step 7: Install the rear cover (1,500-sheet feeder)

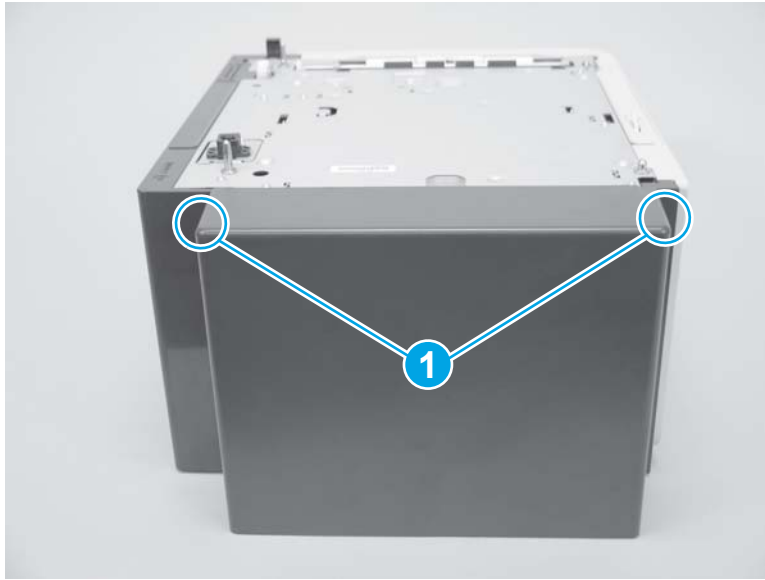
1. Position the lower edge of the cover on the feeder (callout 1), and then rotate the top of the cover toward the feeder (callout 2) to install it.

Figure 1-2504 Install the rear cover



2. Make sure that two tabs (callout 1) snap into place.

Figure 1-2505 Install two tabs



Removal and replacement: Lifter-drive assembly (1,500-sheet feeder)

- [Introduction](#)
- [Step 1: Remove the rear cover \(1,500-sheet feeder\)](#)
- [Step 2: Remove the right cover \(1,500-sheet feeder\)](#)
- [Step 3: Remove the feeder motor \(1,500-sheet feeder\)](#)
- [Step 4: Remove the lifter-drive assembly](#)
- [Step 5: Unpack the replacement lifter drive assembly](#)
- [Step 6: Install the lifter-drive assembly](#)
- [Step 7: Install the feeder motor \(1,500-sheet feeder\)](#)
- [Step 8: Install the right cover \(1,500-sheet feeder\)](#)
- [Step 9: Install the rear cover \(1,500-sheet feeder\)](#)


Introduction

This document provides the procedures to remove and replace the lifter drive assembly for the 1,500-sheet feeder.

Before performing service

Turn the printer power off

- Disconnect the power cable.

 **WARNING!** To avoid damage to the printer, turn the printer off, wait 30 seconds, and then remove the power cord before attempting to service the printer.

- Lift the printer off of the 1,500-sheet paper feeder.

Use the table below to identify the correct part number for your printer. To order the part, go to www.hp.com/buy/parts.

lifter drive assembly (1,500-sheet feeder) part number	
--	--

RM2-6044-000CN

Lifter drive assembly

Required tools

- #2 Phillips screwdriver with a magnetic tip
- Needle-nose pliers

After performing service

Turn the printer power on

- Connect the power cable.
- Use the power switch to turn the power on.

Post service test

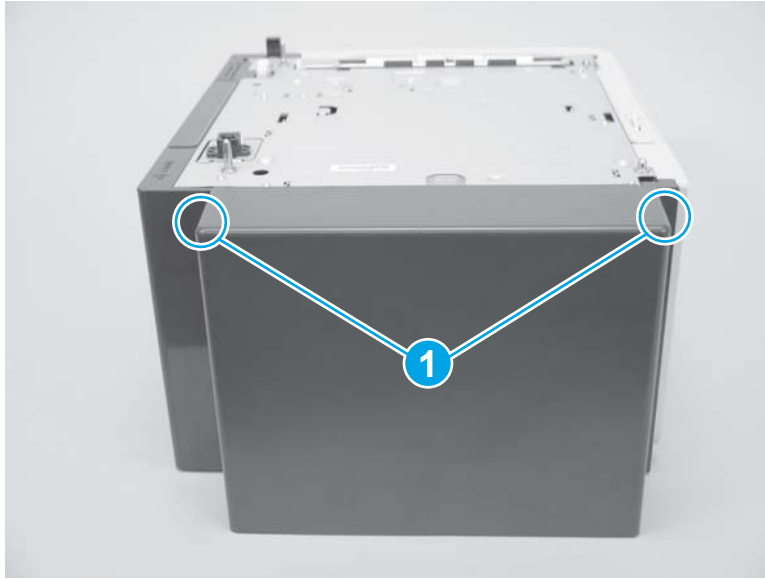
Make sure that the printer initializes to a **Ready** state.

Print a page from the 1,500-sheet feeder to make sure that the printer is functioning correctly.

Step 1: Remove the rear cover (1,500-sheet feeder)

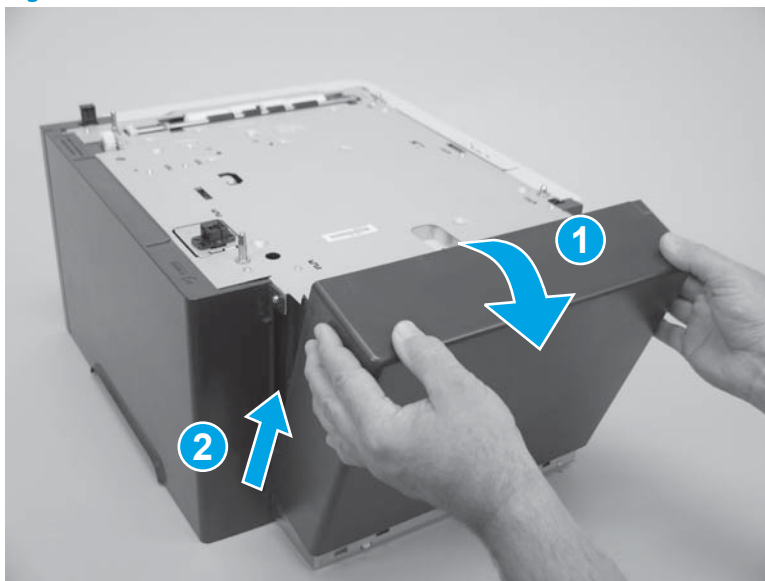
1. Release two tabs (callout 1).

Figure 1-2506 Release two tabs



2. Rotate the top of the cover away from the feeder (callout 1), and then lift up on the cover to release it (callout 2). Remove the cover.

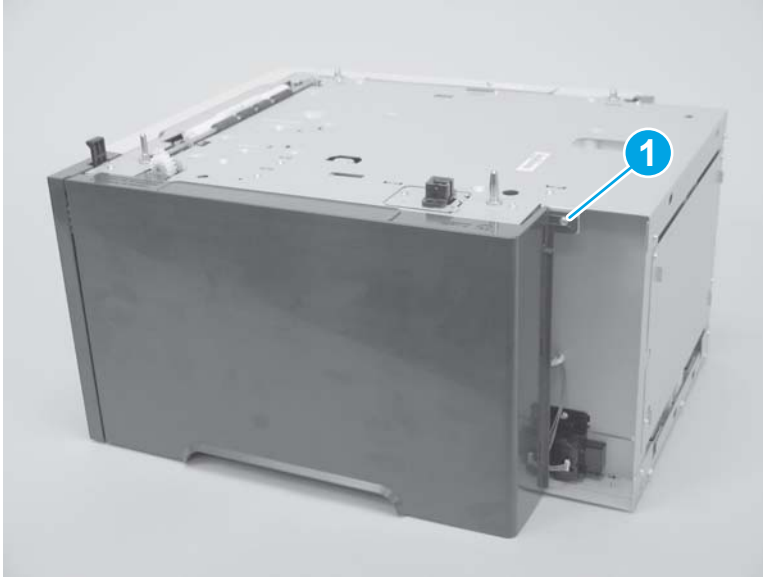
Figure 1-2507 Remove the rear cover



Step 2: Remove the right cover (1,500-sheet feeder)

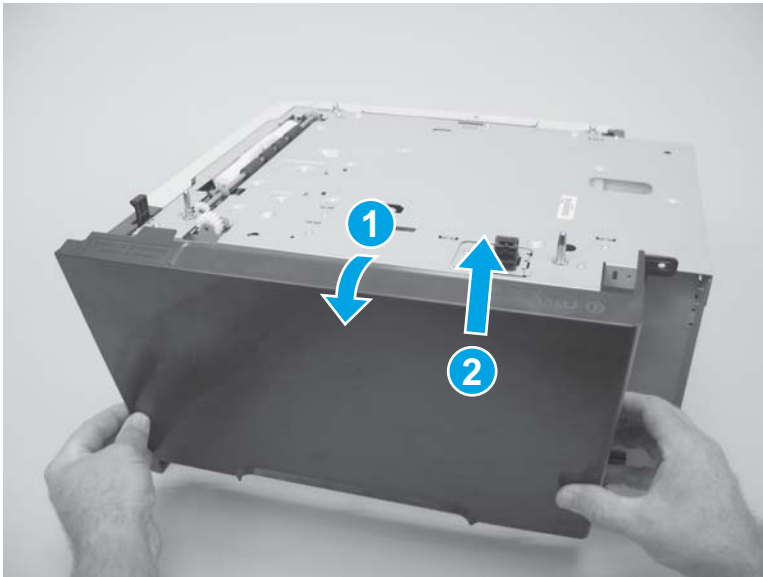
1. Remove one screw (callout 1).

Figure 1-2508 Remove one screw



2. Rotate the top of the cover away from the chassis (callout 1), and then lift it up (callout 2) to remove it.

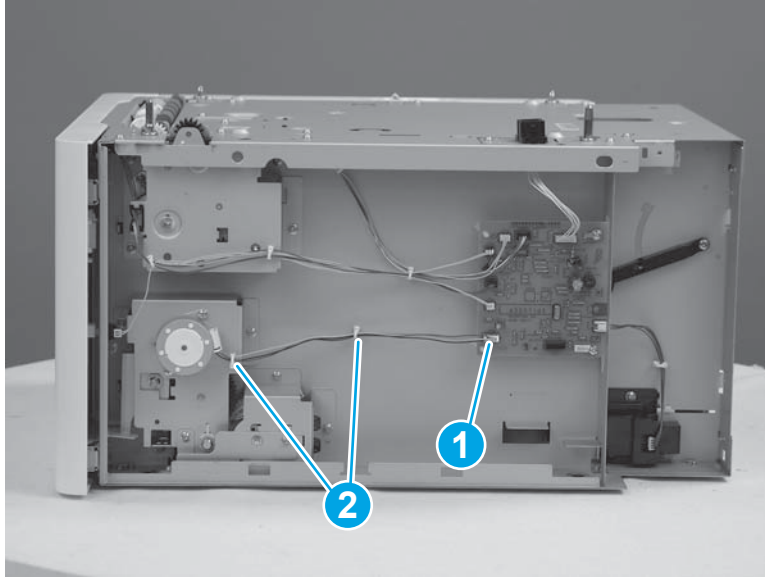
Figure 1-2509 Remove the right cover



Step 3: Remove the feeder motor (1,500-sheet feeder)

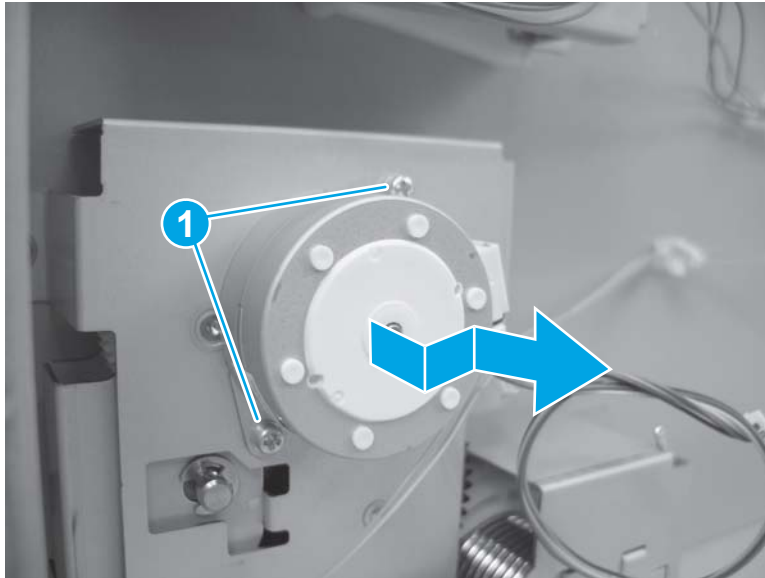
1. Disconnect one wire-harness connector (callout 1; J1703), and then release the wire harness from two retainers (callout 2).

Figure 1-2510 Disconnect wire harness



2. Remove two screws (callout 1). Slightly separate the motor from the feeder chassis, and then slide the motor toward the back of the paper feeder to remove the motor.

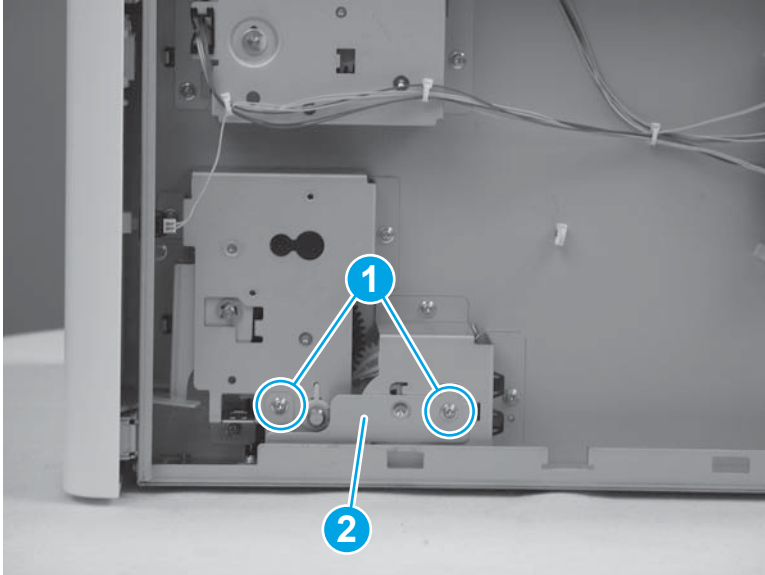
Figure 1-2511 Remove two screws



Step 4: Remove the lifter-drive assembly

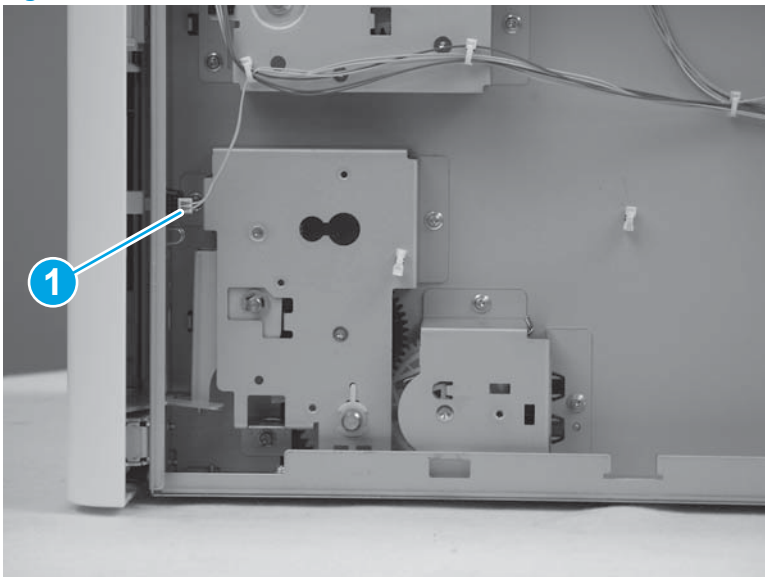
1. Remove two screws (callout 1) and the remove the sheet-metal plate (callout 2).

Figure 1-2512 Remove two screws



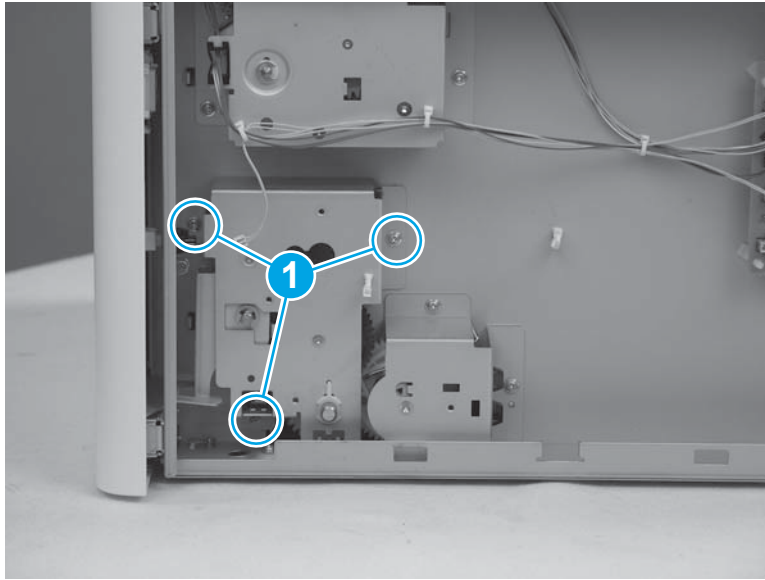
2. Disconnect one connector (callout 1).

Figure 1-2513 Disconnect one connector



3. Remove three screws (callout 1), and then carefully remove the lifter drive assembly.

Figure 1-2514 Remove three screws



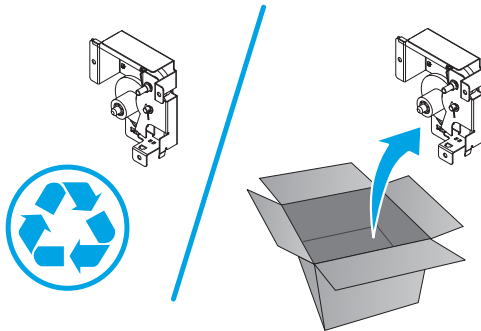
Step 5: Unpack the replacement lifter drive assembly

Unpack the replacement part from the packaging.

<http://www8.hp.com/us/en/hp-information/environment/product-recycling.html>

 **NOTE:** HP recommends responsible disposal of the defective part.

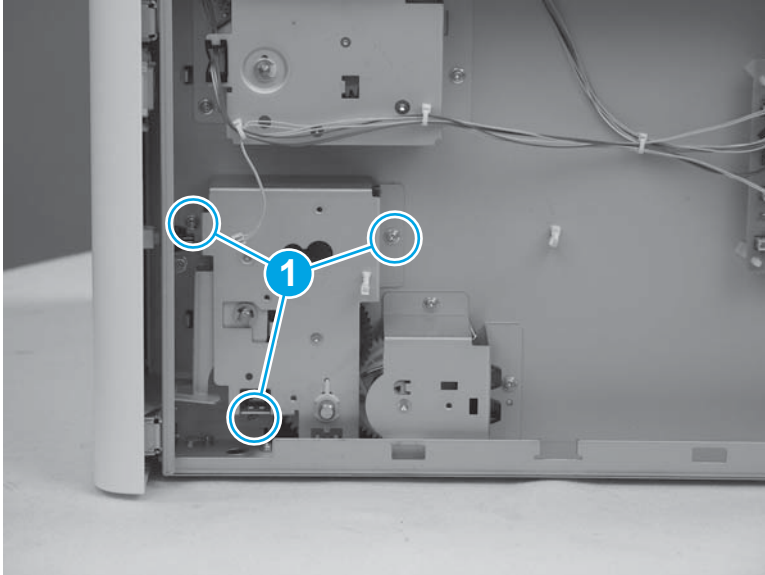
Figure 1-2515 Recycle and unpack



Step 6: Install the lifter-drive assembly

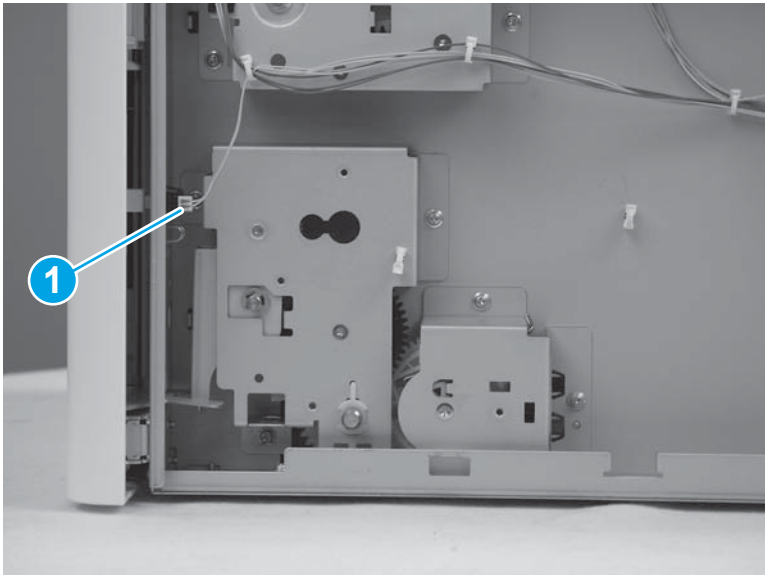
1. Position the lifter drive assembly on the feeder, and then install three screws (callout 1), and then connect one connector (callout 2).

Figure 1-2516 Install three screws



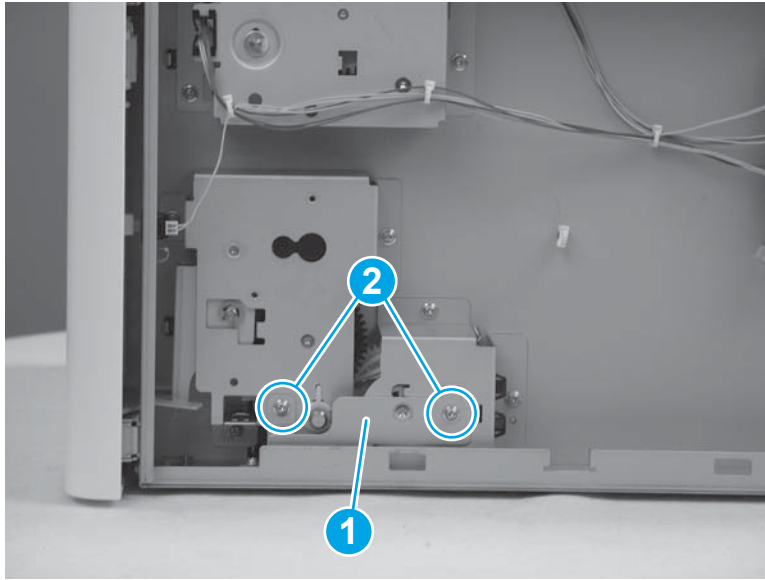
2. Connect one connector (callout 1).

Figure 1-2517 Connect one connector



3. Position the sheet metal plate (callout 1) on the feeder, and then install two screws (callout 2).

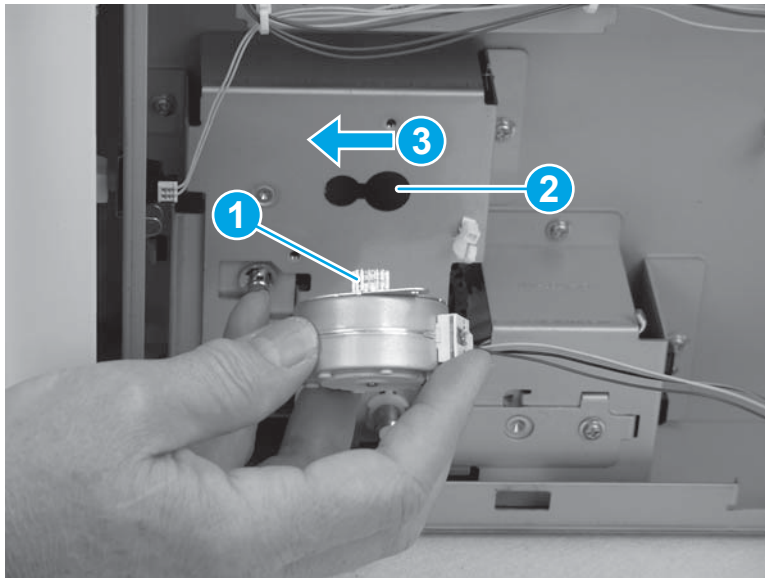
Figure 1-2518 Install the sheet-metal plate



Step 7: Install the feeder motor (1,500-sheet feeder)

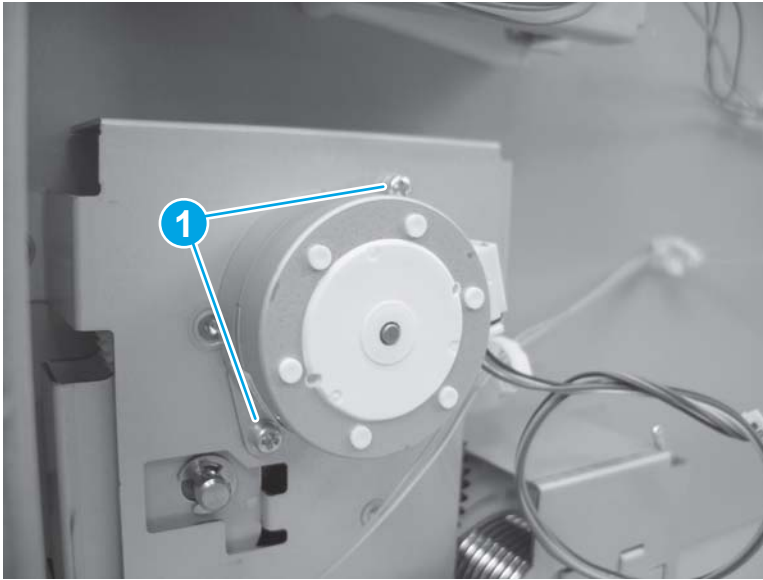
1. Install the gear (callout 1) on the motor in the large hole (callout 2) on the feeder. Slide the motor toward the front of the feeder (callout 3) to install it.

Figure 1-2519 Reinstall the motor



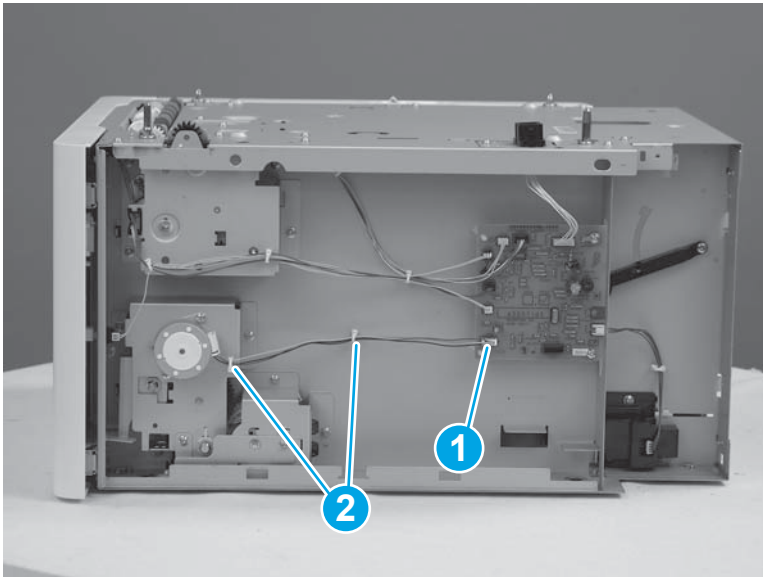
2. Install two screws (callout 1).

Figure 1-2520 Install two screws



3. Connect one wire-harness connector (callout 1; J1703), and then install the wire harness into two retainers (callout 2).

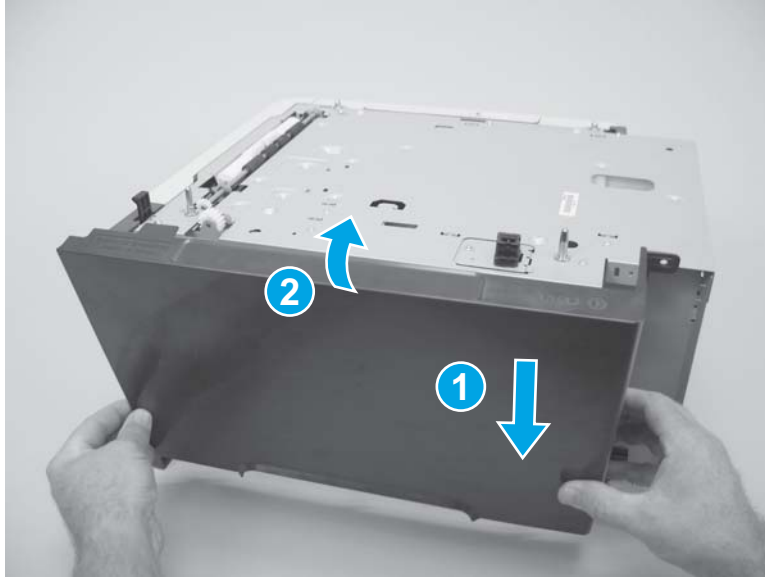
Figure 1-2521 Connect wire harness



Step 8: Install the right cover (1,500-sheet feeder)

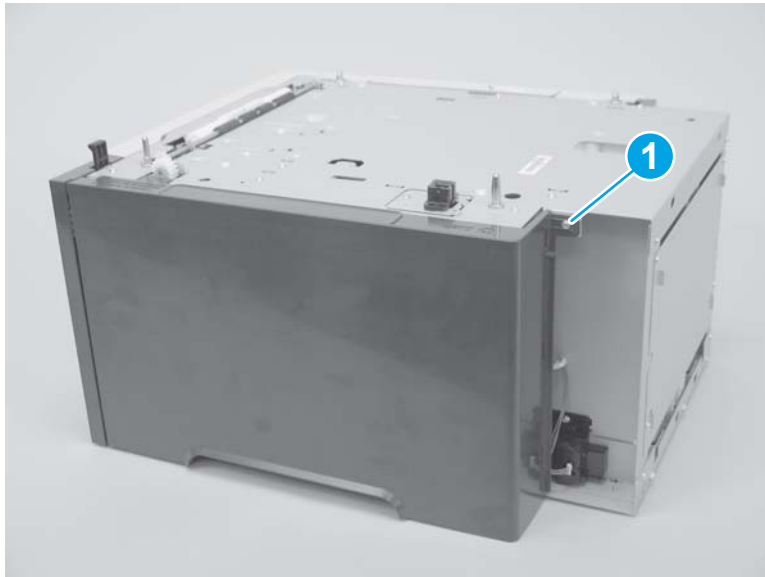
1. Lower the bottom of the cover into place (callout 1), and then rotate the top of the cover toward the feeder (callout 2) to install it.

Figure 1-2522 Install the right cover



2. Install one screw (callout 1).

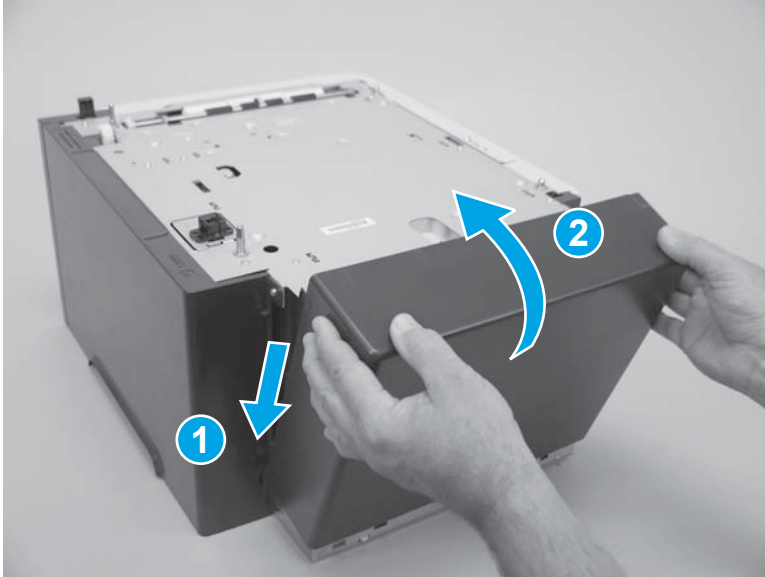
Figure 1-2523 Install one screw



Step 9: Install the rear cover (1,500-sheet feeder)

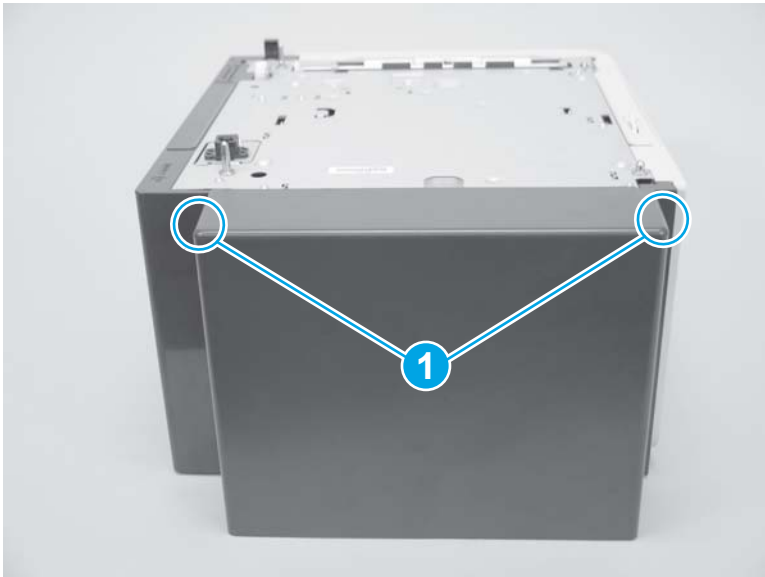
1. Position the lower edge of the cover on the feeder (callout 1), and then rotate the top of the cover toward the feeder (callout 2) to install it.

Figure 1-2524 Install the rear cover



2. Make sure that two tabs (callout 1) snap into place.

Figure 1-2525 Install two tabs



Removal and replacement: Upper connector (1,500-sheet feeder)

- [Introduction](#)
- [Step 1: Remove the upper connector](#)
- [Step 2: Unpack the replacement upper connector](#)
- [Step 3: Install the upper connector](#)

Introduction

This document provides the procedures to remove and replace the upper connector on the 1,500-sheet feeder.

Before performing service

Turn the product power off

- Lift the product off of the 1,500-sheet paper feeder.

Use the table below to identify the correct part number for your product. To order the part, go to www.hp.com/buy/parts.

Upper connector part number	
VS1-7500-006CN	Connector, drawer, 6P

Required tools

- #2 Phillips screwdriver with a magnetic tip
- Needle-nose pliers

After performing service

Turn the product power on

- Connect the power cable.
- Use the power switch to turn the power on.

Post service test

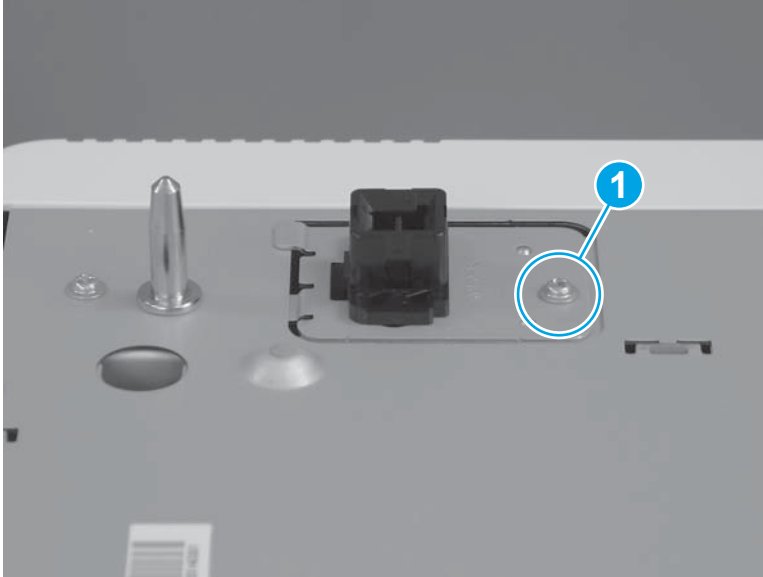
Make sure that the product initializes to a **Ready** state.

Print a configuration page from the 1,500-sheet paper feeder to make sure that the product is functioning correctly.

Step 1: Remove the upper connector

1. Remove one screw (callout 1).

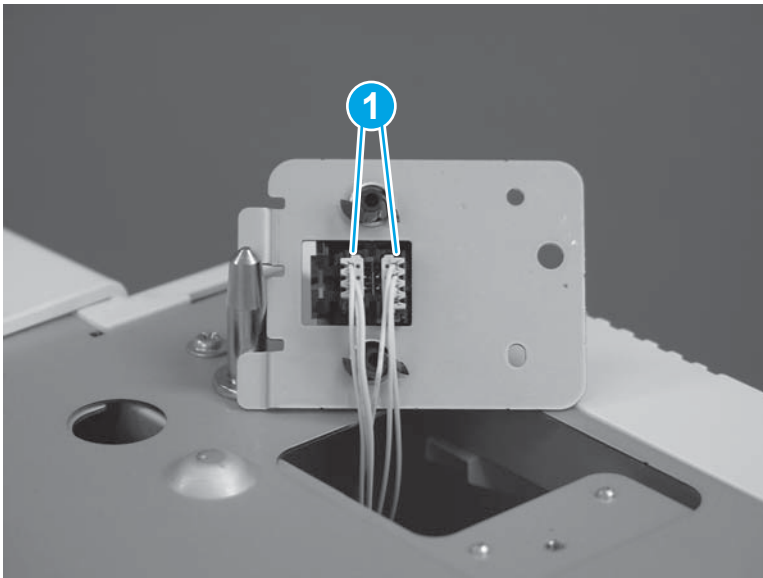
Figure 1-2526 Remove one screw



2. Rotate the sheet-metal plate away from the feeder, and then disconnect two connectors (callout 1) on the back of the plate.

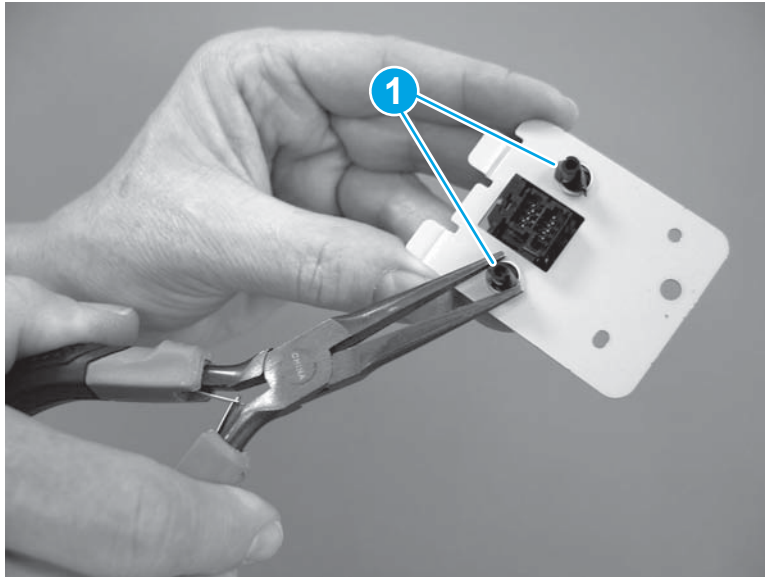
⚠ CAUTION: The sheet-metal plate is still attached to the feeder until the connectors are disconnected.

Figure 1-2527 Disconnect two connectors



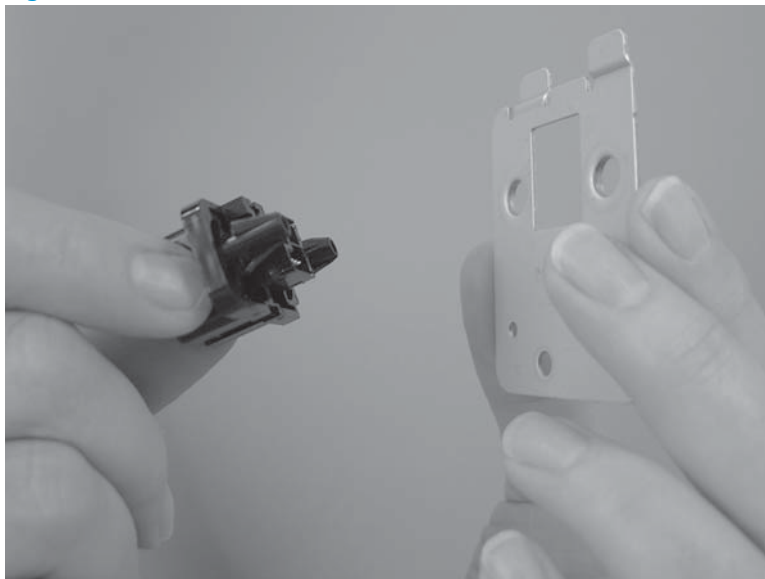
3. Use needle-nose pliers to compress the retaining sleeves around the two pegs (callout 1) on the connector.

Figure 1-2528 Compress the sleeves around the pegs



4. Remove the connector from the sheet-metal plate.

Figure 1-2529 Remove the connector

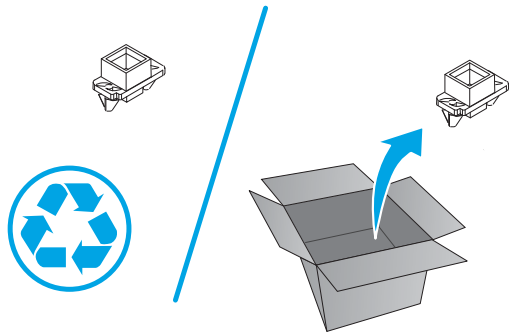


Step 2: Unpack the replacement upper connector

Unpack the replacement part from the packaging.

<http://www8.hp.com/us/en/hp-information/environment/product-recycling.html>

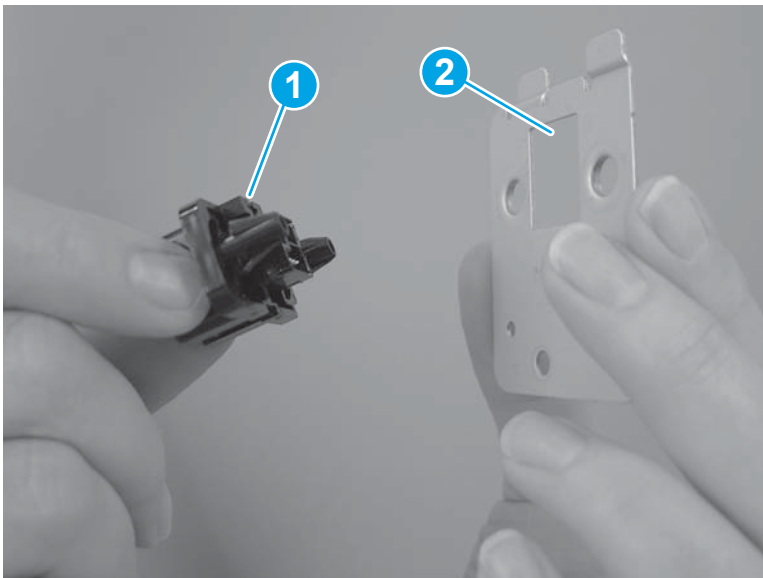
 **NOTE:** HP recommends responsible disposal of the defective part.



Step 3: Install the upper connector

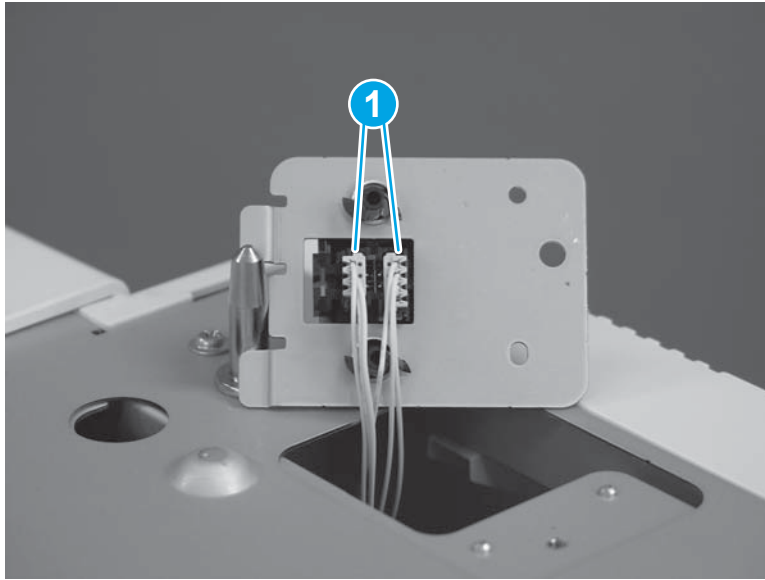
1. Install the connector in the sheet-metal plate. Make sure that the notch (callout 1) on the top of the connector fits into the edge (callout 2) of the hole in the sheet-metal plate closest to the tabs.

Figure 1-2530 Install the connector



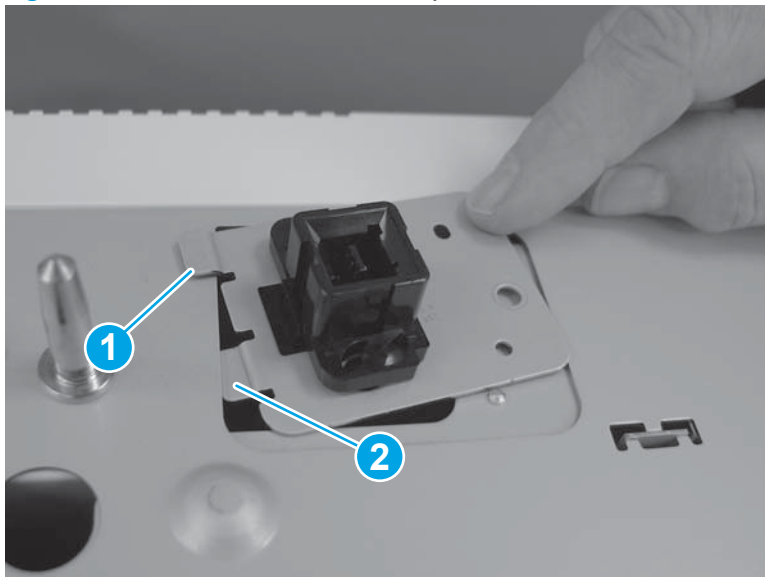
2. Connect two connectors (callout 1) on the back of the sheet-metal plate.

Figure 1-2531 Connect two connectors



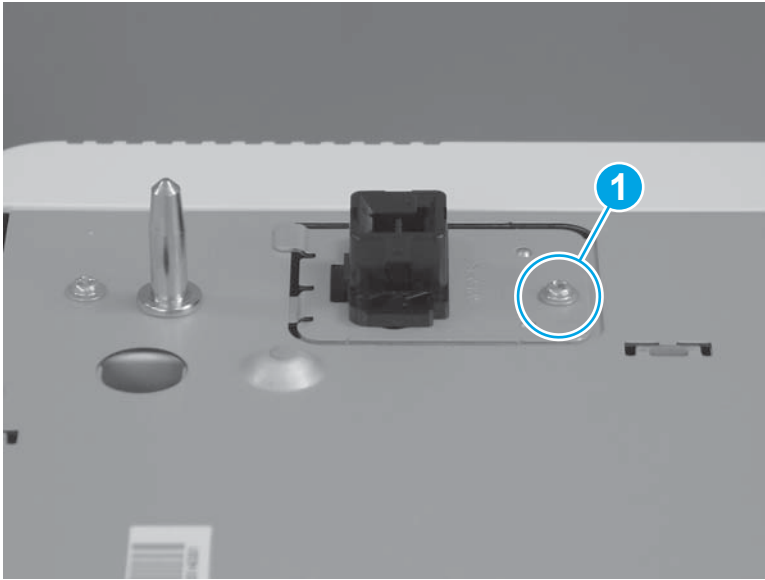
3. When installing the sheet-metal plate, make sure that one tab (callout 1) fits on top of the edge of the opening in the top of the feeder and that the other tab (callout 2) fits under the edge of the opening.

Figure 1-2532 Install the sheet-metal plate



4. Install one screw (callout 1).

Figure 1-2533 Install one screw



5-bin mailbox



NOTE: HP recommends removing the accessories from the product before servicing them.

- [Removal and replacement: Right cover \(5-bin mailbox\)](#)
- [Removal and replacement: Left cover \(5-bin mailbox\)](#)
- [Removal and replacement: Front cover \(5-bin mailbox\)](#)
- [Removal and replacement: Sensor assembly \(5-bin mailbox\)](#)
- [Removal and replacement: Drive assembly \(5-bin mailbox\)](#)
- [Removal and replacement: Connector \(5-bin mailbox\)](#)

Removal and replacement: Right cover (5-bin mailbox)

- [Introduction](#)
- [Step 1: Remove the right cover](#)
- [Step 2: Unpack the replacement right cover](#)
- [Step 3: Install the right cover](#)

Introduction

This document provides the procedures to remove and replace the right cover of the 5-bin mailbox.

Before performing service

Turn the printer power off

- Remove the 5-bin mailbox from the printer.

Use the table below to identify the correct part number for your printer. To order the part, go to www.hp.com/buy/parts.

Right cover (5-bin mailbox) part number	
RM2-6242-000CN	Cover, right (5-bin mailbox)

Required tools

- Small, flat-blade screwdriver

After performing service

Turn the printer power on

- Connect the power cable.
- Use the power switch to turn the power on.

Post service test

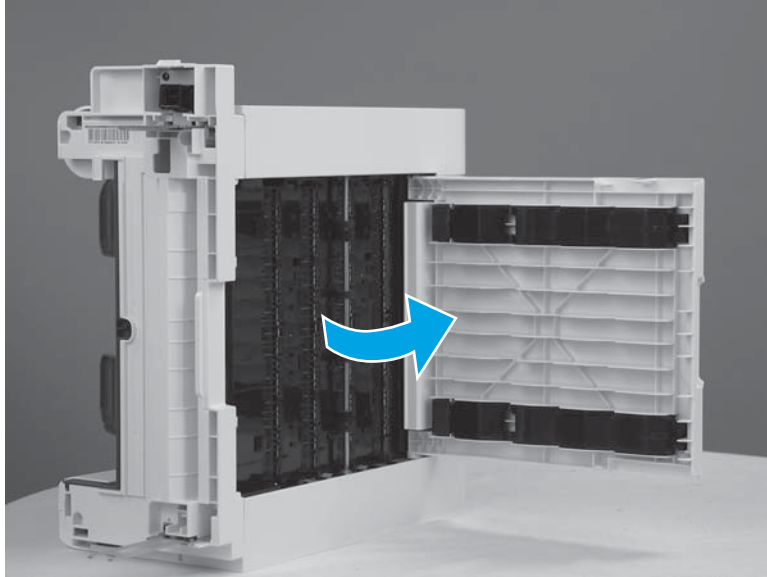
Make sure that the printer initializes to a **Ready** state.

Print a page and send it to the 5-bin mailbox to make sure that the printer is functioning correctly.

Step 1: Remove the right cover

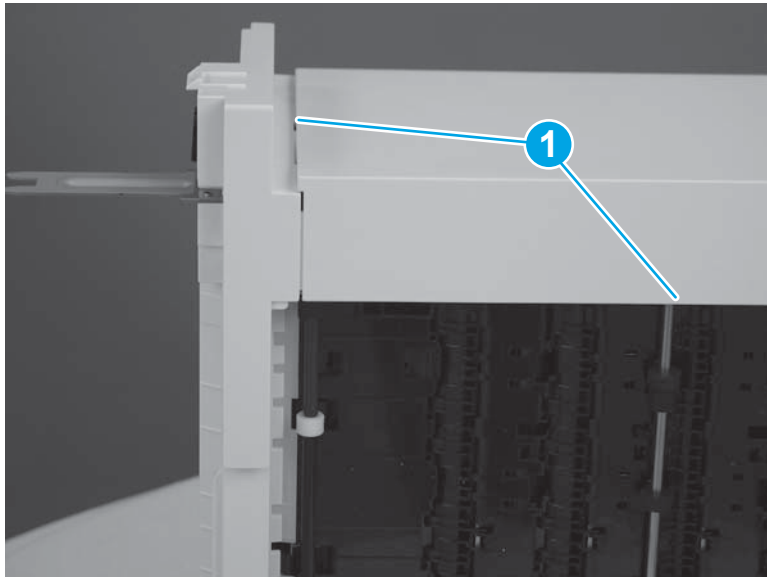
1. Open the rear cover.

Figure 1-2534 Open the rear cover



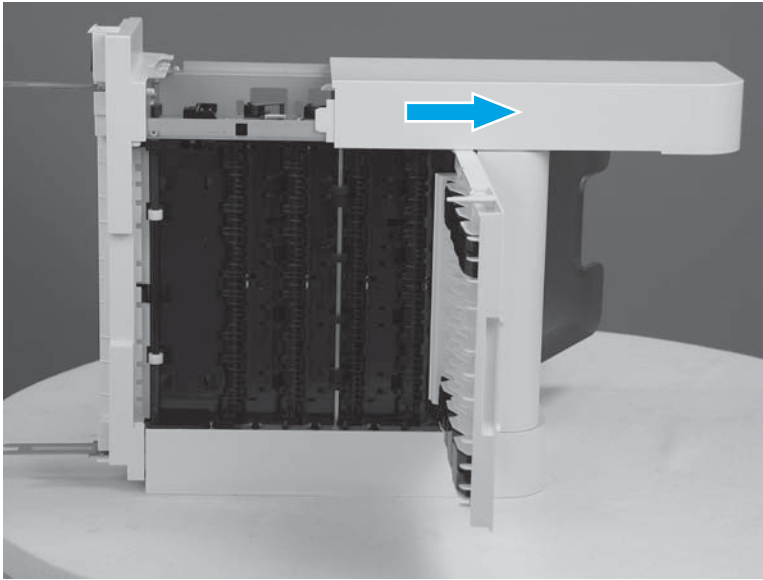
2. Release two tabs (callout 1).

Figure 1-2535 Release two tabs



3. Slide the cover toward the top of the 5-bin mailbox to remove it.

Figure 1-2536 Remove the right cover



Step 2: Unpack the replacement right cover

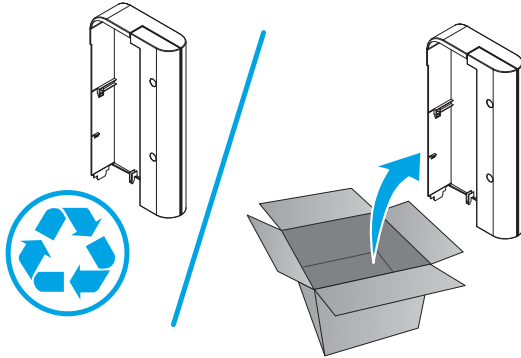
Unpack the replacement part from the packaging.

<http://www8.hp.com/us/en/hp-information/environment/product-recycling.html>



NOTE: HP recommends responsible disposal of the defective part.

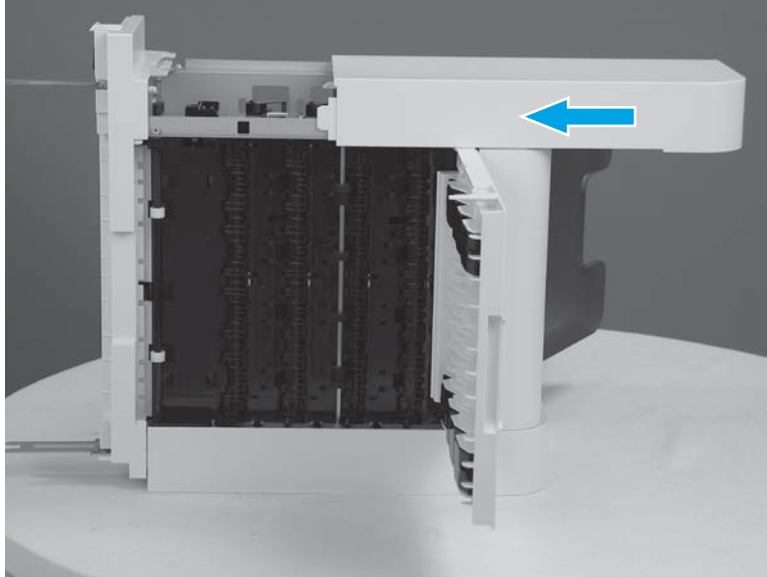
Figure 1-2537 Recycle and unpack



Step 3: Install the right cover

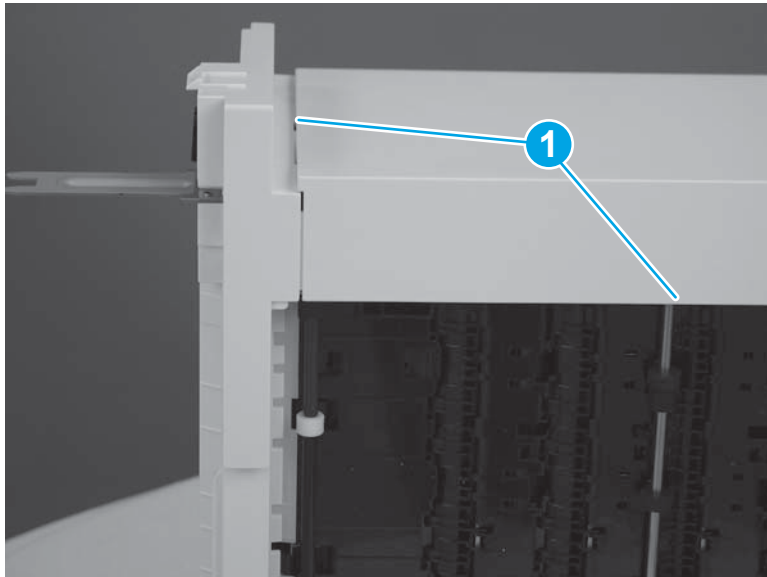
1. Slide the cover toward the base of the 5-bin mailbox to install it.

Figure 1-2538 Install the cover



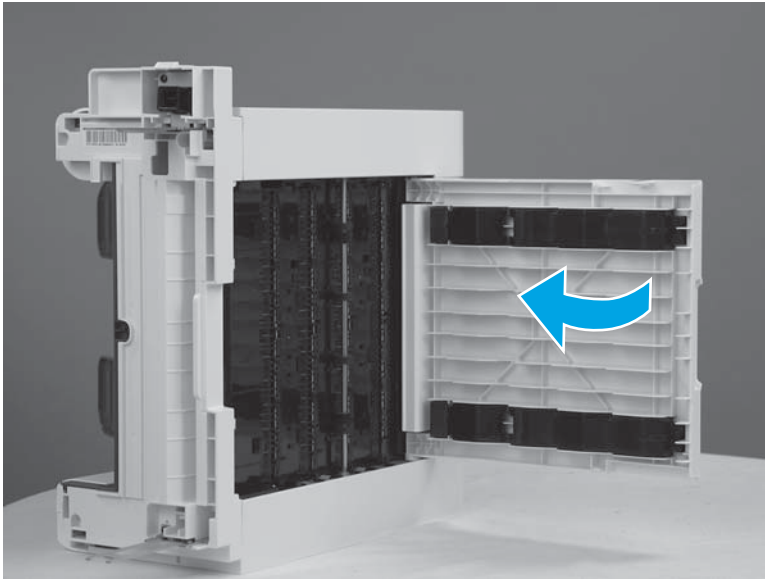
2. Make sure that the two tabs (callout1) snap into place.

Figure 1-2539 Check the tabs



3. Close the rear cover.

Figure 1-2540 Close the rear cover



Removal and replacement: Left cover (5-bin mailbox)

- [Introduction](#)
- [Step 1: Remove the left cover](#)
- [Step 2: Unpack the replacement left cover](#)
- [Step 3: Install the left cover](#)

Introduction

This document provides the procedures to remove and replace the left cover of the 5-bin mailbox.

Before performing service

Turn the printer power off

- Remove the 5-bin mailbox from the printer.

Use the table below to identify the correct part number for your printer. To order the part, go to www.hp.com/buy/parts.

Left cover (5-bin mailbox) part number	
RM2-6241-000CN	Cover, left (5-bin mailbox)

Required tools

- Small, flat-blade screwdriver

After performing service

Turn the printer power on

- Connect the power cable.
- Use the power switch to turn the power on.

Post service test

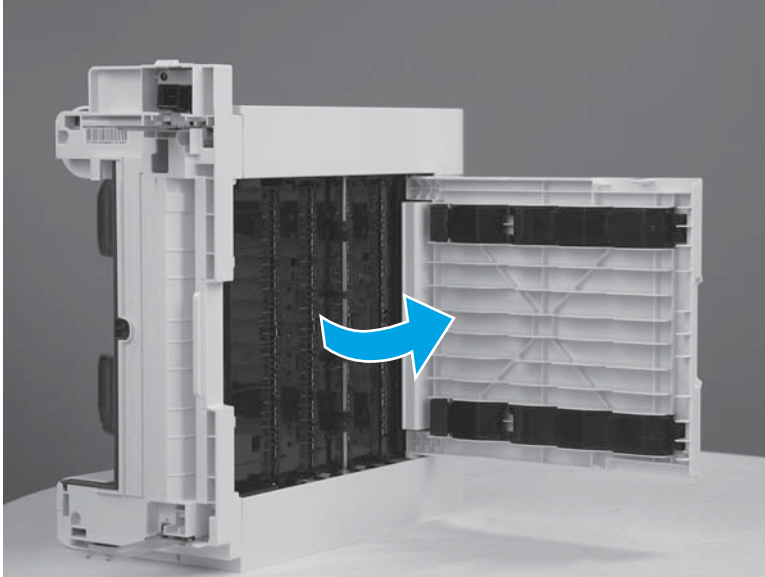
Make sure that the printer initializes to a **Ready** state.

Print a page and send it to the 5-bin mailbox to make sure that the printer is functioning correctly.

Step 1: Remove the left cover

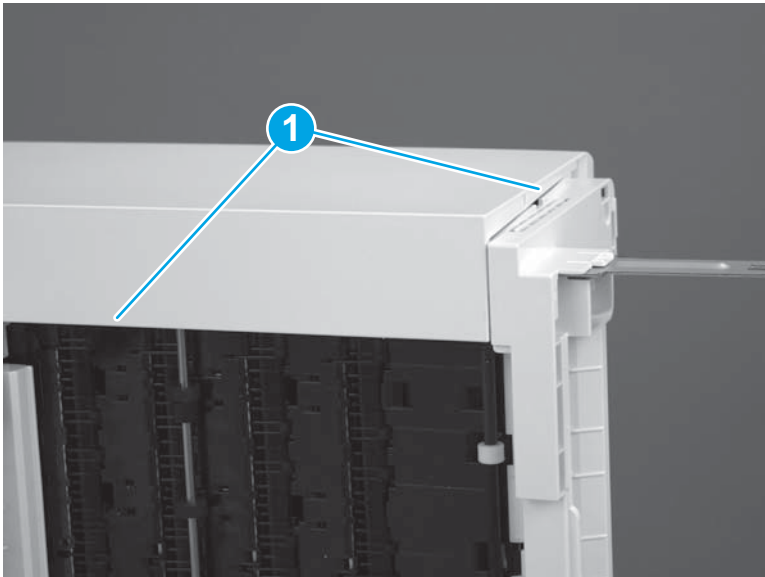
1. Open the rear cover.

Figure 1-2541 Open the rear cover



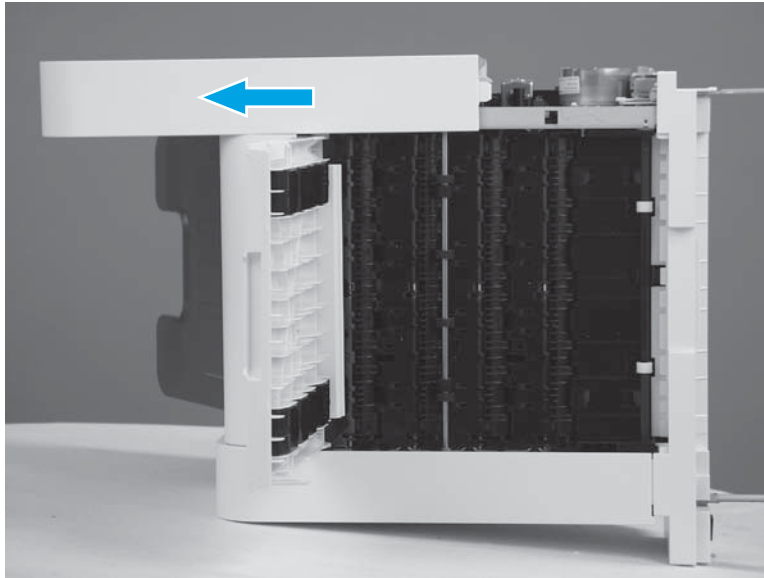
2. Release two tabs (callout 1).

Figure 1-2542 Release two tabs



3. Slide the cover toward the top of the 5-bin mailbox to remove it.

Figure 1-2543 Remove the left cover



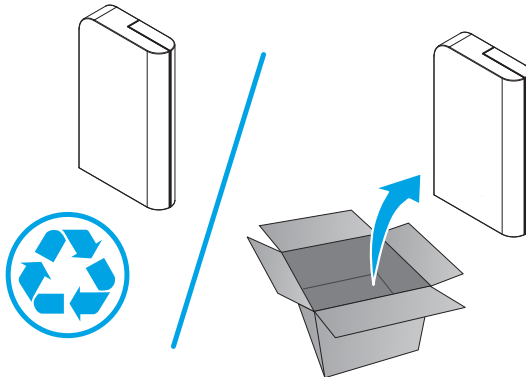
Step 2: Unpack the replacement left cover

Unpack the replacement part from the packaging.

<http://www8.hp.com/us/en/hp-information/environment/product-recycling.html>

 **NOTE:** HP recommends responsible disposal of the defective part.

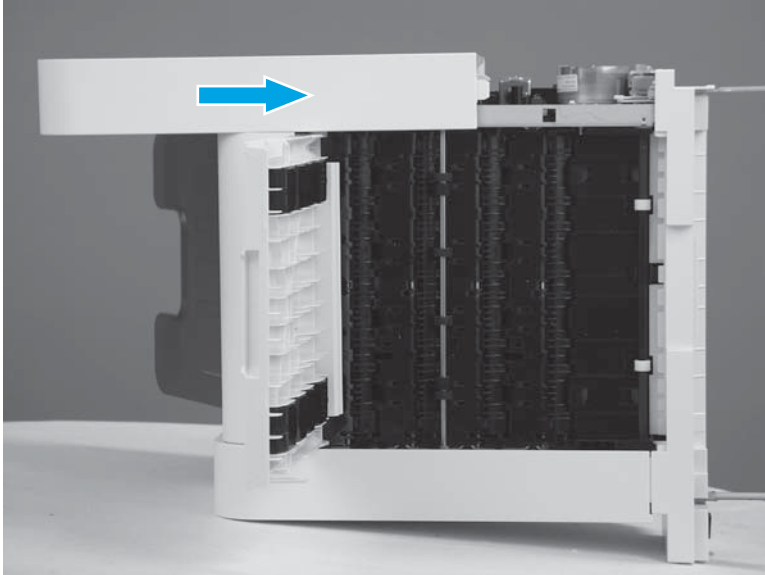
Figure 1-2544 Recycle and unpack



Step 3: Install the left cover

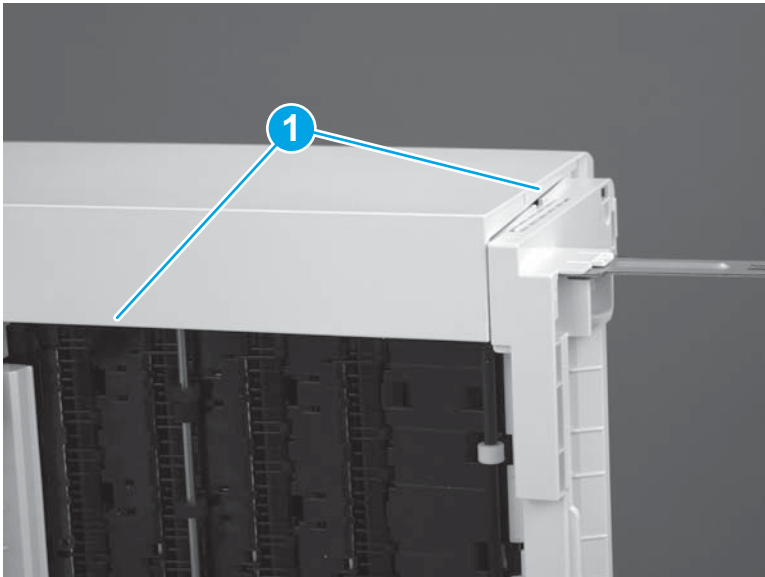
1. Slide the cover toward the base of the 5-bin mailbox to install it.

Figure 1-2545 Install the left cover



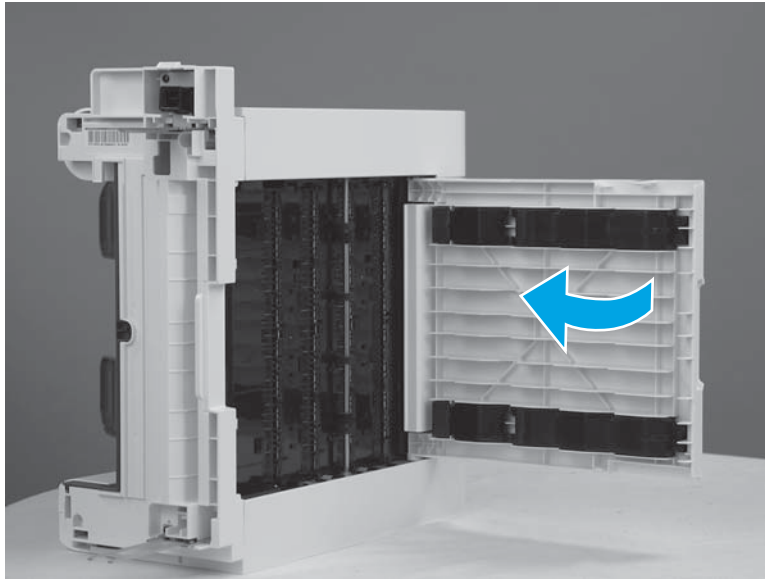
2. Make sure that the two tabs (callout1) snap into place.

Figure 1-2546 Check the tabs



3. Close the rear cover.

Figure 1-2547 Close the rear cover



Removal and replacement: Front cover (5-bin mailbox)

- [Introduction](#)
- [Step 1: Remove the front cover](#)
- [Step 2: Unpack the replacement front cover](#)
- [Step 3: Install the front cover](#)

Introduction

This document provides the procedures to remove and replace the front cover of the 5-bin mailbox.

Before performing service

Turn the printer power off

- Remove the 5-bin mailbox from the printer.

Use the table below to identify the correct part number for your printer. To order the part, go to www.hp.com/buy/parts.

Front cover (5-bin mailbox) part number	
RC4-6204-000CN	Cover, front (5-bin mailbox)

Required tools

- #2 Phillips screwdriver with a magnetic tip

After performing service

Turn the printer power on

- Connect the power cable.
- Use the power switch to turn the power on.

Post service test

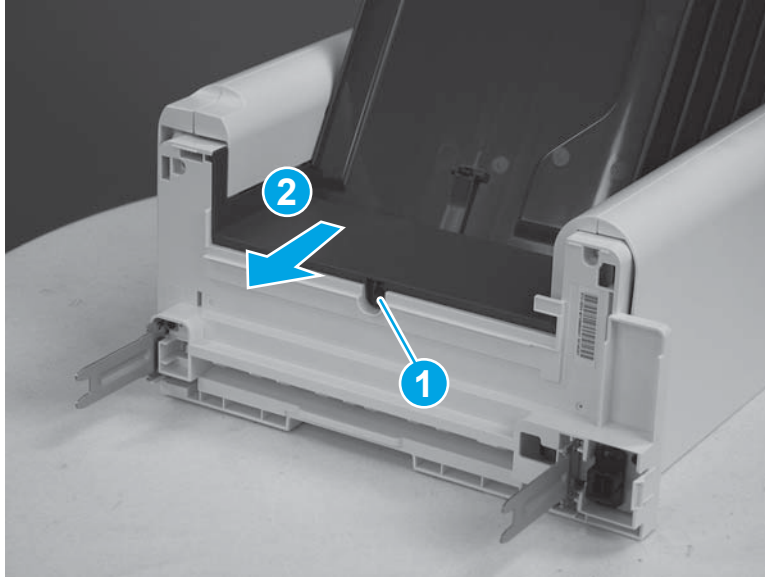
Make sure that the printer initializes to a **Ready** state.

Print a page and send it to the 5-bin mailbox to make sure that the printer is functioning correctly.

Step 1: Remove the front cover

- ▲ Remove one screw (callout 1), and then slide the front cover toward the base of the 5-bin mailbox (callout 2) to remove it.

Figure 1-2548 Remove one screw and the front cover



Step 2: Unpack the replacement front cover

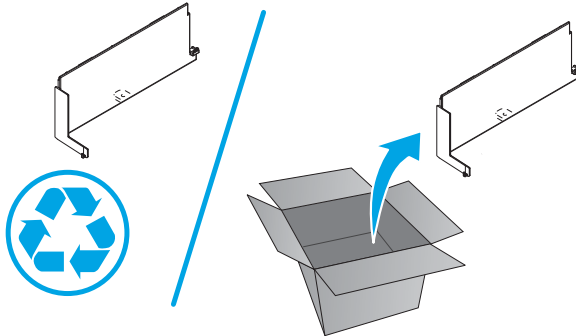
Unpack the replacement part from the packaging.

<http://www8.hp.com/us/en/hp-information/environment/product-recycling.html>

 **NOTE:** HP recommends responsible disposal of the defective part.

Figure 1-2549

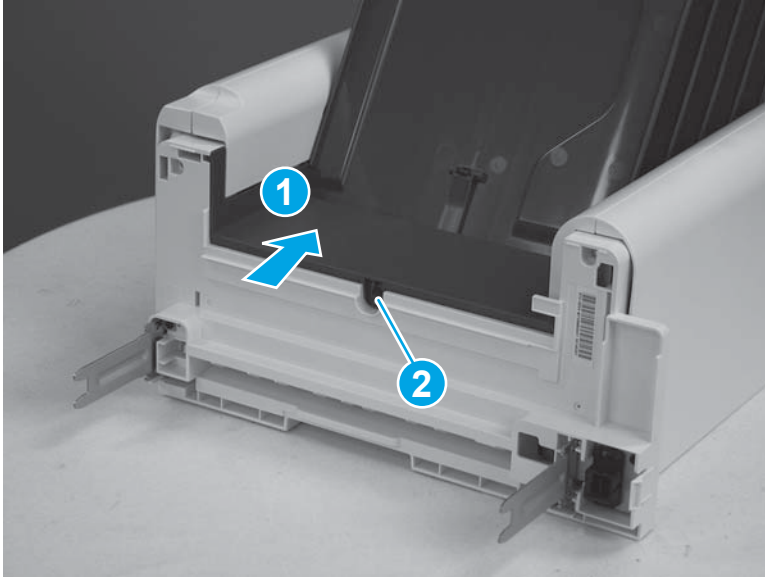
Recycle and unpack



Step 3: Install the front cover

- ▲ Slide the front cover toward the top of the 5-bin mailbox to install it (callout 1), and then install one screw (callout 2).

Figure 1-2550 Install the cover and one screw



Removal and replacement: Sensor assembly (5-bin mailbox)

- [Introduction](#)
- [Step 1: Remove the right cover \(5-bin mailbox\)](#)
- [Step 2: Remove the sensor assembly](#)
- [Step 3: Unpack the replacement sensor assembly](#)
- [Step 4: Install the sensor assembly](#)
- [Step 5: Install the right cover \(5-bin mailbox\)](#)

Introduction

This document provides the procedures to remove and replace the sensor assembly of the 5-bin mailbox.

Before performing service

Turn the printer power off

- Remove the 5-bin mailbox from the printer.

Use the table below to identify the correct part number for your printer. To order the part, go to www.hp.com/buy/parts.

Sensor assembly (5-bin mailbox) part number	
RM1-5096-000CN	Sensor assembly (5-bin mailbox)

Required tools

- #2 Phillips screwdriver with a magnetic tip
- Small, flat-blade screwdriver

After performing service

Turn the printer power on

- Connect the power cable.
- Use the power switch to turn the power on.

Post service test

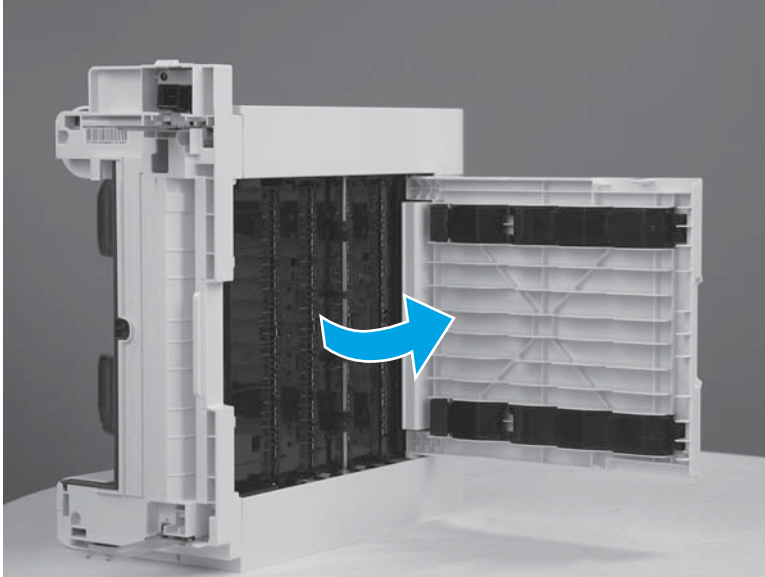
Make sure that the printer initializes to a **Ready** state.

Print a page and send it to the 5-bin mailbox to make sure that the printer is functioning correctly.

Step 1: Remove the right cover (5-bin mailbox)

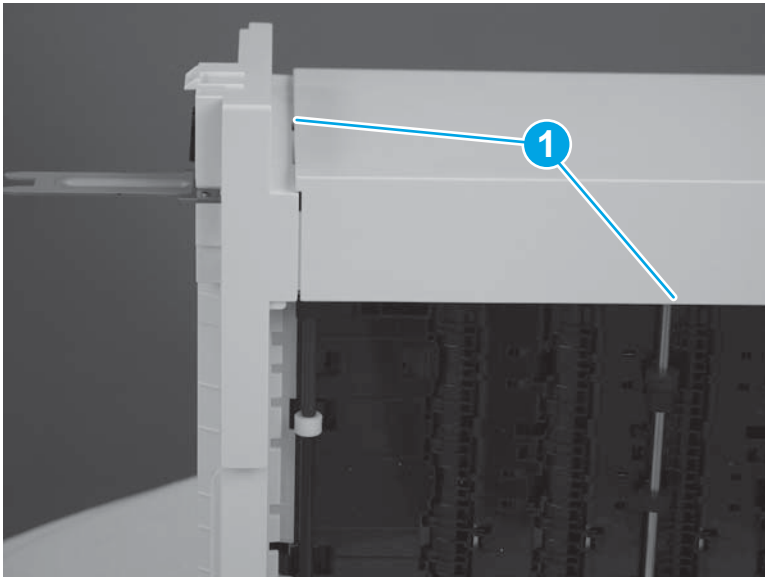
1. Open the rear cover.

Figure 1-2551 Open the rear cover



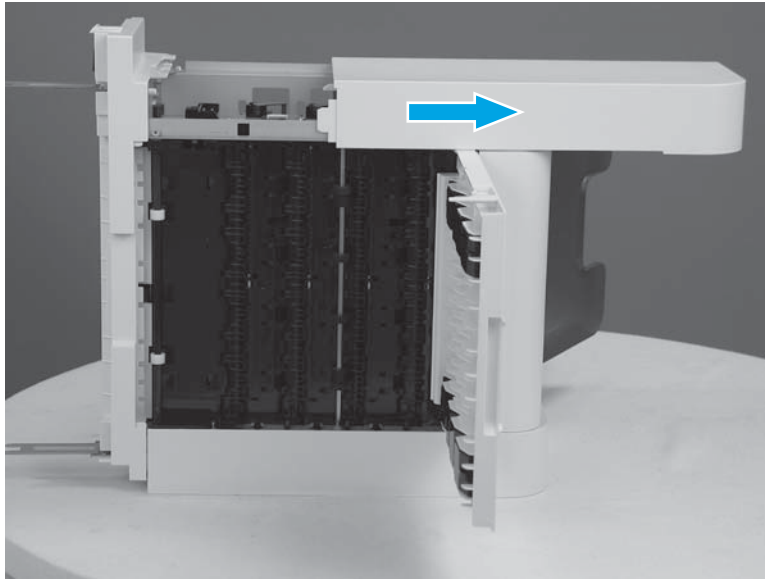
2. Release two tabs (callout 1).

Figure 1-2552 Release two tabs



3. Slide the cover toward the top of the 5-bin mailbox to remove it.

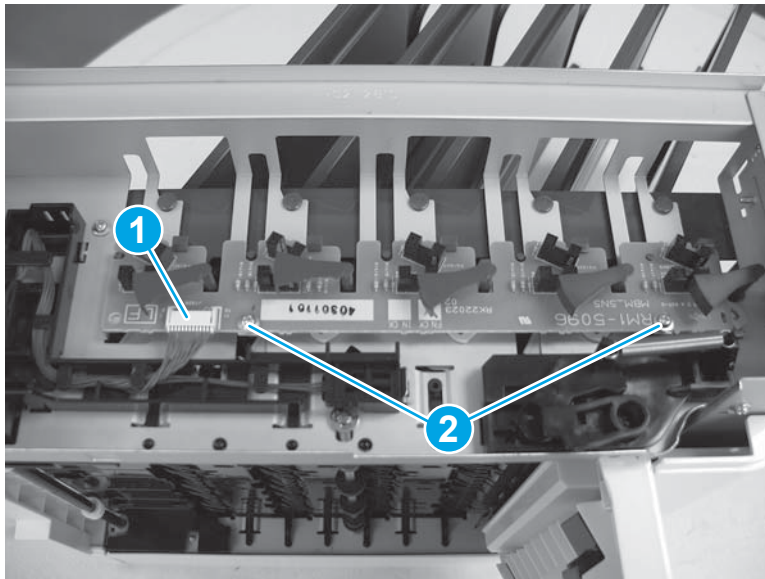
Figure 1-2553 Remove the right cover



Step 2: Remove the sensor assembly

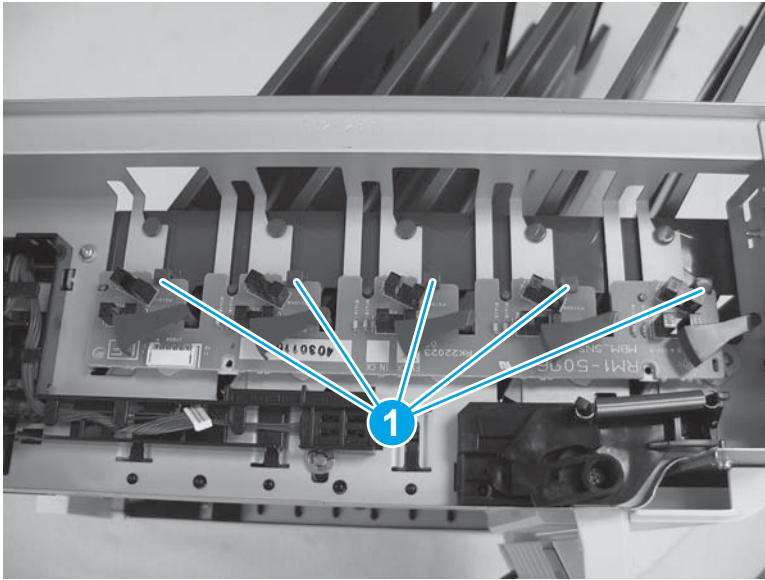
1. Disconnect one connector (callout 1), and then remove two screws (callout 2).

Figure 1-2554 Disconnect one connector and remove two screws



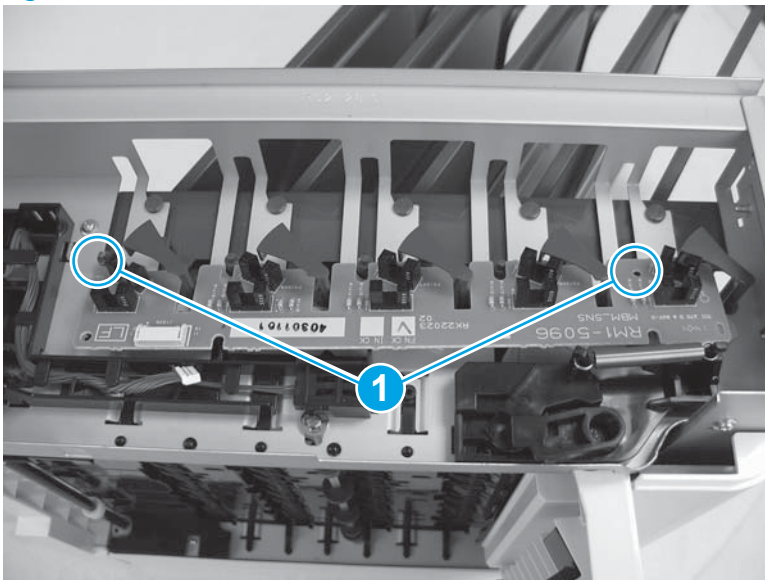
2. Release five tabs (callout 1).

Figure 1-2555 Release five tabs



3. Lift the sensor assembly up slightly to release two tabs (callout 1).

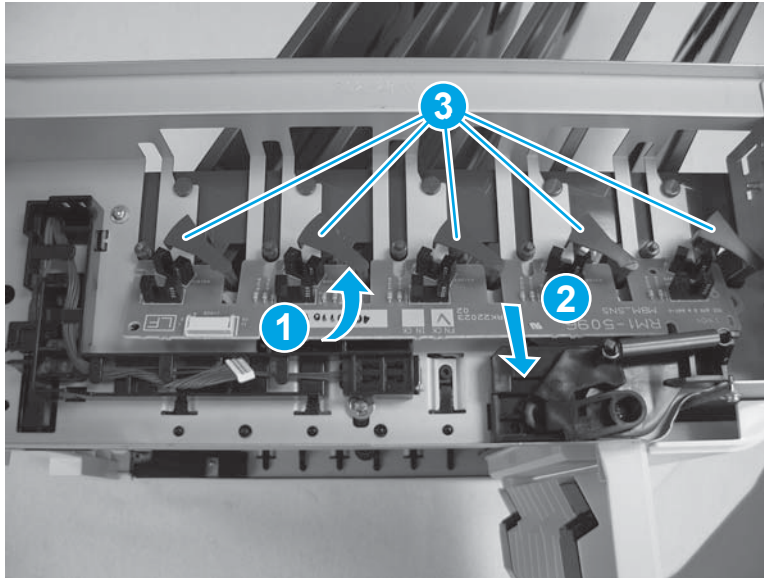
Figure 1-2556 Release two tabs



4. Tilt the assembly up (callout 1), and then slide it toward the back of the 5-bin mailbox (callout 2) to remove it.

CAUTION: Be careful not to break the sensor flags (callout 3) when removing the sensor assembly.

Figure 1-2557 Remove the assembly



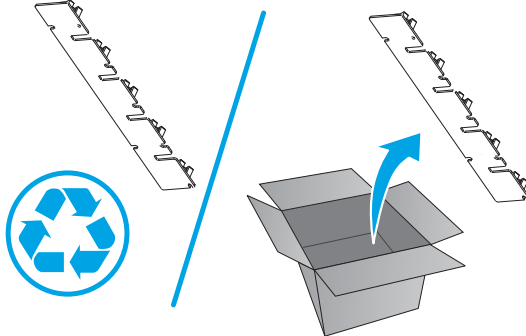
Step 3: Unpack the replacement sensor assembly

Unpack the replacement part from the packaging.

<http://www8.hp.com/us/en/hp-information/environment/product-recycling.html>

NOTE: HP recommends responsible disposal of the defective part.

Figure 1-2558 Recycle and unpack

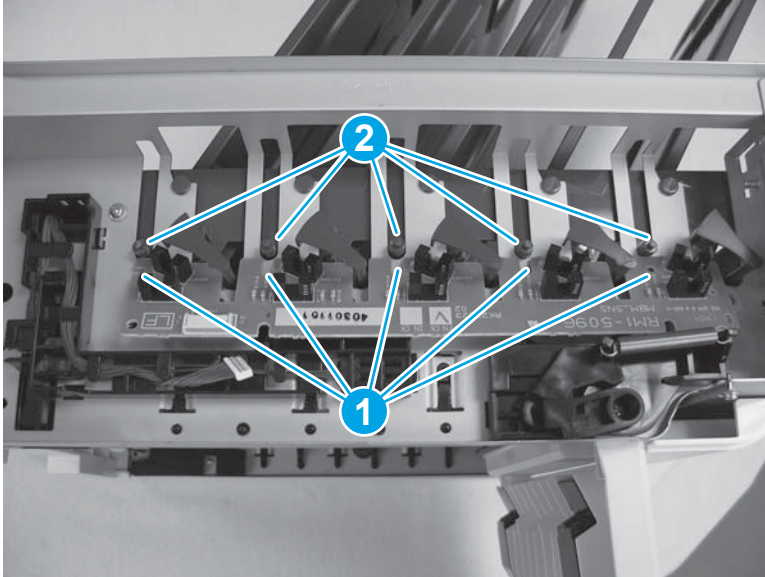


Step 4: Install the sensor assembly

1. Position the sensor assembly on the 5-bin mailbox so that the slots (callout 1) on the assembly engage with the tabs (callout 2) on the 5-bin mailbox.

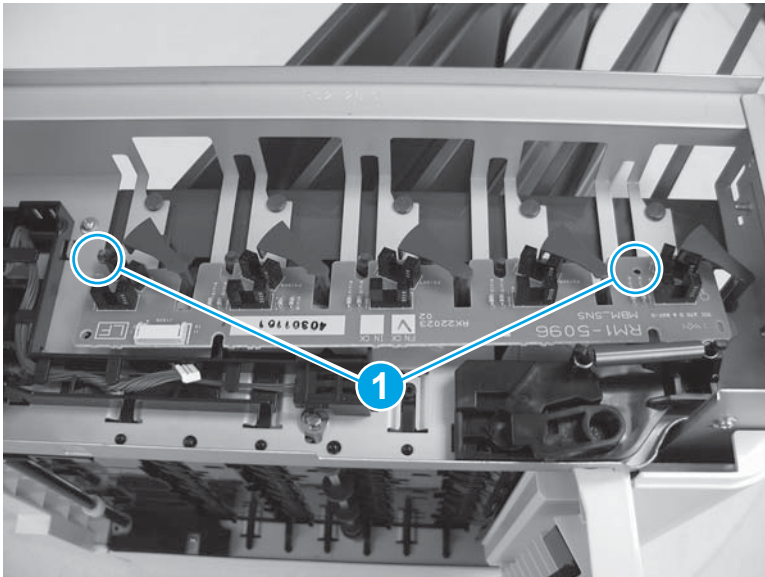
CAUTION: Be careful not to break the sensor flags (callout 3) when installing the sensor assembly.

Figure 1-2559 Position the sensor assembly



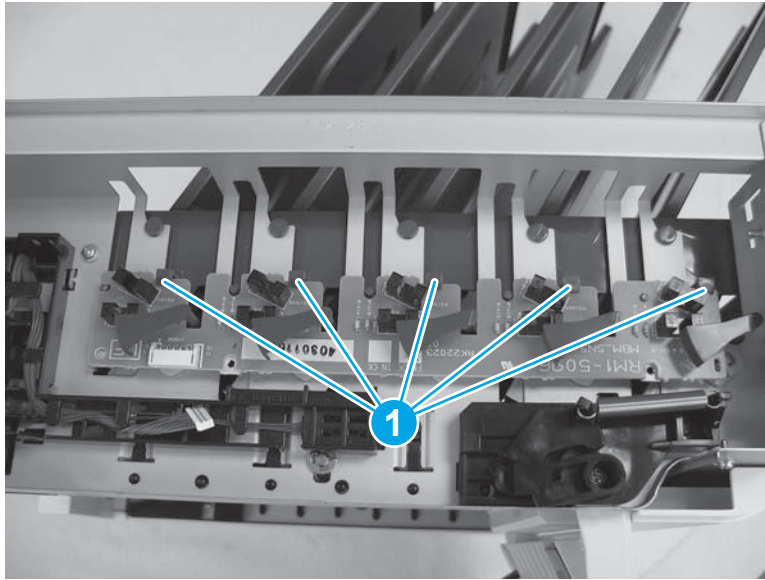
2. Lift up slightly on the assembly to engage the tabs (callout 1) on the ends.

Figure 1-2560 Engage the tabs



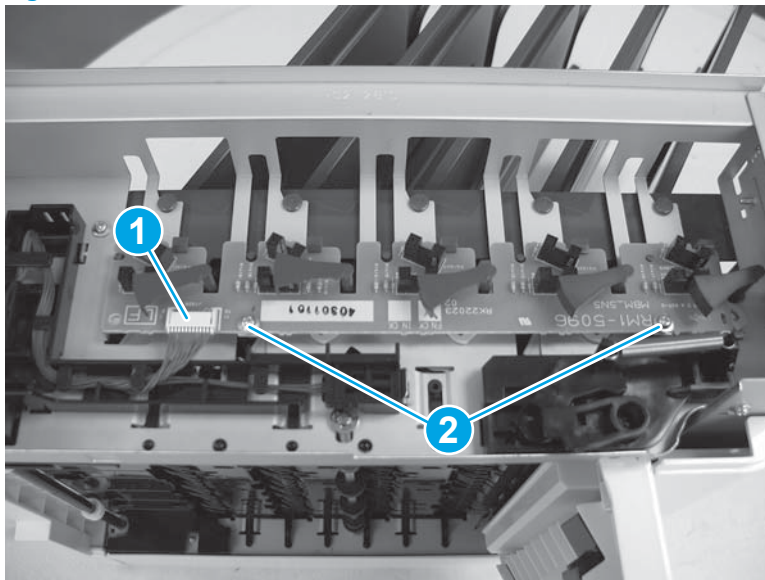
3. Make sure that five tabs (callout 1) snap into place over the sensor assembly.

Figure 1-2561 Engage five tabs



4. Connect one connector (callout 1), and then install two screws (callout 2).

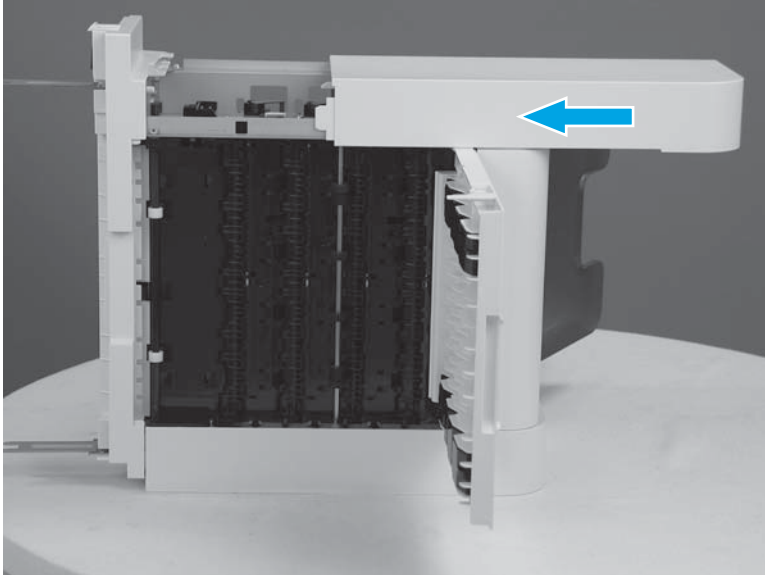
Figure 1-2562 Connect one connector and install two screws



Step 5: Install the right cover (5-bin mailbox)

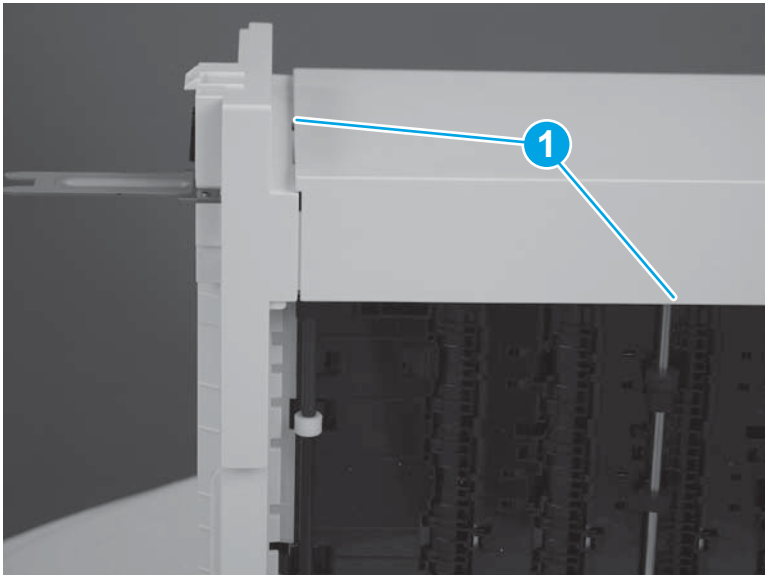
1. Slide the cover toward the base of the 5-bin mailbox to install it.

Figure 1-2563 Install the cover



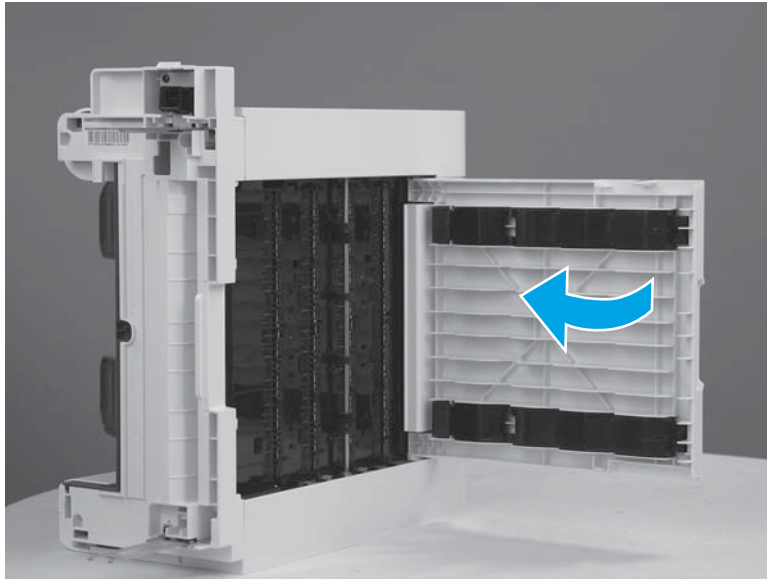
2. Make sure that the two tabs (callout1) snap into place.

Figure 1-2564 Check the tabs



3. Close the rear cover.

Figure 1-2565 Close the rear cover



Removal and replacement: Drive assembly (5-bin mailbox)

- [Introduction](#)
- [Step 1: Remove the front cover \(5-bin mailbox\)](#)
- [Step 2: Remove the left cover \(5-bin mailbox\)](#)
- [Step 3: Remove the drive assembly](#)
- [Step 4: Unpack the replacement drive assembly](#)
- [Step 5: Install the drive assembly](#)
- [Step 6: Install the left cover \(5-bin mailbox\)](#)
- [Step 7: Install the front cover \(5-bin mailbox\)](#)

Introduction

This document provides the procedures to remove and replace the drive assembly of the 5-bin mailbox.

Before performing service

Turn the printer power off

- Remove the 5-bin mailbox from the printer.

Use the table below to identify the correct part number for your printer. To order the part, go to www.hp.com/buy/parts.

Drive assembly (5-bin mailbox) part number	
RM1-5267-000CN	Drive assembly (5-bin mailbox)

Required tools

- #2 Phillips screwdriver with a magnetic tip
- Small, flat-blade screwdriver

After performing service

Turn the printer power on

- Connect the power cable.
- Use the power switch to turn the power on.

Post service test

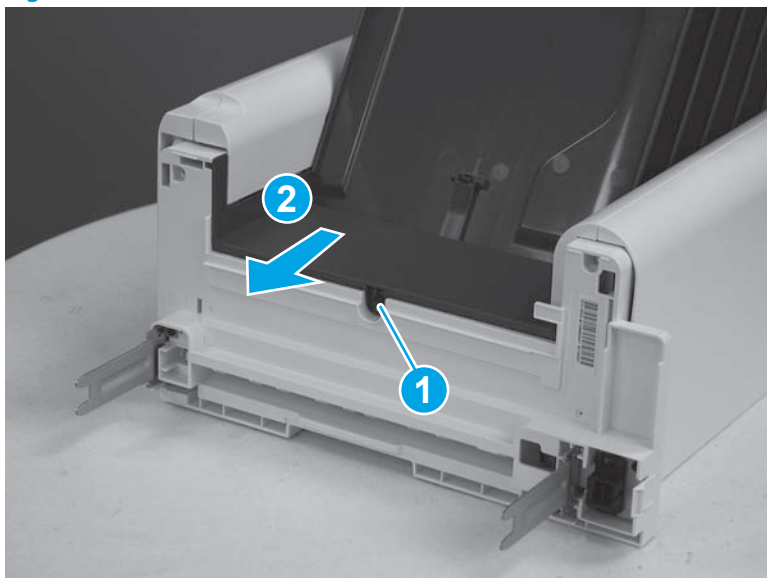
Make sure that the printer initializes to a **Ready** state.

Print a page and send it to the 5-bin mailbox to make sure that the printer is functioning correctly.

Step 1: Remove the front cover (5-bin mailbox)

- ▲ Remove one screw (callout 1), and then slide the front cover toward the base of the 5-bin mailbox (callout 2) to remove it.

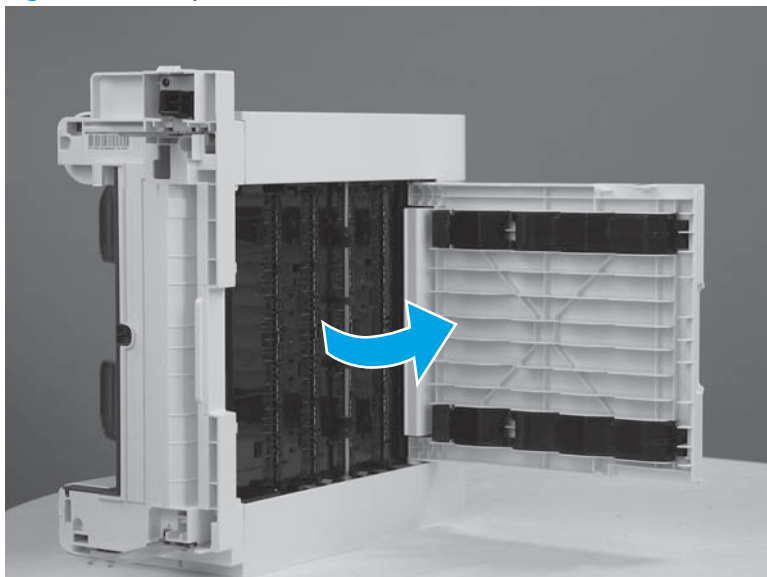
Figure 1-2566 Remove one screw and the front cover



Step 2: Remove the left cover (5-bin mailbox)

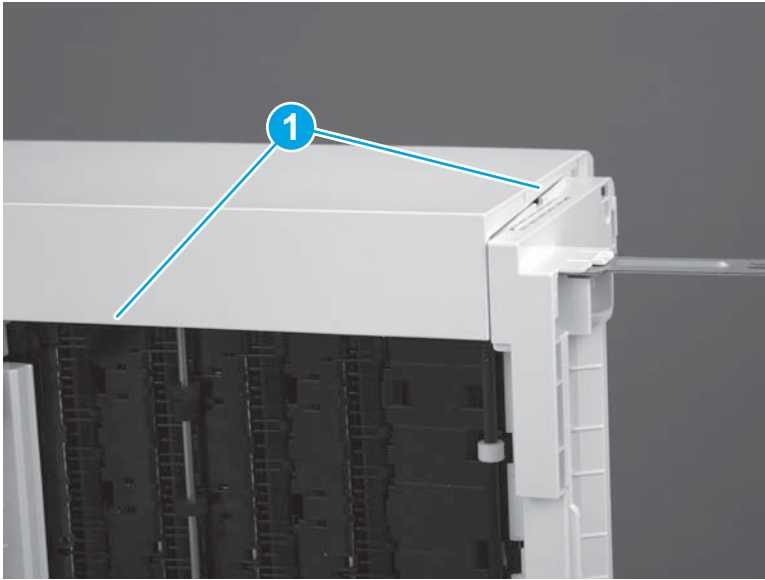
1. Open the rear cover.

Figure 1-2567 Open the rear cover



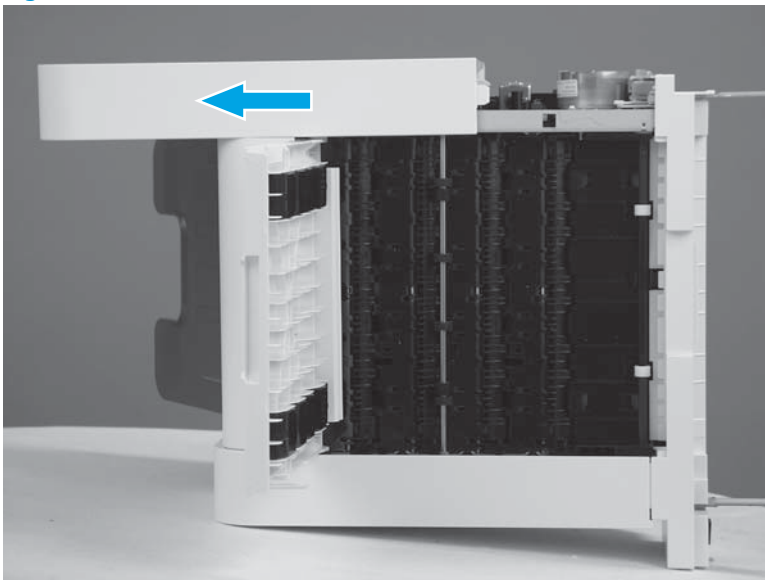
2. Release two tabs (callout 1).

Figure 1-2568 Release two tabs



3. Slide the cover toward the top of the 5-bin mailbox to remove it.

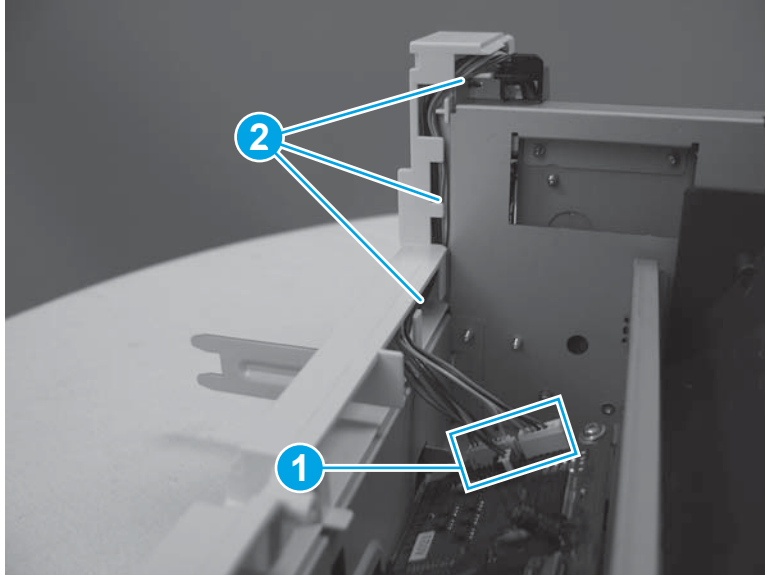
Figure 1-2569 Remove the left cover



Step 3: Remove the drive assembly

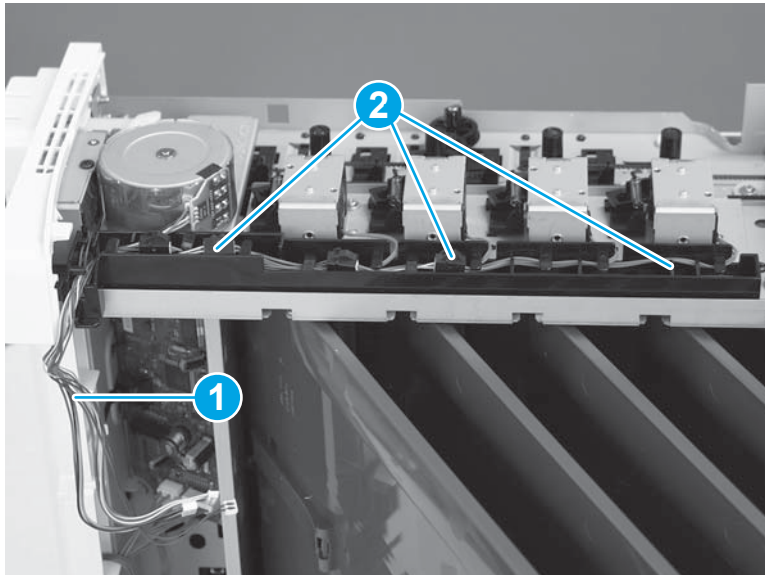
1. Disconnect three connectors (callout 1), and then remove the wire harnesses from the guides (callout 2).

Figure 1-2570 Disconnect three connectors



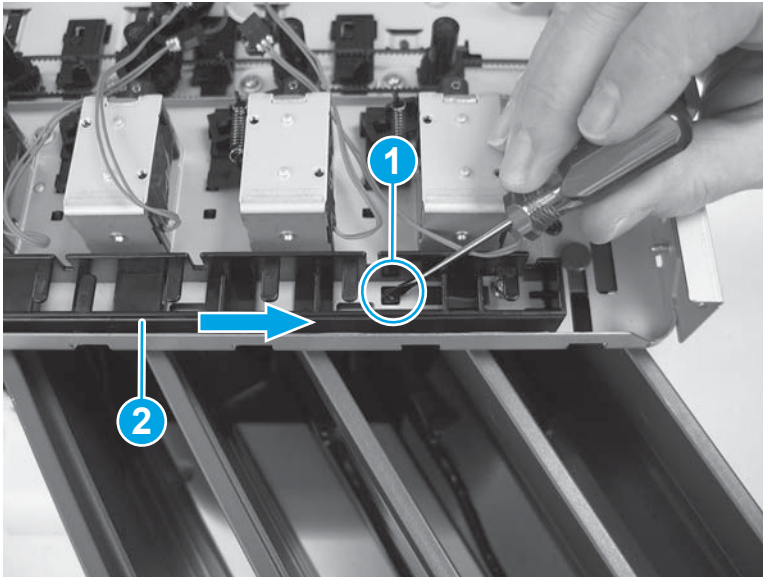
2. Remove the wire harnesses (callout 1) from the guides (callout 2).

Figure 1-2571 Remove the wire harnesses from the guides



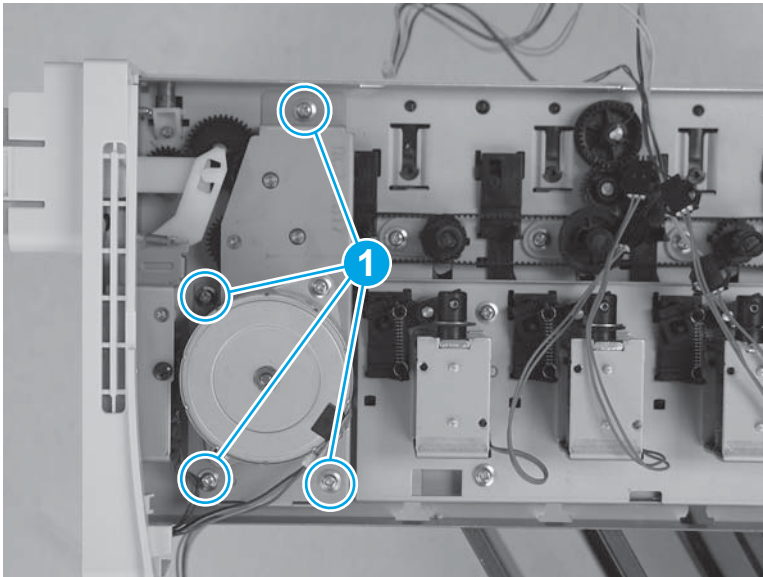
3. Release one tab (callout 1), and then slide the wire guide (callout 2) toward the top of the mailbox to remove it.

Figure 1-2572 Remove the wire guide



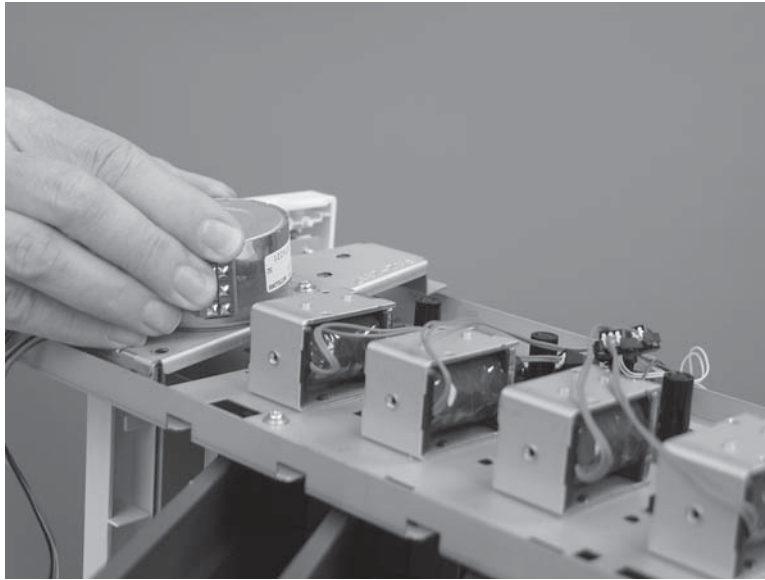
4. Remove four screws (callout 1).

Figure 1-2573 Remove four screws



5. Remove the drive assembly.

Figure 1-2574 Remove the drive assembly.



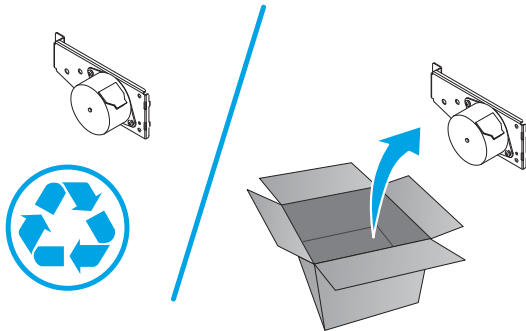
Step 4: Unpack the replacement drive assembly

Unpack the replacement part from the packaging.

<http://www8.hp.com/us/en/hp-information/environment/product-recycling.html>

 **NOTE:** HP recommends responsible disposal of the defective part.

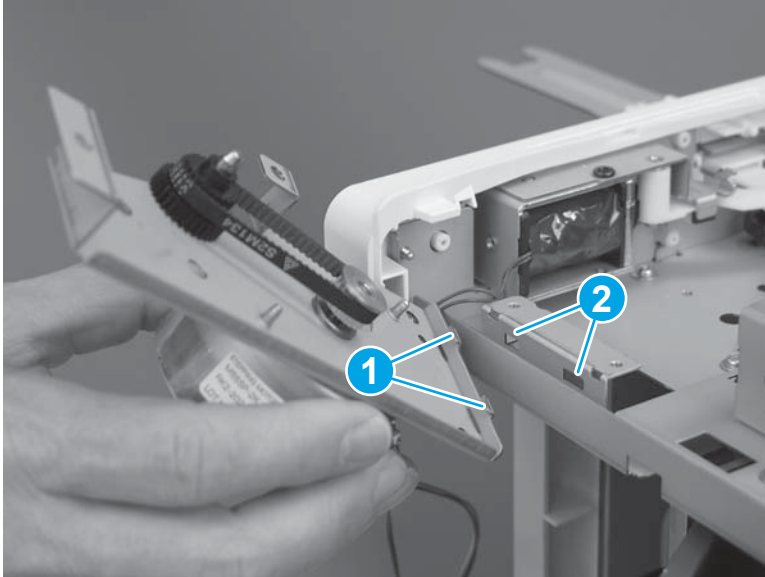
Figure 1-2575 Recycle and unpack



Step 5: Install the drive assembly

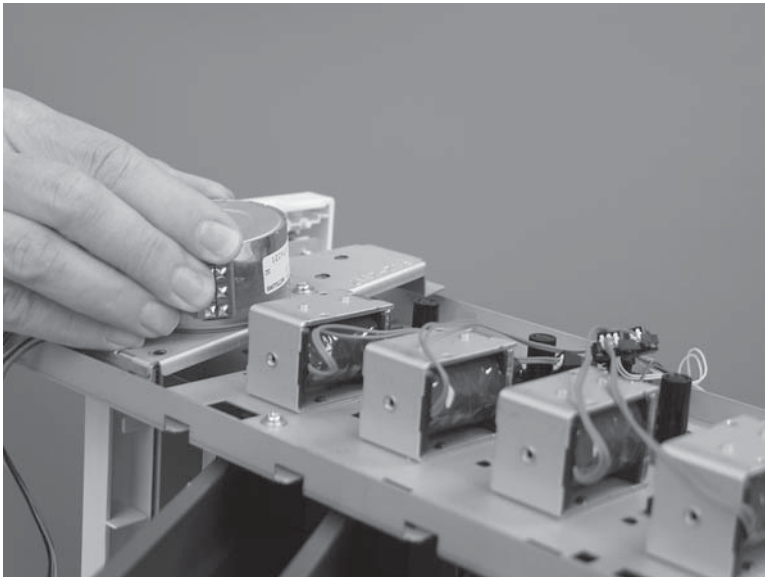
1. When reinstalling the drive assembly, make sure that the tabs (callout 1) on the drive assembly are positioned in the slots (callout 2) in the 5-bin mailbox.

Figure 1-2576 Install the tabs in the slots



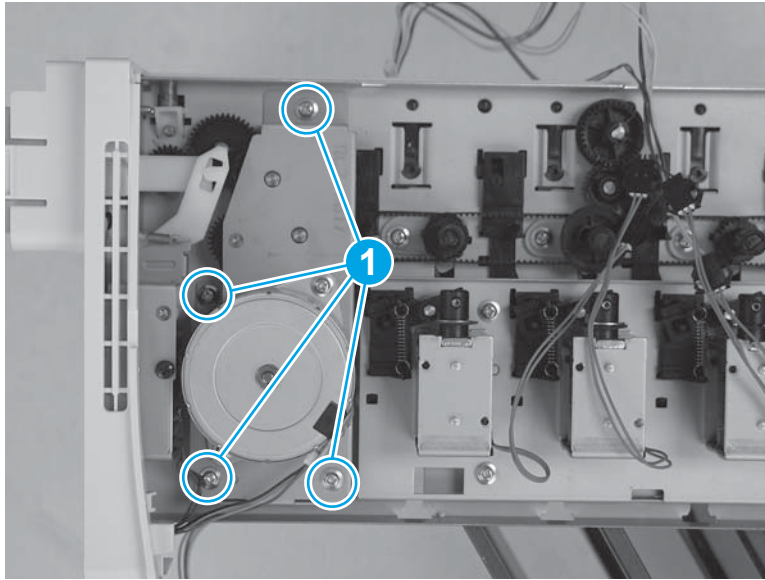
2. Position the drive assembly on the mailbox.

Figure 1-2577 Position the drive assembly



3. Install four screws (callout 1).

Figure 1-2578 Install four screws



4. Position the wire guide (callout 1) on the mailbox, and then slide it toward the bottom of the mailbox to install it.


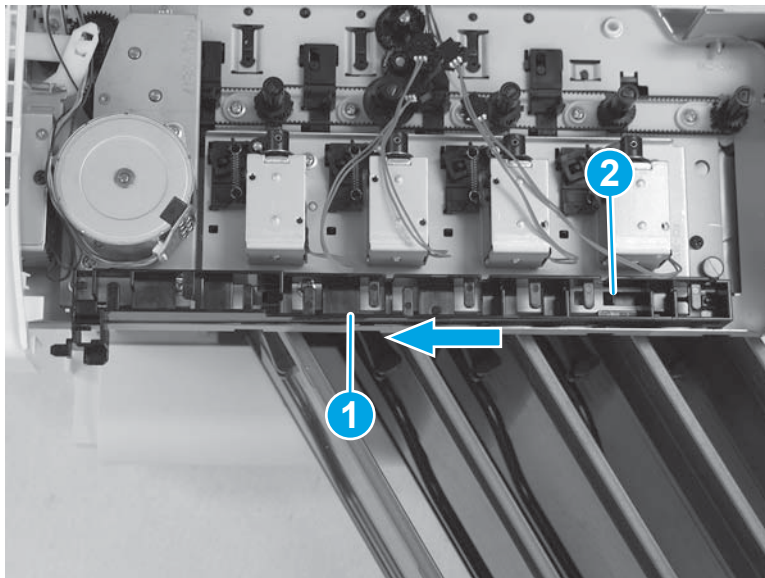
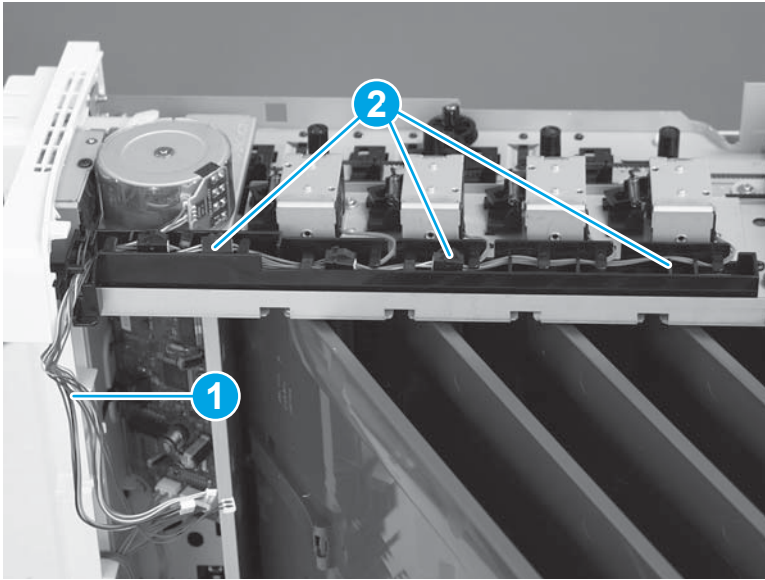
 **NOTE:** Note that the tab (callout 2) on the wire guide slides under the sheet metal when it is installed.

Figure 1-2579 Install the wire guide



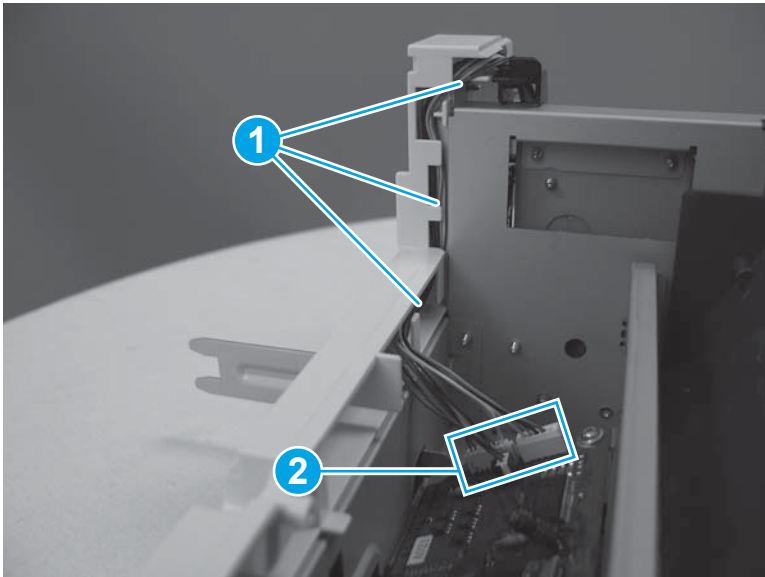
5. Install the wire harnesses (callout 1) in the guides (callout 2).

Figure 1-2580 Install the wire harnesses



6. Install the wire harnesses (callout 1) in the guides (callout 2), and then connect three connectors (callout 3).

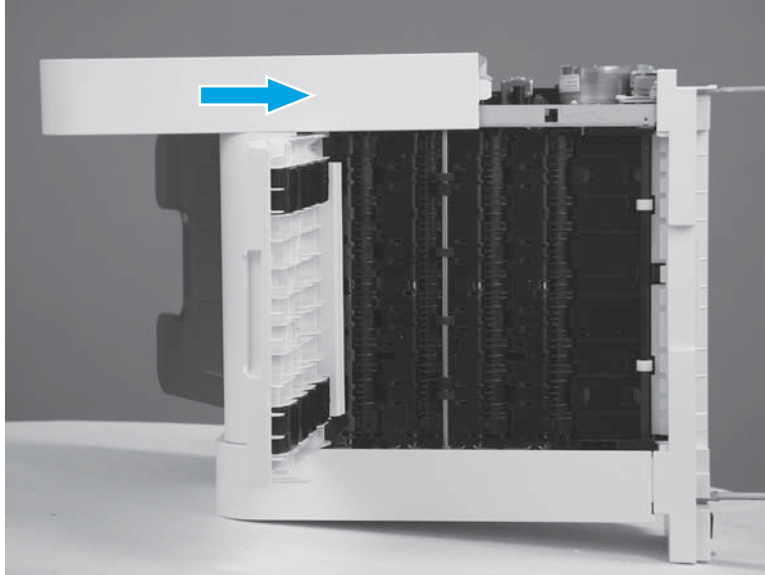
Figure 1-2581 Install the wire harnesses and connect three connectors



Step 6: Install the left cover (5-bin mailbox)

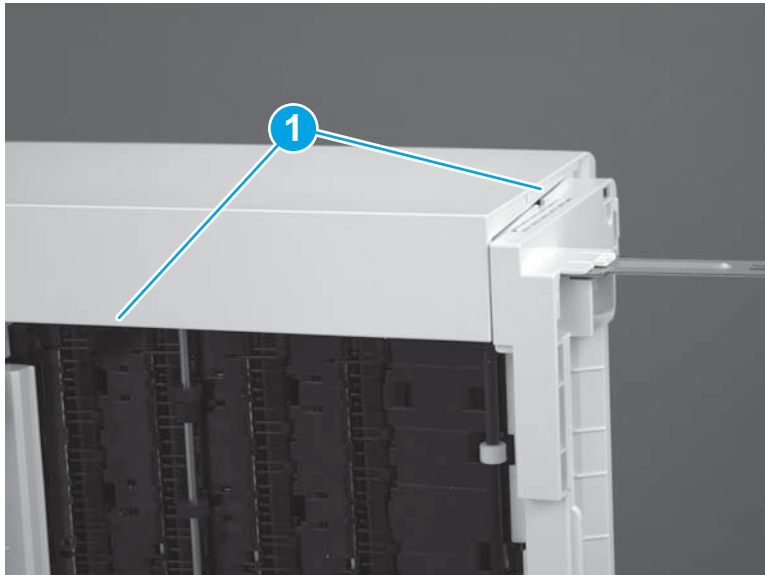
1. Slide the cover toward the base of the 5-bin mailbox to install it.

Figure 1-2582 Install the left cover



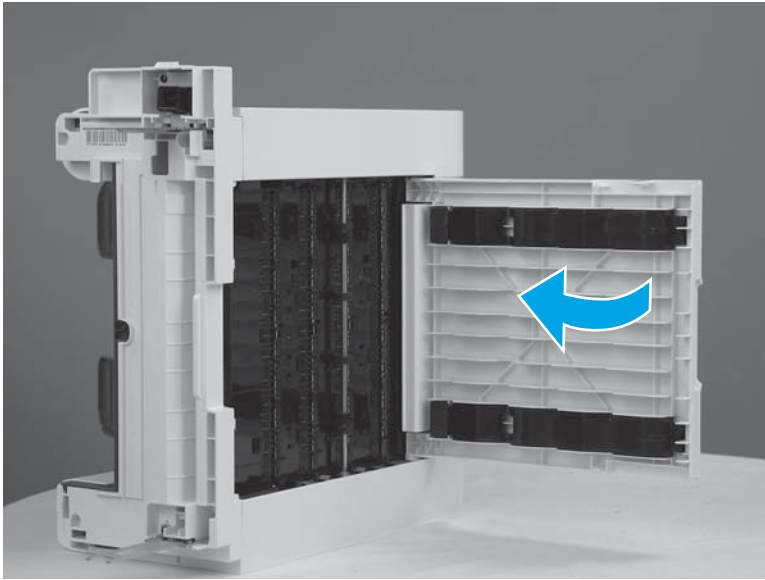
2. Make sure that the two tabs (callout1) snap into place.

Figure 1-2583 Check the tabs



3. Close the rear cover.

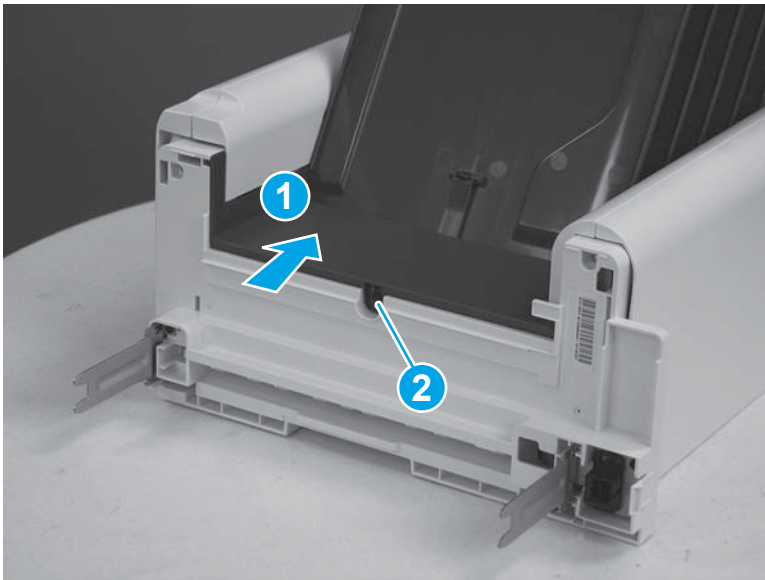
Figure 1-2584 Close the rear cover



Step 7: Install the front cover (5-bin mailbox)

- ▲ Slide the front cover toward the top of the 5-bin mailbox to install it (callout 1), and then install one screw (callout 2).

Figure 1-2585 Install the cover and one screw



Removal and replacement: Connector (5-bin mailbox)

- [Introduction](#)
- [Step 1: Remove the connector](#)
- [Step 2: Unpack the replacement connector](#)
- [Step 3: Install the connector](#)

Introduction

This document provides the procedures to remove and replace the connector of the 5-bin mailbox.

Before performing service

Turn the printer power off

- Remove the 5-bin mailbox from the printer.

Use the table below to identify the correct part number for your printer. To order the part, go to www.hp.com/buy/parts.

Connector (5-bin mailbox) part number	
VS1-7500-008CN	Connector, 8P (5-bin mailbox)

Required tools

- #2 Phillips screwdriver with a magnetic tip
- Needle-nose pliers

After performing service

Turn the printer power on

- Connect the power cable.
- Use the power switch to turn the power on.

Post service test

Make sure that the printer initializes to a **Ready** state.

Print a page and send it to the 5-bin mailbox to make sure that the printer is functioning correctly.

Step 1: Remove the connector

1. Remove two screws (callout 1).


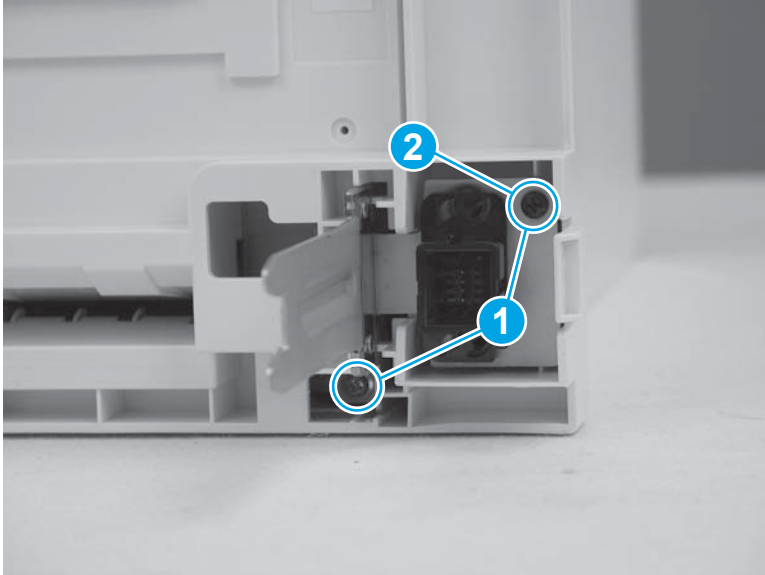
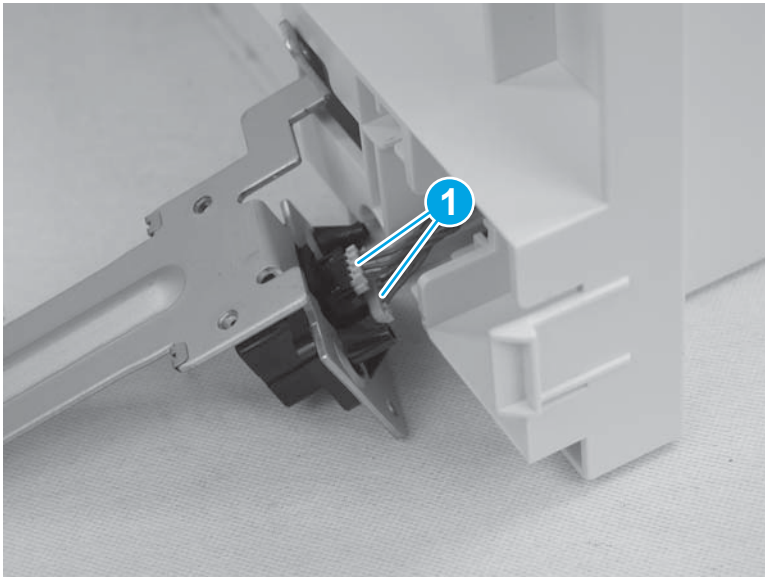
 **Reinstallation tip:** Make sure that the black screw (callout 2) is installed in the correct position when reinstalling the connector.

Figure 1-2586 Remove two screws



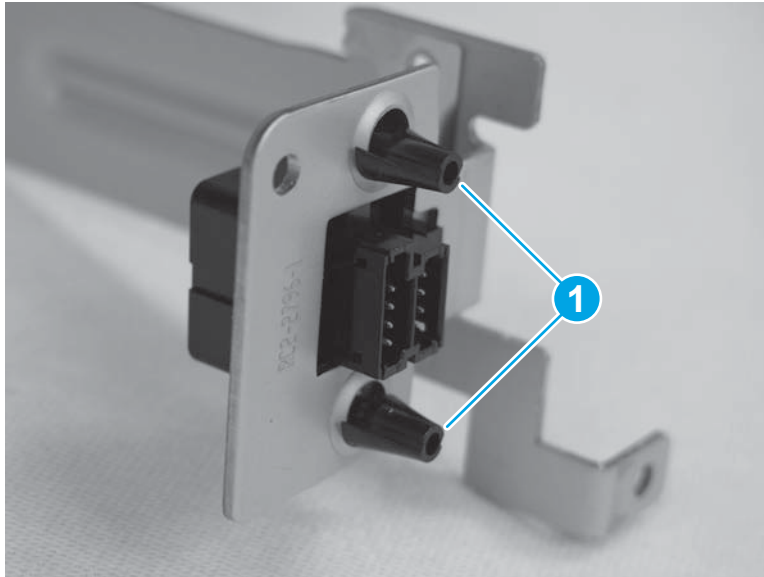
2. Disconnect two connectors (callout 2).

Figure 1-2587 Disconnect two connectors



3. Use needle-nose pliers to compress the retaining sleeves around the two pegs (callout 1) on the connector, and then push the connector through the sheet metal to remove it.

Figure 1-2588 Compress the sleeves around the pegs



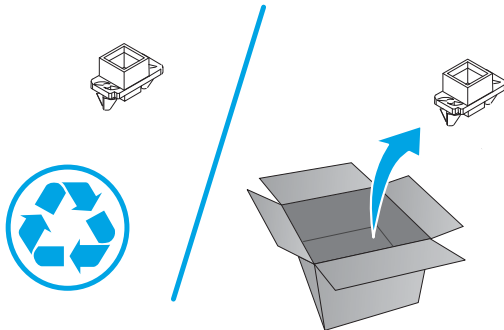
Step 2: Unpack the replacement connector

Unpack the replacement part from the packaging.

<http://www8.hp.com/us/en/hp-information/environment/product-recycling.html>

 **NOTE:** HP recommends responsible disposal of the defective part.

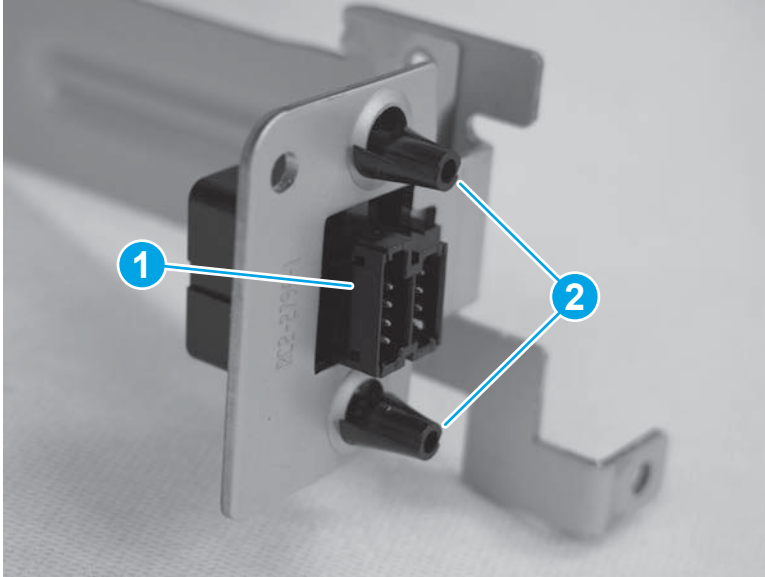
Figure 1-2589 Recycle and unpack



Step 3: Install the connector

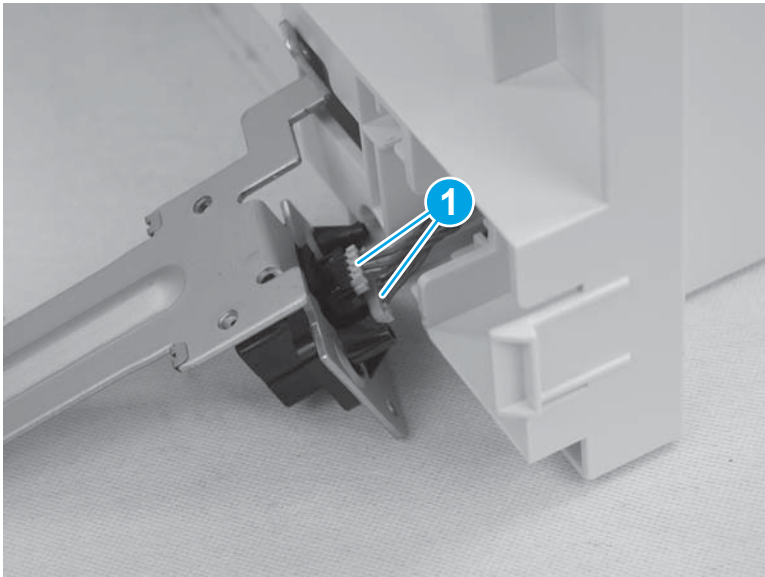
1. Install the connector through the holes in the sheet metal. Make sure that the connector (callout 1) is positioned correctly in the sheet metal opening, and that the pegs (callout 2) are fully installed through the holes

Figure 1-2590 Install the connector



2. Connect two connectors (callout 2).

Figure 1-2591 Connect two connectors



3. Position the connector holder on the 5-bin mailbox, and then install two screws (callout 1).


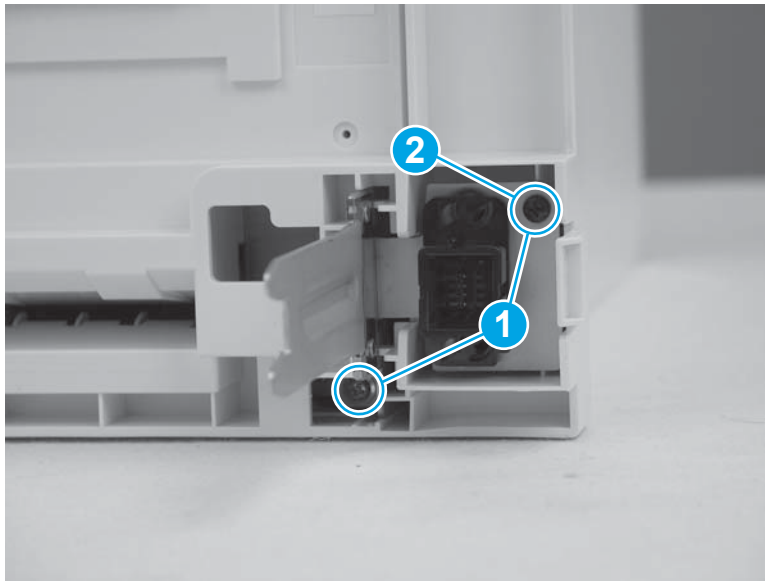
 **TIP:** Make sure that the black screw (callout 2) is installed in the correct position.

Figure 1-2592 Install two screws



Stacker and stapler/stacker



NOTE: HP recommends removing the accessories from the product before servicing them.

- [Removal and replacement: Connector \(stacker and stapler/stacker\)](#)
- [Removal and replacement: Stapler assembly \(stapler/stacker\)](#)
- [Removal and replacement: Delivery tray \(stacker and stapler/stacker\)](#)
- [Removal and replacement: Rear cover \(stacker and stapler/stacker\)](#)
- [Removal and replacement: Top cover \(stapler/stacker\)](#)
- [Removal and replacement: Left cover \(stacker and stapler/stacker\)](#)
- [Removal and replacement: Right front cover \(stacker and stapler/stacker\)](#)
- [Removal and replacement: Front cover \(stacker and stapler/stacker\)](#)
- [Removal and replacement: Jog assembly \(stapler/stacker\)](#)
- [Removal and replacement: Paddle motor\(stapler/stacker\)](#)
- [Removal and replacement: Feed motor \(stacker and stapler/stacker\)](#)

Removal and replacement: Connector (stacker and stapler/stacker)

- [Introduction](#)
- [Step 1: Remove the connector](#)
- [Step 2: Unpack the replacement connector](#)
- [Step 3: Install the connector](#)

Introduction

This document provides the procedures to remove and replace the connector of the stapler or stapler/stacker.

Before performing service

Turn the printer power off

- Remove the stacker or stapler/stacker from the printer.

Use the table below to identify the correct part number for your printer. To order the part, go to www.hp.com/buy/parts.

Connector (stacker and stapler/stacker) part number	
VS1-7500-008CN	Connector, 8P (stacker and stapler/stacker)

Required tools

- #2 Phillips screwdriver with a magnetic tip
- Needle-nose pliers

After performing service

Turn the printer power on

- Connect the power cable.
- Use the power switch to turn the power on.

Post service test

Make sure that the printer initializes to a **Ready** state.

Print two pages and send them to the stapler or stapler/stacker to make sure that the printer is functioning correctly.

Step 1: Remove the connector

1. Remove two screws (callout 1).


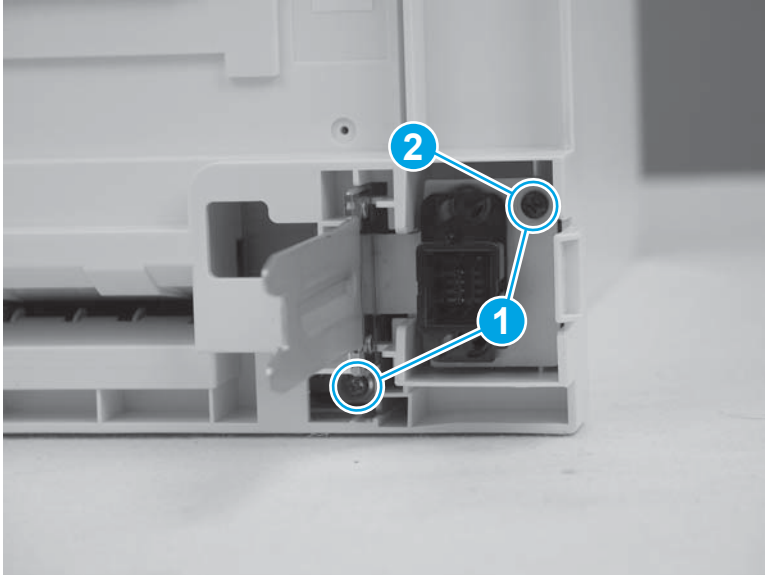
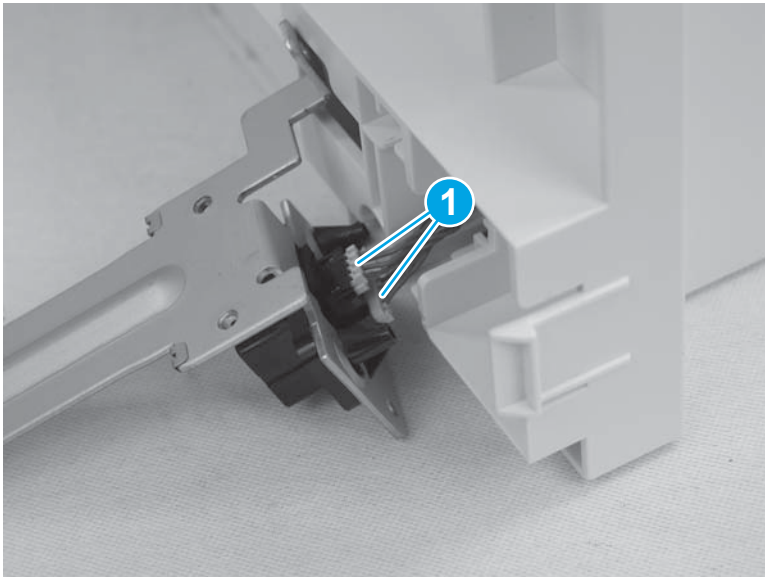
 **Reinstallation tip:** Make sure that the black screw (callout 2) is installed in the correct position when reinstalling the connector.

Figure 1-2593 Remove two screws



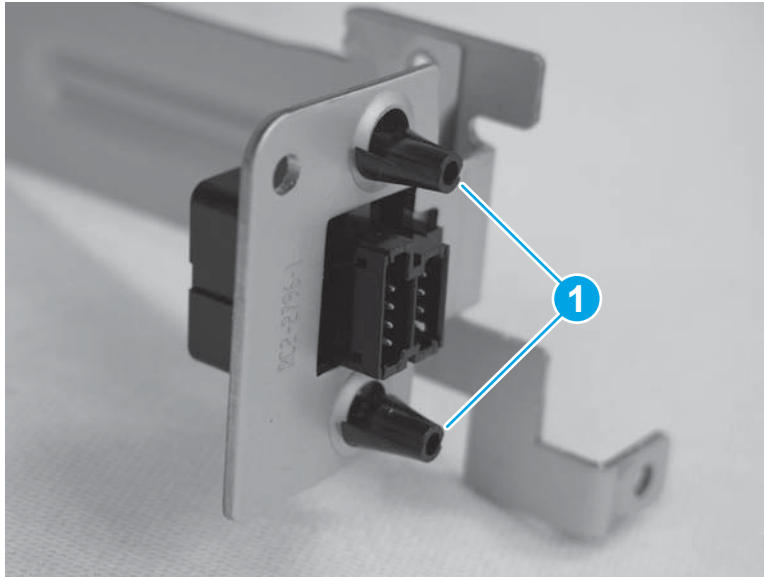
2. Disconnect two connectors (callout 2).

Figure 1-2594 Disconnect two connectors



3. Use needle-nose pliers to compress the retaining sleeves around the two pegs (callout 1) on the connector, and then push the connector through the sheet metal to remove it.

Figure 1-2595 Compress the sleeves around the pegs



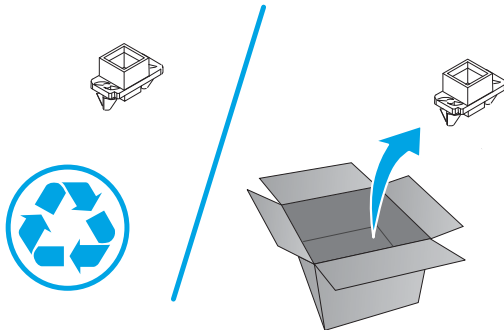
Step 2: Unpack the replacement connector

Unpack the replacement part from the packaging.

<http://www8.hp.com/us/en/hp-information/environment/product-recycling.html>

 **NOTE:** HP recommends responsible disposal of the defective part.

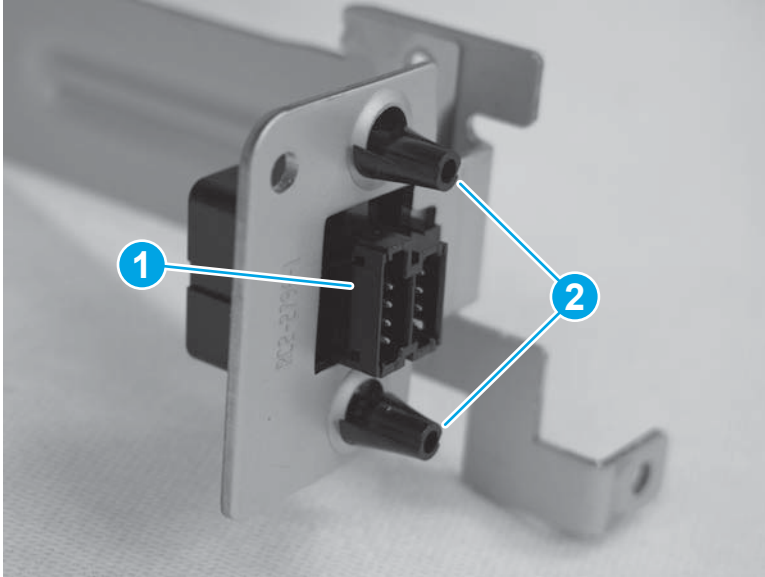
Figure 1-2596 Recycle and unpack



Step 3: Install the connector

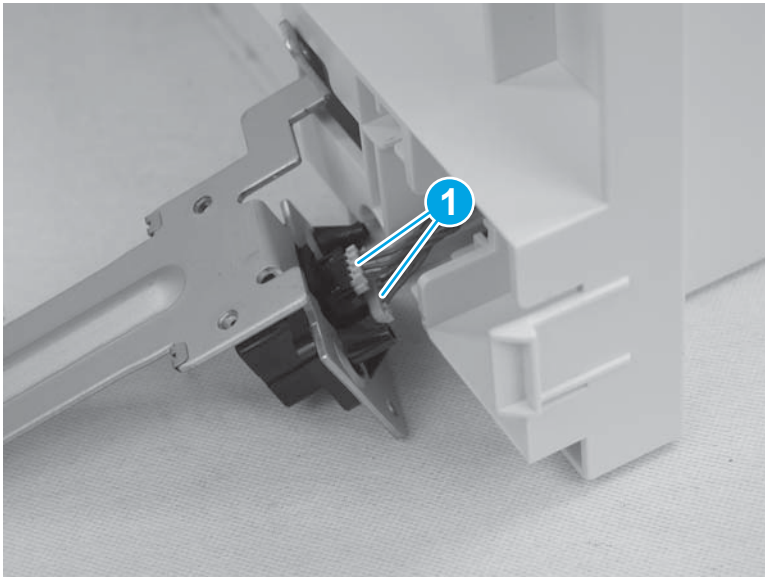
1. Install the connector through the holes in the sheet metal. Make sure that the connector (callout 1) is positioned correctly in the sheet metal opening, and that the pegs (callout 2) are fully installed through the holes.

Figure 1-2597 Install the connector



2. Connect two connectors (callout 2).

Figure 1-2598 Connect two connectors



3. Position the connector holder on the stapler or stapler/stacker, and then install two screws (callout 1).


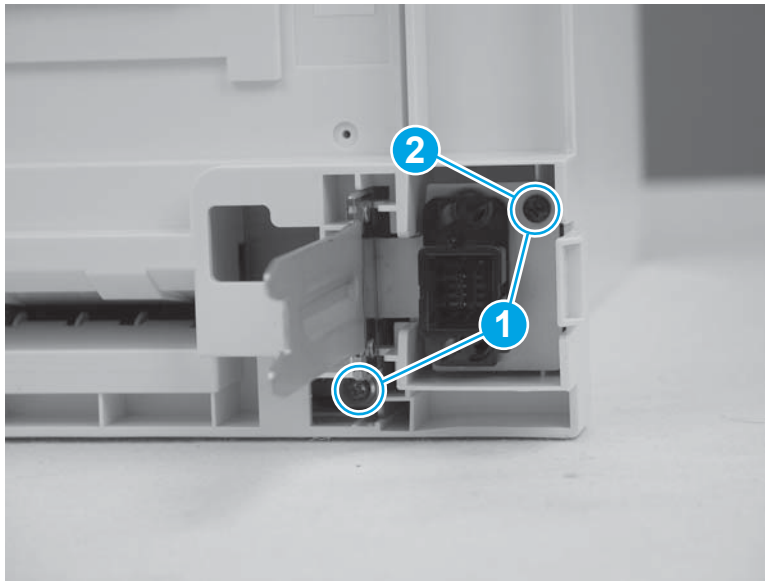
 **TIP:** Make sure that the black screw (callout 2) is installed in the correct position.

Figure 1-2599 Install two screws



Removal and replacement: Stapler assembly (stapler/stacker)

- [Introduction](#)
- [Step 1: Remove the stapler assembly](#)
- [Step 2: Unpack the replacement stapler assembly](#)
- [Step 3: Install the stapler assembly](#)

Introduction

This document provides the procedures to remove and replace the stapler assembly on the stapler/stacker.

Before performing service

- Turn the printer power off

Use the table below to identify the correct part number for your printer. To order the part, go to www.hp.com/buy/parts.

Stapler assembly part number	
RM2-6202-000CN	Stapler assembly (stapler/stacker)

Required tools

- No special tools are required to install this part.

After performing service

Turn the printer power on

- Connect the power cable.
- Use the power switch to turn the power on.

Post service test

Make sure that the printer initializes to a **Ready** state.

Print two pages and send them to the stapler/stacker to make sure that the printer is functioning correctly.

Step 1: Remove the stapler assembly

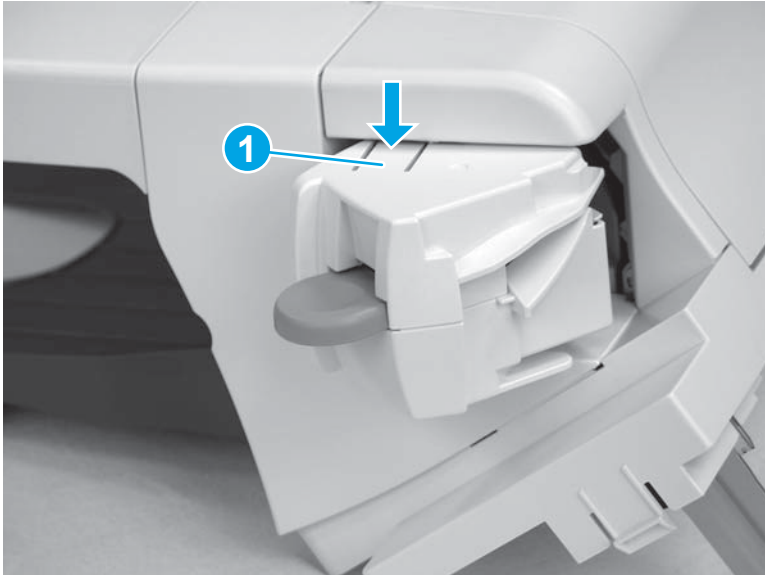
1. Rotate the stapler assembly away from the stapler/stacker.

Figure 1-2600 Rotate the stapler assembly



2. Press down on the top of the stapler assembly to release one tab (callout 1).

Figure 1-2601 Release one tab



3. Rotate the top of the stapler assembly away from the stapler/stacker.

⚠ CAUTION: The stapler assembly is still attached to the stapler/stacker by a wire harness. Do not attempt to completely remove the stapler assembly.

Figure 1-2602 Rotate the stapler assembly away



4. Disconnect one connector (callout 1), and remove the stapler assembly.

Figure 1-2603 Disconnect one connector



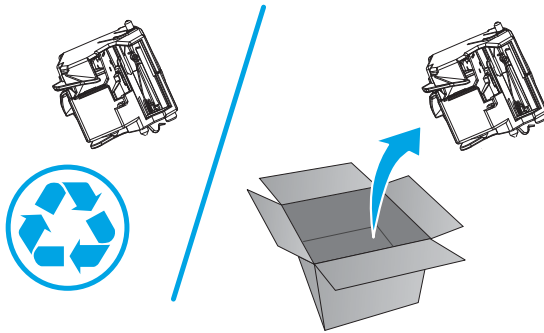
Step 2: Unpack the replacement stapler assembly

Unpack the replacement part from the packaging.

<http://www8.hp.com/us/en/hp-information/environment/product-recycling.html>

📄 NOTE: HP recommends responsible disposal of the defective part.

Figure 1-2604 Recycle and unpack



Step 3: Install the stapler assembly

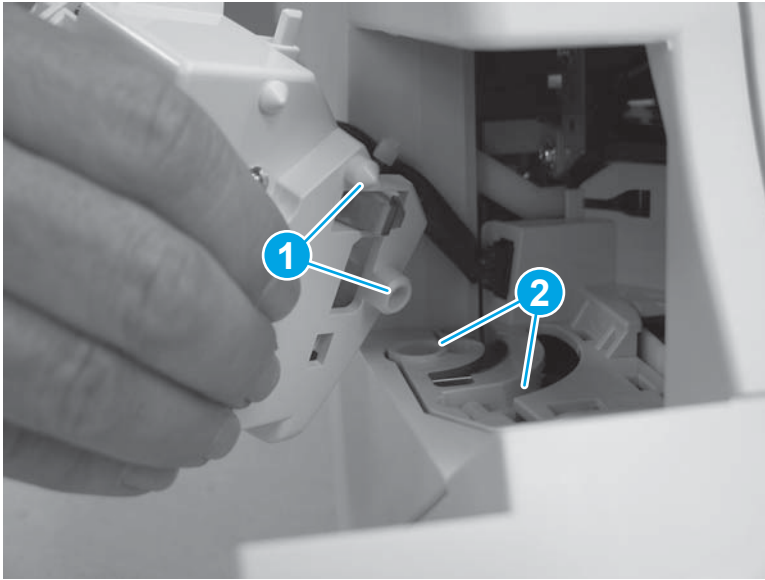
1. Connect one connector (callout 1).

Figure 1-2605 Connect one connector



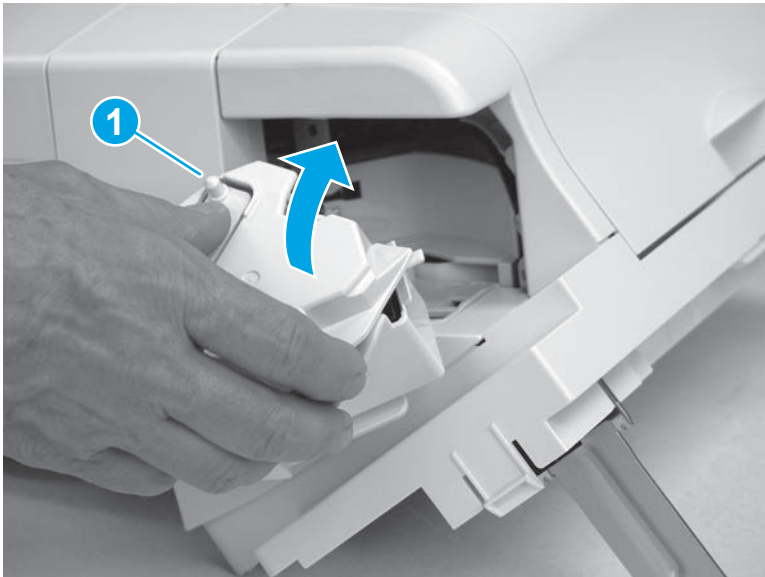
2. Position the tabs on the stapler assembly (callout 1) in the slots (callout 2) in the stapler/stacker.

Figure 1-2606 Position the tabs



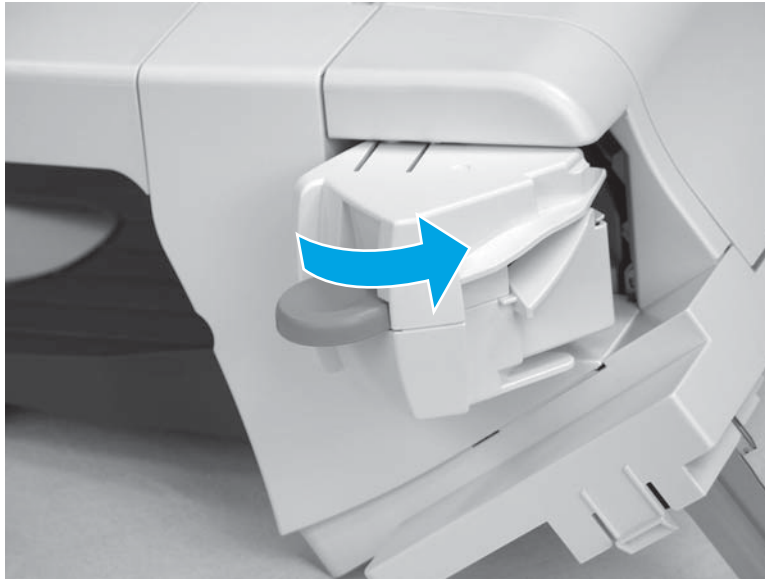
3. Rotate the top of the stapler assembly toward the stapler/stacker to install it. Make sure that the tab (callout 1) snaps into place.

Figure 1-2607 Install the stapler assembly



4. Rotate the stapler assembly (callout 1) toward the stapler/stacker.

Figure 1-2608 Rotate the stapler assembly



Removal and replacement: Delivery tray (stacker and stapler/stacker)

- [Introduction](#)
- [Step 1: Remove the delivery tray](#)
- [Step 2: Unpack the replacement delivery tray](#)
- [Step 3: Install the delivery tray](#)

Introduction

This document provides the procedures to remove and replace the delivery tray on the stacker or stapler/stacker.

Before performing service

Turn the printer power off

- Remove the stacker or stapler/stacker from the printer.

Use the table below to identify the correct part number for your printer. To order the part, go to www.hp.com/buy/parts.

Delivery tray part number	
RM2-6199-000CN	Tray assembly (stacker and stapler/stacker)

Required tools

- No special tools are required to install this part.

After performing service

Turn the printer power on

- Connect the power cable.
- Use the power switch to turn the power on.

Post service test

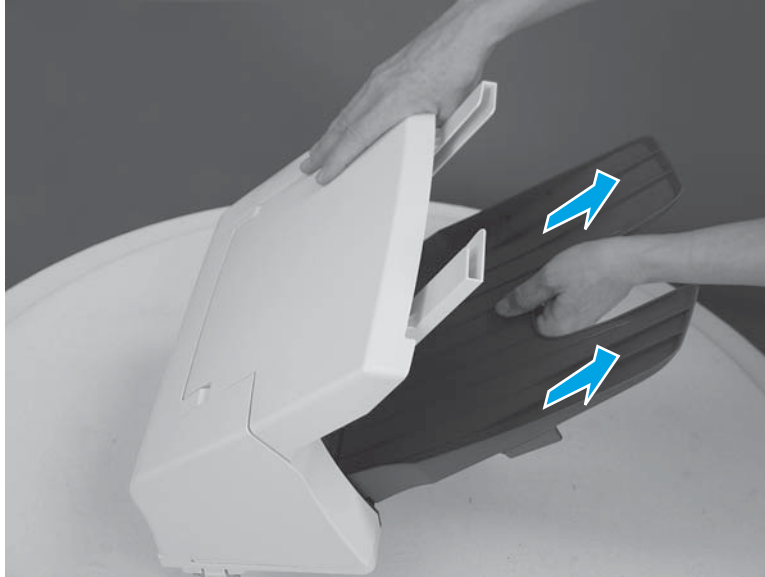
Make sure that the printer initializes to a **Ready** state.

Print two pages and send them to the stacker or stapler/stacker to make sure that the printer is functioning correctly.

Step 1: Remove the delivery tray

- ▲ Pull the delivery tray toward the front of the stacker or stapler/stacker to release it from the shaft.

Figure 1-2609 Remove the delivery tray



Step 2: Unpack the replacement delivery tray

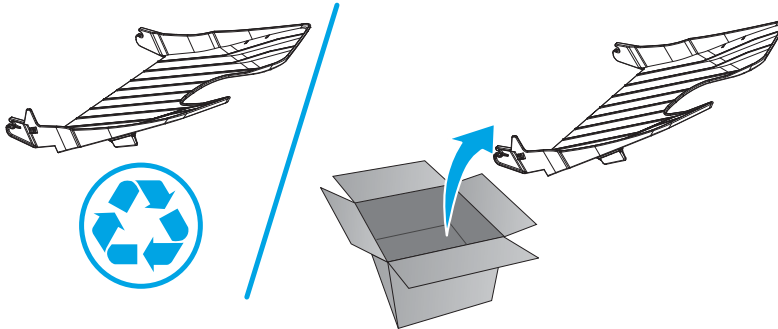
Unpack the replacement part from the packaging.

<http://www8.hp.com/us/en/hp-information/environment/product-recycling.html>

 **NOTE:** HP recommends responsible disposal of the defective part.

Figure 1-2610

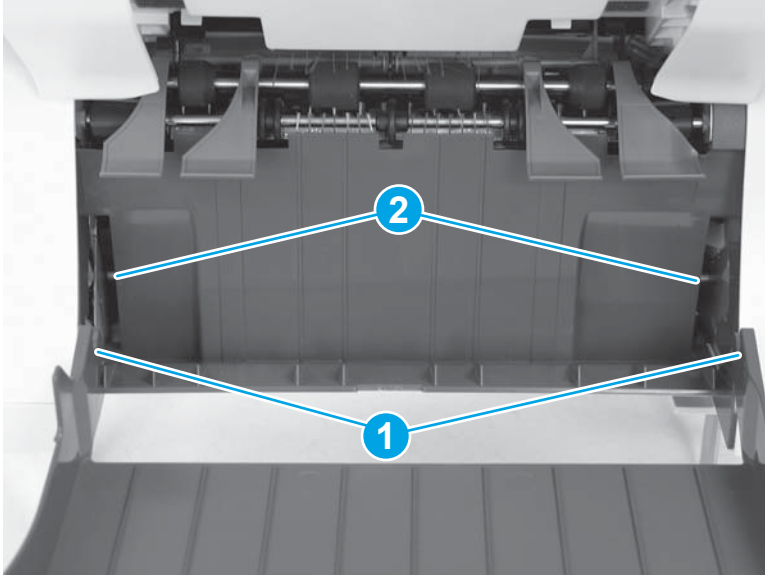
Recycle and unpack



Step 3: Install the delivery tray

- ▲ Align the slots (callout 1) on the delivery tray with the shaft (callout 2) on the stacker or stapler/stacker. Press the tray towards the stacker or stapler/stacker until the tray is fully seated on the shaft.

Figure 1-2611 Install the delivery tray



Removal and replacement: Rear cover (stacker and stapler/stacker)

- [Introduction](#)
- [Step 1: Remove the rear cover](#)
- [Step 2: Unpack the replacement rear cover](#)
- [Step 3: Install the rear cover](#)

Introduction

This document provides the procedures to remove and replace the rear cover on the stacker or stapler/stacker.

Before performing service

Turn the printer power off

- Remove the stacker or stapler/stacker from the printer.

Use the table below to identify the correct part number for your printer. To order the part, go to www.hp.com/buy/parts.

Rear cover part number	
RM2-6201-000CN	Cover, rear (stacker and stapler/stacker)

Required tools

- No special tools are required to install this part.

After performing service

Turn the printer power on

- Connect the power cable.
- Use the power switch to turn the power on.

Post service test

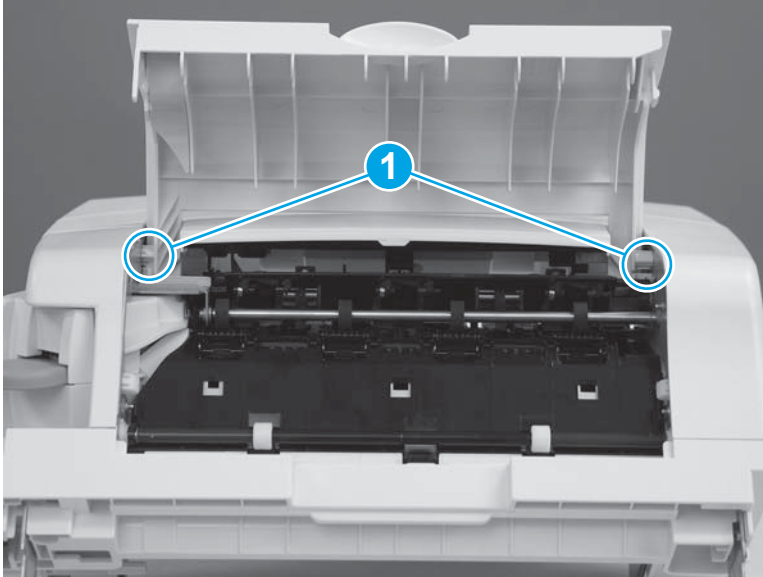
Make sure that the printer initializes to a **Ready** state.

Print two pages and send them to the stacker or stapler/stacker to make sure that the printer is functioning correctly.

Step 1: Remove the rear cover

1. Open the rear cover, and then disengage two hinge pins (callout 1).

Figure 1-2612 Disengage hinge pins



2. Remove the rear cover (callout 1).

Figure 1-2613 Remove the rear cover



Step 2: Unpack the replacement rear cover

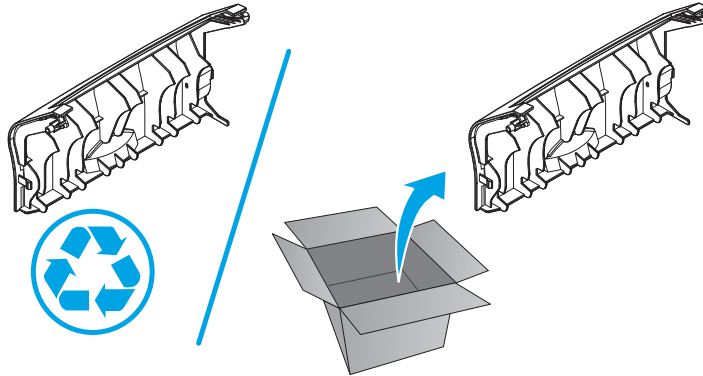
Unpack the replacement part from the packaging.

<http://www8.hp.com/us/en/hp-information/environment/product-recycling.html>



NOTE: HP recommends responsible disposal of the defective part.

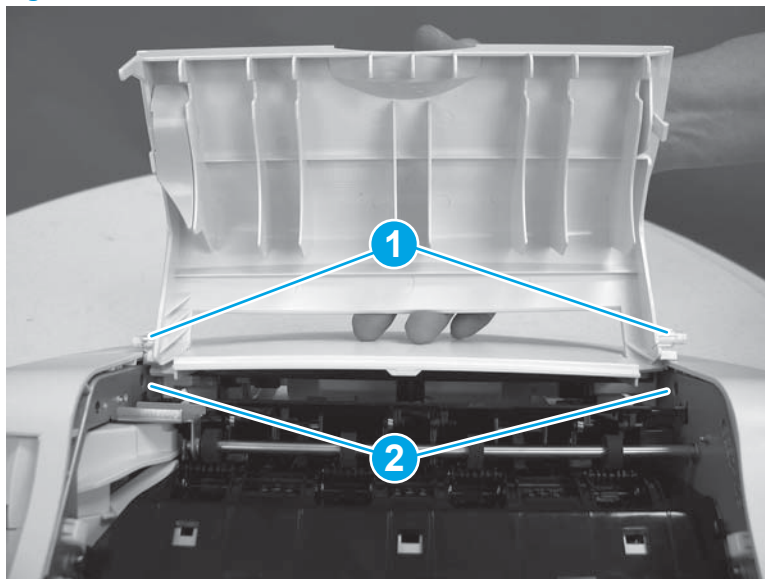
Figure 1-2614 Recycle and unpack



Step 3: Install the rear cover

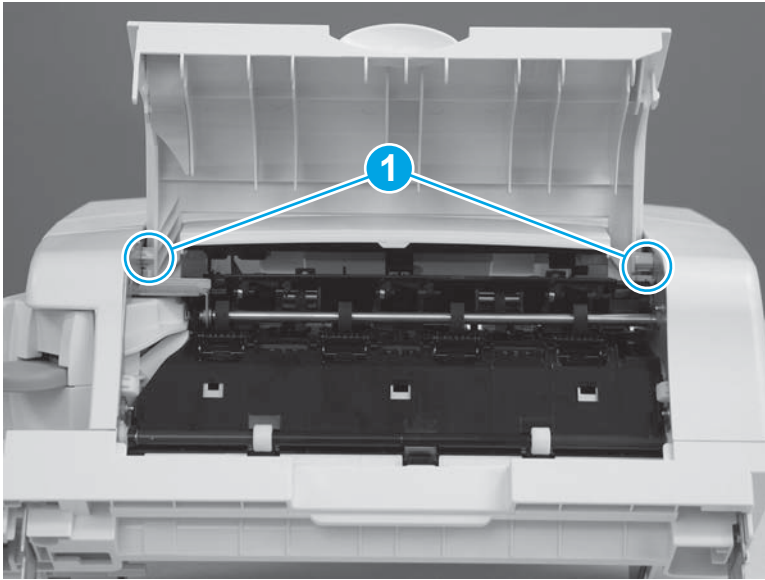
1. Position the hinge pins (callout 1) on the cover in the holes (callout 2) in the stacker or stapler/stacker.

Figure 1-2615 Install the rear cover



2. Make sure that the hinge pins (callout 1) are fully seated in position.

Figure 1-2616 Check the hinge pins



Removal and replacement: Top cover (stapler/stacker)

- [Introduction](#)
- [Step 1: Remove the delivery tray \(stacker or stapler/stacker\)](#)
- [Step 2: Remove the rear cover \(stacker or stapler/stacker\)](#)
- [Step 3: Remove the top cover](#)
- [Step 4: Unpack the replacement top cover](#)
- [Step 5: Install the top cover](#)
- [Step 6: Install the rear cover \(stacker or stapler/stacker\)](#)
- [Step 7: Install the delivery tray \(stacker or stapler/stacker\)](#)

Introduction

This document provides the procedures to remove and replace the top cover on the stapler/stacker.

Before performing service

Turn the printer power off

- Remove the stacker or stapler/stacker from the printer.

Use the table below to identify the correct part number for your printer. To order the part, go to www.hp.com/buy/parts.

Top cover part number	
RC4-6162-000CN	Cover, top (stapler/stacker)

Required tools

- #2 Phillips screwdriver with a magnetic tip

After performing service

Turn the printer power on

- Connect the power cable.
- Use the power switch to turn the power on.

Post service test

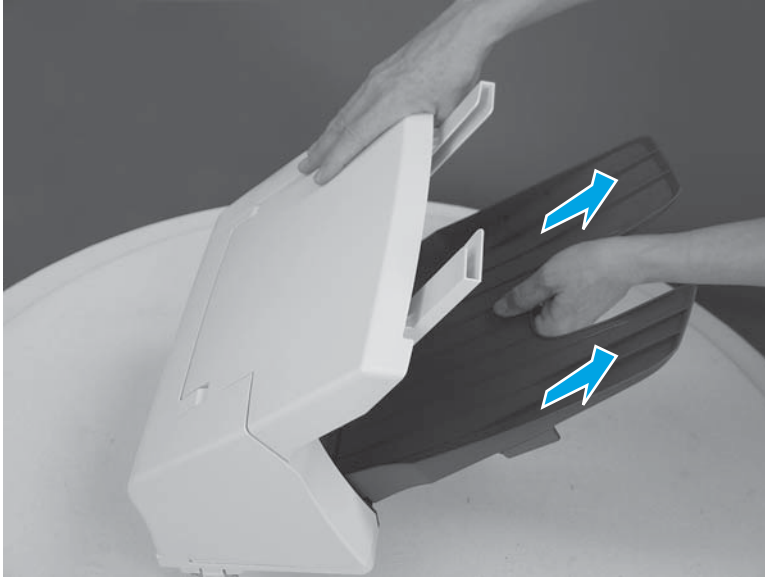
Make sure that the printer initializes to a **Ready** state.

Print two pages and send them to the stapler/stacker to make sure that the printer is functioning correctly.

Step 1: Remove the delivery tray (stacker or stapler/stacker)

- ▲ Pull the delivery tray toward the front of the stacker or stapler/stacker to release it from the shaft.

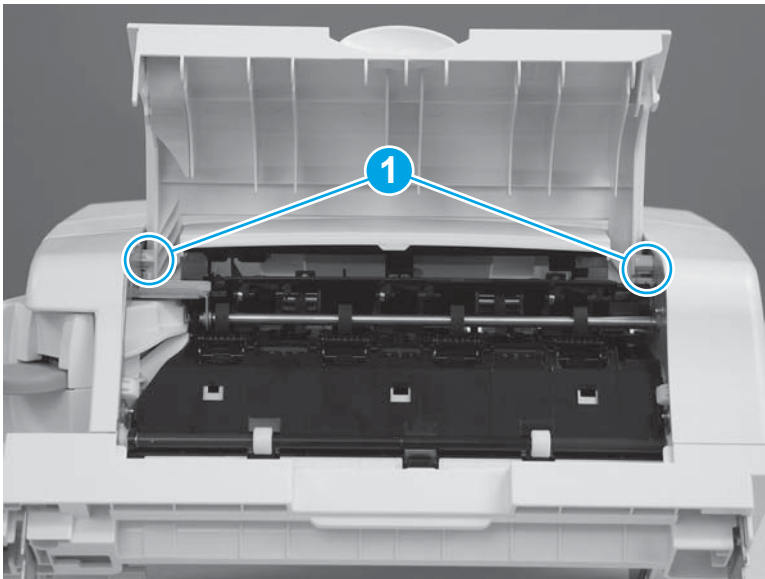
Figure 1-2617 Remove the delivery tray



Step 2: Remove the rear cover (stacker or stapler/stacker)

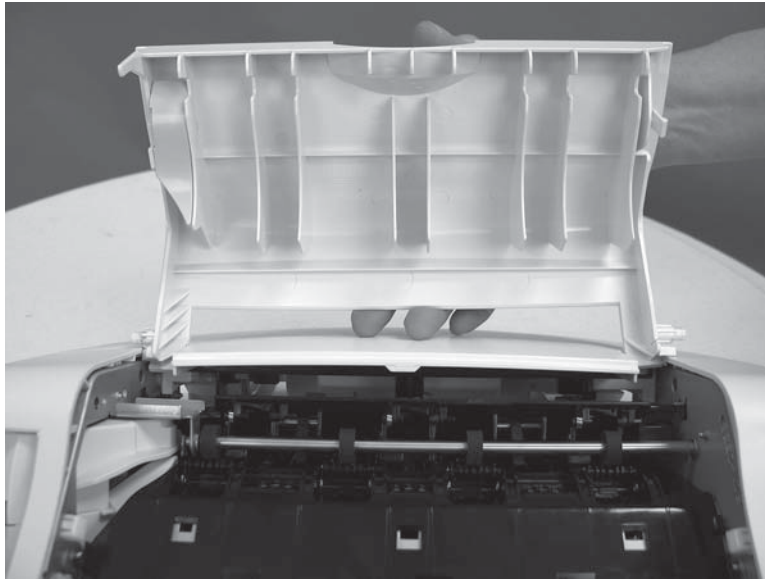
1. Open the rear cover, and then disengage two hinge pins (callout 1).

Figure 1-2618 Disengage hinge pins



2. Remove the rear cover (callout 1).

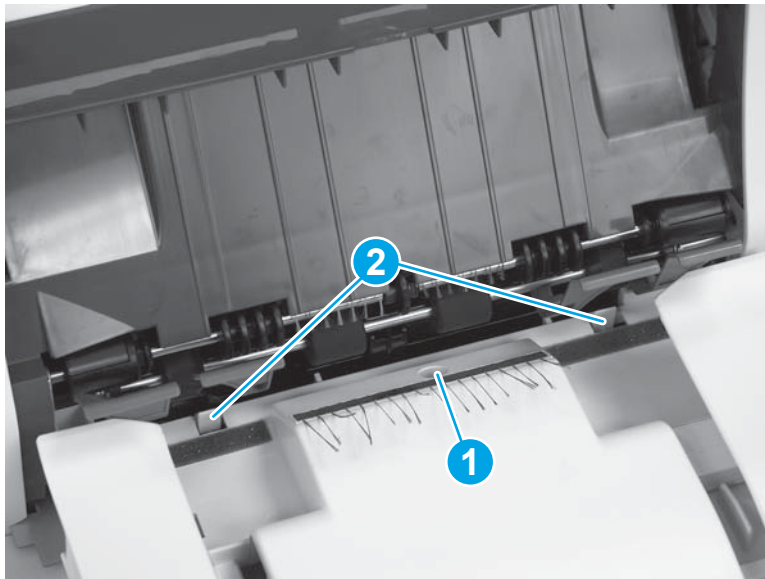
Figure 1-2619 Remove the rear cover



Step 3: Remove the top cover

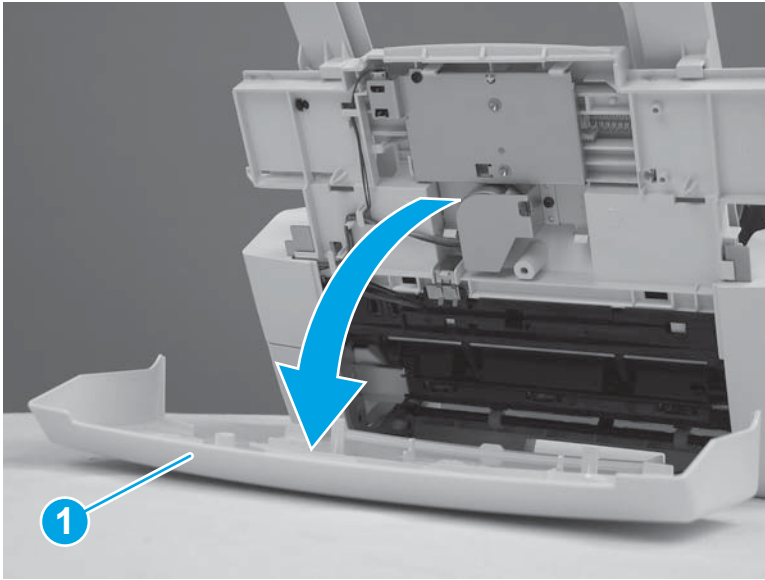
1. Remove one screw (callout 1) and release two tabs (callout 2).

Figure 1-2620 Remove one screw and release two tabs



2. Remove the top cover (callout 1).

Figure 1-2621 Remove the top cover



Step 4: Unpack the replacement top cover

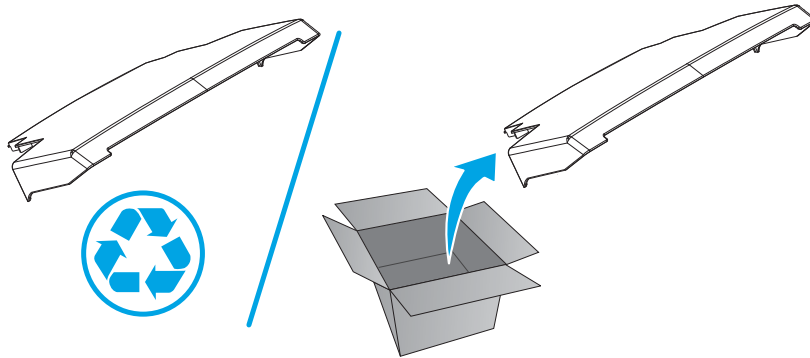
Unpack the replacement part from the packaging.

<http://www8.hp.com/us/en/hp-information/environment/product-recycling.html>



NOTE: HP recommends responsible disposal of the defective part.

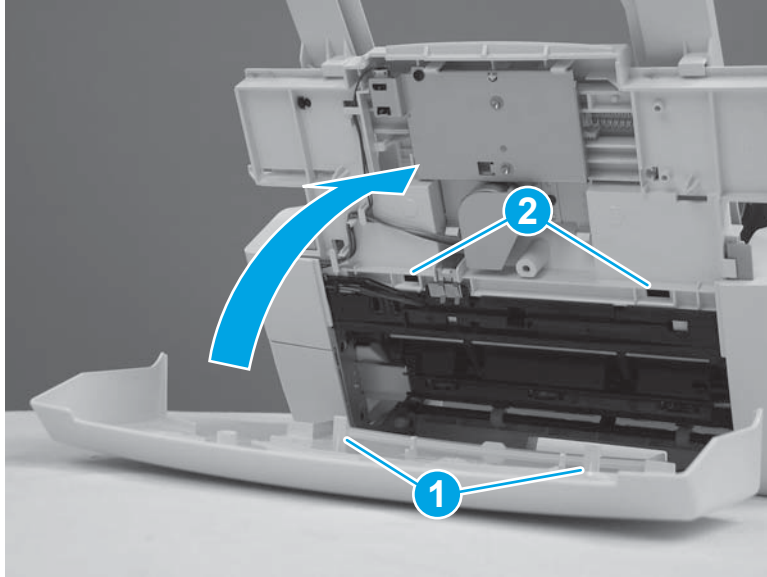
Figure 1-2622 Recycle and unpack



Step 5: Install the top cover

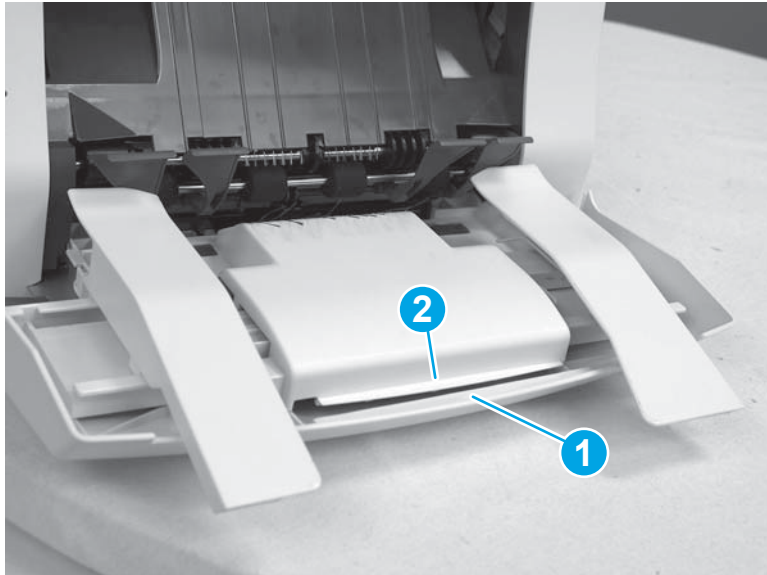
1. When installing the top cover, position the tabs (callout 1) on the cover into the slots (callout 2) on the stapler/stacker.

Figure 1-2623 Position the tabs in the slots



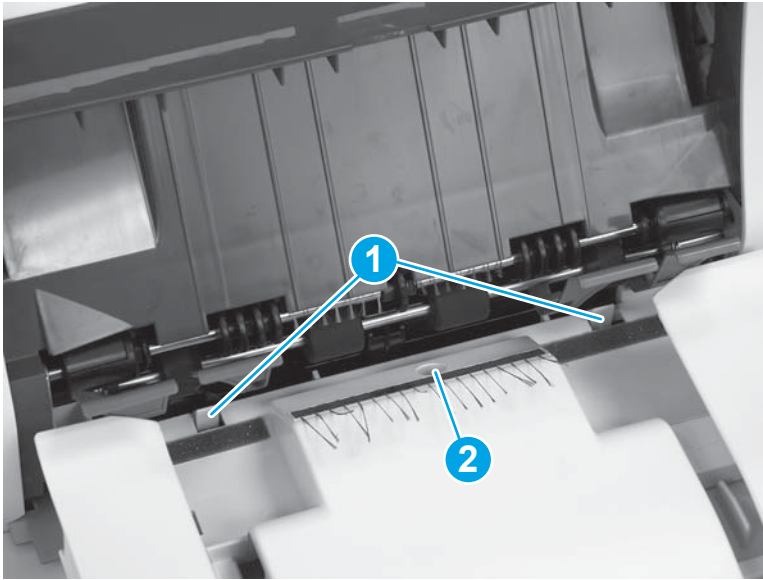
2. Position the top cover so that the edge of the top cover (callout 1) fits over the tab (callout 2) on the stapler/stacker.

Figure 1-2624 Position the top cover



3. Install two tabs (callout 1), and then install one screw (callout 2).

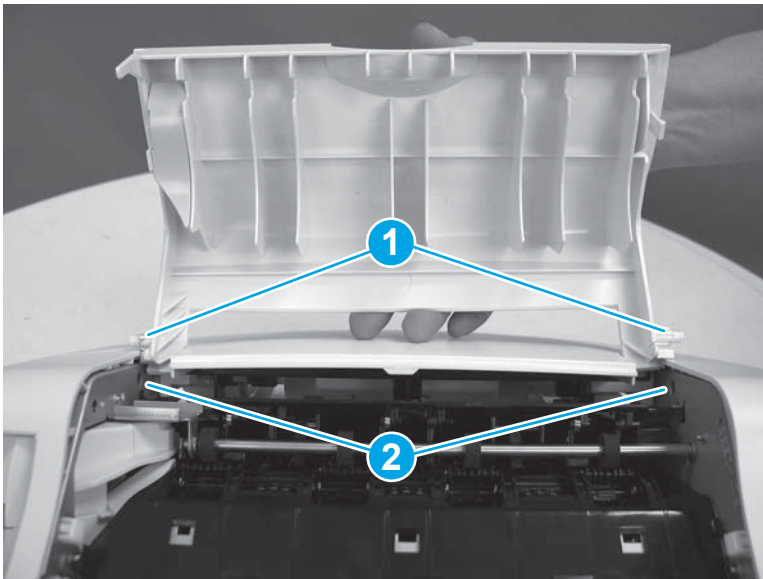
Figure 1-2625 Install two tabs and install one screw



Step 6: Install the rear cover (stacker or stapler/stacker)

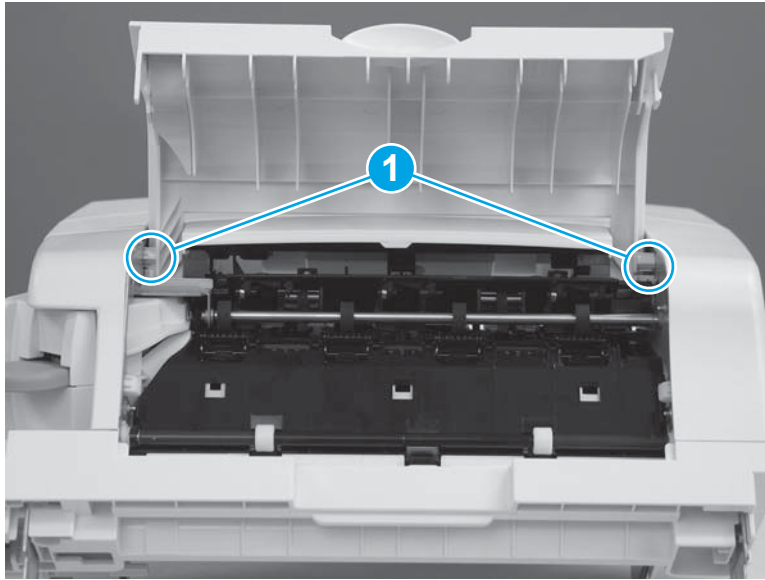
1. Position the hinge pins (callout 1) on the cover in the holes (callout 2) in the stacker or stapler/stacker.

Figure 1-2626 Install the rear cover



2. Make sure that the hinge pins (callout 1) are fully seated in position.

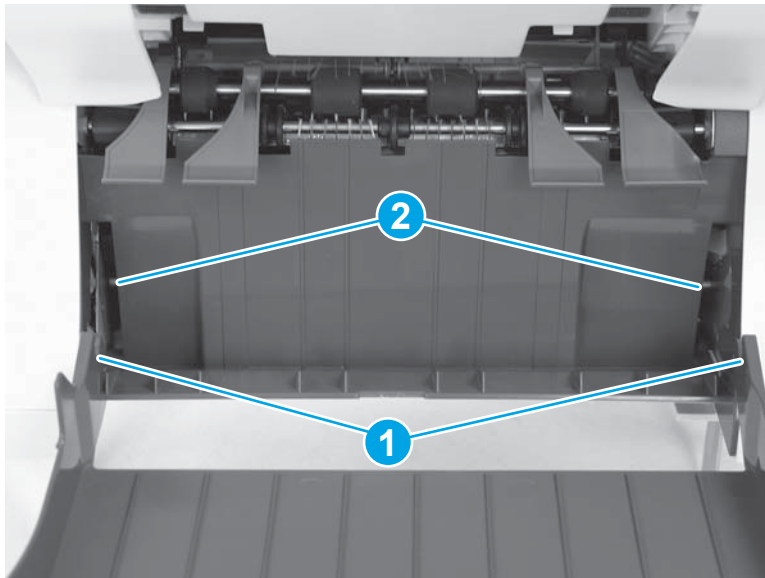
Figure 1-2627 Check the hinge pins



Step 7: Install the delivery tray (stacker or stapler/stacker)

- ▲ Align the slots (callout 1) on the delivery tray with the shaft (callout 2) on the stacker or stapler/stacker. Press the tray towards the stacker or stapler/stacker until the tray is fully seated on the shaft.

Figure 1-2628 Install the delivery tray



Removal and replacement: Left cover (stacker and stapler/stacker)

- [Introduction](#)
- [Step 1: Remove the delivery tray \(stacker or stapler/stacker\)](#)
- [Step 2: Remove the rear cover \(stapler/stacker\)](#)
- [Step 3: Remove the top cover \(stapler/stacker\)](#)
- [Step 4: Remove the left cover](#)
- [Step 5: Unpack the replacement left cover](#)
- [Step 6: Install the left cover](#)
- [Step 7: Install the top cover \(stapler/stacker\)](#)
- [Step 8: Install the rear cover \(stapler/stacker\)](#)
- [Step 9: Install the delivery tray \(stacker or stapler/stacker\)](#)

Introduction

This document provides the procedures to remove and replace the left cover on the stacker or stapler/stacker.



NOTE: The figures in this section show the stapler/stacker. However, the procedures are correct for both the stacker and stapler/stacker.

Before performing service

Turn the printer power off

- Remove the stacker or stapler/stacker from the printer.

Use the table below to identify the correct part number for your printer. To order the part, go to www.hp.com/buy/parts.

Left cover part number	
RC4-6158-000CN	Cover, left (stacker and stapler/stacker)

Required tools

- Small, flat-blade screwdriver

After performing service

Turn the printer power on

- Connect the power cable.
- Use the power switch to turn the power on.

Post service test

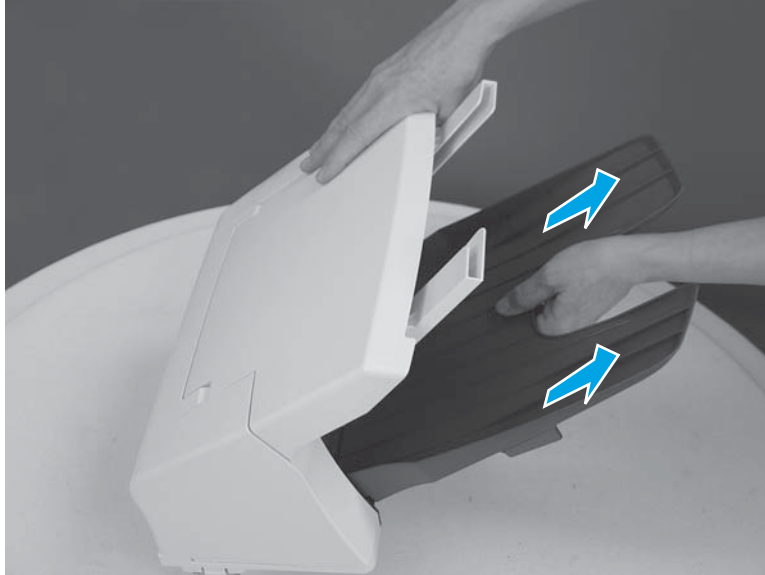
Make sure that the printer initializes to a **Ready** state.

Print two pages and send them to the stapler/stacker to make sure that the printer is functioning correctly.


Step 1: Remove the delivery tray (stacker or stapler/stacker)

- ▲ Pull the delivery tray toward the front of the stacker or stapler/stacker to release it from the shaft.

Figure 1-2629 Remove the delivery tray

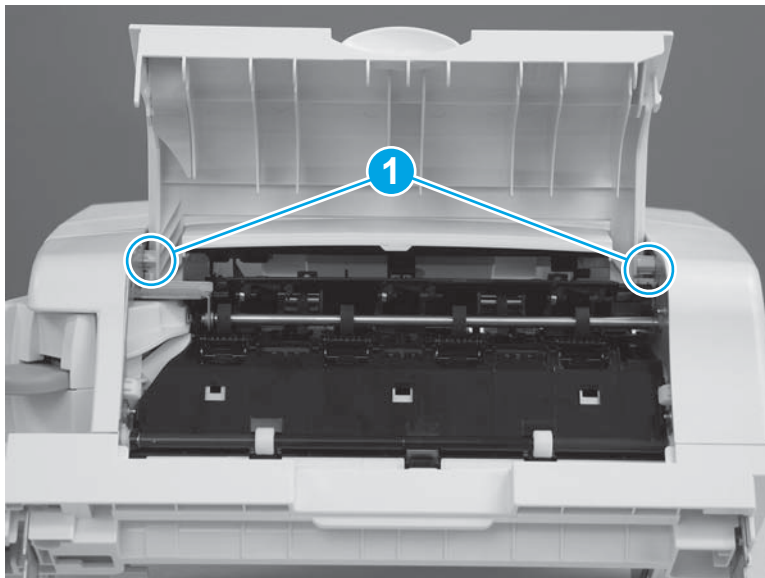


Step 2: Remove the rear cover (stapler/stacker)

 **NOTE:** For the stacker, skip this step and go to [Step 4: Remove the left cover on page 1477](#).

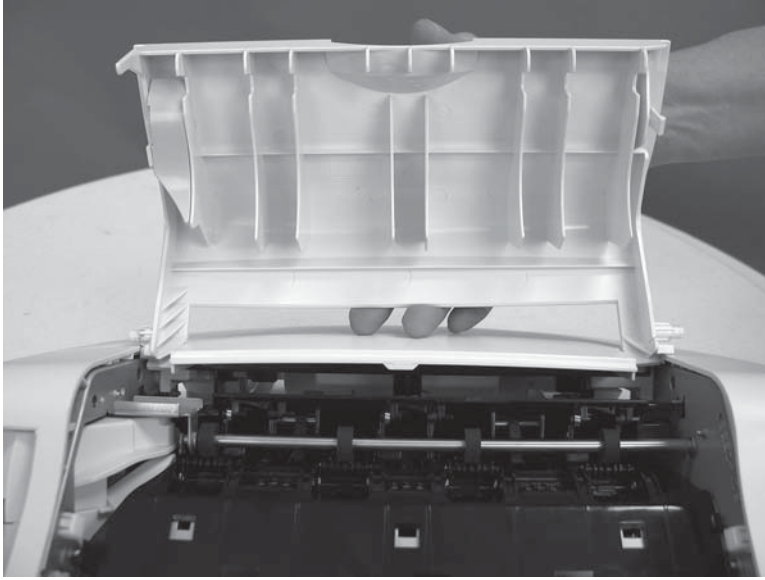
1. Open the rear cover, and then disengage two hinge pins (callout 1).

Figure 1-2630 Disengage hinge pins



2. Remove the rear cover (callout 1).

Figure 1-2631 Remove the rear cover



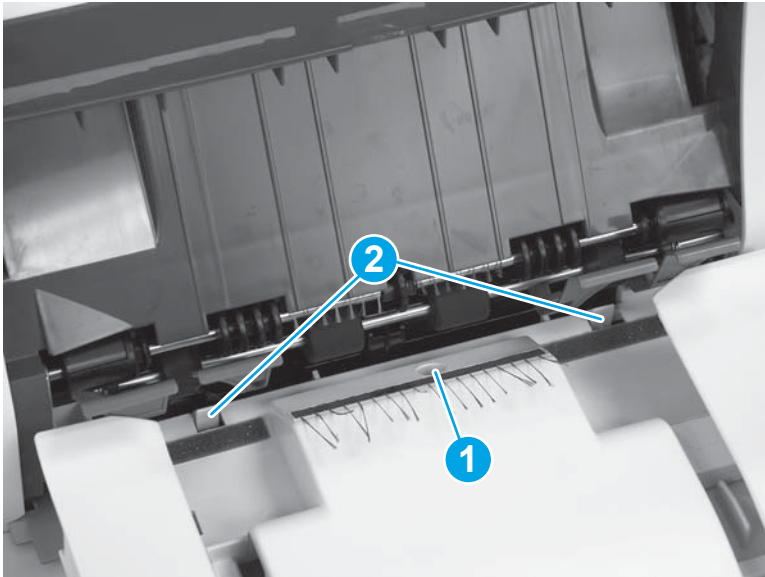
Step 3: Remove the top cover (stapler/stacker)



NOTE: For the stacker, skip this step and go to [Step 4: Remove the left cover on page 1477](#).

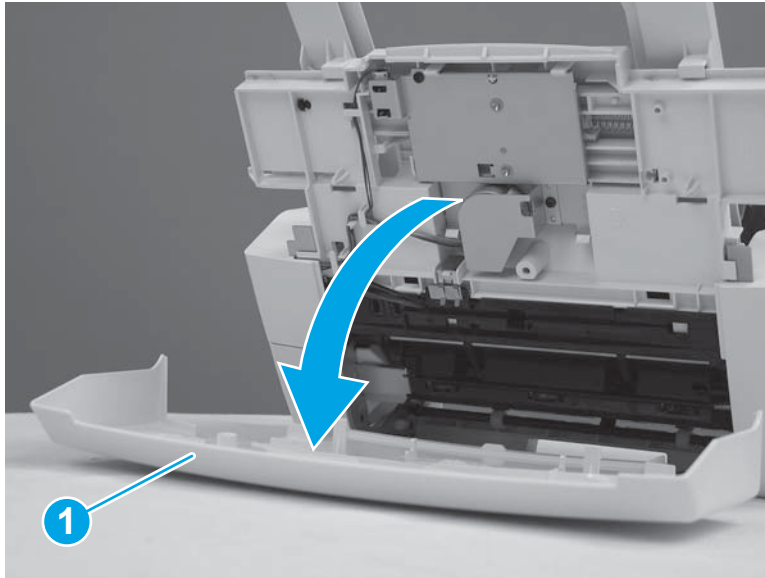
1. Remove one screw (callout 1) and release two tabs (callout 2).

Figure 1-2632 Remove one screw and release two tabs



2. Remove the top cover (callout 1).

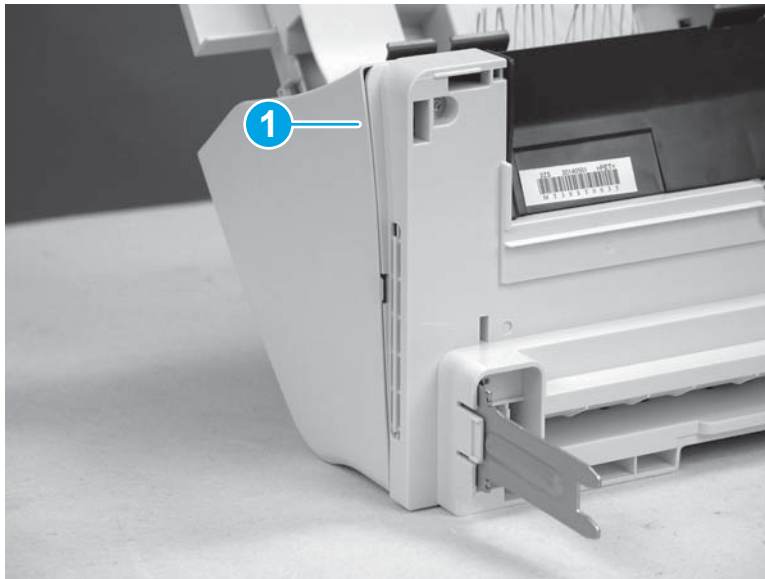
Figure 1-2633 Remove the top cover



Step 4: Remove the left cover

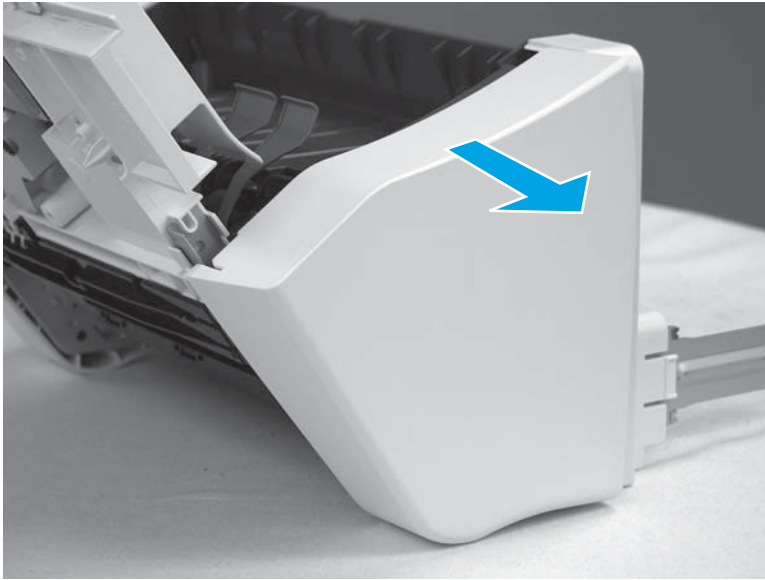
1. Release one tab (callout 1).

Figure 1-2634 Release one tab



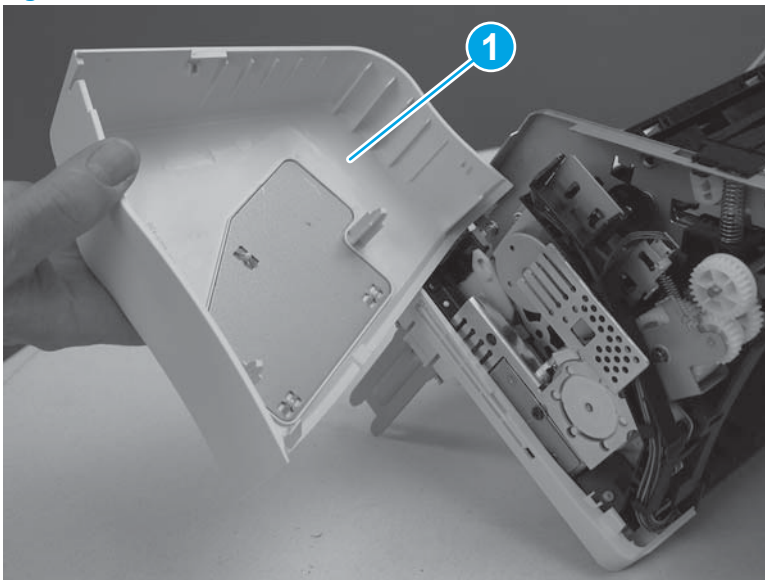
2. Slide the cover away from the stacker or stapler/stacker.

Figure 1-2635 Slide the left cover



3. Remove the left cover (callout 1).

Figure 1-2636 Remove the left cover



Step 5: Unpack the replacement left cover

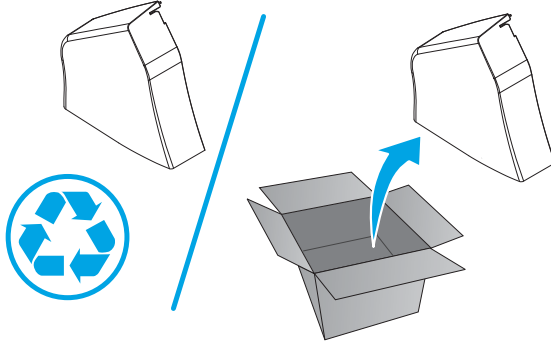
Unpack the replacement part from the packaging.

<http://www8.hp.com/us/en/hp-information/environment/product-recycling.html>



NOTE: HP recommends responsible disposal of the defective part.

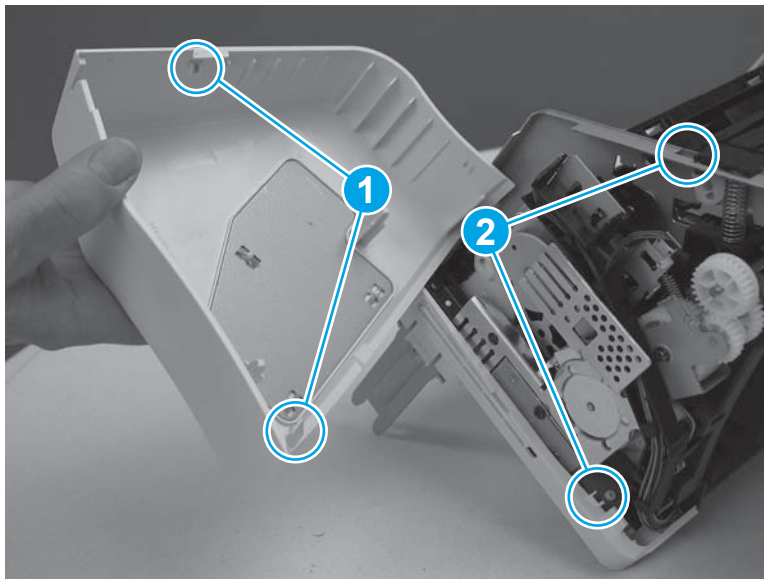
Figure 1-2637 Recycle and unpack



Step 6: Install the left cover

1. When reinstalling the left cover, position the tabs (callout 1) on the cover in the slots (callout 2) on the stapler or stapler/stacker.

Figure 1-2638 Position the left cover



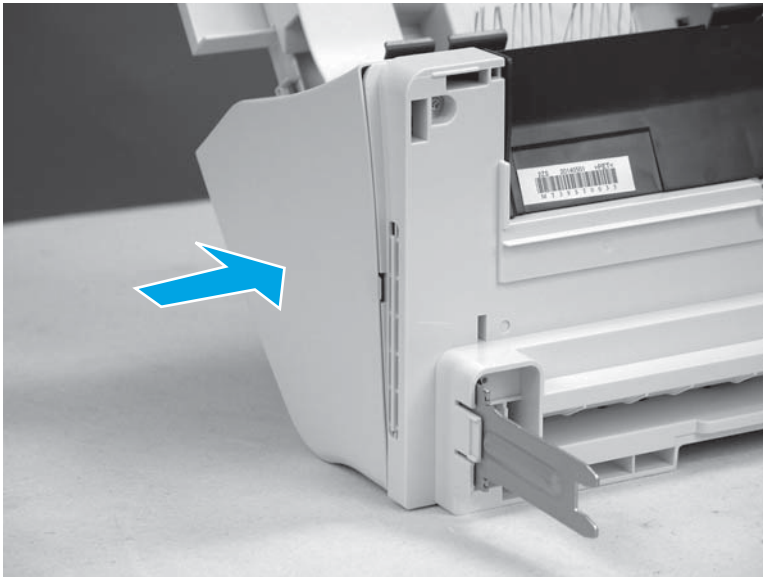
2. Make sure that the slot (callout 1) on the cover fits over the sheet metal edge (callout 2) on the stapler or stapler/stacker.

Figure 1-2639 Position the left cover



3. Install the left cover. Make sure that the tabs snap into place.

Figure 1-2640 Install the left cover



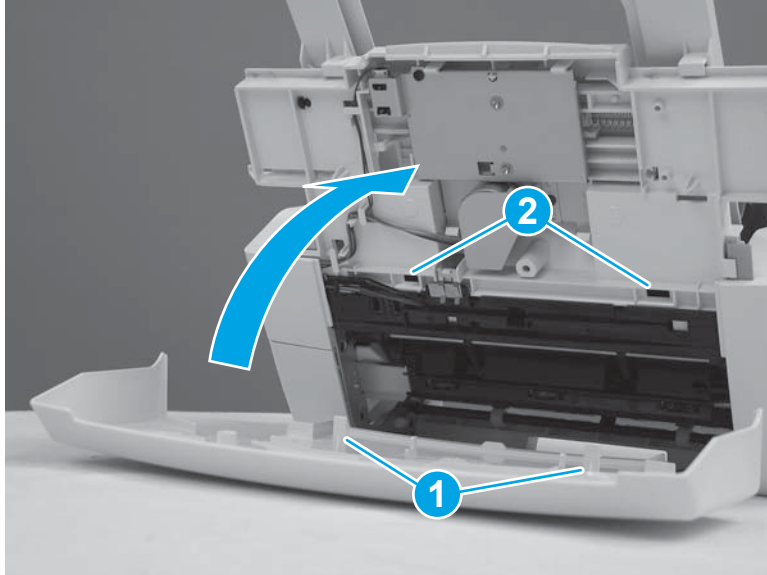
Step 7: Install the top cover (stapler/stacker)



NOTE: For the stacker, skip this step and go to [Step 9: Install the delivery tray \(stacker or stapler/stacker\) on page 1483](#).

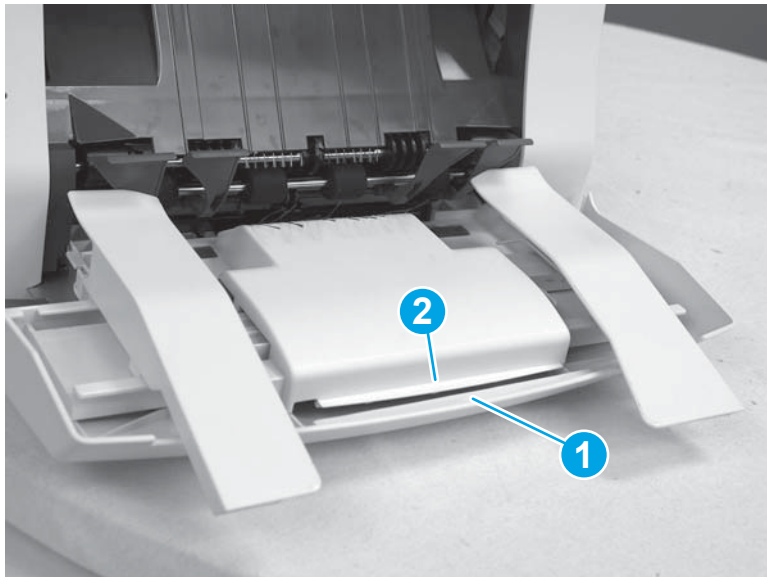
1. When installing the top cover, position the tabs (callout 1) on the cover into the slots (callout 2) on the stapler/stacker.

Figure 1-2641 Position the tabs in the slots



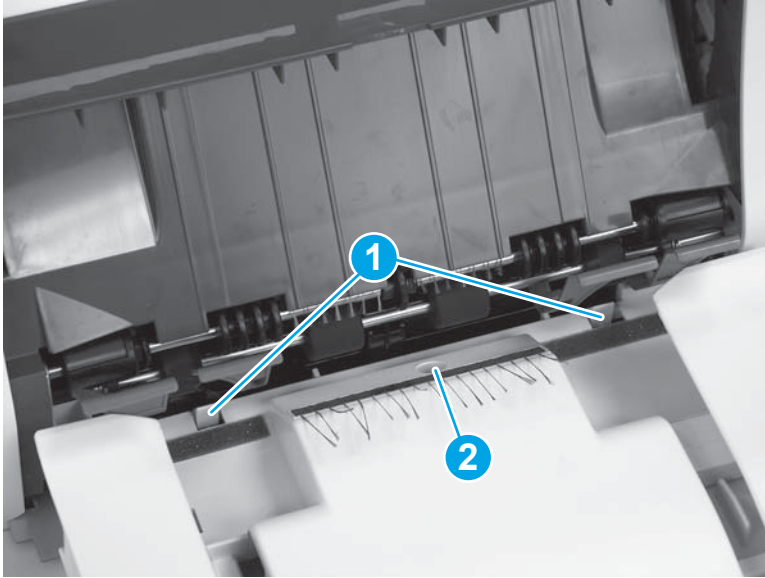
2. Position the top cover so that the edge of the top cover (callout 1) fits over the tab (callout 2) on the stapler/stacker.

Figure 1-2642 Position the top cover



3. Install two tabs (callout 1), and then install one screw (callout 2).

Figure 1-2643 Install two tabs and install one screw



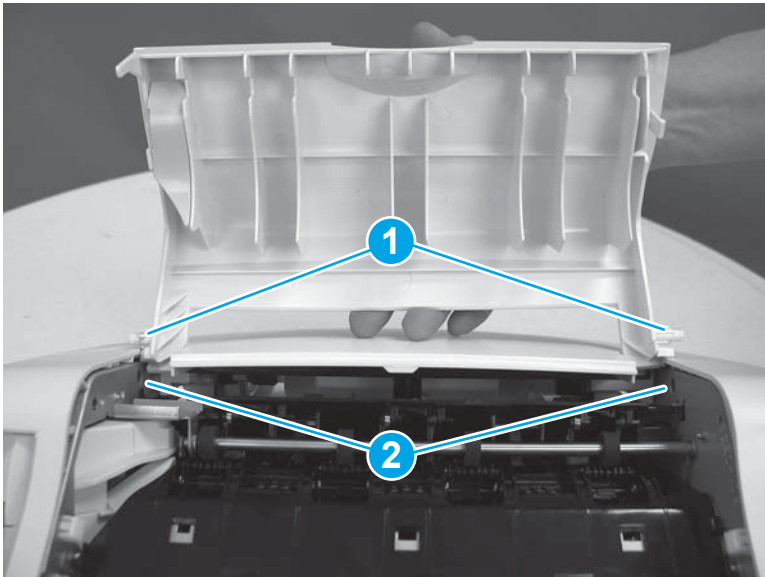
Step 8: Install the rear cover (stapler/stacker)



NOTE: For the stacker, skip this step and go to [Step 9: Install the delivery tray \(stacker or stapler/stacker\) on page 1483](#).

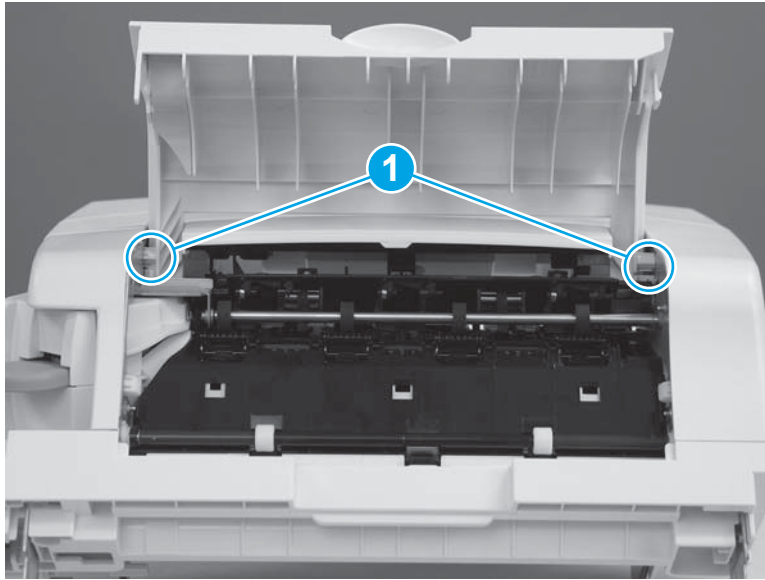
1. Position the hinge pins (callout 1) on the cover in the holes (callout 2) in the stacker or stapler/stacker.

Figure 1-2644 Install the rear cover



2. Make sure that the hinge pins (callout 1) are fully seated in position.

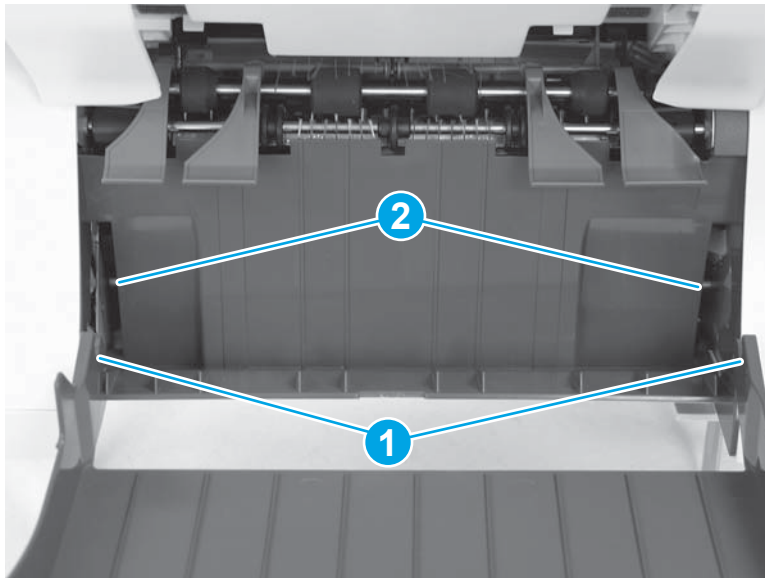
Figure 1-2645 Check the hinge pins



Step 9: Install the delivery tray (stacker or stapler/stacker)

- ▲ Align the slots (callout 1) on the delivery tray with the shaft (callout 2) on the stacker or stapler/stacker. Press the tray towards the stacker or stapler/stacker until the tray is fully seated on the shaft.

Figure 1-2646 Install the delivery tray



Removal and replacement: Right front cover (stacker and stapler/stacker)

- [Introduction](#)
- [Step 1: Remove the delivery tray \(stacker or stapler/stacker\)](#)
- [Step 2: Remove the rear cover \(stapler/stacker\)](#)
- [Step 3: Remove the top cover \(stapler/stacker\)](#)
- [Step 4: Remove the right front cover](#)
- [Step 5: Unpack the replacement right front cover](#)
- [Step 6: Install the right front cover](#)
- [Step 7: Install the top cover \(stapler/stacker\)](#)
- [Step 8: Install the rear cover \(stapler/stacker\)](#)
- [Step 9: Install the delivery tray \(stacker or stapler/stacker\)](#)

Introduction

This document provides the procedures to remove and replace the right front cover on the stacker or stapler/stacker.



NOTE: The figures in this section show the stapler/stacker. However, the procedures are correct for both the stacker and stapler/stacker.

Before performing service

Turn the printer power off

- Remove the stacker or stapler/stacker from the printer.

Use the table below to identify the correct part number for your printer. To order the part, go to www.hp.com/buy/parts.

Right front cover part number	
RM2-6200-000CN	Cover, right front (stacker and stapler/stacker)

Required tools

- Small, flat-blade screwdriver

After performing service

Turn the printer power on

- Connect the power cable.
- Use the power switch to turn the power on.

Post service test

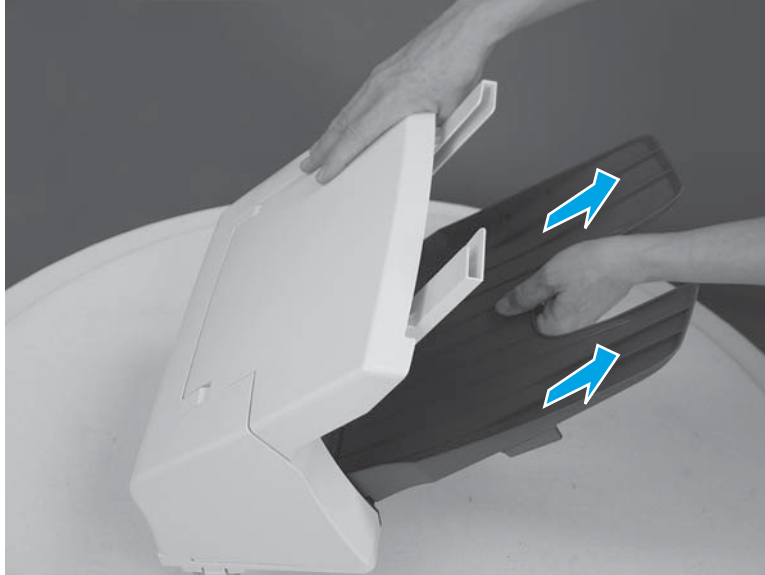
Make sure that the printer initializes to a **Ready** state.

Print two pages and send them to the stapler/stacker to make sure that the printer is functioning correctly.

Step 1: Remove the delivery tray (stacker or stapler/stacker)

- ▲ Pull the delivery tray toward the front of the stacker or stapler/stacker to release it from the shaft.

Figure 1-2647 Remove the delivery tray

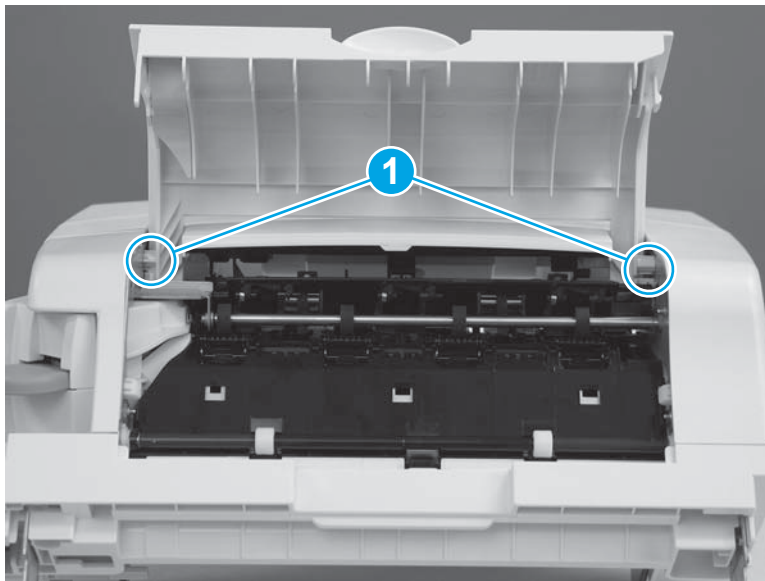


Step 2: Remove the rear cover (stapler/stacker)

 **NOTE:** For the stacker, skip this step and go to [Step 4: Remove the right front cover on page 1487](#).

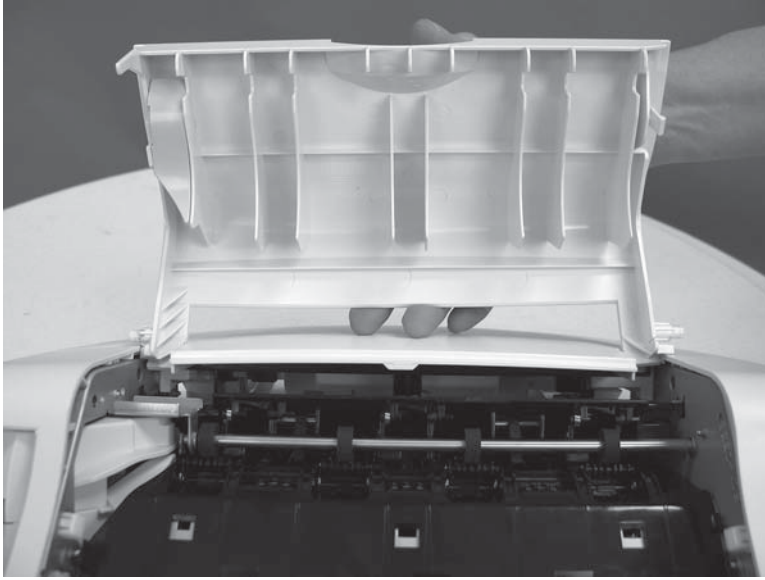
1. Open the rear cover, and then disengage two hinge pins (callout 1).

Figure 1-2648 Disengage hinge pins



2. Remove the rear cover (callout 1).

Figure 1-2649 Remove the rear cover



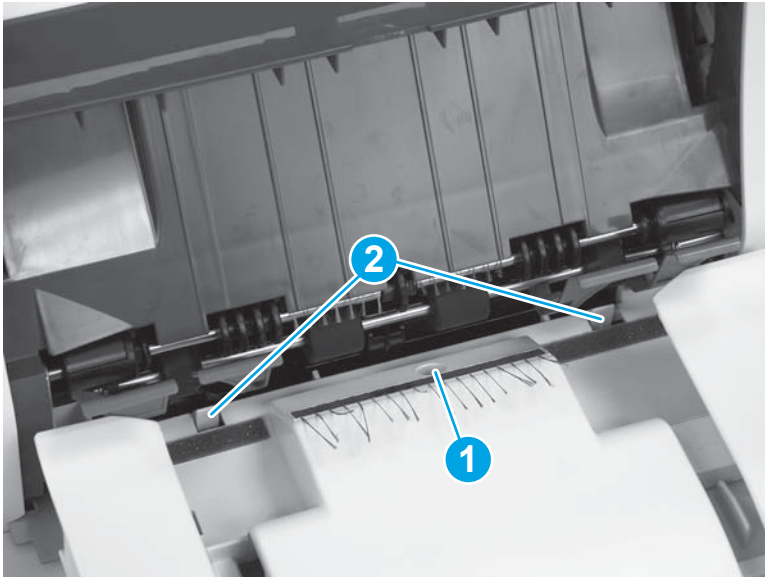
Step 3: Remove the top cover (stapler/stacker)



NOTE: For the stacker, skip this step and go to [Step 4: Remove the right front cover on page 1487](#).

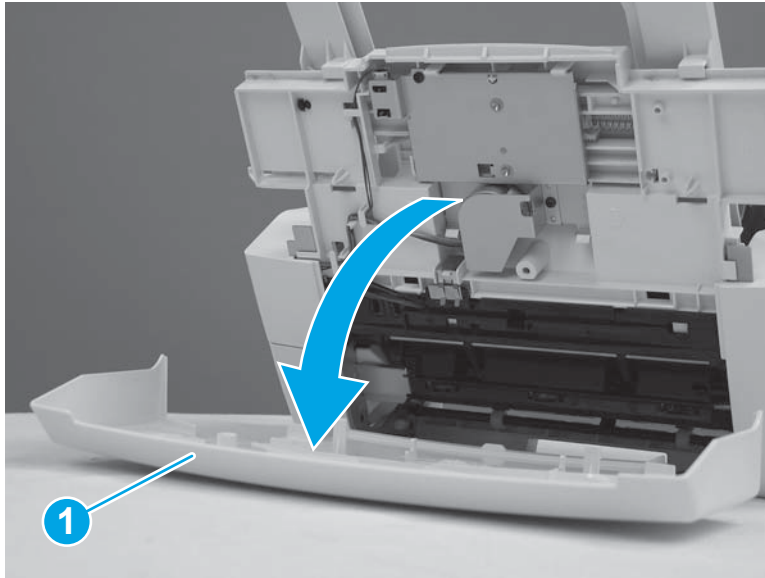
1. Remove one screw (callout 1) and release two tabs (callout 2).

Figure 1-2650 Remove one screw and release two tabs



2. Remove the top cover (callout 1).

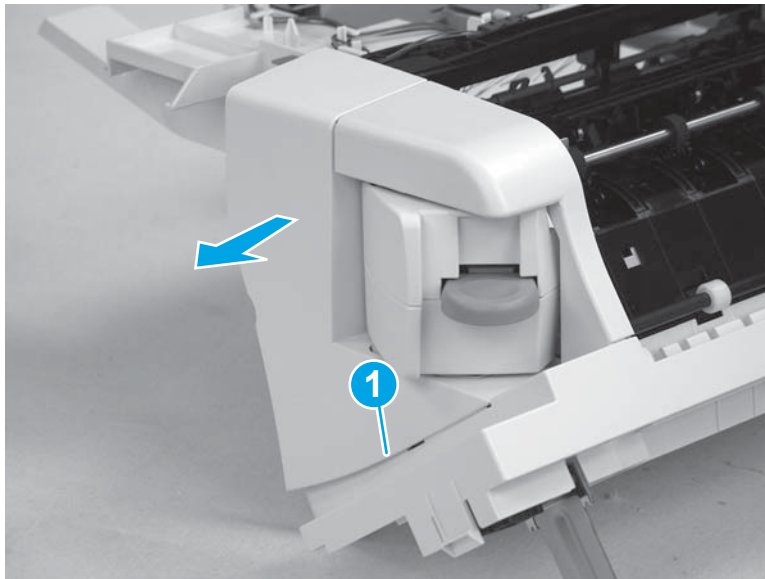
Figure 1-2651 Remove the top cover



Step 4: Remove the right front cover

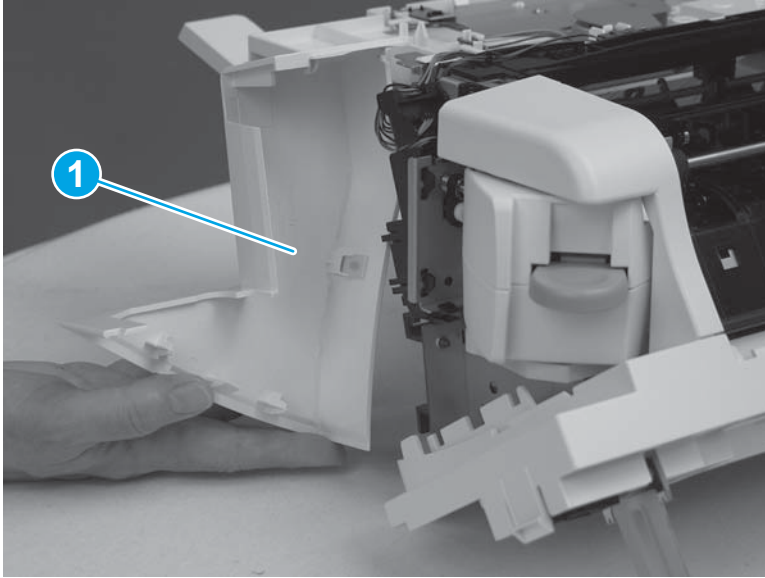
1. Release one tab (callout 1), and then slide the cover away from the stapler or stapler/stacker.

Figure 1-2652 Release one tab and slide the cover



2. Remove the right front cover (callout 1).

Figure 1-2653 Remove the right front cover



Step 5: Unpack the replacement right front cover

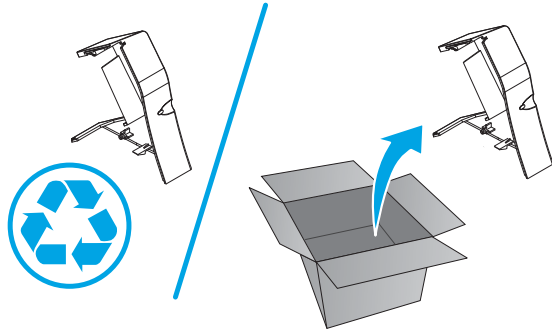
Unpack the replacement part from the packaging.

<http://www8.hp.com/us/en/hp-information/environment/product-recycling.html>



NOTE: HP recommends responsible disposal of the defective part.

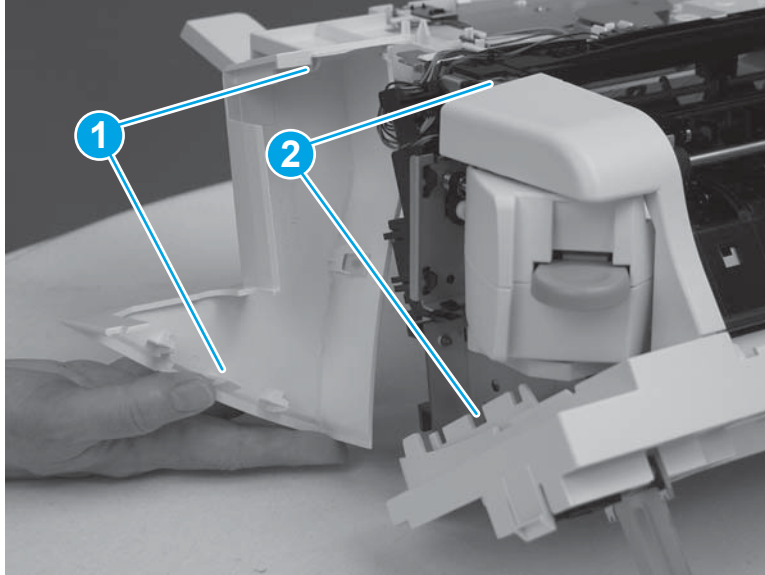
Figure 1-2654 Recycle and unpack



Step 6: Install the right front cover

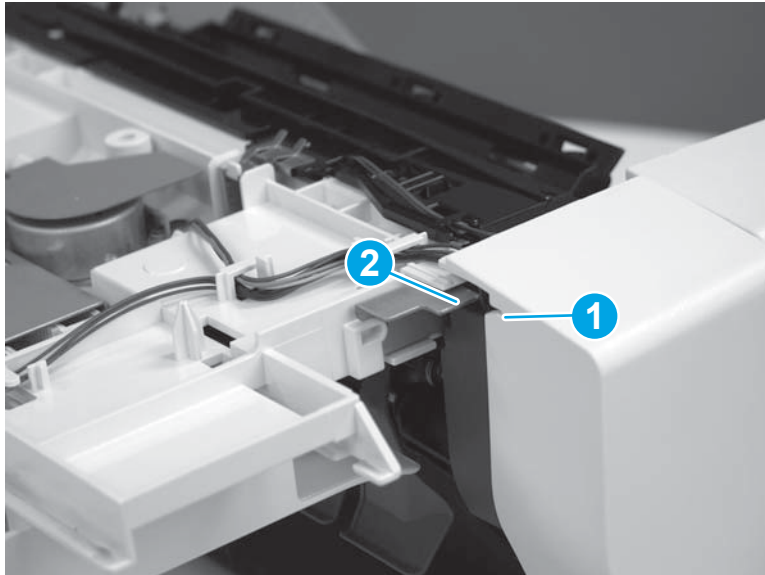
1. When reinstalling the right front cover, position the tabs (callout 1) on the cover in the slots (callout 2) on the stapler or stapler/stacker.

Figure 1-2655 Position the tabs in the slots



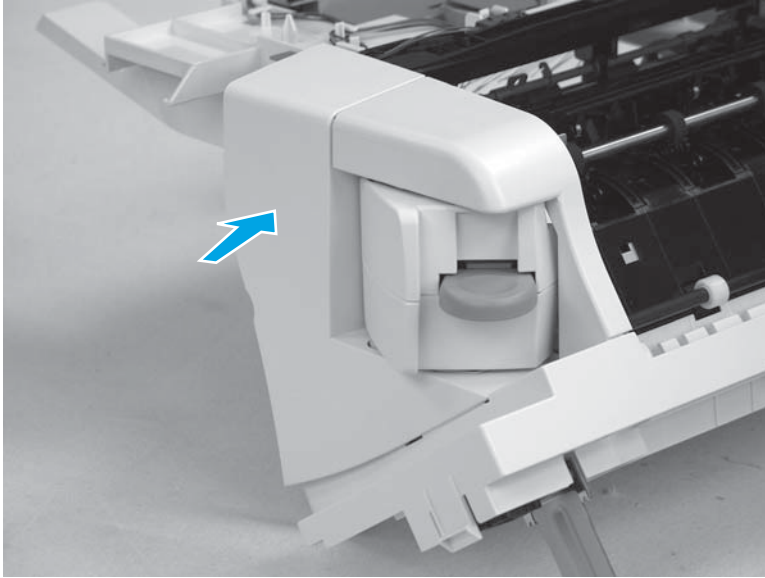
2. Make sure that the slot (callout 1) on the cover fits over the sheet metal edge (callout 2) on the stapler or stapler/stacker.

Figure 1-2656 Position the right front cover



3. Install the right front cover. Make sure that the tabs snap into place.

Figure 1-2657 Install the right front cover



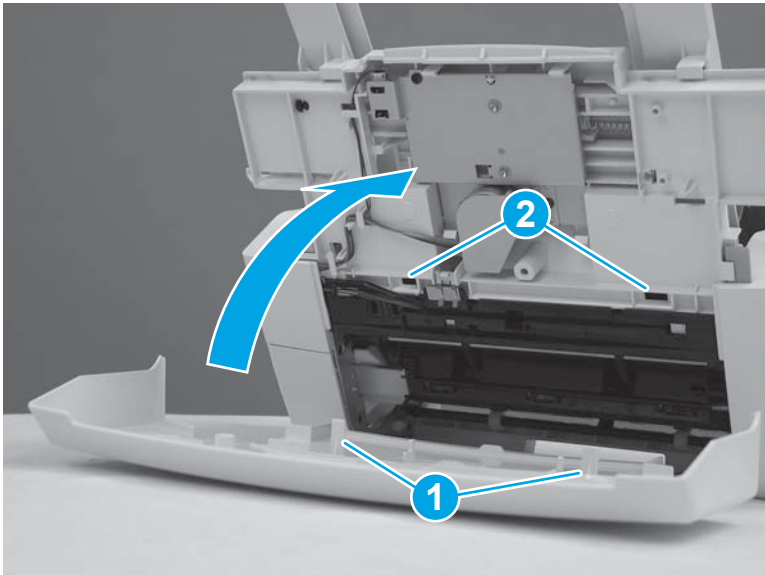
Step 7: Install the top cover (stapler/stacker)



NOTE: For the stacker, skip this step and go to [Step 9: Install the delivery tray \(stacker or stapler/stacker\) on page 1492](#).

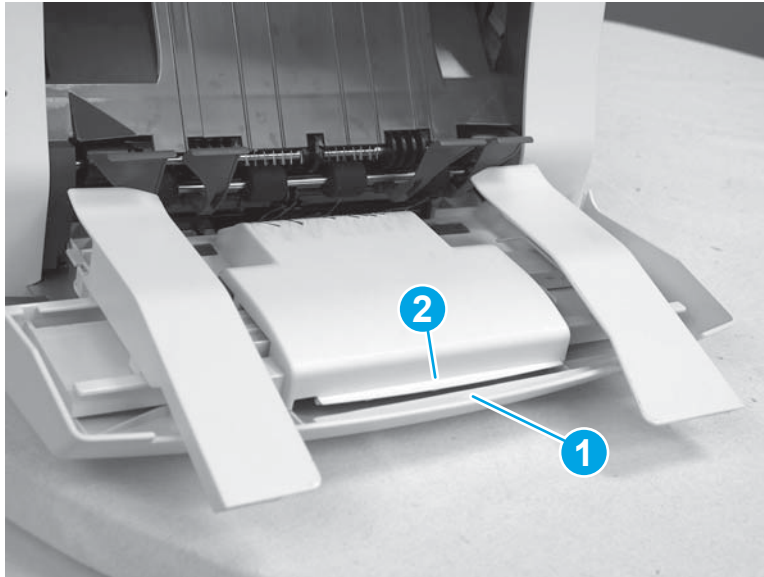
1. When installing the top cover, position the tabs (callout 1) on the cover into the slots (callout 2) on the stapler/stacker.

Figure 1-2658 Position the tabs in the slots



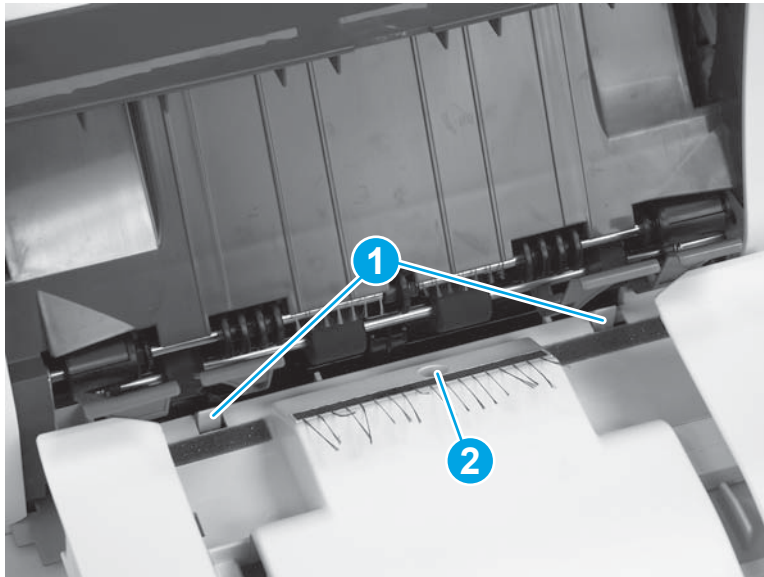
2. Position the top cover so that the edge of the top cover (callout 1) fits over the tab (callout 2) on the stapler/stacker.

Figure 1-2659 Position the top cover



3. Install two tabs (callout 1), and then install one screw (callout 2).

Figure 1-2660 Install two tabs and install one screw

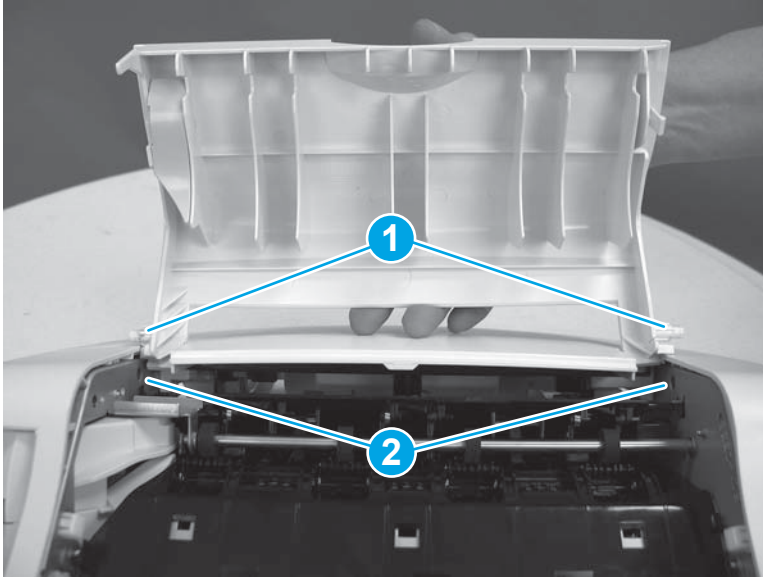


Step 8: Install the rear cover (stapler/stacker)

 **NOTE:** For the stacker, skip this step and go to [Step 9: Install the delivery tray \(stacker or stapler/stacker\) on page 1492.](#)

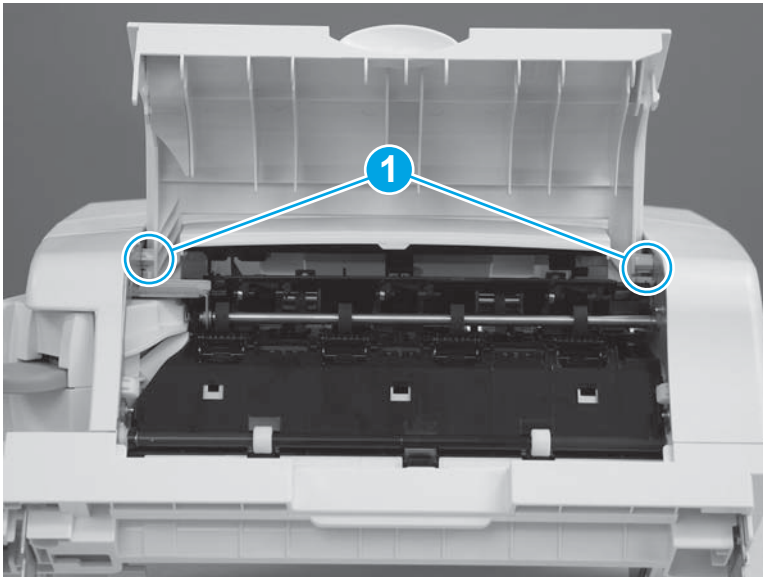
1. Position the hinge pins (callout 1) on the cover in the holes (callout 2) in the stacker or stapler/stacker.

Figure 1-2661 Install the rear cover



2. Make sure that the hinge pins (callout 1) are fully seated in position.

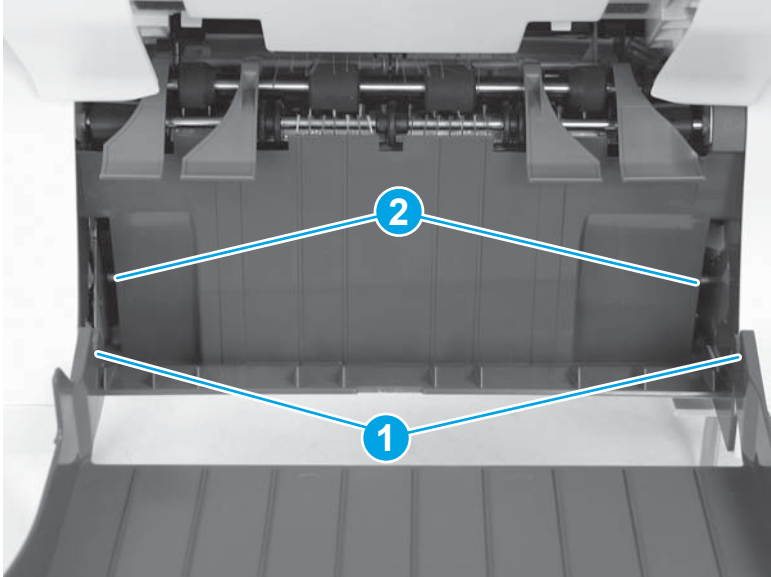
Figure 1-2662 Check the hinge pins



Step 9: Install the delivery tray (stacker or stapler/stacker)

- ▲ Align the slots (callout 1) on the delivery tray with the shaft (callout 2) on the stacker or stapler/stacker. Press the tray towards the stacker or stapler/stacker until the tray is fully seated on the shaft.

Figure 1-2663 Install the delivery tray



Removal and replacement: Front cover (stacker and stapler/stacker)

- [Introduction](#)
- [Step 1: Remove the delivery tray \(stacker or stapler/stacker\)](#)
- [Step 2: Remove the rear cover \(stapler/stacker\)](#)
- [Step 3: Remove the top cover \(stapler/stacker\)](#)
- [Step 4: Remove the left cover \(stacker or stapler/stacker\)](#)
- [Step 5: Remove the right front cover \(stacker or stapler/stacker\)](#)
- [Step 6: Remove the front cover](#)
- [Step 7: Unpack the replacement front cover](#)
- [Step 8: Install the front cover](#)
- [Step 9: Install the right front cover \(stacker or stapler/stacker\)](#)
- [Step 10: Install the left cover \(stacker or stapler/stacker\)](#)
- [Step 11: Install the top cover \(stapler/stacker\)](#)
- [Step 12: Install the rear cover \(stapler/stacker\)](#)
- [Step 13: Install the delivery tray \(stacker or stapler/stacker\)](#)

Introduction

This document provides the procedures to remove and replace the front cover on the stacker or stapler/stacker.

Before performing service

Turn the printer power off

- Remove the stacker or stapler/stacker from the printer.

Use the table below to identify the correct part number for your printer. To order the part, go to www.hp.com/buy/parts.

Front cover part numbers	
RL2-1334-000CN	Cover, front (stacker)
RC4-6157-000CN	Cover, front (stapler/stacker)

Required tools

- Small, flat-blade screwdriver

After performing service

Turn the printer power on

- Connect the power cable.
- Use the power switch to turn the power on.

Post service test

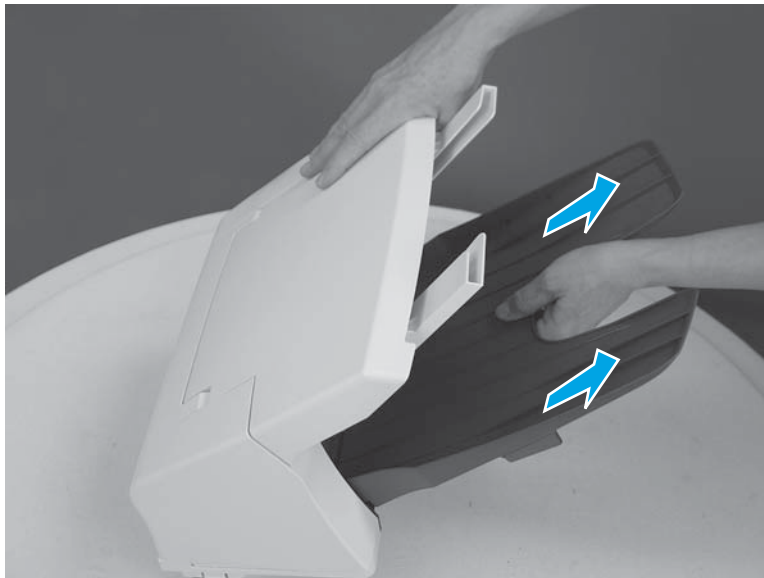
Make sure that the printer initializes to a **Ready** state.

Print two pages and send them to the stapler/stacker to make sure that the printer is functioning correctly.

Step 1: Remove the delivery tray (stacker or stapler/stacker)

- ▲ Pull the delivery tray toward the front of the stacker or stapler/stacker to release it from the shaft.

Figure 1-2664 Remove the delivery tray



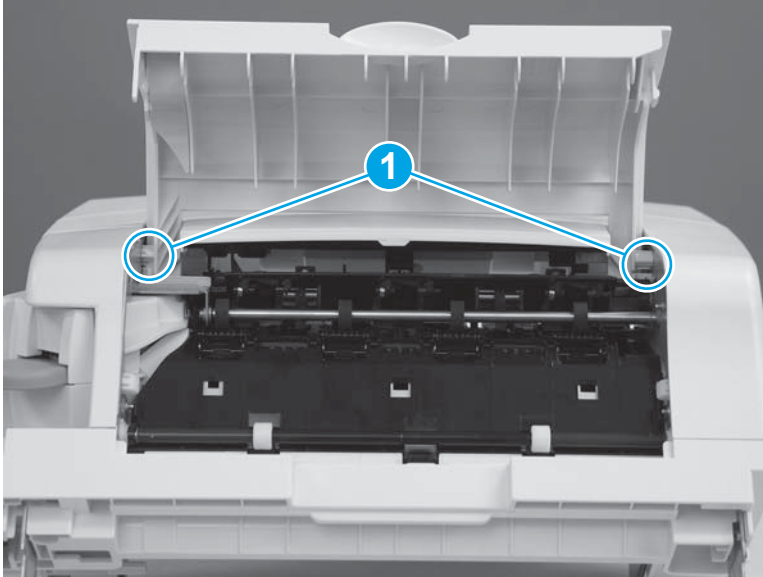
Step 2: Remove the rear cover (stapler/stacker)



NOTE: For the stacker, skip this step and go to [Step 4: Remove the left cover\(stacker or stapler/stacker\) on page 1497](#).

1. Open the rear cover, and then disengage two hinge pins (callout 1).

Figure 1-2665 Disengage hinge pins



2. Remove the rear cover (callout 1).

Figure 1-2666 Remove the rear cover

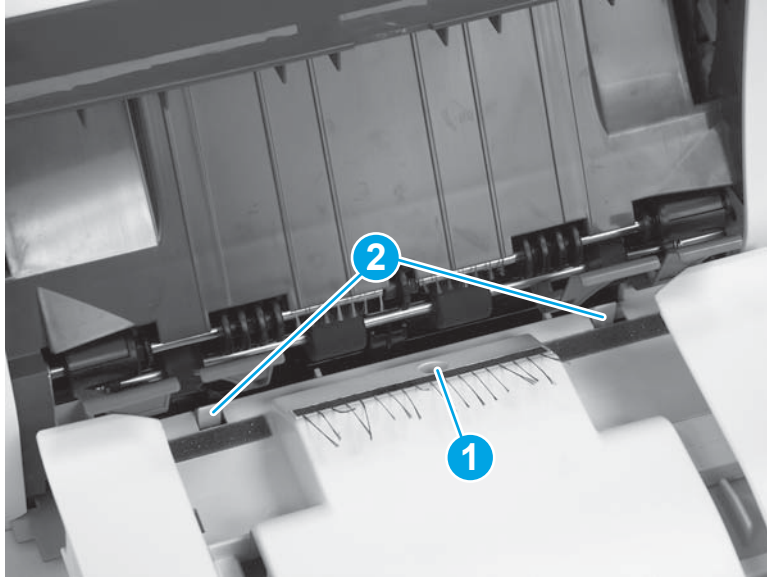


Step 3: Remove the top cover (stapler/stacker)

 **NOTE:** For the stacker, skip this step and go to [Step 4: Remove the left cover\(stapler or stapler/stacker\) on page 1497.](#)

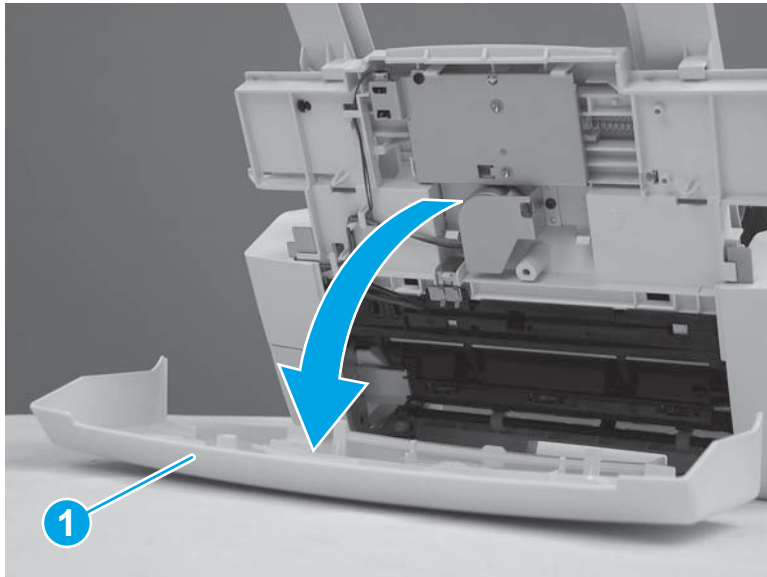
1. Remove one screw (callout 1) and release two tabs (callout 2).

Figure 1-2667 Remove one screw and release two tabs



2. Remove the top cover (callout 1).

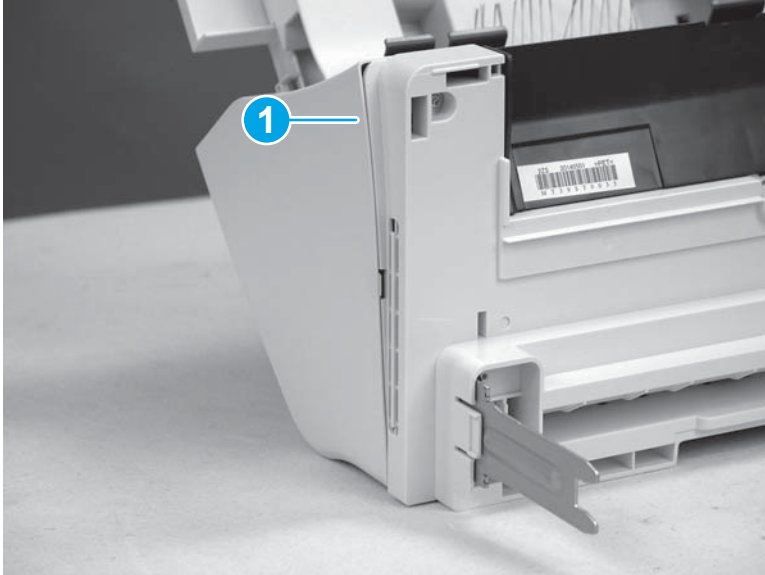
Figure 1-2668 Remove the top cover



Step 4: Remove the left cover (stacker or stapler/stacker)

1. Release one tab (callout 1).

Figure 1-2669 Release one tab



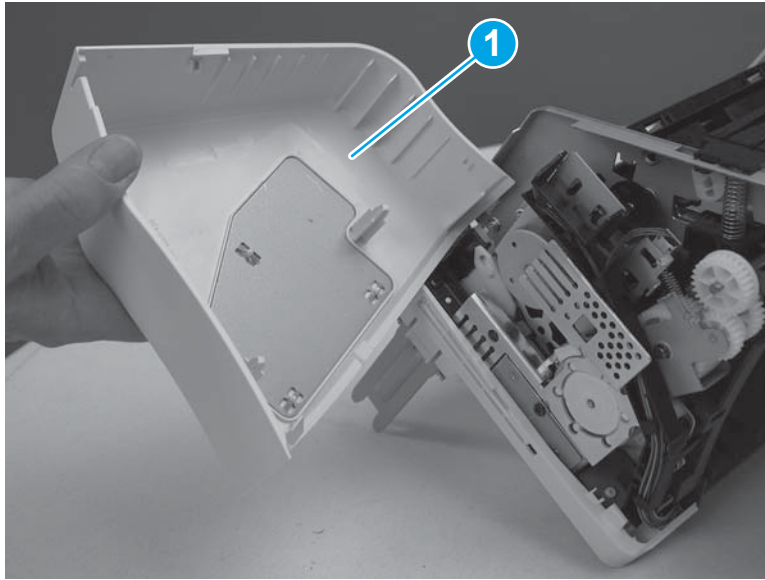
2. Slide the cover away from the stacker or stapler/stacker.

Figure 1-2670 Slide the left cover



3. Remove the left cover (callout 1).

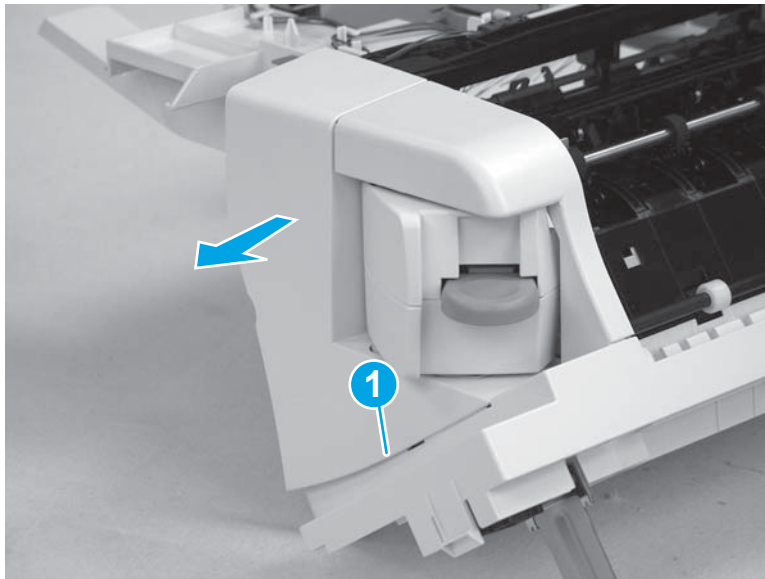
Figure 1-2671 Remove the left cover



Step 5: Remove the right front cover (stacker or stapler/stacker)

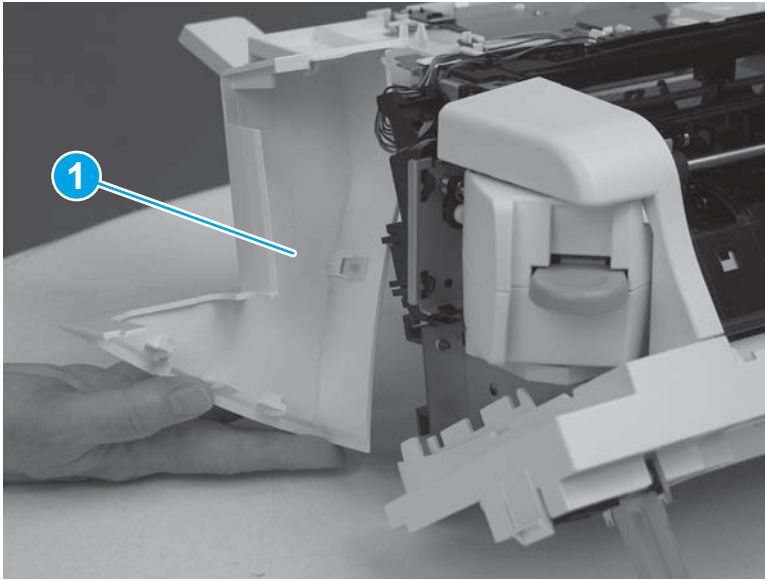
1. Release one tab (callout 1), and then slide the cover away from the stacker or stapler/stacker.

Figure 1-2672 Release one tab and slide the cover



2. Remove the right front cover (callout 1).

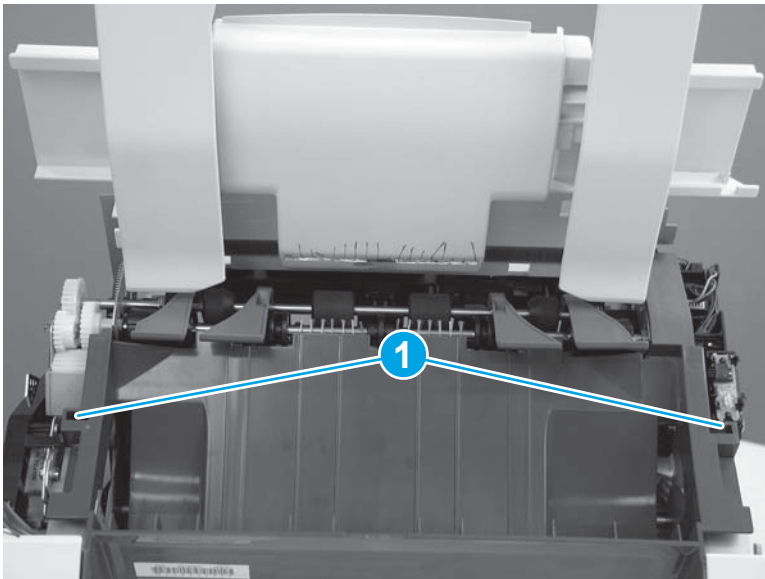
Figure 1-2673 Remove the right front cover



Step 6: Remove the front cover

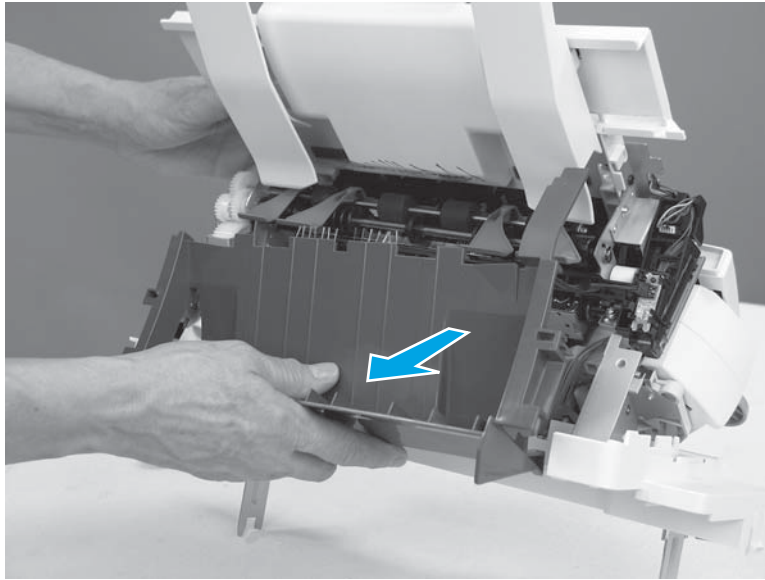
1. Release two tabs (callout 1).

Figure 1-2674 Release two tabs



2. Slide the cover away from the stacker or stapler/stacker to remove it.

Figure 1-2675 Remove the front cover



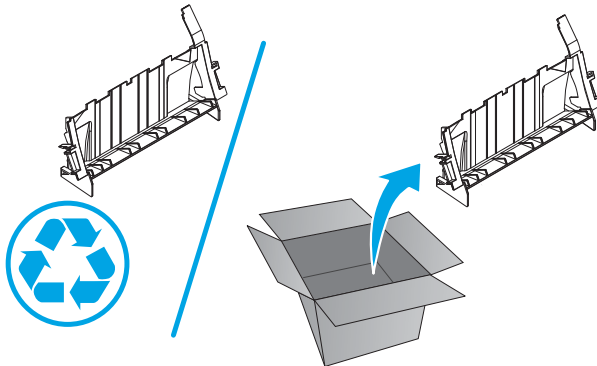
Step 7: Unpack the replacement front cover

Unpack the replacement part from the packaging.

<http://www8.hp.com/us/en/hp-information/environment/product-recycling.html>

 **NOTE:** HP recommends responsible disposal of the defective part.

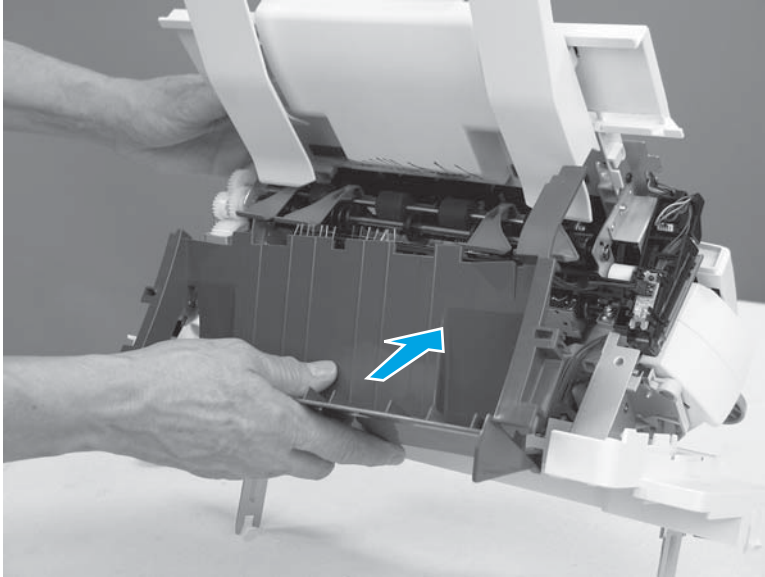
Figure 1-2676 Recycle and unpack



Step 8: Install the front cover

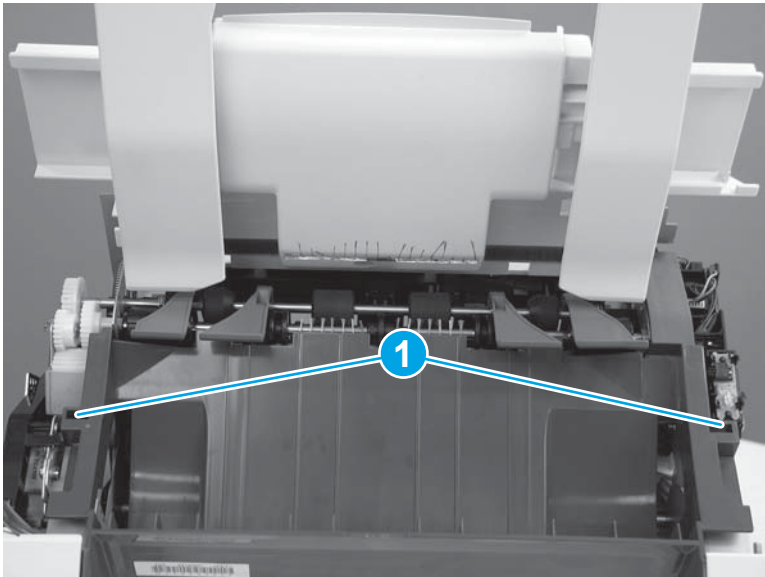
1. Slide the front cover toward the stacker or stapler/stacker to install it.

Figure 1-2677 Install the front cover



2. Make sure that the tabs (callout 1) snap into place.

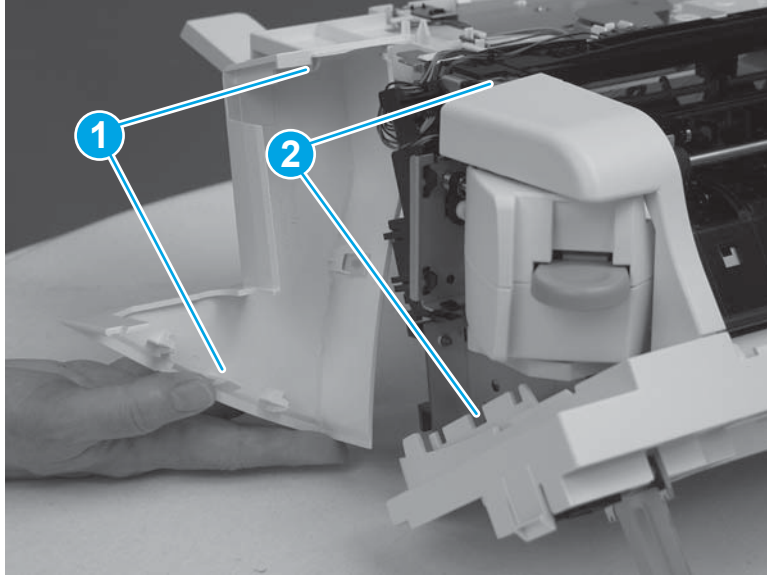
Figure 1-2678 Check the tabs



Step 9: Install the right front cover (stacker or stapler/stacker)

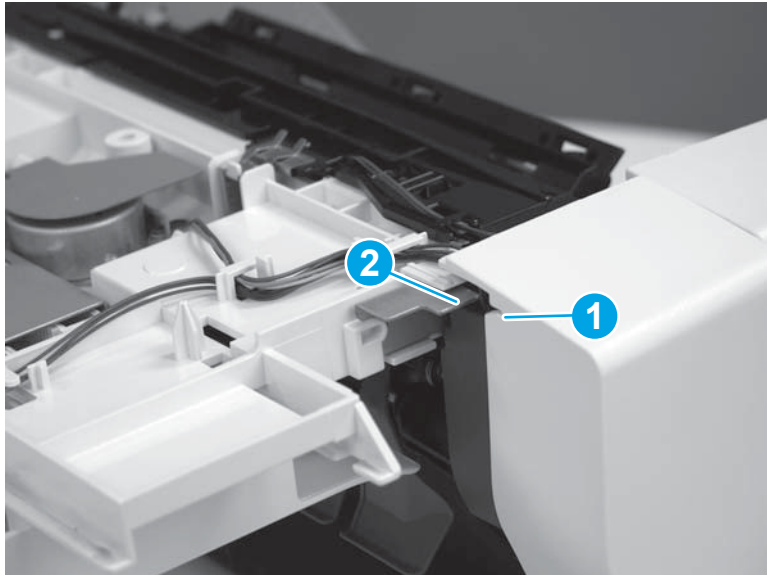
1. When reinstalling the right front cover, position the tabs (callout 1) on the cover in the slots (callout 2) on the stapler or stapler/stacker.

Figure 1-2679 Position the tabs in the slots



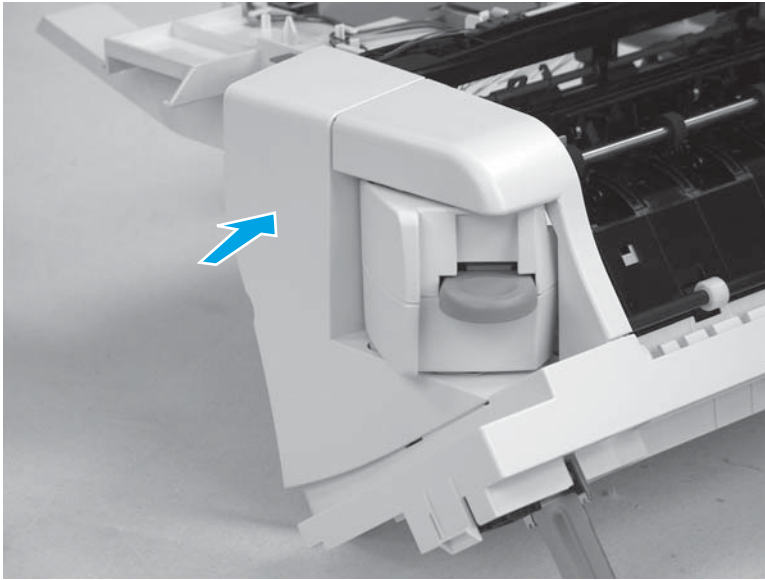
2. Make sure that the slot (callout 1) on the cover fits over the sheet metal edge (callout 2) on the stapler or stapler/stacker.

Figure 1-2680 Position the right front cover



3. Install the right front cover. Make sure that the tabs snap into place.

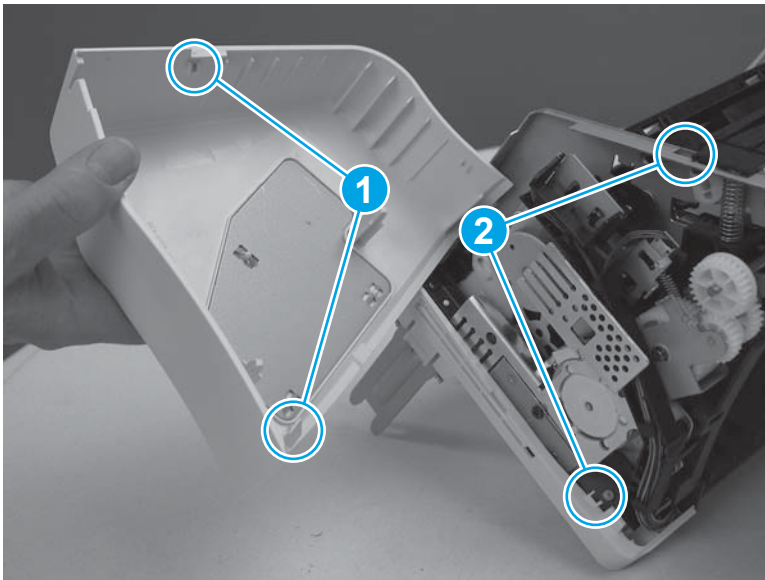
Figure 1-2681 Install the right front cover



Step 10: Install the left cover (stacker or stapler/stacker)

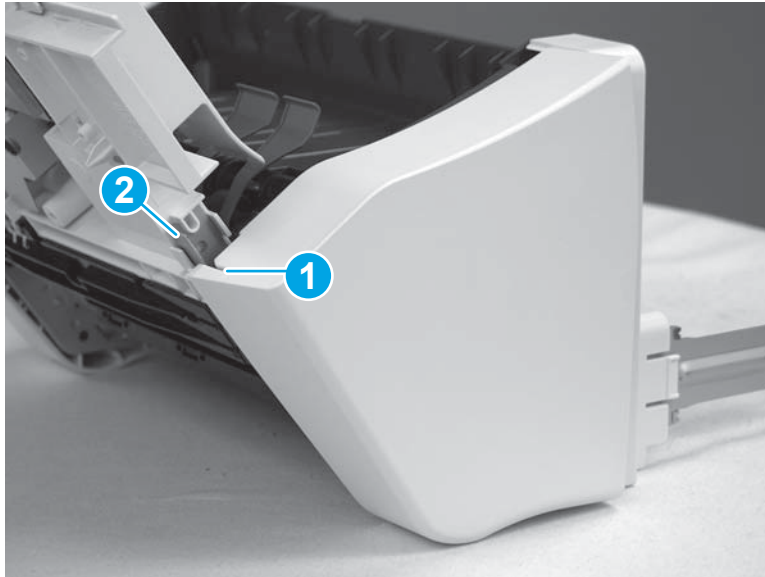
1. When reinstalling the left cover, position the tabs (callout 1) on the cover in the slots (callout 2) on the stapler or stapler/stacker.

Figure 1-2682 Position the left cover



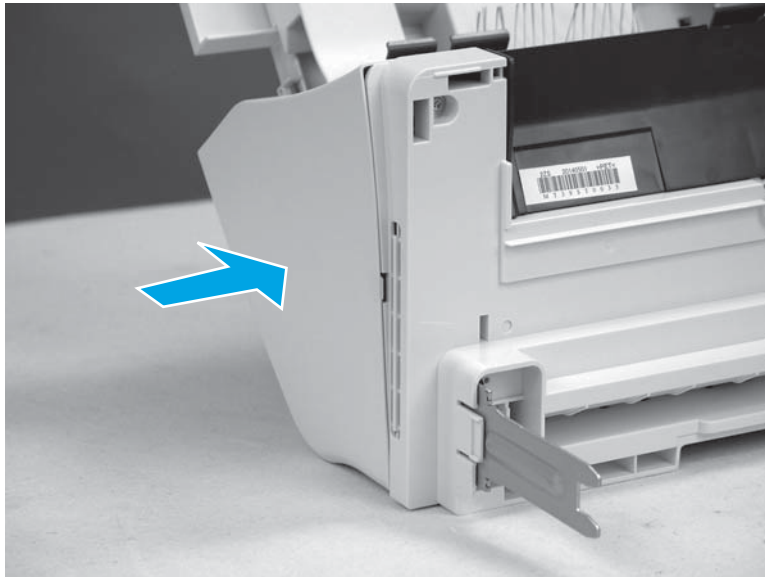
2. Make sure that the slot (callout 1) on the cover fits over the sheet metal edge (callout 2) on the stapler or stapler/stacker.

Figure 1-2683 Position the left cover



3. Install the left cover. Make sure that the tabs snap into place.

Figure 1-2684 Install the left cover

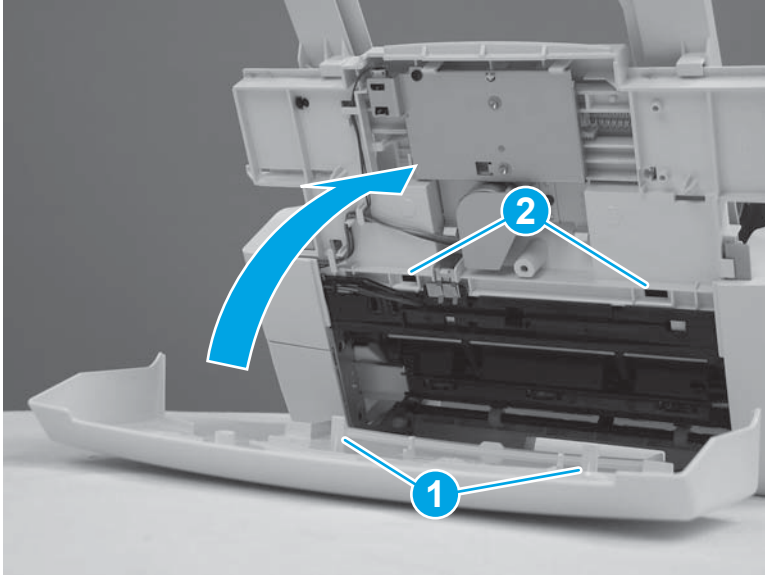


Step 11: Install the top cover (stapler/stacker)

 **NOTE:** For the stacker, skip this step and go to [Step 13: Install the delivery tray \(stacker or stapler/stacker\) on page 1508.](#)

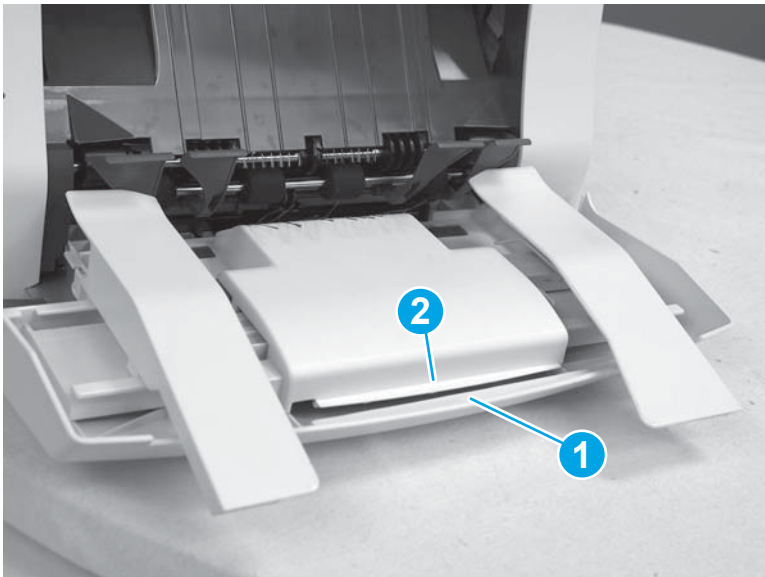
1. When installing the top cover, position the tabs (callout 1) on the cover into the slots (callout 2) on the stapler/stacker.

Figure 1-2685 Position the tabs in the slots



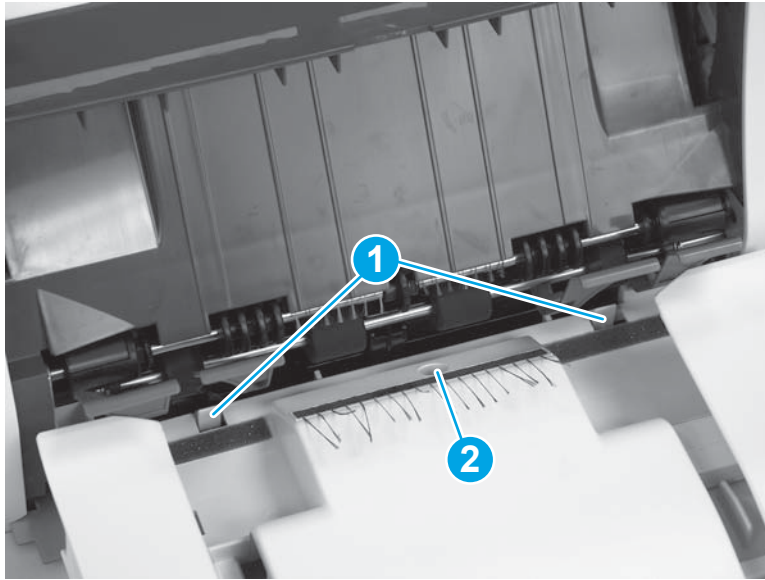
2. Position the top cover so that the edge of the top cover (callout 1) fits over the tab (callout 2) on the stapler/stacker.

Figure 1-2686 Position the top cover



3. Install two tabs (callout 1), and then install one screw (callout 2).

Figure 1-2687 Install two tabs and install one screw

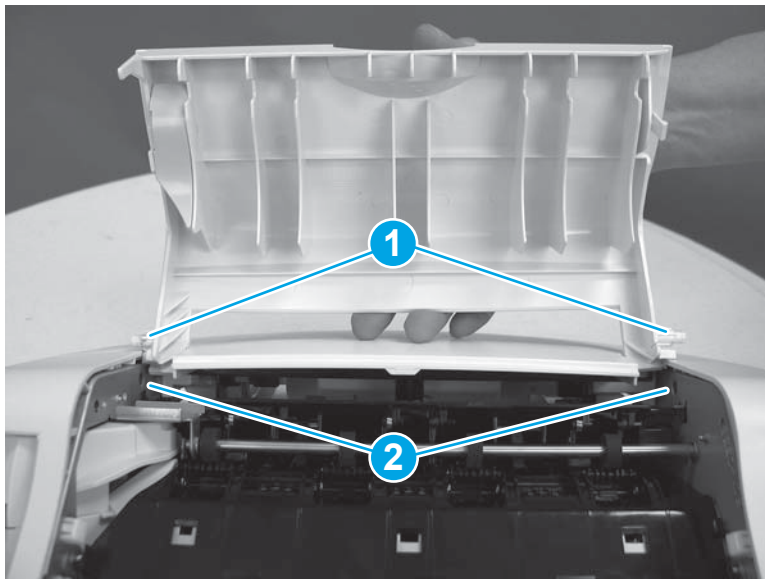


Step 12: Install the rear cover (stapler/stacker)

 **NOTE:** For the stacker, skip this step and go to [Step 13: Install the delivery tray \(stacker or stapler/stacker\)](#) on page 1508.

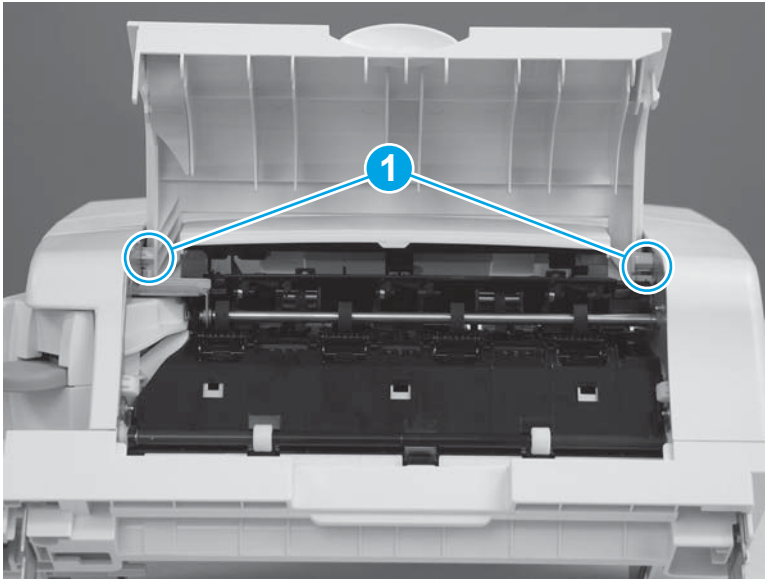
1. Position the hinge pins (callout 1) on the cover in the holes (callout 2) in the stapler/stacker.

Figure 1-2688 Install the rear cover



2. Make sure that the hinge pins (callout 1) are fully seated in position.

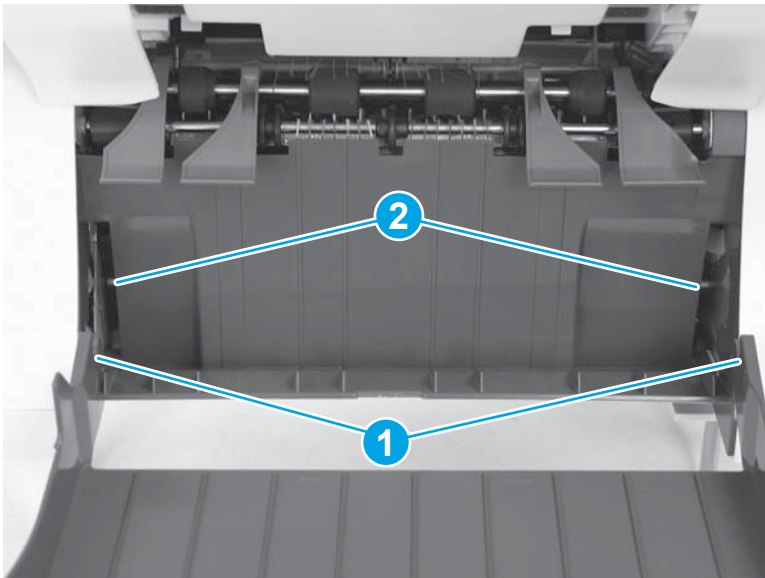
Figure 1-2689 Check the hinge pins



Step 13: Install the delivery tray (stacker or stapler/stacker)

- ▲ Align the slots (callout 1) on the delivery tray with the shaft (callout 2) on the stacker or stapler/stacker. Press the tray towards the stacker or stapler/stacker until the tray is fully seated on the shaft.

Figure 1-2690 Install the delivery tray



Removal and replacement: Jog assembly (stapler/stacker)

- [Introduction](#)
- [Step 1: Remove the delivery tray \(stacker or stapler/stacker\)](#)
- [Step 2: Remove the rear cover \(stacker or stapler/stacker\)](#)
- [Step 3: Remove the top cover \(stapler/stacker\)](#)
- [Step 4: Remove the left cover \(stacker or stapler/stacker\)](#)
- [Step 5: Remove the right front cover \(stacker or stapler/stacker\)](#)
- [Step 6: Remove the front cover \(stacker or stapler/stacker\)](#)
- [Step 7: Remove the jog assembly](#)
- [Step 8: Unpack the replacement jog assembly](#)
- [Step 9: Install the jog assembly](#)
- [Step 10: Install the front cover \(stacker or stapler/stacker\)](#)
- [Step 11: Install the right front cover \(stacker or stapler/stacker\)](#)
- [Step 12: Install the left cover \(stacker or stapler/stacker\)](#)
- [Step 13: Install the top cover \(stapler/stacker\)](#)
- [Step 14: Install the rear cover \(stacker or stapler/stacker\)](#)
- [Step 15: Install the delivery tray \(stacker or stapler/stacker\)](#)

Introduction

This document provides the procedures to remove and replace the jog assembly on the stapler/stacker.

Before performing service

Turn the printer power off

- Remove the stapler/stacker from the printer.

Use the table below to identify the correct part number for your printer. To order the part, go to www.hp.com/buy/parts.

Jog assembly part number	
RM2-6198-000CN	Jog assembly (stapler/stacker)

Required tools

- #2 Phillips screwdriver with a magnetic tip
- Small, flat-blade screwdriver
- Needle-nose pliers

After performing service

Turn the printer power on

- Connect the power cable.
- Use the power switch to turn the power on.

Post service test

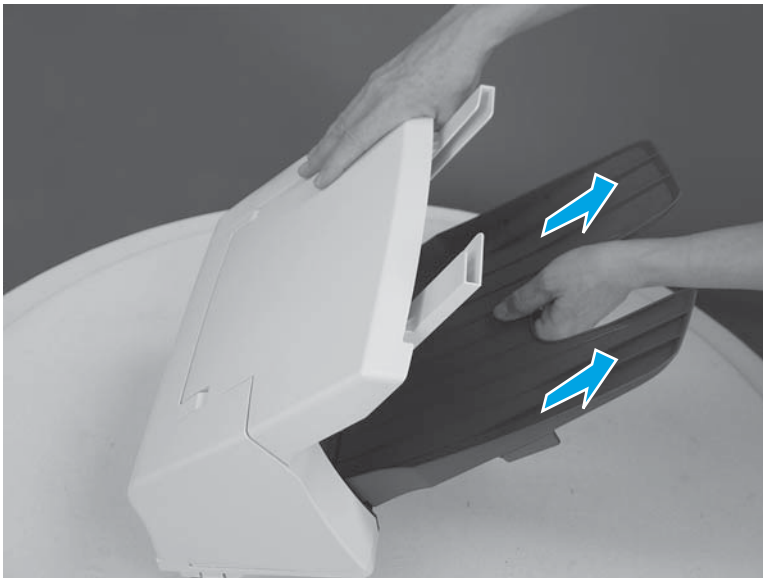
Make sure that the printer initializes to a **Ready** state.

Print two pages and send them to the stapler/stacker to make sure that the printer is functioning correctly.

Step 1: Remove the delivery tray (stacker or stapler/stacker)

- ▲ Pull the delivery tray toward the front of the stacker or stapler/stacker to release it from the shaft.

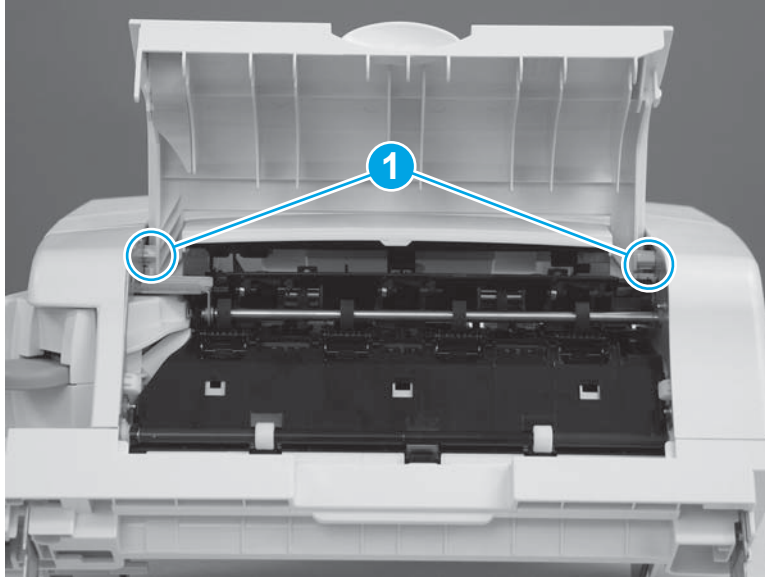
Figure 1-2691 Remove the delivery tray



Step 2: Remove the rear cover (stacker or stapler/stacker)

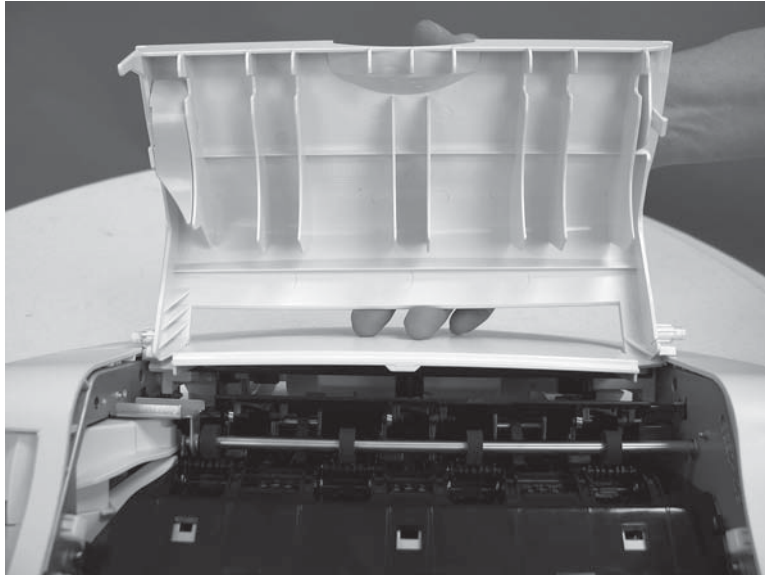
1. Open the rear cover, and then disengage two hinge pins (callout 1).

Figure 1-2692 Disengage hinge pins



2. Remove the rear cover (callout 1).

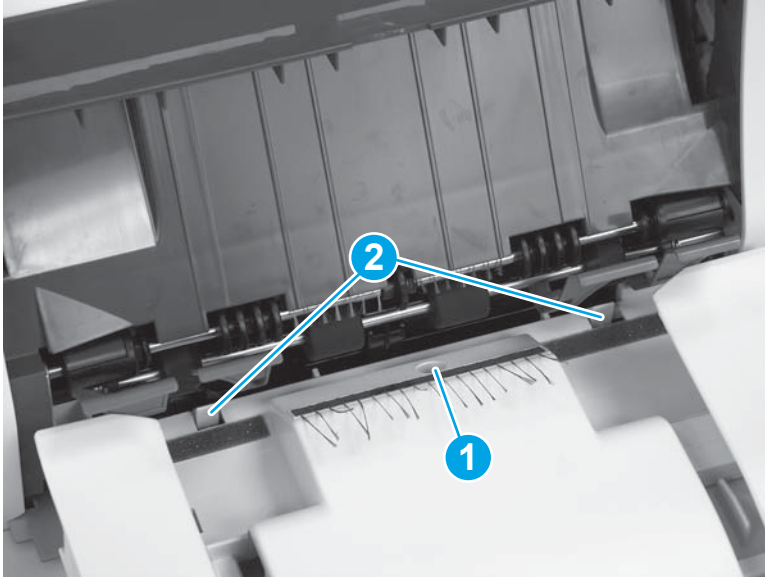
Figure 1-2693 Remove the rear cover



Step 3: Remove the top cover (stapler/stacker)

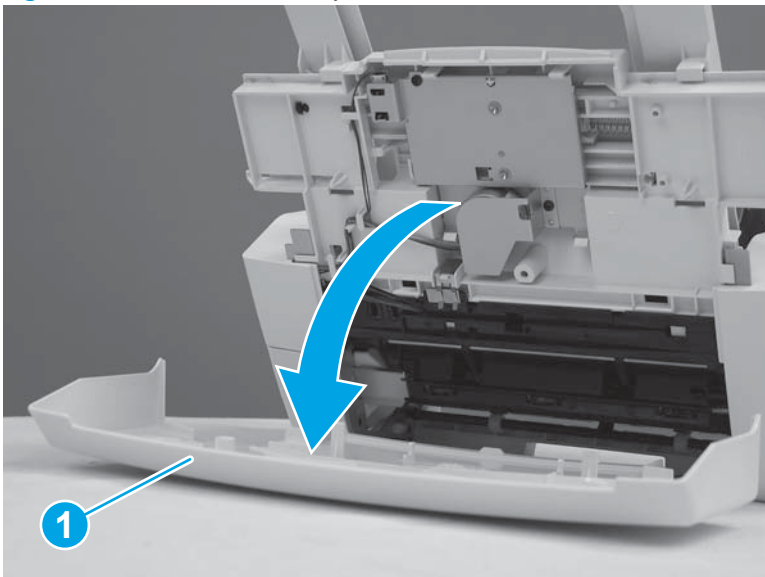
1. Remove one screw (callout 1) and release two tabs (callout 2).

Figure 1-2694 Remove one screw and release two tabs



2. Remove the top cover (callout 1).

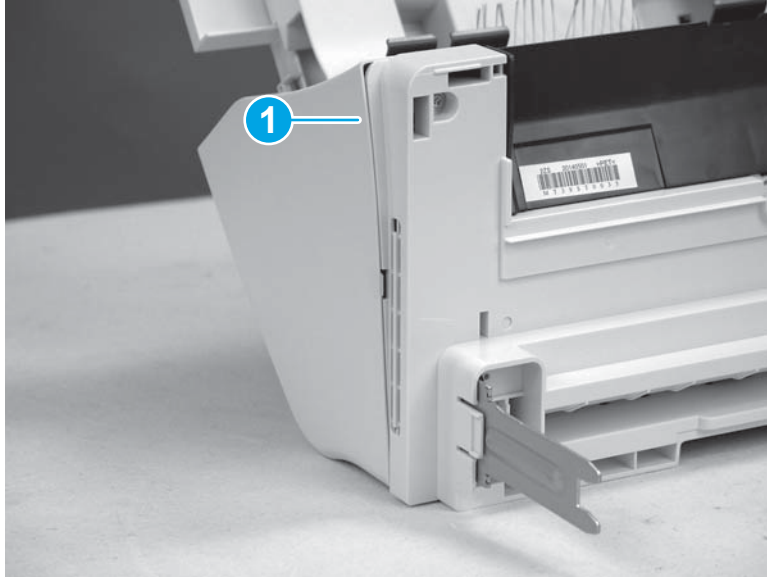
Figure 1-2695 Remove the top cover



Step 4: Remove the left cover (stacker or stapler/stacker)

1. Release one tab (callout 1).

Figure 1-2696 Release one tab



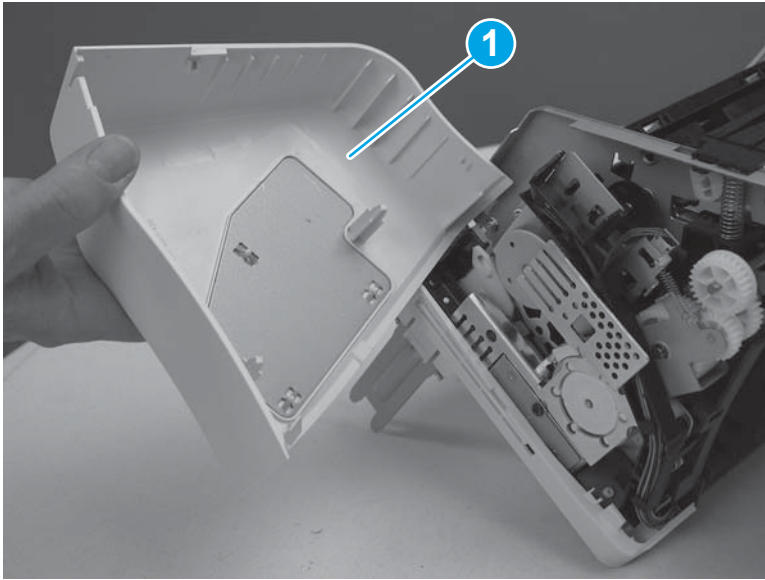
2. Slide the cover away from the stacker or stapler/stacker.

Figure 1-2697 Slide the left cover



3. Remove the left cover (callout 1).

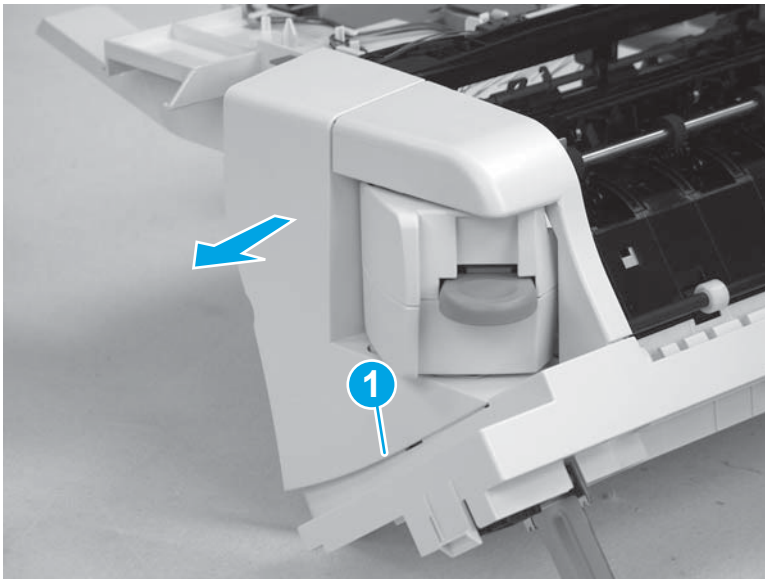
Figure 1-2698 Remove the left cover



Step 5: Remove the right front cover (stacker or stapler/stacker)

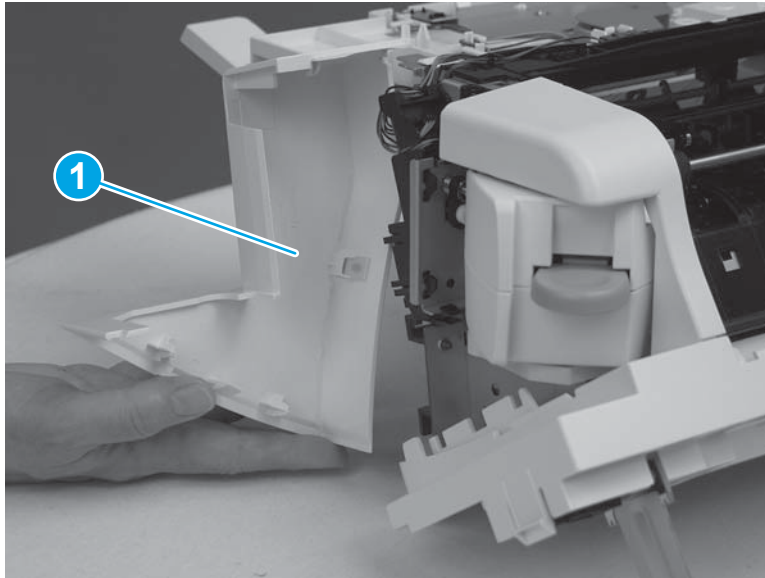
1. Release one tab (callout 1), and then slide the cover away from the stacker or stapler/stacker.

Figure 1-2699 Release one tab and slide the cover



2. Remove the right front cover (callout 1).

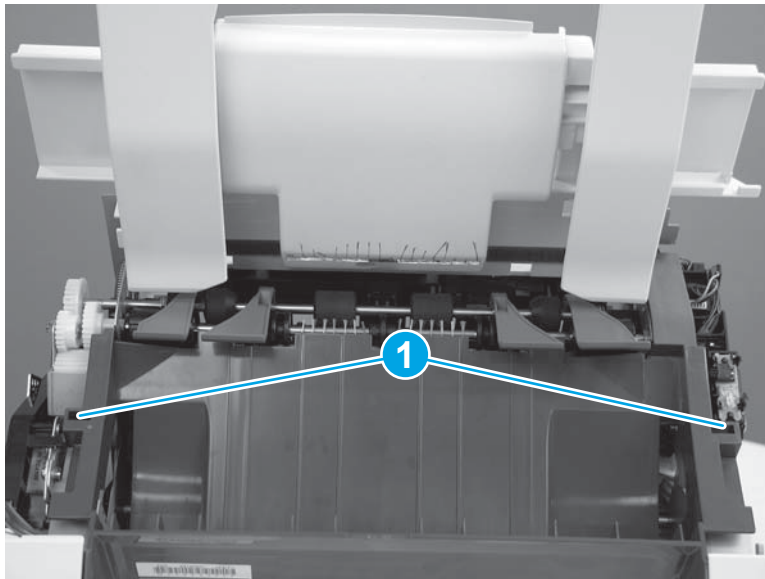
Figure 1-2700 Remove the right front cover



Step 6: Remove the front cover (stacker or stapler/stacker)

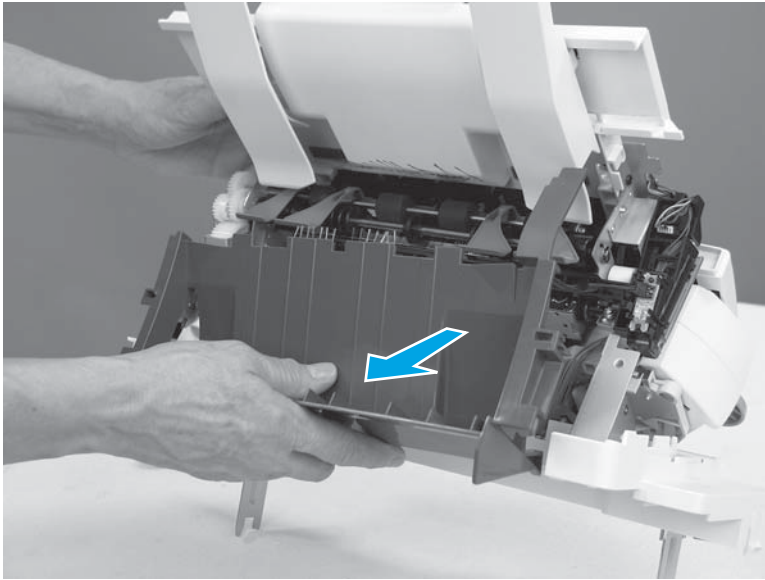
1. Release two tabs (callout 1).

Figure 1-2701 Release two tabs



2. Slide the cover away from the stacker or stapler/stacker to remove it.

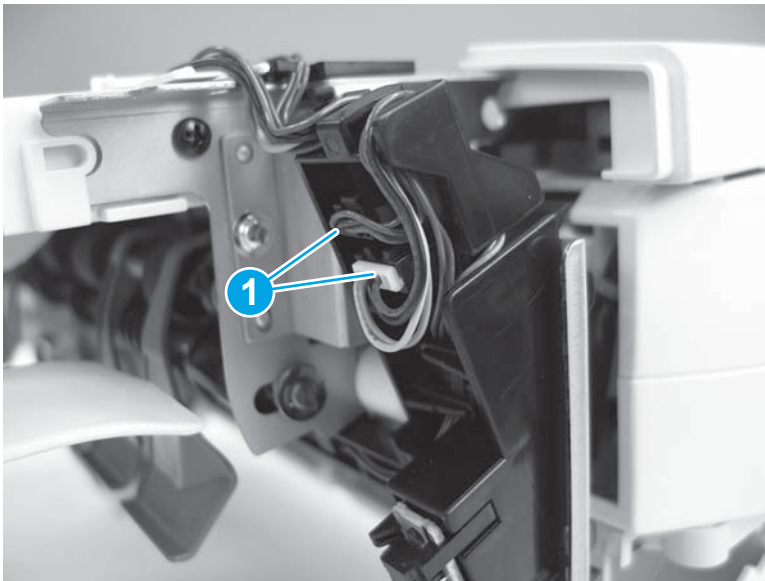
Figure 1-2702 Remove the front cover



Step 7: Remove the jog assembly

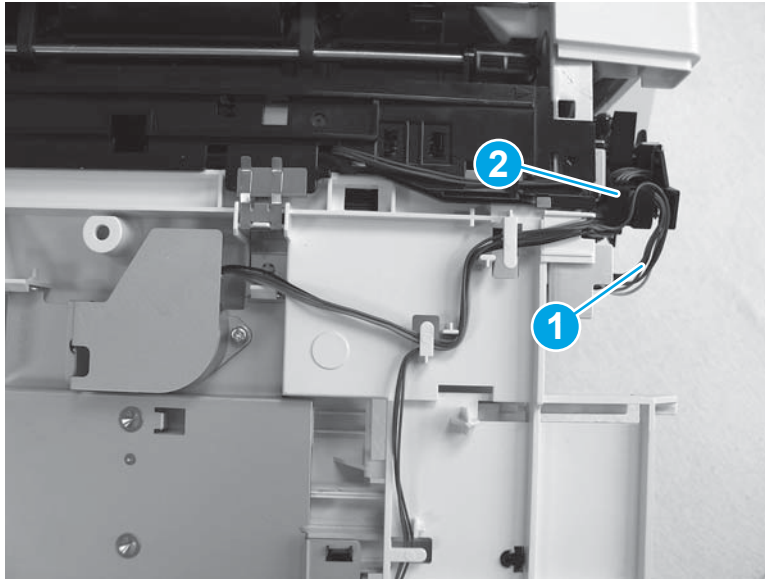
1. Disconnect two connectors (callout 1).

Figure 1-2703 Disconnect two connectors



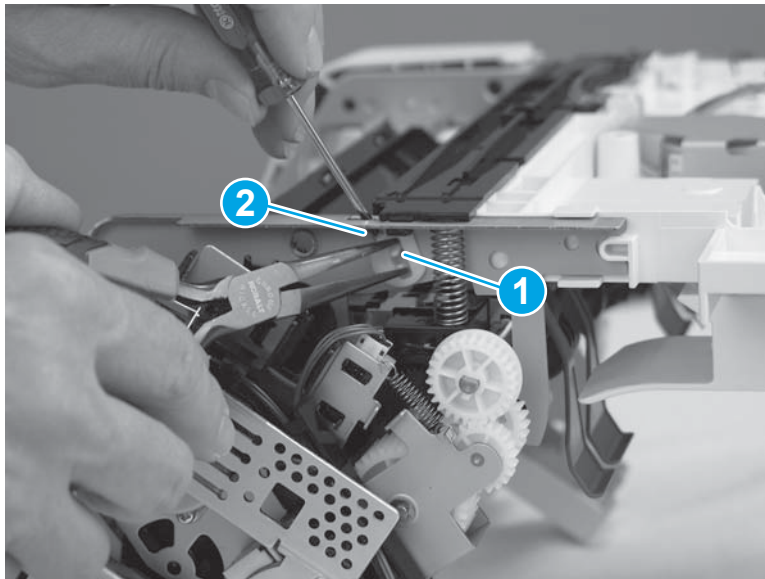
2. Remove the wire harnesses (callout 1) from the guides (callout 2).

Figure 1-2704 Remove the wire harnesses from the guides



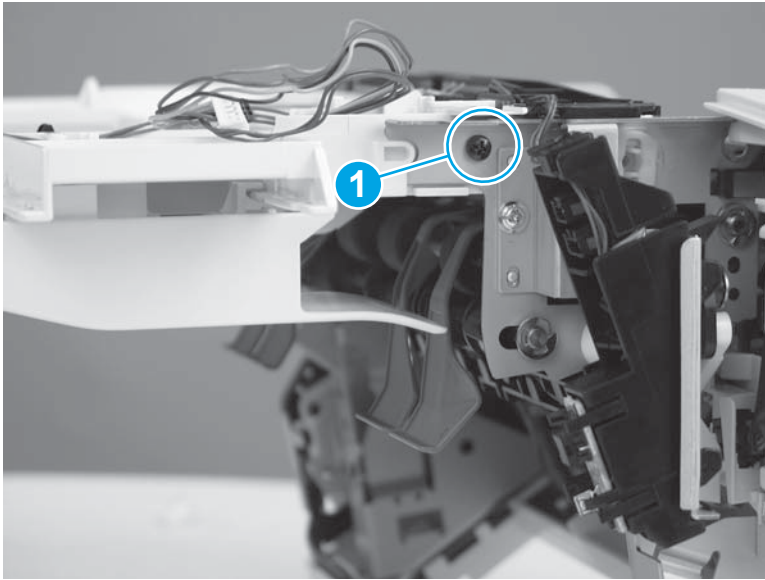
3. On the left side of the stapler/stacker, use needle-nose pliers to release and hold two tabs in the center of a plastic pin (callout 1) while using a flat-blade screwdriver (callout 2) to release the pin from the sheet metal. Remove the plastic pin.

Figure 1-2705 Remove the plastic pin



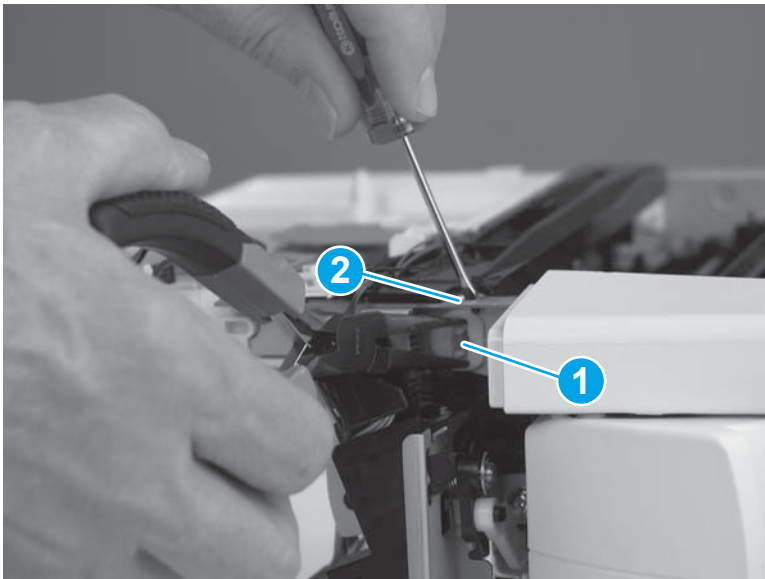
4. On the right side of the stapler/stacker, remove one screw (callout 1).

Figure 1-2706 Remove one screw



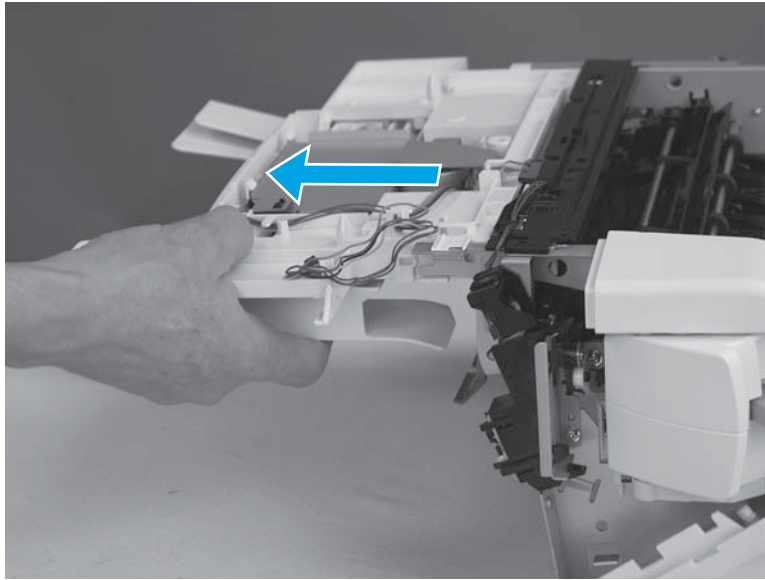
5. On the right side of the stapler/stacker, use needle-nose pliers to release and hold two tabs (callout 1) in the center of a plastic pin (callout 2) while using a flat-blade screwdriver (callout 3) to release the pin (callout 3) from the sheet metal. Remove the plastic pin.

Figure 1-2707 Remove the plastic pin



6. Slide the jog assembly (callout 1) away from the stapler/stacker to remove it.

Figure 1-2708 Remove the jog assembly



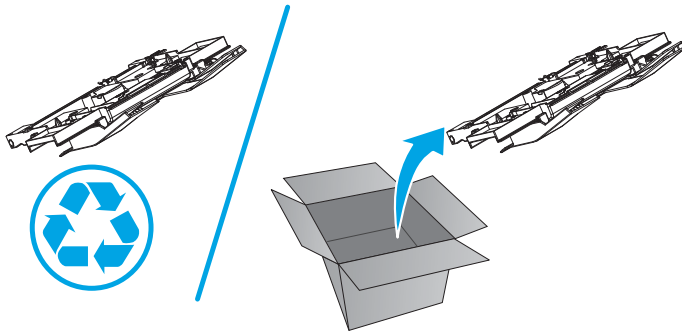
Step 8: Unpack the replacement jog assembly

Unpack the replacement part from the packaging.

<http://www8.hp.com/us/en/hp-information/environment/product-recycling.html>

 **NOTE:** HP recommends responsible disposal of the defective part.

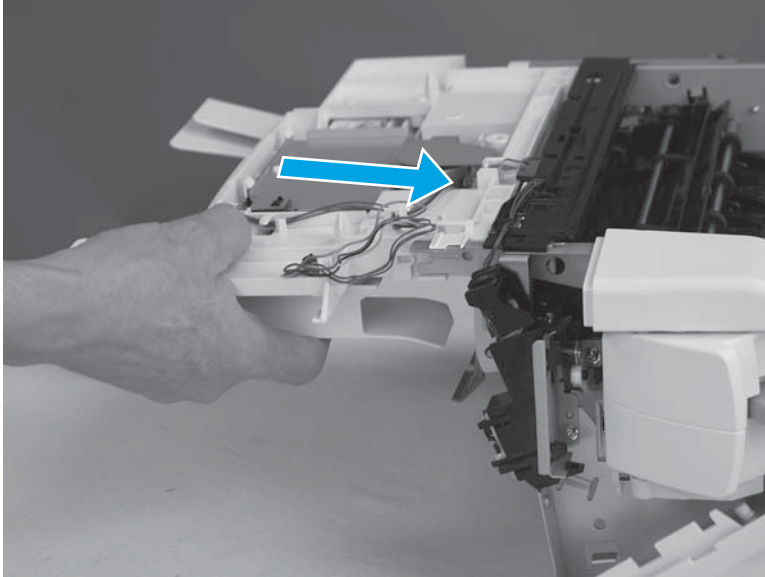
Figure 1-2709 Recycle and unpack



Step 9: Install the jog assembly

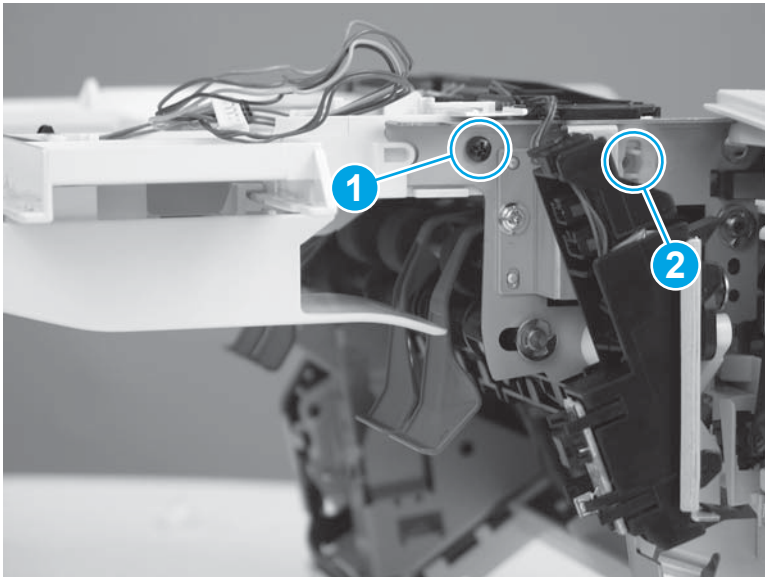
1. Slide the jog assembly toward the stapler/stacker to install it.

Figure 1-2710 Install the jog assembly



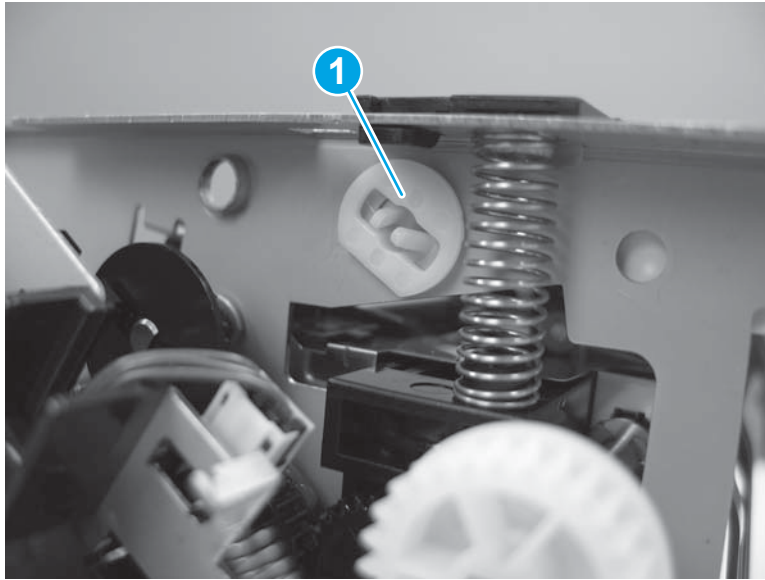
2. On the right side of the stapler/stacker, install one screw (callout 1) and one white pin (callout 2).

Figure 1-2711 Install one screw and one white pin



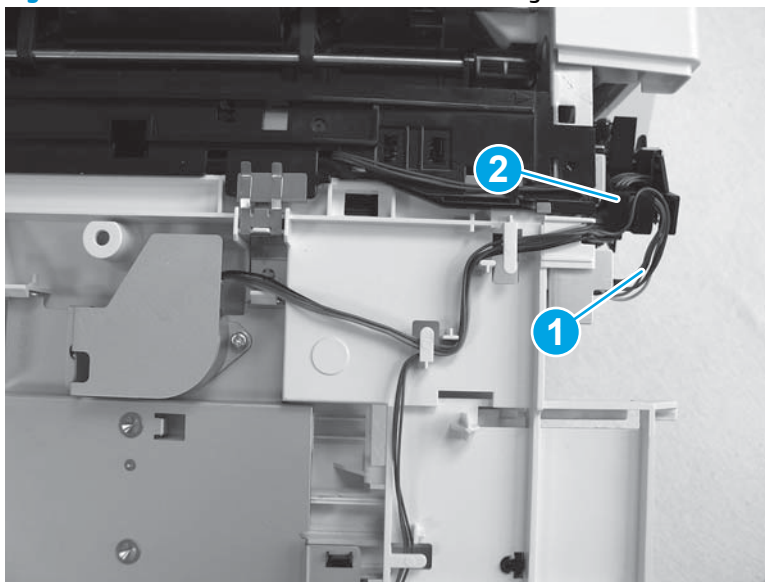
3. On the left side of the stapler/stacker, install one white pin (callout 1).

Figure 1-2712 Install one white pin



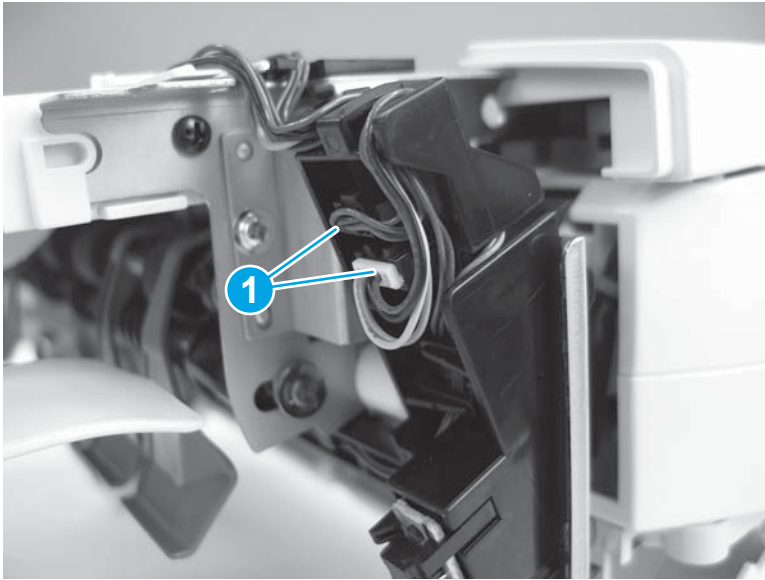
4. Install the wire harnesses (callout 1) in the guides (callout 2).

Figure 1-2713 Install the wire harnesses in the guides



5. Connect two connectors (callout 1).

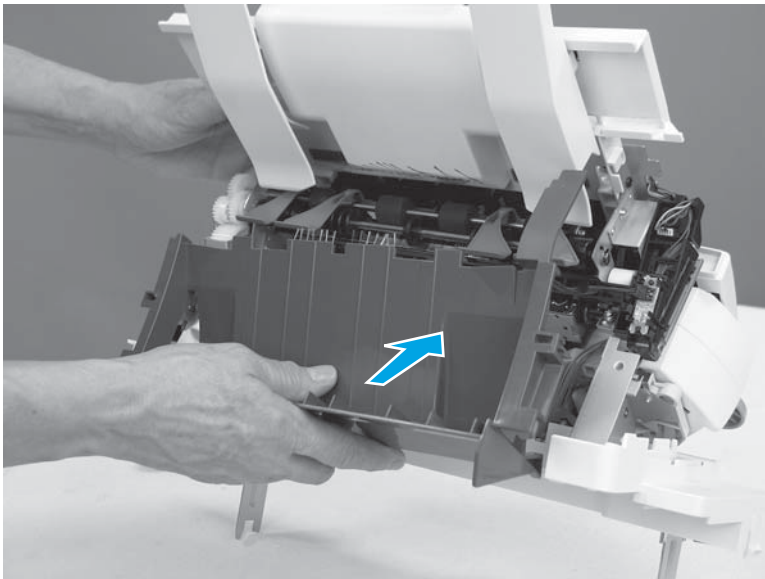
Figure 1-2714 Connect two connectors



Step 10: Install the front cover (stacker or stapler/stacker)

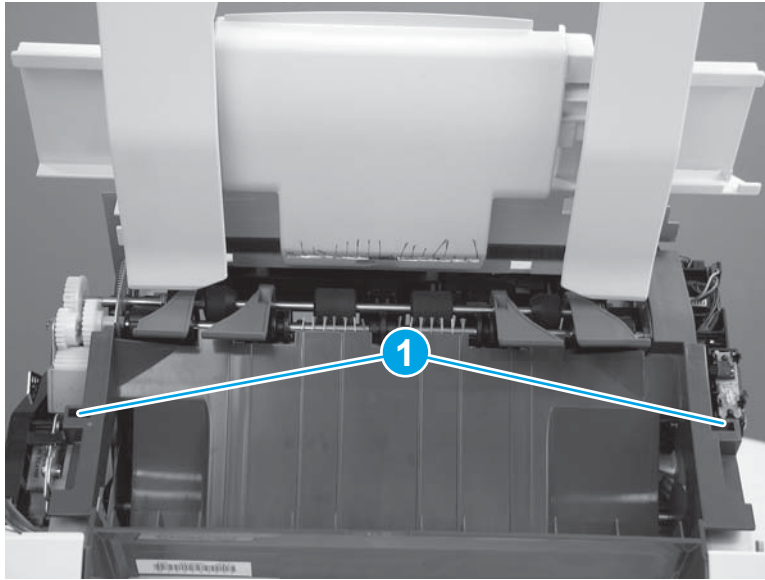
1. Slide the front cover toward the stacker or stapler/stacker to install it.

Figure 1-2715 Install the front cover



2. Make sure that the tabs (callout 1) snap into place.

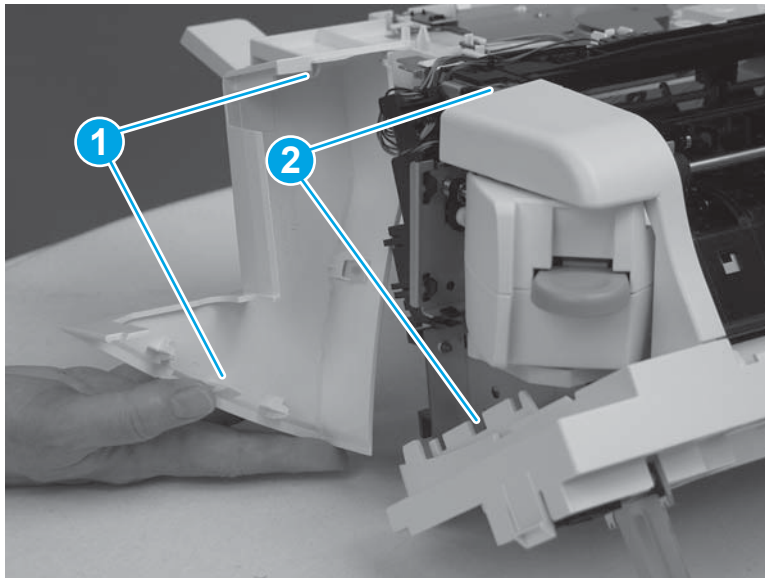
Figure 1-2716 Check the tabs



Step 11: Install the right front cover (stapler or stapler/stacker)

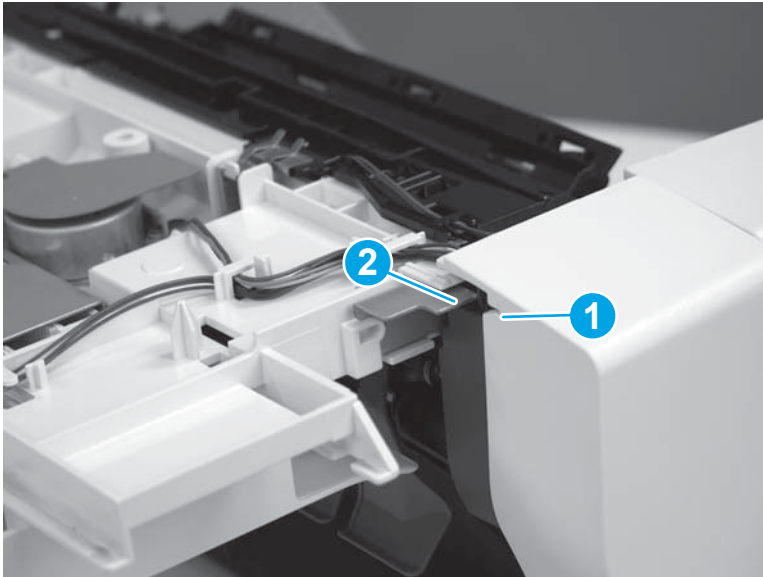
1. When reinstalling the right front cover, position the tabs (callout 1) on the cover in the slots (callout 2) on the stapler or stapler/stacker.

Figure 1-2717 Position the tabs in the slots



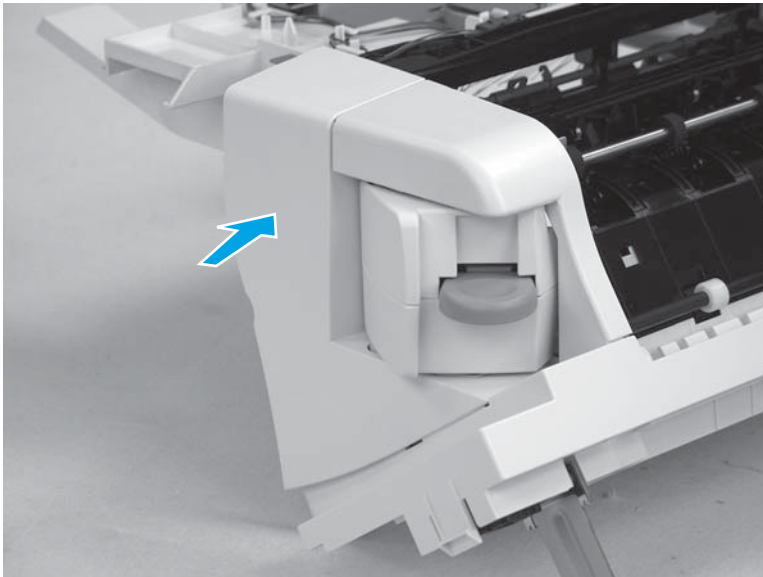
2. Make sure that the slot (callout 1) on the cover fits over the sheet metal edge (callout 2) on the stapler or stapler/stacker.

Figure 1-2718 Position the right front cover



3. Install the right front cover. Make sure that the tabs snap into place.

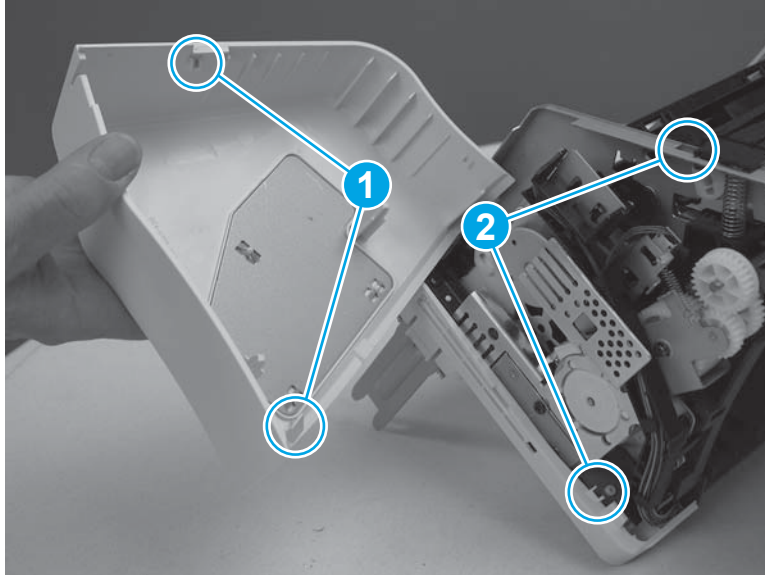
Figure 1-2719 Install the right front cover



Step 12: Install the left cover (stacker or stapler/stacker)

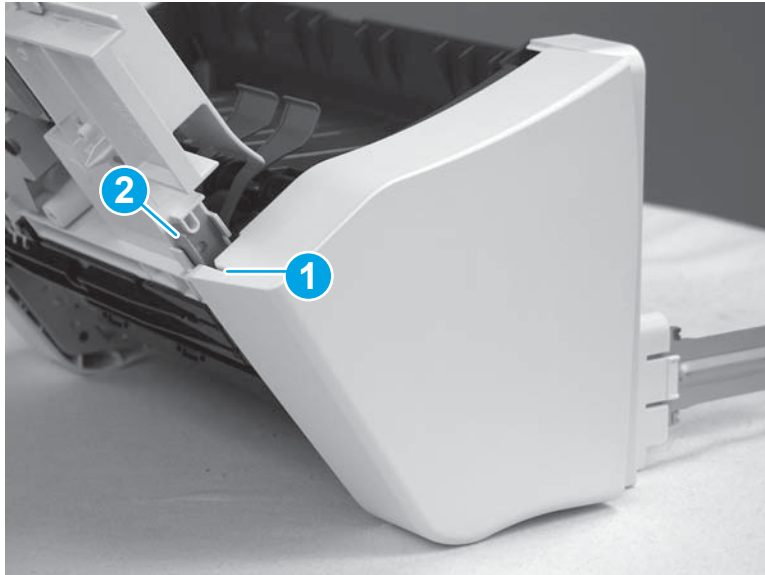
1. When reinstalling the left cover, position the tabs (callout 1) on the cover in the slots (callout 2) on the stapler or stapler/stacker.

Figure 1-2720 Position the left cover



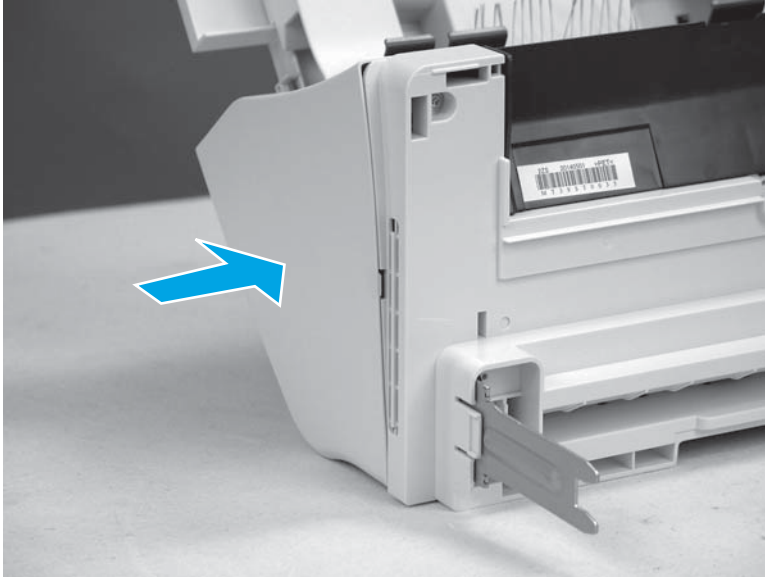
2. Make sure that the slot (callout 1) on the cover fits over the sheet metal edge (callout 2) on the stapler or stapler/stacker.

Figure 1-2721 Position the left cover



3. Install the left cover. Make sure that the tabs snap into place.

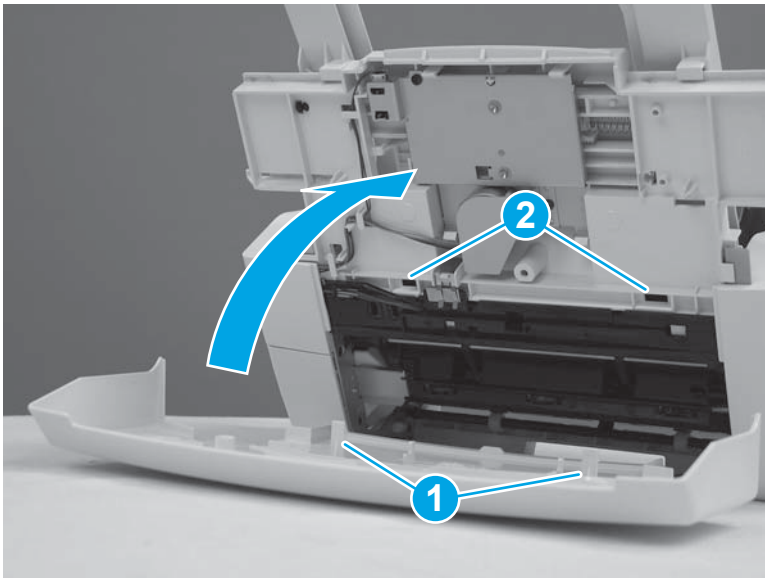
Figure 1-2722 Install the left cover



Step 13: Install the top cover (stapler/stacker)

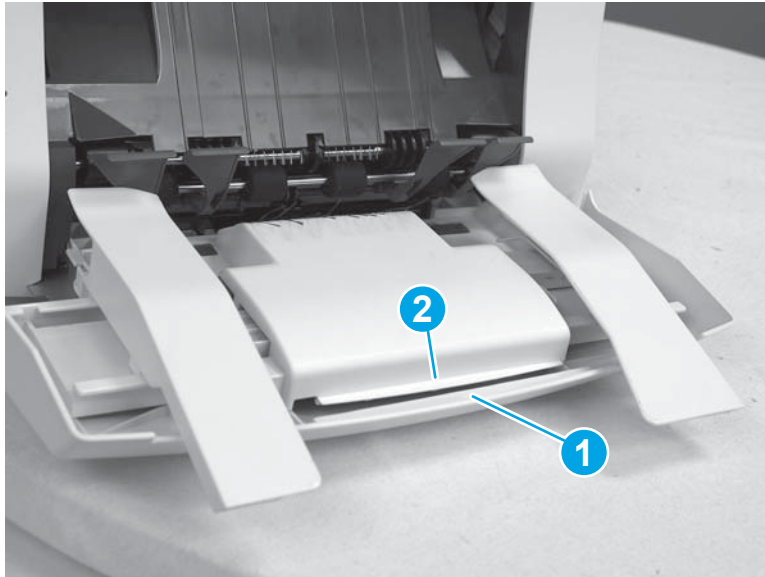
1. When installing the top cover, position the tabs (callout 1) on the cover into the slots (callout 2) on the stapler/stacker.

Figure 1-2723 Position the tabs in the slots



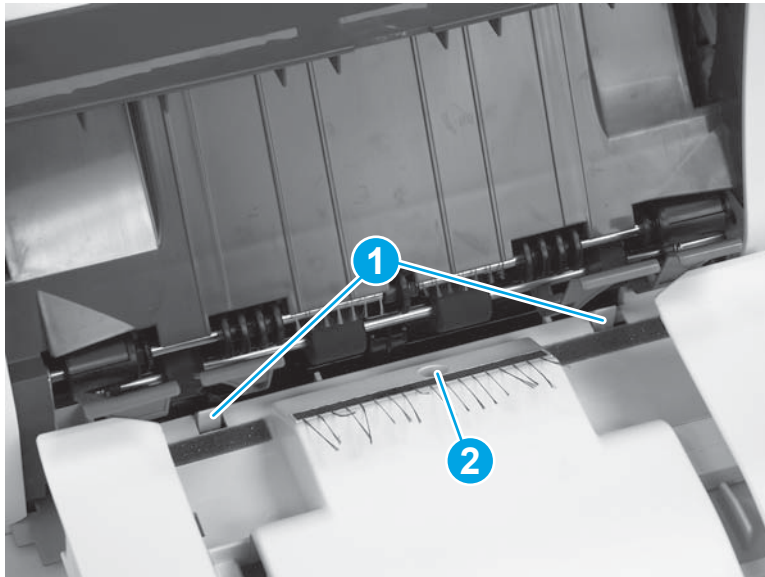
2. Position the top cover so that the edge of the top cover (callout 1) fits over the tab (callout 2) on the stapler/stacker.

Figure 1-2724 Position the top cover



3. Install two tabs (callout 1), and then install one screw (callout 2).

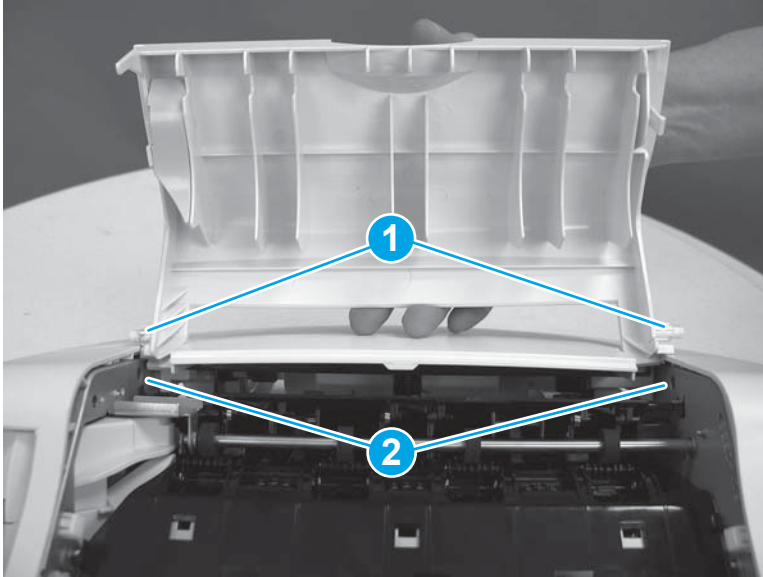
Figure 1-2725 Install two tabs and install one screw



Step 14: Install the rear cover (stacker or stapler/stacker)

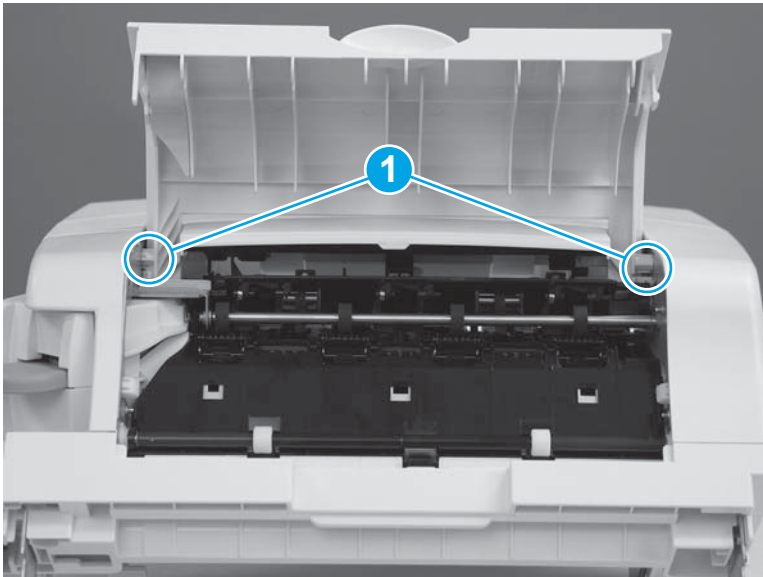
1. Position the hinge pins (callout 1) on the cover in the holes (callout 2) in the stacker or stapler/stacker.

Figure 1-2726 Install the rear cover



2. Make sure that the hinge pins (callout 1) are fully seated in position.

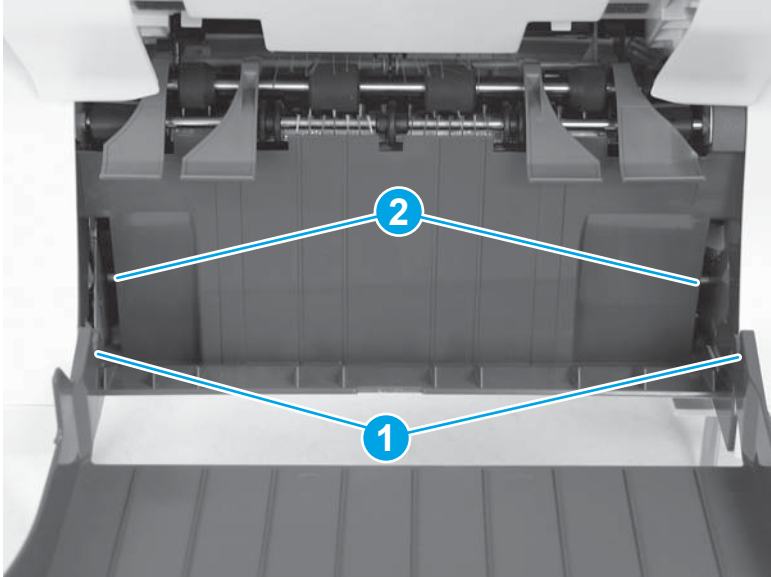
Figure 1-2727 Check the hinge pins



Step 15: Install the delivery tray (stacker or stapler/stacker)

- ▲ Align the slots (callout 1) on the delivery tray with the shaft (callout 2) on the stacker or stapler/stacker. Press the tray towards the stacker or stapler/stacker until the tray is fully seated on the shaft.

Figure 1-2728 Install the delivery tray



Removal and replacement: Paddle motor(stapler/stacker)

- [Introduction](#)
- [Step 1: Remove the delivery tray \(stacker or stapler/stacker\)](#)
- [Step 2: Remove the rear cover \(stapler/stacker\)](#)
- [Step 3: Remove the top cover \(stapler/stacker\)](#)
- [Step 4: Remove the left cover \(stacker or stapler/stacker\)](#)
- [Step 5: Remove the right front cover \(stacker or stapler/stacker\)](#)
- [Step 6: Remove the front cover \(stacker or stapler/stacker\)](#)
- [Step 7: Remove the paddle motor](#)
- [Step 8: Unpack the replacement paddle motor](#)
- [Step 9: Install the paddle motor](#)
- [Step 10: Install the front cover \(stacker or stapler/stacker\)](#)
- [Step 11: Install the right front cover \(stacker or stapler/stacker\)](#)
- [Step 12: Install the left cover \(stacker or stapler/stacker\)](#)
- [Step 13: Install the top cover \(stapler/stacker\)](#)
- [Step 14: Install the rear cover \(stapler/stacker\)](#)
- [Step 15: Install the delivery tray \(stacker or stapler/stacker\)](#)

Introduction

This document provides the procedures to remove and replace the paddle motor on the stapler/stacker.

Before performing service

Turn the printer power off

- Remove the stapler/stacker from the printer.

Use the table below to identify the correct part number for your printer. To order the part, go to www.hp.com/buy/parts.

Paddle motor part number	
RK2-2027-000CN	Motor, stepping, DC24V (stapler/stacker)

Required tools

- #2 Phillips screwdriver with a magnetic tip

After performing service

Turn the printer power on

- Connect the power cable.
- Use the power switch to turn the power on.

Post service test

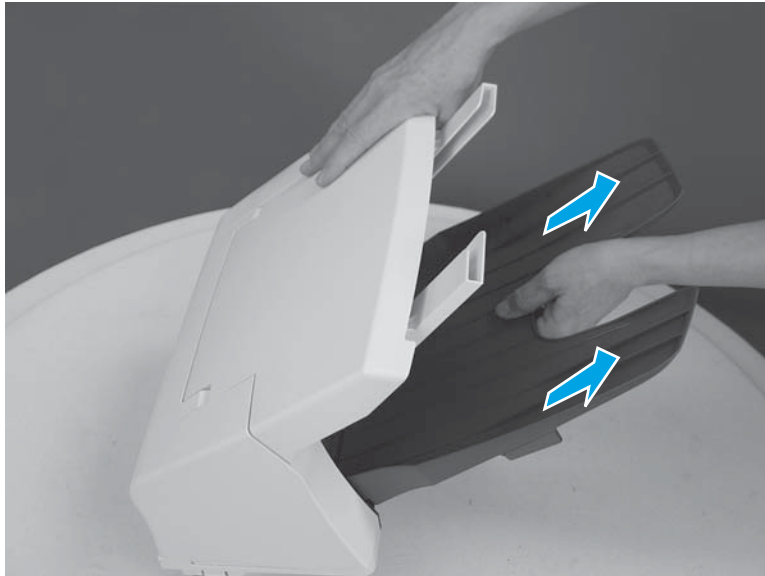
Make sure that the printer initializes to a **Ready** state.

Print two pages and send them to the stapler/stacker to make sure that the printer is functioning correctly.

Step 1: Remove the delivery tray (stacker or stapler/stacker)

- ▲ Pull the delivery tray toward the front of the stacker or stapler/stacker to release it from the shaft.

Figure 1-2729 Remove the delivery tray



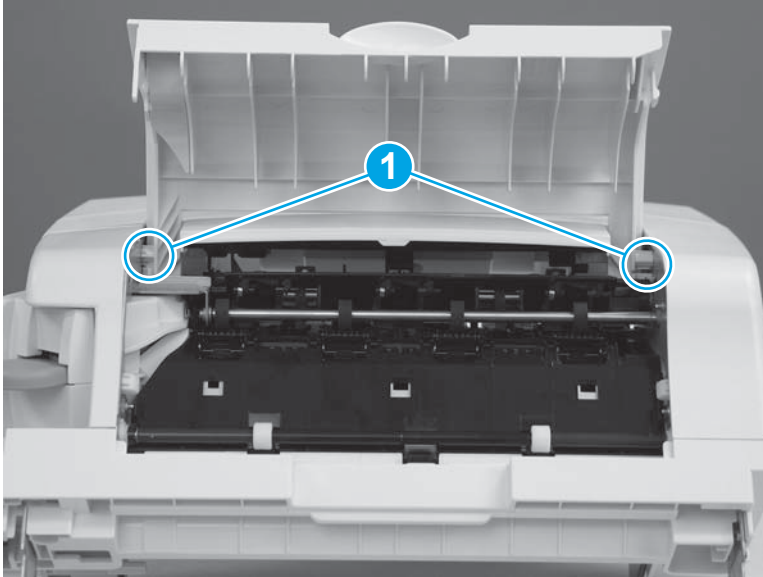
Step 2: Remove the rear cover (stapler/stacker)



NOTE: For the stacker, skip this step and go to [Step 4: Remove the left cover \(stacker or stapler/stacker\) on page 1533](#).

1. Open the rear cover, and then disengage two hinge pins (callout 1).

Figure 1-2730 Disengage hinge pins



2. Remove the rear cover (callout 1).

Figure 1-2731 Remove the rear cover

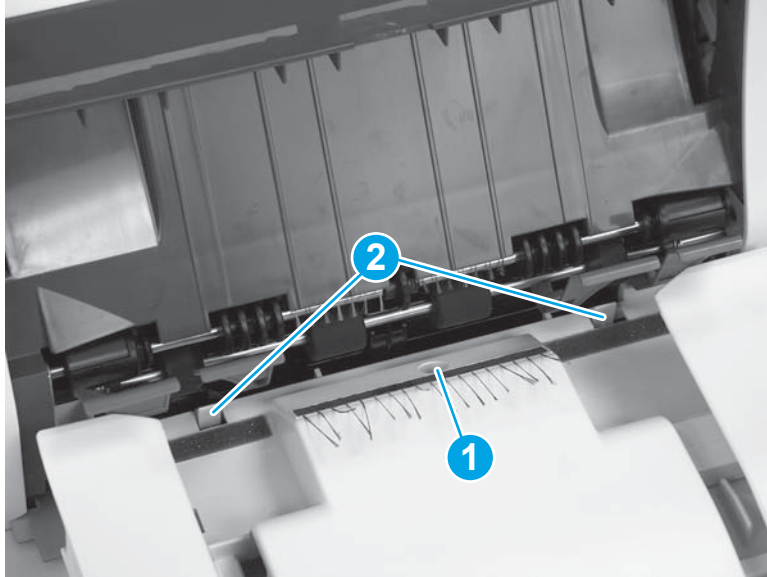


Step 3: Remove the top cover (stapler/stacker)

 **NOTE:** For the stacker, skip this step and go to [Step 4: Remove the left cover \(stacker or stapler/stacker\) on page 1533](#).

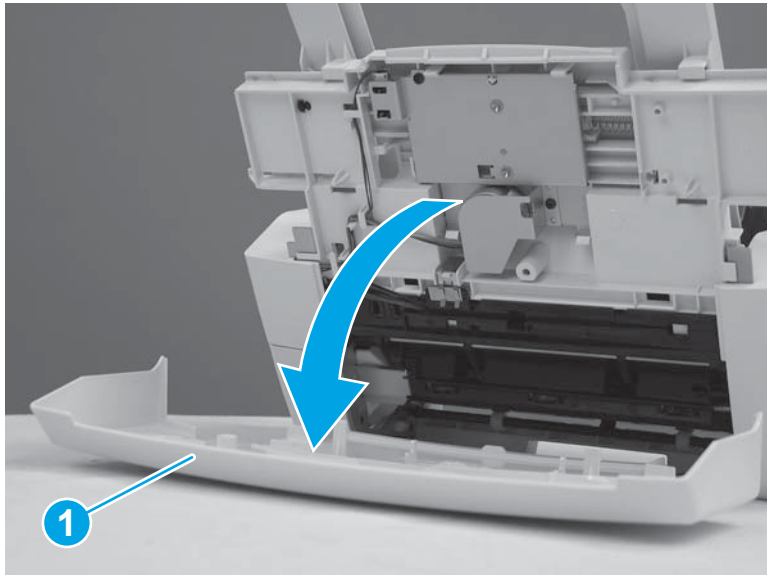
1. Remove one screw (callout 1) and release two tabs (callout 2).

Figure 1-2732 Remove one screw and release two tabs



2. Remove the top cover (callout 1).

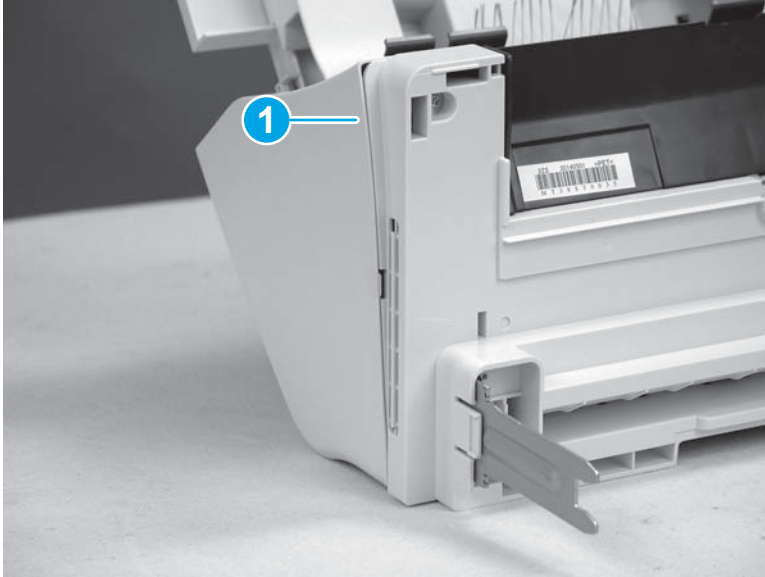
Figure 1-2733 Remove the top cover



Step 4: Remove the left cover (stacker or stapler/stacker)

1. Release one tab (callout 1).

Figure 1-2734 Release one tab



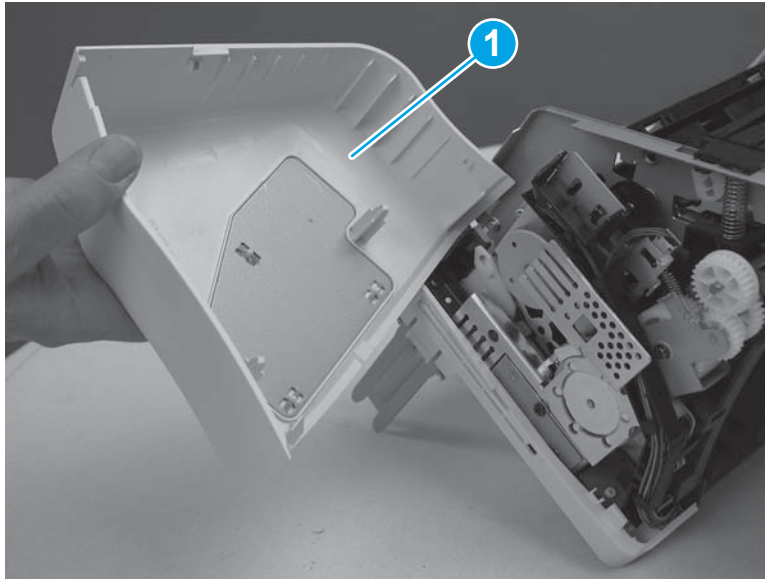
2. Slide the cover away from the stacker or stapler/stacker.

Figure 1-2735 Slide the left cover



3. Remove the left cover (callout 1).

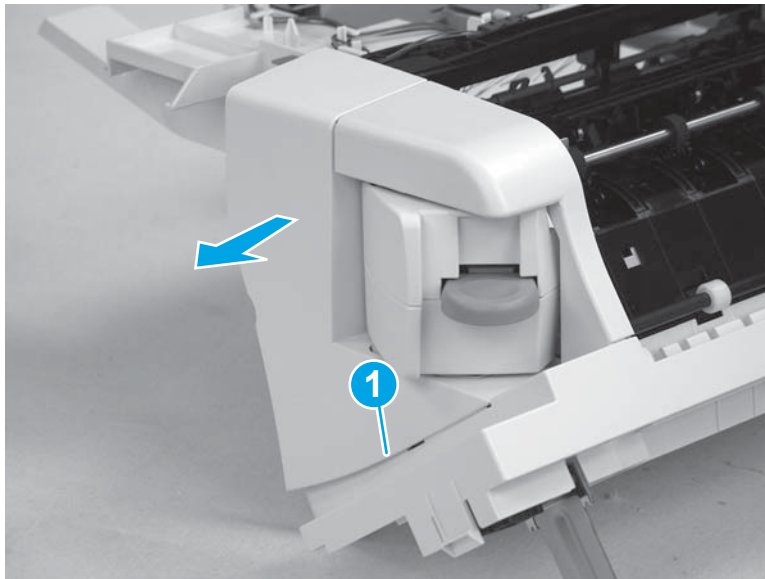
Figure 1-2736 Remove the left cover



Step 5: Remove the right front cover (stacker or stapler/stacker)

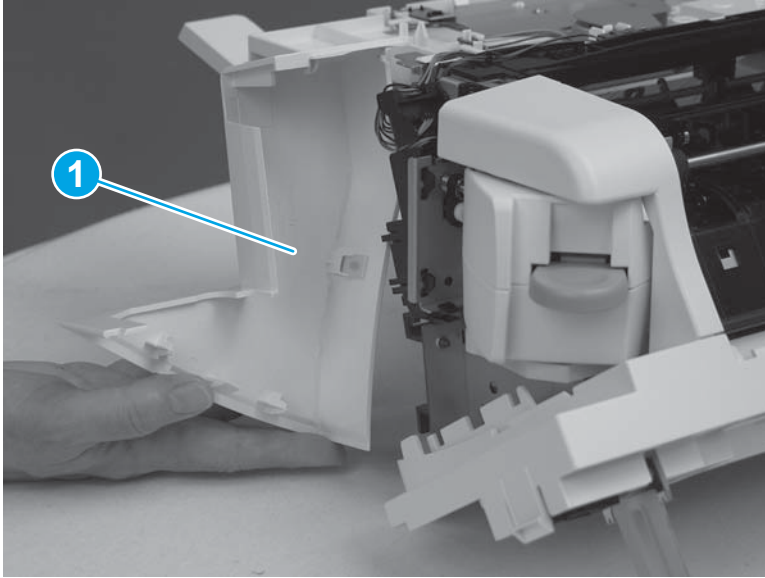
1. Release one tab (callout 1), and then slide the cover away from the stacker or stapler/stacker.

Figure 1-2737 Release one tab and slide the cover



2. Remove the right front cover (callout 1).

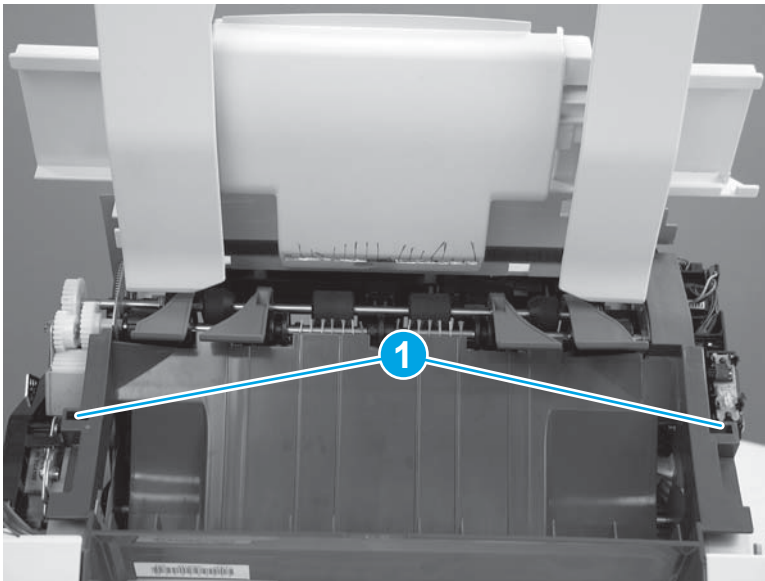
Figure 1-2738 Remove the right front cover



Step 6: Remove the front cover (stacker or stapler/stacker)

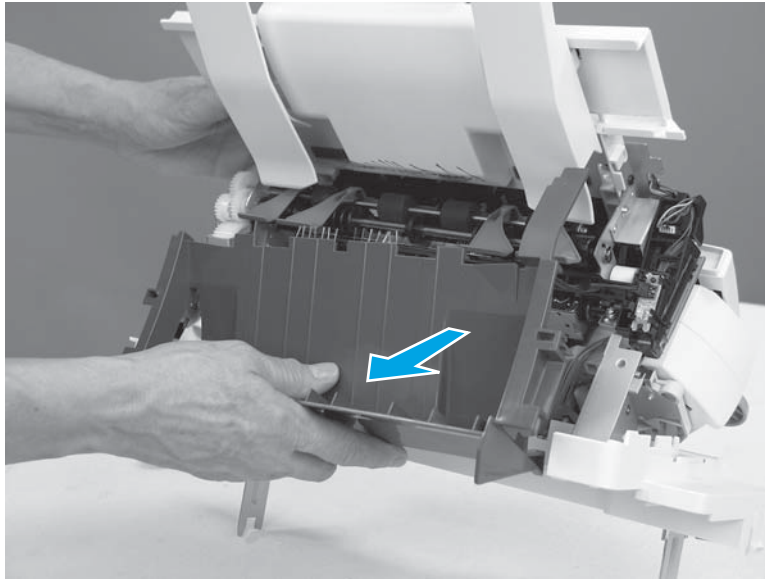
1. Release two tabs (callout 1).

Figure 1-2739 Release two tabs



2. Slide the cover away from the stacker or stapler/stacker to remove it.

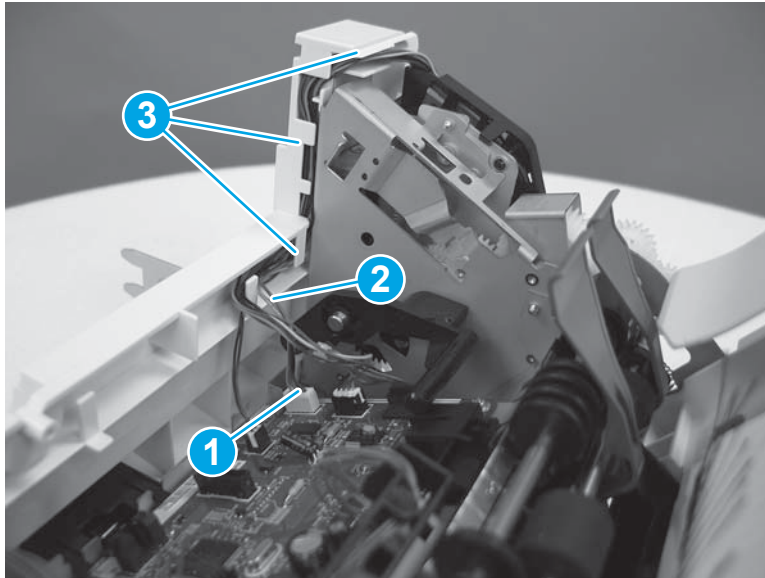
Figure 1-2740 Remove the front cover



Step 7: Remove the paddle motor

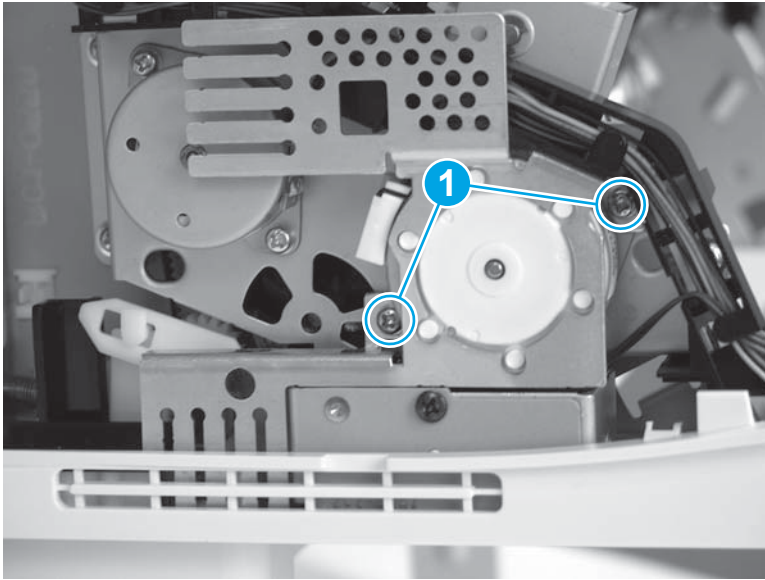
1. Disconnect one connector (callout 1), and then remove the wire harnesses (callout 2) from the guides (callout 3).

Figure 1-2741 Disconnect one connector and release wire harnesses



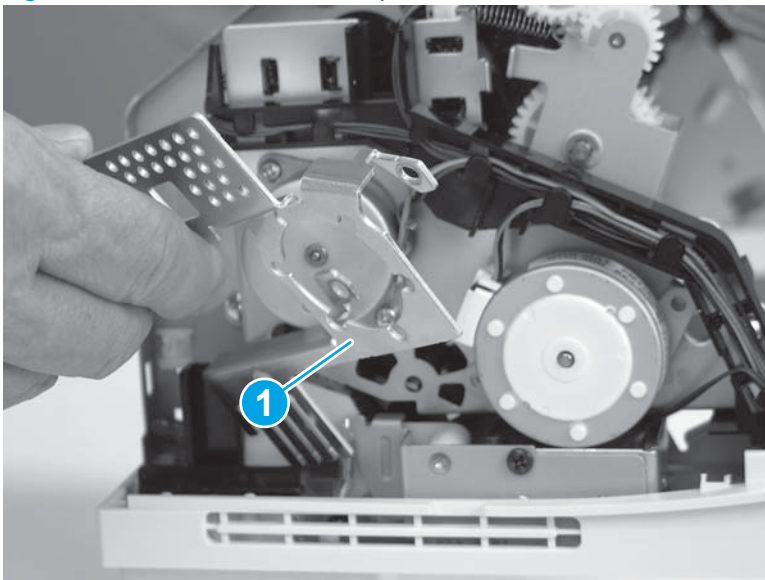
2. Remove two screws (callout 1).

Figure 1-2742 Remove two screws



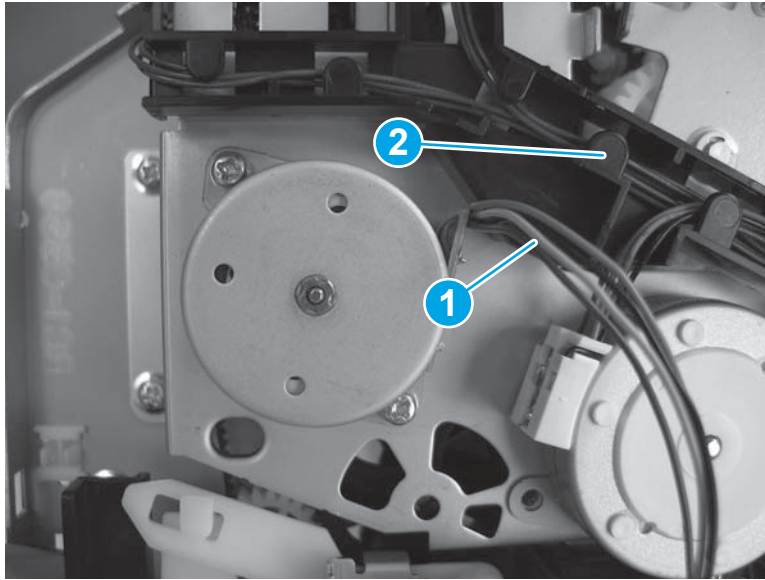
3. Remove the metal plate (callout 1)

Figure 1-2743 Remove the metal plate



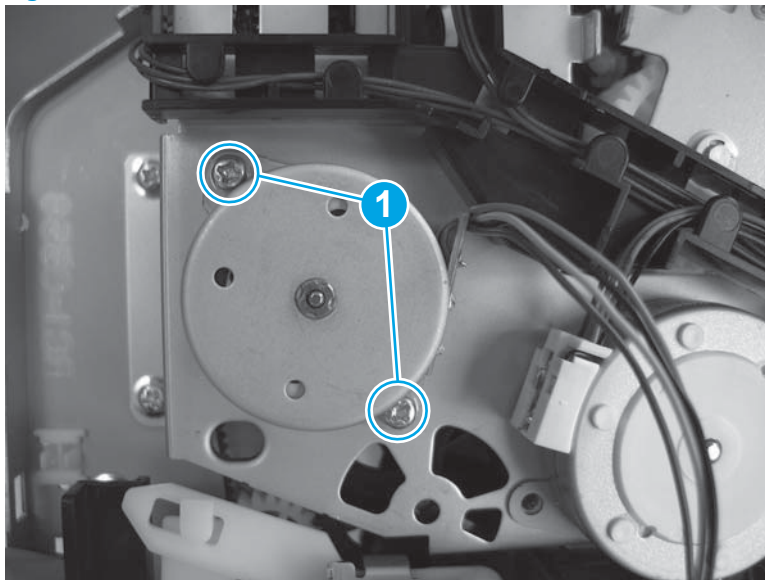
4. Remove the wire harness (callout 1) from the guides (callout 2).

Figure 1-2744 Release the wire harnesses



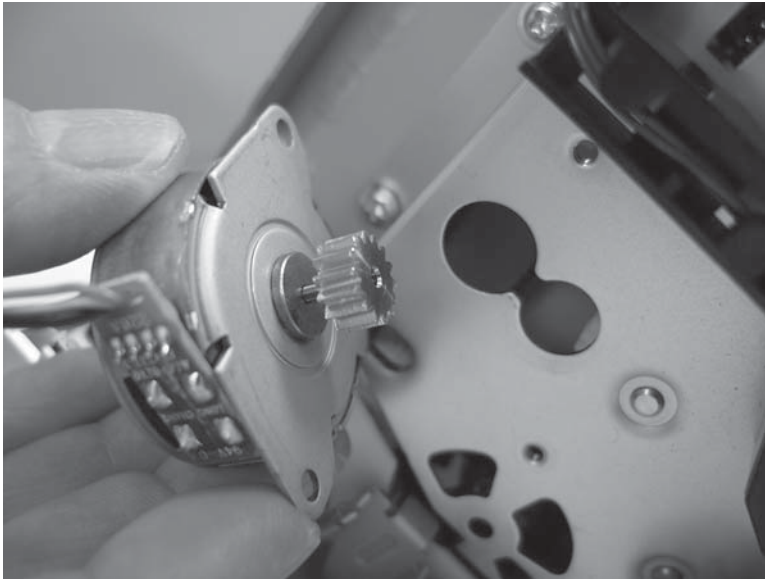
5. Remove two screws (callout 1).

Figure 1-2745 Remove two screws



6. Remove the motor.

Figure 1-2746 Remove the motor



Step 8: Unpack the replacement paddle motor

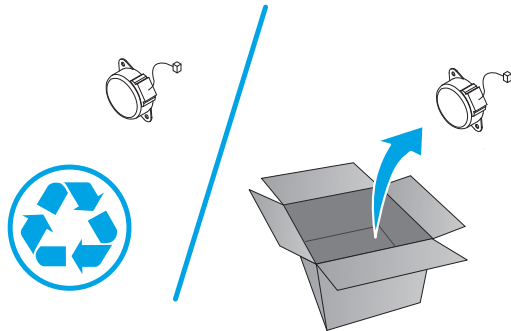
Unpack the replacement part from the packaging.

<http://www8.hp.com/us/en/hp-information/environment/product-recycling.html>



NOTE: HP recommends responsible disposal of the defective part.

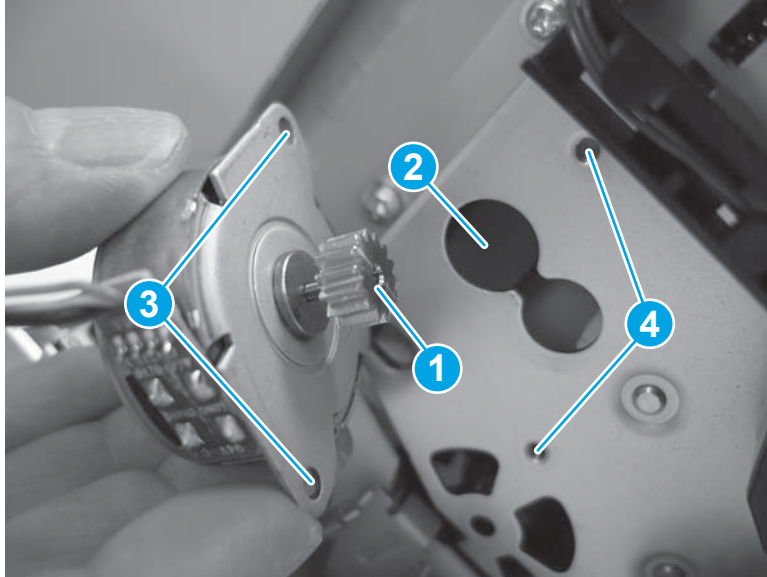
Figure 1-2747 Recycle and unpack



Step 9: Install the paddle motor

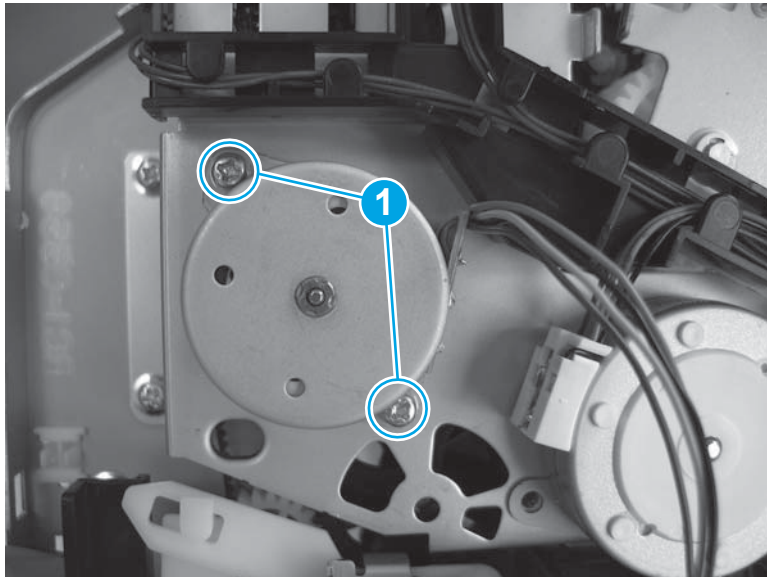
1. Position the gear (callout 1) on the motor in the slot (callout 2) in the stapler/stacker. Slide the motor to the right to align the screw holes (callout 3) on the motor with the screw holes (callout 4) on the stapler/stacker.

Figure 1-2748 Install the paddle motor



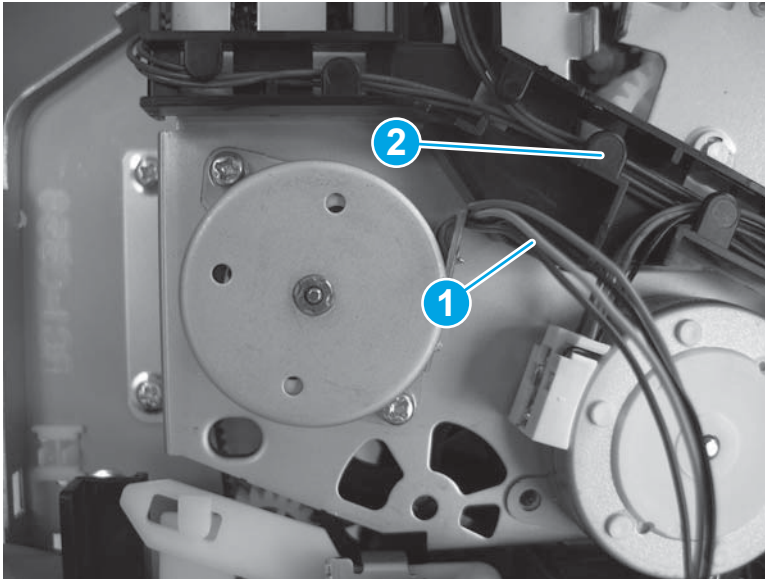
2. Install two screws (callout 1).

Figure 1-2749 Install two screws



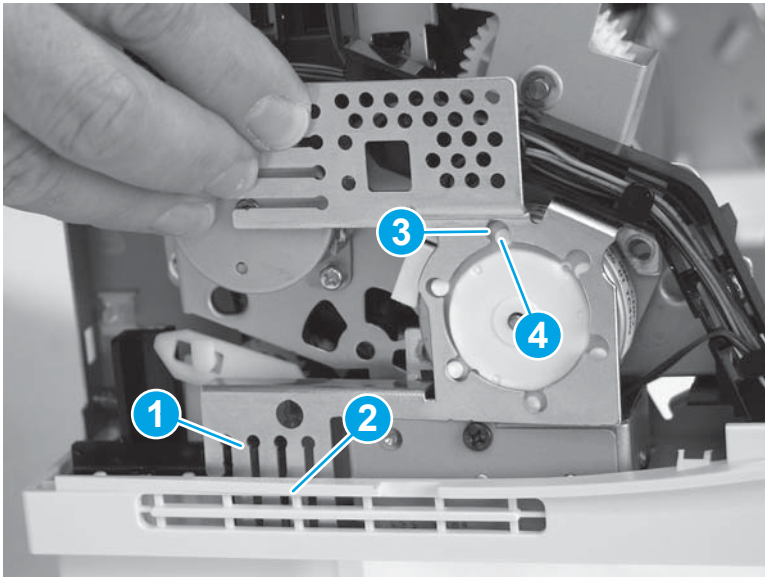
3. Install the wire harness (callout 1) in the guides (callout 2).

Figure 1-2750 Install the wire harnesses



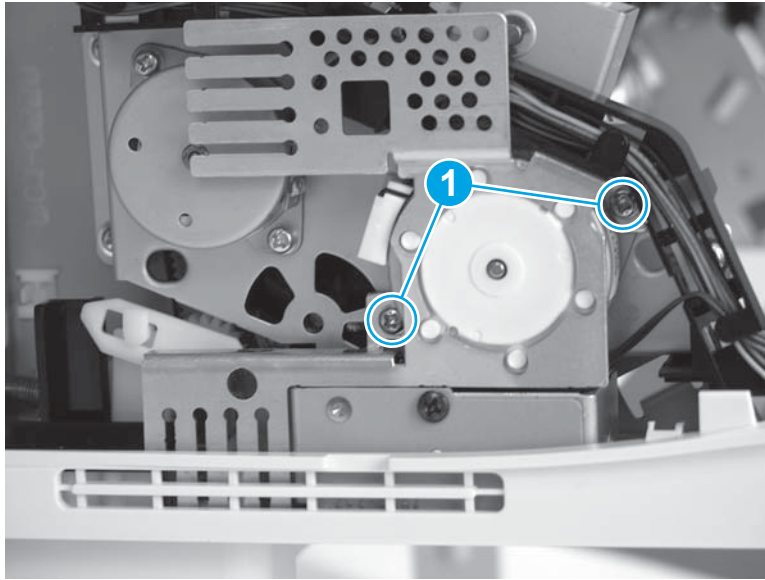
4. Install the metal plate. Make sure that the bottom edge of the plate (callout 1) is installed behind the cover (callout 2). Install the slots (callout 3) in the metal plate over the tabs (callout 4) on the motor.

Figure 1-2751 Install the metal plate



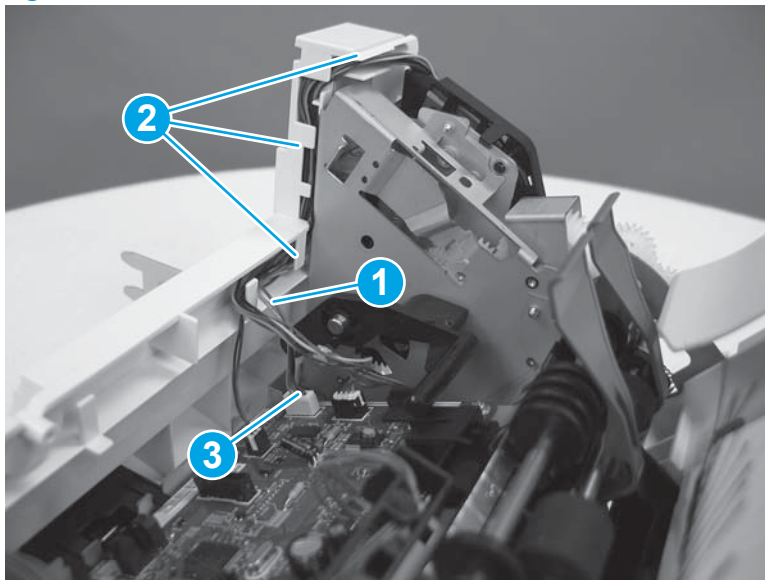
5. Install two screws (callout 1).

Figure 1-2752 Install two screws



6. Install the wire harnesses (callout 1) in the guides (callout 2), and then connect one connector (callout 3).

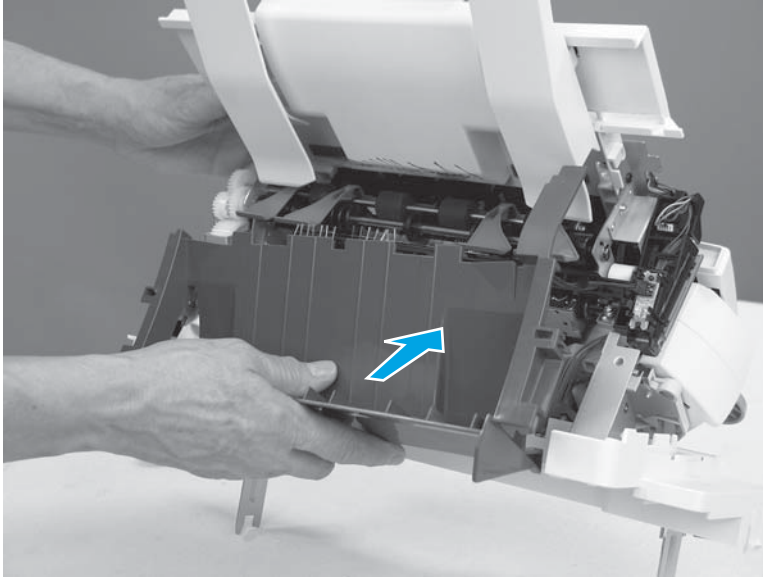
Figure 1-2753 Install the wire harnesses and connect one connector



Step 10: Install the front cover (stacker or stapler/stacker)

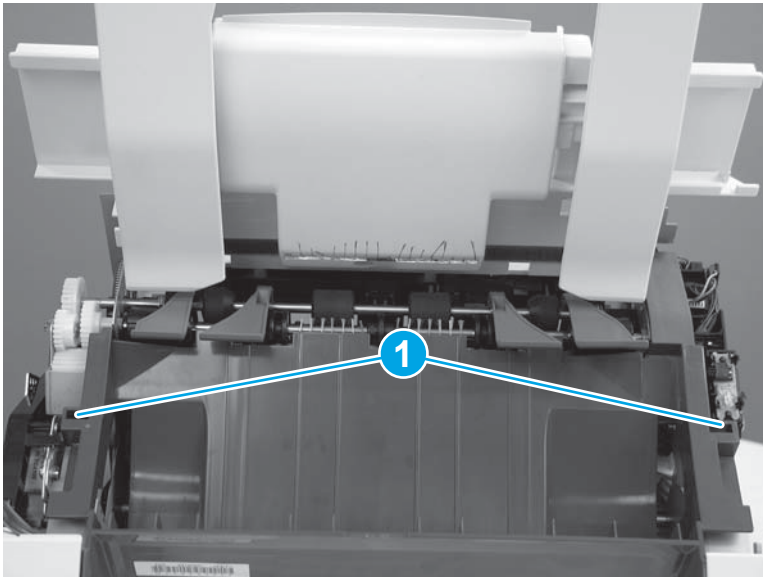
1. Slide the front cover toward the stacker or stapler/stacker to install it.

Figure 1-2754 Install the front cover



2. Make sure that the tabs (callout 1) snap into place.

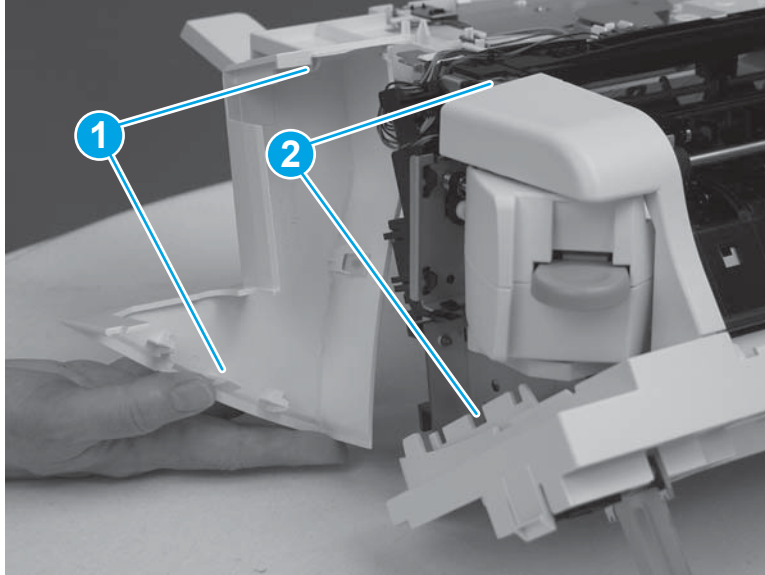
Figure 1-2755 Check the tabs



Step 11: Install the right front cover (stacker or stapler/stacker)

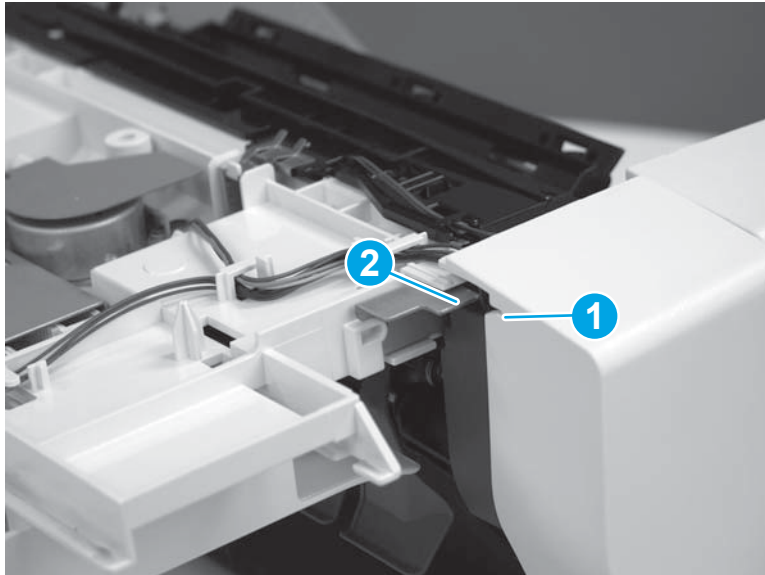
1. When reinstalling the right front cover, position the tabs (callout 1) on the cover in the slots (callout 2) on the stapler or stapler/stacker.

Figure 1-2756 Position the tabs in the slots



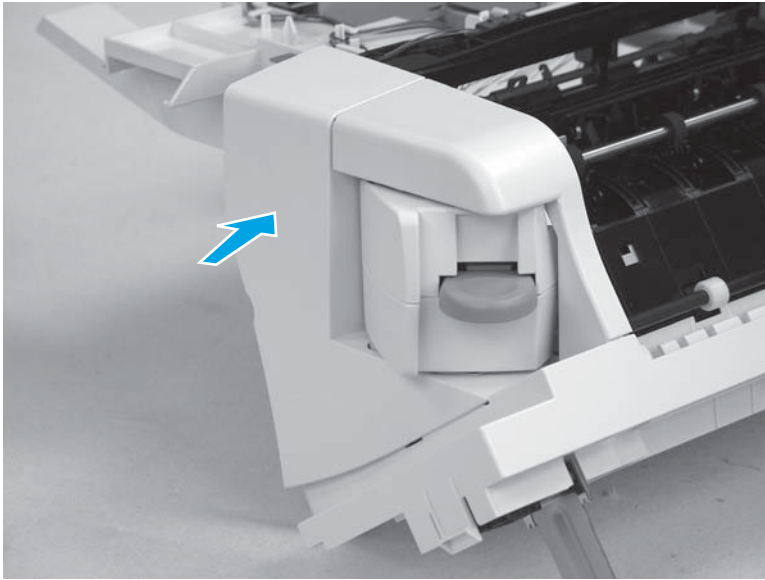
2. Make sure that the slot (callout 1) on the cover fits over the sheet metal edge (callout 2) on the stapler or stapler/stacker.

Figure 1-2757 Position the right front cover



3. Install the right front cover. Make sure that the tabs snap into place.

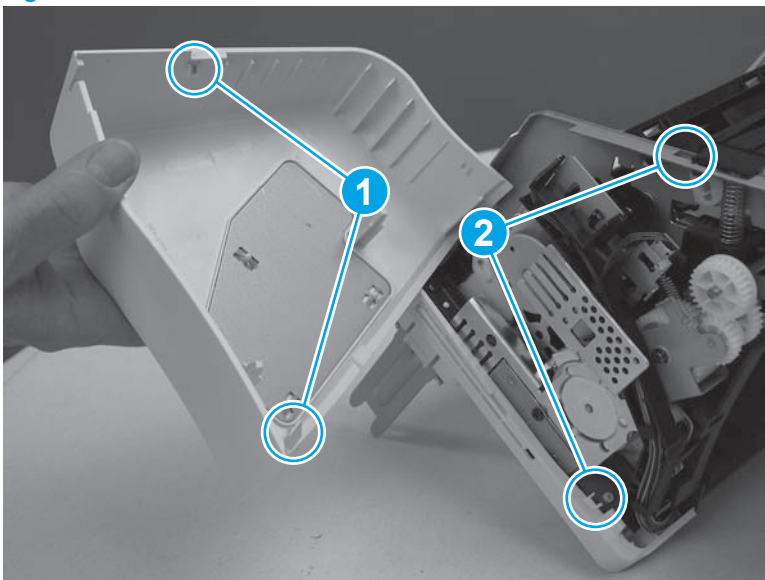
Figure 1-2758 Install the right front cover



Step 12: Install the left cover (stacker or stapler/stacker)

1. When reinstalling the left cover, position the tabs (callout 1) on the cover in the slots (callout 2) on the stapler or stapler/stacker.

Figure 1-2759 Position the left cover



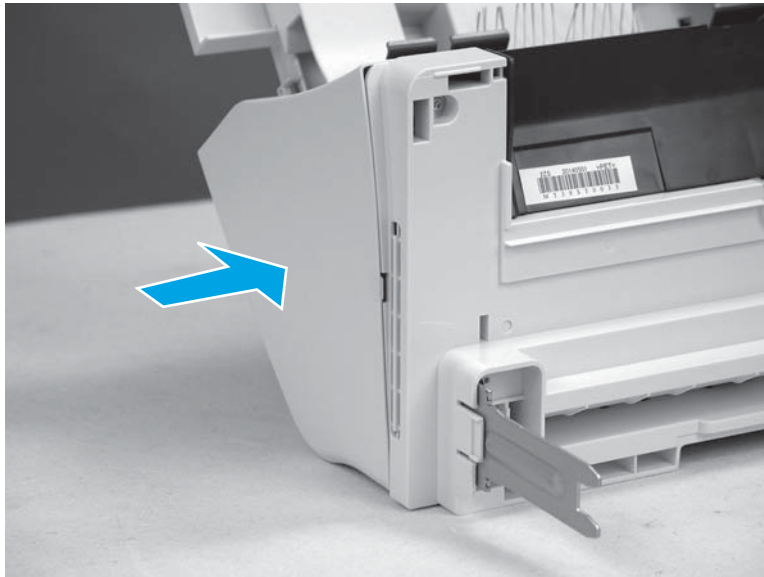
2. Make sure that the slot (callout 1) on the cover fits over the sheet metal edge (callout 2) on the stapler or stapler/stacker.

Figure 1-2760 Position the left cover



3. Install the left cover. Make sure that the tabs snap into place.

Figure 1-2761 Install the left cover

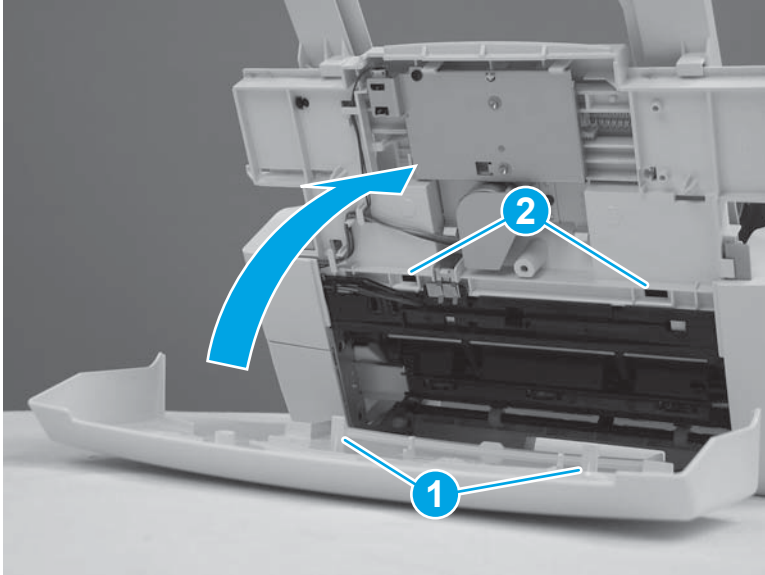


Step 13: Install the top cover (stapler/stacker)

 **NOTE:** For the stacker, skip this step and go to [Step 15: Install the delivery tray \(stacker or stapler/stacker\) on page 1550.](#)

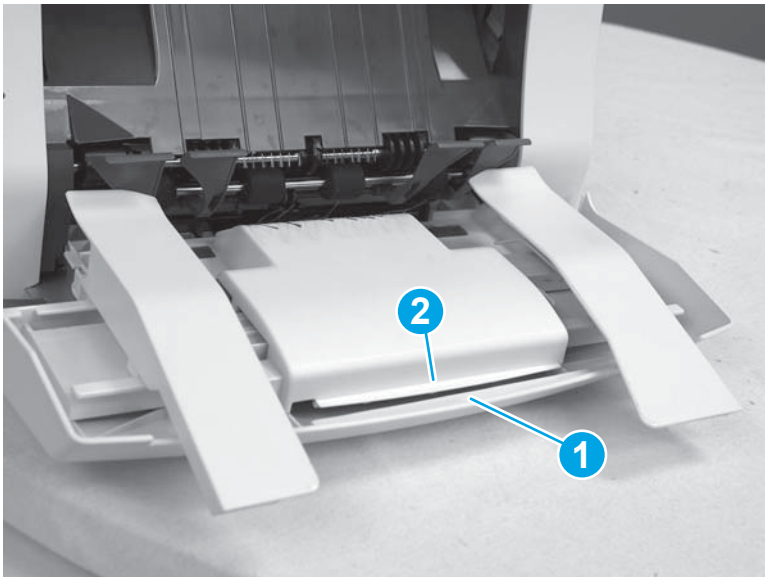
1. When installing the top cover, position the tabs (callout 1) on the cover into the slots (callout 2) on the stapler/stacker.

Figure 1-2762 Position the tabs in the slots



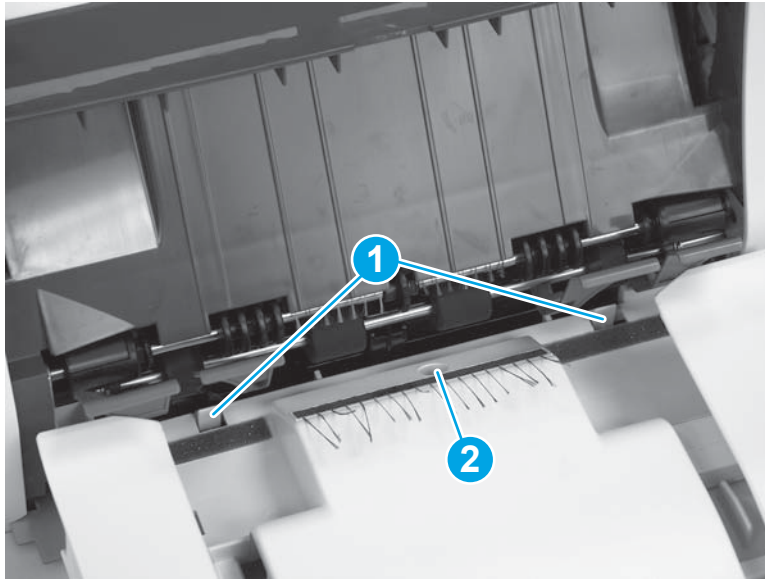
2. Position the top cover so that the edge of the top cover (callout 1) fits over the tab (callout 2) on the stapler/stacker.

Figure 1-2763 Position the top cover



3. Install two tabs (callout 1), and then install one screw (callout 2).

Figure 1-2764 Install two tabs and install one screw

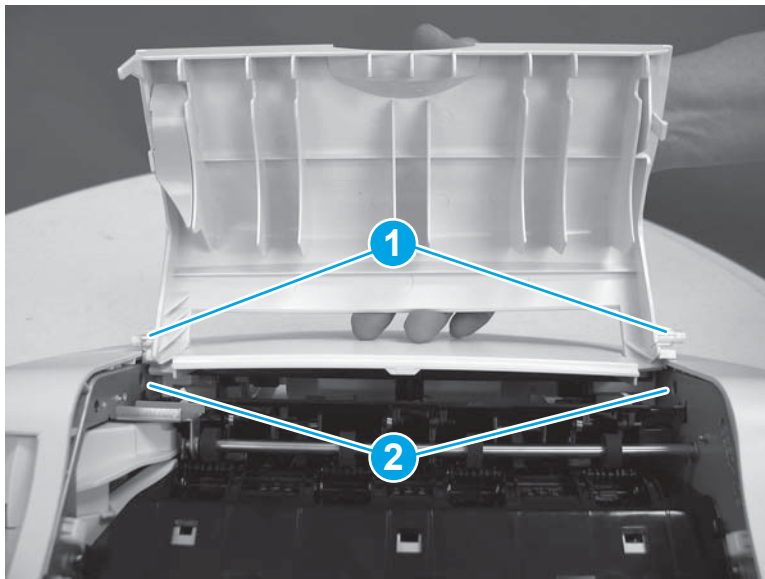


Step 14: Install the rear cover (stapler/stacker)

 **NOTE:** For the stacker, skip this step and go to [Step 15: Install the delivery tray \(stacker or stapler/stacker\)](#) on page 1550.

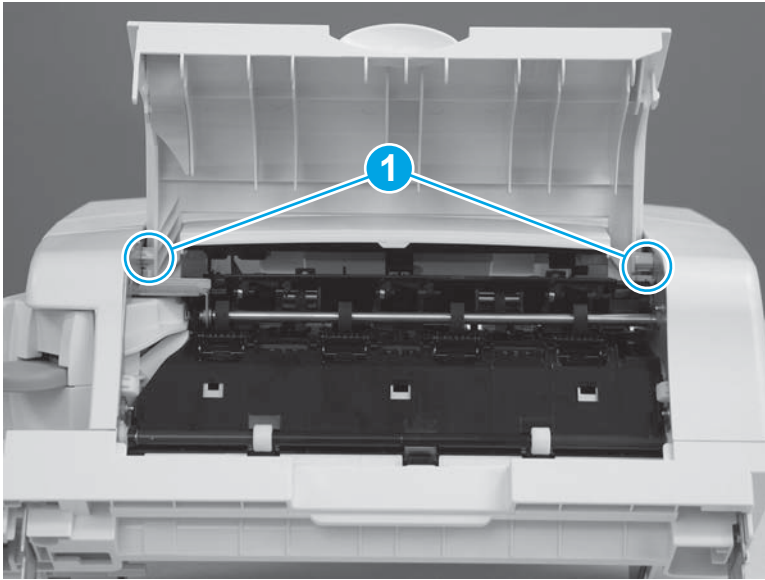
1. Position the hinge pins (callout 1) on the cover in the holes (callout 2) in the stapler/stacker.

Figure 1-2765 Install the rear cover



2. Make sure that the hinge pins (callout 1) are fully seated in position.

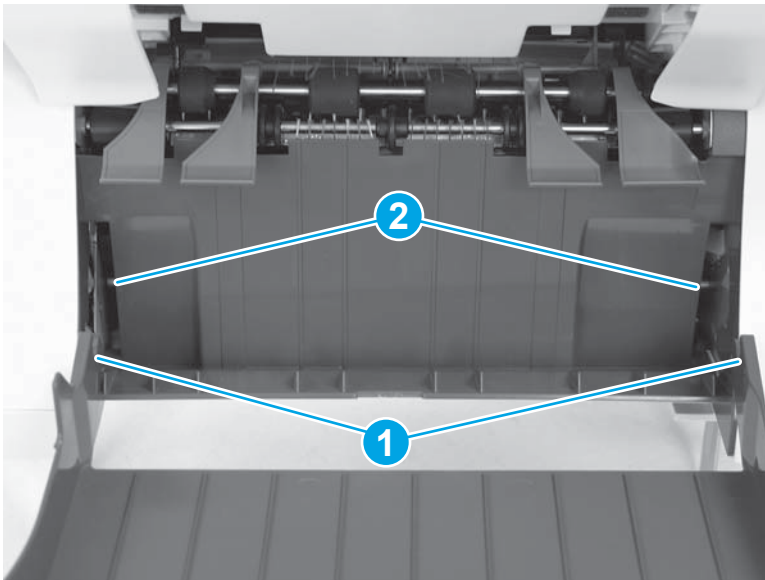
Figure 1-2766 Check the hinge pins



Step 15: Install the delivery tray (stacker or stapler/stacker)

- ▲ Align the slots (callout 1) on the delivery tray with the shaft (callout 2) on the stacker or stapler/stacker. Press the tray towards the stacker or stapler/stacker until the tray is fully seated on the shaft.

Figure 1-2767 Install the delivery tray



Removal and replacement: Feed motor (stacker and stapler/stacker)

- [Introduction](#)
- [Step 1: Remove the delivery tray \(stacker or stapler/stacker\)](#)
- [Step 2: Remove the rear cover \(stapler/stacker\)](#)
- [Step 3: Remove the top cover \(stapler/stacker\)](#)
- [Step 4: Remove the left cover \(stacker or stapler/stacker\)](#)
- [Step 5: Remove the right front cover \(stacker or stapler/stacker\)](#)
- [Step 6: Remove the front cover \(stacker or stapler/stacker\)](#)
- [Step 7: Remove the feed motor](#)
- [Step 8: Unpack the replacement feed motor](#)
- [Step 9: Install the feed motor](#)
- [Step 10: Install the front cover \(stacker or stapler/stacker\)](#)
- [Step 11: Install the right front cover \(stacker or stapler/stacker\)](#)
- [Step 12: Install the left cover \(stacker or stapler/stacker\)](#)
- [Step 13: Install the top cover \(stapler/stacker\)](#)
- [Step 14: Install the rear cover \(stapler/stacker\)](#)
- [Step 15: Install the delivery tray \(stacker or stapler/stacker\)](#)

Introduction

This document provides the procedures to remove and replace the feed motor on the stacker or stapler/stacker.

Before performing service

Turn the printer power off

- Remove the stacker or stapler/stacker from the printer.

Use the table below to identify the correct part number for your printer. To order the part, go to www.hp.com/buy/parts.

Feed motor part number	
RK2-2025-000CN	Motor, stepping, DC24V (stacker or stapler/stacker)

Required tools

- #2 Phillips screwdriver with a magnetic tip

After performing service

Turn the printer power on

- Connect the power cable.
- Use the power switch to turn the power on.

Post service test

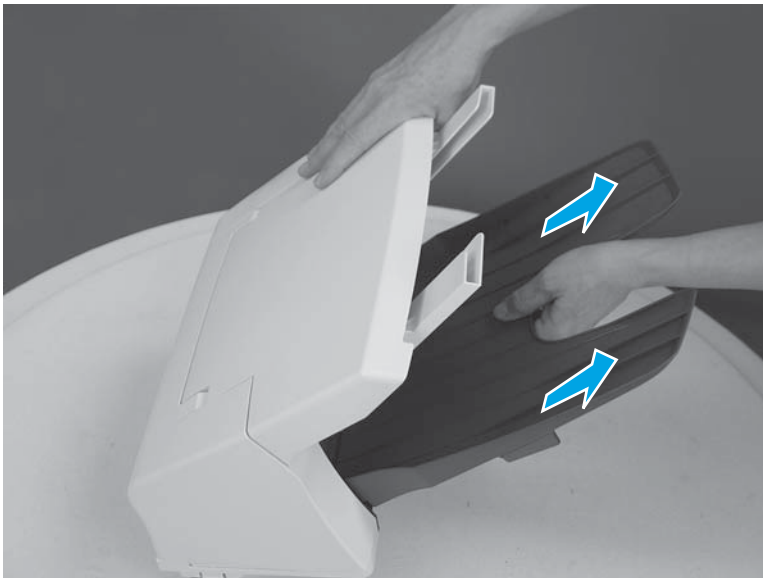
Make sure that the printer initializes to a **Ready** state.

Print two pages and send them to the stapler/stacker to make sure that the printer is functioning correctly.

Step 1: Remove the delivery tray (stacker or stapler/stacker)

- ▲ Pull the delivery tray toward the front of the stacker or stapler/stacker to release it from the shaft.

Figure 1-2768 Remove the delivery tray

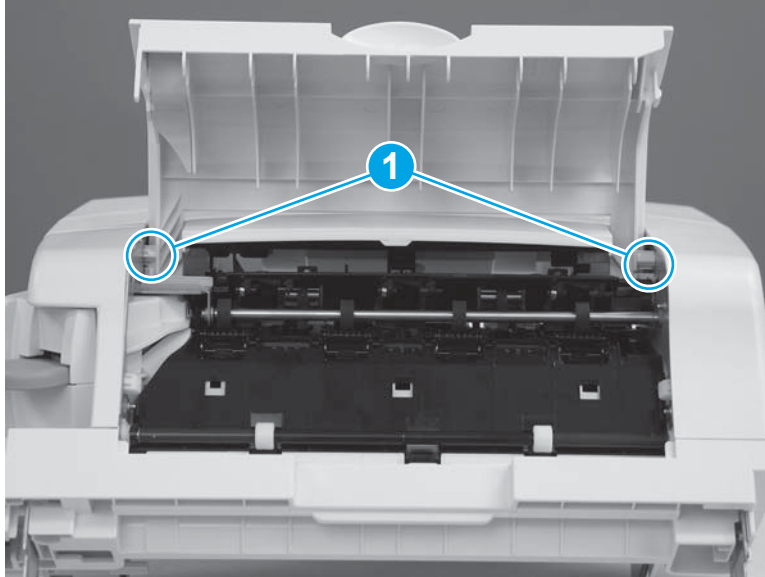


Step 2: Remove the rear cover (stapler/stacker)

 **NOTE:** For the stacker, skip this step and go to [Step 4: Remove the left cover \(stacker or stapler/stacker\) on page 1554](#).

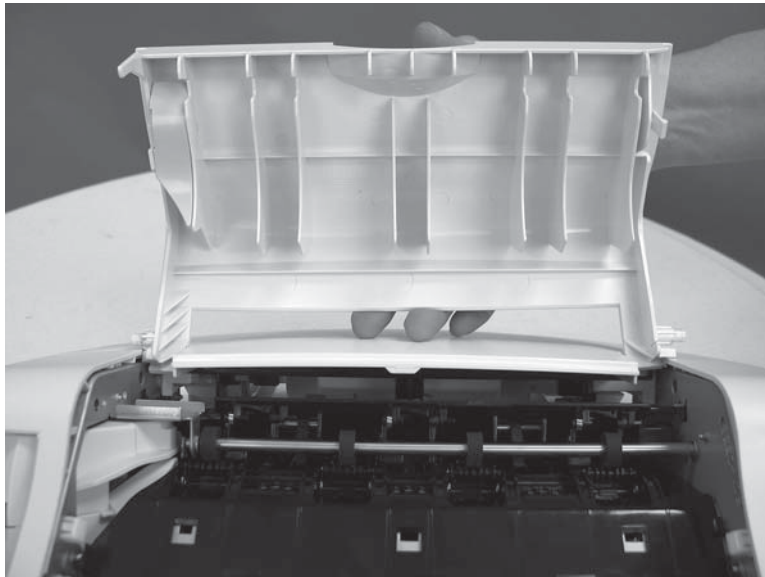
1. Open the rear cover, and then disengage two hinge pins (callout 1).

Figure 1-2769 Disengage hinge pins



2. Remove the rear cover (callout 1).

Figure 1-2770 Remove the rear cover



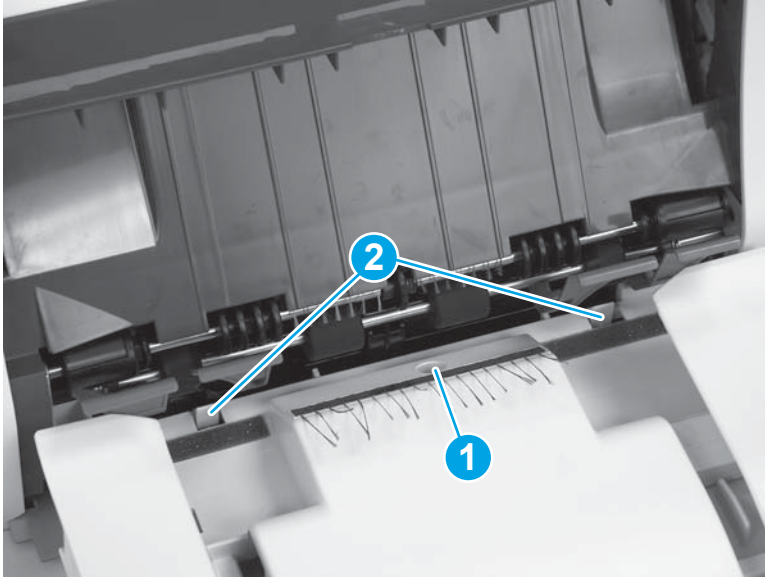
Step 3: Remove the top cover (stapler/stacker)



NOTE: For the stacker, skip this step and go to [Step 4: Remove the left cover \(stacker or stapler/stacker\) on page 1554](#).

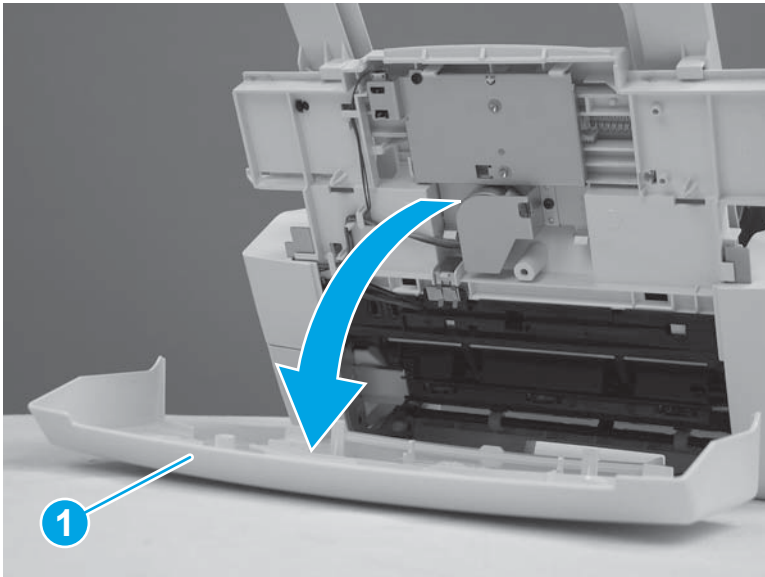
1. Remove one screw (callout 1) and release two tabs (callout 2).

Figure 1-2771 Remove one screw and release two tabs



2. Remove the top cover (callout 1).

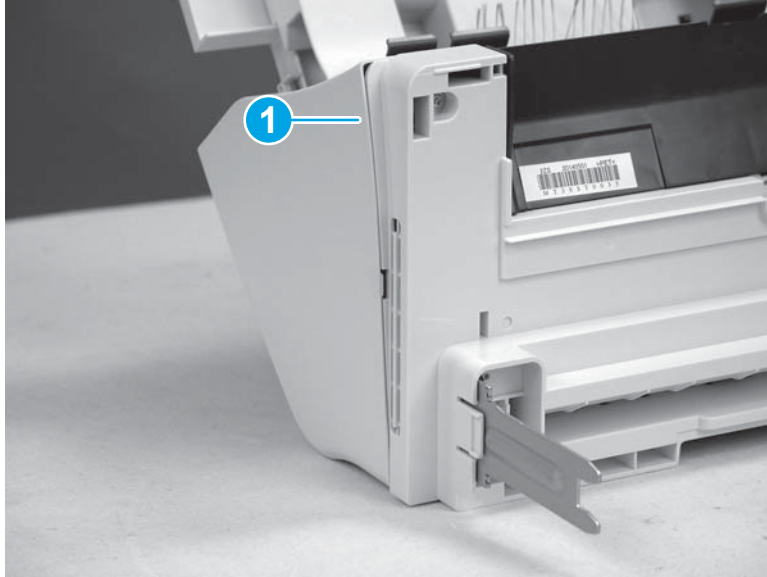
Figure 1-2772 Remove the top cover



Step 4: Remove the left cover (stacker or stapler/stacker)

1. Release one tab (callout 1).

Figure 1-2773 Release one tab



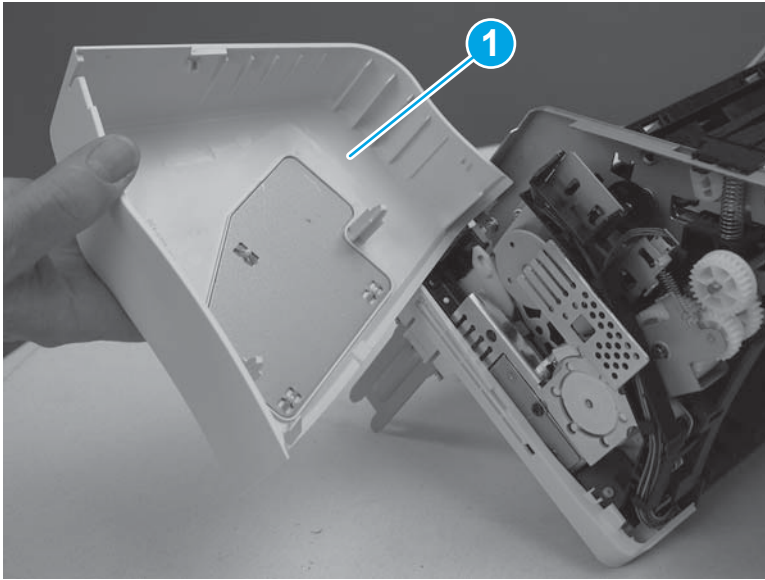
2. Slide the cover away from the stacker or stapler/stacker.

Figure 1-2774 Slide the left cover



3. Remove the left cover (callout 1).

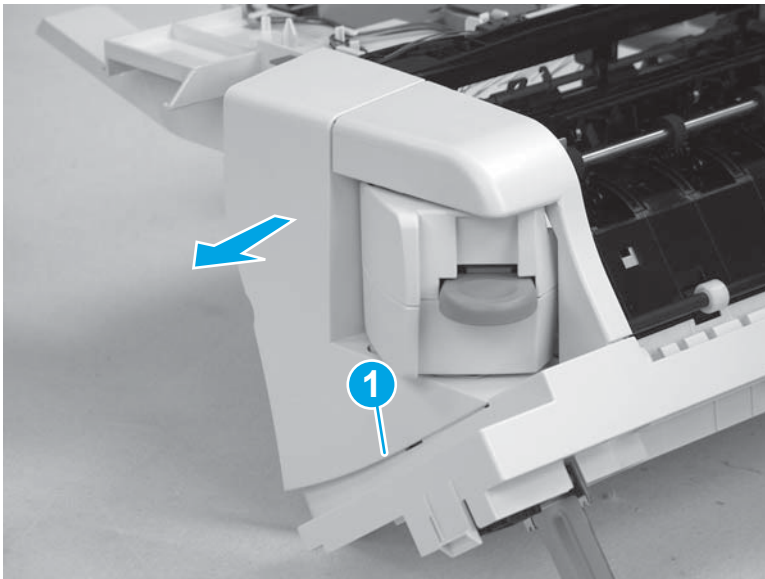
Figure 1-2775 Remove the left cover



Step 5: Remove the right front cover (stacker or stapler/stacker)

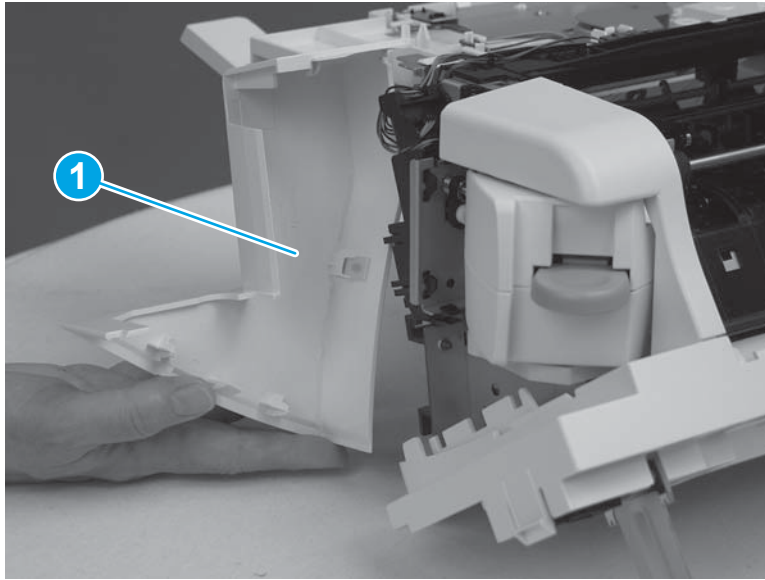
1. Release one tab (callout 1), and then slide the cover away from the stacker or stapler/stacker.

Figure 1-2776 Release one tab and slide the cover



2. Remove the right front cover (callout 1).

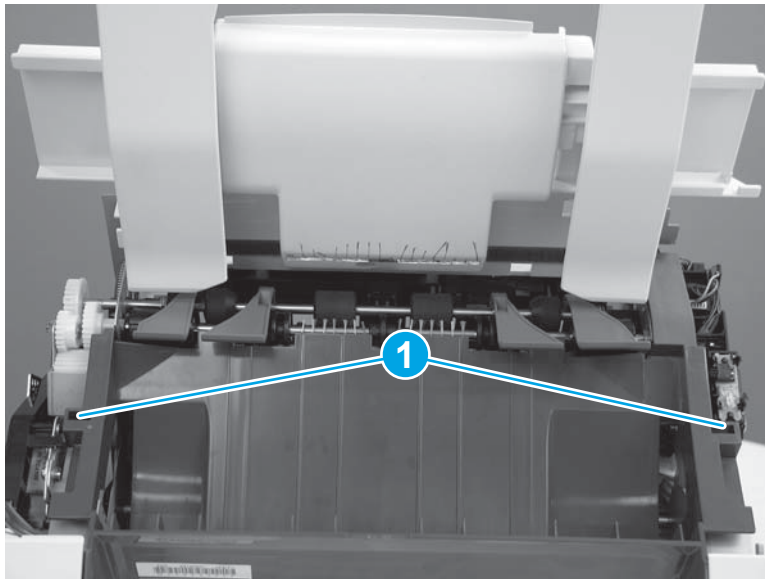
Figure 1-2777 Remove the right front cover



Step 6: Remove the front cover (stacker or stapler/stacker)

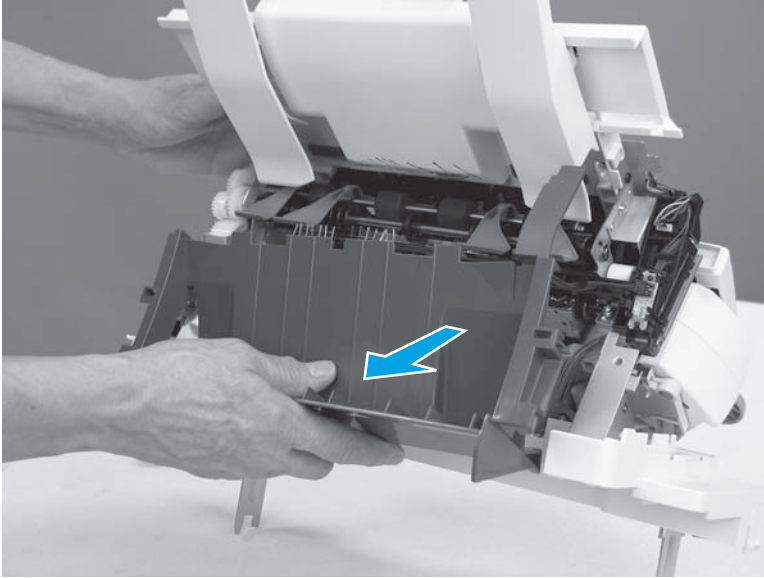
1. Release two tabs (callout 1).

Figure 1-2778 Release two tabs



2. Slide the cover away from the stacker or stapler/stacker to remove it.

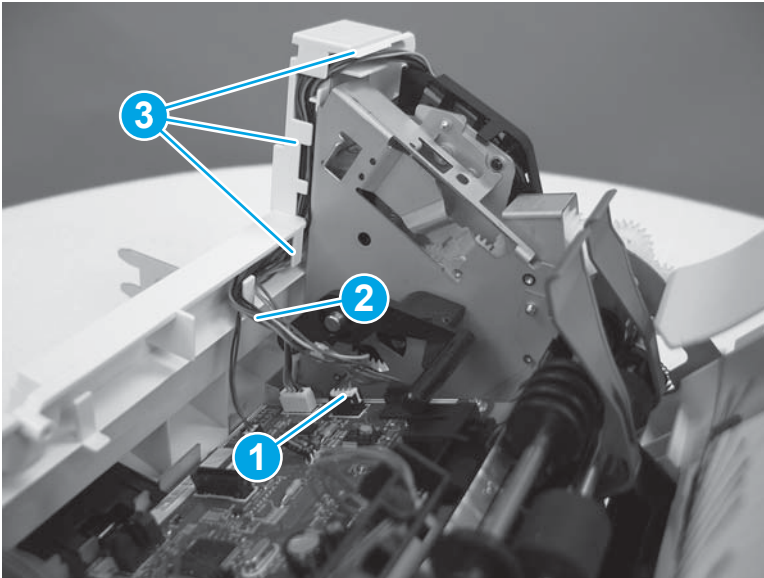
Figure 1-2779 Remove the front cover



Step 7: Remove the feed motor

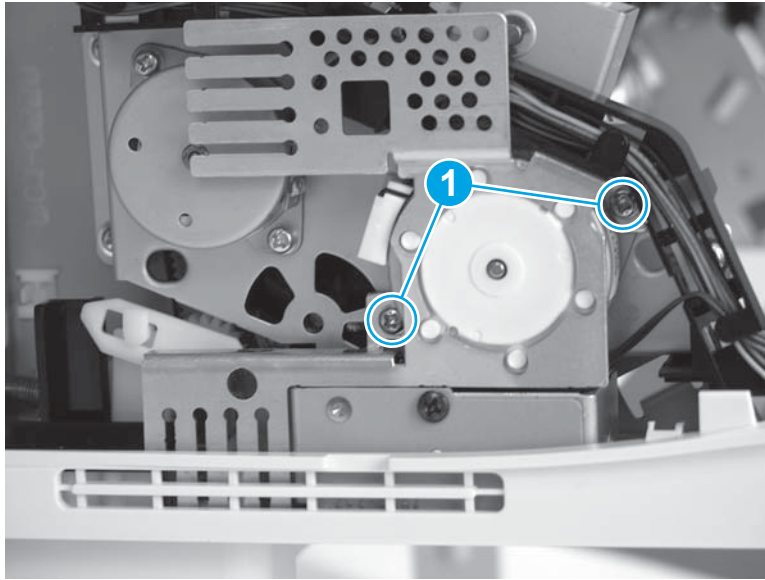
1. Disconnect one connector (callout 1), and then remove the wire harnesses (callout 2) from the guides (callout 3).

Figure 1-2780 Disconnect one connector and release wire harnesses



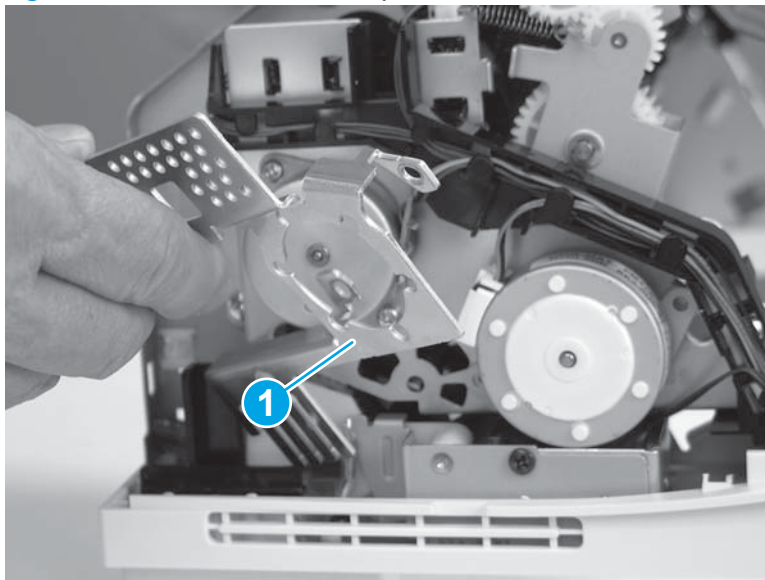
2. Remove two screws (callout 1).

Figure 1-2781 Remove two screws



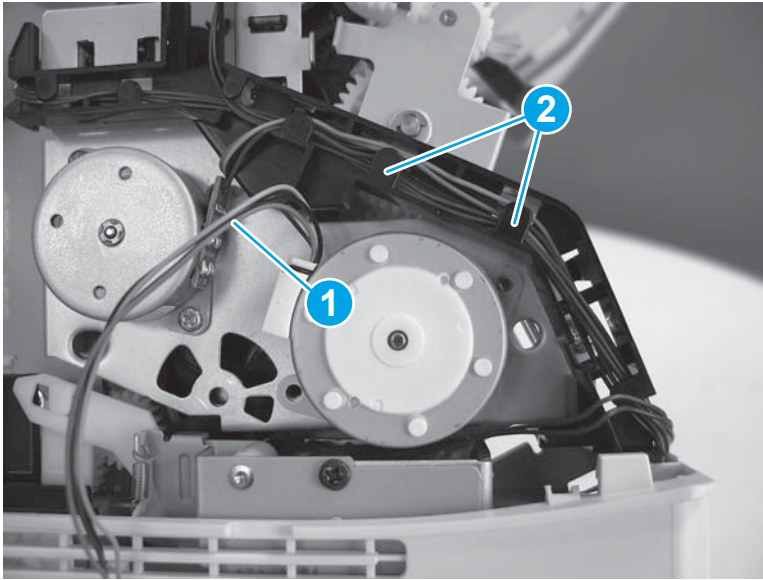
3. Remove the metal plate (callout 1)

Figure 1-2782 Remove the metal plate



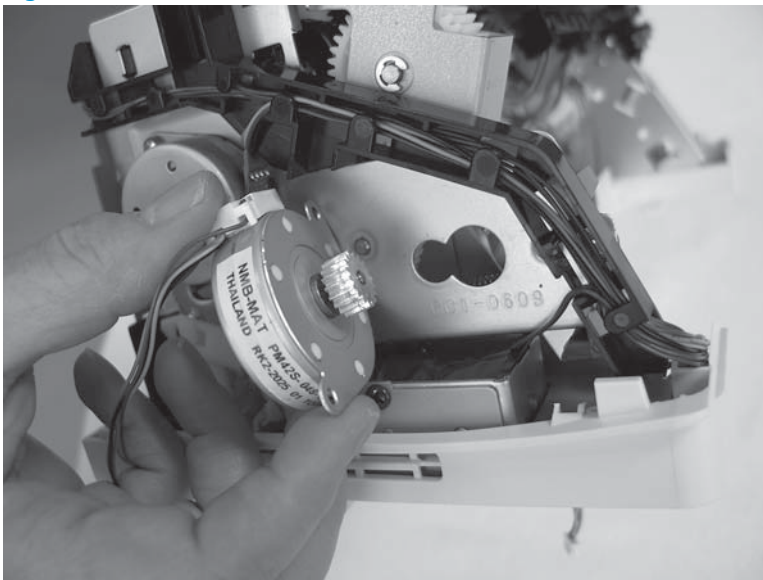
4. Remove the wire harness (callout 1) from the guides (callout 2).

Figure 1-2783 Release the wire harnesses



5. Remove the motor.

Figure 1-2784 Remove the motor



Step 8: Unpack the replacement feed motor

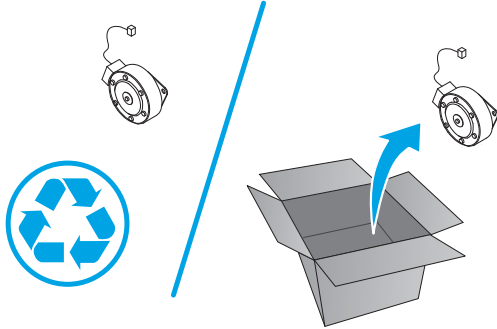
Unpack the replacement part from the packaging.

<http://www8.hp.com/us/en/hp-information/environment/product-recycling.html>



NOTE: HP recommends responsible disposal of the defective part.

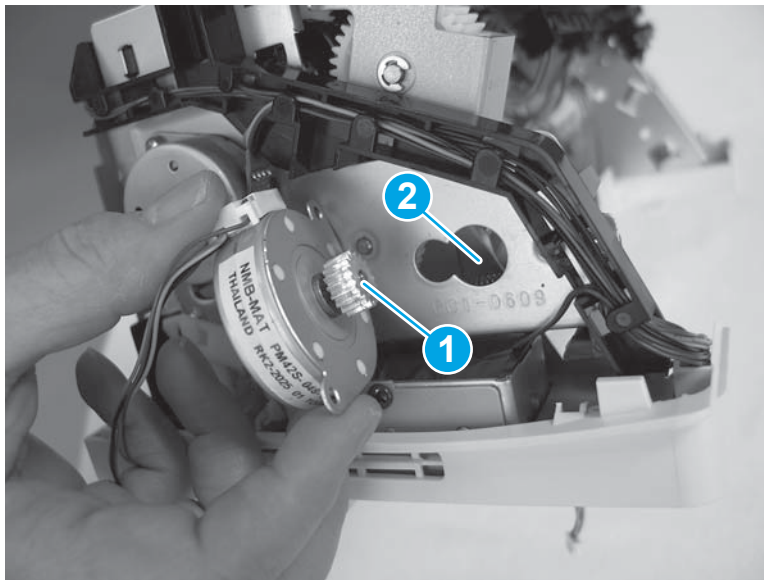
Figure 1-2785 Recycle and unpack



Step 9: Install the feed motor

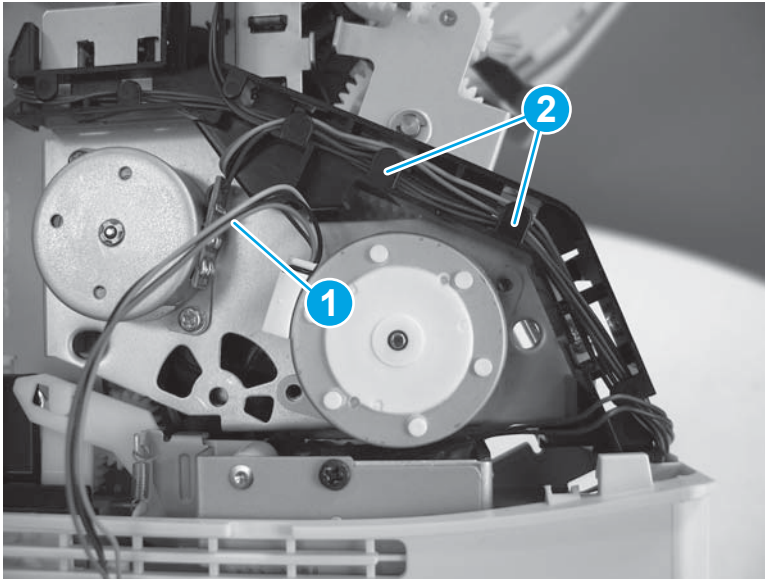
1. Position the gear (callout 1) on the motor in the slot (callout 2) in the stacker or stapler/stacker. Slide the motor to the left to install it.

Figure 1-2786 Install the feed motor



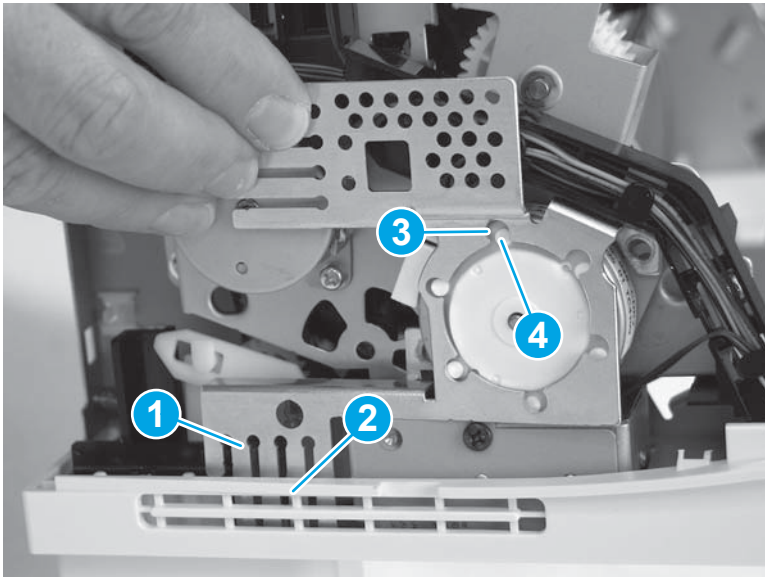
2. Install the wire harness (callout 1) in the guides (callout 2).

Figure 1-2787 Install the wire harnesses



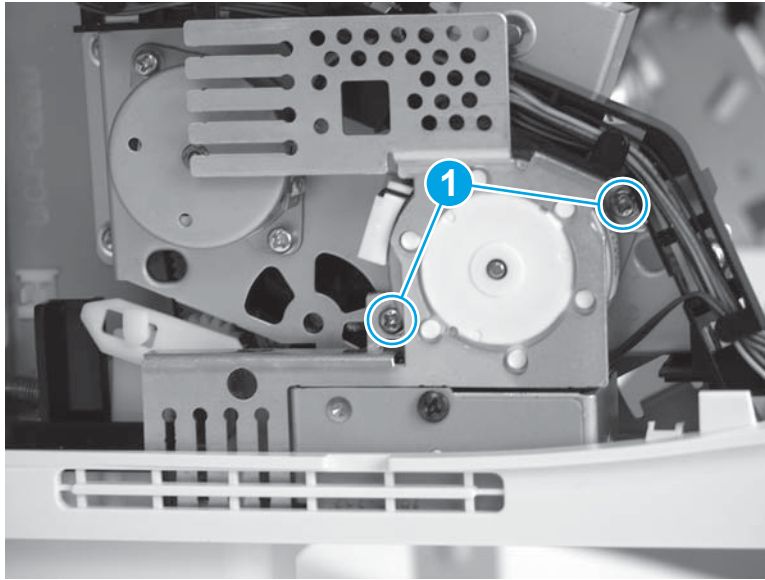
3. Install the metal plate. Make sure that the bottom edge of the plate (callout 1) is installed behind the cover (callout 2). Install the slots (callout 3) in the metal plate over the tabs (callout 4) on the motor.

Figure 1-2788 Install the metal plate



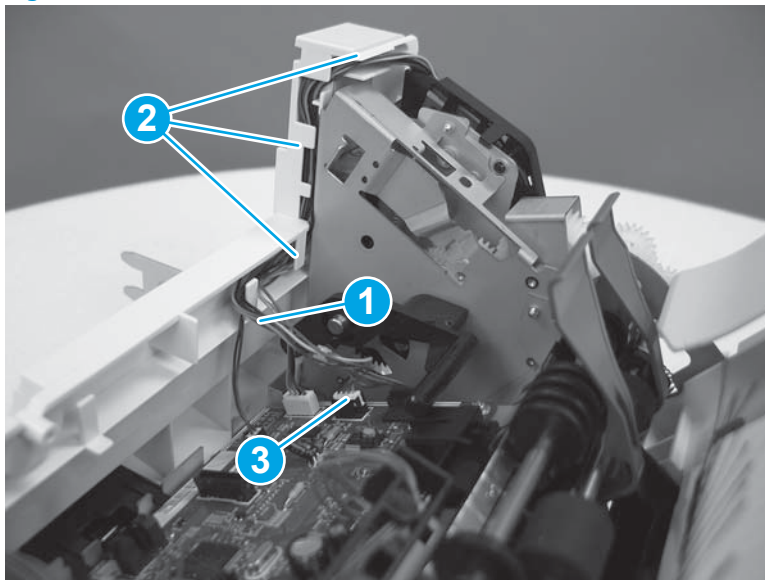
4. Install two screws (callout 1).

Figure 1-2789 Install two screws



5. Install the wire harnesses (callout 1) in the guides (callout 2), and then connect one connector (callout 3).

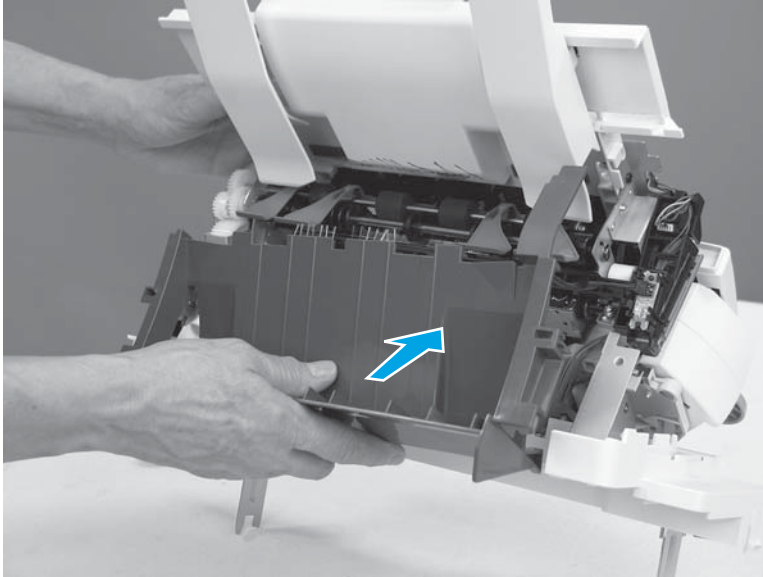
Figure 1-2790 Install the wire harnesses and connect one connector



Step 10: Install the front cover (stacker or stapler/stacker)

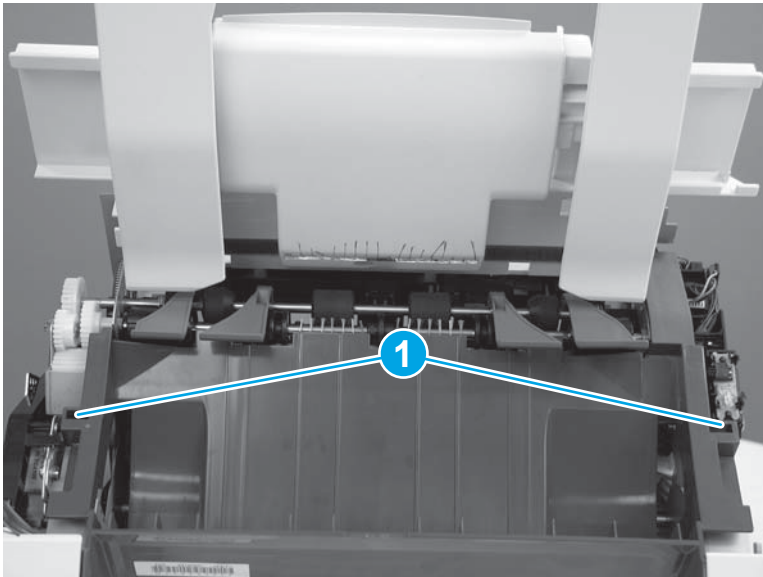
1. Slide the front cover toward the stacker or stapler/stacker to install it.

Figure 1-2791 Install the front cover



2. Make sure that the tabs (callout 1) snap into place.

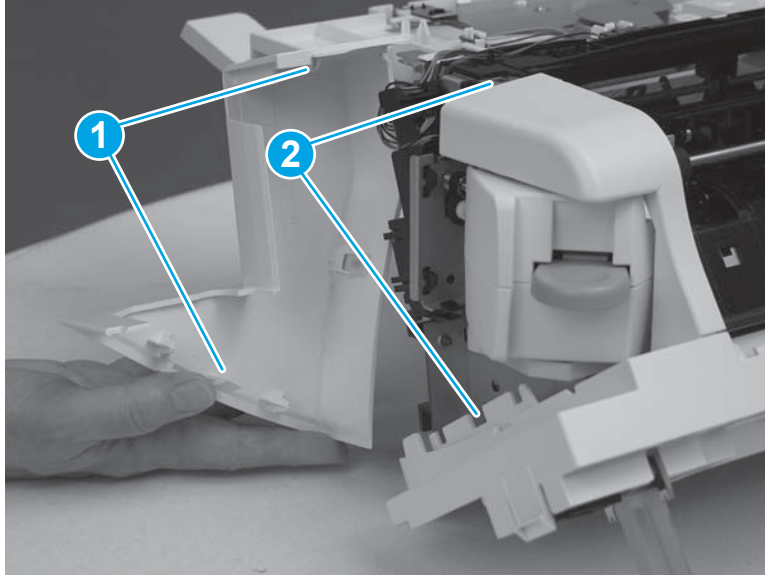
Figure 1-2792 Check the tabs



Step 11: Install the right front cover (stacker or stapler/stacker)

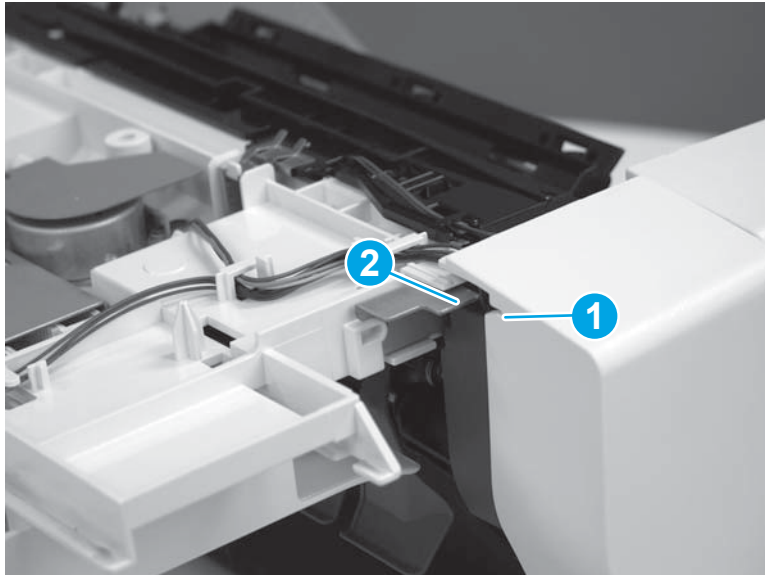
1. When reinstalling the right front cover, position the tabs (callout 1) on the cover in the slots (callout 2) on the stapler or stapler/stacker.

Figure 1-2793 Position the tabs in the slots



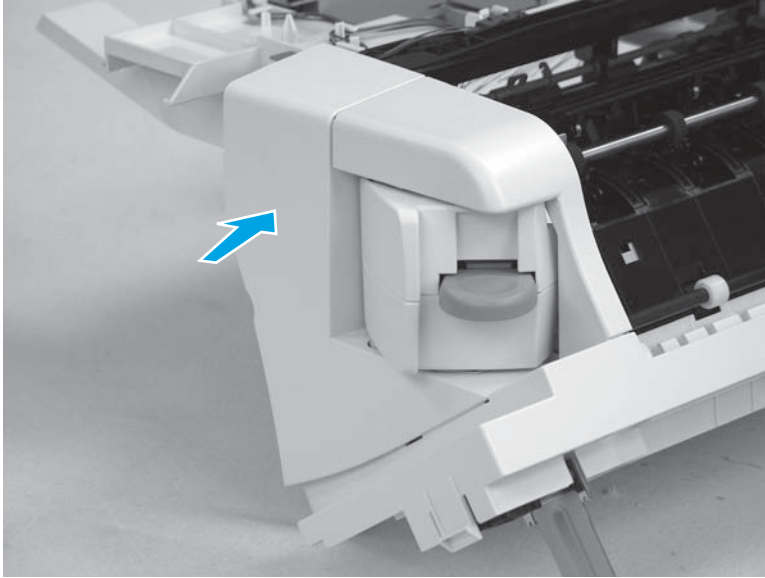
2. Make sure that the slot (callout 1) on the cover fits over the sheet metal edge (callout 2) on the stapler or stapler/stacker.

Figure 1-2794 Position the right front cover



3. Install the right front cover. Make sure that the tabs snap into place.

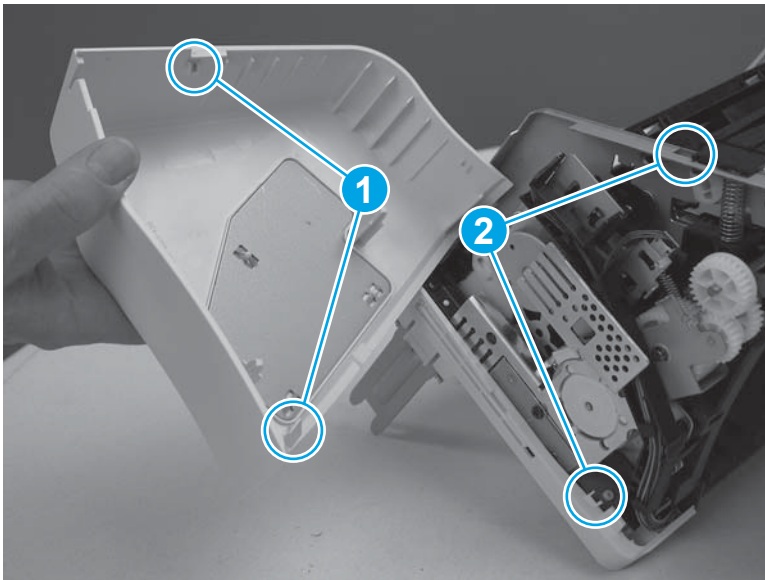
Figure 1-2795 Install the right front cover



Step 12: Install the left cover (stacker or stapler/stacker)

1. When reinstalling the left cover, position the tabs (callout 1) on the cover in the slots (callout 2) on the stapler or stapler/stacker.

Figure 1-2796 Position the left cover



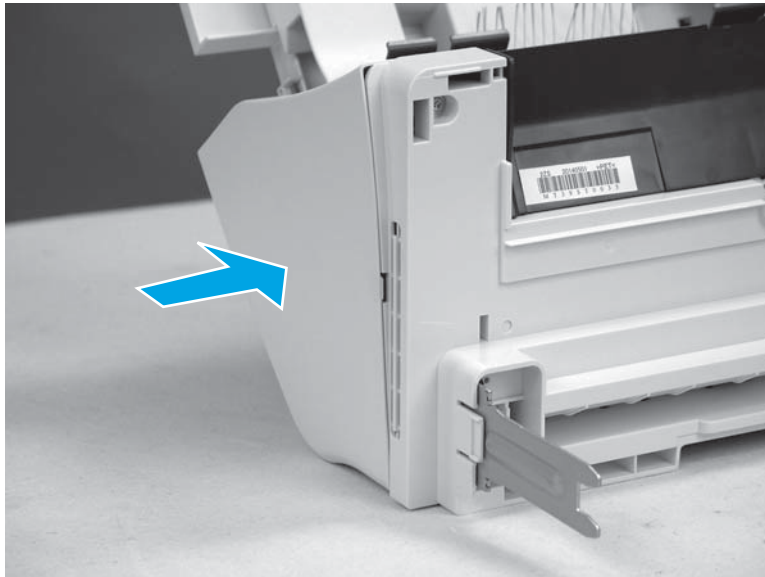
2. Make sure that the slot (callout 1) on the cover fits over the sheet metal edge (callout 2) on the stapler or stapler/stacker.

Figure 1-2797 Position the left cover



3. Install the left cover. Make sure that the tabs snap into place.

Figure 1-2798 Install the left cover

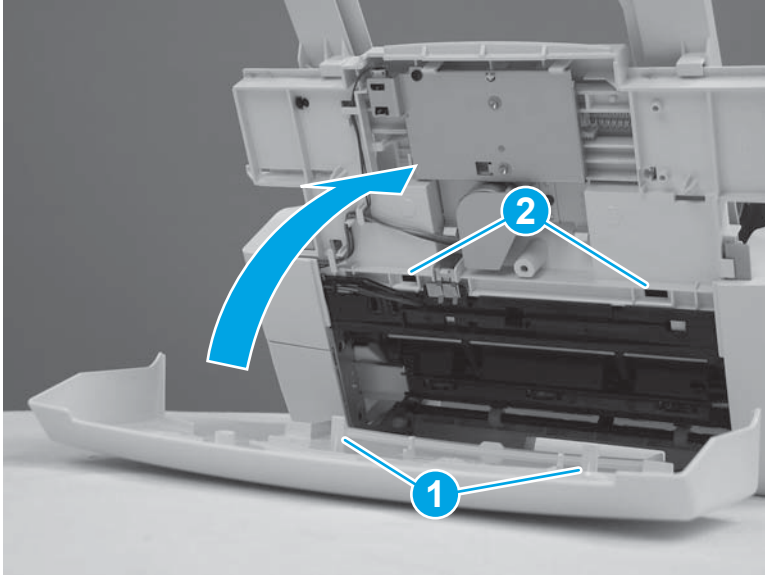


Step 13: Install the top cover (stapler/stacker)

 **NOTE:** For the stacker, skip this step and go to [Step 15: Install the delivery tray \(stacker or stapler/stacker\) on page 1570.](#)

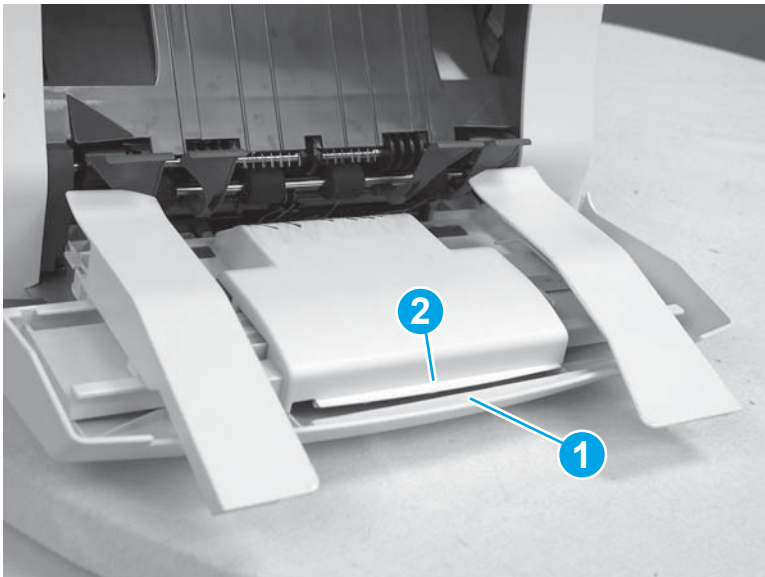
1. When installing the top cover, position the tabs (callout 1) on the cover into the slots (callout 2) on the stapler/stacker.

Figure 1-2799 Position the tabs in the slots



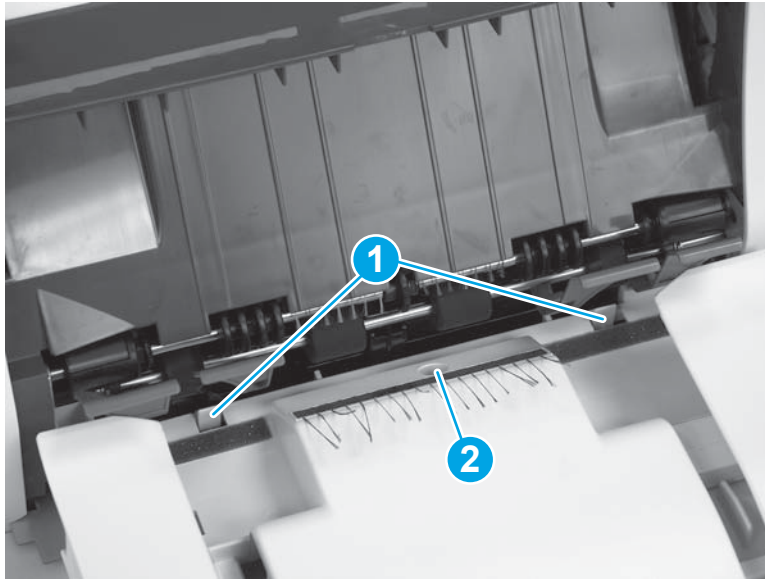
2. Position the top cover so that the edge of the top cover (callout 1) fits over the tab (callout 2) on the stapler/stacker.

Figure 1-2800 Position the top cover



3. Install two tabs (callout 1), and then install one screw (callout 2).

Figure 1-2801 Install two tabs and install one screw

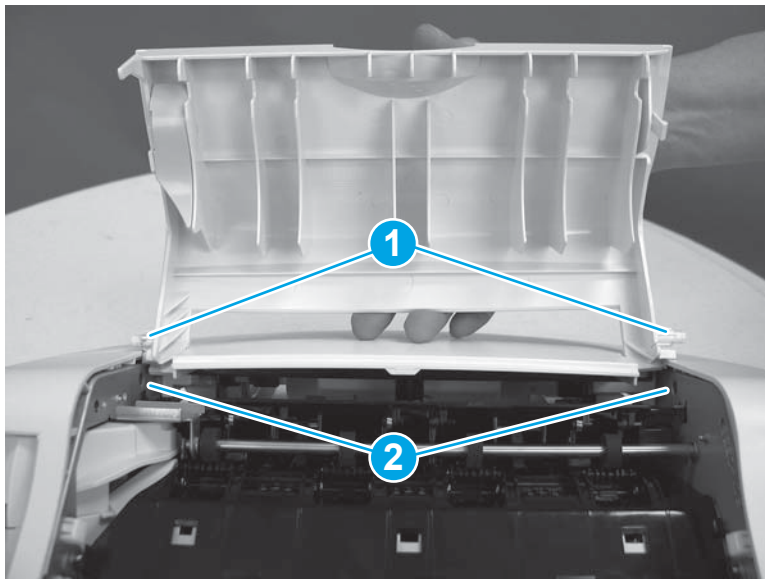


Step 14: Install the rear cover (stapler/stacker)

 **NOTE:** For the stacker, skip this step and go to [Step 15: Install the delivery tray \(stacker or stapler/stacker\)](#) on page 1570.

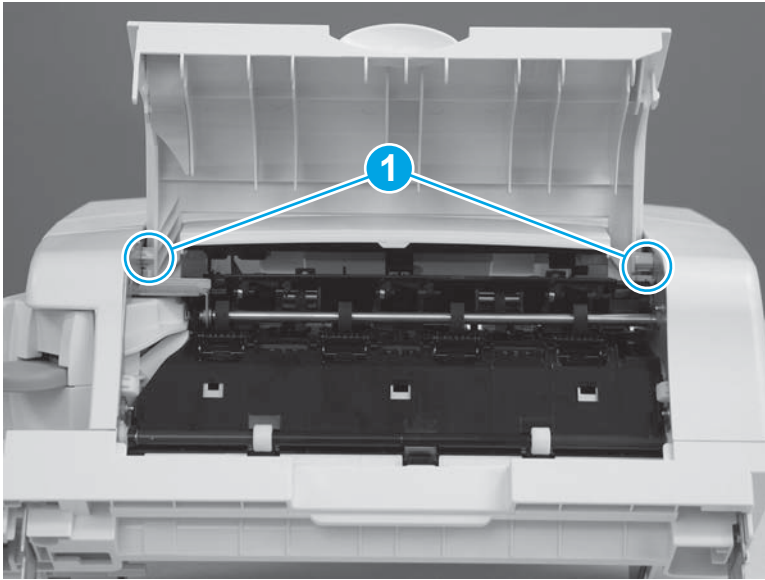
1. Position the hinge pins (callout 1) on the cover in the holes (callout 2) in the stapler/stacker.

Figure 1-2802 Install the rear cover



2. Make sure that the hinge pins (callout 1) are fully seated in position.

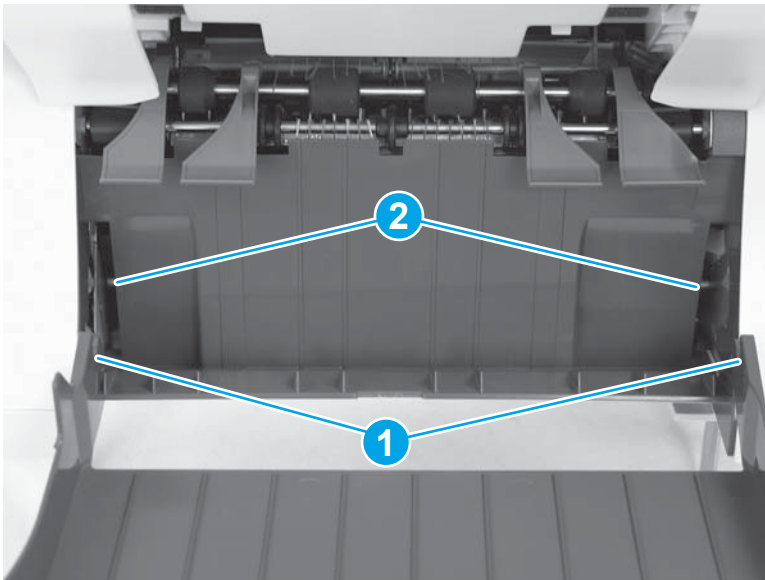
Figure 1-2803 Check the hinge pins



Step 15: Install the delivery tray (stacker or stapler/stacker)

- ▲ Align the slots (callout 1) on the delivery tray with the shaft (callout 2) on the stacker or stapler/stacker. Press the tray towards the stacker or stapler/stacker until the tray is fully seated on the shaft.

Figure 1-2804 Install the delivery tray



2 Parts and diagrams

- [For additional service and support](#)
- [Assembly locations](#)
- [Order parts, accessories, and supplies](#)
- [How to use the parts lists and diagrams](#)
- [Covers](#)
- [Internal components](#)
- [Power supply assembly](#)
- [Multi-purpose \(Tray 1\) pickup assembly](#)
- [Duplexer](#)
- [Envelope feeder](#)
- [500-sheet feeder](#)
- [1,500-sheet feeder](#)
- [5-bin mailbox](#)
- [Stacker and stapler/stacker](#)
- [Alphabetical parts list](#)
- [Numerical parts list](#)

For additional service and support

HP service personnel, go to the Service Access Work Bench (SAW) at <http://h41302.www4.hp.com/km/saw/home.do>.

Channel partners, go to HP Channel Services Network (CSN) at <https://h30125.www3.hp.com/hpcsn>.

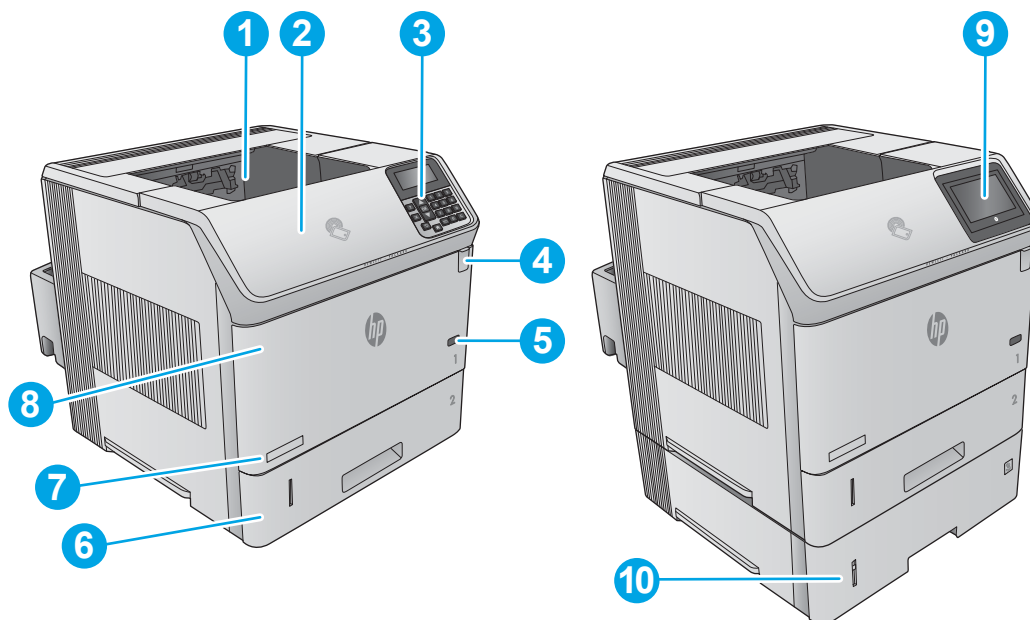
- To access HP PartSurfer information from any mobile device, go to <http://partsurfermobile.hp.com/> or scan the Quick Response (QR) code below.



- Install and configure
- Printer specifications
- Up to date control-panel message (CPMD) troubleshooting
- Solutions for printer issues and emerging issues
- Remove and replace part instructions and videos
- Service advisories
- Warranty & regulatory information

Assembly locations

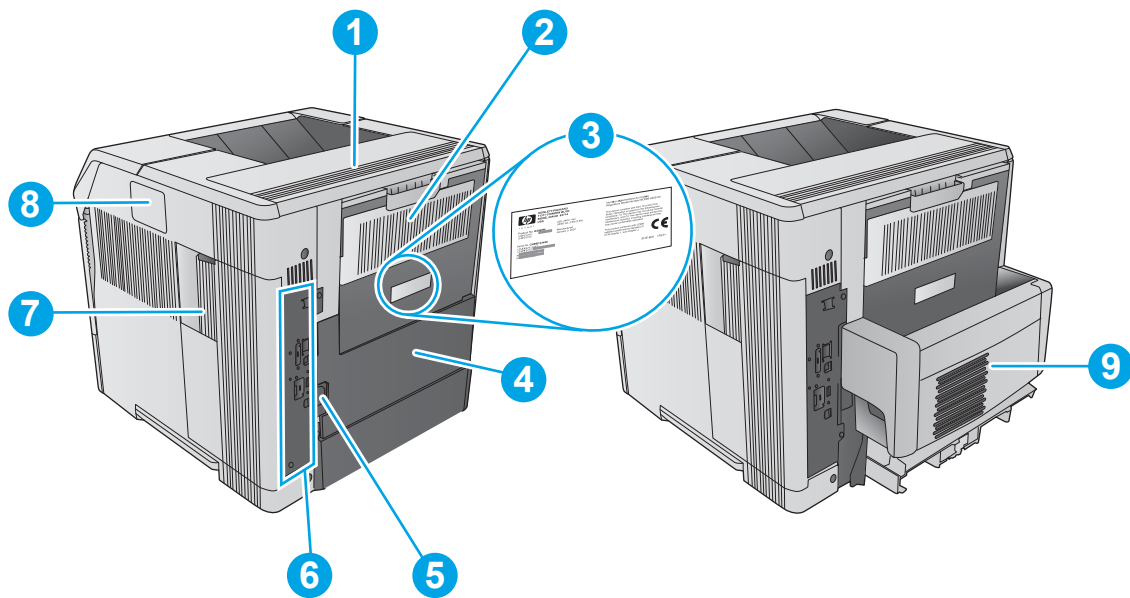
Product front view



1	Standard output bin
2	Top cover (access to the toner cartridge)
3	4-line LCD control panel with keypad (n and dn models only)
4	Easy-access USB port
5	On/off button
6	Tray 2
7	Model name
8	Tray 1
9	Control panel with color touchscreen display (x models only)
10	1 x 500-sheet feeder (included with the x model, optional for the other models)

NOTE: The product accepts up to four 1 x 500-sheet feeders, or three 1 x 500-sheet feeders and one 1,500-sheet high-capacity input tray.

Product back view



1	Output-accessory cover
2	Rear output bin
3	Serial number and product number label
4	Duplex accessory cover (n model only)
5	Power connection
6	Formatter (contains the interface ports)
7	Formatter cover
8	Hardware integration pocket (for connecting accessory and third-party devices)
9	Automatic duplex printing accessory (included with the dn and x models, optional for the n model)

Order parts, accessories, and supplies

Ordering

Order supplies and paper	www.hp.com/go/suresupply
Order genuine HP parts or accessories	www.hp.com/buy/parts or partsurfer.hp.com
Order through service or support providers	Contact an HP-authorized service or support provider.
Order using the HP Embedded Web Server (EWS)	To access, in a supported Web browser on your computer, enter the product IP address or host name in the address/URL field. The EWS contains a link to the HP SureSupply Web site, which provides options for purchasing Original HP supplies.

Orderable parts

Not all of the parts shown in the diagrams in this chapter can be ordered. Refer to the table following the diagram or the parts lists at the end of this chapter to determine if a part is orderable.

Supplies

Following are the part numbers for the supplies available for the product.

Table 2-1 Supplies

Item	Description	Part number
HP 81A Black Original LaserJet Toner Cartridge	Standard-capacity replacement toner cartridge	CF281A (new)
		CF281-67901 (service)
HP 81X High Yield Black Original LaserJet Toner Cartridge	High-capacity replacement toner cartridge	CF281X (new)
		NOTE: M605 and M606 models only CF281-67902 (service)
HP Staple Cartridge Refill	Three 1,000-staple cartridges	Q3216A (new)
		Q3216-67901 (service)

Accessories

Following are the part numbers for the accessories available for the product.

Table 2-2 Accessories

Item	Description	Part number
Automatic duplex assembly	Duplexer	F2G69A (new)
		F2G69-67901 (service)
Envelope feeder	Optional envelope feeder that holds up to 75 envelopes	F2G74A (new)
		F2G74-67901 (service)

Table 2-2 Accessories (continued)

Item	Description	Part number
Custom media tray	Optional tray that holds small-size paper. Replaces the standard tray in the Tray 2 position.	F2G75A (new) F2G75-60101 (service)
500-sheet paper feeder	Optional 500-sheet paper feeder (included with the x models)	F2G68A (new) F2G68-67901 (service)
1,500-sheet high-capacity paper feeder	Optional 1,500-sheet paper feeder	F2G73A (new) F2G73-67901 (service)
Printer stand	Optional stand with casters to support the printer Recommended when using multiple optional paper feeders.	F2G70A (new) F2G70-67901 (service)
Stacker	Optional paper-stacker output accessory	F2G71A (new) F2G71-67901 (service)
Stapler/stacker	Optional stapler/stacker output accessory	F2G72A (new) F2G72-67901 (service)
5-bin mailbox	Optional 5-bin mailbox output accessory	F2G81A (new) F2G81-67901 (service)
1 GB memory DIMM	Optional memory DIMM to increase the product memory	G6W84A (new) 5851-6422 (service)
HP Secure High-Performance Hard Disk Drive	Optional hard disk drive	B5L29A (new) B5L29-67901 (service)
Two Internal USB ports	Two optional USB ports for connecting third-party devices	B5L28A (new) 5851-6424 (service)
HP Trusted Platform Module	Automatically encrypts all data that passes through the product	F5S62A (new) F5S62-67901 (service)
HP Jetdirect 2900nw Print Server	USB wireless print server accessory	J8031A (new) J8031-61001 (service)
HP Jetdirect 3000w NFC/Wireless Accessory	Wi-Fi direct accessory for “touch” printing from mobile devices NOTE: Supported for the n and dn models only. The functionality is already integrated in the x models.	J8030A (new) J8030-61001 (service)

Customer self-repair kits

Following are the customer-replaceable kits available for the product.

The customer self-repair (CSR) level indicates the expected difficulty the customer will experience when replacing this part:

- **A:** Easy
- **B:** Requires a tool

Item	Description	CSR level	Part number
Control panel (M605x and M606x) kit	<ul style="list-style-type: none">• Control panel• Screwdriver	A	E6B67-67914
Cassette	<ul style="list-style-type: none">• Tray 2	A	RM2-6296-000CN
Cassette (500-sheet feeder)	<ul style="list-style-type: none">• Tray, 500-sheet feeder	A	RM2-6275-000CN
Transfer roller	<ul style="list-style-type: none">• Transfer roller	A	E6B67-67904
Tray 1 roller kit	<ul style="list-style-type: none">• Rollers for Tray 1	B	E6B67-67906
Tray 2 through 6 roller kit	<ul style="list-style-type: none">• Rollers for Tray 2, the optional 500-sheet paper feeders, and the optional 1,500-sheet high-capacity paper feeder	A	E6B67-67905
Torque limiter kit	<ul style="list-style-type: none">• Torque limiter	A	E6B67-67926
Fuser kit (110V)	<ul style="list-style-type: none">• Fuser (110V)	A	E6B67-67901
Fuser kit (220V)	<ul style="list-style-type: none">• Fuser (220V)	A	E6B67-67902
Preventive maintenance kit (110V)	<ul style="list-style-type: none">• Fuser (110V)• Transfer roller• Tray 2 through 6 roller kit	A	F2G76-67901
Preventive maintenance kit (220V)	<ul style="list-style-type: none">• Fuser (220V)• Transfer roller• Tray 2 through 6 roller kit	A	F2G77-67901
embedded MultiMedia Card (eMMC) kit	<ul style="list-style-type: none">• eMMC module	A	B5L32-60101


Related documentation and software


HP service personnel, go to the Service Access Work Bench (SAW) at <http://h41302.www4.hp.com/km/saw/home.do>.

Channel partners, go to HP Channel Services Network (CSN) at <https://h30125.www3.hp.com/hpcsn>.

How to use the parts lists and diagrams

The figures in this chapter show the major subassemblies in the product and their component parts. A parts list table follows each exploded view assembly diagram. Each table lists the item number, the associated part number, and the description of each part. If a part is not listed in the table, then it is not a field replacement unit (FRU).

 **CAUTION:** Be sure to order the correct part. When looking for part numbers for electrical components, pay careful attention to the voltage that is listed in the description column. Doing so will ensure that the part number selected is for the correct model.

 **NOTE:** In this manual, the abbreviation “PCA” stands for “printed circuit-board assembly.” Components described as a PCA might consist of a single circuit board or a circuit board plus other parts, such as cables and sensors.

Covers

Figure 2-1 Covers

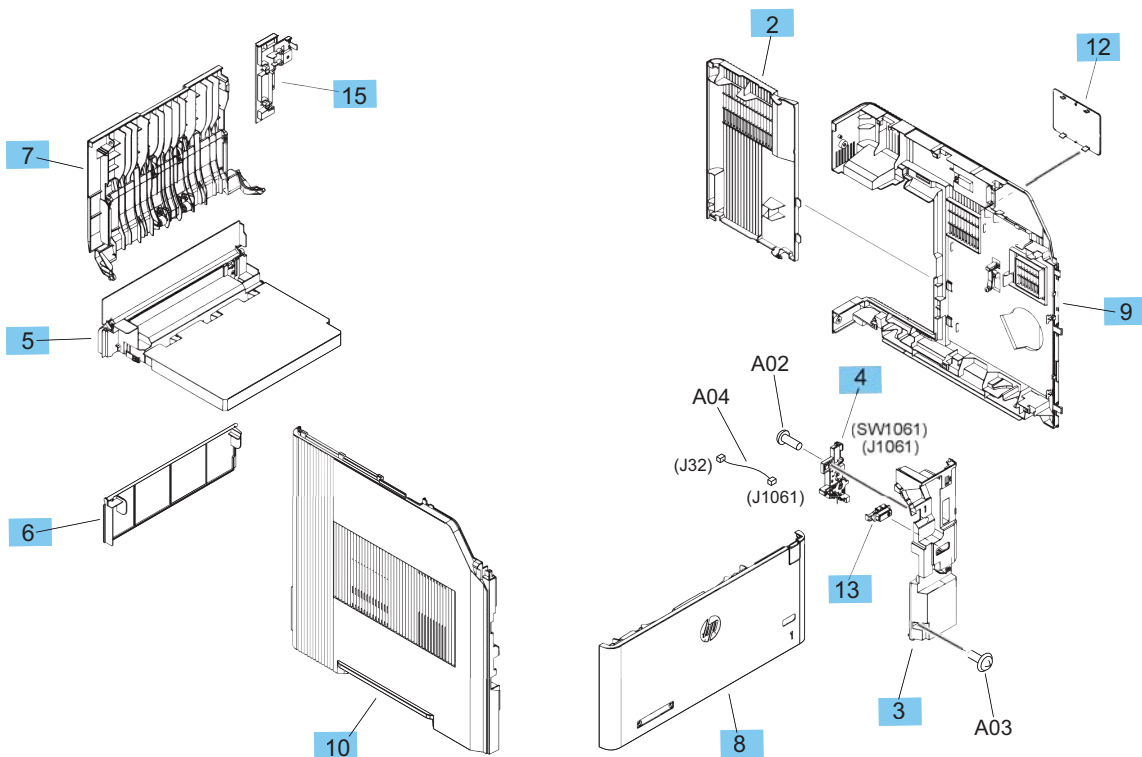
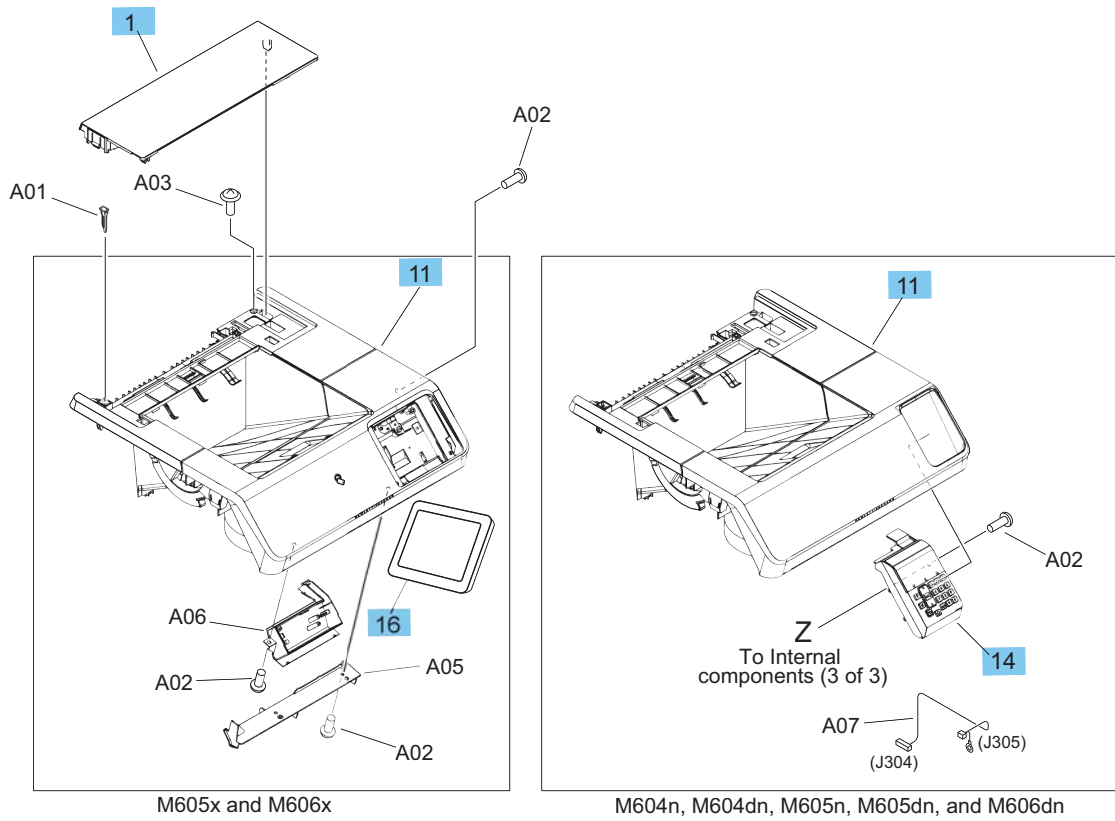


Table 2-3 Covers

Ref	Description	Part number	Qty
1	Cover, output accessory	RL2-1404-000CN	1
2	Cover, formatter	RC4-5802-000CN	1
3	Cover, right front	RC4-5837-000CN	1
4	PCA, switch	RM2-6327-000CN	1
5	Cover, duplexing	RM2-6310-000CN	1
6	Cover, legal	RC4-5872-000CN	1
7	Face-up tray assembly	RM2-6298-000CN	1
8	Cover, front (M604) ¹	E6B67-67927	1
8	Cover, front (M605) ¹	E6B69-67901	1
8	Cover, front (M606) ¹	E6B72-67901	1
9	Cover, right	RM2-6311-000CN	1
10	Cover, left	RM2-6312-000CN	1
11	Cover, top (M605n, M605dn, and M606dn)	RM2-6307-000CN	1
11	Cover, top (M604n and M604dn)	RM2-6919-000CN	1
11	Cover, top (M605x and M606x)	RM2-6306-000CN	1
12	Cover, HIP	RC4-5803-000CN	1
13	Switch button assembly	RM2-6333-000CN	1
14	Control panel (M604n, M604dn, M605n, M605dn, and M606dn)	RM2-7682-000CN	1
15	Cover, right rear	RC4-5804-000CN	1
16	Control panel (M605x and M606x)	E6B67-67914	1

¹ Tray 1 is part of the front cover.

Internal components

Internal components (1 of 3)

Figure 2-2 Internal components (1 of 3)

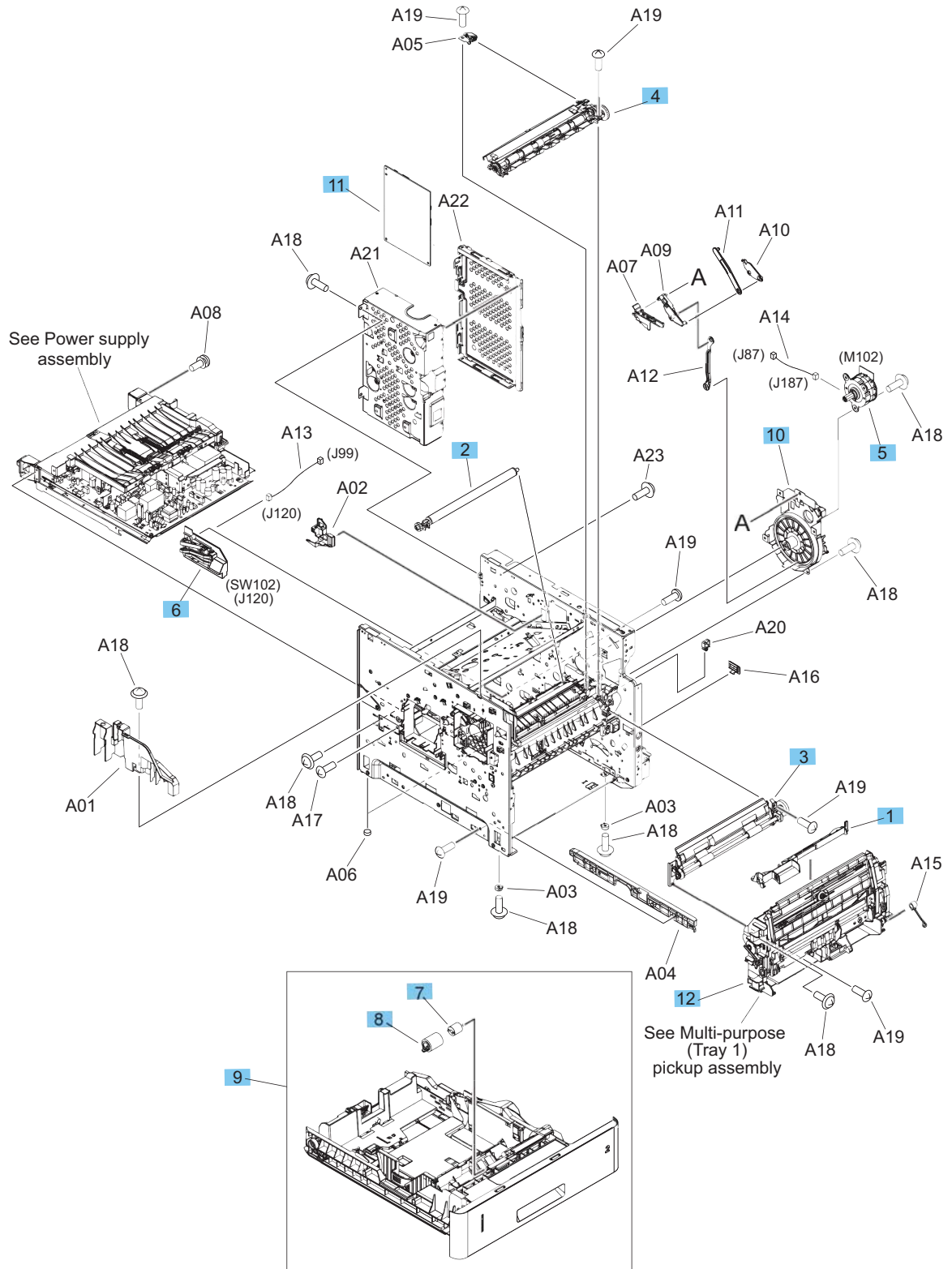


Table 2-4 Internal components (1 of 3)

Ref	Description	Part number	Qty
1	Cover, envelope	RL1-1667-000CN	1
2	Transfer roller kit	E6B67-67904	1
3	Paper feed roller assembly	RM1-8411-010CN	1
4	Registration assembly	RM1-8413-000CN	1
5	Drum motor assembly	RM1-8358-000CN	1
6	Size detect assembly	RM1-4525-000CN	1
7	Torque limiter kit	E6B67-67926	1
8	Roller, paper feed (part of Tray 2-6 roller kit)	E6B67-67905	1
9	Cassette (Tray 2 only)	RM2-6296-000CN	1
	NOTE: If replacing the tray for the 500-sheet feeder, order part number RM2-6275-000CN.		
10	Drum drive assembly	RM2-6920-000CN	1
11	PCA, formatter	E6B69-60001	1
12	Multi-purpose (Tray 1) pickup assembly	RM2-6323-000CN	1
Not shown	Wireless PCA, embedded	1150-7968	1
Not shown	Near field communication (NFC) PCA, embedded	B5L24-60002	1

Internal components (2 of 3)

Figure 2-3 Internal components (2 of 3)

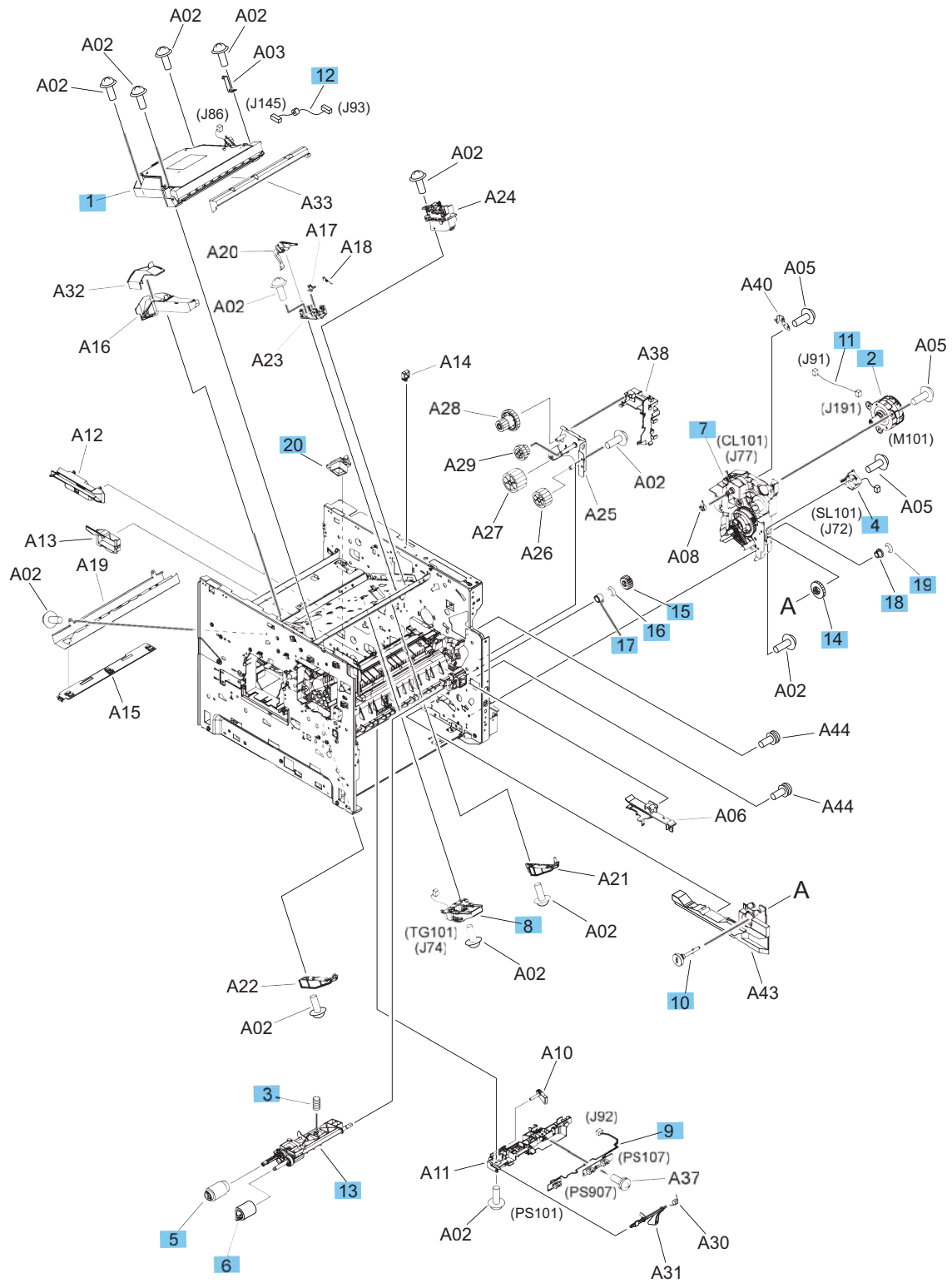


Table 2-5 Internal components (2 of 3)

Ref	Description	Part number	Qty
1	Laser scanner assembly	RM1-8406-000CN	1
2	Paper feed motor assembly	RM1-8285-000CN	1
3	Spring, compression	RC1-0213-000CN	1
4	Solenoid	RL2-1409-000CN	1
5	Roller, paper pickup (part of Tray 2-6 roller kit)	E6B67-67905	1
6	Roller, paper feed (part of Tray 2-6 roller kit)	E6B67-67905	1
7	Paper pickup drive assembly	RM1-8415-000CN	1
8	Tag holder assembly	RM1-4539-000CN	1
9	Feeder sensor cable assembly	RM2-7687-000CN	1
10	Shaft, retard drive	RL1-3020-000CN	1
11	Cable, feed motor	RM1-8311-000CN	1
12	Cable, laser	RM1-8340-000CN	1
13	Paper feed shaft assembly	RM1-8424-000CN	1
14	Gear, 23T	RU5-0040-000CN	1
15	Gear, 18T	RU5-0088-000CN	1
16	Ring, E	XD9-0233-010CN	1
17	Bushing	RC3-1403-000CN	1
18	Bushing	RC1-0214-000CN	1
19	Ring, E	XD9-0232-010CN	1
20	Connector, drawer, 6P	VS1-7500-006CN	1

Table 2-6 Internal components (3 of 3)

Ref	Description	Part number	Qty
1	Fuser kit (110V)	E6B67-67901	1
1	Fuser kit (220V)	E6B67-67902	1
2	Paper delivery assembly	RM2-6319-000CN	1
3	Environmental sensor assembly	RM1-8438-000CN	1
4	Fan (FN101)	RK2-1988-000CN	1
5	Fan (FN102)	RK2-1989-000CN	1
6	Fan (FN103)	RK2-3244-000CN	1
7	Fan (FN104)	RK2-1992-000CN	1
8	Cable, flexible flat	RK2-6768-000CN	1
9	Switch, push	WC2-5637-000CN	1
10	PCA, DC controller	RM2-7643-000CN	1
11	Fuser (fixing) motor assembly	RM1-8928-000CN	1
12	IC, photo interrupter	WG8-5849-000CN	1
13	Cable, HIP	RK2-6761-000CN	1
14	Lifter drive assembly	RM2-6335-000CN	1
15	Easy-access USB	RM2-6328-000CN	1
16	PCA, memory (island of data)	RM2-7645-000CN	1
17	Locking bushing, paper delivery	RC1-0136-000CN	1
18	Cable, fuser (fixing) motor	RM1-5088-000CN	1
19	Cable, door switch	RM1-8344-000CN	1
20	Paper delivery drive assembly	RM2-6318-000CN	1
21	Gear 23T/19T	RU7-0295-000CN	1
22	Fuser drive assembly	RM2-6231-000CN	1

Power supply assembly

Figure 2-5 Power supply assembly

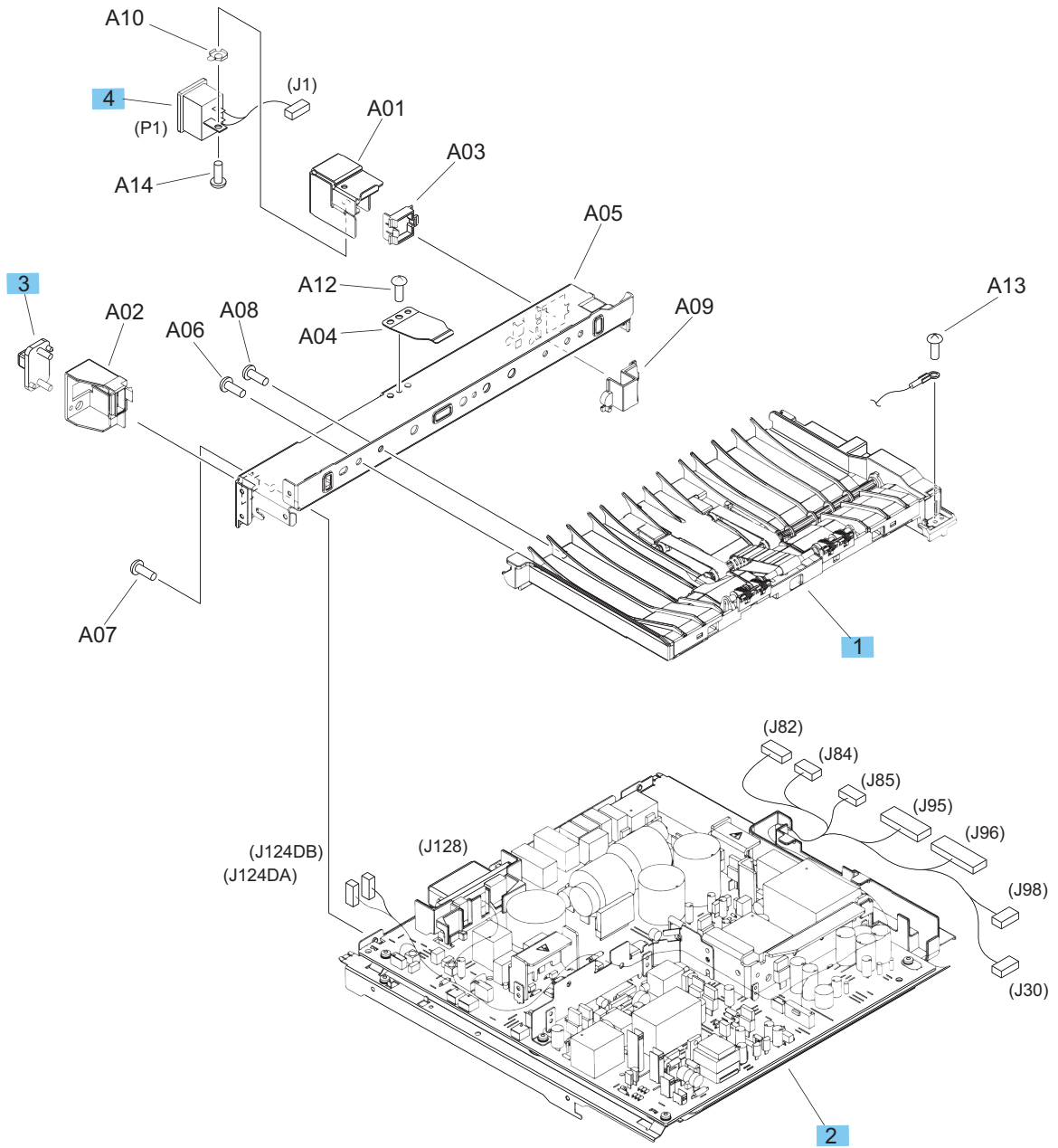


Table 2-7 Power supply assembly

Ref	Description	Part number	Qty
1	Paper feed assembly	RM1-4548-000CN	1
2	Power supply assembly (110V)	RM2-6301-000CN	1
2	Power supply assembly (220V)	RM2-6349-000CN	1
3	Connector, drawer 6P	VS1-7514-006CN	1
4	Cable, inlet	RM1-8348-000CN	1

Multi-purpose (Tray 1) pickup assembly

Figure 2-6 Multi-purpose (Tray 1) pickup assembly

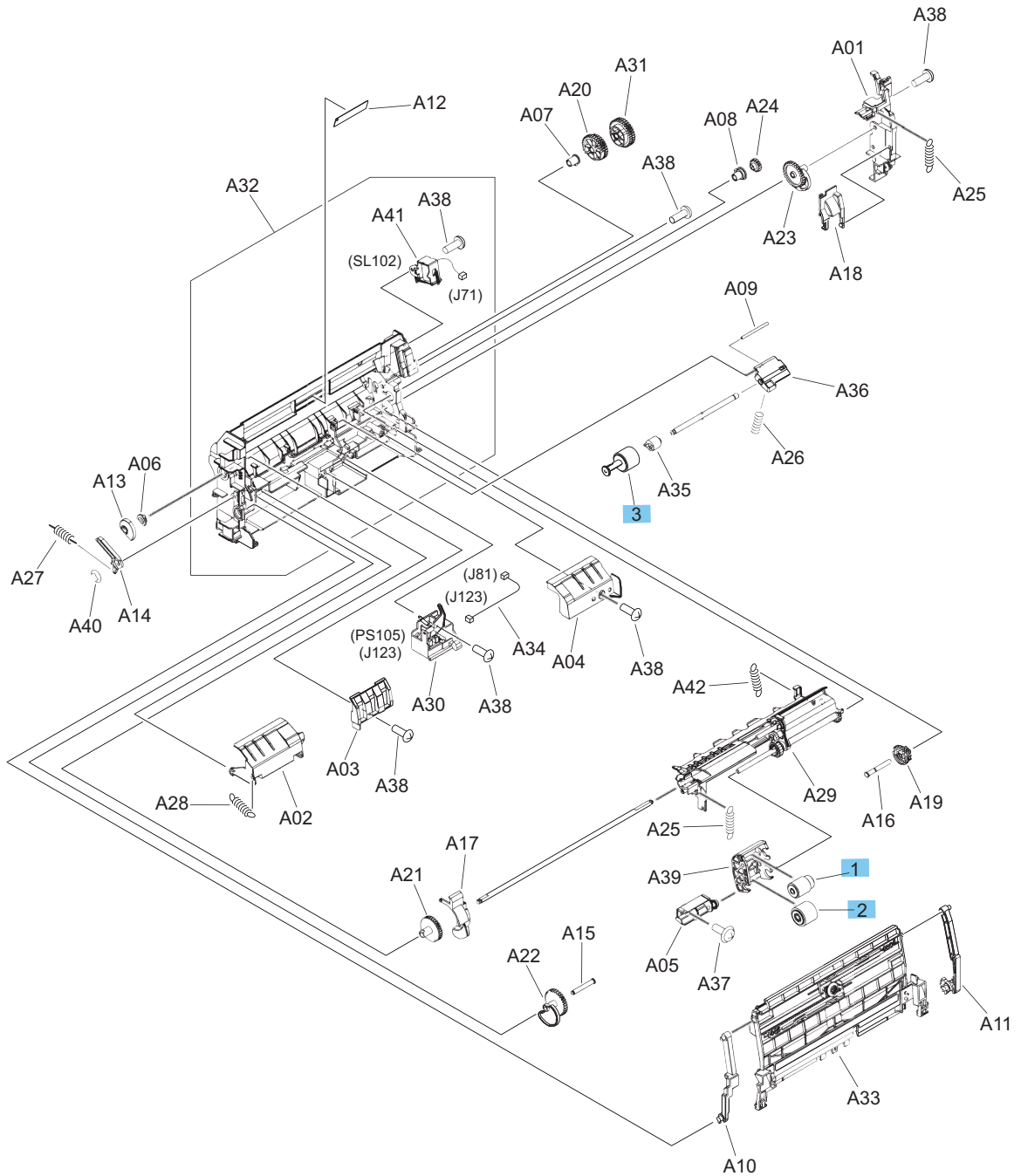


Table 2-8 Multi-purpose (Tray 1) pickup assembly

Ref	Description	Part number	Qty
1	Roller, paper pickup (part of Tray 1 roller kit)	E6B67-67906	1
2	Roller, paper feed (part of Tray 1 roller kit)	E6B67-67906	1
3	Roller, separation (part of Tray 1 roller kit)	E6B67-67906	1

Duplexer

Figure 2-7 Duplexer

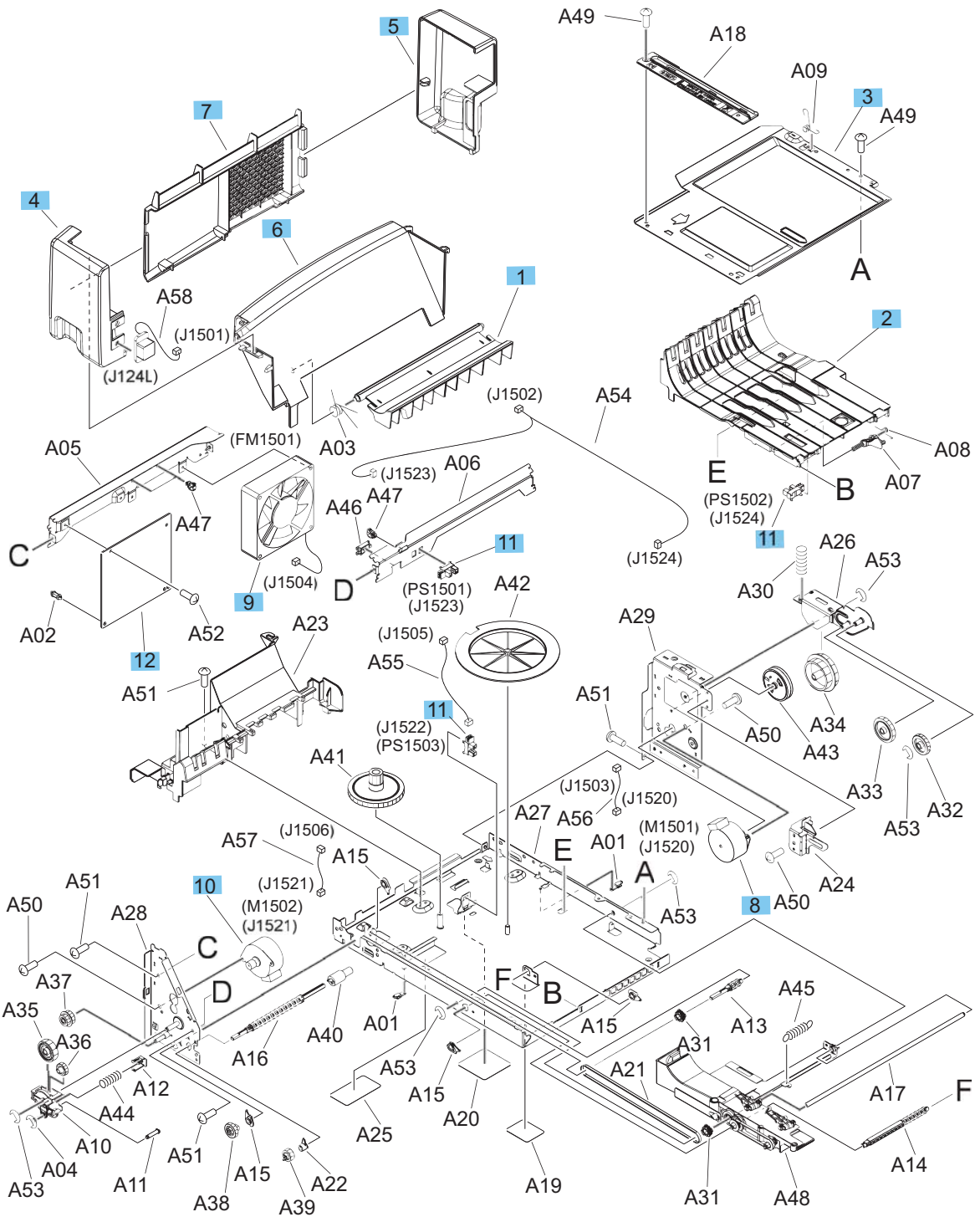


Table 2-9 Duplexer

Ref	Description	Part number	Qty
1	Deflector, paper re-pickup (duplexer)	RC4-5907-000CN	1
2	Guide, paper re-pickup, lower (duplexer)	RC2-2599-000CN	1
3	Guide, paper re-pickup, upper (duplexer)	RC2-2602-000CN	1
4	Cover, left (duplexer)	RC4-5905-000CN	1
5	Cover, right (duplexer)	RC4-5903-000CN	1
6	Cover, upper (duplexer)	RC4-5906-000CN	1
7	Cover, rear (duplexer)	RC4-5904-000CN	1
8	Motor, stepping, DC24V (duplexer)	RK2-7885-000CN	1
9	Fan (duplexer)	RK2-2016-000CN	1
10	Motor, stepping, DC24V (duplexer)	RK2-2139-000CN	1
11	Photo interrupter (duplexer)	WG8-5849-000CN	3
12	PCA (duplexer)	RM2-7656-000CN	1

Envelope feeder

Envelope feeder covers and panels

Figure 2-8 Envelope feeder covers and panels

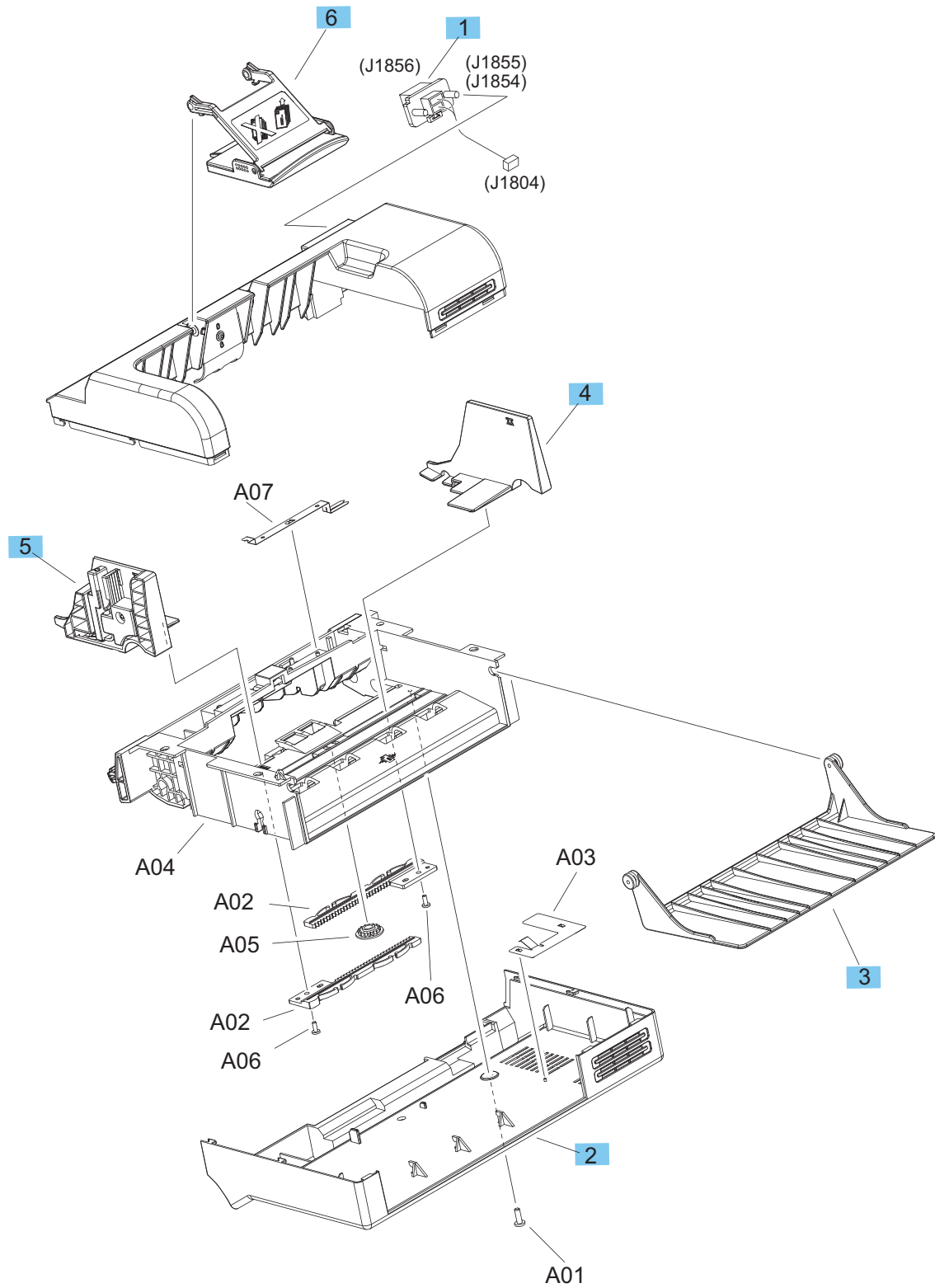


Table 2-10 Envelope feeder covers and panels

Ref	Description	Part number	Qty
1	Cable, interface (envelope feeder)	RM1-9032-000CN	1
2	Cover, lower (envelope feeder)	RC4-6890-000CN	1
3	Tray, extension (envelope feeder)	RC4-6891-000CN	1
4	Guide, width limit, right (envelope feeder)	RC4-6107-000CN	1
5	Paper side end assembly (envelope feeder)	RM2-6171-000CN	1
6	Weight assembly (envelope feeder)	RM2-6728-000CN	1

Envelope feeder internal components (1 of 2)

Figure 2-9 Envelope feeder internal components (1 of 2)

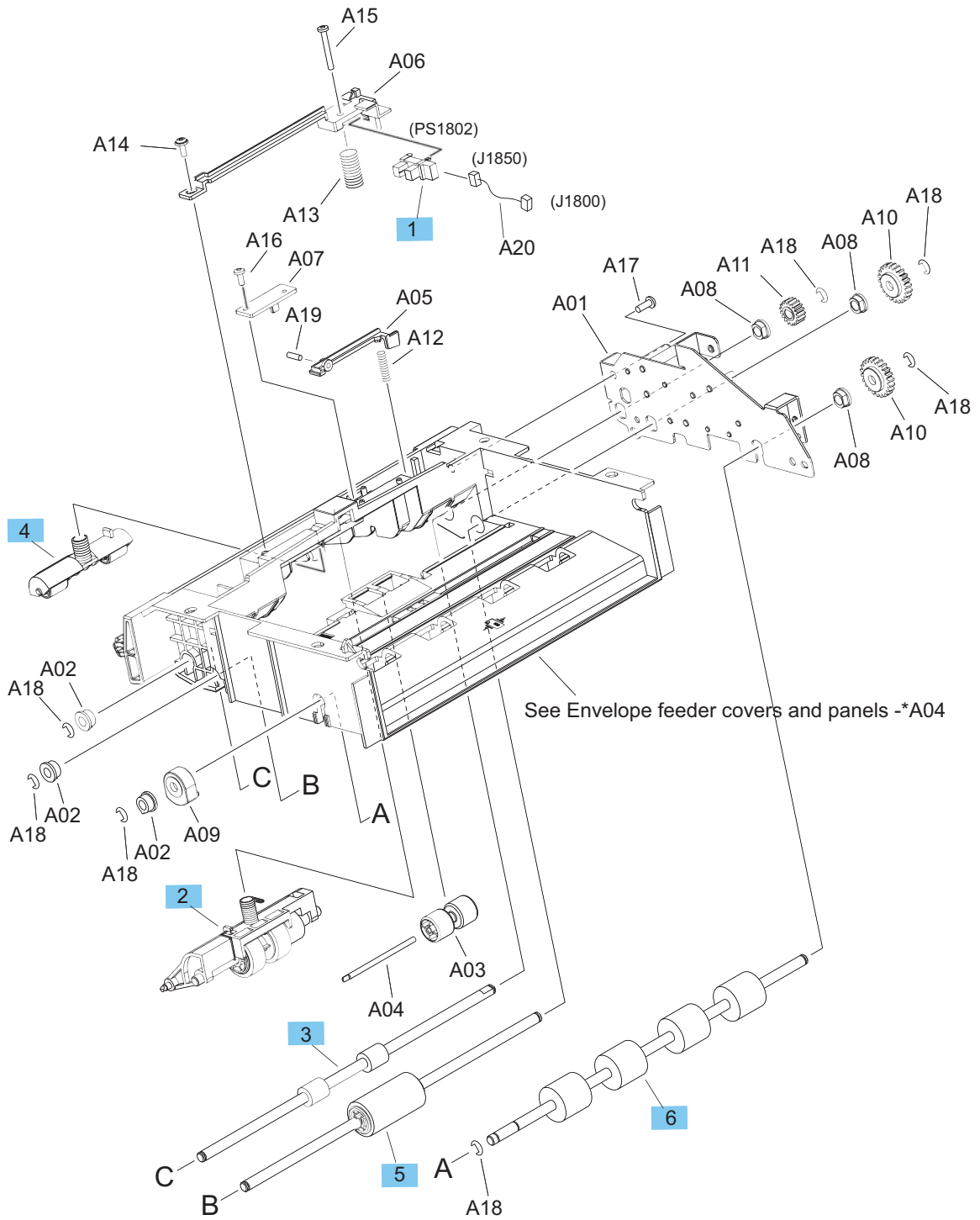


Table 2-11 Envelope feeder internal components (1 of 2)

Ref	Description	Part number	Qty
1	IC, photo interrupter (envelope feeder)	WG8-5624-000CN	1
2	Roller, separation (envelope feeder)	RM1-5224-000CN	1
3	Roller, paper feed (envelope feeder)	RC2-5701-000CN	1
4	Roller, paper feed assembly (envelope feeder)	RM1-5223-000CN	1
5	Roller, paper pickup assembly (envelope feeder)	RM1-5221-000CN	1
6	Roller, paper pickup (envelope feeder)	RC2-5700-000CN	1

Envelope feeder internal components (2 of 2)

Figure 2-10 Envelope feeder internal components (2 of 2)

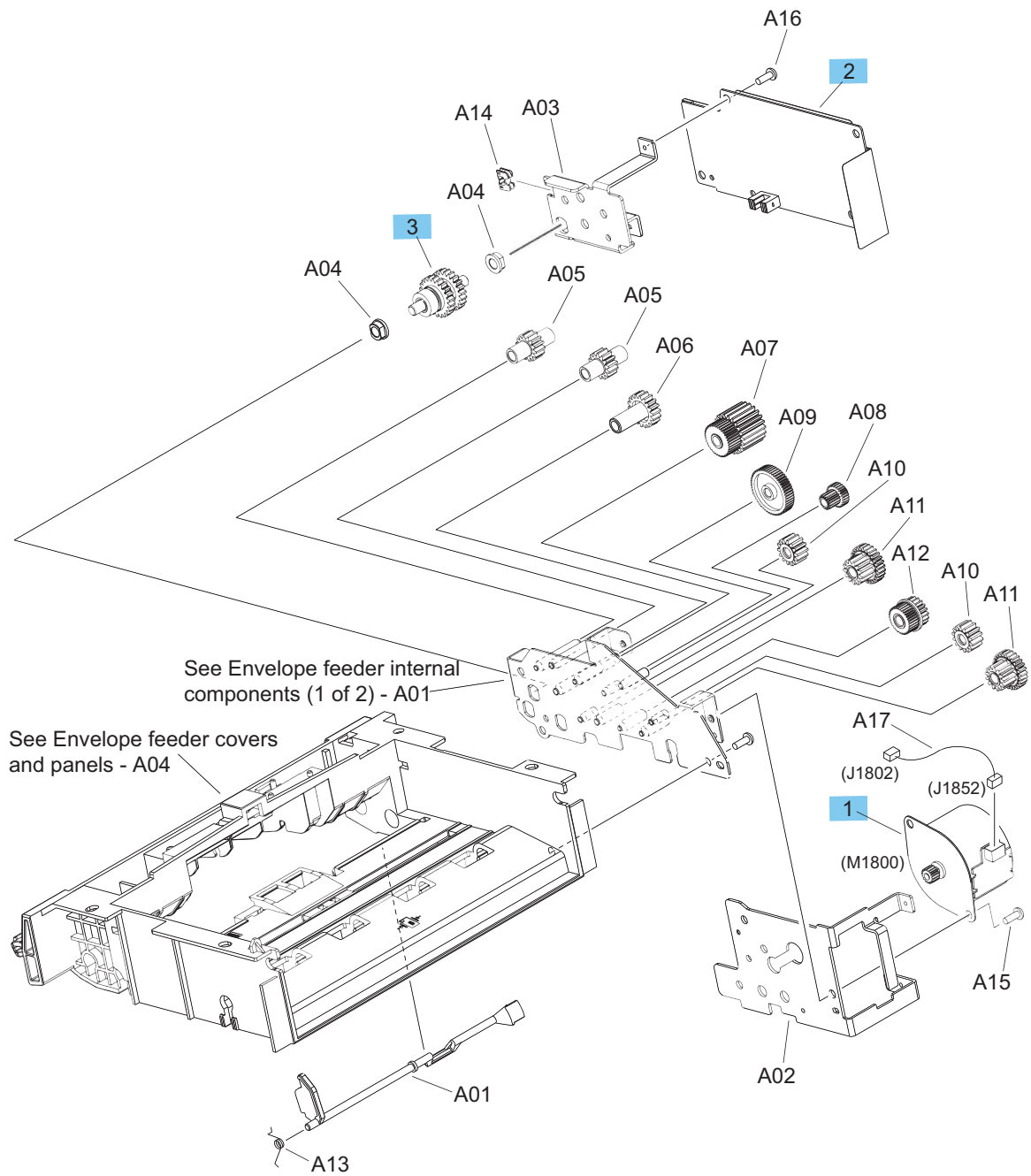


Table 2-12 Envelope feeder internal components (2 of 2)

Ref	Description	Part number	Qty
1	Motor, stepping, DC24V (envelope feeder)	RK2-2162-000CN	1
2	PCA, envelope controller (envelope feeder)	RM2-8651-000CN	1
3	Joint shaft assembly (envelope feeder)	RM1-5222-000CN	1

500-sheet feeder

500-sheet feeder covers

Figure 2-11 500-sheet feeder covers

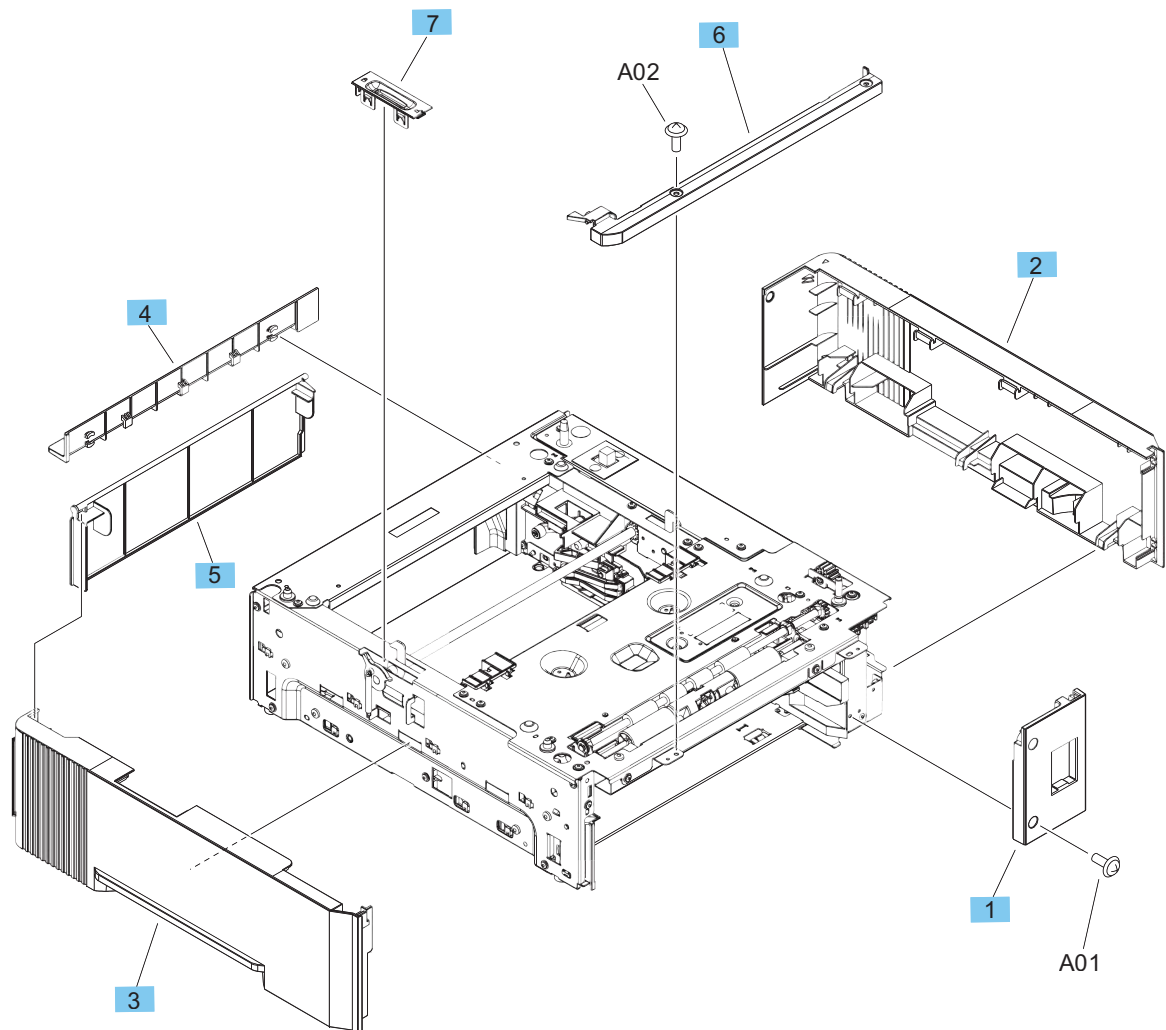


Table 2-13 500-sheet feeder covers

Ref	Description	Part number	Qty
1	Cover, front right (500-sheet feeder)	RC4-5897-000CN	1
2	Cover, right (500-sheet feeder)	RC4-5896-000CN	1
3	Cover, left (500-sheet feeder)	RC4-5895-000CN	1
4	Cover, rear (500-sheet feeder)	RC4-5902-000CN	1
5	Cover, legal (500-sheet feeder)	RC4-5872-000CN	1
6	Cover, front (500-sheet feeder)	RC4-5894-000CN	1
7	Cover, lock (500-sheet feeder)	RC4-5900-000CN	1

500-sheet feeder main body

Figure 2-12 500-sheet feeder main body

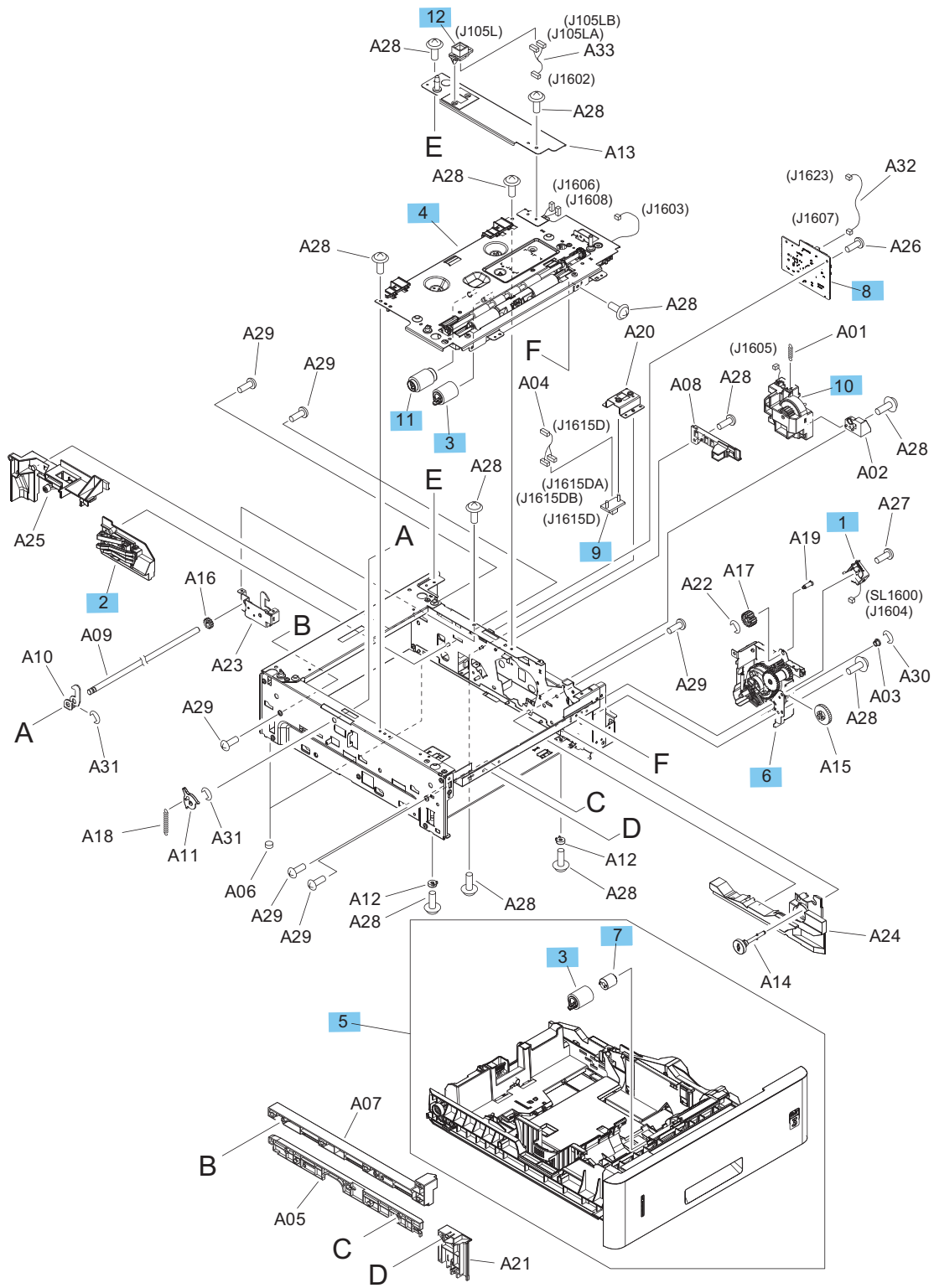


Table 2-14 500-sheet feeder covers

Ref	Description	Part number	Qty
1	Solenoid (500-sheet feeder)	RL2-1410-000CN	1
2	Size detect assembly (500-sheet feeder)	RM1-4525-000CN	1
3	Roller, paper feed (500-sheet feeder; part of Tray 2-6 roller kit)	E6B67-67905	2
4	Top plate front assembly (500-sheet feeder)	RM2-6280-000CN	1
5	Cassette (500-sheet feeder)	RM2-6275-000CN	1
6	Pickup drive side plate assembly (500-sheet feeder)	RM1-8441-000CN	1
7	Torque limiter kit (500-sheet feeder)	E6B67-67926	1
8	PCA (500-sheet feeder)	RM2-7646-000CN	1
9	Connector, drawer, 6P (500-sheet feeder)	VS1-7500-006CN	1
10	Lifter drive assembly (500-sheet feeder)	RM2-6278-000CN	1
11	Roller, paper pickup (500-sheet feeder; part of Tray 2-6 roller kit)	E6B67-67905	1
12	Connector, drawer, 6P (500-sheet feeder)	VS1-7500-006CN	1

1,500-sheet feeder

1,500-sheet feeder covers and panels

Figure 2-13 1,500-sheet feeder covers and panels

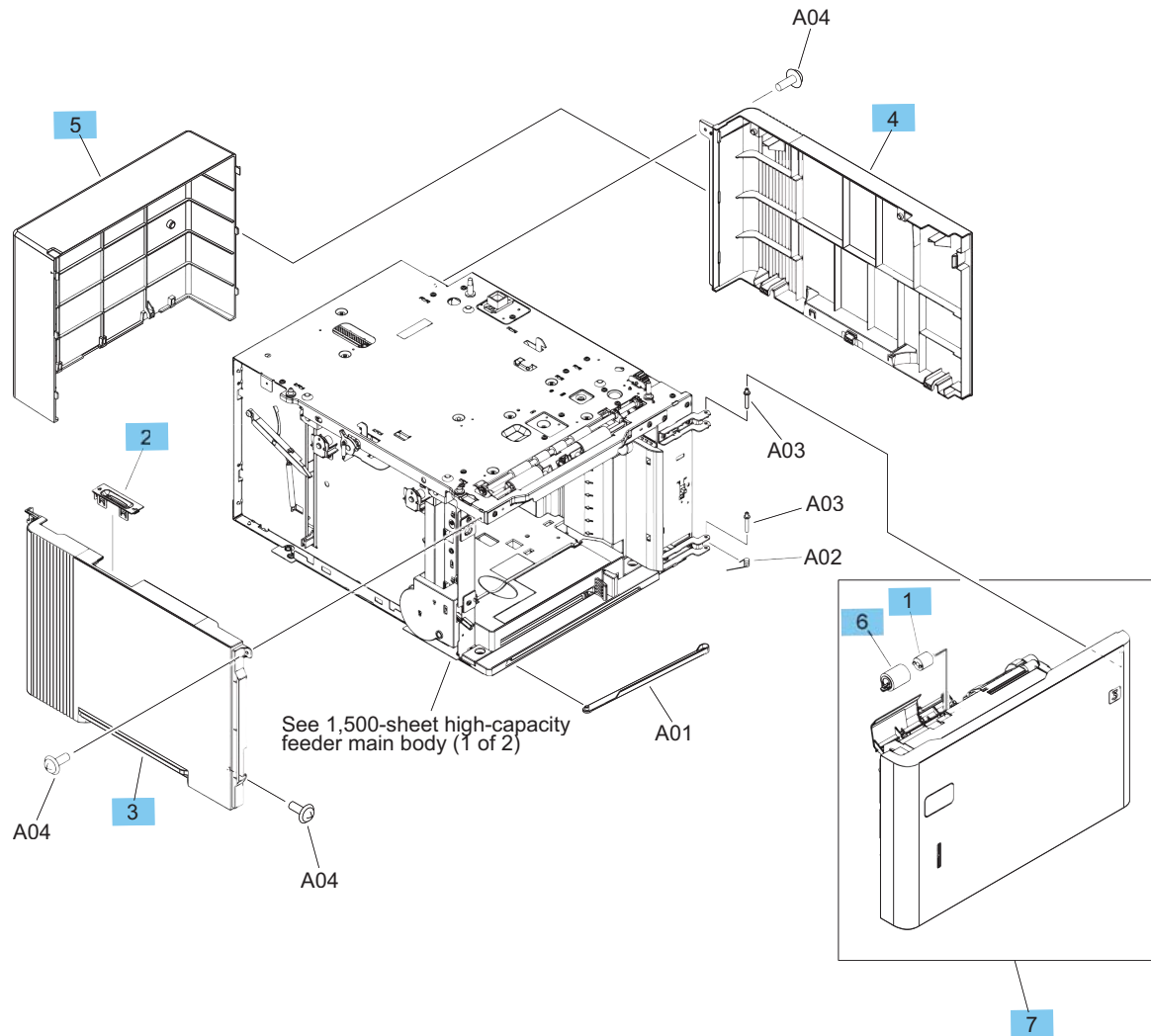


Table 2-15 1,500-sheet feeder covers and panels

Ref	Description	Part number	Qty
1	Torque limiter kit(1,500-sheet feeder)	E6B67-67926	1
2	Cover, lock (1,500-sheet feeder)	RC4-5900-000CN	1
3	Cover, left (1,500-sheet feeder)	RC4-5980-000CN	1
4	Cover, right (1,500-sheet feeder)	RC4-5981-000CN	1
5	Cover, rear (1,500-sheet feeder)	RC4-5989-000CN	1
6	Roller, paper feed (1,500-sheet feeder; part of Tray 2-6 roller kit)	E6B67-67905	1
7	Door, front (1,500-sheet feeder)	RM2-6037-000CN	1

1,500-sheet feeder main body (1 of 2)

Figure 2-14 1,500-sheet feeder main body (1 of 2)

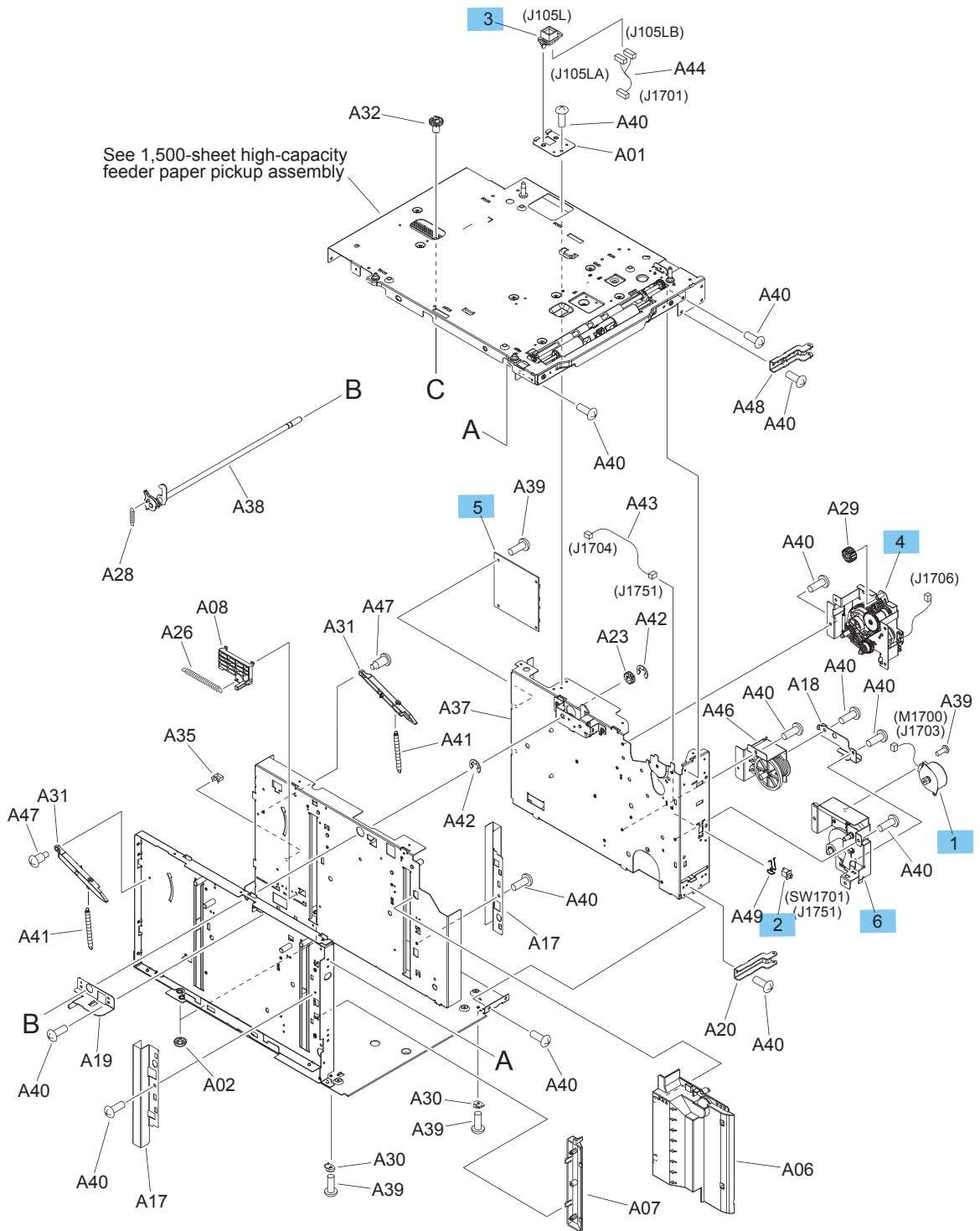


Table 2-16 1,500-sheet feeder main body (1 of 2)

Ref	Description	Part number	Qty
1	Motor, stepping (1,500-sheet feeder)	RH7-1603-020CN	1
2	Switch, push (1,500-sheet feeder)	WC2-5806-000CN	1
3	Connector, drawer, 6P (1,500-sheet feeder)	VS1-7500-006CN	1
4	Paper pickup drive assembly (1,500-sheet feeder)	RM2-6045-000CN	1
5	PCA, paper deck (1,500-sheet feeder)	RM2-7647-000CN	1
6	Lifter drive assembly (1,500-sheet feeder)	RM2-6044-000CN	1

1,500-sheet feeder main body (2 of 2)

Figure 2-15 1,500-sheet feeder main body (2 of 2)

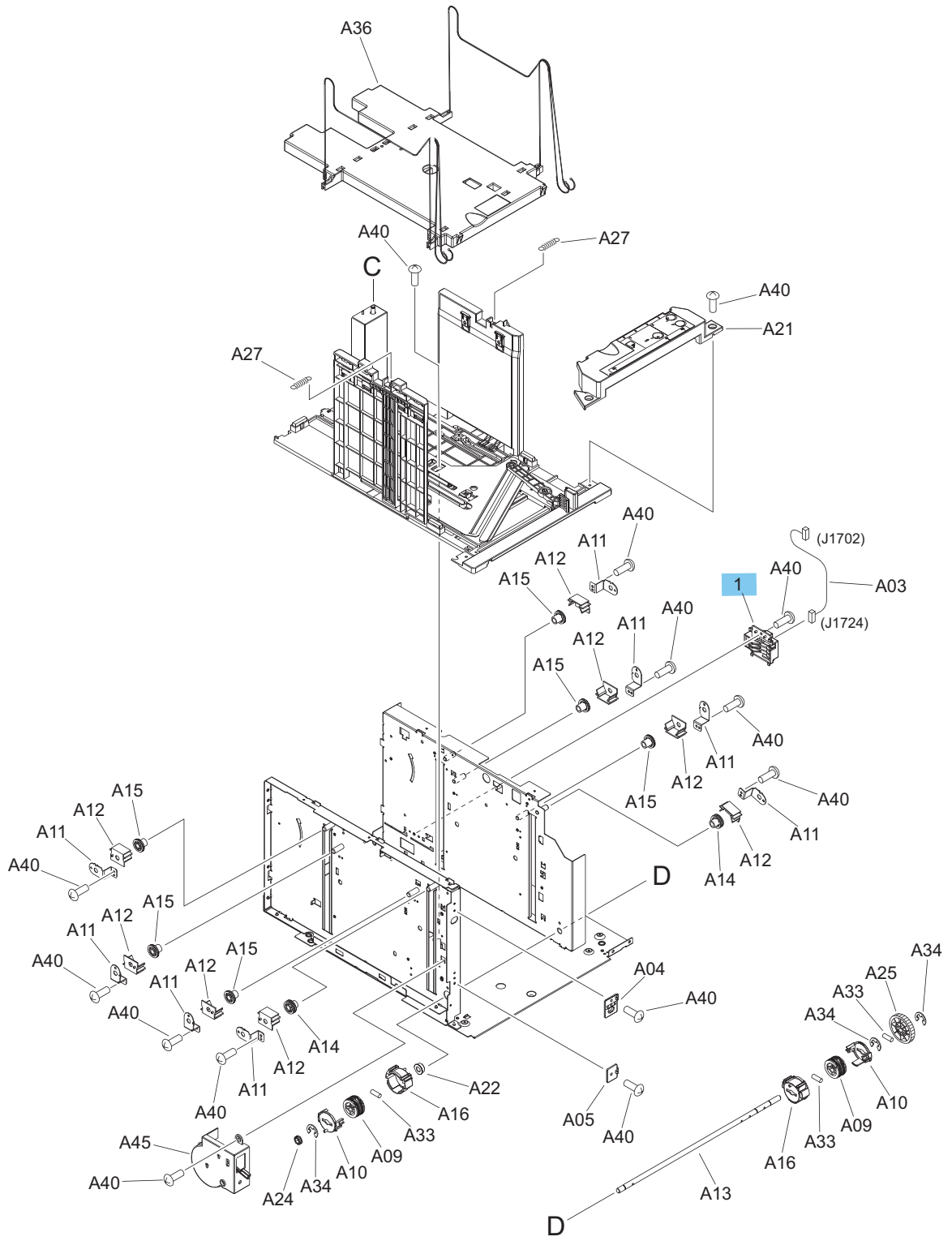


Table 2-17 1,500-sheet feeder main body (2 of 2)

Ref	Description	Part number	Qty
1	Paper size detect assembly (1,500-sheet feeder)	RM1-5261-000CN	1

1,500-sheet feeder paper pickup assembly

Figure 2-16 1,500-sheet feeder paper pickup assembly

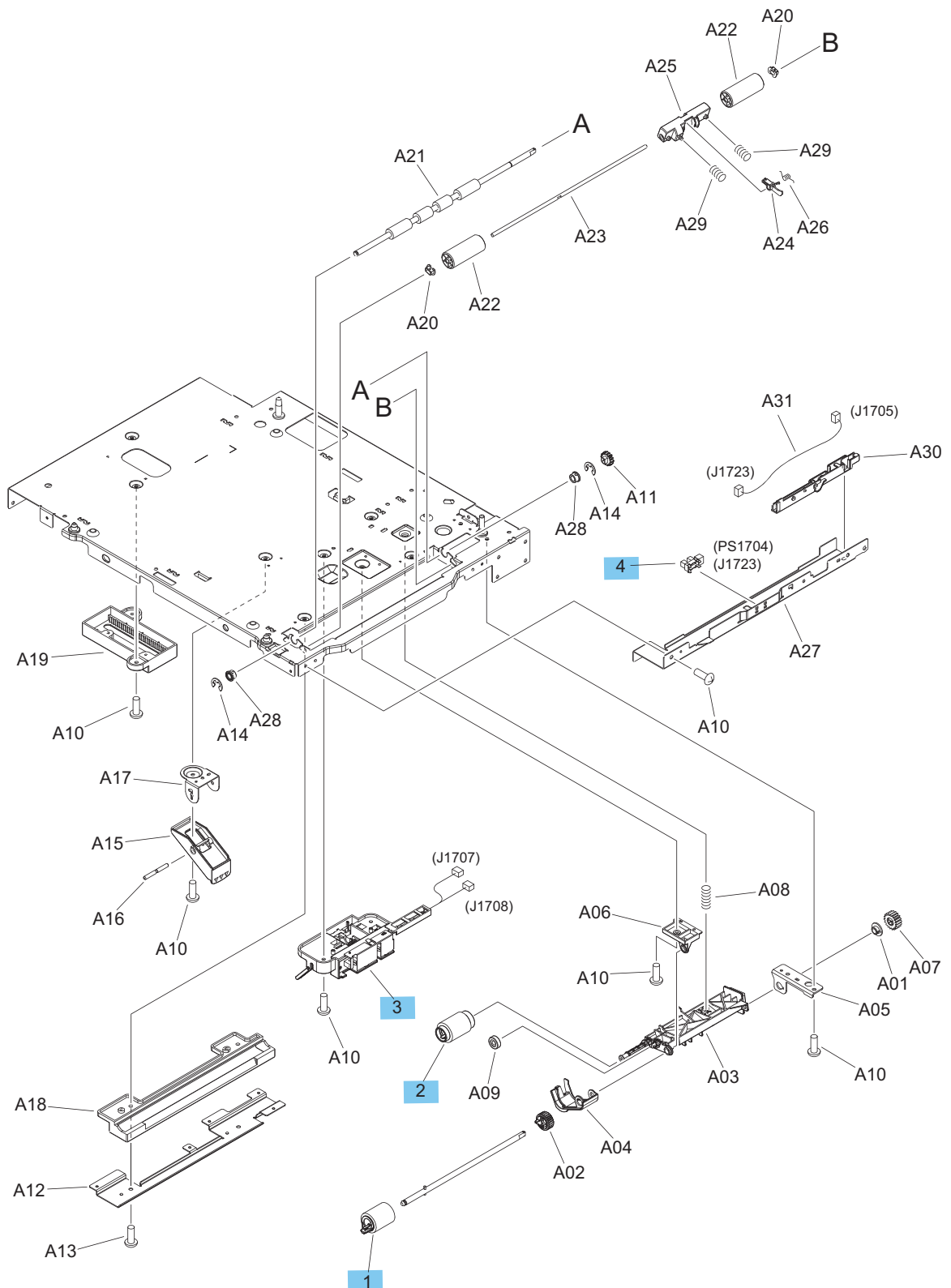


Table 2-18 1,500-sheet feeder paper pickup assembly

Ref	Description	Part number	Qty
1	Roller, paper feed (1,500-sheet feeder; part of Tray 2-6 roller kit)	E6B67-67905	1
2	Roller, paper pickup (1,500-sheet feeder; part of Tray 2-6 roller kit)	E6B67-67905	1
3	Paper detect sensor assembly (1,500-sheet feeder)	RM2-6042-000CN	1
4	IC, photo interrupter (1,500-sheet feeder)	WG8-5849-000CN	1

5-bin mailbox

5-bin mailbox covers and panels

Figure 2-17 5-bin mailbox covers and panels

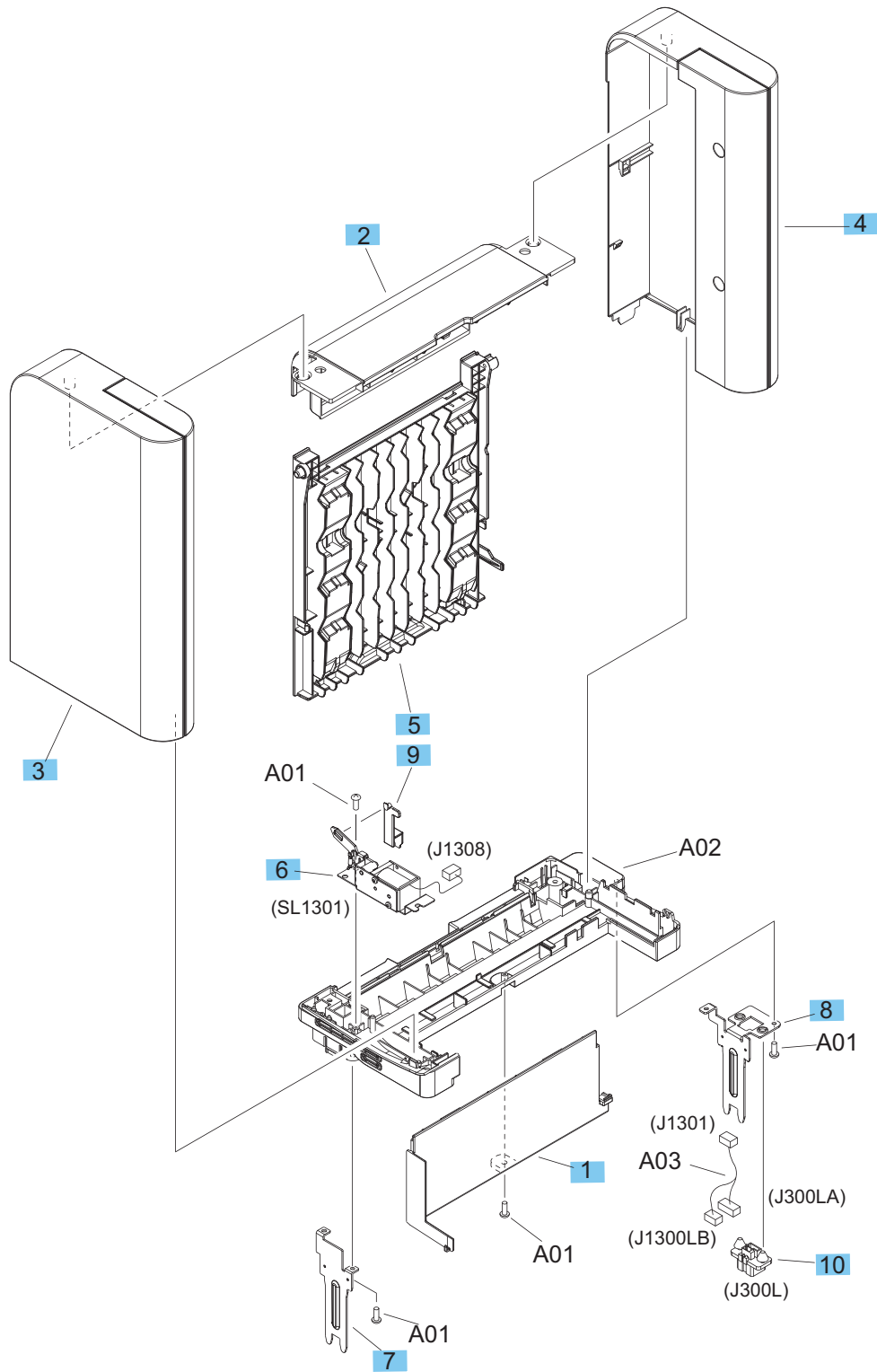


Table 2-19 5-bin mailbox covers and panels

Ref	Description	Part number	Qty
1	Cover, front (5-bin mailbox)	RC4-6204-000CN	1
2	Cover, top (5-bin mailbox)	RL2-1349-000CN	1
3	Cover, left (5-bin mailbox)	RM2-6241-000CN	1
4	Cover, right (5-bin mailbox)	RM2-6242-000CN	1
5	Door, rear (5-bin mailbox)	RM2-6243-000CN	1
6	Solenoid assembly, IN (5-bin mailbox)	RM1-5270-000CN	1
7	Joint, left (5-bin mailbox)	RL1-1703-000CN	1
8	Joint, right (5-bin mailbox)	RL1-1704-000CN	1
9	Lever, IN flapper link (5-bin mailbox)	RL1-2232-000CN	1
10	Connector, 8P (5-bin mailbox)	VS1-7500-008CN	1

5-bin mailbox main body (1 of 2)

Figure 2-18 5-bin mailbox main body (1 of 2)

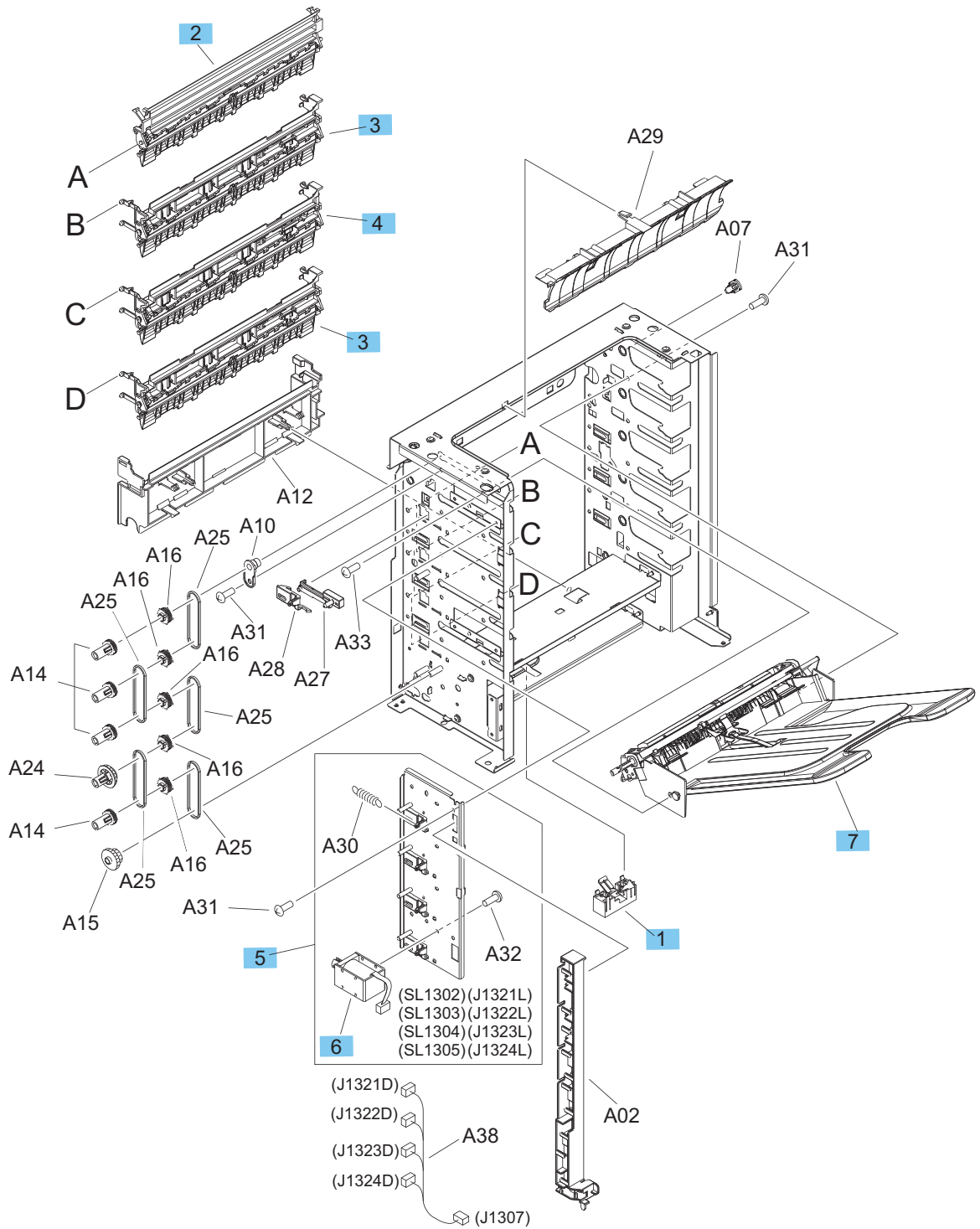


Table 2-20 5-bin mailbox main body (1 of 2)

Ref	Description	Part number	Qty
1	Paper sensing flag assembly(5-bin mailbox)	RM1-5269-000CN	1
2	Top bin flapper assembly (5-bin mailbox)	RM1-4665-000CN	1
3	Bin flapper assembly (5-bin mailbox)	RM1-4666-000CN	2
4	Center bin flapper assembly (5-bin mailbox)	RM1-4667-000CN	1
5	Bin solenoid assembly (5-bin mailbox)	RM1-5266-000CN	1
6	Solenoid (5-bin mailbox)	RL1-1709-000CN	4
7	Bin assembly (5-bin mailbox)	RM2-6248-000CN	5

5-bin mailbox main body (2 of 2)

Figure 2-19 5-bin mailbox main body (2 of 2)

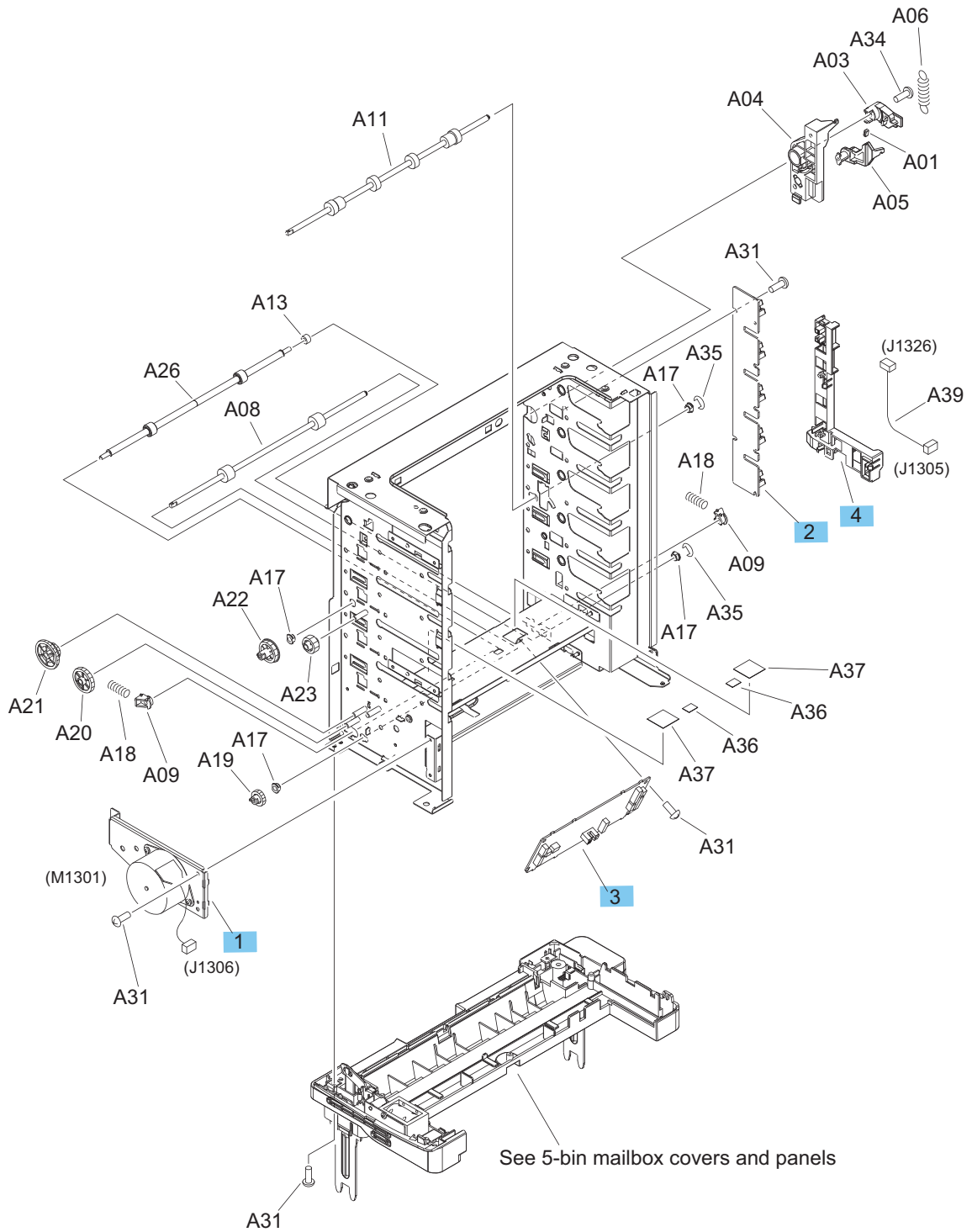


Table 2-21 5-bin mailbox main body (2 of 2)

Ref	Description	Part number	Qty
1	Drive assembly (5-bin mailbox)	RM1-5267-000CN	1
2	Sensor assembly (5-bin mailbox)	RM1-5096-000CN	1
3	PCA (5-bin mailbox)	RM2-7648-000CN	1
4	Cable guide assembly (5-bin mailbox)	RM2-6244-000CN	1

Stacker and stapler/stacker

Stacker and stapler/stacker covers and panels

Figure 2-20 Stacker and stapler/stacker covers and panels

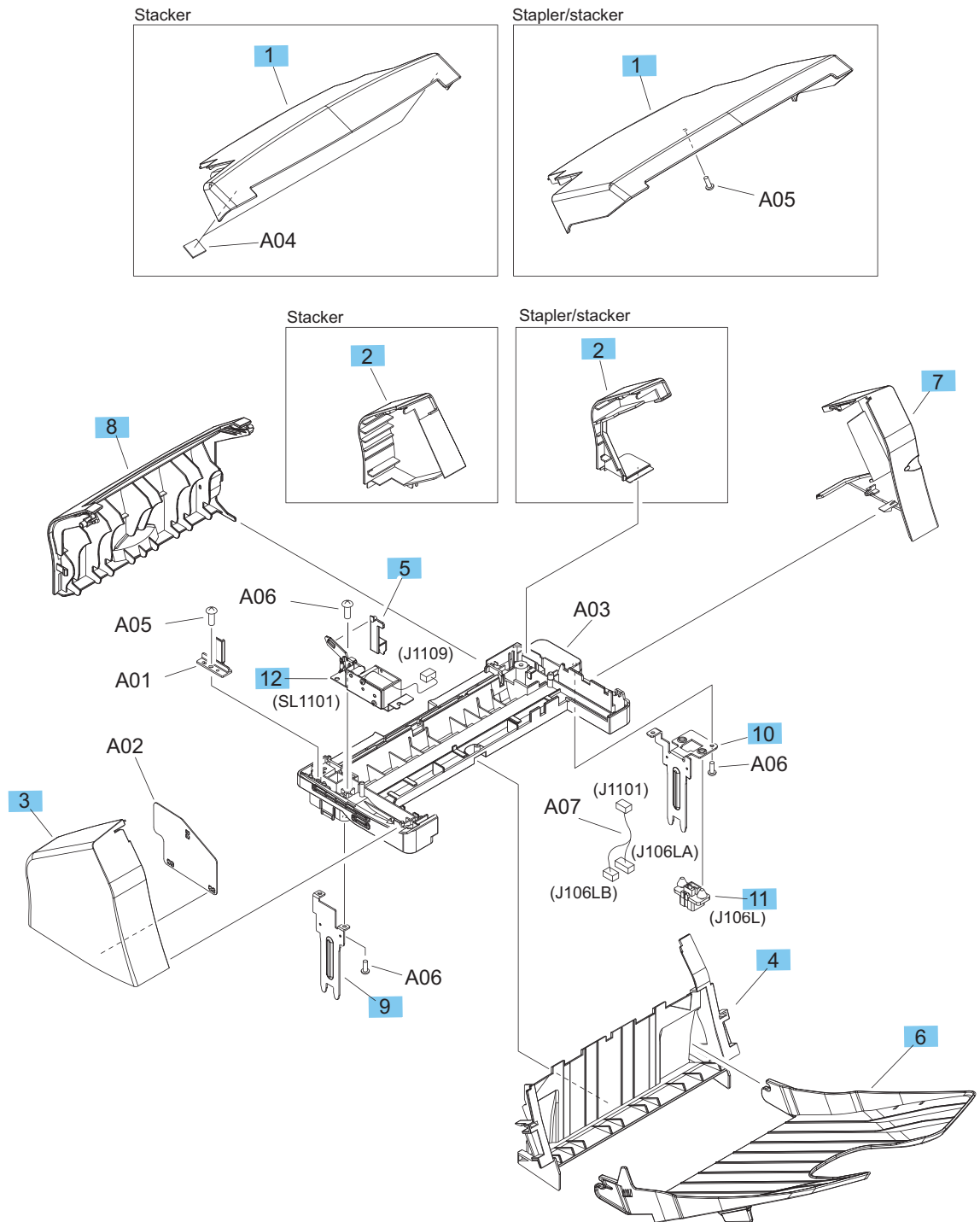


Table 2-22 Stacker and stapler/stacker covers and panels

Ref	Description	Part number	Qty
1	Cover, top (stapler/stacker)	RC4-6162-000CN	1
1	Cover, top (stacker)	RC4-6180-000CN	1
2	Cover, right rear (stapler/stacker)	RC4-6161-000CN	1
2	Cover, right rear (stacker)	RC4-6181-000CN	1
3	Cover, left (stacker and stapler/stacker)	RC4-6158-000CN	1
4	Cover, front (stacker and stapler/stacker)	RL2-1334-000CN	1
5	Lever, IN flapper link (stacker and stapler/stacker)	RL1-2232-000CN	1
6	Tray assembly (stacker and stapler/stacker)	RM2-6199-000CN	1
7	Cover, right front (stacker and stapler/stacker)	RM2-6200-000CN	1
8	Cover, rear (stacker and stapler/stacker)	RM2-6201-000CN	1
9	Joint, left (stacker and stapler/stacker)	RL1-1703-000CN	1
10	Joint, right (stacker and stapler/stacker)	RL1-1704-000CN	1
11	Connector, 8P (stacker and stapler/stacker)	VS1-7500-008CN	1
12	Solenoid assembly, IN (stacker and stapler/stacker)	RM1-5270-000CN	1

Stapler/stacker main body

Figure 2-21 Stapler/stacker main body

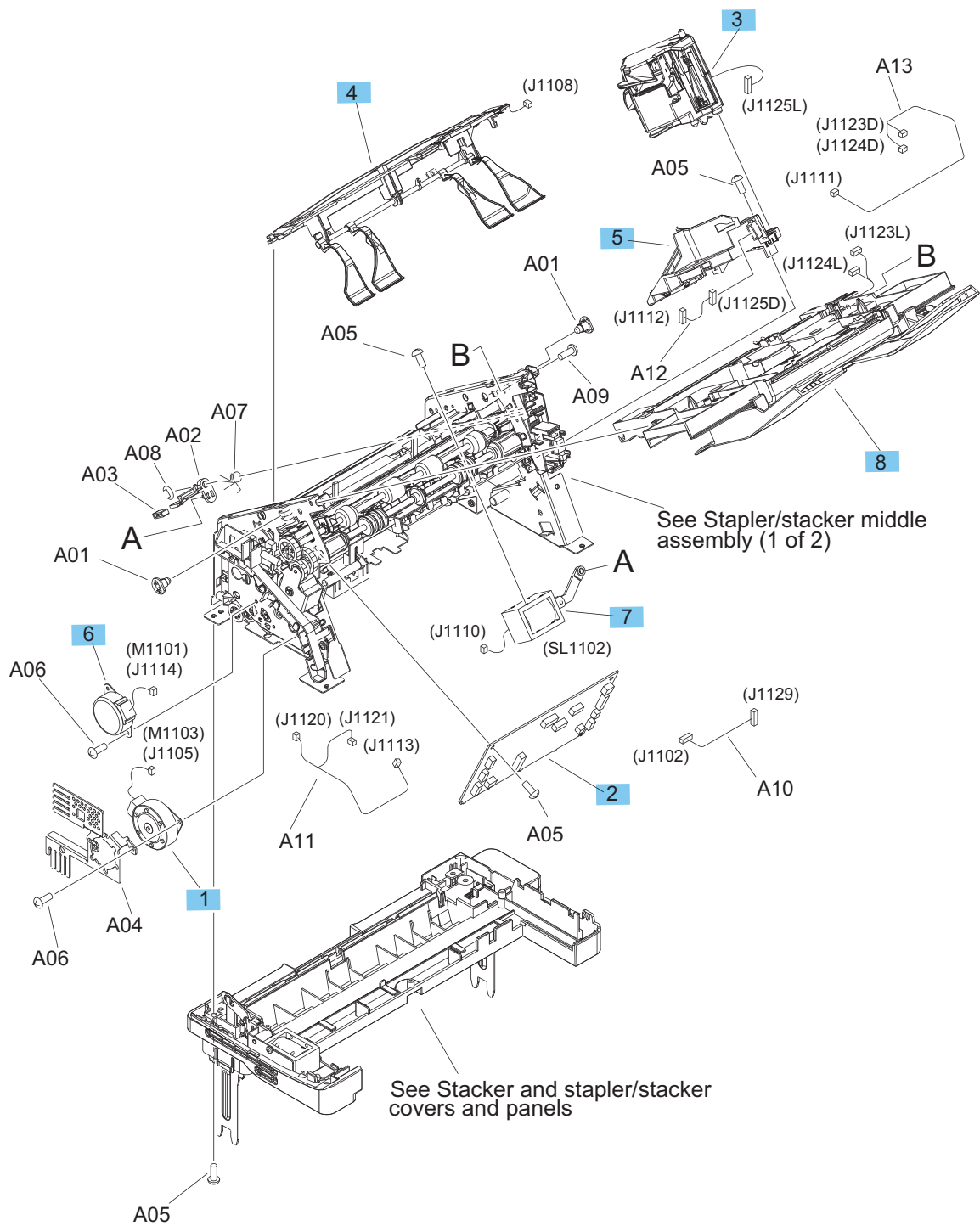


Table 2-23 Stapler/stacker main body

Ref	Description	Part number	Qty
1	Motor, stepping, DC24V (stapler/stacker)	RK2-2025-000CN	1
2	PCA, driver (stapler/stacker)	RM2-7649-000CN	1
3	Stapler assembly (stapler/stacker)	RM2-6202-000CN	1
4	Paper full sensor assembly (stapler/stacker)	RM1-1166-000CN	1
5	Stapler mount assembly (stapler/stacker)	RM1-4827-000CN	1
6	Motor, stepping, DC24V (stapler/stacker)	RK2-2027-000CN	1
7	Solenoid(stapler/stacker)	RL1-0506-000CN	1
8	Jog assembly (stapler/stacker)	RM2-6198-000CN	1

Stacker main body

Figure 2-22 Stacker main body

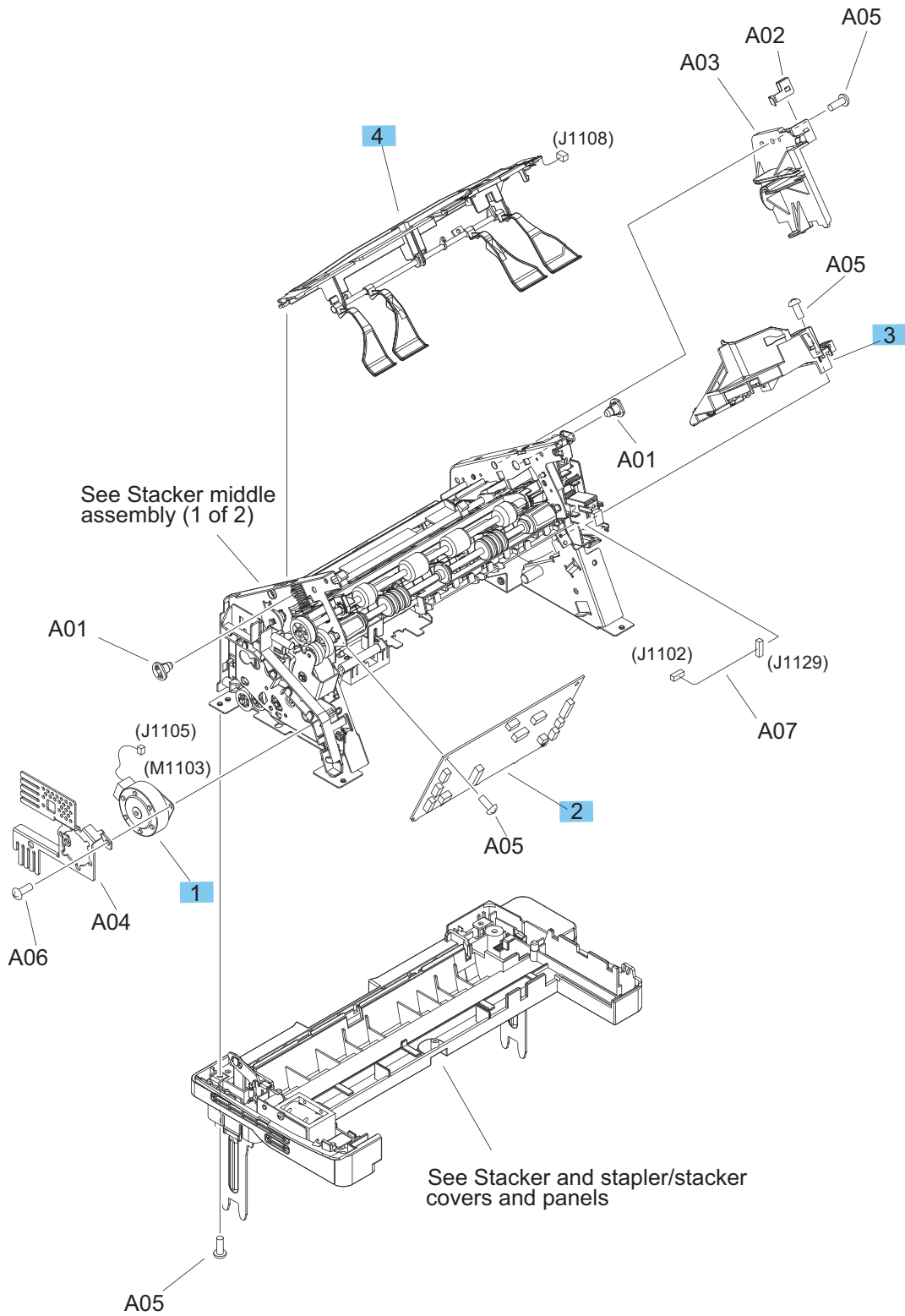


Table 2-24 Stacker main body

Ref	Description	Part number	Qty
1	Motor, stepping, DC24V(stacker)	RK2-2025-000CN	1
2	PCA, driver (stacker)	RM2-7650-000CN	1
3	Stapler mount assembly (stacker)	RM1-4676-000CN	1
4	Paper full sensor assembly (stacker)	RM1-1166-000CN	1

Stapler/stacker middle assembly (1 of 2)

Figure 2-23 Stapler/stacker middle assembly (1 of 2)

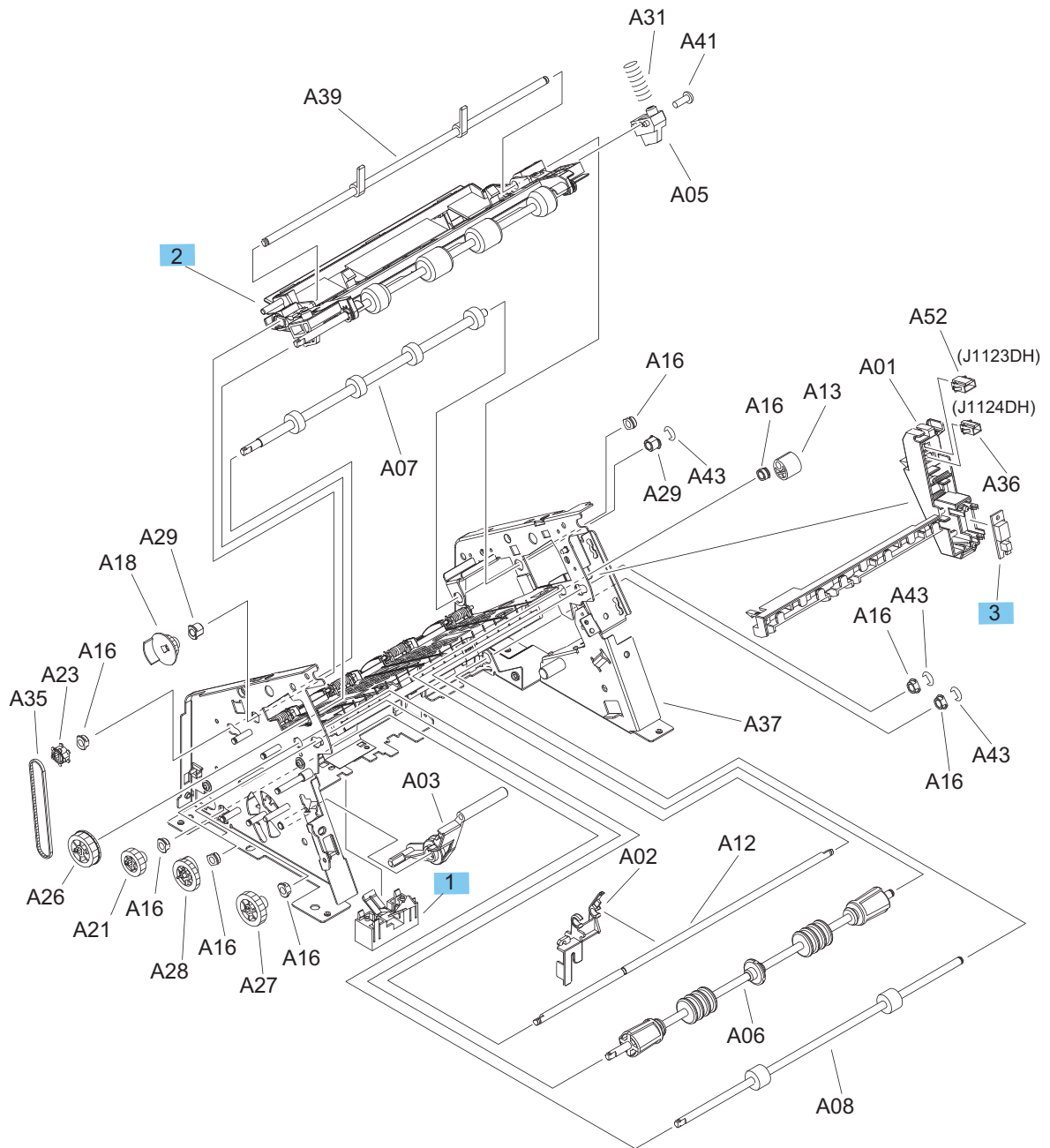


Table 2-25 Stapler/stacker middle assembly (1 of 2)

Ref	Description	Part number	Qty
1	Paper sensing flag assembly (stapler/stacker)	RM1-0239-000CN	1
2	Paper upper guide assembly (stapler/stacker)	RM1-0246-030CN	1
3	PCA, LED (stapler/stacker)	RG1-4266-030CN	1

Stapler/stacker middle assembly (2 of 2)

Figure 2-24 Stapler/stacker middle assembly (2 of 2)

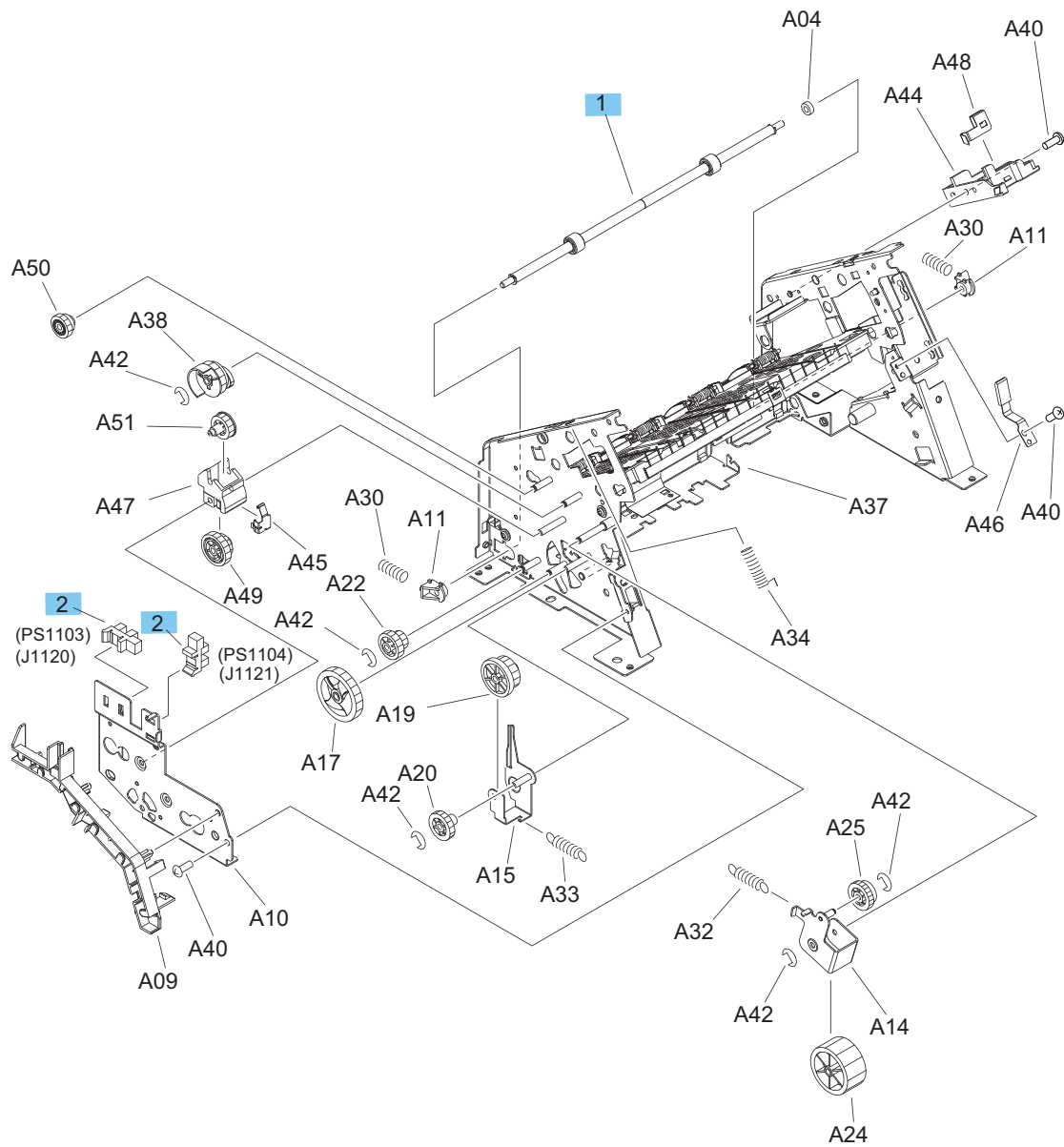


Table 2-26 Stapler/stacker middle assembly (2 of 2)

Ref	Description	Part number	Qty
1	Paper feed roller assembly (stapler/stacker)	RM1-0253-020CN	1
2	Photo interrupter(stapler/stacker)	WG8-5645-000CN	2

Stacker middle assembly (1 of 2)

Figure 2-25 Stacker middle assembly (1 of 2)

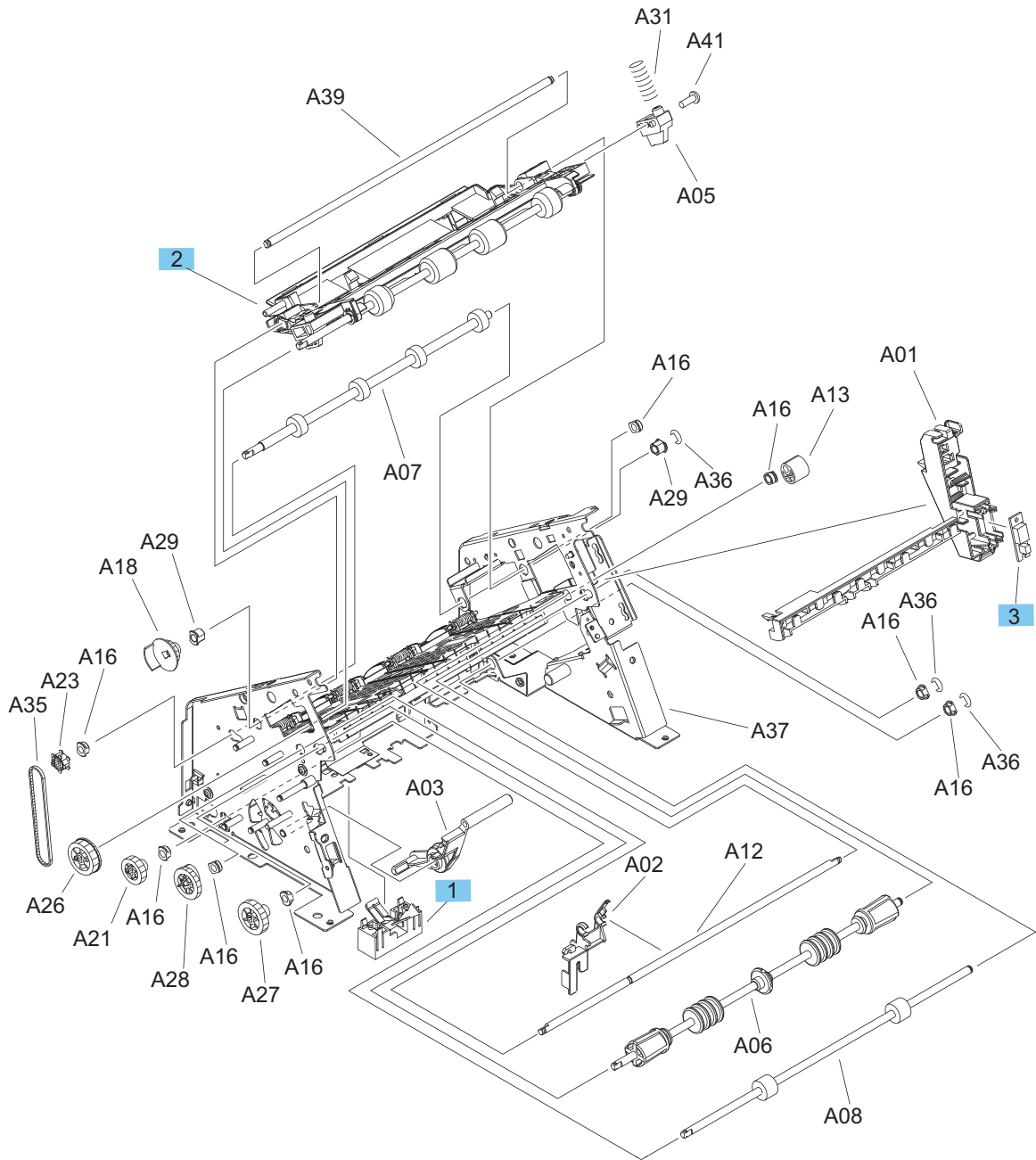


Table 2-27 Stacker middle assembly (1 of 2)

Ref	Description	Part number	Qty
1	Paper sensing flag assembly (stacker)	RM1-0239-000CN	1
2	Paper upper guide assembly (stacker)	RM1-0246-030CN	1
3	PCA, LED (stacker)	RG1-4266-030CN	1

Stacker middle assembly (2 of 2)

Figure 2-26 Stacker middle assembly (2 of 2)

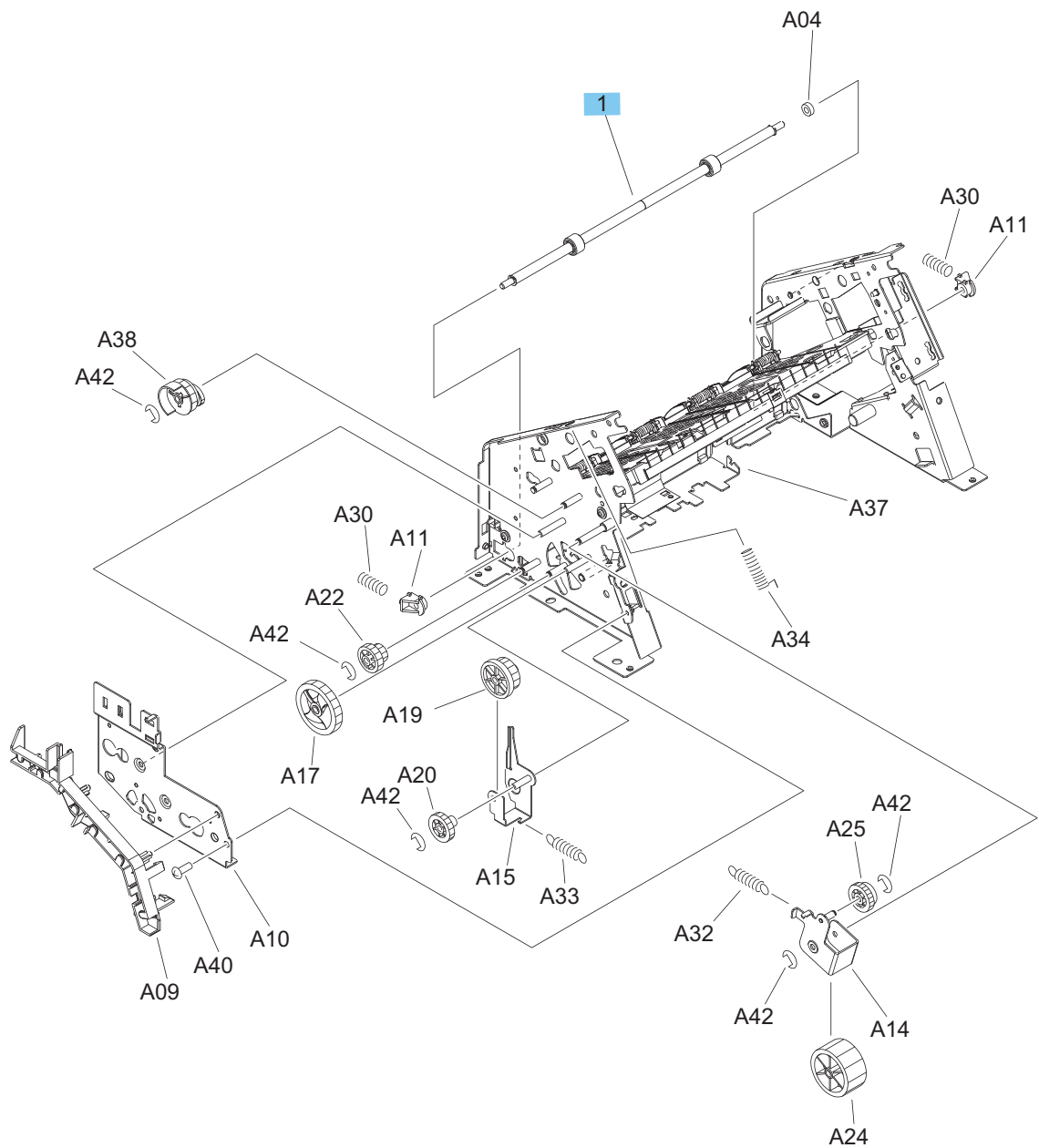


Table 2-28 Stacker middle assembly (2 of 2)

Ref	Description	Part number	Qty
1	Paper feed roller assembly (stacker)	RM1-0253-020CN	1

Alphabetical parts list

Table 2-29 Alphabetical parts list

Description	Part number	Table and page
Bin assembly (5-bin mailbox)	RM2-6248-000CN	5-bin mailbox main body (1 of 2) on page 1615
Bin flapper assembly (5-bin mailbox)	RM1-4666-000CN	5-bin mailbox main body (1 of 2) on page 1615
Bin solenoid assembly (5-bin mailbox)	RM1-5266-000CN	5-bin mailbox main body (1 of 2) on page 1615
Bushing	RC3-1403-000CN	Internal components (2 of 3) on page 1585
Bushing	RC1-0214-000CN	Internal components (2 of 3) on page 1585
Cable guide assembly (5-bin mailbox)	RM2-6244-000CN	5-bin mailbox main body (2 of 2) on page 1617
Cable, door switch	RM1-8344-000CN	Internal components (3 of 3) on page 1587
Cable, feed motor	RM1-8311-000CN	Internal components (2 of 3) on page 1585
Cable, flexible flat	RK2-6768-000CN	Internal components (3 of 3) on page 1587
Cable, fuser (fixing) motor	RM1-5088-000CN	Internal components (3 of 3) on page 1587
Cable, HIP	RK2-6761-000CN	Internal components (3 of 3) on page 1587
Cable, inlet	RM1-8348-000CN	Power supply assembly on page 1589
Cable, interface (envelope feeder)	RM1-9032-000CN	Envelope feeder covers and panels on page 1595
Cable, laser	RM1-8340-000CN	Internal components (2 of 3) on page 1585
Cassette (500-sheet feeder)	RM2-6275-000CN	500-sheet feeder covers on page 1603
Cassette (Tray 2 only)	RM2-6296-000CN	Internal components (1 of 3) on page 1583
NOTE: If replacing the tray for the 500-sheet feeder, order part number RM2-6275-000CN.		
Center bin flapper assembly (5-bin mailbox)	RM1-4667-000CN	5-bin mailbox main body (1 of 2) on page 1615
Connector, 8P (5-bin mailbox)	VS1-7500-008CN	5-bin mailbox covers and panels on page 1613
Connector, 8P (stacker and stapler/stacker)	VS1-7500-008CN	Stacker and stapler/stacker covers and panels on page 1619
Connector, drawer 6P	VS1-7514-006CN	Power supply assembly on page 1589

Table 2-29 Alphabetical parts list (continued)

Description	Part number	Table and page
Connector, drawer, 6P	VS1-7500-006CN	Internal components (2 of 3) on page 1585
Connector, drawer, 6P (1,500-sheet feeder)	VS1-7500-006CN	1,500-sheet feeder main body (1 of 2) on page 1607
Connector, drawer, 6P (500-sheet feeder)	VS1-7500-006CN	500-sheet feeder covers on page 1603
Connector, drawer, 6P (500-sheet feeder)	VS1-7500-006CN	500-sheet feeder covers on page 1603
Control panel (M604n, M604dn, M605n, M605dn, and M606dn)	RM2-7682-000CN	Covers on page 1581
Control panel (M605x and M606x)	E6B67-67914	Covers on page 1581
Cover, duplexing	RM2-6310-000CN	Covers on page 1581
Cover, envelope	RL1-1667-000CN	Internal components (1 of 3) on page 1583
Cover, formatter	RC4-5802-000CN	Covers on page 1581
Cover, front (5-bin mailbox)	RC4-6204-000CN	5-bin mailbox covers and panels on page 1613
Cover, front (500-sheet feeder)	RC4-5894-000CN	500-sheet feeder covers on page 1601
Cover, front (M604) ¹	E6B67-67927	Covers on page 1581
Cover, front (M605) ¹	E6B69-67901	Covers on page 1581
Cover, front (M606) ¹	E6B72-67901	Covers on page 1581
Cover, front (stacker and stapler/stacker)	RL2-1334-000CN	Stacker and stapler/stacker covers and panels on page 1619
Cover, front right (500-sheet feeder)	RC4-5897-000CN	500-sheet feeder covers on page 1601
Cover, HIP	RC4-5803-000CN	Covers on page 1581
Cover, left	RM2-6312-000CN	Covers on page 1581
Cover, left (1,500-sheet feeder)	RC4-5980-000CN	1,500-sheet feeder covers and panels on page 1605
Cover, left (5-bin mailbox)	RM2-6241-000CN	5-bin mailbox covers and panels on page 1613
Cover, left (500-sheet feeder)	RC4-5895-000CN	500-sheet feeder covers on page 1601
Cover, left (duplexer)	RC4-5905-000CN	Duplexer on page 1593
Cover, left (stacker and stapler/stacker)	RC4-6158-000CN	Stacker and stapler/stacker covers and panels on page 1619
Cover, legal	RC4-5872-000CN	Covers on page 1581
Cover, legal (500-sheet feeder)	RC4-5872-000CN	500-sheet feeder covers on page 1601

Table 2-29 Alphabetical parts list (continued)

Description	Part number	Table and page
Cover, lock (1,500-sheet feeder)	RC4-5900-000CN	1,500-sheet feeder covers and panels on page 1605
Cover, lock (500-sheet feeder)	RC4-5900-000CN	500-sheet feeder covers on page 1601
Cover, lower (envelope feeder)	RC4-6890-000CN	Envelope feeder covers and panels on page 1595
Cover, output accessory	RL2-1404-000CN	Covers on page 1581
Cover, rear (1,500-sheet feeder)	RC4-5989-000CN	1,500-sheet feeder covers and panels on page 1605
Cover, rear (500-sheet feeder)	RC4-5902-000CN	500-sheet feeder covers on page 1601
Cover, rear (duplexer)	RC4-5904-000CN	Duplexer on page 1593
Cover, rear (stacker and stapler/stacker)	RM2-6201-000CN	Stacker and stapler/stacker covers and panels on page 1619
Cover, right	RM2-6311-000CN	Covers on page 1581
Cover, right (1,500-sheet feeder)	RC4-5981-000CN	1,500-sheet feeder covers and panels on page 1605
Cover, right (5-bin mailbox)	RM2-6242-000CN	5-bin mailbox covers and panels on page 1613
Cover, right (500-sheet feeder)	RC4-5896-000CN	500-sheet feeder covers on page 1601
Cover, right (duplexer)	RC4-5903-000CN	Duplexer on page 1593
Cover, right front	RC4-5837-000CN	Covers on page 1581
Cover, right front (stacker and stapler/stacker)	RM2-6200-000CN	Stacker and stapler/stacker covers and panels on page 1619
Cover, right rear	RC4-5804-000CN	Covers on page 1581
Cover, right rear (stacker)	RC4-6181-000CN	Stacker and stapler/stacker covers and panels on page 1619
Cover, right rear (stapler/stacker)	RC4-6161-000CN	Stacker and stapler/stacker covers and panels on page 1619
Cover, top (5-bin mailbox)	RL2-1349-000CN	5-bin mailbox covers and panels on page 1613
Cover, top (M604n and M604dn)	RM2-6919-000CN	Covers on page 1581
Cover, top (M605n, M605dn, and M606dn)	RM2-6307-000CN	Covers on page 1581
Cover, top (M605x and M606x)	RM2-6306-000CN	Covers on page 1581
Cover, top (stacker)	RC4-6180-000CN	Stacker and stapler/stacker covers and panels on page 1619
Cover, top (stapler/stacker)	RC4-6162-000CN	Stacker and stapler/stacker covers and panels on page 1619
Cover, upper (duplexer)	RC4-5906-000CN	Duplexer on page 1593

Table 2-29 Alphabetical parts list (continued)

Description	Part number	Table and page
Deflector, paper re-pickup (duplexer)	RC4-5907-000CN	Duplexer on page 1593
Door, front (1,500-sheet feeder)	RM2-6037-000CN	1,500-sheet feeder covers and panels on page 1605
Door, rear (5-bin mailbox)	RM2-6243-000CN	5-bin mailbox covers and panels on page 1613
Drive assembly (5-bin mailbox)	RM1-5267-000CN	5-bin mailbox main body (2 of 2) on page 1617
Drum drive assembly	RM2-6920-000CN	Internal components (1 of 3) on page 1583
Drum motor assembly	RM1-8358-000CN	Internal components (1 of 3) on page 1583
Easy-access USB	RM2-6328-000CN	Internal components (3 of 3) on page 1587
Environmental sensor assembly	RM1-8438-000CN	Internal components (3 of 3) on page 1587
Face-up tray assembly	RM2-6298-000CN	Covers on page 1581
Fan (duplexer)	RK2-2016-000CN	Duplexer on page 1593
Fan (FN101)	RK2-1988-000CN	Internal components (3 of 3) on page 1587
Fan (FN102)	RK2-1989-000CN	Internal components (3 of 3) on page 1587
Fan (FN103)	RK2-3244-000CN	Internal components (3 of 3) on page 1587
Fan (FN104)	RK2-1992-000CN	Internal components (3 of 3) on page 1587
Feeder sensor cable assembly	RM2-7687-000CN	Internal components (2 of 3) on page 1585
Fuser (fixing) motor assembly	RM1-8928-000CN	Internal components (3 of 3) on page 1587
Fuser drive assembly	RM2-6231-000CN	Internal components (3 of 3) on page 1587
Fuser kit (110V)	E6B67-67901	Internal components (3 of 3) on page 1587
Fuser kit (220V)	E6B67-67902	Internal components (3 of 3) on page 1587
Gear 23T/19T	RU7-0295-000CN	Internal components (3 of 3) on page 1587
Gear, 18T	RU5-0088-000CN	Internal components (2 of 3) on page 1585
Gear, 23T	RU5-0040-000CN	Internal components (2 of 3) on page 1585
Guide, paper re-pickup, lower (duplexer)	RC2-2599-000CN	Duplexer on page 1593

Table 2-29 Alphabetical parts list (continued)

Description	Part number	Table and page
Guide, paper re-pickup, upper (duplexer)	RC2-2602-000CN	Duplexer on page 1593
Guide, width limit, right (envelope feeder)	RC4-6107-000CN	Envelope feeder covers and panels on page 1595
IC, photo interrupter	WG8-5849-000CN	Internal components (3 of 3) on page 1587
IC, photo interrupter (1,500-sheet feeder)	WG8-5849-000CN	1,500-sheet feeder paper pickup assembly on page 1611
IC, photo interrupter (envelope feeder)	WG8-5624-000CN	Envelope feeder internal components (1 of 2) on page 1597
Jog assembly (stapler/stacker)	RM2-6198-000CN	Stapler/stacker main body on page 1621
Joint shaft assembly (envelope feeder)	RM1-5222-000CN	Envelope feeder internal components (2 of 2) on page 1599
Joint, left (5-bin mailbox)	RL1-1703-000CN	5-bin mailbox covers and panels on page 1613
Joint, left (stacker and stapler/stacker)	RL1-1703-000CN	Stacker and stapler/stacker covers and panels on page 1619
Joint, right (5-bin mailbox)	RL1-1704-000CN	5-bin mailbox covers and panels on page 1613
Joint, right (stacker and stapler/stacker)	RL1-1704-000CN	Stacker and stapler/stacker covers and panels on page 1619
Laser scanner assembly	RM1-8406-000CN	Internal components (2 of 3) on page 1585
Lever, IN flapper link (5-bin mailbox)	RL1-2232-000CN	5-bin mailbox covers and panels on page 1613
Lever, IN flapper link (stacker and stapler/stacker)	RL1-2232-000CN	Stacker and stapler/stacker covers and panels on page 1619
Lifter drive assembly	RM2-6335-000CN	Internal components (3 of 3) on page 1587
Lifter drive assembly (1,500-sheet feeder)	RM2-6044-000CN	1,500-sheet feeder main body (1 of 2) on page 1607
Lifter drive assembly (500-sheet feeder)	RM2-6278-000CN	500-sheet feeder covers on page 1603
Locking bushing, paper delivery	RC1-0136-000CN	Internal components (3 of 3) on page 1587
Motor, stepping (1,500-sheet feeder)	RH7-1603-020CN	1,500-sheet feeder main body (1 of 2) on page 1607
Motor, stepping, DC24V (duplexer)	RK2-7885-000CN	Duplexer on page 1593
Motor, stepping, DC24V (duplexer)	RK2-2139-000CN	Duplexer on page 1593

Table 2-29 Alphabetical parts list (continued)

Description	Part number	Table and page
Motor, stepping, DC24V (envelope feeder)	RK2-2162-000CN	Envelope feeder internal components (2 of 2) on page 1599
Motor, stepping, DC24V (stapler/stacker)	RK2-2025-000CN	Stapler/stacker main body on page 1621
Motor, stepping, DC24V (stapler/stacker)	RK2-2027-000CN	Stapler/stacker main body on page 1621
Motor, stepping, DC24V(stacker)	RK2-2025-000CN	Stacker main body on page 1623
Multi-purpose (Tray 1) pickup assembly	RM2-6323-000CN	Internal components (1 of 3) on page 1583
Near field communication (NFC) PCA, embedded	B5L24-60002	Internal components (1 of 3) on page 1583
Paper delivery assembly	RM2-6319-000CN	Internal components (3 of 3) on page 1587
Paper delivery drive assembly	RM2-6318-000CN	Internal components (3 of 3) on page 1587
Paper detect sensor assembly (1,500-sheet feeder)	RM2-6042-000CN	1,500-sheet feeder paper pickup assembly on page 1611
Paper feed assembly	RM1-4548-000CN	Power supply assembly on page 1589
Paper feed motor assembly	RM1-8285-000CN	Internal components (2 of 3) on page 1585
Paper feed roller assembly	RM1-8411-010CN	Internal components (1 of 3) on page 1583
Paper feed roller assembly (stacker)	RM1-0253-020CN	Stacker middle assembly (2 of 2) on page 1631
Paper feed roller assembly (stapler/stacker)	RM1-0253-020CN	Stapler/stacker middle assembly (2 of 2) on page 1627
Paper feed shaft assembly	RM1-8424-000CN	Internal components (2 of 3) on page 1585
Paper full sensor assembly (stacker)	RM1-1166-000CN	Stacker main body on page 1623
Paper full sensor assembly (stapler/stacker)	RM1-1166-000CN	Stapler/stacker main body on page 1621
Paper pickup drive assembly	RM1-8415-000CN	Internal components (2 of 3) on page 1585
Paper pickup drive assembly (1,500-sheet feeder)	RM2-6045-000CN	1,500-sheet feeder main body (1 of 2) on page 1607
Paper sensing flag assembly (stacker)	RM1-0239-000CN	Stacker middle assembly (1 of 2) on page 1629
Paper sensing flag assembly (stapler/stacker)	RM1-0239-000CN	Stapler/stacker middle assembly (1 of 2) on page 1625
Paper sensing flag assembly(5-bin mailbox)	RM1-5269-000CN	5-bin mailbox main body (1 of 2) on page 1615

Table 2-29 Alphabetical parts list (continued)

Description	Part number	Table and page
Paper side end assembly (envelope feeder)	RM2-6171-000CN	Envelope feeder covers and panels on page 1595
Paper size detect assembly (1,500-sheet feeder)	RM1-5261-000CN	1,500-sheet feeder main body (2 of 2) on page 1609
Paper upper guide assembly (stacker)	RM1-0246-030CN	Stacker middle assembly (1 of 2) on page 1629
Paper upper guide assembly (stapler/stacker)	RM1-0246-030CN	Stapler/stacker middle assembly (1 of 2) on page 1625
PCA (5-bin mailbox)	RM2-7648-000CN	5-bin mailbox main body (2 of 2) on page 1617
PCA (500-sheet feeder)	RM2-7646-000CN	500-sheet feeder covers on page 1603
PCA (duplexer)	RM2-7656-000CN	Duplexer on page 1593
PCA, DC controller	RM2-7643-000CN	Internal components (3 of 3) on page 1587
PCA, driver (stacker)	RM2-7650-000CN	Stacker main body on page 1623
PCA, driver (stapler/stacker)	RM2-7649-000CN	Stapler/stacker main body on page 1621
PCA, envelope controller (envelope feeder)	RM2-8651-000CN	Envelope feeder internal components (2 of 2) on page 1599
PCA, formatter	E6B69-60001	Internal components (1 of 3) on page 1583
PCA, LED (stacker)	RG1-4266-030CN	Stacker middle assembly (1 of 2) on page 1629
PCA, LED (stapler/stacker)	RG1-4266-030CN	Stapler/stacker middle assembly (1 of 2) on page 1625
PCA, memory (island of data)	RM2-7645-000CN	Internal components (3 of 3) on page 1587
PCA, paper deck (1,500-sheet feeder)	RM2-7647-000CN	1,500-sheet feeder main body (1 of 2) on page 1607
PCA, switch	RM2-6327-000CN	Covers on page 1581
Photo interrupter (duplexer)	WG8-5849-000CN	Duplexer on page 1593
Photo interrupter(stapler/stacker)	WG8-5645-000CN	Stapler/stacker middle assembly (2 of 2) on page 1627
Pickup drive side plate assembly (500-sheet feeder)	RM1-8441-000CN	500-sheet feeder covers on page 1603
Power supply assembly (110V)	RM2-6301-000CN	Power supply assembly on page 1589
Power supply assembly (220V)	RM2-6349-000CN	Power supply assembly on page 1589
Registration assembly	RM1-8413-000CN	Internal components (1 of 3) on page 1583

Table 2-29 Alphabetical parts list (continued)

Description	Part number	Table and page
Ring, E	XD9-0233-010CN	Internal components (2 of 3) on page 1585
Ring, E	XD9-0232-010CN	Internal components (2 of 3) on page 1585
Roller, paper feed (1,500-sheet feeder; part of Tray 2-6 roller kit)	E6B67-67905	1,500-sheet feeder covers and panels on page 1605
Roller, paper feed (1,500-sheet feeder; part of Tray 2-6 roller kit)	E6B67-67905	1,500-sheet feeder paper pickup assembly on page 1611
Roller, paper feed (500-sheet feeder; part of Tray 2-6 roller kit)	E6B67-67905	500-sheet feeder covers on page 1603
Roller, paper feed (envelope feeder)	RC2-5701-000CN	Envelope feeder internal components (1 of 2) on page 1597
Roller, paper feed (part of Tray 1 roller kit)	E6B67-67906	Multi-purpose (Tray 1) pickup assembly on page 1591
Roller, paper feed (part of Tray 2-6 roller kit)	E6B67-67905	Internal components (1 of 3) on page 1583
Roller, paper feed (part of Tray 2-6 roller kit)	E6B67-67905	Internal components (2 of 3) on page 1585
Roller, paper feed assembly (envelope feeder)	RM1-5223-000CN	Envelope feeder internal components (1 of 2) on page 1597
Roller, paper pickup (1,500-sheet feeder; part of Tray 2-6 roller kit)	E6B67-67905	1,500-sheet feeder paper pickup assembly on page 1611
Roller, paper pickup (500-sheet feeder; part of Tray 2-6 roller kit)	E6B67-67905	500-sheet feeder covers on page 1603
Roller, paper pickup (envelope feeder)	RC2-5700-000CN	Envelope feeder internal components (1 of 2) on page 1597
Roller, paper pickup (part of Tray 1 roller kit)	E6B67-67906	Multi-purpose (Tray 1) pickup assembly on page 1591
Roller, paper pickup (part of Tray 2-6 roller kit)	E6B67-67905	Internal components (2 of 3) on page 1585
Roller, paper pickup assembly (envelope feeder)	RM1-5221-000CN	Envelope feeder internal components (1 of 2) on page 1597
Roller, separation (envelope feeder)	RM1-5224-000CN	Envelope feeder internal components (1 of 2) on page 1597
Roller, separation (part of Tray 1 roller kit)	E6B67-67906	Multi-purpose (Tray 1) pickup assembly on page 1591
Sensor assembly (5-bin mailbox)	RM1-5096-000CN	5-bin mailbox main body (2 of 2) on page 1617
Shaft, retard drive	RL1-3020-000CN	Internal components (2 of 3) on page 1585

Table 2-29 Alphabetical parts list (continued)

Description	Part number	Table and page
Size detect assembly	RM1-4525-000CN	Internal components (1 of 3) on page 1583
Size detect assembly (500-sheet feeder)	RM1-4525-000CN	500-sheet feeder covers on page 1603
Solenoid	RL2-1409-000CN	Internal components (2 of 3) on page 1585
Solenoid (5-bin mailbox)	RL1-1709-000CN	5-bin mailbox main body (1 of 2) on page 1615
Solenoid (500-sheet feeder)	RL2-1410-000CN	500-sheet feeder covers on page 1603
Solenoid assembly, IN (5-bin mailbox)	RM1-5270-000CN	5-bin mailbox covers and panels on page 1613
Solenoid assembly, IN (stacker and stapler/stacker)	RM1-5270-000CN	Stacker and stapler/stacker covers and panels on page 1619
Solenoid(stapler/stacker)	RL1-0506-000CN	Stapler/stacker main body on page 1621
Spring, compression	RC1-0213-000CN	Internal components (2 of 3) on page 1585
Stapler assembly (stapler/stacker)	RM2-6202-000CN	Stapler/stacker main body on page 1621
Stapler mount assembly (stacker)	RM1-4676-000CN	Stacker main body on page 1623
Stapler mount assembly (stapler/stacker)	RM1-4827-000CN	Stapler/stacker main body on page 1621
Switch button assembly	RM2-6333-000CN	Covers on page 1581
Switch, push	WC2-5637-000CN	Internal components (3 of 3) on page 1587
Switch, push (1,500-sheet feeder)	WC2-5806-000CN	1,500-sheet feeder main body (1 of 2) on page 1607
Tag holder assembly	RM1-4539-000CN	Internal components (2 of 3) on page 1585
Top bin flapper assembly (5-bin mailbox)	RM1-4665-000CN	5-bin mailbox main body (1 of 2) on page 1615
Top plate front assembly (500-sheet feeder)	RM2-6280-000CN	500-sheet feeder covers on page 1603
Torque limiter kit	E6B67-67926	Internal components (1 of 3) on page 1583
Torque limiter kit (500-sheet feeder)	E6B67-67926	500-sheet feeder covers on page 1603
Torque limiter kit(1,500-sheet feeder)	E6B67-67926	1,500-sheet feeder covers and panels on page 1605
Transfer roller kit	E6B67-67904	Internal components (1 of 3) on page 1583

Table 2-29 Alphabetical parts list (continued)

Description	Part number	Table and page
Tray assembly (stacker and stapler/stacker)	RM2-6199-000CN	Stacker and stapler/stacker covers and panels on page 1619
Tray, extension (envelope feeder)	RC4-6891-000CN	Envelope feeder covers and panels on page 1595
Weight assembly (envelope feeder)	RM2-6728-000CN	Envelope feeder covers and panels on page 1595
Wireless PCA, embedded	1150-7968	Internal components (1 of 3) on page 1583

Numerical parts list

Table 2-30 Numerical parts list

Part number	Description	Table and page
1150-7968	Wireless PCA, embedded	Internal components (1 of 3) on page 1583
B5L24-60002	Near field communication (NFC) PCA, embedded	Internal components (1 of 3) on page 1583
E6B67-67901	Fuser kit (110V)	Internal components (3 of 3) on page 1587
E6B67-67902	Fuser kit (220V)	Internal components (3 of 3) on page 1587
E6B67-67904	Transfer roller kit	Internal components (1 of 3) on page 1583
E6B67-67905	Roller, paper feed (part of Tray 2-6 roller kit)	Internal components (1 of 3) on page 1583
E6B67-67905	Roller, paper pickup (part of Tray 2-6 roller kit)	Internal components (2 of 3) on page 1585
E6B67-67905	Roller, paper feed (part of Tray 2-6 roller kit)	Internal components (2 of 3) on page 1585
E6B67-67905	Roller, paper feed (500-sheet feeder; part of Tray 2-6 roller kit)	500-sheet feeder covers on page 1603
E6B67-67905	Roller, paper pickup (500-sheet feeder; part of Tray 2-6 roller kit)	500-sheet feeder covers on page 1603
E6B67-67905	Roller, paper feed (1,500-sheet feeder; part of Tray 2-6 roller kit)	1,500-sheet feeder covers and panels on page 1605
E6B67-67905	Roller, paper feed (1,500-sheet feeder; part of Tray 2-6 roller kit)	1,500-sheet feeder paper pickup assembly on page 1611
E6B67-67905	Roller, paper pickup (1,500-sheet feeder; part of Tray 2-6 roller kit)	1,500-sheet feeder paper pickup assembly on page 1611
E6B67-67906	Roller, paper pickup (part of Tray 1 roller kit)	Multi-purpose (Tray 1) pickup assembly on page 1591
E6B67-67906	Roller, paper feed (part of Tray 1 roller kit)	Multi-purpose (Tray 1) pickup assembly on page 1591
E6B67-67906	Roller, separation (part of Tray 1 roller kit)	Multi-purpose (Tray 1) pickup assembly on page 1591
E6B67-67914	Control panel (M605x and M606x)	Covers on page 1581
E6B67-67926	Torque limiter kit	Internal components (1 of 3) on page 1583
E6B67-67926	Torque limiter kit (500-sheet feeder)	500-sheet feeder covers on page 1603
E6B67-67926	Torque limiter kit(1,500-sheet feeder)	1,500-sheet feeder covers and panels on page 1605
E6B67-67927	Cover, front (M604) ¹	Covers on page 1581

Table 2-30 Numerical parts list (continued)

Part number	Description	Table and page
E6B69-60001	PCA, formatter	Internal components (1 of 3) on page 1583
E6B69-67901	Cover, front (M605) ¹	Covers on page 1581
E6B72-67901	Cover, front (M606) ¹	Covers on page 1581
RC1-0136-000CN	Locking bushing, paper delivery	Internal components (3 of 3) on page 1587
RC1-0213-000CN	Spring, compression	Internal components (2 of 3) on page 1585
RC1-0214-000CN	Bushing	Internal components (2 of 3) on page 1585
RC2-2599-000CN	Guide, paper re-pickup, lower (duplexer)	Duplexer on page 1593
RC2-2602-000CN	Guide, paper re-pickup, upper (duplexer)	Duplexer on page 1593
RC2-5700-000CN	Roller, paper pickup (envelope feeder)	Envelope feeder internal components (1 of 2) on page 1597
RC2-5701-000CN	Roller, paper feed (envelope feeder)	Envelope feeder internal components (1 of 2) on page 1597
RC3-1403-000CN	Bushing	Internal components (2 of 3) on page 1585
RC4-5802-000CN	Cover, formatter	Covers on page 1581
RC4-5803-000CN	Cover, HIP	Covers on page 1581
RC4-5804-000CN	Cover, right rear	Covers on page 1581
RC4-5837-000CN	Cover, right front	Covers on page 1581
RC4-5872-000CN	Cover, legal	Covers on page 1581
RC4-5872-000CN	Cover, legal (500-sheet feeder)	500-sheet feeder covers on page 1601
RC4-5894-000CN	Cover, front (500-sheet feeder)	500-sheet feeder covers on page 1601
RC4-5895-000CN	Cover, left (500-sheet feeder)	500-sheet feeder covers on page 1601
RC4-5896-000CN	Cover, right (500-sheet feeder)	500-sheet feeder covers on page 1601
RC4-5897-000CN	Cover, front right (500-sheet feeder)	500-sheet feeder covers on page 1601
RC4-5900-000CN	Cover, lock (500-sheet feeder)	500-sheet feeder covers on page 1601
RC4-5900-000CN	Cover, lock (1,500-sheet feeder)	1,500-sheet feeder covers and panels on page 1605
RC4-5902-000CN	Cover, rear (500-sheet feeder)	500-sheet feeder covers on page 1601

Table 2-30 Numerical parts list (continued)

Part number	Description	Table and page
RC4-5903-000CN	Cover, right (duplexer)	Duplexer on page 1593
RC4-5904-000CN	Cover, rear (duplexer)	Duplexer on page 1593
RC4-5905-000CN	Cover, left (duplexer)	Duplexer on page 1593
RC4-5906-000CN	Cover, upper (duplexer)	Duplexer on page 1593
RC4-5907-000CN	Deflector, paper re-pickup (duplexer)	Duplexer on page 1593
RC4-5980-000CN	Cover, left (1,500-sheet feeder)	1,500-sheet feeder covers and panels on page 1605
RC4-5981-000CN	Cover, right (1,500-sheet feeder)	1,500-sheet feeder covers and panels on page 1605
RC4-5989-000CN	Cover, rear (1,500-sheet feeder)	1,500-sheet feeder covers and panels on page 1605
RC4-6107-000CN	Guide, width limit, right (envelope feeder)	Envelope feeder covers and panels on page 1595
RC4-6158-000CN	Cover, left (stacker and stapler/stacker)	Stacker and stapler/stacker covers and panels on page 1619
RC4-6161-000CN	Cover, right rear (stapler/stacker)	Stacker and stapler/stacker covers and panels on page 1619
RC4-6162-000CN	Cover, top (stapler/stacker)	Stacker and stapler/stacker covers and panels on page 1619
RC4-6180-000CN	Cover, top (stacker)	Stacker and stapler/stacker covers and panels on page 1619
RC4-6181-000CN	Cover, right rear (stacker)	Stacker and stapler/stacker covers and panels on page 1619
RC4-6204-000CN	Cover, front (5-bin mailbox)	5-bin mailbox covers and panels on page 1613
RC4-6890-000CN	Cover, lower (envelope feeder)	Envelope feeder covers and panels on page 1595
RC4-6891-000CN	Tray, extension (envelope feeder)	Envelope feeder covers and panels on page 1595
RG1-4266-030CN	PCA, LED (stapler/stacker)	Stapler/stacker middle assembly (1 of 2) on page 1625
RG1-4266-030CN	PCA, LED (stacker)	Stacker middle assembly (1 of 2) on page 1629
RH7-1603-020CN	Motor, stepping (1,500-sheet feeder)	1,500-sheet feeder main body (1 of 2) on page 1607
RK2-1988-000CN	Fan (FN101)	Internal components (3 of 3) on page 1587
RK2-1989-000CN	Fan (FN102)	Internal components (3 of 3) on page 1587
RK2-1992-000CN	Fan (FN104)	Internal components (3 of 3) on page 1587
RK2-2016-000CN	Fan (duplexer)	Duplexer on page 1593

Table 2-30 Numerical parts list (continued)

Part number	Description	Table and page
RK2-2025-000CN	Motor, stepping, DC24V (stapler/stacker)	Stapler/stacker main body on page 1621
RK2-2025-000CN	Motor, stepping, DC24V(stacker)	Stacker main body on page 1623
RK2-2027-000CN	Motor, stepping, DC24V (stapler/stacker)	Stapler/stacker main body on page 1621
RK2-2139-000CN	Motor, stepping, DC24V (duplexer)	Duplexer on page 1593
RK2-2162-000CN	Motor, stepping, DC24V (envelope feeder)	Envelope feeder internal components (2 of 2) on page 1599
RK2-3244-000CN	Fan (FN103)	Internal components (3 of 3) on page 1587
RK2-6761-000CN	Cable, HIP	Internal components (3 of 3) on page 1587
RK2-6768-000CN	Cable, flexible flat	Internal components (3 of 3) on page 1587
RK2-7885-000CN	Motor, stepping, DC24V (duplexer)	Duplexer on page 1593
RL1-0506-000CN	Solenoid(stapler/stacker)	Stapler/stacker main body on page 1621
RL1-1667-000CN	Cover, envelope	Internal components (1 of 3) on page 1583
RL1-1703-000CN	Joint, left (5-bin mailbox)	5-bin mailbox covers and panels on page 1613
RL1-1703-000CN	Joint, left (stacker and stapler/stacker)	Stacker and stapler/stacker covers and panels on page 1619
RL1-1704-000CN	Joint, right (5-bin mailbox)	5-bin mailbox covers and panels on page 1613
RL1-1704-000CN	Joint, right (stacker and stapler/stacker)	Stacker and stapler/stacker covers and panels on page 1619
RL1-1709-000CN	Solenoid (5-bin mailbox)	5-bin mailbox main body (1 of 2) on page 1615
RL1-2232-000CN	Lever, IN flapper link (5-bin mailbox)	5-bin mailbox covers and panels on page 1613
RL1-2232-000CN	Lever, IN flapper link (stacker and stapler/stacker)	Stacker and stapler/stacker covers and panels on page 1619
RL1-3020-000CN	Shaft, retard drive	Internal components (2 of 3) on page 1585
RL2-1334-000CN	Cover, front (stacker and stapler/stacker)	Stacker and stapler/stacker covers and panels on page 1619
RL2-1349-000CN	Cover, top (5-bin mailbox)	5-bin mailbox covers and panels on page 1613
RL2-1404-000CN	Cover, output accessory	Covers on page 1581
RL2-1409-000CN	Solenoid	Internal components (2 of 3) on page 1585

Table 2-30 Numerical parts list (continued)

Part number	Description	Table and page
RL2-1410-000CN	Solenoid (500-sheet feeder)	500-sheet feeder covers on page 1603
RM1-0239-000CN	Paper sensing flag assembly (stapler/stacker)	Stapler/stacker middle assembly (1 of 2) on page 1625
RM1-0239-000CN	Paper sensing flag assembly (stacker)	Stacker middle assembly (1 of 2) on page 1629
RM1-0246-030CN	Paper upper guide assembly (stapler/stacker)	Stapler/stacker middle assembly (1 of 2) on page 1625
RM1-0246-030CN	Paper upper guide assembly (stacker)	Stacker middle assembly (1 of 2) on page 1629
RM1-0253-020CN	Paper feed roller assembly (stapler/stacker)	Stapler/stacker middle assembly (2 of 2) on page 1627
RM1-0253-020CN	Paper feed roller assembly (stacker)	Stacker middle assembly (2 of 2) on page 1631
RM1-1166-000CN	Paper full sensor assembly (stapler/stacker)	Stapler/stacker main body on page 1621
RM1-1166-000CN	Paper full sensor assembly (stacker)	Stacker main body on page 1623
RM1-4525-000CN	Size detect assembly	Internal components (1 of 3) on page 1583
RM1-4525-000CN	Size detect assembly (500-sheet feeder)	500-sheet feeder covers on page 1603
RM1-4539-000CN	Tag holder assembly	Internal components (2 of 3) on page 1585
RM1-4548-000CN	Paper feed assembly	Power supply assembly on page 1589
RM1-4665-000CN	Top bin flapper assembly (5-bin mailbox)	5-bin mailbox main body (1 of 2) on page 1615
RM1-4666-000CN	Bin flapper assembly (5-bin mailbox)	5-bin mailbox main body (1 of 2) on page 1615
RM1-4667-000CN	Center bin flapper assembly (5-bin mailbox)	5-bin mailbox main body (1 of 2) on page 1615
RM1-4676-000CN	Stapler mount assembly (stacker)	Stacker main body on page 1623
RM1-4827-000CN	Stapler mount assembly (stapler/stacker)	Stapler/stacker main body on page 1621
RM1-5088-000CN	Cable, fuser (fixing) motor	Internal components (3 of 3) on page 1587
RM1-5096-000CN	Sensor assembly (5-bin mailbox)	5-bin mailbox main body (2 of 2) on page 1617
RM1-5221-000CN	Roller, paper pickup assembly (envelope feeder)	Envelope feeder internal components (1 of 2) on page 1597

Table 2-30 Numerical parts list (continued)

Part number	Description	Table and page
RM1-5222-000CN	Joint shaft assembly (envelope feeder)	Envelope feeder internal components (2 of 2) on page 1599
RM1-5223-000CN	Roller, paper feed assembly (envelope feeder)	Envelope feeder internal components (1 of 2) on page 1597
RM1-5224-000CN	Roller, separation (envelope feeder)	Envelope feeder internal components (1 of 2) on page 1597
RM1-5261-000CN	Paper size detect assembly (1,500-sheet feeder)	1,500-sheet feeder main body (2 of 2) on page 1609
RM1-5266-000CN	Bin solenoid assembly (5-bin mailbox)	5-bin mailbox main body (1 of 2) on page 1615
RM1-5267-000CN	Drive assembly (5-bin mailbox)	5-bin mailbox main body (2 of 2) on page 1617
RM1-5269-000CN	Paper sensing flag assembly(5-bin mailbox)	5-bin mailbox main body (1 of 2) on page 1615
RM1-5270-000CN	Solenoid assembly, IN (5-bin mailbox)	5-bin mailbox covers and panels on page 1613
RM1-5270-000CN	Solenoid assembly, IN (stacker and stapler/stacker)	Stacker and stapler/stacker covers and panels on page 1619
RM1-8285-000CN	Paper feed motor assembly	Internal components (2 of 3) on page 1585
RM1-8311-000CN	Cable, feed motor	Internal components (2 of 3) on page 1585
RM1-8340-000CN	Cable, laser	Internal components (2 of 3) on page 1585
RM1-8344-000CN	Cable, door switch	Internal components (3 of 3) on page 1587
RM1-8348-000CN	Cable, inlet	Power supply assembly on page 1589
RM1-8358-000CN	Drum motor assembly	Internal components (1 of 3) on page 1583
RM1-8406-000CN	Laser scanner assembly	Internal components (2 of 3) on page 1585
RM1-8411-010CN	Paper feed roller assembly	Internal components (1 of 3) on page 1583
RM1-8413-000CN	Registration assembly	Internal components (1 of 3) on page 1583
RM1-8415-000CN	Paper pickup drive assembly	Internal components (2 of 3) on page 1585
RM1-8424-000CN	Paper feed shaft assembly	Internal components (2 of 3) on page 1585

Table 2-30 Numerical parts list (continued)

Part number	Description	Table and page
RM1-8438-000CN	Environmental sensor assembly	Internal components (3 of 3) on page 1587
RM1-8441-000CN	Pickup drive side plate assembly (500-sheet feeder)	500-sheet feeder covers on page 1603
RM1-8928-000CN	Fuser (fixing) motor assembly	Internal components (3 of 3) on page 1587
RM1-9032-000CN	Cable, interface (envelope feeder)	Envelope feeder covers and panels on page 1595
RM2-6037-000CN	Door, front (1,500-sheet feeder)	1,500-sheet feeder covers and panels on page 1605
RM2-6042-000CN	Paper detect sensor assembly (1,500-sheet feeder)	1,500-sheet feeder paper pickup assembly on page 1611
RM2-6044-000CN	Lifter drive assembly (1,500-sheet feeder)	1,500-sheet feeder main body (1 of 2) on page 1607
RM2-6045-000CN	Paper pickup drive assembly (1,500-sheet feeder)	1,500-sheet feeder main body (1 of 2) on page 1607
RM2-6171-000CN	Paper side end assembly (envelope feeder)	Envelope feeder covers and panels on page 1595
RM2-6198-000CN	Jog assembly (stapler/stacker)	Stapler/stacker main body on page 1621
RM2-6199-000CN	Tray assembly (stacker and stapler/stacker)	Stacker and stapler/stacker covers and panels on page 1619
RM2-6200-000CN	Cover, right front (stacker and stapler/stacker)	Stacker and stapler/stacker covers and panels on page 1619
RM2-6201-000CN	Cover, rear (stacker and stapler/stacker)	Stacker and stapler/stacker covers and panels on page 1619
RM2-6202-000CN	Stapler assembly (stapler/stacker)	Stapler/stacker main body on page 1621
RM2-6231-000CN	Fuser drive assembly	Internal components (3 of 3) on page 1587
RM2-6241-000CN	Cover, left (5-bin mailbox)	5-bin mailbox covers and panels on page 1613
RM2-6242-000CN	Cover, right (5-bin mailbox)	5-bin mailbox covers and panels on page 1613
RM2-6243-000CN	Door, rear (5-bin mailbox)	5-bin mailbox covers and panels on page 1613
RM2-6244-000CN	Cable guide assembly (5-bin mailbox)	5-bin mailbox main body (2 of 2) on page 1617
RM2-6248-000CN	Bin assembly (5-bin mailbox)	5-bin mailbox main body (1 of 2) on page 1615
RM2-6275-000CN	Cassette (500-sheet feeder)	500-sheet feeder covers on page 1603

Table 2-30 Numerical parts list (continued)

Part number	Description	Table and page
RM2-6278-000CN	Lifter drive assembly (500-sheet feeder)	500-sheet feeder covers on page 1603
RM2-6280-000CN	Top plate front assembly (500-sheet feeder)	500-sheet feeder covers on page 1603
RM2-6296-000CN	Cassette (Tray 2 only) NOTE: If replacing the tray for the 500-sheet feeder, order part number RM2-6275-000CN.	Internal components (1 of 3) on page 1583
RM2-6298-000CN	Face-up tray assembly	Covers on page 1581
RM2-6301-000CN	Power supply assembly (110V)	Power supply assembly on page 1589
RM2-6306-000CN	Cover, top (M605x and M606x)	Covers on page 1581
RM2-6307-000CN	Cover, top (M605n, M605dn, and M606dn)	Covers on page 1581
RM2-6310-000CN	Cover, duplexing	Covers on page 1581
RM2-6311-000CN	Cover, right	Covers on page 1581
RM2-6312-000CN	Cover, left	Covers on page 1581
RM2-6318-000CN	Paper delivery drive assembly	Internal components (3 of 3) on page 1587
RM2-6319-000CN	Paper delivery assembly	Internal components (3 of 3) on page 1587
RM2-6323-000CN	Multi-purpose (Tray 1) pickup assembly	Internal components (1 of 3) on page 1583
RM2-6327-000CN	PCA, switch	Covers on page 1581
RM2-6328-000CN	Easy-access USB	Internal components (3 of 3) on page 1587
RM2-6333-000CN	Switch button assembly	Covers on page 1581
RM2-6335-000CN	Lifter drive assembly	Internal components (3 of 3) on page 1587
RM2-6349-000CN	Power supply assembly (220V)	Power supply assembly on page 1589
RM2-6728-000CN	Weight assembly (envelope feeder)	Envelope feeder covers and panels on page 1595
RM2-6919-000CN	Cover, top (M604n and M604dn)	Covers on page 1581
RM2-6920-000CN	Drum drive assembly	Internal components (1 of 3) on page 1583
RM2-7643-000CN	PCA, DC controller	Internal components (3 of 3) on page 1587
RM2-7645-000CN	PCA, memory (island of data)	Internal components (3 of 3) on page 1587
RM2-7646-000CN	PCA (500-sheet feeder)	500-sheet feeder covers on page 1603

Table 2-30 Numerical parts list (continued)

Part number	Description	Table and page
RM2-7647-000CN	PCA, paper deck (1,500-sheet feeder)	1,500-sheet feeder main body (1 of 2) on page 1607
RM2-7648-000CN	PCA (5-bin mailbox)	5-bin mailbox main body (2 of 2) on page 1617
RM2-7649-000CN	PCA, driver (stapler/stacker)	Stapler/stacker main body on page 1621
RM2-7650-000CN	PCA, driver (stacker)	Stacker main body on page 1623
RM2-7656-000CN	PCA (duplexer)	Duplexer on page 1593
RM2-7682-000CN	Control panel (M604n, M604dn, M605n, M605dn, and M606dn)	Covers on page 1581
RM2-7687-000CN	Feeder sensor cable assembly	Internal components (2 of 3) on page 1585
RM2-8651-000CN	PCA, envelope controller (envelope feeder)	Envelope feeder internal components (2 of 2) on page 1599
RU5-0040-000CN	Gear, 23T	Internal components (2 of 3) on page 1585
RU5-0088-000CN	Gear, 18T	Internal components (2 of 3) on page 1585
RU7-0295-000CN	Gear 23T/19T	Internal components (3 of 3) on page 1587
VS1-7500-006CN	Connector, drawer, 6P	Internal components (2 of 3) on page 1585
VS1-7500-006CN	Connector, drawer, 6P (500-sheet feeder)	500-sheet feeder covers on page 1603
VS1-7500-006CN	Connector, drawer, 6P (500-sheet feeder)	500-sheet feeder covers on page 1603
VS1-7500-006CN	Connector, drawer, 6P (1,500-sheet feeder)	1,500-sheet feeder main body (1 of 2) on page 1607
VS1-7500-008CN	Connector, 8P (5-bin mailbox)	5-bin mailbox covers and panels on page 1613
VS1-7500-008CN	Connector, 8P (stacker and stapler/stacker)	Stacker and stapler/stacker covers and panels on page 1619
VS1-7514-006CN	Connector, drawer 6P	Power supply assembly on page 1589
WC2-5637-000CN	Switch, push	Internal components (3 of 3) on page 1587
WC2-5806-000CN	Switch, push (1,500-sheet feeder)	1,500-sheet feeder main body (1 of 2) on page 1607
WG8-5624-000CN	IC, photo interrupter (envelope feeder)	Envelope feeder internal components (1 of 2) on page 1597
WG8-5645-000CN	Photo interrupter(stapler/stacker)	Stapler/stacker middle assembly (2 of 2) on page 1627

Table 2-30 Numerical parts list (continued)

Part number	Description	Table and page
WG8-5849-000CN	IC, photo interrupter	Internal components (3 of 3) on page 1587
WG8-5849-000CN	Photo interrupter (duplexer)	Duplexer on page 1593
WG8-5849-000CN	IC, photo interrupter (1,500-sheet feeder)	1,500-sheet feeder paper pickup assembly on page 1611
XD9-0232-010CN	Ring, E	Internal components (2 of 3) on page 1585
XD9-0233-010CN	Ring, E	Internal components (2 of 3) on page 1585

Index

Symbols/Numerics

- 1,500-sheet feeder
 - parts lists and diagrams 1604
- 1,500-sheet high-capacity feeder
 - torque limiter
 - removing and replacing 50
- 1,500-sheet high-capacity feeder
 - torque limiter, removing and replacing 50
- 5-bin mailbox
 - parts lists and diagrams 1612
- 500-sheet feeder
 - parts lists and diagrams 1600

A

- after-service checklist 6

B

- before-service checklist 6

C

- cartridge
 - ordering 1575
 - part numbers 1575
- cautions iii
- connector (5-bin mailbox)
 - removing and replacing 1443
- connector (5-bin mailbox), removing and replacing 1443
- connector (stacker and stapler/stacker)
 - removing and replacing 1449
- connector (stacker and stapler/stacker), removing and replacing 1449
- control panel (M604n/dn, M605n/dn, M606dn)
 - removing and replacing 269

- control panel (M604n/dn, M605n/dn, M606dn), removing and replacing 269
- control panel (M605x, M606x)
 - removing and replacing 85
- control panel (M605x, M606x), removing and replacing 85
- conventions, document iii
- covers
 - parts lists and diagrams 1580

D

- DC controller
 - removing and replacing 453
- DC controller, removing and replacing 453
- delivery tray (stacker and stapler/stacker)
 - removing and replacing 1460
- delivery tray (stacker and stapler/stacker), removing and replacing 1460
- document conventions iii
- drive assembly (5-bin mailbox)
 - removing and replacing 1432
- drive assembly (5-bin mailbox), removing and replacing 1432
- drum drive assembly
 - removing and replacing 506
- drum drive assembly, removing and replacing 506
- drum motor
 - removing and replacing 433
- drum motor, removing and replacing 433
- dual inline memory module (DIMM)
 - removing and replacing 76
- dual inline memory module (DIMM), removing and replacing 76

- duplex accessory
 - removing and replacing 1285
- duplex accessory cover
 - removing and replacing 108
- duplex accessory cover, removing and replacing 108
- duplex accessory, removing and replacing 1285
- duplexer
 - parts lists and diagrams 1592

E

- easy-access USB port and cable
 - removing and replacing 307
- easy-access USB port and cable, removing and replacing 307
- electrostatic discharge (ESD) 4
- embedded MultiMedia Card (eMMC)
 - removing and replacing 67
- embedded MultiMedia Card (eMMC), removing and replacing 67
- envelope feeder
 - parts lists and diagrams 1594
- envelope feeder cover
 - removing and replacing 105
- envelope feeder cover, removing and replacing 105
- environmental sensor
 - removing and replacing 552
- environmental sensor, removing and replacing 552
- ESD electrostatic discharge (ESD) 4

F

- fan FN101
 - removing and replacing 332
- fan FN101, removing and replacing 332

- fan FN102
 - removing and replacing 370
- fan FN102, removing and replacing 370
- fan FN103
 - removing and replacing 378
- fan FN103, removing and replacing 378
- fan FN104
 - removing and replacing 416
- fan FN104, removing and replacing 416
- feed motor (stapler and stapler/stacker)
 - removing and replacing 1551
- feed motor (stapler and stapler/stacker), removing and replacing 1551
- feed roller assembly
 - removing and replacing 756
- feed roller assembly, removing and replacing 756
- feed-guide assembly
 - removing and replacing 647
- feed-guide assembly, removing and replacing 647
- feeder motor (1,500-sheet feeder)
 - removing and replacing 1376
- feeder motor (1,500-sheet feeder), removing and replacing 1376
- field-replaceable units (FRUs)
 - replacing 3
- formatter
 - removing and replacing 280
- formatter cover
 - removing and replacing 120
- formatter cover, removing and replacing 120
- formatter, removing and replacing 280
- front cover
 - removing and replacing 129
- front cover (5-bin mailbox)
 - removing and replacing 1420
- front cover (5-bin mailbox), removing and replacing 1420
- front cover (stapler and stapler/stacker)
 - removing and replacing 1494

- front cover (stapler and stapler/stacker), removing and replacing 1494
- front cover, removing and replacing 129
- front door(1,500-sheet feeder)
 - removing and replacing 1352
- front door(1,500-sheet feeder), removing and replacing 1352
- front right cover (500-sheet feeder)
 - removing and replacing 1294
- front right cover (500-sheet feeder), removing and replacing 1294
- FRUs (field-replaceable units)
 - replacing 3
- fuser
 - removing and replacing 13
- fuser drive assembly, removing and replacing 1217
- fuser drive assembly, removing and replacing 1217
- fuser motor
 - removing and replacing 484
- fuser motor, removing and replacing 484
- fuser, removing and replacing 13
- H**
- hard-disk drive
 - removing and replacing 41
- hard-disk drive, removing and replacing 41
- hardware integration pocket (HIP) cover
 - removing and replacing 135
- hardware integration pocket (HIP) cover, removing and replacing 135
- HIP cover
 - removing and replacing 135
- HIP cover, removing and replacing 135
- I**
- installation 5
 - screws 5
 - See also* replacing parts
- internal components, product parts lists and diagrams 1582

- J**
- jog assembly (stapler/stacker)
 - removing and replacing 1509
- jog assembly (stapler/stacker), removing and replacing 1509
- L**
- laser scanner
 - warnings for servicing 3
- laser/scanner
 - removing and replacing 805
- laser/scanner, removing and replacing 805
- left cover
 - removing and replacing 149
- left cover (1,500-sheet feeder)
 - removing and replacing 1362
- left cover (1,500-sheet feeder), removing and replacing 1362
- left cover (5-bin mailbox)
 - removing and replacing 1415
- left cover (5-bin mailbox), removing and replacing 1415
- left cover (stapler and stapler/stacker)
 - removing and replacing 1474
- left cover (stapler and stapler/stacker), removing and replacing 1474
- left cover, removing and replacing 149
- lifter drive assembly (500-sheet feeder)
 - removing and replacing 1338
- lifter drive assembly (500-sheet feeder), removing and replacing 1338
- lifter motor assembly
 - removing and replacing 442
- lifter motor assembly, removing and replacing 442
- lifter-drive assembly (1,500-sheet feeder)
 - removing and replacing 1392
- lifter-drive assembly (1,500-sheet feeder), removing and replacing 1392
- lower connector (500-sheet feeder)
 - removing and replacing 1316

lower connector (500-sheet feeder),
removing and replacing 1316
lower input accessory connector)
removing and replacing 1130
lower input accessory connector,
removing and replacing 1130

M

memory PCA 1146
removing and replacing 1146

N

near field communication (NFC)
PCA 1208
removing and replacing 1208
notes iii

O

ordering
toner cartridge 1575

P

paddle motor (stapler/stacker)
removing and replacing 1530
paddle motor (stapler/stacker),
removing and replacing 1530
paper feed shaft assembly
removing and replacing 902
paper feed shaft assembly, removing
and replacing 902
paper feed shaft gear
removing and replacing 879
paper feed shaft gear, removing and
replacing 879
paper-delivery assembly
removing and replacing 839
paper-delivery assembly, removing
and replacing 839
paper-delivery drive assembly,
removing and replacing 990
paper-delivery drive assembly,
removing and replacing 990
part numbers
toner cartridge 1575
parts lists and diagrams 1571
1,500-sheet feeder 1604
5-bin mailbox 1612
500-sheet feeder 1600
covers 1580
duplexer 1592
envelope feeder 1594

internal components, product
1582
power supply assembly 1588
stacker 1618
stapler/stacker 1618
Tray 1 pickup assembly 1590
using 1578
PCA (1,500-sheet feeder)
removing and replacing 1384
PCA (1,500-sheet feeder), removing
and replacing 1384
pickup drive assembly
removing and replacing 463
pickup drive assembly drive-gear
shaft,
removing and replacing 981
pickup drive assembly drive-gear
shaft, removing and replacing 981
pickup drive assembly gear,
removing and replacing 934
pickup drive assembly gear, removing
and replacing 934
pickup drive assembly solenoid,
removing and replacing 957
pickup drive assembly solenoid,
removing and replacing 957
pickup drive assembly, removing and
replacing 463
pickup motor
removing and replacing 424
pickup motor, removing and
replacing 424
pickup, feed, and separation rollers
(1,500-sheet high-capacity feeder)
removing and replacing 28
pickup, feed, and separation rollers
(1,500-sheet high-capacity feeder),
removing and replacing 28
power supply
removing and replacing 589
power supply assembly
parts lists and diagrams 1588
power supply, removing and
replacing 589

R

rear cover (1,500-sheet feeder)
removing and replacing 1358
rear cover (1,500-sheet feeder),
removing and replacing 1358

rear cover (stacker and stapler/
stacker)
removing and replacing 1463
rear cover (stacker and stapler/
stacker), removing and replacing
1463
rear output bin
removing and replacing 114
rear output bin, removing and
replacing 114
registration assembly
removing and replacing 300
registration assembly, removing and
replacing 300
removal order
removing order 6
removal strategy
removing and replacing 3
removing and replacing
1,500-sheet high-capacity feeder
torque limiter 50
connector (5-bin mailbox) 1443
connector (stacker and stapler/
stacker) 1449
control panel (M604n/dn,
M605n/dn, M606dn) 269
control panel (M605x, M606x)
85
DC controller 453
delivery tray (stacker and stapler/
stacker) 1460
drive assembly (5-bin mailbox)
1432
drum drive assembly 506
drum motor 433
dual inline memory module
(DIMM) 76
duplex accessory 1285
duplex accessory cover 108
easy-access USB port and cable
307
embedded MultiMedia Card
(eMMC) 67
envelope feeder cover 105
environmental sensor 552
fan FN101 332
fan FN102 370
fan FN103 378
fan FN104 416

feed motor (stacker and stapler/stacker) 1551
 feed roller assembly 756
 feed-guide assembly 647
 feeder motor (1,500-sheet feeder) 1376
 formatter 280
 formatter cover 120
 front cover 129
 front cover (5-bin mailbox) 1420
 front cover (stacker and stapler/stacker) 1494
 front door(1,500-sheet feeder) 1352
 front right cover (500-sheet feeder) 1294
 fuser 13
 fuser drive assembly, 1217
 fuser motor 484
 hard-disk drive 41
 hardware integration pocket (HIP) cover 135
 HIP cover 135
 jog assembly (stapler/stacker) 1509
 laser/scanner 805
 left cover 149
 left cover (1,500-sheet feeder) 1362
 left cover (5-bin mailbox) 1415
 left cover (stacker and stapler/stacker) 1474
 lifter drive assembly (500-sheet feeder) 1338
 lifter motor assembly 442
 lifter-drive assembly (1,500-sheet feeder) 1392
 lower connector (500-sheet feeder) 1316
 lower input accessory connector 1130
 memory PCA 1146
 near field communication (NFC) PCA 1208
 paddle motor (stapler/stacker) 1530
 paper feed shaft assembly 902
 paper feed shaft gear 879
 paper-delivery assembly 839
 paper-delivery drive assembly, 990
 PCA (1,500-sheet feeder) 1384
 pickup drive assembly 463
 pickup drive assembly drive-gear shaft, 981
 pickup drive assembly gear, 934
 pickup drive assembly solenoid, 957
 pickup motor 424
 pickup, feed, and separation rollers (1,500-sheet high-capacity feeder) 28
 power supply 589
 rear cover (1,500-sheet feeder) 1358
 rear cover (stacker and stapler/stacker) 1463
 rear output bin 114
 registration assembly 300
 right cover 139
 right cover (1,500-sheet feeder) 1370
 right cover (5-bin mailbox) 1410
 right cover (500-sheet feeder) 1299
 right front cover 185
 right front cover (stacker and stapler/stacker) 1484
 right rear cover 207
 sensor assembly (5-bin mailbox) 1423
 size-detect assembly (500-sheet feeder) 1325
 size-detect assembly (Tray 2) 1108
 stapler assembly (stapler/stacker) 1454
 tag holder assembly, 1040
 toner cartridge 8
 top accessory cover 110
 top cover (M604n/dn, M605n/dn, M606dn) 251
 top cover (M605x, M606x) 224
 top cover (stapler/stacker) 1467
 transfer roller 21
 Tray 1 paper-pickup assembly 705
 Tray 1 rollers 94
 Tray 2 extension door 123
 tray extension door (500-sheet feeder) 1289
 Trays 2-6 1281
 trays 2-6 pickup, feed, and separation rollers 28
 trays 2-6 torque limiter 50
 trusted platform module (TPM) PCA 61
 upper connector (1,500-sheet feeder) 1403
 upper connector (500-sheet feeder) 1306
 wireless PCA 1179
 removing parts
 after-service checklist 6
 before-service checklist 6
 tools, required 4
 replacing parts
 about 3
 after-service checklist 6
 before-service checklist 6
 screws 5
 tools, required 4
 right cover
 removing and replacing 139
 right cover (1,500-sheet feeder)
 removing and replacing 1370
 right cover (1,500-sheet feeder),
 removing and replacing 1370
 right cover (5-bin mailbox)
 removing and replacing 1410
 right cover (5-bin mailbox), removing
 and replacing 1410
 right cover (500-sheet feeder)
 removing and replacing 1299
 right cover (500-sheet feeder),
 removing and replacing 1299
 right cover, removing and replacing
 139
 right front cover
 removing and replacing 185
 right front cover (stacker and stapler/
 stacker)
 removing and replacing 1484
 right front cover (stacker and stapler/
 stacker), removing and replacing
 1484
 right front cover, removing and
 replacing 185

right rear cover
removing and replacing 207
right rear cover, removing and
replacing 207

rollers
1,500-sheet high-capacity feeder
separation, removing and
replacing 50
pickup, feed, and separation
(1,500-sheet high-capacity
feeder), removing and
replacing 28
transfer, removing and
replacing 21, 300
Tray 1, removing and replacing
94
trays 2-6 pickup, feed, and
separation, removing and
replacing 28, 50

S

screwdrivers, required 4
screws
installing 5
types of 5
sensor assembly (5-bin mailbox)
removing and replacing 1423
sensor assembly (5-bin mailbox),
removing and replacing 1423
service and support information v,
2, 1572, 1577
service approach
removing and replacing 6
size-detect assembly (500-sheet
feeder)
removing and replacing 1325
size-detect assembly (500-sheet
feeder), removing and replacing
1325
size-detect assembly (Tray 2)
removing and replacing 1108
size-detect assembly (Tray 2),
removing and replacing 1108
stacker
parts lists and diagrams 1618
stapler assembly (stapler/stacker)
removing and replacing 1454
stapler assembly (stapler/stacker),
removing and replacing 1454

stapler/stacker
parts lists and diagrams 1618
static, precautions for 4

T

tag holder assembly,
removing and replacing 1040
tag holder assembly, removing and
replacing 1040
tips iii
toner cartridge
ordering 1575
part numbers 1575
removing and replacing 8
toner cartridge, removing and
replacing 8
tools, required 4
top accessory cover
removing and replacing 110
top accessory cover, removing and
replacing 110
top cover (M604n/dn, M605n/dn,
M606dn)
removing and replacing 251
top cover (M604n/dn, M605n/dn,
M606dn), removing and replacing
251
top cover (M605x, M606x)
removing and replacing 224
top cover (M605x, M606x), removing
and replacing 224
top cover (stapler/stacker)
removing and replacing 1467
top cover (stapler/stacker), removing
and replacing 1467
transfer roller
removing and replacing 21
transfer roller, removing and
replacing 21
Tray 1 paper-pickup assembly
removing and replacing 705
Tray 1 paper-pickup assembly,
removing and replacing 705
Tray 1 pickup assembly
parts lists and diagrams 1590
Tray 1 rollers
removing and replacing 94
Tray 1 rollers, removing and
replacing 94

Tray 2 extension door
removing and replacing 123
Tray 2 extension door, removing and
replacing 123
tray extension door (500-sheet
feeder)
removing and replacing 1289
tray extension door (500-sheet
feeder), removing and replacing
1289
Trays 2-6
removing and replacing 1281
trays 2-6 pickup, feed, and separation
rollers
removing and replacing 28
trays 2-6 pickup, feed, and separation
rollers, removing and replacing 28
trays 2-6 torque limiter
removing and replacing 50
trays 2-6 torque limiter, removing
and replacing 50
Trays 2-6, removing and replacing
1281
trusted platform module (TPM) PCA
61
removing and replacing 61

U

upper connector (1,500-sheet feeder)
removing and replacing 1403
upper connector (1,500-sheet
feeder), removing and replacing
1403
upper connector (500-sheet feeder)
removing and replacing 1306
upper connector (500-sheet feeder),
removing and replacing 1306

W

warnings iii
wireless PCA 1179
removing and replacing 1179